

ETSI TS 101 356 V7.0.0 (1999-07)

Technical Specification

**Digital cellular telecommunications system (Phase 2+);
General Packet Radio Service (GPRS);
Mobile Station (MS) supporting GPRS
(GSM 07.60 version 7.0.0 Release 1998)**

GSM®

GLOBAL SYSTEM FOR
MOBILE COMMUNICATIONS



Reference

RTS/SMG-030760Q7 (ck003i03.PDF)

Keywords

Digital cellular telecommunications system,
Global System for Mobile communications
(GSM), GPRS

ETSI

Postal address

F-06921 Sophia Antipolis Cedex - FRANCE

Office address

650 Route des Lucioles - Sophia Antipolis
Valbonne - FRANCE
Tel.: +33 4 92 94 42 00 Fax: +33 4 93 65 47 16
Siret N° 348 623 562 00017 - NAF 742 C
Association à but non lucratif enregistrée à la
Sous-Préfecture de Grasse (06) N° 7803/88

Internet

secretariat@etsi.fr
Individual copies of this ETSI deliverable
can be downloaded from
<http://www.etsi.org>
If you find errors in the present document, send your
comment to: editor@etsi.fr

Copyright Notification

No part may be reproduced except as authorized by written permission.
The copyright and the foregoing restriction extend to reproduction in all media.

© European Telecommunications Standards Institute 1999.
All rights reserved.

Contents

Intellectual Property Rights.....	6
Foreword	6
Introduction	6
1 Scope.....	7
2 References.....	7
3 Definitions abbreviations and symbols.....	10
3.1 Definitions	10
3.2 Abbreviations.....	10
3.3 Symbols	11
4 Access reference configuration.....	11
5 Functions to support data services	11
6 Interface to GPRS Bearer Services	12
7 Functions common to all configurations of the GPRS MS.....	12
7.1 Mobile Classes.....	12
7.2 Physical Interface.....	12
7.3 Terminal context procedures.....	12
7.3.1 GPRS Attach	12
7.3.2 GPRS Detach	12
7.3.3 Mobile Originated PDP Context Activation.....	13
7.3.4 Network Requested PDP Context Activation.....	13
7.3.5 PDP Context Deactivation.....	13
7.3.6 PDP context related parameters	13
8 X.25 Based Services	13
8.1 X.25 Character mode (triple X PAD) service	14
8.1.1 PAD Parameters	15
8.1.2 Example mapping of functions between the R reference point and the GPRS bearer	16
8.2 X.25 Packet mode service.....	16
8.2.1 Layer 1 and Layer 2 options.....	17
8.2.1.1 Synchronous serial interface.....	17
8.2.1.2 Asynchronous serial interface.....	17
8.2.1.3 Synchronous and asynchronous (dual mode) interface.....	17
8.2.2 Example mappings of functions between the R reference point and the GPRS bearer.....	18
8.2.2.1 Standardized X.25 TE	18
8.2.2.1.1 Layer 1 control.....	18
8.2.2.1.2 Layer 2 control.....	18
8.2.2.1.3 Layer 3 control.....	19
8.2.2.2 X.25 TE with support for AT commands	19
9 IP Based Services	20
9.1 Example mapping of functions between the R reference point and the GPRS bearer for IP over PPP.....	20
10 PPP Based Services.....	23
10.1 Example mapping of functions between the R reference point and the GPRS bearer.....	23
11 Internet Hosted Octet Stream Service (IHOSS).....	25
11.1 Introduction.....	25
11.2 Example of protocol stacks at the MT	25
11.3 IHOSS connection control and OSP PDP context management	26
11.3.1 Connection establishment and PDP context activation	26
11.3.2 Connection release and PDP context deactivation	27
11.4 OSP:IHOSS subset of OSP.....	27
11.4.1 Required features.....	27

11.4.1.1	User data transport.....	27
11.4.1.2	Flow control.....	27
11.4.2	Optional features	27
11.4.2.1	Break handling.....	27
11.4.2.2	Packet Assembler/Disassembler	27
11.4.2.3	GGSN maximum buffer size negotiation.....	27
11.4.3	Not-required features.....	27
11.5	Protocol option parameters	28
11.5.1	Hostname.....	28
11.5.2	Port Number	28
11.5.3	Protocol Type - TCP or UDP.....	28
11.5.4	GGSN PAD parameters (maximum buffer sizes only).....	28
12	AT commands	28
12.1	General on AT commands	29
12.1.1	Interaction of AT commands, GPRS management and PDPs	29
12.1.1.1	AT commands and responses.....	29
12.1.1.2	PDP and layer 2 protocol operation.....	29
12.1.1.3	GPRS management.....	29
12.1.1.3.1	GPRS attachment	30
12.1.1.3.2	PDP context activation.....	30
12.1.2	Use of default context parameter values.....	30
12.1.2.1	PDP type.....	30
12.1.2.2	PDP address (of the MS)	30
12.1.2.3	Access Point Name	30
12.1.2.4	QoS Requested	30
12.1.2.5	PDP Configuration Options	31
12.2	Example command sequences for dial-compatibility mode	31
12.2.1	PPP in dial compatibility mode	31
12.2.1.1	Mobile initiated IP context activation.....	31
12.2.1.2	Network requested IP context activation	32
12.2.2	MO X.25 virtual call using a triple-X PAD in dial compatibility mode.....	33
Annex A (informative):	Summary of AT commands for GPRS	34
Annex B (informative):	Octet Stream Protocol (OSP) PDP type	35
B.1	Scope.....	35
B.2	Service primitives.....	36
B.2.1	Service Primitives provided by the OSP layer	36
B.2.1.1	OS-DATA.request.....	37
B.2.1.2	OS-DATA.indication	37
B.2.1.3	OS-UNITDATA.request	37
B.2.1.4	OS-UNITDATA.indication.....	37
B.2.1.5	OS-FLOWCONTROL.request.....	37
B.2.1.6	OS-FLOWCONTROL.indication.....	37
B.2.1.7	OS-BREAK.request	37
B.2.1.8	OS-BREAK.indication	38
B.2.1.9	OS-CONTROL.request.....	38
B.2.1.10	OS-CONTROL.indication.....	38
B.2.1.11	OS-FORWARD.request	38
B.2.2	Service Primitives Used by the OSP Layer.....	38
B.2.2.1	SN-DATA.request.....	38
B.2.2.2	SN-DATA.indication	38
B.2.2.3	SN-UNITDATA.request	38
B.2.2.4	SN-UNITDATA.indication.....	38
B.2.2.5	GT-DATA.request.....	39
B.2.2.6	GT-DATA.indication	39
B.2.2.7	GT-UNITDATA.request.....	39
B.2.2.8	GT-UNITDATA.indication.....	39

B.3	OSP Functional model	39
B.4	OSP N-PDU (packet) format.....	40
B.4.1	OSP header	40
B.4.1.1	Bit 1 - Extension (E).....	40
B.4.1.2	Bit 2 - Ready to Receive (RTR) - flow control	40
B.4.1.3	Bit 3 - Break Request (BR)	41
B.4.1.4	Bit 4 - Break Acknowledge (BA)	41
B.4.1.5	bit 8 - payload type (PT)	41
B.4.2	OSP payload	41
B.4.2.1	User data	41
B.4.2.2	Control block.....	41
B.5	Packet Assembly/Disassembly (PAD) function.....	41
B.5.1	Packet Assembler.....	41
B.5.1.1	Buffer full.....	42
B.5.1.2	Inactivity timer expiry	42
B.5.1.3	Maximum Buffer Delay timer expiry (optional).....	42
B.5.1.4	Special character(s)	42
B.5.1.5	Change in flow control state.....	43
B.5.1.6	Immediate forwarding request.....	43
B.5.2	Packet Disassembler	43
B.6	Flow control	43
B.7	Break handling	44
B.8	Control block transport	44
B.9	Quality of Service	44
B.10	OSP version.....	44
B.11	Protocol Configuration Options	45
B.11.1	OSP version	45
B.11.2	GGSN PAD parameters	45
Annex C (informative): Document change history.....		46
History		47

Intellectual Property Rights

IPRs essential or potentially essential to the present document may have been declared to ETSI. The information pertaining to these essential IPRs, if any, is publicly available for **ETSI members and non-members**, and can be found in SR 000 314: "*Intellectual Property Rights (IPRs); Essential, or potentially Essential, IPRs notified to ETSI in respect of ETSI standards*", which is available **free of charge** from the ETSI Secretariat. Latest updates are available on the ETSI Web server (<http://www.etsi.org/ipr>).

Pursuant to the ETSI IPR Policy, no investigation, including IPR searches, has been carried out by ETSI. No guarantee can be given as to the existence of other IPRs not referenced in SR 000 314 (or the updates on the ETSI Web server) which are, or may be, or may become, essential to the present document.

Foreword

This Technical Specification (TS) has been produced by the Special Mobile Group (SMG).

The present document provides the necessary information to develop a MS for support of GPRS within the digital cellular telecommunications system.

The contents of the present document are subject to continuing work within SMG and may change following formal SMG approval. Should SMG modify the contents of the present document it will then be republished by ETSI with an identifying change of release date and an increase in version number as follows:

Version 7.x.y

where:

- 7 indicates GSM Release 1998 of Phase 2+
- x the second digit is incremented for changes of substance, i.e. technical enhancements, corrections, updates, etc.
- y the third digit is incremented when editorial only changes have been incorporated in the specification.

Introduction

The present document contains the necessary information to develop a MS for support of GPRS. It is up to the manufacturer how to implement the various functions but this specification and existing GSM 07.01, 07.02, and 07.03 shall be followed where applicable.

It is the intention that the present document shall remain as the specification to develop a MS for support of GPRS and its text includes references to GSM standards.

1 Scope

The GSM PLMN supports a wide range of voice and non-voice services in the same network. In order to enable non-voice traffic in the GSM PLMN there is a need to connect various kinds of terminal equipments to the Mobile Station (MS). The present document describes the functionality of a MS supporting GPRS, including the protocols and signalling needed to support the first phase of GPRS, as defined in GSM 02.60 and 03.60 (packet based services).

2 References

The following documents contain provisions which, through reference in this text, constitute provisions of the present document.

- References are either specific (identified by date of publication, edition number, version number, etc.) or non-specific.
- For a specific reference, subsequent revisions do not apply.
- For a non-specific reference, the latest version applies.
- A non-specific reference to an ETS shall also be taken to refer to later versions published as an EN with the same number.
- For this Release 1998 document, references to GSM documents are for Release 1998 versions (version 7.x.y).

- [1] GSM 01.04: "Digital cellular telecommunication system (Phase 2+); Abbreviations and acronyms".
- [2] GSM 02.02: "Digital cellular telecommunication system (Phase 2+); Bearer Services (BS) supported by a GSM Public Land Mobile Network (PLMN)".
- [3] GSM 02.60: "Digital cellular telecommunication system (Phase 2+); General Packet Radio Service (GPRS); Service Description Stage 1".
- [4] GSM 03.02: "Digital cellular telecommunication system (Phase 2+); Network architecture".
- [5] GSM 03.03: "Digital cellular telecommunications system (Phase 2+); Numbering, addressing and identification".
- [6] GSM 03.10: "Digital cellular telecommunication system (Phase 2+); GSM Public Land Mobile Network (PLMN) connection types".
- [7] GSM 03.22: "Digital cellular telecommunications system (Phase 2+); Functions related to Mobile Station (MS) in idle mode and group receive mode".
- [8] GSM 03.40: "Digital cellular telecommunications system (Phase 2+); Technical realization of the Short Message Service (SMS); Point-to-Point (PP)".
- [9] GSM 03.60: "Digital cellular telecommunication system (Phase 2+); General Packet Radio Service (GPRS) Service Description Stage 2".
- [10] GSM 04.02: "Digital cellular telecommunication system (Phase 2+); GSM Public Land Mobile Network (PLMN) access reference configuration".
- [11] GSM 04.07: "Digital cellular telecommunications system (Phase 2+); Mobile radio interface signalling layer 3; General aspects".
- [12] GSM 04.08: "Digital cellular telecommunications system (Phase 2+); Mobile radio interface layer 3 specification".
- [13] GSM 04.60: "Digital cellular telecommunications system (Phase 2+); General Packet Radio Service (GPRS); Mobile Station (MS) - Base Station System (BSS) interface; Radio Link Control / Medium Access Control (RLC/MAC) protocol".

- [14] GSM 04.64: "Digital cellular telecommunications system (Phase 2+); General Packet Radio Service (GPRS); Logical Link Control (LLC)".
- [15] GSM 04.65: "Digital cellular telecommunications system (Phase 2+); General Packet Radio Service (GPRS); Subnetwork Dependent Convergence Protocol (SNDCP)".
- [16] GSM 07.07: "Digital cellular telecommunication system (Phase 2+); AT command set for GSM Mobile Equipment (ME)".
- [17] GSM 09.61: "Digital cellular telecommunication system (Phase 2+); General Packet Radio Service (GPRS); Interworking between the Public Land Mobile Network (PLMN) supporting GPRS and Packet Data Networks (PDN)".
- [18] CCITT Recommendation E.164: "Numbering plan for the ISDN era".
- [19] CCITT Recommendation V.42 bis: "Data communication over the telephone network – Data compression procedures for data circuit-terminating equipment (DCE) using error correction procedures".
- [20] CCITT Recommendation X.3: "Packet assembly disassembly facility (PAD) in a public data network".
- [21] CCITT Recommendation X.25: "Interface between data terminal equipment (DTE) and data circuit-terminating equipment (DCE) for terminals operating in the packet mode and connected to public data networks by dedicated circuit".
- [22] CCITT Recommendation X.28: "DTE / DCE interface for a start-stop mode data terminal equipment accessing the packet assembly / disassembly facility (PAD) in a public data network situated in the same country".
- [23] CCITT Recommendation X.29: "Procedures for the exchange of control information and user data between a packet assembly / disassembly (PAD) facility and a packet mode DTE or another PAD".
- [24] CCITT Recommendation X.75: "Packet-switched signalling system between public networks providing data transmission services".
- [25] CCITT Recommendation X.121: "International Numbering Plan for Public Data Networks".
- [26] IETF RFC 768 (1980): "User Datagram Protocol" (STD 6).
- [27] IETF RFC 791 (1981): "Internet Protocol" (STD 5).
- [28] IETF RFC 792 (1981): "Internet Control Message Protocol" (STD 5).
- [29] IETF RFC 793 (1981): "Transmission Control Protocol" (STD 7).
- [30] ITU-T Recommendation V.250 (ex V.25ter): "Serial asynchronous automatic dialling and control".
- [31] ITU-T Recommendation V.24: "List of definitions for interchange circuits between data terminal equipment (DTE) and data circuit-terminating equipment (DCE)".
- [32] ITU-T Recommendation V.28: "Electrical Characteristics for unbalanced double-current interchange circuits"
- [33] ITU-T Recommendation V.80: "In-band DCE control and synchronous data modes for asynchronous DTE"
- [34] IETF RFC 1661 (1994): "The Point-to-Point Protocol (PPP)" (STD 51).
- [35] IETF RFC 1662 (1994): "PPP in HDLC-like framing" (STD 51).
- [36] IETF RFC 1700 (1994): "Assigned Numbers" (STD 2).
- [37] IETF RFC 1570 (1994): "PPP LCP Extensions".
- [38] IETF RFC 1989 (1996): "PPP Link Quality Monitoring".

- [39] IETF RFC 1332 (1992):"The PPP Internet Protocol Control Protocol (IPCP)".
- [40] IETF RFC 1877 (1995):"PPP IPCP Extensions for Name Server Addresses".
- [41] IETF RFC 2153 (1997):"PPP Vendor Extensions".
- [42] IETF RFC 1334 (1992):"PPP Authentication Protocols".
- [43] IETF RFC 1994 (1996):"PPP Challenge Handshake Authentication Protocol".

3 Definitions abbreviations and symbols

3.1 Definitions

Refer to: GSM 02.60 [2].

In GSM 02.02 the bearer services are described. The general network configuration is described in GSM 03.02 and the GSM PLMN access reference configuration is defined in GSM 04.02. The various connection types used in the GSM PLMN are presented in GSM 03.10. Terminology used in the present document is presented in GSM 01.04. For support of data services between GSM PLMN and other networks see GSM 09-series of Specifications.

3.2 Abbreviations

For the purposes of the present document, the following abbreviations apply:

APN	Access Point Name
GGSN	Gateway GPRS Support Node
GPRS	General Packet Radio Service
GSN	GPRS Support Node
GTP	GPRS Tunnelling Protocol
HDLC	High Level Data Link Control
ICMP	Internet Control Message Protocol
IHOSS	Internet Hosted Octet Stream Service
IETF	Internet Engineering Task Force
IP	Internet Protocol
IPv4	Internet Protocol version 4
IPv6	Internet Protocol version 6
LA	Location Area
LAPB	Link Access Protocol Balanced
LCP	Link Control Protocol
LLC	Logical Link Control
MAC	Medium Access Control
ME	Mobile Equipment
MS	Mobile Station
MT	Mobile Termination
NCP	Network Control Protocol
OSP	Octet Stream Protocol
OSP:IHOSS	Octet Stream Protocol for Internet Hosted Octet Stream Service
PAD	Packet Assembler/Disassembler
PDN	Packet Data Network
PDP	Packet Data Protocol , e.g., IP, X.25 or PPP
PDU	Protocol Data Unit
PSPDN	Packet Switched Public Data Network
PTM	Point To Multipoint
PTP	Point To Point
PVC	Permanent Virtual Circuit
RA	Routing Area
SGSN	Serving GPRS Support Node
SNDCP	SubNetwork Dependent Convergence Protocol
TE	Terminal Equipment
TCP	Transmission Control Protocol
UDP	User Datagram Protocol

3.3 Symbols

For the purposes of the present document, the following Symbols apply:

Gb	Interface between an SGSN and a BSC.
Gi	Reference point between GPRS and an external packet data network.
Gn	Interface between two GSNs within the same PLMN.
Gp	Interface between two GSNs in different PLMNs. The Gp interface allows support of GPRS network services across areas served by the co-operating GPRS PLMNs.
Gs	Interface between an SGSN and MSC.
R	The reference point between a non-ISDN compatible TE and MT. Typically this reference point supports a standard serial interface.
Um	The interface between the MS and the GPRS fixed network part. The Um interface is the GPRS network interface for providing packet data services over the radio to the MS. The MT part of the MS is used to access the GPRS services through this interface.

4 Access reference configuration

Figure 1 shows the relationship between the MS, its terminal equipment and the GSM network in the overall GPRS environment.

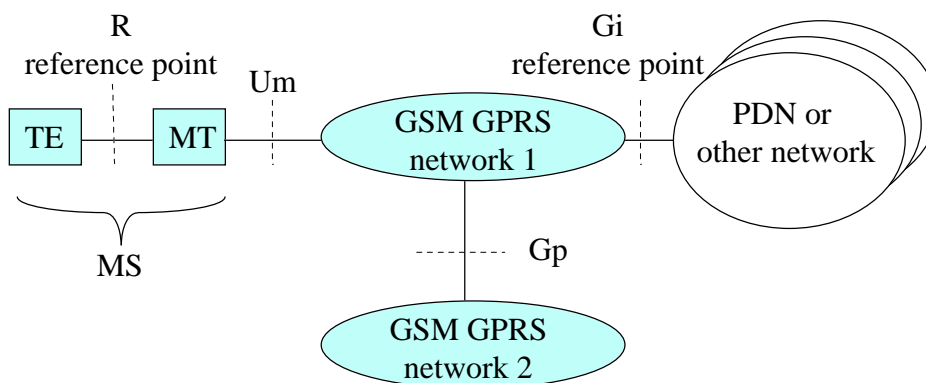


Figure 1: GPRS Access Interfaces and Reference Points

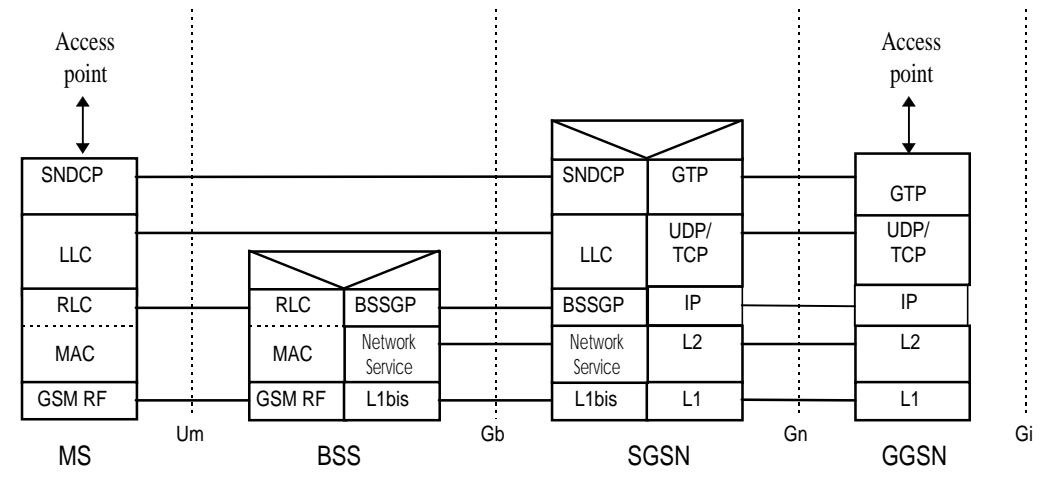
5 Functions to support data services

The main functions of the MT to support data services are:

- physical connection at the reference point R;
- flow control between TE and MT;
- mapping of user signalling to/from the GPRS bearer;
- support of data integrity between the terminal equipment and the GPRS bearer;
- functions to support character based data;
- functions to support packet based data;

6 Interface to GPRS Bearer Services

The following figure 2: Transmission Plane shows the relationship of the GPRS Bearer terminating at the SNDCP layer to the rest of the GPRS environment. It is shown for reference purposes only and detailed information can be found in GSM 03.60.



NOTE: In the SGSN and GGSN UDP is mandatory. TCP is optional but recommended for X.25 services.

Figure 2: GPRS Transmission Plane

7 Functions common to all configurations of the GPRS MS

7.1 Mobile Classes

Three GPRS MS classes are identified: Class A, B, and C. These classes are described in GSM 02.60.

7.2 Physical Interface

The physical interface between the TE and the MT may conform to CCITT/ITU-T V.24/V.28, or to IrDA IrPHY physical standard specification, or to PCMCIA PC-Card electrical specification. All signal levels and their operation shall be as specified in GSM 07.01, 07.02, and 07.03. This shall not preclude any new developments such as USB (Universal Serial Bus).

7.3 Terminal context procedures

This subclause describes the relationships for GPRS Attach and Detach, and PDP Context Activation and Deactivation. The procedures for these functions are described in GSM 03.60.

7.3.1 GPRS Attach

The GPRS Attach shall be performed prior to activating a PDP context. The GPRS Attach may be performed automatically or manually depending on the manufacturer's implementation and configuration.

7.3.2 GPRS Detach

The GPRS Detach may be performed automatically or manually depending on the manufacturer's implementation and configuration. The following cases are valid:

- if the connection between the TE and MT is broken then the MT may perform the GPRS Detach procedure;
- if the network originates a GPRS Detach the MT may inform the TE;
- if the radio connection is broken then the MT may inform the TE;
- if the TE deactivates the last PDP context then the MT may perform the GPRS Detach procedure.

7.3.3 Mobile Originated PDP Context Activation

The PDP Context Activation may be performed automatically or manually depending on the manufacturer's implementation and configuration. Depending on the manufacturer's implementation and configuration, 0, 1, or more PDP contexts can be active simultaneously.

7.3.4 Network Requested PDP Context Activation.

The network can request a GPRS attached MS to activate a specific PDP context.

7.3.5 PDP Context Deactivation

The PDP Deactivation may be performed automatically or manually depending on the manufacturer's implementation and configuration. The following cases are valid:

- if the connection between the MT and the TE is broken then the MT may perform the PDP Context Deactivation procedure.
- if the radio connection is broken then the MT may inform the TE.
- if the TE deactivates the last PDP context then the MT may perform the GPRS Detach procedure.

7.3.6 PDP context related parameters

It shall be possible to enquire and/or set the following parameters:

- Requested Quality of Service.
(this includes the peak bit rate, the mean bit rate, the delay requirements, the service precedence, and the reliability level)
- Data Compression on or off.
- TCP/IP Header Compression on or off.
- PDP address
- PDP type
- Access Point Name (APN)
- Protocol configuration options (if required by the PDP type)

8 X.25 Based Services

This clause describes the use of X.25 based services over the GPRS bearer. Two services are specified at the R reference point -

- 1) Character mode (specified in ITU-T X.3, X.28, X.29) with the triple X PAD in the MT.
- 2) Packet mode (specified in ITU-T X.25).

NOTE: In order to maintain consistency within GSM specifications, the term TE is used when referring to what CCITT/ITU-T X.25 calls a DTE. Exceptionally, in text quoted from an ITU-T Recommendation, the term DTE is retained.

8.1 X.25 Character mode (triple X PAD) service

This mode is an asynchronous character based service allowing the application to set up a single connection using the CCITT/ITU-T X.28 / X.29 procedures. This supports both mobile originate and mobile terminate calls. The MT terminates the X.25 packet layer and provides a triple X PAD function.

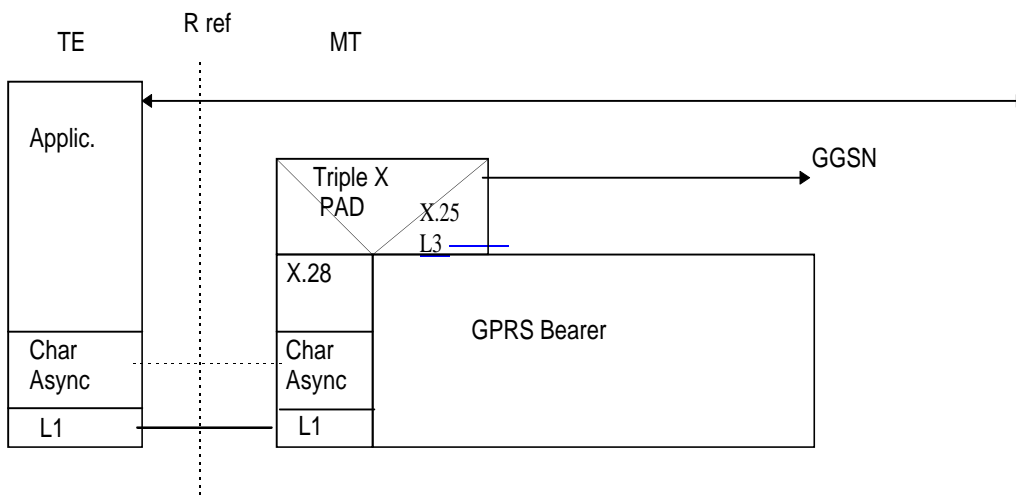


Figure 3: Character (Triple X PAD) mode

8.1.1 PAD Parameters

The following table lists the minimum set of X.3 parameters that shall be implemented. A full range is specified in the CCITT/ITU-T X series documents and those parameters not implemented shall be fixed to their defined defaults.

Table 1: Table of Minimum X.3 Parameters

Parameter Number	Description	Default Value	Valid Values	Value/Function
1	PAD Recall Character	1	0 1 32-36	(None) DLE Binary representation of decimal value
2	Echo	0	0 1	Off On
3	Data Forwarding Character	2	0 1 2 4 8 16 32 64	(on 128th data byte) A-Z, a-z, 0-9 CR ESC, BEL, ENQ, ACK DEL, CAN, DC2 ETX, EOT HT, LF, VT, FF All characters between NUL & US not listed above
4	Delay Timer	0	0 1-255	Disabled Period of TXD cct inactivity before data forwarded (1/20 of a second). The minimum time-out is 0.5s. Any value of parameter 4 between 1 & 10 will default to 0.5s.
5	Flow Control from Pad (to DTE)	0	0 1	None XON/XOFF
6	Service Signals	5	0 1 5	Disabled Enabled, excluding prompt Enabled, including prompt
7	Action on Break	8	8	PAD escapes from data transfer state
11	Data Rate	13	2 3 4 6 12 13 14	300 bps 1200 bps 600 bps 150 bps 2400 bps 4800 bps 9600 bps Other values may be implemented as long as they conform to the CCITT/ITU-T specifications.
12	Flow Control to Pad (from DTE)	0	0 1	None XON/OFF
13	Line Feed insertion	0	0 1	None LF inserted after CR to DTE
15	Character Deletion	0	0 1	Disabled Enabled

Although not CCITT/ITU-T defined, to be able to specify either X.28 or X.29 modes a Parameter 0 can be used as follows.

For X.28 mode parameter 0 shall be set to 0.

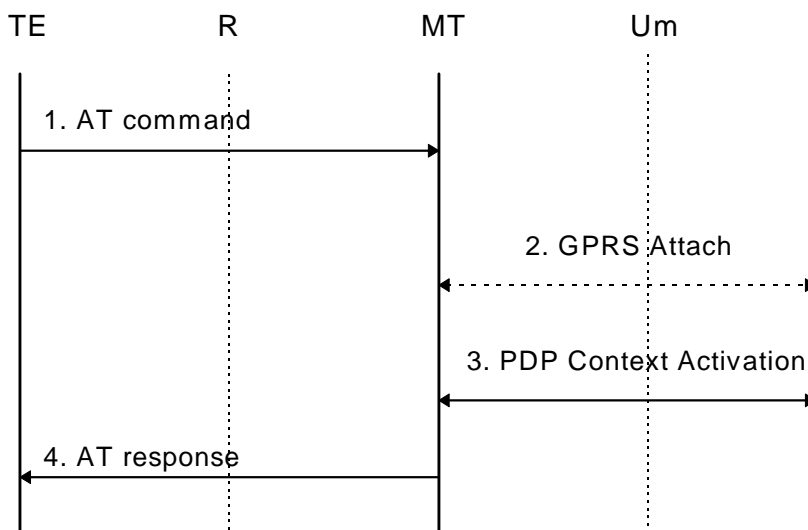
For the four X.29 variants available, each with a corresponding protocol identifier, the parameter value is set as listed below. The identifier octet is supplied with the call request packet when setting up a call.

<u>Value</u>	<u>Description</u>	<u>Protocol Identifier Octet</u>
2	CCITT use	00000001
3	National use	01xxxxxx
4	International User Bodies	10xxxxxx
5	DTE - DTE use	11xxxxxx

x - this digit may be represented by either a 1 or 0 (to be specified in ITU-T Recommendation X.244).

8.1.2 Example mapping of functions between the R reference point and the GPRS bearer

The following example illustrates the case when the PAD functionality is used in the MT. In PAD mode only one PDP context can be activated per R reference point.



NOTE: The 2 ended arrows indicate an exchange of 0 or more messages.

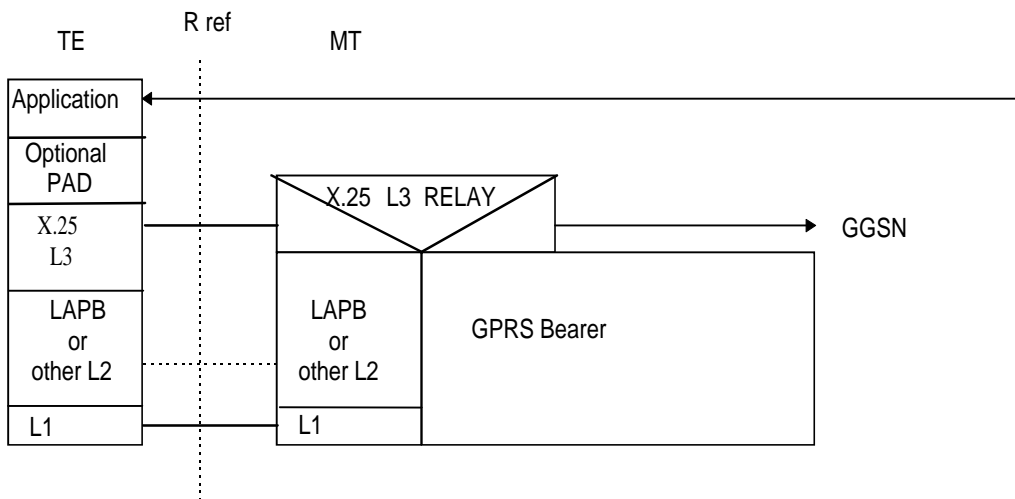
Figure 4: PAD Service

- 1) The TE issues an AT command to activate PAD mode.
- 2) If the MS is not yet GPRS attached, the MT performs the GPRS Attach procedure as described in GSM 03.60.
- 3) The MT performs the PDP Context Activation as described in GSM 03.60.
- 4) The MT sends an AT response to the TE. Following a positive AT response the PAD prompt is issued.

8.2 X.25 Packet mode service

This mode offers a packet based service allowing the application to set up one or more virtual calls using the CCITT/ITU-T X.25 procedures. The maximum permitted number of concurrent virtual calls is implementation dependent. Both mobile originate and mobile terminate calls are supported. The MT performs a relay function for X.25 layer 3 which is terminated in the TE. The layer 2 protocol at the R reference point is terminated in the TE and the MT.

Depending on the application, the TE may or may not incorporate a triple X PAD function.



NOTE: The "other L2" could be GSM 07.10 or a manufacturer's defined layer 2

Figure 5: Packet mode

8.2.1 Layer 1 and Layer 2 options

This subclause describes standardized layers 1 and 2 which may be used for the TE-MT interface. As an alternative, the multiplexing protocol specified in GSM 07.10 or a manufacturer's defined layers 1 and 2 may be used providing they meet the requirements for carrying X.25 layer 3 frames over the R reference point.

8.2.1.1 Synchronous serial interface

For TEs with a synchronous serial port -

Layer 1 is synchronous X.21 or X.21bis (V.24/V.28).

Layer 2 is LAP B (X.25 L2) based on bit-oriented HDLC.

NOTE: Configuration of the MT in this case is outside the scope of this specification.

8.2.1.2 Asynchronous serial interface

For TEs with an asynchronous serial port -

Layer 1 is asynchronous V.24/V.28.

Layer 2 is LAP B (X.25 L2) based on character-oriented HDLC.

NOTE: The methods described in ITU-T Rec. V.80 may be applicable here.

8.2.1.3 Synchronous and asynchronous (dual mode) interface

For TEs with a serial port that can operate in both synchronous and asynchronous modes the following mechanism may be used where the interface supports AT commands. The interface starts in asynchronous mode and AT commands may be used to configure the MT. When configuration is complete, the interface switches to synchronous mode and X.25 starts up in the usual way. Setting Data Terminal Ready (circuit 108/2) to off is a protocol independent way of returning to asynchronous mode. Alternatively, the closing down of LAP B could be used as the signal.

8.2.2 Example mappings of functions between the R reference point and the GPRS bearer

The minimum requirement is that the MT shall be GPRS-attached and the X.25 context activated whilst an X.25 virtual call is in progress. Any extension to this requirement depends on whether the MT implements any other GPRS-supported services (e.g. SMS) which might require that the MT remains GPRS-attached even when there is no X.25 virtual call in progress.

The following subclauses describe only the X.25 requirements. These actions may be filtered by the requirements of any other GPRS-supported service. For example, if a GPRS-only MT also supports SMS, a request for 'disconnection' of the X.25 service would result in a deactivation of the X.25 context but not a GPRS-detach.

8.2.2.1 Standardized X.25 TE

This case applies to TEs which implement only the X.25 procedures, i.e. they have no support for AT commands. The layer 1 and 2 options described in subclause 8.2.1.1 and 8.2.1.2 apply.

Because of the different implementations of X.25 procedures in existing DTEs, attach/detach and activate/deactivate may need to be controlled at layer 1, 2 or 3 of the X.25 interface. Whilst it is always possible to use layer 3 control, this requires the most complete implementation of the X.25 protocol stack in the MT. Control at a lower layer may result in a simpler implementation. The procedures for connection and disconnection at all three layers are described in CCITT/ITU-T X.25.

In all cases it may be desirable to incorporate a timer to delay the deactivate/detach procedures in order to avoid excessive changes of the activation and attachment states in the course of a number of consecutive calls.

NOTE: The activation and deactivation of an X.25 context to carry packets over GPRS is analogous to setting up and clearing a switched ISDN B channel connection to carry them over an ISDN. The call control mapping procedures used in the ISDN case are described in detail in ITU-T X.31 clause 7.3 (layer 1) and appendix I (layers 2 and 3).

8.2.2.1.1 Layer 1 control

This applies to X.25 DTEs which disconnect at the physical layer when no virtual calls are in progress. The TE and MT signal to one another by using V.24 or X.21 control signals.

From TE -

Physical layer connect received by MT -> attach, activate

Physical layer disconnect received by MT -> deactivate, detach

From network -

If the X.25 context is not currently active, an attempt by the network to offer a mobile terminated X.25 virtual call will be signalled by the receipt at the MT of a Request PDP Context Activation message. The MT signals this to the TE by using V.24 or X.21 control signalling and, if successful, -> attach, activate.

A network request that the X.25 context should be deactivated or a failure of the radio link will result in the MT performing a physical layer disconnect.

8.2.2.1.2 Layer 2 control

This applies to X.25 DTEs which keep layer 1 active but disconnect at the data link layer when no virtual calls are in progress. The TE and MT signal to one another by starting and stopping the data link layer protocol.

From TE -

Data link layer set-up received by MT -> attach, activate

Data link layer disconnect received by MT -> deactivate, detach

From network -

If the X.25 context is not currently active, an attempt by the network to offer a mobile terminated X.25 virtual call will be signalled by the receipt at the MT of a Request PDP Context Activation message. The MT signals this to the TE by attempting to start the data link layer and, if successful, -> attach, activate.

A network request that the X.25 context should be deactivated or a failure of the radio link will result in the MT performing a data link layer disconnect.

8.2.2.1.3 Layer 3 control

This applies to X.25 DTEs which keep layers 1 and 2 active when no virtual calls are in progress.

From TE -

Call Request packet received by the MT -> attach, activate
(Action is taken only if there are no X.25 virtual calls already in progress)

Clear Confirmation packet received by the MT from the TE -> deactivate, detach
(Action is taken only if there are no more X.25 virtual calls in progress.)

From network -

If the X.25 context is not currently active, an attempt by the network to offer a mobile terminated X.25 virtual call will be signalled by the receipt at the MT of a Request PDP Context Activation message. Following activation by the MT, an X.25 Call Request packet will be received from the network.

Clear Confirmation packet received by the MT from the network -> deactivate, detach
(Action is taken only if there are no more X.25 virtual calls in progress.)

A network request that the X.25 context should be deactivated or a failure of the radio link will result in the MT clearing any outstanding X.25 virtual calls.

The above refer only to normal clearing situations. An actual implementation shall take into account exceptional conditions such as the receipt of a Clear Request packet from the TE but no acknowledging Clear Confirmation from the network.

8.2.2.2 X.25 TE with support for AT commands

This case applies to TEs which implement AT commands in addition to supporting X.25 procedures. The layer 1 and 2 options described in subclauses 8.2.1.2 and 8.2.1.3 apply.

The TE sends GPRS AT commands to configure the MT, followed by a command to switch the interface into packet mode and start X.25. A mode of operation may be supported which provides compatibility with existing modem dial procedures.

9 IP Based Services

All protocols that are supported by the underlying IP protocol are applicable in the GPRS environment. However there may be some limitations due to the RF environment.

The IP protocol can be run over various underlying protocols as shown in the following figure.

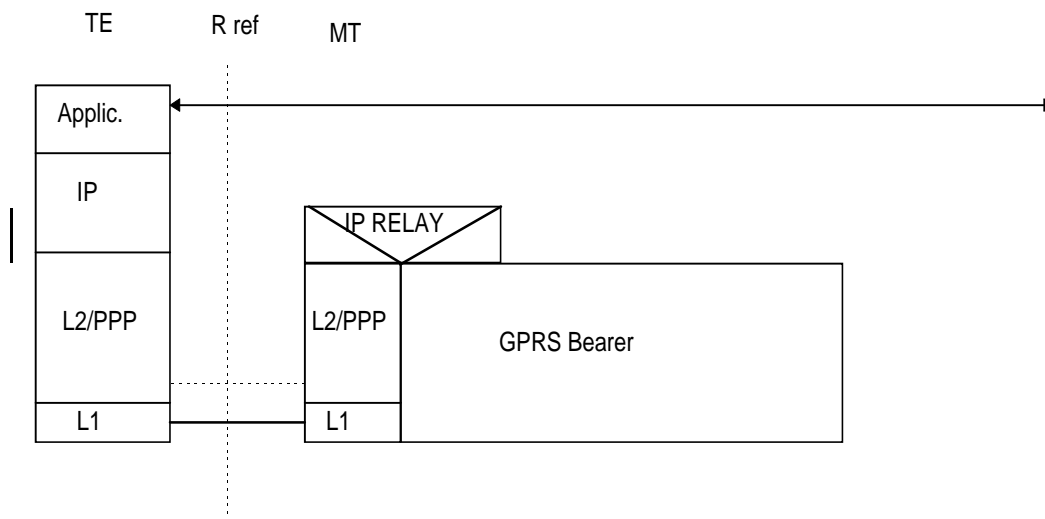


Figure 6: IP Based Services

PPP is a widely supported protocol in numerous operating systems and this alleviates the need for any GPRS specific protocol at the TE. PPP at the MT shall comply with the following specifications IETF STD 51 (RFC 1661, RFC 1662), RFC 1570, RFC 1989, and RFC 1332. The Domain Name Server information shall be delivered as defined in RFC 1877. The delivery of vendor-specific packets and options shall conform to RFC 2153.

As an alternative to PPP, an L2 protocol can be used which is defined as a manufacturer’s operating system dependent protocol capable of carrying IP frames over the R reference point.

9.1 Example mapping of functions between the R reference point and the GPRS bearer for IP over PPP

The following example illustrates the case when the IP over PPP functionality is used in the MT. The example does not include all the details of PPP, but only describes the logical operation of PPP connection establishment, host authentication and IP configuration.

Each interface at the R reference point can support only one PPP connection and each PPP connection can support only one IP session. Therefore, in PPP mode only one IP PDP context can be activated per interface at the R reference point. However, it is possible for a PCMCIA card (or other multiplexed interface) to support multiple virtual interfaces (communications ports) at the R reference point. Multiple PPP connections and IP contexts are possible in this case.

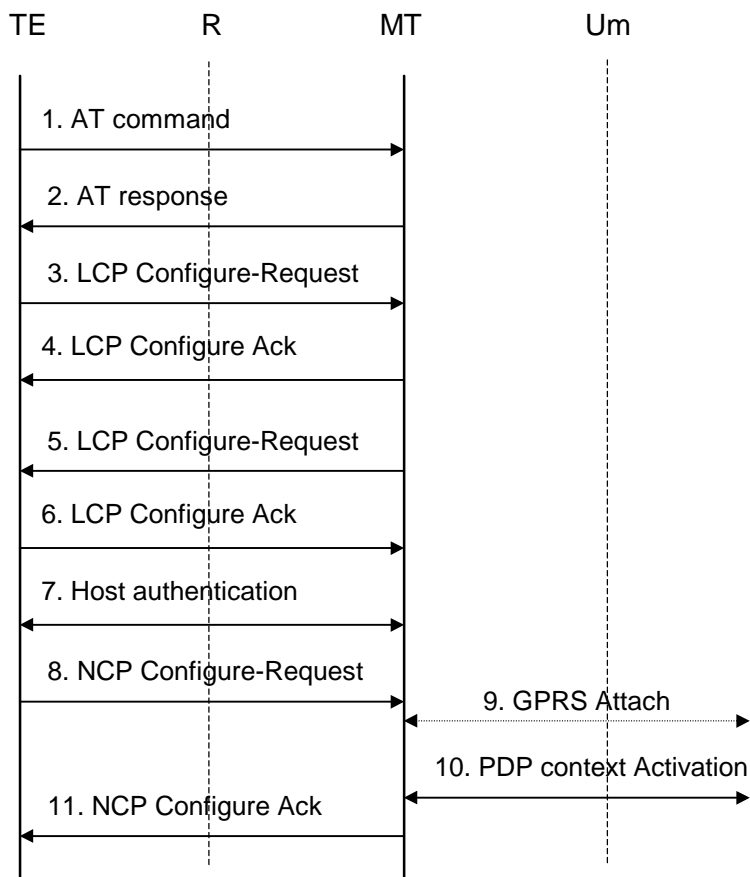


Figure 7: IP Over PPP Based Service

- 1) The TE issues AT commands to set up parameters and enter PPP mode (refer to subclause on AT commands for further details).
- 2) The MT sends AT responses to the TE.
- 3) The PPP protocol in the TE sends a LCP Configure-Request. This command is to establish a PPP link between the TE and the MT.
- 4) The MT returns LCP Configure-Ack to the TE to confirm that the PPP link has been established. The MT might previously have sent a LCP Configure-Nak in order to reject some options proposed by the TE. This in turn might have triggered a retransmission of the LCP Configure-Request with different options.
- 5) The PPP protocol in the MT sends a LCP Configure-Request in order to negotiate for the authentication protocol used for authentication of the host TE towards the MT. The MT shall initially negotiate for CHAP, and if this is unsuccessful, for PAP.

- 6) The TE returns a LCP Configure-Ack to the MT to confirm the use of the specified authentication protocol. The MT might previously have sent a LCP Configure-Nak in order to reject the protocol proposed by the TE. This in turn might have triggered a retransmission of the LCP Configure-Request with different options.
- 7) If the negotiated authentication protocol is either of CHAP or PAP, the TE authenticates itself towards the MT by means of that protocol. The MT stores the necessary authentication data and sends a locally generated positive acknowledgement of the authentication to the TE. If none of the protocols is supported by the host TE no authentication shall be performed. Refer to GSM 09.61 for further details on the authentication.
- 8) The PPP protocol in the TE sends to the MT a NCP Configure-Request. This command activates the IP protocol.
- 9) If the MS is not yet GPRS attached, the MT performs the GPRS Attach procedure as described in GSM 03.60.
- 10) The MT performs a PDP Context Activation as described in GSM 03.60. IP configuration parameters may be carried between the MT and the network in PDP Context Activation messages.
- 11) The MT acknowledges to the PPP protocol in the TE that the IP protocol is now activated by sending a NCP Configure-Ack command. Before sending a NCP Configure-Ack, the MT might previously have sent a NCP Configure-Nak in order to reject some IP parameters proposed by the TE. This in turn might have triggered a retransmission of the NCP Configure-Request with different parameter values. NCP Configure-Ack may also carry IP protocol related parameters such as dynamic IP address to the TE. The MT shall also pass name server information to the TE if the TE has requested for it and if this information is provided by the GGSN. Other packet types and options may optionally be delivered.

10 PPP Based Services

By means of the PDP type ‘PPP’ GPRS may support interworking with networks based on the point-to-point protocol (PPP), as well as with networks based on any protocol supported by PPP through one of its Network Control Protocols (NCPs). It may also support interworking by means of tunnelled PPP, by e.g. the Layer Two Tunnelling Protocol (L2TP). The protocol configuration is depicted in figure 8.

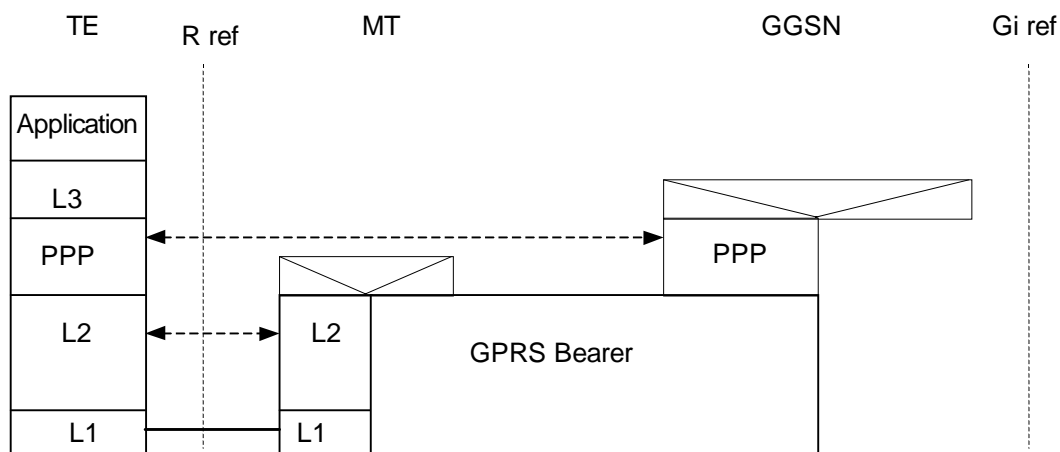


Figure 8: PPP Based Services

The ‘L3’ protocol is a network layer protocol supported by one of the PPP NCP’s. All protocols currently supported by NCP’s are listed in [36].

The PPP is a widely supported protocol in numerous operating systems and this alleviates the need for any GPRS specific protocol at the TE. PPP at the GGSN shall comply with [34]. The Domain Name Server information shall be delivered as defined in [40]. The delivery of any vendor-specific packets and options shall conform to [41].

The ‘L2’ protocol may be the link layer protocol defined for the PPP suite [35]. As an alternative an L2 protocol can be used which is defined as a manufacturer’s operating system dependent protocol capable of carrying PPP frames over the R reference point.

10.1 Example mapping of functions between the R reference point and the GPRS bearer

The following example illustrates the case when the PPP negotiation is carried out between the TE and the GGSN. The example does not include all the details of PPP, but only describes the logical operation of PPP LCP, host authentication and PPP NCP.

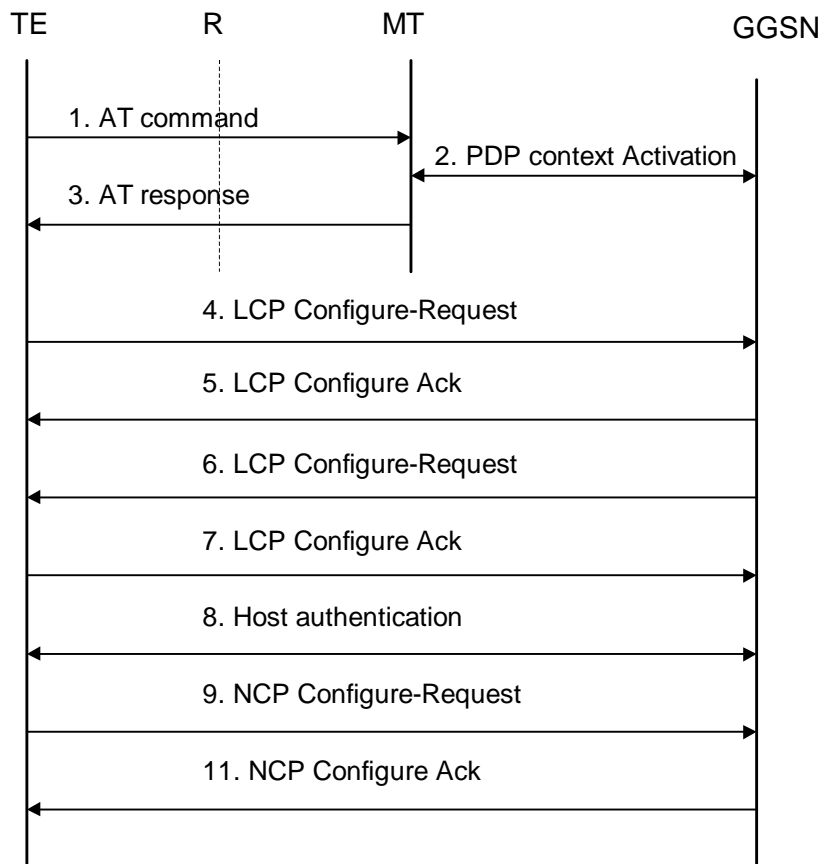


Figure 9: PPP Based Service

- 1) The TE issues AT commands to set up parameters and activate a PDP Context (refer to sub-clause on AT commands for further details).
- 2) The MT performs a PDP Context Activation as described in GSM 03.60.
- 3) The MT sends AT responses to the TE.
- 4) The PPP protocol in the TE sends an LCP Configure-Request. This command establishes a PPP link between the TE and the GGSN.
- 5) The GGSN returns an LCP Configure-Ack to the TE to confirm that the PPP link has been established. The GGSN might previously have sent an LCP Configure-Nak in order to reject some options proposed by the TE. This in turn might have triggered a retransmission of the LCP Configure-Request with different options.
- 6) The PPP protocol in the GGSN sends an LCP Configure-Request in order to negotiate for the authentication protocol used for authentication of the host TE towards the GGSN.
- 7) The TE returns an LCP Configure-Ack to the GGSN to confirm the use of the specified authentication protocol. The GGSN might previously have sent an LCP Configure-Nak in order to reject the protocol proposed by the TE. This in turn might have triggered a retransmission of the LCP Configure-Request with different options.
- 8) The TE authenticates itself towards the GGSN by means of the negotiated protocol. If no authentication protocol can be negotiated the GGSN may reject the PPP connection. Refer to GSM 09.61 for further details on the authentication.
- 9) The PPP protocol in the TE sends to the GGSN an NCP Configure-Request. This command activates the network layer protocol.
- 10) The GGSN acknowledges to the PPP protocol in the TE that the network layer protocol is now activated by sending an NCP Configure-Ack command. Before sending an NCP Configure-Ack, the GGSN might previously have sent an NCP Configure-Nak in order to reject some parameters proposed by the TE. This in turn might have triggered a retransmission of the NCP Configure-Request with different parameter values.

11 Internet Hosted Octet Stream Service (IHOSS)

11.1 Introduction

This section describes the MS aspects of the GPRS Internet Hosted Octet Stream Service (IHOSS). This is a MO-only, connection-oriented service that carries an unstructured octet (character) stream between a GPRS MS and an Internet Host.

IHOSS uses OSP:IHOSS which is a subset of the Octet Stream Protocol (OSP) PDP type to provide a 'character pipe' between the MS and the GGSN. In the GGSN there is a relay function between the OSP and the Internet Host protocol (usually TCP). An annex to this specification contains the generic description of OSP. The features of OSP that are used by OSP:IHOSS are described later in this section.

Figure 10 shows the scope of IHOSS and OSP:IHOSS.

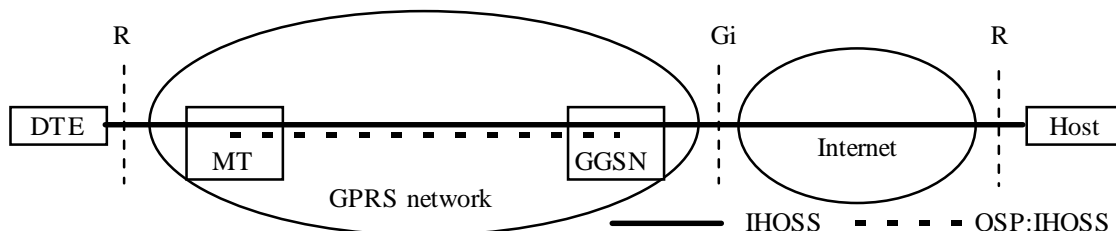


Figure 10: Scope of the Internet Hosted Octet Stream Service and Octet Stream Protocol

11.2 Example of protocol stacks at the MT

Figure 11 shows an example of the protocol stacks at the MT. The MT contains a relay function between OSP and an asynchronous character interface.

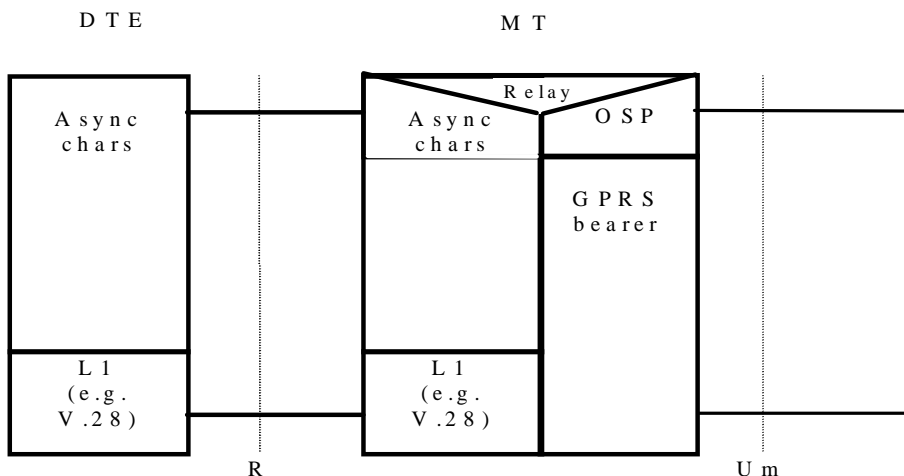


Figure 11: Example of protocol stacks for an MT with an asynchronous serial interface

11.3 IHOSS connection control and OSP PDP context management

Establishing an IHOSS connection involves setting up two segments, the PLMN segment (using the OSP) between the MS and GGSN, and the Internet segment between the GGSN and the Internet Host. There is a one-to-one mapping between the PLMN segment of an IHOSS connection and an OSP:IHOSS context. When the IHOSS connection is established, an OSP PDP context is activated. When the connection is released, the context is deactivated. It is possible for a suitably designed MT to activate multiple simultaneous OSP PDP contexts (subject to any limits imposed by the GPRS network), each context supporting one IHOSS connection.

11.3.1 Connection establishment and PDP context activation

Establishing the PLMN segment of an IHOSS connection follows the normal procedures for PDP context activation described in GSM 03.60 using messages described in GSM 04.08 (MS-SGSN) and GSM 09.60 (SGSN-GGSN). Figure 12 illustrates the procedure when TCP is used over the Internet.

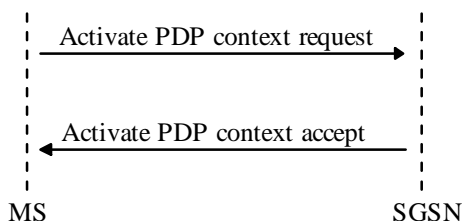


Figure 12: IHOSS connection establishment

The MS requests that an OSP PDP context be set up by sending an Activate PDP context request message. The PDP type is set to OSP:IHOSS. The PDP configuration options may provide information to enable the GGSN to set up a connection to the Internet host. (Alternatively this information may be derived from subscription information in the HLR and configuration information within the GGSN.)

In the case where TCP is used over the Internet, the response accepting the context activation request is returned to the MS only when the TCP connection to the Internet host has been established. If the TCP connection attempt fails, an Activate PDP context reject message is returned.

In the case where UDP is used over the Internet, the response accepting the context activation request is returned to the MS only when at least a successful DNS lookup of the Internet host name has been completed. If the lookup fails, an Activate PDP context reject message is returned. (The GGSN may perform additional checks before responding to the context activation request.)

The format of the Activate PDP context request message is shown below:

```

Activate PDP Context Request (
NSAPI = generated within MS,
PDP type = OSP:IHOSS,
PDP address = null,
APN = as required or null - this may be provided by the HLR,
QoS requested = as defined in the generic OSP specification or null - this may be provided by the HLR,
PDP configuration options = (Internet hostname, port number, protocol type, maximum GGSN buffer sizes, OSP
version number - all optional)
)
  
```

The format of the PDP configuration options is described in a later section.

11.3.2 Connection release and PDP context deactivation

When the IHOSS connection is released the OSP:IHOSS context is deactivated. The disconnection can be originated either by the MT or the Internet host, or exceptionally by the SGSN under fault conditions. The MT initiates disconnection by sending a Deactivate PDP context request. This is acknowledged by the receipt of a Deactivate PDP context accept which indicates that the Internet connection has been cleared. An Internet host or SGSN initiated disconnection is signalled to the MT by the receipt of a Deactivate PDP context request which it acknowledges by sending a Deactivate PDP context accept.

11.4 OSP:IHOSS subset of OSP

11.4.1 Required features

The following features of OSP are required for the OSP:IHOSS subset of OSP:

11.4.1.1 User data transport

This is as specified in the generic OSP description

11.4.1.2 Flow control

This shall map on to the local flow control mechanism at the DTE-MT interface.

11.4.2 Optional features

The following features of OSP are optional for the OSP:IHOSS subset of OSP:

11.4.2.1 Break handling

The OSP break procedure may be mapped on to the local break mechanism at the DTE-MT interface.

11.4.2.2 Packet Assembler/Disassembler

If the DTE-MT interface is character-oriented, a PAD is required in the OSP entity in the MT. The PAD may have pre-set values for the forwarding criteria parameters or they may be configurable using, for example, an AT command.

If the interface to the application is block-oriented, for example in an embedded system, the PAD function is not needed.

11.4.2.3 GGSN maximum buffer size negotiation

Although the OSP entity in the GGSN does not have a PAD, it still requires buffers to hold the relayed packets. The following GGSN PAD parameters (in the Protocol Configuration Options) may be used to specify the maximum buffer sizes for the two directions of data transfer.

PAD Parameter	Direction
Assembly buffer max size (253)	GGSN to MS
Disassembly buffer max size (254)	MS to GGSN

11.4.3 Not-required features

The following features of OSP are not required for the OSP:IHOSS subset of OSP:

Control block transport

Remote configuration of OSP PAD in the GGSN (apart from the optional GGSN buffer size configuration - see above).

OSP protocol version negotiation (OSP:IHOSS uses the default version (0) of OSP.)

11.5 Protocol option parameters

All these parameters in the PDP context activation request are optional. If not provided by the MT, this information may be derived from subscription information in the HLR and configuration information within the GGSN. The parameters use the syntax described in GSM 04.08.

11.5.1 Hostname

This refers to the Internet host to which the connection will be made.

Option ID 128

Lengthnumber of characters in the Hostname

Contents an IA5 character string which is the fully formed domain name extended hostname.

11.5.2 Port Number

This refers to the TCP or UDP port on the host identified by Hostname, which forms the endpoint of the Internet side of the connection.

Option ID 129

Lengthnumber of characters in the Port Number

Contents an IA5 character string which is the Port Number in decimal.

Note. If no port number is specified, a default value of 23 is used by the GGSN.

11.5.3 Protocol Type - TCP or UDP

This refers to the protocol used over IP on the GGSN to Internet host segment of the connection. The options available are Transmission Control Protocol (TCP) or User Datagram Protocol (UDP).

Option ID 130

Length3

Contents an IA5 character string which is either "TCP" or "UDP". All other values are reserved.

If no Protocol Type is specified, TCP is used by the GGSN.

11.5.4 GGSN PAD parameters (maximum buffer sizes only)

The GGSN PAD options parameter is described in the generic OSP specification.

12 AT commands

GSM 07.07 defines commands that a TE may use to control a GPRS MT via a non-multiplexed character-stream interface. This places certain limitations on the functionality of the interface. For example, it is not possible for the MT to send control information to the TE or for the TE to send commands to the MT whilst the interface is in the V.250 online data state unless the layer 2 protocol itself supports this feature. However, a manufacturer-specific escape mechanism may be provided to enable the TE to switch the MT into the V.250 online command state. The use of a multiplexed interface, for example that specified in GSM 07.10, is not considered here.

It is anticipated that GPRS MTs will vary widely in functionality. At one extreme, a class A MT might support multiple PDP types as well as circuit switched data, and use multiple external networks and QoS profiles. At the other extreme a class C MT might support only a single PDP type using a single external network, and rely on the HLR to contain the context definition.

A comprehensive set of GPRS-specific AT commands is defined in GSM 07.07 to provide the flexibility needed by the more complex MT. The commands are designed to be expandable to accommodate new PDP types and interface protocols, merely by defining new values for many of the parameters. Multiple contexts may be activated if the interface link-layer protocol is able to support them. The commands use the extended information and error message capabilities described in GSM 07.07.

For MTs of intermediate complexity, most commands have simplified forms where certain parameters may be omitted.

For the simplest MTs, and for backwards compatibility with existing communications software, it is possible to control access to the GPRS using existing modem-compatible commands. A special dial-string syntax is defined for use with the D command. This "modem compatible" mode of operation is described in GSM 07.07.

Subclause 10.2 contains examples of command sequences for a number of applications.

Annex A of this document lists the AT commands for GPRS. They are fully defined in GSM 07.07,

12.1 General on AT commands

The following sections describe how the AT commands are used for GPRS. The AT commands themselves are fully described in GSM 07.07. Reference to the particular AT command names are shown only for clarity. In all case refer to GSM 07.07 for the latest descriptions.

12.1.1 Interaction of AT commands, GPRS management and PDPs

State machines may be used to describe the behaviour of -

- AT commands (ITU-T V.250).

- GPRS PDP context management (GSM 03.60).

- PDP startup, data transfer and termination (Packet Data Protocol specifications).

- The layer 2 protocol (if any) used across the TE-MT interface (layer 2 protocol specifications).

This subclause does not attempt to describe in detail how these state machines interact but rather to give some general guidance on their relationships.

12.1.1.1 AT commands and responses

AT commands may be issued and responses received by the TE only when the TE and MT are in V.250 command state.

The possibility of suspending the PDP and/or layer 2 protocol and entering V.250 online command state is not considered here; neither is the use of a multiplexed interface where the PDP and the AT commands use separate logical channels.

12.1.1.2 PDP and layer 2 protocol operation

The PDP (across the TE-MT interface) may startup, transfer data and terminate only when the TE and MT are in V.250 online data state. It may be necessary to startup a layer 2 protocol across the interface before starting the PDP. The PDP startup procedure may provide information needed for the PDP context activation procedure (see 10.1.1.3.2).

12.1.1.3 GPRS management

A particular PDP may be used to transfer data only when a context is active for that PDP. Before a context can be activated, the MT must be attached to the GPRS network.

In order to provide flexibility and support a variety of types of GPRS MT and PDP, AT commands are provided which give the TE explicit control over attachment and detachment (+CGATT), and context activation and deactivation (+CGACT) procedures. These commands allow the TE to retain control of the MT, and receive status information from the MT, after these actions have been performed.

12.1.1.3.1 GPRS attachment

The MT may be attached and detached using the +CGATT command. However, it may not be necessary to use the command since attachment may occur -

- on power up or reset;

- when an attempt is made to activate a context either explicitly (+CGACT) or as a result of a PDP startup procedure;

- when the mobile class is changed (+CGCLASS).

Similarly, detachment may occur -

- as a result of a PDP termination procedure (if no other GPRS services are active);

- when the mobile class is changed (+CGCLASS).

12.1.1.3.2 PDP context activation

Certain information must be provided to the network in order for a context activation attempt to be successful. The TE may provide some of this information to the MT during the PDP startup procedure rather than through AT command procedures. In this case the context activation cannot be initiated by the +CGACT command but rather on receipt of the appropriate information during the PDP startup.

12.1.2 Use of default context parameter values

The activate context request message sent by the MT to the network contains a number of parameters whose values can usefully be set by the TE. Under certain circumstances the values for some or all of the parameters need not be provided by the TE, either via AT commands or the PDP startup procedure. The storage of context information in the SIM is not considered in this specification. Rules concerning what values shall be sent by the MT to the network under various circumstances are given in 03.60.

One particular rule that is designed to simplify operation in modem compatibility mode is that if there is only one PDP context subscription in the HLR then all of PDP type, PDP address and APN may be omitted.

12.1.2.1 PDP type

This may be omitted:

- when the MT supports only one PDP type (it will be provided by the MT);

- or according to the rules given in 03.60.

12.1.2.2 PDP address (of the MS)

This shall be omitted when:

- a dynamic address is required;

- or according to the rules given in 03.60.

12.1.2.3 Access Point Name

This may be omitted:

- according to the rules given in 03.60.

12.1.2.4 QoS Requested

This may be omitted when:

- the default subscribed QoS is acceptable.

12.1.2.5 PDP Configuration Options

These shall be omitted:

- when none are required for the PDP concerned;
- or according to the rules given for the PDP.

12.2 Example command sequences for dial-compatibility mode

12.2.1 PPP in dial compatibility mode

12.2.1.1 Mobile initiated IP context activation

In this mode of operation, the MT behaves like an originating modem and accepts the normal V.250 commands associated with placing and clearing a call to a dial-up PPP server. Although the procedures for setting up the IP context are initiated from the mobile end, IP-based sessions, for example the File Transfer Protocol (FTP), may be initiated from either end once the context is active.

For this example it is assumed that

- the user has subscribed to only one PDP context (of type IP) and therefore no context parameter values are needed,
- the MT supports only PPP at the MT-TE interface and therefore no layer 2 protocol need be specified.

A possible sequence of events is -

The MT begins in V.250 command state.

TE -> MT: AT<GPRS-specific configuration commands, if required>

MT -> TE: OK

The TE sends a dial command requesting the GPRS.

TE -> MT: ATD*99#

MT -> TE CONNECT

The MT enters V.250 online data state.

TE starts up PPP (LCP exchange) -

TE -> MT: LCP Configure-request

MT -> TE: LCP Configure-ack

PPP Authentication may take place (optional)

TE starts up IP (NCP for IP exchange) -

TE -> MT: NCP(IP) Configure-request

MT <-> network: MT performs the GPRS-attach procedure if the MT is not currently attached.

MT <-> network: MT performs the IP context activation procedure.

MT -> TE: NCP(IP) Configure-ack

TE <-> MT <-> network: IP packets may now be transferred

TE stops IP (optional) -

TE-> MT: NCP(IP) Terminate-Request) this

MT<-> network: MT performs the IP context deactivation procedure) is

MT -> TE: NCP(IP) Terminate-Ack) optional

TE stops PPP -

TE-> MT:LCP Terminate-Request

MT <-> network: MT performs the IP context deactivation procedure if it has not already done so.

MT <-> network: MT may perform the GPRS-detach procedure if no other GPRS services are active.

MT -> TE: LCP Terminate-Ack

The MT returns to V.250 command state and issues the final result code -

MT -> TE NO CARRIER

The TE may recognise this as a return to V.250 command state. However, if it is using procedures intended for controlling modems, it may attempt to force a disconnect since in the modem case it cannot rely on the remote modem dropping the carrier. It will use some combination of -

TE -> MT: TE drops circuit 108/2 (Data Terminal Ready)

TE -> MT: escape sequence (e.g. +++)

TE -> MT: ATH

The MT should respond according to V.250 even if it is already in command state.

If the connection is lost at any time, the MT shuts down PPP, returns to V.250 command state and issues the final result code -

MT -> TE NO CARRIER

12.2.1.2 Network requested IP context activation

In this mode of operation, the MT behaves like an answering modem and accepts the normal V.250 commands associated with answering a call to a PPP server. Although the procedures for setting up the IP context are initiated from the network end, IP-based sessions, for example the File Transfer Protocol (FTP), may be initiated from either end once the context is active.

Two example sequences of events are given, for the cases of automatic and manual answering -

Case 1: automatic answering

The MT begins in V.250 command state.

TE -> MT: AT<GPRS-specific configuration commands, if required >

The TE sets automatic answering mode -

TE -> MT: ATSO=1

MT <- > network: MT performs the GPRS-attach procedure if the MT is not currently attached.

Subsequently -

network -> MT: Request PDP Context Activation message

MT -> TE: RING

The MT returns the intermediate result code -

MT -> TE CONNECT

- and enters V.250 online data state.

The TE and MT perform the PPP and IP startup procedures which include the MT requesting the network to activate the IP context.

Case 2: manual answering

The MT begins in V.250 command state.

TE -> MT: AT<GPRS-specific configuration commands, if required >

The TE sets manual answering mode and requests a GPRS-attach (if necessary) -

TE -> MT: ATSO=0

TE -> MT: AT+CGATT=1

MT <- > network: MT performs the GPRS-attach procedure if the MT is not currently attached.

network -> MT: Request PDP Context Activation message

MT -> TE: RING

The TE answers manually, -

TE -> MT: ATA

MT -> TE CONNECT

- and enters V.250 online data state.

The TE and MT perform the PPP and IP startup procedures which include the MT requesting the network to activate the IP context.

or the TE rejects the connection -

TE -> MT: ATH

- and remains in V.250 command state

12.2.2 MO X.25 virtual call using a triple-X PAD in dial compatibility mode

This example shows how the <called_address> string may be used in the D command to make an X.25 call to a specified X.121 address.

The MT begins in V.250 command state.

TE -> MT: AT<GPRS-specific configuration commands, if required>

MT -> TE: OK

The TE sends a dial command requesting the GPRS to X.121 address 1234567890.

TE -> MT: ATD*99*1234567890#

MT -> TE CONNECT

The MT enters V.250 online data state, performs a GPRS attach if necessary and activates the X.25 context. It then automatically makes an X.25 call to the specified address, bypassing the PAD prompt. If the call is successful the MT responds with the PAD connect message -

1234567890 COM

Annex A (informative): Summary of AT commands for GPRS

This informative annex lists the AT commands for GPRS that are fully described in GSM 07.07.

Table A.1: Summary of AT commands for GPRS

Command	Description
+CGACT	PDP context activate or deactivate
+CGANS	Manual response to a network request for PDP context activation
+CGATT	GPRS attach or detach
+CGAUTO	Automatic response to a network request for PDP context activation
+CGCLASS	GPRS mobile station class
+CGCLOSP	Configure local Octet Stream PAD parameters
+CGCLPAD	Configure local triple-X PAD parameters
+CGDATA	Enter data state
+CGDCONT	Define PDP context
+CGEREP	Control unsolicited GPRS event reporting
+CGPADDR	Show PDP address
+CGREG	GPRS network registration status
+CGQMIN	Quality of service profile (minimum acceptable)
+CGQREQ	Quality of service profile (requested)
+CGSMS	Select service for MO SMS messages

Table A.2: Summary of GPRS Extensions to existing GSM AT commands

Command	Description
+CEER	Extended error report (refer to 07.07)
+CMEE	Report mobile equipment error (refer to 07.07)
+CR	Service reporting control (refer to 07.07)
+CRC	Cellular result codes (refer to 07.07)

Table A.3: Summary of AT commands for GPRS modem compatibility mode

Command	Description
A	Answer - manual acceptance of a network request for PDP context activation
D	Dial - request GPRS service
H	On-hook - manual rejection of a network request for PDP context activation
S0	Automatic answering control - automatic acceptance of a network request for PDP context activation

Annex B (informative): Octet Stream Protocol (OSP) PDP type

B.1 Scope

The Octet Stream Protocol (OSP) is used to carry an unstructured octet (character) stream between the MS and GGSN. It is used to provide a 'character pipe' to allow a MS to communicate (via the GGSN) with an arbitrary Internet host, or other character-based service. Unlike PDP types such as IP and X.25, OSP has no existence outside the PLMN. In the MS there is a character stream at the R reference point together with some optional control signals. In the GGSN there is a relay function, carrying the same character stream and control signals between the OSP entity and a fixed network protocol stack.

An OSP entity has two modes of operation. In octet mode, it uses a Packet Assembly function to assemble a number of user octets into a single packet for more efficient transport by the underlying packet protocol. A complementary Packet Disassembly function in the same OSP entity performs the reverse operation. In block mode, an OSP entity's Packet Assembly and Disassembly functions are bypassed. Data is transferred between the OSP user and the OSP entity in blocks of octets. Each block of octets is carried in a single packet of the underlying protocol. The selection of octet or block mode is made independently for each OSP entity as an implementation or configuration decision before a connection is established and remains fixed for the duration of that connection.

An example of the use of block mode is when OSP is used for interworking with a fixed network where the octet stream is also carried in packets. The use of the block mode in the OSP entity in the GGSN avoids the use of back-to-back PADs. Block mode could also be used in a MS where the MT function is embedded in a larger piece of equipment and the application transfers data in blocks of octets.

OSP uses the services of SNDCP between the MS and SGSN, and the services of GTP between the SGSN and GGSN. The Quality of Service is determined mainly by that provided by the underlying layers. However, the end-to-end delay may be affected by the presence of the PAD (Packet Assembler/Disassembler) function. For most applications it is anticipated that a reliable (acknowledged) service will be provided by the underlying layers.

In summary, the main functions of OSP are:

- transport of an unstructured octet stream,
- Packet Assembly/Disassembly (to make efficient use of network resources),
- end-to-end flow control.

In addition OSP may provide:

- transport of a 'break' signal,
- transport of blocks of control information between the OSP users,
- user control of packet assembly buffer forwarding,
- direct OSP user access to the underlying packet service, bypassing the PAD.

Figure B.1 shows how OSP fits into the overall GPRS protocol model.

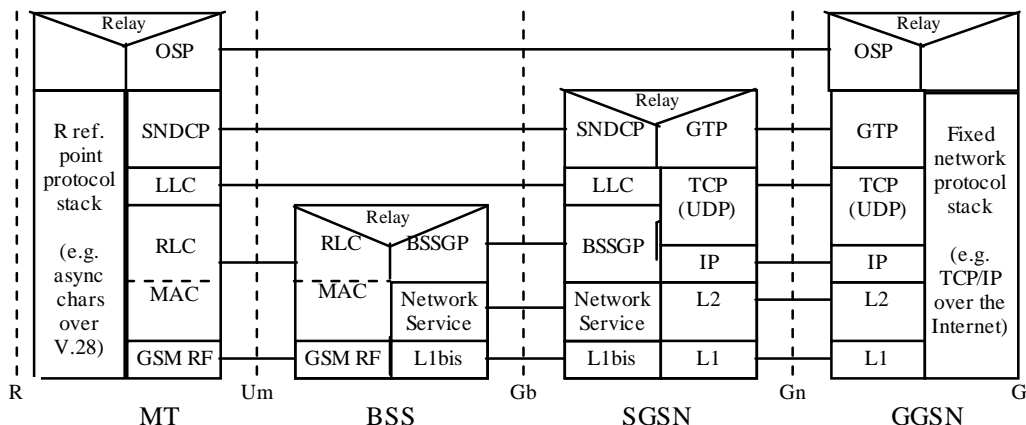


Figure B.1: Relationship of OSP to the rest of the GPRS protocol architecture

B.2 Service primitives

B.2.1 Service Primitives provided by the OSP layer

The service provided by the OSP layer to its user (the layer above) is described in terms of service primitives. An example of the use of the OS-DATA.request and OS-DATA.indications primitives to transfer an octet or block of octets from one OSP user to another is shown in figure B.2.

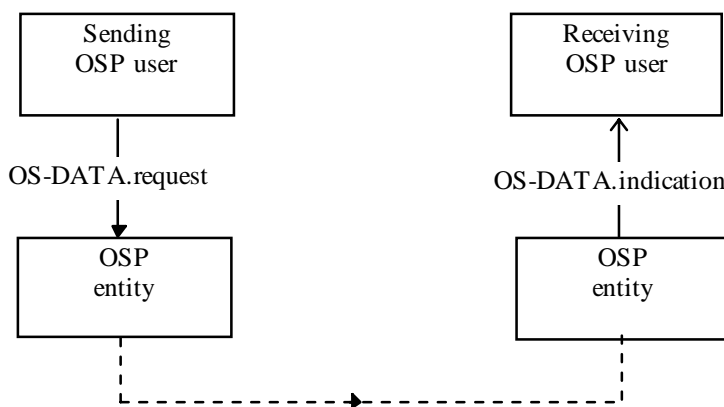


Figure B.2: An example of the use of the OS-DATA primitives

The primitives provided by the OSP layer are listed in Table B.1.

Table B.1: OSP layer service primitives

Generic Name	Type				Parameters
	Request	Indication	Response	Confirm	
OSP User (MS or GGSN) <---> OSP					
OS-DATA	X	X	-	-	D-PDU (single octet or block of octets)
OS-UNITDATA	X	X	-	-	D-PDU (single octet or block of octets)
OS-FLOWCONTROL	X	X	-	-	Requested flow control state (STOP or START)
OS-BREAK	X	X	-	-	none
OS-CONTROL	X	X	-	-	C-PDU (block of octets)
OS-FORWARD	X	-	-	-	none

B.2.1.1 OS-DATA.request

Request used by the OSP user for transmission of a D-PDU. In octet mode, the D-PDU consists of a single octet. In block mode the D-PDU consists of a block of octets. This primitive is used when the underlying protocol layers are providing a reliable service.

B.2.1.2 OS-DATA.indication

Indication used by the OSP entity to deliver the received D-PDU to the OSP user. In octet mode, the D-PDU consists of a single octet. In block mode the D-PDU consists of a block of octets.

B.2.1.3 OS-UNITDATA.request

Request used by the OSP user for transmission of a D-PDU. In octet mode, the D-PDU consists of a single octet. In block mode the D-PDU consists of a block of octets. This primitive is used when the underlying protocol layers are providing an unreliable service.

B.2.1.4 OS-UNITDATA.indication

Indication used by the OSP entity to deliver the received D-PDU to the OSP user. In octet mode, the D-PDU consists of a single octet. In block mode the D-PDU consists of a block of octets.

B.2.1.5 OS-FLOWCONTROL.request

Request used by the OSP user for the peer OSP user to update its flow control state.

B.2.1.6 OS-FLOWCONTROL.indication

Indication used by the OSP entity to request the OSP user to update its flow control state.

B.2.1.7 OS-BREAK.request

Request used by the OSP user to send a break signal to the peer OSP user.

B.2.1.8 OS-BREAK.indication

Indication used by the OSP entity to deliver a break signal to the OSP user.

B.2.1.9 OS-CONTROL.request

Request used by the OSP user to request transmission of a C-PDU. The C-PDU consists of a block of octets. The reliability of the transmission is determined by the lower layer protocols.

B.2.1.10 OS-CONTROL.indication

Indication used by the OSP entity to deliver a received C-PDU to the OSP user.

B.2.1.11 OS-FORWARD.request

Request used by the OSP user to cause immediate forwarding of the OSP Packet Assembly buffer.

B.2.2 Service Primitives Used by the OSP Layer

The OSP layer uses the service primitives provided by the SNDCP layer (see Table B.2) and the GTP layer (see table B.3). SNDCP is specified in GSM 04.65 and GTP in GSM 09.60.

Table B.2: SNDCP service primitives used by the OSP entity

Generic Name	Type				Parameters
	Request	Indication	Response	Confirm	
OSP <---> SNDCP					
SN-DATA	X	X	-	-	N-PDU, NSAPI
SN-UNITDATA	X	X	-	-	N-PDU, NSAPI, protection mode

B.2.2.1 SN-DATA.request

Request used by the SNDCP user for acknowledged transmission of an N-PDU. The successful transmission of an SN-PDU shall be confirmed by the LLC layer. The SN-DATA.request primitive conveys the NSAPI to identify the PDP using the service.

B.2.2.2 SN-DATA.indication

Indication used by the SNDCP entity to deliver a received N-PDU to the SNDCP user. Successful reception has been acknowledged by the LLC layer.

B.2.2.3 SN-UNITDATA.request

Request used by the SNDCP user for unacknowledged transmission of an N-PDU. The SN-UNITDATA.request primitive conveys the NSAPI to identify the PDP using the service and protection mode to identify the requested transmission mode.

B.2.2.4 SN-UNITDATA.indication

Indication used by the SNDCP entity to deliver a received N-PDU to the SNDCP user.

Table B.3: GTP service primitives used by the OSP entity

Generic Name	Type				Parameters
	Request	Indication	Response	Confirm	
OSP <--> GTP					
GT-DATA	X	X	-	-	N-PDU, TID
GT-UNITDATA	X	X	-	-	N-PDU, TID

B.2.2.5 GT-DATA.request

Request used by the GTP user for acknowledged transmission of an N-PDU. The successful transmission of an SN-PDU shall be confirmed by the TCP layer. The SN-DATA.request primitive conveys TID to identify the PDP using the service.

B.2.2.6 GT-DATA.indication

Indication used by the GTP entity to deliver the received N-PDU to the GTP user. Successful reception has been acknowledged by the TCP layer.

B.2.2.7 GT-UNITDATA.request

Request used by the GTP user for unacknowledged transmission of an N-PDU. The SN-UNITDATA.request primitive conveys TID to identify the PDP using the service. This uses UDP as the path protocol.

B.2.2.8 GT-UNITDATA.indication

Indication used by the GTP entity to deliver the received N-PDU to the GTP user.

B.3 OSP Functional model

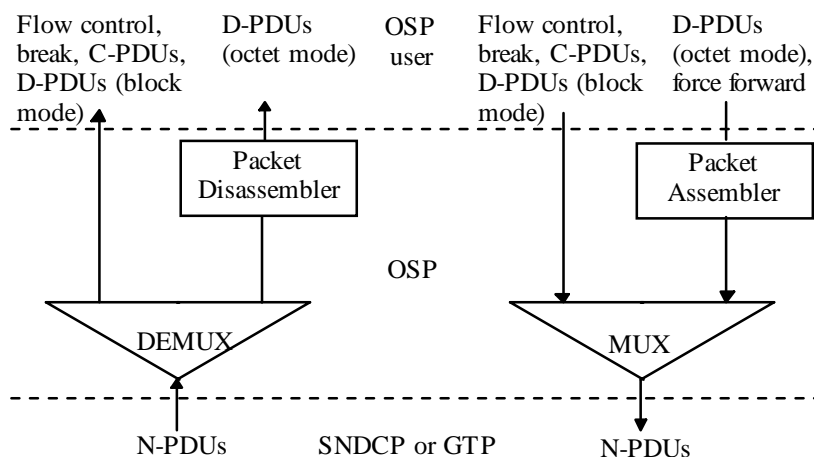


Figure B.3: OSP functional model

The main functions of the OSP entity are shown in figure B.3.

At the sending side, in octet mode, octets from the OSP user (D-PDUs) are accumulated by the Packet Assembler until some forwarding criterion is satisfied. Forwarding can be forced by the user if required. The resulting packet is then passed to the multiplexing function (MUX). In block mode, D-PDUs are passed directly to the MUX. The MUX combines these packets of user data with flow control requests and optionally break requests and control blocks (C-PDUs). (A control block is a delimited set of octets whose maximum size is determined by the limits imposed by the underlying protocol.) The resulting stream of N-PDUs is passed to the SNDCP or GTP layer below.

At the receiving side, the N-PDUs from the SNDCP or GTP layer below are passed to the demultiplexing (DEMUX) function. Here the packets of user data, flow control indications, and (if implemented) break indications and control blocks (C-PDUs) are separated out. In block mode, the packets of user data are passed directly to the OSP user. In octet mode, they are passed to the Packet Disassembler which regenerates the original stream of octets (D-PDUs).

B.4 OSP N-PDU (packet) format

Each N-PDU shall contain an integral number of octets, and shall comprise a header part and a data part. An N-PDU shall contain data from zero or more D-PDUs or a single C-PDU. (D-PDUs and C-PDUs may not be mixed in the same N-PDU.)

The bit and octet numbering convention used in this specification is illustrated in figure B.4. The bits are grouped into octets. The bits of an octet are shown horizontally and are numbered from 1 to 8. Multiple octets are shown vertically and are numbered from 1 to N.

Bit	8	7	6	5	4	3	2	1
Octet 1								
2								
...								
N-1								
Octet N								

Figure B.4: Numbering convention

N-PDUs are transferred between the OSP layer and the SNDCP or GTP layer in ascending numerical octet order (i.e., octet 1, 2, ..., N-1, N).

B.4.1 OSP header

The OSP header is contained in octet 1. The use of bits 1-4 and bit 8 are described below. Bits 5-7 are not used in this version of the protocol and shall be set to zero by the sender and ignored by the receiver.

B.4.1.1 Bit 1 - Extension (E)

This is provided to allow the OSP header in future versions of the protocol to consist of more than one octet. In this version of the protocol E shall always be set to 1 by the sender and checked by the receiver.

B.4.1.2 Bit 2 - Ready to Receive (RTR) - flow control

This bit indicates if the OSP entity that sent the N-PDU is able to receive data from its peer OSP entity.

RTR = 0 not ready to receive

RTR = 1 ready to receive

B.4.1.3 Bit 3 - Break Request (BR)

This bit requests that the receiving OSP entity shall signal a break to its user.

BR = 0 no break

BR = 1 signal break

B.4.1.4 Bit 4 - Break Acknowledge (BA)

This bit indicates that the sending OSP entity has signalled a break to its user in response to a Break Request.

BA = 0 no acknowledge break

BA = 1 acknowledge break

B.4.1.5 bit 8 - payload type (PT)

This bit indicates whether the payload contains user data or a control block .

PT = 0 data (zero or more D-PDUs)

PT = 1 control (zero or one C-PDU)

B.4.2 OSP payload

This consists of one of the following:

B.4.2.1 User data

This consists of zero or more (up to some maximum - TBD) octets of user data (zero or more D-PDUs).

B.4.2.2 Control block

This consists of the contents of zero or one C-PDU.

B.5 Packet Assembly/Disassembly (PAD) function

In order to make efficient use of the network resources, particularly the radio resource, D-PDUs (octets) received from the OSP user are not forwarded immediately but are placed in a buffer. When some forwarding criterion is satisfied, the contents of the buffer are forwarded in the payload of an N-PDU to the layer below. At the receiving end, the payload of an N-PDU received from the layer below is placed in a buffer and the octets are delivered to the OSP user as a stream of D-PDUs (octets). The PAD is used only when the OSP entity is operating in octet mode. It is not used when the OSP entity is operating in block mode.

B.5.1 Packet Assembler

The packet assembler shall be able to detect the following forwarding criteria. When any one criterion is satisfied, the contents of the buffer shall be forwarded in an N-PDU (of type User Data) to the layer below, subject to any flow control condition. Whenever a buffer is forwarded, the inactivity timer is stopped (if it is running).

B.5.1.1 Buffer full

The buffer contents are forwarded when the number of octets in the buffer reaches the value of the maximum buffer size parameter.

The maximum N-PDU size is equal to the maximum buffer size plus the size of the OSP header. It should be chosen so as to make efficient use of the network resources, particularly the radio resources. Although it is possible to calculate the overhead imposed by the various underlying protocol layers, it is not possible to predict exactly how an N-PDU will be mapped on to radio frames even if the channel coding is known. This is because the SNDCP layer may use data compression, the efficiency of which depends on the compressibility of the data. However, since the SNDCP layer is able to segment and reassemble long N-PDUs, it is recommended that the maximum N-PDU size should be several times the largest radio frame size, allowing for a typical compression ratio of, say, 2:1. This will ensure that most radio frames are full.

The maximum size for the packet assembly buffer is specified by PAD parameter 253. The value is in the range 1-65535 octets.

The maximum size for the packet disassembly buffer is specified by PAD parameter 254. The value is in the range 1-65535 octets.

B.5.1.2 Inactivity timer expiry

Whenever an octet is placed in the buffer the inactivity timer shall be started, set to the value of the inactivity time parameter. When the timer expires, the buffer contents are forwarded. The timer has the following functions:

1. to ensure that octets don't remain in the buffer for ever.
2. to detect significant gaps in the stream of octets and try to ensure that these gaps match the N-PDU boundaries. This is beneficial for data that at the user level is in blocks of octets, e.g. a PPP frame. It means that the trailing octets of a block do not get delayed (since they are forwarded when the timer expires). Also, because the timer is restarted whenever a new octet appears, it ensures that blocks do not get split unless the buffer becomes full.
3. to give interactive traffic a reasonable response time.

The inactivity time parameter should be set to be longer than the inter-octet time but shorter than the inter-block time to ensure optimum forwarding of blocked data. It shall be possible to set it to an infinite time, i.e. the timer never expires.

The maximum buffer delay timer is specified by PAD parameter 4 and values shall be in the range 1-255 (units of 1/20 of a second). Additionally, the value 0 disables the timer. The default value is 0.

B.5.1.3 Maximum Buffer Delay timer expiry (optional)

When the first octet is placed into the (empty) buffer, a maximum buffer delay timer may optionally be started, set to the value of the maximum buffer delay parameter. When the timer expires, the buffer contents are forwarded. This timer ensures that no octet is delayed in the buffer for more than the specified time.

The maximum buffer delay timer is specified by PAD parameter 255 and values shall be in the range 1-255 (units of 1/20 of a second). Additionally, the value 0 disables the timer. The default value is 0.

B.5.1.4 Special character(s)

Whenever an octet has been placed in the buffer, it is compared (lower 7 bits only) with a list of 'special characters'. If it matches, the buffer is forwarded.

The possible characters and combinations of characters are specified by PAD parameter 3. Permitted values are listed below.

Value	Characters
0	disabled
1	A-Z, a-z, 0-9
2	CR
4	ESC, BEL, ENQ, ACK
8	DEL, CAN DC2
16	ETX, EOT
32	HT, LF, VT, FF
64	all characters between NUL and US not listed above

Values may be added to create further combinations, e.g., 34 (=2+32) corresponds to CR, HT, LF, VT, FF.

B.5.1.5 Change in flow control state

An N-PDU (type User Data) carries flow control information in the OSP header as well as user data in the payload. If there is a need to signal a change in the Ready to Receive condition, the buffer shall be forwarded immediately with the appropriate (new) value of RTR in the OSP header, unless the change has already been signalled using an N-PDU with an empty payload.

B.5.1.6 Immediate forwarding request

When the OSP entity receives a OS-FORWARD.request primitive from its user, it shall immediately forward the buffer unless it is empty.

B.5.2 Packet Disassembler

The packet disassembler shall forward the contents of the N-PDU (type User data) payload to the OSP user, subject to any local flow control condition.

B.6 Flow control

The OSP entity maintains two variables indicating the readiness of the local OSP entity (itself) and the remote OSP entity (its peer) to receive data.

Local - variable RTRL

The value of RTRL is updated as a result of the receipt of OS-FLOWCONTROL.request primitives from the OSP user and changes in buffer conditions within the OSP entity. When the user requests STOP, RTRL shall immediately be set to 0. When the user requests START, RTRL may be set to 1 immediately or this may be delayed subject to buffer conditions.

The value of RTRL is copied into the RTR bit of every N-PDU transmitted. Whenever RTRL changes, an N-PDU is sent immediately to signal the change to the peer OSP entity. This may be done by either sending an N-PDU with an empty payload or immediately forwarding the packetiser buffer.

RTRL may also be set to 0 or 1 by the OSP entity as a result of buffer conditions within the OSP entity.

Remote - variable RTRR

The value of RTRR is updated from the RTR bit of every N-PDU received. When RTRR changes to 0, an OS-FLOWCONTROL.indication(STOP) primitive shall be sent immediately to the OSP user. When RTRR changes to 1, an OS-FLOWCONTROL.indication(START) primitive may be sent immediately to the OSP user or this may be delayed subject to buffer conditions.

STOP and START indications may also be sent at any time as a result of buffer conditions within the OSP entity.

B.7 Break handling

When an OSP entity receives an OS-BREAK.request from its user it shall immediately send an N-PDU (type User Data) with the Break Request (BR) bit in the OSP header set to 'signal break' and an empty payload. Any data in the packetiser buffer shall be discarded and not transmitted in the N-PDU. Further data received from the OSP user shall be processed in the normal way. The OSP entity shall discard any buffered data already received from its peer entity and, when operating over a reliable service, shall continue discarding received N-PDUs (type user data) until it receives one with the Break Acknowledge (BA) bit in the OSP header set to 'acknowledge break'. Any data in the received N-PDU shall be processed in the normal way. N-PDUs (type control) are not discarded.

When operating over an unreliable service, the OSP entity sending 'signal break' shall protect itself from the risk of lockup resulting from the loss of either or both of the N-PDUs containing 'signal break' or 'break acknowledge'. This is implementation-dependent. (A simple implementation could resume processing received N-PDUs immediately and ignore any received 'break acknowledge'.) When an OSP entity receives an N-PDU (type User Data) with the BR bit set to 'signal break' it shall immediately signal a break to its user with an OS-BREAK.indication. The OSP entity shall discard all buffered data for both directions of flow and acknowledge the break by sending an N-PDU (type User Data) with the Break Acknowledge (BA) bit in the OSP header set to 'acknowledge break'. This may either be sent immediately with no data or wait until one of the forwarding criteria is satisfied.

B.8 Control block transport

An OSP user may use the OS-CONTROL.request primitive to send a C-PDU (block of control information) consisting of zero or more octets to its peer user. An N-PDU (type Control Block) is sent immediately, regardless of whether there is any data in the packetiser buffer or flow control condition. If it is necessary to forward the buffer contents before sending the control block, the OSP user should issue an OS-FORWARD.request before the OS-CONTROL.request. The C-PDU is delivered immediately to the receiving OSP user with the OS-CONTROL.indication primitive, regardless of the state of the depacketiser buffer or local flow control condition. The octet ordering within the block and the block boundaries are preserved.

B.9 Quality of Service

The Quality of Service (QoS) provided by the OSP layer is determined almost entirely by that provided by the underlying protocol layers. However, the Packet Assembly and Disassembly functions introduce an additional variable delay into the transmission path. This delay can be limited at the risk of making less efficient use of network resources (particularly radio resources). The PAD function is described in detail in its own section.

The QoS provided by the underlying protocol layers is defined by the QoS profile assigned to the OSP context.

Precedence class - as required

Delay class - as required but should be consistent with the PAD forwarding strategy

Reliability class - class 1 for reliable service, class 3 for unreliable service

Peak throughput class - as required

Mean throughput class - as required

B.10 OSP version

In order to allow the possible coexistence in the future of multiple versions of OSP, each version shall be assigned a version number. The use of a particular version may be negotiated by the peer OSP entities using the OSP version subparameter of the protocol configuration options parameter in the PDP context activation request, accept and reject messages. The default in the event of no negotiation taking place is this initial version (0).

B.11 Protocol Configuration Options

The following generic OSP configuration options parameters are defined for use in the various PDP Context Activation control messages. They use the syntax described in GSM 04.08. Option IDs 0-127 are reserved for generic use. Additional parameters with IDs in the range 128-255 may be defined for specific uses of the OSP.

Parameter values may be negotiated between the MT and GGSN OSP entities. This is a two phase negotiation with the MT making a set of proposals and the GGSN either accepting each value or proposing an alternative. The MT must either accept the new set or the connection attempt fails. The alternative values are proposed in either a PDP context activation accept or reject message.

The accept message should be used if there is a reasonable likelihood that the alternative will be acceptable to the MT, e.g. a downgrading of buffer size, since the connection may then immediately continue. If the alternative is unacceptable the MT immediately deactivates the context.

The reject message should be used if it is likely that the alternative will not be acceptable, or if a significant charge would be incurred if the context were to be activated by the GGSN and then immediately deactivated by the MT. If the alternative is acceptable the MT may reattempt context activation using the values supplied by the GGSN.

B.11.1 OSP version

This parameter is optional. It allows the MT and GGSN to negotiate a mutually acceptable version of OSP. If omitted, the initial (version 0) of OSP is assumed.

Option ID 0

Length 1

Contents 0 indicates this (initial) version of OSP. Other values are reserved for future versions.

B.11.2 GGSN PAD parameters

This options parameter is optional and may be used if the OSP entity in the GGSN contains a PAD function. It allows the MT and GGSN to negotiate a mutually acceptable set of PAD parameters for the GGSN PAD. The maximum buffer size parameters may be negotiated even when the OSP entity in the GGSN does not contain a PAD. If not relevant to the GGSN OSP entity, the PAD options parameter shall be ignored.

Option ID 1

Length 3n (n = number of PAD parameters)

Contents Pairs of (PAD parameter, value)

The PAD parameter is 1 octet in length. The value is 2 octets in length.

Valid PAD parameters are listed in the section describing the Packet Assembly/Disassembly function.

Annex C (informative): Document change history

SPEC	SMG#	CR	PH	OLD_VERS	NEW_VERS	SUBJECT
07.60	s23	NEW	R97	2.0.0	5.0.0	Draft GSM 07.60 v. 2.0.0
07.60	s24	A002	R97	5.0.0	5.1.0	IP configuration parameters and PPP clarifications
07.60	s25	A004	R97	5.1.0	6.0.0	X.25 Based Services
07.60	s26	A005	R97	6.0.0	6.1.0	AT commands for GPRS
07.60	s26	A006	R97	6.0.0	6.1.0	Editorial review of 07.60
07.60	s26	A007	R97	6.0.0	6.1.0	Authentication for IP over PPP
				6.1.0	6.1.1	Correction to CR implementation
07.60	s27	A008	R97	6.1.1	6.2.0	Addition of a new AT command, +CGREG, to display current GPRS registration status
07.60	s27	A009	R97	6.1.1	6.2.0	Addition of a new AT command, +CGSMS, to select the service for the transport of MO SMS messages
07.60	s27	A011	R97	6.1.1	6.2.0	Corrections and clarifications, mainly to the AT commands specifications
07.60	s27	A012	R97	6.1.1	6.2.0	Addition of a GPRS extension to the existing 07.07 AT command, Service Reporting Control +CR
07.60	s27		R97	6.2.0	6.2.1	Editorial update to section 8.1
07.60	s29	A016	R97	6.2.1	6.3.0	Correction to +CGAUTO command
07.60	s29	A015	R97	6.2.1	6.3.0	Move AT commands to 07.07
07.60	s29	A013	R98	6.2.1	7.0.0	Access to PDN's and ISP's with the PDP-type PPP
07.60	s29	A014	R98	6.2.1	7.0.0	Internet Hosted Octet Stream Service (IHOSS) and Octet Stream Protocol

History

Document history		
V6.1.1	July 1998	Publication
V6.2.1	November 1998	Publication
V7.0.0	July 1999	Publication