

ETSI TS 102 773 V1.3.1 (2012-01)



Digital Video Broadcasting (DVB); Modulator Interface (T2-MI) for a second generation digital terrestrial television broadcasting system (DVB-T2)



Reference

RTS/JTC-DVB-312

Keywords

digital, DVB, satellite, TV

ETSI

650 Route des Lucioles
F-06921 Sophia Antipolis Cedex - FRANCE

Tel.: +33 4 92 94 42 00 Fax: +33 4 93 65 47 16

Siret N° 348 623 562 00017 - NAF 742 C
Association à but non lucratif enregistrée à la
Sous-Préfecture de Grasse (06) N° 7803/88

Important notice

Individual copies of the present document can be downloaded from:

<http://www.etsi.org>

The present document may be made available in more than one electronic version or in print. In any case of existing or perceived difference in contents between such versions, the reference version is the Portable Document Format (PDF). In case of dispute, the reference shall be the printing on ETSI printers of the PDF version kept on a specific network drive within ETSI Secretariat.

Users of the present document should be aware that the document may be subject to revision or change of status. Information on the current status of this and other ETSI documents is available at

<http://portal.etsi.org/tb/status/status.asp>

If you find errors in the present document, please send your comment to one of the following services:

http://portal.etsi.org/chaicor/ETSI_support.asp

Copyright Notification

No part may be reproduced except as authorized by written permission.
The copyright and the foregoing restriction extend to reproduction in all media.

© European Telecommunications Standards Institute 2012.
© European Broadcasting Union 2012.
All rights reserved.

DECT™, **PLUGTESTS™**, **UMTS™** and the ETSI logo are Trade Marks of ETSI registered for the benefit of its Members.
3GPP™ and **LTE™** are Trade Marks of ETSI registered for the benefit of its Members and of the 3GPP Organizational Partners.
GSM® and the GSM logo are Trade Marks registered and owned by the GSM Association.

Contents

Intellectual Property Rights	5
Foreword.....	5
1 Scope	6
2 References	6
2.1 Normative references	6
2.2 Informative references.....	6
3 Definitions, symbols and abbreviations	7
3.1 Definitions.....	7
3.2 Symbols.....	9
3.3 Abbreviations	9
4 General description.....	10
4.1 System overview	10
4.2 System architecture	11
4.3 Protocol stack	11
5 T2-MI packets	12
5.1 T2-MI packet definition	12
5.2 T2-MI payload definitions.....	14
5.2.1 Baseband Frame.....	14
5.2.2 Auxiliary stream I/Q data	14
5.2.3 Arbitrary cell insertion.....	15
5.2.4 L1-current T2-MI packets.....	16
5.2.5 L1-future	17
5.2.6 P2 bias balancing cells	18
5.2.7 DVB-T2 timestamp.....	18
5.2.7.1 Null timestamp	19
5.2.8 Individual addressing.....	20
5.2.8.1 Existing addressing functions.....	20
5.2.8.2 Addressing functions specific to DVB-T2	20
5.2.8.2.1 ACE-PAPR function	21
5.2.8.2.2 MISO group function	22
5.2.8.2.3 TR-PAPR function	22
5.2.8.2.4 L1-ACE-PAPR function.....	23
5.2.8.2.5 TX-SIG FEF Sequence Numbers function	23
5.2.8.2.6 TX-SIG aux stream transmitter ID function	24
5.2.9 FEF part: Null	24
5.2.10 FEF part: I/Q data	25
5.2.11 FEF part: composite.....	25
5.2.12 FEF sub-part	26
5.2.12.1 FEF sub-part: Null	27
5.2.12.2 FEF sub-part: IQ	27
5.2.12.3 FEF sub-part: PRBS	28
5.2.12.4 FEF sub-part: TX-SIG FEF.....	28
5.3 Generation of L1 signalling from the T2-MI packets.....	29
5.4 Transmission order of T2-MI packets	30
5.5 Timing of T2-MI packet transmission.....	31
6 Transport of T2-MI packets	32
6.1 Encapsulation of T2-MI packets in MPEG-2 TS	32
6.1.1 Description.....	33
6.2 Encapsulation of MPEG-2 TS in IP packets.....	34
6.2.1 Setup Information	34
6.2.2 Transport Protocols.....	35
6.2.3 Session Initiation and Control.....	35
6.2.4 Network Requirements	35

Annex A (normative):	Calculation of the CRC word	36
Annex B (normative):	T2 Modulator Information Packet (T2-MIP).....	37
B.1	Use of the T2-MIP for over the air synchronization	37
B.2	T2-MIP Definition.....	38
B.2.1	Field description	38
B.2.2	Transmission of the T2-MIP over DVB-T2	40
Annex C (informative):	Local Content Insertion.....	41
Annex D (informative):	MISO Management	42
Annex E (informative):	T2-MI overhead	43
E.1	Encapsulation of T2 data within T2-MI packets	43
E.2	Transport of T2-MI packets	43
E.2.1	T2-MI packets over MPEG-2 TS	43
E.2.1.1	FEC overhead for an ASI link	43
E.2.2	T2-MI packets over MPEG-2 TS to IP.....	43
E.2.2.1	FEC overhead	44
E.3	Summary of the overheads associated with T2-MI.....	44
Annex F (informative):	DVB-T2 Timestamps	45
F.1	Relationships	45
F.2	Rationale.....	45
Annex G (informative):	Use of T2-MI in Test and Measurement Setups.....	46
G.1	Introduction	46
G.2	Use of Program Clock Reference (PCR) timestamps.....	46
G.2.1	Relation between ISCR and PCR	46
G.2.2	Insertion of PCRs	47
G.2.3	Playout of a Constant Bit-rate (CBR) T2-MI file	47
G.2.4	Playout of a Variable Bit-rate (VBR) T2-MI file	47
G.2.5	Synchronization between T2-Gateway and Modulator	48
Annex H (normative):	T2-MI for Composite Signals.....	49
H.1	Introduction	49
H.2	Multiple T2-MI Streams.....	49
H.3	Alignment of the profiles in the emitted composite signal.....	49
Annex I (informative):	T2-MI for Composite Signals: Network Topology and Synchronisation.....	51
I.1	Introduction	51
I.2	Network Topology	51
I.3	Synchronisation of Multiple T2-Gateways	52
I.3.1	Configuration Changes and Multiple T2-Gateways	52
History	53

Intellectual Property Rights

IPRs essential or potentially essential to the present document may have been declared to ETSI. The information pertaining to these essential IPRs, if any, is publicly available for **ETSI members and non-members**, and can be found in ETSI SR 000 314: "*Intellectual Property Rights (IPRs); Essential, or potentially Essential, IPRs notified to ETSI in respect of ETSI standards*", which is available from the ETSI Secretariat. Latest updates are available on the ETSI Web server (<http://ipr.etsi.org>).

Pursuant to the ETSI IPR Policy, no investigation, including IPR searches, has been carried out by ETSI. No guarantee can be given as to the existence of other IPRs not referenced in ETSI SR 000 314 (or the updates on the ETSI Web server) which are, or may be, or may become, essential to the present document.

Foreword

This Technical Specification (TS) has been produced by Joint Technical Committee (JTC) Broadcast of the European Broadcasting Union (EBU), Comité Européen de Normalisation ELECTrotechnique (CENELEC) and the European Telecommunications Standards Institute (ETSI).

NOTE: The EBU/ETSI JTC Broadcast was established in 1990 to co-ordinate the drafting of standards in the specific field of broadcasting and related fields. Since 1995 the JTC Broadcast became a tripartite body by including in the Memorandum of Understanding also CENELEC, which is responsible for the standardization of radio and television receivers. The EBU is a professional association of broadcasting organizations whose work includes the co-ordination of its members' activities in the technical, legal, programme-making and programme-exchange domains. The EBU has active members in about 60 countries in the European broadcasting area; its headquarters is in Geneva.

European Broadcasting Union
CH-1218 GRAND SACONNEX (Geneva)
Switzerland
Tel: +41 22 717 21 11
Fax: +41 22 717 24 81

The Digital Video Broadcasting Project (DVB) is an industry-led consortium of broadcasters, manufacturers, network operators, software developers, regulatory bodies, content owners and others committed to designing global standards for the delivery of digital television and data services. DVB fosters market driven solutions that meet the needs and economic circumstances of broadcast industry stakeholders and consumers. DVB standards cover all aspects of digital television from transmission through interfacing, conditional access and interactivity for digital video, audio and data. The consortium came together in 1993 to provide global standardisation, interoperability and future proof specifications.

1 Scope

The present document defines the interface to a modulator for a second generation terrestrial television system (DVB-T2). The present document also describes a mechanism to allow the operation of over the air regenerative repeaters in SFN or non-SFN networks.

2 References

References are either specific (identified by date of publication and/or edition number or version number) or non-specific. For specific references, only the cited version applies. For non-specific references, the latest version of the reference document (including any amendments) applies.

Referenced documents which are not found to be publicly available in the expected location might be found at <http://docbox.etsi.org/Reference>.

NOTE: While any hyperlinks included in this clause were valid at the time of publication ETSI cannot guarantee their long term validity.

2.1 Normative references

The following referenced documents are necessary for the application of the present document.

- [1] ETSI EN 302 755: "Digital Video Broadcasting (DVB); Frame structure channel coding and modulation for a second generation digital terrestrial television broadcasting system (DVB-T2)".
- [2] ETSI TS 102 606: "Digital Video Broadcasting (DVB); Generic Stream Encapsulation (GSE) Protocol".
- [3] ETSI TS 101 191: "Digital Video Broadcasting (DVB); DVB mega-frame for Single Frequency Network (SFN) synchronization".
- [4] ETSI EN 301 192: "Digital Video Broadcasting (DVB); DVB specification for data broadcasting".
- [5] ETSI TS 102 034: "Digital Video Broadcasting (DVB); Transport of MPEG-2 TS Based DVB Services over IP Based Networks".
- [6] IETF RFC 3550: "RTP: A Transport Protocol for Real-Time Applications".
- [7] ISO/IEC 13818-1: "Information technology - Generic coding of moving pictures and associated audio information: Systems".
- [8] ETSI EN 300 468: "Digital Video Broadcasting (DVB); Specification for Service Information (SI) in DVB systems".
- [9] ETSI TS 102 992: "Digital Video Broadcasting (DVB); Structure and modulation of optional transmitter signatures (T2-TX-SIG) for use with the DVB-T2 second generation digital terrestrial television broadcasting system".

2.2 Informative references

The following referenced documents are not necessary for the application of the present document but they assist the user with regard to a particular subject area.

- [i.1] ETSI TS 102 831: "Digital Video Broadcasting (DVB); Implementation guidelines for a second generation digital terrestrial television broadcasting system (DVB-T2)".
- [i.2] CENELEC EN 50083-9: "Cable networks for television signals, sound signals and interactive services - Part 9: Interfaces for CATV/SMATV headends and similar professional equipment for DVB/MPEG-2 transport streams".

- [i.3] DVB BlueBook A115: "DVB Application Layer FEC Evaluations".
- [i.4] ETSI TR 101 290: "Digital Video Broadcasting (DVB); Measurement guidelines for DVB systems".

3 Definitions, symbols and abbreviations

3.1 Definitions

For the purposes of the present document, the terms and definitions given in [i.1] and the following apply:

auxiliary stream: sequence of cells carrying data of as yet undefined modulation and coding, which may be used for future extensions or as required by broadcasters or network operators

common PLP: PLP having one slice per T2 frame, transmitted just after the L1 signalling, which may contain data shared by multiple PLPs

composite signal: signal made up of multiple T2 profiles, for example a combined T2-Base and T2-Lite transmission with each signal being carried in the FEF part of the other

configurable L1-signalling: L1 signalling consisting of parameters which remain the same for the duration of one super-frame

Coordinated Universal Time (literally Universel Temps Coordonné) (UTC): time format counting in standard SI seconds with periodic adjustments made by the addition (or removal) of leap seconds to keep the difference between UTC and Astronomical Time less than $\pm 0,9$ s

data PLP: PLP of Type 1 or Type 2

dynamic L1-signalling: L1 signalling consisting of parameters which may change from one T2-frame to the next

elementary period: time period which depends on the system bandwidth and is used to define the other time periods in the T2 system

FEC Block: set of N_{cells} OFDM cells carrying all the bits of one LDPC FECFRAME

FECFRAME: set of N_{ldpc} (16 200 or 64 800) bits from one LDPC encoding operation

FEF part: part of the super-frame between two T2-frames which may contain (FEFs)

FFT size: nominal FFT size used for a particular mode, equal to the active symbol period T_S expressed in cycles of the elementary period T

Global Position System (GPS): constellation of satellites providing accurate time and position information to receivers

GPS Time: time signal broadcast by the GPS satellites using an epoch of January 6th 1980 with no leap seconds and a "week number" (actually a modulo-604 800 seconds number) that wraps every 1 024 weeks (approximately 19,7 years)

Im(x): imaginary part of x

interleaving frame: unit over which dynamic capacity allocation for a particular PLP is carried out, made up of an integer, dynamically varying number of FEC blocks and having a fixed relationship to the T2-frames

NOTE: The Interleaving frame may be mapped directly to one T2-frame or may be mapped to multiple T2-frames. It may contain one or more TI-blocks.

International Atomic Time (literally Temps Atomique International) (TAI): time format counting in standard SI seconds

L1 pre-signalling: signalling carried in the P2 symbols having a fixed size, coding and modulation, including basic information about the T2 system as well as information needed to decode the L1 post-signalling

NOTE: L1 pre-signalling remains the same for the duration of a super-frame.

L1-post-signalling: signalling carried in the P2 symbol carrying more detailed L1 information about the T2 system and the PLPs

max: maximum of a set of numbers, the operator being defined as:

$$\max_{i=1..I}\{X(i)\} = \max\{X(1), X(2)\dots X(I)\}$$

MISO group: group (1 or 2) to which a particular transmitter in a MISO network belongs, determining the type of processing which is performed to the data cells and the pilots

NOTE: Signals from transmitters in different groups will combine in an optimal manner at the receiver.

mod: modulo operator, defined as:

$$x \bmod y = x - y \left\lfloor \frac{x}{y} \right\rfloor$$

Modified Julian Date (MJD): date format based on the number of days since midnight GMT on 17th November 1858 AD

P1 signalling: signalling carried by the P1 symbol and used to identify the basic mode of the DVB-T2 signal

Physical Layer Pipe (PLP): physical layer TDM channel that is carried by the specified sub-slices

NOTE: A PLP may carry one or multiple services.

PLP_ID: this 8-bit field uniquely identifies a PLP within the T2 system, identified with the T2_system_id

NOTE: The same PLP_ID may occur in one or more frames of the super-frame.

relay (transmitter): transmitter in a network that re-transmits a signal received off-air, either by simple frequency transposition or by regenerating the signal

Re(x): real part of x

Time Interleaving block (TI-block): set of cells within which time interleaving is carried out, corresponding to one use of the time interleaver memory

Type 1 PLP: PLP having one slice per T2 frame, transmitted before any Type 2 PLPs

Type 2 PLP: PLP having two or more sub-slices per T2 frame, transmitted after any Type 1 PLPs

T2 frame: fixed physical layer TDM frame that is further divided into variable size sub-slices

NOTE: The T2 frame starts with one P1 and one or multiple P2 symbols.

T2-Gateway: device producing T2-MI at its output, incorporating the functionality of the Basic T2-Gateway and, optionally, additional processing such as re-multiplexing

T2-MI stream: stream of T2-MI packets carrying the T2 data for a single T2 profile and optionally any non-profile data with a given value of T2-MI stream ID

T2-MI stream ID: unique identifier for a sequence of T2-MI packets presented to a modulator carrying a self consistent set of T2 data over T2-MI

T2 Super-frame: set of T2 frames consisting of a particular number of consecutive T2 frames

NOTE: A super-frame may in addition include FEF parts.

T2 system: second generation terrestrial broadcast system whose input is one or more TS or GSE streams and whose output is an RF signal

NOTE: The T2 system:

- Means an entity where one or more PLPs are carried, in a particular way, within a DVB-T2 signal on one or more frequencies.
- Is unique within the T2 network and it is identified with T2_system_id. Two T2 systems with the same T2_system_id and network_id have identical physical layer structure and configuration, except for the cell_id which may differ.
- Is transparent to the data that it carries (including transport streams and services).

T2_SYSTEM_ID: this 16-bit field identifies uniquely the T2 system within the T2 network

3.2 Symbols

For the purposes of the present document, the symbols given in [i.1] and the following apply:

N_x The value N is expressed in radix x

NOTE: The radix of x is decimal, thus $2A_{16}$ is the hexadecimal representation of the decimal number 42.

N_{T2} Number of T2-frames in a super-frame

I_{FEF} The value of FEF_INTERVAL from the L1-signalling

$I_{JUMP}, I_{JUMP}(i)$ Frame interval: difference in frame index between successive T2 frames to which a particular PLP is mapped (for PLP i)

N_{PLP} Number of PLPs in a T2 system

$P_I, P_I(i)$ Number of T2-frames to which each Interleaving Frame is mapped (for PLP i)

T Elementary time period for the bandwidth in use

T_F T2 Frame duration

T_{FEF} Duration of one FEF part

$\lfloor x \rfloor$ Round towards minus infinity: the most positive integer less than or equal to x

$\lceil x \rceil$ Round towards plus infinity, i.e. the most negative integer greater than or equal to x

3.3 Abbreviations

For the purposes of the present document, the abbreviations given in [i.1] and the following apply:

ACE	Active Constellation Extension
AL	Application Layer
AL-FEC	Application Layer Forward Error Correction
ASI	Asynchronous Serial Interface
BB	BaseBand
bflbf	bit-field, left bit first
bflbfzpb	bit-field, left bit first, zero padded after the last bit to a multiple of 8 bits
CBR	Constant Bit-rate
CRC	Cyclic Redundancy Check
DFL	DataField Length
DVB	Digital Video Broadcasting
DVB	Digital Video Broadcasting Project
DVB-T	DVB system for Terrestrial Broadcasting
FEC	Forward Error Correction
FEF	Future Extension Frame
FFT	Fast Fourier Transform
GMT	Greenwich Mean Time
GPS	Global Positioning System
GSE	Generic Stream Encapsulation
ID	IDentifier

IERS	International Earth Rotation and Reference Systems Service
IFFT	Inverse Fast Fourier Transform
IP	Internet Protocol
IPTV	Internet Protocol TeleVision
IQ	Inphase and Quadrature
ISCR	Input Stream Time Reference
LDPC	Low Density Parity Check (codes)
LoCI	Local Content Inserter
LSB	Least Significant Bit
MFN	Multi-Frequency Network
MISO	Multiple Input, Single Output
MJD	Modified Julian Date
MPEG	Moving Picture Experts Group
MSB	Most Significant Bit
MTU	Maximum Transmission Unit
OFDM	Orthogonal Frequency Division Multiplex
PAPR	Peak-to-Average Power Ratio
PAT	Program Association Table
PCR	Program Clock Reference
PID	Packet Identifier
PLP	Physical Layer Pipe
PMT	Program Map Table
PRBS	Pseudo Random Binary Sequence
PSI	MPEG-2 Program Specific Information (as defined in ISO/IEC 13818-1)
RF	Radio Frequency
RFU	Reserved for Future Use
rms	root mean square
rpchof	remainder polynomial coefficients, highest order first
RTCP	Real-Time Transport Control Protocol
RTP	Real Time Protocol
SFN	Single Frequency Network
SI	Service Information
SMPTE	Society of Motion Picture and Television Engineers
T2	DVB-T2
T2-MI	DVB-T2 Modulator Interface
T2-MIP	DVB-T2 Modulator Information Packet
TAI	International Atomic Time (literally Temps Atomique International)
TDM	Time Division Multiplex
TFS	Time Frequency Slicing
TI	Time Interleaving
TPH	Transport Packet Header
TR	Tone Reservation
TS	Transport Stream
TX-SIG	Transmitter Signature
UDP	User Datagram Protocol
uimsbf	unsigned integer, most significant bit first
UTC	Coordinated Universal Time (literally Universel Temps Coordonné)
VBR	Variable Bit-rate
XOR	eXclusive OR function

4 General description

4.1 System overview

The DVB-T2 specification [1] enables service-specific robustness to be achieved through the use of Physical Layer Pipes (PLPs). The allocation of data to each PLP is not however prescriptive and the T2 specification merely states that certain constraints must be met.

To enable Single Frequency Network (SFN) operation, decisions on allocation and scheduling are taken once in a T2-Gateway, the results of which are distributed in such a format that each modulator in the network can unambiguously create an identical on-air signal.

The T2-Gateway takes one or more input streams for the T2 system and forms them into un-coded Baseband frames and generates the appropriate L1 signalling information to be sent over the T2-MI. The T2-Modulator uses this data from the T2-MI and performs the necessary error coding, frame building and modulation to produce the RF signal for the T2 system.

The DVB-T2 Modulator Interface (T2-MI) allows reliable networks of transmitters (in both MFN and SFN configurations) to be constructed. In addition it supports the use of regenerative, off-air repeaters to feed further MFNs and SFNs.

More information regarding the generation of T2-MI in a T2-gateway and its use by a modulator can be found in [i.1].

The present document (version 1.3.1 of this specification) introduces the concept of multiple T2-MI streams to allow the formation of composite T2 transmissions made up of multiple T2 profiles in accordance with clause I.9 of [1]. The T2-Lite profile signal is distributed on one stream of T2-MI and transmitted in the FEF-part of a T2-Base signal which is distributed on a second T2-MI stream. Similarly, The T2-Base profile signal is transmitted in the FEF part of a T2-Lite signal. This is described in detail in annex H.

4.2 System architecture

The block diagram of a typical DVB-T2 end-to-end chain for Transport Stream input is shown in figure 1. The T2-MI is shown as "Interface B" at the output of the T2-Gateway.

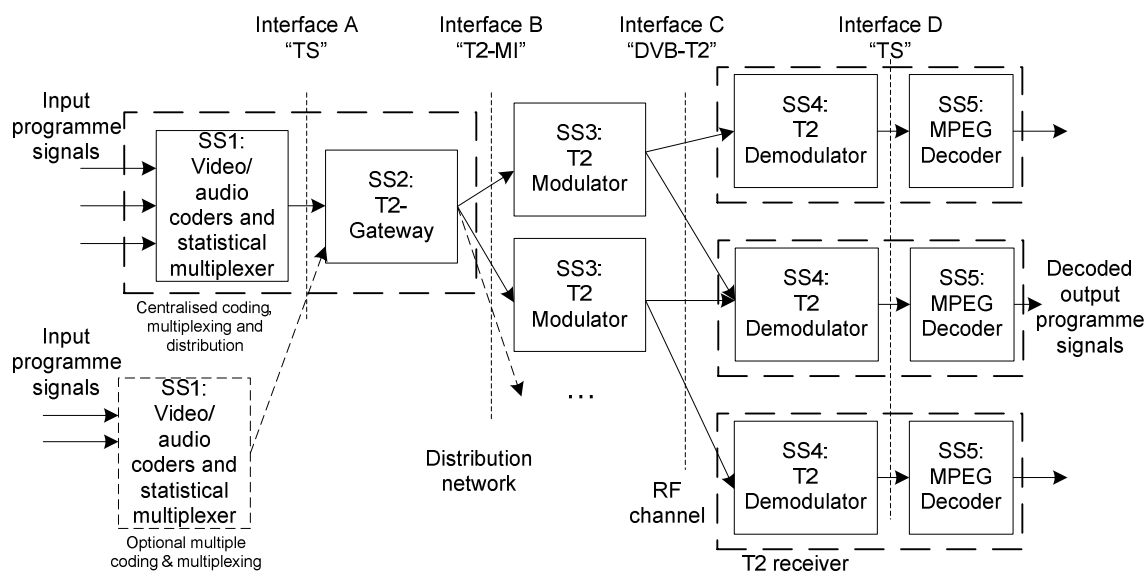


Figure 1: Block diagram of a typical DVB-T2 chain

4.3 Protocol stack

Figure 2 shows the T2-MI protocol stack.

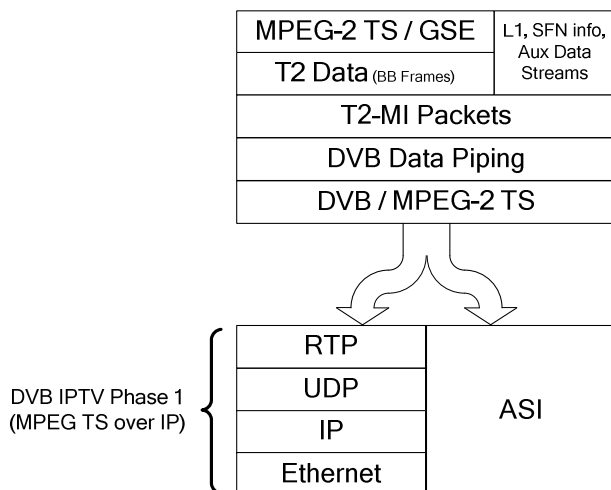


Figure 2: The T2-MI protocol stack

The DVB-T2 Modulator Interface (T2-MI) carries the DVB-T2 system inputs, MPEG-2 TS and/or Generic Streams, encapsulated within DVB-T2 Baseband Frames [1].

In addition the T2-MI also carries other T2 data including, but not limited to:

- L1 signalling data to enable the construction of T2 frames by the modulator;
- IQ vector data for any auxiliary streams;
- DVB-T2 timestamp (for synchronization); and
- Future Extension Frame (FEF) data.

With the exception of the DVB-T2 timestamp, all this information is transmitted as part of the on-air DVB-T2 signal.

The synchronization timestamp data is not transmitted over-air but used by a modulator to define the precise time of emission of the DVB-T2 signal. A special case exists where relay stations forming part of a SFN are fed over air from a master station on a different frequency, since they also require access to the synchronization data (see annex B).

The T2 data is packetized into T2-MI packets and encapsulated into DVB / MPEG Transport Stream packets using Data Piping, in accordance with EN 301 192 [4], clause 4.

These standard DVB TS packets are then carried either natively over any standard DVB Transport Stream interface, such as ASI [i.2], or further encapsulated within IP packets in accordance with TS 102 034 [5] for carriage over IP based networks.

5 T2-MI packets

Several different types of T2-related data may be sent over the T2-MI through the use of T2-MI packets. All fields are uimbsf unless otherwise stated.

5.1 T2-MI packet definition

The T2-MI packet format is shown in figure 3.

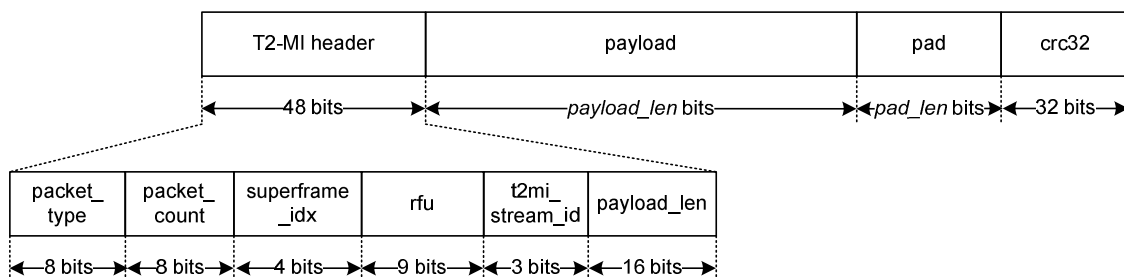


Figure 3: T2-MI packet format

Each T2-MI packet is composed of a 6 byte header, followed by a variable-length payload part plus padding, when required, and a 32-bit CRC tail for error detection.

The T2-MI packet consists of the following fields:

packet_type (8 bits) indicates the type of the payload carried by the T2-MI packet. The currently defined values are shown in table 1 and their associated formats defined in the following clauses. All other values are Reserved for Future Use (RFU).

Table 1: T2-MI packet types

T2-MI packet_type	Description
00 ₁₆	Baseband Frame
01 ₁₆	Auxiliary stream I/Q data
02 ₁₆	Arbitrary cell insertion
10 ₁₆	L1-current
11 ₁₆	L1-future
12 ₁₆	P2 bias balancing cells
20 ₁₆	DVB-T2 timestamp
21 ₁₆	Individual addressing
30 ₁₆	FEF part: Null
31 ₁₆	FEF part: I/Q data
32 ₁₆	FEF part: composite
33 ₁₆	FEF sub-part
all other values	Reserved for future use

packet_count (8 bits) is incremented by one for each T2-MI packet sent, irrespective of payload. There shall be no requirement for the first packet sent to have a specific count value. The counter shall wrap from FF₁₆ to 00₁₆.

superframe_idx (4 bits) shall be constant for all T2-MI packets that carry data pertaining to one T2 super-frame. It should be incremented for each subsequent super-frame. No implementation shall require this field to have any particular value.

rfu (9 bits) bits reserved for future use and shall all be set to 0₂.

t2mi_stream_id (3 bits) shall have the same value for all T2-MI packets belonging to a particular T2-MI stream and is used when transmitting a composite signal, in accordance with Annex I, or to indicate that only a single stream is used. When only a single stream is used, it shall be set to 000₂. The T2-MI stream ID shall be unique within the set of T2-MI streams presented to a single modulator.

payload_len (16 bits) indicates the payload length in bits.

payload (payload_len bits) carries the T2-MI packet payload which will vary depending on the type of the T2-MI packet and is defined in clause 5.2.

pad (pad_len bits) shall be filled with between 0 and 7 bits of padding such that the T2-MI packet is always an integer number of bytes in length, i.e. **payload_len+pad_len** shall be a multiple of 8. Each padding bit shall have the value 0₂.

crc32 (32 bits) is calculated across all other bits in the packet (both header and payload plus any padding), in accordance with annex A.

5.2 T2-MI payload definitions

5.2.1 Baseband Frame

T2-MI packets with a **packet_type** of 00_{16} shall carry Baseband Frames, in accordance with [1], clause 5.1.7.

The T2-MI packet payload is shown in figure 4.

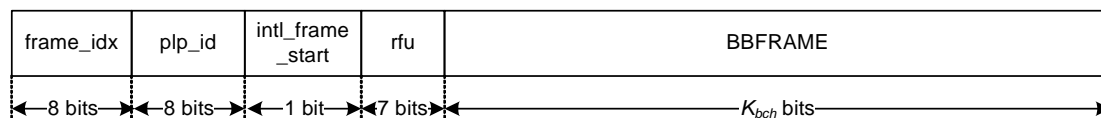


Figure 4: Baseband Frame payload

The fields are defined as follows:

frame_idx (8 bits) indicates the FRAME_IDX, as defined in [1], of the first T2 frame to which the Interleaving Frame containing this Baseband Frame is mapped.

plp_id (8 bits) signals the PLP_ID, as defined in [1], in which the Baseband Frame is to be carried in the DVB-T2 signal.

intl_frame_start (1 bit) shall be set to 1_2 for the packet containing the first BBFRAME of an interleaving frame for a particular PLP, and 0_2 for packets carrying the remaining BBFRAMEs (if any).

rfu (7 bits) bits reserved for future use and shall all be set to 0_2 .

BBFRAME (K_{bch} bits) carries the K_{bch} bits of the Baseband Frame (before scrambling) pertaining to a particular PLP, including the PADDING field if used. It shall be encapsulated into exactly one T2-MI packet without additional stuffing. The temporal order of the Baseband Frame bits shall be preserved. If the Baseband Frame PADDING field is used for in-band signalling, the relevant bits of the PADDING field shall be set to "0". These shall then be replaced by the relevant in-band signalling in the modulator.

5.2.2 Auxiliary stream I/Q data

T2-MI packets with a **packet_type** of 01_{16} shall carry auxiliary stream data, in accordance with [1], clause 8.3.7.

The T2-MI packet payload is shown in figure 5.

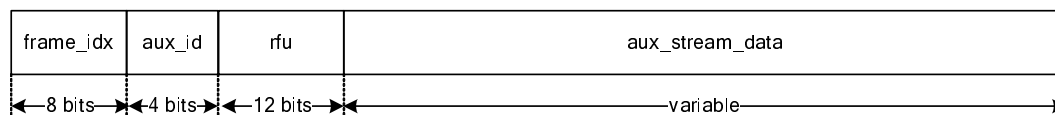


Figure 5: Auxiliary stream payload

frame_idx (8 bits) indicates the FRAME_IDX, as defined in [1], of the T2 frame which carries the auxiliary stream data.

aux_id (4 bits) indicates the particular auxiliary stream to which the data belongs. The auxiliary streams shall be sent in the same order as over the transmitted DVB-T2 signal, starting with **aux_id**= 1_{16} indicating the first auxiliary stream and with the **aux_id** being incremented by "1" for each new auxiliary stream. The highest possible value is F_{16} corresponding to the 15th auxiliary stream. Other values are reserved for future use.

rfu (12 bits) bits reserved for future use.

aux_stream_data (variable bits) carries the data for each auxiliary stream. It shall consist of the complex cell values in order of increasing cell address (as defined in [1]). Each cell value shall be sent as a 12-bit two's complement value I for the real part immediately followed by a 12-bit two's complement value Q for the imaginary part of the complex number. The cell value, $x_{m,l,p}$ for use in clause 8.3.7 of [1] shall be given by:

$$\begin{aligned}\operatorname{Re}(x_{m,l,p}) &= \frac{I}{2^9} \\ \operatorname{Im}(x_{m,l,p}) &= \frac{Q}{2^9}\end{aligned}$$

where I and Q are the 12-bit two's complement values represented as integers in the range -2^{11} to $2^{11}-1$.

NOTE: Given that the rms value of $x_{m,l,p}$ is equal to 1 (as required by [1]), the signal-to-quantization-noise ratio is approximately 59 dB, which should be adequate for all applications.

The auxiliary stream data field shall be encapsulated into one or more T2-MI packets in the same order as the filling of the OFDM cells in the DVB-T2 signal. No stuffing shall be used.

If more than one T2-MI packet is used for a particular auxiliary stream the payload of T2-MI packets with an unfinished stream must end with a completed cell. The next cell value of that stream will then start at the beginning of the payload of the next T2-MI packet with **packet_type** 01_{16} with the same **aux_id**.

The cell values for auxiliary streams must be the same for all transmitters in a single frequency network when sent over the T2-MI using T2-MI **packet_type** 01_{16} . If it is required, however, that the cell values are to differ, as allowed by [1], the auxiliary stream data must be sent to the modulators in an alternative way.

5.2.3 Arbitrary cell insertion

T2-MI packets with a **packet_type** of 02_{16} shall carry arbitrary cell data that the modulator shall insert into the T2 frame starting at the specified cell address and continuing until the end of the complex cell values in the **arbitrary_cell_data** field.

The T2-MI packet payload is shown in figure 6.

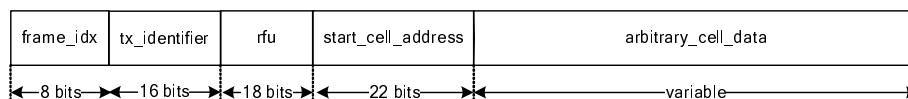


Figure 6: Arbitrary cell insertion payload

frame_idx (8 bits) indicates the FRAME_IDX, as defined in [1], of the T2 frame which carries the arbitrary cell data.

tx_identifier (16 bits) is a word used to address individual transmitters or modulators. This field has the same meaning as in clause 5.2.8. A value of 0000_{16} is used as a broadcast address to address all transmitters or modulators in the network. Data from previous packets can be overwritten by later packets received by a particular modulator.

rfu (18 bits) bits reserved for future use and shall all be set to 0_2 until defined.

start_cell_address (22 bits) indicates the start address of the arbitrary cell data using the cell addressing scheme specified in clause 8.3.6.2 of [1].

arbitrary_cell_data (variable bits) carries the arbitrary cell data to be inserted by the modulator. It shall consist of the complex cell values in order of increasing cell address (as defined in [1]). Each cell value shall be sent as a 12-bit two's complement value I for the real part immediately followed by a 12-bit two's complement value Q for the imaginary part of the complex number. The cell value, $x_{m,l,p}$ for use in clause 8.3.7 of [1] shall be given by:

$$\text{Re}(x_{m,l,p}) = \frac{I}{2^9}$$

$$\text{Im}(x_{m,l,p}) = \frac{Q}{2^9}$$

where I and Q are the 12-bit two's complement values represented as integers in the range -2^{11} to $2^{11}-1$.

NOTE: Given that the rms value of $x_{m,l,p}$ is equal to 1 (as required by [1]), the signal-to-quantization-noise ratio is approximately 59 dB, which should be adequate for all applications.

If it is required to carry more arbitrary cell data than can be conveyed in a single T2-MI packet then the cell data must be split across multiple T2-MI packets of type 02_{16} with appropriate values of **start_cell_address**. Each T2-MI packet must end with a completed cell.

5.2.4 L1-current T2-MI packets

T2-MI packets with a **packet_type** of 10_{16} shall contain L1 pre- and post-signalling data to be inserted (as described in clause 5.3) into the P2 symbols of the T2-frame indicated by **frame_idx** and describing the same ("current") T2-frame.

The T2-MI packet payload is shown in figure 7.

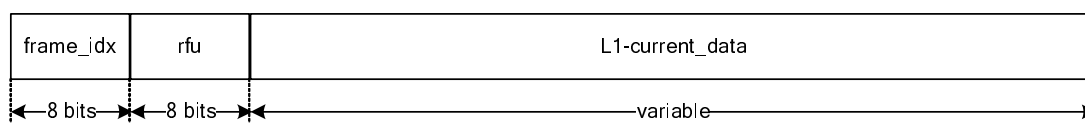


Figure 7: L1-current data payload

frame_idx (8 bits) indicates the FRAME_IDX according to [1] of the T2-frame in which the L1 signalling data is carried. This is also the T2-frame that the L1 signalling data describes.

rfu (8 bits) bits reserved for future use and shall all be set to 0_2 .

L1-current_data contains fields in the order given in table 2.

NOTE 1: The P1 signalling is generated by the modulator from the S1 and S2 fields in the L1 pre-signalling (see clause 7.2.2 of [1]).

Table 2: L1-current data fields

Field	Field length (bits)	Format	Description
L1PRE	168	bflbf	L1 pre-signalling bits in the order defined in clause 7.2.2 of [1], excluding the CRC.
L1CONF_LEN	16	uimsbf	Length of L1 configurable signalling in bits
L1CONF	$8 \times \lfloor L1_CONF_LEN/8 \rfloor$	bflbfzpb	L1 configurable post-signalling fields, in the order defined in clause 7.2.3.1 of [1].
L1DYN_CURR_LEN	16	uimsbf	Length of L1-dynamic, current frame.
L1DYN_CURR	$8 \times \lfloor L1DYN_CURR_LEN/8 \rfloor$	bflbfzpb	L1-post "dynamic, current frame" fields in the order defined in clause 7.2.3.2 of [1].
L1EXT_LEN	16	uimsbf	Length of L1 extension field, in bits.
L1EXT	$8 \times \lfloor L1_EXT_LEN/8 \rfloor$	bflbfzpb	L1-post extension field as defined in clause 7.2.3.4 of [1].

The L1PRE, L1CONF and L1DYN_CURR fields are mandatory in all L1-current T2-MI packets and shall be coded in accordance with clauses 7.2.2, 7.2.3.1 and 7.2.3.2 respectively of [1] and without any L1-post scrambling being applied.

NOTE 2: The L1DYN_CURR field will not be transmitted in P2 in TFS mode, but is mandatory because the information will be used by the modulator for Interleaving and Frame-Building.

5.2.5 L1-future

T2-MI packets with a **packet_type** of 11_{16} shall contain L1 post-signalling data to be inserted (according to clause 7.2.3 of [1]) into the P2 symbols of the T2-frame indicated by **frame_idx**, and/or in-band signalling data to be inserted into the first BB-Frame of the Interleaving Frame beginning in that T2-frame. The signalling contained comprises those fields that describe future T2-frames, and might therefore not be available at the time the L1-current T2-MI packet is sent. The T2-MI packet payload is shown in figure 8.

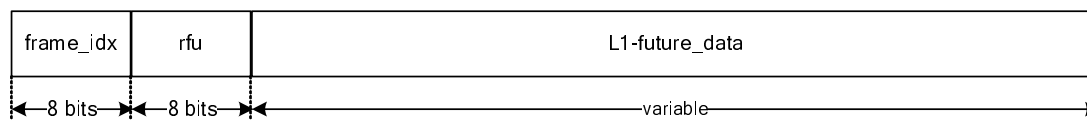


Figure 8: L1-future data payload

frame_idx (8 bits) indicates the FRAME_IDX according to [1] of the T2 frame in whose P2 symbols the L1 dynamic post-signalling data is carried. It also indicates the first T2-frame carrying the Interleaving Frame whose first BB-Frame will contain the in-band signalling.

Which T2-frame is described by the dynamic post-signalling and in-band signalling will depend on the use of TFS as described in clauses 7 and 5.2.3 respectively of [1]. Which T2-frame or frames are described by the in-band signalling will also depend on the interleaving parameters (P_1 and I_{jump}) for the PLP in which they are inserted, as described in clause 5.2.3 of [1].

rfu (8 bits) bits reserved for future use and shall all be set to 0_2 .

L1-future_data contains fields in the order given in table 3.

Table 3: L1-future data fields

Field	Field length (bits)	Format	Description
L1DYN_NEXT_LEN	16	uimbsf	Length of "dynamic, next frame" field. Set to zero if L1DYN_NEXT block is absent.
L1DYN_NEXT	$8 \times \lfloor L1DYN_NEXT_LEN / 8 \rfloor$	bflbfzpb	L1-post "dynamic, next frame" fields. Optional in single-RF mode, mandatory in TFS.
L1DYN_NEXT2_LEN	16	uimbsf	Length of "dynamic, next-but-one frame" in TFS mode. Set to zero if L1DYN_NEXT2 block is absent.
L1DYN_NEXT2	$8 \times \lfloor L1DYN_NEXT2_LEN / 8 \rfloor$	bflbfzpb	L1-post "dynamic, next-but-one frame" fields, in the order defined in clause 7.2.3.2 of [1]. Optional in TFS, and shall not be present in single-RF mode.
NUM_INBAND	8	uimbsf	Number of PLPs for which in-band signalling is present in the following loop.
For $i=1..NUM_INBAND$ {			In-band signalling loop.
PLP_ID	8	uimbsf	PLP ID for the PLP containing the in-band signalling data given by the following INBAND field.
INBAND_LEN	16		Length of following INBAND field in bits.
INBAND	$8 \times \lfloor INBAND_LEN / 8 \rfloor$	bflbfzpb	In-band signalling fields for the PLP indicated by PLP_ID, in the order defined in clause 5.2.3 of [1].
}			

Only PLPs for which the T2-frame indicated by **frame_idx** is the first T2-frame to which an Interleaving Frame is mapped shall appear in the in-band signalling loop.

The L1DYN_NEXT and L1DYN_NEXT2 fields shall be coded in accordance with clause 7.2.3.2 of [1]. The INBAND fields shall be coded in accordance with clause 5.2.3 of [1] and without any L1-post scrambling being applied.

5.2.6 P2 bias balancing cells

T2-MI packets with a **packet_type** of 12_{16} shall contain information regarding bias balancing cells to be inserted by the modulator (according to clause 8.3.6.3.1 of [1]) into the P2 symbols of the T2-frame indicated by **frame_idx** to approximately bias the balance of the L1 signalling. This packet instructs a modulator how many bias balancing cells to insert in each P2 symbol. The calculation of the actual value of the bias balancing cells, C_{bal} shall be performed by the modulator on the coded and modulated L1 cells.

The T2-MI packet payload is shown in figure 9.

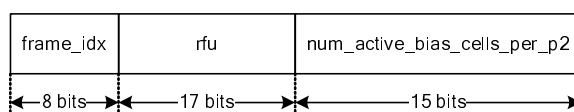


Figure 9: P2 bias balancing cells payload

frame_idx (8 bits) indicates the FRAME_IDX, as defined in [1], of the T2 frame which carry the bias balancing cells.

rfu (17 bits) bits reserved for future use and shall all be set to 0_2 .

num_active_bias_cells_per_p2 (15 bits) indicates the number of bias balancing cells to be used in every P2 symbol of the T2 frame as follows:

$$N_{biasCellsActive} = num_active_bias_cells_per_p2$$

5.2.7 DVB-T2 timestamp

T2-MI packets with a **packet_type** of 20_{16} shall carry the DVB-T2 timestamp, used to synchronize the output of DVB-T2 modulators. Two mechanisms are defined; absolute and relative.

The T2-MI packet payload for this data is shown in figure 10.

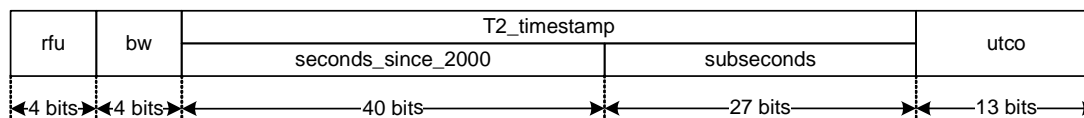


Figure 10: DVB-T2 timestamp payload

rfu (4 bits) bits reserved for future use and shall all be set to 0_2 .

bw (4 bits) indicates the system bandwidth, in accordance with clause 9.5 of [1]. This also defines the units of the subsecond field of the T2 timestamp as shown in table 4.

Table 4: Bandwidths and subsecond field units for the T2 timestamp

Bandwidth	bw field	T2 Elementary period, T	subseconds unit, T_{sub}
1,7 MHz	0_{16}	71/131 μ s	1/131 μ s
5 MHz	1_{16}	7/40 μ s	1/40 μ s
6 MHz	2_{16}	7/48 μ s	1/48 μ s
7 MHz	3_{16}	7/56 μ s	1/56 μ s
8 MHz	4_{16}	7/64 μ s	1/64 μ s
10 MHz	5_{16}	7/80 μ s	1/80 μ s

seconds_since_2000 (40 bits) is a count of the number of seconds since 2000-01-01 T 00:00:00 UTC as an unsigned 40-bit quantity and is used to define an absolute time of emission. This count shall increase for every SI second that elapses. A value of 0000000000_{16} indicates a relative timestamp, defined only by the subseconds field below.

subseconds (27 bits) defines the number of subsecond units since the time expressed in the seconds field. The value is expressed as an unsigned integer.

T2_timestamp: Taken together, the **seconds_since_2000** and **subseconds** fields define the DVB-T2 timestamp and the time of emission of a DVB-T2 transmission. Annex F details the relationship between the DVB-T2 timestamp and other time standards.

When the **seconds_since_2000** field is non-zero, the emission time shall be given by $seconds_since_2000 + subseconds \times T_{sub}$.

When the **seconds_since_2000** field is all zeros, the emission time shall be $subseconds \times T_{sub}$ after the SI second boundary preceding it.

NOTE 1: The SI second boundary can be given by the relevant edge of a 1 pulse per second signal.

The emission time shall be the time at which 50 % of the energy of the first time sample from the IFFT of the "C" part of the P1 preamble symbol of the first T2 transmission frame of the relevant super-frame shall have been radiated on air. All T2 frames within a super-frame shall have the same timestamp value. The timestamps of subsequent super-frames shall be increased by the duration of the super-frame.

NOTE 2: Based on the knowledge of the DVB-T2 Timestamp of a particular super-frame, and the L1 signalling pertaining to a particular T2 frame, a modulator should be able to determine the required emission time for any such T2 frame even if it misses the beginning of a super-frame, e.g. after a restart. To do this, the modulator will then need to take into account the frame index and the frame length of the T2 frame as well as the total lengths of any FEF parts having occurred in the super-frame before the current T2 frame.

utco (13 bits) is the offset (in seconds) between UTC and the **seconds_since_2000** field. The value is expressed as an unsigned integer. As of February 2009, the value shall be 2 and shall change as a result of each new leap second proscribed by the International Earth Rotation and Reference Systems Service (IERS).

NOTE 3: The value contained in this field has no effect on the time of emission from the modulator but it may be useful to a modulator implementation where only a source of UTC time is available.

NOTE 4: The maximum latency of the distribution system, plus the maximum processing delay of modulator implementations (i.e. the relevant T_{min} values from clause 5.5) for the mode being broadcast will need to be known. Where the range of total delays exceeds 1 second the use of the Absolute T2 Timestamp will be necessary to avoid ambiguous super-frame start times.

5.2.7.1 Null timestamp

When it is not required to synchronize the output of multiple DVB-T2 modulators, the DVB-T2 timestamp shall be signalled as null by setting all bits of the **T2_timestamp** and **utco** fields to 1_2 . When generating a composite signal, even in an MFN, Null timestamps shall not be used, to ensure the correct relative timing of the different T2-MI streams.

A DVB-T2 timestamp packet must always be sent (whether carrying a Null timestamp or otherwise) to indicate the bandwidth of the T2 transmission to the T2 modulator.

5.2.8 Individual addressing

T2-MI packets with a **packet_type** of 21_{16} shall carry individual addressing data that can be used to configure an individual or group of modulators. The individual addressing mechanism is asynchronous and packets can be sent at any time. It is used by the modulator to update register values as and when these packets are received. The modulator shall use the L1 signalling as its primary source of information on how to construct the overall DVB-T2 frame, making reference to register values when required.

The T2-MI packet payload is shown in figure 11 and the individual addressing data is in the same format as that described in clause 6.1 of [3].

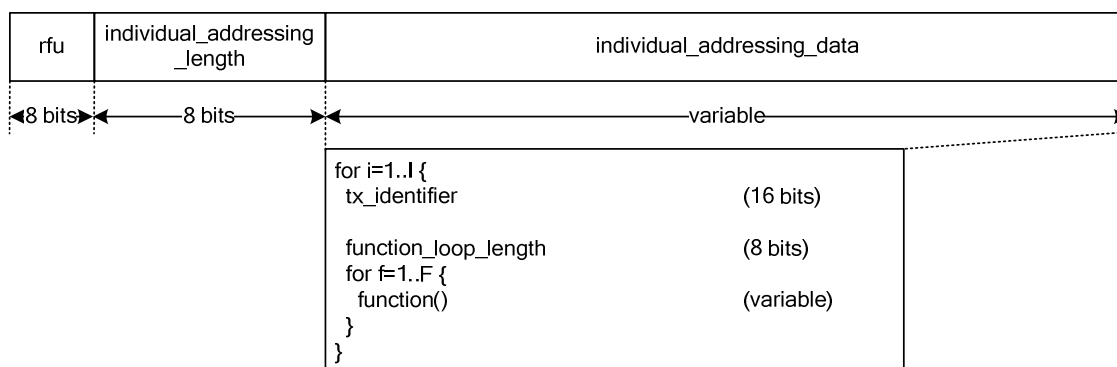


Figure 11: Individual addressing payload

individual_addressing_length (8 bits) indicates the length of the **individual_addressing_data** field in bytes.

individual_addressing_data (variable bits) is composed as follows:

- **tx_identifier (16 bits)** is a word used to address individual transmitters or modulators. A value of 0000_{16} is used as a broadcast address to address all transmitters or modulators in the network.
- **function_loop_length (8 bits)** indicates the length of the following loop of functions in bytes.

function() is the addressing function and is dependent on the application. They are defined in clauses 5.2.6.1 and 5.2.6.2.

5.2.8.1 Existing addressing functions

The format of the individual addressing functions is in accordance with clause 6.1 of TS 101 191 [3]. Table 5 indicates which of the currently defined functions are also applicable to DVB-T2.

Table 5: Existing individual addressing functions

Function	function_tag value	Applicable to DVB-T2?
Transmitter time offset	00_{16}	yes
Transmitter frequency offset	01_{16}	yes
Transmitter power	02_{16}	yes
Private data	03_{16}	yes
Cell id	04_{16}	yes
Enable	05_{16}	yes
Bandwidth	06_{16}	no

5.2.8.2 Addressing functions specific to DVB-T2

Some new functions are defined to fully support DVB-T2 as depicted in table 6. Whilst these have the same basic structure as those defined in clause 6.1 of TS 101 191 [3], the data they carry is specific to their function in a T2 system.

Table 6: Individual addressing functions specific to DVB-T2

Function	function_tag value
ACE-PAPR	10 ₁₆
Transmitter MISO group	11 ₁₆
TR-PAPR	12 ₁₆
L1-ACE-PAPR	13 ₁₆
TX-SIG FEF: Sequence Numbers	15 ₁₆
TX-SIG Aux stream: Transmitter ID	16 ₁₆

Each **function()** is constructed from three fields as follows:

function_tag (8 bits) is the value identifying the particular function in use as defined in tables 5 and 6.

function_length (8 bits) defines the total length of the **function()** in bytes, including the **function_tag**, **function_length** and **function_body()** fields.

function_body() is specific to the particular individual addressing function as defined in the clauses below.

NOTE: For each of the existing individual addressing functions defined in TS 101 191 [3], **function_body()** comprises all the fields that follow the **function_length** field.

5.2.8.2.1 ACE-PAPR function

The ACE-PAPR function is used to signal the Active Constellation Extension (ACE) parameters to the DVB-T2 modulator (see clause 9.6.1 of [1]). ACE has 3 parameters, G , L and V_{clip} that must be conveyed to all the modulators that are part of an SFN to ensure that they produce identical on-air signals. Table 7 shows the format of the individual addressing function.

Table 7: ACE-PAPR function

Syntax	Number of bits	Format
tx_ACE_PAPR_function() {		
function_tag	8	uimsbf
function_length	8	uimsbf
function_body() {		
ACE_gain	5	uimsbf
ACE_maximal_extension	3	uimsbf
ACE_clipping_threshold	7	uimsbf
reserved_for_future_use	1	bflbf
}		
}		

ACE_gain (5 bits) shall be a value between 0 and 31 that represents the ACE gain, G .

ACE_maximal_extension (3 bits) shall be a value that represents the ACE maximal extension value, L as follows:

$$L = \frac{ACE_maximal_extension + 7}{10}$$

ACE_clipping_threshold (7 bits) shall be a value that represents the ACE clipping threshold, V_{clip} as follows:

$$V_{clip} = V_{rms} \cdot 10^{\frac{ACE_clipping_threshold}{200}}$$

A value for **ACE_clipping_threshold** of 1111111₂ shall indicate that $V_{clip} = +\infty$

reserved_for_future_use (1 bit) is reserved for future use and shall be set to 0₂ until defined.

5.2.8.2.2 MISO group function

This function allows the MISO group (see clause 9.6.1 of [1] and annex D) to be signalled to a DVB-T2 modulator. Table 8 shows the format of the individual addressing function.

Table 8: MISO group function

Syntax	Number of bits	Format
tx_MISO_function() {		
function_tag	8	uimsbf
function_length	8	uimsbf
function_body() {		
MISO_group	1	bflbf
reserved_for_future_use	7	bflbf
}		
}		

MISO_group (1 bit) indicates the MISO group. Value 0₂ indicates MISO group 1. Value 1₂ indicates MISO group 2.

reserved_for_future_use (7 bits) is reserved for future use and shall all be set to 0₂ until defined.

5.2.8.2.3 TR-PAPR function

The TR-PAPR function is used to signal the Tone Reservation (TR) parameters to the DVB-T2 modulator (see clause 9.6.2 of [1]). TR has a single parameter V_{clip} that must be conveyed to all the modulators that are part of an SFN to ensure that they produce identical on-air signals. Table 9 shows how these parameters are conveyed in the addressing function.

Table 9: TR-PAPR function

Syntax	Number of bits	Format
tx_TR_PAPR_function() {		
function_tag	8	uimsbf
function_length	8	uimsbf
function_body() {		
reserved_for_future_use1	4	bflbf
TR_clipping_threshold	12	uimsbf
reserved_for_future_use2	14	
number_of_iterarions	10	bflbf
}		
}		

reserved_for_future_use1 (4 bits) are reserved for future use and shall all be set to 0₂ until defined.

TR_clipping_threshold (7 bits) shall be a value that represents the TR clipping threshold, V_{clip} (measured in volts) as follows:

$$V_{clip} = V_{rms} \cdot 10^{\frac{TR_clipping_threshold}{2000}}$$

A value for **TR_clipping_threshold** of FFF₁₆ shall indicate that $V_{clip} = +\infty$, i.e. that the TR-PAPR has no effect.

NOTE: The derivation of V_{clip} from this field differs from that used for the ACE-PAPR function defined in clause 5.2.8.2.1.

reserved_for_future_use2 (14 bits) is reserved for future use and shall be all set to 0₂ until defined.

number of iterations (10 bits) is the number of iterations of the TR algorithm to use. A value of 111111111₂ indicates that the modulator may use as many or as few as deemed necessary.

If the T2_VERSION field in the L1 signalling is set to a value greater than 0000₂ and the PAPR field is set to a value of 0000₂ then this function shall signal the V_{clip} value for the single iteration of tone reservation applied to the P2 symbols only (see clause 9.6.2 of [1]). In this case, the **number_of_iterations** shall be set to 0000000001₂. All other values are reserved for future use.

5.2.8.2.4 L1-ACE-PAPR function

The L1-ACE-PAPR function is used to signal the Active Constellation Extension (ACE) parameters that are applied to the use of ACE on the L1 signalling cells (only) to the DVB-T2 modulator (see clause 9.6.1 of [1]). The L1-ACE has one parameter $C_{L1_ACE_MAX}$ that must be conveyed to all the modulators that are part of an SFN to ensure that they produce identical on-air signals. Table 10 shows the format of the individual addressing function.

Table 10: L1-ACE-PAPR function

Syntax	Number of bits	Format
tx_L1_ACE_PAPR_function() {		
function_tag	8	uimsbf
function_length	8	uimsbf
function_body() {		
L1_ACE_max_correction	16	uimsbf
reserved_for_future_use	16	bflbf
}		
}		

L1_ACE_max_correction (16 bits) shall be a value that represents the maximum L1-ACE correction, $C_{L1_ACE_MAX}$ as follows:

$$C_{L1_ACE_MAX} = \frac{L1_ACE_max_correction}{1000}$$

A value of **L1_ACE_max_correction** of 0000₁₆ means that no correction will be made by the L1-ACE algorithm.

reserved_for_future_use (16 bits) is reserved for future use and shall be set to 0000₁₆ until defined.

5.2.8.2.5 TX-SIG FEF Sequence Numbers function

This function is used to signal the sequence numbers used by a DVB-T2 modulator when generating a Transmitter Signature contained within a FEF part (see clause 6 of [9]). The Transmitter Signature has two values of a parameter h that are used to select which Generalised Orthogonal Sequence S_h is transmitted in each of the first and second signature periods. Table 11 shows the format of the individual addressing function.

Table 11: TX-SIG FEF Sequence Numbers function

Syntax	Number of bits	Format
tx_TX_SIG_SEQ_NUM_function() {		
function_tag	8	uimsbf
function_length	8	uimsbf
function_body() {		
reserved_for_future_use1	5	bflbf
TX_SIG_FEF_SEQ_NUM_1	3	uimsbf
reserved_for_future_use2	5	bflbf
TX_SIG_FEF_SEQ_NUM_2	3	uimsbf
reserved_for_future_use3	24	bflbf
}		
}		

reserved_for_future_use1 (5 bits) is reserved for future use and all bits shall be set to 0₂ until defined.

TX_SIG_FEF_SEQ_NUM_1 (3 bits) shall be the value h indicating which Generalised Orthogonal (GO) sequence S_h is to be transmitted in the first signature period.

reserved_for_future_use2 (5 bits) is reserved for future use and all bits shall be set to 0₂ until defined.

TX_SIG_FEF_SEQ_NUM_2 (3 bits) shall be the value h indicating which Generalised Orthogonal (GO) sequence S_h is to be transmitted in the second signature period.

reserved_for_future_use3 (24 bits) is reserved for future use and all bits shall be set to 0₂ until defined.

5.2.8.2.6 TX-SIG aux stream transmitter ID function

This function is used to signal the transmitter ID used by a DVB-T2 modulator when generating a Transmitter Signature contained within an auxiliary stream (see clause 5 of [9]). The Transmitter Signature denotes the individual transmitters to be signalled as having a transmitter ID of tx_id_1 , tx_id_2 , ... tx_id_M , i.e. tx_id_m where $m=1..M$. The function signals the value of m for a given transmitter. Table 12 shows the format of the individual addressing function.

NOTE: This value tx_id_M above that denotes a transmitter signature parameter should not be confused with $tx_identifier$ which is used to address individual modulators or transmitters fed by a T2-MI stream.

Table 12: TX-SIG aux stream transmitter ID function

Syntax	Number of bits	Format
<code>tx_TX_SIG_AUX_TX_ID_function() {</code>		
<code>function_tag</code>	8	uimsbf
<code>function_length</code>	8	uimsbf
<code>function_body() {</code>		
<code>TX_SIG_AUX_TX_ID</code>	12	uimsbf
<code>reserved_for_future_use</code>	20	bflbf
<code>}</code>		
<code>}</code>		

TX_SIG_AUX_TX_ID (12 bits) shall be the value that represents the transmitter identifier m as follows: $TX_SIG_AUX_TX_ID = m$. The value of 000_{16} shall be reserved for future use.

reserved_for_future_use (20 bits) is reserved for future use and all bits shall all set to 0₂ until defined.

NOTE: The other relevant transmitter signature parameters are carried in the L1 signalling.

5.2.9 FEF part: Null

T2-MI packets with a **packet_type** of 30_{16} shall carry information related to a FEF part, in accordance with [1], clause 8.4, during which no signal shall be generated by a single profile modulator apart from the P1 preamble.

The T2-MI packet payload is shown in figure 12.

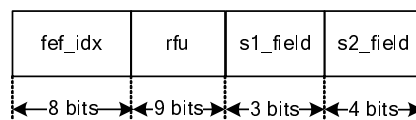


Figure 12: FEF part: Null payload

fef_idx (8 bits) indicates the index of the FEF part within the super-frame. The first FEF part in a super-frame shall have a fef_idx value of 0 and this shall increment by 1 for each subsequent FEF part.

rfu (9 bits) bits reserved for future use and shall all be set to 0₂ until defined.

s1_field gives the value of the S1 field in the P1 preamble of the FEF part according to clause 7.2.1 of [1].

s2_field gives the value of the S2 field in the P1 preamble of the FEF part according to clause 7.2.1 of [1].

Unless the content for the corresponding FEF part is specified by another means, the modulator shall generate a P1 preamble according to the **s1_field** and **s2_field** followed by zero modulation values for the remainder of the FEF part.

5.2.10 FEF part: I/Q data

T2-MI packets with a **packet_type** of 31_{16} shall carry information related to a FEF part, in accordance with [1], clause 8.4, together with I/Q data to be transmitted during the FEF part.

The T2-MI packet payload is shown in figure 13.

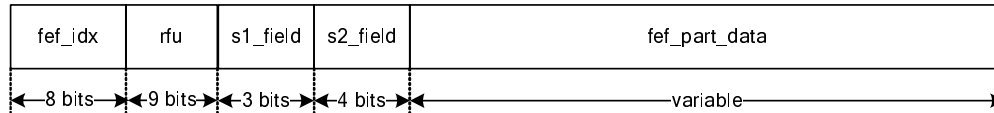


Figure 13: FEF part: I/Q data payload

fef_idx (8 bits) indicates the index of the FEF part within the super-frame. The first FEF part in a super-frame shall have a **fef_idx** value of 0 and this shall increment by 1 for each subsequent FEF part.

rfu (9 bits) bits reserved for future use and shall all be set to 0₂ until defined.

s1_field gives the value of the "S1" field in the P1 preamble of the FEF part according to clause 7.2.1 of [1].

s2_field gives the value of the "S2" field in the P1 preamble of the FEF part according to clause 7.2.1 of [1].

fef_part_data carries the IQ data for each FEF part. It shall consist of the complex sample values in time order, starting from the first sample after the end of the P1 preamble, at a sampling rate of $1/T$ as defined in clause 9.5 of [1]. Each sample value shall be sent as a 12-bit two's complement value I for the real part immediately followed by a 12-bit two's complement value Q for the imaginary part of the complex number. The sample value, $p_{FEF}(t)$, shall be given by:

$$\begin{aligned} \text{Re}(p_{FEF}(t)) &= \frac{I}{2^9} \\ \text{Im}(p_{FEF}(t)) &= \frac{Q}{2^9} \end{aligned}$$

where I and Q are the 12-bit two's complement values represented as integers in the range -2^{11} to $2^{11}-1$. The transmitted signal $s(t)$ during the T2 frames is defined in clause 9.5 of [1], and the signal during the FEF parts, using the same scaling, shall be given by:

$$s(t) = \text{Re}\left\{e^{j2\pi f_c t} p_{FEF}(t)\right\}$$

NOTE: This allows a peak modulation magnitude, with any phase, of 12dB above the rms level of the signal during the T2-frames. The quantization noise is approximately 59dB below the rms level of the T2-frames.

When this T2-MI packet type is used, the mean power of the complex samples $E(|p_{FEF}|^2)$ shall not exceed unity.

If more than one T2-MI packet is used for a particular FEF part, the payload of T2-MI packets with an unfinished stream shall end with a completed sample. The next sample value for that FEF part shall then start at the beginning of the payload of the next T2-MI packet with **packet_type** 31_{16} with the same **fef_idx**. All T2-MI packets of type 31_{16} with a given **fef_idx** shall have the same value of **s1_field** and **s2_field**. The total number of complex samples shall equal $FEF_LENGTH-2048$ where FEF_LENGTH is the L1-post configurable signalling field defined in clause 7.2.3.1 of [1].

5.2.11 FEF part: composite

T2-MI packets with a **packet_type** of 32_{16} shall carry information related to a FEF part, in accordance with [1], clause 8.4, formed as a composite of sub-parts as depicted in figure 14.

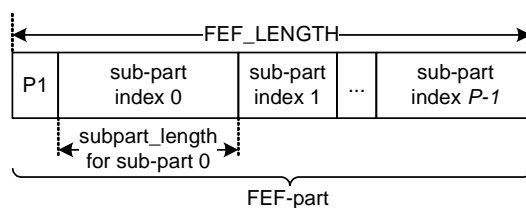


Figure 14: The division of FEF parts into sub-parts

The composite FEF part is signalled to the modulator using the T2-MI packet payload shown in figure 15. The actual sub-parts are carried in separate packets of **packet_type** 33_{16} defined in clause 5.2.12. A packet of **packet_type** 32_{16} for a given **fef_idx** must arrive at a modulator before any packets describing sub-parts. A complete set of P sub-parts describing the entire FEF-part and whose total length adds up to **FEF_LENGTH** (clause 7.2.3.1 of [1]) must be signalled to the modulator.

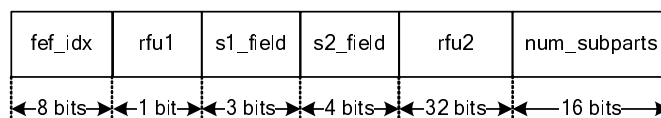


Figure 15: FEF part: composite payload

fef_idx (8 bits) indicates the index of the FEF part within the super-frame. The first FEF part in a super-frame shall have a **fef_idx** value of "0" and this shall increment by 1 for each subsequent FEF part.

rfu1 (1 bit) is reserved for future use and shall be set to 0_2 .

s1_field gives the value of the S1 field in the P1 preamble of the FEF part according to clause 7.2.1 of [1].

s2_field gives the value of the S2 field in the P1 preamble of the FEF part according to clause 7.2.1 of [1].

rfu2 (32 bits) reserved for future use and shall all be set to 0_2 .

num_subparts (16 bits) signals the total number of sub-parts P making up the FEF part.

The overall composition of the sub-parts as defined by this packet type shall be the same for all modulators fed by a single T2-MI feed. However, the contents of individual sub-parts may be addressed to modulators or combinations of modulators individually by means of a **tx_identifier** field in the FEF sub-part (see clause 5.2.12).

5.2.12 FEF sub-part

T2-MI packets with a **packet_type** of 33_{16} shall carry information related to a FEF sub-part as shown in figure 16.

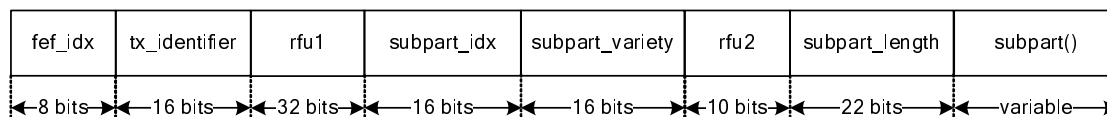


Figure 16: FEF part: sub-part payload

fef_idx (8 bits) indicates the index of the FEF part within the super-frame. The first FEF part in a super-frame shall have a **fef_idx** value of 0 and this shall increment by 1 for each subsequent FEF part. The **fef_idx** shall be the same for all the sub-parts that form part of the same FEF part.

tx_identifier (16 bits) is a word used to address a sub-part to individual transmitters or modulators. This field has the same meaning as in clause 5.2.8. A value of 0000_{16} is used as a broadcast address to address all transmitters or modulators in the network. If a modulator receives more than one sub-part addressed to it with a given value of **fef_idx** and **subpart_idx**, the modulator shall use the last sub-part received to form the transmitted signal.

rfu1 (32 bits) are reserved for future use and shall all be set to 0_2 .

subpart_idx (16 bits) indicates the sub-part index p of the sub-part that makes up the FEF part according to clause 5.2.11. Sub-parts shall be assembled in order or increasing sub-part index.

rfu2 (10 bits) are reserved for future use and shall all be set to 0₂.

subpart_length (22 bits) signals the length in elementary time periods of this sub-part. The length of all the sub-parts with a given **fef_idx** shall add up to FEF_LENGTH-2048.

subpart_variety (16 bits) indicates the variety of the FEF sub-part. A number of different varieties of FEF sub-part have been defined as shown in table 13.

Table 13: Signalling of subpart_variety

subpart_variety value	FEF sub-part variety
0000 ₁₆	Null
0001 ₁₆	IQ
0002 ₁₆	PRBS
0003 ₁₆	TX-SIG: FEF
0004 ₁₆ to FFFF ₁₆	Reserved for future use

subpart() is a field whose format and length varies depending on the signalled value of **subpart_variety**. The format of the field is detailed in the clauses that follow.

5.2.12.1 FEF sub-part: Null

This sub-part variety instructs a modulator to transmit a null sub-part during which no signal shall be generated by the modulator. Its format is described in table 14.

Table 14: FEF sub-part: Null

Format	Number of bits	Format
subpart() {		
reserved_for_future_use	32	bflbf
}		

reserved_for_future_use (32 bits) are reserved for future use and shall all be set to 0₂.

5.2.12.2 FEF sub-part: IQ

This sub-part variety instructs a modulator to transmit a set time-domain IQ samples for the duration of the sub-part. Its format is described in table 15.

Table 15: FEF sub-part: IQ data

Format	Number of bits	Format
subpart() {		
reserved_for_future_use	32	bflbf
iq_data	variable	(see below)
}		

reserved_for_future_use (32 bits) are reserved for future use and shall all be set to 0₂.

iq_data (variable bits) carries the IQ data for the FEF sub-part. It shall consist of the complex sample values in time order, starting from the first sample after the end of the P1 preamble, at a sampling rate of $1/T$ as defined in clause 9.5 of [1]. Each sample value shall be sent as a 12-bit two's complement value I for the real part immediately followed by a 12-bit two's complement value Q for the imaginary part of the complex number. The sample value, $p_{FEF}(t)$, shall be given by:

$$\begin{aligned}\operatorname{Re}(p_{FEF}(t)) &= \frac{I}{2^9} \\ \operatorname{Im}(p_{FEF}(t)) &= \frac{Q}{2^9}\end{aligned}$$

where I and Q are the 12-bit two's complement values represented as integers in the range -2^{11} to $2^{11}-1$. The transmitted signal $s(t)$ during the T2 frames is defined in clause 9.5 of [1], and the signal during the FEF parts, using the same scaling, shall be given by:

$$s(t) = \operatorname{Re}\{e^{j2\pi f_c t} p_{FEF}(t)\}$$

NOTE: This allows a peak modulation magnitude, with any phase, of 12dB above the rms level of the signal during the T2-frames. The quantization noise is approximately 59dB below the rms level of the T2-frames.

When this T2-MI packet type is used, the mean power of the complex samples $E(|p_{FEF}|^2)$ shall not exceed unity.

If it is required to convey more IQ sample data than can be conveyed in a single T2-MI packet then the time sample data must be split across more than one sub-part.

5.2.12.3 FEF sub-part: PRBS

This sub-part variety instructs a modulator to transmit a sub-part containing data generated by a PRBS. Its format is shown in table 16.

Table 16: FEF sub-part: IQ data

Format	Number of bits	Format
subpart() {		
prbs_type	8	uimsbf
reserved_for_future_use	96	bflbf
}		

prbs_type (8 bits) indicates the type of PRBS and technique used to generate the FEF sub-part. The allowed values are shown in table 17.

Table 17: Signalling of subpart_variety

prbs_type	FEF sub-part variety
00 ₁₆	User-defined test and measurement
01 ₁₆ to FF ₁₆	Reserved for future use

reserved_for_future_use (96 bits) are reserved for future use and shall all be set to 0₂.

5.2.12.4 FEF sub-part: TX-SIG FEF

This sub-part variety instructs a modulator to form a sub-part during which time a Transmitter Signature using a FEF [9] shall be transmitted. Its format is shown in table 18.

Table 18: FEF sub-part: TX-SIG using a FEF

Format	Number of bits	Format
subpart() {		
reserved_for_future_use	32	bflbf
}		

reserved_for_future_use (32 bits) are reserved for future use and shall all be set to 0₂.

NOTE 1: At the time of writing the present document, the Tx Signature FEF is defined as an 'Undefined FEF part', signalled by S1=010, S2=000X in the T2-MI packet with **packet_type** of 32₁₆ (clause 5.2.11) describing the FEF-part that contains this sub-part.

NOTE 2: The particular sequence numbers used in the formation of the TX-SIG by a given transmitter or modulator can be signalled using an individual addressing function (clause 5.2.8.2.6).

5.3 Generation of L1 signalling from the T2-MI packets

The behaviour of a DVB-T2 modulator operating with a T2-MI signal as described by the present document is defined by the DVB-T2 specification [1] of the signal-on-air combined with the definition of the content of the various T2-MI packets, together with certain configuration parameters for the individual modulator.

Modulators will generate the L1-pre signalling by assembling:

- the L1PRE field from L1-current (type 10₁₆) T2-MI packet having **frame_idx** equal to FRAME_IDX of the T2-frame being generated; and
- the CRC generated by the modulator itself.

Modulators will generate the L1-post signalling for a given T2-frame by assembling:

- the L1CONF from the relevant L1-current (type 10₁₆) T2-MI packet;
- the appropriate combination of L1_DYN_CURR from the relevant L1-current (type 10₁₆) T2-MI packet, and L1_DYN_NEXT and L1_DYN_NEXT2 from the relevant L1-future (type 11₁₆) T2-MI packet, as given in table 19;
- the L1_EXT from the relevant L1-current (type 10₁₆) T2-MI packet, if present; and
- the CRC generated by the modulator itself;

where the relevant packet is the one having **frame_idx** equal to FRAME_IDX of the T2-frame being generated.

Where a modulator is generating multiple T2 profiles (e.g. a combination of T2-Base and T2-Lite profiles), the T2 data for each profile is carried in a self consistent T2-MI stream for each profile.

Table 19: The combination of L1-dynamic fields used to generate the L1-post signalling

	L1_REPETITION_FLAG=0	L1_REPETITION_FLAG=1
NUM_RF=1 (non-TFS)	L1_DYN_CURR	L1_DYN_CURR, L1_DYN_NEXT
NUM_RF>1 (TFS)	L1_DYN_NEXT	L1_DYN_NEXT, L1_DYN_NEXT2

NOTE 1: In TFS, the L1_DYN_CURR field is never transmitted in the P2 symbols. However, the information in this field is needed by the modulator for interleaving and frame building and so is always sent in the L1-current T2-MI packet.

A modulator may replace the CELL_ID field in the L1-pre signalling and/or the FREQUENCY field(s) in the configurable L1-post signalling. Modulators operating in the same Single-Frequency Network (SFN) shall all use the same values of these fields.

NOTE 2: If these fields are modified within a modulator this is done prior to calculation of the CRCs.

5.4 Transmission order of T2-MI packets

The T2-MI packets with `packet_type` 00_{16} (BB-Frames) for a given PLP shall be sent in the original order of the Baseband Frames they encapsulate. The transmission of such T2-MI packets is mandatory.

The T2-MI packets with `packet_type` 01_{16} (Auxiliary streams) with a given value of `aux_id` and packets with `packet_type` 02_{16} (arbitrary cells) shall be sent in the order of increasing cell address of the first cell that they carry.

The T2-MI packets with types 30_{16} , 31_{16} , 32_{16} and 33_{16} (FEF parts and sub-parts) shall be sent as required.

NOTE 1: Spreading out the transmission of FEF packets over the course of a T2-frame or frames, subject to the limits of T_{max4} and T_{min3} for a given modulator (clause 5.5), may be used to reduce the peak bit-rate requirement of the T2-MI.

T2-MI packets of type 00_{16} for different PLPs and T2-MI packets of type 01_{16} for different values of `aux_id` as well as T2-MI packets of type 02_{16} carrying arbitrary cell data may be multiplexed together in any order, provided the above conditions are met.

NOTE 2: The `frame_idx` in T2-MI packets of type 00_{16} may change at different times for different PLPs. For example, type 00_{16} packets for one PLP for frame $m+1$ may be sent before type 00_{16} packets for a different PLP for frame m . This is particularly likely when multi-frame interleaving is in use.

Immediately following the last transmitted T2-MI packet with `packet_type` 00_{16} , 01_{16} or 02_{16} with a given value of `frame_idx`, the following T2-MI packets shall be sent in the order set out below:

- one T2-MI packet with `packet_type` 20_{16} (DVB-T2 timestamp) with the same value of `frame_idx`. The transmission of such a T2-MI packet for each T2 frame is mandatory. Where SFN synchronization is not required the DVB-T2 timestamp shall be null (see clause 5.2.5.1);
- if required, one T2-MI packet with `packet_type` 12_{16} (P2 bias balancing cells) with the same value of `frame_idx`. Where there is no requirement for P2 bias balancing cells, this packet shall not be sent;
- one T2-MI packet with `packet_type` 10_{16} (L1-current data) with the same value of `frame_idx`. The transmission of one such T2-MI packet per T2 frame is mandatory.

If in-band signalling, L1-repetition or TFS are used, a T2-MI packet of type 11_{16} (L1-future) with the same `frame_idx` shall be sent at a later time.

When the T2-MI packet with `packet_type` 11_{16} (L1-future) is used it shall always be the last T2-MI packet with a given `frame_idx` and the T2-MI packet of type 10_{16} (L1-current) shall be the second-to-last packet with a given `frame_idx`. Otherwise the T2-MI packet of type 10_{16} (L1-current) shall be the last T2-MI packet with a given `frame_idx`.

Individual addressing function packets (`packet_type` 21_{16}) may be sent at any time.

In the case where multi-frame interleaving is used, there may be some values of the `frame_idx` field that are never signalled in the Baseband frame packets. For those values of T2 frame index that are never signalled, the other packet types that do signal this value of `frame_idx` (e.g. timestamp and L1-current) must still be sent.

To maintain an approximately constant packet-rate at the input to the modulator, these packets should be sent at intervals of approximately:

$$T_f + (T_{FEF} / I_{FEF})$$

NOTE 3: This has the effect of minimising the value of T_{max3} that is required to be supported by modulators (see clause 5.5).

EXAMPLE: A case when $P_f=2$, showing the relative timing of the T2-MI packets and the relevant values of `frame_idx` (where appropriate) is illustrated in figure 17.

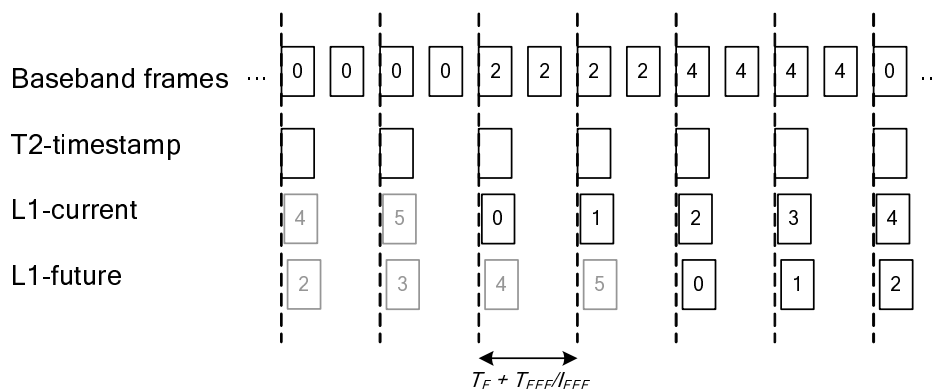


Figure 17: Recommended timing of T2-MI packets for a single PLP case with $P_1=2$

END of EXAMPLE

The transmission order and timing of T2-MI packets are summarised in figure 18 (clause 5.5).

Where a modulator is generating multiple T2 profiles (e.g. a combination of T2-Base and T2-Lite profiles), the T2 data for each profile is carried in a self consistent T2-MI stream for each profile.

5.5 Timing of T2-MI packet transmission

In this clause, $T_{\min1}$, $T_{\min2}$, $T_{\min3}$, $T_{\max1}$, $T_{\max2}$, $T_{\max3}$ and $T_{\max4}$ represent specification values for a modulator and should be quoted by modulator manufacturers. Network operators should design the timing of a network carrying T2-MI taking into account the values for each of the modulators in the network.

The T2-MI packets of type 00_{16} , 01_{16} , 02_{16} , 10_{16} , 12_{16} and 20_{16} with a given **frame_idx** shall be sent so as to arrive at the modulator no later than $T_{\min1}$ before the beginning of the corresponding T2-frame is due for transmission.

The T2-MI packet of type 11_{16} , if used, with a given **frame_idx**, shall be sent so as to arrive at the modulator no later than $T_{\min2}$ before the beginning of the corresponding T2-frame is due for transmission.

T2-MI packets of type 30_{16} , 31_{16} , 32_{16} and 33_{16} with a given **fef_idx** shall arrive no later than $T_{\min3}$ before the corresponding FEF part is due for transmission.

T2-MI packets of type 00_{16} with a given **frame_idx** shall arrive no earlier than $T_{IF}+T_{\max1}$ before the beginning of the corresponding T2-frame is due for transmission, where:

$$T_{IF}(i) = P_1(i) \times I_{jump}(i) \times \left(T_F + \frac{T_{FEF}}{I_{FEF}} \right)$$

is the duration of one Interleaving Frame for the corresponding PLP i .

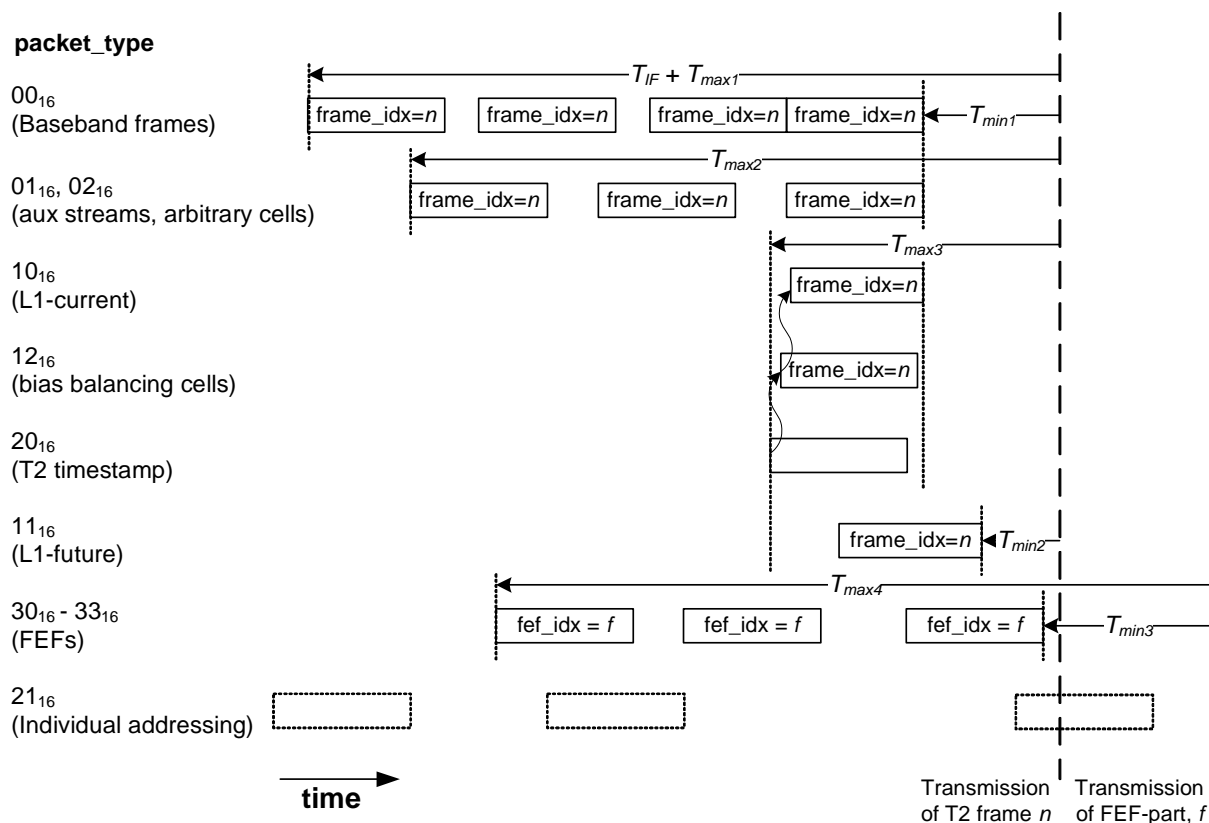
T2-MI packets of type 01_{16} and 02_{16} with a given **frame_idx** shall arrive no earlier than $T_{\max2}$ before the beginning of the corresponding T2-frame is due for transmission.

T2-MI packets of type 10_{16} , 11_{16} , 12_{16} and 20_{16} with a given **frame_idx** shall arrive no earlier than $T_{\max3}$ before the beginning of the corresponding T2-frame is due for transmission.

T2-MI packets of type 30_{16} , 31_{16} , 32_{16} and 33_{16} with a given **fef_idx** shall arrive no earlier than $T_{\max4}$ before the corresponding FEF part is due for transmission.

For the purposes of this clause, the time of arrival of a T2-MI packet at the modulator shall be defined as the time at which the packet is delivered by the underlying DVB data piping protocol (see clause 6.1).

The timing and transmission order of T2-MI packets is summarised in figure 18.



NOTE 1: All operations on $frame_idx$ are modulo N_{T2} .

NOTE 2: Individual addressing functions (packet_type 21_{16}) may be sent at any time.

NOTE 3: The T2-Timestamp refers to the transmission time of the super-frame, although it is sent every frame.

NOTE 4: The figure shows a single PLP. When using multiple PLPs, T_{IF} , and hence the timing requirements for the type 00_{16} packets, can be different for different PLPs.

Figure 18: Timing and transmission order of T2-MI packets

Where a modulator is generating multiple T2 profiles (e.g. a combination of T2-Base and T2-Lite profiles), the T2 data for each profile is carried in a self consistent T2-MI stream for each profile.

6 Transport of T2-MI packets

The structure of the T2-MI protocol stack described in clause 4.3 allows two mechanisms for distribution; one for traditional ASI interfaces, the other for IP based networks.

Both mechanisms rely on first inserting the T2-MI packets into DVB/MPEG-2 TS packets which can then be interfaced to a distribution network via such interfaces as described in EN 50083-9 [i.2].

The resulting TS can then be further encapsulated into an IP stream using the DVB IPTV standard, TS 102 034 [5].

6.1 Encapsulation of T2-MI packets in MPEG-2 TS

The insertion of T2-MI packets into MPEG-2 TS packets shall be in accordance with EN 301 192 [4], clause 4, "Data Piping". This mechanism allows for the insertion of data directly into the payload of MPEG-2 TS packets with the minimum of additional overhead.

6.1.1 Description

The T2-MI packets are inserted, one after another, into the payload of MPEG-2 TS packets. Each new T2-MI packet shall start immediately following the previous one. A TS packet may contain more than one T2-MI packet. T2-MI packets that are too big to fit into the payload of a single TS packet shall be split across multiple TS packets as required.

Since the length of each T2-MI packet is variable (indicated by the **payload_len** field in the T2-MI packet header), the start of a TS packet's payload does not necessarily coincide with the start of a T2-MI packet. To enable synchronization within a device receiving T2-MI, the "payload_unit_start_indicator" bit in the TS header shall be used to indicate that a new T2-MI packet starts somewhere within the current TS packet. When this is the case an 8-bit pointer shall be positioned as the first payload byte of the TS packet, indicating the offset from the start of the TS payload to the first byte of the first T2-MI packet. This 8-bit pointer field (uimsbf) shall indicate the number of bytes immediately following the pointer field until the first byte of the first T2-MI packet that is present in the payload of the Transport Stream packet (i.e. a value of 00_{16} in the pointer field indicates that the T2-MI packet starts immediately after the pointer field). This is illustrated in figure 19.

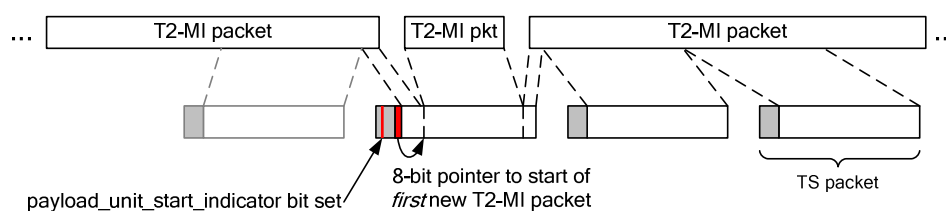


Figure 19: Encapsulation of T2-MI Packets in MPEG-2 TS

Using this mechanism the T2-MI packet can begin anywhere in the TS packet. There is no requirement to have T2-MI packets beginning at the start of a TS packet and no need for unnecessary stuffing.

NOTE 1: Since the TS packets containing T2-MI packets are carrying a data type not defined by MPEG, EN 301 192 [4] allows the use of the "payload_unit_start_indicator" bit in this "service private way".

When a T2-MI packet ends at the last-but-one byte of a TS packet and starts in a previous TS packet, the one remaining byte does not allow space for both the insertion of the 8-bit pointer field and the first byte of the next T2-MI packet. In this case the size of the payload of the TS packet shall be reduced by one byte through the use of adaptation field stuffing [7] such that the current T2-MI packet finishes at the end of the TS packet payload. The next T2-MI packet shall start in the next TS packet having the same PID.

NOTE 2: Arbitrary amounts of padding may also be added, if required, at this layer through the use of arbitrary numbers of stuffing bytes in the adaptation field of the transport stream packet [7].

EXAMPLE: A T2-MI packet is being transmitted. Most of the T2-MI packet has been transmitted and only 50 bytes remain to be sent. The next T2-MI packet is not yet available and there are therefore not enough bytes to fill up a TS packet. To allow this TS packet to be transmitted immediately, an adaptation field of total length 134 bytes (adaptation_field_length = 133) containing stuffing bytes can be inserted before the payload.

For carriage over managed distribution networks a minimum of PSI should be used in order to prevent erroneous alarms from being set. This would normally comprise a PAT, and PMT for a single "Program" as defined in ISO/IEC 13818-1 [7]. The Stream Type to be used in the PMT is not defined in EN 301 192 [4]. For the purposes of interoperability, it should be set to 06_{16} and, if used, the T2MI_descriptor [8] shall be added to a PMT sub-table, for every T2-MI stream.

Similarly, some networks may require the carriage of mandatory DVB SI tables, and reference should be made to EN 300 468 [8] for the appropriate values to be used in such tables.

When NUM_RF=1, the maximum rate of the transport stream carrying the T2-MI shall be 72 Mbps.

6.2 Encapsulation of MPEG-2 TS in IP packets

A DVB-T2 modulator may support the transport of MPEG-2 TS over IP. In case the DVB-T2 modulator supports IP-based delivery, the transport of MPEG-2 TS over IP shall follow the specification in this clause. The transport of MPEG-2 TS over IP relies on the methods specified in TS 102 034 [5]. This clause specifies a protocol for FEC protected multicast delivery of MPEG-2 Transport Streams over RTP and is based on IP version 4 according to [5]. IP version 6 is not supported.

Unicast delivery of MPEG-2 Transport Streams over IP is outside the scope of the present document. However, the unicast transport may rely on the same protocol as specified in clause 6.2.2.

6.2.1 Setup Information

For delivering FEC-protected, multicast MPEG-2 Transport Streams over RTP using the protocols in TS 102 034 [5], the following setup information should be provided according to [5], clause 5.2.6.2, table 4:

- IPMulticastAddress:
 - IPMulticastAddress@Source: Optionally the IP unicast address of the source of the TS may be provided.
 - IPMulticastAddress@Address: Provides the multicast address at which the service may be accessed.
 - IPMulticastAddress@Port: Provides the port at which the service may be accessed.
 - FECBaseLayer: Contains the multicast address and port of the AL-FEC stream. This element shall be present if the FECBaseLayer element is present:
 - FECBaseLayer@Address: IP Multicast Address for FEC Base Layer. If the IP multicast address is omitted, then the FEC flow is assumed to be on the same multicast address as the original data.
 - FECBaseLayer@Source: IP Multicast Source Address for FEC Base Layer. If the IP multicast source address is omitted, then the FEC flow is assumed to be on the same multicast source address as the original data.
 - FECBaseLayer@Port: UDP port for FEC Base Layer.
 - FECEnhancementLayer: Contains the multicast address and port of the AL-FEC enhancement stream(s). This element shall only be present if the FECBaseLayer element is present. This element may be repeated for multiple layers:
 - FECEnhancementLayer@Address: IP Multicast Address for FEC Enhancement Layer. If the IP multicast address is omitted, then the FEC flow is assumed to be on the same multicast address as the original data.
 - FECEnhancementLayer@Source: IP Multicast Source Address for FEC Enhancement Layer. If the IP multicast source address is omitted, then the FEC flow is assumed to be on the same multicast source address as the original data.
 - FECEnhancementLayer@Port: UDP port for FEC Enhancement Layer.
 - IPMulticastAddress@FECMaxBlockSizePackets: This indicates the maximum number of stream source packets that will occur between the first packet of a source block (which is included) and the last packet for that source block (source or repair).
 - IPMulticastAddress@FECMaxBlockSizeTime: The maximum transmission duration of any FEC Block (source and repair packets).
 - IPMulticastAddress@FECObjectTransmissionInformation The FEC Object Transmission Information for the Raptor code. If a FECEnhancementLayer element is included then this element shall be included.

For details of the semantics of these parameters refer to [5].

6.2.2 Transport Protocols

Where the MPEG-2 TS is transported over IP, the MPEG-2 TS shall be encapsulated in RTP (Real-time Transport Protocol) according to RFC 3550 [6] as specified in TS 102 034 [5], clause 7.1.1.

RTCP sender reports and receiver reports shall not be used.

FEC protection of the MPEG-2 Transport Stream may be provided according to TS 102 034 [5], clauses E.3 and E.4. When a DVB AL-FEC enhancement layer is provided, the FEC Scheme defined in TS 102 034 [5], clause E.4.3.2 shall be used.

DVB-T2 modulators that support the transport of MPEG-2 TS over IP shall support the minimum decoder requirements according to [5], clause E.5.1.1, i.e. FEC decoders shall support processing of the DVB AL-FEC base layer packets.

DVB-T2 modulators that support the transport of MPEG-2 TS over IP may support the enhanced decoder requirements according to [5], clause E.5.1.2, i.e. FEC decoders may support processing of the DVB AL-FEC base layer and DVB AL-FEC enhancement layer packets.

6.2.3 Session Initiation and Control

Session initiation is outside the scope of the specification. The session initiation and control for the multicast distribution according to TS 102 034 [5], clause 7.3.1 may be used.

6.2.4 Network Requirements

The network requirements for the multicast distribution shall be in accordance with TS 102 034 [5], clause 7.2.

In case application layer FEC is applied, the network requirements may be relaxed. For configuration examples of application layer FEC for different network characteristics, refer to DVB BlueBook A115 [i.3].

Annex A (normative): Calculation of the CRC word

The implementation of Cyclic Redundancy Check codes (CRC-codes) allows the detection of transmission errors at the receiver side. For this purpose CRC words shall be included in the transmitted data. These CRC words shall be defined by the result of the procedure described in this annex.

A CRC code is defined by a polynomial of degree n :

$$G_n(x) = x^n + g_{n-1}x^{n-1} + \dots + g_2x^2 + g_1x + 1$$

with $n \geq 1$:

and: $g_i \in \{0,1\}$, $i = 1 \dots n-1$

The CRC calculation may be performed by means of a shift register containing n register stages, equivalent to the degree of the polynomial (see figure A.1). The stages are denoted by $b_0 \dots b_{n-1}$, where b_0 corresponds to 1, b_1 to x , b_2 to x^2, \dots, b_{n-1} to x^{n-1} . The shift register is tapped by inserting XORs at the input of those stages, where the corresponding coefficients g_i of the polynomial are "1".

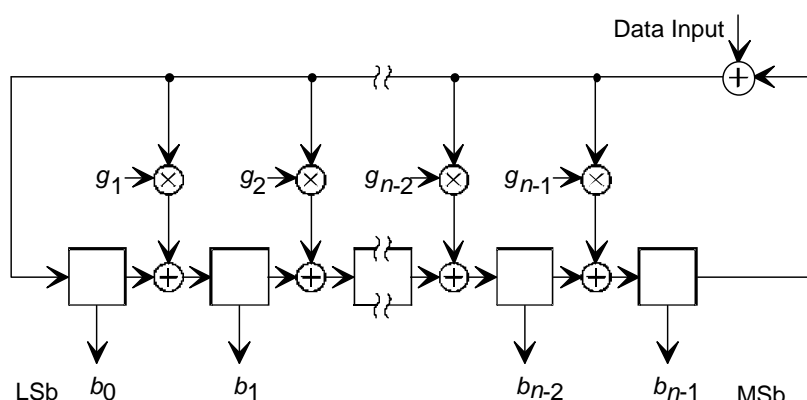


Figure A.1: General CRC block diagram

At the beginning of the CRC-32 calculation all register stage contents are initialized to ones.

After applying the first bit of the data block (MSB first) to the input, the shift clock causes the register to shift its content by one stage towards the MSB stage (b_{n-1}), while loading the tapped stages with the result of the appropriate XOR operations. The procedure is then repeated for each data bit. Following the shift after applying the last bit (LSB) of the data block to the input, the shift register contains the CRC word which is then read out. Data and CRC word are transmitted with MSB first.

The CRC code used in the T2-MI packet is based on the following polynomial:

$$G_{32}(x) = x^{32} + x^{26} + x^{23} + x^{22} + x^{16} + x^{12} + x^{11} + x^{10} + x^8 + x^7 + x^5 + x^4 + x^2 + x + 1$$

NOTE: The CRC-32 coder defined in this annex is identical to that specified in annex F of the DVB-T2 system specification [1].

Annex B (normative): T2 Modulator Information Packet (T2-MIP)

B.1 Use of the T2-MIP for over the air synchronization

The T2-MI packets, as described in the main body of the present document, are only used by the modulator and not broadcast from the transmitter. For use cases where several repeaters are receiving a DVB-T2 signal from a main transmitter and retransmitting it on a common second frequency, in an SFN, there is a need to make this retransmission from the repeaters in a time-synchronized way. This situation is detailed in figure B.1.

There are two types of repeater. They may be:

- regenerative repeaters, i.e. demodulating the DVB-T2 signal and the re-modulating the demodulated transport streams to form a regenerated DVB-T2 signal which is then retransmitted; or
- transposers, i.e. they would shift frequency, amplify, delay and transmit the received DVB-T2 signal without a full re-modulation process taking place.

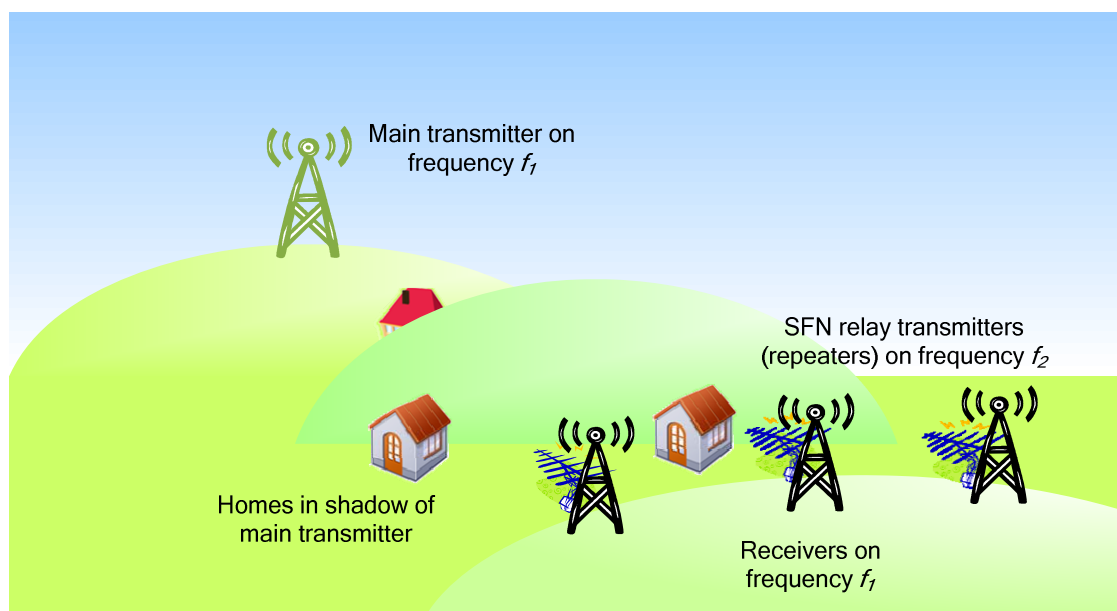


Figure B.1: SFN Relays taking input over the air from the Main transmitter

In this situation, the relay transmitters do not have access to the T2-MI packets that were used by the modulator at the main transmitter to generate the on-air, physical layer, T2 signal.

Because the physical layer signal has been defined at the main transmitter, the only synchronization data required by the relay is the time of emission. This is carried by a special Transport Stream packet (the T2-MIP) which is carried in the over-air DVB-T2 signal.

This TS packet can be decoded by a demodulator in each repeater to extract the required emission time of a particular super-frame of the DVB-T2 signal. Based on this information, and on the knowledge of the timing of the currently-received super-frame, each repeater can apply the appropriate time delay to ensure emission of the super-frame at the required time.

This version of the T2-MI specification only defines the T2-MIP to be carried over transport streams, which is derived from the equivalent packet used in DVB-T networks [3]. There is currently no equivalent specification for such a mechanism to synchronize networks carrying services over other transports, such as GSE [2].

See figure B.2 for the architecture of such a network.

NOTE: The T2-MIP inserter resides in the T2 Gateway, as it is this unit that defines the construction of the T2 Frame and Super-frame, and hence the timing relationship of TS packets to the physical layer modulation.

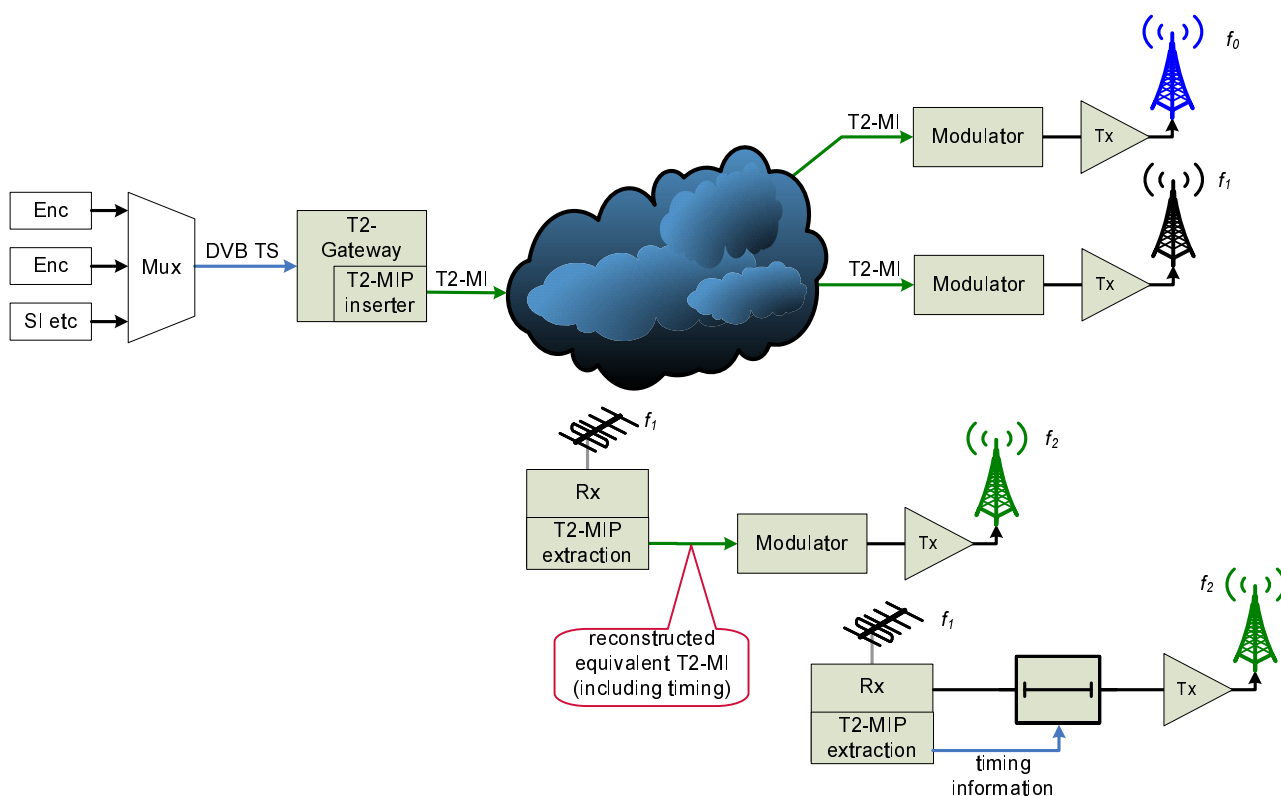


Figure B.2: Generic architecture of over-air distribution of the T2-MIP to a SFN Sub-network

Under this condition, it is envisaged that the receiver at the relay station would deconstruct the incoming DVB-T2 signal into the constituent parts such that it could effectively pass an equivalent of the T2-MI signal on to the relay's modulator. This is necessary to ensure that every relay's modulator constructs the air interface identically at each station in the SFN.

Where the network is broadcasting multiple T2 Profiles (e.g. a combination of T2-Base and T2-Lite profiles), accurate reconstruction of the physical layer signal will need to be maintained for all profiles.

B.2 T2-MIP Definition

B.2.1 Field description

The T2-MIP is an MPEG-2 compliant Transport Stream (TS) packet [7], made up of a 4 byte header and 184 data bytes. The organization of the T2-MIP is shown in table B.1.

Table B.1: DVB-T2 Modulator Information Packet (T2-MIP)

Syntax	Number of bits	Identifier
t2_modulator_information_packet() {		
transport_packet_header	32	bslbf
synchronization_id	8	uimsbf
section_length	8	uimsbf
t2_timestamp_mip_length	8	uimsbf
t2_timestamp_mip	88	bslbf
rfu_length	8	uimsbf
for i = 1..rfu_length { rfu_byte	8	uimsbf
}		
individual_addressing_length	8	uimsbf
for j = 1..individual_addressing_length { individual_addressing_byte	8	uimsbf
}		
crc_32	32	rpchof
for k = 1..stuffing_length { stuffing_byte	8	uimsbf
}		
}		
NOTE 1: Optional parameters are shown in <i>italic</i> .		
NOTE 2: The total length of a T2-MIP shall always be 188 bytes.		

transport_packet_header (32 bits) shall comply with ISO/IEC 13818-1 [7], clause 2.4.3.2, tables 3 and 4.

- The PID value for the T2-Modulator Information Packet (T2-MIP) shall be 15_{16} .
- The payload_unit_start_indicator is not used by the SFN synchronization function and shall be set to 1.
- The transport_priority value is not used by the SFN synchronization function and shall be set to 1.
- The transport_scrambling_control value shall be set to 00 (not scrambled).
- The adaptation_field_control value shall be set to 01 (payload only).
- All other parameters are according to ISO/IEC 13818-1 [7], clause 2.4.3.2.
- The Transport Packet Header (TPH) is mandatory.

Mandatory T2-MIP fields

synchronization_id (8 bits) is used to identify the synchronization scheme used. For DVB-T2 the value shall be 02_{16} .

NOTE 1: The values of **synchronization_id** that apply for different transmissions systems are defined in table 2 of TS 101 191 [3].

section_length (8 bits) specifies the number of bytes following immediately after the section_length field until, and including, the last byte of the **crc_32** but not including any stuffing_byte. The section_length shall not exceed 182 bytes.

t2_timestamp_mip_length (8 bits) specifies the length in bytes of the **t2_timestamp_mip** field that follows. The value is currently fixed at 11_{10} .

t2_timestamp_mip (88 bits) is in the identical format to that specified for the complete payload of the T2-MI packet with packet type 20_{16} (see clause 5.2.7). The values expressed by this field refer to the emission time from the repeater of the T2 super-frame in which the last bit of the payload of the TS packet carrying the T2-MIP appears.

NOTE 2: The value of the T2 timestamp carried by the T2-MIP may be different from that contained in packet type 20_{16} of the T2-MI interface being used as input to the modulator of the main station.

rfu_length (8 bits) specifies the number of **rfu_bytes** that follow. A value of 00_{16} indicates that there are no following **rfu_bytes**. This value is currently fixed at 00_{10} , i.e. there are no **rfu_bytes** defined.

rfu_byte is one byte of a variable number of bytes that are reserved for future use, the number of which is defined by the **rfu_length** field. All bytes shall have the value 00_{16} .

individual_addressing_length (8 bits) gives the total length of the individual addressing loop in bytes. If individual addressing of transmitters is not performed the field value is 00_{16} and there shall be no **individual_addressing_byte** field.

individual_addressing_byte contains the bytes of the **individual_addressing_data** field of a T2-MI packet of type 21_{16} (see clause 5.2.8).

crc_32 (32 bits) is calculated across all other bits in the packet, including the **transport_packet_header** but excluding the **stuffing_byte** field, in accordance with annex A.

stuffing_byte shall have the value FF_{16} . There shall be a multiple of **stuffing_bytes** such that the **t2_modulator_information_packet** is exactly 188 bytes long.

NOTE 3: Whilst the values for the **t2_timestamp** field and the **individual_addressing_bytes** follow the format of the payloads of T2-MI packet types 20_{16} and 21_{16} respectively, the values carried may be different to those carried in these packets within the T2-MI.

B.2.2 Transmission of the T2-MIP over DVB-T2

The T2-MIP may be transmitted in one or more of the transport streams being sent over DVB-T2. If the T2-MIP is used there has to be at least one complete T2-MIP within a T2 super-frame for each T2 profile. The T2-MIP may be sent at any time within the super-frame and the timing may be different from super-frame to super-frame (see the definition of the **t2_timestamp_mip** field in clause B.2.1).

Where multiple PLPs are used, only one of the PLPs should carry a T2-MIP. If it is carried in multiple PLPs then the T2 timestamp shall be identical within all PLPs for that super-frame.

NOTE: Where a common PLP is available, this is the preferred location for the T2-MIP.

Annex C (informative): Local Content Insertion

When carrying the data for a T2 transmission containing multiple PLPs, local content can be inserted into individual PLPs into the T2-MI at a point or points downstream of the T2-gateway. This annex describes one way of achieving this.

A typical application is shown in figure C.1.

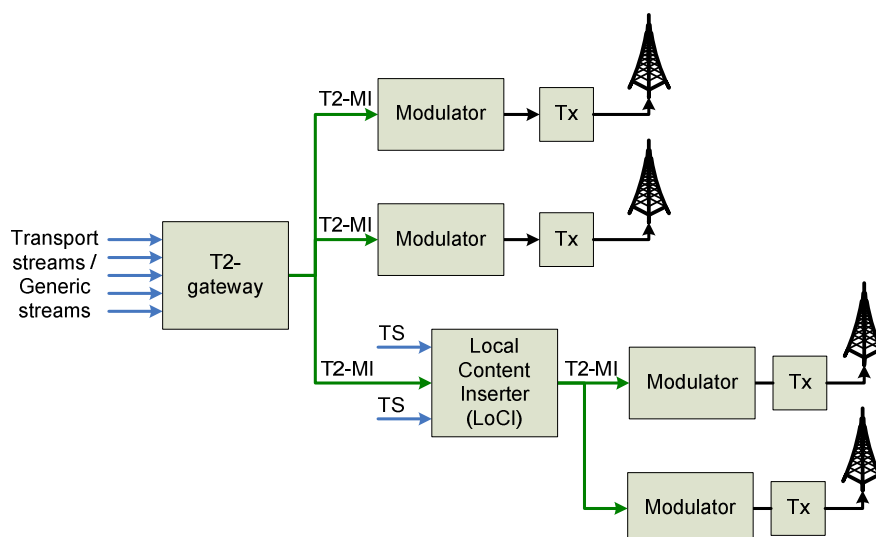


Figure C.1: Local content insertion into a T2-MI stream within a T2-system

A Local Content Inserter (LoCI) takes as its input the T2-MI stream generated in the T2-gateway, inserts any local content and outputs the resulting T2-MI stream.

For PLPs that are to carry locally inserted content, the T2-gateway performs the allocation of all BB frames as normal; generating type 00_{16} T2-MI packets that are both consistent with the L1 signalling carried in type 10_{16} and 11_{16} T2-MI packets and that have the correct timing.

For a given PLP, the LoCI filters the incoming type 00_{16} T2-MI packet (carrying Baseband Frames) based on the `plp_id` field (see clause 5.2.1). The BBFRAME data field of every T2-MI packet with a matching `plp_id` field, is then replaced with the local content, using BB frame padding as appropriate and the CRC32 field re-calculated.

Where no content is available at the T2-gateway to fill those BB frames pertaining to PLPs that are to be later replaced in a LoCI, the BB frames may be of zero DataField Length (DFL = 0), i.e. all padding.

The LoCI can deal with the timing between the incoming T2-MI and the local transport streams at the input to the LoCI in a number of ways. There are three possibilities:

- The local transport stream is locked to the T2-MI and is at a rate that exactly matches that needed to fill the BB frames to be replaced.
- The local transport stream rate is lower than that needed to exactly fill the BB frames to be replaced and BB frame padding is inserted by the LoCI.
- The local transport stream rate is lower than that needed to exactly fill the BB frames to be replaced and Null TS packets are inserted into the BB frames by the LoCI. In this case the LoCI performs any necessary restamping.

This method of local content insertion has the advantage that the LoCI can be a simple device that does not require any knowledge of the SFN timestamp. The disadvantage is that capacity is allocated on the link carrying the original T2-MI from the T2-gateway for BB frames that are to be replaced with local content.

Annex D (informative): MISO Management

As described, the T2-MI is designed to ensure that modulators in a network all generate identical signals at identical times. When the MISO option of DVB-T2 is used, as described in clause 9.1 of [1], the modulators belonging to transmitter group 1 are required to generate different signals to those in transmitter group 2. Nevertheless, all modulators in the network carry identical Baseband Frames and L1-signalling, with identical timing, so the same T2-MI stream is therefore sufficient for all modulators. In addition, each modulator needs to be configured as belonging to either group 1 or group 2. This can be seen as another modulator-specific parameter, similar to the power, frequency or individual time offset, and may be configured locally at the modulator, by a central control system, or using the individual addressing function described in clause 5.2.6.

Annex E (informative): T2-MI overhead

This annex gives an indication of the overhead associated with the encapsulation of T2 data within T2-MI packets and the additional overhead involved in the transport of T2-MI over MPEG-2 Transport Stream or IP both with and without the use of Forward Error Correction (FEC).

E.1 Encapsulation of T2 data within T2-MI packets

The encapsulation of T2 data within T2-MI packets (clause 5.1) requires an overhead due to:

- the T2-MI header (6 bytes);
- the crc32 field (4 bytes); and
- the additional fields within the T2-MI packet payload associated with the carriage of BB frames (3 bytes).

For a typical T2 configuration (as given in clause 4.3 of [i.1]), the payload of the BB-frames is $K_{\text{bch}} = 38\ 688$ bits.

Excluding L1-signalling and assuming that there is no timestamp or auxiliary stream information, the overhead associated solely with carriage of the Baseband Frame data over T2-MI is: $13 / (38\ 688 / 8) \times 100 = 0,27\ \%$.

E.2 Transport of T2-MI packets

E.2.1 T2-MI packets over MPEG-2 TS

Encapsulation of T2-MI packets within 188-byte MPEG-2 TS packets using "data piping" (clause 6.1) requires an overhead due to:

- the TS header (4 bytes).

Assuming that the overhead due to the pointer to the start of the T2-MI packet is negligible, the resulting overhead is therefore $4 / (188 - 4) = 2,2\ \%$.

NOTE: This value does not take into account any null packets inserted to keep the TS bit rate constant and any additional PSI/SI information to be compliant with TR 101 290 [i.4]. The contribution of at least one PAT table and one PMT table with a data broadcast descriptor is assumed to be negligible.

E.2.1.1 FEC overhead for an ASI link

Where FEC is required on a physical ASI link carrying the T2-MI packets over MPEG-2 TS, RS(188,204) can be used. This results in an additional 8,5 % overhead.

The total overhead (T2-MI packets over ASI plus FEC) is $(16 + 4) / (188 - 4) = 10,9\ \%$.

E.2.2 T2-MI packets over MPEG-2 TS to IP

Encapsulation of TS streams in RTP/UDP/IP packets according to clause 6.2 results in an overhead due to:

- the RTP header (12 bytes);
- the UDP header (8 bytes); and
- the IP header (20 bytes) (without options).

Typically, a maximum of 7 MPEG-2 TS packets are encapsulated into one IP packet to remain below the Ethernet MTU and hence avoid fragmentation.

The resulting overhead is therefore: $40 / (188 \times 7) = 3 \%$.

The total overhead for T2-MI packets over MPEG-2 TS to IP is $(40 + 4 \times 7) / (184 \times 7) = 5,3 \%$.

When the Ethernet header is taken into account, the total overhead for T2-MI packets over MPEG-2 TS to IP is $(40 + 18 + 4 \times 7) / (184 \times 7) = 6,7 \%$.

E.2.2.1 FEC overhead

The additional overhead due to the FEC schemes defined in TS 102 034 [5] can vary a great deal depending on the chosen FEC profile. As an illustration two cases are considered below.

For a 1-D SMPTE 2022-1 code with 20 columns:

The additional overhead is $(40 + 12 + 188 \times 7) / (20 \times (40 + 188 \times 7)) = 5 \%$.

The total overhead for T2-MI packets over MPEG-2 TS to IP with FEC is $20 \times (40 + 4 \times 7) + (40 + 12 + 188 \times 7) / (20 \times (184 \times 7)) = 10,6 \%$ (12,1 % including Ethernet header).

For a 1-D SMPTE 2022-1 code with 4 columns:

The additional overhead is $(40 + 12 + 188 \times 7) / (4 \times (40 + 188 \times 7)) = 25,2 \%$.

The total overhead for T2-MI packets over MPEG-2 TS to IP with FEC is $4 \times (40 + 4 \times 7) + (40 + 12 + 188 \times 7) / (4 \times (184 \times 7)) = 31,8 \%$ (33,7 % including Ethernet header).

E.3 Summary of the overheads associated with T2-MI

The total overhead due to the encapsulation of T2-MI packets over ASI or Ethernet physical layers is shown in table E.1.

Table E.1: Summary of the T2-MI overhead when transported over different physical layers

Physical layer	Total overhead	FEC scheme	Additional overhead due to FEC	Total overhead including FEC
ASI	2,2 %	RS(188,204)	8,5 %	10,9 %
Ethernet	6,7 %	1-D SMPTE, 20 column	5 %	12,1 %
		1-D SMPTE, 4 column	25,2 %	33,7 %

Annex F (informative): DVB-T2 Timestamps

F.1 Relationships

The relationships between UTC, TAI, GPS Time and the DVB-T2 Timestamp (as defined in clause 5.2.2) are, as at the time of writing (February 2009), as follows:

- $GPS = TAI - 19 \text{ s}$ (constant).
- $UTC = TAI - 34 \text{ s}$ (variable due to leap seconds).
- $UTC = GPS - 15 \text{ s}$ (variable due to leap seconds).
- $UTC = DVB-T2 - utco$ (constant due to varying value of $utco$).
- $DVB-T2 = TAI - 32 \text{ s}$ (constant).
- $DVB-T2 = GPS - 13 \text{ s}$ (constant).
- $DVB-T2 = UTC + utco$ (constant due to varying value of $utco$).

F.2 Rationale

Several other standard time/date encodings are in common use, including MJD, UTC, GPS and TAI. It was agreed that none of these adequately addressed the needs of a DVB-T2 system and that it was desirable to define a time format specifically for the DVB-T2 Timestamp. The following reasons were given for rejecting other common timebases:

- MJD is subject to leap seconds making the fractional portion very hard to represent in a fixed-point format.
- UTC is subject to leap seconds making the number of seconds in a day variable (86 399 / 86 400 / 86 401).
- GPS Time is subject to "week number wrapping" approximately every 19,7 years.
- UTC, TAI, MJD and GPS Time all have epochs (start dates) partway through the 400-year leap-year cycle.

The DVB-T2 Timestamp is not subject to leap seconds but contains sufficient extra information (in the $utco$ field) to trivially convert the value to UTC which does include leap-seconds. Conversion to GPS Time and/or TAI is also trivial, simply involving the subtraction of a constant value. The epoch for DVB-T2 Time is synchronized with the start of a 400-year leap-year cycle, making leap-year calculations simpler and less error prone.

Annex G (informative): Use of T2-MI in Test and Measurement Setups

G.1 Introduction

T2-MI has been designed to be the real-time interface from a T2-gateway and a T2 modulator between which synchronisation can be maintained using a GPS signal.

Since the T2-MI provides an unambiguous representation of a T2 transmission, it is also useful as an intermediate storage format for later use by test generators. This is particularly the case where multiple PLPs and dynamic allocation are used. As an example, T2-MI stored in a TS file could be read directly by a file-based ASI player connected to a modulator under test as shown in figure G.1.

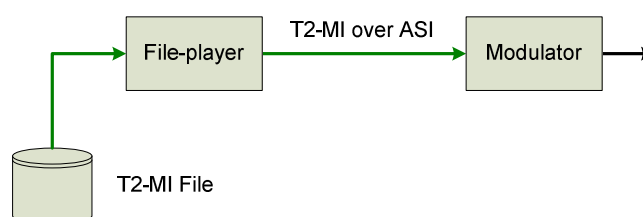


Figure G.1: T2-MI file player

To ensure the interoperability between file player and modulator:

- the file-player schedules the playout for each of the Transport Packets (TPs) with T2-MI payload; and
- the modulator synchronizes with the T2-MI stream in the case that no synchronisation source is available.

This annex describes a method to that enables this interoperability to take place.

G.2 Use of Program Clock Reference (PCR) timestamps

This method uses the ISCR [1] as a shared reference clock and uses Program Clock Reference (PCR) [7] timestamps to convey the ISCR from T2-MI transmitter to T2-MI receiver. In general, this method is similar to and compatible with the synchronization of decoders with encoders in MPEG-2 Transport Streams, using PCR timestamps. This is defined in ISO/IEC 13818-1 [7].

G.2.1 Relation between ISCR and PCR

To keep the method compatible with MPEG-2 Systems, the PCRs in this method are based on a 27-MHz clock. Conversion between ISCR and PCR clock values is possible since the ratio between PCR and ISCR-clock frequency is exact and can be expressed as an ratio with an integer numerator and denominator as shown in table G.1.

Table G.1: Bandwidths and the ratio between PCR and ISCR-clock frequency

Bandwidth	1,7 MHz	5 MHz	6 MHz	7 MHz	8 MHz	10 MHz
$T_{\text{ISCR}}/T_{\text{PCR}}$	$27 \times 71/131$	$27 \times 7/40$	$27 \times 7/48$	$27 \times 1/8$	$27 \times 7/64$	$27 \times 7/80$

A block diagram of a T2-gateway that is able to insert PCRs into the output T2-MI is shown in figure G.2.

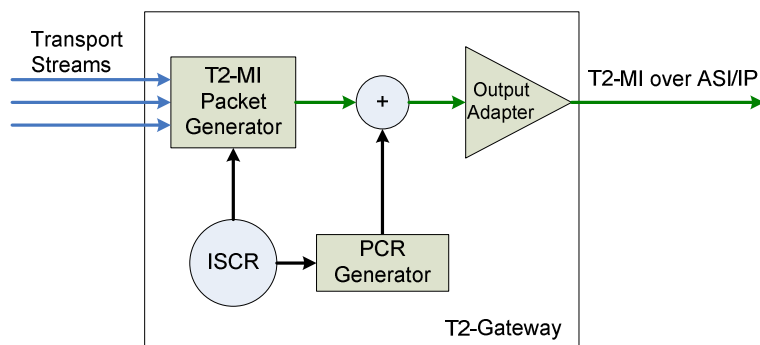


Figure G.2: PCR insertion in the T2-gateway

The T2-gateway is responsible for inserting the PCRs at such places that the timing of the T2-MI packet transmission can be reconstructed through the methods described below. The output T2-MI can then be recorded to a file.

NOTE: If the ISCRs and PCRs are generated from a common clock, this is signalled in the T2MI_descriptor [8] carried in the PMT, when present.

G.2.2 Insertion of PCRs

The PCR values are inserted into the Transport Stream carrying the T2-MI packets. The suggested method is to insert the PCRs on the PID that carries the T2-MI packets. Where multiple T2 profiles (T2-MI streams) are being used, a PCR may be inserted for each profile on the unique profile PID. This applies both to the case where a single TS is used for both profiles and for the case when different TSs are used. Alternatively a different PCR-only PID could be used if required in both the single profile and multiple profile cases.

If the Transport Stream comprises a PAT and PMT, the PCR PID should be defined in the PMT [7].

G.2.3 Playout of a Constant Bit-rate (CBR) T2-MI file

A file player can use the PCRs in the T2-MI file to obtain an accurate estimation of the TS bitrate. This can be determined by dividing the number of bits between two PCR values by the difference of those two PCR values.

NOTE: The difference between the original T2-MI stream bitrate and the playout rate (due to rounding in bitrate estimation and clock deviations) will appear as an ISCR-clock deviation in the modulator.

G.2.4 Playout of a Variable Bit-rate (VBR) T2-MI file

In the case of a VBR T2-MI file, the PCRs can be used to determine the intended transmit time of individual Transport Stream packets that carry a PCR value. In between two Transport Stream packets carrying PCR values, the TS rate can be considered constant and the transmit time of the packets can be interpolated linearly. This results in a VBR T2-MI stream that is piecemeal CBR.

G.2.5 Synchronization between T2-Gateway and Modulator

The ratio between the PCR- and ISCR clocks is known exactly. If the delay between T2-gateway and modulator is constant, the modulator can extract the PCR values and use them to synchronize its ISCR clock directly. In practice the network will introduce some variable delay (jitter) and therefore some form of control loop will be required.

A block diagram of a modulator that is able to synchronize its ISCR-clock based on the PCR values in the T2-MI is shown in figure G.3.

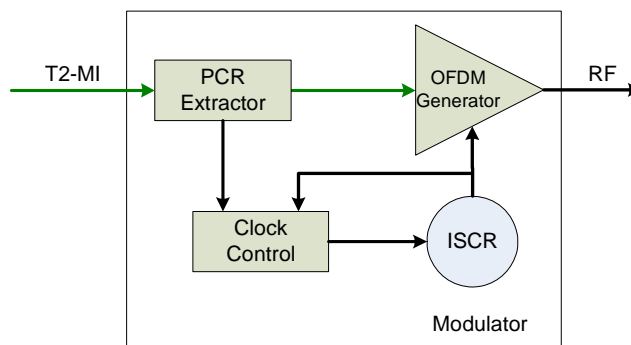


Figure G.3: ISCR synchronization in the modulator based on PCR values

Annex H (normative): T2-MI for Composite Signals

H.1 Introduction

The introduction of the T2-Lite profile in v1.3.1 of the DVB-T2 system specification [1] allows for the T2-Lite signal to be multiplexed together with a T2-base signal (and/or other signals), with each signal being transmitted in the other's FEF part. An example of such a composite T2-Base/T2-Lite signal is shown in figure H.1.

To facilitate the generation of composite signals, a T2 modulator capable of generating such composite signals accepts multiple T2-MI streams as input where each stream describes a single T2 profile.

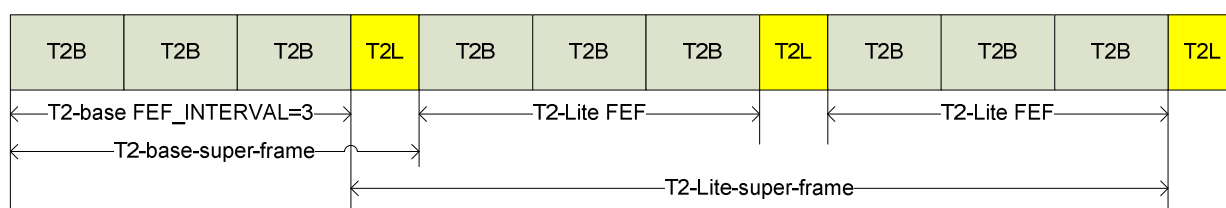


Figure H.1: An example composite signal containing T2-Base and T2-Lite

Since there must be no overlap between the signals pertaining to the different profiles, the relative timing needs to be specified precisely.

This Annex explains how T2-MI shall be used to carry the data for composite signals to modulators in an unambiguous way in both SFN and MFN environments.

H.2 Multiple T2-MI Streams

A single T2-MI stream shall convey the data for the transmission of a single T2 profile, plus optionally any non-profile data for the FEF, within the composite signal. Where a modulator is capable of transmitting a composite signal, made up of multiple T2 profiles, it shall accept at its input multiple T2-MI streams. Each T2-MI stream that makes up the composite signal shall be uniquely identified by a different value of `t2mi_stream_id` in the T2-MI packet header as described in clause 5.1.

Where the multiple T2-MI streams are carried in a single Transport Stream, they shall be carried on different PIDs. If a PMT is present in the TS, and the `T2MI_descriptor` [8] is used, it shall be added to a PMT sub-table, for every T2-MI stream.

Each of the individual T2-MI streams that makes up the composite signal shall be self consistent and carry all required packet types such that a modulator that accepts a single T2-MI stream can generate a valid on-air T2 signal from that single stream. Each individual T2-MI stream shall carry null data in those parts of the FEF where another T2 profile (carried in another T2-MI stream) is to be emitted.

H.3 Alignment of the profiles in the emitted composite signal

A modulator that generates a composite signal shall use the difference between the emission times calculated from the T2 timestamps carried in the individual T2-MI streams to align the output for each T2 profile. When multiple T2-MI streams are used to generate a composite signal, the null timestamp shall not be used.

For an MFN modulator, it is only the difference between the timestamps in each of the T2-MI streams that is required to perform the necessary alignment of each profile. For an SFN modulator, it shall also obey the T2 Timestamp to define the time of emission of the composite signal.

NOTE 1: It is recommended that when using multiple T2-MI streams to generate a composite signal, the absolute timestamp is used. This applies for both MFN and SFN modulators.

Conceptually, the modulator can be thought of as summing the outputs together, having aligned the output derived from each of the T2-MI streams first. This results in some or all of the existing null sections of the FEF-parts being overwritten with data from another profile.

At the start of a FEF-part, there may be a clash between the P1 symbol signalled at the start of the Null FEF-part and the P1 symbol pertaining to the particular T2 profile. In this instance, the P1 of the T2 profile shall always take priority. This is illustrated in figure H.2.

NOTE 2: The P1 of the Null FEF-part of a T2 profile is either exactly aligned with the P1 of another T2 profile or does not overlap at all. In the first instance the priority principle, as described above, is trivial. In the second instance, there is no clash and so the conceptual summing of the outputs works correctly.

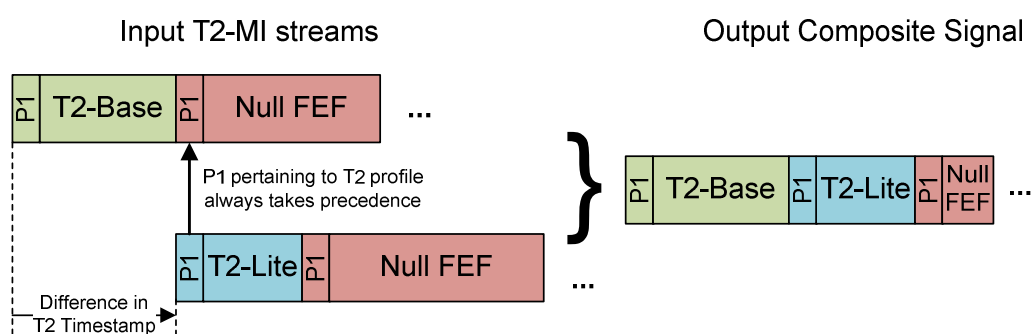


Figure H.2: Alignment of two profiles within a composite modulator

Any other clashes, for example between non-null sections of FEF-parts and T2 signals, shall be interpreted as an error by the modulator.

NOTE 3: Where there is a mis-configuration resulting in a clash between the different profiles, modulators might be able to identify one T2 profile as having priority over the others. In this case, it is this profile that would be transmitted at the expense of any others.

NOTE 4: According to [1], the minimum interval between two P1 symbols is $10\ 000T$.

Annex I (informative): T2-MI for Composite Signals: Network Topology and Synchronisation

I.1 Introduction

A number of different network topologies are possible when multiple T2-MI streams are used to generate a composite (e.g. T2-Base/T2-Lite) transmission. Since the T2-MI streams fit together exactly in order to generate the composite output signal, there is an exact relationship between the timestamps in each stream.

This annex examines the issue of synchronisation and timing and provides informative information for manufacturers.

I.2 Network Topology

A single T2-Gateway may be used to generate the multiple T2-MI streams (figure I.1) in which case the necessary synchronisation between the timestamps can be handled internally.

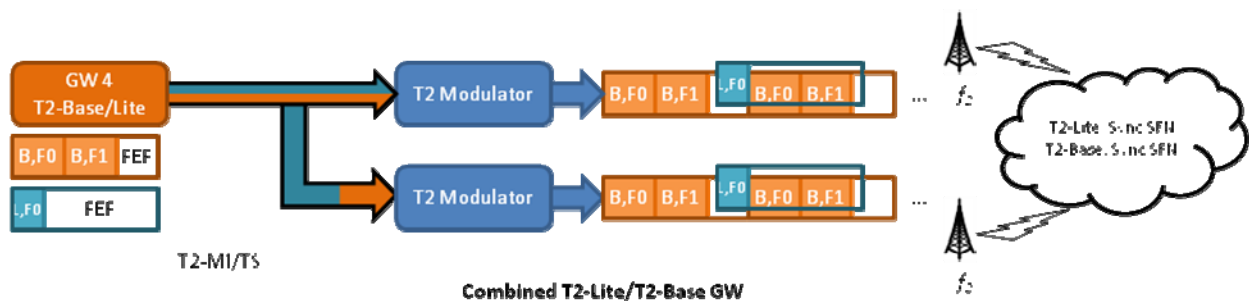


Figure I.1: Using a single T2-Gateway to generate multiple T2-MI streams

Alternatively multiple T2-Gateways, which may be geographically separated, may be used to generate the T2-MI for the different profiles (figure I.2) in which case some form of external synchronisation mechanism will be required.

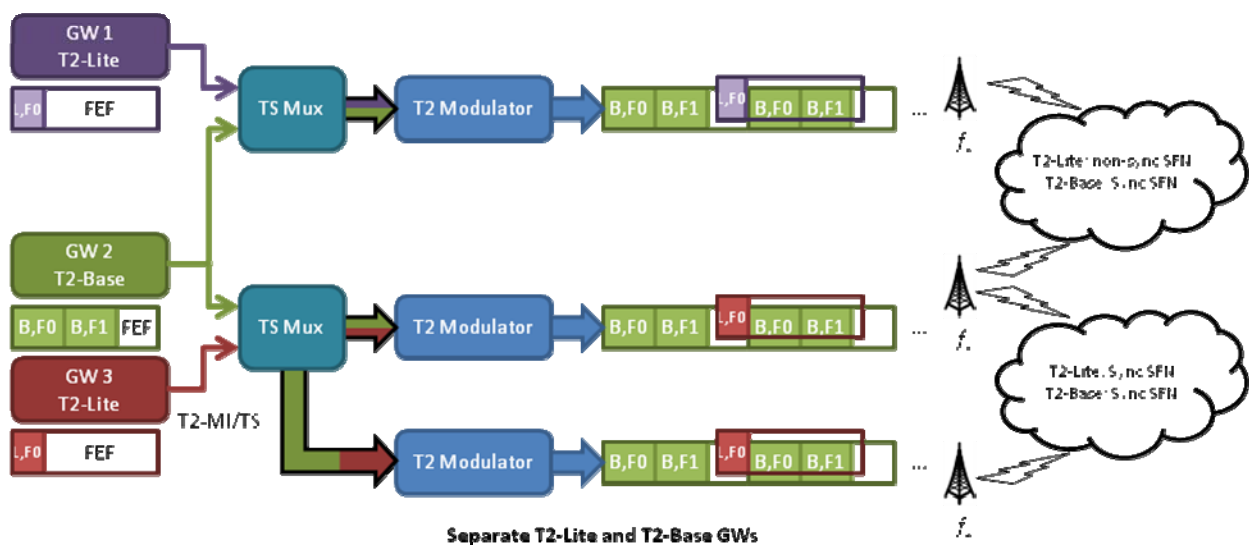


Figure I.2: Using multiple T2-Gateways to generate multiple T2-MI streams

The multiple T2-MI streams may be multiplexed together into a single Transport Stream for distribution. Alternatively, they may be carried on separate transport streams where a modulator provides multiple T2-MI stream inputs. These could either be on separate ASI inputs or use different IP multicast groups/ports in the case of IP encapsulation (see clause 6.2).

Care should be taken to ensure that the data for each T2-MI stream arrives at the modulator at such a time as to obey the timing rules laid down in clause 5.5.

1.3 Synchronisation of Multiple T2-Gateways

Where multiple, independent T2-Gateways are used to generate the T2-MI streams, some form of external synchronisation mechanism will be required in order to ensure that the streams for the different T2 profiles contain co-ordinated timestamps such that they can be correctly aligned in a modulator.

It is assumed that all the Gateways generate absolute timestamps and share a common clock source.

For each individual T2-MI stream, the sequence of super-frames is regular, with a constant distance between them. Once the absolute starting time of a super-frame for one profile is known, the start times of all the others are also known. One approach is to assign a priority to each of the T2-Gateways such that one Gateway (GW1) has the highest priority, whilst other Gateways generating T2-MI streams for other profiles have lower priorities (e.g. GW2 and GW3).

The Gateway with the highest priority (GW1) begins the process and arbitrarily defines the time of emission of its super-frames, within the normal operating constraints. A "timestamp message" is then sent to the other Gateways (GW2 and GW3), indicating to them the absolute time of emission of one super-frame. It is not necessary for GW1 to indicate to which super-frame this refers.

Since GW2 has the same timing reference and clock, it can use this information, along with knowledge of the length of super-frames generated by GW1, to deduce the absolute starting time of all super-frames from GW1. It will then adjust the timestamp defining its own super-frame start time to have the desired relationship of its profile relative to the profile generated by GW1. It is expected that this can be done in a sample accurate way. Since the super-frame lengths of GW1 and GW2 may not be identical, the difference in timestamps indicating the start of the super-frame for each profile may vary over time.

Once GW2 is ready and is producing its own T2-MI stream, GW2 can send a message to GW3 regarding the emission time of one of its super-frames. GW3 can then proceed in the same way as GW2. Since GW3 has the lowest priority, it has no need to send any message. If necessary, this priority scheme can be extended to more than three profiles/levels.

Where a Gateway is designed to operate in such an environment, it should provide a mechanism for receiving and sending the "timestamp message" from/to other Gateways. It should also provide a configuration item to indicate the length of the super-frame of the Gateway with higher priority and a configuration item to indicate the desired offset of the start of its super-frame relative to those generated by the Gateway of higher priority.

1.3.1 Configuration Changes and Multiple T2-Gateways

Where a change in the T2 configuration (i.e. the contents of the fields of the L1-pre signalling or the configurable part of the L1-post signalling) that affects the layout of the T2 super-frame, this will need to be coordinated between the Gateways. An example of such a configuration change is when the proportion of T2-Lite relative to the T2-Base might change at various points throughout the day, including the case where there is no T2-Lite or no T2-Base at all.

When this occurs, the configuration change is signalled in advance according to the L1_CHANGE_COUNTER mechanism specified in clause 7.2.3.2 of [1], except for the case where there is a transition from a state with no transmission of the relevant T2 profile to an active state, due to the absence of L1 signalling previously. In the case of multiple Gateways, this reconfiguration will also need to be coordinated between Gateways to ensure each Gateway's configuration changes at exactly the appropriate time to ensure that a consistent set of T2-MI streams is delivered to modulators over the boundary of the configuration change.

History

Document history		
V1.1.1	September 2009	Publication
V1.2.1	December 2010	Publication
V1.3.1	January 2012	Publication