

ETSI TS 123 122 V9.2.0 (2010-04)

Technical Specification

**Digital cellular telecommunications system (Phase 2+);
Universal Mobile Telecommunications System (UMTS);
Non-Access-Stratum (NAS)
functions related to Mobile Station (MS) in idle mode
(3GPP TS 23.122 version 9.2.0 Release 9)**



Reference

RTS/TSGC-0123122v920

Keywords

GSM, UMTS

ETSI

650 Route des Lucioles
F-06921 Sophia Antipolis Cedex - FRANCE

Tel.: +33 4 92 94 42 00 Fax: +33 4 93 65 47 16

Siret N° 348 623 562 00017 - NAF 742 C
Association à but non lucratif enregistrée à la
Sous-Préfecture de Grasse (06) N° 7803/88

Important notice

Individual copies of the present document can be downloaded from:

<http://www.etsi.org>

The present document may be made available in more than one electronic version or in print. In any case of existing or perceived difference in contents between such versions, the reference version is the Portable Document Format (PDF). In case of dispute, the reference shall be the printing on ETSI printers of the PDF version kept on a specific network drive within ETSI Secretariat.

Users of the present document should be aware that the document may be subject to revision or change of status. Information on the current status of this and other ETSI documents is available at

<http://portal.etsi.org/tb/status/status.asp>

If you find errors in the present document, please send your comment to one of the following services:

http://portal.etsi.org/chaicor/ETSI_support.asp

Copyright Notification

No part may be reproduced except as authorized by written permission.
The copyright and the foregoing restriction extend to reproduction in all media.

© European Telecommunications Standards Institute 2010.
All rights reserved.

DECTTM, **PLUGTESTS**TM, **UMTS**TM, **TIPHON**TM, the TIPHON logo and the ETSI logo are Trade Marks of ETSI registered for the benefit of its Members.

3GPPTM is a Trade Mark of ETSI registered for the benefit of its Members and of the 3GPP Organizational Partners.

LTETM is a Trade Mark of ETSI currently being registered

for the benefit of its Members and of the 3GPP Organizational Partners.

GSM[®] and the GSM logo are Trade Marks registered and owned by the GSM Association.

Intellectual Property Rights

IPRs essential or potentially essential to the present document may have been declared to ETSI. The information pertaining to these essential IPRs, if any, is publicly available for **ETSI members and non-members**, and can be found in ETSI SR 000 314: *"Intellectual Property Rights (IPRs); Essential, or potentially Essential, IPRs notified to ETSI in respect of ETSI standards"*, which is available from the ETSI Secretariat. Latest updates are available on the ETSI Web server (<http://webapp.etsi.org/IPR/home.asp>).

Pursuant to the ETSI IPR Policy, no investigation, including IPR searches, has been carried out by ETSI. No guarantee can be given as to the existence of other IPRs not referenced in ETSI SR 000 314 (or the updates on the ETSI Web server) which are, or may be, or may become, essential to the present document.

Foreword

This Technical Specification (TS) has been produced by ETSI 3rd Generation Partnership Project (3GPP).

The present document may refer to technical specifications or reports using their 3GPP identities, UMTS identities or GSM identities. These should be interpreted as being references to the corresponding ETSI deliverables.

The cross reference between GSM, UMTS, 3GPP and ETSI identities can be found under <http://webapp.etsi.org/key/queryform.asp>.

Contents

| | |
|--|----|
| Intellectual Property Rights | 2 |
| Foreword..... | 2 |
| Foreword..... | 5 |
| 1 Scope | 6 |
| 1.1 References | 6 |
| 1.2 Definitions and abbreviations..... | 8 |
| 2 General description of idle mode | 10 |
| 3 Requirements and technical solutions | 11 |
| 3.1 PLMN selection and roaming..... | 11 |
| 3.1A CSG selection / restriction..... | 12 |
| 3.2 Regional provision of service..... | 12 |
| 3.3 Borders between registration areas..... | 13 |
| 3.4 Access control | 13 |
| 3.4.1 Access control..... | 13 |
| 3.4.2 Forbidden LA or TA for regional provision of service..... | 13 |
| 3.5 No suitable cell (limited service state) | 13 |
| 3.6 CTS fixed part selection (A/Gb mode only)..... | 14 |
| 4 Overall process structure | 14 |
| 4.1 Process goal..... | 14 |
| 4.2 States description..... | 14 |
| 4.3 List of states | 14 |
| 4.3.1 List of states for the PLMN selection process | 14 |
| 4.3.1.1 List of states for automatic mode (figure 2a) | 14 |
| 4.3.1.2 List of states for manual mode (figure 2b)..... | 15 |
| 4.3.2 Void | 15 |
| 4.3.3 List of states for location registration (figure 3) | 15 |
| 4.4 PLMN selection process..... | 16 |
| 4.4.1 Introduction..... | 16 |
| 4.4.2 Registration on a PLMN | 16 |
| 4.4.3 PLMN selection | 16 |
| 4.4.3.1 At switch-on or recovery from lack of coverage..... | 17 |
| 4.4.3.1.1 Automatic Network Selection Mode Procedure | 18 |
| 4.4.3.1.2 Manual Network Selection Mode Procedure..... | 19 |
| 4.4.3.1.3 Manual CSG selection | 20 |
| 4.4.3.1.3.1 General..... | 20 |
| 4.4.3.1.3.2 Manual CSG selection within the RPLMN..... | 20 |
| 4.4.3.1.3.3 Manual CSG selection in a PLMN different from the RPLMN..... | 20 |
| 4.4.3.2 User reselection..... | 21 |
| 4.4.3.2.1 Automatic Network Selection Mode | 21 |
| 4.4.3.2.2 Manual Network Selection Mode..... | 21 |
| 4.4.3.2.3 Manual CSG selection | 21 |
| 4.4.3.3 In VPLMN | 22 |
| 4.4.3.3.1 Automatic and manual network selection modes | 22 |
| 4.4.3.3.2 Manual CSG selection..... | 22 |
| 4.4.3.4 Investigation Scan for higher prioritized PLMN..... | 22 |
| 4.4.4 Abnormal cases..... | 23 |
| 4.4.5 Roaming not allowed in this LA or TA | 23 |
| 4.4.6 Steering of roaming | 23 |
| 4.5 Location registration process..... | 23 |
| 4.5.1 General..... | 23 |
| 4.5.2 Initiation of Location Registration..... | 24 |
| 4.5.3 Periodic Location Registration | 25 |
| 4.5.4 IMSI attach/detach operation..... | 25 |

| | | |
|-------------------------------|--|-----------|
| 4.5.5 | No Suitable Cells In Location Area | 26 |
| 4.6 | Service indication (A/Gb mode only)..... | 26 |
| 4.7 | Pageability of the mobile subscriber | 26 |
| 4.8 | MM Restart Procedure | 27 |
| 5 | Tables and Figures | 27 |
| 6 | MS supporting access technologies defined both by 3GPP and 3GPP2 | 33 |
| 6.1 | General | 33 |
| Annex A (normative): | HPLMN Matching Criteria | 35 |
| Annex B (normative): | PLMN matching criteria to be of same country as VPLMN | 39 |
| Annex C (informative): | Change history | 40 |
| History | | 43 |

Foreword

This Technical Specification (TS) has been produced by the 3rd Generation Partnership Project (3GPP).

The present document specifies functions related to Mobile Station (MS) in idle mode and within the 3GPP system.

The contents of the present document are subject to continuing work within the TSG and may change following formal TSG approval. Should the TSG modify the contents of the present document, it will be re-released by the TSG with an identifying change of release date and an increase in version number as follows:

Version x.y.z where:

- x the first digit:
 - 1 presented to TSG for information;
 - 2 presented to TSG for approval;
 - 3 or greater indicates TSG approved document under change control.
- y the second digit is incremented for all changes of substance, i.e. technical enhancements, corrections, updates, etc.
- z the third digit is incremented when editorial only changes have been incorporated in the document.

1 Scope

The present document gives an overview of the tasks undertaken by the Core network protocols of a Mobile Station (MS) when in idle mode, that is, switched on but typically not having a dedicated channel allocated. It also describes the corresponding network functions. The idle mode functions are also performed by a GPRS MS as long as no dedicated channel is allocated to the MS. The conditions when the idle mode functions are performed by an MS in the UTRA RRC connected mode states are specified in 3GPP TS 25.331 [33]. The conditions when the idle mode functions are performed by an MS in the E-UTRAN are specified in 3GPP TS 36.304 [43].

The present document defines the PLMN selection for a multi mode MS that supports both 3GPP and 3GPP2 systems. The common PLMN selection logic covers also PLMNs that are available in 3GPP2 system, but the present document makes no changes on the cdma2000[®] signalling towards networks that are available via 3GPP2 system.

The present document gives procedures for using the CSG cells, whenever such use is permitted.

This 3GPP TS outlines how the requirements of the 22 series Technical Specifications (especially 3GPP TS 22.011 [9]) on idle mode operation shall be implemented. Further details are given in 3GPP TS 24.008 [23].

Clause 2 of this 3GPP TS gives a general description of the idle mode process. Clause 3 outlines the main requirements and technical solutions of those requirements. Clause 4 describes the processes used in idle mode. There is inevitably some overlap between these clauses.

NOTE: cdma2000[®] is a registered trademark of the Telecommunications Industry Association (TIA-USA).

1.1 References

The following documents contain provisions which, through reference in this text, constitute provisions of the present document.

- References are either specific (identified by date of publication, edition number, version number, etc.) or non-specific.
- For a specific reference, subsequent revisions do not apply.
- For a non-specific reference, the latest version applies. In the case of a reference to a 3GPP document (including a GSM document), a non-specific reference implicitly refers to the latest version of that document *in the same Release as the present document*.

- [1] Void.
- [2] 3GPP TS 22.001: "Principles of circuit telecommunication services supported by a Public Land Mobile Network (PLMN)".
- [3] 3GPP TS 22.002: "Circuit Bearer Services (BS) supported by a Public Land Mobile Network (PLMN)".
- [4] 3GPP TS 22.003: "Circuit Teleservices supported by a Public Land Mobile Network (PLMN)".
- [5] 3GPP TS 22.004: "General on supplementary services".
- [6] Void.
- [7] Void
- [8] Void.
- [9] 3GPP TS 22.011: "Service accessibility".
- [10] 3GPP TS 22.016: "International Mobile station Equipment Identities (IMEI)".
- [11] Void.
- [12] 3GPP TS 22.024: "Description of Charge Advice Information (CAI)".

- [13] 3GPP TS 22.030: "Man-Machine Interface (MMI) of the User Equipment (UE)".
- [14] Void.
- [15] 3GPP TS 22.041: "Operator Determined Barring (ODB)".
- [16] 3GPP TS 22.081: "Line identification Supplementary Services; Stage 1".
- [17] 3GPP TS 22.082: "Call Forwarding (CF) supplementary services - Stage 1".
- [18] 3GPP TS 22.083: "Call Waiting (CW) and Call Holding (HOLD); Supplementary Services - Stage 1".
- [19] 3GPP TS 22.084: "MultiParty (MPTY) Supplementary Services - Stage 1".
- [20] 3GPP TS 22.085: "Closed User Group (CUG) Supplementary Services - Stage 1".
- [21] 3GPP TS 22.086: "Advice of Charge (AoC) Supplementary Services - Stage 1".
- [22] 3GPP TS 22.088: "Call Barring (CB) Supplementary Services - Stage 1".
- [22A] 3GPP TS 23.003: "Numbering, addressing and identification".
- [23] 3GPP TS 24.008: "Mobile Radio Interface Layer 3 specification, Core Network Protocols - Stage 3".
- [23A] 3GPP TS 24.301: "Non-Access-Stratum (NAS) protocol for Evolved Packet System (EPS); Stage 3".
- [24] 3GPP TS 45.002: "Multiplexing and multiple access on the radio path".
- [25] 3GPP TS 45.008: "Radio subsystem link control".
- [26] 3GPP TS 22.060: "General Packet Radio Service (GPRS); Service description, Stage 1".
- [27] 3GPP TS 23.060: "General Packet Radio Service (GPRS); Service description; Stage 2".
- [28] 3GPP TS 43.064: "General Packet Radio Service (GPRS); Overall description of the GPRS Radio Interface; Stage 2".
- [29] Void.
- [30] Void.
- [31] 3GPP TS 25.101: "UE Radio transmission and Reception (FDD)".
- [32] 3GPP TS 25.304: "UE Procedures in Idle Mode and Procedures for Cell Reselection in Connected Mode".
- [33] 3GPP TS 25.331: "RRC Protocol Specification".
- [34] 3GPP TS 44.018: "Mobile radio interface layer 3 specification, Radio Resource Control Protocol".
- [35] 3GPP TS 43.022: "Functions related to Mobile Station (MS) in idle mode and group receive mode".
- [35A] 3GPP TS 43.318: "Generic Access Network (GAN); Stage 2".
- [35B] 3GPP TS 44.318: "Generic Access Network (GAN); Mobile GAN interface layer 3 specification; Stage 3".
- [36] 3GPP TR 21.905: "Vocabulary for 3GPP Specifications".
- [37] Void.
- [38] 3GPP TS 21.111: "USIM and IC card requirements".

- [39] 3GPP TS 44.060: "General Packet Radio Service (GPRS); Mobile Station (MS) - Base Station System (BSS) interface; Radio Link Control/Medium Access Control (RLC/MAC) protocol".
- [40] 3GPP TS 31.102: "Characteristics of the USIM Application".
- [41] 3GPP TS 31.111: "Universal Subscriber Identity Module (USIM), Application Toolkit (USAT)".
- [42] 3GPP TS 36.331: "Evolved Universal Terrestrial Radio Access (E-UTRA) Radio Resource Control (RRC); Protocol specification".
- [43] 3GPP TS 36.304: "Evolved Universal Terrestrial Radio Access (E-UTRA); User Equipment (UE) procedures in idle mode".
- [44] 3GPP2 C.S0016: "Over-the-Air Service Provisioning of Mobile Stations in Spread Spectrum Standards".
- [45] 3GPP2 C.S0011: "Recommended Minimum Performance Standards for cdma2000 Spread Spectrum Mobile Stations".
- [46] 3GPP2 C.S0033-A: "Recommended Minimum Performance Standards for cdma2000 High Rate Packet Data Access Terminal".
- [47] 3GPP TS 24.285: "Allowed Closed Subscriber Group (CSG) List Management Object (MO)".
- [48] 3GPP TS 36.300: "Evolved Universal Terrestrial Radio Access (E-UTRA) and Evolved Universal Terrestrial Radio Access Network (E-UTRAN); Overall description; Stage 2".

1.2 Definitions and abbreviations

For the purposes of the present document, the abbreviations defined in 3GPP TR 21.905 [36] apply.

(A/Gb mode only): Indicates this clause applies only to GSM system. For multi system case this is determined by the current serving radio access network.

(Iu mode only): Indicates this clause applies only to UMTS system. For multi system case this is determined by the current serving radio access network.

Acceptable Cell: This is a cell that the MS may camp on to make emergency calls. It must satisfy criteria which is defined for A/Gb mode in 3GPP TS 43.022 [35], for Iu mode in 3GPP TS 25.304 [32], and for S1 mode in 3GPP TS 36.304 [43].

Access Technology: The access technology associated with a PLMN. The MS uses this information to determine what type of radio carrier to search for when attempting to select a specific PLMN (e.g., GSM, UTRAN, GSM COMPACT or E-UTRAN). A PLMN may support more than one access technology.

Allowable PLMN: In the case of a MS operating in MS operation mode A or B, this is a PLMN which is not in the list of "forbidden PLMNs" in the MS. In the case of a MS operating in MS operation mode C, this is a PLMN which is not in the list of "forbidden PLMNs" or in the list of "forbidden PLMNs for GPRS service" in the MS

Available PLMN: For GERAN A/Gb mode and GERAN Iu mode see 3GPP TS 43.022 [35]. For UTRAN see 3GPP TS 25.304 [32]. For E-UTRAN see 3GPP TS 36.304 [43]. For cdma2000[®] 1xRTT and cdma2000[®] HRPD see 3GPP2 C.S0016 [44].

Available PLMN/access technology combination: This is an available PLMN in a specific access technology.

Camped on a cell: The MS (ME if there is no SIM) has completed the cell selection/reselection process and has chosen a cell from which it plans to receive all available services. Note that the services may be limited, and that the PLMN may not be aware of the existence of the MS (ME) within the chosen cell.

CSG whitelist: See 3GPP TS 36.300 [48].

Current serving cell: This is the cell on which the MS is camped.

CTS MS: An MS capable of CTS services is a CTS MS.

EHPLMN: Any of the PLMN entries contained in the Equivalent HPLMN list.

Equivalent HPLMN list: To allow provision for multiple HPLMN codes, PLMN codes that are present within this list shall replace the HPLMN code derived from the IMSI for PLMN selection purposes. This list is stored on the USIM and is known as the EHPLMN list. The EHPLMN list may also contain the HPLMN code derived from the IMSI. If the HPLMN code derived from the IMSI is not present in the EHPLMN list then it shall be treated as a Visited PLMN for PLMN selection purposes.

Generic Access Network (GAN): See 3GPP TS 43.318 [35A].

GAN mode: See 3GPP TS 43.318 [35A].

GPRS MS: An MS capable of GPRS services is a GPRS MS.

MS operation mode: See 3GPP TS 23.060 [27].

High quality signal: The high quality signal limit is used in the PLMN selection procedure. It is defined in the appropriate AS specification: 3GPP TS 43.022 [35] for the GSM radio access technology, 3GPP TS 25.304 [32] for the UMTS radio access technology (FDD or TDD mode), 3GPP TS 36.304 [43] for the E-UTRAN radio access technology. For 3GPP2 access technologies the high quality signal limit is defined in 3GPP2 C.S0011 [45] for cdma2000[®] 1xRTT and in 3GPP2 C.S0033-A [46] for cdma2000[®] HRPD.

Home PLMN: This is a PLMN where the MCC and MNC of the PLMN identity match the MCC and MNC of the IMSI. Matching criteria are defined in Annex A.

In A/Gb mode,....: Indicates this clause applies only to GSM System. For multi system case this is determined by the current serving radio access network.

In Iu mode,....: Indicates this clause applies only to UMTS System. For multi system case this is determined by the current serving radio access network.

Localised Service Area (LSA): A localised service area consists of a cell or a number of cells. The cells constituting a LSA may not necessarily provide contiguous coverage.

Location Registration (LR): An MS which is IMSI attached to non-GPRS services only performs location registration by the Location Updating procedure. A GPRS MS which is IMSI attached to GPRS services or to GPRS and non-GPRS services performs location registration by the Routing Area Update procedure only when in a network of network operation mode I. Both location updating and routing area update procedures are performed independently by the GPRS MS when it is IMSI attached to GPRS and non-GPRS services in a network of network operation mode II or III (see 3GPP TS 23.060 [27]). An MS which is attached via the E-UTRAN performs location registration by the tracking area update procedure.

MS: Mobile Station. The present document makes no distinction between MS and UE.

Network Type: The network type associated with HPLMN or a PLMN on the PLMN selector (see 3GPP TS 31.102 [40]). The MS uses this information to determine what type of radio carrier to search for when attempting to select a specific PLMN. A PLMN may support more than one network type.

Registered PLMN (RPLMN): This is the PLMN on which certain LR outcomes have occurred (see table 1). In a shared network the RPLMN is the PLMN defined by the PLMN identity of the CN operator that has accepted the LR.

Registration: This is the process of camping on a cell of the PLMN and doing any necessary LRs.

Registration Area: A registration area is an area in which mobile stations may roam without a need to perform location registration. The registration area corresponds to location area (LA) for performing location updating procedure, to routing area for performing the GPRS attach or routing area update procedures, and to list of tracking areas (TAs) for performing the EPS attach or tracking area update procedure.

The PLMN to which a cell belongs (PLMN identity) is given in the system information transmitted on the BCCH (MCC + MNC part of LAI). In a shared network a cell belongs to all PLMNs given in the system information transmitted on the BCCH.

Selected PLMN: This is the PLMN that has been selected according to subclause 3.1, either manually or automatically.

Shared Network: An MS considers a cell to be part of a shared network, when multiple PLMN identities are received on the BCCH.

SIM: Subscriber Identity Module (see 3GPP TS 21.111 [38]). The present document makes no distinction between SIM and USIM.

SoLSA exclusive access: Cells on which normal camping is allowed only for MS with Localised Service Area (LSA) subscription.

Suitable Cell: This is a cell on which an MS may camp. It must satisfy criteria which is defined for GERAN A/Gb mode or GERAN Iu mode in 3GPP TS 43.022 [35], for UTRAN in 3GPP TS 25.304 [32] and for E-UTRAN in 3GPP TS 36.304 [43]. For 3GPP2 access technologies the criteria are defined in 3GPP2 C.S0011 [45] for cdma2000[®] 1xRTT and in 3GPP2 C.S0033-A [46] for cdma2000[®] HRPD.

Steering of Roaming: A technique whereby a roaming UE is encouraged to roam to a preferred roamed-to network by the HPLMN.

Visited PLMN: This is a PLMN different from the HPLMN (if the EHPLMN list is not present or is empty) or different from an EHPLMN (if the EHPLMN list is present).

2 General description of idle mode

When an MS is switched on, it attempts to make contact with a public land mobile network (PLMN). The particular PLMN to be contacted may be selected either automatically or manually.

The MS looks for a suitable cell of the chosen PLMN and chooses that cell to provide available services, and tunes to its control channel. This choosing is known as "camping on the cell". The MS will then register its presence in the registration area of the chosen cell if necessary, by means of a location registration (LR), GPRS attach or IMSI attach procedure.

If the MS loses coverage of a cell, or find a more suitable cell, it reselects onto the most suitable cell of the selected PLMN and camps on that cell. If the new cell is in a different registration area, an LR request is performed.

If the MS loses coverage of a PLMN, either a new PLMN is selected automatically, or an indication of which PLMNs are available is given to the user, so that a manual selection can be made.

Registration is not performed by MSs only capable of services that need no registration.

The purpose of camping on a cell in idle mode is fourfold:

- a) It enables the MS to receive system information from the PLMN.
- b) If the MS wishes to initiate a call, it can do this by initially accessing the network on the control channel of the cell on which it is camped.
- c) If the PLMN receives a call for the MS, it knows (in most cases) the registration area of the cell in which the MS is camped. It can then send a "paging" message for the MS on control channels of all the cells in the registration area. The MS will then receive the paging message because it is tuned to the control channel of a cell in that registration area, and the MS can respond on that control channel.
- d) It enables the MS to receive cell broadcast messages.

If the MS is unable to find a suitable cell to camp on, or the SIM is not inserted, or if it receives certain responses to an LR request (e.g., "illegal MS"), it attempts to camp on a cell irrespective of the PLMN identity, and enters a "limited service" state in which it can only attempt to make emergency calls.

In A/Gb mode, if the CTS MS is in CTS mode only or in automatic mode with CTS preferred, it will start by attempting to find a CTS fixed part on which it is enrolled.

The idle mode tasks can be subdivided into five processes:

- PLMN selection;
- CSG selection (UTRAN and E-UTRAN only);
- Cell selection and reselection;

- Location registration; and
- CTS fixed part selection (A/Gb mode only).

In A/Gb mode, to make this initial CTS fixed part selection, the MS shall be enrolled on at least one fixed part.

The relationship between these processes is illustrated in figure 1 in clause 5. The states and state transitions within each process are shown in figure 2a, figure 2b, and figure 3 in clause 5.

3 Requirements and technical solutions

The following clauses list the main requirements of idle mode operation and give an outline of the technical solution.

3.1 PLMN selection and roaming

The MS normally operates on its home PLMN (HPLMN) or equivalent home PLMN (EHPLMN). However a visited PLMN (VPLMN) may be selected, e.g., if the MS loses coverage. There are two modes for PLMN selection:

- i) Automatic mode - This mode utilizes a list of PLMNs in priority order. The highest priority PLMN which is available and allowable is selected.
- ii) Manual mode - Here the MS indicates to the user which PLMNs are available. Only when the user makes a manual selection does the MS try to obtain normal service on the VPLMN.

To prevent repeated attempts to have roaming service on a not allowed area (i.e. LA or TA), when the MS is informed that an area is forbidden, the LA or TA is added to a list of "forbidden LAs for roaming" or "forbidden TAs for roaming" respectively which is stored in the MS. These lists, if existing, are deleted when the MS is switched off or when the SIM is removed. LA area restrictions are always valid for complete location areas independent of possible subdivision into GPRS routing areas. The structure of the routing area identifier (see 3GPP TS 23.003 [22A]) supports area restriction on LA basis.

If a message with cause value #15 (see 3GPP TS 24.008 [23] and 3GPP TS 24.301 [23A]) is received by an MS, then the MS shall take the following actions depending on the access technology in which the message was received:

GSM, GSM COMPACT or UTRAN:

The location area is added to the list of "forbidden LAs for roaming" which is stored in the MS. The MS shall then search for a suitable cell in the same PLMN but belonging to an LA or TA which is not in the "forbidden LAs for roaming" or "forbidden TAs for roaming" list respectively.

E-UTRAN:

The tracking area is added to the list of "forbidden TAs for roaming" which is stored in the MS. The MS shall then search for a suitable cell in the same PLMN but belonging to a TA or LA which is not in the "forbidden TAs for roaming" or "forbidden LAs for roaming" list respectively

If a message with cause value "PLMN not allowed" is received by an MS in response to an LR request from a VPLMN, that VPLMN is added to a list of "forbidden PLMNs" in the SIM and thereafter that VPLMN will not be accessed by the MS when in automatic mode. A PLMN is removed from the "forbidden PLMNs" list if, after a subsequent manual selection of that PLMN, there is a successful LR. This list is retained when the MS is switched off or the SIM is removed. The HPLMN (if the EHPLMN list is not present or is empty) or an EHPLMN (if the EHPLMN list is present) shall not be stored on the list of "forbidden PLMNs".

In A/Gb mode, an ME not supporting SoLSA may consider a cell with the escape PLMN code (see 3GPP TS 23.073) to be a part of a PLMN belonging to the list of "forbidden PLMNs".

Optionally the ME may store in its memory an extension of the "forbidden PLMNs" list. The contents of the extension of the list shall be deleted when the MS is switched off or the SIM is removed.

If a message with cause value "GPRS services not allowed in this PLMN" or "EPS services not allowed in this PLMN" is received by an MS in response to an GPRS attach, GPRS detach, routing area update, EPS attach or tracking area update request (see 3GPP TS 24.008 [23] and 3GPP TS 24.301 [23A]) from a VPLMN, that VPLMN is added to a list

of "forbidden PLMNs for GPRS service" which is stored in the MS and thereafter that VPLMN will not be accessed by the MS for GPRS service when in automatic mode. This list is deleted when the MS is switched off or when the SIM is removed. A PLMN is removed from the list of "forbidden PLMNs for GPRS service" if, after a subsequent manual selection of that PLMN, there is a successful GPRS attach or EPS attach. The maximum number of possible entries in this list is implementation dependant, but must be at least one entry. The HPLMN (if the EHPLMN list is not present or is empty) or an EHPLMN (if the EHPLMN list is present) shall not be stored on the list of "forbidden PLMNs for GPRS service".

A UE capable of S101 mode maintains a list "forbidden PLMNs for attach in S101 mode"; the properties and handling in NAS signalling is defined in subclause 5.3.3 of 3GPP TS 24.301 [23A].

If the MS is in GAN mode and a "Location not allowed" message is received (see 3GPP TS 44.318 [35B]), then the MS may attempt to select another PLMN so that further GAN registrations may again be attempted. The selection of the PLMN either automatically or manually is implementation dependent.

3.1A CSG selection / restriction

If the MS supports CSG, it is provisioned with an Allowed CSG list and an Operator CSG list and associated PLMN identities. Both lists can be retrieved either from the USIM if the lists are available in the USIM, or as described in 3GPP TS 24.285 [47] if the lists are not available in the USIM. These lists have zero or more entries. There are two modes of CSG selection:

- Automatic mode: This mode utilizes the Allowed CSG list and the Operator CSG list. After a PLMN is selected, the MS camps on a cell in that PLMN only if the cell is either not a CSG cell or it is a CSG cell with a CSG identity that is in the Allowed CSG list or in the Operator CSG List. The idle mode procedures of NAS are not impacted by this mode.
- Manual mode: In this mode, the MS indicates to the user the list of available CSGs and the associated PLMNs. The list of CSGs presented to the user is not restricted by the Allowed CSG list and the Operator CSG List stored in the MS. After the user makes a selection, the MS camps on a cell with the selected CSG identity and may attempt to register with the associated PLMN (see 3GPP TS 24.008 [23] and 3GPP TS 24.301 [23A]).

If a message with cause value #25 (see 3GPP TS 24.008 [23] and 3GPP TS 24.301 [23A]) is received by an MS for a CSG ID present in the Operator CSG list, then for an implementation dependent time no shorter than 60 minutes, or until the MS is switched off, or the SIM/USIM is removed, or the Operator CSG list is updated, then:

- a) The NAS shall not include this CSG ID and the associated PLMN in the CSG whitelist provided to the AS;
- b) In CSG manual mode selection, the MS shall not display to the user that this CSG ID and the associated PLMN is in the Operator CSG List stored in the MS.

NOTE: As an implementation option, the user can be informed that the MS has not been authorized for a CSG included in the Operator CSG list.

3.2 Regional provision of service

An MS may have a "regionally restricted service" where it can only obtain service on certain areas (i.e. LAs or TAs). If such an MS attempts to camp on a cell of an area for which it does not have service entitlement, when it does an LR request, it will receive a message with cause value #12 (see 3GPP TS 24.008 [23] and 3GPP TS 24.301 [23A]). In this case, the MS shall take the following actions depending on the access technology in which the message was received:

GSM, GSM COMPACT or UTRAN:

- The MS stores the forbidden LA identity (LAI) in a list of "forbidden LAs for regional provision of service", to prevent repeated access attempts on a cell of the forbidden LA. This list is deleted when the MS is switched off or the SIM is removed. The MS enters the limited service state.

E-UTRAN:

The MS stores the forbidden TA identity (TAI) in a list of "forbidden TAs for regional provision of service", to prevent repeated access attempts on a cell of the forbidden TA. This list is deleted when the MS is switched off or the SIM is removed. The MS enters the limited service state.

In A/Gb mode, a cell may be reserved for SoLSA exclusive access (see 3GPP TS 24.008 [23] and 3GPP TS 44.060 [39]). An MS is only allowed to camp normally on such a cell if it has a Localised Service Area subscription to the cell. Other MS may enter the limited service state.

NOTE: In A/Gb mode, in a SoLSA exclusive cell the MCC+MNC code is replaced by a unique escape PLMN code (see 3GPP TS 23.073), not assigned to any PLMN, in SI3 and SI4. An MS not supporting SoLSA may request for location update to an exclusive access cell. In this case the location attempt is rejected with the cause "PLMN not allowed" and the escape PLMN code is added to the list of the "forbidden PLMNs".

3.3 Borders between registration areas

If the MS is moving in a border area between registration areas, it might repeatedly change between cells of different registration areas. Each change of registration area would require an LR, which would cause a heavy signalling load and increase the risk of a paging message being lost. The access stratum shall provide a mechanism to limit this effect.

3.4 Access control

3.4.1 Access control

Due to problems in certain areas, network operators may decide to restrict access from some MSs (e.g., in case of congestion), and for this reason, a mechanism for common access control is provided. In A/Gb mode and Iu mode a mechanism for domain specific access control is also provided (see 3GPP TS 43.022 [35] and 3GPP TS 25.304 [32]).

In the case that a network operator decides to restrict access they may as an option allow restricted MSs to respond to paging messages and/or to perform location registrations. Mechanisms to allow this optional access are provided (see 3GPP TS 25.304 [32]).

A network operator can also restrict some MSs to access the network for location registration, although via common access class control or domain specific access class control the MSs are permitted to access the network for other purposes.

3.4.2 Forbidden LA or TA for regional provision of service

When the MS is camped on a cell, the LA or TA of which belongs to the list of "forbidden LAs for regional provision of service" or "forbidden TAs for regional provision of service", the MS is not allowed to initiate establishment of a CM connection except for an emergency call; it may respond to paging. Also, the MS is not allowed to request GPRS services when camped on a cell of a LA or TA of which belongs to the list of "forbidden LAs for regional provision of service" or "forbidden TAs for regional provision of service".

3.5 No suitable cell (limited service state)

There are a number of situations in which the MS is unable to obtain normal service from a PLMN. These include:

- a) Failure to find a suitable cell of the selected PLMN;
- b) No SIM in the MS;
- c) A "PLMN not allowed" response to an LR;
- d) An "illegal MS", "illegal ME" or "IMSI unknown in HLR" response to an LR; (Any SIM in the ME is then considered "invalid".)
- e) A "GPRS not allowed" response to an LR of a GPRS MS attached to GPRS services only. (The cell selection state of GPRS MSs attached to GPRS and non-GPRS depends on the outcome of the location updating.)

(In automatic PLMN selection mode, events (a), (c) and (e) would normally cause a new PLMN selection, but even here, the situation may arise when no PLMNs are available and allowable for use).

Under any of these conditions, the MS attempts to camp on an acceptable cell, irrespective of its PLMN identity, so that emergency calls can be made if necessary. When in the limited service state with a valid SIM, the MS shall search for available and allowable PLMNs in the manner described in subclause 4.4.3.1 and when indicated in the SIM also as described in subclause 4.4.3.4. With the exception of performing GPRS attach or EPS attach for emergency bearer services, no LR requests are made until a valid SIM is present and either a suitable cell is found or a manual network reselection is performed. When performing GPRS attach or EPS attach for emergency bearer services, the PLMN of the current serving cell is considered as the selected PLMN for the duration the MS is attached for emergency bearer services. In the limited service state the presence of the MS need not be known to the PLMN on whose cell it has camped.

There are also other conditions under which only emergency calls may be made. These are shown in table 2 in clause 5.

3.6 CTS fixed part selection (A/Gb mode only)

In CTS mode only or in automatic mode with CTS preferred, the CTS MS normally operates on a CTS fixed part on which the mobile station is already enrolled. If the CTS MS loses CTS coverage in these modes, it shall attempt periodically to select again a CTS fixed part.

To select a CTS fixed part, the CTS MS shall listen to the CTSBCH frequencies of all the fixed parts on which the MS is currently enrolled.

If the CTS MS is moving in a border area between one area with CTS coverage and one without it, it might repeatedly require CTS attachments and LU on the PLMN. To prevent this, the criteria C1_CTS and C2_CTS (defined in 3GPP TS 45.008 subclause 11.1) are used. To attach to a CTS FP, the C1_CTS criterion shall be greater than zero. When the C2_CTS criterion falls below zero, the CTS MS shall consider itself to be no more under CTS coverage.

4 Overall process structure

4.1 Process goal

The aim of the idle mode processes is to ensure that the registered PLMN is the selected PLMN.

4.2 States description

Each of the processes of PLMN selection, cell selection and location registration can be described by a set of states. The overall state of the mobile is thus a composite of the states of the three processes. In some cases, an event which causes a change of state in one process may trigger a change of state in another process, e.g., camping on a cell in a new registration area triggers an LR request. The relationship between the processes is illustrated in figure 1 in clause 5.

The states in which the MS may be, for each of the processes, are described below and illustrated in figures 2a, 2b and 3 in clause 5. For many of the states, a fuller description can be found in other Technical Specifications, and a reference to the Technical Specification is given after the state description.

In the event of any conflict between the diagrams and the text in the present document, the text takes precedence.

4.3 List of states

4.3.1 List of states for the PLMN selection process

4.3.1.1 List of states for automatic mode (figure 2a)

- A1 Trying RPLMN - The MS is trying to perform a Location Registration on the registered PLMN.
- A2 On PLMN - The MS has successfully registered on a PLMN.
- A3 Trying PLMN - The MS is trying to register on a PLMN in the ordered list of PLMNs.

- A4 Wait for PLMNs to appear - There are no allowable and available PLMNs at present and the MS is waiting for one to appear.
- A5 HPLMN search in progress - The MS is trying to find if the HPLMN is available.
- A6 No SIM - There is no SIM in the MS, or certain LR responses have been received.

4.3.1.2 List of states for manual mode (figure 2b)

- M1 Trying registered PLMN - The MS is trying to perform a Location Registration on the registered PLMN.
- M2 On PLMN - The MS has successfully registered on a PLMN.
- M3 Not on PLMN - The MS has failed to register on the selected PLMN.
- M4 Trying PLMN - The MS is trying to register on a user selected PLMN.
- M5 No SIM - There is no SIM in the MS, or certain LR responses have been received.

4.3.2 Void

4.3.3 List of states for location registration (figure 3)

The states are entered depending on responses to location registration (LR) requests. Independent update states exist for GPRS and for non-GPRS operation in MSs capable of GPRS and non-GPRS services.

- L0 Null – The MS is considered in this state when switched off.
- L1 Updated - The MS enters this state if an LR request is accepted. The update status is set to "updated". The GPRS and the non-GPRS update state of a MS may enter "updated" as a result of combined signalling or as a result of individual signalling depending on the capabilities of the network.
- L2 Idle, No IMSI - The MS enters this state if an LR request is rejected with cause:
 - a) IMSI unknown in HLR;
 - b) illegal ME;
 - c) illegal MS;
 - d) GPRS services and non-GPRS services not allowed,

or if there is no SIM. All update states of a MS enter this state regardless whether received by individual or combined signalling for events b) and c). Event a) has no influence on the GPRS update state. Events b) and c) result in "Roaming not allowed" for the GPRS and/or non-GPRS update status depending on the specific location registration procedure. Event d) results in "Roaming not allowed" for the GPRS update state.

If a SIM is present, the non-GPRS update status of the SIM is set to "Roaming not allowed".
- L3 Roaming not allowed - The MS enters this state if it receives an LR reject message with the cause:
 - a) PLMN not allowed;
 - b) Location area not allowed;
 - c) Tracking area not allowed;
 - d) Roaming not allowed in this location area;
 - e) Roaming not allowed in this tracking area;
 - f) GPRS services not allowed in this PLMN;

- g) No Suitable Cells In Location Area;
- h) No Suitable Cells In Tracking Area;
- i) Not authorized for this CSG.

Except from event f) all update states of the MS are set to "Roaming not allowed" regardless whether received by individual or combined signalling. Event f) results in "Roaming not allowed" for the GPRS update state only. Event f) has no influence on the non-GPRS update state. The behaviour of the MS in the roaming not allowed state is dependent on the LR reject cause as shown in table 2 in clause 5. Additionally:

- in automatic mode, "PLMN not allowed", "Roaming not allowed in this location area" and "Roaming not allowed in this tracking area" cause the Automatic Network Selection procedure of subclause 4.4.3.1.1 to be started; it is also caused by "GPRS services not allowed in this PLMN" when received by a GPRS MS operating in MS operation mode C;
- in manual mode, "PLMN not allowed" and "Roaming not allowed" cause the Manual Network Selection procedure of subclause 4.4.3.1.2 to be started; it is also caused by "GPRS services not allowed in this PLMN" when received by a GPRS MS operating in MS operation mode C.

- L4 Not updated - The MS enters this state if any LR failure not specified for states L2 or L3 occurs, in which cases the MS is not certain whether or not the network has received and accepted the LR attempt. The non-GPRS update status on the SIM and/or the GPRS update status are set to "not updated" depending on the specific location registration procedure and their outcome.
- L5 LR request – The MS enters this state when determining that a LR request is to be made.
- L6 LR pending – The MS enters this state after having started the LR, waiting for the outcome (response message from the network).

NOTE This clause does not describe all the cases. For more details refer to 3GPP TS 24.008 [23]

4.4 PLMN selection process

4.4.1 Introduction

There are two modes for PLMN selection, automatic and manual. These are described in subclauses 4.4.3 below and illustrated in figures 2a to 2b in clause 5.

4.4.2 Registration on a PLMN

The MS shall perform registration on the PLMN if the MS is capable of services which require registration. In both automatic and manual modes, the concept of registration on a PLMN is used. An MS successfully registers on a PLMN if:

- a) The MS has found a suitable cell of the PLMN to camp on; and
- b) An LR request from the MS has been accepted in the registration area of the cell on which the MS is camped (see table 1).

4.4.3 PLMN selection

The registration on the selected PLMN and the location registration are only necessary if the MS is capable of services which require registration. Otherwise, the PLMN selection procedures are performed without registration.

The ME shall utilise all the information stored in the SIM related to the PLMN selection; e.g. "HPLMN Selector with Access Technology", "Operator controlled PLMN Selector with Access Technology", "User Controlled PLMN Selector with Access Technology", "Forbidden PLMNs", "Equivalent HPLMN", see 3GPP TS 31.102 [40].

The "HPLMN Selector with Access Technology", "User Controlled PLMN Selector with Access Technology" and "Operator Controlled PLMN Selector with Access Technology" data files in the SIM include associated access

technologies for each PLMN entry, see 3GPP TS 31.102 [40]. The PLMN/access technology combinations are listed in priority order. If an entry indicates more than one access technology, then no priority is defined for the access technologies within this entry and the priority applied to each access technology within this entry is an implementation issue. If no particular access technology is indicated in an entry, it shall be assumed that all access technologies supported by the ME apply to the entry. If an entry only indicates access technologies not supported by the ME, the entry shall be ignored. If an entry indicates at least one access technology supported by the ME, the entry shall be used in the PLMN selection procedures if the other criteria defined for the specific PLMN selection procedures are fulfilled.

The Mobile Equipment stores a list of "equivalent PLMNs". This list is replaced or deleted at the end of each location update procedure, routing area update procedure, GPRS attach procedure, tracking area update procedure and EPS attach procedure. The stored list consists of a list of equivalent PLMNs as downloaded by the network plus the PLMN code of the registered PLMN that downloaded the list. All PLMNs in the stored list, in all access technologies supported by the PLMN, are regarded as equivalent to each other for PLMN selection, cell selection/re-selection and handover.

When the MS reselects to a cell in a shared network, the AS may indicate multiple PLMN identities to the NAS according to 3GPP TS 25.304 [32]. The MS shall choose one of these PLMNs. If the registered PLMN is available among these PLMNs, the MS shall not choose a different PLMN.

The MS shall not use the PLMN codes contained in the "HPLMN Selector with Access Technology" data file.

It is possible for the home network operator to identify alternative Network IDs as the HPLMN. If the EHPLMN list is present, and not empty, the entries in the EHPLMN list are used in the network selection procedures. When attempting to select a network the highest priority EHPLMN that is available shall be selected. If the EHPLMN list is present and is empty or if the EHPLMN list is not present, the HPLMN derived from the IMSI is used for network selection procedures.

NOTE 1: The "HPLMN Selector with Access Technology" data file is only used by the MS to get the HPLMN access technologies related to the HPLMN code which corresponds to the PLMN code included in the IMSI if the EHPLMN list is not present or is empty. If the EHPLMN list is present then this data field is applicable to all the entries within the EHPLMN list.

NOTE 2: Different GSM frequency bands (e.g. 900, 1800, 1900, 400) are all considered GSM access technology. An MS supporting more than one band should scan all the bands it supports when scanning for GSM frequencies. However GSM COMPACT systems which use GSM frequency bands but with the CBPCCH broadcast channel are considered as a separate access technology from GSM.

NOTE 3: The inclusion of the HPLMN derived from the IMSI in the EHPLMN list is allowed. The priority of the HPLMN derived from the IMSI is given by its position in the EHPLMN list, see 3GPP TS 31.102 [40]

4.4.3.1 At switch-on or recovery from lack of coverage

At switch on, or following recovery from lack of coverage, the MS selects the registered PLMN or equivalent PLMN (if it is available) using all access technologies that the MS is capable of and if necessary (in the case of recovery from lack of coverage, see subclause 4.5.2) attempts to perform a Location Registration.

EXCEPTION: As an alternative option to this, if the MS is in automatic network selection mode and it finds coverage of an EHPLMN, the MS may register to the highest priority EHPLMN available and not return to the registered PLMN. If the EHPLMN list is not present or is empty, and the HPLMN is available, the MS may register on the HPLMN and not return to the registered PLMN. The operator shall be able to control by SIM configuration whether an MS that supports this option shall perform this alternative behaviour.

EXCEPTION: In A/Gb mode an MS with voice capability, shall not search for CPBCCCH carriers. In A/Gb mode an MS not supporting packet services shall not search for CPBCCCH carriers.

If successful registration is achieved, the MS indicates the selected PLMN.

If there is no registered PLMN, or if registration is not possible due to the PLMN being unavailable or registration failure, the MS follows one of the following two procedures depending on its PLMN selection operating mode. At switch on, if the MS provides the optional feature of user preferred PLMN selection operating mode at switch on then this operating mode shall be used.

EXCEPTION: At switch on, if the MS is in manual mode and neither registered PLMN nor PLMN that is equivalent to it is available but EHPLMN is available, then instead of performing the manual network selection mode procedure of subclause 4.4.3.1.2 the MS may select and attempt registration on the highest priority EHPLMN. If the EHPLMN list is

not available or is empty and the HPLMN is available, then the MS may select and attempt registration on the HPLMN. The MS shall remain in manual mode.

NOTE 1: If successful registration is achieved, then the current serving PLMN becomes the registered PLMN and the MS does not store the previous registered PLMN for later use.

EXCEPTION: If registration is not possible on recovery from lack of coverage due to the registered PLMN being unavailable, an MS attached to GPRS services may, optionally, continue looking for the registered PLMN for an implementation dependent time.

NOTE 2: An MS attached to GPRS services should use the above exception only if one or more PDP contexts are currently active.

4.4.3.1.1 Automatic Network Selection Mode Procedure

The MS selects and attempts registration on other PLMN/access technology combinations, if available and allowable, in the following order:

- i) either the HPLMN (if the EHPLMN list is not present or is empty) or the highest priority EHPLMN that is available (if the EHPLMN list is present) ;
- ii) each PLMN/access technology combination in the "User Controlled PLMN Selector with Access Technology" data file in the SIM (in priority order);
- iii) each PLMN/access technology combination in the "Operator Controlled PLMN Selector with Access Technology" data file in the SIM (in priority order);
- iv) other PLMN/access technology combinations with received high quality signal in random order;
- v) other PLMN/access technology combinations in order of decreasing signal quality.

When following the above procedure the following requirements apply:

- a) An MS with voice capability shall ignore PLMNs for which the MS has identified at least one GSM COMPACT.
- b) In A/Gb mode or GSM COMPACT, an MS with voice capability, or an MS not supporting packet services shall not search for CPBCCCH carriers.
- c) In ii and iii, the MS should limit its search for the PLMN to the access technology or access technologies associated with the PLMN in the appropriate PLMN Selector with Access Technology list (User Controlled or Operator Controlled selector list).

An MS using a SIM without access technology information storage (i.e. the "User Controlled PLMN Selector with Access Technology" and the "Operator Controlled PLMN Selector with Access Technology" data files are not present) shall instead use the "PLMN Selector" data file, for each PLMN in the "PLMN Selector" data file, the MS shall search for all access technologies it is capable of. The priority ordering amongst the access technologies is implementation dependent.

- d) In iv and v, the MS shall search for all access technologies it is capable of, before deciding which PLMN to select.
- e) In ii, and iii, a packet only MS which supports GSM COMPACT, but using a SIM without access technology information storage (i.e. the "User Controlled PLMN Selector with Access Technology" and the "Operator Controlled PLMN Selector with Access Technology" data files are not present) shall instead use the "PLMN Selector" data file, for each PLMN in the "PLMN Selector" data file, the MS shall search for all access technologies it is capable of and shall assume GSM COMPACT access technology as the lowest priority radio access technology.
- f) In i, the MS shall search for all access technologies it is capable of. No priority is defined for the preferred access technology and the priority is an implementation issue, but "HPLMN Selector with Access Technology" data file on the SIM may be used to optimise the procedure.
- g) In i, an MS using a SIM without access technology information storage (i.e. the "HPLMN Selector with Access Technology" data file is not present) shall search for all access technologies it is capable of. The priority

ordering amongst the access technologies is implementation dependent. A packet only MS which supports GSM COMPACT using a SIM without access technology information storage shall also assume GSM COMPACT access technology as the lowest priority radio access technology.

- h) In v, the MS shall order the PLMN/access technology combinations in order of decreasing signal quality within each access technology. The order between PLMN/access technology combinations with different access technologies is an MS implementation issue.

NOTE 1: Requirements a) and b) apply also to requirement d), so a GSM voice capable MS should not search for GSM COMPACT PLMNs, even if capable of GSM COMPACT.

NOTE 2: Requirements a) and b) apply also to requirement f), so a GSM voice capable MS should not search for GSM COMPACT PLMNs, even if this is the only access technology on the "HPLMN Selector with Access Technology" data file on the SIM.

NOTE 3: High quality signal is defined in the appropriate AS specification.

If successful registration is achieved, the MS indicates the selected PLMN.

If registration cannot be achieved because no PLMNs are available and allowable, the MS indicates "no service" to the user, waits until a new PLMN is available and allowable and then repeats the procedure.

If there were one or more PLMNs which were available and allowable, but an LR failure made registration on those PLMNs unsuccessful or an entry in any of the lists "forbidden LAs for roaming", "forbidden TAs for roaming", "forbidden LAs for regional provision of service" or "forbidden TAs for regional provision of service" prevented a registration attempt, the MS selects the first such PLMN again and enters a limited service state.

4.4.3.1.2 Manual Network Selection Mode Procedure

The MS indicates whether there are any PLMNs, which are available using all supported access technologies. This includes PLMNs in the "forbidden PLMNs" list and PLMNs which only offer services not supported by the MS. An MS which supports GSM COMPACT shall also indicate GSM COMPACT PLMNs (which use PBCCH).

If displayed, PLMNs meeting the criteria above are presented in the following order:

- i)- either the HPLMN (if the EHPLMN list is not present or is empty) or, if one or more of the EHPLMNs are available then based on an optional data field on the SIM either only the highest priority available EHPLMN is to be presented to the user, or all available EHPLMNs are presented to the user in priority order. If the data field is not present on the SIM, then only the highest priority available EHPLMN is presented;
- ii)- PLMN/access technology combinations contained in the "User Controlled PLMN Selector with Access Technology" data file in the SIM (in priority order);
- iii)- PLMN/access technology combinations contained in the "Operator Controlled PLMN Selector with Access Technology" data file in the SIM (in priority order);
- iv)- other PLMN/access technology combinations with received high quality signal in random order;
- v)- other PLMN/access technology combinations in order of decreasing signal quality.

In ii and iii, an MS using a SIM without access technology information storage (i.e. the "User Controlled PLMN Selector with Access Technology" and the "Operator Controlled PLMN Selector with Access Technology" data files are not present) shall instead present the PLMNs contained in the "PLMN Selector" data file in the SIM (in priority order).

In v, requirement h) in subclause 4.4.3.1.1 applies.

In GSM COMPACT, the non support of voice services shall be indicated to the user.

The HPLMN may provide on the SIM additional information on the available PLMNs. If this information is provided then the MS shall indicate it to the user. This information, provided as free text may include:

- preferred partner,
- roaming agreement status,
- supported services

Furthermore, the MS may indicate whether the available PLMNs are present on the EHPLMN list, the Forbidden list, the User Controlled PLMN List or the Operator Controlled PLMN List. The MS may also indicate that the PLMN is not present on any of these lists.

The user may select his desired PLMN and the MS then initiates registration on this PLMN using the access technology chosen by the user for that PLMN or using the highest priority available access technology for that PLMN, if the associated access technologies have a priority order. (This may take place at any time during the presentation of PLMNs). For such a registration, the MS shall ignore the contents of the "forbidden LAs for roaming", "forbidden TAs for roaming", "forbidden LAs for regional provision of service", "forbidden TAs for regional provision of service", "forbidden PLMNs for GPRS service" and "forbidden PLMNs" lists.

NOTE 1: It is an MS implementation option whether to indicate access technologies to the user. If the MS does display access technologies, then the access technology selected by the user is only used for initial registration on the selected PLMN. If the MS does not display access technologies, then the access technology chosen for a particular PLMN should be the highest priority available access technology for that PLMN, if the associated access technologies have a priority order, and is only used for initial registration.

Once the UE has registered on a PLMN selected by the user, the UE shall not automatically register on a different PLMN unless:

- i) the new PLMN is declared as an equivalent PLMN by the registered PLMN; or
- ii) the user selects automatic mode.

If the user does not select a PLMN, the selected PLMN shall be the one that was selected before the PLMN selection procedure started. If no such PLMN was selected or that PLMN is no longer available, then the MS shall attempt to camp on any acceptable cell and enter the limited service state.

NOTE 2: High quality signal is defined in the appropriate AS specification.

4.4.3.1.3 Manual CSG selection

4.4.3.1.3.1 General

The MS displays to the user the CSGs that are available and the associated PLMNs using all access technologies which support CSGs and which are supported by the MS. For each entry in the lists, an indication is provided whether that CSG identity is in the Allowed CSG list or in the Operator CSG List stored in the MS for this PLMN.

The user may select a CSG from the available ones.

If the MS has a PDN connection for emergency bearer services, manual CSG selection shall not be performed.

4.4.3.1.3.2 Manual CSG selection within the RPLMN

If the user selects a CSG whose CSG identity is not included in the Allowed CSG list or Operator CSG list, then the MS shall attempt to register on a cell that corresponds to the CSG.

4.4.3.1.3.3 Manual CSG selection in a PLMN different from the RPLMN

If the user selects a CSG in a PLMN that is different from the RPLMN, then the following applies:

- i) The MS shall store a duplicate of the RPLMN and a duplicate of the current PLMN selection mode;
- ii) The MS shall enter into Manual mode of PLMN selection in state M4 (Trying PLMN) as defined in subclause 4.3.1.2;
- iii) The MS shall select the PLMN corresponding to the CSG and attempt to register on the selected CSG cell in the PLMN; and
- iv) If the registration fails or the MS is no longer in the coverage of the CSG, then the MS shall return to the stored duplicate PLMN selection mode and use the stored duplicate value of RPLMN for further action.

If the registration attempt is accepted, the MS shall add the CSG identity to the Allowed CSG list unless the cell is a hybrid cell or the identity is already present in the list.

4.4.3.2 User reselection

At any time the user may request the MS to initiate reselection and registration onto an available PLMN, according to the following procedures, dependent upon the operating mode.

4.4.3.2.1 Automatic Network Selection Mode

The MS selects and attempts registration on PLMNs, if available and allowable, in all of its bands of operation in accordance with the following order:

- i) the HPLMN (if the EHPLMN list is not present or is empty) or the highest priority EHPLMN that is available (if the EHPLMN list is present);
- ii) PLMN/access technology combinations contained in the "User Controlled PLMN Selector with Access Technology" data file in the SIM (in priority order) excluding the previously selected PLMN/access technology combination;
- iii) PLMN/access technology combinations contained in the "Operator Controlled PLMN Selector with Access Technology" data file in the SIM (in priority order) excluding the previously selected PLMN/access technology combination;
- iv) other PLMN/access technology combinations with the received high quality signal in random order excluding the previously selected PLMN/access technology combination;
- v) other PLMN/access technology combinations, excluding the previously selected PLMN/access technology combination in order of decreasing signal quality or, alternatively, the previously selected PLMN/access technology combination may be chosen ignoring its signal quality;
- vi) The previously selected PLMN/access technology combination.

The previously selected PLMN/access technology combination is the PLMN/access technology combination which the MS has selected prior to the start of the user reselection procedure.

NOTE 1: If the previously selected PLMN is chosen, and registration has not been attempted on any other PLMNs, then the MS is already registered on the PLMN, and so registration is not necessary.

The equivalent PLMNs list shall not be applied to the user reselection in Automatic Network Selection Mode.

When following the above procedure the requirements a), b), c), e), f), g), h) in subclause 4.4.3.1.1 apply: Requirement d) shall apply as shown below:

- d) In iv, v, and vi, the MS shall search for all access technologies it is capable of before deciding which PLMN/access technology combination to select.

NOTE 2: High quality signal is defined in the appropriate AS specification.

4.4.3.2.2 Manual Network Selection Mode

The Manual Network Selection Mode Procedure of subclause 4.4.3.1.2 is followed.

4.4.3.2.3 Manual CSG selection

The procedure of subclause 4.4.3.1.3 is followed.

4.4.3.3 In VPLMN

4.4.3.3.1 Automatic and manual network selection modes

If the MS is in a VPLMN, the MS shall periodically attempt to obtain service on its HPLMN (if the EHPLMN list is not present or is empty) or one of its EHPLMNs (if the EHPLMN list is present) or a higher priority PLMN/access technology combinations listed in "user controlled PLMN selector" or "operator controlled PLMN selector" by scanning in accordance with the requirements that are applicable to i), ii) and iii) as defined in the Automatic Network Selection Mode in subclause 4.4.3.1.1. In the case that the mobile has a stored "Equivalent PLMNs" list the mobile shall only select a PLMN if it is of a higher priority than those of the same country as the current serving PLMN which are stored in the "Equivalent PLMNs" list. For this purpose, a value T minutes may be stored in the SIM, T is either in the range 6 minutes to 8 hours in 6 minute steps or it indicates that no periodic attempts shall be made. If no value is stored in the SIM, a default value of 60 minutes is used.

The attempts to access the HPLMN or an EHPLMN or higher priority PLMN shall be as specified below:

- a) The periodic attempts shall only be performed in automatic mode when the MS is roaming, and not while attached for emergency bearer services;
- b) After switch on a period of at least 2 minutes and at most T minutes shall elapse before the first attempt is made;
- c) The MS shall make the following attempts if the MS is on the VPLMN at time T after the last attempt;
- d) Periodic attempts shall only be performed by the MS while in idle mode;
- e) If the HPLMN (if the EHPLMN list is not present or is empty) or a EHPLMN (if the list is present) or a higher priority PLMN is not found, the MS shall remain on the VPLMN.
- f) In steps i), ii) and iii) of subclause 4.4.3.1.1 the MS shall limit its attempts to access higher priority PLMN/access technology combinations to PLMN/access technology combinations of the same country as the current serving VPLMN, as defined in Annex B.
- g) Only the priority levels of Equivalent PLMNs of the same country as the current serving VPLMN, as defined in Annex B, shall be taken into account to compare with the priority level of a selected PLMN.
- h) If the PLMN of the highest priority PLMN/access technology combination available is the current VPLMN, or one of the PLMNs in the "Equivalent PLMNs" list, the MS shall remain on the current PLMN/access technology combination.

4.4.3.3.2 Manual CSG selection

The procedure of subclause 4.4.3.1.3 is followed.

4.4.3.4 Investigation Scan for higher prioritized PLMN

The support of this procedure is mandatory if the ME supports GSM COMPACT and otherwise optional.

A MS capable of both GSM voice and packet service shall, when indicated in the SIM, investigate if there is service from a higher prioritized PLMN not offering GSM voice service, either HPLMN (if the EHPLMN list is not present or is empty) or one of its EHPLMNs (if the EHPLMN list is present) or a PLMN in a "PLMN Selector with Access Technology" data file on the SIM.

The MS shall scan for PLMNs in accordance with the requirements described for automatic network selection mode in subclause 4.4.3.1.1 that are applicable to i), ii) and iii) with the exception of requirement a) and b) in subclause 4.4.3.1. Requirement a) and b) that are specified for automatic network selection mode in subclause 4.4.3.1 shall be ignored during the investigation scan.

If indicated on the SIM, the investigation scan shall be performed:

- i) After each successful PLMN selection and registration is completed, when the MS is in idle mode. This investigation scan may rely on the information from the already performed PLMN selection and may not necessarily require a rescan
- ii) When the MS is unable to obtain normal service from a PLMN, (limited service state) see subclause 3.5.

The investigation scan is restricted to automatic selection mode and shall only be performed by an MS that is capable of both voice and packet data. It shall only be performed if the selected PLMN is not already the highest prioritized PLMN in the current country. (HPLMN in home country, otherwise according to PLMN selector lists)

The MS shall return to RPLMN after the investigation scan is performed.

If a higher prioritized PLMN not offering GSM voice service is found, this shall be indicated to the user. The MS shall not select the PLMN unless requested by the user.

4.4.4 Abnormal cases

If there is no SIM in the MS, if there is an authentication failure, or if the MS receives an "IMSI unknown in HLR", "illegal ME" or "illegal MS" response to an LR request, then effectively there is no selected PLMN ("No SIM" state). In these cases, the states of the cell selection process are such that no PLMN selection information is used. Except when performing GPRS attach or EPS attach for emergency bearer services, no further attempts at registration on any PLMN are made until the MS is switched off and on again, or a SIM is inserted. When performing GPRS attach or EPS attach for emergency bearer services, the PLMN of the current serving cell is temporarily considered as the selected PLMN.

When in Automatic Network Selection mode and the MS is in the "not updated" state with one or more suitable cells to camp on; then after the maximum allowed unsuccessful LR requests (controlled by the specific attempt counters) the MS may continue (or start if it is not running) the user reselection procedure of subclause 4.4.3.2 1.

A multi mode MS that also supports 3GPP2 access technology may fall back to 3GPP2 mode if no SIM is inserted.

4.4.5 Roaming not allowed in this LA or TA

If in either PLMN selection mode the LR response "Roaming not allowed in this LA" or "Roaming not allowed in this TA" is received:

The PLMN Automatic or Manual Mode Selection Procedure of subclause 4.4.3.1 are followed, depending on whether the MS is in automatic or manual mode.

4.4.6 Steering of roaming

If the MS receives a USAT REFRESH command qualifier (3GPP TS 31.111 [41]) of type "Steering of Roaming", the MS shall:

- a) replace the highest priority entries in the "Operator Controlled PLMN Selector with Access Technology" list with the list provided in the REFRESH command;
- b) delete the PLMNs identified by the list in the REFRESH command from the Forbidden PLMN list and from the Forbidden PLMNs for GPRS service list, if they are present in these lists. This includes any information stored in the SIM and the ME internal memory;
- c) take the new information into account in subsequent attempts to access a higher priority PLMN; and
- d) attempt to obtain service on a higher priority PLMN as specified in subclause 4.4.3.3 by acting as if timer T that controls periodic attempts has expired.

In order to avoid unnecessary signalling, the network operator should avoid repeatedly using steering of roaming of a particular MS.

4.5 Location registration process

4.5.1 General

When the MS is switched on and capable of services requiring registration, the action taken by the location registration process is as follows:

- a) SIM present and no LR needed (because of the status of the stored registration area identity and "attach" flag):
The MS is in the update state UPDATED;

- b) SIM present and LR needed: A LR request is made;
- c) No SIM present: The MS enters the update state Idle, NO IMSI.

In case b) above, and subsequently whenever a LR request is made, the MS enters a state depending on the outcome of the LR request, as listed in subclause 4.3.3 above. In case c) the GPRS and the non-GPRS update state enters "IDLE, NO IMSI".

Whenever the MS goes to connected mode and then returns to idle mode again, the MS selects the appropriate state.

A multi mode MS that also supports 3GPP2 access technology may fall back to 3GPP2 mode if no SIM is inserted.

4.5.2 Initiation of Location Registration

An LR request indicating Normal Updating is made when, in idle mode,

- the MS changes cell while being in the update state NOT UPDATED; (for MS capable of GPRS and non-GPRS services when at least one of both update states is NOT UPDATED)
- the MS detects that it has entered a new registration area, i.e., when the received registration area identity differs from the one stored in the MS, and the LAI, TAI or PLMN identity is not contained in any of the lists of "forbidden LAs for roaming", "forbidden TAs for roaming", "forbidden LAs for regional provision of service", "forbidden TAs for regional provision of service", "forbidden PLMNs for GPRS service" or "forbidden PLMNs" respectively, while being in one of the following update states:
 - UPDATED;
 - NOT UPDATED;
 - ROAMING NOT ALLOWED.
- the MS detects that it has entered a registration area that has the same identity as the one stored in the MS, while being in the ROAMING NOT ALLOWED update state, and the LAI, TAI or PLMN identity is not contained in any of the lists of "forbidden LAs for roaming", "forbidden TAs for roaming", "forbidden LAs for regional provision of service", "forbidden TAs for regional provision of service", "forbidden PLMNs for GPRS service" or "forbidden PLMNs" respectively.
- the Periodic Location Updating Timer expires while being in the non-GPRS update state NOT UPDATED (triggers Location Updating);
- the Periodic Routing Area Update timer expires while being in the GPRS update state NOT UPDATED (triggers Routing Area Update);
- the Periodic Tracking Area Update timer expires while being in the EPS update state NOT UPDATED (triggers Tracking Area Update);
- a manual network reselection has been performed, an acceptable cell of the selected PLMN is present, and the MS is not in the UPDATED state on the selected PLMN; or
- emergency bearer services over packet services are requested by upper layers.

If a new PLMN is entered, a MS which is attached for PS services shall perform a routing area update or tracking area update if the LAI, TAI or PLMN identity is not contained in any of the lists "forbidden LAs for roaming", "forbidden TAs for roaming", "forbidden LAs for regional provision of service", "forbidden TAs for regional provision of service", "forbidden PLMNs for GPRS service" or "forbidden PLMNs" and if the current update status is different from "IDLE, NO IMSI".

An LR request indicating Periodic Location Updating is made when, in idle mode, the Periodic Location Updating timer expires while being in the non-GPRS update state UPDATED.

An LR request indicating Periodic Routing Area Update is made when the Periodic Routing Area Update timer expires while being in the GPRS update state UPDATED, except when the MS is attached for emergency bearer services.

An LR request indicating Periodic Tracking Area Update is made when the Periodic Tracking Area Update timer expires while being in the EPS update state UPDATED, except when the MS is attached for emergency bearer services.

An LR request indicating IMSI attach is made when the MS is activated in the same location area in which it was deactivated while being in the non-GPRS update state UPDATED, and the system information indicates that IMSI attach/detach shall be used.

A GPRS attach is made by a GPRS MS when activated and capable of services which require registration. A GPRS attach may only be performed if the selected PLMN is not contained in the list of "forbidden PLMNs for GPRS service". Depending on system information about GPRS network operation mode MSs operating in MS operation mode A or B perform combined or non-combined location registration procedures. When the combined routing area update or GPRS attach is accepted with indication "MSC not reachable" or is not answered the MS performs also the corresponding location updating procedure or falls back to a GPRS only MS. When the combined routing area update or GPRS attach is rejected with cause "GPRS not allowed" the GPRS update state is "IDLE, NO IMSI" and the MS performs the corresponding location updating procedure.

Furthermore, an LR request indicating Normal Location Updating is also made when the response to an outgoing request shows that the MS is unknown in the VLR or SGSN, respectively.

Table 2 in clause 5 summarizes the events in each state that trigger a new LR request. The actions that may be taken while being in the various states are also outlined in table 2.

A GPRS MS which is both IMSI attached for GPRS and non-GPRS services and which is capable of simultaneous operation of GPRS and non-GPRS services shall perform Routing Area Update in connected mode when it has entered a new routing area which is not part of a LA contained in the list of "forbidden LAs for roaming" or "forbidden LAs for regional provision of service".

4.5.3 Periodic Location Registration

A Periodic Location Updating timer (for non-GPRS operation), a Periodic Routing Area Update timer (for GPRS operation) and a Periodic Tracking Area Update timer (for EPS operation) with the following characteristics shall be implemented in the MS (MS shall implement all timers corresponding to supported operations):

- i) Upon switch on of the MS or when the system information indicates that periodic location registration shall be applied, and the timer is not running, the timer shall be loaded with a random value between 0 and the broadcast or signalled time-out value and started.
- ii) The time-out value for the Periodic Location Updating timer shall be within the range of 1 deci-hour to 255 deci-hours with a granularity of 1 deci-hour.
- iii) When the timer reaches its expiry value, it shall be initiated with respect to the relevant time-out value, and the MS shall initiate the Periodic Location Registration corresponding to the expired timer. If the MS is attached for emergency bearer services, the MS shall locally detach instead of performing Periodic Location Registration.
- iv) The Periodic Location Updating timer shall be prevented from triggering Periodic Location Updating during connected mode. When the MS returns to idle mode, the Periodic Location Updating timer shall be initiated with respect to the broadcast time-out value, then started. Thereafter, the procedure in iii) shall be followed.
- v) The Periodic Routing Area Update timer shall be prevented from triggering the Periodic Routing Area Update during Ready state. At transition from Ready to Standby state the Periodic Routing Area Update timer shall be initiated with respect to its time-out value, then started. Thereafter, the procedure in iii) shall be followed.
- vi) If the MS performs a successful combined Routing Area Update the Periodic Location Updating timer shall be prevented from triggering the Periodic Location Updating until the MS starts using Location Updating procedure, for example because of a changed network operation mode or the MS uses non-GPRS services only.
- vii) When a change in the time-out value occurs (at a change of serving cell or a change in the broadcast time-out value or a change in the signalled time-out value), the related timer shall be reloaded so that the new time to expiry will be: "old time to expiry" modulo "new time-out value".

4.5.4 IMSI attach/detach operation

The system information will contain an indicator indicating whether or not IMSI attach/detach operation is mandatory to use in the cell. The MS shall operate in accordance with the received value of the indicator.

A GPRS MS shall perform GPRS attach/detach procedures independent of the value of the IMSI attach/detach indicator. When a GPRS MS has to perform IMSI attach/detach independent of GPRS procedures (for example GPRS network operation mode 2) the handling described in the clause above applies.

When IMSI attach/detach operation applies, a MS shall send the IMSI detach message to the network when the MS is powered down or the SIM is removed while being in the update state UPDATED. The IMSI detach message will not be acknowledged by the network.

When the MS returns to the active state, the MS shall perform an LR request indicating IMSI attach, provided that the MS still is in the same registration area. If the registration area has changed, an LR request indicating Normal Location Updating according to subclause 4.5.2 shall be performed.

4.5.5 No Suitable Cells In Location Area

If during location registration the LR response "No Suitable Cells In Location Area" or "No Suitable Cells In Tracking Area" is received:

- The MS shall attempt to find another LA or TA of the same PLMN on which it received the LR response. If the MS is able to find another LA or TA it shall attempt registration. If the MS is unable to find an LA or TA, the PLMN Automatic or Manual Mode Selection Procedure of subclause 4.4.3.1 shall be followed, depending on whether the MS is in automatic or manual mode.

4.6 Service indication (A/Gb mode only)

This is an indication to the user that service or CTS service is available.

The service indication should be set if the following conditions are all satisfied:

- a) Cell Selection: Camped on a suitable cell and in updated state, or in connected mode having been camped on a suitable cell.
- b) Location registration: In updated state, for MSs capable of services requiring registration.

A specific CTS service indication should be set when the CTS MS is attached to a CTS FP.

However due to the fact that there may be some transitory changes of state, the service indication is permitted to continue to be set for up to 10 seconds after the above conditions cease to be met. Also the service indication is permitted to take up to 1 second to be set after the above conditions are met.

4.7 Pageability of the mobile subscriber

An MS is required to listen to all paging messages that could address it (see 3GPP TS 45.002), when the following conditions are all satisfied:

- A SIM is inserted;
- The MS is camped on a cell;
- The MS is not in state "Idle, No IMSI"; and
- The MS is not performing the task to search for available PLMNs. (Whenever possible during this task, the MS should listen for paging.) However, when the MS is camped on a cell, is registered in a PLMN and is performing its regular search for a higher priority PLMN, as specified in 3GPP TS 22.011 [9], then it shall listen to all paging messages that could address it.

NOTE: In A/Gb mode, during cell reselection there is a certain period when the MS is no longer camped on the old cell but must decode the full BCCH or CPBCCCH before camping on the new cell. This leads to a period of slightly more than 8 51 frame multiframe when the MS will not necessarily be pageable.

4.8 MM Restart Procedure

In some cases, e.g. on change of SIM data, there is a need for the MM to be restarted without the need for user intervention.

To perform the procedure the MS shall behave as if the SIM is removed and afterwards a new SIM is inserted.

5 Tables and Figures

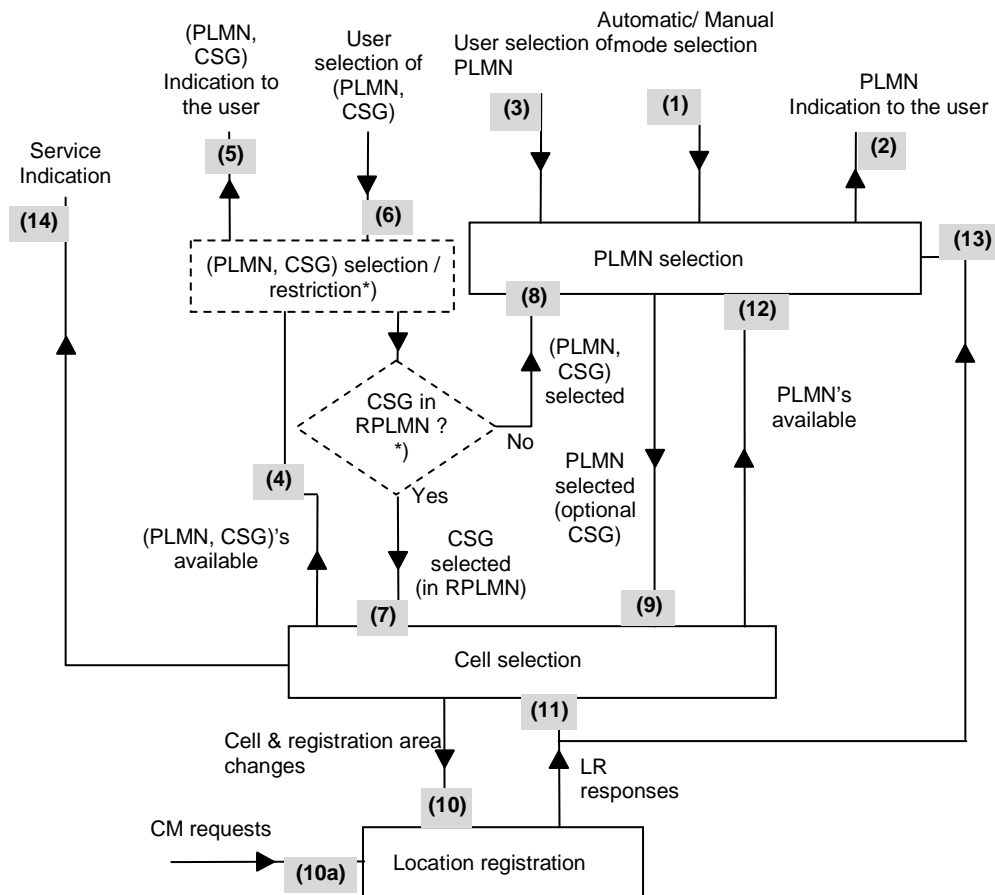
Table 1: Effect of LR Outcomes on PLMN Registration

| Location Registration Task State | Registration Status | Registered PLMN is |
|---|---------------------|--|
| Updated | Successful | Indicated in the stored registration area identity |
| Idle, No IMSI | Unsuccessful | No registered PLMN (3) (4) |
| Roaming not allowed: | | |
| a) PLMN not allowed | Unsuccessful | No registered PLMN (4) |
| b) LA not allowed or TA not allowed | Indeterminate(1) | No registered PLMN |
| c) Roaming not allowed in this LA or Roaming not allowed in this TA | Indeterminate (2) | No registered PLMN (4) |
| d) No Suitable Cells In Location Area or No Suitable Cells in Tracking Area | Indeterminate (5) | No registered PLMN |
| e) Not authorized for this CSG | Indeterminate (6) | No registered PLMN |
| Not updated | Unsuccessful | No registered PLMN (4) |
| <p>1) The MS will perform a cell selection and will eventually either enter a different state when the registration status will be determined, or fail to be able to camp on a new cell, when registration status will be unsuccessful.</p> <p>2) The MS will select the HPLMN (if the EHPLMN list is not present or is empty) or an EHPLMN (if the EHPLMN list is present) if in automatic mode and will enter Automatic Network Selection Mode Procedure of subclause 4.4.3.1. If in manual mode, the MS will display the list of available PLMNs and follow the Manual Network Selection Mode Procedure of subclause 4.4.3.1.2. If the appropriate process does not result in registration, the MS will eventually enter the limited service state.</p> <p>3) An MS may have different update states for GPRS and non-GPRS. A PLMN is registered when at least one of both update states is updated.</p> <p>4) The stored list of equivalent PLMNs is invalid and can be deleted.</p> <p>5) The MS will attempt registration on another LA or TA of the same PLMN, or equivalent PLMN if available. Otherwise it will enter either the Automatic Network Selection Mode procedure of subclause 4.4.3.1 or follow the Manual Network Selection Mode procedure of subclause 4.4.3.1.2. If the appropriate process does not result in registration, the MS will eventually enter the limited service state.</p> <p>6) The MS will attempt registration on another cell of the same PLMN, or equivalent PLMN if available. Otherwise it will enter either the Automatic Network Selection Mode procedure of subclause 4.4.3.1 or follow the Manual Network Selection Mode procedure of subclause 4.4.3.1.2. If the appropriate process does not result in registration, the MS will eventually enter the limited service state.</p> <p>NOTE 1: MSs capable of GPRS and non-GPRS services may have different registration status for GPRS and for non-GPRS.</p> <p>NOTE 2: The registered PLMN is determined by looking at the stored registration area identity and stored location registration status.</p> | | |

Editor's note: It is FFS if changes are needed to the above table to support manual CSG selection.

Table 2: LR Process States and Allowed Actions

| Location Registration Task State | New LR request when | | | | Normal Calls Supported (1) | Paging responded to |
|---|---------------------|----------------------------------|------------------|---------|-------------------------------|---------------------------|
| | Changing Cell | Changing registration area | Changing PLMN | Other | | |
| Null (4) | No | Yes | Yes | No | No | No |
| Updated, (5) | No | Yes | Yes | (2) | Yes | Yes |
| Idle, No IMSI (7) | No | No | No | No | No | No |
| Roaming not allowed: a) Idle, PLMN not allowed | No | No | Yes | No | No | Optional if with IMSI |
| b) Idle, LA not allowed or TA not allowed | No | Yes(6) | Yes | No | No | Optional if with IMSI |
| c) Idle, Roaming not allowed in this LA or Roaming not allowed in this TA | No | Yes(6,8) | Yes | No | No | Optional if with IMSI |
| d) No Suitable Cells In Location Area or No Suitable Cells In Tracking Area | No | Yes(6,8) | Yes | No | No | Optional if with IMSI |
| e) Not authorized for this CSG | No | Yes (6,8) | Yes | No | No | Optional if with IMSI |
| Not updated | Yes | Yes | Yes | (2)&(3) | (3) | Yes if with IMSI |
| 1): Emergency calls may always be made, subject to access control permitting it. 2): A new LR is made when the periodic registration timer expires. 3): If a normal call request is made, an LR request is made. If successful the updated state is entered and the call may be made. 4): The MS is in the null state from switch on until it has camped on a cell and either made an LR attempt or decided that no LR attempt is needed. 5): In this state, IMSI detach is performed if the MS is deactivated and the BCCH indicates that IMSI attach/detach shall be used. An LR request indicating IMSI attach is performed if the MS is activated in the same registration area in which it was deactivated while being in this state. 6): An MS shall not perform a new LR when the new routing area is part of an LA or TA contained in any of the lists "forbidden LAs for roaming", "forbidden TAs for roaming", "forbidden LAs for regional provision of service", "forbidden TAs for regional provision of service" or the new cell is a CSG cell which is not part of any of the lists "Allowed CSG list", "Operator CSG list". 7): The GPRS registration status "Idle, no IMSI" is entered when LR is rejected with cause "GPRS not allowed". The non-GPRS registration status "Idle, no IMSI" is entered when the cause "IMSI unknown in HLR" is received. 8): A MS shall perform a LR if it has entered a registration area whatever the registration area stored in the MS. | | | | | | |



*) dashed parts apply only for MEs supporting CSGs and are executed for manual CSG selection

Figure 1: Overall Idle Mode process

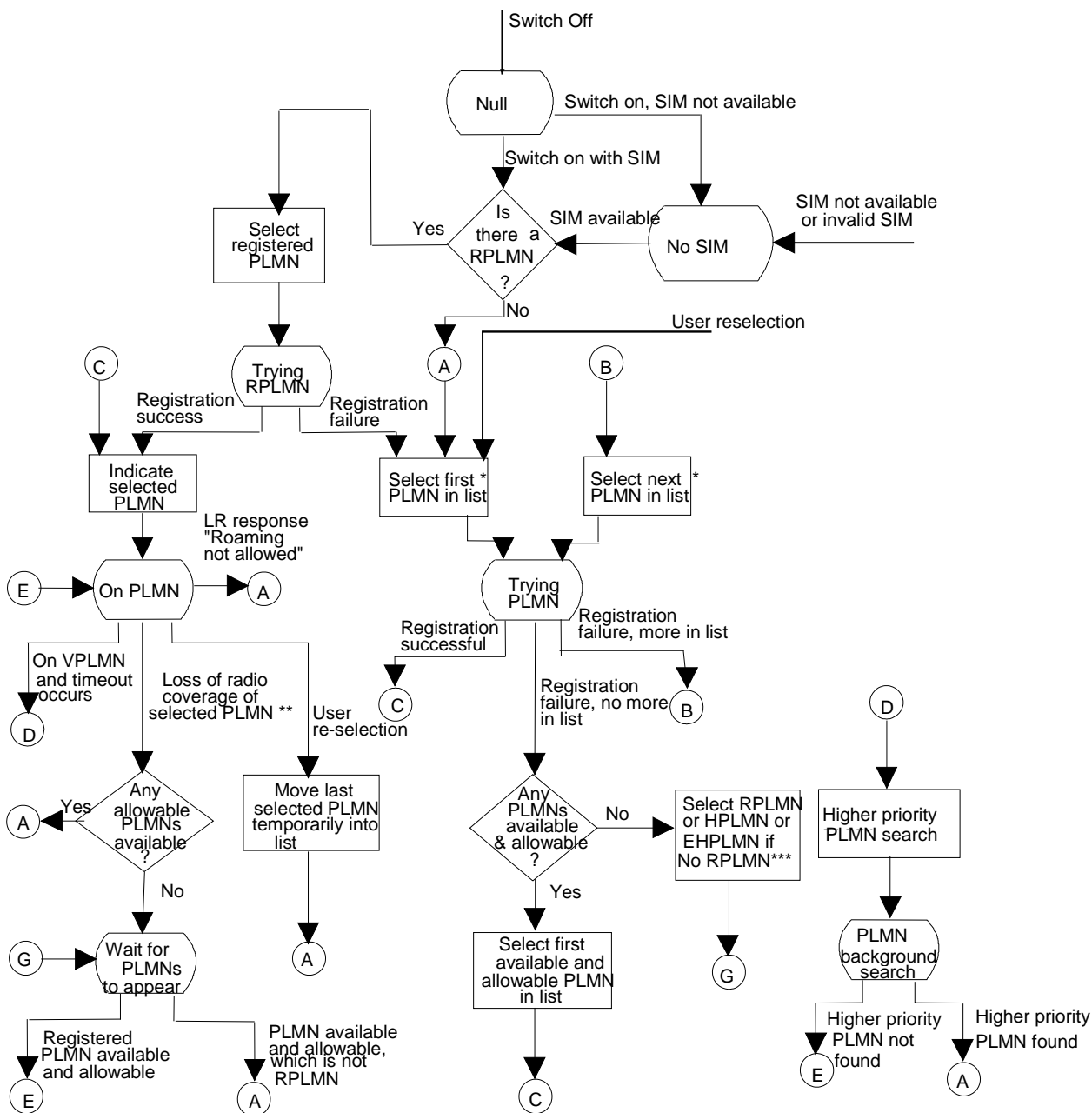
The individual steps are the following (they are not necessarily executed in the number sequence):

- (1) The PLMN selection mode is set (e.g. by the user via the user interface or by AT command).
- (2) The list of available PLMNs is presented to the user, according to the rules given in subclause 4.4.3.1.2.
- (3) In manual PLMN selection mode the user selects from the available PLMNs.
- (4) If the MS supports CSGs, the list of available PLMNS and CSGs, together with in indication whether a CSG is in the Allowed or Operator CSG list, is presented to the user upon request. The detailed rules are defined in subclause 5.5.4 of 3GPP TS 22.220.
- (5) Only for MSs supporting CSGs: when camping on a cell, the available CSGs (with PLMN information) are conveyed to the CSG selection/restriction procedure (see subclause 3.1A).
- (6) Only for MSs supporting CSGs: in manual CSG selection mode the user selects from the available CSGs.
- (7) Only for MSs supporting CSGs: if the selected CSG is associated with the RPLMN, the MS performs selection of a cell belonging to this CSG.
- (8) Only for MSs supporting CSGs: if the selected CSG by the MS is not associated with a PLMN different from the RPLMN, the MS enters the PLMN selection process and performs the parts applicable after manual selection of a PLMN.
- (9) After it has selected a PLMN, the MS performs selection of a cell belonging to this PLMN; this selection is additionally restricted by the selected CSG, if the PLMN selection was triggered by a manual CSG selection.
- (10) After having selected a new cell and the registration area has changed, the MS shall enter the LR process (see figure 3).

- (10a) A MS's CM requests may lead to a registration request.
- (11) If the LR is not successful, and if the cause received from the network does not exclude the RPLMN, the MS performs another cell selection (i.e. cell re-selection) within the RPLMN.
- (12) The information on available PLMNs, as detected by the cell selection process from detectable broadcast information, is made available to the PLMN selection process.
- (13) If the LR is not successful, and if the cause received from the network excludes the RPLMN, the MS performs PLMN selection.
- (14) The positive result of cell selection (suitable cell and in updated state, or in connected mode having been camped on a suitable cell) and location registration (updated, for MSs capable of services requiring registration) is indicated to the user.

Possible sequences of steps are e.g.:

- 1) 1 → 2 → 3 → 8 → 10 → 11 (manual PLMN selection, MS is not CSG capable)
- 2) 1 → 9 → 4 → 5 → 6 → 8 → 9 → 10 → 11 (automatic PLMN selection, MS is CSG capable, manual CSG selection);



* "List" consists of points i) to v) as defined in section 4.4.3.1.1 except in case of a user re-selection in which case "list" consists of points i) to vi) as defined in section 4.4.3.2.1

** Includes effective loss of coverage due to LAs/TAs being forbidden in all potentially suitable cells

*** HPLMN (if the EHPLMN list is not present or is empty) or EHPLMN (if the list is present)

Figure 2a: PLMN Selection State diagram (automatic mode)

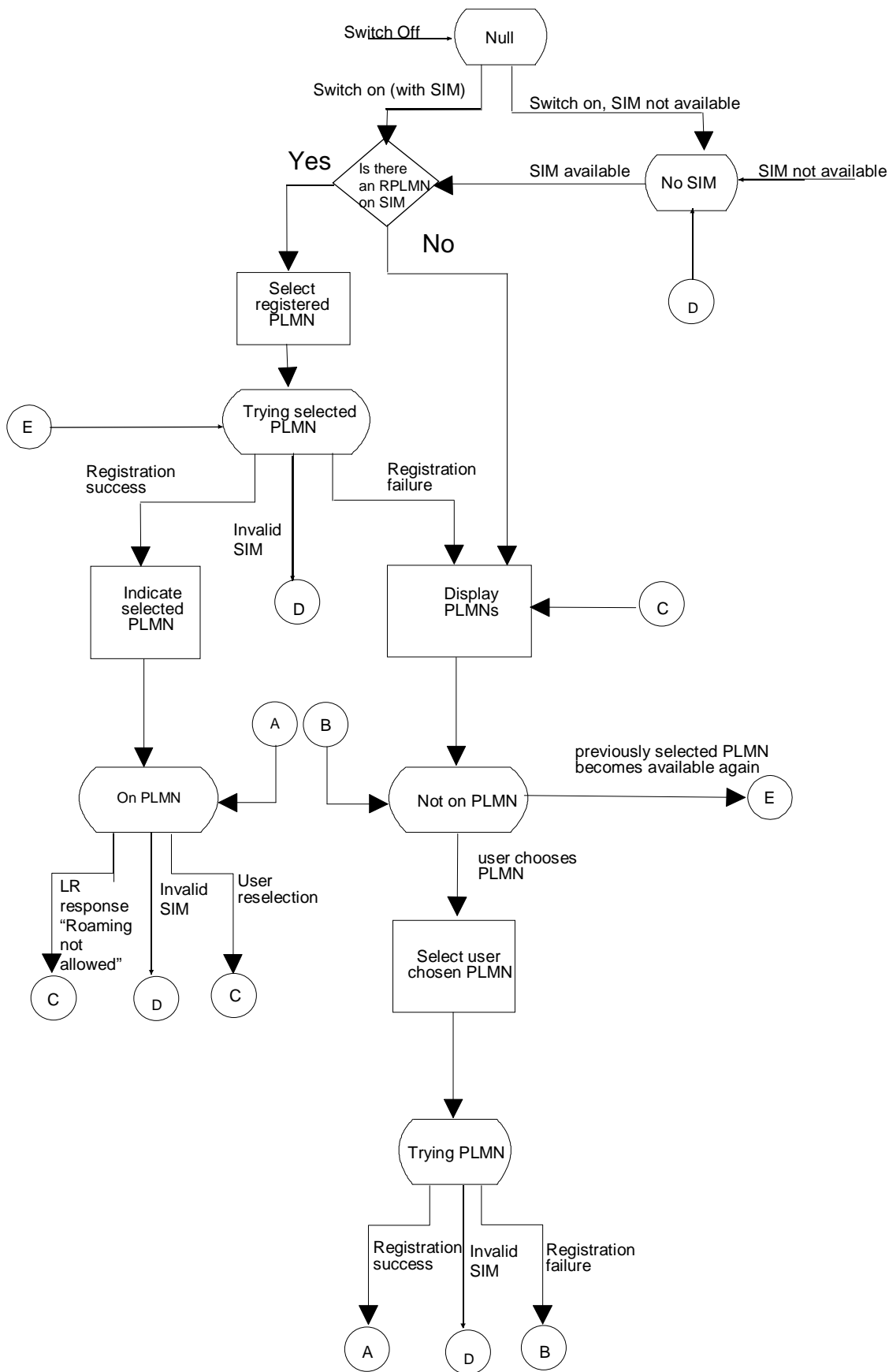
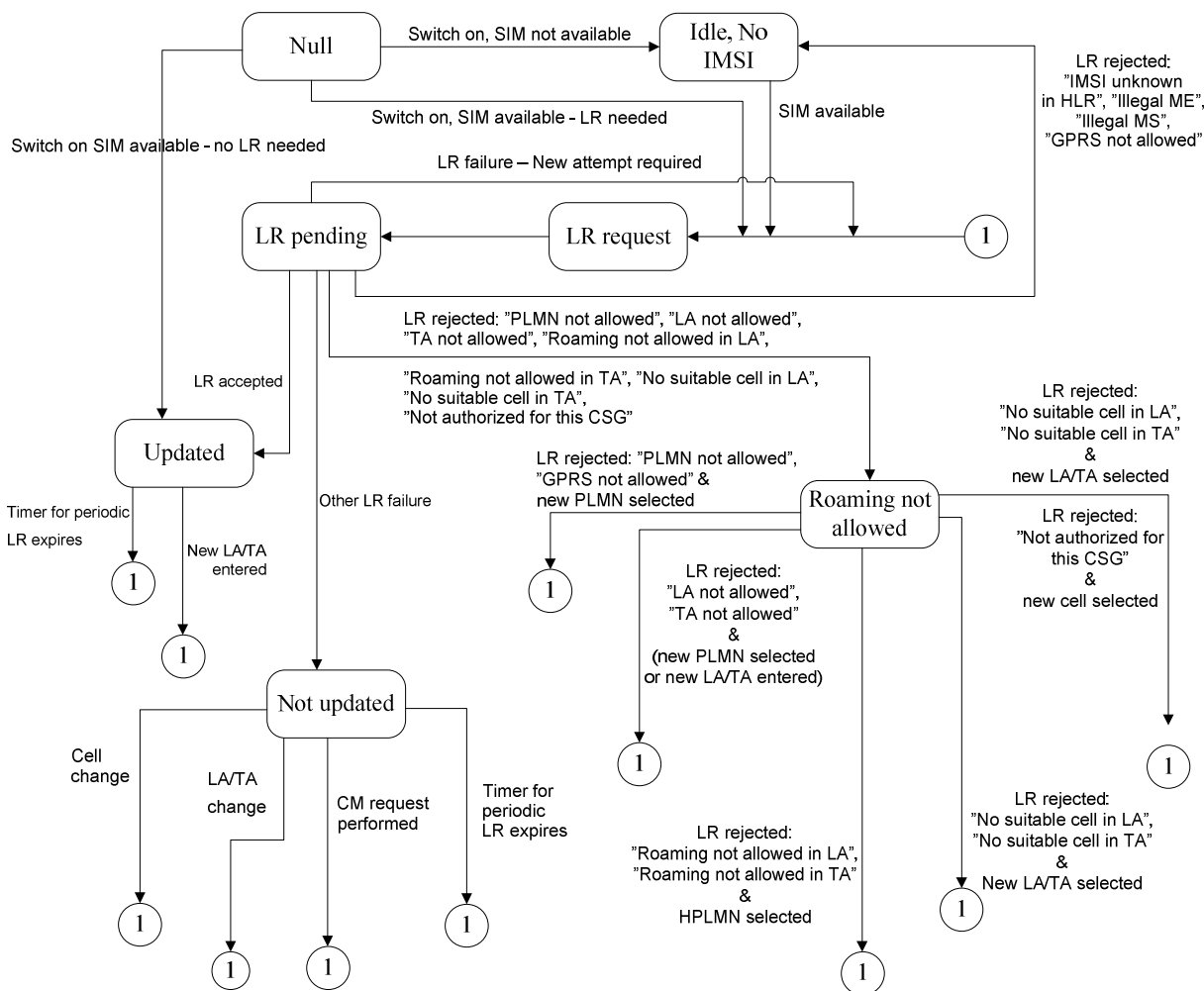


Figure 2b: PLMN Selection State diagram (manual mode)



NOTE 1: Whenever the MS goes to connected mode and then returns to idle mode again the MS selects appropriate state.
 NOTE 2: A MS capable of GPRS and non-GPRS services has two Task State machines one for GPRS and one for non-GPRS operation.

Figure 3: Location Registration Task State diagram

6 MS supporting access technologies defined both by 3GPP and 3GPP2

6.1 General

An MS that supports access technologies defined both by 3GPP and 3GPP2 (see 3GPP TS 31.102 [40]) shall consider all supported access technologies in all supported bands when performing PLMN selection.

The goal of the PLMN selection process for such a multi mode MS is to find the highest priority PLMN and to attempt to register to it.

A multi mode MS shall follow the requirements in the present document for the PLMN selection procedures across both 3GPP and 3GPP2 access technologies. Additionally, the MS shall follow the requirements of the present document in its signalling procedures towards any 3GPP network. If the common PLMN selection procedure leads to selection of a

3GPP2 network, then the MS shall follow 3GPP2 specifications in meeting any 3GPP2 specific system selection constraints and in all signalling procedures towards the 3GPP2 network.

While registered to VPLMN via 3GPP2 access, the MS shall follow the 3GPP2 specifications for scan of higher priority PLMNs. Additionally to the requirements specified for 3GPP2 system, a multi mode MS while registered to a 3GPP2 VPLMN shall follow the requirements specified in subclause 4.4.3.3.

NOTE: It is assumed that the MS can determine the PLMN identity of networks supporting 3GPP2 technologies from the information broadcast over the air.

Annex A (normative): HPLMN Matching Criteria

With the introduction of PCS1900 with the regulatory mandate to allocate 3-digit MNC codes, additional functionality is required to identify the HPLMN.

Assumptions

An MNC code shall consist of 2 or 3 decimal digits. In NA PCS1900, all SIMs shall store 3 digit MNCs.

Any network using a 2 digit MNC code shall broadcast the hexadecimal code "F" in place of the 3rd digit.

For PCS1900 for North America, regulations mandate that a 3-digit MNC shall be used; however during a transition period, a 2 digit MNC may be broadcast by the Network and, in this case, the 3rd digit of the SIM is stored as 0 (this is the 0 suffix rule).

With the exception of North America during the transition period:

- a) Within a single country (or area identified by a MCC) all networks shall broadcast a 2 digit MNC code, or all networks shall broadcast a 3 digit MNC code. A mixture of broadcast 2 and 3 digit MNC codes is not permitted within a single country (or area identified by a MCC).
- b) A network which broadcasts a 2 digit MNC code, will issue SIMs with a 2 digit MNC code in the IMSI on the SIM. A network which broadcasts a 3 digit MNC code, will issue SIMs with a 3 digit MNC code in the IMSI on the SIM.

Definitions and abbreviations

| | |
|-----------------|--|
| BCCH-MCC | The MCC part of the LAI read from System Information type 3 messages broadcast on the BCCH by the network. |
| BCCH-MNC | The MNC part of the LAI read from System Information type 3 messages broadcast on the BCCH by the network. |
| SIM-MCC | The MCC part of the IMSI or of additional entries in the EHPLMN list read from the SIM. |
| SIM-MNC | The MNC part of the IMSI or of additional entries in the EHPLMN list read from the SIM. |

HPLMN Matching Criteria in mobiles which don't support PCS1900 for NA:

Figure A.1 illustrates the logic flow described below. The text below is normative. Figure A.1 is informative.

- (1) The MS shall compare using all 3 digits of the SIM-MCC with the BCCH-MCC. If the values do not match, then the HPLMN match fails.

NOTE: If the MCC codes match, then the number of digits used for the SIM-MNC must be the same as the number of digits used for the BCCH-MNC.

- (2) The MS shall read the 3rd digit of the BCCH-MNC. If the 3rd digit is Hex F, then proceed to step (4).
- (3) The MS shall compare using all 3 digits of the SIM-MNC with the BCCH-MNC. If the values match, then the HPLMN match succeeds, otherwise the HPLMN match fails.
- (4) The MS shall compare using just the 1st 2 digits the SIM-MNC with the BCCH-MNC. If the values match, then the HPLMN match succeeds, otherwise the HPLMN match fails.

This matching procedure shall be done for the MCC/MNC of the IMSI and for all entries in the EHPLMN list, until a match is found or all matches fail.

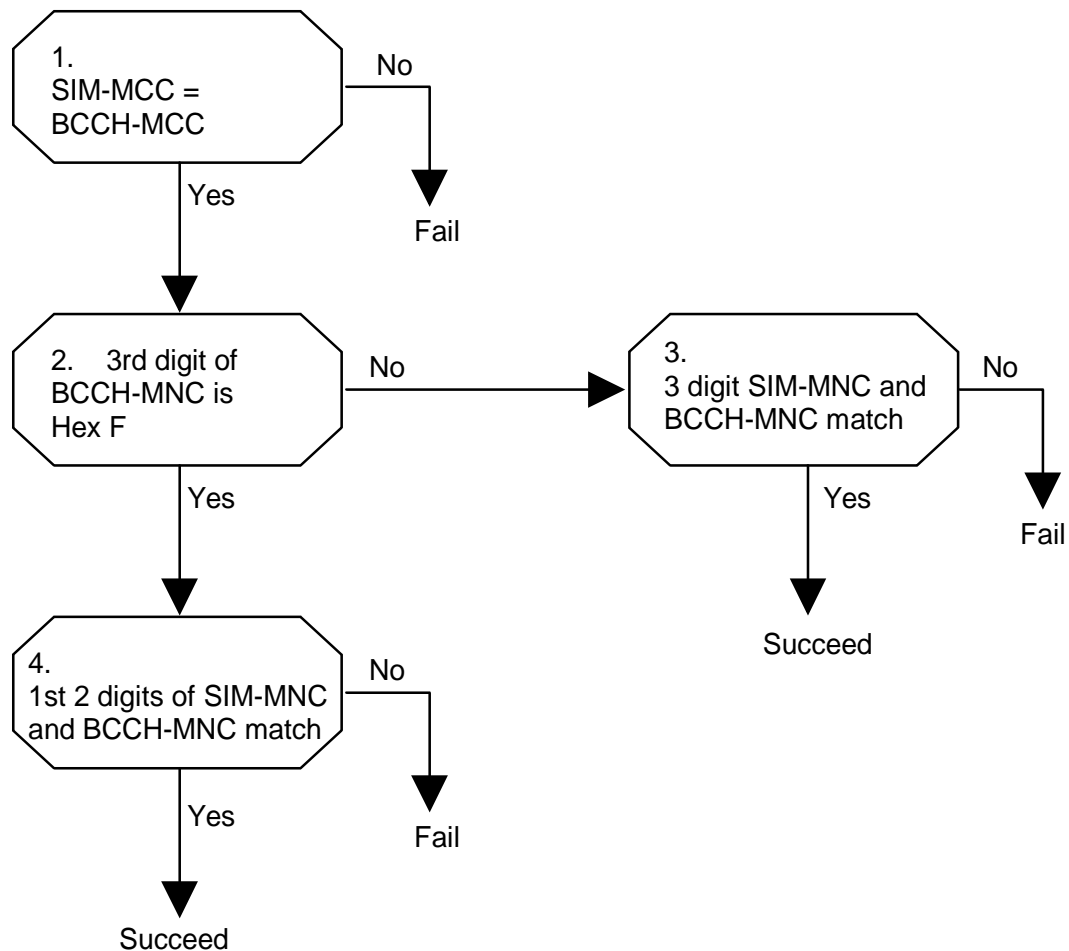


Figure A.1: HPLMN Matching Criteria Logic Flow for mobiles which support GSM and DCS1800 (informative)

HPLMN Matching Criteria for mobiles which support PCS1900 for NA:

Figure A.2 illustrates the logic flow described below. The text below is normative. Figure A.2 is informative.

- (1) The MS shall compare using all 3 digits the SIM-MCC with the BCCH-MCC. If the values do not match, then the HPLMN match fails.
- (2) The MS shall read the 3rd digit of the BCCH-MNC. If the 3rd digit is Hex F, then proceed to step (4).
- (3) The MS shall compare using all 3 digits the SIM-MNC with the BCCH-MNC. If the values match, then the HPLMN match succeeds, otherwise the HPLMN match fails.

NOTE: These rules (1) – (3) are the same as for mobiles which don't support PCS1900 for NA, except step (4) is different.

(4) The MS shall determine if the BCCH-MCC lies in the range 310-316 (i.e., whether this network is a PCS1900 for NA network). If the BCCH-MCC lies outside the range 310-316, then proceed to step (6).

(5) The MS shall compare the 3rd digit of the SIM-MNC with "0". If the 3rd digit is not "0" then the HPLMN match fails.

NOTE: This is the "0" suffix rule.

(6) The MS shall compare using just the 1st 2 digits of the SIM-MNC with the BCCH-MNC. If the values match, then the HPLMN match succeeds, otherwise the HPLMN match fails.

NOTE: When PCS1900 for NA switches over to broadcasting 3 digit MNCs in **all** networks, then the additional requirements for PCS1900 for NA can be deleted.

This matching procedure shall be done for the MCC/MNC of the IMSI and for all entries in the EHPLMN list, until a match is found or all matches fail.

Guidance for Networks in PCS1900 for NA

There may be some problems in the transition period from broadcasting 2 MNC digits to broadcasting 3 MNC digits. Here are some guidelines to avoid these problems.

- (1) Existing network codes. Operators who currently use a 2 digit BCCH-MNC **xy** should use the new code **xy0**.
- (2) New operators allocated 3 digit MNC codes with the same 1st 2 digits as an existing operator shall not use a 3rd digit of 0.

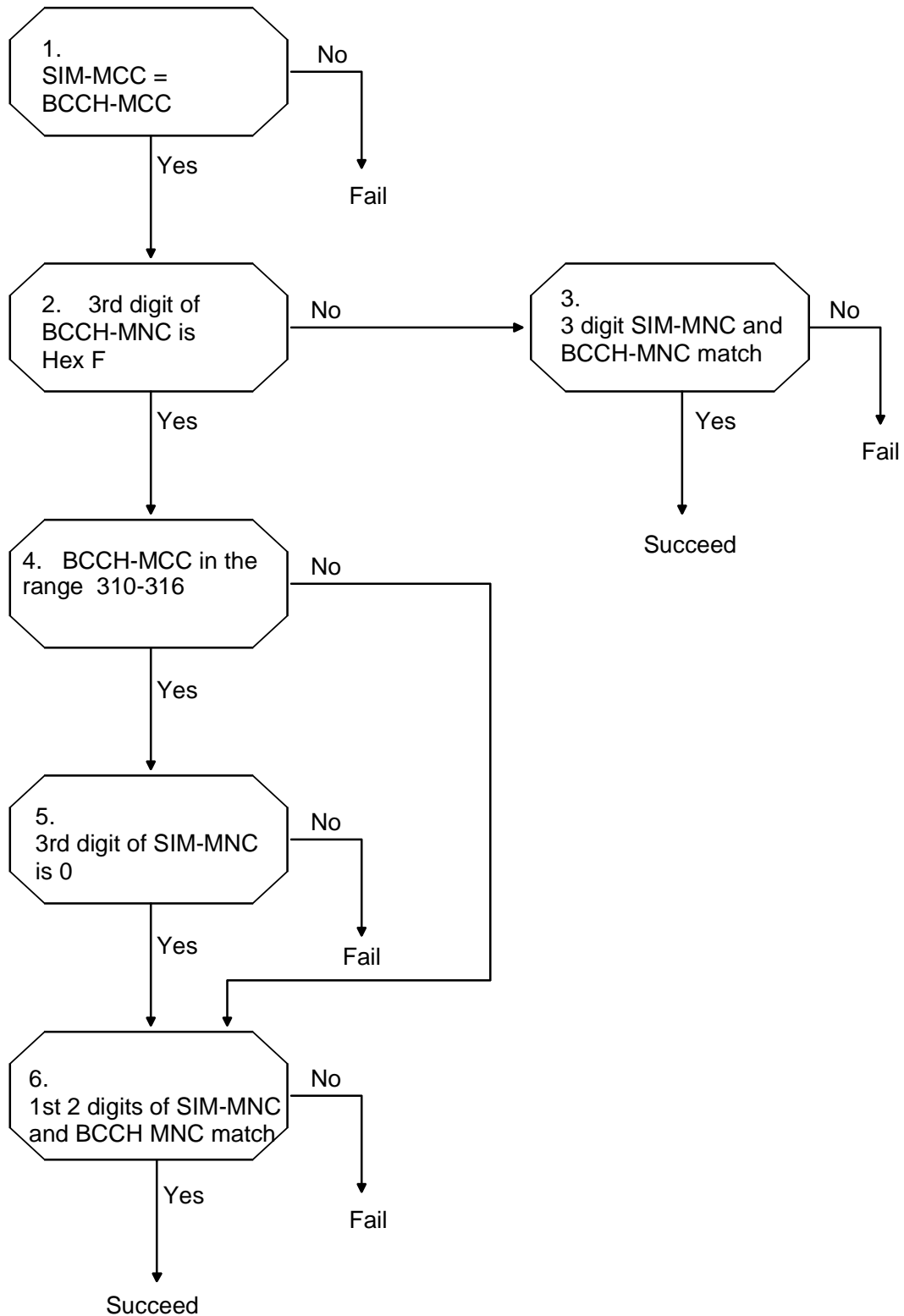


Figure A.2: HPLMN Matching Criteria Logic Flow for mobiles which support PCS1900 for NA (informative)

Annex B (normative): PLMN matching criteria to be of same country as VPLMN

While a MS is roaming on a VPLMN, PLMN of the same country as VPLMN is defined as:

if the MCC of the current VPLMN is within the range 310 to 316, any PLMN in range 310 to 316 (networks in North America)

otherwise, any PLMN with same MCC as the one of the current VPLMN itself.

Annex C (informative): Change history

| TSG# | Tdoc | SPEC | VERS | CR | REV | PHASE | CAT | N_VER | SUBJECT | comment |
|-------|-------------------------|--------|-------|-----|-----|-------|-----|-------|--|---|
| | | 03.22 | 8.2.0 | | | R99 | | | Split of 03.22/R99 to 03.22 and 23.122 | |
| #6 | | 23.122 | 0.0.0 | | | R99 | | 3.0.0 | | Was approved in the TSGN#6 plenary |
| #4 | N1-99573 | 23.102 | 3.0.0 | 001 | | R99 | F | 3.1.0 | PLMN selection for GPRS mobiles | Mirrored from CRA032r2 REMOVED in V3.1.1, where it is not approved by SMG2 |
| #6 | N1-99D13 | 23.122 | 3.0.0 | 002 | | R99 | A | 3.1.0 | Correction of Figure A.2 in Annex A | Mirrored from CR006r1for 23.022 |
| #7 | N1-000546 | 23.122 | 3.1.1 | 004 | 1 | R99 | D | 3.2.0 | UMTS references in 23.122 | Correction of references |
| #8 | N1-000796 | 23.122 | 3.2.0 | 003 | 5 | R99 | F | 3.3.0 | Modification of PLMN Selection Procedures to support UMTS+COMPACT Network Selection | WI: GSM/UMTS interworking Note As a result of two conflicting CRs N1-000796 is merged with the existing text in V.3.2.0 by the rapporteur |
| #9 | NP-000443/ N1-001020 | 23.122 | 3.3.0 | 009 | 2 | R99 | F | 3.4.0 | Clarifications of the PLMN Selection procedures for UMTS and COMPACT. | |
| | | 23.122 | 3.4.0 | | | | | 3.4.1 | Correction of text in version 3.4.0 (There was text to be deleted in clause 4.4.3.2.1 bullet point 2) | 23.Oct.2000 Implementation correction |
| | | 23.122 | 3.4.1 | | | | | 3.4.2 | Correction of a systematic search for "TS" and replace it with "3GPP TS" has gone wrong as much more than the TSs for Technical Specifications have been changed also. | 1 Nov..2000 Implementation correction |
| #10 | NP-000674/ N1-001415 | 23.122 | 3.4.2 | 010 | 1 | R99 | F | 3.5.0 | Correction of terminology "In UMTS", "In GSM" | Cat F/ WI=TEI |
| #10 | NP-000671/ N1-001236 | 23.122 | 3.4.2 | 012 | | R99 | F | 3.5.0 | Restoration of figure A.1 | Cat F/ WI=GSM - UMTS Interworking |
| #10 | NP-000671/ N1-001237 | 23.122 | 3.4.2 | 013 | | R99 | F | 3.5.0 | Alignment of figure 2a with PLMN selection for UMTS | Cat F/ WI=GSM - UMTS Interworking |
| #11 | NP-010207/ N1-010472 | 23.122 | 3.5.0 | 014 | 3 | R99 | F | 3.6.0 | Clarification of the PLMN selection for UMTS regarding high quality signal | GSM - UMTS Interworking |
| #11 | NP-010168/ N1-010224 | 23.122 | 3.5.0 | 016 | 1 | R99 | F | 3.6.0 | Roaming restrictions for GPRS service | GSM - UMTS Interworking |
| #11 | NP-010205/ N1-010334 | 23.122 | 3.5.0 | 017 | | R99 | F | 3.6.0 | remove use of GSM as default access technology in PLMN search | T.E.I |
| #11 | NP-01089/ N1-010443 | 23.122 | 3.5.0 | 018 | | R99 | F | 3.6.0 | Requirement of priority on High Quality Signal cell concerning Acceptable cell (for limited service as emergency call) | T.E.I |
| #11 | NP-010186/ N1-010489 | 23.122 | 3.5.0 | 019 | 4 | R99 | F | 3.6.0 | Clarifications to PLMN search | T.E.I |
| #11 | NP-010186/ N1-010490 | 23.122 | 3.5.0 | 020 | 1 | R99 | F | 3.6.0 | Clarifications to PLMN search | T.E.I |
| #11 | NP-010180 | 23.122 | 3.5.0 | 022 | 1 | R99 | F | 3.6.0 | Equivalent handling of PLMNs with different PLMN codes | GSM - UMTS Interworking |
| #11 | | | 3.6.0 | | | | | 4.0.0 | Upgraded to Release 4. | |
| #12 | NP-010352 | 23.122 | 4.0.0 | 024 | 1 | Rel-4 | A | 4.1.0 | Stored list of equivalent PLMNs and error/abnormal cases | GSM-UMTS INTERWORKING |
| #12 | NP-010276 | 23.122 | 4.0.0 | 027 | 1 | Rel-4 | A | 4.1.0 | Corrections and clarifications to PLMN Selection | GSM-UMTS INTERWORKING |
| #12 | NP-010275 | 23.122 | 4.0.0 | 030 | 3 | Rel-4 | A | 4.1.0 | Partial Roaming – restriction by location area | TEI |
| #12 | NP-010276 | 23.122 | 4.0.0 | 032 | | Rel-4 | A | 4.1.0 | Removal of "Requirement of priority on High Quality Signal cell concerning Acceptable cell" | TEI |
| #12 | NP-010276 | 23.122 | 4.0.0 | 034 | | Rel-4 | A | 4.1.0 | Alignment with stage 1 specification on PLMN background search | TEI |
| NP-16 | NP-020243 | 23.122 | 4.1.0 | 048 | | Rel-5 | F | 5.0.0 | Role of the equivalent PLMNs list in the PLMN user reselection | TEI5 |
| NP-17 | NP-020369 | 23.122 | 5.0.0 | 051 | | Rel-5 | A | 5.1.0 | Removal of CBQ2 | COMPACT |
| NP-17 | NP-020383 | 23.122 | 5.0.0 | 052 | 1 | Rel-5 | F | 5.1.0 | Applicability of the lists of "forbidden LAs" | TEI5 |

| TSG# | Tdoc | SPEC | VERS | CR | REV | PHASE | CAT | N_VER | SUBJECT | comment |
|-------|-----------|--------|--------|------|-----|-------|-----|--------|--|-----------|
| NP-17 | NP-020367 | 23.122 | 5.0.0 | 055 | | Rel-5 | A | 5.1.0 | Routing Area Update at network change | TEI |
| NP-18 | NP-020549 | 23.122 | 5.1.0 | 058 | | Rel-5 | A | 5.2.0 | Correction of references | TEI |
| | | | 5.1.0 | | | Rel-5 | | 5.2.0 | Additional cleanup done to references by ETSI/MCC | |
| NP-21 | NP-030405 | 23.122 | 5.2.0 | 061 | | Rel-5 | A | 5.3.0 | Removal of RPLMNAcT field | TEI |
| NP-23 | NP-040037 | 23.122 | 5.3.0 | 067 | 1 | Rel-6 | F | 6.0.0 | Definition of MS idle mode | TEI6 |
| NP-23 | NP-040037 | 23.122 | 5.3.0 | 068 | | Rel-6 | F | 6.0.0 | Usage of HPLMNAcT by the UE | TEI6 |
| NP-24 | NP-040202 | 23.122 | 6.0.0 | 069 | 5 | Rel-6 | F | 6.1.0 | Clarification on the use of the RAT during background scanning. | TEI6 |
| NP-24 | NP-040202 | 23.122 | 6.0.0 | 071 | 1 | Rel-6 | F | 6.1.0 | Role of ePLMN list in manual PLMN selection mode | TEI6 |
| NP-24 | NP-040202 | 23.122 | 6.0.0 | 072 | 1 | Rel-6 | F | 6.1.0 | Roaming not allowed for GPRS update state | TEI6 |
| NP-24 | NP-040202 | 23.122 | 6.0.0 | 073 | | Rel-6 | D | 6.1.0 | Data field -> data file | TEI6 |
| NP-25 | NP-040375 | 23.122 | 6.1.0 | | | Rel-6 | B | 6.2.0 | Clarification on the registered PLMN for UEs that support network sharing in a shared network | NTShar |
| | | | | 76 | 2 | | | | | |
| NP-25 | NP-040378 | 23.122 | 6.1.0 | | | Rel-6 | F | 6.2.0 | Correction of definitions of PLMNs in the same country | TEI6 |
| | | | | 77 | 1 | | | | | |
| NP-26 | NP-040513 | 23.122 | 6.2.0 | | | Rel-6 | B | 6.3.0 | Clarification of PLMN selection in shared networks | NTShar |
| | | | | 086 | 1 | | | | | |
| NP-26 | NP-040514 | 23.122 | 6.2.0 | | | Rel-6 | F | 6.3.0 | Clarification on the use of the RAT during background scanning | TEI6 |
| | | | | 084 | 1 | | | | | |
| NP-26 | NP-040516 | 23.122 | 6.2.0 | 082 | 7 | Rel-7 | C | 7.0.0 | Support of multiple HPLMN codes | TEI7 |
| NP-27 | | 23.122 | 7.0.0 | | | Rel-7 | | 7.1.0 | Addition of domain specific access control description | ACBOP |
| | NP-050083 | | | 089 | | | A | | | |
| NP-27 | NP-050086 | 23.122 | 7.0.0 | | | Rel-7 | F | 7.1.0 | Minor Clarifications to EHPLMN handling | TEI7 |
| | | | | 087 | 1 | | | | | |
| CP-28 | | 23.122 | 7.1.0 | | | Rel-7 | A | 7.2.0 | Correction of the PLMN Selection State diagram (automatic mode) | TEI6 |
| | CP-050068 | | | 91 | | | | | | |
| CP-29 | CP-050366 | 23.122 | 7.2.0 | | 1 | Rel-7 | C | 7.3.0 | Enhancement of the EHPLMN feature to allow load balancing | TEI7 |
| | | | | 93 | | | | | | |
| CP-31 | | 23.122 | 7.3.0 | | | Rel-7 | F | 7.4.0 | EPLMN list is not invalid on receipt of reject cause values #12 and #15 | TEI7 |
| | CP-060126 | | | 0094 | - | | | | | |
| CP-31 | CP-060126 | 23.122 | 7.3.0 | | | Rel-7 | F | 7.4.0 | EHPLMN in automatic network selection mode | TEI7 |
| | | | | 0095 | - | | | | | |
| CP-31 | CP-060175 | 23.122 | 7.3.0 | | 4 | Rel-7 | C | 7.4.0 | First higher priority PLMN scan in VPLMN | TEI7 |
| | | | | 0096 | | | | | | |
| CP-32 | CP-060359 | 23.122 | 7.4.0 | 0098 | 2 | Rel-7 | B | 7.5.0 | ME capability for Network Selection | TEI7 |
| CP-33 | CP-060460 | 23.122 | 7.5.0 | 0099 | 1 | Rel-7 | C | 7.6.0 | Manual PLMN selection power-on | NSP-CR |
| CP-34 | CP-060668 | 23.122 | 7.6.0 | 0101 | 1 | Rel-7 | C | 7.7.0 | Presentation of EHPLMN | NSP-CR |
| CP-34 | CP-060668 | 23.122 | 7.6.0 | | 2 | Rel-7 | C | 7.7.0 | Presentation of Additional Information in Manual Mode | NSP-CR |
| | | | | 0102 | | | | | | |
| CP-34 | CP-060670 | 23.122 | 7.6.0 | | 1 | Rel-7 | F | 7.7.0 | Correction to the definition of national roaming and international roaming to include the EHPLMN | TEI7 |
| | | | | 0103 | | | | | | |
| CP-34 | CP-060670 | 23.122 | 7.6.0 | | | Rel-7 | F | 7.7.0 | Correction of the PLMN Selection state diagram (automatic mode) | TEI7 |
| | | | | 0104 | - | | | | | |
| CP-35 | CP-070152 | 23.122 | 7.7.0 | 0111 | 3 | Rel-7 | B | 7.8.0 | Last RPLMN | NSP-CR |
| CP-35 | CP-070152 | 23.122 | 7.7.0 | | 1 | Rel-7 | B | 7.8.0 | Optional network selection mode at switch-on | NSP-CR |
| | | | | 0113 | | | | | | |
| CP-35 | CP-070173 | 23.122 | 7.7.0 | | 2 | Rel-7 | C | 7.8.0 | Pingpong avoidance on PLMN change for search for higher priority PLMNs | TEI7 |
| | | | | 0106 | | | | | | |
| CP-36 | CP-070477 | 23.122 | 7.8.0 | 0114 | 4 | Rel-7 | B | 7.9.0 | PLMN selection for steering of roaming | NSP-CR |
| CP-37 | CP-070597 | 23.122 | 7.9.0 | | 1 | Rel-7 | C | 7.10.0 | Steering of Roaming procedure | NSP-CR |
| | | | | 0115 | | | | | | |
| CP-38 | CP-070802 | 23.122 | 7.10.0 | | | Rel-7 | F | 7.11.0 | Single EHPLMN Display Name in Manual Mode | TEI7 |
| | | | | 0117 | | | | | | |
| CP-38 | CP-070813 | 23.122 | 7.11.0 | 0118 | 1 | Rel-8 | B | 8.0.0 | PPACR CR to 23.122 | PPACR-CT1 |
| CP-39 | CP-080125 | 23.122 | 8.0.0 | | 1 | Rel-8 | A | 8.1.0 | Inclusion of EHPLMN in the optimisation for automatic network selection | NSP-CR |
| | | | | 0120 | | | | | | |
| CP-40 | CP-080361 | 23.122 | 8.1.0 | | 3 | Rel-8 | B | 8.2.0 | PLMN Selection on receipt of GAN cause Location not allowed | TEI8 |
| CP-41 | CP-080536 | 23.122 | 8.2.0 | | 0 | Rel-8 | F | 8.3.0 | Clarifications for RAT usage in manual network selection mode | TEI8 |
| | | | | 0121 | | | | | | |
| CP-41 | CP-080536 | 23.122 | 8.2.0 | | 1 | Rel-8 | F | 8.3.0 | Clarification on MS behavior further to LU Reject causes #13 and #15 | TEI8 |
| | | | | 0122 | | | | | | |
| CP-42 | CP-080866 | 23.122 | 8.3.0 | 0124 | 1 | Rel-8 | B | 8.4.0 | Multi system PLMN selection | SAES |
| CP-42 | CP-080866 | 23.122 | 8.3.0 | 0125 | 1 | Rel-8 | B | 8.4.0 | CR on description of PPAC | PPACR-CT1 |
| CP-42 | CP-080866 | 23.122 | 8.3.0 | 0126 | 1 | Rel-8 | B | 8.4.0 | 3GPP2 system selection | SAES |

| TSG# | Tdoc | SPEC | VERS | CR | REV | PHASE | CAT | N_VER | SUBJECT | comment |
|-------|-----------|--------|-------|------|-----|-------|-----|-------|---|-----------------------|
| CP-42 | CP-080966 | 23.122 | 8.3.0 | 0128 | 2 | Rel-8 | B | 8.4.0 | CSG selection – NAS aspects | HomeNB-3G, HomeNB-LTE |
| CP-42 | | 23.122 | 8.3.0 | | | Rel-8 | | 8.4.0 | Editorial cleanup by MCC | |
| CP-43 | CP-090157 | 23.122 | 8.4.0 | 0129 | 1 | Rel-8 | | 8.5.0 | Correction on CSG related NAS requirement | HomeNB-LTE, HomeNB-3G |
| CP-43 | CP-090222 | 23.122 | 8.4.0 | 0130 | 2 | Rel-8 | | 8.5.0 | CSG selection process in idle mode | HomeNB-LTE, HomeNB-3G |
| CP-43 | CP-090157 | 23.122 | 8.4.0 | 0132 | 1 | Rel-8 | | 8.5.0 | Introduction of cause#25 handling in LR state diagram | HomeNB-3G |
| CP-44 | CP-090413 | 23.122 | 8.5.0 | 0131 | 1 | Rel-8 | F | 8.6.0 | Addition of missing requirements for tracking area updating | SAES |
| CP-45 | | 23.122 | 8.6.0 | | | Rel-8 | | 8.7.0 | RAT selection when 'HPLMN selector with access technology' data file is missing in the SIM or 'PLMN selector' data file is used | TEI8 |
| | CP-090679 | | | 0133 | 2 | | F | | | |
| CP-45 | CP-090694 | 23.122 | 8.7.0 | 0139 | 1 | Rel-9 | B | 9.0.0 | Introduction of Operator CSG List | EHNB-CT1 |
| CP-45 | CP-090694 | 23.122 | 8.7.0 | 0140 | 1 | Rel-9 | F | 9.0.0 | Manual CSG selection across PLMN | EHNB-CT1 |
| CP-46 | | 23.122 | 9.0.0 | | | Rel-9 | | 9.1.0 | PLMN selection during emergency attach | IMS_EMER_GPRS_EPS |
| | CP-090930 | | | 0142 | 2 | | F | | | |
| CP-46 | CP-090935 | 23.122 | 9.0.0 | 0143 | | Rel-9 | F | 9.1.0 | Correct definitions related to CSG | EHNB-CT1 |
| CP-46 | | 23.122 | 9.0.0 | | | Rel-9 | | 9.1.0 | Correction of condition for tracking area updating | TEI9 |
| | CP-090922 | | | 0146 | | | F | | | |
| CP-46 | CP-090900 | 23.122 | 9.0.0 | 0148 | | Rel-9 | A | 9.1.0 | Adding missing requirements for PLMN selection in EPS | SAES |
| CP-47 | CP-100148 | 23.122 | 9.1.0 | 0144 | 4 | Rel-9 | F | 9.2.0 | Support for Operator CSG List | EHNB-CT1 |
| CP-47 | | 23.122 | 9.1.0 | | | Rel-9 | | 9.2.0 | Manual CSG selection during emergency | IMS_EMER_GPRS_EPS |
| | CP-100144 | | | 0149 | 1 | | F | | | |
| CP-47 | CP-100130 | 23.122 | 9.1.0 | 0151 | 1 | Rel-9 | A | 9.2.0 | Clarification to LR state when rejected for cause value #25. | HomeNB-LTE, HomeNB-3G |
| CP-47 | | 23.122 | 9.1.0 | | | Rel-9 | | 9.2.0 | Clarification to the LR Process States and Allowed Actions | EHNB-CT1 |
| | CP-100148 | | | 0152 | 1 | | F | | | |
| CP-47 | CP-100130 | 23.122 | 9.1.0 | 0156 | 1 | Rel-9 | A | 9.2.0 | Clarify manual CSG selection across technologies | HomeNB-LTE, HomeNB-3G |
| CP-47 | | 23.122 | 9.1.0 | | | Rel-9 | | 9.2.0 | Correct definition of 'acceptable cell' to include criteria for E-UTRAN (S1-mode) | IMS_EMER_GPRS_EPS |
| | CP-100144 | | | 0160 | 1 | | F | | | |
| CP-47 | CP-100148 | 23.122 | 9.1.0 | 0161 | | Rel-9 | F | 9.2.0 | Correction to the manual CSG ID selection in Release 9 | EHNB-CT1 |
| CP-47 | | 23.122 | 9.1.0 | | | Rel-9 | | 9.2.0 | Corrections/clarifications for equivalent and forbidden PLMN handling, state descriptions and overall idle mode procedure | TEI9 |
| | CP-100134 | | | 0162 | 1 | | F | | | |

History

| Document history | | |
|-------------------------|--------------|-------------|
| V9.1.0 | January 2010 | Publication |
| V9.2.0 | April 2010 | Publication |
| | | |
| | | |
| | | |