

# ETSI TS 123 231 V18.0.0 (2024-05)



**Digital cellular telecommunications system (Phase 2+) (GSM);  
Universal Mobile Telecommunications System (UMTS);  
SIP-I based circuit-switched core network;  
Stage 2  
(3GPP TS 23.231 version 18.0.0 Release 18)**



---

**Reference**

RTS/TSGC-0423231 vi00

---

**Keywords**

GSM,UMTS

**ETSI**

---

650 Route des Lucioles  
F-06921 Sophia Antipolis Cedex - FRANCE

Tel.: +33 4 92 94 42 00 Fax: +33 4 93 65 47 16

Siret N° 348 623 562 00017 - APE 7112B  
Association à but non lucratif enregistrée à la  
Sous-Préfecture de Grasse (06) N° w061004871

---

**Important notice**

The present document can be downloaded from:

<https://www.etsi.org/standards-search>

The present document may be made available in electronic versions and/or in print. The content of any electronic and/or print versions of the present document shall not be modified without the prior written authorization of ETSI. In case of any existing or perceived difference in contents between such versions and/or in print, the prevailing version of an ETSI deliverable is the one made publicly available in PDF format at [www.etsi.org/deliver](http://www.etsi.org/deliver).

Users of the present document should be aware that the document may be subject to revision or change of status.

Information on the current status of this and other ETSI documents is available at

<https://portal.etsi.org/TB/ETSIDeliverableStatus.aspx>

If you find errors in the present document, please send your comment to one of the following services:

<https://portal.etsi.org/People/CommitteeSupportStaff.aspx>

If you find a security vulnerability in the present document, please report it through our  
Coordinated Vulnerability Disclosure Program:

<https://www.etsi.org/standards/coordinated-vulnerability-disclosure>

---

**Notice of disclaimer & limitation of liability**

The information provided in the present deliverable is directed solely to professionals who have the appropriate degree of experience to understand and interpret its content in accordance with generally accepted engineering or other professional standard and applicable regulations.

No recommendation as to products and services or vendors is made or should be implied.

No representation or warranty is made that this deliverable is technically accurate or sufficient or conforms to any law and/or governmental rule and/or regulation and further, no representation or warranty is made of merchantability or fitness for any particular purpose or against infringement of intellectual property rights.

In no event shall ETSI be held liable for loss of profits or any other incidental or consequential damages.

Any software contained in this deliverable is provided "AS IS" with no warranties, express or implied, including but not limited to, the warranties of merchantability, fitness for a particular purpose and non-infringement of intellectual property rights and ETSI shall not be held liable in any event for any damages whatsoever (including, without limitation, damages for loss of profits, business interruption, loss of information, or any other pecuniary loss) arising out of or related to the use of or inability to use the software.

---

**Copyright Notification**

No part may be reproduced or utilized in any form or by any means, electronic or mechanical, including photocopying and microfilm except as authorized by written permission of ETSI.

The content of the PDF version shall not be modified without the written authorization of ETSI.

The copyright and the foregoing restriction extend to reproduction in all media.

© ETSI 2024.  
All rights reserved.

---

# Intellectual Property Rights

## Essential patents

IPRs essential or potentially essential to normative deliverables may have been declared to ETSI. The declarations pertaining to these essential IPRs, if any, are publicly available for **ETSI members and non-members**, and can be found in ETSI SR 000 314: "*Intellectual Property Rights (IPRs); Essential, or potentially Essential, IPRs notified to ETSI in respect of ETSI standards*", which is available from the ETSI Secretariat. Latest updates are available on the ETSI Web server (<https://ipr.etsi.org/>).

Pursuant to the ETSI Directives including the ETSI IPR Policy, no investigation regarding the essentiality of IPRs, including IPR searches, has been carried out by ETSI. No guarantee can be given as to the existence of other IPRs not referenced in ETSI SR 000 314 (or the updates on the ETSI Web server) which are, or may be, or may become, essential to the present document.

## Trademarks

The present document may include trademarks and/or tradenames which are asserted and/or registered by their owners. ETSI claims no ownership of these except for any which are indicated as being the property of ETSI, and conveys no right to use or reproduce any trademark and/or tradename. Mention of those trademarks in the present document does not constitute an endorsement by ETSI of products, services or organizations associated with those trademarks.

**DECT™**, **PLUGTESTS™**, **UMTS™** and the ETSI logo are trademarks of ETSI registered for the benefit of its Members. **3GPP™** and **LTE™** are trademarks of ETSI registered for the benefit of its Members and of the 3GPP Organizational Partners. **oneM2M™** logo is a trademark of ETSI registered for the benefit of its Members and of the oneM2M Partners. **GSM®** and the GSM logo are trademarks registered and owned by the GSM Association.

---

# Legal Notice

This Technical Specification (TS) has been produced by ETSI 3rd Generation Partnership Project (3GPP).

The present document may refer to technical specifications or reports using their 3GPP identities. These shall be interpreted as being references to the corresponding ETSI deliverables.

The cross reference between 3GPP and ETSI identities can be found under <https://webapp.etsi.org/key/queryform.asp>.

---

# Modal verbs terminology

In the present document "**shall**", "**shall not**", "**should**", "**should not**", "**may**", "**need not**", "**will**", "**will not**", "**can**" and "**cannot**" are to be interpreted as described in clause 3.2 of the [ETSI Drafting Rules](#) (Verbal forms for the expression of provisions).

"**must**" and "**must not**" are **NOT** allowed in ETSI deliverables except when used in direct citation.

# Contents

Intellectual Property Rights .....	2
Legal Notice .....	2
Modal verbs terminology.....	2
Foreword.....	8
1 Scope .....	9
2 References .....	9
3 Definitions, symbols and abbreviations .....	10
3.1 Definitions .....	10
3.2 Symbols.....	10
3.3 Abbreviations .....	11
4 Main Concepts.....	11
4.1 General .....	11
4.2 Call Control .....	12
4.3 H.248.....	12
4.4 MGW Selection.....	12
4.4.1 Principles .....	12
4.4.2 Optimised MGW Selection.....	12
4.4.3 Deferred MGW selection.....	14
4.4.4 Mobile to Mobile Call.....	15
4.4.5 MGW bypass .....	16
5 General Circuit Switched Core Network Domain Architecture .....	18
6 Call Establishment.....	19
6.1 Basic Mobile Originating Call.....	19
6.1.1 Basic Mobile Originating Call Establishment with immediate MGW selection .....	19
6.1.1.1 General .....	19
6.1.1.2 MGW selection .....	19
6.1.1.3 Initial INVITE message .....	19
6.1.1.4 Network side bearer establishment .....	19
6.1.1.5 Access bearer assignment .....	20
6.1.1.6 Framing protocol initialisation.....	20
6.1.1.7 Through-Connection .....	20
6.1.1.8 Confirmation of bearer establishment .....	20
6.1.1.9 Interworking function.....	20
6.1.1.10 Codec handling .....	20
6.1.1.11 Voice Processing function.....	20
6.1.1.12 Failure handling in MSC server .....	20
6.1.1.13 Example .....	21
6.1.2 Originating Call Establishment For Iu Interface on IP with immediate MGW selection .....	23
6.1.3 Originating Call Establishment For A Interface user plane over IP with immediate MGW selection.....	24
6.2 Basic Mobile Terminating Call .....	25
6.2.1 Basic Mobile Terminating Call Establishment with immediate MGW selection .....	25
6.2.1.1 General .....	25
6.2.1.2 GMSC server.....	26
6.2.1.2.1 MGW selection.....	26
6.2.1.2.2 Initial INVITE message.....	26
6.2.1.2.3 Outgoing side bearer termination configuration.....	26
6.2.1.2.4 Incoming side bearer termination configuration.....	26
6.2.1.2.5 Through-Connection.....	26
6.2.1.2.6 Indication of bearer establishment.....	26
6.2.1.2.7 Voice Processing function.....	27
6.2.1.2.8 Failure handling in GMSC server.....	27
6.2.1.3 MSC server .....	27

6.2.1.3.1	Paging.....	27
6.2.1.3.2	Call setup.....	27
6.2.1.3.3	MGW selection.....	27
6.2.1.3.4	Network side bearer termination configuration .....	28
6.2.1.3.5	Access bearer assignment.....	28
6.2.1.3.6	Framing protocol initialisation .....	28
6.2.1.3.7	Called party alerting .....	28
6.2.1.3.8	Called party answer .....	28
6.2.1.3.9	Through-Connection.....	28
6.2.1.3.10	Interworking function.....	29
6.2.1.3.11	Codec handling.....	29
6.2.1.3.12	Voice Processing function.....	29
6.2.1.3.13	Failure handling in MSC server.....	29
6.2.1.3.14	Example - the GMSC selects a MGW .....	29
6.2.2	Terminating Call Establishment For Iu Interface on IP with immediate MGW selection .....	32
6.2.3	Terminating Call Establishment For A Interface user plane over IP with immediate MGW selection .....	32
7	Call Clearing .....	33
7.1	General .....	33
7.2	Visited MSC Server Procedures .....	34
7.2.1	Call Clearing when Visited MSC Server has Forwarded/Deflected Call .....	34
7.2.2	Call Clearing received from core network .....	34
7.2.2.1	Procedures towards access side.....	34
7.2.2.2	Procedures towards network side .....	34
7.2.2.2.1	Call Clearing during establishment .....	34
7.2.2.2.2	Call Clearing after call established .....	34
7.2.2.3	Example Call Flow.....	35
7.2.3	Call Clearing received from UE .....	36
7.2.3.1	Procedures towards access side.....	36
7.2.3.2	Procedures towards network side .....	37
7.2.3.2.1	Call Clearing during call establishment.....	37
7.2.3.2.2	Call Clearing after call established .....	37
7.2.3.3	Example Call Flow.....	37
7.2.4	Call Clearing initiated by V-MSC Server .....	39
7.2.4.1	Call clearing towards access network .....	39
7.2.4.2	Call clearing towards network side .....	39
7.2.4.3	Example Call Flow.....	39
7.2.5	Call clearing received from MGW .....	40
7.2.5.1	Bearer released on the access side.....	40
7.2.5.2	Bearer released on the network side.....	40
7.2.5.3	Example Call Flow.....	40
7.2.6	Call Clearing procedures towards MGW.....	42
7.2.7	Call Clearing for Iu Interface on IP .....	42
7.3	Gateway MSC Server Procedures .....	42
7.3.1	Call Clearing received from peer SIP-I node.....	42
7.3.2	Call Clearing initiated by G-MSC Server .....	43
7.3.2.1	Call clearing to the destination side .....	43
7.3.2.2	Call clearing to the originating side .....	43
7.3.3	Call Clearing received from MGW.....	43
7.3.3.1	Bearer released on the destination side .....	43
7.3.3.2	Bearer released on the originating side .....	43
7.3.4	Call Clearing procedures towards MGW .....	44
8	Handover/Relocation.....	44
8.1	UMTS to UMTS.....	44
8.1.1	Intra-MSC SRNS/SBSS Relocation .....	44
8.1.1.1	Intra-MGW Relocation .....	44
8.1.1.2	Inter-MGW Relocation .....	44
8.1.2	Basic Inter-MSC SRNS/SBSS Relocation.....	44
8.1.3	Subsequent Inter-MSC SRNS/SBSS Relocation back to the Anchor MSC .....	44
8.1.4	Subsequent Inter-MSC SRNS/SBSS Relocation to a third MSC .....	44
8.1.5	SRNS/SBSS Relocation with Iu on IP.....	45

8.2	UMTS to GSM .....	45
8.2.1	Intra-MSC UMTS to GSM Handover.....	45
8.2.1.1	Intra-MGW Relocation .....	45
8.2.1.2	Inter-MGW Relocation .....	45
8.2.1.3	Intra-MSC UMTS to GSM Handover for A interface over IP.....	45
8.2.2	Basic Inter-MSC UMTS to GSM Handover.....	45
8.2.2.1	Basic Inter-MSC UMTS to GSM Handover for A Interface over IP.....	45
8.2.3	Subsequent Inter-MSC UMTS to GSM Handover back to the Anchor MSC.....	45
8.2.3.1	Subsequent Inter-MSC UMTS to GSM Handover back to the anchor MSC for A Interface over IP.....	45
8.2.4	Subsequent Inter-MSC UMTS to GSM Handover to a third MSC.....	46
8.3	GSM to UMTS .....	46
8.3.1	Intra-MSC GSM to UMTS Handover.....	46
8.3.1.1	Intra-MGW Relocation .....	46
8.3.1.2	Inter-MGW Relocation .....	46
8.3.2	Basic Inter-MSC GSM to UMTS Handover.....	46
8.3.3	Subsequent Inter-MSC GSM to UMTS Handover back to the Anchor MSC.....	46
8.3.4	Subsequent Inter-MSC GSM to UMTS Handover to a third MSC.....	46
8.3.5	GSM to UMTS Handover with Iu on IP.....	46
8.4	GSM to GSM .....	47
8.4.1	Intra-MSC Inter-BSS GSM to GSM Handover .....	47
8.4.1.1	Intra-MGW Relocation .....	47
8.4.1.2	Inter-MGW Relocation .....	47
8.4.1.3	Intra-MSC GSM to GSM Handover for A interface over IP .....	47
8.4.2	Basic Inter-MSC GSM to GSM Handover .....	47
8.4.2.1	Basic Inter-MSC GSM to GSM Handover for A Interface over IP .....	47
8.4.3	Subsequent Inter-MSC GSM to GSM Handover back to the Anchor MSC .....	47
8.4.3.1	Subsequent Inter-MSC GSM to GSM Handover back to the anchor MSC for A Interface over IP .....	47
8.4.4	Subsequent GSM to GSM Handover to a third MSC .....	47
8.4.5	BSS Internal Handover .....	48
9	Compatibility Issues .....	48
9.1	Compatibility Issues for Nc Interface.....	48
9.2	Compatibility Issues for Mc Interface .....	48
10	General (G)MSC server-MGW Procedures .....	48
10.1	MGW Unavailable .....	48
10.2	MGW Available .....	48
10.3	MGW Recovery .....	48
10.4	(G)MSC server Recovery.....	48
10.5	MGW Re-register .....	48
10.6	MGW Re-registration Ordered by (G)MSC server .....	48
10.7	Removal from Service of a Physical Termination.....	48
10.8	Restoration to Service of a Physical Termination .....	49
10.9	Audit of MGW .....	49
10.10	MGW Capability Change .....	49
10.11	(G)MSC Server Out of service .....	49
10.12	MGW Resource Congestion Handling - Activate .....	49
10.13	MGW Resource Congestion Handling -Indication.....	49
10.14	Control association monitoring .....	49
10.15	Hanging termination detection .....	49
11	Identities .....	49
11.1	Telephone numbering schemes .....	49
11.2	(G)MSC Server Identity .....	49
11.3	Sub-addressing .....	49
12	Operational Aspects .....	50
12.1	Charging.....	50
12.2	SIP session continuity .....	50
12.2.1	Use of SIP session timer .....	50
12.2.2	Example call flow .....	50
13	Interactions with Other Services .....	51

13.1	Enhanced Multi-Level Precedence and Pre-emption service (eMLPP).....	51
13.2	Call Deflection Service .....	51
13.3	Line identification Services .....	51
13.3.1	Calling Line Identification Presentation (CLIP).....	51
13.3.2	Calling Line Identification Restriction (CLIR).....	51
13.3.3	Connected Line Identification Presentation (COLP).....	52
13.3.4	Connected Line Identification Restriction (COLR).....	52
13.4	Call Forwarding Services .....	52
13.4.0	Principles .....	52
13.4.1	Call Forwarding Unconditional (CFU).....	52
13.4.2	Call Forwarding on mobile subscriber Busy (CFB) .....	52
13.4.2.1	Network Determined User Busy (NDUB) .....	52
13.4.2.1.1	Initial INVITE .....	52
13.4.2.1.2	Confirmation of bearer establishment .....	52
13.4.2.2	User Determined User Busy (UDUB).....	53
13.4.2.2.1	Initial INVITE .....	53
13.4.2.2.2	Confirmation of bearer establishment .....	53
13.4.3	Call Forwarding on No Reply (CFNRy).....	53
13.4.3.1	Initial INVITE.....	53
13.4.4	Call Forwarding on mobile subscriber Not Reachable (CFNRc).....	54
13.4.4.1	Initial INVITE.....	54
13.4.4.2	Confirmation of bearer establishment .....	54
13.5	Call Waiting (CW) .....	54
13.6	Call Hold (CH) .....	54
13.6.1	Principles .....	54
13.6.2	Hold Request .....	54
13.6.3	Retrieval Request.....	55
13.7	Multiparty (MPTY) .....	55
13.7.1	Introduction.....	55
13.7.2	Beginning the Multi Party call.....	55
13.7.3	Managing an active Multi Party call .....	56
13.7.4	Disconnect .....	56
13.7.5	Failure handling in MSC server .....	56
13.7.6	Example 1 .....	56
13.8	Closed User Group (CUG) .....	58
13.9	Advice of Charge (AoC) .....	58
13.10	User-to-User Signalling (UUS) .....	59
13.11	Call Barring Services.....	59
13.11.1	Barring of outgoing calls .....	59
13.11.2	Barring of incoming calls other than Anonymous Call Rejection .....	59
13.11.3	Anonymous Call Rejection (ACR) .....	59
13.12	Explicit Call Transfer (ECT) .....	59
13.12.1	Example .....	59
13.13	Completion of Calls to Busy Subscriber (CCBS).....	60
13.14	Multiple Subscriber Profile (MSP).....	60
13.15	Multicall .....	60
13.16	Calling Name Presentation (CNAP).....	60
13.17	Alternate Speech/Fax .....	60
13.18	Modification of the Access Bearer .....	61
13.18.1	Modification of Bearer Characteristics .....	61
13.18.2	IWF Protocol Change .....	61
13.19	GSM Fax .....	61
13.20	Voice group call service (VGCS), Voice broadcast service (VBS).....	61
14	Interactions with Other Network Features and Services .....	61
14.1	Customised Applications for Mobile network Enhanced Logic (CAMEL) .....	61
14.1.1	Play Announcement/Send Tone.....	61
14.1.2	User Interaction .....	62
14.1.3	Call Party Handling (CPH).....	62
14.2	IST.....	62
14.3	Operator Determined Barring (ODB).....	62
14.4	DTMF.....	62

14.4.1	General.....	62
14.4.2	DTMF handling in SIP-I Offer/Answer.....	63
14.4.3	Server to MGW Procedures.....	63
14.4.4	RTP Telephony Event DTMF Digit Generation.....	64
14.4.4.1	General.....	64
14.4.4.2	Start DTMF.....	64
14.4.4.3	Stop DTMF.....	64
14.4.4.4	Example.....	64
14.4.5	DTMF Tone Generation.....	64
14.4.6	RTP Telephony Event DTMF Digit Detection.....	65
14.4.6.1	General.....	65
14.4.6.2	Detect DTMF Digit.....	65
14.4.6.3	Example – DTMF Notification.....	65
14.4.7	Inband DTMF Tone Detection.....	66
14.4.8	Interworking between RTP Telephony Events and Inband DTMF Tones.....	66
14.5	OR.....	67
14.6	Providing tones or announcements.....	67
14.6.1	Introduction.....	67
14.6.2	Preconditions when providing in-band information to the calling subscriber.....	67
14.6.3	Preconditions when providing in-band information to the called subscriber.....	68
14.6.4	Preconditions when providing in-band information to multiple subscribers.....	68
14.6.5	Request to play an announcement/tone.....	68
14.6.6	Stopping an announcement/tone.....	68
14.6.7	Announcement/tone completed.....	68
14.7	Global Text Telephony.....	68
14.8	Emergency Calls.....	68
14.9	Subscriber and equipment trace.....	68
14.10	Customized Alerting Tones.....	68
14.10.1	General.....	68
14.10.2	Audio CAT.....	69
14.10.3	Multimedia CAT.....	69
15	Messages/Procedures and their contents.....	69
15.1	Messages between (G)MSC servers.....	69
15.2	Procedures between (G)MSC server and MGW.....	69
15.2.1	Generic Mc Interface Procedures.....	69
15.2.2	SIP-I Specific Mc Interface Procedures.....	72
16	Bearer Redirect.....	72
17	(G)MSC MGW Tandeming.....	72
18	Timers for SIP-I based CS core network.....	73
19	Multiple IP Realms.....	73
<b>Annex A (informative): Change history .....</b>		<b>74</b>
History .....		75



---

# Foreword

This Technical Specification has been produced by the 3<sup>rd</sup> Generation Partnership Project (3GPP).

The contents of the present document are subject to continuing work within the TSG and may change following formal TSG approval. Should the TSG modify the contents of the present document, it will be re-released by the TSG with an identifying change of release date and an increase in version number as follows:

Version x.y.z

where:

- x the first digit:
  - 1 presented to TSG for information;
  - 2 presented to TSG for approval;
  - 3 or greater indicates TSG approved document under change control.
- y the second digit is incremented for all changes of substance, i.e. technical enhancements, corrections, updates, etc.
- z the third digit is incremented when editorial only changes have been incorporated in the document.

---

# 1 Scope

The present document defines the stage 2 description for the SIP-I based CS core network. The logical architecture for the SIP-I based CS core network is defined in 3GPP TS 23.205 [7].

This stage 2 shall cover the information flows between the GMSC server, MSC server and media gateways that are required to support a SIP-I based Nc interface. Note that nothing in the present document shall preclude an implementation of a combined MSC Server and MGW. The present document shall show the CS core network termination of the Iu and A interfaces in order to cover the information flow stimulus to the core network and describe the interaction with the supplementary and value added services and capabilities.

For the purposes of the present document, the Nc interface profile is based on ITU-T Q.1912.5 [9] SIP-I profile C and is specified in 3GPP TS 29.231 [4]. The Mc interface profile is based on ITU-T H.248.1 [5] and is specified in 3GPP TS 29.232 [8].

Local Call Local Switch (LCLS) functionality is further specified in 3GPP TS 23.284 [31].

The present document is applicable only for IP transport in the CS core network.

Details of Transcoder-Free Operation/Out of Band Transcoder Control are outside the scope of the present document. See 3GPP TS 23.153 [3] for more information.

The present document specifies functions, procedures and information which apply to GERAN Iu mode. However, functionality related to GERAN Iu mode is neither maintained nor enhanced.

---

# 2 References

The following documents contain provisions which, through reference in this text, constitute provisions of the present document.

- References are either specific (identified by date of publication, edition number, version number, etc.) or non-specific.
- For a specific reference, subsequent revisions do not apply.
- For a non-specific reference, the latest version applies. In the case of a reference to a 3GPP document (including a GSM document), a non-specific reference implicitly refers to the latest version of that document *in the same Release as the present document*.

- [1] 3GPP TR 21.905: "Vocabulary for 3GPP Specifications".
- [2] 3GPP TS 23.002: "Network architecture".
- [3] 3GPP TS 23.153: "Out of Band Transcoder Control; Stage 2".
- [4] 3GPP TS 29.231: "Application of SIP-I Protocols to Circuit Switched (CS) core network architecture; Stage 3".
- [5] ITU-T Recommendation H.248.1: "Gateway control protocol".
- [6] 3GPP TS 29.007: "General requirements on Interworking between the Public Land Mobile Network (PLMN) and the Integrated Services Digital Network (ISDN) or Public Switched Telephone Network (PSTN)".
- [7] 3GPP TS 23.205: "Bearer-independent circuit-switched core network; Stage 2".
- [8] 3GPP TS 29.232: "Media Gateway Controller (MGC) - Media Gateway (MGW) interface; Stage 3".
- [9] ITU-T Recommendation Q.1912.5: "Interworking between Session Initiation Protocol (SIP) and Bearer Independent Call Control protocol or ISDN User Part".
- [10] IETF RFC 3966: "The tel URI for Telephone Numbers".

- [11] 3GPP TS 23.108: "Mobile radio interface layer 3 specification core network protocols; Stage 2 (structured procedures)".
- [12] 3GPP TS 48.008: "Mobile Switching Centre - Base Station system (MSC-BSS) interface; Layer 3 specification".
- [13] 3GPP TS 23.009: "Handover procedures".
- [14] 3GPP TS 24.008: "Mobile radio interface Layer 3 specification; Core network protocols; Stage 3".
- [15] IETF RFC 3261: "SIP: Session Initiation Protocol".
- [16] IETF RFC 4028: "Session Timers in the Session Initiation Protocol (SIP)".
- [17] IETF RFC 2976: "The SIP INFO method".
- [18] IETF RFC 3311: "The Session Initiation Protocol (SIP) UPDATE Method".
- [19] IETF RFC 3262: "Reliability of Provisional Responses in the Session Initiation Protocol (SIP)".
- [20] 3GPP TS 23.172: "Technical realization of Circuit Switched (CS); multimedia service UDI/RDI fallback and service modification; Stage 2".
- [21] 3GPP TS 29.235: "Interworking between SIP-I based circuit-switched core network and other networks".
- [22] 3GPP TS 25.415: "UTRAN Iu Interface User Plane Protocols".
- [23] 3GPP TS 29.414: "Core Network Nb Data Transport and Transport Signalling".
- [24] IETF RFC 4733: "RTP Payload for DTMF Digits, Telephony Tones and Telephony Signals".
- [25] IETF RFC 3264: "An Offer/Answer Model with the Session Description Protocol (SDP)".
- [26] IETF RFC 3312: "Integration of Resource Management and Session Initiation Protocol (SIP)".
- [27] 3GPP TS 23.014: "Support of Dual Tone Multi Frequency (DTMF) signalling".
- [28] 3GPP TS 23.003: "Numbering, addressing and identification".
- [29] IETF RFC 4715: "The Integrated Services Digital Network (ISDN) Subaddress Encoding Type for tel URI".
- [30] 3GPP TS 31.102: "Characteristics of the Universal Subscriber Identity Module (USIM) application".
- [31] 3GPP TS 23.284: "Local Call Local Switch; Stage 2".
- [32] 3GPP TS 29.163: "Interworking between the IM CN subsystem and CS networks – Stage 3".

---

## 3 Definitions, symbols and abbreviations

### 3.1 Definitions

For the purposes of the present document, the terms and definitions given in TR 21.905 [1] and the following apply. A term defined in the present document takes precedence over the definition of the same term, if any, in TR 21.905 [1].

### 3.2 Symbols

For the purposes of the present document, the following symbols apply:

- Iu Interface between the RNS and the core network. It is also considered as a reference point.

Mc	Interface between the server and the media gateway.
Nb	Interface between media gateways.
Nc	The NNI call control interface between (G)MSC servers.

### 3.3 Abbreviations

For the purposes of the present document, the abbreviations given in TR 21.905 [1] and the following apply. An abbreviation defined in the present document takes precedence over the definition of the same abbreviation, if any, in TR 21.905 [1].

BCF	Bearer Control Function
BICC	Bearer Independent Call Control
BICN	Bearer Independent Core Network
CS	Circuit Switched
DSP	Digital Signal Processing
GERAN	GSM/EDGE Radio Access Network
(G)MSC-S	(Gateway) MSC Server
IAM	Initial Address Message
IETF	Internet Engineering Task Force
IP	Internet Protocol
IPBCP	IP Bearer Control Protocol
IWF	Interworking Function
LCLS	Local Call Local Switch
MGCF	Media Gateway Control Function
MGW	Media Gateway
MSC-S	MSC Server
MSC/IWF	IWF at call control layer toward external network (see 3GPP TS 29.007 [6])
NNI	Network-Network interface
OoBTC	Out of Band Transcoder Control
PRACK	Provisional Response Acknowledgement
RTO	Remote Transcoder Operation
RTP	Real-Time Transport Protocol
SCTP	Stream Control Transmission Protocol
SCUDIF	Service Change and UDI Fallback
SIP	Session Initiation Protocol
SDP	Session Description Protocol
TCP	Transmission Control Protocol
TDM	Time-Division Multiplexing
TFO	Tandem Free Operation
TrFO	Transcoder Free Operation
UDP	User Datagram Protocol
UTRAN	UMTS Terrestrial Radio Access Network

---

## 4 Main Concepts

### 4.1 General

The SIP-I circuit switched core network supports the IP transport mechanism. The passage of compressed speech at variable bit rates is possible through the CS core network.

The CS core network shall employ the MSC server, GMSC server and media gateways. The GMSC server and MSC server shall provide the call control and mobility management functions, and the media gateway shall provide the bearer control and transmission resource functions. The media gateway shall contain the stream manipulating functions.

The GMSC server and MSC servers are connected to the media gateway via the Mc reference point. The MSC servers and GMSC servers are connected with the Nc reference point. There may be a number of call control transit nodes between the MSC server and GMSC server in the Nc reference point. The MGWs are connected with the Nb reference point.

The users connected to the CS core network shall not be aware whether a MSC server – media gateway combination is used or a monolithic MSC is used.

## 4.2 Call Control

The protocol used on the Nc interface shall be a SIP-I call control profile supporting the IP transport mechanism for the ISDN service set, allowing the physical separation of the call control entities from the media transport entities.

## 4.3 H.248

H.248 has been developed within the ITU-T, and supports a separation of call control entities from media transport entities. H.248 is used on the Mc interface between the (G)MSC servers and the media gateway.

## 4.4 MGW Selection

### 4.4.1 Principles

A (G)MSC-Server may support one or several of the following optional MGW selection procedures:

- "Optimised MGW selection"

A (G)MSC Server may indicate at the initial SIP-I SDP offer the selected MGW identity in a SIP-I message to enable the receiver of the SIP-I message to select the same MGW, if it has a Mc H.248 gateway control protocol interface to this MGW.

- "Deferred MGW selection"

The deferred MGW selection procedure provides the opportunity for the receiver of a SIP-I message to select the MGW it prefers and to send back the identity of the MGW to the preceding node in order to enable that node to select the same MGW.

Additionally the procedure allows the offerer to send a "proposed" MGW identity to the next SIP-I node, which may be taken into account when the succeeding node seizes a MGW.

Additionally the procedure allows the offerer to send to the next SIP-I node a list of "additionally proposed" MGW identities that may be proposed in addition to the "proposed" MGW Identity, which may be taken into account when the succeeding node seizes a MGW.

A GMSC-Server or Intermediate Node may support the following optional MGW selection procedures:

- "MGW bypass"

For call scenarios where there is no need for the GMSC server to manipulate the bearer, the GMSC Server may perform call control signalling without any associated MGW by transparently relaying bearer related information (e.g. connection addresses) from the preceding/succeeding nodes. If the (G)MSC server applies the MGW bypass this has the effect that if the succeeding node inserts a MGW this MGW performs the task of terminating the external bearer, i.e. it acts as point of ingress of the user plane from the external network.

The general call establishment procedures to allow "Optimised MGW selection", "Deferred MGW selection", and "MGW bypass" are described in Clauses 4.4.2, 4.4.3 and 4.4.5, respectively. When applied these procedures shall be combined with the normal call establishment procedures as described in Clause 6.

### 4.4.2 Optimised MGW Selection

To initiate the optional "Optimised MGW Selection" procedure, a (G)MSC Server shall seize a MGW as for a normal call and indicate to the succeeding node the identity of the MGW in the initial SDP offer.

If the succeeding node receiving the SDP offer supports the "Optimised MGW Selection" option and the SDP offer includes a MGW Identity, and the succeeding node has a Mc H.248 gateway control protocol interface to the indicated

MGW, the succeeding node may connect to that MGW. The succeeding node may indicate the MGW Identity in the SDP answer to the preceding node.

In the example sequence chart in Figure 4.4.2.2, which assumes the network model in Figure 4.4.2.1, the offerer is a GMSC Server, which has seized a MGW at the network border. The initial offer indicates that a MGW is connected and includes the MGW identity. The answerer is a terminating MSC Server, which is able to connect to the same MGW and seizes a bearer termination in this MGW and returns the user plane connection address in the answer.

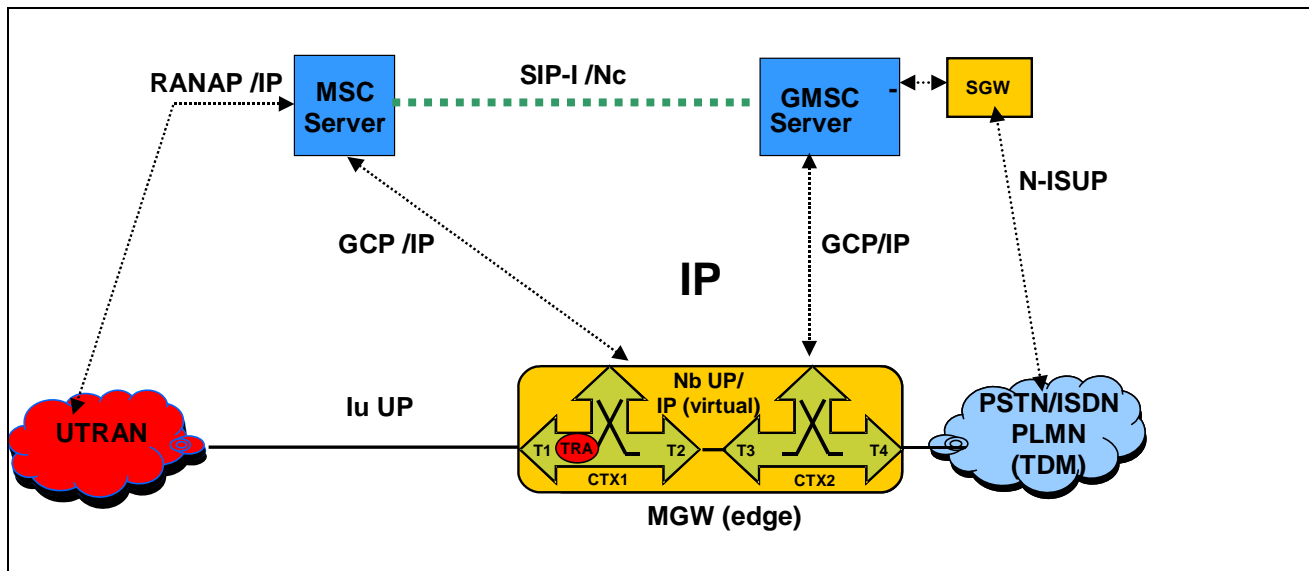


Figure 4.4.2.1: Network model for Optimised and Deferred MGW Selection

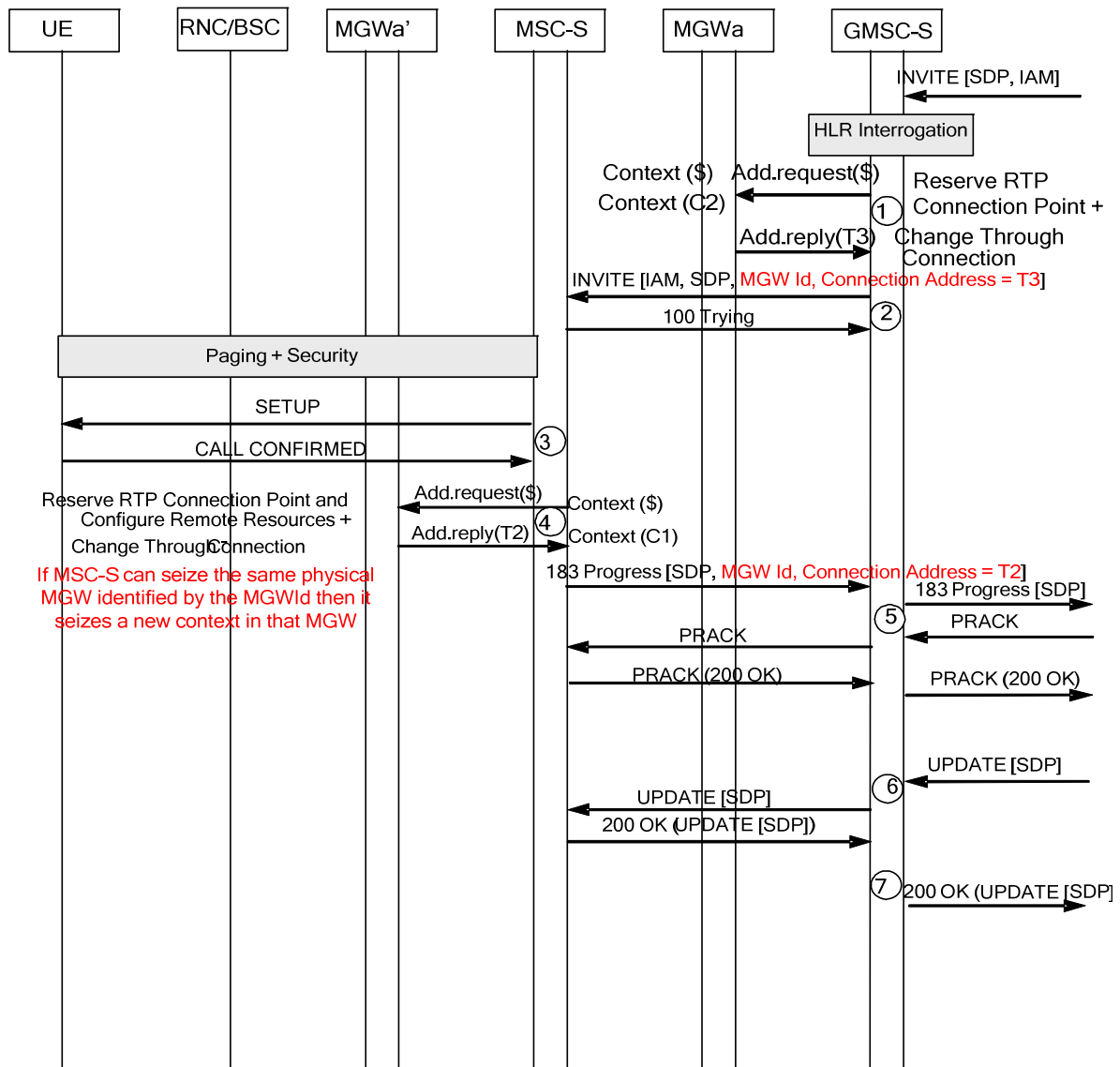


Figure 4.4.2.2: Optimised MGW selection (message sequence chart)

### 4.4.3 Deferred MGW selection

To initiate the optional "Deferred MGW Selection", a (G)MSC Server shall indicate to the succeeding node in the initial SIP-I SDP offer that the MGW has not been seized by including an unspecified connection address and shall indicate that "preconditions are not met". The (G)MSC server may additionally include a "proposed" MGW identity within the SDP offer. The (G)MSC server may additionally include a list of "additionally proposed" MGW identities within the initial SDP offer.

Upon reception of an INVITE with unspecified connection address, the succeeding node may seize a MGW (MGW Bypass may be supported in which case the MGW would not be selected, see Clause 4.4.4).

**NOTE:** If the succeeding node applies MGW bypass, the next succeeding node will receive the forwarded unspecified connection address and will then apply the procedures in the present Clause.

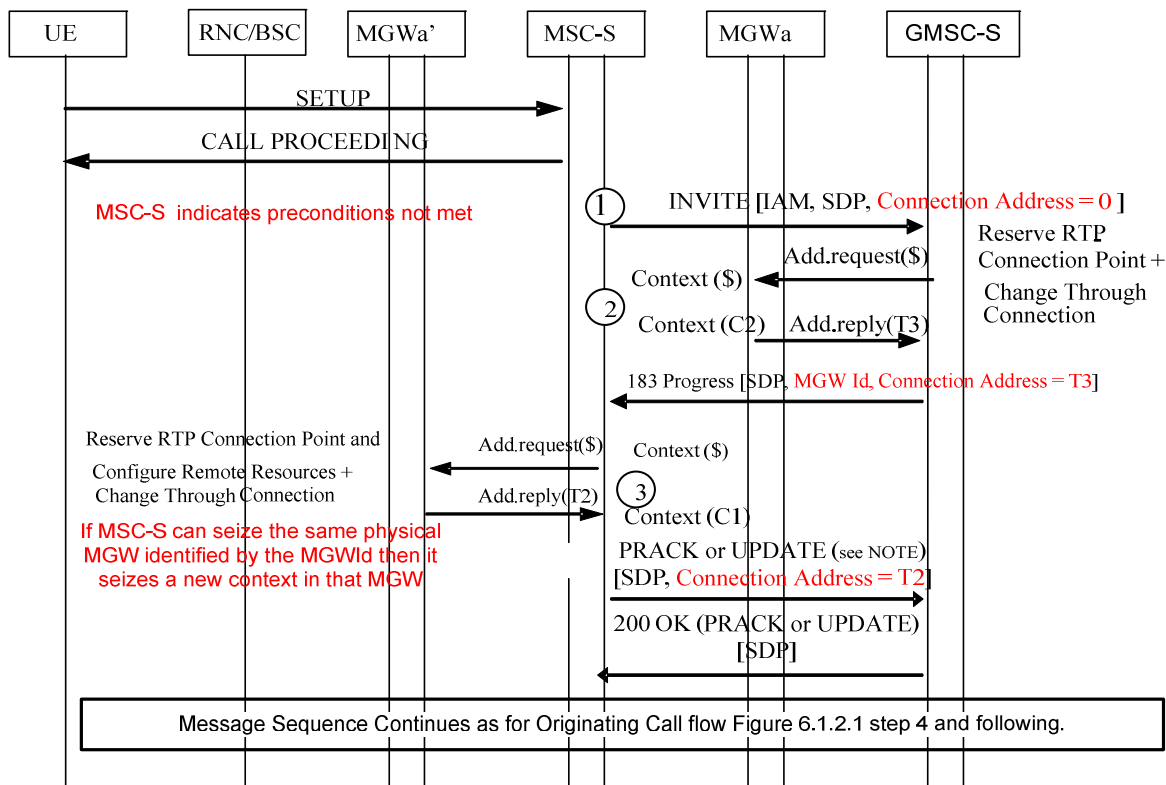
If the succeeding node seizes a MGW, it shall insert its own connection address in the SDP offer to the further succeeding 3GPP Node and in the subsequent SDP answer back to the preceding node.

If the succeeding node supports the deferred MGW selection, and it received a "proposed" MGW Identity and a list of "additionally proposed" MGW identities, it may take this into account when selecting the MGW. If the succeeding node supports the deferred MGW selection, it should include the identity of the selected MGW in the SDP answer.

Upon reception of the SDP answer, the (G)MSC Server that initiated the "deferred MGW" selection shall seize a MGW. It should use the received MGW identity to select the MGW, preferably using the same MGW to save resources, if it has a Mc H.248 gateway control protocol interface to that MGW. The (G)MSC Server shall then send a new SDP offer in a PRACK request or an UPDATE request including the connection address and an indication that preconditions are met (provided upstream continuity is also achieved).

Upon reception of the new SDP offer, the succeeding node will update the MGW configuration with the new connection address.

In the example sequence chart in Figure 4.4.3.1, which assumes the network model in Figure 4.4.2.1, the offerer is an originating MSC Server, which does not signal a MGW identity and at the same time indicates that the user plane is not connected. The answerer is an MSC-IW-Server, which seizes the MGW at the network border and returns the MGW identity to the originating MSC Server. The originating MSC Server is able to select the same MGW and seizes a bearer termination and indicates in the second SDP offer to the MSC-IW Server that the user plane is connected.



NOTE: If an UPDATE is used to send the SDP, a PRACK without SDP will be sent before. This is not shown in the figure.

Figure 4.4.3.1: Deferred MGW selection (message sequence chart)

### 4.4.4 Mobile to Mobile Call

The mobile to mobile call may use either the deferred MGW selection or optimised MGW selection. The reason for choosing deferred MGW over optimised MGW would be to attempt to select the MGW at the edge as the originating MSC does not know where the call will finally terminate.

An example of mobile to mobile call using optimised MGW selection is show in Figure 4.4.4.1.



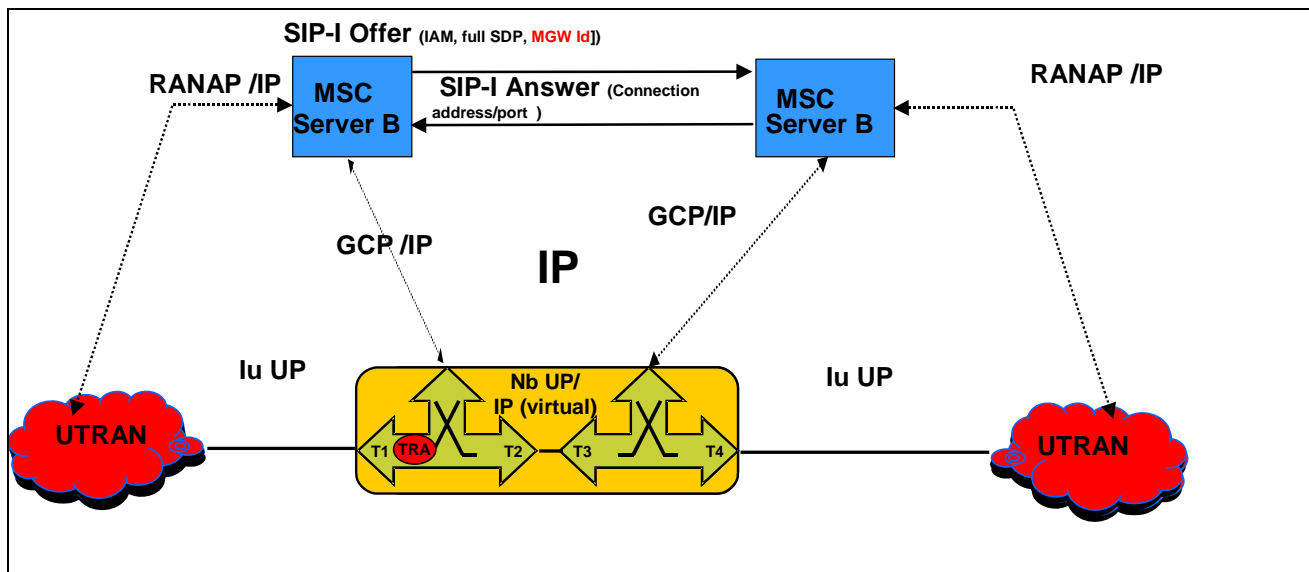


Figure 4.4.4.1: Optimised MGW Selection for mobile to mobile calls

### 4.4.5 MGW bypass

In call scenarios without the need for the GMSC or Intermediate Node server to manipulate the bearer, the GMSC or Intermediate Node may perform call control signalling without any associated MGW by not inserting a MGW in the bearer path during the call establishment. In that case, the bearer related information of SDP offers/answers shall be passed transparently through the (G)MSC Server.

Call scenarios where the GMSC or Intermediate Node needs to manipulate the bearer, e.g. scenarios with insertion of tones or announcements, lawful interception, CAMEL services do not allow this optimisation.

MGW removal and MGW re-insertion scenarios once the call is answered are not supported.

Figure 4.4.5.1 shows an example network model for a mobile terminating call with MGW bypass. The "squared" line represents the call control signalling. The "dotted" line represents the bearer control signalling (not applicable in A/Gb mode for the A-interface) and the bearer.

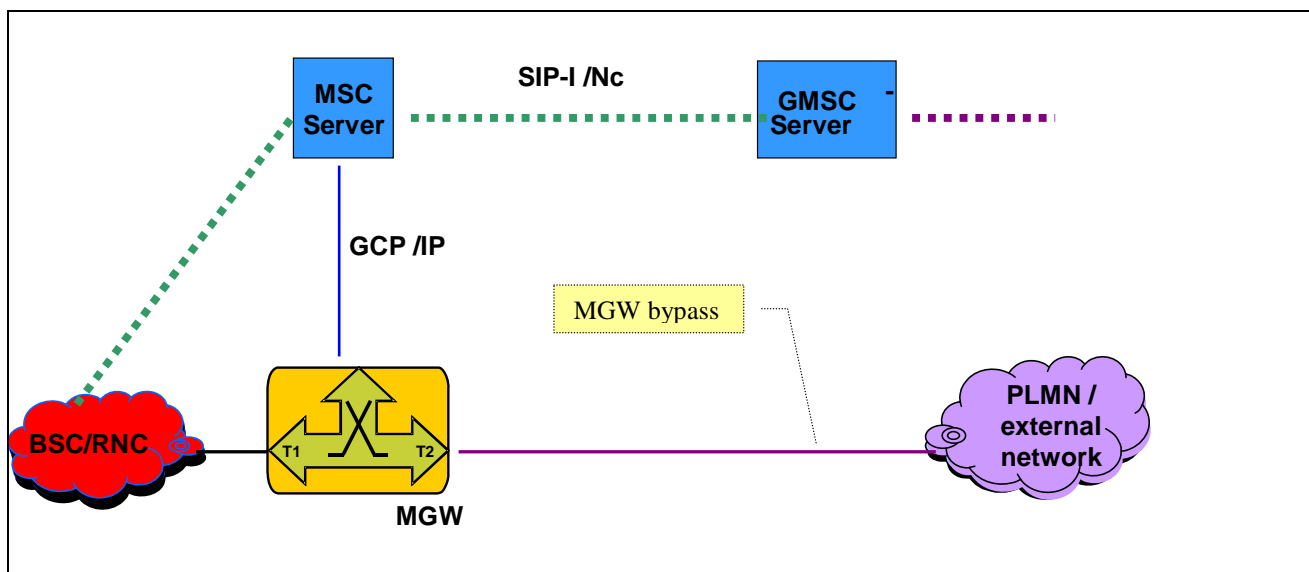


Figure 4.4.5.1: Terminating call establishment with MGW bypass (network model)

NOTE:  $T_2$  is the connection to the PLMN / external network i.e. it may not terminate Nb interface if to a Non-PLMN; in that case, the procedures associated to the MSC-S/MGW handling for  $T_2$  (such as DTMF transmission/reception) are specified in 3GPP TS 29.235 [21].

Figure 4.4.5.2 shows the corresponding example message sequence. In the example, the GMSC determines that it does not need to include a MGW in the bearer path. SDP offer and SDP answer information is relayed between ingress and egress signalling paths.

The option to support "MGW bypass" relies on the support of external user plane interworking at the succeeding MGW however the GMSC Server signalling to and from the succeeding 3GPP PLMN node in such a scenario shall comply with the SIP-I on Nc specification.

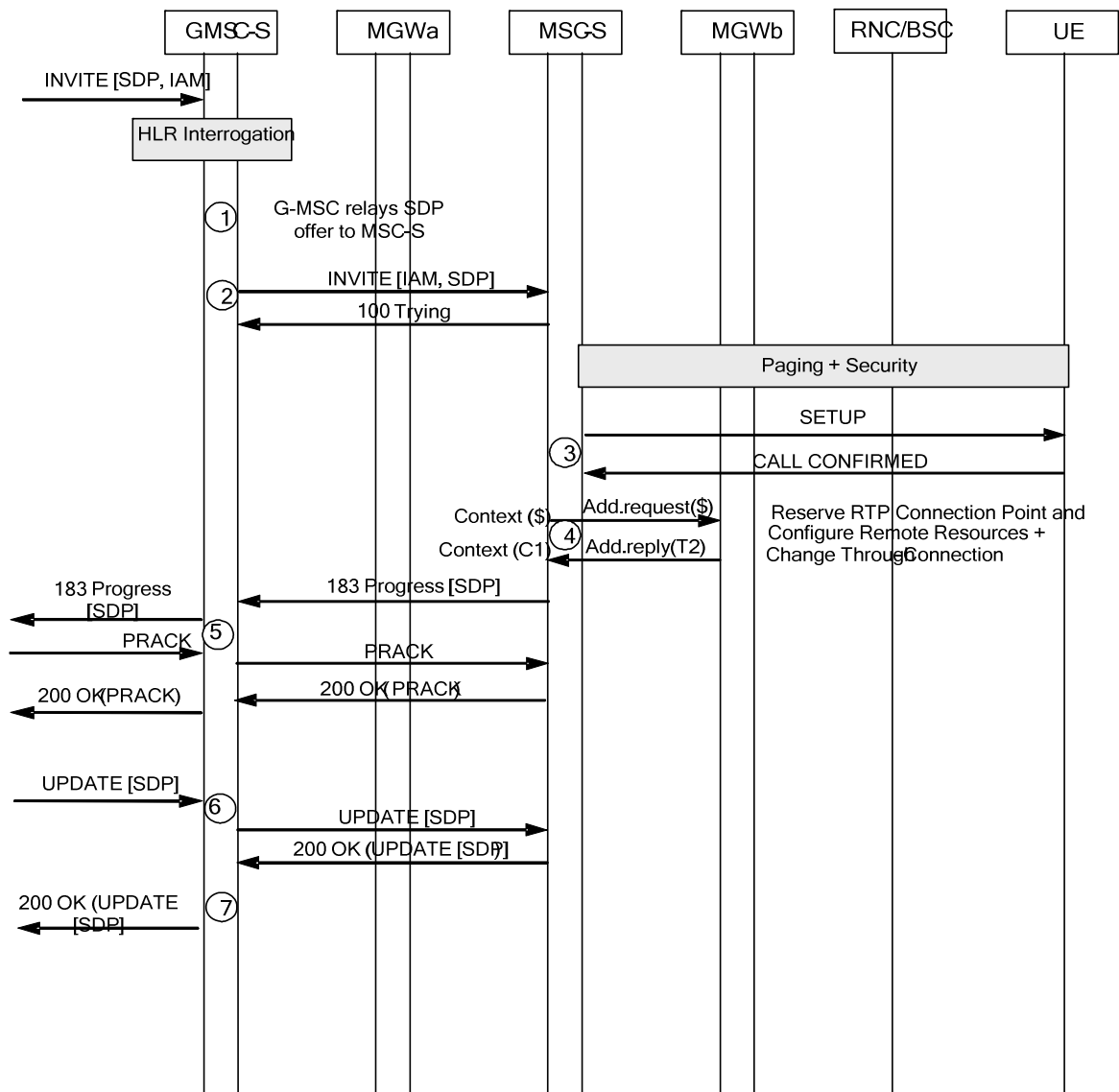


Figure 4.4.5.2/1: Basic Mobile Terminating Call, MGW bypass (message sequence chart)

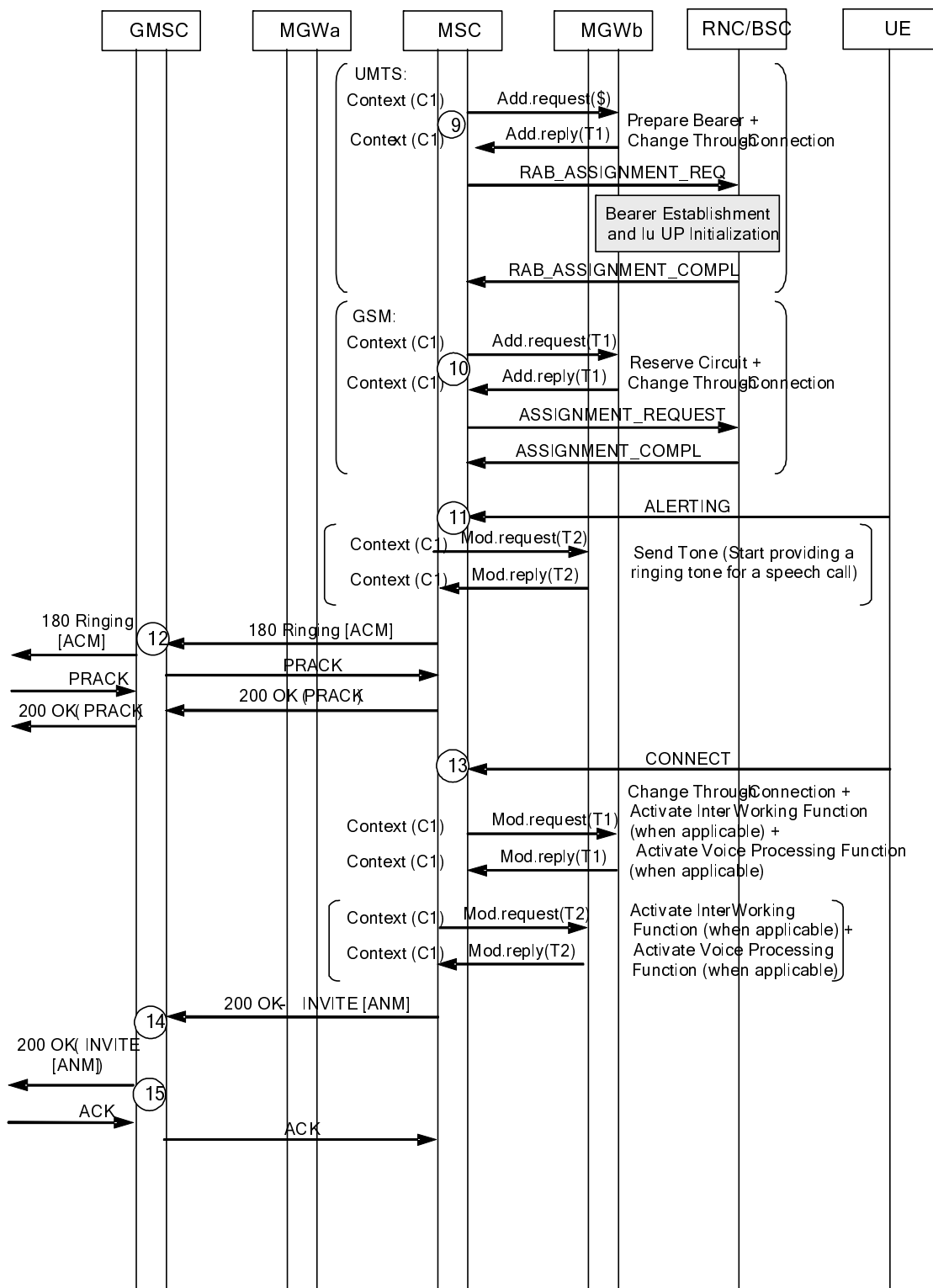


Figure 4.4.5.2/2: Basic Mobile Terminating Call, MGW bypass (message sequence chart continue)

## 5 General Circuit Switched Core Network Domain Architecture

The General CS core network domain architecture is specified in 3GPP TS 23.205 [7].

## 6 Call Establishment

NOTE: All message sequence charts in this clause are examples. All valid call establishment message sequences can be derived from the example message sequences and associated message pre-conditions.

### 6.1 Basic Mobile Originating Call

#### 6.1.1 Basic Mobile Originating Call Establishment with immediate MGW selection

##### 6.1.1.1 General

The mobile originating call shall be established in accordance with 3GPP TS 23.108 [11]. The following clauses describe the additional requirements for the SIP-I based CS core network. The Offer/Answer Procedures of the Session Description Protocol (SDP) for media negotiation shall be applied as specified in 3GPP TS 29.231 [4].

If multiple speech codecs are offered, Out of Band Transcoder Control (OoBTC) procedures shall be applied by the Originating MSC server in accordance with 3GPP TS 23.153 [3]. Otherwise for speech calls only the default PCM speech codec shall be signalled in an SDP offer; auxiliary payload types such as the Telephony Event RTP payload type may be included in addition. The handling of such auxiliary payload types is described in specific clauses (e.g. DTMF is described in Clause 14.4).

For data calls the procedures in 3GPP TS 29.007 [6] are applicable.

##### 6.1.1.2 MGW selection

The MSC server shall select an MGW for the bearer connection before it performs the access bearer assignment or the network side connection point reservation. This shall happen before sending the INVITE message.

##### 6.1.1.3 Initial INVITE message

The MSC server shall send the initial INVITE message before or after the access bearer assignment is completed. The MSC server shall provide the supported SDP (e.g. core network side user plane IP transport address and port, codec(s), RTP telephony event) to the succeeding node in the initial INVITE message. The initial INVITE message shall encapsulate the IAM message. If the access bearer assignment has not been completed, the MSC server shall indicate that the local precondition has not been met.

##### 6.1.1.4 Network side bearer establishment

The MSC server shall select the codec for this connection and request the MGW to select and provide the IP transport address and port for the network side bearer connection before sending the INVITE message. If OoBTC is supported, the selected codec may be the preferred codec for this connection. The MSC server shall use the Reserve RTP Connection Point procedure (bullet 1 in figure 6.1.1.13.2). Within this procedure, the MSC server shall indicate the codec and any additional payload types (e.g. RTP Telephony Event) and shall request a local IP address and UDP port from the MGW. The MSC server may indicate that the IP interface type is for Nb over IP with SIP-I based Nc. The local IP address and UDP port are used by the MGW to receive user plane data from the succeeding MGW.

Support and selection of CS Data payload types is described in 3GPP TS 29.007 [6].

The MGW shall reply to the MSC server with the selected local IP address and UDP port.

The MSC server shall send this information in the INVITE (bullet 2 in figure 6.1.1.13.2) to the succeeding node.

After the succeeding node has provided the SDP answer, the MSC server shall use the Configure RTP Connection Point procedure to request the MGW to configure the remote address, codec and any additional negotiated payload types (e.g. RTP Telephony Event) (bullet 3 in figure 6.1.1.13.2) of the bearer termination. If OoBTC is supported, the Configure RTP Connection Point procedure may amend the selected codec for this connection if different from the codec sent in the previous Reserve RTP Connection Point procedure (bullet 1 in figure 6.1.1.13.2). The Configure RTP Connection Point procedure may indicate that the IP interface type is for Nb over IP with SIP-I based Nc.

#### 6.1.1.5 Access bearer assignment

The access bearer assignment is defined in the clause 6.1.1.4 of 3GPP TS 23.205 [7].

#### 6.1.1.6 Framing protocol initialisation

There is no specific framing protocol initialisation in the SIP-I based CS network. The MGW terminates the Iu Framing Protocol towards the Iu interface and will receive an Iu UP Initialisation from an Iu-CS interface connected to the radio interface and shall process it according to the procedures in 3GPP TS 25.415 [22] and 3GPP TS 29.232 [8]. No information from the framing protocol initialisation needs to be interworked towards the Nb interface of a SIP-I based CS core network. Information within subsequent Iu UP payload PDUs and RTP PDUs shall be interworked according to the procedures in TS 29.414 [23].

#### 6.1.1.7 Through-Connection

In combination with the Prepare Bearer or Reserve Circuit procedures, and the Reserve RTP Connection Point or Configure RTP Connection Point procedure, the MSC server should use the Change Through-Connection procedure to request the MGW to configure the bearer terminations so that the bearer is through-connected in the backward direction (bullet 1 or 3 and bullet 4 or 5 in figure 6.1.1.13.2).

For a multimedia call, the MSC may request the MGW to both-way through-connect the bearer using the Change Through-Connection procedure to generate a multimedia CAT (see clause 14.10.1).

Otherwise when the MSC server receives the answer indication (200 OK(INVITE)), it shall request the MGW to both-way through-connect the bearer using the Change Through-Connection procedure (bullet 8 in figure 6.1.1.13.2), unless the bearer has already been both way through-connected at an earlier stage.

#### 6.1.1.8 Confirmation of bearer establishment

If the initial INVITE message which was sent to the succeeding node indicated that the local precondition has not been met, the MSC server shall send an UPDATE message indicating that the local preconditions are met when the access bearer assignment has been completed (bullet 6 in figure 6.1.1.13.2).

#### 6.1.1.9 Interworking function

The MGW may use an interworking function that is based on the PLMN Bearer Capability, 3GPP TS 24.008 [14], of the bearer termination. The activation of the possible interworking function in both bearer terminations will be requested by the MSC server at reception of the SIP 200 OK (INVITE) response using the Activate Interworking Function procedure (bullet 8 in figure 6.1.1.13.2).

#### 6.1.1.10 Codec handling

The MGW may include a speech transcoder based upon the speech coding information provided to each bearer termination.

#### 6.1.1.11 Voice Processing function

A voice processing function (i.e. echo cancellation) located on the MGW may be used to achieve desired acoustic quality on the bearer terminations. The MSC server shall request the activation of voice processing functions in the bearer terminations. For non-speech calls, the MSC server has the ability to instruct the MGW to disable the voice processing functions (bullet 8 in figure 6.1.1.13.2/2).

#### 6.1.1.12 Failure handling in MSC server

If any procedure between the MSC server and the MGW has not completed successfully or the MSC server receives a Bearer Released procedure from the MGW, the call shall be cleared as described in clause 7.2.4, visited MSC server initiated call clearing or in clause 7.2.5, MGW initiated call clearing. Alternatively, the MSC server may only release the resources in the MGW that caused the failure, possibly select a new MGW for the bearer connection and continue the call establishment using new resources in the selected MGW.

### 6.1.1.13 Example

Figure 6.1.1.13.1 shows the network model for the mobile originating call. The "squared" line represents the call control signalling. The "dotted" line represents the bearer control signalling (not applicable in A/Gb mode for the A-interface) and the bearer. The MSC server seizes one context with two terminations in the MGW. The bearer termination T1 is used for the bearer towards the RNC/BSC and the bearer termination T2 is used for the bearer towards the succeeding MGW.

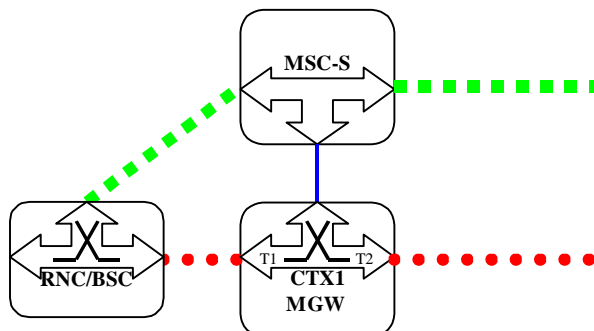


Figure 6.1.1.13.1: Basic Mobile Originating Call (network model)

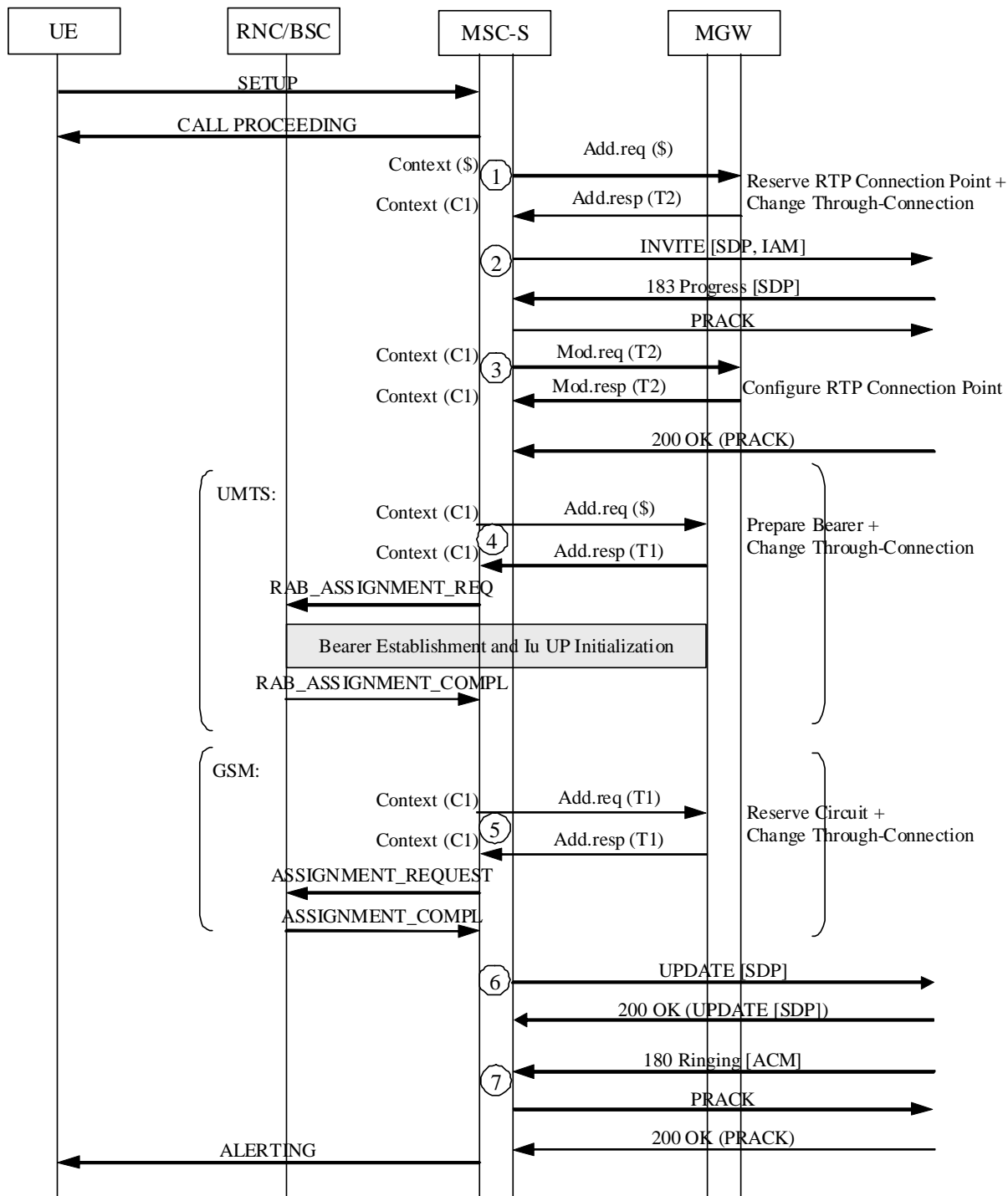


Figure 6.1.1.13.2/1: Basic Mobile Originating Call with early originating access bearer assignment (message sequence chart).

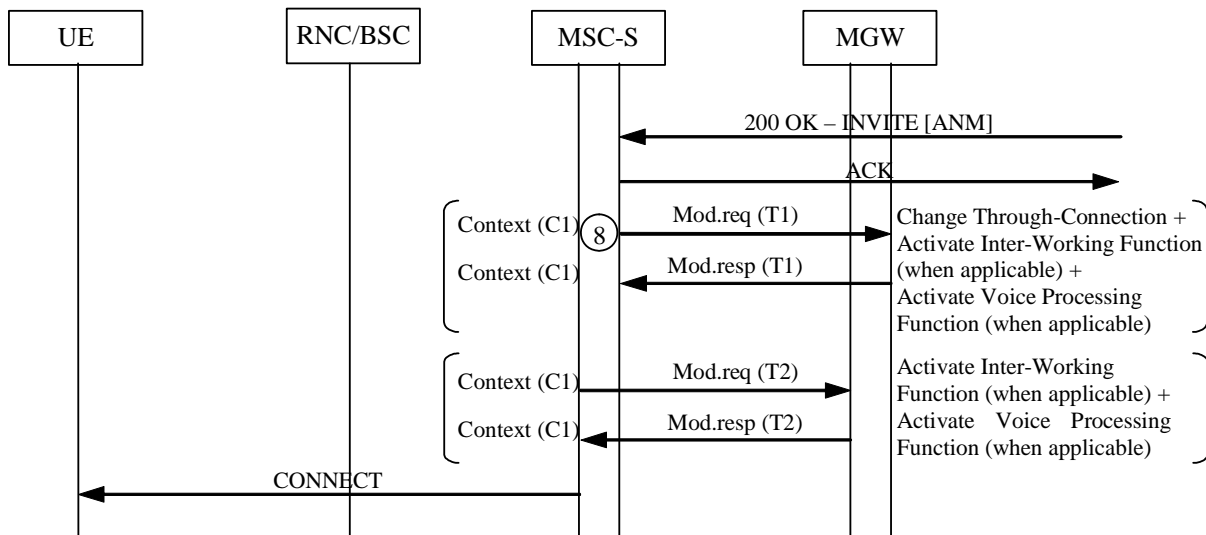


Figure 6.1.1.13.2/2: Basic Mobile Originating Call with early originating access bearer assignment (message sequence chart).

### 6.1.2 Originating Call Establishment For Iu Interface on IP with immediate MGW selection

For IP transport over the IuCS interface the procedures in the present Clause shall apply in addition to the SIP-I based Core Network side procedures described in 6.1.1.

For the access side termination, the exchange of IP addresses as defined in the clause 6.1.3 of 3GPP TS 23.205 [3] shall apply.

If the bearer transport is IP and IuUP mode is Support, the MGW shall use the source IP address and UDP Port of the IuUP Init packet received from the radio access network as the destination address for subsequent downlink packets.

The sequence is shown in Figure 6.1.2.1.



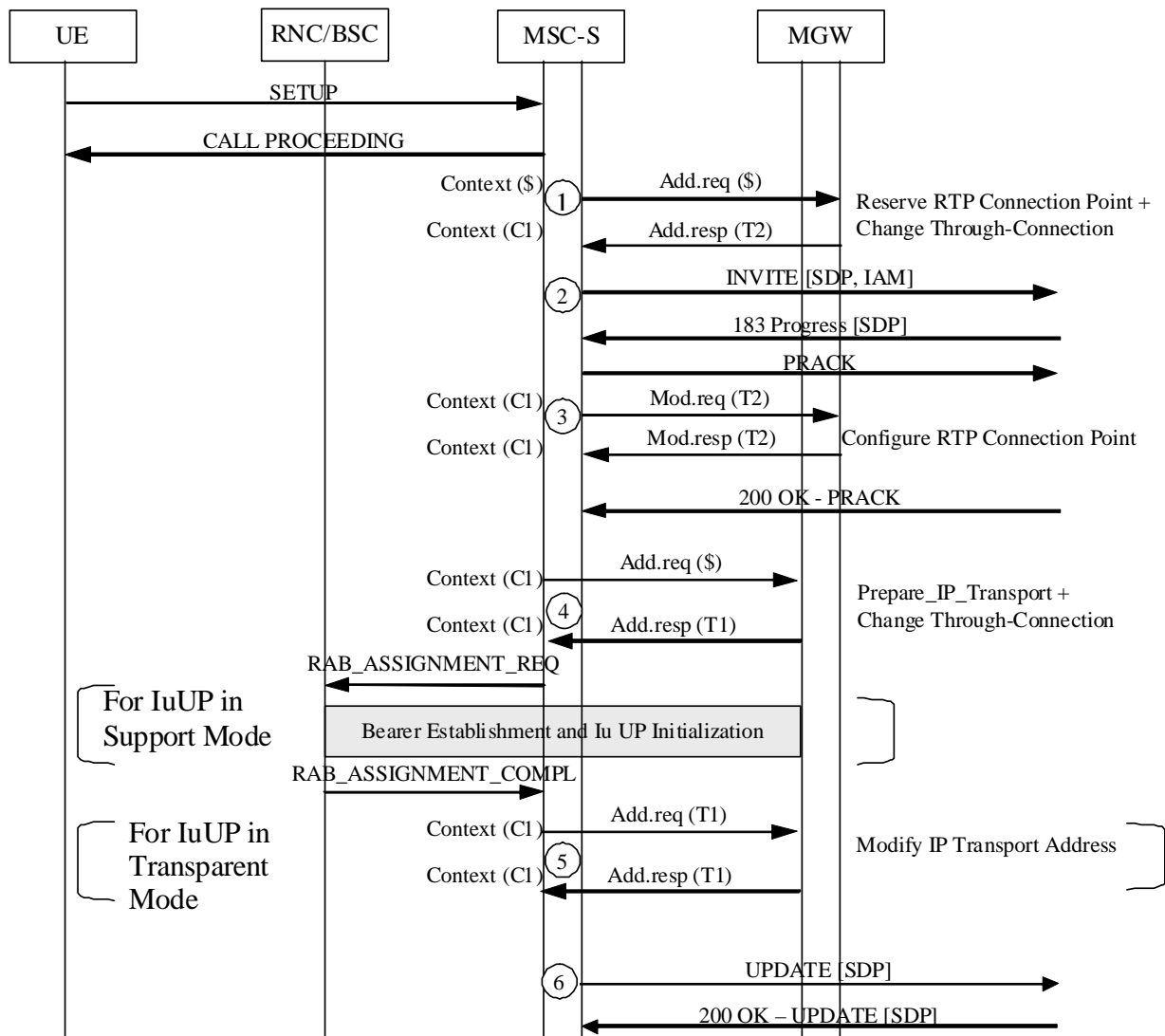


Figure 6.1.2.1: Originating Call Establishment for Iu on IP

### 6.1.3 Originating Call Establishment For A Interface user plane over IP with immediate MGW selection

For A interface user plane over IP, the procedures in the present Clause shall apply in addition to the SIP-I based Core Network side procedures described in 6.1.1.

For the access side termination, the exchange of IP addresses as defined in the clause 6.1.5 of 3GPP TS 23.205 [7] shall apply.

The sequence is shown in Figure 6.1.3.1.

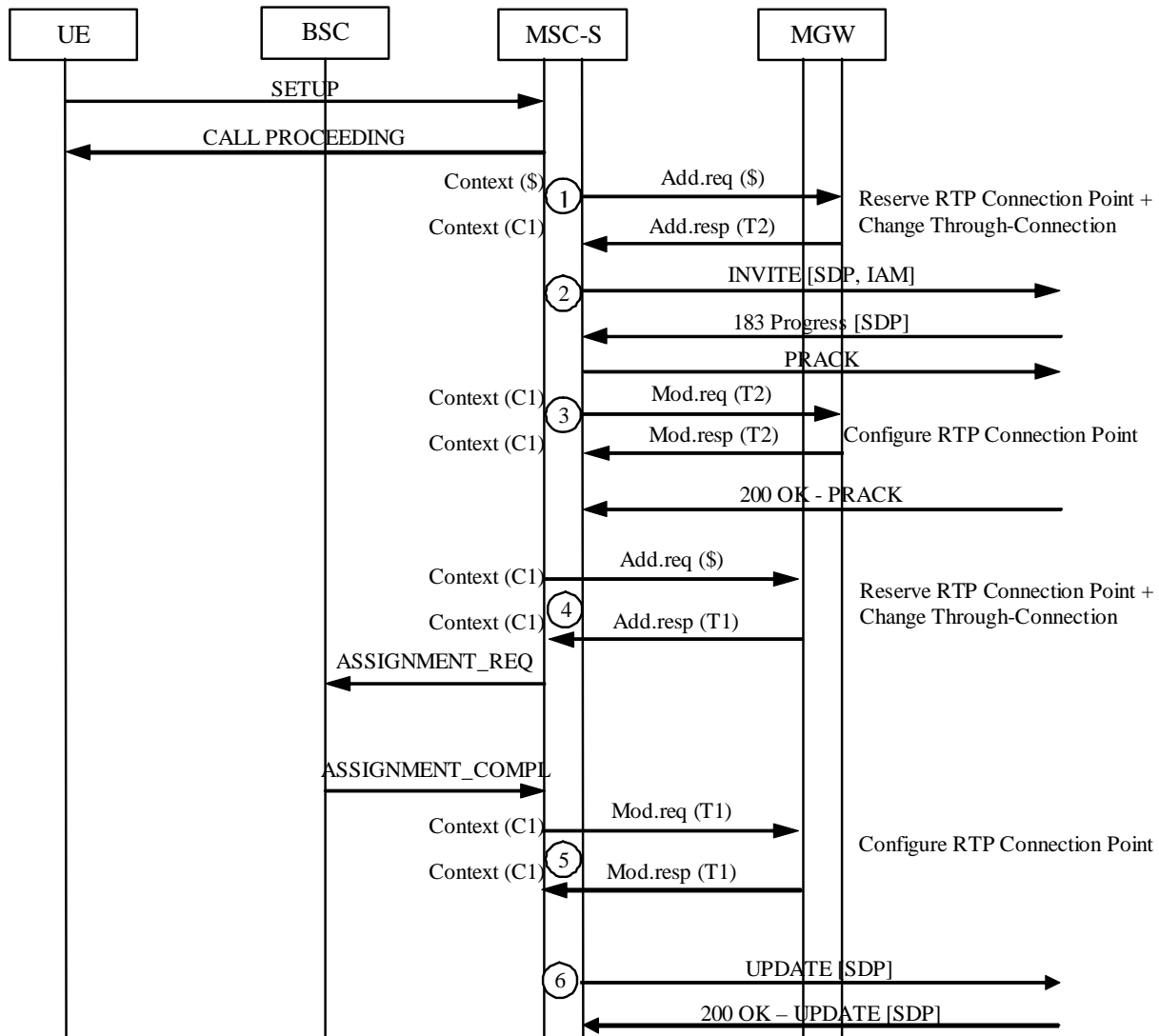


Figure 6.1.3.1: Originating Call Establishment for A interface user plane over IP

## 6.2 Basic Mobile Terminating Call

### 6.2.1 Basic Mobile Terminating Call Establishment with immediate MGW selection

#### 6.2.1.1 General

The mobile terminating call shall be established in accordance with 3GPP TS 23.108 [11]. The following clauses describe the additional requirements for the SIP-I based CS core network. The Offer/Answer Procedures of the Session Description Protocol (SDP) for media negotiation shall be applied as specified in 3GPP TS 29.231 [4].

If multiple speech codecs are supported by the Terminating MSC server then Out of Band Transcoder Control (OoBTC) procedures shall be applied by the Terminating MSC server in accordance with 3GPP TS 23.153 [3]. Otherwise for speech calls only the default PCM speech codec shall be supported and shall be selected from the SDP offer and included in the answer; auxiliary payload types such as the Telephony Event RTP payload type may be included in addition. The handling of such payload types is described in specific clauses (e.g. DTMF is described in Clause 14.4).

For data calls the procedures in 3GPP TS 29.007 [6] are applicable.

## 6.2.1.2 GMSC server

### 6.2.1.2.1 MGW selection

The GMSC server shall select an MGW for the bearer connection before it performs the incoming side bearer establishment or the outgoing side bearer establishment. This shall happen before sending the initial INVITE message.

### 6.2.1.2.2 Initial INVITE message

The GMSC server shall indicate in the initial INVITE message that the precondition has not been met if either of the following conditions is satisfied before sending the initial INVITE message:

1. The incoming INVITE(IAM) indicated that remote preconditions had not been met, and no new SDP has been received indicating that preconditions have been met.
2. The incoming side RTP connection point has not been successfully reserved and configured in the MGW.

The GMSC shall provide the supported SDP (e.g. core network side user plane IP transport address and port, codec(s), RTP telephony event) to the succeeding node in the initial INVITE message.

### 6.2.1.2.3 Outgoing side bearer termination configuration

The GMSC server shall select the codec for the outgoing side bearer connection before it performs the Reserve RTP Connection Point procedure. If OoBTC is supported, the selected codec may be the preferred codec for this connection.

After the succeeding node has provided a user plane IP transport address and port the GMSC server shall use the Configure RTP Connection Point procedure to request the MGW to configure the remote address and any additional negotiated payload types (e.g. RTP Telephony Event) of the bearer termination. If OoBTC is supported, the Configure RTP Connection Point procedure may amend the selected codec for this connection if different from the codec sent in the previous Reserve RTP Connection Point procedure.

Both the Reserve RTP Connection Point procedure and the Configure RTP Connection Point procedure may indicate that the IP interface type is for Nb over IP with SIP-I based Nc.

### 6.2.1.2.4 Incoming side bearer termination configuration

The GMSC server shall request the MGW to prepare for the incoming side bearer establishment using the Reserve and Configure RTP Connection Point procedure. The GMSC server shall select the codec for the incoming side bearer connection before it performs the Reserve and Configure RTP Connection Point procedure. Within this procedure, the GMSC server shall request the MGW to provide a local user plane IP address and UDP port and may indicate that the IP interface type is for Nb over IP with SIP-I based Nc. The GMSC server shall also provide the MGW with the selected codec, the remote user plane IP address and port information that was received from the preceding node in the INVITE message and any additional payload types (e.g. RTP Telephony Event). The GMSC server shall include in the SDP answer to the preceding node: the user plane IP address and UDP port received from the MGW, the selected codec and any additional accepted payload types.

NOTE: The incoming side bearer establishment may take place either before or after HLR interrogation.

### 6.2.1.2.5 Through-Connection

In combination with the Reserve RTP Connection Point or Configure RTP Connection Point procedures and with the Reserve and Configure RTP Connection Point procedure, the GMSC server should use the Change Through-Connection procedure to request the MGW to both-way through-connect the bearer termination.

### 6.2.1.2.6 Indication of bearer establishment

The core network side bearer is established if the following conditions are satisfied:

1. Either:
  - a. The incoming INVITE(IAM) indicated that remote preconditions had not been met, and new SDP has been received indicating that preconditions have been met, or

- b. The incoming INVITE(IAM) did not include any preconditions information or indicated that remote preconditions had been met;

and

2. Either:

- a. The incoming side RTP connection point has been successfully reserved and configured in the MGW, or
- b. MGW selection is not required for this call.

If the initial INVITE message which was sent to the succeeding node indicated that the precondition has not been met, the GMSC server shall send an UPDATE message indicating that the preconditions are met when the core network side bearer is established (bullet 8 in figure 6.2.1.3.14.2).

#### 6.2.1.2.7 Voice Processing function

A voice processing function (i.e. echo cancellation) located on the MGW may be used to achieve desired acoustic quality on the bearer terminations. The GMSC server shall request the activation of the voice processing functions in the bearer terminations. For non-speech calls, the GMSC server has the ability to instruct the MGW to disable the voice processing functions (bullet 14 in figure 6.2.1.3.14.2/2).

#### 6.2.1.2.8 Failure handling in GMSC server

If any procedure between the GMSC server and the MGW has not completed successfully or the GMSC server receives a Bearer Released procedure from the MGW, the call shall be cleared as described in clause 7.3.2, GMSC server initiated call clearing or in clause 7.3.3, MGW initiated call clearing. Alternatively, the GMSC server may only release the resources in the MGW that caused the failure, possibly select a new MGW for the bearer connection and continue the call establishment using new resources in the selected MGW.

#### 6.2.1.3 MSC server

##### 6.2.1.3.1 Paging

The Paging is defined in the clause 6.1.1.4 of 3GPP TS 23.205 [7].

##### 6.2.1.3.2 Call setup

The MSC Server shall send a SETUP message towards the UE.

According to TS 23.108 [11], the MSC server can either apply the early access bearer assignment procedure, i.e. the MSC does not include the signal IE in the SETUP to request that the user is alerted only after the setup of the access bearer as specified in 3GPP TS 24.008 [14]), or the MSC server can apply the late access bearer assignment procedure, i.e. the MSC includes the signal IE in the SETUP to request that the user is immediately alerted.

For basic call setup the MSC server should apply the early access bearer assignment procedure to ensure that the terminating UE is not alerted until the end to end bearer is established.

NOTE: The late access bearer assignment procedure can result in clipping, alerting of the user if the core network side bearer or radio bearer establishment fails, and related charging of failed calls.

##### 6.2.1.3.3 MGW selection

The MSC server shall select an MGW for the bearer connection before it performs the network side bearer establishment or the access bearer assignment. This happens at latest after the UE has sent the Call Confirmed message.

**Editor's Note: For GSM, if performing Service based handover (see 3GPP TS 48.008 [12]), the MSC Server may omit MGW selection at this time. This requires further study.**

#### 6.2.1.3.4 Network side bearer termination configuration

The MSC server requests the MGW to prepare for the network side bearer establishment using the Reserve and Configure RTP Connection Point procedure (bullet 4 in figure 6.2.1.3.14.2/1). The MSC server shall select the codec for the network side bearer connection before it performs the Reserve and Configure RTP Connection Point procedure. Within this procedure, the MSC server shall request the MGW to provide a local user plane IP address and UDP port and may indicate that the IP interface type is for Nb over IP with SIP-I based Nc. The MSC server shall also provide the MGW with the selected codec and with the remote user plane IP address and port information that was received from the preceding node in the SDP offer. The MSC server shall include in the SDP answer (e.g. 183 SESSION PROGRESS) to the preceding node: the user plane IP address and UDP port received from the MGW, the selected codec and any additional accepted payload types.

#### 6.2.1.3.5 Access bearer assignment

If the early access bearer assignment procedure is used (see 3GPP TS 23.108 [11]), the access bearer assignment shall be started only when the core network bearer is established, as described by the following conditions.

1. Either:
  - a. The incoming INVITE(IAM) indicated that remote preconditions had not been met, and new SDP has been received indicating that preconditions have been met, or
  - b. The incoming INVITE(IAM) did not include any preconditions information or indicated that remote preconditions had been met;

and

2. The incoming side RTP connection point has been successfully reserved and configured in the MGW.

The access bearer assignment is defined in the clause 6.2.1.2.5 of 3GPP TS 23.205 [7].

#### 6.2.1.3.6 Framing protocol initialisation

There is no specific framing protocol initialisation requirement in SIP-I based CS network. The MGW terminates the Iu Framing Protocol towards the Iu interface and will receive an IuUP Initialisation from an Iu-CS interface towards the radio interface and shall process it according to the procedures in 3GPP TS 25.415 [22] and 3GPP TS 29.232 [8]. No information from the framing protocol initialisation needs to be interworked towards the Nb interface of a SIP-I based CS core network. Information within subsequent Iu UP payload PDUs and RTP PDUs shall be interworked according to the procedures in TS 29.414 [23].

#### 6.2.1.3.7 Called party alerting

For a speech call, when the MSC server receives an Alerting message, it shall request the MGW to provide a ringing tone to the calling party using the Send Tone procedure (bullet 11 in figure 6.2.1.3.14.2/1).

NOTE: Other kind of tones may be provided to the calling party at an earlier stage of the call establishment.

#### 6.2.1.3.8 Called party answer

For a speech call, when the MSC server receives a Connect message, it shall request the MGW to stop providing the ringing tone to the calling party using the Stop Tone procedure (bullet 13 in figure 6.2.1.3.14.2/2).

#### 6.2.1.3.9 Through-Connection

In combination with the Reserve and Configure RTP Connection Point procedure and with the Prepare Bearer procedure or Reserve Circuit procedure, the MSC server should use the Change Through-Connection procedure to request the MGW to through-connect the bearer terminations so that the bearer will be not through connected (bullet 4, and bullet 9 or 10 in figure 6.2.1.3.14.2).

When the MSC server receives the Connect message, it shall request the MGW to both-way through-connect the bearer using the Change Through-Connection procedure (bullet 13 in figure 6.2.1.3.14.2/2).

6.2.1.3.10 Interworking function

The MGW may use an interworking function that is based on the PLMN Bearer Capability, 3GPP TS 24.008 [14], of the bearer termination. The activation of the possible interworking function in both bearer terminations will be requested by the MSC server at reception of the Connect message using the Activate Interworking Function procedure (bullet 13 in figure 6.2.1.3.14.2).

6.2.1.3.11 Codec handling

The MGW may include a speech transcoder based upon the speech coding information provided to each bearer termination.

6.2.1.3.12 Voice Processing function

A voice processing function (i.e. echo cancellation) located on the MGW may be used to achieve desired acoustic quality on the bearer terminations. The MSC server shall request the activation of the voice processing functions in the bearer terminations. For non-speech calls, the MSC server has the ability to instruct the MGW to disable the voice processing functions (bullet 13 in figure 6.2.1.3.14.2/2).

6.2.1.3.13 Failure handling in MSC server

If any procedure between the MSC server and the MGW has not completed successfully or the MSC server receives a Bearer Released procedure from the MGW, the call shall be cleared as described in clause 7.2.4, visited MSC server initiated call clearing or in clause 7.2.5, MGW initiated call clearing. Alternatively, the MSC server may only release the resources in the MGW that caused the failure, possibly select a new MGW for the bearer connection and continue the call establishment using new resources in the selected MGW.

6.2.1.3.14 Example - the GMSC selects a MGW

Figure 6.2.1.3.14.1 shows the network model for the basic mobile terminating call. The "squared" line represents the call control signalling. The "dotted" line represents the bearer control signalling (not applicable in A/Gb mode for the A-interface) and the bearer. The MSC server seizes one context with two bearer terminations in MGWb. The bearer termination T1 is used for the bearer towards the RNC/BSC and the bearer termination T2 is used for the bearer towards the GMSC server selected MGWa. The GMSC server seizes one context with two bearer terminations in MGWb. The bearer termination T3 is used for the bearer towards the MSC server selected MGWb and the bearer termination T4 is used for the bearer towards the preceding MGW.

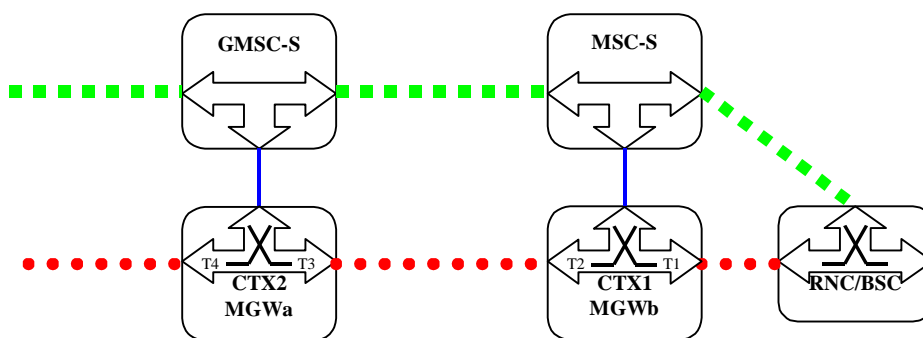


Figure 6.2.1.3.14.1: Basic Mobile Terminating Call Forward Bearer Establishment (network model)

Figure 6.2.1.3.14.2 shows the message sequence example for the basic mobile terminating call. In the example the GMSC server requests from MGWa the seizure of the outgoing side bearer termination before forwarding the INVITE to the MSC server. After the outgoing side bearer termination is seized the GMSC server sends the INVITE with supported SDP to the MSC server. The MSC server requests from MGWb the seizure of the network side bearer termination when Call Confirmed message is received from the UE. The MSC server sends the SDP answer (183 SESSION PROGRESS) to the GMSC. On receipt of the SDP answer, the GMSC requests from MGWa the through connection of the outgoing side bearer termination and the seizure of the incoming side bearer termination. The GMSC

server sends the SDP answer (183 SESSION PROGRESS) to the external network. On receipt of the second SDP offer (UPDATE) from the external network, the GMSC server forwards this to the MSC server. The MSC server requests seizure of the access side bearer termination. For a speech call the MSC server requests MGWb to provide a ringing tone to the calling party at alerting. At answer the MSC server requests MGWb to both-way through-connect the bearer. For a speech call the MSC server requests MGWb to stop the ringing tone to the calling party at answer. When the MSC server receives an answer indication, for circuit switched data call it may request the activation of the interworking function in both bearer terminations. The (G)MSC server may request the activation of the voice processing functions for the bearer terminations.

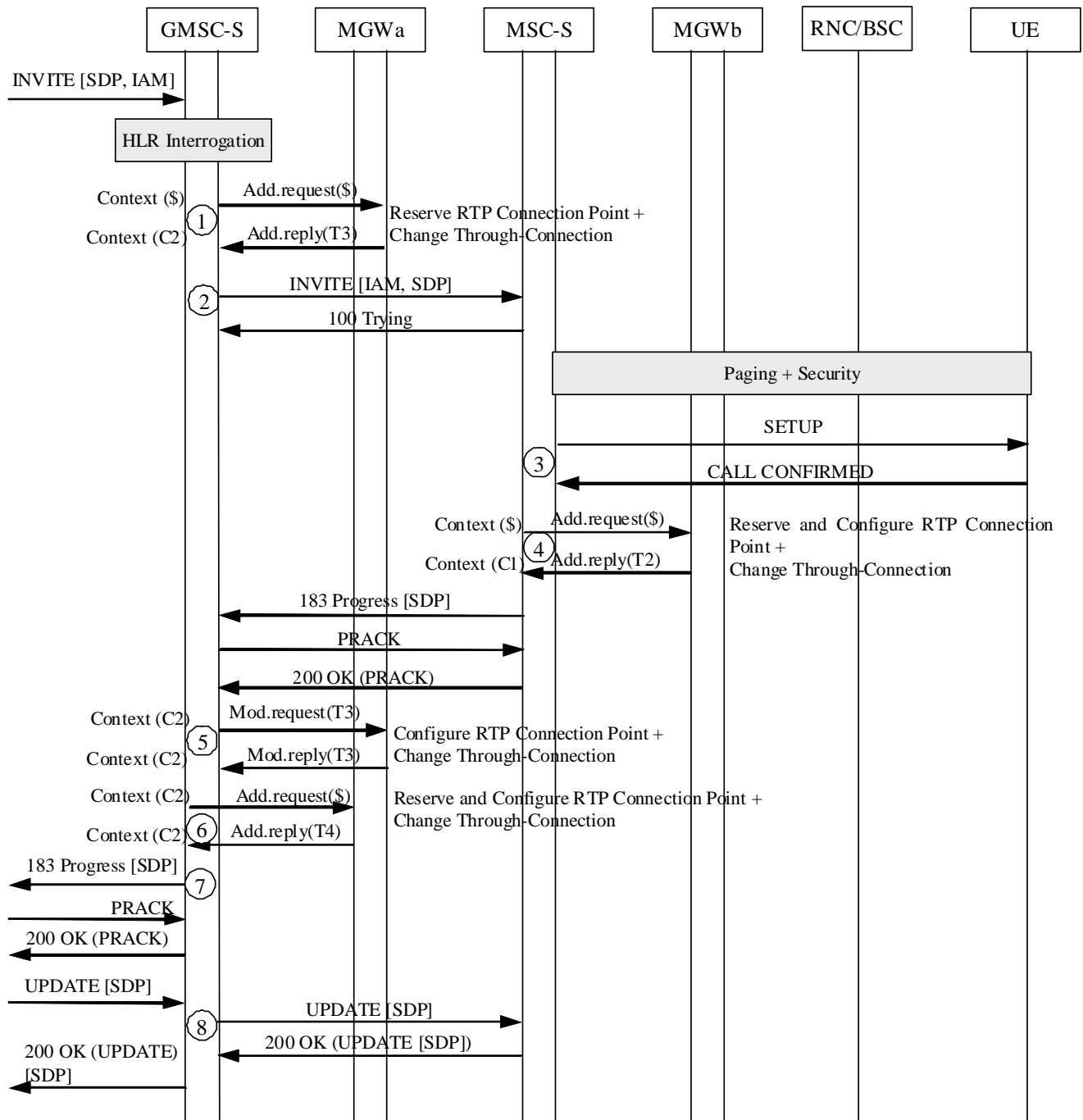


Figure 6.2.1.3.14.2/1: Basic Mobile Terminating Call, GMSC selects a MGW (message sequence chart)

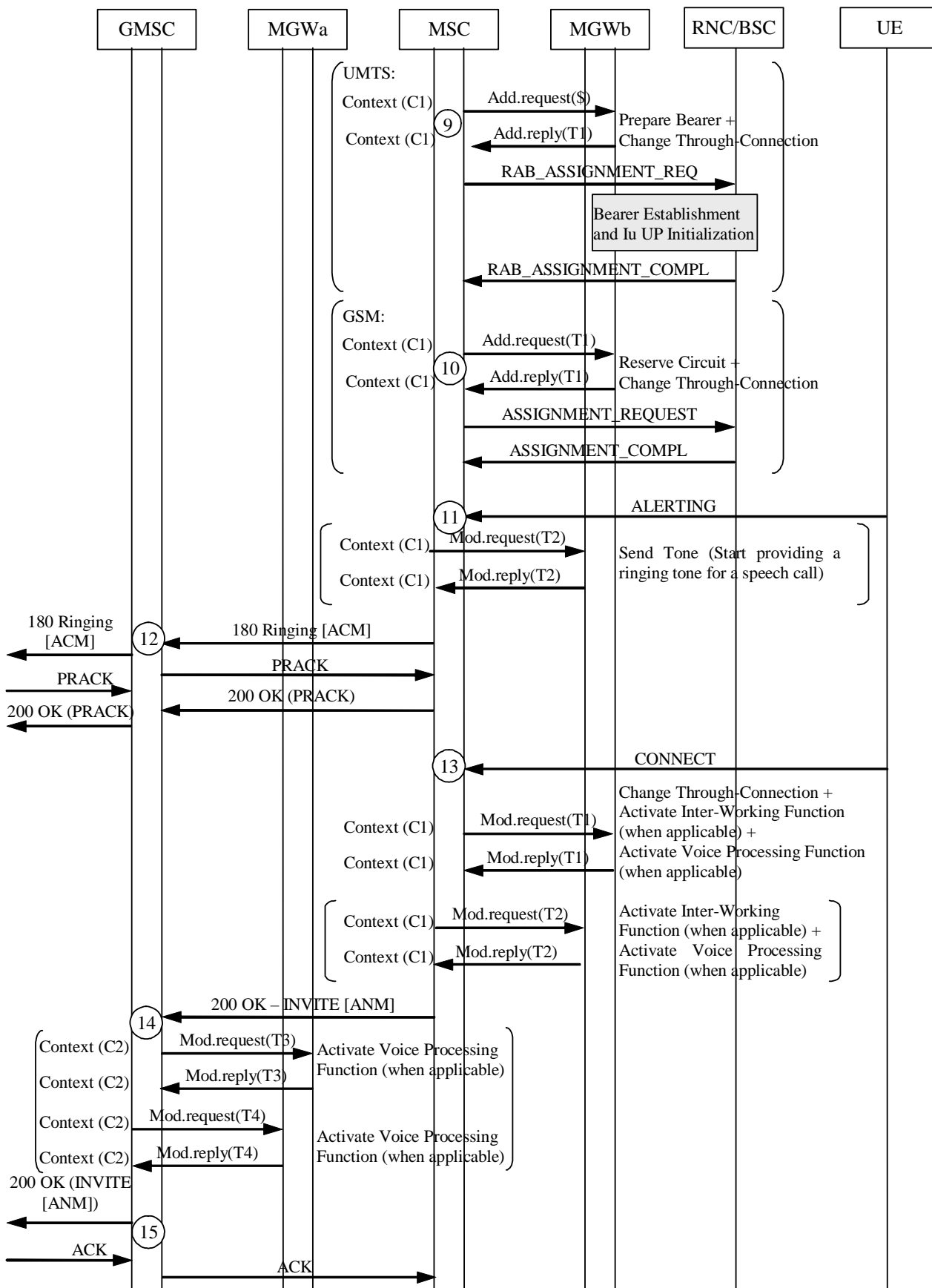


Figure 6.2.1.3.14.2/2: Basic Mobile Terminating Call, GMSC selects a MGW (message sequence chart continue)



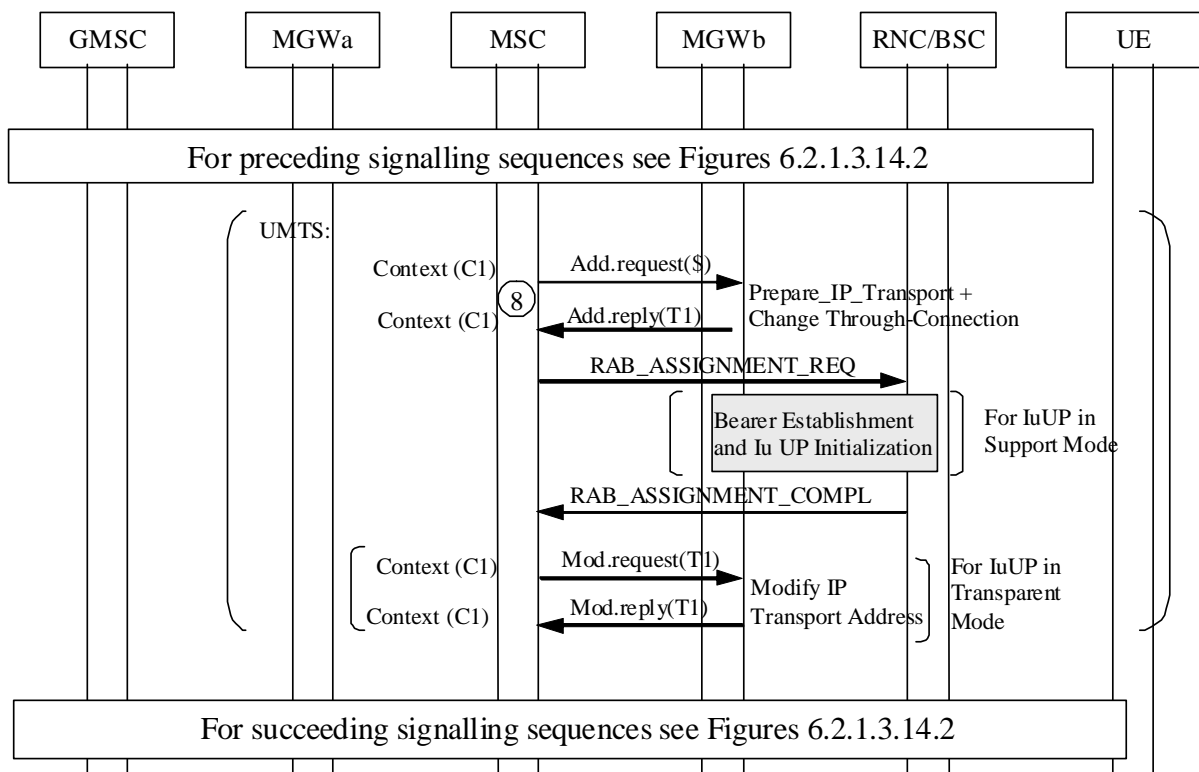
### 6.2.2 Terminating Call Establishment For Iu Interface on IP with immediate MGW selection

For IP transport over the IuCS the procedures in the present Clause shall apply in addition to the SIP-I based Core Network side procedures described in Clause 6.2.1.

For the access side termination, the exchange of IP addresses as defined in the Clause 6.2.3 of 3GPP TS 23.205 [7] shall apply.

If the bearer transport is IP and IuUP mode is Support, the MGW shall use the source IP address and UDP Port of the IuUP Init packet received from the radio access network as the destination address for subsequent downlink packets.

The sequence is shown in Figure 6.2.2.1.



**Figure 6.2.2.1: Terminating Call Establishment for Iu on IP**

### 6.2.3 Terminating Call Establishment For A Interface user plane over IP with immediate MGW selection

For A interface user plane over IP, the procedures in the present Clause shall apply in addition to the SIP-I based Core Network side procedures described in Clause 6.2.1.

For the access side termination, the exchange of IP addresses as defined in the Clause 6.2.4 of 3GPP TS 23.205 [7] shall apply.

The sequence is shown in Figure 6.2.3.1.

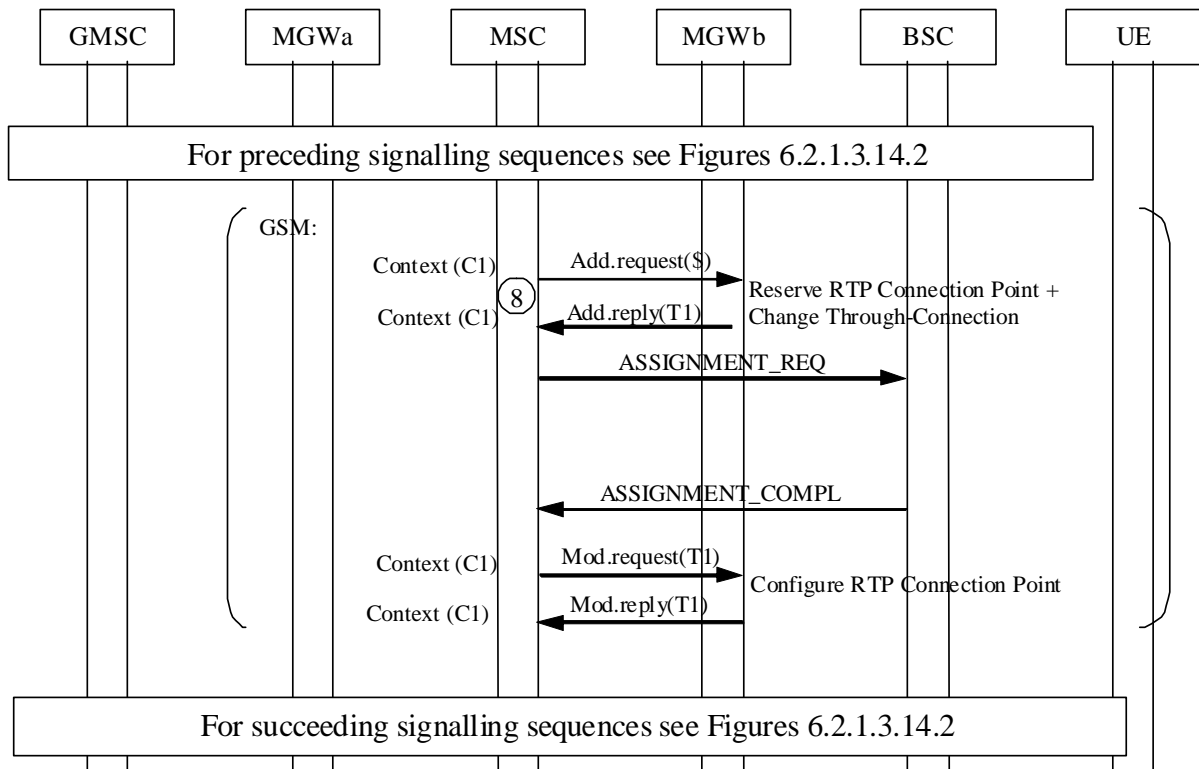


Figure 6.2.3.1: Terminating Call Establishment for A interface user plane IP

## 7 Call Clearing

### 7.1 General

The terms "incoming" and "outgoing" in the following text refers to the direction of propagation of the release indication, not to the direction of original call establishment.

During call establishment, the call may be released by sending a BYE or CANCEL request in the direction of the original call establishment, or by a failure response in the opposite direction of the original call establishment. For an established call, the call may be released by BYE request in the direction of the original call establishment or in the opposite direction of the original call establishment.

The term "release indication" in the following text refers to any message which is to release the call, i.e. it may be the BYE or CANCEL request, or the failure response to the initial INVITE request.

In accordance with ITU-T Q.1912.5 [9] Profile C, the generation of:

- a BYE request and a 4xx, 5xx, 6xx final response to initial INVITE should encapsulate an ISUP REL message.

NOTE: there can be cases where it may not be possible to encapsulate an ISUP REL due to some specific error scenarios. Additionally it is possible that an IWU forwards a BYE or a 4xx, 5xx, 6xx final response without a REL.

- a 200 OK final response to a BYE request shall encapsulate an ISUP RLC message if a BYE is received with an encapsulated REL.

The user initiated call clearing shall be performed in accordance with 3GPP TS 23.108 [18].

NOTE: All message sequence charts in this clause are examples. All valid call clearing message sequences can be derived from the example message sequences and associated message pre-conditions.

## 7.2 Visited MSC Server Procedures

### 7.2.1 Call Clearing when Visited MSC Server has Forwarded/Deflected Call

If the MSC server has forwarded/deflected the call to another terminating MSC server, call clearing is performed as described for the GMSC Server in clause 7.3.

### 7.2.2 Call Clearing received from core network

#### 7.2.2.1 Procedures towards access side

The MSC server initiates call clearing towards the UE and requests release of the associated radio resources as described in 3GPP TS 23.108[18]. Once the call clearing and the release of the associated radio resources have been completed, the MSC server releases any MGW allocated resources for the access side. If any resources were seized in the MGW, the MSC server uses the Release Termination procedure to request the MGW to remove the access side bearer termination.

#### 7.2.2.2 Procedures towards network side

##### 7.2.2.2.1 Call Clearing during establishment

###### 7.2.2.2.1.1 Originating MSC-S

If the release indication from the succeeding node is a failure response for the initial INVITE request, the MSC server shall send an ACK for the failure response to the succeeding node.

The MSC server shall then perform the normal bearer release according to 7.2.6.

**NOTE:** For early dialogue from O-MSC perspective, a BYE can only be received if it overtakes a 2xx response due to out-of-sequence packet delivery which should not be encountered with SCTP transport for SIP, as used on Nc

###### 7.2.2.2.1.2 Terminating MSC-S

If a CANCEL request to initial INVITE is received from the preceding node, the MSC server shall send a 200 OK response for the CANCEL request and the MSC server shall immediately send a 487 Request Terminated response for the initial INVITE request to the preceding node.

**NOTE:** No final response for the initial INVITE request has previously been sent.

If a BYE request is received from the preceding node, the MSC server shall send a 200 OK response for the BYE request, and immediately send a 487 Request Terminated response for the initial INVITE request to the preceding node.

**NOTE:** A 487 final response is sent because of a reception of CANCEL/BYE request and does not contain encapsulated REL message.

The MSC sever shall then perform the normal bearer release according to 7.2.6.

##### 7.2.2.2.2 Call Clearing after call established

###### 7.2.2.2.2.1 Originating MSC-S

An MSC server that receives a BYE request from the succeeding node shall send a 200 OK response for the BYE request to the succeeding node. The MSC shall then perform the normal bearer release according to 7.2.6.

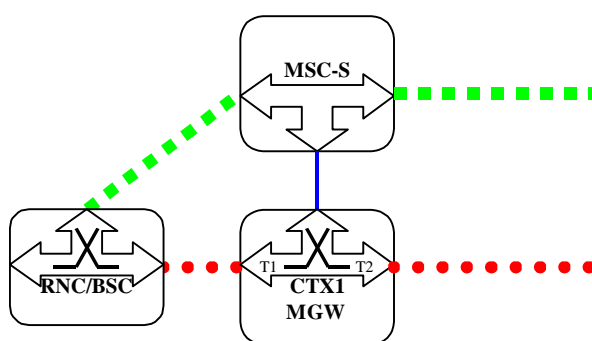
### 7.2.2.2.2 Terminating MSC-S

If an MSC server receives a CANCEL request from the preceding node it shall send a 200 OK(CANCEL) final response for the CANCEL request but shall not take further action.

If a BYE request is received from the preceding node, the MSC server shall send a 200 OK response for the BYE request to the preceding node. The MSC server shall then perform the normal bearer release according to 7.2.6.

### 7.2.2.3 Example Call Flow

Figure 7.2.2.3.1 shows the network model for a network initiated clearing of an established mobile call. The "squared" line represents the call control signalling. The "dotted" line represents the bearer control signalling (not applicable in A/Gb mode for the A-interface) and the bearer. The MSC server seizes one context with two bearer terminations in the MGW. Bearer termination T1 is used for the bearer towards RNC/BSC and bearer termination T2 is used for the bearer towards succeeding MGW.



**Figure 7.2.2.3.1: Network Initiated Call Clearing (Network model)**

Figure 7.2.2.3.2 shows the message sequence example for the network initiated clearing of an established mobile call. In the example when the call clearing indication is received from the preceding/succeeding node, the MSC server indicates to the preceding/succeeding node that call clearing has been completed and releases the network side bearer termination. The MSC server initiates call clearing towards the UE and requests release of the radio resource. After the response of the radio resource release is received then the MSC server requests release of the access side bearer termination.

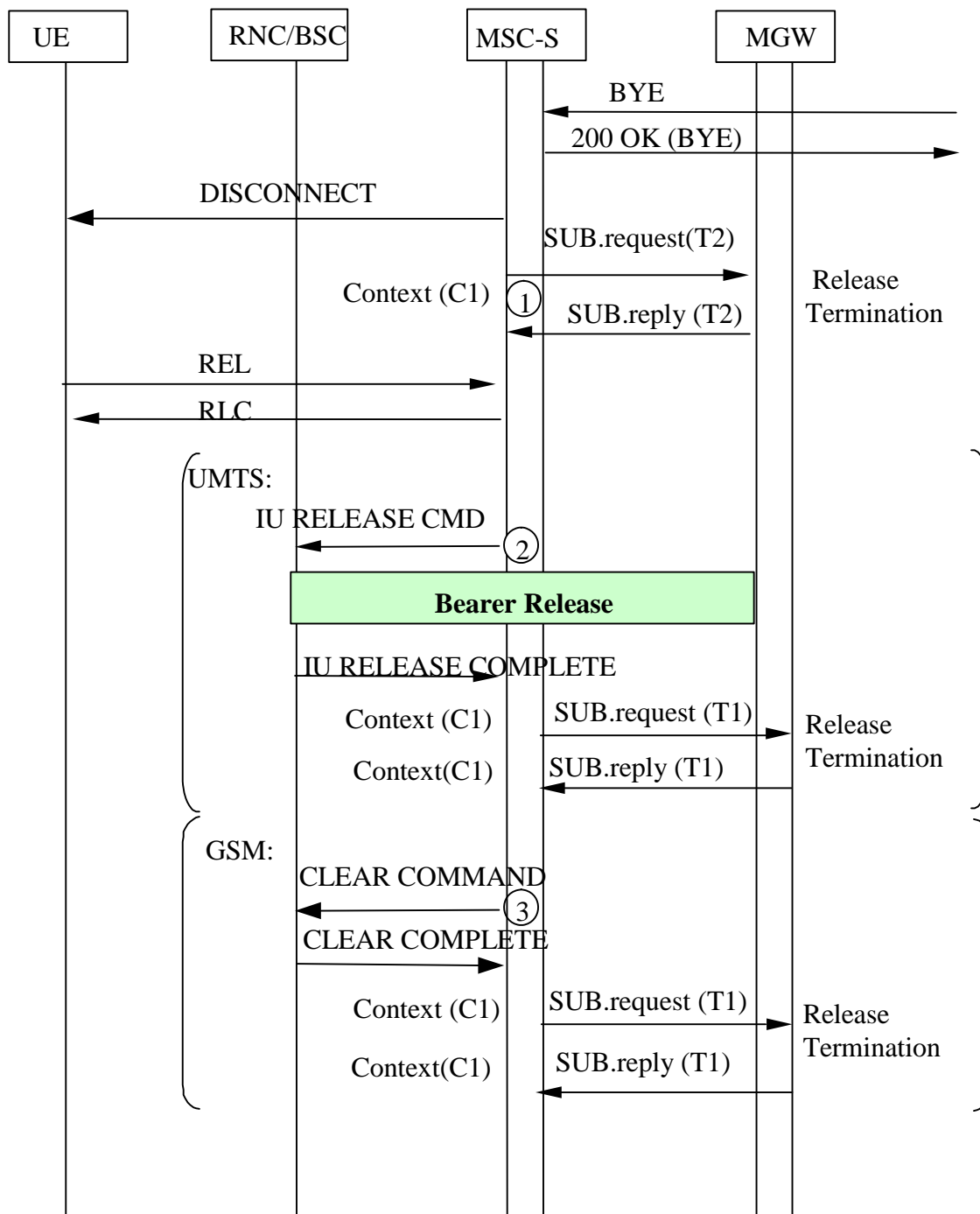


Figure 7.2.2.3.2: Network Initiated Call Clearing (message sequence chart)

### 7.2.3 Call Clearing received from UE

#### 7.2.3.1 Procedures towards access side

Call clearing from the UE shall be performed in accordance with clause 7.2.2.1 in 3GPP TS 23.205 [7].

## 7.2.3.2 Procedures towards network side

### 7.2.3.2.1 Call Clearing during call establishment

#### 7.2.3.2.1.1 Originating MSC-S

If the MSC server has sent an initial INVITE request to the succeeding node, the MSC server shall apply SIP procedures detailed in IETF RFC 3261 [15] to terminate the corresponding SIP dialogue(s) and session(s), making use of CANCEL and/or BYE request(s).

The MSC server shall then perform the normal bearer release according to 7.2.6.

#### 7.2.3.2.1.2 Terminating MSC-S

If the MSC server received an initial INVITE request from the preceding node and has not yet sent out a final response for the initial INVITE request, the MSC server shall send an appropriate failure response for the initial INVITE request to the preceding node.

The MSC server shall then perform the normal bearer release according to 7.2.6.

### 7.2.3.2.2 Call Clearing after call established

#### 7.2.3.2.2.1 Originating MSC-S

If the MSC server has sent an initial INVITE request to the succeeding node and has received a final 200 OK (INVITE) response for the initial INVITE request, the MSC server shall send a BYE request to the succeeding node to release the call.

The MSC server shall then perform the normal bearer release according to 7.2.6.

If the call set-up fails and the MSC server plays an in-band tone or announcement to signal to the calling user the reason of the call failure, the MSC server shall initiate the call clearing with the SIP response code mapped from the ISUP cause No. 31 as specified in Table 9 of 3GPP TS 29.163 [32], and with encapsulated REL message with cause No. 31 "Normal, unspecified".

#### 7.2.3.2.2.2 Terminating MSC-S

If the MSC server received an initial INVITE request from the preceding node and a successful final response for the initial INVITE request has been sent out, the MSC server shall send a BYE request to release the call.

The MSC server shall then perform the normal bearer release according to 7.2.6.

## 7.2.3.3 Example Call Flow

Figure 7.2.3.3.1 shows the network model for a user initiated clearing of an established mobile call. The "squared" line represents the call control signalling. The "dotted" line represents the bearer control signalling (not applicable in A/Gb mode for the A-interface) and the bearer. The MSC server seizes one context with two bearer terminations in the MGW. Bearer termination T1 is used for the bearer towards RNC/BSC and bearer termination T2 is used for the bearer towards succeeding MGW.

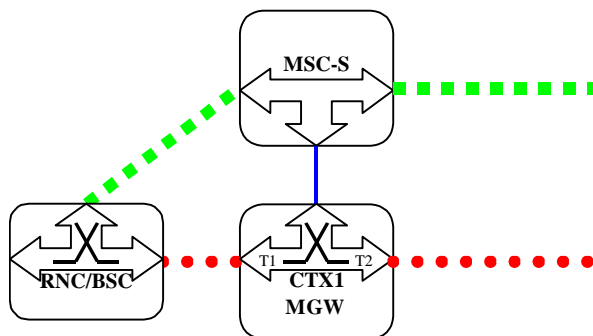


Figure 7.2.3.3.1: User Initiated Call Clearing (Network model)

Figure 7.2.3.3.2 shows the message sequence example for the user initiated clearing of an established mobile call. In the example the UE initiates call clearing towards the MSC server and the MSC server requests release of the radio resource. After the response of the radio resource release is received the MSC server requests the release of the access side bearer termination. The MSC server initiates call clearing towards the preceding/succeeding node. Once the preceding/succeeding node has indicated that call clearing has been completed, the MSC server releases the network side bearer termination.

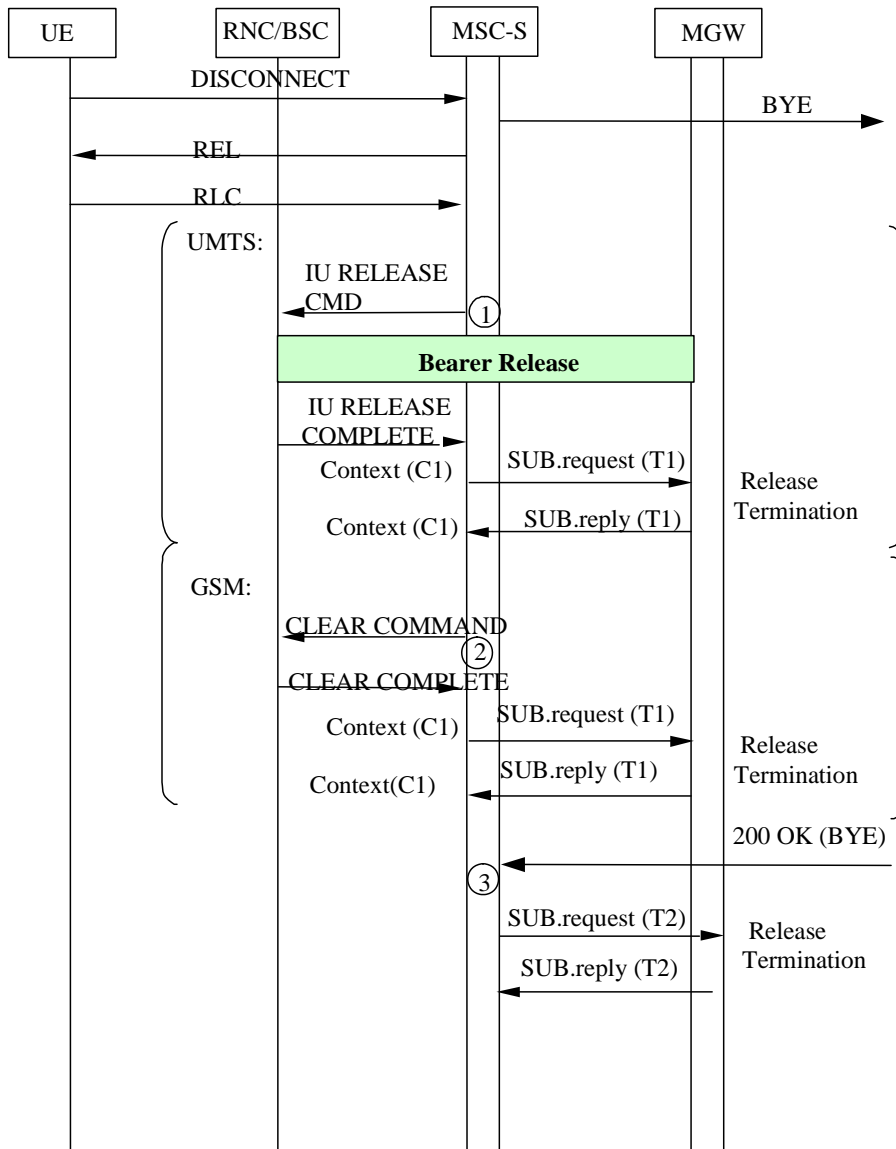


Figure 7.2.3.3.2: User Initiated Call Clearing (message sequence chart)

## 7.2.4 Call Clearing initiated by V-MSC Server

### 7.2.4.1 Call clearing towards access network

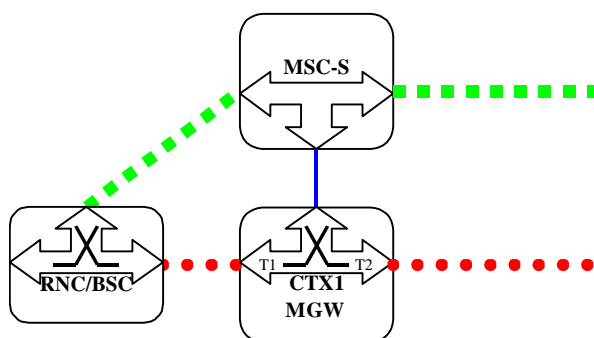
Call clearing to the UE is performed as described in clause 7.2.2.1.

### 7.2.4.2 Call clearing towards network side

Call clearing to the network side is performed as described in clause 7.2.3.2

### 7.2.4.3 Example Call Flow

Figure 7.2.4.3.1 shows the network model for a MSC server initiated clearing of an established mobile call. The "squared" line represents the call control signalling. The "dotted" line represents the bearer control signalling (not applicable in A/Gb mode for the A-interface) and the bearer. The MSC server seizes one context with two bearer terminations in the MGW. Bearer termination T1 is used for the bearer towards RNC/BSC and bearer termination T2 is used for the bearer towards succeeding MGW.



**Figure 7.2.4.3.1: MSC Server Initiated Call Clearing (Network model)**

Figure 7.2.4.3.2 shows the message sequence example for the MSC server initiated clearing of an established mobile call. In the example the MSC server initiates call clearing of the network side and the access side. After the call clearing towards the UE and the release of the radio resource have been completed the MSC server requests release of the access side bearer termination. Once the preceding/succeeding node has indicated that call clearing has been completed, the MSC server requests the MGW to release the network side bearer termination.



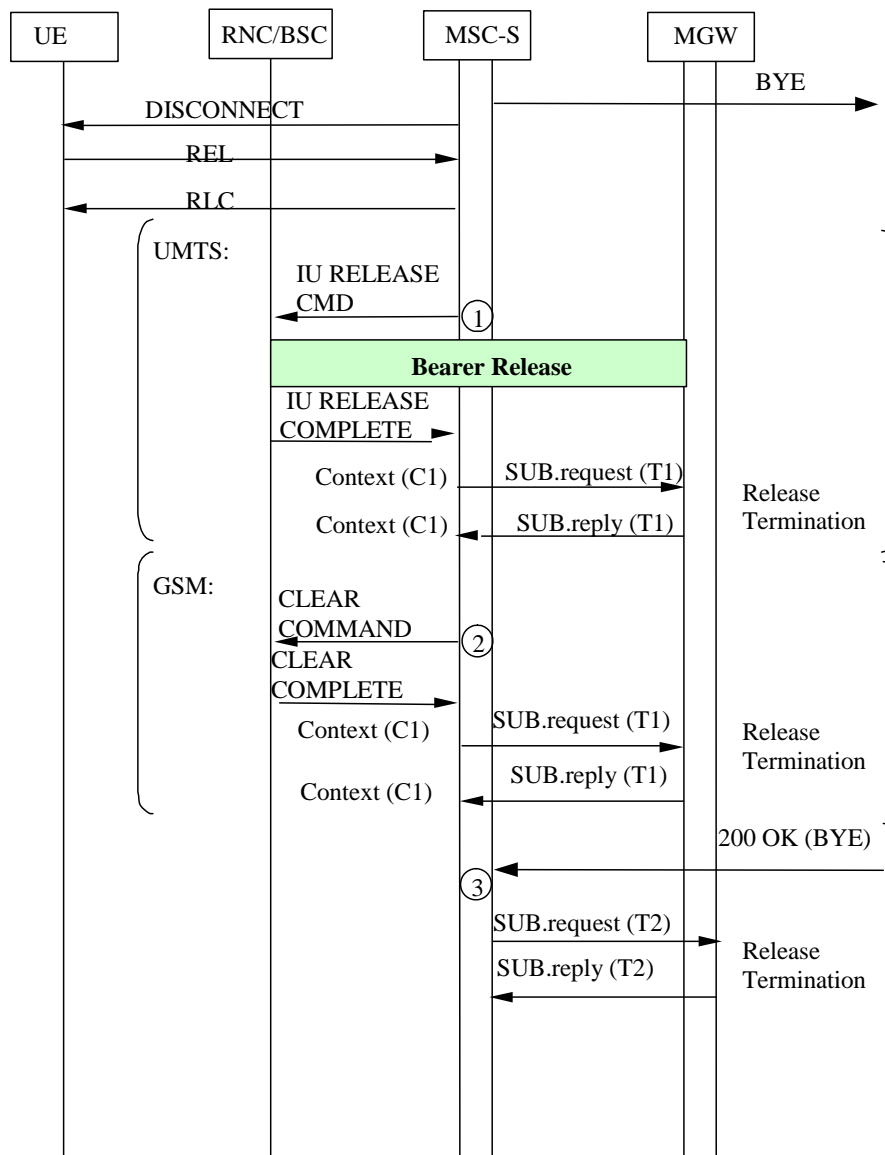


Figure 7.2.4.3.1: MSC Server Initiated Call Clearing (message sequence chart)

## 7.2.5 Call clearing received from MGW

### 7.2.5.1 Bearer released on the access side

After the MSC server has received the Bearer Released procedure from the MGW on the access side, the MSC server shall release the access resources as described in clause 7.2.2.1. If the call is already established towards the network side, call clearing to the network side is performed as described in clause 7.2.3.2.

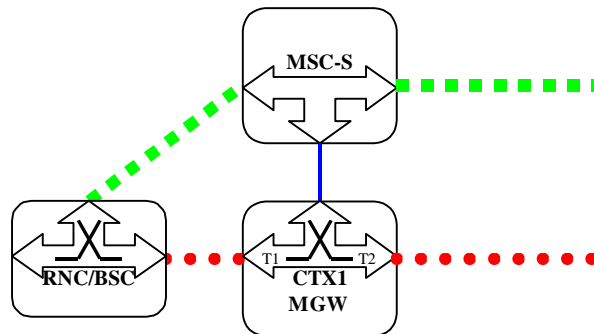
### 7.2.5.2 Bearer released on the network side

After the MSC server has received the Bearer Released procedure from the MGW on the network side, the MSC server shall clear the call to the network side as described in clause 7.2.3.2, and clear the call to the UE as described in clause 7.2.2.1.

### 7.2.5.3 Example Call Flow

Figure 7.2.5.3.1 shows the network model for an MGW initiated clearing of an established mobile call. The "squared" line represents the call control signalling. The "dotted" line represents the bearer control signalling (not applicable in A/Gb mode for the A-interface) and the bearer. The MSC server seizes one context with two bearer terminations in the

MGW. Bearer termination T1 is used for the bearer towards RNC/BSC and bearer termination T2 is used for the bearer towards succeeding MGW.



**Figure 7.2.5.3.1: MGW Initiated Call Clearing (Network model)**

Figure 7.2.5.3.2 shows the message sequence example for the MGW initiated clearing of an established mobile call. After the MSC server is notified that the MGW has released the network side bearer, the MSC server initiates call clearing of the network side and the access side. After the call clearing towards the UE and the radio resource release have been completed the MSC server requests release of the access side bearer termination. Once the preceding/succeeding node has indicated that call clearing has been completed, the MSC server requests the release of the network side bearer termination.

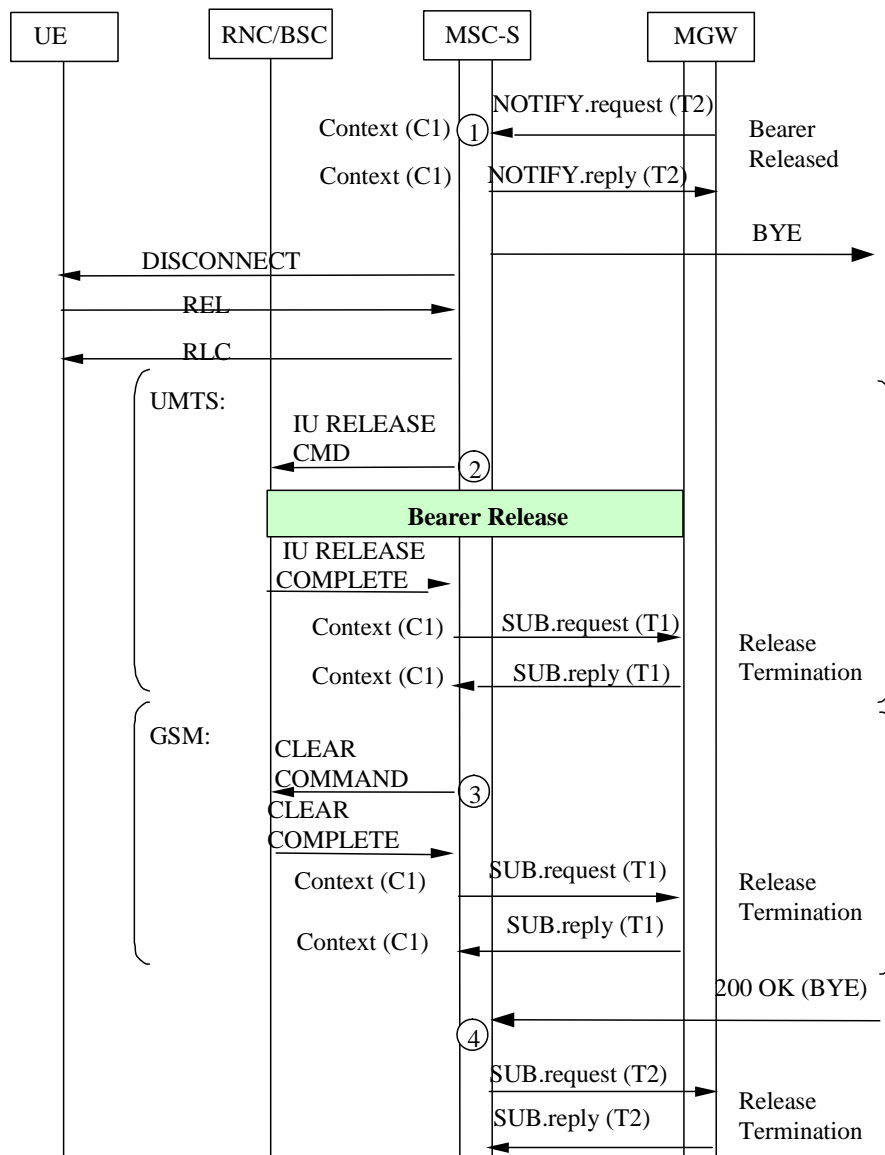


Figure 7.2.5.3.2: MGW Initiated Call Clearing (message sequence chart)

## 7.2.6 Call Clearing procedures towards MGW

The MSC server shall release any network side MGW allocated resources reserved for the call. If any resources were seized in the MGW the MSC server shall use the Release Termination procedure to indicate to the MGW to remove the bearer termination.

## 7.2.7 Call Clearing for Iu Interface on IP

Procedures for Call Clearing where the Iu Interface is on IP are as described in clauses through 7.2.2 to 7.2.6.

For Iu Interface on IP, the Release Termination procedure for IP is used to clear the Access side bearer termination.

## 7.3 Gateway MSC Server Procedures

### 7.3.1 Call Clearing received from peer SIP-I node

If a release indication (CANCEL, BYE, final error response (4xx, 5xx or 6xx) for the initial INVITE request) is received from the preceding or succeeding node, and the GMSC server decides to release the call, the GMSC server shall:

- a. process those request according to SIP procedures for a user agent towards the preceding or succeeding side as specified in IETF RFC 3261 [15], and initiate a call release towards the succeeding or preceding node acting as user agent as specified in IETF RFC 3261 [15], or
- b. perform the following procedures:
  1. If the GMSC receives a CANCEL request from the preceding node, the GMSC shall send a 200 OK (CANCEL) response for the CANCEL request to the preceding node. If the GMSC did not yet receive a final response for the initial INVITE request from the succeeding node, the GMSC shall then initiate a CANCEL request to the succeeding node.
  2. If the GMSC server receives a BYE request from the preceding/succeeding node, the GMSC shall perform the procedure described in Clause 7.3.4 to release seized MGW resources, and forward the BYE request to the succeeding/preceding node. The GMSC server will then receive a 200 OK(BYE) response from the succeeding/preceding node and shall forward this 200 OK(BYE) response to the preceding/succeeding node.
  3. If the GMSC server receives a final error response (4xx, 5xx or 6xx) for the initial INVITE request from the succeeding node, the GMSC server shall perform the procedure described in Clause 7.3.4 to release seized MGW resources, and then forward a final error response (either the received response or an error response resulting from internal mapping procedures) to the preceding node.

Note: The procedures under bullet b. are similar to SIP proxy procedures, as specified in IETF RFC 3261 [15], with the exception that the GMSC server sets SIP headers (e.g. contact, via) in forwarded SIP messages consistent with earlier settings during the dialogue.

The GMSC shall also perform the procedure described in Clause 7.3.4 to release seized MGW resources

## 7.3.2 Call Clearing initiated by G-MSC Server

### 7.3.2.1 Call clearing to the destination side

If the call is already established or under establishment towards the destination, call clearing to the destination side from the GMSC server is performed as described for the originating MSC server in clause 7.2.3.2.

### 7.3.2.2 Call clearing to the originating side

Call clearing to the originating side from the GMSC server is performed as described for the terminating MSC server in clause 7.2.3.2.

## 7.3.3 Call Clearing received from MGW

### 7.3.3.1 Bearer released on the destination side

After the GMSC server received the Bearer Released procedure from the MGW on the destination side, call clearing to the destination side and the originating side from the GMSC server is performed as described for the originating MSC server and for the terminating MSC server in clause 7.2.3.2 respectively.

### 7.3.3.2 Bearer released on the originating side

After the GMSC server received the Bearer Released procedure from the MGW on the originating side, call clearing to the originating side from the GMSC server is performed as described for the terminating MSC server in clause 7.2.3.2. If the call is already established or under establishment towards the destination side, call clearing to the destination side is performed as described for the originating MSC server in clause 7.2.3.2.

## 7.3.4 Call Clearing procedures towards MGW

The (G)MSC server shall release any MGW allocated resources reserved for the call. If any resources were seized in the MGW the MSC server shall use the Release Termination procedure to indicate to the MGW to remove the bearer termination.

---

# 8 Handover/Relocation

NOTE: All message sequence charts in this clause are examples. All valid handover/relocation message sequences can be derived from the example message sequences and associated message pre-conditions.

## 8.1 UMTS to UMTS

In the context of the following clauses, the terms RNS or RNC refer also to a GERAN BSS or BSC (respectively) when serving an UE in Iu mode.

### 8.1.1 Intra-MSC SRNS/SBSS Relocation

The procedures specified in 3GPP TS 23.009 [13] for "Intra-3G\_MSC SRNS Relocation" shall be followed. The following clauses describe the additional requirements for the SIP-I based CS core network.

#### 8.1.1.1 Intra-MGW Relocation

The handling of Intra-MSC Intra-MGW SRNS/SBSS Relocation shall be performed in accordance with clause 8.1.1 of 3GPP TS 23.205 [7].

#### 8.1.1.2 Inter-MGW Relocation

Procedures used for the Intra-MSC Inter-MGW SRNS/SBSS Relocation are equivalent to those specified in accordance with 3GPP TS 23.205 [7], with the exception that the procedures for establishing the bearer between the MGW will be in accordance with normal procedures as defined within clause 15.2.

### 8.1.2 Basic Inter-MSC SRNS/SBSS Relocation

Procedures used for the basic Inter-MSC SRNS/SBSS Relocation are equivalent to those specified in accordance to clause 8.1.2 of 3GPP TS 23.205 [7], with the exception that the call and bearer establishment procedures between the MSCs and MGWs will be in accordance with normal procedures as defined within clause 15.2.

### 8.1.3 Subsequent Inter-MSC SRNS/SBSS Relocation back to the Anchor MSC

Procedures used for the subsequent Inter-MSC SRNS/SBSS Relocation back to the anchor MSC are equivalent to those specified in accordance to clause 8.1.3 of 3GPP TS 23.205 [7], with the exception that the call clearing and bearer release procedures between the MSCs and MGWs will be in accordance with normal procedures as defined within clause 15.2.

### 8.1.4 Subsequent Inter-MSC SRNS/SBSS Relocation to a third MSC

Procedures used for the subsequent Inter-MSC SRNS/SBSS Relocation to a third MSC are equivalent to those specified in accordance to clause 8.1.4 of 3GPP TS 23.205 [7], with the exception that the call establishment, call clearing, bearer establishment and bearer release procedures between the MSCs and MGWs will be in accordance with normal procedures as defined within clause 15.2.

### 8.1.5 SRNS/SBSS Relocation with Iu on IP

If IuCS on IP is supported by the MSC server, the Core Network side procedures described in clauses through 8.1.1 to 8.1.4 shall apply, and the Access Network side procedures described in clause 8.1.5 of 3GPP TS 23.205 [2] shall apply.

## 8.2 UMTS to GSM

In the context of the following clauses, the terms RNS or RNC refer also to a GERAN BSS or BSC (respectively) when serving an UE in Iu mode.

### 8.2.1 Intra-MSC UMTS to GSM Handover

The procedures specified in 3GPP TS 23.009 [13] for "Intra-3G\_MSC Handover from UMTS to GSM" shall be followed. The following clauses describe the additional requirements for the SIP-I based CS core network.

#### 8.2.1.1 Intra-MGW Relocation

The handling of Intra-MSC Intra-MGW UMTS to GSM Handover shall be performed in accordance with clause 8.2.1 of 3GPP TS 23.205 [7].

#### 8.2.1.2 Inter-MGW Relocation

Procedures used for the Intra-MSC Inter-MGW UMTS to GSM Handover are equivalent to those specified in accordance with 3GPP TS 23.205 [7], with the exception that the procedures for establishing the bearer between the MGW will be in accordance with normal procedures as defined within clause 15.2.

#### 8.2.1.3 Intra-MSC UMTS to GSM Handover for A interface over IP

The handling of Intra-MSC UMTS to GSM Handover for A interface over IP shall be performed in accordance with clause 8.2.1.10 of 3GPP TS 23.205 [7].

### 8.2.2 Basic Inter-MSC UMTS to GSM Handover

Procedures used for the basic Inter-MSC UMTS to GSM Handover are equivalent to those specified in accordance to clause 8.2.2 of 3GPP TS 23.205 [7], with the exception that the call and bearer establishment procedures between the MSCs and MGWs will be in accordance with normal procedures as defined within clause 15.2.

#### 8.2.2.1 Basic Inter-MSC UMTS to GSM Handover for A Interface over IP

The handling of Basic MSC UMTS to GSM Handover for A interface over IP shall be performed in accordance with clause 8.2.2.3 of 3GPP TS 23.205 [7].

### 8.2.3 Subsequent Inter-MSC UMTS to GSM Handover back to the Anchor MSC

Procedures used for the subsequent Inter-MSC UMTS to GSM Handover back to the anchor MSC are equivalent to those specified in accordance to clause 8.2.3 of 3GPP TS 23.205 [7], with the exception that the call clearing and bearer release procedures between the MSCs and MGWs will be in accordance with normal procedures as defined within clause 15.2.

#### 8.2.3.1 Subsequent Inter-MSC UMTS to GSM Handover back to the anchor MSC for A Interface over IP

The handling of Subsequent Inter-MSC UMTS to GSM Handover back to the anchor MSC for A Interface over IP shall be performed in accordance with clause 8.2.3.3 of 3GPP TS 23.205 [7].

## 8.2.4 Subsequent Inter-MSC UMTS to GSM Handover to a third MSC

Procedures used for the subsequent Inter-MSC UMTS to GSM Handover to a third MSC are equivalent to those specified in accordance to clause 8.2.4 of 3GPP TS 23.205 [7], with the exception that the call establishment, call clearing, bearer establishment and bearer release procedures between the MSCs and MGWs will be in accordance with normal procedures as defined within clause 15.2.

## 8.3 GSM to UMTS

### 8.3.1 Intra-MSC GSM to UMTS Handover

The procedures specified in 3GPP TS 23.009 [13] for "Intra-3G\_MSC GSM to UMTS Handover" shall be followed. The following clauses describe the additional requirements for the SIP-I based CS core network.

#### 8.3.1.1 Intra-MGW Relocation

The handling of Intra-MSC Intra-MGW GSM to UMTS Handover shall be performed in accordance with clause 8.2.1 of 3GPP TS 23.205 [7].

#### 8.3.1.2 Inter-MGW Relocation

Procedures used for the Intra-MSC Inter-MGW GSM to UMTS Handover are equivalent to those specified in accordance with 3GPP TS 23.205 [7], with the exception that the procedures for establishing the bearer between the MGW will be in accordance with normal procedures as defined within clause 15.2.

### 8.3.2 Basic Inter-MSC GSM to UMTS Handover

Procedures used for the basic Inter-MSC GSM to UMTS Handover are equivalent to those specified in accordance to clause 8.3.2 of 3GPP TS 23.205 [7], with the exception that the call and bearer establishment procedures between the MSCs and MGWs will be in accordance with normal procedures as defined within clause 15.2.

### 8.3.3 Subsequent Inter-MSC GSM to UMTS Handover back to the Anchor MSC

Procedures used for the subsequent Inter-MSC GSM to UMTS Handover back to the anchor MSC are equivalent to those specified in accordance to clause 8.3.3 of 3GPP TS 23.205 [7], with the exception that the call clearing and bearer release procedures between the MSCs and MGWs will be in accordance with normal procedures as defined within clause 15.2.

### 8.3.4 Subsequent Inter-MSC GSM to UMTS Handover to a third MSC

Procedures used for the subsequent Inter-MSC GSM to UMTS Handover to a third MSC are equivalent to those specified in accordance to clause 8.3.4 of 3GPP TS 23.205 [7], with the exception that the call establishment, call clearing, bearer establishment and bearer release procedures between the MSCs and MGWs will be in accordance with normal procedures as defined within clause 15.2.

### 8.3.5 GSM to UMTS Handover with Iu on IP

If IuCS on IP is supported by the MSC server, the Core Network side procedures described in clauses through 8.3.1 to 8.3.4 shall apply, and the Access Network side procedures described in clause 8.3.5 of 3GPP TS 23.205 [2] shall apply.

## 8.4 GSM to GSM

### 8.4.1 Intra-MSC Inter-BSS GSM to GSM Handover

The procedures specified in 3GPP TS 23.009 [13] for "Intra-MSC Handover" shall be followed. The following clauses describe the additional requirements for the SIP-I based CS core network.

#### 8.4.1.1 Intra-MGW Relocation

The handling of Intra-MSC Intra-MGW GSM to GSM Handover shall be performed in accordance with clause 8.4.1 of 3GPP TS 23.205 [7].

#### 8.4.1.2 Inter-MGW Relocation

Procedures used for the Intra-MSC Inter-MGW GSM to GSM Handover are equivalent to those specified in accordance with 3GPP TS 23.205 [7], with the exception that the procedures for establishing the bearer between the MGW will be in accordance with normal procedures as defined within clause 15.2.

#### 8.4.1.3 Intra-MSC GSM to GSM Handover for A interface over IP

The handling of Intra-MSC GSM to GSM Handover for A interface over IP shall be performed in accordance with clause 8.4.1.9 of 3GPP TS 23.205 [7].

### 8.4.2 Basic Inter-MSC GSM to GSM Handover

Procedures used for the basic Inter-MSC GSM to GSM Handover are equivalent to those specified in accordance to clause 8.4.2 of 3GPP TS 23.205 [7], with the exception that the call and bearer establishment procedures between the MSCs and MGWs will be in accordance with normal procedures as defined within clause 15.2.

#### 8.4.2.1 Basic Inter-MSC GSM to GSM Handover for A Interface over IP

The handling of Basic Inter-MSC GSM to GSM Handover for A Interface over IP shall be performed in accordance with clause 8.4.2.3 of 3GPP TS 23.205 [7].

### 8.4.3 Subsequent Inter-MSC GSM to GSM Handover back to the Anchor MSC

Procedures used for the subsequent Inter-MSC GSM to GSM Handover back to the anchor MSC are equivalent to those specified in accordance to clause 8.4.3 of 3GPP TS 23.205 [7], with the exception that the call clearing and bearer release procedures between the MSCs and MGWs will be in accordance with normal procedures as defined within clause 15.2.

#### 8.4.3.1 Subsequent Inter-MSC GSM to GSM Handover back to the anchor MSC for A Interface over IP

The handling of Subsequent Inter-MSC GSM to GSM Handover back to the anchor MSC for A Interface over IP shall be performed in accordance with clause 8.4.3.3 of 3GPP TS 23.205 [7].

### 8.4.4 Subsequent GSM to GSM Handover to a third MSC

Procedures used for the subsequent Inter-MSC GSM to GSM Handover to a third MSC are equivalent to those specified in accordance to clause 8.4.4 of 3GPP TS 23.205 [7], with the exception that the call establishment, call clearing, bearer establishment and bearer release procedures between the MSCs and MGWs will be in accordance with normal procedures as defined within clause 15.2.



## 8.4.5 BSS Internal Handover

The handling of Intra-MSC BSS Internal Handover shall be performed in accordance with clause 8.4.5 of 3GPP TS 23.205 [7].

---

# 9 Compatibility Issues

## 9.1 Compatibility Issues for Nc Interface

A Release 8 (or later) (G)MSC-S implementing a SIP-I based Nc interface, according to 3GPP TS 23.231, is backward compatible with a Release 7 (or earlier) (G)MSC-S or (G)MSC by implementing the interworking procedures defined in 3GPP TS 29.235 [21].

## 9.2 Compatibility Issues for Mc Interface

A Release 8 (or later) (G)MSC-S implementing a SIP-I based Nc interface, according to 3GPP TS 23.231, shall be deployed with a Release 8 (or later) MGW implementing at least Version 4 of the 3GPP Mc Profile Name "Threegbicsn" defined in 3GPP TS 29.232 [8].

---

# 10 General (G)MSC server-MGW Procedures

## 10.1 MGW Unavailable

See Clause 10.1 of 3GPP TS 23.205 [7].

## 10.2 MGW Available

See Clause 10.2 of 3GPP TS 23.205 [7].

## 10.3 MGW Recovery

See Clause 10.3 of 3GPP TS 23.205 [7].

## 10.4 (G)MSC server Recovery

See Clause 10.4 of 3GPP TS 23.205 [7].

## 10.5 MGW Re-register

See Clause 10.5 of 3GPP TS 23.205 [7].

## 10.6 MGW Re-registration Ordered by (G)MSC server

See Clause 10.6 of 3GPP TS 23.205 [7].

## 10.7 Removal from Service of a Physical Termination

See Clause 10.7 of 3GPP TS 23.205 [7].

## 10.8 Restoration to Service of a Physical Termination

See Clause 10.8 of 3GPP TS 23.205 [7].

## 10.9 Audit of MGW

See Clause 10.9 of 3GPP TS 23.205 [7].

## 10.10 MGW Capability Change

See Clause 10.10 of 3GPP TS 23.205 [7].

## 10.11 (G)MSC Server Out of service

See Clause 10.12 of 3GPP TS 23.205 [7].

## 10.12 MGW Resource Congestion Handling - Activate

See Clause 10.13 of 3GPP TS 23.205 [7].

## 10.13 MGW Resource Congestion Handling -Indication

See Clause 10.14 of 3GPP TS 23.205 [7].

## 10.14 Control association monitoring

See Clause 10.15 of 3GPP TS 23.205 [7].

## 10.15 Hanging termination detection

See Clause 10.16 of 3GPP TS 23.205 [7].

---

# 11 Identities

## 11.1 Telephone numbering schemes

(G)MSC-Servers shall support the receipt of Tel-URI and SIP URI (user=phone) and the sending of Tel-URI. The sending of SIP URI (user=phone) may be supported as an option. Both global and local telephone numbering formats shall be supported as per IETF RFC 3966 [10].

## 11.2 (G)MSC Server Identity

**Editor's Note: The (G)MSC Server Identity is FFS.**

## 11.3 Sub-addressing

When using a Tel URI or a SIP-URI, the "isub" parameter defined within IETF RFC 3966 [10] may be used to include the ISDN sub-address as may be required within the MSISDN. See 3GPP TS 23.003 [28]. When the "isub" parameter is present, the "isub-encoding" parameter defined within IETF RFC 4715 [29] shall be used to define the ISDN subaddress encoding type.

The procedures specified within ITU-T Q.1912.5 [9] Annex B.5 for profile C shall be applied for Sub-addressing.

---

## 12 Operational Aspects

### 12.1 Charging

No impacts.

### 12.2 SIP session continuity

#### 12.2.1 Use of SIP session timer

The basic SIP as defined by IETF RFC 3261 [15] does not include a "keep alive" mechanism. As such, it is possible that one end of a session may fail and be unable to signal the release of the session. One possible scenario where this may occur is in the cases where an internal fault on a remote node results in the call instance being lost on the remote node. This would result in no further signalling from the remote node associated with that call instance. The local node would have no indication from the remote node should that party release the call.

(G)MSC Servers may support the SIP Session Timer as specified in IETF RFC 4028 [16] as a means to determine whether a SIP session is still active by attempting to perform a session refresh, and therefore as a means to know when resources may be released if one end of the session fails.

The procedure negotiates the rate at which the session refresh occurs. The procedure is compatible and still operational should the far end or other SIP entity not support the Session Timer procedure.

#### 12.2.2 Example call flow

Figure 12.2.2.1 shows a message sequence example for the optional use of the SIP Session Timer procedures. During call origination each MSC Server may negotiate the use of the SIP Session Timer. This is accomplished through the exchange of the *Session-Expires* and *Min-SE* SIP header in the INVITE request and 2xx response. Support of the session timer extension procedure is indicated by placing the "timer" tag in the Supported header in the INVITE request. The use of session continuity and the session expiration timer value may be negotiated independently between each MSC Server pair. The session refresh request may be either an INVITE request or UPDATE request. The use of the UPDATE request does not require the exchange of SDP and is recommended by RFC 4028 [16].

When a failure of the session continuity is detected, the call will be cleared by the MSC servers independently on either side of the failure point according to the normal call clearing procedures (see clause 7).

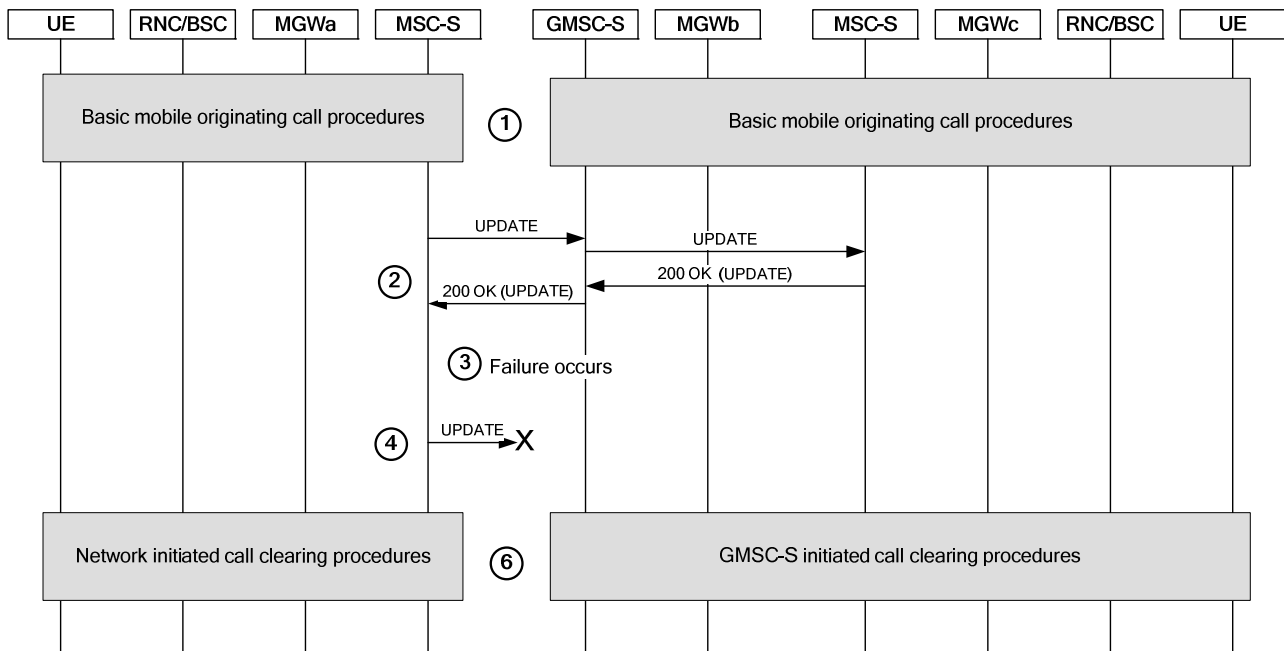


Figure 12.2.2.1 SIP Session Timer

## 13 Interactions with Other Services

### 13.1 Enhanced Multi-Level Precedence and Pre-emption service (eMLPP)

No impact.

### 13.2 Call Deflection Service

The procedures specified for the Call Deflection service in 3GPP TS 23.205 [7] clause 13.2 shall be followed, with the following modifications:

- The call establishment and call clearing procedures defined in clauses 6 and 7 shall be applied;
- The procedures for providing in-band information defined in clause 14.6 shall be applied.
- Optimized or deferred MGW selection may apply for the establishment of the bearer towards the forwarded-to subscriber, as specified in clauses 4.4.2 and 4.4.3.
- If there is no need for the (G)MSC server to manipulate the bearer, the (G)MSC server may apply MGW bypass as specified in clause 4.4.5. Whilst this is true for CD prior to the assignment, after the assignment, the MSC behaviour should be the same as CFNRy.

### 13.3 Line identification Services

#### 13.3.1 Calling Line Identification Presentation (CLIP)

The procedures specified ITU-T Q.1912.5 [9] for profile C shall be applied.

#### 13.3.2 Calling Line Identification Restriction (CLIR)

The procedures specified ITU-T Q.1912.5 [9] for profile C shall be applied.

### 13.3.3 Connected Line Identification Presentation (COLP)

No impact.

### 13.3.4 Connected Line Identification Restriction (COLR)

No impact.

## 13.4 Call Forwarding Services

### 13.4.0 Principles

The procedures specified for Call Forwarding services in 3GPP TS 23.205 [7] clause 13.4 shall be followed, with the following modifications:

- The call establishment and call clearing procedures defined in clauses 6 and 7 shall be applied;
- The procedures for providing in-band information defined in clause 14.6 shall be applied.
- Failure handling in GMSC and MSC Server shall be supported as specified for basic mobile originating and terminating calls.
- Optimized or Deferred MGW selection may apply for the incoming side bearer establishment and for the establishment of the bearer towards the forwarded-to subscriber, as specified in clauses 4.4.2 and 4.4.3.
- MGW bypass may apply if there is no need for the (G)MSC server to manipulate the bearer or insert inband information and if the call forwarding condition is detected before the incoming side bearer is established.
- The modifications specified in the following clauses shall be applied.

The network model and message sequence specified in 3GPP TS 23.205 [7] clause 13.4 also apply with the exception that the ISUP ACM/CPG messages are encapsulated within a SIP 183 Session Progress response.

### 13.4.1 Call Forwarding Unconditional (CFU)

See 3GPP TS 23.205 [7] clause 13.4.1.

### 13.4.2 Call Forwarding on mobile subscriber Busy (CFB)

#### 13.4.2.1 Network Determined User Busy (NDUB)

##### 13.4.2.1.1 Initial INVITE

The MSC server shall indicate that preconditions have not been met if either of the following conditions is satisfied before sending the INVITE:

- the incoming INVITE indicated that the remote preconditions had not been met and no new SDP indicating otherwise had since been received, or
- MGW selection is required for this call and the incoming side RTP connection point has not been yet successfully reserved and configured in the MGW.

##### 13.4.2.1.2 Confirmation of bearer establishment

If the outgoing INVITE indicated that preconditions are yet to be met, the new SDP indicating that the pre-conditions have now been satisfied will be sent when both following conditions are satisfied:

1. Either:

- a. The incoming INVITE indicated that the remote preconditions were yet to be satisfied, and new SDP indicating that these preconditions have been met has been received, or
- b. The incoming INVITE did not include any preconditions information or indicated that remote preconditions had been met

and

2. Either

- a. The incoming side RTP connection point has been successfully reserved and configured in the MGW.
- b. MGW selection is not required for this call.

### 13.4.2.2 User Determined User Busy (UDUB)

See 3GPP TS 23.205 [7] clause 13.4.2.2.

#### 13.4.2.2.1 Initial INVITE

The MSC server shall indicate that preconditions have not been met if either of the following conditions is satisfied before sending the INVITE:

- the incoming INVITE indicated that the remote preconditions had not been met and no new SDP message indicating otherwise had since been received, or
- MGW selection is required for this call and the incoming side RTP connection point has not been yet successfully reserved and configured in the MGW.

NOTE: MGW selection may not be required for the call only if the UE is able to send the User Determined User Busy indication to the MSC Server before the subscriber is alerted.

#### 13.4.2.2.2 Confirmation of bearer establishment

If the outgoing INVITE indicated that preconditions are yet to be met, the new SDP indicating that the pre-conditions have now been satisfied will be sent when both following conditions are satisfied:

1. Either:

- a. The incoming INVITE indicated that the remote preconditions were yet to be satisfied, and new SDP indicating that these preconditions have been met has been received, or
- b. The incoming INVITE did not include any preconditions information or indicated that remote preconditions had been met

and

2. Either

- a. The incoming side RTP connection point has been successfully reserved and configured in the MGW.
- b. MGW selection is not required for this call.

### 13.4.3 Call Forwarding on No Reply (CFNRy)

#### 13.4.3.1 Initial INVITE

Following the possible generation of in-band information, the MSC server shall not include any preconditions in the INVITE message because the incoming side bearer has already been established.

## 13.4.4 Call Forwarding on mobile subscriber Not Reachable (CFNRc)

### 13.4.4.1 Initial INVITE

The MSC server shall indicate that preconditions have not been met if either of the following conditions is satisfied before sending the INVITE:

- the incoming INVITE indicated that the remote preconditions had not been met and no new SDP message indicating otherwise had since been received, or
- MGW selection is required for this call and the incoming side RTP connection point has not been yet successfully reserved and configured in the MGW.

### 13.4.4.2 Confirmation of bearer establishment

If the outgoing INVITE indicated that preconditions are yet to be met, and new SDP indicating that the pre-conditions have now been satisfied will be sent when both following conditions are satisfied:

1. Either:
  - a. The incoming INVITE indicated that the remote preconditions were yet to be satisfied, and new SDP indicating that these preconditions have been met has been received, or
  - b. The incoming INVITE did not include any preconditions information or indicated that remote preconditions had been met

and

2. Either
  - a. The incoming side RTP connection point has been successfully reserved and configured in the MGW.
  - b. MGW selection is not required for this call.

## 13.5 Call Waiting (CW)

The procedures specified for Call Waiting services in 3GPP TS 23.205 [7] clause 13.5 shall be followed with the modifications:

- The procedures of "Hold request" for the Call Hold service in clause 13.6 applies for Existing call on hold.
- The call establishment and call clearing procedures defined in clauses 6 and 7 shall be applied.

## 13.6 Call Hold (CH)

### 13.6.1 Principles

The procedures specified for the Call Hold supplementary service in 3GPP TS 23.205 [7] clause 13.6 shall be followed, with the following modifications:

- The call establishment and call clearing procedures defined in clauses 6 and 7 shall be applied;
- If an announcement is to be applied to the held party the procedures defined in clause 14.6 shall be applied.
- The Call Hold service shall be supported through ISUP encapsulation and generation of SDP offer as specified by ITU-T Q.1912.5 [9] for profile C.

### 13.6.2 Hold Request

The SDP offer and encapsulated ISUP CPG message shall be sent within:

- UPDATE message if Hold request occurred before answer (200 OK final response with encapsulated ANM);
- re-INVITE message if Hold request occurred after answer (200 OK final response with encapsulated ANM or CON).

The hold procedure shall be performed by changing the SDP attribute:

- "a=sendonly", if the stream was previously a sendrecv media stream;
- "a=inactive", if the stream was previously a recvonly media stream.

### 13.6.3 Retrieval Request

The SDP offer and encapsulated ISUP CPG message shall be sent within:

- UPDATE message if Retrieval request occurred before answer (200 OK final response with encapsulated ANM);
- re-INVITE message if Retrieval request occurred after answer (200 OK final response with encapsulated ANM or CON).

The retrieval procedure shall be performed by changing the SDP attribute:

- "a=sendrecv", if the stream was previously a sendonly media stream, or the attribute can be omitted, since sendrecv is the default;
- "a=recvonly", if the stream was previously an inactive media stream.

## 13.7 Multiparty (MPTY)

### 13.7.1 Introduction

The procedures specified for the Multi Party supplementary service in 3GPP TS 23.205 [7] clause 13.7 shall be followed, with the following modifications:

- If the MGW only supports SIP-I associated Nb, the procedures for establishing the internal Nb bearer between the peripheral context and the Multiparty bridge context shall be in accordance with the standard SIP-I based Nc external bearer setup procedures. The Establish Bearer, Prepare Bearer, Tunnel Information Up and Tunnel Information Down procedures shall be replaced by the Reserve RTP Connection Point, Reserve and Configure RTP Connection Point, Configure RTP connection point.
- If the MGW supports combinations of SIP-I and BICC associated Nb, the MSC-S may establish the internal Nb bearer between the peripheral context and the Multiparty bridge following the standard SIP-I based Nc or BICC based Nc external bearer setup procedures.
- The MSC-S knows whether the MGW supports SIP-I and/or BICC associated Nb through local configuration data.
- The hold and retrieval of users shall be encoded as described in Clause 13.6, with further clarifications in Clause 13.7.2.

NOTE1: If the MGW only supports BICC associated Nb, the procedures for establishing the internal Nb bearer between the peripheral context and the Multiparty bridge context are defined in 3GPP TS 23.205 [7].

NOTE2: Clause 13.7.5 of 3GPP TS 23.205 [7] gives an example where the procedures for establishing the internal Nb bearer between the peripheral context and the Multiparty bridge context are in accordance with the standard external bearer setup procedures specified in BICC based Nc.

### 13.7.2 Beginning the Multi Party call

See 3GPP TS 23.205 [7] clause 13.7.1.



The CPG to inform an active user of the conference establishment shall be encoded in a SIP INFO.

For a user on hold, the following applies:

- A CPG to inform the user on hold of the conference establishment shall be sent.
- A CPG to retrieve the user on hold may be sent. The retrieval of the user on hold may also be combined with the conference call establishment in a single CPG.
- a re-INVITE to activate the held media shall be sent.
  - If only a CPG to inform the user on hold of the conference establishment is sent, the re-INVITE shall encapsulate this CPG.
  - If only a single CPG to inform the user on hold of the conference establishment and to retrieve the user on hold is sent, the re-INVITE shall encapsulate this CPG.
  - If separate CPGs to inform the user on hold of the conference establishment and to retrieve the user on hold are sent, the re-INVITE shall encapsulate the CPG to retrieve the user on hold. The CPG to inform the user on hold of the conference establishment shall be encapsulated in a SIP INFO.

### 13.7.3 Managing an active Multi Party call

See 3GPP TS 23.205 [7] clause 13.7.2.

### 13.7.4 Disconnect

See 3GPP TS 23.205 [7] clause 13.7.3.

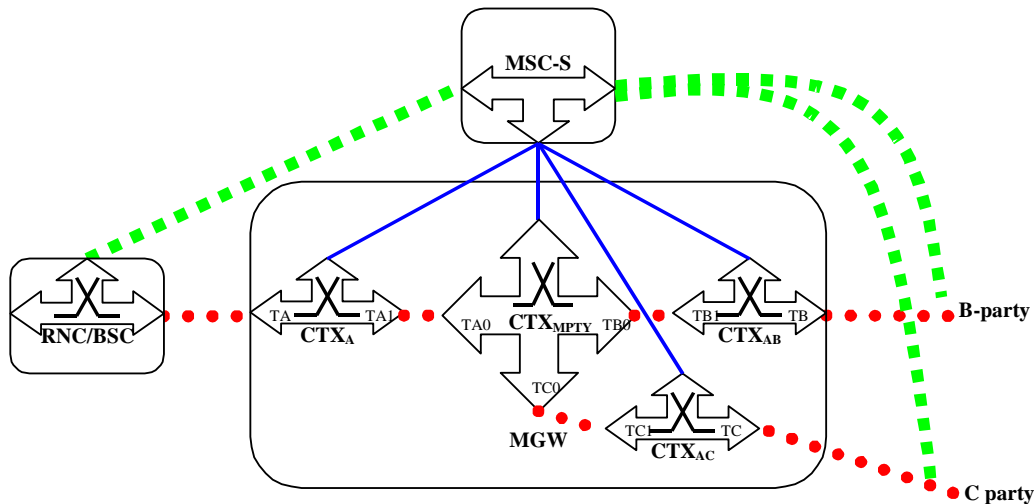
### 13.7.5 Failure handling in MSC server

See 3GPP TS 23.205 [7] clause 13.7.4.

### 13.7.6 Example 1

In this example, the procedures for establishing the internal Nb bearer between the peripheral context and the Multiparty bridge context are in accordance with the standard external bearer setup procedures specified for SIP-I based Nc.

Figure 13.7.6.1 shows the network model for multi party call. The "squared" line represents the call control signalling. The "dotted" line represents the bearer control signalling and the bearer. Note that for a TDM access there is no separation between the call and bearer control signalling. In the following example it is assumed that each party participating in the Multi Party conference is handled in a separate context representing the call leg between the Multi Party bridge and the Multi Party participant. The Multi Party bridge itself is handled in a separate context. This separation to several contexts is done in order to simplify interactions with other functionality, such as handover, even though other implementation options are not excluded.

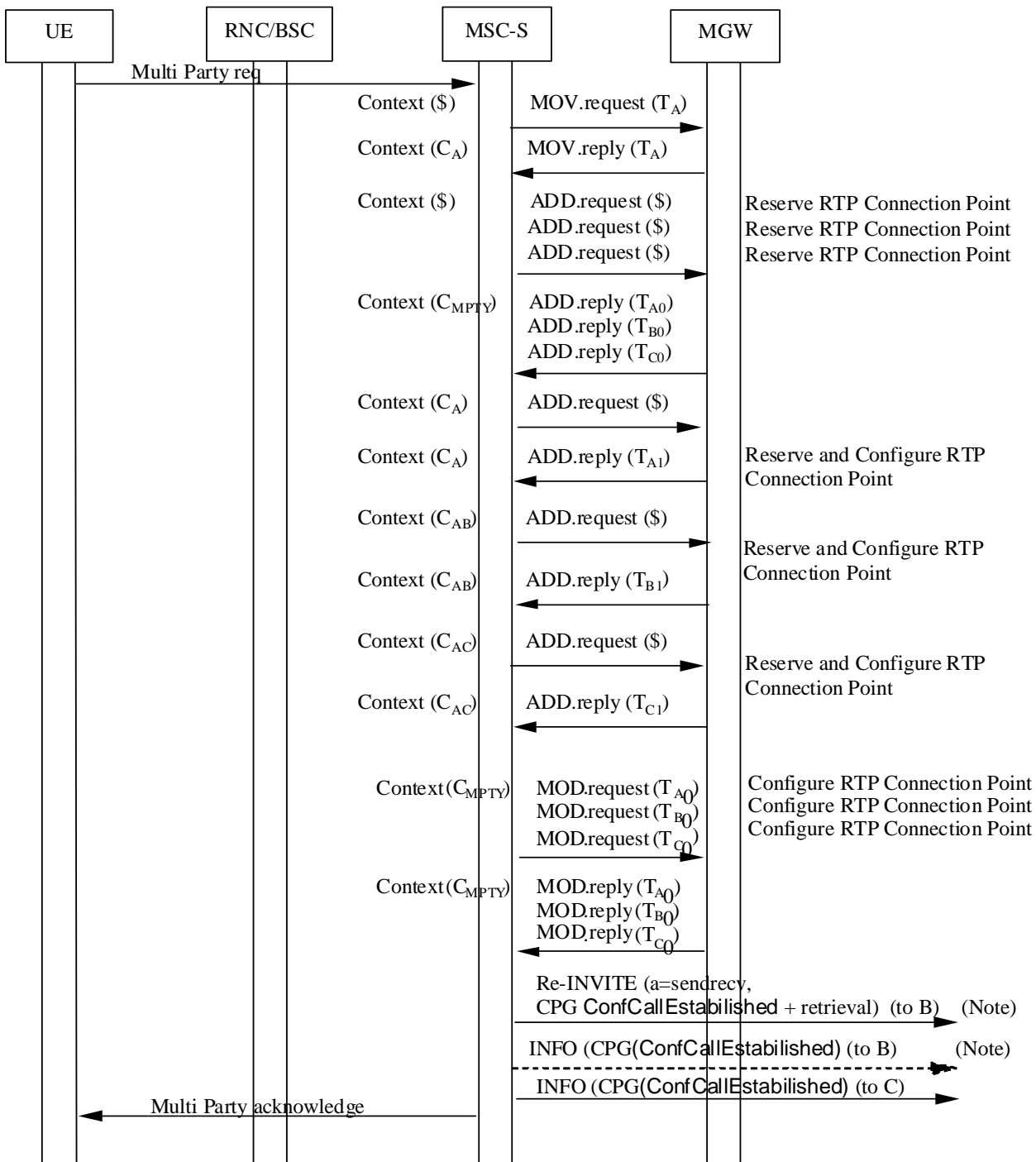


**Figure 13.7.6.1: Multi Party call (Network model)**

For the purposes of the information flow diagrams it is assumed that there are only two remote parties. Party A is the subscriber controlling the Multi Party service (served mobile subscriber). Party B is the held party and party C is the active party.

It is assumed that the Multi Party bridge is located in the MGW that has been selected for the served mobile subscriber.

Figure 13.7.6.2 shows the message sequence example for the beginning of multi party call. When the served mobile subscriber invokes a Multi Party service the MSC server requests the MGW to create a separate context for the Multi Party bridge. The MSC server seizes a bearer termination for each party in that context. In addition, each call leg is represented by a separate context. Therefore the parties in the active call will be split in separate contexts. The MSC server requests the MGW to create a new context and to move the bearer termination for the served mobile subscriber from the active call context to the new context. To connect the parties to the Multi Party bridge the MSC server requests the MGW to establish internal Nb connections with the PCM codec between the bearer terminations in the Multi Party bridge context and the call leg contexts, using the standard external bearer setup procedures of SIP-I based Nc. The held party is informed about the retrieval of the held call, and the both remote parties are informed about the multi party call establishment.



Note: See Clause 13.7.2.

Figure 13.7.6.2: Information flow for multi party call, internal IP bearer (message sequence chart)

### 13.8 Closed User Group (CUG)

No impact.

### 13.9 Advice of Charge (AoC)

No impact.

## 13.10 User-to-User Signalling (UUS)

User to User signalling is supported through ISUP encapsulation, as specified by ITU-T Q.1912.5 [9].

## 13.11 Call Barring Services

### 13.11.1 Barring of outgoing calls

No impact.

### 13.11.2 Barring of incoming calls other than Anonymous Call Rejection

No impact.

### 13.11.3 Anonymous Call Rejection (ACR)

The call shall be handled as for other call barring procedures, with the additions as specified for the Anonymous Call Rejection service in 3GPP TS 23.205 [7] clause 13.11.3 shall be followed, and with the following modifications:

- the procedures for providing in-band information defined in clause 14.6 shall be applied;
- the GMSC Server shall send a 183 message with encapsulated ACM or CPG including cause no. 24 before applying the announcement;
- after the announcement has been completed, the GMSC server shall initiate the call clearing according to clause 7.

## 13.12 Explicit Call Transfer (ECT)

The procedures specified in Clause 13.12 of 3GPP TS 23.205[7] shall be applied. The example service flow is as shown in the following clause.

### 13.12.1 Example

Party A is the subscriber controlling the Explicit Call Transfer Call (served mobile subscriber). Party B is the first remote called party (held party). Party C is the second remote called party. MSC-A, MSC-B and MSC-C is the MSC server served for Party A, Party B and Party C respectively.

After a call between Party A with Party B has been established successfully and Party B is held, a new call between party A with Party C is established successfully. After getting the ECT request, MSC-A initiates the ECT service procedure by changing through the connection between Party B with Party C.

After receiving an ECT request from Party A UE, MSC-A shall retrieve Party B from hold by using a re-INVITE request and through-connection the bearer terminations between Party B and Party C. Additionally, MSC-A sends ECT notifications to MSC-B and MSC-C using INFO requests. Figure 13.12.1 is an example service flow diagram for the ECT service.

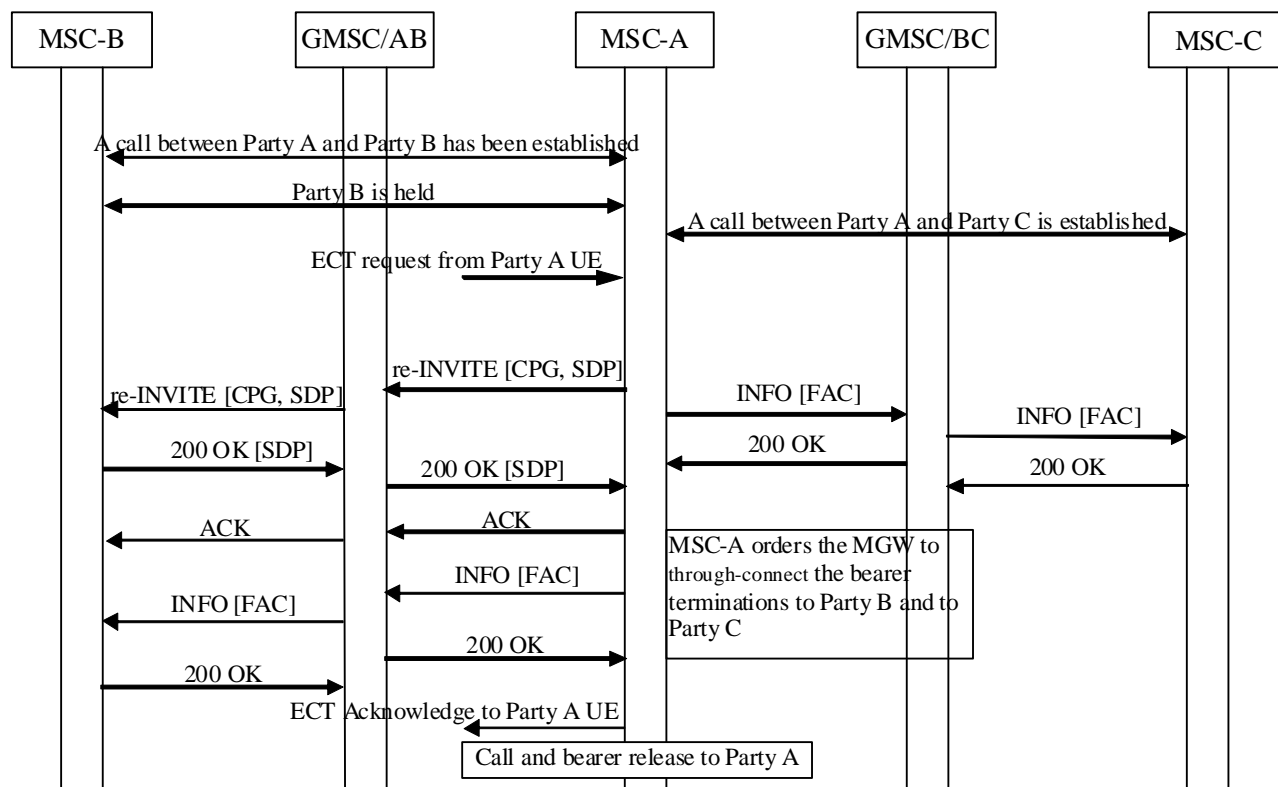


Figure 13.12.1: ECT service flow

### 13.13 Completion of Calls to Busy Subscriber (CCBS)

The procedures specified for the Completion of Calls to Busy Subscriber service in 3GPP TS 23.205 [7] clause 13.13 shall be followed, with the following modifications:

- The call establishment and call clearing procedures defined in clauses 6 and 7 shall be applied;
- The procedures for providing in-band information defined in clause 14.6 shall be applied.

### 13.14 Multiple Subscriber Profile (MSP)

No impact.

### 13.15 Multicall

See 3GPP TS 23.205 [7] clause 13.15.

### 13.16 Calling Name Presentation (CNAP)

No impact.

### 13.17 Alternate Speech/Fax

See 3GPP TS 23.205 [7] clause 13.17.

## 13.18 Modification of the Access Bearer

### 13.18.1 Modification of Bearer Characteristics

See 3GPP TS 23.205 [7] clause 13.18.1.

### 13.18.2 IWF Protocol Change

See 3GPP TS 23.205 [7] clause 13.18.2.

## 13.19 GSM Fax

See 3GPP TS 23.205 [7] clause 13.19.

## 13.20 Voice group call service (VGCS), Voice broadcast service (VBS)

The procedures specified for the VGCS/VBS supplementary service in 3GPP TS 23.205 [7] clause 13.20 shall be followed, with the following modifications:

- If the MGW only supports SIP-I associated Nb, the procedures for establishing the internal Nb bearer between the peripheral context and the VGCS Multiparty Bridge context shall be in accordance with the standard SIP-I based Nc external bearer setup procedures. The Establish Bearer and Prepare Bearer procedures shall be replaced by the Reserve RTP Connection Point, Reserve and Configure RTP Connection Point, Configure RTP connection point.
- If the MGW supports combinations of SIP-I and BICC associated Nb, the MSC-S may establish the internal Nb bearer between the peripheral context and the VGCS Multiparty Bridge context following the standard SIP-I based Nc or BICC based Nc external bearer setup procedures.
- The MSC-S knows whether the MGW supports SIP-I and/or BICC associated Nb through local configuration data.

NOTE: If the MGW only supports BICC associated Nb, the procedures for establishing the internal Nb bearer between the peripheral context and the VGCS Multiparty Bridge context are defined in 3GPP TS 23.205 [7].

---

## 14 Interactions with Other Network Features and Services

### 14.1 Customised Applications for Mobile network Enhanced Logic (CAMEL)

The procedures specified for Customised Applications for Mobile network Enhanced Logic (CAMEL) in 3GPP TS 23.205 [7] clause 14.1 shall be followed, with the clarifications given in the following clauses. The examples specified in 3GPP TS 23.205 [7] clauses 14.6 also apply.

#### 14.1.1 Play Announcement/Send Tone

The procedures specified for the Play Announcement/Send Tone in 3GPP TS 23.205 [7] clause 14.1.1 shall be followed, with the following modifications:

- the procedures for providing tones or announcements and the procedures for stopping providing tones or announcements defined in clause 14.6 shall be applied.

## 14.1.2 User Interaction

The procedures specified for the User Interaction in 3GPP TS 23.205 [7] clause 14.1.2 shall be followed, with the following modifications:

- the procedures for providing tones or announcements and the procedures for stopping providing tones or announcements defined in clause 14.6 shall be applied.
- the procedures for detecting and reporting DTMF tones defined in clause 14.4 shall be applied.

## 14.1.3 Call Party Handling (CPH)

See 3GPP TS 23.205 [7] clause 14.1.3.

## 14.2 IST

See 3GPP TS 23.205 [7] clause 14.2 with the following modification:

- the (G)MSC server initiated call clearing procedures defined in clause 7 shall be applied.

## 14.3 Operator Determined Barring (ODB)

The procedures specified for the Operator Determined Barring service in 3GPP TS 23.205 [7] clause 14.3 shall be followed, with the following modifications:

- the call establishment and call clearing procedures defined in clauses 6 and 7 shall be applied;
- the procedures for providing in-band information defined in clause 14.6 shall be applied.
- Optimized or deferred MGW selection may apply for the establishment of the incoming side bearer, as specified in clauses 4.4.2 and 4.4.3.

## 14.4 DTMF

### 14.4.1 General

This clause only specifies the requirements to be supported for DTMF signalling on SIP-I based Nc. Interworking of DTMF between BICC and SIP-I on Nc and interworking between DTMF in external networks and SIP-I is specified in 3GPP TS 29.235 [21].

DTMF signalling via the RTP telephony-event according to IETF RFC 4733 [24] on Nb Interface shall be supported in SIP-I based Circuit Switched Core Network [y].

Inband DTMF signalling (generation, detection) shall also be supported in SIP-I based Nc to ensure open interoperability between two MSC servers from different vendors, when terminating MSC server selects PCM and does not offer RTP telephony-event in the answer.

When the negotiation for telephone events via the SDP offer-answer mechanism is complete and the needed preconditions defined in IETF RFC 3312 [26] are fulfilled, if RTP telephony-event has been successfully negotiated then telephone events can be sent in RTP payload. If a speech codec other than the default PCM codec has been selected (via the 3GPP SIP-I codec negotiation procedures, see 3GPP TS 23.153 [3]), DTMF shall be sent as an RTP Telephony Event. If the default PCM speech codec is selected, DTMF transport in the RTP telephony-event is optional. However, if the RTP telephony-event is included in the SDP answer, it shall be used to transport DTMF (rather than inband transport in the default PCM speech codec).

Interworking Procedures to external networks at the G-MSC server are specified in 3GPP TS 29.235 [21].

## 14.4.2 DTMF handling in SIP-I Offer/Answer

(G)MSC Servers and MGWs shall support the reception and transmission of the RTP MIME type "telephone event" as defined in IETF RFC 4733 [24] and as per the following requirements:

- An MSC Server initiating an SDP offer shall include the MIME type "telephone events" with default events in the first SDP offer, if it offers any codecs other than the default PCM codec. An MSC Server initiating an SDP offer with only the default PCM codec as speech codec may include the MIME type "telephone events" in the first SDP offer,
- An MSC Server terminating an SDP offer shall accept the MIME type "telephone events" with default events in any SDP answer, if it selects any codec other than the default PCM codec. An MSC Server terminating an SDP offer that selects the default PCM codec as speech codec may include the MIME type "telephone events" in the SDP answer, if present in the SDP offer,
- A 3GPP SIP-I intermediate node receiving an SDP offer with the MIME type "telephone events" shall forward the MIME type "telephone-events" in the offer to the succeeding node.

## 14.4.3 Server to MGW Procedures

The (G)MSC Server indicates the transport mode of DTMF to the MGW as follows in the "Configure RTP Connection Point" procedure or "Reserve and Configure RTP Connection Point " procedure:

- The (G)MSC Server shall configure the RTP telephony event payload at the MGW if successfully negotiated in the SDP Offer/Answer.
- If the (G)MSC Server configures the RTP telephony event payload at the MGW for a given termination and applies the Detect DTMF procedure to request the detection of DTMF, the MGW shall detect DTMF within the RTP telephony event payload according to IETF RFC 4733 [24] and shall not detect inband DTMF within a speech codec.
- If the (G)MSC Server does not configures the RTP telephony event payload at the MGW for a given termination and applies the "Detect DTMF" procedure to request the detection of DTMF, the MGW shall detect inband DTMF within the speech codec; the (G)MSC Server shall not request "Detect DTMF" without RTP Telephony Event in combination with any codec other than the default PCM codec.
- If the (G)MSC Server configures the RTP telephony event payload at the MGW for a given termination and applies the Send DTMF procedure to request the sending of DTMF, the MGW shall send DTMF within the RTP telephony event payload according to IETF RFC 4733 [24].
- If the (G)MSC Server does not configure the RTP telephony event payload at the MGW for a given termination and applies the "Send DTMF" procedure to request the sending of DTMF, the MGW shall send inband DTMF within the speech codec; the (G)MSC Server shall not request "Send DTMF" without RTP Telephony Event in combination with any codec other than the default PCM codec.
- If the (G)MSC Server requests reporting of DTMF via "Detect DTMF" Procedure then when the MGW has reported a DTMF Digit Event the MGW shall not forward the DTMF to the succeeding interface as this could result in double detection of the same digit.
- If the (G)MSC Server has requested support of RTP Telephony Event via the "Configure RTP Connection Point" procedure or " Reserve and Configure RTP Connection Point " procedure but has not requested reporting of DTMF digits via the "Detect DTMF" procedure the MGW shall forward received RTP Telephony Events to succeeding/preceding interface for a connection that is configured to support RTP Telephony Event.
- If the (G)MSC Server does not wish to receive DTMF (has not configured "DTMF Detect") but has requested support of RTP Telephony Event via the "Configure RTP Connection Point" procedure or " Reserve and Configure RTP Connection Point " procedure at one bearer termination but not at the other bearer termination, if the other termination is default PCM MGW shall then relay DTMF (see clauses 14.4.8 and 14.4.9).



## 14.4.4 RTP Telephony Event DTMF Digit Generation

### 14.4.4.1 General

The RTP Telephony Event DTMF digit generation shall be performed in accordance with IETF RFC 4733 [24]. The following clauses describe the additional requirements for the bearer independent CS core network.

### 14.4.4.2 Start DTMF

When the MSC server receives the Start DTMF message from the UE, it shall use the Send DTMF procedure to request the MGW to modify the bearer termination to transmit the requested digit.

### 14.4.4.3 Stop DTMF

When the MSC server receives the Stop DTMF message from the UE, it shall use the Stop DTMF procedure to request the MGW to modify the bearer termination to stop digit transmission.

Upon reception of the Stop DTMF procedure, the MGW shall ensure the minimum digit duration is kept, in accordance with 3GPP TS 23.014 [27] and then terminate the digit transmission by sending RTP Telephony Event with "End-bit" set to YES.

If implicit DTMF timing is deployed (as shown in example figure 14.4.4.3.1) and the MGW has already completed the digit transmission it shall not take any action upon the reception of the Stop DTMF procedure.

### 14.4.4.4 Example

When the UE sends Start DTMF and Stop DTMF messages, the MSC server uses resources in the MGW to transmit a digit by modifying the bearer termination.

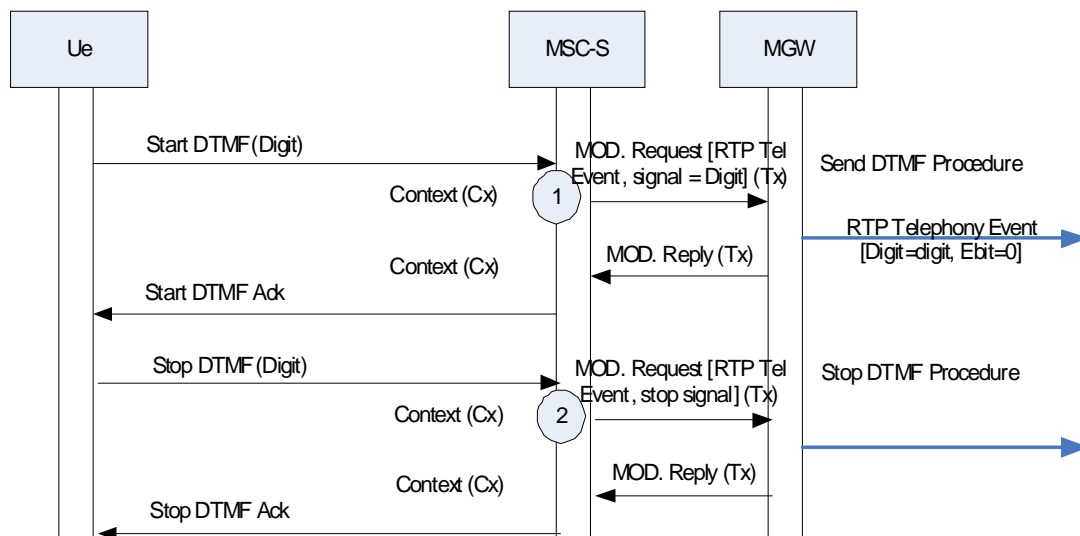


Figure 14.4.4.4.1: DTMF Digit generation - implicit timing over RTP Telephony Event (message sequence chart)

## 14.4.5 DTMF Tone Generation

DTMF Tone Generation shall only occur if the RTP Telephony Event has not been negotiated and the default PCM codec is selected for the user plane. The MSC Server shall apply the "Send DTMF" procedure to the core network side termination (PCM) in accordance with 3GPP TS 23.205 [7] Clause 14.4.1.1

## 14.4.6 RTP Telephony Event DTMF Digit Detection

### 14.4.6.1 General

The RTP Telephony Event DTMF digit detection shall be performed in accordance with IETF RFC 4733 [24]. The following clauses describe the additional requirements for the bearer independent CS core network.

### 14.4.6.2 Detect DTMF Digit

An MSC server uses the Detect DTMF procedure to request a MGW to report DTMF Digits. If a MGW receives the Detect DTMF procedure, it shall configure the bearer termination to receive DTMF digits. The result of the digit detection shall be reported within Notify DTMF Digit procedure.

The Detect DTMF procedure permits the MSC Server to request reporting either of Start and End of DTMF detection, or only of End of DTMF Detection. The support of "start of DTMF detection" is optional for the MGW; if not supported the MGW shall indicate the appropriate error code.

If the MSC Server does not request DTMF notification then the MGW shall relay the DTMF to the succeeding interface.

### 14.4.6.3 Example – DTMF Notification

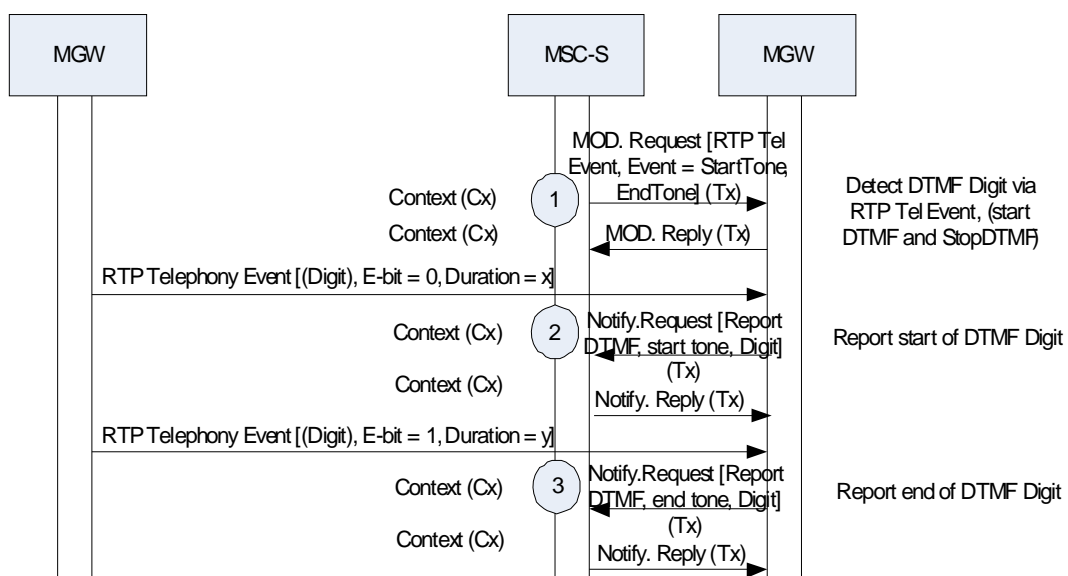


Figure 14.4.6.3.1: DTMF Notification with both start and end events

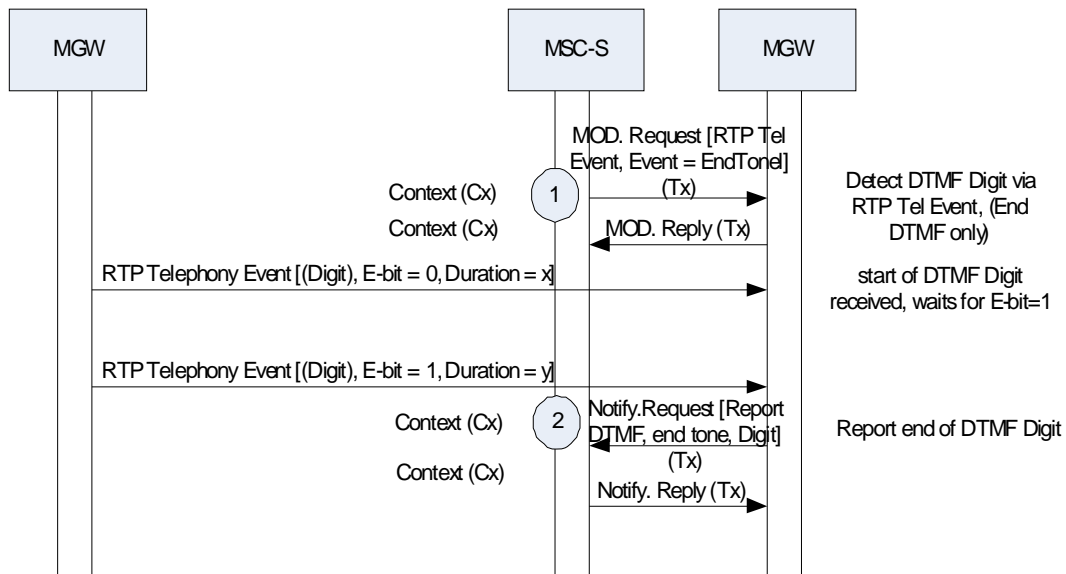


Figure 14.4.6.3.2: DTMF Notification with only end DTMF event

### 14.4.7 Inband DTMF Tone Detection

DTMF tone detection within the PCM speech codec as specified by Clause 14.4.2.1 of 3GPP TS 23.205 [7] shall only be required by applications making use of the DTMF information within the (G)MSC server, and only if the RTP telephony event is not negotiated with SDP offer/answer.

A server controlling a MGW requests detection of inband DTMF by applying the Detect DTMF procedure but not configuring the RTP Telephony Event payload at the corresponding termination.

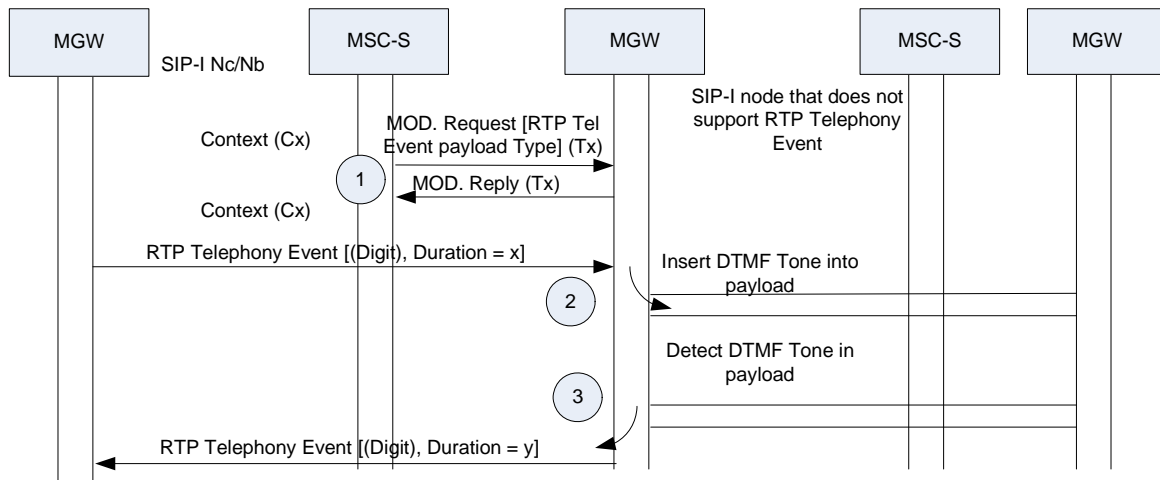
### 14.4.8 Interworking between RTP Telephony Events and Inband DTMF Tones

A (G)MSC Server or Interworking Node may need to interwork a SIP-I associated bearer where the usage of RTP Telephony Event has been negotiated with a bearer where PCM encoded speech but no RTP Telephony Event has been negotiated. The MGW shall relay the DTMF between the terminations of a context if the following conditions apply:

- the (G)MSC Server or Interworking Node configures a MGW with SIP-I associated bearer termination to support RTP Telephony Event from/to the preceding node and;
- the (G)MSC Server has not requested DTMF detection to be reported and;
- the selected codec to the succeeding node is default PCM and;
- the succeeding SIP-I node has not selected RTP Telephony Event.

RTP Telephony events received on SIP-I associated bearer are inserted into the PCM stream (bullet 2 in Figure 14.4.8.1). Inband DTMF received from the preceding node shall be inserted as RTP Telephony events on succeeding bearer termination (bullet 3 in Figure 14.4.8.1).

When detecting inband DTMF the MGW shall ensure the minimum duration for valid DTMF validation is detected in accordance with 3GPP TS 23.014 [27] before signalling an RTP telephony Event.



**Figure 14.4.8.1: DTMF Relay between RTP Telephony Event and inband DTMF**

## 14.5 OR

The procedures specified for Optimal Routing network service in 3GPP TS 23.205 [7] clause 14.5 shall be followed with the following modification:

- the procedures for call clearing defined in clause 7 shall be applied.

## 14.6 Providing tones or announcements

### 14.6.1 Introduction

The procedures specified for providing tones or announcements in 3GPP TS 23.205 [7] clause 14.6 shall be followed, with the clarifications given in the following clauses. The examples specified in 3GPP TS 23.205 [7] clauses 14.6 also apply.

### 14.6.2 Preconditions when providing in-band information to the calling subscriber

For a mobile terminating/forwarded call, announcements/tones may be provided to the calling subscriber only when the following conditions are satisfied:

1. Either:
  - a. The incoming INVITE(IAM) indicated that remote preconditions had not been met, and new SDP has been received indicating that preconditions have been met, or
  - b. The incoming INVITE(IAM) did not include any preconditions information or indicated that remote preconditions had been met;

and

2. The incoming side RTP connection point has been successfully reserved and configured in the MGW.

For a mobile originating call, the traffic channel assignment shall be completed before providing the in-band information to the calling subscriber.

### 14.6.3 Preconditions when providing in-band information to the called subscriber

The called party is selected by the calling party, or a supplementary service (call forwarding, call deflection, CAMEL redirection etc), or a call is initiated by the gsmSCF using the Initiate Call Attempt procedure. The called party may also be in the PSTN.

Announcements/tones may be provided to the called subscriber only when the following conditions are satisfied:

1. The called party has answered and is still active in the call, and
2. The outgoing side RTP Connection point has been successfully reserved and configured in the MGW.

### 14.6.4 Preconditions when providing in-band information to multiple subscribers

See 3GPP TS 23.205 [7] clause 14.6.3.

### 14.6.5 Request to play an announcement/tone

See 3GPP TS 23.205 [7] clause 14.6.4.

### 14.6.6 Stopping an announcement/tone

See 3GPP TS 23.205 [7] clause 14.6.5.

### 14.6.7 Announcement/tone completed

See 3GPP TS 23.205 [7] clause 14.6.6.

## 14.7 Global Text Telephony

Global Text Telephony shall be supported as described in 3GPP TS 23.205 [7] Clause 14.7 where the CTM package properties are included in the "Reserve RTP Connection Point" and "Configure RTP Connection Point" for Access side terminations and default PCM codec selected for the Core Network side terminations.

## 14.8 Emergency Calls

Emergency Calls shall be handled as in clause 6.1 Basic Mobile Originating Call and clause 6.2 Basic Mobile Terminating Call. The Procedure Emergency Call Indication may be used for informing the MGW about the emergency call.

## 14.9 Subscriber and equipment trace

See 3GPP TS 23.205 [7] clause 14.9.

## 14.10 Customized Alerting Tones

### 14.10.1 General

See 3GPP TS 23.205 [7] clause 14.10.1.

## 14.10.2 Audio CAT

See 3GPP TS 23.205 [7] clause 14.10.2.

## 14.10.3 Multimedia CAT

See 3GPP TS 23.205 [7] clause 14.10.3.

---

# 15 Messages/Procedures and their contents

## 15.1 Messages between (G)MSC servers

Table 15.1.1 lists the SIP methods that shall be supported between (G)MSC servers on Nc interface. Amendments and Endorsements to the referenced specifications are specified in 3GPP TS 29.231[4].

**Table 15.1.1: Messages between (G)MSC servers**

SIP method	Reference
INVITE	RFC 3261 [15]
ACK	RFC 3261 [15]
BYE	RFC 3261 [15]
CANCEL	RFC 3261 [15]
OPTIONS	RFC 3261 [15]
INFO	RFC 2976 [17]
UPDATE	RFC 3311 [18]
PRACK	RFC 3262 [19]

## 15.2 Procedures between (G)MSC server and MGW

### 15.2.1 Generic Mc Interface Procedures

Table 15.2.1.1 below indicates the procedures used between the (G)MSC server and the MGW in the Mc interface. These procedures are defined in Clause 16.2 of 3GPP TS 23.205 [7].

**Table 15.2.1.1: Required procedures defined in 3GPP TS 23.205 [7]**

Procedure defined in 3GPP TS 23.205 [7]	Remarks
Change Flow Direction	NOTE 1 in that Clause is replaced by the following Note:  NOTE 1: This procedure may be combined with the "Reserve RTP Connection Point" procedure, the "Configure RTP Connection Point" procedure, the "Reserve and Configure RTP Connection Point" procedure, the "Prepare Bearer" procedure, the "Reserve Circuit" procedure, the "Join Bearer Termination" procedure, or the "Isolate Bearer Termination" procedure.
Join Bearer Termination	
Isolate Bearer Termination	
Prepare Bearer	This procedure is not applicable for terminations towards a 3GPP SIP-I based circuit-switched core network, but it is applicable for terminations toward an Iu-CS interface with ATM transport, or to seize internal terminations in a MGW, e.g. for conferencing scenarios or for VGCS.  The optional "Tunnel Support" Information element is not applicable.
Reserve Circuit	
Change Through-Connection	The NOTE in that Clause is replaced by the following Note:  NOTE: This procedure may be combined with the "Reserve RTP Connection Point" procedure, the "Configure RTP Connection Point" procedure, the "Reserve and Configure RTP Connection Point" procedure, the "Prepare Bearer" procedure, the "Reserve Circuit" procedure, the "Join Bearer Termination" procedure, or the "Isolate Bearer Termination" procedure.
Activate Interworking Function	
Bearer Released	
Release Termination	
Send Tone	
Stop Tone	
Play Announcement	
Stop Announcement	
Announcement Completed	
Tone Completed	
Detect DTMF	The NOTE in that Clause is replaced by the following Note:  NOTE: This procedure may be combined with the "Reserve RTP Connection Point" procedure, the "Configure RTP Connection Point" procedure, the "Reserve and Configure RTP Connection Point" procedure, the "Prepare Bearer" procedure, the "Reserve Circuit" procedure.
Stop DTMF Detection	
Report DTMF	
Send DTMF	
Stop DTMF	
MGW Out-of-Service/ Maintenance locking	
MGW Communication Up	
MGW Restoration	
MGW Register	
MGW Re-register	
(G)MSC Server Ordered Re-register	
(G)MSC Server Restoration	
(G)MSC Server Out of Service	
Termination Out-of-Service	
Termination Restoration	
Audit Value	
Audit Capability	
Capability Update	
Command Reject	
Activate Voice Processing Function	
Modify Bearer Characteristics	This procedure is not applicable for terminations towards a 3GPP SIP-I based circuit-switched core network, but it is applicable for terminations toward an Iu-CS or A interface.
IWF Protocol Indication	



MGW Resource Congestion Handling – Activate	
MGW Resource Congestion Handling – Indication	
Bearer Modification Support	This procedure is not applicable for terminations towards a 3GPP SIP-I based circuit-switched core network, but it is applicable for terminations toward an lu-CS interface.
CTM report	
Prepare IP Transport	
Modify IP Transport Address	
Emergency Call Indication	
Trace Activation	
Trace Deactivation	
Trace Activation result notification	
Continuity Check Tone	
Continuity Check Verify	
Continuity Check Response	
Rate Change	
Bearer Modified	This procedure is not applicable for terminations towards a 3GPP SIP-I based circuit-switched core network, but it is applicable for terminations toward an lu-CS interface with ATM transport.
Bearer Modification Failed	This procedure is not applicable for terminations towards a 3GPP SIP-I based circuit-switched core network, but it is applicable for terminations toward an lu-CS interface with ATM transport.
Termination heartbeat indication	
Inactivity timeout activation	
Inactivity timeout indication	
Reserve RTP Connection Point	
Configure RTP Connection Point	
Reserve and Configure RTP Connection Point	

## 15.2.2 SIP-I Specific Mc Interface Procedures

The clauses below indicate the procedures used between the (G)MSC server and the MGW in the Mc interface that are specific for a SIP-I based Nc network.

The procedures are logical, i.e. message identifiers are not part of the protocol. Several logical procedures can be combined into one H.248 command in order to perform required transactions. If several logical procedures are combined into one H.248 command, only one context/context request and only one bearer termination/bearer termination request is sent in the H.248 command.

All the procedures below describe a successful operation. If the procedure is rejected, a Command Reject is sent back to the entity that sent the command request.

Each Information Element, IE, is marked as (M) Mandatory, (C) Conditional or (O) Optional. A mandatory information element shall always be present. A conditional information shall be present if certain conditions are fulfilled; if those conditions are not fulfilled it shall be absent. An optional information element may be present or absent, at the discretion of the application at the sending entity. This categorisation is a functional classification, i.e., stage 2 information and not a stage 3 classification to be used for the protocol.

The stage 2 and stage 3 message and information element names are not necessarily identical.

---

## 16 Bearer Redirect

Bearer Redirect is not supported within this 3GPP Release.

---

## 17 (G)MSC MGW Tandeming

For (G)MSC MGW Tandeming, the procedures specified in the clause 18 of 3GPP TS 23.205 [7] shall apply.

---

## 18 Timers for SIP-I based CS core network

The Start\_Bearer\_Establishment Timer, as defined in 3GPP TS 23.205 [7], shall apply to a SIP-I based CS core network.

Timer functionality and procedures defined within ITU-T Q.1912.5 [9] Profile C shall apply to a SIP-I based CS core network.

---

## 19 Multiple IP Realms

Multiple IP realms are supported as specified in 3GPP TS 23.205 [7].

## Annex A (informative): Change history

Change history							
Date	Meeting	TDoc	CR	Rev	Cat	Subject/Comment	New version
2008-06	CT#40	CP-080245				V2.0.0 approved in CT#40	8.0.0
2008-09	CT#41	CP-080464	0005	1		MGW selection procedures impacts on Call Forwarding services	8.1.0
2008-09	CT#41	CP-080464	0006			MGW selection procedures impacts on Call Deflection service	8.1.0
2008-09	CT#41	CP-080464	0007			MGW selection procedures impacts on ODB	8.1.0
2008-09	CT#41	CP-080464	0008	1		Global Text Telephony for SIP-I on Nc	8.1.0
2008-09	CT#41	CP-080464	0009	1		IP interface type indicator	8.1.0
2008-09	CT#41	CP-080464	0010	1		Call Hold Service	8.1.0
2008-09	CT#41	CP-080464	0011	1		Bearer Establishment for Multiparty Bearers	8.1.0
2008-09	CT#41	CP-080464	0012			CS Data and Facsimile Updates	8.1.0
2008-09	CT#41	CP-080464	0014			Clarifications for Multiparty service	8.1.0
2008-12	CT#42	CP-080697	0019			Call Clearing for A Interface on IP	8.2.0
2008-12	CT#42	CP-080697	0020	1		BSS Internal Handover procedure	8.2.0
2008-12	CT#42	CP-080695	0021	1		Multimedia CAT in the CS domain	8.2.0
2008-12	CT#42	CP-080697	0024			AoIP Impacts for Handover/Relocation	8.2.0
2008-12	CT#42	CP-080686	0025	1		Telephone Numbering Schemes for a SIP-I based Nc Network	8.2.0
2008-12	CT#42	CP-080686	0027			Usage of SIP Resource-Priority header for eMLPP service	8.2.0
2008-12	CT#42	CP-080686	0028			Usage of re-INVITE without SDP for ECT Service	8.2.0
2008-12	CT#42	CP-080686	0029	1		Impacts for MSP, VGCS, VBS within a SIP-I based Nc network	8.2.0
2008-12	CT#42	CP-080697	0030			Usage of IP Interface Type within a SIP-I based Nc Network	8.2.0
2008-12	CT#42	CP-080686	0031			Support of Bearer Redirect within a SIP-I based Nc network	8.2.0
2008-12	CT#42	CP-080686	0018	3		Call Release	8.2.0
2008-12	CT#42	CP-080686	0032	1		Data Calls	8.2.0
2008-12	CT#42	CP-080686	0033	2		Call Clearing procedures at G-MSC	8.2.0
2009-03	CT#43	CP-090029	0035	1		G-MSC Procedures for Call Release- long variant	8.3.0
2009-06	CT#44	CP-090307	0036			Customised Alerting Tones	8.4.0
2009-06	CT#44	CP-090306	0039	1		MGW selection Context and Termination correction	8.4.0
2009-06	CT#44	CP-090306	0040	1		Corrections to Deferred MGW Selection	8.4.0
2009-12	-	-	-	-		Update to Rel-9 version (MCC)	9.0.0
2011-03	CT#51	CP-110069	0041	1		Deferred MGW selection	10.0.0
2011-03	CT#51	CP-110069	0042	1		Introduction of LCLS	10.0.0
2011-09	CT#53	CP-110585	0044	1		Addition of Anonymous Call Rejection in the CS layered architecture	11.0.0
2011-12	CT#53	CP-110814	0045	1			11.1.0
2012-11						Change history table corrected.	11.1.1
2013-12	CT#62	CP-130641	0046	1		GERAN Iu Mode	12.0.0
2015-12	CT#70	-	-	-		Update to Rel-13 version (MCC)	13.0.0
2017-03	CT#75	-	-	-		Update to Rel-14 version (MCC)	14.0.0
2018-06	CT#80	-	-	-		Update to Rel-15 version (MCC)	15.0.0
2020-07	CT#80e	-	-	-		Update to Rel-16 version (MCC)	16.0.0
2022-03	-	-	-	-	-	Update to Rel-17 version (MCC)	17.0.0
2024-03	-	-	-	-	-	Update to Rel-18 version (MCC)	18.0.0

---

# History

<b>Document history</b>		
V18.0.0	May 2024	Publication