

ETSI TS 123 284 V10.1.0 (2011-06)

Technical Specification

**Digital cellular telecommunications system (Phase 2+);
Universal Mobile Telecommunications System (UMTS);
LTE;
Local Call Local Switch (LCLS);
Stage 2
(3GPP TS 23.284 version 10.1.0 Release 10)**



Reference

RTS/TSGC-0423284va10

Keywords

GSM, LTE, UMTS

ETSI

650 Route des Lucioles
F-06921 Sophia Antipolis Cedex - FRANCE

Tel.: +33 4 92 94 42 00 Fax: +33 4 93 65 47 16

Siret N° 348 623 562 00017 - NAF 742 C
Association à but non lucratif enregistrée à la
Sous-Préfecture de Grasse (06) N° 7803/88

Important notice

Individual copies of the present document can be downloaded from:

<http://www.etsi.org>

The present document may be made available in more than one electronic version or in print. In any case of existing or perceived difference in contents between such versions, the reference version is the Portable Document Format (PDF). In case of dispute, the reference shall be the printing on ETSI printers of the PDF version kept on a specific network drive within ETSI Secretariat.

Users of the present document should be aware that the document may be subject to revision or change of status. Information on the current status of this and other ETSI documents is available at

<http://portal.etsi.org/tb/status/status.asp>

If you find errors in the present document, please send your comment to one of the following services:

http://portal.etsi.org/chaicor/ETSI_support.asp

Copyright Notification

No part may be reproduced except as authorized by written permission.
The copyright and the foregoing restriction extend to reproduction in all media.

© European Telecommunications Standards Institute 2011.
All rights reserved.

DECT™, **PLUGTESTS™**, **UMTS™**, **TIPHON™**, the TIPHON logo and the ETSI logo are Trade Marks of ETSI registered for the benefit of its Members.

3GPP™ is a Trade Mark of ETSI registered for the benefit of its Members and of the 3GPP Organizational Partners.

LTE™ is a Trade Mark of ETSI currently being registered

for the benefit of its Members and of the 3GPP Organizational Partners.

GSM® and the GSM logo are Trade Marks registered and owned by the GSM Association.

Intellectual Property Rights

IPRs essential or potentially essential to the present document may have been declared to ETSI. The information pertaining to these essential IPRs, if any, is publicly available for **ETSI members and non-members**, and can be found in ETSI SR 000 314: *"Intellectual Property Rights (IPRs); Essential, or potentially Essential, IPRs notified to ETSI in respect of ETSI standards"*, which is available from the ETSI Secretariat. Latest updates are available on the ETSI Web server (<http://webapp.etsi.org/IPR/home.asp>).

Pursuant to the ETSI IPR Policy, no investigation, including IPR searches, has been carried out by ETSI. No guarantee can be given as to the existence of other IPRs not referenced in ETSI SR 000 314 (or the updates on the ETSI Web server) which are, or may be, or may become, essential to the present document.

Foreword

This Technical Specification (TS) has been produced by ETSI 3rd Generation Partnership Project (3GPP).

The present document may refer to technical specifications or reports using their 3GPP identities, UMTS identities or GSM identities. These should be interpreted as being references to the corresponding ETSI deliverables.

The cross reference between GSM, UMTS, 3GPP and ETSI identities can be found under <http://webapp.etsi.org/key/queryform.asp>.

Contents

Intellectual Property Rights	2
Foreword.....	2
Foreword.....	11
1 Scope	12
2 References	12
3 Definitions, symbols and abbreviations	13
3.1 Definitions	13
3.2 Symbols.....	13
3.3 Abbreviations	13
4 Main Concepts.....	13
4.1 General	13
4.2 LCLS Negotiation	14
4.2.1 General Concept	14
4.2.2 oMSC LCLS-Negotiation handling when receiving UL bicast and sending DL data	15
4.2.3 tMSC LCLS-Negotiation handling when receiving UL bicast and sending DL data	18
4.3 LCLS Call Leg Correlation	21
4.3.1 General.....	21
4.3.2 Optional Intra-Network Call Detection.....	21
4.3.2.1 General	21
4.3.2.2 Intra-Network Call Detection within the tMSC server.....	21
4.3.2.3 Intra-Network Call Detection within the tBSS.....	22
4.3.3 Optional Intra-BSS Call Detection	22
4.3.3.1 General	22
4.3.3.2 Intra-BSS Call Detection within the tMSC server	22
4.3.3.3 Intra-BSS Call Detection within the tBSS	23
4.4 LCLS Connection Control.....	23
4.5 LCLS Status Reporting	23
4.5.1 LCLS BSS Status between BSS and Core Network	23
4.5.2 LCLS Status within the Core Network	24
4.6 User Plane when LCLS is Active	24
4.6.1 General.....	24
4.6.2 LCLS Configuration	25
5 General Circuit Switched Core Network Domain Architecture	25
6 Call Establishment.....	25
6.1 Basic Mobile Originating Call.....	25
6.1.1 Basic Mobile Originating Call with BICC based CS core network	25
6.1.1.1 General	25
6.1.1.2 Initial Addressing.....	25
6.1.1.3 Access Bearer Assignment.....	26
6.1.1.3.1 Assignment performed after LCLS Negotiation through Core Network.....	26
6.1.1.3.2 Assignment performed before LCLS Negotiation.....	26
6.1.1.3.3 oBSS behavior.....	26
6.1.1.4 Backward LCLS Negotiation	26
6.1.1.5 LCLS Through-Connection	26
6.1.1.6 LCLS Status Reporting	27
6.1.1.7 MGW/User plane	27
6.1.2 Basic Mobile Originating Call with SIP-I based CS core network.....	27
6.1.2.1 General	27
6.1.2.2 Initial Addressing.....	27
6.1.2.3 Access Bearer Assignment.....	27
6.1.2.4 Backward LCLS Negotiation	27
6.1.2.5 LCLS Through-Connection	27

6.1.2.6	LCLS Status Reporting	28
6.1.2.7	MGW/User plane	28
6.2	Basic Mobile Terminating Call	28
6.2.1	Basic Mobile Terminating Call with BICC based CS core network.....	28
6.2.1.1	General	28
6.2.1.2	Actions at Intermediate Nodes (including GMSC)	28
6.2.1.2.1	Initial Addressing	28
6.2.1.2.2	Backward LCLS Negotiation	28
6.2.1.2.3	Through-Connection.....	29
6.2.1.2.4	LCLS Status Reporting within CN	29
6.2.1.2.5	MGW/User plane.....	29
6.2.1.3	Actions at Terminating Call side.....	29
6.2.1.3.1	Initial Addressing	29
6.2.1.3.2	Backward LCLS Negotiation	29
6.2.1.3.3	Access Bearer Assignment	29
6.2.1.3.4	LCLS Through-Connection.....	29
6.2.1.3.5	LCLS Status Reporting.....	30
6.2.1.3.6	MGW/User plane.....	30
6.2.2	Basic Mobile Terminating Call with SIP-I based CS core network.....	30
6.2.2.1	General	30
6.2.2.2	Actions at Intermediate Nodes (including GMSC)	30
6.2.2.2.1	Initial Addressing	30
6.2.2.2.2	Backward LCLS Negotiation	30
6.2.2.2.3	Through-Connection.....	30
6.2.2.2.4	LCLS Status Reporting within CN	30
6.2.2.2.5	MGW/User plane.....	30
6.2.2.3	Actions at Terminating Call side.....	31
6.2.2.3.1	Initial Addressing	31
6.2.2.3.2	Backward LCLS Negotiation	31
6.2.2.3.3	Access Bearer Assignment	31
6.2.2.3.4	LCLS Through-Connection.....	31
6.2.2.3.5	LCLS Status Reporting.....	31
6.2.2.3.6	MGW/User plane.....	31
6.3	Basic Mobile to Mobile End to End Call Examples.....	31
6.3.1	Basic Call Establishment Connection Model for LCLS	31
6.3.2	LCLS established, Basic Call Example with BICC based CS core network, forward bearer establishment	32
6.3.3	LCLS not established, Basic Call Example with BICC based CS core network	37
6.3.4	LCLS established, Basic Call Example with SIP-I based CS core network	39
6.3.5	LCLS established, Basic Call Example with BICC based CS core network, backward bearer establishment	45
7	Call Clearing and LCLS Break/Re-establishment.....	48
7.1	Call Clearing	48
7.2	LCLS Break.....	48
7.2.1	MSC server Initiated	48
7.2.1.1	Principles.....	48
7.2.1.2	MSC server actions	49
7.2.1.3	GMSC server actions	49
7.2.1.4	BSS actions	49
7.2.2	BSS Initiated	50
7.2.2.1	Principles.....	50
7.2.2.2	Immediate LCLS break	50
7.2.2.2.1	BSS actions.....	50
7.2.2.2.2	MSC server actions.....	50
7.2.2.2.3	GMSC server actions.....	50
7.2.2.3	BSS Requesting LCLS Release from Core Network	50
7.2.2.3.1	BSS actions.....	50
7.2.2.3.2	MSC server actions.....	50
7.2.2.3.3	GMSC server actions.....	51
7.2.3	Intermediate Node/GMSC Server Initiated.....	51
7.2.3.1	Principles.....	51

7.2.3.2	Intermediate Node/GMSC server actions.....	51
7.2.3.3	MSC server actions	51
7.2.3.4	BSS actions	52
7.2.4	LCLS Break Example Call Flows.....	52
7.2.4.1	LCLS Break Connection Model for LCLS	52
7.2.4.2	MSC server Initiated	53
7.2.4.3	BSS Initiated, Immediate LCLS Break	54
7.2.4.4	BSS Initiated, LCLS Break requested from Core Network.....	55
7.2.4.5	Intermediate Node/GMSC Server Initiated	56
7.2.4.6	MSC server Initiated when Access Side Termination is isolated in MGW.....	58
7.3	LCLS Re-establishment	59
7.3.1	MSC server Initiated	59
7.3.1.1	Principles.....	59
7.3.1.2	MSC server actions	59
7.3.1.2.1	LCLS re-establishment to the network side.....	59
7.3.1.2.2	LCLS re-establishment to the BSS	59
7.3.1.2.3	LCLS Status update to the network side.....	59
7.3.1.3	GMSC server actions	59
7.3.1.4	BSS actions	60
7.3.2	BSS Initiated	60
7.3.3	Intermediate Node / GMSC Server Initiated.....	60
7.3.3.1	Principles.....	60
7.3.3.2	Intermediate Node / GMSC server actions.....	60
7.3.3.3	MSC server actions	60
7.3.3.4	BSS actions	61
7.3.4	LCLS Re-establishment Example Call Flows.....	61
7.3.4.1	LCLS Re-establishment Connection Model for LCLS	61
7.3.4.2	MSC server Initiated Example Call Flow	61
7.3.4.3	Intermediate Node / GMSC Server Initiated Example Call Flow	63
7.3.4.4	MSC server Initiated when Access Side Termination is isolated in MGW.....	64
8	Handover/Relocation.....	65
8.1	UMTS to UMTS.....	65
8.2	UMTS to GSM	66
8.2.1	General.....	66
8.2.2	Intra-MSC UMTS to GSM Handover.....	66
8.2.2.1	Intra-MSC UMTS to GSM Handover that establishes Local Switching.....	66
8.2.2.1.1	General	66
8.2.2.1.2	Relocation Required	66
8.2.2.1.3	Handover Request Acknowledge	66
8.2.2.1.4	Handover Complete.....	66
8.2.2.1.5	Example.....	66
8.2.2.1.5.1	Connection Model.....	66
8.2.2.1.5.2	Basic Sequence for Intra-MSC UMTS to GSM Handover that establishes Local Switching....	69
8.2.2.2	Intra-MSC UMTS to GSM Handover that does not establish LCLS	70
8.2.3	Inter-MSC UMTS to GSM Handover.....	70
8.2.3.1	Inter-MSC UMTS to GSM Handover that establishes Local Switching.....	70
8.2.3.1.1	General	70
8.2.3.1.2	MSC-1 / MGW-1.....	70
8.2.3.1.2.1	Relocation Required.....	70
8.2.3.1.2.2	Handover Request Acknowledge.....	70
8.2.3.1.2.3	Bearer establishment between MGW-1 and Target MGW	70
8.2.3.1.2.4	MGW Flow Direction Control.....	70
8.2.3.1.2.5	Relocation Command/Handover Detect	71
8.2.3.1.2.6	Handover Complete	71
8.2.3.1.3	Target MSC Server / Target MGW	71
8.2.3.1.3.1	Prepare Handover Request message and MGW selection	71
8.2.3.1.3.2	Handover Request Acknowledge.....	71
8.2.3.1.3.3	Bearer establishment towards Target BSS	71
8.2.3.1.3.4	Bearer establishment between MGW-1 and Target MGW	71
8.2.3.1.3.5	Handover Complete	71
8.2.3.1.4	Example of Inter-MSC UMTS to GSM Handover that establishes Local Switching.....	71

8.2.3.1.4.1	Connection Model.....	71
8.2.3.1.4.2	Basic Sequence	73
8.2.3.2	Inter-MSC UMTS to GSM Handover that does not establish Local Switching.....	76
8.3	GSM to UMTS	76
8.3.1	Intra-MSC GSM to UMTS Relocation	76
8.3.1.1	General	76
8.3.1.2	Handover Required	76
8.3.1.3	Iu Relocation Request Acknowledge	76
8.3.1.4	Handover Command/Iu Relocation Detect	77
8.3.1.5	Iu Relocation Complete.....	77
8.3.1.6	Example	77
8.3.1.6.1	Connection Model	77
8.3.1.6.2	Basic Sequence for GSM to UMTS Handover that breaks Local Switching.....	79
8.3.2	Inter-MSC GSM to UMTS Relocation	81
8.3.2.1	General	81
8.3.2.2	MSC-1 / MGW-1	82
8.3.2.2.1	Handover Required.....	82
8.3.2.2.2	Iu Relocation Request Acknowledge.....	82
8.3.2.2.3	Bearer establishment between MGW-1 and Target MGW.....	82
8.3.2.2.4	MGW Flow Direction Control	82
8.3.2.2.5	Handover Command/Iu Relocation Detect.....	82
8.3.2.2.6	Iu Relocation Complete	82
8.3.2.3	Target MSC Server / Target MGW.....	82
8.3.2.3.1	Prepare Handover Request message and MGW selection.....	82
8.3.2.3.2	Bearer establishment towards Target RNC	83
8.3.2.3.3	Bearer establishment between MGW-1 and Target MGW.....	83
8.3.2.4	Example of Inter-MSC GSM to UMTS Relocation.....	83
8.3.2.4.1	Connection Model	83
8.3.2.4.2	Basic Sequence for Inter-MSC handover that breaks Local Switching.....	86
8.4	GSM to GSM	90
8.4.1	Intra-MSC Inter-BSS GSM to GSM Handover	90
8.4.1.1	Intra-MSC Inter-BSS GSM to GSM Handover that breaks Local Switching	90
8.4.1.1.1	General	90
8.4.1.1.2	Handover Required.....	90
8.4.1.1.3	MGW Flow Direction Control	90
8.4.1.1.4	Handover Request Acknowledge	91
8.4.1.1.5	Handover Command/Handover Detect.....	91
8.4.1.1.6	Handover Complete.....	91
8.4.1.1.7	Example.....	91
8.4.1.1.7.1	Connection Model.....	91
8.4.1.1.7.2	Basic Sequence for Inter-BSS Handover that breaks Local Switching.....	94
8.4.1.2	Intra-MSC Inter-BSS GSM to GSM Handovers that establishes Local Switching.....	96
8.4.1.2.1	General	96
8.4.1.2.2	Handover Required.....	96
8.4.1.2.3	Bearer establishment towards Target BSS	96
8.4.1.2.4	MGW Flow Direction Control	96
8.4.1.2.5	Handover Request Acknowledge	96
8.4.1.2.6	Handover Command/Handover Detect.....	96
8.4.1.2.7	Handover Complete.....	96
8.4.1.2.8	Example.....	97
8.4.1.2.8.1	Connection Model.....	97
8.4.1.2.8.2	Basic Sequence for Inter-BSS Handover that breaks Local Switching.....	99
8.4.2	Inter-MSC GSM to GSM Handover	101
8.4.2.1	Inter-MSC GSM to GSM Handover that breaks Local Switching	101
8.4.2.1.1	General	101
8.4.2.1.2	MSC-1 / MGW-1.....	101
8.4.2.1.2.1	Handover Required	101
8.4.2.1.2.2	Handover Request Acknowledge.....	101
8.4.2.1.2.3	Bearer establishment between MGW-1 and Target MGW	102
8.4.2.1.2.4	MGW Flow Direction Control.....	102
8.4.2.1.2.5	Handover Command/Handover Detect	102
8.4.2.1.2.6	Handover Complete	102

8.4.2.1.3	Target MSC Server / Target MGW	102
8.4.2.1.3.1	Prepare Handover Request message and MGW selection	102
8.4.2.1.3.2	Handover Request Acknowledge.....	102
8.4.2.1.3.3	Bearer establishment towards Target BSS.....	102
8.4.2.1.3.4	Bearer establishment between MGW-1 and Target MGW.....	103
8.4.2.1.3.5	LCLS Negotiation in Initial Address message.....	103
8.4.2.1.4	Example of Inter-MSC Handover that breaks Local Switching	103
8.4.2.1.4.1	Connection Model.....	103
8.4.2.1.4.2	Basic Sequence for Inter-MSC handover that breaks Local Switching	106
8.4.2.2	Inter-MSC GSM to GSM Handover that establishes Local Switching	110
8.4.2.2.1	General	110
8.4.2.2.2	MSC-1 / MGW-1.....	110
8.4.2.2.2.1	Handover Required.....	110
8.4.2.2.2.2	Handover Request Acknowledge.....	110
8.4.2.2.2.3	Bearer establishment between MGW-1 and Target MGW	110
8.4.2.2.2.4	MGW Flow Direction Control.....	110
8.4.2.2.2.5	Handover Command/Handover Detect.....	110
8.4.2.2.2.6	Handover Complete	111
8.4.2.2.3	Target MSC Server / Target MGW	111
8.4.2.2.3.1	Prepare Handover Request message and MGW selection	111
8.4.2.2.3.2	Handover Request Acknowledge.....	111
8.4.2.2.3.3	Bearer establishment towards Target BSS.....	111
8.4.2.2.3.4	Bearer establishment between MGW-1 and Target MGW	111
8.4.2.2.3.5	LCLS Negotiation in Initial Address message.....	111
8.4.2.2.4	Example of Inter-MSC Handover that establishes Local Switching	111
8.4.2.2.4.1	Connection Model.....	111
8.4.2.2.4.2	Basic Sequence	113
8.4.2.3	Inter-MSC Handover that leaves a not Locally Switched Call unchanged	116
8.4.3	Subsequent Inter-MSC GSM to GSM Handover back to the Anchor MSC	116
8.4.4	Subsequent GSM to GSM Handover to a third MSC	116
8.4.5	BSS Internal Handover	116
8.4.5.1	General	116
8.4.5.2	Internal Handover Required	116
8.4.5.3	Internal Handover Command	116
8.4.5.4	Handover Complete	117
8.4.5.5	Example BSS Internal Handover that Establishes Local Switching	117
8.4.5.5.1	Connection Model	117
8.4.5.5.2	Basic Sequence for BSS Internal Handover that Establishes Local Switching	118
8.4.5.6	Example BSS Internal Handover that Breaks Local Switching	119
8.4.5.6.1	Connection Model	119
8.4.5.6.2	Basic Sequence for BSS Internal Handover that Breaks Local Switching	121
8.4.5.7	Example BSS Internal Handover that Does Not Modify LCLS Status of a Locally Switched Call....	123
8.4.5.7.1	Connection Model	123
8.4.5.7.2	Basic Sequence for BSS Internal Handover that Does Not Modify LCLS Status of a Locally Switched Call	124
8.4.5.8	Example BSS Internal Handover that Does Not Modify LCLS Status of a non-Locally Switched Call.....	126
8.4.5.8.1	Connection Model	126
8.4.5.8.2	Basic Sequence for BSS Internal Handover that Does Not Modify LCLS Status of a non-Locally Switched Call	127
8.5	Handling of GSM Services after UMTS to GSM Handover	128
9	Compatibility Issues.....	129
10	General (G)MSC server-MGW Procedures	129
11	Identities	129
11.1	General	129
11.2	Global Call Reference	129
12	Operational Aspects	129
12.1	Charging.....	129
13	Interactions with Other Services	129

13.1	Enhanced Multi-Level Precedence and Pre-emption service (eMLPP).....	129
13.2	Call Deflection Service	130
13.2.1	General.....	130
13.2.2	Notification to the Calling Subscriber	130
13.2.3	Initial Addressing.....	130
13.2.4	Backward LCLS Negotiation.....	130
13.2.5	LCLS Through-Connection	130
13.2.6	Example	130
13.2.6.1	Connection Model.....	130
13.2.6.2	Basic Sequence	132
13.3	Line identification Services.....	134
13.3.1	Calling Line Identification Presentation (CLIP).....	134
13.3.2	Calling Line Identification Restriction (CLIR).....	134
13.3.3	Connected Line Identification Presentation (COLP)	134
13.3.4	Connected Line Identification Restriction (COLR)	134
13.4	Call Forwarding Services	135
13.4.1	Principles	135
13.4.2	Call Forwarding Unconditional (CFU).....	135
13.4.2.1	Notification to the Calling Subscriber.....	135
13.4.2.2	Initial Addressing.....	135
13.4.2.3	Backward LCLS Negotiation	135
13.4.2.4	LCLS Through-Connection	135
13.4.2.5	Example	135
13.4.2.5.1	Connection Model	135
13.4.2.5.2	Basic Sequence.....	136
13.4.3	Call Forwarding on mobile subscriber Busy (CFB)	140
13.4.3.1	Network Determined User Busy (NDUB)	140
13.4.3.1.1	General	140
13.4.3.1.2	Notification to the Calling Subscriber	140
13.4.3.1.3	Initial Addressing	140
13.4.3.1.4	Backward LCLS Negotiation	141
13.4.3.1.5	LCLS Through-Connection.....	141
13.4.3.1.6	Example.....	141
13.4.3.2	User Determined User Busy (UDUB).....	141
13.4.3.2.1	General	141
13.4.3.2.2	Call Clearing to the Served Subscriber.....	141
13.4.3.2.3	Notification to the Calling Subscriber	141
13.4.3.2.4	Initial Addressing	141
13.4.3.2.5	Backward LCLS Negotiation	141
13.4.3.2.6	LCLS Through-Connection.....	141
13.4.3.2.7	Example.....	142
13.4.3.2.7.1	Connection Model.....	142
13.4.3.2.7.2	Basic Sequence	143
13.4.4	Call Forwarding on No Reply (CFNRy).....	144
13.4.4.1	General	144
13.4.4.2	Call Clearing to the Served Subscriber	144
13.4.4.3	Notification to the Calling Subscriber.....	144
13.4.4.4	Initial Addressing	145
13.4.4.5	Backward LCLS Negotiation	145
13.4.4.6	LCLS Through-Connection	145
13.4.4.7	Example	145
13.4.4.7.1	Connection Model	145
13.4.4.7.2	Basic Sequence.....	146
13.4.5	Call Forwarding on mobile subscriber Not Reachable (CFNRc).....	148
13.4.5.1	General	148
13.4.5.2	Rerouting by HLR.....	148
13.4.5.3	Rerouting by VLR.....	148
13.5	Call Waiting (CW)	148
13.5.1	Principles	148
13.5.2	Accept the new incoming call, the original call is hold	148
13.5.2.1	General.....	148
13.5.2.2	Example	148

13.5.2.2.1	Connection Model	148
13.5.2.2.2	Basic Sequence	149
13.6	Call Hold (CH)	151
13.6.1	Principles	151
13.6.2	Call Hold after Answer, LCLS established.....	151
13.6.2.1	Hold Request.....	151
13.6.2.2	Retrieval Request	151
13.6.2.3	Example	151
13.6.2.3.1	Connection Model	151
13.6.2.3.2	Basic Sequence.....	152
13.6.3	Call Hold after Answer, LCLS not established.....	154
13.6.3.1	Hold Request.....	154
13.6.3.2	Retrieval Request	155
13.6.4	Establishment of a new call, the original call is hold.....	155
13.6.4.1	General Principle.....	155
13.6.4.2	Assignment Request.....	155
13.6.5	Retrieval of the held call, ongoing call is on-hold/completed.....	155
13.6.5.1	General Principle.....	155
13.6.5.2	Example call flow, Retrieval of held call after ongoing call has completed	156
13.7	Multiparty (MPTY)	156
13.8	Closed User Group (CUG)	156
13.9	Advice of Charge (AoC)	156
13.10	User-to-User Signalling (UUS)	156
13.11	Call Barring Services.....	156
13.12	Explicit Call Transfer (ECT)	157
13.13	Completion of Calls to Busy Subscriber (CCBS).....	157
13.14	Multiple Subscriber Profile (MSP).....	157
13.15	Multicall	157
13.16	Calling Name Presentation (CNAP).....	157
13.17	Alternate Speech/Fax	157
13.18	Modification of the Access Bearer.....	157
13.19	GSM Fax	157
13.20	Voice group call service (VGCS), Voice broadcast service (VBS).....	157
14	Interactions with Other Network Features and Services	158
14.1	Customised Applications for Mobile network Enhanced Logic (CAMEL)	158
14.2	IST	158
14.3	Operator Determined Barring (ODB).....	158
14.4	DTMF.....	158
14.5	OR	158
14.6	Providing tones or announcements.....	158
14.6.1	General.....	158
14.6.2	Handling of tones or announcements during an LCLS call	159
14.6.2.1	GMSC Server or intermediate node requiring temporary send access to apply tone or announcement	159
14.6.2.2	oMSC Server.....	159
14.6.2.3	tMSC Server.....	160
14.6.2.4	BSS	160
14.6.2.5	Example of Playing Mid-Call Announcement/Tone.....	161
14.6.2.5.1	Connection Model	161
14.6.2.5.2	Example Sequence.....	161
14.6.2.6	Examples with Uplink Bicast of User Data.....	163
14.6.2.6.1	Connection Model	163
14.6.2.6.2	Example Sequences with Uplink Bicast of User Data.....	164
14.6.2.6.3	Example Sequence when Access Side Termination is isolated in MGW	165
14.7	Global Text Telephony.....	167
14.8	Emergency Calls	167
14.9	Subscriber and equipment trace.....	167
14.10	Customized Alerting Tone	167
14.10.1	Audio CAT	167
14.10.2	Multimedia CAT.....	167
14.11	Tandem Free Operation (TFO).....	167

14.12	Transcoder Free Operation (TrFO).....	167
14.13	CS Data Calls	168
14.14	RTP Multiplexing.....	168
15	Tunnelling	168
16	Messages/Procedures and their contents	168
16.1	Messages between (G)MSC servers	168
16.1.1	General.....	168
16.1.2	Initial Address.....	168
16.1.3	Answer.....	168
16.1.4	Bearer and Codec Information.....	169
16.1.5	Backward LCLS Negotiation.....	169
16.1.6	Change of LCLS Negotiation	170
16.1.7	LCLS Status update	170
16.1.8	Change of LCLS Status	170
16.1.9	MAP_PREPARE_HANOVER Request.....	171
16.2	Procedures between (G)MSC server and MGW	171
16.3	Messages between MSC server and BSS	171
16.3.1	General.....	171
16.3.2	Assignment Procedure between MSC-Server and BSS	171
16.3.3	Handover Request Procedure between MSC-Server and BSS.....	172
16.3.4	Handover Complete Procedure between MSC-Server and BSS	173
16.3.5	Handover Performed Procedure between MSC-Server and BSS.....	173
16.3.6	Internal Handover Command Procedure between MSC-Server and BSS.....	174
16.3.7	LCLS Connection Procedure between MSC-Server and BSS	174
16.3.8	LCLS Notification Procedure between MSC-Server and BSS	174
17	Bearer Redirect.....	175
18	(G)MSC MGW Tandeming.....	175
19	Timers.....	175
20	Multiple Realms	175
	Annex A (informative): Change history	176
	History	177

Foreword

This Technical Specification has been produced by the 3rd Generation Partnership Project (3GPP).

The contents of the present document are subject to continuing work within the TSG and may change following formal TSG approval. Should the TSG modify the contents of the present document, it will be re-released by the TSG with an identifying change of release date and an increase in version number as follows:

Version x.y.z

where:

- x the first digit:
 - 1 presented to TSG for information;
 - 2 presented to TSG for approval;
 - 3 or greater indicates TSG approved document under change control.
- y the second digit is incremented for all changes of substance, i.e. technical enhancements, corrections, updates, etc.
- z the third digit is incremented when editorial only changes have been incorporated in the document.

1 Scope

The present document defines the Stage 2 description for the Local Call Local Switch feature. Local Call Local Switch may be implemented in both BICC based CS core networks as defined in 3GPP TS 23.205 [2] and SIP-I based CS core networks as defined in 3GPP TS 23.231 [3], with a GSM/EDGE Radio Access Network supporting either TDM based or IP based A interface.

This stage 2 shall cover the information flows between the GMSC server, MSC server and media gateways that are required to support Local Call Local Switching highlighting the specific requirements in addition to those defined for BICC based CS core networks 3GPP TS 23.205 [2] and SIP-I based CS core networks 3GPP TS 23.231 [3]. Note that nothing in the present document shall preclude an implementation of a combined MSC Server and MGW. The present document shall show the CS core network termination of the A interface, and the information flows between the BSS and the MSC server, in order to cover the information flow stimulus to the core network and describe the interaction with the supplementary and value added services and capabilities.

2 References

The following documents contain provisions which, through reference in this text, constitute provisions of the present document.

- References are either specific (identified by date of publication, edition number, version number, etc.) or non-specific.
- For a specific reference, subsequent revisions do not apply.
- For a non-specific reference, the latest version applies. In the case of a reference to a 3GPP document (including a GSM document), a non-specific reference implicitly refers to the latest version of that document *in the same Release as the present document*.

- [1] 3GPP TR 21.905: "Vocabulary for 3GPP Specifications".
- [2] 3GPP TS 23.205: "Bearer-independent circuit-switched core network; Stage 2".
- [3] 3GPP TS 23.231: "SIP-I based Circuit Switched Core Network; Stage 2".
- [4] 3GPP TS 23.153: "Out of band transcoder control; Stage 2".
- [5] ITU-T Recommendation Q.1902.3 (07/2001): "Bearer independent call control (Capability set 2) and Signalling System No.7 ISDN User part: Formats and Codes".
- [6] 3GPP TS 29.205: "Application of Q.1900 series to bearer-independent Circuit Switched (CS) core network architecture; Stage 3".
- [7] 3GPP TS 48.008: "Mobile Switching Centre - Base Station system (MSC-BSS) interface; Layer 3 specification".
- [8] 3GPP TS 23.002: "Network architecture".
- [9] 3GPP TS 23.009: "Handover procedures".
- [10] 3GPP TS 29.231: "Application of SIP-I Protocols to Circuit Switched (CS) core network architecture; Stage 3".
- [11] 3GPP TS 29.232: "Media Gateway Controller (MGC) - Media Gateway (MGW) interface; Stage 3".
- [12] 3GPP TS 29.002: "Mobile Application Part (MAP) specification".

3 Definitions, symbols and abbreviations

3.1 Definitions

For the purposes of the present document, the terms and definitions given in TR 21.905 [1] and the following apply. A term defined in the present document takes precedence over the definition of the same term, if any, in TR 21.905 [1].

BSS ID: A globally unique identifier of a Base Station Subsystem (BSS).

call leg: The access link between the mobile station and the Core Network. A mobile to mobile call consists of two call legs and the link through the Core Network.

call leg correlation: The process within the BSS to search for the other call-leg(s) of a (potential) Intra-BSS call by appropriate means.

intra-BSS call: A mobile to mobile voice call involving two mobile stations connected to the same BSS.

intra-BSS call detection: Determination that both call legs are within the same BSS.

local call: An Intra-BSS call that can be locally switched by the BSS.

locally switched call: A local call with a direct local path between the Call-legs, switched by the BSS.

3.2 Symbols

For the purposes of the present document, the following symbols apply:

A	Interface between the BSC and the MSC-S
Abis	Interface between the BSC and the BTS
i	intermediate node prefix.
Mc	Interface between the (G)MSC-S and the MGW.
Nc	The NNI call control interface between (G)MSC servers
o	originating side prefix, e.g. oUE, oBSS, oMSC, oMGW for nodes and e.g. oA-interface, oAssignment Request etc for interfaces, messages etc.
t	terminating side prefix, e.g. tUE, tBSS, tMSC, tMGW and e.g. tA-interface, tAssignment Request etc for interfaces, messages etc.

3.3 Abbreviations

For the purposes of the present document, the abbreviations given in TR 21.905 [1] and the following apply. An abbreviation defined in the present document takes precedence over the definition of the same abbreviation, if any, in TR 21.905 [1].

AoIP	A over IP, using IP as the bearer of the user plane of A interface
AoTDM	A over TDM, using TDM as the bearer of the user plane of A interface
APM	Application Transport Mechanism
COT	Continuity message
GCR	Global Call Reference
LCLS	Local Call Local Switch
OoBTC	Out of Band Transcoder Control

4 Main Concepts

4.1 General

Local Call Local Switch provides the capability for the user plane to be locally switched (e.g. voice data in user plane is not backhauled to the CS core network) for calls that are generated and terminated by users that are served by the same BSS. The result is saving on transmission resource of the Abis and/or A interface.

Local Call Local Switch shall only be considered for a CS voice call and is transparent to the end user.

Figure 4.1.1 shows an example of Local Call Local Switching. It highlights only the main nodes and interfaces and differentiates between "originating" nodes and interfaces (oUE, oBTS, oMSC, oMGW, oAbis, oA) and "terminating" nodes and interfaces (tMSC, tMGW, tBTS, tUE, tAbis, tA). It also includes an Intermediate MSC server and MGW (iMSC, iMGW), which may be a (G)MSC server or other intermediate CN control node and its MGW.

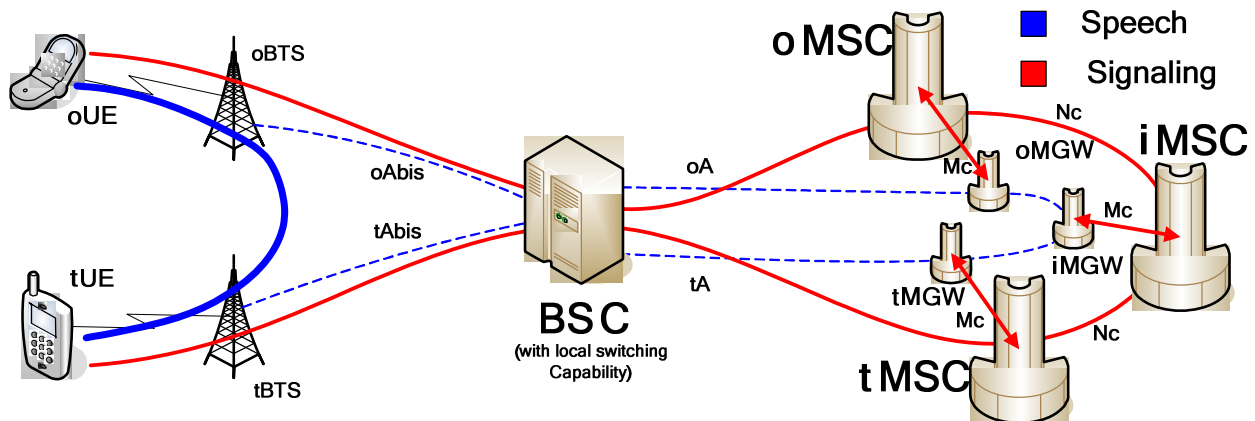


Figure 4.1.1: Example of Local Call Local Switching

The "active" User Plane path is shown with a thick, solid blue line for the case that Local Switching is provided between two BTS's, while the "inactive" User Plane path, i.e. the two Abis-links, the two A-links and the links within the Core Network are not carrying traffic and are therefore marked with thin, dotted blue lines. The Control Plane paths are shown in solid red lines.

Local Call Local Switch is attempted to be instantiated during call establishment. During this phase, negotiation for support of LCLS is performed within the Core Network and requests to correlate and connect the call legs are made to the BSS when LCLS is successfully negotiated. Interaction with existing supplementary services and handover/relocation are supported. Depending on the scenario this may require a break of an existing locally switched call where the voice data on user plane shall be routed via the core network, or a (re)establishment of a locally switched call where the voice data on user plane shall be locally switched in the BSS.

Local Call Local Switch may be supported on both TDM based A interface (AoTDM) and IP based A interface (AoIP).

Local Call Local Switch may be implemented on both a BICC based CS core network and a SIP-I based CS core network and therefore the main concepts that are defined within 3GPP TS 23.205 [2] and 3GPP TS 23.231 [3] respectively, also apply to Local Call Local Switch.

The MSC server is in charge of call control, supplementary services and gives permission (or denies) as to whether local switching may be applied. When the MSC server has granted the permission to apply LCLS, the BSC makes the final operation decision whether to establish LCLS (dependent on alignment of codecs, BTS's supporting local switching, resource available, status of its BTS's, the state of its radio legs).

4.2 LCLS Negotiation

4.2.1 General Concept

LCLS negotiation is required within the Core Network in order to determine if all of the MSC servers and intermediate nodes, including GMSC servers, in the call control path allow the support of the LCLS functionality. LCLS negotiation may result in LCLS not being permitted for the following reasons:

- An MSC server node or intermediate node, including GMSC server node, has not been upgraded to support the LCLS functionality.
- It is prevented due to specific interactions e.g. Supplementary Services, operator determined restriction of LCLS, etc.

Additionally the LCLS negotiation may result in local call local switch being permitted but with certain configurations for user plane connectivity to the BSS depending on the network requirements, for example periodic signalling of pre-paid tones.

The LCLS Negotiation Information Element is explicitly signalled on the Nc Interface. It is signalled during call establishment where the originating MSC server starts LCLS negotiation and may be signalled mid-call to attempt to establish LCLS or re-negotiate LCLS configurations, for example for mid-call tones or announcements where the node that requires change of a LCLS configuration initiates LCLS negotiation.

Depending on the support of LCLS, the MSC servers and intermediate nodes, including GMSC server, may remove the LCLS Negotiation IE from further signalling on the Nc interface (e.g. if node does not support LCLS) or modify the contents of LCLS Negotiation IE (e.g. if LCLS is not allowed for the subscriber or if bicasting is required).

The following properties are signalled in the LCLS Negotiation Information Element for "LCLS Allowed" to allow each node to indicate what level of user data connection it requires:

- Need_Receive_Forward = No/Yes; this indicates if the node needs to receive UL data from the originating UE.
- Need_Receive_Backward = No/Yes; this indicates if the node needs to receive UL data from the terminating UE.
- Need_Send_Forward = No/Yes; this indicates if the node needs to insert user data toward the terminating UE.
- Need_Send_Backward = No/Yes; this indicates if the node needs to insert user data toward the originating UE

The default setting is "No" meaning that no Core Network user data requirement exists. If a node receives any of the parameters set to "Yes" it shall not change them; it may however change any parameter to "Yes". The parameters shall not be modified when sent in the response to an incoming LCLS-Negotiation IE request.

If the call is locally switched with UL bicasting (Need_Receive_Forward = Yes or Need_Receive_Backward = Yes), the Core Network passes the user data through the Core Network as for a normally switched call, then any user data sent DL to the BSS is discarded by the BSS while locally configured as "connected both-way in the BSS" or "connected both-way in the BSS and bi-casted UL to the Core Network".

If the Core Network also wishes to send data DL to UE (Need_Send is requested) and the distant call leg is not bicasting UL data, the local LCLS-Configuration is set to "Connected Bothway and Send Access DL" then the BSS may combine the local DL user data with the DL data from the Core Network. The local call leg may also be configured to "connected both-way in the BSS and bi-cast UL to the Core Network and send Access DL from the Core Network".

If the Core Network also wishes to send data DL to UE (Need_Send is requested) and the distant call leg is bicasting UL data, the local LCLS-Configuration is set to "connected both-way in the BSS and send access DL from the Core Network, block local DL " to ensure that the bicasted UL data is not sent also via the local path to the UE i.e. the user would end up receiving the same data twice from the other UE. The local connection may also be configured to "connected both-way in the BSS and bi-casted UL to the Core Network and send access DL from the Core Network, block local DL".

The following section describes in more detail the scenarios for the LCLS-Configuration settings when UL bicasting from the distant end coincides with DL send access at the local end.

4.2.2 oMSC LCLS-Negotiation handling when receiving UL bicast and sending DL data

If the oMSC server requires receiving UL data from the terminating UE and sending DL data to the originating UE then it shall perform one of the following:

- send LCLS-Negotiation set to "LCLS-Not-Allowed" or;
- send LCLS-Negotiation set to "Need_Receive_Backward = Yes, Need_Send_Backward = Yes" and set LCLS-Configuration IE to "connected both-way in the BSS and send access DL from the Core Network, block local DL" (as shown in Figure 4.2.2.1). If the BSS supports this configuration then LCLS will be allowed; otherwise LCLS will not be permitted.

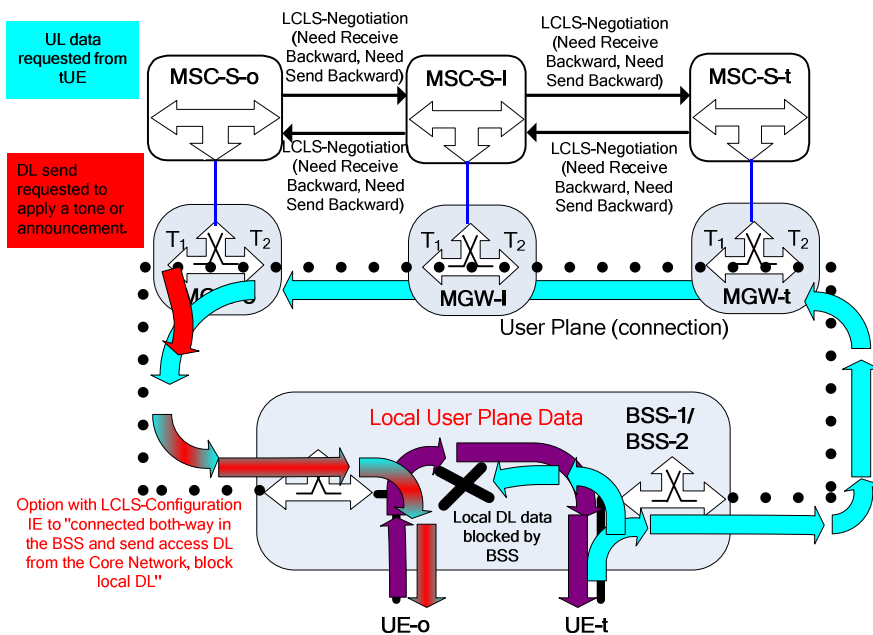


Figure 4.2.2.1: oMSC requesting UL data from tUE plus sending DL data to oUE

If the oMSC server requires receiving UL data from the originating UE it shall either:

- send LCLS-Negotiation with "Need_Receive Forward = Yes" (as shown in Figure 4.2.2.2) or;

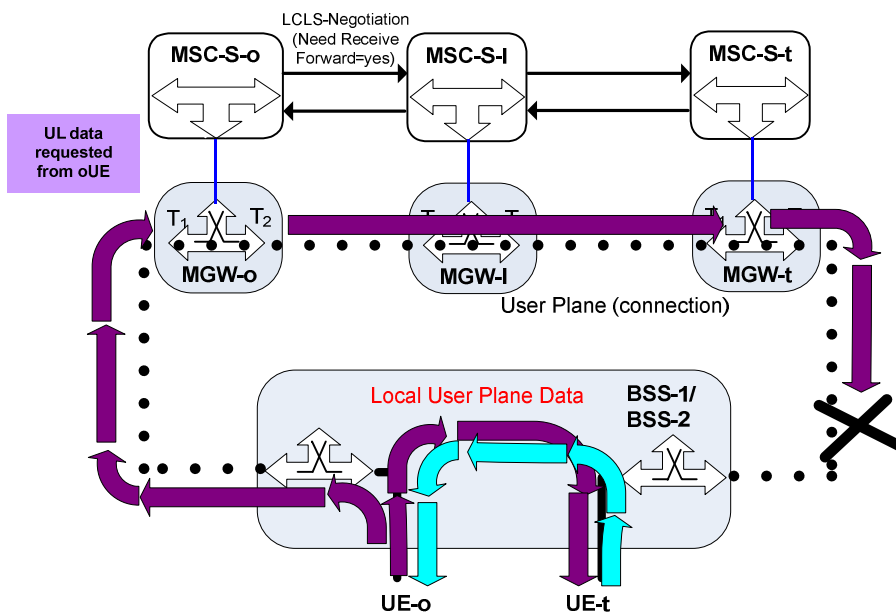


Figure 4.2.2.2: oMSC requesting UL data from oUE indicated in LCLS-Negotiation

- send LCLS-Negotiation to the succeeding node with "Need_Receive_Forward = No" and if it does not receive "Need_Receive_Forward = Yes" in LCLS-Negotiation information element then it may configure its MGW to isolate the network side termination from the access side termination (as shown in Figure 4.2.2.3).

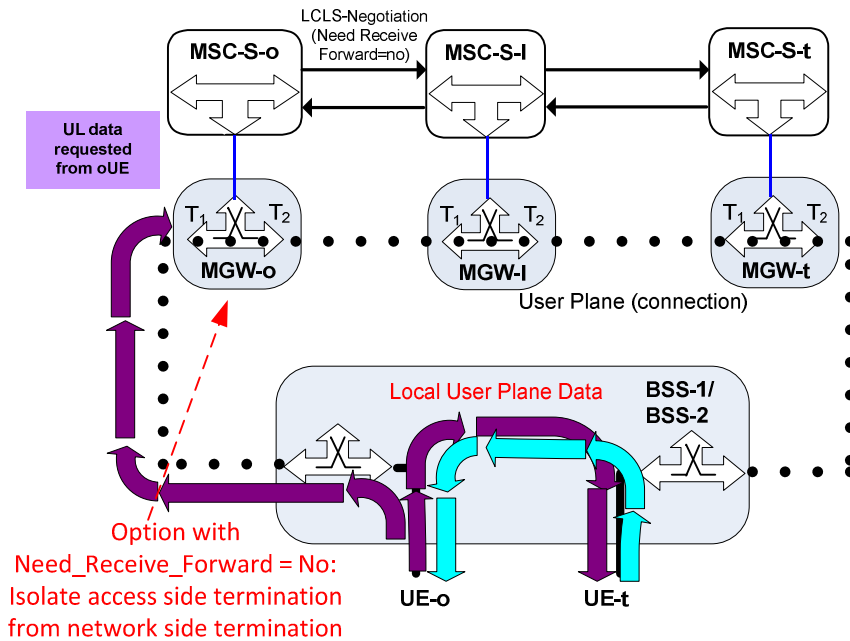


Figure 4.2.2.3: oMSC requesting UL data from oUE not indicated in LCLS-Negotiation

- If the oMSC server receives "Need_Receive_Forward = Yes" in LCLS-Negotiation information element then it shall configure its MGW to be both-way through-connected (as shown in Figure 4.2.2.4).

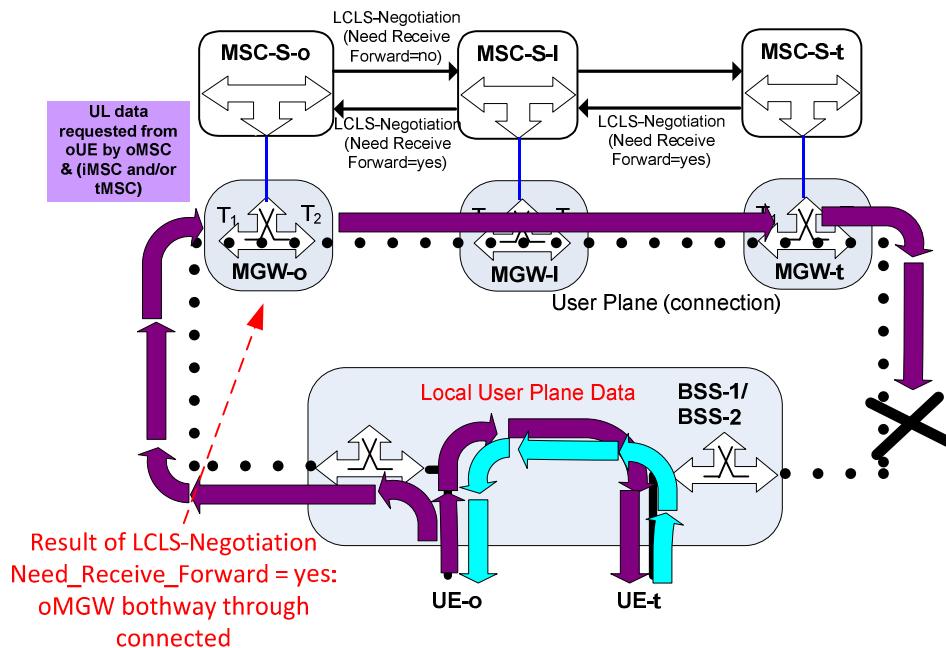


Figure 4.2.2.4: UL data requested from oUE by iMSC/tMSC, oMGW both-way through-connected

If the oMSC server receives a LCLS-Negotiation information element set to "Need_Send_Backward = Yes" and "Need_Receive_Backward = Yes" then it shall perform one of the following:

- send an LCLS-Negotiation forward set to "LCLS-Not-Allowed" or;
- set LCLS-Configuration IE to "connected both-way in the BSS and send access DL from the Core Network, block local DL" (as shown in Figure 4.2.2.5).

If the BSS supports this configuration then LCLS will be allowed; otherwise LCLS will not be permitted.

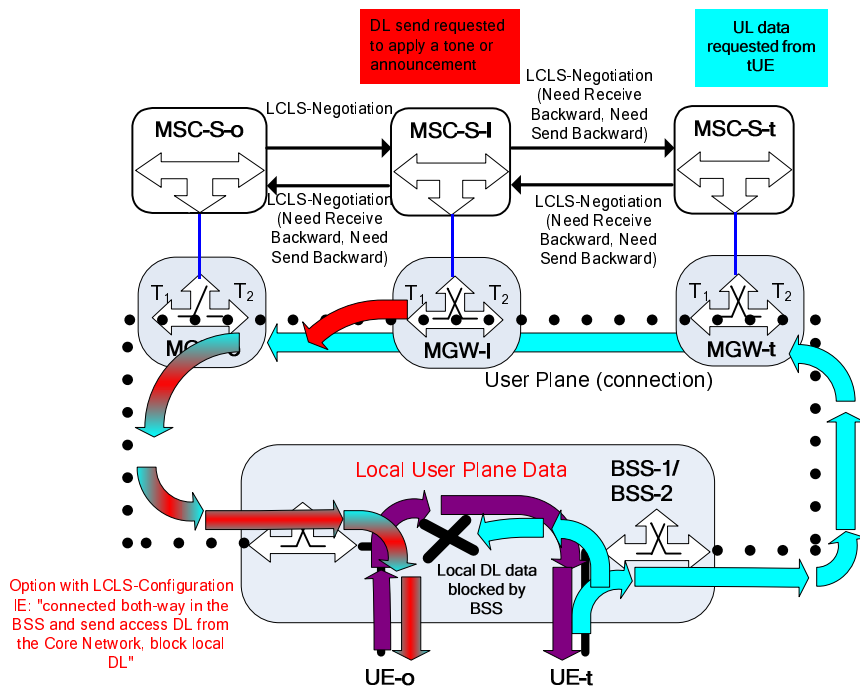


Figure 4.2.2.5: iMSC requesting UL data from tUE plus sending DL data to oUE

4.2.3 tMSC LCLS-Negotiation handling when receiving UL bicast and sending DL data

If the tMSC server receives LCLS-Negotiation with "Need_Send_Forward = Yes" and "Need_Receive_Forward = Yes" then it shall either:

- return LCLS-Negotiation information element set to "LCLS-Not-Allowed" or;
- return LCLS-Negotiation information element with value "Need_Send_Forward = Yes" and "Need_Receive_Forward = Yes" and set LCLS-Configuration IE to "Send Access DL, block local DL" (as shown in Figure 4.2.3.1). If the BSS supports this configuration then LCLS will be allowed; otherwise LCLS will not be permitted.

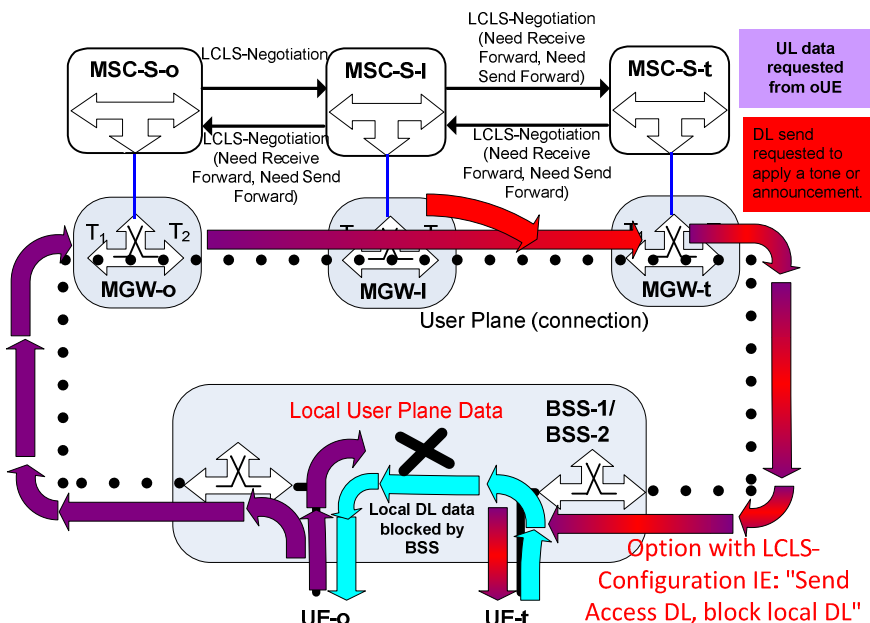


Figure 4.2.3.1: iMSC requesting UL data from oUE and sending DL data to tUE

If the tMSC server requires sending DL data to the terminating UE and receives LCLS-Negotiation with "Need_Receive_Forward = Yes" but "Need_Send_Forward = No" it shall either:

- return LCLS-Negotiation information element set to "LCLS-Not-Allowed" or;
- return LCLS-Negotiation information element with value "Need_Send_Forward = Yes" and "Need_Receive_Forward = Yes" and configure its Access MGW to isolate the network side termination from the access side termination when LCLS is established (as shown in Figure 4.2.3.2), or;

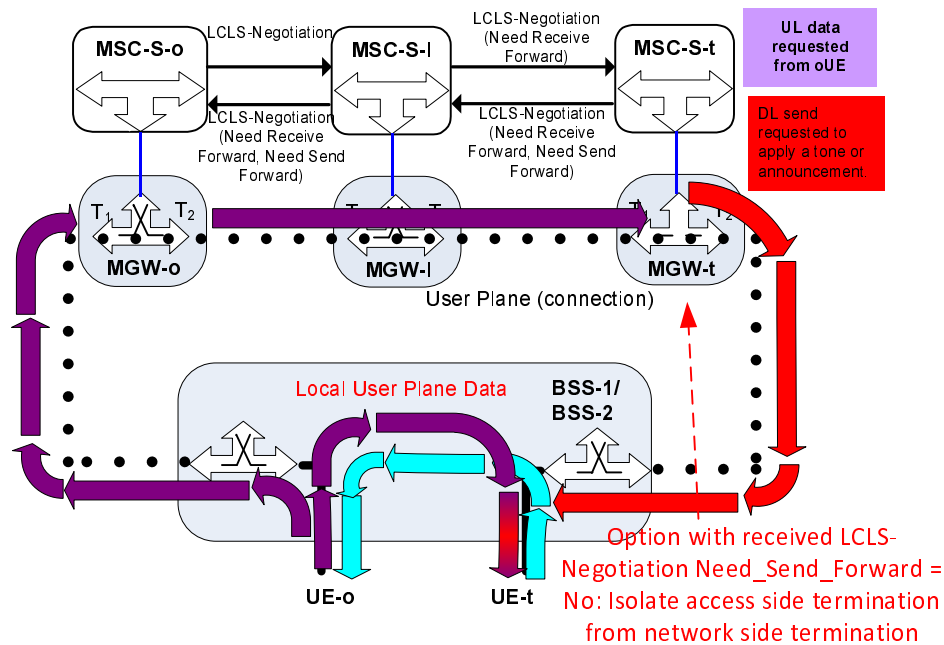


Figure 4.2.3.2: iMSC requesting UL data from oUE and tMSC requesting DL data to tUE: option isolate access side termination from network side termination

- return LCLS-Negotiation information element with value "Need_Send_Forward = Yes" and "Need_Receive_Forward = Yes" and set LCLS-Configuration IE to "Send Access DL, block local DL" (as shown in Figure 4.2.3.3). If the BSS supports this configuration then LCLS will be allowed; otherwise LCLS will not be permitted.

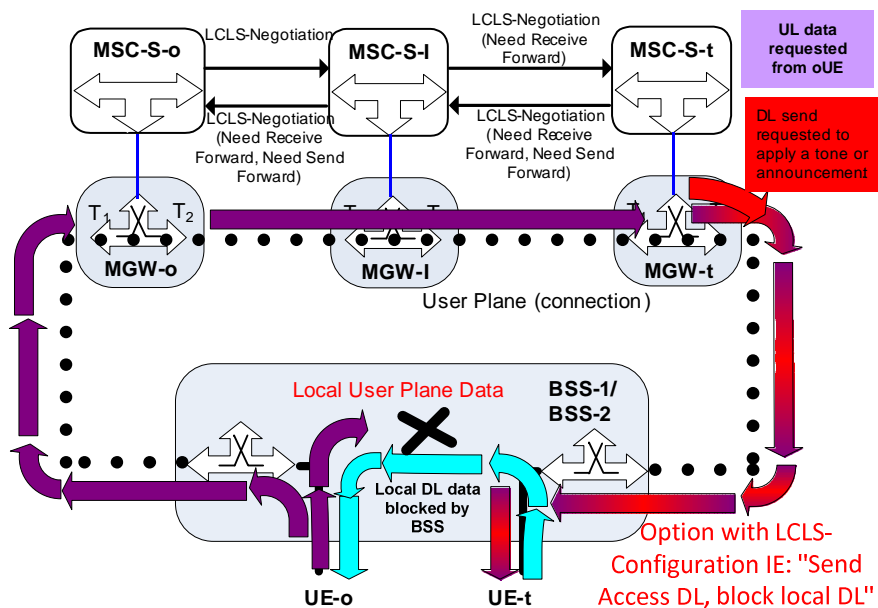


Figure 4.2.3.3: iMSC requesting UL data from oUE and tMSC requesting DL data to tUE: option send Access DL, block local DL

If the tMSC server requires receiving UL data from the terminating UE and it receives LCLS-Negotiation with "Need_Receive_Backward = No" (as shown in Figure 4.2.3.4) then it shall either:

- return LCLS-Negotiation with "Need_Receive Backward = Yes" or;
- return LCLS-Negotiation with "Need_Receive Backward = No" and configure its MGW to isolate its access side termination from the network side termination.

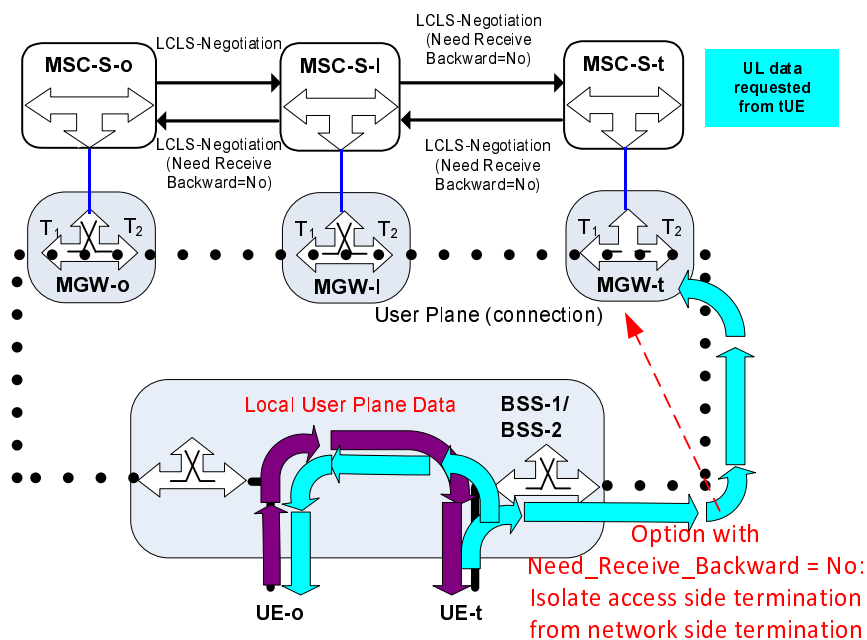


Figure 4.2.3.4: tMSC requires DL data from tUE: option isolate access side termination from network side termination

4.3 LCLS Call Leg Correlation

4.3.1 General

LCLS call leg correlation is required in order to allow the BSS to identify that two call legs that are part of the same call are within the same BSS, and therefore can be correlated together to be a candidate for Local Call Local Switching.

The originating MSC server shall generate a Global Call Reference (GCR) Information Element which is a globally unique call identifier for the duration of the call and needs to be sent to all nodes in the routing path. The Global Call Reference is further detailed within clause 11.

The originating MSC server and the terminating MSC server shall include the GCR Information Element in the ASSIGNMENT REQUEST and HANDOVER REQUEST messages.

See Clause 6 for the detailed descriptions and related call flows for the call establishment procedures.

The GCR may additionally be signalled within the core network for supplementary service interaction with LCLS and Inter-MSC Handover, this is further detailed in Clause 13 and Clause 8 respectively.

On receipt of a GCR Information Element, if the BSS supports LCLS, the BSS shall store the GCR for each call leg until the call is released or that call leg is handed over to another BSS.

NOTE: the inclusion of the LCLS-BSS-Status IE in the response indicates to the MSC server that the BSS supports LCLS.

If the GCR and LCLS-Configuration Information Elements are included in the ASSIGNMENT REQUEST message, without the LCLS-Correlation-Not-Needed Information Element (see optional Intra-Network Detection, Sub-clause 4.3.2 and optional Intra-BSS Call Detection, Sub-clause 4.3.3), the BSS shall perform call leg correlation and send the LCLS-BSS-Status Information Element with the correct value within the ASSIGNMENT COMPLETE message.

If the GCR and LCLS-Configuration Information Elements are included in the HANDOVER REQUEST message, the BSS shall perform call leg correlation and send the LCLS-BSS-Status Information Element with the correct value within the HANDOVER COMPLETE messages.

If the GCR, LCLS-Configuration and LCLS-Correlation-Not-Needed Information Elements are included (see optional Intra-Network Call Detection, Sub-clause 4.3.2 and optional Intra-BSS Call Detection, Sub-clause 4.3.3) in the ASSIGNMENT REQUEST message, the BSS shall either:

- not perform any call leg correlation, but only store the GCR for the assigned call leg and send the LCLS-BSS-Status Information Element with the value "Call Not Possible to be Locally Switched" within the ASSIGNMENT COMPLETE;

or

- ignore the LCLS-Correlation-Not-Needed Information Element, store the GCR and perform call leg correlation, and send the LCLS-BSS-Status Information Element with the correct value within the ASSIGNMENT COMPLETE message.

4.3.2 Optional Intra-Network Call Detection

4.3.2.1 General

As an option during call establishment, the tMSC server or the tBSS may utilise the Network ID within the Global Call Reference in order to determine whether the call is an intra-network call (e.g. compare the Network ID within the GCR with the Network ID of the tMSC server).

4.3.2.2 Intra-Network Call Detection within the tMSC server

The terminating MSC-Server may perform an intra-network call detection as follows:

- if the Network ID in the GCR is the same as the Network ID of the terminating MSC-Server it means that the call is an intra-network call and the terminating MSC-Server shall proceed as for the case if no Intra-Network

Call Detection is performed i.e. including the GCR and LCLS-Configuration Information Elements, but not including the LCLS-Correlation-Not-Needed Information Element, within the ASSIGNMENT REQUEST message.

- if the Network ID in the GCR is different from the Network ID of the terminating MSC-Server it means that the call is not an intra-network call and the terminating MSC-Server shall include GCR, LCLS-Configuration, and LCLS-Correlation-Not-Needed Information Elements within the ASSIGNMENT REQUEST message.

NOTE: Intra-Network call detection within the tMSC server can minimize the processing in some BSS implementations.

4.3.2.3 Intra-Network Call Detection within the tBSS

When receiving a GCR Information Element the tBSS may perform intra-network call detection as follows:

- if the Network ID in the GCR is the same as the Network ID of the terminating BSS it means that the call is an intra-network call and the terminating BSS shall perform call leg correlation.
- if the Network ID in the GCR is different from the Network ID of the terminating BSS it means that the call is not an intra-network call and the terminating BSS shall only store the GCR for the assigned call leg and does not need to perform call leg correlation.

The tBSS shall indicate the resulting outcome to the tMSC server in the LCLS-BSS-Status Information Element within the Assignment Complete.

4.3.3 Optional Intra-BSS Call Detection

4.3.3.1 General

As an option during call establishment, the tMSC server or tBSS may utilize the oBSS Node ID within the Call Reference ID of the GCR, in order to determine whether the call is an intra-BSS call (e.g. compare the oBSS Node ID with the tBSS Node ID) as described below.

NOTE: After the oMSC server has generated the GCR IE, an Inter-BSS handover may occur at the originating side, therefore the encapsulated BSS ID is no longer the same as the BSS ID of the new Target BSS (see also sub-clause 8.4.1.1). Due to that, the result of the "BSS ID Pre-Check" procedure may be incorrect leading to "LCLS-Correlation-Not-Needed" indication being sent to the tBSS whilst the new target BSS could in fact be the same as the tBSS. If the tBSS does not perform the correlation of the GCR then the information in the Assignment Complete message may also be inaccurate (the LCLS-BSS-Status IE may indicate "call not possible to be locally switched" instead of "call not yet locally switched"). If the tMSC server indicates "LCLS-Correlation-Not-Needed" and the Inter-BSS handover has occurred at the oUE into the same BSS as the tUE but after signalling the GCR IE and the tBSS does perform full GCR correlation then the LCLS-BSS-Status will indicate accurately that the call can be locally switched.

4.3.3.2 Intra-BSS Call Detection within the tMSC server

The terminating MSC-Server performs intra-BSS call detection as follows:

- if the oBSS Node ID in the GCR is the same as the terminating BSS Node ID, the terminating MSC-Server shall proceed as for the case when no Intra-BSS Call Detection is performed i.e. including the GCR and LCLS-Configuration Information Elements, but not including the LCLS-Correlation-Not-Needed Information Element, in the ASSIGNMENT REQUEST message (if LCLS is otherwise allowed from CN point of view).
- if the oBSS Node ID in the GCR is different from the terminating BSS Node ID, the terminating MSC-Server shall include the GCR, LCLS-Configuration, and LCLS-Correlation-Not-Needed Information Elements within the ASSIGNMENT REQUEST message.

NOTE: Intra-BSS call detection within the tMSC server can minimize the processing in some BSS implementations.

4.3.3.3 Intra-BSS Call Detection within the tBSS

When receiving a GCR Information Element the tBSS may perform intra-BSS call detection as follows:

- if the oBSS Node ID in the GCR is the same as the BSS Node ID of the terminating BSS the terminating BSS shall perform call leg correlation.
- if the oBSS Node ID in the GCR is different from the BSS Node ID of the terminating BSS the terminating BSS shall only store the GCR for the assigned call leg and does not perform call leg correlation.

The tBSS shall indicate the resulting outcome to the tMSC server in the LCLS-BSS-Status Information Element within the ASSIGNMENT COMPLETE message.

4.4 LCLS Connection Control

LCLS connection control enables the Core Network to indicate to the BSS when the call is requested to be locally switched within the BSS or not. LCLS connection control is explicitly signalled on the A interface during Call Establishment, Handover and LCLS Break/(Re)Establishment using the LCLS_CONNECT_CONTROL message.

Within the LCLS_CONNECT_CONTROL message, the LCLS-Connection-Status-Control Information Element shall indicate whether the BSS is requested to:

- establish local switching (connect)
- do not establish local switching (this value is used for example in call hold to explicitly prevent LCLS connection)
- bi-cast at handover (this is a temporary status for the other call leg which is not being handed over. After handover has been completed and LCLS is broken, the BSS shall adopt the previous LCLS-Connection-Status-Control value i.e. "connect" unless explicitly changed by the MSC Server. This means that any subsequent handover of the previous call leg back into the same BSS will enable LCLS without any change of LCLS-Connection-Status to this call leg)
- release LCLS for the locally switched call (Release LCLS)

LCLS through-connection is established when the BSS receives, on both call legs, the LCLS-Connection-Status-Control IE to allow and request LCLS to be established.

The detailed call flows and procedures for signalling of the LCLS-Connection-Status-Control IE during Call Establishment, LCLS Break/(Re)Establishment, and Handover are defined in clauses 6, 7, and 8 respectively.

The LCLS_CONNECT_CONTROL message and the usage of the LCLS-Connection-Status-Control IE are further detailed in sub-clause 16.3.

4.5 LCLS Status Reporting

4.5.1 LCLS BSS Status between BSS and Core Network

LCLS BSS status is required between the BSS and the Core Network in order to keep the originating MSC server and the terminating MSC server updated of the LCLS status in the respective BSS.

The LCLS-BSS-Status Information Element is used to indicate whether:

- the call is locally switched
- the call is local but not yet locally switched (this indicates that the call has been correlated but not locally switched)
- the call is not possible to be locally switched (this indicates that the call has been determined not to be a local call)
- the call is no longer locally switched

- the requested LCLS-Configuration is not supported

The inclusion of the LCLS-BSS-Status Information Element in responses to the MSC server indicates support of LCLS feature by the BSS. The usage of the LCLS-BSS-Status Information Element is further detailed in sub-clause 16.3.

The LCLS-BSS-Status IE is explicitly signalled on the A interface during Call Establishment, LCLS Break/(Re)Establish LCLS, and Handover procedures. See clauses 6, 7 and 8 respectively.

The LCLS-BSS-Status IE is also signalled explicitly in the LCLS_NOTIFICATION message on the A interface, triggered by the BSS to notify the core network of any LCLS status changes in the BSS, e.g. BSS Initiated LCLS Break. The LCLS_NOTIFICATION message is further detailed in sub-clause 16.3.

4.5.2 LCLS Status within the Core Network

LCLS status is required within the Core network in order to update all of the (G)MSC server and intermediate nodes in the call control path of the LCLS status of the call.

LCLS-Status Information Element is explicitly signalled on the Nc interface during Call Establishment, LCLS Break/(Re)Establish, and Handover procedures when the LCLS status changes from before and after handover. See clauses 6, 7, and 8 respectively. The LCLS-Status is either indicated as changed status (LCLS-Status IE) to a change in the BSS or it may be indicated as request to change the LCLS-Status (LCLS-Status-Change IE) due to handover or supplementary service invocation for example.

The LCLS-Status IE can indicate the following statuses:

- the call is LCLS connected
- the call is not LCLS connected
- the call is LCLS feasible but not yet connected

The LCLS-Status-Change IE can indicate the following statuses:

- LCLS is to be released
- LCLS is to be released due to handover
- LCLS is to be re-connected after LCLS break

The MSC Servers shall only generate or forward the LCLS Status IE through the CN if there is a change to the current CN status (i.e. there is not a one to one mapping of the LCLS-BSS Status and the LCLS Status in the CN). The usage of these elements: the LCLS Status IE signalled in the LCLS_STATUS_UPDATE message and the LCLS-Status-Change IE which is signalled in the LCLS_STATUS_CHANGE_REQUEST message and LCLS_STATUS_CHANGE_REQUEST ACKNOWLEDGEMENT message is further detailed in sub-clause 16.1.

4.6 User Plane when LCLS is Active

4.6.1 General

When LCLS has been established for a call, the voice data on the user plane is locally switched within the BSS. When the call is locally switched the core network shall assume that no user plane data will be received from the BSS for the duration of the locally switched call unless explicitly requested via the LCLS-Configuration IE.

When user plane data is required to be inserted by the core network, e.g. supplementary services, unless previously negotiated via the LCLS-Negotiation IE (see sub-clause 4.2) an LCLS Break procedure shall precede the insertion of user plane data.

- NOTE: During Handover procedures and LCLS Break procedures, the BSS may start to send the user plane data to the core network before all nodes in the routing path have updated their related LCLS status, see clauses 7 and 8.

4.6.2 LCLS Configuration

LCLS configuration is required in order to allow the Core Network to indicate to the BSS the LCLS connection preference.

The LCLS Configuration Information Element is explicitly signalled on the A interface on a per call leg basis during Call Establishment and Handover procedures or at any time during the call using the LCLS_CONNECT_CONTROL message. See clauses 6 and 8 respectively. It is used to indicate if the local call shall be:

- connected both-way in the BSS (basic LCLS connection)
- connected both-way in the BSS and bi-casted UL to the Core Network
- connected both-way in the BSS and send access DL from the Core Network (BSS may combine or replace local DL data with DL data from the Core Network)
- connected both-way in the BSS and send access DL from the Core Network, block local DL
- connected both-way in the BSS and bi-casted UL to the Core Network and send access DL from the Core Network (BSS may combine or replace local DL data with DL data from the Core Network)
- connected both-way in the BSS and bi-casted UL to the Core Network and send access DL from the Core Network, block local DL (BSS shall block local DL data but continue send UL data locally)

If the BSS does not support a certain configuration this shall be indicated in the LCLS-BSS-Status IE to the MSC Server.

The usage of the LCLS Configuration IE is further detailed in sub-clause 16.3.

5 General Circuit Switched Core Network Domain Architecture

LCLS does not require any modifications to the basic reference architecture. The General CS core network domain architecture is specified in 3GPP TS 23.205 [2]. Network Architecture for CS Core Network Nodes and GSM/EDGE Radio Access Networks is specified in 3GPP TS 23.002 [8].

NOTE: LCLS does introduce a number of conceptual changes as described in sub-clause 4.1.

6 Call Establishment

6.1 Basic Mobile Originating Call

6.1.1 Basic Mobile Originating Call with BICC based CS core network

6.1.1.1 General

The basic mobile originating call shall be established in accordance with 3GPP TS 23.205 [2]. The LCLS establishment may use forward or backward bearer establishment. The following sub-clauses describe the additional requirements related to the LCLS functionality.

6.1.1.2 Initial Addressing

If the oMSC server supports the LCLS feature it shall generate a Global Call Reference (GCR) IE. The GCR IE is derived from the ITU-T *Global Call Reference IE* [5] and specified in detail in the clause 16 and in 3GPP TS 29.205 [6]. If the serving radio access is GERAN the Call Reference ID field of the GCR IE contains the originating BSS ID.

The oMSC server shall then include the GCR IE and LCLS-negotiation IE indicating the preferences for LCLS as defined in the sub-clause 4.2, clause 16 and in 3GPP TS 29.205 [6], together with the Supported Codecs List IE for OoBTC as specified in 3GPP TS 23.153 [4] in the IAM message to the succeeding call control node.

6.1.1.3 Access Bearer Assignment

6.1.1.3.1 Assignment performed after LCLS Negotiation through Core Network

On receipt of the APM from the succeeding MSC server containing the LCLS-Negotiation IE, indicating local call connection is permitted, the oMSC server shall continue with the basic call establishment and if the serving radio access is GERAN shall include the GCR IE and the LCLS-Configuration IE (which is derived from the LCLS-Negotiation IE) in the originating BSSAP Assignment Request message (see 3GPP TS 48.008 [7]). If the APM does not contain the LCLS-Negotiation IE then the oMSC server shall determine that LCLS is not supported end to end and shall continue the call establishment as described in 3GPP TS 23.205 [2].

If the serving radio access is UTRAN the oMSC server shall save the LCLS-Negotiation information but proceed with the call establishment as described in TS 23.205 [2].

6.1.1.3.2 Assignment performed before LCLS Negotiation

After generation of the GCR IE the oMSC initiates the access bearer assignment on the originating side and includes the GCR IE and the preliminary LCLS-Configuration IE (the final configuration can be different due to the following LCLS negotiation through the core network) in the originating BSSAP Assignment Request message.

6.1.1.3.3 oBSS behavior

If the originating BSS supports LCLS and receives the Assignment Request message containing the GCR IE and the LCLS-Configuration IE the originating BSS shall store the GCR IE against the Assigned Call leg and shall check if it can support the requested LCLS-Configuration. The originating BSS shall report the outcome in LCLS-BSS-Status IE returned to the MSC server in the Assignment Complete message.

If the originating BSS does not support LCLS then the GCR IE and the LCLS-Configuration IE will be ignored and no LCLS-BSS-Status IE will be returned in the Assignment Complete message. The oMSC server shall continue the call establishment as for a Non-LCLS call.

6.1.1.4 Backward LCLS Negotiation

At reception of an APM, ACM or CPG message with the LCLS-Negotiation IE the oMSC server shall check if a new value of the LCLS-Negotiation IE requires the change of the requested LCLS configuration and if so the oMSC server shall mark that the LCLS-Configuration IE needs to be sent in the BSSAP message LCLS Connect Control to the BSS, see sub-clause 6.1.1.5. If the new value of LCLS-Negotiation indicates "LCLS Not Allowed" then the oMSC Server shall not proceed with further LCLS signalling.

At reception of an unsolicited APM message without LCLS Negotiation IE then the oMSC shall handle the APM but not change the LCLS-Configuration or any LCLS behaviour.

NOTE: APM is used for other services or applications and need not include LCLS Configuration IE.

6.1.1.5 LCLS Through-Connection

If the originating BSS determines that the call is local and can be locally switched it shall not through-connect the two parties unless explicitly indicated to do so by receiving the LCLS-Connection-Status-Control IE set to "Connect" for both call legs.

When the oMSC server receives the ANM from the succeeding MSC server with the LCLS-Status IE indicating "LCLS is feasible but not yet connected" it shall send the BSSAP message LCLS-Connect-Control to the originating BSS containing the LCLS-Connection-Status-Control IE set to "Connect". If the value of the required LCLS Configuration is not the same as the value requested within the Assignment Request message, the oMSC Server shall also include the LCLS Configuration IE in the LCLS-Connect-Control message.

If the BSS has received the LCLS-Connection-Status-Control IE set to "Connect" for both call legs associated to the LCLS call it shall locally switch the user plane between the two call legs and report the through-connection via the LCLS-BSS-Status IE in the LCLS-Connect-Control Acknowledge message. The CN user plane shall be kept through-connected as described in the sub-clause 4.6.

If the call is not yet locally switched when returning the LCLS-Connect-Control Acknowledge message but becomes locally switched at a later time (for example due to the LCLS-Connection-Status-Control IE requesting "Connect" at the second call leg) the BSS shall report the change in status via the LCLS-BSS-Status IE within the LCLS-Notification message as specified in 3GPP TS 48.008 [7].

NOTE: This should not occur at the oMSC server for normal call establishment as the oMSC server should always be the last (second) node sending the LCLS-Connect-Control message to the BSS.

6.1.1.6 LCLS Status Reporting

When the oMSC server receives the LCLS-Connect-Control Acknowledge message from the originating BSS with the LCLS-BSS-Status IE set to "the call is locally switched" it shall inform the succeeding MSC server with the APM message containing the LCLS Status IE set to "LCLS connected".

During the LCLS call establishment and ongoing call any change to the LCLS connection status is reported by the BSS to the core network and only if it results in a change of the LCLS status in the core network, the updated LCLS status shall be signalled by the oMSC server to the succeeding nodes. See also sub-clause 4.5.

6.1.1.7 MGW/User plane

The MGW/user plane shall be established in accordance with 3GPP TS 23.205 [2].

6.1.2 Basic Mobile Originating Call with SIP-I based CS core network

6.1.2.1 General

The basic mobile originating call shall be established in accordance with 3GPP TS 23.231 [3]. The LCLS principles introduced in the sub-clause 6.1.1 for BICC protocol messages should also apply to SIP-I signalling cases.

6.1.2.2 Initial Addressing

The oMSC server shall send the initial SIP-I INVITE request with the GCR IE and LCLS-negotiation IE included within the encapsulated IAM message if the LCLS feature is supported. If an access bearer assignment has not been completed the initial SDP offer shall indicate that the local preconditions have not been met.

6.1.2.3 Access Bearer Assignment

On receipt of the SIP-I 183 Session Progress provisional response from the succeeding MSC server containing the LCLS-Negotiation IE included within the encapsulated APM message, the oMSC server shall continue with the basic call establishment as specified in the sub-clause 6.1.1.3.

6.1.2.4 Backward LCLS Negotiation

At reception of the SIP-I 183 Session Progress provisional response with the LCLS-Negotiation IE included within the encapsulated APM message the oMSC server shall check the value of the LCLS-Negotiation IE as specified in the sub-clause 6.1.1.4.

6.1.2.5 LCLS Through-Connection

On the reception of the 200 OK final response to the initial INVITE with the encapsulated ANM message containing LCLS-Status IE the oMSC server shall apply the LCLS Through-Connection procedure specified in the sub-clause 6.1.1.5.

6.1.2.6 LCLS Status Reporting

The oMSC server shall send the SIP-I INFO request containing the LCLS Status IE included within the encapsulated APM message to the succeeding MSC server when LCLS Status Reporting needs to be performed according to procedure described in the sub-clause 6.1.1.6.

6.1.2.7 MGW/User plane

The MGW/user plane shall be established in accordance with 3GPP TS 23.205 [2].

6.2 Basic Mobile Terminating Call

6.2.1 Basic Mobile Terminating Call with BICC based CS core network

6.2.1.1 General

The basic mobile terminating call shall be established in accordance with 3GPP TS 23.205 [2]. The LCLS establishment may use forward or backward bearer establishment. The following sub-clauses describe the additional requirements related to the LCLS functionality.

6.2.1.2 Actions at Intermediate Nodes (including GMSC)

6.2.1.2.1 Initial Addressing

If an intermediate node supports the LCLS feature and receives the LCLS-Negotiation IE from a preceding node in the IAM it may modify the preferences based on its own requirements, and shall then forward the resulting LCLS-Negotiation IE to the succeeding node. The rules for modifying the LCLS-Negotiation IE preferences are specified in the sub-clause 4.2.

If LCLS is not permitted by the intermediate node based on LCLS-Negotiation preference then it shall not forward the LCLS-Negotiation IE and GCR to the succeeding node.

6.2.1.2.2 Backward LCLS Negotiation

If the intermediate node supports the LCLS feature and has sent the GCR IE and LCLS-Negotiation IE within IAM message towards the succeeding node further action depends on the content of the first received backward message (APM message or ACM).

- If the intermediate node receives the first backward message (APM or ACM) without the LCLS-Negotiation IE it should include the LCLS-Negotiation IE indicating "LCLS not allowed" into APM/ACM before forwarding the APM/ACM to the preceding node.

NOTE: This indicates to preceding nodes that the requested LCLS configuration was not accepted. If the intermediate node does not include any LCLS-Negotiation result then it implicitly indicates to the preceding node that LCLS feature is not supported.

- When the received APM/ACM contains the LCLS-Negotiation IE then the forwarding MSC server shall forward the received LCLS-Negotiation IE to the preceding node.

If the intermediate node supports the LCLS feature and has sent the IAM message without GCR IE and LCLS-Negotiation IE (configuration not permitted), it should include the LCLS-Negotiation IE indicating "LCLS not allowed" into APM/ACM before forwarding the APM/ACM to the preceding node.

NOTE: This indicates to preceding nodes that the requested configuration was not accepted. If the intermediate node does not include any LCLS-Negotiation result then it implicitly indicates to the preceding node that LCLS feature is not supported.

If the intermediate node has not forwarded LCLS-Negotiation IE in any previous APM/ACM message and receives an APM which does not include LCLS Negotiation IE then the intermediate node shall handle the APM but shall not include any LCLS IE's when passing on such APM's; no changes to LCLS status shall result.

NOTE: APM is used for other services or applications and need not include LCLS Configuration IE.

Other information elements shall be treated as specified in 3GPP TS 23.205 [2] and in 3GPP TS 23.231 [3].

6.2.1.2.3 Through-Connection

The procedure specified in 3GPP TS 23.205 [2] shall be applied.

6.2.1.2.4 LCLS Status Reporting within CN

If the LCLS status is received from its adjacent node, the MSC server shall update the LCLS status and shall pass on to the next node only if the LCLS status has changed. See also sub-clause 4.5.

6.2.1.2.5 MGW/User plane

The MGW/user plane shall be established in accordance with 3GPP TS 23.205 [2].

6.2.1.3 Actions at Terminating Call side

6.2.1.3.1 Initial Addressing

If the tMSC server supports LCLS feature and receives the GCR IE and the LCLS-Negotiation IE it may modify the preferences based on its own requirements. The rules for modifying the LCLS-Negotiation IE preferences are specified in the clause 4.2 and in 3GPP TS 29.205 [6].

6.2.1.3.2 Backward LCLS Negotiation

If the tMSC server supports LCLS feature then it shall return the final LCLS-Negotiation IE to the preceding node in the APM or the ACM message.

6.2.1.3.3 Access Bearer Assignment

If the serving radio access is GERAN then when the tMSC server performs the access bearer assignment it shall include the GCR IE and the LCLS-Configuration IE (which is derived from the LCLS-Negotiation IE) in the BSSAP Assignment Request message sent to the terminating BSS (see 3GPP TS 48.008 [7]).

If the tMSC server supports the optional "intra-Network call detection" procedure and determines that the Network ID within the GCR IE is not equal to the own (tMSC) Network ID, the tMSC server shall also include the "LCLS-Correlation-Not-Needed" IE in the Assignment Request message (see sub-clause 4.3.2).

If the tMSC server supports the optional "intra-BSS call detection" procedure and determines that the BSS ID within the GCR IE is not equal to the terminating BSS ID, the tMSC server shall also include the "LCLS-Correlation-Not-Needed" IE in the Assignment Request message (see sub-clause 4.3.3).

If the terminating BSS supports LCLS and receives the Assignment Request message containing the GCR IE and the LCLS-Configuration IE, the BSS shall store the GCR against the Assigned Call leg and check if it can support the requested LCLS-Configuration. Unless the BSS supports the optional "intra-Network call detection" procedure (see sub-clause 4.3.2) or optional "intra-BSS call detection" procedure (see sub-clause 4.3.3) it shall perform a correlation of the received GCR to see if another call leg has been assigned with the same GCR and report the outcome in the LCLS-BSS-Status IE returned to the tMSC server in the Assignment Complete message.

If the terminating BSS does not support LCLS then the GCR IE and the LCLS-Configuration IE will be ignored and no LCLS-BSS-Status IE will be returned in the Assignment Complete message. The tMSC server shall continue the call establishment as for normal Non-LCLS call.

6.2.1.3.4 LCLS Through-Connection

If the terminating BSS determines that the call is local and can be locally switched it shall not through-connect the two parties unless explicitly indicated to do so by receiving the LCLS-Connection-Status-Control IE set to "Connect" for both call legs.

When the tMSC server receives "answer" from the terminating UE it shall send the BSSAP message LCLS-Connect-Control containing the LCLS-Connection-Status-Control IE set to "Connect" and send the ANM message with the LCLS-Status IE indicating "LCLS is feasible but not yet connected" to the preceding MSC server.

If the BSS has received the LCLS-Connection-Status-Control IE set to "Connect" for both call legs associated to the LCLS call it shall locally switch the user plane between the two call legs and report the through-connection via LCLS-BSS-Status IE in the LCLS-Connect-Control Acknowledge message. The CN user plane shall be kept through-connected as described in the sub-clause 4.6.

If the call is not yet locally switched when returning the LCLS-Connect-Control Acknowledge message but becomes locally switched at a later time (for example due to the LCLS-Connection-Status-Control IE requesting "Connect" at the second call leg) the BSS shall report the change in status via LCLS-BSS-Status IE within the LCLS-Notification message as specified in 3GPP TS 48.008 [7].

6.2.1.3.5 LCLS Status Reporting

During the LCLS call establishment and ongoing call any change to the LCLS connection status is reported by the BSS to the core network and only if it results in a change of the LCLS status in the core network the updated LCLS status shall be signalled by the tMSC server to the preceding node. See also sub-clause 4.5.

6.2.1.3.6 MGW/User plane

The MGW/user plane shall be established in accordance with 3GPP TS 23.205 [2].

6.2.2 Basic Mobile Terminating Call with SIP-I based CS core network

6.2.2.1 General

The basic mobile terminating call shall be established in accordance with 3GPP TS 23.231 [3]. The LCLS principles using introduced in the sub-clause 6.2.1 for BICC protocol messages should also apply to SIP-I signalling cases.

6.2.2.2 Actions at Intermediate Nodes (including GMSC)

6.2.2.2.1 Initial Addressing

If an intermediate node supports the LCLS feature and receives the LCLS-Negotiation IE included within the encapsulated IAM message from a preceding node in the SIP-I INVITE request it may modify the LCLS-Negotiation IE based on its own requirements, and shall then forward the initial INVITE request with the resulting LCLS-Negotiation IE included within the encapsulated IAM message to the succeeding node.

6.2.2.2.2 Backward LCLS Negotiation

On the receipt of the 183 Session Progress provisional response the intermediate node shall apply the Backward LCLS Negotiation procedure specified in the sub-clause 6.2.1.2.2.

6.2.2.2.3 Through-Connection

See sub-clause 6.2.1.2.3.

6.2.2.2.4 LCLS Status Reporting within CN

See sub-clause 6.2.1.2.4.

6.2.2.2.5 MGW/User plane

See sub-clause 6.2.1.2.5.

6.2.2.3 Actions at Terminating Call side

6.2.2.3.1 Initial Addressing

See sub-clause 6.2.1.3.1.

6.2.2.3.2 Backward LCLS Negotiation

If the tMSC server supports LCLS feature then it shall return the final LCLS-Negotiation IE included within the encapsulated APM message to the preceding node in the SIP-I 183 Session Progress provisional response.

6.2.2.3.3 Access Bearer Assignment

See sub-clause 6.2.1.3.3.

6.2.2.3.4 LCLS Through-Connection

The tMSC server shall apply the LCLS Through-Connection procedure specified in the sub-clause 6.2.1.3.4. The LCLS-Status IE indicating "LCLS is feasible but not yet connected" shall be included in the ANM message encapsulated in the 200 OK final response to the initial INVITE.

6.2.2.3.5 LCLS Status Reporting

See sub-clause 6.2.1.3.5.

6.2.2.3.6 MGW/User plane

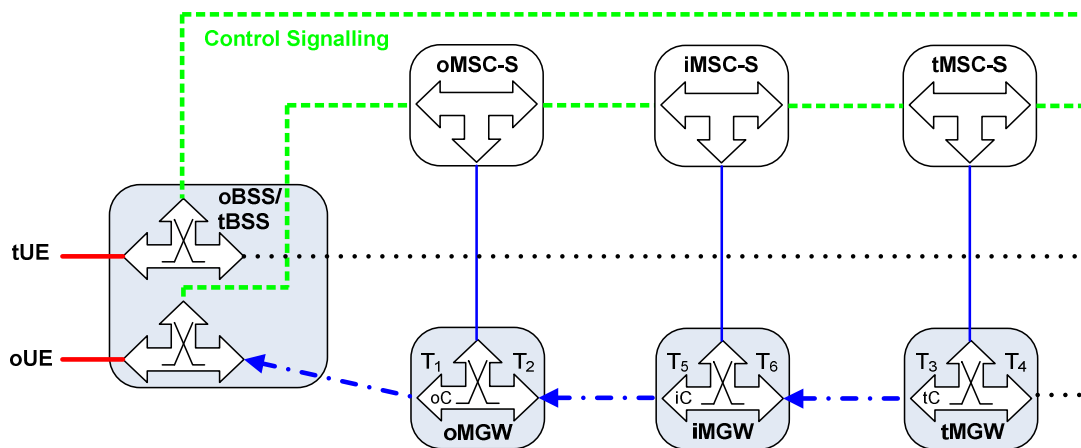
See sub-clause 6.2.1.3.6.

6.3 Basic Mobile to Mobile End to End Call Examples

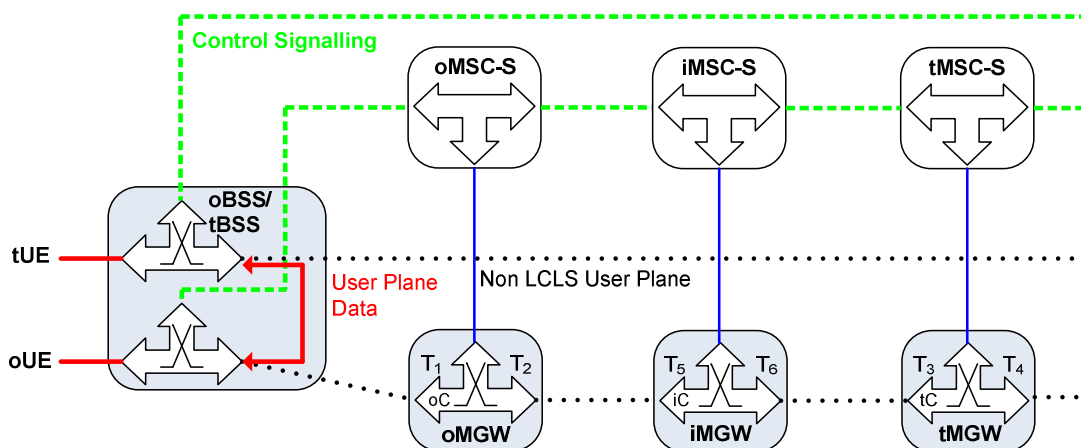
6.3.1 Basic Call Establishment Connection Model for LCLS

Figure 6.3.1.1 shows the network model for the basic call establishment for a Local Call. The oMSC server seizes one context with two bearer terminations in the oMGW. The bearer termination T1 is used for the bearer towards the oBSS and the bearer termination T2 is used for the bearer towards the iMSC selected iMGW. The iMSC server seizes one context with two bearer terminations in the iMGW. The bearer termination T6 is used for the bearer towards the tMSC server selected tMGW and the bearer termination T5 is used for the bearer towards the preceding oMGW. The tMSC server seizes one context with two bearer terminations in the tMGW. The bearer termination T3 is used for the bearer towards the iMSC selected iMGW and bearer termination T4 is used for the bearer towards the tBSS.

- - - - - Control plane link which transmits signalling
- User plane link path through CN, connected or disconnected
- User plane link which transmits real user plane data within BSS and UEs
- . - . - User plane link which transmits real user plane data in backward direction from the CN towards oUE (e.g. network provided ring-back tone)



Connection Model 1: After Alerting, Backward Through Connection



Connection Model 2: After answer, Call is locally switched

Figure 6.3.1.1: Basic Call Establishment Connection Model for Local Call

6.3.2 LCLS established, Basic Call Example with BICC based CS core network, forward bearer establishment

Figures 6.3.2.1, 6.3.2.2 and 6.3.2.3 show the message sequence example for the basic call establishment for LCLS. In this example the oUE and the tUE belong to the same BSS (marked as oBSS and tBSS) and the CN permits LCLS. The example is based on examples from 3GPP TS 23.205 [2] for the basic mobile originating call, forward bearer establishment (case when access bearer assignment is requested on the originating side after reception of Bearer Information message) and the basic mobile terminating call, forward bearer establishment.

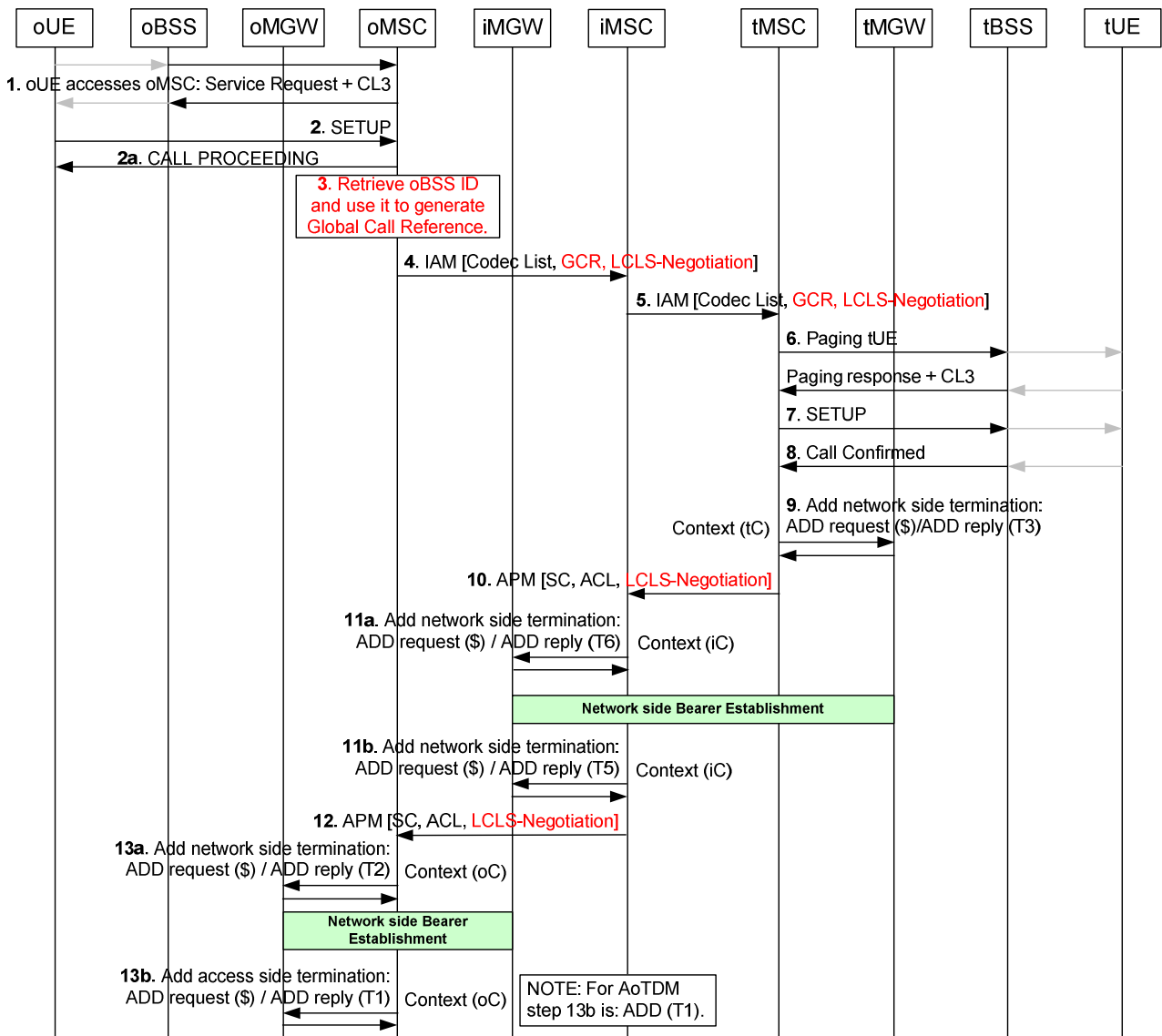


Figure 6.3.2.1: Basic Call Establishment Flow when call is locally switched, forward bearer establishment

1. Service Request handling.
2. Originating Call SETUP.
- 2a. The oMSC server replies with the CALL PROCEEDING message to indicate that the call is being processed.
3. If the oMSC server supports LCLS it retrieves the oBSS ID and generates the Global Call Reference for the call.
4. The oMSC server sends the IAM message including supported codecs list, GCR with encapsulated oBSS ID, and configures the LCLS-Negotiation IE.
5. If the iMSC server supports LCLS it may modify the LCLS-Negotiation IE due to CAMEL, supplementary service requirements etc. before sending the IAM message containing the GCR with the encapsulated oBSS ID and the LCLS-Negotiation IE.
6. The tMSC server pages the tUE.
7. The tMSC server performs call Setup.
8. The tUE confirms the call.
9. The tMSC server requests the tMGW to prepare for the network side bearer establishment.

- 10. After the tMGW has replied with the bearer address and the binding reference the tMSC server returns the APM message with the selected codec, available codec list and if LCLS is supported, the LCLS-Negotiation IE.
- 11a. When the bearer information is received the iMSC server requests the seizure of the outgoing network side bearer termination.
- 11b. After the outgoing side bearer termination is seized the iMSC server requests the seizure of the incoming network side bearer termination.
During the seizure of the outgoing side and the incoming side bearer termination the iMSC server will also request the iMGW to through-connect the bearer terminations so that the bearer will be bothway through-connected.
- 12. The iMSC server transfers the APM message with the selected codec, available codec list and the LCLS-Negotiation IE.
- 13a. When the bearer information is received the oMSC server requests the seizure of the network side bearer termination.
- 13b. After the network side bearer information is seized the oMSC server requests the seizure of the access side bearer termination.
During the seizure of the network side or the access side bearer termination the oMSC server will also request the oMGW to through-connect the bearer terminations so that the bearer will be backward through-connected.

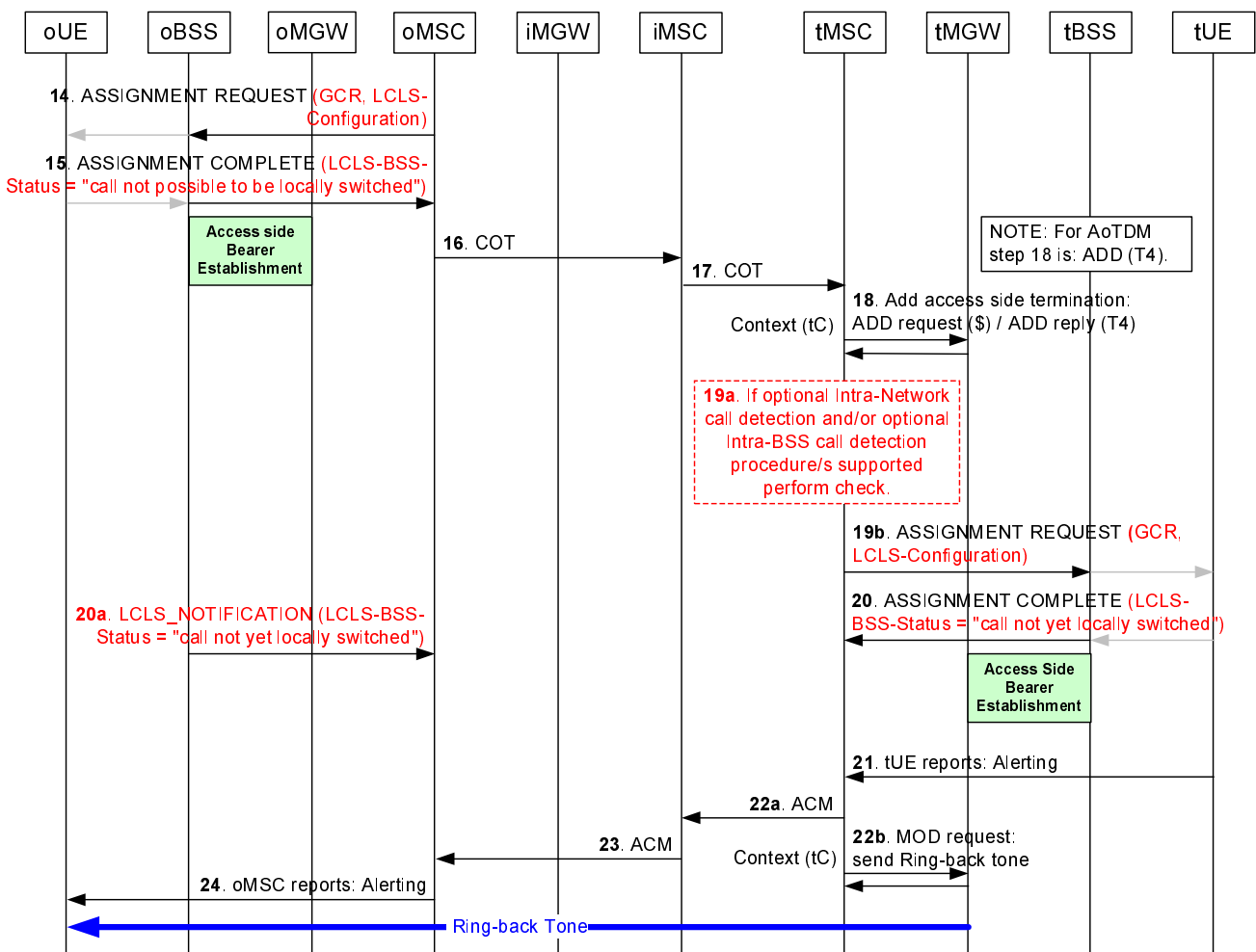


Figure 6.3.2.2: Basic Call Establishment when call is locally switched, forward bearer establishment (continuation of figure 6.3.2.1)

14. The oMSC server determines whether LCLS is allowed in the core network based on the returned LCLS-Negotiation IE and if so the oMSC server includes the LCLS-Configuration IE in the ASSIGNMENT REQUEST message along with the GCR IE.
15. The oBSS returns the ASSIGNMENT COMPLETE message with the LCLS-BSS-Status IE indicating "call not possible to be locally switched".
16. When the access assignment is completed the oMSC server sends the Continuity (COT) message to the iMSC server.
17. The iMSC server transfers the COT message to the tMSC server.
18. The tMSC server requests the seizure of the access side bearer termination. If not requested during the seizure of network side bearer termination (step 9b) the tMSC server will request the tMGW to through-connect the bearer terminations so that the bearer will be backward through-connected.
- 19a. If the tMSC server supports the optional "intra-Network call detection" procedure it compares its own Network ID with the Network ID received within the Global Call Reference IE.
If the tMSC server supports the optional "intra-BSS call detection" procedure it compares the BSS ID of the selected terminating BSS with the oBSS ID received within the Global Call Reference IE at this step. Since the oUE and the tUE belong to the same BSS the call continues the same way as for the basic LCLS establishment without this pre-check.
- 19b. The tMSC server performs the access bearer assignment and sends the ASSIGNMENT REQUEST message containing the GCR IE and the LCLS-Configuration IE if LCLS is permitted in the core network.
20. The oBSS/tBSS performs the GCR correlation. Since the GCR correlation has identified the call as an intra BSS call and LCLS is allowed in the BSS, the tBSS returns the ASSIGNMENT COMPLETE message with the LCLS-BSS-Status IE indicating "Call not yet locally switched".
- 20a. Since the GCR correlation has identified the call as an intra BSS call and LCLS is allowed in the BSS, the oBSS signals the LCLS status change by sending the LCLS_NOTIFICATION message with the LCLS-BSS-Status IE set to "Call not yet locally switched".
21. The tUE reports alerting.
- 22a, b. The tMSC server returns the ACM message and requests the tMGW to provide a ring-back tone.
23. The iMSC server transfers the ACM message to the oMSC server.
24. The oMSC server reports alerting.

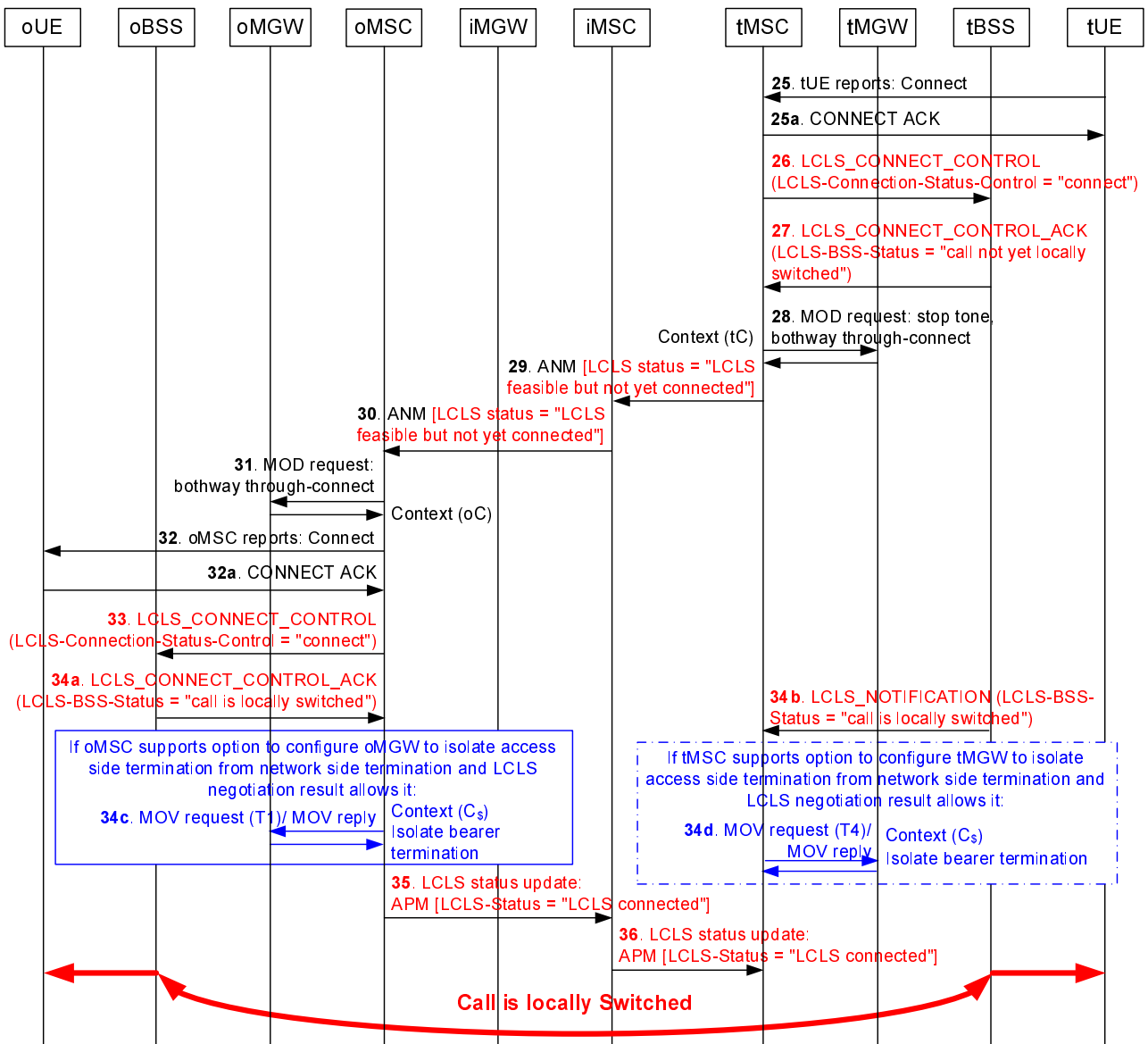


Figure 6.3.2.3: Basic Call Establishment when call is locally switched, forward bearer establishment (continuation of figure 6.3.2.2)

- 25. The tUE answers the call.
- 25a. The tMSC server returns the CONNECT ACKNOWLEDGE message to the tUE.
- 26. The tMSC server indicates to the tBSS that this call leg is ready to be locally switched by sending the LCLS_CONNECT_CONTROL message (note the BSS cannot through-connect LCLS until it receives the same indication from the oMSC server).
- 27. The tBSS returns the LCLS_CONNECT_CONTROL_ACK message with the LCLS-BSS-Status IE set to "Call not yet locally switched" since the BSS has not received the same order from the oMSC server.
- 28. When the tMSC server receives the Connect message it requests the tMGW to stop providing ring-back tone to the calling party and requests to bothway through-connect the bearer.
- 29. The tMSC server returns the ANM message with the LCLS-Status IE indicating "LCLS is feasible but not yet connected".
- 30. The oMSC server receives the ANM message with the LCLS-Status IE indicating "LCLS is feasible but not yet connected".

31. The oMSC server request the oMGW to bothway through-connect the bearer.
32. The oMSC server reports Answer/Connect to the oUE.
- 32a. The oUE completes the call establishment with the CONNECT ACKNOWLEDGE message.
33. The oMSC server requests the oBSS to connect LCLS since the received ANM message indicated "LCLS is feasible but not yet connected".
- 34a. Since the BSS has received the through connect request for both call legs the oBSS returns the LCLS_CONNECT_CONTROL_ACK message with the LCLS-BSS-Status IE set to "call is locally switched".

NOTE 1: If the BSS cannot locally through-connect the call at this time then it is indicated by setting the LCLS-BSS-Status IE set to "the call is not yet locally switched". If at a later time the BSS can locally switch the call, this is indicated by sending the LCLS_NOTIFICATION message with the LCLS-BSS-Status IE set to "the call is locally switched".
- 34b. Since the BSS has received the through connect request for both call legs the tBSS signals the LCLS status change by sending the LCLS_NOTIFICATION message with the LCLS-BSS-Status IE set to "call is locally switched".
- 34c. If the oMSC server supports the option to configure its Access MGW to isolate the access side termination from the network side termination and LCLS negotiation indicated that no succeeding node requires the UL data from the oUE then the oMSC server requests the oMGW to isolate the access side termination T1 from the network side termination T2.
- 34d. If the tMSC server supports the option to configure its Access MGW to isolate the access side termination from the network side termination and LCLS negotiation indicated that no preceding node requires the UL data from the tUE then the tMSC server requests the tMGW to isolate the access side termination T4 from the network side termination T3.

NOTE 2: The MSC server can also use the Change Through-Connection procedure and requests the MGW to change the through-connection of the bearer to inactive instead of using of the Isolate Bearer termination procedure, see 3GPP TS 23.205 [2].
35. The oMSC server signals the change of the LCLS status through the Core Network by sending the APM message with the LCLS-Status IE set to "LCLS connected".
36. The iMSC server transfers the change of the LCLS status to the tMSC server.

6.3.3 LCLS not established, Basic Call Example with BICC based CS core network

The Figure 6.3.3.1 shows the message sequence example for the basic call establishment for LCLS when the call could not be locally switched. In this example the CN permits LCLS but the oUE and the tUE belong to different BSS's (marked as oBSS and tBSS). The example is based on examples from 3GPP TS 23.205 [2] for the basic mobile originating call, forward bearer establishment and the basic mobile terminating call, forward bearer establishment.

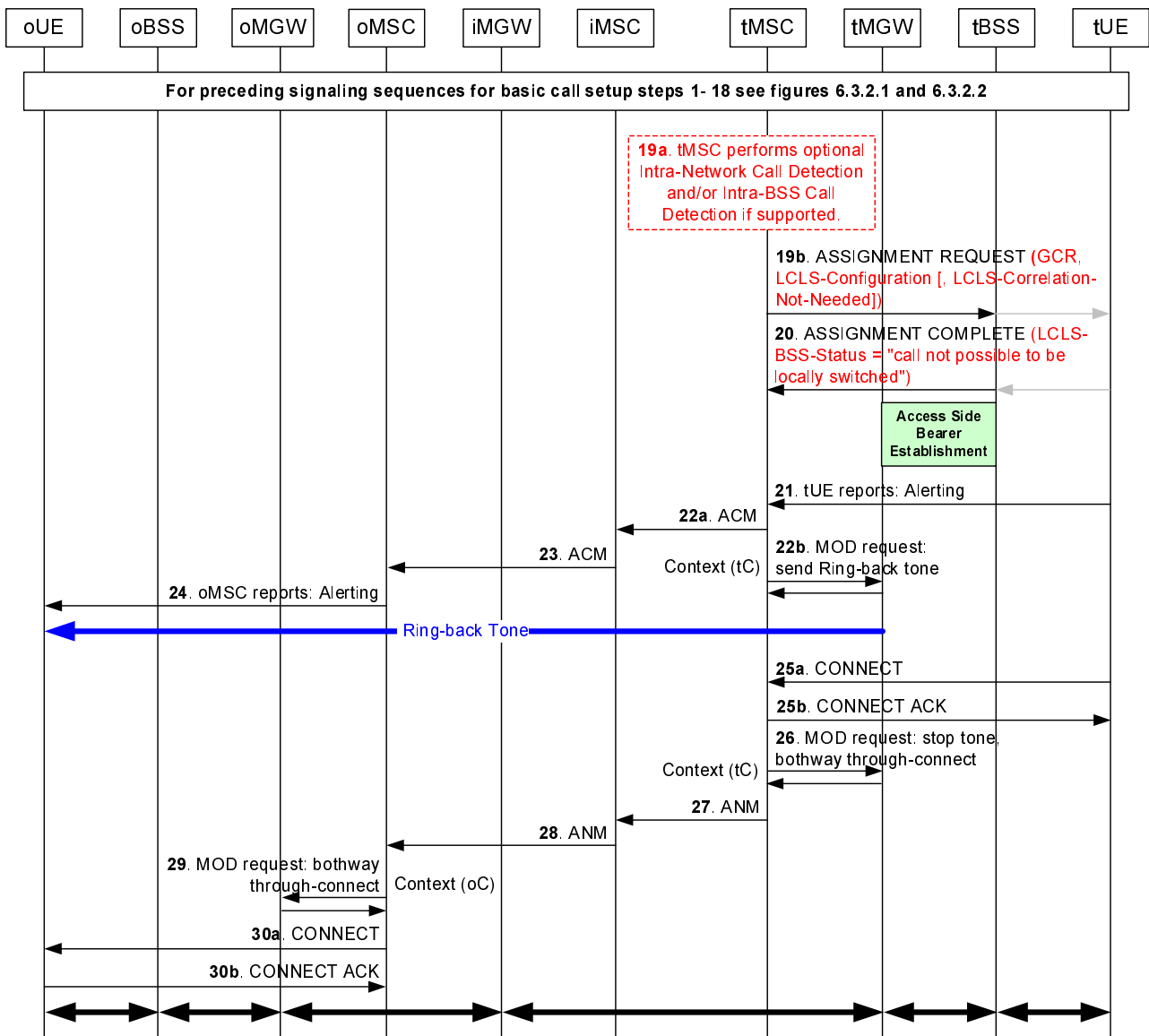


Figure 6.3.3.1: Basic Call Establishment Flow when call is not locally switched

1 – 18. The basic call establishment procedure between the UE-1 and the UE-2 is the same as specified in steps 1-18 of sub-clause 6.3.2.1.

19a. If the tMSC server supports the optional "Intra-Network Call Detection" procedure it may compare its own Network ID with the Network ID received within the Global Call Reference (GCR) IE.
 If the tMSC server supports the optional "Intra-BSS Call Detection" procedure it may compare the BSS ID of the selected terminating BSS with the value of the originating BSS ID received within the GCR IE at this step.
 In this case, the result of the "Intra-Network Call Detection" procedure or "Intra-BSS Call Detection" procedure is that the call is not an intra-Network or an intra-BSS call.

19b. The tMSC server performs the terminating access bearer assignment and sends the ASSIGNMENT REQUEST message containing the GCR IE and the LCLS-Configuration IE if LCLS is permitted in the core network.
 If the tMSC server performed the "Intra-Network Call Detection" procedure in step 19a and/or the tMSC server performed the "Intra-BSS Call Detection" procedure in step 19a, then the tMSC server includes the "LCLS-Correlation-Not-Needed" IE in the ASSIGNMENT REQUEST message since the oUE and the tUE belong to the different BSS's.

20. The tBSS returns the ASSIGNMENT COMPLETE message with the LCLS-BSS-Status IE indicating "Call Not Possible to be Locally Switched".

21 - 30. The basic call establishment procedure between the UE-1 and the UE-2 continues as for the normal, non-LCLS call.

6.3.4 LCLS established, Basic Call Example with SIP-I based CS core network

Figures 6.3.4.1, 6.3.4.2, 6.3.4.3 and 6.3.4.4 show the message sequence example for the basic call establishment when call is locally switched. In this example the oUE and the tUE belong to the same BSS (marked as oBSS and tBSS) and the CN permits LCLS. The example is based on examples for the basic mobile originating call and for the basic mobile terminating call from 3GPP TS 23.231 [3].

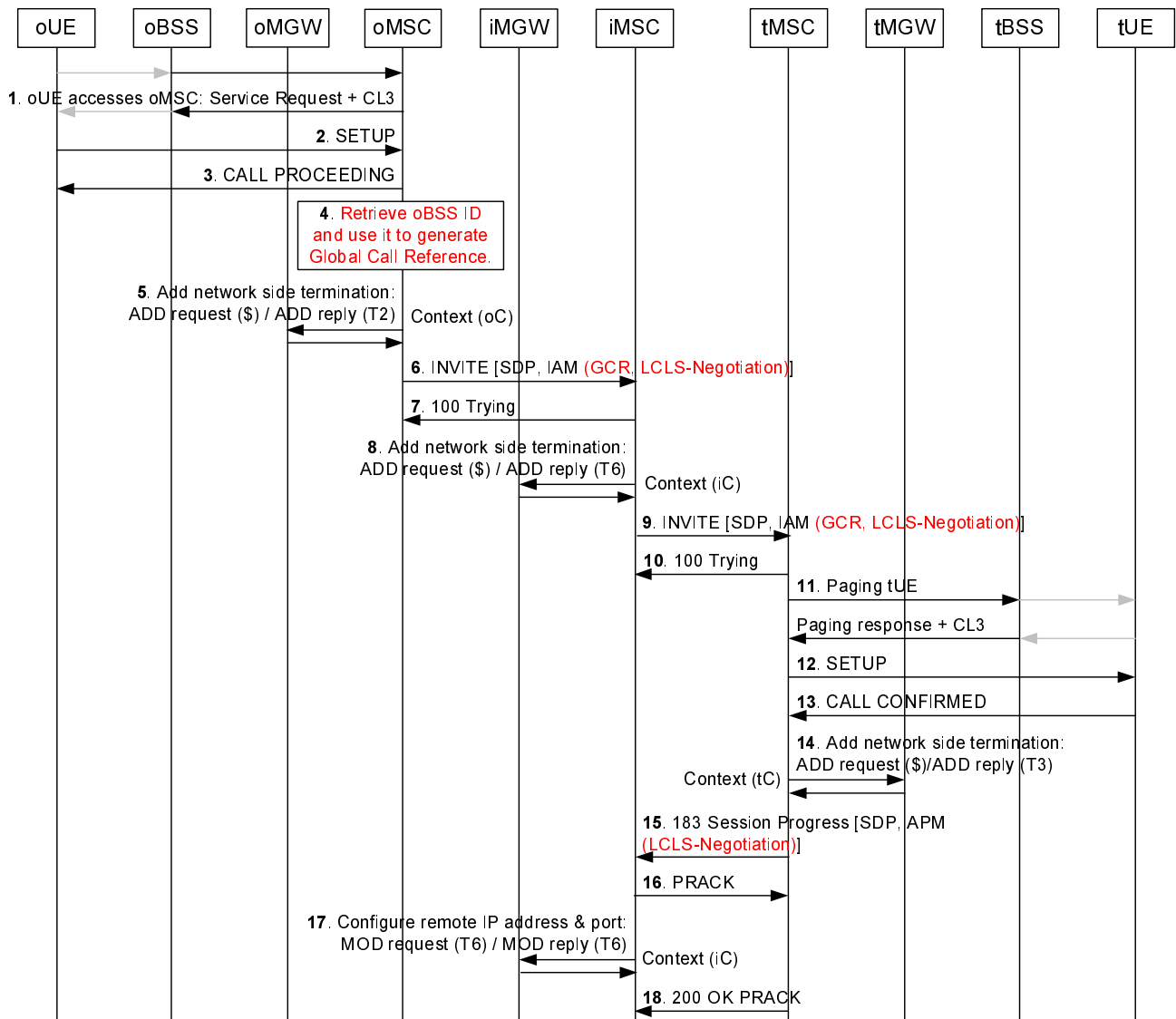


Figure 6.3.4.1: Basic Call Establishment Flow when call is locally switched

1. Service Request handling.
2. Originating Call SETUP.
3. The oMSC server replies with a CALL PROCEEDING message to indicate that the call is being processed.
4. If the oMSC server supports LCLS it retrieves the oBSS ID and generates the Global Call Reference for the call.
5. The oMSC server selects the codec and requests the oMGW to select and provide the IP transport address and port for the network side bearer connection before sending the INVITE message.

6. The oMSC server sends the INVITE request with the initial SDP offer indicating that local preconditions have not been met, and with the encapsulated IAM message containing the GCR with encapsulated oBSS ID, and the LCLS-Negotiation IE.
7. The iMSC server confirms the reception of the INVITE request with a 100 Trying provisional response.
8. The iMSC server selects the codec and requests the iMGW to select and provide the IP transport address and port for the outgoing network side bearer termination.
9. If the iMSC server supports LCLS it may modify the LCLS-Negotiation IE due to CAMEL, supplementary service requirements etc. before sending the INVITE request with the SDP offer and with the encapsulated IAM message containing the GCR with the encapsulated oBSS ID and the LCLS-Negotiation IE.
10. The tMSC server confirms the reception of the INVITE request with 100 a Trying provisional response.
11. The tMSC server pages the tUE.
12. The tMSC server performs call Setup.
13. The tUE confirms the call.
14. The tMSC server selects the codec, provides to the tMGW the selected codec and the remote user plane IP address and port information that were received from the preceding node in the SDP offer and requests the tMGW to prepare for the network side bearer establishment.
15. After the tMGW has replied with the local IP address and port information the tMSC server includes in the SDP answer the user plane IP address and UDP port received from the tMGW, the selected codec and any additional accepted payload types. The tMSC server returns a 183 Session Progress provisional response with the SDP answer and if LCLS is supported with encapsulated APM message containing the LCLS-Negotiation IE.
16. The iMSC server replies to succeeding node with the PRACK request to confirm the reception of the 183 Session Progress provisional response.
17. When the 183 Session Progress provisional response with the SDP answer is received the iMSC server requests the iMGW to configure the remote IP transport address and any additional negotiated payload types of the outgoing side bearer termination.
18. The tMSC server confirms the reception of the PRACK request with a 200 OK final response.

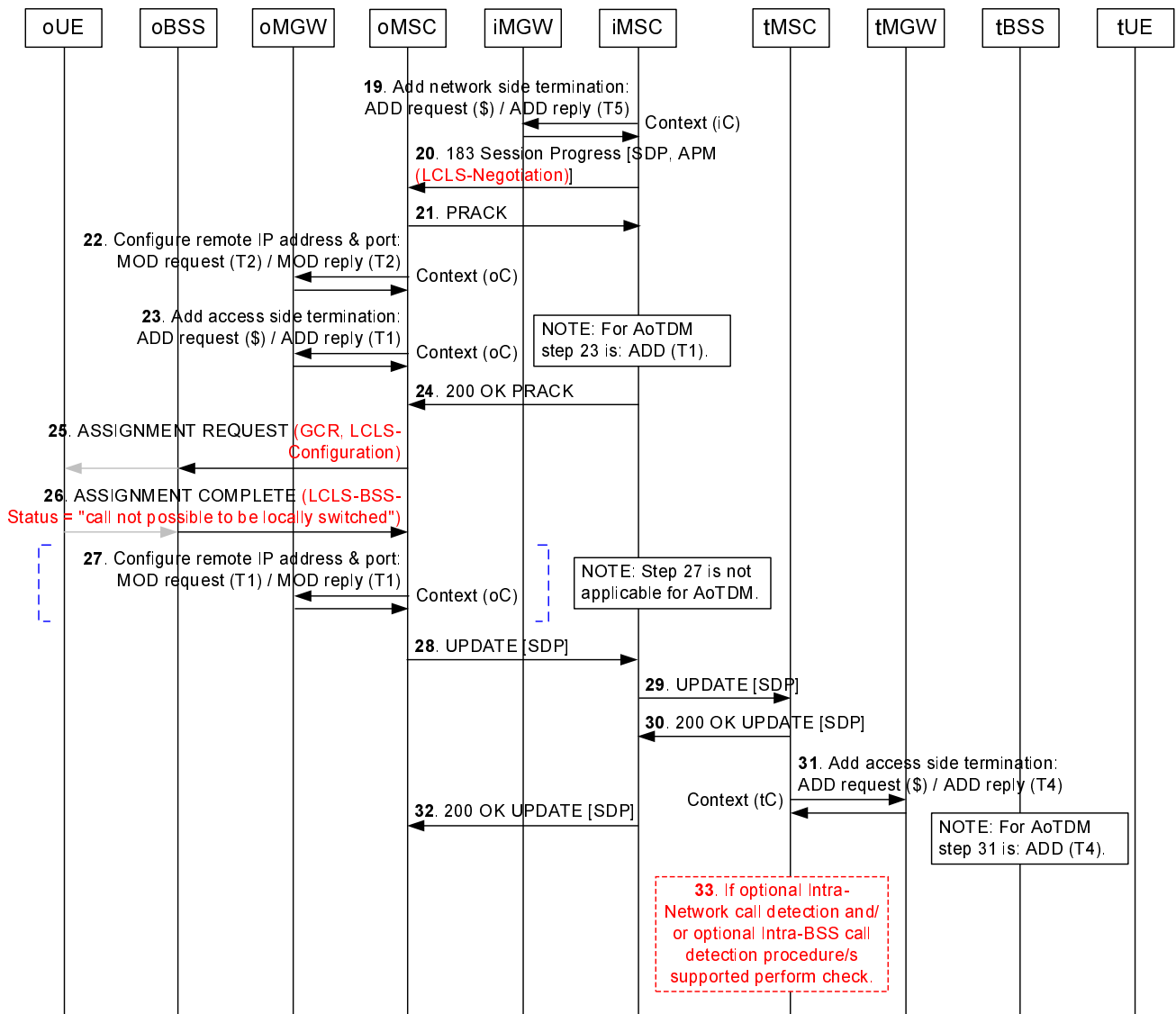


Figure 6.3.4.2: Basic Call Establishment when call is locally switched (continuation of figure 6.3.4.1)

- 19. The iMSC server selects the codec for the incoming side bearer termination, provides to the iMGW the selected codec and the remote user plane IP address and port information that were received from the preceding node in the SDP offer and requests the iMGW to prepare for the incoming side bearer establishment.
During the seizure of the outgoing side and the incoming side bearer termination the iMSC server will also request the iMGW to through-connect the bearer terminations so that the bearer will be bothway through-connected.
- 20. After the iMGW has replied with the local IP address and port information the iMSC server includes in the SDP answer the user plane IP address and UDP port received from the iMGW, the selected codec and any additional accepted payload types. The iMSC server sends the 183 Session Progress provisional response with the SDP answer and with encapsulated APM message containing the LCLS-Negotiation IE to the preceding node.
- 21. The oMSC server replies to the succeeding node with the PRACK request to confirm the reception of the 183 Session Progress provisional response.
- 22. The oMSC server requests the oMGW to configure the remote user plane IP address and any additional negotiated payload types of the network side bearer termination.
- 23. The oMSC server requests the seizure of the access side bearer termination.
During the seizure of the network side or the access side bearer termination the oMSC server will also request the oMGW to through-connect the bearer terminations so that the bearer will be backward through-connected.

24. The iMSC server confirms the reception of the PRACK request with the 200 OK final response.
25. The oMSC server determines whether LCLS is allowed in the core network based on the returned LCLS-Negotiation IE and if so the oMSC server includes the LCLS-Configuration IE in the ASSIGNMENT REQUEST message along with the GCR IE.
26. The oBSS returns the ASSIGNMENT COMPLETE message with the LCLS-BSS-Status IE indicating "call not possible to be locally switched".
27. When the oMSC server receives the ASSIGNMENT COMPLETE message, it requests the oMGW to configure the remote user plane IP address and UDP Port for the access side bearer termination.
28. Since the access bearer assignment is completed the oMSC server sends the UPDATE request with the SDP offer indicating local preconditions met to the succeeding node.
29. The iMSC server forwards the UPDATE request to the succeeding node.
30. The tMSC server confirms the reception of the UPDATE request with the 200 OK final response.
31. When the tMSC server receives the SDP offer indicating remote preconditions met it requests the seizure of the access side bearer termination.
If not requested during the seizure of network side bearer termination (step 14) the tMSC server will request the tMGW to through-connect the bearer terminations so that the bearer will be backward through-connected.
32. The iMSC server forwards the 200 OK (UPDATE) final response to the preceding node.
33. If the tMSC server supports the optional "intra-Network call detection" procedure it compares its own Network ID with the Network ID received within the Global Call Reference IE.
If the tMSC server supports the optional "intra-BSS call detection" procedure it compares the BSS ID of the selected terminating BSS with the oBSS ID received within the Global Call Reference IE at this step. Since the oUE and the tUE belong to the same BSS the call continues the same way as for the basic LCLS establishment without this pre-check.

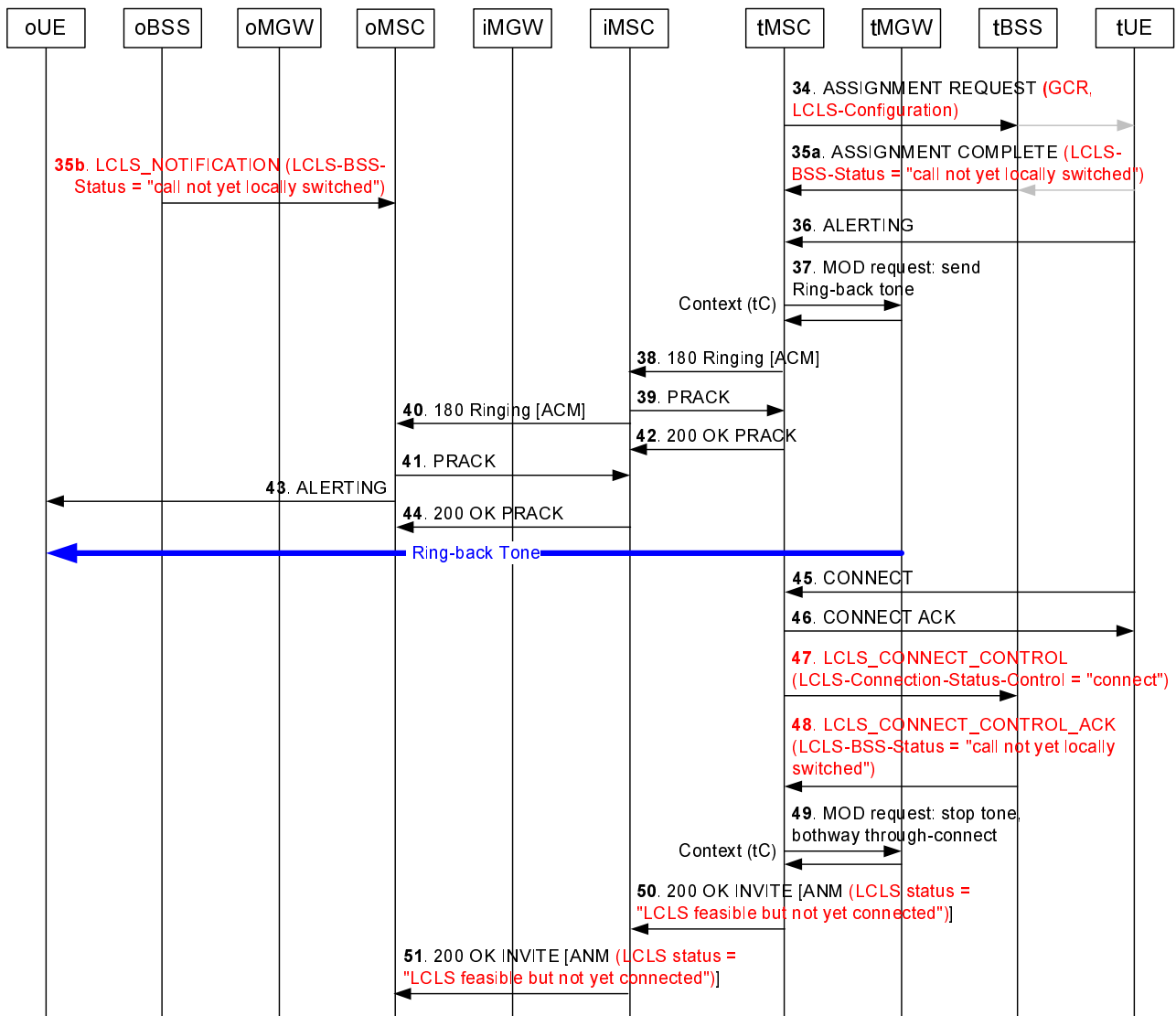


Figure 6.3.4.3: Basic Call Establishment when call is locally switched (continuation of figure 6.3.4.2)

- 34. The tMSC server sends the ASSIGNMENT REQUEST message containing the GCR IE and the LCLS-Configuration IE if LCLS is permitted in the core network.
- 35. a) The tBSS performs the GCR correlation. Since the GCR correlation has identified the call as an intra BSS call and LCLS is allowed in the BSS, the tBSS returns the ASSIGNMENT COMPLETE message with the LCLS-BSS-Status IE indicating "Call not yet locally switched".
 b) Since the GCR correlation has identified the call as an intra BSS call and LCLS is allowed in the BSS, the oBSS signals the LCLS status change to the oMSC server by sending the LCLS_NOTIFICATION message with the LCLS-BSS-Status IE set to "Call not yet locally switched".
- 36. The tUE reports alerting.
- 37. The tMSC server requests the tMGW to provide a ring-back tone.
- 38. The tMSC server sends a 180 Ringing provisional response with the encapsulated ACM message to the preceding node.
- 39. The iMSC server replies to succeeding node with the PRACK request to confirm the reception of the 180 Ringing provisional response.
- 40. The iMSC server transfers the 180 Ringing provisional response with the encapsulated ACM message to the preceding node.

41. The oMSC server replies to succeeding node with the PRACK request to confirm the reception of the 180 Ringing provisional response.
42. The tMSC server confirms the reception of the PRACK request with the 200 OK final response.
43. The oMSC server reports alerting.
44. The IMSC server confirms the reception of the PRACK request with the 200 OK final response.
45. The tUE answers the call.
46. The tMSC server returns the CONNECT ACKNOWLEDGE message to the tUE.
47. The tMSC server indicates to the tBSS that this call leg is ready to be locally switched by sending the LCLS_CONNECT_CONTROL message.
48. The tBSS returns the LCLS_CONNECT_CONTROL_ACK message with the LCLS-BSS-Status IE set to "Call not yet locally switched" since the BSS has not received the same order from the oMSC server.
49. When the tMSC server receives the Connect message it requests the tMGW to stop providing ring-back tone to the calling party and requests to bothway through-connect the bearer.
50. The tMSC server returns the 200 OK (INVITE) final response with the encapsulated ANM message with the LCLS-Status IE indicating "LCLS is feasible but not yet connected".
51. The oMSC server receives the 200 OK (INVITE) final response with the encapsulated ANM message with the LCLS-Status IE indicating "LCLS is feasible but not yet connected".

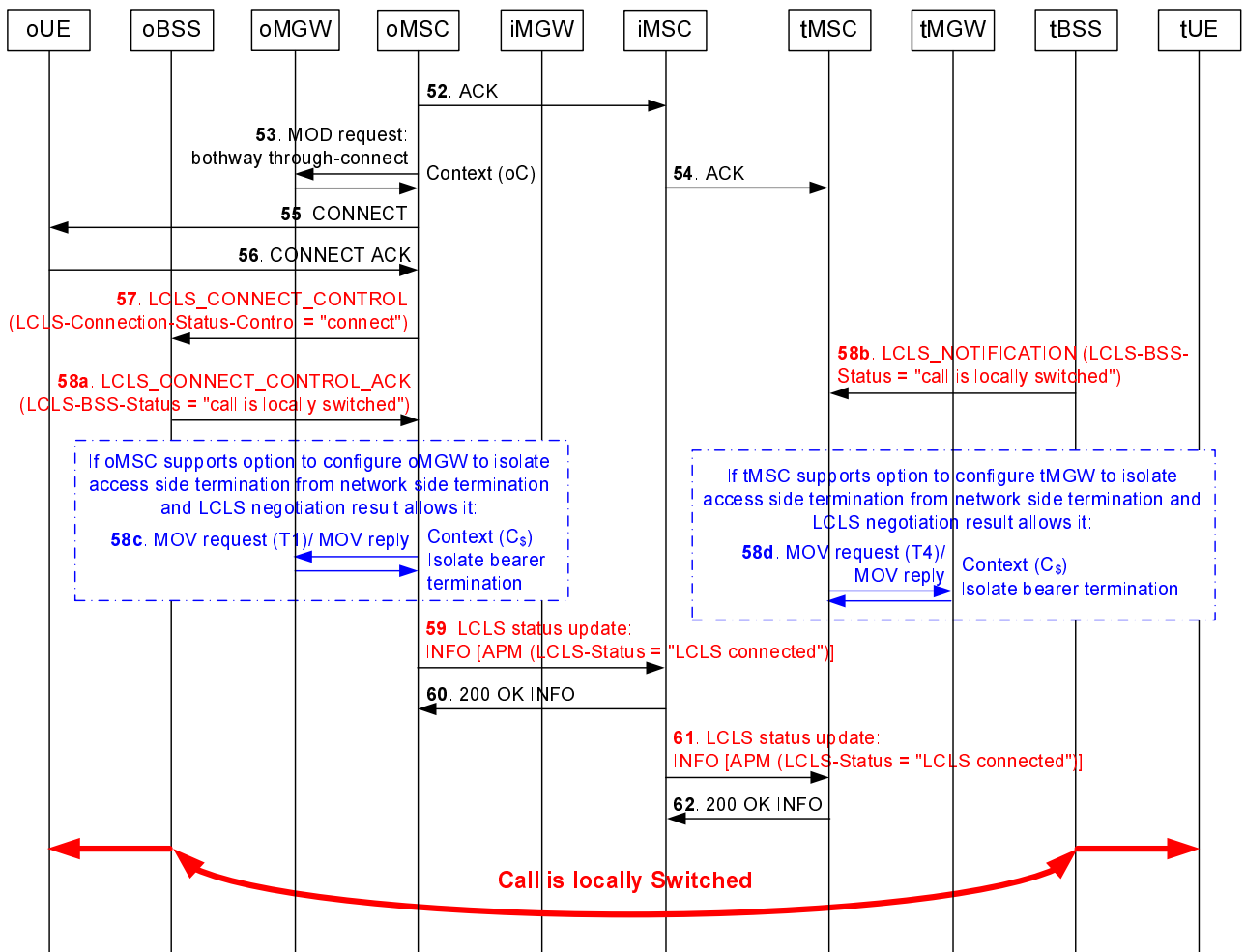


Figure 6.3.4.4: Basic Call Establishment when call is locally switched (continuation of figure 6.3.4.3)

52. The oMSC server replies to the succeeding node with the ACK request to confirm the reception of the 200 OK final response.

53. The oMSC server request the oMGW to bothway through-connect the bearer.
 54. The iMSC server transfers the ACK request to the succeeding node.
 55. The oMSC server reports Answer/Connect to the oUE.
 56. The oUE returns the CONNECT ACKNOWLEDGE message to the oMSC server.
 57. The oMSC server requests the oBSS to connect LCLS since the received 200 OK (INVITE) final response indicated "LCLS is feasible but not yet connected".
 58.
 - a) Since the BSS has received the through connect request for both call legs the oBSS returns the LCLS_CONNECT_CONTROL_ACK message with the LCLS-BSS-Status IE set to "call is locally switched".
 - b) The tBSS signals the LCLS status change to the tMSC server by sending the LCLS_NOTIFICATION message with the LCLS-BSS-Status IE set to "call is locally switched".
 - c) If the oMSC server supports the option to configure its Access MGW to isolate the access side termination from the network side termination and LCLS negotiation indicated that no succeeding node requires the UL data from the oUE then the oMSC server requests the oMGW to isolate the access side termination T1 from the network side termination T2.
 - d) If the tMSC server supports the option to configure its Access MGW to isolate the access side termination from the network side termination and LCLS negotiation indicated that no preceding node requires the UL data from the tUE then the tMSC server requests the tMGW to isolate the access side termination T4 from the network side termination T3.
- NOTE: The MSC server can also use the Change Through-Connection procedure and requests the MGW to change the through-connection of the bearer to inactive instead of using of the Isolate Bearer termination procedure, see 3GPP TS 23.205 [2].
59. The oMSC server signals the change of the LCLS status through the Core Network by sending the INFO request with the encapsulated APM message with the LCLS-Status IE set to "LCLS connected".
 60. The iMSC server returns the 200 OK (INFO) final response to the preceding node.
 61. The iMSC server transfers the change of the LCLS status to the succeeding node.
 62. The tMSC server returns the 200 OK (INFO) final response to the preceding node.

6.3.5 LCLS established, Basic Call Example with BICC based CS core network, backward bearer establishment

Figures 6.3.5.1 and 6.3.5.2 show the message sequence example for the basic call establishment for LCLS. In this example the oUE and the tUE belong to the same BSS (marked as oBSS and tBSS) and the CN permits LCLS. The example is based on examples from 3GPP TS 23.205 [2] for the basic mobile originating call, backward bearer establishment (case when access bearer assignment is completed before sending of initial address message) and the basic mobile terminating call, backward bearer establishment.

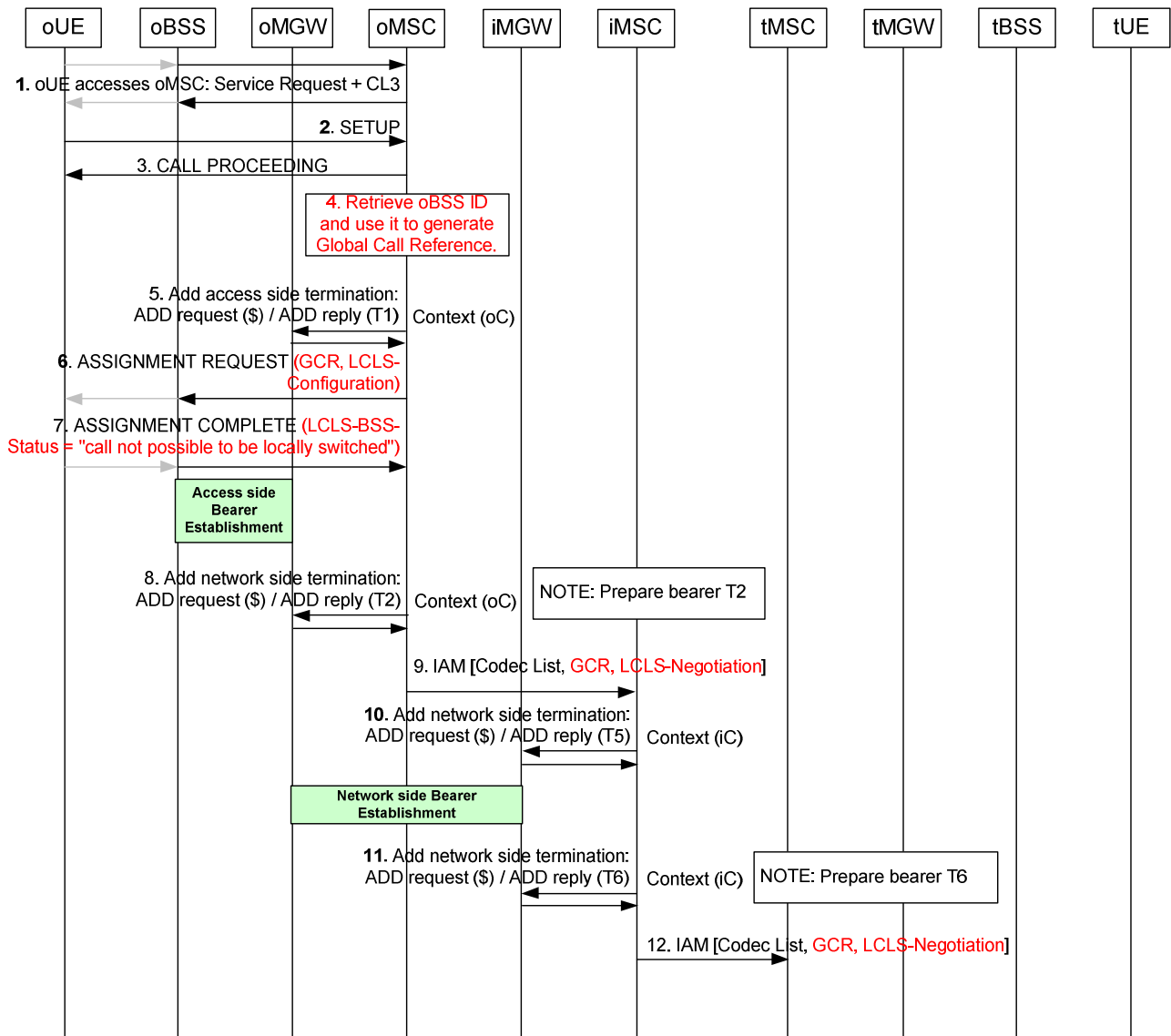


Figure 6.3.5.1: Basic Call Establishment Flow when call is locally switched, backward bearer establishment

1. Service Request handling.
2. Originating Call SETUP.
3. The oMSC server replies with the CALL PROCEEDING message to indicate that the call is being processed.
4. If the oMSC server supports LCLS it retrieves the oBSS ID and generates the Global Call Reference for the call.
5. Before the network side bearer information is seized the oMSC server requests the seizure of the access side bearer termination.
6. The oMSC server includes a preliminary LCLS-Configuration IE in the ASSIGNMENT REQUEST message along with the GCR IE, because the oMSC server does not know whether LCLS is allowed in the core network at this stage.
7. The oBSS returns the ASSIGNMENT COMPLETE message with the LCLS-BSS-Status IE indicating "call not possible to be locally switched".
8. The oMSC server prepares the seizure of the network side bearer termination.

9. Afer the oMGW has replied with the bearer address and the binding reference, the oMSC server sends the IAM to the succeeding node, in which the oMSC server indicates that backward bearer establishment is to be used. The oMSC server sends the IAM message including supported codecs list, GCR with encapsulated oBSS ID, and configures the LCLS-Negotiation IE.
10. When the initial address and the bearer information is received the iMSC server requests the seizure of the network side bearer termination.
11. The iMSC server prepares the seizure of the outgoing side bearer termination.
12. Afer the iMGW has replied with the bearer address and the binding reference, the iMSC server sends the IAM to the succeeding node. If the iMSC server supports LCLS it may modify the LCLS-Negotiation IE due to CAMEL, supplementary service requirements etc. before sending the IAM message containing the GCR with the encapsulated oBSS ID and the LCLS-Negotiation IE.

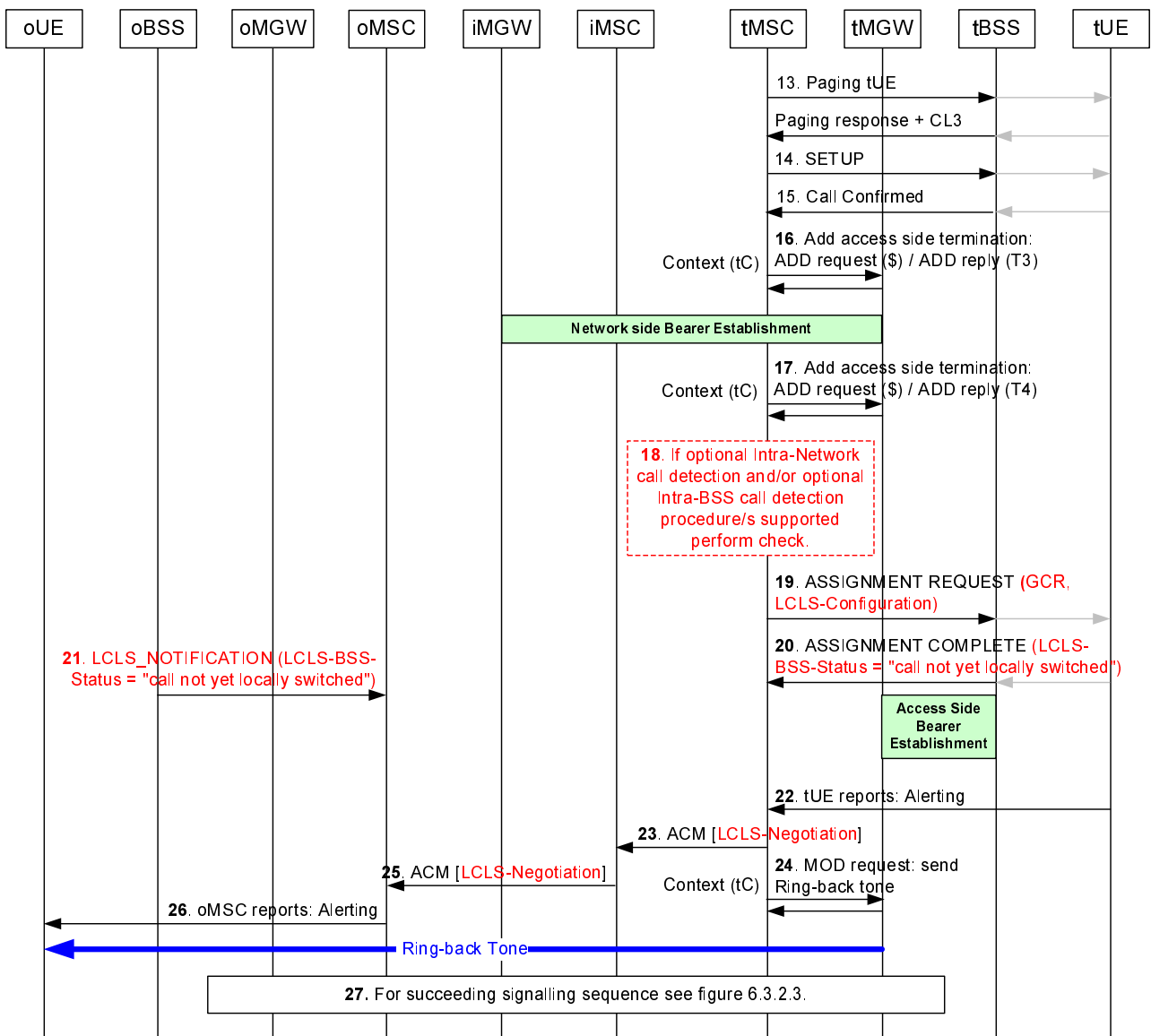


Figure 6.3.5.2: Basic Call Establishment when call is locally switched, backward bearer establishment (continuation of figure 6.3.5.1)

13. The tMSC server pages the tUE.
14. The tMSC server performs call Setup.
15. The tUE confirms the call.

16. The tMSC server requests the tMGW to establish a bearer to the given iMGW.
17. The tMSC server requests the seizure of the access side bearer termination.
18. If the tMSC server supports the optional "intra-Network call detection" procedure it compares its own Network ID with the Network ID received within the Global Call Reference IE.
If the tMSC server supports the optional "intra-BSS call detection" procedure it compares the BSS ID of the selected terminating BSS with the oBSS ID received within the Global Call Reference IE at this step. Since the oUE and the tUE belong to the same BSS the call continues the same way as for the basic LCLS establishment without this pre-check.
19. The tMSC server performs the access bearer assignment and sends the ASSIGNMENT REQUEST message containing the GCR IE and the LCLS-Configuration IE if LCLS is permitted in the core network.
20. The oBSS/tBSS performs the GCR correlation. Since the GCR correlation has identified the call as an intra BSS call and LCLS is allowed in the BSS, the tBSS returns the ASSIGNMENT COMPLETE message with the LCLS-BSS-Status IE indicating "Call not yet locally switched".
21. Since the GCR correlation has identified the call as an intra BSS call and LCLS is allowed in the BSS, the oBSS signals the LCLS status change by sending the LCLS_NOTIFICATION message with the LCLS-BSS-Status IE set to "Call not yet locally switched".
22. The tUE reports alerting.
23. The tMSC server returns the ACM message and includes the LCLS-Negotiation IE if LCLS is supported.
24. The tMSC requests the tMGW to provide a ring-back tone.
25. The iMSC server returns the ACM message and includes the LCLS-Negotiation IE.
26. The oMSC server reports alerting.
27. When performing further call establishment see figure 6.3.2.3.

7 Call Clearing and LCLS Break/Re-establishment

7.1 Call Clearing

The call clearing procedures shall be performed in accordance with 3GPP 23.205 [2] for a BICC based CS core network and in accordance with 3GPP TS 23.231 [3] for a SIP-I based CS core network.

7.2 LCLS Break

7.2.1 MSC server Initiated

7.2.1.1 Principles

When the MSC server determines that local switching should be disconnected:

- it shall send a LCLS Status Change Request message indicating disconnection preparation through the Core Network.
- on receipt of a LCLS Status Change Request Acknowledge message indicating disconnection preparation with a Result code indicating LCLS Status Change Request accepted the MSC server shall send a LCLS-Connection-Control message indicating LCLS break to the associated BSS.

On receipt of the LCLS Status Change Request message indicating disconnection preparation the MSC server shall:

- send a LCLS break request immediately to the associated BSS, and

- when the acknowledge message is received from the BSS, the MSC server shall return the LCLS Status Change Request Acknowledge message indicating disconnection preparation and a Result code indicating LCLS Status Change Request accepted.

The BSS needs to receive the LCLS break request on both call legs before releasing local switching.

7.2.1.2 MSC server actions

When the MSC server determines that local switching should be disconnected it shall send to the succeeding (or preceding) node the LCLS Status Change Request message with the LCLS-Status-Change IE set to "LCLS-Disconnection-Preparation".

On the reception of the LCLS Status Change Request Acknowledge message with the LCLS-Status-Change IE set to "LCLS-Disconnection-Preparation" and a Result code IE indicating LCLS Status Change Request accepted, the MSC server shall send to the BSS the LCLS-Connect-Control message with the LCLS-Connection-Status-Control IE set to "Release LCLS". At reception of the LCLS-Connect-Control Acknowledge message with the LCLS-BSS-Status IE set to "Locally switched call is no longer locally switched", the MSC server shall send to the succeeding (or preceding) node the LCLS Status Update message with the LCLS-Status IE set to "LCLS Not Connected" if the same LCLS Status Update message was not already received from the succeeding (or preceding) node.

When the MSC server receives the LCLS Status Change Request message with the LCLS-Status-Change IE set to "LCLS-Disconnection-Preparation" it shall send to the BSS the LCLS-Connect-Control message with the LCLS-Connection-Status-Control IE set to "Release LCLS". On reception of the LCLS-Connect-Control Acknowledge message the MSC server shall send to the preceding (or succeeding) node the LCLS Status Change Request Acknowledge message with the LCLS-Status-Change IE set to "LCLS-Disconnection-Preparation" and a Result code IE indicating LCLS Status Change Request accepted.

When the LCLS-Connect-Control Acknowledge or the LCLS-Notification message with the LCLS-BSS-Status IE set to "Locally switched call is no longer locally switched" is received, the MSC server shall send to the succeeding (or preceding) node the LCLS Status Update message with the LCLS-Status IE set to "LCLS Not Connected" if the same LCLS Status Update message was not already received from the succeeding (or preceding) node.

7.2.1.3 GMSC server actions

On receipt of the LCLS Status Change Request message with the LCLS-Status-Change IE set to "LCLS-Disconnection-Preparation" from the preceding (or succeeding) node, the GMSC Server shall forward message to the succeeding (or preceding) node.

The GMSC Server shall forward the received LCLS Status Change Request Acknowledge message with the LCLS-Status-Change IE set to "LCLS-Disconnection-Preparation" and the Result code IE indicating LCLS Status Change Request accepted.

On receipt of the LCLS Status Update message with the LCLS-Status IE set to "LCLS Not Connected" from the preceding (or succeeding) node:

- the GMSC Server shall forward the message to the succeeding (or preceding) node if the same request was not already received from the succeeding (or preceding) node.
- the GMSC Server shall not forward the message if the same request was already received from the succeeding (or preceding) node.

7.2.1.4 BSS actions

On receipt of the LCLS-Connect-Control message with the LCLS-Connection-Status-Control IE set to "Release LCLS" the following applies:

- if the request was received for only one call leg associated to the LCLS call, the BSS shall not break the local switching. The BSS shall only send the LCLS-Connect-Control Acknowledge message to the MSC server with LCLS-BSS-Status indicating LCLS is still established.
- if the request was received for both call legs associated to the LCLS call, the BSS shall break local switching and shall report the LCLS disconnection on both call legs by sending:

- the LCLS-Connect-Control Acknowledge message to the MSC server and
- the LCLS-Notification message to the far end MSC server which previously requested LCLS release for the associated leg.

7.2.2 BSS Initiated

7.2.2.1 Principles

When the BSS determines that local switching should be disconnected it may:

- immediately break local switching and then inform the Core Network, or
- first request the Core Network to prepare for LCLS break and on the reception of LCLS break request on both call legs the BSS breaks local switching.

7.2.2.2 Immediate LCLS break

7.2.2.2.1 BSS actions

When the BSS determines that local switching should be disconnected it shall immediately break local switching. The BSS shall report the LCLS disconnection by sending the LCLS-Notification message with the LCLS-BSS-Status IE set to "Locally switched call is no longer locally switched" to both MSC servers associated to the LCLS call.

7.2.2.2.2 MSC server actions

At reception of the LCLS-Notification message with the LCLS-BSS-Status IE set to "Locally switched call is no longer locally switched", the MSC server shall send to the succeeding (or preceding) node the LCLS Status Update message with the LCLS-Status IE set to "LCLS Not Connected" if the same LCLS Status Update message was not already received from the succeeding (or preceding) node.

7.2.2.2.3 GMSC server actions

On receipt of the LCLS Status Update message with the LCLS-Status IE set to "LCLS Not Connected" from the preceding (or succeeding) node:

- the GMSC Server shall forward the message to the succeeding (or preceding) node if the same request was not already received from the succeeding (or preceding) node.
- the GMSC Server shall not forward the message if the same request was already received from the succeeding (or preceding) node.

7.2.2.3 BSS Requesting LCLS Release from Core Network

7.2.2.3.1 BSS actions

When the BSS determines that local switching should be disconnected but the LCLS release should be ordered from the Core Network the BSS shall request the LCLS disconnection by sending the LCLS-Notification message with a LCLS-Break-Request IE to both MSC servers associated to the LCLS call.

On receipt of the LCLS-Connect-Control message with the LCLS-Connection-Status-Control IE set to "Release LCLS" the BSS shall apply the procedure described in sub-clause 7.2.1.4.

7.2.2.3.2 MSC server actions

At reception of the LCLS-Notification message with LCLS-Break-Request IE the MSC server shall send to the succeeding (or preceding) node the LCLS Status Change Request message with the LCLS-Status-Change IE set to "LCLS-Disconnection-Preparation".

On the reception of the LCLS Status Change Request message with the LCLS-Status-Change IE indicating LCLS disconnection preparation, the MSC server shall apply the procedure described in sub-clause 7.2.1.2 with the following exception:

- on the reception of the LCLS Status Change Request Acknowledge message with the LCLS-Status-Change IE set to "LCLS-Disconnection-Preparation" and a Result code IE indicating LCLS Status Change Request accepted the MSC server shall not request the LCLS break if it already requested due to the reception of the LCLS Status Change Request message from the succeeding (or preceding) node.

7.2.2.3.3 GMSC server actions

The GMSC server shall perform the same actions as described in sub-clause 7.2.1.3.

7.2.3 Intermediate Node/GMSC Server Initiated

7.2.3.1 Principles

When an intermediate node or a GMSC server determines that local switching should be disconnected it shall send the LCLS Status Change Request message indicating disconnection preparation to the preceding and to the succeeding node.

On receipt of LCLS Status Change Request message indicating disconnection preparation the originating or terminating MSC server shall send LCLS break request immediately to the associated BSS. When the acknowledge message is received from the BSS, the MSC server shall return LCLS Status Change Request Acknowledge message indicating disconnection preparation and a Result code indicating LCLS Status Change Request was accepted.

The BSS needs to receive the LCLS break request on both call legs before releasing local switching.

7.2.3.2 Intermediate Node/GMSC server actions

When an intermediate node or a GMSC server determines that local switching should be disconnected it shall send the LCLS Status Change Request message with the LCLS-Status-Change IE set to "LCLS-Disconnection-Preparation" to the preceding and to the succeeding node.

The intermediate node or the GMSC Server not initiating the LCLS break shall forward the received LCLS Status Change Request message with the LCLS-Status-Change IE set to "LCLS-Disconnection-Preparation".

On receipt of the LCLS Status Change Request Acknowledge message with the LCLS-Status-Change IE set to "LCLS-Disconnection-Preparation" and a Result code IE indicating LCLS Status Change Request was accepted from the preceding (or succeeding) node, the intermediate node or the GMSC Server not initiating the LCLS break shall forward message to the succeeding (or preceding) node.

On receipt of the LCLS Status Update message with the LCLS-Status IE set to "LCLS Not Connected" from the preceding (or succeeding) node:

- the intermediate node or the GMSC Server not initiating the LCLS break shall forward the message to the succeeding (or preceding) node.
- the intermediate node or the GMSC Server initiating the LCLS break shall not forward the message.

7.2.3.3 MSC server actions

When the LCLS Status Change Request message with the LCLS-Status-Change IE set to "LCLS-Disconnection-Preparation" is received from the succeeding (or preceding) node, the MSC Server shall send to the BSS the LCLS-Connect-Control message with the LCLS-Connection-Status-Control IE set to "Release LCLS".

If the LCLS-Connect-Control Acknowledge message with the LCLS-BSS-Status IE not indicating LCLS disconnection is received, the MSC server shall send to the preceding (or succeeding) node the LCLS Status Change Request Acknowledge message with the LCLS-Status-Change IE set to "LCLS-Disconnection-Preparation" and a Result code IE indicating LCLS Status Change Request accepted.

At reception of the LCLS-Notification message with the LCLS-BSS-Status IE set to "Locally switched call is no longer locally switched", the MSC server shall send to the succeeding (or preceding) node the LCLS Status Update message with the LCLS-Status IE set to "LCLS Not Connected".

At reception of the LCLS-Connect-Control Acknowledge message with the LCLS-BSS-Status IE set to "Locally switched call is no longer locally switched", after sending the LCLS Status Change Request Acknowledge message, the MSC server shall send to the succeeding (or preceding) node the LCLS Status Update message with the LCLS-Status IE set to "LCLS Not Connected".

7.2.3.4 BSS actions

The BSS shall perform the same actions as described in sub-clause 7.2.1.4.

7.2.4 LCLS Break Example Call Flows

7.2.4.1 LCLS Break Connection Model for LCLS

Figure 7.2.4.1.1 shows the network model for a LCLS break of the mobile call. The "squared" line represents the call control signalling. The "dotted/full" line represents the bearer terminations in the MGW. Bearer termination T1 and T6 are used for the bearer towards BSC and bearer termination T2, T3, T4 and T5 are used for the bearer towards preceding/succeeding MGW.

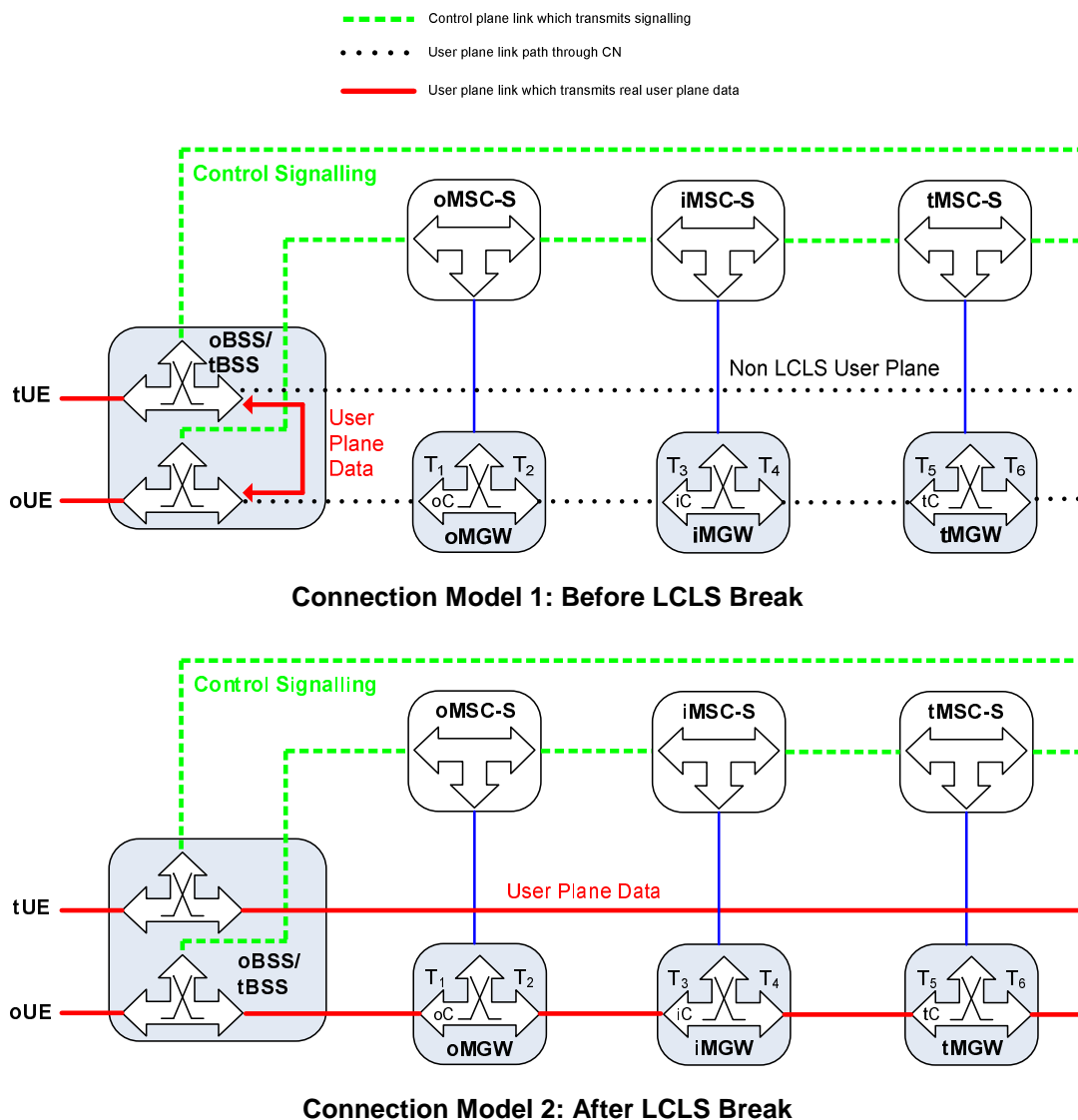


Figure 7.2.4.1.1: LCLS Break (Network model)

7.2.4.2 MSC server Initiated

Figure 7.2.4.2.1 shows the message sequence example for the MSC server initiated LCLS Break.

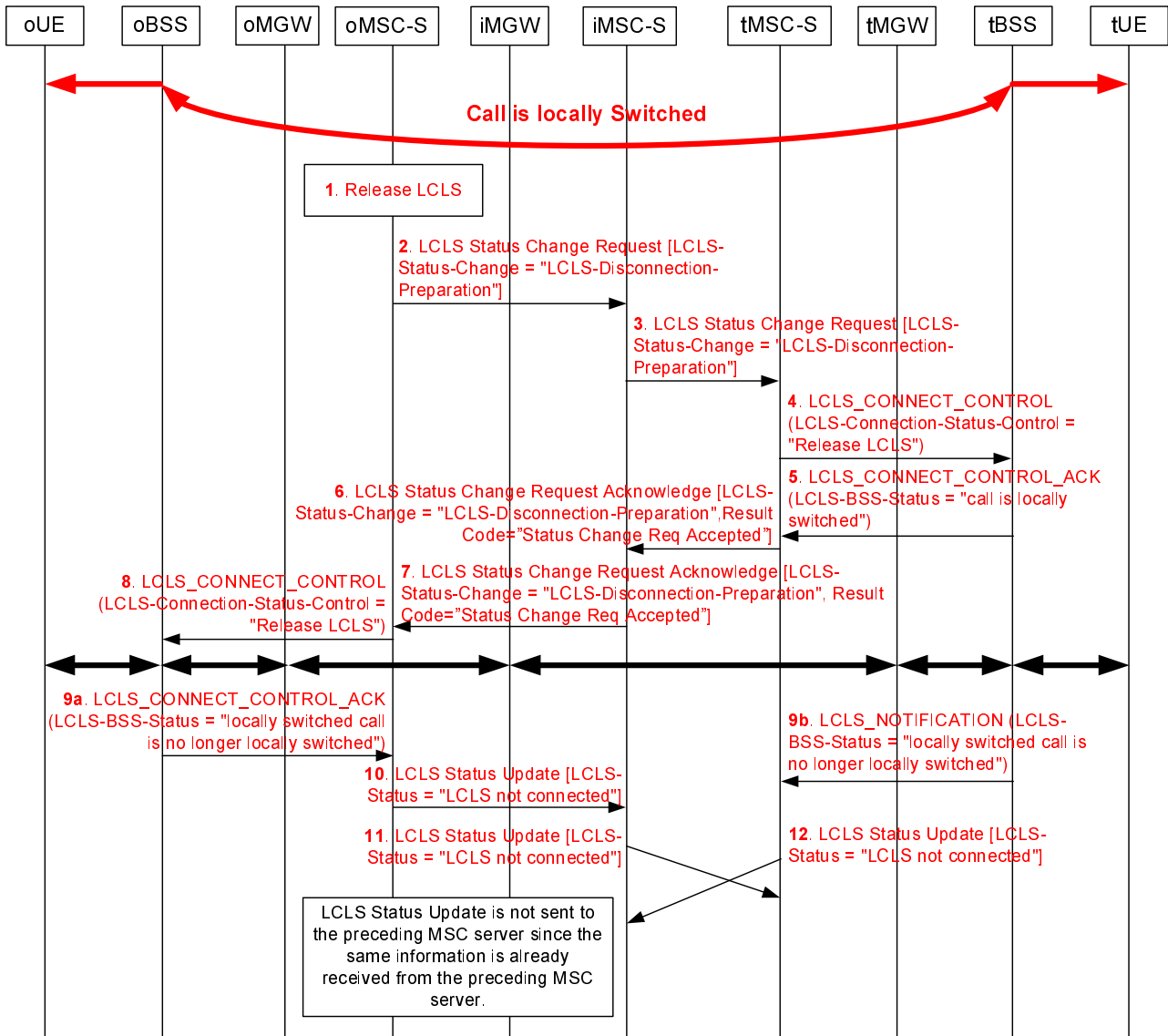


Figure 7.2.4.2.1: MSC Server initiated LCLS break

1. The oMSC server determines that local switching should be disconnected.
2. The oMSC server sends to the succeeding node the LCLS Status Change Request message with the LCLS-Status-Change IE set to "LCLS-Disconnection-Preparation".
3. The iMSC server transfers the LCLS Status Change Request message to the succeeding node.
4. The tMSC server sends to the tBSS the LCLS-Connect-Control message with the LCLS-Connection-Status-Control IE set to "Release LCLS".
5. The tBSS confirms the reception of the LCLS release request with the LCLS-Connect-Control Acknowledge message but does not change the LCLS-BSS status since LCLS release request is not yet received for the associated call leg.
6. The tMSC server sends to the preceding node the LCLS Status Change Request Acknowledge message with the LCLS-Status-Change IE set to "LCLS-Disconnection-Preparation" and the Result code IE set to LCLS Status Change Request accepted.
7. The iMSC server transfers the LCLS Status Change Request Acknowledge message to the preceding node.

8. The oMSC server sends to the oBSS the LCLS-Connect-Control message with the LCLS-Connection-Status-Control IE set to "Release LCLS".
9. The BSS reports the LCLS disconnection by sending:
 - a) The LCLS-Connect-Control Acknowledge message with the LCLS-BSS-Status IE set to "Locally switched call is no longer locally switched" to the oMSC server.
 - b) The LCLS-Notification message with the LCLS-BSS-Status IE set to "Locally switched call is no longer locally switched" to the tMSC server.
10. The oMSC server sends the LCLS Status Update Request message with the LCLS-Status IE set to "LCLS Not Connected" to the succeeding node.
11. The iMSC server transfers the LCLS Status Update message to the succeeding node.
12. On the receipt of the LCLS-Notification message with the LCLS-BSS-Status indicating LCLS disconnection the tMSC server sends the LCLS Status Update message with the LCLS-Status IE set to "LCLS Not Connected" to the preceding node.

NOTE: The iMSC server does not forward the LCLS Status Update message since the same LCLS Status is already received from the oMSC server.

7.2.4.3 BSS Initiated, Immediate LCLS Break

Figure 7.2.4.3.1 shows the message sequence example for the BSS initiated LCLS Break.

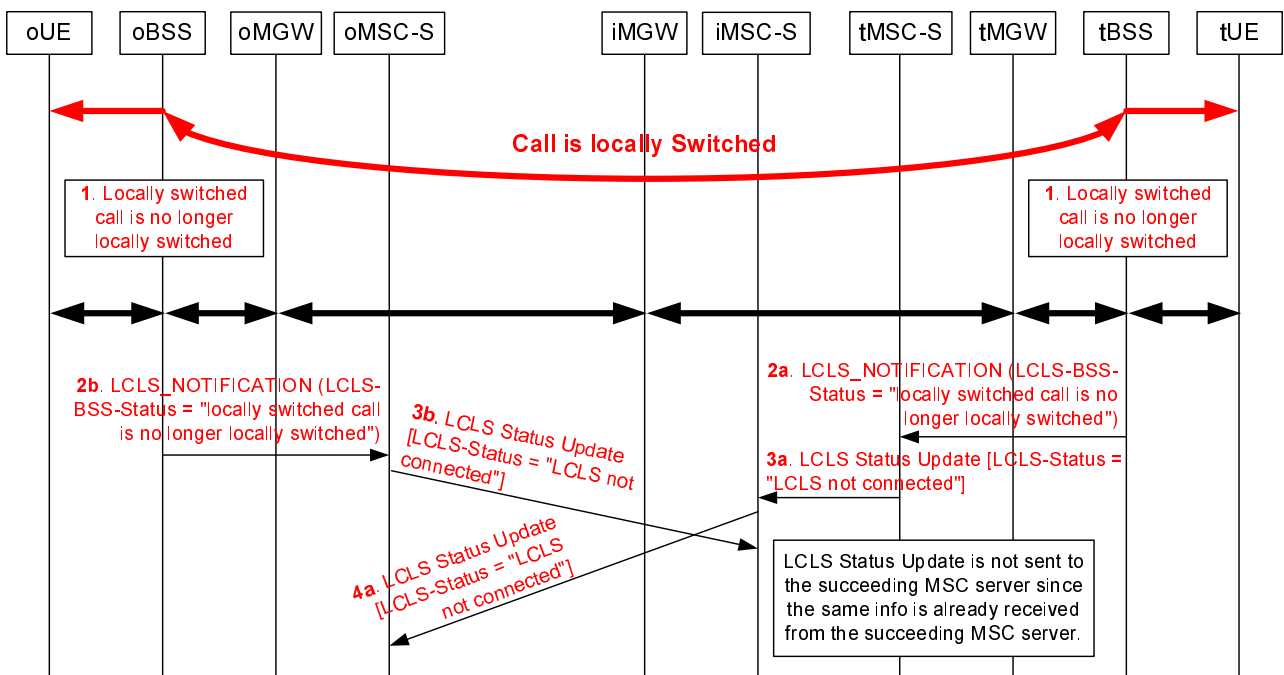


Figure 7.2.4.3.1: BSS initiated, immediate LCLS break

1. The BSS determines that local switching should be disconnected.
- 2a, b. The BSS reports the LCLS disconnection by sending the LCLS-Notification message with the LCLS-BSS-Status IE set to "Locally switched call is no longer locally switched" to the tMSC server and oMSC server.
3.
 - a) The tMSC server sends the LCLS Status Update message with the LCLS-Status IE set to "LCLS Not Connected" to the preceding node.
 - b) The oMSC server sends the LCLS Status Update message with the LCLS-Status IE set to "LCLS Not Connected" to the succeeding node.
- 4a. The iMSC server transfers the LCLS Status Update message to the oMSC server.

NOTE: At reception of the LCLS Status Update message from the oMSC server, the iMSC server does not forward the LCLS Status Update message since the same LCLS Status is already received from the tMSC server.

7.2.4.4 BSS Initiated, LCLS Break requested from Core Network

Figure 7.2.4.4.1 shows the message sequence example for the BSS initiated but when the LCLS Break is requested from the Core Network.

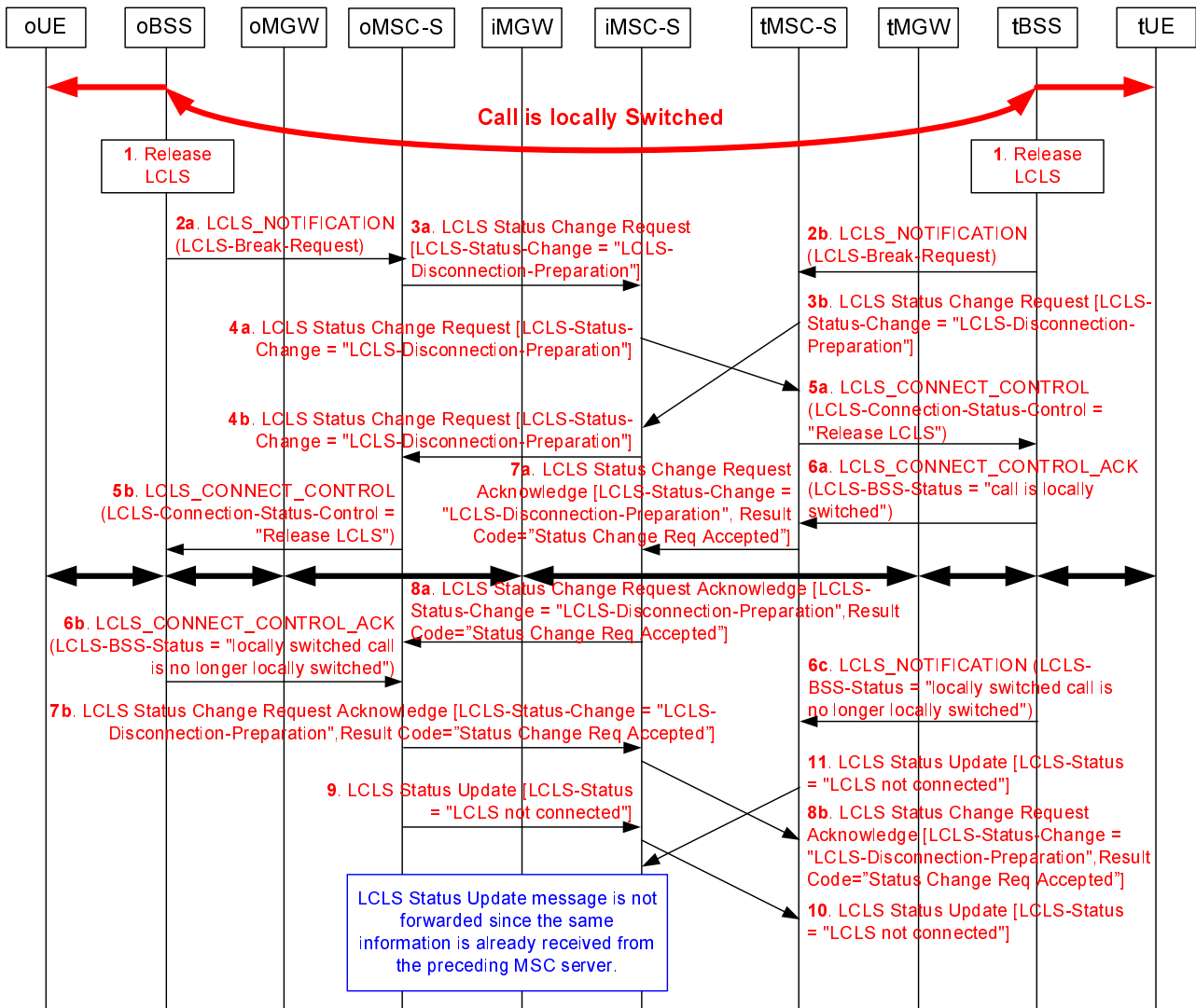


Figure 7.2.4.4.1: BSS initiated, LCLS Release ordered from Core Network

1. The BSS determines that local switching should be disconnected.
- 2a, b. The BSS requests the LCLS disconnection by sending the LCLS-Notification message with LCLS-Break-Request IE set to "LCLS Break Request" to the oMSC server and tMSC server.
3.
 - a) The oMSC server sends to the succeeding node the LCLS Status Change Request message with the LCLS-Status-Change IE set to "LCLS-Disconnection-Preparation".
 - b) The tMSC server sends to the preceding node the LCLS Status Change Request message with the LCLS-Status-Change IE set to "LCLS-Disconnection-Preparation".
- 4a, b. The iMSC server transfers the LCLS Status Change Request message to the succeeding/preceding node.
5.
 - a) The tMSC server sends to the tBSS the LCLS-Connect-Control message with the LCLS-Connection-Status-Control IE set to "Release LCLS".

- b) The oMSC server sends to the oBSS the LCLS-Connect-Control message with the LCLS-Connection-Status-Control IE set to "Release LCLS".
6. a) The tBSS confirms the reception of the LCLS release request with the LCLS-Connect-Control Acknowledge message but does not change the LCLS-BSS status since LCLS release request is not yet received for the associated call leg.
- b) The oBSS reports the LCLS disconnection by sending the LCLS-Connect-Control Acknowledge message with the LCLS-BSS-Status IE set to "Locally switched call is no longer locally switched" to the oMSC server.
- c) The tBSS reports the LCLS disconnection by sending the LCLS-Notification message to the tMSC server.
7. a) On the receipt of the LCLS-Connect-Control Acknowledge message with the LCLS-BSS status still indicating local switching the tMSC server sends to the preceding node the LCLS Status Change Request Acknowledge message with the LCLS-Status-Change IE set to "LCLS-Disconnection-Preparation" and the Result code IE set to LCLS Status Change Request accepted.
- b) On the receipt of the LCLS-Connect-Control Acknowledge message the oMSC server sends to the succeeding node the LCLS Status Change Request Acknowledge message with the LCLS-Status-Change IE set to "LCLS-Disconnection-Preparation" and the Result code IE set to LCLS Status Change Request accepted.
8. a) The iMSC server transfers the LCLS Status Change Request Acknowledge message to the preceding node.
- b) The iMSC server transfers the LCLS Status Change Request Acknowledge message to the succeeding node.
- NOTE1: The oMSC server already requested the LCLS break from the oBSS (step 5b) and due to that it does not perform any action on the receipt of the LCLS Status Change Request Acknowledge message. The tMSC server does not perform any action on the receipt of the LCLS Status Change Request Acknowledge message since it already requested the LCLS break from the tBSS (step 5a) and already received LCLS-Notification message indicating LCLS disconnection (step 6c).
9. At reception of the LCLS-Connect-Control Acknowledge message indicating LCLS disconnection the oMSC server sends the LCLS Status Update message with the LCLS-Status IE set to "LCLS Not Connected" to the succeeding node.
10. The iMSC server transfers the LCLS Status Update message to the succeeding node.
11. On the receipt of the LCLS-Notification message indicating LCLS disconnection the tMSC server sends the LCLS Status Update message with the LCLS-Status IE set to "LCLS Not Connected" to the preceding node.
- NOTE2: At reception of the LCLS Status Update message from the tMSC server, the iMSC server does not forward the LCLS Status Update message since the same LCLS Status is already received from the oMSC server.

7.2.4.5 Intermediate Node/GMSC Server Initiated

Figure 7.2.4.5.1 shows the message sequence example for the network initiated LCLS Break.

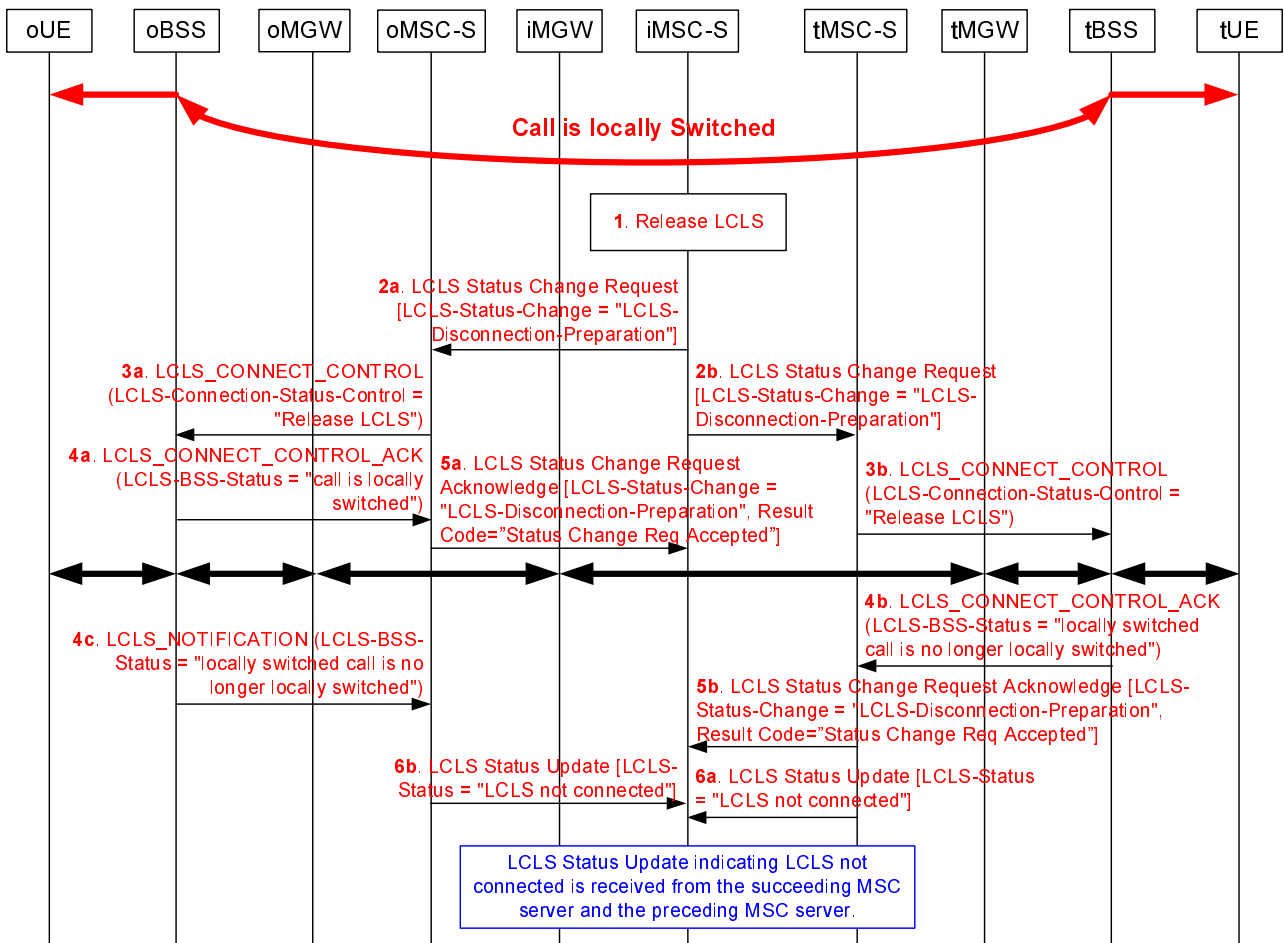


Figure 7.2.4.5.1: Intermediate Node / GMSC Server initiated LCLS break

1. The iMSC server determines that local switching should be disconnected.
- 2a, b. The iMSC server send the LCLS Status Change Request message with the LCLS-Status-Change IE set to "LCLS-Disconnection-Preparation" to the preceding node and to the succeeding node.
3.
 - a) The oMSC server sends to the oBSS the LCLS-Connect-Control message with the LCLS-Connection-Status-Control IE set to "Release LCLS".
 - b) The tMSC server sends to the tBSS the LCLS-Connect-Control message with the LCLS-Connection-Status-Control IE set to "Release LCLS".
4.
 - a) The oBSS confirms the reception of the LCLS release request but does not change the LCLS-BSS status since LCLS release request is not yet received for the associated call leg.
 - b) The tBSS reports the LCLS disconnection by sending the LCLS-Connect-Control Acknowledge message with the LCLS-BSS-Status IE set to "Locally switched call is no longer locally switched" to the tMSC server.
 - c) The oBSS reports the LCLS disconnection by sending the LCLS-Notification message to the oMSC server.
5.
 - a) On the receipt of the LCLS-Connect-Control Acknowledge message with the LCLS-BSS status still indicating local switching the oMSC server sends to the succeeding node the LCLS Status Change Request Acknowledge message with the LCLS-Status-Change IE set to "LCLS-Disconnection-Preparation" and the Result code IE set to LCLS Status Change Request accepted.
 - b) On the receipt of the LCLS-Connect-Control Acknowledge message the tMSC server sends to the preceding node the LCLS Status Change Request Acknowledge message with the LCLS-Status-Change IE set to "LCLS-Disconnection-Preparation" and the Result code IE set to LCLS Status Change Request accepted.

NOTE1: Since the LCLS disconnection is ordered by the iMSC server it does not forward the LCLS Status Change Request Acknowledge message to the succeeding node.

- 6. a) At reception of the LCLS-Connect-Control Acknowledge message indicating LCLS disconnection the tMSC server sends the LCLS Status Update message with the LCLS-Status IE set to "LCLS Not Connected" to the preceding node.
- b) On the receipt of the LCLS-Notification message the oMSC server sends the LCLS Status Update message with the LCLS-Status IE set to "LCLS Not Connected" to the succeeding node.

NOTE2: Since the LCLS disconnection is ordered by the iMSC server it does not forward the LCLS Status Update message to the preceding/succeeding node.

7.2.4.6 MSC server Initiated when Access Side Termination is isolated in MGW

Figure 7.2.4.6.1 shows the message sequence example for the MSC server initiated LCLS Break for the case when the LCLS negotiation through the Core Network enabled the MSC server to use the option to isolate access side termination from the network side termination.

In this example the oMSC server moves the originating UE (access side termination T1) back to the context oC with network side termination T2 and requests the oMGW to be both-way through-connected after the oMSC server determined that local switching should be disconnected and sent to the succeeding node the LCLS Status Change Request message indicating LCLS disconnection preparation.

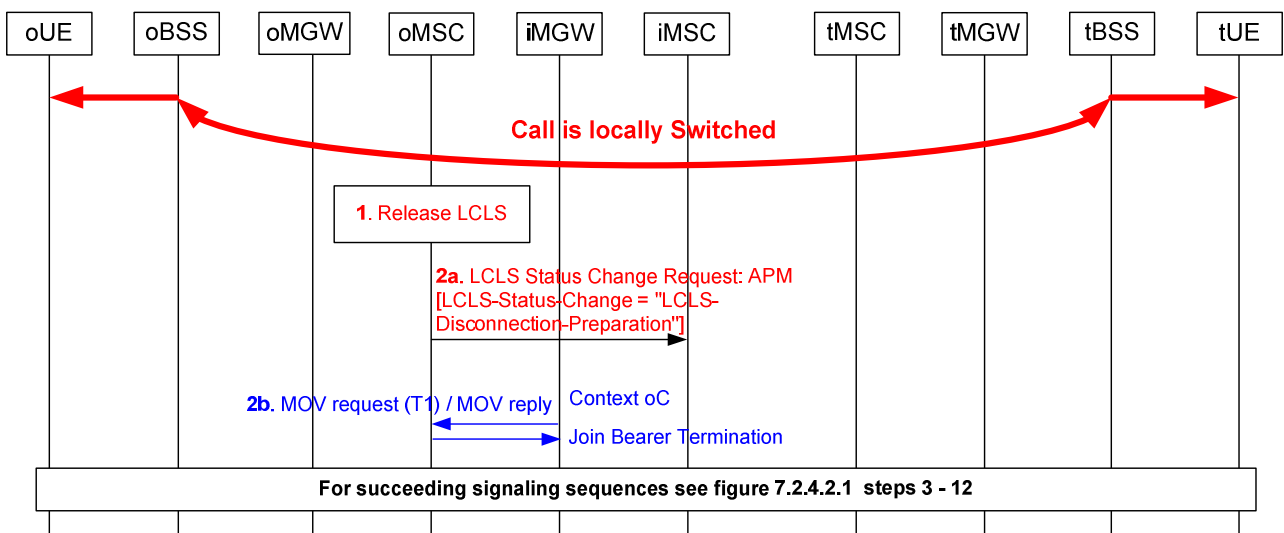


Figure 7.2.4.6.1: MSC initiated LCLS break, access side termination isolated in MGW

- 1. The oMSC server determines that local switching should be disconnected.
- 2. The oMSC server sends to:
 - a) the succeeding node the LCLS Status Change Request message with the LCLS-Status-Change IE set to "LCLS-Disconnection-Preparation";
 - b) the oMGW request to move the access side termination T1 to context oC with the network side termination T2;

NOTE 1: Steps 2a and 2b can be performed in parallel.

NOTE 2: If the MSC server has previously used the Change Through-Connection procedure and requested the MGW to change the through-connection of the bearer to inactive instead of using the Isolate Bearer termination procedure then the MSC server will use the Change Through-Connection procedure to request the MGW to change the through-connection of the bearer to be both-way through-connected.

- 3. The further steps are performed as defined in sub-clause 7.2.4.2, steps 3 - 12.

7.3 LCLS Re-establishment

7.3.1 MSC server Initiated

7.3.1.1 Principles

The following Re-establishment procedures describe the scenario when a node has requested an LCLS-break for a temporary period while applying a supplementary service or CN intervention and once completed wishes to resume the LCLS connection. If the node which broke the LCLS does not re-establish the LCLS via these procedures, LCLS can also be re-established by another interaction such as handovers (as specified in clause 8) or subsequent LCLS negotiations (e.g. due to supplementary service interaction). If a node in the path does not accept the LCLS Status Change Request (e.g. re-establishment) it shall respond with a LCLS Status Change Request Acknowledge message containing a Result Code IE set to "Status Change Request rejected", and not forward the LCLS Status Change Request to the succeeding (or preceding) node.

7.3.1.2 MSC server actions

7.3.1.2.1 LCLS re-establishment to the network side

The MSC server which initiates LCLS re-establishment shall send the LCLS Status Change Request message with the LCLS-Status-Change IE to the succeeding (or preceding) node to requests a change in LCLS Status in the CN.

Once the LCLS Status Change Request message with the LCLS-Status-Change IE set to "LCLS-Connection-Preparation" is received from the preceding (or succeeding) node, the MSC server shall check if the requested LCLS Status is allowed and shall send the LCLS Status Change Request Acknowledge message with the correct LCLS-Status-Change IE value and with a Result code back to the preceding (or succeeding) node. The Result code indicates whether LCLS Status Change Request is accepted or not.

7.3.1.2.2 LCLS re-establishment to the BSS

Once the LCLS-Status-Change Request message with LCLS-Status-Change IE or the LCLS-Status-Change Request Acknowledge message with the LCLS-Status-Change IE sent from the preceding (or succeeding) node is received, the MSC sever shall check if the requested LCLS Status is allowed or not and if it is allowed then the MSC Server shall send the LCLS-CONNECT-CONTROL message with LCLS-Connection-Status-Control set to "connect" to the BSS

7.3.1.2.3 LCLS Status update to the network side

Once the LCLS-Notification message or LCLS-Connect-Control-ACK message sent from BSS is received by MSC server, and if the received LCLS-BSS-Status indicates local switching, the MSC server shall send to the succeeding (or preceding) node the LCLS Status Update message with the LCLS-Status IE set to "LCLS Connected" if the same LCLS status update is not already received from the succeeding (or preceding) node..

7.3.1.3 GMSC server actions

Once the LCLS Status Change Request message with the LCLS-Status-Change IE sent from preceding (or succeeding) node is received, the GMSC sever shall check if the requested LCLS Status is allowed or not and if it is allowed the GMSC server shall forward the LCLS Status Change Request message with correct value to the succeeding (or preceding) node.

At the reception of the LCLS-Status-Change Request Acknowledge message from the succeeding/preceding node the GMSC server shall forward the received message to the preceding/succeeding node.

Once the LCLS-Status-Update message with the LCLS Status IE sent from preceding/succeeding node is received by GMSC server,

- the GMSC Server shall forward the message to the succeeding/preceding node if the same request is not already received from the succeeding/preceding node.
- the GMSC Server shall not forward the message if the same request is already received from the succeeding/preceding node.

7.3.1.4 BSS actions

On receipt of the LCLS-Connect-Control message with the LCLS-Connection-Status-Control IE set to "connect LCLS" the BSS may establish LCLS (following the principles described in sub-clause 4.4) and notify the CN as described for LCLS call establishment.

7.3.2 BSS Initiated

BSS Initiated LCLS re-establishment is not supported for LCLS.

7.3.3 Intermediate Node / GMSC Server Initiated

7.3.3.1 Principles

The following Re-establishment procedures describe the scenario when a node has requested an LCLS-break for a temporary period while applying a supplementary service or CN intervention and once completed wishes to resume the LCLS connection. If the node which broke the LCLS does not re-establish the LCLS via these procedures, LCLS can also be re-established by another interaction such as handovers (as specified in clause 8) or subsequent LCLS negotiations (e.g. due to supplementary service interaction). If a node in the path does not accept the LCLS Status Change Request (e.g. re-establishment) it shall respond with a LCLS Status Change Request Acknowledge message containing a Result Code IE set to "Status Change Request rejected", and not forward the LCLS Status Change Request to succeeding/preceding node.

7.3.3.2 Intermediate Node / GMSC server actions

When an intermediate node or the GMSC server determines that local switching should be re-established it shall send the LCLS Status Change Request message with the LCLS-Status-Change IE set to "LCLS-Connection-Preparation" to the preceding and to the succeeding node.

The intermediate node or the GMSC Server not initiating the LCLS re-establishment shall check if the requested LCLS Status is allowed or not and if it is allowed the intermediate node shall forward the received LCLS Status Change Request message.

On receipt of the LCLS Status Change Request Acknowledge message with the LCLS-Status-Change IE set to "LCLS Connection Preparation" and a Result code IE from the preceding/succeeding node, the intermediate node or the GMSC Server not initiating the LCLS re-establishment shall forward message to the succeeding/preceding node. The Result code indicates whether LCLS Status Change Request is accepted or not.

On receipt of the LCLS Status Update message with the LCLS-Status IE set to "LCLS Connected" from the preceding/succeeding node:

- the intermediate node or the GMSC Server not initiating the LCLS re-establishment shall forward the message to the succeeding/preceding node.
- the intermediate node or the GMSC Server initiating the LCLS re-establishment shall not forward the message.

7.3.3.3 MSC server actions

When the LCLS Status Change Request message with the LCLS-Status-Change IE set to "LCLS Connection Preparation" is received from the succeeding (or preceding) node, the MSC Server shall check if the requested LCLS status is allowed or not and if it is allowed then the MSC Server shall send to BSS the LCLS-Connect-Control message with the LCLS-Connection-Status-Control IE set to "connect". The MSC server shall send LCLS Status Change Request Acknowledge message with the correct LCLS-Status-Change IE value and a Result code back to the preceding (or succeeding) node. The Result code indicates whether LCLS Status Change Request is accepted or not.

At reception of the LCLS-Connect-Control Acknowledge message or the LCLS-Notification message with the LCLS-BSS-Status IE set to "Call is Locally switched", the MSC server shall send to the succeeding (or preceding) node the LCLS Status Update message with the LCLS-Status IE set to "LCLS Connected" if the same LCLS status update is not already received from the succeeding (or preceding) node.

7.3.3.4 BSS actions

The BSS shall perform the same actions as described in sub-clause 7.3.1.4.

7.3.4 LCLS Re-establishment Example Call Flows

7.3.4.1 LCLS Re-establishment Connection Model for LCLS

Figure 7.3.4.1.1 shows the network model for a LCLS Re-establishment of the mobile call. The "squared" line represents the call control signalling. The "dotted/full" line represents the bearer terminations in the MGW. Bearer termination T1 and T6 are used for the bearer towards BSC and bearer termination T2, T3, T4 and T5 are used for the bearer towards preceding/succeeding MGW.

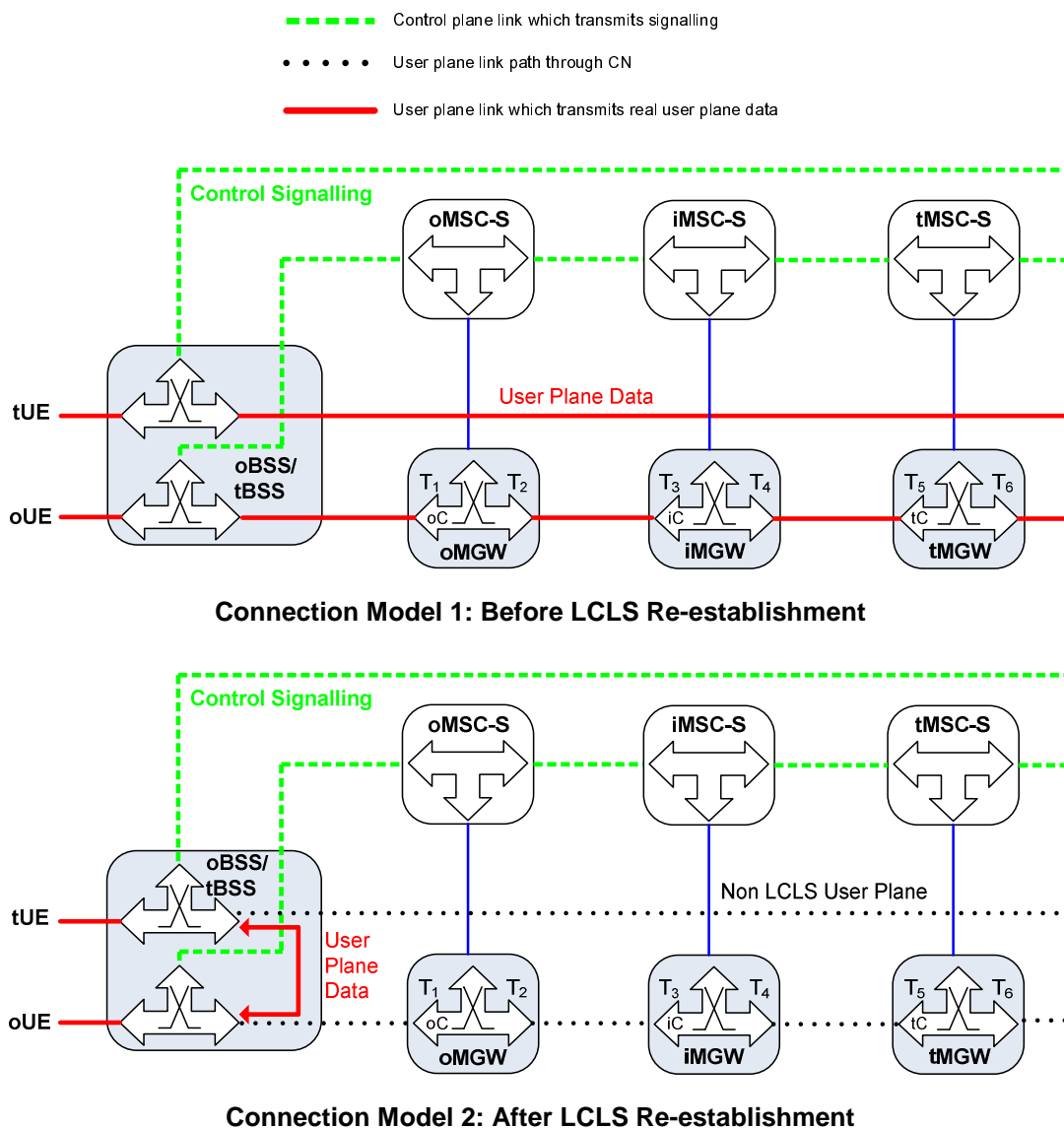


Figure 7.3.4.1.1: LCLS Re-establishment (Network model)

7.3.4.2 MSC server Initiated Example Call Flow

Figure 7.3.4.2.1 shows the message sequence example for the MSC server initiated LCLS Re-establishment. In the example the MSC server trigger the LCLS negotiation in the CN. The BSS establishes local switching when both legs are informed LCLS is allowed.

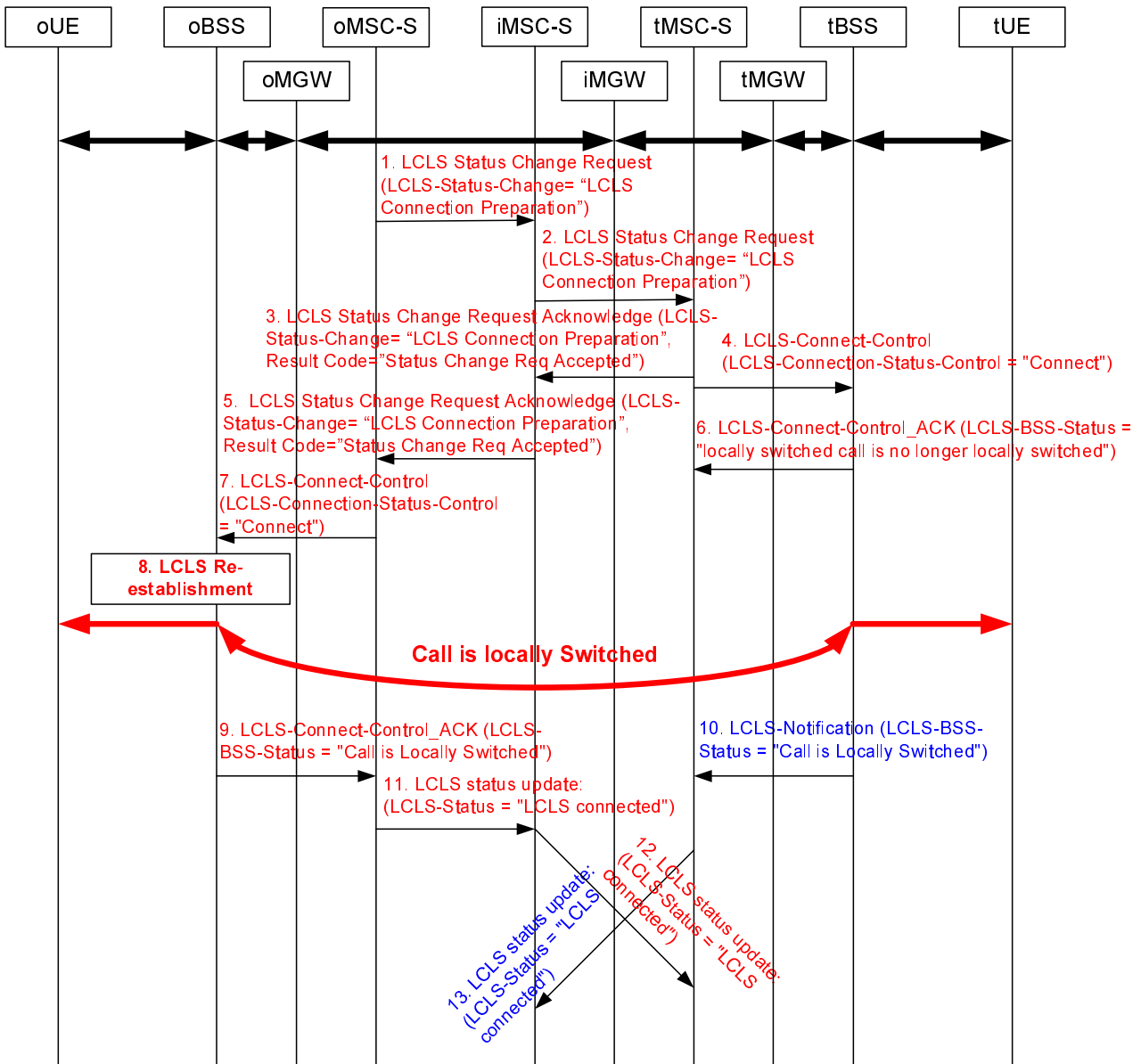


Figure 7.3.4.2.1: MSC server Initiated LCLS Re-establishment

1. The oMSC server determines that local switching should be re-established. The oMSC server sends to the succeeding node the LCLS Status Change Request message with the LCLS-Status-Change IE set to "LCLS-Connection-Preparation".
2. The iMSC server transfers the LCLS Status Change Request message to the tMSC server.
3. The tMSC server sends LCLS Status Change Request Acknowledge message to the preceding node.
4. The tMSC server sends to the tBSS the LCLS-Connect-Control message with the LCLS-Connection-Status-Control IE set to "connect".

NOTE: Step 3 and 4 can be performed paralleled.

5. The iMSC server transfers the LCLS Status Change Request Acknowledge message to the oMSC server.
6. The oBSS confirms the reception of the LCLS connect request but does not change the LCLS-BSS status since LCLS connect request is not yet received for the associated call leg.
7. On receipt of LCLS Status Change Request Acknowledge message, the oMSC server sends to the oBSS the LCLS-Connect-Control message with the LCLS-Connection-Status-Control IE set to "connect".

8. Because LCLS connect requests are received for the associated call leg, the oBSS/tBSS re-establish the LCLS.
9. The oBSS reports the LCLS connection by sending the LCLS-Connect-Control Acknowledge message to the oMSC server.
10. The tBSS reports the LCLS connection by sending the LCLS-Notification message to the tMSC server.
11. The oMSC server sends the LCLS Status Update message with the LCLS-Status IE set to "LCLS Connected" to the succeeding node.
12. The iMSC server transfers the LCLS Status Update message to the tMSC server.
13. The tMSC server sends the LCLS Status Update message with the LCLS-Status IE set to "LCLS Connected" to the preceding node. The iMSC server does not forward the LCLS Status Update message to the oMSC server since the same LCLS Status is already received from the oMSC server.

7.3.4.3 Intermediate Node / GMSC Server Initiated Example Call Flow

Figure 7.3.4.3.1 shows the message sequence example for the Intermediate Node / GMSC Server initiated LCLS Re-establishment.

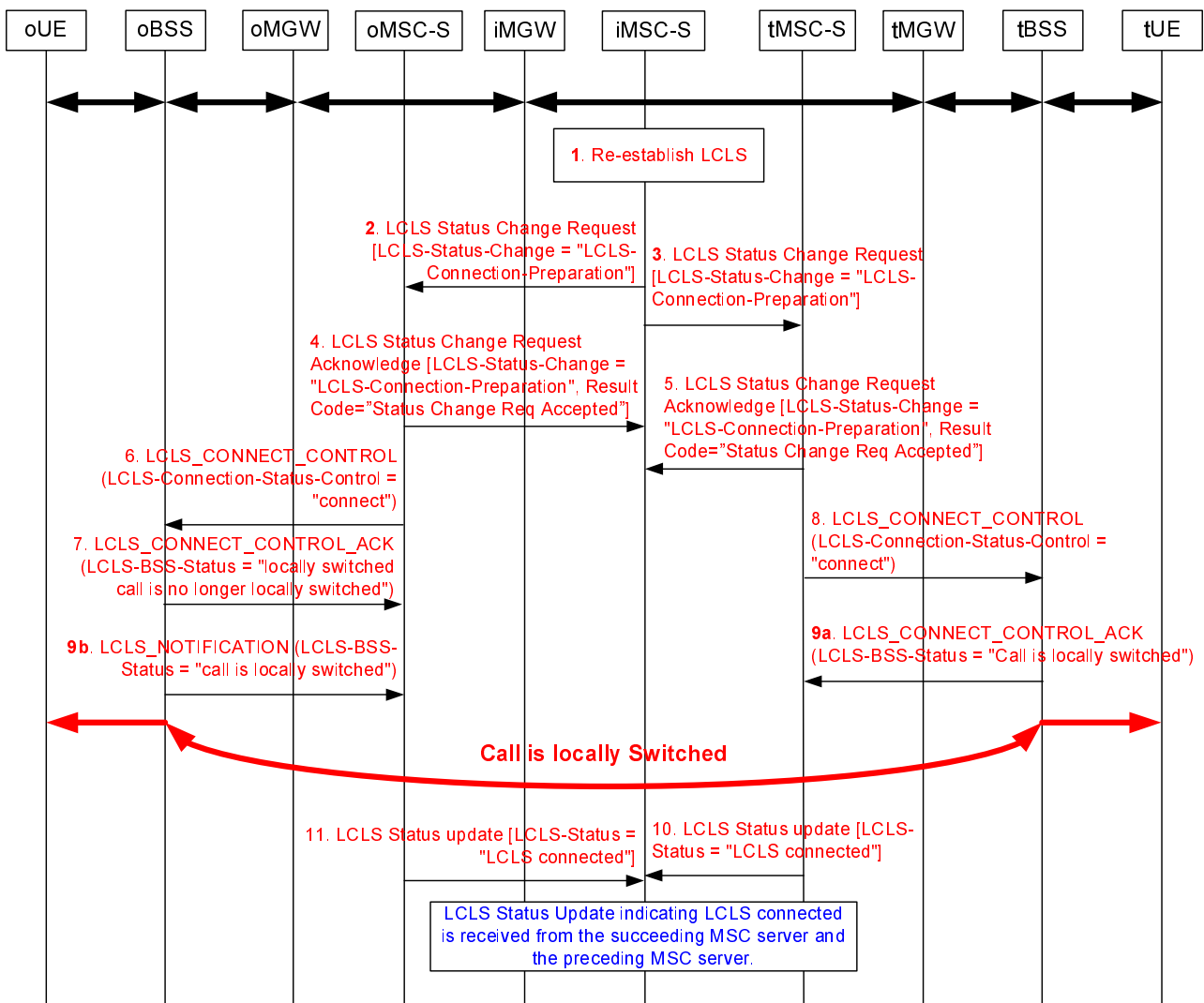


Figure 7.3.4.3.1: Intermediate Node / GMSC Server Initiated LCLS Re-establishment

1. The iMSC server determines that local switching should be established.

2. The iMSC server sends the LCLS Status Change Request message with the LCLS-Status-Change IE set to "LCLS-Connection-Preparation" to the oMSC server.
3. The iMSC server sends the LCLS Status Change Request message with the LCLS-Status-Change IE set to "LCLS-Connection-Preparation" to the tMSC server.
4. The oMSC server sends LCLS Status Change Request Acknowledge message to the succeeding node.
5. The tMSC server sends LCLS Status Change Request Acknowledge message to the preceding node.
6. The oMSC server sends to the oBSS the LCLS-Connect-Control message with the LCLS-Connection-Status-Control IE set to "connect".
7. The oBSS confirms the reception of the LCLS connect request but does not change the LCLS-BSS status since LCLS connect request is not yet received for the associated call leg.
8. The tMSC server sends to the tBSS the LCLS-Connect-Control message with the LCLS-Connection-Status-Control IE set to "connect".
- 9a. The tBSS reports the LCLS connection by sending the LCLS-Connect-Control Acknowledge message to the tMSC server.
- 9b. The oBSS reports the LCLS connection by sending the LCLS-Notification message to the oMSC server.
10. The tMSC server sends the LCLS Status Update message with the LCLS-Status IE set to "LCLS Connected" to the preceding node.
11. The oMSC server sends the LCLS Status Update message with the LCLS-Status IE set to "LCLS Connected" to the succeeding node.

NOTE: Since LCLS re-establishment is ordered by the iMSC server it does not forward the LCLS Status Update message to the preceding/succeeding node.

7.3.4.4 MSC server Initiated when Access Side Termination is isolated in MGW

Figure 7.3.4.4.1 shows the message sequence example for the MSC server initiated LCLS Re-establishment for the case when the LCLS negotiation through the Core Network enabled the MSC server to use the option to isolate access side termination from the network side termination.

In this example the oMSC server requests the oMGW to interrupt the communication on the bearer by using the Isolate Bearer Termination Procedure (i.e. to isolate access side termination T1 from the network side termination T2) after the oBSS re-established local switching.

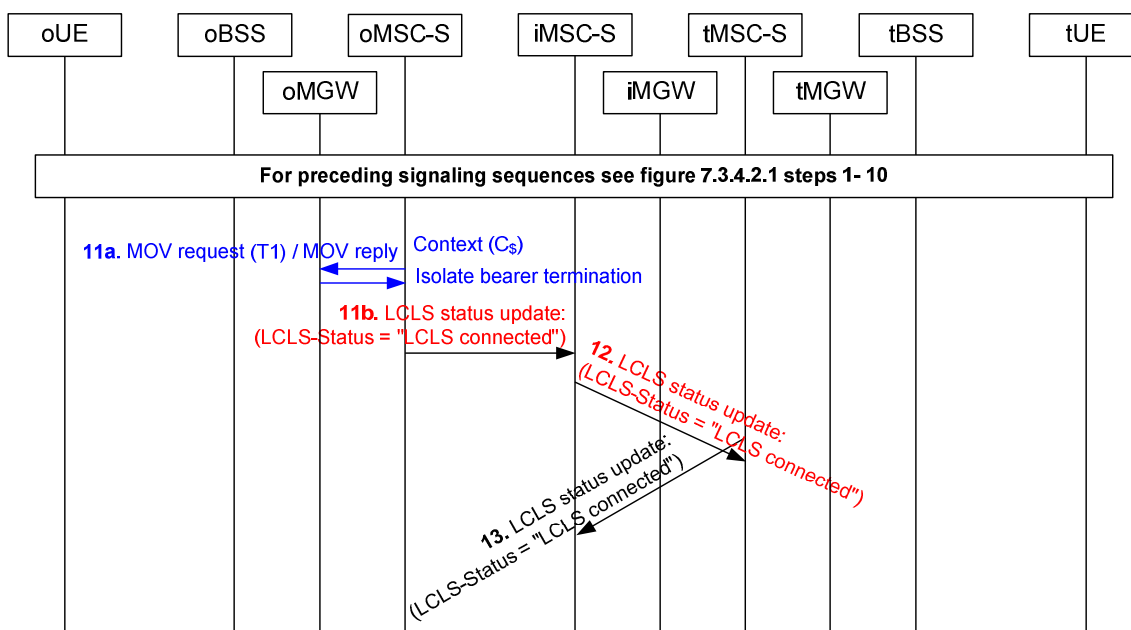


Figure 7.3.4.4.1: MSC server Initiated LCLS Re-establishment, access side termination isolated in MGW

- 1 - 10. When the oMSC server determines that local switching should be re-established it initiates the LCLS Re-establishment procedure specified in sub-clause 7.3.4.2, steps 1 – 10.
11. a) The oMSC server send to the oMGW request to isolate the access side termination T1 from the network side termination T2.
- NOTE 1: The MSC server can also use the Change Through-Connection procedure and requests the MGW to change the through-connection of the bearer to inactive instead of using of the Isolate Bearer termination procedure, see 3GPP TS 23.205 [2].
- b) The oMSC server sends the LCLS Status Update message with the LCLS-Status IE set to "LCLS Connected" to the succeeding node.
- NOTE 2: Steps 11a and 11b can be performed in parallel.
12. The iMSC server transfers the LCLS Status Update message to the tMSC server.
13. The tMSC server sends the LCLS Status Update message with the LCLS-Status IE set to "LCLS Connected" to the preceding node. The iMSC server does not forward the LCLS Status Update message to the oMSC server since the same LCLS Status is already received from the oMSC server.

8 Handover/Relocation

8.1 UMTS to UMTS

For Inter-MSC Handover UMTS to UMTS the Anchor MSC server shall include the GCR and the LCLS-Negotiation IE in IAM to the Target MSC server. The Target MSC server shall then perform LCLS Negotiation as defined in clause 4.2 and include the LCLS-Negotiation response in the APM or ACM or CPG. The Target MSC server may then use the LCLS parameters to enable LCLS if a subsequent UTRAN to GERAN handover occurs.

8.2 UMTS to GSM

8.2.1 General

The procedures specified in 3GPP TS 23.205 [2] for BICC based CS Core Network and 3GPP 23.231 [3] for SIP-I based CS Core Network shall be followed. The following clauses describe the additional requirements for LCLS functionality.

8.2.2 Intra-MSC UMTS to GSM Handover

8.2.2.1 Intra-MSC UMTS to GSM Handover that establishes Local Switching

8.2.2.1.1 General

When LCLS is not established for a call and an intra-MSC UMTS to GSM handover occurs that makes the call local, the call can be locally switched in the Target BSS. The following clauses describe the additional requirements for intra-MSC UMTS to GSM handover that establish LCLS.

8.2.2.1.2 Relocation Required

When the MSC server receives the Relocation Required message from the serving RNC, it requests the MGW to seize a TDM circuit if AoTDM or an IP termination if AoIP for the termination to the Target BSS as for the normal handover procedure.

The MSC server sends the Handover Request message to the Target BSS as for the normal case but shall include the GCR IE, the LCLS-Configuration IE and the LCLS-Connection-Status-Control IE set to "Connect".

8.2.2.1.3 Handover Request Acknowledge

If the Target BSS supports LCLS feature then it shall include the LCLS-BSS-Status IE in the Handover Request Acknowledge message in order to inform the MSC Server that the BSS supports the LCLS feature.

8.2.2.1.4 Handover Complete

The target BSS sends Handover Complete including the LCLS-BSS-Status, which indicates to the MSC server that the call is locally switched.

NOTE: The target BSS will send LCLS-Notification message to the MSC at the other call leg indicating the call is locally switched.

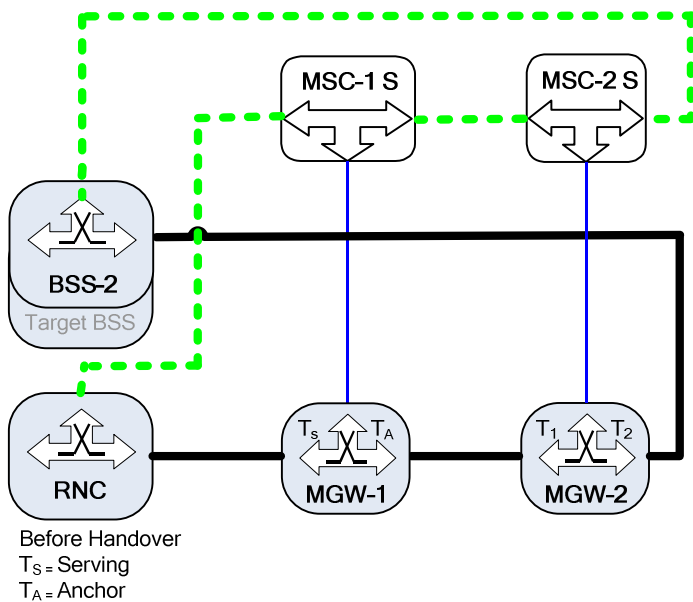
8.2.2.1.5 Example

8.2.2.1.5.1 Connection Model

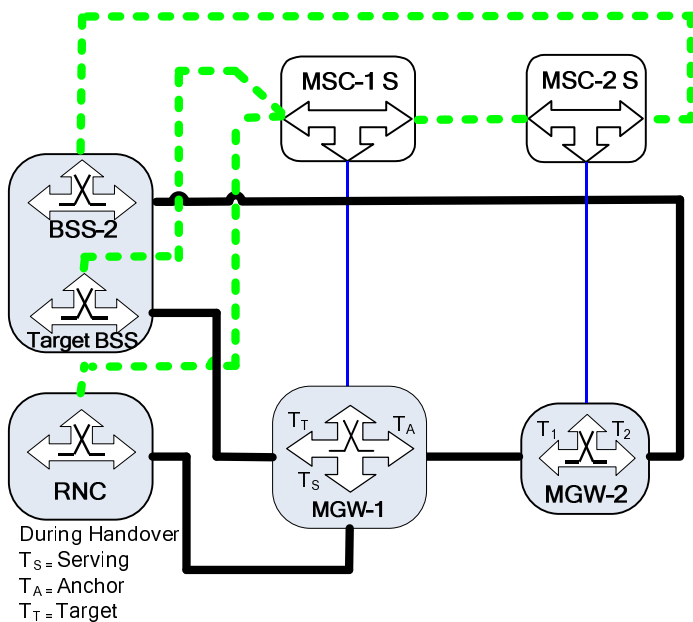
Figure 8.2.2.1.5.1.1 shows the network model for the Basic Intra-MSC UMTS to GSM handover when LCLS is established as a result of the handover. The dashed line in green represents call control signalling and the dashed line in blue represents the user plane connection path via the core network, which should be used if LCLS is not established or after LCLS is broken. The non-dotted lines represent the bearer carrying real user plane data. In MGW-1 the bearer termination T_S is used for the bearer towards RNC, bearer termination T_A is used for the bearer towards the succeeding/preceding MGW, that is MGW-2 and bearer termination T_T is used towards the Target BSS. In MGW-2 the bearer termination T_2 is used for the bearer towards BSS-2 and bearer termination T_1 is used for the bearer towards MGW-1.

In this example scenario the Handover Device is located in MGW-1 selected for the call establishment by the MSC-1 server, which controls the call and mobility management.

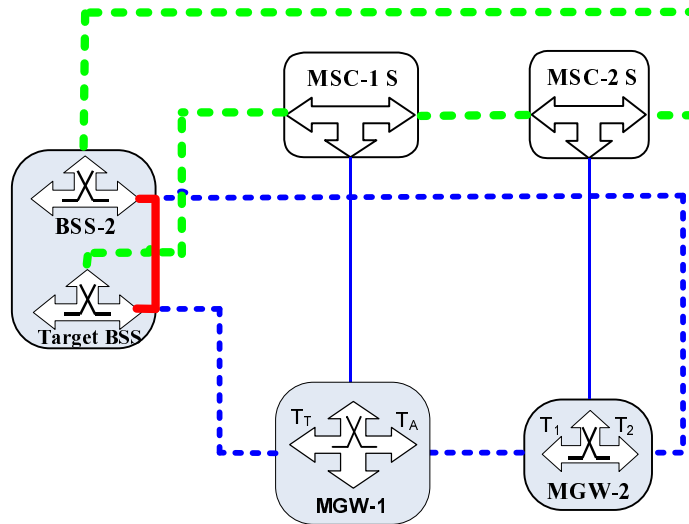
- User plane link which transmits real user plane data within BSS and to UE
- User plane link which transmits real user plane data through the CN and to UE
- - - User plane link path through CN, connected
- - - Control plane link which transmits signalling



Connection Model 1: Before Handover



Connection Model 2: During Handover, T_T is isolated from T_S, T_A is one-way connected to T_T



Connection Model 3: After Handover, LCLS is established and both call legs are in Target BSS (=BSS-2)

Figure 8.2.2.1.5.1.1: Basic Intra-MSC UMTS to GSM Handover (network model)

8.2.2.1.5.2 Basic Sequence for Intra-MSC UMTS to GSM Handover that establishes Local Switching

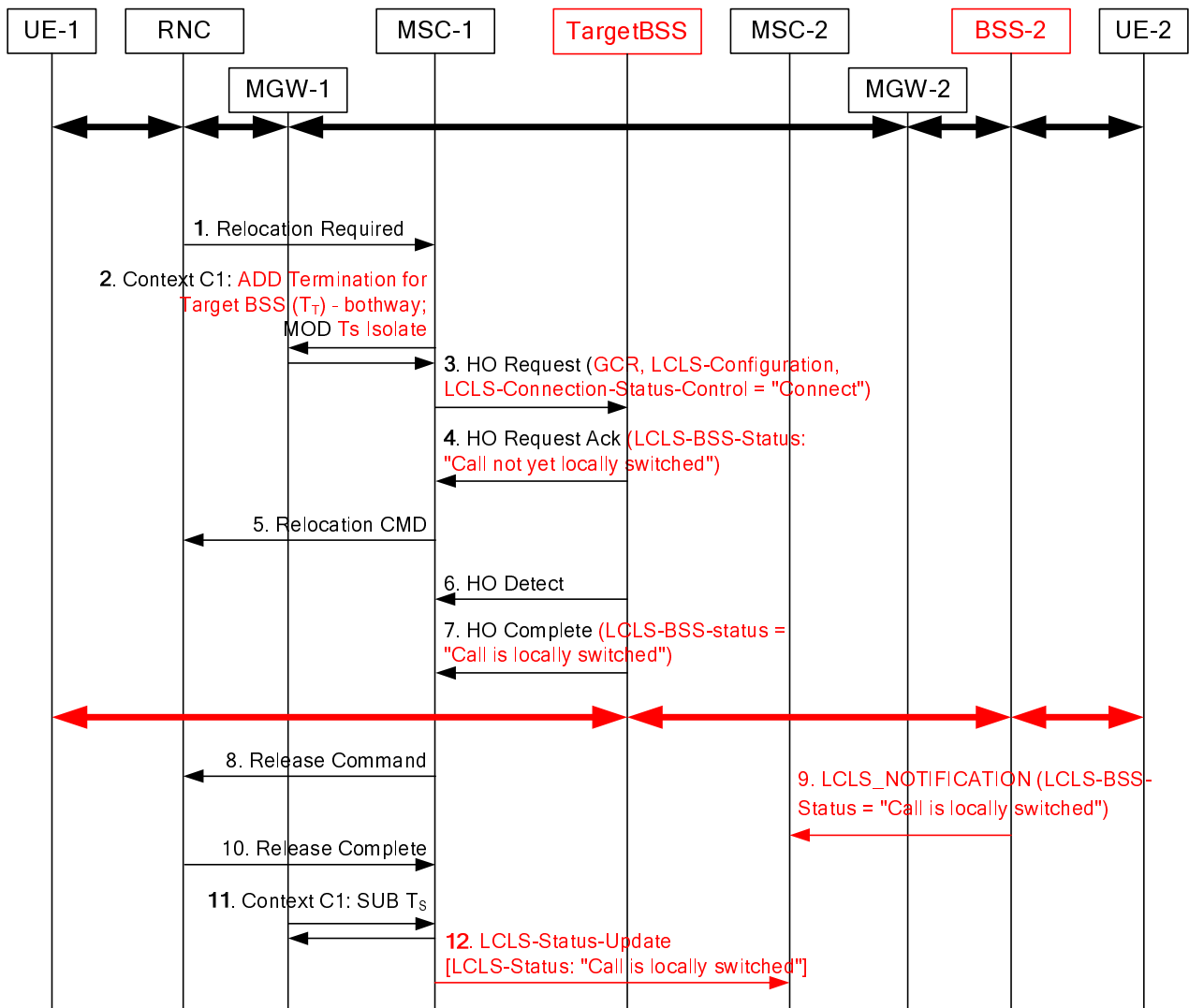


Figure 8.2.2.1.5.2.1: Intra-MSC UMTS to GSM Handover that establishes Local Switching

1. In Relocation Required message is received from the RNC requesting an intra-MSC UMTS to GSM handover. The call is currently not locally switched.
2. The MSC-1 server requests the MGW-1 to reserve circuit or Connection Point towards the Target-BSS
3. The MSC-1 server sends the Handover Request message to the Target BSS with the GCR IE, the LCLS-Configuration IE and the LCLS-Connection-Status-Control IE indicating "connect" to through-connect the local call.
4. Target BSS performs call leg correlation with GCR to determine if another call leg is active with the same GCR. The Target BSS reports in Handover Request Acknowledge message that the local call was found but LCLS is not yet established.
5. The MSC-1 server triggers the Relocation Command message.
6. The UE-1 is detected at the target BSS. Then the Target BSS/BSS-2 can internally transmit the user plane data.
7. In the Handover Complete message the Target-BSS indicates to the MSC-1 server in the LCLS-BSS-Status IE that the call has been locally switched.
8. The MSC-1 server requests the old serving RNC to release the old call leg.

9. The Serving BSS-2 informs the MSC-2 server that the call has been locally switched via LCLS_Notification message.
10. Releasing of the old call leg to the RNC is completed.
11. The termination Ts to the old RNC is removed from the Access MGW-1.
12. The MSC-1 server informs succeeding CN nodes that LCLS is connected.

NOTE : When BICC is used as the call control protocol the APM message is sent. When SIP-I is used the INFO request with the encapsulated APM message is sent.

8.2.2.2 Intra-MSC UMTS to GSM Handover that does not establish LCLS

Intra-MSC UMTS to GSM Handover that does not establish LCLS follows the procedures in 8.2.2.1. The differences are:

- in the step 7, the Target BSS informs MSC-1 server that the call is not locally switched in the Handover Complete message.
- step 9 and step 12 are not triggered.

8.2.3 Inter-MSC UMTS to GSM Handover

8.2.3.1 Inter-MSC UMTS to GSM Handover that establishes Local Switching

8.2.3.1.1 General

When LCLS is not established for a call and an inter-MSC UMTS to GSM handover occurs that makes the call local, the call can be locally switched in the Target BSS. The following clauses describe the additional requirements for inter-MSC handovers that establish LCLS.

8.2.3.1.2 MSC-1 / MGW-1

8.2.3.1.2.1 Relocation Required

When MSC-1 Server receives the Relocation Required message from the serving RNC and determines that the call shall be handed over to the Target MSC Server, it shall send the GCR of the call and LCLS negotiation IE to the Target MSC Server in a MAP Prepare-Handover_Request message.

8.2.3.1.2.2 Handover Request Acknowledge

When MSC-1 Server receives the MAP Prepare_Handover_Response including Handover_Request_Acknowledgement message with a LCLS-BSS-Status IE the Anchor MSC-1 Server configures the bearer terminations in MGW-1 and sends the GCR and LCLS-Negotiation information to the target MSC-Server.

8.2.3.1.2.3 Bearer establishment between MGW-1 and Target MGW

The handling of the bearer establishment between MGW-1 and Target MGW is as described in sub-clause 6.1 for a Basic Mobile Originating Call. The MSC server shall also use the Change Flow Direction procedure to request the MGW-1 to set the Handover Device to the initial state.

8.2.3.1.2.4 MGW Flow Direction Control

In accordance with the normal handover case the MGW-1 isolates the termination towards the Target MGW (T_2) from the termination to the RNC(T_S) and configures the Anchor termination (T_1) one-way DL towards the Target MGW termination (T_2). Termination to the RNC (T_S) is both-way connected to Anchor termination (T_1) since it is also receiving UL user data from termination to the RNC (T_S).

8.2.3.1.2.5 Relocation Command/Handover Detect

The MSC-1 Server uses the Change Flow Direction procedure to request the MGW-1 to set the Handover Device to intermediate state.

8.2.3.1.2.6 Handover Complete

When the MSC-1 Server receives the Handover Complete message, it releases the related Iu-interface connection towards RNC. The MSC-1 Server also requests MGW-1 to set the Handover Device to its final state by removing the bearer termination towards the RNC.

The MSC-1 server shall send to the adjacent call node the LCLS-Status-Update message with the LCLS-Status IE indicating that LCLS is established.

8.2.3.1.3 Target MSC Server / Target MGW

8.2.3.1.3.1 Prepare Handover Request message and MGW selection

The Target MSC server selects the Target MGW when it receives MAP Prepare Handover Request message. The Target MSC server sends the Handover Request message to the Target BSS as for the normal case but shall include the GCR IE, the LCLS-Configuration IE and the LCLS-Connection-Status-Control IE set to "Connect".

8.2.3.1.3.2 Handover Request Acknowledge

If the Target BSS supports the LCLS feature it shall include the LCLS-BSS-Status IE in the Handover Request Acknowledge message in order to inform the Target MSC Server that the BSS supports the LCLS feature. The Target MSC Server sends the same information in the MAP Prepare Handover Response message to the MSC-1 Server.

8.2.3.1.3.3 Bearer establishment towards Target BSS

When the Target MSC Server has selected the Target MGW it requests the Target MGW to seize a TDM circuit if AoTDM using the Reserve Circuit procedure, or an IP termination if AoIP using the reserve Connection Point procedure as for the normal handover procedure. The Target MSC Server sends the Handover Request message to the Target BSS containing the CIC for AoTDM or the IP addresses and UDP ports received from the target MGW if AoIP.

8.2.3.1.3.4 Bearer establishment between MGW-1 and Target MGW

The handling of the bearer establishment between MGW-1 and Target MGW is as described for basic mobile terminating call in sub-clause 6.2.

8.2.3.1.3.5 Handover Complete

When LCLS has been established during the handover procedure, the target BSS informs the target MSC-Server that the call has been locally switched in the Handover Complete message.

NOTE: The target BSS will send LCLS-Notification message to the MSC at the other call leg indicating the call is locally switched.

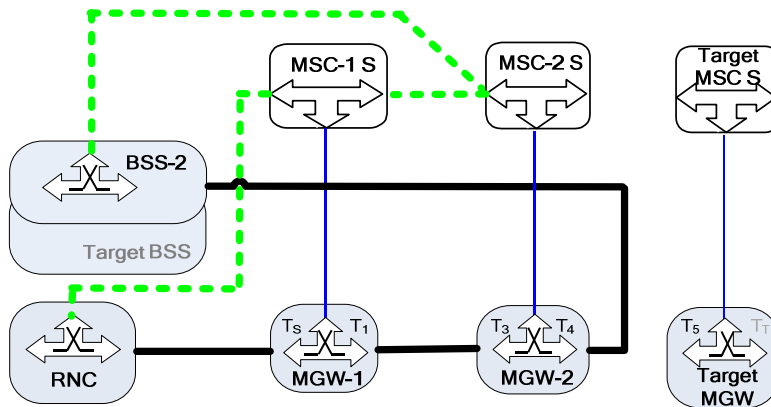
8.2.3.1.4 Example of Inter-MSC UMTS to GSM Handover that establishes Local Switching

8.2.3.1.4.1 Connection Model

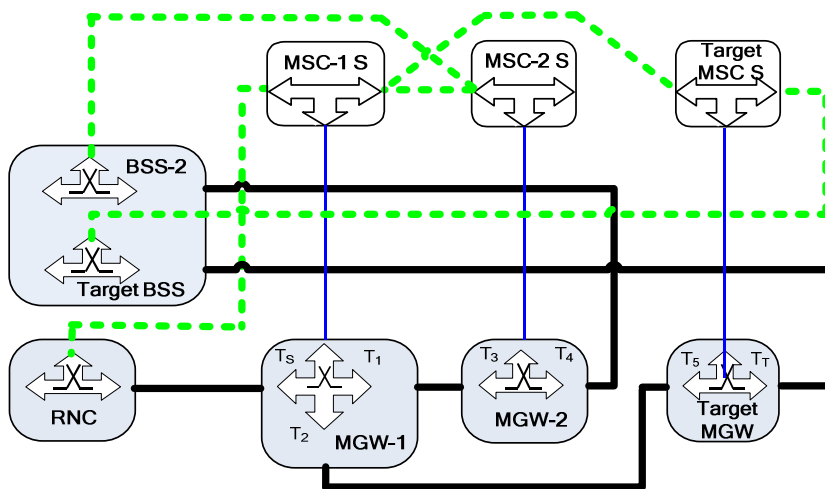
Figure 8.2.3.1.4.1.1 shows the network model for the Basic Inter-MSC UMTS to GSM handover when LCLS is established as a result of the handover. The dashed line in green represents call control signalling and the dashed line in blue represents the user plane connection path via the core network, which should be used if LCLS is not established or after LCLS is broken. The non-dotted lines represent the bearer carrying real user plane data. In MGW-1 the bearer termination T_S is used for the bearer towards RNC, bearer termination T_1 is used for the bearer towards the succeeding/preceding MGW, that is MGW-2 and bearer termination T_2 is used towards the Target MGW. In MGW-2 the bearer termination T_4 is used for the bearer towards BSS-2 and bearer termination T_3 is used for the bearer towards MGW-1. In Target-MGW the bearer termination T_T is used towards the Target-BSS and bearer termination T_5 is used towards MGW-1.

In this example scenario the Handover Device is located in MGW-1 selected for the call establishment by the MSC-1 server, which controls the call and mobility management.

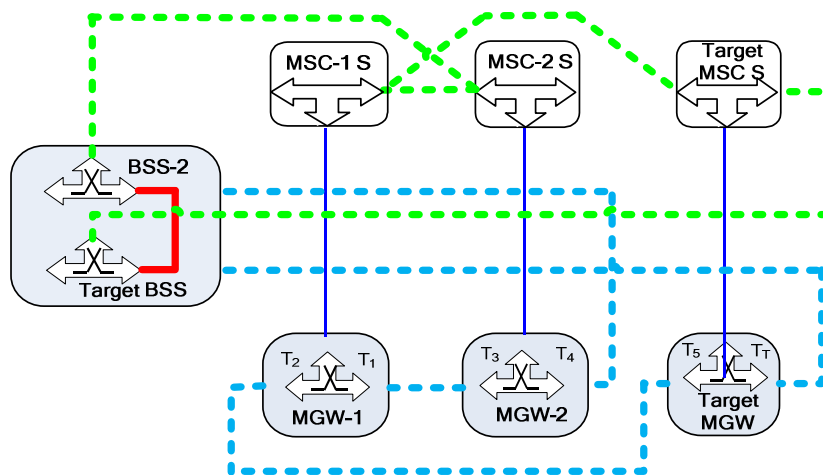
- User plane link which transmits real user plane data within BSS and to UE
- User plane link which transmits real user plane data through the CN and to UE
- - - User plane link path through CN, connected
- - - Control plane link which transmits signalling



Connection Model 1: Before Handover



Connection Model 2: During Handover, T₂ is isolated from T_s, T₁ is one-way connected to T₂



Connection Model 3: After Handover, LCLS is established and both call legs are in Target BSS (=BSS-2)

Figure 8.2.3.1.4.1.1: Basic Inter-MSC UMTS to GSM Handover (network model)

8.2.3.1.4.2 Basic Sequence

Figures 8.2.3.1.4.2.1 and 8.2.3.1.4.2.2 show the message sequence example for the Basic Inter-MSC UMTS to GSM Handover shown in the corresponding network model Figure 8.2.3.1.4.1.1. The Handover Device is located in MGW-1 selected for the call establishment by the MSC-1 server, which controls the call and the mobility management. The description is based on 3GPP TS 23.009 [9], 3GPP TS 23.205 [2] and 3GPP TS 23.231 [3].

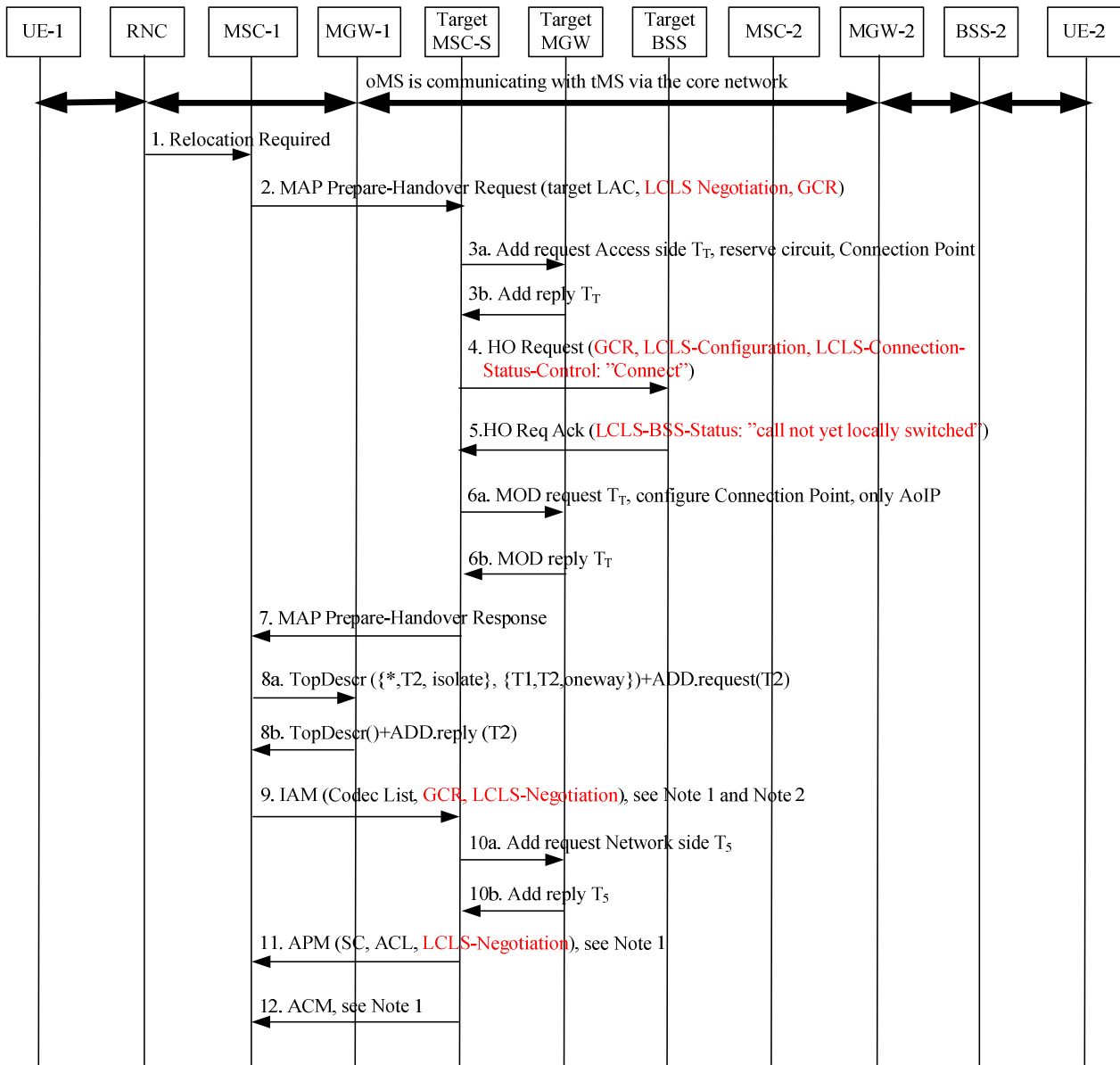


Figure 8.2.3.1.4.2.1: Initial phase of Inter-MSC UMTS to GSM Handover establishing Local Switching

1. Iu Relocation Required Request is received from RNC requesting an inter-MSC handover. The call is currently not locally switched.
2. The MSC-1 server determines that inter-MSC handover is required and sends the MAP Prepare-Handover Request message to target MSC-Server which includes LCLS Negotiation and GCR.
- 3a, b. The Target-MSC-Server requests the target MGW to reserve circuit or Connection Point towards the Target-BSS
4. The Target MSC-Server sends Handover Request message to the Target BSS with GCR, the LCLS-Configuration IE and the LCLS-Connection-Status-Control IE indicating "connect" to through-connect the local call.
5. Target BSS performs call leg correlation with GCR to find if another call leg is active with same GCR. The BSS reports in Handover Request Acknowledge message that the local call was found but LCLS is not yet established.
- 6a, b. (These signalling steps are only applicable to AoIP.) When the Target MSC-Server receives the BSSMAP Handover Request-Ack message, it sends the BSC-B IP address and UDP Port number to the MGW-B using the Configure RTP Connection Point procedure.

- 7. The Target MSC-Server sends the MAP Prepare Handover Response message to MSC-1 server.
- 8a, b. In accordance with normal handover the MSC-1 server requests MGW-1 to isolate the termination towards Target MGW (T₂) from the termination to the Serving BSS-1 (T_S) and to configure the Anchor termination (T₁) one-way DL towards the Target MGW termination (T₂).
- 9. MSC-Server 1 sends IAM (Initial Address Message) to Target MSC-Server including GCR and configures the LCLS-Negotiation IE.

NOTE 1: Corresponding SIP-I signalling is specified in 3GPP TS 23.231 [3].

NOTE 2: The LCLS-Negotiation IE in step 9 can be different from LCLS Negotiation IE in step 2, because step 9 is BICC signalling and the IE value can be changed by intermediate MSC-Servers.

- 10a, b. Target MSC-Server reserves bearer connection T₃ towards MGW-1.
- 11. After Target MGW has replied with the bearer address and the binding reference (Step 10b), the Target MSC-Server returns APM with selected codec plus LCLS-Negotiation IE.
- 12. Target MSC-Server sends ACM (Address Complete Message). Target MSC-Server awaits the capturing of the UE-1 on the radio path when the ACM is sent and MSC-1 server initiates the handover execution when receiving ACM.

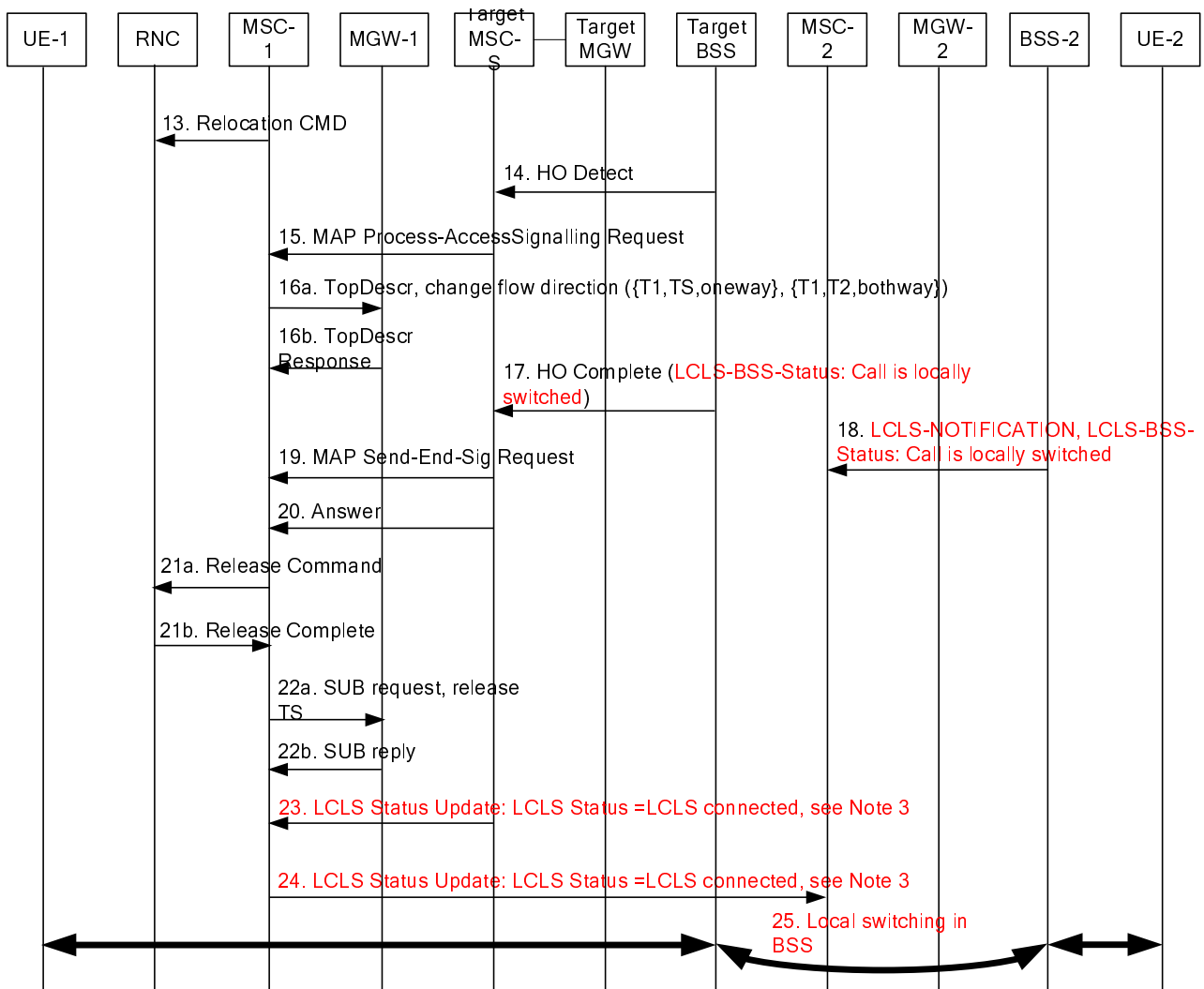


Figure 8.2.3.1.4.2.2: Completion phase of Inter-MSC UMTS to GSM Handover establishing Local Switching

13 - 18. When the local switching has been established during the handover procedure, the target BSS shall inform the target MSC-Server that the call has been locally switched in HANDOVER COMPLETE, and the target BSS shall also send a new message LCLS-Notification with LCLS-BSS-Status IE to inform the MSC-2

server that the local switching has been established. In steps 16a and 16b the MSC-1 server configures MGW-1 for the completion of the handover.

19. A-HO-DETECT/COMPLETE when received is included in the MAP-Send-End-Signal request and send back to the MSC-1 server.
20. Target MSC-Server sends ANSWER when A-HO-DETECT/COMPLETE is received.
- 21a, b. MSC-1 Server releases the call leg in RNC.
- 22a, b. MSC-1 server releases the bearer termination towards RNC.
23. Target MSC-Server informs the MSC-1 server about the LCLS Status.
24. MSC-1 server (Anchor MSC-Server) sends LCLS-Status-Update message to the far end MSC-2 server.

NOTE 3: When BICC is used as the call control protocol the APM message is sent. When SIP-I is used the INFO request with the encapsulated APM message is sent.

25. Local switching is established in the BSS.

8.2.3.2 Inter-MSC UMTS to GSM Handover that does not establish Local Switching

Inter-MSC UMTS to GSM Handover that does not establish Local Switching follows the procedures in 8.2.3.1. The differences are:

- in the step 17, the target BSS informs target MSC that the call is not locally switched in the Handover Complete.
- step 18, step 23, step 24 and step 25 are not triggered.

8.3 GSM to UMTS

8.3.1 Intra-MSC GSM to UMTS Relocation

8.3.1.1 General

When a call is locally switched through the BSS and an intra-MSC GSM to UMTS handover occurs, the LCLS shall be broken and the user plane shall be connected via the core network. The Intra-MSC GSM to UMTS relocation procedure specified in 3GPP TS 23.205 [2] and 3GPP TS 23.231 [3] shall be followed. The following clauses describe the additional requirements for intra-MSC GSM to UMTS handovers of LCLS related calls.

To this end the BSS which is in local switch which is serving the user equipment which is not moving to the RNC bicasts user data UL to the core network so that immediately the user equipment which is moving is attached to the RNC it can receive DL data from the core network.

During a Locally Switched (intra-BSS) Connection when no bicasting occurs there is no data transmission through the core network. In this release the use plane is kept active and therefore does not need to be re-activated when the LCLS is broken due to GSM to UMTS handover out of LCLS.

8.3.1.2 Handover Required

When the MSC server receives the Handover Required message from the serving BSS, it requests the MGW to provide a binding reference and a bearer address using the Prepare Bearer procedure. The MSC server shall use the Change Flow Direction procedure to request the MGW to set the Handover Device to the initial state, see sub-clause 8.4.1.1.3.

8.3.1.3 Iu Relocation Request Acknowledge

Upon receipt of the Relocation Request Acknowledge message, the MSC Server shall send to the adjacent call node the LCLS-Status-Change-Request message to indicate "LCLS Disconnection-Preparation-for handover".

If the far end MSC server receives the LCLS-Status-Change-Request message indicating LCLS Disconnection preparation-for-handover it shall send to the BSS the LCLS_Connect_Control message with the LCLS-Connection-Status-Control IE indicating "BicastatHandover". When the LCLS_Connect_Control acknowledge message is received from the BSS, the far end MSC server shall return the LCLS Status Change Request Acknowledge message indicating "LCLS Disconnection-Preparation-for-handover" and a Result code indicating LCLS Status Change Request accepted.

8.3.1.4 Handover Command/lu Relocation Detect

When the MSC server sends the Handover Command message or alternatively if it receives the Relocation Detect message, if the MSC server followed the MGW control procedures for a non-LCLS call and kept the Termination to the Serving BSS connected then it shall use the Change Flow Direction procedure to request the MGW to set the Handover Device to intermediate state. However if the MSC server isolated T_S and set T_T to bothway through-connected then no MGW control procedure is required at this point.

When the Handover Command message from the CN is received by the BSS, the BSS should start bi-casting the UL user plane data to the CN at the other call leg before sending Handover Command message to the MS, if the BSS did not receive an explicit indication on the other call leg to start bi-casting.

8.3.1.5 lu Relocation Complete

When the MSC server receives the Iu Relocation Complete message, it releases the A-interface line towards the serving BSS. The MSC server also requests the MGW to set the Handover Device to its final state by removing the bearer termination (T_S) towards the serving BSS.

The MSC server shall send to the adjacent call node the LCLS-Status-Update message with the LCLS-Status IE indicating the LCLS is disconnected.

When the serving BSS receives Clear Command it shall release any local switch path. The serving BSS shall inform the far end MSC server that LCLS is broken with the LCLS-Notification message.

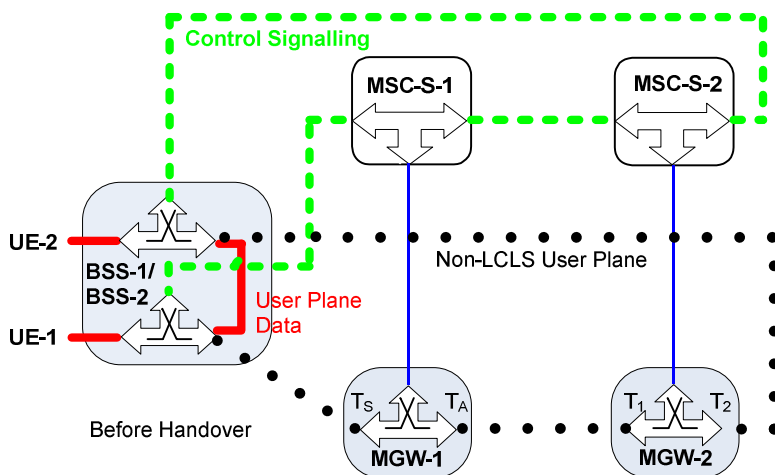
NOTE: The LCLS_Notification message does not need to be sent to the Anchor MSC Server since the Clear Complete message received from the serving BSS also means that LCLS is disconnected.

8.3.1.6 Example

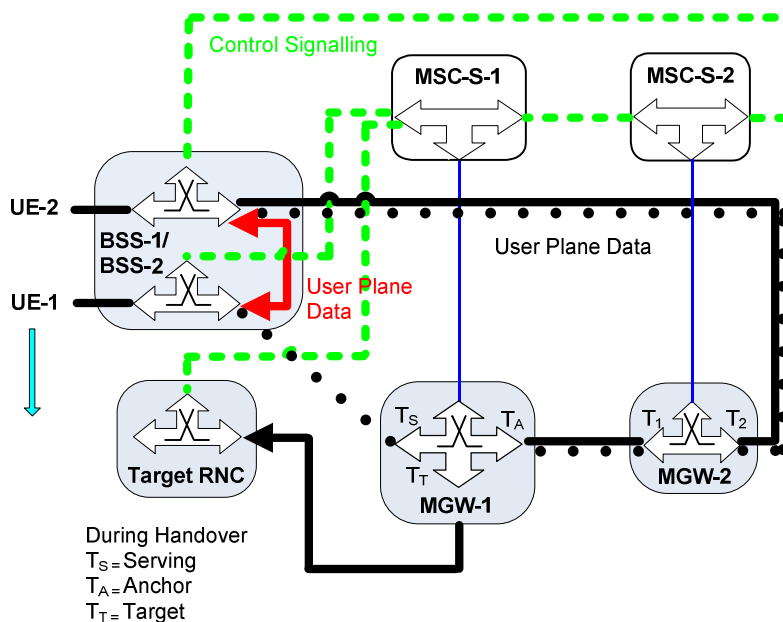
8.3.1.6.1 Connection Model

Figure 8.3.1.6.1.1 shows the network model for Intra-MSC GSM to UMTS Handover, where the call leg pertinent to the UE-1 is handed over from the serving BSS-1 to the Target RNC. BSS-1 is the same as BSS-2 when LCLS is established for the call. The bearer termination T_2 is used for the bearer towards BSS-2, which is not affected by this handover. Bearer termination T_S is used for the bearer towards BSS-1 and the bearer terminations T_1 and T_A are used for the bearer towards the succeeding/preceding MGW. Bearer termination T_T is for the bearer termination towards the Target RNC. The colours and line types used in the figure are defined differently from 3GPP TS 23.205 [2] to indicate LCLS specific issues.

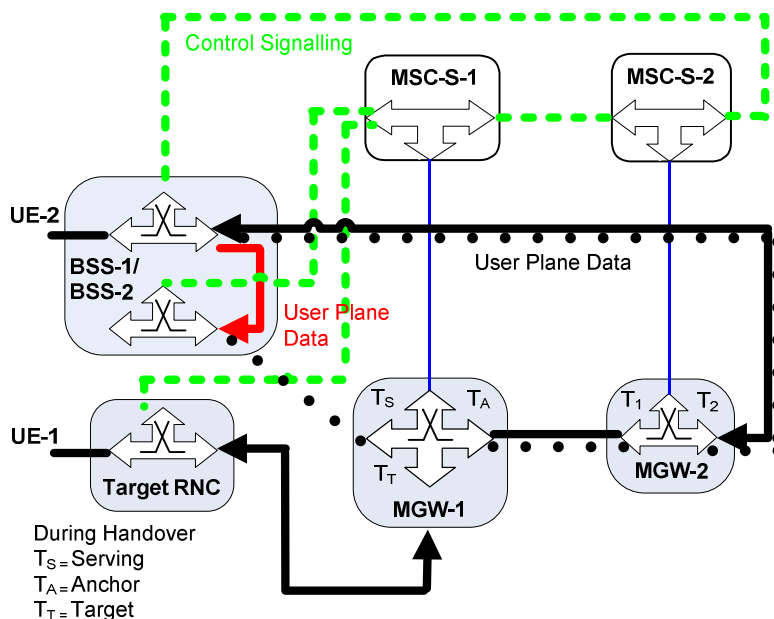
- User plane link which transmits real user plane data within the BSS and to UEs
- User plane link which transmits real user plane data through the CN and to UEs
- • • User plane path through the CN, connected
- - - Control plane link which transmits signalling



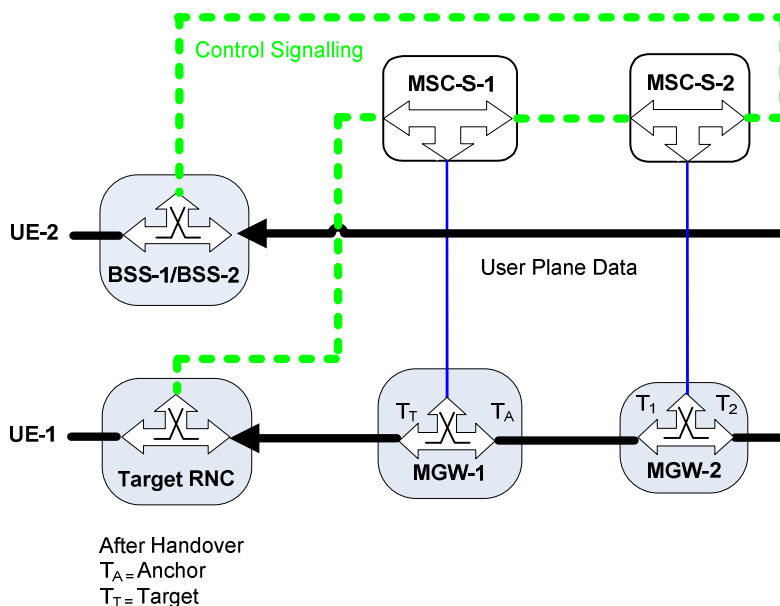
Connection Model 1: The call is locally switched



Connection Model 2: MGW-1 is both-way connected between Ta and Tt, Ts is isolated; BSS-2 starts to bicast data UL



Connection Model 3: UE has moved to Target RNC but lu Relocation Detect has not yet been received by MSC-S-1



Connection Model 4: LCLS is released in BSS-2, old serving Termination T_s is removed

Figure 8.3.1.6.1.1: Network model for Intra-MSC GSM to UMTS Handover that breaks LCLS

8.3.1.6.2 Basic Sequence for GSM to UMTS Handover that breaks Local Switching

Figure 8.3.1.6.2.1 shows the signalling flow for GSM to UMTS handover that breaks Local Switching.

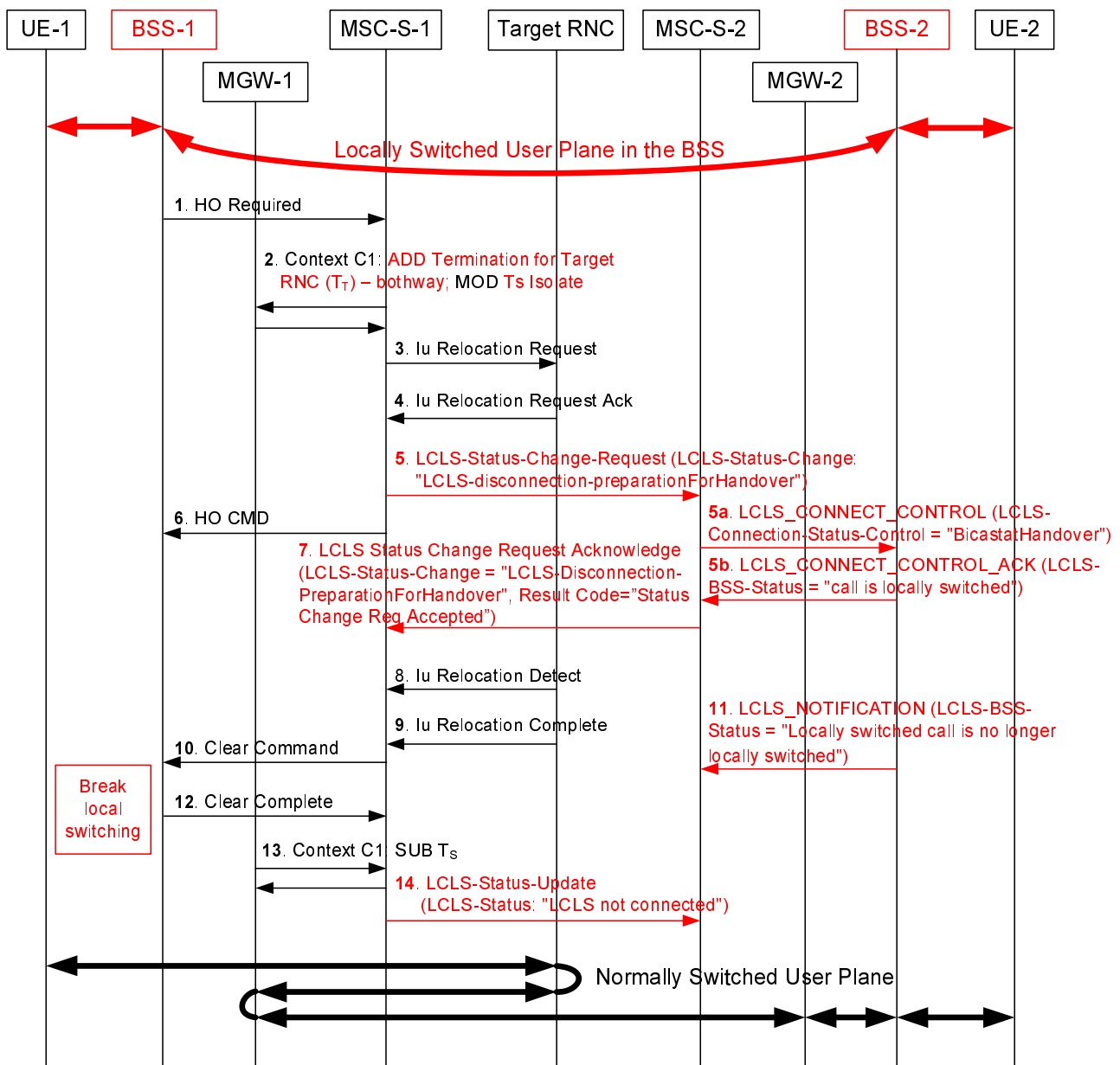


Figure 8.3.1.6.2.1: Intra-MSC GSM to UMTS Handover that terminates Local Switching

1. The Handover Required message is received from BSS-1 requesting an intra-MSC GSM to UMTS handover. The call is currently locally switched so the MSC-1 server can know that the GSM to UMTS handover at one end will break local switch (the local switch is not broken in the serving BSS (BSS-1) until the UE-1 has moved from BSS-1 and the MSC-1 server has sent the Clear Command message to the BSS-1).
2. In this example the Anchor MSC-1 server requests from its MGW-1 the seizure of the bearer termination T_T towards the Target RNC and through-connects it bothway to T_A . Additionally it isolates the old serving Termination T_S . This makes the GSM to UMTS handover more efficient than current non-LCLS GSM to UMTS handovers as immediately when the UE-1 is handed over to the target RNC it will be able to send UL user data to the UE-2.

NOTE 1: This flow shows the termination to the Target RNC as always connected bothway. This is a change to the existing call handling which would normally connect the termination as one-way and then change to bothway after receiving the Iu Relocation Detect message. However the termination does not need to be connected one-way and will in fact make the break in speech worse since UL data cannot be sent from the UE-1 until the MGW topology is modified, also it saves the additional intermediate H.248 modification step.

3. Anchor MSC-1 server sends the Iu Relocation Request message to the target RNC.
4. The target RNC returns the Iu Relocation Request Acknowledge message.

5. Anchor MSC-1 server shall send the LCLS-Status-Change-Request message to the succeeding MSC server asking it to prepare for LCLS disconnection due to handover to trigger the far end MSC-2 server to send the LCLS-Connect-Control message to BSS-2.

NOTE 2: When BICC is used as the call control protocol the APM message is sent. When SIP-I is used the INFO request with the encapsulated APM message is sent.

- 5a. The far end MSC-2 server requests the BSS-2 to start sending data UL with the LCLS_Connect_Control message and the LCLS-Connection-Status-Control IE indicating "BicastatHandover", see Figure 8.3.1.6.1.1 Connection Model 2. This triggers the BSS-1 to bicast the user plane data in the same way as the Access MGW-1 would be doing in a non-LCLS inter-BSS handover. At this point the BSS-1 shall send any DL data it receives directly to the served UE. Since the BSS-1 cannot receive DL data at the same time as it receives local data (T_S is isolated) this will minimise the break in user plane data even more than for existing non-LCLS handover.

NOTE 3: The Serving BSS-1 shall forward the user plane data from the UE-1 to the UE-2 while the UE-1 is served by the BSS-1. The UL user plane data are bi-cast to both MGW2 and local path by the BSS-2. The MGW-2 transmits the user plane data to the MGW-1, and the MGW-1 will transmit the user plane data to the target RNC. When the UE-1 leaves the serving BSS-1 and begins sending UL data from the Target RNC, that data will then be received via the A-interface leg at the serving BSS-2.

- 5b. BSS-2 sends the LCLS_Connect_Control_Ack message with the LCLS-BSS-Status IE set to "the call is locally switched".
6. Anchor MSC-1 server triggers the Handover Command message. When the UE-1 moves to the Target RNC in this example it can immediately send UL data through the CN to the UE-2 and also can receive DL data from the UE-2 via the CN since the MGW-1 topology for T_A , T_T is already bothway connected. This is a change from the current non-LCLS solution but is more efficient since the non-LCLS solution needs to set this to one-way DL only until it receives Iu Relocation Detect message.
7. MSC-2 Server sends LCLS-Status-Change-Request-Acknowledgement.
8. UE-1 is detected at the target RNC. BSS-1/BSS-2 may continue to send the user plane data locally until the Clear Command message is received.
9. When the MSC-1 Server receives the Iu Relocation Complete message MSC-1 Server knows that the call is not possible to be locally switched.
10. MSC-1 server requests the old serving BSS-1 to clear the old call leg. BSS-1 stops sending locally the user data from UE-1, LCLS is broken.
11. Serving BSS-2 informs the MSC-2 server that LCLS is broken via LCLS_Notification message.
12. Clearing of the old call leg to the Serving BSS-1 is completed.
13. The termination T_S to the old serving BSS-1 is removed from the Access MGW-1.
14. Anchor MSC-1 server informs succeeding CN nodes that LCLS is disconnected.

NOTE 4: When BICC is used as the call control protocol the APM message is sent. When SIP-I is used the INFO request with the encapsulated APM message is sent.

8.3.2 Inter-MSC GSM to UMTS Relocation

8.3.2.1 General

When a call is locally switched through the BSS and an inter-MSC GSM to UMTS handover occurs the LCLS shall be broken and the user plane shall be connected through the core network. The Inter-MSC GSM to UMTS handover procedures specified in 3GPP TS 23.009 [9], 3GPP TS 23.205 [2] and 3GPP TS 23.231 [3] shall be followed. The following clauses describe the additional requirements for inter-MSC GSM to UMTS handovers of LCLS related calls.

8.3.2.2 MSC-1 / MGW-1

8.3.2.2.1 Handover Required

When MSC-1 Server receives the Handover Required message from the serving BSS and determines that the call shall be handed over to the Target MSC Server, it shall send the GCR of the call and LCLS negotiation IE to the Target MSC Server in a MAP Prepare-Handover_Request message.

8.3.2.2.2 Iu Relocation Request Acknowledge

Upon receipt of the MAP Prepare-Handover-Response including Iu Relocation Ack message, the MSC-1 Server shall send to the adjacent call node the LCLS-Status-Change-Request message to indicate "LCLS Disconnection-Preparation-for handover".

If the far end MSC server receives the LCLS-Status-Change-Request message indicating LCLS Disconnection preparation-for-handover it shall send to the BSS the LCLS_Connect_Control message with the LCLS-Connection-Status-Control IE indicating "BicatatHandover". When the LCLS_Connect_Control acknowledge message is received from the BSS, the far end MSC server shall return the LCLS Status Change Request Acknowledge message indicating "LCLS Disconnection-Preparation-for-handover" and a Result code indicating LCLS Status Change Request accepted.

8.3.2.2.3 Bearer establishment between MGW-1 and Target MGW

The handling of the bearer establishment between MGW-1 and Target MGW is as described in sub-clause 6.1 for a Basic Mobile Originating Call. The MSC server shall also use the Change Flow Direction procedure to request the MGW-1 to set the Handover Device to the initial state.

8.3.2.2.4 MGW Flow Direction Control

The MSC Server may perform the MGW Flow Direction Control for GSM to UMTS Relocation as described in sub-clause 8.4.2.1.2.4.

8.3.2.2.5 Handover Command/Iu Relocation Detect

When the MSC-1 server sends the Handover Command message or alternatively, if it receives the Iu Relocation detect message inside a MAP Process-Access-Signalling request, the MSC-1 server shall follow the procedures described in sub-clause 8.4.2.1.2.5.

8.3.2.2.6 Iu Relocation Complete

When the MSC-1 server receives the Iu Relocation Complete message inside a MAP Send-End-Signalling Request and an ANSWER message including the LCLS status set to LCLS disconnected, it releases the A-interface line towards the serving BSS. The MSC-1 server also requests the MGW-1 to set the Handover Device to its final state by removing the bearer termination (T_s) towards the serving BSS.

The MSC-1 server shall send to the adjacent call node the LCLS-Status-Update message with the LCLS-Status IE indicating the LCLS is disconnected.

When the serving BSS receives Clear Command it shall release any local switch path. The serving BSS shall inform the far end MSC server that LCLS is broken with the LCLS-Notification message.

NOTE: The LCLS_Notification message does not need to be sent to the Anchor MSC Server since the Clear Complete message received from the serving BSS also means LCLS is disconnected.

8.3.2.3 Target MSC Server / Target MGW

8.3.2.3.1 Prepare Handover Request message and MGW selection

The Target MSC server selects the Target MGW when it receives Prepare Handover Request message. The Target MSC server sends the Iu Relocation Request message to the Target RNC as for the normal case.

8.3.2.3.2 Bearer establishment towards Target RNC

The procedure specified in 3GPP TS 23.205 [2] sub-clause 8.3.2.2 shall be used.

8.3.2.3.3 Bearer establishment between MGW-1 and Target MGW

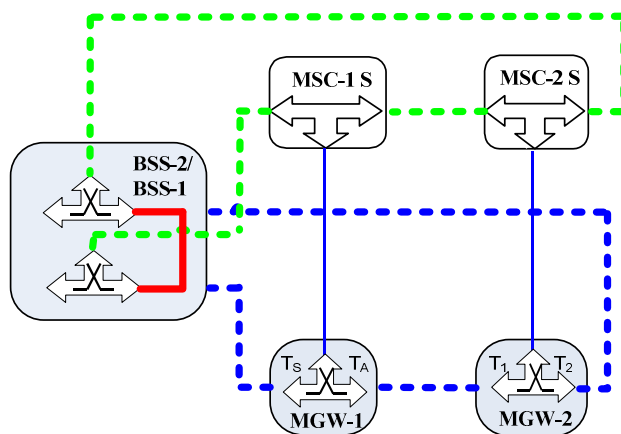
The handling of the bearer establishment between MGW-1 and Target MGW is as described for basic mobile terminating call in sub-clause 6.2.

8.3.2.4 Example of Inter-MSC GSM to UMTS Relocation

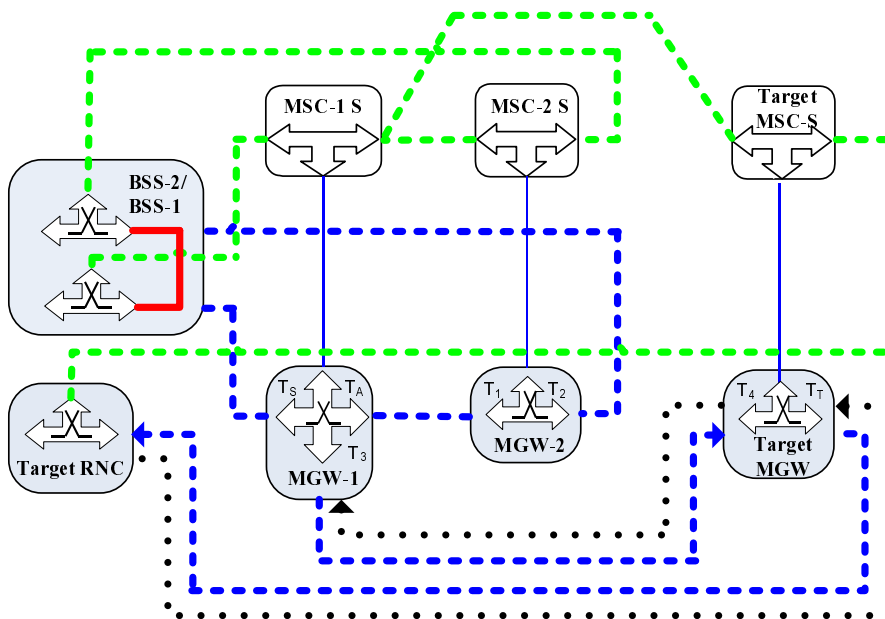
8.3.2.4.1 Connection Model

Figure 8.4.2.1.4.1.1 shows the network model for the Inter-MSC GSM to GSM Handover, where call leg UE-1 is handed over from BSS-1 to the Target RNC. BSS-1 is the same as BSS-2 when LCLS is established for the call. The BSS-1 is served by the MSC-Server 1, the Target RNC is served by the Target MSC-Server, and MSC-Server 1 is not the same as Target MSC-Server. The bearer termination T_2 in MGW-2 is used for the bearer towards BSS-2, which is not affected by this handover. Bearer termination T_S in MGW-1 is used for the bearer towards BSS-1 and the bearer terminations T_A and T_3 in MGW-1, T_1 in MGW-2 and T_4 in Target-MGW are used for the bearer towards the succeeding/preceding MGW. Bearer termination T_T in Target-MGW is for the bearer termination towards the Target RNC.

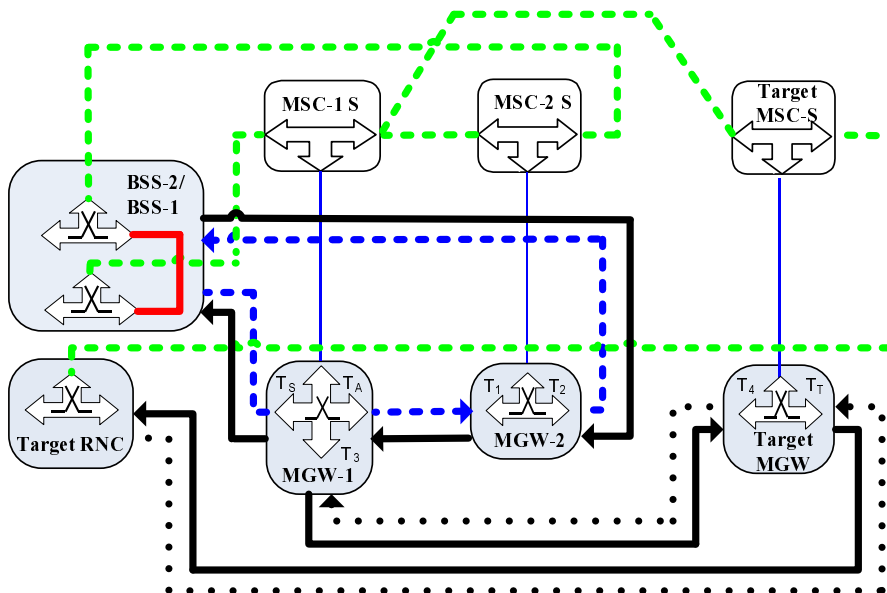
- User plane link which transmits real user plane data within BSS and to UE
- User plane link which transmits real user plane data through the CN and to UE
- - - - User plane link path through CN, connected
- - - - User plane uplink path through CN from Target BSS, connected
- - - - Control plane link which transmits signalling



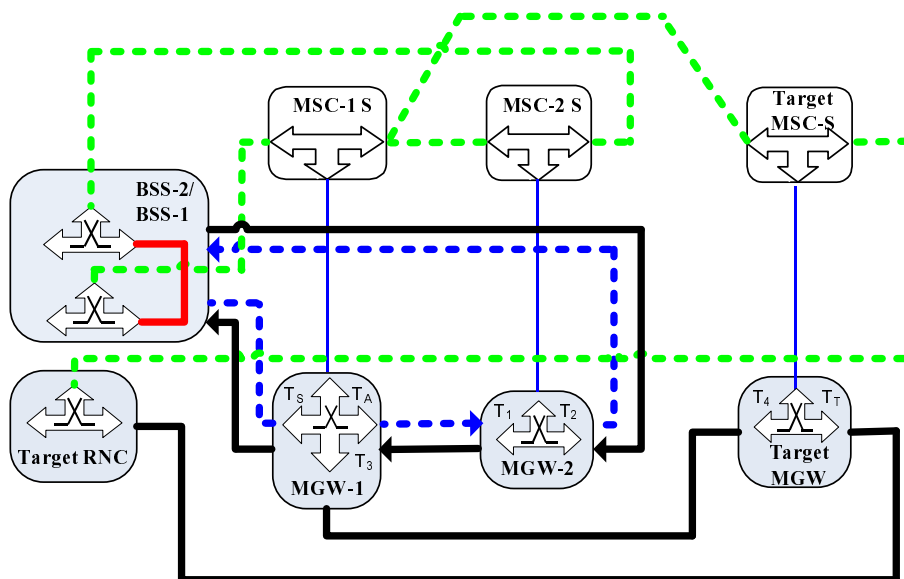
Connection Model 1: Before handover, Local Switching is established



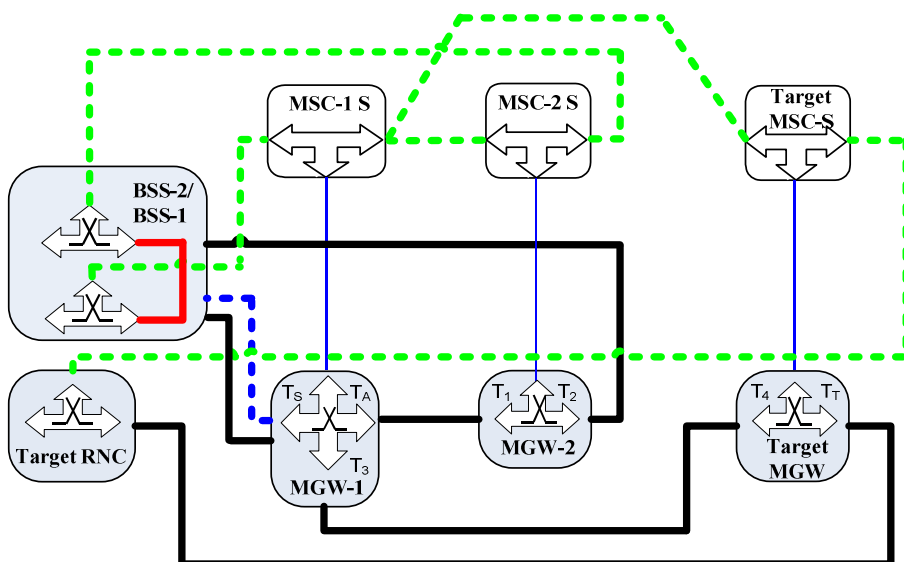
Connection Model 2: Before MSC triggers HO command to the BSS, T₃ is isolated from T_S, T_A is one-way connected to T₃ and T_S is both-way connected to T_A



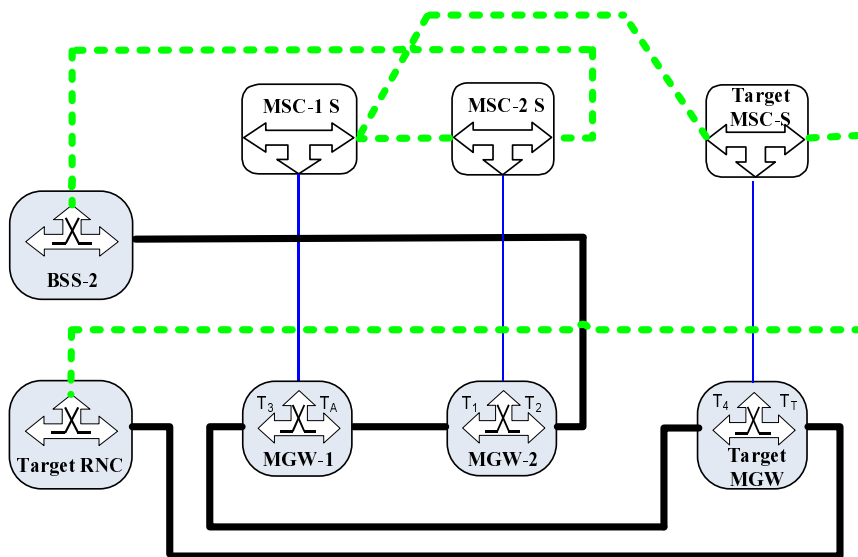
Connection Model 3: UE-1 not yet detected in Target RNC, BSS-2 bicasts user plane data UL



Connection Model 4: UE-1 connected to Target RNC but Target MSC-S has not received HO Detect



Connection Model 5: MSC-1 instructed MGW-1 to reroute the user plane, T_A is both-way connected to T_3



Connection Model 6: Handover completed, T_s termination was removed

Figure 8.3.2.4.1.1: Inter-MSC GSM to UMTS Relocation Connection Model when user plane active

8.3.2.4.2 Basic Sequence for Inter-MSC handover that breaks Local Switching

Figures 8.3.2.4.2.1 and 8.3.2.4.2.2 show the message sequence example for the basic Inter-MSC GSM to GSM Handover shown in the corresponding network model Figure 8.3.2.4.1.1. The Handover Device is located in the MGW-1 selected for the call establishment by the MSC-1 Server, which controls the call and the mobility management. The description is based on 3GPP TS 23.009 [9], 3GPP TS 23.205 [2] and 3GPP TS 23.231 [3].

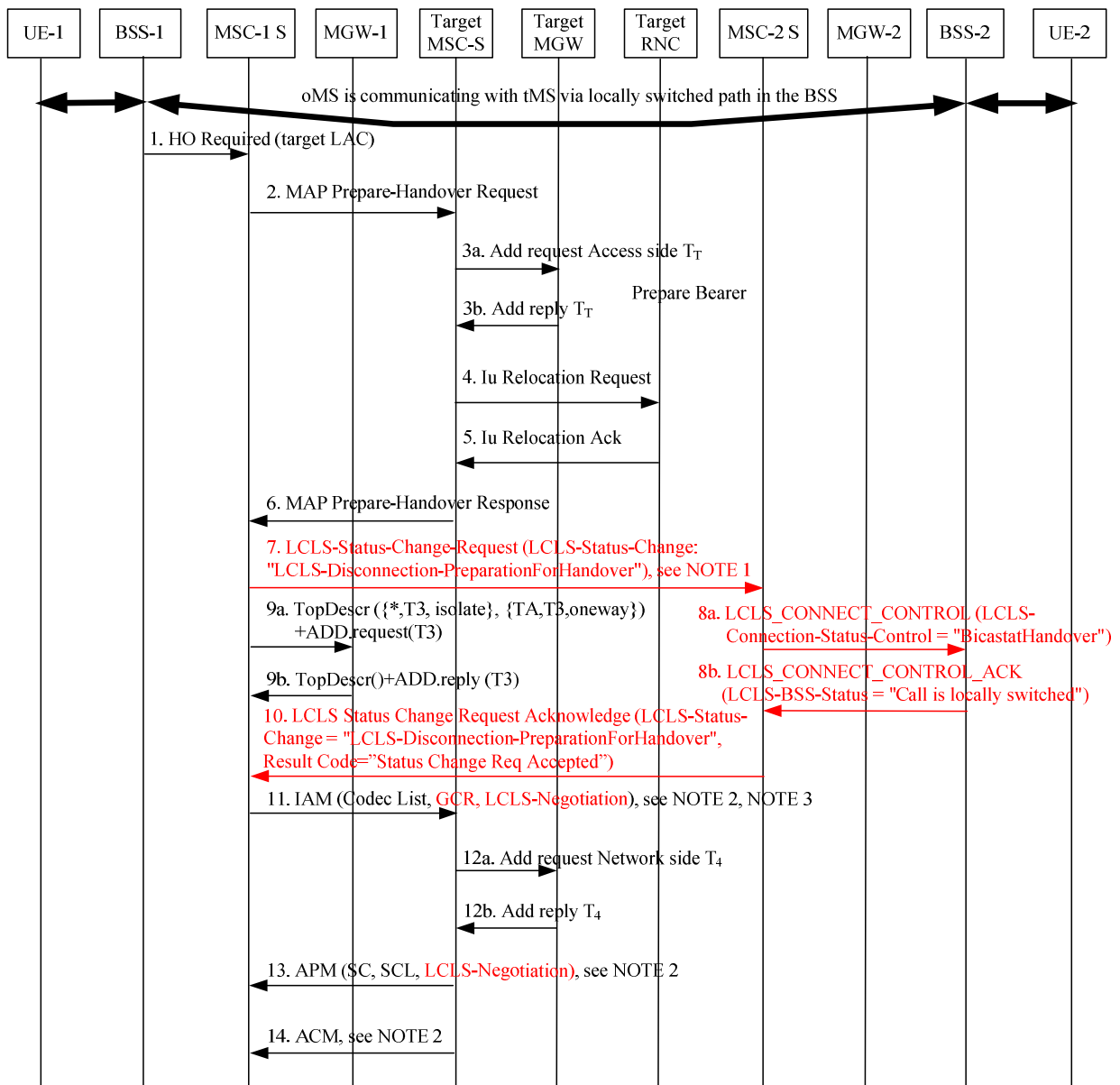


Figure 8.3.2.4.2.1: Inter-MSC GSM to UMTS Relocation that breaks Local Switching when user plane active, initial phase

1. The Handover Required message is received from BSS-1 requesting an inter-MSC GSM to UMTS handover. The call is currently locally switched and the MSC-1 server knows that the Inter-MSC GSM to UMTS relocation at one end will break LCLS (the local switch is not broken in the serving BSS (BSS-1) until UE-1 has moved out of the BSS-1 and the MSC-1 server sends the Clear Command message to BSS-1).
2. The MSC-1 Server determines that inter-MSC handover is required and sends MAP-Prepare-Handover Request message to target MSC.
- 3a, b. The Target MSC-Server requests Target MGW to provide a binding reference and a bearer address using the Prepare Bearer procedure when reserving T_T towards the Target RNC.
4. The Target MSC-Server sends the Iu Relocation Request message to Target RNC.
5. The Target RNC sends the Iu Relocation Acknowledge message to Target MSC-Server.
6. The Target MSC-Server sends the Prepare Handover Response message to the MSC-1 server.
7. The Anchor MSC-1 server may instruct the far end MSC-2 server to prepare for LCLS disconnection due to handover by sending the LCLS-Status-Change-Request message. (If the Anchor MSC-1 server does not

instruct the MSC-2 server /BSS-2 to prepare for LCLS disconnection for handover, BSS-2 starts bicasting user plane data to the core network after receiving the Handover Command message in Step 15.)

- 8a. The far end MSC-2 server requests BSS-2 to start sending data UL with the LCLS_Connect_Control message and the LCLS-Connection-Status-Control IE indicating "BicastatHandover", see Figure 8.3.2.4.1.1, Connection Model 3. This triggers the BSS-2 to bicast the user plane data in the same way as the Access MGW-1 would be doing in a non-LCLS inter-BSS handover. At this point the BSS-1 shall send any DL data it receives directly to the served UE.

NOTE 1: The Serving BSS-1 shall forward the user plane data received locally from UE-1 to UE-2 while the UE-1 is served by the BSS-1. BSS-2 bicasts UL user plane data to both MGW2 and local path and MGW-2 transmits the user plane data to MGW-1 and MGW-1 transmits the user plane data to the Target RNC via the Target MGW. When the UE-1 leaves the serving BSS-1 and begins sending UL data to the Target RNC via the Target MGW, that data will then be received via the A-interface leg at the serving BSS-2.

- 8b. The BSS-2 sends the LCLS_Connect_Control_Ack message with the LCLS-BSS-Status IE set to "the call is locally switched".
- 9a, b. In accordance with normal Iu relocation in this example the MSC-1 server requests MGW-1 to isolate the termination towards Target MGW (T_3) from the termination to the Serving BSS-1 (T_S) and to configure the Anchor termination (T_A) one-way DL towards the Target MGW termination (T_3).

10. MSC-2 Server sends LCLS-Status-Change-Request-Acknowledge message.

11. MSC-1 Server sends IAM (Initial Address Message) to Target MSC-Server including GCR and configures the LCLS-Negotiation IE.

NOTE 2: Corresponding SIP-I signalling is specified in 3GPP TS 23.231 [3].

NOTE 3: The MSC-1 Server can send IAM before receiving LCLS-Status-Change-Request-Acknowledge message.

- 12a, b. Target-MSC-Server reserves bearer connection T_4 towards MGW-1.

13. After Target MGW has replied with the bearer address and the binding reference, Target MSC-Server returns APM with selected codec and LCLS-Negotiation IE.

14. The Target MSC-Server sends ACM (Address Complete Message). Target MSC-Server awaits the capturing of the UE-1 on the radio path when the ACM is sent and the Anchor MSC-1 server initiates the Iu relocation execution when receiving ACM.

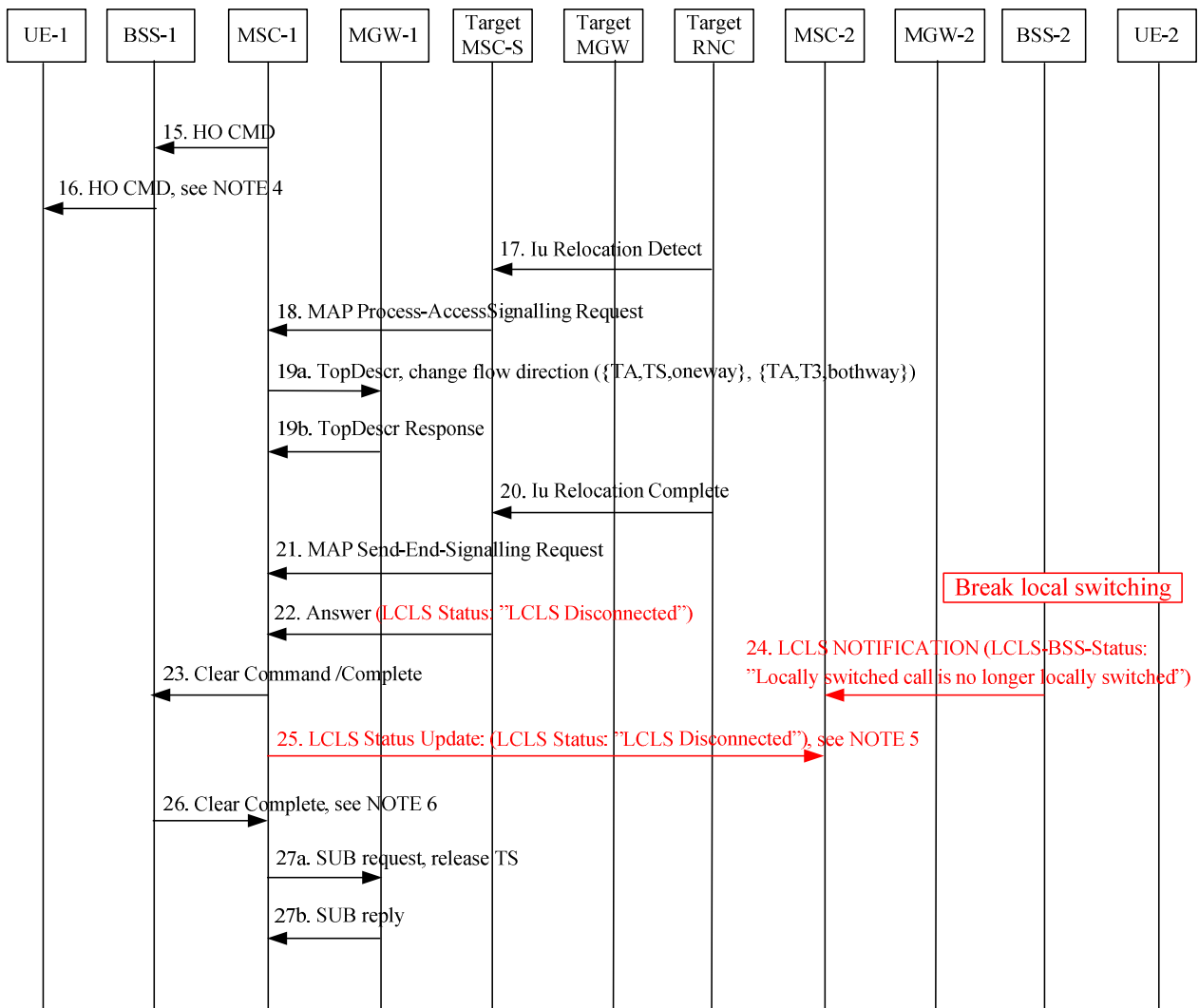


Figure 8.3.2.4.2.2: Inter-MSC GSM to UMTS Relocation that breaks Local Switching when user plane active, completion phase

15. MSC-1 server sends Handover Command message to BSS-1.
16. BSS-1 sends Handover Command message to UE-1. BSS-1 will discard incoming user plane data send to UE-1 received from CN. If BSS-2 was not instructed to prepare for LCLS related handover in Step 8a, the BSS-2 starts bi-casting UP user plane data generated by UE-2 to local path and A interface and also starts to check whether there is incoming DL user plane data from the core network.

NOTE 4: there is no situation where BSS-2 will receive real DL user plane data from the CN at the same time as it receives local data from UE-1 as part of the handover.

17. UE-1 is detected at Target RNC. But still no UL data can be sent from Target RNC to MGW-1 because T_A-T_3 is one-way DL only. MGW-1 will continue to transmit DL user plane data to the Target RNC. BSS-2 continues to bi-cast user plane data to both local path and to the A interface.
18. Target MSC-Server sends MAP-Process-Access-Signal request message to the MSC-1 server.
- 19a, b. The MSC-1 server uses the Change Flow Direction procedure to request the MGW-1 to set the Handover Device to intermediate state and T_A-T_3 to both-way configuration. When BSS-2 finds out there is DL user plane data, BSS-2 will transmit the DL user plane data to UE-2.
20. Iu Relocation Complete message is received from Target RNC with LCLS-BSS-status indicating that the call cannot be locally switched.
21. Iu-Relocation-Complete message when received is included in the MAP SendEndSignalling Request message sent to the MSC-1 server.

22. Target MSC-Server sends ANSWER with the LCLS-status when Iu-Relocation Complete message is received.
23. MSC-1 server informs BSS-1 to clear the old call leg.
24. Serving BSS-2 informs MSC-2 server that LCLS is broken via LCLS-Notification message.
25. MSC-1 server sends LCLS Status Update message with LCLS status "LCLS disconnected" to MSC-2 server.
NOTE 5: When BICC is used as the call control protocol the APM message is sent. When SIP-I is used the INFO request with the encapsulated APM message is sent.
26. BSS-1 informs MSC-1 server that the resource for the UE-1 has been released and BSS-2 stops bi-casting.
NOTE 6: There is no need to send LCLS-Notification message from BSS-1 after receiving the Clear command since Clear Complete message indicates that LCLS was disconnected.
- 27a, b. The MSC-1 server requests MGW-1 to set the Handover Device to its final state by removing the bearer termination T_S towards BSC-1 using the Release Termination procedure.

8.4 GSM to GSM

8.4.1 Intra-MSC Inter-BSS GSM to GSM Handover

8.4.1.1 Intra-MSC Inter-BSS GSM to GSM Handover that breaks Local Switching

8.4.1.1.1 General

When a call is locally switched through the BSS and an intra-MSC inter-BSS GSM to GSM handover occurs then the LCLS shall be broken and the user plane shall be connected through the core network. The intra-MSC inter BSS GSM to GSM handover procedures specified in 3GPP TS 23.205 [2] and 3GPP TS 23.231 [3] shall be followed. The following clauses describe the additional requirements for intra-MSC inter BSS GSM to GSM handovers of LCLS related calls.

During a Locally Switched (intra-BSS) Connection when no bicasting occurs there is no data transmission through the core network. In this release the use plane is kept active and therefore does not need to be re-activated when the LCLS is broken due to inter-BSS handover out of LCLS.

8.4.1.1.2 Handover Required

When the MSC server receives the Handover Required message from the serving BSS, it requests the MGW to seize a TDM circuit if AoTDM or an IP termination if AoIP for the termination to the Target BSS as for the normal handover procedure. The MSC server shall use the Change Flow Direction procedure to request the MGW to set the Handover Device to the initial state.

8.4.1.1.3 MGW Flow Direction Control

The MSC Server may perform the MGW Flow Direction Control in the following ways:

- In accordance with the normal handover case by isolating the termination to the Target BSS (T_T) from the termination to the Serving BSS (T_S) and configuring the Anchor termination (T_A) one-way DL to the Target BSS (T_T). Termination to the Serving BSS (T_S) is bothway connected to Anchor termination (T_A) since it is also receiving UL user data from termination to the Serving BSS (T_S).

Or:

- The MSC server may request the MGW to set termination to Target BSS (T_T) to bothway connected to Anchor termination (T_A) and isolate termination to Serving BSS (T_S) completely. This improves the user plane switching and saves a signalling step to the MGW at Handover Detect message. The MSC server sends the Handover Request message to the Target BSS as for the normal case but shall include the GCR IE, the LCLS-Configuration IE and the LCLS-Connection-Status-Control IE set to "Connect".

8.4.1.1.4 Handover Request Acknowledge

If the Target BSS supports LCLS feature then it shall include the LCLS-BSS-Status IE in the Handover Request Acknowledge message in order to inform the anchor MSC Server that the BSS supports the LCLS feature, and therefore the MSC Server shall not act upon the status indicated, i.e. no signalling of LCLS-Status IE through the core network.

Upon receipt of the Handover Request Acknowledge message the MSC Server shall send to the adjacent call node the LCLS-Status-Change-Request message to indicate "LCLS Disconnection-Preparation-for handover".

If the far end MSC server receives the LCLS-Status-Change-Request message indicating LCLS Disconnection preparation-for-handover it shall send to the BSS the LCLS_Connect_Control message with the LCLS-Connection-Status-Control IE indicating "BicastatHandover". When the LCLS_Connect_Control acknowledge message is received from the BSS, the far end MSC server shall return the LCLS Status Change Request Acknowledge message indicating "LCLS Disconnection-Preparation-for-handover" and a Result code indicating LCLS Status Change Request accepted.

8.4.1.1.5 Handover Command/Handover Detect

When the MSC server sends the Handover Command message or alternatively if it receives the Handover Detect message, if the MSC server followed the MGW control procedures for a non-LCLS call and kept the Termination to the Serving BSS connected then it shall use the Change Flow Direction procedure to requests the MGW to set the Handover Device to intermediate state however if the MSC server isolated T_S and set T_T to bothway through-connected then no MGW control procedure is required at this point.

When the Handover Command message from the CN is received by the BSS, the BSS should start bi-casting the UL user plane data to the CN at the other call leg before sending Handover Command message to the MS, if the BSS did not receive an explicit indication on the other call leg to start bi-casting.

8.4.1.1.6 Handover Complete

When the MSC server receives the Handover Complete message, it releases the A-interface line towards the serving BSS. The MSC server also requests the MGW to set the Handover Device to its final state by removing the bearer termination (T_S) towards the serving BSS.

The MSC server shall send to the adjacent call node the LCLS-Status-Update message with the LCLS-Status IE indicating the LCLS disconnection.

When the serving BSS receives Clear Command it shall release any local switch path. The serving BSS shall inform the far end MSC server that LCLS is broken with the LCLS_Notification message.

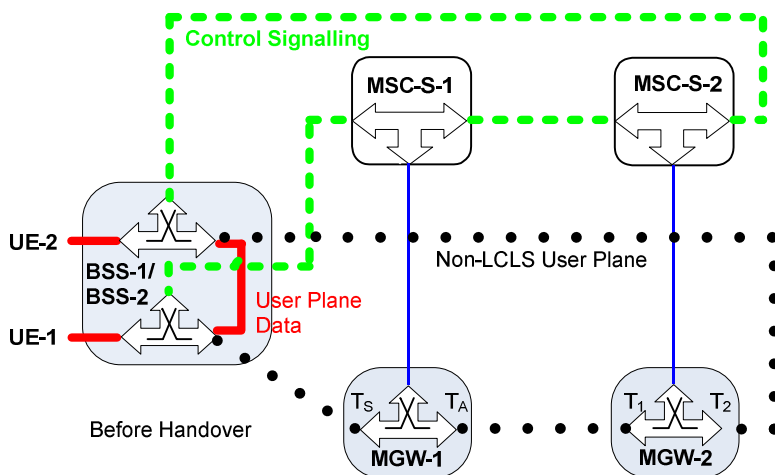
NOTE: The LCLS_Notification message does not need to be sent to the Anchor MSC Server since the Clear Command message received from the serving BSS also means LCLS is disconnected.

8.4.1.1.7 Example

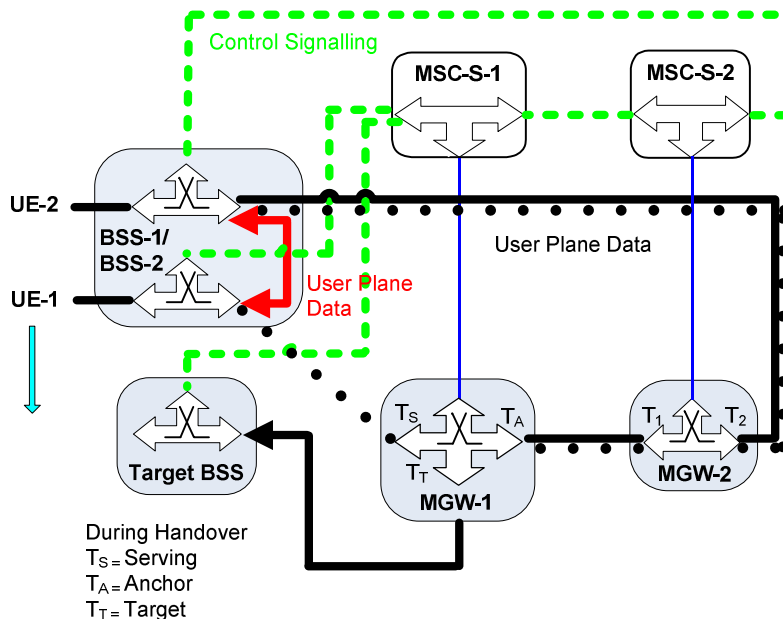
8.4.1.1.7.1 Connection Model

Figure 8.4.1.1.7.1.1 shows the network model for the Intra-MS-Inter-BSS GSM to GSM Handover, where the call leg pertinent to the UE-1 is handed over from the serving BSS-1 to the Target BSS. BSS-1 is the same as BSS-2 when LCLS is established for the call. The bearer termination T_2 is used for the bearer towards BSS-2, which is not affected by this handover. Bearer termination T_S is used for the bearer towards BSS-1 and the bearer terminations T_1 and T_A are used for the bearer towards the succeeding/preceding MGW. Bearer termination T_T is for the bearer termination towards the Target BSS. The colours and line types used in the figure are defined differently from 3GPP TS 23.205 [2] to indicate LCLS specific issues.

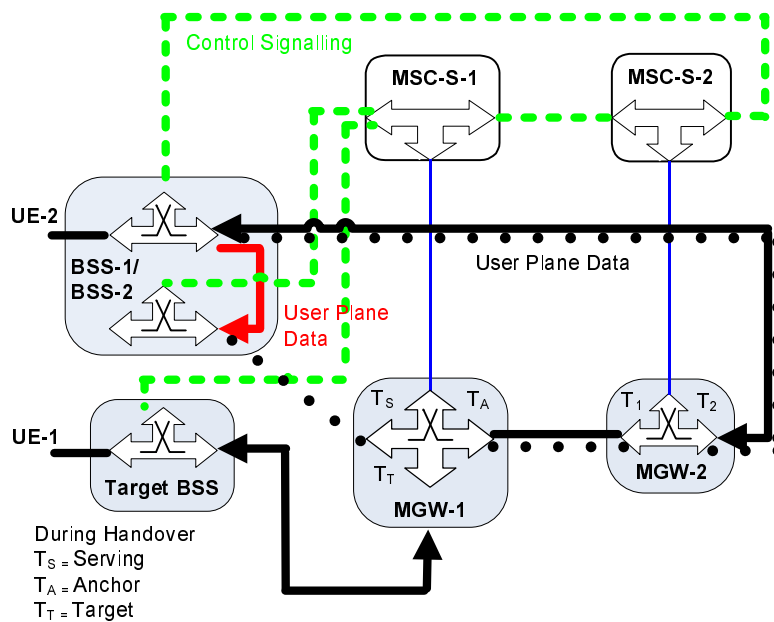
- User plane link which transmits real user plane data within the BSS and to UEs
- User plane link which transmits real user plane data through the CN and to UEs
- • • User plane path through the CN, connected
- - - Control plane link which transmits signalling



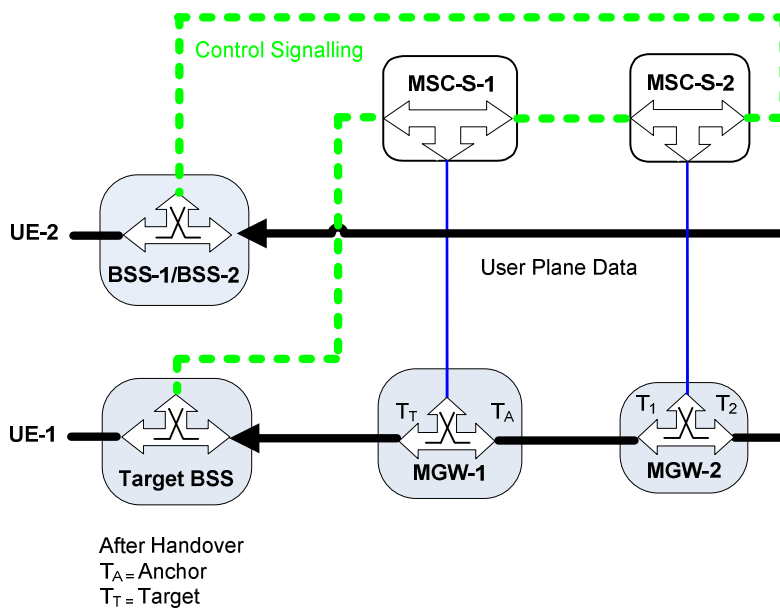
Connection Model 1: The call is locally switched



Connection Model 2: MGW-1 is both-way connected between Ta and Tt, Ts is isolated; BSS-2 starts to bicast data UL



Connection Model 3: UE has moved to Target BSS but HO Detect has not yet been received by MSC-S-1



Connection Model 4: LCLS is released in BSS-2, old serving Termination T_s is removed

Figure 8.4.1.1.7.1.1: Intra-MSC Inter-BSS Handover Connection Model that breaks LCLS

8.4.1.1.7.2 Basic Sequence for Inter-BSS Handover that breaks Local Switching

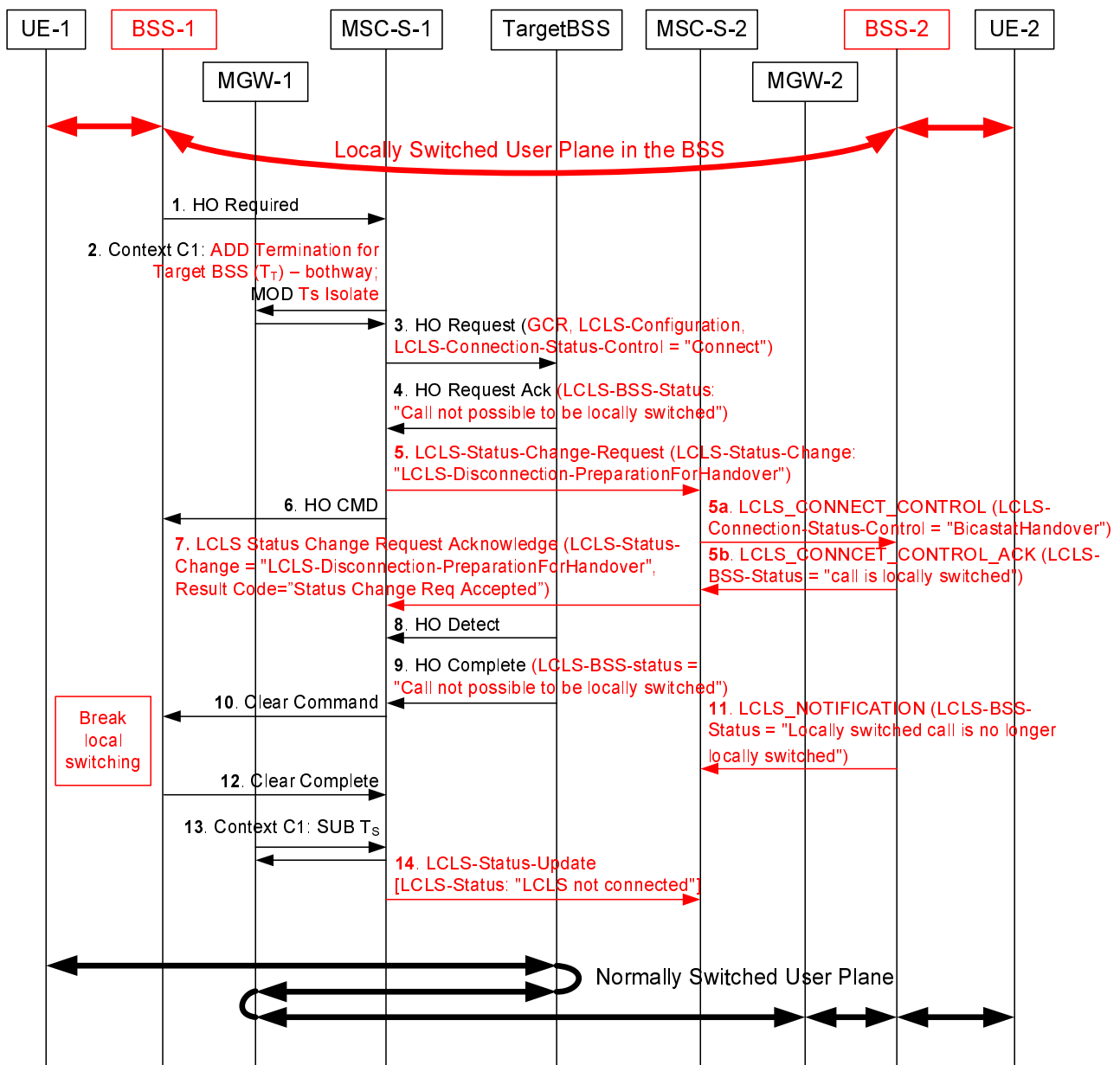


Figure 8.4.1.1.7.2.1: Intra-MSC Inter-BSS Handover that breaks Local Switching

1. The Handover Required message is received from the BSS-1 requesting an inter-BSS handover. The call is currently locally switched so the MSC-1 server can know that the inter-BSS handover at one end will break local switch (the local switch is not broken in the serving BSS (BSS-1) until the UE-1 has moved out of the BSS-1 and the MSC-1 server sends the Clear Command message).
2. In this example the Anchor MSC-1 server requests from its MGW-1 the seizure of the bearer termination Tt towards the Target BSS and through-connects it bothway to Ta. Additionally it isolates the old serving Termination Ts. This makes the handover much more efficient than even current non-LCLS handover as immediately the UE-1 moves into the new target BSS it will be able to send UL user data to the UE-2.

NOTE 1: This flow shows the termination to the Target BSS as always connected bothway. This is a change to the existing call handling which would normally connect the termination as one-way and then change to bothway after receiving the Handover Detect message. However the termination does not need to be connected one-way and will in fact make the break in speech worse since UL data cannot be sent from the UE-1 until the MGW topology is modified, also it saves the additional intermediate H.248 modification step.

3. The Anchor MSC-1 server sends the Handover Request message to the Target BSS with the GCR IE, the LCLS-Configuration IE and the LCLS-Connection-Status-Control IE indicating "connect" to through-connect the local call.
4. The Target BSS returns the Handover Request Acknowledge message and also indicates that call is not possible to be locally switched.
5. The Anchor MSC-1 server sends the change in LCLS to the succeeding MSC server and the Anchor MSC-1 server asks it to prepare for the LCLS disconnection for Handover to trigger sending of the LCLS-Connect-Control message at the far end MSC-2 server.

NOTE 2: When BICC is used as the call control protocol the APM message is sent. When SIP-I is used the INFO request with the encapsulated APM message is sent.

- 5a. The far end MSC-2 server requests the BSS-2 to start sending data UL with the LCLS_Connect_Control message and the LCLS-Connection-Status-Control IE indicating "BicastatHandover", see Figure 8.4.1.7.1.1 Connection Model 2. This triggers the BSS-2 to bicast the user plane data in the same way as the Access MGW-1 would be doing in a non-LCLS inter-BSS handover. At this point the BSS-2 shall send any DL data it receives directly to the served UE. Since the BSS-2 cannot receive DL data at the same time as it receives local data (Ts is isolated) this will minimise the break in user plane data even more than for existing non-LCLS handover.

NOTE 3: The Serving BSS-1 shall forward the user plane data from the UE-1 to the UE-2 while the UE-1 is served by the BSS-1. The UL user plane data from UE-2 are bi-cast to both MGW2 and local path by the BSS-2. The MGW-2 transmits the user plane data to the MGW-1, and the MGW-1 will transmit the user plane data to the target BSS. When the UE-1 leaves the serving BSS-1 and begins sending UL data from the Target BSS, that data will then be received via the A-interface leg at the serving BSS-2.

NOTE 4: Possible bicasting may have been activated earlier when LCLS was established in the BSS-1 /BSS-2 (not shown in the figure 8.4.1.8.2.1) and was indicated with the LCLS-Configuration IE in step 3 and applies to both call legs. If LCLS bicasting was not activated the LCLS-Configuration value is "Connect" (i.e. no bicasting) in step 3, but the value of the LCLS-Connection-Status-Control in step 5 is "BicastatHandover", which applies only for this call leg.

- 5b. The BSS-2 sends the LCLS_Connect_Control_Ack message with the LCLS-BSS-Status IE set to "the call is locally switched".
6. The Anchor MSC-1 server triggers the Handover Command message. When the UE-1 moves to the Target BSS in this example it can immediately send UL data through the CN to the UE-2 and also can receive DL data from the UE-2 via the CN since the MGW-1 topology for Ta, Tt is already bothway connected. This is a change from the current non-LCLS solution but is more efficient since the non-LCLS solution needs to set this to one-way DL only until it receives Handover Detect message.
7. MSC-2 Server sends LCLS-Status-Change-Request-Acknowledgement.
8. The UE-1 is detected at the target BSS. The BSS-1/BSS-2 may continue to send the user plane data locally until the Clear Command message is received.
9. In the Handover Complete message the Target-BSS indicates to the MSC-1 server in the LCLS-BSS-Status IE that the call is not possible to be locally switched.
10. The MSC-1 server requests the old serving BSS-1 to clear the old call leg. The BSS-1 now stops sending local the user data from UE-1, LCLS is finally broken.
11. The Serving BSS-2 informs the MSC-2 server that LCLS is broken via LCLS_Notification message.
12. Clearing of the old call leg to the Serving BSS-1 is completed..
13. The termination Ts to the old serving BSS-1 is removed from the Access MGW-1.
14. The Anchor MSC-1 server informs succeeding CN nodes that LCLS is finally disconnected.

NOTE 5: When BICC is used as the call control protocol the APM message is sent. When SIP-I is used the INFO request with the encapsulated APM message is sent.

LCLS is impossible after an Inter-BSS handover which makes the call not local (as described above). While a handover is being performed for one call leg, it is possible that a handover also is started for the other call leg, possibly moving both call legs to the same target BSS, thereby creating a local call. The target BSS shall only establish LCLS for a local call when both call legs are connected and e.g. any handover process has been successfully completed on both call legs.

8.4.1.2 Intra-MSC Inter-BSS GSM to GSM Handovers that establishes Local Switching

8.4.1.2.1 General

When LCLS is not established for a call and an intra-MSC inter-BSS GSM to GSM handover occurs that makes the call local, the call should be locally switched in the BSS. The Intra-MSC inter-BSS GSM to GSM handover procedures specified in 3GPP TS 23.009 [9], 3GPP TS 23.205 [2] and 3GPP TS 23.231 [3] shall be followed. The following clauses describe the additional requirements for intra-MSC handovers that establish LCLS.

8.4.1.2.2 Handover Required

When the MSC server receives the Handover Required message from the serving BSS, it requests the MGW to seize a TDM circuit if AoTDM or an IP termination if AoIP for the termination to the Target BSS as for the normal handover procedure. The MSC server shall use the Change Flow Direction procedure to request the MGW to set the Handover Device to the initial state.

8.4.1.2.3 Bearer establishment towards Target BSS

When the MSC-Server has selected the Target MGW it requests the Target MGW to seize a TDM circuit if AoTDM using the Reserve Circuit procedure, or an IP termination if AoIP using the reserve Connection Point procedure as for the normal handover procedure. The MSC-Server sends the Handover Request message to the Target BSS containing the CIC for AoTDM or the IP addresses and UDP ports received from the target MGW if AoIP.

8.4.1.2.4 MGW Flow Direction Control

In accordance with the normal handover case the MGW-1 isolates the termination towards the Target BSS (T_T) from the termination to the Serving BSS (T_S) and configures the Anchor termination (T_A) one-way DL towards the Target BSS termination (T_T). Termination to the Serving BSS (T_S) is both-way connected to Anchor termination (T_A) since it is also receiving UL user data from termination to the Serving BSS (T_S).

8.4.1.2.5 Handover Request Acknowledge

If the Target BSS supports the LCLS feature it shall include the LCLS-BSS-Status IE in the Handover Request Acknowledge message in order to inform the anchor MSC Server that the BSS supports the LCLS feature.

The anchor MSC Server shall not act upon the status indicated, i.e. no signalling of LCLS-Status IE through the core network.

8.4.1.2.6 Handover Command/Handover Detect

The anchor MSC Server shall use the Change Flow Direction procedure to requests the MGW-1 to set the Handover Device to intermediate state.

8.4.1.2.7 Handover Complete

When the MSC-Server receives the Handover Complete message, it releases the A-interface line towards the serving BSS. The MSC-Server also requests the MGW to set the Handover Device to its final state by removing the bearer termination towards the serving BSS.

When LCLS has been established during the handover procedure, the target BSS informs the anchor MSC-Server that the call has been locally switched in the Handover Complete message.

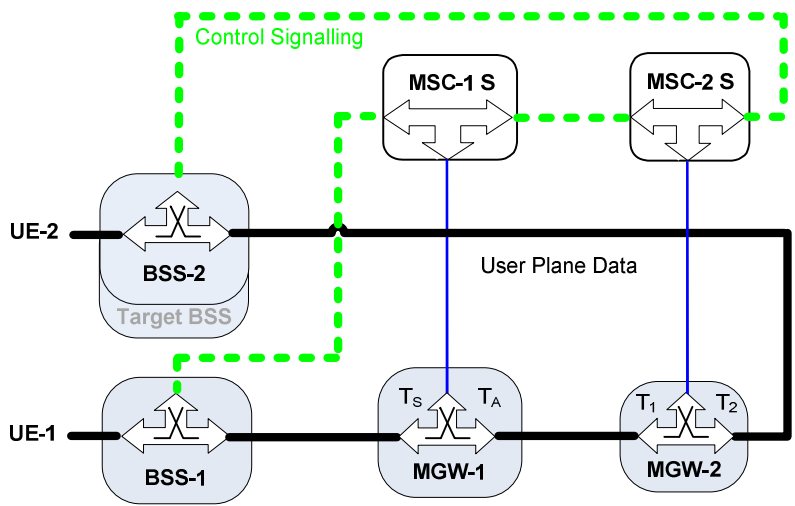
The MSC-Server shall send to the adjacent call node the LCLS-Status-Update message with the LCLS-Status IE indicating that LCLS was established.

8.4.1.2.8 Example

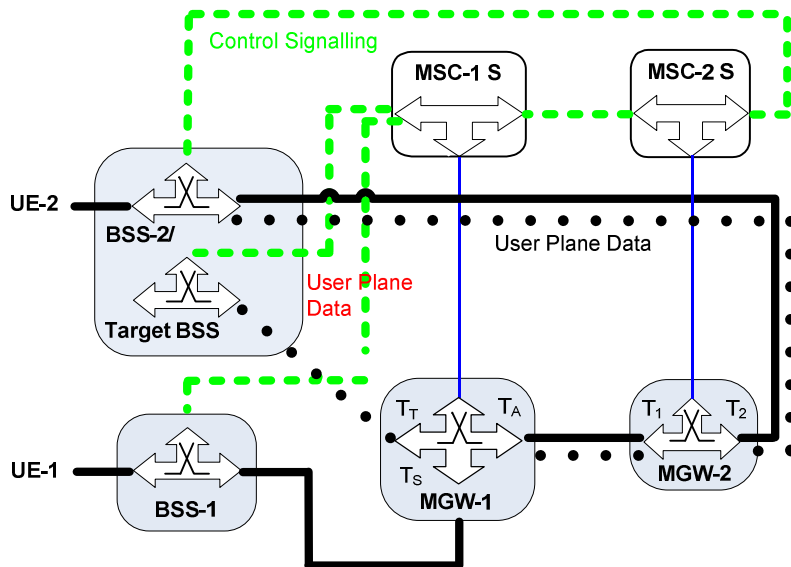
8.4.1.2.8.1 Connection Model

Figure 8.4.1.2.8.1.1 shows the network model for the Intra-MSC Inter-BSS GSM to GSM Handover, where the call leg pertinent to the UE-1 is handed over from the serving BSS-1 to the Target BSS. Target BSS is the same as BSS-2 when LCLS is established for the call. Bearer termination T₂ is used for the bearer towards BSS-2, which is not affected by this handover. Bearer termination T_S is used for the bearer towards BSS-1 and the bearer terminations T₁ and T_A are used for the bearer towards the succeeding/preceding MGW. Bearer termination T_T is for the bearer termination towards the Target BSS. The colours and line types used in the figure are defined differently from 3GPP TS 23.205 [2] to indicate LCLS specific issues.

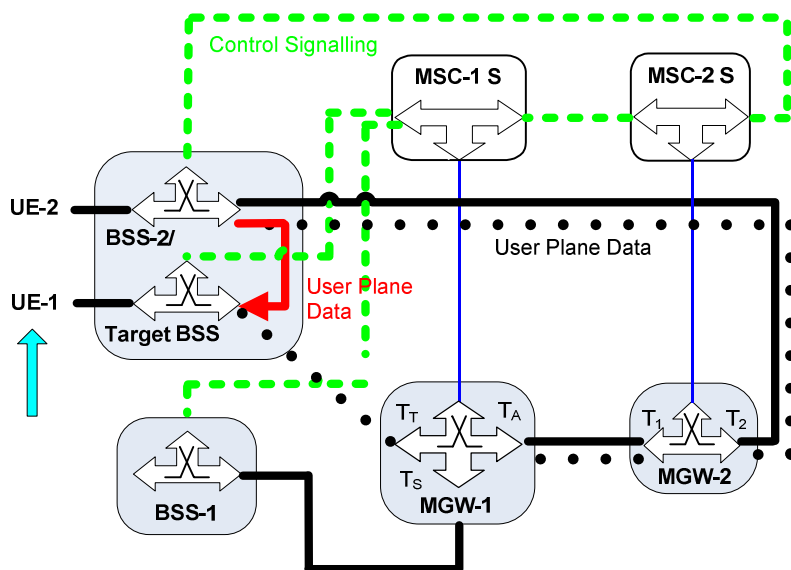
- User plane link which transmits real user plane data within the BSS and to UEs
- User plane link which transmits real user plane data through the CN and to UEs
- • • User plane path through the CN, connected
- - - Control plane link which transmits signalling



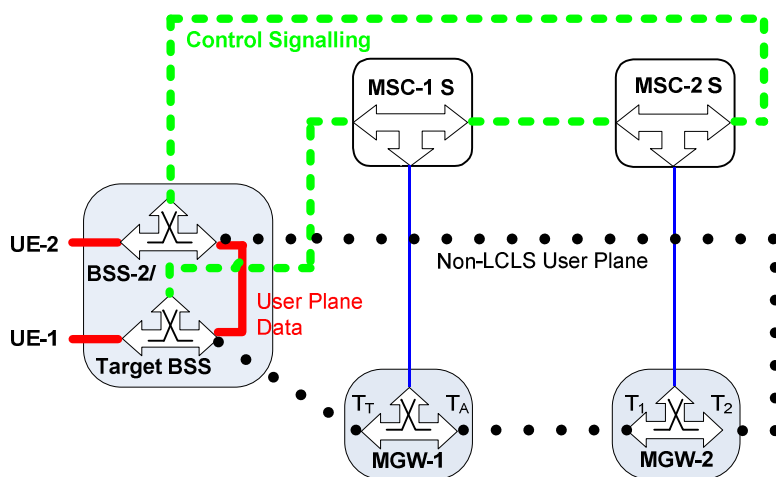
Connection Model 1: Before handover



Connection Model 2: During handover, T_S and T_A are both-way connected, T_T is isolated from T_S



Connection Model 3: UE has moved to Target BSS but HO Detect has not yet been received by MSC-1-S



Connection Model 4: The call is locally switched

Figure 8.4.1.2.8.1.1: Connection Models for Inter-BSS Handover that establishes Local Switching

8.4.1.2.8.2 Basic Sequence for Inter-BSS Handover that breaks Local Switching

Figures 8.4.1.2.8.2.1 and 8.4.1.2.8.2.2 show the message sequence example for the Basic Intra-MSC GSM to GSM Handover shown in the corresponding network model Figure 8.4.1.2.8.1.1. The Handover Device is located in MGW-1 selected for the call establishment by the MSC-1 server, which controls the call and the mobility management. The description is based on 3GPP TS 23.009 [9], 3GPP TS 23.205 [2] and 3GPP TS 23.231 [3].

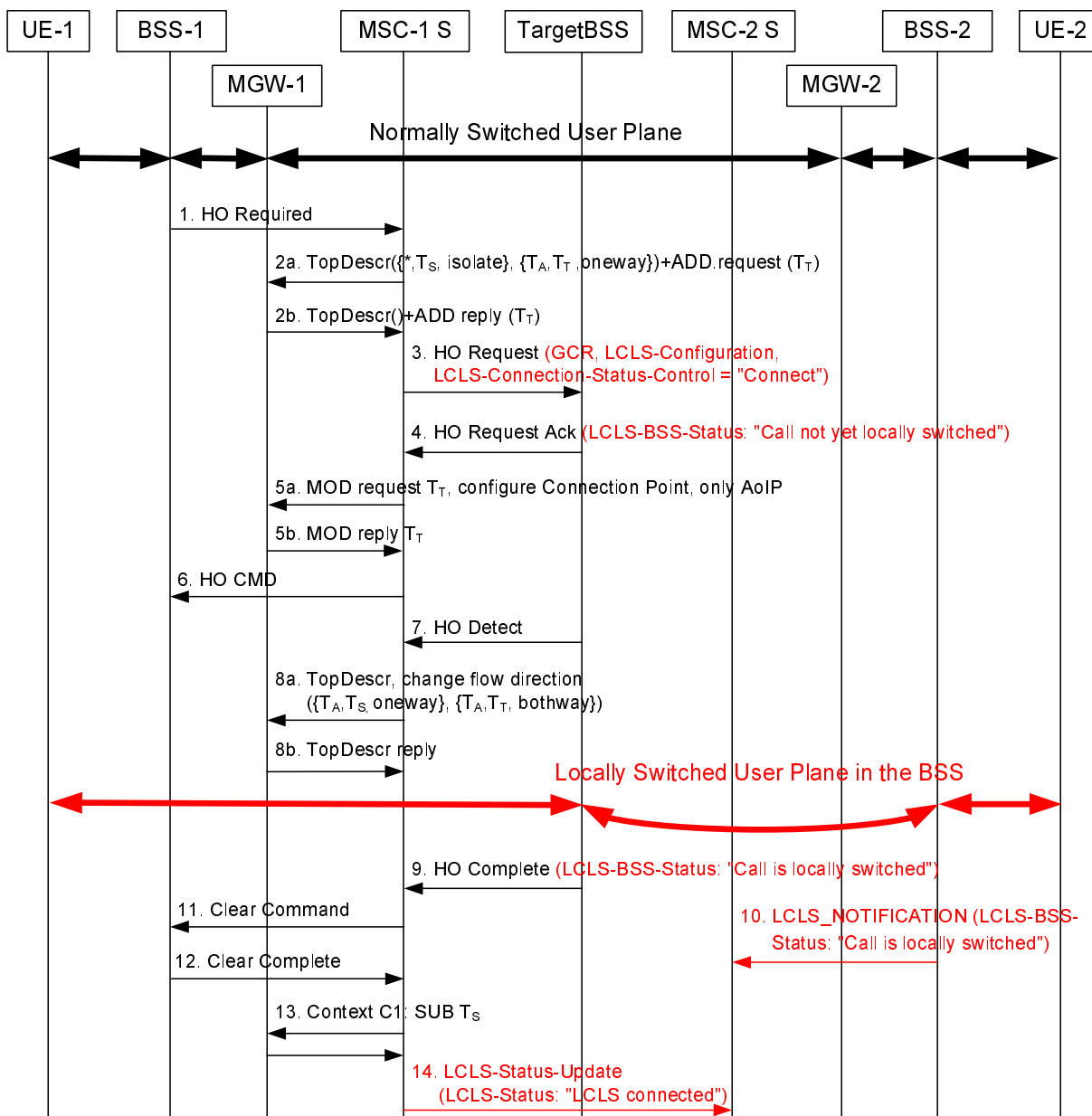


Figure 8.4.1.2.8.2.1: Inter-BSS Handover that establishes Local Switching

1. Handover Required message is received from BSS-1 requesting an inter-MSC handover. The call is currently not locally switched.
2. MSC-1 Server determines that an intra-MSC handover is required and checks that LCLS negotiation in the core network permitted LCLS. The MSC-1 Server reserves a new Termination for Target BSS and configures this as one-way connected to the Anchor Termination (as per existing handover procedures).
3. MSC-1 Server sends Handover Request message to target BSS with GCR and instructs the BSS to prepare to connect LCLS. The LCLS-Configuration IE can instruct the BSS to bi-cast user plane data, if applicable.
4. Target BSS performs call leg correlation with GCR to find if another call leg is active with the same GCR. The BSS reports in Handover Request Acknowledge message that the local call was found but LCLS is not yet established.
- 5a, b. (These signalling steps are only applicable to AoIP.) MSC-1 Server sends the IP address and UDP Port number of the Target BSS to MGW-1 using the Configure RTP Connection Point procedure.
6. MSC-1 Server sends the Handover Command message.

7. UE-1 gets connected to the Target BSS, which sends Handover Detect.
- 8a, b. In accordance with normal handover the MSC-1 Server requests MGW-1 to isolate the termination towards Target BSS (T_T) from the termination to the Serving BSS-1 (T_S) and to configure the Anchor termination (T_A) one-way DL towards the Target BSS termination (T_T).
9. Target BSS indicates in the Handover Complete message that the call is locally switched.
10. BSS-2 sends the LCLS_Notification message to MSC-2 Server with the LCLS-BSS-Status IE set to "call is locally switched".
11. MSC-1 Server requests the old serving BSS-1 to clear the old call leg.
12. Clearing of the old call leg to the Serving BSS-1 is completed.
13. The termination T_s to the old serving BSS-1 is removed from MGW-1.
14. MSC-1 Server informs succeeding CN nodes that LCLS is connected.

NOTE: When BICC is used as the call control protocol the APM message is sent. When SIP-I is used the INFO request with the encapsulated APM message is sent.

LCLS becomes possible after an Inter-BSS handover which makes the call local (as described above). While a handover is being performed for one call leg, it is possible that a handover also is started for the other call leg, possibly moving that call leg to another BSS and in that case the call does not become local. The target BSS shall only establish LCLS for a local call when both call legs are connected and e.g. any handover process has been successfully completed on both call legs.

8.4.2 Inter-MSC GSM to GSM Handover

8.4.2.1 Inter-MSC GSM to GSM Handover that breaks Local Switching

8.4.2.1.1 General

If LCLS is established for a call and an inter-MSC GSM to GSM handover occurs that makes the call not local the LCLS shall be broken in the BSS and the user plane data shall be connected through the core network. The Inter-MSC GSM to GSM handover procedures specified in 3GPP TS 23.009 [9], 3GPP TS 23.205 [2] and 3GPP TS 23.231 [3] shall be followed. The following clauses describe the additional requirements for inter-MSC handovers of LCLS related calls.

8.4.2.1.2 MSC-1 / MGW-1

8.4.2.1.2.1 Handover Required

When MSC-1 Server receives the Handover Required message from the serving BSS and determines that the call shall be handed over to the Target MSC Server, it shall send the GCR of the call and LCLS negotiation IE to the Target MSC Server in a MAP Prepare-Handover_Request message.

8.4.2.1.2.2 Handover Request Acknowledge

When MSC-1 Server receives the MAP Prepare_Handover_Response including Handover_Request_Acknowledgement message with a LCLS-BSS-Status IE the Anchor MSC-1 Server shall send to the adjacent call node, MSC-2 Server, the LCLS-Status-Change Request message containing the LCLS-Status-Change-Request IE to signal the change of LCLS status. In the LCLS-Status-Change-Request IE the MSC-1 server shall indicate "LCLS Disconnection-Preparation-for handover".

If the MSC-2 Server receives the LCLS-Status-Change Request message with the LCLS-Status-Change-Request IE that requires LCLS Disconnection preparation-for-handover it shall send to BSS-2 the LCLS_Connect_Control message with the LCLS-Connection-Status-Control IE indicating "BicastatHandover". When the LCLS_Connect_Control acknowledge message is received from the BSS-2, the MSC-2 server shall return the LCLS Status Change Request Acknowledge message indicating "LCLS Disconnection-Preparation-for-handover" and a Result code indicating LCLS Status Change Request accepted.

8.4.2.1.2.3 Bearer establishment between MGW-1 and Target MGW

The handling of the bearer establishment between MGW-1 and Target MGW is as described in sub-clause 6.1 for a Basic Mobile Originating Call. The MSC server shall also use the Change Flow Direction procedure to request the MGW-1 to set the Handover Device to the initial state.

8.4.2.1.2.4 MGW Flow Direction Control

The MSC Server may perform the MGW Flow Direction Control in the following ways:

- In accordance with the normal handover case by isolating the termination in MGW-1 towards the Target MGW (T_2) from the termination to the Serving BSS (T_S) and configuring the Anchor termination (T_A) one-way DL towards the Target MGW termination (T_2). Termination to the Serving BSS (T_S) is both-way connected to Anchor termination (T_A) since it is also receiving UL user data from termination to the Serving BSS (T_S). The basic example in sub-clause 8.4.2.1.4 illustrates this type of functionality.

Or:

- The MSC-1 Server may request the MGW-1 to set termination towards Target-MGW (T_2) to both-way connected to Anchor termination (T_A) and isolate termination to Serving BSS (T_S) completely. This improves the user plane switching and saves a signalling step to the MGW-1 at Handover Detect message.

8.4.2.1.2.5 Handover Command/Handover Detect

When the MSC-1 server sends the Handover Command message or alternatively if it receives the Handover Detect message inside a MAP Process-Access-Signalling request, if the MSC-1 server followed the MGW control procedures for a non-LCLS call and kept the Termination to the Serving BSS connected then it shall use the Change Flow Direction procedure to request the MGW-1 to set the Handover Device to intermediate state, however if the MSC server-1 isolated T_S and set T_2 to bothway then no MGW control procedure is required at this point.

8.4.2.1.2.6 Handover Complete

When the MSC-1 Server receives the Handover Complete message, it releases the A-interface line towards BSS-1. The MSC-1 Server also requests MGW-1 to set the Handover Device to its final state by removing the bearer termination towards the BSS-1.

After the MSC-1 Server receives the Answer message including the LCLS-Status set to LCLS feasible but not yet locally switched, MSC-1 Server shall send to the adjacent call node the LCLS-Status-Update message with the LCLS-Status IE indicating that LCLS is not established.

8.4.2.1.3 Target MSC Server / Target MGW

8.4.2.1.3.1 Prepare Handover Request message and MGW selection

The Target MSC server selects the Target MGW when it receives Prepare Handover Request message. The Target MSC server sends the Handover Request message to the Target BSS as for the normal case but shall include the GCR IE, the LCLS-Configuration IE and the LCLS-Connection-Status-Control IE set to "Connect".

8.4.2.1.3.2 Handover Request Acknowledge

If the Target BSS supports the LCLS feature it shall include the LCLS-BSS-Status IE in the Handover Request Acknowledge message in order to inform the Target MSC Server that the BSS supports the LCLS feature. The Target MSC Server sends the same information in the MAP Prepare Handover Response message to the MSC-1 Server.

8.4.2.1.3.3 Bearer establishment towards Target BSS

When the Target MSC Server has selected the Target MGW it requests the Target MGW to seize a TDM circuit if AoTDM using the Reserve Circuit procedure, or an IP termination if AoIP using the reserve Connection Point procedure as for the normal handover procedure. The Target MSC Server sends the Handover Request message to the Target BSS containing the CIC for AoTDM or the IP addresses and UDP ports received from the target MGW if AoIP.

8.4.2.1.3.4 Bearer establishment between MGW-1 and Target MGW

The handling of the bearer establishment between MGW-1 and Target MGW is as described for basic mobile terminating call in sub-clause 6.2.

8.4.2.1.3.5 LCLS Negotiation in Initial Address message

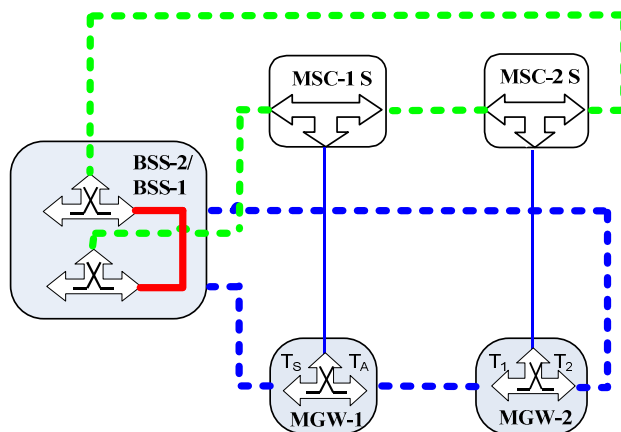
If the Target MSC Server receives an Initial Address message that does not include a LCLS-Negotiation IE or includes a LCLS-Negotiation IE set to LCLS is not permitted, the Target MSC Server shall update the previously sent LCLS-Configuration by sending a LCLS_CONNECT_CONTROL message to BSS with a LCLS-Configuration IE set to LCLS-not allowed and a LCLS_Connection_Status_Control IE set to "do not connect LCLS".

8.4.2.1.4 Example of Inter-MSC Handover that breaks Local Switching

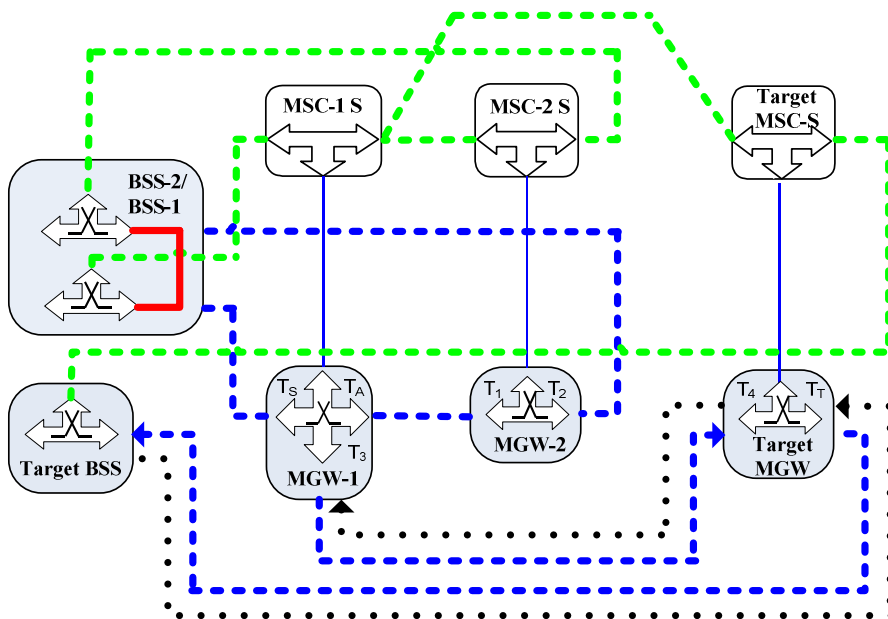
8.4.2.1.4.1 Connection Model

Figure 8.4.2.1.4.1.1 shows the network model for the Inter-MSC GSM to GSM Handover, where call leg UE-1 is handed over from BSS-1 to the Target BSS. BSS-1 is the same as BSS-2 when LCLS is established for the call. The BSS-1 is served by the MSC-Server 1, the Target BSS is served by the Target MSC-Server, and MSC-Server 1 is not the same as Target MSC-Server. The bearer termination T_2 in MGW-2 is used for the bearer towards BSS-2, which is not affected by this handover. Bearer termination T_S in MGW-1 is used for the bearer towards BSS-1 and the bearer terminations T_A and T_3 in MGW-1, T_1 in MGW-2 and T_4 in Target-MGW are used for the bearer towards the succeeding/preceding MGW. Bearer termination T_T in Target-MGW is for the bearer termination towards the Target BSS.

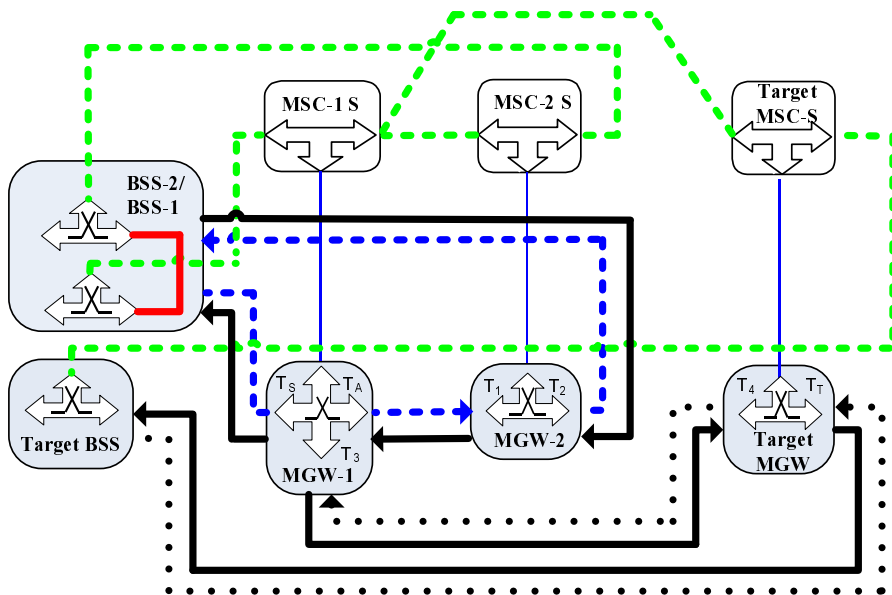
- User plane link which transmits real user plane data within BSS and to UE
- User plane link which transmits real user plane data through the CN and to UE
- - - User plane link path through CN, connected
- - - User plane uplink path through CN from Target BSS, connected
- - - Control plane link which transmits signalling



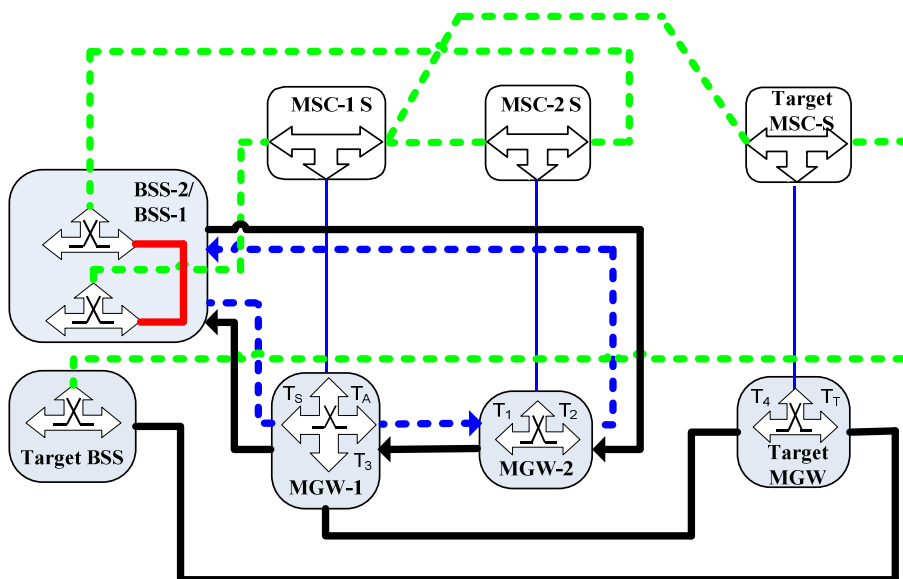
Connection Model 1: Before handover, LCLS is established



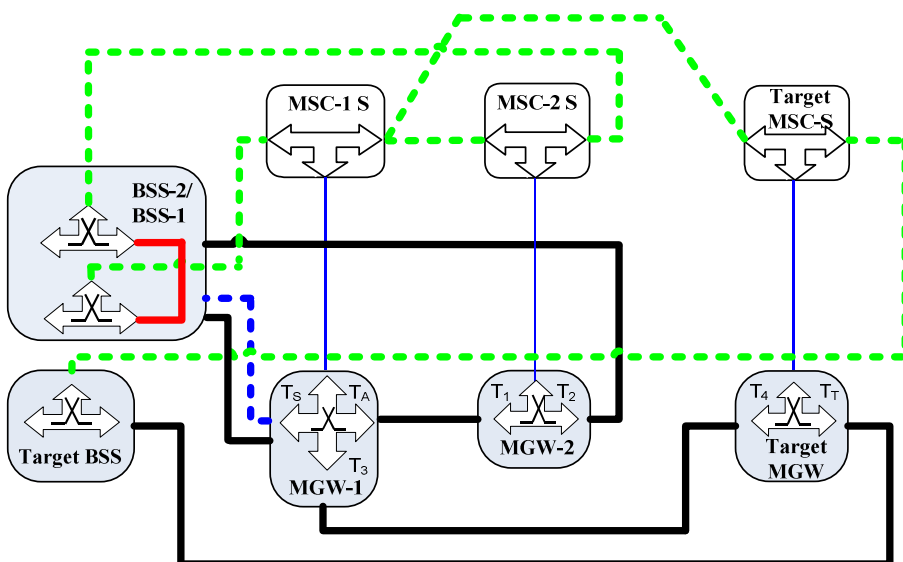
Connection Model 2: Before MSC triggers HO command to the BSS, T₃ is isolated from T_S, T_A is one-way connected to T₃ and T_S is both-way connected to T_A



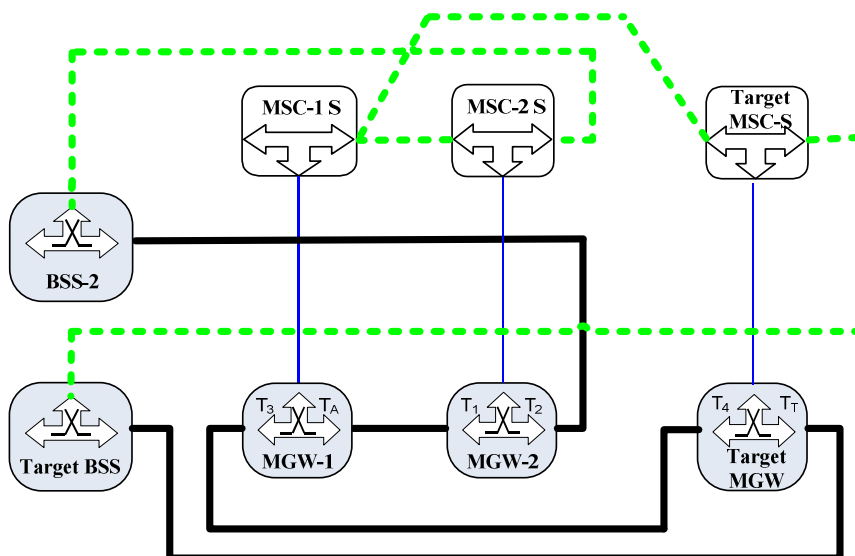
Connection Model 3: UE-1 not yet detected in Target BSS, BSS-2 bicasts user plane data UL



Connection Model 4: UE-1 connected to Target BSS but Target MSC-S has not received HO Detect



Connection Model 5: MSC-1 instructed MGW-1 to reroute the user plane, T_A is both-way connected to T₃



Connection Model 6: Handover completed, T_s termination was removed

Figure 8.4.2.1.4.1.1: Inter-MSC Inter-BSS Handover Connection Model when user plane active

8.4.2.1.4.2 Basic Sequence for Inter-MSC handover that breaks Local Switching

Figures 8.4.2.1.4.2.1 and 8.4.2.1.4.2.2 show the message sequence example for the basic Inter-MSC GSM to GSM Handover shown in the corresponding network model Figure 8.4.2.1.4.1.1. The Handover Device is located in the MGW-1 selected for the call establishment by the MSC-1 Server, which controls the call and the mobility management. The description is based on 3GPP TS 23.009 [9], 3GPP TS 23.205 [2] and 3GPP TS 23.231 [3].

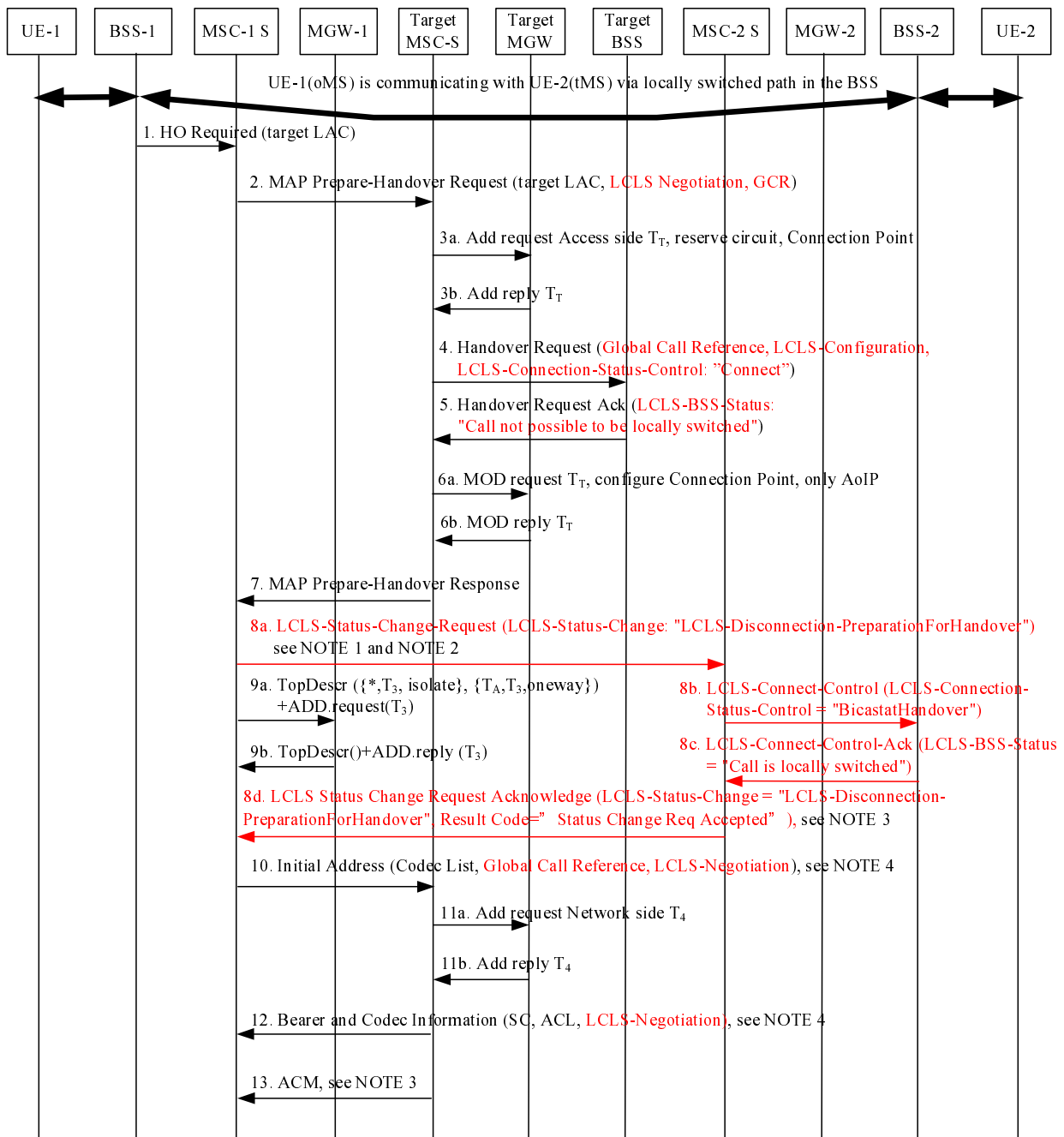


Figure 8.4.2.1.4.2.1: Inter-MSC Handover that breaks LCLS when user plane active, initial phase

1. The Handover Required message is received from BSS1 requesting an inter-MSC handover. The call is currently locally switched and the MSC-1 server can know that the Inter-MSC handover at one end will break LCLS (the local switch is not broken in the serving BSS (BSS-1) until UE-1 has moved out of the BSS-1 and the MSC-1 server sends the Clear Command message to BSS-1).
2. The MSC-1 Server determines that inter-MSC handover is required and sends MAP-Prepare-Handover Request to target MSC which includes LCLS Negotiation and GCR IEs.
- 3a, b. The Target MSC-Server reserves circuit or Connection Point T_T towards the Target BSS.
4. The Target MSC-Server sends the Handover Request message to target BSS with the GCR IE, the LCLS-Configuration IE and the LCLS-Connection-Status-Control IE indicating "connect" to through-connect the local call.
5. The Target BSS reports in Handover Request Acknowledge message that the call is not possible to be locally switched.

- 6a, b. (These signalling steps are only applicable to AoIP) When the Target MSC-Server receives the BSSMAP Handover Request-Ack message, it sends the target BSC IP address and UDP Port number to the target MGW using the Configure RTP Connection Point procedure.
7. The Target MSC-Server sends the Prepare Handover Response message to the MSC-1 server.
- 8a. The Anchor MSC-1 server instructs the far end MSC-2 server to prepare for LCLS disconnection for Handover by sending the LCLS-Status-Change-Request message.
- 8b. The far end MSC-2 server requests BSS-2 to start sending data UL with the LCLS_Connect_Control message and the LCLS-Connection-Status-Control IE indicating "BicastatHandover", see Figure 8.4.2.1.4.1.1, Connection Model 3. This triggers the BSS-2 to bicast the user plane data in the same way as the Access MGW-1 would be doing in a non-LCLS inter-BSS handover. At this point the BSS-1 shall send any DL data it receives directly to the served UE.

NOTE 1: The Serving BSS-1 shall forward the user plane data received locally from UE-1 to UE-2 while the UE-1 is served by the BSS-1. BSS-2 bicast UL user plane data to both MGW2 and local path and MGW-2 transmits the user plane data to MGW-1 and MGW-1 transmits the user plane data to the Target BSS via the Target MGW. When the UE-1 leaves the serving BSS-1 and begins sending UL data to the Target BSS via the Target MGW, that data will then be received via the A-interface leg at the serving BSS-2.

NOTE 2: Possible bicasting may have been activated earlier when LCLS was established in the BSS-1 /BSS-2 (not shown here) and was indicated with the LCLS-Configuration IE in step 4 and applies to both call legs. If LCLS bicasting was not activated the LCLS-Configuration value is "Connect" (i.e. no bicasting) in step 4, but the value of the LCLS-Connection-Status-Control in step 8b is "BicastatHandover", which applies only for this call leg.

- 8c. The BSS-2 sends the LCLS_Connect_Control_Ack message with the LCLS-BSS-Status IE set to "the call is locally switched".
- 8d. MSC-2 Server sends LCLS-Status-Change-Request-Acknowledge message.

NOTE 3: Handover sequence is independent of the LCLS-Status-Change-Request-Acknowledge message.

- 9a, b. In accordance with normal handover the MSC-1 server requests MGW-1 to isolate the termination towards Target MGW (T_3) from the termination to the Serving BSS-1 (T_S) and to configure the Anchor termination (T_A) one-way DL towards the Target MGW termination (T_3).
10. MSC-Server 1 sends IAM (Initial Address Message) to Target MSC-Server including GCR and configures the LCLS-Negotiation IE.

NOTE 4: Corresponding SIP-I signalling is specified in 3GPP TS 23.231 [3].

- 11a, b. Target-MSC-Server reserves bearer connection T_4 towards MGW-1.
12. After Target MGW has replied with the bearer address and the binding reference, Target MSC-Server returns Bearer and Codec Information (APM) message with selected codec, available codec list and LCLS-Negotiation IE.
13. The Target MSC-Server sends ACM (Address Complete Message). Target MSC-Server awaits the capturing of the UE-1 on the radio path when the ACM is sent and the Anchor MSC-1 server initiates the handover execution when receiving ACM.

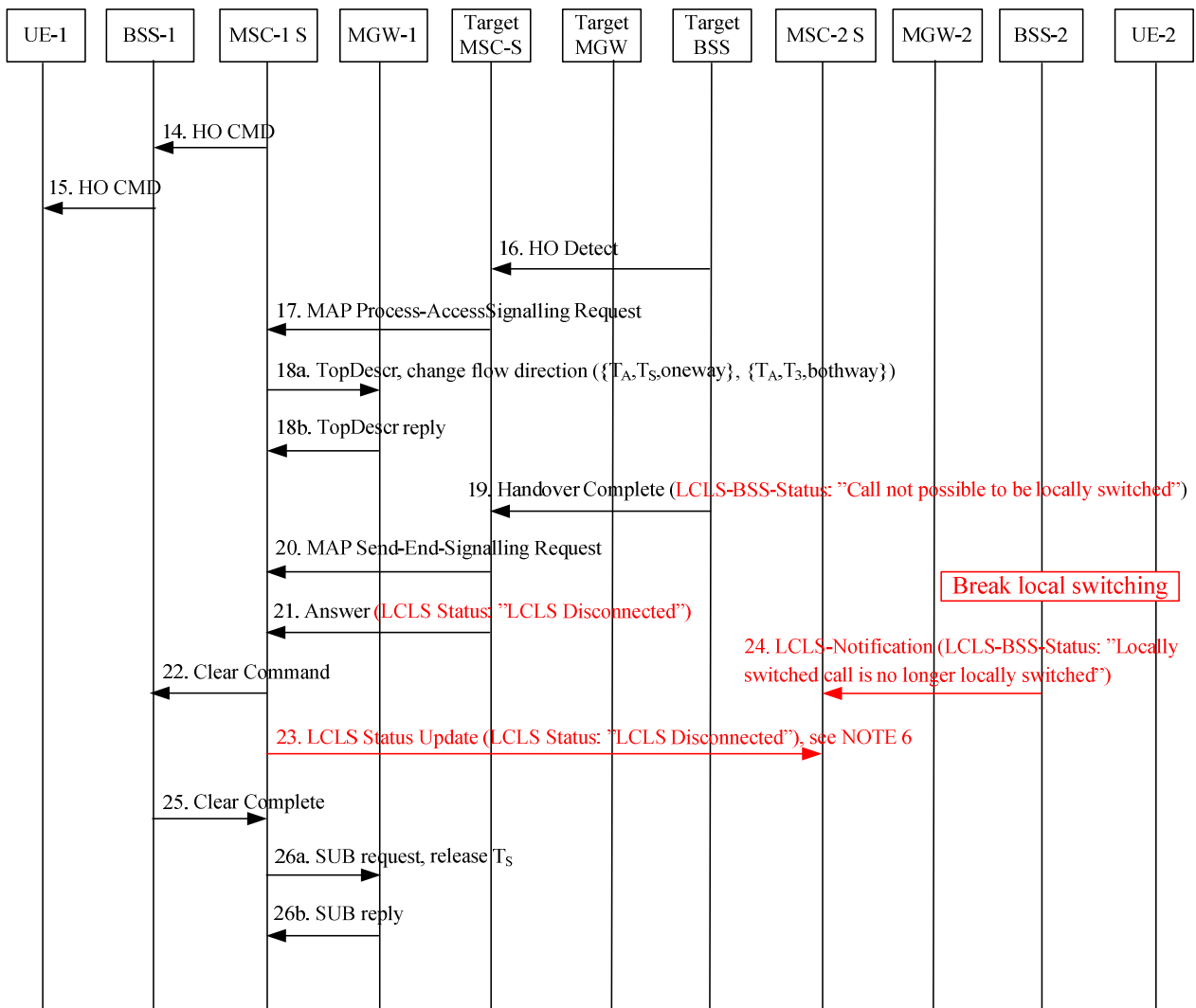


Figure 8.4.2.1.4.2.2: Inter-MSC Handover that breaks LCLS when user plane active, completion phase

- 14. MSC-1 server sends Handover Command message to BSS-1.
- 15. BSS-1 sends Handover Command message to UE-1. BSS-1 will discard incoming user plane data send to UE-1 received from CN. If BSS-2 was not instructed to prepare for LCLS related handover in Step 8a, the BSS-2 starts bi-casting UP user plane data generated by UE-2 to local path and A interface and also starts to check whether there is incoming DL user plane data from the core network.

NOTE 5: there is no situation where BSS-2 will receive real DL user plane data from the CN at the same time as it receives local data from UE-1 as part of the handover.

- 16. UE-1 is detected at target BSS. But still no UL data can be sent from target BSS to MGW-1 because T_A - T_3 is one-way DL only. MGW-1 will continue to transmit DL user plane data to the target BSS-1. BSS-2 continues to bi-cast user plane data to both local path and to the A interface.
- 17. Target MSC-Server sends MAP-Process-Access-Signal request to the MSC-1 server.
- 18a, b. The MSC-1 server uses the Change Flow Direction procedure to request the MGW-1 to set the Handover Device to intermediate state and T_A - T_3 to both-way configuration. When BSS-2 finds out there is DL user plane data, BSS-2 will transmit the DL user plane data to UE-2.
- 19. Handover Complete message is received from target BSS with LCLS-BSS-status indicating that the call cannot be locally switched.
- 20. A Handover-Detect/Complete when received is included in the MAP SendEndSignalling Request message sent to the MSC-1 server.

21. Target MSC-Server sends ANSWER message with the LCLS-status when a Handover-Detect/Complete is received.
22. MSC-1 server informs BSS-1 to clear the old call leg.
23. MSC-1 server sends LCLS Status Update message with LCLS status "LCLS disconnected" to MSC-2 server.
NOTE 6: When BICC is used as the call control protocol the APM message is sent. When SIP-I is used the INFO request with the encapsulated APM message is sent.
24. Serving BSS-2 informs MSC-2 server that LCLS is broken via LCLS-Notification message.
NOTE 7: There is no need to send LCLS-Notification message from BSS-1 after receiving the Clear Command message since Clear Complete indicates that LCLS was disconnected.
25. BSS-1 informs MSC-1 server that the resource for the UE-1 has been released and BSS-2 stops bi-casting.
- 26a, b. The MSC-1 server requests MGW-1 to set the Handover Device to its final state by removing the bearer termination T_s towards BSC-1 using the Release Termination procedure.

8.4.2.2 Inter-MSC GSM to GSM Handover that establishes Local Switching

8.4.2.2.1 General

When LCLS is not established for a call and an inter-MSC handover occurs that makes the call local, the call should be locally switched in the BSS. The Inter-MSC handover procedures specified in 3GPP TS 23.009 [9], 3GPP TS 23.205 [2] and 3GPP TS 23.231 [3] shall be followed. The following clauses describe the additional requirements for inter-MSC handovers that establish LCLS and the differences compared to Inter-MSC handovers that break LCLS are identified.

8.4.2.2.2 MSC-1 / MGW-1

8.4.2.2.2.1 Handover Required

When MSC-1 Server receives the Handover Required message from the serving BSS and determines that the call shall be handed over to the Target MSC Server, it shall send the GCR of the call and LCLS negotiation IE to the Target MSC Server in a MAP Prepare-Handover_Request message.

8.4.2.2.2.2 Handover Request Acknowledge

When MSC-1 Server receives the MAP Prepare_Handover_Response including Handover_Request_Acknowledgement message with a LCLS-BSS-Status IE the Anchor MSC-1 Server configures the bearer terminations in MGW-1 and sends the GCR and LCLS-Negotiation information to the target MSC-Server.

8.4.2.2.2.3 Bearer establishment between MGW-1 and Target MGW

The handling of the bearer establishment between MGW-1 and Target MGW is as described in sub-clause 6.1 for a Basic Mobile Originating Call. The MSC server shall also use the Change Flow Direction procedure to request the MGW-1 to set the Handover Device to the initial state.

8.4.2.2.2.4 MGW Flow Direction Control

In accordance with the normal handover case the MGW-1 isolates the termination towards the Target MGW (T_2) from the termination to the Serving BSS (T_s) and configures the Anchor termination (T_1) one-way DL towards the Target MGW termination (T_2). Termination to the Serving BSS (T_s) is both-way connected to Anchor termination (T_1) since it is also receiving UL user data from termination to the Serving BSS (T_s).

8.4.2.2.2.5 Handover Command/Handover Detect

The MSC-1 Server shall use the Change Flow Direction procedure to requests the MGW-1 to set the Handover Device to intermediate state.

8.4.2.2.2.6 Handover Complete

When the MSC-1 Server receives the Handover Complete message, it releases the A-interface line towards BSS-1. The MSC-1 Server also requests MGW-1 to set the Handover Device to its final state by removing the bearer termination towards the BSS-1.

When LCLS has been established during the handover procedure, the target BSS informs the target MSC-Server that the call has been locally switched in the Handover Complete message,

8.4.2.2.3 Target MSC Server / Target MGW

8.4.2.2.3.1 Prepare Handover Request message and MGW selection

The Target MSC server selects the Target MGW when it receives Prepare Handover Request message. The Target MSC server sends the Handover Request message to the Target BSS as for the normal case but shall include the GCR IE, the LCLS-Configuration IE and the LCLS-Connection-Status-Control IE set to "Connect".

8.4.2.2.3.2 Handover Request Acknowledge

If the Target BSS supports the LCLS feature it shall include the LCLS-BSS-Status IE in the Handover Request Acknowledge message in order to inform the Target MSC Server that the BSS supports the LCLS feature. The Target MSC Server sends the same information in the MAP Prepare Handover Response message to the MSC-1 Server.

8.4.2.2.3.3 Bearer establishment towards Target BSS

When the Target MSC Server has selected the Target MGW it requests the Target MGW to seize a TDM circuit if AoTDM using the Reserve Circuit procedure, or an IP termination if AoIP using the reserve Connection Point procedure as for the normal handover procedure. The Target MSC Server sends the Handover Request message to the Target BSS containing the CIC for AoTDM or the IP addresses and UDP ports received from the target MGW if AoIP.

8.4.2.2.3.4 Bearer establishment between MGW-1 and Target MGW

The handling of the bearer establishment between MGW-1 and Target MGW is as described for basic mobile terminating call in sub-clause 6.2.

8.4.2.2.3.5 LCLS Negotiation in Initial Address message

If the Target MSC Server receives an Initial Address message that does not include a LCLS-Negotiation IE or includes a LCLS-Negotiation IE set to LCLS is not permitted, the Target MSC Server shall update the previously sent LCLS-Configuration by sending a LCLS_CONNECT_CONTROL message to BSS with a LCLS-Configuration IE set to LCLS-not allowed and a LCLS_Connection_Status_Control IE set to "do not connect LCLS". The inter-MSC handover continues as described in sub-clause 8.4.2.3 Inter-MSC Handover that leaves a not locally Switched Call unchanged.

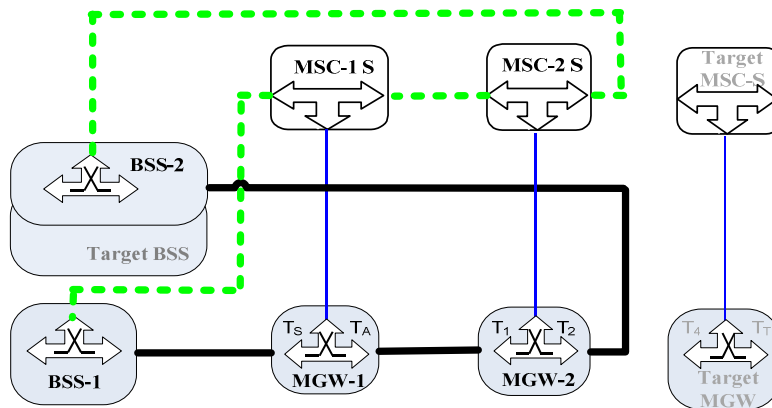
8.4.2.2.4 Example of Inter-MSC Handover that establishes Local Switching

8.4.2.2.4.1 Connection Model

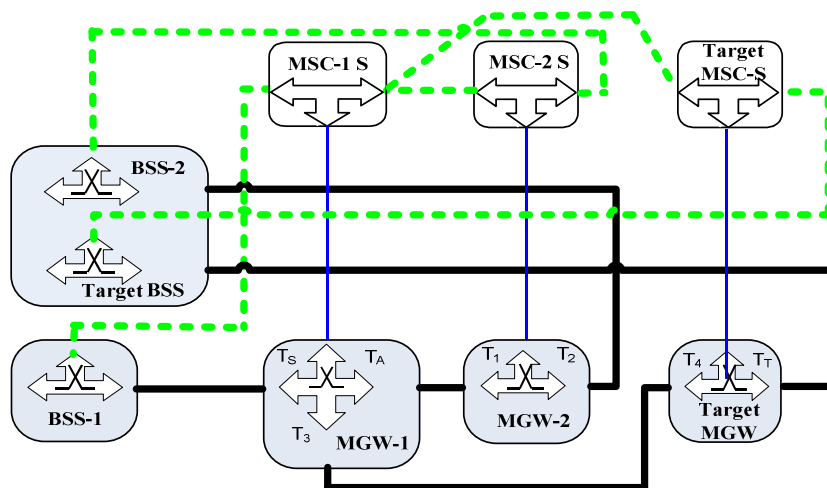
Figure 8.4.2.2.4.1.1 shows the network model for the Basic Inter-MSC GSM to GSM handover when LCLS is established as a result of the handover. The dashed line in green represents call control signalling and the dashed line in blue represents the user plane connection path via the core network, which should be used if LCLS is not established or after LCLS is broken. The non-dotted lines represent the bearer carrying real user plane data. In MGW-1 the bearer termination T_B is used for the bearer towards BSS-1, bearer termination T_A is used for the bearer towards the succeeding/preceding MGW, that is MGW-2 and bearer termination T_3 is used towards the Target MGW. In MGW-2 the bearer termination T_2 is used for the bearer towards BSS-2 and bearer termination T_1 is used for the bearer towards MGW-1. In Target-MGW the bearer termination T_T is used towards the Target-BSS and bearer termination T_4 is used towards MGW-1.

In this example scenario the Handover Device is located in MGW-1 selected for the call establishment by the MSC-1 server, which controls the call and mobility management.

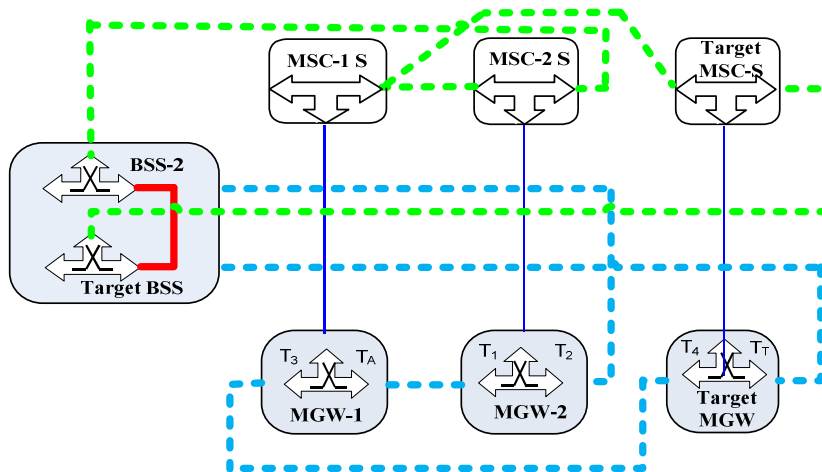
- User plane link which transmits real user plane data within BSS and to UE
- User plane link which transmits real user plane data through the CN and to UE
- - - User plane link path through CN, connected
- - - Control plane link which transmits signalling



Before Handover



During Handover, T₃ is isolated from T_S, T_A is one-way connected to T₃



After Handover, LCLS is established and both call legs are in Target BSS (=BSS-2)

Figure 8.4.2.2.4.1.1: Basic Inter-MSC GSM to GSM Handover (network model)

8.4.2.2.4.2 Basic Sequence

Figures 8.4.2.2.4.2.1 and 8.4.2.2.4.2.2 show the message sequence example for the Basic Inter-MSC GSM to GSM Handover shown in the corresponding network model Figure 8.4.2.2.4.1.1. The Handover Device is located in MGW-1 selected for the call establishment by the MSC-1 server, which controls the call and the mobility management. The description is based on 3GPP TS 23.009 [9], 3GPP TS 23.205 [2] and 3GPP TS 23.231 [3].

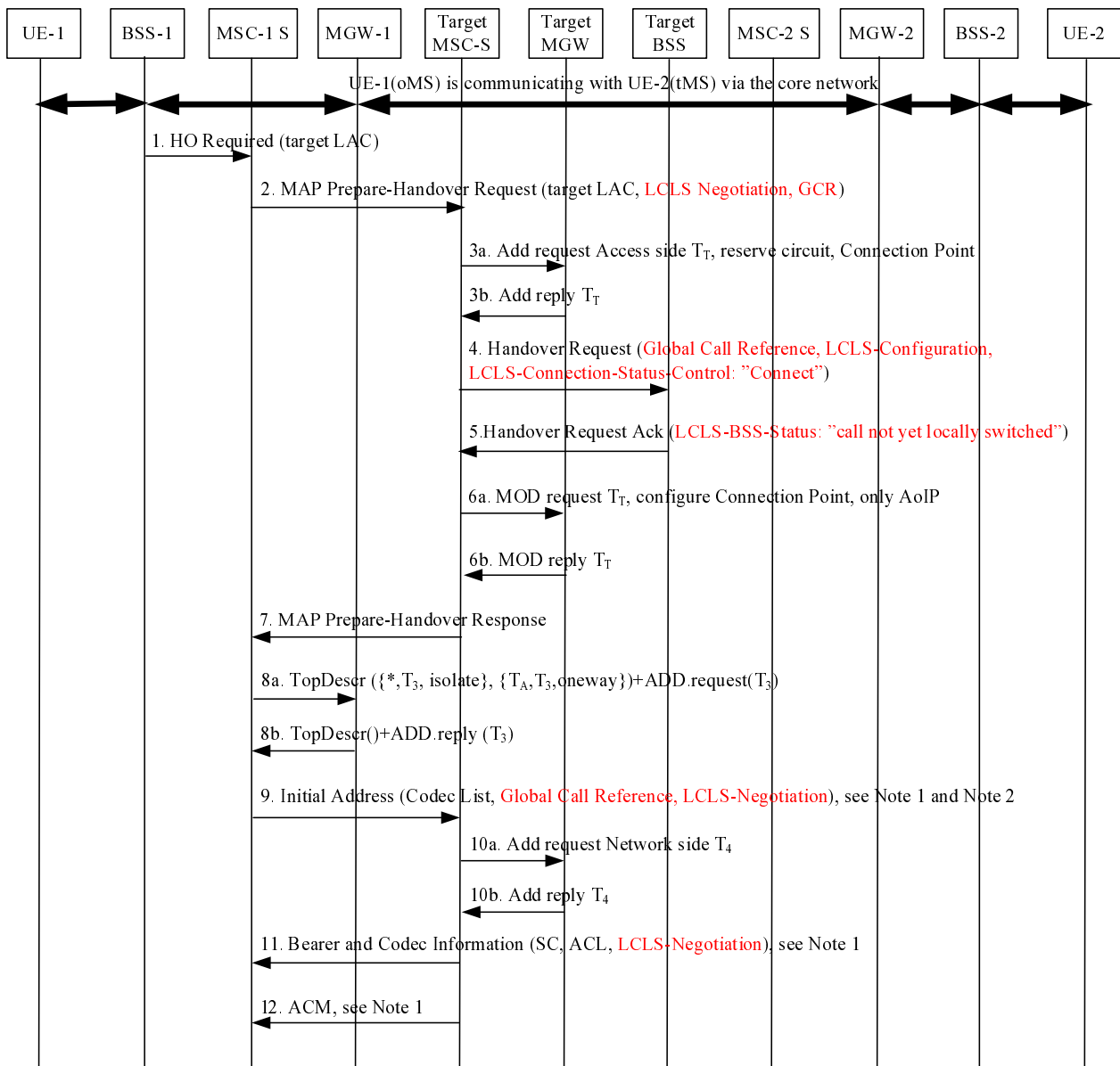


Figure 8.4.2.2.4.2.1: Initial phase of Inter-MSC Handover establishing Local Switching

1. Handover Required message is received from BSS-1 requesting an inter-MSC handover. The call is currently not locally switched.
2. The MSC-1 server determines that inter-MSC handover is required and sends the Pre-Handover Request message to target MSC-Server which includes LCLS Negotiation and GCR.
- 3a, b. Target-MSC-Server reserves circuit or Connection Point towards the Target-BSS
4. Target MSC-Server sends Handover request message to target BSS with GCR and instructs the BSS to prepare to connect LCLS. The LCLS-Configuration IE can instruct the BSS to bi-cast user plane data, if applicable.

5. Target BSS performs call leg correlation with GCR to find if another call leg is active with same GCR. The BSS reports in Handover Request Acknowledge message that the local call was found but LCLS is not yet established.
- 6a, b. (These signalling steps are only applicable to AoIP.) When the Target MSC-Server receives the BSSMAP Handover Request-Ack message, it sends the BSC-B IP address and UDP Port number to the MGW-B using the Configure RTP Connection Point procedure.
7. The Target MSC-Server sends the Prepare Handover Response message to MSC-1 server.
- 8, b. In accordance with normal handover the MSC-1 server requests MGW-1 to isolate the termination towards Target MGW (T_3) from the termination to the Serving BSS-1 (T_S) and to configure the Anchor termination (T_A) one-way DL towards the Target MGW termination (T_3).
9. MSC-Server 1 sends IAM (Initial Address Message) to Target MSC-Server including GCR and configures the LCLS-Negotiation IE.

NOTE 1: Corresponding SIP-I signalling is specified in 3GPP TS 23.231 [3].

NOTE 2: The LCLS-Negotiation IE in step 9 can be different from LCLS Negotiation IE in step 2, because step 9 is BICC signalling and the IE value can be changed by intermediate MSC-Servers.

- 10a, b. Target MSC-Server reserves bearer connection T_4 towards MGW-1.
11. After Target MGW has replied with the bearer address and the binding reference (Step 10b), the Target MSC-Server returns the Bearer and Codec Information (APM) message with selected codec, available codec list and the LCLS-Negotiation IE.
12. Target MSC-Server sends ACM (Address Complete Message). Target MSC-Server awaits the capturing of the UE-1 on the radio path when the ACM is sent and MSC-1 server initiates the handover execution when receiving ACM.

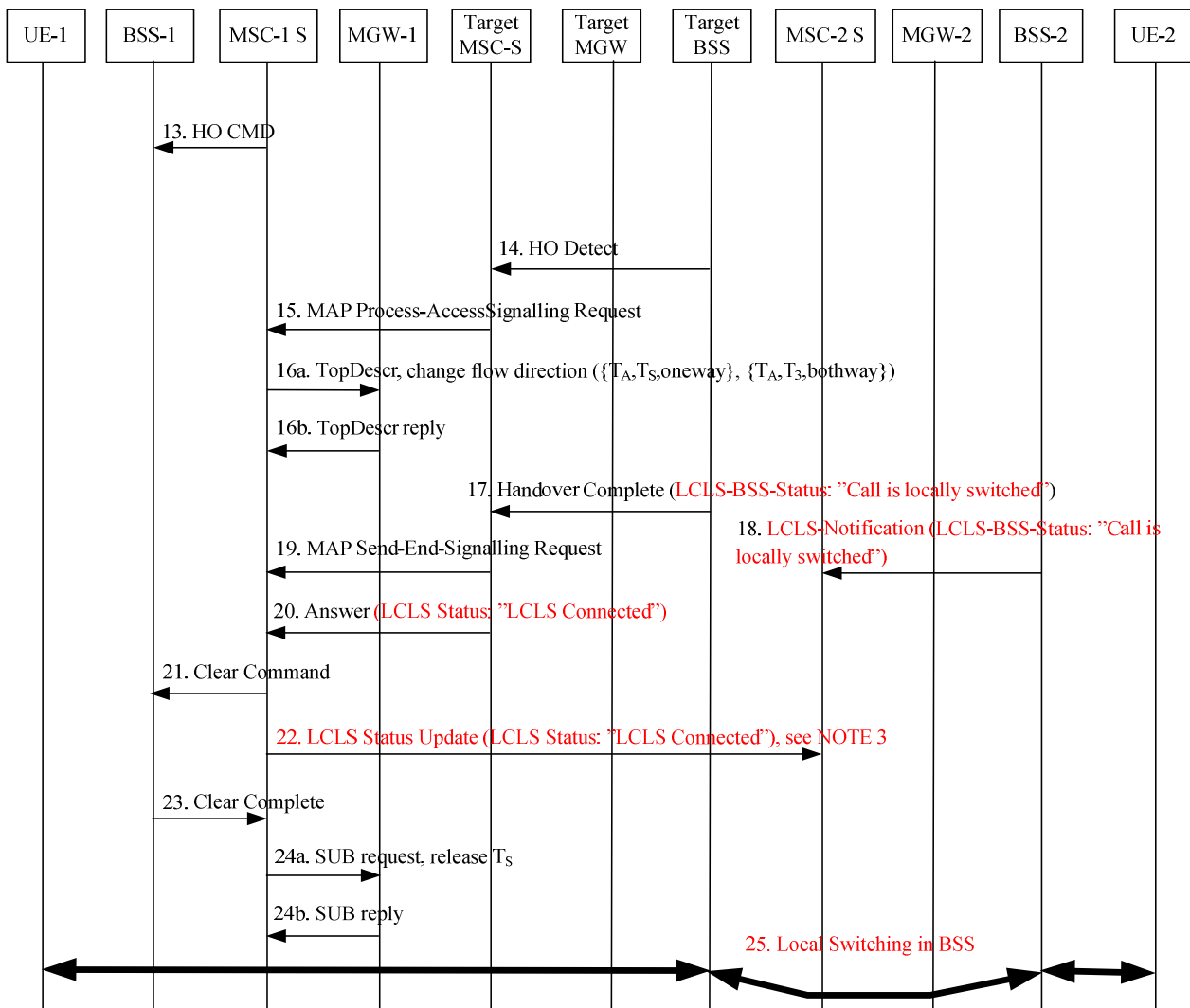


Figure 8.4.2.4.2.2: Completion phase of Inter-MSC Handover establishing Local Switching

- 13 - 18. When the local switching has been established during the handover procedure, the target BSS shall inform the target MSC-Server that the call has been locally switched in Handover Complete message, and the target BSS shall also send a new message LCLS-Notification with LCLS-BSS-Status IE to inform the MSC-2 server that the local switching has been established. In steps 16a and 16b the MSC-1 server configures MGW-1 for the completion of the handover.
19. A Handover-Detect/Complete when received is included in the MAP-Send-End-Signal request and send back to the MSC-1 server.
20. Target MSC-Server sends ANSWER message with the LCLS-status when A-HO-DETECT/COMPLETE is received.
21. MSC-Server 1 clears the call in BSS-1.
22. MSC-1 server (Anchor MSC-Server) sends LCLS-Status-Update message to the far end MSC-2 server.
- NOTE 3: When BICC is used as the call control protocol the APM message is sent. When SIP-I is used the INFO request with the encapsulated APM message is sent.
23. BSS-1 informs MSC-1 server that the resource for the UE-1 has been released
- 24a, b. MSC-1 server releases the bearer termination towards BSS-1.
25. Local switching is established in the BSS.

8.4.2.3 Inter-MSC Handover that leaves a not Locally Switched Call unchanged

In this scenario it is assumed that LCLS was not established before the Inter-MSC handover. When one call leg is handed over to another MSC-Server, the call still remains not local. LCLS cannot be established for the call and the LCLS status of the call is not changed.

For the Anchor MSC-1 server and Target MSC server this Inter-MSC handover is similar to the Inter-MSC handover that establishes LCLS as described in sub-clause 8.4.2.2.4.2 until Step 5, but in this case in Step 5 the Target BSS sends the Handover Request ACK message, where the LCLS-BSS-Status IE indicates that the call is not possible to be locally switched since the GCR correlation will indicate that the call is not local. The handover procedure is completed as for a non-local call, LCLS is not established and the LCLS Status in the core network is not changed.

8.4.3 Subsequent Inter-MSC GSM to GSM Handover back to the Anchor MSC

The basic Inter-MSC GSM to GSM handover procedure as specified in this specification shall be applied.

8.4.4 Subsequent GSM to GSM Handover to a third MSC

The basic GSM to GSM handover procedure as specified in this specification shall be applied.

8.4.5 BSS Internal Handover

8.4.5.1 General

The following procedures describe the specific handling compared to the basic principles described in 3GPP TS 23.205 [2] sub-clause 8.4.5 to achieve BSS Internal Handover with LCLS for an A-interface User Plane over IP (AoIP).

If the call is not locally switched but both call legs have been correlated and an internal handover occurs that makes the call local, the call should be locally switched in the BSS.

If a call is currently locally switched and an internal handover occurs that makes the call not local, the local switching should be broken in the BSS and the user plane data shall be connected through the core network.

NOTE1: For A-interface User Plane over TDM (AoTDM), a BSS internal handover that results in LCLS break will trigger a BSS Initiated LCLS Break according to procedures in sub-clause 7.2.2.

If an internal handover procedure occurs that does not modify the LCLS status of a call, the local switching should not be modified within the BSS.

8.4.5.2 Internal Handover Required

If the MSC Server accepts the Internal Handover Required message it shall send an Internal Handover Command message to the BSS. If the call is currently locally switched in the BSS, the MSC Server shall also signal LCLS-Status-Change Request message containing LCLS-Status-Change IE set to "LCLS Disconnection Preparation for Handover" through the core network to enable UL bi-casting during handover.

The MSC Server shall not wait for the LCLS-Status-Change Request Acknowledge message before proceeding with the Internal Handover.

8.4.5.3 Internal Handover Command

If local switching is permitted by the core network and the MSC Server has not previously requested that the BSS should connect the local call, (e.g. no previous LCLS-Connection-Status-Control = "Connect"), the MSC Server shall include the LCLS-Connection-Status-Control IE indicating "Connect" in the Internal Handover Command message.

Otherwise, the MSC Server shall send the Internal Handover Command message according to the procedures in 3GPP TS 48.008 [7].

8.4.5.4 Handover Complete

The BSS sends Handover Complete message including the LCLS-BSS-Status that indicates whether the call is locally switched (e.g. "Call is Locally Switched" or "Locally switched call is no longer locally switched").

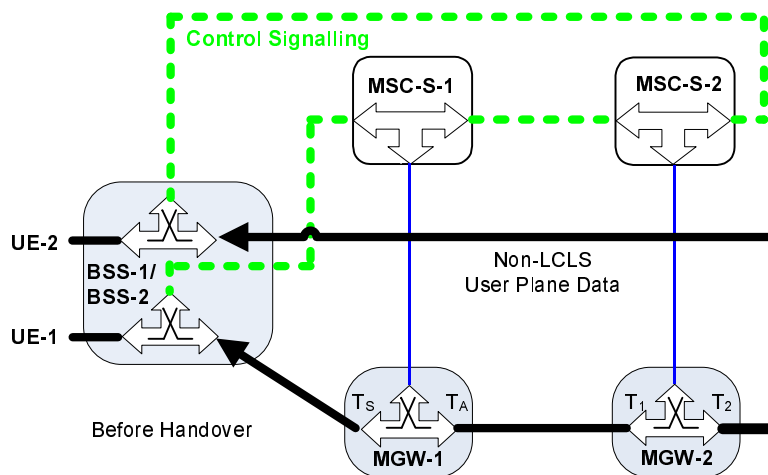
The MSC server shall send to an adjacent call node the LCLS-Status-Update message with the LCLS-Status IE indicating the new LCLS Status (e.g. "LCLS connected" or "LCLS Not Connected").

8.4.5.5 Example BSS Internal Handover that Establishes Local Switching

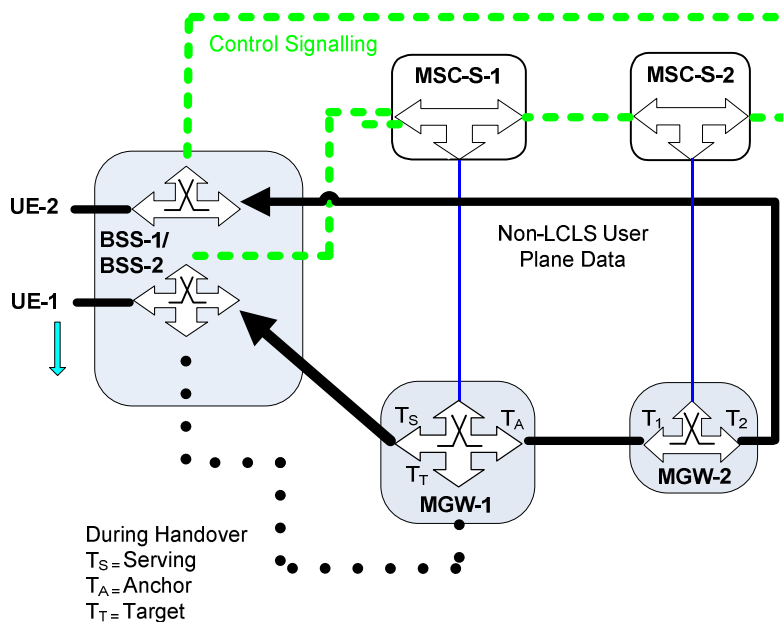
8.4.5.5.1 Connection Model

Figure 8.4.5.5.1.1 shows the network model for the Intra-MSC BSS Internal Handover, where the call leg pertinent to the UE-1 is handed over from the serving BSS-1 to BSS-2. BSS-1 is the same as BSS-2 for BSS Internal Handover. The bearer termination T_2 is used for the bearer towards BSS-2, which is not affected by this handover. Bearer termination T_S is used for the bearer towards BSS-1 and the bearer terminations T_1 and T_A are used for the bearer towards the succeeding/preceding MGW. Bearer termination T_T is for the bearer termination towards the BSS after internal handover. The colours and line types used in the figure are defined differently from 3GPP TS 23.205 [2] to indicate LCLS specific issues.

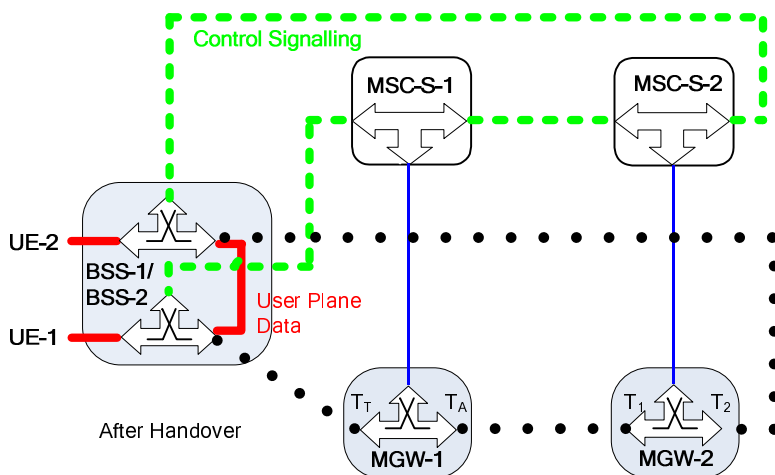
- User plane link which transmits real user plane data within the BSS and to UEs
- User plane link which transmits real user plane data through the CN and to UEs
- • • User plane path through the CN, connected
- - - Control plane link which transmits signalling



Connection Model 1: Before BSS Internal Handover - Call is not locally switched



Connection Model 2: During BSS Internal Handover



Connection Model 3: After BSS Internal Handover – Call is Locally Switched

Figure 8.4.5.5.1.1: BSS Internal Handover Connection Model that Establishes Local Switching

8.4.5.5.2 Basic Sequence for BSS Internal Handover that Establishes Local Switching

Figure 8.4.5.5.2.1 shows the message sequence example for the BSS Internal Handover that Establishes Local Switching.

In the example, the MSC server receives the Internal Handover Required message and requests the MGW to reserve an RTP bearer termination (T_T) using the Reserve and Configure RTP Connection Point procedure with specific flow directions.

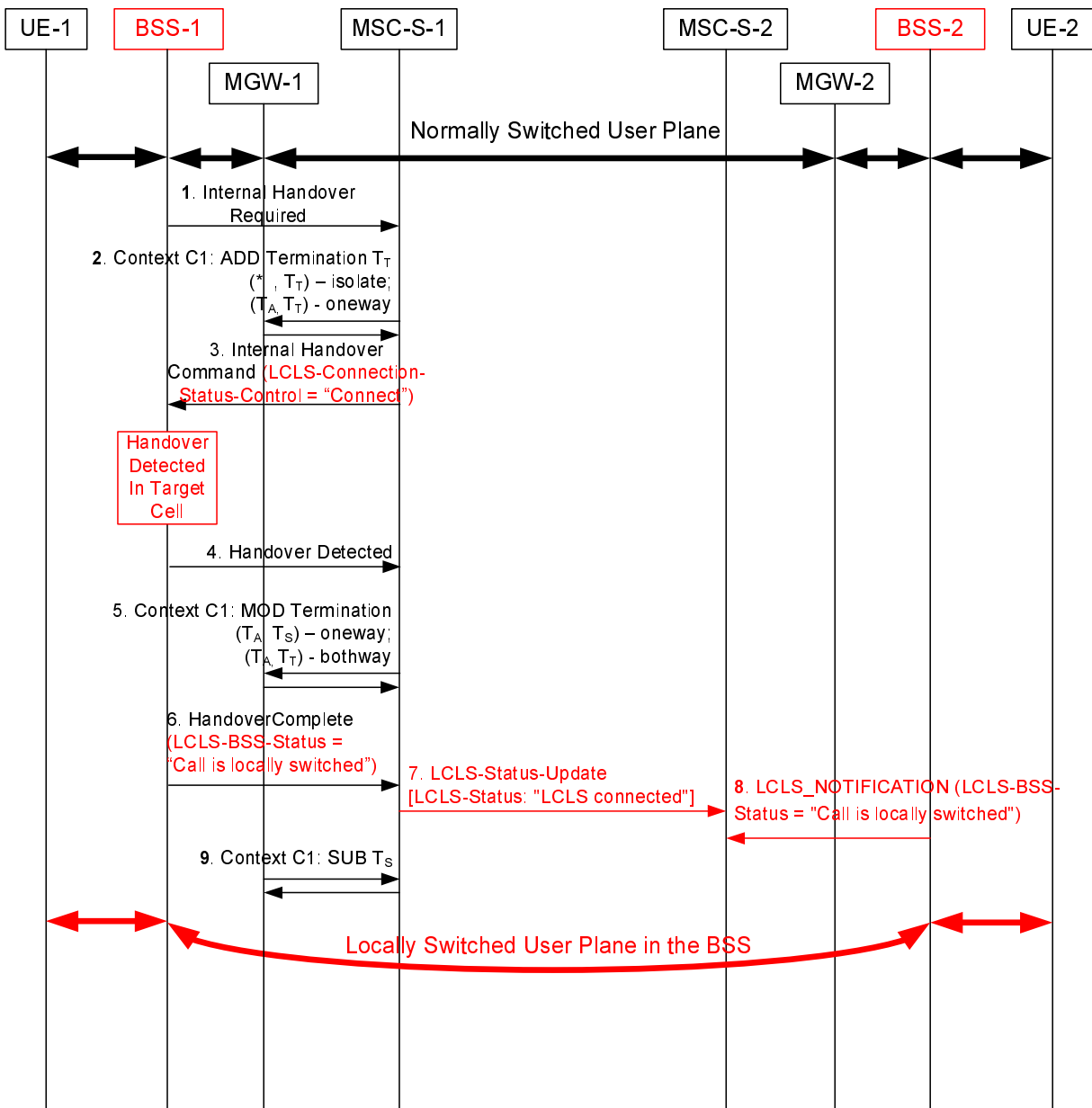


Figure 8.4.5.5.2.1: BSS Internal Handover for AoIP that Establishes Local Switching

- 1 – 2. As for normal Internal Handover, see TS 23.205 [2] sub-clause 8.4.5.
3. The MSC-1 Server determines that local switching is permitted by the core network and sends the Internal Handover Command message, including the LCLS-Connection-Control-Status message indicating "Connect" if not previously indicated to BSS-1.
- 4 – 5. As for normal Internal Handover, see TS 23.205 [2] sub-clause 8.4.5.
6. The Handover Complete message includes the LCLS-BSS-Status IE indicating that call is locally switched.
NOTE: alternatively the BSS-1 could indicate LCLS-BSS-Status IE in LCLS-Notification message.
- 7 – 9. The LCLS Status is propagated through the Core Network.

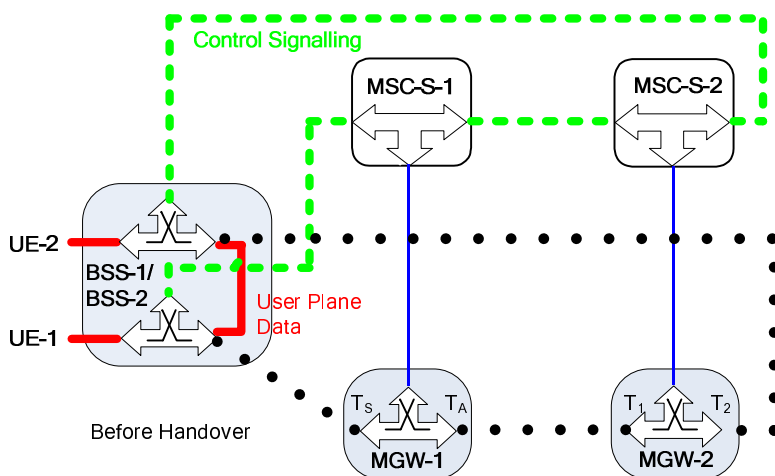
8.4.5.6 Example BSS Internal Handover that Breaks Local Switching

8.4.5.6.1 Connection Model

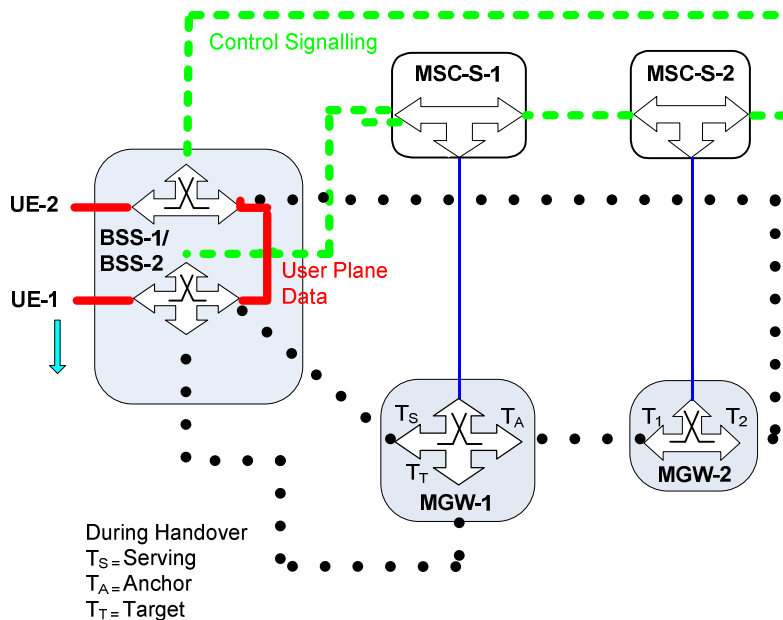
Figure 8.4.5.6.1.1 shows the network model for the Intra-MSC BSS Internal Handover, where the call leg pertinent to the UE-1 is handed over from the serving BSS-1 to BSS-2. BSS-1 is the same as BSS-2 for BSS Internal Handover. The

bearer termination T_2 is used for the bearer towards BSS-2, which is not affected by this handover. Bearer termination T_S is used for the bearer towards BSS-1 and the bearer terminations T_1 and T_A are used for the bearer towards the succeeding/preceding MGW. Bearer termination T_T is for the bearer termination towards the BSS after internal handover. The colours and line types used in the figure are defined differently from 3GPP TS 23.205 [2] to indicate LCLS specific issues.

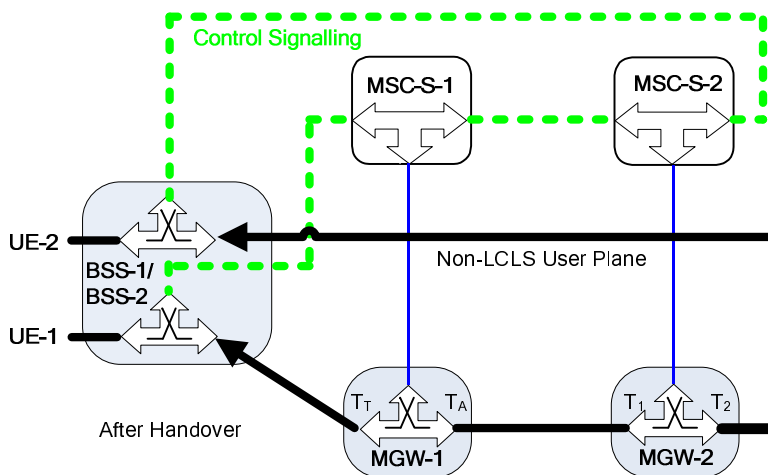
- User plane link which transmits real user plane data within the BSS and to UEs
- User plane link which transmits real user plane data through the CN and to UEs
- • • User plane path through the CN, connected
- - - Control plane link which transmits signalling



Connection Model 1: Before BSS Internal Handover - Call is locally switched



Connection Model 2: During BSS Internal Handover



Connection Model 3: After BSS Internal Handover – Call is not Locally Switched

Figure 8.4.5.6.1.1: BSS Internal Handover Connection Model that Breaks Local Switching

8.4.5.6.2 Basic Sequence for BSS Internal Handover that Breaks Local Switching

Figure 8.4.5.6.2.1 shows the message sequence example for the BSS Internal Handover that Breaks Local Switching.

In the example, the MSC server receives the Internal Handover Required message and requests the MGW to reserve an RTP bearer termination (T_T) using the Reserve and Configure RTP Connection Point procedure with specific flow directions.

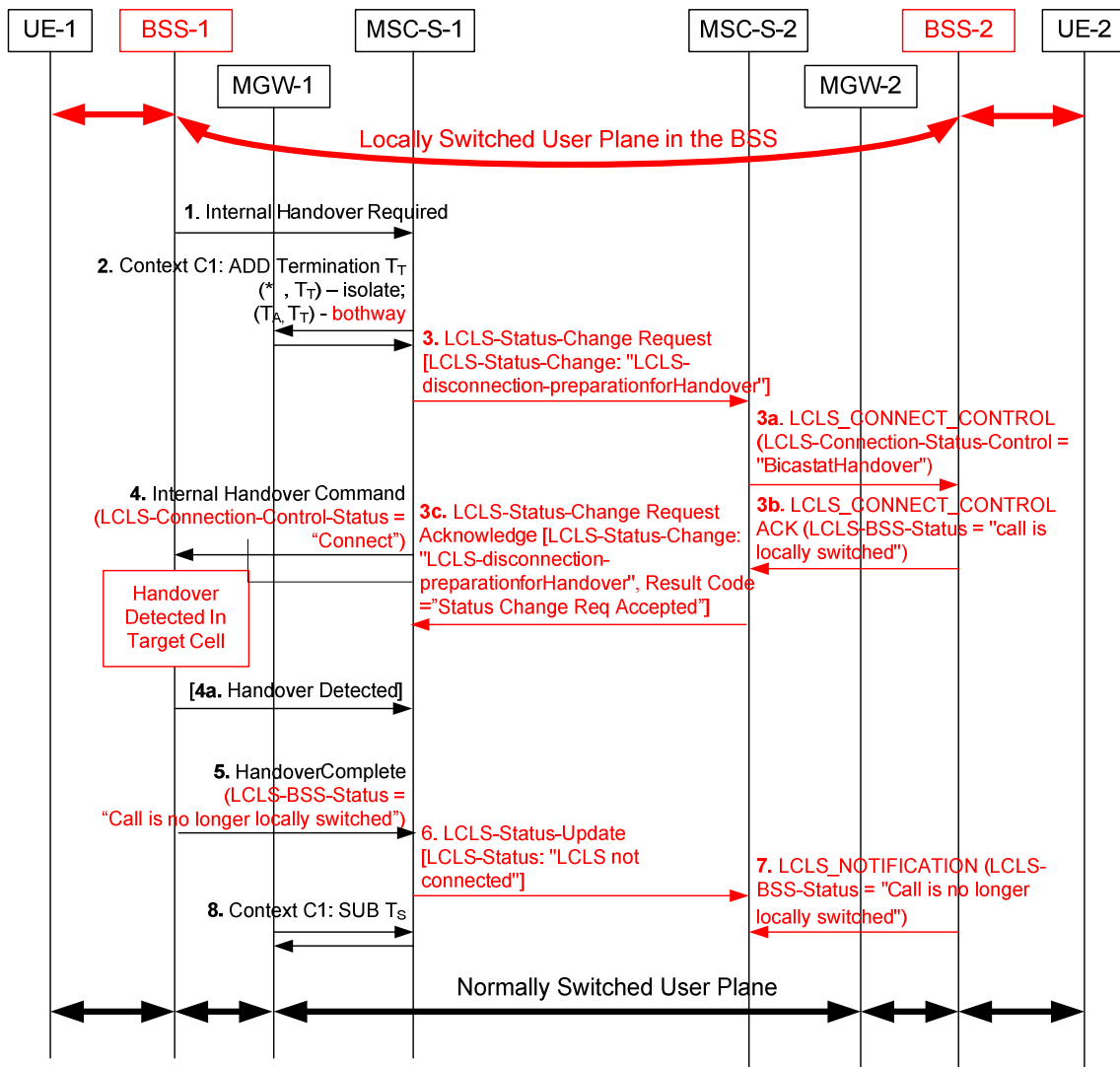


Figure 8.4.5.6.2.1: BSS Internal Handover for AoIP that Breaks Local Switching

- 1 – 2. As for normal Internal Handover, see TS 23.205 [2] sub-clause 8.4.5.
 - 3. MSC-1 Server indicates preparation for disconnection due to handover through the Core Network.
 - 3a. MSC-2 Server indicates to BSS-2 to start UL bicasting.
 - 3b. The BSS-2 sends the LCLS_Connect_Control_Ack message with the LCLS-BSS-Status IE set to "the call is locally switched".
 - 3c. MSC-2 Server sends LCLS-Status-Change-Request-Acknowledgement.
 - 4. The MSC-1 Server determines that local switching is permitted by the core network and sends the Internal Handover Command message, optionally including the LCLS-Connection-Control-Status message indicating "Connect".
 - 4a. BSS-1 may indicate Handover Detected.
 - 5. BSS-1 sends the Handover Complete message to MSC-1 Server to indicate LCLS-BSS-Status is set to "Call is no longer locally switched".
 - 6. MSC-1 Server propagates the change of the LCLS Status through the Core Network.
- NOTE: If the Internal Handover did not in the end result in LCLS break then the MSC Server will send LCLS-Status-Update message indicating that the call is locally switched.
- 7. BSS-2 indicates that the call is no longer locally switched in the LCLS_NOTIFICATION message.

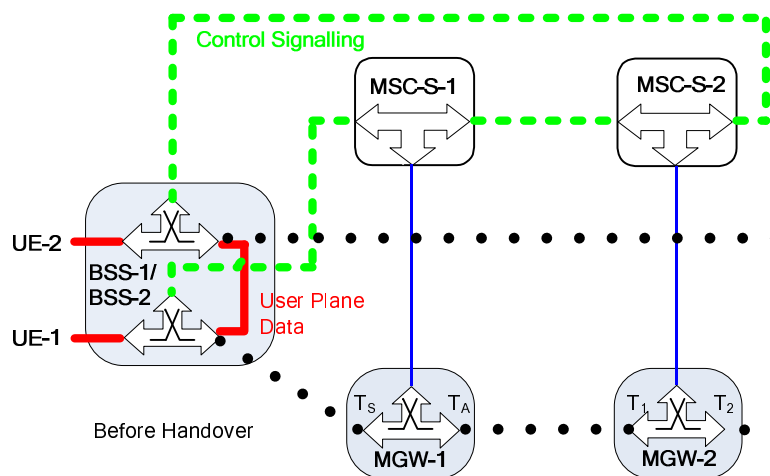
8. The old termination (T_S) is removed and the call is normally switched through the Core Network.

8.4.5.7 Example BSS Internal Handover that Does Not Modify LCLS Status of a Locally Switched Call

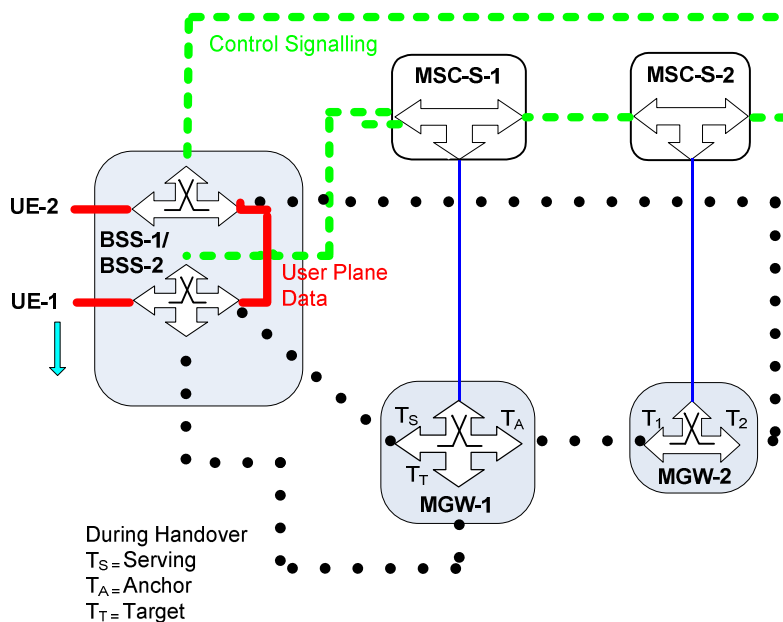
8.4.5.7.1 Connection Model

Figure 8.4.5.7.1.1 shows the network model for the Intra-MSC BSS Internal Handover, where the call leg pertinent to the UE-1 is handed over from the serving BSS-1 to BSS-2. BSS-1 is the same as BSS-2 for BSS Internal Handover. The bearer termination T_2 is used for the bearer towards BSS-2, which is not affected by this handover. Bearer termination T_S is used for the bearer towards BSS-1 and the bearer terminations T_1 and T_A are used for the bearer towards the succeeding/preceding MGW. Bearer termination T_T is for the bearer termination towards the BSS after internal handover. The colours and line types used in the figure are defined differently from 3GPP TS 23.205 [2] to indicate LCLS specific issues.

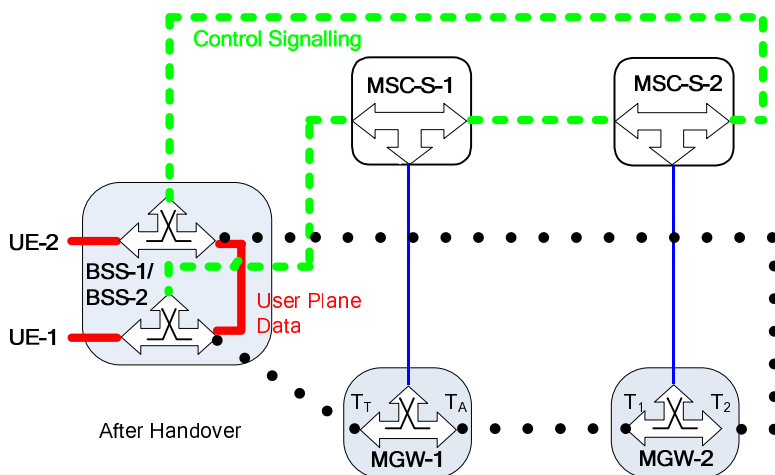
- User plane link which transmits real user plane data within the BSS and to UEs
- User plane link which transmits real user plane data through the CN and to UEs
- • • User plane path through the CN, connected
- - - Control plane link which transmits signalling



Connection Model 1: Before BSS Internal Handover - Call is locally switched



Connection Model 2: During BSS Internal Handover



Connection Model 3: After BSS Internal Handover – Call is Locally Switched

Figure 8.4.5.7.1.1: BSS Internal Handover Connection Model that Does Not Modify LCLS Status of a Locally Switched Call

8.4.5.7.2 Basic Sequence for BSS Internal Handover that Does Not Modify LCLS Status of a Locally Switched Call

Figure 8.4.5.7.2.1 shows the message sequence example for the BSS Internal Handover that Does Not Modify LCLS Status of a Locally Switched Call.

In the example, the MSC server receives the Internal Handover Required message and requests the MGW to reserve an RTP bearer termination (T_T) using the Reserve and Configure RTP Connection Point procedure with specific flow directions.

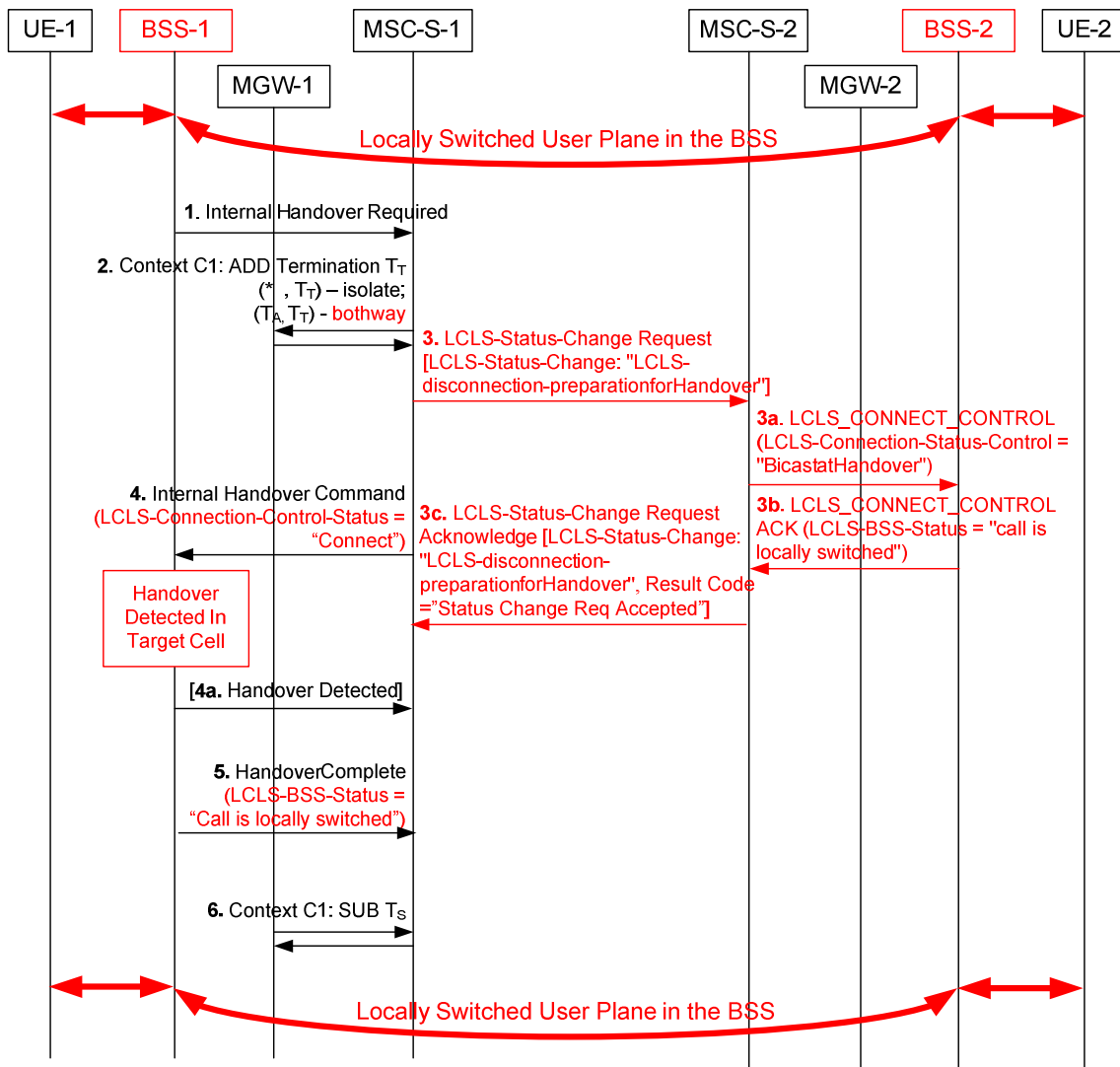


Figure 8.4.5.7.2.1: BSS Internal Handover for AoIP that Does Not Modify LCLS Status of a Locally Switched Call

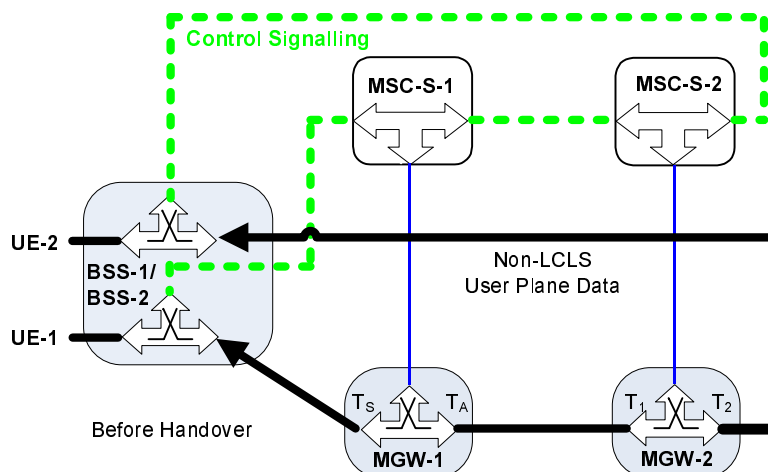
- 1 – 2. As for normal Internal Handover, see TS 23.205 [2] sub-clause 8.4.5.
3. MSC-1 Server indicates preparation for disconnection due to handover through the Core Network.
- 3a. MSC-2 Server indicates to BSS-2 to start UL bicasting.
- 3b. The BSS-2 sends the LCLS_Connect_Control_Ack message with the LCLS-BSS-Status IE set to "the call is locally switched".
- 3c. MSC-2 Server sends LCLS-Status-Change-Request-Acknowledgement.
4. The MSC-1 Server determines that local switching is permitted by the core network and sends the Internal Handover Command message, optionally including the LCLS-Connection-Control-Status message indicating "Connect".
- 4a. BSS-1 may indicate Handover Detected.
5. BSS-1 sends the Handover Complete message to MSC-1 Server to indicate LCLS-BSS-Status is set to "Call is locally switched".
6. The old termination (T_S) is removed and the call is normally switched through the Core Network.

8.4.5.8 Example BSS Internal Handover that Does Not Modify LCLS Status of a non-Locally Switched Call

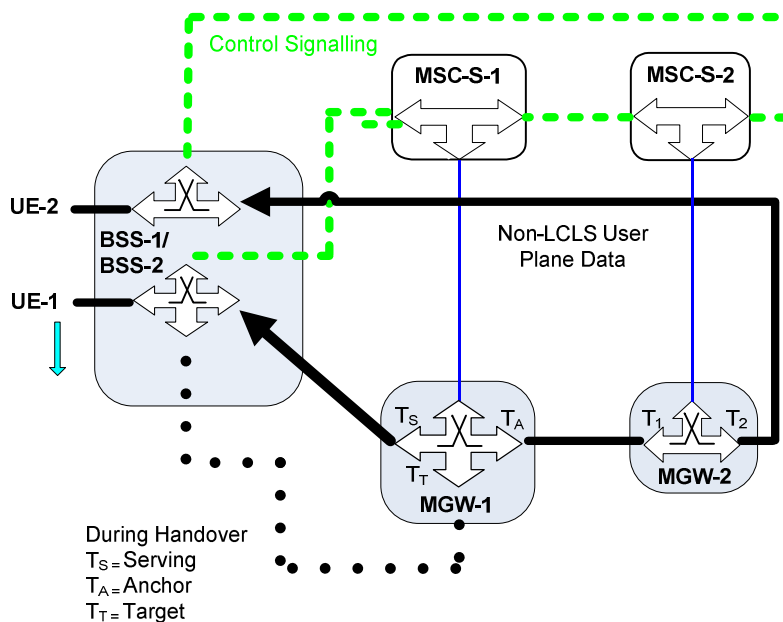
8.4.5.8.1 Connection Model

Figure 8.4.5.8.1.1 shows the network model for the Intra-MSC BSS Internal Handover, where the call leg pertinent to the UE-1 is handed over from the serving BSS-1 to BSS-2. BSS-1 is the same as BSS-2 for BSS Internal Handover. The bearer termination T_2 is used for the bearer towards BSS-2, which is not affected by this handover. Bearer termination T_S is used for the bearer towards BSS-1 and the bearer terminations T_1 and T_A are used for the bearer towards the succeeding/preceding MGW. Bearer termination T_T is for the bearer termination towards the BSS after internal handover. The colours and line types used in the figure are defined differently from 3GPP TS 23.205 [2] to indicate LCLS specific issues.

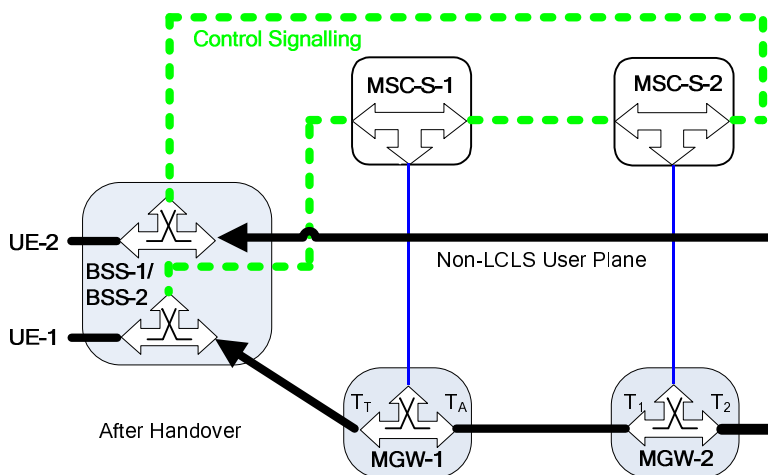
- User plane link which transmits real user plane data within the BSS and to UEs
- User plane link which transmits real user plane data through the CN and to UEs
- • • User plane path through the CN, connected
- - - Control plane link which transmits signalling



Connection Model 1: Before BSS Internal Handover - Call is not locally switched



Connection Model 2: During BSS Internal Handover



Connection Model 3: After BSS Internal Handover – Call is not Locally Switched

Figure 8.4.5.8.1.1: BSS Internal Handover Connection Model that Does Not Modify LCLS Status of a non-Locally Switched Call

8.4.5.8.2 Basic Sequence for BSS Internal Handover that Does Not Modify LCLS Status of a non-Locally Switched Call

Figure 8.4.5.8.2.1 shows the message sequence example for the BSS Internal Handover that Does Not Modify LCLS Status of a Locally Switched Call.

In the example, the MSC server receives the Internal Handover Required message and requests the MGW to reserve an RTP bearer termination (T_T) using the Reserve and Configure RTP Connection Point procedure with specific flow directions.

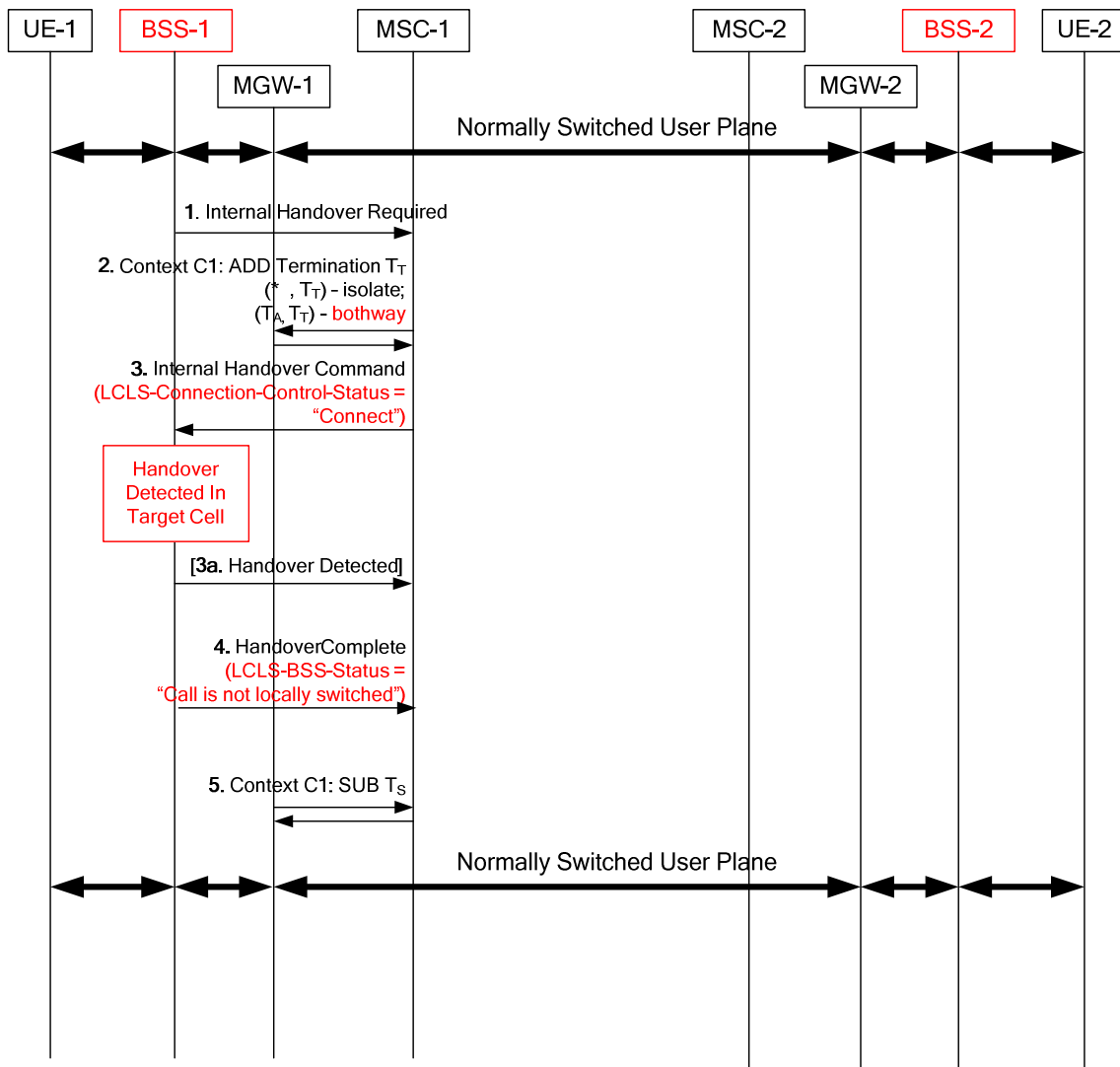


Figure 8.4.5.8.2.1: BSS Internal Handover for AoIP that Does Not Modify LCLS Status of a non-Locally Switched Call

- 1 – 2. As for normal Internal Handover, see TS 23.205 [2] sub-clause 8.4.5.
- 3. The MSC-1 Server determines that local switching is permitted by the core network and sends the Internal Handover Command, optionally including the LCLS-Connection-Control-Status message indicating "Connect".
- 3a BSS-1 may indicate Handover Detected.
- 4. BSS-1 sends the Handover Complete message to MSC-1 Server to indicate LCLS-BSS-Status is set to "Call is not locally switched".
- 5. The old termination (T_S) is removed and the call is normally switched through the Core Network.

8.5 Handling of GSM Services after UMTS to GSM Handover

No impact. There are no LCLS related requirements for the handling of GSM Services after UMTS to GSM Handover.

The handling of GSM services after UMTS to GSM Handover shall be applied in accordance with 3GPP TS 23.205 [2] sub-clause 8.5 for Bearer-Independent CS Core Networks.

9 Compatibility Issues

None; this feature is backward compatible with existing features and earlier releases.

10 General (G)MSC server-MGW Procedures

LCLS does not modify the general (G)MSC server-MGW procedures as shown in 3GPP TS 23.205 [2].

11 Identities

11.1 General

The Identities defined in 3GPP TS 23.205 [2] for BICC based CS Core network and in 3GPP TS 23.231 [3] for SIP-I with the following additions.

11.2 Global Call Reference

The Global Call Reference (GCR) IE is derived from the ITU-T *Global Call Reference* parameter (defined by ITU-T Q.1902.3 [5]).

The Global Call Reference (GCR) information element is a combination of a Network ID field, a Node ID field and a Call Reference ID field. The Call Reference ID field for LCLS is defined to contain a unique call ID.

If the serving radio access is GERAN the Call Reference ID subfield created by originating MSC server contains a unique call ID and the originating BSS ID which is a unique identifier of a Base Station Subsystem (BSS) Node within an operator's network.

The complete parameter layout is specified in 3GPP TS 29.205 [6].

The GCR is exchanged on the Nc and A interfaces to globally identify the call.

12 Operational Aspects

12.1 Charging

No impact.

13 Interactions with Other Services

13.1 Enhanced Multi-Level Precedence and Pre-emption service (eMLPP)

No impact. eMLPP is always done during call set-up and handled by the MSC Server and therefore such calls can be locally switched.

13.2 Call Deflection Service

13.2.1 General

The procedures specified for the Call Deflection (CD) supplementary services in 3GPP TS 23.205 [2] sub-clause 13.2 for BICC based CS Core Network and in 3GPP TS 23.231 [3] sub-clause 13.2 for SIP-I based CS Core Network shall be followed. The following sub-clauses describe the additional requirements related to the LCLS functionality.

The incoming call shall be offered to the served subscriber as a basic mobile terminated call as described in the first part of sub-clause 6.3.2. If the Call Deflection (CD) supplementary service is active and a Call Deflection request from the served subscriber is accepted the call shall be forwarded towards the forwarded-to subscriber.

The basic call establishment procedures defined in Clause 6 shall be followed for the call towards the forwarded-to (deflected-to) subscriber. The MSC server shall release the call leg towards the served subscriber as described in the sub-clause 7.1 for call clearing.

13.2.2 Notification to the Calling Subscriber

If the served mobile subscriber has requested that the calling subscriber shall receive a notification about the call forwarding, a notification is sent to the calling party.

If the notification is implemented using intermediate tones or announcements the MSC server requests the MGW to play an announcement/tone to the calling party, as described in sub-clause 14.6, before establishing the call to the forwarded-to subscriber.

13.2.3 Initial Addressing

After the possible generation of in-band information has been completed the initial addressing towards the forwarded-to subscriber is performed as described in Clause 6 for the basic mobile terminating call. If the forwarding MSC server supports the LCLS feature and has received the GCR IE and LCLS-Negotiation IE from a preceding node in the IAM it shall then forward the GCR IE and the resulting LCLS-Negotiation IE to the succeeding node.

13.2.4 Backward LCLS Negotiation

The procedure specified in sub-clause 6.2.1.2.2 for the intermediate node and in sub-clause 6.1.1.4 for the oMSC server shall be applied.

13.2.5 LCLS Through-Connection

The procedure specified in sub-clause 6.1.1.5 shall be applied.

13.2.6 Example

13.2.6.1 Connection Model

Figure 13.2.6.1.1 shows the network model for Call Deflection (CD).

The oMSC server seizes one context with two bearer terminations in the oMGW. The bearer termination T1 is used for the bearer towards the oBSS (calling subscriber) and the bearer termination T2 is used for the bearer towards the GMSC selected iMGW. The GMSC server seizes one context with two bearer terminations in the iMGW. The bearer termination T4 is used for the bearer towards the sMSC server selected sMGW and the bearer termination T3 is used for the bearer towards the preceding oMGW. The sMSC server seizes one context with two bearer terminations in the sMGW. The bearer termination T5 is used for the bearer towards the GMSC selected iMGW and bearer termination Ts is used for the bearer towards the sBSS (served subscriber).

After a call deflection request is accepted the sMSC server replaces the bearer termination for the served mobile subscriber Ts with the bearer termination for the forwarded-to subscriber T6 in an existing context in the sMGW.

The tMSC server seizes one context with two bearer terminations in the tMGW. The bearer termination T7 is used for the bearer towards the sMSC selected sMGW and bearer termination T8 is used for the bearer towards the tBSS (forwarded-to subscriber).

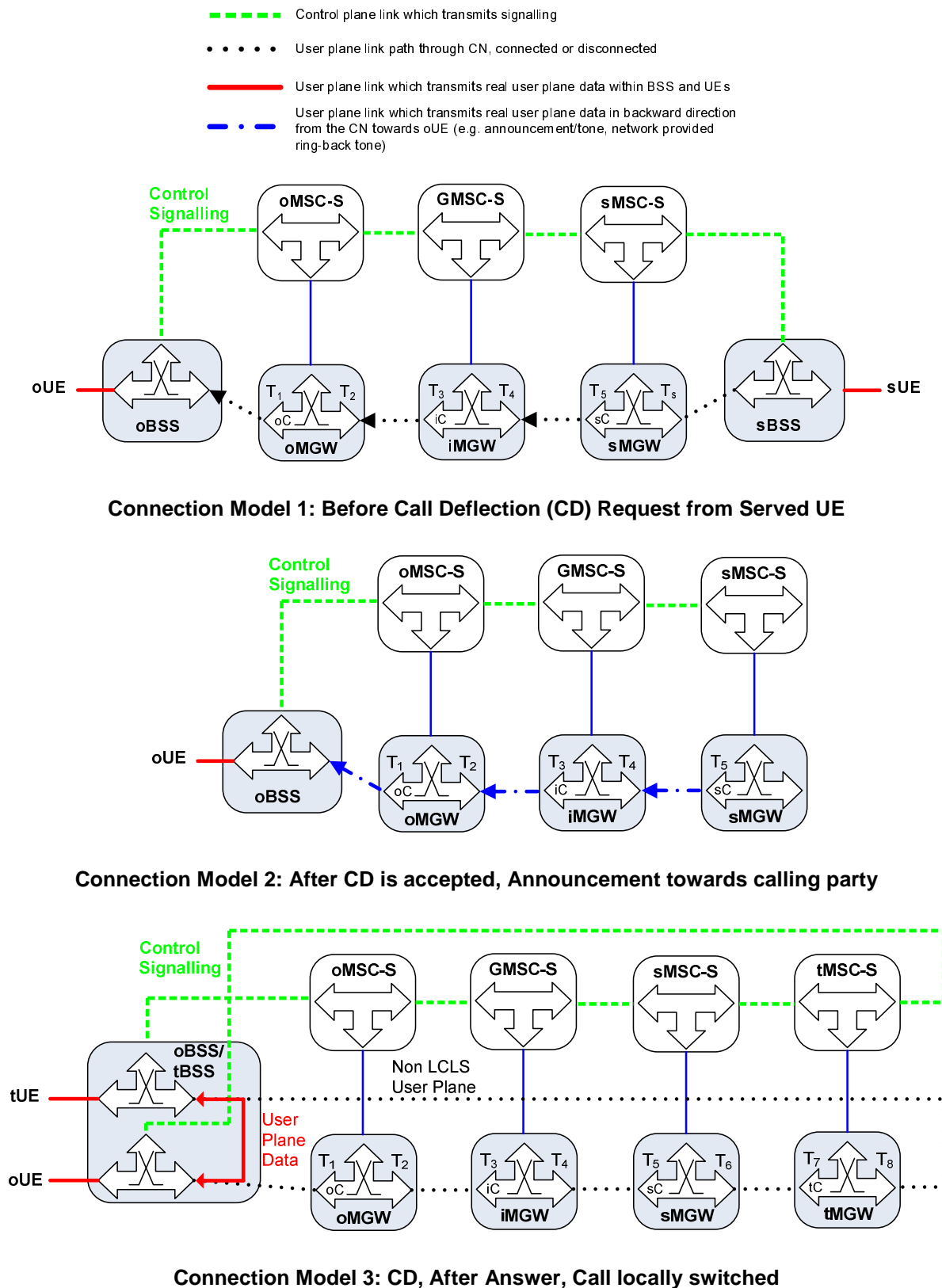


Figure 13.2.6.1.1: Connection Model for Call Deflection

13.2.6.2 Basic Sequence

Figures 13.2.6.2.1 and 13.2.6.2.2 show the message sequence example for the call deflection with a possible notification to the calling party using an announcement. In the example the sMSC server optionally requests the sMGW to play an announcement and to notify the announcement completion. The sMSC server requests the establishment of the call and the bearer towards the forward-to subscriber after the possible announcement has completed. In this example the calling subscriber (oUE) and the forwarded-to subscriber (tUE) belong to the same BSS (marked as oBSS and tBSS) and the CN permits LCLS. This example is based on examples from clause 6.

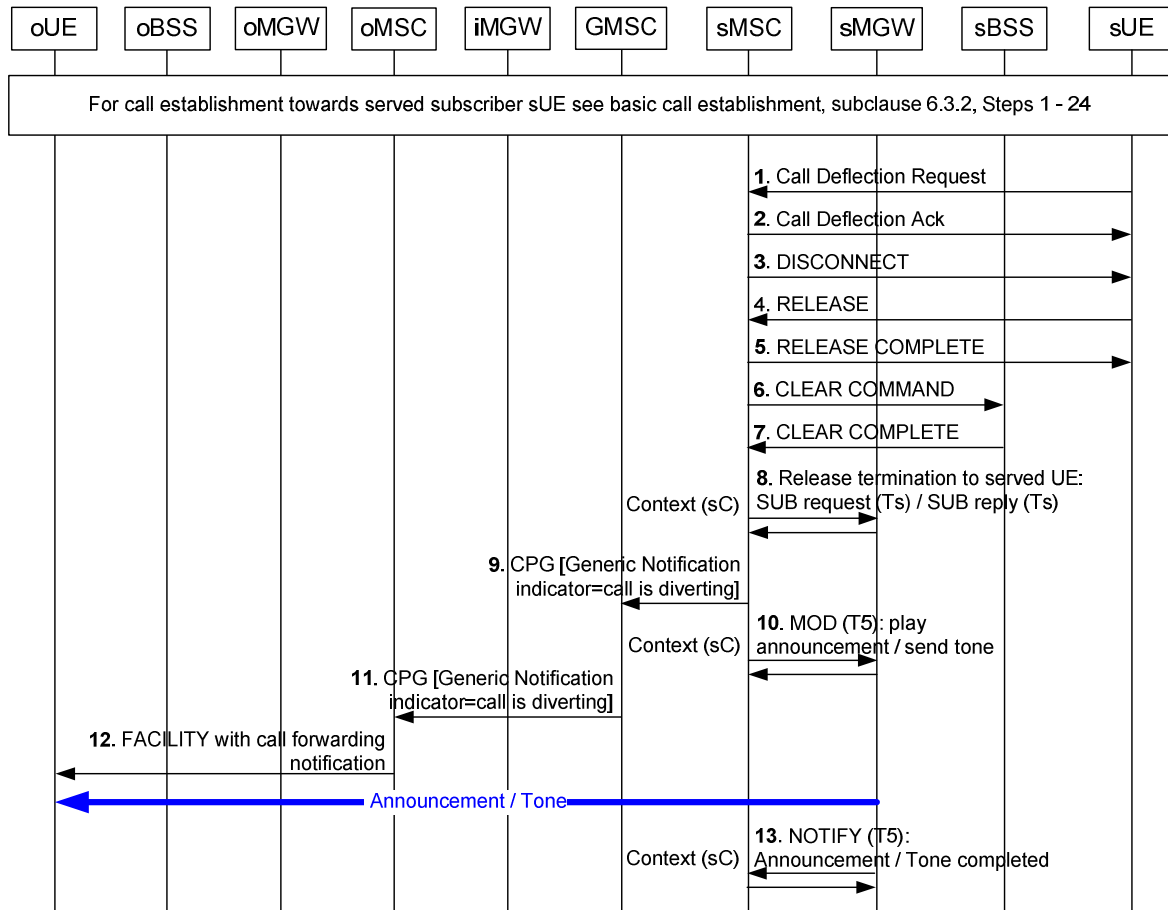


Figure 13.2.6.2.1: CD, Call Establishment Flow

1. The incoming call is offered to the served subscriber as a basic mobile terminated call as described in the first part of sub-clause 6.3.2. The Call Deflection (CD) supplementary service is active and a Call Deflection is requested from the served subscriber sUE.
2. The Call Deflection is accepted.
3. The sMSC server initiates call clearing towards the sUE by sending a DISCONNECT message.
4. Upon receiving the DISCONNECT message the sUE sends a RELEASE message to the core network.
5. The sMSC server sends the RELEASE COMPLETE message to the sUE.
6. The sMSC server request the sBSS to release the associated dedicated resource(s) by sending CLEAR COMMAND message.
7. The sBSS informs the sMSC server that the associated dedicated resource(s) has been successfully cleared with the CLEAR COMPLETE message.
8. The sMSC server orders the sMGW to remove the bearer termination (Ts) towards the served mobile subscriber (in case when the radio resources had already been allocated in the sMGW).

9. The sMSC server sends the CPG message with the Generic Notification Indicator parameter set to "Call is diverting".
10. The sMSC server provides the sMGW with the announcement/tone identification and requests the sMGW to notify the announcement/tone completion using the Play Announcement or Send Tone procedure.
11. The GMSC server forwards the CPG message with the Generic Notification Indicator parameter set to "Call is diverting" to the preceding node.
12. The oMSC server notifies the calling user (oUE) about call forwarding.
13. The sMGW notifies the sMSC server when the announcement/tone is completed using the Announcement Completed or Tone Completed procedure.

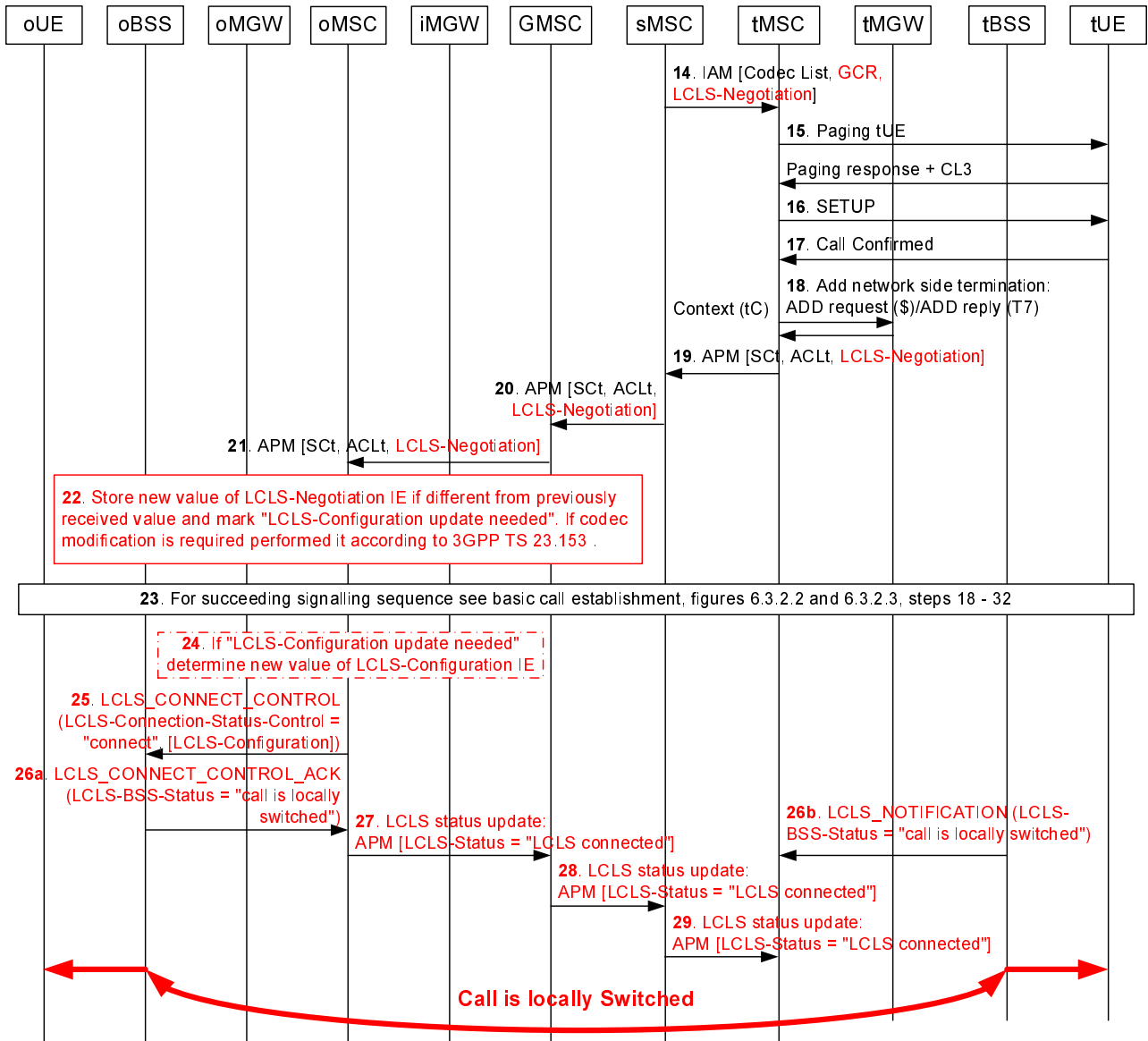


Figure 13.2.6.2.2: CD, Call Establishment Flow (continuation of figure 13.2.6.2.1)

14. If the sMSC server supports LCLS it may modify the LCLS-Negotiation IE before sending the IAM message containing the GCR with the encapsulated oBSS ID and the LCLS-Negotiation IE.
15. The tMSC server pages the forwarded-to subscriber (tUE).
16. The tMSC server performs call Setup.
17. The tUE confirms the call.

18. The tMSC server requests the tMGW to prepare for the network side bearer establishment (T7).
19. After the tMGW has replied with the bearer address and the binding reference the tMSC server returns the APM message with the selected codec and if LCLS is supported, the LCLS-Negotiation IE.
20. The sMSC server transfers the APM message with the LCLS-Negotiation IE. If codec modification is required then the sMSC server includes the codec related information within the same APM message.
21. The GMSC server transfers the APM message.
22. Based on the returned LCLS-Negotiation IE the oMSC server determines whether LCLS is allowed in the core network and if LCLS-Configuration update is needed.
If codec modification is required then the oMSC server performs codec negotiation according to 3GPP TS 23.153 [4].
23. When performing further call establishment the procedure between the calling subscriber (oUE) and the forwarded-to subscriber (tUE) is the same as specified in steps 18 - 32 of sub-clause 6.3.2.1.
24. Since the received ANM message indicated "LCLS is feasible but not yet connected" the oMSC server checks if LCLS-Configuration updated is needed and if so the oMSC server calculates the new LCLS-Configuration value based on the latest received LCLS-Negotiation IE.
25. The oMSC server requests the oBSS to connect LCLS and if configuration updated is needed, it includes the LCLS-Configuration IE in the LCLS_CONNECT_CONTROL message.
- 26a. Since the BSS has received the through connect request for both call legs the oBSS returns the LCLS_CONNECT_CONTROL_ACK message with the LCLS-BSS-Status IE set to "the call is locally switched".
- 26b. Since the BSS has received the through connect request for both call legs the tBSS signals the LCLS status change by sending the LCLS_NOTIFICATION message with the LCLS-BSS-Status IE set to "the call is locally switched".
27. The oMSC server signals the change of the LCLS status through the Core Network by sending the APM message with the LCLS-Status IE set to "LCLS connected".
28. The iMSC server transfers the change of the LCLS status to the sMSC server.
29. The sMSC server transfers the change of the LCLS status to the tMSC server.

13.3 Line identification Services

13.3.1 Calling Line Identification Presentation (CLIP)

No impact. The line identification related services are signalling based and there are no LCLS related requirements for the Calling Line Identification Presentation (CLIP) service.

13.3.2 Calling Line Identification Restriction (CLIR)

No impact. The line identification related services are signalling based and there are no LCLS related requirements for the Calling Line Identification Restriction (CLIR) service.

13.3.3 Connected Line Identification Presentation (COLP)

No impact. The line identification related services are signalling based and there are no LCLS related requirements for the Connected Line Identification Presentation (COLP) service.

13.3.4 Connected Line Identification Restriction (COLR)

No impact. The line identification related services are signalling based and there are no LCLS related requirements for the Connected Line Identification Restriction (COLR) service.

13.4 Call Forwarding Services

13.4.1 Principles

The procedures specified for the Call Forwarding services in 3GPP TS 23.205 [2] sub-clause 13.4 for BICC based CS Core Network and in 3GPP TS 23.231 [3] sub-clause 13.4 for SIP-I based CS Core Network shall be followed. The following sub-clauses describe the additional requirements related to the LCLS functionality.

13.4.2 Call Forwarding Unconditional (CFU)

13.4.2.1 Notification to the Calling Subscriber

If the GMSC server determines that a call should be forwarded without being offered to the served mobile subscriber and the served mobile subscriber has requested that the calling subscriber shall receive a notification about the call forwarding, the GMSC server shall send a notification to the preceding node. If the GMSC server supports the LCLS feature and receives the LCLS-Negotiation IE from the preceding node it may modify the preferences based on its own requirements, as described in sub-clause 4.2, and it shall return the resulting LCLS-Negotiation IE to the preceding node.

If the notification is implemented using intermediate tones or announcements the GMSC server requests the MGW to play an announcement/tone to the calling party, as described in sub-clause 14.6, before establishing the call to the forwarded-to subscriber.

13.4.2.2 Initial Addressing

If the incoming call is to be forwarded without being offered to the served mobile subscriber the call towards the forwarded-to subscriber is established as for a basic call. After the possible generation of in-band information has been completed the initial addressing towards the forwarded-to subscriber is performed as described in the clause 6 for the basic mobile terminating call. If the GMSC server supports the LCLS feature and receives the GCR IE and LCLS-Negotiation IE from a preceding node in the IAM it shall forward the GCR and the resulting LCLS-Negotiation IE to the succeeding node.

13.4.2.3 Backward LCLS Negotiation

The procedure specified in sub-clause 6.2.1.2.2 for the intermediate node and in sub-clause 6.1.1.4 for the oMSC server shall be applied.

13.4.2.4 LCLS Through-Connection

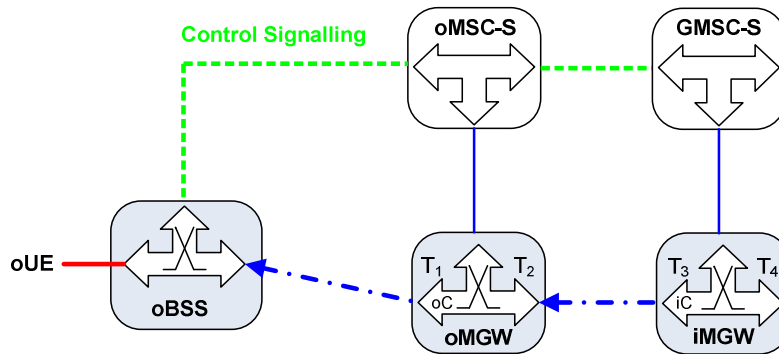
The procedure specified in sub-clause 6.1.1.5 shall be applied.

13.4.2.5 Example

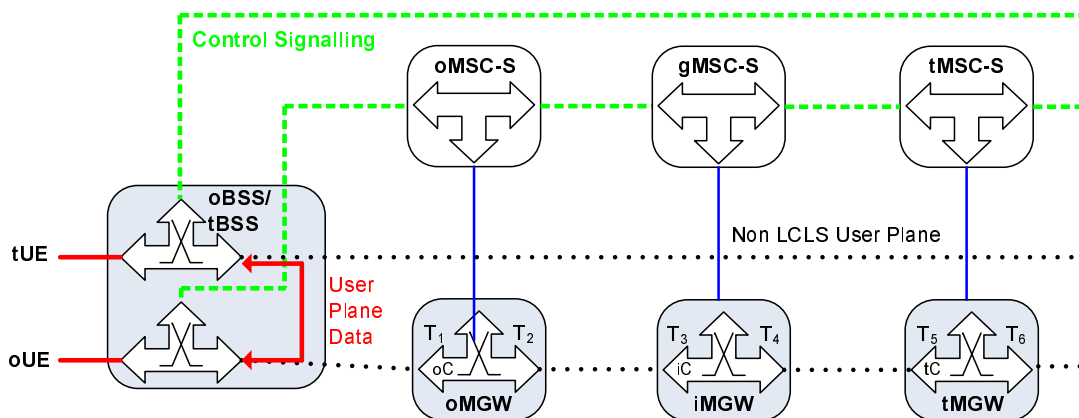
13.4.2.5.1 Connection Model

Figure 13.4.2.5.1.1 shows the network model for call forwarding unconditional. The oMSC server seizes one context with two bearer terminations in the oMGW. The bearer termination T1 is used for the bearer towards the oBSS (calling subscriber) and the bearer termination T2 is used for the bearer towards the GMSC selected iMGW. The GMSC server seizes one context with two bearer terminations in the iMGW. The bearer termination T4 is used for the bearer towards the tMSC server selected tMGW and the bearer termination T3 is used for the bearer towards the preceding oMGW. The tMSC server seizes one context with two bearer terminations in the tMGW. The bearer termination T5 is used for the bearer towards the GMSC selected iMGW and bearer termination T6 is used for the bearer towards the tBSS (forwarded-to subscriber).

- - - - - Control plane link which transmits signalling
- User plane link path through CN, connected or disconnected
- User plane link which transmits real user plane data within BSS and UEs
- . - User plane link which transmits real user plane data in backward direction from the CN towards oUE (e.g. announcement/tone, network provided ring-back tone)



Connection Model 1: Before CFU, Announcement towards Calling Party



Connection Model 2: After CFU and answer, Call is locally switched

Figure 13.4.2.5.1.1: Connection Model for Call Forwarding Unconditional

13.4.2.5.2 Basic Sequence

Figures 13.4.2.5.2.1 and 13.4.2.5.2.2 show the message sequence example for the call forwarding unconditional with a possible notification to the calling party using an announcement. In the example the GMSC server optionally requests the MGW to play an announcement and to notify the announcement completion, after the bearer to the incoming side has been established. When the possible announcement has completed the GMSC server requests the establishment of the call and the bearer towards the forward-to subscriber.

In this example the calling subscriber (oUE) and the forwarded-to subscriber (tUE) belong to the same BSS (marked as oBSS and tBSS) and the CN permits LCLS. The example is based on examples from clause 6.

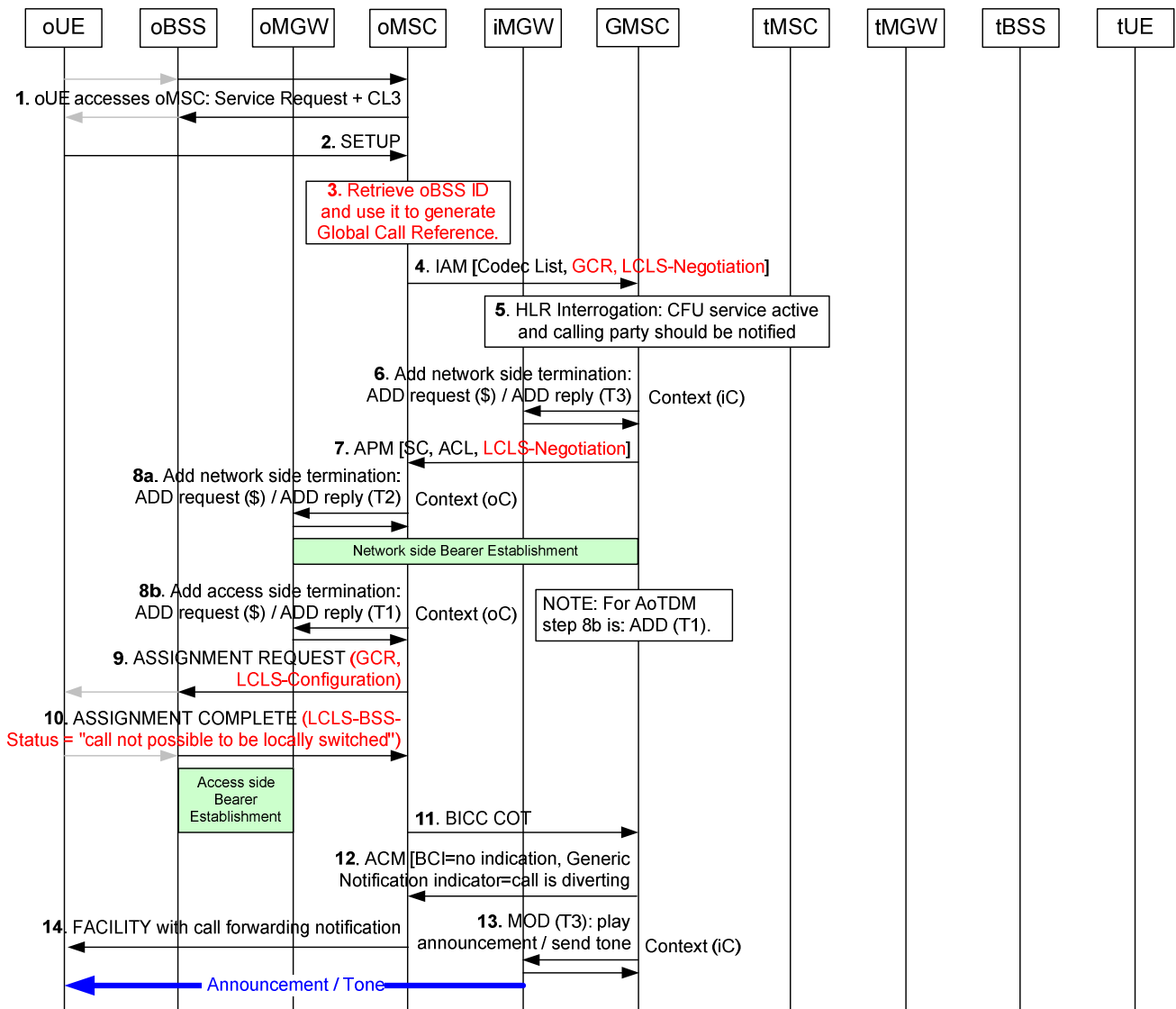


Figure 13.4.2.5.2.1: CFU, Call Establishment Flow

1. Service Request handling.
2. Originating Call SETUP.
3. If the oMSC server supports LCLS it retrieves the oBSS ID and generates the Global Call Reference for the call.
4. The oMSC server sends the IAM message including supported codecs list, GCR with encapsulated oBSS ID, and configures the LCLS-Negotiation IE.
5. The GMSC server determines that call should be forwarded because of the Call Forwarding Unconditional supplementary service and that notification should be send towards the calling party (oUE).
6. Since bearer must be established for the announcement/tone to be sent to the calling party the GMSC server selects the MGW and requests the seizure of the incoming network side bearer termination (T3).
7. The GMSC server transfers the APM message with the selected codec and since LCLS is supported the currently negotiated LCLS-Negotiation IE.
- 8a. When the bearer information is received the oMSC server requests the seizure of the network side bearer termination (T2).

- 8b. After the network side bearer information is seized the oMSC server requests the seizure of the access side bearer termination (T1).
During the seizure of the network side or the access side bearer termination the oMSC server will also request the oMGW to through-connect the bearer terminations so that the bearer will be backward through-connected.
9. The oMSC server determines whether LCLS is allowed in the core network based on the returned LCLS-Negotiation IE and if so the oMSC server includes the LCLS-Configuration IE in the ASSIGNMENT REQUEST message along with the GCR IE.
10. The oBSS returns the ASSIGNMENT COMPLETE message with the LCLS-BSS-Status IE indicating "call not possible to be locally switched".
11. When the access assignment is completed the oMSC server sends the Continuity (COT) message to the GMSC server.
12. The GMSC server sends the ACM message with the Generic Notification Indicator parameter set to "Call is diverting".
13. The GMSC server provides the iMGW with the announcement/tone identification and requests the iMGW to notify the announcement/tone completion using the Play Announcement or Send Tone procedure.
14. The oMSC server notifies the calling user (oUE) about call forwarding.

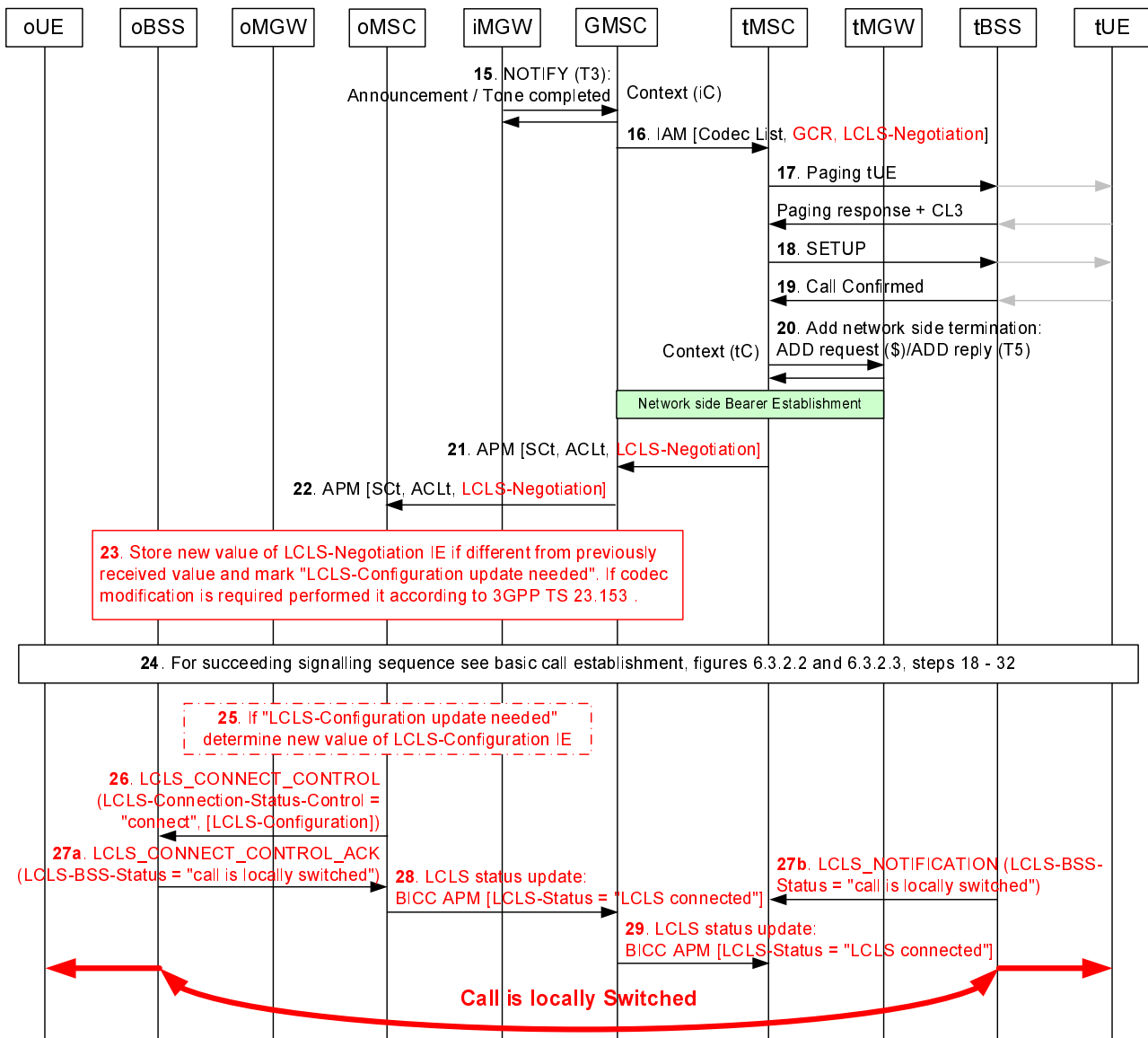


Figure 13.4.2.5.2.2: CFU, Call Establishment Flow (continuation of figure 13.4.2.5.2.1)

- 15. The iMGW notifies the GMSC server when the announcement/tone is completed using the Announcement Completed or Tone Completed procedure.
- 16. If the GMSC server supports LCLS it may modify the LCLS-Negotiation IE before sending the IAM message containing the GCR with the encapsulated oBSS ID and the LCLS-Negotiation IE.
- 17. The tMSC server pages the forwarded-to subscriber (tUE).
- 18. The tMSC server performs call Setup.
- 19. The tUE confirms the call.
- 20. The tMSC server requests the tMGW to prepare for the network side bearer establishment (T5).
- 21. After the tMGW has replied with the bearer address and the binding reference the tMSC server returns the APM message with the selected codec and if LCLS is supported, the LCLS-Negotiation IE.
- 22. The GMSC server transfers the APM message with the LCLS-Negotiation IE. If codec modification is required then the GMSC server initiates codec negotiation according to 3GPP TS 23.153 [4], and includes the codec related information within the same APM message.

23. Based on the returned LCLS-Negotiation IE the oMSC server determines whether LCLS is allowed in the core network and if LCLS-Configuration update is needed.
If codec modification is required then the oMSC server performs codec negotiation according to 3GPP TS 23.153 [4].
24. When performing further call establishment the procedure between the calling subscriber (oUE) and the forwarded-to subscriber (tUE) is the same as specified in steps 18 - 32 of sub-clause 6.3.2.1.
25. Since the received ANM message indicated "LCLS is feasible but not yet connected" the oMSC server checks if LCLS-Configuration updated is needed and if so the oMSC server calculates the new LCLS-Configuration value based on the latest received LCLS-Negotiation IE.
26. The oMSC server requests the oBSS to connect LCLS and if configuration updated is needed, it includes the LCLS-Configuration IE in the LCLS_CONNECT_CONTROL message.

NOTE: If codecs need to be modified for TrFO (AoIP), then the oMSC can utilize Assignment (modify) or Internal Handover Enquiry before sending LCLS_CONNECT_CONTROL message.
- 27a. Since the BSS has received the through connect request for both call legs the oBSS returns the LCLS_CONNECT_CONTROL_ACK message with the LCLS-BSS-Status IE set to "the call is locally switched".
- 27b. Since the BSS has received the through connect request for both call legs the tBSS signals the LCLS status change by sending the LCLS_NOTIFICATION message with the LCLS-BSS-Status IE set to "the call is locally switched".
28. The oMSC server signals the change of the LCLS status through the Core Network by sending the APM message with the LCLS-Status IE set to "LCLS connected".
29. The iMSC server transfers the change of the LCLS status to the tMSC server.

13.4.3 Call Forwarding on mobile subscriber Busy (CFB)

13.4.3.1 Network Determined User Busy (NDUB)

13.4.3.1.1 General

The incoming call that meets mobile subscriber busy with the condition Network Determined User Busy (NDUB) shall be forwarded towards the forwarded-to subscriber without being offered to the served mobile subscriber. The basic call establishment procedures defined in the clause 6 shall be followed for the call towards the forwarded-to subscriber.

13.4.3.1.2 Notification to the Calling Subscriber

If the GMSC server determines that a call should be forwarded without being offered to the served mobile subscriber and the served mobile subscriber has requested that the calling subscriber shall receive a notification about the call forwarding, the GMSC server shall send a notification to the preceding node. If the GMSC server supports the LCLS feature and receives the LCLS-Negotiation IE from the preceding node it may modify the preferences based on its own requirements, as described in sub-clause 4.2, and it shall return the resulting LCLS-Negotiation IE to the preceding node.

If the notification is implemented using intermediate tones or announcements the GMSC server requests the MGW to play an announcement/tone to the calling party, as described in sub-clause 14.6, before establishing the call to the forwarded-to subscriber.

13.4.3.1.3 Initial Addressing

If the incoming call is to be forwarded without being offered to the served mobile subscriber the call towards the forwarded-to subscriber is established as for a basic call. After the possible generation of in-band information has been completed the initial addressing towards the forwarded-to subscriber is performed as described in the clause 6 for the basic mobile terminating call. If the GMSC server supports the LCLS feature and receives the GCR IE and LCLS-Negotiation IE from a preceding node in the IAM it shall forward the GCR and the resulting LCLS-Negotiation IE to the succeeding node.

13.4.3.1.4 Backward LCLS Negotiation

The procedure specified in sub-clause 6.2.1.2.2 for the intermediate node and in sub-clause 6.1.1.4 for the oMSC server shall be applied.

13.4.3.1.5 LCLS Through-Connection

The procedure specified in sub-clause 6.1.1.5 shall be applied.

13.4.3.1.6 Example

The same example as for Call Forwarding Unconditional applies.

13.4.3.2 User Determined User Busy (UDUB)

13.4.3.2.1 General

The incoming call shall be offered to the served subscriber as a normal call. When the call meets mobile subscriber busy with the condition User Determined User Busy (UDUB) it shall be forwarded towards the forwarded-to subscriber. The basic call establishment procedures defined in the clause 6 shall be followed for the call towards the forwarded-to subscriber.

13.4.3.2.2 Call Clearing to the Served Subscriber

When the MSC server determines that the call shall be forwarded due to the UDUB it shall release the call leg towards the served subscriber as described in the sub-clause 7.1 for call clearing.

13.4.3.2.3 Notification to the Calling Subscriber

If the MSC server determines that a call should be forwarded and the served mobile subscriber has requested that the calling subscriber shall receive a notification about the call forwarding, the MSC server shall send a notification to the preceding node.

If the notification is implemented using intermediate tones or announcements the MSC server requests the MGW to play an announcement/tone to the calling party, as described in sub-clause 14.6, before establishing the call to the forwarded-to subscriber.

13.4.3.2.4 Initial Addressing

If the incoming call is to be forwarded the call towards the forwarded-to subscriber is established as for a basic call. After the possible generation of in-band information has been completed the initial addressing towards the forwarded-to subscriber is performed as described in the clause 6 for the basic mobile terminating call. If the forwarding MSC server supports the LCLS feature and has received the GCR IE and LCLS-Negotiation IE from a preceding node in the IAM it shall then forward the GCR IE and the resulting LCLS-Negotiation IE to the succeeding node.

NOTE: If LCLS has been successfully negotiated to this point the oMSC will have received back the LCLS-Negotiation and LCLS Status may have indicated that the call can be locally switched but since the called subscriber did not answer the call is still switched through the CN at this point.

13.4.3.2.5 Backward LCLS Negotiation

The procedure specified in sub-clause 6.2.1.2.2 for the intermediate node and in sub-clause 6.1.1.4 for the oMSC server shall be applied.

13.4.3.1.6 LCLS Through-Connection

The procedure specified in sub-clause 6.1.1.5 shall be applied.

13.4.3.2.7 Example

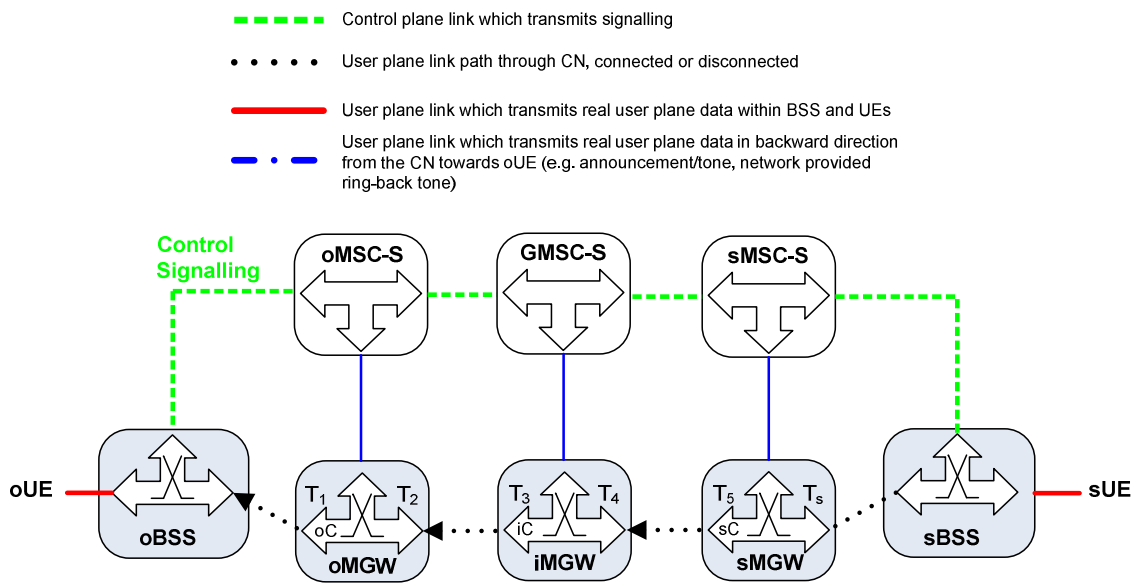
13.4.3.2.7.1 Connection Model

Figure 13.4.3.2.7.1.1 shows the network model for call forwarding busy UDUB.

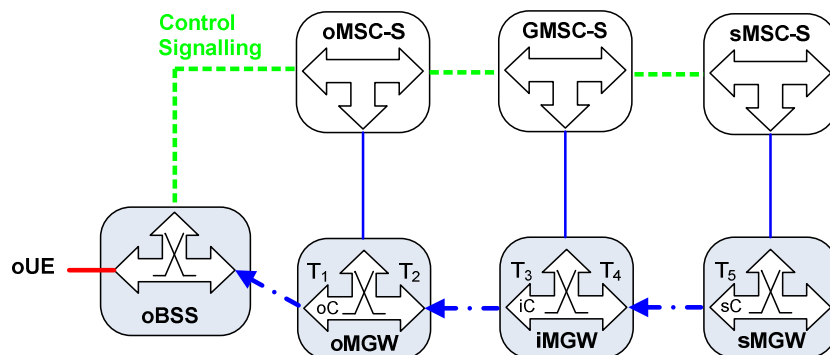
The oMSC server seizes one context with two bearer terminations in the oMGW. The bearer termination T1 is used for the bearer towards the oBSS (calling subscriber) and the bearer termination T2 is used for the bearer towards the GMSC selected iMGW. The GMSC server seizes one context with two bearer terminations in the iMGW. The bearer termination T4 is used for the bearer towards the sMSC server selected sMGW and the bearer termination T3 is used for the bearer towards the preceding oMGW. The sMSC server seizes one context with two bearer terminations in the sMGW. The bearer termination T5 is used for the bearer towards the GMSC selected iMGW and bearer termination Ts is used for the bearer towards the sBSS (served subscriber).

After call forwarding busy UDUB is detected the sMSC server replaces the bearer termination for the served mobile subscriber Ts with the bearer termination for the forwarded-to subscriber T6 in an existing context in the sMGW.

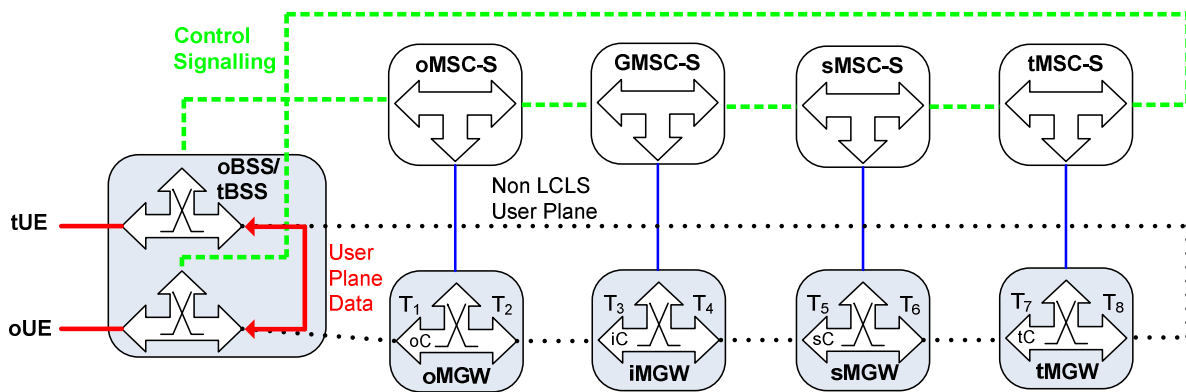
The tMSC server seizes one context with two bearer terminations in the tMGW. The bearer termination T7 is used for the bearer towards the sMSC selected sMGW and bearer termination T8 is used for the bearer towards the tBSS (forwarded-to subscriber).



Connection Model 1: Before CFB (UDUB)



Connection Model 2: After CFB (UDUB), Announcement towards calling party



Connection Model 3: CFB (UDUB), After Answer, Call locally switched

Figure 13.4.3.2.7.1.1: Connection Model for Call Forwarding Busy UDUB

13.4.3.2.7.2 Basic Sequence

Figure 13.4.3.2.7.2.1 shows the message sequence example for the call forwarding UDUB with a possible notification to the calling party using an announcement. In the example the sMSC server optionally requests the sMGW to play an announcement and to notify the announcement completion, after the bearer to the incoming side has been established. When the possible announcement has completed the sMSC server requests the establishment of the call and the bearer towards the forward-to subscriber. This example is based on examples from clause 6.

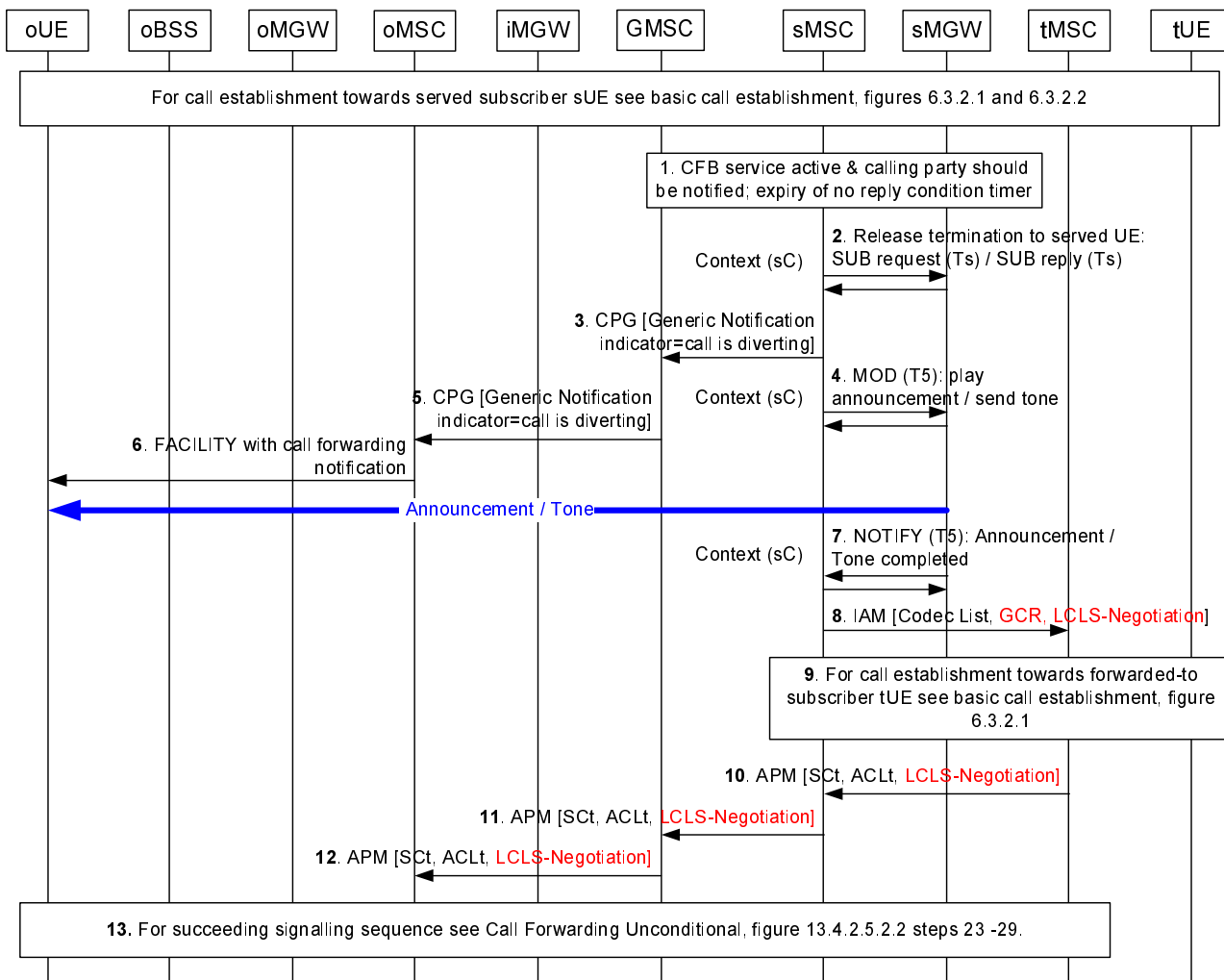


Figure 13.4.3.2.7.2.1: CFB UDUB, Call establishment flow

1. The sMSC server determines that call should be forwarded because of the Call Forwarding Busy UDUB supplementary service and that notification should be send towards the calling party (oUE).
2. The sMSC server orders the sMGW to remove the bearer termination (Ts) towards the served mobile subscriber (in case when the radio resources had already been allocated in the sMGW).
3. The sMSC server sends the CPG message with the Generic Notification Indicator parameter set to "Call is diverting".
4. The sMSC server provides the sMGW with the announcement/tone identification and requests the sMGW to notify the announcement/tone completion using the Play Announcement or Send Tone procedure.
5. The GMSC server sends the CPG message with the Generic Notification Indicator parameter set to "Call is diverting".
6. The oMSC server notifies the calling user (oUE) about call forwarding.
7. The sMGW notifies the sMSC server when the announcement/tone is completed using the Announcement Completed or Tone Completed procedure.
8. If the sMSC server supports LCLS it may modify the LCLS-Negotiation IE before sending the IAM message containing the GCR with the encapsulated oBSS ID and the LCLS-Negotiation IE.
9. When performing further call establishment towards the forwarded-to subscriber see clause 6 and the procedure specified for mobile originating call.
10. The tMSC server returns the APM message with the selected codec and if LCLS is supported, the LCLS-Negotiation IE.
11. The sMSC server transfers the APM message with the LCLS-Negotiation IE. If codec modification is required then the sMSC server includes the codec related information within the same APM message.
12. The GMSC server transfers the APM message.
13. When performing further call establishment see signalling sequence for Call Forwarding Unconditional, figure 13.4.2.5.2.2, steps 23 -29.

13.4.4 Call Forwarding on No Reply (CFNRy)

13.4.4.1 General

The incoming call shall be offered to the served subscriber as a normal call. When the Call Forwarding on No Reply (CFNRy) supplementary service is active and if the call is not answered within the period of time defined by the no reply condition timer it shall be forwarded towards the forwarded-to subscriber. The basic call establishment procedures defined in the clause 6 shall be followed for the call towards the forwarded-to subscriber.

13.4.4.2 Call Clearing to the Served Subscriber

When the MSC server determines that the call shall be forwarded due to the CFNRy it shall release the call leg towards the served subscriber as described in the sub-clause 7.1 for call clearing.

13.4.4.3 Notification to the Calling Subscriber

If the MSC server determines that a call should be forwarded and the served mobile subscriber has requested that the calling subscriber shall receive a notification about the call forwarding, the MSC server shall send a notification to the preceding node.

If the notification is implemented using intermediate tones or announcements the MSC server requests the MGW to play an announcement/tone to the calling party, as described in sub-clause 14.6, before establishing the call to the forwarded-to subscriber.

13.4.4.4 Initial Addressing

If the incoming call is to be forwarded the call towards the forwarded-to subscriber is established as for a basic call. After the possible generation of in-band information has been completed the initial addressing towards the forwarded-to subscriber is performed as described in the clause 6 for the basic mobile terminating call. If the MSC server supports the LCLS feature and has received the GCR IE and LCLS-Negotiation IE from a preceding node in the IAM it shall then forward the GCR IE and the resulting LCLS-Negotiation IE to the succeeding node.

13.4.4.5 Backward LCLS Negotiation

The procedure specified in sub-clause 6.2.1.2.2 for the intermediate node and in sub-clause 6.1.1.4 for the oMSC server shall be applied.

13.4.4.6 LCLS Through-Connection

The procedure specified in sub-clause 6.1.1.5 shall be applied.

13.4.4.7 Example

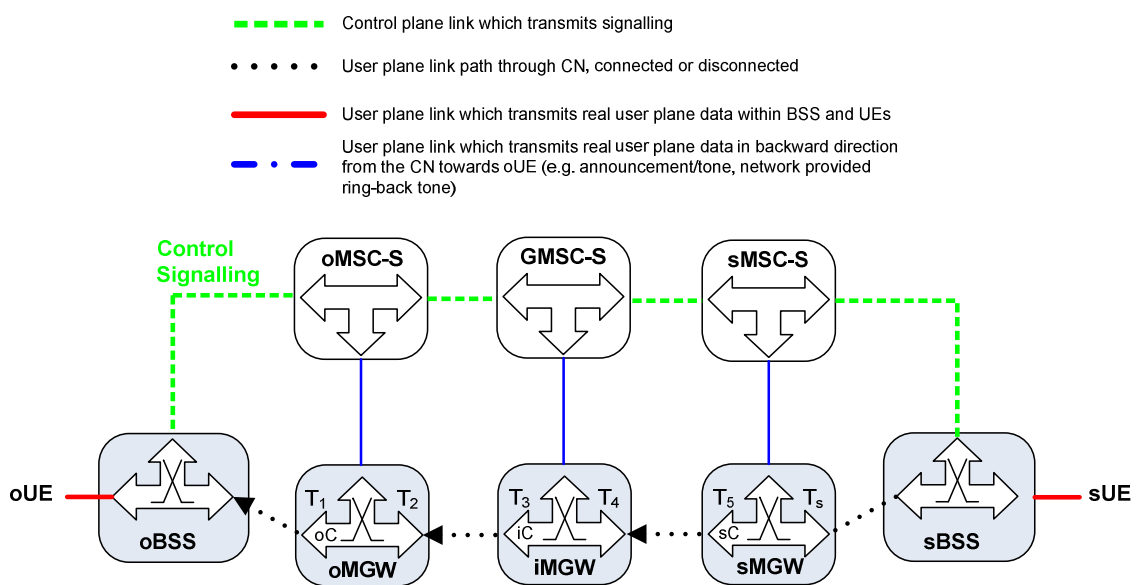
13.4.4.7.1 Connection Model

Figure 13.4.4.7.1.1 shows the network model for Call Forwarding on No Reply (CFNRy).

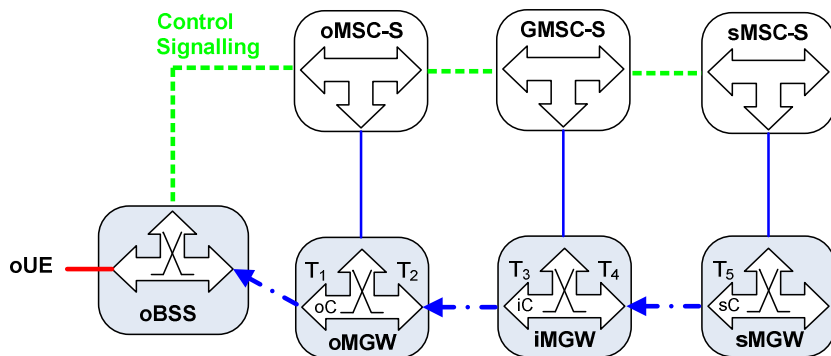
The oMSC server seizes one context with two bearer terminations in the oMGW. The bearer termination T1 is used for the bearer towards the oBSS (calling subscriber) and the bearer termination T2 is used for the bearer towards the GMSC selected iMGW. The GMSC server seizes one context with two bearer terminations in the iMGW. The bearer termination T4 is used for the bearer towards the sMSC server selected sMGW and the bearer termination T3 is used for the bearer towards the preceding oMGW. The sMSC server seizes one context with two bearer terminations in the sMGW. The bearer termination T5 is used for the bearer towards the GMSC selected iMGW and bearer termination Ts is used for the bearer towards the sBSS (served subscriber).

After Call Forwarding on No Reply is detected the sMSC server replaces the bearer termination for the served mobile subscriber Ts with the bearer termination for the forwarded-to subscriber T6 in an existing context in the sMGW.

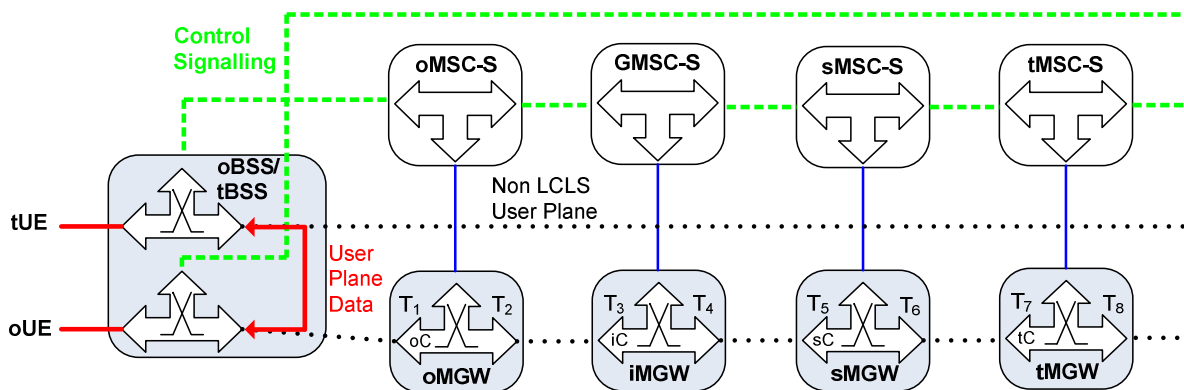
The tMSC server seizes one context with two bearer terminations in the tMGW. The bearer termination T7 is used for the bearer towards the sMSC selected sMGW and bearer termination T8 is used for the bearer towards the tBSS (forwarded-to subscriber).



Connection Model 1: Before CFNRy



Connection Model 2: After CFNRy, Announcement towards calling party



Connection Model 3: CFNRy, After Answer, Call locally switched

Figure 13.4.4.7.1.1: Connection Model for Call Forwarding on No Reply

13.4.4.7.2 Basic Sequence

Figure 13.4.4.7.2.1 shows the message sequence example for the Call Forwarding on No Reply with a possible notification to the calling party using an announcement. In the example the sMSC server optionally requests the sMGW to play an announcement and to notify the announcement completion, after the bearer to the incoming side has been established. When the possible announcement has completed the sMSC server requests the establishment of the call and the bearer towards the forward-to subscriber. This example is based on examples from clause 6.

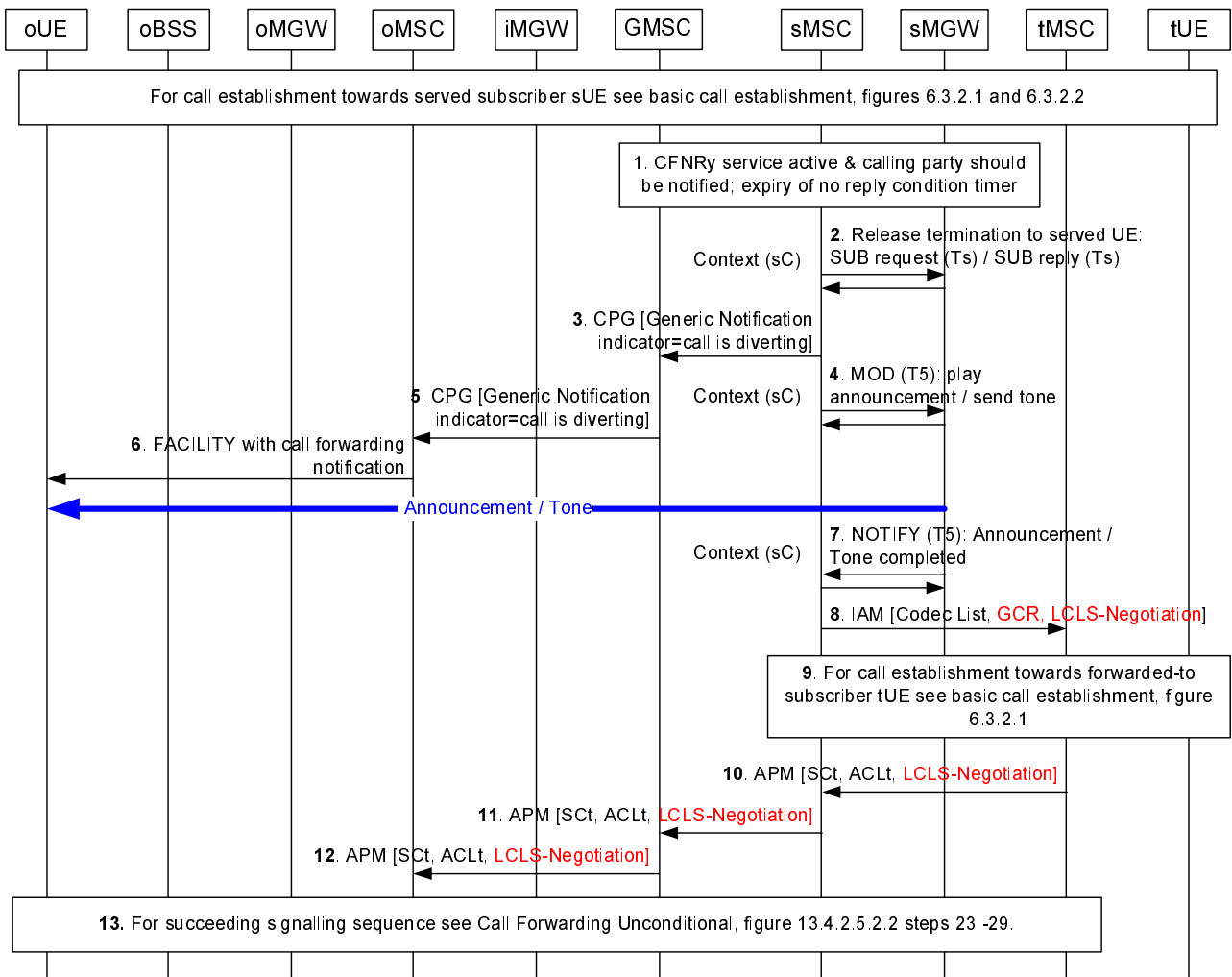


Figure 13.4.4.7.2.1: CFNRy, Call establishment flow

1. The sMSC server determines that call should be forwarded because of the Call Forwarding on No Reply supplementary service and that notification should be send towards the calling party (oUE).
2. The sMSC server orders the sMGW to remove the bearer termination (Ts) towards the served mobile subscriber (in case when the radio resources had already been allocated in the sMGW).
3. The sMSC server sends the CPG message with the Generic Notification Indicator parameter set to "Call is diverting".
4. The sMSC server provides the sMGW with the announcement/tone identification and requests the sMGW to notify the announcement/tone completion using the Play Announcement or Send Tone procedure.
5. The GMSC server sends the CPG message with the Generic Notification Indicator parameter set to "Call is diverting".
6. The oMSC server notifies the calling user (oUE) about call forwarding.
7. The sMGW notifies the sMSC server when the announcement/tone is completed using the Announcement Completed or Tone Completed procedure.
8. If the sMSC server supports LCLS it may modify the LCLS-Negotiation IE before sending the IAM message containing the GCR with the encapsulated oBSS ID and the LCLS-Negotiation IE.
9. When performing further call establishment towards the forwarded-to subscriber see clause 6, the procedure specified for mobile originating call.
10. The tMSC server returns the APM message with the selected codec and if LCLS is supported, the LCLS-Negotiation IE.

11. The sMSC server transfers the APM message with the LCLS-Negotiation IE. If codec modification is required then the sMSC server includes the codec related information within the same APM message.
12. The GMSC server transfers the APM message.
13. When performing further call establishment see signalling sequence for Call Forwarding Unconditional, figure 13.4.2.5.2.2, steps 23 -29.

13.4.5 Call Forwarding on mobile subscriber Not Reachable (CFNRc)

13.4.5.1 General

The incoming call that meets mobile subscriber unreachable shall be forwarded towards the forwarded-to subscriber without being offered to the served mobile subscriber. The basic call establishment procedures defined in the clause 6 shall be followed for the call towards the forwarded-to subscriber.

13.4.5.2 Rerouting by HLR

The same handling as for Call Forwarding Unconditional applies.

13.4.5.3 Rerouting by VLR

The same handling as for Call Forwarding Unconditional applies.

13.5 Call Waiting (CW)

13.5.1 Principles

The procedures specified for the Call Waiting supplementary service in 3GPP TS 23.205 [2] sub-clause 13.6 for BICC based CS Core Network and in 3GPP TS 23.231 [3] sub-clause 13.6 for SIP-I based CS Core Network shall be followed with the following modifications:

- The call establishment and call clearing procedures defined in clauses 6 and 7 shall be applied.
- If the new call is accepted, the GCR of the new call is sent to the BSS in the ASSIGNMENT procedure

The following sub-clauses describe the additional requirements related to the LCLS functionality when the Call Waiting supplementary service is activated for the locally switched call.

13.5.2 Accept the new incoming call, the original call is hold

13.5.2.1 General

When new call arrives and is accepted, the GCR and LCLS-Configuration of the local access bearer shall be modified according to the new call. The MSC Server shall initiate an ASSIGNMENT REQUEST message towards the BSS including the GCR and LCLS-Configuration of the new call.

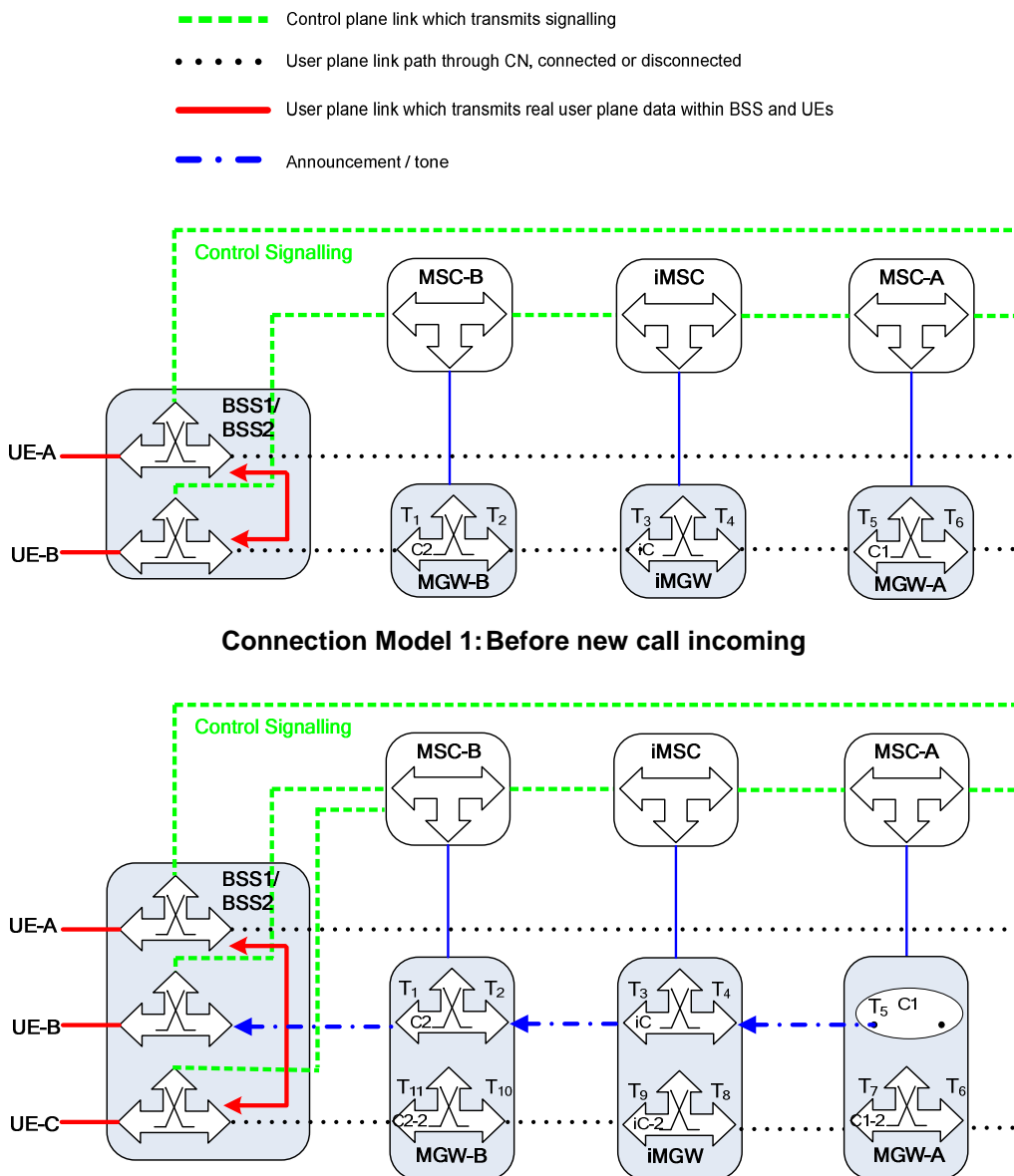
13.5.2.2 Example

13.5.2.2.1 Connection Model

Figure 13.5.2.2.1.1 shows the network model for Call Waiting supplementary service of holding the original call to accept the new call. Termination T_1 to T_6 is established for original call between UE-A and UE-B. When UE-A and UE-B have an active call established, UE-C, which is roaming under BSS-B and MSC-B, initiates a new call towards UE-A. To accept the new call, UE-A holds the call with UE-B and relocates its access bearer for the new call.

After the new call between UE-C and UE-A is established, a new context (C1-2) is seized in MGW-A. The access bearer termination T_6 is moved from C1 to C1-2 and a new network bearer towards the iMGW is created (T_7). In the

iMGW, a new context (iC-2) is created with terminations for the bearers with MGW-A (T₈) and with MGW-B (T₉). In MGW-B, new terminations are created for the access bearer towards UE-C (T₁₁) and for bearer towards iMGW (T₁₀).



Connection Model 2: Incoming call is established, UE-B held, Announcement towards UE-B

Figure 13.5.2.2.1.1: Connection Model for Accept Incoming call, original MSC call is held

13.5.2.2.2 Basic Sequence

Figure 13.5.2.2.2.1 shows the message sequence example for the acceptance of new call and hold the original one. The ASSIGNMENT REQUEST message is sent from MSC-A to BSS-A to update the GCR stored within the BSS-A.

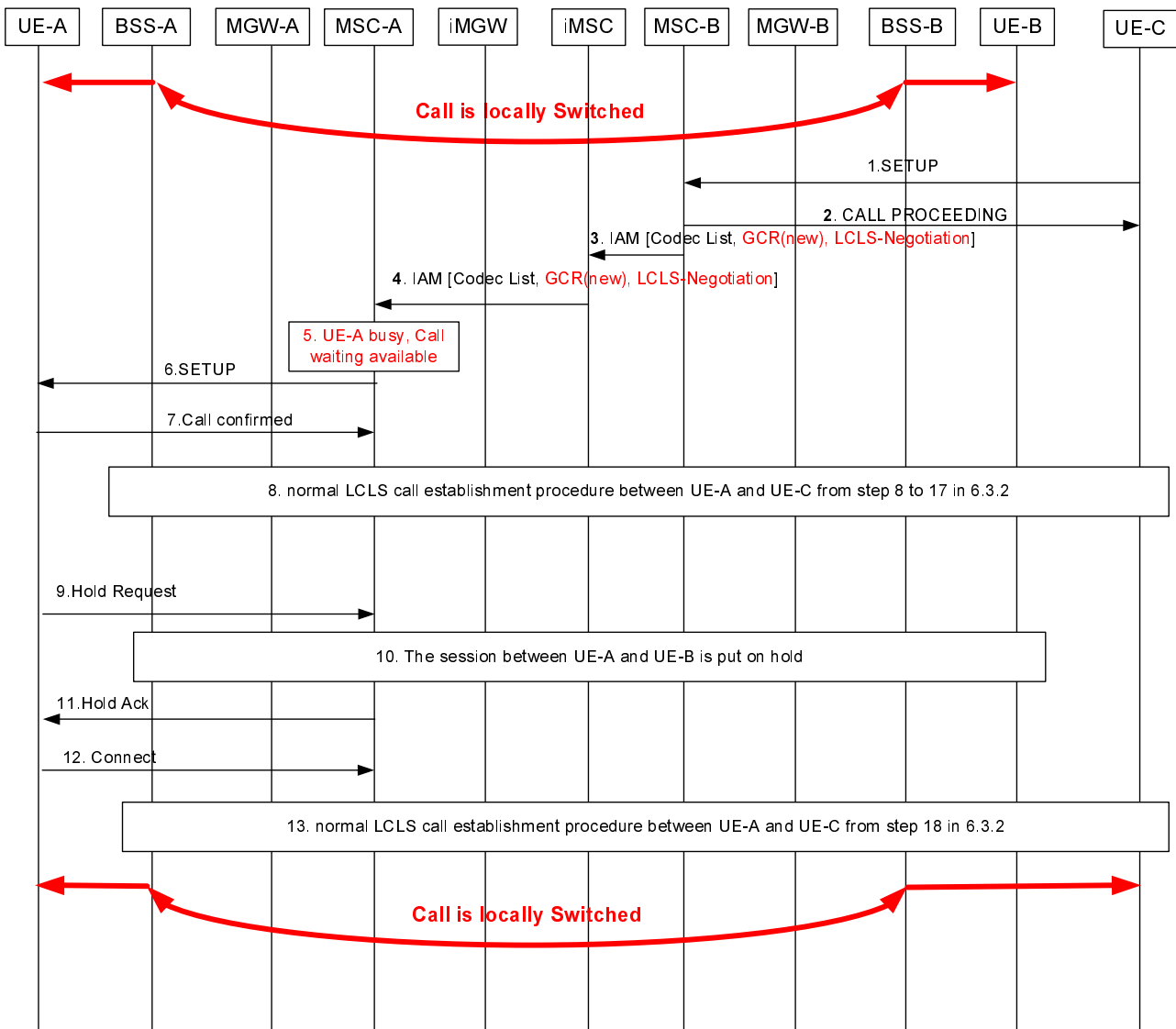


Figure 13.5.2.2.2.1: Accept Incoming call, original call is held

1. UE-C sends a SETUP message to the Core Network.
2. MSC-B responds with CALL PROCEEDING message.
3. MSC-B sends the IAM message including supported codecs list, GCR with encapsulated BSS-B ID and LCLS-Negotiation IE.
4. iMSC transfers the IAM message to MSC-A.
5. MSC-A determines that UE-A is busy and that call waiting is available.
6. MSC-A sends a SETUP message to UE-A.
7. UE-A responds with CALL CONFIRM message.
8. The normal LCLS call establishment procedures from step 8 to 17 in 6.3.2 are applied.
9. UE-A requests to hold the call with UE-B.
10. The session between UE-A and UE-B is put on hold. The procedure in 13.6.2.3.2 is applied.
11. After the session between UE-A and UE-B is put on hold, MSC-A sends the acknowledgement to UE-A.
12. UE-A accepts the incoming call by sending CONNECT message to MSC-A.

13. The normal LCLS call establishment procedures from step 18 in 6.3.2 are applied. BSS-A shall update the GCR and the LCLS-Configuration on receipt of the ASSIGNMENT REQUEST message for the access bearer.

13.6 Call Hold (CH)

13.6.1 Principles

The procedures specified for the Call Hold supplementary service in 3GPP TS 23.205 [2] sub-clause 13.6 for BICC based CS Core Network and in 3GPP TS 23.231 [3] sub-clause 13.6 for SIP-I based CS Core Network shall be followed with the following modifications:

- The call establishment and call clearing procedures defined in clauses 6 and 7 shall be applied.
- If a new call is established after the original call is held, the MSC shall generate a new GCR for the new call.

The following sub-clauses describe the additional requirements related to the LCLS functionality when the Call Hold supplementary service is activated for the locally switched call.

13.6.2 Call Hold after Answer, LCLS established

13.6.2.1 Hold Request

When the UE makes a request for the hold function for the locally switched call the MSC server shall request a LCLS break procedure described in sub-clause 7.2.1.

The MSC server shall request the MGW to interrupt the communication on the bearer by changing the through-connection of the bearer termination towards the served mobile subscriber to "inactive" or by using the Isolate Bearer Termination Procedure.

If an announcement is to be applied to the held party the MSC shall apply the procedure for non LCLS call defined in 3GPP TS 23.205 [2] sub-clause 14.6 for BICC based CS Core Network and in 3GPP TS 23.231 [3] sub-clause 14.6 for SIP-I based CS Core Network.

If a handover occurs to the UE making the request for the hold function (UE-A) while the party is not intended to be re-connected locally then the MSC Server shall include LCLS-Connection-Status-Control set to "do not establish LCLS" in the HO Request message.

13.6.2.2 Retrieval Request

When the UE makes a request to retrieve a held call the MSC server shall stop an announcement that was applied to the held party. The MSC shall request the MGW to re-establish communication to the held party by changing the through-connection of the bearer termination towards the served mobile subscriber to be both-way through-connected or by using the Join Bearer Termination Procedure.

If the call has been successfully negotiated for LCLS and an LCLS break was triggered by the CN the MSC server shall perform a LCLS re-establishment as described in sub-clause 7.3.1.

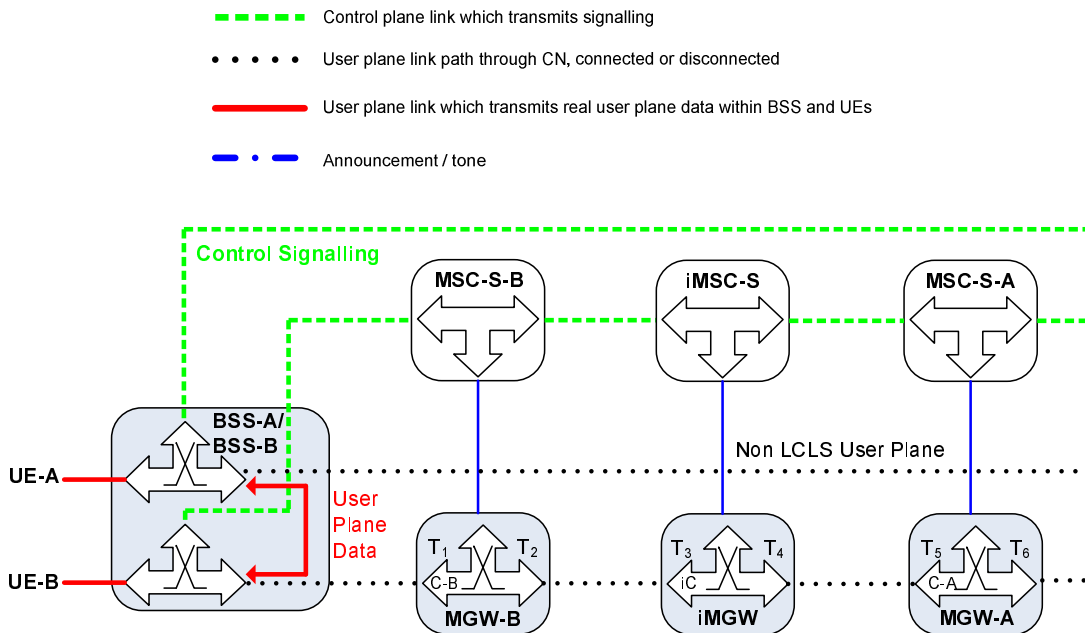
NOTE: LCLS re-negotiation can occur while the call is on hold or the held call is connected to a new party (ECT) which may change the LCLS configuration and thus permit or prevent LCLS.

13.6.2.3 Example

13.6.2.3.1 Connection Model

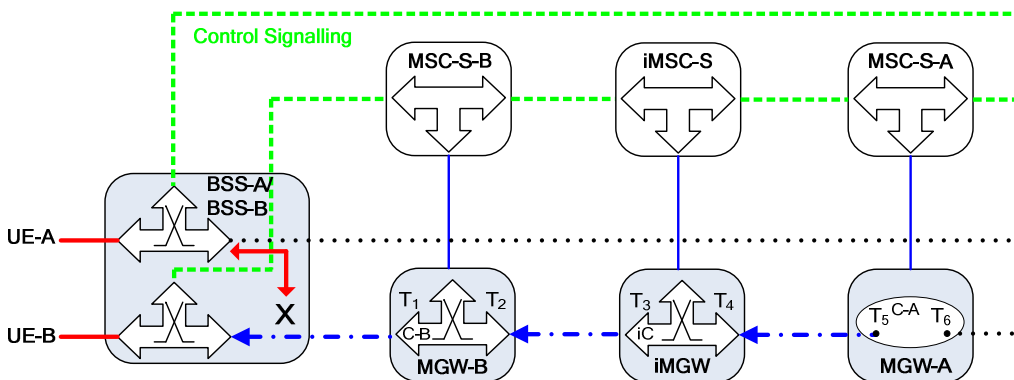
Figure 13.6.2.3.1.1 shows the network model for Call Hold supplementary service when LCLS was established. The MSC-B server seizes one context with two bearer terminations in the MGW-B. The bearer termination T1 is used for the bearer towards the BSS-B and the bearer termination T2 is used for the bearer towards the iMSC selected iMGW. The iMSC server seizes one context with two bearer terminations in the iMGW. The bearer termination T4 is used for the bearer towards the MSC-A server selected MGW-A and the bearer termination T3 is used for the bearer towards the

preceding MGW-B. The MSC-A server seizes one context with two bearer terminations in the MGW-A. The bearer termination T5 is used for the bearer towards the iMSC selected iMGW and bearer termination T6 is used for the bearer towards the BSS-A.



Connection Model 1: Before Call Hold, LCLS established and

Connection Model 3: After Retrieval procedure, LCLS established



Connection Model 2: After Hold procedure, LCLS released; Announcement towards held party

Figure 13.6.2.3.1.1: Connection Model for Call Hold

13.6.2.3.2 Basic Sequence

Figure 13.6.2.3.2.1 shows the message sequence example for the Hold procedure with a possible notification to the held party using an announcement. In the example the MSC server requests the MGW to play an announcement towards the held party.

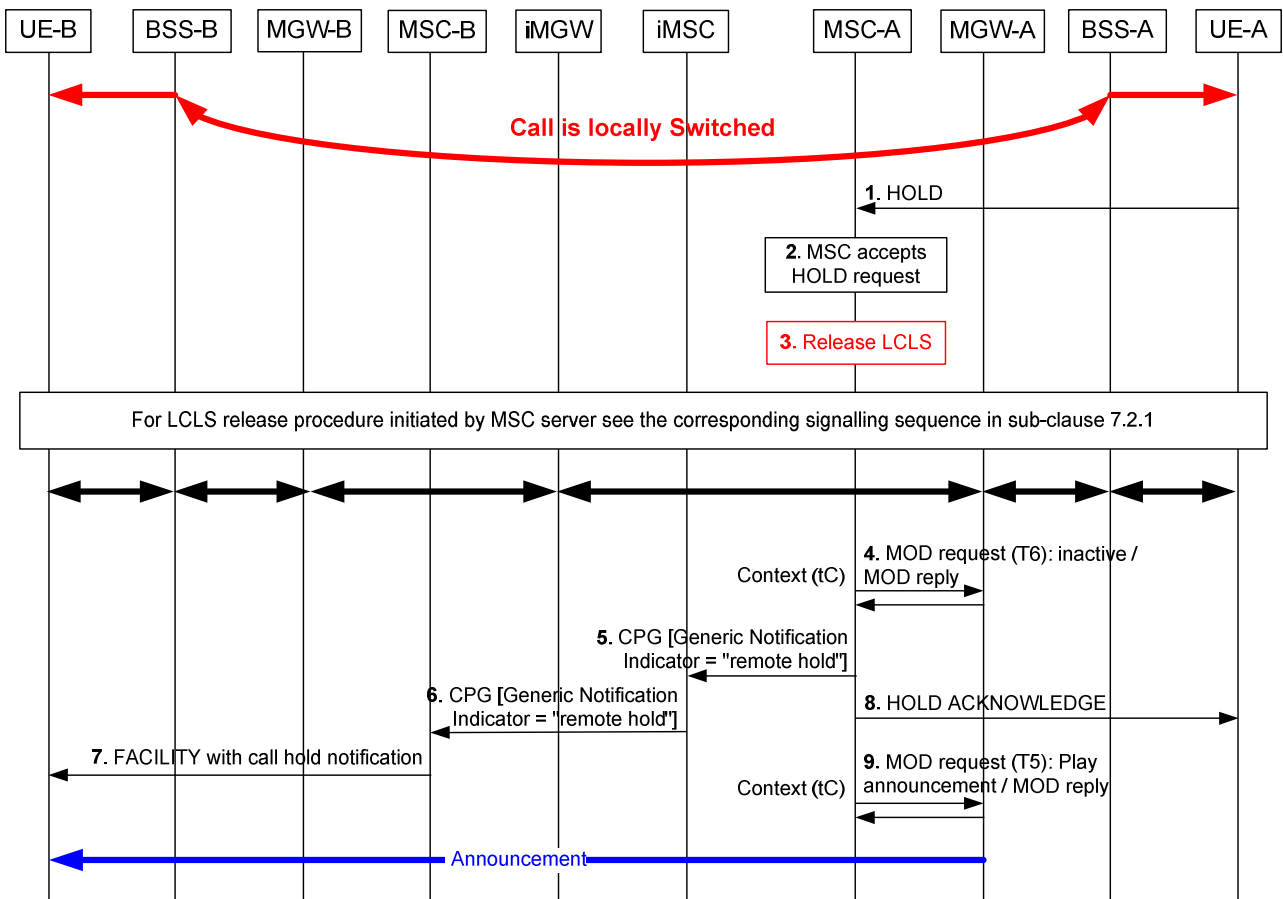


Figure 13.6.2.3.2.1: Hold Request on LCLS call

1. HOLD message is received from the UE-A.
2. The MSC-A server accepts the HOLD request.
3. The MSC-A server requests a LCLS break procedure described in sub-clause 7.2.1.
4. The MSC-A server requests the MGW-A to interrupt the communication on the bearer by changing the through-connection of the bearer termination towards the UE-A to "inactive".
5. The MSC-A server sends the CPG message with the Generic Notification Indicator parameter set to "remote hold" to the iMSC.
6. The iMSC server transfers the CPG message to the MSC-B server.
7. The MSC-B server sends FACILITY message with the call hold notification to the UE-B.
8. The MSC-A server informs the UE-A that call hold is accepted with the HOLD ACKNOWLEDGE message.
9. The MSC-A server requests the MGW-A to play an announcement towards the held party.

Figure 13.6.2.3.2.2 shows the message sequence for the Retrieval procedure.

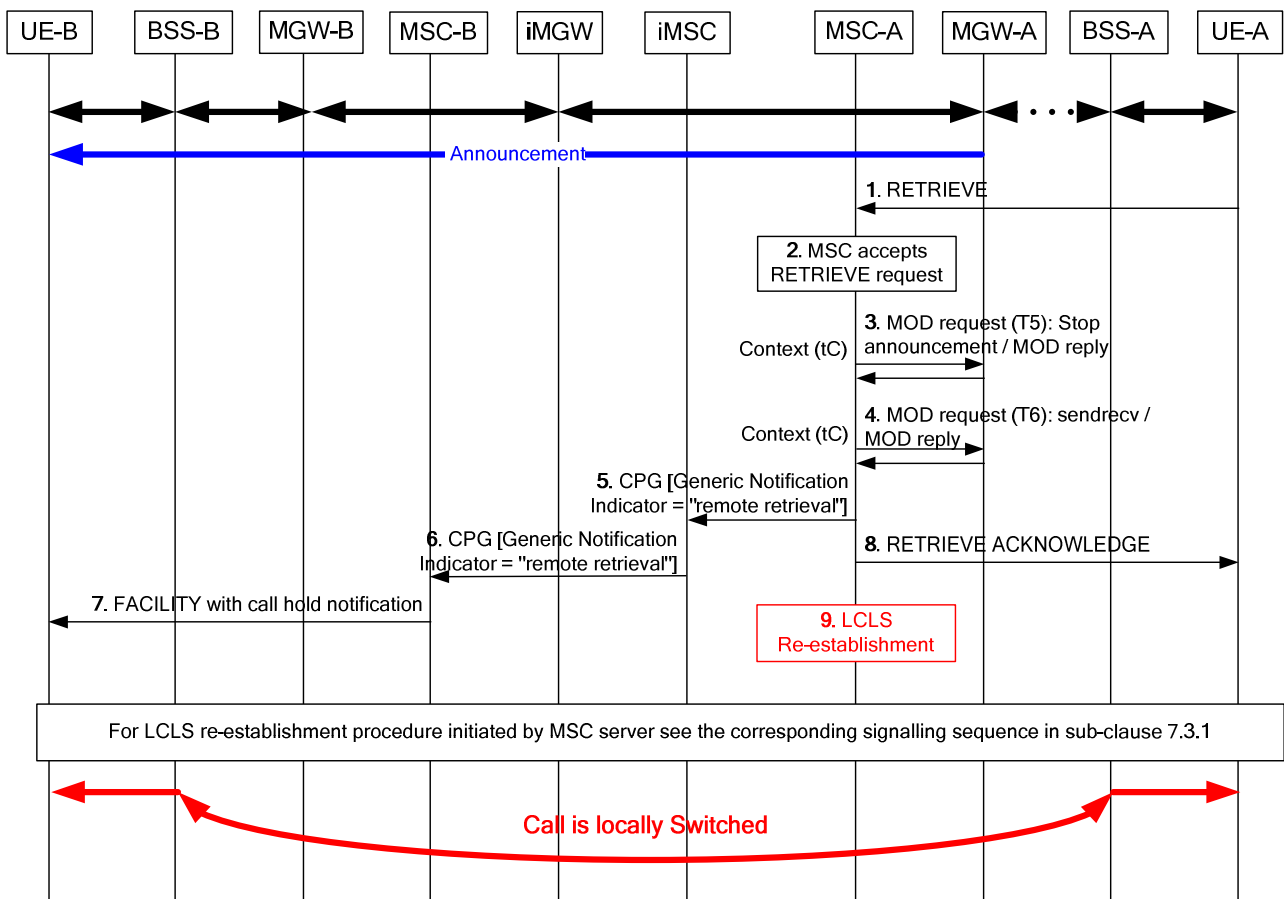


Figure 13.6.2.3.2.2: Retrieval Request and LCLS re-establishment

1. RETRIEVE message is received from the UE-A.
2. The MSC-A server accepts the RETRIEVE request.
3. The MSC-A server requests the MGW-A to stop an announcement towards the held party.
4. The MSC-A server requests the MGW-A to re-establish communication to the held party by changing the through-connection of the bearer termination towards the UE-A to be both-way through-connected.
5. The MSC-A server sends the CPG message with the Generic Notification Indicator parameter set to "remote retrieval" to the iMSC.
6. The iMSC server transfers the CPG message to the MSC-B server.
7. The MSC-B server sends FACILITY message with the call hold notification to the UE-B.
8. The MSC-A server informs the UE-A that retrieve request is accepted with the RETRIEVE ACKNOWLEDGE message.
9. If the call has been successfully negotiated for LCLS the MSC-A server requests a LCLS re-establishment procedure as described in sub-clause 7.3.1.

13.6.3 Call Hold after Answer, LCLS not established

13.6.3.1 Hold Request

When the UE makes a request for the hold function for the non-local call the MSC server shall signal LCLS-CONNECT_CONTROL message with LCLS-Connection-status-control set to "do not establish LCLS".

NOTE: this is to avoid the case that the party requesting hold (which is no longer intended to be connected to the held party) performs a handover into the same BSS and triggers local switching in the BSS.

13.6.3.2 Retrieval Request

When the UE makes a request to retrieve a held call the MSC server shall stop an announcement that was applied to the held party. The MSC shall request the MGW to re-establish communication to the held party by changing the through-connection of the bearer termination towards the served mobile subscriber to be both-way through-connected or by using the Join Bearer Termination Procedure.

If the call has been successfully negotiated for LCLS then MSC server shall signal LCLS-CONNECT_CONTROL message with LCLS-Connection-status-control set to "connect". If the BSS established local switching it shall notify the core network.

13.6.4 Establishment of a new call, the original call is hold

13.6.4.1 General Principle

The call hold procedures and call establishment procedures shall be applied with the following enhancements.

To avoid the local switching between remote parties of the new call and the held call, the new call shall have a different GCR than the GCR of the original call. During the new call establishment, the MSC server serving the UE which has the held call and has initiated the new call shall generate a new GCR for the new call.

The MSC server shall use the ASSIGNMENT REQUEST message to update the BSS serving the UE which has the held call and has initiated the new call with the new GCR and LCLS-Configuration for the new call.

The access bearer is kept unchanged.

13.6.4.2 Assignment Request

During the new call establishment, the MSC server serving the UE which has the held call and has initiated the new call shall send the Assignment Request message to update the BSS with the new GCR and LCLS-Configuration for the new call.

On receipt of Assignment Request, the BSS shall save the GCR and LCLS-Configuration in this message.

13.6.5 Retrieval of the held call, ongoing call is on-hold/completed

13.6.5.1 General Principle

When the UE requests to place the new call on hold and retrieve the original call, the MSC server shall initiate normal call hold procedures as described in sub-clause 13.6.1 for the new call. The MSC server sends the ASSIGNMENT REQUEST message with the GCR and LCLS-Configuration of the original call to the BSS. The MSC server continues the retrieval procedure as described in sub-clause 13.6.2.2.

When the UE requests to retrieve the original call after the active session has completed, the MSC server shall send the ASSIGNMENT REQUEST message to the BSS to update the GCR and LCLS-Configuration for the original call. The MSC server continues the retrieval procedures as described in sub-clause 13.6.2.2.

13.6.5.2 Example call flow, Retrieval of held call after ongoing call has completed

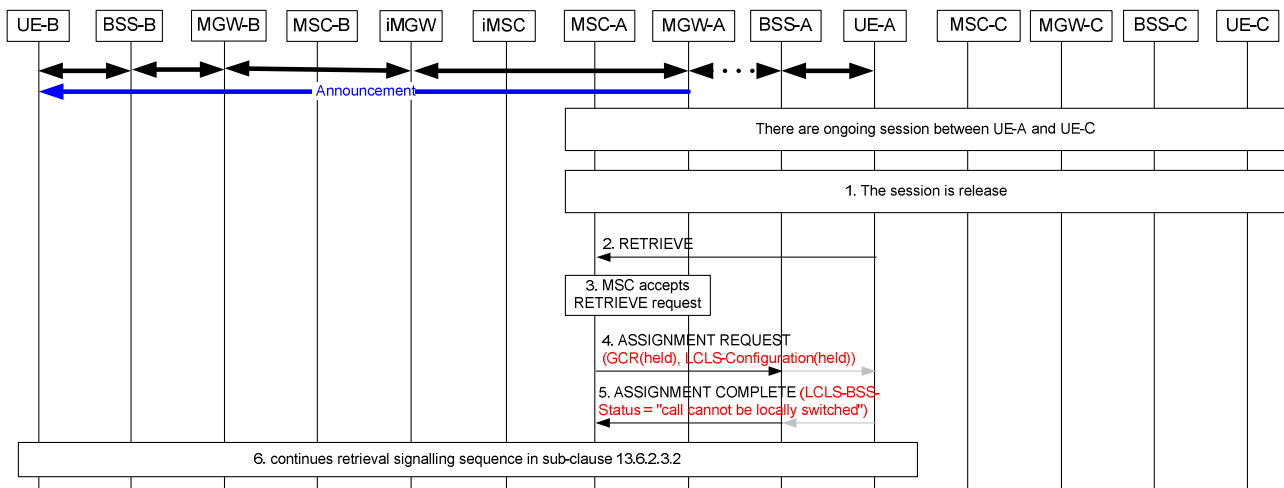


Figure 13.6.5.2.1: Retrieval of held call, ongoing call has completed

1. The active session between UE-A and UE-C is released.
2. The RETRIEVE message is sent from UE-A to MSC-A Server.
3. MSC-A server accepts the RETRIEVE request.
4. MSC-A server retrieves the LCLS-Configuration and GCR for the held session and sends the ASSIGNMENT REQUEST message to BSS-A including the LCLS-Configuration IE and the GCR IE.
5. The BSS-A returns the ASSIGNMENT COMPLETE message with the LCLS-BSS-Status IE indicating "call not possible to be locally switched".
6. MSC-A server continues the sequence handling described in sub-clause 13.6.2.3.2.

13.7 Multiparty (MPTY)

If LCLS is established for a call it shall be released while the Multiparty (MPTY) service is utilised, see LCLS break procedure in clause 7.2 of this specification. After MPTY is ended LCLS may be re-established if it is still feasible, see LCLS re-establishment procedure in clause 7.3 of this specification.

13.8 Closed User Group (CUG)

No impact. There are no LCLS related requirements for the Closed User Group (CUG) service.

13.9 Advice of Charge (AoC)

No impact. There are no LCLS related requirements for the Advice of Charge (AoC) service.

13.10 User-to-User Signalling (UUS)

No impact. There are no LCLS related requirements for the User-to-User Signalling (UUS) service.

13.11 Call Barring Services

No impact. There are no LCLS related requirements for the Call Barring Services.

13.12 Explicit Call Transfer (ECT)

In order to perform Explicit Call Transfer, if LCLS is established for the first call this will be broken when it is put on hold as per the procedures specified in sub-clause 13.6. If LCLS is established for the second call then the local switching of the call shall be released in order to be connected to the held party.

Procedures to establish LCLS for the transferred call are not supported.

13.13 Completion of Calls to Busy Subscriber (CCBS)

No impact. There are no LCLS related requirements for the Completion of Calls to Busy Subscriber (CCBS) service.

13.14 Multiple Subscriber Profile (MSP)

No impact. There are no LCLS related requirements for the Multiple Subscriber Profile (MSP) service.

13.15 Multicall

There are no specific LCLS related requirements for the Multicall service.

NOTE: If LCLS is established for any call as part of the Multicall service, then the local switching of the call will be released when it is put on hold as per the procedures specified in sub-clause 13.6.

13.16 Calling Name Presentation (CNAP)

No impact. There are no LCLS related requirements for the Calling Name Presentation (CNAP) service.

13.17 Alternate Speech/Fax

LCLS shall not be allowed for the Alternate Speech/Fax calls.

13.18 Modification of the Access Bearer

During the call establishment phase, the modification of the access bearer procedure shall be performed in accordance with 3GPP 23.205 [2] for a BICC based CS core network and in accordance with 3GPP TS 23.231 [3] for a SIP-I based CS core network.

When the call is locally switched, if the MSC Server requires modification of the access bearer, an LCLS Break procedure as specified in sub-clause 7.2.1 may occur.

13.19 GSM Fax

LCLS shall not be allowed for the GSM Fax calls.

13.20 Voice group call service (VGCS), Voice broadcast service (VBS)

LCLS shall not be allowed when the Voice group call service (VGCS) or the Voice broadcast service (VBS) is utilised.

14 Interactions with Other Network Features and Services

14.1 Customised Applications for Mobile network Enhanced Logic (CAMEL)

No impact. There are no LCLS related requirements for Customised Applications for Mobile network Enhanced logic (CAMEL).

If LCLS is established for the call and a CAMEL service requires the insertion of Tones/Announcements, the LCLS procedures for Providing Tones or Announcements shall be applied as specified in sub-clause 14.6.

If LCLS is established for the call and a CAMEL service requires the user-plane to be manipulated within the Core Network, the LCLS procedures for breaking LCLS shall be applied as specified in sub-clause 7.2.

14.2 IST

No impact. There are no LCLS related requirements for Immediate Service Termination (IST).

14.3 Operator Determined Barring (ODB)

No impact. There are no LCLS related requirements for Operator Determined Barring (ODB).

14.4 DTMF

No impact. There are no LCLS related requirements for DTMF.

If LCLS is established for the call and a DTMF tone is required to be sent to the UE, the LCLS procedures for Providing Tones or Announcements shall be applied as specified in sub-clause 14.6.

14.5 OR

No impact. There are no LCLS related requirements for Optimal Routing (OR).

14.6 Providing tones or announcements

14.6.1 General

Tones or announcements may be applied at any time during the call establishment or mid-call. Also periodic tones may be applied during the call. Prior to answer, an LCLS compatible call is still connected through the core network and so any tones or announcements applied at this time are handled as for normal non-LCLS calls.

If a node wishes to apply periodic tones during the call it may either reject the LCLS entirely or may indicate that it requires send access in a certain direction. This is achieved during the LCLS negotiation phase as described in sub-clause 4.2.

If the call is established and local switching is performed and at a later point in the call a (G)MSC Server needs to send a tone or announcement there are two options it may apply:

- perform a (G)MSC initiated LCLS break as described in sub-clause 7.2.1 and once the LCLS break is complete then begin applying the tone or announcement, or
- request temporary send access to the user plane as described in 14.6.2

If a node (subsequent CN node or BSS) does not support the procedures described for requesting temporary send access then a full LCLS break shall occur.

14.6.2 Handling of tones or announcements during an LCLS call

14.6.2.1 GMSC Server or intermediate node requiring temporary send access to apply tone or announcement

A GMSC Server or intermediate node wishing to insert a tone or announcement may signal LCLS Negotiation IE in LCLS-Negotiation Request message with parameter "Need Send Backward = yes" if it needs to insert a tone or announcement towards the originating subscriber or "Need Send Forward = yes" if it needs to insert a tone or announcement towards the terminating subscriber.

NOTE: The (G)MSC Server or intermediate node only needs to signal the LCLS-Negotiation IE in the direction in which it wishes to apply the tone or announcement.

If the (G)MSC receives the LCLS-Negotiation IE in LCLS Negotiation Request Response message indicating the same requested send access it shall proceed to insert its tone or announcement as per a normal call handling.

On completion of the tone or announcement the (G)MSC Server may signal LCLS-Negotiation IE in LCLS Negotiation Request message indicating "Need Send Backward= no" or "Need Send Forward = no" towards preceding/succeeding node respectively.

14.6.2.2 oMSC Server

An oMSC Server wishing to insert a tone or announcement towards the terminating UE may signal LCLS Negotiation IE in LCLS-Negotiation Request message with parameter "Need Send Forward = yes".

If the oMSC Server receives the LCLS-Negotiation IE in an LCLS-Negotiation Request Response message indicating the same requested send access then it shall proceed to insert its tone or announcement as per a normal call handling. Otherwise, if the received LCLS-Negotiation IE indicates requested send access is not enabled, the oMSC Server shall perform a MSC initiated LCLS break as described in sub-clause 7.2.1 and once the LCLS break is complete then begin applying the tone or announcement.

On completion of the tone or announcement in the forward direction the oMSC Server may signal the LCLS-Negotiation IE in LCLS-Negotiation Request message to succeeding nodes indicating "Need Send Forward = no".

If the oMSC Server wishes only to insert a tone or announcement towards its locally served UE or if the oMSC Server receives the LCLS-Negotiation IE indicating "Need Send Backward= yes" it shall send LCLS-Connect-Control message containing the LCLS-Configuration IE set to "connected both-way in the BSS and send access DL from the Core Network" to the oBSS unless UL bicasting has been requested ("Need Receive Backward = yes; Need Receive Forward = yes") in which case it shall set the LCLS-Configuration IE to "connected both-way in the BSS and bi-casted UL to the CN and send access DL from the Core Network, block local DL".

If the oMSC Server wishes only to insert a tone or announcement towards its locally served UE and has been received the LCLS-Negotiation IE indicating "Need Receive Forward= no" it may configure its Access MGW to isolate the access side termination from the network side termination. The oMSC Server shall send LCLS-Connect-Control message containing the LCLS-Configuration IE set to "connected both-way in the BSS and send access DL from the Core Network" to the BSS.

If the MSC Server receives LCLS-BSS-Status indicating that the requested LCLS-Configuration was enabled then it shall:

- return the LCLS-Negotiation IE indicating "Need Send Backward= yes" towards succeeding node if the send access was requested from succeeding node, or
- proceed to insert its tone or announcement as per a normal call handling when the oMSC Server needs to insert a tone or announcement towards its locally served UE.

If the oMSC Server receives LCLS-BSS-Status indicating that LCLS-Configuration is not supported then the oMSC Server shall initiate LCLS Break towards the oBSS and succeeding nodes, as described in sub-clause 7.2.1, when the oMSC Server needs to insert a tone or announcement towards its locally served UE.

On completion of the tone or announcement the oMSC Server may signal LCLS-Connect-Control message containing the LCLS-Configuration IE as agreed at call establishment.

14.6.2.3 tMSC Server

A tMSC Server wishing to insert a tone or announcement towards the originating UE may signal LCLS Negotiation IE in LCLS-Negotiation Request message with parameter "Need Send Backward = yes".

If the tMSC Server receives the LCLS-Negotiation IE in LCLS-Negotiation Request Response message indicating the same requested send access then it shall proceed to insert its tone or announcement as per a normal call handling. Otherwise, if the received LCLS-Negotiation IE indicates requested send access is not enabled, the tMSC Server shall perform a MSC initiated LCLS break as described in sub-clause 7.2.1 and once the LCLS break is complete then begin applying the tone or announcement.

On completion of the tone or announcement the tMSC Server may signal the LCLS-Negotiation IE to succeeding nodes indicating "Need Send Backward = no".

If the tMSC Server wishes only to insert a tone or announcement towards its locally served UE or if the tMSC Server receives the LCLS-Negotiation IE indicating "Need Send Forward = yes" it shall send LCLS-Connect-Control message containing the LCLS-Configuration IE set to "connected both-way in the BSS and send access DL from the Core Network" to the tBSS unless UL bicasting has been requested ("Need Receive Backward = yes; Need Receive Forward = yes") in which case it shall set the LCLS-Configuration IE to "connected both-way in the BSS and bi-casted UL to the CN and send access DL from the Core Network, block local DL".

If the tMSC Server wishes only to insert a tone or announcement towards its locally served UE and has been received the LCLS-Negotiation IE indicating "Need Receive Backward= no" it may configure its Access MGW to isolate the access side termination from the network side termination. The tMSC Server shall send LCLS-Connect-Control message containing the LCLS-Configuration IE set to "connected both-way in the BSS and send access DL from the Core Network" to the BSS.

If the tMSC Server receives LCLS-BSS-Status indicating that the requested LCLS-Configuration was enabled then it shall:

- return the LCLS-Negotiation IE indicating "Need Send Forward = yes" towards preceding node if the send access was requested from preceding node, or
- proceed to insert its tone or announcement as per a normal call handling when the tMSC Server needs to insert a tone or announcement towards its locally served UE.

If the tMSC Server receives LCLS-BSS-Status indicating that LCLS-Configuration is not supported then the tMSC Server shall initiate LCLS Break towards the tBSS and preceding nodes, as described in sub-clause 7.2.1, when the tMSC Server needs to insert a tone or announcement towards its locally served UE.

On completion of the tone or announcement the tMSC Server may signal LCLS-Connect-Control message containing the LCLS-Configuration IE as agreed at call establishment.

14.6.2.4 BSS

If the BSS receives LCLS-Connect-Control containing LCLS-Configuration set to "connected both-way in the BSS and send access DL from the Core Network" and it supports this configuration it shall return LCLS-BSS-Status indicating that the LCLS-Configuration is supported and from then on detect any incoming data packets and insert them in the stream towards the locally served UE.

If the BSS receives LCLS-Connect-Control containing LCLS-Configuration set to "connected both-way in the BSS and bi-casted UL to the CN and send access DL from the Core Network, block local DL" and it supports this configuration it shall block the local DL path from the opposite call leg and return LCLS-BSS-Status indicating that the LCLS-Configuration is supported. From then on it shall insert the data packets coming from the CN for that call leg in the stream towards the locally served UE and discard packets coming from the local path.

If the BSS does not support the requested LCLS-Configuration it shall return LCLS-BSS-Status indicating the requested LCLS-Configuration is not supported; the LCLS connection is kept as it was prior to receiving the LCLS-Connect-Control.

14.6.2.5 Example of Playing Mid-Call Announcement/Tone

14.6.2.5.1 Connection Model

Figure 14.6.2.5.1.1 shows the network model where the iMSC server requests the iMGW to play the announcement/tone directly on the bearer termination T3 (used towards the preceding oMGW) from which the signal shall be sent towards the oUE. The bearer termination T4 is used for the bearer towards the succeeding tMGW (i.e. towards the tUE).

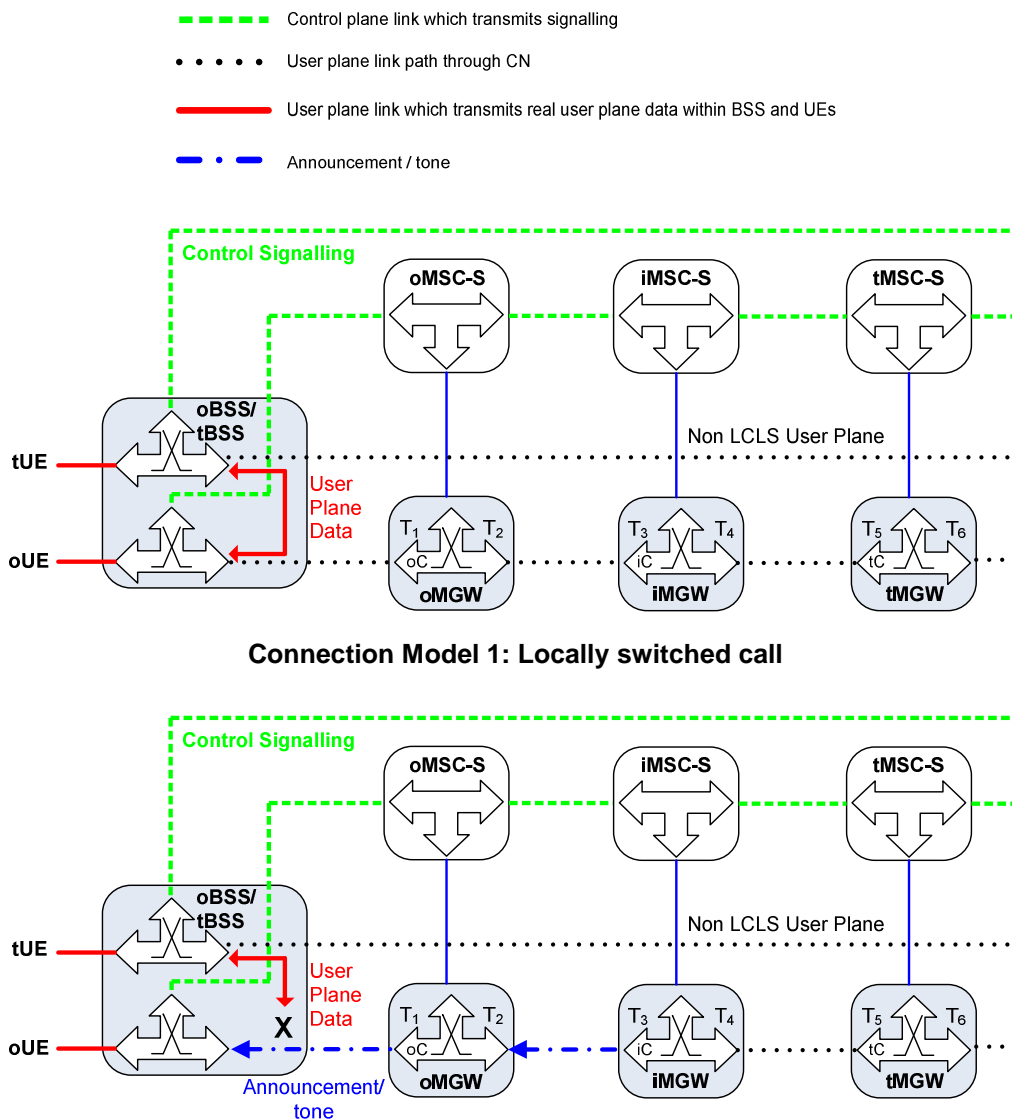


Figure 14.6.2.5.1.1: Connection Model, Mid-Call Announcement/tone

14.6.2.5.2 Example Sequence

Figure 14.6.2.5.2.1 shows the message sequence example for providing the oUE with an announcement/tone. In the example the iMSC server requests the iMGW to play an announcement/tone and to notify the announcement/tone completion.

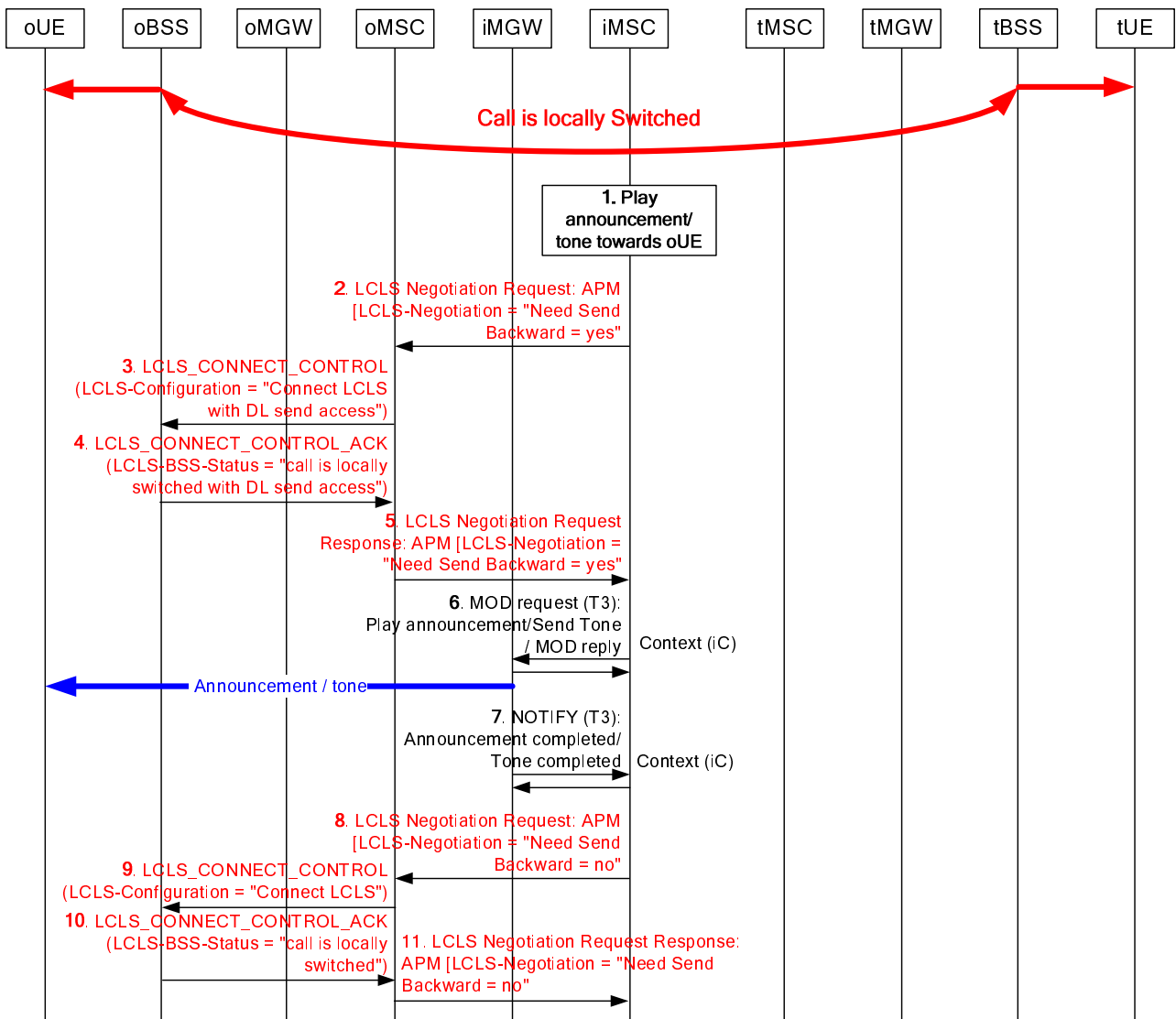


Figure 14.6.2.5.2.1: Mid-Call Announcement/Tone Flow

1. The iMSC server identifies that mid-call announcement/tone needs to be played towards the oUE.
 2. The iMSC server modifies the LCLS-Negotiation IE due to the announcement/tone it needs to play towards the oUE and sends LCLS Negotiation Request towards the preceding node the modified LCLS-Negotiation IE indicating "Need Send Backward = yes".
- NOTE: Other values for the initially agreed LCLS-Negotiation IE for receive or send access are unmodified.
3. The oMSC server informs the oBSS the user plane data needs to be provided to the oUE from the CN by sending the LCLS-Connect-Control message containing LCLS-Configuration IE set to "Connect LCLS with DL send access".
 4. The oBSS confirms the requested configuration is enabled with the LCLS-Connect-Control Ack message.
 5. The oMSC server confirms the oBSS is prepared for the reception of announcement/tone by sending the LCLS Negotiation Request Response.
 6. At reception of the LCLS status update response message indicating that requested send access is enabled the iMSC server provides the iMGW with the announcement/tone identification and requests the iMGW to notify the announcement/tone completion using the Play Announcement or Send Tone procedure.
 7. The iMGW notifies the iMSC server when the announcement/tone is completed using the Announcement Completed or Tone Completed procedure.

8. The iMSC server signals to the preceding node the send access is not needed anymore by sending the LCLS Negotiation Request message with the LCLS-Negotiation IE indicating "Need Send Backward = no".
9. The oMSC server notifies the oBSS with the LCLS-Connect-Control message that no user plane data from the CN will be provided.
10. The oBSS replies with the LCLS-Connect-Control Ack message.
11. The oMSC server confirms the oBSS has returned the LCLS connection to the status prior to the announcement/tone by sending the LCLS Negotiation Request Response.

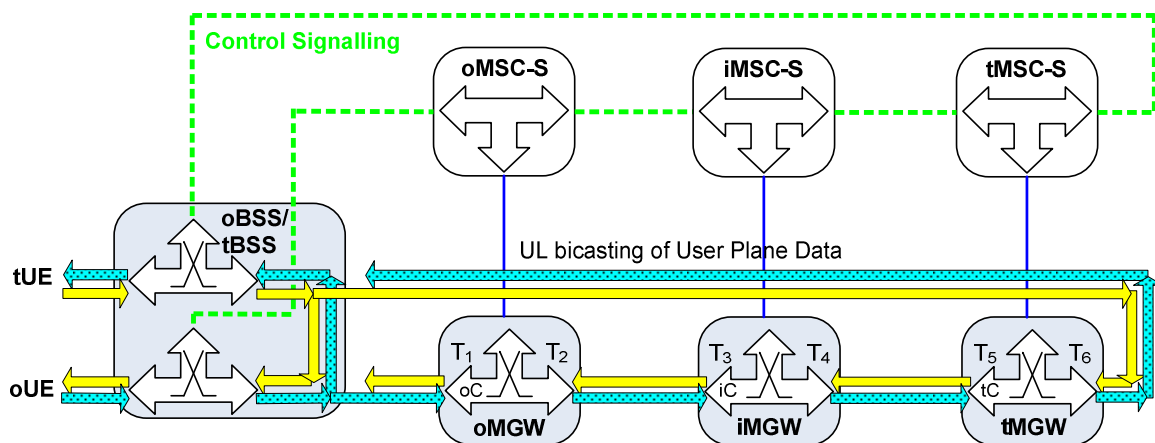
14.6.2.6 Examples with Uplink Bicasting of User Data

14.6.2.6.1 Connection Model

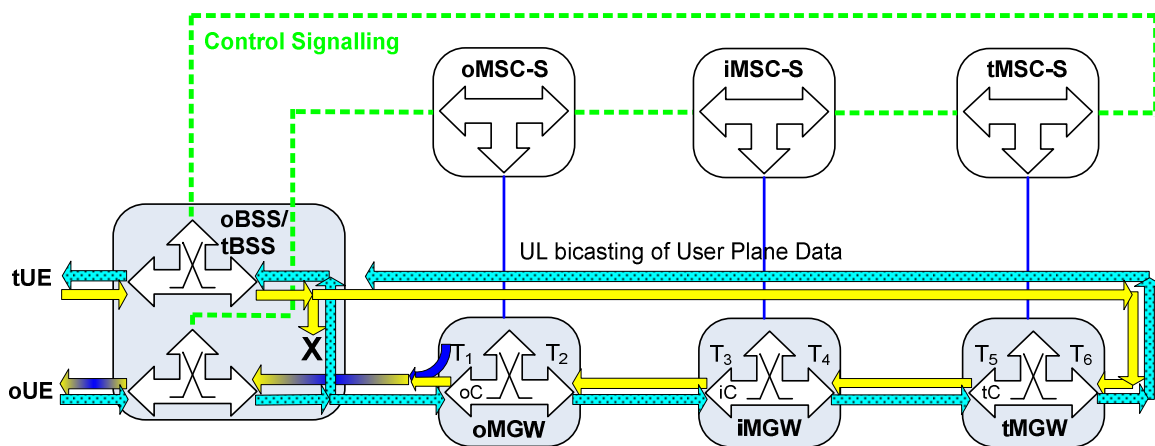
Figure 14.6.2.6.1.1 shows the network model for the locally switched call with bicasting of user data to the Core Network where the oMSC server requests the oMGW to play the announcement/tone towards the originating UE. The dashed line in green represents call control signalling. Non-dotted lines represent the bearer carrying real user plane data: the solid line in turquoise represents the data from the originating UE and the solid line in yellow represents the data from the terminating UE. The solid line in blue represents an announcement played to the originating UE. The bearer termination T1 is used for the bearer towards the oBSS and the bearer termination T2 is used for the bearer towards the succeeding iMGW (i.e. towards the tUE). The announcement is applied directly on the bearer termination T1 from which the signal shall be sent towards the originating UE.

If the oMSC server requires receiving UL data from the originating UE and the terminating UE and was sent a LCLS-Negotiation IE set to "Need_Receive_Backward = yes; Need_Receive_Forward = yes" to the succeeding node then when it needs to send the DL data to the originating UE the oMSC server will require from the oBSS to connect LCLS with bicasting UL and with DL send access and to block local DL. Connection model 2a is applied when the oBSS supports the required LCLS configuration and the announcement is played towards the originating UE.

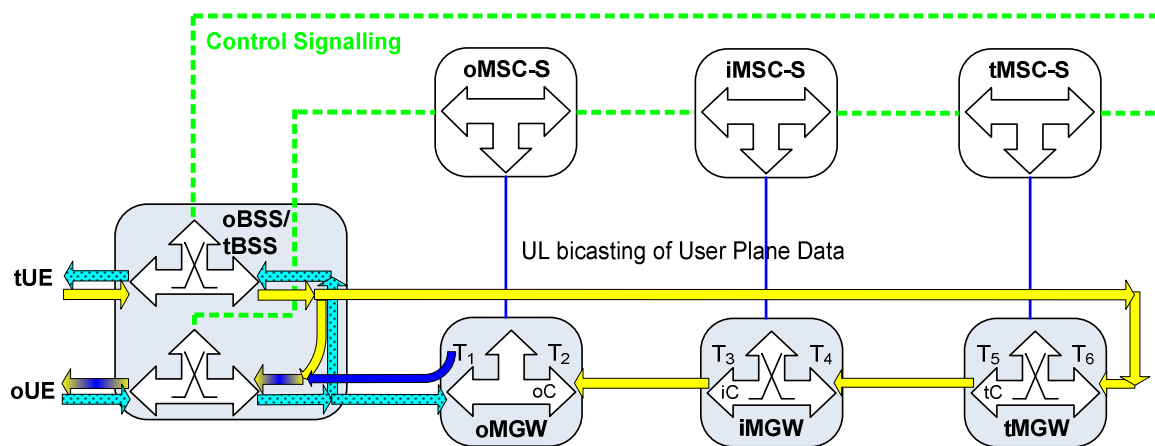
If the oMSC server requires receiving UL data from the originating UE and the terminating UE but was sent LCLS-Negotiation IE set to "Need_Receive_Backward = yes, Need_Receive_Forward = no" to the succeeding node and was received the LCLS-Negotiation IE set to "Need_Receive_Forward = no" then it may configure its oMGW to isolate the access side termination (T1) from the network side termination (T2). When the oMSC server needs to send the DL data to the originating UE it requests the oBSS to connect LCLS with DL send access. Connection model 2b applies when the oBSS supports the required LCLS configuration and then the oBSS inserts the announcement from the Core Network towards the originating UE.



Connection Model 1: Locally switched call with bicasting of user data to CN



Connection Model 2a: Locally Switched Call with Bicasting of User Data to CN and with Blocked Local DL Data, Playing of Announcement/tone



Connection Model 2b: Locally Switched Call with Bicasting of User Data to CN and Isolation of Access Side, Playing of Announcement/tone

Figure 14.6.2.6.1.1: Connection Model, LCLS with UL Bicasting and Mid-Call Announcement/tone

14.6.2.6.2 Example Sequences with Uplink Bicasting of User Data

Figure 14.6.2.6.2.1 shows the message sequence example for providing the originating UE with an announcement/tone. In the example the call is locally switched with bicasting of user data to the Core Network. The oMSC server requests the oBSS to connect LCLS with bicasting UL and with DL send access and to block local DL. The oMSC server requests the oMGW to play an announcement/tone and to notify the announcement/tone completion.

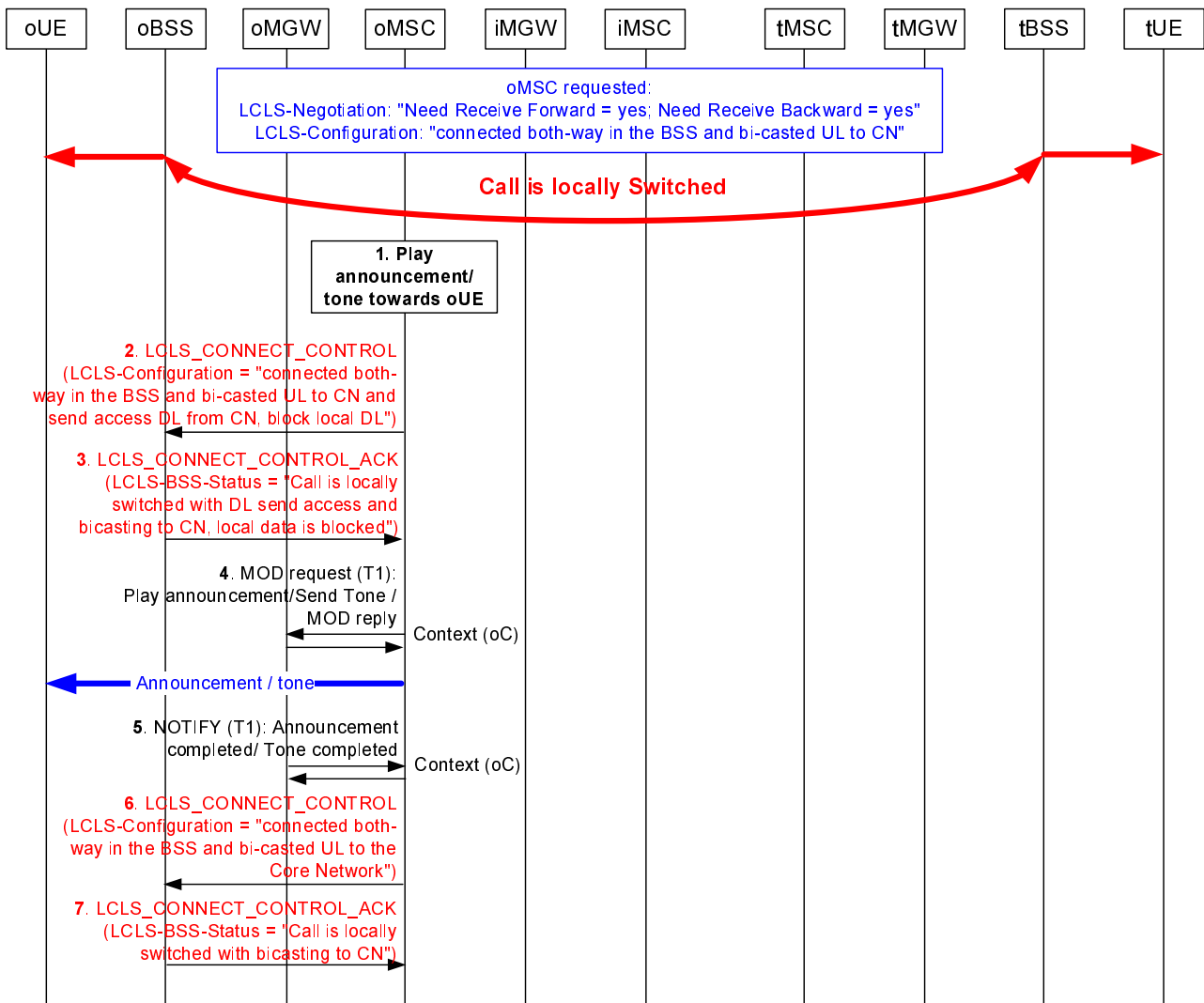


Figure 14.6.2.6.2.1: Mid-Call Announcement/Tone Flow with Block Local Data Request

1. The oMSC server identifies that mid-call announcement/tone needs to be played towards the oUE.
2. The oMSC server informs the oBSS the user plane data needs to be provided to the oUE from the CN by sending the LCLS-Connect-Control message containing LCLS-Configuration IE set to "connected both-way in the BSS and bi-casted UL to the CN and send access DL from the Core Network, block local DL".
3. The oBSS confirms the requested configuration is enabled with the LCLS-Connect-Control Ack message.
4. At reception of the LCLS-Connect-Control Ack message indicating that requested LCLS configuration is supported the oMSC server provides the oMGW with the announcement/tone identification and requests the oMGW to notify the announcement/tone completion using the Play Announcement or Send Tone procedure.
5. The oMGW notifies the oMSC server when the announcement/tone is completed using the Announcement Completed or Tone Completed procedure.
6. The oMSC server notifies the oBSS with the LCLS-Connect-Control message that DL send access is no longer needed.
7. The oBSS replies with the LCLS-Connect-Control Ack message indicating local switching with bicasting of user data to the Core Network.

14.6.2.6.3 Example Sequence when Access Side Termination is isolated in MGW

Figure 14.6.2.6.3.1 shows the message sequence example for providing the originating UE with an announcement/tone. Since other CN nodes didn't requested receiving UL data from the originating UE the oMSC server may configure its

oMGW to isolate the access side termination from the network side termination. In the example the oMSC server requests the oMGW to play an announcement/tone and to notify the announcement/tone completion.

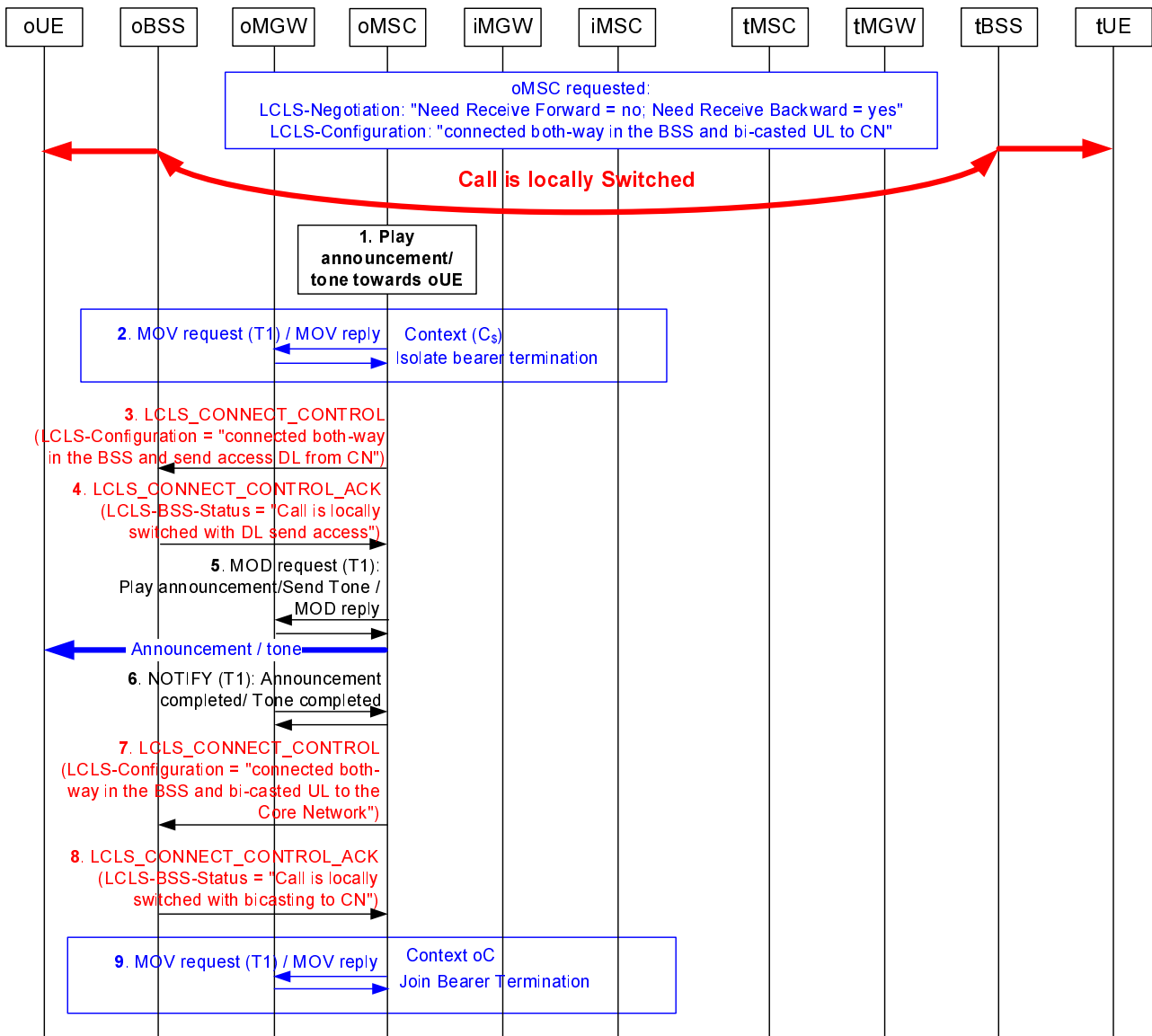


Figure 14.6.2.6.3.1: Mid-Call Announcement/Tone Flow when Access Side Termination is Isolated in MGW

1. The oMSC server identifies that mid-call announcement/tone needs to be played towards the oUE.
2. If the LCLS negotiation indicated that any succeeding node does not require the UL data from the oUE then the oMSC server requests the oMGW to isolate the access side termination T1 from the network side termination T2.

NOTE 1: the MOVE command (Isolate Bearer termination procedure) is not required if T1 has been already moved from the context oC during the call establishment procedure.

NOTE 2: The MSC server can also use the Change Through-Connection procedure and requests the MGW to change the through-connection of the bearer to inactive instead of using of the Isolate Bearer termination procedure, see 3GPP TS 23.205 [2].

3. The oMSC server informs the oBSS the user plane data needs to be provided to the oUE from the CN by sending the LCLS-Connect-Control message containing LCLS-Configuration IE set to "connected both-way in the BSS and send access DL from the Core Network".
4. The oBSS confirms the requested configuration is enabled with the LCLS-Connect-Control Ack message.

5. At reception of the LCLS-Connect-Control Ack message indicating that requested LCLS configuration is supported the oMSC server provides the oMGW with the announcement/tone identification and requests the oMGW to notify the announcement/tone completion using the Play Announcement or Send Tone procedure.
6. The oMGW notifies the oMSC server when the announcement/tone is completed using the Announcement Completed or Tone Completed procedure.
7. The oMSC server notifies the oBSS with the LCLS-Connect-Control message that DL send access is no longer needed.
8. The oBSS replies with the LCLS-Connect-Control Ack message indicating local switching with bicasting of user data to the Core Network
9. The oMSC server may send to the oMGW request to move the access side termination T1 to context oC with the network side termination T2.

NOTE 3: Steps 9 is optional and not needed if step 2 is not performed.

NOTE 4: If the MSC server has used the Change Through-Connection procedure in step 2 instead of the Isolate Bearer termination procedure then the MSC server will use the Change Through-Connection procedure to request the MGW to change the through-connection of the bearer to be both-way through-connected.

14.7 Global Text Telephony

LCLS shall not be allowed for Global Text Telephony.

14.8 Emergency Calls

LCLS shall not be allowed for Emergency Calls.

14.9 Subscriber and equipment trace

No impact. There are no LCLS related requirements for Subscriber and Equipment Trace.

14.10 Customized Alerting Tone

14.10.1 Audio CAT

No impact. There are no LCLS related requirements for Audio CAT.

14.10.2 Multimedia CAT

LCLS shall not be allowed for multimedia calls.

14.11 Tandem Free Operation (TFO)

No impact. There are no LCLS related requirements for Tandem Free Operation (TFO).

LCLS may be activated for calls that use TFO, but the TFO operation is interrupted for the time that the call is locally switched. If LCLS is broken in the middle of a call, the TFO operation may resume, if still applicable.

14.12 Transcoder Free Operation (TrFO)

No impact. There are no LCLS related requirements for Transcoder Free Operation (TrFO).

14.13 CS Data Calls

LCLS shall not be allowed for CS Data Calls.

14.14 RTP Multiplexing

No impact. There are no LCLS related requirements for RTP Multiplexing.

15 Tunnelling

The tunnelling procedures shall be applied in accordance with 3GPP TS 23.205 [2].

16 Messages/Procedures and their contents

16.1 Messages between (G)MSC servers

16.1.1 General

The BICC messages between (G)MSC servers on Nc interface are specified in 3GPP TS 23.205 [2]. The SIP methods and corresponding responses that shall be supported between (G)MSC servers on Nc interface are specified in 3GPP TS 29.231 [10]. The LCLS related information exchanged in these messages and encapsulated in the corresponding SIP messages is specified below and in 3GPP TS 29.205 [6].

The MAP messages used for inter-MSC handover between Anchor and Target MSC-Server (E-interface) are specified in 3GPP TS 23.205 [2] and 3GPP TS 23.009[9]. The LCLS related information exchanged in these messages is specified below and in 3GPP TS 29.002 [12].

16.1.2 Initial Address

Table 16.1.2.1 indicates the LCLS related information which is exchanged between the MSC servers in the Initial Address (BICC: IAM or SIP-I: INVITE request with encapsulated ISUP IAM) message. Only the Information Elements required by LCLS are shown.

Table 16.1.2.1: LCLS related information in Initial Address message

Message	Message direction	Information element name	Information element required	Information element description
Initial Address (BICC: IAM or SIP-I: INVITE [IAM])	Forward	Global Call Reference	C	This information element identifies the call. This information element shall be included when LCLS is supported in the core network.
		LCLS-Negotiation	C	This information element indicates the negotiated LCLS configuration preference while LCLS is established. This information element shall be included when LCLS is supported in the core network.

16.1.3 Answer

Table 16.1.3.1 indicates the LCLS related information which is exchanged between the MSC servers in the Answer (BICC: ANM or SIP-I: 200 OK final response to initial INVITE request with encapsulated ANM) message. Only the Information Elements required by LCLS are shown.

Table 16.1.3.1: LCLS related information in Answer message

Message	Message direction	Information element name	Information element required	Information element description
Answer (BICC: ANM or SIP-I: 200 OK-INVITE [ANM])	Backward	LCLS-Status	C	This information element identifies the LCLS connection status. This information element shall be included when LCLS is negotiated in the core network.

16.1.4 Bearer and Codec Information

Table 16.1.4.1 indicates the LCLS related information which is exchanged between the MSC servers in the Bearer and Codec Information (BICC: APM) message. Only the Information Elements required by LCLS are shown.

Table 16.1.4.1: LCLS related information in Bearer and Codec Information message

Message	Message direction	Information element name	Information element required	Information element description
Bearer and Codec Information (BICC: APM)	Backward	LCLS-Negotiation	O	This information element indicates the negotiated LCLS configuration preference while LCLS is established. This information element shall be included when the APM is related to LCLS negotiation in Bearer and Codec Information messages and LCLS is supported in the core network.

16.1.5 Backward LCLS Negotiation

Table 16.1.5.1 indicates the LCLS related information which is exchanged between the MSC servers in the LCLS Negotiation (BICC: APM; SIP-I: 183 Session Progress provisional response with encapsulated APM) message or in the Address Complete (BICC: ACM; SIP-I: 183 Session Progress provisional response with encapsulated ACM) message or in the Call Progress (BICC: CPG; SIP-I: 183 Session Progress provisional response with encapsulated CPG) message. Only the Information Elements required by LCLS are shown.

Table 16.1.5.1: LCLS related information in the LCLS Negotiation message

Message	Message direction	Information element name	Information element required	Information element description
LCLS Negotiation (BICC: APM; SIP-I: 183 Session Progress [APM])	Backward	LCLS-Negotiation	M	This information element indicates the negotiated LCLS configuration preference while LCLS is established.

Table 16.1.5.2: LCLS related information in the Address Complete message

Message	Message direction	Information element name	Information element required	Information element description
Address Complete (BICC: ACM; SIP-I: 183 Session Progress [ACM])	Backward	LCLS-Negotiation	O	This information element indicates the negotiated LCLS configuration preference while LCLS is established. This information element may be included when LCLS is supported in the core network.

Table 16.1.5.3: LCLS related information in the Call Progress message

Message	Message direction	Information element name	Information element required	Information element description
Call Progress (BICC: CPG; SIP-I: 183 Session Progress [CPG])	Backward	LCLS-Negotiation	O	This information element indicates the negotiated LCLS configuration preference while LCLS is established. This information element may be included when LCLS is supported in the core network.

16.1.6 Change of LCLS Negotiation

Table 16.1.6.1 indicates the LCLS related information which is exchanged between the MSC servers in the LCLS Negotiation Request (BICC: APM or SIP-I: INFO request with encapsulated APM) messages.

Table 16.1.6.1: LCLS related information in the LCLS Negotiation Request message

Message	Message direction	Information element name	Information element required	Information element description
LCLS Negotiation Request (BICC: APM or SIP-I: INFO [APM])	Both	LCLS-Negotiation	M	This information element indicates the requested LCLS configuration preference.
LCLS Negotiation Request Acknowledge (BICC: APM or SIP-I: INFO [APM])	Both	LCLS-Negotiation	M	This information element has the same value as in LCLS-Negotiation request.
		Result Code	M	This information element indicates if the LCLS Negotiation request is accepted or not.

16.1.7 LCLS Status update

Table 16.1.7.1 indicates the LCLS related information which is exchanged between the MSC servers in the LCLS Status update (BICC: APM or SIP-I: INFO request with encapsulated ISUP APM) message.

Table 16.1.7.1: LCLS related information in LCLS Status update message

Message	Message direction	Information element name	Information element required	Information element description
LCLS Status update (BICC: APM or SIP-I: INFO [APM])	Both	LCLS-Status	M	This information element indicates the LCLS connection status. This information element shall be included when LCLS connection status has changed in the BSS.

16.1.8 Change of LCLS Status

Table 16.1.8.1 indicates the LCLS related information which is exchanged between the MSC servers in the LCLS Status Change Request (BICC: APM or SIP-I: INFO request with encapsulated ISUP APM) messages.

Table 16.1.8.1: LCLS related information in LCLS Status Change Request message

Message	Message direction	Information element name	Information element required	Information element description
LCLS Status Change Request (BICC: APM or SIP-I: INFO [APM])	Both	LCLS-Status-Change	M	This information element indicates a request to change the LCLS connection status in the BSS.
LCLS Status Change Request Acknowledge (BICC: APM or SIP-I: INFO [APM])	Both	LCLS-Status-Change	M	This information element has the same value as in the LCLS-Status-Change-Request message.
		Result Code	M	This information element indicates if the LCLS Status Change request is accepted or not. NOTE
NOTE: A request to break LCLS shall not be rejected.				

16.1.9 MAP_PREPARE_HANOVER Request

Table 16.1.9.1 indicates the LCLS related information which is exchanged between the Anchor MSC-Server and the Target MSC-Server (E-interface) in the MAP_PREPARE_HANOVER Request message.

Table 16.1.9.1: LCLS related information in MAP-Prepare-Handover Request message

Message	Message direction	Information element name	Information element required	Information element description
MAP_PREPARE_HANOVER Request	From Anchor MSC-Server to Target MSC-Server	GCR	O	This information element identifies the call. This information element shall be included when LCLS is supported in the core network.
		LCLS-Negotiation	O	This information element indicates the negotiated LCLS configuration preference while LCLS is established. This information element shall be included when LCLS is supported in the core network.

16.2 Procedures between (G)MSC server and MGW

The (G)MSC server and MGW procedures shall be performed in accordance with 3GPP 23.205 [2] for a BICC based CS core network and in accordance with 3GPP TS 23.231 [3] for a SIP-I based CS core network.

16.3 Messages between MSC server and BSS

16.3.1 General

The procedures used on the Base Station System (BSS) to Mobile-services Switching Centre (MSC) interface for control of GSM services are specified in 3GPP TS 48.008 [7]. The LCLS related information exchanged in these procedures is specified below.

16.3.2 Assignment Procedure between MSC-Server and BSS

Table 16.3.2.1 indicates the LCLS related information which is exchanged between the MSC server and the BSS in the BSSMAP Assignment Procedure. Only the Information Elements required by LCLS are shown.

Table 16.3.2.1: LCLS related information in Assignment Procedure

Procedure	Message direction	Information element name	Information element required	Information element description
Assignment Request	From MSC-S	Global Call Reference	C	This information element identifies the call. This information element shall be included when LCLS is supported in the core network and LCLS is successfully negotiated within the core network.
		LCLS-Configuration	C	This information element indicates the LCLS connection preference which shall persist in the BSS while LCLS is established. This information element shall be included when LCLS is supported in the core network and LCLS is successfully negotiated within the core network.
		LCLS-Connection-Status-Control	C	This information element indicates to BSS whether it is permitted to locally through-connect the call. This information element shall be included when LCLS is supported in the core network and LCLS is successfully negotiated within the core network and when the Assignment Request message is sent after Answer.
		LCLS-Correlation-Not-Needed	O	This information element shall be sent if the MSC-Server has detected that the call is not an Intra-BSS call or an Intra-network call. This information element informs the BSS that call correlation is not needed.
Assignment Complete	From BSS	LCLS-BSS-Status	C	This information element notifies CN of the LCLS connection status in the BSS. This information element shall be included if BSS supports LCLS.

16.3.3 Handover Request Procedure between MSC-Server and BSS

Table 16.3.3.1 indicates the LCLS related information, which is exchanged between the MSC server and the BSS in the BSSMAP Handover Request Procedure. Only the Information Elements required by LCLS are shown.

Table 16.3.3.1: LCLS related information in Handover Request Procedure

Procedure	Message direction	Information element name	Information element required	Information element description
Handover Request	From MSC-S	Global Call Reference	C	This information element identifies the call. This information element shall be included when LCLS is supported in the core network and LCLS is successfully negotiated within the core network.
		LCLS-Connection-Status-Control	C	This information element indicates to BSS whether it is permitted to locally through-connect the call. This information element shall be included when LCLS is supported in the core network and LCLS is successfully negotiated within the core network.
		LCLS-Configuration	C	This information element indicates the LCLS connection preference which shall persist in the BSS while LCLS is established. This information element shall be included when LCLS is supported in the core network and LCLS is successfully negotiated within the core network.
Handover Request Ack	From BSS	LCLS-BSS-Status	C	This information element notifies CN of the LCLS connection status in the BSS. This information element shall be included if BSS supports LCLS.

16.3.4 Handover Complete Procedure between MSC-Server and BSS

Table 16.3.4.1 indicates the LCLS related information, which is exchanged between the MSC server and the BSS in the BSSMAP Handover Complete Procedure. Only the Information Elements required by LCLS are shown.

Table 16.3.4.1: LCLS related information in Handover Request Procedure

Procedure	Message direction	Information element name	Information element required	Information element description
Handover Complete	From BSS	LCLS-BSS-Status	C	This information element notifies CN of the LCLS connection status in the BSS. This information element shall be included if BSS supports LCLS.

16.3.5 Handover Performed Procedure between MSC-Server and BSS

Table 16.3.5.1 indicates the LCLS related information, which is exchanged between the MSC server and the BSS in the BSSMAP Handover Performed Procedure. Only the Information Elements required by LCLS are shown.

Table 16.3.5.1: LCLS related information in Handover Request Procedure

Procedure	Message direction	Information element name	Information element required	Information element description
Handover Performed	From BSS	LCLS-BSS-Status	C	This information element notifies CN of the LCLS connection status in the BSS. This information element shall be included if BSS supports LCLS.

16.3.6 Internal Handover Command Procedure between MSC-Server and BSS

Table 16.3.6.1 indicates the LCLS related information, which is exchanged between the MSC server and the BSS in the BSSMAP Internal Handover Command Procedure. Only the Information Elements required by LCLS are shown.

Table 16.3.6.1: LCLS related information in Internal Handover Command Procedure

Procedure	Message direction	Information element name	Information element required	Information element description
Internal Handover Command	From MSC-S	LCLS-Connection-Status-Control	C	This information element indicates to BSS whether it is permitted to locally through-connect the call. This information element shall be included when LCLS is supported in the core network, LCLS is successfully negotiated within the core network, and LCLS-Connection-Status-Control indicating "Connect" has not previously been sent to the BSS.

16.3.7 LCLS Connection Procedure between MSC-Server and BSS

Table 16.3.7.1 indicates the LCLS Connection Procedure and related information, which is exchanged between the MSC server and the BSS. Only the Information Elements required by LCLS are shown.

Table 16.3.7.1: LCLS Connection Procedure between MSC-Server and BSS

Procedures	Message direction	Information element name	Information element required	Information element description
LCLS-Connect-Control	From MSC-S	LCLS-Connection-Status-Control	O	This information element indicates to BSS whether it is permitted to locally through-connect the call.
		LCLS-Configuration	O	This information element indicates the LCLS-Configuration.
LCLS Connect Control Ack	From BSS	LCLS-BSS-Status	M	This information element notifies CN of the LCLS connection status in the BSS.

16.3.8 LCLS Notification Procedure between MSC-Server and BSS

Table 16.3.8.1 indicates the LCLS Notification Procedure and related information, which is exchanged between the MSC server and the BSS. Only the Information Elements required by LCLS are shown.

Table 16.3.8.1: LCLS Notification Procedures between MSC-Server and BSS

Procedures	Message direction	Information element name	Information element required	Information element description
LCLS-Notification	From BSS	LCLS-BSS-Status	C	This information element notifies CN of the LCLS connection status in the BSS. This information element shall be included when BSS changes the LCLS connection status.
		LCLS-Break-Request	C	This information element indicates if the LCLS break request is ordered from CN. This information element shall be included when BSS determines the local switching should be disconnected.
NOTE1: LCLS-BSS-Status and LCLS-Break-Request IEs are mutually exclusive.				
NOTE2: One of those IE shall be present in the LCLS Notification message.				

17 Bearer Redirect

Bearer Redirect mechanisms within BICC based CS core network may be applied as specified in 3GPP TS 23.205 [2].

Bearer Redirect is not supported within SIP-I based CS core network, see 3GPP TS 23.231 [3].

18 (G)MSC MGW Tandeming

It is FFS the impacts to (G)MSC MGW Tandeming procedure as specified in 3GPP TS 23.205 [2].

19 Timers

The Timers as defined for a BICC based CS Core Network shall be applied as defined in 3GPP TS 23.205 [2].

The Timers as defined for a SIP-I based CS Core Network shall be applied as defined in 3GPP TS 23.231 [3].

20 Multiple Realms

The principles for multiple IP realms shall be applied as defined in 3GPP TS 23.205 [2].

Annex A (informative): Change history

Change history							
Date	TSG #	TSG Doc.	CR	Rev	Subject/Comment	Old	New
2011-03	CT#51	CP-110295			V2.1.0 approved in CT#51	2.1.0	10.0.0
2011-06	CT#52	CP-110376	0001	-	LCLS Handover Result Code update	10.0.0	10.1.0
2011-06	CT#52	CP-110376	0002	1	LCLS Re-establishment Result Code update	10.0.0	10.1.0
2011-06	CT#52	CP-110376	0003	1	LCLS Break Result Code update	10.0.0	10.1.0
2011-06	CT#52	CP-110532	0004	1	LCLS Call deflection clarification	10.0.0	10.1.0
2011-06	CT#52	CP-110376	0005	1	Update of Call Clearing and LCLS Break/Re-establishment	10.0.0	10.1.0
2011-06	CT#52	CP-110376	0006	3	Update of Handover	10.0.0	10.1.0
2011-06	CT#52	CP-110376	0008	1	Update of LCLS Call Establishment	10.0.0	10.1.0
2011-06	CT#52	CP-110376	0009	2	Clarification of LCLS Configuration and LCLS Negotiation	10.0.0	10.1.0
2011-06	CT#52	CP-110376	0010	2	Usage of option to isolate access side termination from network side	10.0.0	10.1.0
2011-06	CT#52	CP-110376	0011	-	Clarification of LCLS Configuration and LCLS Negotiation	10.0.0	10.1.0

History

Document history		
V10.0.0	May 2011	Publication
V10.1.0	June 2011	Publication