

ETSI TS 123 316 V16.4.0 (2020-07)



**5G;
Wireless and wireline convergence access support
for the 5G System (5GS)
(3GPP TS 23.316 version 16.4.0 Release 16)**



Reference

DTS/TSGS-0223316vg40

Keywords

5G

ETSI

650 Route des Lucioles
F-06921 Sophia Antipolis Cedex - FRANCE

Tel.: +33 4 92 94 42 00 Fax: +33 4 93 65 47 16

Siret N° 348 623 562 00017 - NAF 742 C
Association à but non lucratif enregistrée à la
Sous-Préfecture de Grasse (06) N° 7803/88

Important notice

The present document can be downloaded from:

<http://www.etsi.org/standards-search>

The present document may be made available in electronic versions and/or in print. The content of any electronic and/or print versions of the present document shall not be modified without the prior written authorization of ETSI. In case of any existing or perceived difference in contents between such versions and/or in print, the prevailing version of an ETSI deliverable is the one made publicly available in PDF format at www.etsi.org/deliver.

Users of the present document should be aware that the document may be subject to revision or change of status.

Information on the current status of this and other ETSI documents is available at

<https://portal.etsi.org/TB/ETSIDeliverableStatus.aspx>

If you find errors in the present document, please send your comment to one of the following services:

<https://portal.etsi.org/People/CommiteeSupportStaff.aspx>

Copyright Notification

No part may be reproduced or utilized in any form or by any means, electronic or mechanical, including photocopying and microfilm except as authorized by written permission of ETSI.

The content of the PDF version shall not be modified without the written authorization of ETSI.

The copyright and the foregoing restriction extend to reproduction in all media.

© ETSI 2020.

All rights reserved.

DECT™, **PLUGTESTS™**, **UMTS™** and the ETSI logo are trademarks of ETSI registered for the benefit of its Members.

3GPP™ and **LTE™** are trademarks of ETSI registered for the benefit of its Members and of the 3GPP Organizational Partners.

oneM2M™ logo is a trademark of ETSI registered for the benefit of its Members and of the oneM2M Partners.

GSM® and the GSM logo are trademarks registered and owned by the GSM Association.

Intellectual Property Rights

Essential patents

IPRs essential or potentially essential to normative deliverables may have been declared to ETSI. The information pertaining to these essential IPRs, if any, is publicly available for **ETSI members and non-members**, and can be found in ETSI SR 000 314: "*Intellectual Property Rights (IPRs); Essential, or potentially Essential, IPRs notified to ETSI in respect of ETSI standards*", which is available from the ETSI Secretariat. Latest updates are available on the ETSI Web server (<https://ipr.etsi.org/>).

Pursuant to the ETSI IPR Policy, no investigation, including IPR searches, has been carried out by ETSI. No guarantee can be given as to the existence of other IPRs not referenced in ETSI SR 000 314 (or the updates on the ETSI Web server) which are, or may be, or may become, essential to the present document.

Trademarks

The present document may include trademarks and/or tradenames which are asserted and/or registered by their owners. ETSI claims no ownership of these except for any which are indicated as being the property of ETSI, and conveys no right to use or reproduce any trademark and/or tradename. Mention of those trademarks in the present document does not constitute an endorsement by ETSI of products, services or organizations associated with those trademarks.

Legal Notice

This Technical Specification (TS) has been produced by ETSI 3rd Generation Partnership Project (3GPP).

The present document may refer to technical specifications or reports using their 3GPP identities. These shall be interpreted as being references to the corresponding ETSI deliverables.

The cross reference between 3GPP and ETSI identities can be found under <http://webapp.etsi.org/key/queryform.asp>.

Modal verbs terminology

In the present document "**shall**", "**shall not**", "**should**", "**should not**", "**may**", "**need not**", "**will**", "**will not**", "**can**" and "**cannot**" are to be interpreted as described in clause 3.2 of the [ETSI Drafting Rules](#) (Verbal forms for the expression of provisions).

"**must**" and "**must not**" are **NOT** allowed in ETSI deliverables except when used in direct citation.

Contents

Intellectual Property Rights	2
Legal Notice	2
Modal verbs terminology.....	2
Foreword.....	7
1 Scope	8
2 References	8
3 Definitions and abbreviations.....	9
3.1 Definitions.....	9
3.2 Abbreviations	10
4 High level features.....	10
4.1 General	10
4.2 Network Access Control	11
4.2.0 General.....	11
4.2.1 Network selection	11
4.2.2 Identification and authentication.....	11
4.2.3 Authorisation	11
4.2.4 Access control and barring	11
4.2.5 Policy control.....	12
4.2.6 Lawful Interception.....	12
4.3 Registration and Connection Management.....	12
4.3.1 Registration management	12
4.3.2 Connection management.....	12
4.3.3 Mobility Restrictions	12
4.3.3.1 General.....	12
4.3.3.2 Management of Forbidden Area in wireline access	13
4.3.3.3 Management of Service Area Restrictions in wireline access.....	13
4.4 Session management	14
4.4.0 General.....	14
4.4.1 Session management for 5G-RG	14
4.4.2 Session management for FN-RG	14
4.5 QoS model.....	14
4.5.0 General overview.....	14
4.5.1 Wireline access specific 5G QoS parameters.....	16
4.5.1.0 Overview	16
4.5.1.1 Void.....	16
4.5.1.2 RG Level Wireline Access Characteristics	16
4.5.2 QoS model applied to FN-RG.....	16
4.6 User Plane management	16
4.6.1 General.....	16
4.6.2 IP address allocation	17
4.6.2.1 General	17
4.6.2.2 IPv6 Address Allocation using DHCPv6	17
4.6.2.3 IPv6 Prefix Delegation via DHCPv6.....	18
4.6.3 Packet Detection Rule.....	18
4.6.4 Forwarding Action Rule	18
4.6.5 Usage Reporting Rule.....	19
4.6.6 Usage of N4 to support IPTV	19
4.7 Identifiers	20
4.7.1 General.....	20
4.7.2 SUPI and SUCI for 5G-BRG support.....	20
4.7.3 SUPI and SUCI for FN-BRG support.....	20
4.7.4 SUPI and SUCI for 5G-CRG and FN-CRG support.....	20

4.7.5	Line ID.....	21
4.7.6	HFC identifier.....	21
4.7.7	PEI.....	21
4.7.8	Global Line Identifier.....	21
4.7.9	Global Cable Identifier.....	22
4.7.10	RAT types dedicated for Wireline access.....	22
4.7.11	SUPI and SUCI for N5GC device support.....	22
4.8	Security aspects.....	22
4.9	Support of specific services.....	22
4.9.0	General.....	22
4.9.1	IPTV.....	23
4.10	UE behind 5G-RG and FN-RG.....	23
4.10a	Non-5G capable device behind 5G-CRG and FN-CRG.....	24
4.11	Fixed Wireless Access.....	25
4.12	Hybrid Access.....	25
4.12.1	General.....	25
4.12.2	Hybrid Access with Multi-Access PDU Session connectivity over NG-RAN and W-5GAN.....	26
4.12.3	Hybrid Access with multi-access connectivity over E-UTRAN/EPC and W-5GAN.....	26
4.12.3.1	General.....	26
4.12.3.2	PDN Connections and Multi Access PDU Sessions.....	27
4.12.3.3	QoS Support.....	28
4.13	Support of FN-RG.....	28
4.14	Support of slicing.....	29
4.15	Support for IMS services.....	29
5	Network Function.....	29
5.0	General.....	29
5.1	Network Function Functional description.....	29
5.1.1	W-AGF.....	29
6	Control and User Plane Protocol Stacks.....	30
6.1	General.....	30
6.2	Control Plane Protocol Stacks for W-5GAN.....	30
6.2.1	Control Plane Protocol Stacks between the 5G-RG and the 5GC.....	30
6.2.2	Control Plane Protocol Stacks between the FN-RG and the 5GC.....	31
6.3	User Plane Protocol Stacks for W-5GAN.....	31
6.3.1	User Plane Protocol Stacks between the 5G-RG and the 5GC.....	31
6.3.2	User Plane Protocol Stacks between the FN-RG and the 5GC.....	32
7	System procedure.....	32
7.1	General.....	32
7.2	Connection, Registration and Mobility Management procedures.....	32
7.2.1	Registration Management procedures.....	33
7.2.1.1	5G-RG Registration via W-5GAN.....	33
7.2.1.2	5G-RG Deregistration via W-5GAN.....	36
7.2.1.3	FN-RG Registration via W-5GAN.....	37
7.2.1.4	FN-RG Deregistration via W-5GAN.....	39
7.2.2	Service Request procedures.....	39
7.2.2.1	5G-RG Service Request procedure via W-5GAN Access.....	39
7.2.2.2	FN-RG Service Request procedure via W-5GAN Access.....	41
7.2.3	5G-RG and FN-RG Configuration Update.....	43
7.2.3.0	General.....	43
7.2.3.1	5G-RG Configuration Update via W-5GAN Access.....	43
7.2.3.2	FN-RG related Configuration Update via W-5GAN Access.....	45
7.2.4	Reachability procedures.....	47
7.2.5	AN Release.....	47
7.2.5.1	General.....	47
7.2.5.2	5G-RG AN Release via W-5GAN.....	47
7.2.5.3	FN-RG AN Release via W-5GAN.....	49
7.2.6	N2 procedures.....	49
7.2.6.0	General.....	49
7.2.6.1	N2 procedures via W-5GAN Access.....	49
7.2.7	5G-RG and FN-RG Capability Match Request procedure.....	50

7.3	Session Management procedures	50
7.3.0	General.....	50
7.3.1	5G-RG Requested PDU Session Establishment via W-5GAN	50
7.3.1.1	5G-RG PDU Session establishment via W-5GAN	50
7.3.1.2	PDU Session Establishment with ACS Discovery	51
7.3.2	5G-RG or Network Requested PDU Session Modification via W-5GAN.....	52
7.3.3	5G-RG or Network Requested PDU Session Release via W-5GAN	53
7.3.4	FN-RG related PDU Session Establishment via W-5GAN	55
7.3.5	CN-initiated selective deactivation of UP connection of an existing PDU Session associated with W-5GAN Access	56
7.3.6	FN-RG or Network Requested PDU Session Modification via W-5GAN	57
7.3.7	FN-RG or Network Requested PDU Session Release via W-5GAN.....	57
7.4	SMF and UPF interactions	57
7.5	User Profile management procedures.....	57
7.6	Handover procedure	57
7.6.1	General.....	57
7.6.2	Handover within NG-RAN	58
7.6.3	Handover procedures between 3GPP access / 5GC and W-5GAN access	58
7.6.3.1	Handover of a PDU Session procedure from W-5GAN access to 3GPP access.....	58
7.6.3.2	Handover of a PDU Session procedure from 3GPP to W-5GAN access	58
7.6.4	Handover procedures between 3GPPaccess / EPS and W-5GAN/5GC access	59
7.6.4.1	Handover from 3GPP access / EPS to W-5GAN / 5GC.....	59
7.6.4.2	Handover from W-5GAN / 5GC access to 3GPP-access / EPS	60
7.7	Support of specific services.....	60
7.7.0	General.....	60
7.7.1	IPTV	60
7.7.1.1	Overview.....	60
7.7.1.1.1	Registration and PDU Session Establishment procedure for IPTV	61
7.7.1.1.2	IPTV Access procedure	61
7.7.1.1.3	Unicast/Multicast Packets transmission procedure.....	62
7.7.1.1.4	AF request to provision Multicast Access Control List information into UDR.....	64
8	Network Function services	65
8.0	General	65
8.1	UDM Services	65
8.1.1	Nudm_SubscriberDataManagement (SDM) Service	65
8.1.1.1	General	65
8.2	Void.....	66
8.3	BSF Services	66
8.3.1	General.....	66
8.4	PCF Services	66
8.4.1	General.....	66
8.4.2	Npcf_SMPolicyControl	66
8.4.3	Npcf_AMPolicyControl.....	66
8.4.3.1	Npcf_AMPolicyControl_Create service operation	66
8.4.3.2	Npcf_AMPolicyControl_Update service operation	67
8.5	Nnef_IPTVconfiguration service	67
8.5.1	General.....	67
8.5.2	Nnef_IPTVconfiguration_Create operation.....	67
8.5.3	Nnef_IPTVconfiguration_Update operation.....	67
8.5.4	Nnef_IPTVconfiguration_Delete operation.....	68
8.6	UDR Services.....	68
8.6.1	Nudr_DataManagement (DM) Service.....	68
8.6.1.1	General	68
9	Policy and Charging Control Framework and Configuration by ACS.....	68
9.0	General	68
9.1	Session management related policy control	69
9.1.0	General.....	69
9.1.1	Session binding.....	69
9.1.2	Policy Control Request Triggers relevant for SMF and wireline access type.....	69
9.2	Network Functions and entities	69

9.2.1	General.....	69
9.2.2	Policy Control Function (PCF).....	69
9.2.3	Session Management Function (SMF).....	70
9.2.4	Application Function (AF).....	70
9.2.5	Access and Mobility Management Function (AMF).....	70
9.3	Policy and charging control rule.....	71
9.3.1	PCC rule information to support IPTV service.....	71
9.4	PDU Session related policy information.....	71
9.5	Non-session management related policy information.....	71
9.5.1	Access and mobility related policy information.....	71
9.5.2	UE access selection and PDU Session selection related policy information.....	72
9.5.2.1	5G-RG.....	72
9.5.2.2	FN-RG.....	73
9.5.3	Policy Control Request Triggers relevant for AMF and wireline access type.....	73
9.6	Configuration and Management from ACS.....	74
9.6.1	General.....	74
9.6.2	ACS Discovery.....	74
9.6.3	ACS Information Configuration by the 3 rd party.....	75
9.6.4	URSP for FN RG.....	75
9.7	new PCRT (Policy Control Request Trigger).....	76
10	Support of additional functionalities.....	76
10.0	General.....	76
10.1	User Location Information.....	76
Annex A (informative):	UE behind RG using untrusted Non-3GPP access procedures.....	77
Annex B (informative):	Change history.....	79
History.....		82

Foreword

This Technical Specification has been produced by the 3rd Generation Partnership Project (3GPP).

The contents of the present document are subject to continuing work within the TSG and may change following formal TSG approval. Should the TSG modify the contents of the present document, it will be re-released by the TSG with an identifying change of release date and an increase in version number as follows:

Version x.y.z

where:

- x the first digit:
 - 1 presented to TSG for information;
 - 2 presented to TSG for approval;
 - 3 or greater indicates TSG approved document under change control.
- y the second digit is incremented for all changes of substance, i.e. technical enhancements, corrections, updates, etc.
- z the third digit is incremented when editorial only changes have been incorporated in the document.

1 Scope

The present document defines the enhancements to Stage 2 system architecture, procedure and flows, Policy and Charging Control for the 5G System defined in TS 23.501 [2], TS 23.502 [3] and TS 23.503 [4] in order to support wireline access network and Fixed Wireless Access. The specifications defined in TS 23.501 [2], TS 23.502 [3] and TS 23.503 [4] apply to the wireline access network and Fixed Wireless Access.

2 References

The following documents contain provisions which, through reference in this text, constitute provisions of the present document.

- References are either specific (identified by date of publication, edition number, version number, etc.) or non-specific.
- For a specific reference, subsequent revisions do not apply.
- For a non-specific reference, the latest version applies. In the case of a reference to a 3GPP document (including a GSM document), a non-specific reference implicitly refers to the latest version of that document *in the same Release as the present document*.

- [1] 3GPP TR 21.905: "Vocabulary for 3GPP Specifications".
- [2] 3GPP TS 23.501: "System Architecture for the 5G System; Stage 2".
- [3] 3GPP TS 23.502: "Procedures for the 5G system, Stage 2".
- [4] 3GPP TS 23.503: "Policy and Charging Control Framework for the 5G System".
- [5] BBF TR-124 issue 5: "Functional Requirements for Broadband Residential Gateway Devices".
- [6] BBF TR-101 issue 2: "Migration to Ethernet-Based Broadband Aggregation".
- [7] BBF TR-178 issue 1: "Multi-service Broadband Network Architecture and Nodal Requirements".
- [8] CableLabs DOCSIS MULPI: "Data-Over-Cable Service Interface Specifications DOCSIS 3.1, MAC and Upper Layer Protocols Interface Specification".
- [9] BBF WT-456: "AGF Functional Requirements".

NOTE 1: Technical Report of BBF WT-456 is TR-456 which will be available when finalized by BBF.

- [10] BBF WT-457: "FMIF Functional Requirements".

NOTE 2: Technical Report of BBF WT-457 is TR-457 which will be available when finalized by BBF.

- [11] 3GPP TS 33.501: "Security architecture and procedures for 5G System".
- [12] BBF TR-177 Issue 1 Corrigendum 1: "IPv6 in the context of TR-101".
- [13] IETF RFC 6788: "The Line-Identification Option".
- [14] 3GPP TS 23.003: "Numbering, Addressing and Identification".
- [15] IETF RFC 3315: "Dynamic Host Configuration Protocol for IPv6 (DHCPv6)".
- [16] IETF RFC 6603: "Prefix Exclude Option for DHCPv6-based Prefix Delegation".
- [17] IETF RFC 3633: "IPv6 Prefix Options for Dynamic Host Configuration Protocol (DHCP) version 6".
- [18] BBF TR-069: "CPE WAN Management Protocol".
- [19] BBF TR-369: "User Services Platform (USP)".

- [20] IETF RFC 3046: "DHCP Relay Agent Information Option".
- [21] IETF RFC 4604: "Using Internet Group Management Protocol Version 3 (IGMPv3) and Multicast Listener Discovery Protocol Version 2 (MLDv2) for Source-Specific Multicast".
- [22] 3GPP TR 24.501: "Non-Access-Stratum (NAS) protocol for 5G System (5GS); Stage 3".
- [23] 3GPP TS 38.413: "NG RAN; NG Application Protocol (NGAP)".
- [24] 3GPP TS 23.401: "General Packet Radio Service (GPRS) enhancements for Evolved Universal Terrestrial Radio Access Network (E-UTRAN) access".
- [25] 3GPP TS 22.011: "Service accessibility".
- [26] 3GPP TS 23.122: "Non-Access-Stratum (NAS) functions related to Mobile Station (MS) in idle mode".
- [27] CableLabs WR-TR-5WWC-ARCH: "5G Wireless Wireline Converged Core Architecture".
- [28] IETF RFC 3376: "Internet Group Management Protocol, Version 3".
- [29] 3GPP TS 23.273: "5G System (5GS) Location Services (LCS)".
- [30] BBF TR-198: "DQS:DQM systems functional architecture and requirements".
- [31] 3GPP TS 23.203: "Policy and charging control architecture".
- [32] 3GPP TS 33.126: "Lawful Interception Requirements".
- [33] IETF RFC 2236: "Internet Group Management Protocol, Version 2".
- [34] IETF RFC 4861: "Neighbor Discovery for IP version 6 (IPv6)".
- [35] IETF RFC 1112: "Internet Group Management Protocol".
- [36] IETF RFC 2710: "Multicast Listener Discovery Version for IPv6".
- [37] IETF RFC 2010: "Operational Criteria for Root Name Servers".
- [38] BBF WT-470: "5G FMC architecture".
- NOTE 3: Technical Report of BBF WT-470 is TR-470 which will be available when finalized by BBF.
- [39] 3GPP TS 29.519: "Policy Data, Application Data and Structured Data for exposure".
- [40] 3GPP TS 23.041: "Public Warning System".
- [41] IEEE Publication (2017): "Guidelines for Use of Extended Unique Identifier (EUI), Organizationally Unique Identifier (OUI), and Company ID (CID)".
<https://standards.ieee.org/content/dam/ieee-standards/standards/web/documents/tutorials/eui.pdf>.
- [42] 3GPP TS 29.413: "Application of the NG Application Protocol (NGAP) to non-3GPP access".

3 Definitions and abbreviations

3.1 Definitions

For the purposes of the present document, the terms and definitions given in TR 21.905 [1], TS 23.501 [2], TS 23.502 [3] and TS 23.503 [4] apply. A term defined in TS 23.501 [2], TS 23.502 [3] or TS 23.503 [4] takes precedence over the definition of the same term, if any, in any other specifications.

RG Level Wireline Access Characteristics: Wireline access technology specific QoS information corresponding to a specific wireline access subscription, which is provided by the AMF to the W-AGF at RG registration.

Wireline access Control Plane protocol (W-CP): Protocol used to transport AS and NAS signalling between the 5G-RG and the W-AGF over the Y4 reference point. W-CP is specified by BBF and CableLabs. There is no assumption that W-CP refers to only a single protocol or only a specific protocol layer.

Wireline access User Plane protocol (W-UP): Protocol used to carry PDU Session user plane traffic between the 5G-RG and the W-AGF over the Y4 reference point. W-UP is specified by BBF and CableLabs. There is no assumption that W-UP refers to only a single protocol or only a specific protocol layer.

Legacy Wireline access Control Plane protocol (L-W-CP): L-W-CP is a legacy control plane protocol between the FN-RG and W-AGF. L-W-CP is specified by BBF and CableLabs. There is no assumption that L-W-CP refers to only a single protocol or only a specific protocol layer.

Legacy Wireline access User Plane protocol (L-W-UP): L-W-UP is a legacy user plane protocol between the FN-RG and W-AGF. W-UP is specified by BBF and CableLabs. There is no assumption that L-W-UP refers to only a single protocol or only a specific protocol layer.

3.2 Abbreviations

For the purposes of the present document, the abbreviations given in TR 21.905 [1], TS 23.501 [2], TS 23.502 [3] and TS 23.503 [4] apply. An abbreviation defined in TS 23.501 [2], TS 23.502 [3] or TS 23.503 [4] takes precedence over the same abbreviation, if any, in any other specifications.

5G-RG	5G Residential Gateway
5G-BRG	5G Broadband Residential Gateway
5G-CRG	5G Cable Residential Gateway
ACS	Auto-Configuration Server
FN-RG	Fixed Network RG
FN-BRG	Fixed Network Broadband RG
FN-CRG	Fixed Network Cable RG
FWA	Fixed Wireless Access
IGMP	Internet Group Management Protocol
L-W-CP	Legacy Wireless access Control Plane Protocol
L-W-UP	Legacy Wireless access User Plane Protocol
MLD	Multicast Listener Discovery
RG	Residential Gateway
RG-LWAC	RG Level Wireline Access Characteristics
USP	User Services Platform
W-5GAN	Wireline 5G Access Network
W-5GCAN	Wireline 5G Cable Access Network
W-5GBAN	Wireline BBF Access Network
W-CP	Wireline access Control Plane protocol
W-UP	Wireline access User Plane protocol

4 High level features

This clause specifies high level description equivalent to TS 23.501 [2].

4.1 General

The roaming support for W-5GAN access is not specified in this release.

The usage of Trusted or Untrusted access to 5GC by a 5G-RG or by a FN RG is not applicable.

4.2 Network Access Control

4.2.0 General

This clause specifies the delta related to network access control defined in TS 23.501 [2] clause 5.2.

4.2.1 Network selection

In the case of 5G-RG or FN-RG connected via W-5GAN the PLMN selection specification defined in TS 22.011 [25] and in TS 23.122 [26] is not applicable. The HPLMN is implicitly selected by wired physical connectivity between 5G-RG or FN-RG and W-AGF.

NOTE 1: The 5G-RG or FN-RG can only connect to a single physical wired access W-5GAN to a W-AGF configured at line provisioning by the operator, in addition no PLMN information is advertised by AS protocols in W-5GAN, since the Network selection feature is not supported.

The roaming scenario is not supported in this Release of the specification.

In the case of 5G-RG connected via FWA TS 23.501 [2] clause 5.2.2 applies with the following difference:

- The PLMN selection defined in TS 22.011 [25] and in TS 23.122 [26] applies with the UE replaced by 5G-RG.

4.2.2 Identification and authentication

In the case of 5G-RG connected via W-5GAN or FWA, the specification defined in TS 23.501 [2] clause 5.2.3 applies with the following difference:

- UE is replaced by 5G-RG.

In the case of FN-RG connected via W-5GAN, the specification defined in TS 23.501 [2] clause 5.2.3 applies with the following differences:

- UE is replaced by FN-RG.
- The W-AGF provides the NAS signalling connection to the 5GC on behalf of the FN-RG.
- The W-5GAN may authenticate the FN-BRG per BBF specification WT-456 [9] and WT-457 [10]. The W-5GAN may authenticate the FN-CRG per CableLabs DOCSIS MULPI [8].

4.2.3 Authorisation

In the case of 5G-RG connected via W-5GAN or FWA, the specification defined in TS 23.501 [2] clause 5.2.4 applies with the following differences:

- UE is replaced by 5G-RG.

In the case of FN-RG connected via W-5GAN, the specification defined in TS 23.501 [2] clause 5.2.4 applies with the following differences:

- UE is replaced by FN-RG.
- W-AGF performs the UE Registration procedure on behalf of the FN-RG.

4.2.4 Access control and barring

In the case of 5G-RG or FN-RG connected via W-5GAN the Access Control and Barring defined in TS 23.501 [2] clause 5.2.5 is not applicable.

In the case of 5G-RG connected via FWA the specification defined in TS 23.501 [2] clause 5.2.5 applies with the following difference:

- UE is replaced by 5G-RG.

4.2.5 Policy control

Policy control is specified in clause 9.

4.2.6 Lawful Interception

In the case of 5G-RG connected via FWA the specification defined in TS 23.501 [2] clause 5.2.7 applies with the following difference:

- UE is replaced by 5G-RG.

In the case of 5G-RG connected via W-5GAN, the definition and functionality of Lawful Interception defined in TS 33.126 [32] applies with the following difference:

- UE is replaced by 5G-RG.

In the case of FN-RG connected via W-5GAN, the definition and functionality of Lawful Interception defined in TS 33.126 [32] applies with the following difference:

- UE is replaced by FN-RG, with e.g. the difference that FN-RG may not have a globally unique PEI (as described in clause 4.7.7) and does not hold any 3GPP-based subscriber credentials or subscriber identity information.

4.3 Registration and Connection Management

4.3.1 Registration management

Registration management when 5G-RG or FN-RG is connected to 5GC via wireline access is described in TS 23.501 [2] clause 5.5.1.

Registration management when 5G-RG is connected to 5GC via NG RAN access is described in TS 23.501 [2], clause 5.3.2.

4.3.2 Connection management

Connection management when 5G-RG or FN-RG is connected to 5GC via wireline access is described in TS 23.501 [2] clause 5.5.2.

Connection management when 5G-RG is connected to 5GC via NG RAN access is described in TS 23.501 [2], clause 5.3.3

4.3.3 Mobility Restrictions

4.3.3.1 General

Mobility Restrictions restrict service access of an 5G-RG depending on RG location.

For a 5G-RG connecting over NG-RAN, the Mobility Restriction functionality as described in TS 23.501 [2], clause 5.3.4.1 applies.

For an 5G-RG connecting over wireline access, the Mobility Restriction functionality is described in this clause.

Mobility restrictions do not apply to scenarios with FN-BRG.

NOTE 1: Since access to 5GC for FN-BRG subscriptions are identified by a SUPI determined from the GLI as described in clause 4.7.3 and clause 4.7.8. Such subscriptions are by definition restricted to a specific location.

NOTE 2: For FN-CRG subscriptions, HFC Node ID is used to identify the location of FN-CRG, thus service area restrictions for the FN-CRG can be identified by an HFC_Node ID, or by a list of HFC_Node ID.

Mobility Restrictions for wireline access consists of Forbidden Area and Service Area Restrictions, as described in the following clauses.

4.3.3.2 Management of Forbidden Area in wireline access

In a Forbidden Area, the 5G-RG, based on subscription, is not permitted by the 5GC to initiate any communication with the 5GC for this PLMN.

The UDM stores the Forbidden Area for wireline access in the same way as for 3GPP access, with the following differences:

- For subscriptions for 5G-BRG, GLI is used to describe the Forbidden Area.
- For subscriptions for 5G-CRG and FN-CRG, HFC Node IDs are used to describe the Forbidden Area (instead of TA).
- The Forbidden Area in UDM can be encoded as a "white list" indicating the non-forbidden area. In this case all GLI or HFC_Node ID values not included in the list are considered forbidden.

NOTE: The use of "white list" is to ensure an efficient Forbidden Area definition if only a small set of GLI / HFC Node ID values are not forbidden.

Forbidden Area is enforced by AMF, based on subscription data and the location information received from W-AGF. The AMF rejects a Registration Request from a 5G-RG or the W-AGF acting on behalf of a FN-CRG in a Forbidden Area with a suitable cause code. The 5G-RG behaviour depends on the network response (cause code from AMF) that informs the RG that communication is forbidden.

4.3.3.3 Management of Service Area Restrictions in wireline access

The subscription data in the UDM for a 5G-BRG includes a Service Area Restriction which may contain either Allowed or Non-Allowed Areas specified by using explicit GLI(s) and/or other geographical information (e.g., longitude/latitude, zip code, etc.).

The subscription data in the UDM for a 5G-CRG and FN-CRG includes a Service Area Restriction which may contain either Allowed or Non-Allowed Areas specified by using explicit HFC Node IDs and/or other geographical information (e.g., longitude/latitude, zip code, etc.).

The geographical information used to specify allowed or non-allowed area is only managed in the network, and the network will map it to a list of GLI(s) or HFC Node IDs before sending Service Area Restriction information to the PCF.

The UDM stores the Service Area Restrictions for the 5G-RG or FN-CRG as part of the subscription data. The PCF in the serving network may (e.g. due to varying conditions such as 5G-RG's location, time and date) further adjust Service Area Restrictions of a 5G-RG, either by expanding an allowed area or by reducing a non-allowed area. The UDM and the PCF may update the Service Area Restrictions of a 5G-RG or a FN-CRG at any time.

During registration, if the Service Area Restrictions of the 5G-RG or FN-CRG is not present in the AMF, the AMF fetches from the UDM the Service Area Restrictions of the 5G-RG or FN-CRG that may be further adjusted by the PCF. The serving AMF shall enforce the Service Area Restrictions of a 5G-RG and a FN-CRG. The AMF receives the location information (GLI, HFC Node IDs) where the RG is connected from the W-AGF via N2.

The network does not send any Allowed Area or Non-Allowed Area to the 5G-RG for wireline access. If the 5G-RG initiates communication in an Allowed Area, the network accepts the communication as allowed by the subscription. If the 5G-RG initiates Service Request or SM signalling in a Non-Allowed Area, the AMF rejects the request with a suitable cause code indicating that the 5G-RG/W-AGF should not retry Service Request and SM signalling while being connected to the same line.

Upon change of serving AMF due to mobility, the old AMF may provide the new AMF with the Service Area Restrictions of the 5G-RG that may be further adjusted by the PCF.

4.4 Session management

4.4.0 General

This clause specifies the delta related to session management defined in TS 23.501 [2] clause 5.6.

The LADN service defined in clause 5.6.5 in TS 23.501 [2] does not apply for RG connected to 5GC via wireline access.

4.4.1 Session management for 5G-RG

Session management of 5G-RG connected to 5GC via wireline access follows the principle defined in TS 23.501 [2] clause 5.6 with the following difference:

- UE is replaced by 5G-RG.
- 5G-RG is connected to 5GC via wireline RAT type instead of 3GPP access.

4.4.2 Session management for FN-RG

Session management of FN-RG follows the principle defined in TS 23.501 [2] clause 5.6 with the follow difference:

- UE is replaced by W-AGF
- FN-RG is connected to 5GC via wireline access instead of 3GPP access.
- Secondary authentication/authorization by a DN-AAA server during the establishment of a PDU Session is applicable neither to FN-RG nor to N5GC devices.

4.5 QoS model

4.5.0 General overview

The QoS model of TS 23.501 [2] clause 5.7 is applicable to the W-5GAN scenario, with the difference that the W-AGF acts as an Access Network (AN).

The principle for classification and marking of User Plane traffic and mapping of QoS flows to W-UP resources is illustrated in Figure 4.5-1.

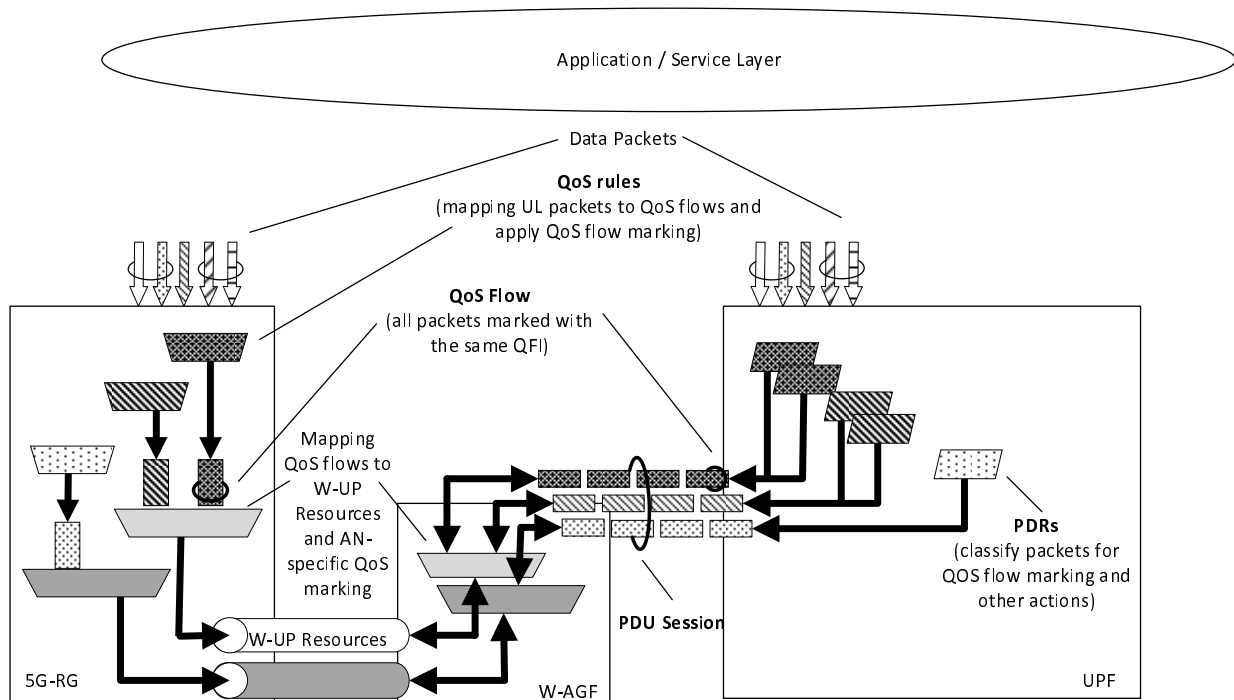


Figure 4.5-1: The principle for classification and User Plane marking for QoS Flows and mapping to W-UP resources for a PDU Session

When the W-AGF receives N2 requests related with PDU Session resources, the W-AGF maps the QoS profile(s) received from the 5GC to W-UP level QoS.

When the 5G-RG receives NAS message related with PDU Session QoS, the 5G-RG maps the QoS rule(s) received in NAS to W-UP level QoS.

One W-UP resource can be used as the default W-UP resource. There shall be one and only one Default W-UP resource per PDU session. The 5G-RG shall send all QoS Flows to this W-UP resource for which there is no mapping information to a specific W-UP resource.

Handling of UL traffic by the 5G-RG:

When the 5G-RG transmits an UL PDU, the 5G-RG shall determine the QFI associated with the UL PDU (by using the QoS rules of the PDU Session), it shall encapsulate the UL PDU inside an access layer dependent W-UP packet and shall forward the W-UP packet to W-AGF via the W-UP resource associated with this QFI.

Handling of DL traffic by W-AGF:

When the W-AGF receives a DL PDU via N3, it identifies of the PDU Session and optionally the QFI in order to determine the W-UP resource to use for sending the DL PDU to the 5G-RG. The W-AGF may include also in the W-UP header the Reflective QoS Indicator (RQI), which shall be used by the 5G-RG to enable reflective QoS.

The W-AGF will map 5QI received from the 5GC into access-specific QoS parameters relevant to the wireline access network. The mapping of 5QI to W-5GBAN QoS parameters is specified by the BBF for W-5GBAN in [9]. The mapping of 5QI to W-5GCAN QoS parameters is specified for W-5GCAN in CableLabs WR-TR-5WWC-ARCH [27].

QFI or other QoS parameters are carried via W-UP to the 5G-CRG as specified in CableLabs WR-TR-5WWC-ARCH [27].

The QFI and RQI are carried via W-UP to 5G-RG as specified in BBF WT-456 [9].

4.5.1 Wireline access specific 5G QoS parameters

4.5.1.0 Overview

The 5G QoS parameters specified in clause 5.7.2 of TS 23.501 [2] are applicable to wireline access network, with the following differences:

- The parameters defined in clause 4.5.1.2 are applicable for the wireline access network related PDU sessions.
- UE-AMBR is not applicable to wireline access. The AMF should not provide the subscribed UE-AMBR to the W-AGF.

4.5.1.1 Void

4.5.1.2 RG Level Wireline Access Characteristics

The wireline access networks may exhibit QoS control mechanisms and related thresholds, such as QoS class specific maximum bit rates, which the W-AGF needs to be aware of, in order to provide appropriate mapping of the QoS characteristics of the 5G QoS flows to the wireline technology specific QoS parameters.

These wireline access characteristics are considered to be relevant for a specific wireline access subscription, and correspond to RG level QoS information in the 5GC.

While the wireline access characteristics are important for implementing the end to end QoS mechanisms, across the 5G-RG/FN-RG, the W-5GAN and the 5GC, they only need to be acted on in the 5G-RG/FN-RG and the W-5GAN.

In order to support the W-AGF in implementing the mapping between 5G QoS parameters and wireline access specific parameters, the AMF may provide the RG Level Wireline Access Characteristics (RG-LWAC) to the W-AGF at the time of the RG registration.

Given that the 5GC does not act on these parameters, their structure is out of scope in 3GPP specifications and they are handled as a transparent data container. BBF and CableLabs may define the content and structure of this container for their own use.

The UE subscription data parameters RG Level Wireline Access Characteristics are defined in clause 8.1.1.

4.5.2 QoS model applied to FN-RG

The FN-RG does not support 3GPP signalling and therefore, mapping and interworking between 5G QoS and the wireline access network resources is managed by the W-AGF on behalf of the FN-RG.

The mapping of W-5GAN resources and 5GC QoS is configured in the W-AGF for the FN-CRG is specified by CableLabs. Resource management within the W-5GAN for the FN-CRG is specified by CableLabs.

The mapping of W-5GAN resources and 5GC QoS is configured in the W-AGF for the FN-BRG is specified by BBF. Resource management within the W-5GAN for the FN-BRG is specified by BBF.

4.6 User Plane management

4.6.1 General

The management of the user plane follows the description in TS 23.501 [2], clause 5.8 with additional specification described below in this clause.

4.6.2 IP address allocation

4.6.2.1 General

IP address allocation is performed as described in TS 23.501 [2] clause 5.8.2.2.

In addition to the IP address management features described in TS 23.501 [2] clause 5.8.2.2 the 5GC network functions and RG support the following mechanisms:

- a. IPv6 address allocation using DHCPv6 may be supported for allocating individual /128 IPv6 address(es) for a PDU Session. The details of IPv6 address allocation using DHCPv6 are described in clause 4.6.2.2.
- b. IPv6 Prefix Delegation using DHCPv6 may be supported for allocating additional IPv6 prefixes for a PDU Session. The details of Prefix Delegation are described in clause 4.6.2.3.

The mechanisms in a. and b. above are only applicable for IPv6 and IPv4v6 PDU Session types.

The requested IPv6 address or set of IPv6 Prefixes may be (as defined in TS 23.501 [2] clause 5.8.2.2.1):

- allocated from a local pool in the SMF or
- obtained from the UPF. In that case the SMF shall interact with the UPF via N4 procedures to obtain a suitable IP address/Prefix, or
- obtained from an external server.

When obtaining the IP address from the UPF, the SMF provides the UPF with the necessary information allowing the UPF to derive the proper IP address (e.g. the network instance, IP version, size of the IP address or Prefix the UPF is to allocate).

In this clause the RG may correspond either to a 5G RG or to a FN RG;

4.6.2.2 IPv6 Address Allocation using DHCPv6

Optionally, and instead of using Stateless IPv6 Address Autoconfiguration, individual 128-bit IPv6 address(es) may be assigned to a PDU Session.

In this case, after PDU Session Establishment, the SMF sends a Router Advertisement message (solicited or unsolicited) towards the RG. The SMF shall set the Managed Address Configuration Flag (M-flag) in the Router Advertisement messages to indicate towards the RG that IPv6 Address allocation using DHCPv6 is available, as described in RFC 4861 [34]. In that case the IPv6 address of the RG is allocated using DHCPv6 Identity Association for Non-temporary Addresses (IA_NA) and mechanisms defined in RFC 3315 [15].

The SMF may receive a Router Solicitation message, soliciting a Router Advertisement message.

When using DHCPv6 address allocation, a prefix (e.g. /64) may be allocated for the PDU Session at PDU Session Establishment from which the /128 addresses are selected. The SMF determines the size of the prefix for a PDU Session to a specific DNN and S-NSSAI based on subscription data and local configuration. The individual /128 address(es) allocated to the RG as part of DHCP IA_NA procedure are then selected from the prefix allocated to the PDU Session. For statically assigned prefix, the subscription data in UDM for a DNN and S-NSSAI includes the prefix. Alternatively, individual 128-bit address(es) are allocated for the PDU Session without allocating a prefix to the PDU Session and provided to the RG as part of DHCP IA_NA procedure.

When a prefix is allocated to the PDU Session, the SMF provides the prefix to the PCF instead of each /128 address. When individual /128 address(es) are allocated without allocating a prefix to the PDU Session, the SMF provides the /128 bits address(es) to PCF. Whether the SMF allocates a prefix for the PDU Session or individual 128-bit addresses is transparent to the RG and W-5GAN.

If Prefix Delegation (as described in clause 4.6.2.3) is also supported, a SMF may receive both DHCP options for IA_NA and IA_PD together in a single DHCPv6 message. An SMF may provide a reply to both IA_NA and IA_PD in the same message or alternatively process the DHCPv6 IA_NA before the DHCPv6 IA_PD.

The SMF may receive multiple different IA_NA related DHCP requests within the same PDU Session.

NOTE: This is applicable if the RG acts as a DHCP relay for devices behind the RG.

When IPv6 Address Allocation using DHCPv6 is used, 5GC does not support IPv6 multi-homing for enabling SSC mode 3 and PDU Sessions with multiple PDU Session Anchors.

4.6.2.3 IPv6 Prefix Delegation via DHCPv6

Optionally a single network prefix shorter than the default /64 prefix may be assigned to a PDU Session.

If IPv6 stateless autoconfiguration is used, the /64 default prefix used for IPv6 stateless autoconfiguration may be allocated from this network prefix; the remaining address space from the network prefix can be delegated to the PDU session using prefix delegation after the PDU Session establishment and IPv6 prefix allocation via IPv6 stateless address autoconfiguration as defined in TS 23.501 [2] clause 5.8.2.2.3. In this case the address space provided is maintained as an IPv6 address space pool available to the PDU Session for DHCPv6 IPv6 prefix requests with the exclusion of the IPv6 prefix that is allocated to the PDU Session using stateless IPv6 address allocation. In that case it is possible to aggregate the total IPv6 address space available for the PDU Session into one IPv6 prefix that will represent all IPv6 addresses that the RG may use.

The SMF determines the maximum size of the prefix that may be allocated for the PDU Session based on subscription data and local configuration.

If stateless IPv6 address autoconfiguration procedure is used by the RG to get the first Prefix of the PDU Session, DHCPv6 is used to request additional IPv6 prefixes (e.g. prefixes in addition to the default prefix) from the SMF after completing stateless IPv6 address autoconfiguration procedures. If IPv6 address allocation using DHCPv6 is used, the DHCPv6 message may include a request for a delegated prefix (IA_PD) together with a request for an IPv6 address (IA_NA). Alternatively, a delegated prefix may be requested after an IPv6 address has been assigned using IA_NA.

The RG acts as a "Requesting Router" as described in IETF RFC 3633 [17] and inserts one or more IA_PD option(s) into a DHCPv6 Solicit message sent to the SMF via the user plane and the UPF. The SMF acts as the DHCP server and fulfils the role of a "Delegating Router" according to IETF RFC 3633 [17]. The RG optionally includes the RAPID_COMMIT option in the DHCPv6 Solicit message to trigger two-message DHCPv6 procedure instead of the four-message DHCPv6 procedure.

In response to the DHCPv6 Solicit message, the SMF sends a DHCPv6 Reply message with one or more IA_PD prefix(es) for every IA_PD option that was received in the DHCPv6 Solicit message.

If the DHCPv6 request indicates support for prefix exclusion via the OPTION_PD_EXCLUDE option code in an OPTION_ORO option and if the SMF accepts this option, the SMF delegates a prefix excluding the default prefix with help of OPTION_PD_EXCLUDE. Prefix exclusion procedures shall follow IETF RFC 6603 [16].

4.6.3 Packet Detection Rule

PDR used to support PDU Sessions for RG follow the specifications in TS 23.501 [2] clause 5.8.2.11.3 with the clarifications and additions shown below.

For PDU Session used for IPTV service, (see also clause 4.6.6):

- Packets Filter Set support Packet Filters for IGMP, including IGMPv2 specified in RFC 2236 [33], IGMPv3 specified in RFC 4604 [21], for MLDv1 specified in RFC 2710 [36] and MLDv2 specified in RFC 4604 [21]. The PDR may also contain IP Multicast addressing information that may refer to ranges of IP multicast addresses. Such IP Multicast addressing information is not part of the PDI. The packets filters for IGMPv1 defined in RFC 1112 [35] are not supported.

4.6.4 Forwarding Action Rule

FAR used to support PDU Sessions for RG follow the specifications in TS 23.501 [2] clause 5.8.2.11.6 with the clarifications and additions and difference shown below.

For PDU Sessions used for IPTV service (see also clause 4.6.6):

- Following additional "Action" values are used to support IPTV service:

- "IP Multicast Accept" indicates whether in the case of IGMP and MLD Membership Report message to accept the multicast join and add the PDU Session to the requested multicast group distribution. This may also imply acting as an IP Multicast Router as described in clause 7.7.1.1

NOTE 1: The IGMP "Join message" and MLD "Join message" are generic terms used in this document to indicate the request of a host to join a multicast group which can express via IGMP and MLD Report message (e.g. Membership Report) or via Join message.

NOTE 2: In this specification the generic term IGMP refers to both IGMPv2 and IGMPv3 unless specifically defined. The term MLD refers to both MLDv1 and MLDv2 unless specifically defined.

- "IP Multicast Accept" indicates that when UPF detects the IGMPv3 Leave message or a MLD Done message via the PDU Session, the UPF needs also to ensure that the PDU Session is removed from the requested multicast group distribution.
- "IP Multicast Deny" indicates that the UPF shall not accept the corresponding IGMP and MLD Membership Report message to join a multicast group.

4.6.5 Usage Reporting Rule

URR used to support PDU Sessions for RG follow the specifications in TS 23.501 [2] clause 5.8.2.11.5 with the clarifications and additions shown below:

For PDU Sessions used for IPTV service (see also clause 4.6.6), an URR may indicate a Reporting trigger (defined in TS 23.501 [2] clause 5.8.2.11.5) with a value Reporting Trigger set to "IGMP reporting" for IGMP or set to "MLD reporting" for MLD where the UPF is to report to the SMF when

- it adds a PDU session to the DL replication tree associated with an IP Multicast flow;
- it removes a PDU session from the DL replication tree associated with an IP Multicast flow.

The corresponding notification shall contain the (Source IP address of the DL multicast flow, Destination IP address of the DL multicast flow).

NOTE: The corresponding notification can be used by the SMF to report the information to the PCF and/or to CHF.

4.6.6 Usage of N4 to support IPTV

The SMF sends to the UPF acting as PSA N4 rules such as PDR, FAR related to IP Multicast traffic allowed for the PDU Session of a 5G-RG. IP Multicast traffic allowed for the PDU Session corresponds to IPTV services allowed for the user. IP Multicast Addressing information identifies such traffic. In the case Source Specific Multicast is configured to be used on the PDU Session, IP Multicast Addressing information refers to both IP Multicast address and Source IP address.

The SMF may need to take into account UPF capability to support the features described in this clause when selecting an UPF to serve a PDU Session. For IPv6 PDU session IPTV services will be based on MLD, for IPv4 PDU session on IGMP.

N4 rules for IP Multicast traffic related to IPTV service may correspond to:

- Rules related with UL IGMP or MLD traffic:
 - a PDR identifying IGMP signalling or MLD together with IP Multicast Addressing information identifying a set of IP multicast groups;

NOTE 1: The IP Multicast Addressing information may correspond to ranges of IP Multicast addresses

- a FAR with:
 - an "IP Multicast Accept" action in order to request the UPF to accept UE requests to join the corresponding IP multicast group(s); or

- an "IP Multicast Deny" action in order to request the UPF to deny UE requests to join the corresponding IP multicast group(s);
- possibly a URR with a Reporting Trigger set to "IGMP reporting" for IGMP or set to "MLD reporting" for MLD.;
- Rules related with DL IP Multicast traffic:
 - a PDR identifying IP Multicast Addressing information (DL IP Multicast traffic);

NOTE 2: The IP Multicast Addressing information may correspond to ranges of IP Multicast addresses

- a FAR asking to add outer header = GTP-u tunnel related with the PDU Session of the 5G RG;
- a QER indicating the QoS to use towards the 5G-RG for the IP Multicast traffic that has been replicated.

4.7 Identifiers

4.7.1 General

As described in TS 23.501 [2], each subscriber in the 5G System shall be allocated one 5G Subscription Permanent Identifier (SUPI) for use within the 3GPP system. As described in TS 23.501 [2], each FN-RG or 5G-RG accessing the 5G System shall be assigned a Permanent Equipment Identifier (PEI).

The clauses below describe specific aspects for supporting 5G-RG and FN-RG.

4.7.2 SUPI and SUCI for 5G-BRG support

The SUPI for an 5G-BRG shall contain an IMSI, as described in TS 23.501 [2], clause 5.9.2.

The SUCI provided by the 5G-BRG to the network contains the concealed SUPI, as described in TS 33.501 [11].

4.7.3 SUPI and SUCI for FN-BRG support

The SUPI for an FN-BRG subscription shall, based on operator configuration, either contain an IMSI or a GLI as defined in clause 4.7.8. A SUPI containing a GLI takes the form of a NAI whose user part is the GLI and whose realm part is an identifier of the operator owning the subscription.

The SUCI provided by the W-AGF to the 5GC for FN-BRG always corresponds to a SUPI containing a GLI. This SUCI acts as pseudonym of the SUPI and the UDM performs a mapping to the actual SUPI that, depending on operator configuration, contains either an IMSI or the same GLI that was provided in the SUCI.

As described in TS 23.003 [14], the SUCI also contains an identifier of the Home network, i.e. the identifier of the operator owning the subscription.

4.7.4 SUPI and SUCI for 5G-CRG and FN-CRG support

The SUPI for a FN-CRG subscription shall, based on operator configuration, contain either an IMSI, as described in clause 5.9.2 of TS 23.501 [2], or a GCI (Global Cable identifier defined in clause 4.7.9).

The SUPI for a 5G-CRG subscription shall, based on operator configuration, contain either an IMSI, as described in clause 5.9.2 of TS 23.501 [2], or a GCI (Global Cable identifier defined in clause 4.7.9).

Only 5G-CRG whose SUPI corresponds to an IMSI may use 3GPP access to connect to 5GC.

A SUPI containing a GCI takes the form of a NAI where the user part is the GCI and the realm part is an identifier of the operator managing the subscription.

The SUCI provided by the 5G-CRG to the network contains the concealed SUPI, as described in TS 33.501 [11].

The SUCI provided to the network for FN-CRG support always corresponds to a SUPI containing a GCI. This SUCI acts as pseudonym of the SUPI and the UDM performs a mapping to the SUPI that, depending on operator configuration, contains either an IMSI or the same GCI than in the SUCI.

As described in TS 23.003 [14], for both cases where the SUCI contains an IMSI or contains a GCI, the SUCI contains an identifier of the Home network i.e. an identifier of the operator managing the subscription.

NOTE: If the SUCI contains an IMSI, the identifier of the operator managing the subscription is carried in the MCC/MNC part of the IMSI as defined in TS 23.003 [14].

4.7.5 Line ID

The Line ID is defined in BBF Specifications, see BBF WT-470 [38].

4.7.6 HFC identifier

The HFC_Identifier may contain a cable modem MAC address or an overall HFC account identifier, as defined by CableLabs in DOCSIS MULPI [8].

4.7.7 PEI

If the 5G-RG (i.e. 5G-BRG and 5G-CRG) supports at least one 3GPP access technology (i.e. NG-RAN, E-UTRAN), the 5G-RG must be allocated a Permanent Equipment Identifier (PEI) in the IMEI or IMEISV format, as described in TS 23.501 [2]. The 5G-RG shall present this PEI to the network independent of access technology used by the 5G-RG (3GPP access technology or W-5GAN access technology).

If the 5G-BRG supports only W-5GAN access, the PEI shall contain the 5G-BRG MAC address.

If the 5G-CRG supports only W-5GAN access, the PEI shall contain the cable modem MAC address.

For FN-RG (i.e. FN-BRG and FN-CRG), the W-AGF shall provide a PEI containing:

- The FN-RG MAC address: this shall be used by the W-AGF when it is known by configuration that the MAC address received by the W-AGF is unique (no other entity can use the same MAC address) and corresponds to the permanent MAC address configured on the RG by the manufacturer.

NOTE 1: This assumes that the W-AGF can see the actual permanent MAC address of the FN-RG and not the MAC address of any intermediate entity (e.g. DSLAM).

- The MAC address received by the W-AGF, together with an indication provided by the W-AGF that this address cannot be used as an Equipment identifier of the FN-RG: this shall be used by the W-AGF when the conditions to provide a PEI containing the FN-RG MAC address are not met.

NOTE 2: This is to support the case of legacy deployments for FN RG where either multiple FN RG can share the same MAC address or where the MAC address received by the W-AGF is not that of the FN RG but the MAC address of an intermediate entity between the FN RG and the W-AGF.

NOTE 3: When the PEI contains an indication that the MAC address cannot be used as an Equipment identifier of the FN-RG, the PEI cannot be trusted for regulatory purpose but it can be stored in CDR and used for troubleshooting.

4.7.8 Global Line Identifier

For usage with 5GC, a Global Line Identifier (GLI) is specified in order to define a globally unique identifier of the line connecting the RG to the network. In this release an RG is associated with a unique GLI.

For FN BRG, the GLI is used to build a SUCI. For FN-BRG the GLI may be used to build a SUPI. See clause 4.7.3. For all types of RG, the GLI is used as User Location Information on wireline access.

The GLI contains an identifier of the Line ID source and the Line ID value. The identifier of the Line ID source ensures the unicity of the GLI while the Line ID may not be unique in some deployments. The identifier of the Line ID source and Line ID are administered by the W-AGF operator.

The Global Line Identifier is a variable length identifier encoded as defined in TS 23.003 [14] and in BBF WT-470 [38].

4.7.9 Global Cable Identifier

For usage with 5GC, a Global Cable Identifier (GCI) is specified in order to define a globally unique identifier of the line connecting the CRG to the network. In this release an RG is associated with a unique GCI.

The GCI contains the HFC_Identifier which is defined in CableLabs WR-TR-5WWC-ARCH [27].

For FN CRG, the GCI is used to build a SUCI. For FN CRG the GCI may be used to build a SUPI. See clause 4.7.4. For all types of CRG the HFC Node ID is used to build User Location Information on Cable access.

The identifier of the HFC Node ID and the HFC_Identifier are administered by the W-AGF operator.

The Global Cable Identifier is a variable length identifier encoded as defined in TS 23.003 [14] and CableLabs WR-TR-5WWC-ARCH [27].

4.7.10 RAT types dedicated for Wireline access

The AMF, as described in TS 23.501 [2] clause 5.3.2.3, determines the RAT Type for Wireline access, taking into account the Global W-AGF Node ID and possibly ULI information provided by the W-AGF. The RAT Type may allow to distinguish between Wireline, Wireline-Cable access and Wireline-BBF access.

4.7.11 SUPI and SUCI for N5GC device support

The SUPI for non-5G capable (N5GC) device connecting via CRG shall contain a network-specific identifier. A SUPI containing a network-specific identifier takes the form of a Network Access Identifier (NAI) as defined in TS 23.003 [14].

The SUCI provided by the W-AGF to the is derived from the EAP-Identity message received from the N5GC device , as defined in TS 33.501 [11]. The format of this SUCI is defined in TS 23.003 [14].

4.8 Security aspects

TS 23.501 [2] clause 5.10 applies to the FN-CRG with the following deltas:

- Mutual authentication of the FN-CRG and the wireline access network is completed as specified by CableLabs DOCSIS MULPI [8]. The successful completion of the authentication of the FN-CRG is conveyed by the W-AGF serving the FN-CRG to the AMF.
- UE is replaced by W-AGF on behalf of the FN-CRG for the balance of TS 23.501 [2] clause 5.10 and clauses.
- See TS 33.501 [11] for additional requirements

TS 23.501 [2] clause 5.10 applies to the 5G-CRG with the following deltas:

- The UE is replaced by the 5G-CRG
- Signalling security aspects between the 5G-CRG and the W-AGF are specified by CableLabs in WR-TR-5WWC-ARCH [27].
- See TS 33.501 [11] for additional requirements

4.9 Support of specific services

4.9.0 General

This clause specifies high level definition of services specific for WWC scenario.

PWS functionality as described in TS 23.041 [40] is not supported for Wireline access but may be supported by RG(s) connected over 3GPP access.

4.9.1 IPTV

IPTV is defined as multimedia services such as television/video/ audio/text/graphics/data delivered over IP-based networks managed to support the required level of QoS/QoE, security, interactivity and reliability. STB obtains IPTV service via RG, including 5G-RG and FN-RG, which are connected to 5GC.

The procedures to support IPTV is specified in clause 7.7.1.

4.10 UE behind 5G-RG and FN-RG

An RG connecting via W-5GAN or NG-RAN access towards 5GC can provide connectivity for a UE behind the RG to access an N3IWF or TNGF. It is assumed that the UE is 5GC capable, i.e. supports untrusted non-3GPP access and/or trusted non-3GPP access. This allows the RG, W-5GAN and the RG's connectivity via 5GC to together act as untrusted/trusted N3GPP access to support UEs behind the RG.

When FN-RG/5G-RG is serving a UE, the control and user plane packets of the UE is transported using a FN-RG/5G-RG IP PDU session and then from PSA UPF of that PDU session to an IWF. A single FN-RG/5G-RG IP PDU session can be used to serve multiple UEs.

Figure 4.10-1 shows the non-roaming architecture for a UE, behind a 5G-RG, accessing the 5GC via TNGF where the combination of 5G-RG, W-5GAN and UPF serving the 5G-RG is acting as a trusted Non-3GPP access network.

NOTE 1: FN-RG and W-5GAN acting as trusted Non-3GPP access is not considered in this specification as it is assumed that FN-RG does not support EAP-based access control (e.g. 802.1X).

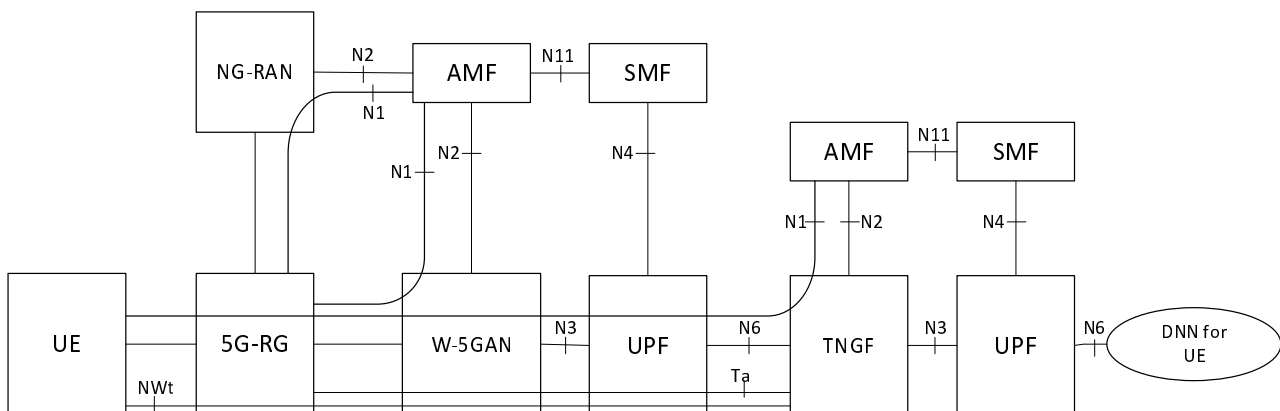


Figure 4.10-1: Non-roaming architecture for UE behind 5G-RG using trusted N3GPP access

The 5G-RG can be connected to 5GC via W-5GAN, NG-RAN or via both accesses. The UE can be connected to 5GC via 5G-RG, NG-RAN or via both accesses.

The TNGF and Ta reference point are defined in TS 23.501 [2].

NOTE 2: The reference architecture in figure 4.10-1 only shows the architecture and the network functions directly connected to W-5GAN or TNGF, and other parts of the architecture are the same as defined in TS 23.501 [2], clause 4.2.

NOTE 3: The reference architecture in figure 4.10-1 supports service based interfaces for AMF, SMF and other NFs not represented in the figure.

NOTE 4: The two N2 instances in Figure 4.10-1 apply to a single AMF for a 5G-RG which is simultaneously connected to the same 5G Core Network over 3GPP access and W-5GAN.

4.10a Non-5G capable device behind 5G-CRG and FN-CRG

For isolated 5G networks (i.e. roaming is not considered) with wireline access, non-5G capable (N5GC) devices connecting via W-5GAN can be authenticated by the 5GC using EAP based authentication method(s) as defined in TS 33.501 [11]. The following call flow describes the overall registration procedure of such a device.

Roaming is not supported for N5GC devices

The usage of N5GC device correspond to a subscription record in UDM/UDR that is separate from that of the CRG.

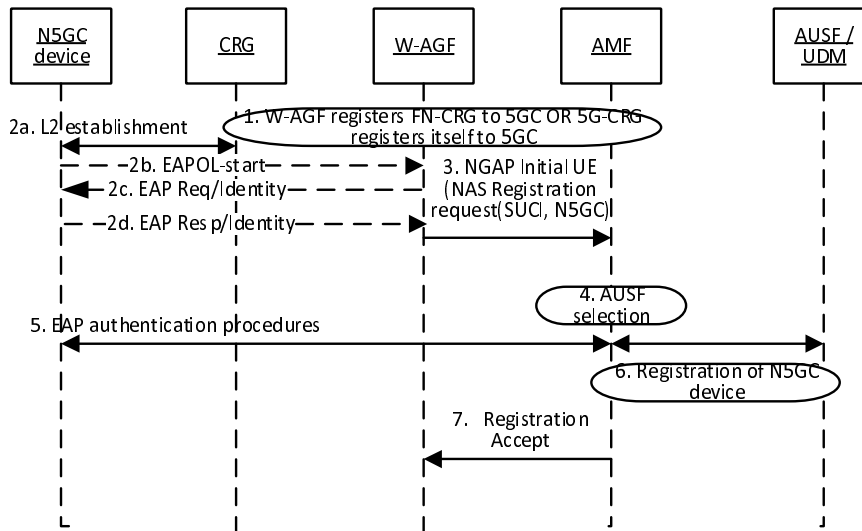


Figure 4.10a-1: 5GC registration of Non-5G device

1. The W-AGF registers the FN-CRG to 5GC as specified in clause 7.2.1.3 or the 5G-CRG registers to 5GC as specified in clause 7.2.1.1.
2. The CRG is configured as L2 bridge mode and forwards any L2 frame to W-AGF. 802.1x authentication may be triggered. This can be done either by N5GC device sending a EAPOL-start frame to W-AGF or W-AGF receives a frame from an unknown MAC address.

How the CRG is configured to work in L2 bridge mode and how the W-AGF is triggered to apply procedures for N5GC devices is defined in CableLabs WR-TR-5WWC-ARCH [27].

The N5GC device send an EAP-Resp/Identity including its Network Access Identifier (NAI) in the form of username@realm.

3. W-AGF, on behalf of the N5GC device, sends a NAS Registration Request message to AMF with a device capability indicator that the device is non-5G capable. For this purpose, the W-AGF creates a NAS Registration Request message containing a SUCI. The W-AGF constructs the SUCI from the NAI received within EAP-Identity from the N5GC device as defined in TS 33.501 [11].

Over N2 there is a separate NGAP connection per N5GC device served by the W-AGF.

When it provides (over N2) ULI to be associated with a N5GC device, the W-AGF builds the N5GC's ULI using the GCI (see clause 4.7.9) of the CRG connecting the N5GC device.

NOTE: How the W-AGF determines the CRG connecting a N5GC device is specified in CableLabs WR-TR-5WWC-ARCH [27].

4. AMF selects a suitable AUSF as specified in TS 23.501 [2] clause 6.3.4.
5. EAP based authentication defined in TS 33.501 [11] is performed between the AUSF and N5GC device.

Once the N5GC device has been authenticated, the AUSF provides relevant security related information to the AMF. AUSF shall return the SUPI (this SUPI corresponds to a NAI that contains the username of the N5GC device and a realm as defined in TS 33.501 [11]) to AMF only after the authentication is successful.

NOTE: Each N5GC device is registered to 5GC with its own unique SUPI.

6. The AMF performs other registration procedures as required (see TS 23.502 [3] clause 4.2.2.2).

When providing a PEI for a N5GC device, the W-AGF shall provide a PEI containing the MAC address of the N5GC device. The W-AGF may, based on operator policy, encode the MAC address of the N5GC device using the IEEE Extended Unique Identifier EUI-64 format (see IEE Publication [41]).

7. The AMF sends Registration Accept message to W-AGF.

Once the registration procedure is completed, the W-AGF requests the establishment of a PDU Session on behalf of the N5GC device. Only one PDU session per N5GC device is supported. The procedure is the same as the PDU Session establishment procedure specified in clause 7.3.4 with the difference as below:

After successful registration, PDU Session establishment/modification/release procedure specified in clause 7.3.4, 7.3.6, and 7.3.7 apply with the difference as below:

- FN-RG is replaced by N5GC device.

The W-AGF shall request the release of the NGAP connection for each N5GC device served by a CRG whose NGAP connection has been released.

5G-CRG behaves as FN-CRG (i.e. L2 bridge mode) when handling N5GC devices.

4.11 Fixed Wireless Access

For the 5G-RG connected to 5GC via NG-RAN the specifications defined TS 23.501 [2], TS 23.502 [3] and TS 23.503 [4] applies with the following modification:

- The UE corresponds to the 5G-RG.
- The 5G-RG may support LTE access connected to EPC and EPC interworking as defined in TS 23.501 [2], clause 5.17. This is controlled by SMF Selection Subscription data defined in Table 5.2.3.3.1-1 of TS 23.502 [3].
- The configuration of 5G-RG via ACS server based on TR-069 [18] and TR-369 [19] is specified clause 9.6.
- The Home Routing roaming is supported for 5G-RG connected via NG RAN in this release.
- 5G Multi-Operator Core Network (5G MOCN) is supported for 5G-RG connected via NG RAN as defined in clause 5.18 of TS 23.501 [2]
- The LBO roaming for 5G-RG connected via NG RAN is not specified in this release.
- The LADN service defined in clause 5.6.5 in TS 23.501 [2] applies to the 5G-RG connected to 5GC via 3GPP access. The specification in clause 5.6.5 in TS 23.501 [2] applies via 5G-RG replacing UE with the following difference:
 - UE Configuration Update procedure is referred to the procedures in clause 7.2.3.1.

NOTE: HR roaming over 3GPP access is defined for 5G_RG but in some countries it can not apply due to local regulations.

4.12 Hybrid Access

4.12.1 General

This clause specifies the support of Hybrid Access considering both the support of PDU session and MA PDU session.

Hybrid Access applies to a 5G-RG capable of connecting to both NG-RAN and to W-5GAN. Hybrid Access also applies to a 5G-RG capable of connecting to W-5GAN/5GC and E-UTRAN/EPC using EPC interworking architecture. Hybrid Access does not apply to FN-RG.

The following Hybrid Access scenarios are supported with single-access PDU sessions:

- Hybrid Access using PDU session carried only on a single access, either NG-RAN or W-5GAN, but that cannot be simultaneously on both accesses. Such PDU Session can be handed over between NG-RAN and W-5GAN using procedures described in TS 23.502 [3], clause 4.9.2, but with UE replaced by 5G-RG and N3IWF replaced by W-5GAN.
- Hybrid Access using single access connectivity for 5G-RG supporting LTE/EPC and EPC interworking. In that case mobility between W-5GAN/5GS and E-UTRAN/EPC is handled using interworking procedures described in TS 23.502 [3], clause 4.11.3, but with UE replaced by 5G-RG and N3IWF replaced by W-5GAN.

The following Hybrid Access scenarios are supported with multi-access connectivity:

- Hybrid Access with Multi-Access PDU Session connectivity over NG-RAN and W-5GAN and operator-controlled traffic steering. This scenario is further detailed in clause 4.12.2.
- Hybrid Access with simultaneous multi-access connectivity to LTE/EPC and W-5GAN/5GS using EPC interworking. This scenario is further detailed in clause 4.12.3.

4.12.2 Hybrid Access with Multi-Access PDU Session connectivity over NG-RAN and W-5GAN

This clause applies to the case where multi-access PDU Session connectivity via NG-RAN and W-5GAN is supported in the 5G-RG and network. The Hybrid Access architecture of 5G-RG is defined in TS 23.501 [2] in Figure 4.2.8.4-1. This scenario uses the ATSSS solution described in TS 23.501 [2], clause 5.33, with the following difference:

- UE is replaced by 5G-RG.
- Non-3GPP access(es) is specifically referred to wireline access.

4.12.3 Hybrid Access with multi-access connectivity over E-UTRAN/EPC and W-5GAN

4.12.3.1 General

This clause applies to the case where multi-access connectivity via both EPC and 5GC is supported in the 5G-RG and network. In this case, multi-access connectivity using ATSSS via both EPC and 5GC may be provided as described in this clause.

NOTE: Co-existence with NBIFOM is not defined. It is assumed that NBIFOM and the multi-access connectivity described in this clause are not deployed in the same network.

The use of ATSSS with EPS interworking applies to IP-based PDU Session and PDN Connection types.

For this scenario, the general principles for ATSSS as described in TS 23.501 [2], clause 5.32 apply, with the additions provided in this clause.

A Multi-Access PDU Session may be extended with user-plane resources via an associated PDN Connection on 3GPP access in EPC. This enables a scenario where a MA PDU Session can simultaneously be associated with user-plane resources on 3GPP access network connected to EPC and W-5GAN connected to 5GC. Such a PDN Connection in EPS would thus be associated with multi-access capability in 5G-RG and PGW-C+SMF.

NOTE: To the MME and SGW this is a regular PDN Connection and the support for ATSSS is transparent to MME and SGW.

The 5G-RG may operate in either single-registration mode or dual-registration mode in 3GPP access. Irrespective of whether the 5G-RG operates in single-registration mode or dual-registration mode in 3GPP access, it is assumed that the 5G-RG supports simultaneous registrations for non-3GPP access in 5GC and 3GPP access in EPC.

The multi-access connectivity described in this clause supports simultaneous connectivity using 3GPP access via EPC and W-5GAN access via 5GC.

The ATSSS rules are provided from the PGW-C+SMF to the 5G-RG via SM NAS signalling over 5GC, as described in TS 23.501, clause 5.32.2. ATSSS rules are not provided via the EPC.

After the establishment of a MA PDU Session and setting up user-plane resources in 3GPP access in EPC and non-3GPP access in 5GC, the 5G-RG distributes the uplink traffic across the two access networks as described in TS 23.501 [2], clause 5.32.1. Similarly, the PDU Session Anchor UPF performs distribution of downlink traffic across the two access networks as described in TS 23.501 [2], clause 5.32.1.

The PMF protocol may be used via any user plane connection, i.e. via 3GPP access in EPC or non-3GPP access in 5GC.

The PCF functionality to support ATSSS, as described in TS 23.501 [2], clause 5.32.1 and TS 23.503 [4] applies also in the case of interworking with EPC.

4.12.3.2 PDN Connections and Multi Access PDU Sessions

When the 5G-RG wants to request a new PDN Connection in EPC and wants to use this PDN Connection as user-plane resource associated with a MA PDU Session:

- The 5G-RG requests establishment of a new PDN Connection when the 5G-RG is registered via 3GPP access in EPS using PDN Connection Establishment procedure. The 5G-RG provides via PCO to PGW-C+SMF the following information:
 - An indication that the PDN Connection is requested to be associated with a MA PDU Session
 - The 5G-RG's ATSSS capabilities as described in TS 23.501 [2], clause 5.32.2 (i.e. whether the 5G-RG is capable of supporting the ATSSS-LL functionality, or the MPTCP functionality, or both)
- The MME may select a PGW-C+SMF as described in TS 23.401 [24] and TS 23.502 [3], clause 4.11.0a.4.

NOTE 1: The selection of PGW-C+SMF in the correct 5GC slice requires the same mapping between EPC and 5GC slices as required for single-access PDU sessions. In order to select an ATSSS capable PGW-C+SMF it is assumed that the operator deployment ensures that all PGW-C+SMF(s) configured to support the specific APN in this network slice are also capable to support ATSSS. There is however no assumption that all PGW-U+UPFs need to support ATSSS, since PGW-C+SMF can make a selection of PGW-U+UPF taking the multi-access properties into account.

- The PGW-C+SMF determines based its capabilities whether the request can be accepted. The PCF decides whether the multi-access connectivity is allowed or not based on operator policy and subscription data, as described in TS 23.502 [3], clause 4.22.2. The PGW-C+SMF provides the following information in the PCO to the 5G-RG:
 - An indication whether the request for using the PDN Connection for MA-PDU Session is accepted or not.
 - If the 5G-RG has indicated that it is capable of supporting the MPTCP functionality and the PGW-C+SMF accepts to activate the MPTCP functionality, then the network provides MPTCP proxy information to the 5G-RG, as described in TS 23.501 [2], clause 5.32.2.
 - UE Measurement Assistance Information (as described in clause TS 23.501 [2], clause 5.32.2).

After the PDN Connection establishment:

- If the 5G-RG registers to 5GC and wants to add W-5GAN user-plane resources, then the 5G-RG shall send a PDU Session Establishment Request over this access containing a "MA PDU Request" indication as described in TS 23.501, clause 5.32.2.

NOTE 2: Adding the PDU Session connectivity and user plane resources over W-5GAN in 5GS allows the PGW-C+SMF to provide ATSSS rules to the UE.

When the 5G-RG wants to request a new MA PDU Session in 5GC/W-5GAN, the description in TS 23.501 [2], clause 5.32.2, applies. After the MA PDU Session establishment in 5GS/W-5GAN, the description in TS 23.501 [2], clause 5.32.2, applies with the following additions:

- If the 5G-RG is registered to EPC and wants to add user-plane resources on 3GPP access over EPC, then the 5G-RG shall send a PDN Connection Establishment Request over this access containing a "handover" indication and include a "MA PDU Request" indication in the PCO.
- When the 5G-RG deregisters from the EPC access (but remains registered on the 5GC access), the MME will notify the PGW-C+SMF that the PDN Connection is released, as described in TS 23.401 [24]. The SMF can then notify the UPF that the access type has become unavailable.

A 5G-RG that has an established MA-PDU session over non-3GPP access in 5GC and 3GPP access in EPS, may be able to use EN-DC for the 3GPP access leg.

Depending on the RAT types supported by the 5G-RG, the PDN connection may also be handed over to 3GPP access in 5GC. For a 5G-RG supporting both E-UTRAN/EPC access and NG-RAN/5GC access, the user plane resources for 3GPP access may be moved between E-UTRAN/EPC access and NG-RAN/5GC access as described in TS 23.501 [2], clause 5.17.2. The PDU Session and User Plane resources active over W-5GAN are not affected by such inter 3GPP access RAT change.

4.12.3.3 QoS Support

The general principles for QoS support with ATSSS as described in TS 23.501 [2], clause 5.32.4, applies, with the clarifications provided in this clause.

With an MA PDU Session associated to a PDN Connection on EPS there may be separate user-plane tunnels between the AN and the PGW-U+UPF, one associated with 3GPP access in EPC and one associated with W-5GAN in 5GS.

As described in TS 23.502 [3], clause 4.11.1.1 and Annex C, the PGW-C+SMF maps the 5G QoS information received from PCC to EPS QoS parameters. This mapping is e.g. based on operator configuration and may result in that multiple QoS flows are mapped to a single EPS bearer. The PGW-C+SMF applies the appropriate QoS signalling in each access, e.g. to manage dedicated bearers in the access associated with EPC and QoS flows in the access associated with 5GC. The PGW-C+SMF also provides N4 rules to UPF for performing QoS enforcement and for mapping downlink traffic to appropriate GTP-U tunnels.

As described in TS 23.501 [2], clause 5.32.4, for a GBR QoS flow, the QoS profile is provided to a single access network at a given time. GBR QoS flows (and associated MBR, GBR) are thus only enforced in either the access associated to EPC or the access associated to 5GC. In order to maintain consistency between QoS information received via AS and NAS layers in each system, the PGW-C+SMF only provides the GBR QoS information to the 5G-RG for the access where the GBR traffic is enforced.

The 5G-RG shall treat the uplink traffic sent via EPC according to the EPS QoS information received in EPC (e.g. UL TFTs) and the uplink traffic sent via 5GC according to the 5G QoS rules received in 5GS. The 5G-RG thus need to determine what access to use (3GPP and on-3GPP) before applying the uplink QoS treatment.

The UPF shall treat the downlink traffic according to the N4 rules (QER, etc.) received from PGW-C+SMF.

4.13 Support of FN-RG

FN-RG is a legacy type of residential gateway that does not support N1 signalling and is not 5GC capable. The architecture to support FN-RG is depicted in clause 4.2.8.4 in TS 23.501 [2]. Support for FN-RG connectivity to 5GC is provided by means of W-AGF supporting 5G functionality on behalf of the FN-RG, e.g. UE NAS registration and session management functionality. In particular, the W-AGF supports the following functionality on behalf of the FN-RG:

- Has access to configuration information, as defined in BBF WT-456 [9], WT-457 [10] and CableLabs WR-TR-5WWC-ARCH [27], to be able to serve FN-RGs and to construct AS and NAS messages.
- Acting as end-point of N1 towards AMF, including maintaining CM and RM states and related dynamic information received from 5GC. This also includes support of URSP.
- Mapping between Y5 towards FN-RG and N1/N2 towards 5GC as well as mapping between a Y5 user plane connection and a PDU Session user plane tunnel on N3.

Authentication of FN-RG may be done by the W-AGF, as defined by BBF and Cablelabs. The W-AGF provides an indication on N2 that the FN-RG has been authenticated. The W-AGF also provides a SUCI or a 5G-GUTI as described in TS 23.501 [2].

4.14 Support of slicing

Slicing as defined in TS 23.501 [2] is supported with following clarifications and modifications:

- 5G-RG may receive USRP rules mapping application flows to S-NSSAI (and other 5GC related parameters). For 5G-RG, the detection of application flows may refer to traffic from devices within the customer premises.

NOTE: In this case, even though an URSP rule refers to the IP PDU Session type, Non-IP Traffic descriptors e.g. layer 2 related Traffic descriptors can be used to identify application flows.

- For 5G-RG access over 3GPP access (FWA), slicing is supported as described in TS 23.501 [2].
- For 5G-RG access over Wireline, the Wireline access is assumed to be able to carry slicing information in W-CP together with NAS signalling between the 5G-RG and the W-AGF.
- The W-AGF shall support the same requirements for AMF selection based on slicing request from the UE than defined for N3IWF / TNGF in TS 23.501 [2] clause 5.15.

4.15 Support for IMS services

When FN RG is used, support IMS Emergency sessions without a SUPI are not supported.

5 Network Function

5.0 General

This clause specifies the definition network function specific for W-AGF and the delta to network function defined in TS 23.501 [2].

5.1 Network Function Functional description

5.1.1 W-AGF

The functionality of W-AGF in the case of Wireline 5G Access network includes the following:

- Termination of N2 and N3 interfaces to 5G Core Network for control - plane and user-plane respectively.
- Handling of N2 signalling from SMF (relayed by AMF) related to PDU Sessions and QoS.
- Relaying uplink and downlink user-plane packets between the 5G-RG and UPF and between FN-RG and UPF. This involves:
 - Enforcing QoS corresponding to N3 packet marking, taking into account QoS requirements associated to such marking received over N2.
 - N3 user-plane packet marking in the uplink.
- Supporting AMF discovery and selection defined in TS 23.501 [2] clause 6.3.5 where the 5G-S-TMSI is not used for AMF selection since the wireline AS layer can only carry the GUAMI.
- Termination of wireline access protocol on Y4 and Y5.
- In the case of FN-RG the W-AGF acts as end point of N1 on behalf of the FN-RG.

In the case of Wireline 5G Broadband Access network the definition of W-AGF functionalities is specified in WT-456 [9] and WT-457 [10].

NOTE: The W-AGF is specified as AGF (Access Gateway Function) in WT-456 [9] for supporting 5G-RG and FN-RG and as FMIF (Fixed Mobile Interworking Function) for supporting FN-RG only in the case of presence of BNG in WT-457 [10]. Both cases for FN-RG support, i.e. AGF and FMIF, have identical interfaces towards 5GC, i.e. it is transparent to 5GC whether AGF or FMIF is used and no difference between AGF or FMIF cases is defined in this specification.

In the case of Wireline 5G Cable Access network the definition of W-AGF functionalities is specified by Cablelabs WR-TR-5WWC-ARCH [27].

6 Control and User Plane Protocol Stacks

6.1 General

This clause specifies the protocol stacks between 5G-RG, FN-RG and 5GS entities for supporting W-5GAN.

6.2 Control Plane Protocol Stacks for W-5GAN

6.2.1 Control Plane Protocol Stacks between the 5G-RG and the 5GC

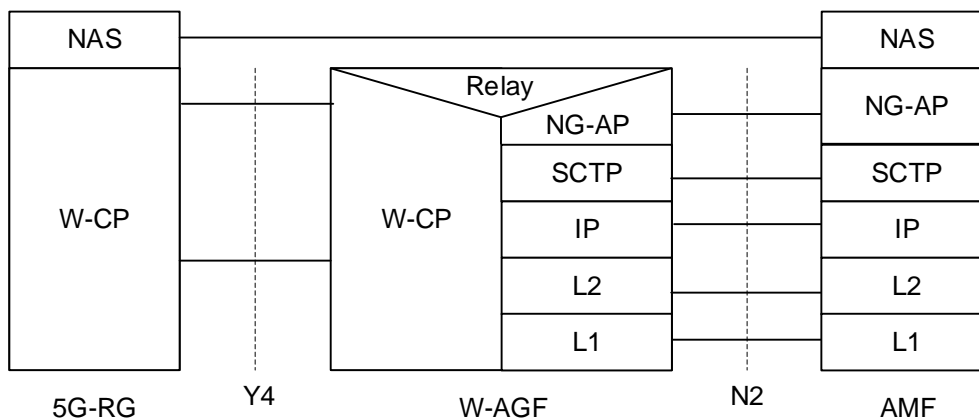


Figure 6.2.1-1: Control Plane stack for W-5GAN for 5G-RG

The control plane protocol stack between 5G-RG and AMF is defined in figure 6.2.1-1.

For W-5GBAN, the W-CP protocol stack between 5G-BRG and W-AGF is defined in BBF WT-456 [9]. For W-5GCAN, the W-CP protocol stack between 5G-CRG and W-AGF is defined in WR-TR-5WWC-ARCH [27].

The protocol stack between 5GC/AMF and W-AGF is defined in TS 23.501 [2] clause 8.

The W-CP protocol stack:

- W-CP supports setup of an initial W-CP EAP signalling connection. This connection supports EAP messages transfer between 5G-RG and W-AGF.
- W-CP supports to carry AS parameters (e.g. SUCI or 5G-GUTI, Requested NSSAI and Establishment Cause) and NAS packets.
- W-CP supports the setup, modification and removal of at least one W-UP resource per PDU session.
- W-CP may support the setup, modification and removal of multiple W-UP resources per PDU session.

For the 5G-RG connected via NG-RAN the protocol stack defined in TS 23.501 [2] clause 8.2.2 applies with UE corresponding to 5G-RG.

6.2.2 Control Plane Protocol Stacks between the FN-RG and the 5GC

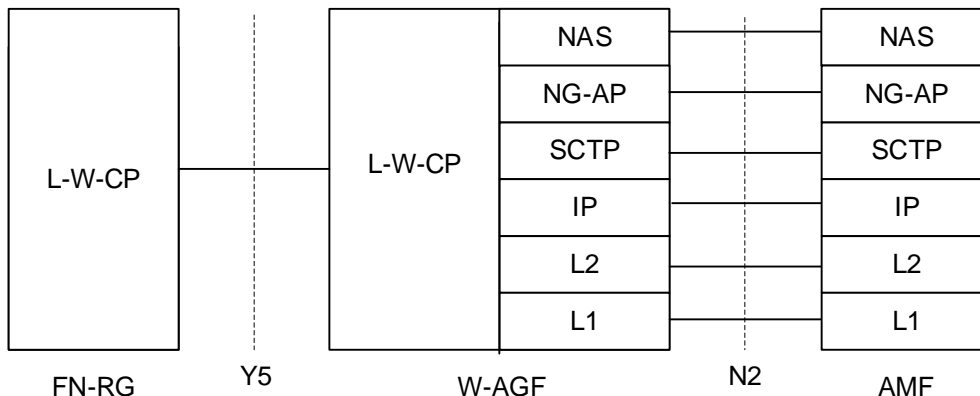


Figure 6.2.2-1: Control Plane stack for W-5GAN for FN-RG

The control plane protocol stack between FN-RG and AMF is defined in figure 6.2.2-1. The W-AGF acts as an N1 termination point on behalf of FN-RG.

For W-5GBAN, the L-W-CP protocol stack, between FN-BRG and W-AGF is defined in BBF WT-456 [9] and WT-457 [10]. For W-5GCAN, the L-W-CP protocol stack between FN-CRG and W-AGF is defined in WR-TR-5WWC-ARCH [27].

6.3 User Plane Protocol Stacks for W-5GAN

6.3.1 User Plane Protocol Stacks between the 5G-RG and the 5GC

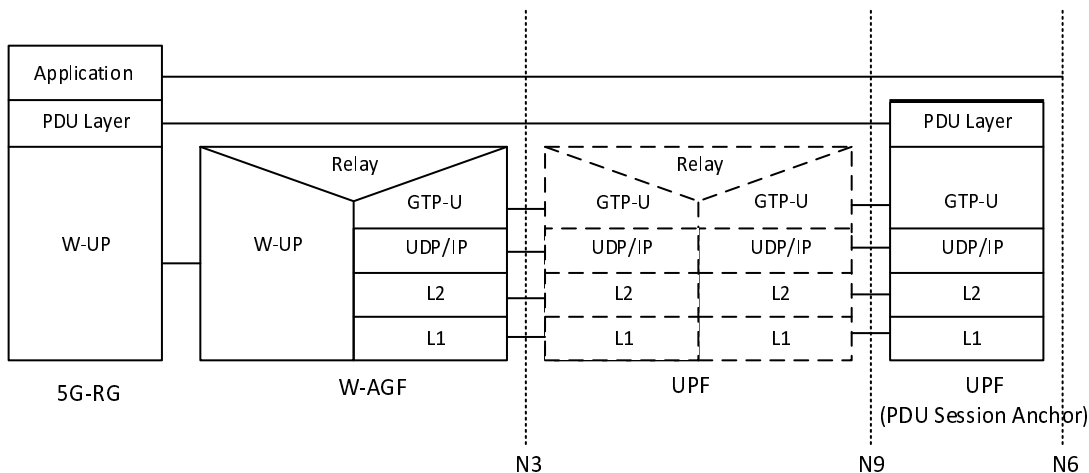


Figure 6.3.1-1: User Plane stack for W-5GAN for 5G-RG

The user plane protocol stack between 5G-RG and UPF is defined in figure 6.3.1-1.

For W-5GBAN, the W-UP protocol stack between 5G-BRG and W-AGF is defined in BBF WT-456 [9]. For W-5GCAN, the W-UP protocol stack between 5G-CRG and W-AGF is defined in WR-TR-5WWC-ARCH [27].

The protocol stack between 5GC/UPF and W-AGF is defined in TS 23.501 [2] clause 8.

For the W-UP protocol stack:

- W-UP supports at least one W-UP resource per PDU session. This will be the default W-UP resource.
- W-UP may support multiple W-UP resources per PDU session and associate different QoS profiles (QFIs) to different W-UP resources.
- W-UP supports transmission of uplink and downlink PDUs according to clause 4.5.
- W-UP supports access specific QoS parameters that can be mapped from 3GPP QoS parameters (e.g.5QI, RQI) received from the 5GC.

For the 5G-RG connected via NG-RAN the protocol stack defined in TS 23.501 [2] clause 8.3.1 applies with 5G-RG replacing the UE.

6.3.2 User Plane Protocol Stacks between the FN-RG and the 5GC

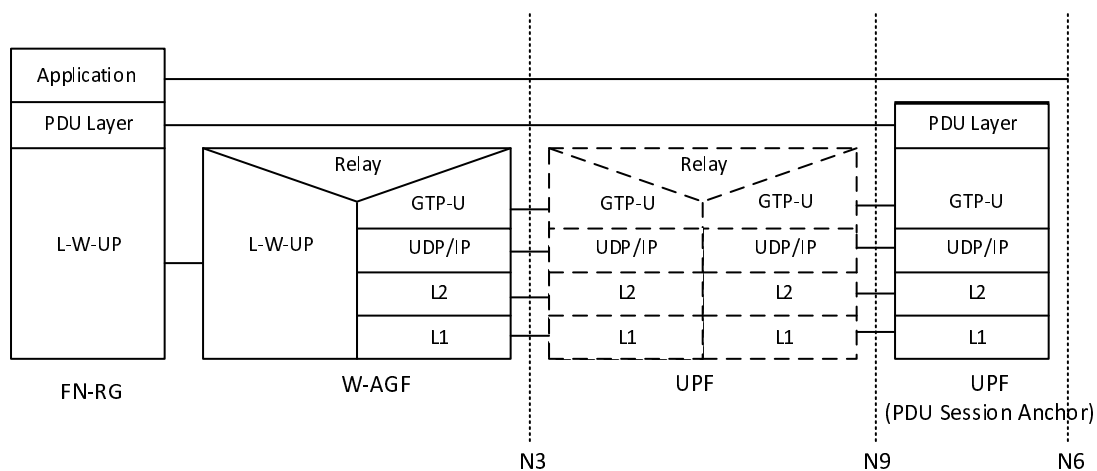


Figure 6.3.2-1: User Plane stack for W-5GAN for FN-RG

The user plane protocol stack between FN-RG and UPF is defined in figure 6.3.2-1.

For W-5GBAN, the L-W-UP protocol stack between FN-BRG and W-AGF is defined in BBF WT-456 [9] and WT-457 [10]. For W-5GCAN, the L-W-UP protocol stack between FN-CRG and W-AGF is defined in WR-TR-5WWC-ARCH [27].

7 System procedure

7.1 General

This clause describes the differences in respect the procedures defined in TS 23.502 [3] clause 4.

7.2 Connection, Registration and Mobility Management procedures

The listed parameters in the procedures are not exhaustive, but more parameters can be used as described in the protocol specifications.

Where parameters have not been described, the meaning of the parameter is the same as for 3GPP access as described in TS 23.502 [3], TS 24.501 [22], TS 38.413 [23].

7.2.1 Registration Management procedures

This clause specifies delta for Registration Management procedure defined in TS 23.502 [3] clause 4.2 for 5G-RG and FN-RG.

7.2.1.1 5G-RG Registration via W-5GAN

The 5G-RG registration management procedures are followed for both W-5GBAN and W-5GCAN.

Clause 7.2.1.1 specifies how a 5G-RG can register to 5GC via aW-5GAN. It is based on the Registration procedure specified in TS 23.502 [3] clause 4.2.2.2 and it uses the EAP method "EAP-5G" as specified in clause 4.12.2.1 in TS 23.502 [3]. If the 5G-RG needs to be authenticated, mutual authentication is executed between the 5G-RG and AUSF. The details of the authentication procedure are specified in TS 33.501 [11]. In Registration and subsequent Registration procedures via W-5GAN access, the NAS messages are always exchanged between the 5G-RG and the AMF. When possible, the 5G-RG can be authenticated by reusing the existing UE security context in AMF for the 5G-RG.

Figure 7.2.1.1-1 only shows authentication flow using EAP-AKA' (specifically in step 6c, step 7a and step 7b) but other methods are possible: Authentication procedures that 5G-RG and the 5GC shall support, are specified in TS 33.501 [11]. Specific EAP authentication methods (see TS 33.501 [11]) for 5G-CRG with non-3GPP identities and credentials may be used for isolated network (see TS 33.501 [11]).

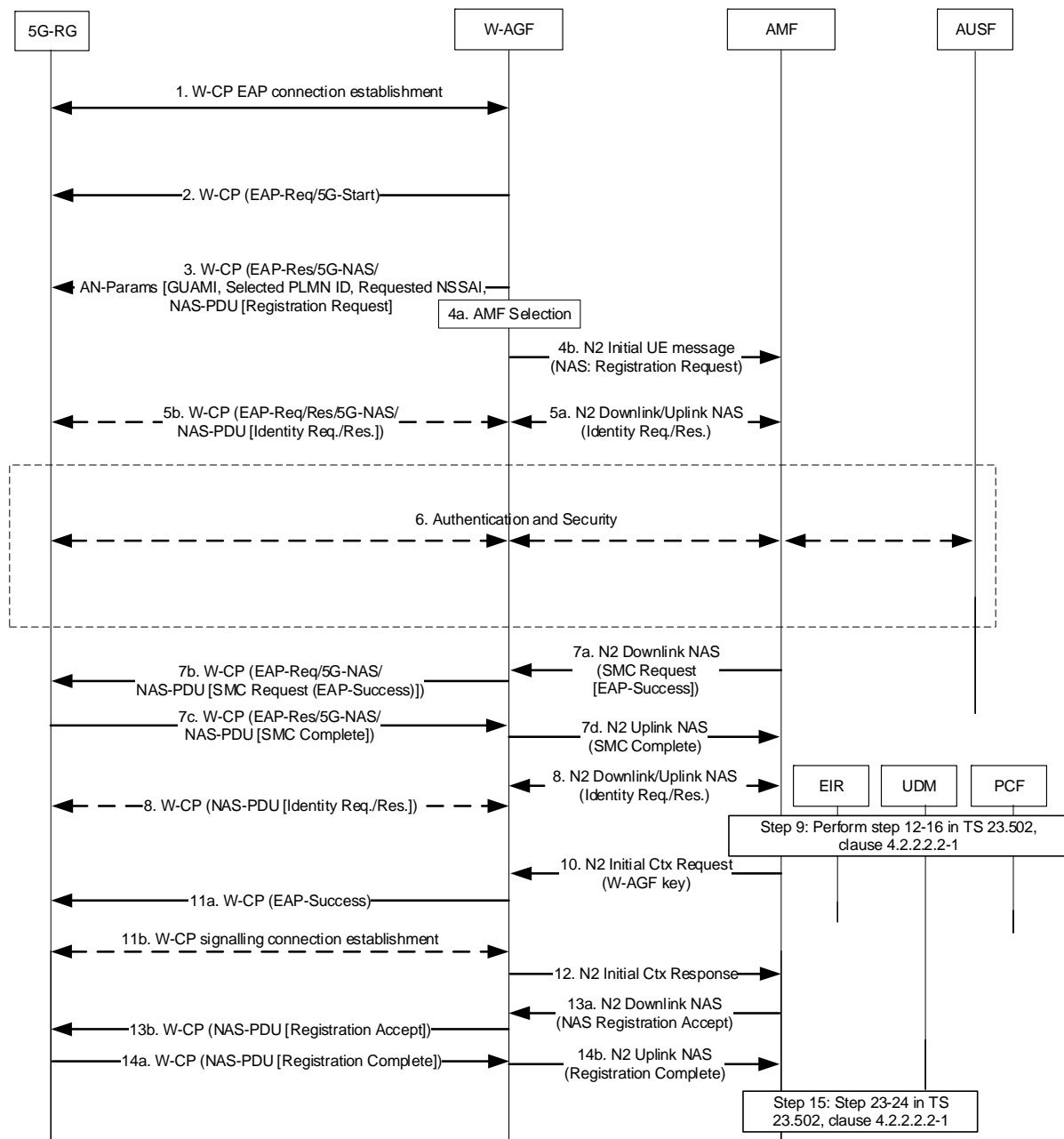


Figure 7.2.1.1-1: 5G-RG Registration via W-5GAN

NOTE 1: EAP-5G is assumed to be used during authentication but need to be verified with BBF.

NOTE 2: The procedure assuming that EAP-5G is used between the 5G-RG and the W-AGF. This assumption may be revised based on SA WG3 and BBF decision

1. The 5G-RG connects to a W-5GAN with procedures outside the scope of 3GPP and creates an initial W-CP EAP signalling connection. This connection shall support EAP messages transfer between 5G-RG and W-AGF.
2. The W-AGF sends an EAP-Request/5G-Start packet over the W-CP connection. The EAP-Request/5G-Start packet informs the 5G-RG to initiate an EAP-5G session, i.e. to start sending NAS messages encapsulated within EAP-5G packets.
3. The 5G-RG sends an EAP-Response/5G-NAS packet that contains the Access Network parameters (GUAMI if available, the selected PLMN, Requested NSSAI and Establishment Cause) and a NAS Registration Request message (SUCI or 5G-GUTI as defined in TS 24.501 [22], security parameters/UE security capability, NSSAI parameters, UE MM Core Network Capability, PDU session status, Follow-on request). The Establishment cause provides the reason for requesting a signalling connection with 5GC.

NOTE 3: While PLMN selection is not supported for W-5GAN access, the 5G RG provides a selected PLMN ID in Access Network parameters within EAP-5G sent to the W-AGF. In this version of the specifications, this selected PLMN ID is the home domain of the SUCI. This information is transparently transferred from 5G RG to AUSF via the W-AGF and the AMF; it ensures the AUSF and the 5G RG consider the same information for Key derivations defined in TS 33.501 [11].

NOTE 4: The steps from 1 to 3 depend on BBF decision for what protocols to use for NAS transport. The step needs to be revised based on their decision.

4. The W-AGF shall select an AMF based on the received AN parameters and local policy, as specified in TS 23.501 [2], clause 6.3.5. The W-AGF shall then forward the Registration Request received from the UE to the selected AMF within an N2 initial UE message (NAS message, ULI, Establishment cause, UE context request, selected PLMN ID).
5. The selected AMF may decide to request the SUCI by sending a N2 Downlink NAS transport message (NAS Identity Request) message to W-AGF. This NAS message and the response are sent between W-AGF and 5G-RG encapsulated within EAP/5G-NAS packets. In this case the RG shall answer with a NAS Identity response that is carried over EAP-5G and N2 signalling.
6. The AMF may decide to authenticate the 5G-RG by invoking an AUSF. In this case, the AMF shall select an AUSF as specified in TS 23.501 [2] clause 6.3.4 based on SUPI or SUCI. As defined in 33.501 [11], the AMF transfers the SUCI and the selected PLMN ID to the AUSF.

The AUSF executes the authentication of the UE as specified in TS 33.501 [11]. The AUSF selects a UDM as described in TS 23.501 [2], clause 6.3.8 and gets the authentication data from UDM. The authentication packets are encapsulated within NAS authentication messages and the NAS authentication messages are encapsulated within EAP/5G-NAS packets. Between W-AGF and AMF, the messages are encapsulated within N2 downlink/uplink NAS transport messages. After the successful authentication the AUSF provides relevant security related information to the AMF. If the AMF provided a SUCI to AUSF, the AUSF shall return the SUPI to AMF only after the authentication is successful.

The AMF decides if the Registration Request needs to be rerouted as described in clause TS 23.502 [3] clause 4.2.2.2.3, where the initial AMF refers to the AMF.

- 7a. If NAS security context does not exist, the NAS security initiation is performed as described in TS 33.501 [11]: the AMF initiates NAS Security Mode command. If the 5G-RG had no NAS security context in step 1, the UE includes the full Registration Request message as defined in TS 24.501 [22]. If an EAP-AKA' authentication was successfully executed in step 6, the AMF shall encapsulate the EAP-Success received from AUSF within the NAS Security Mode Command message. The message is encapsulated within a N2 downlink NAS transport message.

The AMF initiates a NGAP/N2 procedure to provide the 5G-AN with security context as specified in TS 38.413 [23].

- 7b. The W-AGF shall forward the NAS Security Mode Command message to 5G-RG within an EAP/5G-NAS packet.
- 7c. The 5G-RG completes the authentication procedure (if initiated in step 6), creates a NAS security context as defined in TS 33.501 [11] and sends the NAS Security Mode Complete message (IMEISV) within an EAP/5G-NAS packet.
- 7d. The W-AGF relays the NAS Security Mode Complete message to the AMF in a N2 Uplink NAS transport message.
8. [Conditional] The AMF may request the PEI from the 5G-RG as described in TS 23.502 [3], clause 4.2.2.2.2 step 11.
9. The AMF performs step 12-16 in TS 23.502 [3] clause 4.2.2.2.2. At AMF registration to UDM for the 5G-RG, the Access Type non-3GPP access is used. The RAT type used toward PCF and UDM shall indicate wireline access. The AMF determines Access Type and RAT Type based on the Global RAN Node ID associated with the N2 interface.
- 11a. This triggers the W-AGF to send an EAP-Success to 5G-RG, which completes the EAP-5G session. After this step, NAS messages between 5G-RG and W-AGF are transported without EAP-5G using W-CP signalling connection.

- 11b. [Conditional]: A W-CP signalling connection is established between the 5G-RG and W-AGF.
12. W-AGF notifies the AMF that the 5G-RG context was created by sending a N2 Initial Context Setup Response.
13. The AMF sends N2 Downlink NAS transport with the NAS Registration Accept message (as defined in step 21 TS 23.502 [3] clause 4.2.2.2.2) to the W-AGF, which forwards the NAS Registration accept message to the 5G-RG.
14. [Conditional]The 5G-RG responds with NAS Registration Complete message as described in TS 23.502 [3] clause 4.2.2.2.2 step 22 and W-AGF forwards the NAS Registration Complete message to AMF in a N2 Uplink NAS transport message.
15. The AMF performs step 23-24 in TS 23.502 [3] clause 4.2.2.2.2.

7.2.1.2 5G-RG Deregistration via W-5GAN

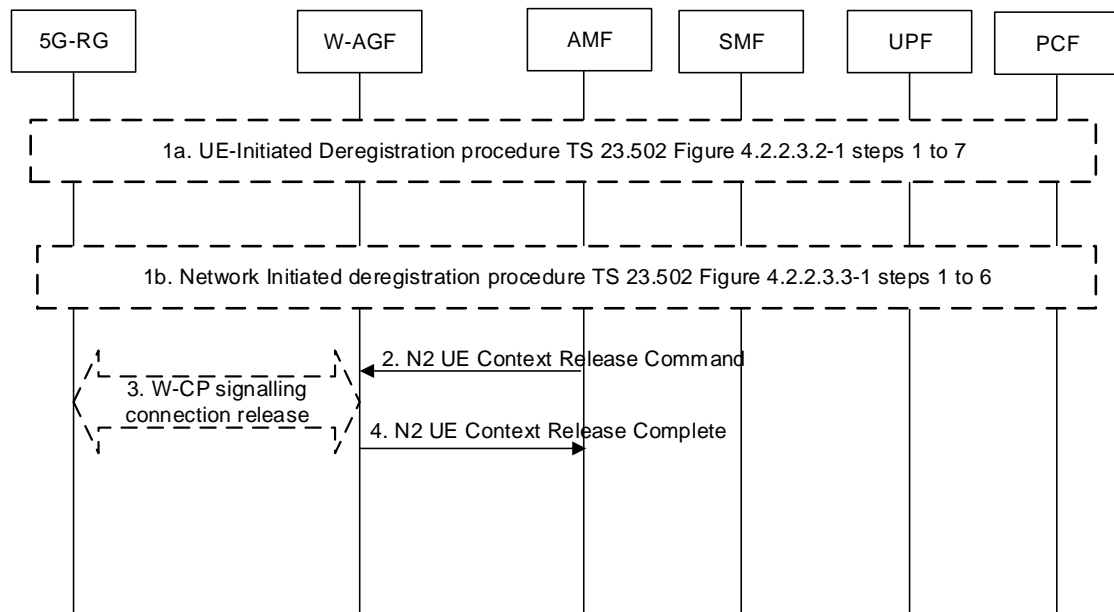


Figure 7.2.1.2-1: 5G-RG Deregistration procedure via W-5GAN

1. The Deregistration procedure is triggered by one of the events:
 - 1a. For 5G-RG-initiated Deregistration as in steps 1 to 7 of TS 23.502 [3], Figure 4.2.2.3.2-1.
 - 1b. For network initiated deregistration as in steps 1 to 6 of TS 23.502 [3], Figure 4.2.2.3.3-1.

If the 5G-RG is in CM-CONNECTED state either in 3GPP access, W-5GAN access or both:

 - the AMF may explicitly deregister the 5G-RG by sending a Deregistration request message (Deregistration type, access type set to -W-5GAN) to the 5G-RG as in step 2 of TS 23.502 [3] Figure 4.2.2.3.3-1. The 5G-RG will interpret access type set to non-3GPP as referring to wireline access.
 - the UDM may want to request the deletion of the subscribers RM contexts and PDU Sessions with the reason for removal set to subscription withdrawn to the registered AMF as in step 1 of TS 23.502 [3] Figure 4.2.2.3.3-1.
 2. AMF to W-AGF: The AMF sends a N2 UE Context Release Command message to the W-AGF with the cause set to Deregistration to release N2 signalling as defined in step 4 of TS 23.502 [3], clause 4.12.4.2.
 3. The W-AGF may initiate the release of the signalling connection between 5G-RG and W-AGF.
- NOTE: Whether this step is needed, and if so, the details of this step is defined by BBF.
4. W-AGF to AMF: The W-AGF acknowledges the N2 UE Context Release Command message by sending N2 UE Context Release Complete message to the AMF as defined in step 7 of TS 23.502 [3] clause 4.12.4.2.

7.2.1.3 FN-RG Registration via W-5GAN

The FN-RG registration management procedures are followed for both W-5GBAN and W-5GCAN. The FN-RG does not support N1 but instead the W-AGF handles the NAS signalling on behalf of the FN-RG as defined by WT-456 [9] and WT-457 [10] for FN-BRG and by WT-TR-5WWC-ARCH [27] for FN-CRG.

When the connectivity is established between the FN-RG and the W-AGF in the W-5GAN, the W-AGF may authenticate the FN-RG; this is controlled by local policies and defined in BBF specifications. Then when the RM state of the FN-RG is "RM-DEREGISTERED" the W-AGF shall perform registration to 5GC as described in this clause, otherwise it performs Service Request as defined in clause 7.2.2.

Once the FN-RG is in RM-REGISTERED and CM-CONNECTED the W-AGF may setup PDU session(s) on behalf of the FN-RG (as described in clause 7.3.4).

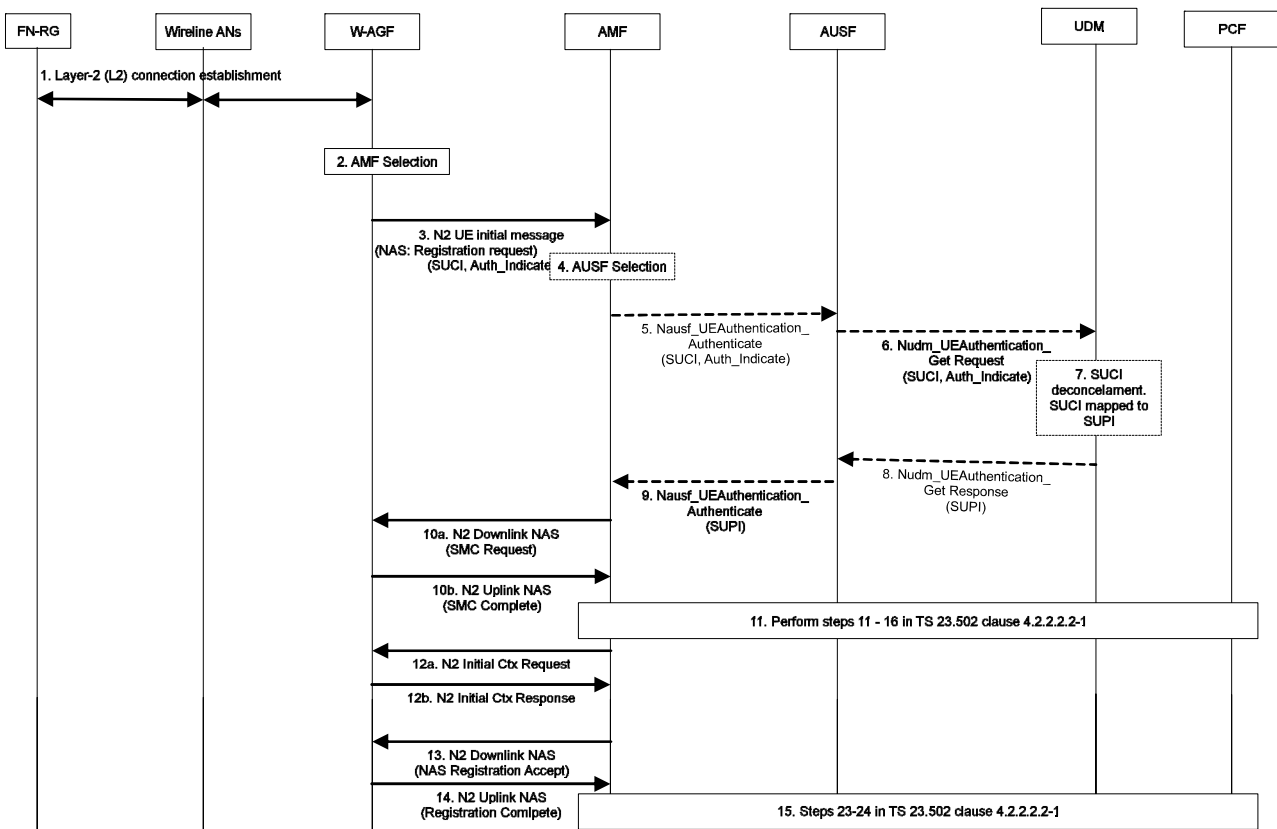


Figure 7.2.1.3-1: FN-RG Registration via W-5GAN

1. The FN-RG connects to a W-AGF (W-5GAN) via a layer-2 (L2) connection, based on Wireline AN specific procedure.

The FN-RG is authenticated by the W-5GAN based on Wireline AN specific mechanisms.

2. W-AGF selects an AMF based on the AN parameters and local policy. W-AGF may use the Line ID / HFC identifier provided from the Wireline AN to determine the 5GC and AN parameters to be used for the FN-RG registration. How the W-AGF can determine the necessary 5GC and AN parameters is defined in BBF WT-456 [9], WT-457 [10] or CableLabs WR-TR-5WWC-ARCH [27].
3. W-AGF performs initial registration on behalf of the FN-RG to the 5GC. The W-AGF sends a Registration Request to the selected AMF within an N2 initial UE message (NAS Registration Request, ULI, Establishment cause, UE context request, Allowed NSSAI, Authenticated Indication).

The NAS Registration Request contains the SUCI or 5G-GUTI of the FN-RG, security parameters/UE security capability, UE MM Core Network Capability, PDU Session Status, Follow-on request, Requested NSSAI. The 5G-GUTI, if available, has been received from the AMF during a previous registration and stored in W-AGF.

The NSSAI parameters are provided based on W-AGF configuration. Based on W-AGF configuration of the 5GC NAS parameters, one or multiple Requested S-NSSAI may be used; e.g. when the W-AGF has been configured to use a specific slice for RG management purposes.

The following differences exist, compared to 5G-RG case:

- The W-AGF use SUCI as defined in clause 4.7.3 and clause 4.7.4.
- The Authenticated Indication indicates to AMF and 5GC that the FN-RG has been authenticated by the access network.

The SUCI is built by the W-AGF based on:

- In the case of a BBF access: the GLI as defined in clause 4.7.8 together with an identifier of the Home network as described in TS 23.003 [14].
- In the case of a Cable access: the GCI as defined in clause 4.7.8 together with an identifier of the Home network as described in TS 23.003 [14].

NOTE 1: Further description for how W-AGF obtain parameters required in AS and NAS message e.g. to build the SUCI is defined in BBF WT-456 [9], WT-457 [10] and CableLabs WR-TR-5WWC-ARCH [27].

- 4 If the AMF receives a SUCI, the AMF shall select an AUSF as specified in TS 23.501 [2] clause 6.3.4 based on SUCI. If 5G-GUTI is provided, there is no need to map SUCI to SUPI and steps 5-9 can be skipped.
5. AMF sends an authentication request to the AUSF in the form of, Nausf_UEAuthentication_Authenticate. It contains the SUCI of the FN-RG. It also contains an indication that the W-5GAN has authenticated the FN-RG.
6. AUSF selects a UDM as described in TS 23.501 [2], clause 6.3.8 and sends a Nudm_UEAuthentication_Get Request to the UDM. It contains the SUCI of the FN-RG and indication that the W-5GAN has authenticated the FN-RG.
7. UDM invokes the SIDF to map the SUCI to a SUPI.
8. UDM sends a Nudm_UEAuthentication_Get Response to the AUSF. It contains the SUPI corresponding to the SUCI. It also contains an indication that authentication is not required for the FN-RG.
9. AUSF sends a Nausf_UEAuthentication_Authenticate Response to the AMF. This response from AUSF indicates that authentication is successful. The response contains the SUPI corresponding to the SUCI.

The procedure described in TS 23.502 [3] clause 4.2.2.2.3 may apply (the AMF decides if the Registration Request needs to be rerouted, where the initial AMF refers to the AMF).

- 10a. AMF initiates a NAS security mode command procedure upon successful authentication as defined in TS 33.501 [11].

The NAS security mode command is sent from the AMF to the W-AGF in a N2 Downlink NAS transport message.

- 10b. W-AGF responds to the AMF with a NAS Security Mode Complete message in a N2 Uplink NAS transport message. A NAS security context is created between W-AGF and AMF.
11. The AMF performs steps 11-16 in TS 23.502 [3] clause 4.2.2.2.2.

The AMF may be configured by local policies to issue EIR check:

- Only if the PEI is an IMEI; or
- Only if the PEI is an IMEI or a user device trusted MAC address.

These local policies may be defined on a per RAT Type basis.

At FN-RG registration to UDM, the Access Type non-3GPP access is used. The UDM, based on Access and Mobility Subscription information authorizes the FN-RG to access the 5GC. For FN-CRG, the AMF compares the list of serving area restrictions it receives from the UDM against the ULI from the W-AGF to check if the location information is allowed for the FN-CRG, as defined in clause 9.5.1. The AMF may also interact with the PCF for obtaining the Access and Mobility policy for the FN-RG.

12a. Upon receiving NAS Security Mode Complete, the AMF shall send an N2 Initial Context Setup Request message as defined in TS 38.413 [23] and TS 29.413 [42] including possibly as additional W-AGF specific parameter the RG Level Wireline Access Characteristics to the W-AGF.

12b W-AGF notifies to the AMF that the FN-RG context was created by sending a N2 Initial Context Setup Response.

13. The AMF sends the N2 Downlink NAS transport with NAS Registration Accept message (5GS registration result, 5G-GUTI, Equivalent PLMNs, Non-3GPP TAI, Allowed NSSAI, Rejected NSSAI, Configured NSSAI, 5GS network feature support, network slicing indication, Non-3GPP de-registration timer value, Emergency number lists, SOR transport container, NSSAI inclusion mode) to the W-AGF.

The following parameters are ignored by the W-AGF if received from the AMF: Emergency number lists, SOR transport container, NSSAI inclusion mode.

NOTE 2: Further description on how W-AGF handles the parameters received from 5GC is provided in BBF WT-456 [9], WT-457 [10] and CableLabs WR-TR-5WWC-ARCH [27].

14. The W-AGF sends a N2 Uplink NAS transport message, including a NAS Registration Complete message, back to the AMF when the procedure is completed. The W-AGF shall store the 5G-GUTI to be able to send it in potential later NAS procedures.

15. The AMF performs step 23-24 in TS 23.502 [3] clause 4.2.2.2.

The W-AGF may continue by establishing PDU session(s) on behalf of the FN-RG.

7.2.1.4 FN-RG Deregistration via W-5GAN

The deregistration procedure for the FN-RG is similar to that of 5G-RG described in clause 7.2.1.2 but with the following differences:

- The 5G-RG is replaced with a FN-RG.
- In step 1a and 1b, the W-AGF sends and receives NAS deregistration request/accept messages on behalf of FN-RG.
- UE-initiated deregistration procedure can be initiated by the W-AGF, when it has lost connectivity to the FN-RG.
- For both UE/Network-initiated deregistration procedures, the W-AGF may initiate the release of the signalling connection between the FN-RG and W-AGF based on legacy protocols.

NOTE: As described in clause 6.2.2, the message exchanges between the FN-RG and W-AGF are based on legacy protocols in the wireline access network.

7.2.2 Service Request procedures

7.2.2.1 5G-RG Service Request procedure via W-5GAN Access

The Service Request procedure via W-5GAN shall be used by a 5G-RG in CM-IDLE state over W-5GAN to request the re-establishment of the NAS signalling connection and the re-establishment of the user plane for all or some of the PDU Sessions which are associated to non-3GPP access.

NOTE 1: For a W-5GAN access, the Service Request procedure is never a response to a Paging i.e. Paging does not apply on a W-5GAN access.

The Service Request procedure via W-5GAN shall be used by a 5G-RG in CM-CONNECTED state over wireline access to request the re-establishment of the user plane for one or more PDU Sessions which are associated to non-3GPP access.

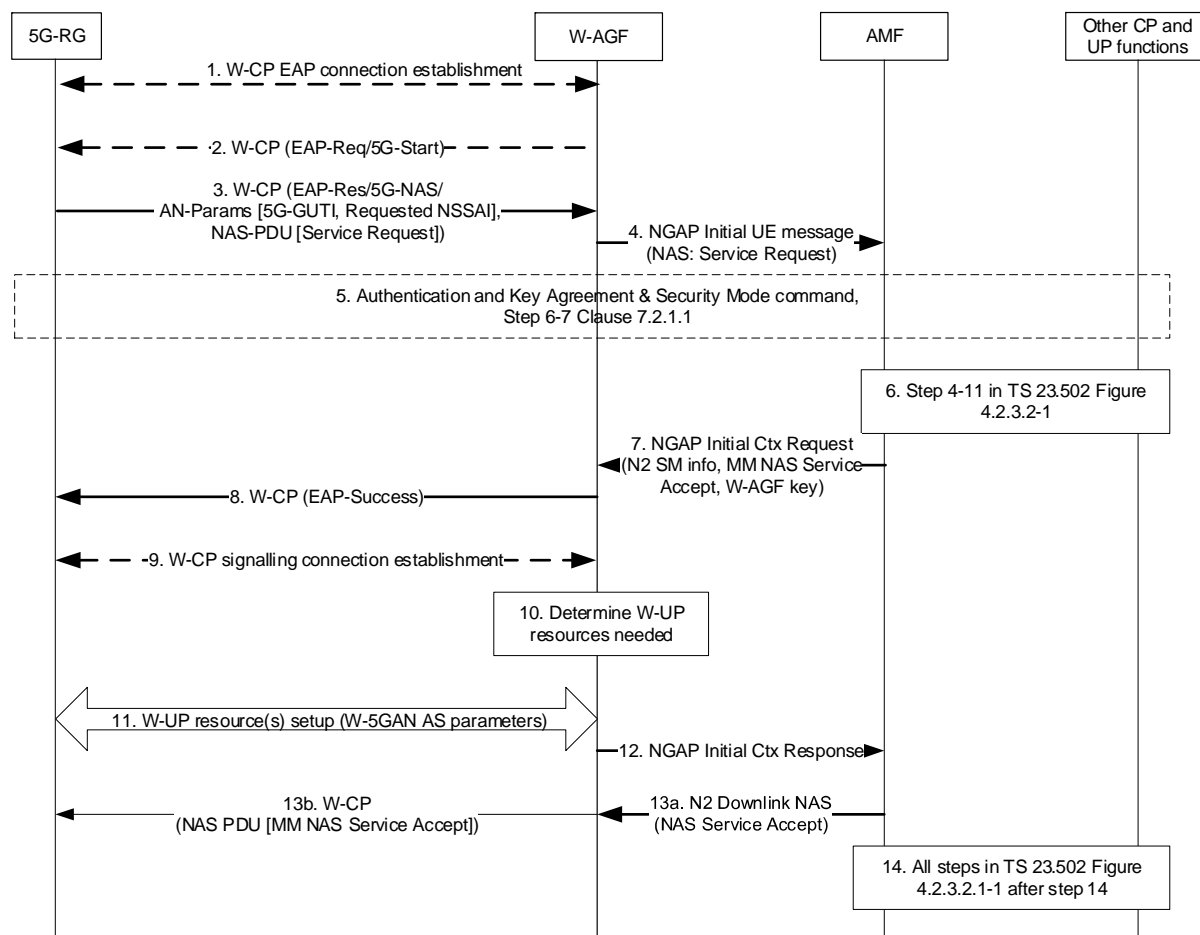


Figure 7.2.2.1-1: UE Triggered Service Request procedure via W-5GAN

1. The 5G-RG connects to a W-5GAN with procedures outside the scope of 3GPP and creates an initial not authenticated W-CP EAP connection. This connection shall support EAP messages transfer between 5G-RG and W-AGF.
2. The W-AGF sends an EAP-Request/5G-Start packet over the W-CP connection. The EAP-Request/5G-Start packet informs the 5G-RG to initiate an EAP-5G session, i.e. to start sending NAS messages encapsulated within EAP-5G packets.
3. The 5G-RG sends an EAP-Response/5G-NAS packet that contains the Access Network parameters (GUAMI and Establishment Cause) and a NAS Service Request message (List Of PDU Sessions To Be Activated, security parameters, PDU Session status, Uplink Data Status, 5G-S-TMSI). The Establishment cause provides the reason for requesting a signalling connection with 5GC. In this release of the specification no Selected PLMN parameter is sent by a 5G RG.
4. The W-AGF shall then forward the Service Request received from the 5G-RG to the selected AMF within an N2 initial UE message (NAS Service Request message, User Location Information, Establishment cause, UE context request).
5. The AMF may initiate NAS authentication/security procedure as defined in step 6 and step 7 in clause 7.2.1.1.

If the UE in CM-IDLE state triggered the Service Request to establish a signalling connection only, after successful establishment of the signalling connection the UE and the network can exchange NAS signalling and steps 6 and 14 are skipped.

6. Steps 4-11 in TS 23.502 [3] figure 4.2.3.2-1 are performed for each requested PDU session user plane.
7. (If the 5G RG was CM-IDLE) AMF sends an N2 Initial Context Setup Request message (N2 SM information received from SMF(s), RG Level Wireline Access Characteristics, GUAMI, Allowed NSSAI, UE security capability, Security Key, Trace Activation, Masked IMEISV).

If the 5G RG was CM-CONNECTED the AMF sends N2 SM information received from SMF(s).

8. (If the 5G RG was CM-IDLE) This triggers the W-AGF to send an EAP-Success to 5G-RG, which completes the EAP-5G session. After this step, NAS messages between 5G-RG and W-AGF are transported without EAP-5G using W-CP signalling connection.
9. [Conditional, if the 5G RG was CM-IDLE] An W-CP signalling connection is established between the 5G-RG and W-AGF.

NOTE 2: Steps 9-11 are defined by BBF/Cablelabs.

Steps 10 and 11 are carried out for each PDU Session indicated in step 7

10. Based on its own policies and configuration and based on the QoS flows and QoS parameters received in the previous step, the W-AGF shall determine what W-UP resources are needed for the PDU session.
11. The W-AGF sets up the W-UP resources for the PDU session. This step is specified by BBF for W-5BGAN and by CableLabs for W-5GCAN. The access dependent W-UP resource setup procedure shall map to the identity of the PDU Session associated with the W-UP resource.
12. W-AGF notifies the AMF that the 5G-RG context was created by sending a N2 Initial Context Setup Response (N2 SM information that provides AN Tunnel Info, List of accepted QoS Flows, List of rejected QoS Flows per PDU Session ID for PDU Sessions whose UP connections are activated).
13. AMF sends NAS Service Accept via W-AGF to the 5G-RG.
14. All steps after step 14 in TS 23.502 [3] figure 4.2.3.2-1 are performed for each requested PDU Session user plane.

When the 5G-RG is in CM-CONNECTED state over W-5GAN access and the network receives downlink data for a PDU Session over wireline access that has no user plane connection, the steps 1-4a in TS 23.502 [3], clause 4.2.3.3 (Network Triggered Service Request) shall be performed with the following exceptions:

- The (R)AN corresponds to an W-AGF.
- The UE corresponds to the 5G-RG.
- In step 4a of TS 23.502 [3] clause 4.2.3.3, the steps 2b-6 in figure 7.3.1.1-1 are performed to establish the W-UP resources and to establish N3 tunnel. In steps 2b and 6, no NAS message is exchanged with the UE.

7.2.2.2 FN-RG Service Request procedure via W-5GAN Access

The Service Request procedure via W-5GAN shall be used by a W-AGF when the CM state in W-AGF for a FN-RG is CM-IDLE over W-5GAN to request the re-establishment of the NAS signalling connection and the re-establishment of the user plane for all or some of the PDU Sessions which are associated to non-3GPP access.

The Service Request procedure via W-5GAN shall be used by a W-AGF when the CM state in W-AGF for a FN-RG is CM-CONNECTED over wireline access to request the re-establishment of the user plane for one or more PDU Sessions which are associated to non-3GPP access.

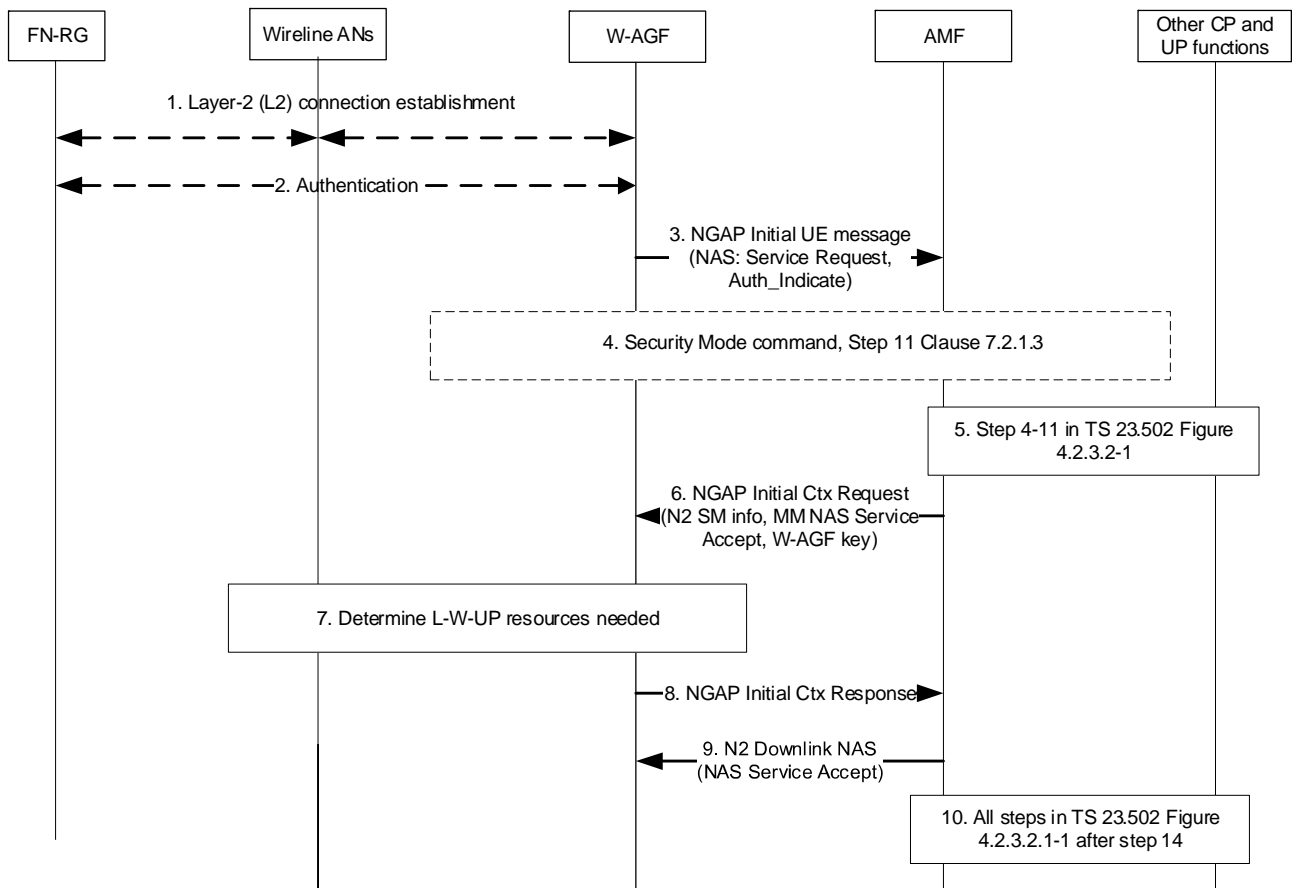


Figure 7.2.2.2-1: FN-RG Service Request procedure via W-5GAN

1. If the FN-RG has lost the L2 connection with W-AGF, the FN-RG connects to a W-AGF (W-5GAN) via a layer-2 (L2) connection, based on Wireline AN specific procedure.
2. If step 1 was done, the FN-RG may be authenticated by the W-5GAN based on Wireline AN specific procedure.
3. The W-AGF shall then send a Service Request to the selected AMF within an N2 initial UE message (NAS Service Request message, User Location Information, Establishment cause, UE context request, Auth_Indicate).
4. The AMF may initiate NAS authentication/security procedure as defined in steps 5-10 in clause 7.2.1.3.

If the W-AGF triggered the Service Request to establish a signalling connection only, after successful establishment of the signalling connection the W-AGF and the network can exchange NAS signalling and steps 5 and 10 are skipped.

5. Steps 4-11 in TS 23.502 [3] figure 4.2.3.2-1 are performed for each requested PDU session user plane.

6. (If the FN-RG CM state was CM-IDLE) AMF sends an N2 Initial Context Setup Request message (N2 SM information received from SMF(s), RG Level Wireline Access Characteristics, GUAMI, Allowed NSSAI, UE security capability, Security Key, Trace Activation, Masked IMEISV).

If the FN-RG CM state in W-AGF was CM-CONNECTED the AMF sends N2 SM information received from SMF(s).

Step 7 is carried out for each PDU Session indicated in step 6.

7. Based on its own policies and configuration and based on the QoS flows and QoS parameters received in the previous step, the W-AGF shall determine what W-UP resources are needed for the PDU session.

The W-AGF may perform BBF specific resource reservation with the AN, that is, it sets up the L-W-UP resources for the PDU session. This step is specified by BBF for W-5GBAN and by CableLabs for W-5GCAN.

8. W-AGF notifies the AMF that the FN-RG context in W-AGF was created by sending a N2 Initial Context Setup Response (N2 SM information that provides AN Tunnel Info, List of accepted QoS Flows, List of rejected QoS Flows per PDU Session ID for PDU Sessions whose UP connections are activated).
9. AMF sends NAS Service Accept to W-AGF.
10. All steps after step 14 in TS 23.502 [3] figure 4.2.3.2-1 are performed for each requested PDU session user plane.

When the FN-RG CM state in W-AGF is CM-CONNECTED over W-5GAN access and the network receives downlink data for a PDU Session over wireline access that has no user plane connection, the steps 1-4a in TS 23.502 [3], clause 4.2.3.3 (Network Triggered Service Request) shall be performed with the following exceptions:

- The (R)AN corresponds to an W-AGF.
- The UE corresponds to the FN-RG.
- In step 4a, the steps 6-10 in figure 7.2.2.2-1 are performed to establish the L-W-UP resources and to establish N3 tunnel. In step 6, the AMF does not send the NAS Service Accept message to the UE.

7.2.3 5G-RG and FN-RG Configuration Update

7.2.3.0 General

This clause specifies delta for Configuration Update procedure defined in TS 23.502 [3] clause 4.2.4 for 5G-RG and FN-RG.

7.2.3.1 5G-RG Configuration Update via W-5GAN Access

The 5G-RG Configuration Update procedures via W-5GAN may be used by the network at any time to update 5G-RG configuration which includes:

- Access and Mobility Management related parameters decided and provided by the AMF. This includes the Configured NSSAI and its mapping to the Subscribed S-NSSAIs, the Allowed NSSAI and its mapping to Subscribed S-NSSAIs.
- 5G-RG Policy (i.e. URSP) provided by the PCF.

The procedure described in TS 23.502 [3] clause 4.2.4.2 is used for the AMF to change the 5G-RG configuration for access and mobility management related parameters, with the following differences:

- The UE is replaced by the 5G-RG.
- The (R)AN corresponds to the W-5GAN.

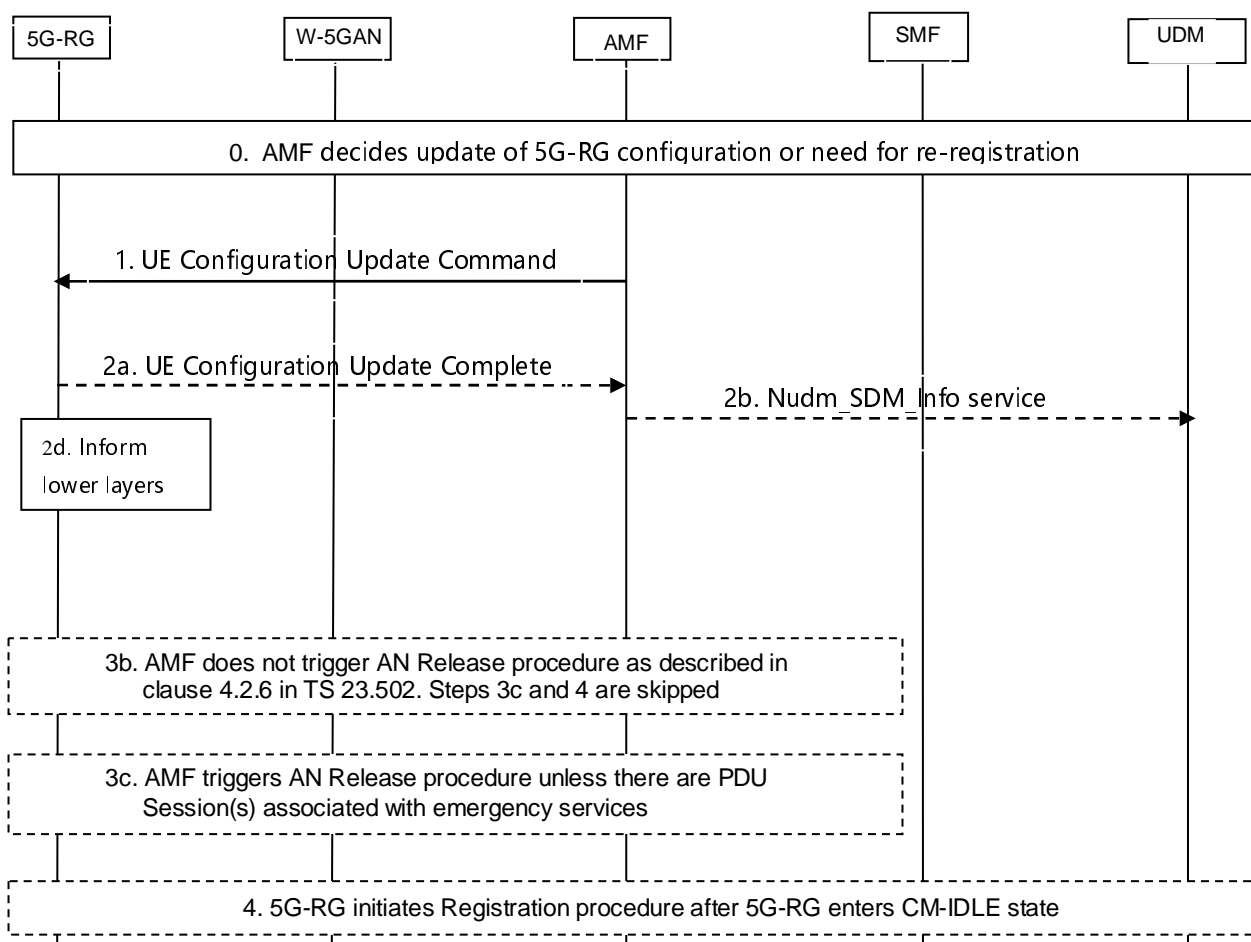


Figure 7.2.3.1-1: 5G-RG Configuration Update procedure for access and mobility management related parameters

In Step 0, the AMF determines the necessity of 5G-RG configuration change due to various reasons, but UE mobility change is not applicable in this release of specification. If a 5G-RG is in CM-IDLE, the AMF can wait until the 5G-RG is in CM-CONNECTED state as Network Triggered Service Request is not applicable.

In step 1, the AMF sends UE Configuration Update Command to the 5G-RG. The following parameters are not included: Mapping Of Allowed NSSAI, Configured NSSAI for the Serving PLMN, Mapping Of Configured NSSAI, MICO, Operator-defined access category definitions, SMS Subscribed Indication.

Step 2c is not applicable in this procedure.

Step 3a is not applicable since it is only for NAS parameters that can be updated without transition from CM-IDLE are included, e.g. MICO mode.

The procedure for UE Configuration Update procedure for transparent UE Policy delivery described in TS 23.502 [3] clause 4.2.4.3 is used for the PCF to change or provide new 5G-RG policies in the 5G-RG, with the following differences:

- The UE is replaced by the 5G-RG.
- The (R)AN corresponds to the W-5GAN.
- The means for carrying NAS messages between 5G-RG and W-AGF within the W-GAN are to be defined by BBF.
- Step 2 is not applicable since the Network Triggered Service Request is not applicable in the case of W-5GAN.

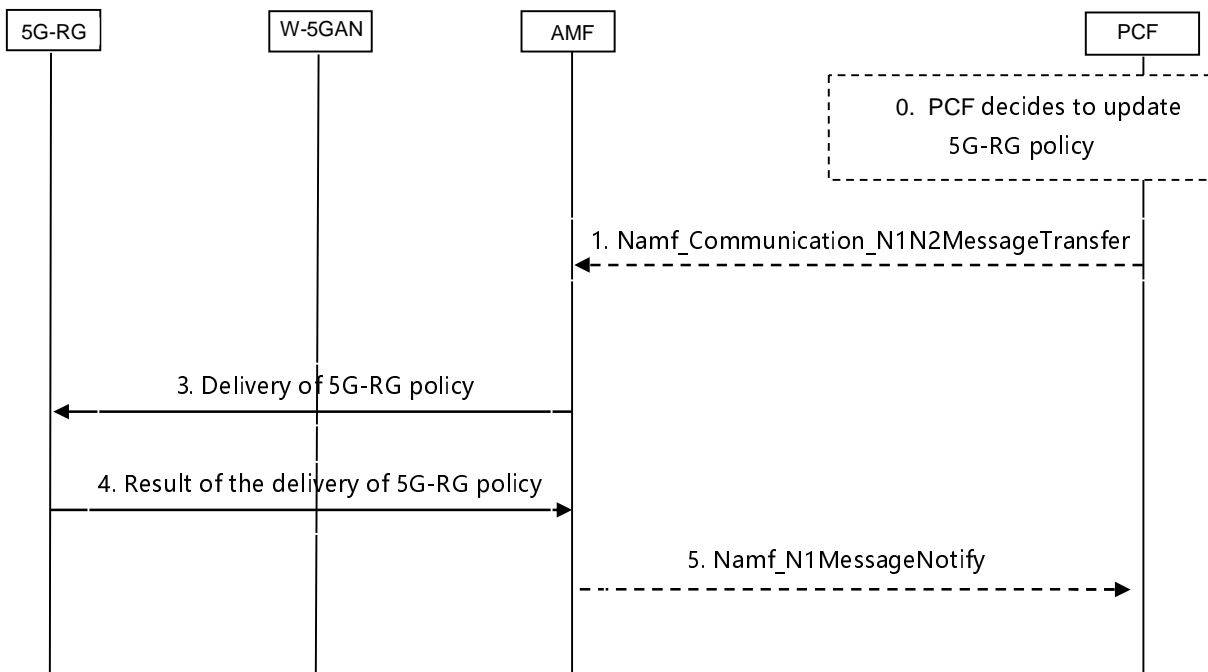


Figure 7.2.3.1-2: 5G-RG Configuration Update procedure for transparent UE Policy delivery

7.2.3.2 FN-RG related Configuration Update via W-5GAN Access

The FN-RG related Configuration Update procedures via W-5GAN may be used by the network at any time to update FN-RG configuration in W-AGF which includes:

- Access and Mobility Management related parameters decided and provided by the AMF. This includes the Configured NSSAI and its mapping to the Subscribed S-NSSAIs, the Allowed NSSAI and its mapping to Subscribed S-NSSAIs.
- FN-RG related Policy (i.e. URSP) provided by the PCF.

The W-AGF acts as an N1 termination point on behalf of FN-RG. Therefore, the configuration update procedures described in clause 7.2.3.1, shown in figure 7.2.3.1-1, apply to the FN-RG, with the following additional differences:

- The 5G-RG is replaced by the W-AGF which is acting as a UE towards the 5GC on behalf of the FN-RG.
- In step 1 the AMF sends the UE Configuration Update Command to the FN-RG, which is received by the W-AGF terminating the N1 and acting as a UE on behalf of the FN-RG. The W-AGF stores the UE Configuration as defined in clause 9.4. If requested by the AMF, the W-AGF shall acknowledge the UE Configuration Update Command.
- Step 2d is not applicable.
- When requested by the AMF, in step 4 the W-AGF starts the registration procedure described in clause 7.2.1.3.
- The Emergency service is not applicable.

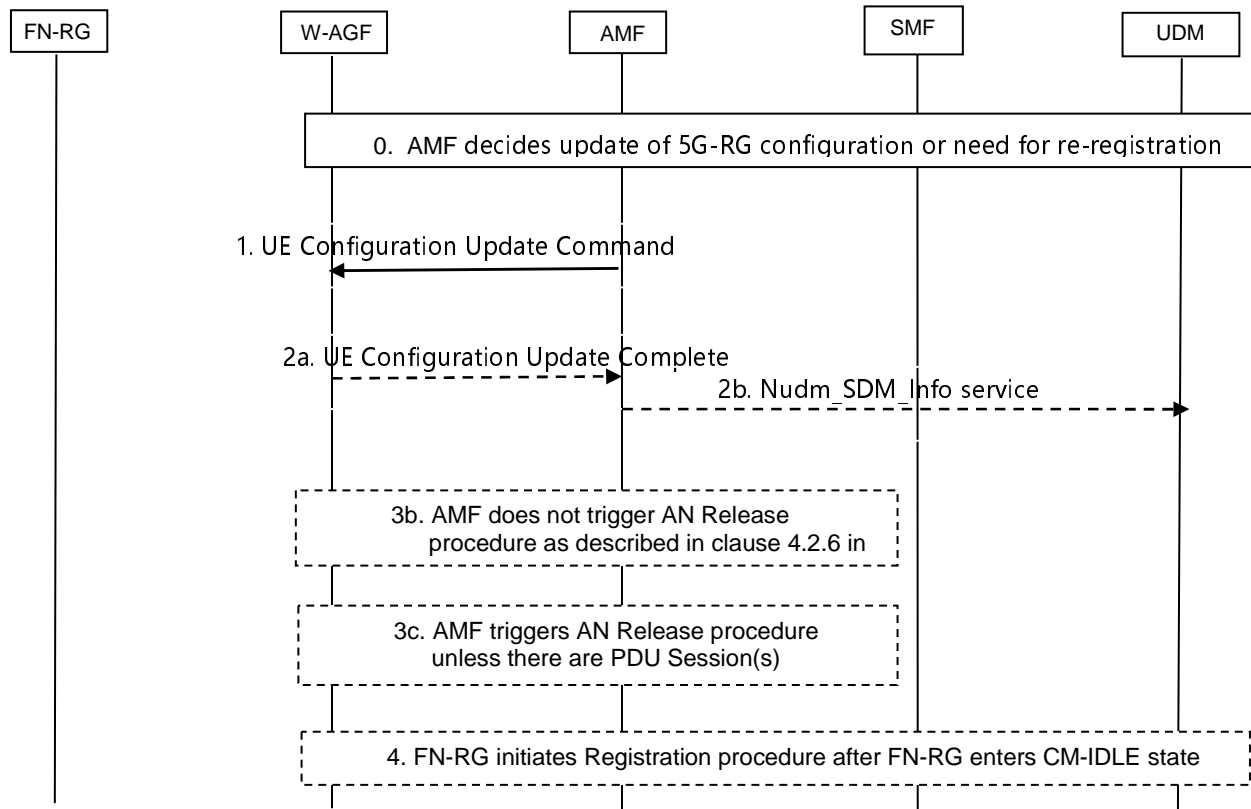


Figure 7.2.3.2-1: FN-RG related Configuration Update procedure for access and mobility management related parameters

The procedure of UE Configuration Update procedure for transparent UE Policy delivery described in TS 23.502 [3] clause 4.2.4.3 is used by the PCF to change or provide new FN-RG policies in the W-AGF, with the following differences:

- The UE is replaced by the W-AGF which is acting as a UE towards the 5GC on behalf of the FN-RG.
- The (R)AN corresponds to the W-5GAN.
- The FN-RG is only registered over W-5GAN.
- Step 2 is not applicable since the Network Triggered Service Request is not applicable in the case of W-5GAN.
- In step 3, the W-AGF receives the delivery of UE policies on behalf of FN-RG.
- The FN-RG policies are managed by W-AGF as defined in clause 9.5.2.2.

How the W-5GAN applies the configuration update to the wireline network is to be defined by the BBF for the FN-BRG and by CableLabs for the FN-CRG.

The operator may configure the W-AGF locally by provisioning means not specified by 3GPP as an alternative to the Configuration Update procedure for UE Policy delivery. The 3GPP Configuration Update will take precedence over a locally configured policy for FN-BRGs or FN-CRGs being serviced by the 5GC.

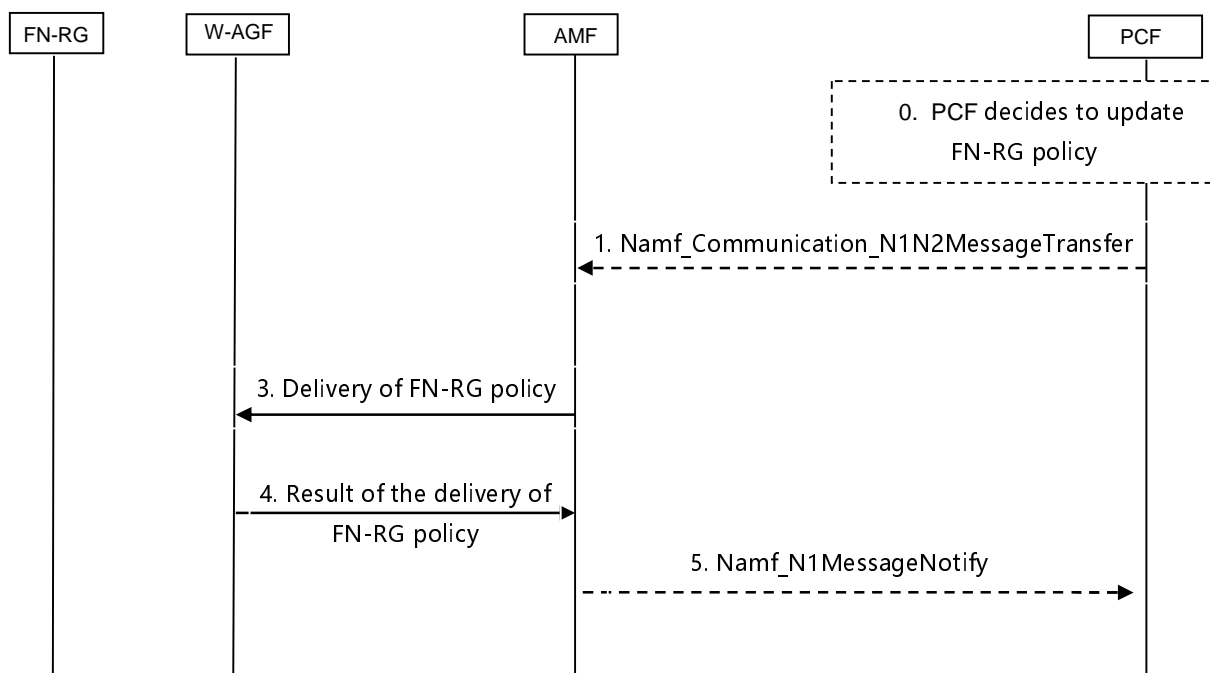


Figure 7.2.3.2-2: FN-RG related Configuration Update procedure for transparent UE Policy delivery

7.2.4 Reachability procedures

The procedures described in TS 23.502 [3] clause 4.2.5 are not applicable for 5G-RG and FN-RG access via W-5GAN.

7.2.5 AN Release

7.2.5.1 General

The AN Release procedure via W-5GAN access is used by the W-5GAN or the AMF to release the logical NG-AP signalling connection and the associated N3 User Plane connections between the W-5GAN and the 5GC.

7.2.5.2 5G-RG AN Release via W-5GAN

The procedure will move the 5G-RG from CM-CONNECTED to CM-IDLE in AMF, and all 5G-RG related context information is deleted in the W-AGF.

Both W-AGF initiated and AMF-initiated AN release in the W-5GAN procedures are shown in Figure 7.2.5-1.

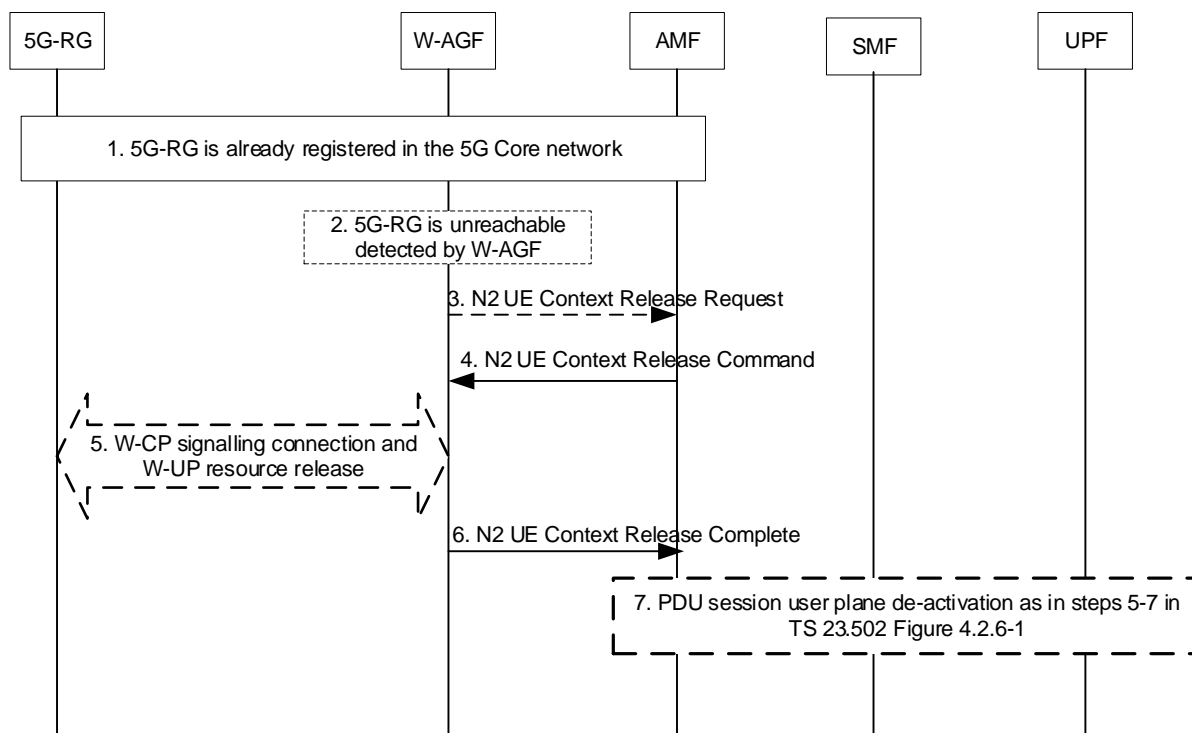


Figure 7.2.5-1: 5G-RG AN release in the W-AGF

- 1 The 5G-RG has already registered in the 5GC and may have established one or multiple PDU Sessions.
2. The W-AGF detects that the 5G-RG is not reachable.
3. The W-AGF sends a N2 UE Context Release Request message to the AMF This step is equivalent to step 1b of Figure 4.2.6-1 in TS 23.502 [3].

NOTE 1: The triggers for W-AGF to send UE Context Release Request are defined by BBF in [9] and in CableLabs WR-TR-5WWC-ARCH [27] and may e.g. include events where W-AGF has lost of synchronisation of physical link, loss of PPPoE session, or detects that the RG has been replaced.

NOTE 2: AN Release procedure can also be triggered by an AMF internal event and in that case step 2 and step 3 do not take place.

4. AMF to W-AGF: If the AMF receives the N2 UE Context Release Request from W-AGF or if due to an internal AMF event the AMF wants to release N2 signalling, the AMF sends an N2 UE Context Release Command (Cause) to the W-AGF. The cause indicated is cause from step 3 or a cause due to internal AMF event. This step is equivalent to step 2 of TS 23.502 [3], Figure 4.2.6-1.
5. If the W-CP signalling connection and W-UP resources has not been released yet, the W-AGF releases the W-CP connection and W-UP resources with a procedure out of scope of 3GPP. The W-AGF sends to the 5G-RG the indication of the release reason if received in step 4.
6. W-AGF to AMF: The W-AGF confirms the release of the 5G-RG-associated N2-logical connection by returning N2 UE Context Release Complete (list of PDU Session ID(s) with active N3 user plane) to the AMF as in step 4 defined in TS 23.502 [3], clause 4.2.6. The AMF marks the 5G-RG as CM-IDLE state in non-3GPP access.
7. For each of the PDU Sessions in the N2 UE Context Release Complete, the steps 5 to 7 in TS 23.502 [3] clause 4.2.6 are performed (PDU Session Update SM Context). After the AMF receives the Nsmf_PDUSession_UpdateSMContext Response as in step 7 of TS 23.502 [3] clause 4.2.6, the AMF considers the N3 connection as released. If list of PDU Session ID(s) with active N3 user plane is included in step 3, then this step is performed before step 4.

7.2.5.3 FN-RG AN Release via W-5GAN

The AN release procedure for the FN-RG is similar to that of 5G-RG described in clause 7.2.5.2 but with the following differences:

- The 5G-RG is replaced with a FN-RG.
- In step 5, the W-AGF may initiate the release of the L-W-CP signalling and L-W-UP resources between the FN-RG and W-AGF based on legacy protocols.

NOTE: The message exchanges between the FN-RG and W-AGF are based on legacy protocols in the wireline access network as described in clause 6.2.2.

7.2.6 N2 procedures

7.2.6.0 General

This clause specifies delta for N2 procedures defined in TS 23.502 [3] clause 4.2.7 for 5G-RG and FN-RG.

7.2.6.1 N2 procedures via W-5GAN Access

At power up, restart and when modifications are applied, the W-AGF node and AMF use non-UE related N2 signalling to exchange configuration data. The N2 Configuration as described in TS 23.502 [3] clause 4.2.7.1 is used with the following differences:

- The 5G-AN corresponds to the W-AGF.

The Creating NGAP UE-TNLA-bindings during Registration and Service Request procedure as described in TS 23.502 [3] clause 4.2.7.2.1 is used for 5G-RG connecting to 5GC via W-5GAN Access, with the following differences:

- The 5G-AN corresponds to the W-AGF.
- The UE corresponds to 5G-RG.

The Creating NGAP UE-TNLA-bindings during Registration and Service Request procedure as described in TS 23.502 [3] clause 4.2.7.2.1 is used for FN-RG connecting to 5GC via W-5GAN Access with the following differences:

- The 5G-AN corresponds to the W-AGF.
- The UE corresponds to W-AGF on behalf of FN-RG.
- If the W-AGF does not have any UE identities (i.e. a GUAMI or a 5G-S-TMSI) for the FN-RG, e.g. during Initial Registration procedure, the following differences are further applied:
 - In step 2, the W-AGF shall handle the access specific messages received from the FN-RG as described in BBF WT-456 [9] and WT-457 [10], e.g. PPPoE messages, and does not forward them to the AMF via the selected TNL association. Instead, the W-AGF shall send NAS messages on behalf of the FN-RG to the AMF via the selected TNL association.
 - Step 3 can only take place during the Initial Registration procedure.
- The AMF may decide to modify the NGAP UE-TNLA-binding toward other 5G-AN nodes such as W-AGF. This is done if AMF is changed and old AMF have existing NGAP UE-TNLA-bindings toward another W-AGF.

The Creating NGAP UE-TNLA-bindings during handovers as described in TS 23.502 [3] Clause 4.2.7.2.2 is not applicable to the scenario when 5G-RG or FN-RG is access to 5GC via W-5GAN.

Re-Creating NGAP UE-TNLA-bindings subsequent to NGAP UE-TNLA-binding release as described in TS 23.502 [3] clause 4.2.7.2.3 is used for 5G-RG connecting to 5GC via W-5GAN Access with the following exceptions:

- The 5G-AN corresponds to the W-AGF.

- The UE corresponds to 5G-RG.

Re-Creating NGAP UE-TNLA-bindings subsequent to NGAP UE-TNLA-binding release as described in TS 23.502 [3] clause 4.2.7.2.3 is used for FN-RG connecting to 5GC via W-5GAN Access with the following exceptions:

- The 5G-AN corresponds to the W-AGF.
- The UE corresponds to W-AGF on behalf of FN-RG.

7.2.7 5G-RG and FN-RG Capability Match Request procedure

This procedure is not applicable to 5G-RG and FN-RG access via wireline access.

7.3 Session Management procedures

7.3.0 General

This clause specifies the delta for Session Management procedure defined in TS 23.502 [3] clause 4.3 for 5G-RG and FN-RG.

7.3.1 5G-RG Requested PDU Session Establishment via W-5GAN

7.3.1.1 5G-RG PDU Session establishment via W-5GAN

Clause 7.3.1.1 specifies how a 5G-RG can establish a PDU Session via an W-5GAN as well as to hand over an existing PDU Session between 3GPP access and W-5GAN. The procedure applies in non-roaming scenarios.

The PDU Session Establishment procedure specified in TS 23.502 [3] clause 4.3.2.2.1 applies with the following changes.

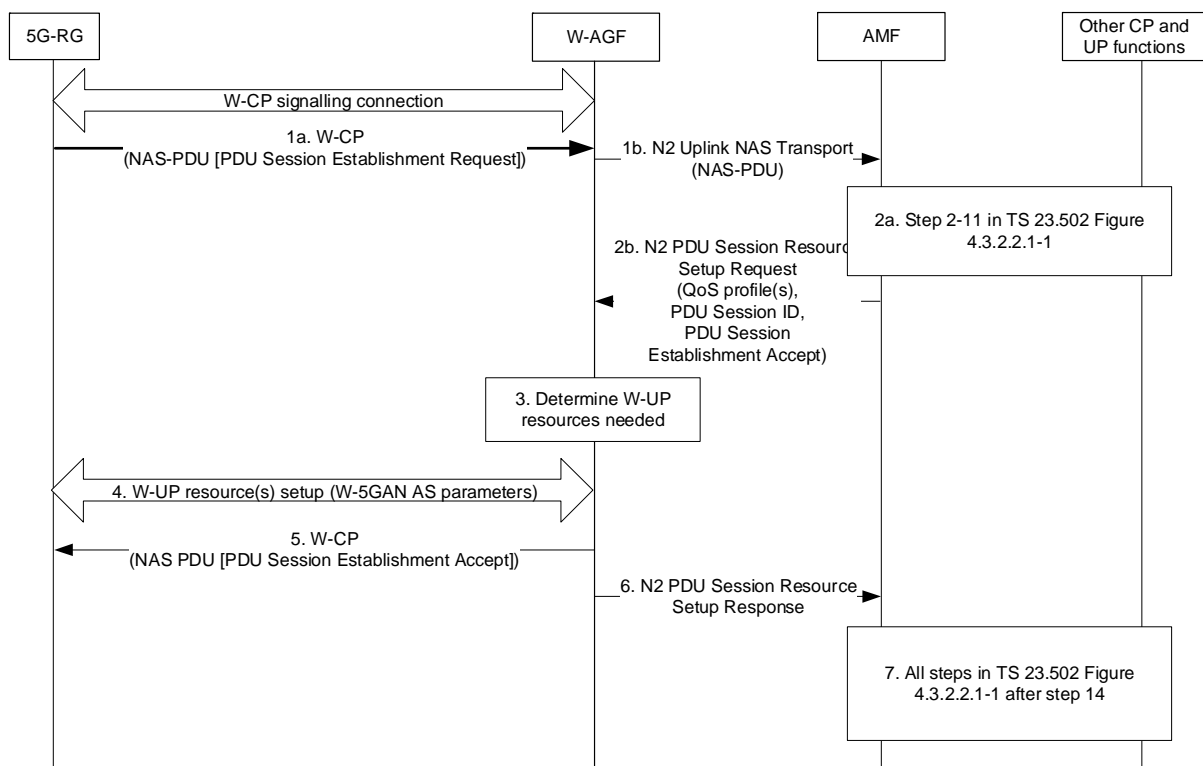


Figure 7.3.1.1-1: 5G-RG PDU Session establishment via W-5GAN

1. The 5G-RG shall send a PDU Session Establishment Request message to AMF as specified in step 1 of TS 23.502 [3], clause 4.3.2.2.1. This message shall be sent to W-AGF via the W-CP signalling connection and

the W-AGF shall transparently forward it in a N2 Uplink NAS transport message (NAS message, User location information, W-AGF identities) to AMF in the 5GC.

The W-AGF identities parameter may be included by the W-AGF and contains a list of Identifiers (i.e. a FQDN and/or IP address(es)) of N3 terminations at W-AGF and can be used by SMF in step 8 in TS 23.502 [3] clause 4.3.2.2.1 as input to select an UPF.

If the 5G-RG needs Hybrid Access with Multi-Access PDU Session service, the 5G-RG requests a MA PDU Session as defined in clause 4.12. In that case, Steps of TS 23.502 [3] clause 4.3.2.2.1 apply as modified by clause 4.12.

- 2a. Steps 2-11 specified in TS 23.502 [3] clause 4.3.2.2.1 are executed according to the PDU Session Establishment procedure over 3GPP access with the deviation that in step 3 an additional parameter W-AGF identities received by the AMF from the W-AGF can be sent from AMF to SMF. SMF can use W-AGF identities in step 8 of TS 23.502 [3] clause 4.3.2.2.1 for UPF selection.

For the LADN service, if the AMF detects the requested DNN is corresponding to a LADN DNN or the default DNN of the requesting S-NSSAI is a LADN DNN, and the access type of 5G-RG equals to wireline access, the AMF will assign "UE Presence in LADN service area" indication to be "OUT", and provide this indication to SMF.

NOTE: This induces the SMF to reject the PDU Session establishment request

- 2b. As described in steps 11 and 12 of TS 23.502 [3] clause 4.3.2.2.1, the AMF shall under request of the SMF send a N2 PDU Session Resource Setup Request message to W-AGF to establish the access resources for this PDU Session. The differences with steps 11 and 12 of TS 23.502 [3] clause 4.3.2.2.1 are:
- The W-AGF shall ignore RSN if received from 5GC.
3. Based on its own policies and configuration and based on the QoS flows and QoS parameters received in the previous step, the W-AGF shall determine what W-UP resources are needed for the PDU session. For example, the W-AGF may decide to establish one W-UP resource and associate all QoS profiles with this W-UP resource. In this case, all QoS Flows of the PDU Session would be transferred over one W-UP resource.
- 4a. The W-AGF sets up the W-UP resources for the PDU session. This step is specified by BBF for W-5BGAN and by CableLabs for W-5GCAN. The access dependent W-UP resource setup procedure shall provide the identity of the PDU Session associated with the W-UP resource. The W-UP resource setup procedure should support to bind W-UP resources to individual QFI(s) as specified in clause 4.4. The W-UP resource request may also contain other access layer information (e.g., VLAN id) specific for the W5GAN.
5. After all W-UP resources are established, the W-AGF shall forward to 5G-RG via the W-CP signalling connection the PDU Session Establishment Accept message received in step 2b.
6. The W-AGF shall send to AMF an N2 PDU Session Resource Setup Response (PDU Session ID, AN Tunnel Info, List of accepted/rejected QFI(s), User Plane Security Enforcement Policy Notification).
7. All steps specified in TS 23.502 [3] clause 4.3.2.2.1 after step 14 are executed according to the PDU Session Establishment procedure over 3GPP access.

7.3.1.2 PDU Session Establishment with ACS Discovery

This clause specifies how a 5G-RG can establish a PDU Session with ACS Discovery. The ACS discovery mechanism is further specified in clause 9.6.2.

When a 5G-RG performs ACS Discovery during PDU session establishment procedure, the UE Requested PDU Session Establishment via 3GPP Access as described in TS 23.502 [3] clause 4.3.2.2.1 is used, with the following differences:

- UE is replaced by 5G-RG.
- In FWA scenario the (R)AN is replaced by NG RAN access network, in wireline scenario the (R)AN is replaced by W-5GAN and in HA scenario the (R)AN represents the selected access where the PDU session is being established.

- Step 1. When the 5G-RG sends the PDU session establishment request it includes the DNN which is corresponding to the ACS (per local configuration or per URSP policies). The UE may send in PCO a request to provide ACS information. The UE may include the ACS information request in a DHCP request sent after PDU Session has been established.
- Step 4. The UDM may send the ACS information to the SMF together with the subscription data based on the DNN.
- Step 10. The SMF includes the ACS information in the N1 SM information (PCO) if it has been requested by the UE in step 1 and if it is available at the SMF (if received in Step4).
- Step 19: The 5G-RG may request to receive ACS information via DHCP as described in clause 9.6.2.
- The 5G-RG uses the received ACS information to establish a connection with the ACS.

NOTE: The ACS discovery via PCO or via DHCP are mutually exclusive.

7.3.2 5G-RG or Network Requested PDU Session Modification via W-5GAN

The UE or network requested PDU Session Modification procedure via W-5GAN access is depicted in figure 7.3.2-1. The procedure applies in non-roaming scenarios.

The procedure below is based on the PDU Session Modification procedure specified in TS 23.502 [3] clause 4.3.3.2.

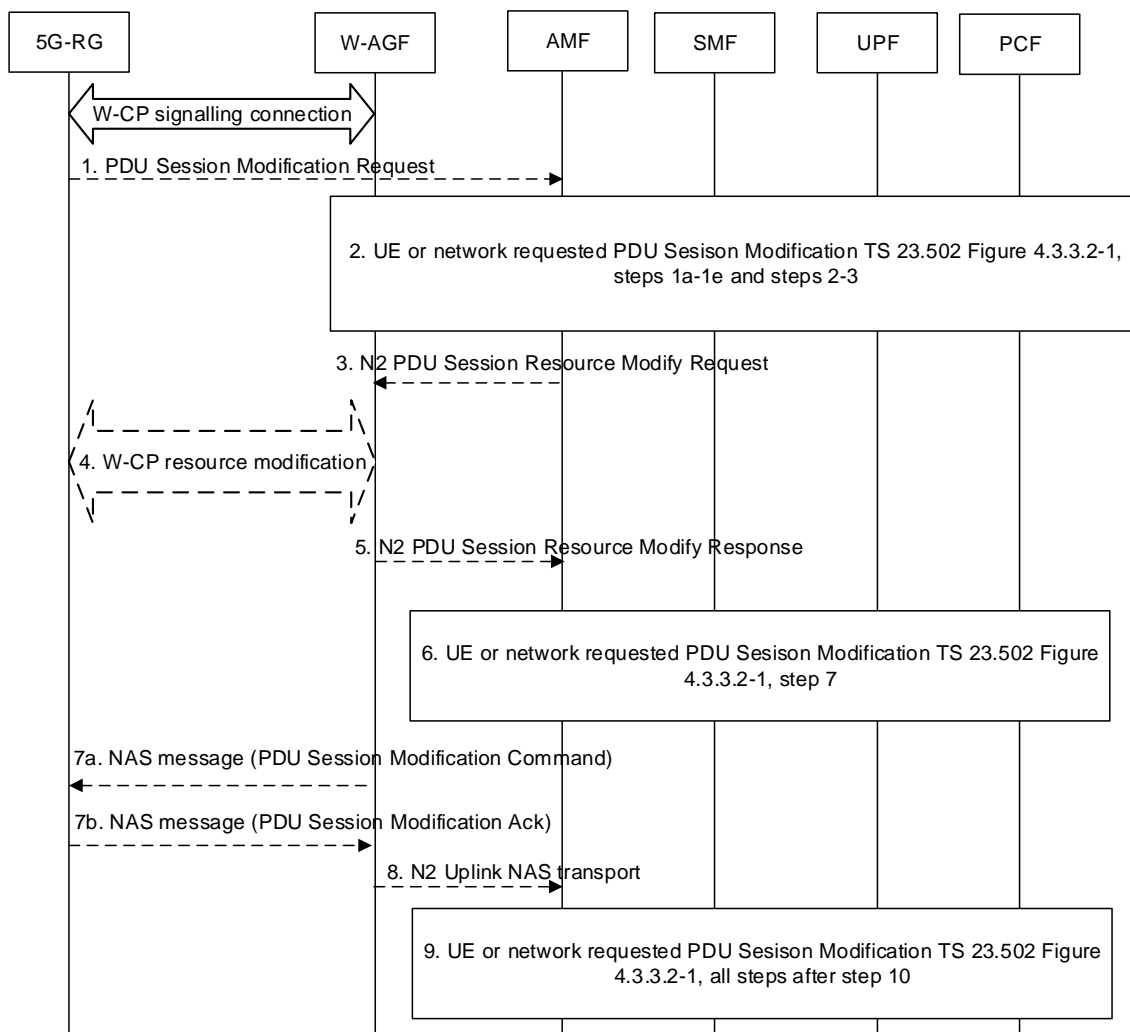


Figure 7.3.2-1: 5G-RG or Network Requested PDU Session Modification via W-5GAN

1. If the PDU Session Modification procedure is initiated by the UE, the UE shall send a PDU Session Modification Request message to AMF as specified in TS 23.502 [3] step 1 of clause 4.3.2.2. The message shall be sent to W-AGF via W-CP signalling connection. The W-AGF shall transparently forward the PDU Session Modification Request to AMF/SMF.
 2. The steps 1a (from AMF) to 1e and steps 2-3 as per the PDU Session Modification procedure in TS 23.502 [3] clause 4.3.3.2 are executed.
 3. The AMF sends N2 PDU Session Resource Modify Request (N2 SM information received from SMF, NAS message) message to the W-AGF. This step is the same as step 4 in clause 4.3.3.2.
 4. The W-AGF may issue W-CP resource modification procedure (out of scope of 3GPP) with the 5G-RG that is related with the information received from SMF. Based on the N2 SM information received from the SMF, the W-AGF may perform following:
 - 4a. [Conditional] The W-AGF may decide to create a new W-UP resource for the new QoS Flow(s).
 - 4b. [Conditional] The W-AGF may decide to add or remove QoS Flow(s) to/from an existing W-UP resource.
 - 4c. [Conditional] The W-AGF may decide to delete an existing W-UP resource, e.g. when there is no QoS Flow mapped to this W-UP resource.
- NOTE: If the W-AGF has included the Default W-UP resource indication during the establishment of one of the W-UP resources of the PDU Session, the W-AGF may not update the mapping between QoS Flows and W-UP resources.
5. The W-AGF acknowledges N2 PDU Session Resource Modify Request by sending a N2 PDU Session Resource Modify Response Message to the AMF to acknowledge the success or failure of the request.
 6. Step 7 as per the PDU Session Modification procedure in TS 23.502 [3] clause 4.3.3.2 is executed.
 7. The W-AGF sends the PDU Session Modification Command to 5G-RG (if received in step 3) and receives the response message from 5G-RG.

Steps 4a/4c and step 7 may happen consecutively. Steps 7b map happen before step 4b/4d.
 8. The W-AGF forwards the NAS message to the AMF.
 9. All the steps after step 10 in TS 23.502 [3] clause 4.3.3.2 are executed according to the general PDU Session Modification procedure.

7.3.3 5G-RG or Network Requested PDU Session Release via W-5GAN

Clause 7.3.3 specifies how a 5G-RG or network can release a PDU Session via a W-5GAN. The 5G-RG requested PDU Session Release procedure via W-5GAN access applies in non-roaming scenarios.

If the 5G-RG is simultaneously registered to a 3GPP access in a PLMN different from the PLMN of the W-AGF, the functional entities in the following procedures are located in the PLMN of the W-AGF.

- NOTE: If the 5G-RG is simultaneously registered to 3GPP access in the same PLMN as W-5GAN access, when W-5GAN is not available to the 5G-RG (e.g. 5G-RG is disconnected from W-5GAN) or 5G-RG is in CM-IDLE for W-5GAN access, the 5G-RG may perform the PDU Session Release procedure via 3GPP access as described in TS 23.502 [3] clause 4.3.4.

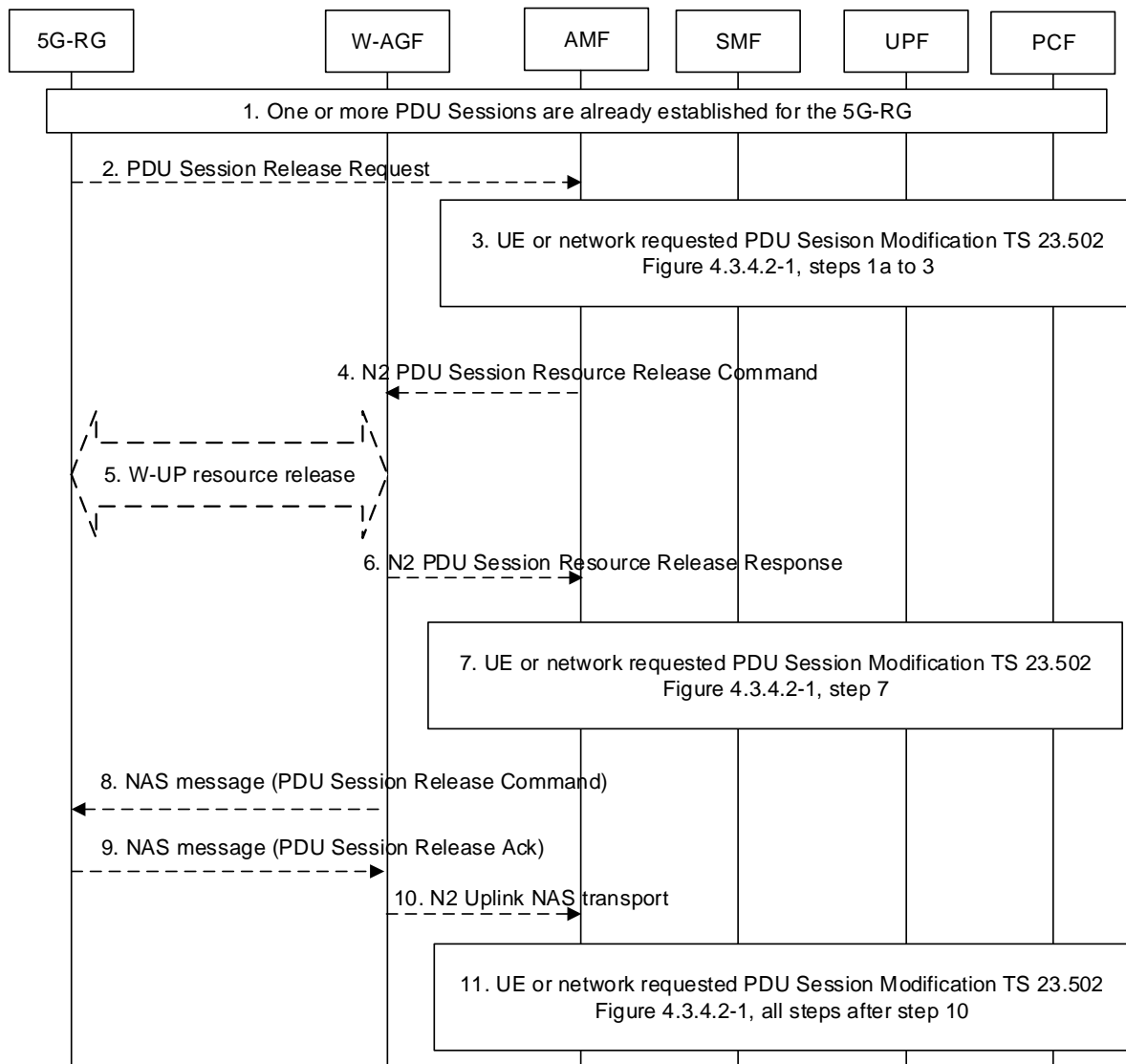


Figure 7.3.3-1: 5G-RG or Network Requested PDU Session Release via W-5GAN access

1. One or more PDU Sessions are already established for the 5G-RG using the procedure described in clause 7.3.1.
2. The 5G-RG sends a PDU session release request (N1 SM container (PDU Session Release Request), PDU Session ID) to the AMF via the W-AGF as defined in clause 4.3.4 of TS 23.502 [3].
3. The steps 1a (from AMF) to 4 according to the PDU Session Release procedure defined in TS 23.502 [3] clause 4.3.4.2 are executed.
4. This step is the same as step 4 in clause 4.3.4.2 of TS 23.502 [3].
5. Upon receiving AN session release request message from the AMF, the W-AGF can trigger the release of the corresponding W-UP resource with procedure out of scope of 3GPP.
6. This step is the same as step 6 in clause 4.3.4.2 of TS 23.502 [3].
7. Steps 7 according to the PDU Session Release procedure defined in clause 4.3.4.2 are executed.
8. The W-AGF delivers the NAS message (N1 SM container (PDU Session Release Command), PDU Session ID, Cause) to the 5G-RG.
9. The 5G-RG sends a NAS message (N1 SM container (PDU Session Release Ack), PDU Session ID) to the W-AGF.
10. This step is the same as step 9 in clause 4.3.4.2 of TS 23.502 [3].

Steps 5 and 8 may happen consecutively. Step 9 may happen before step 5.

11. All steps after step 10 in the PDU Session Release procedure defined in TS 23.502 [3] clause 4.3.4.2 are executed.

The network requested PDU Session Release procedure via W-5GAN access is the same as the network requested PDU Session Release Procedure specified in TS 23.502 [3] clause 4.3.4.2 for Non-Roaming with the following differences:

- The (R)AN corresponds to a W-AGF.
- In step 5, upon receiving N2 SM request to release the AN resources associated with the PDU Session from the AMF, the W-AGF can trigger the release of the corresponding W-UP resource to the 5G-RG as specified in step 5, in Figure 7.3.3-1.

7.3.4 FN-RG related PDU Session Establishment via W-5GAN

The procedure below is based on the PDU Session Establishment procedure specified in TS 23.502 [3] clause 4.3.2.2.1.

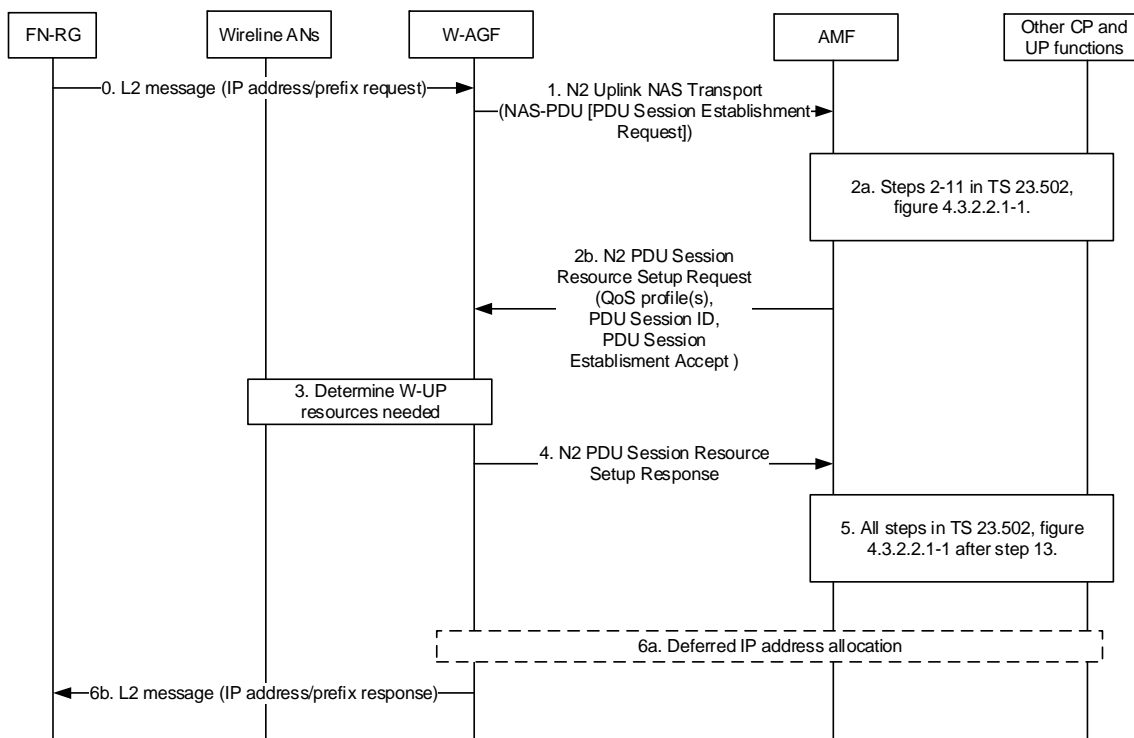


Figure 7.3.4-1: FN-RG related PDU Session Establishment via W-5GAN

0. [Optional] FN-RG sends an IP address/prefix request to the W-AGF via the L2 connection established in clause 7.2.1.3.

NOTE: This IP address/prefix request can also be sent by FN-RG later in this procedure; the W-AGF may store this and complete the address allocation via 5GC after the PDU session setup. The means of carrying the IP address/prefix request/response between FN-BRG and W-AGF is defined in BBF WT-456 [9], WT-457 [10] and between FN-CRG and W-AGF is defined in CableLabs WR-TR-5WWC-ARCH [27].

1. After the registration procedure is completed, the W-AGF may establish PDU session(s) on behalf of the FN-RG. The trigger for W-AGF to initiate a PDU establishment process is defined in BBF WT-456 [9], WT-457 [10] and CableLabs WR-TR-5WWC-ARCH [27].

The W-AGF generates a PDU session ID and derives the parameters for the PDU Session (PDU Session type, S-NSSAI, DNN, SSC mode, etc.) based on signalling received from the FN-RG (DHCP, IPv6 RS, etc.), on local configuration, and on information received from the 5GC (e.g. during the Registration procedure or when received URSP rules) and stored on the W-AGF.

If W-AGF has received a DHCPv4/DHCPv6 request from the FN-RG, it may request a PDU Session with deferred IP address allocation.

The W-AGF sends a NAS PDU Establishment Request to the AMF. This request contains the PDU Session ID, and may contain a Requested PDU Session Type, a Requested SSC mode, 5GSM Capability PCO, SM PDU DN Request Container, Number of Packet Filters.

The W-AGF sends NAS PDU Establishment Request in a N2 Uplink NAS transport message (NAS message, User location information, W-AGF identities).

The W-AGF identities contains a list of Identifiers (i.e. a FQDN and/or IP address(es)) of N3 terminations at W-AGF and can be used by SMF in step 8 in TS 23.502 [3] clause 4.3.2.2.1 as input to select an UPF.

- 2a. The PDU session request is processed in the 5GC as per steps 2-11 of TS 23.502 [3] clause 4.3.2.2.1. These steps are for UPF selection and resource reservation/allocation in the UPF. With regard to TS 23.502 [3], an additional parameter is sent from AMF to SMF i.e. the list of Identifiers (i.e. a FQDN and/or IP address(es)) of N3 terminations at W-AGF received by the AMF from the W-AGF. The SMF can use it in step 8 for UPF selection as per clause 4.3.2.2.1.
- 2b. The SMF responds via AMF as defined in step 11 of clause 4.3.2.2.1 in TS 23.502 [3] with an N2 PDU Session Resource Setup Request that includes QoS profile(s), PDU Session ID, PDU Session Establishment Accept and the N3 tunnel endpoint information for the UPF. The differences with step 11/12 of TS 23.502 [3] clause 4.3.2.2.1 are:
 - The W-AGF shall ignore RSN if received from 5GC.
3. Based on its own policies, configuration and based on the QoS flows, QoS parameters received in the previous step, the W-AGF shall determine what W-UP resources are needed for the PDU session.

The W-AGF may, as defined in BBF WT-456 [9], WT-457 [10] and CableLabs WR-TR-5WWC-ARCH [27], perform Access specific resource reservation with the AN, that is, it sets up the W-UP resources for the PDU session.
4. The W-AGF allocates AN N3 tunnel information for the PDU Session and includes the AN N3 tunnel endpoint information in the N2 PDU Session Resource Setup Response message to the AMF.
5. The PDU session setup procedure is completed in 5GC. All steps after step 13 as specified in TS 23.502 [3] figure 4.3.2.2.1 are executed.
- 6a. If W-AGF requested deferred IP address allocation in step 1 and this was accepted by the network, the W-AGF sends on the user Plane of the PDU Session any DHCP or RS message received beforehand from the FN-RG to the 5GC to obtain the IP address/prefix.
- 6b. W-AGF completes the IP address/prefix allocation with the FN-RG via the established L2 connection. If W-AGF did not request deferred IP address allocation in step 1a, the IP address/prefix sent back to the FN-RG is the UE IP address/prefix delivered in NAS message in step 2b. If W-AGF requested deferred IP address allocation in step 1a, the IP address/prefix sent back to the FN-RG is the UE IP address/prefix delivered via deferred IP address allocation procedures in step 6a.

7.3.5 CN-initiated selective deactivation of UP connection of an existing PDU Session associated with W-5GAN Access

The procedure described in TS 23.502 [3] clause 4.3.7 (CN-initiated selective deactivation of UP connection of an existing PDU Session) is used for CN-initiated selective deactivation of UP connection for an established PDU Session associated with W-5GAN Access of a 5G-RG/FN-RG in CM-CONNECTED state, with the following exceptions:

- The NG-RAN corresponds to a W-AGF.
- The user plane resource between the 5G-RG/FN-RG and W-AGF, is released not with RRC signalling but with procedure in the scope of BBF/Cablelabs.

7.3.6 FN-RG or Network Requested PDU Session Modification via W-5GAN

The PDU session modification procedure for the FN-RG is similar to that of 5G-RG described in clause 7.3.2 but with the following differences:

- The 5G-RG is replaced with an FN-RG.
- W-AGF acts on behalf of FN-RG, as an endpoint for N1 signalling. The triggers for initiating PDU Session Modification by the W-AGF are defined by BBF and Cablelabs.
- In step 1, the W-AGF initiates a PDU Session Modification Request to the AMF on behalf of FN-RG.
- W-AGF may issue L-W-CP resource modification procedure with the FN-RG that is related with the information received from the SMF as in step 4. The actions performed by W-AGF are defined by BBF and Cablelabs.
- In step 4, L-W-UP resources may be modified by the W-AGF.
- Steps 7a and 7b of clause 7.3.2 are not valid for the FN-RG. The W-AGF creates an Uplink NAS transport message to the AMF, which contains the PDU Session Modification Ack as in step 8.

7.3.7 FN-RG or Network Requested PDU Session Release via W-5GAN

The PDU session release procedure for the FN-RG is similar to that of 5G-RG described in clause 7.3.3 but with the following differences:

- The 5G-RG is replaced with an FN-RG.
- W-AGF acts on behalf of FN-RG, as an endpoint for N1 signalling.
- In step 2, the W-AGF sends a PDU session release request to the AMF on behalf of FN-RG.
- In step 5, upon receiving AN session release request message from the AMF, the W-AGF can trigger the release of the corresponding L-W-UP resource with procedure in scope of BBF/CableLabs.
- Steps 8 and 9 of clause 7.3.3 are not valid for the FN-RG. The W-AGF creates an Uplink NAS transport message to the AMF, which contains the PDU Session Release Ack as in step 10.

7.4 SMF and UPF interactions

SMF and UPF interactions for 5G-RG and FN-RG follow the procedures defined in TS 23.502 [3] clause 4.4.

7.5 User Profile management procedures

When 5G-RG or FN-RG is used, the User Profile management procedures in TS 23.502 [3] clause 4.5 apply, with the differences described below:

- The UE in TS 23.502 [3] clause 4.5 is replaced by 5G-RG or FN-RG.
- When 5G-RG or FN-RG is connected via W-5GAN, steering of roaming information is not applicable, since roaming is not supported.
- The AMF updates 5G-RG context and FN-RG context stored at W-AGF to modify the RG Level Wireline Access Characteristics.

7.6 Handover procedure

7.6.1 General

This clause includes the differences for 5G-RG comparing to TS 23.502 [3] clause 4.9.

Handover procedures in this clause are not supported for FN-RG. SRVCC is not applicable to RG.

7.6.2 Handover within NG-RAN

If the 5G-RG is connected via FWA, the procedures in TS 23.502 [3] clause 4.9.1 apply with the differences shown as below:

- UE is replaced by 5G-RG.

7.6.3 Handover procedures between 3GPP access / 5GC and W-5GAN access

7.6.3.1 Handover of a PDU Session procedure from W-5GAN access to 3GPP access

This clause specifies how to hand over a 5G-RG from a source W-5GAN access to a target 3GPP access and how a 5G-RG can handover a PDU Session from W-5GAN access to 3GPP access. It is based on the PDU Session Establishment procedure for 3GPP access as specified in TS 23.502 [3], clause 4.3.2.

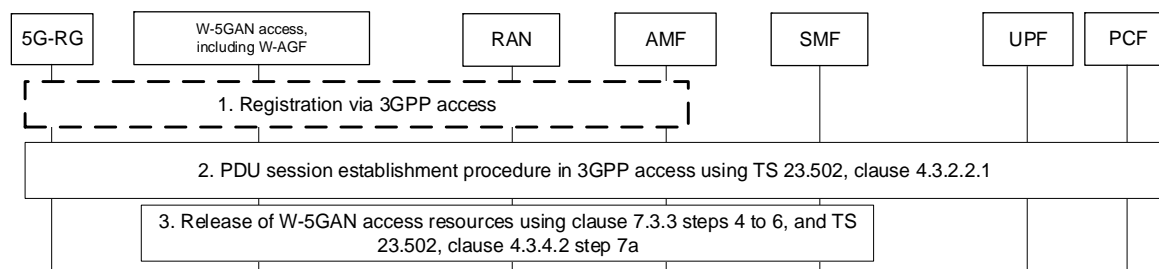


Figure 7.6.3.1-1: Handover of a PDU Session procedure from W-5GAN access to 3GPP access

The Handover of a PDU Session procedure specified in TS 23.502 [3] clause 4.9.2.1 applies with the following changes.

- 1-2. These steps are the same as steps 1-2 in TS 23.502 [3] clause 4.9.2.1 with the difference that the UE is replaced by 5G-RG.
3. The SMF executes the release of resources in W-5GAN access by performing steps 4 to 6 specified in clause 7.3.3, followed by step 7a specified in TS 23.502 [3], clause 4.3.4.2 in order to release the resources over the source W-5GAN access. Because the PDU Session shall not be released, the SMF shall not send the NAS PDU Session Release Command to the 5G-RG. Hence, in steps 4 and 6 of clause 7.3.3 as well as in step 7a of TS 23.502 [3], clause 4.3.4.2, the messages do not include the N1 SM container but only the N2 PDU Session Resource Release Command (resp. Response). Since the PDU Session is not to be released, the SMF shall not execute step 7b of TS 23.502 [3], clause 4.3.4.2 and the SM context between the AMF and the SMF is maintained.

Steps 2 and 3 shall be repeated for all PDU Sessions to be moved from to W-5GAN access to 3GPP access.

7.6.3.2 Handover of a PDU Session procedure from 3GPP to W-5GAN access

This clause specifies how to hand over a 5G-RG from a source 3GPP access to a target W-5GAN access and how a 5G-RG can handover a PDU Session from 3GPP access to W-5GAN access. It is based on the PDU Session Establishment procedure for W-5GAN access as specified in clause 7.3.1.

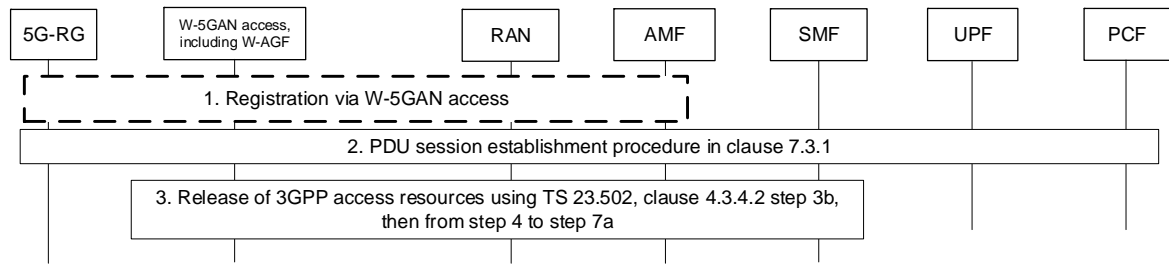


Figure 7.6.3.2-1: Handover of a PDU Session from 3GPP access to W-5GAN access

The Handover of a PDU Session procedure specified in TS 23.502 [3] clause 4.9.2.2 applies with the following changes.

1. If the 5G-RG is not registered via W-5GAN access, the 5G-RG shall initiate Registration procedure as defined in clause 7.2.1.1.
2. The 5G-RG performs PDU Session Establishment procedure in W-5GAN access with the PDU Session ID of the PDU Session to be moved as specified in clause 7.3.1.
3. This step is the same as step 3 in TS 23.502 [3] clause 4.9.2.2 with the difference that the UE is replaced by 5G-RG. If the User Plane of the PDU Session is already deactivated in 3GPP access, this step is skipped.

Steps 2 and 3 shall be repeated for all PDU Sessions to be moved from 3GPP access to W-5GAN access.

7.6.4 Handover procedures between 3GPP access / EPS and W-5GAN/5GC access

7.6.4.1 Handover from 3GPP access / EPS to W-5GAN / 5GC

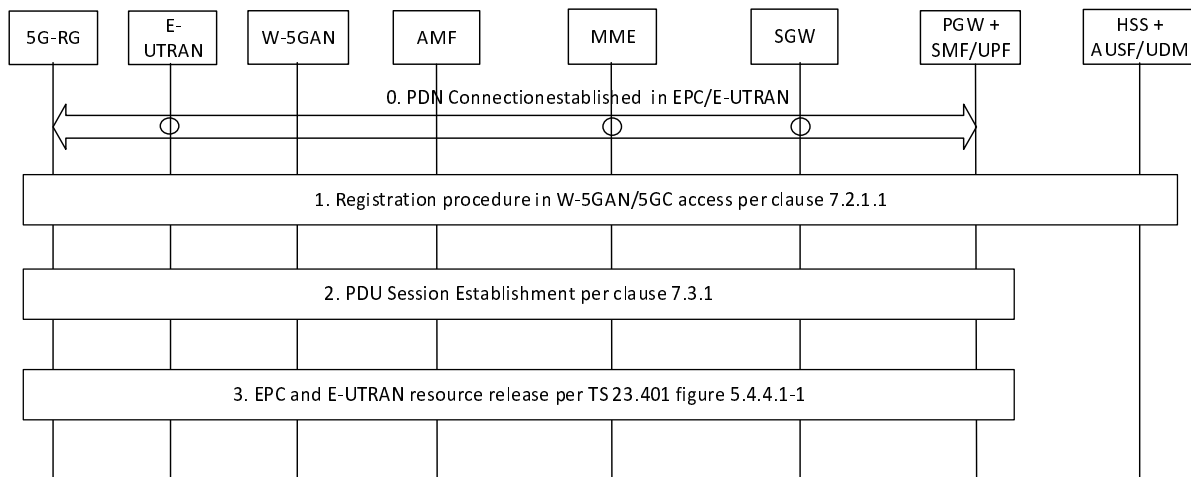


Figure 7.6.4.1-1: Handover from EPS to W-5GAN/5GC

The procedure specified in TS 23.502 [3], clause 4.11.3.1 (Handover from EPS to 5GC-N3IWF) applies with the following changes.

0. Initial status: one or more PDN connections have been established in EPC between the 5G-RG and the PGW-C+SMF via E-UTRAN.
1. The 5G-RG initiates Registration procedure via W-5GAN access according to clause 7.2.1.1.
2. The 5G-RG initiates a PDU Session Establishment with Existing PDU Session indication in 5GC via W-5GAN access according to clause 7.3.1.

3. This step is the same as step 3 in TS 23.502 [3], clause 4.11.3.1.

7.6.4.2 Handover from W-5GAN / 5GC access to 3GPP-access / EPS

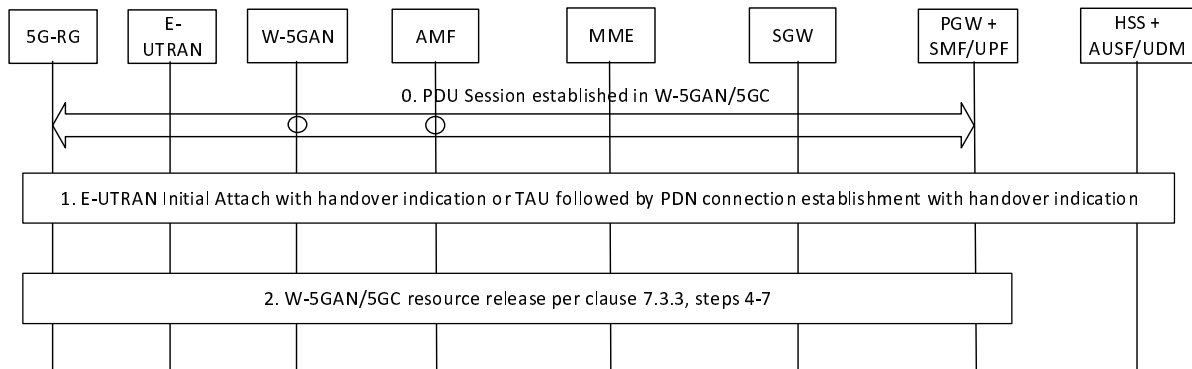


Figure 7.6.4.2-1: Handover from W-5GAN/5GC to EPS

0. Initial status: one or more PDU Sessions have been established via W-5GAN / 5GC access. During PDU Session setup, and in addition to what is specified in TS 23.502 [3], clause 4.3.2.2.1, the PGW-C+SMF sends the FQDN related to the S5/S8 interface to the HSS+UDM which stores it.

1. If the UE is not attached to EPC/E-UTRAN, the UE initiates Handover Attach procedure in E-UTRAN as described in TS 23.401 [24] for a non-3GPP to EPS handover with "Handover" indication, except note 17.

If the UE is attached in EPC/E-UTRAN, the UE initiates the PDN Connection establishment with "Handover" indication procedure as described in TS 23.401 [24].

2. The combined PGW-C+SMF initiates a network requested PDU Session Release via W-5GAN access according to clause 7.3.3, steps 4-7 to release the 5GC and W-5GAN resources with the following exception:

- Nsmf_PDUSession_SMContextStatusNotify service operation invoked by the SMF indicates the PDU Session is moved to another system.
- The Npcf_SMPolicyControl_Delete service operation to PCF shall not be performed.

7.7 Support of specific services

7.7.0 General

This clause specifies the procedure for specific services for WWC scenario defined in clause 5.

7.7.1 IPTV

7.7.1.1 Overview

In this Release of the specification, in order to support IPTV services, following principles apply:

- the 5G-RG supports IP PDU Session Type;
- IP multicast traffic received from N6 interface is replicated by UPF and sent over PDU Sessions;
- IGMP or MLD messages from the STB or from the 5G-RG are terminated and managed by the UPF acting as PSA;
- IGMPv2 specified in RFC 2236 [33], IGMPv3 specified in RFC 4604 [21], for MLDv1 specified in RFC 2710 [36] and MLDv2 specified in RFC 4604 [21] are supported

NOTE 1: Whether IGMP or MLD is exchanged with 5G RG or another entity (e.g. STB) is out of the scope of 3GPP.

NOTE 2: In this specification the generic term IGMP refers to both IGMPv2 and IGMPv3 unless specifically defined. The term MLD refers to both MLDv1 and MLDv2 unless specifically defined.

NOTE 3: The IGMP "Join message" and MLD "Join message" are generic terms used in this document to indicate the request of a host to join a multicast group which can express via IGMP and MLD Report message (e.g. Membership Report) or via Join message.

- The SMF controls the support of IPTV by the UPF acting as PSA using PDR, FAR, QER, URR. This includes control of which IGMP and MLD requests the UPF is to accept or to deny.

This clause describes the procedures that support IPTV in 5G system including the procedures below:

- Registration and PDU Session Establishment procedure for IPTV is shown in clause 7.7.1.1.1. The Registration Procedure is used to register to 5GS and the PDU Session Establishment Procedure is used to establish the PDU Session used for IPTV Service.
- IPTV Access procedure shown in clause 7.7.1.1.2 may, depending on the deployment, be used to access the IPTV network, e.g. completing the IPTV Authentication and IP allocation.
- Unicast/Multicast Packets transmission procedure shown in clause 7.7.1.1.3. The procedure specifies how to transmit unicast/multicast packets related with IPTV service over 5GC.

In this Release of the specification, the 5GC does not assume any traffic replication capability in the 5G AN (NG-RAN or W-5GAN).

NOTE 4: In this release of the specification, the case of different STBs behind a 5G-RG is supported only when the STBs share the same access right.

7.7.1.1.1 Registration and PDU Session Establishment procedure for IPTV

5G-RG perform Registration procedure described in clause 4.2.2.2.2 of TS 23.502 [3] with the following differences:

- UE is replaced by 5G-RG.

5G-RG perform PDU Session establishment procedure described in clause 4.3.2.2.1 of TS 23.502 [3] applies with the following differences and clarifications:

- UE is replaced by 5G-RG.
- In step 1 of clause 4.3.2.2.1 of TS 23.502 [3], 5G-RG may indicate within the Protocol Configuration Options element that the UE requests to obtain the IPv4 address with DHCPv4.
- 5G-RG shall establish an IP-based PDU Session with a specific (DNN, S-NSSAI) for IPTV service.
- In step 7b and 9 of clause 4.3.2.2.1 of TS 23.502 [3], the PCF provides PCC Rules including information related to IPTV Service. This is specified in clause 9.3.1.
- The SMF sends to the UPF acting as PSA N4 rules such as PDR, FAR related to IP Multicast traffic allowed for the PDU Session. This may take place at steps 10a and 16a of clause 4.3.2.2.1 of TS 23.502 [3]. Such N4 rules are further described in clause 4.6. IP Multicast traffic allowed for the PDU Session corresponds to IPTV services allowed for the user.

NOTE: The interactions between STB and 5G-RG are specified in TR-124 [5] in BBF and not shown in this clause.

7.7.1.1.2 IPTV Access procedure

In the case of IPTV network access control based on the DHCP procedure, 5G-RG may be configured to retrieve via DHCP the IP address that it will use to access IPTV services. The DHCP procedure described in TS 23.501 [2] clause 5.8.2.2 is carried out with the difference shown below:

- When the SMF receives the Uplink DHCP message, the SMF may be configured to insert the IPTV access control information as received in subscription data from UDM to the uplink DHCP message.

NOTE 1: The IPTV access control information can include a line ID defined in RFC 3046 [20] or any other identity which can be used to identify the IPTV subscriber. This is based on IPTV deployment and 3GPP doesn't define the IPTV access control information that the SMF copies from subscription data to DHCP signalling.

NOTE 2: The interactions between STB and 5G-RG is specified in BBF TR-124 [5].

NOTE 3: The description of interactions among the elements part of the IPTV network is out of 3GPP scope.

7.7.1.1.3 Unicast/Multicast Packets transmission procedure

5GS can support Unicast Service from IPTV network directly.

In order to obtain the multicast service from IPTV network, the Multicast Packets transmission procedure should be performed. The procedure in figure 7.7.1.1-3 describes how the 5G-RG joins an IP multicast group.

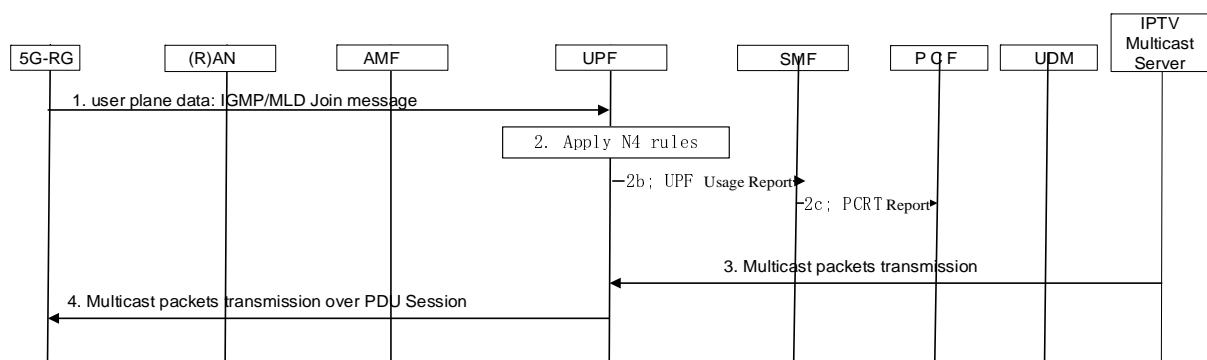


Figure 7.7.1.1-3: 5G-RG join IP Multicast Packets transmission procedure

1. The 5G-RG sends an IGMP or MLD Join message via the IP PDU Session user plane.
2. When UPF receives the IGMP or MLD Join, the UPF may identify IGMP and MLD packets based on PDR received over N4 as described in clause 4.6 and handle the IGMP and MLD Join accordingly based on FAR as described in clause 4.6. An example is given as below:
 - If the IP Multicast Addressing information included in the IGMP or MLD Join message is allowed to be accessed via the PDU Session, the UPF shall add the PDU Session to the requested multicast group. If requested by an URR, the UPF notifies the SMF that the UE is joining to a multicast group, providing the associated IP Multicast Addressing information.
 - If the IP Multicast Addressing information included in the IGMP or MLD Join message is not allowed to be accessed via the PDU Session, the UPF shall not add the PDU Session to the requested multicast group.

The UPF acts as a Multicast Router as defined in IETF RFC 2236 [33], IETF RFC 4604 [21] and IETF RFC 2710 [36]. This may include following actions:

- if the IGMP or MLD Join message is the first IGMP or MLD request the UPF has received about the target IP multicast traffic: the UPF exchanges N6 signalling such as PIM (Protocol-Independent Multicast) in order to connect to the N6 multicast distribution tree related with this IP multicast traffic; This ensures that the UPF receives the DL multicast traffic.
- The IP multicast related signalling protocol used on N6 (e.g. Sparse Mode PIM-SM) to be supported over N6 is defined by local policies on the UPF.

2b. if the SMF had set the corresponding URR Reporting trigger with a value "IP multicast join/leave" (as defined in clause 4.6.5), the UPF issues an UPF report to the SMF and the corresponding IP Multicast addressing information

2c. if the PCF had set the corresponding Policy Control Request Trigger set to "UE join to a multicast group" trigger" (as defined in clause 9.7), the SMF issues a SMF initiated SM Policy Association Modification (as defined in TS 23.502 [3] clause 4.16.5) reporting to the PCF the corresponding IP Multicast addressing information.

3-4. When the UPF receives IP multicast packets from multicast server in IPTV network, the UPF select the PDU Session(s) where to transmit the multicast packets based on the multicast group, constructed in step 2 and fulfilling the FAR and QER rules described in clause 7.7.1.1.1.

NOTE 1: The interactions between STB and 5G-RG are specified in BBF TR-124 [5] and are not shown in figure 7.7.1.1-3.

The 5G-RG may leave the IP Multicast Group as follows:

- sending an unsolicited IGMP Leave or MLD Done message;
- IGMPv2 Leave message or a IGMPv3 Membership Report with indication of State Change Record or MLD Done message to request to leave a specific IP Multicast Group. The Message may be solicited by UPF via an IGMP MLD Query message.

NOTE 2: The Membership Query is typically used in IPTV system to recover from error conditions such as when the Leave message has been dropped by intermediate node or when the STB has been powered off without being able to send a Leave Message.

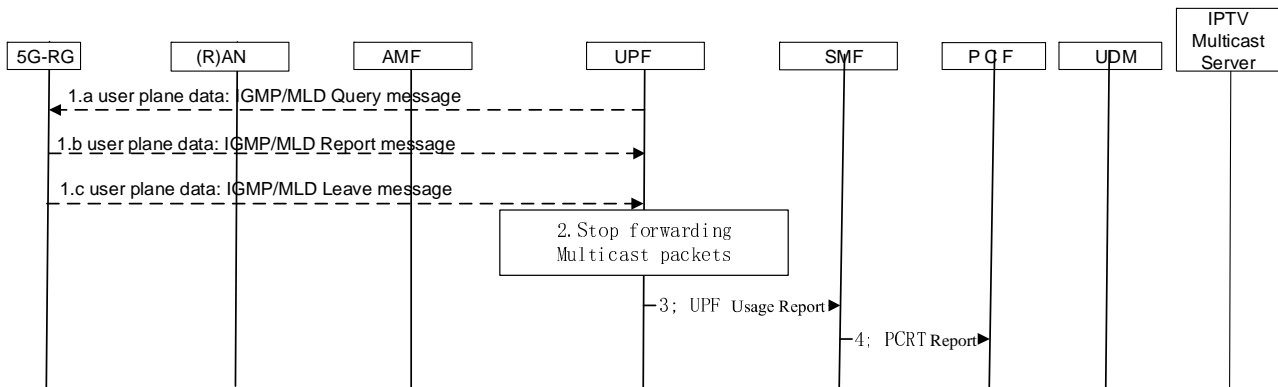


Figure 7.7.1.1-4: 5G-RG leave IP Multicast Packets transmission procedure

1a The UPF acting as a Multicast Router as defined in IETF RFC 2236 [33] and IETF RFC 3376 [28] may send an IGMP Query or an MLD Query message.

1b The 5G-RG may send a IGMP or MLD Membership Report message where the address of a IP Multicast Group is no more included in the list. This message may be the answer to the query in step 1a or it may be sent unsolicited.

1c The 5G-RG may send an IGMPv2 Leave message or a IGMPv3 Membership Report with indication of State Change Record or MLD Done message to request to leave a specific IP Multicast Group.

2 When UPF receives the IGMP or MLD message in step 1b or 1c the UPF may identify the IGMP and MLD packets based on PDR received over N4 as described in clause 4.6.3 and handle the IGMP and MLD message accordingly as below:

- If the IP Multicast Addressing information included in the IGMP or MLD Report message does not include the IP address(es) of a multicast group the UPF stop forwarding the packet to the 5G-RG.
- if the UPF receives an IGMP Leave or MLD Done message, the UPF stops forwarding multicast packets related to the IP multicast Group to the 5G-RG.

The UPF acts as a Multicast Router as defined in IETF RFC 2236 [33], IETF RFC 4604 [21] and IETF RFC 2010 [37]. This may include following actions:

- the UPF may exchange N6 signalling such as PIM (Protocol-Independent Multicast) in order to leave a IP multicast Group if no other 5G-RG are connected to the same IP multicast Group; This ensures that the UPF does no more receive the DL multicast traffic, if not needed.
 - The IP multicast related signalling protocol used on N6 (e.g. Sparse Mode PIM-SM) to be supported over N6 is defined by local policies on the UPF.
3. if the SMF had set the corresponding URR Reporting trigger with a value "IP multicast join/leave" (as defined in clause 4.6.5), the UPF issues an UPF report to the SMF the corresponding IP Multicast addressing information
 4. if the PCF had set the corresponding Policy Control Request Trigger set to "UE join to a multicast group" trigger", the SMF issues a SMF initiated SM Policy Association Modification (as defined in TS 23.502 [3] clause 4.16.5) reporting to the PCF the corresponding IP Multicast addressing information.

7.7.1.1.4 AF request to provision Multicast Access Control List information into UDR

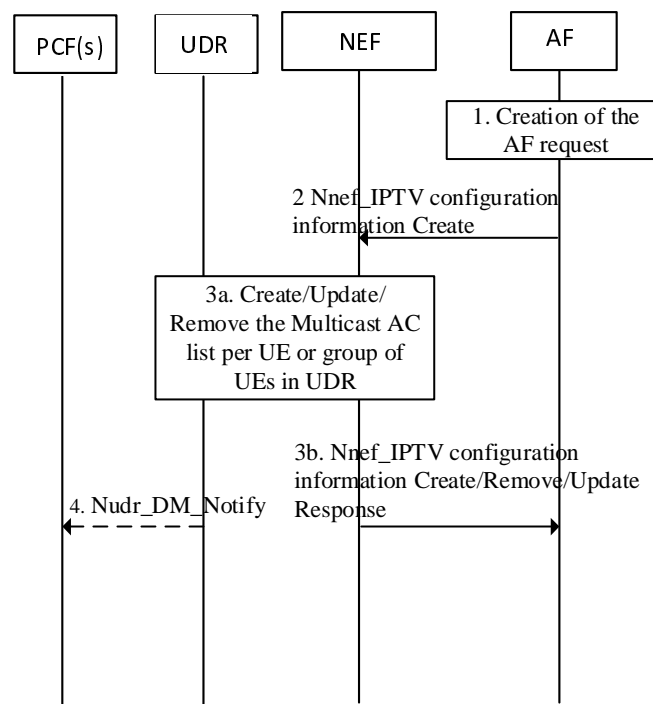


Figure 7.7.1.1.4: AF request to provision Multicast Access Control List information into UDR

NOTE 1: The 5GC NFs used in this scenario are assumed to all belong to the same PLMN (HPLMN).

1. To create a new request, the AF invokes an Nnef_IPTV_configuration service operation. The request contains the Multicast Access Control List, a GPSI or an External Group Id, AF Transaction Id, application identifier and may contain a DNN and/or a S-NNSAI. To update or remove an existing request, the AF invokes Nnef_IPTV_configuration_Update or Nnef_IPTV_configuration_Delete service operation providing the corresponding AF Transaction Id.
2. The AF sends its request to the NEF. The NEF ensures the necessary authorization control, including throttling of AF requests and, as described in clause 4.3.6.1 of TS 23.502 [3], mapping from the information provided by the AF into information needed by the 5GC.
3. (in the case of Nnef_IPTV_configuration_Create or Update): The NEF stores the AF request information in the UDR (Data Set = Application Data; Data Subset = IPTV_configuration, Data Key = AF Transaction Internal ID, S-NNSAI and DNN and/or SUPI/Internal-Group-Id).

(in the case of Nnef_IPTV_configuration_Delete): The NEF deletes the AF requirements in the UDR (Data Set = Application Data; Data Subset = IPTV_configuration, Data Key = AF Transaction Internal ID).

The NEF responds to the AF.

4. The PCF(s) that have subscribed to modifications of AF requests (Data Set = Application Data; Data Subset = IPTV_configuration, Data Key = SUPI/Internal-Group-Id) receive a Nudr_DM_Notify notification of data change from the UDR.
5. The PCF determines if existing PDU Sessions are potentially impacted by the AF request. For each of these PDU Sessions, the PCF updates the SMF with corresponding new PCC rule(s) by invoking Npcf_SMPolicyControl_UpdateNotify service operation as described in steps 5 and 6 in clause 4.16.5 of TS 23.502 [3].

Table 7.7.1.1.4-1 shows an example of a Multicast Access Control list provided by the AF in the IPTV domain to the NEF. The Multicast Access Control List defines the access right status (i.e. fully allowed, preview allowed, not allowed) of each of the Multicast channels per subscriber identified by a GPSI.

Table 7.7.1.1.4-1: Example of a Multicast Access Control list provided by the AF in the IPTV domain

	IP Multicast Addressing information 1 (related to Channel 1)	IP Multicast Addressing information 2 (related to Channel 2)	IP Multicast Addressing information 3 (related to Channel 3)
GPSI 1	Fully allowed	Not allowed	Preview allowed

The NEF maps the GPSI into the SUPI, assigned to a 5G-RG, as described in step 2 in Figure 7.7.1.1.4-1. and stores the Multicast Access Control List in the UDR as shown in Table 7.7.1.1.4-2.

Table 7.7.1.1.4-2: Example of a Multicast Access Control list stored in UDR within the Application Data Set

DataKey	IP Multicast Addressing information 1 (related to TV Channel 1)	IP Multicast Addressing information 2 (related to TV Channel 2)	IP Multicast Addressing information 3 (related to TV Channel 3)
SUPI for 5G-RG 1	Fully allowed	Not allowed	Preview allowed
SUPI for 5G-RG 2	Fully allowed	Fully allowed	Not allowed
SUPI for 5G-RG 3	Fully allowed	Preview allowed	Preview allowed

If source Specific Multicast is to be used for a TV Channel, IP Multicast Addressing information corresponds to IP Multicast address and Source IP address.

The PCF is assumed to have subscribed to relevant modifications of that UDR data defined in the Table 7.7.1.1.4-2.

8 Network Function services

8.0 General

This clause specifies the delta related to Network Function services description defined in TS 23.502 [3] clause 5.2. For 5G RG in FWA mode TS 23.502 [3] clause 5.2 applies.

8.1 UDM Services

8.1.1 Nudm_SubscriberDataManagement (SDM) Service

8.1.1.1 General

In addition to the Subscription data types used in the Nudm_SubscriberDataManagement Service, as defined in Table 5.2.3.3.1-1 of TS 23.502 [3], the additional data types defined in Table 8.1.1.1-1 below are applicable for RGs connected to 5GC via W-5GAN.

Table 8.1.1.1-1: Wireline access specific UE Subscription data types

Subscription data type	Field	Description
Access and Mobility Subscription data (data needed for UE Registration and Mobility Management)	RG Level Wireline Access Characteristics	The RG level Wireline Access Characteristics parameter provides QoS information for the W-AGF, as defined in clause 4.5.1.2. This parameter is handled by the UDM as a transparent container.

In the case of Wireline access, the Forbidden area information within Table 5.2.3.3.1-1 of TS 23.502 [3] may correspond to a (set of) allowed Global Line ID.

8.2 Void

8.3 BSF Services

8.3.1 General

The Nbsf_Management_Register/Deregister and Discovery service operations defined in TS 23.502 [3] are extended to allow registration/deregistration and discovery of the binding information when one or multiple /128 IPv6 address or UE IPv6 prefix shorter than /64 is/are assigned to a PDU session.

8.4 PCF Services

8.4.1 General

PCF services defined in TS 23.502 [3] apply with modifications described in this clause.

8.4.2 Npcf_SMPolicyControl

The Npcf_SMPolicyControl_Create and Npcf_SMPolicyControl_Update, defined in TS 23.502 [3], are extended to be able to provide PCF with one or multiple allocated /128 IPv6 UE address or with UE IPv6 prefix shorter than /64.

The Npcf_SMPolicyControl_Update, defined in TS 23.502 [3], is extended to be able to provide PCF with information on a released /128 IPv6 address or on a released UE IPv6 prefix shorter than /64.

8.4.3 Npcf_AMPolicyControl

8.4.3.1 Npcf_AMPolicyControl_Create service operation

The input data listed in clause 5.2.5.2.2 in TS 23.502 [3] apply when an AM Policy Association is created for a 5G-RG, except for the handling of RFSP information that applies only if a 5G RG is registered over 3GPP access.

The input information when the UE registers via W-5GAN includes the Access type set to non-3GPP access, the User Location Information including the GLI or the HFC node Id.

The output information when the UE registers via W-5GAN is defined in clause 9.5 and the Policy Control Request triggers applicable for for RG access via W-5GAN are defined in clause 9.5.3.

8.4.3.2 Npcf_AMPolicyControl_Update service operation

The input data listed in clause 5.2.5.2.5 in TS 23.502 [3] apply when an AM Policy Association is updated for a 5G-RG or for a FN-RG, except for the notification of UE location change (if an RG registers only on Wireline access), PRA changes or RFSP index change.

PCRT on UE location change apply when a 5G RG registers on a second access (5G RG using Hybrid access).

The output information when the UE registers via W-5GAN is defined in clause 9.5 and the Policy Control Request triggers applicable when RG accesses via W-5GAN are defined in clause 9.5.3.

The Access type change trigger requests the AMF to report a new Access Type and RAT Type to the PCF. When the UE simultaneously connects over both 3GPP and wireline non-3GPP access type, the AMF reports the list of Access Type and RAT combinations available in the UE access and mobility context in the Npcf_AMPolicyControl_Update service operation.

8.5 Nnef_IPTVconfiguration service

8.5.1 General

Service description: This service provides:

- Request authorization of NF Service Consumer requests.
- Request parameter mapping from NF Service Consumer requests to 5GC parameters and vice versa as described in clause 7.7.1.1.x
- NF Service Consumer request configuration of Multicast Access control list as described in clause 7.7.1.1.4.

8.5.2 Nnef_IPTVconfiguration_Create operation

Service operation name: Nnef_IPTVconfiguration_Create

Description: Authorize the request and forward the request for IPTV configuration information.

Inputs (required): AF Transaction Id, GPSI or External-Group-ID, application identifier, Multicast Access Control List.

The AF Transaction Id refers to the request.

Inputs (optional): DNN, S-NSSAI.

Outputs (required): Operation execution result indication.

Outputs (optional): None.

8.5.3 Nnef_IPTVconfiguration_Update operation

Service operation name: Nnef_IPTVconfiguration_Update

Description: Authorize the request and forward the request to update IPTV configuration information.

Inputs (required): AF Transaction Id.

The AF Transaction Id identifies the NF Service Consumer request to be updated.

Inputs (optional): Multicast Access Control List.

Outputs (required): Operation execution result indication.

Outputs (optional): None.

8.5.4 Nnef_IPTVconfiguration_Delete operation

Service operation name: Nnef_IPTVconfiguration_Delete

Description: Authorize the request and forward the request to delete(s) request for IPTV configuration information.

Inputs (required): AF Transaction Id.

The AF Transaction Id identifies the NF Service Consumer request for IPTV configuration to be deleted.

Inputs (optional): None.

Outputs (required): Operation execution result indication.

Outputs (optional): None.

8.6 UDR Services

8.6.1 Nudr_DataManagement (DM) Service

8.6.1.1 General

The UDM makes use of the Nudr_DM service to perform the mapping of the SUPI/IMSI associated with the Line ID or HFC-Identifier included in the SUCI.

In addition to the Subscription data types used in the Nudr_DM Service, as defined in Table 5.2.12.2.1-1 of TS 23.502 [3], the additional data types defined in Table 8.6.1.1-1 are applicable for FN RGs connected to 5GC.

In addition to the UE Subscription data types keys used in the Nudr_DM_Service, as defined in Table 5.2.3.3.1-3 of TS 23.502 [3], the additional data types defined in Table 8.6.1.1-2 are applicable for RGs connected to 5GC.

Table 8.6.1.1-1: UE Subscription data types

Subscription data type	Field	Description
Subscription identifier translation	Other Identifier Of The Subscription (Global Line ID or Global Cable ID)	Global Line ID or Global Cable ID included in SUCI provided by the W-AGF to the 5GC for FN-RG support and used as pseudonym of the SUPI.
	SUPI	Corresponding SUPI

Table 8.6.1.1-2: Data keys

Data Set	Data Subset	Data Key	Data Sub Key
Subscription Data	Subscription identifier translation	Global Line ID or Global Cable ID	-

9 Policy and Charging Control Framework and Configuration by ACS

9.0 General

This clause specifies the delta related to Policy and charging control framework defined in TS 23.503 [4] and the configuration of the 5G-RG by the ACS.

9.1 Session management related policy control

9.1.0 General

This clause specifies the delta related to UE policy distribution defined in TS 23.503 [4] clause 6.1.3 for 5G-RG and FN-RG.

9.1.1 Session binding

The session binding mechanism defined in TS 23.503 [4] clause 6.1.3.2.2 applies. In addition, the PDU session parameters considered for session binding are:

- For IPv6 PDU session type, one or multiple UE IPv6 address or one or multiple IPv6 prefixes /64 or shorter prefixes.
- For IPv4v6 PDU session type, one UE IPv4 address and one or multiple IPv6 prefixes /64 or shorter prefixes.

9.1.2 Policy Control Request Triggers relevant for SMF and wireline access type

The Policy Control Request Triggers relevant for SMF and wireline access define the conditions when the SMF shall interact again with PCF after a PDU Session established via W-5GAN. PCR triggers defined in Table 6.1.3.5 in TS 23.503 [4] are supported for W-5GAN scenario with the following not supporting ones:

- PLMN change.
- Location change (serving area).
- Location change (serving CN node in 5GS).
- Location change (serving CN node in EPC).
- Change of UE presence in Presence Reporting Area.
- 3GPP PS Data Off status change.
- GFBR of the QoS Flow can no longer (or can again) be guaranteed.
- UE resumed from suspend data.
- Manageable Ethernet Port detected.
- Port Management Information Container available.

Additionally, the new triggers defined in clause 9.7 for IPTV service are also applied for a 5G-RG connected via W-5GAN scenario.

9.2 Network Functions and entities

9.2.1 General

This clause specifies the delta related to Network Function and entities defined in TS 23.503 [4] clause 6.2 for 5G-RG and FN-RG.

The functional description of the NEF, NWDAF, UDR and CHF applies as described in TS 23.503 [4].

9.2.2 Policy Control Function (PCF)

The PCF provides session management policy control for single access PDU sessions over non 3GPP wireline and multiaccess PDU sessions over both 3GPP and non 3GPP wireline access.

The session management related functionality defined in TS 23.503 [4], clause 6.2.1 applies for 5G-RG and FN-RG, with the following modifications for W-5GAN:

- Determination of Maximum Packet Loss Rate for UL/DL does not apply.
- QoS Notification Control does not apply.

NOTE: No requirements to support MPS or Mission Critical Services over wireline non 3GPP access are defined in this Release.

The non-session management related functionality defined in TS 23.503 [4], clause 6.2.2 applies for 5G-RG and FN-RG, with the following modifications for W-5GAN:

- the UE-AMBR control by the Visited Network does not apply.
- the Service Area Restrictions for a FN-BRG does not apply.
- the 5G-RG and FN-RG replaces the UE.
- the PCF provides Access and mobility related policy control as described in clause 9.5.1.
- the PCF provides UE access selection and PDU session selection
- the PCF provides the UE access selection and PDU Session selection related policy control as defined in clause 9.5.2.

The policy control subscription data defined in TS 23.503 [4] applies for 5G-RG and FN-RG connected via W-5GAN access, except for the definition of MPS data for a 5G-RG or FN-RG that is not applicable in this Release.

The policy control subscription data defined in TS 23.503 [4] applies for a 5G-RG and FN-RG connected via W-5GAN, except for the definition of MPS data for a 5G-RG or FN-RG that is not applicable in this Release.

The V-PCF and H-PCF functionality does not apply for session and non-session policy control for 5G-RG and FN-RG users in this Release.

9.2.3 Session Management Function (SMF)

The SMF enforces policy decisions related to service data flow detection, authorized QoS, charging, gating, traffic usage reporting, packet routing and forwarding and traffic steering for single access PDU session over W-5GAN and multiaccess PDU sessions over W-5GAN and 3GPP as defined in TS 23.503 [4], clause 6.2.2 with the following modifications for W-5GAN:

- Reporting RAN/NAS Release Cause over wireline is not supported.
- The Maximum Packet Loss Rate for UL and DL is not forwarded to the wireline non-3GPP access.

9.2.4 Application Function (AF)

The AF requests for policy control functionality described in TS 23.503 [4], clause 6.2.3 applies with the following clarification for W-5GAN:

- Indication that the QoS targets can no longer (or can again) be fulfilled is not supported.

NOTE: No requirements to support MPS or Mission Critical Services over wireline non 3GPP access are defined in this release.

9.2.5 Access and Mobility Management Function (AMF)

The policy control related functionality defined in TS 23.503 [4] applies, with the clarification that the UE-AMBR control by the visited network is only applicable for a 5G-RG registered over 3GPP access.

9.3 Policy and charging control rule

Policy and charging control rule for 5G-RG PDU Session is described in TS 23.503 [4] clause 6.3 with the clarification and difference in this clause.

9.3.1 PCC rule information to support IPTV service

- PCF shall take Multicast Access Control list described in clause 7.7.1.1.4 as input to policy decision in the case of PDU Session used for IPTV service. PCC rules sent to SMF may indicate allowed IP Multicast Addressing information as defined in Table 9.3.1-1.
- The "Gate status" is not applicable to IGMP transmitted over PDU Session used for IPTV service.

Comparing to Table 6.3.1 in TS 23.503 [4], additional PCC rule information for PDU Session used for IPTV service is described in Table 9.3.1-1.

Table 9.3.1-1: The additional PCC rule information for PDU Session used for IPTV service

Information name	Description	Category	PCF permitted to modify for a dynamic PCC rule in the SMF	Differences compared with table 6.3. in TS 23.203 [31]
IPTV	<i>This part defines the additional PCC rule information for PDU Session used for IPTV service.</i>			
IP Multicast traffic control information	indicates whether the service data flow, corresponding to the service data flow template, may be allowed or not allowed (NOTE 1).	Optional	Yes	Added
NOTE 1: The corresponding IP Multicast Addressing information is provided in the SDF template. The SDF template may refer to "any" IP Multicast address (for example allowing the user to access to receive any IPTV channel).				

9.4 PDU Session related policy information

This clause specifies the delta related to PDU session related policy information defined in TS 23.503 [4] clause 6.4 for 5G-RG and FN-RG.

9.5 Non-session management related policy information

9.5.1 Access and mobility related policy information

This clause specifies the delta related to Access and Mobility related policy information defined in TS 23.503 [4] clause 6.1.2.1 for 5G-RG and FN-RG.

The access and mobility policy control encompass the management of service area restrictions for a 5G-BRG or a 5G-CRG connecting to 5GC via W-5GAN or simultaneously via NG-RAN and W-5GAN.

The management of service area restrictions enables the PCF of the serving PLMN to modify the service area restrictions based on operator defined policies at any time, either by expanding a list of allowed GLIs or HFC Node IDs or by reducing the list of non-allowed GLIs or HFC Node IDs. Operator defined policies in the PCF may depend on input data such as time of day, or UE context information provided by other NFs, etc.

The AMF reports the subscribed service area restrictions in NG-RAN received from UDM during 5G-RG Registration in NG-RAN procedure when local policies in the AMF indicate that Access and Mobility Control is enable within the PLMN. The AMF may request update of the service area restrictions applicable to NG-RAN when the policy control request triggers listed in clause 6.1.2.5 in TS 23.503 [4], are met.

The AMF reports the subscribed service area restrictions in W-5GAN received from UDM during 5G-RG Registration in W-5GAN procedure when local policies in the AMF indicate that Access and Mobility Control is enable within the

PLMN. The AMF may request update of the service area restrictions applicable to W-5GAN when the policy control request triggers listed in clause 9.5.3 are met.

The AMF receives the modified service area restrictions from the PCF and then use them as described in clause 4.3.3.3.

No mobility events, such a change of UE location or change of AMF applies when provisioning the service area restrictions for a 5G-BRG or a 5G-CRG when connected via W-5GAN.

The PCF may provide the service area restrictions applicable to a 5G-RG connected to 5GC via W-5GAN or via NG-RAN or simultaneously connected to 5GC via W-5GAN and NG-RAN to AMF. The PCF may provide the service area restrictions applicable to a FN-CRG to the AMF.

The Service Area Restrictions provided to AMF for a 5G-RG connected via NG-RAN is according to the information listed in listed in TS 23.503 [4] clause 6.5.

The Service Area Restrictions provided to AMF for a 5G-RG connected via W-5GAN is according to the information listed in Table 9.5-1.

For a 5G-RG simultaneously connected to 5GC via W-5GAN and NG-RAN the PCF provides Service Area Restrictions for both W-5GAN and NG-RAN.

The Service Area Restrictions provided to AMF for a FN-CRG connected via W-5GAN is according to the information listed in Table 9.5-1.

Table 9.5-1: Access and mobility related policy control information for 5G-RG and FN-CRG accessing via W-5GAN

Information name	Description	Category	PCF permitted to modify in a AM context in the AMF	Scope
Service Area Restrictions for a 5G-BRG	<i>This part defines the service area restrictions applicable for a 5G-BRG</i>			
List of allowed GLIs	List of allowed GLIs (NOTE 2) (NOTE 3).	Conditional (NOTE 1)	Yes	AM context
List of non-allowed GLIs	List of non-allowed GLIs (NOTE 3).	Conditional (NOTE 1)	Yes	AM context
Service Area Restrictions for a 5G-CRG or for a FN-CRG	<i>This part defines the service area restrictions applicable for a 5G-CRG or for a FN-CRG</i>			
List of allowed HFC Node IDs	List of allowed HFC Node IDs (NOTE 2)	Conditional (NOTE 1)	Yes	AM context
List of non-allowed HFC Node IDs	List of non-allowed HFC Node IDs (NOTE 2).	Conditional (NOTE 1)	Yes	AM context
NOTE 1: If service area restrictions is enable. NOTE 2: Either the list of allowed (GLIs or HFC Node IDs) or the list of non-allowed (GLIs or HFC Node IDs) are provided by the PCF.				

The *list of allowed GLIs* or the *list of allowed HFC Node IDs* indicates the locations where the 5G-RG is allowed to be registered, see clause 4.3.3.3 for the description on how AMF uses this information.

9.5.2 UE access selection and PDU Session selection related policy information

9.5.2.1 5G-RG

This clause specifies the delta related to UE policy distribution defined in TS 23.503 [4] clause 6.1.2.2 and related to URSP defined in TS 23.503 [4] clause 6.6. for 5G-RG.

If the PCF provides the URSP policy to the 5G-RG, the PCF should neither include NSW0 indication nor any ANDSP policies. The 5G-RG shall ignore any NSW0 indication or any ANDSP policies if received from the 5GC. The 5G-RG shall use the URSP policy as specified in TS 23.503 [4], for example for the association of application and PDU session, slices, etc.

The URSP indicates for the application of Auto-Configuration Server (ACS) which PDU session type, NSSAI and/or DNN is to be used. The 5G-RG establishes the connectivity to the management entity (e.g. ACS) via user plane connection on a PDU session according to the URSP.

UE Policy procedures defined in TS 23.503 [4], clause 6.1.2.2 are applicable as follows:

- Roaming is not applicable to W-5GAN access in this release of specification.

9.5.2.2 FN-RG

This clause specifies the delta related to UE policy distribution defined in TS 23.503 [4] clause 6.1.2.2 and related to URSP defined in TS 23.503 [4] clause 6.6 for 5G-RG.

If the PCF provides the URSP rules related to FN-RG to the W-AGF, the PCF should not include NSW0 indication. The PCF should not provide ANDSP policies. The W-AGF shall ignore any NSW0 indication or any ANDSP policies if received from the 5GC.

The W-AGF shall use the URSP policy as specified in TS 23.503 [4] with the following modifications:

- Traffic descriptor;
- the Application Descriptor is not applicable;
- the DNN is not applicable;
- The Connection Capabilities Descriptor is not applicable.

NOTE 1: The FN-RG initiates the W-5GAN session with the W-AGF, for example PPPoE, and consequently the W-AGF does not receive any indication of the application used for that session (e.g. whether it used for web browsing or for any specific application) and any DNN indication from the application, hence the policy including the Application Descriptors and/or DNN will never match the traffic.

If the PCF sends UE policy (e.g. URSP), the W-AGF shall store it for the duration that FN-RG is registered. When the FN-RG is deregistered, the UE policy can be removed. Whether it is done immediately, or after a certain period (e.g. for quick recovery from disconnection or fault), or stored permanently it is left to implementation and is out of the scope of this TS.

If the URSP for the FN-RG are present in W-AGF (e.g. pre-configured or received from PCF) the W-AGF shall use them as defined for a UE with URSP.

If the URSP for the FN-RG are not present in W-AGF, the W-AGF acts based on local configuration, as defined for a UE without URSP.

It is assumed that the FN-RG configuration (provided via BBF TR-069 [18]/BBF TR-369 [19]), the URSP rules and the local configuration in the W-AGF are consistent with each other. If the W-AGF detects conflicting requirements based on URSP, local configuration, or requests from the FN-RG, then the URSP rules takes precedence since they are considered the most updated and aligned to the current 5G system conditions.

UE Policy procedures defined in TS 23.503 [4], clause 6.1.2.2 are applicable with the following modification:

- Roaming is not applicable to W-5GAN access in this release of specification.

9.5.3 Policy Control Request Triggers relevant for AMF and wireline access type

The Policy Control Request Triggers relevant for AMF and wireline access type define the conditions when the AMF shall interact again with PCF after the AM Policy Association. PCR triggers defined in Table 6.1.2.5 in TS 23.503 [4] are supported for W-5GAN scenario with the following not supporting ones:

- Location change (tracking area).
- Change of UE presence in Presence Reporting Area.
- RFSP index change.
- UE-AMBR change.
- PLMN change.

Additionally, the following PCR triggers are added regarding the wireline access type:

Table 9.5.3-1: Policy Control Request Triggers relevant for AMF and wireline access type

Policy Control Request Trigger	Description	Condition for reporting
Access Type change (NOTE 1)	The Access Type and the RAT Type has changed	PCF (AM Policy)
NOTE 1: The RAT type is reported for 3GPP access, or when the 5G-RG or FN-RG registers over wireline access (i.e. W-AGF).		

The UE Policy related PCR triggers like location change, PRA change and PLMN change are not applicable for wireline access.

9.6 Configuration and Management from ACS

9.6.1 General

Once the 5G-RG connects to 5GC, the 5G-RG shall establish a PDU session for interaction with the ACS to support the functionalities as described in BBF TR-069 [18] or in BBF TR-369 [19].

NOTE: Whether and how to use the objects received from the ACS by RG is out of 3GPP scope.

9.6.2 ACS Discovery

The ACS information may be associated to the RG subscription in the UDM / UDR. In this case the ACS information may be provided to the RG with at least one of the following methods:

- via DHCP interaction if the RG sends DHCP signalling indicating a request for ACS information. The RG sends a DHCPv4 request including a request for ACS information and receives ACS information from the DHCP as specified in BBF TR-069 [18] clause 3.1 for ACS Discovery or in BBF TR-369 [19] R-DIS.1 and R-DIS.2.
- during the PDU session establishment procedure via PCO (protocol Configuration Option) sent in N1 SM message if the 5G-RG has asked to be provided with ACS information via PCO. This applies for 5G-RG only.

The ACS information (e.g. URL of the ACS) is defined in BBF TR-069 [18] or in BBF TR-369 [19].

If the RG performs ACS discovery via DHCP process and the SMF is not the DHCP server (e.g. in the case of Ethernet PDU session), the ACS URL is provided by the external DHCP server. In this case, the whole process is transparent to the 5GC and the 5GC is not aware of the ACS information. If the RG performs ACS discovery via DHCP process and the SMF is the DHCP server the ACS information is provided by SMF as part of DHCP process and the SMF shall support the DHCP procedure defined in BBF TR-069 [17] Amendment 6 clause 3.2 or in USP (BBF TR-369 [19]).

If the SMF is to provide ACS information to the RG (via PCO or DHCP), it gets this ACS information from SMF subscription data.

The request of ACS information via PCO or via DHCP are mutually exclusive.

The RG may be pre-configured with an ACS information.

The 5G-RG shall consider the ACS information received with the following descending priority order:

- 1) ACS information received during the DHCP process.
- 2) ACS information received during the PDU session establishment procedure from SMF PCO. This applies for 5G-RG only.
- 3) The pre-configured ACS information in the RG.

9.6.3 ACS Information Configuration by the 3rd party

The ACS information may be configured by a 3rd party AF to the 5GC per subscriber when the SMF is to provide ACS information to the RG. Subsequently, the ACS discovery via PCO or via DHCP with the DHCP server in the SMF may apply as described in clause 9.6.2.

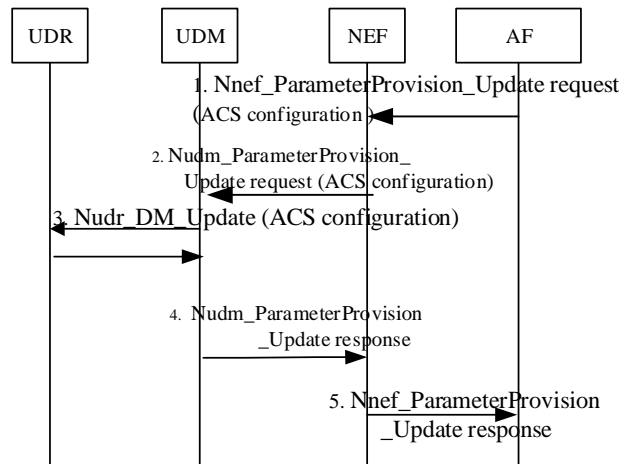


Figure 9.6.3-1: ACS information configuration procedure

The ACS information configuration procedure enables the 3rd party AF to configure the ACS information (e.g. URL or IP address) to the 5GC.

1. The 3rd party AF provides the ACS information, in the Nnef_ParameterProvision_Update Request to the NEF as in step 1 of TS 23.502 [3] figure 4.15.6.2-1.
2. As in step 2 of TS 23.502 [3] figure 4.15.6.2-1 where the provisioned data is the ACS information.
3. As in steps 3 and 4 of TS 23.502 [3] figure 4.15.6.2-1 where the provisioned data is the ACS information.
4. As in step 5 of TS 23.502 [3] figure 4.15.6.2-1.
5. As in step 6 of TS 23.502 [3] figure 4.15.6.2-1.
6. As in step 6 of TS 23.502 [3] figure 4.15.6.2-1 in order to update SMF with ACS information.

9.6.4 URSP for FN RG

A W-AGF needs to be able to determine the (DNN, S-NSSAI) parameters of the PDU Sessions it requests on behalf of a FN RG. The W-AGF requests such PDU Sessions upon data trigger (e.g. PPPoE, DHCP, etc.) received over a data path identified by a VLAN and a GLI; this is defined in BBF specifications (WT-456 [9] and WT-470 [38]).

Thus the W-AGF needs to be configured to request different PDU Sessions for different VLAN(s) terminated at different FN RG(s).

NOTE 1: The VLAN configuration depends on the served FN RG as a W-AGF service area can serve different Wireline access networks with different VLAN configurations.

The corresponding W-AGF configuration about parameters of the PDU Sessions to request for a GLI corresponds to URSP that the W-AGF receives from the PCF for a SUPI corresponding to a GLI.

The URSP(s) may be used to map VLAN(s) at transport level (S-tags as defined in WT-470) on the V interface of the W-AGF (identifying the target service of the corresponding data flows, e.g. internet / IMS Voice / IPTV) towards Route Selection components including PDU Session type, DNN, S-NSSAI, SSC mode, etc.

NOTE 2: UDR policy data related with a FN-RG subscription (UE Policy Section, see clause 5.4.2.3 of TS 29.519 [39]) can be configured accordingly.

9.7 new PCRT (Policy Control Request Trigger)

The Policy Control Request Triggers relevant for SMF are described in TS 23.503 [4] clause 6.1.3.5 with the clarification and difference shown in this clause.

Table 9.7-1

Policy Control Request Trigger	Description	Difference compared with table 6.2 and table A.4.3-2 in TS 23.203 [31]	Conditions for reporting	Motivation
5G-RG join to a multicast group	The 5G-RG has joined to an IP Multicast Group (NOTE 1).	New	PCF	To support IPTV as defined in clause 7.7.1
5G-RG Leave to a multicast group	The 5G-RG has left an IP Multicast Group (NOTE 1).	New	PCF	To support IPTV as defined in clause 7.7.1

NOTE 1: When the SMF reports this condition it indicates the corresponding IP multicast Addressing information.

NOTE: The corresponding notification can be used by the PCF to manage Preview Rights related with an IP multicast flow corresponding to an IPTV channel. In this case the PCF is responsible to remove the 5G RG authorization to receive an IP multicast flow when the preview duration has elapsed.

10 Support of additional functionalities

10.0 General

This clause specifies the delta related to the Rel-16 additional specifications included in TS 23.273 [29] (LCS).

10.1 User Location Information

The User Location Information may correspond to:

- In the case of W-5GCAN: HFC node ID.

NOTE 1: HFC node ID identifies the point of attachment of the 5G-CRG.

- In the case of W-5GBAN: GLI which contains an identifier of the Line ID source and the Line ID value.

NOTE 2: A combination of Line ID and identifier of the Line ID source identifies the attachment point of the 5G-BRG.

An indication of whether the ULI corresponds to a DSL or to a PON line may also be provided.

- In the case of 5G-RG connected via 3GPP access: Cell Information (as described in TS 23.502 [3] clause 4.10 and TS 23.401 [24] clause 5.9.1).

Annex A (informative): UE behind RG using untrusted Non-3GPP access procedures

This Annex describes how untrusted Non-3GPP access to 5GC can be provided to a UE via a 5G-RG and FN-RG connected to 5GC.

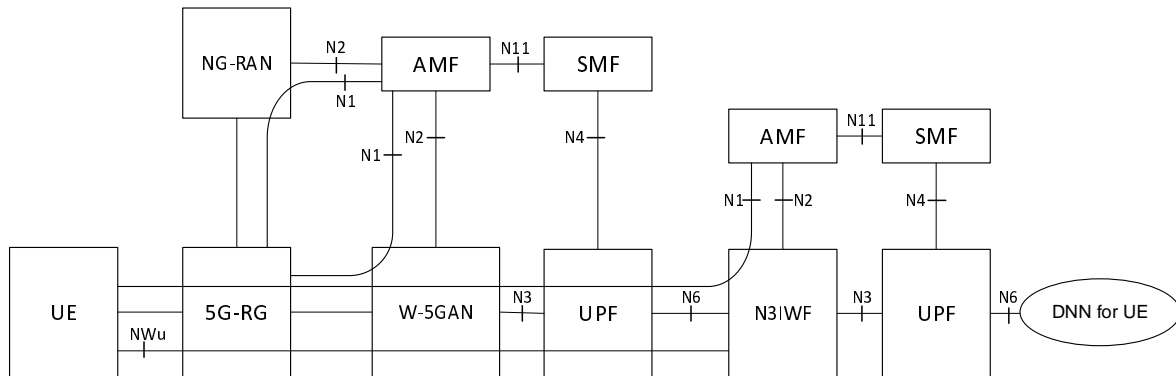


Figure A-1: Non-roaming architecture for UE behind 5G-RG using untrusted N3GPP access

The 5G-RG can be connected to 5GC via W-5GAN, NG-RAN or via both accesses. The UE can be connected to 5GC via untrusted non-3GPP access (via 5G-RG), NG-RAN or via both accesses.

- NOTE 1: The reference architecture in figure A-1 only shows the architecture and the network functions directly connected to W-5GAN or N3IWF, and other parts of the architecture are the same as defined in TS 23.501 [2] clause 4.2.
- NOTE 2: The reference architecture in figure A-1 supports service based interfaces for AMF, SMF and other NFs not represented in the figure.
- NOTE 3: The two N2 instances in Figure A-1 apply to a single AMF for a 5G-RG which is simultaneously connected to the same 5G Core Network over 3GPP access and Wireline 5G Access Network.
- NOTE 4: The UE can as well be registered and connected via 3GPP access.

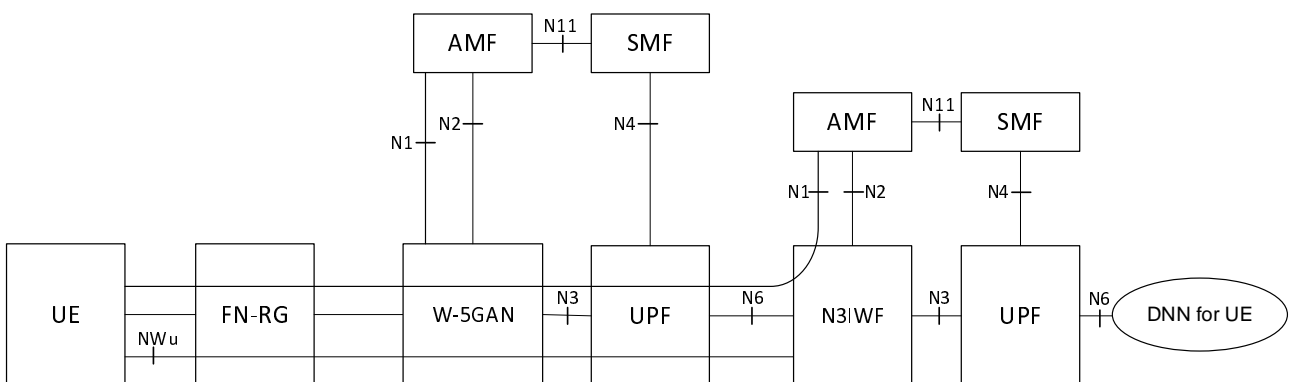


Figure A-2: Non-roaming architecture for UE behind FN-RG using untrusted N3GPP access

The FN-RG can be connected to 5GC via W-5GAN. The UE can be connected to 5GC via untrusted non-3GPP access (via FN-RG), NG-RAN or via both accesses.

- NOTE 5: The reference architecture in figure A-2 only shows the architecture and the network functions directly connected to Wireline 5G Access Network or N3IWF, and other parts of the architecture are the same as defined in TS 23.501 [2], clause 4.2.

NOTE 6: The reference architecture in figure A-2 supports service based interfaces for AMF, SMF and other NFs not represented in the figure.

Annex B (informative): Change history

Change history							
Date	Meeting	TDoc	CR	Rev	Cat	Subject/Comment	New version
2019-05	SP#84	SP-190458	-	-	-	MCC Editorial update for presentation to TSG SA#84 for approval	1.0.0
2019-06	SP#84	-	-	-	-	MCC editorial update for publication after approval	16.0.0
2019-09	SP#85	SP-190609	0001	4	F	Alignment of user location reporting for 5G-RG FWA to TS 23.273	16.1.0
2019-09	SP#85	SP-190609	0003	-	B	Deregistration procedure for FN-RG	16.1.0
2019-09	SP#85	SP-190609	0004	1	B	Service request procedure for FN-RG	16.1.0
2019-09	SP#85	SP-190609	0005	2	B	Other procedures for FN-RG	16.1.0
2019-09	SP#85	SP-190609	0006	1	B	User profile management and handover clarifications for FN-RG	16.1.0
2019-09	SP#85	SP-190609	0007	1	B	PDU Session Modification and Release procedures for FN-RG	16.1.0
2019-09	SP#85	SP-190609	0008	1	F	PEI for 5G-RG and FN-RG	16.1.0
2019-09	SP#85	SP-190609	0009	2	B	Features for W-AGF to act on behalf of FN-RG	16.1.0
2019-09	SP#85	SP-190609	0011	2	C	Network Functions and entities - PCC clause	16.1.0
2019-09	SP#85	SP-190609	0015	3	B	Applicability of URSP policy	16.1.0
2019-09	SP#85	SP-190609	0018	2	B	Clarification of Network Access Control for FN-RG	16.1.0
2019-09	SP#85	SP-190609	0020	3	B	Clarification of N2 procedures for FN-RG	16.1.0
2019-09	SP#85	SP-190609	0025	1	B	FN-RG Configuration Update	16.1.0
2019-09	SP#85	SP-190609	0026	1	F	Update to FN-RG Registration via W-5GAN	16.1.0
2019-09	SP#85	SP-190609	0027	2	F	Update to PDU Session handling for FN-RG	16.1.0
2019-09	SP#85	SP-190609	0028	2	F	Update to Session Management procedures for RG	16.1.0
2019-09	SP#85	SP-190609	0030	4	F	Support of IPTV	16.1.0
2019-09	SP#85	SP-190609	0032	1	F	CableLabs, Charter Communications	16.1.0
2019-09	SP#85	SP-190609	0034	2	C	Coordination between PCF and ACS (for FN RG)	16.1.0
2019-12	SP#86	SP-191076	0055	1	F	Clean up of services Description	16.2.0
2019-12	SP#86	SP-191076	0010	3	F	Reporting wireline non-3GPP access in the AM Policy Association	16.2.0
2019-12	SP#86	SP-191076	0012	1	F	Scope of clause 9	16.2.0
2019-12	SP#86	SP-191076	0029	3	F	Defining support of slicing for Wireline access	16.2.0
2019-12	SP#86	SP-191076	0036	3	F	Addition of support of IPv6 IPTV	16.2.0
2019-12	SP#86	SP-191076	0038	6	F	Line ID uniqueness	16.2.0
2019-12	SP#86	SP-191076	0039	3	F	UDM/UDR subscription data support for a mapping from Line ID to the the SUPI	16.2.0
2019-12	SP#86	SP-191076	0040	4	F	PEI for FN RG (BBF LIAISE-337 / 3GPP S2-1908758)	16.2.0
2019-12	SP#86	SP-191076	0041	3	F	Addition of support of IPTV Leave procedure	16.2.0
2019-12	SP#86	SP-191076	0044	1	F	Resolving open issue on IPv6 multi-homing	16.2.0
2019-12	SP#86	SP-191076	0045	1	F	Correction to the support of RG-LWAC and UDM procedures	16.2.0
2019-12	SP#86	SP-191076	0046	2	F	Correction on FN-RG procedure	16.2.0
2019-12	SP#86	SP-191076	0048	3	F	Clarification of UE behind 5G-RG through trusted Non-3GPP access	16.2.0
2019-12	SP#86	SP-191076	0049	1	F	Clarification of IP address allocation for FN-RG	16.2.0
2019-12	SP#86	SP-191076	0050	3	F	Clarification on 5G-RG with Hybrid access	16.2.0
2019-12	SP#86	SP-191076	0051	1	F	Triggers for procedures initiated by W-AGF	16.2.0
2019-12	SP#86	SP-191076	0052	3	F	Clarification of Session-TMBR	16.2.0
2019-12	SP#86	SP-191076	0053	2	F	QFI and RQI support in BBF W-5GBAN	16.2.0
2019-12	SP#86	SP-191076	0054	2	F	Update to Protocol Stacks for W-5GAN	16.2.0
2019-12	SP#86	SP-191076	0056	-	F	Service Area Restrictions applicability for FN-CRG, and not FN-BRG	16.2.0
2019-12	SP#86	SP-191076	0057		F	Correction to Clause 7.2.1.1 5G-RG Registration via W-5GAN	16.2.0
2019-12	SP#86	SP-191076	0058	2	F	Separate Multicast access control for multiple STBs behind 5G-RG	16.2.0
2019-12	SP#86	SP-191076	0059	2	F	Addition of Policy Control Request Triggers for wireline access	16.2.0
2019-12	SP#86	SP-191076	0060	1	F	Clarification of IPTV configuration create service operation	16.2.0
2019-12	SP#86	SP-191076	0061	1	F	Non-5G Capable (N5GC) devices alignment with SA3	16.2.0
2020-03	SP#87E	SP-200068	0063	2	F	Corrections to 5G-RG and FN-RG procedures	16.3.0
2020-03	SP#87E	SP-200068	0064	-	F	Resolving Editor's notes for Hybrid Access / ATSSS	16.3.0
2020-03	SP#87E	SP-200068	0065	1	F	Remove a batch of ENs for WWC	16.3.0
2020-03	SP#87E	SP-200068	1829	5	F	Configuration of URSP for FN RG	16.3.0
2020-03	SP#87E	SP-200068	1831	1	F	Reference Alignment with BBF	16.3.0
2020-03	SP#87E	SP-200068	1832	3	F	TS23.316 - Correction on User Location Information	16.3.0
2020-03	SP#87E	SP-200068	1833	2	F	Access type and RAT type per Non-3GPP accesses	16.3.0
2020-03	SP#87E	SP-200068	1834	-	F	Clarification related with the (non) support of PWS and LADN on Wireline access	16.3.0
2020-03	SP#87E	SP-200068	1835	1	F	Cable access related corrections	16.3.0
2020-03	SP#87E	SP-200068	1837	1	F	AS level parameters to W-5GAN	16.3.0
2020-03	SP#87E	SP-200068	1838	-	F	Corrections to Hybrid Access	16.3.0
2020-03	SP#87E	SP-200068	2034	-	F	Mega CR on editorial corrections for 5WWC	16.3.0
2020-03	SP#87E	SP-200068	2035	1	F	Remove the Editor's note for 5WWC	16.3.0
2020-03	SP#87E	SP-200068	2036	1	F	Correction to IPTV	16.3.0

2020-03	SP#87E	SP-200068	2037	1	F	Correction of EAP support in Registration procedure for 5G-RG	16.3.0
2020-07	SP#88E	SP-200427	2038	1	F	Removing explicit signaling of RG-TMBR	16.4.0
2020-07	SP#88E	SP-200427	2039	1	F	Corrections of RG procedures	16.4.0
2020-07	SP#88E	SP-200427	2040	1	F	Correction on RAT types of wireline access	16.4.0
2020-07	SP#88E	SP-200427	2041	1	F	Correction on wireline access	16.4.0
2020-07	SP#88E	SP-200427	2042	1	F	Adding SUPI and SUCI for N5GC device support	16.4.0
2020-07	SP#88E	SP-200427	2044	1	F	Correction of references causing wrong specification	16.4.0
2020-07	SP#88E	SP-200427	2045	-	F	Corrections to description of lawful intercept	16.4.0

History

Document history		
V16.4.0	July 2020	Publication