

# ETSI TS 124 312 V13.1.0 (2016-01)



TECHNICAL SPECIFICATION

**Universal Mobile Telecommunications System (UMTS);  
LTE;  
Access Network Discovery and Selection Function (ANDSF)  
Management Object (MO)  
(3GPP TS 24.312 version 13.1.0 Release 13)**



---

**Reference**

RTS/TSGC-0124312vd10

---

**Keywords**

LTE,UMTS

**ETSI**

650 Route des Lucioles  
F-06921 Sophia Antipolis Cedex - FRANCE

---

Tel.: +33 4 92 94 42 00 Fax: +33 4 93 65 47 16

Siret N° 348 623 562 00017 - NAF 742 C  
Association à but non lucratif enregistrée à la  
Sous-Préfecture de Grasse (06) N° 7803/88

---

**Important notice**

---

The present document can be downloaded from:

<http://www.etsi.org/standards-search>

The present document may be made available in electronic versions and/or in print. The content of any electronic and/or print versions of the present document shall not be modified without the prior written authorization of ETSI. In case of any existing or perceived difference in contents between such versions and/or in print, the only prevailing document is the print of the Portable Document Format (PDF) version kept on a specific network drive within ETSI Secretariat.

Users of the present document should be aware that the document may be subject to revision or change of status.

Information on the current status of this and other ETSI documents is available at

<http://portal.etsi.org/tb/status/status.asp>

If you find errors in the present document, please send your comment to one of the following services:

<https://portal.etsi.org/People/CommitteeSupportStaff.aspx>

---

**Copyright Notification**

---

No part may be reproduced or utilized in any form or by any means, electronic or mechanical, including photocopying and microfilm except as authorized by written permission of ETSI.

The content of the PDF version shall not be modified without the written authorization of ETSI.

The copyright and the foregoing restriction extend to reproduction in all media.

© European Telecommunications Standards Institute 2016.

All rights reserved.

**DECT™**, **PLUGTESTS™**, **UMTS™** and the ETSI logo are Trade Marks of ETSI registered for the benefit of its Members. **3GPP™** and **LTE™** are Trade Marks of ETSI registered for the benefit of its Members and of the 3GPP Organizational Partners.

**GSM®** and the GSM logo are Trade Marks registered and owned by the GSM Association.

---

## Intellectual Property Rights

IPRs essential or potentially essential to the present document may have been declared to ETSI. The information pertaining to these essential IPRs, if any, is publicly available for **ETSI members and non-members**, and can be found in ETSI SR 000 314: *"Intellectual Property Rights (IPRs); Essential, or potentially Essential, IPRs notified to ETSI in respect of ETSI standards"*, which is available from the ETSI Secretariat. Latest updates are available on the ETSI Web server (<https://ipr.etsi.org/>).

Pursuant to the ETSI IPR Policy, no investigation, including IPR searches, has been carried out by ETSI. No guarantee can be given as to the existence of other IPRs not referenced in ETSI SR 000 314 (or the updates on the ETSI Web server) which are, or may be, or may become, essential to the present document.

---

## Foreword

This Technical Specification (TS) has been produced by ETSI 3rd Generation Partnership Project (3GPP).

The present document may refer to technical specifications or reports using their 3GPP identities, UMTS identities or GSM identities. These should be interpreted as being references to the corresponding ETSI deliverables.

The cross reference between GSM, UMTS, 3GPP and ETSI identities can be found under <http://webapp.etsi.org/key/queryform.asp>.

---

## Modal verbs terminology

In the present document "**shall**", "**shall not**", "**should**", "**should not**", "**may**", "**need not**", "**will**", "**will not**", "**can**" and "**cannot**" are to be interpreted as described in clause 3.2 of the [ETSI Drafting Rules](#) (Verbal forms for the expression of provisions).

"**must**" and "**must not**" are **NOT** allowed in ETSI deliverables except when used in direct citation.

# Contents

Intellectual Property Rights .....	2
Foreword.....	2
Modal verbs terminology.....	2
Foreword.....	13
1 Scope .....	14
2 References .....	14
3 Definitions and abbreviations.....	15
3.1 Definitions .....	15
3.2 Abbreviations .....	16
4 ANDSF MO .....	17
4.1 Descriptions.....	17
4.1.1 General.....	17
4.1.2 Policy (ISMP).....	18
4.1.3 Discovery information .....	19
4.1.4 UE location .....	19
4.1.5 ISRP.....	19
4.1.6 UE_Profile .....	20
4.1.7 WLANSP.....	20
4.1.8 IARP.....	21
4.1.9 Rule selection information.....	22
4.1.10 Home Network Preference information.....	22
4.1.10A Visited Network Preference information .....	22
4.1.11 Validity criteria container .....	22
4.2 Figures.....	23
4.2.1 ANDSF .....	23
4.2.2 Policy .....	24
4.2.3 DiscoveryInformation.....	25
4.2.4 UE_Location.....	26
4.2.5 ISRP.....	26
4.2.6 ForFlowBased.....	27
4.2.7 ForServiceBased.....	28
4.2.8 ForNonSeamlessOffload.....	29
4.2.9 UE_Profile .....	29
4.2.10 IARP .....	30
4.2.11 ForInterAPNRouting .....	31
4.2.12 WLANSP.....	32
4.2.13 RuleSelectionInformation.....	32
4.2.14 HomeNetworkPreference.....	33
4.2.14A VisitedNetworkPreference.....	33
4.2.15 ValidityCriteria Container .....	34
4.2.16 RANValidityConditions .....	35
5 ANDSF MO parameters .....	35
5.1 General .....	35
5.2 Node: <i>ANDSF</i> .....	35
5.3 <i>ANDSF</i> /Name.....	36
5.4 Policy.....	36
5.4.1 <i>ANDSF</i> /Policy.....	36
5.4.2 <i>ANDSF</i> /Policy/<X>.....	36
5.4.3 <i>ANDSF</i> /Policy/<X>/RulePriority .....	36
5.4.4 <i>ANDSF</i> /Policy/<X>/PrioritizedAccess.....	37
5.4.5 <i>ANDSF</i> /Policy/<X>/PrioritizedAccess/<X>.....	37
5.4.6 <i>ANDSF</i> /Policy/<X>/PrioritizedAccess/<X>/ AccessTechnology .....	37

5.4.7	<i>ANDSF/Policy/&lt;X&gt;/PrioritizedAccess/&lt;X&gt;/ AccessId</i> .....	37
5.4.8	<i>ANDSF/Policy/&lt;X&gt;/PrioritizedAccess/&lt;X&gt;/ SecondaryAccessId</i> .....	38
5.4.9	<i>ANDSF/Policy/&lt;X&gt;/PrioritizedAccess/&lt;X&gt;/ AccessNetworkPriority</i> .....	38
5.4.10	<i>ANDSF/Policy/&lt;X&gt;/ValidityArea</i> .....	39
5.4.11	<i>ANDSF/Policy/&lt;X&gt;/ValidityArea/3GPP_Location</i> .....	39
5.4.12	<i>ANDSF/Policy/&lt;X&gt;/ValidityArea/3GPP_Location/&lt;X&gt;</i> .....	39
5.4.13	<i>ANDSF/Policy/&lt;X&gt;/ValidityArea/3GPP_Location/&lt;X&gt;/PLMN</i> .....	40
5.4.14	<i>ANDSF/Policy/&lt;X&gt;/ValidityArea/3GPP_Location/&lt;X&gt;/TAC</i> .....	40
5.4.15	<i>ANDSF/Policy/&lt;X&gt;/ValidityArea/3GPP_Location/&lt;X&gt;/LAC</i> .....	40
5.4.16	<i>ANDSF/Policy/&lt;X&gt;/ValidityArea/3GPP_Location/&lt;X&gt;/GERAN_CI</i> .....	40
5.4.17	<i>ANDSF/Policy/&lt;X&gt;/ValidityArea/3GPP_Location/ &lt;X&gt;/UTRAN_CI</i> .....	41
5.4.18	<i>ANDSF/Policy/&lt;X&gt;/ValidityArea/3GPP_Location/ &lt;X&gt;/EUTRA_CI</i> .....	41
5.4.19	<i>ANDSF/Policy/&lt;X&gt;/ValidityArea/3GPP2_Location</i> .....	41
5.4.20	<i>ANDSF/Policy/&lt;X&gt;/ValidityArea/3GPP2_Location/1x</i> .....	41
5.4.21	<i>ANDSF/Policy/&lt;X&gt;/ValidityArea/3GPP2_Location/1x/&lt;X&gt;</i> .....	42
5.4.22	<i>ANDSF/Policy/&lt;X&gt;/ValidityArea/3GPP2_Location/1x/&lt;X&gt;/ SID</i> .....	42
5.4.23	<i>ANDSF/Policy/&lt;X&gt;/ValidityArea/3GPP2_Location/1x/&lt;X&gt;/ NID</i> .....	42
5.4.24	<i>ANDSF/Policy/&lt;X&gt;/ValidityArea/3GPP2_Location/1x/&lt;X&gt;/ Base_ID</i> .....	42
5.4.25	<i>ANDSF/Policy/&lt;X&gt;/ValidityArea/3GPP2_Location/HRPD</i> .....	43
5.4.26	<i>ANDSF/Policy/&lt;X&gt;/ValidityArea/3GPP2_Location/HRPD/&lt;X&gt;</i> .....	43
5.4.27	<i>ANDSF/Policy/&lt;X&gt;/ValidityArea/3GPP2_Location/HRPD/&lt;X&gt;/ Sector_ID</i> .....	43
5.4.28	<i>ANDSF/Policy/&lt;X&gt;/ValidityArea/3GPP2_Location/HRPD/&lt;X&gt;/ Netmask</i> .....	43
5.4.29	<i>ANDSF/Policy/&lt;X&gt;/ValidityArea/WiMAX_Location</i> .....	44
5.4.30	<i>ANDSF/Policy/&lt;X&gt;/ValidityArea/WiMAX_Location/&lt;X&gt;</i> .....	44
5.4.31	<i>ANDSF/Policy/&lt;X&gt;/ValidityArea/WiMAX_Location/&lt;X&gt;/NAP-ID</i> .....	44
5.4.32	<i>ANDSF/Policy/&lt;X&gt;/ValidityArea/WiMAX_Location/&lt;X&gt;/BS-ID</i> .....	44
5.4.33	<i>ANDSF/Policy/&lt;X&gt;/ValidityArea/WLAN_Location</i> .....	45
5.4.34	<i>ANDSF/Policy/&lt;X&gt;/ValidityArea/WLAN_Location/&lt;X&gt;</i> .....	45
5.4.35	<i>ANDSF/Policy/&lt;X&gt;/ValidityArea/WLAN_Location/&lt;X&gt;/HESSID</i> .....	45
5.4.36	<i>ANDSF/Policy/&lt;X&gt;/ValidityArea/WLAN_Location/&lt;X&gt;/SSID</i> .....	45
5.4.37	<i>ANDSF/Policy/&lt;X&gt;/ValidityArea/WLAN_Location/&lt;X&gt;/BSSID</i> .....	46
5.4.38	<i>ANDSF/Policy/&lt;X&gt;/ValidityArea/Geo_Location</i> .....	46
5.4.39	<i>ANDSF/Policy/&lt;X&gt;/ValidityArea/Geo_Location/Circular</i> .....	46
5.4.40	<i>ANDSF/Policy/&lt;X&gt;/ValidityArea/Geo_Location/Circular/&lt;X&gt;</i> .....	46
5.4.41	<i>ANDSF/Policy/&lt;X&gt;/ValidityArea/Geo_Location/Circular/&lt;X&gt;/ AnchorLatitude</i> .....	47
5.4.42	<i>ANDSF/Policy/&lt;X&gt;/ValidityArea/Geo_Location/Circular/&lt;X&gt;/ AnchorLongitude</i> .....	47
5.4.43	<i>ANDSF/Policy/&lt;X&gt;/ValidityArea/Geo_Location/Circular/&lt;X&gt;/ Radius</i> .....	47
5.4.43A	<i>ANDSF/Policy/&lt;X&gt;/ValidityAreaRef</i> .....	47
5.4.44	<i>ANDSF/Policy/&lt;X&gt;/Roaming</i> .....	48
5.4.45	<i>ANDSF/Policy/&lt;X&gt;/PLMN</i> .....	48
5.4.46	<i>ANDSF/Policy/&lt;X&gt;/TimeOfDay</i> .....	48
5.4.47	<i>ANDSF/Policy/&lt;X&gt;/TimeOfDay/&lt;X&gt;</i> .....	48
5.4.48	<i>ANDSF/Policy/&lt;X&gt;/TimeOfDay/&lt;X&gt;/TimeStart</i> .....	53
5.4.49	<i>ANDSF/Policy/&lt;X&gt;/TimeOfDay/&lt;X&gt;/TimeStop</i> .....	53
5.4.50	<i>ANDSF/Policy/&lt;X&gt;/TimeOfDay/&lt;X&gt;/DateStart</i> .....	54
5.4.51	<i>ANDSF/Policy/&lt;X&gt;/TimeOfDay/&lt;X&gt;/DateStop</i> .....	54
5.4.51A	<i>ANDSF/Policy/&lt;X&gt;/TimeOfDay/&lt;X&gt;/DayOfWeek</i> .....	54
5.4.51B	<i>ANDSF/Policy/&lt;X&gt;/TimeOfDayRef</i> .....	55
5.4.52	<i>ANDSF/Policy/&lt;X&gt;/UpdatePolicy</i> .....	55
5.5	Discovery information .....	55
5.5.1	<i>ANDSF/DiscoveryInformation</i> .....	55
5.5.2	<i>ANDSF/DiscoveryInformation/&lt;X&gt;</i> .....	56
5.5.3	<i>ANDSF/DiscoveryInformation/&lt;X&gt;/AccessNetworkType</i> .....	56
5.5.4	<i>ANDSF/DiscoveryInformation/&lt;X&gt;/AccessNetworkArea</i> .....	56
5.5.5	<i>ANDSF/DiscoveryInformation/&lt;X&gt;/AccessNetworkArea/ 3GPP_Location</i> .....	57
5.5.6	<i>ANDSF/DiscoveryInformation/&lt;X&gt;/AccessNetworkArea/ 3GPP_Location/&lt;X&gt;</i> .....	57
5.5.7	<i>ANDSF/DiscoveryInformation/&lt;X&gt;/AccessNetworkArea/ 3GPP_Location/&lt;X&gt;/PLMN</i> .....	57
5.5.8	<i>ANDSF/DiscoveryInformation/&lt;X&gt;/AccessNetworkArea/ 3GPP_Location/&lt;X&gt;/TAC</i> .....	57
5.5.9	<i>ANDSF/DiscoveryInformation/&lt;X&gt;/AccessNetworkArea/ 3GPP_Location/&lt;X&gt;/LAC</i> .....	58
5.5.10	<i>ANDSF/DiscoveryInformation/&lt;X&gt;/AccessNetworkArea/ 3GPP_Location/&lt;X&gt;/GERAN_CI</i> .....	58
5.5.11	<i>ANDSF/DiscoveryInformation/&lt;X&gt;/AccessNetworkArea/ 3GPP_Location/&lt;X&gt;/UTRAN_CI</i> .....	58
5.5.12	<i>ANDSF/DiscoveryInformation/&lt;X&gt;/AccessNetworkArea/ 3GPP_Location/&lt;X&gt;/EUTRA_CI</i> .....	58

5.5.13	<i>ANDSF/DiscoveryInformation/&lt;X&gt;/AccessNetworkArea/ 3GPP2_Location</i> .....	59
5.5.14	<i>ANDSF/DiscoveryInformation/&lt;X&gt;/AccessNetworkArea/ 3GPP2_Location/1x</i> .....	59
5.5.15	<i>ANDSF/DiscoveryInformation/&lt;X&gt;/AccessNetworkArea/ 3GPP2_Location/1x/&lt;X&gt;</i> .....	59
5.5.16	<i>ANDSF/DiscoveryInformation/&lt;X&gt;/AccessNetworkArea/ 3GPP2_Location/1x/&lt;X&gt;/SID</i> .....	59
5.5.17	<i>ANDSF/DiscoveryInformation/&lt;X&gt;/AccessNetworkArea/ 3GPP2_Location/1x/&lt;X&gt;/NID</i> .....	60
5.5.18	<i>ANDSF/DiscoveryInformation/&lt;X&gt;/AccessNetworkArea/ 3GPP2_Location/1x/&lt;X&gt;/Base_ID</i> .....	60
5.5.19	<i>ANDSF/DiscoveryInformation/&lt;X&gt;/AccessNetworkArea/ 3GPP2_Location/HRPD</i> .....	60
5.5.20	<i>ANDSF/DiscoveryInformation/&lt;X&gt;/AccessNetworkArea/ 3GPP2_Location/HRPD/&lt;X&gt;</i> .....	60
5.5.21	<i>ANDSF/DiscoveryInformation/&lt;X&gt;/AccessNetworkArea/ 3GPP2_Location/HRPD/&lt;X&gt;/Sector_ID</i> .....	60
5.5.22	<i>ANDSF/DiscoveryInformation/&lt;X&gt;/AccessNetworkArea/ 3GPP2_Location/HRPD/&lt;X&gt;/Netmask</i> .....	61
5.5.23	<i>ANDSF/DiscoveryInformation/&lt;X&gt;/AccessNetworkArea/ WiMAX_Location</i> .....	61
5.5.24	<i>ANDSF/DiscoveryInformation/&lt;X&gt;/AccessNetworkArea/ WiMAX_Location/&lt;X&gt;</i> .....	61
5.5.25	<i>ANDSF/DiscoveryInformation/&lt;X&gt;/AccessNetworkArea/ WiMAX_Location/&lt;X&gt;/NAP-ID</i> .....	61
5.5.26	<i>ANDSF/DiscoveryInformation/&lt;X&gt;/AccessNetworkArea/ WiMAX_Location/&lt;X&gt;/BS-ID</i> .....	62
5.5.27	<i>ANDSF/DiscoveryInformation/&lt;X&gt;/AccessNetworkArea/ WLAN_Location</i> .....	62
5.5.28	<i>ANDSF/DiscoveryInformation/&lt;X&gt;/AccessNetworkArea/ WLAN_Location/&lt;X&gt;</i> .....	62
5.5.29	<i>ANDSF/DiscoveryInformation/&lt;X&gt;/AccessNetworkArea /WLAN_Location/&lt;X&gt;/HESSID</i> .....	62
5.5.30	<i>ANDSF/DiscoveryInformation/&lt;X&gt;/AccessNetworkArea /WLAN_Location/&lt;X&gt;/SSID</i> .....	63
5.5.31	<i>ANDSF/DiscoveryInformation/&lt;X&gt;/AccessNetworkArea /WLAN_Location/&lt;X&gt;/BSSID</i> .....	63
5.5.32	<i>ANDSF/DiscoveryInformation/&lt;X&gt;/AccessNetworkArea/ Geo_Location</i> .....	63
5.5.33	<i>ANDSF/DiscoveryInformation/&lt;X&gt;/ AccessNetworkArea /Geo_Location/Circular</i> .....	63
5.5.34	<i>ANDSF/DiscoveryInformation/&lt;X&gt;/ AccessNetworkArea /Geo_Location/Circular/&lt;X&gt;</i> .....	64
5.5.35	<i>ANDSF/DiscoveryInformation/&lt;X&gt;/ AccessNetworkArea/Geo_Location/Circular/&lt;X&gt;/AnchorLatitude</i> .....	64
5.5.36	<i>ANDSF/DiscoveryInformation/&lt;X&gt;/ AccessNetworkArea/Geo_Location/Circular/&lt;X&gt;/AnchorLongitude</i> .....	64
5.5.37	<i>ANDSF/DiscoveryInformation/&lt;X&gt;/ AccessNetworkArea/Geo_Location/Circular/&lt;X&gt;/Radius</i> .....	64
5.5.37A	<i>ANDSF/DiscoveryInformation/&lt;X&gt;/ValidityAreaRef</i> .....	65
5.5.38	<i>ANDSF/DiscoveryInformation/&lt;X&gt;/ AccessNetworkInformationRef</i> .....	65
5.5.39	<i>ANDSF/DiscoveryInformation/&lt;X&gt;/PLMN</i> .....	65
5.6	<i>UE location</i> .....	65
5.6.1	<i>ANDSF/UE_Location</i> .....	65
5.6.2	<i>ANDSF/UE_Location/3GPP_Location</i> .....	66
5.6.3	<i>ANDSF/UE_Location/3GPP_Location/&lt;X&gt;</i> .....	66
5.6.4	<i>ANDSF/UE_Location/3GPP_Location/&lt;X&gt;/PLMN</i> .....	66
5.6.5	<i>ANDSF/UE_Location/3GPP_Location/&lt;X&gt;/TAC</i> .....	66
5.6.6	<i>ANDSF/UE_Location/3GPP_Location/&lt;X&gt;/LAC</i> .....	66
5.6.7	<i>ANDSF/UE_Location/3GPP_Location/&lt;X&gt;/GERAN_CI</i> .....	67
5.6.8	<i>ANDSF/UE_Location/3GPP_Location/&lt;X&gt;/ UTRAN_CI</i> .....	67
5.6.9	<i>ANDSF/UE_Location/3GPP_Location/&lt;X&gt;/EUTRA_CI</i> .....	67
5.6.10	<i>ANDSF/UE_Location/3GPP2_Location</i> .....	67
5.6.11	<i>ANDSF/UE_Location/3GPP2_Location/1x</i> .....	68
5.6.12	<i>ANDSF/UE_Location/3GPP2_Location/1x/&lt;X&gt;</i> .....	68
5.6.13	<i>ANDSF/UE_Location/3GPP2_Location/1x/&lt;X&gt;/SID</i> .....	68
5.6.14	<i>ANDSF/UE_Location/3GPP2_Location/1x/&lt;X&gt;/NID</i> .....	68
5.6.15	<i>ANDSF/UE_Location/3GPP2_Location/1x/&lt;X&gt;/Base_ID</i> .....	68
5.6.16	<i>ANDSF/UE_Location/3GPP2_Location/HRPD</i> .....	69
5.6.17	<i>ANDSF/UE_Location/3GPP2_Location/HRPD/&lt;X&gt;</i> .....	69
5.6.18	<i>ANDSF/UE_Location/3GPP2_Location/HRPD/&lt;X&gt;/Sector_ID</i> .....	69
5.6.19	<i>ANDSF/UE_Location/3GPP2_Location/HRPD/&lt;X&gt;/Netmask</i> .....	69
5.6.20	<i>ANDSF/UE_Location/WiMAX_Location</i> .....	70
5.6.21	<i>ANDSF/UE_Location/WiMAX_Location/&lt;X&gt;</i> .....	70
5.6.22	<i>ANDSF/UE_Location/WiMAX_Location/&lt;X&gt;/NAP-ID</i> .....	70
5.6.23	<i>ANDSF/UE_Location/WiMAX_Location/&lt;X&gt;/BS-ID</i> .....	70
5.6.24	<i>ANDSF/UE_Location/WLAN_Location</i> .....	70
5.6.25	<i>ANDSF/UE_Location/WLAN_Location/&lt;X&gt;</i> .....	71
5.6.26	<i>ANDSF/UE_Location/WLAN_Location/&lt;X&gt;/HESSID</i> .....	71
5.6.27	<i>ANDSF/UE_Location/WLAN_Location/&lt;X&gt;/SSID</i> .....	71
5.6.28	<i>ANDSF/UE_Location/WLAN_Location/&lt;X&gt;/BSSID</i> .....	71
5.6.29	<i>ANDSF/UE_Location/Geo_Location/</i> .....	72
5.6.30	<i>ANDSF/UE_Location/Geo_Location/Latitude</i> .....	72
5.6.31	<i>ANDSF/UE_Location/Geo_Location/Longitude</i> .....	72

5.6.32	<i>ANDSF/UE_Location/RPLMN</i> .....	72
5.7	<i>ISRP</i> .....	72
5.7.1	<i>ANDSF/ISRP/</i> .....	72
5.7.2	<i>ANDSF/ISRP/&lt;X&gt;</i> .....	73
5.7.3	<i>ANDSF/ISRP/&lt;X&gt;/ForFlowBased</i> .....	73
5.7.4	<i>ANDSF/ISRP/&lt;X&gt;/ForFlowBased/&lt;X&gt;/</i> .....	73
5.7.5	<i>ANDSF/ISRP/&lt;X&gt;/ForFlowBased/&lt;X&gt;/IPFlow</i> .....	73
5.7.6	<i>ANDSF/ISRP/&lt;X&gt;/ForFlowBased/&lt;X&gt;/IPFlow/&lt;X&gt;/</i> .....	74
5.7.6A	<i>ANDSF/ISRP/&lt;X&gt;/ForFlowBased/&lt;X&gt;/IPFlow/&lt;X&gt;/App-ID</i> .....	74
5.7.6B	<i>ANDSF/ISRP/&lt;X&gt;/ForFlowBased/&lt;X&gt;/IPFlow/&lt;X&gt;/App-ID/&lt;X&gt;/</i> .....	74
5.7.6C	<i>Void</i> .....	75
5.7.6D	<i>ANDSF/ISRP/&lt;X&gt;/ForFlowBased/&lt;X&gt;/IPFlow/&lt;X&gt;/App-ID/ &lt;X&gt;/OSId</i> .....	75
5.7.6E	<i>ANDSF/ISRP/&lt;X&gt;/ForFlowBased/&lt;X&gt;/IPFlow/&lt;X&gt;/App-ID/ &lt;X&gt;/OSApps/</i> .....	75
5.7.6F	<i>ANDSF/ISRP/&lt;X&gt;/ForFlowBased/&lt;X&gt;/IPFlow/&lt;X&gt;/App-ID/ &lt;X&gt;/OSApps/&lt;X&gt;</i> .....	75
5.7.6G	<i>ANDSF/ISRP/&lt;X&gt;/ForFlowBased/&lt;X&gt;/IPFlow/&lt;X&gt;/App-ID/ &lt;X&gt;/OSApps/&lt;X&gt;/OSAppId</i> .....	75
5.7.7	<i>ANDSF/ISRP/&lt;X&gt;/ForFlowBased/&lt;X&gt;/IPFlow/&lt;X&gt;/ AddressType</i> .....	76
5.7.8	<i>ANDSF/ISRP/&lt;X&gt;/ForFlowBased/&lt;X&gt;/IPFlow/&lt;X&gt;/ StartSourceIPAddress</i> .....	76
5.7.9	<i>ANDSF/ISRP/&lt;X&gt;/ForFlowBased/&lt;X&gt;/IPFlow/&lt;X&gt;/ EndSourceIPAddress</i> .....	76
5.7.10	<i>Void</i> .....	77
5.7.11	<i>Void</i> .....	77
5.7.12	<i>ANDSF/ISRP/&lt;X&gt;/ForFlowBased/&lt;X&gt;/IPFlow/&lt;X&gt;/ ProtocolType</i> .....	77
5.7.13	<i>ANDSF/ISRP/&lt;X&gt;/ForFlowBased/&lt;X&gt;/IPFlow/&lt;X&gt;/ StartSourcePortNumber</i> .....	77
5.7.14	<i>ANDSF/ISRP/&lt;X&gt;/ForFlowBased/&lt;X&gt;/IPFlow/&lt;X&gt;/ EndSourcePortNumber</i> .....	78
5.7.15	<i>ANDSF/ISRP/&lt;X&gt;/ForFlowBased/&lt;X&gt;/IPFlow/&lt;X&gt;/ StartDestPortNumber</i> .....	78
5.7.16	<i>ANDSF/ISRP/&lt;X&gt;/ForFlowBased/&lt;X&gt;/IPFlow/&lt;X&gt;/ EndDestPortNumber</i> .....	78
5.7.17	<i>ANDSF/ISRP/&lt;X&gt;/ForFlowBased/&lt;X&gt;/IPFlow/&lt;X&gt;/QoS</i> .....	79
5.7.17A	<i>ANDSF/ISRP/&lt;X&gt;/ForFlowBased/&lt;X&gt;/IPFlow/&lt;X&gt;/DomainName</i> .....	79
5.7.17B	<i>ANDSF/ISRP/&lt;X&gt;/ForFlowBased/&lt;X&gt;/IPFlow/&lt;X&gt;/APN</i> .....	79
5.7.18	<i>ANDSF/ISRP/&lt;X&gt;/ForFlowBased/&lt;X&gt;/RoutingCriteria</i> .....	79
5.7.19	<i>ANDSF/ISRP/&lt;X&gt;/ForFlowBased/&lt;X&gt;/RoutingCriteria/&lt;X&gt;/</i> .....	80
5.7.20	<i>ANDSF/ISRP/&lt;X&gt;/ForFlowBased/&lt;X&gt;/RoutingCriteria/&lt;X&gt;/ ValidityArea</i> .....	80
5.7.20A	<i>ANDSF/ISRP/&lt;X&gt;/ForFlowBased/&lt;X&gt;/RoutingCriteria/&lt;X&gt;/ ValidityAreaRef</i> .....	80
5.7.21	<i>ANDSF/ISRP/&lt;X&gt;/ForFlowBased/&lt;X&gt;/RoutingCriteria/&lt;X&gt;/ TimeOfDay</i> .....	80
5.7.21A	<i>ANDSF/ISRP/&lt;X&gt;/ForFlowBased/&lt;X&gt;/RoutingCriteria/&lt;X&gt;/ TimeOfDayRef</i> .....	81
5.7.21B1	<i>ANDSF/ISRP/&lt;X&gt;/ForFlowBased/&lt;X&gt;/RoutingCriteria/&lt;X&gt;/ RANValidityCondition</i> .....	81
5.7.21B2	<i>ANDSF/ISRP/&lt;X&gt;/ForFlowBased/&lt;X&gt;/RoutingCriteria/&lt;X&gt;/ RANValidityCondition/ThresholdConditions</i> .....	81
5.7.21B3	<i>ANDSF/ISRP/&lt;X&gt;/ForFlowBased/&lt;X&gt;/RoutingCriteria/&lt;X&gt;/ RANValidityCondition/ThresholdConditions/Thresholds</i> .....	82
5.7.21B4	<i>ANDSF/ISRP/&lt;X&gt;/ForFlowBased/&lt;X&gt;/RoutingCriteria/&lt;X&gt;/ RANValidityCondition/ThresholdConditions/Thresholds/ThreshServingOffloadWLANLowP</i> .....	82
5.7.21B5	<i>ANDSF/ISRP/&lt;X&gt;/ForFlowBased/&lt;X&gt;/RoutingCriteria/&lt;X&gt;/ RANValidityCondition/ThresholdConditions/Thresholds/ThreshServingOffloadWLANHighP</i> .....	83
5.7.21B6	<i>ANDSF/ISRP/&lt;X&gt;/ForFlowBased/&lt;X&gt;/RoutingCriteria/&lt;X&gt;/ RANValidityCondition/ThresholdConditions/Thresholds/ThreshServingOffloadWLANLowQ</i> .....	83
5.7.21B7	<i>ANDSF/ISRP/&lt;X&gt;/ForFlowBased/&lt;X&gt;/RoutingCriteria/&lt;X&gt;/ RANValidityCondition/ThresholdConditions/Thresholds/ThreshServingOffloadWLANHighQ</i> .....	84
5.7.21B8	<i>ANDSF/ISRP/&lt;X&gt;/ForFlowBased/&lt;X&gt;/RoutingCriteria/&lt;X&gt;/ RANValidityCondition/ThresholdConditions/Thresholds/ThreshChUtilWLANLow</i> .....	84
5.7.21B9	<i>ANDSF/ISRP/&lt;X&gt;/ForFlowBased/&lt;X&gt;/RoutingCriteria/&lt;X&gt;/ RANValidityCondition/ThresholdConditions/Thresholds/ThreshChUtilWLANLow/ThreshChUtilWLANLowANDSF</i> .....	85
5.7.21B10	<i>ANDSF/ISRP/&lt;X&gt;/ForFlowBased/&lt;X&gt;/RoutingCriteria/&lt;X&gt;/ RANValidityCondition/ThresholdConditions/Thresholds/ThreshChUtilWLANLow/ThreshChUtilWLANLowRAN</i> .....	85
5.7.21B11	<i>ANDSF/ISRP/&lt;X&gt;/ForFlowBased/&lt;X&gt;/RoutingCriteria/&lt;X&gt;/ RANValidityCondition/ThresholdConditions/Thresholds/ThreshChUtilWLANHigh</i> .....	85
5.7.21B12	<i>ANDSF/ISRP/&lt;X&gt;/ForFlowBased/&lt;X&gt;/RoutingCriteria/&lt;X&gt;/ RANValidityCondition/ThresholdConditions/Thresholds/ThreshChUtilWLANHigh/ThreshChUtilWLANHighANDSF</i> .....	86

5.7.21B13	<i>ANDSF/ISRP/&lt;X&gt;/ForFlowBased/&lt;X&gt;/RoutingCriteria/&lt;X&gt;/RANValidityCondition/ThresholdConditions/Thresholds/ThreshChUtilWLANHigh/ThreshChUtilWLANHighRAN</i> .....	86
5.7.21B14	<i>ANDSF/ISRP/&lt;X&gt;/ForFlowBased/&lt;X&gt;/RoutingCriteria/&lt;X&gt;/RANValidityCondition/ThresholdConditions/Thresholds/ThreshBackhRateDLWLANLow</i> .....	87
5.7.21B15	<i>ANDSF/ISRP/&lt;X&gt;/ForFlowBased/&lt;X&gt;/RoutingCriteria/&lt;X&gt;/RANValidityCondition/ThresholdConditions/Thresholds/ThreshBackhRateDLWLANLow/ThreshB ackhRateDLWLANLowANDSF</i> .....	87
5.7.21B16	<i>ANDSF/ISRP/&lt;X&gt;/ForFlowBased/&lt;X&gt;/RoutingCriteria/&lt;X&gt;/RANValidityCondition/ThresholdConditions/Thresholds/ThreshBackhRateDLWLANLow/ThreshB ackhRateDLWLANLowRAN</i> .....	88
5.7.21B17	<i>ANDSF/ISRP/&lt;X&gt;/ForFlowBased/&lt;X&gt;/RoutingCriteria/&lt;X&gt;/RANValidityCondition/ThresholdConditions/Thresholds/ThreshBackhRateDLWLANHigh</i> .....	88
5.7.21B18	<i>ANDSF/ISRP/&lt;X&gt;/ForFlowBased/&lt;X&gt;/RoutingCriteria/&lt;X&gt;/RANValidityCondition/ThresholdConditions/Thresholds/ThreshBackhRateDLWLANHigh/ThreshB ackhRateDLWLANHighANDSF</i> .....	89
5.7.21B19	<i>ANDSF/ISRP/&lt;X&gt;/ForFlowBased/&lt;X&gt;/RoutingCriteria/&lt;X&gt;/RANValidityCondition/ThresholdConditions/Thresholds/ThreshBackhRateDLWLANHigh/ThreshB ackhRateDLWLANHighRAN</i> .....	89
5.7.21B20	<i>ANDSF/ISRP/&lt;X&gt;/ForFlowBased/&lt;X&gt;/RoutingCriteria/&lt;X&gt;/RANValidityCondition/ThresholdConditions/Thresholds/ThreshBackhRateULWLANLow</i> .....	90
5.7.21B21	<i>ANDSF/ISRP/&lt;X&gt;/ForFlowBased/&lt;X&gt;/RoutingCriteria/&lt;X&gt;/RANValidityCondition/ThresholdConditions/Thresholds/ThreshBackhRateULWLANLow/ThreshB ackhRateULWLANLowANDSF</i> .....	90
5.7.21B22	<i>ANDSF/ISRP/&lt;X&gt;/ForFlowBased/&lt;X&gt;/RoutingCriteria/&lt;X&gt;/RANValidityCondition/ThresholdConditions/Thresholds/ThreshBackhRateULWLANLow/ThreshB ackhRateULWLANLowRAN</i> .....	91
5.7.21B23	<i>ANDSF/ISRP/&lt;X&gt;/ForFlowBased/&lt;X&gt;/RoutingCriteria/&lt;X&gt;/RANValidityCondition/ThresholdConditions/Thresholds/ThreshBackhRateULWLANHigh</i> .....	91
5.7.21B24	<i>ANDSF/ISRP/&lt;X&gt;/ForFlowBased/&lt;X&gt;/RoutingCriteria/&lt;X&gt;/RANValidityCondition/ThresholdConditions/Thresholds/ThreshBackhRateULWLANHigh/ThreshB ackhRateULWLANHighANDSF</i> .....	92
5.7.21B25	<i>ANDSF/ISRP/&lt;X&gt;/ForFlowBased/&lt;X&gt;/RoutingCriteria/&lt;X&gt;/RANValidityCondition/ThresholdConditions/Thresholds/ThreshBackhRateULWLANHigh/ThreshB ackhRateULWLANHighRAN</i> .....	92
5.7.21B26	<i>ANDSF/ISRP/&lt;X&gt;/ForFlowBased/&lt;X&gt;/RoutingCriteria/&lt;X&gt;/RANValidityCondition/ThresholdConditions/Thresholds/ThreshBeaconRSSIWLANLow</i> .....	93
5.7.21B27	<i>ANDSF/ISRP/&lt;X&gt;/ForFlowBased/&lt;X&gt;/RoutingCriteria/&lt;X&gt;/RANValidityCondition/ThresholdConditions/Thresholds/ThreshBeaconRSSIWLANLow/ThreshBe aconRSSIWLANLowANDSF</i> .....	93
5.7.21B28	<i>ANDSF/ISRP/&lt;X&gt;/ForFlowBased/&lt;X&gt;/RoutingCriteria/&lt;X&gt;/RANValidityCondition/ThresholdConditions/Thresholds/ThreshBeaconRSSIWLANLow/ThreshBe aconRSSIWLANLowRAN</i> .....	94
5.7.21B29	<i>ANDSF/ISRP/&lt;X&gt;/ForFlowBased/&lt;X&gt;/RoutingCriteria/&lt;X&gt;/RANValidityCondition/ThresholdConditions/Thresholds/ThreshBeaconRSSIWLANHigh</i> .....	94
5.7.21B30	<i>ANDSF/ISRP/&lt;X&gt;/ForFlowBased/&lt;X&gt;/RoutingCriteria/&lt;X&gt;/RANValidityCondition/ThresholdConditions/Thresholds/ThreshBeaconRSSIWLANHigh/ThreshBe aconRSSIWLANHighANDSF</i> .....	95
5.7.21B31	<i>ANDSF/ISRP/&lt;X&gt;/ForFlowBased/&lt;X&gt;/RoutingCriteria/&lt;X&gt;/RANValidityCondition/ThresholdConditions/Thresholds/ThreshBeaconRSSIWLANHigh/ThreshBe aconRSSIWLANHighRAN</i> .....	95
5.7.21B32	<i>ANDSF/ISRP/&lt;X&gt;/ForFlowBased/&lt;X&gt;/RoutingCriteria/&lt;X&gt;/ThresholdConditions/ThresholdConditionEvaluationPolicy</i> .....	96
5.7.21B33	Void.....	96
5.7.21B34	<i>ANDSF/ISRP/&lt;X&gt;/ForFlowBased/&lt;X&gt;/RoutingCriteria/&lt;X&gt;/RANValidityCondition/OPI</i> .....	96
5.7.21B35	<i>ANDSF/ISRP/&lt;X&gt;/ForFlowBased/&lt;X&gt;/RoutingCriteria/&lt;X&gt;/RANValidityConditionRef</i> .....	96
5.7.22	Void.....	97
5.7.23	<i>ANDSF/ISRP/&lt;X&gt;/ForFlowBased/&lt;X&gt;/RoutingRule</i> .....	97
5.7.23AA	<i>ANDSF/ISRP/&lt;X&gt;/ForFlowBased/&lt;X&gt;/RoutingRule/&lt;X&gt;</i> .....	97
5.7.23A	<i>ANDSF/ISRP/&lt;X&gt;/ForFlowBased/&lt;X&gt;/RoutingRule/&lt;X&gt;/AccessTechnology</i> .....	97
5.7.24	<i>ANDSF/ISRP/&lt;X&gt;/ForFlowBased/&lt;X&gt;/RulePriority</i> .....	98
5.7.25	<i>ANDSF/ISRP/&lt;X&gt;/ForServiceBased</i> .....	98



5.7.26	<i>ANDSF/ISRP/&lt;X&gt;/ForServiceBased/&lt;X&gt;/</i> .....	98
5.7.27	<i>ANDSF/ISRP/&lt;X&gt;/ForServiceBased/&lt;X&gt;/APN</i> .....	98
5.7.28	<i>ANDSF/ISRP/&lt;X&gt;/ForServiceBased/&lt;X&gt;/RoutingCriteria</i> .....	99
5.7.29	<i>ANDSF/ISRP/&lt;X&gt;/ForServiceBased/&lt;X&gt;/RoutingCriteria/&lt;X&gt;/</i> .....	99
5.7.30	<i>ANDSF/ISRP/&lt;X&gt;/ForServiceBased/&lt;X&gt;/RoutingCriteria/&lt;X&gt;/ ValidityArea</i> .....	99
5.7.30A	<i>ANDSF/ISRP/&lt;X&gt;/ForServiceBased/&lt;X&gt;/RoutingCriteria/&lt;X&gt;/ ValidityAreaRef</i> .....	100
5.7.31	<i>ANDSF/ISRP/&lt;X&gt;/ForServiceBased/&lt;X&gt;/RoutingCriteria/&lt;X&gt;/ TimeOfDay</i> .....	100
5.7.31A	<i>ANDSF/ISRP/&lt;X&gt;/ForServiceBased/&lt;X&gt;/RoutingCriteria/&lt;X&gt;/ TimeOfDayRef</i> .....	100
5.7.31B1	<i>ANDSF/ISRP/&lt;X&gt;/ForServiceBased/&lt;X&gt;/RoutingCriteria/&lt;X&gt;/ RANValidityCondition</i> .....	100
5.7.31B2	<i>ANDSF/ISRP/&lt;X&gt;/ForServiceBased/&lt;X&gt;/RoutingCriteria/&lt;X&gt;/ RANValidityConditionRef</i> .....	101
5.7.32	<i>ANDSF/ISRP/&lt;X&gt;/ForServiceBased/&lt;X&gt;/RoutingRule</i> .....	101
5.7.33	<i>ANDSF/ISRP/&lt;X&gt;/ForServiceBased/&lt;X&gt;/RulePriority</i> .....	101
5.7.34	<i>ANDSF/ISRP/&lt;X&gt;/ForNonSeamlessOffload/</i> .....	101
5.7.35	<i>ANDSF/ISRP/&lt;X&gt;/ForNonSeamlessOffload/&lt;X&gt;/</i> .....	102
5.7.36	<i>ANDSF/ISRP/&lt;X&gt;/ForNonSeamlessOffload/&lt;X&gt;/IPFlow</i> .....	102
5.7.37	<i>ANDSF/ISRP/&lt;X&gt;/ForNonSeamlessOffload/&lt;X&gt;/ IPFlow/&lt;X&gt;</i> .....	102
5.7.37A	<i>ANDSF/ISRP/&lt;X&gt;/ForNonSeamlessOffload/&lt;X&gt;/ IPFlow/&lt;X&gt;/App-ID</i> .....	102
5.7.37B	<i>ANDSF/ISRP/&lt;X&gt;/ForNonSeamlessOffload/&lt;X&gt;/ IPFlow/&lt;X&gt;/App-ID/&lt;X&gt;/</i> .....	103
5.7.37C	<i>Void</i> .....	103
5.7.37D	<i>ANDSF/ISRP/&lt;X&gt;/ForNonSeamlessOffload/&lt;X&gt;/ IPFlow/&lt;X&gt;/App-ID/&lt;X&gt;/OSId</i> .....	103
5.7.37E	<i>ANDSF/ISRP/&lt;X&gt;/ForNonSeamlessOffload/&lt;X&gt;/IPFlow/&lt;X&gt;/App-ID/ &lt;X&gt;/OSApps/</i> .....	103
5.7.37F	<i>ANDSF/ISRP/&lt;X&gt;/ForNonSeamlessOffload/&lt;X&gt;/IPFlow/&lt;X&gt;/App-ID/ &lt;X&gt;/OSApps/&lt;X&gt;</i> .....	104
5.7.37G	<i>ANDSF/ISRP/&lt;X&gt;/ForNonSeamlessOffload/&lt;X&gt;/IPFlow/&lt;X&gt;/ App-ID/ &lt;X&gt;/OSApps/&lt;X&gt;/OSAppId</i> .....	104
5.7.38	<i>ANDSF/ISRP/&lt;X&gt;/ForNonSeamlessOffload/&lt;X&gt;/IPFlow/&lt;X&gt;/ AddressType</i> .....	104
5.7.39	<i>ANDSF/ISRP/&lt;X&gt;/ForNonSeamlessOffload/&lt;X&gt;/IPFlow/&lt;X&gt;/ StartSourceIPAddress</i> .....	104
5.7.40	<i>ANDSF/ISRP/&lt;X&gt;/ForNonSeamlessOffload/&lt;X&gt;/IPFlow/&lt;X&gt;/ EndSourceIPAddress</i> .....	105
5.7.41	<i>Void</i> .....	105
5.7.42	<i>Void</i> .....	105
5.7.43	<i>ANDSF/ISRP/&lt;X&gt;/ForNonSeamlessOffload/&lt;X&gt;/IPFlow/&lt;X&gt;/ ProtocolType</i> .....	105
5.7.44	<i>ANDSF/ISRP/&lt;X&gt;/ForNonSeamlessOffload/&lt;X&gt;/IPFlow/&lt;X&gt;/ StartSourcePortNumber</i> .....	106
5.7.45	<i>ANDSF/ISRP/&lt;X&gt;/ForNonSeamlessOffload/&lt;X&gt;/IPFlow/&lt;X&gt;/ EndSourcePortNumber</i> .....	106
5.7.46	<i>ANDSF/ISRP/&lt;X&gt;/ForNonSeamlessOffload/&lt;X&gt;/IPFlow/&lt;X&gt;/ StartDestPortNumber</i> .....	106
5.7.47	<i>ANDSF/ISRP/&lt;X&gt;/ForNonSeamlessOffload/&lt;X&gt;/IPFlow/&lt;X&gt;/ EndDestPortNumber</i> .....	107
5.7.48	<i>ANDSF/ISRP/&lt;X&gt;/ForNonSeamlessOffload/&lt;X&gt;/IPFlow/&lt;X&gt;/ QoS</i> .....	107
5.7.48A	<i>ANDSF/ISRP/&lt;X&gt;/ForNonSeamlessOffload/&lt;X&gt;/IPFlow/&lt;X&gt;/ DomainName</i> .....	107
5.7.48B	<i>ANDSF/ISRP/&lt;X&gt;/ForNonSeamlessOffload/&lt;X&gt;/IPFlow/&lt;X&gt;/APN</i> .....	108
5.7.49	<i>ANDSF/ISRP/&lt;X&gt;/ForNonSeamlessOffload/&lt;X&gt;/ RoutingCriteria</i> .....	108
5.7.50	<i>ANDSF/ISRP/&lt;X&gt;/ForNonSeamlessOffload/&lt;X&gt;/ RoutingCriteria/&lt;X&gt;/</i> .....	108
5.7.51	<i>ANDSF/ISRP/&lt;X&gt;/ForNonSeamlessOffload/&lt;X&gt;/ RoutingCriteria/&lt;X&gt;/ValidityArea</i> .....	109
5.7.51A	<i>ANDSF/ISRP/&lt;X&gt;/ForNonSeamlessOffload/&lt;X&gt;/RoutingCriteria/&lt;X&gt;/ ValidityAreaRef</i> .....	109
5.7.52	<i>ANDSF/ISRP/&lt;X&gt;/ForNonSeamlessOffload/&lt;X&gt;/ RoutingCriteria/&lt;X&gt;/TimeOfDay</i> .....	109
5.7.52A	<i>ANDSF/ISRP/&lt;X&gt;/ForNonSeamlessOffload/&lt;X&gt;/ RoutingCriteria/&lt;X&gt;/TimeOfDayRef</i> .....	109
5.7.52B1	<i>ANDSF/ISRP/&lt;X&gt;/ForNonSeamlessOffload/&lt;X&gt;/RoutingCriteria/ &lt;X&gt;/RANValidityCondition</i> .....	110
5.7.52B2	<i>ANDSF/ISRP/&lt;X&gt;/ForNonSeamlessOffload/&lt;X&gt;/RoutingCriteria/&lt;X&gt;/ RANValidityConditionRef</i> ..	110
5.7.53	<i>Void</i> .....	110
5.7.54	<i>ANDSF/ISRP/&lt;X&gt;/ForNonSeamlessOffload/&lt;X&gt;/ RoutingRule</i> .....	110
5.7.55	<i>ANDSF/ISRP/&lt;X&gt;/ForNonSeamlessOffload/&lt;X&gt;/ RoutingRule/&lt;X&gt;/</i> .....	110
5.7.56	<i>ANDSF/ISRP/&lt;X&gt;/ForNonSeamlessOffload/&lt;X&gt;/ RoutingRule/AccessId</i> .....	111
5.7.57	<i>ANDSF/ISRP/&lt;X&gt;/ForNonSeamlessOffload/&lt;X&gt;/ RoutingRule/SecondaryAccessId</i> .....	111
5.7.58	<i>ANDSF/ISRP/&lt;X&gt;/ForNonSeamlessOffload/&lt;X&gt;/ RoutingRule/AccessNetworkPriority</i> .....	111
5.7.59	<i>ANDSF/ISRP/&lt;X&gt;/ForNonSeamlessOffload/&lt;X&gt;/ RulePriority</i> .....	111
5.7.60	<i>ANDSF/ISRP/&lt;X&gt;/Roaming</i> .....	112
5.7.61	<i>ANDSF/ISRP/&lt;X&gt;/PLMN</i> .....	112
5.7.62	<i>ANDSF/ISRP/&lt;X&gt;/UpdatePolicy</i> .....	113
5.7A	<i>UE_Profile</i> .....	113
5.7A.1	<i>ANDSF/UE_Profile/</i> .....	113
5.7A.2	<i>ANDSF/UE_Profile/&lt;X&gt;</i> .....	113
5.7A.3	<i>ANDSF/UE_Profile/&lt;X&gt;/OSId</i> .....	113
5.7A.4	<i>ANDSF/UE_Profile/DevCapability</i> .....	114
5.8	<i>WLANSP</i> .....	114
5.8.1	<i>ANDSF/WLANSP</i> .....	114

5.8.2	ANDSF/WLANSP/<X>	114
5.8.3	ANDSF/WLANSP/<X>/RulePriority	115
5.8.4	ANDSF/WLANSP/<X>/SelectionCriteria	115
5.8.5	ANDSF/WLANSP/<X>/SelectionCriteria/<X>	115
5.8.6	ANDSF/WLANSP/<X>/SelectionCriteria/<X>/ CriteriaPriority	115
5.8.7	ANDSF/WLANSP/<X>/SelectionCriteria/<X>/HomeNetworkIndication	116
5.8.8	ANDSF/WLANSP/<X>/SelectionCriteria/<X>/ PreferredRoamingPartnerList	116
5.8.9	ANDSF/WLANSP/<X>/SelectionCriteria/<X>/ MinBackhaulThreshold	116
5.8.10	ANDSF/WLANSP/<X>/SelectionCriteria/<X>/ MaximumBSSLoadValue	117
5.8.11	ANDSF/WLANSP/<X>/SelectionCriteria/<X>/ RequiredProtoPortTuple	117
5.8.12	ANDSF/WLANSP/<X>/SelectionCriteria/<X>/ SPExclusionList	117
5.8.13	ANDSF/WLANSP/<X>/SelectionCriteria/<X>/ PreferredSSIDList	118
5.8.14	ANDSF/WLANSP/<X>/SelectionCriteria/<X>/ PreferredSSIDList/<X>	118
5.8.14A	ANDSF/WLANSP/<X>/SelectionCriteria/<X>/ PreferredSSIDList/<X>WLANPriority	118
5.8.15	ANDSF/WLANSP/<X>/SelectionCriteria/<X>/ PreferredSSIDList/<X>/SSID	119
5.8.16	ANDSF/WLANSP/<X>/SelectionCriteria/<X>/ PreferredSSIDList/<X>/HESSID	119
5.8.17	ANDSF/WLANSP/<X>/ValidityArea	119
5.8.17A	ANDSF/WLANSP/<X>/ValidityAreaRef	119
5.8.18	ANDSF/WLANSP/<X>/Roaming	119
5.8.19	ANDSF/WLANSP/<X>/PLMN	120
5.8.20	ANDSF/WLANSP/<X>/TimeOfDay	120
5.8.20A	ANDSF/WLANSP/<X>/TimeOfDayRef	120
5.8.21	ANDSF/WLANSP/<X>/UpdatePolicy	120
5.9	IARP	121
5.9.1	ANDSF/IARP/	121
5.9.2	ANDSF/IARP/<X>	121
5.9.3	ANDSF/IARP/<X>/ForInterAPNRouting	121
5.9.4	ANDSF/IARP/<X>/ForInterAPNRouting/<X>/	121
5.9.5	ANDSF/IARP/<X>/ForInterAPNRouting/<X>/IPFlow	122
5.9.6	ANDSF/IARP/<X>/ForInterAPNRouting/<X>/IPFlow/<X>/	122
5.9.7	ANDSF/IARP/<X>/ForInterAPNRouting/<X>/IPFlow/<X>/App-ID	122
5.9.8	ANDSF/IARP/<X>/ForInterAPNRouting/<X>/IPFlow/<X>/ App-ID/<X>/	122
5.9.9	ANDSF/IARP/<X>/ForInterAPNRouting/<X>/IPFlow/<X>/ App-ID/<X>/OSId	123
5.9.10	ANDSF/IARP/<X>/ForInterAPNRouting/<X>/IPFlow/<X>/ App-ID/<X>/OSApps/	123
5.9.11	ANDSF/IARP/<X>/ForInterAPNRouting/<X>/IPFlow/<X>/ App-ID/<X>/OSApps/<X>	123
5.9.12	ANDSF/IARP/<X>/ForInterAPNRouting/<X>/IPFlow/<X>/ App-ID/<X>/OSApps/<X>/OSAppId	123
5.9.13	ANDSF/IARP/<X>/ForInterAPNRouting/<X>/IPFlow/<X>/ AddressType	124
5.9.14	ANDSF/IARP/<X>/ForInterAPNRouting/<X>/IPFlow/<X>/ StartSourceIPAddress	124
5.9.15	ANDSF/IARP/<X>/ForInterAPNRouting/<X>/IPFlow/<X>/ EndSourceIPAddress	124
5.9.16	ANDSF/IARP/<X>/ForInterAPNRouting/<X>/IPFlow/<X>/ ProtocolType	125
5.9.17	ANDSF/IARP/<X>/ForInterAPNRouting/<X>/IPFlow/<X>/ StartSourcePortNumber	125
5.9.18	ANDSF/IARP/<X>/ForInterAPNRouting/<X>/IPFlow/<X>/ EndSourcePortNumber	126
5.9.18A	ANDSF/IARP/<X>/ForInterAPNRouting/<X>/IPFlow/<X>/ StartDestPortNumber	126
5.9.18B	ANDSF/IARP/<X>/ForInterAPNRouting/<X>/IPFlow/<X>/ EndDestPortNumber	126
5.9.19	ANDSF/IARP/<X>/ForInterAPNRouting/<X>/IPFlow/<X>/QoS	127
5.9.20	ANDSF/IARP/<X>/ForInterAPNRouting/<X>/IPFlow/<X>/ DomainName	127
5.9.21	ANDSF/IARP/<X>/ForInterAPNRouting/<X>/IPFlow/<X>/APN	127
5.9.22	ANDSF/IARP/<X>/ForInterAPNRouting/<X>/RoutingCriteria	127
5.9.23	ANDSF/IARP/<X>/ForInterAPNRouting/<X>/ RoutingCriteria/<X>/	128
5.9.24	ANDSF/IARP/<X>/ForInterAPNRouting/<X>/ RoutingCriteria/<X>/ValidityArea	128
5.9.24A	ANDSF/IARP/<X>/ForInterAPNRouting/<X>/RoutingCriteria/<X>/ ValidityAreaRef	128
5.9.25	ANDSF/IARP/<X>/ForInterAPNRouting/<X>/ RoutingCriteria/<X>/TimeOfDay	128
5.9.25A	ANDSF/IARP/<X>/ForInterAPNRouting/<X>/RoutingCriteria/<X>/ TimeOfDayRef	129
5.9.25B1	ANDSF/IARP/<X>/ForInterAPNRouting/<X>/RoutingCriteria/<X>/ RANValidityCondition	129
5.9.25B2	ANDSF/IARP/<X>/ForInterAPNRouting/<X>/RoutingCriteria/<X>/ RANValidityConditionRef	129
5.9.26	ANDSF/IARP/<X>/ForInterAPNRouting/<X>/RoutingRule	130
5.9.27	ANDSF/IARP/<X>/ForInterAPNRouting/<X>/RoutingRule/<X>/	130
5.9.28	ANDSF/IARP/<X>/ForInterAPNRouting/<X>/ RoutingRule/<X>/APN	130
5.9.29	ANDSF/IARP/<X>/ForInterAPNRouting/<X>/RoutingRule/<X>/ APNPriority	130
5.9.30	ANDSF/IARP/<X>/ForInterAPNRouting/<X>/RulePriority	131
5.9.31	ANDSF/IARP/<X>/ForNonSeamlessOffload/	131
5.9.32	ANDSF/IARP/<X>/ForNonSeamlessOffload/<X>/	131

5.9.33	<i>ANDSF/IARP/&lt;X&gt;/ForNonSeamlessOffload/&lt;X&gt;/IPFlow</i> .....	132
5.9.34	<i>ANDSF/IARP/&lt;X&gt;/ForNonSeamlessOffload/&lt;X&gt;/ IPFlow/&lt;X&gt;</i> .....	132
5.9.35	<i>ANDSF/IARP/&lt;X&gt;/ForNonSeamlessOffload/&lt;X&gt;/ IPFlow/&lt;X&gt;/App-ID</i> .....	132
5.9.36	<i>ANDSF/IARP/&lt;X&gt;/ForNonSeamlessOffload/&lt;X&gt;/ IPFlow/&lt;X&gt;/App-ID/&lt;X&gt;</i> .....	132
5.9.37	<i>ANDSF/IARP/&lt;X&gt;/ForNonSeamlessOffload/&lt;X&gt;/ IPFlow/&lt;X&gt;/App-ID/&lt;X&gt;/OSId</i> .....	133
5.9.38	<i>ANDSF/IARP/&lt;X&gt;/ForNonSeamlessOffload/&lt;X&gt;/IPFlow/&lt;X&gt;/ App-ID/&lt;X&gt;/OSApps/</i> .....	133
5.9.39	<i>ANDSF/IARP/&lt;X&gt;/ForNonSeamlessOffload/&lt;X&gt;/IPFlow/&lt;X&gt;/ App-ID/&lt;X&gt;/OSApps/&lt;X&gt;</i> .....	133
5.9.40	<i>ANDSF/IARP/&lt;X&gt;/ForNonSeamlessOffload/&lt;X&gt;/IPFlow/&lt;X&gt;/ App-ID/&lt;X&gt;/OSApps/&lt;X&gt;/OSAppId</i> .....	133
5.9.41	<i>ANDSF/IARP/&lt;X&gt;/ForNonSeamlessOffload/&lt;X&gt;/IPFlow/&lt;X&gt;/ AddressType</i> .....	134
5.9.42	<i>ANDSF/IARP/&lt;X&gt;/ForNonSeamlessOffload/&lt;X&gt;/IPFlow/&lt;X&gt;/ StartSourceIPAddress</i> .....	134
5.9.43	<i>ANDSF/IARP/&lt;X&gt;/ForNonSeamlessOffload/&lt;X&gt;/IPFlow/&lt;X&gt;/ EndSourceIPAddress</i> .....	135
5.9.44	<i>ANDSF/IARP/&lt;X&gt;/ForNonSeamlessOffload/&lt;X&gt;/IPFlow/&lt;X&gt;/ ProtocolType</i> .....	135
5.9.45	<i>ANDSF/IARP/&lt;X&gt;/ForNonSeamlessOffload/&lt;X&gt;/IPFlow/&lt;X&gt;/ StartSourcePortNumber</i> .....	135
5.9.46	<i>ANDSF/IARP/&lt;X&gt;/ForNonSeamlessOffload/&lt;X&gt;/IPFlow/&lt;X&gt;/ EndSourcePortNumber</i> .....	136
5.9.46A	<i>ANDSF/IARP/&lt;X&gt;/ForNonSeamlessOffload/&lt;X&gt;/IPFlow/&lt;X&gt;/ StartDestPortNumber</i> .....	136
5.9.46B	<i>ANDSF/IARP/&lt;X&gt;/ForNonSeamlessOffload/&lt;X&gt;/IPFlow/&lt;X&gt;/ EndDestPortNumber</i> .....	136
5.9.47	<i>ANDSF/IARP/&lt;X&gt;/ForNonSeamlessOffload/&lt;X&gt;/IPFlow/&lt;X&gt;/ QoS</i> .....	137
5.9.48	<i>ANDSF/IARP/&lt;X&gt;/ForNonSeamlessOffload/&lt;X&gt;/IPFlow/&lt;X&gt;/ DomainName</i> .....	137
5.9.49	<i>ANDSF/IARP/&lt;X&gt;/ForNonSeamlessOffload/&lt;X&gt;/ IPFlow/&lt;X&gt;/APN</i> .....	137
5.9.50	<i>ANDSF/IARP/&lt;X&gt;/ForNonSeamlessOffload/&lt;X&gt;/ RoutingCriteria</i> .....	138
5.9.51	<i>ANDSF/IARP/&lt;X&gt;/ForNonSeamlessOffload/&lt;X&gt;/ RoutingCriteria/&lt;X&gt;/</i> .....	138
5.9.52	<i>ANDSF/IARP/&lt;X&gt;/ForNonSeamlessOffload/&lt;X&gt;/ RoutingCriteria/&lt;X&gt;/ValidityArea</i> .....	138
5.9.52A	<i>ANDSF/IARP/&lt;X&gt;/ForNonSeamlessOffload/&lt;X&gt;/ RoutingCriteria/&lt;X&gt;/ValidityAreaRef</i> .....	138
5.9.53	<i>ANDSF/IARP/&lt;X&gt;/ForNonSeamlessOffload/&lt;X&gt;/ RoutingCriteria/&lt;X&gt;/TimeOfDay</i> .....	139
5.9.53A	<i>ANDSF/IARP/&lt;X&gt;/ForNonSeamlessOffload/&lt;X&gt;/ RoutingCriteria/&lt;X&gt;/TimeOfDayRef</i> .....	139
5.9.53B1	<i>ANDSF/IARP/&lt;X&gt;/ForNonSeamlessOffload/&lt;X&gt;/ RoutingCriteria/&lt;X&gt;/RANValidityCondition</i> .....	139
5.9.53B2	<i>ANDSF/IARP/&lt;X&gt;/ForNonSeamlessOffload/&lt;X&gt;/ RoutingCriteria/&lt;X&gt;/RANValidityConditionRef</i> .....	139
5.9.54	<i>ANDSF/IARP/&lt;X&gt;/ForNonSeamlessOffload/&lt;X&gt;/ RoutingRule</i> .....	140
5.9.55	<i>ANDSF/IARP/&lt;X&gt;/ForNonSeamlessOffload/&lt;X&gt;/ RoutingRule/&lt;X&gt;/</i> .....	140
5.9.56	<i>ANDSF/IARP/&lt;X&gt;/ForNonSeamlessOffload/&lt;X&gt;/ RoutingRule/AccessId</i> .....	140
5.9.57	<i>ANDSF/IARP/&lt;X&gt;/ForNonSeamlessOffload/&lt;X&gt;/ RoutingRule/SecondaryAccessId</i> .....	140
5.9.58	<i>ANDSF/IARP/&lt;X&gt;/ForNonSeamlessOffload/&lt;X&gt;/ RoutingRule/AccessNetworkPriority</i> .....	141
5.9.59	<i>ANDSF/IARP/&lt;X&gt;/ForNonSeamlessOffload/&lt;X&gt;/ RulePriority</i> .....	141
5.9.60	<i>ANDSF/IARP/&lt;X&gt;/Roaming</i> .....	141
5.9.61	<i>ANDSF/IARP/&lt;X&gt;/PLMN</i> .....	142
5.9.62	<i>ANDSF/IARP/&lt;X&gt;/UpdatePolicy</i> .....	142
5.10	<i>RuleSelectionInformation</i> .....	142
5.10.1	<i>ANDSF/RuleSelectionInformation</i> .....	142
5.10.2	<i>ANDSF/RuleSelectionInformation/VPLMNswithPreferredRules</i> .....	143
5.10.3	<i>ANDSF/RuleSelectionInformation/ VPLMNswithPreferredRules/&lt;X&gt;</i> .....	143
5.10.4	<i>ANDSF/RuleSelectionInformation/VPLMNswithPreferredRules/ &lt;X&gt;/VPLMN</i> .....	143
5.10.5	<i>ANDSF/RuleSelectionInformation/PLMN</i> .....	143
5.11	<i>HomeNetworkPreference</i> .....	144
5.11.1	<i>ANDSF/HomeNetworkPreference</i> .....	144
5.11.2	<i>Void</i> .....	144
5.11.3	<i>ANDSF/HomeNetworkPreference/3GPP_RPLMN_PREFERRED</i> .....	144
5.11.4	<i>ANDSF/HomeNetworkPreference/PSPL</i> .....	144
5.11.5	<i>ANDSF/HomeNetworkPreference/PSPL/&lt;X&gt;</i> .....	144
5.11.6	<i>ANDSF/HomeNetworkPreference/PSPL/&lt;X&gt;/Priority</i> .....	145
5.11.7	<i>ANDSF/HomeNetworkPreference/PSPL/&lt;X&gt;/ServiceProvider</i> .....	145
5.11.7A	<i>ANDSF/HomeNetworkPreference/EquivalentHomeSPs</i> .....	145
5.11.7B	<i>ANDSF/HomeNetworkPreference/EquivalentHomeSPs/&lt;X&gt;</i> .....	145
5.11.7C	<i>ANDSF/HomeNetworkPreference/EquivalentHomeSPs/ &lt;X&gt;/ServiceProvider</i> .....	146
5.11.8	<i>ANDSF/HomeNetworkPreference/S2aConnectivityPreference</i> .....	146
5.11.9	<i>ANDSF/HomeNetworkPreference/PLMN</i> .....	146
5.11.10	<i>ANDSF/HomeNetworkPreference/UpdatePolicy</i> .....	146
5.11.11	<i>ANDSF/HomeNetworkPreference/ePDG</i> .....	147
5.11.12	<i>ANDSF/HomeNetworkPreference/ePDG /Home_ePDG_Identifier</i> .....	147
5.11.13	<i>ANDSF/HomeNetworkPreference/ePDG /Home_ePDG_Identifier/&lt;X&gt;/</i> .....	147
5.11.14	<i>ANDSF/HomeNetworkPreference/ePDG /Home_ePDG_Identifier/&lt;X&gt;/FQDN</i> .....	147

5.11.15	<i>ANDSF/HomeNetworkPreference/ePDG /Home_ePDG_Identifier/&lt;X&gt;/IPAddr</i> .....	148
5.11.16	<i>ANDSF/HomeNetworkPreference/ePDG /Home_ePDG_Identifier/&lt;X&gt;/IPAddr/&lt;X&gt;</i> .....	148
5.11.17	<i>ANDSF/HomeNetworkPreference/ePDG /Home_ePDG_Identifier/&lt;X&gt;/IPAddr/&lt;X&gt;/AddressType</i> .....	148
5.11.18	<i>ANDSF/HomeNetworkPreference/ePDG /Home_ePDG_Identifier/&lt;X&gt;/IPAddr/&lt;X&gt;/Address</i> .....	148
5.11.18a	<i>ANDSF/HomeNetworkPreference/ePDG /Home_ePDG_Identifier/&lt;X&gt;/Emergency_service_support</i> ..	149
5.11.19	<i>ANDSF/HomeNetworkPreference/ePDG/ePDGSelectionInformation</i> .....	149
5.11.20	<i>ANDSF/HomeNetworkPreference/ePDG/ePDGSelectionInformation/ &lt;X&gt;</i> .....	149
5.11.21	<i>ANDSF/HomeNetworkPreference/ePDG/ePDGSelectionInformation/ &lt;X&gt;/PLMN</i> .....	149
5.11.22	<i>ANDSF/HomeNetworkPreference/ePDG/ePDGSelectionInformation/ &lt;X&gt;/Selection_policy</i> .....	150
5.11.23	<i>ANDSF/HomeNetworkPreference/ePDG/ePDGSelectionInformation/ &lt;X&gt;/FQDN_format</i> .....	150
5.11A	<i>VisitedNetworkPreference</i> .....	151
5.11A.1	<i>ANDSF/VisitedNetworkPreference</i> .....	151
5.11A.2	<i>ANDSF/VisitedNetworkPreference/EquivalentVisitedSPs</i> .....	151
5.11A.3	<i>ANDSF/VisitedNetworkPreference/EquivalentVisitedSPs/&lt;X&gt;</i> .....	151
5.11A.4	<i>ANDSF/VisitedNetworkPreference/EquivalentVisitedSPs/ &lt;X&gt;/ServiceProvider</i> .....	151
5.11A.5	<i>ANDSF/VisitedNetworkPreference/PLMN</i> .....	152
5.11A.6	<i>ANDSF/VisitedNetworkPreference/UpdatePolicy</i> .....	152
5.12	<i>ValidityCriteria</i> .....	152
5.12.1	<i>ANDSF/ValidityCriteria</i> .....	152
5.12.2	<i>ANDSF/ValidityCriteria/&lt;X&gt;</i> .....	152
5.12.3	<i>ANDSF/ValidityCriteria/&lt;X&gt;/ValidityArea</i> .....	153
5.12.4	<i>ANDSF/ValidityCriteria/&lt;X&gt;/TimeOfDay</i> .....	153
5.12.5	<i>ANDSF/ValidityCriteria/&lt;X&gt;/RANValidityCondition</i> .....	153
5.13	<i>ANDSF/Ext</i> .....	153
6	<b>MO for WiMAX</b> .....	154
6.1	<b>Introduction</b> .....	154
6.2	<b>WNDS MO</b> .....	154
6.3	<b>WNDS MO parameters</b> .....	155
6.3.1	<b>General</b> .....	155
6.3.2	<b>Node: WIMAX_NDS</b> .....	155
6.3.3	<i>WIMAX_NDS/Name</i> .....	155
6.3.4	<i>WIMAX_NDS/NetworkList</i> .....	155
6.3.5	<i>WIMAX_NDS/NetworkList/&lt;X&gt;</i> .....	155
6.3.6	<i>WIMAX_NDS/NetworkList/&lt;X&gt;/FrequencyInfo</i> .....	155
6.3.7	<i>WIMAX_NDS/NetworkList/&lt;X&gt;/FrequencyInfo/&lt;X&gt;</i> .....	156
6.3.8	<i>WIMAX_NDS/NetworkList/&lt;X&gt;/FrequencyInfo/&lt;X&gt;FirstFreq</i> .....	156
6.3.9	<i>WIMAX_NDS/NetworkList/&lt;X&gt;/FrequencyInfo/&lt;X&gt;LastFreq</i> .....	156
6.3.10	<i>WIMAX_NDS/NetworkList/&lt;X&gt;/FrequencyInfo/ &lt;X&gt;NextFreqStep</i> .....	156
6.3.11	<i>WIMAX_NDS/NetworkList/&lt;X&gt;/ FrequencyInfo/&lt;X&gt;ChannelBandwidth</i> .....	157
6.3.12	<i>WIMAX_NDS/NetworkList/&lt;X&gt;/ FrequencyInfo/&lt;X&gt;DuplexMode</i> .....	157
6.3.13	<i>WIMAX_NDS/NetworkList/&lt;X&gt;/ FrequencyInfo/&lt;X&gt;FFT_Size</i> .....	157
6.3.14	<i>WIMAX_NDS/NetworkList/&lt;X&gt;/ FrequencyInfo/&lt;X&gt;Preambles</i> .....	157
6.3.15	<i>WIMAX_NDS/ NetworkList /&lt;X&gt;/NAP-ID</i> .....	158
6.3.16	<i>WIMAX_NDS/NetworkList/&lt;X&gt;/CellType</i> .....	158
6.3.17	<i>WIMAX_NDS/NetworkList/&lt;X&gt;/OperatorDifferentiatedTextField</i> .....	158
6.3.18	<i>WIMAX_NDS/Ext</i> .....	158
<b>Annex A (informative):</b>	<b>ANDSF MO DDF</b> .....	<b>159</b>
<b>Annex B (informative):</b>	<b>WNDS MO DDF</b> .....	<b>373</b>
<b>Annex C (informative):</b>	<b>ANDSF Configuration Examples</b> .....	<b>378</b>
C.1	<b>Introduction</b> .....	378
C.2	<b>ISRP example</b> .....	378
C.2.1	<b>UE and network configuration</b> .....	378
C.2.2	<b>Operator's policies</b> .....	378
C.2.3	<b>ANDSF MO configuration</b> .....	379
C.2.4	<b>Usage scenarios</b> .....	381
C.3	<b>IARP example</b> .....	381

C.3.1 UE and network configuration .....381  
C.3.2 Operator's policies .....382  
C.3.3 ANDSF MO configuration .....382  
C.3.4 Usage scenarios .....384  
**Annex D (informative): Change history .....385**  
History .....388

---

# Foreword

This Technical Specification has been produced by the 3<sup>rd</sup> Generation Partnership Project (3GPP).

The contents of the present document are subject to continuing work within the TSG and may change following formal TSG approval. Should the TSG modify the contents of the present document, it will be re-released by the TSG with an identifying change of release date and an increase in version number as follows:

Version x.y.z

where:

- x the first digit:
  - 1 presented to TSG for information;
  - 2 presented to TSG for approval;
  - 3 or greater indicates TSG approved document under change control.
- y the second digit is incremented for all changes of substance, i.e. technical enhancements, corrections, updates, etc.
- z the third digit is incremented when editorial only changes have been incorporated in the document.

---

# 1 Scope

The present document defines management objects that can be used by the Access Network Discovery and Selection Function (ANDSF) and the UE.

The Management Object (MO) is compatible with the OMA Device Management (DM) protocol specifications, version 1.2 and upwards, and is defined using the OMA DM Device Description Framework (DDF) as described in the Enabler Release Definition OMA-ERELED-DM-V1\_2 [5].

The MO consists of relevant parameters for intersystem mobility policy- and access network discovery information that can be managed by the ANDSF.

The service requirements and the functional requirements for the access network discovery and selection are described in 3GPP TS 22.278 [2] and in 3GPP TS 23.402 [4] respectively.

---

# 2 References

The following documents contain provisions which, through reference in this text, constitute provisions of the present document.

- References are either specific (identified by date of publication, edition number, version number, etc.) or non-specific.
- For a specific reference, subsequent revisions do not apply.
- For a non-specific reference, the latest version applies. In the case of a reference to a 3GPP document (including a GSM document), a non-specific reference implicitly refers to the latest version of that document *in the same Release as the present document*.

- [1] 3GPP TR 21.905: "Vocabulary for 3GPP Specifications".
- [2] 3GPP TS 22.278: "Service requirements for the Evolved Packet System (EPS)".
- [3] 3GPP TS 23.003: "Numbering, addressing and identification".
- [3A] 3GPP TS 23.032: "Universal Geographical Area Description (GAD)".
- [3AA] 3GPP TS 24.302: "Access to the 3GPP Evolved Packet Core (EPC) via non-3GPP access networks".
- [3AB] 3GPP TS 24.303: "Mobility management based on Dual-Stack Mobile IPv6".
- [3B] 3GPP TS 25.331: "Radio Resource Control (RRC); Protocol Specification".
- [3C] 3GPP TS 36.331: "Evolved Universal Terrestrial Radio Access (E-UTRA) Radio Resource Control (RRC); Protocol specification".
- [4] 3GPP TS 23.402: "Architecture enhancements for non-3GPP accesses".
- [4A] OMA-DDS-DM\_ConnMO-V1\_0- 20081107-A: "Standardized Connectivity Management Objects", Approved Version 1.0 – 07 Nov 2008.
- [4B] OMA-DDS-DM\_ConnMO\_WLAN-V1\_0-20081024-A: "Standardized Connectivity Management Objects WLAN Parameters", Approved Version 1.0 – 24 Oct 2008.
- [5] OMA-ERELED-DM-V1\_2: "Enabler Release Definition for OMA Device Management".
- [5A] OMA-TS-DM\_Protocol-V1\_2: "OMA Device Management Protocol".
- [5B] OMA-TS-DM\_TNDS-V1\_2: "OMA Device Management Tree and Description Serialization".

- [6] WiMAX Forum Network Architecture Release 1.0 version 1.2.2 – Stage 2: "Architecture Tenets, Reference Model and Reference Points", May 2008.
- [7] WiMAX Forum Network Architecture Release 1.0 version 1.2.2 – Stage 3: "Detailed Protocols and Procedures", May 2008.
- [8] WiMAX Forum Mobile System Profile Release 1.0 Approved Specification Revision 1.4.0, April 2007.
- [9] Void.
- [10] IEEE Std 802.16e-2005 and IEEE Std 802.16-2004/Cor1-2005: "IEEE Standard for Local and Metropolitan Area Networks, Part 16: Air Interface for Fixed and Mobile Broadband Wireless Access Systems Amendments 2 and Corrigendum 1", February 2006.
- [10A] IETF RFC 3260 (April 2002): "New Terminology and Clarifications for Diffserv".
- [11] IETF RFC 3629 (November 2003): "UTF-8, a transformation format of ISO 10646".
- [12] "Unicode 5.1.0, Unicode Standard Annex #15; Unicode Normalization Forms", March 2008. <http://www.unicode.org>
- [13] 3GPP2 C.S0005: "Upper Layer (Layer 3) Signaling Standard for cdma2000 Spread Spectrum Systems".
- [14] 3GPP2 C.S0016: "Over-the-Air Service Provisioning of Mobile Stations in Spread Spectrum Standards".
- [15] 3GPP2 C.S0024: "cdma2000 High Rate Packet Data Air Interface Specification".
- [16] ISO 8601:2004: "Data elements and interchange formats -- Information interchange -- Representation of dates and times".
- [17] Void.
- [18] IANA Assigned Internet Protocol Numbers (<http://www.iana.org/assignments/protocol-numbers/protocol-numbers.xml>).
- [19] Void.
- [20] Void.
- [21] Void.
- [22] IETF RFC 4122 (July 2005): "A Universally Unique Identifier (UUID) URN Namespace".
- [23] Wi-Fi Alliance: "Hotspot 2.0 (Release 2) Technical Specification, version 1.0.0", 2014-08-08.
- [24] IETF RFC 6088 (January 2011): "Traffic Selectors for Flow Bindings".
- [25] IETF RFC 4282 (December 2005): "The Network Access Identifier".
- [26] IEEE Std 802.11™-2012: "Information Technology- Telecommunications and information exchange between systems-Local and metropolitan area networks-Specific requirements-Part 11: Wireless LAN Medium Access Control (MAC) and Physical Layer (PHY) Specifications".

---

## 3 Definitions and abbreviations

### 3.1 Definitions

For the purposes of the present document, the terms and definitions given in 3GPP TR 21.905 [1] apply.

**Active rule:** A rule that has been selected by the UE as the active rule as specified in clause 4.



**Empty node:** A node which is present in the ANDSF MO with no internal node or leaf object(s) to it is present.

**Inter-System Routing Policy rule:** In the present document, Inter-System Routing Policy (ISRP) consists of one or more ISRP rules. ISRP rule is a single instance of <X>/ISRP/<X>. The ISRP rule consists of one or more flow distribution container.

**Inter-APN Routing Policy rule:** In the present document, Inter-APN Routing Policy (IARP) consists of one or more IARP rules. IARP rule is a single instance of <X>/IARP/<X>. The IARP rule consists of one or more flow distribution container.

**Flow distribution container:** In the present document, Flow distribution container denotes the node <X>/ISRP/<X>/ForFlowBased, <X>/ISRP/<X>/ForServiceBased, <X>/ISRP/<X>/ForNonSeamlessOffload/, <X>/IARP/<X>/ForInterAPNRouting or <X>/IARP/<X>/ForNonSeamlessOffload/.

**Flow distribution rule:** In the present document, Flow distribution rule denotes a single instance of <X>/ISRP/<X>/ForFlowBased/<X>, <X>/ISRP/<X>/ForServiceBased/<X>, <X>/ISRP/<X>/ForNonSeamlessOffload/<X>, <X>/IARP/<X>/ForInterAPNRouting/<X> or <X>/IARP/<X>/ForNonSeamlessOffload/<X>.

**Reserved:** The value "reserved" is assigned to a code point to indicate that it is reserved for future use. The present document specifies no processing rules for handling of "reserved" value by the receiving entity.

**Operating System (OS):** collection of UE software that provides common services for applications.

**Operating System Identifier (OSId):** an identifier identifying the operating system.

**OS specific Application Identifier (OSAppId):** an identifier associated with a given application and uniquely identifying the application within the UE for a given operating system.

**Valid rule:** A rule that fulfils the validity criteria that is specified in clause 4.

For the purposes of the present document, the following terms and definitions given in 3GPP TS 23.402 [4] apply:

#### S2a

For the purpose of the present document, the terms and definitions given in 3GPP TS 24.302 [3AA] apply:

Home ANDSF  
 Visited ANDSF  
 WLANSF  
 PSPL  
 RAN Assistance Information  
 OPI

For the purposes of the present document, the terms and definitions given in 3GPP TS 24.303 [3AB] apply:

Home Agent

## 3.2 Abbreviations

For the purposes of the present document, the following abbreviations apply:

ANDSF	Access Network Discovery and Selection Function
CPICH	Common Pilot Channel
DDF	Device Description Framework
DIDA	Data IDentification in ANDSF
DM	Device Management
DS	Differentiated Services
ePDG	evolved Packet Data Gateway
E-UTRA	Enhanced Universal Terrestrial Radio Access
FDD	Frequency Division Duplex
FQDN	Fully Qualified Domain Name
GERAN	GSM Edge Radio Access Network
IARP	Inter-APN Routing Policy

IFOM	IP Flow Mobility
ISMp	Inter-System Mobility Policy
ISRP	Inter-System Routing Policy
MAPCON	Multi Access PDN Connectivity
MO	Management Object
OMA	Open Mobile Alliance
OPI	Offload Preference Indicator
OS	Operating System
OSAppId	Operating System specific Application Identifier
OSId	Operating System Identifier
P-CCPCH	Primary Common Control Physical Channel
PSPL	Preferred Service Providers List
RSCP	Receive Signal Code Power
RSRP	Reference Signal Received Power
RSRQ	Reference Signal Received Quality
RSSI	Receive Signal Strength Indicator
ToS	Type of Service
TDD	Time Division Duplex
UE	User Equipment
UTRA	Universal Terrestrial Radio Access
UUID	Universally Unique Identifier
WLANSP	WLAN Selection Policy
WNDS	WiMAX Network Discovery and Selection

---

## 4 ANDSF MO

### 4.1 Descriptions

#### 4.1.1 General

The ANDSF MO is used to manage Inter-System Mobility Policy (ISMp), Inter-System Routing Policy (ISRP), Inter-APN Routing Policy (IARP), RuleSelectionInformation and WLAN Selection Policy (WLANSP) as well as access network discovery information stored in a UE supporting provisioning of such information from an ANDSF. In addition, the ANDSF MO is also used to manage the HomeNetworkPreference policy stored in a UE supporting provisioning of Preferred Service Provider List (PSPL) and S2a Connectivity Preference information from an ANDSF.

The ANDSF may initiate the provision of information from the ANDSF to the UE as specified in 3GPP TS 24.302 [3AA].

If the UE wishes to provide the user location information to the ANDSF when sending the Package 1 (see OMA-TS-DM\_Protocol-V1\_2 [5A]), the UE shall include in the Package 1 a Generic Alert message (along with other commands) where the "Type" element is set to "urn:oma:at:ext-3gpp-andsf:1.0:ue\_location", the "Data" element is set to the information contained in the UE\_Location node subtree (see subclause 5.6) encoded as XML formatted as specified by OMA-TS-DM\_TNDS-V1\_2 [5B] and the "LocURI" element (inside the "Source" element) is set to the address of the ANDSF Management Object as specified by OMA-TS-DM\_Protocol-V1\_2 [5A].

If the UE wishes to provide the UE profile information to the ANDSF while sending Package 1 (see OMA-TS-DM\_Protocol-V1\_2 [5A]), the UE shall include in Package 1 a Generic Alert message (along with other commands) where the "Type" element is set to "urn:oma:at:ext-3gpp-andsf:1.0:ue\_profile", the "Data" element is set to the information contained in the UE\_Profile node subtree (see subclause 5.7A) encoded as XML formatted as specified by OMA-TS-DM\_TNDS-V1\_2 [5B] and the "LocURI" element (inside the "Source" element) is set to the address of the ANDSF Management Object as specified by OMA-TS-DM\_Protocol-V1\_2 [5A].

The UE may initiate the provision of all available information from the ANDSF, using a client-initiated session Alert message of code "Generic Alert" (see OMA-TS-DM\_Protocol-V1\_2 [5A]). When requesting all available information from ANDSF, the "Type" element of the OMA DM generic alert message shall be set to "urn:oma:at:ext-3gpp-andsf:1.0:provision", the "LocURI" element (inside the "Source" element) shall be set to the address of the ANDSF Management Object as specified by OMA-TS-DM\_Protocol-V1\_2 [5A] and the "Data" element is not included.

When the UE is requesting partial ANDSF information, i.e. ISMP, Discovery information or ISRP as defined in subclauses 4.1.2, 4.1.3 and 4.1.5 respectively, the ANDSF server should provide the requested ANDSF information to the UE. Additionally, the ANDSF server may provide other than the requested ANDSF information during the same ANDSF session.

ISMP prioritizes access networks when the UE is not capable to connect to the EPC through multiple accesses. ISRP indicates how to distribute traffic among available accesses when the UE is capable to connect to the EPC through multiple accesses (i.e. the UE is configured for IFOM, MAPCON, non-seamless WLAN offload or any combination of these capabilities). IARP indicates which traffic should be routed across different PDN connections and which traffic should be non-seamlessly offloaded to WLAN. DiscoveryInformation provides further information for the UE to access the access network defined in the ISMP or in the ISRP. WLANSF provides information for the UE to select and reselect a WLAN. RuleSelectionInformation indicates whether to prioritise ISMP, ISRP and WLANSF provided by HPLMN or by VPLMN when the UE is roaming and ANDSF rules are available from both HPLMN and VPLMN. The PSPL in HomeNetworkPreference is used by the UE to determine the selected service provider in order to construct NAI (see IETF RFC 4282 [25]) to perform 3GPP-based access authentication over the selected WLAN as specified in 3GPP TS 23.402 [4]. HomeNetworkPreference policy also contains S2a Connectivity Preference which is used to indicate whether or not the home operator prefers the UE to establish PDN connections over WLAN by using the applicable S2a procedures specified in 3GPP TS 23.402 [4].

The MO defines validity areas, position of the UE and availability of access networks in terms of geographical coordinates. The way such coordinates are retrieved is implementation dependant (e.g. GPS receiver).

The UE is not required to switch on all UE's supported radios for deducing its location for ANDSF purposes or for evaluating the validity area condition of a policy or discovery information.

The Management Object Identifier is: urn:oma:mo:ext-3gpp-andsf:1.0.

The OMA DM Access Control List (ACL) property mechanism as standardized (see Enabler Release Definition OMA-ERELD-DM-V1\_2 [5]) may be used to grant or deny access rights to OMA DM servers in order to modify nodes and leaf objects of the ANDSF MO.

The UE shall ignore any node which is a child of the ANDSF MO root node and is not supported by the UE. The ANDSF server shall ignore any node which is a child of the ANDSF MO root node and is not supported by the ANDSF server.

The UE shall support receiving OMA DM commands with bodies encoded as XML formatted as described in OMA-TS-DM\_TNDS-V1\_2 [5B].

Validity criteria container of the ANDSF MO enables reducing redundancies in ANDSF MO.

## 4.1.2 Policy (ISMP)

The Policy node represents ISMP and the information consists of a set of one or more ISMP rules. At any point in time there shall be at most one rule applied, that rule is referred to as the 'active' rule. There may hence be zero or one 'active' rule.

The rules have a number of validity conditions (e.g. current access technology and location) where one or more may be present and set to a value. The rules also have a number of results (e.g. preferred access technology and restricted access technology) to be used whenever a rule is 'active'. If there are no results for the 'active' rule, it is implementation dependent how UE performs network selection. When ANDSF policy selection rules identify an available network, the highest priority rule becomes 'active' rule and network re-selection is performed. If the UE is roaming and ANDSF rules from both Home ANDSF and Visited ANDSF are available, the active rule is selected according to the *<ANDSF>*/RuleSelectionInformation as specified in subclauses 4.1.9 and 5.10.

While the rule remains 'active', UE shall keep considering higher priority networks, than currently selected, in the prioritized network list of the rule. In addition to conditions and results there is a rule-priority that shall be set for each rule in order for the UE to determine which rule, out of potentially several valid rules, it should consider as 'active'.

The validity of the rule can be restricted by validity conditions. The validity of the rule takes into account ValidityArea, ValidityAreaRef, Roaming, TimeOfDay, and TimeOfDayRef, where each existing non-empty node must match in order to make the rule valid. The UE does not make any evaluation on nodes which are present and empty. In addition, this rule is considered valid if none of the validity conditions exist.

The UE capable of any combinations of IFOM or MAPCON or non-seamless WLAN offload with all those combination of capabilities disabled, or a UE which is not IFOM capable and is not MAPCON capable and is not non-seamless WLAN offload capable, may initiate the provision of ISMP information from the ANDSF, using a client initiated session containing a generic alert. When requesting ISMP, the "Type" element of the OMA DM generic alert message shall be set to "urn:oma:at:ext-3gpp-andsf:1.0:provision-single-if", the "LocURI" element (inside the "Source" element) shall be set to the address of the ANDSF Management Object as specified by OMA-TS-DM\_Protocol-V1\_2 [5A] and the "Data" element is not included.

The UE shall ignore any rule containing a node not supported by the UE.

### 4.1.3 Discovery information

The UE may initiate the provision of discovery information from the ANDSF using a client initiated session containing a generic alert. When requesting discovery information, the "Type" element of the OMA DM generic alert message shall be set to "urn:oma:at:ext-3gpp-andsf:1.0:provision-disc-info", the "LocURI" element (inside the "Source" element) shall be set to the address of the ANDSF Management Object as specified by OMA-TS-DM\_Protocol-V1\_2 [5A] and the "Data" element is not included.

The UE shall ignore any node which is a descendant of the DiscoveryInformation node and is not supported by the UE.

### 4.1.4 UE location

The MO has a node indicating the position of the UE. The trigger for updating the value of this node is that the location information it contains is no longer valid (i.e. the UE has changed its position) or some other manufacturer specific trigger. The update of the information contained in this node doesn't necessarily imply any interaction with the ANDSF server.

The ANDSF server shall ignore any node which is a descendant of the UE\_Location node and is not supported by the ANDSF server.

### 4.1.5 ISRP

The ISRP information consists of a set of one or more ISRP rules. Each ISRP rule contains indication on traffic distribution for UEs that are configured for IFOM, MAPCON or non-seamless WLAN offload.

Each ISRP rule has a PLMN leaf and an optional Roaming leaf. Roaming and PLMN leaves are used by the UE to determine if an ISRP rule is valid, see subclause 5.7.60 and 5.7.61. At any point in time there shall be at most one ISRP rule used for routing, and, that ISRP rule is referred to as the 'active' ISRP rule. There can be multiple valid ISRP rules at the same time. If UE is roaming and ANDSF rules from both Home ANDSF and Visited ANDSF are available, the active rule is selected according to the <ANDSF>/RuleSelectionInformation as specified in subclauses 4.1.9 and 5.10.

An ISRP rule can contain one or more flow distribution containers. These are ForFlowBased for IFOM service, ForServiceBased for MAPCON and ForNonSeamlessOffload for Non-seamless WLAN offload. A UE evaluates only the supported flow distribution containers of the 'active' ISRP rule. A flow distribution container can have one or more flow distribution rules.

A flow distribution rule can have a validity condition defined by the RoutingCriteria node. The validity of the flow distribution rule takes into account ValidityArea, ValidityAreaRef, TimeOfDay, TimeOfDayRef, RANValidityCondition and RANValidityConditionRef where each existing non-empty node must match in order to make the rule valid. In addition, this flow distribution rule without any validity conditions is considered valid, i.e. validity condition is fulfilled. A flow distribution rule is applied only if the validity condition is fulfilled and if the flow distribution rule is contained by the 'active' ISRP rule. A flow distribution rule has a number of results (e.g. preferred access technology and restricted access technology) defined in the RoutingRule node to be used whenever the flow distribution rule is applied. Each flow distribution rule has also a mandatory node identifying the data traffic (e.g. based on APN or IP flow description) to which the results contained in RoutingRule node apply.

If there are no results for an 'active' ISRP rule, it is implementation dependent how UE performs network selection for the class of traffic to which the results apply.

In addition to conditions, results and traffic class, there is a rule priority that shall be set for each flow distribution rule. The rule priority is encoded in RulePriority leaf, and it enables the UE to determine which flow distribution rule, out of potentially several flow distribution rules, contained in every supported flow distribution container of the 'active' ISRP

rule, it should apply to an IP flow matching the data traffic description of the multiple flow distribution rules. The ISRP rule consists of one or more flow distribution container. Each flow distribution container is applicable for either IFOM, MAPCON, or non-seamless WLAN offload. The scope of the RulePriority extends across all supported flow distribution containers belonging to the 'active' ISRP rule. If the same flow matches multiple flow distribution rules, then the flow distribution rule with the highest RulePriority is applied for the IP flow.

If a flow matches multiple flow distribution rules with the same highest priority, the selection of the flow distribution rule for routing of that flow is implementation dependent. If there are multiple applied flow distribution rules within the 'active' ISRP rule and they refer to the same access technology but different access networks and the UE is not able to have connection to all of them at the same time, the selection of the access network is implementation dependant.

The UE configured for IFOM or MAPCON or non-seamless WLAN offload or any combination of these capabilities, may initiate the provision of ISRP information from the ANDSF, using a client initiated session containing a generic alert. When requesting ISRP, the "Type" element of the OMA DM generic alert message shall be set to "urn:oma:at:ext-3gpp-andsf:1.0:provision-multiple-if", the "LocURI" element (inside the "Source" element) shall be set to the address of the ANDSF Management Object as specified by OMA-TS-DM\_Protocol-V1\_2 [5A] and the "Data" element is not included.

If the UE indicated support for ISRP rules based on Application Identifiers (DIDA) in DevCapability, then when the ANDSF server provides an ISRP rule containing an App-ID interior node, the ANDSF server sets the OSId leaf contained in the App-ID interior node to the value of one of the OSId leaves contained in the UE\_Profile interior node.

The UE shall ignore any node which is a child of the ISRP rule (i.e. flow distribution container) and is not supported by the UE.

The UE shall ignore any flow distribution rule containing a node not supported by the UE.

#### 4.1.6 UE\_Profile

The UE\_Profile node contains information pertaining to the UE that can be used by the ANDSF server for information provisioning. This node is set by the UE prior to establishing a connection with the ANDSF server.. The ANDSF server retrieves information in this node after UE establishes connection with the ANDSF server. The update of the information contained in this node doesn't necessarily imply any interaction with the ANDSF server.

The ANDSF server shall ignore any node which is a descendant of the UE\_Profile node and is not supported by the ANDSF server.

#### 4.1.7 WLANSF

The WLANSF information consists of a set of one or more WLANSF rules. At any point in time, there shall be at most one rule applied, that rule is referred to as the 'active' rule. There can be multiple valid WLANSF rules at the same time.

The validity of the rule can be restricted by validity conditions. The validity of the rule takes into account ValidityArea, ValidityAreaRef, Roaming, TimeOfDay and TimeOfDayRef, where each existing non-empty node must match in order to make the rule valid. The UE does not make any evaluation on nodes that are present and empty. In addition, this rule is considered valid if none of the validity conditions exist.

A WLANSF rule can have one or more WLAN selection criteria defined under the ANDSF/WLANSF/<X>/SelectionCriteria node. Each selection criterion contains:

- ANDSF/WLANSF/<X>/SelectionCriteria/<X>/CriteriaPriority leaf;
- ANDSF/WLANSF/<X>/SelectionCriteria/<X>/HomeNetworkIndication leaf;
- ANDSF/WLANSF/<X>/SelectionCriteria/<X>/PreferredRoamingPartnerList leaf;
- ANDSF/WLANSF/<X>/SelectionCriteria/<X>/MinBackhaulThreshold leaf;
- ANDSF/WLANSF/<X>/SelectionCriteria/<X>/MaximumBSSLoadValue leaf;
- ANDSF/WLANSF/<X>/SelectionCriteria/<X>/RequiredProtoPortTuple leaf;
- ANDSF/WLANSF/<X>/SelectionCriteria/<X>/SPExclusionList leaf; and

- ANDSF/WLANSP/<X>/SelectionCriteria/<X>/PreferredSSIDList node.

The UE does not make any evaluation on nodes and leaves that are present and empty. A WLAN that matches all the present non-empty nodes and leaves of a selection criterion of the active WLANSP rule is considered as matching the selection criterion. The priority of a selection criterion is encoded in the ANDSF/WLANSP/<X>/SelectionCriteria/<X>/CriteriaPriority leaf. The WLAN priority defined in the PreferredSSIDList node represents the priority of the WLAN matching the selection criterion.

In addition to validity conditions and selection criteria, there is a rule priority that shall be set for each rule. The rule priority is encoded in ANDSF/WLANSP/<X>/RulePriority leaf, and it enables the UE to determine which rule, out of potentially several valid rules, it should consider as 'active'. If the UE is roaming and ANDSF rules from both Home ANDSF and Visited ANDSF are available, the active rule is selected according to the <ANDSF>/RuleSelectionInformation as specified in subclauses 4.1.9 and 5.10.

The UE may initiate the provision of WLANSP information from the ANDSF, using a client-initiated session containing a generic alert. When requesting WLANSP, the "Type" element of the OMA DM generic alert message shall be set to "urn:oma:at:ext-3gpp-andsf:1.0:provision-wlansp-info", the "LocURI" element (inside the "Source" element) shall be set to the address of the ANDSF Management Object as specified by OMA-TS-DM-Protocol-V1\_2 [5A] and the "Data" element is not included.

The UE shall ignore any rule containing a node not supported by the UE.

## 4.1.8 IARP

The IARP information consists of a set of one or more IARP rules. Each IARP rule contains indication on traffic distribution for UEs that selects an APN associated with an existing PDN connection or non-seamless WLAN offload for routing the traffic matching specific IP flows.

Each IARP rule has a PLMN leaf and an optional Roaming leaf. Roaming and PLMN leaves are used by the UE to determine if an IARP rule is valid, see subclause 5.9.60 and 5.9.61. At any point in time there shall be at most one IARP rule applied, that IARP rule is referred to as the 'active' IARP rule. There can be multiple valid IARP rules at the same time, in which case the selection of the active IARP rule implementation-dependent. When the UE is roaming, the V-ANDSF shall not provide any IARP to a roaming UE. If the UE receives IARP from a V-ANDSF then the UE shall ignore it.

An IARP rule can have two flow distribution containers. These are ForInterAPNRouting for Inter-APN routing and ForNonSeamlessOffload for non-seamless WLAN offload. A flow distribution container can have one or more flow distribution rules.

A flow distribution rule can have a validity condition defined by the RoutingCriteria node. The validity of the flow distribution rule takes into account ValidityArea, ValidityAreaRef, TimeOfDay, TimeOfDayRef, RANValidityCondition and RANValidityConditionRef where each existing non-empty node must match in order to make the rule valid. In addition, this flow distribution rule without any validity conditions is considered valid, i.e. validity condition is fulfilled. A flow distribution rule is applied only if the validity condition is fulfilled and if the flow distribution rule is contained by the 'active' IARP rule. A flow distribution rule has a number of results (e.g. preferred APN and restricted APN) defined in the RoutingRule node to be used whenever the flow distribution rule is applied. Each flow distribution rule has also a mandatory node identifying the data traffic (e.g. based on APN associated with the sent traffic or IP flow description of the sent traffic) to which the results contained in RoutingRule node apply.

An IARP rule shall be first applied followed by an ISRP rule for the IP flow. If there are no results for an 'active' IARP rule, an ISRP rule shall be applied for the IP flow. If there are no results for 'active' IARP rule and 'active' ISRP rule, then it is implementation dependent how UE performs APN selection or non-seamless WLAN offload for the class of traffic to which the results apply.

In addition to conditions, results and IP flow description, there is a rule priority that shall be set for each flow distribution rule. The rule priority is encoded in RulePriority leaf, and it enables the UE to determine which flow distribution rule, out of potentially several matching flow distribution rules, of the 'active' IARP rule, it should apply to an IP flow matching the data traffic description of the multiple flow distribution rules. If the same flow matches multiple flow distribution rules, then the flow distribution rule with the highest RulePriority is applied for the IP flow. The scope of the RulePriority extends across all supported flow distribution containers belonging to the 'active' IARP rule.

If a flow matches multiple flow distribution rules with the same highest priority, the selection of the flow distribution rule for routing of that flow is implementation dependent.

The UE may initiate the provision of IARP information from the ANDSF, using a client initiated session containing a generic alert. When requesting IARP, the "Type" element of the OMA DM generic alert message shall be set to "urn:oma:at:ext-3gpp-andsf:1.0:provision-apnnswo-if", the "LocURI" element (inside the "Source" element) shall be set to the address of the ANDSF Management Object as specified by OMA-TS-DM\_Protocol-V1\_2 [5A] and the "Data" element is not included.

If the UE indicated support for IARP rules based on Application Identifiers (DIDA) in DevCapability, then when the ANDSF server provides an IARP rule containing an App-ID interior node, the ANDSF server sets the OSId leaf contained in the App-ID interior node to the value of one of the OSId leaves contained in the UE\_Profile interior node.

The UE shall ignore any node which is a child of the IARP rule (i.e. flow distribution container) and is not supported by the UE.

The UE shall ignore any flow distribution rule containing a node not supported by the UE.

### 4.1.9 Rule selection information

The rule selection information represents VPLMNs with preferred WLAN selection rules defined in the RuleSelectionInformation node, which includes a VPLMNswithPreferredRules node and a PLMN leaf, see subclause 5.10. The VPLMNswithPreferredRules node contains one or more VPLMNs. Rule selection information indicates whether to prioritise ISMP, ISRP and WLANSF provided by VPLMN or by HPLMN when the UE is roaming and ANDSF rules are available from both HPLMN and VPLMN.

### 4.1.10 Home Network Preference information

Home Network Preference information assists the UE in selecting a WLAN, a service provider for 3GPP-based authentication over WLAN, and an ePDG for tunnel management procedure as specified in 3GPP TS 23.402 [4].

The UE shall only use the Home Network Preference information provided by the H-ANDSF or, if H-ANDSF is not available, statically provisioned in the UE. The UE shall ignore any Home Network Preference information provided by V-ANDSF.

The UE may initiate the provisioning of HomeNetworkPreference information from the ANDSF, using a client-initiated session containing a generic alert. When requesting HomeNetworkPreference, the "Type" element of the OMA DM generic alert message shall be set to "urn:oma:at:ext-3gpp-andsf:1.0:provision-homenetworkpreference-info", the "LocURI" element (inside the "Source" element) shall be set to the address of the ANDSF Management Object as specified by OMA-TS-DM-Protocol-V1\_2 [5A] and the "Data" element is not included.

### 4.1.10A Visited Network Preference information

Visited Network Preference information assists the UE in selecting a WLAN and a service provider for 3GPP-based authentication over WLAN when the UE is roaming in a V-PLMN, as specified in 3GPP TS 23.402 [4].

The Visited Network Preference information may be provided by a V-ANDSF only. The UE shall ignore any VisitedNetworkPreference rules provided by an ANDSF other than the V-ANDSF.

The UE may initiate the provisioning of VisitedNetworkPreference information from the ANDSF, using a client-initiated session containing a generic alert. When requesting VisitedNetworkPreference, the "Type" element of the OMA DM generic alert message shall be set to "urn:oma:at:ext-3gpp-andsf:1.0:provision-visitednetworkpreference-info", the "LocURI" element (inside the "Source" element) shall be set to the address of the ANDSF Management Object as specified by OMA-TS-DM-Protocol-V1\_2 [5A] and the "Data" element is not included.

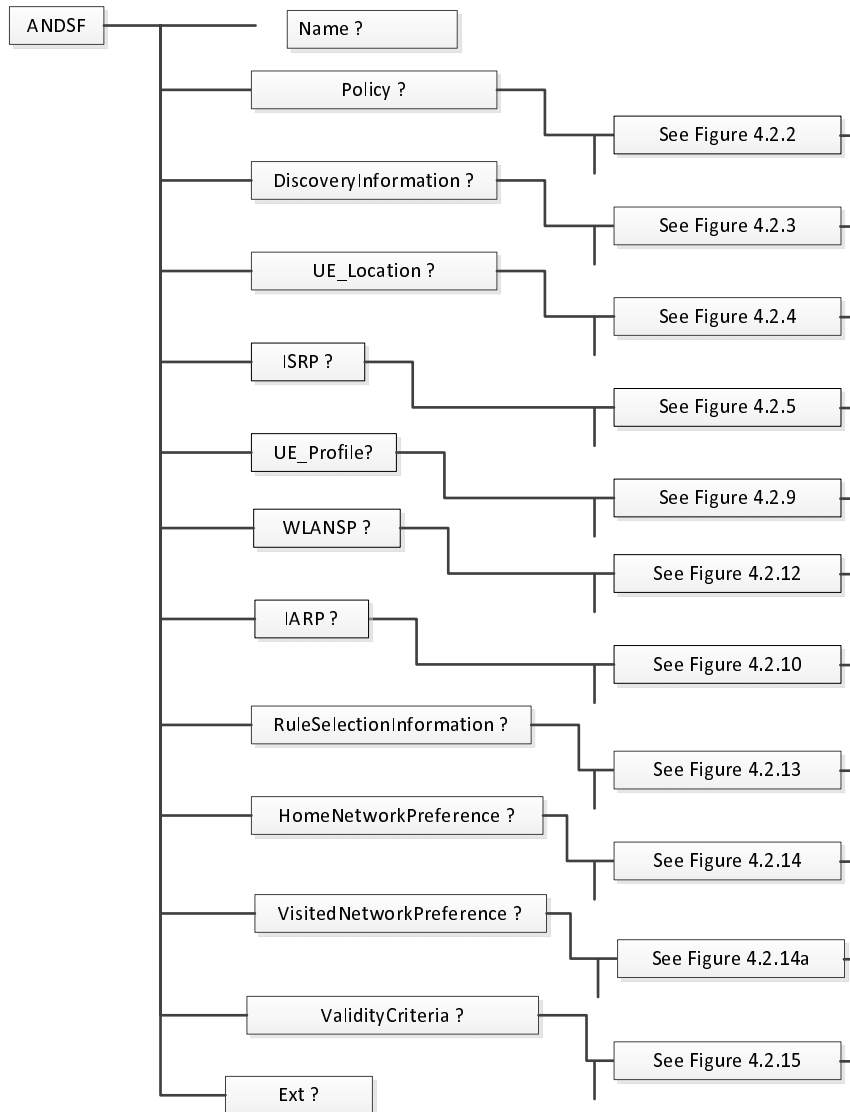
### 4.1.11 Validity criteria container

Validity criteria container contains ValidityArea interior nodes, TimeOfDay interior nodes, and RANValidityCondition interior nodes referenced from other parts of ANDSF MO.

## 4.2 Figures

### 4.2.1 ANDSF

The following nodes and leaf objects are possible under the ANDSF node as described in figure 4.2.1 through figure 4.2.15:



**Figure 4.2.1: The ANDSF MO**



### 4.2.2 Policy

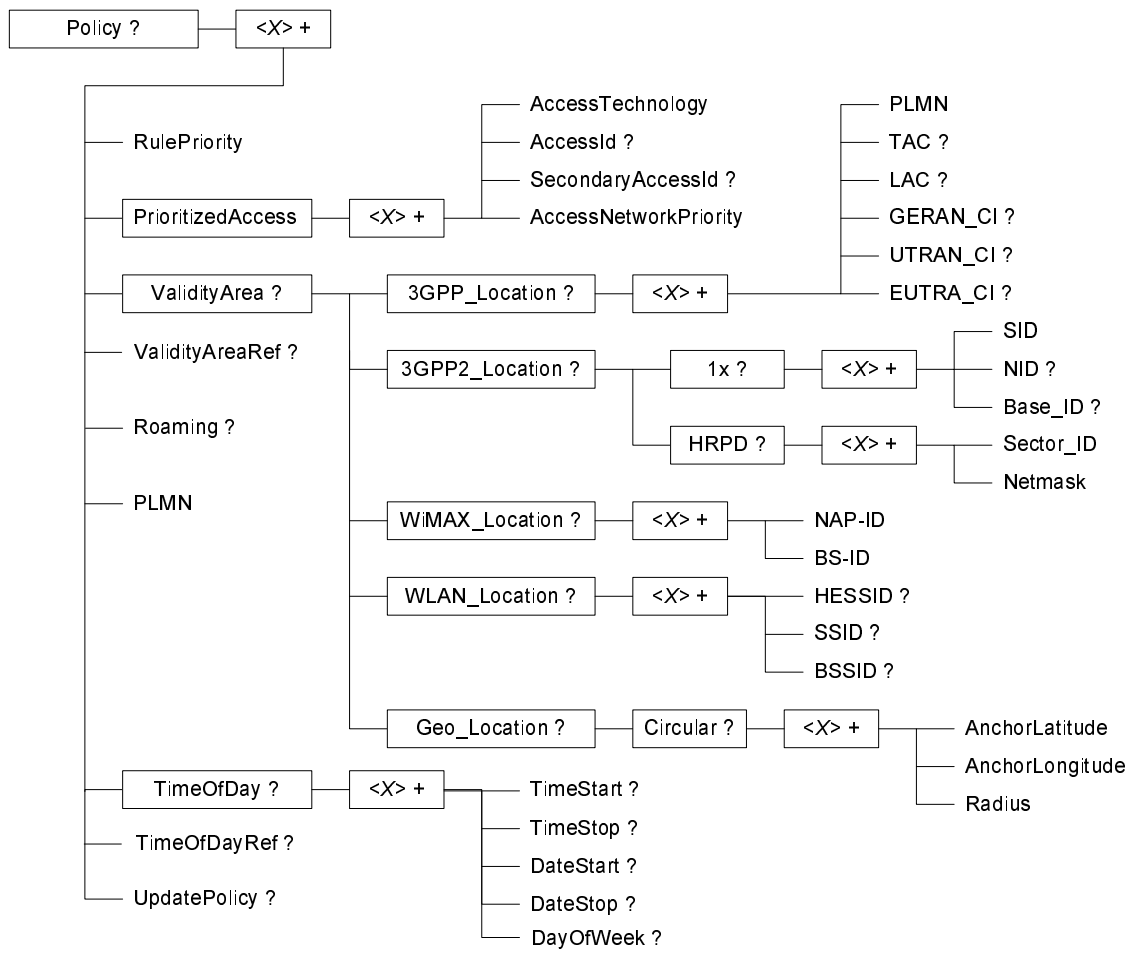


Figure 4.2.2: Policy

### 4.2.3 DiscoveryInformation

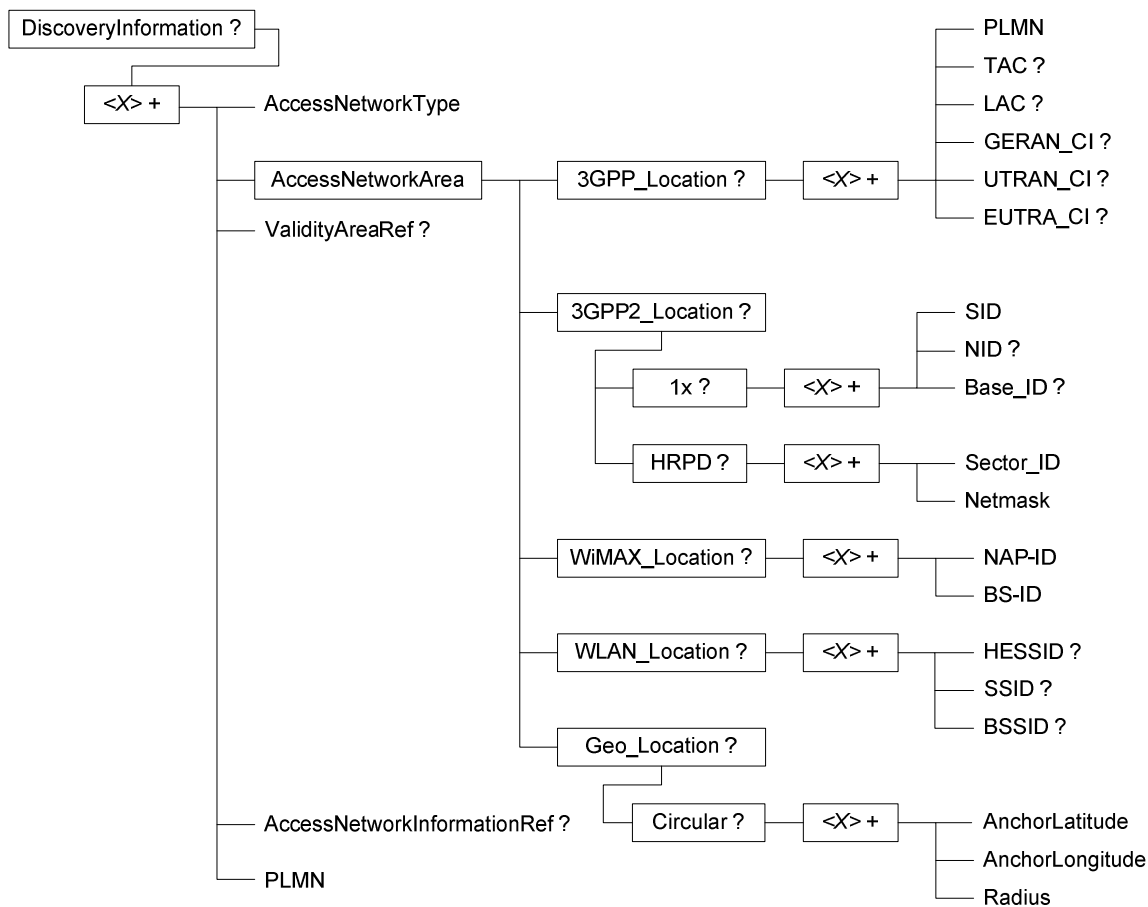


Figure 4.2.3: DiscoveryInformation

### 4.2.4 UE\_Location

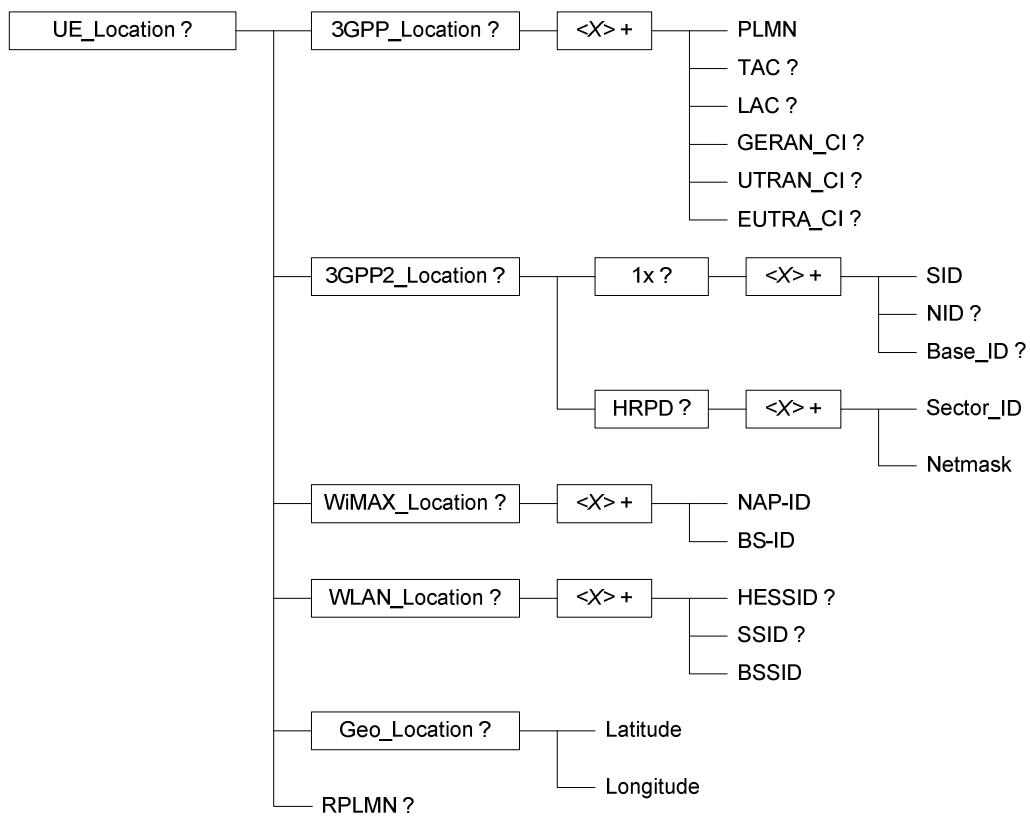


Figure 4.2.4: UE\_Location

### 4.2.5 ISRP

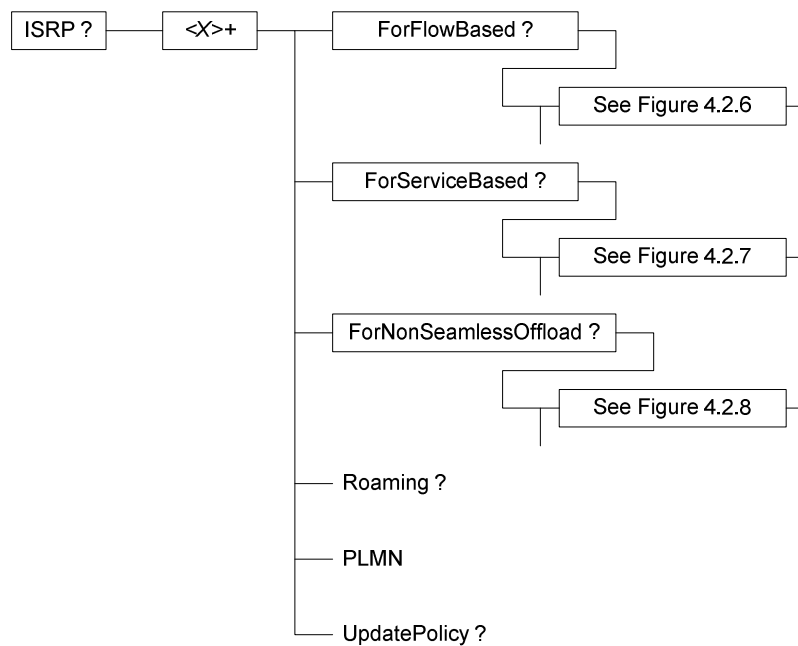


Figure 4.2.5: ISRP

### 4.2.6 ForFlowBased

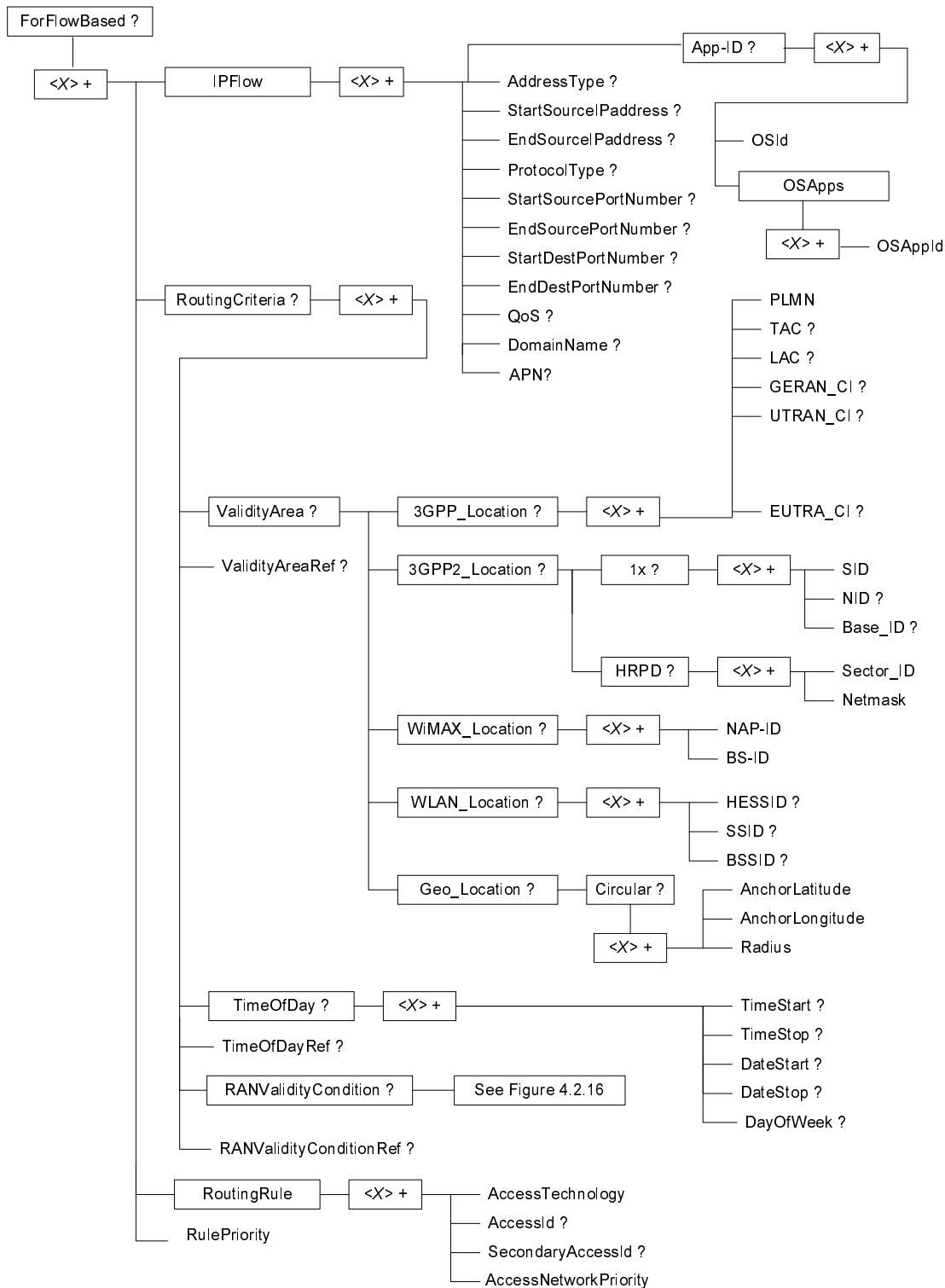


Figure 4.2.6: ForFlowBased

### 4.2.7 ForServiceBased

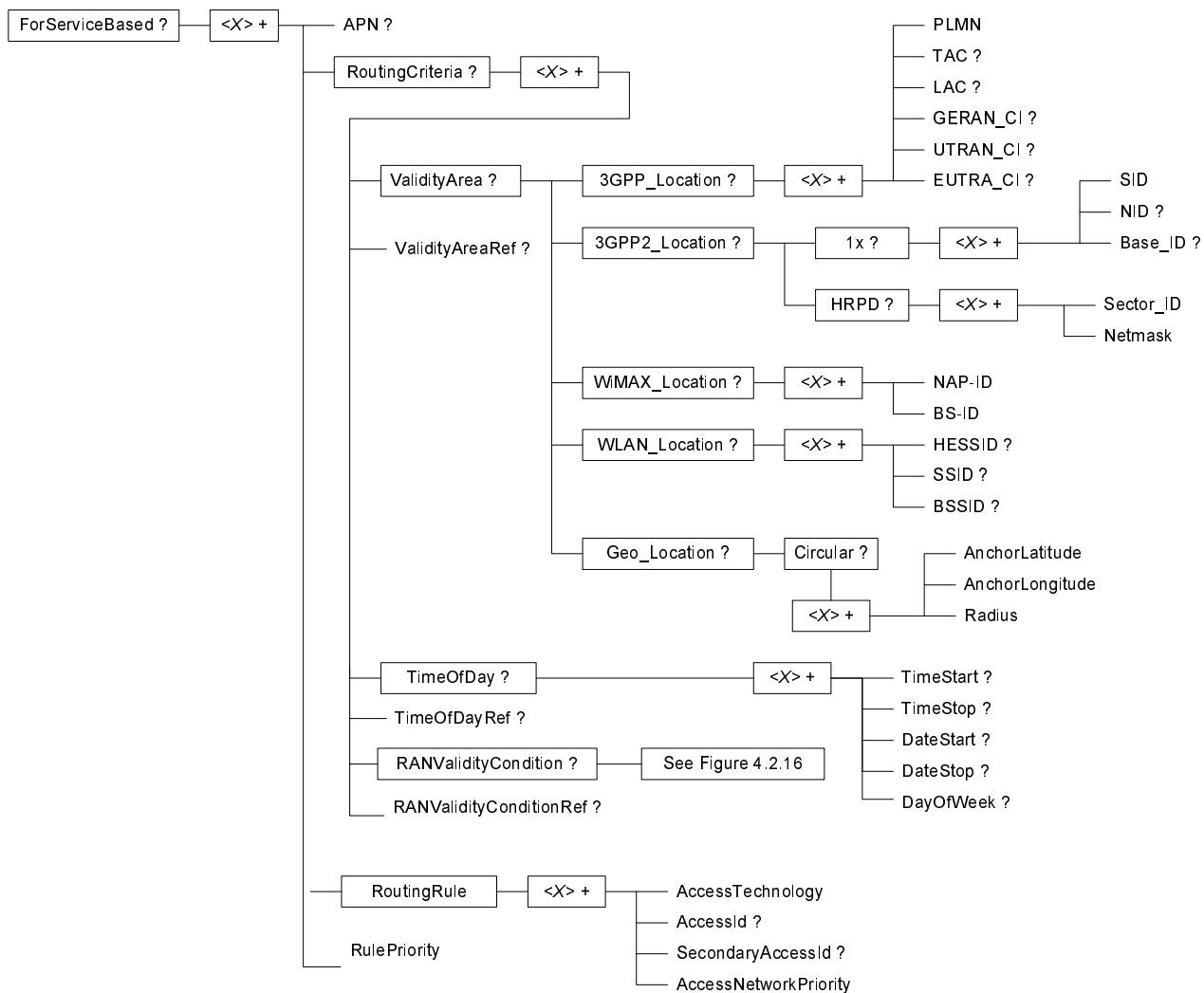


Figure 4.2.7: ForServiceBased

### 4.2.8 ForNonSeamlessOffload

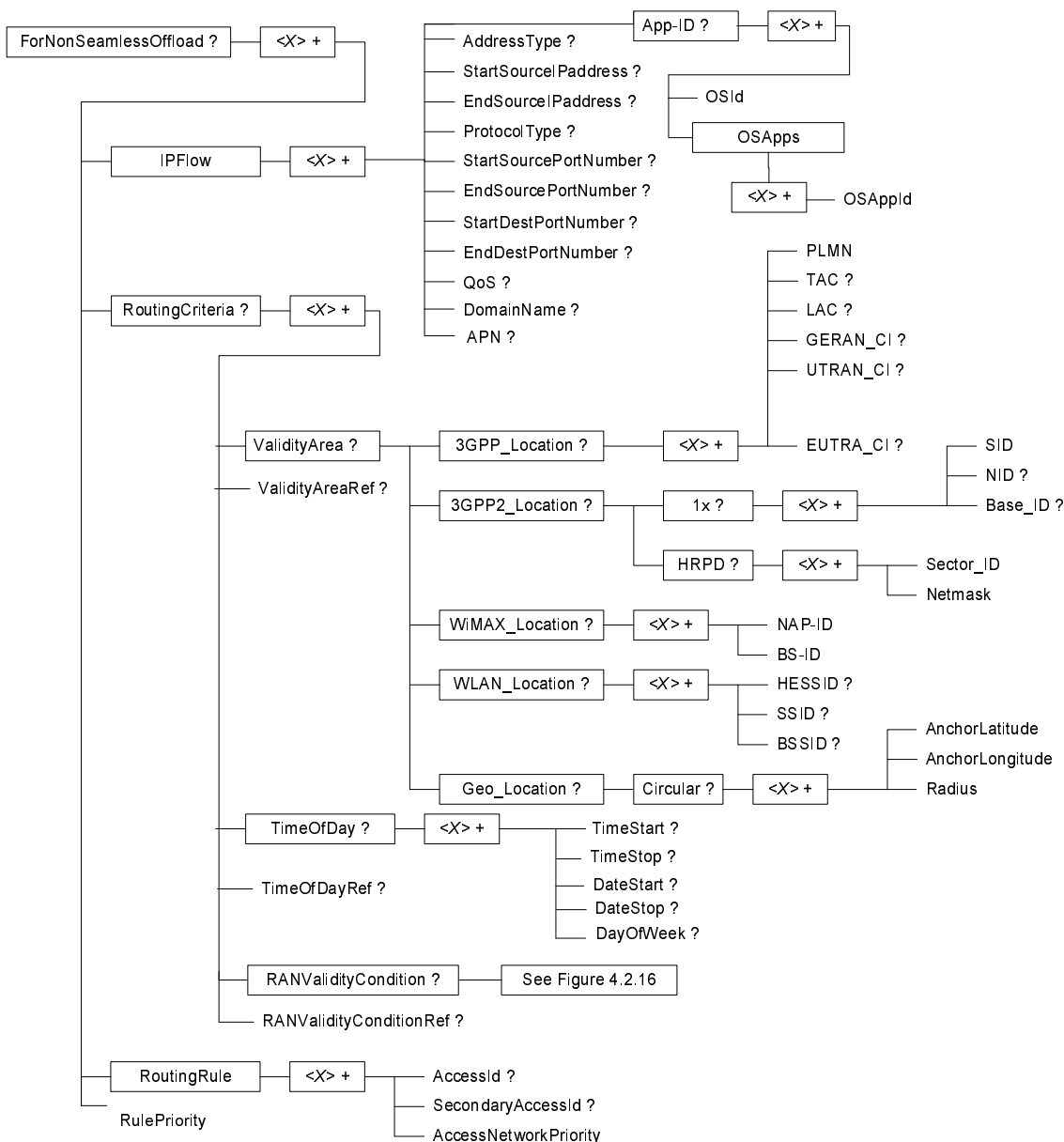


Figure 4.2.8:ForNonSeamlessOffload

### 4.2.9 UE\_Profile

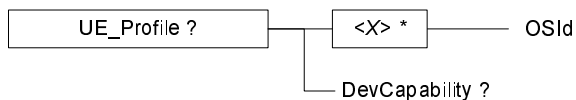


Figure 4.2.9: UE\_Profile

### 4.2.10 IARP

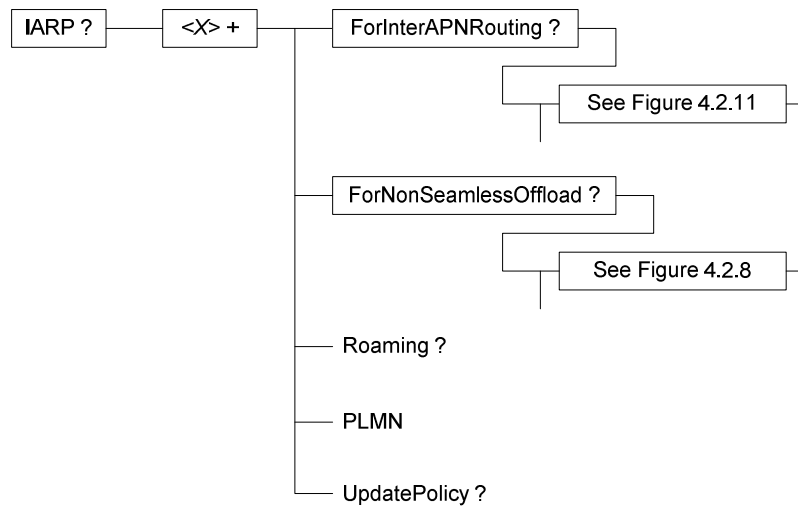


Figure 4.2.10: IARP

### 4.2.11 ForInterAPNRouting

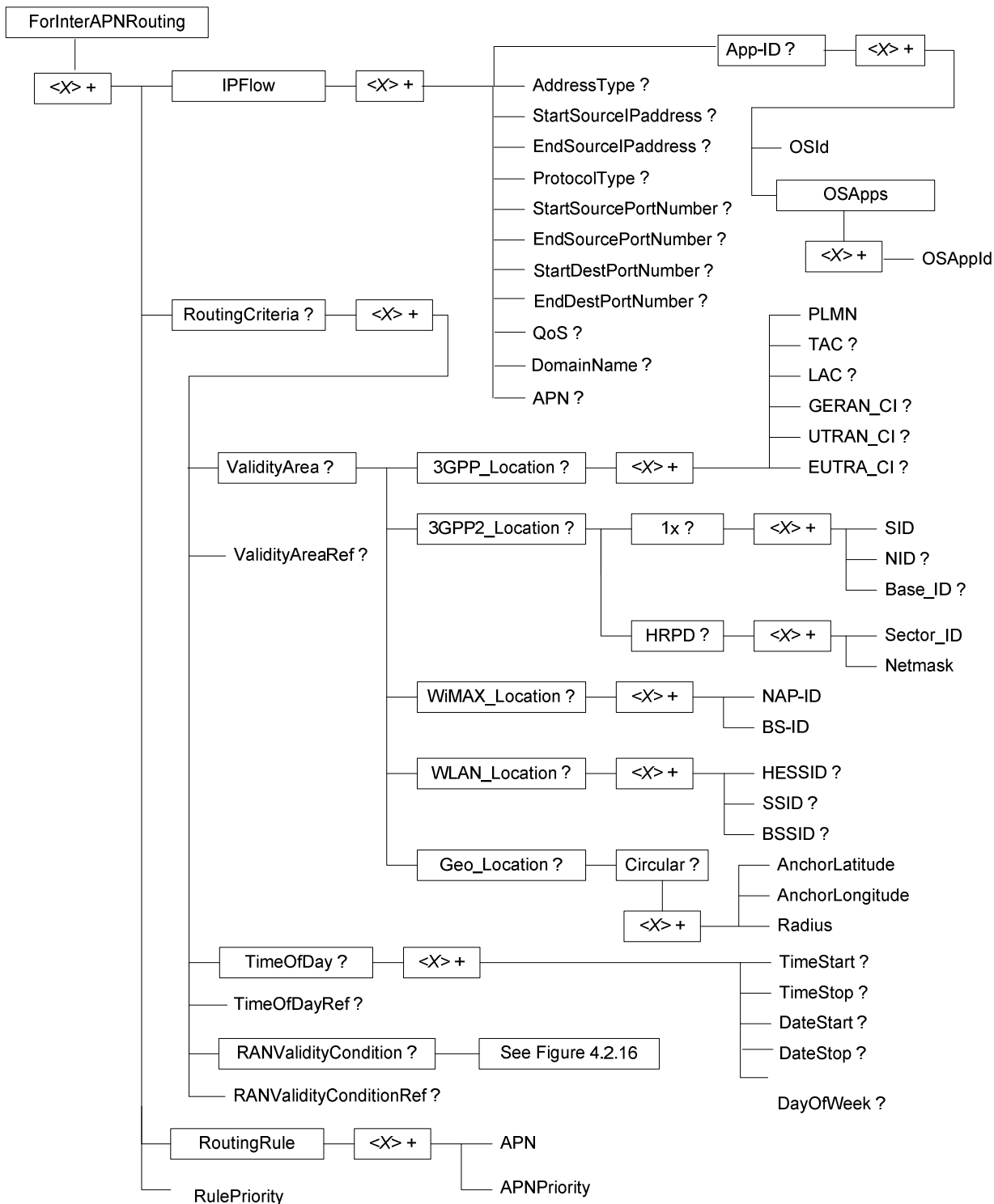


Figure 4.2.11: ForInterAPNRouting



### 4.2.12 WLANSPP

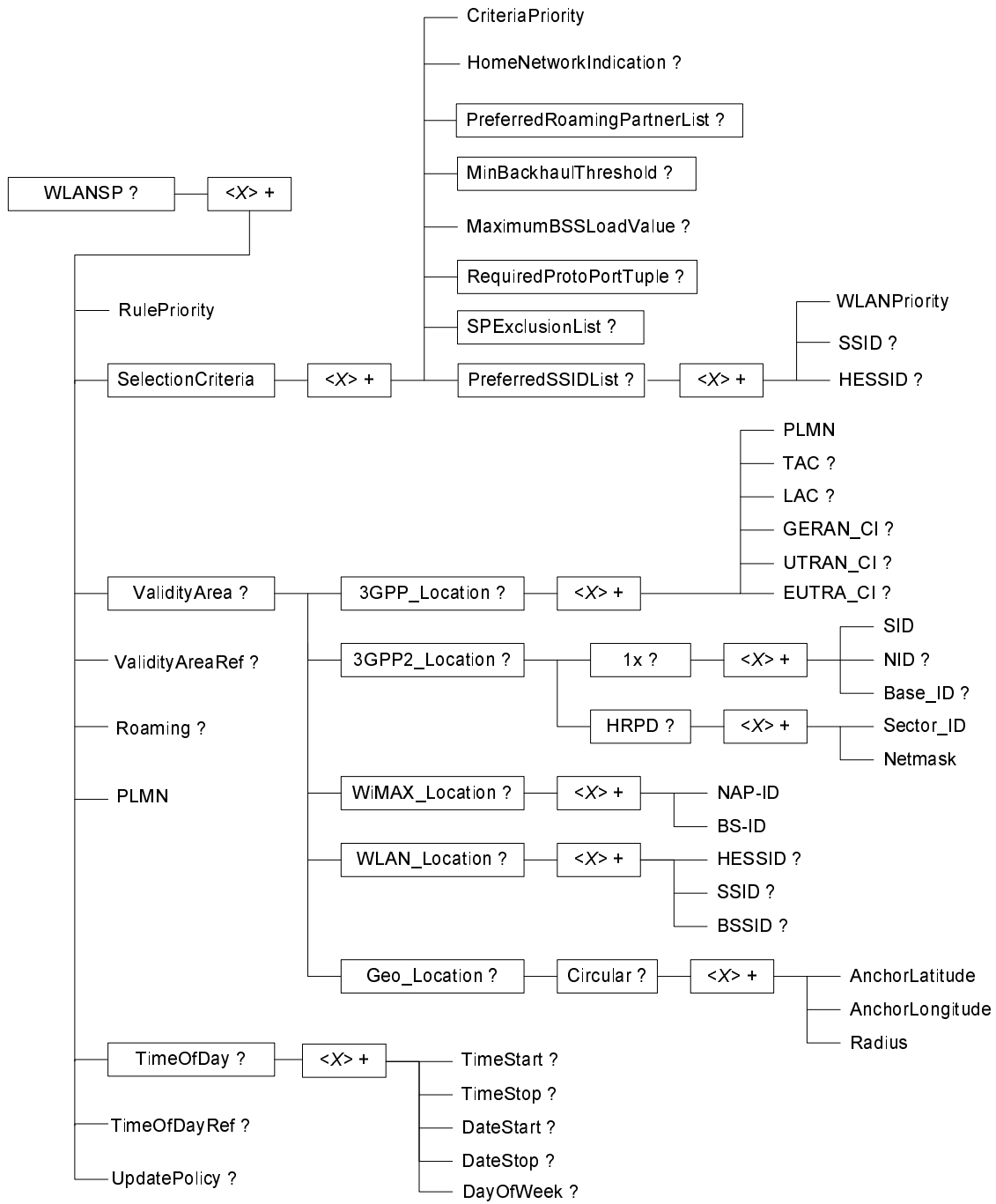


Figure 4.2.12: WLANSPP

### 4.2.13 RuleSelectionInformation

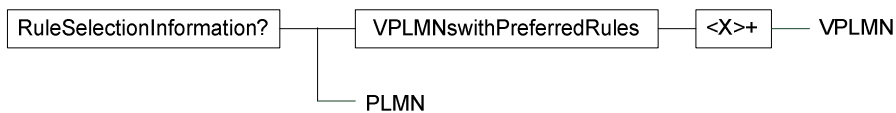


Figure 4.2.13: RuleSelectionInformation

### 4.2.14 HomeNetworkPreference

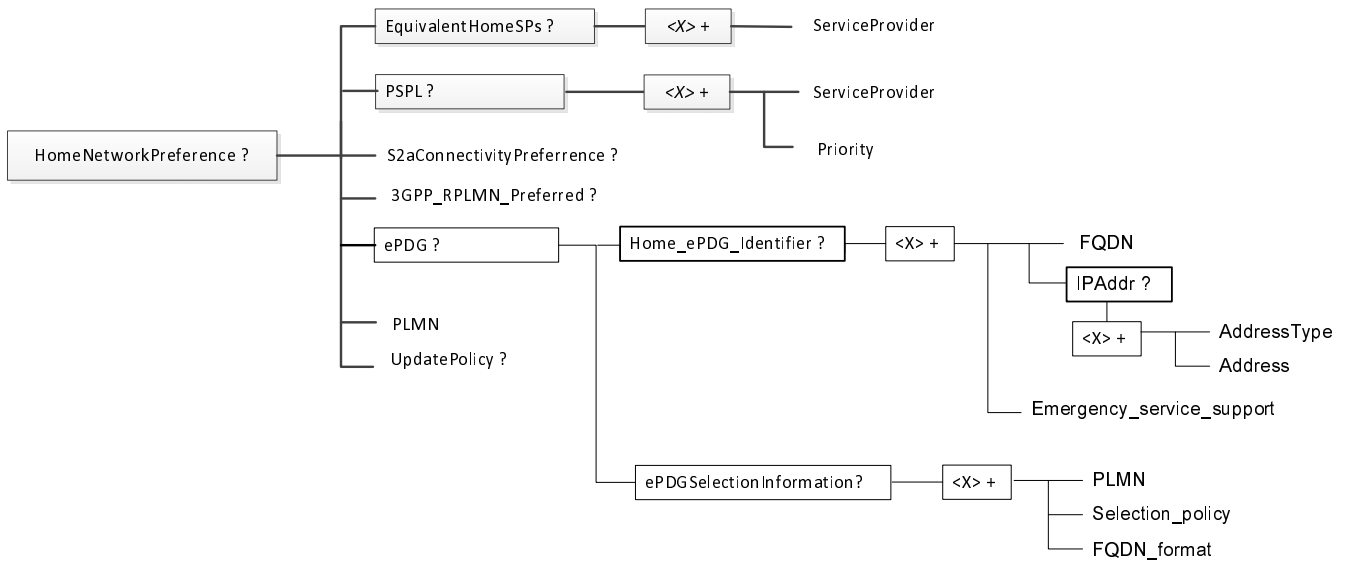


Figure 4.2.14: HomeNetworkPreference

### 4.2.14A VisitedNetworkPreference

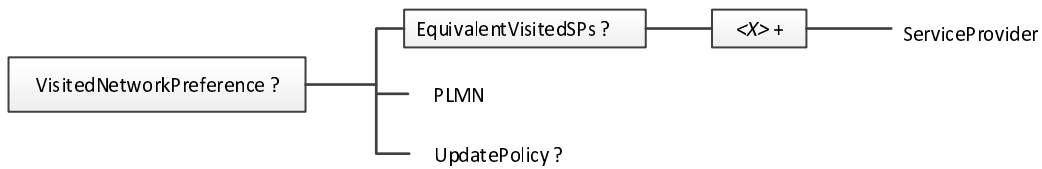


Figure 4.2.14a: VisitedNetworkPreference

### 4.2.15 ValidityCriteria Container

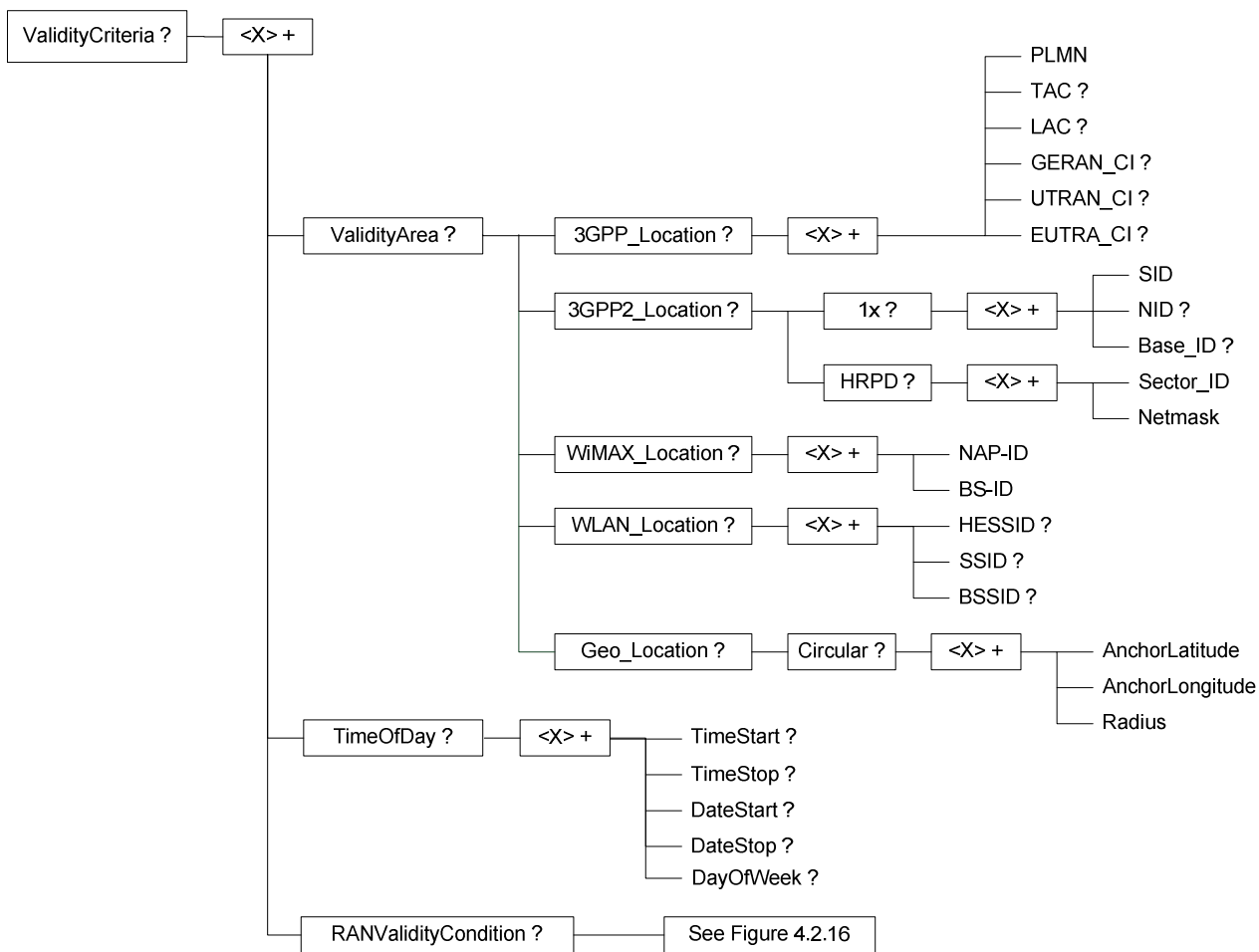


Figure 4.2.15: ValidityCriteria Container

## 4.2.16 RANValidityConditions

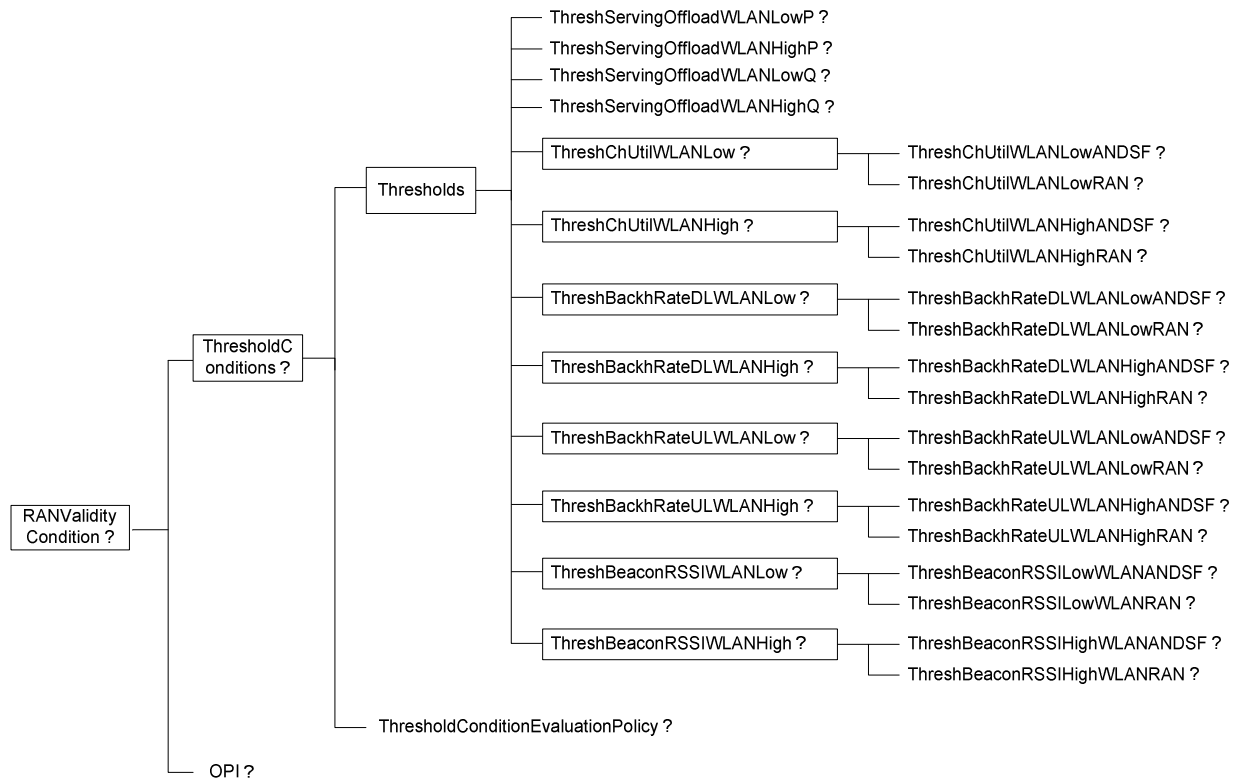


Figure 4.2.16: RANValidityConditions

## 5 ANDSF MO parameters

### 5.1 General

This clause describes the parameters for the ANDSF MO.

### 5.2 Node: *ANDSF*

This interior node acts as a placeholder for zero or one accounts for a fixed node.

- Occurrence: ZeroOrOne
- Format: node
- Access Types: Get
- Values: N/A

## 5.3 *ANDSF/Name*

The Name leaf is a name for the ANDSF MO settings.

- Occurrence: ZeroOrOne
- Format: chr
- Access Types: Get
- Values: <User displayable name>

The User displayable name shall be represented by Unicode characters encoded as UTF-8 as specified in IETF RFC 3629 [11] and formatted using Normalization Form KC (NFKC) as specified in Unicode Standard Annex #15; Unicode Normalization Forms [12].

## 5.4 Policy

### 5.4.1 *ANDSF/Policy*

The Policy node acts as a placeholder for ISMP information.

- Occurrence: ZeroOrOne
- Format: node
- Access Types: Get, Replace
- Values: N/A

### 5.4.2 *ANDSF/Policy/<X>*

This interior node acts as a placeholder for one or more ISMP rules.

- Occurrence: OneOrMore
- Format: node
- Access Types: Get, Replace
- Values: N/A

### 5.4.3 *ANDSF/Policy/<X>/RulePriority*

The RulePriority leaf represents the priority given to one particular rule and is represented as a numerical value.

- Occurrence: One
- Format: int
- Access Types: Get, Replace
- Values: <Rule priority>

In case more than one valid ISMP rule exists, the UE shall treat the rule with the lowest RulePriority value as the rule having the highest priority among the valid rules. If the UE finds multiple rules with the same priority, the choice of the rule is UE implementation specific. If there are no matching access networks according to the rule, the UE shall use other rules with the same priority. If there are no matching access networks according to any rule with a certain priority, the UE may use rules with lower priority.

#### 5.4.4 *ANDSF/Policy/<X>/PrioritizedAccess*

The *PrioritizedAccess* node indicates the preferred access for one particular rule.

- Occurrence: One
- Format: node
- Access Types: Get, Replace
- Values: N/A

#### 5.4.5 *ANDSF/Policy/<X>/PrioritizedAccess/<X>*

This interior node acts as a placeholder for one or more prioritized accesses.

- Occurrence: OneOrMore
- Format: node
- Access Types: Get, Replace
- Values: N/A

#### 5.4.6 *ANDSF/Policy/<X>/PrioritizedAccess/<X>/AccessTechnology*

The *AccessTechnology* leaf indicates a prioritized access technology.

- Occurrence: One
- Format: int
- Access Types: Get, Replace
- Values: <Access technology>

Possible values for the Access technology are specified in table 5.4.6.1.

**Table 5.4.6.1: Possible values for the *AccessTechnology* leaf**

Value	Description
0	Reserved
1	3GPP
2	Reserved
3	WLAN
4	WiMAX
5-255	Reserved

#### 5.4.7 *ANDSF/Policy/<X>/PrioritizedAccess/<X>/AccessId*

The *AccessId* leaf represents an access network identifier.

- Occurrence: ZeroOrOne
- Format: chr

- Access Types: Get, Replace
- Values: <Access id>

The AccessId contains an identifier for a specific radio access network. Only SSID for WLAN and NAP-ID for WiMAX radio access network are contained in this leaf. AccessIds in numerical format shall be encoded as character string. The AccessId be represented by Unicode characters encoded as UTF-8 as specified in IETF RFC 3629 [11] and formatted using Normalization Form KC (NFKC) as specified in Unicode Standard Annex #15; Unicode Normalization Forms [12].

The absence of this leaf indicates that the UE can consider any available radio access network of the defined access technology in the corresponding ANDSF/Policy/<X>/PrioritizedAccess/<X>/AccessTechnology leaf for the network selection.

#### 5.4.8 *ANDSF/Policy/<X>/PrioritizedAccess/<X>/SecondaryAccessId*

The SecondaryAccessId leaf represents a secondary access network identifier.

- Occurrence: ZeroOrOne
- Format: chr
- Access Types: Get, Replace
- Values: <HESSID>

The SecondaryAccessId contains an identifier for a specific radio access network. Only HESSID for WLAN radio access network is contained in this leaf. The SecondaryAccessId leaf may only be present when the corresponding AccessId leaf for a WLAN radio access network is present. The format of the HESSID is defined by IEEE 802.11™-2012 [26].

#### 5.4.9 *ANDSF/Policy/<X>/PrioritizedAccess/<X>/AccessNetworkPriority*

The AccessNetworkPriority leaf represents an access technology priority.

- Occurrence: One
- Format: int
- Access Types: Get, Replace
- Values: <Access network priority>

In case more than one valid PrioritizedAccess are available and if the value of the priority belongs to the range 1-250, the UE shall consider the access network (with the corresponding access identifier if present) with the lowest AccessNetworkPriority value as the access network (with the corresponding access identifier if present) having the highest priority, as defined in table 5.4.9.1. The AccessNetworkPriority value 'Restricted access' (254) indicates an access that should not be used by the UE. The AccessNetworkPriority value 'Forbidden' (255) indicates an access that shall not be used by the UE. The same AccessNetworkPriority value may be used for more than one AccessId and more than one Access Technology. If more than one AccessId or more than one Access Technology with the same value of the AccessNetworkPriority are available, the UE selects one of them in an implementation dependant way. If the UE is not able to find an access network according to ANDSF policies, it is implementation dependent how to proceed with network selection.

**Table 5.4.9.1: Values of AccessNetworkPriority leaf**

Value	Description
0	Reserved
1-250	Priority value

251-253	Reserved
254	Restricted access. This access should be avoided if the current rule is active.
255	Forbidden. UE is not allowed to use this access if the current rule is active.

NOTE: It is implementation dependent if or when a restricted access is selected if there are no other accesses available.

#### 5.4.10 *ANDSF/Policy/<X>/ValidityArea*

The ValidityArea node acts as a placeholder for location conditions for a particular rule.

- Occurrence: ZeroOrOne
- Format: node
- Access Types: Get, Replace
- Values: N/A

The validity condition of ValidityArea is considered valid when at least one of 3GPP\_Location, or 3GPP2\_Location or WiMAX\_Location, or WLAN\_Location, or Geo\_Location is a match.

If the ValidityArea node is present and empty (i.e. none of the nodes 3GPP\_Location, 3GPP2\_Location, WiMAX\_Location, WLAN\_Location or Geo\_Location exist), then the ValidityArea is not considered when evaluating the validity of the corresponding rule.

If the UE cannot deduce its location by any means, only rules without Validity Area node or rules with empty ValidityArea node can be considered for valid rule.

#### 5.4.11 *ANDSF/Policy/<X>/ValidityArea/3GPP\_Location*

The 3GPP\_Location node acts as a placeholder for 3GPP location descriptions.

- Occurrence: ZeroOrOne
- Format: node
- Access Types: Get, Replace
- Values: N/A

If the UE is currently aware that it is located in the coverage area described by at least one instance of *ANDSF/Policy/<X>/ValidityArea/3GPP\_Location/<X>* node, the UE shall consider the corresponding rule as valid. In case of overlapping validity domains of multiple policy rules, RulePriority leaf is used as discriminator.

#### 5.4.12 *ANDSF/Policy/<X>/ValidityArea/3GPP\_Location/<X>*

This interior node acts as a placeholder for one or more 3GPP location descriptions.

- Occurrence: OneOrMore
- Format: node
- Access Types: Get, Replace
- Values: N/A

If the location is indicated with more than one leaf (i.e. PLMN and at least one leaf out of TAC, LAC, GERAN\_CI, UTRAN\_CI or EUTRA\_CI) within a single instance of *ANDSF/Policy/<X>/ValidityArea/3GPP\_Location/<X>* node, then the UE shall consider 3GPP location validity condition for the particular rule to be fulfilled only if the present leaf



values in the node match with the location of the UE in that radio access technology, and the UE shall ignore other existing values, if any.

#### 5.4.13 *ANDSF/Policy/<X>/ValidityArea/3GPP\_Location/<X>/PLMN*

The PLMN leaf indicates a PLMN code for one particular 3GPP location condition for the ISMP rule.

- Occurrence: One
- Format: chr
- Access Types: Get, Replace
- Values: <PLMN>

The format of the PLMN is defined by 3GPP TS 23.003 [3].

#### 5.4.14 *ANDSF/Policy/<X>/ValidityArea/3GPP\_Location/<X>/TAC*

The TAC leaf indicates a Tracking Area Code for one particular 3GPP location condition for the ISMP rule.

- Occurrence: ZeroOrOne
- Format: chr
- Access Types: Get, Replace
- Values: <Tracking area code>

The format of the TAC is defined by 3GPP TS 23.003 [3].

#### 5.4.15 *ANDSF/Policy/<X>/ValidityArea/3GPP\_Location/<X>/LAC*

The LAC leaf indicates a Location Area Code for one particular 3GPP location condition for the ISMP rule.

- Occurrence: ZeroOrOne
- Format: chr
- Access Types: Get, Replace
- Values: <Location area code>

The format of the LAC is defined by 3GPP TS 23.003 [3].

#### 5.4.16 *ANDSF/Policy/<X>/ValidityArea/3GPP\_Location/<X>/GERAN\_CI*

The GERAN\_CI leaf indicates a cell identity for one particular GERAN network related location description.

- Occurrence: ZeroOrOne
- Format: bin
- Access Types: Get, Replace
- Values: <GERAN Cell Identity>

The format of the Cell Global Identity, of which the Cell Identity is part, is defined in 3GPP TS 23.003 [3].

The GERAN\_CI value is set to the Cell Identity, CI, obtained from lower layers of the UE. The CI is part of the Cell Global Identity as defined in 3GPP TS 23.003 [3]. The value of GERAN\_CI is coded as a bit string with fixed length of 16 bits.

#### 5.4.17 *ANDSF/Policy/<X>/ValidityArea/3GPP\_Location/ <X>/UTRAN\_CI*

The UTRAN\_CI leaf indicates a cell identity for one particular UTRAN network related location description.

- Occurrence: ZeroOrOne
- Format: bin
- Access Types: Get, Replace
- Values: <UTRAN Cell Identity>

The UTRAN\_CI value is set to the UTRAN Cell Identity as defined in 3GPP TS 25.331 [3B] and obtained from lower layers of the UE. The value of UTRAN CI is coded as a bit string with fixed length of 28 bits.

#### 5.4.18 *ANDSF/Policy/<X>/ValidityArea/3GPP\_Location/ <X>/EUTRA\_CI*

The EUTRA\_CI leaf indicates a cell identity for one particular E-UTRA network related location description.

- Occurrence: ZeroOrOne
- Format: bin
- Access Types: Get, Replace
- Values: <E-UTRA Cell Identity>

The EUTRA\_CI value is set to the cell identity part of the Evolved Cell Global Identifier, as described in 3GPP TS 36.331 [3C] and obtained from lower layers of the UE. The value of EUTRA\_CI is coded as a bit string with fixed length of 28 bits.

#### 5.4.19 *ANDSF/Policy/<X>/ValidityArea/3GPP2\_Location*

This 3GPP2\_Location node acts as a placeholder for 3GPP2 location descriptions.

- Occurrence: ZeroOrOne
- Format: node
- Access Types: Get, Replace
- Values: N/A

If the UE is currently aware that it is located in the coverage area described by *ANDSF/Policy/<X>/ValidityArea/3GPP2\_Location/1x* or *ANDSF/Policy/<X>/ValidityArea/3GPP2\_Location/HRPD* or both nodes, the UE shall consider the corresponding rule as valid. In case of overlapping validity domains of multiple policy rules, RulePriority leaf is used as discriminator.

If ANDSF provides 3GPP2\_Location as a validity area, either the 1x or HRPD interior node, or both, shall be provided.

#### 5.4.20 *ANDSF/Policy/<X>/ValidityArea/3GPP2\_Location/1x*

This 1x node acts as a placeholder for 3GPP2 1x RAT location descriptions.

- Occurrence: ZeroOrOne
- Format: node
- Access Types: Get, Replace
- Values: N/A

If the UE is currently aware that it is located in the coverage area described by at least one instance of *ANDSF/Policy/<X>/ValidityArea/3GPP2\_Location/1x /<X>* node, the UE shall consider the corresponding rule as valid.

#### 5.4.21 *ANDSF/Policy/<X>/ValidityArea/3GPP2\_Location/1x/<X>*

This interior node acts as a placeholder for one or more 3GPP2 1x RAT location descriptions.

- Occurrence: OneOrMore
- Format: node
- Access Types: Get, Replace
- Values: N/A

If the location is indicated with more than one leaf (i.e. SID and at least one leaf out of NID or Base\_ID are present) within a single instance of *ANDSF/Policy/<X>/ValidityArea/3GPP2\_Location/1x/<X>* node, the UE shall consider 3GPP2 location validity condition for the particular rule to be fulfilled only if all the present leaf values in the node match with the location of the UE.

#### 5.4.22 *ANDSF/Policy/<X>/ValidityArea/3GPP2\_Location/1x/<X>/SID*

This SID leaf indicates a System Identification code for one particular 3GPP2 1x RAT location condition for the ISMP rule.

- Occurrence: One
- Format: chr
- Access Types: Get, Replace
- Values: <System Identification>

The format of the SID is defined by 3GPP2 C S0016 [14].

#### 5.4.23 *ANDSF/Policy/<X>/ValidityArea/3GPP2\_Location/1x/<X>/NID*

This NID leaf indicates a Network Identification code for one particular 3GPP2 1x RAT location condition for the ISMP rule.

- Occurrence: ZeroOrOne
- Format: chr
- Access Types: Get
- Values: <Network Identification>

The format of the NID is defined by 3GPP2 C.S0016 [14].

#### 5.4.24 *ANDSF/Policy/<X>/ValidityArea/3GPP2\_Location/1x/<X>/Base\_ID*

This Base\_ID leaf indicates a Base Station Identification code for one particular 3GPP2 1x RAT location condition for the ISMP rule.

- Occurrence: ZeroOrOne
- Format: chr
- Access Types: Get, Replace
- Values: <Base Station Identification>

The format of the Base\_ID is defined by 3GPP2 C.S0005 [13].

#### 5.4.25 *ANDSF/Policy/<X>/ValidityArea/3GPP2\_Location/HRPD*

This HRPD node acts as a placeholder for 3GPP2 HRPD RAT location descriptions.

- Occurrence: ZeroOrOne
- Format: node
- Access Types: Get, Replace
- Values: N/A

If the UE is currently aware that it is located in the coverage area described by at least one instance of *ANDSF/Policy/<X>/ValidityArea/3GPP2\_Location/HRPD/<X>* node, the UE shall consider the corresponding rule as valid.

#### 5.4.26 *ANDSF/Policy/<X>/ValidityArea/3GPP2\_Location/HRPD/<X>*

This interior node acts as a placeholder for one or more 3GPP2 HRPD RAT location descriptions.

- Occurrence: OneOrMore
- Format: node
- Access Types: Get, Replace
- Values: N/A

The UE shall consider 3GPP2 location validity condition for the particular rule to be fulfilled only if both the leaf values within a single instance of *ANDSF/Policy/<X>/ValidityArea/3GPP2\_Location/HRPD/<X>* node (i.e. Sector\_ID and Netmask) match with the location of the UE.

#### 5.4.27 *ANDSF/Policy/<X>/ValidityArea/3GPP2\_Location/HRPD/<X>/Sector\_ID*

This Sector\_ID leaf indicates a Sector Identification code for one particular 3GPP2 HRPD RAT location condition for the ISMP rule.

- Occurrence: One
- Format: bin
- Access Types: Get, Replace
- Values: < Sector\_ID >

The format of the Sector\_ID is defined by 3GPP2 C.S0024-0 [15]. The length of Sector ID contained in this node is 128 bits.

#### 5.4.28 *ANDSF/Policy/<X>/ValidityArea/3GPP2\_Location/HRPD/<X>/Netmask*

This Netmask leaf indicates a Netmask code for one particular 3GPP2 HRPD RAT location condition for the ISMP rule.

- Occurrence: One
- Format: bin
- Access Types: Get, Replace

- Values: <Netmask>

The format of Netmask is defined by 3GPP2 C.S0024-0 [15]. The length of Netmask contained in this node is 8 bits. The mask contained in this leaf shall be applied to the Sector\_ID bit string contained in the correspondent leaf of interior node *ANDSF/Policy/<X>/ValidityArea/3GPP2\_Location/HRPD/<X>/Sector\_ID*.

#### 5.4.29 *ANDSF/Policy/<X>/ValidityArea/WiMAX\_Location*

The WiMAX\_Location node acts as a placeholder for WiMAX location descriptions.

- Occurrence: ZeroOrOne
- Format: node
- Access Types: Get, Replace
- Values: N/A

If the UE is currently aware that it is located in the coverage area described by at least one instance of *ANDSF/Policy/<X>/ValidityArea/WiMAX\_Location/<X>* node, the UE shall consider the corresponding rule as valid. In case of overlapping validity domains of multiple policy rules, RulePriority leaf is used as discriminator.

#### 5.4.30 *ANDSF/Policy/<X>/ValidityArea/WiMAX\_Location/<X>*

This interior node acts as a placeholder for one or more WiMAX location descriptions.

- Occurrence: OneOrMore
- Format: node
- Access Types: Get, Replace
- Values: N/A

The UE shall consider WiMAX location validity condition for the particular rule to be fulfilled only if both the leaf values within a single instance of *ANDSF/Policy/<X>/ValidityArea/WiMAX\_Location/<X>* node (i.e. NAP-ID and BS-ID) match with the location of the UE.

#### 5.4.31 *ANDSF/Policy/<X>/ValidityArea/WiMAX\_Location/<X>/NAP-ID*

The NAP-ID leaf indicates the Network Access Provider for a particular WiMAX location condition for the ISMP rule.

- Occurrence: One
- Format: chr
- Access Types: Get, Replace
- Values: <NAP-ID>

The format of the NAP-ID is defined by the WiMAX Forum Network Architecture Release 1.0 version 1.2.2 – Stage 2 [6] and WiMAX Forum Network Architecture Release 1.0 version 1.2.2 – Stage 3 [7].

#### 5.4.32 *ANDSF/Policy/<X>/ValidityArea/WiMAX\_Location/<X>/BS-ID*

The BS-ID leaf indicates the BS identifier for a particular WiMAX location condition for the ISMP rule.

- Occurrence: One
- Format: chr
- Access Types: Get, Replace
- Values: <BS-ID>

The format of the BS-ID is defined by the IEEE Std 802.16e-2005 and IEEE Std 802.16-2004/Cor1-2005 [10].

### 5.4.33 *ANDSF/Policy/<X>/ValidityArea/WLAN\_Location*

The WLAN\_Location node acts as a placeholder for WLAN location descriptions.

- Occurrence: ZeroOrOne
- Format: node
- Access Types: Get, Replace
- Values: N/A

If the UE is currently aware that it is located in the coverage area described by at least one instance of *ANDSF/Policy/<X>/ValidityArea/WLAN\_Location/<X>* node, the UE shall consider the corresponding rule as valid. In case of overlapping validity domains of multiple policy rules, RulePriority leaf is used as discriminator.

The UE shall ignore WLAN\_Location node that is present and does not contain at least one of the non-empty leaves (i.e. HESSID, SSID or BSSID).

### 5.4.34 *ANDSF/Policy/<X>/ValidityArea/WLAN\_Location/<X>*

This interior node acts as a placeholder for one or more WLAN location descriptions.

- Occurrence: OneOrMore
- Format: node
- Access Types: Get, Replace
- Values: N/A

If the location is indicated with at least one present leaf out of HESSID, SSID, or BSSID within a single instance of *ANDSF/Policy/<X>/ValidityArea/WLAN\_Location/<X>* node, the UE shall consider WLAN location validity condition for the particular rule to be fulfilled only if all the present leaf values in the node match with the location of the UE.

### 5.4.35 *ANDSF/Policy/<X>/ValidityArea/WLAN\_Location/<X>/HESSID*

The HESSID leaf indicates the HESSID for a particular WLAN location condition for the ISMP rule.

- Occurrence: ZeroOrOne
- Format: chr
- Access Types: Get, Replace
- Values: <HESSID>

The format of the HESSID is defined by IEEE 802.11™-2012 [26].

### 5.4.36 *ANDSF/Policy/<X>/ValidityArea/WLAN\_Location/<X>/SSID*

The SSID leaf indicates the SSID for a particular WLAN location condition for the ISMP rule.

- Occurrence: ZeroOrOne
- Format: chr
- Access Types: Get, Replace
- Values: <SSID>

The format of the SSID is defined by IEEE Std 802.11™-2012 [26].

#### 5.4.37 *ANDSF/Policy/<X>/ValidityArea/WLAN\_Location/<X>/BSSID*

The BSSID leaf indicates the AP identifier for one particular WLAN location condition for the ISMP rule.

- Occurrence: ZeroOrOne
- Format: chr
- Access Types: Get, Replace
- Values: <BSSID>

The format of the BSSID is defined by IEEE Std 802.11™-2012 [26].

#### 5.4.38 *ANDSF/Policy/<X>/ValidityArea/Geo\_Location*

The Geo\_Location node acts as a placeholder for Geographical location descriptions for one ISMP rule.

- Occurrence: ZeroOrOne
- Format: node
- Access Types: Get, Replace
- Values: N/A

If the UE is currently aware that it is located in the area described by at least one instance of *ANDSF/Policy/<X>/ValidityArea/Geo\_Location/Circular/<X>* node, the UE shall consider the corresponding rule as valid. In case of overlapping validity domains of multiple policy rules, RulePriority leaf is used as discriminator.

If the *ANDSF/Policy/<X>/ValidityArea/Geo\_Location* node is present and empty (i.e. the node Circular does not exist), then the Geo\_Location node is not considered when evaluating the validity of the corresponding rule.

#### 5.4.39 *ANDSF/Policy/<X>/ValidityArea/Geo\_Location/Circular*

The Circular node acts as a placeholder for circular areas location descriptions for one ISMP rule.

- Occurrence: ZeroOrOne
- Format: node
- Access Types: Get, Replace
- Values: N/A

#### 5.4.40 *ANDSF/Policy/<X>/ValidityArea/Geo\_Location/Circular/<X>*

The interior node acts as a placeholder for one or more circular area location descriptions for one ISMP rule.

- Occurrence: OneOrMore
- Format: node
- Access Types: Get, Replace
- Values: <N/A >

The UE shall consider Geo location validity condition for the particular rule to be fulfilled only if all the leaf values within a single instance of *ANDSF/Policy/<X>/ValidityArea/Geo\_Location/Circular/<X>* node (i.e. AnchorLatitude, AnchorLongitude and Radius) match with the location of the UE.

#### 5.4.41 *ANDSF/Policy/<X>/ValidityArea/Geo\_Location/Circular/<X>/AnchorLatitude*

The AnchorLatitude leaf indicates the latitude value of the center of the circular area.

- Occurrence: One
- Format: bin
- Access Types: Get, Replace
- Values: <Latitude>

The Latitude is defined in subclause 6.1 of 3GPP TS 23.032 [3A].

#### 5.4.42 *ANDSF/Policy/<X>/ValidityArea/Geo\_Location/Circular/<X>/AnchorLongitude*

The AnchorLongitude leaf indicates the longitude value of the centre of the circular area.

- Occurrence: One
- Format: bin
- Access Types: Get, Replace
- Values: <Longitude >

The Longitude is defined in subclause 6.1 of 3GPP TS 23.032 [3A].

#### 5.4.43 *ANDSF/Policy/<X>/ValidityArea/Geo\_Location/Circular/<X>/ Radius*

The Radius leaf indicates the radius value of the circular area.

- Occurrence: One
- Format: int
- Access Types: Get, Replace
- Values: <Radius>

The Radius is given in meters and is defined in subclause 6.6 of 3GPP TS 23.032 [3A].

#### 5.4.43A *ANDSF/Policy/<X>/ValidityAreaRef*

The ValidityAreaRef leaf contains a reference to a ValidityArea interior node.

- Occurrence: ZeroOrOne
- Format: chr
- Access Types: Get, Replace
- Values: < a reference to a ValidityArea interior node >

The reference to a ValidityArea interior node is a full device URI as specified in OMA-TS-DM\_Protocol-V1\_2 [5A], identifying the ValidityArea interior node in the UE management tree.

ValidityAreaRef leaf is considered a match when the referenced ValidityArea interior node is considered a match.



#### 5.4.44 *ANDSF/Policy/<X>/Roaming*

The Roaming leaf indicates the roaming condition for the ISMP rule.

- Occurrence: ZeroOrOne
- Format: bool
- Access Types: Get, Replace
- Values: 0, 1
  - 0 Indicates that the rule is only valid when the UE is not roaming.
  - 1 Indicates that the rule is only valid when the UE is roaming.

The UE shall consider a rule with the Roaming leaf present as valid only if the current roaming state (roaming/not roaming) of the UE matches the one indicated in the Roaming value.

NOTE: When the UE is roaming, how it discovers and interacts with the ANDSF is not specified in the specification of this release.

#### 5.4.45 *ANDSF/Policy/<X>/PLMN*

The PLMN leaf indicates a PLMN code of the operator, which created this policy.

- Occurrence: One
- Format: chr
- Access Types: Get, Replace
- Values: <PLMN>

The format of the PLMN is defined by 3GPP TS 23.003 [3].

#### 5.4.46 *ANDSF/Policy/<X>/TimeOfDay*

The TimeOfDay node indicates the time of day condition for the ISMP rule.

- Occurrence: ZeroOrOne
- Format: node
- Access Types: Get, Replace
- Values: N/A

The validity condition of TimeOf Day is considered fulfilled when the time of day in the current time zone, as indicated by the UE, matches at least one time interval indicated in the TimeOfDay node.

If the *ANDSF/Policy/<X>/TimeOfDay/<X>* node is present and empty (i.e. none of the nodes TimeStart, TimeStop, DateStart, DateStop or DayOfWeek exist), then the TimeOfDay is not considered when evaluating the validity of the corresponding rule.

If the UE does not support calendar or clock application, only rules without TimeOfDay node or rules with empty TimeOfDay node can be considered as valid rules.

#### 5.4.47 *ANDSF/Policy/<X>/TimeOfDay/<X>*

This interior node acts as a placeholder for one or more time of day condition for the ISMP rule.

- Occurrence: OneOrMore
- Format: node

- Access Types: Get, Replace
- Values: N/A

The UE shall interpret the TimeOfDay leaf values as related to the local time of the UE. The TimeOfDay conditions are evaluated as specified in table 5.4.47.1 and table 5.4.47.2.

Table 5.4.47.1 also specifies TimeOfDay leaf combinations, which are not allowed. ANDSF shall not use such leaf combinations and UE processing of such combinations is UE implementation specific.

NOTE 1: TimeOfDay leaf value combinations, where TimeStart, TimeStop, or both TimeStart and TimeStop are not included, are explained in table 5.4.47.1.

NOTE 2: TimeOfDay leaf value combinations, where both TimeStart and TimeStop are included are explained in table 5.4.47.2. The second half of table 5.4.47.2, where TimeStop is before TimeStart, explains how to configure overnight time periods.

Figure 5.4.47.1 shows an example of overnight TimeOfDay repetitious periods when both DateStart and DateStop leaves are included.

**Table 5.4.47.1: Applicable TimeOfDay leaf combinations when TimeStart and TimeStop are not both included**

TimeStart	TimeStop	DateStart	DateStop	Date and time ranges when the given condition is applicable
not included	not included	not included	not included	From current time and current day to infinite: - only during days of the week indicated by DayOfWeek leaf if DayOfWeek leaf is included; or - during all days if DayOfWeek leaf is not included.
not included	not included	not included	included	From the current time of the current day to 24:00 of the date indicated by DateStop: - only during days of the week indicated by DayOfWeek leaf if DayOfWeek leaf is included; or - during all days if DayOfWeek leaf is not included.
not included	not included	included	not included	From 00:00 of the date indicated by DateStart to infinite: - only during days of the week indicated by DayOfWeek leaf if DayOfWeek leaf is included; or - during all days if DayOfWeek leaf is not included.
not included	not included	included	included	From 00:00 of the date indicated by DateStart to 24:00 of the date indicated by DateStop: - only during days of the week indicated by DayOfWeek leaf if DayOfWeek leaf is included; or - during all days if DayOfWeek leaf is not included.
not included	included	not included	not included	Not allowed
not included	included	not included	included	From the current time of the current day to the time indicated by TimeStop of the date indicated by DateStop: - only during days of the week indicated by DayOfWeek leaf if DayOfWeek leaf is included; or - during all days if DayOfWeek leaf is not included.
not included	included	included	not included	Not allowed
not included	included	included	included	From 00:00 of the date indicated by DateStart to the time indicated by TimeStop of the date indicated by DateStop: - only during days of the week indicated by DayOfWeek leaf if DayOfWeek leaf is included; or - during all days if DayOfWeek leaf is not included.
included	not included	not included	not included	Not allowed
included	not included	not included	included	Not allowed
included	not included	included	not included	From the time indicated by TimeStart of the date indicated by DateStart to infinite: - only during days of the week indicated by DayOfWeek leaf if DayOfWeek leaf is

				<p>included; or</p> <ul style="list-style-type: none"> <li>- during all days if DayOfWeek leaf is not included.</li> </ul>
included	not included	included	included	<p>From the time indicated by TimeStart of the date indicated by DateStart to 24:00 of the date indicated by DateStop:</p> <ul style="list-style-type: none"> <li>- only during days of the week indicated by DayOfWeek leaf if DayOfWeek leaf is included; or</li> <li>- during all days if DayOfWeek leaf is not included.</li> </ul>

**Table 5.4.47.2: Applicable TimeOfDay leaf combinations when TimeStart and TimeStop are both included**

TimeStart	TimeStop	DateStart	DateStop	Date and time ranges when the given condition is applicable
included	included and not before TimeStart	not included	not included	From the time indicated by TimeStart to the time indicated by Time-Stop, from current day to infinite:  - only during days of the week indicated by DayOfWeek leaf if DayOfWeek leaf is included; or - daily if DayOfWeek leaf is not included.
included	included and not before TimeStart	not included	included	From the time indicated by TimeStart to the time indicated by TimeStop, from the current day until the date indicated by DateStop:  - only during days of the week indicated by DayOfWeek leaf if DayOfWeek leaf is included; or - daily if DayOfWeek leaf is not included.
included	included and not before TimeStart	included	not included	From the time indicated by TimeStart to the time indicated by TimeStop, from the date indicated by DateStart to infinite:  - only during days of the week indicated by DayOfWeek leaf if DayOfWeek leaf is included; or - daily if DayOfWeek leaf is not included.
included	included and not before TimeStart	included	included	From the time indicated by TimeStart to the time indicated by TimeStop, from the date indicated by DateStart to the date indicated by DateStop:  - only during days of the week indicated by DayOfWeek leaf if DayOfWeek leaf is included; or - daily if DayOfWeek leaf is not included.
included	included and before TimeStart	not included	not included	From the time indicated by TimeStart to 24:00 and from 00:00 to the time indicated by TimeStop, from current day to infinite:  - only during days of the week indicated by DayOfWeek leaf if DayOfWeek leaf is included; or - daily if DayOfWeek leaf is not included.
included	included and before TimeStart	not included	included	From the time indicated by TimeStart to 24:00 and from 00:00 to the time indicated by TimeStop, from the current day to the date indicated by DateStop:  - only during days of the week indicated by DayOfWeek leaf if DayOfWeek leaf is included; or - daily if DayOfWeek leaf is not included.
included	included and before TimeStart	included	not included	From the time indicated by TimeStart to 24:00 and from 00:00 to the time indicated by TimeStop, from the date indicated by DateStart until infinite:

				<ul style="list-style-type: none"> <li>- only during days of the week indicated by DayOfWeek leaf if DayOfWeek leaf is included; or</li> <li>- daily if DayOfWeek leaf is not included.</li> </ul>
included	included and before TimeStart	included	included	<p>From the time indicated by TimeStart to 24:00 and from 00:00 to the time indicated by TimeStop, from the date indicated by DateStart to the date indicated by DateStop:</p> <ul style="list-style-type: none"> <li>- only during days of the week indicated by DayOfWeek leaf if DayOfWeek leaf is included; or</li> <li>- daily if DayOfWeek leaf is not included.</li> </ul>

NOTE: A specific continuous time period, which includes times of day from two different dates, can be expressed using multiple TimeOfDay instances: one instance for the starting date, one instance for the ending date and one instance for all dates between the starting and ending date if any. For example, 2012-10-27, 22:00 – 2012-10-30, 02:00 is defined as:  
 TimeOfDay/1: 2012-10-27T22:00 - 2012-10-27T24:00,  
 TimeOfDay/2: 2012-10-28 - 2012-10-29 and  
 TimeOfDay/3: 2012-10-30T00:00 - 2012-10-30T02:00.

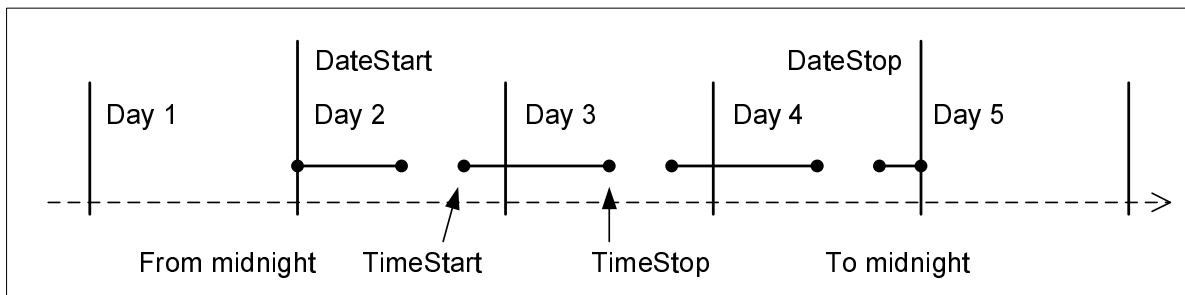


Figure 5.4.47.1: Example of overnight TimeOfDay repetitious periods

### 5.4.48 ANDSF/Policy/<X>/TimeOfDay/<X>/TimeStart

The TimeStart leaf acts as a place holder containing a time of day.

- Occurrence: ZeroOrOne
- Format: chr
- Access Types: Get, Replace
- Values: <time of day>

The value this leaf can assume is time of the day represented in string format, as defined in ISO 8601:2004 [16].

### 5.4.49 ANDSF/Policy/<X>/TimeOfDay/<X>/TimeStop

The TimeStop leaf node acts as a place holder containing a time of day.

- Occurrence: ZeroOrOne
- Format: chr

- Access Types: Get, Replace
- Values: <time of day>

The value this leaf can assume is time of the day represented in string format, as defined in ISO 8601:2004 [16].

#### 5.4.50 *ANDSF/Policy/<X>/TimeOfDay/<X>/DateStart*

The DateStart leaf acts as a place holder containing a date.

- Occurrence: ZeroOrOne
- Format: chr
- Access Types: Get, Replace
- Values: <date>

The value this leaf can assume is a date represented in string format, as defined in ISO 8601:2004 [16]. The UE handling of semantical error where DateStart node indicates a date that does not exist is UE implementation specific.

#### 5.4.51 *ANDSF/Policy/<X>/TimeOfDay/<X>/DateStop*

The DateStop leaf acts as a place holder containing a date.

- Occurrence: ZeroOrOne
- Format: chr
- Access Types: Get, Replace
- Values: <date>

The value this leaf can assume is a date represented in string format, as defined in ISO 8601:2004 [16].

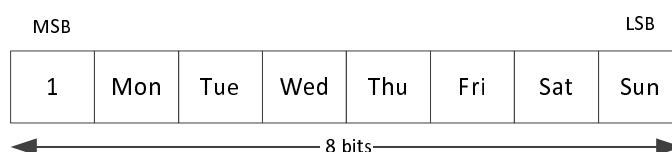
The UE handling of semantical error where DateStop node indicates a date that does not exist is UE implementation specific.

#### 5.4.51A *ANDSF/Policy/<X>/TimeOfDay/<X>/DayOfWeek*

The DayOfWeek leaf indicates the day(s) of the week for which the corresponding rule is valid.

- Occurrence: ZeroOrOne
- Format: int
- Access Types: Get, Replace
- Values: <day of week bitmap>

The value of this leaf is an 8-bit integer formatted as a bit map representing days of the week. The most significant bit is set to one. The remaining bits represent days of the week, as shown in figure 5.4.51A.1:



**Figure 5.4.51A.1: Bitmap format for the value of DayOfWeek leaf**

If the bit corresponding to a day of the week is set, the rule is valid on that day. The following values are invalid:

- "null";

- 128; and
- less than 128.

The UE processing of invalid values is implementation dependent.

### 5.4.51B *ANDSF/Policy/<X>/TimeOfDayRef*

The TimeOfDayRef leaf contains a reference to a TimeOfDay interior node.

- Occurrence: ZeroOrOne
- Format: chr
- Access Types: Get, Replace
- Values: < a reference to a TimeOfDay interior node >

The reference to a TimeOfDay interior node is a full device URI as specified in OMA-TS-DM\_Protocol-V1\_2 [5A], identifying the TimeOfDay interior node in the UE management tree.

TimeOfDayRef leaf is considered a match when the referenced TimeOfDay interior node is considered a match.

### 5.4.52 *ANDSF/Policy/<X>/UpdatePolicy*

The UpdatePolicy leaf indicates the update policy for the ISMP.

- Occurrence: ZeroOrOne
  - Format: bool
  - Access Types: Get, Replace
  - Values: 0, 1
- 0 Indicates that the UE is not required to request an update of the ISMP.
- 1 Indicates that the UE is required to request an update of the ISMP.

The UpdatePolicy value may be used by the UE to determine whether or not to request an update of its ISMP when the rule is no longer considered to be valid by the UE.

The default value 0 applies if this leaf is not provisioned.

## 5.5 Discovery information

### 5.5.1 *ANDSF/DiscoveryInformation*

The DiscoveryInformation node acts as a placeholder for access network discovery information.

- Occurrence: ZeroOrOne
- Format: node
- Access Types: Get, Replace
- Values: N/A

The operator may provide information on available access networks through the ANDSF. The UE may use the information as an aid in discovering other access networks.



## 5.5.2 *ANDSF/DiscoveryInformation/<X>*

This interior node acts as a placeholder for one or more access network information elements.

- Occurrence: OneOrMore
- Format: node
- Access Types: Get, Replace
- Values: N/A

## 5.5.3 *ANDSF/DiscoveryInformation/<X>/AccessNetworkType*

The AccessNetworkType leaf represents the type of an access network.

- Occurrence: One
- Format: int
- Access Types: Get, Replace
- Values: <Access network type>

The value of AccessNetworkType indicates the type of the network for which discovery assistance information is provided. Possible values are specified in table 5.5.3.1.

**Table 5.5.3.1: Possible values for the AccessTechnology leaf**

Value	Description
0	Reserved
1	3GPP
2	Reserved
3	WLAN
4	WiMAX
5-255	Reserved

## 5.5.4 *ANDSF/DiscoveryInformation/<X>/AccessNetworkArea*

The AccessNetworkArea node acts as a placeholder for a description of the location where one particular access network is expected to be available.

- Occurrence: One
- Format: node
- Access Types: Get, Replace
- Values: N/A

If the UE is aware that it is located in at least one of the locations described under this node, the UE may assume the corresponding access network to be available.

If the AccessNetworkArea node is present and empty (i.e. none of the nodes 3GPP\_Location, 3GPP2\_Location, WiMAX\_Location, WLAN\_Location or Geo\_Location exist), then the AccessNetworkArea is not considered when evaluating the discovery information.

### 5.5.5 *ANDSF/DiscoveryInformation/<X>/AccessNetworkArea/ 3GPP\_Location*

The 3GPP\_Location node acts as a placeholder for 3GPP location descriptions.

- Occurrence: ZeroOrOne
- Format: node
- Access Types: Get, Replace
- Values: N/A

If the UE is currently aware that it is located in the coverage area described by this node, the networks described in the correspondent AccessNetworkInformationRef are expected to be available.

### 5.5.6 *ANDSF/DiscoveryInformation/<X>/AccessNetworkArea/ 3GPP\_Location/<X>*

This interior node acts as a placeholder for one or more 3GPP location descriptions.

- Occurrence: OneOrMore
- Format: node
- Access Types: Get, Replace
- Values: N/A

### 5.5.7 *ANDSF/DiscoveryInformation/<X>/AccessNetworkArea/ 3GPP\_Location/<X>/PLMN*

The PLMN leaf indicates a PLMN code for one particular 3GPP location description.

- Occurrence: One
- Format: chr
- Access Types: Get, Replace
- Values: <PLMN>

The format of the PLMN is defined by 3GPP TS 23.003 [3].

### 5.5.8 *ANDSF/DiscoveryInformation/<X>/AccessNetworkArea/ 3GPP\_Location/<X>/TAC*

This TAC leaf indicates a Tracking Area Code for one particular 3GPP location description.

- Occurrence: ZeroOrOne
- Format: chr
- Access Types: Get, Replace
- Values: <Tracking area code>

The format of the TAC is defined by 3GPP TS 23.003 [3].

### 5.5.9 *ANDSF/DiscoveryInformation/<X>/AccessNetworkArea/ 3GPP\_Location/<X>/LAC*

This LAC leaf indicates a Location Area Code for one particular 3GPP location description.

- Occurrence: ZeroOrOne
- Format: chr
- Access Types: Get, Replace
- Values: <Location area code>

The format of the LAC is defined by 3GPP TS 23.003 [3].

### 5.5.10 *ANDSF/DiscoveryInformation/<X>/AccessNetworkArea/ 3GPP\_Location/<X>/GERAN\_CI*

The GERAN\_CI leaf indicates a GERAN Cell Identity for one particular 3GPP network related location description.

- Occurrence: ZeroOrOne
- Format: bin
- Access Types: Get, Replace
- Values: <GERAN Cell Identity>

The leaf format and usage is defined in subclause 5.4.16.

### 5.5.11 *ANDSF/DiscoveryInformation/<X>/AccessNetworkArea/ 3GPP\_Location/<X>/UTRAN\_CI*

The UTRAN\_CI leaf indicates a UTRAN Cell Identity for one particular 3GPP network related location description.

- Occurrence: ZeroOrOne
- Format: bin
- Access Types: Get, Replace
- Values: <UTRAN Cell Identity>

The leaf format and usage is defined in subclause 5.4.17.

### 5.5.12 *ANDSF/DiscoveryInformation/<X>/AccessNetworkArea/ 3GPP\_Location/<X>/EUTRA\_CI*

The EUTRA\_CI leaf indicates an E-UTRA Cell Identity for one particular 3GPP network related location description.

- Occurrence: ZeroOrOne
- Format: bin
- Access Types: Get, Replace
- Values: <E-UTRA Cell Identity>

The leaf format and usage is defined in subclause 5.4.18.

### 5.5.13 *ANDSF/DiscoveryInformation/<X>/AccessNetworkArea/3GPP2\_Location*

This 3GPP2\_Location node acts as a placeholder for 3GPP2 location description.

- Occurrence: ZeroOrOne
- Format: node
- Access Types: Get, Replace
- Values: N/A

If the UE is currently aware that it is located in the coverage area described by this 3GPP2\_Location node, the networks described in the correspondent AccessNetworkInformationRef are expected to be available.

If ANDSF provides 3GPP2\_Location in AccessNetworkArea interior node, either the 1x or HRPD interior node, or both, shall be provided.

### 5.5.14 *ANDSF/DiscoveryInformation/<X>/AccessNetworkArea/3GPP2\_Location/1x*

This 1x node acts as a placeholder for one or more 3GPP2 1x RAT location descriptions.

- Occurrence: ZeroOrOne
- Format: node
- Access Types: Get, Replace
- Values: N/A

### 5.5.15 *ANDSF/DiscoveryInformation/<X>/AccessNetworkArea/3GPP2\_Location/1x/<X>*

This interior node acts as a placeholder for one or more 3GPP2 1x RAT location descriptions.

- Occurrence: OneOrMore
- Format: node
- Access Types: Get, Replace
- Values: N/A

### 5.5.16 *ANDSF/DiscoveryInformation/<X>/AccessNetworkArea/3GPP2\_Location/1x/<X>/SID*

This SID leaf indicates a System Identification code for one particular 3GPP2 1x RAT location description.

- Occurrence: One
- Format: chr
- Access Types: Get, Replace
- Values: <System Identification>

The format of the SID is defined by 3GPP2 C.S0016 [14].

### 5.5.17 *ANDSF/DiscoveryInformation/<X>/AccessNetworkArea/ 3GPP2\_Location/1x/<X>/NID*

This NID leaf indicates a Network Identification code for one particular 3GPP2 1x RAT location description.

- Occurrence: ZeroOrOne
- Format: chr
- Access Types: Get, Replace
- Values: <Network Identification>

The format of the NID is defined by 3GPP2 C.S0016 [14].

### 5.5.18 *ANDSF/DiscoveryInformation/<X>/AccessNetworkArea/ 3GPP2\_Location/1x/<X>/Base\_ID*

This Base\_ID leaf indicates a Base Station Identification Code for one particular 3GPP2 1x RAT location description.

- Occurrence: ZeroOrOne
- Format: chr
- Access Types: Get, Replace
- Values: <Base Station Identification>

The format of the Base\_ID is defined by 3GPP2 C.S0005 [13].

### 5.5.19 *ANDSF/DiscoveryInformation/<X>/AccessNetworkArea/ 3GPP2\_Location/HRPD*

This HRPD node acts as a placeholder for one or more 3GPP2 HRPD RAT location descriptions.

- Occurrence: ZeroOrOne
- Format: node
- Access Types: Get, Replace
- Values: N/A

### 5.5.20 *ANDSF/DiscoveryInformation/<X>/AccessNetworkArea/ 3GPP2\_Location/HRPD/<X>*

This interior node acts as a placeholder for one or more 3GPP2 HRPD RAT location descriptions.

- Occurrence: OneOrMore
- Format: node
- Access Types: Get, Replace
- Values: N/A

### 5.5.21 *ANDSF/DiscoveryInformation/<X>/AccessNetworkArea/ 3GPP2\_Location/HRPD/<X>/Sector\_ID*

This Sector\_ID leaf indicates a Sector Identification code for one particular 3GPP2 HRPD RAT location description.

- Occurrence: One

- Format: bin
- Access Types: Get, Replace
- Values: <Sector ID>

The format of the Sector ID is defined by 3GPP2 C.S0024-0 [15]. The length of Sector ID contained in this node is 128 bits.

### 5.5.22 *ANDSF/DiscoveryInformation/<X>/AccessNetworkArea/3GPP2\_Location/HRPD/<X>/Netmask*

This Netmask leaf indicates a Netmask code for one particular 3GPP2 HRPD RAT location description.

- Occurrence: One
- Format: bin
- Access Types: Get, Replace
- Values: <Netmask>

The format of Netmask is defined by 3GPP2 C.S0024-0 [15]. The length of Netmask contained in this node is 8 bits. The mask contained in this leaf shall be applied to the Sector\_ID bit string contained in the correspondent leaf of interior node *ANDSF/DiscoveryInformation/<X>/AccessNetworkArea/3GPP2\_Location/HRPD/<X>*.

### 5.5.23 *ANDSF/DiscoveryInformation/<X>/AccessNetworkArea/WiMAX\_Location*

The WiMAX\_Location node acts as a placeholder for WiMAX location descriptions.

- Occurrence: ZeroOrOne
- Format: node
- Access Types: Get, Replace
- Values: N/A

If the UE is currently aware that it is located in the coverage area described by this node, the networks described in the correspondent *AccessNetworkInformationRef* are expected to be available.

### 5.5.24 *ANDSF/DiscoveryInformation/<X>/AccessNetworkArea/WiMAX\_Location/<X>*

This interior node acts as a placeholder for one or more WiMAX location descriptions.

- Occurrence: OneOrMore
- Format: node
- Access Types: Get, Replace
- Values: N/A

### 5.5.25 *ANDSF/DiscoveryInformation/<X>/AccessNetworkArea/WiMAX\_Location/<X>/NAP-ID*

The NASP-ID leaf indicates the Network Access Provider for a particular WiMAX location description.

- Occurrence: One

- Format: chr
- Access Types: Get, Replace
- Values: <NAP-ID>

The format of the NAP-ID is defined by the WiMAX Forum Network Architecture version 1.2.2 – Stage 2 [6] and WiMAX Forum Network Architecture Release 1.0 version 1.2.2 – Stage 3 [7].

### 5.5.26 *ANDSF/DiscoveryInformation/<X>/AccessNetworkArea/WiMAX\_Location/<X>/BS-ID*

The BS-ID leaf indicates the BS identifier for a particular WiMAX location description.

- Occurrence: One
- Format: chr
- Access Types: Get, Replace
- Values: <BS-ID>

The format of the BS-ID is defined by the IEEE Std 802.16e-2005 and IEEE Std 802.16-2004/Cor1-2005 [10].

### 5.5.27 *ANDSF/DiscoveryInformation/<X>/AccessNetworkArea/WLAN\_Location*

The WLAN\_Location node acts as a placeholder for WLAN location descriptions.

- Occurrence: ZeroOrOne
- Format: node
- Access Types: Get, Replace
- Values: N/A

If the UE is currently aware that it is located in the coverage area described by this node, the networks described in the correspondent AccessNetworkInformationRef are expected to be available.

The UE shall ignore WLAN\_Location node that is present and does not contain at least one of the non-empty leaves (i.e. HESSID, SSID or BSSID).

### 5.5.28 *ANDSF/DiscoveryInformation/<X>/AccessNetworkArea/WLAN\_Location/<X>*

This interior node acts as a placeholder for one or more WLAN location descriptions.

- Occurrence: OneOrMore
- Format: node
- Access Types: Get, Replace
- Values: N/A

### 5.5.29 *ANDSF/DiscoveryInformation/<X>/AccessNetworkArea/WLAN\_Location/<X>/HESSID*

The HESSID leaf indicates the HESSID for a particular Home WLAN Specific Identifier location description.

- Occurrence: ZeroOrOne

- Format: chr
- Access Types: Get, Replace
- Values: <HESSID>

The format of the HESSID is defined by IEEE 802.11™-2012 [26].

### 5.5.30 *ANDSF/DiscoveryInformation/<X>/AccessNetworkArea/WLAN\_Location/<X>/SSID*

The SSID leaf indicates the SSID for a particular WLAN location description.

- Occurrence: ZeroOrOne
- Format: chr
- Access Types: Get, Replace
- Values: <SSID>

The format of the SSID is defined by IEEE Std 802.11™-2012 [26].

### 5.5.31 *ANDSF/DiscoveryInformation/<X>/AccessNetworkArea/WLAN\_Location/<X>/BSSID*

The BSSID leaf indicates the AP identifier for one particular WLAN location description.

- Occurrence: ZeroOrOne
- Format: chr
- Access Types: Get, Replace
- Values: <BSSID>

The format of the BSSID is defined by IEEE Std 802.11™-2012 [26].

### 5.5.32 *ANDSF/DiscoveryInformation/<X>/AccessNetworkArea/Geo\_Location*

This Geo\_Location node acts as a placeholder for geographical location descriptions for location of one or more access networks.

- Occurrence: ZeroOrOne
- Format: node
- Access Types: Get, Replace
- Values: N/A

If the UE is currently aware that it is located in the area described by this Geo\_Location node, the networks described in the correspondent AccessNetworkInformationRef are expected to be available.

If the *ANDSF/DiscoveryInformation/<X>/AccessNetworkArea/Geo\_Location* node is present and empty (i.e. the node Circular does not exist), then the Geo\_Location node is not considered when evaluating the discovery information.

### 5.5.33 *ANDSF/DiscoveryInformation/<X>/ AccessNetworkArea/Geo\_Location/Circular*

The Circular node acts as a placeholder for circular areas location descriptions.



- Occurrence: ZeroOrOne
- Format: node
- Access Types: Get, Replace
- Values: N/A

### 5.5.34 *ANDSF/DiscoveryInformation/<X>/AccessNetworkArea/Geo\_Location/Circular/<X>*

The interior node acts as a placeholder for one or more circular area location descriptions.

- Occurrence: OneOrMore
- Format: node
- Access Types: Get, Replace
- Values: <N/A >

### 5.5.35 *ANDSF/DiscoveryInformation/<X>/AccessNetworkArea/Geo\_Location/Circular/<X>/AnchorLatitude*

The AnchorLatitude leaf indicates the latitude value of the center of the circular area.

- Occurrence: One
- Format: bin
- Access Types: Get, Replace
- Values: <Latitude>

The Latitude is defined in subclause 6.1 of 3GPP TS 23.032 [3A].

### 5.5.36 *ANDSF/DiscoveryInformation/<X>/AccessNetworkArea/Geo\_Location/Circular/<X>/AnchorLongitude*

The AnchorLongitude leaf indicates the longitude value of the center of the circular area.

- Occurrence: One
- Format: bin
- Access Types: Get, Replace
- Values: < Longitude>

The Longitude is defined in subclause 6.1 of 3GPP TS 23.032 [3A].

### 5.5.37 *ANDSF/DiscoveryInformation/<X>/AccessNetworkArea/Geo\_Location/Circular/<X>/Radius*

The Radius leaf indicates the radius value of the circular area.

- Occurrence: One
- Format: int
- Access Types: Get, Replace
- Values: < Radius>

The Radius is given in meters and is defined in subclause 6.6 of 3GPP TS 23.032 [3A].

### 5.5.37A *ANDSF/DiscoveryInformation/<X>/ValidityAreaRef*

The ValidityAreaRef leaf contains a reference to a ValidityArea interior node.

- Occurrence: ZeroOrOne
- Format: chr
- Access Types: Get, Replace
- Values: < a reference to a ValidityArea interior node >

The reference to a ValidityArea interior node is a full device URI as specified in OMA-TS-DM\_Protocol-V1\_2 [5A], identifying the ValidityArea interior node in the UE management tree.

One particular access network is expected to be available when the referenced ValidityArea interior node is considered a match.

### 5.5.38 *ANDSF/DiscoveryInformation/<X>/AccessNetworkInformationRef*

The AccessNetworkInformationRef leaf represents a reference to an access network information object.

- Occurrence: ZeroOrOne
- Format: chr
- Access Types: Get, Replace
- Values: <An access network information object>

The value of AccessNetworkInformationRef is a reference to an object with access network type specific information. For example WLAN related values for the AccessNetworkInformationRef are defined in the OMA Connectivity Management Objects defined e.g. in OMA-DDS-DM\_ConnMO-V1\_0- 20081107-A [4A] and OMA-DDS-DM\_ConnMO\_WLAN-V1\_0-20081024-A [4B], and WiMAX related values for the AccessNetworkInformationRef are defined in the WiMAX MO in clause 6, etc.

### 5.5.39 *ANDSF/DiscoveryInformation/<X>/PLMN*

The PLMN leaf indicates a PLMN code of the operator which created this discovery information.

- Occurrence: One
- Format: chr
- Access Types: Get, Replace
- Values: <PLMN>

The format of the PLMN is defined by 3GPP TS 23.003 [3].

## 5.6 UE location

### 5.6.1 *ANDSF/UE\_Location*

The UE\_Location node acts as a placeholder for describing the current location of the UE.

- Occurrence: ZeroOrOne
- Format: node

- Access Types: Get
- Values: N/A

### 5.6.2 *ANDSF/UE\_Location/3GPP\_Location*

The 3GPP\_Location node acts as a placeholder for 3GPP location descriptions.

- Occurrence: ZeroOrOne
- Format: node
- Access Types: Get
- Values: N/A

If the UE is registered on a 3GPP network, the UE shall insert the parameters of the 3GPP network on which the UE is registered.

The UE may insert the parameters of other 3GPP networks it has discovered when updating this node.

### 5.6.3 *ANDSF/UE\_Location/3GPP\_Location/<X>*

This interior node acts as a placeholder for one or more 3GPP location descriptions.

- Occurrence: OneOrMore
- Format: node
- Access Types: Get
- Values: N/A

### 5.6.4 *ANDSF/UE\_Location/3GPP\_Location/<X>/PLMN*

The PLMN leaf indicates a PLMN code for one particular 3GPP network related location of the UE.

- Occurrence: One
- Format: chr
- Access Types: Get
- Values: <PLMN>

The format of the PLMN is defined by 3GPP TS 23.003 [3].

### 5.6.5 *ANDSF/UE\_Location/3GPP\_Location/<X>/TAC*

This TAC leaf indicates a Tracking Area Code for one particular 3GPP network related location of the UE.

- Occurrence: ZeroOrOne
- Format: chr
- Access Types: Get
- Values: <Tracking area code>

The format of the TAC is defined by 3GPP TS 23.003 [3].

### 5.6.6 *ANDSF/UE\_Location/3GPP\_Location/<X>/LAC*

This LAC leaf indicates a Location Area Code for one particular 3GPP network related location of the UE.

- Occurrence: ZeroOrOne
- Format: chr
- Access Types: Get
- Values: <Location area code>

The format of the LAC is defined by 3GPP TS 23.003 [3].

### 5.6.7 *ANDSF/UE\_Location/3GPP\_Location/<X>/GERAN\_CI*

The GERAN\_CI leaf indicates a GERAN Cell Identity for one particular 3GPP network related location description.

- Occurrence: ZeroOrOne
- Format: bin
- Access Types: Get
- Values: <GERAN Cell Identity >

The leaf format and usage is defined in subclause 5.4.16.

### 5.6.8 *ANDSF/UE\_Location/3GPP\_Location/<X>/UTRAN\_CI*

The UTRAN\_CI leaf indicates a UTRAN Cell Identity for one particular 3GPP network related location description.

- Occurrence: ZeroOrOne
- Format: bin
- Access Types: Get
- Values: <UTRAN Cell Identity>

The leaf format and usage is defined in subclause 5.4.17.

### 5.6.9 *ANDSF/UE\_Location/3GPP\_Location/<X>/EUTRA\_CI*

The EUTRA\_CI leaf indicates an E-UTRA Cell Identity for one particular 3GPP network related location description.

- Occurrence: ZeroOrOne
- Format: bin
- Access Types: Get
- Values: <E-UTRA Cell Identity>

The leaf format and usage is defined in subclause 5.4.18.

### 5.6.10 *ANDSF/UE\_Location/3GPP2\_Location*

This 3GPP2\_Location node acts as a placeholder for 3GPP2 network related location description of UE's position.

- Occurrence: ZeroOrOne
- Format: node
- Access Types: Get
- Values: N/A

The UE should insert the parameters of all the 3GPP2 networks it has discovered when updating this node.

### 5.6.11 *ANDSF/UE\_Location/3GPP2\_Location/1x*

This 1x node acts as a placeholder for one or more 3GPP2 1x RAT network related location descriptions of UE's position.

- Occurrence: ZeroOrOne
- Format: node
- Access Types: Get
- Values: N/A

### 5.6.12 *ANDSF/UE\_Location/3GPP2\_Location/1x/<X>*

This interior node acts as a placeholder for one or more 3GPP2 1x RAT location descriptions of UE position.

- Occurrence: OneOrMore
- Format: node
- Access Types: Get
- Values: N/A

### 5.6.13 *ANDSF/UE\_Location/3GPP2\_Location/1x/<X>/SID*

This SID leaf indicates a System Identification code for one particular 3GPP2 1x RAT location used to indicate UE position.

- Occurrence: One
- Format: chr
- Access Types: Get
- Values: <SID>

The format of the SID is defined by 3GPP2 C.S0016 [14].

### 5.6.14 *ANDSF/UE\_Location/3GPP2\_Location/1x/<X>/NID*

This NID leaf indicates a Network Identification code for one particular 3GPP2 1x RAT location used to indicate UE position.

- Occurrence: ZeroOrOne
- Format: chr
- Access Types: Get
- Values: <NID>

The format of the NID is defined by 3GPP2 C.S0016 [14].

### 5.6.15 *ANDSF/UE\_Location/3GPP2\_Location/1x/<X>/Base\_ID*

This Base\_ID leaf indicates a Base Station Identification code for one particular 3GPP2 1x RAT location used to indicate UE position.

- Occurrence: ZeroOrOne
- Format: chr

- Access Types: Get
- Values: <Base\_ID>

The format of the Base\_ID is defined by 3GPP2 C.S0005 [13].

### 5.6.16 *ANDSF/UE\_Location/3GPP2\_Location/HRPD*

This HRPD node acts as a placeholder for one or more 3GPP2 HRPD RAT location descriptions of UE position.

- Occurrence: ZeroOrOne
- Format: node
- Access Types: Get
- Values: N/A

### 5.6.17 *ANDSF/UE\_Location/3GPP2\_Location/HRPD/<X>*

This interior node acts as a placeholder for one or more 3GPP2 HRPD RAT location descriptions of UE position.

- Occurrence: OneOrMore
- Format: node
- Access Types: Get
- Values: N/A

### 5.6.18 *ANDSF/UE\_Location/3GPP2\_Location/HRPD/<X>/Sector\_ID*

This Sector\_ID leaf indicates a Sector Identification code for one particular 3GPP2 HRPD RAT location used to indicate UE position.

- Occurrence: One
- Format: bin
- Access Types: Get
- Values: <Sector\_ID>

The format of the Sector\_ID is defined by 3GPP2 C.S0024-0 [15]. The length of Sector ID contained in this node is 128 bits.

### 5.6.19 *ANDSF/UE\_Location/3GPP2\_Location/HRPD/<X>/Netmask*

The Netmask leaf indicates a Netmask code for one particular 3GPP2 HRPD RAT location used to indicate UE position.

- Occurrence: One
- Format: bin
- Access Types: Get
- Values: <Netmask>

The format of Netmask is defined by 3GPP2 C.S0024-0 [15]. The length of Netmask contained in this node is 8 bits. The mask contained in this leaf shall be applied to the Sector\_ID bit string contained in the correspondent leaf of interior node.

### 5.6.20 *ANDSF/UE\_Location/WiMAX\_Location*

The *WiMAX\_Location* node acts as a placeholder for WiMAX location descriptions.

- Occurrence: ZeroOrOne
- Format: node
- Access Types: Get
- Values: N/A

The UE should insert the parameters of all the WiMAX networks it has discovered when updating this node.

### 5.6.21 *ANDSF/UE\_Location/WiMAX\_Location/<X>*

This interior node acts as a placeholder for one or more WiMAX location descriptions.

- Occurrence: OneOrMore
- Format: node
- Access Types: Get
- Values: N/A

### 5.6.22 *ANDSF/UE\_Location/WiMAX\_Location/<X>/NAP-ID*

The NAP-ID leaf indicates the Network Access Provider for a particular WiMAX network related location of the UE.

- Occurrence: One
- Format: chr
- Access Types: Get
- Values: <NAP-ID>

The format of the NAP-ID is defined by the WiMAX Forum Network Architecture version 1.2.2 – Stage 2 [6] and WiMAX Forum Network Architecture Release 1.0 version 1.2.2 – Stage 3 [7].

### 5.6.23 *ANDSF/UE\_Location/WiMAX\_Location/<X>/BS-ID*

The BS-ID leaf indicates the BS identifier for a particular WiMAX network related location of the UE.

- Occurrence: One
- Format: chr
- Access Types: Get
- Values: <BS-ID>

The format of the BS-ID is defined by the IEEE Std 802.16e-2005 and IEEE Std 802.16-2004/Cor1-2005 [10].

### 5.6.24 *ANDSF/UE\_Location/WLAN\_Location*

The *WLAN\_Location* node acts as a placeholder for WLAN location descriptions.

- Occurrence: ZeroOrOne
- Format: node
- Access Types: Get

- Values: N/A

If the UE is associated with a WLAN and authenticated using EAP-SIM, EAP-AKA or EAP-AKA' based authentication via the WLAN, the UE shall insert the parameters of the WLAN with which the UE is associated and via which the UE is authenticated.

The UE may insert the parameters of other WLANs it has discovered when updating this node.

### 5.6.25 *ANDSF/UE\_Location/WLAN\_Location/<X>*

This interior node acts as a placeholder for one or more WLAN location descriptions.

- Occurrence: OneOrMore
- Format: node
- Access Types: Get
- Values: N/A

### 5.6.26 *ANDSF/UE\_Location/WLAN\_Location/<X>/HESSID*

The HESSID leaf indicates the HESSID for a particular WLAN network related location of the UE.

- Occurrence: ZeroOrOne
- Format: chr
- Access Types: Get
- Values: <HESSID>

The format of the HESSID is defined by IEEE 802.11<sup>TM</sup>-2012 [26].

### 5.6.27 *ANDSF/UE\_Location/WLAN\_Location/<X>/SSID*

The SSID leaf indicates the SSID for a particular WLAN network related location of the UE.

- Occurrence: ZeroOrOne
- Format: chr
- Access Types: Get
- Values: <SSID>

The format of the SSID is defined by IEEE Std 802.11<sup>TM</sup>-2012 [26].

### 5.6.28 *ANDSF/UE\_Location/WLAN\_Location/<X>/BSSID*

The BSSID leaf indicates the AP identifier for one particular WLAN network related location of the UE.

- Occurrence: One
- Format: chr
- Access Types: Get
- Values: <BSSID>

The format of the BSSID is defined by IEEE Std 802.11<sup>TM</sup>-2012 [26].



## 5.6.29 *ANDSF/UE\_Location/Geo\_Location/*

This node acts as a placeholder for one or more UE Geo\_Location location descriptions.

- Occurrence: ZeroOrOne
- Format: node
- Access Types: Get
- Values: <N/A >

If the UE is aware of its geographical position, it shall insert the coordinates of its position in this Geo\_Location node.

## 5.6.30 *ANDSF/UE\_Location/Geo\_Location/Latitude*

The Latitude leaf indicates the latitude value of the position of the UE.

- Occurrence: One
- Format: bin
- Access Types: Get
- Values: <Latitude >

The Latitude is defined in subclause 6.1 of 3GPP TS 23.032 [3A].

## 5.6.31 *ANDSF/UE\_Location/Geo\_Location/Longitude*

The Longitude leaf indicates the longitude value of the position of the UE.

- Occurrence: One
- Format: bin
- Access Types: Get
- Values: <Longitude>

The Longitude is defined in subclause 6.1 of 3GPP TS 23.032 [3A].

## 5.6.32 *ANDSF/UE\_Location/RPLMN*

The RPLMN leaf indicates a PLMN code of the registered PLMN the UE is connected to.

- Occurrence: ZeroOrOne
- Format: chr
- Access Types: Get
- Values: <PLMN>

The format of the PLMN is defined by 3GPP TS 23.003 [3].

## 5.7 ISRP

### 5.7.1 *ANDSF/ISRP/*

The ISRP node acts as a placeholder for policies for ISRP.

- Occurrence: ZeroOrOne

- Format: node
- Access Types: Get, Replace
- Values: N/A

### 5.7.2 *ANDSF/ISRP/<X>*

This interior node acts as a placeholder for one or more ISRP rules.

- Occurrence: OneOrMore
- Format: node
- Access Types: Get, Replace
- Values: N/A

An ISRP rule can contain one or more of the following nodes: ForFlowBased, ForServiceBased or ForNonSeamlessOffload.

### 5.7.3 *ANDSF/ISRP/<X>/ForFlowBased*

The ForFlowBased node represents flow distribution container indicating data distribution among accesses based on flow description.

- Occurrence: ZeroOrOne
- Format: node
- Access Types: Get, Replace
- Values: N/A

If this node is present, it implies that the Home Agents of the PLMN identified in the leaf *ANDSF/ISRP/<X>/PLMN* of the same rule support IFOM.

### 5.7.4 *ANDSF/ISRP/<X>/ForFlowBased/<X>/*

This interior node acts as a placeholder for one or more flow distribution rule.

- Occurrence: OneOrMore
- Format: node
- Access Types: Get, Replace
- Values: N/A

### 5.7.5 *ANDSF/ISRP/<X>/ForFlowBased/<X>/IPFlow*

The IPFlow node indicates the flow description for a particular flow distribution rule.

- Occurrence: One
- Format: node
- Access Types: Get, Replace
- Values: N/A

An empty IPFlow node indicates the match-all flow description.

If the flow distribution rule contains more than one instance of the ANDSF/ISRP/<X>/ForFlowBased/<X>/IPFlow/<X> node (i.e. flow description), the UE shall consider the flow distribution rule if at least one of the flow descriptions as described in subclause 5.7.6 matches the traffic.

### 5.7.6 ANDSF/ISRP/<X>/ForFlowBased/<X>/IPFlow/<X>/

This interior node acts as a placeholder for one or more flow description.

- Occurrence: OneOrMore
- Format: node
- Access Types: Get, Replace
- Values: N/A

If the flow description is defined with more than one interior node or leaf (i.e. App-ID, AddressType, etc.) within a single instance of the ANDSF/ISRP/<X>/ForFlowBased/<X>/IPFlow/<X> node, then UE shall consider the flow description matching the traffic only if all the present interior nodes and leaf values match the traffic.

#### 5.7.6A ANDSF/ISRP/<X>/ForFlowBased/<X>/IPFlow/<X>/App-ID

This interior node acts as a placeholder for an IPFlow identification based on an applicationID.

An IP flow is evaluated as matching if the IP flow matches at least one child node.

- Occurrence: ZeroOrOne
- Format: node
- Access Types: Get, Replace
- Values: N/A

The absence of this node indicates that the application identifier is not examined when matching packets against the IP flow description of the rule.

#### 5.7.6B ANDSF/ISRP/<X>/ForFlowBased/<X>/IPFlow/<X>/App-ID/<X>/

This interior node acts as a placeholder for one or more combinations of OSId and OSAppId values.

- Occurrence: OneOrMore
- Format: node
- Access Types: Get, Replace
- Values: N/A

An IP flow is evaluated as matching if the IP flow is sent by an application:

- which uses services provided by an OS identified by the OS system identifier in the OSId leaf contained in this interior node; and
- associated with an OS specific application identifier in one of the OSAppId leaves contained in the OSApps interior node.

### 5.7.6C Void

### 5.7.6D *ANDSF/ISRP/<X>/ForFlowBased/<X>/IPFlow/<X>/App-ID/<X>/OSId*

The OSId leaf indicates an operating system identifier.

- Occurrence: One
- Format: chr
- Access Types: Get, Replace
- Values: <operating system identifier>

The format of the operating system identifier is a Universally Unique Identifier (UUID) as specified in IETF RFC 4122 [22].

### 5.7.6E *ANDSF/ISRP/<X>/ForFlowBased/<X>/IPFlow/<X>/App-ID/<X>/OSApps/*

This interior node acts as a placeholder for the list of OS specific application identifiers.

- Occurrence: One
- Format: node
- Access Types: Get, Replace
- Values: <N/A>

### 5.7.6F *ANDSF/ISRP/<X>/ForFlowBased/<X>/IPFlow/<X>/App-ID/<X>/OSApps/<X>*

This interior node acts as a placeholder for an OS specific application identifiers.

- Occurrence: OneOrMore
- Format: node
- Access Types: Get, Replace
- Values: <N/A>

### 5.7.6G *ANDSF/ISRP/<X>/ForFlowBased/<X>/IPFlow/<X>/App-ID/<X>/OSApps/<X>/OSAppId*

The OSAppId leaf indicates an OS specific application identifier.

- Occurrence: One
- Format: chr
- Access Types: Get, Replace
- Values: <OS specific application identifier>

Further definition of the format of the OS specific application identifier is beyond the scope of this specification.

### 5.7.7 *ANDSF/ISRP/<X>/ForFlowBased/<X>/IPFlow/<X>/AddressType*

The AddressType leaf indicates the IP version of the addresses describing the IP flow.

- Occurrence: ZeroOrOne
- Format: chr
- Access Types: Get, Replace
- Values: 'IPv4', 'IPv6'

The absence of this leaf indicates that the IP flow described by the rule can have both IPv4 and IPv6 addresses. This field is mandatory if StartSourceIPAddress leaf is present.

### 5.7.8 *ANDSF/ISRP/<X>/ForFlowBased/<X>/IPFlow/<X>/StartSourceIPAddress*

The StartSourceIPAddress leaf indicates the first IP source address of the IP address range of the IP flow description. The source address refers to the IP address of the data packets destined for the UE according to the terminology in the IETF RFC 6088 [24].

- Occurrence: ZeroOrOne
- Format: chr
- Access Types: Get, Replace
- Values: <an IPv4 address>, <an IPv6 address>.

The value of this leaf is an IPv4 address if the AddressType leaf value of the same rule is equal to IPv4. The value of this leaf is an IPv6 address if the AddressType leaf value of the same rule is equal to IPv6. If this leaf represents the first value of an IP source address range, the values of this leaf and the corresponding *ANDSF/ISRP/<X>/ForFlowBased/<X>/IPFlow/<X>/EndSourceIPAddress* leaf are set so that the IP address range can be represented in prefix notation.

**EXAMPLE:** IPv4 address range 192.0.2.0 - 192.0.2.255 is equal to 192.0.2.0/24 in prefix notation, and IPv6 address range 2001:db8::/128 - 2001:db8:ffff:ffff:ffff:ffff:ffff:ffff/128 equals 2001:db8::/32 in prefix notation.

The absence of this leaf indicates that source address field of the IP header is not examined when matching packets against the IP flow description of the rule.

The UE ignores an IPFlow instance with a StartSourceIPAddress leaf without a correspondent AddressType leaf. If the IPFlow instance is the only one contained in the flow distribution rule, the UE ignores the flow distribution rule.

When applying the rule to uplink traffic, the UE matches the addresses contained in the range between StartSourceIPAddress and EndSourceIPAddress against destination IP address field of the uplink traffic packets.

### 5.7.9 *ANDSF/ISRP/<X>/ForFlowBased/<X>/IPFlow/<X>/EndSourceIPAddress*

The EndSourceIPAddress leaf indicates the last IP source address of the IP source address range of the IP flow description. The source address refers to the IP address of the data packets destined for the UE according to the terminology in the IETF RFC 6088 [24].

- Occurrence: ZeroOrOne
- Format: chr
- Access Types: Get, Replace

- Values: <an IPv4 address>, <an IPv6 address>.

This leaf can be present only if the leaf *ANDSF/ISRP/<X>/ForFlowBased/<X>/IPFlow/<X>/StartSourceIPAddress* is present. The absence of this leaf indicates that the IP source address range of the IP flow described by the rule is equal to the address contained in *ANDSF/ISRP/<X>/ForFlowBased/<X>/IPFlow/<X>/StartSourceIPAddress*. When representing the IP source address range with more than one IP address, the values of this leaf and the corresponding *ANDSF/ISRP/<X>/ForFlowBased/<X>/IPFlow/<X>/StartSourceIPAddress* leaf are set as defined in subclause 5.7.8.

The value of this leaf is an IPv4 address if the *AddressType* leaf value of the same rule is equal to IPv4. The value of this leaf is an IPv6 address if the *AddressType* leaf value of the same rule is equal to IPv6.

The UE ignores an IPFlow instance with a *EndSourceIPAddress* leaf without a correspondent *StartSourceIPAddress* leaf. If the IPFlow instance is the only one contained in the flow distribution rule, the UE ignores the flow distribution rule.

### 5.7.10 Void

### 5.7.11 Void

### 5.7.12 *ANDSF/ISRP/<X>/ForFlowBased/<X>/IPFlow/<X>/ProtocolType*

The *ProtocolType* leaf indicates the protocol type in a flow description.

- Occurrence: ZeroOrOne
- Format: int
- Access Types: Get, Replace
- Values: <Protocol type>

The value of *ProtocolType* leaf is a value among the internet protocol numbers as defined in IANA Assigned Internet Protocol Numbers [18]. In case of IPv4 flow description, the value contained in this leaf is compared with the value of the last protocol type field. In case of IPv6 flow description, the value contained in this leaf is compared with the value of the last next header field. The UE ignores an IPFlow instance with a *ProtocolType* leaf indicating a protocol type not supported by the UE. If the IPFlow instance is the only one contained in the flow distribution rule, the UE ignores the flow distribution rule.

### 5.7.13 *ANDSF/ISRP/<X>/ForFlowBased/<X>/IPFlow/<X>/StartSourcePortNumber*

The *StartSourcePortNumber* leaf indicates the first source port number of the source port numbers range of the IP flow description. The source port refers to the source port of the data packets destined for the UE according to the terminology in the IETF RFC 6088 [24].

- Occurrence: ZeroOrOne
- Format: int
- Access Types: Get, Replace
- Values: any value in the range 1-65535.

The absence of this leaf indicates that source port field of the transport protocol header is not examined when matching packets against the IP flow description of the rule.

When applying the rule to uplink traffic, the UE matches the port numbers contained in the range between *StartSourcePortNumber* and *EndSourcePortNumber* against destination port field of the uplink traffic packets.

### 5.7.14 *ANDSF/ISRP/<X>/ForFlowBased/<X>/IPFlow/<X>/EndSourcePortNumber*

The *EndSourcePortNumber* leaf indicates the last source port number of the source port numbers range of the IP flow description. The source port refers to the source port of the data packets destined for the UE according to the terminology in the IETF RFC 6088 [24].

- Occurrence: ZeroOrOne
- Format: int
- Access Types: Get, Replace
- Values: any value in the range 1-65535.

This leaf can be present only if the leaf *ANDSF/ISRP/<X>/ForFlowBased/<X>/IPFlow/<X>/StartSourcePortNumber* is present. The absence of this leaf indicates that the source port number range of the IP flow described by the rule is equal to the source port number contained in *ANDSF/ISRP/<X>/ForFlowBased/<X>/IPFlow/<X>/StartSourcePortNumber*.

The UE ignores an IPFlow instance with a *EndSourcePortNumber* leaf without a correspondent *StartSourcePortNumber* leaf. If the IPFlow instance is the only one contained in the flow distribution rule, the UE ignores the flow distribution rule.

### 5.7.15 *ANDSF/ISRP/<X>/ForFlowBased/<X>/IPFlow/<X>/StartDestPortNumber*

The *StartDestPortNumber* leaf indicates the first destination port number of the destination port numbers range of the IP flow description. The destination port refers to the destination port of the data packets sent by the corresponding node according to the terminology in the IETF RFC 6088 [24].

- Occurrence: ZeroOrOne
- Format: int
- Access Types: Get, Replace
- Values: any value in the range 1-65535.

The absence of this leaf indicates that destination port field of the transport protocol header is not examined when matching packets against the IP flow description of the rule.

When applying the rule to uplink traffic, the UE matches the port numbers contained in the range between *StartDestPortNumber* and *EndDestPortNumber* against source port field of the uplink traffic packets.

### 5.7.16 *ANDSF/ISRP/<X>/ForFlowBased/<X>/IPFlow/<X>/EndDestPortNumber*

The *EndDestPortNumber* leaf indicates the last destination port number of the destination port numbers range of the IP flow description. The destination port refers to the destination port of the data packets sent by the corresponding node according to the terminology in the IETF RFC 6088 [24].

- Occurrence: ZeroOrOne
- Format: int
- Access Types: Get, Replace
- Values: any value in the range 1-65535.

This leaf can be present only if the leaf *ANDSF/ISRP/<X>/ForFlowBased/<X>/IPFlow/<X>/StartDestPortNumber* is present. The absence of this leaf indicates that the destination port number range of the IP flow described by the rule is equal to the port number contained in *ANDSF/ISRP/<X>/ForFlowBased/<X>/IPFlow/<X>/StartDestPortNumber*.

The UE ignores an IPFlow instance with a EndDestPortNumber leaf without a correspondent StartDestPortNumber leaf. If the IPFlow instance is the only one contained in the flow distribution rule, the UE ignores the flow distribution rule.

### 5.7.17 *ANDSF/ISRP/<X>/ForFlowBased/<X>/IPFlow/<X>/QoS*

The QoS leaf indicates the DS or ToS values parameters in a flow description.

- Occurrence: ZeroOrOne
- Format: bin
- Access Types: Get, Replace
- Values: any value in the range 0-63 expressed in a binary form

The DS and ToS values are defined in IETF RFC 3260 [10A].

### 5.7.17A *ANDSF/ISRP/<X>/ForFlowBased/<X>/IPFlow/<X>/DomainName*

The DomainName leaf indicates the destination domain name of the IP Flow description.

- Occurrence: ZeroOrOne
- Format: chr
- Access Types: Get, Replace
- Values: <FQDN>

The value of FQDN is Fully Qualified Domain Name (e.g. www.example.com) that was resolved into the destination IP address. The FQDN format is defined in 3GPP TS 23.003 [3].

The absence of this leaf indicates that the domain name is not examined when matching packets against the IP flow description of the rule.

### 5.7.17B *ANDSF/ISRP/<X>/ForFlowBased/<X>/IPFlow/<X>/APN*

The APN leaf indicates the APN of the IP flow description.

- Occurrence: ZeroOrOne
- Format: chr
- Access Types: Get, Replace
- Values: <APN>

The APN format is defined in 3GPP TS 23.003 [3].

If the traffic is for an APN matching the value of this leaf, then this leaf is evaluated as matching.

### 5.7.18 *ANDSF/ISRP/<X>/ForFlowBased/<X>/RoutingCriteria*

The RoutingCriteria node acts as a placeholder for validity conditions for a particular flow distribution rule.

- Occurrence: ZeroOrOne
- Format: node
- Access Types: Get, Replace
- Values: N/A



If at least one instance of `ANDSF/ISRP/<X>/ForFlowBased/<X>/RoutingCriteria/<X>` node indicates matching validity condition, the UE shall consider the corresponding flow distribution rule as valid.

If the `ANDSF/ISRP/<X>/ForFlowBased/<X>/RoutingCriteria/<X>` node is present and empty (i.e. none of the nodes `ValidityArea`, `ValidityAreaRef`, `TimeOfDay`, `TimeOfDayRef`, `RANValidityCondition` or `RANValidityConditionRef` exist), the `ANDSF/ISRP/<X>/ForFlowBased/<X>/RoutingCriteria/<X>` node is not considered when evaluating the validity of the corresponding flow distribution rule.

### 5.7.19 `ANDSF/ISRP/<X>/ForFlowBased/<X>/RoutingCriteria/<X>/`

This internal node acts as a placeholder for one or more validity conditions for a particular flow distribution rule.

- Occurrence: OneOrMore
- Format: node
- Access Types: Get, Replace
- Values: N/A

The UE shall consider the corresponding flow distribution rule as valid only if all the present interior nodes (`ValidityArea`, `ValidityAreaRef`, `TimeOfDay`, `TimeOfDayRef`, `RANValidityCondition` or `RANValidityConditionRef`) within a single instance of `ANDSF/ISRP/<X>/ForFlowBased/<X>/RoutingCriteria/<X>` node indicate matching validity condition.

### 5.7.20 `ANDSF/ISRP/<X>/ForFlowBased/<X>/RoutingCriteria/<X>/ValidityArea`

The `ValidityArea` node acts as a placeholder for location conditions for a particular flow distribution rule.

- Occurrence: ZeroOrOne
- Format: node
- Access Types: Get, Replace
- Values: N/A

This node and its descendants are the same as defined in `ANDSF/Policy/<X>/ValidityArea`.

### 5.7.20A `ANDSF/ISRP/<X>/ForFlowBased/<X>/RoutingCriteria/<X>/ValidityAreaRef`

The `ValidityAreaRef` leaf contains a reference to a `ValidityArea` interior node.

- Occurrence: ZeroOrOne
- Format: chr
- Access Types: Get, Replace
- Values: < a reference to a `ValidityArea` interior node >

This node is the same as defined in `ANDSF/Policy/<X>/ValidityAreaRef`.

### 5.7.21 `ANDSF/ISRP/<X>/ForFlowBased/<X>/RoutingCriteria/<X>/TimeOfDay`

The `TimeOfDay` node acts as a placeholder for day condition for a particular flow distribution rule.

- Occurrence: ZeroOrOne

- Format: node
- Access Types: Get, Replace
- Values: N/A

This node and its descendants are the same as defined in <X>/Policy/<X>/TimeOfDay.

### 5.7.21A ANDSF/ISRP/<X>/ForFlowBased/<X>/RoutingCriteria/<X>/TimeOfDayRef

The TimeOfDayRef leaf contains a reference to a TimeOfDay interior node.

- Occurrence: ZeroOrOne
- Format: chr
- Access Types: Get, Replace
- Values: < a reference to a TimeOfDay interior node >

This node is the same as defined in <X>/Policy/<X>/TimeOfDayRef.

### 5.7.21B1 ANDSF/ISRP/<X>/ForFlowBased/<X>/RoutingCriteria/<X>/RANValidityCondition

The RANValidityCondition node acts as a placeholder for RAN validity condition for a particular flow distribution rule.

- Occurrence: ZeroOrOne
- Format: node
- Access Types: Get, Replace
- Values: N/A

When evaluating the RANValidityCondition node, the following applies:

- if both the OPI node and ThresholdCondition node are evaluated to be matching, the UE shall consider this RANValidCondition node as matching;
- if the rule is provided by the H-ANDSF, and the UE is roaming in the VPLMN, the UE shall consider this RANValidCondition node as matching;
- otherwise the UE shall consider this RANValidCondition node as not matching.

### 5.7.21B2 ANDSF/ISRP/<X>/ForFlowBased/<X>/RoutingCriteria/<X>/RANValidityCondition/ThresholdConditions

The ThresholdCondition interior node acts as a placeholder for information related to 3GPP and WLAN thresholds condition evaluation.

- Occurrence: One
- Format: node
- Access Types: Get, Replace
- Values: N/A

The ThresholdCondition shall be evaluated as follows:

- if ThresholdConditionEvaluationPolicy child leaf of this node is 0:

- if any one of the nodes included in Thresholds node is evaluated to be matching, the UE shall consider this node as matching;
- otherwise, the UE shall consider this node as not matching; and
- if ThresholdConditionEvaluationPolicy child leaf of this node is 1:
  - if all the nodes included in Thresholds node are evaluated to be matching, the UE shall consider this node as matching;
  - otherwise, the UE shall consider this node as not matching.

### 5.7.21B3 ANDSF/ISRP/<X>/ForFlowBased/<X>/RoutingCriteria/<X>/RANValidityCondition/ThresholdConditions/Thresholds

The Thresholds interior node acts as a placeholder for all 3GPP access thresholds and WLAN access thresholds.

- Occurrence: One
- Format: node
- Access Types: Get, Replace
- Values: N/A

The following 3GPP or WLAN access thresholds can be included in the Thresholds node:

- 1) 3GPP access thresholds:ThreshServingOffloadWLANLowP, ThreshServingOffloadWLANHighP, ThreshServingOffloadWLANLowQ, ThreshServingOffloadWLANHighQ;
- 2) WLAN access thresholds:ThreshChUtilWLANLow, ThreshChUtilWLANHigh, ThreshBackhRateDLWLANLow, ThreshBackhRateDLWLANHigh, ThreshBackhRateULWLANLow, ThreshBackhRateULWLANHigh, ThreshBeaconRSSIWLANLow, ThreshBeaconRSSIWLANHigh.

NOTE: If the operator wishes to ensure that ANDSF rules provide consistent traffic steering behaviour as the RAN rules, it is advised to have the threshold conditions in ANDSF policy evaluated in the same way as the threshold conditions in the RAN rules.

### 5.7.21B4 ANDSF/ISRP/<X>/ForFlowBased/<X>/RoutingCriteria/<X>/RANValidityCondition/ThresholdConditions/Thresholds/ThreshServingOffloadWLANLowP

The ThreshServingOffloadWLANLowP leaf node acts as a placeholder indicating that low threshold value of RSRP threshold (for E-UTRAN) / CPICH RSCP threshold (for UTRAN FDD) / P-CCPCH threshold (for UTRAN TDD) provided by E-UTRAN/UTRAN is to be taken into account when evaluating validity of the rule and is used by the UE for traffic steering to WLAN.

- Occurrence: ZeroOrOne
- Format: Null
- Access Types: Get, Replace
- Values: N/A

The ThreshServingOffloadWLANLowP threshold condition shall be evaluated as follows:

- if ThreshServingOffloadWLANLowP leaf is present and ThreshServingOffloadWLANLowP threshold value has not been received from E-UTRAN/UTRAN, the UE shall consider this node as not matching;
- otherwise if ThreshServingOffloadWLANLowP leaf is present and ThreshServingOffloadWLANLowP threshold value has been received from E-UTRAN/UTRAN;

- if the measurement value  $Q_{rxlevmeas}$  is smaller than  $ThreshServingOffloadWLANLowP$  threshold value, the UE shall consider this node as matching; otherwise the UE shall consider this node as not matching.

### 5.7.21B5 *ANDSF/ISRP/<X>/ForFlowBased/<X>/RoutingCriteria/<X>/RANValidityCondition/ThresholdConditions/Thresholds/ThreshServingOffloadWLANHighP*

The  $ThreshServingOffloadWLANHighP$  leaf node acts as a placeholder indicating that high threshold value of RSRP threshold (for E-UTRAN) / CPICH RSCP threshold (for UTRAN FDD) / P-CCPCH threshold (for UTRAN TDD) provided by E-UTRAN/UTRAN is to be taken into account when evaluating validity of the rule and is used by the UE for traffic steering to E-UTRAN/UTRAN.

- Occurrence: ZeroOrOne
- Format: Null
- Access Types: Get, Replace
- Values: N/A

The  $ThreshServingOffloadWLANHighP$  threshold condition shall be evaluated as follows:

- if  $ThreshServingOffloadWLANHighP$  leaf is present and  $ThreshServingOffloadWLANHighP$  threshold value has not been received from E-UTRAN/UTRAN, the UE shall consider this node as not matching;
- otherwise if  $ThreshServingOffloadWLANHighP$  leaf is present and  $ThreshServingOffloadWLANHighP$  threshold value has been received from E-UTRAN/UTRAN;
- if the measurement value  $Q_{rxlevmeas}$  is greater than  $ThreshServingOffloadWLANHighP$  threshold value, the UE shall consider this node as matching; otherwise the UE shall consider this node as not matching.

### 5.7.21B6 *ANDSF/ISRP/<X>/ForFlowBased/<X>/RoutingCriteria/<X>/RANValidityCondition/ThresholdConditions/Thresholds/ThreshServingOffloadWLANLowQ*

The  $ThreshServingOffloadWLANLowQ$  leaf node acts as a placeholder indicating that low threshold value of RSRQ threshold (for E-UTRAN) / CPICH EC/N0 threshold (for UTRAN FDD) provided by E-UTRAN/UTRAN is to be taken into account when evaluating validity of the rule and is used by the UE for traffic steering to WLAN.

- Occurrence: ZeroOrOne
- Format: Null
- Access Types: Get, Replace
- Values: N/A

The  $ThreshServingOffloadWLANLowQ$  threshold condition shall be evaluated as follows:

- if  $ThreshServingOffloadWLANLowQ$  leaf is present and  $ThreshServingOffloadWLANLowQ$  threshold value has not been received from E-UTRAN/UTRAN, the UE shall consider this node as not matching;
- otherwise if  $ThreshServingOffloadWLANLowQ$  leaf is present and  $ThreshServingOffloadWLANLowQ$  threshold value has been received from E-UTRAN/UTRAN;
- if the measurement value  $Q_{qualmeas}$  is smaller than  $ThreshServingOffloadWLANLowQ$  threshold value, the UE shall consider this node as matching; otherwise the UE shall consider this node as not matching.

## 5.7.21B7ANDSF/ISRP/<X>/ForFlowBased/<X>/RoutingCriteria/<X>/ RANValidityCondition/ThresholdConditions/Thresholds/ThreshServingOffloadWLANHighQ

The ThreshServingOffloadWLANHighQ leaf node acts as a placeholder indicating that high threshold value of RSRQ threshold (for E-UTRAN) / CPICH EC/N0 threshold (for UTRAN FDD) provided by E-UTRAN/UTRAN is to be taken into account when evaluating validity of the rule and is used by the UE for traffic steering to E-UTRAN/UTRAN.

- Occurrence: ZeroOrOne
- Format: Null
- Access Types: Get, Replace
- Values: N/A

The ThreshServingOffloadWLANHighQ threshold condition shall be evaluated as follows:

- if ThreshServingOffloadWLANHighQ leaf is present and ThreshServingOffloadWLANHighQ threshold value has not been received from E-UTRAN/UTRAN, the UE shall consider this node as not matching;
- otherwise if ThreshServingOffloadWLANHighQ leaf is present and ThreshServingOffloadWLANHighQ threshold value has been received from E-UTRAN/UTRAN;
  - if the measurement value Qqualmeas is greater than ThreshServingOffloadWLANHighQ threshold value, the UE shall consider this node as matching; otherwise the UE shall consider this node as not matching.

## 5.7.21B8ANDSF/ISRP/<X>/ForFlowBased/<X>/RoutingCriteria/<X>/ RANValidityCondition/ThresholdConditions/Thresholds/ThreshChUtilWLANLow

The ThreshChUtilWLANLow node leaf acts as a placeholder for low threshold value of WLAN channel utilization (BSS load) threshold provisioned by ANDSF and/or by RAN.

- Occurrence: ZeroOrOne
- Format: node
- Access Types: Get, Replace
- Values: N/A

The ThreshChUtilWLANLow threshold condition shall be evaluated as follows:

- if the ThreshChUtilWLANLowRAN node is present and ThreshChUtilWLANLowANDSF node is not present and the ThreshChUtilWLANLowRAN node is evaluated to be matching, the UE shall consider this node as matching;
- if the ThreshChUtilWLANLowANDSF node is present and ThreshChUtilWLANLowRAN node is not present and the ThreshChUtilWLANLowANDSF node is evaluated to be matching, the UE shall consider this node as matching;
- if both the ThreshChUtilWLANLowANDSF node and ThreshChUtilWLANLowRAN node are present ThreshChUtilWLANLowRAN node will take precedence over ThreshChUtilWLANLowANDSF node, i.e. the ThreshChUtilWLANLowRAN node is evaluated to be matching, the UE shall consider this node as matching. Otherwise, if the RAN threshold value has not been received from E-UTRAN/UTRAN and the ThreshChUtilWLANLowANDSF node is evaluated to be matching, the UE shall consider this node as matching;
- if this node is empty, the UE shall consider this node as matching; and
- otherwise the UE shall consider this node as not matching.

### 5.7.21B9 *ANDSF/ISRP/<X>/ForFlowBased/<X>/RoutingCriteria/<X>/RANValidityCondition/ThresholdConditions/Thresholds/ThreshChUtilWLANLow/ThreshChUtilWLANLowANDSF*

The ThreshChUtilWLANLowANDSF leaf node acts as a placeholder for low threshold value of WLAN channel utilization (BSS load) threshold obtained from 802.11 (Beacon or Probe Response) signalling. It is provisioned by ANDSF and used by the UE for traffic steering to WLAN.

- Occurrence: ZeroOrOne
- Format: int
- Access Types: Get, Replace
- Values: <ThreshChUtilWLANLowANDSF>

The ThreshChUtilWLANLowANDSF threshold condition shall be evaluated as follows:

- if the measurement value ChannelUtilizationWLAN obtained in the 802.11 (Beacon or Probe Response) signalling is smaller than value contained in this leaf, the UE shall consider this node as matching; otherwise the UE shall consider this node as not matching.

### 5.7.21B10 *ANDSF/ISRP/<X>/ForFlowBased/<X>/RoutingCriteria/<X>/RANValidityCondition/ThresholdConditions/Thresholds/ThreshChUtilWLANLow/ThreshChUtilWLANLowRAN*

The ThreshChUtilWLANLowRAN leaf node acts as a placeholder indicating that low threshold value of WLAN channel utilization (BSS load) threshold provided by E-UTRAN/UTRAN is to be taken into account when evaluating validity of the rule and is used by the UE for traffic steering to WLAN.

- Occurrence: ZeroOrOne
- Format: Null
- Access Types: Get, Replace
- Values: N/A

The ThreshChUtilWLANLowRAN threshold condition shall be evaluated as follows:

- if ThreshChUtilWLANLowRAN leaf is present and ThreshChUtilWLANLow threshold value has not been received from E-UTRAN/UTRAN, the UE shall consider this node as not matching;
- otherwise if ThreshChUtilWLANLowRAN leaf is present and ThreshChUtilWLANLow threshold value has been received from E-UTRAN/UTRAN;
  - if the measurement value ChannelUtilizationWLAN is smaller than ThreshChUtilWLANLow threshold value, the UE shall consider this node as matching; otherwise the UE shall consider this node as not matching.

### 5.7.21B11 *ANDSF/ISRP/<X>/ForFlowBased/<X>/RoutingCriteria/<X>/RANValidityCondition/ThresholdConditions/Thresholds/ThreshChUtilWLANHigh*

The ThreshChUtilWLANHigh node leaf acts as a placeholder for high threshold value of WLAN channel utilization (BSS load) threshold provisioned by ANDSF and/or by RAN.

- Occurrence: ZeroOrOne
- Format: node
- Access Types: Get, Replace

- Values: N/A

The ThreshChUtilWLANHigh threshold condition shall be evaluated as follows:

- if the ThreshChUtilWLANHighRAN node is present and ThreshChUtilWLANHighANDSF node is not present and the ThreshChUtilWLANHighRAN node is evaluated to be matching, the UE shall consider this node as matching;
- if the ThreshChUtilWLANHighANDSF node is present and ThreshChUtilWLANHighRAN node is not present and the ThreshChUtilWLANHighANDSF node is evaluated to be matching, the UE shall consider this node as matching;
- if both the ThreshChUtilWLANHighANDSF node and ThreshChUtilWLANHighRAN node are present, ThreshChUtilWLANHighRAN node will take precedence over ThreshChUtilWLANHighANDSF node, i.e. the ThreshChUtilWLANHighRAN node is evaluated to be matching, the UE shall consider this node as matching. Otherwise, if the RAN threshold value has not been received from E-UTRAN/UTRAN and the ThreshChUtilWLANHighANDSF node is evaluated to be matching, the UE shall consider this node as matching;
- if this node is empty, the UE shall consider this node as matching; and
- otherwise the UE shall consider this node as not matching.

### 5.7.21B12 ANDSF/ISRP/<X>/ForFlowBased/<X>/RoutingCriteria/<X>/RANValidityCondition/ThresholdConditions/Thresholds/ThreshChUtilWLANHigh/ThreshChUtilWLANHighANDSF

The ThreshChUtilWLANHighANDSF leaf node acts as a placeholder for high threshold value of WLAN channel utilization (BSS load) threshold obtained from 802.11 (Beacon or Probe Response) signalling. It is provisioned by ANDSF and used by the UE for traffic steering to E-UTRAN/UTRAN.

- Occurrence: ZeroOrOne
- Format: int
- Access Types: Get, Replace
- Values: <ThreshChUtilWLANHighANDSF>

The ThreshChUtilWLANHighANDSF threshold condition shall be evaluated as follows:

- if the measurement value ChannelUtilizationWLAN obtained in the 802.11 (Beacon or Probe Response) signalling is greater than value contained in this leaf, the UE shall consider this node as matching; otherwise the UE shall consider this node as not matching.

### 5.7.21B13 ANDSF/ISRP/<X>/ForFlowBased/<X>/RoutingCriteria/<X>/RANValidityCondition/ThresholdConditions/Thresholds/ThreshChUtilWLANHigh/ThreshChUtilWLANHighRAN

The ThreshChUtilWLANHighRAN leaf node acts as a placeholder indicating that high threshold value of WLAN channel utilization (BSS load) threshold provided by E-UTRAN/UTRAN is to be taken into account when evaluating validity of the rule and is used by the UE for traffic steering to E-UTRAN/UTRAN.

- Occurrence: ZeroOrOne
- Format: Null
- Access Types: Get, Replace
- Values: N/A

The ThreshChUtilWLANHighRAN threshold condition shall be evaluated as follows:

- if ThreshChUtilWLANHighRAN leaf is present and ThreshChUtilWLANHigh threshold value has not been received from E-UTRAN/UTRAN, the UE shall consider this node as not matching;
- otherwise if ThreshChUtilWLANHighRAN leaf is present and ThreshChUtilWLANHigh threshold value has been received from E-UTRAN/UTRAN;
- if the measurement value ChannelUtilizationWLAN is greater than ThreshChUtilWLANHigh threshold value, the UE shall consider this node as matching; otherwise the UE shall consider this node as not matching.

### 5.7.21B14 *ANDSF/ISRP/<X>/ForFlowBased/<X>/RoutingCriteria/<X>/RANValidityCondition/ThresholdConditions/Thresholds/ThreshBackhRateDLWLANLow*

The ThreshBackhRateDLWLANLow node leaf acts as a placeholder for low threshold value of backhaul available downlink bandwidth thresholds provisioned by ANDSF and/or by RAN.

- Occurrence: ZeroOrOne
- Format: node
- Access Types: Get, Replace
- Values: N/A

The ThreshBackhRateDLWLANLow threshold condition shall be evaluated as follows:

- if the ThreshBackhRateDLWLANLowRAN node is present and ThreshBackhRateDLWLANLowANDSF node is not present and the ThreshBackhRateDLWLANLowRAN node is evaluated to be matching, the UE shall consider this node as matching;
- if the ThreshBackhRateDLWLANLowANDSF node is present and ThreshBackhRateDLWLANLowRAN node is not present and the ThreshBackhRateDLWLANLowANDSF node is evaluated to be matching, the UE shall consider this node as matching;
- if both the ThreshBackhRateDLWLANLowANDSF node and ThreshBackhRateDLWLANLowRAN node are present, ThreshBackhRateDLWLANLowRAN node will take precedence over ThreshBackhRateDLWLANLowANDSF node, i.e. the ThreshBackhRateDLWLANLowRAN node is evaluated to be matching, the UE shall consider this node as matching. Otherwise, if the RAN threshold value has not been received from E-UTRAN/UTRAN and the ThreshBackhRateDLWLANLowANDSF node is evaluated to be matching, the UE shall consider this node as matching;
- if this node is empty, the UE shall consider this node as matching; and
- otherwise the UE shall consider this node as not matching.

### 5.7.21B15 *ANDSF/ISRP/<X>/ForFlowBased/<X>/RoutingCriteria/<X>/RANValidityCondition/ThresholdConditions/Thresholds/ThreshBackhRateDLWLANLow/ThreshBackhRateDLWLANLowANDSF*

The ThreshBackhRateDLWLANLowANDSF leaf node acts as a placeholder for low threshold value of backhaul available downlink bandwidth threshold provided by E-UTRAN/UTRAN and is used by the UE for traffic steering to E-UTRAN/UTRAN.

- Occurrence: ZeroOrOne
- Format: int
- Access Types: Get, Replace
- Values: <ThreshBackhRateDLWLANLowANDSF>

The ThreshBackhRateDLWLANLow threshold condition shall be evaluated as follows:



- if the measurement value BackhaulRateDIWLAN derived from Downlink Speed and Downlink Load measurement results is smaller than value contained in this leaf, the UE shall consider this node as matching; otherwise the UE shall consider this node as not matching.

NOTE: BackhaulRateDIWLAN is calculated as the Downlink Speed \* (1 – Downlink Load/255), where the downlink speed and load parameters are drawn from the WAN Metrics element obtained via ANQP signalling from WFA HS 2.0.

### 5.7.21B16 ANDSF/ISRP/<X>/ForFlowBased/<X>/RoutingCriteria/<X>/RANValidityCondition/ThresholdConditions/Thresholds/ThreshBackhRateDLWLANLow/ThreshBackhRateDLWLANLowRAN

The ThreshBackhRateDLWLANLowRAN leaf node acts as a placeholder indicating that low threshold value of backhaul available downlink bandwidth threshold provided by E-UTRAN/UTRAN is to be taken into account when evaluating validity of the rule and is used by the UE for traffic steering to E-UTRAN/UTRAN.

- Occurrence: ZeroOrOne
- Format: Null
- Access Types: Get, Replace
- Values: N/A

The ThreshBackhRateDLWLANLowRAN threshold condition shall be evaluated as follows:

- if ThreshBackhRateDLWLANLowRAN leaf is present and ThreshBackhRateDLWLANLow threshold value has not been received from E-UTRAN/UTRAN, the UE shall consider this node as not matching;
- otherwise if ThreshBackhRateDLWLANLowRAN leaf is present and ThreshBackhRateDLWLANLow threshold value has been received from E-UTRAN/UTRAN;
- if the value BackhaulRateDIWLAN derived from Downlink Speed and Downlink Load measurement results is smaller than ThreshBackhRateDLWLANLow threshold value, the UE shall consider this node as matching; otherwise the UE shall consider this node as not matching.

NOTE: BackhaulRateDIWLAN is calculated as the Downlink Speed \* (1 – Downlink Load/255), where the downlink speed and load parameters are drawn from the WAN Metrics element obtained via ANQP signalling from WFA HS 2.0.

### 5.7.21B17 ANDSF/ISRP/<X>/ForFlowBased/<X>/RoutingCriteria/<X>/RANValidityCondition/ThresholdConditions/Thresholds/ThreshBackhRateDLWLANHigh

The ThreshBackhRateDLWLANHigh node leaf acts as a placeholder for high threshold value of backhaul available downlink bandwidth thresholds provisioned by ANDSF and/or by RAN.

- Occurrence: ZeroOrOne
- Format: node
- Access Types: Get, Replace
- Values: N/A

The ThreshBackhRateDLWLANHigh threshold condition shall be evaluated as follows:

- if the ThreshBackhRateDLWLANHighRAN node is present and ThreshBackhRateDLWLANHighANDSF node is not present and the ThreshBackhRateDLWLANHighRAN node is evaluated to be matching, the UE shall consider this node as matching;

- if the ThreshBackhRateDLWLANHighANDSF node is present and ThreshBackhRateDLWLANHighRAN node is not present and the ThreshBackhRateDLWLANHighANDSF node is evaluated to be matching, the UE shall consider this node as matching;
- if both the ThreshBackhRateDLWLANHighANDSF node and ThreshBackhRateDLWLANHighRAN node are present ThreshBackhRateDLWLANHighRAN node will take precedence over ThreshBackhRateDLWLANHighANDSF node, i.e. the ThreshBackhRateDLWLANHighRAN node is evaluated to be matching, the UE shall consider this node as matching. Otherwise, if the RAN threshold value has not been received from E-UTRAN/UTRAN and the ThreshBackhRateDLWLANHighANDSF node is evaluated to be matching, the UE shall consider this node as matching;
- if this node is empty, the UE shall consider this node as matching; and
- otherwise the UE shall consider this node as not matching.

### 5.7.21B18 ANDSF/ISRP/<X>/ForFlowBased/<X>/RoutingCriteria/<X>/RANValidityCondition/ThresholdConditions/Thresholds/ThreshBackhRateDLWLANHigh/ThreshBackhRateDLWLANHighANDSF

The ThreshBackhRateDLWLANHighANDSF leaf node acts as a placeholder for high threshold value of backhaul available downlink bandwidth threshold provided by E-UTRAN/UTRAN and is used by the UE for traffic steering to WLAN.

- Occurrence: ZeroOrOne
- Format: int
- Access Types: Get, Replace
- Values: <ThreshBackhRateDLWLANHigh>

The ThreshBackhRateDLWLANHighANDSF threshold condition shall be evaluated as follows:

- if the measurement value BackhaulRateDIWLAN derived from Downlink Speed and Downlink Load measurement results is greater than value contained in this leaf, the UE shall consider this node as matching; otherwise the UE shall consider this node as not matching.

NOTE: BackhaulRateDIWLAN is calculated as the Downlink Speed \* (1 – Downlink Load/255), where the downlink speed and load parameters are drawn from the WAN Metrics element obtained via ANQP signalling from WFA HS 2.0.

### 5.7.21B19 ANDSF/ISRP/<X>/ForFlowBased/<X>/RoutingCriteria/<X>/RANValidityCondition/ThresholdConditions/Thresholds/ThreshBackhRateDLWLANHigh/ThreshBackhRateDLWLANHighRAN

The ThreshBackhRateDLWLANHighRAN leaf node acts as a placeholder indicating that high threshold value of backhaul available downlink bandwidth threshold provided by E-UTRAN/UTRAN is to be taken into account when evaluating validity of the rule and is used by the UE for traffic steering to WLAN.

- Occurrence: ZeroOrOne
- Format: Null
- Access Types: Get, Replace
- Values: N/A

The ThreshBackhRateDLWLANHighRAN threshold condition shall be evaluated as follows:

- if ThreshBackhRateDLWLANHighRAN leaf is present and ThreshBackhRateDLWLANHigh threshold value has not been received from E-UTRAN/UTRAN, the UE shall consider this node as not matching;

- otherwise if ThreshBackhRateDLWLANHighRAN leaf is present and ThreshBackhRateDLWLANHigh threshold value has been received from E-UTRAN/UTRAN;
- if the value BackhaulRateDIWLAN derived from Downlink Speed and Downlink Load measurement results is greater than ThreshBackhRateDLWLANHigh threshold value, the UE shall consider this node as matching; otherwise the UE shall consider this node as not matching.

NOTE: BackhaulRateDIWLAN is calculated as the Downlink Speed \* (1 – Downlink Load/255), where the downlink speed and load parameters are drawn from the WAN Metrics element obtained via ANQP signalling from WFA HS 2.0.

### 5.7.21B20 *ANDSF/ISRP/<X>/ForFlowBased/<X>/RoutingCriteria/<X>/RANValidityCondition/ThresholdConditions/Thresholds/ThreshBackhRateULWLANLow*

The ThreshBackhRateULWLANLow node leaf acts as a placeholder for low threshold value of backhaul available uplink bandwidth thresholds provisioned by ANDSF and/or by RAN.

- Occurrence: ZeroOrOne
- Format: node
- Access Types: Get, Replace
- Values: N/A

The ThreshBackhRateULWLANLow threshold condition shall be evaluated as follows:

- if the ThreshBackhRateULWLANLowRAN node is present and ThreshBackhRateULWLANLowANDSF node is not present and the ThreshBackhRateULWLANLowRAN node is evaluated to be matching, the UE shall consider this node as matching;
- if the ThreshBackhRateULWLANLowANDSF node is present and ThreshBackhRateULWLANLowRAN node is not present and the ThreshBackhRateULWLANLowANDSF node is evaluated to be matching, the UE shall consider this node as matching;
- if both the ThreshBackhRateULWLANLowANDSF node and ThreshBackhRateULWLANLowRAN node are present, ThreshBackhRateULWLANLowRAN node will take precedence over ThreshBackhRateULWLANLowANDSF node, i.e. the ThreshBackhRateULWLANLowRAN node is evaluated to be matching, the UE shall consider this node as matching. Otherwise, if the RAN threshold value has not been received from E-UTRAN/UTRAN and the ThreshBackhRateULWLANLowANDSF node is evaluated to be matching, the UE shall consider this node as matching;
- if this node is empty, the UE shall consider this node as matching; and
- otherwise the UE shall consider this node as not matching.

### 5.7.21B21 *ANDSF/ISRP/<X>/ForFlowBased/<X>/RoutingCriteria/<X>/RANValidityCondition/ThresholdConditions/Thresholds/ThreshBackhRateULWLANLow/ThreshBackhRateULWLANLowANDSF*

The ThreshBackhRateULWLANLowANDSF leaf node acts as a placeholder for low threshold value of backhaul available uplink bandwidth threshold provided by E-UTRAN/UTRAN and is used by the UE for traffic steering to E-UTRAN/UTRAN.

- Occurrence: ZeroOrOne
- Format: int
- Access Types: Get, Replace
- Values: <ThreshBackhRateULWLANLowANDSF>

The ThreshBackhRateULWLANLowANDSF threshold condition shall be evaluated as follows:

- if the measurement value BackhaulRateUIWLAN derived from Uplink Speed and Uplink Load measurement results is smaller than value contained in this leaf, the UE shall consider this node as matching; otherwise the UE shall consider this node as not matching.

NOTE: BackhaulRateUIWLAN is calculated as the Uplink Speed \* (1 – Uplink Load / 255), where the uplink speed and load parameters are drawn from the WAN Metrics element obtained via ANQP signalling from WFA HS 2.0.

### 5.7.21B22 ANDSF/ISRP/<X>/ForFlowBased/<X>/RoutingCriteria/<X>/RANValidityCondition/ThresholdConditions/Thresholds/ThreshBackhRateULWLANLow/ThreshBackhRateULWLANLowRAN

The ThreshBackhRateULWLANLowRAN leaf node acts as a placeholder indicating that low threshold value of backhaul available uplink bandwidth threshold provided by E-UTRAN/UTRAN is to be taken into account when evaluating validity of the rule and is used by the UE for traffic steering to E-UTRAN/UTRAN.

- Occurrence: ZeroOrOne
- Format: Null
- Access Types: Get, Replace
- Values: N/A

The ThreshBackhRateULWLANLowRAN threshold condition shall be evaluated as follows:

- if ThreshBackhRateULWLANLowRAN leaf is present and ThreshBackhRateULWLANLow threshold value has not been received from E-UTRAN/UTRAN, the UE shall consider this node as not matching;
- otherwise if ThreshBackhRateULWLANLowRAN leaf is present and ThreshBackhRateULWLANLow threshold value has been received from E-UTRAN/UTRAN;
- if the value BackhaulRateUIWLAN derived from Uplink Speed and Uplink Load measurement results is smaller than ThreshBackhRateULWLANLow threshold value, the UE shall consider this node as matching; otherwise the UE shall consider this node as not matching.

NOTE: BackhaulRateUIWLAN is calculated as the Uplink Speed \* (1 – Uplink Load / 255), where the uplink speed and load parameters are drawn from the WAN Metrics element obtained via ANQP signalling from WFA HS 2.0.

### 5.7.21B23 ANDSF/ISRP/<X>/ForFlowBased/<X>/RoutingCriteria/<X>/RANValidityCondition/ThresholdConditions/Thresholds/ThreshBackhRateULWLANHigh

The ThreshBackhRateULWLANHigh node leaf acts as a placeholder for high threshold value of backhaul available uplink bandwidth thresholds provisioned by ANDSF and/or by RAN.

- Occurrence: ZeroOrOne
- Format: node
- Access Types: Get, Replace
- Values: N/A

The ThreshBackhRateULWLANHigh threshold condition shall be evaluated as follows:

- if the ThreshBackhRateULWLANHighRAN node is present and ThreshBackhRateULWLANHighANDSF node is not present and the ThreshBackhRateULWLANHighRAN node is evaluated to be matching, the UE shall consider this node as matching;

- if the ThreshBackhRateULWLANHighANDSF node is present and ThreshBackhRateULWLANHighRAN node is not present and the ThreshBackhRateULWLANHighANDSF node is evaluated to be matching, the UE shall consider this node as matching;
- if both the ThreshBackhRateULWLANHighANDSF node and ThreshBackhRateULWLANHighRAN node are present, ThreshBackhRateULWLANHighRAN node will take precedence over ThreshBackhRateULWLANHighANDSF node, i.e. the ThreshBackhRateULWLANHighRAN node is evaluated to be matching, the UE shall consider this node as matching. Otherwise, if the RAN threshold value has not been received from E-UTRAN/UTRAN and the ThreshBackhRateULWLANHighANDSF node is evaluated to be matching, the UE shall consider this node as matching;
- if this node is empty, the UE shall consider this node as matching; and
- otherwise the UE shall consider this node as not matching.

### 5.7.21B24 ANDSF/ISRP/<X>/ForFlowBased/<X>/RoutingCriteria/<X>/RANValidityCondition/ThresholdConditions/Thresholds/ThreshBackhRateULWLANHigh/ThreshBackhRateULWLANHighANDSF

The ThreshBackhRateULWLANHighANDSF leaf node acts as a placeholder for high threshold value of backhaul available uplink bandwidth threshold provisioned by ANDSF and is used by the UE for traffic steering to WLAN.

- Occurrence: ZeroOrOne
- Format: int
- Access Types: Get, Replace
- Values: <ThreshBackhRateULWLANHighANDSF>

The ThreshBackhRateULWLANHigh thresholdANDSF condition shall be evaluated as follows:

- if the measurement value BackhaulRateUIWLAN derived from Uplink Speed and Uplink Load measurement results is greater than value contained in this leaf, the UE shall consider this node as matching; otherwise the UE shall consider this node as not matching.

NOTE: BackhaulRateUIWLAN is calculated as the Uplink Speed \* (1 – Uplink Load / 255), where the uplink speed and load parameters are drawn from the WAN Metrics element obtained via ANQP signalling from WFA HS 2.0.

### 5.7.21B25 ANDSF/ISRP/<X>/ForFlowBased/<X>/RoutingCriteria/<X>/RANValidityCondition/ThresholdConditions/Thresholds/ThreshBackhRateULWLANHigh/ThreshBackhRateULWLANHighRAN

The ThreshBackhRateULWLANHighRAN leaf node acts as a placeholder indicating that high threshold value of backhaul available uplink bandwidth threshold provided by E-UTRAN/UTRAN is to be taken into account when evaluating validity of the rule and is used by the UE for traffic steering to WLAN.

- Occurrence: ZeroOrOne
- Format: Null
- Access Types: Get, Replace
- Values: N/A

The ThreshBackhRateULWLANHighRAN threshold condition shall be evaluated as follows:

- if ThreshBackhRateULWLANHighRAN leaf is present and ThreshBackhRateULWLANHigh threshold value has not been received from E-UTRAN/UTRAN, the UE shall consider this node as not matching;
- otherwise if ThreshBackhRateULWLANHighRAN leaf is present and ThreshBackhRateULWLANHigh threshold value has been received from E-UTRAN/UTRAN;

- if the value BackhaulRateUIWLAN derived from Uplink Speed and Uplink Load measurement results is greater than ThreshBackhRateULWLANHigh threshold value, the UE shall consider this node as matching; otherwise the UE shall consider this node as not matching.

NOTE: BackhaulRateUIWLAN is calculated as the Uplink Speed \* (1 – Uplink Load / 255), where the uplink speed and load parameters are drawn from the WAN Metrics element obtained via ANQP signalling from WFA HS 2.0.

### 5.7.21B26 ANDSF/ISRP/<X>/ForFlowBased/<X>/RoutingCriteria/<X>/RANValidityCondition/ThresholdConditions/Thresholds/ThreshBeaconRSSIWLANLow

The ThreshBeaconRSSIWLANLow node leaf acts as a placeholder for low threshold value of beacon RSSI thresholds provisioned by ANDSF and/or by RAN.

- Occurrence: ZeroOrOne
- Format: node
- Access Types: Get, Replace
- Values: N/A

The ThreshBeaconRSSIWLANLow threshold condition shall be evaluated as follows:

- if the ThreshBeaconRSSIWLANLowRAN node is present and ThreshBeaconRSSIWLANLowANDSF node is not present and the ThreshBeaconRSSIWLANLowRAN node is evaluated to be matching, the UE shall consider this node as matching;
- if the ThreshBeaconRSSIWLANLowANDSF node is present and ThreshBeaconRSSIWLANLowRAN node is not present and the ThreshBeaconRSSIWLANLowANDSF node is evaluated to be matching, the UE shall consider this node as matching;
- if both the ThreshBeaconRSSIWLANLowANDSF node and ThreshBeaconRSSIWLANLowRAN node are present ThreshBeaconRSSIWLANLowRAN node will take precedence over ThreshBeaconRSSIWLANLowANDSF node, i.e. the ThreshBeaconRSSIWLANLowRAN node is evaluated to be matching, the UE shall consider this node as matching. Otherwise, if the RAN threshold value has not been received from E-UTRAN/UTRAN and the ThreshBeaconRSSIWLANLowANDSF node is evaluated to be matching, the UE shall consider this node as matching;
- if this node is empty, the UE shall consider this node as matching; and
- otherwise the UE shall consider this node as not matching.

### 5.7.21B27 ANDSF/ISRP/<X>/ForFlowBased/<X>/RoutingCriteria/<X>/RANValidityCondition/ThresholdConditions/Thresholds/ThreshBeaconRSSIWLANLow/ThreshBeaconRSSIWLANLowANDSF

The ThreshBeaconRSSIWLANLowANDSF leaf node acts as a placeholder for low threshold value of beacon RSSI threshold provided by E-UTRAN/UTRAN and is used by the UE for traffic steering to E-UTRAN/UTRAN.

- Occurrence: ZeroOrOne
- Format: int
- Access Types: Get, Replace
- Values: <ThreshBeaconRSSIWLANLowANDSF>

The ThreshBeaconRSSIWLANLowANDSF threshold condition shall be evaluated as follows:

- if the measurement Beacon RSSI value is smaller than threshold value contained in this leaf, the UE shall consider this node as matching; otherwise the UE shall consider this node as not matching.

NOTE: Beacon RSSI is a metric for signal strength measured from Beacon frames as defined in IEEE 802.11™-2012 [26].

### 5.7.21B28 ANDSF/ISRP/<X>/ForFlowBased/<X>/RoutingCriteria/<X>/RANValidityCondition/ThresholdConditions/Thresholds/ThreshBeaconRSSIWLANLow/ThreshBeaconRSSIWLANLowRAN

The ThreshBeaconRSSIWLANLowRAN leaf node acts as a placeholder indicating that low threshold value of beacon RSSI threshold provided by E-UTRAN/UTRAN is to be taken into account when evaluating validity of the rule and is used by the UE for traffic steering to E-UTRAN/UTRAN.

- Occurrence: ZeroOrOne
- Format: Null
- Access Types: Get, Replace
- Values: N/A

The ThreshBeaconRSSIWLANLowRAN threshold condition shall be evaluated as follows:

- if ThreshBeaconRSSIWLANLowRAN leaf is present and ThreshBeaconRSSIWLANLow threshold value has not been received from E-UTRAN/UTRAN, the UE shall consider this node as not matching;
- otherwise if ThreshBeaconRSSIWLANLowRAN leaf is present and ThreshBeaconRSSIWLANLow threshold value has been received from E-UTRAN/UTRAN;
  - if the measurement Beacon RSSI value is smaller than threshold value contained in this leaf, the UE shall consider this node as matching; otherwise the UE shall consider this node as not matching.

NOTE: Beacon RSSI is a metric for signal strength measured from Beacon frames as defined in IEEE 802.11™-2012 [26].

### 5.7.21B29 ANDSF/ISRP/<X>/ForFlowBased/<X>/RoutingCriteria/<X>/RANValidityCondition/ThresholdConditions/Thresholds/ThreshBeaconRSSIWLANHigh

The ThreshBeaconRSSIWLANHigh node leaf acts as a placeholder for high threshold value of beacon RSSI thresholds provisioned by ANDSF and/or by RAN.

- Occurrence: ZeroOrOne
- Format: node
- Access Types: Get, Replace
- Values: N/A

The ThreshBeaconRSSIWLANHigh threshold condition shall be evaluated as follows:

- if the ThreshBeaconRSSIWLANHighRAN node is present and ThreshBeaconRSSIWLANHighANDSF node is not present and the ThreshBeaconRSSIWLANHighRAN node is evaluated to be matching, the UE shall consider this node as matching;
- if the ThreshBeaconRSSIWLANHighANDSF node is present and ThreshBeaconRSSIWLANHighRAN node is not present and the ThreshBeaconRSSIWLANHighANDSF node is evaluated to be matching, the UE shall consider this node as matching;
- if both the ThreshBeaconRSSIWLANHighANDSF node and ThreshBeaconRSSIWLANHighRAN node are present ThreshBeaconRSSIWLANHighRAN node will take precedence over ThreshBeaconRSSIWLANHighANDSF node, i.e. the ThreshBeaconRSSIWLANHighRAN node is evaluated to be matching, the UE shall consider this node as matching. Otherwise, if the RAN threshold value has not been

received from E-UTRAN/UTRAN and the ThreshBeaconRSSIWLANHighANDSF node is evaluated to be matching, the UE shall consider this node as matching;

- if this node is empty, the UE shall consider this node as matching; and
- otherwise the UE shall consider this node as not matching.

### 5.7.21B30 *ANDSF/ISRP/<X>/ForFlowBased/<X>/RoutingCriteria/<X>/RANValidityCondition/ThresholdConditions/Thresholds/ThreshBeaconRSSIWLANHigh/ThreshBeaconRSSIWLANHighANDSF*

The ThreshBeaconRSSIWLANHighANDSF leaf node acts as a placeholder for high threshold value of beacon RSSI threshold provisioned by ANDSF and is used by the UE for traffic steering to WLAN.

- Occurrence: ZeroOrOne
- Format: int
- Access Types: Get, Replace
- Values: <ThreshBeaconRSSIWLANHighANDSF>

The ThreshBeaconRSSIWLANHigh thresholdANDSF condition shall be evaluated as follows:

- if the measurement Beacon RSSI value is greater than threshold value contained in this leaf, the UE shall consider this node as matching; otherwise the UE shall consider this node as not matching.

NOTE: Beacon RSSI is a metric for signal strength measured from Beacon frames as defined in IEEE 802.11™-2012 [26].

### 5.7.21B31 *ANDSF/ISRP/<X>/ForFlowBased/<X>/RoutingCriteria/<X>/RANValidityCondition/ThresholdConditions/Thresholds/ThreshBeaconRSSIWLANHigh/ThreshBeaconRSSIWLANHighRAN*

The ThreshBeaconRSSIWLANHighRAN leaf node acts as a placeholder indicating that high threshold value of beacon RSSI threshold provided by E-UTRAN/UTRAN is to be taken into account when evaluating validity of the rule and is used by the UE for traffic steering to WLAN.

- Occurrence: ZeroOrOne
- Format: Null
- Access Types: Get, Replace
- Values: N/A

The ThreshBeaconRSSIWLANHighRAN threshold condition shall be evaluated as follows:

- if ThreshBeaconRSSIWLANHighRAN leaf is present and ThreshBeaconRSSIWLANHigh threshold value has not been received from E-UTRAN/UTRAN, the UE shall consider this node as not matching;
- otherwise if ThreshBeaconRSSIWLANHighRAN leaf is present and ThreshBeaconRSSIWLANHigh threshold value has been received from E-UTRAN/UTRAN;
  - if the measurement Beacon RSSI value is greater than threshold value contained in this leaf, the UE shall consider this node as matching; otherwise the UE shall consider this node as not matching.

NOTE: Beacon RSSI is a metric for signal strength measured from Beacon frames as defined in IEEE 802.11™-2012 [26].



### 5.7.21B32 *ANDSF/ISRP/<X>/ForFlowBased/<X>/RoutingCriteria/<X>/ThresholdConditions/ThresholdConditionEvaluationPolicy*

The ThresholdConditionEvaluationPolicy leaf indicates evaluation policy for threshold conditions.

- Occurrence: One
- Format: bool
- Access Types: Get, Replace
- Values: 0, 1
  - 0 Indicates that at least one threshold condition under Thresholds node is required to be matching for ThresholdCondition to be considered fulfilled.
  - 1 Indicates that all threshold conditions under Thresholds node are required to be matching ThresholdCondition to be considered fulfilled.

The default value 0 applies if this leaf is not provisioned.

### 5.7.21B33 Void

### 5.7.21B34 *ANDSF/ISRP/<X>/ForFlowBased/<X>/RoutingCriteria/<X>/RANValidityCondition/OPI*

The OPI leaf contains the provisioned OPI value which is a bitmap assigned by ANDSF. Each bit in this bitmap is operator specific and is not defined in 3GPP specifications.

- Occurrence: One
- Format: int
- Access Types: Get, Replace
- Values: <OPI\_bitmap>

The value of this leaf is a 16-bit integer formatted as a bitmap. The meaning of each bit in this bitmap is operator specific and is not defined in 3GPP specifications.

The OPI node shall be evaluated as follows:

- if the RAN OPI value is received from E-UTRAN/UTRAN and a bitwise 'AND' operation between the OPI value received from RAN and the OPI value contained in this node is non-zero, the UE shall consider this node as matching; otherwise the UE shall consider this node as not matching.

### 5.7.21B35 *ANDSF/ISRP/<X>/ForFlowBased/<X>/RoutingCriteria/<X>/RANValidityConditionRef*

The RANValidityConditionRef leaf contains a reference to a RANValidityCondition interior node.

- Occurrence: ZeroOrOne
- Format: chr
- Access Types: Get, Replace
- Values: < a reference to a RANValidityCondition interior node >

The reference to a RANValidityCondition interior node is a full device URI as specified in OMA-TS-DM\_Protocol-V1\_2 [5A], identifying the RANValidityCondition interior node in the UE management tree.

RANValidityConditionRef leaf is considered a match when the referenced RANValidityCondition interior node is considered a match according to the rules described in subclause 5.7.21B1.

## 5.7.22 Void

### 5.7.23 ANDSF/ISRP/<X>/ForFlowBased/<X>/RoutingRule

The RoutingRule node indicates the preferred access for a flow distribution rule.

- Occurrence: One
- Format: node
- Access Types: Get, Replace
- Values: N/A

This node and its descendants are the same as defined in ANDSF/Policy/<X>/PrioritizedAccess unless explicitly specified.

#### 5.7.23AA ANDSF/ISRP/<X>/ForFlowBased/<X>/RoutingRule/<X>

This interior node acts as a placeholder for one or more prioritized accesses.

- Occurrence: OneOrMore
- Format: node
- Access Types: Get, Replace
- Values: N/A

This node and its descendants are the same as defined in ANDSF/Policy/<X>/PrioritizedAccess/<X> unless explicitly specified.

The UE selects between 3GPP access technologies (i.e. E-UTRA, UTRA, GERAN) using the mechanisms implemented by lower layers (e.g. cell selection, cell reselection, handover, etc). If a 3GPP access technology corresponding to the value configured in the AccessTechnology leaf under this node is not selected by the UE then the UE shall ignore this node until the 3GPP access technology corresponding to the value configured in the AccessTechnology leaf becomes selected.

#### 5.7.23A ANDSF/ISRP/<X>/ForFlowBased/<X>/RoutingRule/<X>/AccessTechnology

The AccessTechnology leaf indicates a prioritized access technology.

- Occurrence: One
- Format: int
- Access Types: Get, Replace
- Values: <Access technology>

Possible values for the Access technology are specified in table 5.7.23A.1.

**Table 5.7.23A.1: Possible values for the AccessTechnology leaf**

Value	Description
0	Reserved
1	Any 3GPP access technology, e.g. E-UTRA, UTRA, GERAN

2	Reserved
3	WLAN
4	E-UTRA
5	UTRA
6	GERAN
7-255	Reserved

### 5.7.24 *ANDSF/ISRP/<X>/ForFlowBased/<X>/RulePriority*

The RulePriority leaf represents the priority given to one particular flow distribution rule and is represented as a numerical value.

- Occurrence: One
- Format: int
- Access Types: Get, Replace
- Values: <Rule priority>

RulePriority leaf is used to establish to which flow description rule a data traffic matching multiple flow distribution rules apply. The data traffic matching multiple flow distribution rules applies to the flow description rule with the highest priority. The UE shall treat the rule with the lowest RulePriority value as the rule having the highest priority. If the UE finds multiple rules with the same priority, the choice of the rule is UE implementation specific. If there are no matching access networks according to the rule, other rules with the same priority may be considered. If there are no matching access networks according to any rule with a certain priority, rules with lower priority may be considered.

### 5.7.25 *ANDSF/ISRP/<X>/ForServiceBased*

The ForServiceBased node represents flow distribution container indicating data distribution among accesses based on APN.

- Occurrence: ZeroOrOne
- Format: node
- Access Types: Get, Replace
- Values: N/A

### 5.7.26 *ANDSF/ISRP/<X>/ForServiceBased/<X>/*

This interior node acts as a placeholder for one or more flow distribution rules indicating data distribution among accesses based on APN.

- Occurrence: OneOrMore
- Format: node
- Access Types: Get, Replace
- Values: N/A

### 5.7.27 *ANDSF/ISRP/<X>/ForServiceBased/<X>/APN*

The APN leaf indicates the APN for which a particular flow distribution rule is valid.

- Occurrence: ZeroOrOne
- Format: chr
- Access Types: Get, Replace
- Values: <APN>

The APN format is defined in 3GPP TS 23.003 [3]. If this node is omitted, the flow description applies to any APN.

NOTE: If the APN leaf is omitted, this flow description will override flow descriptions of specific APNs whose Rule priority is not higher than the Rule priority of this flow description.

### 5.7.28 *ANDSF/ISRP/<X>/ForServiceBased/<X>/RoutingCriteria*

The RoutingCriteria node acts as a placeholder for validity conditions for a particular flow distribution rule.

- Occurrence: ZeroOrOne
- Format: node
- Access Types: Get, Replace
- Values: N/A

If at least one instance of *ANDSF/ISRP/<X>/ForServiceBased/<X>/RoutingCriteria/<X>* node indicates matching validity condition, the UE shall consider the corresponding flow distribution rule as valid.

If the *ANDSF/ISRP/<X>/ForServiceBased/<X>/RoutingCriteria/<X>* node is present and empty (i.e. none of the nodes ValidityArea, ValidityAreaRef, TimeOfDay, TimeOfDayRef, RANValidityCondition or RANValidityConditionRef exist), the *ANDSF/ISRP/<X>/ForServiceBased/<X>/RoutingCriteria/<X>* node is not considered when evaluating the validity of the corresponding flow distribution rule.

### 5.7.29 *ANDSF/ISRP/<X>/ForServiceBased/<X>/RoutingCriteria/<X>/*

This internal node acts as a placeholder for one or more validity conditions for a particular flow distribution rule.

- Occurrence: OneOrMore
- Format: node
- Access Types: Get, Replace
- Values: N/A

The UE shall consider the corresponding flow distribution rule as valid only if all the present interior nodes (ValidityArea, ValidityAreaRef, TimeOfDay, TimeOfDayRef, RANValidityCondition or RANValidityConditionRef) within a single instance of *ANDSF/ISRP/<X>/ForServiceBased/<X>/RoutingCriteria/<X>* node indicate matching validity condition.

### 5.7.30 *ANDSF/ISRP/<X>/ForServiceBased/<X>/RoutingCriteria/<X>/ValidityArea*

The ValidityArea node acts as a placeholder for location conditions for a particular flow distribution rule.

- Occurrence: ZeroOrOne
- Format: node
- Access Types: Get, Replace
- Values: N/A

This node and its descendants are the same as defined in *ANDSF/Policy/<X>/ValidityArea*.

### 5.7.30A *ANDSF/ISRP/<X>/ForServiceBased/<X>/RoutingCriteria/<X>/ValidityAreaRef*

The ValidityAreaRef leaf contains a reference to a ValidityArea interior node.

- Occurrence: ZeroOrOne
- Format: chr
- Access Types: Get, Replace
- Values: < a reference to a ValidityArea interior node >

This node is the same as defined in *ANDSF/Policy/<X>/ValidityAreaRef*.

### 5.7.31 *ANDSF/ISRP/<X>/ForServiceBased/<X>/RoutingCriteria/<X>/TimeOfDay*

The TimeOfDay node acts as a placeholder for day condition for a particular flow distribution rule.

- Occurrence: ZeroOrOne
- Format: node
- Access Types: Get, Replace
- Values: N/A

This node and its descendants are the same as defined in *ANDSF/Policy/<X>/TimeOfDay*.

### 5.7.31A *ANDSF/ISRP/<X>/ForServiceBased/<X>/RoutingCriteria/<X>/TimeOfDayRef*

The TimeOfDayRef leaf contains a reference to a TimeOfDay interior node.

- Occurrence: ZeroOrOne
- Format: chr
- Access Types: Get, Replace
- Values: < a reference to a TimeOfDay interior node >

This node is the same as defined in *ANDSF/Policy/<X>/TimeOfDayRef*.

### 5.7.31B1 *ANDSF/ISRP/<X>/ForServiceBased/<X>/RoutingCriteria/<X>/RANValidityCondition*

The RANValidityCondition node acts as a placeholder for RAN validity condition for a particular flow distribution rule.

- Occurrence: ZeroOrOne
- Format: node
- Access Types: Get, Replace
- Values: N/A

This node and its descendants are the same as defined in *ANDSF/ISRP/<X>/ForFlowBased/<X>/RoutingCriteria/<X>/RANValidityCondition*.

### 5.7.31 *B2ANDSF/ISRP/<X>/ForServiceBased/<X>/RoutingCriteria/<X>/RANValidityConditionRef*

The RANValidityConditionRef leaf contains a reference to a RANValidityCondition interior node.

- Occurrence: ZeroOrOne
- Format: chr
- Access Types: Get, Replace
- Values: < a reference to a RANValidityCondition interior node >

This node is the same as defined in

*ANDSF/ISRP/<X>/ForFlowBased/<X>/RoutingCriteria/<X>/RANValidityConditionRef*.

### 5.7.32 *ANDSF/ISRP/<X>/ForServiceBased/<X>/RoutingRule*

The RoutingRule node indicates the preferred access for a flow distribution rule.

- Occurrence: One
- Format: node
- Access Types: Get, Replace
- Values: N/A

This node and its descendants are the same as defined in *ANDSF/ISRP/<X>/ForFlowBased/<X>/RoutingRule*.

### 5.7.33 *ANDSF/ISRP/<X>/ForServiceBased/<X>/RulePriority*

The RulePriority leaf represents the priority given to a particular flow distribution rule and is represented as a numerical value.

- Occurrence: One
- Format: int
- Access Types: Get, Replace
- Values: <Rule priority>

RulePriority leaf is used to establish to which flow description rule a data traffic matching multiple flow distribution rules apply. The data traffic matching multiple flow distribution rules applies to the flow description rule with the highest priority. The UE shall treat the rule with the lowest RulePriority value as the rule having the highest priority. If the UE finds multiple rules with the same priority, the choice of the rule is UE implementation specific. If there are no matching access networks according to the rule, other rules with the same priority may be considered. If there are no matching access networks according to any rule with a certain priority, rules with lower priority may be considered.

### 5.7.34 *ANDSF/ISRP/<X>/ForNonSeamlessOffload/*

The ForNonSeamlessOffload node represents a flow distribution container indicating data permissible for non-seamless WLAN offload routing based on flow description.

- Occurrence: ZeroOrOne
- Format: node
- Access Types: Get, Replace
- Values: N/A

### 5.7.35 *ANDSF/ISRP/<X>/ForNonSeamlessOffload/<X>/*

This interior node acts as a placeholder for one or more flow distribution rules indicating data distribution among accesses based on flow description.

- Occurrence: OneOrMore
- Format: node
- Access Types: Get, Replace
- Values: N/A

### 5.7.36 *ANDSF/ISRP/<X>/ForNonSeamlessOffload/<X>/IPFlow*

The IPFlow node indicates the flow description for a particular flow distribution rule.

- Occurrence: One
- Format: node
- Access Types: Get, Replace
- Values: N/A

An empty IPFlow node indicates the match-all flow description.

If the flow distribution rule contains more than one instance of the *ANDSF/ISRP/<X>/ForNonSeamlessOffload/<X>/IPFlow/<X>* node (i.e. flow description), the UE shall consider the flow distribution rule if at least one of the flow descriptions as described in subclause 5.7.37 matches the traffic.

### 5.7.37 *ANDSF/ISRP/<X>/ForNonSeamlessOffload/<X>/ IPFlow/<X>*

This interior node acts as a placeholder for one or more flow description.

- Occurrence: OneOrMore
- Format: node
- Access Types: Get, Replace
- Values: N/A

If the flow description is defined with more than one interior node or leaf (i.e. App-ID, AddressType, etc.) within a single instance of the *ANDSF/ISRP/<X>/ForNonSeamlessOffload/<X>/IPFlow/<X>* node, then UE shall consider the flow description matching the traffic only if all the present interior nodes and leaf values match the traffic.

### 5.7.37A *ANDSF/ISRP/<X>/ForNonSeamlessOffload/<X>/ IPFlow/<X>/App-ID*

This interior node acts as a placeholder for an IPFlow identification based on an applicationID.

An IP flow is evaluated as matching if the IP flow matches at least one child node.

- Occurrence: ZeroOrOne
- Format: node
- Access Types: Get, Replace
- Values: N/A

The absence of this leaf indicates that the application identifier is not examined when matching packets against the IP flow description of the rule.

### 5.7.37B *ANDSF/ISRP/<X>/ForNonSeamlessOffload/<X>/IPFlow/<X>/App-ID/<X>/*

This interior node acts as a placeholder for one or more combinations of OSId and OSAppId values.

- Occurrence: OneOrMore
- Format: node
- Access Types: Get, Replace
- Values: N/A

An IP flow is evaluated as matching if the IP flow is sent by an application:

- which uses services provided by an OS identified by the OS system identifier in the OSId leaf contained in this interior node; and
- associated with an OS specific application identifier in one of the OSAppId leaves contained in the OSApps interior node.

### 5.7.37C Void

### 5.7.37D *ANDSF/ISRP/<X>/ForNonSeamlessOffload/<X>/IPFlow/<X>/App-ID/<X>/OSId*

The OSId leaf indicates an operating system identifier.

- Occurrence: One
- Format: chr
- Access Types: Get, Replace
- Values: <operating system identifier>

The format of the operating system identifier is a Universally Unique Identifier (UUID) as specified in IETF RFC 4122 [22].

### 5.7.37E *ANDSF/ISRP/<X>/ForNonSeamlessOffload/<X>/IPFlow/<X>/App-ID/<X>/OSApps/*

This interior node acts as a placeholder for the list of OS specific application identifiers.

- Occurrence: One
- Format: node
- Access Types: Get, Replace
- Values: <N/A>



### 5.7.37F *ANDSF/ISRP/<X>/ForNonSeamlessOffload/<X>/IPFlow/<X>/App-ID/<X>/OSApps/<X>*

This interior node acts as a placeholder for an OS specific application identifiers.

- Occurrence: OneOrMore
- Format: node
- Access Types: Get, Replace
- Values: <N/A>

### 5.7.37G *ANDSF/ISRP/<X>/ForNonSeamlessOffload/<X>/IPFlow/<X>/ App-ID/<X>/OSApps/<X>/OSAppId*

The OSAppId leaf indicates an OS specific application identifier.

- Occurrence: One
- Format: chr
- Access Types: Get, Replace
- Values: <OS specific application identifier>

Further definition of the format of the OS specific application identifier is beyond the scope of this specification.

### 5.7.38 *ANDSF/ISRP/<X>/ForNonSeamlessOffload/<X>/IPFlow/<X>/AddressType*

The AddressType leaf indicates the IP version of the addresses describing the IP flow.

- Occurrence: ZeroOrOne
- Format: chr
- Access Types: Get, Replace
- Values: 'IPv4', 'IPv6'

The absence of this leaf indicates that the IP flow described by the rule can have both IPv4 and IPv6 addresses. This field is mandatory if StartSourceIPAddress leaf is present.

### 5.7.39 *ANDSF/ISRP/<X>/ForNonSeamlessOffload/<X>/IPFlow/<X>/StartSourceIPAddress*

The StartSourceIPAddress leaf indicates the first IP source address of the IP address range of the IP flow description. The source address refers to the IP address of the data packets destined for the UE according to the terminology in the IETF RFC 6088 [24].

- Occurrence: ZeroOrOne
- Format: chr
- Access Types: Get, Replace
- Values: <an IPv4 address>, <an IPv6 address>.

The value of this leaf is an IPv4 address if the AddressType leaf value of the same rule is equal to IPv4. The value of this leaf is an IPv6 address if the AddressType leaf value of the same rule is equal to IPv6. If this leaf represents the first value of an IP source address range, the values of this leaf and the corresponding ANDSF/ISRP/<X>/ForNonSeamlessOffload /<X>/IPFlow/<X>/EndSourceIPAddress leaf are set so that the IP address range can be represented in prefix notation.

EXAMPLE: IPv4 address range 192.0.2.0 - 192.0.2.255 is equal to 192.0.2.0/24 in prefix notation, and IPv6 address range 2001:db8::/128 - 2001:db8:ffff:ffff:ffff:ffff:ffff:ffff/128 equals 2001:db8::/32 in prefix notation.

The absence of this leaf indicates that source address field of the IP header is not examined when matching packets against the IP flow description of the rule.

The UE ignores an IPFlow instance with a StartSourceIPAddress leaf without a correspondent AddressType leaf. If the IPFlow instance is the only one contained in the flow distribution rule, the UE ignores the flow distribution rule.

When applying the rule to uplink traffic, the UE matches the addresses contained in the range between StartSourceIPAddress and EndSourceIPAddress against destination IP address field of the uplink traffic packets.

#### 5.7.40 ANDSF/ISRP/<X>/ForNonSeamlessOffload/<X>/IPFlow/<X>/EndSourceIPAddress

The EndSourceIPAddress leaf indicates the last IP source address of the IP source address range of the IP flow description. The source address refers to the IP address of the data packets destined for the UE according to the terminology in the IETF RFC 6088 [24].

- Occurrence: ZeroOrOne
- Format: chr
- Access Types: Get, Replace
- Values: <an IPv4 address>, <an IPv6 address>.

This leaf can be present only if the leaf ANDSF/ISRP/<X>/ForNonSeamlessOffload /<X>/IPFlow/<X>/StartSourceIPAddress is present. The absence of this leaf indicates that the IP source address range of the IP flow described by the rule is equal to the address contained in ANDSF/ISRP/<X>/ForNonSeamlessOffload /<X>/IPFlow/<X>/StartSourceIPAddress. When representing the IP source address range with more than one IP address, the values of this leaf and the corresponding ANDSF/ISRP/<X>/ForNonSeamlessOffload /<X>/IPFlow/<X>/StartSourceIPAddress leaf are set as defined in subclause 5.7.39.

The value of this leaf is an IPv4 address if the AddressType leaf value of the same rule is equal to IPv4. The value of this leaf is an IPv6 address if the AddressType leaf value of the same rule is equal to IPv6.

The UE ignores an IPFlow instance with a EndSourceIPAddress leaf without a correspondent StartSourceIPAddress leaf. If the IPFlow instance is the only one contained in the flow distribution rule, the UE ignores the flow distribution rule.

#### 5.7.41 Void

#### 5.7.42 Void

#### 5.7.43 ANDSF/ISRP/<X>/ForNonSeamlessOffload/<X>/IPFlow/<X>/ProtocolType

The ProtocolType leaf indicates the protocol type in a flow description.

- Occurrence: ZeroOrOne
- Format: int
- Access Types: Get, Replace

- Values: <Protocol type>

The value of ProtocolType leaf is a value among the internet protocol numbers as defined in IANA Assigned Internet Protocol Numbers [18]. In case of IPv4 flow description, the value contained in this leaf is compared with the value of the last protocol type field. In case of IPv6 flow description, the value contained in this leaf is compared with the value of the last next header field. The UE ignores an IPFlow instance with a ProtocolType leaf indicating a protocol type not supported by the UE. If the IPFlow instance is the only one contained in the flow distribution rule, the UE ignores the flow distribution rule.

#### 5.7.44 *ANDSF/ISRP/<X>/ForNonSeamlessOffload/<X>/IPFlow/<X>/StartSourcePortNumber*

The StartSourcePortNumber leaf indicates the first source port number of the source port numbers range of the IP flow description. The source port refers to the source port of the data packets destined for the UE according to the terminology in the IETF RFC 6088 [24].

- Occurrence: ZeroOrOne
- Format: int
- Access Types: Get, Replace
- Values: any value in the range 1-65535.

The absence of this leaf indicates that source port field of the transport protocol header is not examined when matching packets against the IP flow description of the rule.

When applying the rule to uplink traffic, the UE matches the port numbers contained in the range between StartSourcePortNumber and EndSourcePortNumber against destination port field of the uplink traffic packets.

#### 5.7.45 *ANDSF/ISRP/<X>/ForNonSeamlessOffload/<X>/IPFlow/<X>/EndSourcePortNumber*

The EndSourcePortNumber leaf indicates the last source port number of the source port numbers range of the IP flow description. The source port refers to the source port of the data packets destined for the UE according to the terminology in the IETF RFC 6088 [24].

- Occurrence: ZeroOrOne
- Format: int
- Access Types: Get, Replace
- Values: any value in the range 1-65535.

This leaf can be present only if the leaf *ANDSF/ISRP/<X>/ForFlowBased/<X>/IPFlow/<X>/StartSourcePortNumber* is present. The absence of this leaf indicates that the source port number range of the IP flow described by the rule is equal to the source port number contained in *ANDSF/ISRP/<X>/ForFlowBased/<X>/IPFlow/<X>/StartSourcePortNumber*.

The UE ignores an IPFlow instance with a EndSourcePortNumber leaf without a correspondent StartSourcePortNumber leaf. If the IPFlow instance is the only one contained in the flow distribution rule, the UE ignores the flow distribution rule.

#### 5.7.46 *ANDSF/ISRP/<X>/ForNonSeamlessOffload/<X>/IPFlow/<X>/StartDestPortNumber*

The StartDestPortNumber leaf indicates the first destination port number of the destination port numbers range of the IP flow description. The destination port refers to the destination port of the data packets sent by the corresponding node according to the terminology in the IETF RFC 6088 [24].

- Occurrence: ZeroOrOne

- Format: int
- Access Types: Get, Replace
- Values: any value in the range 1-65535.

The absence of this leaf indicates that destination port field of the transport protocol header is not examined when matching packets against the IP flow description of the rule.

When applying the rule to uplink traffic, the UE matches the port numbers contained in the range between StartDestPortNumber and EndDestPortNumber against source port field of the uplink traffic packets.

### 5.7.47 *ANDSF/ISRP/<X>/ForNonSeamlessOffload/<X>/IPFlow/<X>/EndDestPortNumber*

The EndDestPortNumber leaf indicates the last destination port number of the destination port numbers range of the IP flow description. The destination port refers to the destination port of the data packets sent by the corresponding node according to the terminology in the IETF RFC 6088 [24].

- Occurrence: ZeroOrOne
- Format: int
- Access Types: Get, Replace
- Values: any value in the range 1-65535.

This leaf can be present only if the leaf *ANDSF/ISRP/<X>/ForFlowBased/<X>/IPFlow/<X>/StartDestPortNumber* is present. The absence of this leaf indicates that the destination port number range of the IP flow described by the rule is equal to the port number contained in *ANDSF/ISRP/<X>/ForFlowBased/<X>/IPFlow/<X>/StartDestPortNumber*.

The UE ignores an IPFlow instance with a EndDestPortNumber leaf without a correspondent StartDestPortNumber leaf. If the IPFlow instance is the only one contained in the flow distribution rule, the UE ignores the flow distribution rule.

### 5.7.48 *ANDSF/ISRP/<X>/ForNonSeamlessOffload/<X>/IPFlow/<X>/QoS*

The QoS leaf indicates the DS or ToS values parameters in a flow description.

- Occurrence: ZeroOrOne
- Format: bin
- Access Types: Get, Replace
- Values: any value in the range from 0 up to and including 63 in a binary form.

The DS and ToS values are defined in IETF RFC 3260 [10A].

### 5.7.48A *ANDSF/ISRP/<X>/ForNonSeamlessOffload/<X>/IPFlow/<X>/DomainName*

The DomainName leaf indicates the destination domain name of the IP Flow description.

- Occurrence: ZeroOrOne
- Format: chr
- Access Types: Get, Replace
- Values: <FQDN>

The value of FQDN is Fully Qualified Domain Name (e.g. www.example.com) that was resolved into the destination IP address. The FQDN format is defined in 3GPP TS 23.003 [3].

The absence of this leaf indicates that the domain name is not examined when matching packets against the IP flow description of the rule.

### 5.7.48B *ANDSF/ISRP/<X>/ForNonSeamlessOffload/<X>/IPFlow/<X>/APN*

The APN leaf indicates the APN of the IP flow description.

- Occurrence: ZeroOrOne
- Format: chr
- Access Types: Get, Replace
- Values: <APN>

The APN format is defined in 3GPP TS 23.003 [3].

If the traffic is for an APN matching the value of this leaf, then this leaf is evaluated as matching.

**NOTE:** Incorrect configuration of this parameter can cause traffic that needs to go to a particular Packet Data Network (PDN) to be transported over a WLAN that does not have access to the PDN, which in turn will cause the traffic to no longer be correctly routable.

### 5.7.49 *ANDSF/ISRP/<X>/ForNonSeamlessOffload/<X>/RoutingCriteria*

The RoutingCriteria node acts as a placeholder for validity conditions for a particular flow distribution rule.

- Occurrence: ZeroOrOne
- Format: node
- Access Types: Get, Replace
- Values: N/A

If at least one instance of *ANDSF/ISRP/<X>/ForNonSeamlessOffload/<X>/RoutingCriteria/<X>* node indicates matching validity condition, the UE shall consider the corresponding flow distribution rule as valid.

If the *ANDSF/ISRP/<X>/ForNonSeamlessOffload/<X>/RoutingCriteria/<X>* node is present and empty (i.e. none of the nodes ValidityArea, ValidityAreaRef, TimeOfDay, TimeOfDayRef, RANValidityCondition or RANValidityConditionRef exist), the *ANDSF/ISRP/<X>/ForNonSeamlessOffload /<X>/RoutingCriteria/<X>* node is not considered when evaluating the validity of the corresponding flow distribution rule.

### 5.7.50 *ANDSF/ISRP/<X>/ForNonSeamlessOffload/<X>/RoutingCriteria/<X>*

This internal node acts as a placeholder for one or more validity conditions for a particular flow distribution rule.

- Occurrence: OneOrMore
- Format: node
- Access Types: Get, Replace
- Values: N/A

The UE shall consider the corresponding flow distribution rule as valid only if all the present interior nodes (ValidityArea, ValidityAreaRef, TimeOfDay, TimeOfDayRef, RANValidityCondition or RANValidityConditionRef)

within a single instance of *ANDSF/ISRP/<X>/ForNonSeamlessOffload /<X>/RoutingCriteria/<X>* node indicate matching validity condition.

### 5.7.51 *ANDSF/ISRP/<X>/ForNonSeamlessOffload/<X>/RoutingCriteria/<X>/ValidityArea*

The *ValidityArea* node acts as a placeholder for location conditions for a particular flow distribution rule.

- Occurrence: ZeroOrOne
- Format: node
- Access Types: Get, Replace
- Values: N/A

This node and its descendants are the same as defined in *ANDSF/Policy/<X>/ValidityArea*.

#### 5.7.51A

### *ANDSF/ISRP/<X>/ForNonSeamlessOffload/<X>/RoutingCriteria/<X>/ValidityAreaRef*

The *ValidityAreaRef* leaf contains a reference to a *ValidityArea* interior node.

- Occurrence: ZeroOrOne
- Format: chr
- Access Types: Get, Replace
- Values: < a reference to a *ValidityArea* interior node >

This node is the same as defined in *ANDSF/Policy/<X>/ValidityAreaRef*.

### 5.7.52 *ANDSF/ISRP/<X>/ForNonSeamlessOffload/<X>/RoutingCriteria/<X>/TimeOfDay*

The *TimeOfDay* node acts as a placeholder for day condition for a particular flow distribution rule.

- Occurrence: ZeroOrOne
- Format: node
- Access Types: Get, Replace
- Values: N/A

This node and its descendants are the same as defined in *ANDSF/Policy/<X>/TimeOfDay*.

#### 5.7.52A *ANDSF/ISRP/<X>/ForNonSeamlessOffload/<X>/RoutingCriteria/<X>/TimeOfDayRef*

The *TimeOfDayRef* leaf contains a reference to a *TimeOfDay* interior node.

- Occurrence: ZeroOrOne
- Format: chr
- Access Types: Get, Replace

- Values: < a reference to a TimeOfDay interior node >

This node is the same as defined in *ANDSF/Policy/<X>/TimeOfDayRef*.

### 5.7.52B1 *ANDSF/ISRP/<X>/ForNonSeamlessOffload/<X>/RoutingCriteria/<X>/RANValidityCondition*

The *RANValidityCondition* node acts as a placeholder for RAN validity condition for a particular flow distribution rule.

- Occurrence: ZeroOrOne
- Format: node
- Access Types: Get, Replace
- Values: N/A

This node and its descendants are the same as defined in *ANDSF/ISRP/<X>/ForFlowBased/<X>/RoutingCriteria/<X>/RANValidityCondition*.

### 5.7.52B2

#### *ANDSF/ISRP/<X>/ForNonSeamlessOffload/<X>/RoutingCriteria/<X>/RANValidityConditionRef*

The *RANValidityConditionRef* leaf contains a reference to a *RANValidityCondition* interior node.

- Occurrence: ZeroOrOne
- Format: chr
- Access Types: Get, Replace
- Values: < a reference to a *RANValidityCondition* interior node >

This node is the same as defined in *ANDSF/ISRP/<X>/ForFlowBased/<X>/RoutingCriteria/<X>/RANValidityConditionRef*.

### 5.7.53 Void

### 5.7.54 *ANDSF/ISRP/<X>/ForNonSeamlessOffload/<X>/RoutingRule*

The *RoutingRule* node indicates the preferred access for a flow distribution rule.

- Occurrence: One
- Format: node
- Access Types: Get, Replace
- Values: N/A

### 5.7.55 *ANDSF/ISRP/<X>/ForNonSeamlessOffload/<X>/RoutingRule/<X>*

This interior node acts as a placeholder for one or more prioritized accesses.

- Occurrence: OneOrMore
- Format: node
- Access Types: Get, Replace
- Values: N/A

### 5.7.56 *ANDSF/ISRP/<X>/ForNonSeamlessOffload/<X>/RoutingRule/AccessId*

The AccessId leaf represents an access network identifier.

- Occurrence: ZeroOrOne
- Format: chr
- Access Types: Get, Replace
- Values: <SSID>

The format of the SSID is defined by IEEE Std 802.11™-2012 [26].

The absence of this leaf indicates that the UE can consider any available WLAN access network for the network selection.

### 5.7.57 *ANDSF/ISRP/<X>/ForNonSeamlessOffload/<X>/RoutingRule/SecondaryAccessId*

The SecondaryAccessId leaf represents a secondary access network identifier.

- Occurrence: ZeroOrOne
- Format: chr
- Access Types: Get, Replace
- Values: <HESSID>

This node is the same as defined in *ANDSF/Policy/<X>/PrioritizedAccess/<X>/SecondaryAccessId*.

### 5.7.58 *ANDSF/ISRP/<X>/ForNonSeamlessOffload/<X>/RoutingRule/AccessNetworkPriority*

The AccessNetworkPriority leaf represents an access technology priority.

- Occurrence: One
- Format: int
- Access Types: Get, Replace
- Values: <Access network priority>

This node is the same as defined in *ANDSF/Policy/<X>/PrioritizedAccess/<X>/AccessNetworkPriority*.

### 5.7.59 *ANDSF/ISRP/<X>/ForNonSeamlessOffload/<X>/RulePriority*

The RulePriority leaf represents the priority given to one particular flow distribution rule and is represented as a numerical value.



- Occurrence: One
- Format: int
- Access Types: Get, Replace
- Values: <Rule priority>

RulePriority leaf is used to establish to which flow description rule a data traffic matching multiple flow distribution rules apply. The data traffic matching multiple flow distribution rules applies to the flow description rule with the highest priority. The UE shall treat the rule with the lowest RulePriority value as the rule having the highest priority. If the UE finds multiple rules with the same priority, the choice of the rule is UE implementation specific. If there are no matching access networks according to the rule, other rules with the same priority may be considered. If there are no matching access networks according to any rule with a certain priority, rules with lower priority may be considered.

### 5.7.60 ANDSF/ISRP/<X>/Roaming

The Roaming leaf indicates the roaming condition for the ISRP rule.

- Occurrence: ZeroOrOne
- Format: bool
- Access Types: Get, Replace
- Values: 0, 1
  - 0 Indicates that the rule is only valid when the UE is not roaming.
  - 1 Indicates that the rule is only valid when the UE is roaming.

The UE shall consider a rule with the Roaming leaf present as valid only if the current roaming state (roaming/not roaming) of the UE matches the one indicated in the Roaming value.

The default value 0 applies if this leaf is not provisioned. The node is not used by the UE when the ISRP rule is provided by the V-ANDSF.

### 5.7.61 ANDSF/ISRP/<X>/PLMN

The PLMN leaf indicates a PLMN code of the operator, which created this ISRP rule.

- Occurrence: One
- Format: chr
- Access Types: Get, Replace
- Values: <PLMN>

The format of the PLMN is defined in 3GPP TS 23.003 [3].

When evaluating the PLMN leaf the following applies:

- if the value contained in this leaf is equal to the HPLMN (or an equivalent HPLMN) of the UE, the Roaming leaf is not provisioned or the value contained in the Roaming leaf of the ISRP rule is set to 0 and the UE is not roaming, the ISRP rule is valid;
- if the value contained in this leaf is equal to the HPLMN (or an equivalent HPLMN) of the UE, the value contained in the Roaming leaf of the ISRP rule is set to 1 and the UE is roaming, the ISRP rule is valid;
- if the value contained in this leaf is equal to a VPLMN (or an equivalent VPLMN) of the UE, and the UE is roaming in that VPLMN, the ISRP rule is valid independently of the Roaming leaf; and
- if there are multiple valid ISRP rules with the same value in the PLMN leaf, then the choice of which one to follow is UE implementation dependant.

## 5.7.62 *ANDSF/ISRP/<X>/UpdatePolicy*

The UpdatePolicy leaf indicates the update policy for the ISRP.

- Occurrence: ZeroOrOne
- Format: bool
- Access Types: Get, Replace
- Values: 0, 1
  - 0 Indicates that the UE is not required to request an update of the rules.
  - 1 Indicates that the UE is required to request an update of the rules.

The UpdatePolicy value may be used by the UE to determine whether or not to request an update of its ISRP when the rule is no longer considered to be valid by the UE.

The default value 0 applies if this leaf is not provisioned.

## 5.7A UE\_Profile

### 5.7A.1 *ANDSF/UE\_Profile/*

The UE\_Profile node acts as a placeholder for describing the information characterizing the UE.

NOTE: In order to avoid conflicts in names of *<X>/UE\_Profile/<X>* dynamic nodes and names of permanent nodes included in the *<X>/UE\_Profile* interior node, the four leftmost characters of name of any permanent node included in the *<X>/UE\_Profile* interior node are different from the "OsId" and the four leftmost characters of the name of *<X>/UE\_Profile/<X>* dynamic nodes are the "OsId".

- Occurrence: ZeroOrOne
- Format: node
- Access Types: Get
- Values: N/A

### 5.7A.2 *ANDSF/UE\_Profile/<X>*

This interior node acts as a placeholder for one or more profile aspects of the UE. The four leftmost characters of the name of this interior node are the "OsId".

- Occurrence: ZeroOrMore
- Format: node
- Access Types: Get
- Values: N/A

NOTE: A UE can have multiple concurrently active operating systems.

If the UE supports ISRP flow distribution rules or IARP flow distribution rules or both (see subclause 5.7A.4) containing an OS specific application identifier, one *<X>* interior node with OSId leaf is included for each supported OS in the *ANDSF/UE\_Profile* node.

### 5.7A.3 *ANDSF/UE\_Profile/<X>/OSId*

TheOSId leaf indicates the operating system identifier of the UE.

- Occurrence: One
- Format: chr
- Access Types: Get
- Values: <operating system identifier>

The format of the operating system identifier is a Universally Unique Identifier (UUID) as specified in IETF RFC 4122 [22].

#### 5.7A.4 *ANDSF/UE\_Profile/DevCapability*

The DevCapability leaf indicates the device capability of the UE and ANDSF can use this information to adapt the ANDSF MO information to the capabilities of the UE. The value of this leaf is a sequence of '1' and '0' characters, where the character value '1' denotes support and '0' denotes no support for a feature.

- Occurrence: ZeroOrOne
- Format: chr
- Access Types: Get
- Values: <Device Capability>

The first character of the leaf value indicates support for ISRP rules based on Application Identifiers (DIDA). If the UE supports ISRP rules based on Application Identifiers, the UE sets the first character of the leaf value to '1'.

The second character of the leaf value indicates support for IARP rules based on Application Identifiers (DIDA). If the UE supports IARP rules based on Application Identifiers, the UE sets the second character of the leaf value to '1'.

The third character of the leaf value indicates support for ValidityAreaRef leaf included in ISMP, DI, ISRP, WLANSF, and IARP. If the UE supports ValidityAreaRef leaf included in ISMP, DI, ISRP, WLANSF, and IARP, the UE sets the third character of the leaf value to '1'.

The fourth character of the leaf value indicates support for TimeOfDayRef leaf included in ISMP, ISRP, WLANSF, and IARP. If the UE supports TimeOfDayRef leaf included in ISMP, ISRP, WLANSF, and IARP, the UE sets the fourth character of the leaf value to '1'.

If this node is not present or the value is null string, the UE does not support any feature indicated with the node.

If there are additional characters in the leaf value and the ANDSF server does not understand them, these additional characters are ignored by the ANDSF server.

If a character is not '1', the ANDSF server treats the value as '0'.

## 5.8 *WLANSF*

### 5.8.1 *ANDSF/WLANSF*

The WLANSF node acts as a placeholder for WLANSF information.

- Occurrence: ZeroOrOne
- Format: node
- Access Types: Get, Replace
- Values: N/A

### 5.8.2 *ANDSF/WLANSF/<X>*

This interior node acts as a placeholder for one or more WLANSF rules.

- Occurrence: OneOrMore
- Format: node
- Access Types: Get, Replace
- Values: N/A

### 5.8.3 *ANDSF/WLANSP/<X>/RulePriority*

The RulePriority leaf represents the priority given to one particular rule and is represented as a numerical value.

- Occurrence: One
- Format: int
- Access Types: Get, Replace
- Values: <Rule priority>

In case more than one valid WLANSP rule exists, the UE shall treat the rule with the lowest RulePriority value as the rule having the highest priority among the valid rules. If the UE finds multiple rules with the same priority, the choice of the rule is UE implementation specific. If there are no matching WLAN access networks according to any rule with a certain priority, the UE may use rules with lower priority.

### 5.8.4 *ANDSF/WLANSP/<X>/SelectionCriteria*

The SelectionCriteria node indicates the selection criteria for WLAN access networks.

- Occurrence: One
- Format: node
- Access Types: Get, Replace
- Values: N/A

### 5.8.5 *ANDSF/WLANSP/<X>/SelectionCriteria/<X>*

This interior node acts as a placeholder for one or more selection criterion for WLAN access networks.

- Occurrence: OneOrMore
- Format: node
- Access Types: Get, Replace
- Values: N/A

A WLAN access network matches this node if it can match every non-empty node included in this node.

### 5.8.6 *ANDSF/WLANSP/<X>/SelectionCriteria/<X>/CriteriaPriority*

The CriteriaPriority leaf represents the priority given to one particular selection criterion and is represented as a numerical value.

- Occurrence: One
- Format: int
- Access Types: Get, Replace
- Values: <Criteria priority>

In case more than one selection criterion exists in a valid WLANSF rule, the UE shall treat the selection criterion with the lowest CriteriaPriority value as the selection criterion having the highest priority among the selection criteria in the WLANSF rule.

### 5.8.7

#### **ANDSF/WLANSF/<X>/SelectionCriteria/<X>/HomeNetworkIndication**

The HomeNetworkIndication leaf indicates whether only the WLANs that are operated by the home operator could match the group of selection criteria or not.

- Occurrence: ZeroOrOne
- Format: int
- Access Types: Get, Replace
- Values: 0, 1
  - 0 Indicates that all WLANs match this leaf.
  - 1 Indicates that only the WLANs that are operated by the home operator match this leaf.

The default value 0 applies if this leaf is not provisioned.

The HomeNetworkIndication leaf provided by V-ANDSF is ignored.

### 5.8.8

#### **ANDSF/WLANSF/<X>/SelectionCriteria/<X>/PreferredRoamingPartnerList**

The PreferredRoamingPartnerList acts as a placeholder for preferred roaming partners.

- Occurrence: ZeroOrOne
- Format: node
- Access Types: Get, Replace
- Values: N/A

This node and its descendants are the same as the node PerProviderSubscription/<X+>/Policy/PreferredRoamingPartnerList defined in Hotspot 2.0 (Release 2) Technical Specification [23]. If a WLAN access network satisfies rules associated with PerProviderSubscription/<X+>/Policy/PreferredRoamingPartnerList node of Hotspot 2.0 (Release 2) Technical Specification [23], the WLAN access network matches this node.

If PreferredRoamingPartnerList node is not present or the node is present and empty, the UE will not evaluate the node.

- NOTE: If the WLANSF is provided by the V-ANDSF then this group of selection criteria is not expected to include the PreferredRoamingPartnerList.
- NOTE: If the HomeNetworkIndication leaf in the selection criteria node is set to 1 then the PreferredRoamingPartnerList node is not configured in this group of selection criteria.

### 5.8.9

#### **ANDSF/WLANSF/<X>/SelectionCriteria/<X>/MinBackhaulThreshold**

The MinBackhaulThreshold acts as a placeholder for minimum WAN bandwidth.

- Occurrence: ZeroOrOne
- Format: node

- Access Types: Get, Replace
- Values: N/A

This node and its descendants are the same as the node `PerProviderSubscription/<X+>/Policy/MinBackhaulThreshold` defined in Hotspot 2.0 (Release 2) Technical Specification [23]. If a WLAN access network satisfies rules associated with `PerProviderSubscription/<X+>/Policy/MinBackhaulThreshold` node of Hotspot 2.0 (Release 2) Technical Specification [23], the WLAN access network matches this node .

If `MinBackhaulThreshold` node is not present or the node is present and empty, the UE will not evaluate the node.

#### 5.8.10 *ANDSF/WLANSP/<X>/SelectionCriteria/<X>/MaximumBSSLoadValue*

The `MaximumBSSLoadValue` leaf node acts as a placeholder for maximum BSS load.

- Occurrence: ZeroOrOne
- Format: int
- Access Types: Get, Replace
- Values: N/A

This node is the same as the node `PerProviderSubscription/<X+>/Policy/MaximumBSSLoadValue` defined in Hotspot 2.0 (Release 2) Technical Specification [23]. If a WLAN access network satisfies rules associated with `PerProviderSubscription/<X+>/Policy/MaximumBSSLoadValue` node of Hotspot 2.0 (Release 2) Technical Specification [23], the WLAN access network matches this node .

If `MaximumBSSLoadValue` node is not present or the node is present and empty, the UE will not evaluate the node.

#### 5.8.11 *ANDSF/WLANSP/<X>/SelectionCriteria/<X>/RequiredProtoPortTuple*

The `RequiredProtoPortTuple` acts as a placeholder for IP protocol and destination port tuples.

- Occurrence: ZeroOrOne
- Format: node
- Access Types: Get, Replace
- Values: N/A

This node is the same as the node `PerProviderSubscription/<X+>/Policy/RequiredProtoPortTuple` defined in Hotspot 2.0 (Release 2) Technical Specification [23]. If a WLAN access network satisfies rules associated with `PerProviderSubscription/<X+>/Policy/RequiredProtoPortTuple` node of Hotspot 2.0 (Release 2) Technical Specification [23], the WLAN access network matches this node.

If `RequiredProtoPortTuple` node is not present or the node is present and empty, the UE will not evaluate the node.

#### 5.8.12 *ANDSF/WLANSP/<X>/SelectionCriteria/<X>/SPExclusionList*

The `SPExclusionList` acts as a placeholder for SSIDs not preferred to select.

- Occurrence: ZeroOrOne
- Format: node
- Access Types: Get, Replace
- Values: N/A

This node is the same as the node `PerProviderSubscription/<X+>/Policy/SPExclusionList` defined in Hotspot 2.0 (Release 2) Technical Specification [23]. If a WLAN access network satisfies rules associated with `PerProviderSubscription/<X+>/Policy/SPExclusionList` node of Hotspot 2.0 (Release 2) Technical Specification [23], the WLAN access network matches this node.

If `SPExclusionList` node is not present or the node is present and empty, the UE will not evaluate the node.

### 5.8.13 `ANDSF/WLANSP/<X>/SelectionCriteria/<X>/PreferredSSIDList`

The `PreferredSSIDList` acts as a placeholder for preferred WLAN access network identifiers.

- Occurrence: ZeroOrOne
- Format: node
- Access Types: Get, Replace
- Values: N/A

A WLAN access network matches this node if the identifier of the WLAN access network is present in the list specified in this node.

If `PreferredSSIDList` node is not present or the node is present and empty, the UE will not evaluate the node.

NOTE: If the `HomeNetworkIndication` in the selection criteria node is set to 1 then the `PreferredSSIDList` is not configured in this group of selection criteria.

### 5.8.14 `ANDSF/WLANSP/<X>/SelectionCriteria/<X>/PreferredSSIDList/<X>`

This interior node acts as a placeholder for one or more preferred network identifier for WLAN access network selection.

- Occurrence: OneOrMore
- Format: node
- Access Types: Get, Replace
- Values: N/A

### 5.8.14A `ANDSF/WLANSP/<X>/SelectionCriteria/<X>/PreferredSSIDList/<X>WLANPriority`

The `Priority` leaf represents the priority given to one particular WLAN and is represented as a numerical value.

- Occurrence: One
- Format: int
- Access Types: Get, Replace
- Values: <WLAN priority>

In case more than one WLAN exists in a valid `PreferredSSIDList`, the WLAN with the lowest `Priority` value shall be treated as the WLAN having the highest priority among the WLANs in the `PreferredSSIDList`. If there are multiple WLANs with the same priority, the choice of the WLAN is UE implementation specific.

### 5.8.15 *ANDSF/WLANSP/<X>/SelectionCriteria/<X>/PreferredSSIDList/<X>/SSID*

The SSID leaf indicates the preferred SSID for WLAN access network selection.

- Occurrence: ZeroOrOne
- Format: chr
- Access Types: Get, Replace
- Values: <SSID>

The format of the SSID is defined by IEEE Std 802.11™-2012 [26].

### 5.8.16 *ANDSF/WLANSP/<X>/SelectionCriteria/<X>/PreferredSSIDList/<X>/HESSID*

The HESSID leaf indicates the preferred HESSID for WLAN access network selection.

- Occurrence: ZeroOrOne
- Format: chr
- Access Types: Get, Replace
- Values: <HESSID>

The format of the HESSID is defined by IEEE 802.11™-2012 [26].

### 5.8.17 *ANDSF/WLANSP/<X>/ValidityArea*

The ValidityArea node acts as a placeholder for location conditions for a particular rule.

- Occurrence: ZeroOrOne
- Format: node
- Access Types: Get, Replace
- Values: N/A

This node and its descendants are the same as defined in *ANDSF/Policy/<X>/ValidityArea*.

### 5.8.17A *ANDSF/WLANSP/<X>/ValidityAreaRef*

The ValidityAreaRef leaf contains a reference to a ValidityArea interior node.

- Occurrence: ZeroOrOne
- Format: chr
- Access Types: Get, Replace
- Values: < a reference to a ValidityArea interior node >

This node is the same as defined in *ANDSF/Policy/<X>/ValidityAreaRef*.

### 5.8.18 *ANDSF/WLANSP/<X>/Roaming*

The Roaming leaf indicates the roaming condition for the WLANSP rule.

- Occurrence: ZeroOrOne



- Format: bool
- Access Types: Get, Replace
- Values: 0, 1
  - 0 Indicates that the rule is only valid when the UE is not roaming.
  - 1 Indicates that the rule is only valid when the UE is roaming.

The UE shall consider a rule with the Roaming leaf present as valid only if the current roaming state (roaming/not roaming) of the UE matches the one indicated in the Roaming value and the rule is provided by the H-ANDSF.

### 5.8.19 *ANDSF/WLANSP/<X>/PLMN*

The PLMN leaf indicates a PLMN code of the operator, which created this policy.

- Occurrence: One
- Format: chr
- Access Types: Get, Replace
- Values: <PLMN>

The format of the PLMN is defined by 3GPP TS 23.003 [3].

### 5.8.20 *ANDSF/WLANSP/<X>/TimeOfDay*

The TimeOfDay node acts as a placeholder for day condition for a particular flow distribution rule.

- Occurrence: ZeroOrOne
- Format: node
- Access Types: Get, Replace
- Values: N/A

This node and its descendants are the same as defined in *ANDSF/Policy/<X>/TimeOfDay*.

### 5.8.20A *ANDSF/WLANSP/<X>/TimeOfDayRef*

The TimeOfDayRef leaf contains a reference to a TimeOfDay interior node.

- Occurrence: ZeroOrOne
- Format: chr
- Access Types: Get, Replace
- Values: < a reference to a TimeOfDay interior node >

This node is the same as defined in *ANDSF/Policy/<X>/TimeOfDayRef*.

### 5.8.21 *ANDSF/WLANSP/<X>/UpdatePolicy*

The UpdatePolicy leaf indicates the update policy for the WLANSP.

- Occurrence: ZeroOrOne
- Format: bool
- Access Types: Get, Replace

- Values: 0, 1
- 0 Indicates that the UE is not required to request an update of the rules.
- 1 Indicates that the UE is required to request an update of the rules.

The UpdatePolicy value may be used by the UE to determine whether or not to request an update of its WLANSP when the rule is no longer considered to be valid by the UE.

The default value 0 applies if this leaf is not provisioned.

## 5.9 IARP

### 5.9.1 *ANDSF/IARP/*

The IARP node acts as a placeholder for policies for IARP.

- Occurrence: ZeroOrOne
- Format: node
- Access Types: Get, Replace
- Values: N/A

### 5.9.2 *ANDSF/IARP/<X>*

This interior node acts as a placeholder for one or more IARP rules.

- Occurrence: OneOrMore
- Format: node
- Access Types: Get, Replace
- Values: N/A

An IARP rule can contain one or more of the following node: ForInterAPNRouting or ForNonSeamlessOffload.

### 5.9.3 *ANDSF/IARP/<X>/ForInterAPNRouting*

The ForInterAPNRouting node represents flow distribution container indicating data distribution among APNs based on flow description.

- Occurrence: ZeroOrOne
- Format: node
- Access Types: Get, Replace
- Values: N/A

### 5.9.4 *ANDSF/IARP/<X>/ForInterAPNRouting/<X>/*

This interior node acts as a placeholder for one or more flow distribution rule.

- Occurrence: OneOrMore
- Format: node
- Access Types: Get, Replace
- Values: N/A

### 5.9.5 *ANDSF/IARP/<X>/ForInterAPNRouting/<X>/IPFlow*

The IP Flow node indicates the flow description for a particular flow distribution rule.

- Occurrence: One
- Format: node
- Access Types: Get, Replace
- Values: N/A

If the flow distribution rule contains more than one instance of the *ANDSF/IARP/<X>/ForInterAPNRouting/<X>/IPFlow/<X>* node (i.e. flow description), the UE shall consider the flow distribution rule if at least one of the flow descriptions as described in subclause 5.9.6 matches the traffic.

### 5.9.6 *ANDSF/IARP/<X>/ForInterAPNRouting/<X>/IPFlow/<X>/*

This interior node acts as a placeholder for one or more flow description.

- Occurrence: OneOrMore
- Format: node
- Access Types: Get, Replace
- Values: N/A

If the flow description is defined with more than one interior node or leaf (i.e. App-ID, AddressType, etc.) within a single instance of the *ANDSF/IARP/<X>/ForInterAPNRouting/<X>/IPFlow/<X>* node, then UE shall consider the flow description matching the traffic only if all the present interior nodes and leaf values match the traffic.

### 5.9.7 *ANDSF/IARP/<X>/ForInterAPNRouting/<X>/IPFlow/<X>/App-ID*

This interior node acts as a placeholder for an IPFlow identification based on an applicationID.

An IP flow is evaluated as matching if the IP flow matches at least one child node.

- Occurrence: ZeroOrOne
- Format: node
- Access Types: Get, Replace
- Values: N/A

The absence of this node indicates that the application identifier is not examined when matching packets against the IP flow description of the rule.

### 5.9.8 *ANDSF/IARP/<X>/ForInterAPNRouting/<X>/IPFlow/<X>/App-ID/<X>/*

This interior node acts as a placeholder for one or more combinations of OSId and OSAppId values.

An IP flow is evaluated as matching if the IP flow is sent by an application:

- which uses services provided by an OS identified by the OS system identifier in the OSId leaf contained in this interior node; and
- associated with an OS specific application identifier in one of the OSAppId leaves contained in the OSApps interior node.
- Occurrence: OneOrMore

- Format: node
- Access Types: Get, Replace
- Values: N/A

### 5.9.9 *ANDSF/IARP/<X>/ForInterAPNRouting/<X>/IPFlow/<X>/App-ID/<X>/OSId*

The OSId leaf indicates an operating system identifier.

- Occurrence: One
- Format: chr
- Access Types: Get, Replace
- Values: <operating system identifier>

The format of the operating system identifier is a Universally Unique Identifier (UUID) as specified in IETF RFC 4122 [22].

### 5.9.10 *ANDSF/IARP/<X>/ForInterAPNRouting/<X>/IPFlow/<X>/App-ID/<X>/OSApps/*

This interior node acts as a placeholder for the list of OS specific application identifiers.

- Occurrence: One
- Format: node
- Access Types: Get, Replace
- Values: <N/A>

### 5.9.11 *ANDSF/IARP/<X>/ForInterAPNRouting/<X>/IPFlow/<X>/App-ID/<X>/OSApps/<X>*

This interior node acts as a placeholder for an OS specific application identifiers.

- Occurrence: OneOrMore
- Format: node
- Access Types: Get, Replace
- Values: <N/A>

### 5.9.12 *ANDSF/IARP/<X>/ForInterAPNRouting/<X>/IPFlow/<X>/App-ID/<X>/OSApps/<X>/OSAppId*

The OSAppId leaf indicates an OS specific application identifier.

- Occurrence: One
- Format: chr
- Access Types: Get, Replace
- Values: <OS specific application identifier>

Further definition of the format of the OS specific application identifier is beyond the scope of this specification.

### 5.9.13 *ANDSF/IARP/<X>/ForInterAPNRouting/<X>/IPFlow/<X>/AddressType*

The AddressType leaf indicates the IP version of the addresses describing the IP flow.

- Occurrence: ZeroOrOne
- Format: chr
- Access Types: Get, Replace
- Values: 'IPv4', 'IPv6'

The absence of this leaf indicates that the IP flow described by the rule can have both IPv4 and IPv6 addresses. This field is mandatory if StartSourceIPAddress leaf is present.

### 5.9.14 *ANDSF/IARP/<X>/ForInterAPNRouting/<X>/IPFlow/<X>/StartSourceIPAddress*

The StartSourceIPAddress leaf indicates the first IP source address of the IP address range of the IP flow description. The source address refers to the IP address of the data packets destined for the UE according to the terminology in the IETF RFC 6088 [24].

- Occurrence: ZeroOrOne
- Format: chr
- Access Types: Get, Replace
- Values: <an IPv4 address>, <an IPv6 address>.

The value of this leaf is an IPv4 address if the AddressType leaf value of the same rule is equal to IPv4. The value of this leaf is an IPv6 address if the AddressType leaf value of the same rule is equal to IPv6. If this leaf represents the first value of an IP source address range, the values of this leaf and the corresponding *ANDSF/IARP/<X>/ForInterAPNRouting/<X>/IPFlow/<X>/EndSourceIPAddress* leaf are set so that the IP address range can be represented in prefix notation.

**EXAMPLE:** IPv4 address range 192.0.2.0 - 192.0.2.255 is equal to 192.0.2.0/24 in prefix notation, and IPv6 address range 2001:db8::/128 - 2001:db8:ffff:ffff:ffff:ffff:ffff:ffff/128 equals 2001:db8::/32 in prefix notation.

The absence of this leaf indicates that source address field of the IP header is not examined when matching packets against the IP flow description of the rule.

The UE ignores an IPFlow instance with a StartSourceIPAddress leaf without a correspondent AddressType leaf. If the IPFlow instance is the only one contained in the flow distribution rule, the UE ignores the flow distribution rule.

When applying the rule to uplink traffic, the UE matches the addresses contained in the range between StartSourceIPAddress and EndSourceIPAddress against destination IP address field of the uplink traffic packets.

### 5.9.15 *ANDSF/IARP/<X>/ForInterAPNRouting/<X>/IPFlow/<X>/EndSourceIPAddress*

The EndSourceIPAddress leaf indicates the last IP source address of the IP source address range of the IP flow description. The source address refers to the IP address of the data packets destined for the UE according to the terminology in the IETF RFC 6088 [24].

- Occurrence: ZeroOrOne
- Format: chr
- Access Types: Get, Replace

- Values: <an IPv4 address>, <an IPv6 address>.

This leaf can be present only if the leaf

*ANDSF/IARP/<X>/ForInterAPNRouting/<X>/IPFlow/<X>/StartSourceIPAddress* is present. The absence of this leaf indicates that the IP source address range of the IP flow described by the rule is equal to the address contained in *ANDSF/IARP/<X>/ForInterAPNRouting/<X>/IPFlow/<X>/StartSourceIPAddress*. When representing the IP source address range with more than one IP address, the values of this leaf and the corresponding *ANDSF/IARP/<X>/ForInterAPNRouting/<X>/IPFlow/<X>/StartSourceIPAddress* leaf are set as defined in subclause 5.9.14.

The value of this leaf is an IPv4 address if the *AddressType* leaf value of the same rule is equal to IPv4. The value of this leaf is an IPv6 address if the *AddressType* leaf value of the same rule is equal to IPv6.

The UE ignores an IPFlow instance with a *EndSourceIPAddress* leaf without a correspondent *StartSourceIPAddress* leaf. If the IPFlow instance is the only one contained in the flow distribution rule, the UE ignores the flow distribution rule.

### 5.9.16 *ANDSF/IARP/<X>/ForInterAPNRouting/<X>/IPFlow/<X>/ProtocolType*

The *ProtocolType* leaf indicates the protocol type in a flow description.

- Occurrence: ZeroOrOne
- Format: int
- Access Types: Get, Replace
- Values: <Protocol type>

The value of *ProtocolType* leaf is a value among the internet protocol numbers as defined in IANA Assigned Internet Protocol Numbers [18]. In case of IPv4 flow description, the value contained in this leaf is compared with the value of the last protocol type field. In case of IPv6 flow description, the value contained in this leaf is compared with the value of the last next header field. The UE ignores an IPFlow instance with a *ProtocolType* leaf indicating a protocol type not supported by the UE. If the IPFlow instance is the only one contained in the flow distribution rule, the UE ignores the flow distribution rule.

### 5.9.17 *ANDSF/IARP/<X>/ForInterAPNRouting/<X>/IPFlow/<X>/StartSourcePortNumber*

The *StartSourcePortNumber* leaf indicates the first source port number of the source port numbers range of the IP flow description. The source port refers to the source port of the data packets destined for the UE according to the terminology in the IETF RFC 6088 [24].

- Occurrence: ZeroOrOne
- Format: int
- Access Types: Get, Replace
- Values: any value in the range 1-65535.

The absence of this leaf indicates that source port field of the transport protocol header is not examined when matching packets against the IP flow description of the rule.

When applying the rule to uplink traffic, the UE matches the port numbers contained in the range between *StartSourcePortNumber* and *EndSourcePortNumber* against destination port field of the uplink traffic packets.

### 5.9.18 *ANDSF/IARP/<X>/ForInterAPNRouting/<X>/IPFlow/<X>/EndSourcePortNumber*

The *EndSourcePortNumber* leaf indicates the last source port number of the source port numbers range of the IP flow description. The source port refers to the source port of the data packets destined for the UE according to the terminology in the IETF RFC 6088 [24].

- Occurrence: ZeroOrOne
- Format: int
- Access Types: Get, Replace
- Values: any value in the range 1-65535.

This leaf can be present only if the leaf *ANDSF/IARP/<X>/ForFlowBased/<X>/IPFlow/<X>/StartSourcePortNumber* is present. The absence of this leaf indicates that the source port number range of the IP flow described by the rule is equal to the source port number contained in *ANDSF/IARP/<X>/ForFlowBased/<X>/IPFlow/<X>/StartSourcePortNumber*.

The UE ignores an IPFlow instance with a *EndSourcePortNumber* leaf without a correspondent *StartSourcePortNumber* leaf. If the IPFlow instance is the only one contained in the flow distribution rule, the UE ignores the flow distribution rule.

### 5.9.18A *ANDSF/IARP/<X>/ForInterAPNRouting/<X>/IPFlow/<X>/StartDestPortNumber*

The *StartDestPortNumber* leaf indicates the first destination port number of the destination port numbers range of the IP flow description. The destination port refers to the destination port of the data packets sent by the corresponding node according to the terminology in the IETF RFC 6088 [24].

- Occurrence: ZeroOrOne
- Format: int
- Access Types: Get, Replace
- Values: any value in the range 1-65535.

The absence of this leaf indicates that destination port field of the transport protocol header is not examined when matching packets against the IP flow description of the rule.

When applying the rule to uplink traffic, the UE matches the port numbers contained in the range between *StartDestPortNumber* and *EndDestPortNumber* against source port field of the uplink traffic packets.

### 5.9.18B *ANDSF/IARP/<X>/ForInterAPNRouting/<X>/IPFlow/<X>/EndDestPortNumber*

The *EndDestPortNumber* leaf indicates the last destination port number of the destination port numbers range of the IP flow description. The destination port refers to the destination port of the data packets sent by the corresponding node according to the terminology in the IETF RFC 6088 [24].

- Occurrence: ZeroOrOne
- Format: int
- Access Types: Get, Replace
- Values: any value in the range 1-65535.

This leaf can be present only if the leaf *ANDSF/IARP/<X>/ForInterAPNRouting/<X>/IPFlow/<X>/StartDestPortNumber* is present. The absence of this leaf

indicates that the destination port number range of the IP flow described by the rule is equal to the port number contained in *ANDSF/IARP/<X>/ForInterAPNRouting/<X>/IPFlow/<X>/StartDestPortNumber*.

The UE ignores an IPFlow instance with a EndDestPortNumber leaf without a correspondent StartDestPortNumber leaf. If the IPFlow instance is the only one contained in the flow distribution rule, the UE ignores the flow distribution rule.

### 5.9.19 *ANDSF/IARP/<X>/ForInterAPNRouting/<X>/IPFlow/<X>/QoS*

The QoS leaf indicates the DS or ToS values parameters in a flow description.

- Occurrence: ZeroOrOne
- Format: bin
- Access Types: Get, Replace
- Values: any value in the range 0-63 expressed in a binary form

The DS and ToS values are defined in IETF RFC 3260 [10A].

### 5.9.20 *ANDSF/IARP/<X>/ForInterAPNRouting/<X>/IPFlow/<X>/DomainName*

The DomainName leaf indicates the destination domain name of the IP Flow description.

- Occurrence: ZeroOrOne
- Format: chr
- Access Types: Get, Replace
- Values: <FQDN>

The value of FQDN is Fully Qualified Domain Name (e.g. www.example.com) that was resolved into the destination IP address. The FQDN format is defined in IETF RFC 2181 [19], IETF RFC 1035 [20] and IETF RFC 1123 [21].

The absence of this leaf indicates that the domain name is not examined when matching packets against the IP flow description of the rule.

### 5.9.21 *ANDSF/IARP/<X>/ForInterAPNRouting/<X>/IPFlow/<X>/APN*

The APN leaf indicates the APN of the IP flow description.

- Occurrence: ZeroOrOne
- Format: chr
- Access Types: Get, Replace
- Values: <APN>

The APN format is defined in 3GPP TS 23.003 [3].

If the traffic is for an APN matching the value of this leaf, then this leaf is evaluated as matching.

### 5.9.22 *ANDSF/IARP/<X>/ForInterAPNRouting/<X>/RoutingCriteria*

The RoutingCriteria node acts as a placeholder for validity conditions for a particular flow distribution rule.

- Occurrence: ZeroOrOne
- Format: node
- Access Types: Get, Replace



- Values: N/A

If at least one instance of `ANDSF/IARP/<X>/ForInterAPNRouting/<X>/RoutingCriteria/<X>` node indicates matching validity condition, the UE shall consider the corresponding flow distribution rule as valid.

If the `ANDSF/IARP/<X>/ForInterAPNRouting/<X>/RoutingCriteria/<X>` node is present and empty (i.e. none of the nodes `ValidityArea`, `ValidityAreaRef`, `TimeOfDay`, `TimeOfDayRef`, `RANValidityCondition` or `RANValidityConditionRef` exist), the `ANDSF/IARP/<X>/ForInterAPNRouting/<X>/RoutingCriteria/<X>` node is not considered when evaluating the validity of the corresponding flow distribution rule.

### 5.9.23 `ANDSF/IARP/<X>/ForInterAPNRouting/<X>/RoutingCriteria/<X>`

This internal node acts as a placeholder for one or more validity conditions for a particular flow distribution rule.

- Occurrence: OneOrMore
- Format: node
- Access Types: Get, Replace
- Values: N/A

The UE shall consider the corresponding flow distribution rule as valid only if all the present interior nodes (`ValidityArea`, `ValidityAreaRef`, `TimeOfDay`, `TimeOfDayRef`, `RANValidityCondition` or `RANValidityConditionRef`) within a single instance of `ANDSF/IARP/<X>/ForInterAPNRouting/<X>/RoutingCriteria/<X>` node indicate matching validity condition.

### 5.9.24 `ANDSF/IARP/<X>/ForInterAPNRouting/<X>/RoutingCriteria/<X>/ValidityArea`

The `ValidityArea` node acts as a placeholder for location conditions for a particular flow distribution rule.

- Occurrence: ZeroOrOne
- Format: node
- Access Types: Get, Replace
- Values: N/A

This node and its descendants are the same as defined in `ANDSF/Policy/<X>/ValidityArea`.

### 5.9.24A `ANDSF/IARP/<X>/ForInterAPNRouting/<X>/RoutingCriteria/<X>/ValidityAreaRef`

The `ValidityAreaRef` leaf contains a reference to a `ValidityArea` interior node.

- Occurrence: ZeroOrOne
- Format: chr
- Access Types: Get, Replace
- Values: < a reference to a `ValidityArea` interior node >

This node is the same as defined in `ANDSF/Policy/<X>/ValidityAreaRef`.

### 5.9.25 `ANDSF/IARP/<X>/ForInterAPNRouting/<X>/RoutingCriteria/<X>/TimeOfDay`

The `TimeOfDay` node acts as a placeholder for day condition for a particular flow distribution rule.

- Occurrence: ZeroOrOne
- Format: node
- Access Types: Get, Replace
- Values: N/A

This node and its descendants are the same as defined in *ANDSF/Policy/<X>/TimeOfDay*.

### 5.9.25A *ANDSF/IARP/<X>/ForInterAPNRouting/<X>/RoutingCriteria/<X>/TimeOfDayRef*

The *TimeOfDayRef* leaf contains a reference to a *TimeOfDay* interior node.

- Occurrence: ZeroOrOne
- Format: chr
- Access Types: Get, Replace
- Values: < a reference to a *TimeOfDay* interior node >

This node is the same as defined in *ANDSF/Policy/<X>/TimeOfDayRef*.

### 5.9.25B1 *ANDSF/IARP/<X>/ForInterAPNRouting/<X>/RoutingCriteria/<X>/RANValidityCondition*

The *RANValidityCondition* node acts as a placeholder for RAN validity condition for a particular flow distribution rule.

- Occurrence: ZeroOrOne
- Format: node
- Access Types: Get, Replace
- Values: N/A

This node and its descendants are the same as defined in *ANDSF/ISRP/<X>/ForFlowBased/<X>/RoutingCriteria/<X>/RANValidityCondition*. except when evaluating the *RANValidityCondition* node, the following applies:

- if the UE cannot simultaneously route IP traffic to both 3GPP access and WLAN and the UE is applying an IARP rule that contains the *RANValidityCondition* node, the UE shall consider this *RANValidCondition* node as matching;
- if the UE is roaming and the UE is applying IARP rules from HPLMN which contain the *RANValidityCondition* node, the UE shall consider this *RANValidCondition* node as matching;
- if both the *OPI* node and *ThresholdCondition* node are evaluated to be matching, the UE shall consider this *RANValidCondition* node as matching;
- otherwise the UE shall consider this *RANValidCondition* node as not matching.

### 5.9.25B2 *ANDSF/IARP/<X>/ForInterAPNRouting/<X>/RoutingCriteria/<X>/RANValidityConditionRef*

The *RANValidityConditionRef* leaf contains a reference to a *RANValidityCondition* interior node.

- Occurrence: ZeroOrOne
- Format: chr
- Access Types: Get, Replace

- Values: < a reference to a RANValidityCondition interior node >

The reference to a RANValidityCondition interior node is a full device URI as specified in OMA-TS-DM\_Protocol-V1\_2 [5A], identifying the RANValidityCondition interior node in the UE management tree.

RANValidityConditionRef leaf is considered a match when the referenced RANValidityCondition interior node is considered a match according to the rules described in subclause 5.9.25B1.

### 5.9.26 *ANDSF/IARP/<X>/ForInterAPNRouting/<X>/RoutingRule*

The RoutingRule node indicates the preferred APN for a flow distribution rule.

- Occurrence: One
- Format: node
- Access Types: Get, Replace
- Values: N/A

### 5.9.27 *ANDSF/IARP/<X>/ForInterAPNRouting/<X>/RoutingRule/<X>/*

This interior node acts as a placeholder for one or more prioritized APNs.

- Occurrence: OneOrMore
- Format: node
- Access Types: Get, Replace
- Values: N/A

### 5.9.28 *ANDSF/IARP/<X>/ForInterAPNRouting/<X>/RoutingRule/<X>/APN*

The APN leaf indicates the APN for which a particular flow distribution rule is valid.

- Occurrence: One
- Format: chr
- Access Types: Get, Replace
- Values: <APN>

The APN format is defined in 3GPP TS 23.003 [3].

### 5.9.29 *ANDSF/IARP/<X>/ForInterAPNRouting/<X>/RoutingRule/<X>/APNPriority*

The APNPriority leaf represents an APN priority.

- Occurrence: One
- Format: int
- Access Types: Get, Replace
- Values: <APN priority>

In case more than one valid PrioritizedAPN are available and if the value of the priority belongs to the range 1-250, the UE shall consider the APN with the lowest APNPriority value as the APN having the highest priority, as defined in table 5.9.29.1. The APNPriority value 'Restricted APN' (254) indicates an APN that should not be used by the UE. The

APNPriority value 'Forbidden' (255) indicates an APN that shall not be used by the UE. The same APNPriority value may be used for more than one APN. If more than one APN with the same value of the APNPriority are available, the UE selects one of them in an implementation dependant way. If the UE is not able to find an APN according to ANDSF policies, it is implementation dependent how to proceed with APN selection.

**Table 5.9.29.1: Values of APNPriority leaf**

Value	Description
0	Reserved
1-250	Priority value
251-253	Reserved
254	Restricted APN. This APN should be avoided if the current rule is active.
255	Forbidden. UE is not allowed to use this APN if the current rule is active.

NOTE: It is implementation dependent if or when a restricted access is selected if there are no other accesses available.

### 5.9.30 *ANDSF/IARP/<X>/ForInterAPNRouting/<X>/RulePriority*

The RulePriority leaf represents the priority given to one particular flow distribution rule and is represented as a numerical value.

- Occurrence: One
- Format: int
- Access Types: Get, Replace
- Values: <Rule priority>

RulePriority leaf is used to establish to which flow description rule a data traffic matching multiple flow distribution rules apply. The data traffic matching multiple flow distribution rules applies to the flow description rule with the highest priority. The UE shall treat the rule with the lowest RulePriority value as the rule having the highest priority. If the UE finds multiple rules with the same priority, the choice of the rule is UE implementation specific. If there are no matching APN according to the rule, other rules with the same priority may be considered. If there are no matching APN according to any rule with a certain priority, rules with lower priority may be considered.

### 5.9.31 *ANDSF/IARP/<X>/ForNonSeamlessOffload/*

The ForNonSeamlessOffload node represents a flow distribution container indicating data permissible for non-seamless WLAN offload routing based on flow description.

- Occurrence: ZeroOrOne
- Format: node
- Access Types: Get, Replace
- Values: N/A

### 5.9.32 *ANDSF/IARP/<X>/ForNonSeamlessOffload/<X>/*

This interior node acts as a placeholder for one or more flow distribution rules indicating data distribution among accesses based on flow description.

- Occurrence: OneOrMore
- Format: node

- Access Types: Get, Replace
- Values: N/A

### 5.9.33 *ANDSF/IARP/<X>/ForNonSeamlessOffload/<X>/IPFlow*

The IPFlow node indicates the flow description for a particular flow distribution rule.

- Occurrence: One
- Format: node
- Access Types: Get, Replace
- Values: N/A

An empty IPFlow node indicates the match-all flow description.

If the flow distribution rule contains more than one instance of the *ANDSF/IARP/<X>/ForNonSeamlessOffload/<X>/IPFlow/<X>* node (i.e. flow description), the UE shall consider the flow distribution rule if at least one of the flow descriptions as described in subclause 5.9.37 matches the traffic.

### 5.9.34 *ANDSF/IARP/<X>/ForNonSeamlessOffload/<X>/IPFlow/<X>*

This interior node acts as a placeholder for one or more flow description.

- Occurrence: OneOrMore
- Format: node
- Access Types: Get, Replace
- Values: N/A

If the flow description is defined with more than one interior node or leaf (i.e. App-ID, AddressType, etc.) within a single instance of the *ANDSF/IARP/<X>/ForNonSeamlessOffload/<X>/IPFlow/<X>* node, then UE shall consider the flow description matching the traffic only if all the present interior nodes and leaf values match the traffic.

### 5.9.35 *ANDSF/IARP/<X>/ForNonSeamlessOffload/<X>/IPFlow/<X>/App-ID*

This interior node acts as a placeholder for an IPFlow identification based on an applicationID.

An IP flow is evaluated as matching if the IP flow matches at least one child node.

- Occurrence: ZeroOrOne
- Format: node
- Access Types: Get, Replace
- Values: N/A

The absence of this leaf indicates that the application identifier is not examined when matching packets against the IP flow description of the rule.

### 5.9.36 *ANDSF/IARP/<X>/ForNonSeamlessOffload/<X>/IPFlow/<X>/App-ID/<X>/*

This interior node acts as a placeholder for one or more combinations of OSId and OSAppId values.

An IP flow is evaluated as matching if the IP flow is sent by an application:

- which uses services provided by an OS identified by the OS system identifier in the OSId leaf contained in this interior node; and
- associated with an OS specific application identifier in one of the OSAppId leaves contained in the OSApps interior node.
- Occurrence: OneOrMore
- Format: node
- Access Types: Get, Replace
- Values: N/A

### 5.9.37 *ANDSF/IARP/<X>/ForNonSeamlessOffload/<X>/IPFlow/<X>/App-ID/<X>/OSId*

The OSId leaf indicates an operating system identifier.

- Occurrence: One
- Format: chr
- Access Types: Get, Replace
- Values: <operating system identifier>

The format of the operating system identifier is a Universally Unique Identifier (UUID) as specified in IETF RFC 4122 [22].

### 5.9.38 *ANDSF/IARP/<X>/ForNonSeamlessOffload/<X>/IPFlow/<X>/App-ID/<X>/OSApps/*

This interior node acts as a placeholder for the list of OS specific application identifiers.

- Occurrence: One
- Format: node
- Access Types: Get, Replace
- Values: <N/A>

### 5.9.39 *ANDSF/IARP/<X>/ForNonSeamlessOffload/<X>/IPFlow/<X>/App-ID/<X>/OSApps/<X>*

This interior node acts as a placeholder for an OS specific application identifiers.

- Occurrence: OneOrMore
- Format: node
- Access Types: Get, Replace
- Values: <N/A>

### 5.9.40 *ANDSF/IARP/<X>/ForNonSeamlessOffload/<X>/IPFlow/<X>/App-ID/<X>/OSApps/<X>/OSAppId*

The OSAppId leaf indicates an OS specific application identifier.

- Occurrence: One

- Format: chr
- Access Types: Get, Replace
- Values: <OS specific application identifier>

Further definition of the format of the OS specific application identifier is beyond the scope of this specification.

### 5.9.41 *ANDSF/IARP/<X>/ForNonSeamlessOffload/<X>/IPFlow/<X>/AddressType*

The AddressType leaf indicates the IP version of the addresses describing the IP flow.

- Occurrence: ZeroOrOne
- Format: chr
- Access Types: Get, Replace
- Values: 'IPv4', 'IPv6'

The absence of this leaf indicates that the IP flow described by the rule can have both IPv4 and IPv6 addresses. This field is mandatory if StartSourceIPAddress leaf is present.

### 5.9.42 *ANDSF/IARP/<X>/ForNonSeamlessOffload/<X>/IPFlow/<X>/StartSourceIPAddress*

The StartSourceIPAddress leaf indicates the first IP source address of the IP address range of the IP flow description. The source address refers to the IP address of the data packets destined for the UE according to the terminology in the IETF RFC 6088 [24].

- Occurrence: ZeroOrOne
- Format: chr
- Access Types: Get, Replace
- Values: <an IPv4 address>, <an IPv6 address>.

The value of this leaf is an IPv4 address if the AddressType leaf value of the same rule is equal to IPv4. The value of this leaf is an IPv6 address if the AddressType leaf value of the same rule is equal to IPv6. If this leaf represents the first value of an IP source address range, the values of this leaf and the corresponding *ANDSF/IARP/<X>/ForNonSeamlessOffload /<X>/IPFlow/<X>/EndSourceIPAddress* leaf are set so that the IP address range can be represented in prefix notation.

**EXAMPLE:** IPv4 address range 192.0.2.0 - 192.0.2.255 is equal to 192.0.2.0/24 in prefix notation, and IPv6 address range 2001:db8::/128 - 2001:db8:ffff:ffff:ffff:ffff:ffff:ffff/128 equals 2001:db8::/32 in prefix notation.

The absence of this leaf indicates that source address field of the IP header is not examined when matching packets against the IP flow description of the rule.

The UE ignores an IPFlow instance with a StartSourceIPAddress leaf without a correspondent AddressType leaf. If the IPFlow instance is the only one contained in the flow distribution rule, the UE ignores the flow distribution rule.

When applying the rule to uplink traffic, the UE matches the addresses contained in the range between StartSourceIPAddress and EndSourceIPAddress against destination IP address field of the uplink traffic packets.

### 5.9.43 *ANDSF/IARP/<X>/ForNonSeamlessOffload/<X>/IPFlow/<X>/EndSourceIPAddress*

The EndSourceIPAddress leaf indicates the last IP source address of the IP source address range of the IP flow description. The source address refers to the IP address of the data packets destined for the UE according to the terminology in the IETF RFC 6088 [24].

- Occurrence: ZeroOrOne
- Format: chr
- Access Types: Get, Replace
- Values: <an IPv4 address>, <an IPv6 address>.

This leaf can be present only if the leaf *ANDSF/IARP/<X>/ForNonSeamlessOffload/<X>/IPFlow/<X>/StartSourceIPAddress* is present. The absence of this leaf indicates that the IP source address range of the IP flow described by the rule is equal to the address contained in *ANDSF/IARP/<X>/ForNonSeamlessOffload/<X>/IPFlow/<X>/StartSourceIPAddress*. When representing the IP source address range with more than one IP address, the values of this leaf and the corresponding *ANDSF/IARP/<X>/ForNonSeamlessOffload/<X>/IPFlow/<X>/StartSourceIPAddress* leaf are set as defined in subclause 5.9.42.

The value of this leaf is an IPv4 address if the AddressType leaf value of the same rule is equal to IPv4. The value of this leaf is an IPv6 address if the AddressType leaf value of the same rule is equal to IPv6.

The UE ignores an IPFlow instance with a EndSourceIPAddress leaf without a correspondent StartSourceIPAddress leaf. If the IPFlow instance is the only one contained in the flow distribution rule, the UE ignores the flow distribution rule.

### 5.9.44 *ANDSF/IARP/<X>/ForNonSeamlessOffload/<X>/IPFlow/<X>/ProtocolType*

The ProtocolType leaf indicates the protocol type in a flow description.

- Occurrence: ZeroOrOne
- Format: int
- Access Types: Get, Replace
- Values: <Protocol type>

The value of ProtocolType leaf is a value among the internet protocol numbers as defined in IANA Assigned Internet Protocol Numbers [18]. In case of IPv4 flow description, the value contained in this leaf is compared with the value of the last protocol type field. In case of IPv6 flow description, the value contained in this leaf is compared with the value of the last next header field. The UE ignores an IPFlow instance with a ProtocolType leaf indicating a protocol type not supported by the UE. If the IPFlow instance is the only one contained in the flow distribution rule, the UE ignores the flow distribution rule.

### 5.9.45 *ANDSF/IARP/<X>/ForNonSeamlessOffload/<X>/IPFlow/<X>/StartSourcePortNumber*

The StartSourcePortNumber leaf indicates the first source port number of the source port numbers range of the IP flow description. The source port refers to the source port of the data packets destined for the UE according to the terminology in the IETF RFC 6088 [24].

- Occurrence: ZeroOrOne
- Format: int
- Access Types: Get, Replace
- Values: any value in the range 1-65535.



The absence of this leaf indicates that source port field of the transport protocol header is not examined when matching packets against the IP flow description of the rule.

When applying the rule to uplink traffic, the UE matches the port numbers contained in the range between StartSourcePortNumber and EndSourcePortNumber against destination port field of the uplink traffic packets.

### 5.9.46 *ANDSF/IARP/<X>/ForNonSeamlessOffload/<X>/IPFlow/<X>/EndSourcePortNumber*

The EndSourcePortNumber leaf indicates the last source port number of the source port numbers range of the IP flow description. The source port refers to the source port of the data packets destined for the UE according to the terminology in the IETF RFC 6088 [24].

- Occurrence: ZeroOrOne
- Format: int
- Access Types: Get, Replace
- Values: any value in the range 1-65535.

This leaf can be present only if the leaf *ANDSF/IARP/<X>/ForFlowBased/<X>/IPFlow/<X>/StartSourcePortNumber* is present. The absence of this leaf indicates that the source port number range of the IP flow described by the rule is equal to the source port number contained in *ANDSF/IARP/<X>/ForFlowBased/<X>/IPFlow/<X>/StartSourcePortNumber*.

The UE ignores an IPFlow instance with a EndSourcePortNumber leaf without a correspondent StartSourcePortNumber leaf. If the IPFlow instance is the only one contained in the flow distribution rule, the UE ignores the flow distribution rule.

### 5.9.46A *ANDSF/IARP/<X>/ForNonSeamlessOffload/<X>/IPFlow/<X>/StartDestPortNumber*

The StartDestPortNumber leaf indicates the first destination port number of the destination port numbers range of the IP flow description. The destination port refers to the destination port of the data packets sent by the corresponding node according to the terminology in the IETF RFC 6088 [24].

- Occurrence: ZeroOrOne
- Format: int
- Access Types: Get, Replace
- Values: any value in the range 1-65535.

The absence of this leaf indicates that destination port field of the transport protocol header is not examined when matching packets against the IP flow description of the rule.

When applying the rule to uplink traffic, the UE matches the port numbers contained in the range between StartDestPortNumber and EndDestPortNumber against source port field of the uplink traffic packets.

### 5.9.46B *ANDSF/IARP/<X>/ForNonSeamlessOffload/<X>/IPFlow/<X>/EndDestPortNumber*

The EndDestPortNumber leaf indicates the last destination port number of the destination port numbers range of the IP flow description. The destination port refers to the destination port of the data packets sent by the corresponding node according to the terminology in the IETF RFC 6088 [24].

- Occurrence: ZeroOrOne
- Format: int

- Access Types: Get, Replace
- Values: any value in the range 1-65535.

This leaf can be present only if the leaf *ANDSF/IARP/<X>/ForNonSeamlessOffload/<X>/IPFlow/<X>/StartDestPortNumber* is present. The absence of this leaf indicates that the destination port number range of the IP flow described by the rule is equal to the port number contained in *ANDSF/IARP/<X>/ForNonSeamlessOffload/<X>/IPFlow/<X>/StartDestPortNumber*.

The UE ignores an IPFlow instance with a EndDestPortNumber leaf without a correspondent StartDestPortNumber leaf. If the IPFlow instance is the only one contained in the flow distribution rule, the UE ignores the flow distribution rule.

### 5.9.47 *ANDSF/IARP/<X>/ForNonSeamlessOffload/<X>/IPFlow/<X>/QoS*

The QoS leaf indicates the DS or ToS values parameters in a flow description.

- Occurrence: ZeroOrOne
- Format: bin
- Access Types: Get, Replace
- Values: any value in the range from 0 up to and including 63 in a binary form.

The DS and ToS values are defined in IETF RFC 3260 [10A].

### 5.9.48 *ANDSF/IARP/<X>/ForNonSeamlessOffload/<X>/IPFlow/<X>/DomainName*

The DomainName leaf indicates the destination domain name of the IP Flow description.

- Occurrence: ZeroOrOne
- Format: chr
- Access Types: Get, Replace
- Values: <FQDN>

The value of FQDN is Fully Qualified Domain Name (e.g. www.example.com) that was resolved into the destination IP address. The FQDN format is defined in IETF RFC 2181 [19], IETF RFC 1035 [20] and IETF RFC 1123 [21].

The absence of this leaf indicates that the domain name is not examined when matching packets against the IP flow description of the rule.

### 5.9.49 *ANDSF/IARP/<X>/ForNonSeamlessOffload/<X>/IPFlow/<X>/APN*

The APN leaf indicates the APN of the IP flow description.

- Occurrence: ZeroOrOne
- Format: chr
- Access Types: Get, Replace
- Values: <APN>

The APN format is defined in 3GPP TS 23.003 [3].

If the traffic is for an APN matching the value of this leaf, then this leaf is evaluated as matching.

NOTE: Incorrect configuration of this parameter can cause traffic that needs to go to a particular Packet Data Network (PDN) to be transported over a WLAN that does not have access to the PDN, which in turn will cause the traffic to no longer be correctly routable.

### 5.9.50 *ANDSF/IARP/<X>/ForNonSeamlessOffload/<X>/RoutingCriteria*

The *RoutingCriteria* node acts as a placeholder for validity conditions for a particular flow distribution rule.

- Occurrence: ZeroOrOne
- Format: node
- Access Types: Get, Replace
- Values: N/A

If at least one instance of *ANDSF/IARP/<X>/ForNonSeamlessOffload/<X>/RoutingCriteria/<X>* node indicates matching validity condition, the UE shall consider the corresponding flow distribution rule as valid.

If the *ANDSF/IARP/<X>/ForNonSeamlessOffload/<X>/RoutingCriteria/<X>* node is present and empty (i.e. none of the nodes *ValidityArea*, *ValidityAreaRef*, *TimeOfDay* or *TimeOfDayRef* exist), the *ANDSF/IARP/<X>/ForNonSeamlessOffload/<X>/RoutingCriteria/<X>* node is not considered when evaluating the validity of the corresponding flow distribution rule.

### 5.9.51 *ANDSF/IARP/<X>/ForNonSeamlessOffload/<X>/RoutingCriteria/<X>*

This internal node acts as a placeholder for one or more validity conditions for a particular flow distribution rule.

- Occurrence: OneOrMore
- Format: node
- Access Types: Get, Replace
- Values: N/A

The UE shall consider the corresponding flow distribution rule as valid only if all the present interior nodes (*ValidityArea*, *ValidityAreaRef*, *TimeOfDay* or *TimeOfDayRef*) within a single instance of *ANDSF/IARP/<X>/ForNonSeamlessOffload/<X>/RoutingCriteria/<X>* node indicate matching validity condition.

### 5.9.52 *ANDSF/IARP/<X>/ForNonSeamlessOffload/<X>/RoutingCriteria/<X>/ValidityArea*

The *ValidityArea* node acts as a placeholder for location conditions for a particular flow distribution rule.

- Occurrence: ZeroOrOne
- Format: node
- Access Types: Get, Replace
- Values: N/A

This node and its descendants are the same as defined in *ANDSF/Policy/<X>/ValidityArea*.

### 5.9.52A *ANDSF/IARP/<X>/ForNonSeamlessOffload/<X>/RoutingCriteria/<X>/ValidityAreaRef*

The *ValidityAreaRef* leaf contains a reference to a *ValidityArea* interior node.

- Occurrence: ZeroOrOne
- Format: chr
- Access Types: Get, Replace
- Values: < a reference to a ValidityArea interior node >

This node is the same as defined in *ANDSF/Policy/<X>/ValidityAreaRef*.

### 5.9.53 *ANDSF/IARP/<X>/ForNonSeamlessOffload/<X>/RoutingCriteria/<X>/TimeOfDay*

The TimeOfDay node acts as a placeholder for day condition for a particular flow distribution rule.

- Occurrence: ZeroOrOne
- Format: node
- Access Types: Get, Replace
- Values: N/A

This node and its descendants are the same as defined in *ANDSF/Policy/<X>/TimeOfDay*.

### 5.9.53A *ANDSF/IARP/<X>/ForNonSeamlessOffload/<X>/RoutingCriteria/<X>/TimeOfDayRef*

The TimeOfDayRef leaf contains a reference to a TimeOfDay interior node.

- Occurrence: ZeroOrOne
- Format: chr
- Access Types: Get, Replace
- Values: < a reference to a TimeOfDay interior node >

This node is the same as defined in *ANDSF/Policy/<X>/TimeOfDayRef*.

### 5.9.53B1 *ANDSF/IARP/<X>/ForNonSeamlessOffload/<X>/RoutingCriteria/<X>/RANValidityCondition*

The RANValidityCondition node acts as a placeholder for RAN validity condition for a particular flow distribution rule.

- Occurrence: ZeroOrOne
- Format: node
- Access Types: Get, Replace
- Values: N/A

This node and its descendants are the same as defined in *ANDSF/ISRP/<X>/ForFlowBased/<X>/RoutingCriteria/<X>/RANValidityCondition*.

### 5.9.53B2 *ANDSF/IARP/<X>/ForNonSeamlessOffload/<X>/RoutingCriteria/<X>/RANValidityConditionRef*

The RANValidityConditionRef leaf contains a reference to a RANValidityCondition interior node.

- Occurrence: ZeroOrOne

- Format: chr
- Access Types: Get, Replace
- Values: < a reference to a RANValidityCondition interior node >

This node is the same as defined in  
*ANDSF/ISRP/<X>/ForFlowBased/<X>/RoutingCriteria/<X>/RANValidityConditionRef.*

### 5.9.54 *ANDSF/IARP/<X>/ForNonSeamlessOffload/<X>/RoutingRule*

The *RoutingRule* node indicates the preferred access for a flow distribution rule.

- Occurrence: One
- Format: node
- Access Types: Get, Replace
- Values: N/A

### 5.9.55 *ANDSF/IARP/<X>/ForNonSeamlessOffload/<X>/RoutingRule/<X>/*

This interior node acts as a placeholder for one or more prioritized accesses.

- Occurrence: OneOrMore
- Format: node
- Access Types: Get, Replace
- Values: N/A

### 5.9.56 *ANDSF/IARP/<X>/ForNonSeamlessOffload/<X>/RoutingRule/AccessId*

The *AccessId* leaf represents an access network identifier.

- Occurrence: ZeroOrOne
- Format: chr
- Access Types: Get, Replace
- Values: <SSID>

The format of the SSID is defined by IEEE Std 802.11<sup>TM</sup>-2012 [26].

The absence of this leaf indicates that the UE can consider any available WLAN access network for the network selection.

### 5.9.57 *ANDSF/IARP/<X>/ForNonSeamlessOffload/<X>/RoutingRule/SecondaryAccessId*

The *SecondaryAccessId* leaf represents a secondary access network identifier.

- Occurrence: ZeroOrOne
- Format: chr

- Access Types: Get, Replace
- Values: <HESSID>

This node is the same as defined in ANDSF/Policy/<X>/PrioritizedAccess/<X>/SecondaryAccessId.

### 5.9.58 ANDSF/IARP/<X>/ForNonSeamlessOffload/<X>/RoutingRule/AccessNetworkPriority

The AccessNetworkPriority leaf represents an access technology priority.

- Occurrence: One
- Format: int
- Access Types: Get, Replace
- Values: <Access network priority>

This node is the same as defined in ANDSF/Policy/<X>/PrioritizedAccess/<X>/AccessNetworkPriority.

### 5.9.59 ANDSF/IARP/<X>/ForNonSeamlessOffload/<X>/RulePriority

The RulePriority leaf represents the priority given to one particular flow distribution rule and is represented as a numerical value.

- Occurrence: One
- Format: int
- Access Types: Get, Replace
- Values: <Rule priority>

RulePriority leaf is used to establish to which flow description rule a data traffic matching multiple flow distribution rules apply. The data traffic matching multiple flow distribution rules applies to the flow description rule with the highest priority. The UE shall treat the rule with the lowest RulePriority value as the rule having the highest priority. If the UE finds multiple rules with the same priority, the choice of the rule is UE implementation specific. If there are no matching access networks according to the rule, other rules with the same priority may be considered. If there are no matching access networks according to any rule with a certain priority, rules with lower priority may be considered.

### 5.9.60 ANDSF/IARP/<X>/Roaming

The Roaming leaf indicates the roaming condition for the IARP rule.

- Occurrence: ZeroOrOne
  - Format: bool
  - Access Types: Get, Replace
  - Values: 0, 1
- 0 Indicates that the rule is only valid when the UE is not roaming.
- 1 Indicates that the rule is only valid when the UE is roaming.

The default value 0 applies if this leaf is not provisioned. The node is not used by the UE when the IARP rule is provided by the V-ANDSF.

## 5.9.61 *ANDSF/IARP/<X>/PLMN*

The PLMN leaf indicates a PLMN code of the operator, which created this IARP rule.

- Occurrence: One
- Format: chr
- Access Types: Get, Replace
- Values: <PLMN>

The format of the PLMN is defined in 3GPP TS 23.003 [3].

When evaluating the PLMN leaf the following applies:

- if the value contained in this leaf is equal to the HPLMN (or an equivalent HPLMN) of the UE, the value contained in the Roaming leaf of the IARP rule is set to 0 or the Roaming leaf is not provisioned and the UE is not roaming, the IARP rule is valid;
- if the value contained in this leaf is equal to the HPLMN (or an equivalent HPLMN) of the UE, the value contained in the Roaming leaf of the IARP rule is set to 1 and the UE is roaming, the IARP rule is valid;
- if the value contained in this leaf is neither HPLMN nor an equivalent HPLMN, or if there are multiple IARP rules with the same value in the PLMN leaf and the PLMN value is neither HPLMN nor an equivalent HPLMN, then the IARP rule is ignored; and
- if there are multiple IARP rules with the same value in the PLMN leaf and the PLMN value is the HPLMN or an equivalent HPLMN, then the choice of which one to follow is implementation dependent.

## 5.9.62 *ANDSF/IARP/<X>/UpdatePolicy*

The UpdatePolicy leaf indicates the update policy for the IARP.

- Occurrence: ZeroOrOne
  - Format: bool
  - Access Types: Get, Replace
  - Values: 0, 1
- 0 Indicates that the UE is not required to request an update of the rules.
- 1 Indicates that the UE is required to request an update of the rules.

The UpdatePolicy value may be used by the UE to determine whether or not to request an update of its IARP when the rule is no longer considered to be valid by the UE.

The default value 0 applies if this leaf is not provisioned.

## 5.10 RuleSelectionInformation

### 5.10.1 *ANDSF/RuleSelectionInformation*

The RuleSelectionInformation node acts as a placeholder for rule selection information.

- Occurrence: ZeroOrOne
- Format: node
- Access Types: Get, Replace
- Values: N/A

### 5.10.2 *ANDSF/RuleSelectionInformation/VPLMNswithPreferredRules*

The *VPLMNswithPreferredRules* acts as a placeholder for one or more VPLMNs with ISMP, ISRP or WLANSP rules which should be preferred for a roaming UE.

- Occurrence: One
- Format: node
- Access Types: Get, Replace
- Values: N/A

### 5.10.3 *ANDSF/RuleSelectionInformation/VPLMNswithPreferredRules/<X>*

This interior node acts as a placeholder for one or more VPLMNs with ISMP, ISRP or WLANSP rules which should be preferred for a roaming UE.

- Occurrence: OneOrMore
- Format: node
- Access Types: Get, Replace
- Values: N/A

### 5.10.4 *ANDSF/RuleSelectionInformation/VPLMNswithPreferredRules/<X>/VPLMN*

The VPLMN leaf indicates a PLMN code.

- Occurrence: One
- Format: chr
- Access Types: Get, Replace
- Values: <PLMN>

The format of the PLMN is defined by 3GPP TS 23.003 [3].

### 5.10.5 *ANDSF/RuleSelectionInformation/PLMN*

The PLMN leaf indicates a PLMN code of the operator, which created this policy.

- Occurrence: One
- Format: chr
- Access Types: Get, Replace
- Values: <PLMN>

The format of the PLMN is defined by 3GPP TS 23.003 [3].

When evaluating the PLMN leaf the following applies:

- if the value contained in this leaf is equal to the HPLMN (or an equivalent HPLMN) of the UE, the *RuleSelectionInformation* is valid;
- if the value contained in this leaf is not equal to HPLMN (or any equivalent HPLMN) of the UE, the *RuleSelectionInformation* is ignored.



## 5.11 HomeNetworkPreference

### 5.11.1 ANDSF/HomeNetworkPreference

The HomeNetworkPreference node acts as a placeholder for HomeNetworkPreference information.

- Occurrence: ZeroOrOne
- Format: node
- Access Types: Get, Replace
- Values: N/A

### 5.11.2 Void

### 5.11.3 ANDSF/HomeNetworkPreference/3GPP\_RPLMN\_PREFERRED

The 3GPP\_RPLMN\_PREFERRED leaf indicates whether the 3GPP RPLMN shall be preferred as the PLMN over WLAN access network.

- Occurrence: ZeroOrOne
- Format: bool
- Access Types: Get, Replace
- Values: 0, 1
  - 0 Indicates that the UE is not required to select the 3GPP RPLMN as the PLMN over WLAN access network.
  - 1 Indicates that the UE shall select the 3GPP RPLMN or equivalent PLMN as the PLMN over WLAN access network.

The default value 0 applies if this leaf is not provisioned.

### 5.11.4 ANDSF/HomeNetworkPreference/PSPL

The PSPL node indicates the list of preferred service providers the UE is allowed to access via WLAN.

- Occurrence: ZeroOrOne
- Format: node
- Access Types: Get, Replace
- Values: N/A

If PreferredSPs node is not present or the node is present and empty, the UE will not evaluate the node.

### 5.11.5 ANDSF/HomeNetworkPreference/PSPL/<X>

This interior node acts as a placeholder for one or more preferred service providers.

- Occurrence: OneOrMore
- Format: node
- Access Types: Get, Replace
- Values: N/A

### 5.11.6 *ANDSF/HomeNetworkPreference/PSPL/<X>/Priority*

The Priority leaf represents the priority given to one particular service provider and is represented as a numerical value.

- Occurrence: One
- Format: int
- Access Types: Get, Replace
- Values: <service provider priority>

In case more than one preferred SPs exists in a valid PSPL, the service provider with the lowest Priority value shall be treated as the service provider having the highest priority among the preferred service providers in the PSPL rule. If there are multiple service providers with the same priority, the choice of the service provider is UE implementation specific.

### 5.11.7 *ANDSF/HomeNetworkPreference/PSPL/<X>/ServiceProvider*

The ServiceProvider leaf identifies a service provider.

- Occurrence: One
- Format: chr
- Access Types: Get, Replace
- Values: <service provider realm>

The ServiceProvider leaf contains a FQDN (see IETF RFC 1035 [20]) and is a realm:

- a) as specified in 3GPP TS 23.003 [3], subclause 19.2; or
- b) in the form of an FQDN as defined by IETF RFC 4282 [25].

NOTE: A home service provider can partner with a service provider that does not have a PLMN identity. The home service provider can provide a realm associated with this partner service provider in this leaf.

### 5.11.7A *ANDSF/HomeNetworkPreference/EquivalentHomeSPs*

The EquivalentHomeSPs node indicates the list of equivalent home service providers the UE is allowed to access via WLAN.

- Occurrence: ZeroOrOne
- Format: node
- Access Types: Get, Replace
- Values: N/A

If EquivalentHomeSPs node is not present or the node is present and empty, the UE will not evaluate the node.

### 5.11.7B *ANDSF/HomeNetworkPreference/EquivalentHomeSPs/<X>*

This interior node acts as a placeholder for one or more home realms corresponding to equivalent home service providers.

- Occurrence: OneOrMore
- Format: node
- Access Types: Get, Replace
- Values: N/A

### 5.11.7C *ANDSF/HomeNetworkPreference/EquivalentHomeSPs/* *<X>/ServiceProvider*

The *ServiceProvider* leaf identifies the realm of an equivalent home service provider.

- Occurrence: One
- Format: chr
- Access Types: Get, Replace
- Values: <service provider realm>

The *ServiceProvider* leaf contains a FQDN (see IETF RFC 1035 [20]) and is a realm:

- a) as specified in 3GPP TS 23.003 [3], subclause 19.2; or
- b) in the form of an FQDN as defined by IETF RFC 4282 [25].

### 5.11.8 *ANDSF/HomeNetworkPreference/S2aConnectivityPreference*

The *S2aConnectivityPreference* leaf indicates S2a connectivity preference of the home operator.

- Occurrence: ZeroOrOne
  - Format: bool
  - Access Types: Get, Replace
  - Values: 0, 1
- 0 Indicates that the home operator does not prefer the UE to establish PDN connections over WLAN by using the applicable S2a procedures specified in 3GPP TS 23.402 [4].
  - 1 Indicates that the home operator prefers the UE to establish PDN connections over WLAN by using the applicable S2a procedures specified in 3GPP TS 23.402 [4].

The default value 0 applies if this leaf is not provisioned.

### 5.11.9 *ANDSF/HomeNetworkPreference/PLMN*

The *PLMN* leaf indicates a PLMN code of the operator, which created this policy.

- Occurrence: One
- Format: chr
- Access Types: Get, Replace
- Values: <PLMN>

The format of the *PLMN* is defined by 3GPP TS 23.003 [3].

When evaluating the *PLMN* leaf the following applies:

- if the value contained in this leaf is equal to the HPLMN (or an equivalent HPLMN) of the UE, the *HomeNetworkPreference* rule is valid;
- if the value contained in this leaf is neither HPLMN nor an equivalent HPLMN, then the *HomeNetworkPreference* rule is ignored.

### 5.11.10 *ANDSF/HomeNetworkPreference/UpdatePolicy*

The *UpdatePolicy* leaf indicates the update policy for the *HomeNetworkPreference*.

- Occurrence: ZeroOrOne
- Format: bool
- Access Types: Get, Replace
- Values: 0, 1
  - 0 Indicates that the UE is not required to request an update of the rules.
  - 1 Indicates that the UE is required to request an update of the rules.

#### 5.11.11 *ANDSF/HomeNetworkPreference/ePDG*

The ePDG node acts as a placeholder for ePDG configuration information.

- Occurrence: ZeroOrOne
- Format: node
- Access Types: Get, Replace
- Values: N/A

#### 5.11.12 *ANDSF/HomeNetworkPreference/ePDG/Home\_ePDG\_Identifier*

The Home\_ePDG\_Identifier node acts as a placeholder for the list of the ePDGs in the UE's HPLMN.

- Occurrence: ZeroOrOne
- Format: node
- Access Types: Get, Replace
- Values: N/A

#### 5.11.13 *ANDSF/HomeNetworkPreference/ePDG/Home\_ePDG\_Identifier/<X>/*

This interior node acts as a placeholder for the FQDN or IP address configuration of an ePDG in the UE's HPLMN.

- Occurrence: ZeroOrMore
- Format: node
- Access Types: Get, Replace
- Values: N/A

#### 5.11.14 *ANDSF/HomeNetworkPreference/ePDG/Home\_ePDG\_Identifier/<X>/FQDN*

The FQDN leaf indicates the FQDN of an ePDG in the UE's HPLMN.

- Occurrence: ZeroOrOne
- Format: chr
- Access Types: Get, Replace
- Values: <FQDN>

The FQDN format is defined in 3GPP TS 23.003 [3].

The absence of this leaf indicates that FQDN is not configured for this ePDG in the UE's HPLMN by the home operator.

#### 5.11.15 *ANDSF*/HomeNetworkPreference/ePDG /Home\_ePDG\_Identifier/<X>/IPAddr

The IPAddr interior node acts as a placeholder for the list of IP addresses of ePDGs in the UE's HPLMN.

- Occurrence: ZeroOrMore
- Format: node
- Access Types: Get, Replace
- Values: N/A

The absence of this leaf indicates that IP address is not configured for this ePDG in the UE's HPLMN by the home operator.

#### 5.11.16 *ANDSF*/HomeNetworkPreference/ePDG /Home\_ePDG\_Identifier/<X>/IPAddr/<X>

This interior node acts as a placeholder one IP address of an ePDG in the UE's HPLMN.

- Occurrence: ZeroOrMore
- Format: node
- Access Types: Get, Replace
- Values: N/A

#### 5.11.17 *ANDSF*/HomeNetworkPreference/ePDG /Home\_ePDG\_Identifier/<X>/IPAddr/<X>/AddressType

The AddressType leaf indicates the IP version of one IP address of an ePDG in the UE's HPLMN.

- Occurrence: One
- Format: chr
- Access Types: Get, Replace
- Values: 'IPv4', 'IPv6'

#### 5.11.18 *ANDSF*/HomeNetworkPreference/ePDG /Home\_ePDG\_Identifier/<X>/IPAddr/<X>/Address

The Address leaf indicates the IP address of the ePDG IP Address in the UE's HPLMN.

- Occurrence: One
- Format: chr
- Access Types: Get, Replace
- Values: <an IPv4 address>, <an IPv6 address>.

The value of this leaf is an IPv4 address if the AddressType leaf value of the same rule is equal to IPv4. The value of this leaf is an IPv6 address if the AddressType leaf value of the same rule is equal to IPv6.

### 5.11.18a *ANDSF/HomeNetworkPreference/ePDG/* */Home\_ePDG\_Identifier/<X>/Emergency\_service\_support*

The *Emergency\_service\_support* leaf indicates whether this ePDG in the HPLMN supports emergency service.

- Occurrence: ZeroOrOne
- Format: bool
- Access Types: Get, Replace
- Values: 0, 1
  - 0 Indicates that this ePDG does not support emergency service.
  - 1 Indicates that this ePDG supports emergency service.

The default value 0 applies if this leaf is not provisioned.

### 5.11.19 *ANDSF/HomeNetworkPreference/ePDG/ePDGSelectionInformation*

The ePDG Selection Information node acts as a placeholder for the ePDG FQDN format and selection information for a list of PLMNs.

- Occurrence: ZeroOrOne
- Format: node
- Access Types: Get, Replace
- Values: N/A

The ePDG Selection Information node is present and is not empty, the UE retrieves ePDG selection policy and FQDN format setting for a PLMN as follows:

- if configuration for the PLMN can be found, the UE applies the corresponding configured information of the PLMN for ePDG selection;
- if configuration for the UE's PLMN ID cannot be found, but there exists a *ANDSF/HomeNetworkPreference/ePDG/ePDGSelectionInformation/<X>* node with the PLMN leaf set to "Any\_PLMN" value, the UE applies the configured information of "Any PLMN" value for ePDG selection.

In all other cases, including the cases where the ePDG Selection Information node is not present or the ePDG Selection Information node is present but empty, the UE considers pre-configuration for the UE's PLMN does not exist. The UE selects the ePDG of the HPLMN as specified in 3GPP TS 24.302 [3AA].

### 5.11.20 *ANDSF/HomeNetworkPreference/ePDG/ePDGSelectionInformation/* *<X>*

This interior node acts as a placeholder for the ePDG FQDN format and selection information for a PLMN.

- Occurrence: OneOrMore
- Format: node
- Access Types: Get, Replace
- Values: N/A

### 5.11.21 *ANDSF/HomeNetworkPreference/ePDG/ePDGSelectionInformation/* *<X>/PLMN*

The PLMN leaf indicates a PLMN code.

- Occurrence: One
- Format: chr
- Access Types: Get, Replace
- Values: <PLMN> or 'Any\_PLMN'

The format of the PLMN is defined by 3GPP TS 23.003 [3].

If the UE's PLMN ID is same as the PLMN value stored in the PLMN leaf, configuration for this PLMN from home operator is found.

### 5.11.22 *ANDSF/HomeNetworkPreference/ePDG/ePDGSelectionInformation/* *<X>/Selection\_policy*

The Selection\_policy leaf indicates whether the selection of an ePDG in such VPLMN is preferred or mandatory.

- Occurrence: ZeroOrOne
- Format: bool
- Access Types: Get, Replace
- Values: 0, 1
  - 0 Indicates that selection of an ePDG in this VPLMN is preferred but not mandatory (see 3GPP TS 24.302 [4]).
  - 1 Indicates that selection of an ePDG in this VPLMN is mandatory (see 3GPP TS 24.302 [4]).

The default value 0 applies if this leaf is not provisioned.

### 5.11.23 *ANDSF/HomeNetworkPreference/ePDG/ePDGSelectionInformation/* *<X>/FQDN\_format*

The FQDN\_format leaf indicates whether Operator Identifier FQDN format or location based FQDN format is used when the FQDN is constructed by the UE.

- Occurrence: ZeroOfOne
- Format: bool
- Access Types: Get, Replace
- Values: 0, 1
  - 0 Indicates that Operator Identifier FQDN format is used (see 3GPP TS 24.302 [4]).
  - 1 Indicates that location based FQDN format is used (see 3GPP TS 24.302 [4]).

The default value 0 applies if this leaf is not provisioned.

The FQDN\_format value is used by the UE when constructing FQDN as follows:

- if location based FQDN format is to be used, the UE constructs the Tracking/Location Area identity FQDN using the PLMN ID of the PLMN the UE is attached to and TAC/LAC of the area that the UE is located in;
- otherwise the UE constructs the Operator Identifier FQDN using the PLMN ID of the PLMN the UE is attached to.

## 5.11A VisitedNetworkPreference

### 5.11A.1 ANDSF/VisitedNetworkPreference

The VisitedNetworkPreferences node acts as a placeholder for Visited Network Preference information.

- Occurrence: ZeroOrOne
- Format: node
- Access Types: Get, Replace
- Values: N/A

### 5.11A.2 ANDSF/VisitedNetworkPreference/EquivalentVisitedSPs

The EquivalentVisitedSPs acts as a placeholder for home realms (see IETF RFC 4282 [25]) corresponding to service providers that are equivalent to the V-PLMN over WLAN.

- Occurrence: ZeroOrOne
- Format: node
- Access Types: Get, Replace
- Values: N/A

If EquivalentVisitedSPs node is not present or the node is present and empty, the UE will not evaluate the node.

### 5.11A.3 ANDSF/VisitedNetworkPreference/EquivalentVisitedSPs/<X>

This interior node acts as a placeholder for one or more home realms corresponding to service providers that are equivalent to the V-PLMN over WLAN.

- Occurrence: OneOrMore
- Format: node
- Access Types: Get, Replace
- Values: N/A

### 5.11A.4 ANDSF/VisitedNetworkPreference/EquivalentVisitedSPs/ <X>/ServiceProvider

The ServiceProvider leaf identifies the realm of a service provider that is equivalent to the V-PLMN over WLAN.

- Occurrence: One
- Format: chr
- Access Types: Get, Replace
- Values: <service provider realm>

The ServiceProvider contains a FQDN (see IETF RFC 1035 [20]) and is a realm:

- a) as specified in 3GPP TS 23.003 [3], subclause 19.2; or
- b) in the form of an FQDN as defined by IETF RFC 4282 [25].



### 5.11A.5 *ANDSF/VisitedNetworkPreference/PLMN*

The PLMN leaf indicates a PLMN code of the operator, which created this policy.

- Occurrence: One
- Format: chr
- Access Types: Get, Replace
- Values: <PLMN>

The format of the PLMN is defined by 3GPP TS 23.003 [3].

When evaluating the PLMN leaf the following applies:

- if the UE is roaming in a VPLMN and the value contained in this leaf is equal to that VPLMN (or an equivalent PLMN of that VPLMN), the *VisitedNetworkPreference* rule is valid;
- if the UE is roaming in a VPLMN and the value contained in this leaf is not equal to that VPLMN nor an equivalent PLMN of that VPLMN, then the *VisitedNetworkPreference* rule is ignored.

### 5.11A.6 *ANDSF/VisitedNetworkPreference/UpdatePolicy*

The *UpdatePolicy* leaf indicates the update policy for the *VisitedNetworkPreference*.

- Occurrence: ZeroOrOne
- Format: bool
- Access Types: Get, Replace
- Values: 0, 1
  - 0 Indicates that the UE is not required to request an update of the rules.
  - 1 Indicates that the UE is required to request an update of the rules.

The *UpdatePolicy* value may be used by the UE to determine whether or not to request an update of its *VisitedNetworkPreference* when the rule is no longer considered to be valid by the UE.

The default value 0 applies if this leaf is not provisioned.

## 5.12 *ValidityCriteria*

### 5.12.1 *ANDSF/ValidityCriteria*

The *ValidityCriteria* node acts as a placeholder for validity conditions that can be referenced from other parts of *ANDSF MO*.

- Occurrence: ZeroOrOne
- Format: node
- Access Types: Get, Replace
- Values: N/A

### 5.12.2 *ANDSF/ValidityCriteria/<X>*

This internal node acts as a placeholder for one or more validity conditions that can be referenced from other parts of *ANDSF MO*.

- Occurrence: OneOrMore
- Format: node
- Access Types: Get, Replace
- Values: N/A

### 5.12.3 *ANDSF/ValidityCriteria/<X>/ValidityArea*

The ValidityArea interior node acts as a placeholder for location condition that can be referenced from other parts of ANDSF MO.

- Occurrence: ZeroOrOne
- Format: node
- Access Types: Get, Replace
- Values: N/A

This node and its descendants are the same as defined in *ANDSF/Policy/<X>/ValidityArea*.

### 5.12.4 *ANDSF/ValidityCriteria/<X>/TimeOfDay*

The TimeOfDay interior node acts as a placeholder for time of day condition that can be referenced from other parts of ANDSF MO.

- Occurrence: ZeroOrOne
- Format: node
- Access Types: Get, Replace
- Values: N/A

This node and its descendants are the same as defined in *ANDSF/Policy/<X>/TimeOfDay*.

### 5.12.5 *ANDSF/ValidityCriteria/<X>/RANValidityCondition*

The RANValidityCondition node acts as a placeholder for RAN validity condition for a particular flow distribution rule.

- Occurrence: ZeroOrOne
- Format: node
- Access Types: Get, Replace
- Values: N/A

This node and its descendants are the same as defined in *ANDSF/ISRP/<X>/ForFlowBased/<X>/RoutingCriteria/<X>/RANValidityCondition*.

## 5.13 *ANDSF/Ext*

The Ext is an interior node for where the vendor specific information about the ANDSF MO is being placed (vendor meaning application vendor, device vendor etc.). Usually the vendor extension is identified by vendor specific name under the ext node. The tree structure under the vendor identifier is not defined and can therefore include one or more un-standardized sub-trees.

- Occurrence: ZeroOrOne
- Format: node

- Access Types: Get
- Values: N/A

## 6 MO for WiMAX

### 6.1 Introduction

This section defines the WiMAX Network Discovery and Selection (WNDS) MO and the corresponding behaviour of the UE with regard to discovering and selecting WiMAX access networks in the home operator network. The service requirements for the WiMAX network discovery and selection function are described in 3GPP TS 23.402 [4].

The WNDS MO is compatible with the OMA Device Management (DM) protocol specifications, version 1.2 and upwards, and is defined using the OMA DM Device Description Framework (DDF) as described in the Enabler Release Definition OMA-ERELED-DM-V1\_2 [5].

### 6.2 WNDS MO

The WNDS MO is used to manage WiMAX network discovery and selection information stored in the UE and supports provisioning of such information from the ANDSF.

The ANDSF may initiate the provisioning of WiMAX specific information using a server initiated session alert message. The UE may initiate the provision of information from the ANDSF using a client initiated session alert message.

The Management Object Identifier is: urn:oma:mo:ext-3gpp-wnds:1.0.

The OMA DM Access Control List (ACL) property mechanism as standardized (see Enabler Release Definition OMA-ERELED-DM-V1\_2 [5]) may be used to grant or deny access rights to OMA DM servers in order to modify nodes and leaf objects of the WNDS MO.

The following nodes and leaf objects are possible under the WiMAX Network Discovery and Selection node as described in figure 6.2.1:

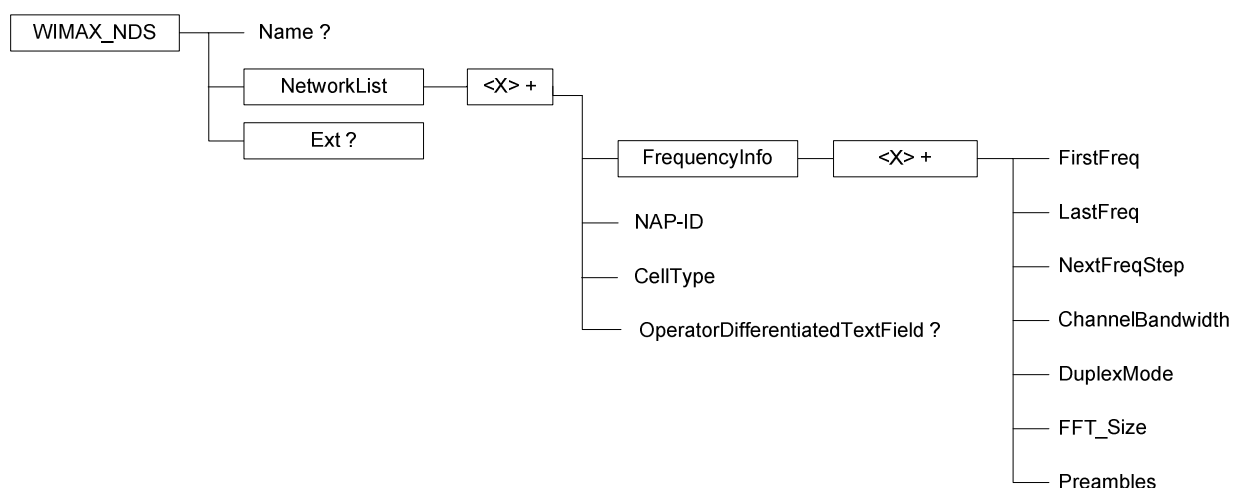


Figure 6.2.1: WNDS MO

## 6.3 WND5 MO parameters

### 6.3.1 General

This clause describes the parameters for the WND5 MO.

### 6.3.2 Node: *WIMAX\_NDS*

This interior node acts as a placeholder for zero or one accounts for a fixed node.

- Occurrence: ZeroOrOne
- Format: node
- Access Types: Get
- Values: N/A

### 6.3.3 *WIMAX\_NDS/Name*

The Name leaf is a name for the WND5 MO settings.

- Occurrence: ZeroOrOne
- Format: chr
- Access Types: Get
- Values: <User displayable name>

### 6.3.4 *WIMAX\_NDS/NetworkList*

This interior node acts as a placeholder for available WiMAX Network.

- Occurrence: ZeroOrOne
- Format: node
- Access Types: Get, Replace
- Values: <N/A>

### 6.3.5 *WIMAX\_NDS/NetworkList/<X>*

This interior node acts as a placeholder for properties of one or more WiMAX Network.

- Occurrence: OneOrMore
- Format: node
- Access Types: Get, Replace
- Values: <N/A>

### 6.3.6 *WIMAX\_NDS/NetworkList/<X>/FrequencyInfo*

The FrequencyInfo node contains WiMAX operating frequency related information.

- Occurrence: One
- Format: node

- Access Types: Get, Replace
- Values: <N/A>

### 6.3.7 *WIMAX\_NDS/NetworkList/<X>/FrequencyInfo/<X>*

This interior node acts as a placeholder for one or more FrequencyInfo node properties..

- Occurrence: OneOrMore
- Format: node
- Access Types: Get, Replace
- Values: <N/A>

### 6.3.8 *WIMAX\_NDS/NetworkList/<X>/FrequencyInfo/<X>FirstFreq*

The FirstFreq leaf specifies the first center frequency in KHz for this channel.

- Occurrence: One
- Format: int
- Access Types: Get, Replace
- Values: <FirstFreq>

### 6.3.9 *WIMAX\_NDS/NetworkList/<X>/FrequencyInfo/<X>LastFreq*

The LastFreq leaf specifies the last center frequency in KHz for this channel. If this value equals to the FirstFreq or the leaf node is omitted, then this entry refers to a single channel rather than a channel range. If this field is present then NextFreqStep shall be present as well.

- Occurrence: One
- Format: int
- Access Types: Get, Replace
- Values: <LastFreq>

### 6.3.10 *WIMAX\_NDS/NetworkList/<X>/FrequencyInfo/ <X>NextFreqStep*

The NextFreqStep leaf defines the frequency step in KHz to reach the next central frequency when defining the frequency range using FirstFreq and LastFreq.

- Occurrence: One
- Format: int
- Access Types: Get, Replace
- Values: <NextFreqStep>

When this leaf node is omitted there is only one central frequency (i.e FirstFreq). If this field is present LastFreq shall be present as well. The formula to calculate the next central frequency is:

$$\text{CurrentFreq} = \text{FirstFreq}$$

$$\text{While } (\text{CurrentFreq} \leq \text{LastFreq}) \text{ CurrentFreq} = \text{CurrentFreq} + \text{NextFreqStep}$$

### 6.3.11 *WIMAX\_NDS/NetworkList/<X>/* *FrequencyInfo/<X>ChannelBandwidth*

The ChannelBandwidth leaf is the system bandwidth in KHz that is supported by the WiMAX network.

- Occurrence: One
- Format: int
- Access Types: Get, Replace
- Values: <ChannelBandwidth>

### 6.3.12 *WIMAX\_NDS/NetworkList/<X>/* *FrequencyInfo/<X>DuplexMode*

The DuplexMode leaf is the duplex mode supported by the network. The DuplexMode can be TDD, FDD or hybrid FDD (HFDD)

- Occurrence: One
- Format: int
- Access Types: Get, Replace
- Values: <Duplex mode>

The value of the DuplexMode shall be used as specified in Table 6.3.12.1.

**Table 6.3.12.1: Values of DuplexMode**

Value	Description
0	Reserved
1	TDD
2	FDD
3	HFDD
4-255	Reserved

### 6.3.13 *WIMAX\_NDS/NetworkList/<X>/* *FrequencyInfo/<X>FFT\_Size*

The FFT\_Size leaf specifies the channel's FFT.

- Occurrence: One
- Format: int
- Access Types: Get, Replace
- Values: <FFT size>

### 6.3.14 *WIMAX\_NDS/NetworkList/<X>/* *FrequencyInfo/<X>Preambles*

The Preambles leaf specifies the valid preambles for each channel in the channel range.

- Occurrence: One
- Format: chr
- Access Types: Get, Replace

- Values: <Preambles>

The value is a hexadecimal string which is 29 digits long. The two MSB are zeroed and the LSB indicates channel 0.

### 6.3.15 *WIMAX\_NDS/NetworkList* /<X>/NAP-ID

The NAP-ID leaf is the identifier of the WiMAX radio access infrastructure provider. For further details on Network Access Provider please refer to the WiMAX Forum Network Architecture version 1.2.2 – Stage 2 [6] and WiMAX Forum Network Architecture Release 1.0 version 1.2.2 – Stage 3 [7].

- Occurrence: One
- Format: int
- Access Types: Get, Replace
- Values: <NAP-ID>

### 6.3.16 *WIMAX\_NDS/NetworkList* /<X>/CellType

The CellType leaf represents the type of cell. The cell type can be femto, pico, micro or macro.

- Occurrence: One
- Format: chr
- Access Types: Get, Replace
- Values: <Cell type>

### 6.3.17 *WIMAX\_NDS/NetworkList* /<X>/OperatorDifferentiatedTextField

The OperatorDifferentiatedTextField leaf represents textual information that the operator wants to associate with the access technology.

- Occurrence: ZeroOrOne
- Format: chr
- Access Types: Get, Replace
- Values: <Text field>

The text field contains alphanumeric characters.

### 6.3.18 *WIMAX\_NDS/Ext*

The Ext is an interior node for where the vendor specific information about the WNDS MO is placed (vendor can be application vendor, device vendor etc.). Usually the vendor extension is identified by vendor specific name under the ext node. The tree structure under the vendor identifier is not defined and can therefore include one or more un-standardized sub-trees.

- Occurrence: ZeroOrOne
- Format: node
- Access Types: Get
- Values: N/A

## Annex A (informative): ANDSF MO DDF

This DDF is the standardized minimal set. A vendor can define its own DDF for the complete device. This DDF can include more features than this minimal standardized version.

```
<?xml version="1.0" encoding="UTF-8"?>
<!DOCTYPE MgmtTree PUBLIC "-//OMA//DTD-DM-DDF 1.2//EN"
"http://www.openmobilealliance.org/tech/DTD/dm_ddf-v1_2.dtd">

<MgmtTree>
  <VerDTD>1.2</VerDTD>
  <Man>--The device manufacturer--</Man>
  <Mod>--The device model--</Mod>

  <Node>
    <NodeName>ANDSF</NodeName>
    <DFProperties>
      <AccessType>
        <Get/>
      </AccessType>
      <Description>ANDSF settings</Description>
      <DFFormat>
        <node/>
      </DFFormat>
      <Occurrence>
        <ZeroOrOne/>
      </Occurrence>
      <DFTitle>The ANDSF Management Object.</DFTitle>
      <DFType>
        <DDFName/>
      </DFType>
    </DFProperties>

    <Node>
      <NodeName>Name</NodeName>
      <DFProperties>
        <AccessType>
          <Get/>
        </AccessType>
        <DFFormat>
          <chr/>
        </DFFormat>
        <Occurrence>
          <ZeroOrOne/>
        </Occurrence>
        <DFTitle>User displayable name for the node.</DFTitle>
        <DFType>
          <MIME>text/plain</MIME>
        </DFType>
      </DFProperties>
    </Node>

    <Node>
      <NodeName>Policy</NodeName>
      <!-- The Policy node starts here. -->
      <DFProperties>
        <AccessType>
          <Get/>
          <Replace/>
        </AccessType>
        <DFFormat>
          <node/>
        </DFFormat>
        <Occurrence>
          <ZeroOrOne/>
        </Occurrence>
        <DFTitle>Policies for access network selection.</DFTitle>
        <DFType>
          <DDFName/>
        </DFType>
      </DFProperties>
    </Node>
  </MgmtTree>
```



```

<Node>
  <NodeName></NodeName>
  <DFProperties>
    <AccessType>
      <Get/>
      <Replace/>
    </AccessType>
    <DFFormat>
      <node/>
    </DFFormat>
    <Occurrence>
      <OneOrMore/>
    </Occurrence>
    <DFTType>
      <DDFName></DDFName>
    </DFTType>
  </DFProperties>

  <Node>
    <NodeName>RulePriority</NodeName>
    <DFProperties>
      <AccessType>
        <Get/>
        <Replace/>
      </AccessType>
      <DFFormat>
        <int/>
      </DFFormat>
      <Occurrence>
        <One/>
      </Occurrence>
      <DFTitle>Rule priority.</DFTitle>
      <DFTType>
        <MIME>text/plain</MIME>
      </DFTType>
    </DFProperties>
  </Node>

  <Node>
    <NodeName>PrioritizedAccess</NodeName>
    <DFProperties>
      <AccessType>
        <Get/>
        <Replace/>
      </AccessType>
      <DFFormat>
        <node/>
      </DFFormat>
      <Occurrence>
        <One/>
      </Occurrence>
      <DFTitle>Prioritized access.</DFTitle>
      <DFTType>
        <DDFName/>
      </DFTType>
    </DFProperties>

  <Node>
    <NodeName></NodeName>
    <DFProperties>
      <AccessType>
        <Get/>
        <Replace/>
      </AccessType>
      <DFFormat>
        <node/>
      </DFFormat>
      <Occurrence>
        <OneOrMore/>
      </Occurrence>
      <DFTType>
        <DDFName></DDFName>
      </DFTType>
    </DFProperties>

  <Node>
    <NodeName>AccessTechnology</NodeName>
    <DFProperties>

```

```

        <AccessType>
          <Get/>
          <Replace/>
        </AccessType>
        <DFFormat>
          <int/>
        </DFFormat>
        <Occurrence>
          <One/>
        </Occurrence>
        <DFTitle>Access technology.</DFTitle>
        <DFType>
          <MIME>text/plain</MIME>
        </DFType>
      </DFProperties>
    </Node>

    <Node>
      <NodeName>AccessId</NodeName>
      <DFProperties>
        <AccessType>
          <Get/>
          <Replace/>
        </AccessType>
        <DFFormat>
          <chr/>
        </DFFormat>
        <Occurrence>
          <ZeroOrOne/>
        </Occurrence>
        <DFTitle>Access identity.</DFTitle>
        <DFType>
          <MIME>text/plain</MIME>
        </DFType>
      </DFProperties>
    </Node>

    <Node>
      <NodeName>SecondaryAccessId</NodeName>
      <DFProperties>
        <AccessType>
          <Get/>
          <Replace/>
        </AccessType>
        <DFFormat>
          <chr/>
        </DFFormat>
        <Occurrence>
          <ZeroOrOne/>
        </Occurrence>
        <DFTitle>Access identity.</DFTitle>
        <DFType>
          <MIME>text/plain</MIME>
        </DFType>
      </DFProperties>
    </Node>

    <Node>
      <NodeName>AccessNetworkPriority</NodeName>
      <DFProperties>
        <AccessType>
          <Get/>
          <Replace/>
        </AccessType>
        <DFFormat>
          <int/>
        </DFFormat>
        <Occurrence>
          <One/>
        </Occurrence>
        <DFTitle>Access network priority.</DFTitle>
        <DFType>
          <MIME>text/plain</MIME>
        </DFType>
      </DFProperties>
    </Node>
  </Node>
</Node>

```

```

<Node>
  <NodeName>ValidityArea</NodeName>
  <DFProperties>
    <AccessType>
      <Get/>
      <Replace/>
    </AccessType>
    <DFFormat>
      <node/>
    </DFFormat>
    <Occurrence>
      <ZeroOrOne/>
    </Occurrence>
    <DFTitle>Validity area.</DFTitle>
    <DFType>
      <DDFName/>
    </DFType>
  </DFProperties>

  <Node>
    <NodeName>3GPP_Location</NodeName>
    <DFProperties>
      <AccessType>
        <Get/>
        <Replace/>
      </AccessType>
      <DFFormat>
        <node/>
      </DFFormat>
      <Occurrence>
        <ZeroOrOne/>
      </Occurrence>
      <DFTitle>Validity area for 3GPP access.</DFTitle>
      <DFType>
        <DDFName/>
      </DFType>
    </DFProperties>

    <Node>
      <NodeName></NodeName>
      <DFProperties>
        <AccessType>
          <Get/>
          <Replace/>
        </AccessType>
        <DFFormat>
          <node/>
        </DFFormat>
        <Occurrence>
          <OneOrMore/>
        </Occurrence>
        <DFType>
          <DDFName></DDFName>
        </DFType>
      </DFProperties>

      <Node>
        <NodeName>PLMN</NodeName>
        <DFProperties>
          <AccessType>
            <Get/>
            <Replace/>
          </AccessType>
          <DFFormat>
            <chr/>
          </DFFormat>
          <Occurrence>
            <One/>
          </Occurrence>
          <DFTitle>PLMN.</DFTitle>
          <DFType>
            <MIME>text/plain</MIME>
          </DFType>
        </DFProperties>
      </Node>
    </Node>
  </Node>

```

```

<NodeName>TAC</NodeName>
<DFProperties>
  <AccessType>
    <Get/>
    <Replace/>
  </AccessType>
  <DFFormat>
    <chr/>
  </DFFormat>
  <Occurrence>
    <ZeroOrOne/>
  </Occurrence>
  <DFTitle>TAC.</DFTitle>
  <DFType>
    <MIME>text/plain</MIME>
  </DFType>
</DFProperties>
</Node>

<Node>
  <NodeName>LAC</NodeName>
  <DFProperties>
    <AccessType>
      <Get/>
      <Replace/>
    </AccessType>
    <DFFormat>
      <chr/>
    </DFFormat>
    <Occurrence>
      <ZeroOrOne/>
    </Occurrence>
    <DFTitle>LAC.</DFTitle>
    <DFType>
      <MIME>text/plain</MIME>
    </DFType>
  </DFProperties>
</Node>

<Node>
  <NodeName>GERAN_CI</NodeName>
  <DFProperties>
    <AccessType>
      <Get/>
      <Replace/>
    </AccessType>
    <DFFormat>
      <bin/>
    </DFFormat>
    <Occurrence>
      <ZeroOrOne/>
    </Occurrence>
    <DFTitle>GERAN_CI.</DFTitle>
    <DFType>
      <MIME>text/plain</MIME>
    </DFType>
  </DFProperties>
</Node>

<Node>
  <NodeName>UTRAN_CI</NodeName>
  <DFProperties>
    <AccessType>
      <Get/>
      <Replace/>
    </AccessType>
    <DFFormat>
      <bin/>
    </DFFormat>
    <Occurrence>
      <ZeroOrOne/>
    </Occurrence>
    <DFTitle>UTRAN_CI.</DFTitle>
    <DFType>
      <MIME>text/plain</MIME>
    </DFType>
  </DFProperties>
</Node>

```

```

<Node>
  <NodeName>EUTRA_CI</NodeName>
  <DFProperties>
    <AccessType>
      <Get/>
      <Replace/>
    </AccessType>
    <DFFormat>
      <bin/>
    </DFFormat>
    <Occurrence>
      <ZeroOrOne/>
    </Occurrence>
    <DFTitle>EUTRA_CI.</DFTitle>
    <DFType>
      <MIME>text/plain</MIME>
    </DFType>
  </DFProperties>
</Node>
</Node>
</Node>

<Node>
  <NodeName>3GPP2_Location</NodeName>
  <DFProperties>
    <AccessType>
      <Get/>
      <Replace/>
    </AccessType>
    <DFFormat>
      <node/>
    </DFFormat>
    <Occurrence>
      <ZeroOrOne/>
    </Occurrence>
    <DFTitle> Validity area for 3GPP2 access.</DFTitle>
    <DFType>
      <DDFName/>
    </DFType>
  </DFProperties>

  <Node>
    <NodeName>1x</NodeName>
    <DFProperties>
      <AccessType>
        <Get/>
        <Replace/>
      </AccessType>
      <DFFormat>
        <node/>
      </DFFormat>
      <Occurrence>
        <ZeroOrOne/>
      </Occurrence>
      <DFTitle> Validity area for 3GPP2-1x access.</DFTitle>
      <DFType>
        <DDFName/>
      </DFType>
    </DFProperties>

    <Node>
      <NodeName></NodeName>
      <DFProperties>
        <AccessType>
          <Get/>
          <Replace/>
        </AccessType>
        <DFFormat>
          <node/>
        </DFFormat>
        <Occurrence>
          <OneOrMore/>
        </Occurrence>
        <DFType>
          <DDFName></DDFName>
        </DFType>
      </DFProperties>

```

```

<Node>
  <NodeName>SID</NodeName>
  <DFProperties>
    <AccessType>
      <Get/>
      <Replace/>
    </AccessType>
    <DFFormat>
      <chr/>
    </DFFormat>
    <Occurrence>
      <One/>
    </Occurrence>
    <DFTitle>1x-SID.</DFTitle>
    <DFType>
      <MIME>text/plain</MIME>
    </DFType>
  </DFProperties>
</Node>

<Node>
  <NodeName>NID</NodeName>
  <DFProperties>
    <AccessType>
      <Get/>
      <Replace/>
    </AccessType>
    <DFFormat>
      <chr/>
    </DFFormat>
    <Occurrence>
      <ZeroOrOne/>
    </Occurrence>
    <DFTitle>1x-NID.</DFTitle>
    <DFType>
      <MIME>text/plain</MIME>
    </DFType>
  </DFProperties>
</Node>

<Node>
  <NodeName>Base_ID</NodeName>
  <DFProperties>
    <AccessType>
      <Get/>
      <Replace/>
    </AccessType>
    <DFFormat>
      <chr/>
    </DFFormat>
    <Occurrence>
      <ZeroOrOne/>
    </Occurrence>
    <DFTitle>1x-Base ID.</DFTitle>
    <DFType>
      <MIME>text/plain</MIME>
    </DFType>
  </DFProperties>
</Node>
</Node>
</Node>

<Node>
  <NodeName>HRPD</NodeName>
  <DFProperties>
    <AccessType>
      <Get/>
      <Replace/>
    </AccessType>
    <DFFormat>
      <node/>
    </DFFormat>
    <Occurrence>
      <ZeroOrOne/>
    </Occurrence>
    <DFTitle> Validity area for 3GPP2-HRPD access</DFTitle>
    <DFType>

```

```

        <DDFName/>
    </DFType>
</DFProperties>

<Node>
  <NodeName></NodeName>
  <DFProperties>
    <AccessType>
      <Get/>
      <Replace/>
    </AccessType>
    <DFFormat>
      <node/>
    </DFFormat>
    <Occurrence>
      <OneOrMore/>
    </Occurrence>
    <DFType>
      <DDFName></DDFName>
    </DFType>
  </DFProperties>

  <Node>
    <NodeName>Sector_ID</NodeName>
    <DFProperties>
      <AccessType>
        <Get/>
        <Replace/>
      </AccessType>
      <DFFormat>
        <bin/>
      </DFFormat>
      <Occurrence>
        <One/>
      </Occurrence>
      <DFTitle>HRPD Sector ID</DFTitle>
      <DFType>
        <MIME>text/plain</MIME>
      </DFType>
    </DFProperties>
  </Node>

  <Node>
    <NodeName>Netmask</NodeName>
    <DFProperties>
      <AccessType>
        <Get/>
        <Replace/>
      </AccessType>
      <DFFormat>
        <bin/>
      </DFFormat>
      <Occurrence>
        <One/>
      </Occurrence>
      <DFTitle>HRPD netmask</DFTitle>
      <DFType>
        <MIME>text/plain</MIME>
      </DFType>
    </DFProperties>
  </Node>
</Node>
</Node>
</Node>

<Node>
  <NodeName>WiMAX_Location</NodeName>
  <DFProperties>
    <AccessType>
      <Get/>
      <Replace/>
    </AccessType>
    <DFFormat>
      <node/>
    </DFFormat>
    <Occurrence>
      <ZeroOrOne/>
    </Occurrence>

```

```

    <DFTitle> Validity area for WiMAX access.</DFTitle>
    <DFType>
      <DDFName/>
    </DFType>
  </DFProperties>

  <Node>
    <NodeName></NodeName>
    <DFProperties>
      <AccessType>
        <Get/>
        <Replace/>
      </AccessType>
      <DFFormat>
        <node/>
      </DFFormat>
      <Occurrence>
        <OneOrMore/>
      </Occurrence>
      <DFType>
        <DDFName></DDFName>
      </DFType>
    </DFProperties>

    <Node>
      <NodeName>NAP-ID</NodeName>
      <DFProperties>
        <AccessType>
          <Get/>
          <Replace/>
        </AccessType>
        <DFFormat>
          <chr/>
        </DFFormat>
        <Occurrence>
          <One/>
        </Occurrence>
        <DFTitle>NAP-ID</DFTitle>
        <DFType>
          <MIME>text/plain</MIME>
        </DFType>
      </DFProperties>
    </Node>

    <Node>
      <NodeName>BS-ID</NodeName>
      <DFProperties>
        <AccessType>
          <Get/>
          <Replace/>
        </AccessType>
        <DFFormat>
          <chr/>
        </DFFormat>
        <Occurrence>
          <One/>
        </Occurrence>
        <DFTitle>BS-ID</DFTitle>
        <DFType>
          <MIME>text/plain</MIME>
        </DFType>
      </DFProperties>
    </Node>
  </Node>

  <Node>
    <NodeName>WLAN_Location</NodeName>
    <DFProperties>
      <AccessType>
        <Get/>
        <Replace/>
      </AccessType>
      <DFFormat>
        <node/>
      </DFFormat>
      <Occurrence>
        <ZeroOrOne/>
      </Occurrence>
    </DFProperties>
  </Node>

```



```

    </Occurrence>
    <DFTitle> Validity area for WLAN access.</DFTitle>
    <DFType>
      <DDFName/>
    </DFType>
  </DFProperties>

  <Node>
    <NodeName></NodeName>
    <DFProperties>
      <AccessType>
        <Get/>
        <Replace/>
      </AccessType>
      <DFFormat>
        <node/>
      </DFFormat>
      <Occurrence>
        <OneOrMore/>
      </Occurrence>
      <DFType>
        <DDFName></DDFName>
      </DFType>
    </DFProperties>

  <Node>
    <NodeName>HESSID</NodeName>
    <DFProperties>
      <AccessType>
        <Get/>
        <Replace/>
      </AccessType>
      <DFFormat>
        <chr/>
      </DFFormat>
      <Occurrence>
        <ZeroOrOne/>
      </Occurrence>
      <DFTitle>HESSID</DFTitle>
      <DFType>
        <MIME>text/plain</MIME>
      </DFType>
    </DFProperties>
  </Node>

  <Node>
    <NodeName>SSID</NodeName>
    <DFProperties>
      <AccessType>
        <Get/>
        <Replace/>
      </AccessType>
      <DFFormat>
        <chr/>
      </DFFormat>
      <Occurrence>
        <ZeroOrOne/>
      </Occurrence>
      <DFTitle>SSID</DFTitle>
      <DFType>
        <MIME>text/plain</MIME>
      </DFType>
    </DFProperties>
  </Node>

  <Node>
    <NodeName>BSSID</NodeName>
    <DFProperties>
      <AccessType>
        <Get/>
        <Replace/>
      </AccessType>
      <DFFormat>
        <chr/>
      </DFFormat>
      <Occurrence>
        <ZeroOrOne/>
      </Occurrence>

```

```

        <DFTitle>BSSID</DFTitle>
        <DFType>
            <MIME>text/plain</MIME>
        </DFType>
    </DFProperties>
</Node>
</Node>
</Node>
<Node>
    <NodeName>Geo_Location</NodeName>
    <DFProperties>
        <AccessType>
            <Get/>
            <Replace/>
        </AccessType>
        <DFFormat>
            <node/>
        </DFFormat>
        <Occurrence>
            <ZeroOrOne/>
        </Occurrence>
        <DFTitle>Geographical location.</DFTitle>
        <DFType>
            <DDFName/>
        </DFType>
    </DFProperties>
    <Node>
        <NodeName>Circular</NodeName>
        <DFProperties>
            <AccessType>
                <Get/>
                <Replace/>
            </AccessType>
            <DFFormat>
                <node/>
            </DFFormat>
            <Occurrence>
                <ZeroOrOne/>
            </Occurrence>
            <DFTitle>Circular location descripton.</DFTitle>
            <DFType>
                <DDFName/>
            </DFType>
        </DFProperties>
    </Node>
    <Node>
        <NodeName></NodeName>
        <DFProperties>
            <AccessType>
                <Get/>
                <Replace/>
            </AccessType>
            <DFFormat>
                <node/>
            </DFFormat>
            <Occurrence>
                <OneOrMore/>
            </Occurrence>
            <DFType>
                <DDFName></DDFName>
            </DFType>
        </DFProperties>
    </Node>
    <Node>
        <NodeName>AnchorLatitude</NodeName>
        <DFProperties>
            <AccessType>
                <Get/>
                <Replace/>
            </AccessType>
            <DFFormat>
                <chr/>
            </DFFormat>
            <Occurrence>
                <One/>
            </Occurrence>
        </DFProperties>
    </Node>

```

```

        <DFTitle>Anchor latitude</DFTitle>
        <DFType>
            <MIME>text/plain</MIME>
        </DFType>
    </DFProperties>
</Node>

<Node>
    <NodeName>AnchorLongitude</NodeName>
    <DFProperties>
        <AccessType>
            <Get/>
            <Replace/>
        </AccessType>
        <DFFormat>
            <chr/>
        </DFFormat>
        <Occurrence>
            <One/>
        </Occurrence>
        <DFTitle>Anchor longitude</DFTitle>
        <DFType>
            <MIME>text/plain</MIME>
        </DFType>
    </DFProperties>
</Node>

<Node>
    <NodeName>Radius</NodeName>
    <DFProperties>
        <AccessType>
            <Get/>
            <Replace/>
        </AccessType>
        <DFFormat>
            <chr/>
        </DFFormat>
        <Occurrence>
            <One/>
        </Occurrence>
        <DFTitle>Radius</DFTitle>
        <DFType>
            <MIME>text/plain</MIME>
        </DFType>
    </DFProperties>
</Node>
</Node>
</Node>
</Node>
</Node>
</Node>
<Node>
    <NodeName>ValidityAreaRef</NodeName>
    <DFProperties>
        <AccessType>
            <Get/>
            <Replace/>
        </AccessType>
        <DFFormat>
            <chr/>
        </DFFormat>
        <Occurrence>
            <ZeroOrOne/>
        </Occurrence>
        <DFTitle>A reference to a ValidityArea interior node</DFTitle>
        <DFType>
            <MIME>text/plain</MIME>
        </DFType>
    </DFProperties>
</Node>

<Node>
    <NodeName>Roaming</NodeName>
    <DFProperties>
        <AccessType>
            <Get/>
            <Replace/>
        </AccessType>

```

```

    <DFFormat>
      <bool/>
    </DFFormat>
  </Occurrence>
  <ZeroOrOne/>
</Occurrence>
<DFTitle>Rule priority.</DFTitle>
<DFType>
  <MIME>text/plain</MIME>
</DFType>
</DFProperties>
</Node>

<Node>
  <NodeName>PLMN</NodeName>
  <DFProperties>
    <AccessType>
      <Get/>
      <Replace/>
    </AccessType>
    <DFFormat>
      <chr/>
    </DFFormat>
    <Occurrence>
      <One/>
    </Occurrence>
    <DFTitle>PLMN which created the policy.</DFTitle>
    <DFType>
      <MIME>text/plain</MIME>
    </DFType>
  </DFProperties>
</Node>

<Node>
  <NodeName>TimeOfDay</NodeName>
  <DFProperties>
    <AccessType>
      <Get/>
      <Replace/>
    </AccessType>
    <DFFormat>
      <node/>
    </DFFormat>
    <Occurrence>
      <ZeroOrOne/>
    </Occurrence>
    <DFTitle>Time of day.</DFTitle>
    <DFType>
      <DDFName/>
    </DFType>
  </DFProperties>

  <Node>
    <NodeName></NodeName>
    <DFProperties>
      <AccessType>
        <Get/>
        <Replace/>
      </AccessType>
      <DFFormat>
        <node/>
      </DFFormat>
      <Occurrence>
        <OneOrMore/>
      </Occurrence>
      <DFType>
        <DDFName></DDFName>
      </DFType>
    </DFProperties>

    <Node>
      <NodeName>TimeStart</NodeName>
      <DFProperties>
        <AccessType>
          <Get/>
          <Replace/>
        </AccessType>
        <DFFormat>

```

```

        <chr/>
    </DFFormat>
    <Occurrence>
        <ZeroOrOne/>
    </Occurrence>
    <DFTitle>Start condition for time of rule.</DFTitle>
    <DFType>
        <MIME>text/plain</MIME>
    </DFType>
    </DFProperties>
</Node>

<Node>
    <NodeName>TimeStop</NodeName>
    <DFProperties>
        <AccessType>
            <Get/>
            <Replace/>
        </AccessType>
        <DFFormat>
            <chr/>
        </DFFormat>
        <Occurrence>
            <ZeroOrOne/>
        </Occurrence>
        <DFTitle>Stop condition for time of rule.</DFTitle>
        <DFType>
            <MIME>text/plain</MIME>
        </DFType>
    </DFProperties>
</Node>

<Node>
    <NodeName>DateStart</NodeName>
    <DFProperties>
        <AccessType>
            <Get/>
            <Replace/>
        </AccessType>
        <DFFormat>
            <chr/>
        </DFFormat>
        <Occurrence>
            <ZeroOrOne/>
        </Occurrence>
        <DFTitle>Starting date for time condition of rule.</DFTitle>
        <DFType>
            <MIME>text/plain</MIME>
        </DFType>
    </DFProperties>
</Node>

<Node>
    <NodeName>DateStop</NodeName>
    <DFProperties>
        <AccessType>
            <Get/>
            <Replace/>
        </AccessType>
        <DFFormat>
            <chr/>
        </DFFormat>
        <Occurrence>
            <ZeroOrOne/>
        </Occurrence>
        <DFTitle>Stop date for time condition of rule.</DFTitle>
        <DFType>
            <MIME>text/plain</MIME>
        </DFType>
    </DFProperties>
</Node>

<Node>
    <NodeName>DayOfWeek</NodeName>
    <DFProperties>
        <AccessType>
            <Get/>
            <Replace/>

```

```

        </AccessType>
        <DFFormat>
          <int/>
        </DFFormat>
        <Occurrence>
          <ZeroOrOne/>
        </Occurrence>
        <DFTitle>Bitmap for day of week condition</DFTitle>
        <DFType>
          <MIME>text/plain</MIME>
        </DFType>
      </DFProperties>
    </Node>
  </Node>
</Node>
<Node>
  <NodeName>TimeOfDayRef</NodeName>
  <DFProperties>
    <AccessType>
      <Get/>
      <Replace/>
    </AccessType>
    <DFFormat>
      <chr/>
    </DFFormat>
    <Occurrence>
      <ZeroOrOne/>
    </Occurrence>
    <DFTitle>A reference to a TimeOfDay interior node</DFTitle>
    <DFType>
      <MIME>text/plain</MIME>
    </DFType>
  </DFProperties>
</Node>
<Node>
  <NodeName>UpdatePolicy</NodeName>
  <DFProperties>
    <AccessType>
      <Get/>
      <Replace/>
    </AccessType>
    <DFFormat>
      <bool/>
    </DFFormat>
    <Occurrence>
      <ZeroOrOne/>
    </Occurrence>
    <DFTitle>Update policy.</DFTitle>
    <DFType>
      <MIME>text/plain</MIME>
    </DFType>
  </DFProperties>
</Node>
</Node>
<Node>
  <NodeName>DiscoveryInformation</NodeName>
  <!-- The DiscoveryInformation node starts here. -->
  <DFProperties>
    <AccessType>
      <Get/>
      <Replace/>
    </AccessType>
    <DFFormat>
      <node/>
    </DFFormat>
    <Occurrence>
      <ZeroOrOne/>
    </Occurrence>
    <DFTitle>Access network discovery information.</DFTitle>
    <DFType>
      <DDFName/>
    </DFType>
  </DFProperties>

```

```

<Node>
  <NodeName></NodeName>
  <DFProperties>
    <AccessType>
      <Get/>
      <Replace/>
    </AccessType>
    <DFFormat>
      <node/>
    </DFFormat>
    <Occurrence>
      <OneOrMore/>
    </Occurrence>
    <DFType>
      <DDFName></DDFName>
    </DFType>
  </DFProperties>

  <Node>
    <NodeName>AccessNetworkType</NodeName>
    <DFProperties>
      <AccessType>
        <Get/>
        <Replace/>
      </AccessType>
      <DFFormat>
        <int/>
      </DFFormat>
      <Occurrence>
        <One/>
      </Occurrence>
      <DFTitle>Access network type.</DFTitle>
      <DFType>
        <MIME>text/plain</MIME>
      </DFType>
    </DFProperties>
  </Node>

  <Node>
    <NodeName>AccessNetworkArea</NodeName>
    <DFProperties>
      <AccessType>
        <Get/>
        <Replace/>
      </AccessType>
      <DFFormat>
        <node/>
      </DFFormat>
      <Occurrence>
        <One/>
      </Occurrence>
      <DFTitle>Access network area.</DFTitle>
      <DFType>
        <DDFName/>
      </DFType>
    </DFProperties>

  <Node>
    <NodeName>3GPP_Location</NodeName>
    <DFProperties>
      <AccessType>
        <Get/>
        <Replace/>
      </AccessType>
      <DFFormat>
        <node/>
      </DFFormat>
      <Occurrence>
        <ZeroOrOne/>
      </Occurrence>
      <DFTitle>Discovery information for 3GPP access.</DFTitle>
      <DFType>
        <DDFName/>
      </DFType>
    </DFProperties>

  <Node>
    <NodeName></NodeName>

```

```

<DFProperties>
  <AccessType>
    <Get/>
    <Replace/>
  </AccessType>
  <DFFormat>
    <node/>
  </DFFormat>
  <Occurrence>
    <OneOrMore/>
  </Occurrence>
  <DFType>
    <DDFName></DDFName>
  </DFType>
</DFProperties>

<Node>
  <NodeName>PLMN</NodeName>
  <DFProperties>
    <AccessType>
      <Get/>
      <Replace/>
    </AccessType>
    <DFFormat>
      <chr/>
    </DFFormat>
    <Occurrence>
      <One/>
    </Occurrence>
    <DFTitle>PLMN.</DFTitle>
    <DFType>
      <MIME>text/plain</MIME>
    </DFType>
  </DFProperties>
</Node>

<Node>
  <NodeName>TAC</NodeName>
  <DFProperties>
    <AccessType>
      <Get/>
      <Replace/>
    </AccessType>
    <DFFormat>
      <chr/>
    </DFFormat>
    <Occurrence>
      <ZeroOrOne/>
    </Occurrence>
    <DFTitle>TAC.</DFTitle>
    <DFType>
      <MIME>text/plain</MIME>
    </DFType>
  </DFProperties>
</Node>

<Node>
  <NodeName>LAC</NodeName>
  <DFProperties>
    <AccessType>
      <Get/>
      <Replace/>
    </AccessType>
    <DFFormat>
      <chr/>
    </DFFormat>
    <Occurrence>
      <ZeroOrOne/>
    </Occurrence>
    <DFTitle>LAC.</DFTitle>
    <DFType>
      <MIME>text/plain</MIME>
    </DFType>
  </DFProperties>
</Node>

<Node>
  <NodeName>GERAN_CI</NodeName>

```



```

    <DFProperties>
      <AccessType>
        <Get/>
        <Replace/>
      </AccessType>
      <DFFormat>
        <bin/>
      </DFFormat>
      <Occurrence>
        <ZeroOrOne/>
      </Occurrence>
      <DFTitle>GERAN_CI.</DFTitle>
      <DFType>
        <MIME>text/plain</MIME>
      </DFType>
    </DFProperties>
  </Node>

  <Node>
    <NodeName>UTRAN_CI</NodeName>
    <DFProperties>
      <AccessType>
        <Get/>
        <Replace/>
      </AccessType>
      <DFFormat>
        <bin/>
      </DFFormat>
      <Occurrence>
        <ZeroOrOne/>
      </Occurrence>
      <DFTitle>UTRAN_CI.</DFTitle>
      <DFType>
        <MIME>text/plain</MIME>
      </DFType>
    </DFProperties>
  </Node>

  <Node>
    <NodeName>EUTRA_CI</NodeName>
    <DFProperties>
      <AccessType>
        <Get/>
        <Replace/>
      </AccessType>
      <DFFormat>
        <bin/>
      </DFFormat>
      <Occurrence>
        <ZeroOrOne/>
      </Occurrence>
      <DFTitle>EUTRA_CI.</DFTitle>
      <DFType>
        <MIME>text/plain</MIME>
      </DFType>
    </DFProperties>
  </Node>
</Node>

  <Node>
    <NodeName>3GPP2_Location</NodeName>
    <DFProperties>
      <AccessType>
        <Get/>
        <Replace/>
      </AccessType>
      <DFFormat>
        <node/>
      </DFFormat>
      <Occurrence>
        <ZeroOrOne/>
      </Occurrence>
      <DFTitle>Discovery information for 3GPP2 access.</DFTitle>
      <DFType>
        <DDFName/>
      </DFType>
    </DFProperties>
  </Node>

```

```

<Node>
  <NodeName>1x</NodeName>
  <DFProperties>
    <AccessType>
      <Get/>
      <Replace/>
    </AccessType>
    <DFFormat>
      <node/>
    </DFFormat>
    <Occurrence>
      <ZeroOrOne/>
    </Occurrence>
    <DFTitle>Discovery information for 3GPP2-1x access.</DFTitle>
    <DFType>
      <DDFName/>
    </DFType>
  </DFProperties>

<Node>
  <NodeName></NodeName>
  <DFProperties>
    <AccessType>
      <Get/>
      <Replace/>
    </AccessType>
    <DFFormat>
      <node/>
    </DFFormat>
    <Occurrence>
      <OneOrMore/>
    </Occurrence>
    <DFType>
      <DDFName></DDFName>
    </DFType>
  </DFProperties>

<Node>
  <NodeName>SID</NodeName>
  <DFProperties>
    <AccessType>
      <Get/>
      <Replace/>
    </AccessType>
    <DFFormat>
      <chr/>
    </DFFormat>
    <Occurrence>
      <One/>
    </Occurrence>
    <DFTitle>1x-SID.</DFTitle>
    <DFType>
      <MIME>text/plain</MIME>
    </DFType>
  </DFProperties>
</Node>

<Node>
  <NodeName>NID</NodeName>
  <DFProperties>
    <AccessType>
      <Get/>
      <Replace/>
    </AccessType>
    <DFFormat>
      <chr/>
    </DFFormat>
    <Occurrence>
      <ZeroOrOne/>
    </Occurrence>
    <DFTitle>1x-NID.</DFTitle>
    <DFType>
      <MIME>text/plain</MIME>
    </DFType>
  </DFProperties>
</Node>

```

```

<Node>
  <NodeName>Base_ID</NodeName>
  <DFProperties>
    <AccessType>
      <Get/>
      <Replace/>
    </AccessType>
    <DFFormat>
      <chr/>
    </DFFormat>
    <Occurrence>
      <ZeroOrOne/>
    </Occurrence>
    <DFTitle>1x-Base ID.</DFTitle>
    <DFType>
      <MIME>text/plain</MIME>
    </DFType>
  </DFProperties>
</Node>
</Node>
</Node>
<Node>
  <NodeName>HRPD</NodeName>
  <DFProperties>
    <AccessType>
      <Get/>
      <Replace/>
    </AccessType>
    <DFFormat>
      <node/>
    </DFFormat>
    <Occurrence>
      <ZeroOrOne/>
    </Occurrence>
    <DFTitle>Discovery information for 3GPP2-HRPD access</DFTitle>
    <DFType>
      <DDFName/>
    </DFType>
  </DFProperties>
</Node>
<Node>
  <NodeName></NodeName>
  <DFProperties>
    <AccessType>
      <Get/>
      <Replace/>
    </AccessType>
    <DFFormat>
      <node/>
    </DFFormat>
    <Occurrence>
      <OneOrMore/>
    </Occurrence>
    <DFType>
      <DDFName></DDFName>
    </DFType>
  </DFProperties>
</Node>
<Node>
  <NodeName>Sector_ID</NodeName>
  <DFProperties>
    <AccessType>
      <Get/>
      <Replace/>
    </AccessType>
    <DFFormat>
      <bin/>
    </DFFormat>
    <Occurrence>
      <One/>
    </Occurrence>
    <DFTitle>HRPD Sector ID</DFTitle>
    <DFType>
      <MIME>text/plain</MIME>
    </DFType>
  </DFProperties>
</Node>

```

```

    <Node>
      <NodeName>Netmask</NodeName>
      <DFProperties>
        <AccessType>
          <Get/>
          <Replace/>
        </AccessType>
        <DFFormat>
          <bin/>
        </DFFormat>
        <Occurrence>
          <One/>
        </Occurrence>
        <DFTitle>HRPD netmask</DFTitle>
        <DFType>
          <MIME>text/plain</MIME>
        </DFType>
      </DFProperties>
    </Node>
  </Node>
</Node>
</Node>
<Node>
  <NodeName>WiMAX_Location</NodeName>
  <DFProperties>
    <AccessType>
      <Get/>
      <Replace/>
    </AccessType>
    <DFFormat>
      <node/>
    </DFFormat>
    <Occurrence>
      <ZeroOrOne/>
    </Occurrence>
    <DFTitle>Discovery information for WiMAX access.</DFTitle>
    <DFType>
      <DDFName/>
    </DFType>
  </DFProperties>

  <Node>
    <NodeName></NodeName>
    <DFProperties>
      <AccessType>
        <Get/>
        <Replace/>
      </AccessType>
      <DFFormat>
        <node/>
      </DFFormat>
      <Occurrence>
        <OneOrMore/>
      </Occurrence>
      <DFType>
        <DDFName></DDFName>
      </DFType>
    </DFProperties>

  <Node>
    <NodeName>NAP-ID</NodeName>
    <DFProperties>
      <AccessType>
        <Get/>
        <Replace/>
      </AccessType>
      <DFFormat>
        <chr/>
      </DFFormat>
      <Occurrence>
        <One/>
      </Occurrence>
      <DFTitle>NAP-ID</DFTitle>
      <DFType>
        <MIME>text/plain</MIME>
      </DFType>

```

```

    </DFProperties>
  </Node>

  <Node>
    <nodeName>BS-ID</nodeName>
    <DFProperties>
      <AccessType>
        <Get/>
        <Replace/>
      </AccessType>
      <DFFormat>
        <chr/>
      </DFFormat>
      <Occurrence>
        <One/>
      </Occurrence>
      <DFTitle>BS-ID</DFTitle>
      <DFType>
        <MIME>text/plain</MIME>
      </DFType>
    </DFProperties>
  </Node>
</Node>

<Node>
  <nodeName>WLAN_Location</nodeName>
  <DFProperties>
    <AccessType>
      <Get/>
      <Replace/>
    </AccessType>
    <DFFormat>
      <node/>
    </DFFormat>
    <Occurrence>
      <ZeroOrOne/>
    </Occurrence>
    <DFTitle>Discovery information for WLAN access.</DFTitle>
    <DFType>
      <DDFName/>
    </DFType>
  </DFProperties>

  <Node>
    <nodeName></nodeName>
    <DFProperties>
      <AccessType>
        <Get/>
        <Replace/>
      </AccessType>
      <DFFormat>
        <node/>
      </DFFormat>
      <Occurrence>
        <OneOrMore/>
      </Occurrence>
      <DFType>
        <DDFName></DDFName>
      </DFType>
    </DFProperties>

  <Node>
    <nodeName>HESSID</nodeName>
    <DFProperties>
      <AccessType>
        <Get/>
        <Replace/>
      </AccessType>
      <DFFormat>
        <chr/>
      </DFFormat>
      <Occurrence>
        <ZeroOrOne/>
      </Occurrence>
      <DFTitle>HESSID</DFTitle>
      <DFType>
        <MIME>text/plain</MIME>
      </DFType>
    </DFProperties>
  </Node>

```

```

        </DFType>
      </DFProperties>
    </Node>

    <Node>
      <NodeName>SSID</NodeName>
      <DFProperties>
        <AccessType>
          <Get/>
          <Replace/>
        </AccessType>
        <DFFormat>
          <chr/>
        </DFFormat>
        <Occurrence>
          <ZeroOrOne/>
        </Occurrence>
        <DFTitle>SSID</DFTitle>
        <DFType>
          <MIME>text/plain</MIME>
        </DFType>
      </DFProperties>
    </Node>

    <Node>
      <NodeName>BSSID</NodeName>
      <DFProperties>
        <AccessType>
          <Get/>
          <Replace/>
        </AccessType>
        <DFFormat>
          <chr/>
        </DFFormat>
        <Occurrence>
          <ZeroOrOne/>
        </Occurrence>
        <DFTitle>BSSID</DFTitle>
        <DFType>
          <MIME>text/plain</MIME>
        </DFType>
      </DFProperties>
    </Node>
  </Node>

  <Node>
    <NodeName>Geo_Location</NodeName>
    <DFProperties>
      <AccessType>
        <Get/>
        <Replace/>
      </AccessType>
      <DFFormat>
        <node/>
      </DFFormat>
      <Occurrence>
        <ZeroOrOne/>
      </Occurrence>
      <DFTitle>Geographical location.</DFTitle>
      <DFType>
        <DDFName/>
      </DFType>
    </DFProperties>

    <Node>
      <NodeName>Circular</NodeName>
      <DFProperties>
        <AccessType>
          <Get/>
          <Replace/>
        </AccessType>
        <DFFormat>
          <node/>
        </DFFormat>
        <Occurrence>
          <ZeroOrOne/>
        </Occurrence>
      </DFProperties>
    </Node>
  </Node>

```

```

    <DFTitle>Circular location descripton.</DFTitle>
    <DFType>
      <DDFName/>
    </DFType>
  </DFProperties>

<Node>
  <NodeName></NodeName>
  <DFProperties>
    <AccessType>
      <Get/>
      <Replace/>
    </AccessType>
    <DFFormat>
      <node/>
    </DFFormat>
    <Occurrence>
      <OneOrMore/>
    </Occurrence>
    <DFType>
      <DDFName></DDFName>
    </DFType>
  </DFProperties>

<Node>
  <NodeName>AnchorLatitude</NodeName>
  <DFProperties>
    <AccessType>
      <Get/>
      <Replace/>
    </AccessType>
    <DFFormat>
      <chr/>
    </DFFormat>
    <Occurrence>
      <One/>
    </Occurrence>
    <DFTitle>Anchor latitude</DFTitle>
    <DFType>
      <MIME>text/plain</MIME>
    </DFType>
  </DFProperties>
</Node>

<Node>
  <NodeName>AnchorLongitude</NodeName>
  <DFProperties>
    <AccessType>
      <Get/>
      <Replace/>
    </AccessType>
    <DFFormat>
      <chr/>
    </DFFormat>
    <Occurrence>
      <One/>
    </Occurrence>
    <DFTitle>Anchor longitude</DFTitle>
    <DFType>
      <MIME>text/plain</MIME>
    </DFType>
  </DFProperties>
</Node>

<Node>
  <NodeName>Radius</NodeName>
  <DFProperties>
    <AccessType>
      <Get/>
      <Replace/>
    </AccessType>
    <DFFormat>
      <chr/>
    </DFFormat>
    <Occurrence>
      <One/>
    </Occurrence>
    <DFTitle>Radius</DFTitle>

```

```

        <DFType>
          <MIME>text/plain</MIME>
        </DFType>
      </DFProperties>
    </Node>
  </Node>
</Node>
</Node>
</Node>
</Node>
</Node>
<Node>
  <NodeName>ValidityAreaRef</NodeName>
  <DFProperties>
    <AccessType>
      <Get/>
      <Replace/>
    </AccessType>
    <DFFormat>
      <chr/>
    </DFFormat>
    <Occurrence>
      <ZeroOrOne/>
    </Occurrence>
    <DFTitle>A reference to a ValidityArea interior node</DFTitle>
    <DFType>
      <MIME>text/plain</MIME>
    </DFType>
  </DFProperties>
</Node>
<Node>
  <NodeName>AccessNetworkInformationRef</NodeName>
  <DFProperties>
    <AccessType>
      <Get/>
      <Replace/>
    </AccessType>
    <DFFormat>
      <chr/>
    </DFFormat>
    <Occurrence>
      <ZeroOrOne/>
    </Occurrence>
    <DFTitle>Access network information reference.</DFTitle>
    <DFType>
      <MIME>text/plain</MIME>
    </DFType>
  </DFProperties>
</Node>
<Node>
  <NodeName>PLMN</NodeName>
  <DFProperties>
    <AccessType>
      <Get/>
      <Replace/>
    </AccessType>
    <DFFormat>
      <chr/>
    </DFFormat>
    <Occurrence>
      <One/>
    </Occurrence>
    <DFTitle>PLMN which created the policy.</DFTitle>
    <DFType>
      <MIME>text/plain</MIME>
    </DFType>
  </DFProperties>
</Node>
</Node>
</Node>
<Node>
  <NodeName>UE_Location</NodeName>
  <!-- The UE_Location node starts here. -->
  <DFProperties>
    <AccessType>
      <Get/>

```



```

    </AccessType>
    <DFFormat>
      <node/>
    </DFFormat>
  </Occurrence>
  <ZeroOrOne/>
</Occurrence>
<DFTitle>Current location of the UE</DFTitle>
<DFType>
  <DDFName/>
</DFType>
</DFProperties>

<Node>
  <NodeName>3GPP_Location</NodeName>
  <DFProperties>
    <AccessType>
      <Get/>
    </AccessType>
    <DFFormat>
      <node/>
    </DFFormat>
    <Occurrence>
      <ZeroOrOne/>
    </Occurrence>
    <DFTitle>Current 3GPP location of the UE</DFTitle>
    <DFType>
      <DDFName/>
    </DFType>
  </DFProperties>

<Node>
  <NodeName></NodeName>
  <DFProperties>
    <AccessType>
      <Get/>
    </AccessType>
    <DFFormat>
      <node/>
    </DFFormat>
    <Occurrence>
      <OneOrMore/>
    </Occurrence>
    <DFType>
      <DDFName></DDFName>
    </DFType>
  </DFProperties>

<Node>
  <NodeName>PLMN</NodeName>
  <DFProperties>
    <AccessType>
      <Get/>
    </AccessType>
    <DFFormat>
      <chr/>
    </DFFormat>
    <Occurrence>
      <One/>
    </Occurrence>
    <DFTitle>Current PLMN</DFTitle>
    <DFType>
      <MIME>text/plain</MIME>
    </DFType>
  </DFProperties>
</Node>

<Node>
  <NodeName>TAC</NodeName>
  <DFProperties>
    <AccessType>
      <Get/>
    </AccessType>
    <DFFormat>
      <chr/>
    </DFFormat>
    <Occurrence>
      <ZeroOrOne/>
    </Occurrence>
  </DFProperties>
</Node>

```

```
</Occurrence>
<DFTitle>Current TAC</DFTitle>
<DFType>
  <MIME>text/plain</MIME>
</DFType>
</DFProperties>
</Node>

<Node>
  <NodeName>LAC</NodeName>
  <DFProperties>
    <AccessType>
      <Get/>
    </AccessType>
    <DFFormat>
      <chr/>
    </DFFormat>
    <Occurrence>
      <ZeroOrOne/>
    </Occurrence>
    <DFTitle>Current LAC</DFTitle>
    <DFType>
      <MIME>text/plain</MIME>
    </DFType>
  </DFProperties>
</Node>

<Node>
  <NodeName>GERAN_CI</NodeName>
  <DFProperties>
    <AccessType>
      <Get/>
    </AccessType>
    <DFFormat>
      <bin/>
    </DFFormat>
    <Occurrence>
      <ZeroOrOne/>
    </Occurrence>
    <DFTitle>Current GERAN_CI</DFTitle>
    <DFType>
      <MIME>text/plain</MIME>
    </DFType>
  </DFProperties>
</Node>

<Node>
  <NodeName>UTRAN_CI</NodeName>
  <DFProperties>
    <AccessType>
      <Get/>
    </AccessType>
    <DFFormat>
      <bin/>
    </DFFormat>
    <Occurrence>
      <ZeroOrOne/>
    </Occurrence>
    <DFTitle>Current UTRAN_CI</DFTitle>
    <DFType>
      <MIME>text/plain</MIME>
    </DFType>
  </DFProperties>
</Node>

<Node>
  <NodeName>EUTRA_CI</NodeName>
  <DFProperties>
    <AccessType>
      <Get/>
    </AccessType>
    <DFFormat>
      <bin/>
    </DFFormat>
    <Occurrence>
      <ZeroOrOne/>
    </Occurrence>
    <DFTitle>Current EUTRA_CI</DFTitle>
```

```

        <DFType>
          <MIME>text/plain</MIME>
        </DFType>
      </DFProperties>
    </Node>
  </Node>
</Node>
<Node>
  <NodeName>3GPP2_Location</NodeName>
  <DFProperties>
    <AccessType>
      <Get/>
    </AccessType>
    <DFFormat>
      <node/>
    </DFFormat>
    <Occurrence>
      <ZeroOrOne/>
    </Occurrence>
    <DFTitle>Current 3GPP2 location of the UE</DFTitle>
    <DFType>
      <DDFName/>
    </DFType>
  </DFProperties>
</Node>
<Node>
  <NodeName>1x</NodeName>
  <DFProperties>
    <AccessType>
      <Get/>
    </AccessType>
    <DFFormat>
      <node/>
    </DFFormat>
    <Occurrence>
      <ZeroOrOne/>
    </Occurrence>
    <DFTitle>Current 3GPP2-1x location of the UE</DFTitle>
    <DFType>
      <DDFName/>
    </DFType>
  </DFProperties>
</Node>
<Node>
  <NodeName></NodeName>
  <DFProperties>
    <AccessType>
      <Get/>
    </AccessType>
    <DFFormat>
      <node/>
    </DFFormat>
    <Occurrence>
      <OneOrMore/>
    </Occurrence>
    <DFType>
      <DDFName></DDFName>
    </DFType>
  </DFProperties>
</Node>
<Node>
  <NodeName>SID</NodeName>
  <DFProperties>
    <AccessType>
      <Get/>
    </AccessType>
    <DFFormat>
      <chr/>
    </DFFormat>
    <Occurrence>
      <One/>
    </Occurrence>
    <DFTitle>Current SID</DFTitle>
    <DFType>
      <MIME>text/plain</MIME>
    </DFType>
  </DFProperties>
</Node>

```

```

</Node>
<Node>
  <NodeName>NID</NodeName>
  <DFProperties>
    <AccessType>
      <Get/>
    </AccessType>
    <DFFormat>
      <chr/>
    </DFFormat>
    <Occurrence>
      <ZeroOrOne/>
    </Occurrence>
    <DFTitle>Current NID</DFTitle>
    <DFType>
      <MIME>text/plain</MIME>
    </DFType>
  </DFProperties>
</Node>

<Node>
  <NodeName>Base_ID</NodeName>
  <DFProperties>
    <AccessType>
      <Get/>
    </AccessType>
    <DFFormat>
      <chr/>
    </DFFormat>
    <Occurrence>
      <ZeroOrOne/>
    </Occurrence>
    <DFTitle>Current Base ID</DFTitle>
    <DFType>
      <MIME>text/plain</MIME>
    </DFType>
  </DFProperties>
</Node>
</Node>

<Node>
  <NodeName>HRPD</NodeName>
  <DFProperties>
    <AccessType>
      <Get/>
    </AccessType>
    <DFFormat>
      <node/>
    </DFFormat>
    <Occurrence>
      <ZeroOrOne/>
    </Occurrence>
    <DFTitle>Current 3GPP2-HRPD location of the UE</DFTitle>
    <DFType>
      <DDFName/>
    </DFType>
  </DFProperties>

  <Node>
    <NodeName></NodeName>
    <DFProperties>
      <AccessType>
        <Get/>
      </AccessType>
      <DFFormat>
        <node/>
      </DFFormat>
      <Occurrence>
        <OneOrMore/>
      </Occurrence>
      <DFType>
        <DDFName></DDFName>
      </DFType>
    </DFProperties>
  </Node>

```

```

    <NodeName>Sector_ID</NodeName>
    <DFProperties>
      <AccessType>
        <Get/>
      </AccessType>
      <DFFormat>
        <bin/>
      </DFFormat>
      <Occurrence>
        <One/>
      </Occurrence>
      <DFTitle>Current Sector ID</DFTitle>
      <DFType>
        <MIME>text/plain</MIME>
      </DFType>
    </DFProperties>
  </Node>

  <Node>
    <NodeName>Netmask</NodeName>
    <DFProperties>
      <AccessType>
        <Get/>
      </AccessType>
      <DFFormat>
        <bin/>
      </DFFormat>
      <Occurrence>
        <One/>
      </Occurrence>
      <DFTitle>HRPD netmask</DFTitle>
      <DFType>
        <MIME>text/plain</MIME>
      </DFType>
    </DFProperties>
  </Node>
</Node>
</Node>
</Node>
<Node>
  <NodeName>WiMAX_Location</NodeName>
  <DFProperties>
    <AccessType>
      <Get/>
    </AccessType>
    <DFFormat>
      <node/>
    </DFFormat>
    <Occurrence>
      <ZeroOrOne/>
    </Occurrence>
    <DFTitle>Current WiMAX location of the UE</DFTitle>
    <DFType>
      <DDFName/>
    </DFType>
  </DFProperties>

  <Node>
    <NodeName></NodeName>
    <DFProperties>
      <AccessType>
        <Get/>
      </AccessType>
      <DFFormat>
        <node/>
      </DFFormat>
      <Occurrence>
        <OneOrMore/>
      </Occurrence>
      <DFType>
        <DDFName></DDFName>
      </DFType>
    </DFProperties>

  <Node>
    <NodeName>NAP-ID</NodeName>
    <DFProperties>

```

```

        <AccessType>
          <Get/>
        </AccessType>
      <DFFormat>
        <chr/>
      </DFFormat>
    <Occurrence>
      <One/>
    </Occurrence>
    <DFTitle>Current NAP-ID</DFTitle>
  <DFType>
    <MIME>text/plain</MIME>
  </DFType>
</DFProperties>
</Node>

<Node>
  <nodeName>BS-ID</nodeName>
  <DFProperties>
    <AccessType>
      <Get/>
    </AccessType>
    <DFFormat>
      <chr/>
    </DFFormat>
    <Occurrence>
      <One/>
    </Occurrence>
    <DFTitle>Current BS-ID</DFTitle>
  <DFType>
    <MIME>text/plain</MIME>
  </DFType>
</DFProperties>
</Node>
</Node>

<Node>
  <nodeName>WLAN_Location</nodeName>
  <DFProperties>
    <AccessType>
      <Get/>
    </AccessType>
    <DFFormat>
      <node/>
    </DFFormat>
    <Occurrence>
      <ZeroOrOne/>
    </Occurrence>
    <DFTitle>Current WLAN location of the UE</DFTitle>
  <DFType>
    <DDFName/>
  </DFType>
</DFProperties>

<Node>
  <nodeName></nodeName>
  <DFProperties>
    <AccessType>
      <Get/>
    </AccessType>
    <DFFormat>
      <node/>
    </DFFormat>
    <Occurrence>
      <OneOrMore/>
    </Occurrence>
    <DFType>
      <DDFName></DDFName>
    </DFType>
  </DFProperties>

  <Node>
    <nodeName>HESSID</nodeName>
    <DFProperties>
      <AccessType>
        <Get/>
      </AccessType>

```

```

        <DFFormat>
          <chr/>
        </DFFormat>
      <Occurrence>
        <ZeroOrOne/>
      </Occurrence>
      <DFTitle>Current HESSID</DFTitle>
      <DFType>
        <MIME>text/plain</MIME>
      </DFType>
    </DFProperties>
  </Node>

  <Node>
    <NodeName>SSID</NodeName>
    <DFProperties>
      <AccessType>
        <Get/>
      </AccessType>
      <DFFormat>
        <chr/>
      </DFFormat>
      <Occurrence>
        <ZeroOrOne/>
      </Occurrence>
      <DFTitle>Current SSID</DFTitle>
      <DFType>
        <MIME>text/plain</MIME>
      </DFType>
    </DFProperties>
  </Node>

  <Node>
    <NodeName>BSSID</NodeName>
    <DFProperties>
      <AccessType>
        <Get/>
      </AccessType>
      <DFFormat>
        <chr/>
      </DFFormat>
      <Occurrence>
        <One/>
      </Occurrence>
      <DFTitle>Current BSSID</DFTitle>
      <DFType>
        <MIME>text/plain</MIME>
      </DFType>
    </DFProperties>
  </Node>
</Node>

  <Node>
    <NodeName>Geo_Location</NodeName>
    <DFProperties>
      <AccessType>
        <Get/>
      </AccessType>
      <DFFormat>
        <node/>
      </DFFormat>
      <Occurrence>
        <ZeroOrOne/>
      </Occurrence>
      <DFTitle>Current Geographical location of the UE</DFTitle>
      <DFType>
        <DDFName/>
      </DFType>
    </DFProperties>

    <Node>
      <NodeName>Latitude</NodeName>
      <DFProperties>
        <AccessType>
          <Get/>
        </AccessType>
        <DFFormat>

```

```

        <chr/>
      </DFFormat>
    <Occurrence>
      <One/>
    </Occurrence>
  <DFTitle>Latitude</DFTitle>
  <DFType>
    <MIME>text/plain</MIME>
  </DFType>
</DFProperties>
</Node>

<Node>
  <NodeName>Longitude</NodeName>
  <DFProperties>
    <AccessType>
      <Get/>
    </AccessType>
    <DFFormat>
      <chr/>
    </DFFormat>
    <Occurrence>
      <One/>
    </Occurrence>
  <DFTitle>Longitude</DFTitle>
  <DFType>
    <MIME>text/plain</MIME>
  </DFType>
</DFProperties>
</Node>
</Node>

<Node>
  <NodeName>RPLMN</NodeName>
  <DFProperties>
    <AccessType>
      <Get/>
    </AccessType>
    <DFFormat>
      <chr/>
    </DFFormat>
    <Occurrence>
      <ZeroOrOne/>
    </Occurrence>
  <DFTitle>RPLMN.</DFTitle>
  <DFType>
    <MIME>text/plain</MIME>
  </DFType>
</DFProperties>
</Node>
</Node>

<Node>
  <NodeName>ISRP</NodeName>
  <!-- The ISRP node starts here. -->
  <DFProperties>
    <AccessType>
      <Get/>
      <Replace/>
    </AccessType>
    <DFFormat>
      <node/>
    </DFFormat>
    <Occurrence>
      <ZeroOrOne/>
    </Occurrence>
  <DFTitle>ISRP rules for routing of specific IP Flows of PDN connections</DFTitle>
  <DFType>
    <DDFName/>
  </DFType>
</DFProperties>

  <Node>
    <NodeName></NodeName>
    <DFProperties>
      <AccessType>
        <Get/>
        <Replace/>
      </AccessType>
    </DFProperties>
  </Node>

```



```

    </AccessType>
    <DFFormat>
      <node/>
    </DFFormat>
    <Occurrence>
      <OneOrMore/>
    </Occurrence>
    <DFTType>
      <DDFName></DDFName>
    </DFTType>
  </DFProperties>

  <Node>
    <NodeName>ForFlowBased</NodeName>
    <DFProperties>
      <AccessType>
        <Get/>
        <Replace/>
      </AccessType>
      <DFFormat>
        <int/>
      </DFFormat>
      <Occurrence>
        <ZeroOrOne/>
      </Occurrence>
      <DFTitle>List of ISRP for IFOM case.</DFTitle>
      <DFTType>
        <MIME>text/plain</MIME>
      </DFTType>
    </DFProperties>

    <Node>
      <NodeName></NodeName>
      <DFProperties>
        <AccessType>
          <Get/>
          <Replace/>
        </AccessType>
        <DFFormat>
          <node/>
        </DFFormat>
        <Occurrence>
          <OneOrMore/>
        </Occurrence>
        <DFTType>
          <DDFName></DDFName>
        </DFTType>
      </DFProperties>

    <Node>
      <NodeName>IPFlow</NodeName>
      <DFProperties>
        <AccessType>
          <Get/>
          <Replace/>
        </AccessType>
        <DFFormat>
          <node/>
        </DFFormat>
        <Occurrence>
          <One/>
        </Occurrence>
        <DFTitle>IPFlow description</DFTitle>
        <DFTType>
          <MIME>text/plain</MIME>
        </DFTType>
      </DFProperties>

    <Node>
      <NodeName></NodeName>
      <DFProperties>
        <AccessType>
          <Get/>
          <Replace/>
        </AccessType>
        <DFFormat>
          <node/>
        </DFFormat>

```

```

    <Occurrence>
    <OneOrMore/>
  </Occurrence>
  <DFType>
    <DDFName></DDFName>
  </DFType>
</DFProperties>

<Node>
  <NodeName>App-ID</NodeName>
  <!-- The application ID. -->
  <DFProperties>
    <AccessType>
      <Get/>
      <Replace/>
    </AccessType>
    <DFFormat>
      <node/>
    </DFFormat>
    <Occurrence>
      <ZeroOrOne/>
    </Occurrence>
    <DFTitle>application identifier</DFTitle>
    <DFType>
      <DDFName/>
    </DFType>
  </DFProperties>

  <Node>
    <NodeName></NodeName>
    <DFProperties>
      <AccessType>
        <Get/>
        <Replace/>
      </AccessType>
      <DFFormat>
        <node/>
      </DFFormat>
      <Occurrence>
        <OneOrMore/>
      </Occurrence>
      <DFType>
        <DDFName></DDFName>
      </DFType>
    </DFProperties>

    <Node>
      <NodeName>OSId</NodeName>
      <DFProperties>
        <AccessType>
          <Get/>
          <Replace/>
        </AccessType>
        <DFFormat>
          <chr/>
        </DFFormat>
        <Occurrence>
          <One/>
        </Occurrence>
        <DFTitle>Operating system identifier</DFTitle>
        <DFType>
          <MIME>text/plain</MIME>
        </DFType>
      </DFProperties>
    </Node>

    <Node>
      <NodeName>OSApps</NodeName>
      <DFProperties>
        <AccessType>
          <Get/>
          <Replace/>
        </AccessType>
        <DFFormat>
          <node/>
        </DFFormat>
        <Occurrence>
          <One/>
        </Occurrence>
      </DFProperties>
    </Node>
  </Node>

```

```

    </Occurrence>
    <DFTitle>OS specific applications</DFTitle>
    <DFType>
      <DDFName/>
    </DFType>
  </DFProperties>

  <Node>
    <NodeName></NodeName>
    <DFProperties>
      <AccessType>
        <Get/>
        <Replace/>
      </AccessType>
      <DFFormat>
        <node/>
      </DFFormat>
      <Occurrence>
        <OneOrMore/>
      </Occurrence>
      <DFType>
        <DDFName></DDFName>
      </DFType>
    </DFProperties>

    <Node>
      <NodeName>OSAppId</NodeName>
      <DFProperties>
        <AccessType>
          <Get/>
          <Replace/>
        </AccessType>
        <DFFormat>
          <chr/>
        </DFFormat>
        <Occurrence>
          <One/>
        </Occurrence>
        <DFTitle>OS specific app ID</DFTitle>
        <DFType>
          <MIME>text/plain</MIME>
        </DFType>
      </DFProperties>
    </Node>
  </Node>
</Node>
</Node>
</Node>
</Node>
<Node>
  <NodeName>AddressType</NodeName>
  <DFProperties>
    <AccessType>
      <Get/>
      <Replace/>
    </AccessType>
    <DFFormat>
      <node/>
    </DFFormat>
    <Occurrence>
      <ZeroOrOne/>
    </Occurrence>
    <DFTitle>IP version of the IP addresses</DFTitle>
    <DFType>
      <MIME>text/plain</MIME>
    </DFType>
  </DFProperties>
</Node>
<Node>
  <NodeName>StartSourceIPAddress</NodeName>
  <DFProperties>
    <AccessType>
      <Get/>
      <Replace/>
    </AccessType>
    <DFFormat>
      <chr/>

```

```

        </DFFormat>
        <Occurrence>
            <ZeroOrOne/>
        </Occurrence>
        <DFTitle>Start IP src address</DFTitle>
        <DFType>
            <MIME>text/plain</MIME>
        </DFType>
    </DFProperties>
</Node>

<Node>
    <NodeName>EndSourceIPAddress</NodeName>
    <DFProperties>
        <AccessType>
            <Get/>
            <Replace/>
        </AccessType>
        <DFFormat>
            <chr/>
        </DFFormat>
        <Occurrence>
            <ZeroOrOne/>
        </Occurrence>
        <DFTitle>End IP src address</DFTitle>
        <DFType>
            <MIME>text/plain</MIME>
        </DFType>
    </DFProperties>
</Node>

<Node>
    <NodeName>ProtocolType</NodeName>
    <DFProperties>
        <AccessType>
            <Get/>
            <Replace/>
        </AccessType>
        <DFFormat>
            <chr/>
        </DFFormat>
        <Occurrence>
            <ZeroOrOne/>
        </Occurrence>
        <DFTitle>protocol type</DFTitle>
        <DFType>
            <MIME>text/plain</MIME>
        </DFType>
    </DFProperties>
</Node>

<Node>
    <NodeName>StartSourcePortNumber</NodeName>
    <DFProperties>
        <AccessType>
            <Get/>
            <Replace/>
        </AccessType>
        <DFFormat>
            <chr/>
        </DFFormat>
        <Occurrence>
            <ZeroOrOne/>
        </Occurrence>
        <DFTitle>Start src port number</DFTitle>
        <DFType>
            <MIME>text/plain</MIME>
        </DFType>
    </DFProperties>
</Node>

<Node>
    <NodeName>EndSourcePortNumber</NodeName>
    <DFProperties>
        <AccessType>

```

```

        <Get/>
        <Replace/>
    </AccessType>
    <DFFormat>
        <chr/>
    </DFFormat>
    <Occurrence>
        <ZeroOrOne/>
    </Occurrence>
    <DFTitle>End src port number</DFTitle>
    <DFType>
        <MIME>text/plain</MIME>
    </DFType>
</DFProperties>
</Node>

<Node>
    <NodeName>StartDestPortNumber</NodeName>
    <DFProperties>
        <AccessType>
            <Get/>
            <Replace/>
        </AccessType>
        <DFFormat>
            <chr/>
        </DFFormat>
        <Occurrence>
            <ZeroOrOne/>
        </Occurrence>
        <DFTitle>Start dest port</DFTitle>
        <DFType>
            <MIME>text/plain</MIME>
        </DFType>
    </DFProperties>
</Node>

<Node>
    <NodeName>EndDestPortNumber</NodeName>
    <DFProperties>
        <AccessType>
            <Get/>
            <Replace/>
        </AccessType>
        <DFFormat>
            <chr/>
        </DFFormat>
        <Occurrence>
            <ZeroOrOne/>
        </Occurrence>
        <DFTitle>End Dst port</DFTitle>
        <DFType>
            <MIME>text/plain</MIME>
        </DFType>
    </DFProperties>
</Node>

<Node>
    <NodeName>QoS</NodeName>
    <DFProperties>
        <AccessType>
            <Get/>
            <Replace/>
        </AccessType>
        <DFFormat>
            <bin/>
        </DFFormat>
        <Occurrence>
            <ZeroOrOne/>
        </Occurrence>
        <DFTitle>QoS value</DFTitle>
        <DFType>
            <MIME>text/plain</MIME>
        </DFType>
    </DFProperties>
</Node>

<Node>
    <NodeName>DomainName</NodeName>

```

```

        <DFProperties>
          <AccessType>
            <Get/>
            <Replace/>
          </AccessType>
          <DFFormat>
            <chr/>
          </DFFormat>
          <Occurrence>
            <ZeroOrOne/>
          </Occurrence>
          <DFTitle>FQDN.</DFTitle>
          <DFType>
            <MIME>text/plain</MIME>
          </DFType>
        </DFProperties>
      </Node>

    <Node>
      <NodeName>APN</NodeName>
      <DFProperties>
        <AccessType>
          <Get/>
          <Replace/>
        </AccessType>
        <DFFormat>
          <chr/>
        </DFFormat>
        <Occurrence>
          <ZeroOrOne/>
        </Occurrence>
        <DFTitle>APN.</DFTitle>
        <DFType>
          <MIME>text/plain</MIME>
        </DFType>
      </DFProperties>
    </Node>

  </Node>
</Node>

<Node>
  <NodeName>RoutingCriteria</NodeName>
  <DFProperties>
    <AccessType>
      <Get/>
      <Replace/>
    </AccessType>
    <DFFormat>
      <node/>
    </DFFormat>
    <Occurrence>
      <ZeroOrOne/>
    </Occurrence>
    <DFTitle>Routing criteria - area and time validity</DFTitle>
    <DFType>
      <MIME>text/plain</MIME>
    </DFType>
  </DFProperties>

  <Node>
    <NodeName></NodeName>
    <DFProperties>
      <AccessType>
        <Get/>
        <Replace/>
      </AccessType>
      <DFFormat>
        <node/>
      </DFFormat>
      <Occurrence>
        <OneOrMore/>
      </Occurrence>
      <DFType>
        <DDFName></DDFName>
      </DFType>
    </DFProperties>
  </Node>

```

```

<Node>
  <NodeName>ValidityArea</NodeName>
  <DFProperties>
    <AccessType>
      <Get/>
      <Replace/>
    </AccessType>
    <DFFormat>
      <node/>
    </DFFormat>
    <Occurrence>
      <ZeroOrOne/>
    </Occurrence>
    <DFTitle>Validity area.</DFTitle>
    <DFType>
      <DDFName/>
    </DFType>
  </DFProperties>

<Node>
  <NodeName>3GPP_Location</NodeName>
  <DFProperties>
    <AccessType>
      <Get/>
      <Replace/>
    </AccessType>
    <DFFormat>
      <node/>
    </DFFormat>
    <Occurrence>
      <ZeroOrOne/>
    </Occurrence>
    <DFTitle>Validity area for 3GPP access.</DFTitle>
    <DFType>
      <DDFName/>
    </DFType>
  </DFProperties>

<Node>
  <NodeName></NodeName>
  <DFProperties>
    <AccessType>
      <Get/>
      <Replace/>
    </AccessType>
    <DFFormat>
      <node/>
    </DFFormat>
    <Occurrence>
      <OneOrMore/>
    </Occurrence>
    <DFType>
      <DDFName></DDFName>
    </DFType>
  </DFProperties>

<Node>
  <NodeName>PLMN</NodeName>
  <DFProperties>
    <AccessType>
      <Get/>
      <Replace/>
    </AccessType>
    <DFFormat>
      <chr/>
    </DFFormat>
    <Occurrence>
      <One/>
    </Occurrence>
    <DFTitle>PLMN.</DFTitle>
    <DFType>
      <MIME>text/plain</MIME>
    </DFType>
  </DFProperties>
</Node>

<Node>
  <NodeName>TAC</NodeName>

```

```

<DFProperties>
  <AccessType>
    <Get/>
    <Replace/>
  </AccessType>
  <DFFormat>
    <chr/>
  </DFFormat>
  <Occurrence>
    <ZeroOrOne/>
  </Occurrence>
  <DFTitle>TAC.</DFTitle>
  <DFType>
    <MIME>text/plain</MIME>
  </DFType>
</DFProperties>
</Node>

<Node>
  <NodeName>LAC</NodeName>
  <DFProperties>
    <AccessType>
      <Get/>
      <Replace/>
    </AccessType>
    <DFFormat>
      <chr/>
    </DFFormat>
    <Occurrence>
      <ZeroOrOne/>
    </Occurrence>
    <DFTitle>LAC.</DFTitle>
    <DFType>
      <MIME>text/plain</MIME>
    </DFType>
  </DFProperties>
</Node>

<Node>
  <NodeName>GERAN_CI</NodeName>
  <DFProperties>
    <AccessType>
      <Get/>
      <Replace/>
    </AccessType>
    <DFFormat>
      <bin/>
    </DFFormat>
    <Occurrence>
      <ZeroOrOne/>
    </Occurrence>
    <DFTitle>GERAN_CI.</DFTitle>
    <DFType>
      <MIME>text/plain</MIME>
    </DFType>
  </DFProperties>
</Node>

<Node>
  <NodeName>UTRAN_CI</NodeName>
  <DFProperties>
    <AccessType>
      <Get/>
      <Replace/>
    </AccessType>
    <DFFormat>
      <bin/>
    </DFFormat>
    <Occurrence>
      <ZeroOrOne/>
    </Occurrence>
    <DFTitle>UTRAN_CI.</DFTitle>
    <DFType>
      <MIME>text/plain</MIME>
    </DFType>
  </DFProperties>
</Node>

```



```

<Node>
  <NodeName>EUTRA_CI</NodeName>
  <DFProperties>
    <AccessType>
      <Get/>
      <Replace/>
    </AccessType>
    <DFFormat>
      <bin/>
    </DFFormat>
    <Occurrence>
      <ZeroOrOne/>
    </Occurrence>
    <DFTitle>EUTRA_CI.</DFTitle>
    <DFType>
      <MIME>text/plain</MIME>
    </DFType>
  </DFProperties>
</Node>
</Node>
</Node>
<Node>
  <NodeName>3GPP2_Location</NodeName>
  <DFProperties>
    <AccessType>
      <Get/>
      <Replace/>
    </AccessType>
    <DFFormat>
      <node/>
    </DFFormat>
    <Occurrence>
      <ZeroOrOne/>
    </Occurrence>
    <DFTitle> Validity area for 3GPP2 access.</DFTitle>
    <DFType>
      <DDFName/>
    </DFType>
  </DFProperties>
</Node>
<Node>
  <NodeName>1x</NodeName>
  <DFProperties>
    <AccessType>
      <Get/>
      <Replace/>
    </AccessType>
    <DFFormat>
      <node/>
    </DFFormat>
    <Occurrence>
      <ZeroOrOne/>
    </Occurrence>
    <DFTitle> Validity area for 3GPP2-1x access.</DFTitle>
    <DFType>
      <DDFName/>
    </DFType>
  </DFProperties>
</Node>
<Node>
  <NodeName></NodeName>
  <DFProperties>
    <AccessType>
      <Get/>
      <Replace/>
    </AccessType>
    <DFFormat>
      <node/>
    </DFFormat>
    <Occurrence>
      <OneOrMore/>
    </Occurrence>
    <DFType>
      <DDFName></DDFName>
    </DFType>
  </DFProperties>

```

```

<Node>
  <NodeName>SID</NodeName>
  <DFProperties>
    <AccessType>
      <Get/>
      <Replace/>
    </AccessType>
    <DFFormat>
      <chr/>
    </DFFormat>
    <Occurrence>
      <One/>
    </Occurrence>
    <DFTitle>1x-SID.</DFTitle>
    <DFType>
      <MIME>text/plain</MIME>
    </DFType>
  </DFProperties>
</Node>

<Node>
  <NodeName>NID</NodeName>
  <DFProperties>
    <AccessType>
      <Get/>
      <Replace/>
    </AccessType>
    <DFFormat>
      <chr/>
    </DFFormat>
    <Occurrence>
      <ZeroOrOne/>
    </Occurrence>
    <DFTitle>1x-NID.</DFTitle>
    <DFType>
      <MIME>text/plain</MIME>
    </DFType>
  </DFProperties>
</Node>

<Node>
  <NodeName>Base_ID</NodeName>
  <DFProperties>
    <AccessType>
      <Get/>
      <Replace/>
    </AccessType>
    <DFFormat>
      <chr/>
    </DFFormat>
    <Occurrence>
      <ZeroOrOne/>
    </Occurrence>
    <DFTitle>1x-Base ID.</DFTitle>
    <DFType>
      <MIME>text/plain</MIME>
    </DFType>
  </DFProperties>
</Node>
</Node>

<Node>
  <NodeName>HRPD</NodeName>
  <DFProperties>
    <AccessType>
      <Get/>
      <Replace/>
    </AccessType>
    <DFFormat>
      <node/>
    </DFFormat>
    <Occurrence>
      <ZeroOrOne/>
    </Occurrence>
    <DFTitle> Validity area for 3GPP2-HRPD access</DFTitle>
    <DFType>
      <DDFName/>
    </DFType>
  </DFProperties>
</Node>

```

```

    </DFType>
  </DFProperties>

  <Node>
    <NodeName></NodeName>
    <DFProperties>
      <AccessType>
        <Get/>
        <Replace/>
      </AccessType>
      <DFFormat>
        <node/>
      </DFFormat>
      <Occurrence>
        <OneOrMore/>
      </Occurrence>
      <DFType>
        <DDFName></DDFName>
      </DFType>
    </DFProperties>

    <Node>
      <NodeName>Sector_ID</NodeName>
      <DFProperties>
        <AccessType>
          <Get/>
          <Replace/>
        </AccessType>
        <DFFormat>
          <bin/>
        </DFFormat>
        <Occurrence>
          <One/>
        </Occurrence>
        <DFTitle>HRPD Sector ID</DFTitle>
        <DFType>
          <MIME>text/plain</MIME>
        </DFType>
      </DFProperties>
    </Node>

    <Node>
      <NodeName>Netmask</NodeName>
      <DFProperties>
        <AccessType>
          <Get/>
          <Replace/>
        </AccessType>
        <DFFormat>
          <bin/>
        </DFFormat>
        <Occurrence>
          <One/>
        </Occurrence>
        <DFTitle>HRPD netmask</DFTitle>
        <DFType>
          <MIME>text/plain</MIME>
        </DFType>
      </DFProperties>
    </Node>
  </Node>
</Node>

<Node>
  <NodeName>WiMAX_Location</NodeName>
  <DFProperties>
    <AccessType>
      <Get/>
      <Replace/>
    </AccessType>
    <DFFormat>
      <node/>
    </DFFormat>
    <Occurrence>
      <ZeroOrOne/>
    </Occurrence>
    <DFTitle> Validity area for WiMAX access.</DFTitle>
  </DFProperties>
</Node>

```

```

    <DFType>
      <DDFName/>
    </DFType>
  </DFProperties>
</Node>
<Node>
  <NodeName></NodeName>
  <DFProperties>
    <AccessType>
      <Get/>
      <Replace/>
    </AccessType>
    <DFFormat>
      <node/>
    </DFFormat>
    <Occurrence>
      <OneOrMore/>
    </Occurrence>
    <DFType>
      <DDFName></DDFName>
    </DFType>
  </DFProperties>
</Node>
<Node>
  <NodeName>NAP-ID</NodeName>
  <DFProperties>
    <AccessType>
      <Get/>
      <Replace/>
    </AccessType>
    <DFFormat>
      <chr/>
    </DFFormat>
    <Occurrence>
      <One/>
    </Occurrence>
    <DFTitle>NAP-ID</DFTitle>
    <DFType>
      <MIME>text/plain</MIME>
    </DFType>
  </DFProperties>
</Node>
<Node>
  <NodeName>BS-ID</NodeName>
  <DFProperties>
    <AccessType>
      <Get/>
      <Replace/>
    </AccessType>
    <DFFormat>
      <chr/>
    </DFFormat>
    <Occurrence>
      <One/>
    </Occurrence>
    <DFTitle>BS-ID</DFTitle>
    <DFType>
      <MIME>text/plain</MIME>
    </DFType>
  </DFProperties>
</Node>
</Node>
<Node>
  <NodeName>WLAN_Location</NodeName>
  <DFProperties>
    <AccessType>
      <Get/>
      <Replace/>
    </AccessType>
    <DFFormat>
      <node/>
    </DFFormat>
    <Occurrence>
      <ZeroOrOne/>
    </Occurrence>
  </DFProperties>
</Node>

```

```

    <DFTitle> Validity area for WLAN access.</DFTitle>
    <DFType>
      <DDFName/>
    </DFType>
  </DFProperties>

<Node>
  <NodeName></NodeName>
  <DFProperties>
    <AccessType>
      <Get/>
      <Replace/>
    </AccessType>
    <DFFormat>
      <node/>
    </DFFormat>
    <Occurrence>
      <OneOrMore/>
    </Occurrence>
    <DFType>
      <DDFName></DDFName>
    </DFType>
  </DFProperties>

<Node>
  <NodeName>HESSID</NodeName>
  <DFProperties>
    <AccessType>
      <Get/>
      <Replace/>
    </AccessType>
    <DFFormat>
      <chr/>
    </DFFormat>
    <Occurrence>
      <ZeroOrOne/>
    </Occurrence>
    <DFTitle>HESSID</DFTitle>
    <DFType>
      <MIME>text/plain</MIME>
    </DFType>
  </DFProperties>
</Node>

<Node>
  <NodeName>SSID</NodeName>
  <DFProperties>
    <AccessType>
      <Get/>
      <Replace/>
    </AccessType>
    <DFFormat>
      <chr/>
    </DFFormat>
    <Occurrence>
      <ZeroOrOne/>
    </Occurrence>
    <DFTitle>SSID</DFTitle>
    <DFType>
      <MIME>text/plain</MIME>
    </DFType>
  </DFProperties>
</Node>

<Node>
  <NodeName>BSSID</NodeName>
  <DFProperties>
    <AccessType>
      <Get/>
      <Replace/>
    </AccessType>
    <DFFormat>
      <chr/>
    </DFFormat>
    <Occurrence>
      <ZeroOrOne/>
    </Occurrence>
    <DFTitle>BSSID</DFTitle>

```

```

        <DFType>
          <MIME>text/plain</MIME>
        </DFType>
      </DFProperties>
    </Node>
  </Node>
</Node>
<Node>
  <NodeName>Geo_Location</NodeName>
  <DFProperties>
    <AccessType>
      <Get/>
      <Replace/>
    </AccessType>
    <DFFormat>
      <node/>
    </DFFormat>
    <Occurrence>
      <ZeroOrOne/>
    </Occurrence>
    <DFTitle>Geographical location.</DFTitle>
    <DFType>
      <DDFName/>
    </DFType>
  </DFProperties>
</Node>
<Node>
  <NodeName>Circular</NodeName>
  <DFProperties>
    <AccessType>
      <Get/>
      <Replace/>
    </AccessType>
    <DFFormat>
      <node/>
    </DFFormat>
    <Occurrence>
      <ZeroOrOne/>
    </Occurrence>
    <DFTitle>Circular location desription.</DFTitle>
    <DFType>
      <DDFName/>
    </DFType>
  </DFProperties>
</Node>
<Node>
  <NodeName></NodeName>
  <DFProperties>
    <AccessType>
      <Get/>
      <Replace/>
    </AccessType>
    <DFFormat>
      <node/>
    </DFFormat>
    <Occurrence>
      <OneOrMore/>
    </Occurrence>
    <DFType>
      <DDFName></DDFName>
    </DFType>
  </DFProperties>
</Node>
<Node>
  <NodeName>AnchorLatitude</NodeName>
  <DFProperties>
    <AccessType>
      <Get/>
      <Replace/>
    </AccessType>
    <DFFormat>
      <chr/>
    </DFFormat>
    <Occurrence>
      <One/>
    </Occurrence>
    <DFTitle>Anchor latitude</DFTitle>
  </DFProperties>
</Node>

```

```

        <DFType>
          <MIME>text/plain</MIME>
        </DFType>
      </DFProperties>
    </Node>

    <Node>
      <NodeName>AnchorLongitude</NodeName>
      <DFProperties>
        <AccessType>
          <Get/>
          <Replace/>
        </AccessType>
        <DFFormat>
          <chr/>
        </DFFormat>
        <Occurrence>
          <One/>
        </Occurrence>
        <DFTitle>Anchor longitude</DFTitle>
        <DFType>
          <MIME>text/plain</MIME>
        </DFType>
      </DFProperties>
    </Node>

    <Node>
      <NodeName>Radius</NodeName>
      <DFProperties>
        <AccessType>
          <Get/>
          <Replace/>
        </AccessType>
        <DFFormat>
          <chr/>
        </DFFormat>
        <Occurrence>
          <One/>
        </Occurrence>
        <DFTitle>Radius</DFTitle>
        <DFType>
          <MIME>text/plain</MIME>
        </DFType>
      </DFProperties>
    </Node>
  </Node>
</Node>
</Node>
</Node>
</Node>
<Node>
  <NodeName>ValidityAreaRef</NodeName>
  <DFProperties>
    <AccessType>
      <Get/>
      <Replace/>
    </AccessType>
    <DFFormat>
      <chr/>
    </DFFormat>
    <Occurrence>
      <ZeroOrOne/>
    </Occurrence>
    <DFTitle>A reference to a ValidityArea interior
node</DFTitle>
    <DFType>
      <MIME>text/plain</MIME>
    </DFType>
  </DFProperties>
</Node>

<Node>
  <NodeName>TimeOfDay</NodeName>
  <DFProperties>
    <AccessType>
      <Get/>
      <Replace/>
    </AccessType>

```

```

<DFFormat>
  <node/>
</DFFormat>
<Occurrence>
  <ZeroOrOne/>
</Occurrence>
<DFTitle>Time of day.</DFTitle>
<DFType>
  <DDFName/>
</DFType>
</DFProperties>

<Node>
  <NodeName></NodeName>
  <DFProperties>
    <AccessType>
      <Get/>
      <Replace/>
    </AccessType>
    <DFFormat>
      <node/>
    </DFFormat>
    <Occurrence>
      <OneOrMore/>
    </Occurrence>
    <DFType>
      <DDFName></DDFName>
    </DFType>
  </DFProperties>

  <Node>
    <NodeName>TimeStart</NodeName>
    <DFProperties>
      <AccessType>
        <Get/>
        <Replace/>
      </AccessType>
      <DFFormat>
        <chr/>
      </DFFormat>
      <Occurrence>
        <ZeroOrOne/>
      </Occurrence>
      <DFTitle>Start condition for time of rule.</DFTitle>
      <DFType>
        <MIME>text/plain</MIME>
      </DFType>
    </DFProperties>
  </Node>

  <Node>
    <NodeName>TimeStop</NodeName>
    <DFProperties>
      <AccessType>
        <Get/>
        <Replace/>
      </AccessType>
      <DFFormat>
        <chr/>
      </DFFormat>
      <Occurrence>
        <ZeroOrOne/>
      </Occurrence>
      <DFTitle>Stop condition for time of rule.</DFTitle>
      <DFType>
        <MIME>text/plain</MIME>
      </DFType>
    </DFProperties>
  </Node>

  <Node>
    <NodeName>DateStart</NodeName>
    <DFProperties>
      <AccessType>
        <Get/>
        <Replace/>
      </AccessType>
      <DFFormat>

```



```

        <chr/>
      </DFFormat>
    </Occurrence>
  </Occurrence>
<DFTitle>Starting date for time condition of rule.</DFTitle>
  <DFType>
    <MIME>text/plain</MIME>
  </DFType>
</DFProperties>
</Node>

<Node>
  <NodeName>DateStop</NodeName>
  <DFProperties>
    <AccessType>
      <Get/>
      <Replace/>
    </AccessType>
    <DFFormat>
      <chr/>
    </DFFormat>
    <Occurrence>
      <ZeroOrOne/>
    </Occurrence>
    <DFTitle>Stop date for time condition of rule.</DFTitle>
    <DFType>
      <MIME>text/plain</MIME>
    </DFType>
  </DFProperties>
</Node>

<Node>
  <NodeName>DayOfWeek</NodeName>
  <DFProperties>
    <AccessType>
      <Get/>
      <Replace/>
    </AccessType>
    <DFFormat>
      <int/>
    </DFFormat>
    <Occurrence>
      <ZeroOrOne/>
    </Occurrence>
    <DFTitle>Bitmap for day of week condition</DFTitle>
    <DFType>
      <MIME>text/plain</MIME>
    </DFType>
  </DFProperties>
</Node>

</Node>
</Node>

<Node>
  <NodeName>TimeOfDayRef</NodeName>
  <DFProperties>
    <AccessType>
      <Get/>
      <Replace/>
    </AccessType>
    <DFFormat>
      <chr/>
    </DFFormat>
    <Occurrence>
      <ZeroOrOne/>
    </Occurrence>
    <DFTitle>A reference to a TimeOfDay interior node</DFTitle>
    <DFType>
      <MIME>text/plain</MIME>
    </DFType>
  </DFProperties>
</Node>

<Node>
  <NodeName>RANValidityCondition</NodeName>
  <DFProperties>

```

```

    <AccessType>
      <Get/>
      <Replace/>
    </AccessType>
  </DFFormat>
  <node/>
</DFFormat>
<Occurrence>
  <ZeroOrOne/>
</Occurrence>
<DFTitle>RANValidityCondition</DFTitle>
<DFType>
  <DDFName/>
</DFType>
</DFProperties>
</Node>
<Node>
  <NodeName>ThresholdConditions</NodeName>
  <DFProperties>
    <AccessType>
      <Get/>
      <Replace/>
    </AccessType>
  </DFFormat>
  <node/>
</DFFormat>
<Occurrence>
  <One/>
</Occurrence>
<DFTitle>ThresholdConditions</DFTitle>
<DFType>
  <DDFName/>
</DFType>
</DFProperties>
</Node>
<Node>
  <NodeName>Thresholds</NodeName>
  <DFProperties>
    <AccessType>
      <Get/>
      <Replace/>
    </AccessType>
  </DFFormat>
  <node/>
</DFFormat>
<Occurrence>
  <One/>
</Occurrence>
<DFTitle>Thresholds</DFTitle>
<DFType>
  <DDFName/>
</DFType>
</DFProperties>
</Node>
<Node>
  <NodeName>ThreshServingOffloadWLANLowP</NodeName>
  <DFProperties>
    <AccessType>
      <Get/>
      <Replace/>
    </AccessType>
  </DFFormat>
  <node/>
</DFFormat>
<Occurrence>
  <ZeroOrOne/>
</Occurrence>
<DFTitle>ThreshServingOffloadWLANLowP</DFTitle>
<DFType>
  <MIME>text/plain</MIME>
</DFType>
</DFProperties>
</Node>
<Node>
  <NodeName>ThreshServingOffloadWLANHighP</NodeName>
  <DFProperties>
    <AccessType>

```

```

        <Get/>
        <Replace/>
    </AccessType>
    <DFFormat>
        <null/>
    </DFFormat>
    <Occurrence>
        <ZeroOrOne/>
    </Occurrence>
    <DFTitle>ThreshServingOffloadWLANHighP</DFTitle>
    <DFType>
        <MIME>text/plain</MIME>
    </DFType>
    </DFProperties>
</Node>

<Node>
    <NodeName>ThreshServingOffloadWLANLowQ</NodeName>
    <DFProperties>
        <AccessType>
            <Get/>
            <Replace/>
        </AccessType>
        <DFFormat>
            <null/>
        </DFFormat>
        <Occurrence>
            <ZeroOrOne/>
        </Occurrence>
        <DFTitle>ThreshServingOffloadWLANLowQ</DFTitle>
        <DFType>
            <MIME>text/plain</MIME>
        </DFType>
        </DFProperties>
    </Node>

<Node>
    <NodeName>ThreshServingOffloadWLANHighQ</NodeName>
    <DFProperties>
        <AccessType>
            <Get/>
            <Replace/>
        </AccessType>
        <DFFormat>
            <null/>
        </DFFormat>
        <Occurrence>
            <ZeroOrOne/>
        </Occurrence>
        <DFTitle>ThreshServingOffloadWLANHighQ</DFTitle>
        <DFType>
            <MIME>text/plain</MIME>
        </DFType>
        </DFProperties>
    </Node>

<Node>
    <NodeName>ThreshChUtilWLANLow</NodeName>
    <DFProperties>
        <AccessType>
            <Get/>
            <Replace/>
        </AccessType>
        <DFFormat>
            <int/>
        </DFFormat>
        <Occurrence>
            <ZeroOrOne/>
        </Occurrence>
        <DFTitle>ThreshChUtilWLANLow</DFTitle>
        <DFType>
            <MIME>text/plain</MIME>
        </DFType>
        </DFProperties>

    <Node>
        <NodeName>ThreshChUtilWLANLowANDSF</NodeName>
        <DFProperties>

```

```

        <AccessType>
          <Get/>
          <Replace/>
        </AccessType>
        <DFFormat>
          <int/>
        </DFFormat>
        <Occurrence>
          <ZeroOrOne/>
        </Occurrence>
        <DFTitle>ThreshChUtilWLANLowANDSF</DFTitle>
        <DFType>
          <MIME>text/plain</MIME>
        </DFType>
      </DFProperties>
    </Node>

    <Node>
      <NodeName>ThreshChUtilWLANLowRAN</NodeName>
      <DFProperties>
        <AccessType>
          <Get/>
          <Replace/>
        </AccessType>
        <DFFormat>
          <null/>
        </DFFormat>
        <Occurrence>
          <ZeroOrOne/>
        </Occurrence>
        <DFTitle>ThreshChUtilWLANLowRAN</DFTitle>
        <DFType>
          <MIME>text/plain</MIME>
        </DFType>
      </DFProperties>
    </Node>
  </Node>

  <Node>
    <NodeName>ThreshChUtilWLANHigh</NodeName>
    <DFProperties>
      <AccessType>
        <Get/>
        <Replace/>
      </AccessType>
      <DFFormat>
        <int/>
      </DFFormat>
      <Occurrence>
        <ZeroOrOne/>
      </Occurrence>
      <DFTitle>ThreshChUtilWLANHigh</DFTitle>
      <DFType>
        <MIME>text/plain</MIME>
      </DFType>
    </DFProperties>
  </Node>

  <Node>
    <NodeName>ThreshChUtilWLANHighANDSF</NodeName>
    <DFProperties>
      <AccessType>
        <Get/>
        <Replace/>
      </AccessType>
      <DFFormat>
        <int/>
      </DFFormat>
      <Occurrence>
        <ZeroOrOne/>
      </Occurrence>
      <DFTitle>ThreshChUtilWLANHighANDSF</DFTitle>
      <DFType>
        <MIME>text/plain</MIME>
      </DFType>
    </DFProperties>
  </Node>
</Node>

```

```

    <NodeName>ThreshChUtilWLANHighRAN</NodeName>
    <DFProperties>
      <AccessType>
        <Get/>
        <Replace/>
      </AccessType>
      <DFFormat>
        <null/>
      </DFFormat>
      <Occurrence>
        <ZeroOrOne/>
      </Occurrence>
      <DFTitle>ThreshChUtilWLANHighRAN</DFTitle>
      <DFType>
        <MIME>text/plain</MIME>
      </DFType>
    </DFProperties>
  </Node>
</Node>

<Node>
  <NodeName>ThreshBackhRateDLWLANLow</NodeName>
  <DFProperties>
    <AccessType>
      <Get/>
      <Replace/>
    </AccessType>
    <DFFormat>
      <int/>
    </DFFormat>
    <Occurrence>
      <ZeroOrOne/>
    </Occurrence>
    <DFTitle>ThreshBackhRateDLWLANLow</DFTitle>
    <DFType>
      <MIME>text/plain</MIME>
    </DFType>
  </DFProperties>

  <Node>

    <NodeName>ThreshBackhRateDLWLANLowANDSF</NodeName>
    <DFProperties>
      <AccessType>
        <Get/>
        <Replace/>
      </AccessType>
      <DFFormat>
        <int/>
      </DFFormat>
      <Occurrence>
        <ZeroOrOne/>
      </Occurrence>

      <DFTitle>ThreshBackhRateDLWLANLowANDSF</DFTitle>
      <DFType>
        <MIME>text/plain</MIME>
      </DFType>
    </DFProperties>
  </Node>

  <Node>
    <NodeName>ThreshBackhRateDLWLANLowRAN</NodeName>
    <DFProperties>
      <AccessType>
        <Get/>
        <Replace/>
      </AccessType>
      <DFFormat>
        <null/>
      </DFFormat>
      <Occurrence>
        <ZeroOrOne/>
      </Occurrence>

      <DFTitle>ThreshBackhRateDLWLANLowRAN</DFTitle>
      <DFType>
        <MIME>text/plain</MIME>
      </DFType>
    </DFProperties>
  </Node>

```

```

        </DFType>
      </DFProperties>
    </Node>
  </Node>

  <Node>
    <NodeName>ThreshBackhRateDLWLANHigh</NodeName>
    <DFProperties>
      <AccessType>
        <Get/>
        <Replace/>
      </AccessType>
      <DFFormat>
        <int/>
      </DFFormat>
      <Occurrence>
        <ZeroOrOne/>
      </Occurrence>
      <DFTitle>ThreshBackhRateDLWLANHigh</DFTitle>
      <DFType>
        <MIME>text/plain</MIME>
      </DFType>
    </DFProperties>
  </Node>

  <NodeName>ThreshBackhRateDLWLANHighANDSF</NodeName>
    <DFProperties>
      <AccessType>
        <Get/>
        <Replace/>
      </AccessType>
      <DFFormat>
        <int/>
      </DFFormat>
      <Occurrence>
        <ZeroOrOne/>
      </Occurrence>

  <DFTitle>ThreshBackhRateDLWLANHighANDSF</DFTitle>
    <DFType>
      <MIME>text/plain</MIME>
    </DFType>
  </DFProperties>
</Node>

  <Node>

  <NodeName>ThreshBackhRateDLWLANHighRAN</NodeName>
    <DFProperties>
      <AccessType>
        <Get/>
        <Replace/>
      </AccessType>
      <DFFormat>
        <null/>
      </DFFormat>
      <Occurrence>
        <ZeroOrOne/>
      </Occurrence>

  <DFTitle>ThreshBackhRateDLWLANHighRAN</DFTitle>
    <DFType>
      <MIME>text/plain</MIME>
    </DFType>
  </DFProperties>
</Node>

  <Node>
    <NodeName>ThreshBackhRateULWLANLow</NodeName>
    <DFProperties>
      <AccessType>
        <Get/>
        <Replace/>
      </AccessType>
      <DFFormat>
        <int/>

```

```

        </DFFormat>
        <Occurrence>
            <ZeroOrOne/>
        </Occurrence>
        <DFTitle>ThreshBackhRateULWLANLow</DFTitle>
        <DFType>
            <MIME>text/plain</MIME>
        </DFType>
    </DFProperties>

    <Node>

    <NodeName>ThreshBackhRateULWLANLowANDSF</NodeName>
        <DFProperties>
            <AccessType>
                <Get/>
                <Replace/>
            </AccessType>
            <DFFormat>
                <int/>
            </DFFormat>
            <Occurrence>
                <ZeroOrOne/>
            </Occurrence>

    <DFTitle>ThreshBackhRateULWLANLowANDSF</DFTitle>
        <DFType>
            <MIME>text/plain</MIME>
        </DFType>
    </DFProperties>
    </Node>

    <Node>
        <NodeName>ThreshBackhRateULWLANLowRAN</NodeName>
        <DFProperties>
            <AccessType>
                <Get/>
                <Replace/>
            </AccessType>
            <DFFormat>
                <null/>
            </DFFormat>
            <Occurrence>
                <ZeroOrOne/>
            </Occurrence>

    <DFTitle>ThreshBackhRateULWLANLowRAN</DFTitle>
        <DFType>
            <MIME>text/plain</MIME>
        </DFType>
    </DFProperties>
    </Node>
    </Node>

    <Node>
        <NodeName>ThreshBackhRateULWLANHigh</NodeName>
        <DFProperties>
            <AccessType>
                <Get/>
                <Replace/>
            </AccessType>
            <DFFormat>
                <int/>
            </DFFormat>
            <Occurrence>
                <ZeroOrOne/>
            </Occurrence>
            <DFTitle>ThreshBackhRateULWLANHigh</DFTitle>
            <DFType>
                <MIME>text/plain</MIME>
            </DFType>
        </DFProperties>

    <Node>

    <NodeName>ThreshBackhRateULWLANHighANDSF</NodeName>
        <DFProperties>
            <AccessType>

```

```

        <Get/>
        <Replace/>
    </AccessType>
    <DFFormat>
        <int/>
    </DFFormat>
    <Occurrence>
        <ZeroOrOne/>
    </Occurrence>

<DFTitle>ThreshBackhRateULWLANHighANDSF</DFTitle>
    <DFType>
    <MIME>text/plain</MIME>
    </DFType>
    </DFProperties>
</Node>

<Node>

<NodeName>ThreshBackhRateULWLANHighRAN</NodeName>
    <DFProperties>
        <AccessType>
            <Get/>
            <Replace/>
        </AccessType>
        <DFFormat>
            <null/>
        </DFFormat>
        <Occurrence>
            <ZeroOrOne/>
        </Occurrence>

<DFTitle>ThreshBackhRateULWLANHighRAN</DFTitle>
    <DFType>
    <MIME>text/plain</MIME>
    </DFType>
    </DFProperties>
</Node>
</Node>

<Node>
    <NodeName>ThreshBeaconRSSIWLANLow</NodeName>
    <DFProperties>
        <AccessType>
            <Get/>
            <Replace/>
        </AccessType>
        <DFFormat>
            <int/>
        </DFFormat>
        <Occurrence>
            <ZeroOrOne/>
        </Occurrence>
        <DFTitle>ThreshBeaconRSSIWLANLow</DFTitle>
        <DFType>
        <MIME>text/plain</MIME>
        </DFType>
    </DFProperties>

<Node>

<NodeName>ThreshBeaconRSSIWLANLowANDSF</NodeName>
    <DFProperties>
        <AccessType>
            <Get/>
            <Replace/>
        </AccessType>
        <DFFormat>
            <int/>
        </DFFormat>
        <Occurrence>
            <ZeroOrOne/>
        </Occurrence>

<DFTitle>ThreshBeaconRSSIWLANLowANDSF</DFTitle>
    <DFType>
    <MIME>text/plain</MIME>
    </DFType>

```



```

    </DFProperties>
  </Node>

  <Node>
    <NodeName>ThreshBeaconRSSIWLANLowRAN</NodeName>
    <DFProperties>
      <AccessType>
        <Get/>
        <Replace/>
      </AccessType>
      <DFFormat>
        <null/>
      </DFFormat>
      <Occurrence>
        <ZeroOrOne/>
      </Occurrence>

    <DFTitle>ThreshBeaconRSSIWLANLowRAN</DFTitle>

    <DFType>
      <MIME>text/plain</MIME>
    </DFType>
  </DFProperties>
</Node>

  <Node>
    <NodeName>ThreshBeaconRSSIWLANHigh</NodeName>
    <DFProperties>
      <AccessType>
        <Get/>
        <Replace/>
      </AccessType>
      <DFFormat>
        <int/>
      </DFFormat>
      <Occurrence>
        <ZeroOrOne/>
      </Occurrence>
      <DFTitle>ThreshBeaconRSSIWLANHigh</DFTitle>
      <DFType>
        <MIME>text/plain</MIME>
      </DFType>
    </DFProperties>

  <Node>

    <NodeName>ThreshBeaconRSSIWLANHighANDSF</NodeName>
    <DFProperties>
      <AccessType>
        <Get/>
        <Replace/>
      </AccessType>
      <DFFormat>
        <int/>
      </DFFormat>
      <Occurrence>
        <ZeroOrOne/>
      </Occurrence>

    <DFTitle>ThreshBeaconRSSIWLANHighANDSF</DFTitle>

    <DFType>
      <MIME>text/plain</MIME>
    </DFType>
  </DFProperties>
</Node>

  <Node>
    <NodeName>ThreshBeaconRSSIWLANHighRAN</NodeName>
    <DFProperties>
      <AccessType>
        <Get/>
        <Replace/>
      </AccessType>
      <DFFormat>
        <null/>
      </DFFormat>
      <Occurrence>
        <ZeroOrOne/>

```

```

        </Occurrence>
<DFTitle>ThreshBeaconRSSIWLANHighRAN</DFTitle>
        <DFType>
        <MIME>text/plain</MIME>
        </DFType>
        </DFProperties>
    </Node>
</Node>
</Node>
</Node>
<Node>
    <NodeName>ThresholdConditionEvaluationPolicy</NodeName>
    <DFProperties>
        <AccessType>
            <Get/>
            <Replace/>
        </AccessType>
        <DFFormat>
            <bool/>
        </DFFormat>
        <Occurrence>
            <One/>
        </Occurrence>
        <DFTitle>ThresholdConditionEvaluationPolicy</DFTitle>
        <DFType>
        <MIME>text/plain</MIME>
        </DFType>
    </DFProperties>
</Node>
</Node>
<Node>
    <NodeName>OPI</NodeName>
    <DFProperties>
        <AccessType>
            <Get/>
            <Replace/>
        </AccessType>
        <DFFormat>
            <int/>
        </DFFormat>
        <Occurrence>
            <One/>
        </Occurrence>
        <DFTitle>OPI</DFTitle>
        <DFType>
        <MIME>text/plain</MIME>
        </DFType>
    </DFProperties>
</Node>
</Node>
<Node>
    <NodeName>RANValidityConditionRef</NodeName>
    <DFProperties>
        <AccessType>
            <Get/>
            <Replace/>
        </AccessType>
        <DFFormat>
            <chr/>
        </DFFormat>
        <Occurrence>
            <ZeroOrOne/>
        </Occurrence>
        <DFTitle>A reference to a RANValidityCondition interior
node</DFTitle>
        <DFType>
        <MIME>text/plain</MIME>
        </DFType>
    </DFProperties>
</Node>
</Node>
</Node>

```

```

<Node>
  <NodeName>RoutingRule</NodeName>
  <DFProperties>
    <AccessType>
      <Get/>
      <Replace/>
    </AccessType>
    <DFFormat>
      <node/>
    </DFFormat>
    <Occurrence>
      <One/>
    </Occurrence>
    <DFTitle>Prioritized access.</DFTitle>
    <DFType>
      <DDFName/>
    </DFType>
  </DFProperties>

  <Node>
    <NodeName></NodeName>
    <DFProperties>
      <AccessType>
        <Get/>
        <Replace/>
      </AccessType>
      <DFFormat>
        <node/>
      </DFFormat>
      <Occurrence>
        <OneOrMore/>
      </Occurrence>
      <DFType>
        <DDFName></DDFName>
      </DFType>
    </DFProperties>

    <Node>
      <NodeName>AccessTechnology</NodeName>
      <DFProperties>
        <AccessType>
          <Get/>
          <Replace/>
        </AccessType>
        <DFFormat>
          <int/>
        </DFFormat>
        <Occurrence>
          <One/>
        </Occurrence>
        <DFTitle>Access technology.</DFTitle>
        <DFType>
          <MIME>text/plain</MIME>
        </DFType>
      </DFProperties>
    </Node>

    <Node>
      <NodeName>AccessId</NodeName>
      <DFProperties>
        <AccessType>
          <Get/>
          <Replace/>
        </AccessType>
        <DFFormat>
          <chr/>
        </DFFormat>
        <Occurrence>
          <ZeroOrOne/>
        </Occurrence>
        <DFTitle>Access identity.</DFTitle>
        <DFType>
          <MIME>text/plain</MIME>
        </DFType>
      </DFProperties>
    </Node>

  <Node>

```

```

    <NodeName>SecondaryAccessId</NodeName>
    <DFProperties>
      <AccessType>
        <Get/>
        <Replace/>
      </AccessType>
      <DFFormat>
        <chr/>
      </DFFormat>
      <Occurrence>
        <ZeroOrOne/>
      </Occurrence>
      <DFTitle>Access identity.</DFTitle>
      <DFType>
        <MIME>text/plain</MIME>
      </DFType>
    </DFProperties>
  </Node>

  <Node>
    <NodeName>AccessNetworkPriority</NodeName>
    <DFProperties>
      <AccessType>
        <Get/>
        <Replace/>
      </AccessType>
      <DFFormat>
        <int/>
      </DFFormat>
      <Occurrence>
        <One/>
      </Occurrence>
      <DFTitle>Access network priority.</DFTitle>
      <DFType>
        <MIME>text/plain</MIME>
      </DFType>
    </DFProperties>
  </Node>
</Node>

  <Node>
    <NodeName>RulePriority</NodeName>
    <DFProperties>
      <AccessType>
        <Get/>
        <Replace/>
      </AccessType>
      <DFFormat>
        <int/>
      </DFFormat>
      <Occurrence>
        <One/>
      </Occurrence>
      <DFTitle>Rule priority.</DFTitle>
      <DFType>
        <MIME>text/plain</MIME>
      </DFType>
    </DFProperties>
  </Node>
</Node>

  <Node>
    <NodeName>ForServiceBased</NodeName>
    <DFProperties>
      <AccessType>
        <Get/>
        <Replace/>
      </AccessType>
      <DFFormat>
        <int/>
      </DFFormat>
      <Occurrence>
        <ZeroOrOne/>
      </Occurrence>
      <DFTitle>List of ISRP for MAPCON case.</DFTitle>
      <DFType>

```

```

        <MIME>text/plain</MIME>
    </DFType>
</DFProperties>

<Node>
  <NodeName></NodeName>
  <DFProperties>
    <AccessType>
      <Get/>
      <Replace/>
    </AccessType>
    <DFFormat>
      <node/>
    </DFFormat>
    <Occurrence>
      <OneOrMore/>
    </Occurrence>
    <DFType>
      <DDFName></DDFName>
    </DFType>
  </DFProperties>

  <Node>
    <NodeName>APN</NodeName>
    <DFProperties>
      <AccessType>
        <Get/>
        <Replace/>
      </AccessType>
      <DFFormat>
        <chr/>
      </DFFormat>
      <Occurrence>
        <ZeroOrOne/>
      </Occurrence>
      <DFTitle>IPFlow description</DFTitle>
      <DFType>
        <MIME>text/plain</MIME>
      </DFType>
    </DFProperties>
  </Node>

  <Node>
    <NodeName>RoutingCriteria</NodeName>
    <DFProperties>
      <AccessType>
        <Get/>
        <Replace/>
      </AccessType>
      <DFFormat>
        <node/>
      </DFFormat>
      <Occurrence>
        <ZeroOrOne/>
      </Occurrence>
      <DFTitle>Routing criteria - area and time </DFTitle>
      <DFType>
        <MIME>text/plain</MIME>
      </DFType>
    </DFProperties>

  <Node>
    <NodeName></NodeName>
    <DFProperties>
      <AccessType>
        <Get/>
        <Replace/>
      </AccessType>
      <DFFormat>
        <node/>
      </DFFormat>
      <Occurrence>
        <OneOrMore/>
      </Occurrence>
      <DFType>
        <DDFName></DDFName>
      </DFType>
    </DFProperties>

```

```

<Node>
  <NodeName>ValidityArea</NodeName>
  <DFProperties>
    <AccessType>
      <Get/>
      <Replace/>
    </AccessType>
    <DFFormat>
      <node/>
    </DFFormat>
    <Occurrence>
      <ZeroOrOne/>
    </Occurrence>
    <DFTitle>Validity area.</DFTitle>
    <DFType>
      <DDFName/>
    </DFType>
  </DFProperties>

  <Node>
    <NodeName>3GPP_Location</NodeName>
    <DFProperties>
      <AccessType>
        <Get/>
        <Replace/>
      </AccessType>
      <DFFormat>
        <node/>
      </DFFormat>
      <Occurrence>
        <ZeroOrOne/>
      </Occurrence>
      <DFTitle>Validity area for 3GPP access.</DFTitle>
      <DFType>
        <DDFName/>
      </DFType>
    </DFProperties>

    <Node>
      <NodeName></NodeName>
      <DFProperties>
        <AccessType>
          <Get/>
          <Replace/>
        </AccessType>
        <DFFormat>
          <node/>
        </DFFormat>
        <Occurrence>
          <OneOrMore/>
        </Occurrence>
        <DFType>
          <DDFName></DDFName>
        </DFType>
      </DFProperties>

    <Node>
      <NodeName>PLMN</NodeName>
      <DFProperties>
        <AccessType>
          <Get/>
          <Replace/>
        </AccessType>
        <DFFormat>
          <chr/>
        </DFFormat>
        <Occurrence>
          <One/>
        </Occurrence>
        <DFTitle>PLMN.</DFTitle>
        <DFType>
          <MIME>text/plain</MIME>
        </DFType>
      </DFProperties>
    </Node>

  <Node>

```

```

<NodeName>TAC</NodeName>
<DFProperties>
  <AccessType>
    <Get/>
    <Replace/>
  </AccessType>
  <DFFormat>
    <chr/>
  </DFFormat>
  <Occurrence>
    <ZeroOrOne/>
  </Occurrence>
  <DFTitle>TAC.</DFTitle>
  <DFType>
    <MIME>text/plain</MIME>
  </DFType>
</DFProperties>
</Node>

<Node>
  <NodeName>LAC</NodeName>
  <DFProperties>
    <AccessType>
      <Get/>
      <Replace/>
    </AccessType>
    <DFFormat>
      <chr/>
    </DFFormat>
    <Occurrence>
      <ZeroOrOne/>
    </Occurrence>
    <DFTitle>LAC.</DFTitle>
    <DFType>
      <MIME>text/plain</MIME>
    </DFType>
  </DFProperties>
</Node>

<Node>
  <NodeName>GERAN_CI</NodeName>
  <DFProperties>
    <AccessType>
      <Get/>
      <Replace/>
    </AccessType>
    <DFFormat>
      <bin/>
    </DFFormat>
    <Occurrence>
      <ZeroOrOne/>
    </Occurrence>
    <DFTitle>GERAN_CI.</DFTitle>
    <DFType>
      <MIME>text/plain</MIME>
    </DFType>
  </DFProperties>
</Node>

<Node>
  <NodeName>UTRAN_CI</NodeName>
  <DFProperties>
    <AccessType>
      <Get/>
      <Replace/>
    </AccessType>
    <DFFormat>
      <bin/>
    </DFFormat>
    <Occurrence>
      <ZeroOrOne/>
    </Occurrence>
    <DFTitle>UTRAN_CI.</DFTitle>
    <DFType>
      <MIME>text/plain</MIME>
    </DFType>
  </DFProperties>
</Node>

```

```

<Node>
  <NodeName>EUTRA_CI</NodeName>
  <DFProperties>
    <AccessType>
      <Get/>
      <Replace/>
    </AccessType>
    <DFFormat>
      <bin/>
    </DFFormat>
    <Occurrence>
      <ZeroOrOne/>
    </Occurrence>
    <DFTitle>EUTRA_CI.</DFTitle>
    <DFType>
      <MIME>text/plain</MIME>
    </DFType>
  </DFProperties>
</Node>
</Node>
</Node>

<Node>
  <NodeName>3GPP2_Location</NodeName>
  <DFProperties>
    <AccessType>
      <Get/>
      <Replace/>
    </AccessType>
    <DFFormat>
      <node/>
    </DFFormat>
    <Occurrence>
      <ZeroOrOne/>
    </Occurrence>
    <DFTitle> Validity area for 3GPP2 access.</DFTitle>
    <DFType>
      <DDFName/>
    </DFType>
  </DFProperties>

  <Node>
    <NodeName>1x</NodeName>
    <DFProperties>
      <AccessType>
        <Get/>
        <Replace/>
      </AccessType>
      <DFFormat>
        <node/>
      </DFFormat>
      <Occurrence>
        <ZeroOrOne/>
      </Occurrence>
      <DFTitle> Validity area for 3GPP2-1x access.</DFTitle>
      <DFType>
        <DDFName/>
      </DFType>
    </DFProperties>

  <Node>
    <NodeName></NodeName>
    <DFProperties>
      <AccessType>
        <Get/>
        <Replace/>
      </AccessType>
      <DFFormat>
        <node/>
      </DFFormat>
      <Occurrence>
        <OneOrMore/>
      </Occurrence>
      <DFType>
        <DDFName></DDFName>
      </DFType>
    </DFProperties>

```



```

<Node>
  <NodeName>SID</NodeName>
  <DFProperties>
    <AccessType>
      <Get/>
      <Replace/>
    </AccessType>
    <DFFormat>
      <chr/>
    </DFFormat>
    <Occurrence>
      <One/>
    </Occurrence>
    <DFTitle>1x-SID.</DFTitle>
    <DFType>
      <MIME>text/plain</MIME>
    </DFType>
  </DFProperties>
</Node>

<Node>
  <NodeName>NID</NodeName>
  <DFProperties>
    <AccessType>
      <Get/>
      <Replace/>
    </AccessType>
    <DFFormat>
      <chr/>
    </DFFormat>
    <Occurrence>
      <ZeroOrOne/>
    </Occurrence>
    <DFTitle>1x-NID.</DFTitle>
    <DFType>
      <MIME>text/plain</MIME>
    </DFType>
  </DFProperties>
</Node>

<Node>
  <NodeName>Base_ID</NodeName>
  <DFProperties>
    <AccessType>
      <Get/>
      <Replace/>
    </AccessType>
    <DFFormat>
      <chr/>
    </DFFormat>
    <Occurrence>
      <ZeroOrOne/>
    </Occurrence>
    <DFTitle>1x-Base ID.</DFTitle>
    <DFType>
      <MIME>text/plain</MIME>
    </DFType>
  </DFProperties>
</Node>
</Node>

<Node>
  <NodeName>HRPD</NodeName>
  <DFProperties>
    <AccessType>
      <Get/>
      <Replace/>
    </AccessType>
    <DFFormat>
      <node/>
    </DFFormat>
    <Occurrence>
      <ZeroOrOne/>
    </Occurrence>
    <DFTitle> Validity area for 3GPP2-HRPD access</DFTitle>
    <DFType>

```

```

        <DDFName/>
    </DFType>
</DFProperties>
</Node>
<Node>
    <NodeName></NodeName>
    <DFProperties>
        <AccessType>
            <Get/>
            <Replace/>
        </AccessType>
        <DFFormat>
            <node/>
        </DFFormat>
        <Occurrence>
            <OneOrMore/>
        </Occurrence>
        <DFType>
            <DDFName></DDFName>
        </DFType>
    </DFProperties>
</Node>
<Node>
    <NodeName>Sector_ID</NodeName>
    <DFProperties>
        <AccessType>
            <Get/>
            <Replace/>
        </AccessType>
        <DFFormat>
            <bin/>
        </DFFormat>
        <Occurrence>
            <One/>
        </Occurrence>
        <DFTitle>HRPD Sector ID</DFTitle>
        <DFType>
            <MIME>text/plain</MIME>
        </DFType>
    </DFProperties>
</Node>
<Node>
    <NodeName>Netmask</NodeName>
    <DFProperties>
        <AccessType>
            <Get/>
            <Replace/>
        </AccessType>
        <DFFormat>
            <bin/>
        </DFFormat>
        <Occurrence>
            <One/>
        </Occurrence>
        <DFTitle>HRPD netmask</DFTitle>
        <DFType>
            <MIME>text/plain</MIME>
        </DFType>
    </DFProperties>
</Node>
</Node>
</Node>
</Node>
<Node>
    <NodeName>WiMAX_Location</NodeName>
    <DFProperties>
        <AccessType>
            <Get/>
            <Replace/>
        </AccessType>
        <DFFormat>
            <node/>
        </DFFormat>
        <Occurrence>
            <ZeroOrOne/>
        </Occurrence>
    </DFProperties>
</Node>

```

```

    <DFTitle> Validity area for WiMAX access.</DFTitle>
    <DFType>
      <DDFName/>
    </DFType>
  </DFProperties>
</Node>
<Node>
  <NodeName></NodeName>
  <DFProperties>
    <AccessType>
      <Get/>
      <Replace/>
    </AccessType>
    <DFFormat>
      <node/>
    </DFFormat>
    <Occurrence>
      <OneOrMore/>
    </Occurrence>
    <DFType>
      <DDFName></DDFName>
    </DFType>
  </DFProperties>
</Node>
<Node>
  <NodeName>NAP- ID</NodeName>
  <DFProperties>
    <AccessType>
      <Get/>
      <Replace/>
    </AccessType>
    <DFFormat>
      <chr/>
    </DFFormat>
    <Occurrence>
      <One/>
    </Occurrence>
    <DFTitle>NAP- ID</DFTitle>
    <DFType>
      <MIME>text/plain</MIME>
    </DFType>
  </DFProperties>
</Node>
<Node>
  <NodeName>BS- ID</NodeName>
  <DFProperties>
    <AccessType>
      <Get/>
      <Replace/>
    </AccessType>
    <DFFormat>
      <chr/>
    </DFFormat>
    <Occurrence>
      <One/>
    </Occurrence>
    <DFTitle>BS- ID</DFTitle>
    <DFType>
      <MIME>text/plain</MIME>
    </DFType>
  </DFProperties>
</Node>
</Node>
<Node>
  <NodeName>WLAN_Location</NodeName>
  <DFProperties>
    <AccessType>
      <Get/>
      <Replace/>
    </AccessType>
    <DFFormat>
      <node/>
    </DFFormat>
    <Occurrence>
      <ZeroOrOne/>
    </Occurrence>
  </DFProperties>
</Node>

```

```

</Occurrence>
<DFTitle> Validity area for WLAN access.</DFTitle>
<DFType>
  <DDFName/>
</DFType>
</DFProperties>

```

```

<Node>
  <NodeName></NodeName>
  <DFProperties>
    <AccessType>
      <Get/>
      <Replace/>
    </AccessType>
    <DFFormat>
      <node/>
    </DFFormat>
    <Occurrence>
      <OneOrMore/>
    </Occurrence>
    <DFType>
      <DDFName></DDFName>
    </DFType>
  </DFProperties>

```

```

<Node>
  <NodeName>HESSID</NodeName>
  <DFProperties>
    <AccessType>
      <Get/>
      <Replace/>
    </AccessType>
    <DFFormat>
      <chr/>
    </DFFormat>
    <Occurrence>
      <ZeroOrOne/>
    </Occurrence>
    <DFTitle>HESSID</DFTitle>
    <DFType>
      <MIME>text/plain</MIME>
    </DFType>
  </DFProperties>
</Node>

```

```

<Node>
  <NodeName>SSID</NodeName>
  <DFProperties>
    <AccessType>
      <Get/>
      <Replace/>
    </AccessType>
    <DFFormat>
      <chr/>
    </DFFormat>
    <Occurrence>
      <ZeroOrOne/>
    </Occurrence>
    <DFTitle>SSID</DFTitle>
    <DFType>
      <MIME>text/plain</MIME>
    </DFType>
  </DFProperties>
</Node>

```

```

<Node>
  <NodeName>BSSID</NodeName>
  <DFProperties>
    <AccessType>
      <Get/>
      <Replace/>
    </AccessType>
    <DFFormat>
      <chr/>
    </DFFormat>
    <Occurrence>
      <ZeroOrOne/>
    </Occurrence>

```

```

        <DFTitle>BSSID</DFTitle>
        <DFType>
          <MIME>text/plain</MIME>
        </DFType>
      </DFProperties>
    </Node>
  </Node>
</Node>
<Node>
  <NodeName>Geo_Location</NodeName>
  <DFProperties>
    <AccessType>
      <Get/>
      <Replace/>
    </AccessType>
    <DFFormat>
      <node/>
    </DFFormat>
    <Occurrence>
      <ZeroOrOne/>
    </Occurrence>
    <DFTitle>Geographical location.</DFTitle>
    <DFType>
      <DDFName/>
    </DFType>
  </DFProperties>
</Node>
<Node>
  <NodeName>Circular</NodeName>
  <DFProperties>
    <AccessType>
      <Get/>
      <Replace/>
    </AccessType>
    <DFFormat>
      <node/>
    </DFFormat>
    <Occurrence>
      <ZeroOrOne/>
    </Occurrence>
    <DFTitle>Circular location descripton.</DFTitle>
    <DFType>
      <DDFName/>
    </DFType>
  </DFProperties>
</Node>
<Node>
  <NodeName></NodeName>
  <DFProperties>
    <AccessType>
      <Get/>
      <Replace/>
    </AccessType>
    <DFFormat>
      <node/>
    </DFFormat>
    <Occurrence>
      <OneOrMore/>
    </Occurrence>
    <DFType>
      <DDFName></DDFName>
    </DFType>
  </DFProperties>
</Node>
<Node>
  <NodeName>AnchorLatitude</NodeName>
  <DFProperties>
    <AccessType>
      <Get/>
      <Replace/>
    </AccessType>
    <DFFormat>
      <chr/>
    </DFFormat>
    <Occurrence>
      <One/>
    </Occurrence>
  </DFProperties>
</Node>

```

```

        <DFTitle>Anchor latitude</DFTitle>
        <DFType>
          <MIME>text/plain</MIME>
        </DFType>
      </DFProperties>
    </Node>

    <Node>
      <NodeName>AnchorLongitude</NodeName>
      <DFProperties>
        <AccessType>
          <Get/>
          <Replace/>
        </AccessType>
        <DFFormat>
          <chr/>
        </DFFormat>
        <Occurrence>
          <One/>
        </Occurrence>
        <DFTitle>Anchor longitude</DFTitle>
        <DFType>
          <MIME>text/plain</MIME>
        </DFType>
      </DFProperties>
    </Node>

    <Node>
      <NodeName>Radius</NodeName>
      <DFProperties>
        <AccessType>
          <Get/>
          <Replace/>
        </AccessType>
        <DFFormat>
          <chr/>
        </DFFormat>
        <Occurrence>
          <One/>
        </Occurrence>
        <DFTitle>Radius</DFTitle>
        <DFType>
          <MIME>text/plain</MIME>
        </DFType>
      </DFProperties>
    </Node>
  </Node>
</Node>
</Node>
</Node>
</Node>
<Node>
  <NodeName>ValidityAreaRef</NodeName>
  <DFProperties>
    <AccessType>
      <Get/>
      <Replace/>
    </AccessType>
    <DFFormat>
      <chr/>
    </DFFormat>
    <Occurrence>
      <ZeroOrOne/>
    </Occurrence>
    <DFTitle>A reference to a ValidityArea interior
node</DFTitle>
    <DFType>
      <MIME>text/plain</MIME>
    </DFType>
  </DFProperties>
</Node>

  <Node>
    <NodeName>TimeOfDay</NodeName>
    <DFProperties>
      <AccessType>
        <Get/>
        <Replace/>

```

```

</AccessType>
<DFFormat>
  <node/>
</DFFormat>
<Occurrence>
  <ZeroOrOne/>
</Occurrence>
<DFTitle>Time of day.</DFTitle>
<DFType>
  <DDFName/>
</DFType>
</DFProperties>

<Node>
  <NodeName></NodeName>
  <DFProperties>
    <AccessType>
      <Get/>
      <Replace/>
    </AccessType>
    <DFFormat>
      <node/>
    </DFFormat>
    <Occurrence>
      <OneOrMore/>
    </Occurrence>
    <DFType>
      <DDFName></DDFName>
    </DFType>
  </DFProperties>

<Node>
  <NodeName>TimeStart</NodeName>
  <DFProperties>
    <AccessType>
      <Get/>
      <Replace/>
    </AccessType>
    <DFFormat>
      <chr/>
    </DFFormat>
    <Occurrence>
      <ZeroOrOne/>
    </Occurrence>
    <DFTitle>Start condition for time of rule.</DFTitle>
    <DFType>
      <MIME>text/plain</MIME>
    </DFType>
  </DFProperties>
</Node>

<Node>
  <NodeName>TimeStop</NodeName>
  <DFProperties>
    <AccessType>
      <Get/>
      <Replace/>
    </AccessType>
    <DFFormat>
      <chr/>
    </DFFormat>
    <Occurrence>
      <ZeroOrOne/>
    </Occurrence>
    <DFTitle>Stop condition for time of rule.</DFTitle>
    <DFType>
      <MIME>text/plain</MIME>
    </DFType>
  </DFProperties>
</Node>

<Node>
  <NodeName>DateStart</NodeName>
  <DFProperties>
    <AccessType>
      <Get/>
      <Replace/>
    </AccessType>

```

```

        <DFFormat>
          <chr/>
        </DFFormat>
        <Occurrence>
          <ZeroOrOne/>
        </Occurrence>
      <DFTitle>Starting date for time condition of rule.</DFTitle>
      <DFType>
        <MIME>text/plain</MIME>
      </DFType>
    </DFProperties>
  </Node>

  <Node>
    <NodeName>DateStop</NodeName>
    <DFProperties>
      <AccessType>
        <Get/>
        <Replace/>
      </AccessType>
      <DFFormat>
        <chr/>
      </DFFormat>
      <Occurrence>
        <ZeroOrOne/>
      </Occurrence>
      <DFTitle>Stop date for time condition of rule.</DFTitle>
      <DFType>
        <MIME>text/plain</MIME>
      </DFType>
    </DFProperties>
  </Node>

  <Node>
    <NodeName>DayOfWeek</NodeName>
    <DFProperties>
      <AccessType>
        <Get/>
        <Replace/>
      </AccessType>
      <DFFormat>
        <int/>
      </DFFormat>
      <Occurrence>
        <ZeroOrOne/>
      </Occurrence>
      <DFTitle>Bitmap for day of week condition</DFTitle>
      <DFType>
        <MIME>text/plain</MIME>
      </DFType>
    </DFProperties>
  </Node>
</Node>
  </Node>
</Node>

  <Node>
    <NodeName>TimeOfDayRef</NodeName>
    <DFProperties>
      <AccessType>
        <Get/>
        <Replace/>
      </AccessType>
      <DFFormat>
        <chr/>
      </DFFormat>
      <Occurrence>
        <ZeroOrOne/>
      </Occurrence>
      <DFTitle>A reference to a TimeOfDay interior node</DFTitle>
      <DFType>
        <MIME>text/plain</MIME>
      </DFType>
    </DFProperties>
  </Node>
  <Node>
    <NodeName>RANValidityCondition</NodeName>
    <DFProperties>
      <AccessType>

```



```

        <Get/>
        <Replace/>
    </AccessType>
    <DFFormat>
        <node/>
    </DFFormat>
    <Occurrence>
        <ZeroOrOne/>
    </Occurrence>
    <DFTitle>RANValidityCondition</DFTitle>
    <DFType>
        <DDFName/>
    </DFType>
</DFProperties>

<Node>
    <NodeName>ThresholdConditions</NodeName>
    <DFProperties>
        <AccessType>
            <Get/>
            <Replace/>
        </AccessType>
        <DFFormat>
            <node/>
        </DFFormat>
        <Occurrence>
            <One/>
        </Occurrence>
        <DFTitle>ThresholdConditions</DFTitle>
        <DFType>
            <DDFName/>
        </DFType>
    </DFProperties>

<Node>
    <NodeName>Thresholds</NodeName>
    <DFProperties>
        <AccessType>
            <Get/>
            <Replace/>
        </AccessType>
        <DFFormat>
            <node/>
        </DFFormat>
        <Occurrence>
            <One/>
        </Occurrence>
        <DFTitle>Thresholds</DFTitle>
        <DFType>
            <DDFName/>
        </DFType>
    </DFProperties>

<Node>
    <NodeName>ThreshServingOffloadWLANLowP</NodeName>
    <DFProperties>
        <AccessType>
            <Get/>
            <Replace/>
        </AccessType>
        <DFFormat>
            <null/>
        </DFFormat>
        <Occurrence>
            <ZeroOrOne/>
        </Occurrence>
        <DFTitle>ThreshServingOffloadWLANLowP</DFTitle>
        <DFType>
            <MIME>text/plain</MIME>
        </DFType>
    </DFProperties>
</Node>

<Node>
    <NodeName>ThreshServingOffloadWLANHighP</NodeName>
    <DFProperties>
        <AccessType>
            <Get/>

```

```

        <Replace/>
    </AccessType>
    <DFFormat>
        <null/>
    </DFFormat>
    <Occurrence>
        <ZeroOrOne/>
    </Occurrence>
    <DFTitle>ThreshServingOffloadWLANHighP</DFTitle>
    <DFType>
    <MIME>text/plain</MIME>
    </DFType>
    </DFProperties>
</Node>

<Node>
    <NodeName>ThreshServingOffloadWLANLowQ</NodeName>
    <DFProperties>
        <AccessType>
            <Get/>
            <Replace/>
        </AccessType>
        <DFFormat>
            <null/>
        </DFFormat>
        <Occurrence>
            <ZeroOrOne/>
        </Occurrence>
        <DFTitle>ThreshServingOffloadWLANLowQ</DFTitle>
        <DFType>
        <MIME>text/plain</MIME>
        </DFType>
    </DFProperties>
</Node>

<Node>
    <NodeName>ThreshServingOffloadWLANHighQ</NodeName>
    <DFProperties>
        <AccessType>
            <Get/>
            <Replace/>
        </AccessType>
        <DFFormat>
            <null/>
        </DFFormat>
        <Occurrence>
            <ZeroOrOne/>
        </Occurrence>
        <DFTitle>ThreshServingOffloadWLANHighQ</DFTitle>
        <DFType>
        <MIME>text/plain</MIME>
        </DFType>
    </DFProperties>
</Node>

<Node>
    <NodeName>ThreshChUtilWLANLow</NodeName>
    <DFProperties>
        <AccessType>
            <Get/>
            <Replace/>
        </AccessType>
        <DFFormat>
            <int/>
        </DFFormat>
        <Occurrence>
            <ZeroOrOne/>
        </Occurrence>
        <DFTitle>ThreshChUtilWLANLow</DFTitle>
        <DFType>
        <MIME>text/plain</MIME>
        </DFType>
    </DFProperties>

    <Node>
        <NodeName>ThreshChUtilWLANLowANDSF</NodeName>
        <DFProperties>
            <AccessType>

```

```

        <Get/>
        <Replace/>
    </AccessType>
    <DFFormat>
        <int/>
    </DFFormat>
    <Occurrence>
        <ZeroOrOne/>
    </Occurrence>
    <DFTitle>ThreshChUtilWLANLowANDSF</DFTitle>
    <DFType>
    <MIME>text/plain</MIME>
    </DFType>
    </DFProperties>
</Node>

<Node>
    <NodeName>ThreshChUtilWLANLowRAN</NodeName>
    <DFProperties>
        <AccessType>
            <Get/>
            <Replace/>
        </AccessType>
        <DFFormat>
            <null/>
        </DFFormat>
        <Occurrence>
            <ZeroOrOne/>
        </Occurrence>
        <DFTitle>ThreshChUtilWLANLowRAN</DFTitle>
        <DFType>
        <MIME>text/plain</MIME>
        </DFType>
    </DFProperties>
</Node>

<Node>
    <NodeName>ThreshChUtilWLANHigh</NodeName>
    <DFProperties>
        <AccessType>
            <Get/>
            <Replace/>
        </AccessType>
        <DFFormat>
            <int/>
        </DFFormat>
        <Occurrence>
            <ZeroOrOne/>
        </Occurrence>
        <DFTitle>ThreshChUtilWLANHigh</DFTitle>
        <DFType>
        <MIME>text/plain</MIME>
        </DFType>
    </DFProperties>

    <Node>
        <NodeName>ThreshChUtilWLANHighANDSF</NodeName>
        <DFProperties>
            <AccessType>
                <Get/>
                <Replace/>
            </AccessType>
            <DFFormat>
                <int/>
            </DFFormat>
            <Occurrence>
                <ZeroOrOne/>
            </Occurrence>
            <DFTitle>ThreshChUtilWLANHighANDSF</DFTitle>
            <DFType>
            <MIME>text/plain</MIME>
            </DFType>
        </DFProperties>
    </Node>

    <Node>
        <NodeName>ThreshChUtilWLANHighRAN</NodeName>

```

```

    <DFProperties>
      <AccessType>
        <Get/>
        <Replace/>
      </AccessType>
      <DFFormat>
        <null/>
      </DFFormat>
      <Occurrence>
        <ZeroOrOne/>
      </Occurrence>
      <DFTitle>ThreshChUtilWLANHighRAN</DFTitle>
      <DFType>
        <MIME>text/plain</MIME>
      </DFType>
    </DFProperties>
  </Node>
</Node>

<Node>
  <NodeName>ThreshBackhRateDLWLANLow</NodeName>
  <DFProperties>
    <AccessType>
      <Get/>
      <Replace/>
    </AccessType>
    <DFFormat>
      <int/>
    </DFFormat>
    <Occurrence>
      <ZeroOrOne/>
    </Occurrence>
    <DFTitle>ThreshBackhRateDLWLANLow</DFTitle>
    <DFType>
      <MIME>text/plain</MIME>
    </DFType>
  </DFProperties>

  <Node>

    <NodeName>ThreshBackhRateDLWLANLowANDSF</NodeName>
    <DFProperties>
      <AccessType>
        <Get/>
        <Replace/>
      </AccessType>
      <DFFormat>
        <int/>
      </DFFormat>
      <Occurrence>
        <ZeroOrOne/>
      </Occurrence>

      <DFTitle>ThreshBackhRateDLWLANLowANDSF</DFTitle>
      <DFType>
        <MIME>text/plain</MIME>
      </DFType>
    </DFProperties>
  </Node>

  <Node>
    <NodeName>ThreshBackhRateDLWLANLowRAN</NodeName>
    <DFProperties>
      <AccessType>
        <Get/>
        <Replace/>
      </AccessType>
      <DFFormat>
        <null/>
      </DFFormat>
      <Occurrence>
        <ZeroOrOne/>
      </Occurrence>

      <DFTitle>ThreshBackhRateDLWLANLowRAN</DFTitle>
      <DFType>
        <MIME>text/plain</MIME>
      </DFType>
    </DFProperties>
  </Node>

```

```

        </DFProperties>
      </Node>
    </Node>
    <Node>
      <NodeName>ThreshBackhRateDLWLANHigh</NodeName>
      <DFProperties>
        <AccessType>
          <Get/>
          <Replace/>
        </AccessType>
        <DFFormat>
          <int/>
        </DFFormat>
        <Occurrence>
          <ZeroOrOne/>
        </Occurrence>
        <DFTitle>ThreshBackhRateDLWLANHigh</DFTitle>
        <DFType>
          <MIME>text/plain</MIME>
        </DFType>
      </DFProperties>
    </Node>
    <NodeName>ThreshBackhRateDLWLANHighANDSF</NodeName>
      <DFProperties>
        <AccessType>
          <Get/>
          <Replace/>
        </AccessType>
        <DFFormat>
          <int/>
        </DFFormat>
        <Occurrence>
          <ZeroOrOne/>
        </Occurrence>
      </DFProperties>
    <DFTitle>ThreshBackhRateDLWLANHighANDSF</DFTitle>
      <DFType>
        <MIME>text/plain</MIME>
      </DFType>
    </DFProperties>
  </Node>
  <Node>
    <NodeName>ThreshBackhRateDLWLANHighRAN</NodeName>
      <DFProperties>
        <AccessType>
          <Get/>
          <Replace/>
        </AccessType>
        <DFFormat>
          <null/>
        </DFFormat>
        <Occurrence>
          <ZeroOrOne/>
        </Occurrence>
      </DFProperties>
    <DFTitle>ThreshBackhRateDLWLANHighRAN</DFTitle>
      <DFType>
        <MIME>text/plain</MIME>
      </DFType>
    </DFProperties>
  </Node>
</Node>
<Node>
  <NodeName>ThreshBackhRateULWLANLow</NodeName>
  <DFProperties>
    <AccessType>
      <Get/>
      <Replace/>
    </AccessType>
    <DFFormat>
      <int/>
    </DFFormat>
  </DFProperties>

```

```

        <Occurrence>
          <ZeroOrOne/>
        </Occurrence>
      </DFTitle>ThreshBackhRateULWLANLow</DFTitle>
      <DFType>
        <MIME>text/plain</MIME>
      </DFType>
    </DFProperties>

  <Node>

<NodeName>ThreshBackhRateULWLANLowANDSF</NodeName>
  <DFProperties>
    <AccessType>
      <Get/>
      <Replace/>
    </AccessType>
    <DFFormat>
      <int/>
    </DFFormat>
    <Occurrence>
      <ZeroOrOne/>
    </Occurrence>

<DFTitle>ThreshBackhRateULWLANLowANDSF</DFTitle>
  <DFType>
    <MIME>text/plain</MIME>
  </DFType>
  </DFProperties>
</Node>

  <Node>
    <NodeName>ThreshBackhRateULWLANLowRAN</NodeName>
    <DFProperties>
      <AccessType>
        <Get/>
        <Replace/>
      </AccessType>
      <DFFormat>
        <null/>
      </DFFormat>
      <Occurrence>
        <ZeroOrOne/>
      </Occurrence>

<DFTitle>ThreshBackhRateULWLANLowRAN</DFTitle>
  <DFType>
    <MIME>text/plain</MIME>
  </DFType>
  </DFProperties>
</Node>

  <Node>
    <NodeName>ThreshBackhRateULWLANHigh</NodeName>
    <DFProperties>
      <AccessType>
        <Get/>
        <Replace/>
      </AccessType>
      <DFFormat>
        <int/>
      </DFFormat>
      <Occurrence>
        <ZeroOrOne/>
      </Occurrence>
    <DFTitle>ThreshBackhRateULWLANHigh</DFTitle>
    <DFType>
      <MIME>text/plain</MIME>
    </DFType>
  </DFProperties>

  <Node>

<NodeName>ThreshBackhRateULWLANHighANDSF</NodeName>
  <DFProperties>
    <AccessType>
      <Get/>

```

```

        <Replace/>
    </AccessType>
    <DFFormat>
        <int/>
    </DFFormat>
    <Occurrence>
        <ZeroOrOne/>
    </Occurrence>

<DFTitle>ThreshBackhRateULWLANHighANDSF</DFTitle>
    <DFType>
    <MIME>text/plain</MIME>
    </DFType>
    </DFProperties>
</Node>
</Node>

<NodeName>ThreshBackhRateULWLANHighRAN</NodeName>
    <DFProperties>
    <AccessType>
    <Get/>
    <Replace/>
    </AccessType>
    <DFFormat>
    <null/>
    </DFFormat>
    <Occurrence>
    <ZeroOrOne/>
    </Occurrence>

<DFTitle>ThreshBackhRateULWLANHighRAN</DFTitle>
    <DFType>
    <MIME>text/plain</MIME>
    </DFType>
    </DFProperties>
</Node>
</Node>
<NodeName>ThreshBeaconRSSIWLANLow</NodeName>
    <DFProperties>
    <AccessType>
    <Get/>
    <Replace/>
    </AccessType>
    <DFFormat>
    <int/>
    </DFFormat>
    <Occurrence>
    <ZeroOrOne/>
    </Occurrence>
    <DFTitle>ThreshBeaconRSSIWLANLow</DFTitle>
    <DFType>
    <MIME>text/plain</MIME>
    </DFType>
    </DFProperties>
</Node>
</Node>

<NodeName>ThreshBeaconRSSIWLANLowANDSF</NodeName>
    <DFProperties>
    <AccessType>
    <Get/>
    <Replace/>
    </AccessType>
    <DFFormat>
    <int/>
    </DFFormat>
    <Occurrence>
    <ZeroOrOne/>
    </Occurrence>

<DFTitle>ThreshBeaconRSSIWLANLowANDSF</DFTitle>
    <DFType>
    <MIME>text/plain</MIME>
    </DFType>
    </DFProperties>
</Node>

```

```

<Node>
  <NodeName>ThreshBeaconRSSIWLANLowRAN</NodeName>
  <DFProperties>
    <AccessType>
      <Get/>
      <Replace/>
    </AccessType>
    <DFFormat>
      <null/>
    </DFFormat>
    <Occurrence>
      <ZeroOrOne/>
    </Occurrence>
  </DFProperties>
  <DFTitle>ThreshBeaconRSSIWLANLowRAN</DFTitle>
  <DFType>
    <MIME>text/plain</MIME>
  </DFType>
</Node>
</Node>

<Node>
  <NodeName>ThreshBeaconRSSIWLANHigh</NodeName>
  <DFProperties>
    <AccessType>
      <Get/>
      <Replace/>
    </AccessType>
    <DFFormat>
      <int/>
    </DFFormat>
    <Occurrence>
      <ZeroOrOne/>
    </Occurrence>
    <DFTitle>ThreshBeaconRSSIWLANHigh</DFTitle>
    <DFType>
      <MIME>text/plain</MIME>
    </DFType>
  </DFProperties>
  <Node>
    <NodeName>ThreshBeaconRSSIWLANHighANDSF</NodeName>
    <DFProperties>
      <AccessType>
        <Get/>
        <Replace/>
      </AccessType>
      <DFFormat>
        <int/>
      </DFFormat>
      <Occurrence>
        <ZeroOrOne/>
      </Occurrence>
    </DFProperties>
    <DFTitle>ThreshBeaconRSSIWLANHighANDSF</DFTitle>
    <DFType>
      <MIME>text/plain</MIME>
    </DFType>
  </Node>
  <Node>
    <NodeName>ThreshBeaconRSSIWLANHighRAN</NodeName>
    <DFProperties>
      <AccessType>
        <Get/>
        <Replace/>
      </AccessType>
      <DFFormat>
        <null/>
      </DFFormat>
      <Occurrence>
        <ZeroOrOne/>
      </Occurrence>
    </DFProperties>
  </Node>

```



```

<DFTitle>ThreshBeaconRSSIWLANHighRAN</DFTitle>
    <DFType>
    <MIME>text/plain</MIME>
    </DFType>
    </DFProperties>
  </Node>
</Node>

</Node>

<Node>
  <NodeName>ThresholdConditionEvaluationPolicy</NodeName>
  <DFProperties>
    <AccessType>
      <Get/>
      <Replace/>
    </AccessType>
    <DFFormat>
      <bool/>
    </DFFormat>
    <Occurrence>
      <One/>
    </Occurrence>
    <DFTitle>ThresholdConditionEvaluationPolicy</DFTitle>
    <DFType>
    <MIME>text/plain</MIME>
    </DFType>
  </DFProperties>
</Node>
</Node>

<Node>
  <NodeName>OPI</NodeName>
  <DFProperties>
    <AccessType>
      <Get/>
      <Replace/>
    </AccessType>
    <DFFormat>
      <int/>
    </DFFormat>
    <Occurrence>
      <One/>
    </Occurrence>
    <DFTitle>OPI</DFTitle>
    <DFType>
    <MIME>text/plain</MIME>
    </DFType>
  </DFProperties>
</Node>
</Node>

<Node>
  <NodeName>RANValidityConditionRef</NodeName>
  <DFProperties>
    <AccessType>
      <Get/>
      <Replace/>
    </AccessType>
    <DFFormat>
      <chr/>
    </DFFormat>
    <Occurrence>
      <ZeroOrOne/>
    </Occurrence>
    <DFTitle>A reference to a RANValidityCondition interior
node</DFTitle>
    <DFType>
    <MIME>text/plain</MIME>
    </DFType>
  </DFProperties>
</Node>
</Node>
</Node>
<Node>

```

```

<NodeName>RoutingRule</NodeName>
<DFProperties>
  <AccessType>
    <Get/>
    <Replace/>
  </AccessType>
  <DFFormat>
    <node/>
  </DFFormat>
  <Occurrence>
    <One/>
  </Occurrence>
  <DFTitle>Prioritized access.</DFTitle>
  <DFType>
    <DDFName/>
  </DFType>
</DFProperties>

<Node>
  <NodeName></NodeName>
  <DFProperties>
    <AccessType>
      <Get/>
      <Replace/>
    </AccessType>
    <DFFormat>
      <node/>
    </DFFormat>
    <Occurrence>
      <OneOrMore/>
    </Occurrence>
    <DFType>
      <DDFName></DDFName>
    </DFType>
  </DFProperties>

  <Node>
    <NodeName>AccessTechnology</NodeName>
    <DFProperties>
      <AccessType>
        <Get/>
        <Replace/>
      </AccessType>
      <DFFormat>
        <int/>
      </DFFormat>
      <Occurrence>
        <One/>
      </Occurrence>
      <DFTitle>Access technology.</DFTitle>
      <DFType>
        <MIME>text/plain</MIME>
      </DFType>
    </DFProperties>
  </Node>

  <Node>
    <NodeName>AccessId</NodeName>
    <DFProperties>
      <AccessType>
        <Get/>
        <Replace/>
      </AccessType>
      <DFFormat>
        <chr/>
      </DFFormat>
      <Occurrence>
        <ZeroOrOne/>
      </Occurrence>
      <DFTitle>Access identity.</DFTitle>
      <DFType>
        <MIME>text/plain</MIME>
      </DFType>
    </DFProperties>
  </Node>

  <Node>
    <NodeName>SecondaryAccessId</NodeName>

```

```

        <DFProperties>
            <AccessType>
                <Get/>
                <Replace/>
            </AccessType>
            <DFFormat>
                <chr/>
            </DFFormat>
            <Occurrence>
                <ZeroOrOne/>
            </Occurrence>
            <DFTitle>Access identity.</DFTitle>
            <DFType>
                <MIME>text/plain</MIME>
            </DFType>
        </DFProperties>
    </Node>

    <Node>
        <NodeName>AccessNetworkPriority</NodeName>
        <DFProperties>
            <AccessType>
                <Get/>
                <Replace/>
            </AccessType>
            <DFFormat>
                <int/>
            </DFFormat>
            <Occurrence>
                <One/>
            </Occurrence>
            <DFTitle>Access network priority.</DFTitle>
            <DFType>
                <MIME>text/plain</MIME>
            </DFType>
        </DFProperties>
    </Node>
</Node>

    <Node>
        <NodeName>RulePriority</NodeName>
        <DFProperties>
            <AccessType>
                <Get/>
                <Replace/>
            </AccessType>
            <DFFormat>
                <int/>
            </DFFormat>
            <Occurrence>
                <One/>
            </Occurrence>
            <DFTitle>Rule priority.</DFTitle>
            <DFType>
                <MIME>text/plain</MIME>
            </DFType>
        </DFProperties>
    </Node>
</Node>

    <Node>
        <NodeName>ForNonSeamlessOffload</NodeName>
        <DFProperties>
            <AccessType>
                <Get/>
                <Replace/>
            </AccessType>
            <DFFormat>
                <int/>
            </DFFormat>
            <Occurrence>
                <ZeroOrOne/>
            </Occurrence>
            <DFTitle>List of ISRP for non-Seamless WLAN offload case.</DFTitle>
            <DFType>
                <MIME>text/plain</MIME>
            </DFType>
        </DFProperties>
    </Node>

```

```

    </DFType>
  </DFProperties>

  <Node>
    <NodeName></NodeName>
    <DFProperties>
      <AccessType>
        <Get/>
        <Replace/>
      </AccessType>
      <DFFormat>
        <node/>
      </DFFormat>
      <Occurrence>
        <OneOrMore/>
      </Occurrence>
    </DFType>
    <DDFName></DDFName>
  </DFType>
</DFProperties>

  <Node>
    <NodeName>IPFlow</NodeName>
    <DFProperties>
      <AccessType>
        <Get/>
        <Replace/>
      </AccessType>
      <DFFormat>
        <node/>
      </DFFormat>
      <Occurrence>
        <One/>
      </Occurrence>
      <DFTitle>IPFlow description</DFTitle>
    </DFType>
    <MIME>text/plain</MIME>
  </DFType>
</DFProperties>

  <Node>
    <NodeName></NodeName>
    <DFProperties>
      <AccessType>
        <Get/>
        <Replace/>
      </AccessType>
      <DFFormat>
        <node/>
      </DFFormat>
      <Occurrence>
        <OneOrMore/>
      </Occurrence>
    </DFType>
    <DDFName></DDFName>
  </DFType>
</DFProperties>

  <Node>
    <NodeName>App-ID</NodeName>
    <!-- The application ID. -->
    <DFProperties>
      <AccessType>
        <Get/>
        <Replace/>
      </AccessType>
      <DFFormat>
        <node/>
      </DFFormat>
      <Occurrence>
        <ZeroOrOne/>
      </Occurrence>
      <DFTitle>application identifier</DFTitle>
    </DFType>
    <DDFName/>
  </DFType>
</DFProperties>

```

```

<Node>
  <NodeName></NodeName>
  <DFProperties>
    <AccessType>
      <Get/>
      <Replace/>
    </AccessType>
    <DFFormat>
      <node/>
    </DFFormat>
    <Occurrence>
      <OneOrMore/>
    </Occurrence>
    <DFType>
      <DDFName></DDFName>
    </DFType>
  </DFProperties>

  <Node>
    <NodeName>OSId</NodeName>
    <DFProperties>
      <AccessType>
        <Get/>
        <Replace/>
      </AccessType>
      <DFFormat>
        <chr/>
      </DFFormat>
      <Occurrence>
        <One/>
      </Occurrence>
      <DFTitle>Operating system identifier</DFTitle>
      <DFType>
        <MIME>text/plain</MIME>
      </DFType>
    </DFProperties>
  </Node>

  <Node>
    <NodeName>OSApps</NodeName>
    <DFProperties>
      <AccessType>
        <Get/>
        <Replace/>
      </AccessType>
      <DFFormat>
        <node/>
      </DFFormat>
      <Occurrence>
        <One/>
      </Occurrence>
      <DFTitle>OS specific applications</DFTitle>
      <DFType>
        <DDFName/>
      </DFType>
    </DFProperties>

  <Node>
    <NodeName></NodeName>
    <DFProperties>
      <AccessType>
        <Get/>
        <Replace/>
      </AccessType>
      <DFFormat>
        <node/>
      </DFFormat>
      <Occurrence>
        <OneOrMore/>
      </Occurrence>
      <DFType>
        <DDFName></DDFName>
      </DFType>
    </DFProperties>

  <Node>
    <NodeName>OSAppId</NodeName>
    <DFProperties>

```

```

        <AccessType>
            <Get/>
            <Replace/>
        </AccessType>
        <DFFormat>
            <chr/>
        </DFFormat>
        <Occurrence>
            <One/>
        </Occurrence>
        <DFTitle>OS specific app ID</DFTitle>
        <DFType>
            <MIME>text/plain</MIME>
        </DFType>
    </DFProperties>
</Node>
</Node>
</Node>
</Node>
</Node>
</Node>
</Node>
<Node>
    <NodeName>AddressType</NodeName>
    <DFProperties>
        <AccessType>
            <Get/>
            <Replace/>
        </AccessType>
        <DFFormat>
            <node/>
        </DFFormat>
        <Occurrence>
            <ZeroOrOne/>
        </Occurrence>
        <DFTitle>IP version of the IP addresses</DFTitle>
        <DFType>
            <MIME>text/plain</MIME>
        </DFType>
    </DFProperties>
</Node>
</Node>
<Node>
    <NodeName>StartSourceIPAddress</NodeName>
    <DFProperties>
        <AccessType>
            <Get/>
            <Replace/>
        </AccessType>
        <DFFormat>
            <chr/>
        </DFFormat>
        <Occurrence>
            <ZeroOrOne/>
        </Occurrence>
        <DFTitle>Start IP src address</DFTitle>
        <DFType>
            <MIME>text/plain</MIME>
        </DFType>
    </DFProperties>
</Node>
</Node>
<Node>
    <NodeName>EndSourceIPAddress</NodeName>
    <DFProperties>
        <AccessType>
            <Get/>
            <Replace/>
        </AccessType>
        <DFFormat>
            <chr/>
        </DFFormat>
        <Occurrence>
            <ZeroOrOne/>
        </Occurrence>
        <DFTitle>End IP src address</DFTitle>
        <DFType>
            <MIME>text/plain</MIME>
        </DFType>
    </DFProperties>
</Node>
</Node>

```

```

        </DFType>
      </DFProperties>
    </Node>

    <Node>
      <NodeName>ProtocolType</NodeName>
      <DFProperties>
        <AccessType>
          <Get/>
          <Replace/>
        </AccessType>
        <DFFormat>
          <chr/>
        </DFFormat>
        <Occurrence>
          <ZeroOrOne/>
        </Occurrence>
        <DFTitle>protocol type</DFTitle>
        <DFType>
          <MIME>text/plain</MIME>
        </DFType>
      </DFProperties>
    </Node>

    <Node>
      <NodeName>StartSourcePortNumber</NodeName>
      <DFProperties>
        <AccessType>
          <Get/>
          <Replace/>
        </AccessType>
        <DFFormat>
          <chr/>
        </DFFormat>
        <Occurrence>
          <ZeroOrOne/>
        </Occurrence>
        <DFTitle>Start src port number</DFTitle>
        <DFType>
          <MIME>text/plain</MIME>
        </DFType>
      </DFProperties>
    </Node>

    <Node>
      <NodeName>EndSourcePortNumber</NodeName>
      <DFProperties>
        <AccessType>
          <Get/>
          <Replace/>
        </AccessType>
        <DFFormat>
          <chr/>
        </DFFormat>
        <Occurrence>
          <ZeroOrOne/>
        </Occurrence>
        <DFTitle>End src port number</DFTitle>
        <DFType>
          <MIME>text/plain</MIME>
        </DFType>
      </DFProperties>
    </Node>

    <Node>
      <NodeName>StartDestPortNumber</NodeName>
      <DFProperties>
        <AccessType>
          <Get/>
          <Replace/>
        </AccessType>
        <DFFormat>
          <chr/>
        </DFFormat>
        <Occurrence>
          <ZeroOrOne/>
        </Occurrence>

```

```

        <DFTitle>Start dest port</DFTitle>
        <DFType>
            <MIME>text/plain</MIME>
        </DFType>
    </DFProperties>
</Node>

<Node>
    <NodeName>EndDestPortNumber</NodeName>
    <DFProperties>
        <AccessType>
            <Get/>
            <Replace/>
        </AccessType>
        <DFFormat>
            <chr/>
        </DFFormat>
        <Occurrence>
            <ZeroOrOne/>
        </Occurrence>
        <DFTitle>End Dst port</DFTitle>
        <DFType>
            <MIME>text/plain</MIME>
        </DFType>
    </DFProperties>
</Node>

<Node>
    <NodeName>QoS</NodeName>
    <DFProperties>
        <AccessType>
            <Get/>
            <Replace/>
        </AccessType>
        <DFFormat>
            <bin/>
        </DFFormat>
        <Occurrence>
            <ZeroOrOne/>
        </Occurrence>
        <DFTitle>QoS value</DFTitle>
        <DFType>
            <MIME>text/plain</MIME>
        </DFType>
    </DFProperties>
</Node>

<Node>
    <NodeName>DomainName</NodeName>
    <DFProperties>
        <AccessType>
            <Get/>
            <Replace/>
        </AccessType>
        <DFFormat>
            <chr/>
        </DFFormat>
        <Occurrence>
            <ZeroOrOne/>
        </Occurrence>
        <DFTitle>FQDN.</DFTitle>
        <DFType>
            <MIME>text/plain</MIME>
        </DFType>
    </DFProperties>
</Node>

<Node>
    <NodeName>APN</NodeName>
    <DFProperties>
        <AccessType>
            <Get/>
            <Replace/>
        </AccessType>
        <DFFormat>
            <chr/>
        </DFFormat>
        <Occurrence>

```



```

        <ZeroOrOne/>
      </Occurrence>
      <DFTitle>APN.</DFTitle>
      <DFType>
        <MIME>text/plain</MIME>
      </DFType>
    </DFProperties>
  </Node>

</Node>
</Node>

<Node>
  <NodeName>RoutingCriteria</NodeName>
  <DFProperties>
    <AccessType>
      <Get/>
      <Replace/>
    </AccessType>
    <DFFormat>
      <node/>
    </DFFormat>
    <Occurrence>
      <ZeroOrOne/>
    </Occurrence>
    <DFTitle>Routing criteria - area, time validity</DFTitle>
    <DFType>
      <MIME>text/plain</MIME>
    </DFType>
  </DFProperties>

  <Node>
    <NodeName></NodeName>
    <DFProperties>
      <AccessType>
        <Get/>
        <Replace/>
      </AccessType>
      <DFFormat>
        <node/>
      </DFFormat>
      <Occurrence>
        <OneOrMore/>
      </Occurrence>
      <DFType>
        <DDFName></DDFName>
      </DFType>
    </DFProperties>

    <Node>
      <NodeName>ValidityArea</NodeName>
      <DFProperties>
        <AccessType>
          <Get/>
          <Replace/>
        </AccessType>
        <DFFormat>
          <node/>
        </DFFormat>
        <Occurrence>
          <ZeroOrOne/>
        </Occurrence>
        <DFTitle>Validity area.</DFTitle>
        <DFType>
          <DDFName/>
        </DFType>
      </DFProperties>

      <Node>
        <NodeName>3GPP_Location</NodeName>
        <DFProperties>
          <AccessType>
            <Get/>
            <Replace/>
          </AccessType>
          <DFFormat>
            <node/>
          </DFFormat>

```

```

<Occurrence>
  <ZeroOrOne/>
</Occurrence>
<DFTitle>Validity area for 3GPP access.</DFTitle>
<DFType>
  <DDFName/>
</DFType>
</DFProperties>

<Node>
  <NodeName></NodeName>
  <DFProperties>
    <AccessType>
      <Get/>
      <Replace/>
    </AccessType>
    <DFFormat>
      <node/>
    </DFFormat>
    <Occurrence>
      <OneOrMore/>
    </Occurrence>
    <DFType>
      <DDFName></DDFName>
    </DFType>
  </DFProperties>

<Node>
  <NodeName>PLMN</NodeName>
  <DFProperties>
    <AccessType>
      <Get/>
      <Replace/>
    </AccessType>
    <DFFormat>
      <chr/>
    </DFFormat>
    <Occurrence>
      <One/>
    </Occurrence>
    <DFTitle>PLMN.</DFTitle>
    <DFType>
      <MIME>text/plain</MIME>
    </DFType>
  </DFProperties>
</Node>

<Node>
  <NodeName>TAC</NodeName>
  <DFProperties>
    <AccessType>
      <Get/>
      <Replace/>
    </AccessType>
    <DFFormat>
      <chr/>
    </DFFormat>
    <Occurrence>
      <ZeroOrOne/>
    </Occurrence>
    <DFTitle>TAC.</DFTitle>
    <DFType>
      <MIME>text/plain</MIME>
    </DFType>
  </DFProperties>
</Node>

<Node>
  <NodeName>LAC</NodeName>
  <DFProperties>
    <AccessType>
      <Get/>
      <Replace/>
    </AccessType>
    <DFFormat>
      <chr/>
    </DFFormat>
    <Occurrence>

```

```

        <ZeroOrOne/>
    </Occurrence>
    <DFTitle>LAC.</DFTitle>
    <DFType>
        <MIME>text/plain</MIME>
    </DFType>
</DFProperties>
</Node>

<Node>
    <NodeName>GERAN_CI</NodeName>
    <DFProperties>
        <AccessType>
            <Get/>
            <Replace/>
        </AccessType>
        <DFFormat>
            <bin/>
        </DFFormat>
        <Occurrence>
            <ZeroOrOne/>
        </Occurrence>
        <DFTitle>GERAN_CI.</DFTitle>
        <DFType>
            <MIME>text/plain</MIME>
        </DFType>
    </DFProperties>
</Node>

<Node>
    <NodeName>UTRAN_CI</NodeName>
    <DFProperties>
        <AccessType>
            <Get/>
            <Replace/>
        </AccessType>
        <DFFormat>
            <bin/>
        </DFFormat>
        <Occurrence>
            <ZeroOrOne/>
        </Occurrence>
        <DFTitle>UTRAN_CI.</DFTitle>
        <DFType>
            <MIME>text/plain</MIME>
        </DFType>
    </DFProperties>
</Node>

<Node>
    <NodeName>EUTRA_CI</NodeName>
    <DFProperties>
        <AccessType>
            <Get/>
            <Replace/>
        </AccessType>
        <DFFormat>
            <bin/>
        </DFFormat>
        <Occurrence>
            <ZeroOrOne/>
        </Occurrence>
        <DFTitle>EUTRA_CI.</DFTitle>
        <DFType>
            <MIME>text/plain</MIME>
        </DFType>
    </DFProperties>
</Node>
</Node>
</Node>

<Node>
    <NodeName>3GPP2_Location</NodeName>
    <DFProperties>
        <AccessType>
            <Get/>
            <Replace/>
        </AccessType>

```

```

<DFFormat>
  <node/>
</DFFormat>
<Occurrence>
  <ZeroOrOne/>
</Occurrence>
<DFTitle> Validity area for 3GPP2 access.</DFTitle>
<DFType>
  <DDFName/>
</DFType>
</DFProperties>

<Node>
  <nodeName>1x</nodeName>
  <DFProperties>
    <AccessType>
      <Get/>
      <Replace/>
    </AccessType>
    <DFFormat>
      <node/>
    </DFFormat>
    <Occurrence>
      <ZeroOrOne/>
    </Occurrence>
    <DFTitle> Validity area for 3GPP2-1x access.</DFTitle>
    <DFType>
      <DDFName/>
    </DFType>
  </DFProperties>

<Node>
  <nodeName></nodeName>
  <DFProperties>
    <AccessType>
      <Get/>
      <Replace/>
    </AccessType>
    <DFFormat>
      <node/>
    </DFFormat>
    <Occurrence>
      <OneOrMore/>
    </Occurrence>
    <DFType>
      <DDFName></DDFName>
    </DFType>
  </DFProperties>

<Node>
  <nodeName>SID</nodeName>
  <DFProperties>
    <AccessType>
      <Get/>
      <Replace/>
    </AccessType>
    <DFFormat>
      <chr/>
    </DFFormat>
    <Occurrence>
      <One/>
    </Occurrence>
    <DFTitle>1x-SID.</DFTitle>
    <DFType>
      <MIME>text/plain</MIME>
    </DFType>
  </DFProperties>
</Node>

<Node>
  <nodeName>NID</nodeName>
  <DFProperties>
    <AccessType>
      <Get/>
      <Replace/>
    </AccessType>
    <DFFormat>
      <chr/>

```

```

        </DFFormat>
        <Occurrence>
            <ZeroOrOne/>
        </Occurrence>
        <DFTitle>1x-NID.</DFTitle>
        <DFType>
            <MIME>text/plain</MIME>
        </DFType>
    </DFProperties>
</Node>

<Node>
    <NodeName>Base_ID</NodeName>
    <DFProperties>
        <AccessType>
            <Get/>
            <Replace/>
        </AccessType>
        <DFFormat>
            <chr/>
        </DFFormat>
        <Occurrence>
            <ZeroOrOne/>
        </Occurrence>
        <DFTitle>1x-Base ID.</DFTitle>
        <DFType>
            <MIME>text/plain</MIME>
        </DFType>
    </DFProperties>
</Node>
</Node>

<Node>
    <NodeName>HRPD</NodeName>
    <DFProperties>
        <AccessType>
            <Get/>
            <Replace/>
        </AccessType>
        <DFFormat>
            <node/>
        </DFFormat>
        <Occurrence>
            <ZeroOrOne/>
        </Occurrence>
        <DFTitle> Validity area for 3GPP2-HRPD access</DFTitle>
        <DFType>
            <DDFName/>
        </DFType>
    </DFProperties>

    <Node>
        <NodeName></NodeName>
        <DFProperties>
            <AccessType>
                <Get/>
                <Replace/>
            </AccessType>
            <DFFormat>
                <node/>
            </DFFormat>
            <Occurrence>
                <OneOrMore/>
            </Occurrence>
            <DFType>
                <DDFName></DDFName>
            </DFType>
        </DFProperties>

    <Node>
        <NodeName>Sector_ID</NodeName>
        <DFProperties>
            <AccessType>
                <Get/>
                <Replace/>
            </AccessType>
            <DFFormat>

```

```

        <bin/>
    </DFFormat>
    <Occurrence>
        <One/>
    </Occurrence>
    <DFTitle>HRPD Sector ID</DFTitle>
    <DFType>
        <MIME>text/plain</MIME>
    </DFType>
    </DFProperties>
</Node>

<Node>
    <NodeName>Netmask</NodeName>
    <DFProperties>
        <AccessType>
            <Get/>
            <Replace/>
        </AccessType>
        <DFFormat>
            <bin/>
        </DFFormat>
        <Occurrence>
            <One/>
        </Occurrence>
        <DFTitle>HRPD netmask</DFTitle>
        <DFType>
            <MIME>text/plain</MIME>
        </DFType>
    </DFProperties>
</Node>
</Node>
</Node>
</Node>

<Node>
    <NodeName>WiMAX_Location</NodeName>
    <DFProperties>
        <AccessType>
            <Get/>
            <Replace/>
        </AccessType>
        <DFFormat>
            <node/>
        </DFFormat>
        <Occurrence>
            <ZeroOrOne/>
        </Occurrence>
        <DFTitle> Validity area for WiMAX access.</DFTitle>
        <DFType>
            <DDFName/>
        </DFType>
    </DFProperties>

    <Node>
        <NodeName></NodeName>
        <DFProperties>
            <AccessType>
                <Get/>
                <Replace/>
            </AccessType>
            <DFFormat>
                <node/>
            </DFFormat>
            <Occurrence>
                <OneOrMore/>
            </Occurrence>
            <DFType>
                <DDFName></DDFName>
            </DFType>
        </DFProperties>

    <Node>
        <NodeName>NAP-ID</NodeName>
        <DFProperties>
            <AccessType>
                <Get/>
                <Replace/>
            </AccessType>

```

```

        </AccessType>
        <DFFormat>
          <chr/>
        </DFFormat>
        <Occurrence>
          <One/>
        </Occurrence>
        <DFTitle>NAP-ID</DFTitle>
        <DFType>
          <MIME>text/plain</MIME>
        </DFType>
      </DFProperties>
    </Node>

    <Node>
      <NodeName>BS-ID</NodeName>
      <DFProperties>
        <AccessType>
          <Get/>
          <Replace/>
        </AccessType>
        <DFFormat>
          <chr/>
        </DFFormat>
        <Occurrence>
          <One/>
        </Occurrence>
        <DFTitle>BS-ID</DFTitle>
        <DFType>
          <MIME>text/plain</MIME>
        </DFType>
      </DFProperties>
    </Node>
  </Node>
</Node>

<Node>
  <NodeName>WLAN_Location</NodeName>
  <DFProperties>
    <AccessType>
      <Get/>
      <Replace/>
    </AccessType>
    <DFFormat>
      <node/>
    </DFFormat>
    <Occurrence>
      <ZeroOrOne/>
    </Occurrence>
    <DFTitle> Validity area for WLAN access.</DFTitle>
    <DFType>
      <DDFName/>
    </DFType>
  </DFProperties>

  <Node>
    <NodeName></NodeName>
    <DFProperties>
      <AccessType>
        <Get/>
        <Replace/>
      </AccessType>
      <DFFormat>
        <node/>
      </DFFormat>
      <Occurrence>
        <OneOrMore/>
      </Occurrence>
      <DFType>
        <DDFName></DDFName>
      </DFType>
    </DFProperties>

  <Node>
    <NodeName>HESSID</NodeName>
    <DFProperties>
      <AccessType>
        <Get/>

```

```

        <Replace/>
    </AccessType>
    <DFFormat>
        <chr/>
    </DFFormat>
    <Occurrence>
        <ZeroOrOne/>
    </Occurrence>
    <DFTitle>HESSID</DFTitle>
    <DFType>
        <MIME>text/plain</MIME>
    </DFType>
    </DFProperties>
</Node>

<Node>
    <NodeName>SSID</NodeName>
    <DFProperties>
        <AccessType>
            <Get/>
            <Replace/>
        </AccessType>
        <DFFormat>
            <chr/>
        </DFFormat>
        <Occurrence>
            <ZeroOrOne/>
        </Occurrence>
        <DFTitle>SSID</DFTitle>
        <DFType>
            <MIME>text/plain</MIME>
        </DFType>
    </DFProperties>
</Node>

<Node>
    <NodeName>BSSID</NodeName>
    <DFProperties>
        <AccessType>
            <Get/>
            <Replace/>
        </AccessType>
        <DFFormat>
            <chr/>
        </DFFormat>
        <Occurrence>
            <ZeroOrOne/>
        </Occurrence>
        <DFTitle>BSSID</DFTitle>
        <DFType>
            <MIME>text/plain</MIME>
        </DFType>
    </DFProperties>
</Node>
</Node>

<Node>
    <NodeName>Geo_Location</NodeName>
    <DFProperties>
        <AccessType>
            <Get/>
            <Replace/>
        </AccessType>
        <DFFormat>
            <node/>
        </DFFormat>
        <Occurrence>
            <ZeroOrOne/>
        </Occurrence>
        <DFTitle>Geographical location.</DFTitle>
        <DFType>
            <DDFName/>
        </DFType>
    </DFProperties>

<Node>
    <NodeName>Circular</NodeName>

```



```

<DFProperties>
  <AccessType>
    <Get/>
    <Replace/>
  </AccessType>
  <DFFormat>
    <node/>
  </DFFormat>
  <Occurrence>
    <ZeroOrOne/>
  </Occurrence>
  <DFTitle>Circular location descripton.</DFTitle>
  <DFType>
    <DDFName/>
  </DFType>
</DFProperties>

```

```

<Node>
  <NodeName></NodeName>
  <DFProperties>
    <AccessType>
      <Get/>
      <Replace/>
    </AccessType>
    <DFFormat>
      <node/>
    </DFFormat>
    <Occurrence>
      <OneOrMore/>
    </Occurrence>
    <DFType>
      <DDFName></DDFName>
    </DFType>
  </DFProperties>

```

```

<Node>
  <NodeName>AnchorLatitude</NodeName>
  <DFProperties>
    <AccessType>
      <Get/>
      <Replace/>
    </AccessType>
    <DFFormat>
      <chr/>
    </DFFormat>
    <Occurrence>
      <One/>
    </Occurrence>
    <DFTitle>Anchor latitude</DFTitle>
    <DFType>
      <MIME>text/plain</MIME>
    </DFType>
  </DFProperties>
</Node>

```

```

<Node>
  <NodeName>AnchorLongitude</NodeName>
  <DFProperties>
    <AccessType>
      <Get/>
      <Replace/>
    </AccessType>
    <DFFormat>
      <chr/>
    </DFFormat>
    <Occurrence>
      <One/>
    </Occurrence>
    <DFTitle>Anchor longitude</DFTitle>
    <DFType>
      <MIME>text/plain</MIME>
    </DFType>
  </DFProperties>
</Node>

```

```

<Node>
  <NodeName>Radius</NodeName>
  <DFProperties>

```

```

        <AccessType>
          <Get/>
          <Replace/>
        </AccessType>
        <DFFormat>
          <chr/>
        </DFFormat>
        <Occurrence>
          <One/>
        </Occurrence>
        <DFTitle>Radius</DFTitle>
        <DFType>
          <MIME>text/plain</MIME>
        </DFType>
      </DFProperties>
    </Node>
  </Node>
</Node>
</Node>
</Node>
</Node>
<Node>
  <NodeName>ValidityAreaRef</NodeName>
  <DFProperties>
    <AccessType>
      <Get/>
      <Replace/>
    </AccessType>
    <DFFormat>
      <chr/>
    </DFFormat>
    <Occurrence>
      <ZeroOrOne/>
    </Occurrence>
    <DFTitle>A reference to a ValidityArea interior
node</DFTitle>
    <DFType>
      <MIME>text/plain</MIME>
    </DFType>
  </DFProperties>
</Node>
<Node>
  <NodeName>TimeOfDay</NodeName>
  <DFProperties>
    <AccessType>
      <Get/>
      <Replace/>
    </AccessType>
    <DFFormat>
      <node/>
    </DFFormat>
    <Occurrence>
      <ZeroOrOne/>
    </Occurrence>
    <DFTitle>Time of day.</DFTitle>
    <DFType>
      <DDFName/>
    </DFType>
  </DFProperties>
</Node>
<Node>
  <NodeName></NodeName>
  <DFProperties>
    <AccessType>
      <Get/>
      <Replace/>
    </AccessType>
    <DFFormat>
      <node/>
    </DFFormat>
    <Occurrence>
      <OneOrMore/>
    </Occurrence>
    <DFType>
      <DDFName></DDFName>
    </DFType>
  </DFProperties>

```

```

<Node>
  <NodeName>TimeStart</NodeName>
  <DFProperties>
    <AccessType>
      <Get/>
      <Replace/>
    </AccessType>
    <DFFormat>
      <chr/>
    </DFFormat>
    <Occurrence>
      <ZeroOrOne/>
    </Occurrence>
    <DFTitle>Start condition for time of rule.</DFTitle>
    <DFType>
      <MIME>text/plain</MIME>
    </DFType>
  </DFProperties>
</Node>

<Node>
  <NodeName>TimeStop</NodeName>
  <DFProperties>
    <AccessType>
      <Get/>
      <Replace/>
    </AccessType>
    <DFFormat>
      <chr/>
    </DFFormat>
    <Occurrence>
      <ZeroOrOne/>
    </Occurrence>
    <DFTitle>Stop condition for time of rule.</DFTitle>
    <DFType>
      <MIME>text/plain</MIME>
    </DFType>
  </DFProperties>
</Node>

<Node>
  <NodeName>DateStart</NodeName>
  <DFProperties>
    <AccessType>
      <Get/>
      <Replace/>
    </AccessType>
    <DFFormat>
      <chr/>
    </DFFormat>
    <Occurrence>
      <ZeroOrOne/>
    </Occurrence>
    <DFTitle>Starting date for time condition of rule.</DFTitle>
    <DFType>
      <MIME>text/plain</MIME>
    </DFType>
  </DFProperties>
</Node>

<Node>
  <NodeName>DateStop</NodeName>
  <DFProperties>
    <AccessType>
      <Get/>
      <Replace/>
    </AccessType>
    <DFFormat>
      <chr/>
    </DFFormat>
    <Occurrence>
      <ZeroOrOne/>
    </Occurrence>
    <DFTitle>Stop date for time condition of rule.</DFTitle>
    <DFType>
      <MIME>text/plain</MIME>
    </DFType>
  </DFProperties>
</Node>

```

```

    </DFProperties>
  </Node>

  <Node>
    <NodeName>DayOfWeek</NodeName>
    <DFProperties>
      <AccessType>
        <Get/>
        <Replace/>
      </AccessType>
      <DFFormat>
        <int/>
      </DFFormat>
      <Occurrence>
        <ZeroOrOne/>
      </Occurrence>
      <DFTitle>Bitmap for day of week condition</DFTitle>
      <DFType>
        <MIME>text/plain</MIME>
      </DFType>
    </DFProperties>
  </Node>
</Node>

<Node>
  <NodeName>TimeOfDayRef</NodeName>
  <DFProperties>
    <AccessType>
      <Get/>
      <Replace/>
    </AccessType>
    <DFFormat>
      <chr/>
    </DFFormat>
    <Occurrence>
      <ZeroOrOne/>
    </Occurrence>
    <DFTitle>A reference to a TimeOfDay interior node</DFTitle>
    <DFType>
      <MIME>text/plain</MIME>
    </DFType>
  </DFProperties>
</Node>

<Node>
  <NodeName>RANValidityCondition</NodeName>
  <DFProperties>
    <AccessType>
      <Get/>
      <Replace/>
    </AccessType>
    <DFFormat>
      <node/>
    </DFFormat>
    <Occurrence>
      <ZeroOrOne/>
    </Occurrence>
    <DFTitle>RANValidityCondition</DFTitle>
    <DFType>
      <DDFName/>
    </DFType>
  </DFProperties>

  <Node>
    <NodeName>ThresholdConditions</NodeName>
    <DFProperties>
      <AccessType>
        <Get/>
        <Replace/>
      </AccessType>
      <DFFormat>
        <node/>
      </DFFormat>
      <Occurrence>
        <One/>
      </Occurrence>
      <DFTitle>ThresholdConditions</DFTitle>

```

```

    <DFType>
      <DDFName/>
    </DFType>
  </DFProperties>
</Node>

<Node>
  <NodeName>Thresholds</NodeName>
  <DFProperties>
    <AccessType>
      <Get/>
      <Replace/>
    </AccessType>
    <DFFormat>
      <node/>
    </DFFormat>
    <Occurrence>
      <One/>
    </Occurrence>
    <DFTitle>Thresholds</DFTitle>
    <DFType>
      <DDFName/>
    </DFType>
  </DFProperties>

  <Node>
    <NodeName>ThreshServingOffloadWLANLowP</NodeName>
    <DFProperties>
      <AccessType>
        <Get/>
        <Replace/>
      </AccessType>
      <DFFormat>
        <null/>
      </DFFormat>
      <Occurrence>
        <ZeroOrOne/>
      </Occurrence>
      <DFTitle>ThreshServingOffloadWLANLowP</DFTitle>
      <DFType>
        <MIME>text/plain</MIME>
      </DFType>
    </DFProperties>
  </Node>

  <Node>
    <NodeName>ThreshServingOffloadWLANHighP</NodeName>
    <DFProperties>
      <AccessType>
        <Get/>
        <Replace/>
      </AccessType>
      <DFFormat>
        <null/>
      </DFFormat>
      <Occurrence>
        <ZeroOrOne/>
      </Occurrence>
      <DFTitle>ThreshServingOffloadWLANHighP</DFTitle>
      <DFType>
        <MIME>text/plain</MIME>
      </DFType>
    </DFProperties>
  </Node>

  <Node>
    <NodeName>ThreshServingOffloadWLANLowQ</NodeName>
    <DFProperties>
      <AccessType>
        <Get/>
        <Replace/>
      </AccessType>
      <DFFormat>
        <null/>
      </DFFormat>
      <Occurrence>
        <ZeroOrOne/>
      </Occurrence>
      <DFTitle>ThreshServingOffloadWLANLowQ</DFTitle>

```

```

        <DFType>
        <MIME>text/plain</MIME>
        </DFType>
    </DFProperties>
</Node>

<Node>
  <nodeName>ThreshServingOffloadWLANHighQ</nodeName>
  <DFProperties>
    <AccessType>
      <Get/>
      <Replace/>
    </AccessType>
    <DFFormat>
      <null/>
    </DFFormat>
    <Occurrence>
      <ZeroOrOne/>
    </Occurrence>
    <DFTitle>ThreshServingOffloadWLANHighQ</DFTitle>
    <DFType>
    <MIME>text/plain</MIME>
    </DFType>
  </DFProperties>
</Node>

<Node>
  <nodeName>ThreshChUtilWLANLow</nodeName>
  <DFProperties>
    <AccessType>
      <Get/>
      <Replace/>
    </AccessType>
    <DFFormat>
      <int/>
    </DFFormat>
    <Occurrence>
      <ZeroOrOne/>
    </Occurrence>
    <DFTitle>ThreshChUtilWLANLow</DFTitle>
    <DFType>
    <MIME>text/plain</MIME>
    </DFType>
  </DFProperties>

  <Node>
    <nodeName>ThreshChUtilWLANLowANDSF</nodeName>
    <DFProperties>
      <AccessType>
        <Get/>
        <Replace/>
      </AccessType>
      <DFFormat>
        <int/>
      </DFFormat>
      <Occurrence>
        <ZeroOrOne/>
      </Occurrence>
      <DFTitle>ThreshChUtilWLANLowANDSF</DFTitle>
      <DFType>
      <MIME>text/plain</MIME>
      </DFType>
    </DFProperties>
  </Node>

  <Node>
    <nodeName>ThreshChUtilWLANLowRAN</nodeName>
    <DFProperties>
      <AccessType>
        <Get/>
        <Replace/>
      </AccessType>
      <DFFormat>
        <null/>
      </DFFormat>
      <Occurrence>
        <ZeroOrOne/>
      </Occurrence>
    </DFProperties>
  </Node>

```

```

        <DFTitle>ThreshChUtilWLANLowRAN</DFTitle>
        <DFType>
        <MIME>text/plain</MIME>
        </DFType>
    </DFProperties>
</Node>

<Node>
    <NodeName>ThreshChUtilWLANHigh</NodeName>
    <DFProperties>
        <AccessType>
            <Get/>
            <Replace/>
        </AccessType>
        <DFFormat>
            <int/>
        </DFFormat>
        <Occurrence>
            <ZeroOrOne/>
        </Occurrence>
        <DFTitle>ThreshChUtilWLANHigh</DFTitle>
        <DFType>
        <MIME>text/plain</MIME>
        </DFType>
    </DFProperties>

    <Node>
        <NodeName>ThreshChUtilWLANHighANDSF</NodeName>
        <DFProperties>
            <AccessType>
                <Get/>
                <Replace/>
            </AccessType>
            <DFFormat>
                <int/>
            </DFFormat>
            <Occurrence>
                <ZeroOrOne/>
            </Occurrence>
            <DFTitle>ThreshChUtilWLANHighANDSF</DFTitle>
            <DFType>
            <MIME>text/plain</MIME>
            </DFType>
        </DFProperties>
    </Node>

    <Node>
        <NodeName>ThreshChUtilWLANHighRAN</NodeName>
        <DFProperties>
            <AccessType>
                <Get/>
                <Replace/>
            </AccessType>
            <DFFormat>
                <null/>
            </DFFormat>
            <Occurrence>
                <ZeroOrOne/>
            </Occurrence>
            <DFTitle>ThreshChUtilWLANHighRAN</DFTitle>
            <DFType>
            <MIME>text/plain</MIME>
            </DFType>
        </DFProperties>
    </Node>
</Node>

<Node>
    <NodeName>ThreshBackhRateDLWLANLow</NodeName>
    <DFProperties>
        <AccessType>
            <Get/>
            <Replace/>
        </AccessType>
        <DFFormat>
            <int/>
        </DFFormat>

```

```

        <Occurrence>
          <ZeroOrOne/>
        </Occurrence>
      </DFTitle>ThreshBackhRateDLWLANLow</DFTitle>
      <DFType>
        <MIME>text/plain</MIME>
      </DFType>
    </DFProperties>

  <Node>

<NodeName>ThreshBackhRateDLWLANLowANDSF</NodeName>
  <DFProperties>
    <AccessType>
      <Get/>
      <Replace/>
    </AccessType>
    <DFFormat>
      <int/>
    </DFFormat>
    <Occurrence>
      <ZeroOrOne/>
    </Occurrence>

<DFTitle>ThreshBackhRateDLWLANLowANDSF</DFTitle>
  <DFType>
    <MIME>text/plain</MIME>
  </DFType>
  </DFProperties>
</Node>

  <Node>
    <NodeName>ThreshBackhRateDLWLANLowRAN</NodeName>
    <DFProperties>
      <AccessType>
        <Get/>
        <Replace/>
      </AccessType>
      <DFFormat>
        <null/>
      </DFFormat>
      <Occurrence>
        <ZeroOrOne/>
      </Occurrence>

<DFTitle>ThreshBackhRateDLWLANLowRAN</DFTitle>
  <DFType>
    <MIME>text/plain</MIME>
  </DFType>
  </DFProperties>
</Node>

  <Node>
    <NodeName>ThreshBackhRateDLWLANHigh</NodeName>
    <DFProperties>
      <AccessType>
        <Get/>
        <Replace/>
      </AccessType>
      <DFFormat>
        <int/>
      </DFFormat>
      <Occurrence>
        <ZeroOrOne/>
      </Occurrence>
    <DFTitle>ThreshBackhRateDLWLANHigh</DFTitle>
    <DFType>
      <MIME>text/plain</MIME>
    </DFType>
  </DFProperties>

  <Node>

<NodeName>ThreshBackhRateDLWLANHighANDSF</NodeName>
  <DFProperties>
    <AccessType>
      <Get/>

```



```

        <Replace/>
    </AccessType>
    <DFFormat>
        <int/>
    </DFFormat>
    <Occurrence>
        <ZeroOrOne/>
    </Occurrence>

<DFTitle>ThreshBackhRateDLWLANHighANDSF</DFTitle>
    <DFType>
    <MIME>text/plain</MIME>
    </DFType>
    </DFProperties>
</Node>
</Node>

<NodeName>ThreshBackhRateDLWLANHighRAN</NodeName>
    <DFProperties>
    <AccessType>
    <Get/>
    <Replace/>
    </AccessType>
    <DFFormat>
    <null/>
    </DFFormat>
    <Occurrence>
    <ZeroOrOne/>
    </Occurrence>

<DFTitle>ThreshBackhRateDLWLANHighRAN</DFTitle>
    <DFType>
    <MIME>text/plain</MIME>
    </DFType>
    </DFProperties>
</Node>
</Node>

<Node>
    <NodeName>ThreshBackhRateULWLANLow</NodeName>
    <DFProperties>
    <AccessType>
    <Get/>
    <Replace/>
    </AccessType>
    <DFFormat>
    <int/>
    </DFFormat>
    <Occurrence>
    <ZeroOrOne/>
    </Occurrence>
    <DFTitle>ThreshBackhRateULWLANLow</DFTitle>
    <DFType>
    <MIME>text/plain</MIME>
    </DFType>
    </DFProperties>
</Node>

<NodeName>ThreshBackhRateULWLANLowANDSF</NodeName>
    <DFProperties>
    <AccessType>
    <Get/>
    <Replace/>
    </AccessType>
    <DFFormat>
    <int/>
    </DFFormat>
    <Occurrence>
    <ZeroOrOne/>
    </Occurrence>

<DFTitle>ThreshBackhRateULWLANLowANDSF</DFTitle>
    <DFType>
    <MIME>text/plain</MIME>
    </DFType>
    </DFProperties>

```

```

</Node>
<Node>
  <NodeName>ThreshBackhRateULWLANLowRAN</NodeName>
  <DFProperties>
    <AccessType>
      <Get/>
      <Replace/>
    </AccessType>
    <DFFormat>
      <null/>
    </DFFormat>
    <Occurrence>
      <ZeroOrOne/>
    </Occurrence>

<DFTitle>ThreshBackhRateULWLANLowRAN</DFTitle>

    <DFType>
    <MIME>text/plain</MIME>
    </DFType>
  </DFProperties>
</Node>
</Node>

<Node>
  <NodeName>ThreshBackhRateULWLANHigh</NodeName>
  <DFProperties>
    <AccessType>
      <Get/>
      <Replace/>
    </AccessType>
    <DFFormat>
      <int/>
    </DFFormat>
    <Occurrence>
      <ZeroOrOne/>
    </Occurrence>
    <DFTitle>ThreshBackhRateULWLANHigh</DFTitle>
    <DFType>
    <MIME>text/plain</MIME>
    </DFType>
  </DFProperties>

  <Node>

<NodeName>ThreshBackhRateULWLANHighANDSF</NodeName>
  <DFProperties>
    <AccessType>
      <Get/>
      <Replace/>
    </AccessType>
    <DFFormat>
      <int/>
    </DFFormat>
    <Occurrence>
      <ZeroOrOne/>
    </Occurrence>

<DFTitle>ThreshBackhRateULWLANHighANDSF</DFTitle>

    <DFType>
    <MIME>text/plain</MIME>
    </DFType>
  </DFProperties>
</Node>

<Node>

<NodeName>ThreshBackhRateULWLANHighRAN</NodeName>
  <DFProperties>
    <AccessType>
      <Get/>
      <Replace/>
    </AccessType>
    <DFFormat>
      <null/>
    </DFFormat>
    <Occurrence>
      <ZeroOrOne/>

```

```

        </Occurrence>
<DFTitle>ThreshBackhRateULWLANHighRAN</DFTitle>
        <DFType>
        <MIME>text/plain</MIME>
        </DFType>
        </DFProperties>
    </Node>
</Node>
<Node>
    <NodeName>ThreshBeaconRSSIWLANLow</NodeName>
    <DFProperties>
        <AccessType>
        <Get/>
        <Replace/>
        </AccessType>
        <DFFormat>
        <int/>
        </DFFormat>
        <Occurrence>
        <ZeroOrOne/>
        </Occurrence>
        <DFTitle>ThreshBeaconRSSIWLANLow</DFTitle>
        <DFType>
        <MIME>text/plain</MIME>
        </DFType>
    </DFProperties>

    <Node>
<NodeName>ThreshBeaconRSSIWLANLowANDSF</NodeName>
        <DFProperties>
            <AccessType>
            <Get/>
            <Replace/>
            </AccessType>
            <DFFormat>
            <int/>
            </DFFormat>
            <Occurrence>
            <ZeroOrOne/>
            </Occurrence>

<DFTitle>ThreshBeaconRSSIWLANLowANDSF</DFTitle>
                <DFType>
                <MIME>text/plain</MIME>
                </DFType>
            </DFProperties>
        </Node>

    <Node>
        <NodeName>ThreshBeaconRSSIWLANLowRAN</NodeName>
        <DFProperties>
            <AccessType>
            <Get/>
            <Replace/>
            </AccessType>
            <DFFormat>
            <null/>
            </DFFormat>
            <Occurrence>
            <ZeroOrOne/>
            </Occurrence>

<DFTitle>ThreshBeaconRSSIWLANLowRAN</DFTitle>
                <DFType>
                <MIME>text/plain</MIME>
                </DFType>
            </DFProperties>
        </Node>
</Node>
<Node>
    <NodeName>ThreshBeaconRSSIWLANHigh</NodeName>
    <DFProperties>
        <AccessType>
        <Get/>

```

```

        <Replace/>
    </AccessType>
    <DFFormat>
        <int/>
    </DFFormat>
    <Occurrence>
        <ZeroOrOne/>
    </Occurrence>
    <DFTitle>ThreshBeaconRSSIWLANHigh</DFTitle>
    <DFType>
    <MIME>text/plain</MIME>
    </DFType>
</DFProperties>

<Node>

<NodeName>ThreshBeaconRSSIWLANHighANDSF</NodeName>
    <DFProperties>
        <AccessType>
            <Get/>
            <Replace/>
        </AccessType>
        <DFFormat>
            <int/>
        </DFFormat>
        <Occurrence>
            <ZeroOrOne/>
        </Occurrence>

<DFTitle>ThreshBeaconRSSIWLANHighANDSF</DFTitle>
        <DFType>
        <MIME>text/plain</MIME>
        </DFType>
    </DFProperties>
</Node>

<Node>
    <NodeName>ThreshBeaconRSSIWLANHighRAN</NodeName>
    <DFProperties>
        <AccessType>
            <Get/>
            <Replace/>
        </AccessType>
        <DFFormat>
            <null/>
        </DFFormat>
        <Occurrence>
            <ZeroOrOne/>
        </Occurrence>

<DFTitle>ThreshBeaconRSSIWLANHighRAN</DFTitle>
        <DFType>
        <MIME>text/plain</MIME>
        </DFType>
    </DFProperties>
</Node>
</Node>
</Node>

<Node>
    <NodeName>ThresholdConditionEvaluationPolicy</NodeName>
    <DFProperties>
        <AccessType>
            <Get/>
            <Replace/>
        </AccessType>
        <DFFormat>
            <bool/>
        </DFFormat>
        <Occurrence>
            <One/>
        </Occurrence>
        <DFTitle>ThresholdConditionEvaluationPolicy</DFTitle>
        <DFType>
        <MIME>text/plain</MIME>
        </DFType>
    </DFProperties>

```

```

    </Node>
  </Node>

  <Node>
    <NodeName>OPI</NodeName>
    <DFProperties>
      <AccessType>
        <Get/>
        <Replace/>
      </AccessType>
      <DFFormat>
        <int/>
      </DFFormat>
      <Occurrence>
        <One/>
      </Occurrence>
      <DFTitle>OPI</DFTitle>
      <DFType>
        <MIME>text/plain</MIME>
      </DFType>
    </DFProperties>
  </Node>
</Node>

  <Node>
    <NodeName>RANValidityConditionRef</NodeName>
    <DFProperties>
      <AccessType>
        <Get/>
        <Replace/>
      </AccessType>
      <DFFormat>
        <chr/>
      </DFFormat>
      <Occurrence>
        <ZeroOrOne/>
      </Occurrence>
      <DFTitle>A reference to a RANValidityCondition interior
node</DFTitle>
      <DFType>
        <MIME>text/plain</MIME>
      </DFType>
    </DFProperties>
  </Node>
</Node>
</Node>

  <Node>
    <NodeName>RoutingRule</NodeName>
    <DFProperties>
      <AccessType>
        <Get/>
        <Replace/>
      </AccessType>
      <DFFormat>
        <node/>
      </DFFormat>
      <Occurrence>
        <One/>
      </Occurrence>
      <DFTitle>Prioritized access.</DFTitle>
      <DFType>
        <DDFName/>
      </DFType>
    </DFProperties>

  <Node>
    <NodeName></NodeName>
    <DFProperties>
      <AccessType>
        <Get/>
        <Replace/>
      </AccessType>
      <DFFormat>
        <node/>
      </DFFormat>
      <Occurrence>
        <OneOrMore/>

```

```

        </Occurrence>
        <DFType>
            <DDFName></DDFName>
        </DFType>
    </DFProperties>
</Node>
<Node>
    <NodeName>AccessId</NodeName>
    <DFProperties>
        <AccessType>
            <Get/>
            <Replace/>
        </AccessType>
        <DFFormat>
            <chr/>
        </DFFormat>
        <Occurrence>
            <ZeroOrOne/>
        </Occurrence>
        <DFTitle>Access identity.</DFTitle>
        <DFType>
            <MIME>text/plain</MIME>
        </DFType>
    </DFProperties>
</Node>
<Node>
    <NodeName>SecondaryAccessId</NodeName>
    <DFProperties>
        <AccessType>
            <Get/>
            <Replace/>
        </AccessType>
        <DFFormat>
            <chr/>
        </DFFormat>
        <Occurrence>
            <ZeroOrOne/>
        </Occurrence>
        <DFTitle>Access identity.</DFTitle>
        <DFType>
            <MIME>text/plain</MIME>
        </DFType>
    </DFProperties>
</Node>
<Node>
    <NodeName>AccessNetworkPriority</NodeName>
    <DFProperties>
        <AccessType>
            <Get/>
            <Replace/>
        </AccessType>
        <DFFormat>
            <int/>
        </DFFormat>
        <Occurrence>
            <One/>
        </Occurrence>
        <DFTitle>Access network priority.</DFTitle>
        <DFType>
            <MIME>text/plain</MIME>
        </DFType>
    </DFProperties>
</Node>
</Node>
</Node>
<Node>
    <NodeName>RulePriority</NodeName>
    <DFProperties>
        <AccessType>
            <Get/>
            <Replace/>
        </AccessType>
        <DFFormat>
            <int/>
        </DFFormat>
    </DFProperties>

```

```

        <Occurrence>
          <One/>
        </Occurrence>
        <DFTitle>Rule priority.</DFTitle>
        <DFType>
          <MIME>text/plain</MIME>
        </DFType>
      </DFProperties>
    </Node>
  </Node>
</Node>
<Node>
  <NodeName>Roaming</NodeName>
  <DFProperties>
    <AccessType>
      <Get/>
      <Replace/>
    </AccessType>
    <DFFormat>
      <bool/>
    </DFFormat>
    <Occurrence>
      <ZeroOrOne/>
    </Occurrence>
    <DFTitle>validity in case of Roaming</DFTitle>
    <DFType>
      <MIME>text/plain</MIME>
    </DFType>
  </DFProperties>
</Node>
<Node>
  <NodeName>PLMN</NodeName>
  <DFProperties>
    <AccessType>
      <Get/>
      <Replace/>
    </AccessType>
    <DFFormat>
      <chr/>
    </DFFormat>
    <Occurrence>
      <One/>
    </Occurrence>
    <DFTitle>PLMN which created the policy.</DFTitle>
    <DFType>
      <MIME>text/plain</MIME>
    </DFType>
  </DFProperties>
</Node>
<Node>
  <NodeName>UpdatePolicy</NodeName>
  <DFProperties>
    <AccessType>
      <Get/>
      <Replace/>
    </AccessType>
    <DFFormat>
      <bool/>
    </DFFormat>
    <Occurrence>
      <ZeroOrOne/>
    </Occurrence>
    <DFTitle>Update policy.</DFTitle>
    <DFType>
      <MIME>text/plain</MIME>
    </DFType>
  </DFProperties>
</Node>
</Node>
<Node>
  <NodeName>UE_Profile</NodeName>
  <!-- The UE_Profile node starts here. -->
  <DFProperties>

```

```

    <AccessType>
      <Get/>
    </AccessType>
  </DFFormat>
</DFFormat>
<Occurrence>
  <ZeroOrOne/>
</Occurrence>
<DFTitle>Profile of the UE</DFTitle>
<DFType>
  <DDFName/>
</DFType>
</DFProperties>
</Node>

<Node>
  <NodeName>DevCapability</NodeName>
  <DFProperties>
    <AccessType>
      <Get/>
    </AccessType>
    <DFFormat>
      <node/>
    </DFFormat>
    <Occurrence>
      <ZeroOrOne/>
    </Occurrence>
    <DFTitle>Device Capabilities</DFTitle>
    <DFType>
      <MIME>text/plain</MIME>
    </DFType>
  </DFProperties>
</Node>

<Node>
  <NodeName></NodeName>
  <DFProperties>
    <AccessType>
      <Get/>
    </AccessType>
    <DFFormat>
      <node/>
    </DFFormat>
    <Occurrence>
      <ZeroOrMore/>
    </Occurrence>
    <DFType>
      <DDFName></DDFName>
    </DFType>
  </DFProperties>
</Node>

<Node>
  <NodeName>OSId</NodeName>
  <DFProperties>
    <AccessType>
      <Get/>
    </AccessType>
    <DFFormat>
      <chr/>
    </DFFormat>
    <Occurrence>
      <One/>
    </Occurrence>
    <DFTitle>Identifier of Operating System supported by UE</DFTitle>
    <DFType>
      <MIME>text/plain</MIME>
    </DFType>
  </DFProperties>
</Node>
</Node>

<Node>
  <NodeName>WLANSP</NodeName>
  <!-- The WLANSP node starts here. -->
  <DFProperties>
    <AccessType>
      <Get/>

```



```

        <Replace/>
    </AccessType>
    <DFFormat>
        <node/>
    </DFFormat>
    <Occurrence>
        <ZeroOrOne/>
    </Occurrence>
    <DFTitle>WLANSP rules for WLAN access network selection.</DFTitle>
    <DFType>
        <DDFName/>
    </DFType>
</DFProperties>

<Node>
    <NodeName></NodeName>
    <DFProperties>
        <AccessType>
            <Get/>
            <Replace/>
        </AccessType>
        <DFFormat>
            <node/>
        </DFFormat>
        <Occurrence>
            <OneOrMore/>
        </Occurrence>
        <DFType>
            <DDFName></DDFName>
        </DFType>
    </DFProperties>

    <Node>
        <NodeName>RulePriority</NodeName>
        <DFProperties>
            <AccessType>
                <Get/>
                <Replace/>
            </AccessType>
            <DFFormat>
                <int/>
            </DFFormat>
            <Occurrence>
                <One/>
            </Occurrence>
            <DFTitle>Rule priority.</DFTitle>
            <DFType>
                <MIME>text/plain</MIME>
            </DFType>
        </DFProperties>
    </Node>

    <Node>
        <NodeName>SelectionCriteria</NodeName>
        <DFProperties>
            <AccessType>
                <Get/>
                <Replace/>
            </AccessType>
            <DFFormat>
                <node/>
            </DFFormat>
            <Occurrence>
                <One/>
            </Occurrence>
            <DFTitle>Criteria for WLAN access network selection.</DFTitle>
            <DFType>
                <DDFName/>
            </DFType>
        </DFProperties>

    <Node>
        <NodeName></NodeName>
        <DFProperties>
            <AccessType>
                <Get/>
                <Replace/>
            </AccessType>

```

```

    <DFFormat>
      <node/>
    </DFFormat>
  </Occurrence>
  <OneOrMore/>
</Occurrence>
<DFType>
  <DDFName></DDFName>
</DFType>
</DFProperties>

<Node>
  <NodeName>CriteriaPriority</NodeName>
  <DFProperties>
    <AccessType>
      <Get/>
      <Replace/>
    </AccessType>
    <DFFormat>
      <int/>
    </DFFormat>
    <Occurrence>
      <One/>
    </Occurrence>
    <DFTitle>Criterion priority.</DFTitle>
    <DFType>
      <MIME>text/plain</MIME>
    </DFType>
  </DFProperties>
</Node>

<Node>
  <NodeName>HomeNetworkIndication</NodeName>
  <DFProperties>
    <AccessType>
      <Get/>
      <Replace/>
    </AccessType>
    <DFFormat>
      <int/>
    </DFFormat>
    <Occurrence>
      <ZeroOrOne/>
    </Occurrence>
    <DFTitle>Applicable scope of selection criteria.</DFTitle>
    <DFType>
      <MIME>text/plain</MIME>
    </DFType>
  </DFProperties>
</Node>

<Node>
  <NodeName>PreferredRoamingPartnerList</NodeName>
  <DFProperties>
    <AccessType>
      <Get/>
      <Replace/>
    </AccessType>
    <DFFormat>
      <node/>
    </DFFormat>
    <Occurrence>
      <ZeroOrOne/>
    </Occurrence>
    <DFTitle>Preferred roaming partner.</DFTitle>
    <DFType>
      <DDFName/>
    </DFType>
  </DFProperties>
</Node>

<Node>
  <NodeName>MinBackhaulThreshold</NodeName>
  <DFProperties>
    <AccessType>
      <Get/>
      <Replace/>
    </AccessType>
    <DFFormat>

```

```

        <node/>
    </DFFormat>
    <Occurrence>
        <ZeroOrOne/>
    </Occurrence>
    <DFTitle>Minimum WAN bandwidth.</DFTitle>
    <DFType>
        <DDFName/>
    </DFType>
    </DFProperties>
</Node>

<Node>
    <NodeName>MaximumBSSLoadValue</NodeName>
    <DFProperties>
        <AccessType>
            <Get/>
            <Replace/>
        </AccessType>
        <DFFormat>
            <int/>
        </DFFormat>
        <Occurrence>
            <ZeroOrOne/>
        </Occurrence>
        <DFTitle>Maximum BSS load.</DFTitle>
        <DFType>
            <MIME>text/plain</MIME>
        </DFType>
    </DFProperties>
</Node>

<Node>
    <NodeName>RequiredProtoPortTuple</NodeName>
    <DFProperties>
        <AccessType>
            <Get/>
            <Replace/>
        </AccessType>
        <DFFormat>
            <node/>
        </DFFormat>
        <Occurrence>
            <ZeroOrOne/>
        </Occurrence>
        <DFTitle>Required protocol port tuple.</DFTitle>
        <DFType>
            <DDFName/>
        </DFType>
    </DFProperties>
</Node>

<Node>
    <NodeName>SPExclusionList</NodeName>
    <DFProperties>
        <AccessType>
            <Get/>
            <Replace/>
        </AccessType>
        <DFFormat>
            <node/>
        </DFFormat>
        <Occurrence>
            <ZeroOrOne/>
        </Occurrence>
        <DFTitle>SSIDs not preferred for selection.</DFTitle>
        <DFType>
            <DDFName/>
        </DFType>
    </DFProperties>
</Node>

<Node>
    <NodeName>PreferredSSIDList</NodeName>
    <DFProperties>
        <AccessType>
            <Get/>

```

```

        <Replace/>
    </AccessType>
    <DFFormat>
        <node/>
    </DFFormat>
    <Occurrence>
        <ZeroOrOne/>
    </Occurrence>
    <DFTitle>preferred WLAN access network identifiers.</DFTitle>
    <DFType>
        <DDFName/>
    </DFType>
</DFProperties>
<Node>
    <NodeName></NodeName>
    <DFProperties>
        <AccessType>
            <Get/>
            <Replace/>
        </AccessType>
        <DFFormat>
            <node/>
        </DFFormat>
        <Occurrence>
            <OneOrMore/>
        </Occurrence>
        <DFType>
            <DDFName></DDFName>
        </DFType>
    </DFProperties>
</Node>
<Node>
    <NodeName>WLANpriority</NodeName>
    <DFProperties>
        <AccessType>
            <Get/>
            <Replace/>
        </AccessType>
        <DFFormat>
            <int/>
        </DFFormat>
        <Occurrence>
            <One/>
        </Occurrence>
        <DFTitle>WLAN priority.</DFTitle>
        <DFType>
            <MIME>text/plain</MIME>
        </DFType>
    </DFProperties>
</Node>
<Node>
    <NodeName>SSID</NodeName>
    <DFProperties>
        <AccessType>
            <Get/>
            <Replace/>
        </AccessType>
        <DFFormat>
            <chr/>
        </DFFormat>
        <Occurrence>
            <ZeroOrOne/>
        </Occurrence>
        <DFTitle>SSID</DFTitle>
        <DFType>
            <MIME>text/plain</MIME>
        </DFType>
    </DFProperties>
</Node>
<Node>
    <NodeName>HESSID</NodeName>
    <DFProperties>
        <AccessType>
            <Get/>
            <Replace/>
        </AccessType>

```

```

        <DFFormat>
          <chr/>
        </DFFormat>
      </Occurrence>
    </ZeroOrOne/>
  </Occurrence>
  <DFTitle>HESSID</DFTitle>
  <DFType>
    <MIME>text/plain</MIME>
  </DFType>
</DFProperties>
</Node>
</Node>
</Node>
</Node>
</Node>
<Node>
  <NodeName>ValidityArea</NodeName>
  <DFProperties>
    <AccessType>
      <Get/>
      <Replace/>
    </AccessType>
    <DFFormat>
      <node/>
    </DFFormat>
    <Occurrence>
      <ZeroOrOne/>
    </Occurrence>
    <DFTitle>Validity area.</DFTitle>
    <DFType>
      <DDFName/>
    </DFType>
  </DFProperties>
</Node>
<Node>
  <NodeName>3GPP_Location</NodeName>
  <DFProperties>
    <AccessType>
      <Get/>
      <Replace/>
    </AccessType>
    <DFFormat>
      <node/>
    </DFFormat>
    <Occurrence>
      <ZeroOrOne/>
    </Occurrence>
    <DFTitle>Validity area for 3GPP access.</DFTitle>
    <DFType>
      <DDFName/>
    </DFType>
  </DFProperties>
</Node>
<Node>
  <NodeName></NodeName>
  <DFProperties>
    <AccessType>
      <Get/>
      <Replace/>
    </AccessType>
    <DFFormat>
      <node/>
    </DFFormat>
    <Occurrence>
      <OneOrMore/>
    </Occurrence>
    <DFType>
      <DDFName></DDFName>
    </DFType>
  </DFProperties>
</Node>
<Node>
  <NodeName>PLMN</NodeName>
  <DFProperties>
    <AccessType>
      <Get/>

```

```

        <Replace/>
    </AccessType>
    <DFFormat>
        <chr/>
    </DFFormat>
    <Occurrence>
        <One/>
    </Occurrence>
    <DFTitle>PLMN.</DFTitle>
    <DFType>
        <MIME>text/plain</MIME>
    </DFType>
    </DFProperties>
</Node>

<Node>
    <NodeName>TAC</NodeName>
    <DFProperties>
        <AccessType>
            <Get/>
            <Replace/>
        </AccessType>
        <DFFormat>
            <chr/>
        </DFFormat>
        <Occurrence>
            <ZeroOrOne/>
        </Occurrence>
        <DFTitle>TAC.</DFTitle>
        <DFType>
            <MIME>text/plain</MIME>
        </DFType>
    </DFProperties>
</Node>

<Node>
    <NodeName>LAC</NodeName>
    <DFProperties>
        <AccessType>
            <Get/>
            <Replace/>
        </AccessType>
        <DFFormat>
            <chr/>
        </DFFormat>
        <Occurrence>
            <ZeroOrOne/>
        </Occurrence>
        <DFTitle>LAC.</DFTitle>
        <DFType>
            <MIME>text/plain</MIME>
        </DFType>
    </DFProperties>
</Node>

<Node>
    <NodeName>GERAN_CI</NodeName>
    <DFProperties>
        <AccessType>
            <Get/>
            <Replace/>
        </AccessType>
        <DFFormat>
            <bin/>
        </DFFormat>
        <Occurrence>
            <ZeroOrOne/>
        </Occurrence>
        <DFTitle>GERAN_CI.</DFTitle>
        <DFType>
            <MIME>text/plain</MIME>
        </DFType>
    </DFProperties>
</Node>

<Node>
    <NodeName>UTRAN_CI</NodeName>
    <DFProperties>

```

```

        <AccessType>
          <Get/>
          <Replace/>
        </AccessType>
        <DFFormat>
          <bin/>
        </DFFormat>
        <Occurrence>
          <ZeroOrOne/>
        </Occurrence>
        <DFTitle>UTRAN_CI.</DFTitle>
        <DFType>
          <MIME>text/plain</MIME>
        </DFType>
      </DFProperties>
    </Node>

    <Node>
      <NodeName>EUTRA_CI</NodeName>
      <DFProperties>
        <AccessType>
          <Get/>
          <Replace/>
        </AccessType>
        <DFFormat>
          <bin/>
        </DFFormat>
        <Occurrence>
          <ZeroOrOne/>
        </Occurrence>
        <DFTitle>EUTRA_CI.</DFTitle>
        <DFType>
          <MIME>text/plain</MIME>
        </DFType>
      </DFProperties>
    </Node>
  </Node>
</Node>

<Node>
  <NodeName>3GPP2_Location</NodeName>
  <DFProperties>
    <AccessType>
      <Get/>
      <Replace/>
    </AccessType>
    <DFFormat>
      <node/>
    </DFFormat>
    <Occurrence>
      <ZeroOrOne/>
    </Occurrence>
    <DFTitle> Validity area for 3GPP2 access.</DFTitle>
    <DFType>
      <DDFName/>
    </DFType>
  </DFProperties>

  <Node>
    <NodeName>1x</NodeName>
    <DFProperties>
      <AccessType>
        <Get/>
        <Replace/>
      </AccessType>
      <DFFormat>
        <node/>
      </DFFormat>
      <Occurrence>
        <ZeroOrOne/>
      </Occurrence>
      <DFTitle> Validity area for 3GPP2-1x access.</DFTitle>
      <DFType>
        <DDFName/>
      </DFType>
    </DFProperties>
  </Node>

```

```

<NodeName></NodeName>
<DFProperties>
  <AccessType>
    <Get/>
    <Replace/>
  </AccessType>
  <DFFormat>
    <node/>
  </DFFormat>
  <Occurrence>
    <OneOrMore/>
  </Occurrence>
  <DFTType>
    <DDFName></DDFName>
  </DFTType>
</DFProperties>

<Node>
  <NodeName>SID</NodeName>
  <DFProperties>
    <AccessType>
      <Get/>
      <Replace/>
    </AccessType>
    <DFFormat>
      <chr/>
    </DFFormat>
    <Occurrence>
      <One/>
    </Occurrence>
    <DFTTitle>1x-SID.</DFTTitle>
    <DFTType>
      <MIME>text/plain</MIME>
    </DFTType>
  </DFProperties>
</Node>

<Node>
  <NodeName>NID</NodeName>
  <DFProperties>
    <AccessType>
      <Get/>
      <Replace/>
    </AccessType>
    <DFFormat>
      <chr/>
    </DFFormat>
    <Occurrence>
      <ZeroOrOne/>
    </Occurrence>
    <DFTTitle>1x-NID.</DFTTitle>
    <DFTType>
      <MIME>text/plain</MIME>
    </DFTType>
  </DFProperties>
</Node>

<Node>
  <NodeName>Base_ID</NodeName>
  <DFProperties>
    <AccessType>
      <Get/>
      <Replace/>
    </AccessType>
    <DFFormat>
      <chr/>
    </DFFormat>
    <Occurrence>
      <ZeroOrOne/>
    </Occurrence>
    <DFTTitle>1x-Base ID.</DFTTitle>
    <DFTType>
      <MIME>text/plain</MIME>
    </DFTType>
  </DFProperties>
</Node>
</Node>
</Node>

```



```

<Node>
  <NodeName>HRPD</NodeName>
  <DFProperties>
    <AccessType>
      <Get/>
      <Replace/>
    </AccessType>
    <DFFormat>
      <node/>
    </DFFormat>
    <Occurrence>
      <ZeroOrOne/>
    </Occurrence>
    <DFTitle> Validity area for 3GPP2-HRPD access</DFTitle>
    <DFType>
      <DDFName/>
    </DFType>
  </DFProperties>

  <Node>
    <NodeName></NodeName>
    <DFProperties>
      <AccessType>
        <Get/>
        <Replace/>
      </AccessType>
      <DFFormat>
        <node/>
      </DFFormat>
      <Occurrence>
        <OneOrMore/>
      </Occurrence>
      <DFType>
        <DDFName></DDFName>
      </DFType>
    </DFProperties>

    <Node>
      <NodeName>Sector_ID</NodeName>
      <DFProperties>
        <AccessType>
          <Get/>
          <Replace/>
        </AccessType>
        <DFFormat>
          <bin/>
        </DFFormat>
        <Occurrence>
          <One/>
        </Occurrence>
        <DFTitle>HRPD Sector ID</DFTitle>
        <DFType>
          <MIME>text/plain</MIME>
        </DFType>
      </DFProperties>
    </Node>

    <Node>
      <NodeName>Netmask</NodeName>
      <DFProperties>
        <AccessType>
          <Get/>
          <Replace/>
        </AccessType>
        <DFFormat>
          <bin/>
        </DFFormat>
        <Occurrence>
          <One/>
        </Occurrence>
        <DFTitle>HRPD netmask</DFTitle>
        <DFType>
          <MIME>text/plain</MIME>
        </DFType>
      </DFProperties>
    </Node>
  </Node>
</Node>

```

```

    </Node>
  </Node>

  <Node>
    <NodeName>WiMAX_Location</NodeName>
    <DFProperties>
      <AccessType>
        <Get/>
        <Replace/>
      </AccessType>
      <DFFormat>
        <node/>
      </DFFormat>
      <Occurrence>
        <ZeroOrOne/>
      </Occurrence>
      <DFTitle> Validity area for WiMAX access.</DFTitle>
      <DFType>
        <DDFName/>
      </DFType>
    </DFProperties>

    <Node>
      <NodeName></NodeName>
      <DFProperties>
        <AccessType>
          <Get/>
          <Replace/>
        </AccessType>
        <DFFormat>
          <node/>
        </DFFormat>
        <Occurrence>
          <OneOrMore/>
        </Occurrence>
        <DFType>
          <DDFName></DDFName>
        </DFType>
      </DFProperties>

      <Node>
        <NodeName>NAP- ID</NodeName>
        <DFProperties>
          <AccessType>
            <Get/>
            <Replace/>
          </AccessType>
          <DFFormat>
            <chr/>
          </DFFormat>
          <Occurrence>
            <One/>
          </Occurrence>
          <DFTitle>NAP- ID</DFTitle>
          <DFType>
            <MIME>text/plain</MIME>
          </DFType>
        </DFProperties>
      </Node>

      <Node>
        <NodeName>BS- ID</NodeName>
        <DFProperties>
          <AccessType>
            <Get/>
            <Replace/>
          </AccessType>
          <DFFormat>
            <chr/>
          </DFFormat>
          <Occurrence>
            <One/>
          </Occurrence>
          <DFTitle>BS- ID</DFTitle>
          <DFType>
            <MIME>text/plain</MIME>
          </DFType>
        </DFProperties>
      </Node>
    </Node>
  </Node>

```

```

        </Node>
    </Node>
</Node>
<Node>
    <NodeName>WLAN_Location</NodeName>
    <DFProperties>
        <AccessType>
            <Get/>
            <Replace/>
        </AccessType>
        <DFFormat>
            <node/>
        </DFFormat>
        <Occurrence>
            <ZeroOrOne/>
        </Occurrence>
        <DFTitle> Validity area for WLAN access.</DFTitle>
        <DFType>
            <DDFName/>
        </DFType>
    </DFProperties>

    <Node>
        <NodeName></NodeName>
        <DFProperties>
            <AccessType>
                <Get/>
                <Replace/>
            </AccessType>
            <DFFormat>
                <node/>
            </DFFormat>
            <Occurrence>
                <OneOrMore/>
            </Occurrence>
            <DFType>
                <DDFName></DDFName>
            </DFType>
        </DFProperties>

    <Node>
        <NodeName>HESSID</NodeName>
        <DFProperties>
            <AccessType>
                <Get/>
                <Replace/>
            </AccessType>
            <DFFormat>
                <chr/>
            </DFFormat>
            <Occurrence>
                <ZeroOrOne/>
            </Occurrence>
            <DFTitle>HESSID</DFTitle>
            <DFType>
                <MIME>text/plain</MIME>
            </DFType>
        </DFProperties>
    </Node>

    <Node>
        <NodeName>SSID</NodeName>
        <DFProperties>
            <AccessType>
                <Get/>
                <Replace/>
            </AccessType>
            <DFFormat>
                <chr/>
            </DFFormat>
            <Occurrence>
                <ZeroOrOne/>
            </Occurrence>
            <DFTitle>SSID</DFTitle>
            <DFType>
                <MIME>text/plain</MIME>
            </DFType>
        </DFProperties>
    </Node>

```

```

    </DFProperties>
  </Node>

  <Node>
    <nodeName>BSSID</nodeName>
    <DFProperties>
      <AccessType>
        <Get/>
        <Replace/>
      </AccessType>
      <DFFormat>
        <chr/>
      </DFFormat>
      <Occurrence>
        <ZeroOrOne/>
      </Occurrence>
      <DFTitle>BSSID</DFTitle>
      <DFType>
        <MIME>text/plain</MIME>
      </DFType>
    </DFProperties>
  </Node>
</Node>

<Node>
  <nodeName>Geo_Location</nodeName>
  <DFProperties>
    <AccessType>
      <Get/>
      <Replace/>
    </AccessType>
    <DFFormat>
      <node/>
    </DFFormat>
    <Occurrence>
      <ZeroOrOne/>
    </Occurrence>
    <DFTitle>Geographical location.</DFTitle>
    <DFType>
      <DDFName/>
    </DFType>
  </DFProperties>

  <Node>
    <nodeName>Circular</nodeName>
    <DFProperties>
      <AccessType>
        <Get/>
        <Replace/>
      </AccessType>
      <DFFormat>
        <node/>
      </DFFormat>
      <Occurrence>
        <ZeroOrOne/>
      </Occurrence>
      <DFTitle>Circular location descripton.</DFTitle>
      <DFType>
        <DDFName/>
      </DFType>
    </DFProperties>

  <Node>
    <nodeName></nodeName>
    <DFProperties>
      <AccessType>
        <Get/>
        <Replace/>
      </AccessType>
      <DFFormat>
        <node/>
      </DFFormat>
      <Occurrence>
        <OneOrMore/>
      </Occurrence>
      <DFType>
        <DDFName></DDFName>
      </DFType>
    </DFProperties>
  </Node>

```

```

        </DFType>
    </DFProperties>

    <Node>
        <nodeName>AnchorLatitude</nodeName>
        <DFProperties>
            <AccessType>
                <Get/>
                <Replace/>
            </AccessType>
            <DFFormat>
                <chr/>
            </DFFormat>
            <Occurrence>
                <One/>
            </Occurrence>
            <DFTitle>Anchor latitude</DFTitle>
            <DFType>
                <MIME>text/plain</MIME>
            </DFType>
        </DFProperties>
    </Node>

    <Node>
        <nodeName>AnchorLongitude</nodeName>
        <DFProperties>
            <AccessType>
                <Get/>
                <Replace/>
            </AccessType>
            <DFFormat>
                <chr/>
            </DFFormat>
            <Occurrence>
                <One/>
            </Occurrence>
            <DFTitle>Anchor longitude</DFTitle>
            <DFType>
                <MIME>text/plain</MIME>
            </DFType>
        </DFProperties>
    </Node>

    <Node>
        <nodeName>Radius</nodeName>
        <DFProperties>
            <AccessType>
                <Get/>
                <Replace/>
            </AccessType>
            <DFFormat>
                <chr/>
            </DFFormat>
            <Occurrence>
                <One/>
            </Occurrence>
            <DFTitle>Radius</DFTitle>
            <DFType>
                <MIME>text/plain</MIME>
            </DFType>
        </DFProperties>
    </Node>
</Node>
</Node>
</Node>
</Node>
</Node>
<Node>
    <nodeName>ValidityAreaRef</nodeName>
    <DFProperties>
        <AccessType>
            <Get/>
            <Replace/>
        </AccessType>
        <DFFormat>
            <chr/>
        </DFFormat>
        <Occurrence>

```

```

        <ZeroOrOne/>
    </Occurrence>
    <DFTitle>A reference to a ValidityArea interior node</DFTitle>
    <DFType>
        <MIME>text/plain</MIME>
    </DFType>
</DFProperties>
</Node>

<Node>
    <NodeName>Roaming</NodeName>
    <DFProperties>
        <AccessType>
            <Get/>
            <Replace/>
        </AccessType>
        <DFFormat>
            <bool/>
        </DFFormat>
        <Occurrence>
            <ZeroOrOne/>
        </Occurrence>
        <DFTitle>Rule priority.</DFTitle>
        <DFType>
            <MIME>text/plain</MIME>
        </DFType>
    </DFProperties>
</Node>

<Node>
    <NodeName>PLMN</NodeName>
    <DFProperties>
        <AccessType>
            <Get/>
            <Replace/>
        </AccessType>
        <DFFormat>
            <chr/>
        </DFFormat>
        <Occurrence>
            <One/>
        </Occurrence>
        <DFTitle>PLMN which created the policy.</DFTitle>
        <DFType>
            <MIME>text/plain</MIME>
        </DFType>
    </DFProperties>
</Node>

<Node>
    <NodeName>TimeOfDay</NodeName>
    <DFProperties>
        <AccessType>
            <Get/>
            <Replace/>
        </AccessType>
        <DFFormat>
            <node/>
        </DFFormat>
        <Occurrence>
            <ZeroOrOne/>
        </Occurrence>
        <DFTitle>Time of day.</DFTitle>
        <DFType>
            <DDFName/>
        </DFType>
    </DFProperties>

    <Node>
        <NodeName></NodeName>
        <DFProperties>
            <AccessType>
                <Get/>
                <Replace/>
            </AccessType>
            <DFFormat>
                <node/>
            </DFFormat>

```

```

    <Occurrence>
      <OneOrMore/>
    </Occurrence>
  <DFType>
    <DDFName></DDFName>
  </DFType>
</DFProperties>

<Node>
  <NodeName>TimeStart</NodeName>
  <DFProperties>
    <AccessType>
      <Get/>
      <Replace/>
    </AccessType>
    <DFFormat>
      <chr/>
    </DFFormat>
    <Occurrence>
      <ZeroOrOne/>
    </Occurrence>
    <DFTitle>Start condition for time of rule.</DFTitle>
    <DFType>
      <MIME>text/plain</MIME>
    </DFType>
  </DFProperties>
</Node>

<Node>
  <NodeName>TimeStop</NodeName>
  <DFProperties>
    <AccessType>
      <Get/>
      <Replace/>
    </AccessType>
    <DFFormat>
      <chr/>
    </DFFormat>
    <Occurrence>
      <ZeroOrOne/>
    </Occurrence>
    <DFTitle>Stop condition for time of rule.</DFTitle>
    <DFType>
      <MIME>text/plain</MIME>
    </DFType>
  </DFProperties>
</Node>

<Node>
  <NodeName>DateStart</NodeName>
  <DFProperties>
    <AccessType>
      <Get/>
      <Replace/>
    </AccessType>
    <DFFormat>
      <chr/>
    </DFFormat>
    <Occurrence>
      <ZeroOrOne/>
    </Occurrence>
    <DFTitle>Starting date for time condition of rule.</DFTitle>
    <DFType>
      <MIME>text/plain</MIME>
    </DFType>
  </DFProperties>
</Node>

<Node>
  <NodeName>DateStop</NodeName>
  <DFProperties>
    <AccessType>
      <Get/>
      <Replace/>
    </AccessType>
    <DFFormat>
      <chr/>
    </DFFormat>

```

```

        <Occurrence>
          <ZeroOrOne/>
        </Occurrence>
        <DFTitle>Stop date for time condition of rule.</DFTitle>
        <DFType>
          <MIME>text/plain</MIME>
        </DFType>
      </DFProperties>
    </Node>

    <Node>
      <NodeName>DayOfWeek</NodeName>
      <DFProperties>
        <AccessType>
          <Get/>
          <Replace/>
        </AccessType>
        <DFFormat>
          <int/>
        </DFFormat>
        <Occurrence>
          <ZeroOrOne/>
        </Occurrence>
        <DFTitle>Bitmap for day of week condition</DFTitle>
        <DFType>
          <MIME>text/plain</MIME>
        </DFType>
      </DFProperties>
    </Node>
  </Node>

  <Node>
    <NodeName>TimeOfDayRef</NodeName>
    <DFProperties>
      <AccessType>
        <Get/>
        <Replace/>
      </AccessType>
      <DFFormat>
        <chr/>
      </DFFormat>
      <Occurrence>
        <ZeroOrOne/>
      </Occurrence>
      <DFTitle>A reference to a TimeOfDay interior node</DFTitle>
      <DFType>
        <MIME>text/plain</MIME>
      </DFType>
    </DFProperties>
  </Node>

  <Node>
    <NodeName>UpdatePolicy</NodeName>
    <DFProperties>
      <AccessType>
        <Get/>
        <Replace/>
      </AccessType>
      <DFFormat>
        <bool/>
      </DFFormat>
      <Occurrence>
        <ZeroOrOne/>
      </Occurrence>
      <DFTitle>Update policy.</DFTitle>
      <DFType>
        <MIME>text/plain</MIME>
      </DFType>
    </DFProperties>
  </Node>
</Node>

<Node>
  <NodeName>IARP</NodeName>
  <!-- The IARP node starts here. -->
  <DFProperties>

```



```

    <AccessType>
      <Get/>
      <Replace/>
    </AccessType>
  </DFFormat>
  <node/>
</DFFormat>
<Occurrence>
  <ZeroOrOne/>
</Occurrence>
<DFTitle>IARP rules for selecting an APN or non-seamless WLAN offload of specific IP
Flows of existing PDN connections</DFTitle>
<DFType>
  <DDFName/>
</DFType>
</DFProperties>

<Node>
  <NodeName></NodeName>
  <DFProperties>
    <AccessType>
      <Get/>
      <Replace/>
    </AccessType>
    <DFFormat>
      <node/>
    </DFFormat>
    <Occurrence>
      <OneOrMore/>
    </Occurrence>
    <DFType>
      <DDFName></DDFName>
    </DFType>
  </DFProperties>

<Node>
  <NodeName>ForInterAPNRouting</NodeName>
  <DFProperties>
    <AccessType>
      <Get/>
      <Replace/>
    </AccessType>
    <DFFormat>
      <node/>
    </DFFormat>
    <Occurrence>
      <ZeroOrOne/>
    </Occurrence>
    <DFTitle>List of IARP for Inter-APN Routing case.</DFTitle>
    <DFType>
      <MIME>text/plain</MIME>
    </DFType>
  </DFProperties>

<Node>
  <NodeName></NodeName>
  <DFProperties>
    <AccessType>
      <Get/>
      <Replace/>
    </AccessType>
    <DFFormat>
      <node/>
    </DFFormat>
    <Occurrence>
      <OneOrMore/>
    </Occurrence>
    <DFType>
      <DDFName></DDFName>
    </DFType>
  </DFProperties>

<Node>
  <NodeName>IPFlow</NodeName>
  <DFProperties>
    <AccessType>
      <Get/>
      <Replace/>

```

```

</AccessType>
<DFFormat>
  <node/>
</DFFormat>
<Occurrence>
  <One/>
</Occurrence>
<DFTitle>IPFlow description</DFTitle>
<DFType>
  <MIME>text/plain</MIME>
</DFType>
</DFProperties>

<Node>
  <NodeName></NodeName>
  <DFProperties>
    <AccessType>
      <Get/>
      <Replace/>
    </AccessType>
    <DFFormat>
      <node/>
    </DFFormat>
    <Occurrence>
      <OneOrMore/>
    </Occurrence>
    <DFType>
      <DDFName></DDFName>
    </DFType>
  </DFProperties>

<Node>
  <NodeName>App-ID</NodeName>
  <!-- The application ID. -->
  <DFProperties>
    <AccessType>
      <Get/>
      <Replace/>
    </AccessType>
    <DFFormat>
      <node/>
    </DFFormat>
    <Occurrence>
      <ZeroOrOne/>
    </Occurrence>
    <DFTitle>application identifier</DFTitle>
    <DFType>
      <DDFName/>
    </DFType>
  </DFProperties>

<Node>
  <NodeName></NodeName>
  <DFProperties>
    <AccessType>
      <Get/>
      <Replace/>
    </AccessType>
    <DFFormat>
      <node/>
    </DFFormat>
    <Occurrence>
      <OneOrMore/>
    </Occurrence>
    <DFType>
      <DDFName></DDFName>
    </DFType>
  </DFProperties>

<Node>
  <NodeName>OSId</NodeName>
  <DFProperties>
    <AccessType>
      <Get/>
      <Replace/>
    </AccessType>
    <DFFormat>
      <chr/>

```

```

        </DFFormat>
        <Occurrence>
            <One/>
        </Occurrence>
        <DFTitle>Operating system identifier</DFTitle>
        <DFType>
            <MIME>text/plain</MIME>
        </DFType>
    </DFProperties>
</Node>

<Node>
    <NodeName>OSApps</NodeName>
    <DFProperties>
        <AccessType>
            <Get/>
            <Replace/>
        </AccessType>
        <DFFormat>
            <node/>
        </DFFormat>
        <Occurrence>
            <One/>
        </Occurrence>
        <DFTitle>OS specific applications</DFTitle>
        <DFType>
            <DDFName/>
        </DFType>
    </DFProperties>

    <Node>
        <NodeName></NodeName>
        <DFProperties>
            <AccessType>
                <Get/>
                <Replace/>
            </AccessType>
            <DFFormat>
                <node/>
            </DFFormat>
            <Occurrence>
                <OneOrMore/>
            </Occurrence>
            <DFType>
                <DDFName></DDFName>
            </DFType>
        </DFProperties>

    <Node>
        <NodeName>OSAppId</NodeName>
        <DFProperties>
            <AccessType>
                <Get/>
                <Replace/>
            </AccessType>
            <DFFormat>
                <chr/>
            </DFFormat>
            <Occurrence>
                <One/>
            </Occurrence>
            <DFTitle>OS specific app ID</DFTitle>
            <DFType>
                <MIME>text/plain</MIME>
            </DFType>
        </DFProperties>
    </Node>
</Node>
</Node>
</Node>
</Node>

<Node>
    <NodeName>AddressType</NodeName>
    <DFProperties>
        <AccessType>
            <Get/>
            <Replace/>
        </AccessType>
    </DFProperties>

```

```

        </AccessType>
        <DFFormat>
            <node/>
        </DFFormat>
        <Occurrence>
            <ZeroOrOne/>
        </Occurrence>
        <DFTitle>IP version of the IP addresses</DFTitle>
        <DFType>
            <MIME>text/plain</MIME>
        </DFType>
    </DFProperties>
</Node>

<Node>
    <NodeName>StartSourceIPAddress</NodeName>
    <DFProperties>
        <AccessType>
            <Get/>
            <Replace/>
        </AccessType>
        <DFFormat>
            <chr/>
        </DFFormat>
        <Occurrence>
            <ZeroOrOne/>
        </Occurrence>
        <DFTitle>Start IP src address</DFTitle>
        <DFType>
            <MIME>text/plain</MIME>
        </DFType>
    </DFProperties>
</Node>

<Node>
    <NodeName>EndSourceIPAddress</NodeName>
    <DFProperties>
        <AccessType>
            <Get/>
            <Replace/>
        </AccessType>
        <DFFormat>
            <chr/>
        </DFFormat>
        <Occurrence>
            <ZeroOrOne/>
        </Occurrence>
        <DFTitle>End IP src address</DFTitle>
        <DFType>
            <MIME>text/plain</MIME>
        </DFType>
    </DFProperties>
</Node>

<Node>
    <NodeName>ProtocolType</NodeName>
    <DFProperties>
        <AccessType>
            <Get/>
            <Replace/>
        </AccessType>
        <DFFormat>
            <int/>
        </DFFormat>
        <Occurrence>
            <ZeroOrOne/>
        </Occurrence>
        <DFTitle>protocol type</DFTitle>
        <DFType>
            <MIME>text/plain</MIME>
        </DFType>
    </DFProperties>
</Node>

<Node>
    <NodeName>StartSourcePortNumber</NodeName>
    <DFProperties>
        <AccessType>

```

```

        <Get/>
        <Replace/>
    </AccessType>
    <DFFormat>
        <int/>
    </DFFormat>
    <Occurrence>
        <ZeroOrOne/>
    </Occurrence>
    <DFTitle>Start src port number</DFTitle>
    <DFType>
        <MIME>text/plain</MIME>
    </DFType>
</DFProperties>
</Node>

<Node>
    <NodeName>EndSourcePortNumber</NodeName>
    <DFProperties>
        <AccessType>
            <Get/>
            <Replace/>
        </AccessType>
        <DFFormat>
            <int/>
        </DFFormat>
        <Occurrence>
            <ZeroOrOne/>
        </Occurrence>
        <DFTitle>End src port number</DFTitle>
        <DFType>
            <MIME>text/plain</MIME>
        </DFType>
    </DFProperties>
</Node>

<Node>
    <NodeName>StartDestPortNumber</NodeName>
    <DFProperties>
        <AccessType>
            <Get/>
            <Replace/>
        </AccessType>
        <DFFormat>
            <chr/>
        </DFFormat>
        <Occurrence>
            <ZeroOrOne/>
        </Occurrence>
        <DFTitle>Start dest port</DFTitle>
        <DFType>
            <MIME>text/plain</MIME>
        </DFType>
    </DFProperties>
</Node>

<Node>
    <NodeName>EndDestPortNumber</NodeName>
    <DFProperties>
        <AccessType>
            <Get/>
            <Replace/>
        </AccessType>
        <DFFormat>
            <chr/>
        </DFFormat>
        <Occurrence>
            <ZeroOrOne/>
        </Occurrence>
        <DFTitle>End Dst port</DFTitle>
        <DFType>
            <MIME>text/plain</MIME>
        </DFType>
    </DFProperties>
</Node>

<Node>
    <NodeName>QoS</NodeName>

```

```

    <DFProperties>
      <AccessType>
        <Get/>
        <Replace/>
      </AccessType>
      <DFFormat>
        <bin/>
      </DFFormat>
      <Occurrence>
        <ZeroOrOne/>
      </Occurrence>
      <DFTitle>QoS value</DFTitle>
      <DFType>
        <MIME>text/plain</MIME>
      </DFType>
    </DFProperties>
  </Node>

  <Node>
    <NodeName>DomainName</NodeName>
    <DFProperties>
      <AccessType>
        <Get/>
        <Replace/>
      </AccessType>
      <DFFormat>
        <chr/>
      </DFFormat>
      <Occurrence>
        <ZeroOrOne/>
      </Occurrence>
      <DFTitle>FQDN.</DFTitle>
      <DFType>
        <MIME>text/plain</MIME>
      </DFType>
    </DFProperties>
  </Node>

  <Node>
    <NodeName>APN</NodeName>
    <DFProperties>
      <AccessType>
        <Get/>
        <Replace/>
      </AccessType>
      <DFFormat>
        <chr/>
      </DFFormat>
      <Occurrence>
        <ZeroOrOne/>
      </Occurrence>
      <DFTitle>APN.</DFTitle>
      <DFType>
        <MIME>text/plain</MIME>
      </DFType>
    </DFProperties>
  </Node>
</Node>

  <Node>
    <NodeName>RoutingCriteria</NodeName>
    <DFProperties>
      <AccessType>
        <Get/>
        <Replace/>
      </AccessType>
      <DFFormat>
        <node/>
      </DFFormat>
      <Occurrence>
        <ZeroOrOne/>
      </Occurrence>
      <DFTitle>Routing criteria - area and time validity</DFTitle>
      <DFType>
        <MIME>text/plain</MIME>
      </DFType>
    </DFProperties>
  </Node>

```

```

<Node>
  <NodeName></NodeName>
  <DFProperties>
    <AccessType>
      <Get/>
      <Replace/>
    </AccessType>
    <DFFormat>
      <node/>
    </DFFormat>
    <Occurrence>
      <OneOrMore/>
    </Occurrence>
    <DFType>
      <DDFName></DDFName>
    </DFType>
  </DFProperties>

<Node>
  <NodeName>ValidityArea</NodeName>
  <DFProperties>
    <AccessType>
      <Get/>
      <Replace/>
    </AccessType>
    <DFFormat>
      <node/>
    </DFFormat>
    <Occurrence>
      <ZeroOrOne/>
    </Occurrence>
    <DFTitle>Validity area.</DFTitle>
    <DFType>
      <DDFName/>
    </DFType>
  </DFProperties>

<Node>
  <NodeName>3GPP_Location</NodeName>
  <DFProperties>
    <AccessType>
      <Get/>
      <Replace/>
    </AccessType>
    <DFFormat>
      <node/>
    </DFFormat>
    <Occurrence>
      <ZeroOrOne/>
    </Occurrence>
    <DFTitle>Validity area for 3GPP access.</DFTitle>
    <DFType>
      <DDFName/>
    </DFType>
  </DFProperties>

<Node>
  <NodeName></NodeName>
  <DFProperties>
    <AccessType>
      <Get/>
      <Replace/>
    </AccessType>
    <DFFormat>
      <node/>
    </DFFormat>
    <Occurrence>
      <OneOrMore/>
    </Occurrence>
    <DFType>
      <DDFName></DDFName>
    </DFType>
  </DFProperties>

  <Node>
    <NodeName>PLMN</NodeName>
    <DFProperties>

```

```

        <AccessType>
            <Get/>
            <Replace/>
        </AccessType>
        <DFFormat>
            <chr/>
        </DFFormat>
        <Occurrence>
            <One/>
        </Occurrence>
        <DFTitle>PLMN.</DFTitle>
        <DFType>
            <MIME>text/plain</MIME>
        </DFType>
    </DFProperties>
</Node>

<Node>
    <NodeName>TAC</NodeName>
    <DFProperties>
        <AccessType>
            <Get/>
            <Replace/>
        </AccessType>
        <DFFormat>
            <chr/>
        </DFFormat>
        <Occurrence>
            <ZeroOrOne/>
        </Occurrence>
        <DFTitle>TAC.</DFTitle>
        <DFType>
            <MIME>text/plain</MIME>
        </DFType>
    </DFProperties>
</Node>

<Node>
    <NodeName>LAC</NodeName>
    <DFProperties>
        <AccessType>
            <Get/>
            <Replace/>
        </AccessType>
        <DFFormat>
            <chr/>
        </DFFormat>
        <Occurrence>
            <ZeroOrOne/>
        </Occurrence>
        <DFTitle>LAC.</DFTitle>
        <DFType>
            <MIME>text/plain</MIME>
        </DFType>
    </DFProperties>
</Node>

<Node>
    <NodeName>GERAN_CI</NodeName>
    <DFProperties>
        <AccessType>
            <Get/>
            <Replace/>
        </AccessType>
        <DFFormat>
            <bin/>
        </DFFormat>
        <Occurrence>
            <ZeroOrOne/>
        </Occurrence>
        <DFTitle>GERAN_CI.</DFTitle>
        <DFType>
            <MIME>text/plain</MIME>
        </DFType>
    </DFProperties>
</Node>

<Node>

```



```

    <NodeName>UTRAN_CI</NodeName>
    <DFProperties>
      <AccessType>
        <Get/>
        <Replace/>
      </AccessType>
      <DFFormat>
        <bin/>
      </DFFormat>
      <Occurrence>
        <ZeroOrOne/>
      </Occurrence>
      <DFTitle>UTRAN_CI.</DFTitle>
      <DFType>
        <MIME>text/plain</MIME>
      </DFType>
    </DFProperties>
  </Node>

  <Node>
    <NodeName>EUTRA_CI</NodeName>
    <DFProperties>
      <AccessType>
        <Get/>
        <Replace/>
      </AccessType>
      <DFFormat>
        <bin/>
      </DFFormat>
      <Occurrence>
        <ZeroOrOne/>
      </Occurrence>
      <DFTitle>EUTRA_CI.</DFTitle>
      <DFType>
        <MIME>text/plain</MIME>
      </DFType>
    </DFProperties>
  </Node>
</Node>

  <Node>
    <NodeName>3GPP2_Location</NodeName>
    <DFProperties>
      <AccessType>
        <Get/>
        <Replace/>
      </AccessType>
      <DFFormat>
        <node/>
      </DFFormat>
      <Occurrence>
        <ZeroOrOne/>
      </Occurrence>
      <DFTitle> Validity area for 3GPP2 access.</DFTitle>
      <DFType>
        <DDFName/>
      </DFType>
    </DFProperties>

  <Node>
    <NodeName>1x</NodeName>
    <DFProperties>
      <AccessType>
        <Get/>
        <Replace/>
      </AccessType>
      <DFFormat>
        <node/>
      </DFFormat>
      <Occurrence>
        <ZeroOrOne/>
      </Occurrence>
      <DFTitle> Validity area for 3GPP2-1x access.</DFTitle>
      <DFType>
        <DDFName/>
      </DFType>
    </DFProperties>

```

```

<Node>
  <nodeName></nodeName>
  <DFProperties>
    <AccessType>
      <Get/>
      <Replace/>
    </AccessType>
    <DFFormat>
      <node/>
    </DFFormat>
    <Occurrence>
      <OneOrMore/>
    </Occurrence>
    <DFType>
      <DDFName></DDFName>
    </DFType>
  </DFProperties>

  <Node>
    <nodeName>SID</nodeName>
    <DFProperties>
      <AccessType>
        <Get/>
        <Replace/>
      </AccessType>
      <DFFormat>
        <chr/>
      </DFFormat>
      <Occurrence>
        <One/>
      </Occurrence>
      <DFTitle>1x-SID.</DFTitle>
      <DFType>
        <MIME>text/plain</MIME>
      </DFType>
    </DFProperties>
  </Node>

  <Node>
    <nodeName>NID</nodeName>
    <DFProperties>
      <AccessType>
        <Get/>
        <Replace/>
      </AccessType>
      <DFFormat>
        <chr/>
      </DFFormat>
      <Occurrence>
        <ZeroOrOne/>
      </Occurrence>
      <DFTitle>1x-NID.</DFTitle>
      <DFType>
        <MIME>text/plain</MIME>
      </DFType>
    </DFProperties>
  </Node>

  <Node>
    <nodeName>Base_ID</nodeName>
    <DFProperties>
      <AccessType>
        <Get/>
        <Replace/>
      </AccessType>
      <DFFormat>
        <chr/>
      </DFFormat>
      <Occurrence>
        <ZeroOrOne/>
      </Occurrence>
      <DFTitle>1x-Base ID.</DFTitle>
      <DFType>
        <MIME>text/plain</MIME>
      </DFType>
    </DFProperties>
  </Node>

```

```

    </Node>
  </Node>

  <Node>
    <NodeName>HRPD</NodeName>
    <DFProperties>
      <AccessType>
        <Get/>
        <Replace/>
      </AccessType>
      <DFFormat>
        <node/>
      </DFFormat>
      <Occurrence>
        <ZeroOrOne/>
      </Occurrence>
      <DFTitle> Validity area for 3GPP2-HRPD access</DFTitle>
      <DFType>
        <DDFName/>
      </DFType>
    </DFProperties>

    <Node>
      <NodeName></NodeName>
      <DFProperties>
        <AccessType>
          <Get/>
          <Replace/>
        </AccessType>
        <DFFormat>
          <node/>
        </DFFormat>
        <Occurrence>
          <OneOrMore/>
        </Occurrence>
        <DFType>
          <DDFName></DDFName>
        </DFType>
      </DFProperties>

      <Node>
        <NodeName>Sector_ID</NodeName>
        <DFProperties>
          <AccessType>
            <Get/>
            <Replace/>
          </AccessType>
          <DFFormat>
            <bin/>
          </DFFormat>
          <Occurrence>
            <One/>
          </Occurrence>
          <DFTitle>HRPD Sector ID</DFTitle>
          <DFType>
            <MIME>text/plain</MIME>
          </DFType>
        </DFProperties>
      </Node>

      <Node>
        <NodeName>Netmask</NodeName>
        <DFProperties>
          <AccessType>
            <Get/>
            <Replace/>
          </AccessType>
          <DFFormat>
            <bin/>
          </DFFormat>
          <Occurrence>
            <One/>
          </Occurrence>
          <DFTitle>HRPD netmask</DFTitle>
          <DFType>
            <MIME>text/plain</MIME>
          </DFType>
        </DFProperties>
      </Node>
    </Node>
  </Node>

```

```

        </Node>
    </Node>
</Node>
</Node>

<Node>
  <NodeName>WiMAX_Location</NodeName>
  <DFProperties>
    <AccessType>
      <Get/>
      <Replace/>
    </AccessType>
    <DFFormat>
      <node/>
    </DFFormat>
    <Occurrence>
      <ZeroOrOne/>
    </Occurrence>
    <DFTitle> Validity area for WiMAX access.</DFTitle>
    <DFType>
      <DDFName/>
    </DFType>
  </DFProperties>

  <Node>
    <NodeName></NodeName>
    <DFProperties>
      <AccessType>
        <Get/>
        <Replace/>
      </AccessType>
      <DFFormat>
        <node/>
      </DFFormat>
      <Occurrence>
        <OneOrMore/>
      </Occurrence>
      <DFType>
        <DDFName></DDFName>
      </DFType>
    </DFProperties>

    <Node>
      <NodeName>NAP- ID</NodeName>
      <DFProperties>
        <AccessType>
          <Get/>
          <Replace/>
        </AccessType>
        <DFFormat>
          <chr/>
        </DFFormat>
        <Occurrence>
          <One/>
        </Occurrence>
        <DFTitle>NAP- ID</DFTitle>
        <DFType>
          <MIME>text/plain</MIME>
        </DFType>
      </DFProperties>
    </Node>

    <Node>
      <NodeName>BS- ID</NodeName>
      <DFProperties>
        <AccessType>
          <Get/>
          <Replace/>
        </AccessType>
        <DFFormat>
          <chr/>
        </DFFormat>
        <Occurrence>
          <One/>
        </Occurrence>
        <DFTitle>BS- ID</DFTitle>
        <DFType>
          <MIME>text/plain</MIME>

```

```

        </DFType>
      </DFProperties>
    </Node>
  </Node>
</Node>
<Node>
  <NodeName>WLAN_Location</NodeName>
  <DFProperties>
    <AccessType>
      <Get/>
      <Replace/>
    </AccessType>
    <DFFormat>
      <node/>
    </DFFormat>
    <Occurrence>
      <ZeroOrOne/>
    </Occurrence>
    <DFTitle> Validity area for WLAN access.</DFTitle>
    <DFType>
      <DDFName/>
    </DFType>
  </DFProperties>

  <Node>
    <NodeName></NodeName>
    <DFProperties>
      <AccessType>
        <Get/>
        <Replace/>
      </AccessType>
      <DFFormat>
        <node/>
      </DFFormat>
      <Occurrence>
        <OneOrMore/>
      </Occurrence>
      <DFType>
        <DDFName></DDFName>
      </DFType>
    </DFProperties>

    <Node>
      <NodeName>HESSID</NodeName>
      <DFProperties>
        <AccessType>
          <Get/>
          <Replace/>
        </AccessType>
        <DFFormat>
          <chr/>
        </DFFormat>
        <Occurrence>
          <ZeroOrOne/>
        </Occurrence>
        <DFTitle>HESSID</DFTitle>
        <DFType>
          <MIME>text/plain</MIME>
        </DFType>
      </DFProperties>
    </Node>

    <Node>
      <NodeName>SSID</NodeName>
      <DFProperties>
        <AccessType>
          <Get/>
          <Replace/>
        </AccessType>
        <DFFormat>
          <chr/>
        </DFFormat>
        <Occurrence>
          <ZeroOrOne/>
        </Occurrence>
        <DFTitle>SSID</DFTitle>
        <DFType>

```

```

        <MIME>text/plain</MIME>
      </DFType>
    </DFProperties>
  </Node>

  <Node>
    <NodeName>BSSID</NodeName>
    <DFProperties>
      <AccessType>
        <Get/>
        <Replace/>
      </AccessType>
      <DFFormat>
        <chr/>
      </DFFormat>
      <Occurrence>
        <ZeroOrOne/>
      </Occurrence>
      <DFTitle>BSSID</DFTitle>
      <DFType>
        <MIME>text/plain</MIME>
      </DFType>
    </DFProperties>
  </Node>
</Node>

<Node>
  <NodeName>Geo_Location</NodeName>
  <DFProperties>
    <AccessType>
      <Get/>
      <Replace/>
    </AccessType>
    <DFFormat>
      <node/>
    </DFFormat>
    <Occurrence>
      <ZeroOrOne/>
    </Occurrence>
    <DFTitle>Geographical location.</DFTitle>
    <DFType>
      <DDFName/>
    </DFType>
  </DFProperties>

  <Node>
    <NodeName>Circular</NodeName>
    <DFProperties>
      <AccessType>
        <Get/>
        <Replace/>
      </AccessType>
      <DFFormat>
        <node/>
      </DFFormat>
      <Occurrence>
        <ZeroOrOne/>
      </Occurrence>
      <DFTitle>Circular location descripton.</DFTitle>
      <DFType>
        <DDFName/>
      </DFType>
    </DFProperties>

  <Node>
    <NodeName></NodeName>
    <DFProperties>
      <AccessType>
        <Get/>
        <Replace/>
      </AccessType>
      <DFFormat>
        <node/>
      </DFFormat>
      <Occurrence>
        <OneOrMore/>
      </Occurrence>

```

```

        <DFType>
          <DDFName></DDFName>
        </DFType>
      </DFProperties>
    </Node>
    <Node>
      <NodeName>AnchorLatitude</NodeName>
      <DFProperties>
        <AccessType>
          <Get/>
          <Replace/>
        </AccessType>
        <DFFormat>
          <chr/>
        </DFFormat>
        <Occurrence>
          <One/>
        </Occurrence>
        <DFTitle>Anchor latitude</DFTitle>
        <DFType>
          <MIME>text/plain</MIME>
        </DFType>
      </DFProperties>
    </Node>
    <Node>
      <NodeName>AnchorLongitude</NodeName>
      <DFProperties>
        <AccessType>
          <Get/>
          <Replace/>
        </AccessType>
        <DFFormat>
          <chr/>
        </DFFormat>
        <Occurrence>
          <One/>
        </Occurrence>
        <DFTitle>Anchor longitude</DFTitle>
        <DFType>
          <MIME>text/plain</MIME>
        </DFType>
      </DFProperties>
    </Node>
    <Node>
      <NodeName>Radius</NodeName>
      <DFProperties>
        <AccessType>
          <Get/>
          <Replace/>
        </AccessType>
        <DFFormat>
          <chr/>
        </DFFormat>
        <Occurrence>
          <One/>
        </Occurrence>
        <DFTitle>Radius</DFTitle>
        <DFType>
          <MIME>text/plain</MIME>
        </DFType>
      </DFProperties>
    </Node>
  </Node>
</Node>
</Node>
</Node>
</Node>
<Node>
  <NodeName>ValidityAreaRef</NodeName>
  <DFProperties>
    <AccessType>
      <Get/>
      <Replace/>
    </AccessType>
    <DFFormat>
      <chr/>
    </DFFormat>
  </DFProperties>
</Node>

```

```

        </DFFormat>
        <Occurrence>
            <ZeroOrOne/>
        </Occurrence>
        <DFTitle>A reference to a ValidityArea interior
node</DFTitle>
        <DFType>
            <MIME>text/plain</MIME>
        </DFType>
    </DFProperties>
</Node>

<Node>
    <NodeName>TimeOfDay</NodeName>
    <DFProperties>
        <AccessType>
            <Get/>
            <Replace/>
        </AccessType>
        <DFFormat>
            <node/>
        </DFFormat>
        <Occurrence>
            <ZeroOrOne/>
        </Occurrence>
        <DFTitle>Time of day.</DFTitle>
        <DFType>
            <DDFName/>
        </DFType>
    </DFProperties>

    <Node>
        <NodeName></NodeName>
        <DFProperties>
            <AccessType>
                <Get/>
                <Replace/>
            </AccessType>
            <DFFormat>
                <node/>
            </DFFormat>
            <Occurrence>
                <OneOrMore/>
            </Occurrence>
            <DFType>
                <DDFName></DDFName>
            </DFType>
        </DFProperties>

    <Node>
        <NodeName>TimeStart</NodeName>
        <DFProperties>
            <AccessType>
                <Get/>
                <Replace/>
            </AccessType>
            <DFFormat>
                <chr/>
            </DFFormat>
            <Occurrence>
                <ZeroOrOne/>
            </Occurrence>
            <DFTitle>Start condition for time of rule.</DFTitle>
            <DFType>
                <MIME>text/plain</MIME>
            </DFType>
        </DFProperties>
    </Node>

    <Node>
        <NodeName>TimeStop</NodeName>
        <DFProperties>
            <AccessType>
                <Get/>
                <Replace/>
            </AccessType>
            <DFFormat>
                <chr/>

```



```

        </DFFormat>
        <Occurrence>
            <ZeroOrOne/>
        </Occurrence>
        <DFTitle>Stop condition for time of rule.</DFTitle>
        <DFType>
            <MIME>text/plain</MIME>
        </DFType>
    </DFProperties>
</Node>

<Node>
    <NodeName>DateStart</NodeName>
    <DFProperties>
        <AccessType>
            <Get/>
            <Replace/>
        </AccessType>
        <DFFormat>
            <chr/>
        </DFFormat>
        <Occurrence>
            <ZeroOrOne/>
        </Occurrence>
    <DFTitle>Starting date for time condition of rule.</DFTitle>
    <DFType>
        <MIME>text/plain</MIME>
    </DFType>
    </DFProperties>
</Node>

<Node>
    <NodeName>DateStop</NodeName>
    <DFProperties>
        <AccessType>
            <Get/>
            <Replace/>
        </AccessType>
        <DFFormat>
            <chr/>
        </DFFormat>
        <Occurrence>
            <ZeroOrOne/>
        </Occurrence>
    <DFTitle>Stop date for time condition of rule.</DFTitle>
    <DFType>
        <MIME>text/plain</MIME>
    </DFType>
    </DFProperties>
</Node>

<Node>
    <NodeName>DayOfWeek</NodeName>
    <DFProperties>
        <AccessType>
            <Get/>
            <Replace/>
        </AccessType>
        <DFFormat>
            <int/>
        </DFFormat>
        <Occurrence>
            <ZeroOrOne/>
        </Occurrence>
    <DFTitle>Bitmap for day of week condition</DFTitle>
    <DFType>
        <MIME>text/plain</MIME>
    </DFType>
    </DFProperties>
</Node>
</Node>

<Node>
    <NodeName>TimeOfDayRef</NodeName>
    <DFProperties>
        <AccessType>
            <Get/>

```

```

        <Replace/>
    </AccessType>
    <DFFormat>
<chr/>
    </DFFormat>
    <Occurrence>
        <ZeroOrOne/>
    </Occurrence>
    <DFTitle>A reference to a TimeOfDay interior node</DFTitle>
    <DFType>
        <MIME>text/plain</MIME>
    </DFType>
</DFProperties>
</Node>

<Node>
    <NodeName>RANValidityCondition</NodeName>
    <DFProperties>
        <AccessType>
            <Get/>
            <Replace/>
        </AccessType>
        <DFFormat>
            <node/>
        </DFFormat>
        <Occurrence>
            <ZeroOrOne/>
        </Occurrence>
        <DFTitle>RANValidityCondition</DFTitle>
        <DFType>
            <DDFName/>
        </DFType>
    </DFProperties>

    <Node>
        <NodeName>ThresholdConditions</NodeName>
        <DFProperties>
            <AccessType>
                <Get/>
                <Replace/>
            </AccessType>
            <DFFormat>
                <node/>
            </DFFormat>
            <Occurrence>
                <One/>
            </Occurrence>
            <DFTitle>ThresholdConditions</DFTitle>
            <DFType>
                <DDFName/>
            </DFType>
        </DFProperties>

        <Node>
            <NodeName>Thresholds</NodeName>
            <DFProperties>
                <AccessType>
                    <Get/>
                    <Replace/>
                </AccessType>
                <DFFormat>
                    <node/>
                </DFFormat>
                <Occurrence>
                    <One/>
                </Occurrence>
                <DFTitle>Thresholds</DFTitle>
                <DFType>
                    <DDFName/>
                </DFType>
            </DFProperties>

        <Node>
            <NodeName>ThreshServingOffloadWLANLowP</NodeName>
            <DFProperties>
                <AccessType>
                    <Get/>
                    <Replace/>

```

```

        </AccessType>
        <DFFormat>
            <null/>
        </DFFormat>
        <Occurrence>
            <ZeroOrOne/>
        </Occurrence>
        <DFTitle>ThreshServingOffloadWLANLowP</DFTitle>
        <DFType>
            <MIME>text/plain</MIME>
        </DFType>
    </DFProperties>
</Node>

<Node>
    <nodeName>ThreshServingOffloadWLANHighP</nodeName>
    <DFProperties>
        <AccessType>
            <Get/>
            <Replace/>
        </AccessType>
        <DFFormat>
            <null/>
        </DFFormat>
        <Occurrence>
            <ZeroOrOne/>
        </Occurrence>
        <DFTitle>ThreshServingOffloadWLANHighP</DFTitle>
        <DFType>
            <MIME>text/plain</MIME>
        </DFType>
    </DFProperties>
</Node>

<Node>
    <nodeName>ThreshServingOffloadWLANLowQ</nodeName>
    <DFProperties>
        <AccessType>
            <Get/>
            <Replace/>
        </AccessType>
        <DFFormat>
            <null/>
        </DFFormat>
        <Occurrence>
            <ZeroOrOne/>
        </Occurrence>
        <DFTitle>ThreshServingOffloadWLANLowQ</DFTitle>
        <DFType>
            <MIME>text/plain</MIME>
        </DFType>
    </DFProperties>
</Node>

<Node>
    <nodeName>ThreshServingOffloadWLANHighQ</nodeName>
    <DFProperties>
        <AccessType>
            <Get/>
            <Replace/>
        </AccessType>
        <DFFormat>
            <null/>
        </DFFormat>
        <Occurrence>
            <ZeroOrOne/>
        </Occurrence>
        <DFTitle>ThreshServingOffloadWLANHighQ</DFTitle>
        <DFType>
            <MIME>text/plain</MIME>
        </DFType>
    </DFProperties>
</Node>

<Node>
    <nodeName>ThreshChUtilWLANLow</nodeName>
    <DFProperties>
        <AccessType>

```

```

        <Get/>
        <Replace/>
    </AccessType>
    <DFFormat>
        <int/>
    </DFFormat>
    <Occurrence>
        <ZeroOrOne/>
    </Occurrence>
    <DFTitle>ThreshChUtilWLANLow</DFTitle>
    <DFType>
    <MIME>text/plain</MIME>
    </DFType>
</DFProperties>

<Node>
    <NodeName>ThreshChUtilWLANLowANDSF</NodeName>
    <DFProperties>
        <AccessType>
            <Get/>
            <Replace/>
        </AccessType>
        <DFFormat>
            <int/>
        </DFFormat>
        <Occurrence>
            <ZeroOrOne/>
        </Occurrence>
        <DFTitle>ThreshChUtilWLANLowANDSF</DFTitle>
        <DFType>
        <MIME>text/plain</MIME>
        </DFType>
    </DFProperties>
</Node>

<Node>
    <NodeName>ThreshChUtilWLANLowRAN</NodeName>
    <DFProperties>
        <AccessType>
            <Get/>
            <Replace/>
        </AccessType>
        <DFFormat>
            <null/>
        </DFFormat>
        <Occurrence>
            <ZeroOrOne/>
        </Occurrence>
        <DFTitle>ThreshChUtilWLANLowRAN</DFTitle>
        <DFType>
        <MIME>text/plain</MIME>
        </DFType>
    </DFProperties>
</Node>
</Node>

<Node>
    <NodeName>ThreshChUtilWLANHigh</NodeName>
    <DFProperties>
        <AccessType>
            <Get/>
            <Replace/>
        </AccessType>
        <DFFormat>
            <int/>
        </DFFormat>
        <Occurrence>
            <ZeroOrOne/>
        </Occurrence>
        <DFTitle>ThreshChUtilWLANHigh</DFTitle>
        <DFType>
        <MIME>text/plain</MIME>
        </DFType>
    </DFProperties>

<Node>
    <NodeName>ThreshChUtilWLANHighANDSF</NodeName>
    <DFProperties>

```

```

        <AccessType>
          <Get/>
          <Replace/>
        </AccessType>
        <DFFormat>
          <int/>
        </DFFormat>
        <Occurrence>
          <ZeroOrOne/>
        </Occurrence>
        <DFTitle>ThreshChUtilWLANHighANDSF</DFTitle>
        <DFType>
        <MIME>text/plain</MIME>
        </DFType>
      </DFProperties>
    </Node>

    <Node>
      <NodeName>ThreshChUtilWLANHighRAN</NodeName>
      <DFProperties>
        <AccessType>
          <Get/>
          <Replace/>
        </AccessType>
        <DFFormat>
          <null/>
        </DFFormat>
        <Occurrence>
          <ZeroOrOne/>
        </Occurrence>
        <DFTitle>ThreshChUtilWLANHighRAN</DFTitle>
        <DFType>
        <MIME>text/plain</MIME>
        </DFType>
      </DFProperties>
    </Node>
  </Node>

  <Node>
    <NodeName>ThreshBackhRateDLWLANLow</NodeName>
    <DFProperties>
      <AccessType>
        <Get/>
        <Replace/>
      </AccessType>
      <DFFormat>
        <int/>
      </DFFormat>
      <Occurrence>
        <ZeroOrOne/>
      </Occurrence>
      <DFTitle>ThreshBackhRateDLWLANLow</DFTitle>
      <DFType>
      <MIME>text/plain</MIME>
      </DFType>
    </DFProperties>
  </Node>

  <NodeName>ThreshBackhRateDLWLANLowANDSF</NodeName>
  <DFProperties>
    <AccessType>
      <Get/>
      <Replace/>
    </AccessType>
    <DFFormat>
      <int/>
    </DFFormat>
    <Occurrence>
      <ZeroOrOne/>
    </Occurrence>
    <DFTitle>ThreshBackhRateDLWLANLowANDSF</DFTitle>
    <DFType>
    <MIME>text/plain</MIME>
    </DFType>
  </DFProperties>
</Node>

```

```

<Node>
  <NodeName>ThreshBackhRateDLWLANLowRAN</NodeName>
  <DFProperties>
    <AccessType>
      <Get/>
      <Replace/>
    </AccessType>
    <DFFormat>
      <null/>
    </DFFormat>
    <Occurrence>
      <ZeroOrOne/>
    </Occurrence>
  </DFProperties>
  <DFTitle>ThreshBackhRateDLWLANLowRAN</DFTitle>
  <DFType>
    <MIME>text/plain</MIME>
  </DFType>
</Node>
</Node>

<Node>
  <NodeName>ThreshBackhRateDLWLANHigh</NodeName>
  <DFProperties>
    <AccessType>
      <Get/>
      <Replace/>
    </AccessType>
    <DFFormat>
      <int/>
    </DFFormat>
    <Occurrence>
      <ZeroOrOne/>
    </Occurrence>
    <DFTitle>ThreshBackhRateDLWLANHigh</DFTitle>
    <DFType>
      <MIME>text/plain</MIME>
    </DFType>
  </DFProperties>
</Node>

<NodeName>ThreshBackhRateDLWLANHighANDSF</NodeName>
  <DFProperties>
    <AccessType>
      <Get/>
      <Replace/>
    </AccessType>
    <DFFormat>
      <int/>
    </DFFormat>
    <Occurrence>
      <ZeroOrOne/>
    </Occurrence>
  </DFProperties>
  <DFTitle>ThreshBackhRateDLWLANHighANDSF</DFTitle>
  <DFType>
    <MIME>text/plain</MIME>
  </DFType>
</Node>

<Node>

<NodeName>ThreshBackhRateDLWLANHighRAN</NodeName>
  <DFProperties>
    <AccessType>
      <Get/>
      <Replace/>
    </AccessType>
    <DFFormat>
      <null/>
    </DFFormat>
    <Occurrence>
      <ZeroOrOne/>
    </Occurrence>
  </DFProperties>

```

```

<DFTitle>ThreshBackhRateDLWLANHighRAN</DFTitle>
    <DFType>
    <MIME>text/plain</MIME>
    </DFType>
    </DFProperties>
</Node>
</Node>

<Node>
    <NodeName>ThreshBackhRateULWLANLow</NodeName>
    <DFProperties>
    <AccessType>
    <Get/>
    <Replace/>
    </AccessType>
    <DFFormat>
    <int/>
    </DFFormat>
    <Occurrence>
    <ZeroOrOne/>
    </Occurrence>
    <DFTitle>ThreshBackhRateULWLANLow</DFTitle>
    <DFType>
    <MIME>text/plain</MIME>
    </DFType>
    </DFProperties>
</Node>

<NodeName>ThreshBackhRateULWLANLowANDSF</NodeName>
    <DFProperties>
    <AccessType>
    <Get/>
    <Replace/>
    </AccessType>
    <DFFormat>
    <int/>
    </DFFormat>
    <Occurrence>
    <ZeroOrOne/>
    </Occurrence>

<DFTitle>ThreshBackhRateULWLANLowANDSF</DFTitle>
    <DFType>
    <MIME>text/plain</MIME>
    </DFType>
    </DFProperties>
</Node>

<Node>
    <NodeName>ThreshBackhRateULWLANLowRAN</NodeName>
    <DFProperties>
    <AccessType>
    <Get/>
    <Replace/>
    </AccessType>
    <DFFormat>
    <null/>
    </DFFormat>
    <Occurrence>
    <ZeroOrOne/>
    </Occurrence>

<DFTitle>ThreshBackhRateULWLANLowRAN</DFTitle>
    <DFType>
    <MIME>text/plain</MIME>
    </DFType>
    </DFProperties>
</Node>

<Node>
    <NodeName>ThreshBackhRateULWLANHigh</NodeName>
    <DFProperties>
    <AccessType>
    <Get/>
    <Replace/>

```

```

    </AccessType>
    <DFFormat>
      <int/>
    </DFFormat>
    <Occurrence>
      <ZeroOrOne/>
    </Occurrence>
    <DFTitle>ThreshBackhRateULWLANHigh</DFTitle>
    <DFType>
      <MIME>text/plain</MIME>
    </DFType>
  </DFProperties>

  <Node>

  <NodeName>ThreshBackhRateULWLANHighANDSF</NodeName>
    <DFProperties>
      <AccessType>
        <Get/>
        <Replace/>
      </AccessType>
      <DFFormat>
        <int/>
      </DFFormat>
      <Occurrence>
        <ZeroOrOne/>
      </Occurrence>

  <DFTitle>ThreshBackhRateULWLANHighANDSF</DFTitle>
    <DFType>
      <MIME>text/plain</MIME>
    </DFType>
  </DFProperties>
</Node>

  <Node>

  <NodeName>ThreshBackhRateULWLANHighRAN</NodeName>
    <DFProperties>
      <AccessType>
        <Get/>
        <Replace/>
      </AccessType>
      <DFFormat>
        <null/>
      </DFFormat>
      <Occurrence>
        <ZeroOrOne/>
      </Occurrence>

  <DFTitle>ThreshBackhRateULWLANHighRAN</DFTitle>
    <DFType>
      <MIME>text/plain</MIME>
    </DFType>
  </DFProperties>
</Node>
</Node>

  <Node>
    <NodeName>ThreshBeaconRSSIWLANLow</NodeName>
    <DFProperties>
      <AccessType>
        <Get/>
        <Replace/>
      </AccessType>
      <DFFormat>
        <int/>
      </DFFormat>
      <Occurrence>
        <ZeroOrOne/>
      </Occurrence>
    <DFTitle>ThreshBeaconRSSIWLANLow</DFTitle>
    <DFType>
      <MIME>text/plain</MIME>
    </DFType>
  </DFProperties>
</Node>

```



```

<NodeName>ThreshBeaconRSSILowWLANANDSF</NodeName>
  <DFProperties>
    <AccessType>
      <Get/>
      <Replace/>
    </AccessType>
    <DFFormat>
      <int/>
    </DFFormat>
    <Occurrence>
      <ZeroOrOne/>
    </Occurrence>

<DFTitle>ThreshBeaconRSSIWLANLowANDSF</DFTitle>
  <DFType>
    <MIME>text/plain</MIME>
  </DFType>
</DFProperties>
</Node>

<Node>
  <NodeName>ThreshBeaconRSSIWLANLowRAN</NodeName>
  <DFProperties>
    <AccessType>
      <Get/>
      <Replace/>
    </AccessType>
    <DFFormat>
      <null/>
    </DFFormat>
    <Occurrence>
      <ZeroOrOne/>
    </Occurrence>

<DFTitle>ThreshBeaconRSSIWLANLowRAN</DFTitle>
  <DFType>
    <MIME>text/plain</MIME>
  </DFType>
</DFProperties>
</Node>
</Node>

<Node>
  <NodeName>ThreshBeaconRSSIWLANHigh</NodeName>
  <DFProperties>
    <AccessType>
      <Get/>
      <Replace/>
    </AccessType>
    <DFFormat>
      <int/>
    </DFFormat>
    <Occurrence>
      <ZeroOrOne/>
    </Occurrence>
    <DFTitle>ThreshBeaconRSSIWLANHigh</DFTitle>
    <DFType>
      <MIME>text/plain</MIME>
    </DFType>
  </DFProperties>

<Node>

<NodeName>ThreshBeaconRSSIWLANHighANDSF</NodeName>
  <DFProperties>
    <AccessType>
      <Get/>
      <Replace/>
    </AccessType>
    <DFFormat>
      <int/>
    </DFFormat>
    <Occurrence>
      <ZeroOrOne/>
    </Occurrence>

<DFTitle>ThreshBeaconRSSIWLANHighANDSF</DFTitle>

```

```

        <DFTType>
        <MIME>text/plain</MIME>
        </DFTType>
    </DFProperties>
</Node>

<Node>
    <NodeName>ThreshBeaconRSSIWLANHighRAN</NodeName>
    <DFProperties>
        <AccessType>
            <Get/>
            <Replace/>
        </AccessType>
        <DFFormat>
            <null/>
        </DFFormat>
        <Occurrence>
            <ZeroOrOne/>
        </Occurrence>
    </DFProperties>
</Node>
<DFTTitle>ThreshBeaconRSSIWLANHighRAN</DFTTitle>
    <DFTType>
    <MIME>text/plain</MIME>
    </DFTType>
</DFProperties>
</Node>
</Node>

<Node>
    <NodeName>ThresholdConditionEvaluationPolicy</NodeName>
    <DFProperties>
        <AccessType>
            <Get/>
            <Replace/>
        </AccessType>
        <DFFormat>
            <bool/>
        </DFFormat>
        <Occurrence>
            <One/>
        </Occurrence>
        <DFTitle>ThresholdConditionEvaluationPolicy</DFTitle>
        <DFTType>
        <MIME>text/plain</MIME>
        </DFTType>
    </DFProperties>
</Node>
</Node>

<Node>
    <NodeName>OPI</NodeName>
    <DFProperties>
        <AccessType>
            <Get/>
            <Replace/>
        </AccessType>
        <DFFormat>
            <int/>
        </DFFormat>
        <Occurrence>
            <One/>
        </Occurrence>
        <DFTitle>OPI</DFTitle>
        <DFTType>
        <MIME>text/plain</MIME>
        </DFTType>
    </DFProperties>
</Node>
</Node>

<Node>
    <NodeName>RANValidityConditionRef</NodeName>
    <DFProperties>
        <AccessType>
            <Get/>
            <Replace/>

```

```

        </AccessType>
        <DFFormat>
            <chr/>
        </DFFormat>
        <Occurrence>
            <ZeroOrOne/>
        </Occurrence>
        <DFTitle>A reference to a RANValidityCondition interior
node</DFTitle>

        <DFType>
            <MIME>text/plain</MIME>
        </DFType>
    </DFProperties>
</Node>
</Node>
</Node>

<Node>
    <NodeName>RoutingRule</NodeName>
    <DFProperties>
        <AccessType>
            <Get/>
            <Replace/>
        </AccessType>
        <DFFormat>
            <node/>
        </DFFormat>
        <Occurrence>
            <One/>
        </Occurrence>
        <DFTitle>Prioritized APN.</DFTitle>
        <DFType>
            <DDFName/>
        </DFType>
    </DFProperties>

    <Node>
        <NodeName></NodeName>
        <DFProperties>
            <AccessType>
                <Get/>
                <Replace/>
            </AccessType>
            <DFFormat>
                <node/>
            </DFFormat>
            <Occurrence>
                <OneOrMore/>
            </Occurrence>
            <DFType>
                <DDFName></DDFName>
            </DFType>
        </DFProperties>

    <Node>
        <NodeName>APN</NodeName>
        <DFProperties>
            <AccessType>
                <Get/>
                <Replace/>
            </AccessType>
            <DFFormat>
                <chr/>
            </DFFormat>
            <Occurrence>
                <One/>
            </Occurrence>
            <DFTitle>APN.</DFTitle>
            <DFType>
                <MIME>text/plain</MIME>
            </DFType>
        </DFProperties>
    </Node>

    <Node>
        <NodeName>APNPriority</NodeName>
        <DFProperties>
            <AccessType>

```

```

        <Get/>
        <Replace/>
    </AccessType>
    <DFFormat>
        <int/>
    </DFFormat>
    <Occurrence>
        <One/>
    </Occurrence>
    <DFTitle>APN Priority.</DFTitle>
    <DFType>
        <MIME>text/plain</MIME>
    </DFType>
    </DFProperties>
</Node>
</Node>
</Node>
<Node>
    <nodeName>RulePriority</nodeName>
    <DFProperties>
        <AccessType>
            <Get/>
            <Replace/>
        </AccessType>
        <DFFormat>
            <int/>
        </DFFormat>
        <Occurrence>
            <One/>
        </Occurrence>
        <DFTitle>Rule priority.</DFTitle>
        <DFType>
            <MIME>text/plain</MIME>
        </DFType>
    </DFProperties>
</Node>
</Node>
</Node>
<Node>
    <nodeName>ForNonSeamlessOffload</nodeName>
    <DFProperties>
        <AccessType>
            <Get/>
            <Replace/>
        </AccessType>
        <DFFormat>
            <node/>
        </DFFormat>
        <Occurrence>
            <ZeroOrOne/>
        </Occurrence>
        <DFTitle>List of ISRP for non-Seamless WLAN offload case.</DFTitle>
        <DFType>
            <MIME>text/plain</MIME>
        </DFType>
    </DFProperties>
</Node>
<Node>
    <nodeName></nodeName>
    <DFProperties>
        <AccessType>
            <Get/>
            <Replace/>
        </AccessType>
        <DFFormat>
            <node/>
        </DFFormat>
        <Occurrence>
            <OneOrMore/>
        </Occurrence>
        <DFType>
            <DDFName></DDFName>
        </DFType>
    </DFProperties>
</Node>

```

```

<NodeName>IPFlow</NodeName>
<DFProperties>
  <AccessType>
    <Get/>
    <Replace/>
  </AccessType>
  <DFFormat>
    <node/>
  </DFFormat>
  <Occurrence>
    <One/>
  </Occurrence>
  <DFTitle>IPFlow description</DFTitle>
  <DFType>
    <MIME>text/plain</MIME>
  </DFType>
</DFProperties>

<Node>
  <NodeName></NodeName>
  <DFProperties>
    <AccessType>
      <Get/>
      <Replace/>
    </AccessType>
    <DFFormat>
      <node/>
    </DFFormat>
    <Occurrence>
      <OneOrMore/>
    </Occurrence>
    <DFType>
      <DDFName></DDFName>
    </DFType>
  </DFProperties>

<Node>
  <NodeName>App-ID</NodeName>
  <!-- The application ID. -->
  <DFProperties>
    <AccessType>
      <Get/>
      <Replace/>
    </AccessType>
    <DFFormat>
      <node/>
    </DFFormat>
    <Occurrence>
      <ZeroOrOne/>
    </Occurrence>
    <DFTitle>application identifier</DFTitle>
    <DFType>
      <DDFName/>
    </DFType>
  </DFProperties>

  <Node>
    <NodeName></NodeName>
    <DFProperties>
      <AccessType>
        <Get/>
        <Replace/>
      </AccessType>
      <DFFormat>
        <node/>
      </DFFormat>
      <Occurrence>
        <OneOrMore/>
      </Occurrence>
      <DFType>
        <DDFName></DDFName>
      </DFType>
    </DFProperties>

    <Node>
      <NodeName>OSId</NodeName>
      <DFProperties>
        <AccessType>

```

```

        <Get/>
        <Replace/>
    </AccessType>
    <DFFormat>
        <chr/>
    </DFFormat>
    <Occurrence>
        <One/>
    </Occurrence>
    <DFTitle>Operating system identifier</DFTitle>
    <DFType>
        <MIME>text/plain</MIME>
    </DFType>
    </DFProperties>
</Node>

<Node>
    <NodeName>OSApps</NodeName>
    <DFProperties>
        <AccessType>
            <Get/>
            <Replace/>
        </AccessType>
        <DFFormat>
            <node/>
        </DFFormat>
        <Occurrence>
            <One/>
        </Occurrence>
        <DFTitle>OS specific applications</DFTitle>
        <DFType>
            <DDFName/>
        </DFType>
    </DFProperties>

    <Node>
        <NodeName></NodeName>
        <DFProperties>
            <AccessType>
                <Get/>
                <Replace/>
            </AccessType>
            <DFFormat>
                <node/>
            </DFFormat>
            <Occurrence>
                <OneOrMore/>
            </Occurrence>
            <DFType>
                <DDFName></DDFName>
            </DFType>
        </DFProperties>

    <Node>
        <NodeName>OSAppId</NodeName>
        <DFProperties>
            <AccessType>
                <Get/>
                <Replace/>
            </AccessType>
            <DFFormat>
                <chr/>
            </DFFormat>
            <Occurrence>
                <One/>
            </Occurrence>
            <DFTitle>OS specific app ID</DFTitle>
            <DFType>
                <MIME>text/plain</MIME>
            </DFType>
        </DFProperties>
    </Node>
</Node>
</Node>
</Node>
</Node>
<Node>

```

```

<NodeName>AddressType</NodeName>
<DFProperties>
  <AccessType>
    <Get/>
    <Replace/>
  </AccessType>
  <DFFormat>
    <chr/>
  </DFFormat>
  <Occurrence>
    <ZeroOrOne/>
  </Occurrence>
  <DFTitle>IP version of the IP addresses</DFTitle>
  <DFType>
    <MIME>text/plain</MIME>
  </DFType>
</DFProperties>
</Node>

<Node>
  <NodeName>StartSourceIPAddress</NodeName>
  <DFProperties>
    <AccessType>
      <Get/>
      <Replace/>
    </AccessType>
    <DFFormat>
      <chr/>
    </DFFormat>
    <Occurrence>
      <ZeroOrOne/>
    </Occurrence>
    <DFTitle>Start IP src address</DFTitle>
    <DFType>
      <MIME>text/plain</MIME>
    </DFType>
  </DFProperties>
</Node>

<Node>
  <NodeName>EndSourceIPAddress</NodeName>
  <DFProperties>
    <AccessType>
      <Get/>
      <Replace/>
    </AccessType>
    <DFFormat>
      <chr/>
    </DFFormat>
    <Occurrence>
      <ZeroOrOne/>
    </Occurrence>
    <DFTitle>End IP src address</DFTitle>
    <DFType>
      <MIME>text/plain</MIME>
    </DFType>
  </DFProperties>
</Node>

<Node>
  <NodeName>ProtocolType</NodeName>
  <DFProperties>
    <AccessType>
      <Get/>
      <Replace/>
    </AccessType>
    <DFFormat>
      <int/>
    </DFFormat>
    <Occurrence>
      <ZeroOrOne/>
    </Occurrence>
    <DFTitle>protocol type</DFTitle>
    <DFType>
      <MIME>text/plain</MIME>
    </DFType>
  </DFProperties>
</Node>

```

```

<Node>
  <NodeName>StartSourcePortNumber</NodeName>
  <DFProperties>
    <AccessType>
      <Get/>
      <Replace/>
    </AccessType>
    <DFFormat>
      <int/>
    </DFFormat>
    <Occurrence>
      <ZeroOrOne/>
    </Occurrence>
    <DFTitle>Start src port number</DFTitle>
    <DFType>
      <MIME>text/plain</MIME>
    </DFType>
  </DFProperties>
</Node>

<Node>
  <NodeName>EndSourcePortNumber</NodeName>
  <DFProperties>
    <AccessType>
      <Get/>
      <Replace/>
    </AccessType>
    <DFFormat>
      <int/>
    </DFFormat>
    <Occurrence>
      <ZeroOrOne/>
    </Occurrence>
    <DFTitle>End src port number</DFTitle>
    <DFType>
      <MIME>text/plain</MIME>
    </DFType>
  </DFProperties>
</Node>

<Node>
  <NodeName>StartDestPortNumber</NodeName>
  <DFProperties>
    <AccessType>
      <Get/>
      <Replace/>
    </AccessType>
    <DFFormat>
      <chr/>
    </DFFormat>
    <Occurrence>
      <ZeroOrOne/>
    </Occurrence>
    <DFTitle>Start dest port</DFTitle>
    <DFType>
      <MIME>text/plain</MIME>
    </DFType>
  </DFProperties>
</Node>

<Node>
  <NodeName>EndDestPortNumber</NodeName>
  <DFProperties>
    <AccessType>
      <Get/>
      <Replace/>
    </AccessType>
    <DFFormat>
      <chr/>
    </DFFormat>
    <Occurrence>
      <ZeroOrOne/>
    </Occurrence>
    <DFTitle>End Dst port</DFTitle>
    <DFType>
      <MIME>text/plain</MIME>
    </DFType>
  </DFProperties>
</Node>

```



```

    </DFProperties>
  </Node>

  <Node>
    <nodeName>QoS</nodeName>
    <DFProperties>
      <AccessType>
        <Get/>
        <Replace/>
      </AccessType>
      <DFFormat>
        <bin/>
      </DFFormat>
      <Occurrence>
        <ZeroOrOne/>
      </Occurrence>
      <DFTitle>QoS value</DFTitle>
      <DFType>
        <MIME>text/plain</MIME>
      </DFType>
    </DFProperties>
  </Node>

  <Node>
    <nodeName>DomainName</nodeName>
    <DFProperties>
      <AccessType>
        <Get/>
        <Replace/>
      </AccessType>
      <DFFormat>
        <chr/>
      </DFFormat>
      <Occurrence>
        <ZeroOrOne/>
      </Occurrence>
      <DFTitle>FQDN.</DFTitle>
      <DFType>
        <MIME>text/plain</MIME>
      </DFType>
    </DFProperties>
  </Node>

  <Node>
    <nodeName>APN</nodeName>
    <DFProperties>
      <AccessType>
        <Get/>
        <Replace/>
      </AccessType>
      <DFFormat>
        <chr/>
      </DFFormat>
      <Occurrence>
        <ZeroOrOne/>
      </Occurrence>
      <DFTitle>APN.</DFTitle>
      <DFType>
        <MIME>text/plain</MIME>
      </DFType>
    </DFProperties>
  </Node>
</Node>

  <Node>
    <nodeName>RoutingCriteria</nodeName>
    <DFProperties>
      <AccessType>
        <Get/>
        <Replace/>
      </AccessType>
      <DFFormat>
        <node/>
      </DFFormat>
      <Occurrence>
        <ZeroOrOne/>
      </Occurrence>
    </DFProperties>
  </Node>

```

```

    <DFTitle>Routing criteria - area, time validity</DFTitle>
    <DFType>
      <MIME>text/plain</MIME>
    </DFType>
  </DFProperties>

  <Node>
    <NodeName></NodeName>
    <DFProperties>
      <AccessType>
        <Get/>
        <Replace/>
      </AccessType>
      <DFFormat>
        <node/>
      </DFFormat>
      <Occurrence>
        <OneOrMore/>
      </Occurrence>
      <DFType>
        <DDFName></DDFName>
      </DFType>
    </DFProperties>

  <Node>
    <NodeName>ValidityArea</NodeName>
    <DFProperties>
      <AccessType>
        <Get/>
        <Replace/>
      </AccessType>
      <DFFormat>
        <node/>
      </DFFormat>
      <Occurrence>
        <ZeroOrOne/>
      </Occurrence>
      <DFTitle>Validity area.</DFTitle>
      <DFType>
        <DDFName/>
      </DFType>
    </DFProperties>

  <Node>
    <NodeName>3GPP_Location</NodeName>
    <DFProperties>
      <AccessType>
        <Get/>
        <Replace/>
      </AccessType>
      <DFFormat>
        <node/>
      </DFFormat>
      <Occurrence>
        <ZeroOrOne/>
      </Occurrence>
      <DFTitle>Validity area for 3GPP access.</DFTitle>
      <DFType>
        <DDFName/>
      </DFType>
    </DFProperties>

  <Node>
    <NodeName></NodeName>
    <DFProperties>
      <AccessType>
        <Get/>
        <Replace/>
      </AccessType>
      <DFFormat>
        <node/>
      </DFFormat>
      <Occurrence>
        <OneOrMore/>
      </Occurrence>
      <DFType>
        <DDFName></DDFName>
      </DFType>

```

```
</DFProperties>
<Node>
  <NodeName>PLMN</NodeName>
  <DFProperties>
    <AccessType>
      <Get/>
      <Replace/>
    </AccessType>
    <DFFormat>
      <chr/>
    </DFFormat>
    <Occurrence>
      <One/>
    </Occurrence>
    <DFTitle>PLMN.</DFTitle>
    <DFType>
      <MIME>text/plain</MIME>
    </DFType>
  </DFProperties>
</Node>
<Node>
  <NodeName>TAC</NodeName>
  <DFProperties>
    <AccessType>
      <Get/>
      <Replace/>
    </AccessType>
    <DFFormat>
      <chr/>
    </DFFormat>
    <Occurrence>
      <ZeroOrOne/>
    </Occurrence>
    <DFTitle>TAC.</DFTitle>
    <DFType>
      <MIME>text/plain</MIME>
    </DFType>
  </DFProperties>
</Node>
<Node>
  <NodeName>LAC</NodeName>
  <DFProperties>
    <AccessType>
      <Get/>
      <Replace/>
    </AccessType>
    <DFFormat>
      <chr/>
    </DFFormat>
    <Occurrence>
      <ZeroOrOne/>
    </Occurrence>
    <DFTitle>LAC.</DFTitle>
    <DFType>
      <MIME>text/plain</MIME>
    </DFType>
  </DFProperties>
</Node>
<Node>
  <NodeName>GERAN_CI</NodeName>
  <DFProperties>
    <AccessType>
      <Get/>
      <Replace/>
    </AccessType>
    <DFFormat>
      <bin/>
    </DFFormat>
    <Occurrence>
      <ZeroOrOne/>
    </Occurrence>
    <DFTitle>GERAN_CI.</DFTitle>
    <DFType>
      <MIME>text/plain</MIME>
    </DFType>
  </DFProperties>
</Node>
```

```

        </DFType>
      </DFProperties>
    </Node>

    <Node>
      <NodeName>UTRAN_CI</NodeName>
      <DFProperties>
        <AccessType>
          <Get/>
          <Replace/>
        </AccessType>
        <DFFormat>
          <bin/>
        </DFFormat>
        <Occurrence>
          <ZeroOrOne/>
        </Occurrence>
        <DFTitle>UTRAN_CI.</DFTitle>
        <DFType>
          <MIME>text/plain</MIME>
        </DFType>
      </DFProperties>
    </Node>

    <Node>
      <NodeName>EUTRA_CI</NodeName>
      <DFProperties>
        <AccessType>
          <Get/>
          <Replace/>
        </AccessType>
        <DFFormat>
          <bin/>
        </DFFormat>
        <Occurrence>
          <ZeroOrOne/>
        </Occurrence>
        <DFTitle>EUTRA_CI.</DFTitle>
        <DFType>
          <MIME>text/plain</MIME>
        </DFType>
      </DFProperties>
    </Node>
  </Node>
</Node>

<Node>
  <NodeName>3GPP2_Location</NodeName>
  <DFProperties>
    <AccessType>
      <Get/>
      <Replace/>
    </AccessType>
    <DFFormat>
      <node/>
    </DFFormat>
    <Occurrence>
      <ZeroOrOne/>
    </Occurrence>
    <DFTitle> Validity area for 3GPP2 access.</DFTitle>
    <DFType>
      <DDFName/>
    </DFType>
  </DFProperties>
</Node>

<Node>
  <NodeName>1x</NodeName>
  <DFProperties>
    <AccessType>
      <Get/>
      <Replace/>
    </AccessType>
    <DFFormat>
      <node/>
    </DFFormat>
    <Occurrence>
      <ZeroOrOne/>
    </Occurrence>
  </DFProperties>
</Node>

```

```

<DFTitle> Validity area for 3GPP2-1x access.</DFTitle>
  <DFType>
    <DDFName/>
  </DFType>
</DFProperties>

<Node>
  <NodeName></NodeName>
  <DFProperties>
    <AccessType>
      <Get/>
      <Replace/>
    </AccessType>
    <DFFormat>
      <node/>
    </DFFormat>
    <Occurrence>
      <OneOrMore/>
    </Occurrence>
    <DFType>
      <DDFName></DDFName>
    </DFType>
  </DFProperties>

  <Node>
    <NodeName>SID</NodeName>
    <DFProperties>
      <AccessType>
        <Get/>
        <Replace/>
      </AccessType>
      <DFFormat>
        <chr/>
      </DFFormat>
      <Occurrence>
        <One/>
      </Occurrence>
      <DFTitle>1x-SID.</DFTitle>
      <DFType>
        <MIME>text/plain</MIME>
      </DFType>
    </DFProperties>
  </Node>

  <Node>
    <NodeName>NID</NodeName>
    <DFProperties>
      <AccessType>
        <Get/>
        <Replace/>
      </AccessType>
      <DFFormat>
        <chr/>
      </DFFormat>
      <Occurrence>
        <ZeroOrOne/>
      </Occurrence>
      <DFTitle>1x-NID.</DFTitle>
      <DFType>
        <MIME>text/plain</MIME>
      </DFType>
    </DFProperties>
  </Node>

  <Node>
    <NodeName>Base_ID</NodeName>
    <DFProperties>
      <AccessType>
        <Get/>
        <Replace/>
      </AccessType>
      <DFFormat>
        <chr/>
      </DFFormat>
      <Occurrence>
        <ZeroOrOne/>
      </Occurrence>
      <DFTitle>1x-Base ID.</DFTitle>
    </DFProperties>
  </Node>

```

```

        <DFType>
          <MIME>text/plain</MIME>
        </DFType>
      </DFProperties>
    </Node>
  </Node>
</Node>
<Node>
  <NodeName>HRPD</NodeName>
  <DFProperties>
    <AccessType>
      <Get/>
      <Replace/>
    </AccessType>
    <DFFormat>
      <node/>
    </DFFormat>
    <Occurrence>
      <ZeroOrOne/>
    </Occurrence>
    <DFTitle> Validity area for 3GPP2-HRPD access</DFTitle>
    <DFType>
      <DDFName/>
    </DFType>
  </DFProperties>

  <Node>
    <NodeName></NodeName>
    <DFProperties>
      <AccessType>
        <Get/>
        <Replace/>
      </AccessType>
      <DFFormat>
        <node/>
      </DFFormat>
      <Occurrence>
        <OneOrMore/>
      </Occurrence>
      <DFType>
        <DDFName></DDFName>
      </DFType>
    </DFProperties>

  <Node>
    <NodeName>Sector_ID</NodeName>
    <DFProperties>
      <AccessType>
        <Get/>
        <Replace/>
      </AccessType>
      <DFFormat>
        <bin/>
      </DFFormat>
      <Occurrence>
        <One/>
      </Occurrence>
      <DFTitle>HRPD Sector ID</DFTitle>
      <DFType>
        <MIME>text/plain</MIME>
      </DFType>
    </DFProperties>
  </Node>

  <Node>
    <NodeName>Netmask</NodeName>
    <DFProperties>
      <AccessType>
        <Get/>
        <Replace/>
      </AccessType>
      <DFFormat>
        <bin/>
      </DFFormat>
      <Occurrence>
        <One/>
      </Occurrence>
    </DFProperties>
  </Node>

```

```

        <DFTitle>HRPD netmask</DFTitle>
        <DFType>
            <MIME>text/plain</MIME>
        </DFType>
    </DFProperties>
</Node>
</Node>
</Node>
</Node>
<Node>
    <NodeName>WiMAX_Location</NodeName>
    <DFProperties>
        <AccessType>
            <Get/>
            <Replace/>
        </AccessType>
        <DFFormat>
            <node/>
        </DFFormat>
        <Occurrence>
            <ZeroOrOne/>
        </Occurrence>
        <DFTitle> Validity area for WiMAX access.</DFTitle>
        <DFType>
            <DDFName/>
        </DFType>
    </DFProperties>

    <Node>
        <NodeName></NodeName>
        <DFProperties>
            <AccessType>
                <Get/>
                <Replace/>
            </AccessType>
            <DFFormat>
                <node/>
            </DFFormat>
            <Occurrence>
                <OneOrMore/>
            </Occurrence>
            <DFType>
                <DDFName></DDFName>
            </DFType>
        </DFProperties>

    <Node>
        <NodeName>NAP-ID</NodeName>
        <DFProperties>
            <AccessType>
                <Get/>
                <Replace/>
            </AccessType>
            <DFFormat>
                <chr/>
            </DFFormat>
            <Occurrence>
                <One/>
            </Occurrence>
            <DFTitle>NAP-ID</DFTitle>
            <DFType>
                <MIME>text/plain</MIME>
            </DFType>
        </DFProperties>
    </Node>

    <Node>
        <NodeName>BS-ID</NodeName>
        <DFProperties>
            <AccessType>
                <Get/>
                <Replace/>
            </AccessType>
            <DFFormat>
                <chr/>
            </DFFormat>
            <Occurrence>

```

```

        <One/>
    </Occurrence>
    <DFTitle>BS-ID</DFTitle>
    <DFType>
        <MIME>text/plain</MIME>
    </DFType>
</DFProperties>
</Node>
</Node>
</Node>
<Node>
    <NodeName>WLAN_Location</NodeName>
    <DFProperties>
        <AccessType>
            <Get/>
            <Replace/>
        </AccessType>
        <DFFormat>
            <node/>
        </DFFormat>
        <Occurrence>
            <ZeroOrOne/>
        </Occurrence>
        <DFTitle> Validity area for WLAN access.</DFTitle>
        <DFType>
            <DDFName/>
        </DFType>
    </DFProperties>

    <Node>
        <NodeName></NodeName>
        <DFProperties>
            <AccessType>
                <Get/>
                <Replace/>
            </AccessType>
            <DFFormat>
                <node/>
            </DFFormat>
            <Occurrence>
                <OneOrMore/>
            </Occurrence>
            <DFType>
                <DDFName></DDFName>
            </DFType>
        </DFProperties>

    <Node>
        <NodeName>HESSID</NodeName>
        <DFProperties>
            <AccessType>
                <Get/>
                <Replace/>
            </AccessType>
            <DFFormat>
                <chr/>
            </DFFormat>
            <Occurrence>
                <ZeroOrOne/>
            </Occurrence>
            <DFTitle>HESSID</DFTitle>
            <DFType>
                <MIME>text/plain</MIME>
            </DFType>
        </DFProperties>
    </Node>

    <Node>
        <NodeName>SSID</NodeName>
        <DFProperties>
            <AccessType>
                <Get/>
                <Replace/>
            </AccessType>
            <DFFormat>
                <chr/>
            </DFFormat>

```



```

        <Occurrence>
          <ZeroOrOne/>
        </Occurrence>
        <DFTitle>SSID</DFTitle>
        <DFType>
          <MIME>text/plain</MIME>
        </DFType>
      </DFProperties>
    </Node>

    <Node>
      <NodeName>BSSID</NodeName>
      <DFProperties>
        <AccessType>
          <Get/>
          <Replace/>
        </AccessType>
        <DFFormat>
          <chr/>
        </DFFormat>
        <Occurrence>
          <ZeroOrOne/>
        </Occurrence>
        <DFTitle>BSSID</DFTitle>
        <DFType>
          <MIME>text/plain</MIME>
        </DFType>
      </DFProperties>
    </Node>
  </Node>
</Node>

<Node>
  <NodeName>Geo_Location</NodeName>
  <DFProperties>
    <AccessType>
      <Get/>
      <Replace/>
    </AccessType>
    <DFFormat>
      <node/>
    </DFFormat>
    <Occurrence>
      <ZeroOrOne/>
    </Occurrence>
    <DFTitle>Geographical location.</DFTitle>
    <DFType>
      <DDFName/>
    </DFType>
  </DFProperties>

  <Node>
    <NodeName>Circular</NodeName>
    <DFProperties>
      <AccessType>
        <Get/>
        <Replace/>
      </AccessType>
      <DFFormat>
        <node/>
      </DFFormat>
      <Occurrence>
        <ZeroOrOne/>
      </Occurrence>
      <DFTitle>Circular location descripton.</DFTitle>
      <DFType>
        <DDFName/>
      </DFType>
    </DFProperties>

  <Node>
    <NodeName></NodeName>
    <DFProperties>
      <AccessType>
        <Get/>
        <Replace/>
      </AccessType>
      <DFFormat>

```

```

        <node/>
    </DFFormat>
    <Occurrence>
        <OneOrMore/>
    </Occurrence>
    <DFTType>
        <DDFName></DDFName>
    </DFTType>
</DFProperties>

<Node>
    <NodeName>AnchorLatitude</NodeName>
    <DFProperties>
        <AccessType>
            <Get/>
            <Replace/>
        </AccessType>
        <DFFormat>
            <chr/>
        </DFFormat>
        <Occurrence>
            <One/>
        </Occurrence>
        <DFTitle>Anchor latitude</DFTitle>
        <DFTType>
            <MIME>text/plain</MIME>
        </DFTType>
    </DFProperties>
</Node>

<Node>
    <NodeName>AnchorLongitude</NodeName>
    <DFProperties>
        <AccessType>
            <Get/>
            <Replace/>
        </AccessType>
        <DFFormat>
            <chr/>
        </DFFormat>
        <Occurrence>
            <One/>
        </Occurrence>
        <DFTitle>Anchor longitude</DFTitle>
        <DFTType>
            <MIME>text/plain</MIME>
        </DFTType>
    </DFProperties>
</Node>

<Node>
    <NodeName>Radius</NodeName>
    <DFProperties>
        <AccessType>
            <Get/>
            <Replace/>
        </AccessType>
        <DFFormat>
            <chr/>
        </DFFormat>
        <Occurrence>
            <One/>
        </Occurrence>
        <DFTitle>Radius</DFTitle>
        <DFTType>
            <MIME>text/plain</MIME>
        </DFTType>
    </DFProperties>
</Node>
</Node>
</Node>
</Node>
</Node>

<Node>
    <NodeName>ValidityAreaRef</NodeName>
    <DFProperties>
        <AccessType>

```

```

        <Get/>
        <Replace/>
    </AccessType>
    <DFFormat>
        <chr/>
    </DFFormat>
    <Occurrence>
        <ZeroOrOne/>
    </Occurrence>
    <DFTitle>A reference to a ValidityArea interior
node</DFTitle>

    <DFType>
        <MIME>text/plain</MIME>
    </DFType>
</DFProperties>
</Node>

<Node>
    <NodeName>TimeOfDay</NodeName>
    <DFProperties>
        <AccessType>
            <Get/>
            <Replace/>
        </AccessType>
        <DFFormat>
            <node/>
        </DFFormat>
        <Occurrence>
            <ZeroOrOne/>
        </Occurrence>
        <DFTitle>Time of day.</DFTitle>
        <DFType>
            <DDFName/>
        </DFType>
    </DFProperties>

<Node>
    <NodeName></NodeName>
    <DFProperties>
        <AccessType>
            <Get/>
            <Replace/>
        </AccessType>
        <DFFormat>
            <node/>
        </DFFormat>
        <Occurrence>
            <OneOrMore/>
        </Occurrence>
        <DFType>
            <DDFName></DDFName>
        </DFType>
    </DFProperties>

<Node>
    <NodeName>TimeStart</NodeName>
    <DFProperties>
        <AccessType>
            <Get/>
            <Replace/>
        </AccessType>
        <DFFormat>
            <chr/>
        </DFFormat>
        <Occurrence>
            <ZeroOrOne/>
        </Occurrence>
        <DFTitle>Start condition for time of rule.</DFTitle>
        <DFType>
            <MIME>text/plain</MIME>
        </DFType>
    </DFProperties>
</Node>

<Node>
    <NodeName>TimeStop</NodeName>
    <DFProperties>
        <AccessType>

```

```

        <Get/>
        <Replace/>
    </AccessType>
    <DFFormat>
        <chr/>
    </DFFormat>
    <Occurrence>
        <ZeroOrOne/>
    </Occurrence>
    <DFTitle>Stop condition for time of rule.</DFTitle>
    <DFType>
        <MIME>text/plain</MIME>
    </DFType>
    </DFProperties>
</Node>

<Node>
    <NodeName>DateStart</NodeName>
    <DFProperties>
        <AccessType>
            <Get/>
            <Replace/>
        </AccessType>
        <DFFormat>
            <chr/>
        </DFFormat>
        <Occurrence>
            <ZeroOrOne/>
        </Occurrence>
    <DFTitle>Starting date for time condition of rule.</DFTitle>
    <DFType>
        <MIME>text/plain</MIME>
    </DFType>
    </DFProperties>
</Node>

<Node>
    <NodeName>DateStop</NodeName>
    <DFProperties>
        <AccessType>
            <Get/>
            <Replace/>
        </AccessType>
        <DFFormat>
            <chr/>
        </DFFormat>
        <Occurrence>
            <ZeroOrOne/>
        </Occurrence>
    <DFTitle>Stop date for time condition of rule.</DFTitle>
    <DFType>
        <MIME>text/plain</MIME>
    </DFType>
    </DFProperties>
</Node>

<Node>
    <NodeName>DayOfWeek</NodeName>
    <DFProperties>
        <AccessType>
            <Get/>
            <Replace/>
        </AccessType>
        <DFFormat>
            <int/>
        </DFFormat>
        <Occurrence>
            <ZeroOrOne/>
        </Occurrence>
    <DFTitle>Bitmap for day of week condition</DFTitle>
    <DFType>
        <MIME>text/plain</MIME>
    </DFType>
    </DFProperties>
</Node>
</Node>

```

```

<Node>
  <NodeName>TimeOfDayRef</NodeName>
  <DFProperties>
    <AccessType>
      <Get/>
      <Replace/>
    </AccessType>
    <DFFormat>
      <chr/>
    </DFFormat>
    <Occurrence>
      <ZeroOrOne/>
    </Occurrence>
    <DFTitle>A reference to a TimeOfDay interior node</DFTitle>
    <DFType>
      <MIME>text/plain</MIME>
    </DFType>
  </DFProperties>
</Node>

<Node>
  <NodeName>RANValidityCondition</NodeName>
  <DFProperties>
    <AccessType>
      <Get/>
      <Replace/>
    </AccessType>
    <DFFormat>
      <node/>
    </DFFormat>
    <Occurrence>
      <ZeroOrOne/>
    </Occurrence>
    <DFTitle>RANValidityCondition</DFTitle>
    <DFType>
      <DDFName/>
    </DFType>
  </DFProperties>

<Node>
  <NodeName>ThresholdConditions</NodeName>
  <DFProperties>
    <AccessType>
      <Get/>
      <Replace/>
    </AccessType>
    <DFFormat>
      <node/>
    </DFFormat>
    <Occurrence>
      <One/>
    </Occurrence>
    <DFTitle>ThresholdConditions</DFTitle>
    <DFType>
      <DDFName/>
    </DFType>
  </DFProperties>

<Node>
  <NodeName>Thresholds</NodeName>
  <DFProperties>
    <AccessType>
      <Get/>
      <Replace/>
    </AccessType>
    <DFFormat>
      <node/>
    </DFFormat>
    <Occurrence>
      <One/>
    </Occurrence>
    <DFTitle>Thresholds</DFTitle>
    <DFType>
      <DDFName/>
    </DFType>
  </DFProperties>
</Node>

```

```

<NodeName>ThreshServingOffloadWLANLowP</NodeName>
<DFProperties>
  <AccessType>
    <Get/>
    <Replace/>
  </AccessType>
  <DFFormat>
    <null/>
  </DFFormat>
  <Occurrence>
    <ZeroOrOne/>
  </Occurrence>
  <DFTitle>ThreshServingOffloadWLANLowP</DFTitle>
  <DFType>
    <MIME>text/plain</MIME>
  </DFType>
</DFProperties>
</Node>

<Node>
  <NodeName>ThreshServingOffloadWLANHighP</NodeName>
  <DFProperties>
    <AccessType>
      <Get/>
      <Replace/>
    </AccessType>
    <DFFormat>
      <null/>
    </DFFormat>
    <Occurrence>
      <ZeroOrOne/>
    </Occurrence>
    <DFTitle>ThreshServingOffloadWLANHighP</DFTitle>
    <DFType>
      <MIME>text/plain</MIME>
    </DFType>
  </DFProperties>
</Node>

<Node>
  <NodeName>ThreshServingOffloadWLANLowQ</NodeName>
  <DFProperties>
    <AccessType>
      <Get/>
      <Replace/>
    </AccessType>
    <DFFormat>
      <null/>
    </DFFormat>
    <Occurrence>
      <ZeroOrOne/>
    </Occurrence>
    <DFTitle>ThreshServingOffloadWLANLowQ</DFTitle>
    <DFType>
      <MIME>text/plain</MIME>
    </DFType>
  </DFProperties>
</Node>

<Node>
  <NodeName>ThreshServingOffloadWLANHighQ</NodeName>
  <DFProperties>
    <AccessType>
      <Get/>
      <Replace/>
    </AccessType>
    <DFFormat>
      <null/>
    </DFFormat>
    <Occurrence>
      <ZeroOrOne/>
    </Occurrence>
    <DFTitle>ThreshServingOffloadWLANHighQ</DFTitle>
    <DFType>
      <MIME>text/plain</MIME>
    </DFType>
  </DFProperties>
</Node>

```

```

<Node>
  <NodeName>ThreshChUtilWLANLow</NodeName>
  <DFProperties>
    <AccessType>
      <Get/>
      <Replace/>
    </AccessType>
    <DFFormat>
      <int/>
    </DFFormat>
    <Occurrence>
      <ZeroOrOne/>
    </Occurrence>
    <DFTitle>ThreshChUtilWLANLow</DFTitle>
    <DFType>
    <MIME>text/plain</MIME>
    </DFType>
  </DFProperties>

  <Node>
    <NodeName>ThreshChUtilWLANLowANDSF</NodeName>
    <DFProperties>
      <AccessType>
        <Get/>
        <Replace/>
      </AccessType>
      <DFFormat>
        <int/>
      </DFFormat>
      <Occurrence>
        <ZeroOrOne/>
      </Occurrence>
      <DFTitle>ThreshChUtilWLANLowANDSF</DFTitle>
      <DFType>
      <MIME>text/plain</MIME>
      </DFType>
    </DFProperties>
  </Node>

  <Node>
    <NodeName>ThreshChUtilWLANLowRAN</NodeName>
    <DFProperties>
      <AccessType>
        <Get/>
        <Replace/>
      </AccessType>
      <DFFormat>
        <null/>
      </DFFormat>
      <Occurrence>
        <ZeroOrOne/>
      </Occurrence>
      <DFTitle>ThreshChUtilWLANLowRAN</DFTitle>
      <DFType>
      <MIME>text/plain</MIME>
      </DFType>
    </DFProperties>
  </Node>

  <Node>
    <NodeName>ThreshChUtilWLANHigh</NodeName>
    <DFProperties>
      <AccessType>
        <Get/>
        <Replace/>
      </AccessType>
      <DFFormat>
        <int/>
      </DFFormat>
      <Occurrence>
        <ZeroOrOne/>
      </Occurrence>
      <DFTitle>ThreshChUtilWLANHigh</DFTitle>
      <DFType>
      <MIME>text/plain</MIME>
      </DFType>
    </DFProperties>
  </Node>

```

```

</DFProperties>
<Node>
  <NodeName>ThreshChUtilWLANHighANDSF</NodeName>
  <DFProperties>
    <AccessType>
      <Get/>
      <Replace/>
    </AccessType>
    <DFFormat>
      <int/>
    </DFFormat>
    <Occurrence>
      <ZeroOrOne/>
    </Occurrence>
    <DFTitle>ThreshChUtilWLANHighANDSF</DFTitle>
    <DFType>
      <MIME>text/plain</MIME>
    </DFType>
  </DFProperties>
</Node>

<Node>
  <NodeName>ThreshChUtilWLANHighRAN</NodeName>
  <DFProperties>
    <AccessType>
      <Get/>
      <Replace/>
    </AccessType>
    <DFFormat>
      <null/>
    </DFFormat>
    <Occurrence>
      <ZeroOrOne/>
    </Occurrence>
    <DFTitle>ThreshChUtilWLANHighRAN</DFTitle>
    <DFType>
      <MIME>text/plain</MIME>
    </DFType>
  </DFProperties>
</Node>
</Node>

<Node>
  <NodeName>ThreshBackhRateDLWLANLow</NodeName>
  <DFProperties>
    <AccessType>
      <Get/>
      <Replace/>
    </AccessType>
    <DFFormat>
      <int/>
    </DFFormat>
    <Occurrence>
      <ZeroOrOne/>
    </Occurrence>
    <DFTitle>ThreshBackhRateDLWLANLow</DFTitle>
    <DFType>
      <MIME>text/plain</MIME>
    </DFType>
  </DFProperties>

  <Node>

<NodeName>ThreshBackhRateDLWLANLowANDSF</NodeName>
  <DFProperties>
    <AccessType>
      <Get/>
      <Replace/>
    </AccessType>
    <DFFormat>
      <int/>
    </DFFormat>
    <Occurrence>
      <ZeroOrOne/>
    </Occurrence>

<DFTitle>ThreshBackhRateDLWLANLowANDSF</DFTitle>

```



```

        <DFTType>
        <MIME>text/plain</MIME>
        </DFTType>
    </DFProperties>
</Node>

<Node>
    <NodeName>ThreshBackhRateDLWLANLowRAN</NodeName>
    <DFProperties>
        <AccessType>
            <Get/>
            <Replace/>
        </AccessType>
        <DFFormat>
            <null/>
        </DFFormat>
        <Occurrence>
            <ZeroOrOne/>
        </Occurrence>

<DFTitle>ThreshBackhRateDLWLANLowRAN</DFTitle>
        <DFTType>
        <MIME>text/plain</MIME>
        </DFTType>
    </DFProperties>
</Node>
</Node>

<Node>
    <NodeName>ThreshBackhRateDLWLANHigh</NodeName>
    <DFProperties>
        <AccessType>
            <Get/>
            <Replace/>
        </AccessType>
        <DFFormat>
            <int/>
        </DFFormat>
        <Occurrence>
            <ZeroOrOne/>
        </Occurrence>
        <DFTitle>ThreshBackhRateDLWLANHigh</DFTitle>
        <DFTType>
        <MIME>text/plain</MIME>
        </DFTType>
    </DFProperties>

<Node>
    <NodeName>ThreshBackhRateDLWLANHighANDSF</NodeName>
    <DFProperties>
        <AccessType>
            <Get/>
            <Replace/>
        </AccessType>
        <DFFormat>
            <int/>
        </DFFormat>
        <Occurrence>
            <ZeroOrOne/>
        </Occurrence>

<DFTitle>ThreshBackhRateDLWLANHighANDSF</DFTitle>
        <DFTType>
        <MIME>text/plain</MIME>
        </DFTType>
    </DFProperties>
</Node>
</Node>

<NodeName>ThreshBackhRateDLWLANHighRAN</NodeName>
    <DFProperties>
        <AccessType>
            <Get/>
            <Replace/>
        </AccessType>
        <DFFormat>

```

```

        <null/>
      </DFFormat>
    </Occurrence>
    <ZeroOrOne/>
  </Occurrence>

<DFTitle>ThreshBackhRateDLWLANHighRAN</DFTitle>
  <DFType>
    <MIME>text/plain</MIME>
  </DFType>
</DFProperties>
</Node>
</Node>

<Node>
  <nodeName>ThreshBackhRateULWLANLow</nodeName>
  <DFProperties>
    <AccessType>
      <Get/>
      <Replace/>
    </AccessType>
    <DFFormat>
      <int/>
    </DFFormat>
    <Occurrence>
      <ZeroOrOne/>
    </Occurrence>
    <DFTitle>ThreshBackhRateULWLANLow</DFTitle>
    <DFType>
      <MIME>text/plain</MIME>
    </DFType>
  </DFProperties>

  <Node>

<nodeName>ThreshBackhRateULWLANLowANDSF</nodeName>
  <DFProperties>
    <AccessType>
      <Get/>
      <Replace/>
    </AccessType>
    <DFFormat>
      <int/>
    </DFFormat>
    <Occurrence>
      <ZeroOrOne/>
    </Occurrence>

<DFTitle>ThreshBackhRateULWLANLowANDSF</DFTitle>
  <DFType>
    <MIME>text/plain</MIME>
  </DFType>
</DFProperties>
</Node>

<Node>
  <nodeName>ThreshBackhRateULWLANLowRAN</nodeName>
  <DFProperties>
    <AccessType>
      <Get/>
      <Replace/>
    </AccessType>
    <DFFormat>
      <null/>
    </DFFormat>
    <Occurrence>
      <ZeroOrOne/>
    </Occurrence>

<DFTitle>ThreshBackhRateULWLANLowRAN</DFTitle>
  <DFType>
    <MIME>text/plain</MIME>
  </DFType>
</DFProperties>
</Node>
</Node>

```

```

<NodeName>ThreshBackhRateULWLANHigh</NodeName>
<DFProperties>
  <AccessType>
    <Get/>
    <Replace/>
  </AccessType>
  <DFFormat>
    <int/>
  </DFFormat>
  <Occurrence>
    <ZeroOrOne/>
  </Occurrence>
  <DFTitle>ThreshBackhRateULWLANHigh</DFTitle>
  <DFType>
    <MIME>text/plain</MIME>
  </DFType>
</DFProperties>

<Node>

<NodeName>ThreshBackhRateULWLANHighANDSF</NodeName>
  <DFProperties>
    <AccessType>
      <Get/>
      <Replace/>
    </AccessType>
    <DFFormat>
      <int/>
    </DFFormat>
    <Occurrence>
      <ZeroOrOne/>
    </Occurrence>

<DFTitle>ThreshBackhRateULWLANHighANDSF</DFTitle>
    <DFType>
      <MIME>text/plain</MIME>
    </DFType>
  </DFProperties>
</Node>

<Node>

<NodeName>ThreshBackhRateULWLANHighRAN</NodeName>
  <DFProperties>
    <AccessType>
      <Get/>
      <Replace/>
    </AccessType>
    <DFFormat>
      <null/>
    </DFFormat>
    <Occurrence>
      <ZeroOrOne/>
    </Occurrence>

<DFTitle>ThreshBackhRateULWLANHighRAN</DFTitle>
    <DFType>
      <MIME>text/plain</MIME>
    </DFType>
  </DFProperties>
</Node>
</Node>

<Node>
  <NodeName>ThreshBeaconRSSIWLANLow</NodeName>
  <DFProperties>
    <AccessType>
      <Get/>
      <Replace/>
    </AccessType>
    <DFFormat>
      <int/>
    </DFFormat>
    <Occurrence>
      <ZeroOrOne/>
    </Occurrence>
    <DFTitle>ThreshBeaconRSSIWLANLow</DFTitle>
    <DFType>

```

```

        <MIME>text/plain</MIME>
      </DFType>
    </DFProperties>

    <Node>

  <NodeName>ThreshBeaconRSSIWLANLowANDSF</NodeName>
    <DFProperties>
      <AccessType>
        <Get/>
        <Replace/>
      </AccessType>
      <DFFormat>
        <int/>
      </DFFormat>
      <Occurrence>
        <ZeroOrOne/>
      </Occurrence>

  <DFTitle>ThreshBeaconRSSIWLANLowANDSF</DFTitle>
    <DFType>
      <MIME>text/plain</MIME>
    </DFType>
  </DFProperties>
</Node>

  <Node>
    <NodeName>ThreshBeaconRSSIWLANLowRAN</NodeName>
    <DFProperties>
      <AccessType>
        <Get/>
        <Replace/>
      </AccessType>
      <DFFormat>
        <null/>
      </DFFormat>
      <Occurrence>
        <ZeroOrOne/>
      </Occurrence>

  <DFTitle>ThreshBeaconRSSIWLANLowRAN</DFTitle>
    <DFType>
      <MIME>text/plain</MIME>
    </DFType>
  </DFProperties>
</Node>
</Node>

  <Node>
    <NodeName>ThreshBeaconRSSIWLANHigh</NodeName>
    <DFProperties>
      <AccessType>
        <Get/>
        <Replace/>
      </AccessType>
      <DFFormat>
        <int/>
      </DFFormat>
      <Occurrence>
        <ZeroOrOne/>
      </Occurrence>
    <DFTitle>ThreshBeaconRSSIWLANHigh</DFTitle>
    <DFType>
      <MIME>text/plain</MIME>
    </DFType>
  </DFProperties>

  <Node>

  <NodeName>ThreshBeaconRSSIWLANHighANDSF</NodeName>
    <DFProperties>
      <AccessType>
        <Get/>
        <Replace/>
      </AccessType>
      <DFFormat>
        <int/>
      </DFFormat>

```

```

        <Occurrence>
          <ZeroOrOne/>
        </Occurrence>

<DFTitle>ThreshBeaconRSSIWLANHighANDSF</DFTitle>
        <DFType>
          <MIME>text/plain</MIME>
        </DFType>
      </DFProperties>
    </Node>

    <Node>
      <NodeName>ThreshBeaconRSSIWLANHighRAN</NodeName>
      <DFProperties>
        <AccessType>
          <Get />
          <Replace />
        </AccessType>
        <DFFormat>
          <null />
        </DFFormat>
        <Occurrence>
          <ZeroOrOne/>
        </Occurrence>
      </DFProperties>
    </Node>

<DFTitle>ThreshBeaconRSSIWLANHighRAN</DFTitle>
        <DFType>
          <MIME>text/plain</MIME>
        </DFType>
      </DFProperties>
    </Node>
  </Node>

  <Node>
    <NodeName>ThresholdConditionEvaluationPolicy</NodeName>
    <DFProperties>
      <AccessType>
        <Get />
        <Replace />
      </AccessType>
      <DFFormat>
        <bool />
      </DFFormat>
      <Occurrence>
        <One />
      </Occurrence>
      <DFTitle>ThresholdConditionEvaluationPolicy</DFTitle>
      <DFType>
        <MIME>text/plain</MIME>
      </DFType>
    </DFProperties>
  </Node>
</Node>

<Node>
  <NodeName>OPI</NodeName>
  <DFProperties>
    <AccessType>
      <Get />
      <Replace />
    </AccessType>
    <DFFormat>
      <int />
    </DFFormat>
    <Occurrence>
      <One />
    </Occurrence>
    <DFTitle>OPI</DFTitle>
    <DFType>
      <MIME>text/plain</MIME>
    </DFType>
  </DFProperties>
</Node>
</Node>

<Node>

```

```

        <NodeName>RANValidityConditionRef</NodeName>
        <DFProperties>
            <AccessType>
                <Get/>
                <Replace/>
            </AccessType>
            <DFFormat>
                <chr/>
            </DFFormat>
            <Occurrence>
                <ZeroOrOne/>
            </Occurrence>
            <DFTitle>A reference to a RANValidityCondition interior
node</DFTitle>
            <DFType>
                <MIME>text/plain</MIME>
            </DFType>
        </DFProperties>
    </Node>
</Node>
</Node>
<Node>
    <NodeName>RoutingRule</NodeName>
    <DFProperties>
        <AccessType>
            <Get/>
            <Replace/>
        </AccessType>
        <DFFormat>
            <node/>
        </DFFormat>
        <Occurrence>
            <One/>
        </Occurrence>
        <DFTitle>Prioritized access.</DFTitle>
        <DFType>
            <DDFName/>
        </DFType>
    </DFProperties>

    <Node>
        <NodeName></NodeName>
        <DFProperties>
            <AccessType>
                <Get/>
                <Replace/>
            </AccessType>
            <DFFormat>
                <node/>
            </DFFormat>
            <Occurrence>
                <OneOrMore/>
            </Occurrence>
            <DFType>
                <DDFName></DDFName>
            </DFType>
        </DFProperties>

    <Node>
        <NodeName>AccessId</NodeName>
        <DFProperties>
            <AccessType>
                <Get/>
                <Replace/>
            </AccessType>
            <DFFormat>
                <chr/>
            </DFFormat>
            <Occurrence>
                <ZeroOrOne/>
            </Occurrence>
            <DFTitle>Access identity.</DFTitle>
            <DFType>
                <MIME>text/plain</MIME>
            </DFType>
        </DFProperties>
    </Node>

```

```

<Node>
  <NodeName>SecondaryAccessId</NodeName>
  <DFProperties>
    <AccessType>
      <Get/>
      <Replace/>
    </AccessType>
    <DFFormat>
      <chr/>
    </DFFormat>
    <Occurrence>
      <ZeroOrOne/>
    </Occurrence>
    <DFTitle>Access identity.</DFTitle>
    <DFType>
      <MIME>text/plain</MIME>
    </DFType>
  </DFProperties>
</Node>

<Node>
  <NodeName>AccessNetworkPriority</NodeName>
  <DFProperties>
    <AccessType>
      <Get/>
      <Replace/>
    </AccessType>
    <DFFormat>
      <int/>
    </DFFormat>
    <Occurrence>
      <One/>
    </Occurrence>
    <DFTitle>Access network priority.</DFTitle>
    <DFType>
      <MIME>text/plain</MIME>
    </DFType>
  </DFProperties>
</Node>
</Node>
</Node>

<Node>
  <NodeName>RulePriority</NodeName>
  <DFProperties>
    <AccessType>
      <Get/>
      <Replace/>
    </AccessType>
    <DFFormat>
      <int/>
    </DFFormat>
    <Occurrence>
      <One/>
    </Occurrence>
    <DFTitle>Rule priority.</DFTitle>
    <DFType>
      <MIME>text/plain</MIME>
    </DFType>
  </DFProperties>
</Node>
</Node>

<Node>
  <NodeName>Roaming</NodeName>
  <DFProperties>
    <AccessType>
      <Get/>
      <Replace/>
    </AccessType>
    <DFFormat>
      <bool/>
    </DFFormat>
    <Occurrence>
      <ZeroOrOne/>
    </Occurrence>
  </DFProperties>
</Node>

```

```

        <DFTitle>validity in case of Roaming</DFTitle>
        <DFType>
            <MIME>text/plain</MIME>
        </DFType>
    </DFProperties>
</Node>

<Node>
    <NodeName>PLMN</NodeName>
    <DFProperties>
        <AccessType>
            <Get/>
            <Replace/>
        </AccessType>
        <DFFormat>
            <chr/>
        </DFFormat>
        <Occurrence>
            <One/>
        </Occurrence>
        <DFTitle>PLMN which created the policy.</DFTitle>
        <DFType>
            <MIME>text/plain</MIME>
        </DFType>
    </DFProperties>
</Node>

<Node>
    <NodeName>UpdatePolicy</NodeName>
    <DFProperties>
        <AccessType>
            <Get/>
            <Replace/>
        </AccessType>
        <DFFormat>
            <bool/>
        </DFFormat>
        <Occurrence>
            <ZeroOrOne/>
        </Occurrence>
        <DFTitle>Update policy.</DFTitle>
        <DFType>
            <MIME>text/plain</MIME>
        </DFType>
    </DFProperties>
</Node>
</Node>

<Node>
    <NodeName>RuleSelectionInformation</NodeName>
    <!-- The RuleSelectionInformation node starts here. -->
    <DFProperties>
        <AccessType>
            <Get/>
            <Replace/>
        </AccessType>
        <DFFormat>
            <node/>
        </DFFormat>
        <Occurrence>
            <ZeroOrOne/>
        </Occurrence>
        <DFTitle>Rule selection information for selecting ISMP, ISRP and WLANSF to be
applied when roaming</DFTitle>
        <DFType>
            <DDFName/>
        </DFType>
    </DFProperties>

    <Node>
        <NodeName>VPLMNswithPreferredRules</NodeName>
        <DFProperties>
            <AccessType>
                <Get/>
                <Replace/>
            </AccessType>
            <DFFormat>

```



```

        <node/>
    </DFFormat>
    <Occurrence>
        <One/>
    </Occurrence>
    <DFTitle>VPLMNs with preferred WLAN selection rules</DFTitle>
    <DFType>
        <MIME>text/plain</MIME>
    </DFType>
</DFProperties>

<Node>
    <NodeName></NodeName>
    <DFProperties>
        <AccessType>
            <Get/>
            <Replace/>
        </AccessType>
        <DFFormat>
            <node/>
        </DFFormat>
        <Occurrence>
            <OneOrMore/>
        </Occurrence>
        <DFType>
            <DDFName></DDFName>
        </DFType>
    </DFProperties>

    <Node>
        <NodeName>VPLMN</NodeName>
        <DFProperties>
            <AccessType>
                <Get/>
                <Replace/>
            </AccessType>
            <DFFormat>
                <chr/>
            </DFFormat>
            <Occurrence>
                <One/>
            </Occurrence>
            <DFTitle>VPLMN with preferred WLAN selection rules</DFTitle>
            <DFType>
                <MIME>text/plain</MIME>
            </DFType>
        </DFProperties>
    </Node>
</Node>

<Node>
    <NodeName>PLMN</NodeName>
    <DFProperties>
        <AccessType>
            <Get/>
            <Replace/>
        </AccessType>
        <DFFormat>
            <chr/>
        </DFFormat>
        <Occurrence>
            <One/>
        </Occurrence>
        <DFTitle>PLMN which created the policy.</DFTitle>
        <DFType>
            <MIME>text/plain</MIME>
        </DFType>
    </DFProperties>
</Node>

<Node>
    <NodeName>HomeNetworkPreference</NodeName>
    <!-- The HomeNetworkPreference node starts here. -->
    <DFProperties>
        <AccessType>
            <Get/>

```

```

    <Replace/>
  </AccessType>
  <DFFormat>
    <node/>
  </DFFormat>
  <Occurrence>
    <ZeroOrOne/>
  </Occurrence>
  <DFTitle>Home Operator Preference for WLAN access network selection</DFTitle>
  <DFType>
    <DDFName/>
  </DFType>
</DFProperties>

<Node>
  <NodeName>PSPL</NodeName>
  <!-- The PSPL node starts here. -->
  <DFProperties>
    <AccessType>
      <Get/>
      <Replace/>
    </AccessType>
    <DFFormat>
      <node/>
    </DFFormat>
    <Occurrence>
      <One/>
    </Occurrence>
    <DFTitle>PSPL for PLMN selection via WLAN access network.</DFTitle>
    <DFType>
      <DDFName/>
    </DFType>
  </DFProperties>

  <Node>
    <NodeName>3GPP_RPLMN_Preferred</NodeName>
    <DFProperties>
      <AccessType>
        <Get/>
        <Replace/>
      </AccessType>
      <DFFormat>
        <bool/>
      </DFFormat>
      <Occurrence>
        <ZeroOrOne/>
      </Occurrence>
      <DFTitle>3GPP RPLMN Preference</DFTitle>
      <DFType>
        <DDFName/>
      </DFType>
    </DFProperties>
  </Node>

  <Node>
    <NodeName>EquivalentHomeSPs</NodeName>
    <DFProperties>
      <AccessType>
        <Get/>
        <Replace/>
      </AccessType>
      <DFFormat>
        <node/>
      </DFFormat>
      <Occurrence>
        <ZeroOrOne/>
      </Occurrence>
      <DFTitle>List of Home PLMNs the UE is allowed to access via
WLAN.</DFTitle>
      <DFType>
        <DDFName/>
      </DFType>
    </DFProperties>

  <Node>
    <NodeName></NodeName>
    <DFProperties>
      <AccessType>

```

```

        <Get/>
        <Replace/>
    </AccessType>
    <DFFormat>
        <node/>
    </DFFormat>
    <Occurrence>
        <OneOrMore/>
    </Occurrence>
    <DFType>
        <DDFName></DDFName>
    </DFType>
</DFProperties>

<Node>
    <NodeName>EquivalentSPs</NodeName>
    <DFProperties>
        <AccessType>
            <Get/>
            <Replace/>
        </AccessType>
        <DFFormat>
            <chr/>
        </DFFormat>
        <Occurrence>
            <One/>
        </Occurrence>
        <DFTitle>Home Service Provider the UE is allowed to
access.</DFTitle>

        <DFType>
            <DDFName/>
        </DFType>
    </DFProperties>
</Node>
</Node>

<Node>
    <NodeName>PreferredSPs</NodeName>
    <DFProperties>
        <AccessType>
            <Get/>
            <Replace/>
        </AccessType>
        <DFFormat>
            <node/>
        </DFFormat>
        <Occurrence>
            <ZeroOrOne/>
        </Occurrence>
        <DFTitle>List of PLMNs the UE is allowed to access via WLAN.</DFTitle>
        <DFType>
            <DDFName/>
        </DFType>
    </DFProperties>

    <Node>
        <NodeName></NodeName>
        <DFProperties>
            <AccessType>
                <Get/>
                <Replace/>
            </AccessType>
            <DFFormat>
                <node/>
            </DFFormat>
            <Occurrence>
                <OneOrMore/>
            </Occurrence>
            <DFType>
                <DDFName></DDFName>
            </DFType>
        </DFProperties>

        <Node>
            <NodeName>Priority</NodeName>
            <DFProperties>
                <AccessType>

```

```

        <Get/>
        <Replace/>
    </AccessType>
    <DFFormat>
        <int/>
    </DFFormat>
    <Occurrence>
        <One/>
    </Occurrence>
    <DFTitle>PLMN priority.</DFTitle>
    <DFType>
        <MIME>text/plain</MIME>
    </DFType>
    </DFProperties>
</Node>

<Node>
    <NodeName>ServiceProvider</NodeName>
    <DFProperties>
        <AccessType>
            <Get/>
            <Replace/>
        </AccessType>
        <DFFormat>
            <chr/>
        </DFFormat>
        <Occurrence>
            <One/>
        </Occurrence>
        <DFTitle>Preferred Service Provider the UE is allowed to
access.</DFTitle>
        <DFType>
            <DDFName/>
        </DFType>
    </DFProperties>
</Node>
</Node>
</Node>
<Node>
    <NodeName>S2aConnectivityPreference</NodeName>
    <DFProperties>
        <AccessType>
            <Get/>
            <Replace/>
        </AccessType>
        <DFFormat>
            <bool/>
        </DFFormat>
        <Occurrence>
            <ZeroOrOne/>
        </Occurrence>
        <DFTitle>S2a connectivity preference.</DFTitle>
        <DFType>
            <MIME>text/plain</MIME>
        </DFType>
    </DFProperties>
</Node>

<Node>
    <NodeName>ePDG</NodeName>
    <DFProperties>
        <AccessType>
            <Get/>
            <Replace/>
        </AccessType>
        <DFFormat>
            <node/>
        </DFFormat>
        <Occurrence>
            <ZeroOrOne/>
        </Occurrence>
        <DFTitle>ePDG</DFTitle>
        <DFType>
            <DDFName/>
        </DFType>
    </DFProperties>

```

```

<Node>
  <NodeName>Home ePDG Identifier</NodeName>
  <DFProperties>
    <AccessType>
      <Get/>
      <Replace/>
    </AccessType>
    <DFFormat>
      <node/>
    </DFFormat>
    <Occurrence>
      <ZeroOrOne/>
    </Occurrence>
    <DFTitle>Home ePDG Identifier</DFTitle>
    <DFType>
      <DDFName/>
    </DFType>
  </DFProperties>

  <Node>
    <NodeName></NodeName>
    <DFProperties>
      <AccessType>
        <Get/>
        <Replace/>
      </AccessType>
      <DFFormat>
        <node/>
      </DFFormat>
      <Occurrence>
        <OneOrMore/>
      </Occurrence>
      <DFType>
        <DDFName></DDFName>
      </DFType>
    </DFProperties>

  <Node>
    <NodeName>Emergency_service_support</NodeName>
    <DFProperties>
      <AccessType>
        <Get/>
        <Replace/>
      </AccessType>
      <DFFormat>
        <bool/>
      </DFFormat>
      <Occurrence>
        <ZeroOrOne/>
      </Occurrence>
      <DFTitle>Emergency_service_support</DFTitle>
      <DFType>
        <MIME>text/plain</MIME>
      </DFType>
    </DFProperties>
  </Node>

  <Node>
    <NodeName>FQDN</NodeName>
    <DFProperties>
      <AccessType>
        <Get/>
        <Replace/>
      </AccessType>
      <DFFormat>
        <chr/>
      </DFFormat>
      <Occurrence>
        <ZeroOrOne/>
      </Occurrence>
      <DFTitle>FQDN</DFTitle>
      <DFType>
        <MIME>text/plain</MIME>
      </DFType>
    </DFProperties>
  </Node>

```

```

<Node>
  <NodeName>IP Address</NodeName>
  <DFProperties>
    <AccessType>
      <Get/>
      <Replace/>
    </AccessType>
    <DFFormat>
      <node/>
    </DFFormat>
    <Occurrence>
      <ZeroOrOne/>
    </Occurrence>
    <DFTitle>IP Address</DFTitle>
    <DFType>
      <DDFName/>
    </DFType>
  </DFProperties>

  <Node>
    <NodeName></NodeName>
    <DFProperties>
      <AccessType>
        <Get/>
        <Replace/>
      </AccessType>
      <DFFormat>
        <node/>
      </DFFormat>
      <Occurrence>
        <OneOrMore/>
      </Occurrence>
      <DFType>
        <DDFName></DDFName>
      </DFType>
    </DFProperties>

    <Node>
      <NodeName>Address Type</NodeName>
      <DFProperties>
        <AccessType>
          <Get/>
          <Replace/>
        </AccessType>
        <DFFormat>
          <chr/>
        </DFFormat>
        <Occurrence>
          <One/>
        </Occurrence>
        <DFTitle>Address Type</DFTitle>
        <DFType>
          <MIME>text/plain</MIME>
        </DFType>
      </DFProperties>
    </Node>

    <Node>
      <NodeName>Address</NodeName>
      <DFProperties>
        <AccessType>
          <Get/>
          <Replace/>
        </AccessType>
        <DFFormat>
          <chr/>
        </DFFormat>
        <Occurrence>
          <One/>
        </Occurrence>
        <DFTitle>Address</DFTitle>
        <DFType>
          <DDFName/>
        </DFType>
      </DFProperties>
    </Node>

```

```

        </Node>
      </Node>
    </Node>
  </Node>
</Node>

<Node>
  <NodeName>ePDG selection information</NodeName>
  <DFProperties>
    <AccessType>
      <Get/>
      <Replace/>
    </AccessType>
    <DFFormat>
      <node/>
    </DFFormat>
    <Occurrence>
      <ZeroOrOne/>
    </Occurrence>
    <DFTitle>ePDG selection information</DFTitle>
    <DFType>
      <DDFName/>
    </DFType>
  </DFProperties>

  <Node>
    <NodeName></NodeName>
    <DFProperties>
      <AccessType>
        <Get/>
        <Replace/>
      </AccessType>
      <DFFormat>
        <node/>
      </DFFormat>
      <Occurrence>
        <OneOrMore/>
      </Occurrence>
      <DFType>
        <DDFName></DDFName>
      </DFType>
    </DFProperties>

    <Node>
      <NodeName>PLMN</NodeName>
      <DFProperties>
        <AccessType>
          <Get/>
          <Replace/>
        </AccessType>
        <DFFormat>
          <chr/>
        </DFFormat>
        <Occurrence>
          <One/>
        </Occurrence>
        <DFTitle>PLMN</DFTitle>
        <DFType>
          <MIME>text/plain</MIME>
        </DFType>
      </DFProperties>
    </Node>

    <Node>
      <NodeName>selection policy</NodeName>
      <DFProperties>
        <AccessType>
          <Get/>
          <Replace/>
        </AccessType>
        <DFFormat>
          <bool/>
        </DFFormat>
        <Occurrence>
          <ZeroOrOne/>
        </Occurrence>
      </DFProperties>
    </Node>
  </Node>
</Node>

```

```

        </Occurrence>
        <DFTitle>selection policy</DFTitle>
        <DFType>
            <DDFName/>
        </DFType>
    </DFProperties>
</Node>

<Node>
    <NodeName>FQDN format</NodeName>
    <DFProperties>
        <AccessType>
            <Get/>
            <Replace/>
        </AccessType>
        <DFFormat>
            <bool/>
        </DFFormat>
        <Occurrence>
            <ZeroOrOne/>
        </Occurrence>
        <DFTitle>FQDN format</DFTitle>
        <DFType>
            <DDFName/>
        </DFType>
    </DFProperties>
</Node>
</Node>
</Node>
</Node>
</Node>
</Node>
<Node>
    <NodeName>PLMN</NodeName>
    <DFProperties>
        <AccessType>
            <Get/>
            <Replace/>
        </AccessType>
        <DFFormat>
            <chr/>
        </DFFormat>
        <Occurrence>
            <One/>
        </Occurrence>
        <DFTitle>PLMN which created the policy.</DFTitle>
        <DFType>
            <MIME>text/plain</MIME>
        </DFType>
    </DFProperties>
</Node>

<Node>
    <NodeName>UpdatePolicy</NodeName>
    <DFProperties>
        <AccessType>
            <Get/>
            <Replace/>
        </AccessType>
        <DFFormat>
            <bool/>
        </DFFormat>
        <Occurrence>
            <ZeroOrOne/>
        </Occurrence>
        <DFTitle>Update policy.</DFTitle>
        <DFType>
            <MIME>text/plain</MIME>
        </DFType>
    </DFProperties>
</Node>
</Node>

<Node>
    <NodeName>VisitedNetworkPreference</NodeName>
    <!-- The VisitedNetworkPreference node starts here. -->
    <DFProperties>
        <AccessType>

```



```

        <Get/>
        <Replace/>
    </AccessType>
    <DFFormat>
        <node/>
    </DFFormat>
    <Occurrence>
        <ZeroOrOne/>
    </Occurrence>
    <DFTitle>Visited Network Preference for WLAN access network selection</DFTitle>
    <DFType>
        <DDFName/>
    </DFType>
</DFProperties>

<Node>
    <NodeName>EquivalentVisitedSPs</NodeName>
    <DFProperties>
        <AccessType>
            <Get/>
            <Replace/>
        </AccessType>
        <DFFormat>
            <node/>
        </DFFormat>
        <Occurrence>
            <ZeroOrOne/>
        </Occurrence>
        <DFTitle>List of visted SPs the UE is allowed to access via WLAN.</DFTitle>
        <DFType>
            <DDFName/>
        </DFType>
    </DFProperties>

    <Node>
        <NodeName></NodeName>
        <DFProperties>
            <AccessType>
                <Get/>
                <Replace/>
            </AccessType>
            <DFFormat>
                <node/>
            </DFFormat>
            <Occurrence>
                <OneOrMore/>
            </Occurrence>
            <DFType>
                <DDFName></DDFName>
            </DFType>
        </DFProperties>

        <Node>
            <NodeName>ServiceProvider</NodeName>
            <DFProperties>
                <AccessType>
                    <Get/>
                    <Replace/>
                </AccessType>
                <DFFormat>
                    <chr/>
                </DFFormat>
                <Occurrence>
                    <One/>
                </Occurrence>
                <DFTitle>Preferred Service Provider the UE is allowed to
accese.</DFTitle>
                <DFType>
                    <DDFName/>
                </DFType>
            </DFProperties>
        </Node>
    </Node>
</Node>

<Node>
    <NodeName>PLMN</NodeName>
    <DFProperties>

```

```

        <AccessType>
          <Get/>
          <Replace/>
        </AccessType>
        <DFFormat>
          <chr/>
        </DFFormat>
        <Occurrence>
          <One/>
        </Occurrence>
        <DFTitle>PLMN which created the policy.</DFTitle>
        <DFType>
          <MIME>text/plain</MIME>
        </DFType>
      </DFProperties>
    </Node>

    <Node>
      <NodeName>UpdatePolicy</NodeName>
      <DFProperties>
        <AccessType>
          <Get/>
          <Replace/>
        </AccessType>
        <DFFormat>
          <bool/>
        </DFFormat>
        <Occurrence>
          <ZeroOrOne/>
        </Occurrence>
        <DFTitle>Update policy.</DFTitle>
        <DFType>
          <MIME>text/plain</MIME>
        </DFType>
      </DFProperties>
    </Node>
  </Node>

  <Node>
    <NodeName>ValidityCriteria</NodeName>
    <!-- The ValidityCriteria node starts here. -->
    <DFProperties>
      <AccessType>
        <Get/>
        <Replace/>
      </AccessType>
      <DFFormat>
        <node/>
      </DFFormat>
      <Occurrence>
        <ZeroOrOne/>
      </Occurrence>
      <DFTitle>Container for nodes referenced from other parts of ANDSF MO</DFTitle>
      <DFType>
        <DDFName/>
      </DFType>
    </DFProperties>
    <Node>
      <NodeName></NodeName>
      <DFProperties>
        <AccessType>
          <Get/>
          <Replace/>
        </AccessType>
        <DFFormat>
          <node/>
        </DFFormat>
        <Occurrence>
          <OneOrMore/>
        </Occurrence>
        <DFType>
          <DDFName></DDFName>
        </DFType>
      </DFProperties>
      <Node>
        <NodeName>ValidityArea</NodeName>
        <DFProperties>
          <AccessType>

```

```

        <Get/>
        <Replace/>
    </AccessType>
    <DFFormat>
        <node/>
    </DFFormat>
    <Occurrence>
        <ZeroOrOne/>
    </Occurrence>
    <DFTitle>Validity area.</DFTitle>
    <DFType>
        <DDFName/>
    </DFType>
</DFProperties>
<Node>
    <NodeName>3GPP_Location</NodeName>
    <DFProperties>
        <AccessType>
            <Get/>
            <Replace/>
        </AccessType>
        <DFFormat>
            <node/>
        </DFFormat>
        <Occurrence>
            <ZeroOrOne/>
        </Occurrence>
        <DFTitle>Validity area for 3GPP access.</DFTitle>
        <DFType>
            <DDFName/>
        </DFType>
    </DFProperties>
    <Node>
        <NodeName></NodeName>
        <DFProperties>
            <AccessType>
                <Get/>
                <Replace/>
            </AccessType>
            <DFFormat>
                <node/>
            </DFFormat>
            <Occurrence>
                <OneOrMore/>
            </Occurrence>
            <DFType>
                <DDFName></DDFName>
            </DFType>
        </DFProperties>
    </Node>
    <NodeName>PLMN</NodeName>
    <DFProperties>
        <AccessType>
            <Get/>
            <Replace/>
        </AccessType>
        <DFFormat>
            <chr/>
        </DFFormat>
        <Occurrence>
            <One/>
        </Occurrence>
        <DFTitle>PLMN.</DFTitle>
        <DFType>
            <MIME>text/plain</MIME>
        </DFType>
    </DFProperties>
</Node>
<Node>
    <NodeName>TAC</NodeName>
    <DFProperties>
        <AccessType>
            <Get/>
            <Replace/>
        </AccessType>
        <DFFormat>
            <chr/>
        </DFFormat>

```

```

        <Occurrence>
          <ZeroOrOne/>
        </Occurrence>
        <DFTitle>TAC.</DFTitle>
        <DFType>
          <MIME>text/plain</MIME>
        </DFType>
      </DFProperties>
    </Node>
  <Node>
    <nodeName>LAC</nodeName>
    <DFProperties>
      <AccessType>
        <Get/>
        <Replace/>
      </AccessType>
      <DFFormat>
        <chr/>
      </DFFormat>
      <Occurrence>
        <ZeroOrOne/>
      </Occurrence>
      <DFTitle>LAC.</DFTitle>
      <DFType>
        <MIME>text/plain</MIME>
      </DFType>
    </DFProperties>
  </Node>
  <Node>
    <nodeName>GERAN_CI</nodeName>
    <DFProperties>
      <AccessType>
        <Get/>
        <Replace/>
      </AccessType>
      <DFFormat>
        <bin/>
      </DFFormat>
      <Occurrence>
        <ZeroOrOne/>
      </Occurrence>
      <DFTitle>GERAN_CI.</DFTitle>
      <DFType>
        <MIME>text/plain</MIME>
      </DFType>
    </DFProperties>
  </Node>
  <Node>
    <nodeName>UTRAN_CI</nodeName>
    <DFProperties>
      <AccessType>
        <Get/>
        <Replace/>
      </AccessType>
      <DFFormat>
        <bin/>
      </DFFormat>
      <Occurrence>
        <ZeroOrOne/>
      </Occurrence>
      <DFTitle>UTRAN_CI.</DFTitle>
      <DFType>
        <MIME>text/plain</MIME>
      </DFType>
    </DFProperties>
  </Node>
  <Node>
    <nodeName>EUTRA_CI</nodeName>
    <DFProperties>
      <AccessType>
        <Get/>
        <Replace/>
      </AccessType>
      <DFFormat>
        <bin/>
      </DFFormat>
      <Occurrence>
        <ZeroOrOne/>
      </Occurrence>

```

```

        </Occurrence>
        <DFTitle>EUTRA_CI.</DFTitle>
        <DFType>
            <MIME>text/plain</MIME>
        </DFType>
    </DFProperties>
</Node>
</Node>
</Node>
<Node>
    <NodeName>3GPP2_Location</NodeName>
    <DFProperties>
        <AccessType>
            <Get/>
            <Replace/>
        </AccessType>
        <DFFormat>
            <node/>
        </DFFormat>
        <Occurrence>
            <ZeroOrOne/>
        </Occurrence>
        <DFTitle>Validity area for 3GPP2 access.</DFTitle>
        <DFType>
            <DDFName/>
        </DFType>
    </DFProperties>
<Node>
    <NodeName>1x</NodeName>
    <DFProperties>
        <AccessType>
            <Get/>
            <Replace/>
        </AccessType>
        <DFFormat>
            <node/>
        </DFFormat>
        <Occurrence>
            <ZeroOrOne/>
        </Occurrence>
        <DFTitle>Validity area for 3GPP2-1x access.</DFTitle>
        <DFType>
            <DDFName/>
        </DFType>
    </DFProperties>
<Node>
    <NodeName></NodeName>
    <DFProperties>
        <AccessType>
            <Get/>
            <Replace/>
        </AccessType>
        <DFFormat>
            <node/>
        </DFFormat>
        <Occurrence>
            <OneOrMore/>
        </Occurrence>
        <DFType>
            <DDFName></DDFName>
        </DFType>
    </DFProperties>
<Node>
    <NodeName>SID</NodeName>
    <DFProperties>
        <AccessType>
            <Get/>
            <Replace/>
        </AccessType>
        <DFFormat>
            <chr/>
        </DFFormat>
        <Occurrence>
            <One/>
        </Occurrence>
        <DFTitle>1x-SID.</DFTitle>
        <DFType>
            <MIME>text/plain</MIME>

```

```

        </DFType>
      </DFProperties>
    </Node>
    <Node>
      <NodeName>NID</NodeName>
      <DFProperties>
        <AccessType>
          <Get/>
          <Replace/>
        </AccessType>
        <DFFormat>
          <chr/>
        </DFFormat>
        <Occurrence>
          <ZeroOrOne/>
        </Occurrence>
        <DFTitle>1x-NID.</DFTitle>
        <DFType>
          <MIME>text/plain</MIME>
        </DFType>
      </DFProperties>
    </Node>
    <Node>
      <NodeName>Base_ID</NodeName>
      <DFProperties>
        <AccessType>
          <Get/>
          <Replace/>
        </AccessType>
        <DFFormat>
          <chr/>
        </DFFormat>
        <Occurrence>
          <ZeroOrOne/>
        </Occurrence>
        <DFTitle>1x-Base ID.</DFTitle>
        <DFType>
          <MIME>text/plain</MIME>
        </DFType>
      </DFProperties>
    </Node>
  </Node>
</Node>
<Node>
  <NodeName>HRPD</NodeName>
  <DFProperties>
    <AccessType>
      <Get/>
      <Replace/>
    </AccessType>
    <DFFormat>
      <node/>
    </DFFormat>
    <Occurrence>
      <ZeroOrOne/>
    </Occurrence>
    <DFTitle>Validity area for 3GPP2-HRPD access</DFTitle>
    <DFType>
      <DDFName/>
    </DFType>
  </DFProperties>
  <Node>
    <NodeName></NodeName>
    <DFProperties>
      <AccessType>
        <Get/>
        <Replace/>
      </AccessType>
      <DFFormat>
        <node/>
      </DFFormat>
      <Occurrence>
        <OneOrMore/>
      </Occurrence>
      <DFType>
        <DDFName></DDFName>
      </DFType>
    </DFProperties>
  </Node>

```

```

<Node>
  <NodeName>Sector_ID</NodeName>
  <DFProperties>
    <AccessType>
      <Get/>
      <Replace/>
    </AccessType>
    <DFFormat>
      <bin/>
    </DFFormat>
    <Occurrence>
      <One/>
    </Occurrence>
    <DFTitle>HRPD Sector ID</DFTitle>
    <DFType>
      <MIME>text/plain</MIME>
    </DFType>
  </DFProperties>
</Node>
<Node>
  <NodeName>Netmask</NodeName>
  <DFProperties>
    <AccessType>
      <Get/>
      <Replace/>
    </AccessType>
    <DFFormat>
      <bin/>
    </DFFormat>
    <Occurrence>
      <One/>
    </Occurrence>
    <DFTitle>HRPD netmask</DFTitle>
    <DFType>
      <MIME>text/plain</MIME>
    </DFType>
  </DFProperties>
</Node>
</Node>
</Node>
</Node>
<Node>
  <NodeName>WiMAX_Location</NodeName>
  <DFProperties>
    <AccessType>
      <Get/>
      <Replace/>
    </AccessType>
    <DFFormat>
      <node/>
    </DFFormat>
    <Occurrence>
      <ZeroOrOne/>
    </Occurrence>
    <DFTitle>Validity area for WiMAX access.</DFTitle>
    <DFType>
      <DDFName/>
    </DFType>
  </DFProperties>
  <Node>
    <NodeName></NodeName>
    <DFProperties>
      <AccessType>
        <Get/>
        <Replace/>
      </AccessType>
      <DFFormat>
        <node/>
      </DFFormat>
      <Occurrence>
        <OneOrMore/>
      </Occurrence>
      <DFType>
        <DDFName></DDFName>
      </DFType>
    </DFProperties>
  </Node>
  <NodeName>NAP-ID</NodeName>

```

```

    <DFProperties>
      <AccessType>
        <Get/>
        <Replace/>
      </AccessType>
      <DFFormat>
        <chr/>
      </DFFormat>
      <Occurrence>
        <One/>
      </Occurrence>
      <DFTitle>NAP-ID</DFTitle>
      <DFType>
        <MIME>text/plain</MIME>
      </DFType>
    </DFProperties>
  </Node>
  <Node>
    <NodeName>BS-ID</NodeName>
    <DFProperties>
      <AccessType>
        <Get/>
        <Replace/>
      </AccessType>
      <DFFormat>
        <chr/>
      </DFFormat>
      <Occurrence>
        <One/>
      </Occurrence>
      <DFTitle>BS-ID</DFTitle>
      <DFType>
        <MIME>text/plain</MIME>
      </DFType>
    </DFProperties>
  </Node>
</Node>
  <Node>
    <NodeName>WLAN_Location</NodeName>
    <DFProperties>
      <AccessType>
        <Get/>
        <Replace/>
      </AccessType>
      <DFFormat>
        <node/>
      </DFFormat>
      <Occurrence>
        <ZeroOrOne/>
      </Occurrence>
      <DFTitle>Validity area for WLAN access.</DFTitle>
      <DFType>
        <DDFName/>
      </DFType>
    </DFProperties>
  <Node>
    <NodeName></NodeName>
    <DFProperties>
      <AccessType>
        <Get/>
        <Replace/>
      </AccessType>
      <DFFormat>
        <node/>
      </DFFormat>
      <Occurrence>
        <OneOrMore/>
      </Occurrence>
      <DFType>
        <DDFName></DDFName>
      </DFType>
    </DFProperties>
  <Node>
    <NodeName>HESSID</NodeName>
    <DFProperties>
      <AccessType>
        <Get/>

```



```

        <Replace/>
      </AccessType>
    <DFFormat>
      <chr/>
    </DFFormat>
  <Occurrence>
    <ZeroOrOne/>
  </Occurrence>
  <DFTitle>HESSID</DFTitle>
  <DFType>
    <MIME>text/plain</MIME>
  </DFType>
</DFProperties>
</Node>
<Node>
  <NodeName>SSID</NodeName>
  <DFProperties>
    <AccessType>
      <Get/>
      <Replace/>
    </AccessType>
    <DFFormat>
      <chr/>
    </DFFormat>
  <Occurrence>
    <ZeroOrOne/>
  </Occurrence>
  <DFTitle>SSID</DFTitle>
  <DFType>
    <MIME>text/plain</MIME>
  </DFType>
</DFProperties>
</Node>
<Node>
  <NodeName>BSSID</NodeName>
  <DFProperties>
    <AccessType>
      <Get/>
      <Replace/>
    </AccessType>
    <DFFormat>
      <chr/>
    </DFFormat>
  <Occurrence>
    <ZeroOrOne/>
  </Occurrence>
  <DFTitle>BSSID</DFTitle>
  <DFType>
    <MIME>text/plain</MIME>
  </DFType>
</DFProperties>
</Node>
</Node>
</Node>
<Node>
  <NodeName>Geo_Location</NodeName>
  <DFProperties>
    <AccessType>
      <Get/>
      <Replace/>
    </AccessType>
    <DFFormat>
      <node/>
    </DFFormat>
  <Occurrence>
    <ZeroOrOne/>
  </Occurrence>
  <DFTitle>Geographical location.</DFTitle>
  <DFType>
    <DDFName/>
  </DFType>
</DFProperties>
<Node>
  <NodeName>Circular</NodeName>
  <DFProperties>
    <AccessType>
      <Get/>
      <Replace/>
    </AccessType>

```

```

</AccessType>
<DFFormat>
  <node/>
</DFFormat>
<Occurrence>
  <ZeroOrOne/>
</Occurrence>
<DFTitle>Circular location descripton.</DFTitle>
<DFType>
  <DDFName/>
</DFType>
</DFProperties>
<Node>
  <NodeName></NodeName>
  <DFProperties>
    <AccessType>
      <Get/>
      <Replace/>
    </AccessType>
    <DFFormat>
      <node/>
    </DFFormat>
    <Occurrence>
      <OneOrMore/>
    </Occurrence>
    <DFType>
      <DDFName></DDFName>
    </DFType>
  </DFProperties>
  <Node>
    <NodeName>AnchorLatitude</NodeName>
    <DFProperties>
      <AccessType>
        <Get/>
        <Replace/>
      </AccessType>
      <DFFormat>
        <chr/>
      </DFFormat>
      <Occurrence>
        <One/>
      </Occurrence>
      <DFTitle>Anchor latitude</DFTitle>
      <DFType>
        <MIME>text/plain</MIME>
      </DFType>
    </DFProperties>
  </Node>
  <Node>
    <NodeName>AnchorLongitude</NodeName>
    <DFProperties>
      <AccessType>
        <Get/>
        <Replace/>
      </AccessType>
      <DFFormat>
        <chr/>
      </DFFormat>
      <Occurrence>
        <One/>
      </Occurrence>
      <DFTitle>Anchor longitude</DFTitle>
      <DFType>
        <MIME>text/plain</MIME>
      </DFType>
    </DFProperties>
  </Node>
  <Node>
    <NodeName>Radius</NodeName>
    <DFProperties>
      <AccessType>
        <Get/>
        <Replace/>
      </AccessType>
      <DFFormat>
        <chr/>
      </DFFormat>
      <Occurrence>

```

```

        <One/>
      </Occurrence>
      <DFTitle>Radius</DFTitle>
      <DFType>
        <MIME>text/plain</MIME>
      </DFType>
    </DFProperties>
  </Node>
</Node>
</Node>
</Node>
</Node>
</Node>
<Node>
  <NodeName>TimeOfDay</NodeName>
  <DFProperties>
    <AccessType>
      <Get/>
      <Replace/>
    </AccessType>
    <DFFormat>
      <node/>
    </DFFormat>
    <Occurrence>
      <ZeroOrOne/>
    </Occurrence>
    <DFTitle>Time of day.</DFTitle>
    <DFType>
      <DDFName/>
    </DFType>
  </DFProperties>
  <Node>
    <NodeName></NodeName>
    <DFProperties>
      <AccessType>
        <Get/>
        <Replace/>
      </AccessType>
      <DFFormat>
        <node/>
      </DFFormat>
      <Occurrence>
        <OneOrMore/>
      </Occurrence>
      <DFType>
        <DDFName></DDFName>
      </DFType>
    </DFProperties>
  </Node>
  <NodeName>TimeStart</NodeName>
  <DFProperties>
    <AccessType>
      <Get/>
      <Replace/>
    </AccessType>
    <DFFormat>
      <chr/>
    </DFFormat>
    <Occurrence>
      <ZeroOrOne/>
    </Occurrence>
    <DFTitle>Start condition for time of rule.</DFTitle>
    <DFType>
      <MIME>text/plain</MIME>
    </DFType>
  </DFProperties>
</Node>
<Node>
  <NodeName>TimeStop</NodeName>
  <DFProperties>
    <AccessType>
      <Get/>
      <Replace/>
    </AccessType>
    <DFFormat>
      <chr/>
    </DFFormat>
    <Occurrence>
      <ZeroOrOne/>

```

```

        </Occurrence>
        <DFTitle>Stop condition for time of rule.</DFTitle>
        <DFType>
          <MIME>text/plain</MIME>
        </DFType>
      </DFProperties>
    </Node>
    <Node>
      <NodeName>DateStart</NodeName>
      <DFProperties>
        <AccessType>
          <Get/>
          <Replace/>
        </AccessType>
        <DFFormat>
          <chr/>
        </DFFormat>
        <Occurrence>
          <ZeroOrOne/>
        </Occurrence>
        <DFTitle>Starting date for time condition of rule.</DFTitle>
        <DFType>
          <MIME>text/plain</MIME>
        </DFType>
      </DFProperties>
    </Node>
    <Node>
      <NodeName>DateStop</NodeName>
      <DFProperties>
        <AccessType>
          <Get/>
          <Replace/>
        </AccessType>
        <DFFormat>
          <chr/>
        </DFFormat>
        <Occurrence>
          <ZeroOrOne/>
        </Occurrence>
        <DFTitle>Stop date for time condition of rule.</DFTitle>
        <DFType>
          <MIME>text/plain</MIME>
        </DFType>
      </DFProperties>
    </Node>
    <Node>
      <NodeName>DayOfWeek</NodeName>
      <DFProperties>
        <AccessType>
          <Get/>
          <Replace/>
        </AccessType>
        <DFFormat>
          <int/>
        </DFFormat>
        <Occurrence>
          <ZeroOrOne/>
        </Occurrence>
        <DFTitle>Bitmap for day of week condition</DFTitle>
        <DFType>
          <MIME>text/plain</MIME>
        </DFType>
      </DFProperties>
    </Node>
  </Node>
</Node>
<Node>
  <NodeName>RANValidityCondition</NodeName>
  <DFProperties>
    <AccessType>
      <Get/>
      <Replace/>
    </AccessType>
    <DFFormat>
      <node/>
    </DFFormat>
    <Occurrence>

```

```

        <ZeroOrOne/>
    </Occurrence>
    <DFTitle>RANValidityCondition</DFTitle>
    <DFType>
        <DDFName/>
    </DFType>
</DFProperties>

<Node>
    <NodeName>ThresholdConditions</NodeName>
    <DFProperties>
        <AccessType>
            <Get/>
            <Replace/>
        </AccessType>
        <DFFormat>
            <node/>
        </DFFormat>
        <Occurrence>
            <One/>
        </Occurrence>
        <DFTitle>ThresholdConditions</DFTitle>
        <DFType>
            <DDFName/>
        </DFType>
    </DFProperties>

    <Node>
        <NodeName>Thresholds</NodeName>
        <DFProperties>
            <AccessType>
                <Get/>
                <Replace/>
            </AccessType>
            <DFFormat>
                <node/>
            </DFFormat>
            <Occurrence>
                <One/>
            </Occurrence>
            <DFTitle>Thresholds</DFTitle>
            <DFType>
                <DDFName/>
            </DFType>
        </DFProperties>

    <Node>
        <NodeName>ThreshServingOffloadWLANLowP</NodeName>
        <DFProperties>
            <AccessType>
                <Get/>
                <Replace/>
            </AccessType>
            <DFFormat>
                <null/>
            </DFFormat>
            <Occurrence>
                <ZeroOrOne/>
            </Occurrence>
            <DFTitle>ThreshServingOffloadWLANLowP</DFTitle>
            <DFType>
                <MIME>text/plain</MIME>
            </DFType>
        </DFProperties>
    </Node>

    <Node>
        <NodeName>ThreshServingOffloadWLANHighP</NodeName>
        <DFProperties>
            <AccessType>
                <Get/>
                <Replace/>
            </AccessType>
            <DFFormat>
                <null/>
            </DFFormat>
            <Occurrence>
                <ZeroOrOne/>
            </Occurrence>

```

```

        </Occurrence>
        <DFTitle>ThreshServingOffloadWLANHighP</DFTitle>
        <DFType>
        <MIME>text/plain</MIME>
        </DFType>
    </DFProperties>
</Node>

<Node>
    <NodeName>ThreshServingOffloadWLANLowQ</NodeName>
    <DFProperties>
        <AccessType>
            <Get/>
            <Replace/>
        </AccessType>
        <DFFormat>
            <null/>
        </DFFormat>
        <Occurrence>
            <ZeroOrOne/>
        </Occurrence>
        <DFTitle>ThreshServingOffloadWLANLowQ</DFTitle>
        <DFType>
        <MIME>text/plain</MIME>
        </DFType>
    </DFProperties>
</Node>

<Node>
    <NodeName>ThreshServingOffloadWLANHighQ</NodeName>
    <DFProperties>
        <AccessType>
            <Get/>
            <Replace/>
        </AccessType>
        <DFFormat>
            <null/>
        </DFFormat>
        <Occurrence>
            <ZeroOrOne/>
        </Occurrence>
        <DFTitle>ThreshServingOffloadWLANHighQ</DFTitle>
        <DFType>
        <MIME>text/plain</MIME>
        </DFType>
    </DFProperties>
</Node>

<Node>
    <NodeName>ThreshChUtilWLANLow</NodeName>
    <DFProperties>
        <AccessType>
            <Get/>
            <Replace/>
        </AccessType>
        <DFFormat>
            <int/>
        </DFFormat>
        <Occurrence>
            <ZeroOrOne/>
        </Occurrence>
        <DFTitle>ThreshChUtilWLANLow</DFTitle>
        <DFType>
        <MIME>text/plain</MIME>
        </DFType>
    </DFProperties>

<Node>
    <NodeName>ThreshChUtilWLANLowANDSF</NodeName>
    <DFProperties>
        <AccessType>
            <Get/>
            <Replace/>
        </AccessType>
        <DFFormat>
            <int/>
        </DFFormat>
        <Occurrence>

```

```

        <ZeroOrOne/>
    </Occurrence>
    <DFTitle>ThreshChUtilWLANLowANDSF</DFTitle>
    <DFType>
    <MIME>text/plain</MIME>
    </DFType>
  </DFProperties>
</Node>

<Node>
  <NodeName>ThreshChUtilWLANLowRAN</NodeName>
  <DFProperties>
    <AccessType>
      <Get/>
      <Replace/>
    </AccessType>
    <DFFormat>
      <null/>
    </DFFormat>
    <Occurrence>
      <ZeroOrOne/>
    </Occurrence>
    <DFTitle>ThreshChUtilWLANLowRAN</DFTitle>
    <DFType>
    <MIME>text/plain</MIME>
    </DFType>
  </DFProperties>
</Node>
</Node>

<Node>
  <NodeName>ThreshChUtilWLANHigh</NodeName>
  <DFProperties>
    <AccessType>
      <Get/>
      <Replace/>
    </AccessType>
    <DFFormat>
      <int/>
    </DFFormat>
    <Occurrence>
      <ZeroOrOne/>
    </Occurrence>
    <DFTitle>ThreshChUtilWLANHigh</DFTitle>
    <DFType>
    <MIME>text/plain</MIME>
    </DFType>
  </DFProperties>

  <Node>
    <NodeName>ThreshChUtilWLANHighANDSF</NodeName>
    <DFProperties>
      <AccessType>
        <Get/>
        <Replace/>
      </AccessType>
      <DFFormat>
        <int/>
      </DFFormat>
      <Occurrence>
        <ZeroOrOne/>
      </Occurrence>
      <DFTitle>ThreshChUtilWLANHighANDSF</DFTitle>
      <DFType>
      <MIME>text/plain</MIME>
      </DFType>
    </DFProperties>
  </Node>

  <Node>
    <NodeName>ThreshChUtilWLANHighRAN</NodeName>
    <DFProperties>
      <AccessType>
        <Get/>
        <Replace/>
      </AccessType>
      <DFFormat>
        <null/>
      </DFFormat>
    </DFProperties>
  </Node>

```

```

        </DFFormat>
        <Occurrence>
            <ZeroOrOne/>
        </Occurrence>
        <DFTitle>ThreshChUtilWLANHighRAN</DFTitle>
        <DFType>
            <MIME>text/plain</MIME>
        </DFType>
    </DFProperties>
</Node>
</Node>

<Node>
    <NodeName>ThreshBackhRateDLWLANLow</NodeName>
    <DFProperties>
        <AccessType>
            <Get/>
            <Replace/>
        </AccessType>
        <DFFormat>
            <int/>
        </DFFormat>
        <Occurrence>
            <ZeroOrOne/>
        </Occurrence>
        <DFTitle>ThreshBackhRateDLWLANLow</DFTitle>
        <DFType>
            <MIME>text/plain</MIME>
        </DFType>
    </DFProperties>

    <Node>
        <NodeName>ThreshBackhRateDLWLANLowANDSF</NodeName>
        <DFProperties>
            <AccessType>
                <Get/>
                <Replace/>
            </AccessType>
            <DFFormat>
                <int/>
            </DFFormat>
            <Occurrence>
                <ZeroOrOne/>
            </Occurrence>
            <DFTitle>ThreshBackhRateDLWLANLowANDSF</DFTitle>
            <DFType>
                <MIME>text/plain</MIME>
            </DFType>
        </DFProperties>
    </Node>

    <Node>
        <NodeName>ThreshBackhRateDLWLANLowRAN</NodeName>
        <DFProperties>
            <AccessType>
                <Get/>
                <Replace/>
            </AccessType>
            <DFFormat>
                <null/>
            </DFFormat>
            <Occurrence>
                <ZeroOrOne/>
            </Occurrence>
            <DFTitle>ThreshBackhRateDLWLANLowRAN</DFTitle>
            <DFType>
                <MIME>text/plain</MIME>
            </DFType>
        </DFProperties>
    </Node>
</Node>

<Node>
    <NodeName>ThreshBackhRateDLWLANHigh</NodeName>
    <DFProperties>
        <AccessType>
            <Get/>
            <Replace/>
        </AccessType>

```



```

    </AccessType>
    <DFFormat>
      <int/>
    </DFFormat>
    <Occurrence>
      <ZeroOrOne/>
    </Occurrence>
    <DFTitle>ThreshBackhRateDLWLANHigh</DFTitle>
    <DFType>
    <MIME>text/plain</MIME>
    </DFType>
  </DFProperties>

  <Node>
    <NodeName>ThreshBackhRateDLWLANHighANDSF</NodeName>
    <DFProperties>
      <AccessType>
        <Get/>
        <Replace/>
      </AccessType>
      <DFFormat>
        <int/>
      </DFFormat>
      <Occurrence>
        <ZeroOrOne/>
      </Occurrence>
      <DFTitle>ThreshBackhRateDLWLANHighANDSF</DFTitle>
      <DFType>
      <MIME>text/plain</MIME>
      </DFType>
    </DFProperties>
  </Node>

  <Node>
    <NodeName>ThreshBackhRateDLWLANHighRAN</NodeName>
    <DFProperties>
      <AccessType>
        <Get/>
        <Replace/>
      </AccessType>
      <DFFormat>
        <null/>
      </DFFormat>
      <Occurrence>
        <ZeroOrOne/>
      </Occurrence>
      <DFTitle>ThreshBackhRateDLWLANHighRAN</DFTitle>
      <DFType>
      <MIME>text/plain</MIME>
      </DFType>
    </DFProperties>
  </Node>
</Node>

  <Node>
    <NodeName>ThreshBackhRateULWLANLow</NodeName>
    <DFProperties>
      <AccessType>
        <Get/>
        <Replace/>
      </AccessType>
      <DFFormat>
        <int/>
      </DFFormat>
      <Occurrence>
        <ZeroOrOne/>
      </Occurrence>
      <DFTitle>ThreshBackhRateULWLANLow</DFTitle>
      <DFType>
      <MIME>text/plain</MIME>
      </DFType>
    </DFProperties>
  </Node>

  <Node>
    <NodeName>ThreshBackhRateULWLANLowANDSF</NodeName>
    <DFProperties>
      <AccessType>
        <Get/>

```

```

        <Replace/>
    </AccessType>
    <DFFormat>
        <int/>
    </DFFormat>
    <Occurrence>
        <ZeroOrOne/>
    </Occurrence>
    <DFTitle>ThreshBackhRateULWLANLowANDSF</DFTitle>
    <DFType>
    <MIME>text/plain</MIME>
    </DFType>
</DFProperties>
</Node>

<Node>
    <nodeName>ThreshBackhRateULWLANLowRAN</nodeName>
    <DFProperties>
        <AccessType>
            <Get/>
            <Replace/>
        </AccessType>
        <DFFormat>
            <null/>
        </DFFormat>
        <Occurrence>
            <ZeroOrOne/>
        </Occurrence>
        <DFTitle>ThreshBackhRateULWLANLowRAN</DFTitle>
        <DFType>
        <MIME>text/plain</MIME>
        </DFType>
    </DFProperties>
</Node>
</Node>

<Node>
    <nodeName>ThreshBackhRateULWLANHigh</nodeName>
    <DFProperties>
        <AccessType>
            <Get/>
            <Replace/>
        </AccessType>
        <DFFormat>
            <int/>
        </DFFormat>
        <Occurrence>
            <ZeroOrOne/>
        </Occurrence>
        <DFTitle>ThreshBackhRateULWLANHigh</DFTitle>
        <DFType>
        <MIME>text/plain</MIME>
        </DFType>
    </DFProperties>

    <Node>
        <nodeName>ThreshBackhRateULWLANHighANDSF</nodeName>
        <DFProperties>
            <AccessType>
                <Get/>
                <Replace/>
            </AccessType>
            <DFFormat>
                <int/>
            </DFFormat>
            <Occurrence>
                <ZeroOrOne/>
            </Occurrence>
            <DFTitle>ThreshBackhRateULWLANHighANDSF</DFTitle>
            <DFType>
            <MIME>text/plain</MIME>
            </DFType>
        </DFProperties>
    </Node>

    <Node>
        <nodeName>ThreshBackhRateULWLANHighRAN</nodeName>
        <DFProperties>

```

```

        <AccessType>
          <Get/>
          <Replace/>
        </AccessType>
        <DFFormat>
          <null/>
        </DFFormat>
        <Occurrence>
          <ZeroOrOne/>
        </Occurrence>
        <DFTitle>ThreshBackhRateULWLANHighRAN</DFTitle>
        <DFType>
          <MIME>text/plain</MIME>
        </DFType>
      </DFProperties>
    </Node>
  </Node>
  <Node>
    <nodeName>ThreshBeaconRSSIWLANLow</nodeName>
    <DFProperties>
      <AccessType>
        <Get/>
        <Replace/>
      </AccessType>
      <DFFormat>
        <int/>
      </DFFormat>
      <Occurrence>
        <ZeroOrOne/>
      </Occurrence>
      <DFTitle>ThreshBeaconRSSIWLANLow</DFTitle>
      <DFType>
        <MIME>text/plain</MIME>
      </DFType>
    </DFProperties>
  </Node>
  <Node>
    <nodeName>ThreshBeaconRSSIWLANLowANDSF</nodeName>
    <DFProperties>
      <AccessType>
        <Get/>
        <Replace/>
      </AccessType>
      <DFFormat>
        <int/>
      </DFFormat>
      <Occurrence>
        <ZeroOrOne/>
      </Occurrence>
      <DFTitle>ThreshBeaconRSSIWLANLowANDSF</DFTitle>
      <DFType>
        <MIME>text/plain</MIME>
      </DFType>
    </DFProperties>
  </Node>
  <Node>
    <nodeName>ThreshBeaconRSSIWLANLowRAN</nodeName>
    <DFProperties>
      <AccessType>
        <Get/>
        <Replace/>
      </AccessType>
      <DFFormat>
        <null/>
      </DFFormat>
      <Occurrence>
        <ZeroOrOne/>
      </Occurrence>
      <DFTitle>ThreshBeaconRSSIWLANLowRAN</DFTitle>
      <DFType>
        <MIME>text/plain</MIME>
      </DFType>
    </DFProperties>
  </Node>
</Node>
</Node>

```

```

<NodeName>ThreshBeaconRSSIWLANHigh</NodeName>
<DFProperties>
  <AccessType>
    <Get/>
    <Replace/>
  </AccessType>
  <DFFormat>
    <int/>
  </DFFormat>
  <Occurrence>
    <ZeroOrOne/>
  </Occurrence>
  <DFTitle>ThreshBeaconRSSIWLANHigh</DFTitle>
  <DFType>
    <MIME>text/plain</MIME>
  </DFType>
</DFProperties>

<Node>
  <NodeName>ThreshBeaconRSSIWLANHighANDSF</NodeName>
  <DFProperties>
    <AccessType>
      <Get/>
      <Replace/>
    </AccessType>
    <DFFormat>
      <int/>
    </DFFormat>
    <Occurrence>
      <ZeroOrOne/>
    </Occurrence>
    <DFTitle>ThreshBeaconRSSIWLANHighANDSF</DFTitle>
    <DFType>
      <MIME>text/plain</MIME>
    </DFType>
  </DFProperties>
</Node>

<Node>
  <NodeName>ThreshBeaconRSSIWLANHighRAN</NodeName>
  <DFProperties>
    <AccessType>
      <Get/>
      <Replace/>
    </AccessType>
    <DFFormat>
      <null/>
    </DFFormat>
    <Occurrence>
      <ZeroOrOne/>
    </Occurrence>
    <DFTitle>ThreshBeaconRSSIWLANHighRAN</DFTitle>
    <DFType>
      <MIME>text/plain</MIME>
    </DFType>
  </DFProperties>
</Node>
</Node>

<Node>
  <NodeName>ThresholdConditionEvaluationPolicy</NodeName>
  <DFProperties>
    <AccessType>
      <Get/>
      <Replace/>
    </AccessType>
    <DFFormat>
      <bool/>
    </DFFormat>
    <Occurrence>
      <One/>
    </Occurrence>
    <DFTitle>ThresholdConditionEvaluationPolicy</DFTitle>
    <DFType>
      <MIME>text/plain</MIME>
    </DFType>
  </DFProperties>
</Node>

```

```

        </DFProperties>
      </Node>
    </Node>
    <Node>
      <NodeName>OPI</NodeName>
      <DFProperties>
        <AccessType>
          <Get/>
          <Replace/>
        </AccessType>
        <DFFormat>
          <int/>
        </DFFormat>
        <Occurrence>
          <One/>
        </Occurrence>
        <DFTitle>OPI</DFTitle>
        <DFType>
          <MIME>text/plain</MIME>
        </DFType>
      </DFProperties>
    </Node>
  </Node>
</Node>
<Node>
  <NodeName>Ext</NodeName>
  <!-- The Extension node starts here. -->
  <DFProperties>
    <AccessType>
      <Get/>
    </AccessType>
    <DFFormat>
      <node/>
    </DFFormat>
    <Occurrence>
      <ZeroOrOne/>
    </Occurrence>
    <DFTitle>A collection of all Extension objects</DFTitle>
    <DFType>
      <DDFName/>
    </DFType>
  </DFProperties>
</Node>
</Node>
</MgmtTree>

```

## Annex B (informative): WNDS MO DDF

This DDF is the standardized minimal set. A vendor can define its own DDF for the complete device. This DDF can include more features than this minimal standardized version.

```
<?xml version="1.0" encoding="UTF-8"?>
<!DOCTYPE MgmtTree PUBLIC "-//OMA//DTD-DM-DDF 1.2//EN"
"http://www.openmobilealliance.org/tech/DTD/dm_ddf-v1_2.dtd">

<MgmtTree>
  <VerDTD>1.2</VerDTD>
  <Man>--The device manufacturer--</Man>
  <Mod>--The device model--</Mod>

  <Node>
    <NodeName>WiMAX_NDS</NodeName>
    <DFProperties>
      <AccessType>
        <Get/>
      </AccessType>
      <Description>WiMAX NDS settings</Description>
      <DFFormat>
        <node/>
      </DFFormat>
      <Occurrence>
        <ZeroOrOne/>
      </Occurrence>
      <DFTitle>The WiMAX NDS Management Object.</DFTitle>
      <DFType>
        <DDFName/>
      </DFType>
    </DFProperties>

    <Node>
      <NodeName>Name</NodeName>
      <DFProperties>
        <AccessType>
          <Get/>
        </AccessType>
        <DFFormat>
          <chr/>
        </DFFormat>
        <Occurrence>
          <ZeroOrOne/>
        </Occurrence>
        <DFTitle>User displayable name for the node.</DFTitle>
        <DFType>
          <MIME>text/plain</MIME>
        </DFType>
      </DFProperties>
    </Node>

    <Node>
      <NodeName>NetworkList</NodeName>
      <!-- The NetworkList node starts here. -->
      <DFProperties>
        <AccessType>
          <Get/>
          <Replace/>
        </AccessType>
        <DFFormat>
          <node/>
        </DFFormat>
        <Occurrence>
          <ZeroOrOne/>
        </Occurrence>
        <DFTitle>Properties for each of the network in NetworkList.</DFTitle>
        <DFType>
          <DDFName/>
        </DFType>
      </DFProperties>
    </Node>
  </MgmtTree>

```

```

<Node>
  <NodeName/>
  <DFProperties>
    <AccessType>
      <Get/>
      <Replace/>
    </AccessType>
    <DFFormat>
      <node/>
    </DFFormat>
    <Occurrence>
      <OneOrMore/>
    </Occurrence>
    <DFTitle>The "name" node for properties of NetworkList.</DFTitle>
    <DFType>
      <DDFName/>
    </DFType>
  </DFProperties>

<Node>
  <NodeName>FrequencyInfo</NodeName>
  <!-- The FrequencyInfo node starts here. -->
  <DFProperties>
    <AccessType>
      <Get/>
    </AccessType>
    <DFFormat>
      <node/>
    </DFFormat>
    <Occurrence>
      <One/>
    </Occurrence>
    <DFTitle>Frequency Information for the network.</DFTitle>
    <DFType>
      <DDFName/>
    </DFType>
  </DFProperties>

<Node>
  <NodeName/>
  <DFProperties>
    <AccessType>
      <Get/>
    </AccessType>
    <DFFormat>
      <node/>
    </DFFormat>
    <Occurrence>
      <OneOrMore/>
    </Occurrence>
    <DFTitle>The "name" node for frequency Information of network.</DFTitle>
    <DFType>
      <DDFName/>
    </DFType>
  </DFProperties>

<Node>
  <NodeName>FirstFreq</NodeName>
  <DFProperties>
    <AccessType>
      <Get/>
      <Replace/>
    </AccessType>
    <DFFormat>
      <int/>
    </DFFormat>
    <Occurrence>
      <One/>
    </Occurrence>
    <DFTitle>The First Center Frequency.</DFTitle>
    <DFType>
      <MIME>text/plain</MIME>
    </DFType>
  </DFProperties>
</Node>

<Node>

```

```

    <NodeName>LastFreq</NodeName>
    <DFProperties>
      <AccessType>
        <Get/>
        <Replace/>
      </AccessType>
      <DFFormat>
        <int/>
      </DFFormat>
      <Occurrence>
        <One/>
      </Occurrence>
      <DFTitle>The Last Center Frequency.</DFTitle>
      <DFType>
        <MIME>text/plain</MIME>
      </DFType>
    </DFProperties>
  </Node>

  <Node>
    <NodeName>NextFreqStep</NodeName>
    <DFProperties>
      <AccessType>
        <Get/>
        <Replace/>
      </AccessType>
      <DFFormat>
        <int/>
      </DFFormat>
      <Occurrence>
        <One/>
      </Occurrence>
      <DFTitle>The frequency step for next central frequency.</DFTitle>
      <DFType>
        <MIME>text/plain</MIME>
      </DFType>
    </DFProperties>
  </Node>

  <Node>
    <NodeName>ChannelBandwidth</NodeName>
    <DFProperties>
      <AccessType>
        <Get/>
        <Replace/>
      </AccessType>
      <DFFormat>
        <int/>
      </DFFormat>
      <Occurrence>
        <One/>
      </Occurrence>
      <DFTitle>The channel bandwidth in KHz.</DFTitle>
      <DFType>
        <MIME>text/plain</MIME>
      </DFType>
    </DFProperties>
  </Node>

  <Node>
    <NodeName>DuplexMode</NodeName>
    <DFProperties>
      <AccessType>
        <Get/>
        <Replace/>
      </AccessType>
      <DFFormat>
        <int/>
      </DFFormat>
      <Occurrence>
        <One/>
      </Occurrence>
      <DFTitle>The duplex mode for this channel.</DFTitle>
      <DFType>
        <MIME>text/plain</MIME>
      </DFType>
    </DFProperties>
  </Node>

```



```

<Node>
  <NodeName>FFTSize</NodeName>
  <DFProperties>
    <AccessType>
      <Get/>
      <Replace/>
    </AccessType>
    <DFFormat>
      <int/>
    </DFFormat>
    <Occurrence>
      <One/>
    </Occurrence>
    <DFTitle>The FFT size for this channel.</DFTitle>
    <DFType>
      <MIME>text/plain</MIME>
    </DFType>
  </DFProperties>
</Node>

<Node>
  <NodeName>Preambles</NodeName>
  <DFProperties>
    <AccessType>
      <Get/>
      <Replace/>
    </AccessType>
    <DFFormat>
      <chr/>
    </DFFormat>
    <Occurrence>
      <One/>
    </Occurrence>
    <DFTitle>The Preambles for this channel.</DFTitle>
    <DFType>
      <MIME>text/plain</MIME>
    </DFType>
  </DFProperties>
</Node>
</Node>

<Node>
  <NodeName>CellType</NodeName>
  <DFProperties>
    <AccessType>
      <Get/>
      <Replace/>
    </AccessType>
    <DFFormat>
      <int/>
    </DFFormat>
    <Occurrence>
      <One/>
    </Occurrence>
    <DFTitle>The Cell Type.</DFTitle>
    <DFType>
      <MIME>text/plain</MIME>
    </DFType>
  </DFProperties>
</Node>

<Node>
  <NodeName>NAP-ID</NodeName>
  <DFProperties>
    <AccessType>
      <Get/>
      <Replace/>
    </AccessType>
    <DFFormat>
      <int/>
    </DFFormat>
    <Occurrence>
      <One/>
    </Occurrence>
    <DFTitle>The Network Access Provider Identifier.</DFTitle>

```

```

        <DFType>
          <MIME>text/plain</MIME>
        </DFType>
      </DFProperties>
    </Node>
  </Node>
</Node>

  <Node>
    <NodeName>OperatorDifferentiatedTextField</NodeName>
    <DFProperties>
      <AccessType>
        <Get/>
        <Replace/>
      </AccessType>
      <DFFormat>
        <chr/>
      </DFFormat>
      <Occurrence>
        <ZeroOrOne/>
      </Occurrence>
      <DFTitle>The differentiated operator text field for this cell.</DFTitle>
      <DFType>
        <MIME>text/plain</MIME>
      </DFType>
    </DFProperties>
  </Node>

<Node>
  <NodeName>Ext</NodeName>
  <!-- The Extension node starts here. -->
  <DFProperties>
    <AccessType>
      <Get/>
    </AccessType>
    <DFFormat>
      <node/>
    </DFFormat>
    <Occurrence>
      <ZeroOrOne/>
    </Occurrence>
    <DFTitle>A collection of all Extension objects.</DFTitle>
    <DFType>
      <DDFName/>
    </DFType>
  </DFProperties>
</Node>
</Node>
</MgmtTree>

```

---

# Annex C (informative): ANDSF Configuration Examples

## C.1 Introduction

This annex provides examples illustrating how ANDSF MO is configured to convey policies for routing traffic to 3GPP and WLAN access. The examples are for illustration purposes only. They should not be construed to reflect recommendations or instructions about how to configure ANDSF MO and/or the UE in practical scenarios.

---

## C.2 ISRP example

### C.2.1 UE and network configuration

The operator's policy aims at steering the traffic generated by the following applications on the UE:

- SKP is a VoIP mobile app pre-configured to "internet" APN;
- YTB is a video streaming mobile app pre-configured to "internet" APN. User can also access the service via browser at YTB.com (IPv4 address A.B.C.D);
- FBK is a social media mobile app pre-configured to "internet" APN. User can also access the service via browser at FBK.com (IPv4 address W.X.Y.Z);
- VoLTE is an IMS voice mobile app pre-configured to "IMS" APN; and
- all other traffic goes via "internet" APN.

100100 is the PLMN ID of the HPLMN. HPLMN has EPC-routed WiFi with SSID="WiFi\_EPC\_A".

100101 is the PLMN ID of the roaming VPLMN. VPLMN has EPC-routed WiFi with SSID="WiFi\_EPC\_B" and non-seamless wireless offload with SSID="WiFi\_NSWO\_B".

### C.2.2 Operator's policies

HPLMN configures the policy as follows:

Within HPLMN:

- MAPCON rule A1 to route IMS APN to cellular only (WiFi restricted), rule priority = 30;
- MAPCON rule A2 to route internet APN to cellular with higher priority and to EPC-routed WiFi with lower priority, rule priority = 30;
- ISRP rule IFOM\_1 to route SKP and YTB traffic to EPC-routed WiFi only (cellular restricted) and any other WiFi with lower priority during peak hours (7AM to 7PM), rule priority = 1;
- ISRP rule IFOM\_2 to route SKP and YTB traffic to EPC-routed WiFi with higher priority and to cellular with lower priority during all hours, rule priority = 10;
- ISRP rule IFOM\_3 to route FBK traffic to EPC-routed WiFi with higher priority and to cellular with lower priority during peak hours within TAC A and TAC B, rule priority = 1;
- ISRP rule IFOM\_4 to route FBK traffic to cellular with higher priority and to EPC-routed WiFi with lower priority in all hours and locations, rule priority = 10; and
- ISRP rule IFOM\_5 to route all traffic to EPC-routed WiFi with higher priority and to cellular with lower priority in all hours and locations, rule priority = 20.

When roaming:

- MAPCON rule B1 to route IMS APN to cellular only (WiFi restricted), rule priority = 30; and
- MAPCON rule B2 to route internet APN to EPC-routed WiFi with higher priority and to cellular with lower priority, rule priority = 30.

VPLMN configures the policy as follows:

- MAPCON rule B1 to route IMS APN to cellular only (WiFi restricted), rule priority = 30;
- MAPCON rule B2 to route internet APN to EPC-routed WiFi with higher priority and to cellular with lower priority, rule priority = 30; and
- ISRP rule NSW0\_1 to route internet APN to NSW0; rule priority = 20.

### C.2.3 ANDSF MO configuration

Figure C.2.3.1 shows the ISRP in the ANDSF MO configured by the H-ANDSF. The ForFlowBased ISRP flow distribution rules are shown in figure C.2.3.2.

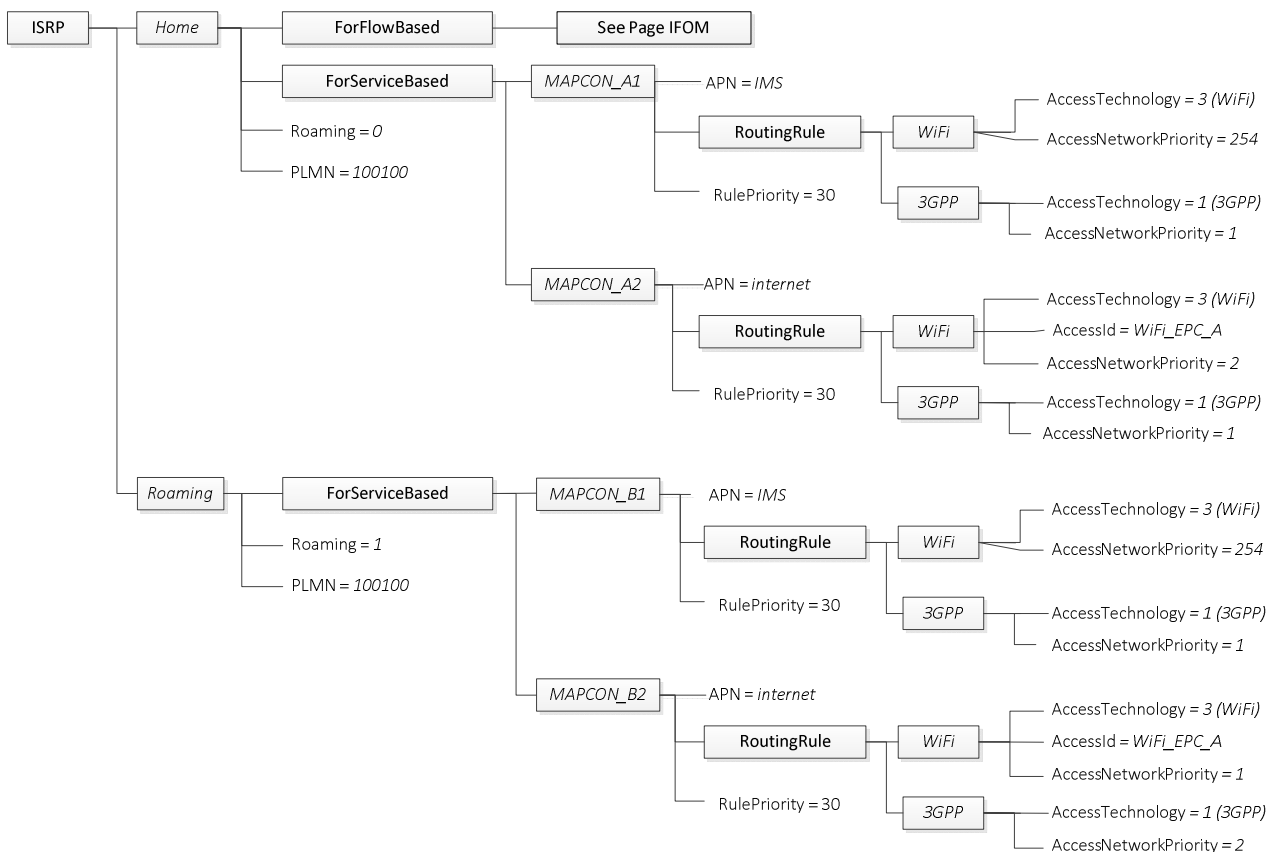


Figure C.2.3.1: ISRP configured by H-ANDSF

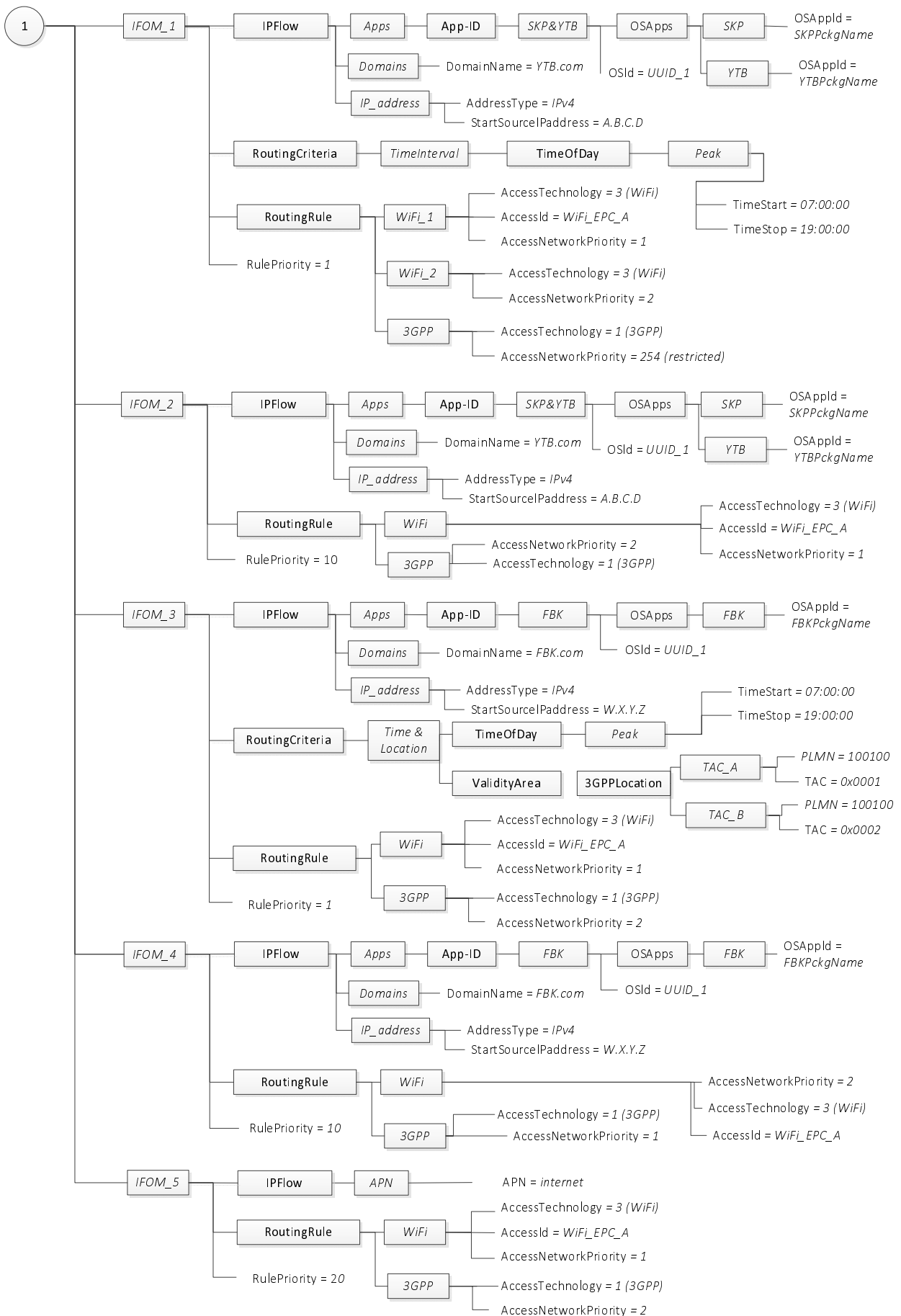


Figure C.2.3.2: ForFlowBased ISRP configured by H-ANDSF

Figure C.2.3.3 below shows the ISRP in the ANDSF MO configured by the V-ANDSF:

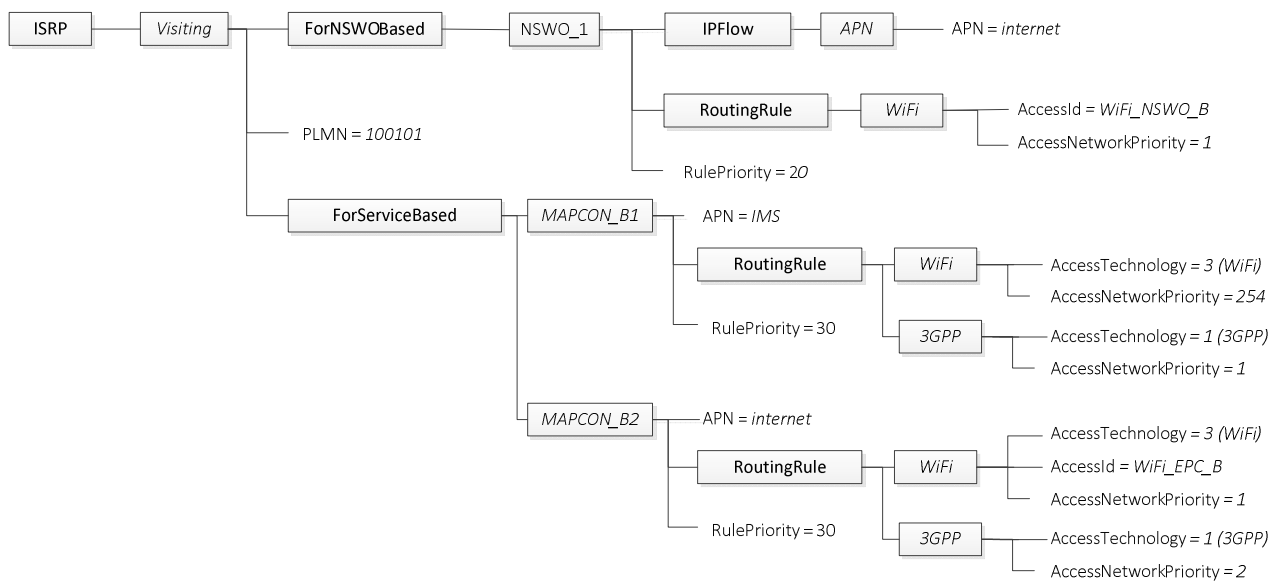


Figure C.2.3.3: ISRP configured by V-ANDSF

## C.2.4 Usage scenarios

### Scenario 1

UE is in HPLMN. The only valid ISRP rule is ISRP/Home, which is therefore the active rule. The UE routes the traffic according to the policy configured by HPLMN for usage within HPLMN as configured in the ISRP/Home ISRP rule.

### Scenario 2

UE is in a V-PLMN. The V-PLMN does not have an ANDSF server or the UE cannot establish connectivity with the V-ANDSF. The ISRP/Home rule is not valid. The only valid ISRP rule is ISRP/Roaming, which is therefore the active rule. The UE routes the traffic according to the policy configured by HPLMN for usage when roaming as configured in the ISRP/Roaming rule.

### Scenario 3

UE is in a V-PLMN. The UE successfully establishes connectivity with the V-ANDSF and gets the policy. The ISRP/Home rule is not valid. The valid ISRP rules are ISRP/Roaming and ISRP/Visiting. Since the rules provided by the V-ANDSF take precedence in roaming situations, the active rule is ISRP/Visiting. The UE routes the traffic according to the policy configured by V-PLMN for roaming users as configured in the ISRP/Visiting ISRP rule.

## C.3 IARP example

### C.3.1 UE and network configuration

The UE has the following applications installed:

- SKP is a VoIP mobile app;
- FBK is a social media mobile app. User can also access the service via browser at FBK.com (IPv4 address W.X.Y.Z);
- VoLTE is an IMS voice mobile app; and
- NFX is a real time streaming media mobile app.

The above mobile apps are not pre-configured to use any APN. The home operator wants to use IARP to assign APNs to application flows.

100100 is the PLMN ID of the HPLMN. HPLMN has non-seamless WLAN offload with SSID="WiFi\_NSWO\_A".

### C.3.2 Operator's policies

HPLMN operator configures IARP for non-roaming scenario as follows:

- Route SKP and FBK traffic through NSWO between 7AM and 7PM on weekdays;
- Route SKP and FBK traffic via "internet" APN between 7PM and 7AM on weekdays, all day on weekends and anytime when NSWO is not available;
- Route VoLTE traffic via "IMS" APN; and
- Route NFX to "media" APN.

HPLMN operator configures the same IARP for roaming scenario with the following exception:

- Route NFX to "internet" APN, since roaming networks may not have "media" APN.

### C.3.3 ANDSF MO configuration

Figure C.3.3.1 shows the IARP policy in the ANDSF MO configured by the H-ANDSF. IARP flow distribution rules for HPLMN are shown in figure C.3.3.2.

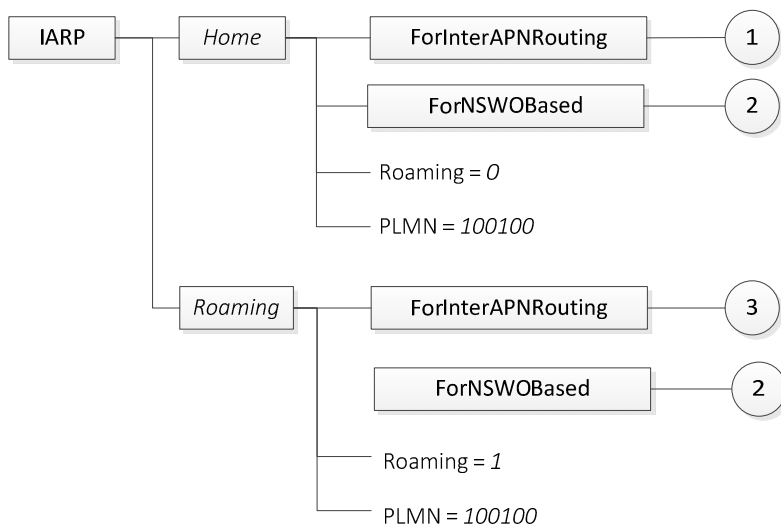


Figure C.3.3.1: IARP configured by H-ANDSF

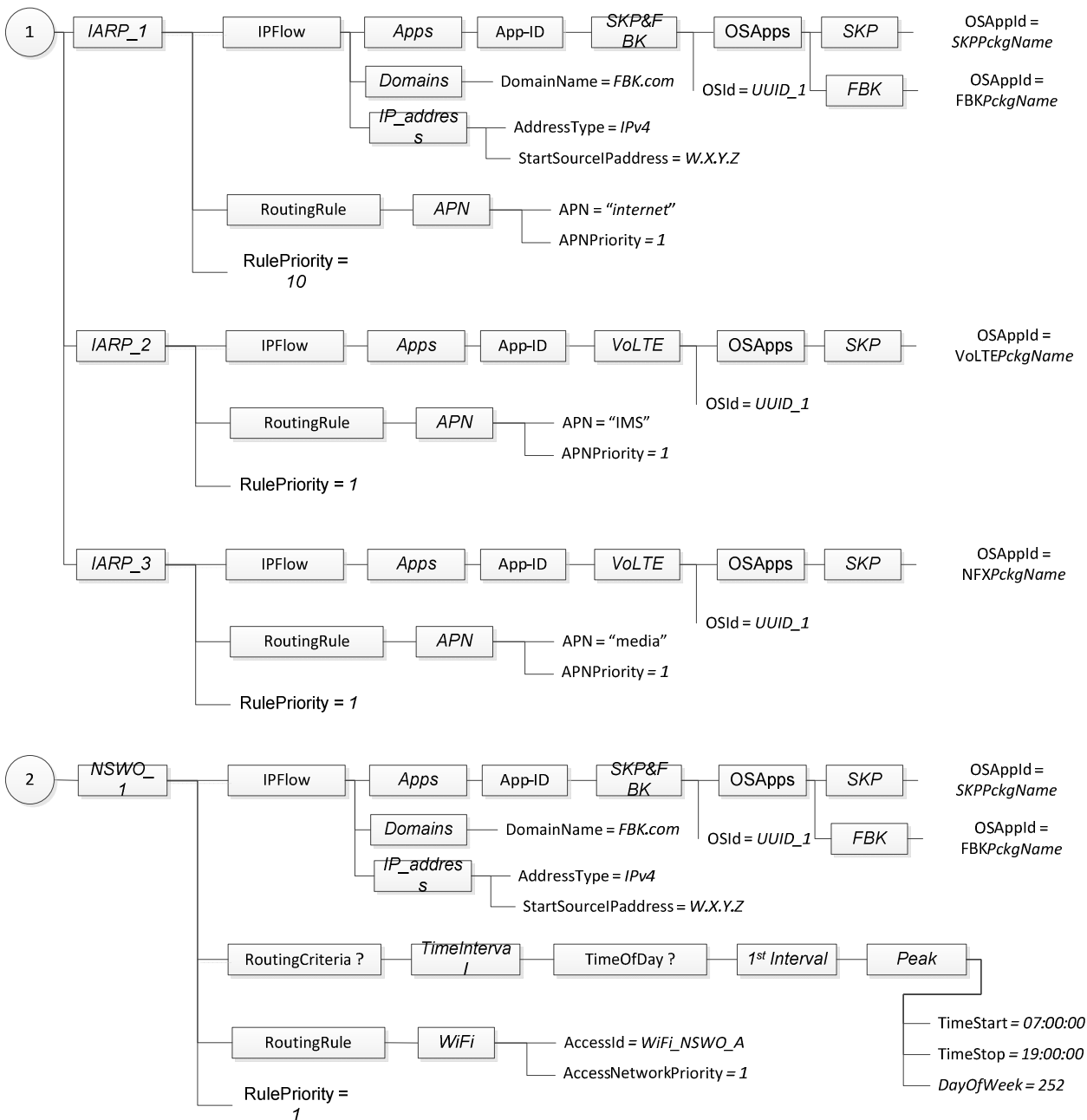


Figure C.3.3.2: IARP flow distribution rules for HPLMN

IARP InterAPNRouting flow distribution rules for roaming scenario are shown in figure C.3.3.3.



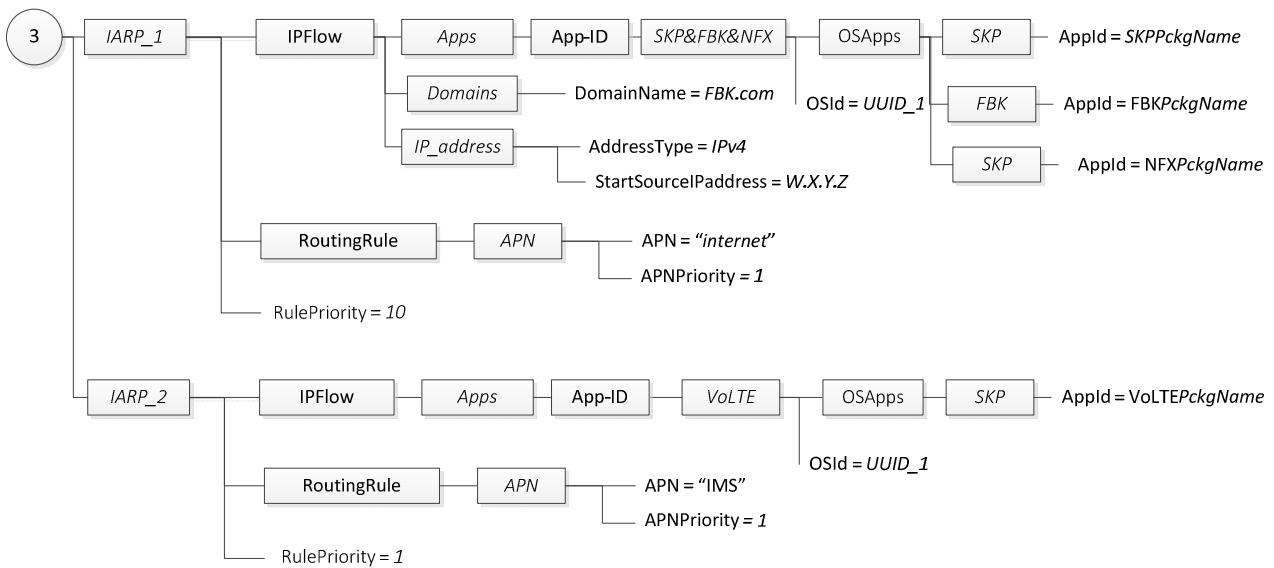


Figure C.3.3.3: IARP InterAPNRouting flow distribution rules for roaming

### C.3.4 Usage scenarios

#### Scenario 1

UE is in the HPLMN. The only valid IARP rule is IARP/Home, which is therefore the active rule. The UE assigns the traffic to APNs according to the IARP configured by the H-ANDSF for usage within HPLMN as configured in the IARP/Home rule.

#### Scenario 2

UE is in the V-PLMN. The IARP/Home rule is not valid. The UE successfully establishes connectivity with the V-ANDSF and gets the policy update but the V-ANDSF cannot provide IARP to a roaming UE. Therefore, the only valid IARP rule is IARP/Roaming, which is therefore the active rule. The UE assigns the traffic to APNs according to the IARP configured by HPLMN for usage when roaming as configured in the ISRP/Roaming IARP rule.

## Annex D (informative): Change history

Change history							
Date	TSG #	TSG Doc.	CR	Rev	Subject/Comment	Old	New
2008-10	CT1#55 bis				Includes the following contributions agreed by CT1: C1-084148, C1-084151, C1-084557, C1-084451, C1-084452, C1-084558, C1-084559, C1-084560		0.1.0
2008-11	CT1#56				Includes the following contributions agreed by CT1: C1-084830, C1-085155, C1-085346, C1-085535, C1-085554, C1-085343, C1-085536, C1-085347, C1-085339 Alignments and cleanups by the rapporteur	0.1.0	0.2.0
2008-11					Version 1.0.0 created for presentation to CT#42 for information and approval	0.2.0	1.0.0
2008-12	CT#42				Version 8.0.0 created after approval in CT#42	1.0.0	8.0.0
2009-03	CT#43	CP-090125	0001	4	Adding ConnMO reference and Correct the Alert Type	8.0.0	8.1.0
2009-03	CT#43	CP-090131	0005		urn for the ANDSF MO registered by OMNA	8.0.0	8.1.0
2009-03	CT#43	CP-090130	0007	1	TimeOfDay Modification	8.0.0	8.1.0
2009-03	CT#43	CP-090128	0012	2	Geo_location identifiers	8.0.0	8.1.0
2009-03	CT#43	CP-090127	0016	2	Corrections and cleanups of the ANDSF MO	8.0.0	8.1.0
2009-03	CT#43	CP-090127	0017	2	Creating the DDF for the ANDSF MO	8.0.0	8.1.0
2009-03	CT#43	CP-090129	0019	1	Removal of editor's notes	8.0.0	8.1.0
2009-06	CT#44	CP-090413	0008	3	Additional 3GPP cell identities in ANDSF MO	8.1.0	8.2.0
2009-06	CT#44	CP-090413	0020	1	urn for the WNDS MO registered by OMNA and minor corrections	8.1.0	8.2.0
2009-06	CT#44	CP-090413	0021	2	Clarifications and clean-ups	8.1.0	8.2.0
2009-06	CT#44	CP-090413	0024	2	Updates and corrections to the the WNDS MO	8.1.0	8.2.0
2009-09	CT#45	CP-090655	0028	4	Correction of ANDSF initiated provisioning	8.2.0	8.3.0
2009-09	CT#45	CP-090655	0029	1	Format type correction	8.2.0	8.3.0
2009-09	CT#45	CP-090655	0030	1	Corrections to ANDSF MO to align with HESSID of 802.11	8.2.0	8.3.0
2009-12	CT#46	CP-090901	0034	2	Aligning ANDSF MO to request from IEEE 802.11 and to refer to IEEE 802.11u	8.3.0	8.4.0
2009-12	CT#46	CP-090901	0036		Naming of ANDSF MO tree	8.3.0	8.4.0
2009-12	CT#46	CP-090937	0033	3	PLMN information to ANDSF for roaming UE	8.4.0	9.0.0
2010-03	CT#47	CP-100107	0038	1	Usage of AccessNetworkArea in DiscoveryInformation node	9.0.0	9.1.0
2010-03	CT#47	CP-100134	0042		Correcting requirement on UE's detection of networks and reserved values for AccessNetwork	9.0.0	9.1.0
2010-09	CT#49	CP-100513	0045	1	24.312 changes for Inter System Routing Policies (ISRP)	9.1.0	10.0.0
2010-12	CT#50	CP-100754	0046	1	Definition and extension of ISRP	10.0.0	10.1.0
2011-03	CT#51	CP-110197	0049		XML representation of leaf and node names starting with a digit	10.1.0	10.2.0
2011-03	CT#51	CP-110185	0051	2	IFOM capability discovery through ISRP – ANDSF	10.1.0	10.2.0
2011-03	CT#51	CP-110185	0054	2	ISRP trigger	10.1.0	10.2.0
2011-03	CT#51	CP-110185	0055	1	ISRP XML file	10.1.0	10.2.0
2011-03	CT#51	CP-110185	0056	1	Usage of ISRP and conflicts resolution	10.1.0	10.2.0
2011-03	CT#51	CP-110185	0050	3	ANDSF MO support for Non-seamless WLAN Offload	10.1.0	10.2.0
2011-03	CT#51	CP-110185	0057	1	ISRP - definition of coding for IP parameters ISRP	10.1.0	10.2.0
2011-03	CT#51	CP-110185	0058	3	ISRP – definition of coding for protocol type	10.1.0	10.2.0
2011-03	CT#51	CP-110185	0059	1	ISRP – definition of coding for QoS	10.1.0	10.2.0
2011-03	CT#51	CP-110185	0060	1	Clarification of source and destination IP addresses and port usage	10.1.0	10.2.0
2011-04					Correction of style in clause 2	10.2.0	10.2.1
2011-06	CT#52	CP-110478	0063	1	IP address representation clarification for IP address nodes	10.2.1	10.3.0
2011-06	CT#52	CP-110478	0062	1	New subclause structure and cleanups	10.2.1	10.3.0
2011-09	CT#53	CP-110676	0066	1	Incomplete non-seamless WLAN offload feature name	10.3.0	10.4.0
2011-09	CT#53	CP-110668	0074	2	Clarification of ANDSF file to use	10.3.0	10.4.0
2011-09	CT#53	CP-110695	0064		Correction of the unused value in Prioritized Access Technology for ISMP	10.4.0	11.0.0
2011-09	CT#53	CP-110695	0065	1	Definition of reserved code point	10.4.0	11.0.0
2011-09	CT#53	CP-110695	0067	1	Clarification for non-seamless WLAN offload IP address leaves	10.4.0	11.0.0
2011-09	CT#53	CP-110695	0070	1	Correction of occurrences of ISRP RoutingRule node	10.4.0	11.0.0
2011-09	CT#53	CP-110694	0072	1	Clarification on usage of policy node without AccessId definition	10.4.0	11.0.0
2011-12	CT#54	CP-110882	0076	4	Handling ForServiceBased ISRP where APN leaf is absent	11.0.0	11.1.0
2011-12	CT#54	CP-110882	0079	1	Correction of the scope of RulePriority	11.0.0	11.1.0
2011-12	CT#54	CP-110882	0080	1	Access technologies for IFOM	11.0.0	11.1.0
2012-03	CT#55	CP-120127	0083	1	Adding domain name to ISRPs	11.1.0	11.2.0
2012-03	CT#55	CP-120108	0085	1	Correction of a terminology in EndDestIPaddress leaf	11.1.0	11.2.0
2012-06	CT#56	CP-120309	0087	1	APN leaf usage	11.2.0	11.3.0
2012-06	CT#56	CP-120294	0088	3	Correction of WLAN_Location	11.2.0	11.3.0

2012-06	CT#56	CP-120309	0089	3	Correction to the validity constraint within ISMP	11.2.0	11.3.0
2012-06	CT#56	CP-120309	0090	3	Correction to the validity constraint within ISRP	11.2.0	11.3.0
2012-09	CT#57	CP-120584	0096	1	Type of generic alert	11.3.0	11.4.0
2012-09	CT#57	CP-120602	0098	3	Application-ID	11.3.0	11.4.0
2012-12	CT#58	CP-120811	0101		Forward compatibility rules	11.4.0	11.5.0
2012-12	CT#58	CP-120794	0103	5	Clarification of TimeStop and DateStop	11.4.0	11.5.0
2012-12	CT#58	CP-120794	0105		Clarification of the QoS leaf in ISRP	11.4.0	11.5.0
2012-12	CT#58	CP-120794	0106	1	Clarification of UE behaviour when the ISMP rule leaf is not provisioned	11.4.0	11.5.0
2012-12	CT#58	CP-120811	0108	6	Operating System definition for DIDA	11.4.0	11.5.0
2012-12	CT#58	CP-120811	0109	1	DDF in support of DIDA functionality	11.4.0	11.5.0
2012-12	CT#58	CP-120794	0110		DDF corrections	11.4.0	11.5.0
2012-12	CT#58	CP-120794	0112	3	UE location info in alert message	11.4.0	11.5.0
2013-03	CT#59	CP-130115	0115	1	Sending UE_Profile in Generic Alert	11.5.0	11.6.0
2013-03	CT#59	CP-130115	0116	1	ISRP policy matching when multiple flow descriptions exist	11.5.0	11.6.0
2013-03	CT#59	CP-130115	0117		Ignoring information element	11.5.0	11.6.0
2013-03	CT#59	CP-130118	0119	1	Correction to OSId leaf in UE_Profile	11.5.0	11.6.0
2013-03	CT#59	CP-130125	0120	1	Clarification of Geo_Location leaves	11.6.0	12.0.0
2013-06	CT#60	CP-130258	0118	4	UE location content	12.0.0	12.1.0
2013-06	CT#60	CP-130258	0124	3	Clarification on RulePriority	12.0.0	12.1.0
2013-06	CT#60	CP-130258	0128		ISMP - UpdatePolicy correction	12.0.0	12.1.0
2013-06	CT#60	CP-130258	0130		Generic alert content clarification	12.0.0	12.1.0
2013-09	CT#61	CP-130505	0131	1	Removal of APN node from validity criteria of ISRP flow distribution rules	12.1.0	12.2.0
2013-09	CT#61	CP-130505	0132		OMA DM commands modifying several nodes at once	12.1.0	12.2.0
2013-09	CT#61	CP-130510	0133		Occurrences of ISRP place holder node	12.1.0	12.2.0
2013-09	CT#61	CP-130505	0137	4	Clarification of the ValidityArea node in the Policy node	12.1.0	12.2.0
2013-09	CT#61	CP-130505	0138	4	Clarification of the TimeOfDay node in the ISMP rule	12.1.0	12.2.0
2013-09	CT#61	CP-130505	0139	1	Definition of empty node	12.1.0	12.2.0
2013-09	CT#61	CP-130505	0140		ISRP terminology correction	12.1.0	12.2.0
2013-12	CT#62	CP-130754	0142	3	Adding day of the week leaf to ANDSF MO	12.2.0	12.3.0
2013-12	CT#62	CP-130754	0143	6	Informative annex with ANDSF policy examples	12.2.0	12.3.0
2013-12	CT#62	CP-130754	0146	1	ANDSF server information provisioning clarification	12.2.0	12.3.0
2013-12	CT#62	CP-130754	0147	2	Multiple ISRP rules with same PLMN value	12.2.0	12.3.0
2013-12	CT#62	CP-130754	0148	1	Removing Source IP address/port from ISRP	12.2.0	12.3.0
2013-12	CT#62	CP-130754	0155	2	Correction of disparity between 3GPP Location Node Name in MO definition and DDF	12.2.0	12.3.0
2013-12	CT#62	CP-130772	0163	4	Introduction of WLAN Selection Policy for ANDSF MO	12.2.0	12.3.0
2013-12	CT#62	CP-130761	0151	5	Introduction of Inter-APN Routing Policies (IARP) for ANDSF MO	12.2.0	12.3.0
2013-12	CT#62	CP-130761	0162	1	DDF in support of IARP for ANDSF MO	12.2.0	12.3.0
2014-03	CT#63	CP-140138	0175	2	Correcting placement of IARP	12.3.0	12.4.0
2014-03	CT#63	CP-140182	0167	3	Correction of Application-ID nodes	12.3.0	12.4.0
2014-03	CT#63	CP-140156	0168	4	Definition of List of VPLMNs with preferred WLAN Selection Rules to ANDSF MO	12.3.0	12.4.0
2014-03	CT#63	CP-140155	0169	3	Definition of S2a connectivity preference in ANDSF MO	12.3.0	12.4.0
2014-03	CT#63	CP-140137	0170	3	Modify evaluation of WLANSP node defined in Hotspot 2.0 (Release 2) Technical Specification	12.3.0	12.4.0
2014-03	CT#63	CP-140137	0171	3	DDF in support of WLANSP for ANDSF MO	12.3.0	12.4.0
2014-03	CT#63	CP-140137	0172	2	The relationship between the priority of the SelectionCriteria and the priority of PreferredRoamingPartnerList	12.3.0	12.4.0
2014-03	CT#63	CP-140141	0174	2	ANDSF rule re-evaluation trigger clarification	12.3.0	12.4.0
2014-06	CT#64	CP-140336	0141	11	Differentiating 3GPP radio access technologies in routing rules of ISRP	12.4.0	12.5.0
2014-06	CT#64	CP-140328	0173	3	Source IP address/port number alignment	12.4.0	12.5.0
2014-06	CT#64	CP-140328	0179	2	Non deterministic structure of UE_profile - Alt B	12.4.0	12.5.0
2014-06	CT#64	CP-140328	0180	2	Reducing size of ANDSF MO	12.4.0	12.5.0
2014-06	CT#64	CP-140328	0181	2	ANDSF root node	12.4.0	12.5.0
2014-06	CT#64	CP-140328	0187	1	Cleanups of the ANDSF MO	12.4.0	12.5.0
2014-06	CT#64	CP-140325	0188	1	Correction of the IARP example for ANDSF MO	12.4.0	12.5.0
2014-06	CT#64	CP-140325	0189	1	Handling of IARP rule from V-ANDSF	12.4.0	12.5.0
2014-06	CT#64	CP-140335	0190	1	ANDSF MO for Preferred Service Provider List	12.4.0	12.5.0
2014-06	CT#64	CP-140335	0191	2	Complete HotSpot reference	12.4.0	12.5.0
2014-06	CT#64	CP-140335	0193	2	PreferredRoamingPartnerList from VANDSF	12.4.0	12.5.0
2014-06	CT#64	CP-140335	0194	1	Preferred SSID list defined in SelectionCriteria node	12.4.0	12.5.0
2014-06	CT#64	CP-140335	0195	3	Add HomeNetwork MO in WLANSP	12.4.0	12.5.0
2014-06	CT#64	CP-140325	0197	1	Clarification on Roaming leaf and PLMN leaf in IARP	12.4.0	12.5.0
2014-06	CT#64	CP-140335	0198	3	Modification on active rule selection mechanism	12.4.0	12.5.0
2014-06	CT#64	CP-140328	0199	1	Correction in PreferredSSIDList	12.4.0	12.5.0
2014-06	CT#64	CP-140227	0200		Coordination of differents changes to the ANDSF MO figures	12.4.0	12.5.0
2014-09	CT#65	CP-140672	0183	6	Corrections related to WLANSP	12.5.0	12.6.0
2014-09	CT#65	CP-140672	0201	2	Adding support for HPLMN identified with a non-PLMN realm	12.5.0	12.6.0
2014-09	CT#65	CP-140672	0202	2	Clarification on PSPL Roaming list	12.5.0	12.6.0

2014-09	CT#65	CP-140677	0203	4	ANDSF MO for RAN assistance information	12.5.0	12.6.0
2014-09	CT#65	CP-140670	0204	1	DDF in support of ANDSF MO for RAN assistance information	12.5.0	12.6.0
2014-09	CT#65	CP-140664	0205	1	Introduce subclauses to reduce size of CRs against subclause 4.2, figures	12.5.0	12.6.0
2014-09	CT#65	CP-140661	0207		Clarification on the PLMN leaf in ISRP rule	12.5.0	12.6.0
2014-09	CT#65	CP-140661	0208	1	Correction to reference for FQDN	12.5.0	12.6.0
2014-10					Renumbering of the extra subclause 4.1.10	12.6.0	12.6.1
2014-12	CT#66	CP-140854	0209	2	Corrections in RAN assistance information in ANDSF MO	12.6.1	12.7.0
2014-12	CT#66	CP-140854	0210		Resolving editor's note in RAN assistance information	12.6.1	12.7.0
2014-12	CT#66	CP-140844	0211	1	HotSpot2.0 Rel-2 reference update	12.6.1	12.7.0
2014-12	CT#66	CP-140854	0213	1	DDF in support of Beacon RSSI threshold	12.6.1	12.7.0
2014-12	CT#66	CP-140854	0214	2	RAN validity condition evaluation for IARP	12.6.1	12.7.0
2014-12	CT#66	CP-140844	0219	1	Service provider without PLMN identity	12.6.1	12.7.0
2014-12	CT#66	CP-140854	0221	1	Matching evaluation for RANValidityCondition	12.6.1	12.7.0
2014-12	CT#66	CP-140832	0225	1	Valid ISRP rule selection	12.6.1	12.7.0
2014-12	CT#66	CP-140832	0226	1	Correction on ANDSF MO sub-clause title and figure title	12.6.1	12.7.0
2014-12	CT#66	CP-140854	0227		Indicating RAN validity condition in Figure 4.2.15	12.6.1	12.7.0
2014-12	CT#66	CP-140854	0231		Adding abbreviations for RAN assistance information	12.6.1	12.7.0
2014-12	CT#66	CP-140844	0233		Incorrect subclauses names	12.6.1	12.7.0
2014-12	CT#66	CP-140854	0235	2	Keep alignment with RAN rule	12.6.1	12.7.0
2014-12	CT#66	CP-140854	0224	1	Adding Beacon RSSI for RAN assistance information in ANDSF MO	12.6.1	12.7.0
2014-12	CT#66	CP-140854	0230	2	RANPreference leaf	12.6.1	12.7.0
2014-12	CT#66	CP-140854	0231		Remove the RANPreference Node from ANDSF MO DDF.	12.6.1	12.7.0
2015-03	CT#67	CP-150075	0236	2	Corrections due to several misaligned CRs	12.7.0	12.8.0
2015-03	CT#67	CP-150068	0237	2	Corrections and consistency applied to PSPL node	12.7.0	12.8.0
2015-03	CT#67	CP-150061	0238	2	UE handling of ISRP and IARP rules containing unsupported nodes	12.7.0	12.8.0
2015-03	CT#67	CP-150061	0239	1	Reference update to IEEE 802.11u standard	12.7.0	12.8.0
2015-03	CT#67	CP-150061	0240	1	Reference update to IEEE 802.11-2007	12.7.0	12.8.0
2015-03	CT#67	CP-150052	0243	2	Error correction in the name of the AccessId node	12.7.0	12.8.0
2015-03	CT#67	CP-150068	0246	3	Introduction of Visited Network Preference information	12.7.0	12.8.0
2015-06	CT#68	CP-150308	0234	5	APN usage in ISRP and IARP NSW0 rule	12.8.0	12.9.0
2015-06	CT#68	CP-150314	0247	4	Priority defined in preferredSSIDlist	12.8.0	12.9.0
2015-06	CT#68	CP-150308	0248		Correction on PreferredSSIDList	12.8.0	12.9.0
2015-09	CT#69	CP-150509	0252		ISRP RuleSelectionInformation correction	12.9.0	12.10.0
2015-09	CT#69	CP-150515	0250		HomeOperatorPreference and HomeNetworkPreference	12.9.0	12.10.0
2015-09	CT#69	CP-150519	0249	6	Home operator ePDG selection preference	12.10.0	13.0.0
2015-09	CT#69	CP-150570	0251	2	DDF in support of ePDG selection configuration	12.10.0	13.0.0
2015-09	CT#69	CP-150573	0260	1	Support of ePDG selection for emergency bearer services	12.10.0	13.0.0
2015-12	CT#70	CP-150696	0262	2	ePDG Selection correction	13.0.0	13.1.0
2015-12	CT#70	CP-150714	0263	1	DDF in support of ePDG selection for emergency sessions	13.0.0	13.1.0
2015-12	CT#70	CP-150691	0267	1	PLMN and Update Policy for Visiting Network Preference	13.0.0	13.1.0
2015-12	CT#70	CP-150691	0269	1	DDF in support of visiting network preference	13.0.0	13.1.0

---

# History

<b>Document history</b>		
V13.1.0	January 2016	Publication