

ETSI TS 124 504 V8.9.0 (2010-10)

Technical Specification

**Digital cellular telecommunications system (Phase 2+);
Universal Mobile Telecommunications System (UMTS);
LTE;
TISPAN;
PSTN/ISDN simulation services:
Communication Diversion (CDIV);
Protocol specification
(3GPP TS 24.504 version 8.9.0 Release 8)**



Reference

RTS/TSGC-0124504v890

Keywords

GSM, LTE, UMTS

ETSI

650 Route des Lucioles
F-06921 Sophia Antipolis Cedex - FRANCE

Tel.: +33 4 92 94 42 00 Fax: +33 4 93 65 47 16

Siret N° 348 623 562 00017 - NAF 742 C
Association à but non lucratif enregistrée à la
Sous-Préfecture de Grasse (06) N° 7803/88

Important notice

Individual copies of the present document can be downloaded from:

<http://www.etsi.org>

The present document may be made available in more than one electronic version or in print. In any case of existing or perceived difference in contents between such versions, the reference version is the Portable Document Format (PDF). In case of dispute, the reference shall be the printing on ETSI printers of the PDF version kept on a specific network drive within ETSI Secretariat.

Users of the present document should be aware that the document may be subject to revision or change of status. Information on the current status of this and other ETSI documents is available at

<http://portal.etsi.org/tb/status/status.asp>

If you find errors in the present document, please send your comment to one of the following services:

http://portal.etsi.org/chaicor/ETSI_support.asp

Copyright Notification

No part may be reproduced except as authorized by written permission.
The copyright and the foregoing restriction extend to reproduction in all media.

© European Telecommunications Standards Institute 2010.
All rights reserved.

DECTTM, **PLUGTESTS**TM, **UMTS**TM, **TIPHON**TM, the TIPHON logo and the ETSI logo are Trade Marks of ETSI registered for the benefit of its Members.

3GPPTM is a Trade Mark of ETSI registered for the benefit of its Members and of the 3GPP Organizational Partners.

LTETM is a Trade Mark of ETSI currently being registered

for the benefit of its Members and of the 3GPP Organizational Partners.

GSM[®] and the GSM logo are Trade Marks registered and owned by the GSM Association.

Intellectual Property Rights

IPRs essential or potentially essential to the present document may have been declared to ETSI. The information pertaining to these essential IPRs, if any, is publicly available for **ETSI members and non-members**, and can be found in ETSI SR 000 314: *"Intellectual Property Rights (IPRs); Essential, or potentially Essential, IPRs notified to ETSI in respect of ETSI standards"*, which is available from the ETSI Secretariat. Latest updates are available on the ETSI Web server (<http://webapp.etsi.org/IPR/home.asp>).

Pursuant to the ETSI IPR Policy, no investigation, including IPR searches, has been carried out by ETSI. No guarantee can be given as to the existence of other IPRs not referenced in ETSI SR 000 314 (or the updates on the ETSI Web server) which are, or may be, or may become, essential to the present document.

Foreword

This Technical Specification (TS) has been produced by ETSI 3rd Generation Partnership Project (3GPP).

The present document may refer to technical specifications or reports using their 3GPP identities, UMTS identities or GSM identities. These should be interpreted as being references to the corresponding ETSI deliverables.

The cross reference between GSM, UMTS, 3GPP and ETSI identities can be found under <http://webapp.etsi.org/key/queryform.asp>.

Contents

| | |
|---|----|
| Intellectual Property Rights | 2 |
| Foreword..... | 2 |
| Foreword..... | 5 |
| 1 Scope | 6 |
| 2 References | 6 |
| 2.1 Normative references | 6 |
| 3 Definitions and abbreviations..... | 7 |
| 3.1 Definitions | 7 |
| 3.2 Abbreviations | 8 |
| 4 Communications Diversion (CDIV) | 9 |
| 4.1 Introduction | 9 |
| 4.2 Description | 9 |
| 4.2.1 General description | 9 |
| 4.3 Operational requirements | 12 |
| 4.3.1 Provision/withdrawal | 12 |
| 4.3.2 Requirements on the originating network side..... | 13 |
| 4.3.3 Requirements in the network | 13 |
| 4.4 Coding requirements | 13 |
| 4.4.1 SIP-Messages..... | 14 |
| 4.4.1.1 SIP messages for redirection | 14 |
| 4.4.1.2 SIP messages for CDIVN..... | 14 |
| 4.4.2 Parameters..... | 14 |
| 4.5 Signalling requirements..... | 15 |
| 4.5.0 General..... | 15 |
| 4.5.1 Activation/deactivation | 15 |
| 4.5.1a Registration/erasure | 15 |
| 4.5.1b Interrogation | 15 |
| 4.5.2 Invocation and operation | 15 |
| 4.5.2.1 Actions at the originating UA | 15 |
| 4.5.2.2 Actions at the originating P-CSCF..... | 15 |
| 4.5.2.3 Actions at the originating S-CSCF..... | 15 |
| 4.5.2.4 Actions at the diverting S-CSCF..... | 16 |
| 4.5.2.5 Actions at the diverted to S-CSCF..... | 16 |
| 4.5.2.6 Actions at the AS of the diverting User | 16 |
| 4.5.2.6.1 Checking of the diversion limits..... | 16 |
| 4.5.2.6.2 Setting of the diversion parameters by the AS | 16 |
| 4.5.2.6.3 Diversion procedures at the diverting AS..... | 19 |
| 4.5.2.6.4 Notification procedures of the originating user (Subscription Option) | 21 |
| 4.5.2.6.5 Indication of communication diversion to the diverting user /CDIV Notification_(subscription option) | 22 |
| 4.5.2.6.6 not reachable indication..... | 24 |
| 4.5.2.7 Actions at the AS of the diverted to user..... | 24 |
| 4.5.2.8 Void..... | 24 |
| 4.5.2.9 Actions at the incoming I-CSCF | 24 |
| 4.5.2.10 Actions at the outgoing IBCF..... | 24 |
| 4.5.2.11 Actions at the incoming IBCF..... | 24 |
| 4.5.2.12 Actions at the BGCF | 24 |
| 4.5.2.13 Actions at the MGCF | 25 |
| 4.5.2.14 Actions at the destination P-CSCF..... | 25 |
| 4.5.2.15 Actions at the diverted to UA..... | 25 |
| 4.5.2.16 Actions at the diverting UA | 25 |
| 4.6 Interaction with other services..... | 25 |
| 4.6.1 Communication Hold (HOLD)..... | 25 |

| | | |
|---|---|-----------|
| 4.6.2 | Terminating Identification Presentation (TIP)..... | 25 |
| 4.6.3 | Terminating Identification Restriction (TIR)..... | 25 |
| 4.6.4 | Originating Identification Presentation (OIP)..... | 25 |
| 4.6.5 | Originating Identification Restriction (OIR)..... | 25 |
| 4.6.6 | Conference calling (CONF)..... | 26 |
| 4.6.7 | Communication Diversion Services (CDIV)..... | 26 |
| 4.6.8 | Malicious Communication Identification (MCID)..... | 26 |
| 4.6.9 | Anonymous Communication Rejection and Communication Barring (ACR/CB)..... | 26 |
| 4.6.10 | Explicit Communication Transfer (ECT)..... | 26 |
| 4.6.10.1 | Actions at the diverting AS..... | 26 |
| 4.6.10.1.1 | Determine whether ECT is applied to the diverted communication..... | 26 |
| 4.6.10.1.2 | Handling of transfer requests..... | 26 |
| 4.6.10.1.3 | Actions when CDIV is invoked again by the transferred communication..... | 26 |
| 4.7 | Interworking with other networks..... | 27 |
| 4.7.1 | Interworking with PSTN/ISDN..... | 27 |
| 4.7.1.1 | Interworking at the O-MGCF..... | 27 |
| 4.7.1.1.1 | Void..... | 30 |
| 4.7.1.1.2 | Call forwarding within the ISUP Network appeared..... | 30 |
| 4.7.1.2 | Interworking at the I-MGCF..... | 32 |
| 4.7.2 | Interworking with PSTN/ISDN Emulation..... | 38 |
| 4.7.3 | Interworking with external IP networks..... | 38 |
| 4.8 | Parameter values (timers)..... | 38 |
| 4.8.1 | No reply timer..... | 38 |
| 4.8.2 | CDIVN Buffer Timer..... | 38 |
| 4.8.3 | CDIV Indication Timer..... | 39 |
| 4.9 | Service Configuration for redirection services..... | 39 |
| 4.9.1 | Structure of the XML Document..... | 39 |
| 4.9.1.1 | Communication Diversion Element..... | 39 |
| 4.9.1.1A | NoReplyTimer..... | 40 |
| 4.9.1.2 | Communication Diversion Rules..... | 40 |
| 4.9.1.3 | Communication Diversion Rule Conditions..... | 40 |
| 4.9.1.4 | Communication Diversion Rule Actions..... | 41 |
| 4.9.2 | XML Schema..... | 42 |
| 4.10 | Service Configuration of Communication Diversion Notification..... | 43 |
| 4.10.1 | Structure of the XML Document..... | 43 |
| 4.10.1.1 | Communication Diversion Information..... | 43 |
| 4.10.1.1.1 | Communication Diversion Subscription Information..... | 44 |
| 4.10.1.1.2 | Communication Diversion Notification Information..... | 45 |
| 4.10.2 | XML Schema..... | 46 |
| Annex A (informative): Signalling Flows | | 50 |
| A.1 | Normal cases..... | 50 |
| A.1.1 | Communication Forwarding unconditional..... | 50 |
| A.1.2 | Communication Deflection..... | 52 |
| A.1.3 | Communication Forwarding on non Reply..... | 54 |
| A.1.4 | Communication Forwarding on Busy..... | 58 |
| A.1.5 | Communication Forwarding Not Logged-in (CFNL)..... | 60 |
| A.1.6 | Communication Diversion Notification (CDIVN)..... | 61 |
| A.2 | Interworking..... | 63 |
| A.2.1 | Communication Forwarding unconditional..... | 63 |
| A.2.2 | Communication Deflection..... | 64 |
| Annex B (informative): Example of filter criteria..... | | 65 |
| Annex C (informative): Coding considerations | | 66 |
| Annex D (informative): Bibliography..... | | 67 |
| Annex E (informative): Change history | | 68 |
| History..... | | 70 |

Foreword

This Technical Specification (TS) was been produced by ETSI Technical Committee Telecommunications and Internet converged Services and Protocols for Advanced Networking (TISPAN) and originally published as ETSI TS 183 004 [19]. It was transferred to the 3rd Generation Partnership Project (3GPP) in in January 2008.

The contents of the present document are subject to continuing work within the TSG and may change following formal TSG approval. Should the TSG modify the contents of the present document, it will be re-released by the TSG with an identifying change of release date and an increase in version number as follows:

Version x.y.z

where:

- x the first digit:
 - 1 presented to TSG for information;
 - 2 presented to TSG for approval;
 - 3 or greater indicates TSG approved document under change control.
- y the second digit is incremented for all changes of substance, i.e. technical enhancements, corrections, updates, etc.
- z the third digit is incremented when editorial only changes have been incorporated in the document.

1 Scope

The present document specifies the, stage three, Protocol Description of the Communications Diversion (CDIV) services, based on stage one and two of the ISDN Communication diversion supplementary services. Within the Next Generation Network (NGN) the stage 3 description is specified using the IP-Multimedia Communication Control Protocol based on Session Initiation Protocol (SIP) and Session Description Protocol (SDP).

In addition, a service "Communication Diversion Notification" (CDIVN) to the CDIV PSTN/ISDN simulation services is described in the present document.

2 References

The following documents contain provisions which, through reference in this text, constitute provisions of the present document.

- References are either specific (identified by date of publication, edition number, version number, etc.) or non-specific.
- For a specific reference, subsequent revisions do not apply.
- For a non-specific reference, the latest version applies. In the case of a reference to a 3GPP document (including a GSM document), a non-specific reference implicitly refers to the latest version of that document *in the same Release as the present document*.

Referenced documents which are not found to be publicly available in the expected location might be found at <http://docbox.etsi.org/Reference>.

For online referenced documents, information sufficient to identify and locate the source shall be provided. Preferably, the primary source of the referenced document should be cited, in order to ensure traceability. Furthermore, the reference should, as far as possible, remain valid for the expected life of the document. The reference shall include the method of access to the referenced document and the full network address, with the same punctuation and use of upper case and lower case letters.

NOTE: While any hyperlinks included in this clause were valid at the time of publication ETSI cannot guarantee their long term validity.

2.1 Normative references

The following referenced documents are indispensable for the application of the present document. For dated references, only the edition cited applies. For non-specific references, the latest edition of the referenced document (including any amendments) applies.

- [1] ETSI TS 181 002: "Telecommunications and Internet converged Services and Protocols for Advanced Networking (TISPAN); Multimedia Telephony with PSTN/ISDN simulation services".
- [2] ETSI ES 283 003: "Telecommunications and Internet converged Services and Protocols for Advanced Networking (TISPAN); IP Multimedia Call Control Protocol based on Session Initiation Protocol (SIP) and Session Description Protocol (SDP) Stage 3".
- [3] IETF RFC 4244: "An Extension to the Session Initiation Protocol (SIP) for Request History Information".
- [4] ETSI TS 183 023: "Telecommunications and Internet converged Services and Protocols for Advanced Networking (TISPAN); PSTN/ISDN simulation services; Extensible Markup Language (XML) Configuration Access Protocol (XCAP) over the Ut interface for Manipulating NGN PSTN/ISDN Simulation Services".
- [5] IETF RFC 2327: "SDP: Session Description Protocol".
- [6] IETF RFC 3261: "SIP: Session Initiation Protocol".

- [7] IETF RFC 3966: "The tel URI for Telephone Numbers".
- [8] IETF RFC 3325: "Private Extensions to the Session Initiation Protocol (SIP) for Asserted Identity within Trusted Networks".
- [9] ETSI TS 183 011: "Telecommunications and Internet converged Services and Protocols for Advanced Networking (TISPAN); PSTN/ISDN simulation services: Anonymous Communication Rejection (ACR) and Communication Barring (CB); Protocol specification".
- [10] ETSI EN 300 356-15 (V4.2.1): "Integrated Services Digital Network (ISDN); Signalling System No.7 (SS7); ISDN User Part (ISUP) version 4 for the international interface; Part 15: Diversion supplementary service [ITU-T Recommendation Q.732, clauses 2 to 5 (1999) modified]".
- [11] ETSI TS 183 028: "Telecommunications and Internet converged Services and Protocols for Advanced Networking (TISPAN); Common Basic Communication procedures; Protocol specification".
- [12] ETSI ES 282 001: "Telecommunications and Internet converged Services and Protocols for Advanced Networking (TISPAN); NGN Functional Architecture".
- [13] ETSI ES 283 027: "Telecommunications and Internet converged Services and Protocols for Advanced Networking (TISPAN); Endorsement of the SIP-ISUP Interworking between the IP Multimedia (IM) Core Network (CN) subsystem and Circuit Switched (CS) networks [3GPP TS 29.163(Release 7), modified]".
- [14] IETF RFC 4458: "Session Initiation Protocol (SIP) URIs for Applications such as Voicemail and Interactive Voice Response (IVR)".
- [15] IETF RFC 3265: "Session Initiation Protocol (SIP) -Specific Event Notification".
- [16] ETSI TS 183 029: "Telecommunications and Internet converged Services and Protocols for Advanced Networking (TISPAN); PSTN/ISDN simulation services: Explicit Communication Transfer (ECT); Protocol specification".
- [17] IETF RFC 3515: "The Session Initiation Protocol (SIP) Refer Method".
- [18] IETF RFC 4745: "Common Policy: A Document Format for Expressing Privacy Preferences".
- [19] ETSI TS 183 004 V2.4.0: "Telecommunications and Internet converged Services and Protocols for Advanced Networking (TISPAN); PSTN/ISDN simulation services: Communication Diversion (CDIV); Protocol specification".
- [20] OMA-TS-XDM-Core-V1_1: "XML Document Management (XDM) Specification", Version 1.1.
- [21] draft-avarala-dispatch-comm-div-notification-00 (June 2008): "A Session Initiation Protocol (SIP) Event Package for Communication Diversion Information in support of the Communication Diversion (CDIV) Notification (CDIVN) CDIV service".
- Editor's note: The above document cannot be formally referenced until it is published as an RFC.**
- [22] IETF RFC 3326: "The Reason Header Field for the Session Initiation Protocol (SIP)".
- [23] IETF RFC 5627 (October 2009): "Obtaining and Using Globally Routable User Agent URIs (GRUUs) in the Session Initiation Protocol (SIP)".

3 Definitions and abbreviations

3.1 Definitions

For the purposes of the present document, the terms and definitions given in ETSI TS 181 002 [1] and the following apply:

CDIV Session Identifier URI: URI created and inserted by a diverting AS that is routed through the same AS

NOTE: This is used to solve the service interaction of CDIV and ECT.

escaped character: See IETF RFC 3261 [6].

transferee: party being transferred to the transfer target

transferor: party initiating the transfer

transfer target: party that the existing communication is transferred to

NOTE: After transfer the transferee and the transfer target are in communication with each other.

3.2 Abbreviations

For the purposes of the present document, the following abbreviations apply:

| | |
|--------|--|
| ACK | ACKnowledgement |
| ACM | Address Complete Message |
| ACR | Anonymous Communication Rejection |
| ANM | ANswer Message |
| AS | Application Server |
| CB | Communication Barring |
| CD | Communication Deflection |
| CDIV | Communication DIVersion |
| CDIVN | Communication DIVersion Notification |
| CFB | Communication Forwarding Busy |
| CFNL | Communication Forwarding on Not Logged-in |
| CFNR | Communication Forwarding No Reply |
| CFNRc | Communication Forwarding on subscriber Not Reachable |
| CFU | Communication Forwarding Unconditional |
| CONF | CONFerence |
| CPC | Calling Party's Category |
| CPG | Call ProGress message |
| CSCF | Call Session Control Function |
| ECT | Explicit Communication Transfer |
| HOLD | communication HOLD |
| IAM | Initial Address Message |
| IFC | Initial Filter Criteria |
| IMS | IP Multimedia Subsystem |
| IP | Internet Protocol |
| ISDN | Integrated Service Data Network |
| ISUP | Integrated Service digital network User Part |
| IWU | Inter Working Unit |
| MCID | Malicious Communication IDentification |
| MGCF | Media Gateway Control Function |
| NDC | National Destination Code |
| NGN | Next Generation Network |
| NOA | Nature Of Address |
| OCB | Outgoing Communication Barring |
| OIP | Originating Identification Presentation |
| OIR | Originating Identification Restriction |
| O-MGCF | Outgoing - Media Gateway Control Function |
| P-CSCF | Proxy-Call Session Control Function |
| PSTN | Public Switched Telephone Network |
| RTP | Real-Time Transport Protocol |
| S-CSCF | Server-Call Session Control Function |
| SDP | Session Description Protocol |
| SIP | Session Initiation Protocol |
| SN | Subscriber Number |
| TIP | Terminating Identification Presentation |
| TIR | Terminating Identification Restriction |
| UA | User Agent |

| | |
|------|-----------------------------------|
| UE | User Equipment |
| URI | Universal Resource Identifier |
| XCAP | XML Configuration Access Protocol |
| XML | eXtensible Markup Language |

4 Communications Diversion (CDIV)

4.1 Introduction

The Communications Diversion (CDIV) service enables diverting user, to divert the communications addressed to diverting user to an other destination.

4.2 Description

4.2.1 General description

The service description of the following Communication Services CFU, CFB, CFNR and CD is based on the PSTN/ISDN Supplementary Services, whereas CFNL is Communication service based on requirements for IP based networks and CFNRc is based on requirements for mobile networks.

In addition, CDIVN is a communication service providing the user the capability to receive notifications about all diverted communications (CFU, CFB, CFNR, CD, CFNRc and CFNL).

Generally the following requirements should be fulfilled:

- It shall be possible for the user or the network to identify an alternative destination for an IP multimedia session or individual media of an IP multimedia session.
- It shall be possible for redirection to be initiated at various stages of an IP Multimedia session. For example:
 - Prior to the set up of an IP Multimedia session.
 - During the initial request for an IP Multimedia session (CFU).
 - During the establishment of an IP Multimedia session (CD).
- Redirection can be applied for all Multimedia sessions unconditionally or it can be caused by any of a set list of events or conditions. Typical causes could be:
 - Identity of the originating user.
 - Presence of the originating or destination party.
 - If the destination party is already in a session (CFB).
 - If the destination party is unreachable or unavailable in some other way (CFNL; CFNR, CFNRc).
 - If the destination party does not respond (CFNR).
 - After a specified alerting interval (CFNR).
 - User's preference on routing for specific IP Multimedia session based on the capabilities of multiple UEs sharing the same IMS service subscription.
 - The sending party, receiving party or the network on their behalf, may initiate redirection to alternative destinations.
- It shall be possible for the user to subscribe to receive notifications of his/her communications diversions as dictated by the above requirements. The user will be further able to control:
 - If he/she wants to be notified of all or a particular subset of his/her Communication Diversions.

- The amount of information he/she wishes to see as a part of the notifications of his/her CDIV services.
- The time interval or availability instance when he/she wants to be notified of his/her Communication Diversions.

The following services describe applications based on a subset of the above-mentioned requirements to provide user different possibilities to divert a communication.

It should be possible that a user has the option to restrict receiving communications that are forwarded.

Communication Forwarding Unconditional (CFU)

The CFU service enables a served user to have the network redirect to another user communications which are addressed to the served user's address. The CFU service may operate on all communications, or just those associated with specified services. The served user's ability to originate communications is unaffected by the CFU supplementary service. After the CFU service has been activated, communications are forwarded independent of the status of the served user.

As a service provider option, a subscription option can be provided to enable the served user to receive a reminder indication that the CFU service has been activated. This indication shall be provided when the served user originates a communication and if the CFU service has been activated for the served user's address and for the service requested for the communication.

The maximum number of diversions permitted for each communication is a service provider option. The service provider shall define the upper limit of diversions. When counting the number of diversions, all types of diversion are included.

Communication Forwarding on Busy user (CFB)

The CFB service enables a served user to have the network redirect to another user communications which are addressed to the served user's address and meet busy. The CFB service may operate on all communications, or just those associated with specified services. The served user's ability to originate communications is unaffected by the CFB supplementary service.

As a service provider option, a subscription option can be provided to enable the served user to receive a reminder indication that the CFB service has been activated. This indication shall be provided when the served user originates a communication and if the CFB service has been activated for the served user's address and for the service requested for the communication.

The maximum number of diversions permitted for each communication is a service provider option. The service provider shall define the upper limit of diversions. When counting the number of diversions, all types of diversion are included.

For more information on the procedures for determination of the busy condition see ES 183 028 [11].

Communication Forwarding on no Reply (CFNR)

The CFNR service enables a served user to have the network redirect to another user communications which are addressed to the served user's address, and for which the connection is not established within a defined period of time. The CFNR service may operate on all communications, or just those associated with specified services. The served user's ability to originate communications is unaffected by the CFNR supplementary service.

The CFNR service can only be invoked by the network after the communication has been offered to the served user and an indication that the called user is being informed of the communication has been received.

As a service provider option, a subscription option can be provided to enable the served user to receive a reminder indication that the CFNR service has been activated. This indication shall be provided when the served user originates a communication and if the CFNR service has been activated for the served user's address and for the service requested for the communication.

The maximum number of diversions permitted for each communication is a service provider option. The service provider shall define the upper limit of diversions. When counting the number of diversions, all types of diversion are included.

Communication Forwarding on Subscriber Not Reachable (CFNRc)

The CFNRc service enables a user to have the network redirect all incoming communications, when the user is not reachable (e.g. there is no IP connectivity to the user's terminal), to another user. The CFNRc service may operate on all communications, or just those associated with specified services. The user's ability to originate communications is unaffected by the CFNRc simulation service.

As a service provider option, a subscription option can be provided to enable the user to receive an indication that the CFNRc service has been activated. This indication may be provided when the user originates a communication if the CFNRc service has been activated for the user and for the service requested for the communication.

The maximum number of diversions permitted for each communication is a service provider option. The service provider shall define the upper limit of diversions. When counting the number of diversions, all types of diversion are included.

Communication Deflection (CD)

The CD service enables the served user to respond to an incoming communication by requesting redirection of that communication to another user. The CD service can only be invoked before the connection is established by the served user, i.e. in response to the offered communication (before ringing), i.e. CD Immediate, or during the period that the served user is being informed of the communication (during ringing). The served user's ability to originate communications is unaffected by the CD supplementary service.

The maximum number of diversions permitted for each communication is a network provider option. The network provider shall define the upper limit of diversions. When counting the number of diversions, all types of diversion are included.

Communication Forwarding on Not Logged-in (CFNL)

The Communication Forwarding on Not Logged-in (CFNL) service enables a served user to redirect incoming communications which are addressed to the served user's address, to another user (forwarded-to address) in case the served user is not registered (logged-in). The CFNL service may operate on all communications, or just those associated with specified basic services.

As a service provider option, a subscription option can be provided to enable the served user to receive a reminder indication that the CFNL service has been activated. This indication shall be provided when the served user logs out according to procedures described in RFC 3261 [6].

The maximum number of diversions permitted for each communication is a service provider option. The service provider shall define the upper limit of diversions. When counting the number of diversions, all types of diversion are included.

Communication Diversion Notification (CDIVN)

The Communication Diversion Notification (CDIVN) service enables a served user to receive notification about the diversion of any of his/her incoming communications, which were addressed to the served user's address.

As a service provider option, a subscription option can be provided to enable the served user to receive a reminder indication that the CDIVN service has been activated. This indication shall be provided when the served user originates a communication and if the CDIVN service has been activated for the served user's address.

In case the user is not available to receive CDIVN (ex. user is logged out or not reachable) the Notification will be provided to the user following the user's registration, in case of CFNL when the user's CDIVN activation is still valid and if the time to buffer the Notification (CDIVN Buffer Timer) in the AS has not expired.

NOTE: In case of CFNL and CRNRc, CDIVN activation continues to be valid after user registration in case the user uses the same user's address as before having that status of no connectivity and the time of SUBSCRIBE/NOTIFY messages has not expired in the AS.

4.3 Operational requirements

4.3.1 Provision/withdrawal

The CDIV services (Communication forwarding unconditional, Communication forwarding busy, Communication forwarding no reply, Communication forwarding not logged-in, Communication deflection and Communication Diversion Notification) shall be provided after prior arrangement with the service provider.

The CDIV services shall be withdrawn at the served user's request or for administrative reasons.

The CDIV simulation services can be offered separately with subscription options. The notification service CDIVN is offered together with at least one CDIV simulation service. For each subscription option, only one value can be selected. These subscription options are part of the call diversion profile for the served user. The subscription options are shown in table 4.3.1.1.

Table 4.3.1.1: Subscription options for CDIV services

| Subscription options | Value | Applicability |
|--|--------------------|--------------------------------|
| Served user receives indication that a communication has been forwarded (indication of communication diversion to the diverting user). | No (default) | CFU CFB |
| | Yes | CFNR CFNRc |
| Originating user receives notification that his communication has been diverted (forwarded or deflected). | No | CFU CFB |
| | Yes (default) | CFNR CFNRc CFNL CD |
| Served user allows the presentation of diverted to URI to originating user in diversion notification. | No | CFU CFB |
| | Not reveal as GRUU | CFNR CFNRc |
| | Yes (default) | CFNL CD |
| Served user receives reminder indication on outgoing communication that CDIV is currently activated. | No (default) | CFU CFB |
| | Yes | CFNR CFNRc CFNL CDIVN |
| Served user allows the presentation of his/her URI to diverted-to user. | No | CFU CFB |
| | Not reveal as GRUU | CFNR CFNRc |
| | Yes (default) | CFNL CD |
| Served user allows the presentation of his/her URI to originating user in diversion notification. | No | CFU CFB |
| | Not reveal as GRUU | CFNR CFNRc |
| | Yes (default) | CFNL CD |

The following network provider options are available for the CDIV services:

Table 4.3.1.2: Network provider options for CDIV services

| Network provider option | Value | Applicability |
|--|---|---------------|
| Served user communication retention on invocation of diversion (forwarding or deflection). | Retain communication to the served user until alerting begins at the diverted-to user | CFNR CD |
| | Clear communication to the served user on invocation of call diversion | |

| | | |
|---|---|---|
| Served user communication retention when diverting is rejected at diverted-to user. | Continue to alert the diverting user (see note 1) | CFNR CD |
| | No action at the diverting user (see note 2) | |
| Total number of all diversions for each communication. | Maximum number of diverted connections (upper limit is based on operator policy) | CFU CFB CFNR CFNRc CFNL CD |
| CDIV Indication Timer. | Timer duration shall be a service provider option | CFU CFB CFNR CFNRc CFNL CD |
| Communication forwarding on no reply timer. | Timer default duration shall be a service provider option (NOTE 3) | CFNR |
| CDIVN Buffer Timer; Timer Value for AS to store CDIVN, if it cannot be delivered as per CDIVN Configuration. | Timer duration set by the service provider. Default value is 1 day | CFNL, CFNRc in case of CDIVN |
| NOTE 1: This applies to the retention of the communication at invocation of communication diverting. NOTE 2: This applies to the clearing communication option on invocation of communication diverting. NOTE 3: As a network provider option, It shall be possible to change the timer duration by the served user.. | | |

For user configuration of the CDIV the Ut interface described in ES 282 001 [12] could be used. More detail is described in clause 4.9.

Other possibilities for provisioning could be used too, like web based provisioning or pre-provisioning by the operator.

4.3.2 Requirements on the originating network side

No specific requirements are needed in the network.

4.3.3 Requirements in the network

No specific requirements are needed in the network.

4.4 Coding requirements

ES 283 003 [2] defines the messages and parameters for this simulation service. The following messages and parameters are used to support the Communication diversion service due to fulfil the requirements.

4.4.1 SIP-Messages

4.4.1.1 SIP messages for redirection

The following SIP messages are used due to the coding rules in ES 283 003 [2].

Table 4.4.1.1: SIP Header information for redirection

| SIP Message | Reference | SIP Header |
|---------------------------------------|----------------------------|---|
| INVITE | [3] [8] [14] [23] | History-Info header Privacy header cause-param URI parameter "gr" URI parameter |
| 180 (Ringing) | [3] [8] [14] [23] | History-Info header Privacy header cause-param URI parameter "gr" URI parameter in the Contact |
| 181 (Call Is Being Forwarded) | [3] [8] [14] [23] | History-Info header Privacy header cause-param URI parameter "gr" URI parameter in the Contact |
| 200 (OK) response | [3] [8] [14] [23] | History-Info header Privacy header cause-param URI parameter "gr" URI param URI parameter |
| 302 (Moved Temporarily) (see note) | [2] [14] | Contact header cause-param URI parameter |

NOTE: The 302 (Moved Temporarily) response is in the present document only used for the CD services.

More information on the cause-param URI parameter is given in annex C.

An AS that implements the CDIV service shall support the REFER method RFC 3515 [17], to be able to handle the interaction with ECT TS 183 029 [16].

4.4.1.2 SIP messages for CDIVN

The following SIP messages are used for the CDIVN according to the coding rules in ES 283 003 [2].

Table 4.4.1.2: SIP Header information for notification (CDIVN)

| SIP Message | Reference | SIP Header |
|-------------|-----------|---------------------|
| SUBSCRIBE | [15] | Event:comm-div-info |
| NOTIFY | [15] | Event:comm-div-info |

NOTE: The event package with event name "comm-div-info" based on the SIP Event Notification framework is defined in draft-avasarala-dispatch-comm-div-notification [21].

For more information on the message body associated with the event package "comm-div-info" refer to subclause 4.10.

4.4.2 Parameters

The Privacy header is described in ES 283 003 [2]. The present document refers for the History-Info header to RFC 4244 [3], for the Privacy header and P-Asserted-Identity to RFC 3325 [8], for GRUU to RFC 5627 [23] and for the cause-param to RFC 4458 [14].

4.5 Signalling requirements

4.5.0 General

For user configuration of the CFU, CFB, CFNR, CFNL, CFNRc and CD services the Ut interface should be used.

See clause 4.9 for further information about the structure of the XML document.

NOTE: Other possibilities for user configuration, as web-based provisioning or pre-provisioning by the operator are outside the scope of the present document.

4.5.1 Activation/deactivation

The services CFU, CFB, CFNR, CFNL, CFNRc and CD are individually activated at provisioning or at the subscribers request by using for example the Ut interface.

The services CFU, CFB, CFNR, CFNL, CFNRc and CD are individually deactivated at withdrawal or at the subscribers request by using for example the Ut interface.

For activation of the CDIVN, the message body within the SUBSCRIBE method would be used. Deactivation of CDIVN is either explicit by sending SUBSCRIBE message by the served user with "Expires" header set to "zero" or upon the expiration of the timer "Expire" in the AS. More details are described in clause 4.10.

4.5.1a Registration/erasure

For registration of diversion information for the services CFU, CFB, CFNR, CFNL, CFNRc and CD, the Ut interface should be used. The diverted-to party address of the services CFU, CFB, CFNR, CFNL, CFNRc and CD can individually be registered at the subscribers request by using the Ut interface.

For erasure of diversion information for the services CFU, CFB, CFNR, CFNL, CFNRc and CD, the Ut interface should be used. The diverted-to party address of the services CFU, CFB, CFNR, CFNL, CFNRc and CD can individually be erased at the subscribers request by using the Ut interface.

Registration/erasure is not applicable for CDIVN.

4.5.1b Interrogation

For interrogation of the services CFU, CFB, CFNR, CFNL, CFNRc and CD, the Ut interface should be used.

Interrogation is not applicable for CDIVN.

4.5.2 Invocation and operation

4.5.2.1 Actions at the originating UA

When communication diversion has occurred on the served user side and the network option "*Originating user receives notification that his communication has been diverted (forwarded or deflected)*" is set to true, the originating UA may receive a 181 (Call is being forwarded) response according to the procedures described in ES 283 003 [2].

The Information given by the History-Info header could be displayed by the UA if it is a UE.

4.5.2.2 Actions at the originating P-CSCF

Procedures according to ES 283 003 [2] shall apply.

4.5.2.3 Actions at the originating S-CSCF

Procedures according to ES 283 003 [2] shall apply.

4.5.2.4 Actions at the diverting S-CSCF

Procedures according to ES 283 003 [2] shall apply.

Based on the Initial Filter Criteria (IFC) Rules, indicating that the served user is subscribed to the CDIV simulation services, the communication is be forwarded to an AS.

NOTE: An example of the use of IFC is shown in annex B.

4.5.2.5 Actions at the diverted to S-CSCF

Procedures according to ES 283 003 [2] shall apply.

4.5.2.6 Actions at the AS of the diverting User

4.5.2.6.1 Checking of the diversion limits

When receiving an INVITE request and the AS determines that the AS shall divert a communication the AS shall check if diverting the communication exceeds the number of diversions allowed within the network. The AS shall calculate the number of diversions by examination of the History-Info header field:

- using the entries including a cause-param URI parameter with cause values specified in subclause 4.5.2.6.2.2; or
- examining the entries in the Index entries parameter;

to see if another diversion is allowed due to network provider allowed_limit of diversions.

If the number of diversions exceed the given limit then the following response sent to the originating user shall apply:

- a) communication diversion forwarding busy a 486 (Busy here) shall be sent;
- b) communication forwarding no reply, 480 (Temporarily unavailable) shall be sent;
- c) communication forwarding unconditional 480 (Temporarily unavailable) shall be sent;
- d) communication deflection, 480 (Temporarily unavailable) shall be sent.

NOTE: It is based on operator policy that the communication can be delivered to the latest diverting party when it is known.

In all cases a Warning header field indicating that the communication is released due to the extension of diversion hops (e.g. "Too many diversions appeared") shall be sent.

4.5.2.6.2 Setting of the diversion parameters by the AS

4.5.2.6.2.1 Overview

After checking the limit of diversions the following settings of the INVITE request shall be performed.

4.5.2.6.2.2 Diversion where served user is not last in received History-Info header

If an AS determines that the AS shall divert a communication and the AS shall apply the procedures in the present subclause if any of the following conditions apply for the received INVITE request:

- no History-Info header field received; or
- a History-Info header field is received in which the last history-info entry contains no hi-targeted-to-uri element for the served user.

The following information is to be set in the retargeted request:

- the diverting parties address;
- the diverted-to party address;

- diversion information.

The following header fields shall be included or modified with the specified values:

- a) **The Request URI** - shall be set to the SIP, TEL or SIPS URI where the communication is to be diverted to (see <target> element in clause 4.9.1.4).

The AS shall add the cause-param as defined by RFC 4458 [14] to the request URI. The mapping between the diversion conditions and the coding of the cause-param parameter values as defined by RFC 4458 [14] shall be as follows:

- for communication forwarding busy, the cause value "486";
- for communication forwarding no reply, the cause value "408";
- for communication forwarding unconditional, the cause value "302";
- for communication deflection (Immediate Response), the cause value "480";
- for communication forwarding not logged in , the cause value "404";
- for communication deflection during alerting, the cause value "487"; and
- for communication forwarding on subscriber not reachable, the cause value "503".

- b) **The History-Info header** field - Two hist-info entries that shall be generated.

- b.1) The first entry includes the hi-targeted-to-uri of the served user.

The privacy header "history" shall be escaped within the hi-targeted-to-uri, if:

- the served user wishes privacy (e.g. the served user is subscribed to the OIR Service); or
- the served user has the subscription option "Served user allows the presentation of his/her URI to diverted-to user" set to false.

Otherwise, if the first entry contains the "gr" parameter and the subscription option "Served user allows the presentation of his/her URI to *diverted-to* user" is set to "not-reveal-as-GRUU", then it shall be changed as follows:

- replace the first entry with the public user identity of the served user.

If the diversion is based on a SIP response from the served user, a Reason header as defined in RFC 3326 [22] shall be included in escaped form in the hi-targeted-to-uri in accordance with RFC 4244 [3].

- b.2) The second entry includes the new Request URI as described under bullet a) as hi-targeted-to-uri .

NOTE: In accordance with RFC 4458 [14], hi-targeted-to-uri will contain a cause-param in non-escaped format.

- c) **The To header** field:

If the served user does not want to reveal its identity to the diverted-to party, then the To header shall be changed to the URI where the communication is diverted to. The served user does not want to reveal its identity when one of the following conditions holds true:

- if the served user wishes privacy (e.g. the served user is subscribed to the OIR Service); or
- if the served user has the subscription option "Served user allows the presentation of his/her URI to diverted-to user" set to "false".

Otherwise, if the To header contains the "gr" parameter and the served user has the subscription option "Served user allows the presentation of his/her URI to diverted-to user" set to "not-reveal-as-GRUU", then the To header field shall be changed to a public user identity of the served user.

In all other cases the To header shall not be changed.

4.5.2.6.2.3 Diversion with served user last in received History-Info header

If an AS determines that the communication shall be diverted the AS shall apply the procedures in the present subclause if the received INVITE request includes a History-Info header, which in the last history-info entry includes a hi-targeted-to-uri with an entry for the served user, encoded as in subclause 4.5.2.6.2.2. In this case the AS shall add a new history-info entry to the History-Info header field according to the rules defined in RFC 4244 [3]. The following information has to be added to the retargeted request:

- the diverted-to party address;
- diversion information.

The following header fields shall be included or modified with the specified values;

- a) **Request URI** - shall be set to the SIP, TEL or SIPS URI where the communication is to be diverted to (see <target> element in subclause 4.9.1.4).

The AS shall add the cause-param as defined by RFC 4458 [14] to the request URI. The mapping between the diversion conditions and the coding of the cause-param parameter shall be as defined under bullet a) in subclause 4.5.2.6.2.2.

- b) **History-Info header** shall be modified in accordance with RFC 4244 [3]. The history entry corresponding to the previous request URI can be modified. One history entry is added.

b.1) The existing history entry corresponding to the previous request URI shall be treated as follows:

If the Privacy header field does not contain "history", the privacy header "history" in escaped format shall be added or modified within the hi-targeted-to-uri, if:

- the served user wishes privacy (e.g. the served user is subscribed to the OIR Service); or
- the served user has the subscription option "Served user allows the presentation of his/her URI to diverted-to user" set to false.

If the history entry representing the served user contains the "gr" parameter and the subscription option "Served user allows the presentation of his/her URI to *diverted-to* user" set to "not-reveal-as-GRUU", it shall be changed to a public user identity of the served user.

If the diversion is based on a SIP response from the served user, a Reason header in escaped form shall be included in accordance with RFC 4244 [3].

b.2) A history entry shall be added containing the new Request URI as described under bullet a) as hi-targeted-to-uri

NOTE: In accordance with RFC 4458 [14], hi-targeted-to-uri will contain a cause-param in non-escaped format.

c) **To header:**

If the served user does not want to reveal its identity to the diverted-to party, then the To header shall be changed to the URI where the communication is diverted to. The served user does not want to reveal its identity when one of the following conditions holds true:

- if the served user wishes privacy (e.g. the served user is subscribed to the OIR Service); or
- if the served user has the subscription option "Served user allows the presentation of his/her URI to diverted-to user" set to false.

Otherwise, if the To header contains the "gr" parameter and the served user has the subscription option "Served user allows the presentation of his/her URI to *diverted-to* user" set to "not-reveal-as-GRUU", then the To header shall be changed to a public user identity of the served user.

In all other cases the To header shall not be changed.

4.5.2.6.2.4 Overview of the operation

Figure 4.5.2.6.2.4 shows the example of a communication path for multiple diversions.

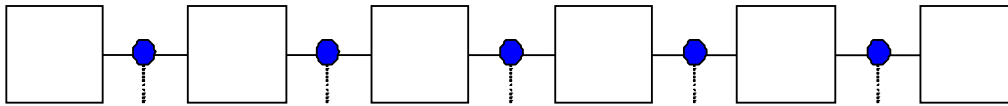


Figure 4.5.2.6.2.4: Originally A calls B Information transferred in the INVITE request

Table 4.5.2.6.2.4 shows which parameters and header fields that are added or modified in a diversion AS.

Table 4.5.2.6.2.4: Parameter information for multiple redirections

| | HOP 1 | | HOP 2 | | HOP 3 | | | HOP 4 | | HOP 5 | | |
|------------------------|-------|---------|---------|------------|---------|------------|------------|---------|------------|---------|---------|---|
| Number Information: | | | | | | | | | | | | |
| P-Asserted-Identity | A | A | A | A | A | A | A | A | A | A | A | |
| Request URI | B | C | D | D | D | D | E | E | E | F | F | |
| hi-entry | | B | C | B | C | D | B, C | D | E | B, C, D | E | F |
| Information added: | | | | | | | | | | | | |
| hi-targeted-to-uri | | B | C | No changes | D | No changes | No changes | E | No changes | F | F | F |
| Reason header (NOTE 2) | | V | | V | U | V | V | U | V | V | V | V |
| cause-param (NOTE 3) | | U | | U | U | U | U | U | U | U | U | U |
| Privacy | | W | | W | W | W | W | W | W | W | W | W |
| Hi-index | | index 1 | index 2 | | index 3 | | | index 4 | | | index 5 | |

U = Value for the cause-param parameter as specified in 4.5.2.6.2.2 and 4.5.2.6.2.3

V = Value in accordance with the rules in RFC 4244 [3].

W = privacy value (history) or (none) or no entry.

NOTE 1: The hi-index field shall be increased by 1 due to the rules described in RFC 4244 [3].

NOTE 2: The encoding of the reason header and the contained protocol-cause parameter are specified in RFC 3326 [22]. It is embedded in the hi-targeted-to-uri of the history info header in escaped format according to the rules in RFC 4244 [3].

NOTE 3: The cause-param is specified in RFC 4458 [14]. It is embedded in the hi-targeted-to-uri of the history info header in non-escaped format according to the rules in RFC 4458 [14].

4.5.2.6.3 Diversion procedures at the diverting AS

The diverting AS shall continue the communication depending on the service that is causing the diversion:

1) Communication Forwarding Unconditional or Communication Forwarding Busy network determined user busy or Communication forwarding on Not Logged in

The AS shall continue in the following manner:

- If the notification procedure of the originating user is supported then the originating user shall be notified as described in the clause 4.5.2.6.4.
- An INVITE request containing the diverted-to URI shall sent to the (outgoing) S-CSCF. The INVITE request shall includes the parameter information as shown in table 4.5.2.6.2.4 and described in clause 4.5.2.6.2.
- If the served user has subscribed to the indication of communication diversion to the diverting user and/or CDIVN service, then the served user will be indicated to/notified of the communication diversion as described in clause 4.5.2.6.5.
- If the user has activated both CFNL and CDIVN, and CFNL was invoked then the AS will store the CDIVN according to the CDIVN Buffer Timer for a default time of 1 day set by the service provider.

The user has the option of overwriting this timer value in the SUBSCRIBE message to the maximum value of 1 day. See clause 4.10.1.1.1.2 for more details.

2) Communication Forwarding No Reply

After receiving the first 180 (Ringing) response the no reply timer (definition see clause 4.8) shall be started. If forking is provided by the S-CSCF a further received 180 (Ringing) response does not refresh the timer.

With receiving a 200 (OK) response the no reply timer shall be terminated and the call follows the Basic call procedure as described within ES 283 003 [2]. Other open early dialogs shall be terminated as described within ES 283 003 [2], clause 9.2.3.

When the no reply timer defined in clause 4.8 expires:

The dialog(s) to the diverting user shall be terminated e.g. by sending a CANCEL request or BYE request according to the rules and procedures in RFC 3261 [6].

If the notification procedure of the originating user is supported then the originating user shall be notified as described in the clause 4.5.2.6.4.

An INVITE request is sent to the (outgoing) S-CSCF towards the diverted-to user. The INVITE request includes the parameter information as shown in table 4.5.2.6.2.4.

If the served user has subscribed to the indication of communication diversion to the diverting user and/or the CDIVN service, then the served user will be notified of the communication diversion as described in clause 4.5.2.6.5.

3) Communication Forwarding No Reply (ringing continues)

After receiving the first 180 (Ringing) response the no reply timer (definition see clause 4.8) shall be started. If forking is provided by the S-CSCF a further received 180 (Ringing) response does not refresh the timer.

When the diverted-to-user has accepted the communication request (with 200 OK) then the originating user shall be notified as described in clause 4.5.2.6.4.

An INVITE is sent to the outgoing S-CSCF towards the diverted to user. The INVITE address message includes the parameter information as shown in table 4.5.2.6.2.4.

If the served user has subscribed to the indication of communication diversion to the diverting user and/or the CDIVN service, then the served user will be notified of the communication diversion as described in clause 4.5.2.6.5.

If diverting user accepts the communication after sending the INVITE request the communication path towards the diverted to user shall be released according to the rules and procedures in RFC 3261 [6].

4) Communication Forwarding User Determined Busy

The Communication Forwarding User Determined Busy is offered to the served user when the AS:

- The received 486 Busy shall be acknowledged with a ACK.
- If the notification procedures of the originating user is supported then the originating user shall be notified as described in the clause 4.5.2.6.4.
- An INVITE message containing the diverted-to URI is sent to the outgoing S-CSCF. The INVITE address message includes the parameter information as shown in table 4.5.2.6.2.4.
- If the served user has subscribed to the indication of communication diversion to the diverting user and/or the CDIVN service, then the served user will be notified of the communication diversion as described in clause 4.5.2.6.5.

5) Communication Deflection immediate response

The Communication Deflection immediate response is offered to the served user.

A 302 (Moved Temporarily) response is received.

If the notification procedures of the originating user is supported then the originating user shall be notified as described in clause 4.5.2.6.4.

An INVITE message containing the diverted-to URI is sent to the outgoing S-CSCF. The INVITE address message includes the parameter information as shown in table 4.5.2.6.2.4.

If the served user has subscribed to the indication of communication diversion to the diverting user and/or the CDIVN service, then the served user will be notified of the communication diversion as described in clause 4.5.2.6.5.

6) Communication Deflection during alerting

When Communication Deflection during alerting is invoked after the AS receives a 180 (Ringing) "Ringing" response, then:

- A 302 (Moved Temporarily) response is received; and
- if the notification procedures of the originating user is supported then the originating user shall be notified as described in clause 4.5.2.6.4; and
- an INVITE request containing the URI received in the Contact header of the 302 as the diverted-to URI shall be sent as specified in ES 283 027 [13]. The diverted-to URI could be restricted by setting the privacy header for the entry of the diverted-to URI to "history"; and
- the INVITE request shall include the parameter information as shown in table 4.5.2.6.2.4 "Parameter information for multiple redirection". If the served user has subscribed to the indication of communication diversion to the diverting user and/or the CDIVN service, then the served user will be notified of the communication diversion as described in clause 4.5.2.6.5.

7) Communication Forwarding on Subscriber Not Reachable

When the AS receives a not reachable indication (see clause 4.5.2.6.6) on the INVITE forwarded to the served user, then the following criteria shall apply before the Communication Forwarding on Subscriber Not Reachable procedure is executed:

- the served user has an active forwarding rule containing not-reachable condition (see clause 4.9); and
- the served user is registered.

The following steps shall be followed to perform Communication Forwarding on Subscriber Not Reachable:

- 1) If the notification procedures of the originating user is supported then the originating user shall be notified as described in the clause 4.5.2.6.4.
- 2) An INVITE message containing the diverted-to URI is sent to the outgoing S-CSCF. The INVITE address message includes the parameter information as shown in table 4.5.2.6.2.4.

If the served user has subscribed to the indication of communication diversion to the diverting user and/or CDIVN service, then the served user will be indicated to/notified of the communication diversion as described in clause 4.5.2.6.5.

If the user has activated both CFNRc and CDIVN, and CFNRc was invoked then the AS will store the CDIVN according to the CDIVN Buffer Timer for a default time of 1 day set by the service provider. The user has the option of overwriting this timer value in the SUBSCRIBE message to the maximum value of 1 day. See clause 4.10.1.1.1.2 for more details.

4.5.2.6.4 Notification procedures of the originating user (Subscription Option)

When Communication Diversion occurs and if served user has the subscription option "*Originating* user receives notification that his communication has been diverted (forwarded or deflected)." set to true then a 181 (Call Is Being Forwarded) response shall be sent towards the originating user.

The following header fields shall be included or modified with the specified values:

- a) The **P-Asserted-Identity** includes the URI of the diverting user.

- b) The **Privacy** header with the value "id" shall be included, if:
- the served user wishes privacy (e.g. the served user is subscribed to the TIR Service); or
 - the served user has the subscription option "Served user allows the presentation of his/her URI to *originating* user in diversion notification." set to false.
- c) The following entries shall be added to the **History-Info** header field:
- c.1) If this is the first diversion then the first entry shall be populated with the hi-targeted-to-uri of the served user. The Index is set to index = 1 according to the rules specified in RFC 4244 [3].
- c.2) On the history entry that represents the served user:
- the privacy header with value "history" shall be escaped within the hi-targeted-to-uri, if:
- the served user wishes privacy (e.g. the served user is subscribed to the TIR Service); or
 - the served user has the subscription option "Served user allows the presentation of his/her URI to *originating* user in diversion notification." set to false.

If the history is already escaped with the correct privacy value no modification is needed.

If the history entry representing the served user contains the "gr" parameter and the served user has the subscription option "Served user allows the presentation of his/her URI to *originating* user in diversion notification" set to "not-reveal-as-GRUU", it shall be changed to the public user identity of the diverted-to user.

In all other cases the history entry representing the served user shall not be changed.

- c.3) A history entry shall be added according to the rules of clause 4.5.2.6.2.3 item b.2. In addition, for this entry.
- c.3.1) if the history entry representing the forwarded to URI contains the "gr" parameter and the served user has the subscription option "Served user allows the presentation of forwarded to URI to *originating* user in diversion notification" set to "not-reveal-as-GRUU", it shall be changed to the public user identity of the diverted-to user.
- c.3.2) the privacy header with value "history" shall be escaped within the hi-targeted-to-uri, if the served user has the subscription option "Served user allows the presentation of forwarded to URI to *originating* user in diversion notification" set to "false".

Additional the AS may initiate an announcement to be included towards the calling user in order to inform about the diversion. Announcements may be played according to procedures as are described in TS 183 028 [11].

4.5.2.6.5 Indication of communication diversion to the diverting user /CDIV Notification_ (subscription option)

If the subscription option "Served user receives notification that a communication has been forwarded" has been set to "yes", one or a combination of the following procedures are possible:

- 1) When the diverting user is registering to the communication system, the AS sends a MESSAGE request including the information where his calls are diverted to if any. As an option; the MESSAGE request may be sent to the user after a period of time according to the timer value T_{CDIV_IND} as defined in clause 4.8.3 that can be provided by the user.
- 2) A diverting user will be informed periodically with a MESSAGE request the information where the call is diverted to.

NOTE 1: A diverting user could be informed via a Voicemail or Message mail system in the communication states described above.

If the subscription option "Served user receives reminder notification on outgoing communication that CDIV is currently activated" has been set to "yes", then a diverting user will be informed with a MESSAGE request after

the diverting user has initiated a new outgoing communication. The MESSAGE request includes the information where the call is diverted to.

NOTE 2: A diverting user could be informed via a Voicemail or Message mail system in the communication states described above.

The description of information text contained in the MESSAGE request is out of scope of the present document.

If CDIVN has been activated according to subclause 4.5.1, then:

The diverting AS will invoke the CDIV Notification to notifying the diverting user when CDIVN is activated. This notification is applicable for all the communication diversions which were selected by the user whilst subscribing to the CDIVN service.

4.5.2.6.5.1 Communication Diversion Notification procedure of the served user

When Communication Diversion occurs and if the CDIVN service of the served user is supported in the network and the user has activated the CDIVN service according to subclause 4.5.1, the user will receive a NOTIFY message according to preferences passed in the SUBSCRIBE request.

In case of CFNL and CFNRC, the AS will store the CDIVN for a period of time, see clause 4.5.2.6.3. Upon user's registration, if previous subscription is not valid at that point of time (see clause 4.2.1), the user may activate CDIVN by sending SUBSCRIBE message. As a consequence, the user will receive a NOTIFY message accordingly including his stored notifications.

If the served user has subscribed to the Communication Diversion Notification service, then the diverting AS continues in the following manner:

- Identify and match the communication diversion selection criteria as mentioned by the user to select the communication diversions which have to be notified to the user. Such selection may be based on:
 - Identity of the Originating user.
 - Identity of the served user.
 - Identity of the diverted-to user.
 - Time-range of the Communication Diversion.
 - Reason for the Communication Diversion.
- Identify the amount of information which the served user has selected for including in the notification. By default, all the following information should be sent to the user. The served user has the option of disabling any of the following information, if he/she is not interested in:
 - information about the originating user;
 - information about the served user;
 - information about the diverted-to user;
 - time of the Communication Diversion;
 - reason for the Communication Diversion;
 - information about the rule which triggered the communication diversion.
- Identify the trigger criteria of sending the notification to the served user. By default, the notification should be sent immediately to the served user otherwise it may be based on the following:
 - Suitable Time-range for delivering the notification.
 - A particular availability status of the served user.

4.5.2.6.5.2 Interaction of CDIVN and Indication of communication diversion to the diverting user procedures

If the CDIVN service of the served user is not supported in the network, then the indication of communication diversion to the diverting user for the communication diversion services shall apply.

If the CDIVN service of the served user is supported in the network but has not activated the CDIVN service according to subclause 4.5.1, then the indication of communication diversion to the diverting user for the communication diversion services shall apply.

4.5.2.6.6 not reachable indication

It is recommended that the AS interprets the reception of one of the following response events as not reachable indication:

- 408 Request timeout response;
- 503 Service unavailable;
- 500 Server internal error;

and no provisional response, different than 100 Trying, has been received on the same dialog.

NOTE 1: Once the response code for signalling channel outage between the UE and the P-CSCF is standardized this response has to be added to this list.

NOTE 2: There may be other means to discover this condition. These other means are out of the scope of the present document.

4.5.2.7 Actions at the AS of the diverted to user

The AS shall store the History-Info header of an incoming Request.

If a 180, 181 or 200 response does not contain a History Info header field, the AS shall include the stored History-Info header field and if diverted to user is subscribed to the TIR service the Privacy header field of all responses the priv-value of the last entry in the History-Info header field shall be set to "history".

NOTE: A response including no History-Info header Field is coming from an untrusted entity or the History-Info header field is not included due to the privacy status within the SIP request.

4.5.2.8 Void

4.5.2.9 Actions at the incoming I-CSCF

Procedures according to ES 283 003 [2] shall apply.

4.5.2.10 Actions at the outgoing IBCF

Procedures according to ES 283 003 [2] shall apply.

4.5.2.11 Actions at the incoming IBCF

Procedures according to ES 283 003 [2] shall apply.

4.5.2.12 Actions at the BGCF

Basic call procedures according to ES 283 003 [2] shall apply.

The interworking with other NGN is described in clause 4.7.3.

4.5.2.13 Actions at the MGCF

Procedures according to ES 283 003 [2] shall apply.

The interworking is described in clause 4.7.1.

4.5.2.14 Actions at the destination P-CSCF

Procedures according to ES 283 003 [2] shall apply.

4.5.2.15 Actions at the diverted to UA

Procedures according to ES 283 003 [2] shall apply.

4.5.2.16 Actions at the diverting UA

Procedures according to ES 283 003 [2] shall apply.

To invoke Communication Deflection the UA shall send a 302 including a Contact header field with the address where the communication is diverted to.

4.6 Interaction with other services

4.6.1 Communication Hold (HOLD)

No impact, i.e. neither service shall affect the operation of the other service.

4.6.2 Terminating Identification Presentation (TIP)

A P-Asserted-Identity and History-Info header field received in the diverting AS is passed unmodified to the originating entity. The originating S-CSCF is responsible for the interpretation of the privacy header field.

4.6.3 Terminating Identification Restriction (TIR)

A P-Asserted-Identity and History-Info header field received in the diverting AS is passed unmodified to the originating entity. The originating CSCF is responsible of the interpretation of the privacy header field.

If the served (diverting) user selects the option that the originating user is notified, but without the diverted-to SIP, TEL or SIPS URI, then the AS shall not send the connected user's identity when the communication is answered, unless the originating user has an override capability.

When the TIR simulation service has been invoked by the diverted-to user, the diverted-to user's address and name shall not be presented in the CDIVN notification message.

4.6.4 Originating Identification Presentation (OIP)

When a communication has been diverted and the diverted-to user has been provided with the originating identification presentation simulation service, the S-CSCF of the diverted-to user shall sent the SIP, TEL or SIPS URI of the original originating user, if this originating user has not subscribed to or invoked the originating identification restriction simulation service.

4.6.5 Originating Identification Restriction (OIR)

When the originating identification restriction simulation service has been invoked, the originating user's address shall not be presented to the diverted-to user unless the diverted-to user has an override capability.

When the OIR simulation service has been invoked by the originating user, the originating user's address and name shall not be presented in the CDIVN notification message.

4.6.6 Conference calling (CONF)

No impact, i.e. neither service shall affect the operation of the other service.

4.6.7 Communication Diversion Services (CDIV)

For the redirection services, no impact, i.e. neither service shall affect the operation of the other service.

For the CDIVN service and the indication of communication diversion to the diverting user service, the provision and activation of at least one redirection service is a pre-requirement to provision and activate CDIVN service and the indication of communication diversion to the diverting user service.

4.6.8 Malicious Communication Identification (MCID)

No impact, i.e. neither service shall affect the operation of the other service.

4.6.9 Anonymous Communication Rejection and Communication Barring (ACR/CB)

If the user where the communication is forwarded to has subscribed to a call barring service "inhibition of incoming forwarded communication" the procedures described in TS 183 011 [9] shall take precedence.

If the user is subscribed to an Outgoing Communication Barring (OCB) service that includes the forwarded communication the OCB shall take precedence. The CDIV service has to check if the forwarded to SIP, TEL or SIPS URI is restricted and release the communication in such a case.

4.6.10 Explicit Communication Transfer (ECT)

4.6.10.1 Actions at the diverting AS

4.6.10.1.1 Determine whether ECT is applied to the diverted communication

See TS 183 029 [16] clause 4.5.2.4.1 on the criteria that determine that a REFER request is to be treated as a request for transfer of an existing communication.

4.6.10.1.2 Handling of transfer requests

When a REFER request is received in the context of a call transfer scenario (see clause 4.6.10.1.1), it shall perform the following steps:

- 1) Create a new CDIV Session Identifier URI addressed to this AS. The URI shall be created in such a way that a new dialog set up towards this URI can be easily correlated with the current REFER dialog.
- 2) The AS stores the value of the Refer-To header field (transfer target) from the REFER request and links it to the CDIV Session Identifier URI.
- 3) The AS Replaces the Refer-To header field with the CDIV Session Identifier URI. (This ensures that the diverting AS remains in the loop when the transferee sets up the communication with the transfer target.).
- 4) The AS forwards the REFER request to the transferee using basic communication procedures ES 283 003 [2].

4.6.10.1.3 Actions when CDIV is invoked again by the transferred communication

When an INVITE is received targeted at the CDIV Session Identifier URI created earlier when transfer of the diverted ongoing communication was requested, the AS shall perform the following actions:

- 1) The AS replaces the request URI with the stored Refer-To header field value linked to the specific CDIV Session Identifier URI.

NOTE: If needed the AS may generate charging events to charge for the extra leg.

- 2) The AS sets the diversion parameters (History-Info and To header fields) as specified in clause 4.5.2.6.2, in step 4.5.2.6.2.2 b2) or 4.5.2.6.2.3 b2) the cause-param value 302 shall be used.
- 3) The AS forwards the INVITE request towards the transfer target using basic communication procedures ES 283 003 [2].

4.7 Interworking with other networks

4.7.1 Interworking with PSTN/ISDN

In case of interworking with networks which do not provide any notification of the communication diversion or communication redirection information (e.g. redirection counter) in the signalling system, the communication continues according to the basic call procedures.

4.7.1.1 Interworking at the O-MGCF

For the mapping of IAM to the INVITE Message no additional procedures beyond the basic call and interworking procedures are needed unless Call Forwarding within the ISUP network appeared.

With regard to the backward messages the following mapping is valid.

Table 4.7.1.1.1: Mapping of SIP messages to ISUP messages

| ←Message sent to ISUP | ←Message Received from SIP | |
|--|---|----------------------|
| ACM indicating call forwarding | 181 (Call Is Being Forwarded) | See table 4.7.1.1.6 |
| CPG indicating call forwarding (see note) | 181 (Call Is Being Forwarded) | See table 4.7.1.1.7 |
| ACM indicating ringing | 180 (Ringing) | See table 4.7.1.1.8 |
| CPG indicating Alerting (see note) | 180 (Ringing) | See table 4.7.1.1.9 |
| ANM | 200 (OK) | See table 4.7.1.1.10 |
| CON | 200 (OK) (Neither a 181 (Call Is Being Forwarded) nor a 180 (Ringing) was sent) | See table 4.7.1.1.10 |
| NOTE: A CPG will be sent if an ACM was already send. | | |

NOTE: The mapping of the basic Messages is shown in ES 283 027 [13].

Table 4.7.1.1.2: Mapping of History-Info Header to ISUP Redirection number

| Source SIP header field and component | Source Component value | Redirection number | Derived value of parameter field |
|---|------------------------|-----------------------------|--|
| Hi-targeted-to-uri of the last History-Info hi-entry containing a cause-param URI parameter, as defined in RFC 4458 [14]. The global number portion of the URI is assumed to be in form "+" CC + NDC + SN. (NOTE) | CC | Nature of address indicator | If CC is equal to the country code of the country where O-MGCF is located AND the next ISUP node is located in the same country, then set to "national (significant) number" else set to "international number". |
| | CC, NDC, SN | Address signals | If NOA is "national (significant) number" then set to NDC + SN. If NOA is "international number" then set to CC + NDC + SN. |
| NOTE: If it is SIP URI and doesn't contain 'user=phone', mapping to redirection number is impossible, therefore no need to generate Redirection number and Redirection number restriction (per table 4.7.1.1.3). Notification subscription options can't be set as ' <i>presentation allowed with redirection number</i> '. | | | |

Table 4.7.1.1.3: Mapping of History-Info header to ISUP Redirection number restriction

| Source SIP header field and component | Source Component value | Redirection number restriction | Derived value of parameter field |
|---------------------------------------|---------------------------------------|-----------------------------------|----------------------------------|
| Privacy, priv-value component | "history" or 'session' or 'header' | Presentation restricted indicator | "Presentation restricted" |
| | Privacy header field absent or "none" | | "Presentation allowed" or absent |

Table 4.7.1.1.4: Mapping of hi-targeted-to-uri to ISUP Call Diversion Information

| Source SIP header field and component | Source Component value | Call Diversion Information | Derived value of parameter field |
|---|---------------------------------------|-----------------------------------|--|
| Privacy, priv-value component | "history" or 'session' or 'header' | Notification subscription options | If the priv-value "history" or 'session' or 'header' is set for the History-Info header or to the hist-info element entries concerning the redirecting (see table 4.7.1.2.2) and diverted to uri (see table 4.7.1.1.2) then <i>presentation not allowed</i> shall be set |
| | Privacy header field absent or "none" | | If the priv-value "history" or 'session' or 'header' is set only to the hist-info element concerning the diverted-to uri then <i>presentation allowed without redirection number</i> shall be set <i>Presentation allowed with redirection number</i> |
| hi-targeted-to-uri cause-param URI parameter, as defined in RFC 4458 [14] | cause-param value | Call diversion information | Redirecting Reason |
| | 404 | | Unknown |
| | 302 | | Unconditional |
| | 486 | | User busy |
| | 408 | | No reply |
| | 480 | | Deflection immediate |
| | 503 | | Mobile subscriber not reachable |
| | 487 | | Deflection during alerting |

Table 4.7.1.1.5: Mapping of hi-targeted-to-urito ISUP Event Information

| Source SIP header field and component | Source Component value | Event Information | Derived value of parameter field |
|--|------------------------|-------------------|---|
| | | Event indicator | Shall be set to ALERTING if mapped from a 180 (Ringing) |
| | | | Shall be set to PROGRESS if mapped from a 181 (Call Is Being Forwarded) |
| hi-targeted-to-uri; cause-param URI parameter, as defined in RFC 4458 [14] | 486 | | Call forwarded on busy (national use) |
| | 408 | | Call forwarded on no reply (national use) |
| | 302 | | Call forwarded unconditional (national use) |

Table 4.7.1.1.6: Mapping of 181 (Call Is Being Forwarded) → ACM

| Source SIP header field and component | Source Component value | ISUP Parameter | Derived value of parameter field |
|--|------------------------|--|---|
| 181 (Call Is Being Forwarded) | | ACM | |
| | | Generic notification indicators | Call is diverting |
| History-Info Header | See table 4.7.1.1.2 | Redirection number | See table 4.7.1.1.2 |
| Priv-value | See table 4.7.1.1.3 | Redirection number restriction | See table 4.7.1.1.3 |
| Priv-value | See table 4.7.1.1.4 | Call diversion information <i>Notification subscription options</i> | See table 4.7.1.1.4 |
| hi-targeted-to-uri; cause-param URI parameter as defined in RFC 4458[14] | See table 4.7.1.1.4 | Call diversion information | Redirecting Reason See table 4.7.1.1.4 |

Table 4.7.1.1.7: Mapping of 181 (Call Is Being Forwarded) → CPG if ACM was already sent

| Source SIP header field and component | Source Component value | ISUP Parameter | Derived value of parameter field |
|--|------------------------|--|----------------------------------|
| 181 (Call Is Being Forwarded) | | CPG | |
| | | Generic notification indicators | Call is diverting |
| hi-targeted-to-uri; cause-param URI parameter, as defined in RFC 4458 [14] | 486 | Event indicator | CFB (national use) |
| | 408 (see note) | | CFNR (national use) |
| | 302 | | CFU (national use) |
| | | | PROGRESS |
| History-Info Header | See table 4.7.1.1.2 | Redirection number | See table 4.7.1.1.2 |
| Priv-value | See table 4.7.1.1.3 | Redirection number restriction | See table 4.7.1.1.3 |
| Priv-value | See table 4.7.1.1.4 | Call diversion information <i>Notification subscription options</i> | See table 4.7.1.1.4 |
| hi-targeted-to-uri; cause-param URI parameter, as defined in RFC 4458 [14] | See table 4.7.1.1.4 | Call diversion information <i>Redirecting Reason</i> | See table 4.7.1.1.4 |
| NOTE: This appears in the cases of CFNR. | | | |

Table 4.7.1.1.8: Mapping of 180 (Ringing) → ACM if no 181 (Call Is Being Forwarded) was received before

| Source SIP header field and component | Source Component value | ISUP Parameter | Derived value of parameter field |
|--|--|--|----------------------------------|
| 180 (Ringing) | | ACM | |
| History Header | If Index indicate that there is a call forwarding. | Generic notification indicators | Call is diverting |
| History Header | See table 4.7.1.1.2 | Redirection number | See table 4.7.1.1.2 |
| Priv-value | See table 4.7.1.1.3 | Redirection number restriction | See table 4.7.1.1.3 |
| Priv-value | See table 4.7.1.1.4 | Call diversion information <i>Notification subscription options</i> | See table 4.7.1.1.4 |
| hi-targeted-to-uri; cause-param URI parameter, as defined in RFC 4458 [14] | See table 4.7.1.1.4 | Call diversion information <i>Redirecting Reason</i> | See table 4.7.1.1.4 |

The mapping described within table 4.7.1.1.1 can only appear if the communication has already undergone a Call Forwarding in the ISDN/PSTN and the 180 is the first provisional response sent in backward direction.

The IWU can indicate the call diversion in the mapping of 180 (Ringing) to CPG in fact if the response before was a 181 (Call Is Being Forwarded).

Table 4.7.1.1.9: Mapping of 180 (Ringing) → CPG if a 181 (Call Is Being Forwarded) was received before

| Source SIP header field and component | Source Component value | ISUP Parameter | Derived value of parameter field |
|--|------------------------|--|----------------------------------|
| 180 (Ringing) | | CPG | |
| | | Generic notification indicators | Call is diverting |
| History-header | | Event indicator | ALERTING |
| History Header | See table 4.7.1.1.2 | Redirection number | See table 4.7.1.1.2 |
| Priv-value | See table 4.7.1.1.3 | Redirection number restriction | See table 4.7.1.1.3 |
| Priv-value | See table 4.7.1.1.4 | Call diversion information <i>Notification subscription options</i> | See table 4.7.1.1.4 |
| hi-targeted-to-uri; cause-param URI parameter, as defined in RFC 4458 [14] | See table 4.7.1.1.4 | Call diversion information <i>Redirecting Reason</i> | See table 4.7.1.1.4 |

The mapping in table 4.7.1.1.9 appears when a 181 previously was mapped to an ACM. Therefore the statemachine of the MGCF knows that a CDIV is in Progress.

Table 4.7.1.1.10: Mapping of 200 (OK) response

| Source SIP header field and component | Source Component value | ISUP Parameter | Derived value of parameter field |
|---------------------------------------|------------------------|--------------------------------|----------------------------------|
| 200 (OK) response | | ANM/CON | |
| History-Info Header | See table 4.7.1.1.2 | Redirection number | See table 4.7.1.1.2 |
| Priv-value | See table 4.7.1.1.3 | Redirection number restriction | See table 4.7.1.1.3 |

4.7.1.1.1 Void

4.7.1.1.2 Call forwarding within the ISUP Network appeared

The following Scenario shows if a Call Forwarding appears in the ISUP/PSTN Network and the redirected Number is within the SIP Network. Table 4.7.1.1.2.1 should be seen as example.

For the mapping of 180 (Ringing) and 200 (OK) response OK to the regarding ISUP messages and parameters no additional procedures beyond the basic call procedures are needed.

To interwork the redirection number at the O-MGCF it can be needed to create placeholder History entries. Such a History entry has to provide a hi-target-to-uri with a placeholder value "unknown@unknown.invalid" a cause-param and a index as described within table 4.7.1.1.2.1.

Table 4.7.1.1.2.1: Mapping of IAM to SIP INVITE

| ISUP Parameter or IE | Derived value of parameter field | SIP component | Value |
|----------------------|----------------------------------|----------------|---|
| IAM | | INVITE | |
| Redirecting number | | History Header | hi-targeted-to-uri of the penultimate index entry IF more than 2 Index entries are included ELSE no mapping |

| ISUP Parameter or IE | Derived value of parameter field | SIP component | Value |
|------------------------------|--|--|--|
| Nature of address indicator: | "national (significant) number" | hi-targeted-to-uri | Add CC (of the country where the MGCF is located) to Generic Number Address Signals then map to user portion of URI scheme used. Addr-spec "+" CC NDC SN mapped to user portion of URI scheme used |
| | "international number" | | Map complete Redirection number Address Signals to user portion of URI scheme used. |
| Address Signals | If NOA is "national (significant) number" then the format of the Address Signals is: NDC + SN If NOA is "international number" then the format of the Address Signals is: CC + NDC + SN | hi-targeted-to-uri | "+" CC NDC SN mapped to userinfo portion of URI scheme used |
| Redirecting number | APRI | Privacy Header that corresponds to the penultimate hi-targeted-to-uri entry in the History-Info header | Priv-value |
| | "presentation restricted" | | "History" |
| Redirecting number | "presentation allowed" | | Privacy header field absent or "none" |
| | Redirecting indicator | Privacy Header that corresponds to the penultimate hi-targeted-to-uri entry in the History-Info header | Priv-value |
| Call diverted | "none" | | |
| Redirection Information | Call diverted, all redirection info presentation restricted | | "History" |
| Redirection Information | Redirection counter 1 | History Index | Number of diversions are sown due to the number of Index Entries Index for original called Party Number = 1 Address Signals (CdPN) Number = 1.1 |
| | <u>2</u> | | Index for original called Party Number = 1 Index for Redirecting number with Index = 1.1 Address Signals (CdPN) Number = 1.1.1 |
| | <u>N</u> | | Index for original called Party Number = 1 Placeholder History entry with Index = 1.1 ... Fill up ... Index for Redirecting Number with = 1+[(N-1)*".1"] Index for Address Signals (CdPN) = 1+N* ".1" (e.g. N=3 → 1.1.1.1) |
| Redirection Information | | hi-targeted-to-uri; cause-param URI parameter, as defined in RFC 4458 [14] . | Cause value |
| | unknown | | 404 |
| | unconditional | | 302 |
| | User Busy | | 486 |
| | No reply | shall be mapped to the last | 408 |

| ISUP Parameter or IE | Derived value of parameter field | SIP component | Value |
|--|----------------------------------|--|--|
| | Deflection during alerting | hi-targeted-to-uri. | 487 |
| | Deflection immediate response | If the redirection counter is 2 or higher, the Original Redirecting Reason shall be mapped to the second hi-targeted-to-uri. | 480 |
| | Mobile subscriber not reachable | If the redirection counter is 3 or higher, for each hi-targeted-to-uri following a placeholder History entry the value "404" shall be taken (NOTE) | 503 |
| Called Party Number | See Redirecting number | History Header see hi-targeted-to-uri | URI of the last hi-targeted-to-uri entry of History Header |
| Original Called Party Number | See Redirecting number | History Header see hi-targeted-to-uri | URI of first hi-targeted-to-urientry of History Header |
| Original Called Party Number | APRI | Privacy Header | Priv-value |
| | "presentation restricted" | | " <i>history</i> " |
| | "presentation allowed" | | " <i>none</i> " |
| NOTE: For all History entries except the first one a cause-param URI parameter as defined in RFC 4458 [14] has to be included. | | | |

4.7.1.2 Interworking at the I-MGCF

Table 4.7.1.2.1: Mapping of SIP to ISUP messages

| | |
|--------------------------------------|-----------------------------------|
| →Message received from SIP INVITE | →Message send to BICC/ISUP IAM |
|--------------------------------------|-----------------------------------|

Table 4.7.1.2.2: Mapping of History-Info Header to ISUP Redirecting number

| Source SIP header field and component | Source Component value | Redirecting number | Derived value of parameter field |
|---|---------------------------------------|-----------------------------|---|
| In History-Info SIP header field, hi-targeted-to-uri in hi-entry before last hi-entry containing a cause-param URI parameter as defined in RFC 4458 [14] (NOTE 1) | | Redirecting number | |
| Hi-target-to-uri appropriate global number portion of the URI, assumed to be in form "+" CC + NDC + SN | CC | Nature of address indicator | If CC is equal to the country code of the country where MGCF is located AND the next ISUP node is located in the same country, then set to "national (significant) number" else set to "international number" |
| | CC, NDC, SN | Address signals | If NOA is "national (significant) number" then set to NDC + SN. If NOA is "international number" then set to CC + NDC + SN |
| Privacy Header , priv-value component In History-Info header field as specified in this table (NOTE 2) | "history" or 'session' or 'header' | APRI | "presentation restricted" |
| | Privacy header field absent or "none" | | "presentation allowed" |
| NOTE 1: If it is SIP URI and doesn't contain 'user=phone', mapping to redirecting number is impossible, therefore no need to generate Redirecting number. | | | |
| NOTE 2: It is possible that an entry of the In History-Info header field itself is marked as restricted or the whole History header. | | | |

Table 4.7.1.2.3: Mapping of History Header to ISUP Redirection Information

| Source SIP header field and component | Source Component value | Redirection Information | Derived value of parameter field |
|--|---|-----------------------------|--|
| Privacy SIP header field and priv-value; of hi-entries of the History Info SIP header field. In History-Info header field last hi-entry containing a cause-param URI parameter as defined in RFC 4458 [14] and hi-entry before | "history" or 'session' or 'header' for the Privacy SIP header or for any of the two hi-targeted-to-uri entries | Redirection indicator | Call diverted, all redirection info presentation restricted |
| | Privacy header field absent or "none" for the Privacy SIP header and for both the two hi-targeted-to-uri entries" | | Call diverted |
| | | Original redirection reason | Unknown |
| Cause-param value in the last hi-targeted-to-uri containing a cause-param URI parameter, as defined in RFC 4458 [14] | cause-param value | Redirecting Reason | Redirecting Reason |
| | 404 | | Unknown/not available |
| | 302 | | Unconditional |
| | 486 | | User busy |
| | 408 | | No reply |
| | 480 | | Deflection immediate response |
| | 487 | | Deflection during alerting |
| | 503 | | Mobile subscriber not reachable |
| Hi-index | | Redirection counter | number of History entries containing a cause-param with cause as listed in the cause-param row in this table |

Table 4.7.1.2.4: Mapping of History-Info Header to ISUP Original Called number

| Source SIP header field and component | Source Component value | Original called number | Derived value of parameter field |
|---|---------------------------------------|-----------------------------|---|
| | | Numbering Plan Indicator | "ISDN (Telephony) numbering plan (Recommendation E.164)" |
| Hi-target-to-uri of hi-entry preceding the 1 st hi-targeted-to-uri containing a cause-param URI parameter, as defined in RFC 4458 [14]; the global number portion of the URI is assumed to be in form "+" CC + NDC + SN (NOTE 2) | CC | Nature of address indicator | If CC is equal to the country code of the country where MGCF is located AND the next ISUP node is located in the same country, then set to "national (significant) number" else set to "international number" |
| | CC, NDC, SN | Address signals | If NOA is "national (significant) number" then set to NDC + SN. If NOA is "international number" then set to CC + NDC + SN |
| priv-value component in History-Info header field of the History-Info header field entry as defined above in this table (Note 1) | "history" or 'session' or 'header' | APRI | "presentation restricted" |
| | Privacy header field absent or "none" | | "presentation allowed" |
| NOTE 1: It is possible that an entry of the History-Info header field itself is marked as restricted or the whole History-Info header. | | | |
| NOTE 2: If it is SIP URI and doesn't contain 'user=phone', mapping to Original Called number is impossible, therefore no need to generate Original Called number. | | | |

Table 4.7.1.2.5: Mapping of INVITE to IAM

| INVITE | | IAM | |
|--|---------------------------------|-------------------------|-------------------------------|
| History Header | See table 4.7.1.2.2 | Redirecting number | See table 4.7.1.2.2 |
| History-Info Header | See table 4.7.1.2.3 | Redirection Information | See table 4.7.1.2.3 |
| cause-param in the last hi-targeted-to-uri containing a cause-param as defined in RFC 4458 [14]cause-param | cause-param value | Redirection Information | Redirecting Reason |
| | 404 | | Unknown/not available |
| | 302 | | Unconditional |
| | 486 | | User busy |
| | 408 | | No reply |
| | 480 | | Deflection immediate response |
| | 487 | | Deflection during alerting |
| 503 | Mobile subscriber not reachable | | |
| History-Info header field | See table 4.7.1.2.4 | Original Called Number | See table 4.7.1.2.4 |
| | | | |
| | | | |
| | | | |

Table 4.7.1.2.6: Mapping of ISUP to SIP Messages

| ← Message sent to SIP | ← Message Received from BICC/ISUP | |
|-----------------------|---|--|
| 181 (Being forwarded) | ACM no indication with Redirection number and call diversion information (CFU, CFB, CDi) | See table 4.7.1.2.8 |
| 180 (Ringing) | ACM indicating ringing, oBCi: Call diversion may occur (CFNR, CDa) | Basic call procedure as described within ES 283 027 [13] |
| 181 (Being forwarded) | CPG indicating progress or subsequent diversion indicated in the CPG with Redirection number and call diversion information (CFNR, CDa) | See table 4.7.1.2.9 |
| 180 (Ringing) | CPG indicating ringing and Redirection number restriction parameter | See table 4.7.1.2.10 |
| 200 (OK) | ANM and Redirection number restriction parameter | See table 4.7.1.2.11 |

In the ISUP destination Exchange of the diverted-to user (see EN 300 356-15 [10]) only the Redirection Number Restriction parameter shall be included into the ACM, CPG, ANM or CON message. Therefore only the mapping of this parameter is shown in the following table.

Table 4.7.1.2.7: Mapping of ISUP Redirection Number Restriction to History-Info header field

| Redirection Number Restriction | Derived value of parameter field | SIP component | Value |
|-----------------------------------|---|---------------|---------------------------------------|
| Presentation restricted indicator | "Presentation restricted" | | "History" |
| | "Presentation allowed" or absent AND a previous received notification subscription option was NOT "presentation not allowed" OR was NOT "presentation allowed without redirection number" | | Privacy header field absent or "none" |

A received CPG shall be mapped to a 180 (Ringing) if the CPC indicates a Alerting is due to the mapping ruled defined within the basic call.

Table 4.7.1.2.8: Mapping of ACM → 181 (Call Is Being Forwarded)

| ISUP Parameter | Derived value of parameter field | SIP component | Value |
|---|--|---|--|
| Generic notification indicators | Call is diverting | | |
| Redirection number | | History-Info Header with one hi-entry | hi-targeted-to-uri: |
| Nature of address indicator: | "national (significant) number" | hi-targeted-to-uri | Add CC (of the country where the MGCF is located) to Redirection number Address Signals then map to user portion of URI scheme used. Addr-spec "+" CC NDC SN mapped to user portion of URI scheme used according to the rules of clause 4.5.2.6.4 c |
| | "international number" | | Map complete Redirection number Address Signals to user portion of URI scheme used according to the rules of clause 4.5.2.6.4 c |
| Address Signals | If NOA is "national (significant) number" then the format of the Address Signals is: NDC + SN If NOA is "international number" then the format of the Address Signals is: CC + NDC + SN | hi-targeted-to-uri | "+" CC NDC SN mapped to userinfo portion of URI scheme used |
| Call diversion information | <i>Redirecting Reason</i> | RFC 4458 [14] cause-param URI parameter hi-targeted-to-uri entry | cause-param value |
| | Unknown/not available | | 404 |
| | Unconditional | | 302 |
| | User busy | | 486 |
| | No reply | | 408 |
| | Deflection immediate response | | 480 |
| | Deflection during alerting | | 487 |
| | Mobile subscriber not reachable | | 503 |
| | <i>Notification subscription option</i> | Privacy | Roles |
| | unknown | | Escaped Privacy value is set according to the rules of clause 4.5.2.6.4 c |
| | presentation not allowed | | A 181 Being Forwarded shall not be sent |
| | presentation allowed with redirection number | | Escaped Privacy value is set according to the rules of clause 4.5.2.6.4 c |
| presentation allowed without redirection number | | Escaped Privacy value is set according to the rules of clause 4.5.2.6.4 c | |

Table 4.7.1.2.9: Mapping of CPG → 181 (Call Is Being Forwarded)

| ISUP Parameter | Derived value of parameter field | SIP component | Value |
|---|--|---|--|
| Event Indicator | Progress | | |
| Generic notification indicators | Call is diverting | | |
| Redirection number | | History-Info Header | hi-targeted-to-uri: |
| Nature of address indicator | "national (significant) number" | hi-targeted-to-uri field with one hi-entry | Add CC (of the country where the MGCF is located) to Redirection number Address Signals then map to user portion of URI scheme used. Addr-spec "+" CC NDC SN mapped to user portion of URI scheme used according to the rules of clause 4.5.2.6.4 c |
| | "international number" | hi-targeted-to-uri | Map complete Redirection number Address Signals to user portion of URI scheme used according to the rules of clause 4.5.2.6.4 c |
| Address Signals | If NOA is "national (significant) number" then the format of the Address Signals is: NDC + SN If NOA is "international number" then the format of the Address Signals is: CC + NDC + SN | hi-targeted-to-uri | "+" CC NDC SN mapped to userinfo portion of URI scheme used |
| Call diversion information | <i>Redirecting Reason</i> | RFC 4458 [14] cause-param in the hi-targeted-to-uri | cause param value |
| | Unknown/not available | | 404 |
| | Unconditional | | 302 |
| | User busy | | 486 |
| | No reply | | 408 |
| | Deflection immediate response | | 480 |
| | Deflection during alerting | | 487 |
| | Mobile subscriber not reachable | | 503 |
| | <i>Notification subscription option</i> | Privacy | Roles |
| | unknown | | Escaped Privacy value is set according to the rules of clause 4.5.2.6.4 c |
| presentation not allowed | A 181 Being Forwarded shall not be sent | | |
| presentation allowed with redirection number | Escaped Privacy value is set according to the rules of clause 4.5.2.6.4 c | | |
| presentation allowed without redirection number | | Escaped Privacy value is set according to the rules of clause 4.5.2.6.4 c | |

Table 4.7.1.2.10: Mapping of CPG → 180 (Ringing)

| ISUP Parameter | Derived value of parameter field | SIP component | Value |
|--------------------------------|----------------------------------|---|---|
| Event Indicator | Alerting | | |
| Redirection number | | History-Info Header with one hi-entry | See table 4.7.1.2.8 |
| | | | |
| | | RFC 4458 [14] cause-param in the hi-targeted-to-uri | Value stored from a previous received ACM or CPG. See table 4.7.1.2.8 Cause-param Value stored from a previous received ACM or CPG. See table 4.7.1.2.8 |
| Redirection number restriction | | | See table 4.7.1.2.7 |

Table 4.7.1.2.11: Mapping of ANM → 200 OK (INVITE)

| ISUP Parameter | Derived value of parameter field | SIP component | Value |
|--------------------------------|----------------------------------|---|------------------------------------|
| Redirection number | | History-Info Header with one hi-entry | See table 4.7.1.2.8 |
| | | RFC 4458 [14] cause-param URI parameter in the hi-targeted-to-uri | cause value= as stored for the ACM |
| Redirection number restriction | | | See table 4.7.1.2.7 |

4.7.2 Interworking with PSTN/ISDN Emulation

The Interworking with PSTN/ISDN Emulation is for further study.

4.7.3 Interworking with external IP networks

For SIP based networks the-procedures used shall be compliant with ES 283 003 [2].

The interworking with non SIP networks is for further study.

4.8 Parameter values (timers)

4.8.1 No reply timer

No reply timer: Timer duration shall be a service provider option.

4.8.2 CDIVN Buffer Timer

CDIVN Buffer Timer: operator's option (default = 86 400 sec), may be overwritten by the user in the SUBSCRIBE message-Notification Buffer Interval.

Notification Buffer Interval: 0 sec - 86 400 sec.

4.8.3 CDIV Indication Timer

$T_{\text{CDIV_IND}}$ 60 sec - 00 sec.

The timer is started when the diverting user is registering to the communication system. Based on operator policy the user has the possibility to choose a certain timer value within the defined range.

4.9 Service Configuration for redirection services

4.9.1 Structure of the XML Document

Communication Diversion documents are subtrees of the *simservs* document specified in TS 183 023 [4]. As such, Communication Diversion documents use the XCAP application usage in TS 183 023 [4].

In addition to the considerations and constraints defined by the *simservs* document TS 183 023 [4], we define the additional constraints and considerations for the Communication Diversion subtree:

XML schema: Implementations in compliance with the present document shall implement the XML schema that minimally includes the XML Schema defined in clause 4.9.2 and the *simservs* XML schema specified in clause 6.3 of TS 183 023 [4].

Data semantics: The semantics of the communication diversion XML configuration document is specified in clause 4.9.1.

An instance of the simulation services configuration containing a communication diversion configuration document.

```
<?xml version="1.0" encoding="UTF-8"?>
<simservs
xmlns= http://uri.etsi.org/ngn/params/xml/simservs/xcap
xmlns:cp="urn:ietf:params:xml:ns:common-policy"
xmlns:ocp="urn:oma:xml:xdm:common-policy">
  <communication-diversion active="true">
    rule set
  </communication-diversion>
</simservs>
```

The communication diversion service contains a rule set that specifies how the communication diversion service shall react to external stimuli.

4.9.1.1 Communication Diversion Element

The communication diversion configuration contains a `noReplyTimer` element, a rule set, or a `noReplyTimer` element followed by a rule set. The rule set reuses the syntax as specified by the common policy draft (see RFC 4745 [18]).

```
<communication-diversion active="true">
  <NoReplyTimer>NoReplyTimerValue</NoReplyTimer>
  <cp:ruleset>
    rule1
    rule2
  </cp:ruleset>
</communication-diversion>
```

In general the following procedure applies:

When the service processes a set of rules it shall start with the first rule and test if its conditions are all true, if this is the case the rule matches and the specified action shall be executed.

When the rule does not match the following rule shall be selected and the same procedure repeated, until a matching rule is found or the set of remaining rules is empty.

However not all rules can be matched at the same moment in the call. Some conditions imply that rules that carry them are checked at specific events in the call, for example the no-answer condition only holds when the called party does not answer after a while. In this case the same procedure shall apply as above with the modification that the set of rules to process contains only the rules applicable for that specific network event.

In clause 4.9.1.3 all allowed conditions are specified, normally rules are evaluated at communication setup time, for conditions where this is not the case this is explicitly indicated.

The shown "active" attribute is inherited from the `simservType` from TS 183 023 [4], its meaning is also specified in TS 183 023 [4].

4.9.1.1A NoReplyTimer

NoReplyTimer: An optional element that covers the time to elapse until the communication diversion shall perform, if the served user does not answer when alerted.

4.9.1.2 Communication Diversion Rules

The Communication Diversion service is configured with an ordered set of forwarding rules. The XML Schema reuses the rule syntax as specified by the common policy draft (see RFC 4745 [18]). The rules take the following form:

```

<cp:rule id="rule66">
  <cp:conditions>
    condition1
    condition2
  </cp:conditions>
  <cp:actions>
    <forward-to>
      <target>
targetAddress1
      </target>
      <notify-caller>true</notify-caller>
    </forward-to>
  </cp:actions>
</cp:rule>

```

When the service processes a set of rules it shall start with the first rule and test if its conditions are all true, if this is the case the rule matches and the specified action is executed. When a rule matches remaining rules in the rule set shall be discarded. Applied to the fragment above this means that only if the expression (*condition1* AND *condition2*) evaluates to true that then the *rule66* matches and the forward-to action is executed.

When the rule does not match the following rule shall be selected and the same procedure repeated, until a matching rule is found or the set of remaining rules is empty.

The "id" attribute value of a rule shall uniquely identify the rule within a rule set. This can be used in XCAP usage to address one specific rule.

4.9.1.3 Communication Diversion Rule Conditions

The following conditions are allowed by the XML Schema for the communication diversion service:

busy: This condition evaluates to true when the called user is busy. In all other cases the condition evaluates to false. Rules with this condition are evaluated when a busy indication is received from the called party.

not-registered: This condition evaluates to true when the called user is not registered. In all other cases the condition evaluates to false.

presence-status: This condition evaluates to true when the called user's current presence activity status is equal to the value set for this condition. In all other cases the condition evaluates to false.

cp:identity: This condition evaluates to true when the *calling* user's identity matches with the value of the identity element. The interpretation of all the elements of this condition is described in OMA-TS-XDM-Core-V1_1 [20]. In all other cases the condition evaluates to false. The Identity shall be matched against the value taken from the P-Asserted-Identity header field, unless both the <identity> element value and the Contact header field value contain a "gr" parameter, then the <identity> element value shall be matched against the value taken from the Contact header field.

anonymous: This condition evaluates to true when the P-Asserted-Identity of the calling user is not provided or privacy restricted.

cp:sphere: Not applicable in the context of the Communication Diversion service.

cp:validity: Specifies a period. The condition evaluates to true when the current time is within the validity period expressed by the value of this condition. In all other cases the condition evaluates to false.

media: When the incoming call request for certain media, the forwarding rule can decide to forward the call for this specific media. This condition evaluates to true when the value of this condition matches the media field in one of the "m=" lines in the SDP (RFC 2327 [5]) offered in an INVITE (RFC 3261 [6]).

no-answer: This condition evaluates to true when the called user does not answer. In all other cases the condition evaluates to false. Rules with this condition are evaluated when a no-answer timeout is detected.

rule-deactivated: This condition always evaluates to false. This can be used to deactivate a rule, without losing information. By removing this condition the rule can be activated again.

ocp:external-list: This condition evaluates to true when the calling users identity is contained in an external resource list to which the value of external-list refers. The exact interpretation of this element is specified in OMA-TS-XDM-Core-V1_1 [20] (see bibliography).

ocp:other-identity: Not applicable in the context of communication diversion service.

not-reachable: This condition evaluates to true when there is a signalling channel outage during session setup to the served user's UE and the served user is registered. In all other cases this condition evaluates to false.

NOTE: As described in RFC 4745 [18] the case of unconditional evaluates to be true in all cases where all other reasons are not applicable. A communication diversion is performed as soon as the served user is the called user. The indication of unconditional is the absence of any reason element in the ss:condition element.

The condition elements that are not taken from the common policy schema (see RFC 4745 [18]) or oma common policy schema (see OMA-TS-XDM-Core-V1_1 [20] in bibliography) are defined in the sirmservs document schema specified in 3GPP TS 183 023 [4].

4.9.1.4 Communication Diversion Rule Actions

The action supported by the communication service is forwarding of calls. For this the forward-to action has been defined. The forward-to action takes the following elements:

target: Specifies the address of the forwarding rule. It should be a SIP URI or SIPS (RFC 3261 [6]), TEL URL (RFC 3966 [7]).

notify-caller: An optional element that can be used to disable the default behaviour that the caller is notified that the call is being forwarded (see subscription option "*Originating* user receives notification that his communication has been diverted (forwarded or deflected)" in table 4.3.1.1).

reveal-served-user-identity-to-caller: An optional element that can be used to disable the default behaviour that the caller, when notified that the call is being forwarded, receives the *diverting* party's identity information (see subscription option "Served user allows the presentation of his/her URI to *originating* user in diversion notification" in table 4.3.1.1).

reveal-identity-to-caller: An optional element that can be used to disable the default behaviour that the caller, when notified that the call is being forwarded, receives some diverted-to party's identity information (see subscription option "Served user allows the presentation of forwarded to URI to *originating* user in diversion notification" in table 4.3.1.1).

notify-served-user: An optional element that can be used to enable that the served user is indicated that calls are being forwarded. Default this is switched off (see subscription option "*Served user* receives notification that a communication has been forwarded" in table 4.3.1.1).

notify-served-user-on-outbound-call: An optional element that can be used to enable that the served user is notified that calls are being forwarded when he makes a call attempt. Default this is switched off (see subscription option "Served user receives reminder notification on outgoing communication that forwarding is currently activated" in table 4.3.1.1).

reveal-identity-to-target: An optional element that can be used to disable the default behaviour that the diverted-to party receives some identity information of the diverting party (see subscription option "Served user allows the presentation of his/her URI to *diverted-to* user" in table 4.3.1.1).

4.9.2 XML Schema

```

<?xml version="1.0" encoding="UTF-8"?>
<xs:schema xmlns:xs="http://www.w3.org/2001/XMLSchema"——
xmlns:ss="http://uri.etsi.org/ngn/params/xml/simservs/xcap"
  xmlns:cp="urn:ietf:params:xml:ns:common-policy"
  xmlns:ocp="urn:oma:xml:xdm:common-policy"
targetNamespace="http://uri.etsi.org/ngn/params/xml/simservs/xcap"
  elementFormDefault="qualified"
  attributeFormDefault="unqualified">
  <!-- import common policy definitions -->
  <xs:import namespace="urn:ietf:params:xml:ns:common-policy" schemaLocation="common-policy.xsd"/>
  <!-- import OMA common policy extensions -->
  <xs:import namespace="urn:oma:xml:xdm:common-policy" schemaLocation="OMA-SUP-
XSD_xdm_commonPolicy-V1_0_2-20070830-A.xsd"/>
  <!-- communication diversion specific extensions to IETF common policy conditions. The
cp:conditionsType is expanded with the elements: ss:not-registered, ss:busy, ss:no-answer, ss:not-
reachable, ss:media as optional elements -->
  <!-- communication diversion rule set based on the common policy rule set.-->
  <xs:element name="communication-diversion" substitutionGroup="ss:absService">
    <xs:annotation>
      <xs:documentation>This is the communication diversion configuration
document.</xs:documentation>
    </xs:annotation>
    <xs:complexType>
      <xs:complexContent>
        <xs:extension base="ss:simservType">
          <xs:sequence>
            <!-- add service specific elements here-->
            <xs:element ref="ss:NoReplyTimer" minOccurs="0"/>
            <xs:element ref="cp:ruleset" minOccurs="0"/>
          </xs:sequence>
        </xs:extension>
        <!-- service specific attributes can be defined here -->
      </xs:complexContent>
    </xs:complexType>
  </xs:element>

  <!-- communication diversion specific extensions to IETF common policy actions-->
  <xs:element name="forward-to" type="ss:forward-to-type"/> <xs:simpleType name="reveal-URI-
options-type">
    <xs:restriction base="xs:string">
      <xs:enumeration value="false"/>
      <xs:enumeration value="not-reveal-GRUU"/>
      <xs:enumeration value="true"/>
    </xs:restriction>
  </xs:simpleType>
  <!-- communication diversion specific type declarations -->
  <xs:complexType name="forward-to-type">
    <xs:sequence>
      <xs:element name="target" type="xs:anyURI" minOccurs="1" maxOccurs="1"/>
      <xs:element name="notify-caller" type="xs:boolean" default="true" minOccurs="0"/>
      <xs:element name="reveal-identity-to-caller" type="ss:reveal-URI-options-type"
default="true" minOccurs="0"/>
      <xs:element name="reveal-served-user-identity-to-caller" type="ss:reveal-URI-options-
type" default="true" minOccurs="0"/>
      <xs:element name="notify-served-user" type="xs:boolean" default="false" minOccurs="0"/>
      <xs:element name="notify-served-user-on-outbound-call" type="xs:boolean" default="false"
minOccurs="0"/>
      <xs:element name="reveal-identity-to-target" type="ss:reveal-URI-options-type"
default="true" minOccurs="0"/>
    </xs:sequence>
  </xs:complexType>
  <xs:element name="NoReplyTimer">
    <xs:simpleType>
      <xs:restriction base="xs:positiveInteger">
        <xs:minInclusive value="5"/>
        <xs:maxInclusive value="180"/>
      </xs:restriction>
    </xs:simpleType>
  </xs:element>
</xs:schema>

```

4.10 Service Configuration of Communication Diversion Notification

4.10.1 Structure of the XML Document

Communication Diversion Notification documents are used for subscribing to the CDIVN service as well as for receiving the notification information about the various communication diversions.

An instance of the communication diversion notification subscription document is shown below.

```
<comm-div-info>
  <comm-div-sub-info>
    <comm-div-selection-criteria>
      <originating-user-selection-criteria>
        <user-info>
          <user-name>Boss</originating-user-name>
          <user-URI>
            sip:boss@office.com
          </user-URI>
        </user-info>
      </originating-user-selection-criteria>
      <diversion-time-selection-criteria>
        <time-range>
          <start-time>1999-05-31T13:20:00-05:00</start-time>
          <end-time>2006-05-06T13:20:00-05:00</end-time>          </time-range>
        </diversion-time-selection-criteria>
        <diversion-reason-selection-criteria>
          <diversion-reason-info>404 302</diversion-reason-info>
        </diversion-reason-selection-criteria>
      </comm-div-selection-criteria>
      <comm-div-ntfy-trigger-criteria>
        <notification-time-selection-criteria>
          <time-range>
            <start-time>1999-05-31T13:20:00-05:00</start-time>
            <end-time>2006-05-06T13:20:00-05:00</end-time>          </time-range>
          </notification-time-selection-criteria>
        </comm-div-ntfy-trigger-criteria>
      </comm-div-sub-info>
    </comm-div-info>
```

Communication Diversion Notification documents have the following structure.

```
<comm-div-info>
  <comm-div-ntfy-info>
    <originating-user-info>
      <user-name>Boss</user-name>
      <user-URI>sip:boss@office.com</user-URI>
    </originating-user-info>
    <diverting-user-info>
      sip:alice@office.com
    </diverting-user-info>
    <diverted-to-user-info>
      sip:bob@office.com
    </diverted-to-user-info>
    <diversion-time-info>1999-06-01T13:20:00-05:00</diversion-time-info>
    <diversion-reason-info>404
  </comm-div-ntfy-info>
</comm-div-info>
```

4.10.1.1 Communication Diversion Information

The Communication Diversion Information serves two purposes:

- in the SUBSCRIBE method, it carries the filter criteria for selecting specific communication diversions of the user which should be notified;
- selecting the information about the Communication Diversion, which has to be notified to the user in the corresponding NOTIFY method.

4.10.1.1.1 Communication Diversion Subscription Information

The Communication Diversion Subscription Information allows the user to specify various filter criteria for selecting and controlling the amount of information in the notification of his/her communication diversion. This element has the following sub-elements.

4.10.1.1.1.1 Communication Diversion Selection Criteria

The user would be able to select a specific subset of the overall communication diversions for notification. This helps the user to focus only on those communication diversions which may be important (e.g. "let me know whenever calls from my boss get diverted"). The user is able to set the following criteria for selecting the communication diversions which have to be notified.

1) Identity of the Originating party:

The URI specified over here will be compared with the URI (Identity) of the Originating party in the incoming communication. Only if there is a match, then information about the diversion of this specific communication would be selected for notification to the Diverting user. This is an optional parameter. If absent, then all diversions for communications from any Originating party would be considered for notification, subject to other filter criteria.

2) Identity of the Diverting party:

The URI specified over here will be compared with the Request-URI of the Diverting user, for which a communication has been diverted. Only if there is a match, then information about this specific communication diversion would be notified to the subscribing user. This is an optional parameter. If absent, then communication diversions towards all registered contacts of the subscribing user would be considered for notification, subject to other filter criteria.

3) Identity of the Diverted-To party:

The URI specified over here will be compared with the URI of the Diverted-to party, to whom the communication has been diverted. Only if there is a match, then information about this specific communication diversion would be notified to the subscribing user. This is an optional parameter. If absent, then communication diversions towards any Diverted-To party would be considered for notification, subject to other filter criteria.

4) Time-Range of the Communication Diversion:

This specifies a time-range, within which all communication diversions would be notified to the subscribing user. If present, then any communication diversion outside of this time-range would NOT be notified to the Diverting user. This is an optional parameter. If absent, then Communication Diversions happening at any time would be considered for notification, subject to other filter criteria. A time zone should be indicated. If a time zone is not indicated the SUBSCRIBE shall be rejected with a SIP 489.

5) Reason for the Communication Diversion:

The Diverting user can select that only those communication diversions which match the herein specified reasons be notified (see annex C). This is an optional parameter. If absent, then all communication diversions resulting due to any reason would be considered for notification, subject to other filter criteria.

4.10.1.1.1.2 Communication Diversion Notification Trigger Criteria

As a part of the SUBSCRIBE message body, the user may specify further criteria to trigger the notification of those communication diversions, which were selected by the above mentioned criteria. These criteria enable the user to trigger the notification based on the following;

- Time-Range:

This specifies a time-range at which notifications of communication diversion can be sent to the user. It may be specified in the form of a time-interval to enable periodic triggering of notifications of communication diversions which took place in that time-interval. If absent, it indicates that notifications are sent immediately when the communication diversion takes place. A time zone should be indicated. If a time zone is not indicated the SUBSCRIBE shall be rejected with a SIP 489.

- Presence-status:

This specifies a presence state of the user, within which the user expects to receive notifications about communication diversions. If absent, it indicates that notifications are sent immediately irrespective of user's availability information.

In addition, the user may overwrite the CDIVN Buffer Timer with the Notification Buffer Interval as part of the SUBSCRIBE message body. The Buffer Interval value is time up to which the CDIVN AS should buffer the notification if it cannot be delivered to the user at the time of CDIVN AS execution. The user will be notified if CDIVN activation is valid and the CDIVN Buffer Timer to provide the notification has not expired, as described in clause 4.2.1.

- Notification Buffer Interval:
This specifies an optional element (in seconds) to overwrite the CDIVN Buffer Timer for which the CDIVN AS should store the CDIV Notification, if it cannot be delivered to the user, as per the criteria configured above. For example this would be required for buffering the notifications, if the user is logged out and the diversion is triggered due to CFNL/CFNRc, resulting in CDIVN for that diversion. The user may set Notification Buffer Interval value in seconds to a maximum value of 1 day. Also, if not configured by the user, the default value of 1 day (as configured by the network provider) is applicable.

4.10.1.1.1.3 Communication Diversion Information Selection Criteria

As a part of the SUBSCRIBE message body, the user may specify further criteria to enable/disable which information about the communication diversion should be notified. By default, all information about a communication diversion would be notified. However, the user may use the following elements for DISABLING a particular kind of information from being notified.

- 1) Information about the Originating party.
- 2) URI of the Diverting party.
- 3) URI of the Diverted-To party.
- 4) Time of the Communication Diversion.
- 5) Reason for the Communication Diversion.
- 6) Identity of the rule which triggered the Communication Diversion.

4.10.1.1.2 Communication Diversion Notification Information

The body of a notification of communication diversion would contain information about the communication diversion, as selected by the various filter criteria configured by the user in the SUBSCRIBE message body. If the SUBSCRIBE did not contain a message body, then all possible information about the communication diversion is notified to the User.

The notifications generated by the server shall be in one of the formats specified in the Accept header field in the SUBSCRIBE request. The XML event package is sent as the body of the NOTIFY method, would contain the following information (subject to the filter criteria) selected by the user.

- 1) Identity of the Originating party:
This helps the Diverting user in knowing whose communication was diverted.
- 2) Information of the Diverting party:
The Request-URI of the INVITE before the Communication Diversion Service was executed, is informed to the subscribing user.
- 3) Information about the Diverted-To party:
The Public User Identity of the Diverted-to User, to whom the communication is being diverted, is informed to the subscribing user.
- 4) Time of the Communication Diversion:
The time of the Communication Diversion is informed to the subscribing user. A time zone shall be indicated.
- 5) Reason for the Communication Diversion:
The Reason for this communication diversion is the same as the Reason Parameter as provisioned according to clause 4.10.1.1.1. It enables the subscriber to filter on diversion notifications for a particular cause.
- 6) Communication Diversion Rule:
This information identifies the Communication Diversion Rule as mentioned in clause 4.9.1.2 which was executed to result in the communication diversion, which is being notified to the user. It contains the "id" attribute of Communication Diversion Rule defined in [19].

4.10.2 XML Schema

```

<?xml version="1.0" encoding="UTF-8" ?>
<xs:schema
  targetNamespace="http://uri.etsi.org/ngn/params/xml/comm-div-info"
  xmlns:tns="http://uri.etsi.org/ngn/params/xml/comm-div-info"
  xmlns:xs="http://www.w3.org/2001/XMLSchema"
  xmlns="http://uri.etsi.org/ngn/params/xml/comm-div-info"
  elementFormDefault="qualified"
  attributeFormDefault="unqualified">
  <!--
  This import brings in the XML language definition
  -->
  <xs:import namespace="http://www.w3.org/XML/1998/namespace"
    schemaLocation="http://www.w3.org/2001/03/xml.xsd"/>
  <!--
  Communication Diversion Information. This is the top-level XML element
  -->
  <xs:element name="comm-div-info"
    type="comm-div-info-type" />
  <!--
  Communication Diversion Information Type. This is the top-level XML element
  -->
  <xs:complexType name="comm-div-info-type">
    <xs:sequence>
      <xs:element name="comm-div-sub-info"
        type="comm-div-sub-info-type" minOccurs="0" />
      <xs:element name="comm-div-ntfy-info"
        type="comm-div-ntfy-info-type" minOccurs="0" />
      <xs:any namespace="##other" processContents="lax"
        minOccurs="0" maxOccurs="unbounded"/>
    </xs:sequence>
    <xs:attribute name="entity" type="xs:anyURI"
      use="required"/>
  </xs:complexType>
  <!--
  Communication Diversion Subscription Type.
  Used at Subscription time to
    select Communication Diversions for notification,
    when to notify them and
    what to notify.
  -->
  <xs:complexType name="comm-div-sub-info-type">
    <xs:sequence>
      <xs:element name="comm-div-selection-criteria"
        type="comm-div-selection-criteria-type"
        minOccurs="0" />
      <xs:element name="comm-div-ntfy-trigger-criteria"
        type="comm-div-ntfy-trigger-criteria-type"
        minOccurs="0" />
      <xs:element name="comm-div-info-selection-criteria"
        type="comm-div-info-selection-criteria-type"
        minOccurs="0" />
      <xs:any namespace="##other" processContents="lax"
        minOccurs="0" maxOccurs="unbounded"/>
    </xs:sequence>
    <xs:anyAttribute namespace="##other" processContents="lax"/>
  </xs:complexType>
  <!--
  Communication Diversion Notification Information Type
  Used while notifying the User about the Communication Diversion
  -->
  <xs:complexType name="comm-div-ntfy-info-type">
    <xs:sequence>
      <xs:element name="originating-user-info"
        type="user-info-type" minOccurs="0" />
      <xs:element name="diverting-user-info"
        type="xs:anyURI" minOccurs="0" />
      <xs:element name="diverted-to-user-info"
        type="xs:anyURI" minOccurs="0" />
      <xs:element name="diversion-time-info"
        type="xs:dateTime" minOccurs="0" />
      <xs:element name="diversion-reason-info"
        type="diversion-reason-info-type" minOccurs="0" />
      <xs:element name="diversion-rule-info"
        type="diversion-rule-info-type" minOccurs="0" />
      <xs:any namespace="##other" processContents="lax"
    
```

```

        minOccurs="0" maxOccurs="unbounded"/>
    </xs:sequence>
    <xs:anyAttribute namespace="##other" processContents="lax"/>
</xs:complexType>
<!--
COMMUNICATION DIVERSION SELECTION CRITERIA
-->
<xs:complexType name="comm-div-selection-criteria-type">
    <xs:sequence>
        <xs:element name="originating-user-selection-criteria"
            type="user-selection-criteria-type"
            minOccurs="0" />
        <xs:element name="diverting-user-selection-criteria"
            type="xs:anyURI"
            minOccurs="0" />
        <xs:element name="diverted-to-user-selection-criteria"
            type="xs:anyURI"
            minOccurs="0" />
        <xs:element name="diversion-time-selection-criteria"
            type="time-range-selection-criteria-type"
            minOccurs="0" />
        <xs:element name="diversion-reason-selection-criteria"
            type="diversion-reason-selection-criteria-type"
            minOccurs="0" />
        <xs:any namespace="##other" processContents="lax"
            minOccurs="0" maxOccurs="unbounded"/>
    </xs:sequence>
    <xs:anyAttribute namespace="##other" processContents="lax"/>
</xs:complexType>
<!--
COMMUNICATION DIVERSION NOTIFICATION TRIGGER CRITERIA
-->
<xs:complexType name="comm-div-ntfy-trigger-criteria-type">
    <xs:sequence>
        <xs:element name="notification-time-selection-criteria"
            type="time-range-selection-criteria-type"
            minOccurs="0" />
        <xs:element name="presence-status-selection-criteria"
            type="presence-status-selection-criteria-type"
            minOccurs="0" />
        <xs:element name="notification-buffer-interval" minOccurs="0" default="86400">
            <xs:simpleType>
                <xs:restriction base="xs:integer">
                    <xs:maxInclusive value="86400"/>
                </xs:restriction>
            </xs:simpleType>
        </xs:element>
        <xs:any namespace="##other" processContents="lax"
            minOccurs="0" maxOccurs="unbounded"/>
    </xs:sequence>
    <xs:anyAttribute namespace="##other" processContents="lax"/>
</xs:complexType>
<!--
COMMUNICATION DIVERSION INFORMATION SELECTION CRITERIA
-->
<xs:complexType name="comm-div-info-selection-criteria-type">
    <xs:sequence>
        <xs:element name="disable-originating-user-info"
            type="xs:boolean" default="false" minOccurs="0" />
        <xs:element name="disable-diverting-user-info"
            type="xs:boolean" default="false" minOccurs="0" />
        <xs:element name="disable-diverted-to-user-info"
            type="xs:boolean" default="false" minOccurs="0" />
        <xs:element name="disable-diversion-time-info"
            type="xs:boolean" default="false" minOccurs="0" />
        <xs:element name="disable-diversion-reason-info"
            type="xs:boolean" default="false" minOccurs="0" />
        <xs:element name="disable-diversion-rule-info"
            type="xs:boolean" default="false" minOccurs="0" />
        <xs:any namespace="##other" processContents="lax"
            minOccurs="0" maxOccurs="unbounded"/>
    </xs:sequence>
    <xs:anyAttribute namespace="##other" processContents="lax"/>
</xs:complexType>

<!-- User Info Type -->
<xs:complexType name="user-info-type">
    <xs:sequence>

```



```

    <xs:element name="user-name" type="xs:string" minOccurs="0" maxOccurs="1"/>
    <xs:element name="user-URI" type="xs:anyURI"/>
  </xs:sequence>
</xs:complexType>
<xs:anyAttribute namespace="##other" processContents="lax"/>
</xs:complexType>

<!--
DIVERSION REASON INFO
-->

<xs:simpleType name="diversion-reason-info-types">
  <xs:list itemType="diversion-reason-info-type"/>
</xs:simpleType>
<xs:simpleType name="diversion-reason-info-type">
  <xs:restriction base="xs:integer">
    <xs:enumeration value="404"/>
    <xs:enumeration value="486"/>
    <xs:enumeration value="408"/>
    <xs:enumeration value="302"/>
    <xs:enumeration value="487"/>
    <xs:enumeration value="480"/>
    <xs:enumeration value="503"/>
  </xs:restriction>
</xs:simpleType>
<!--
DIVERSION RULE INFO
-->
<xs:complexType name="diversion-rule-info-type">
  <xs:sequence>
    <xs:element name="diversion-rule" type="xs:string"/>
  </xs:sequence>
  <xs:anyAttribute namespace="##other" processContents="lax"/>
</xs:complexType>
<!--
ORIGINATING USER SELECTION CRITERIA
-->
<xs:complexType name="user-selection-criteria-type">
  <xs:sequence>
    <xs:element name="user-info"
      type="user-info-type" minOccurs="0"
      maxOccurs="unbounded" />
  </xs:sequence>
  <xs:anyAttribute namespace="##other" processContents="lax"/>
</xs:complexType>
<!--
DIVERSION REASON SELECTION CRITERIA
-->
<xs:complexType name="diversion-reason-selection-criteria-type">
  <xs:sequence>
    <xs:element name="diversion-reason-info"
      type="diversion-reason-info-types"/>
  </xs:sequence>
  <xs:anyAttribute namespace="##other" processContents="lax"/>
</xs:complexType>
<!--
TIME RANGE SELECTION CRITERIA
-->
<xs:complexType name="time-range-selection-criteria-type">
  <xs:sequence>
    <xs:element name="time-range"
      type="time-range-type" minOccurs="0"
      maxOccurs="unbounded" />
  </xs:sequence>
  <xs:anyAttribute namespace="##other" processContents="lax"/>
</xs:complexType>
<!--
TIME RANGE INFO
-->
<xs:complexType name="time-range-type">
  <xs:sequence>
    <xs:element name="start-time" type="xs:dateTime" />
    <xs:element name="end-time" type="xs:dateTime" />
  </xs:sequence>
  <xs:anyAttribute namespace="##other" processContents="lax"/>
</xs:complexType>
<!--
PRESENCE STATUS SELECTION CRITERIA
-->

```

```
<xs:complexType name="presence-status-selection-criteria-type">
  <xs:sequence>
    <xs:element name="presence-status-info"
      type="presence-status-info-type" minOccurs="0"
      maxOccurs="unbounded" />
  </xs:sequence>
  <xs:anyAttribute namespace="##other" processContents="lax"/>
</xs:complexType>
<!--
PRESENCE STATUS INFO
-->
<xs:complexType name="presence-status-info-type">
  <xs:sequence>
    <xs:element name="presence-status" type="xs:string" />
  </xs:sequence>
  <xs:anyAttribute namespace="##other" processContents="lax"/>
</xs:complexType>
</xs:schema>
```

Annex A (informative): Signalling Flows

A.1 Normal cases

A.1.1 Communication Forwarding unconditional

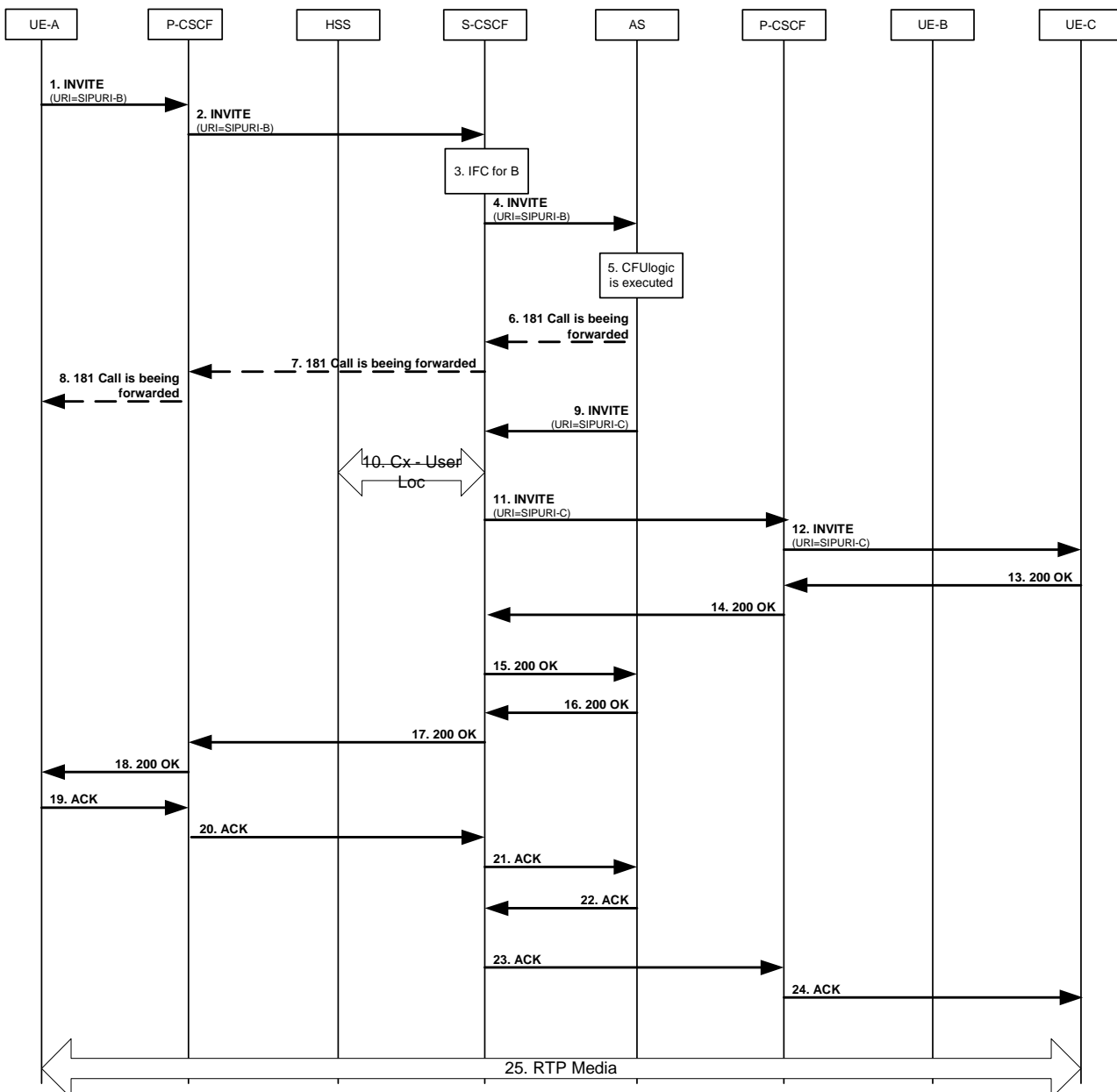


Figure A.1: CFU AS based normal case

User B has activated the CFU service.

User A is sending a communication request towards User B:

- 1 to 2) Initial INVITE request towards User B. The URI-B is subscribed to the CFU service.
- 3 to 4) The based on the IFC the INVITE is forwarded to the AS.
- 5) Procedures for CFU are executed.
- 6 to 8) A 181 may be send towards the User A indicating that the communication is diverted.
- 9) A Invite including URI-C as destination is sent back to the S-CSCF. Additional the History-Info header is included.
History-Info: <sip:User-B@example.com>;index=1,
<sip:User-C@example.com;cause=302>index=1.1.
- 10) S-CSCF looks up to the HSS to identify the location of User-C.
- 11 to 12) The communication is routed towards User-C.
- 13 to 18) The 200 OK is sent Back to the User-A.
- 19 to 24) The ACK is send back to User-B.
- 25) RTP media is established.

A.1.2 Communication Deflection

The flow below describes the Immediate CD feature the only difference compared to a regular CD is that in the regular CD case the "302 (Moved Temporarily) Moved Temporarily" is preceded by a "180 (Ringing) Ringing".

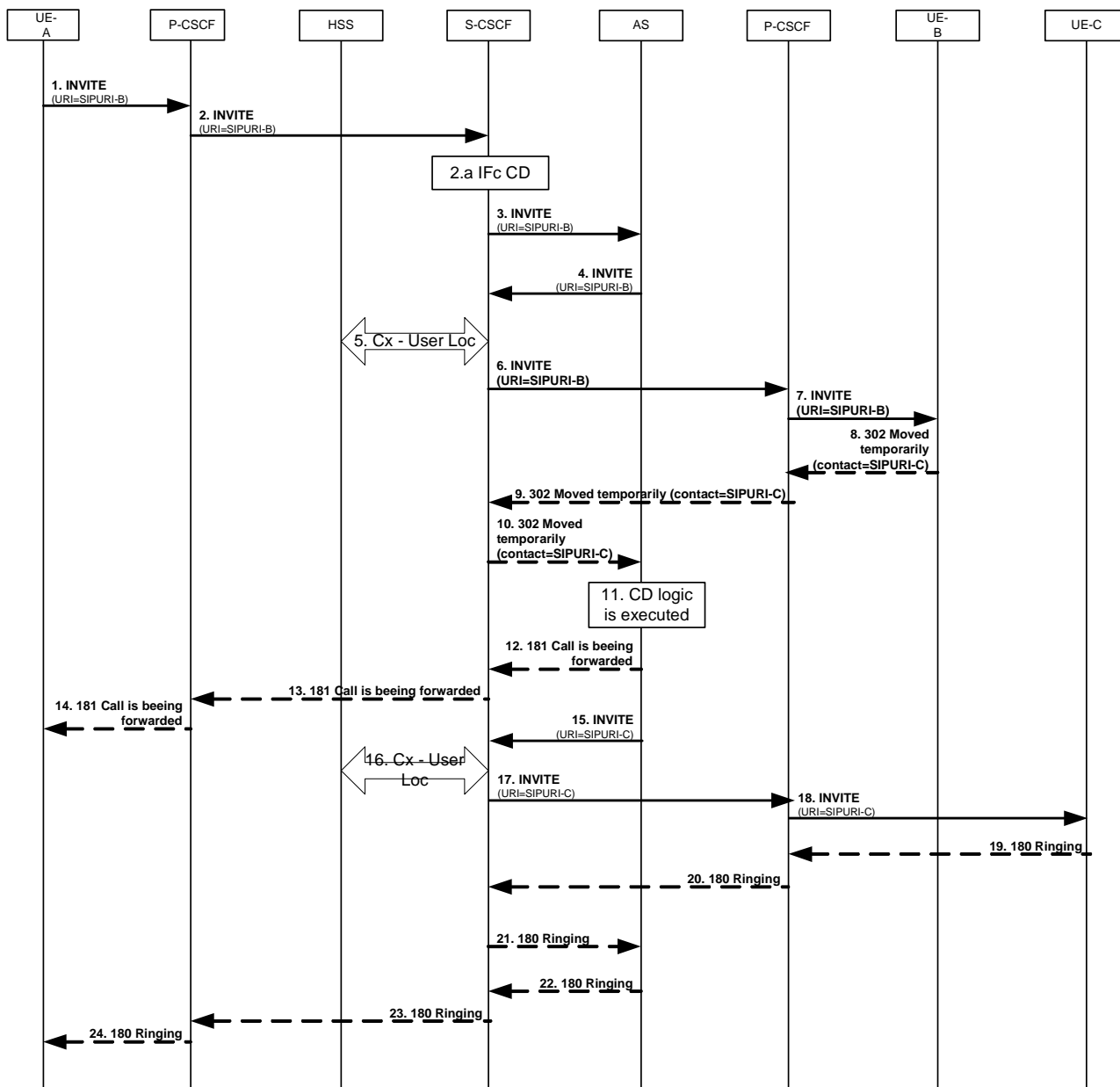


Figure A.2a

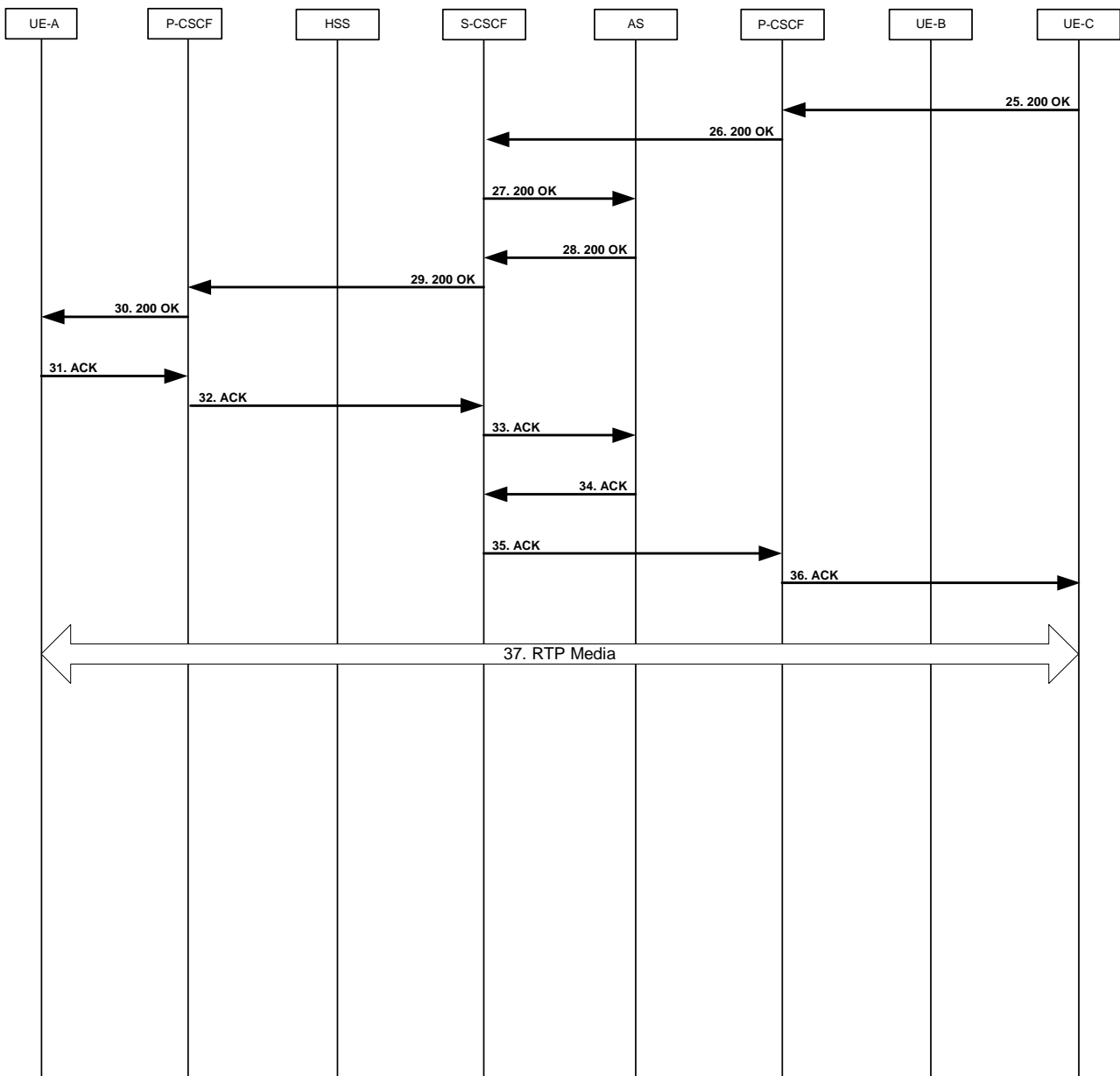


Figure A.2b

User B has activated the CD service.

User A is sending a communication request towards User B:

- 1 to 2) Initial INVITE request towards User B. The URI-B is subscribed to the CFU service.
- 2a to 3) The based on the IFC the INVITE is forwarded to the AS.
- 4 to 7) The INVITE is forwarded to User B due to normal communication procedures.
- 8 to 10) A 302 with a contact header including the URI of the forwarded to user is end back to the AS.
- 11) The CD logic is executed.
- 12 to 14) A 181 may be send towards the User A indicating that the communication is diverted.

- 15 to 18) A Invite including URI-C as destination is sent back to the S-CSCF. Additionally the History-Info header is included.
History-Info: <sip:User-B@example.com?Reason=sip%3Bcause=302>;index=1,
<sip:User-C@example.com;cause=480>index=2.
- 19 to 24) A 180 is sent back to the originating user including a History-Info header as shown above. If no restriction is given the diverted to user will be presented at the UE of user A.
- 25 to 30) The 200 OK is sent Back to the User-A.
- 31 to 36) The ACK is send back to User-B.
- 37) RTP media is established.

A.1.3 Communication Forwarding on non Reply

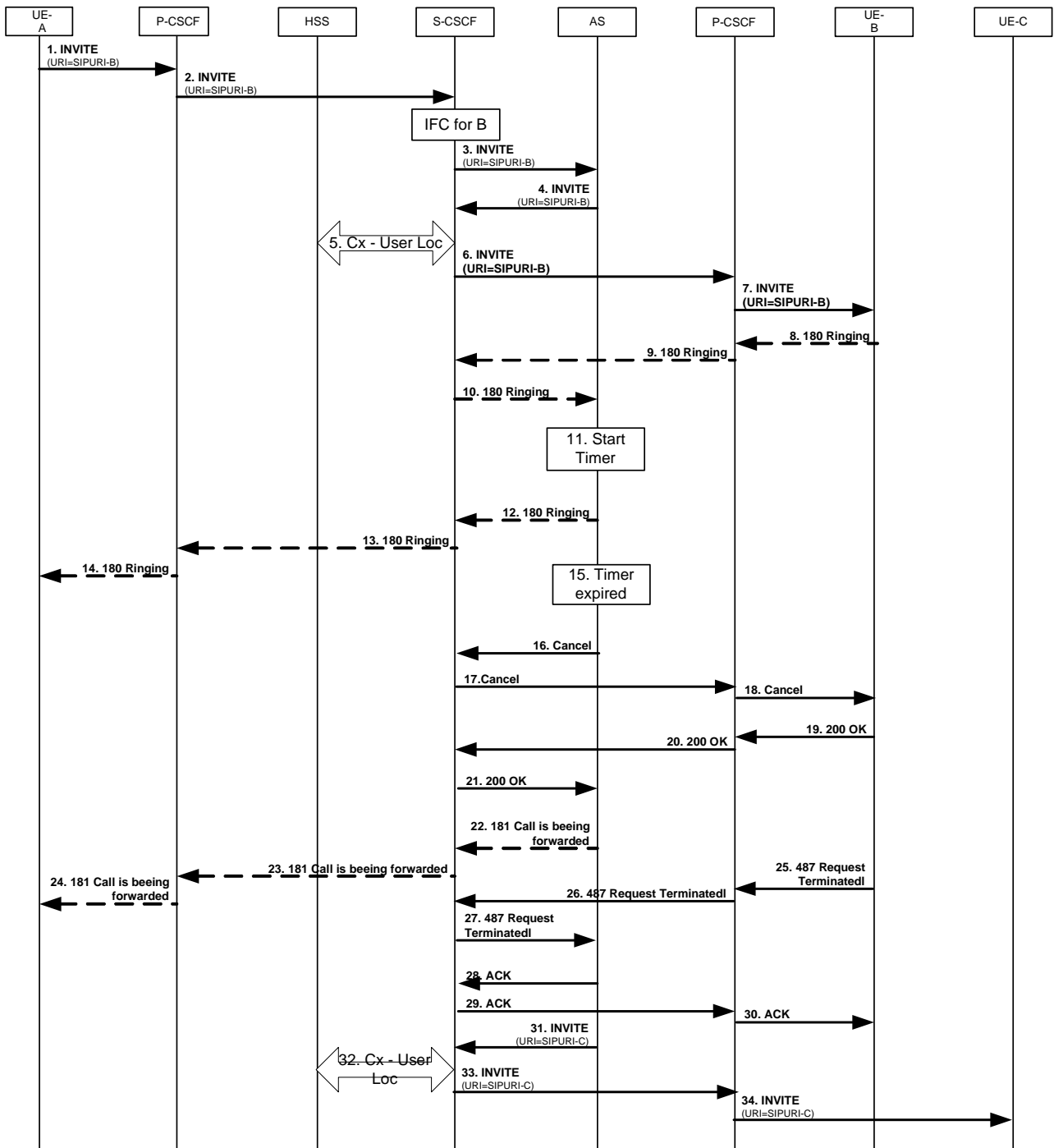


Figure A.3a

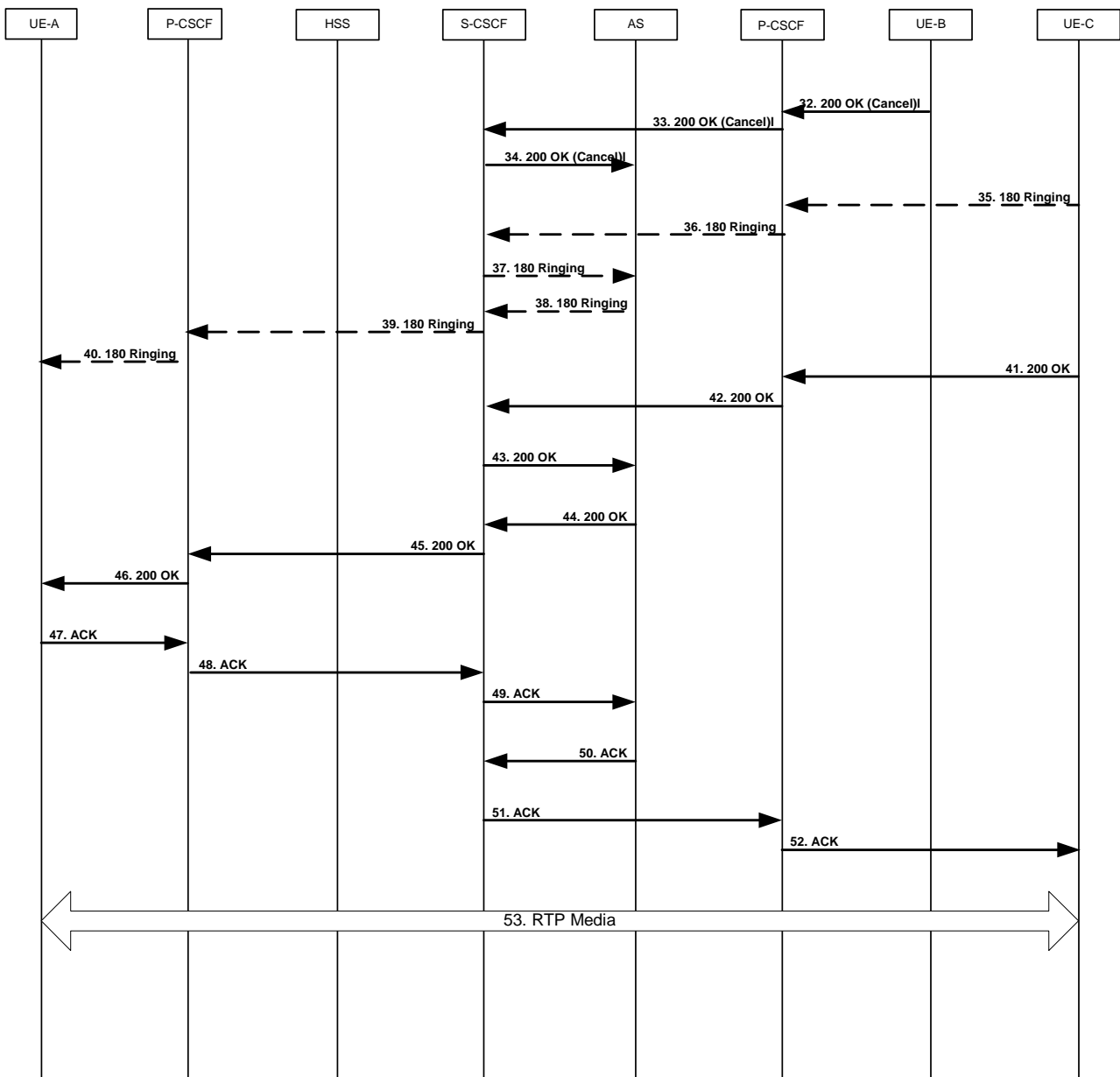


Figure A.3b

User B has activated the CFNR service.

User A is sending a communication request towards User B:

- 1 to 2) Initial INVITE request towards User B. The URI-B is subscribed to the CFU service.
- 3) The based on the IFC the INVITE is forwarded to the AS.
- 4) The INVITE is forwarded to User B due to normal communication procedures.
- 5) The non-reply timer in the AS is started.
- 6 to 7) The INVITE is forwarded to User B due to normal communication procedures.
- 8 to 14) A 180 is sent back to the originating user indicating that the terminating UE is ringing.
- 15) The timer expires.
- 16 to 18) A 181 may be send towards the User A indicating that the communication is diverted.
- 19 to 21) To release the communication to User B the AS sends a CANCEL.

- 22 to 27) A 487 response with a ACK finalize the termination of the dialog between AS and UE:B.
- 28 to 31) A INVITE including URI-C as destination is sent back towards the UE:C. Additional the History-Info header is included.
History-Info: <sip:User-B@example.com>;index=1,
<sip:User-C@example.com;\target=sip: User-B%40example.com;cause=408> index=1.1.
- 32 to 34) The 200 OK for the CANCKE is sent Back to the User-A.
- 35 to 40) A 180 is sent back to the originating user including a History-Info header as shown above. If no restriction is given the diverted to user will be presented at the UE of User A.
- 41 to 46) The 200 OK is sent Back to the User-A.
- 47 to 52) The ACK is send back to User-B.
- 53) RTP media is established.

A.1.4 Communication Forwarding on Busy

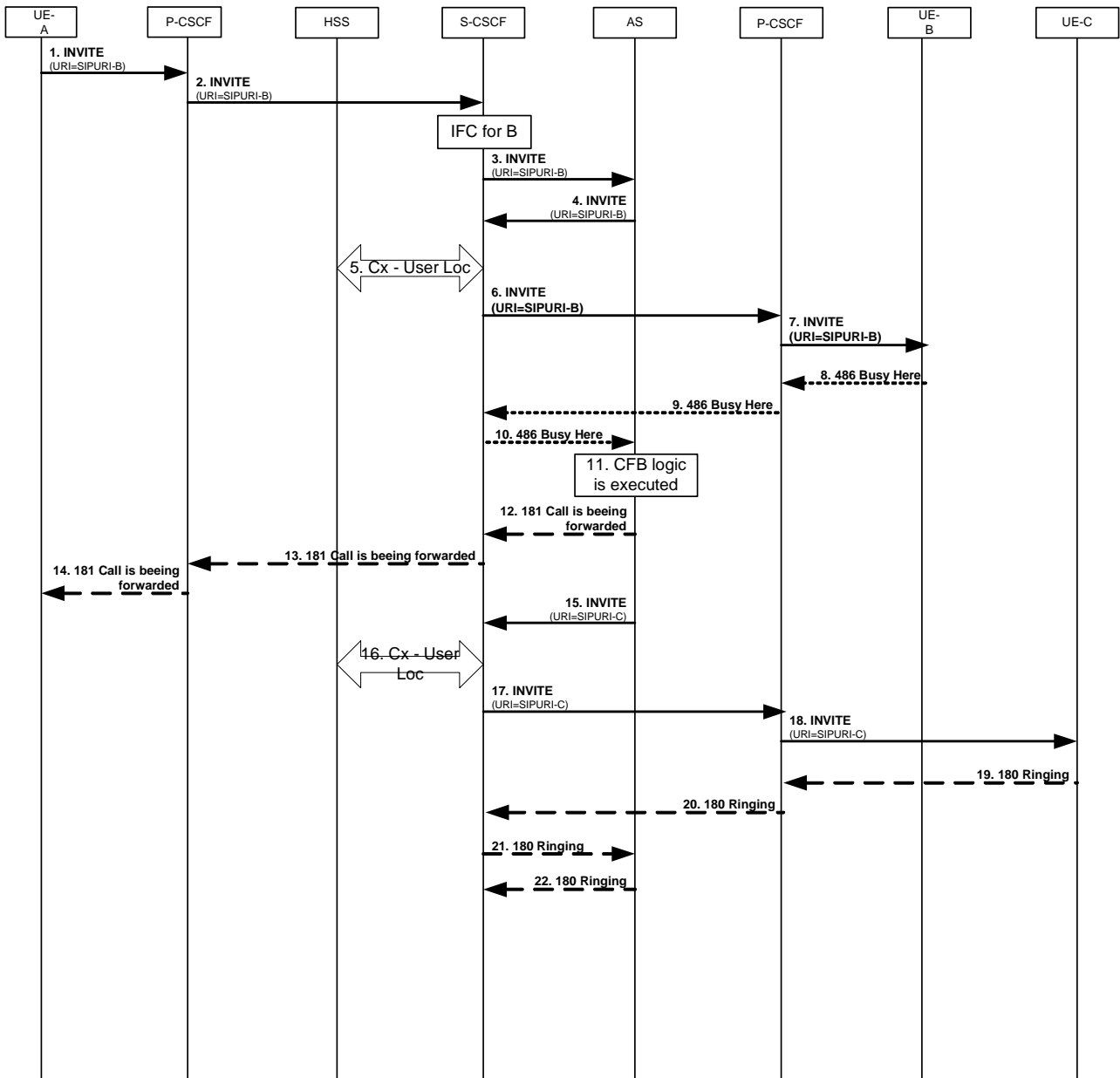


Figure A.4a

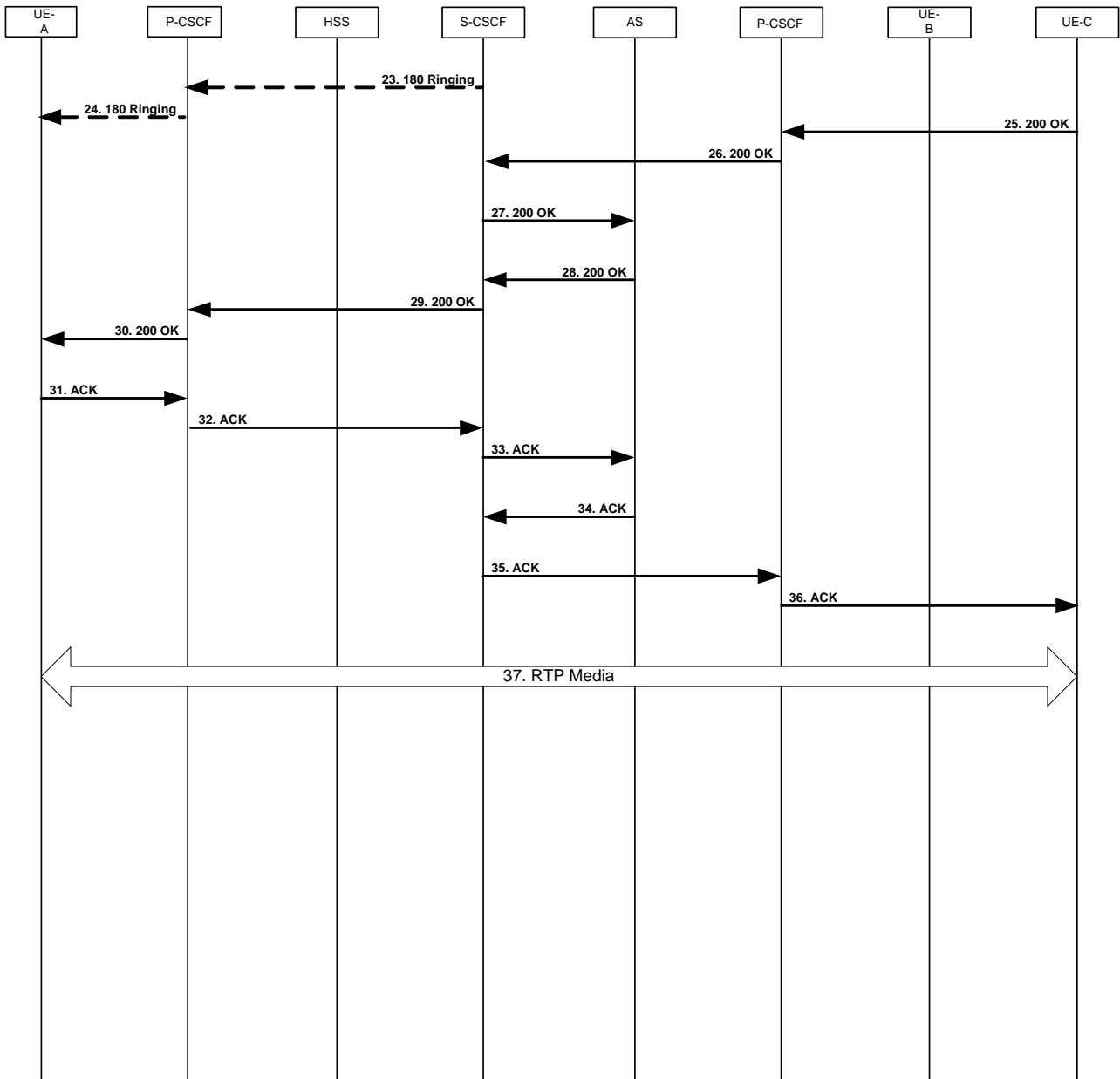


Figure A.4b

A.1.5 Communication Forwarding Not Logged-in (CFNL)

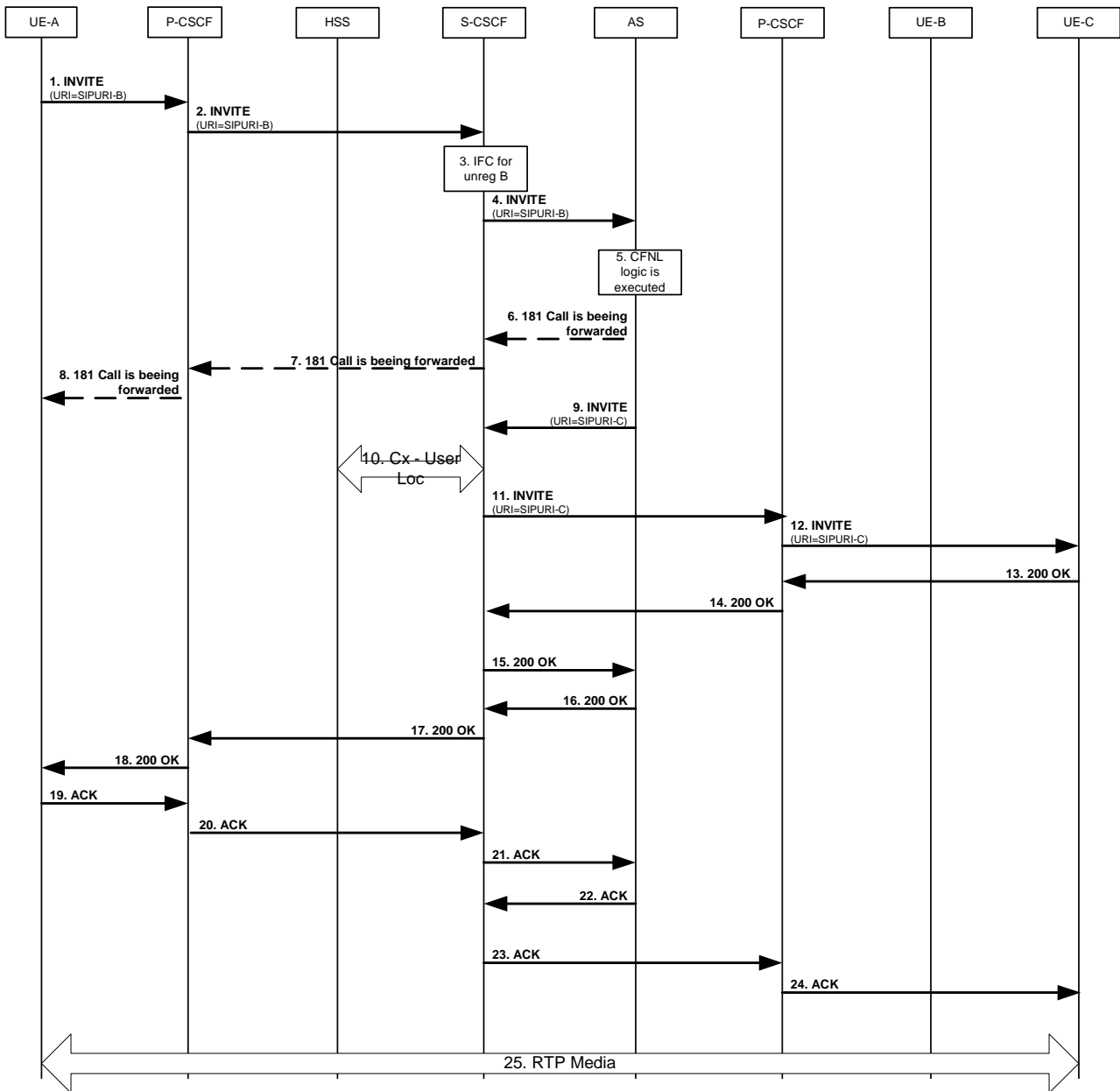


Figure A.5

A.1.6 Communication Diversion Notification (CDIVN)

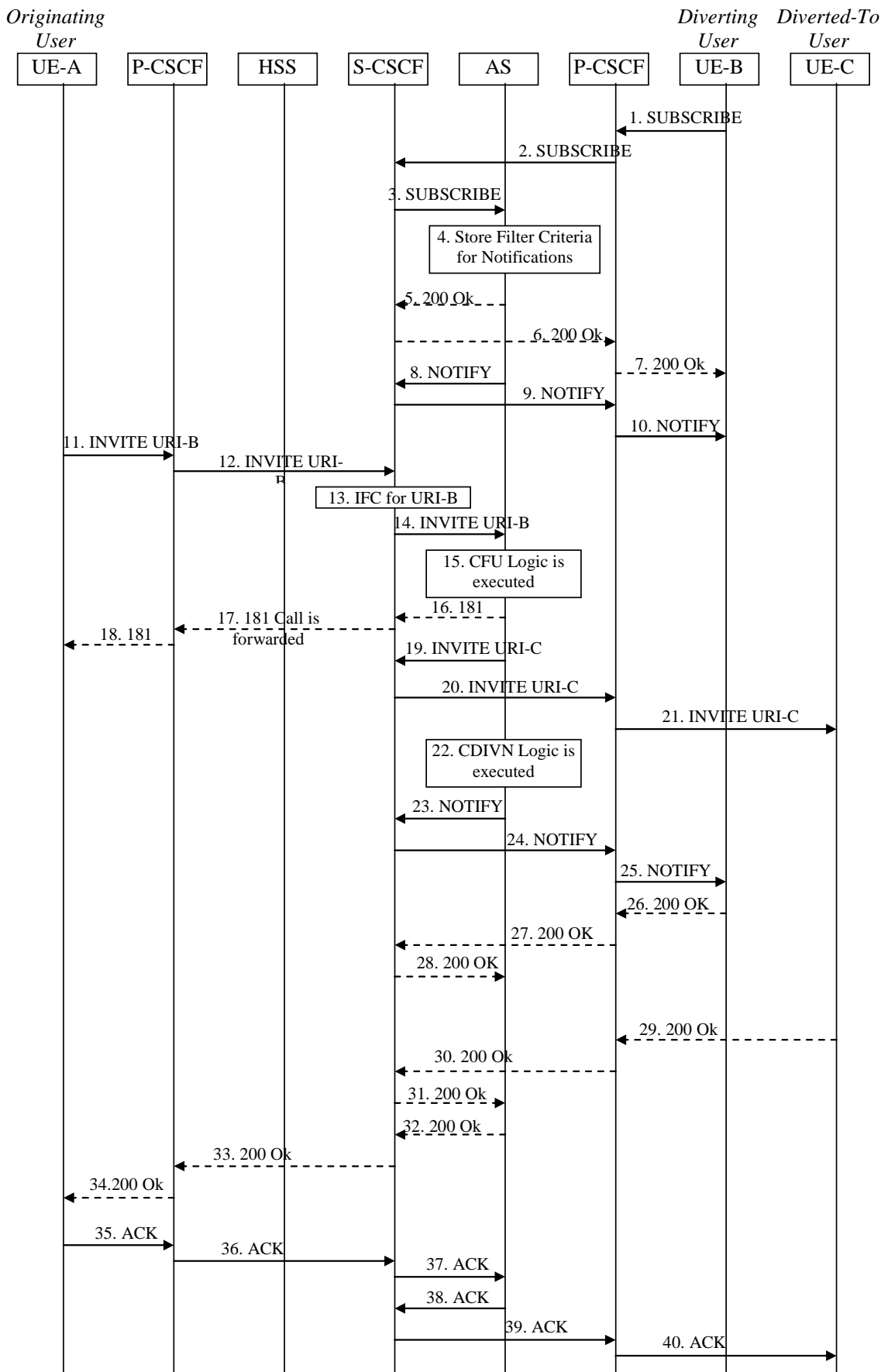


Figure A.6a

- 1 to 10) UE-B subscribing to the CDIVN services.
- 11 to 12) INVITE from caller to the Original Target (the Diverting User) URI-B.
- 13) Based on Initial Filter Criteria (IFC) for User B, the initial INVITE is forwarded to the AS which is serving the CFU Communication Diversion Service.
- 14) INVITE forwarded to the AS.
- 15) Procedures for CFU are executed.
- 16 to 18) A 181 may be send towards the User A indicating that the communication is diverted.
- 19 to 21) An Invite including URI-C as destination is sent back to the S-CSCF.
- 22) Procedures for CDIVN (Communication Diversion Notification) are executed.
- 23) A notification message (NOTIFY) is generated towards the User B (Diverting User), with information about the incoming Communication Diversion from User A being diverted to User C.
- 24 to 25) NOTIFY message with "comm.-div-info" message body is forwarded to UE-B.
- 26 to -28) 200 OK for NOTIFY from UE-B.
- 29 to 34) 200 OK for INVITE from UE-C.
- 35 to 40) ACK from UE-A to UE-C.

A.2 Interworking

A.2.1 Communication Forwarding unconditional

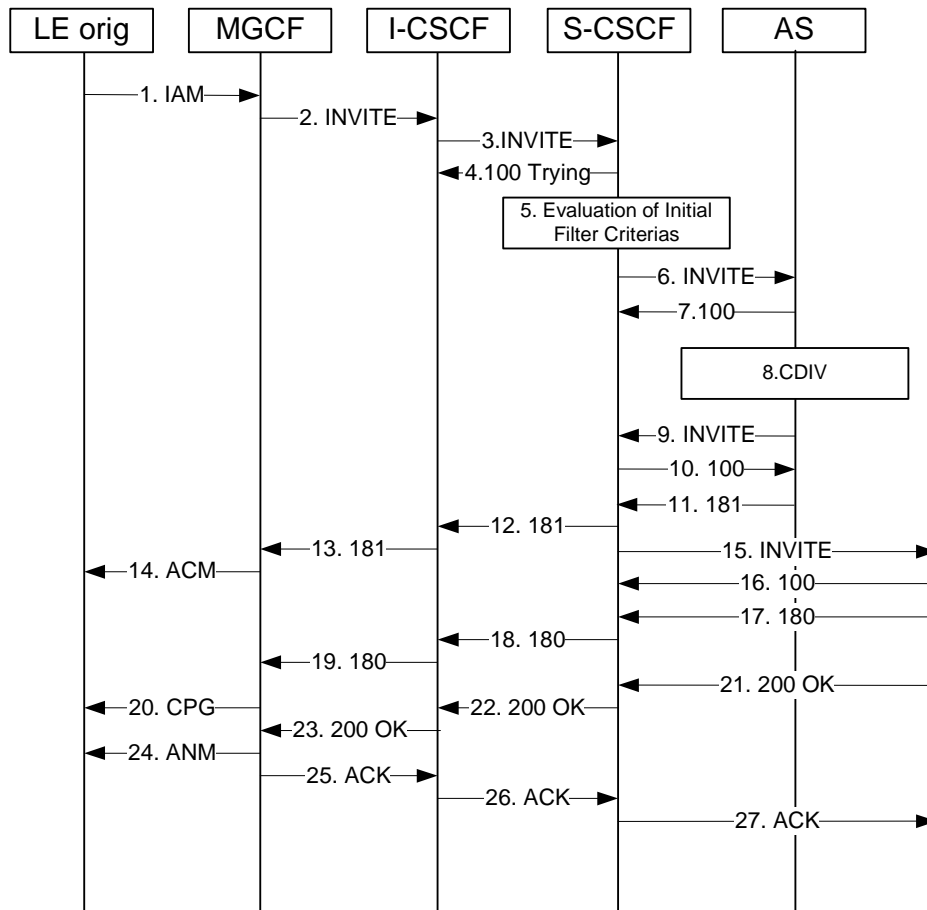


Figure A.6b: Call Forwarding Unconditional

A.2.2 Communication Deflection

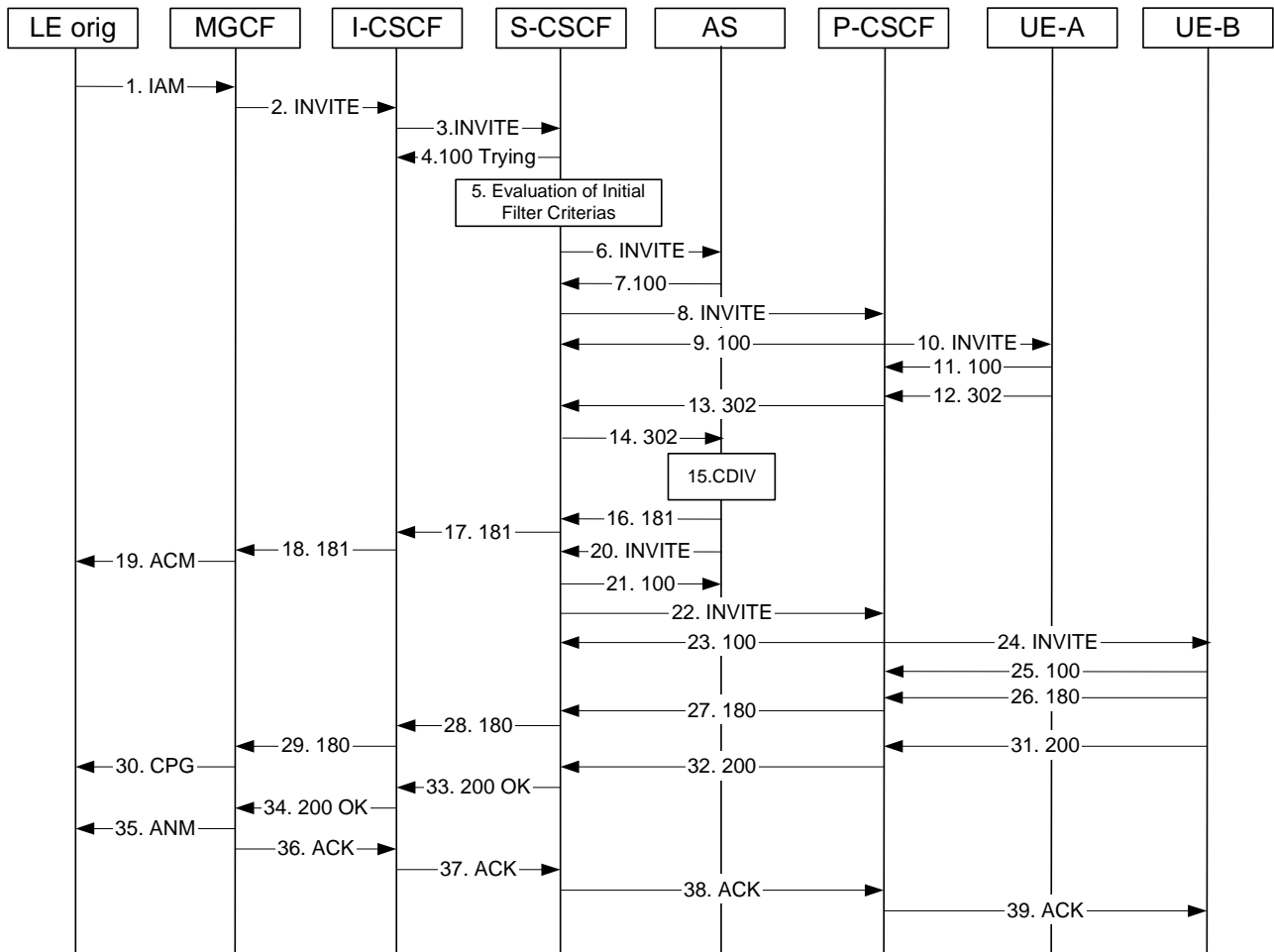


Figure A.7

Annex B (informative): Example of filter criteria

This annex provides an example of a filter criterion that triggers SIP requests that are subject to initial filter criteria evaluation.

An example of an IFC when the CDIV simulation service is active at the diverting S-CSCF is:

- Method: INVITE.

Annex C (informative): Coding considerations

This annex provides an interpretation of the coding of the cause-param URI parameter specified in RFC 4458 [14]

The cause specified in RFC 4458 [14] has the following syntax:

```
cause-param      = "cause" EQUAL Status-Code
```

The Status-Code is originally specified in RFC 3261 [6] as a sequence of 3 digits. It is noted that the Status-Code simply indicates that it is composed of 3 digits, without indicating the list of possible values. In particular, Status-Code is not bound to and must not be confused with the 3 digit numbers defined for SIP responses in RFC 3261 [6]. The Status-Code is used to hold the redirecting reason.

For the purpose of legibility, the cause-param specified in RFC 4458 [14] is interpreted according to the following syntax:

```
cause-param      = "cause" EQUAL Status-Code
Status-Code      = "404" ; Unknown/Not available
                  /  "486" ; User Busy
                  /  "408" ; No Reply
                  /  "302" ; Unconditional
                  /  "487" ; Deflection during alerting
                  /  "480" ; Deflection during immediate response
                  /  "503" ; Mobile subscriber not reachable
```

Annex D (informative): Bibliography

Void.

Annex E (informative): Change history

| TISPAN # | TISPAN Doc. | CR | Subject/Comment |
|-------------|-------------|-------|---|
| 14ter | 14tTD616 | 001 | Correction of XML schema |
| 14ter | 14tTD617 | 002 | Correction of misalignment in XML schema |
| 14ter | 14tTD532r1 | 003 | Correction of ECT interaction |
| 14ter | 14tTD536r1 | 004 | Correction of signalling flow |
| 15bis | 15bTD337r6 | 005 | Correction of privacy support, alignment with introduction of GRUU, and introduction of missing subscription option |
| 15bis | 15bTD338r3 | 006 | Correction use of timezones, subscription notification option, and value of reason in communication notification |
| 15bis | 15TD346r2 | 007r1 | Add interaction between CDIVN and OIR/TIR |
| 15bis | 15bTD441r1 | 008 | Correction of the use of the terms Interaction and Interworking in the CDIV Simulation Service description |
| 15bis | 15b502r1 | 010 | Correction of XML Schema and XML Schema compliance statement |
| TISPAN3-WG3 | 15b151r1 | 011 | Correction and alignment of tables 4.3.1.1 and 4.3.1.2 with ES 302 107 |
| | | 12 | |

| Change history | | | | | | | |
|----------------|-------|-----------|------|-----|--|-------|-------|
| Date | TSG # | TSG Doc. | CR | Rev | Subject/Comment | Old | New |
| 2008-01 | | | | | Publication as ETSI TS 183 004 | | 2.4.0 |
| 2008-01 | | | | | Conversion to 3GPP TS 24.504 | | 2.4.1 |
| 2008-03 | CT#39 | CP-080096 | | | Based on the decision in CT#39 version 8.0.0 created by MCC | 2.4.1 | 8.0.0 |
| 2008-06 | CT#40 | CP-080350 | 0002 | 2 | Correction of XDM reference | 8.0.0 | 8.1.0 |
| 2008-09 | CT#41 | CP-080521 | 0003 | 1 | Correction to the communication diversion service | 8.1.0 | 8.2.0 |
| 2008-09 | CT#41 | CP-080521 | 0004 | 1 | Correction of notification service activation | 8.1.0 | 8.2.0 |
| 2008-09 | CT#41 | CP-080521 | 0005 | 1 | Correction of subscription options | 8.1.0 | 8.2.0 |
| 2008-09 | CT#41 | CP-080521 | 0006 | 1 | Value of 'No reply timer' for CDIV | 8.1.0 | 8.2.0 |
| 2008-12 | CT#42 | CP-080852 | 0007 | 2 | Aligning XML Schema with draft-saklikar-communication-diversion-notification | 8.2.0 | 8.3.0 |
| 2008-12 | CT#42 | CP-080852 | 0009 | 2 | CR on 24.504 CDIV XML correction | 8.2.0 | 8.3.0 |
| 2008-12 | CT#42 | CP-080851 | 0010 | | Correction of the mapping tables for interworking call forwarding | 8.2.0 | 8.3.0 |
| 2009-03 | CT#43 | CP-090211 | 0011 | 1 | Correct reference | 8.3.0 | 8.4.0 |
| 2009-03 | CT#43 | CP-090253 | 0014 | 3 | Miscellaneous corrections in History-Info mapping tables | 8.3.0 | 8.4.0 |
| 2009-03 | CT#43 | CP-090124 | 0015 | | Map priv-value of 'session' and 'header' in History-Info | 8.3.0 | 8.4.0 |
| 2009-03 | CT#43 | CP-090124 | 0016 | 1 | Handle the SIP URI in History-Info | 8.3.0 | 8.4.0 |
| 2009-03 | CT#43 | CP-090251 | 0017 | 3 | MGCF mapping tables correction | 8.3.0 | 8.4.0 |
| 2009-03 | CT#43 | CP-090124 | 0018 | 1 | cause-param clarification and corrections | 8.3.0 | 8.4.0 |
| 2009-03 | CT#43 | CP-090124 | 0019 | 1 | NoReply Timer XML Schema | 8.3.0 | 8.4.0 |
| 2009-06 | CT#44 | CP-090402 | 0020 | 3 | Setting of the cause parameter when when an AS forwards a communication | 8.4.0 | 8.5.0 |
| 2009-06 | CT#44 | CP-090402 | 0021 | | Correction on CDIV mapping | 8.4.0 | 8.5.0 |
| 2009-09 | CT#45 | CP-090662 | 0022 | 1 | Correcting GRUU matching | 8.5.0 | 8.6.0 |

| | | | | | | | |
|---------|-------|-----------|------|---|---|-------|-------|
| 2009-09 | CT#45 | CP-090662 | 0023 | | Updating internet draft names and versions | 8.5.0 | 8.6.0 |
| 2009-12 | CT#46 | CP-090905 | 0025 | | Determining if served user shall be added to History-Info | 8.6.0 | 8.7.0 |
| 2009-12 | CT#46 | CP-090894 | 0026 | | Updating of GRUU references | 8.6.0 | 8.7.0 |
| 2009-12 | CT#46 | CP-090905 | 0027 | | CDIV redirection parameters mapping | 8.6.0 | 8.7.0 |
| 2010-06 | CT#48 | CP-100341 | 0028 | | NoReplyTimer description is not an action | 8.7.0 | 8.8.0 |
| 2010-09 | CT#49 | CP-100488 | 0029 | 1 | CDIV corrections | 8.8.0 | 8.9.0 |

History

| Document history | | |
|-------------------------|----------------|-------------|
| V8.0.0 | April 2008 | Publication |
| V8.1.0 | July 2008 | Publication |
| V8.2.0 | October 2008 | Publication |
| V8.3.0 | January 2009 | Publication |
| V8.4.0 | March 2009 | Publication |
| V8.5.0 | June 2009 | Publication |
| V8.6.0 | September 2009 | Publication |
| V8.7.0 | January 2010 | Publication |
| V8.8.0 | June 2010 | Publication |
| V8.9.0 | October 2010 | Publication |