

# ETSI TS 125 213 V18.0.0 (2024-05)



**Universal Mobile Telecommunications System (UMTS);  
Spreading and modulation (FDD)  
(3GPP TS 25.213 version 18.0.0 Release 18)**



---

**Reference**

RTS/TSGR-0025213vi00

---

**Keywords**

UMTS

**ETSI**

---

650 Route des Lucioles  
F-06921 Sophia Antipolis Cedex - FRANCE

Tel.: +33 4 92 94 42 00 Fax: +33 4 93 65 47 16

Siret N° 348 623 562 00017 - APE 7112B  
Association à but non lucratif enregistrée à la  
Sous-Préfecture de Grasse (06) N° w061004871

---

**Important notice**

The present document can be downloaded from:

<https://www.etsi.org/standards-search>

The present document may be made available in electronic versions and/or in print. The content of any electronic and/or print versions of the present document shall not be modified without the prior written authorization of ETSI. In case of any existing or perceived difference in contents between such versions and/or in print, the prevailing version of an ETSI deliverable is the one made publicly available in PDF format at [www.etsi.org/deliver](http://www.etsi.org/deliver).

Users of the present document should be aware that the document may be subject to revision or change of status.

Information on the current status of this and other ETSI documents is available at

<https://portal.etsi.org/TB/ETSIDeliverableStatus.aspx>

If you find errors in the present document, please send your comment to one of the following services:

<https://portal.etsi.org/People/CommitteeSupportStaff.aspx>

If you find a security vulnerability in the present document, please report it through our  
Coordinated Vulnerability Disclosure Program:

<https://www.etsi.org/standards/coordinated-vulnerability-disclosure>

---

**Notice of disclaimer & limitation of liability**

The information provided in the present deliverable is directed solely to professionals who have the appropriate degree of experience to understand and interpret its content in accordance with generally accepted engineering or other professional standard and applicable regulations.

No recommendation as to products and services or vendors is made or should be implied.

No representation or warranty is made that this deliverable is technically accurate or sufficient or conforms to any law and/or governmental rule and/or regulation and further, no representation or warranty is made of merchantability or fitness for any particular purpose or against infringement of intellectual property rights.

In no event shall ETSI be held liable for loss of profits or any other incidental or consequential damages.

Any software contained in this deliverable is provided "AS IS" with no warranties, express or implied, including but not limited to, the warranties of merchantability, fitness for a particular purpose and non-infringement of intellectual property rights and ETSI shall not be held liable in any event for any damages whatsoever (including, without limitation, damages for loss of profits, business interruption, loss of information, or any other pecuniary loss) arising out of or related to the use of or inability to use the software.

---

**Copyright Notification**

No part may be reproduced or utilized in any form or by any means, electronic or mechanical, including photocopying and microfilm except as authorized by written permission of ETSI.

The content of the PDF version shall not be modified without the written authorization of ETSI.

The copyright and the foregoing restriction extend to reproduction in all media.

© ETSI 2024.  
All rights reserved.

---

# Intellectual Property Rights

## Essential patents

IPRs essential or potentially essential to normative deliverables may have been declared to ETSI. The declarations pertaining to these essential IPRs, if any, are publicly available for **ETSI members and non-members**, and can be found in ETSI SR 000 314: "*Intellectual Property Rights (IPRs); Essential, or potentially Essential, IPRs notified to ETSI in respect of ETSI standards*", which is available from the ETSI Secretariat. Latest updates are available on the ETSI Web server (<https://ipr.etsi.org/>).

Pursuant to the ETSI Directives including the ETSI IPR Policy, no investigation regarding the essentiality of IPRs, including IPR searches, has been carried out by ETSI. No guarantee can be given as to the existence of other IPRs not referenced in ETSI SR 000 314 (or the updates on the ETSI Web server) which are, or may be, or may become, essential to the present document.

## Trademarks

The present document may include trademarks and/or tradenames which are asserted and/or registered by their owners. ETSI claims no ownership of these except for any which are indicated as being the property of ETSI, and conveys no right to use or reproduce any trademark and/or tradename. Mention of those trademarks in the present document does not constitute an endorsement by ETSI of products, services or organizations associated with those trademarks.

**DECT™**, **PLUGTESTS™**, **UMTS™** and the ETSI logo are trademarks of ETSI registered for the benefit of its Members. **3GPP™** and **LTE™** are trademarks of ETSI registered for the benefit of its Members and of the 3GPP Organizational Partners. **oneM2M™** logo is a trademark of ETSI registered for the benefit of its Members and of the oneM2M Partners. **GSM®** and the GSM logo are trademarks registered and owned by the GSM Association.

---

# Legal Notice

This Technical Specification (TS) has been produced by ETSI 3rd Generation Partnership Project (3GPP).

The present document may refer to technical specifications or reports using their 3GPP identities. These shall be interpreted as being references to the corresponding ETSI deliverables.

The cross reference between 3GPP and ETSI identities can be found under <https://webapp.etsi.org/key/queryform.asp>.

---

# Modal verbs terminology

In the present document "**shall**", "**shall not**", "**should**", "**should not**", "**may**", "**need not**", "**will**", "**will not**", "**can**" and "**cannot**" are to be interpreted as described in clause 3.2 of the [ETSI Drafting Rules](#) (Verbal forms for the expression of provisions).

"**must**" and "**must not**" are **NOT** allowed in ETSI deliverables except when used in direct citation.

# Contents

Intellectual Property Rights .....	2
Legal Notice .....	2
Modal verbs terminology.....	2
Foreword.....	5
1 Scope .....	6
2 References .....	6
3 Symbols, abbreviations and definitions.....	6
3.1 Symbols.....	6
3.2 Abbreviations .....	6
3.3 Definitions.....	7
4 Uplink spreading and modulation .....	8
4.1 Overview .....	8
4.2 Spreading.....	8
4.2.1 Dedicated physical channels .....	8
4.2.1.1 DPCCH/DPDCH.....	10
4.2.1.2 HS-DPCCH.....	12
4.2.1.3 E-DPDCH/E-DPCCH .....	13
4.2.1.4 S-DPCCH.....	21
4.2.1.4.1 S-DPCCH gain factor setting while not transmitting rank-2 .....	21
4.2.1.4.2 S-DPCCH gain factor setting while transmitting rank-2 .....	22
4.2.1.5 S-E-DPCCH.....	22
4.2.1.6 S-E-DPDCH.....	23
4.2.1.7 DPCCH2 .....	24
4.2.2 PRACH.....	25
4.2.2.1 PRACH preamble part .....	25
4.2.2.2 PRACH message part.....	25
4.2.3 Void .....	25
4.2.4 Channel combining for UL CLTD and UL MIMO .....	25
4.3 Code generation and allocation .....	26
4.3.1 Channelisation codes .....	26
4.3.1.1 Code definition.....	26
4.3.1.2 Code allocation for dedicated physical channels.....	27
4.3.1.2.1 Code allocation for DPCCH/ S-DPCCH/DPDCH/DPCCH2 .....	27
4.3.1.2.2 Code allocation for HS-DPCCH when the UE is not configured in MIMO mode with four transmit antennas in any cell .....	28
4.3.1.2.2A Code allocation for HS-DPCCH when the UE is configured in MIMO mode with four transmit antennas in at least one cell .....	29
4.3.1.2.3 Code allocation for E-DPCCH/E-DPDCH .....	30
4.3.1.2.4 Code allocation for S-E-DPCCH/S-E-DPDCH .....	31
4.3.1.3 Code allocation for PRACH message part.....	31
4.3.1.4 Void.....	31
4.3.1.5 Void.....	31
4.3.2 Scrambling codes .....	31
4.3.2.1 General .....	31
4.3.2.2 Long scrambling sequence.....	32
4.3.2.3 Short scrambling sequence.....	33
4.3.2.4 Dedicated physical channels scrambling code .....	34
4.3.2.5 PRACH message part scrambling code.....	34
4.3.2.6 Void.....	35
4.3.2.7 Void.....	35
4.3.3 PRACH preamble codes .....	35
4.3.3.1 Preamble code construction .....	35
4.3.3.2 Preamble scrambling code .....	35
4.3.3.3 Preamble signature .....	35

4.3.4	Void .....	36
4.4	Modulation .....	36
4.4.1	Modulating chip rate .....	36
4.4.2	Modulation .....	36
5	Downlink spreading and modulation .....	37
5.1	Spreading .....	37
5.1.1	Modulation mapper .....	37
5.1.1.1	QPSK .....	37
5.1.1.2	16QAM .....	38
5.1.1.3	64QAM .....	38
5.1.2	Channelisation .....	39
5.1.3	IQ combining .....	39
5.1.4	Scrambling .....	39
5.1.5	Channel combining .....	39
5.2	Code generation and allocation .....	40
5.2.1	Channelisation codes .....	40
5.2.2	Scrambling code .....	41
5.2.3	Synchronisation codes .....	43
5.2.3.1	Code generation .....	43
5.2.3.2	Code allocation of SSC .....	43
5.3	Modulation .....	46
5.3.1	Modulating chip rate .....	46
5.3.2	Modulation .....	46
<b>Annex A (informative):</b>	<b>Generalised Hierarchical Golay Sequences .....</b>	<b>47</b>
A.1	Alternative generation .....	47
<b>Annex B (informative):</b>	<b>Uplink modulation for operation on adjacent frequencies .....</b>	<b>48</b>
<b>Annex B1 (informative):</b>	<b>Uplink modulation for UL CLTD .....</b>	<b>49</b>
<b>Annex B2 (informative):</b>	<b>Uplink modulation for operation on dual band frequencies .....</b>	<b>50</b>
<b>Annex C (informative):</b>	<b>Change history .....</b>	<b>51</b>
History .....		53

---

# Foreword

This Technical Specification (TS) has been produced by the 3<sup>rd</sup> Generation Partnership Project (3GPP).

The contents of the present document are subject to continuing work within the TSG and may change following formal TSG approval. Should the TSG modify the contents of the present document, it will be re-released by the TSG with an identifying change of release date and an increase in version number as follows:

Version x.y.z

where:

- x the first digit:
  - 1 presented to TSG for information;
  - 2 presented to TSG for approval;
  - 3 or greater indicates TSG approved document under change control.
- y the second digit is incremented for all changes of substance, i.e. technical enhancements, corrections, updates, etc.
- z the third digit is incremented when editorial only changes have been incorporated in the document.

---

# 1 Scope

The present document describes spreading and modulation for UTRA Physical Layer FDD mode.

---

# 2 References

The following documents contain provisions which, through reference in this text, constitute provisions of the present document.

- References are either specific (identified by date of publication, edition number, version number, etc.) or non-specific.
- For a specific reference, subsequent revisions do not apply.
- For a non-specific reference, the latest version applies. In the case of a reference to a 3GPP document (including a GSM document), a non-specific reference implicitly refers to the latest version of that document *in the same Release as the present document*.

- [1] 3GPP TS 25.201: "Physical layer - general description".
  - [2] 3GPP TS 25.211: "Physical channels and mapping of transport channels onto physical channels (FDD)."
  - [3] 3GPP TS 25.101: "UE Radio transmission and Reception (FDD)".
  - [4] 3GPP TS 25.104: "UTRA (BS) FDD; Radio transmission and Reception".
  - [5] 3GPP TS 25.308: "UTRA High Speed Downlink Packet Access (HSDPA); Overall description".
  - [6] 3GPP TS 25.214: "Physical layer procedures (FDD)".
  - [7] 3GPP TS 25.212: "Multiplexing and channel coding (FDD)".
- 

# 3 Symbols, abbreviations and definitions

## 3.1 Symbols

For the purposes of the present document, the following symbols apply:

$C_{ch,SF,n}$ :	$n$ :th channelisation code with spreading factor SF
$C_{pre,n,s}$ :	PRACH preamble code for $n$ :th preamble scrambling code and signature $s$
$C_{sig,s}$ :	PRACH signature code for signature $s$
$S_{dpch,n}$ :	$n$ :th DPCCH/DPDCH uplink scrambling code
$S_{r-pre,n}$ :	$n$ :th PRACH preamble scrambling code
$S_{r-msg,n}$ :	$n$ :th PRACH message scrambling code
$S_{dl,n}$ :	DL scrambling code
$C_{psc}$ :	PSC code
$C_{ssc,n}$ :	$n$ :th SSC code

## 3.2 Abbreviations

For the purposes of the present document, the following abbreviations apply:

16QAM	16 Quadrature Amplitude Modulation
4PAM	4 Pulse Amplitude Modulation
64QAM	64 Quadrature Amplitude Modulation
8PAM	8 Pulse Amplitude Modulation

AICH	Acquisition Indicator Channel
BCH	Broadcast Channel
CCPCH	Common Control Physical Channel
CLTD	Closed Loop Transmit Diversity
CPICH	Common Pilot Channel
DCH	Dedicated Channel
DPCH	Dedicated Physical Channel
DPCCH	Dedicated Physical Control Channel
DPCCH2	Dedicated Physical Control Channel 2
DPDCH	Dedicated Physical Data Channel
E-AGCH	E-DCH Absolute Grant Channel
E-DPCCH	E-DCH Dedicated Physical Control Channel
E-DPDCH	E-DCH Dedicated Physical Data Channel
E-HICH	E-DCH Hybrid ARQ Indicator Channel
E-RGCH	E-DCH Relative Grant Channel
E-ROCH	E-DCH Rank and Offset Channel
FDD	Frequency Division Duplex
F-DPCH	Fractional Dedicated Physical Channel
F-TPICH	Fractional Transmitted Precoding Indicator Channel
HS-DPCCH	Dedicated Physical Control Channel (uplink) for HS-DSCH
HS-DPCCH <sub>2</sub>	Secondary Dedicated Physical Control Channel (uplink) for HS-DSCH, when Secondary_Cell_Enabled is greater than 3
HS-DSCH	High Speed Downlink Shared Channel
HS-PDSCH	High Speed Physical Downlink Shared Channel
HS-SCCH	Shared Control Physical Channel for HS-DSCH
MBSFN	MBMS over a Single Frequency Network
Mcps	Mega Chip Per Second
MICH	MBMS Indication Channel
OVSF	Orthogonal Variable Spreading Factor (codes)
TPI	Transmitted Precoding Indicator
PICH	Page Indication Channel
PRACH	Physical Random Access Channel
PSC	Primary Synchronisation Code
RACH	Random Access Channel
SCH	Synchronisation Channel
S-DPCCH	Secondary Dedicated Physical Control Channel
S-E-DPCCH	Secondary Dedicated Physical Control Channel for E-DCH
S-E-DPDCH	Secondary Dedicated Physical Data Channel for E-DCH
SSC	Secondary Synchronisation Code
SF	Spreading Factor
UE	User Equipment

### 3.3 Definitions

**Activated uplink frequency:** For a specific UE, an uplink frequency is said to be activated if the UE is allowed to transmit on that frequency. The primary uplink frequency is always activated when configured while a secondary uplink frequency has to be activated by means of an HS-SCCH order in order to become activated. Similarly, for a specific UE, an uplink frequency is said to be deactivated if it is configured but disallowed by the NodeB to transmit on that frequency.

**Configured uplink frequency:** For a specific UE, an uplink frequency is said to be configured if the UE has received all relevant information from higher layers in order to perform transmission on that frequency.

**Primary uplink frequency:** If a single uplink frequency is configured for the UE, then it is the primary uplink frequency. In case more than one uplink frequency is configured for the UE, then the primary uplink frequency is the frequency on which the E-DCH corresponding to the serving E-DCH cell associated with the serving HS-DSCH cell is transmitted. The association between a pair of uplink and downlink frequencies is indicated by higher layers.

**Secondary uplink frequency:** A secondary uplink frequency is a frequency on which an E-DCH corresponding to a serving E-DCH cell associated with a secondary serving HS-DSCH cell is transmitted. The association between a pair of uplink and downlink frequencies is indicated by higher layers.



## 4 Uplink spreading and modulation

### 4.1 Overview

Spreading is applied to the physical channels. It consists of two operations. The first is the channelisation operation, which transforms every data symbol into a number of chips, thus increasing the bandwidth of the signal. The number of chips per data symbol is called the Spreading Factor (SF). The second operation is the scrambling operation, where a scrambling code is applied to the spread signal.

With the channelisation, data symbols on so-called I- and Q-branches are independently multiplied with an OVSF code. With the scrambling operation, the resultant signals on the I- and Q-branches are further multiplied by complex-valued scrambling code, where I and Q denote real and imaginary parts, respectively.

### 4.2 Spreading

#### 4.2.1 Dedicated physical channels

The possible combinations of the maximum number of respective dedicated physical channels which may be configured simultaneously for a UE in addition to the DPCCCH are specified in table 0. The actual UE capability may be lower than the values specified in table 0; the actual dedicated physical channel configuration is indicated by higher layer signalling. The actual number of configured DPDCHs, denoted  $N_{\text{max-dpdch}}$ , is equal to the largest number of DPDCHs from all the TFCs in the TFCS.  $N_{\text{max-dpdch}}$  is not changed by frame-by-frame TFCI change or temporary TFC restrictions.

**Table 0: Maximum number of simultaneously-configured uplink dedicated channels**

	DPDCH	HS-DPCCH	E-DPDCH	E-DPCCH	S-E-DPDCH	S-E-DPCCH
Case 1	6	1	-	-	-	-
Case 2	1	1	2	1	-	-
Case 3	-	1 on the primary uplink frequency, 0 on any secondary uplink frequency	4 per uplink frequency	1 per uplink frequency	-	-
Case 4	1	2	2	1	-	-
Case 5	-	2 on the primary uplink frequency, 0 on any secondary uplink frequency	4 per uplink frequency	1 per uplink frequency	-	-
Case 6	-	2	4	1	4	1
Case X	1 on the primary uplink frequency	2 on the primary uplink frequency, 0 on any secondary uplink frequency	2 on the primary uplink frequency, 4 on the secondary uplink frequency	1 per uplink frequency	-	-

Figure 1 illustrates the principle of the spreading of uplink dedicated physical channels (DPCCH, DPDCHs, HS-DPCCH, DPCCH2, E-DPCCH, E-DPDCHs, S-E-DPCCH). Figure 1.1 illustrates the principle of the spreading of uplink S-DPCCH and S-E-DPDCHs.

In case of BPSK modulation , the binary input sequences of all physical channels are converted to real valued sequences, i.e. the binary value "0" is mapped to the real value +1, the binary value "1" is mapped to the real value -1, and the value "DTX" (HS-DPCCH only) is mapped to the real value 0.

In case of 4PAM modulation, the binary input sequences of all E-DPDCH and S-E-DPDCH physical channels are converted to real valued sequences, i.e. a set of two consecutive binary symbols  $n_k, n_{k+1}$  (with  $k \bmod 2 = 0$ ) in each binary sequence is converted to a real valued sequence following the mapping described in Table 0A.

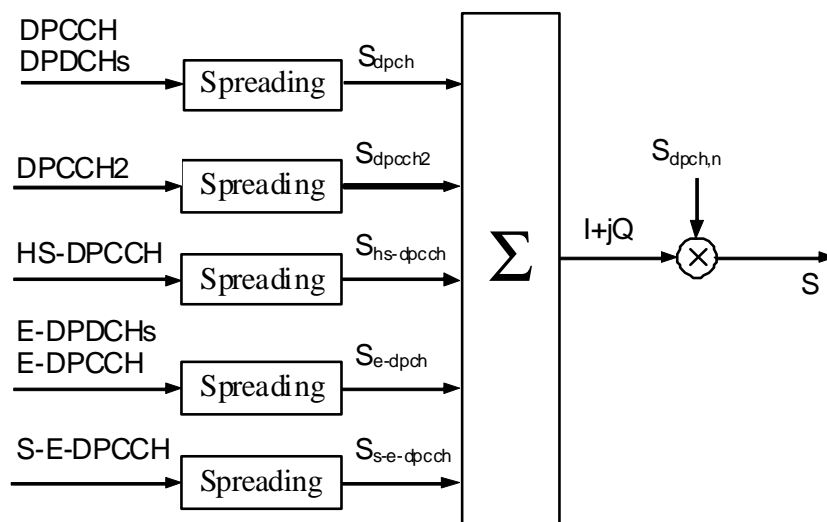
In case of 8PAM modulation, the binary input sequences of all E-DPDCH and S-E-DPDCH physical channels are converted to real valued sequences, i.e. a set of three consecutive binary symbols  $n_k, n_{k+1}, n_{k+2}$  (with  $k \bmod 3 = 0$ ) in each binary sequence is converted to a real valued sequence following the mapping described in Table 0B.

**Table 0A: Mapping of E-DPDCH and S-E-DPDCH with 4PAM modulation**

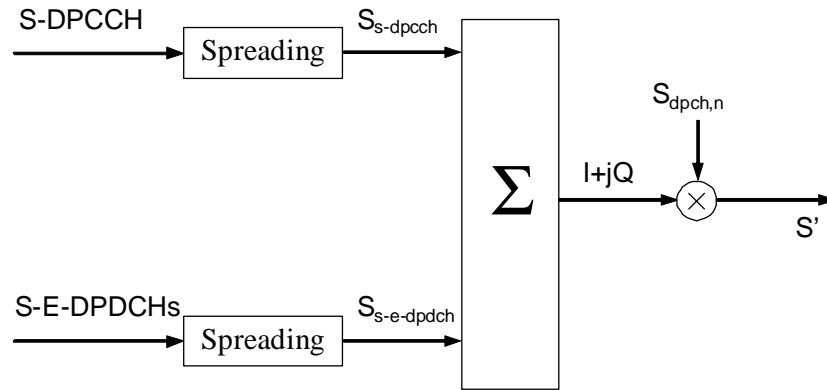
$n_k, n_{k+1}$	Mapped real value
00	0.4472
01	1.3416
10	-0.4472
11	-1.3416

**Table 0B: Mapping of E-DPDCH and S-E-DPDCH with 8PAM modulation**

$n_k, n_{k+1}, n_{k+2}$	Mapped real value
000	0.6547
001	0.2182
010	1.0911
011	1.5275
100	-0.6547
101	-0.2182
110	-1.0911
111	-1.5275



**Figure 1: Spreading for uplink dedicated channels**



**Figure 1.1: Spreading for uplink S-DPCCH and S-E-DPDCHs**

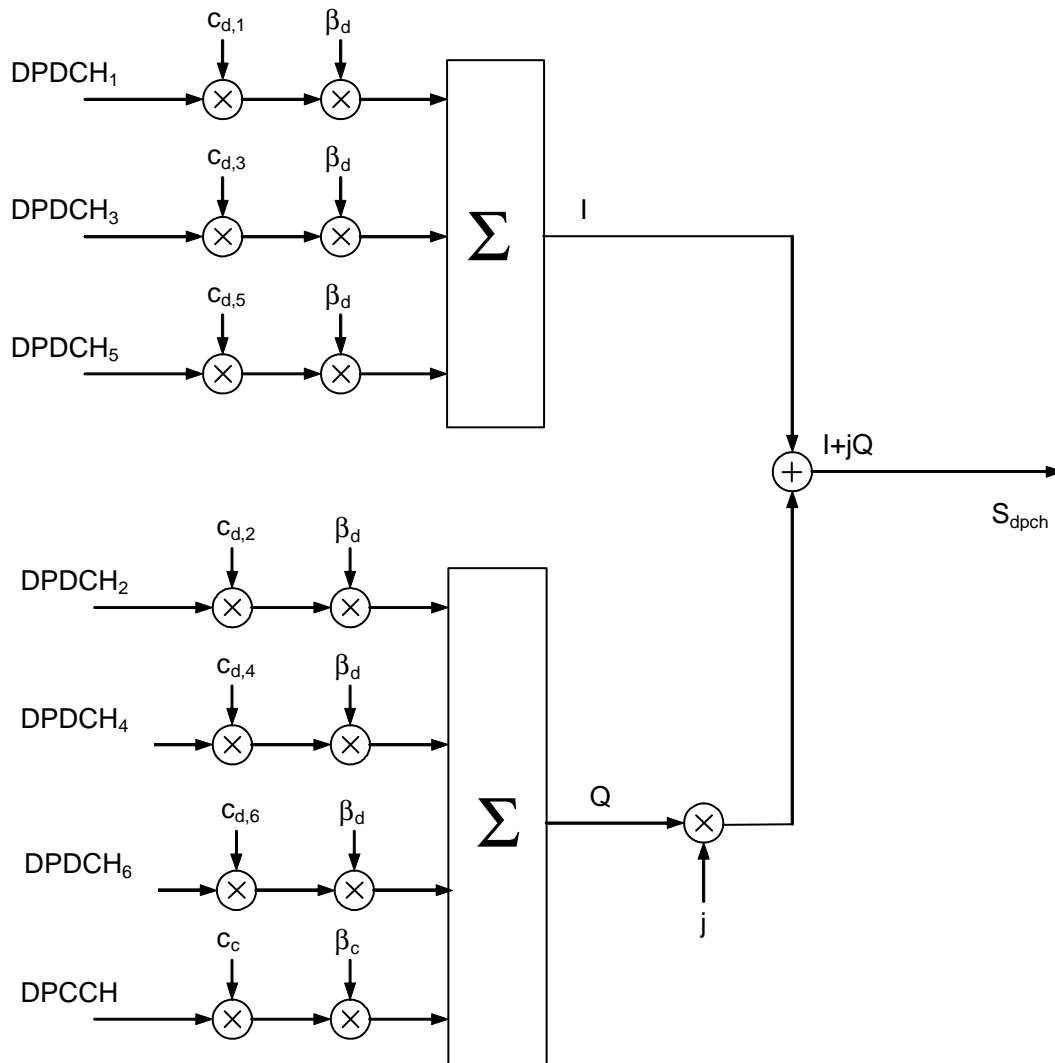
The spreading operation is specified in subclauses 4.2.1.1 to 4.2.1.4 for each of the dedicated physical channels; it includes a spreading stage, a weighting stage, and an IQ mapping stage. In the process, the streams of real-valued chips on the I and Q branches are summed; this results in a complex-valued stream of chips for each set of channels.

As described in figure 1, the resulting complex-valued streams  $S_{dpch}$ ,  $S_{dpch2}$ ,  $S_{hs-dpcch}$ ,  $S_{e-dpch}$  and  $S_{s-e-dpcch}$  are summed into a single complex-valued stream which is then scrambled by the complex-valued scrambling code  $S_{dpch,n}$  resulting in the complex-valued signal  $S$ . As described in Figure 1.1, the resulting complex-valued streams  $S_{s-dpcch}$  and  $S_{s-e-dpdch}$  are summed into a single complex-valued stream which is scrambled by the same complex-valued scrambling code  $S_{dpch,n}$  resulting in the complex-valued signal  $S'$ . The scrambling code shall be applied aligned with the radio frames, i.e. the first scrambling chip corresponds to the beginning of a radio frame.

**NOTE:** Although subclause 4.2.1 has been reorganized in this release, the spreading operation for the DPCCH, DPDCH remains unchanged as compared to the previous release.

#### 4.2.1.1 DPCCH/DPDCH

Figure 1a illustrates the spreading operation for the uplink DPCCH and DPDCHs.



**Figure 1A: Spreading for uplink DPCCH/DPDCHs**

The DPCCH is spread to the chip rate by the channelisation code  $c_c$ . The  $n$ :th DPDCH called DPDCH <sub>$n$</sub>  is spread to the chip rate by the channelisation code  $c_{d,n}$ .

After channelisation, the real-valued spread signals are weighted by gain factors,  $\beta_c$  for DPCCH,  $\beta_d$  for all DPDCHs.

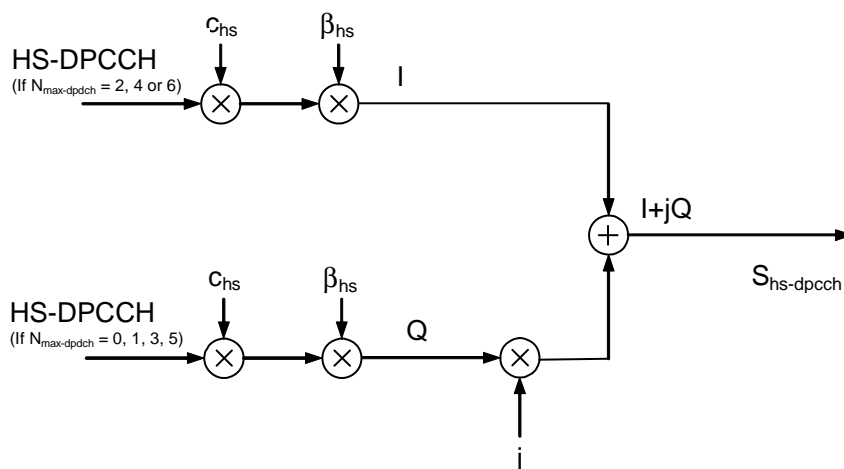
The  $\beta_c$  and  $\beta_d$  values are signalled by higher layers or derived as described in [6] 5.1.2.5 and 5.1.2.5C. At every instant in time, at least one of the values  $\beta_c$  and  $\beta_d$  has the amplitude 1.0. The  $\beta_c$  and  $\beta_d$  values are quantized into 4 bit words. The quantization steps are given in table 1.

**Table 1: The quantization of the gain parameters**

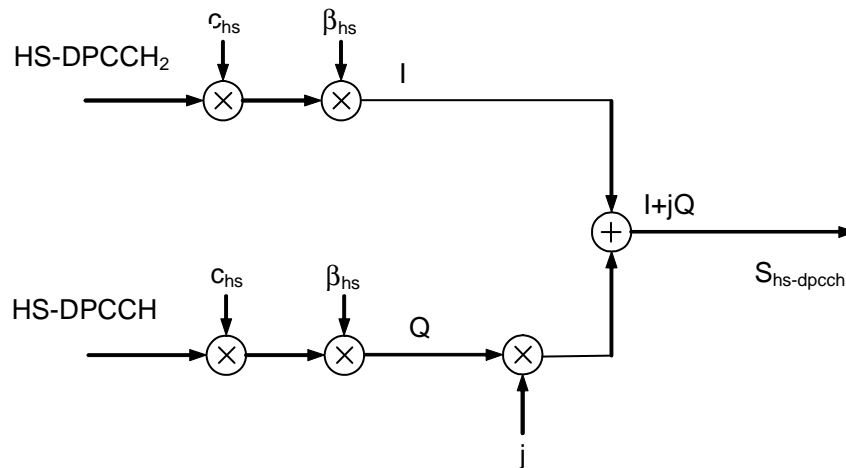
Signalled values for $\beta_c$ and $\beta_d$	Quantized amplitude ratios $\beta_c$ and $\beta_d$
15	1.0
14	14/15
13	13/15
12	12/15
11	11/15
10	10/15
9	9/15
8	8/15
7	7/15
6	6/15
5	5/15
4	4/15
3	3/15
2	2/15
1	1/15
0	Switch off

**4.2.1.2 HS-DPCCH**

Figure 1B illustrates the spreading operation for the HS-DPCCH when `Secondary_Cell_Enabled` is less than 4 in case the UE is not configured in MIMO mode with four transmit antennas in any cell, or less than 2 in case the UE is configured in MIMO mode with four transmit antennas in at least one cell. Figure 1B.1 illustrates the spreading operation for the HS-DPCCHs when `Secondary_Cell_Enabled` is greater than 3 in case the UE is not configured in MIMO mode with four transmit antennas in any cell, or greater than 1 in case the UE is configured in MIMO mode with four transmit antennas in at least one cell..



**Figure 1B: Spreading for uplink HS-DPCCH when `Secondary_Cell_Enabled` is less than 4 in case the UE is not configured in MIMO mode with four transmit antennas in any cell, or less than 2 in case the UE is configured in MIMO mode with four transmit antennas in at least one cell**



**Figure 1B.1: Spreading for uplink HS-DPCCHs when Secondary\_Cell\_Enabled is greater than 3 in case the UE is not configured in MIMO mode with four transmit antennas in any cell, or greater than 1 in case the UE is configured in MIMO mode with four transmit antennas in at least one cell**

Each HS-DPCCH shall be spread to the chip rate by the channelisation code  $c_{hs}$ .

After channelisation, the real-valued spread signals are weighted by gain factor  $\beta_{hs}$

The  $\beta_{hs}$  values are derived from the quantized amplitude ratios  $A_{hs}$  which are translated from  $\Delta_{ACK}$ ,  $\Delta_{NACK}$  and  $\Delta_{CQI}$  signalled by higher layers as described in [6] 5.1.2.5A.

The translation of  $\Delta_{ACK}$ ,  $\Delta_{NACK}$  and  $\Delta_{CQI}$  into quantized amplitude ratios  $A_{hs} = \beta_{hs}/\beta_c$  in the case that DPCCH2 is not configured, and  $A_{hs} = \beta_{hs}/\beta_{c2}$  in the case that DPCCH2 is configured is shown in Table 1A.

**Table 1A: The quantization of the power offset**

Signalled values for $\Delta_{ACK}$ , $\Delta_{NACK}$ and $\Delta_{CQI}$	Quantized amplitude ratios $A_{hs} = \beta_{hs}/\beta_c$ or $\beta_{hs}/\beta_{c2}$
12	76/15
11	60/15
10	48/15
9	38/15
8	30/15
7	24/15
6	19/15
5	15/15
4	12/15
3	9/15
2	8/15
1	6/15
0	5/15

If Secondary\_Cell\_Enabled is less than 4 in case the UE is not configured in MIMO mode with four transmit antennas in any cell, or less than 2 in case the UE is configured in MIMO mode with four transmit antennas in at least one cell, HS-DPCCH shall be mapped to the I branch in case  $N_{max-dpdch}$  is 2, 4 or 6, and to the Q branch otherwise ( $N_{max-dpdch} = 0, 1, 3$  or 5). If Secondary\_Cell\_Enabled is greater than 3 in case the UE is not configured in MIMO mode with four transmit antennas in any cell, or greater than 1 in case the UE is configured in MIMO mode with four transmit antennas in at least one cell, HS-DPCCH shall be mapped to the Q branch and HS-DPCCH<sub>2</sub> shall be mapped to the I branch.

#### 4.2.1.3 E-DPDCH/E-DPCCH

Figure 1C illustrates the spreading operation for the E-DPDCHs and the E-DPCCH.

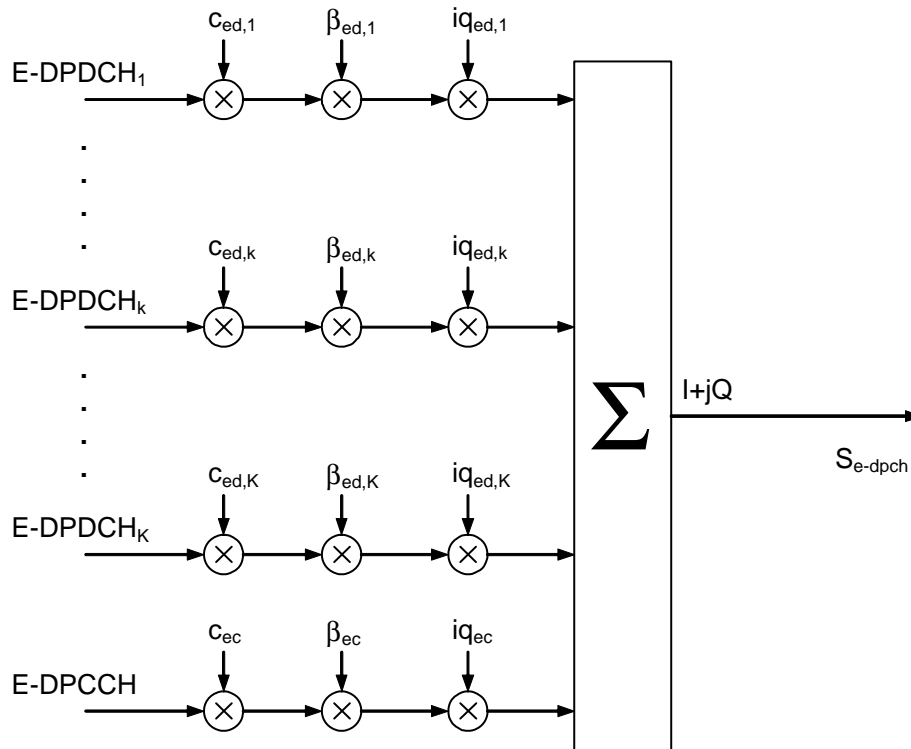


Figure 1C: Spreading for E-DPDCH/E-DPCCH

The E-DPCCH shall be spread to the chip rate by the channelisation code  $c_{ec}$ . The  $k$ :th E-DPDCH, denominated E-DPDCH $_k$ , shall be spread to the chip rate using channelisation code  $c_{ed,k}$ .

After channelisation, the real-valued spread E-DPCCH and E-DPDCH $_k$  signals shall respectively be weighted by gain factor  $\beta_{ec}$  and  $\beta_{ed,k}$ .

$E-TFCI_{ec,boost}$  may be signalled by higher layers. If  $E-TFCI_{ec,boost}$  is not signalled by higher layers a default value 127 shall be used. When UL\_MIMO\_Enabled is TRUE the UE shall assume  $E-TFCI_{ec,boost} = -1$  for rank-2 transmissions.

When  $E-TFCI \leq E-TFCI_{ec,boost}$  the value of  $\beta_{ec}$  shall be derived as specified in [6] based on the quantized amplitude ratio  $A_{ec}$  which is translated from  $\Delta_{E-DPCCH}$  signalled by higher layers. The translation of  $\Delta_{E-DPCCH}$  into quantized amplitude ratios  $A_{ec} = \beta_{ec}/\beta_c$  is specified in Table 1B.

Table 1B: Quantization for  $\Delta_{E-DPCCH}$  for  $E-TFCI \leq E-TFCI_{ec,boost}$

Signalled values for $\Delta_{E-DPCCH}$	Quantized amplitude ratios $A_{ec} = \beta_{ec}/\beta_c$
15	151/15
14	120/15
13	95/15
12	76/15
11	60/15
10	48/15
9	38/15
8	30/15
7	24/15
6	19/15
5	15/15
4	12/15
3	9/15
2	8/15
1	6/15
0	5/15

When  $E\text{-TFCI} > E\text{-TFCI}_{ec,boost}$ , in order to provide an enhanced phase reference, the value of  $\beta_{ec}$  shall be derived as specified in [6] based on a traffic to total pilot power offset  $\Delta_{T2TP}$ , configured by higher layers as specified in Table 1B.0 and the quantization of the ratio  $\beta_{ec}/\beta_c$  as specified in Table 1B.0A.

**Table 1B.0:  $\Delta_{T2TP}$** 

Signalled values for $\Delta_{T2TP}$	Power offset values $\Delta_{T2TP}$ [dB]
6	16
5	15
4	14
3	13
2	12
1	11
0	10

**Table 1B.0A: Quantization for  $\beta_{ed}/\beta_c$  for  $E\text{-TFCI} > E\text{-TFCI}_{ec,boost}$** 

Quantized amplitude ratios $\beta_{ed}/\beta_c$	E-DPDCH modulation schemes which may be used in the same subframe
239/15	4PAM, 8PAM
190/15	4PAM, 8PAM
151/15	4PAM, 8PAM
120/15	BPSK, 4PAM, 8PAM
95/15	BPSK, 4PAM, 8PAM
76/15	BPSK, 4PAM, 8PAM
60/15	BPSK, 4PAM, 8PAM
48/15	BPSK, 4PAM, 8PAM
38/15	BPSK, 4PAM, 8PAM
30/15	BPSK, 4PAM, 8PAM
24/15	BPSK, 4PAM, 8PAM
19/15	BPSK, 4PAM, 8PAM
15/15	BPSK, 4PAM, 8PAM
12/15	BPSK, 4PAM, 8PAM
9/15	BPSK
8/15	BPSK, 4PAM, 8PAM
6/15	BPSK, 4PAM, 8PAM
5/15	BPSK

The value of  $\beta_{ed,k}$  shall be computed as specified in [6] subclause 5.1.2.5B.2, based on the reference gain factors, the spreading factor for E-DPDCH<sub>k</sub>, the HARQ offsets, and the quantization of the ratio  $\beta_{ed,k}/\beta_c$  into amplitude ratios specified in Table 1B.2 for the case when  $E\text{-TFCI} \leq E\text{-TFCI}_{ec,boost}$  and Table 1.B.2B, for the case when  $E\text{-TFCI} > E\text{-TFCI}_{ec,boost}$ .

The reference gain factors are derived from the quantised amplitude ratios  $A_{ed}$  which is translated from  $\Delta_{E\text{-DPDCH}}$  signalled by higher layers. The translation of  $\Delta_{E\text{-DPDCH}}$  into quantized amplitude ratios  $A_{ed} = \beta_{ed}/\beta_c$  is specified in Table 1B.1 for the case when  $E\text{-TFCI} \leq E\text{-TFCI}_{ec,boost}$  and Table 1.B.2A for the case when  $E\text{-TFCI} > E\text{-TFCI}_{ec,boost}$ .

When the UE is configured in MIMO mode and transmitting two transport blocks, one with a set of E-DPDCHs and another with a set of S-E-DPDCHs, the amplitude ratios  $A_{ed}$  for the primary stream are modified to take the inter-stream interference into account. Note that the amplitude ratios for the secondary stream are not modified. The amplitude ratios  $A_{ed}$  for the primary stream are then given by

$$A_{ed} = A_{ed, ISI} \times A_{ISI}$$

$A_{ed, ISI}$  is translated from  $\Delta_{E\text{-DPDCH}}$  signalled by higher layers. The translation of  $\Delta_{E\text{-DPDCH}}$  into quantized amplitude ratios  $A_{ed, ISI}$  is specified in Table 1B.2A.  $A_{ISI}$  is an inter-stream interference compensation factor that is translated from  $\Delta_{ISI}$  signalled by higher layers according to Table 1B.0B. Note that this procedure does not affect the power used for the



transmission of the primary stream E-TFC, but rather lowers the size of the primary stream transport block in order to compensate for the inter-stream interference.

**Table 1B.0B: Quantization of  $\Delta_{ISI}$**

<b>Signalled values for <math>\Delta_{ISI}</math></b>	<b>Quantized amplitude ratios <math>A_{ISI}</math></b>
15	30/15
14	29/15
13	28/15
12	27/15
11	26/15
10	25/15
9	24/15
8	23/15
7	22/15
6	21/15
5	20/15
4	19/15
3	18/15
2	17/15
1	16/15
0	15/15

Table 1B.1: Quantization for  $\Delta_{E\text{-DPDCH}}$  for  $E\text{-TFCI} \leq E\text{-TFCI}_{ec,boost}$ 

Signalled values for $\Delta_{E\text{-DPDCH}}$	Quantized amplitude ratios $A_{ed} = \beta_{ed}/\beta_c$	E-DPDCH modulation schemes which may be used in the same subframe
29	168/15	BPSK
28	150/15	BPSK
27	134/15	BPSK
26	119/15	BPSK
25	106/15	BPSK
24	95/15	BPSK
23	84/15	BPSK
22	75/15	BPSK
21	67/15	BPSK
20	60/15	BPSK
19	53/15	BPSK, 4PAM
18	47/15	BPSK, 4PAM
17	42/15	BPSK, 4PAM
16	38/15	BPSK, 4PAM
15	34/15	BPSK, 4PAM
14	30/15	BPSK, 4PAM
13	27/15	BPSK, 4PAM
12	24/15	BPSK, 4PAM
11	21/15	BPSK, 4PAM
10	19/15	BPSK, 4PAM
9	17/15	BPSK
8	15/15	BPSK
7	13/15	BPSK
6	12/15	BPSK
5	11/15	BPSK
4	9/15	BPSK
3	8/15	BPSK
2	7/15	BPSK
1	6/15	BPSK
0	5/15	BPSK

Table 1B.2: Quantization for  $\beta_{ed,k}\beta_c$  for  $E\text{-TFCI} \leq E\text{-TFCI}_{ec,boost}$ 

Quantized amplitude ratios $\beta_{ed,k}\beta_c$	E-DPDCH modulation schemes which may be used in the same subframe
168/15	BPSK
150/15	BPSK
134/15	BPSK
119/15	BPSK
106/15	BPSK
95/15	BPSK
84/15	BPSK
75/15	BPSK
67/15	BPSK
60/15	BPSK
53/15	BPSK, 4PAM
47/15	BPSK, 4PAM
42/15	BPSK, 4PAM
38/15	BPSK, 4PAM
34/15	BPSK, 4PAM
30/15	BPSK, 4PAM
27/15	BPSK, 4PAM
24/15	BPSK, 4PAM
21/15	BPSK, 4PAM
19/15	BPSK, 4PAM
17/15	BPSK
15/15	BPSK
13/15	BPSK
12/15	BPSK
11/15	BPSK
9/15	BPSK
8/15	BPSK
7/15	BPSK
6/15	BPSK
5/15	BPSK

**Table 1B.2A: Quantization for  $\Delta_{E-DPDCH}$  for  $E-TFCI > E-TFCI_{ec,boost}$**

Signalled values for $\Delta_{E-DPDCH}$	Quantized amplitude ratios $A_{ed} = \beta_{ed}/\beta_c$	E-DPDCH modulation schemes which may be used in the same subframe
31	377/15	4PAM, 8PAM (applicable only for SF2 code in a 2xSF2+2xSF4 configuration)
30	336/15	4PAM, 8PAM (applicable only for SF2 code in a 2xSF2+2xSF4 configuration)
29	299/15	4PAM, 8PAM
28	267/15	BPSK (applicable only for SF2 code in a 2xSF2+2xSF4 configuration), 4PAM, 8PAM
27	237/15	BPSK (applicable only for SF2 code in a 2xSF2+2xSF4 configuration), 4PAM, 8PAM
26	212/15	BPSK, 4PAM, 8PAM
25	189/15	BPSK, 4PAM, 8PAM
24	168/15	BPSK, 4PAM, 8PAM
23	150/15	BPSK, 4PAM, 8PAM
22	134/15	BPSK, 4PAM, 8PAM
21	119/15	BPSK, 4PAM, 8PAM
20	106/15	BPSK, 4PAM, 8PAM
19	95/15	BPSK, 4PAM, 8PAM
18	84/15	BPSK, 4PAM, 8PAM
17	75/15	BPSK, 4PAM, 8PAM
16	67/15	BPSK, 4PAM, 8PAM
15	60/15	BPSK, 4PAM, 8PAM
14	53/15	BPSK, 4PAM, 8PAM
13	47/15	BPSK, 4PAM, 8PAM
12	42/15	BPSK, 4PAM, 8PAM
11	38/15	BPSK
10	34/15	BPSK
9	30/15	BPSK
8	27/15	BPSK
7	24/15	BPSK
6	21/15	BPSK
5	19/15	BPSK
4	17/15	BPSK
3	15/15	BPSK
2	13/15	BPSK
1	11/15	BPSK
0	8/15	BPSK

**Table 1B.2B: Quantization for  $\beta_{ed,k}\beta_c$  for E-TFCI >  $E-TFCI_{ec,boost}$** 

Quantized amplitude ratios $\beta_{ed,k}\beta_c$	E-DPDCH modulation schemes which may be used in the same subframe
377/15	4PAM, 8PAM (applicable only for SF2 code in a 2xSF2+2xSF4 configuration)
336/15	4PAM, 8PAM (applicable only for SF2 code in a 2xSF2+2xSF4 configuration)
299/15	4PAM, 8PAM
267/15	BPSK (applicable only for SF2 code in a 2xSF2+2xSF4 configuration), 4PAM, 8PAM
237/15	BPSK (applicable only for SF2 code in a 2xSF2+2xSF4 configuration), 4PAM, 8PAM
212/15	BPSK, 4PAM, 8PAM
189/15	BPSK, 4PAM, 8PAM
168/15	BPSK, 4PAM, 8PAM
150/15	BPSK, 4PAM, 8PAM
134/15	BPSK, 4PAM, 8PAM
119/15	BPSK, 4PAM, 8PAM
106/15	BPSK, 4PAM, 8PAM
95/15	BPSK, 4PAM, 8PAM
84/15	BPSK, 4PAM, 8PAM
75/15	BPSK, 4PAM, 8PAM
67/15	BPSK, 4PAM, 8PAM
60/15	BPSK, 4PAM, 8PAM
53/15	BPSK, 4PAM, 8PAM
47/15	BPSK, 4PAM, 8PAM
42/15	BPSK, 4PAM, 8PAM
38/15	BPSK
34/15	BPSK
30/15	BPSK
27/15	BPSK
24/15	BPSK
21/15	BPSK
19/15	BPSK
17/15	BPSK
15/15	BPSK
13/15	BPSK
11/15	BPSK
8/15	BPSK

The HARQ offsets  $\Delta_{harq}$  to be used for support of different HARQ profile are configured by higher layers as specified in Table 1B.3.

**Table 1B.3: HARQ offset  $\Delta_{harq}$** 

Signalled values for $\Delta_{harq}$	Power offset values $\Delta_{harq}$ [dB]
6	6
5	5
4	4
3	3
2	2
1	1
0	0

After weighting, the real-valued spread signals shall be mapped to the I branch or the Q branch according to the  $i_{q_{ec}}$  value for the E-DPCCH and to  $i_{q_{ed,k}}$  for E-DPDCH<sub>k</sub> and summed together.

The E-DPCCH shall always be mapped to the I branch, i.e.  $i_{ec} = 1$ .

The IQ branch mapping for the E-DPDCHs depends on  $N_{\max\text{-dpdch}}$  and on whether an HS-DSCH is configured for the UE; the IQ branch mapping shall be as specified in table 1C.

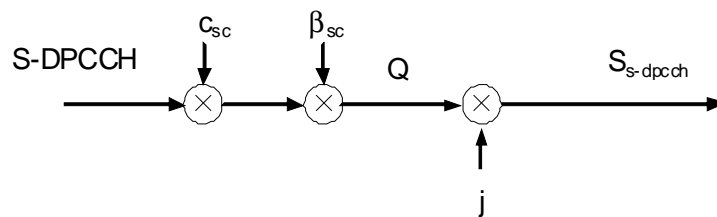
**Table 1C: IQ branch mapping for E-DPDCH**

$N_{\max\text{-dpdch}}$	HS-DSCH configured	E-DPDCH <sub>k</sub>	$i_{ed,k}$
0	No/Yes	E-DPDCH <sub>1</sub>	1
		E-DPDCH <sub>2</sub>	j
		E-DPDCH <sub>3</sub>	1
		E-DPDCH <sub>4</sub>	j
1	No	E-DPDCH <sub>1</sub>	j
		E-DPDCH <sub>2</sub>	1
1	Yes	E-DPDCH <sub>1</sub>	1
		E-DPDCH <sub>2</sub>	j

NOTE: In case the UE transmits more than 2 E-DPDCHs, the UE then always transmits E-DPDCH<sub>3</sub> and E-DPDCH<sub>4</sub> simultaneously.

#### 4.2.1.4 S-DPCCH

Figure 1D illustrates the spreading operation for the uplink S-DPCCH.



**Figure 1D: Spreading for uplink S-DPCCH**

The S-DPCCH is spread to the chip rate by the channelisation code  $c_{sc}$ .

After channelisation, the real-valued spread signal is weighted by the gain factor  $\beta_{sc}$  for S-DPCCH.

##### 4.2.1.4.1 S-DPCCH gain factor setting while not transmitting rank-2

When no transmission on E-DCH is taking place, or when E-DCH transmission is taking place and  $E\text{-TFCI} \leq E\text{-TFCI}_{ec,boost}$  the  $\beta_{sc}$  shall be derived based on the quantized amplitude ratios  $A_{sc}$  which is translated from  $\Delta_{S\text{-DPCCH}}$  signalled by higher layers as described in [6] subclause 5.1.2.5D. The translation of  $\Delta_{S\text{-DPCCH}}$  into quantized amplitude ratios  $A_{sc} = \beta_{sc}/\beta_c$  is specified in Table 1C.1.

**Table 1C.1: The quantization for  $\Delta_{S-DPCCH}$  when no transmission on E-DCH is taking place, and when E-DCH transmission is taking place and  $E-TFCI \leq E-TFCI_{ec,boost}$**

Signalled values for $\Delta_{S-DPCCH}$	Quantized amplitude ratios $A_{sc}$
6	1.0
5	12/15
4	11/15
3	10/15
2	9/15
1	8/15
0	Switch off

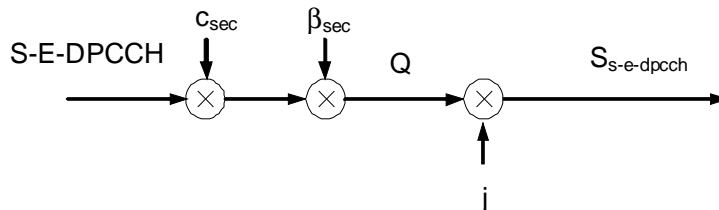
When  $E-TFCI > E-TFCI_{ec,boost}$ , in order to provide an enhanced phase reference, the value of  $\beta_{sc}$  shall be derived as specified in [6] based on the traffic to secondary pilot power offset  $\Delta_{T2SP}$ , configured by higher layers, and following the definition of  $\Delta_{T2TP}$  as specified in Table 1B.0 and the quantization of the ratio  $\beta_{sc}/\beta_c$  following the quantization of  $\beta_{ec}/\beta_c$  as specified in Table 1B.0A.

**4.2.1.4.2 S-DPCCH gain factor setting while transmitting rank-2**

When a set of S-E-DPCCHs are present in a TTI, the S-DPCCH gain factor  $\beta_{sc}$  is set equal to  $\beta_{ec}$  for that TTI as defined in sub-clause 4.2.1.3.

**4.2.1.5 S-E-DPCCH**

Figure 1E illustrates the spreading operation for the S-E-DPCCH.



**Figure 1E: Spreading for S-E-DPCCH**

The S-E-DPCCH shall be spread to the chip rate by the channelisation code  $c_{sec}$ .

After channelisation, the real-valued spread S-E-DPCCH shall be weighted by gain factor  $\beta_{sec}$ .

The  $\Delta_{S-E-DPCCH}$  value is signalled by higher layers and the gain factor  $\beta_{sec}$  shall be derived based on the quantized amplitude ratios. The translation of  $\Delta_{S-E-DPCCH}$  into quantized amplitude ratios  $\beta_{sec}/\beta_c$  is specified in Table 1C.2.

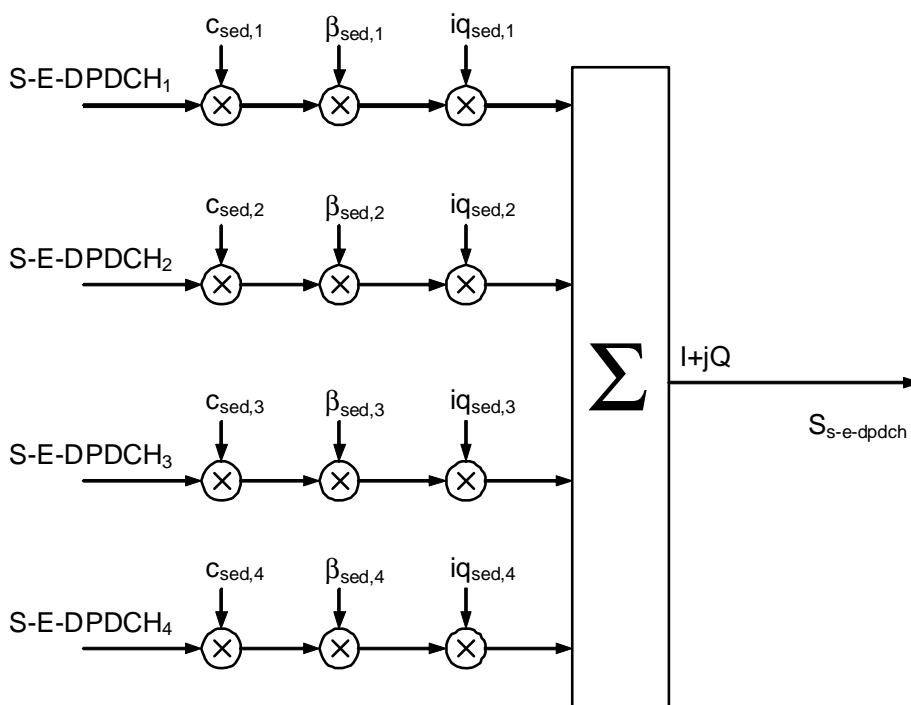
The S-E-DPCCH shall always be mapped to the Q branch.

**Table 1C.2: Quantization gain factors for S-E-DPCCH**

Signaled values for $\Delta_{S-E-DPCCH}$	Quantized amplitude ratios $\beta_{sed}/\beta_c$
17	239/15
16	190/15
15	151/15
14	120/15
13	95/15
12	76/15
11	60/15
10	48/15
9	38/15
8	30/15
7	24/15
6	19/15
5	15/15
4	12/15
3	9/15
2	8/15
1	6/15
0	5/15

4.2.1.6 S-E-DPDCH

Figure 1F illustrates the spreading operation for the S-E-DPDCHs.



**Figure 1F: Spreading for S-E-DPDCH**

The  $k$ :th S-E-DPDCH, denominated S-E-DPDCH $_k$ , shall be spread to the chip rate using channelisation code  $C_{sed,k}$ .



After channelisation, the real-valued spread S-E-DPDCH<sub>k</sub> signals shall respectively be weighted by gain factor  $\beta_{sed,k}$ . The value of  $\beta_{sed,k}$  for S-E-DPDCH<sub>k</sub> shall follow that of the corresponding  $\beta_{ed,k}$  for E-DPDCH<sub>k</sub> transmitted in the same TTI as defined in table 1C.3.

**Table 1C.3: Gain factor setting for S-E-DPDCHs**

S-E-DPDCH <sub>k</sub>	Quantized amplitude ratios $\beta_{sed,k}/\beta_c$
S-E-DPDCH <sub>1</sub>	$\beta_{sed,1}/\beta_c = \beta_{ed,1}/\beta_c$
S-E-DPDCH <sub>2</sub>	$\beta_{sed,2}/\beta_c = \beta_{ed,2}/\beta_c$
S-E-DPDCH <sub>3</sub>	$\beta_{sed,3}/\beta_c = \beta_{ed,3}/\beta_c$
S-E-DPDCH <sub>4</sub>	$\beta_{sed,4}/\beta_c = \beta_{ed,4}/\beta_c$

NOTE: Either no S-E-DPDCHs are transmitted, or all four S-E-DPDCHs are transmitted together and simultaneously with four E-DPDCHs.

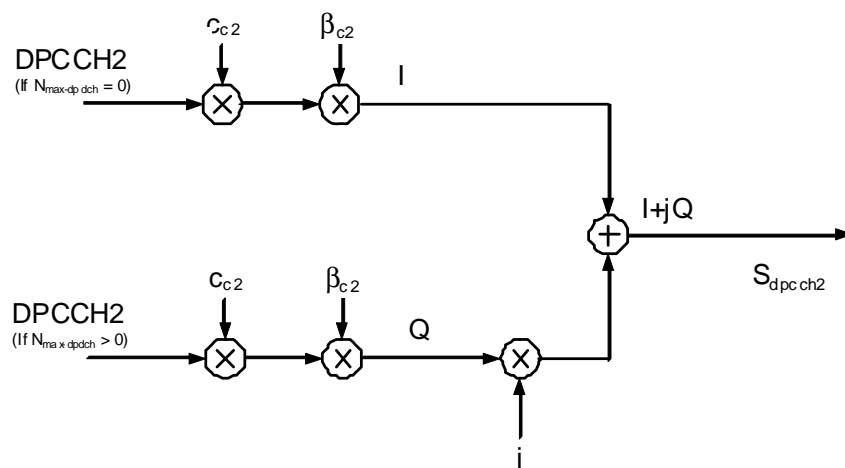
After weighting, the real-valued spread signals shall be mapped to the I branch or the Q branch according to the  $iq_{sed,k}$  for S-E-DPDCH<sub>k</sub> and summed together. The IQ branch mapping for the S-E-DPDCHs shall be as specified in table 1C.4.

**Table 1C.4: IQ branch mapping for S-E-DPDCHs**

S-E-DPDCH <sub>k</sub>	$iq_{sed,k}$
S-E-DPDCH <sub>1</sub>	1
S-E-DPDCH <sub>2</sub>	j
S-E-DPDCH <sub>3</sub>	1
S-E-DPDCH <sub>4</sub>	j

### 4.2.1.7 DPCCH2

Figure 1G illustrates the spreading operation for the uplink DPCCH2.



**Figure 1G: Spreading for uplink DPCCH2**

The DPCCH2 is spread to the chip rate by the channelisation code  $c_{c2}$ .

After channelisation, the real-valued spread signal is weighted by the gain factor  $\beta_{c2}$  for DPCCH2.

At every instant in time, the value of  $\beta_{c2}$  is set to 1.0.

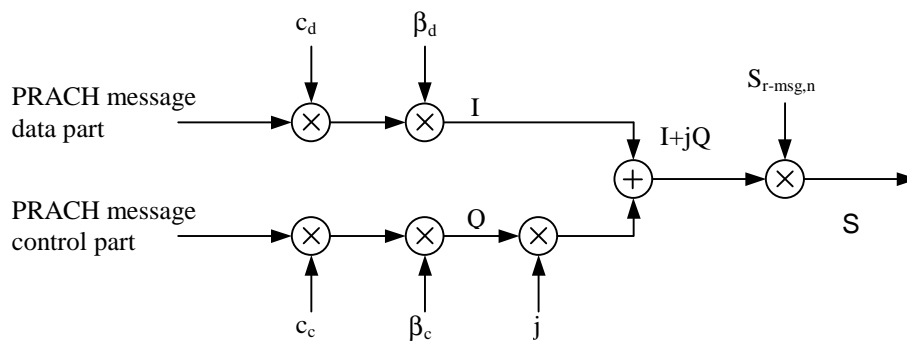
## 4.2.2 PRACH

### 4.2.2.1 PRACH preamble part

The PRACH preamble part consists of a complex-valued code, described in subclause 4.3.3.

### 4.2.2.2 PRACH message part

Figure 2 illustrates the principle of the spreading and scrambling of the PRACH message part, consisting of data and control parts. The binary control and data parts to be spread are represented by real-valued sequences, i.e. the binary value "0" is mapped to the real value +1, while the binary value "1" is mapped to the real value -1. The control part is spread to the chip rate by the channelisation code  $c_c$ , while the data part is spread to the chip rate by the channelisation code  $c_d$ .



**Figure 2: Spreading of PRACH message part**

After channelisation, the real-valued spread signals are weighted by gain factors,  $\beta_c$  for the control part and  $\beta_d$  for the data part. At every instant in time, at least one of the values  $\beta_c$  and  $\beta_d$  has the amplitude 1.0. The  $\beta$ -values are quantized into 4 bit words. The quantization steps are given in subclause 4.2.1.

After the weighting, the stream of real-valued chips on the I- and Q-branches are treated as a complex-valued stream of chips. This complex-valued signal is then scrambled by the complex-valued scrambling code  $S_{r\text{-msg},n}$ . The 10 ms scrambling code is applied aligned with the 10 ms message part radio frames, i.e. the first scrambling chip corresponds to the beginning of a message part radio frame.

## 4.2.3 Void

## 4.2.4 Channel combining for UL CLTD and UL MIMO

Figure 3, 3A, and 3B illustrate how different uplink channels are combined if `UL_CLTD_Enabled` is TRUE.

- For the case that `UL_CLTD_Active` is 1,
  - Each complex-valued spread channel, corresponding to point S in Figure 1, and point S' in Figure 1.1, shall be separately pre-coded by a precoding vector  $\{w_1, w_2\}$  and  $\{w_3, w_4\}$  as described in [6]. After precoding, the complex-valued signals T and T' are obtained; see Figure 3.
- For the case that `UL_CLTD_Active` is 2,
  - Complex-valued spread channel, corresponding to point S in Figure 1, shall be mapped to T, as shown in Figure 3A.
- For the case that `UL_CLTD_Active` is 3,
  - Complex-valued spread channel, corresponding to point S in Figure 1, shall be mapped to T', as shown in Figure 3B.

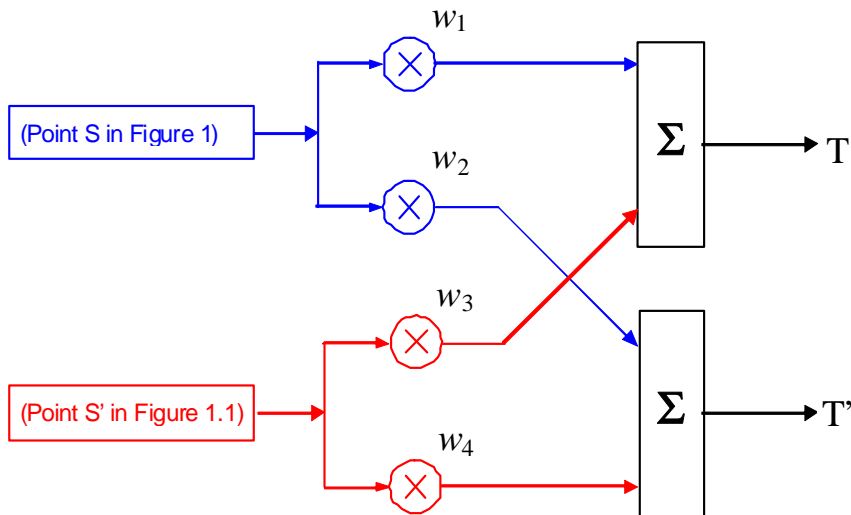


Figure 3: Combining of uplink physical channels when UL\_CLTD\_Enabled is TRUE and UL\_CLTD\_Active is 1

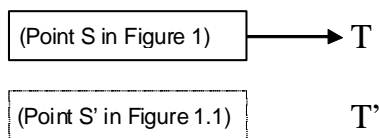


Figure 3A: Combining of uplink physical channels when UL\_CLTD\_Enabled is TRUE and UL\_CLTD\_Active is 2

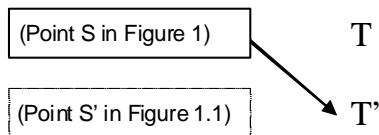


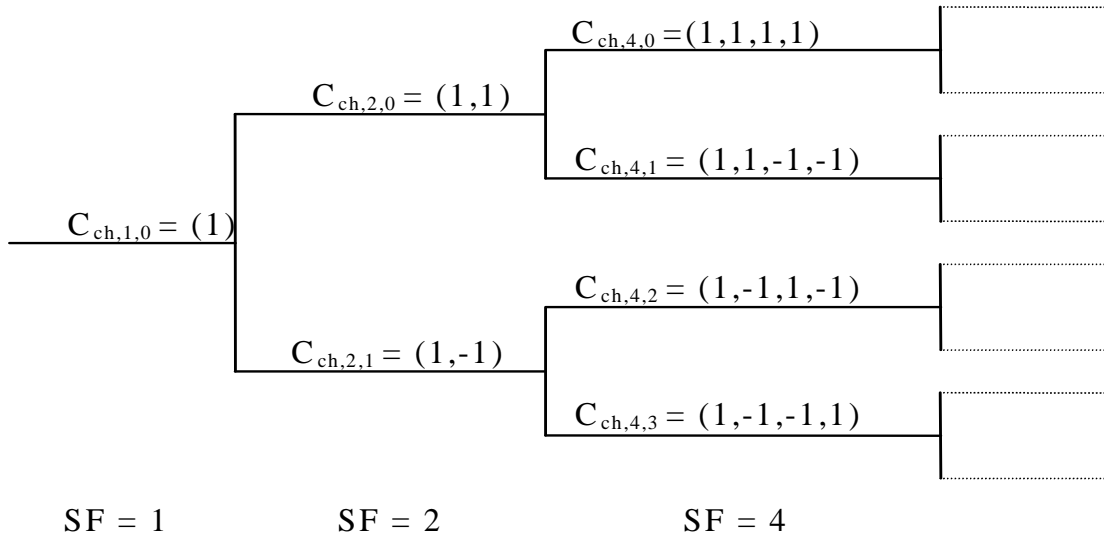
Figure 3B: Combining of uplink physical channels when UL\_CLTD\_Enabled is TRUE and UL\_CLTD\_Active is 3

### 4.3 Code generation and allocation

#### 4.3.1 Channelisation codes

##### 4.3.1.1 Code definition

The channelisation codes of figure 1 are Orthogonal Variable Spreading Factor (OVSF) codes that preserve the orthogonality between a user's different physical channels. The OVSF codes can be defined using the code tree of figure 4.



**Figure 4: Code-tree for generation of Orthogonal Variable Spreading Factor (OVSF) codes**

In figure 4, the channelisation codes are uniquely described as  $C_{ch,SF,k}$ , where SF is the spreading factor of the code and  $k$  is the code number,  $0 \leq k \leq SF-1$ .

Each level in the code tree defines channelisation codes of length SF, corresponding to a spreading factor of SF in figure 4.

The generation method for the channelisation code is defined as:

$$C_{ch,1,0} = 1,$$

$$\begin{bmatrix} C_{ch,2,0} \\ C_{ch,2,1} \end{bmatrix} = \begin{bmatrix} C_{ch,1,0} & C_{ch,1,0} \\ C_{ch,1,0} & -C_{ch,1,0} \end{bmatrix} = \begin{bmatrix} 1 & 1 \\ 1 & -1 \end{bmatrix}$$

$$\begin{bmatrix} C_{ch,2^{(n+1)},0} \\ C_{ch,2^{(n+1)},1} \\ C_{ch,2^{(n+1)},2} \\ C_{ch,2^{(n+1)},3} \\ \vdots \\ C_{ch,2^{(n+1)},2^{(n+1)}-2} \\ C_{ch,2^{(n+1)},2^{(n+1)}-1} \end{bmatrix} = \begin{bmatrix} C_{ch,2^n,0} & C_{ch,2^n,0} \\ C_{ch,2^n,0} & -C_{ch,2^n,0} \\ C_{ch,2^n,1} & C_{ch,2^n,1} \\ C_{ch,2^n,1} & -C_{ch,2^n,1} \\ \vdots & \vdots \\ C_{ch,2^n,2^{n-1}} & C_{ch,2^n,2^{n-1}} \\ C_{ch,2^n,2^{n-1}} & -C_{ch,2^n,2^{n-1}} \end{bmatrix}$$

The leftmost value in each channelisation code word corresponds to the chip transmitted first in time.

### 4.3.1.2 Code allocation for dedicated physical channels

NOTE: Although subclause 4.3.1.2 has been reorganized in this release, the spreading operation for DPCCH and DPDCH remains unchanged as compared to the previous release.

#### 4.3.1.2.1 Code allocation for DPCCH/ S-DPCCH/DPDCH/DPCCH2

For the DPCCH, S-DPCCH and DPDCHs the following applies:

- The DPCCH shall always be spread by code  $c_c = C_{ch,256,0}$ .

- The S-DPCCH shall always be spread by code  $c_{sc} = C_{ch,256,31}$ .
- The DPCCH2 shall be spread with code  $c_{c2}$  as specified in table 1C.5.
- When only one DPDCH is to be transmitted,  $DPDCH_1$  shall be spread by code  $c_{d,1} = C_{ch,SF,k}$  where SF is the spreading factor of  $DPDCH_1$  and  $k = SF / 4$ .
- When more than one DPDCH is to be transmitted, all DPDCHs have spreading factors equal to 4.  $DPDCH_n$  shall be spread by the the code  $c_{d,n} = C_{ch,4,k}$ , where  $k = 1$  if  $n \in \{1, 2\}$ ,  $k = 3$  if  $n \in \{3, 4\}$ , and  $k = 2$  if  $n \in \{5, 6\}$ .

**Table 1C.5: Channelisation code of DPCCH2**

<b>N<sub>max-dpdch</sub></b> <b>(as defined in subclause 4.2.1)</b>	<b>Channelisation code <math>c_{c2}</math></b>
<b>0</b>	$C_{ch,256,34}$
<b>≥1</b>	$C_{ch,256,3}$

If a power control preamble is used to initialise a DCH, the channelisation code for the DPCCH during the power control preamble shall be the same as that to be used afterwards.

**4.3.1.2.2 Code allocation for HS-DPCCH when the UE is not configured in MIMO mode with four transmit antennas in any cell**

The HS-DPCCH shall be spread with code  $c_{hs}$  as specified in table 1D. If Secondary\_Cell\_Enabled is greater than 3 HS-DPCCH<sub>2</sub> shall be spread with code  $c_{hs}$  as specified in table 1D.1.

If Secondary\_Cell\_Enabled as defined in [6] is 0 or 1 or if Secondary\_Cell\_Enabled is 2 and MIMO is not configured in any cell, HS-DPCCH slot format #0 as defined in [2] is used.

If Secondary\_Cell\_Enabled is 2 and MIMO is configured in at least one cell or if Secondary\_Cell\_Enabled is 3, HS-DPCCH slot format #1 as defined in [2] is used.

If Secondary\_Cell\_Enabled is greater than 3, HS-DPCCH slot format #1 as defined in [2] is used.

**Table 1D: channelisation code of HS-DPCCH**

<b>N<sub>max-dpdch</sub></b> <b>(as defined in subclause 4.2.1)</b>	<b>Channelisation code <math>c_{hs}</math></b>		
	<b>Secondary_Cell_Enabled is 0, 1, 2 or 3</b>		<b>Secondary_Cell_Enabled is greater than 3</b>
	<b>HS-DPCCH slot format #0 [2]</b>	<b>HS-DPCCH slot format #1 [2]</b>	<b>HS-DPCCH slot format #1 [2]</b>
0	$C_{ch,256,33}$	$C_{ch,128,16}$	$C_{ch,128,16}$
1	$C_{ch,256,64}$	$C_{ch,128,32}$	$C_{ch,128,16}$
2,4,6	$C_{ch,256,1}$	N/A	N/A
3,5	$C_{ch,256,32}$	N/A	N/A

**Table 1D.1: channelisation code of HS-DPCCH<sub>2</sub> if Secondary\_Cell\_Enabled is greater than 3.**

<b>N<sub>max-dpdch</sub></b> <b>(as defined in subclause 4.2.1)</b>	<b>Channelisation code <math>c_{hs}</math></b>
	<b>Secondary_Cell_Enabled is greater than 3</b>
	<b>HS-DPCCH slot format #1 [2]</b>
0	$C_{ch,128,16}$
1	$C_{ch,128,16}$

#### 4.3.1.2.2A Code allocation for HS-DPCCH when the UE is configured in MIMO mode with four transmit antennas in at least one cell

If Secondary\_Cell\_Enabled as defined in [6] is 0 or 1, HS-DPCCH slot format #1 as defined in [2] is used. HS-DPCCH shall be spread with code  $c_{hs}$  as specified in table 1D.2.

If Secondary\_Cell\_Enabled is 2:

- If the UE is configured in MIMO mode with four transmit antennas in all cells, HS-DPCCH slot format #1 as defined in [2] is used for both HS-DPCCH and HS-DPCCH<sub>2</sub>. HS-DPCCH shall be spread with code  $c_{hs}$  as specified in table 1D.2 and HS-DPCCH<sub>2</sub> spread with code  $c_{hs}$  as specified in table 1D.3.
- If the number of cells configured in MIMO mode with four transmit antennas is less than 3 and if the UE is configured in MIMO mode with four transmit antennas either in the primary or in the 1<sup>st</sup> secondary serving cell or both, then HS-DPCCH slot format #1 as defined in [2] is used for HS-DPCCH. HS-DPCCH shall be spread with code  $c_{hs}$  as specified in table 1D.2.
- If the number of cells configured in MIMO mode with four transmit antennas is less than 3 and if the UE is not configured in MIMO mode with four transmit antennas in the primary and the 1<sup>st</sup> secondary serving cell then HS-DPCCH slot format #0 as defined in [2] is used for HS-DPCCH. HS-DPCCH shall be spread with code  $c_{hs}$  as specified in table 1D.4.
- If the number of cells configured in MIMO mode with four transmit antennas is less than 3 and if the UE is configured in MIMO mode with four transmit antennas in the 2<sup>nd</sup> secondary serving cell then HS-DPCCH slot format #1 as defined in [2] is used for HS-DPCCH<sub>2</sub>. HS-DPCCH<sub>2</sub> spread with code  $c_{hs}$  as specified in table 1D.3.
- If the number of cells configured in MIMO mode with four transmit antennas is less than 3 and if the UE is not configured in MIMO mode with four transmit antennas in the 2<sup>nd</sup> secondary serving cell then HS-DPCCH slot format #0 as defined in [2] is used for HS-DPCCH<sub>2</sub>. HS-DPCCH<sub>2</sub> spread with code  $c_{hs}$  as specified in table 1D.5.

If Secondary\_Cell\_Enabled is 3:

- If the UE is configured in MIMO mode with four transmit antennas in more than 2 cells HS-DPCCH slot format #1 as defined in [2] is used for both HS-DPCCH and HS-DPCCH<sub>2</sub>. HS-DPCCH shall be spread with code  $c_{hs}$  as specified in table 1D.2 and HS-DPCCH<sub>2</sub> spread with code  $c_{hs}$  as specified in table 1D.3.
- If the number of cells configured in MIMO mode with four transmit antennas is less than 3 and if the UE is configured in MIMO mode with four transmit antennas either in the primary or in the 1<sup>st</sup> secondary serving cell or both, then HS-DPCCH slot format #1 as defined in [2] is used for HS-DPCCH. HS-DPCCH shall be spread with code  $c_{hs}$  as specified in table 1D.2.
- If the number of cells configured in MIMO mode with four transmit antennas is less than 3 and if the UE is not configured in MIMO mode with four transmit antennas in the primary and the 1<sup>st</sup> secondary serving cell then HS-DPCCH slot format #0 as defined in [2] is used for HS-DPCCH. HS-DPCCH shall be spread with code  $c_{hs}$  as specified in table 1D.4.
- If the number of cells configured in MIMO mode with four transmit antennas is less than 3 and if the UE is configured in MIMO mode with four transmit antennas in the 2<sup>nd</sup> serving or in the 3<sup>rd</sup> serving secondary cell or both then HS-DPCCH slot format #1 as defined in [2] is used for HS-DPCCH<sub>2</sub>. HS-DPCCH<sub>2</sub> spread with code  $c_{hs}$  as specified in table 1D.3.
- If the number of cells configured in MIMO mode with four transmit antennas is less than 3 and if the UE is not configured in MIMO mode with four transmit antennas in the 2<sup>nd</sup> and the 3<sup>rd</sup> secondary serving cell then HS-DPCCH slot format #0 as defined in [2] is used for HS-DPCCH<sub>2</sub>. HS-DPCCH<sub>2</sub> spread with code  $c_{hs}$  as specified in table 1D.5.

**Table 1D.2: channelisation code of HS-DPCCH if Secondary\_Cell\_Enabled is 0 or 1 or 2 or 3 and the UE is configured in MIMO mode with four transmit antennas in any cell**

$N_{\max\text{-dpdch}}$ (as defined in subclause 4.2.1)	Channelisation code $c_{\text{hs}}$ , Secondary_Cell_Enabled is 0, 1	Channelisation code $c_{\text{hs}}$ , Secondary_Cell_Enabled is 2, 3
	HS-DPCCH slot format #1 [2]	HS-DPCCH slot format #1 [2]
0	$C_{\text{ch},128,16}$	$C_{\text{ch},128,16}$
1	$C_{\text{ch},128,32}$	$C_{\text{ch},128,16}$

**Table 1D.3: channelisation code of HS-DPCCH<sub>2</sub> if Secondary\_Cell\_Enabled is 2 or 3 and the UE is configured in MIMO mode with four transmit antennas in any cell**

$N_{\max\text{-dpdch}}$ (as defined in subclause 4.2.1)	Channelisation code $c_{\text{hs}}$	Channelisation code $c_{\text{hs}}$
	HS-DPCCH slot format #0 [2]	HS-DPCCH slot format #1 [2]
0	$C_{\text{ch},256,32}$	$C_{\text{ch},128,16}$
1	$C_{\text{ch},256,32}$	$C_{\text{ch},128,16}$

**Table 1D.4: channelisation code of HS-DPCCH if Secondary\_Cell\_Enabled is greater than 1 and the UE is not configured in MIMO mode with four transmit antennas in the primary and the 1<sup>st</sup> secondary serving cell.**

$N_{\max\text{-dpdch}}$ (as defined in subclause 4.2.1)	Channelisation code $c_{\text{hs}}$
	Secondary_Cell_Enabled is greater than 1
	HS-DPCCH slot format #0 [2]
0	$C_{\text{ch},256,33}$
1	$C_{\text{ch},256,64}$

**Table 1D.5: channelisation code of HS-DPCCH<sub>2</sub> if Secondary\_Cell\_Enabled is equal to 3 and the UE is not configured in MIMO mode with four transmit antennas in the 2<sup>nd</sup> and the 3<sup>rd</sup> secondary serving cell or if Secondary\_Cell\_Enabled is equal to 2 and the UE is not configured in MIMO mode with four transmit antennas in the 2<sup>nd</sup> secondary serving cell.**

$N_{\max\text{-dpdch}}$ (as defined in subclause 4.2.1)	Channelisation code $c_{\text{hs}}$
	Secondary_Cell_Enabled is greater than 1
	HS-DPCCH slot format #0 [2]
0	$C_{\text{ch},256,33}$
1	$C_{\text{ch},256,64}$

#### 4.3.1.2.3 Code allocation for E-DPCCH/E-DPDCH

The E-DPCCH shall be spread with channelisation code  $c_{\text{ec}} = C_{\text{ch},256,1}$ .

E-DPDCH<sub>k</sub> shall be spread with channelisation code  $c_{\text{ed},k}$ . The sequence  $c_{\text{ed},k}$  depends on  $N_{\max\text{-dpdch}}$  and the spreading factor selected for the corresponding frame or sub-frame as specified in [7]; it shall be selected according to table 1E.

**Table 1E: Channelisation code for E-DPDCH**

$N_{\max\text{-dpdch}}$	E-DPDCH <sub>k</sub>	Channelisation code $C_{\text{ed},k}$
0	E-DPDCH <sub>1</sub>	$C_{\text{ch},\text{SF},\text{SF}/4}$ if $\text{SF} \geq 4$ $C_{\text{ch},2,1}$ if $\text{SF} = 2$
	E-DPDCH <sub>2</sub>	$C_{\text{ch},4,1}$ if $\text{SF} = 4$ $C_{\text{ch},2,1}$ if $\text{SF} = 2$
	E-DPDCH <sub>3</sub> E-DPDCH <sub>4</sub>	$C_{\text{ch},4,1}$
1	E-DPDCH <sub>1</sub>	$C_{\text{ch},\text{SF},\text{SF}/2}$
	E-DPDCH <sub>2</sub>	$C_{\text{ch},4,2}$ if $\text{SF} = 4$ $C_{\text{ch},2,1}$ if $\text{SF} = 2$

NOTE: When more than one E-DPDCH is transmitted, the respective channelisation codes used for E-DPDCH<sub>1</sub> and E-DPDCH<sub>2</sub> are always the same.

#### 4.3.1.2.4 Code allocation for S-E-DPCCH/S-E-DPDCH

The S-E-DPCCH shall be spread with channelisation code  $c_{\text{sec}} = C_{\text{ch},256,1}$ .

S-E-DPDCH<sub>k</sub> shall be spread with channelisation code  $c_{\text{sed},k}$ . The sequence  $c_{\text{sed},k}$  shall be selected according to table 1F.

**Table 1F: Channelisation code for S-E-DPDCH**

$N_{\max\text{-dpdch}}$	S-E-DPDCH <sub>k</sub>	Channelisation code $C_{\text{sed},k}$
0	S-E-DPDCH <sub>1</sub> S-E-DPDCH <sub>2</sub>	$C_{\text{ch},2,1}$
	S-E-DPDCH <sub>3</sub> S-E-DPDCH <sub>4</sub>	$C_{\text{ch},4,1}$

NOTE: Either none or all four S-E-DPDCHs are transmitted.

#### 4.3.1.3 Code allocation for PRACH message part

The preamble signature  $s$ ,  $0 \leq s \leq 15$ , points to one of the 16 nodes in the code-tree that corresponds to channelisation codes of length 16. The sub-tree below the specified node is used for spreading of the message part. The control part is spread with the channelisation code  $c_c$  (as shown in subclause 4.2.2.2) of spreading factor 256 in the lowest branch of the sub-tree, i.e.  $c_c = C_{\text{ch},256,m}$  where  $m = 16 \times s + 15$ . The data part uses any of the channelisation codes from spreading factor 32 to 256 in the upper-most branch of the sub-tree. To be exact, the data part is spread by channelisation code  $c_d = C_{\text{ch},\text{SF},m}$  and SF is the spreading factor used for the data part and  $m = \text{SF} \times s / 16$ .

4.3.1.4 Void

4.3.1.5 Void

### 4.3.2 Scrambling codes

#### 4.3.2.1 General

All uplink physical channels on an activated uplink frequency shall be scrambled with a complex-valued scrambling code. The dedicated physical channels may be scrambled by either a long or a short scrambling code, defined in subclause 4.3.2.4. The PRACH message part shall be scrambled with a long scrambling code, defined in subclause 4.3.2.5. There are  $2^{24}$  long and  $2^{24}$  short uplink scrambling codes. Uplink scrambling codes are assigned by higher layers.



The long scrambling code is built from constituent long sequences defined in subclause 4.3.2.2, while the constituent short sequences used to build the short scrambling code are defined in subclause 4.3.2.3.

### 4.3.2.2 Long scrambling sequence

The long scrambling sequences  $c_{\text{long},1,n}$  and  $c_{\text{long},2,n}$  are constructed from position wise modulo 2 sum of 38400 chip segments of two binary  $m$ -sequences generated by means of two generator polynomials of degree 25. Let  $x$ , and  $y$  be the two  $m$ -sequences respectively. The  $x$  sequence is constructed using the primitive (over GF(2)) polynomial  $X^{25}+X^3+1$ . The  $y$  sequence is constructed using the polynomial  $X^{25}+X^3+X^2+X+1$ . The resulting sequences thus constitute segments of a set of Gold sequences.

The sequence  $c_{\text{long},2,n}$  is a 16777232 chip shifted version of the sequence  $c_{\text{long},1,n}$ .

Let  $n_{23} \dots n_0$  be the 24 bit binary representation of the scrambling sequence number  $n$  with  $n_0$  being the least significant bit. The  $x$  sequence depends on the chosen scrambling sequence number  $n$  and is denoted  $x_n$ , in the sequel. Furthermore, let  $x_n(i)$  and  $y(i)$  denote the  $i$ :th symbol of the sequence  $x_n$  and  $y$ , respectively.

The  $m$ -sequences  $x_n$  and  $y$  are constructed as:

Initial conditions:

- $x_n(0)=n_0, x_n(1)=n_1, \dots, x_n(22)=n_{22}, x_n(23)=n_{23}, x_n(24)=1.$
- $y(0)=y(1)=\dots=y(23)=y(24)=1.$

Recursive definition of subsequent symbols:

- $x_n(i+25)=x_n(i+3)+x_n(i)$  modulo 2,  $i=0, \dots, 2^{25}-27.$
- $y(i+25)=y(i+3)+y(i+2)+y(i+1)+y(i)$  modulo 2,  $i=0, \dots, 2^{25}-27.$

Define the binary Gold sequence  $z_n$  by:

- $z_n(i)=x_n(i)+y(i)$  modulo 2,  $i=0, 1, 2, \dots, 2^{25}-2.$

The real valued Gold sequence  $Z_n$  is defined by:

$$Z_n(i) = \begin{cases} +1 & \text{if } z_n(i) = 0 \\ -1 & \text{if } z_n(i) = 1 \end{cases} \quad \text{for } i = 0, 1, \dots, 2^{25} - 2.$$

Now, the real-valued long scrambling sequences  $c_{\text{long},1,n}$  and  $c_{\text{long},2,n}$  are defined as follows:

$$c_{\text{long},1,n}(i) = Z_n(i), \quad i = 0, 1, 2, \dots, 2^{25} - 2 \text{ and}$$

$$c_{\text{long},2,n}(i) = Z_n((i + 16777232) \text{ modulo } (2^{25} - 1)), \quad i = 0, 1, 2, \dots, 2^{25} - 2.$$

Finally, the complex-valued long scrambling sequence  $C_{\text{long},n}$  is defined as:

$$C_{\text{long},n}(i) = c_{\text{long},1,n}(i) \left( 1 + j(-1)^i c_{\text{long},2,n}(2 \lfloor i/2 \rfloor) \right)$$

where  $i = 0, 1, \dots, 2^{25} - 2$  and  $\lfloor \cdot \rfloor$  denotes rounding to nearest lower integer.

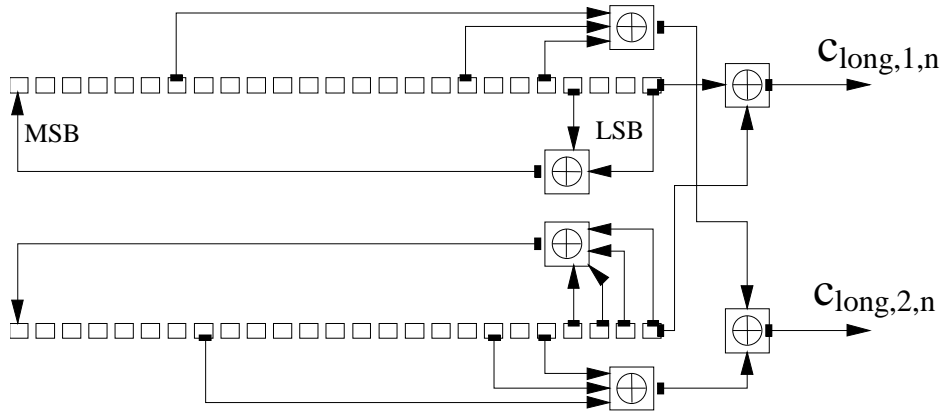


Figure 5: Configuration of uplink scrambling sequence generator

### 4.3.2.3 Short scrambling sequence

The short scrambling sequences  $c_{short,1,n}(i)$  and  $c_{short,2,n}(i)$  are defined from a sequence from the family of periodically extended S(2) codes.

Let  $n_{23}n_{22}...n_0$  be the 24 bit binary representation of the code number  $n$ .

The  $n$ :th quaternary S(2) sequence  $z_n(i)$ ,  $0 \leq i \leq 16777215$ , is obtained by modulo 4 addition of three sequences, a quaternary sequence  $a(i)$  and two binary sequences  $b(i)$  and  $d(i)$ , where the initial loading of the three sequences is determined from the code number  $n$ . The sequence  $z_n(i)$  of length 255 is generated according to the following relation:

$$z_n(i) = a(i) + 2b(i) + 2d(i) \text{ modulo } 4, i = 0, 1, \dots, 254;$$

where the quaternary sequence  $a(i)$  is generated recursively by the polynomial  $g_0(x) = x^8 + 3x^5 + x^3 + 3x^2 + 2x + 3$  as:

- $a(0) = 2n_0 + 1 \text{ modulo } 4;$
- $a(i) = 2n_i \text{ modulo } 4, i = 1, 2, \dots, 7;$
- $a(i) = 3a(i-3) + a(i-5) + 3a(i-6) + 2a(i-7) + 3a(i-8) \text{ modulo } 4, i = 8, 9, \dots, 254;$

and the binary sequence  $b(i)$  is generated recursively by the polynomial  $g_1(x) = x^8 + x^7 + x^5 + x + 1$  as

$$b(i) = n_{8+i} \text{ modulo } 2, i = 0, 1, \dots, 7,$$

$$b(i) = b(i-1) + b(i-3) + b(i-7) + b(i-8) \text{ modulo } 2, i = 8, 9, \dots, 254,$$

and the binary sequence  $d(i)$  is generated recursively by the polynomial  $g_2(x) = x^8 + x^7 + x^5 + x^4 + 1$  as:

$$d(i) = n_{16+i} \text{ modulo } 2, i = 0, 1, \dots, 7;$$

$$d(i) = d(i-1) + d(i-3) + d(i-4) + d(i-8) \text{ modulo } 2, i = 8, 9, \dots, 254.$$

The sequence  $z_n(i)$  is extended to length 256 chips by setting  $z_n(255) = z_n(0)$ .

The mapping from  $z_n(i)$  to the real-valued binary sequences  $c_{short,1,n}(i)$  and  $c_{short,2,n}(i)$ ,  $i = 0, 1, \dots, 255$  is defined in Table 2.

Table 2: Mapping from  $z_n(i)$  to  $c_{short,1,n}(i)$  and  $c_{short,2,n}(i)$ ,  $i = 0, 1, \dots, 255$

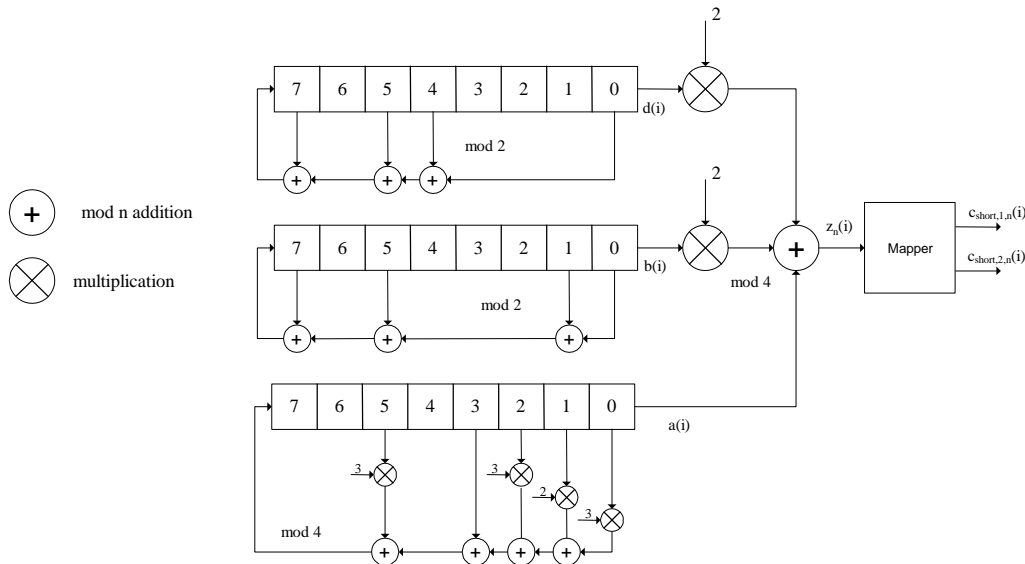
$z_n(i)$	$c_{short,1,n}(i)$	$c_{short,2,n}(i)$
0	+1	+1
1	-1	+1
2	-1	-1
3	+1	-1

Finally, the complex-valued short scrambling sequence  $C_{short, n}$ , is defined as:

$$C_{short,n}(i) = c_{short,1,n}(i \bmod 256) \left(1 + j(-1)^i c_{short,2,n}(2 \lfloor (i \bmod 256) / 2 \rfloor)\right)$$

where  $i = 0, 1, 2, \dots$  and  $\lfloor \cdot \rfloor$  denotes rounding to nearest lower integer.

An implementation of the short scrambling sequence generator for the 255 chip sequence to be extended by one chip is shown in Figure 6.



**Figure 6: Uplink short scrambling sequence generator for 255 chip sequence**

#### 4.3.2.4 Dedicated physical channels scrambling code

The code used for scrambling of the uplink dedicated physical channels may be of either long or short type. The  $n$ :th uplink scrambling code, denoted  $S_{dpch,n}$ , is defined as:

$$S_{dpch,n}(i) = C_{long,n}(i), \quad i = 0, 1, \dots, 38399, \text{ when using long scrambling codes;}$$

where the lowest index corresponds to the chip transmitted first in time and  $C_{long,n}$  is defined in subclause 4.3.2.2.

The  $n$ :th uplink scrambling code, denoted  $S_{dpch,n}$ , is defined as:

$$S_{dpch,n}(i) = C_{short,n}(i), \quad i = 0, 1, \dots, 38399, \text{ when using short scrambling codes;}$$

where the lowest index corresponds to the chip transmitted first in time and  $C_{short,n}$  is defined in subclause 4.3.2.3.

#### 4.3.2.5 PRACH message part scrambling code

The scrambling code used for the PRACH message part is 10 ms long, and there are 8192 different PRACH scrambling codes defined.

The  $n$ :th PRACH message part scrambling code, denoted  $S_{r-msg,n}$ , where  $n = 0, 1, \dots, 8191$ , is based on the long scrambling sequence and is defined as:

$$S_{r-msg,n}(i) = C_{long,n}(i + 4096), \quad i = 0, 1, \dots, 38399$$

where the lowest index corresponds to the chip transmitted first in time and  $C_{long,n}$  is defined in subclause 4.3.2.2.

The message part scrambling code has a one-to-one correspondence to the scrambling code used for the preamble part. For one PRACH, the same code number is used for both scrambling codes, i.e. if the PRACH preamble scrambling code used is  $S_{r\text{-pre},m}$  then the PRACH message part scrambling code is  $S_{r\text{-msg},m}$ , where the number  $m$  is the same for both codes.

4.3.2.6 Void

4.3.2.7 Void

### 4.3.3 PRACH preamble codes

#### 4.3.3.1 Preamble code construction

The random access preamble code  $C_{\text{pre},n}$  is a complex valued sequence. It is built from a preamble scrambling code  $S_{r\text{-pre},n}$  and a preamble signature  $C_{\text{sig},s}$  as follows:

$$- C_{\text{pre},n,s}(k) = S_{r\text{-pre},n}(k) \times C_{\text{sig},s}(k) \times e^{j\left(\frac{\pi}{4} + \frac{\pi}{2}k\right)}, k = 0, 1, 2, 3, \dots, 4095;$$

where  $k=0$  corresponds to the chip transmitted first in time and  $S_{r\text{-pre},n}$  and  $C_{\text{sig},s}$  are defined in 4.3.3.2 and 4.3.3.3 below respectively.

#### 4.3.3.2 Preamble scrambling code

The scrambling code for the PRACH preamble part is constructed from the long scrambling sequences. There are 8192 PRACH preamble scrambling codes in total.

The  $n$ :th preamble scrambling code,  $n = 0, 1, \dots, 8191$ , is defined as:

$$S_{r\text{-pre},n}(i) = c_{\text{long},1,n}(i), i = 0, 1, \dots, 4095;$$

where the sequence  $c_{\text{long},1,n}$  is defined in subclause 4.3.2.2.

The 8192 PRACH preamble scrambling codes are divided into 512 groups with 16 codes in each group. There is a one-to-one correspondence between the group of PRACH preamble scrambling codes in a cell and the primary scrambling code used in the downlink of the cell. The  $k$ :th PRACH preamble scrambling code within the cell with downlink primary scrambling code  $m$ ,  $k = 0, 1, 2, \dots, 15$  and  $m = 0, 1, 2, \dots, 511$ , is  $S_{r\text{-pre},n}(i)$  as defined above with  $n = 16 \times m + k$ .

#### 4.3.3.3 Preamble signature

The preamble signature corresponding to a signature  $s$  consists of 256 repetitions of a length 16 signature  $P_s(n)$ ,  $n=0\dots15$ . This is defined as follows:

$$- C_{\text{sig},s}(i) = P_s(i \text{ modulo } 16), i = 0, 1, \dots, 4095.$$

The signature  $P_s(n)$  is from the set of 16 Hadamard codes of length 16. These are listed in table 3.

Table 3: Preamble signatures

Preamble signature	Value of $n$															
	0	1	2	3	4	5	6	7	8	9	10	11	12	13	14	15
$P_0(n)$	1	1	1	1	1	1	1	1	1	1	1	1	1	1	1	1
$P_1(n)$	1	-1	1	-1	1	-1	1	-1	1	-1	1	-1	1	-1	1	-1
$P_2(n)$	1	1	-1	-1	1	1	-1	-1	1	1	-1	-1	1	1	-1	-1
$P_3(n)$	1	-1	-1	1	1	-1	-1	1	1	-1	-1	1	1	-1	-1	1
$P_4(n)$	1	1	1	1	-1	-1	-1	-1	1	1	1	1	-1	-1	-1	-1
$P_5(n)$	1	-1	1	-1	-1	1	-1	1	1	-1	1	-1	-1	1	-1	1
$P_6(n)$	1	1	-1	-1	-1	-1	1	1	1	1	-1	-1	-1	-1	1	1
$P_7(n)$	1	-1	-1	1	-1	1	1	-1	1	-1	-1	1	-1	1	1	-1
$P_8(n)$	1	1	1	1	1	1	1	1	-1	-1	-1	-1	-1	-1	-1	-1
$P_9(n)$	1	-1	1	-1	1	-1	1	-1	-1	1	-1	1	-1	1	-1	1
$P_{10}(n)$	1	1	-1	-1	1	1	-1	-1	-1	-1	1	1	-1	-1	1	1
$P_{11}(n)$	1	-1	-1	1	1	-1	-1	1	-1	1	1	-1	-1	1	1	-1
$P_{12}(n)$	1	1	1	1	-1	-1	-1	-1	-1	-1	-1	-1	1	1	1	1
$P_{13}(n)$	1	-1	1	-1	-1	1	-1	1	-1	1	-1	1	1	-1	1	-1
$P_{14}(n)$	1	1	-1	-1	-1	-1	1	1	-1	-1	1	1	1	1	-1	-1
$P_{15}(n)$	1	-1	-1	1	-1	1	1	-1	-1	1	1	-1	1	-1	-1	1

4.3.4 Void

4.4 Modulation

4.4.1 Modulating chip rate

The modulating chip rate is 3.84 Mcps.

4.4.2 Modulation

Modulation of the complex-valued chip sequence generated by the spreading process is shown below in Figure 7 for a UE with a single configured uplink frequency when UL\_CLTD\_Enabled is FALSE:

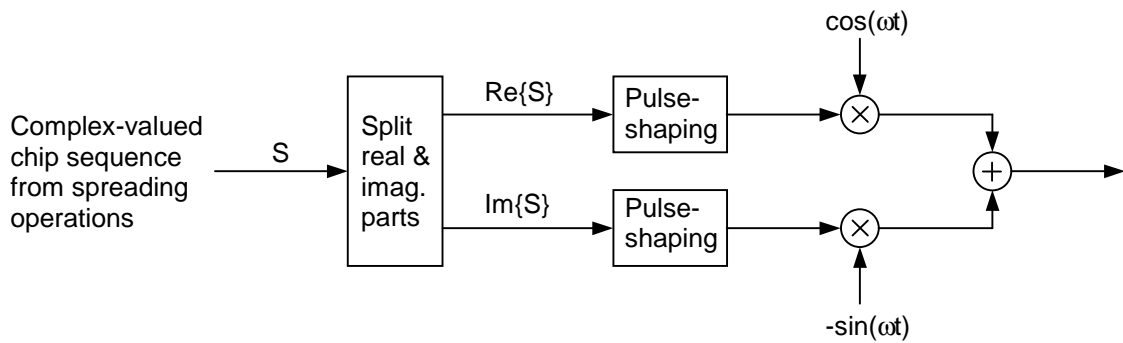


Figure 7: Uplink modulation when a single uplink frequency is configured and UL\_CLTD\_Enabled is FALSE

An example of uplink modulation for a UE with adjacent primary and secondary uplink frequencies is given in Annex B. An example of uplink modulation for a UE with primary and secondary uplink frequencies in two different bands is given in Annex B2. The pulse-shaping characteristics are described in [3].

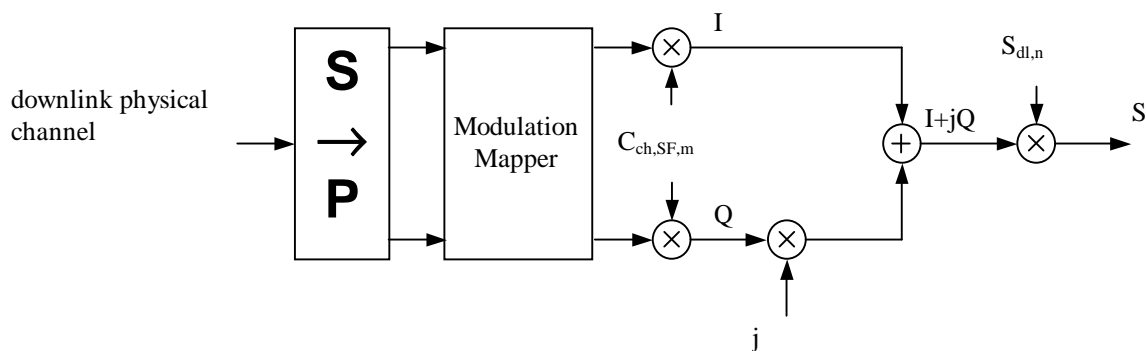
An example of uplink modulation for a UE when a single uplink frequency is configured and UL\_CLTD\_Enabled is TRUE is given in Annex B1. The pulse-shaping characteristics are described in [3].

## 5 Downlink spreading and modulation

### 5.1 Spreading

Figure 8 illustrates the spreading operation for all physical channel except SCH. The spreading operation includes a modulation mapper stage successively followed by a channelisation stage, an IQ combining stage and a scrambling stage. All the downlink physical channels are then combined as specified in sub subclause 5.1.5.

The non-spread downlink physical channels, except SCH, AICH, E-HICH and E-RGCH consist of a sequence of 3-valued digits taking the values 0, 1 and "DTX". Note that "DTX" is only applicable to those downlink physical channels that support DTX transmission.



**Figure 8: Spreading for all downlink physical channels except SCH**

NOTE: Although subclause 5.1 has been reorganized in this release, the spreading operation as specified for the DL channels in the previous release remains unchanged.

#### 5.1.1 Modulation mapper

Table 3A defines which of the IQ mapping specified in subclauses 5.1.1.1 and 5.1.1.2 may be used for the physical channel being processed.

**Table 3A: IQ mapping**

Physical channel	IQ mapping
HS-PDSCH	QPSK, 16QAM or 64QAM
S-CCPCH used for MBSFN	QPSK or 16QAM
All other channels (except the SCH)	QPSK

##### 5.1.1.1 QPSK

For all channels, except AICH, E-HICH and E-RGCH, the input digits shall be mapped to real-valued symbols as follows: the binary value "0" is mapped to the real value +1, the binary value "1" is mapped to the real value -1 and "DTX" is mapped to the real value 0.

For the indicator channels using signatures (AICH), the real-valued input symbols depend on the exact combination of the indicators to be transmitted as specified in [2] subclauses 5.3.3.7, 5.3.3.8 and 5.3.3.9. For the E-HICH and the E-RGCH the input is a real valued symbol sequence as specified in [2]

Each pair of two consecutive real-valued symbols is first converted from serial to parallel and mapped to an I and Q branch. The definition of the modulation mapper is such that even and odd numbered symbols are mapped to the I and Q branch respectively. For all QPSK channels except the indicator channels using signatures, symbol number zero is

defined as the first symbol in each frame or sub-frame. For the indicator channels using signatures, symbol number zero is defined as the first symbol in each access slot.

### 5.1.1.2 16QAM

In case of 16QAM, a set of four consecutive binary symbols  $n_k, n_{k+1}, n_{k+2}, n_{k+3}$  (with  $k \bmod 4 = 0$ ) is serial-to-parallel converted to two consecutive binary symbols ( $i_1 = n_k, i_2 = n_{k+2}$ ) on the I branch and two consecutive binary symbols ( $q_1 = n_{k+1}, q_2 = n_{k+3}$ ) on the Q branch and then mapped to 16QAM by the modulation mapper as defined in table 3B.

The I and Q branches are then both spread to the chip rate by the same real-valued channelisation code  $C_{\text{ch},16,m}$ . The channelisation code sequence shall be aligned in time with the symbol boundary. The sequences of real-valued chips on the I and Q branch are then treated as a single complex-valued sequence of chips. This sequence of chips from all multi-codes is summed and then scrambled (complex chip-wise multiplication) by a complex-valued scrambling code  $S_{\text{dl},n}$ . The scrambling code is applied aligned with the scrambling code applied to the P-CCPCH.

**Table 3B: 16QAM modulation mapping**

$i_1q_1i_2q_2$	I branch	Q branch
0000	0.4472	0.4472
0001	0.4472	1.3416
0010	1.3416	0.4472
0011	1.3416	1.3416
0100	0.4472	-0.4472
0101	0.4472	-1.3416
0110	1.3416	-0.4472
0111	1.3416	-1.3416
1000	-0.4472	0.4472
1001	-0.4472	1.3416
1010	-1.3416	0.4472
1011	-1.3416	1.3416
1100	-0.4472	-0.4472
1101	-0.4472	-1.3416
1110	-1.3416	-0.4472
1111	-1.3416	-1.3416

In the case of 16-QAM on S-CCPCH, a sequence of four consecutive symbols  $n_k, n_{k+1}, n_{k+2}, n_{k+3}$  (with  $k \bmod 4 = 0$ ) at the input to the modulation mapper may contain values from the set 0, 1, and "DTX". In the event that all 4 bits of the quadruple are DTX bits, the output from the modulation mapping on both the I and Q branches is equal to the real value 0.

For all other cases, all DTX bits in the quadruple are replaced with other non-DTX bits from the quadruple according to the following:

The quadruple consists of two bit pairs,  $\{n_k, n_{k+2}\}$  on the I branch, and  $\{n_{k+1}, n_{k+3}\}$  on the Q branch. For any bit pair, if a non-DTX bit is available in the same pair, the DTX bit shall be replaced with the non-DTX bit value. If a non-DTX bit is not available in the same pair, the two DTX bits in that pair shall be replaced by the non-DTX bits in the other pair (using the same bit ordering when the other pair contains two non-DTX bits).

The bit positions and values of non-DTX bits in the quadruple are not affected.

### 5.1.1.3 64QAM

In case of 64QAM, a set of six consecutive binary symbols  $n_k, n_{k+1}, n_{k+2}, n_{k+3}, n_{k+4}, n_{k+5}$  (with  $k \bmod 6 = 0$ ) is serial-to-parallel converted to three consecutive binary symbols ( $i_1 = n_k, i_2 = n_{k+2}, i_3 = n_{k+4}$ ) on the I branch and three consecutive binary symbols ( $q_1 = n_{k+1}, q_2 = n_{k+3}, q_3 = n_{k+5}$ ) on the Q branch and then mapped to 64QAM by the modulation mapper as defined in table 3C.

The I and Q branches are then both spread to the chip rate by the same real-valued channelisation code  $C_{\text{ch},16,m}$ . The channelisation code sequence shall be aligned in time with the symbol boundary. The sequences of real-valued chips on the I and Q branch are then treated as a single complex-valued sequence of chips. This sequence of chips from all multi-codes is summed and then scrambled (complex chip-wise multiplication) by a complex-valued scrambling code  $S_{\text{dl},n}$ . The scrambling code is applied aligned with the scrambling code applied to the P-CCPCH.

Table 3C: 64QAM modulation mapping

$i_1q_1i_2q_2i_3q_3$	I branch	Q branch	$i_1q_1i_2q_2i_3q_3$	I branch	Q branch
000000	0.6547	0.6547	100000	-0.6547	0.6547
000001	0.6547	0.2182	100001	-0.6547	0.2182
000010	0.2182	0.6547	100010	-0.2182	0.6547
000011	0.2182	0.2182	100011	-0.2182	0.2182
000100	0.6547	1.0911	100100	-0.6547	1.0911
000101	0.6547	1.5275	100101	-0.6547	1.5275
000110	0.2182	1.0911	100110	-0.2182	1.0911
000111	0.2182	1.5275	100111	-0.2182	1.5275
001000	1.0911	0.6547	101000	-1.0911	0.6547
001001	1.0911	0.2182	101001	-1.0911	0.2182
001010	1.5275	0.6547	101010	-1.5275	0.6547
001011	1.5275	0.2182	101011	-1.5275	0.2182
001100	1.0911	1.0911	101100	-1.0911	1.0911
001101	1.0911	1.5275	101101	-1.0911	1.5275
001110	1.5275	1.0911	101110	-1.5275	1.0911
001111	1.5275	1.5275	101111	-1.5275	1.5275
010000	0.6547	-0.6547	110000	-0.6547	-0.6547
010001	0.6547	-0.2182	110001	-0.6547	-0.2182
010010	0.2182	-0.6547	110010	-0.2182	-0.6547
010011	0.2182	-0.2182	110011	-0.2182	-0.2182
010100	0.6547	-1.0911	110100	-0.6547	-1.0911
010101	0.6547	-1.5275	110101	-0.6547	-1.5275
010110	0.2182	-1.0911	110110	-0.2182	-1.0911
010111	0.2182	-1.5275	110111	-0.2182	-1.5275
011000	1.0911	-0.6547	111000	-1.0911	-0.6547
011001	1.0911	-0.2182	111001	-1.0911	-0.2182
011010	1.5275	-0.6547	111010	-1.5275	-0.6547
011011	1.5275	-0.2182	111011	-1.5275	-0.2182
011100	1.0911	-1.0911	111100	-1.0911	-1.0911
011101	1.0911	-1.5275	111101	-1.0911	-1.5275
011110	1.5275	-1.0911	111110	-1.5275	-1.0911
011111	1.5275	-1.5275	111111	-1.5275	-1.5275

## 5.1.2 Channelisation

For all physical channels (except SCH) the I and Q branches shall be spread to the chip rate by the same real-valued channelisation code  $C_{ch,SF,m}$ , i.e. the output for each input symbol on the I and the Q branches shall be a sequence of SF chips corresponding to the channelisation code chip sequence multiplied by the real-valued symbol. The channelisation code sequence shall be aligned in time with the symbol boundary.

## 5.1.3 IQ combining

The real valued chip sequence on the Q branch shall be complex multiplied with  $j$  and summed with the corresponding real valued chip sequence on the I branch, thus resulting in a single complex valued chip sequence.

## 5.1.4 Scrambling

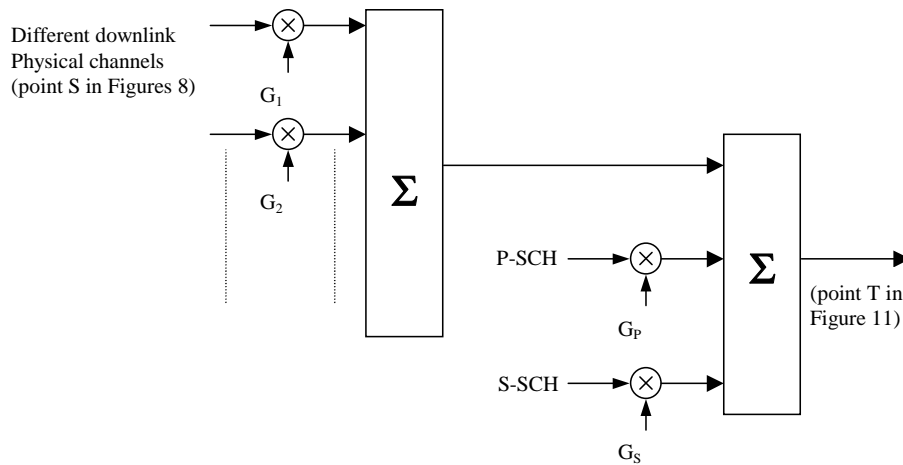
The sequence of complex valued chips shall be scrambled (complex chip-wise multiplication) by a complex-valued scrambling code  $S_{dl,m}$ . In case of P-CCPCH, the scrambling code shall be applied aligned with the P-CCPCH frame boundary, i.e. the first complex chip of the spread P-CCPCH frame is multiplied with chip number zero of the scrambling code. In case of other downlink channels, the scrambling code shall be applied aligned with the scrambling code applied to the P-CCPCH. In this case, the scrambling code is thus not necessarily applied aligned with the frame boundary of the physical channel to be scrambled.

## 5.1.5 Channel combining

Figure 9 illustrates how different downlink channels are combined. Each complex-valued spread channel, corresponding to point S in Figure 8, may be separately weighted by a weight factor  $G_i$ . The complex-valued P-SCH



and S-SCH, as described in [2], subclause 5.3.3.5, may be separately weighted by weight factors  $G_p$  and  $G_s$ . All downlink physical channels shall then be combined using complex addition.



**Figure 9: Combining of downlink physical channels**

## 5.2 Code generation and allocation

### 5.2.1 Channelisation codes

The channelisation codes of figure 8 are the same codes as used in the uplink, namely Orthogonal Variable Spreading Factor (OVSF) codes that preserve the orthogonality between downlink channels of different rates and spreading factors. The OVSF codes are defined in figure 4 in subclause 4.3.1.

The channelisation code for the Primary CPICH is fixed to  $C_{ch,256,0}$  and the channelisation code for the Primary CCPCH is fixed to  $C_{ch,256,1}$ . The channelisation codes for all other physical channels are assigned by UTRAN.

With the spreading factor 512 a specific restriction is applied. When the code word  $C_{ch,512,n}$ , with  $n=0,2,4,\dots,510$ , is used in soft handover, then the code word  $C_{ch,512,n+1}$  is not allocated in the cells where timing adjustment is to be used. Respectively if  $C_{ch,512,n}$ , with  $n=1,3,5,\dots,511$  is used, then the code word  $C_{ch,512,n-1}$  is not allocated in the cells where timing adjustment is to be used. This restriction shall not apply in cases where timing adjustments in soft handover are not used with spreading factor 512.

When compressed mode is implemented by reducing the spreading factor by 2, the OVSF code used for compressed frames is:

- $C_{ch,SF/2,\lfloor n/2 \rfloor}$  if ordinary scrambling code is used.
- $C_{ch,SF/2,n \bmod SF/2}$  if alternative scrambling code is used (see subclause 5.2.2);

where  $C_{ch,SF,n}$  is the channelisation code used for non-compressed frames.

For F-DPCH, the spreading factor is always 256.

For HS-PDSCH, the spreading factor is always 16.

For HS-SCCH, the spreading factor is always 128.

Channelisation-code-set information over HS-SCCH is mapped in following manner: the OVSF codes shall be allocated in such a way that they are positioned in sequence in the code tree. That is, for  $P$  multicode at offset  $O$  the following codes are allocated:

$$C_{ch,16,O} \dots C_{ch,16,O+P-1}$$

The number of multicode and the corresponding offset for HS-PDSCHs mapped from a given HS-DSCH is signalled by HS-SCCH.

For E-HICH and for E-RGCH, the spreading factor shall always be 128. In each cell, the E-RGCH and E-HICH assigned to a UE shall be configured with the same channelisation code.

For E-AGCH, the spreading factor shall always be 256.

For F-TPICH, the spreading factor shall always be 256.

For E-ROCH, the spreading factor shall always be 256.

## 5.2.2 Scrambling code

A total of  $2^{18}-1 = 262,143$  scrambling codes, numbered  $0 \dots 262,142$  can be generated. However not all the scrambling codes are used. The scrambling codes are divided into 512 sets each of a primary scrambling code and 15 secondary scrambling codes.

The primary scrambling codes consist of scrambling codes  $n=16*i$  where  $i=0 \dots 511$ . The  $i$ :th set of secondary scrambling codes consists of scrambling codes  $16*i+k$ , where  $k=1 \dots 15$ .

There is a one-to-one mapping between each primary scrambling code and 15 secondary scrambling codes in a set such that  $i$ :th primary scrambling code corresponds to  $i$ :th set of secondary scrambling codes.

Hence, according to the above, scrambling codes  $k = 0, 1, \dots, 8191$  are used. Each of these codes are associated with a left alternative scrambling code and a right alternative scrambling code, that may be used for compressed frames. The left alternative scrambling code corresponding to scrambling code  $k$  is scrambling code number  $k + 8192$ , while the right alternative scrambling code corresponding to scrambling code  $k$  is scrambling code number  $k + 16384$ . The alternative scrambling codes can be used for compressed frames. In this case, the left alternative scrambling code is used if  $n < SF/2$  and the right alternative scrambling code is used if  $n \geq SF/2$ , where  $c_{ch,SF,n}$  is the channelisation code used for non-compressed frames. The usage of alternative scrambling code for compressed frames is signalled by higher layers for each physical channel respectively.

In case F-DPCH is configured in the downlink, the same scrambling code and OVSF code shall be used in F-DPCH compressed frames and normal frames.

In the case that F-TPICH is configured in the downlink, the same scrambling code and OVSF code shall be used in F-TPICH compressed frames and normal frames.

The set of primary scrambling codes is further divided into 64 scrambling code groups, each consisting of 8 primary scrambling codes. The  $j$ :th scrambling code group consists of primary scrambling codes  $16*8*j+16*k$ , where  $j=0 \dots 63$  and  $k=0 \dots 7$ .

Each cell is allocated one and only one primary scrambling code. The primary CCPCH, primary CPICH, PICH, MICH, AICH and S-CCPCH carrying PCH or BCH shall always be transmitted using the primary scrambling code. The other downlink physical channels may be transmitted with either the primary scrambling code or a secondary scrambling code from the set associated with the primary scrambling code of the cell.

In MBSFN operations, the S-CCPCH carries FACH only and shall always be transmitted using the primary scrambling code. The same primary CCPCH, primary CPICH, MICH and S-CCPCH may be transmitted from multiple cells using the same primary scrambling code when part of MBSFN operations.

The mixture of primary scrambling code and no more than one secondary scrambling code for one CCTrCH is allowable. In compressed mode during compressed frames, these can be changed to the associated left or right scrambling codes as described above, i.e. in these frames, the total number of different scrambling codes may exceed two.

In the case of CCTrCH of type of HS-DSCH then all the HS-PDSCH channelisation codes and HS-SCCH that a single UE may receive from a single cell shall be under a single scrambling code (either the primary or a secondary scrambling code).

In each cell, the F-DPCH, E-RGCH, E-HICH, E-AGCH, E-ROCH and F-TPICH assigned to a UE shall be configured with same scrambling code as the assigned phase reference (primary or secondary CPICH).

In each cell the UE may be configured simultaneously with at most two scrambling codes.

The scrambling code sequences are constructed by combining two real sequences into a complex sequence. Each of the two real sequences are constructed as the position wise modulo 2 sum of 38400 chip segments of two binary  $m$ -

sequences generated by means of two generator polynomials of degree 18. The resulting sequences thus constitute segments of a set of Gold sequences. The scrambling codes are repeated for every 10 ms radio frame. Let  $x$  and  $y$  be the two sequences respectively. The  $x$  sequence is constructed using the primitive (over GF(2)) polynomial  $1+X^7+X^{18}$ . The  $y$  sequence is constructed using the polynomial  $1+X^5+X^7+X^{10}+X^{18}$ .

The sequence depending on the chosen scrambling code number  $n$  is denoted  $z_n$ , in the sequel. Furthermore, let  $x(i)$ ,  $y(i)$  and  $z_n(i)$  denote the  $i$ :th symbol of the sequence  $x$ ,  $y$ , and  $z_n$ , respectively.

The  $m$ -sequences  $x$  and  $y$  are constructed as:

Initial conditions:

- $x$  is constructed with  $x(0)=1, x(1)=x(2)=\dots=x(16)=x(17)=0$ .
- $y(0)=y(1)=\dots=y(16)=y(17)=1$ .

Recursive definition of subsequent symbols:

- $x(i+18) = x(i+7) + x(i) \text{ modulo } 2, i=0, \dots, 2^{18}-20$ .
- $y(i+18) = y(i+10)+y(i+7)+y(i+5)+y(i) \text{ modulo } 2, i=0, \dots, 2^{18}-20$ .

The  $n$ :th Gold code sequence  $z_n, n=0,1,2,\dots,2^{18}-2$ , is then defined as:

- $z_n(i) = x((i+n) \text{ modulo } (2^{18} - 1)) + y(i) \text{ modulo } 2, i=0, \dots, 2^{18}-2$ .

These binary sequences are converted to real valued sequences  $Z_n$  by the following transformation:

$$Z_n(i) = \begin{cases} +1 & \text{if } z_n(i) = 0 \\ -1 & \text{if } z_n(i) = 1 \end{cases} \text{ for } i = 0,1,\dots,2^{18} - 2.$$

Finally, the  $n$ :th complex scrambling code sequence  $S_{dl,n}$  is defined as:

- $S_{dl,n}(i) = Z_n(i) + j Z_n((i+131072) \text{ modulo } (2^{18}-1)), i=0,1,\dots,38399$ .

Note that the pattern from phase 0 up to the phase of 38399 is repeated.

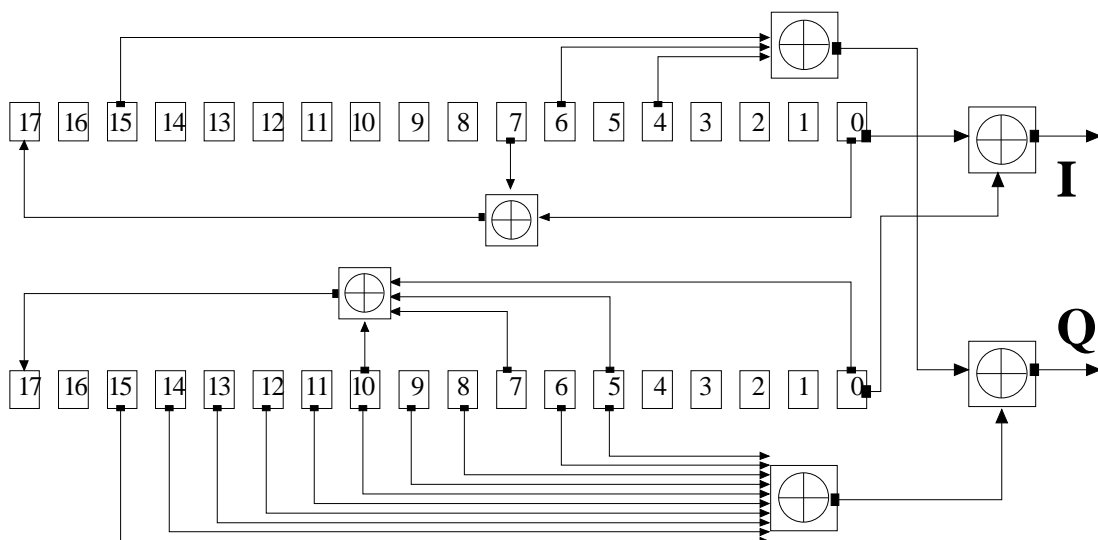


Figure 10: Configuration of downlink scrambling code generator

## 5.2.3 Synchronisation codes

### 5.2.3.1 Code generation

The primary synchronisation code (PSC),  $C_{\text{psc}}$  is constructed as a so-called generalised hierarchical Golay sequence. The PSC is furthermore chosen to have good aperiodic auto correlation properties.

Define:

$$- \mathbf{a} = \langle x_1, x_2, x_3, \dots, x_{16} \rangle = \langle 1, 1, 1, 1, 1, 1, -1, -1, 1, -1, 1, -1, 1, -1, -1, 1 \rangle$$

The PSC is generated by repeating the sequence  $a$  modulated by a Golay complementary sequence, and creating a complex-valued sequence with identical real and imaginary components. The PSC  $C_{\text{psc}}$  is defined as:

$$- C_{\text{psc}} = (1 + j) \times \langle a, a, a, -a, -a, a, -a, -a, a, a, a, -a, a, -a, a, a \rangle;$$

where the leftmost chip in the sequence corresponds to the chip transmitted first in time.

The 16 secondary synchronization codes (SSCs),  $\{C_{\text{ssc},1}, \dots, C_{\text{ssc},16}\}$ , are complex-valued with identical real and imaginary components, and are constructed from position wise multiplication of a Hadamard sequence and a sequence  $z$ , defined as:

$$- \mathbf{z} = \langle b, b, b, -b, b, b, -b, -b, b, -b, b, -b, -b, -b, -b \rangle, \text{ where}$$

$$- \mathbf{b} = \langle x_1, x_2, x_3, x_4, x_5, x_6, x_7, x_8, -x_9, -x_{10}, -x_{11}, -x_{12}, -x_{13}, -x_{14}, -x_{15}, -x_{16} \rangle \text{ and } x_1, x_2, \dots, x_{15}, x_{16}, \text{ are same as in the definition of the sequence } a \text{ above.}$$

The Hadamard sequences are obtained as the rows in a matrix  $H_8$  constructed recursively by:

$$H_0 = (1)$$

$$H_k = \begin{pmatrix} H_{k-1} & H_{k-1} \\ H_{k-1} & -H_{k-1} \end{pmatrix}, \quad k \geq 1$$

The rows are numbered from the top starting with row 0 (the all ones sequence).

Denote the  $n$ :th Hadamard sequence as a row of  $H_8$  numbered from the top,  $n = 0, 1, 2, \dots, 255$ , in the sequel.

Furthermore, let  $h_n(i)$  and  $z(i)$  denote the  $i$ :th symbol of the sequence  $h_n$  and  $z$ , respectively where  $i = 0, 1, 2, \dots, 255$  and  $i = 0$  corresponds to the leftmost symbol.

The  $k$ :th SSC,  $C_{\text{ssc},k}$ ,  $k = 1, 2, 3, \dots, 16$  is then defined as:

$$- C_{\text{ssc},k} = (1 + j) \times \langle h_m(0) \times z(0), h_m(1) \times z(1), h_m(2) \times z(2), \dots, h_m(255) \times z(255) \rangle;$$

where  $m = 16 \times (k - 1)$  and the leftmost chip in the sequence corresponds to the chip transmitted first in time.

### 5.2.3.2 Code allocation of SSC

The 64 secondary SCH sequences are constructed such that their cyclic-shifts are unique, i.e., a non-zero cyclic shift less than 15 of any of the 64 sequences is not equivalent to some cyclic shift of any other of the 64 sequences. Also, a non-zero cyclic shift less than 15 of any of the sequences is not equivalent to itself with any other cyclic shift less than 15. Table 4 describes the sequences of SSCs used to encode the 64 different scrambling code groups. The entries in table 4 denote what SSC to use in the different slots for the different scrambling code groups, e.g. the entry "7" means that SSC  $C_{\text{ssc},7}$  shall be used for the corresponding scrambling code group and slot.

**Table 4: Allocation of SSCs for secondary SCH**

Scrambling Code Group	slot number														
	#0	#1	#2	#3	#4	#5	#6	#7	#8	#9	#10	#11	#12	#13	#14
Group 0	1	1	2	8	9	10	15	8	10	16	2	7	15	7	16
Group 1	1	1	5	16	7	3	14	16	3	10	5	12	14	12	10
Group 2	1	2	1	15	5	5	12	16	6	11	2	16	11	15	12
Group 3	1	2	3	1	8	6	5	2	5	8	4	4	6	3	7
Group 4	1	2	16	6	6	11	15	5	12	1	15	12	16	11	2
Group 5	1	3	4	7	4	1	5	5	3	6	2	8	7	6	8
Group 6	1	4	11	3	4	10	9	2	11	2	10	12	12	9	3
Group 7	1	5	6	6	14	9	10	2	13	9	2	5	14	1	13
Group 8	1	6	10	10	4	11	7	13	16	11	13	6	4	1	16
Group 9	1	6	13	2	14	2	6	5	5	13	10	9	1	14	10
Group 10	1	7	8	5	7	2	4	3	8	3	2	6	6	4	5
Group 11	1	7	10	9	16	7	9	15	1	8	16	8	15	2	2
Group 12	1	8	12	9	9	4	13	16	5	1	13	5	12	4	8
Group 13	1	8	14	10	14	1	15	15	8	5	11	4	10	5	4
Group 14	1	9	2	15	15	16	10	7	8	1	10	8	2	16	9
Group 15	1	9	15	6	16	2	13	14	10	11	7	4	5	12	3
Group 16	1	10	9	11	15	7	6	4	16	5	2	12	13	3	14
Group 17	1	11	14	4	13	2	9	10	12	16	8	5	3	15	6
Group 18	1	12	12	13	14	7	2	8	14	2	1	13	11	8	11
Group 19	1	12	15	5	4	14	3	16	7	8	6	2	10	11	13
Group 20	1	15	4	3	7	6	10	13	12	5	14	16	8	2	11
Group 21	1	16	3	12	11	9	13	5	8	2	14	7	4	10	15
Group 22	2	2	5	10	16	11	3	10	11	8	5	13	3	13	8
Group 23	2	2	12	3	15	5	8	3	5	14	12	9	8	9	14
Group 24	2	3	6	16	12	16	3	13	13	6	7	9	2	12	7
Group 25	2	3	8	2	9	15	14	3	14	9	5	5	15	8	12
Group 26	2	4	7	9	5	4	9	11	2	14	5	14	11	16	16
Group 27	2	4	13	12	12	7	15	10	5	2	15	5	13	7	4
Group 28	2	5	9	9	3	12	8	14	15	12	14	5	3	2	15
Group 29	2	5	11	7	2	11	9	4	16	7	16	9	14	14	4
Group 30	2	6	2	13	3	3	12	9	7	16	6	9	16	13	12
Group 31	2	6	9	7	7	16	13	3	12	2	13	12	9	16	6
Group 32	2	7	12	15	2	12	4	10	13	15	13	4	5	5	10
Group 33	2	7	14	16	5	9	2	9	16	11	11	5	7	4	14
Group 34	2	8	5	12	5	2	14	14	8	15	3	9	12	15	9
Group 35	2	9	13	4	2	13	8	11	6	4	6	8	15	15	11
Group 36	2	10	3	2	13	16	8	10	8	13	11	11	16	3	5
Group 37	2	11	15	3	11	6	14	10	15	10	6	7	7	14	3
Group 38	2	16	4	5	16	14	7	11	4	11	14	9	9	7	5
Group 39	3	3	4	6	11	12	13	6	12	14	4	5	13	5	14
Group 40	3	3	6	5	16	9	15	5	9	10	6	4	15	4	10
Group 41	3	4	5	14	4	6	12	13	5	13	6	11	11	12	14
Group 42	3	4	9	16	10	4	16	15	3	5	10	5	15	6	6
Group 43	3	4	16	10	5	10	4	9	9	16	15	6	3	5	15
Group 44	3	5	12	11	14	5	11	13	3	6	14	6	13	4	4
Group 45	3	6	4	10	6	5	9	15	4	15	5	16	16	9	10
Group 46	3	7	8	8	16	11	12	4	15	11	4	7	16	3	15
Group 47	3	7	16	11	4	15	3	15	11	12	12	4	7	8	16
Group 48	3	8	7	15	4	8	15	12	3	16	4	16	12	11	11
Group 49	3	8	15	4	16	4	8	7	7	15	12	11	3	16	12
Group 50	3	10	10	15	16	5	4	6	16	4	3	15	9	6	9

Scrambling Code Group	slot number														
	#0	#1	#2	#3	#4	#5	#6	#7	#8	#9	#10	#11	#12	#13	#14
Group 51	3	13	11	5	4	12	4	11	6	6	5	3	14	13	12
Group 52	3	14	7	9	14	10	13	8	7	8	10	4	4	13	9
Group 53	5	5	8	14	16	13	6	14	13	7	8	15	6	15	7
Group 54	5	6	11	7	10	8	5	8	7	12	12	10	6	9	11
Group 55	5	6	13	8	13	5	7	7	6	16	14	15	8	16	15
Group 56	5	7	9	10	7	11	6	12	9	12	11	8	8	6	10
Group 57	5	9	6	8	10	9	8	12	5	11	10	11	12	7	7
Group 58	5	10	10	12	8	11	9	7	8	9	5	12	6	7	6
Group 59	5	10	12	6	5	12	8	9	7	6	7	8	11	11	9
Group 60	5	13	15	15	14	8	6	7	16	8	7	13	14	5	16
Group 61	9	10	13	10	11	15	15	9	16	12	14	13	16	14	11
Group 62	9	11	12	15	12	9	13	13	11	14	10	16	15	14	16
Group 63	9	12	10	15	13	14	9	14	15	11	11	13	12	16	10

### 5.3 Modulation

#### 5.3.1 Modulating chip rate

The modulating chip rate is 3.84 Mcps.

#### 5.3.2 Modulation

Modulation of the complex-valued chip sequence generated by the spreading process is shown in Figure 11 below.

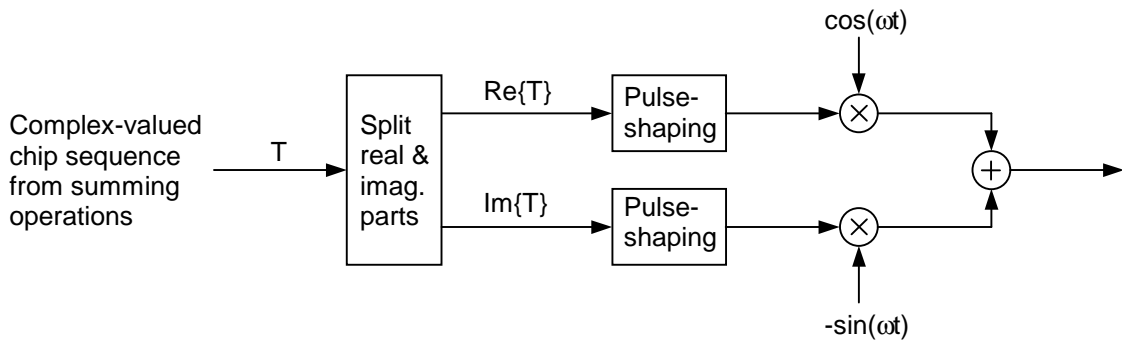


Figure 11: Downlink modulation

The pulse-shaping characteristics are described in [4].

# Annex A (informative): Generalised Hierarchical Golay Sequences

## A.1 Alternative generation

The generalised hierarchical Golay sequences for the PSC described in 5.2.3.1 may be also viewed as generated (in real valued representation) by the following methods:

### Method 1.

The sequence  $y$  is constructed from two constituent sequences  $x_1$  and  $x_2$  of length  $n_1$  and  $n_2$  respectively using the following formula:

$$- y(i) = x_2(i \bmod n_2) * x_1(i \operatorname{div} n_2), i = 0 \dots (n_1 * n_2) - 1.$$

The constituent sequences  $x_1$  and  $x_2$  are chosen to be the following length 16 (i.e.  $n_1 = n_2 = 16$ ) sequences:

- $x_1$  is defined to be the length 16 ( $N^{(1)}=4$ ) Golay complementary sequence obtained by the delay matrix  $D^{(1)} = [8, 4, 1, 2]$  and weight matrix  $W^{(1)} = [1, -1, 1, 1]$ .
- $x_2$  is a generalised hierarchical sequence using the following formula, selecting  $s=2$  and using the two Golay complementary sequences  $x_3$  and  $x_4$  as constituent sequences. The length of the sequence  $x_3$  and  $x_4$  is called  $n_3$  respectively  $n_4$ .
- $x_2(i) = x_4(i \bmod s + s*(i \operatorname{div} n_3)) * x_3((i \operatorname{div} s) \bmod n_3), i = 0 \dots (n_3 * n_4) - 1.$
- $x_3$  and  $x_4$  are defined to be identical and the length 4 ( $N^{(3)}=N^{(4)}=2$ ) Golay complementary sequence obtained by the delay matrix  $D^{(3)} = D^{(4)} = [1, 2]$  and weight matrix  $W^{(3)} = W^{(4)} = [1, 1]$ .

The Golay complementary sequences  $x_1, x_3$  and  $x_4$  are defined using the following recursive relation:

$$a_0(k) = \delta(k) \text{ and } b_0(k) = \delta(k);$$

$$a_n(k) = a_{n-1}(k) + W_n^{(j)} \cdot b_{n-1}(k - D_n^{(j)});$$

$$b_n(k) = a_{n-1}(k) - W_n^{(j)} \cdot b_{n-1}(k - D_n^{(j)});$$

$$k = 0, 1, 2, \dots, 2^{*}N^{(j)} - 1;$$

$$n = 1, 2, \dots, N^{(j)}.$$

The wanted Golay complementary sequence  $x_j$  is defined by  $a_n$  assuming  $n=N^{(j)}$ . The Kronecker delta function is described by  $\delta, k, j$  and  $n$  are integers.

### Method 2

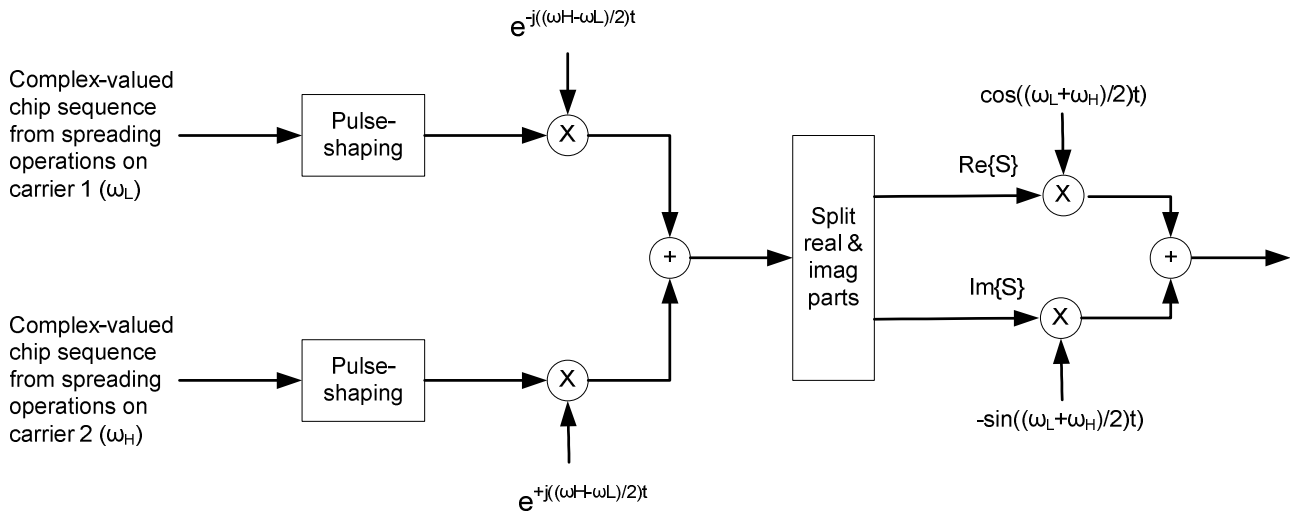
The sequence  $y$  can be viewed as a pruned Golay complementary sequence and generated using the following parameters which apply to the generator equations for  $a$  and  $b$  above:

- (a) Let  $j = 0, N^{(0)} = 8.$
- (b)  $[D_1^0, D_2^0, D_3^0, D_4^0, D_5^0, D_6^0, D_7^0, D_8^0] = [128, 64, 16, 32, 8, 1, 4, 2].$
- (c)  $[W_1^0, W_2^0, W_3^0, W_4^0, W_5^0, W_6^0, W_7^0, W_8^0] = [1, -1, 1, 1, 1, 1, 1, 1].$
- (d) For  $n = 4, 6$ , set  $b_4(k) = a_4(k), b_6(k) = a_6(k).$



# Annex B (informative): Uplink modulation for operation on adjacent frequencies

An example of modulation of the complex-valued chip sequence generated by the spreading process is shown below in Figure B-1. In Figure B-1,  $\omega_L$  and  $\omega_H$  are the lower and higher assigned channel frequencies.



**Figure B-1: Uplink modulation for a UE with adjacent primary and secondary uplink frequencies**

## Annex B1 (informative): Uplink modulation for UL CLTD

In the case that `UL_CLTD_Enabled` is `TRUE`, modulation of the complex-valued chip sequence  $T$  and  $T'$ , obtained from channel combining operation for UL CLTD in section 4.2.4, is shown in Figure B1-1.

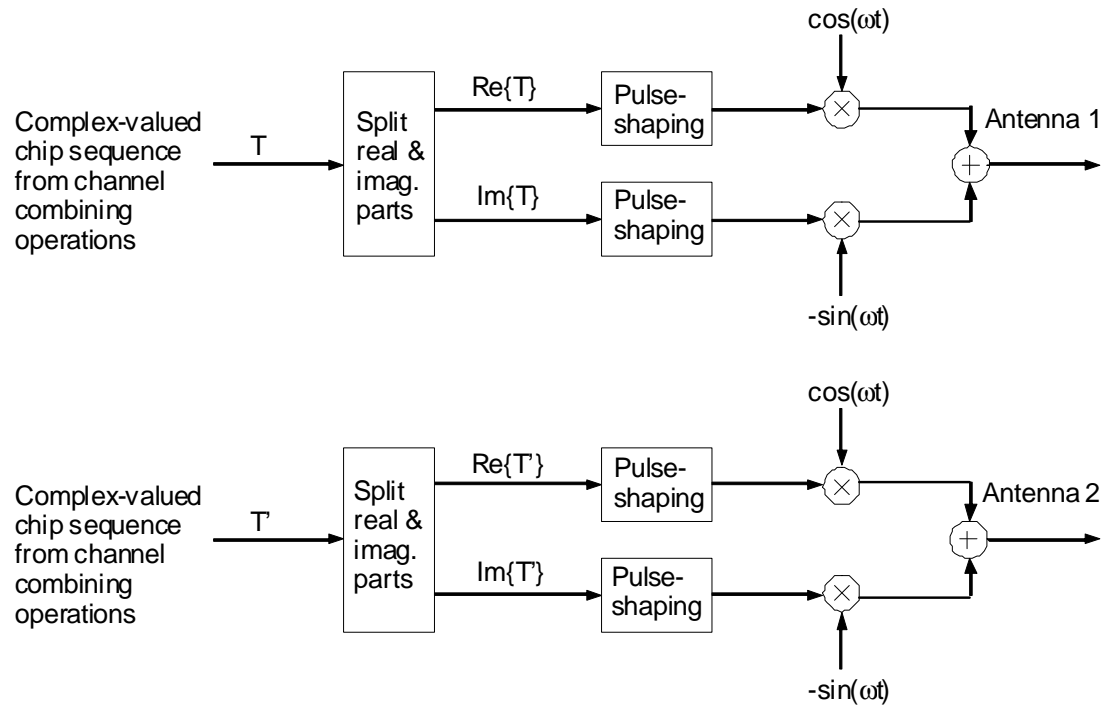
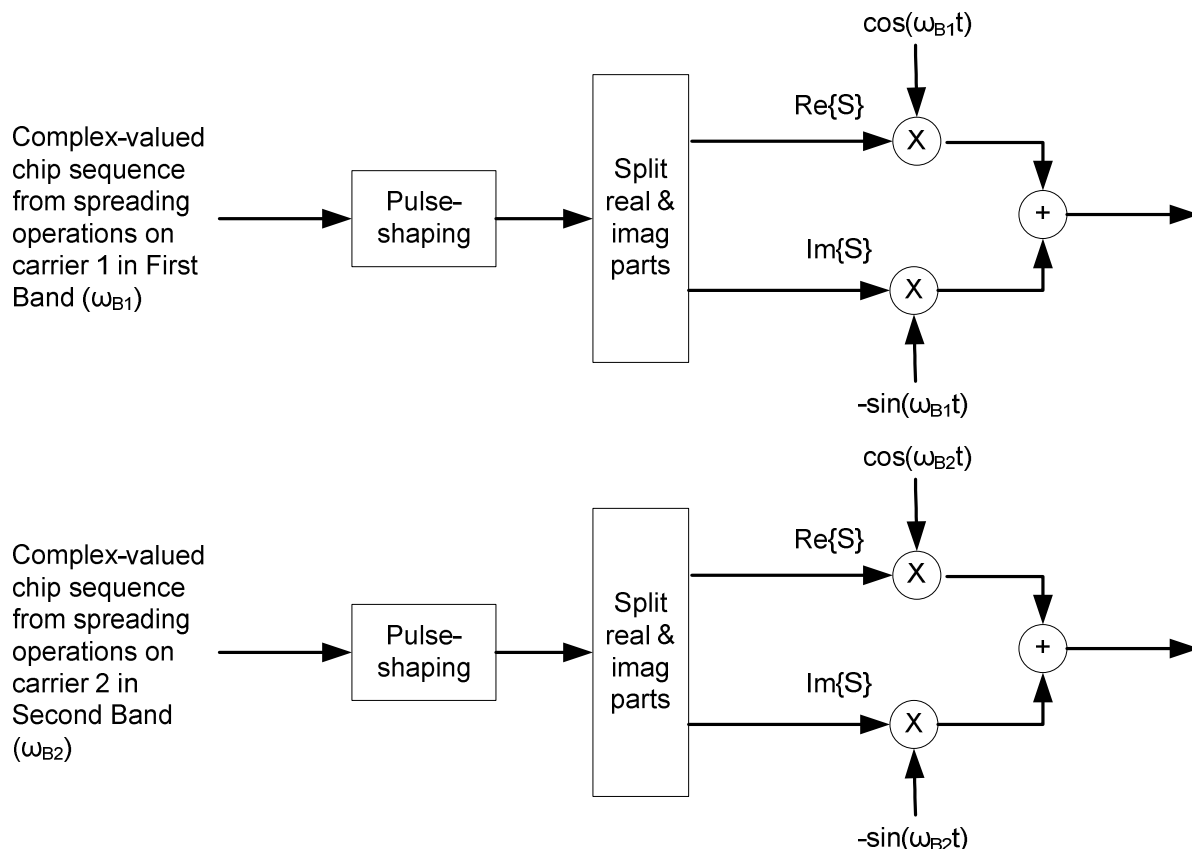


Figure B1-1: Uplink modulation when `UL_CLTD_Enabled` is `TRUE`

# Annex B2 (informative): Uplink modulation for operation on dual band frequencies

An example of modulation of the complex-valued chip sequence generated by the spreading process is shown below in Figure B2-1 for two uplink frequencies in two distinct bands. In Figure B2-1,  $\omega_{B1}$  and  $\omega_{B2}$  are the assigned primary and secondary uplink channel frequencies in two distinct bands.



**Figure B2-1: Uplink modulation for a UE with primary and secondary uplink frequencies on two different bands**

## Annex C (informative): Change history

Change history							
Date	TSG #	TSG Doc.	CR	Rev	Subject/Comment	Old	New
14/01/00	RAN_05	RP-99589	-		Approved at TSG RAN #5 and placed under Change Control	-	3.0.0
14/01/00	RAN_06	RP-99682	005	1	Harmonization of notations for downlink scrambling codes	3.0.0	3.1.0
14/01/00	RAN_06	RP-99683	006	-	Update of downlink spreading description	3.0.0	3.1.0
14/01/00	RAN_06	RP-99682	007	1	Update of TS 25.213 uplink parts	3.0.0	3.1.0
14/01/00	RAN_06	RP-99683	008	-	Updated modulation description	3.0.0	3.1.0
14/01/00	RAN_06	RP-99683	009	-	Restriction for spreading factor 512 allocation in the UTRA FDD Downlink	3.0.0	3.1.0
14/01/00	RAN_06	RP-99683	011	1	CPCH codes in power control preamble	3.0.0	3.1.0
14/01/00	RAN_06	RP-99683	012	2	Support of short codes for CPCH	3.0.0	3.1.0
14/01/00	RAN_06	RP-99682	014	1	Editorial Change	3.0.0	3.1.0
14/01/00	RAN_06	RP-99683	016	-	Channelization Code Allocation for USTS	3.0.0	3.1.0
14/01/00	RAN_06	RP-99683	017	1	Correction (Editorial Change)	3.0.0	3.1.0
14/01/00	RAN_06	RP-99683	019	-	Correction to code allocation for compressed mode	3.0.0	3.1.0
14/01/00	-	-	-	-	Change history was added by the editor	3.1.0	3.1.1
31/03/00	RAN_07	RP-000063	020	1	Consistent numbering of scrambling code groups	3.1.1	3.2.0
31/03/00	RAN_07	RP-000063	021	-	Downlink signal flow corrections	3.1.1	3.2.0
31/03/00	RAN_07	RP-000063	022	-	Uplink signal flow corrections	3.1.1	3.2.0
31/03/00	RAN_07	RP-000063	023	1	Number of RACH scrambling codes	3.1.1	3.2.0
31/03/00	RAN_07	RP-000063	024	1	Editorial changes to 25.213	3.1.1	3.2.0
31/03/00	RAN_07	RP-000063	025	3	Number of PCPCH scrambling codes per cell	3.1.1	3.2.0
31/03/00	RAN_07	RP-000063	027	-	A typo correction for 5.2.2 and clarification for 5.2.3.1 of TS 25.213V3.1.1	3.1.1	3.2.0
31/03/00	RAN_07	RP-000063	028	2	Channelization code allocation method for PCPCH message part	3.1.1	3.2.0
31/03/00	RAN_07	RP-000063	029	-	Clarifications to DSCH scrambling and modulation in 25.213	3.1.1	3.2.0
31/03/00	RAN_07	RP-000063	032	-	Clean up of USTS related specifications	3.1.1	3.2.0
26/06/00	RAN_08	RP-000267	033	-	Clarifications to power control preamble sections	3.2.0	3.3.0
26/06/00	RAN_08	RP-000267	034	2	Numbering of the PCPCH access preamble and collision detection preamble scrambling codes	3.2.0	3.3.0
26/06/00	RAN_08	RP-000267	035	-	DPDCH/DPCCH gain factors	3.2.0	3.3.0
16/12/00	RAN_10	RP-000539	037	1	Proposed removal of the option of secondary scrambling code for some downlink common channels	3.3.0	3.4.0
16/03/01	RAN_11	-	-	-	Approved as Release 4 specification (v4.0.0) at TSG RAN #11	3.4.0	4.0.0
16/03/01	RAN_11	RP-010059	038	-	Clarification of channelization codes when SF=512	3.4.0	4.0.0
16/03/01	RAN_11	RP-010059	039	1	Clarification of the scrambling code of a power control preamble	3.4.0	4.0.0
15/06/01	RAN_12	RP-010333	041	1	Clarification of DL channelization code alignment	4.0.0	4.1.0
15/06/01	RAN_12	RP-010333	043	1	Clarification of PDSCH root channelisation code definition	4.0.0	4.1.0
14/12/01	RAN_14	RP-010738	047	-	Correction of section number reference	4.1.0	4.2.0
08/03/02	RAN_15	RP-020058	049	-	The inclusion of HSDPA into 25.213	4.2.0	5.0.0
07/06/02	RAN_16	RP-020309	053	1	Downlink bit mapping	5.0.0	5.1.0
07/06/02	RAN_16	RP-020316	050	-	Consistency of Signal Point Constellation for QPSK and 16QAM	5.0.0	5.1.0
07/06/02	RAN_16	RP-020316	054	-	Clarification of uplink DTX handling and modulation	5.0.0	5.1.0
07/06/02	RAN_16	RP-020316	055	-	Removal of code mapping description over HS-SCCH	5.0.0	5.1.0
07/06/02	RAN_16	RP-020316	056	3	I/Q mapping of HS-DPCCH	5.0.0	5.1.0
07/06/02	RAN_16	RP-020316	057	-	Definition of the amplitude gain factor for HS-DPCCH	5.0.0	5.1.0
16/09/02	RAN_17	RP-020583	058	1	Numbering corrections	5.1.0	5.2.0
16/09/02	RAN_17	RP-020583	059		Correction on the maximum DPDCH in Figure1	5.1.0	5.2.0
16/09/02	RAN_17	RP-020592	060		Power offset values for HS-DPCCH	5.1.0	5.2.0
26/03/03	RAN_19	RP-030135	061	1	Removal of the tiny text in Figure 1 and minor corrections to 4.2.1	5.2.0	5.3.0
21/09/03	RAN_21	RP-030457	062	-	Clarification of 16QAM modulation description	5.3.0	5.4.0
06/01/04	RAN_22	RP-030648	064	1	Correction of figure in combining of downlink physical channels	5.4.0	5.5.0
06/01/04	RAN_22	RP-030648	065	1	Correction of reference to calculation of HS-DPCCH gain factor	5.4.0	5.5.0
06/01/04	RAN_22	RP-030727	067	2	Restriction of DL secondary scrambling codes per CCTrCH	5.4.0	5.5.0
13/01/04	RAN_22	-	-	-	Created for M.1457 update	5.5.0	6.0.0
13/12/04	RAN_26	RP-040539	071	3	Introduction of E-DCH	6.0.0	6.1.0
13/12/04	RAN_26	RP-040450	069	-	Introduction of MICH	6.0.0	6.1.0
14/03/05	RAN_27	RP-050088	070	1	Introduction of F-DPCCH	6.1.0	6.2.0

Change history							
Date	TSG #	TSG Doc.	CR	Rev	Subject/Comment	Old	New
14/03/05	RAN_27	RP-050046	072	-	Correction on E-DPCCH power offset	6.1.0	6.2.0
14/03/05	RAN_27	RP-050047	073	1	Defining E-DPDCH power offset	6.1.0	6.2.0
16/06/05	RAN_28	RP-050252	074	2	Power offset values for E-DPDCH/E-DPCCH	6.2.0	6.3.0
16/06/05	RAN_28	RP-050252	075	3	Support of different HARQ profiles	6.2.0	6.3.0
16/06/05	RAN_28	RP-050250	077	2	Feature Clean Up: Removal of "CPCH"	6.2.0	6.3.0
16/06/05	RAN_28	RP-050248	079	-	Feature Clean Up: Removal of DSCH (FDD mode)	6.2.0	6.3.0
16/06/05	RAN_28	RP-050256	080	-	Correction to short scrambling code polynomial	6.2.0	6.3.0
26/09/05	RAN_29	RP-050450	0081	-	Clarification on derivation of $\beta_c$ and $\beta_d$	6.3.0	6.4.0
26/09/05	RAN_29	RP-050450	0082	1	DL Scrambling Code and Phase Reference Combinations	6.3.0	6.4.0
26/09/05	RAN_29	RP-050450	0083	1	Clarification on power offset quantization	6.3.0	6.4.0
20/03/06	RAN_31	RP-060076	0084	1	Correction to number of configured DPDCHs when E-DPDCH is configured	6.4.0	6.5.0
20/03/06	RAN_31	-	-	-	Creation of Release 7 specification (v7.0.0) at RAN#31	6.5.0	7.0.0
07/03/07	RAN_35	RP-070116	0085	2	Introduction of 64QAM for HSDPA	7.0.0	7.1.0
30/05/07	RAN_36	RP-070388	0086	4	Introduction of 16-QAM for HSUPA	7.1.0	7.2.0
30/05/07	RAN_36	RP-070384	0087	1	Support for DL only SFN operation for MBMS FDD	7.1.0	7.2.0
30/05/07	RAN_36	RP-070387	0089	-	CQI and ACK/NACK power setting for MIMO	7.1.0	7.2.0
11/09/07	RAN_37	RP-070644	0090	-	Editorial changes in 25.213 for 16QAM specification	7.2.0	7.3.0
27/11/07	RAN_38	RP-070944	0091	1	Editorial changes in 25.213 for 16QAM specification	7.3.0	7.4.0
04/03/08	RAN_39	-	-	-	Release 8 version further to RAN_39 decision	7.4.0	8.0.0
28/05/08	RAN_40	RP-080439	0093	1	Range of E-DCH amplitude ratios	8.0.0	8.1.0
09/09/08	RAN_41	RP-080709	0098	-	Restricted Beta Factor Combinations for EUL	8.1.0	8.2.0
03/12/08	RAN_42	RP-080989	0099	-	Clarification to scrambling codes in dual cell HSDPA operation	8.2.0	8.3.0
03/03/09	RAN_43	RP-090238	0101	2	Correction to DTX bit insertion for MBSFN 16-QAM	8.3.0	8.4.0
18/09/09	RAN_45	-	-	-	Release 9 created further to RAN_45 decision	8.4.0	9.0.0
01/12/09	RAN_46	RP-091170	0103	2	Introduction of DC-HSUPA	9.0.0	9.1.0
01/12/09	RAN_46	RP-091161	0106	-	Clarification of the quantization of E-DPDCH power offset without E-DPCCH boosting	9.0.0	9.1.0
14/09/10	RAN_49	RP-100897	0107	1	Clarification of uplink frequencies	9.1.0	9.2.0
16/09/10	RAN_49	RP-100902	0108	2	Release 10 created with the introduction of 4C HSDPA	9.2.0	10.0.0
05/12/11	RAN_54	RP-111671	0109	7	Introduction of 8C-HSDPA	10.0.0	11.0.0
05/12/11	RAN_54	RP-111672	0110	1	Introduction of Uplink Closed Loop Transmit Diversity for HSPA	10.0.0	11.0.0
28/02/12	RAN_55	RP-120288	0111	-	Corrections to Uplink Closed Loop Transmit Diversity	11.0.0	11.1.0
13/06/12	RAN_56	RP-120741	0112	1	Clarification of CLTD Features	11.1.0	11.2.0
04/09/12	RAN_57	RP-121271	0113	2	Introduction of Multiflow	11.2.0	11.3.0
04/09/12	RAN_57	RP-121384	0114	1	Correction to the gain factor definition for S-DPCCH	11.2.0	11.3.0
04/12/12	RAN_58	RP-121845	0115	6	Introduction of uplink MIMO and 64QAM	11.3.0	11.4.0
04/12/12	RAN_58	RP-121843	0116	6	Introduction of 4Tx_HSDPA in 25.213	11.3.0	11.4.0
10/09/14	RAN_65	RP-141482	0117	2	Introduction of Enhanced Broadcast of System Information	11.4.0	12.0.0
10/09/14	RAN_65	RP-141481	0118	1	Introduction of UMTS Heterogeneous Networks enhancements	11.4.0	12.0.0
07/12/15	RAN_70	RP-152023	0119	4	Introduction of Dual Carrier HSUPA enhancements for UTRAN CS in TS 25.213	12.0.0	13.0.0
07/12/15	RAN_70	RP-152030	0121	1	Introduction of HSPA Dual-Band UL carrier aggregation	12.0.0	13.0.0

Change history							
Date	Meeting	TDoc	CR	Rev	Cat	Subject/Comment	New version
2017-03	RP-75	-	-	-	-	Promotion to Release 14 without technical change (MCC)	14.0.0
2018-06	RP-80	-	-	-	-	Promotion to Release 15 without technical change (MCC)	15.0.0
2020-07	RP-88e	-	-	-	-	Upgrade to Rel-16 version without technical change	16.0.0
2022-03	RP-95e	-	-	-	-	Upgrade to Rel-17 version without technical change	17.0.0
2024-03	RP-103	-	-	-	-	Upgrade to Rel-18 version without technical change	18.0.0

---

# History

<b>Document history</b>		
V18.0.0	May 2024	Publication