

# ETSI TS 125 301 V9.1.0 (2010-04)

---

*Technical Specification*

## **Universal Mobile Telecommunications System (UMTS); Radio interface protocol architecture (3GPP TS 25.301 version 9.1.0 Release 9)**



---

Reference

RTS/TSGR-0225301v910

---

Keywords

UMTS

**ETSI**

650 Route des Lucioles  
F-06921 Sophia Antipolis Cedex - FRANCE

Tel.: +33 4 92 94 42 00 Fax: +33 4 93 65 47 16

Siret N° 348 623 562 00017 - NAF 742 C  
Association à but non lucratif enregistrée à la  
Sous-Préfecture de Grasse (06) N° 7803/88

---

**Important notice**

Individual copies of the present document can be downloaded from:

<http://www.etsi.org>

The present document may be made available in more than one electronic version or in print. In any case of existing or perceived difference in contents between such versions, the reference version is the Portable Document Format (PDF). In case of dispute, the reference shall be the printing on ETSI printers of the PDF version kept on a specific network drive within ETSI Secretariat.

Users of the present document should be aware that the document may be subject to revision or change of status. Information on the current status of this and other ETSI documents is available at

<http://portal.etsi.org/tb/status/status.asp>

If you find errors in the present document, please send your comment to one of the following services:

[http://portal.etsi.org/chaicor/ETSI\\_support.asp](http://portal.etsi.org/chaicor/ETSI_support.asp)

---

**Copyright Notification**

No part may be reproduced except as authorized by written permission.  
The copyright and the foregoing restriction extend to reproduction in all media.

© European Telecommunications Standards Institute 2010.  
All rights reserved.

**DECT**<sup>TM</sup>, **PLUGTESTS**<sup>TM</sup>, **UMTS**<sup>TM</sup>, **TIPHON**<sup>TM</sup>, the TIPHON logo and the ETSI logo are Trade Marks of ETSI registered for the benefit of its Members.

**3GPP**<sup>TM</sup> is a Trade Mark of ETSI registered for the benefit of its Members and of the 3GPP Organizational Partners.

**LTE**<sup>TM</sup> is a Trade Mark of ETSI currently being registered

for the benefit of its Members and of the 3GPP Organizational Partners.

**GSM**<sup>®</sup> and the GSM logo are Trade Marks registered and owned by the GSM Association.

---

## Intellectual Property Rights

IPRs essential or potentially essential to the present document may have been declared to ETSI. The information pertaining to these essential IPRs, if any, is publicly available for **ETSI members and non-members**, and can be found in ETSI SR 000 314: *"Intellectual Property Rights (IPRs); Essential, or potentially Essential, IPRs notified to ETSI in respect of ETSI standards"*, which is available from the ETSI Secretariat. Latest updates are available on the ETSI Web server (<http://webapp.etsi.org/IPR/home.asp>).

Pursuant to the ETSI IPR Policy, no investigation, including IPR searches, has been carried out by ETSI. No guarantee can be given as to the existence of other IPRs not referenced in ETSI SR 000 314 (or the updates on the ETSI Web server) which are, or may be, or may become, essential to the present document.

---

## Foreword

This Technical Specification (TS) has been produced by ETSI 3rd Generation Partnership Project (3GPP).

The present document may refer to technical specifications or reports using their 3GPP identities, UMTS identities or GSM identities. These should be interpreted as being references to the corresponding ETSI deliverables.

The cross reference between GSM, UMTS, 3GPP and ETSI identities can be found under <http://webapp.etsi.org/key/queryform.asp>.

# Contents

Intellectual Property Rights .....	2
Foreword.....	2
Foreword.....	5
1 Scope .....	6
2 References .....	6
3 Definitions and abbreviations.....	7
3.1 Definitions .....	7
3.2 Abbreviations .....	7
4 Assumed UMTS Architecture .....	8
5 Radio interface protocol architecture .....	9
5.1 Overall protocol structure.....	9
5.1.1 Service access points and service primitives .....	11
5.2 Layer 1 Services and Functions.....	12
5.2.1 L1 Services .....	12
5.2.1.1 Transport channels .....	12
5.2.2 L1 Functions .....	14
5.3 Layer 2 Services and Functions.....	14
5.3.1 MAC Services and Functions .....	14
5.3.1.1 MAC Services to upper layers .....	14
5.3.1.1.1 Logical channels.....	14
5.3.1.1.2 Mapping between logical channels and transport channels .....	16
5.3.1.1.2.1 Mapping in Uplink.....	16
5.3.1.1.2.2 Mapping in Downlink .....	16
5.3.1.2 MAC functions.....	18
5.3.2 RLC Services and Functions.....	20
5.3.2.1 Services provided to the upper layer .....	20
5.3.2.2 RLC Functions .....	21
5.3.3 PDCP Services and Function.....	21
5.3.3.1 PDCP Services provided to upper layers .....	21
5.3.3.2 PDCP Functions .....	21
5.3.4 Broadcast/Multicast Control - Services and functions.....	22
5.3.4.1 BMC Services .....	22
5.3.4.2 BMC Functions .....	22
5.3.5 Data flows through Layer 2 .....	22
5.3.5.1 Data flow for BCCH mapped to BCH.....	27
5.3.5.2 Data flow for BCCH mapped to FACH.....	27
5.3.5.3 Data flow for PCCH mapped to PCH .....	27
5.3.5.4 Data flow for CCCH mapped to FACH/RACH.....	27
5.3.5.5 Data flow for SHCCH mapped to USCH.....	27
5.3.5.6 Data flow for SHCCH mapped to FACH/RACH.....	27
5.3.5.7 Data flow for DCCH mapped to FACH/RACH.....	28
5.3.5.8 Data flow for DCCH mapped to DSCH.....	28
5.3.5.9 Data flow for DCCH mapped to USCH.....	28
5.3.5.10 Void.....	28
5.3.5.11 Data flow for DTCH (non-transparent RLC) mapped to FACH/RACH.....	28
5.3.5.12 Data flow for DTCH (non-transparent RLC) mapped to DSCH.....	28
5.3.5.13 Data flow for DTCH (non-transparent RLC) mapped to USCH.....	28
5.3.5.14 Data flow for DTCH (transparent RLC) mapped to DCH .....	28
5.3.5.15 Data flow for DTCH (non-transparent RLC) mapped to DCH .....	28
5.3.5.16 Void.....	28
5.3.5.17 Data flow for DCCH mapped to DCH .....	29
5.3.5.18 Data flow for CTCH mapped to FACH .....	29
5.3.5.19 Data flow for DCCH mapped to HS-DSCH .....	29

5.3.5.20	Data flow for DTCH (non-transparent RLC) mapped to HS-DSCH .....	29
5.3.5.21	Data flow for DCCH mapped to E-DCH .....	29
5.3.5.22	Data flow for DTCH (non-transparent RLC) mapped to E-DCH .....	29
5.3.5.23	Data flow for MCCH (non-transparent RLC) mapped to FACH .....	29
5.3.5.24	Data flow for MSCH (non-transparent RLC) mapped to FACH .....	29
5.3.5.25	Data flow for MTCH (non-transparent RLC) mapped to FACH .....	29
5.3.5.26	Data flow for CCCH mapped to HS-DSCH/RACH (FDD only) .....	29
5.3.5.27	Data flow for PCCH mapped to HS-DSCH .....	30
5.3.5.28	Data flow for BCCH mapped to HS-DSCH (FDD and 1.28 Mcps TDD only) .....	30
5.3.5.29	Data flow for CCCH mapped to HS-DSCH/E-DCH (FDD and 1.28 Mcps TDD only) .....	30
5.3.6	Transport Channel, Logical Channel and MAC-d flow Numbering .....	30
5.4	Layer 3 - Uu Stratum Services and Functions .....	32
5.4.1	Uu Stratum services .....	32
5.4.1.1	General Control .....	32
5.4.1.2	Notification .....	32
5.4.1.3	Dedicated Control .....	32
5.4.2	RRC functions .....	33
5.5	Interactions between RRC and lower layers in the C plane .....	35
5.6	Protocol termination .....	35
5.6.1	Protocol termination for DCH .....	35
5.6.2	Protocol termination for RACH/FACH .....	36
5.6.3	Void .....	38
5.6.4	Void .....	38
5.6.5	Protocol termination for DSCH .....	38
5.6.5.1	DSCH definition .....	38
5.6.5.2	Resource allocation and UE identification on DSCH .....	39
5.6.5.2.1	Void .....	39
5.6.5.2.2	UE requires a downlink SHCCH .....	39
5.6.5.3	Model of DSCH in UTRAN .....	39
5.6.5.4	Protocol termination .....	40
5.6.6	Protocol termination for transport channel of type USCH .....	41
5.6.6.1	USCH definition .....	41
5.6.6.2	Resource allocation and UE identification on USCH .....	41
5.6.6.3	Model of USCH in UTRAN .....	41
5.6.6.4	Protocol termination .....	42
5.6.7	Protocol termination for transport channel of type BCH .....	43
5.6.8	Protocol termination for transport channel of type PCH .....	43
5.6.9	Protocol termination for HS-DSCH .....	44
5.6.9.1	HS-DSCH definition .....	44
5.6.9.2	Resource allocation and UE identification on HS-DSCH .....	44
5.6.9.3	Protocol termination .....	44
5.6.10	Protocol termination for E-DCH .....	45
5.6.10.1	E-DCH definition .....	45
5.6.10.2	Resource allocation and UE identification related to E-DCH .....	45
5.6.10.3	Protocol termination .....	45
5.6.11	Protocol termination for MBMS .....	46
5.6.11.1	MBMS definition .....	46
5.6.11.2	Resource allocation related to MBMS .....	47
5.6.11.3	Protocol termination .....	47
6	User Identification and RRC Connection Mobility .....	48
6.1	UE identification on the radio interface .....	48
6.2	UE connection to UTRAN .....	49
7	UE modes .....	50
<b>Annex A (informative):</b>	<b>Change history .....</b>	<b>51</b>
History .....		53

---

# Foreword

This Technical Specification (TS) has been produced by the 3<sup>rd</sup> Generation Partnership Project (3GPP).

The contents of the present document are subject to continuing work within the TSG and may change following formal TSG approval. Should the TSG modify the contents of the present document, it will be re-released by the TSG with an identifying change of release date and an increase in version number as follows:

Version x.y.z

where:

- x the first digit:
  - 1 presented to TSG for information;
  - 2 presented to TSG for approval;
  - 3 or greater indicates TSG approved document under change control.
- y the second digit is incremented for all changes of substance, i.e. technical enhancements, corrections, updates, etc.
- z the third digit is incremented when editorial only changes have been incorporated in the document.

---

# 1 Scope

The present document shall provide an overview and overall description of the UE-UTRAN radio interface protocol architecture as agreed within the 3GPP TSG RAN working group 2. Details of the radio protocols will be specified in companion documents.

---

# 2 References

The following documents contain provisions which, through reference in this text, constitute provisions of the present document.

- References are either specific (identified by date of publication, edition number, version number, etc.) or non-specific.
- For a specific reference, subsequent revisions do not apply.
- For a non-specific reference, the latest version applies. In the case of a reference to a 3GPP document (including a GSM document), a non-specific reference implicitly refers to the latest version of that document *in the same Release as the present document*.

- [1] 3GPP TS 23.110: "UMTS Access Stratum; Services and Functions".
- [2] 3GPP TS 25.401: "RAN Overall Description".
- [3] 3GPP TR 21.905: "Vocabulary for 3GPP Specifications".
- [4] 3GPP TS 25.302: "Services provided by the Physical Layer".
- [5] 3GPP TS 25.303: "Interlayer Procedures in Connected Mode".
- [6] 3GPP TS 25.304: "UE Procedures in Idle Mode and Procedures for Cell Reselection in Connected Mode".
- [7] 3GPP TS 25.321: "MAC Protocol Specification".
- [8] 3GPP TS 25.322: "RLC Protocol Specification".
- [9] 3GPP TS 25.323: "PDCP Protocol Specification".
- [10] 3GPP TS 25.324: "BMC Protocol Specification".
- [11] 3GPP TS 25.331: "RRC Protocol Specification".
- [12] 3GPP TS 25.224: "Physical Layer Procedures (TDD)".
- [13] 3GPP TS 24.007: "Mobile radio interface signalling layer 3; General aspects".
- [14] 3GPP TS 33.105: "Cryptographic Algorithm Requirements".
- [15] 3GPP TS 33.102: "Security Architecture".
- [16] 3GPP TS 44.005: "Data Link (DL) layer; General aspects".
- [17] 3GPP TS 25.308: "UTRA High Speed Downlink Packet Access (HSDPA); Overall description".
- [18] 3GPP TS 25.309: "FDD Enhanced Uplink; Overall description".
- [19] 3GPP TS 25.346: "Introduction of the Multimedia Broadcast Multicast Service (MBMS) in the Radio Access Network (RAN) (Stage-2)".
- [20] 3GPP TS 25.423: "UTRAN Iur interface RNSAP signalling".

## 3 Definitions and abbreviations

### 3.1 Definitions

For the purposes of the present document, the terms and definitions given in [3] apply.

### 3.2 Abbreviations

For the purposes of the present document, the following abbreviations apply:

ARQ	Automatic Repeat Request
AS	Access Stratum
ASC	Access Service Class
BCCH	Broadcast Control Channel
BCH	Broadcast Channel
BMC	Broadcast/Multicast Control
C-	Control-
CC	Call Control
CCCH	Common Control Channel
CCH	Control Channel
CCTrCH	Coded Composite Transport Channel
CN	Core Network
CRC	Cyclic Redundancy Check
CTCH	Common Traffic Channel
DC	Dedicated Control (SAP)
DCA	Dynamic Channel Allocation
DCCH	Dedicated Control Channel
DCH	Dedicated Channel
DL	Downlink
DRNC	Drift Radio Network Controller
DSCH	Downlink Shared Channel
DTCH	Dedicated Traffic Channel
E-DCH	Enhanced Dedicated Channel
FACH	Forward Link Access Channel
FCS	Frame Check Sequence
FDD	Frequency Division Duplex
GC	General Control (SAP)
HARQ	Hybrid Automatic Repeat Request
HO	Handover
HS-DSCH	High Speed Downlink Shared Channel
HS-PDSCH	High Speed Physical Downlink Shared Channel
JBM	Jitter Buffer Management
ITU	International Telecommunication Union
kbps	kilobits per second
L1	Layer 1 (physical layer)
L2	Layer 2 (data link layer)
L3	Layer 3 (network layer)
LAC	Link Access Control
LAI	Location Area Identity
MAC	Medium Access Control
MBMS	Multimedia Broadcast Multicast Service
MCCH	MBMS point-to-multipoint Control Channel
MM	Mobility Management
MRNC	MBMS Master RNC
MSCH	MBMS point-to-multipoint Scheduling Channel
MTCH	MBMS point-to-multipoint Traffic Channel
NAS	Non-Access Stratum
Nt	Notification (SAP)
PCCH	Paging Control Channel



PCH	Paging Channel
PDCP	Packet Data Convergence Protocol
PDU	Protocol Data Unit
PHY	Physical layer
PhyCH	Physical Channels
RAB	Radio Access Bearer
RACH	Random Access Channel
RB	Radio Bearer
RLC	Radio Link Control
RNC	Radio Network Controller
RNS	Radio Network Subsystem
RNTI	Radio Network Temporary Identity
RRC	Radio Resource Control
SAP	Service Access Point
SDU	Service Data Unit
SHCCH	Shared Channel Control Channel
SRNC	Serving Radio Network Controller
SRNS	Serving Radio Network Subsystem
SYNC	Synchronization User Plane Protocol
TCH	Traffic Channel
TDD	Time Division Duplex
TFCI	Transport Format Combination Indicator
TFI	Transport Format Indicator
TFRI	Transport Format and Resource Indicator
TMSI	Temporary Mobile Subscriber Identity
TPC	Transmit Power Control
TSN	Transmit Sequence Number
U-	User-
UE	User Equipment
UL	Uplink
UMTS	Universal Mobile Telecommunications System
URA	UTRAN Registration Area
USCH	Uplink Shared Channel
UTRA	UMTS Terrestrial Radio Access
UTRAN	UMTS Terrestrial Radio Access Network
UuS	Uu (Radio Interface) Stratum

---

## 4 Assumed UMTS Architecture

Figure 1 shows the assumed UMTS architecture as outlined in [1]. The figure shows the UMTS architecture in terms of its entities User Equipment (UE), UTRAN and Core Network. The respective reference points Uu (Radio Interface) and Iu (CN-UTRAN interface) are shown. The figure illustrates furthermore the high-level functional grouping into the Access Stratum and the Non-Access Stratum.

The Access Stratum offers services through the following Service Access Points (SAP) to the Non-Access Stratum:

- General Control (GC) SAPs;
- Notification (Nt) SAPs; and
- Dedicated Control (DC) SAPs.

The SAPs are marked with circles in Figure 1.

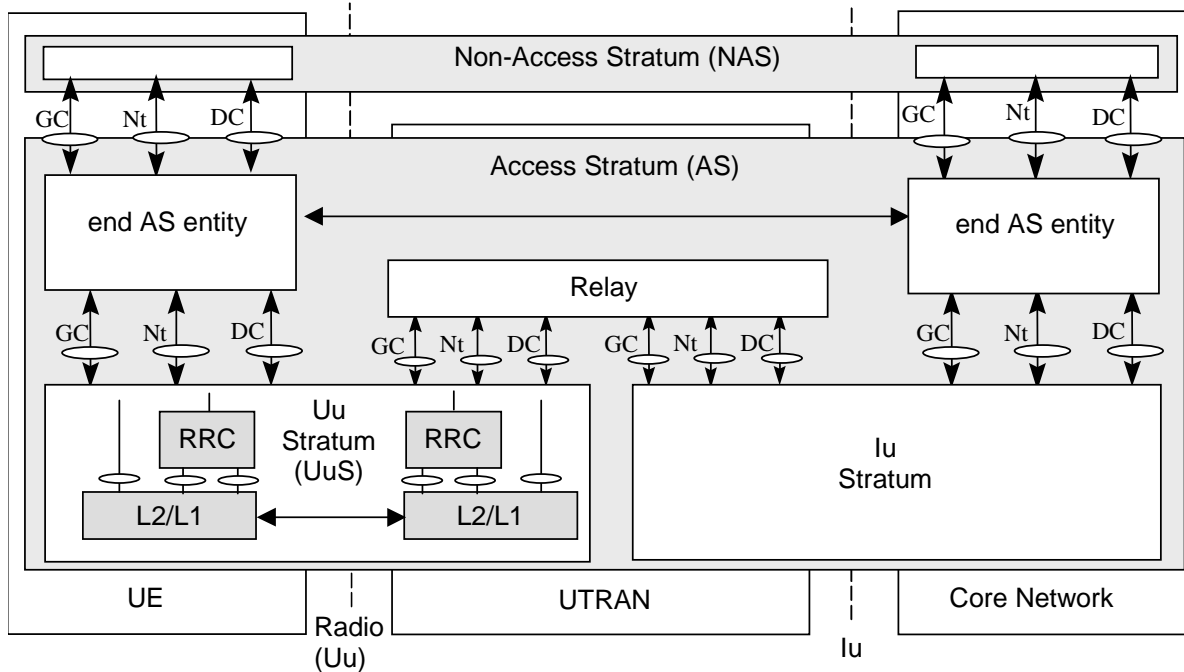


Figure 1: Assumed UMTS Architecture

The model in Figure 1 distinguishes the end AS entities [1], which provide the services to higher layers, from the local entities, which provide services over respectively the Uu and the Iu reference points.

The Uu Stratum (UuS) block includes the radio interface protocol stack described in subclause 5.1.

## 5 Radio interface protocol architecture

### 5.1 Overall protocol structure

The radio interface is layered into three protocol layers:

- the physical layer (L1);
- the data link layer (L2);
- network layer (L3).

Layer 2 is split into following sublayers: Medium Access Control (MAC), Radio Link Control (RLC), Packet Data Convergence Protocol (PDCP) and Broadcast/Multicast Control (BMC).

Layer 3 and RLC are divided into Control (C-) and User (U-) planes. PDCP and BMC exist in the U-plane only.

In the C-plane, Layer 3 is partitioned into sublayers where the lowest sublayer, denoted as Radio Resource Control (RRC), interfaces with layer 2 and terminates in the UTRAN. The next sublayer provides 'Duplication avoidance' functionality as specified in [13]. It terminates in the CN but is part of the Access Stratum; it provides the Access Stratum Services to higher layers. The higher layer signalling such as Mobility Management (MM) and Call Control (CC) is assumed to belong to the non-access stratum, and therefore not in the scope of 3GPP TSG RAN. On the general level, the protocol architecture is similar to the current ITU-R protocol architecture, ITU-R M.1035.

Figure 2 shows the radio interface protocol architecture. Each block in Figure 2 represents an instance of the respective protocol. Service Access Points (SAP) for peer-to-peer communication are marked with circles at the interface between sublayers. The SAP between MAC and the physical layer provides the transport channels (cf. subclause 5.2.1.1). The SAPs between RLC and the MAC sublayer provide the logical channels (cf. subclause 5.3.1.1.1). The RLC layer provides three types of SAPs, one for each RLC operation mode (UM, AM, and TM, see [8]). PDCP and BMC are accessed by PDCP and BMC SAPs, respectively. The service provided by layer 2 is referred to as the radio bearer. The

C-plane radio bearers, which are provided by RLC to RRC, are denoted as signalling radio bearers. In the C-plane, the interface between 'Duplication avoidance' and higher L3 sublayers (CC, MM) is defined by the General Control (GC), Notification (Nt) and Dedicated Control (DC) SAPs.

NOTE: The SAPs shown in Figure 2 are examples. For details on the definition of SAPs refer to the respective radio interface protocol specification.

Also shown in the figure are connections between RRC and MAC as well as RRC and L1 providing local inter-layer control services. An equivalent control interface exists between RRC and the RLC sublayer, between RRC and the PDCP sublayer and between RRC and BMC sublayer. These interfaces allow the RRC to control the configuration of the lower layers. For this purpose separate Control SAPs are defined between RRC and each lower layer (PDCP, RLC, MAC, and L1).

The RLC sublayer provides ARQ functionality closely coupled with the radio transmission technique used. There is no difference between RLC instances in C and U planes.

The MAC sublayer is made up of several different MAC entities, MAC-d, MAC-c/sh/m, MAC-hs/MAC-ehs, MAC-es/MAC-e, MAC-i/is and MAC-m.

The MAC-hs/MAC-ehs entity provides Hybrid ARQ functionality, and is only used on the HS-DSCH.

The MAC-es/MAC-e and MAC-i/is entities provide Hybrid ARQ functionality, and are only used with E-DCH.

The MAC-m entity provides selection combining functionality for MTCH from different cells. MAC-m is only used for FACH carrying MTCH and MSCH.

The UTRAN can be requested by the CN to prevent all loss of data (i.e. independently of the handovers on the radio interface), as long as the Iu connection point is not modified. This is a basic requirement to be fulfilled by the UTRAN retransmission functionality as provided by the RLC sublayer.

However, in case of the Iu connection point is changed (e.g. SRNS relocation, streamlining), the prevention of the loss of data may not be guaranteed autonomously by the UTRAN but relies on 'Duplication avoidance' functions in the CN.

There are primarily two kinds of signalling messages transported over the radio interface - RRC generated signalling messages and NAS messages generated in the higher layers. On establishment of the signalling connection between the peer RRC entities three or four UM/AM signalling radio bearers may be set up. Two of these bearers are set up for transport of RRC generated signalling messages - one for transferring messages through an unacknowledged mode RLC entity (see subclause 5.3.2. for details on RLC modes) and the other for transferring messages through an acknowledged mode RLC entity. One signalling radio bearer is set up for transferring NAS messages set to "high priority" by the higher layers. An optional signalling radio bearer may be set up for transferring NAS messages set to "low priority" by the higher layers. Subsequent to the establishment of the signalling connection zero to several TM signalling radio bearers may be set up for transferring RRC signalling messages using transparent mode RLC.

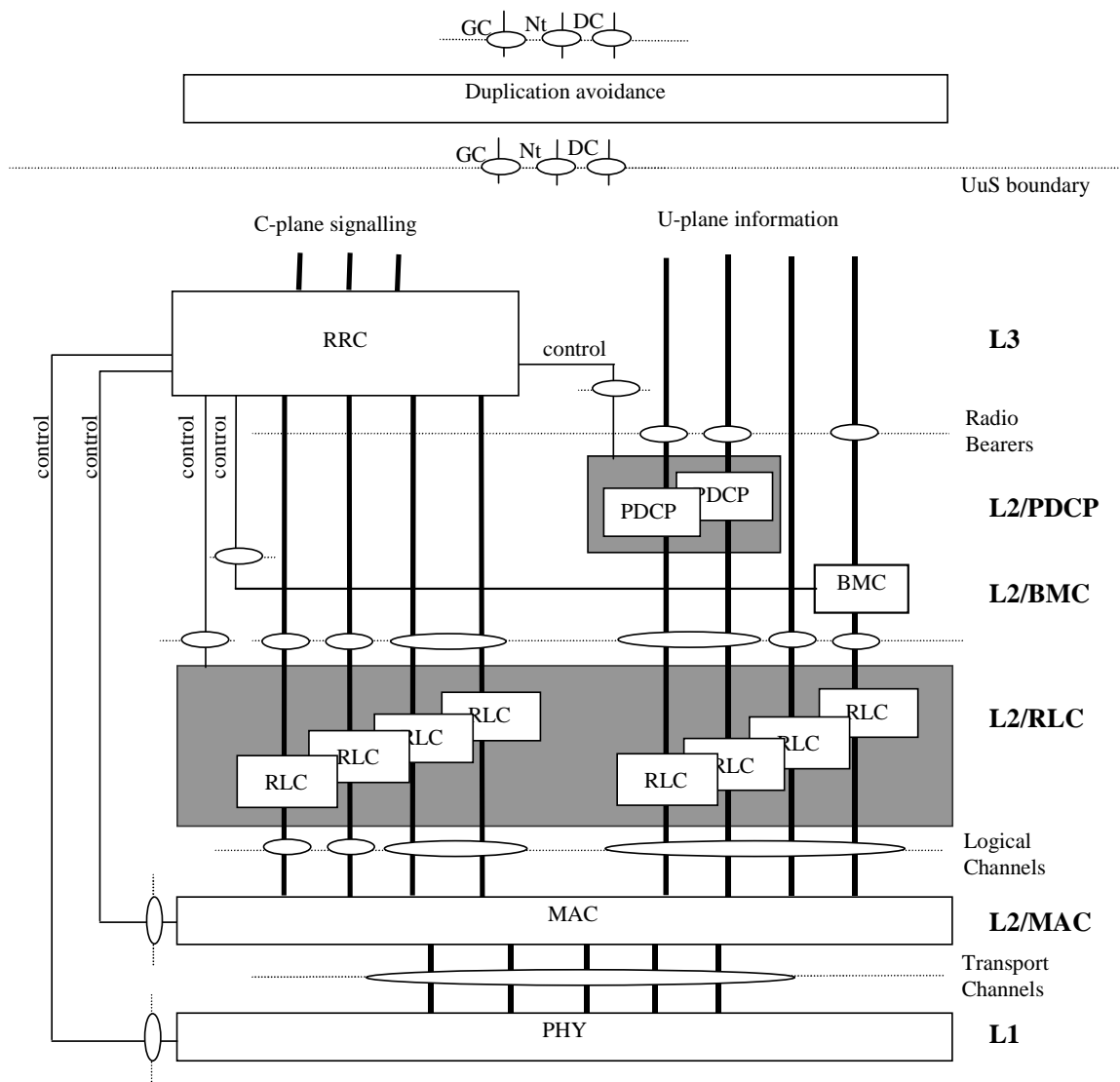


Figure 2: Radio Interface protocol architecture (Service Access Points marked by circles)

### 5.1.1 Service access points and service primitives

Each layer provides services at Service Access Points (SAPs). A service is defined by a set of service primitives (operations) that a layer provides to upper layer(s).

Control services, allowing the RRC layer to control lower layers locally (i.e. not requiring peer-to-peer communication) are provided at Control SAPs (C-SAP). Note that C-SAP primitives can bypass one or more sublayers, see Figure 2.

In the radio interface protocol specifications, the following naming conventions for primitives shall be applicable:

- Primitives provided by SAPs between adjacent layers shall be prefixed with the name of the service-providing layer, i.e. PHY, MAC, RLC, PDCP, BMC or UUS.
- Primitives provided by SAPs to an application shall be prefixed with the name of the service-providing layer, i.e. RRC.
- Primitives provided by Control SAPs, in addition to the name of the service-providing layer, shall be prefixed with a "C", i.e. CPHY, CMAC, CRLC, CPDCP or CBMC.

This principle leads to the following notations, where <Type> corresponds to request, indication, response or confirm type of primitives:

Primitives between PHY and MAC:

**PHY- <Generic name> - <Type>**

Primitives between PHY and RRC (over C-SAP):

**CPHY- <Generic name> - <Type>**

Primitives between MAC and RLC:

**MAC- <Generic name> - <Type>**

Primitives between MAC and RRC (over C-SAP):

**CMAC- <Generic name> - <Type>**

Primitives between RLC and upper layers, between RLC and RRC for data transfer and between RLC and PDCP:

**RLC- <Generic name> - <Type>**

Primitives between RLC and RRC for control of RLC (over C-SAP):

**CRLC- <Generic name> - <Type>**

Primitives above Uu Stratum:

**UUS- <Generic name> - <Type>**

Primitives between PDCP and non-access stratum:

**PDCP- <Generic name> - <Type>**

Primitives between PDCP and RRC (over C-SAP):

**CPDCP- <Generic name> - <Type>**

Primitives between BMC and upper layer:

**BMC- <Generic name> - <Type>**

Primitives between BMC and RRC for control of BMC (over C-SAP):

**CBMC- <Generic name> - <Type>**

In this model, some UUS primitives map directly to RLC primitives without intervening function.

## 5.2 Layer 1 Services and Functions

This subclause shall provide an overview on services and functions provided by the physical layer. A detailed description of Layer 1 general requirements can be found in [4].

### 5.2.1 L1 Services

The physical layer offers information transfer services to MAC and higher layers. The physical layer transport services are described by *how* and with what characteristics data are transferred over the radio interface. An adequate term for this is "Transport Channel".

**NOTE:** This should be clearly separated from the classification of *what* is transported, which relates to the concept of logical channels. Thus DCH is used to denote that the physical layer offers the same type of service for both control and traffic.

#### 5.2.1.1 Transport channels

A general classification of transport channels is into two groups:

- common transport channels (where there is a need for inband identification of the UEs when particular UEs are addressed); and
- dedicated transport channels (where the UEs are identified by the physical channel, i.e. code and frequency for FDD and code, time slot and frequency for TDD).

Common transport channel types are (a more detailed description can be found in [4]):

- **Random Access Channel (RACH)**

A contention based uplink channel used for transmission of relatively small amounts of data, e.g. for initial access or non-real-time dedicated control or traffic data.

- **Forward Access Channel (FACH)**

Common downlink channel without closed-loop power control used for transmission of relatively small amount of data. In addition FACH is used to carry broadcast and multicast data.

- **Downlink Shared Channel (DSCH)**

A downlink channel shared by several UEs carrying dedicated control or traffic data, used in TDD mode only.

- **Uplink Shared Channel (USCH)**

An uplink channel shared by several UEs carrying dedicated control or traffic data, used in TDD mode only.

- **Broadcast Channel (BCH)**

A downlink channel used for broadcast of system information into an entire cell.

- **Paging Channel (PCH)**

A downlink channel used for broadcast of control information into an entire cell allowing efficient UE sleep mode procedures. Currently identified information types are paging and notification. Another use could be UTRAN notification of change of BCCH information.

- **High Speed Downlink Shared Channel (HS-DSCH)**

A downlink channel shared between UEs by allocation of individual codes, from a common pool of codes assigned for the channel.

- **Enhanced Dedicated Channel (E-DCH) (FDD and 1.28 Mcps TDD only)**

For FDD, in CELL\_FACH state and IDLE mode, this channel is used for uplink transmission and is shared between UEs by allocation of individual codes, from a common pool of codes assigned for the channel. For 1.28 Mcps TDD, in CELL\_FACH state and IDLE mode, this channel is used for uplink transmission and is shared by UEs in CELL\_FACH, CELL\_DCH and Idle mode. The common E-DCH is subject to Node-B controlled scheduling and HARQ.

Dedicated transport channel types are:

- **Dedicated Channel (DCH)**

A channel dedicated to one UE used in uplink or downlink.

- **Enhanced Dedicated Channel (E-DCH)**

In CELL\_DCH, a channel dedicated to one UE used in uplink only. The E-DCH is subject to Node-B controlled scheduling and HARQ.

To each transport channel, there is an associated Transport Format (for transport channels with a fixed or slow changing rate) or an associated Transport Format Set (for transport channels with fast changing rate). A Transport Format is defined as a combination of encodings, interleaving, bit rate and mapping onto physical channels (see [4] for details). A Transport Format Set is a set of Transport Formats. E.g., a variable rate DCH has a Transport Format Set (one Transport Format for each rate), whereas a fixed rate DCH has a single Transport Format.

## 5.2.2 L1 Functions

The physical layer performs the following main functions:

- Macrodiversity distribution/combining and soft handover execution;
- Error detection on transport channels and indication to higher layers;
- FEC encoding/decoding and interleaving/deinterleaving of transport channels;
- Multiplexing of transport channels and demultiplexing of coded composite transport channels;
- Rate matching;
- Mapping of coded composite transport channels on physical channels;
- Power weighting and combining of physical channels;
- Modulation and spreading/demodulation and despreading of physical channels;
- Frequency and time (chip, bit, slot, frame) synchronisation;
- Measurements and indication to higher layers (e.g. FER, SIR, interference power, transmit power, etc.);
- Closed-loop power control;
- RF processing;
- Support of timing advance on uplink channels (TDD only);
- Support of Uplink Synchronisation as defined in [12] (TDD only).

## 5.3 Layer 2 Services and Functions

### 5.3.1 MAC Services and Functions

This subclause provides an overview on services and functions provided by the MAC sublayer. A detailed description of the MAC protocol is given in [7].

#### 5.3.1.1 MAC Services to upper layers

- **Data transfer.** This service provides unacknowledged transfer of MAC SDUs between peer MAC entities. This service provides data segmentation on HS-DSCH and E-DCH but not for other transport channels. Therefore, segmentation/reassembly function should be achieved by upper layer when HS-DSCH or E-DCH is not used and optionally when HS-DSCH or E-DCH is used.
- **Reallocation of radio resources and MAC parameters.** This service performs on request of RRC execution of radio resource reallocation and change of MAC parameters, i.e. reconfiguration of MAC functions such as change of identity of UE, change of transport format (combination) sets, change of transport channel type. In TDD mode, in addition, the MAC can handle resource allocation autonomously.
- **Reporting of measurements.** Local measurements such as traffic volume and quality indication are reported to RRC.

##### 5.3.1.1.1 Logical channels

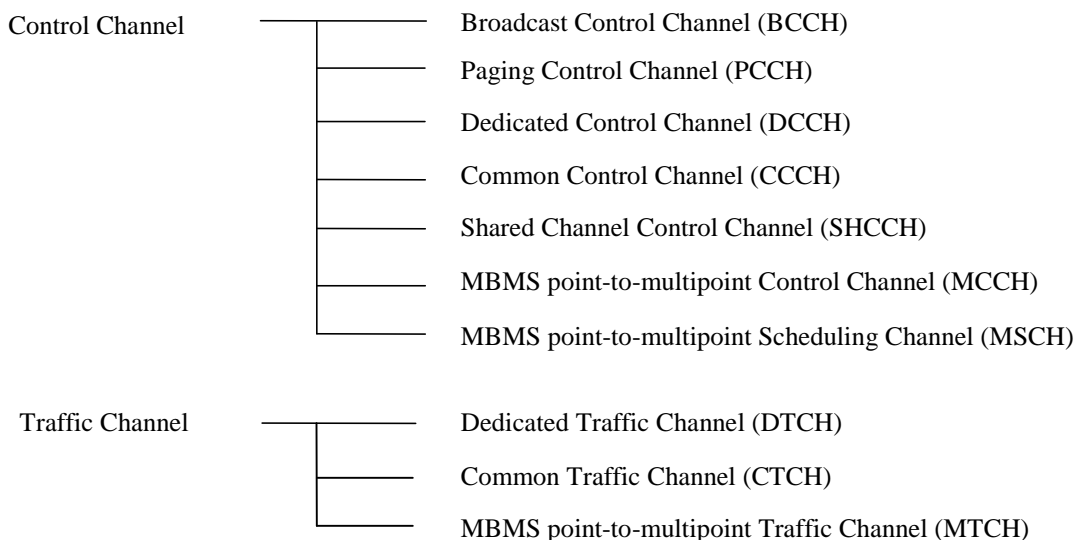
The MAC layer provides data transfer services on logical channels. A set of logical channel types is defined for different kinds of data transfer services as offered by MAC. Each logical channel type is defined by what type of information is transferred.

A general classification of logical channels is into two groups:

- Control Channels (for the transfer of control plane information);

- Traffic Channels (for the transfer of user plane information).

The configuration of logical channel types is depicted in Figure 3.



**Figure 3: Logical channel structure**

### Control Channels

Control channels are used for transfer of control plane information only.

#### **Broadcast Control Channel (BCCH)**

A downlink channel for broadcasting system control information.

#### **Paging Control Channel (PCCH)**

A downlink channel that transfers paging information. This channel is used when the network does not know the location cell of the UE, or, the UE is in the cell connected state (utilising UE sleep mode procedures).

#### **Common Control Channel (CCCH)**

Bi-directional channel for transmitting control information between network and UEs. This channel is commonly used by the UEs having no RRC connection with the network and by the UEs using common transport channels when accessing a new cell after cell reselection.

#### **Dedicated Control Channel (DCCH)**

A point-to-point bi-directional channel that transmits dedicated control information between a UE and the network. This channel is established through RRC connection setup procedure.

#### **Shared Channel Control Channel (SHCCH)**

Bi-directional channel that transmits control information for uplink and downlink shared channels between network and UEs. This channel is for TDD only.

#### **MBMS point-to-multipoint Control Channel (MCCH)**

A point-to-multipoint downlink channel used for transmitting control information from the network to the UE. This channel is only used by UEs that receive MBMS.

#### **MBMS point-to-multipoint Scheduling Channel (MSCH)**

A point-to-multipoint downlink channel used for transmitting scheduling control information, from the network to the UE, for one or several MTCHs carried on a CCTrCH. This channel is only used by UEs that receive MBMS.



## Traffic Channels

Traffic channels are used for the transfer of user plane information only.

### **Dedicated Traffic Channel (DTCH)**

A Dedicated Traffic Channel (DTCH) is a point-to-point channel, dedicated to one UE, for the transfer of user information. A DTCH can exist in both uplink and downlink.

### **Common Traffic Channel (CTCH)**

A point-to-multipoint unidirectional channel for transfer of dedicated user information for all or a group of specified UEs.

### **MBMS point-to-multipoint Traffic Channel (MTCH)**

A point-to-multipoint downlink channel used for transmitting traffic data from the network to the UE. This channel is only used for MBMS.

## 5.3.1.1.2 Mapping between logical channels and transport channels

### 5.3.1.1.2.1 Mapping in Uplink

In Uplink, the following connections between logical channels and transport channels exist:

- CCCH can be mapped to RACH;
- CCCH can be mapped to E-DCH (in FDD and 1.28 Mcps TDD mode only);
- DCCH can be mapped to RACH;
- DCCH can be mapped to DCH;
- DCCH can be mapped to USCH (in TDD mode only);
- DCCH can be mapped to E-DCH;
- DTCH can be mapped to RACH;
- DTCH can be mapped to DCH;
- DTCH can be mapped to USCH (in TDD mode only);
- SHCCH can be mapped to RACH (in TDD mode only);
- SHCCH can be mapped to USCH (in TDD mode only);
- DTCH can be mapped to E-DCH.

### 5.3.1.1.2.2 Mapping in Downlink

In Downlink, the following connections between logical channels and transport channels exist:

- BCCH can be mapped to BCH;
- BCCH can be mapped to FACH;
- BCCH can be mapped to HS-DSCH (in FDD and 1.28 Mcps TDD mode only);
- PCCH can be mapped to PCH;
- PCCH can be mapped to HS-DSCH (in FDD and 1.28 Mcps TDD mode only);
- CCCH can be mapped to FACH;
- CCCH can be mapped to HS-DSCH (in FDD and 1.28 Mcps TDD mode only);

- DCCH can be mapped to FACH;
- DCCH can be mapped to DSCH (in TDD mode only);
- DCCH can be mapped to HS-DSCH;
- DCCH can be mapped to DCH;
- MCCH can be mapped to FACH;
- MSCH can be mapped to FACH;
- DTCH can be mapped to FACH;
- DTCH can be mapped to DSCH (in TDD mode only);
- DTCH can be mapped to HS-DSCH;
- DTCH can be mapped to DCH;
- CTCH can be mapped to FACH;
- MTCH can be mapped to FACH;
- SHCCH can be mapped to FACH (in TDD mode only);
- SHCCH can be mapped to DSCH (in TDD mode only).

The mappings as seen from the UE and UTRAN sides are shown in Figure 4 and Figure 5 respectively.

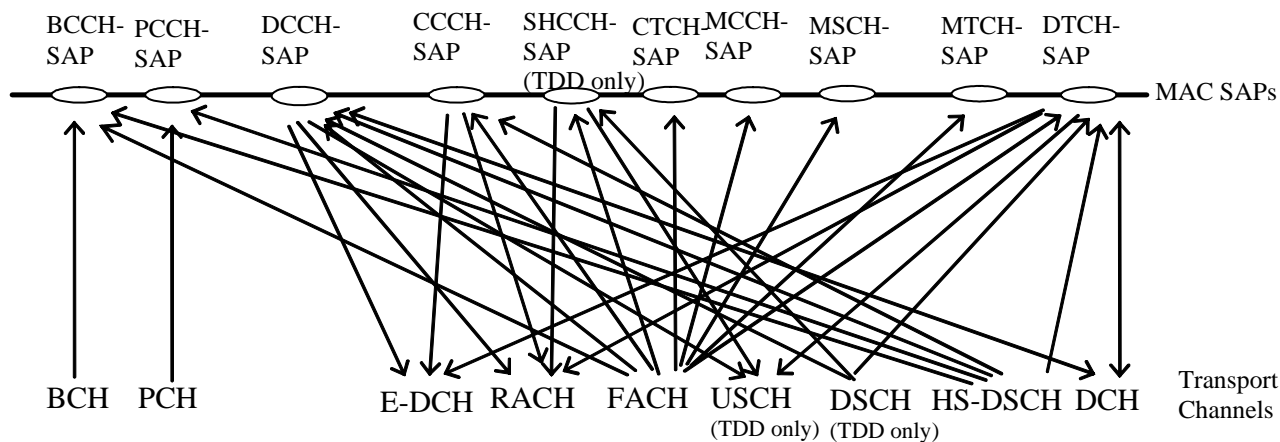


Figure 4: Logical channels mapped onto transport channels, seen from the UE side

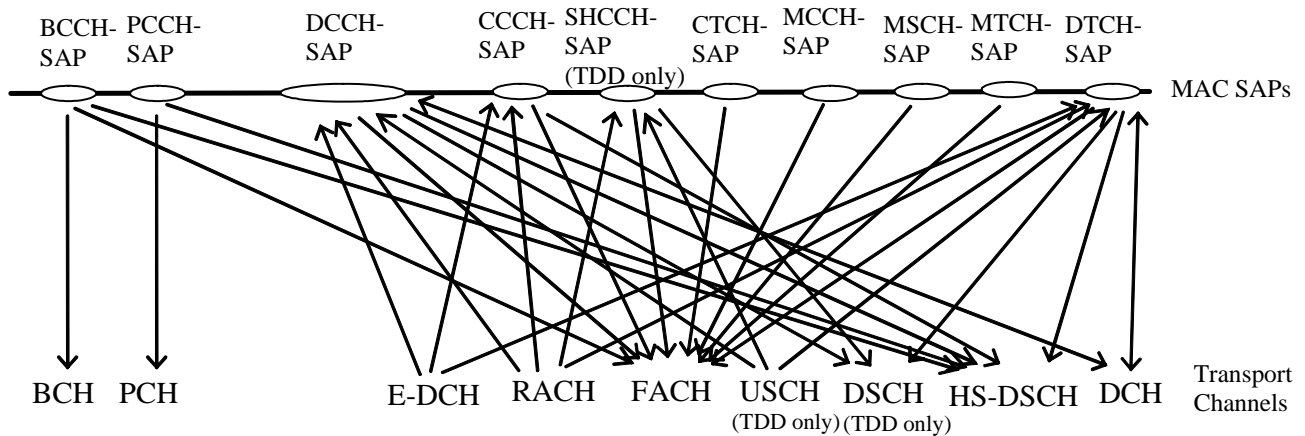


Figure 5: Logical channels mapped onto transport channels, seen from the UTRAN side

### 5.3.1.2 MAC functions

The functions of MAC include:

- **Mapping between logical channels and transport channels.** The MAC is responsible for mapping of logical channel(s) onto the appropriate transport channel(s).
- **Selection of appropriate Transport Format for each Transport Channel depending on instantaneous source rate.** Given the Transport Format Combination Set assigned by RRC, MAC selects the appropriate transport format within an assigned transport format set for each active transport channel depending on source rate. The control of transport formats ensures efficient use of transport channels.
- **Priority handling between data flows of one UE.** When selecting between the Transport Format Combinations in the given Transport Format Combination Set, priorities of the data flows to be mapped onto the corresponding Transport Channels can be taken into account. Priorities are e.g. given by attributes of Radio Bearer services and RLC buffer status. The priority handling is achieved by selecting a Transport Format Combination for which high priority data is mapped onto L1 with a "high bit rate" Transport Format, at the same time letting lower priority data be mapped with a "low bit rate" (could be zero bit rate) Transport Format. Transport format selection may also take into account transmit power indication from Layer 1.
- **Priority handling between UEs by means of dynamic scheduling.** In order to utilise the spectrum resources efficiently for bursty transfer, a dynamic scheduling function may be applied. MAC realises priority handling on common transport channels, shared transport channels and for the dedicated and common E-DCH transport channel. Note that for dedicated transport channels other than E-DCH, the equivalent of the dynamic scheduling function is implicitly included as part of the reconfiguration function of the RRC sublayer.

NOTE: In the TDD mode the data to be transported are represented in terms of sets of resource units.

- **Identification of UEs on common transport channels.** When a particular UE is addressed on a common downlink channel, or when a UE is using the RACH, there is a need for inband identification of the UE. Since the MAC layer handles the access to, and multiplexing onto, the transport channels, the identification functionality is naturally also placed in MAC. In FDD and 1.28 Mcps TDD mode only, if a UE is in CELL\_FACH, CELL\_PCH or URA\_PCH state and HS-DSCH is used as a common transport channel, it is possible to identify the UE in physical layer using dedicated H-RNTI on HS-SCCH if the H-RNTI is dedicated for the UE. In FDD mode only, if a UE is in CELL\_FACH state or IDLE mode and E-DCH is used as a common transport channel, there is a need for inband identification of the UE.
- **Multiplexing/demultiplexing of upper layer PDUs into/from transport blocks delivered to/from the physical layer on common transport channels.** MAC should support service multiplexing for common transport channels, since the physical layer does not support multiplexing of these channels.

- **Multiplexing/demultiplexing of upper layer PDUs into/from transport block sets delivered to/from the physical layer on dedicated transport channels.** The MAC allows service multiplexing for dedicated transport channels. This function can be utilised when several upper layer services (e.g. RLC instances) can be mapped efficiently on the same transport channel. In this case the identification of multiplexing is contained in the MAC protocol control information.
- **Multiplexing/demultiplexing of upper layer PDUs into transport blocks delivered to/from the physical layer on HS-DSCH.** The MAC allows service multiplexing for HS-DSCH. This function can be utilised to multiplex data from several upper layer services (e.g. RLC instances). In this case the identification of multiplexing is contained in the MAC protocol control information.
- **Traffic volume measurement.** Measurement of traffic volume on logical channels and reporting to RRC. Based on the reported traffic volume information, RRC performs transport channel switching decisions.
- **Transport Channel type switching.** Execution of the switching between common and dedicated transport channels based on a switching decision derived by RRC.
- **Ciphering.** This function prevents unauthorised acquisition of data. Ciphering is performed in the MAC layer for transparent RLC mode. Details of the security architecture are specified in [15].
- **Access Service Class selection for RACH transmission and Enhanced Uplink for CELL\_FACH and Idle mode.** The RACH and E-DCH (as common transport channel) resources (i.e. access slots and preamble signatures for FDD, timeslot and channelisation code for TDD) may be divided between different Access Service Classes in order to provide different priorities of RACH and E-DCH (as common transport channel) usage. In addition it is possible for more than one ASC or for all ASCs to be assigned to the same access slot/signature space. Each access service class will also have a set of back-off parameters associated with it, some or all of which may be broadcast by the network. The MAC function applies the appropriate back-off and indicates to the PHY layer the RACH partition associated to a given MAC PDU transfer.
- **HARQ functionality for HS-DSCH and E-DCH transmission.** The MAC-hs, MAC-ehs, MAC-e and MAC-i entities are responsible for establishing the HARQ entity in accordance with the higher layer configuration and handling all the tasks required to perform HARQ functionality. This functionality ensures delivery between peer entities by use of the ACK and NACK signalling between the peer entities.
- **Data segmentation/re-assembly for HS-DSCH and E-DCH.** Higher layer SDUs can be segmented by the transmitting MAC-hs/MAC-ehs or MAC-i/is entity to fit the available radio resource. Reassembly is provided in the receiving MAC-hs/MAC-ehs or MAC-is entity.
- **In-sequence delivery and assembly/disassembly of higher layer PDUs on HS-DSCH.** In CELL\_DCH state the transmitting MAC-hs/MAC-ehs entity assembles the data block payload for the MAC-hs/MAC-ehs PDUs from the delivered MAC-d PDUs. For MAC-hs, the MAC-d PDUs that are assembled in any one MAC-hs PDU are the same priority, and from the same MAC-d flow. For MAC-ehs the MAC-d PDUs that are assembled in any one MAC-ehs PDU may be of the same or different priority, and from the same or different MAC-d flow. The receiving MAC-hs/MAC-ehs entity is then responsible for the reordering of the received data blocks according to the received TSN, per priority and MAC-d flow, and then disassembling the data block into MAC-d PDUs for in-sequence delivery to the higher layers. In FDD and 1.28 Mcps TDD mode in CELL\_FACH, CELL\_PCH and URA\_PCH state the transmitting MAC-ehs entity assembles the data block payload for the MAC-ehs PDUs from the delivered MAC-d PDUs and MAC-c PDUs for CCCH, BCCH and PCCH logical channels.
- **In-sequence delivery and assembly/disassembly of higher layer PDUs on E-DCH.** The transmitting MAC-es/MAC-e or MAC-i/is entity assembles the data block payload for the MAC-e/MAC-i PDUs from the delivered MAC-d PDUs. For DTCH and DCCH transmission, the receiving MAC-es or MAC-is entity is then responsible for the reordering of the received data blocks according to the received TSN and Node-B tagging information, per re-ordering queue, and then disassembling the data block into MAC-d PDUs for in-sequence delivery to the higher layers. For CCCH transmission, the receiving MAC-is entity is then responsible for the reordering of the received data blocks according to the received TSN and Node-B tagging information, then disassembling the data block into a MAC-c PDU. If more than one MAC-is PDU was received, the added check sum is removed and is verified, before delivery to the higher layers. A failure to verify the checksum results in discarding the MAC-c PDU.

## 5.3.2 RLC Services and Functions

This subclause provides an overview on services and functions provided by the RLC sublayer. A detailed description of the RLC protocol is given in [8].

### 5.3.2.1 Services provided to the upper layer

- **Transparent data transfer.** This service transmits upper layer PDUs without adding any protocol information, possibly including segmentation/reassembly functionality.
- **Unacknowledged data transfer.** This service transmits upper layer PDUs without guaranteeing delivery to the peer entity. The unacknowledged data transfer mode has the following characteristics:
  - Detection of erroneous data: The RLC sublayer shall deliver only those SDUs to the receiving upper layer that are free of transmission errors by using the sequence-number check function.
  - Immediate delivery: The receiving RLC sublayer entity shall deliver a SDU to the upper layer receiving entity as soon as it arrives at the receiver.
  - Duplication avoidance and reordering: Alternative to immediate delivery, the RLC sublayer shall deliver SDUs to the receiving upper layer entity in the same order as the transmitting upper layer entity submits them to the RLC sublayer without duplication. SDUs may be delayed by this procedure to ensure in-sequence delivery.
  - Out-of-sequence SDU delivery: Alternative to immediate delivery, the RLC sublayer shall deliver SDUs to the upper layer receiving entity as soon as they can be recovered from PDUs, without waiting for earlier in-sequence SDUs to be recovered.
  - Sequence-number delivery to JBM.
- **Acknowledged data transfer.** This service transmits upper layer PDUs and guarantees delivery to the peer entity. In case RLC is unable to deliver the data correctly, the user of RLC at the transmitting side is notified. For this service, both in-sequence and out-of-sequence delivery are supported. In many cases a upper layer protocol can restore the order of its PDUs. As long as the out-of-sequence properties of the lower layer are known and controlled (i.e. the upper layer protocol will not immediately request retransmission of a missing PDU) allowing out-of-sequence delivery can save memory space in the receiving RLC. The acknowledged data transfer mode has the following characteristics:
  - Error-free delivery: Error-free delivery is ensured by means of retransmission. The receiving RLC entity delivers only error-free SDUs to the upper layer.
  - Unique delivery: The RLC sublayer shall deliver each SDU only once to the receiving upper layer using duplication detection function.
  - In-sequence delivery: RLC sublayer shall provide support for in-order delivery of SDUs, i.e., RLC sublayer should deliver SDUs to the receiving upper layer entity in the same order as the transmitting upper layer entity submits them to the RLC sublayer.
  - Out-of-sequence delivery: Alternatively to in-sequence delivery, it shall also be possible to allow that the receiving RLC entity delivers SDUs to upper layer in different order than submitted to RLC sublayer at the transmitting side.
- **Maintenance of QoS as defined by upper layers.** The retransmission protocol shall be configurable by layer 3 to provide different levels of QoS. This can be controlled.
- **Notification of unrecoverable errors.** RLC notifies the upper layer of errors that cannot be resolved by RLC itself by normal exception handling procedures, e.g. by adjusting the maximum number of retransmissions according to delay requirements.

For AM RLC, there is only one RLC entity per Radio Bearer. For UM and TM RLC, there is one or two (one for each direction) RLC entities per Radio Bearer.

### 5.3.2.2 RLC Functions

- **Segmentation and reassembly.** This function performs segmentation/reassembly of variable-length upper layer PDUs into/from smaller RLC PDUs. The RLC PDU size is either fixed (a semi static variable configured by upper layers) or flexible (automatically adjusted to the incoming SDU size) depending on the configuration. Flexible RLC PDU size is only supported when mapped on HS-DSCH or E-DCH.
- **Concatenation.** If the contents of an RLC SDU cannot be carried by one RLC PDU, the first segment of the next RLC SDU may be put into the RLC PDU in concatenation with the last segment of the previous RLC SDU.
- **Padding.** When concatenation is not applicable and the remaining data to be transmitted does not fill an entire RLC PDU of given size, the remainder of the data field shall be filled with padding bits.
- **Transfer of user data.** This function is used for conveyance of data between users of RLC services. RLC supports acknowledged, unacknowledged and transparent data transfer. QoS setting controls transfer of user data.
- **Error correction.** This function provides error correction by retransmission (e.g. Selective Repeat, Go Back N, or a Stop-and-Wait ARQ) in acknowledged data transfer mode.
- **In-sequence delivery of upper layer PDUs.** This function preserves the order of upper layer PDUs that were submitted for transfer by RLC using the acknowledged data transfer service. If this function is not used, out-of-sequence delivery is provided.
- **Duplicate Detection.** This function detects duplicated received RLC PDUs and ensures that the resultant upper layer PDU is delivered only once to the upper layer.
- **Flow control.** This function allows an RLC receiver to control the rate at which the peer RLC transmitting entity may send information.
- **Sequence number check.** This function is used in unacknowledged mode and guarantees the integrity of reassembled PDUs and provides a mechanism for the detection of corrupted RLC SDUs through checking sequence number in RLC PDUs when they are reassembled into a RLC SDU. A corrupted RLC SDU will be discarded.
- **Protocol error detection and recovery.** This function detects and recovers from errors in the operation of the RLC protocol.
- **Ciphering.** This function prevents unauthorised acquisition of data. Ciphering is performed in RLC layer for non-transparent RLC mode. Details of the security architecture are specified in [15].
- **SDU discard.** This function allows an RLC transmitter to discharge RLC SDU from the buffer.

### 5.3.3 PDCP Services and Function

This subclause provides an overview on services and functions provided by the Packet Data Convergence Protocol (PDCP). A detailed description of the PDCP is given in [9].

#### 5.3.3.1 PDCP Services provided to upper layers

- PDCP SDU delivery.
- CS counter delivery to JBM.

#### 5.3.3.2 PDCP Functions

- **Header compression and decompression.** Header compression and decompression of IP data streams (e.g., TCP/IP and RTP/UDP/IP headers) at the transmitting and receiving entity, respectively. The header compression method is specific to the particular network layer, transport layer or upper layer protocol combinations e.g. TCP/IP and RTP/UDP/IP.
- **Transfer of user data.** Transmission of user data means that PDCP receives PDCP SDU from the NAS and forwards it to the RLC layer and vice versa.

- **Support for lossless SRNS relocation or lossless DL RLC PDU size change.** Maintenance of PDCP sequence numbers for radio bearers that are configured to support lossless SRNS relocation or lossless DL RLC PDU size change.
- **CS counter.** A CS counter provides the PDCP PDU with a timestamp value called the 'CS counter'. The value of the 'CS counter' is set to the first to fifth LSBs of the CFN at which the packet is received from higher layers.

## 5.3.4 Broadcast/Multicast Control - Services and functions

This subclause provides an overview on services and functions provided by the BMC sublayer. A detailed description of the BMC protocol is given in [10].

### 5.3.4.1 BMC Services

The BMC-SAP provides a broadcast/multicast transmission service in the user plane on the radio interface for common user data in unacknowledged mode.

### 5.3.4.2 BMC Functions

- **Storage of Cell Broadcast Messages.**  
The BMC stores the Cell Broadcast messages received over the CBC-RNC interface for scheduled transmission.
- **Traffic volume monitoring and radio resource request for CBS.**  
At the UTRAN side, the BMC calculates the required transmission rate for Cell Broadcast Service based on the messages received over the CBC-RNC interface, and requests for appropriate CTCH/FACH resources from RRC.
- **Scheduling of BMC messages.**  
The BMC receives scheduling information together with each Cell Broadcast message over the CBC-RNC-interface. Based on this scheduling information, at the UTRAN side, BMC generates schedule messages and schedules BMC message sequences accordingly. At the UE side, BMC evaluates the schedule messages and indicates scheduling parameters to RRC, which are used by RRC to configure the lower layers for CBS discontinuous reception.
- **Transmission of BMC messages to UE.**  
This function transmits the BMC messages (Scheduling and Cell Broadcast messages) according to schedule.
- **Delivery of Cell Broadcast messages to upper layer (NAS).**  
This functions delivers the received Cell Broadcast messages to upper layer (NAS) in the UE. Only non-corrupted Cell Broadcast messages are delivered.

## 5.3.5 Data flows through Layer 2

Data flows through layer 2 are characterised by the applied data transfer modes on RLC (acknowledged, unacknowledged and transparent transmission) in combination with the data transfer type on MAC, i.e. whether or not a MAC header is required. The case where no MAC header is required is referred to as "transparent" MAC transmission. Acknowledged and unacknowledged RLC transmissions both require a RLC header. In unacknowledged transmission, only one type of unacknowledged data PDU is exchanged between peer RLC entities. In acknowledged transmission, both (acknowledged) data PDUs and control PDUs are exchanged between peer RLC entities.

The resulting different data flow cases are illustrated in Figures 6 - 9. On the level of detail presented here, differences between acknowledged and unacknowledged RLC transmission are not visible. Acknowledged and unacknowledged RLC transmission is shown as one case, referred to as non-transparent RLC.

NOTE: The term "transparent transmission" is used here to characterise the case where a protocol, MAC or RLC, does not require any protocol control information (e.g. header). In transparent transmission mode, however, some protocol functions may still be applied. In this case an entity of the respective protocol must be present even when the protocol is transparent. For the RLC protocol the segmentation/reassembly function may be applied. This can be performed without segmentation header when a given higher layer PDU fits into a fixed number of RLC PDUs to be transferred in a given transmission time interval. In this case segmentation/reassembly follows predefined rules known to sending and receiving RLC entities. For instance in the user plane, the segmentation/reassembly function is needed for the case of real-time services using high and possibly variable bit rates. For such services higher layer PDUs shall be segmented into reasonably sized RLC PDUs of fixed length allowing efficient FCS error detection on the physical layer. The higher layer PDU can be reassembled by simply concatenating all RLC PDUs included in a transport block set as implied by the used transport format.

Figure 6 and Figure 7 illustrate the data flows for transparent RLC with transparent and non-transparent MAC transmission, respectively.

Figure 8 and Figure 9 illustrate the data flows for non-transparent RLC with transparent and non-transparent MAC transmission, respectively.

Figure 10 illustrates the data flow for transparent RLC with transparent and non-transparent MAC transmission.

A number of MAC PDUs shown in the figures shall comprise a transport block set. Note, however, that in all cases a transport block set must not necessarily match with a RLC SDU. The span of a transport block set can be smaller or larger than an RLC SDU.

Each mapping between a logical channel and a transport channel as defined in Figure 4 and Figure 5 in combination with the respective RLC transmission mode implies a certain data flow that is specified on a general level in the following.

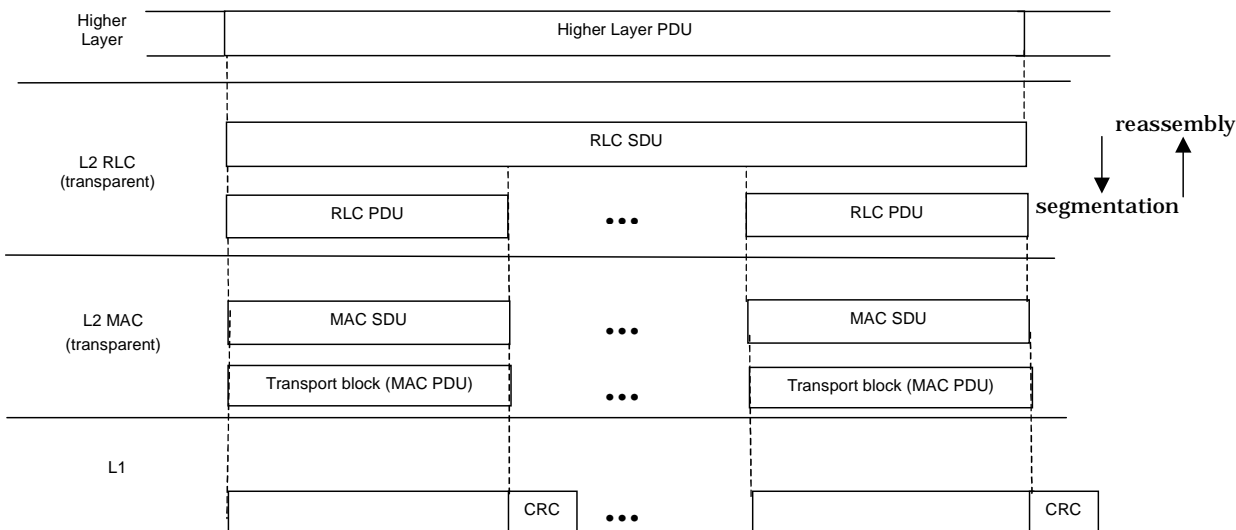
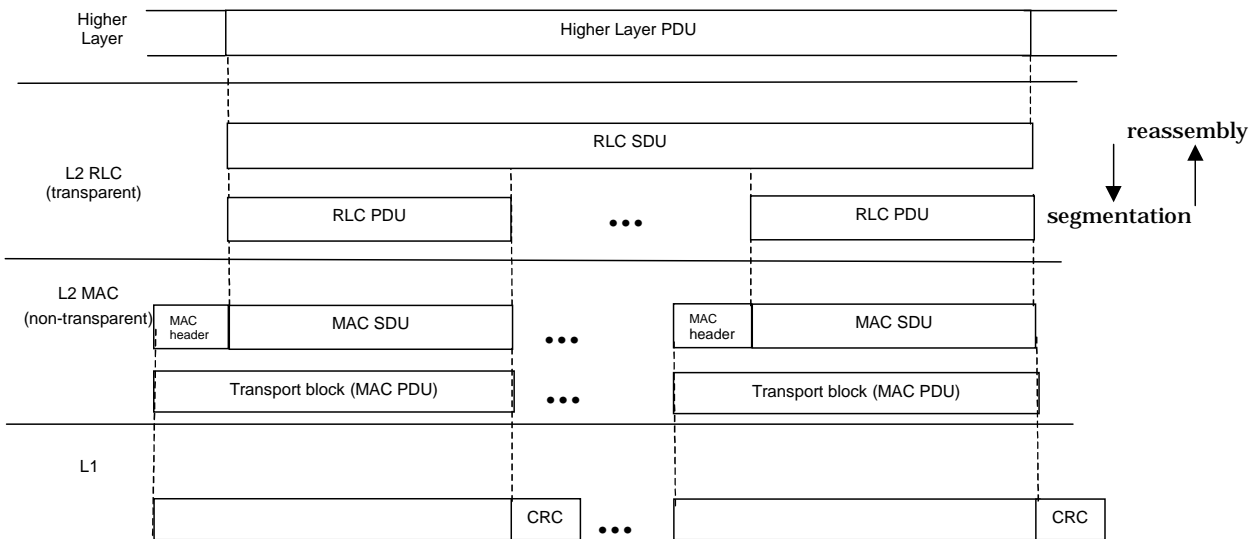
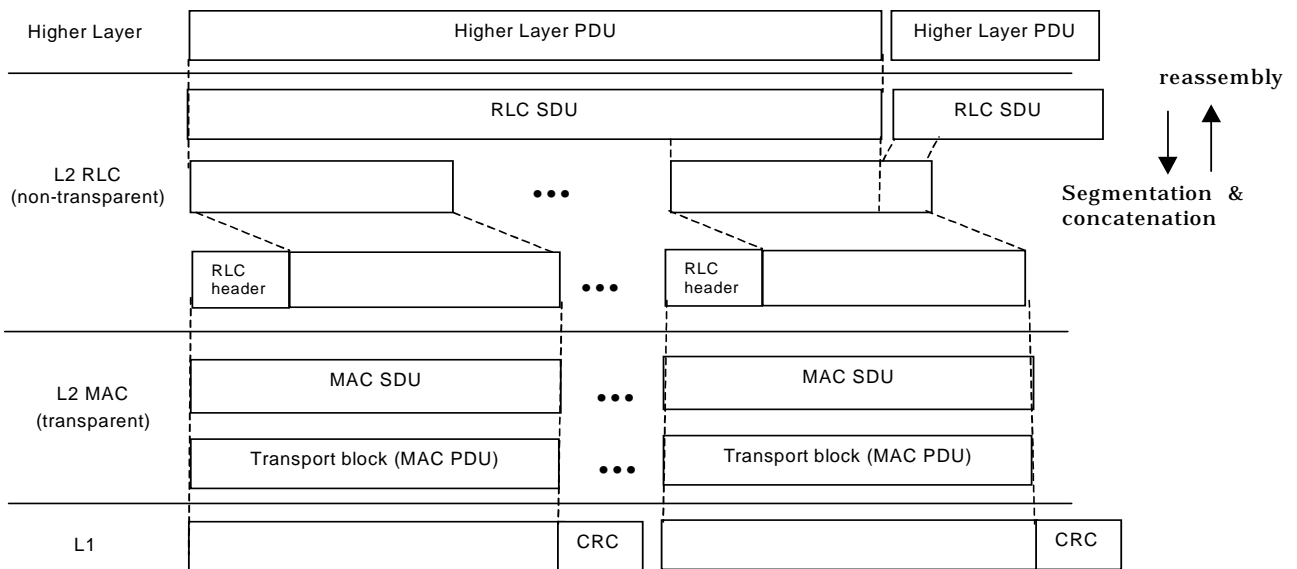


Figure 6: Data flow for transparent RLC and MAC





**Figure 7: Data flow for transparent RLC and non-transparent MAC**



**Figure 8: Data flow for non-transparent RLC and transparent MAC**

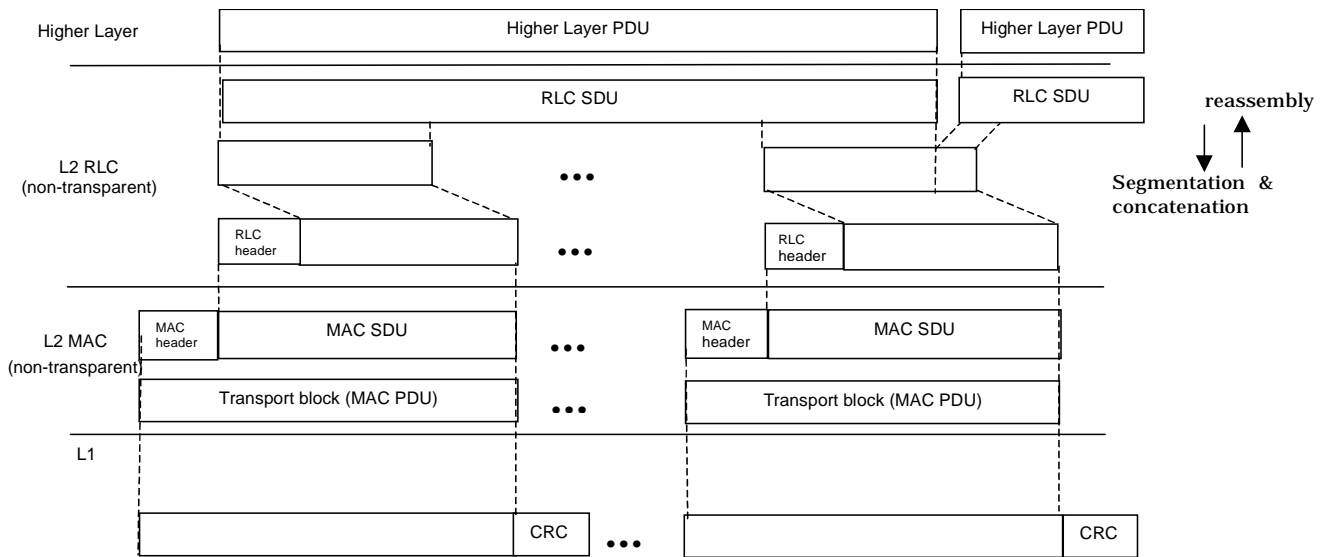


Figure 9: Data flow for non-transparent RLC and MAC

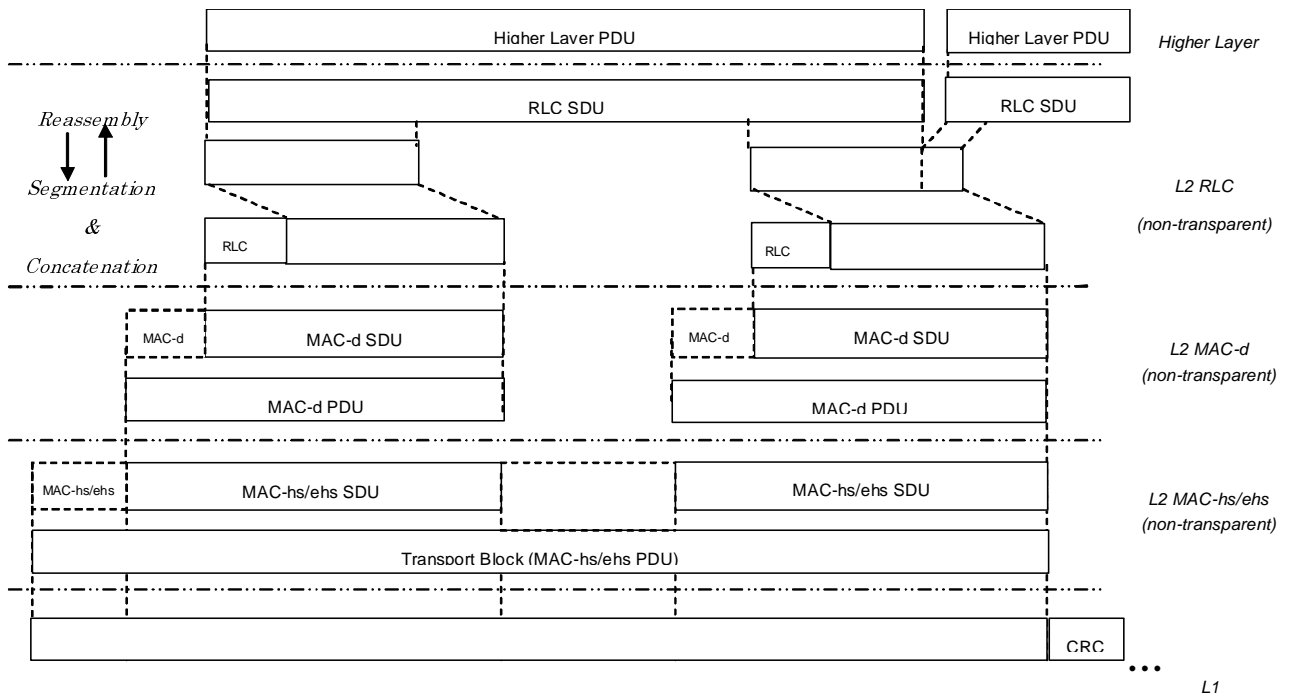


Figure 9a: Data flow for non-transparent RLC and MAC mapped to HS-DSCH

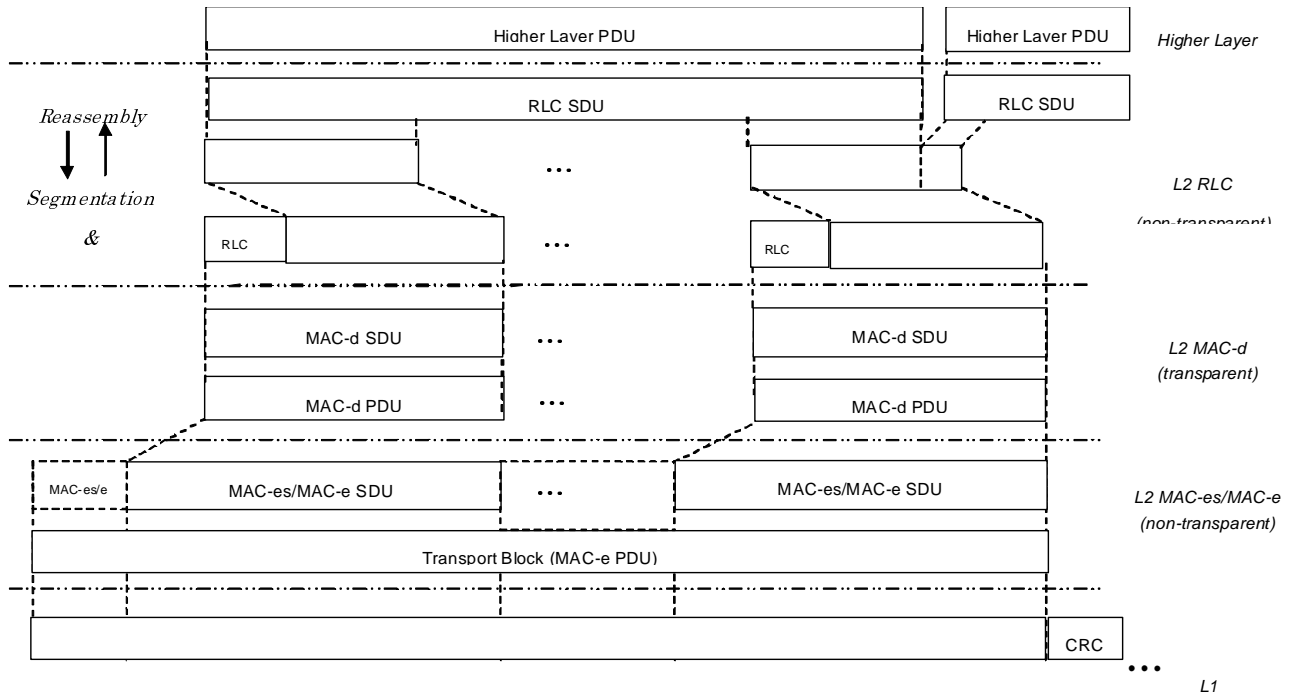


Figure 9b: Data flow for non-transparent RLC and MAC mapped to E-DCH (MAC-e/es configured)

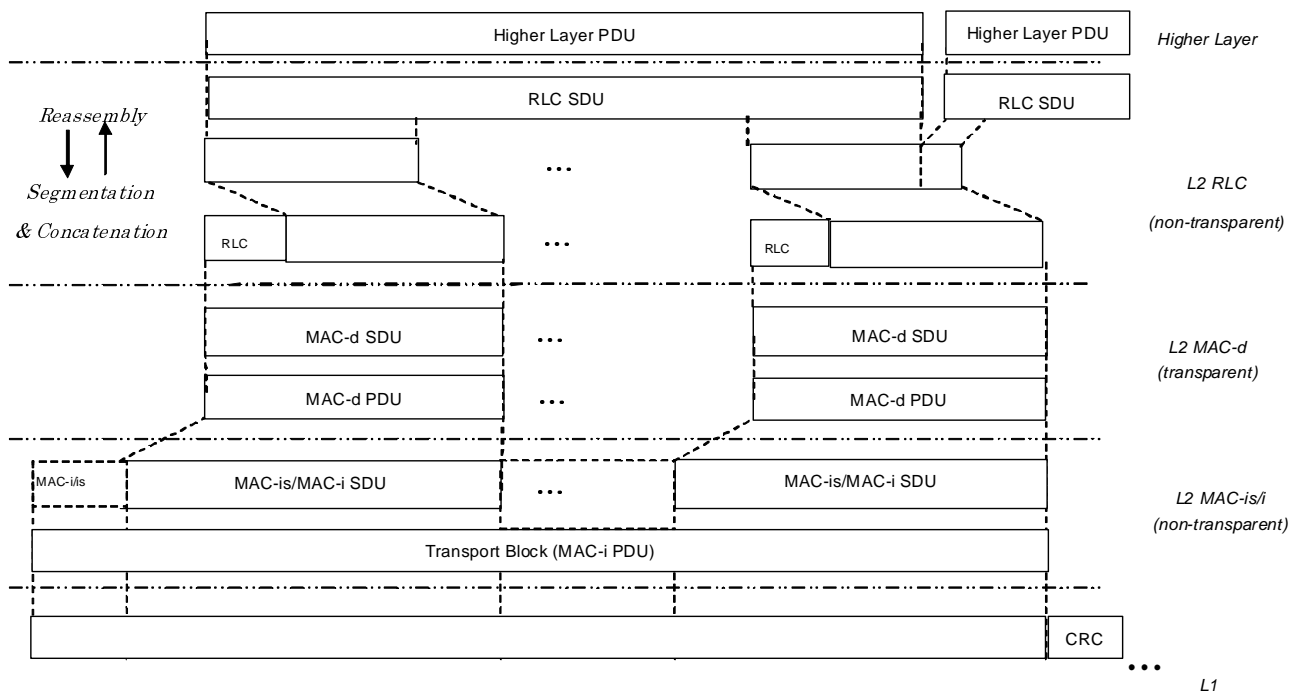
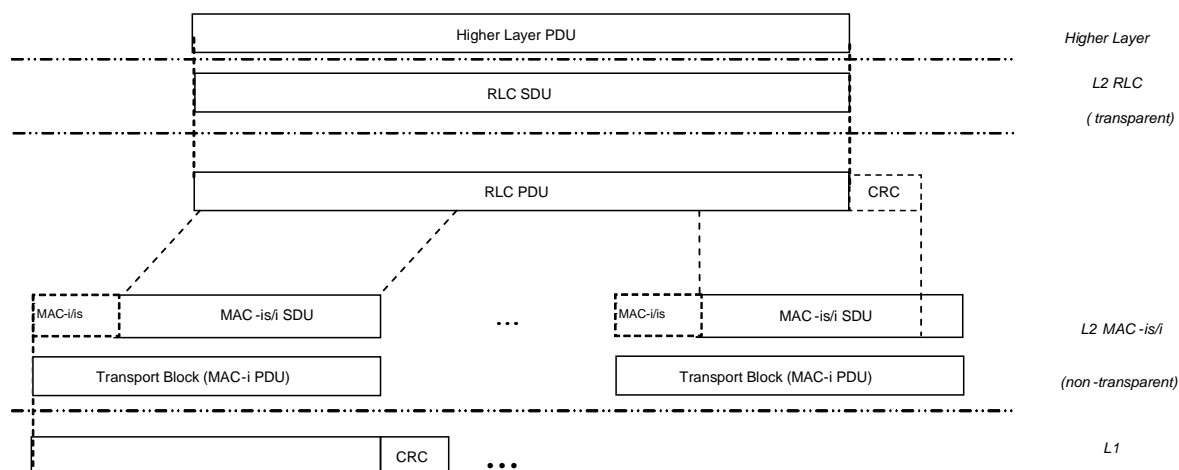


Figure 9c: Data flow for non-transparent RLC and MAC mapped to E-DCH (MAC-i/is configured)



**Figure 10: CCCH data for transparent RLC and non-transparent MAC mapped to E-DCH (MAC-i/is configured, FDD and 1.28 Mcps TDD only)**

#### 5.3.5.1 Data flow for BCCH mapped to BCH

All RRC PDUs transmitted on BCCH have a fixed length and fit into one RLC PDU (and, equivalently, MAC PDU, as defined by the transport format). No RLC header is needed, i.e. the transparent data transfer mode of RLC is applied.

No MAC header is needed since only one BCCH logical channel is mapped onto a BCH. Figure 6 is applicable.

#### 5.3.5.2 Data flow for BCCH mapped to FACH

No RLC header is needed, i.e. the transparent data transfer mode of RLC is applied. A MAC header is required for identification of the logical channel carried by the FACH. The data flow shown in Figure 7 is applicable.

#### 5.3.5.3 Data flow for PCCH mapped to PCH

No RLC or MAC header is needed, i.e. the data flow in Figure 6 is applicable.

#### 5.3.5.4 Data flow for CCCH mapped to FACH/RACH

For CCCH, transparent transmission mode on RLC is employed on the uplink (when mapped to RACH). Unacknowledged transmission mode on RLC is employed on the downlink (when mapped to FACH). A MAC header is used for logical channel identification (BCCH, CCCH, CTCH, SHCCH, DCCH, DTCH). If the transparent RLC transfer mode is applied, the data flow Figure 7 is applicable. If the unacknowledged RLC transfer mode is applied, the data flow Figure 9 is applicable.

#### 5.3.5.5 Data flow for SHCCH mapped to USCH

For SHCCH mapped on USCH, transparent transmission mode on RLC is employed. A MAC header may be used for logical channel identification (SHCCH, DCCH, DTCH). When no MAC header is used, SHCCH must be the only channel mapped to USCH/DSCH. Depending on whether the MAC header is needed or not, either the data flow Figure 6 or Figure 7 is applicable.

#### 5.3.5.6 Data flow for SHCCH mapped to FACH/RACH

For SHCCH, transparent transmission mode on RLC is employed on the uplink (when mapped to RACH). Unacknowledged transmission mode on RLC is employed on the downlink (when mapped to FACH). A MAC header may be used for logical channel identification (BCCH, CCCH, CTCH, SHCCH, DCCH, DTCH). When no MAC

header is used, SHCCH must be the only channel mapped to RACH/FACH. If the transparent RLC transfer mode is applied, depending on whether the MAC header is needed or not, either the data flow Figure 6 or Figure 7 is applicable. If the unacknowledged RLC transfer mode is applied, depending on whether the MAC header is needed or not, either the data flow Figure 8 or Figure 9 is applicable.

#### 5.3.5.7 Data flow for DCCH mapped to FACH/RACH

For DCCH, both unacknowledged and acknowledged transmission mode on RLC is employed. A MAC header is mandatory for FACH/RACH carrying DCCH. The data flow shown in Figure 9 is applicable.

#### 5.3.5.8 Data flow for DCCH mapped to DSCH

For DCCH, both unacknowledged and acknowledged transmission mode on RLC is employed. A MAC header is optional, i.e. either the data flow in Figure 8 or Figure 9 is applicable.

#### 5.3.5.9 Data flow for DCCH mapped to USCH

For DCCH, both unacknowledged and acknowledged transmission mode on RLC is employed. A MAC header is needed if DCCH and DTCH logical channels are multiplexed in MAC before mapping to a USCH, i.e. either the data flow in Figure 8 or Figure 9 is applicable.

#### 5.3.5.10 Void

#### 5.3.5.11 Data flow for DTCH (non-transparent RLC) mapped to FACH/RACH

Mapping to FACH/RACH implies a DTCH with acknowledged or unacknowledged transmission on RLC. A MAC header is mandatory for FACH/RACH when carrying DTCH. The data flow shown in Figure 9 is applicable.

#### 5.3.5.12 Data flow for DTCH (non-transparent RLC) mapped to DSCH

Mapping to DSCH implies a DTCH with acknowledged or unacknowledged transmission on RLC. A MAC header is optional, i.e. either the data flow in Figure 8 or Figure 9 is applicable.

#### 5.3.5.13 Data flow for DTCH (non-transparent RLC) mapped to USCH

Mapping to USCH implies a DTCH with acknowledged or unacknowledged transmission on RLC. A MAC header is needed if DCCH and DTCH logical channels are multiplexed in MAC before mapping to a USCH, i.e. either the data flow in Figure 8 or Figure 9 is applicable.

#### 5.3.5.14 Data flow for DTCH (transparent RLC) mapped to DCH

Continuous DTCH data stream is segmented into transport blocks on RLC and mapped on a DCH transport channel on MAC. The transport block size is naturally implied by the data rate. Both RLC and MAC sublayers are transparent, i.e. no protocol control information is added, when no multiplexing of DTCH on MAC is applied. The data flow shown in Figure 6 is applicable. If multiplexing on MAC is performed, a MAC header is needed, and Figure 7 applies.

#### 5.3.5.15 Data flow for DTCH (non-transparent RLC) mapped to DCH

In this case acknowledged or unacknowledged transmission on RLC is applied. A MAC header is needed only if multiple DTCH logical channels are multiplexed in MAC before mapping to a DCH, i.e. either the data flow in Figure 8 or Figure 9 is applicable.

#### 5.3.5.16 Void

#### 5.3.5.17 Data flow for DCCH mapped to DCH

In this case non-transparent or transparent transmission mode on RLC is applied. A MAC header is needed only if DCCH and DTCH logical channels are multiplexed in MAC before mapping to a DCH, i.e. either the data flow in Figure 8 or Figure 9 is applicable.

#### 5.3.5.18 Data flow for CTCH mapped to FACH

For CTCH, unacknowledged transmission mode on RLC is employed. A MAC header is used for logical channel identification (BCCH, CCCH, CTCH, SHCCH, DCCH, DTCH). The data flow shown in Figure 9 is applicable.

#### 5.3.5.19 Data flow for DCCH mapped to HS-DSCH

For DCCH, both unacknowledged and acknowledged transmission mode on RLC is employed. A MAC header is mandatory when the DCCH is mapped to the HS-DSCH, i.e. the data flow in figure 9a is applicable.

#### 5.3.5.20 Data flow for DTCH (non-transparent RLC) mapped to HS-DSCH

Mapping to HS-DSCH implies a DTCH with acknowledged or unacknowledged transmission on RLC. A MAC header is mandatory when the DCCH is mapped to the HS-DSCH, i.e. the data flow in figure 9a is applicable.

#### 5.3.5.21 Data flow for DCCH mapped to E-DCH

For DCCH, both unacknowledged and acknowledged transmission mode on RLC is employed. A MAC header is mandatory when the DCCH is mapped to the E-DCH, i.e. the data flow in figure 9b and 9c is applicable.

#### 5.3.5.22 Data flow for DTCH (non-transparent RLC) mapped to E-DCH

Mapping to E-DCH implies a DTCH with acknowledged or unacknowledged transmission on RLC. A MAC header is mandatory when the DTCH is mapped to the E-DCH, i.e. the data flow in figure 9b and 9c is applicable.

#### 5.3.5.23 Data flow for MCCH (non-transparent RLC) mapped to FACH

For MCCH mapped to FACH, unacknowledged transmission mode on RLC is employed. In case of MAC multiplexing the MAC header is needed for logical channel service multiplexing. The data flow in either Figure 8 or Figure 9 is applicable.

#### 5.3.5.24 Data flow for MSCH (non-transparent RLC) mapped to FACH

For MSCH mapped to FACH, unacknowledged transmission mode on RLC is employed. In case of MAC multiplexing the MAC header is needed for logical channel service multiplexing. The data flow in either Figure 8 or Figure 9 is applicable.

#### 5.3.5.25 Data flow for MTCH (non-transparent RLC) mapped to FACH

For MTCH mapped to FACH, unacknowledged transmission mode on RLC is employed. In case of MAC multiplexing the MAC header is needed for logical channel service multiplexing. The data flow in either Figure 8 or Figure 9 is applicable.

#### 5.3.5.26 Data flow for CCCH mapped to HS-DSCH/RACH (FDD only)

In FDD, for CCCH, transparent transmission mode on RLC is employed on the uplink (when mapped to RACH). Unacknowledged transmission mode on RLC is employed on the downlink (when mapped to HS-DSCH). A MAC header is used for logical channel identification (CCCH). If the transparent RLC transfer mode is applied, the data flow Figure 7 is applicable. If the unacknowledged RLC transfer mode is applied, the data flow Figure 9a is applicable.

### 5.3.5.27 Data flow for PCCH mapped to HS-DSCH

No RLC header is needed. A MAC header is mandatory when the PCCH is mapped to the HS-DSCH. For FDD, an H-RNTI specific for PCCH transmission is used on HS-SCCH to identify the logical channel carried by the HS-DSCH. For 1.28 Mcps TDD, the HS-SCCH less operation is used. The logical channel ID in MAC header is set to a reserved value.

### 5.3.5.28 Data flow for BCCH mapped to HS-DSCH (FDD and 1.28 Mcps TDD only)

No RLC header is needed, i.e. the transparent data transfer mode of RLC is applied. A MAC header is mandatory when the BCCH is mapped to the HS-DSCH. An H-RNTI specific for BCCH transmission is used on HS-SCCH to identify the logical channel carried by the HS-DSCH. The logical channel ID in MAC header is set to a reserved value.

### 5.3.5.29 Data flow for CCCH mapped to HS-DSCH/E-DCH (FDD and 1.28 Mcps TDD only)

For CCCH transmission, transparent transmission mode on RLC is employed on the uplink (when mapped to E-DCH). Unacknowledged transmission mode on RLC is employed on the downlink (when mapped to HS-DSCH). A MAC header is used for logical channel identification (CCCH). If the transparent RLC transfer mode is applied, the data flow Figure 10 is applicable. If the unacknowledged RLC transfer mode is applied, the data flow Figure 9a is applicable.

## 5.3.6 Transport Channel, Logical Channel and MAC-d flow Numbering

The UE model for transport channel and logical channel numbering is defined by the following:

- For FACH transport channels:
  - A transport channel identity is associated with each FACH transport channel. Each identity is unique within the downlink FACHs mapped onto the same physical channel.
  - Transport channel identities can be allocated non sequentially.
  - Transport channel identity is not used to determine the radio bearer mapping. The transport channels that can be used are determined from the available physical channels.
  - Each downlink DCCH and DTCH has a unique logical channel identity.
  - A MAC MBMS identity (MBMS-Id) is associated with each MBMS service carried on MTCH on FACH. The identity is unique within a FACH and the mapping of the MBMS service id to the MBMS-Id is provided on the MCCH.
- For RACH transport channels:
  - A transport channel identity is associated with each RACH transport channel. Each identity is unique within the RACHs mapped onto the same PRACH.
  - Transport channel identities can be allocated non sequentially.
  - Transport channel identity is not used to determine the radio bearer mapping. The transport channels that can be used are determined from the available physical channels.
  - Each uplink DCCH and DTCH has a unique logical channel identity.
- For downlink DCH and DSCH transport channels:
  - A transport channel identity is associated with each downlink DCH transport channel. Each identity is unique within the downlink DCHs configured in the UE;
  - Transport channel identities can be allocated non sequentially.
  - A transport channel identity is associated with each DSCH transport channel. Each identity is unique within the DSCHs configured in the UE;

- A logical channel identity is associated with each logical channel that is multiplexed with other logical channels before being mapped to a transport channel. Each identity is unique within the logical channels mapped to the same transport channel.
- A logical channel that is mapped to DCH and DSCH simultaneously in TDD has one logical channel identity.
- For HS-DSCH, when MAC-hs is configured:
  - A MAC-flow identity is associated with each MAC-d flow. Each identity is unique within the MAC-d flows configured in the UE;
  - A logical channel identity is associated with each logical channel that is multiplexed with other logical channels before being mapped to a MAC-d flow. Each identity is unique within the logical channels mapped to the same MAC-d flow;
  - A logical channel that is mapped to DCH and HS-DSCH simultaneously has one logical channel identity.
- For HS-DSCH, when MAC-ehs is configured:
  - A reordering queue identity is associated with each reordering queue. Each identity is unique within the reordering queues configured in the UE;
  - A logical channel identity is associated with each logical channel that is mapped to a reordering queue. Each identity is unique within the logical channels mapped to any reordering queue;
  - A logical channel that is mapped to DCH and HS-DSCH simultaneously has one logical channel identity.
- For uplink DCH and USCH transport channels:
  - A transport channel identity is associated with each uplink DCH transport channel. Each identity is unique within the uplink DCHs configured in the UE;
  - Transport channel identities can be allocated non sequentially.
  - A transport channel identity is associated with each USCH transport channel. Each identity is unique within the USCHs configured in the UE;
  - A logical channel identity is associated with each logical channel that is multiplexed with other logical channels before being mapped to a transport channel. Each identity is unique within the logical channels mapped to the same transport channel.
- For E-DCH, when MAC-e/es is configured:
  - A MAC-flow identity is associated with each MAC-d flow. Each identity is unique within the MAC-d flows configured in the UE;
  - A logical channel identity is associated with each logical channel that is mapped to a MAC-d flow. Each identity is unique within the logical channels mapped to any MAC-d flow;
  - A DDI (Data Description Identity) is associated with each MAC-d PDU. The DDI values are unique within the UE;
  - In addition to indicating the MAC-d PDU size, the DDI value indicates MAC-d flow and logical channel for the MAC-d PDU within the MAC-e PDU.
- For E-DCH, when MAC-i/is is configured:
  - A MAC-flow identity is associated with each MAC-d flow. Each identity is unique within the MAC-d flows configured in the UE;
  - A logical channel identity is associated with each logical channel that is mapped to a MAC-d flow. Each identity is unique within the logical channels mapped to any MAC-d flow;
  - A LCH-ID (Logical channel identity) is associated with each MAC-d PDU. The LCH-ID values indicate the logical channel for the MAC-d PDU within the MAC-i PDU.



- In FDD only, when the UE is in CELL\_FACH state, an E-RNTI is associated with each MAC-d PDU until an E-AGCH with the UE's E-RNTI has been received (through an ID-specific CRC attachment). For FDD and 1.28 Mcps TDD, one LCH-id value in the MAC-is header identifies MAC-d flows containing CCCH data.

## 5.4 Layer 3 - Uu Stratum Services and Functions

This subclause provides an overview on Layer 3 services and functions provided by the Uu Stratum as a whole. A detailed description of the RRC protocol is given in [11]. Examples of structured procedures involving RRC in Idle Mode and Connected Mode are described in [5] and [6], respectively.

### 5.4.1 Uu Stratum services

#### 5.4.1.1 General Control

The GC SAP provides an information broadcast service. This service broadcasts information to all UEs in a certain geographical area. The basic requirements from such service are:

- It should be possible to broadcast non-access stratum information in a certain geographical area.
- The information is transferred on an unacknowledged mode link. Unacknowledged mode means that the delivery of the broadcast information can not be guaranteed (typically no retransmission scheme is used). It seems reasonable to use an unacknowledged mode link since the information is broadcast to a lot of UEs and since broadcast information often is repeated periodically.
- It should be possible to do repeated transmissions of the broadcast information (how it is repeated is controlled by the non-access stratum).
- The point where the UE received the broadcast information should be included, when the access stratum delivers broadcast information to the non-access stratum.

#### 5.4.1.2 Notification

The Nt SAP provides paging and notification broadcast services. The paging service sends information to a specific UE(s). The information is broadcast in a certain geographical area but addressed to a specific UE(s). The basic requirements from such service are:

- It should be possible to broadcast paging information to a number of UEs in a certain geographical area.
- The information is transferred on an unacknowledged mode link. It is assumed that the protocol entities in non-access stratum handle any kind of retransmission of paging information.

The notification broadcast service broadcasts information to all UEs in a certain geographical area. The basic requirements from this service are typically the same as for the information broadcast service of the GC SAP:

- It should be possible to broadcast notification information in a certain geographical area.
- The information is transferred on an unacknowledged mode link.

#### 5.4.1.3 Dedicated Control

The DC SAP provides services for establishment/release of a connection and transfer of messages using this connection. It should also be possible to transfer a message during the establishment phase. The basic requirements from the establishment/release services are:

- It should be possible to establish connections (both point and group connections).
- It should be possible to transfer an initial message during the connection establishment phase. This message transfer has the same requirements as the information transfer service.
- It should be possible to release connections.

The information transfer service sends a message using the earlier established connection. According to [1] it is possible to specify the quality of service requirements for each message. A finite number of quality of service classes will be specified in [1], but currently no class has been specified. In order to get an idea of the basic requirements, the CC and MM protocols in GSM are used as a reference. A GSM based core network is chosen since it is one main option for UMTS. Considering the existing GSM specification of CC and MM the basic requirements from the information transfer service provided by the 'Duplication avoidance' function are (these are some of the services provided by the combination of a duplication layer, RR and the data link layer in GSM):

- In-sequence transfer of messages  
Messages are delivered to the NAS on the receiver side exactly in the order they have been submitted by the NAS on the sending side, without loss or duplication, except possibly for the loss of last messages in case of connection abortion.
- Priority handling  
If SMS messages should be transported through the control plane it should be possible to give higher priority to signalling messages.

The CC and MM protocols also expect other services, which can not be supported by the current primitives of the DC SAP, e.g. indication of radio link failure.

The information transfer service is provided by a combination of the services provided by the data link layer, RNC and the 'Duplication avoidance' function.

## 5.4.2 RRC functions

The Radio Resource Control (RRC) layer handles the control plane signalling of Layer 3 between the UEs and UTRAN. The RRC performs the following functions:

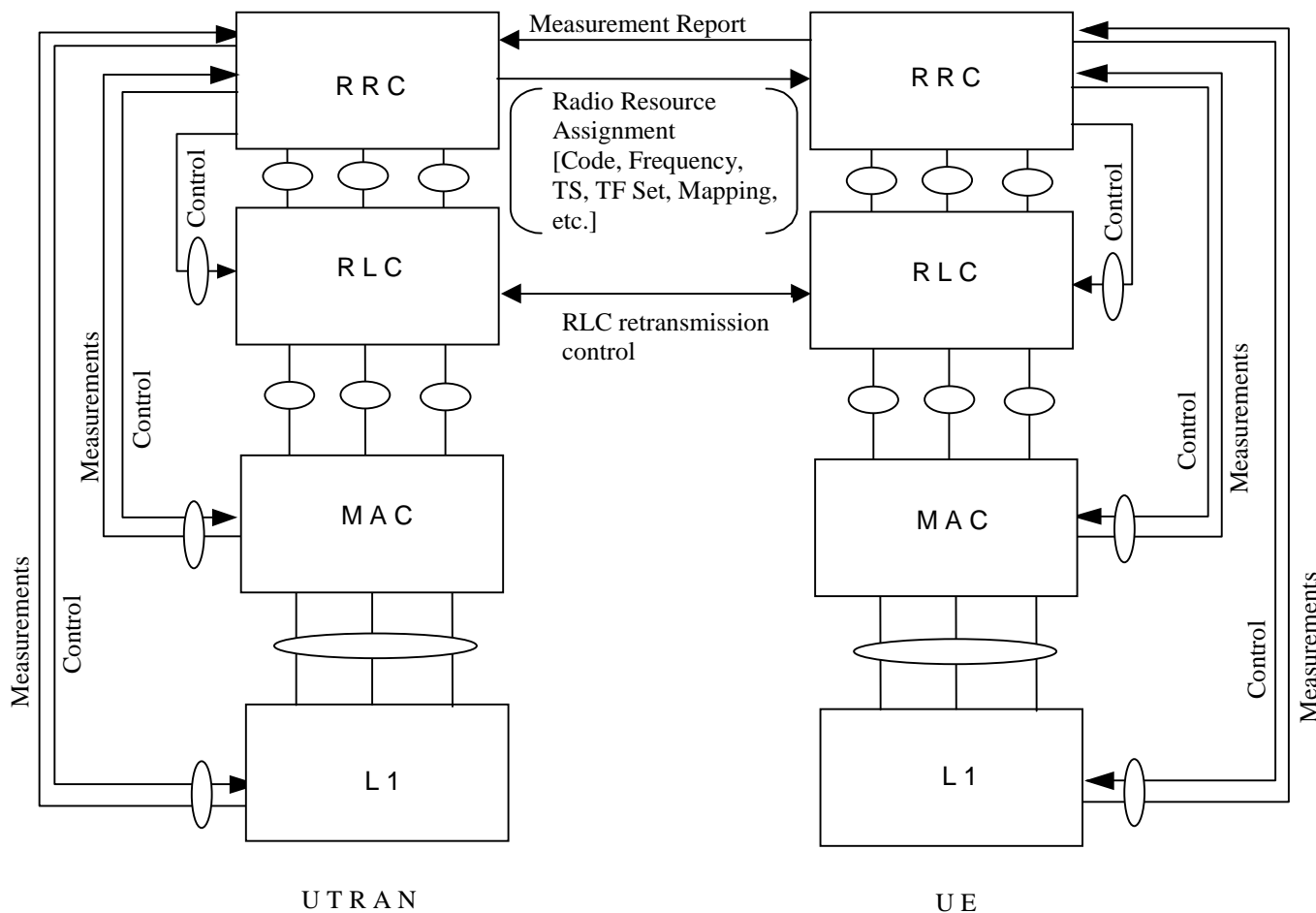
- **Broadcast of information provided by the non-access stratum (Core Network).** The RRC layer performs system information broadcasting from the network to all UEs. The system information is normally repeated on a regular basis. The RRC layer performs the scheduling, segmentation and repetition. This function supports broadcast of higher layer (above RRC) information. This information may be cell specific or not. As an example RRC may broadcast Core Network location service area information related to some specific cells.
- **Broadcast of information related to the access stratum.** The RRC layer performs system information broadcasting from the network to all UEs. The system information is normally repeated on a regular basis. The RRC layer performs the scheduling, segmentation and repetition. This function supports broadcast of typically cell-specific information.
- **Establishment, re-establishment, maintenance and release of an RRC connection between the UE and UTRAN.** The establishment of an RRC connection is initiated by a request from higher layers at the UE side to establish the first Signalling Connection for the UE. The establishment of an RRC connection includes an optional cell re-selection, an admission control, and a layer 2 signalling link establishment. The release of an RRC connection can be initiated by a request from higher layers to release the last Signalling Connection for the UE or by the RRC layer itself in case of RRC connection failure. In case of connection loss, the UE requests re-establishment of the RRC connection. In case of RRC connection failure, RRC releases resources associated with the RRC connection.
- **Establishment, reconfiguration and release of Radio Bearers.** The RRC layer can, on request from higher layers, perform the establishment, reconfiguration and release of Radio Bearers in the user plane. A number of Radio Bearers can be established to an UE at the same time. At establishment and reconfiguration, the RRC layer performs admission control and selects parameters describing the Radio Bearer processing in layer 2 and layer 1, based on information from higher layers.
- **Assignment, reconfiguration and release of radio resources for the RRC connection.** The RRC layer handles the assignment of radio resources (e.g. codes) needed for the RRC connection including needs from both the control and user plane. The RRC layer may reconfigure radio resources during an established RRC connection. This function includes coordination of the radio resource allocation between multiple radio bearers related to the same RRC connection. RRC controls the radio resources in the uplink and downlink such that UE and UTRAN can communicate using unbalanced radio resources (asymmetric uplink and downlink). RRC signals to the UE to indicate resource allocations for purposes of handover to GSM or other radio systems.

- **RRC connection mobility functions.** The RRC layer performs evaluation, decision and execution related to RRC connection mobility during an established RRC connection, such as handover, preparation of handover to GSM or other systems, cell re-selection and cell/paging area update procedures, based on e.g. measurements done by the UE.
- **Paging/notification.** The RRC layer can broadcast paging information from the network to selected UEs. Higher layers on the network side can request paging and notification. The RRC layer can also initiate paging during an established RRC connection.
- **Routing of higher layer PDUs.** This function performs at the UE side routing of higher layer PDUs to the correct higher layer entity, at the UTRAN side to the correct RANAP entity.
- **Control of requested QoS.** This function shall ensure that the QoS requested for the Radio Bearers can be met. This includes the allocation of a sufficient number of radio resources.
- **UE measurement reporting and control of the reporting.** The measurements performed by the UE are controlled by the RRC layer, in terms of what to measure, when to measure and how to report, including both UMTS air interface and other systems. The RRC layer also performs the reporting of the measurements from the UE to the network.
- **Outer loop power control.** The RRC layer controls setting of the target of the closed loop power control.
- **Control of ciphering.** The RRC layer provides procedures for setting of ciphering (on/off) between the UE and UTRAN. Details of the security architecture are specified in [15].
- **Slow DCA.** Allocation of preferred radio resources based on long-term decision criteria. It is applicable only in TDD mode.
- **Arbitration of radio resources on uplink DCH.** This function controls the allocation of radio resources on uplink DCH on a fast basis, using a broadcast channel to send control information to all involved users.

NOTE: This function is implemented in the CRNC.

- **Initial cell selection and re-selection in idle mode.** Selection of the most suitable cell based on idle mode measurements and cell selection criteria.
- **Integrity protection.** This function adds a Message Authentication Code (MAC-I) to those RRC messages that are considered sensitive and/or contain sensitive information. The mechanism how the MAC-I is calculated is described in [14].
- **Initial Configuration for CBS**  
This function performs the initial configuration of the BMC sublayer.
- **Allocation of radio resources for CBS**  
This function allocates radio resources for CBS based on traffic volume requirements indicated by BMC. The radio resource allocation set by RRC (i.e. the schedule for mapping of CTCH onto FACH/S-CCPCH) is indicated to BMC to enable generation of schedule messages. The resource allocation for CBS shall be broadcast as system information.
- **Configuration for CBS discontinuous reception**  
This function configures the lower layers (L1, L2) of the UE when it shall listen to the resources allocated for CBS based on scheduling information received from BMC.
- **Timing advance control.** The RRC controls the operation of timing advance. It is applicable only in 3.84/7.68 Mcps TDD.
- **MBMS control.** The RRC controls the operation of MBMS point-to-point and point-to-multipoint radio bearers.

## 5.5 Interactions between RRC and lower layers in the C plane



**Figure 10: Interactions between RRC and lower layers**

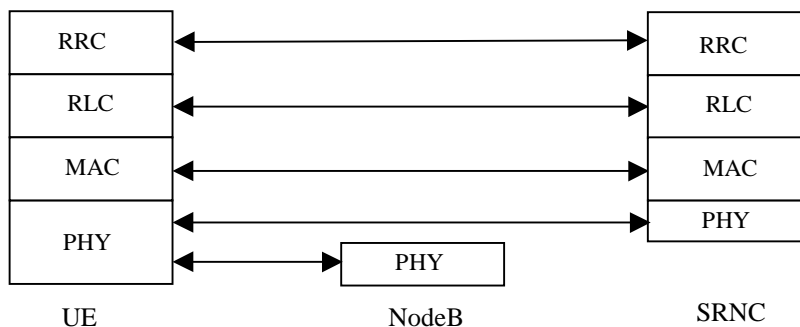
The RRC protocol controls and signals the allocation of radio resources to the UE. RRC allows MAC to arbitrate between users and Radio Bearers within the radio resource allocation. The RRC uses the measurements done by the lower layers to determine which radio resources that are available. Therefore it is a need for a measurement report from the UE RRC to the UTRAN RRC. Figure 10 illustrates the principle. The local control and local measurements reporting is handled through the control SAPs between RRC and the lower layers.

## 5.6 Protocol termination

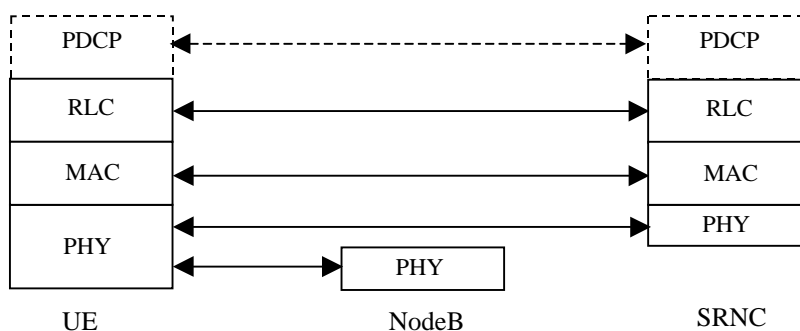
This subclause specifies in which node of the UTRAN the radio interface protocols are terminated, i.e. where within UTRAN the respective protocol services are accessible. Dashed lines indicate those protocols whose presence is dependent on the service provided to upper layers.

### 5.6.1 Protocol termination for DCH

Figure 11 and Figure 12 show the protocol termination for DCH for the control and user planes, respectively. The part of physical layer terminating in the Serving RNC is the topmost macro-diversity combining and splitting function for the FDD mode. If no macrodiversity applies, the physical layer is terminated in Node B.



**Figure 11: Protocol Termination for DCH, control plane**



**Figure 12: Protocol Termination for DCH, user plane**

## 5.6.2 Protocol termination for RACH/FACH

Figure 13 and Figure 14 show the protocol termination for RACH/FACH for the control and user planes, respectively. Control plane termination refers to the case where RACH/FACH carry dedicated, common or shared control information (i.e. CCCH, DCCH or SHCCH, and in the downlink possibly also BCCH). User plane termination refers to the case where RACH/FACH carry dedicated user data (DTCH) or common user data (CTCH).

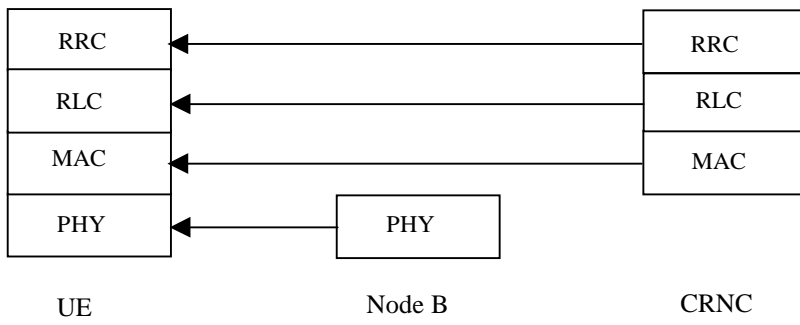
It is assumed that macrodiversity/soft handover is not applied for RACH/FACH. Therefore, the physical layer terminates in Node B. For RACH/FACH carrying DCCH, MAC is split between Controlling and Serving RNC. RLC, and in the C plane also RRC terminate in the Serving RNC. Since Iur can support common channel data streams, the users of that common channel can depend on different SRNCs. However, they depend on the same Controlling RNC. Therefore, for a given user, the Controlling RNC and the Serving RNC can be separate RNCs.

For FACH carrying BCCH, MAC, RLC and RRC are terminated in the CRNC.

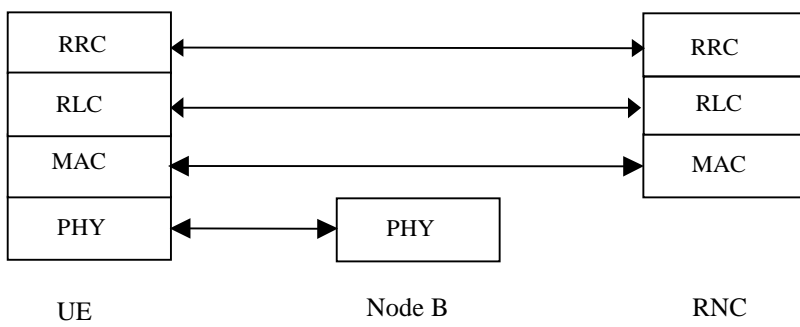
For RACH/FACH carrying SHCCH, MAC, RLC and RRC are terminated in the Controlling RNC (TDD only).

For RACH/FACH carrying CCCH, MAC, RLC and RRC are terminated in the RNC.

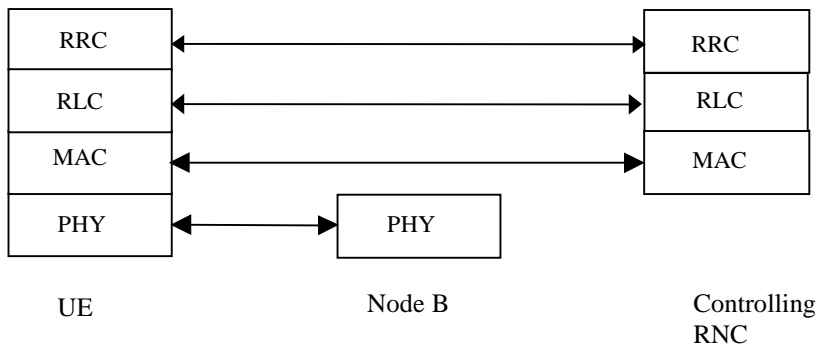
**BCCH :**



**CCCH :**



**SHCCH:**  
(TDD only)



**DCCH:**

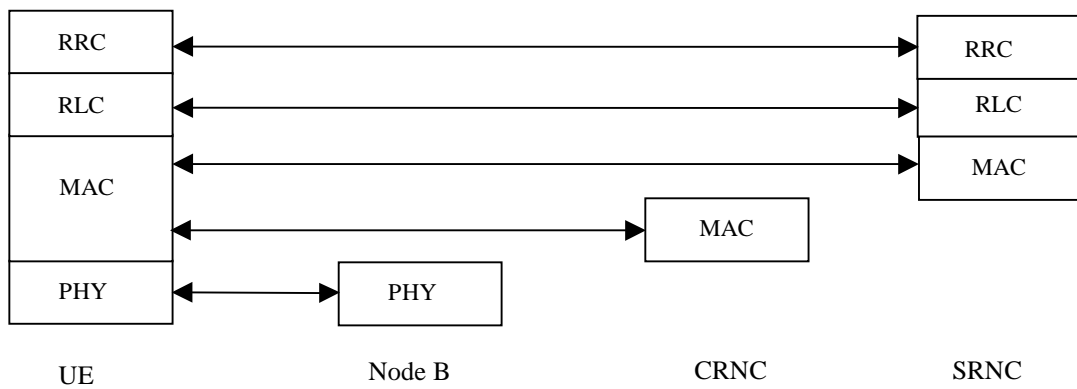
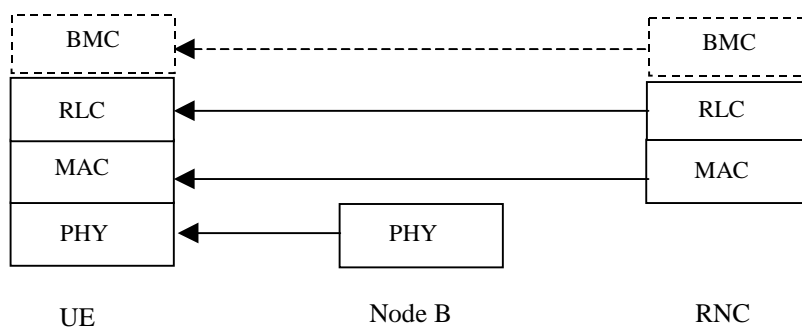
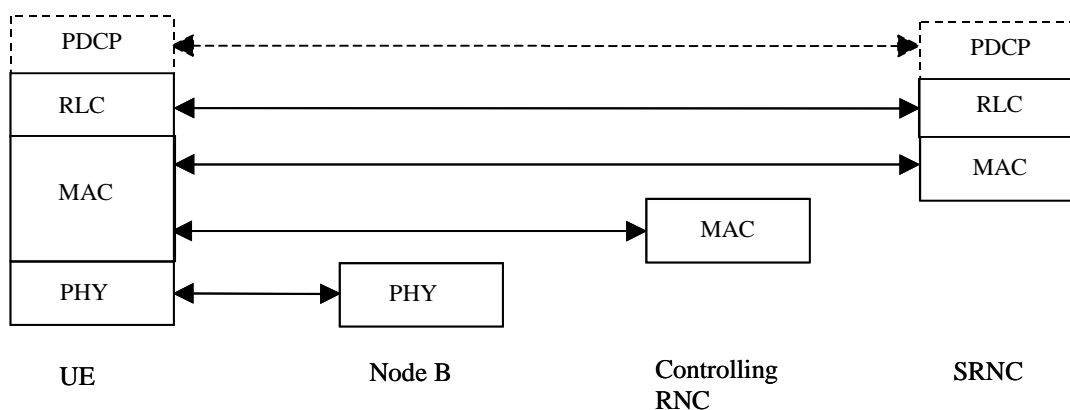


Figure 13: Protocol Termination for RACH/FACH, control plane

**CTCH:****DTCH:**

**Figure 14: Protocol Termination for RACH/FACH, user plane**

5.6.3 Void

5.6.4 Void

### 5.6.5 Protocol termination for DSCH

#### 5.6.5.1 DSCH definition

The DSCH is only supported for TDD. The DSCH is a resource that exists in downlink only. It has only impact on the physical and transport channel levels, so there is no definition of shared channel in the logical channels provided by MAC.

The DSCH is a transport channel shared dynamically between several UEs. The DSCH is mapped to one or several physical channels such that a specified part of the downlink resources is employed. For the DSCH no macrodiversity is applied, i.e. a specific DSCH is transmitted in a single cell only.

The DSCH is defined as a shared downlink channel for which resource allocation is performed by RRC in Controlling RNC. The allocation messages, including UE identification, are transmitted on SHCCH, which is mapped on RACH/FACH. Several DSCH can be multiplexed on a CCTrCH in the physical layer, the transport formats of the DSCHs have to be selected from the transport format combination set of this CCTrCH. Each CCTrCH is mapped on one or more PDSCHs. If the transport format combination subset of a CCTrCH contains more than one transport format combination, a TFCI can be transmitted inside the PDSCH, or blind detection can be applied in the UE.

Interleaving for the DSCH may be applied over a multiplicity of radio frames. Nevertheless, here the basic case is considered where the interleaving is rectangular for a given MAC PDU, and equal to one radio frame (10 ms). The framing is synchronised on the SCH.

In every radio frame, one or several PDSCHs can be used in the downlink. Therefore, the DSCH supports code multiplexing. MAC multiplexing of different UEs shall not be applied within a radio frame, i.e. within one radio frame a PDSCH is assigned to a single UE. However, MAC multiplexing is allowed on a frame by frame basis, i.e. one PDSCH may be allocated to different UEs at each frame.

Transport blocks on the DSCH may be of constant size, so that the Transport Block Set may be derived from the code allocated to each UE on the DSCH. For case B, the transport format combination set can change with each transmission time interval.

### 5.6.5.2 Resource allocation and UE identification on DSCH

The principles of capacity allocation and UE identification on the DSCH are described in more detail below.

#### 5.6.5.2.1 Void

#### 5.6.5.2.2 UE requires a downlink SHCCH

The information which physical downlink shared channels to listen to and when, is sent by RRC on the SHCCH logical channel, which is mapped on RACH and USCH/FACH and DSCH. The transmitted Layer 3 messages contain information about the used PDSCHs and the timing of the allocation.

### 5.6.5.3 Model of DSCH in UTRAN

Figure 15 captures the working assumption on the Downlink Shared Channel (DSCH). The two RLCs point to logical channel (DTCH) specific RLC-entities of specific users while MAC refers to the provision of MAC sublayer functions for all users.

The MAC sublayer of a DSCH is split between the Controlling RNC and SRNC. For a given user, the RLC sublayer is terminated in its SRNC. Since Iur can support DSCH data streams, the users on that DSCH can depend on different SRNCs. For a given user, the Controlling RNC and the Serving RNC can be separate RNCs. The MAC in the network takes care of mapping downlink data either to a common channel (FACH, not shown in this figure), or to a DCH and/or the DSCH.



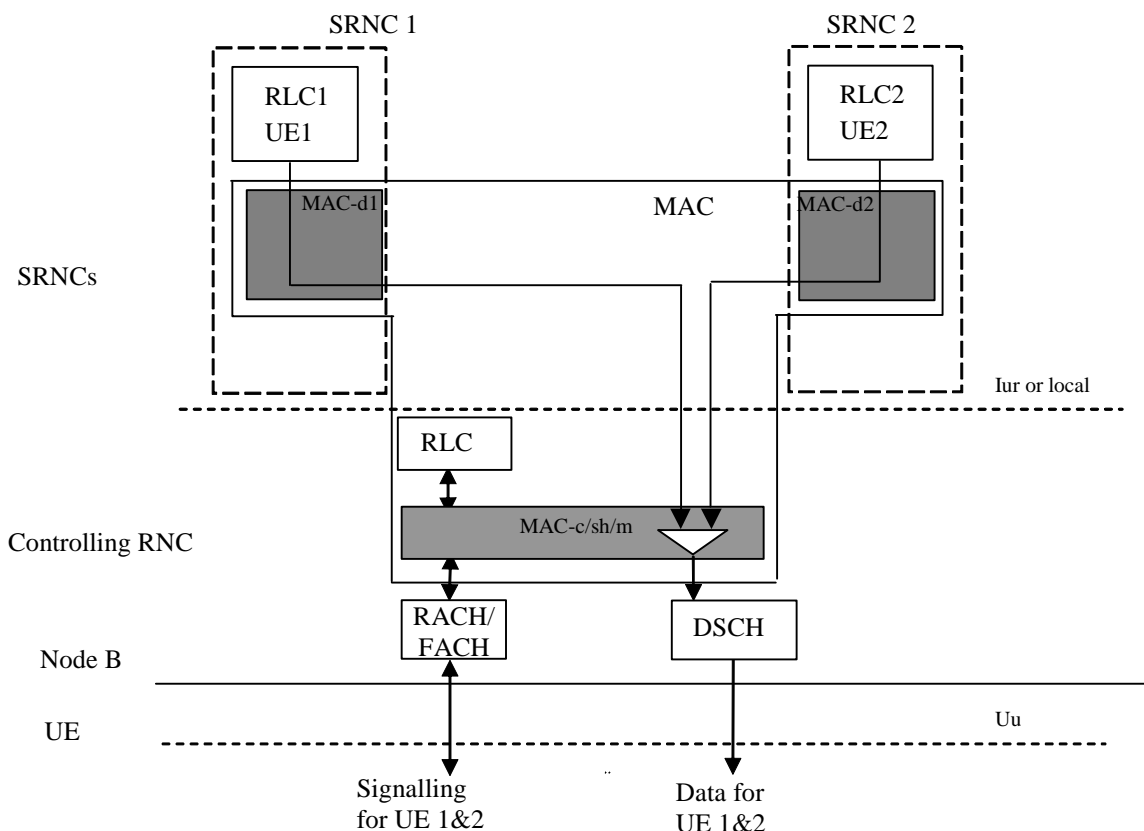


Figure 15: Model of downlink shared channel (DSCH) in UTRAN (TDD only)

5.6.5.4 Protocol termination

The protocol termination points for DSCH in control and user planes are presented in Figure 16 and Figure 17, respectively. The DSCH is for TDD only.

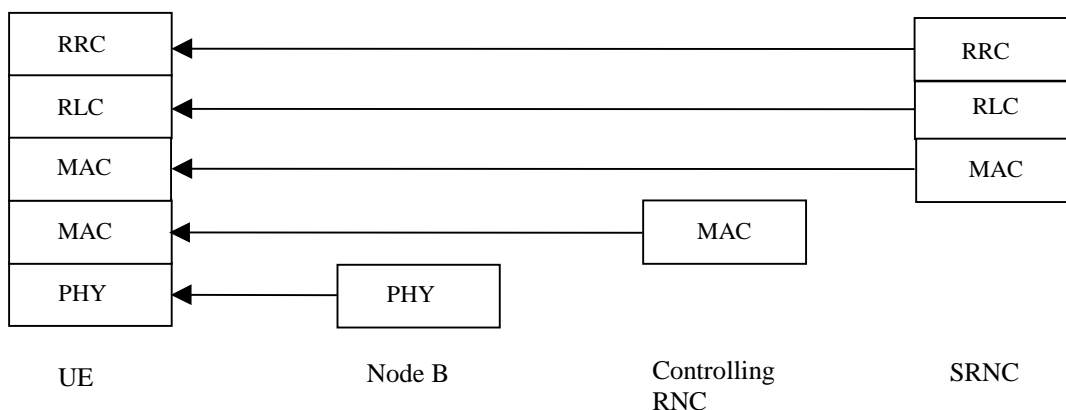
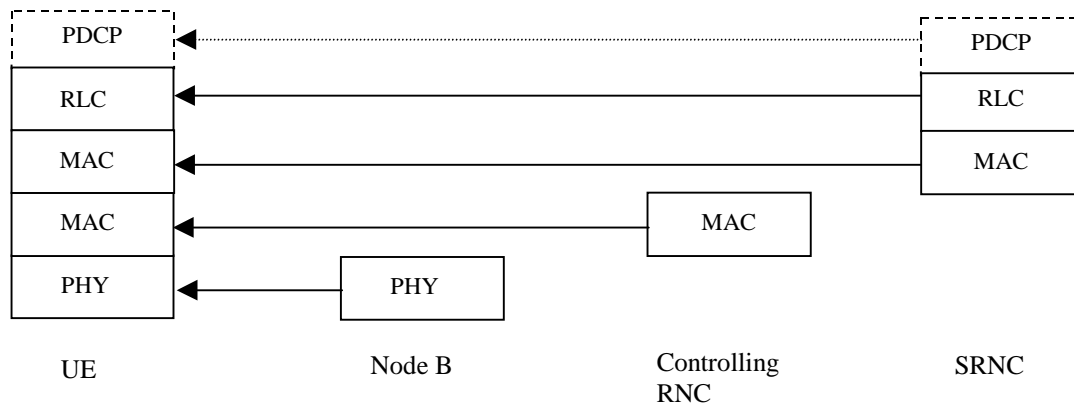


Figure 16: Protocol termination points for DSCH, control plane (TDD only)



**Figure 17: Protocol termination points for DSCH, user plane (TDD only)**

## 5.6.6 Protocol termination for transport channel of type USCH

### 5.6.6.1 USCH definition

The USCH is only supported for TDD. It is a resource that exists in uplink only. It has only impact on the physical and transport channel levels, so there is no definition of shared channel in the logical channels provided by MAC.

The USCH is a transport channel shared dynamically between several UEs. The USCH is mapped to one or several physical channels such that a specified part of the uplink resources is employed.

The USCH is defined as a shared uplink channel for which resource allocation is performed by RRC in Controlling RNC. The allocation requests and allocation messages, including UE identification, are transmitted on SHCCH, which is mapped on RACH and USCH/FACH and DSCH. Several USCHs can be multiplexed on a CCTrCH in the physical layer, the transport formats of the USCHs have to be selected from the transport format combination set of this CCTrCH. Each CCTrCH is mapped on one or more PUSCHs. If the transport format combination subset of a CCTrCH contains more than one transport format combination, a TFCI can be transmitted inside the PUSCH, or blind detection can be applied in the Node B.

Interleaving for the USCH may be applied over a multiplicity of radio frames.

In every radio frame, one or several PUSCHs can be used in the uplink. Therefore, the USCH supports physical channel multiplexing. MAC multiplexing of different UEs shall not be applied within a radio frame, i.e. within one radio frame a PUSCH is assigned to a single UE. However, MAC multiplexing is allowed on a frame by frame basis, i.e. one PUSCH may be allocated to different UEs at each frame.

The transport format combination set on the USCH can change with each transmission time interval.

### 5.6.6.2 Resource allocation and UE identification on USCH

The information which physical uplink shared channels to transmit on and when is sent by RRC on the SHCCH logical channel, which is mapped on RACH and USCH/FACH and DSCH. The transmitted Layer 3 messages contain information about the assigned PUSCHs and the timing of the allocation.

### 5.6.6.3 Model of USCH in UTRAN

Figure 18 captures the working assumption on the Uplink Shared Channel (USCH). The two RLCs point to logical channel (DTCH) specific RLC-entities of specific users while MAC refers to the provision of MAC sublayer functions for all users.

The MAC sublayer of a USCH is split between the Controlling RNC and SRNC. For a given user, the RLC sublayer is terminated in its SRNC. Since Iur can support USCH data streams, the users on that USCH can depend on different SRNCs. For a given user, the Controlling RNC and the Serving RNC can be separate RNCs. The MAC in the network takes care of mapping uplink data either from a common channel (RACH, not shown in this figure), DCH or the USCH.

Allocations of uplink capacity are requested by the UEs and signalled to the UEs on the SHCCH (Shared channel control channel), which is mapped on RACH and USCH/FACH and DSCH.

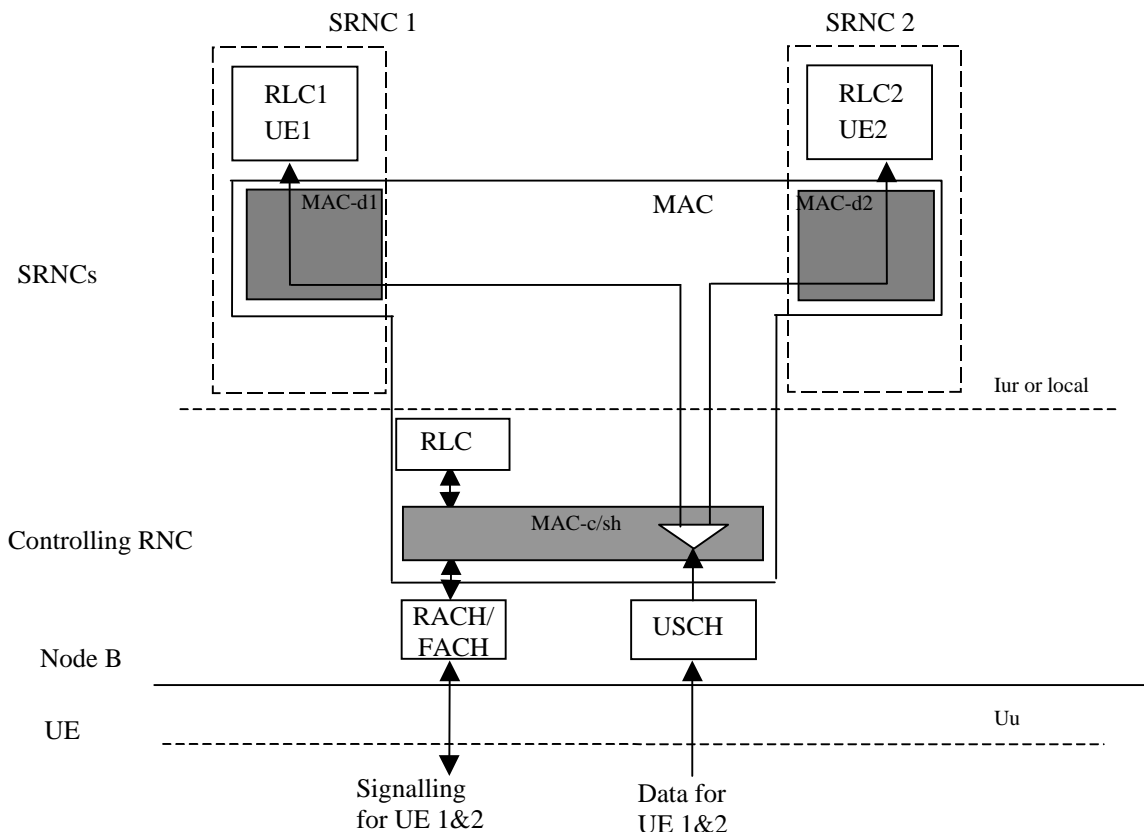


Figure 18: Model of uplink shared channel (USCH) in UTRAN (TDD only)

5.6.6.4 Protocol termination

The protocol termination points for USCH in control and user planes are presented in Figure 19 and Figure 20, respectively. The USCH is for TDD only.

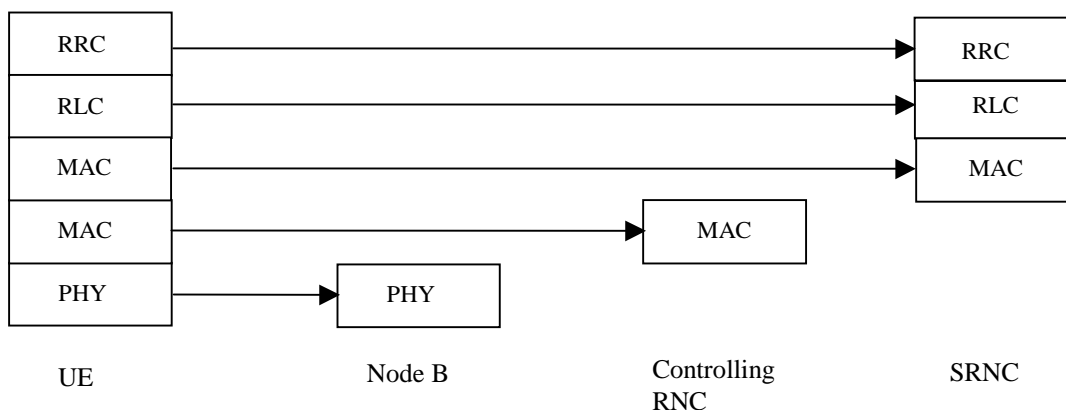


Figure 19: Protocol termination points for USCH, control plane (TDD only)

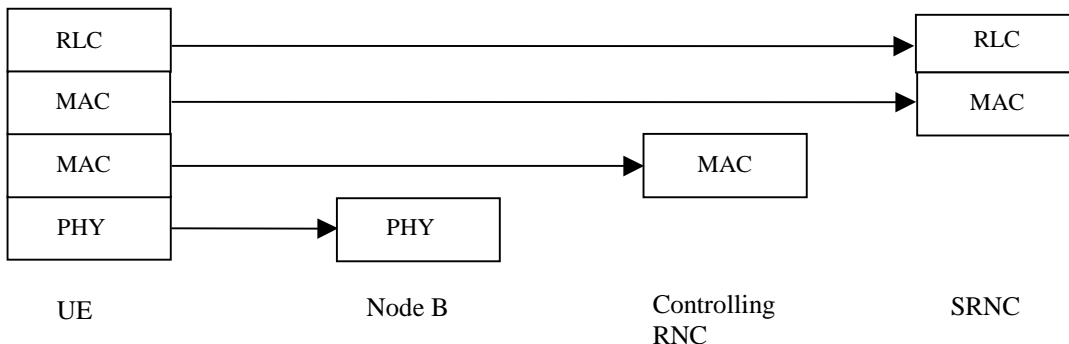


Figure 20: Protocol termination points for USCH, user plane (TDD only)

### 5.6.7 Protocol termination for transport channel of type BCH

System information on BCH can include information that is available only in Node B, and need to be updated very frequently (each 20-100 ms), such as uplink interference in the cell. Also, for the system information originating from the RNC, it is assumed that the updating of system information is at least one magnitude less (minutes) than the repetition frequency on the BCH (in the order of 1s). The system information originating from the CRNC should be sent transparently to Node B, which then handles the repetition. Protocol termination for the BCH shall therefore be distributed between the Node B and the CRNC, resulting in less signalling on Iub and lower processor load. Note that the RLC sublayer is transparent for this transport channel type.

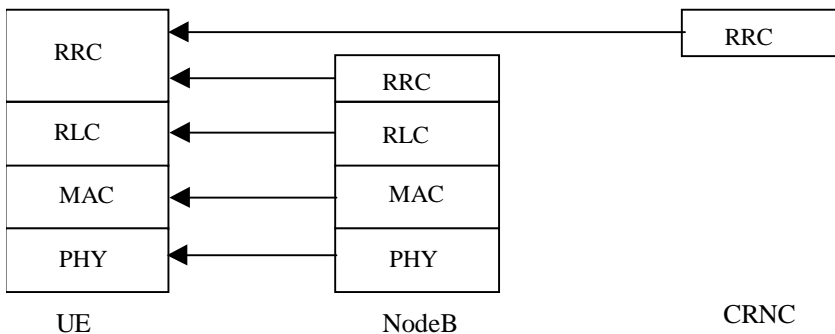


Figure 21: Protocol termination for BCH

### 5.6.8 Protocol termination for transport channel of type PCH

In order to enable co-ordinated scheduling between PCH and FACH/DSCH the corresponding MAC scheduling functions shall be allocated in the same node. MAC-c/sh is terminated in CRNC. A natural implication is that RLC and RRC also are terminated in CRNC.

Note that the RLC sublayer is transparent for this channel.

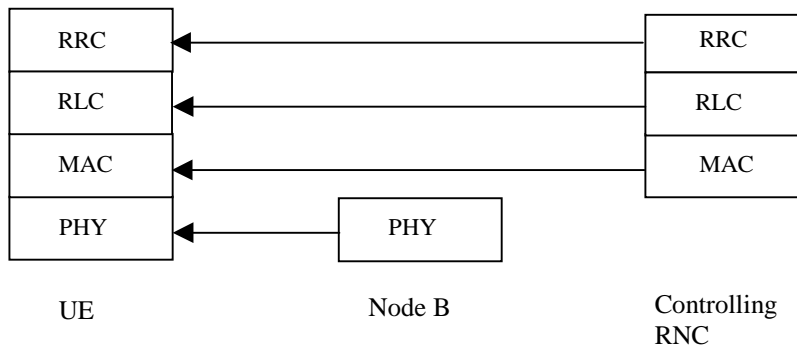


Figure 22: Protocol termination for PCH

## 5.6.9 Protocol termination for HS-DSCH

### 5.6.9.1 HS-DSCH definition

The HS-DSCH is a resource that exists in downlink only. It has only impact on the physical and transport channel levels, so there is no definition of shared channel in the logical channels provided by MAC.

The HS-DSCH is a transport channel for which a common pool of radio resources is shared dynamically between several UEs. The HS-DSCH is mapped to one or several physical channels such that a specified part of the downlink resources is employed. For the HS-DSCH no macrodiversity is applied, i.e. a specific HS-DSCH is transmitted in a single cell only.

- In CELL\_DCH state the HS-DSCH is defined as an extension to DCH transmission. Physical channel signalling is used for indicating to a UE when it has been scheduled and then the necessary signalling information for the UE to decode the HS-PDSCH.
- In FDD and 1.28 Mcps TDD mode, the HS-DSCH can be used to transmit both dedicated control plane and user plane data to the UE in CELL\_FACH, CELL\_PCH and URA\_PCH state.

In every HS-DSCH TTI, one or several HS-PDSCHs can be used in the downlink. Therefore, the HS-DSCH supports code multiplexing. MAC multiplexing of different UEs shall not be applied within an HS-DSCH TTI, i.e. within one HS-DSCH TTI an HS-PDSCH is assigned to a single UE. However, MAC multiplexing is allowed on a TTI by TTI basis, i.e. one HS-PDSCH may be allocated to different UEs at each TTI.

### 5.6.9.2 Resource allocation and UE identification on HS-DSCH

For each HS-DSCH TTI, each HS-SCCH carries HS-DSCH related downlink signalling for one UE, along with a UE identity (via a UE specific CRC) that identifies the UE for which this information is necessary in order to decode the scheduled HS-PDSCH.

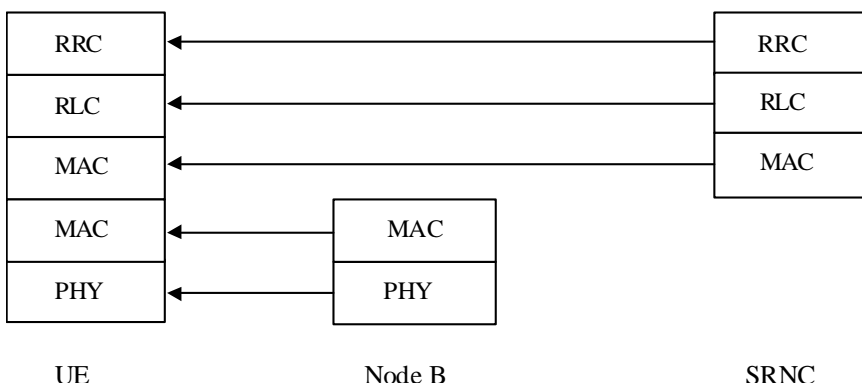
### 5.6.9.3 Protocol termination

The protocol termination points for HS-DSCH in the control (DCCH) and user planes (DTCH) are presented in figure 5.6.9.3-1 and figure 5.6.9.3-2, respectively. In FDD and 1.28 Mcps TDD, the protocol termination presented in figure 5.6.9.3-1 applies for BCCH and PCCH in CELL\_FACH, CELL\_PCH or URA\_PCH state. Two configurations exist, a Configuration with MAC-c/sh and a Configuration without MAC-c/sh.

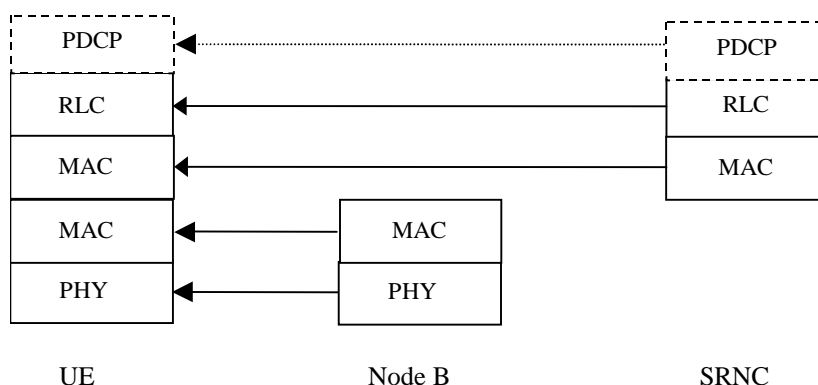
- Configuration with MAC-c/sh: In this case, the MAC-hs/MAC-ehs in Node B is located below MAC-c/sh in CRNC.
- Configuration without MAC-c/sh: In this case, the CRNC does not have any function for the HS-DSCH. MAC-d in SRNC is located directly above MAC-hs/MAC-ehs in Node B, i.e. in the HS-DSCH the SRNC is directly connected to the Node B, thus bypassing the DRNC.

Both configurations are transparent to both the UE and Node B. Figures 5.6.9.3-2 and 5.6.9.3-3 show the respective user plane protocol architecture with termination points for the above two configurations.

**CCCH & DCCH :  
BCCH & PCCH (FDD and 1.28 Mcps TDD only):**



**Figure 5.6.9.3-1: Protocol termination points for HS-DSCH, control plane**



**Figure 5.6.9.3-2: Protocol termination points for HS-DSCH, user plane**

### 5.6.10 Protocol termination for E-DCH

#### 5.6.10.1 E-DCH definition

The E-DCH is a resource that exists in uplink only. It has only impact on the physical and transport channel levels, it is not visible in the logical channels provided by MAC.

The E-DCH is a transport channel that is subject to Node-B scheduling. The E-DCH is defined as an extension to DCH transmission.

#### 5.6.10.2 Resource allocation and UE identification related to E-DCH

Physical channel signalling from the Node-B is used for indicating to the UE what amount of uplink resources it is allowed to use. Also the UE sends scheduling requests to the Node-B about the resource needs.

Scheduling information is sent on a common physical channel and a UE identity is used to address the different UEs.

#### 5.6.10.3 Protocol termination

The protocol termination points for E-DCH in the control and user planes are presented in figure 5.6.10.3-1 and figure 5.6.10.3-2, respectively.

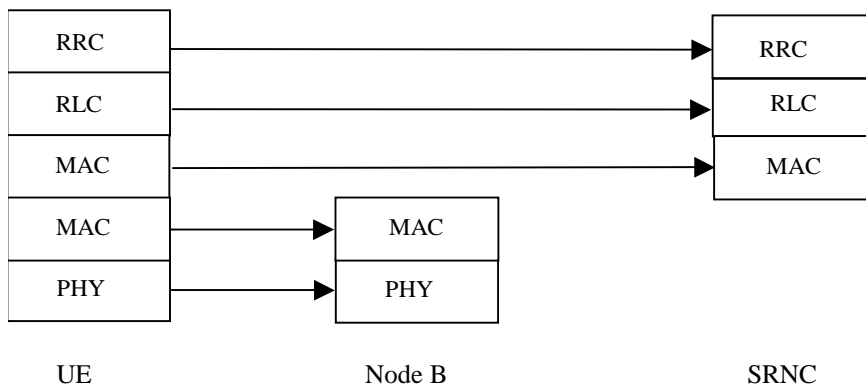


Figure 5.6.10.3-1: Protocol termination points for E-DCH for DCCH, control plane

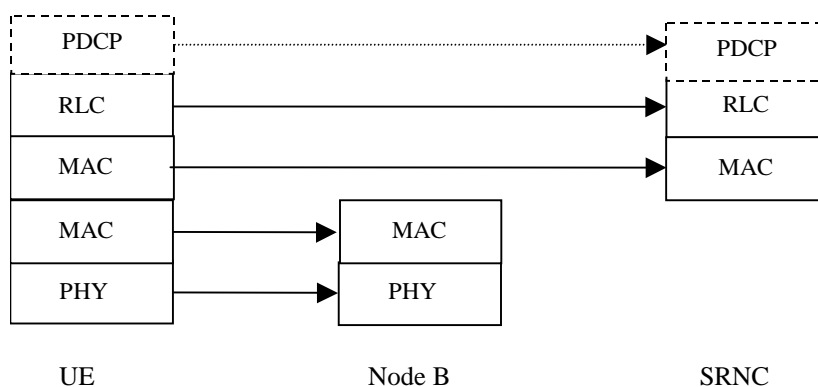


Figure 5.6.10.3-2: Protocol termination points for E-DCH, user plane

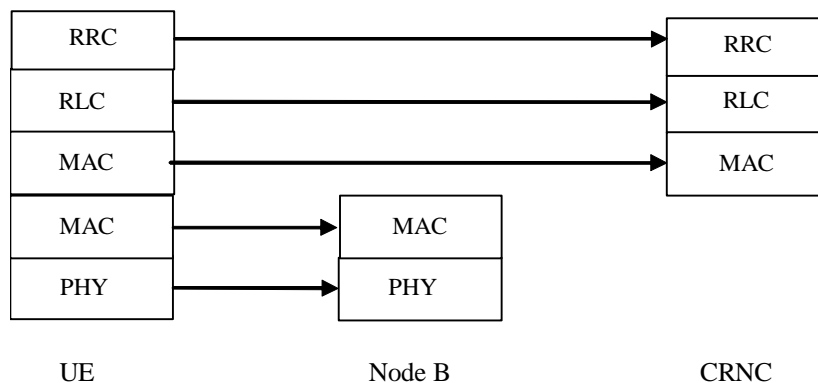


Figure 5.6.10.3-3: Protocol termination points for E-DCH for CCCH, control plane

## 5.6.11 Protocol termination for MBMS

### 5.6.11.1 MBMS definition

The MBMS feature is downlink unidirectional.

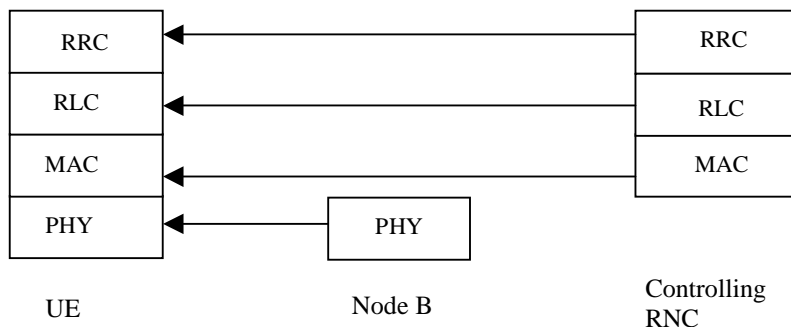
MBMS services can be provided in point-to-point and point-to-multipoint. For the point-to-multipoint there exist three logical channels specifically for MBMS: MCCH, MSCH and MTCH.

### 5.6.11.2 Resource allocation related to MBMS

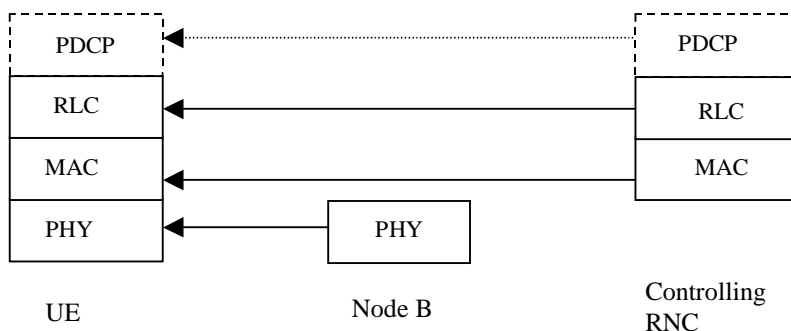
The radio bearer allocation for the MCCH is indicated in system information on the BCCH. The radio bearer allocations for MSCH and MTCH are indicated on MCCH.

### 5.6.11.3 Protocol termination

The protocol termination points for MCCH and MSCH in the control plane and MTCH in the user plane are presented in figure 5.6.11.3-1 and figure 5.6.11.3-2, respectively.



**Figure 5.6.11.3-1: Protocol termination points for MCCH and MSCH, control plane**



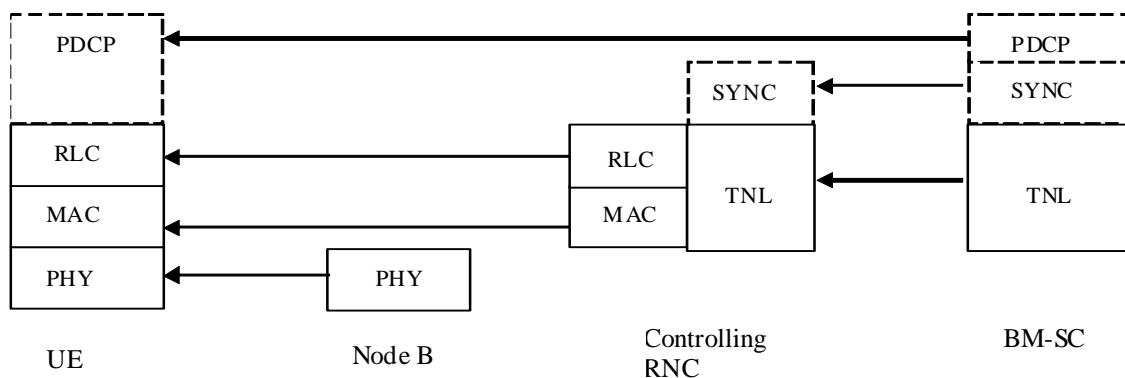
**Figure 5.6.11.3-2: Protocol termination points for MTCH, user plane**

Figure 5.6.11.3-3 illustrates the protocol termination for MTCH in MBMS, which is used in p-t-m transmission in case of IP Multicast distribution.

Based on the configuration in BM-SC the PDCP sub-layer may perform header compression/decompression for the MBMS traffic.

The PDCP sub-layer may operate with the RFC 3095 header compression protocol. In that case, header compression should be performed under RFC 3095 U-mode.

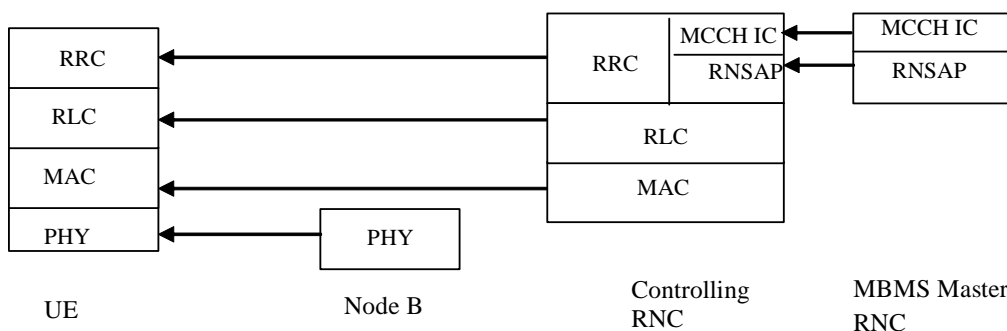




**Figure 5.6.11.3-3: Protocol Stack for MTCH (P-T-M) in case of IP multicast distribution**

In case MRNC is used, figure 5.6.11.3-4 illustrates the protocol termination for MCCH in MBMS, which is MBMS p-t-m control channel.

MBSFN MCCH Information Control function is split between MRNC and CRNC. The MRNC controls the logical resources of the RNSs that are used for MBSFN operation within the MBSFN cluster(s). The MRNC informs the CRNC of the MCCH configuration (using transfer of MCCH Information Control messages) and schedule information to be used (included in RNSAP as defined in [20]). The CRNC performs the MCCH configuration and sends the MCCH information accordingly.



**Figure 5.6.11.3-4: Protocol Stack for MCCH**

## 6 User Identification and RRC Connection Mobility

### 6.1 UE identification on the radio interface

A Radio Network Temporary Identity (RNTI) is used as an UE identifier on RACH/FACH, or, for TDD mode, also on DSCH by the RRC, or on PCH by the RRC, when a RRC connection exists. For the HS-DSCH the UE identification is included by the physical layer with the help of a UE-specific CRC.

#### Definition of UE identifiers

Several types of RNTIs exist. One is used within the Serving RNC and it is denoted by Serving RNC RNTI (S-RNTI). A second type is used within a cell controlled by a CRNC, when applicable, and it is denoted by Cell RNTI (C-RNTI). A third type is used only for TDD within a cell controlled by a CRNC when a DSCH is allocated and it is denoted by DSCH-RNTI. A fourth type is used within a cell controlled by a CRNC when an HS-DSCH is configured and it is denoted by HS-DSCH-RNTI (H-RNTI). A fifth type is used within a cell when an E-DCH is configured to a UE and it is denoted by E-RNTI.

S-RNTI is allocated for all UEs having a RRC connection. It is allocated by the Serving RNC and it is unique within the Serving RNC. S-RNTI is reallocated always when the Serving RNC for the RRC connection is changed and deallocated when the RRC connection is released.

In addition for each UE having an RRC connection, there is an identifier of its current serving RNC, which is denoted as SRNC identifier. The SRNC identifier together with S-RNTI is a unique identifier of the RRC connection within PLMN. The combination of SRNC identifier and S-RNTI is referred to as U-RNTI (UTRAN Radio Network Temporary Identity), which is used on the radio interface.

C-RNTI for a UE is allocated by a controlling RNC and it is unique within one cell controlled by the allocating CRNC. C-RNTI can be reallocated when a UE accesses a new cell with the cell update procedure.

In TDD mode, DSCH-RNTI for a UE is allocated by controlling RNC when a DSCH channel is configured. DSCH-RNTI is unique within the cell carrying the DSCH.

When a UE is in CELL\_DCH state, H-RNTI for the UE is allocated by a controlling RNC and it is unique within one cell controlled by the allocating CRNC. H-RNTI is reallocated when an HS-DSCH cell change is performed. In FDD and 1.28 Mcps TDD mode, when a UE is in CELL\_FACH, CELL\_PCH or URA\_PCH state, H-RNTI for the UE is allocated by a controlling RNC and it may be unique or shared among users within one cell controlled by the allocating CRNC.

E-RNTI for a UE is allocated by the Node-B and it is valid within one cell. E-RNTI may be reallocated when the serving E-DCH cell changes. Several UEs may use the same E-RNTI. The E-RNTI may be allocated to a UE in CELL\_DCH, CELL\_FACH (FDD and 1.28 Mcps TDD only) and CELL\_PCH (FDD and 1.28 Mcps TDD only).

### Usage of UE identifiers

U-RNTI is allocated to an UE having a RRC connection. It identifies the UE within UTRAN and is used as a UE identifier in cell update, URA update, RRC connection reestablishment and (UTRAN originated) paging messages and associated responses on the radio interface. The SRNC identifier within the U-RNTI is used by the Controlling RNC to route the received uplink messages towards the Serving RNC.

C-RNTI is used as a UE identifier in all other DCCH/DTCH common channel messages on the radio interface.

In TDD mode, DSCH-RNTI is used as a UE identifier for DTCH and DCCH in downlink when mapped onto DSCH transport channel.

H-RNTI is used as a UE identifier for the HS-DSCH.

E-RNTI is used as a UE identifier when controlling UE uplink resources on the E-DCH.

NAS identifiers are used as the UE identifier in the initial access CCCH message on the radio interface.

## 6.2 UE connection to UTRAN

The different levels of UE connection to UTRAN are listed below:

- No signalling connection exist  
The UE has no relation to UTRAN, only to CN. For data transfer, a signalling connection has to be established.
- Signalling connection exist  
There is a RRC connection between UE and UTRAN. The UE position can be known on different levels:
  - UTRAN Registration Area (URA) level  
The UE position is known on UTRAN registration area level. URA is a specified set of cell, which can be identified on the BCCH.
  - Cell level  
The UE position is known on cell level. Different channel types can be used for data transfer:
    - Common transport channels (RACH, FACH, DSCH, HS-DSCH, E-DCH);
    - Dedicated transport channels (DCH, E-DCH).

---

## 7 UE modes

Two modes of operation are currently defined for the UE, idle mode and connected mode [5, 6].

After power on, the UE stays in idle mode until it transmits a request to establish an RRC connection. In idle mode the UE is identified by non-access stratum identities such as IMSI, TMSI and P-TMSI. In addition, the UTRAN has no own information about the individual idle mode UEs, and can only address e.g. all UEs in a cell or all UEs monitoring a specific paging occasion.

The connected mode is entered when the RRC connection is established. A RRC connection is established between the UE and a RNC called SRNC. The UE is assigned a radio network temporary identity (U-RNTI and possibly in addition C-RNTI or, only for TDD, DSCH-RNTI or, only for FDD and 1.28 Mcps TDD, H-RNTI and E-RNTI) to be used as UE identity on common transport channels. RRC connection is within a UTRAN identified with the U-RNTI.

The UE leaves the connected mode and returns to idle mode when the RRC connection is released or at RRC connection failure.

Reception of SMS cell broadcast can be done in both idle and connected mode.

## Annex A (informative): Change history

Change history							
Date	TSG #	TSG Doc.	CR	Rev	Subject/Comment	Old	New
04/1999	RP-03	RP-99259	-		Approved at TSG-RAN #3 and placed under Change Control	-	3.0.0
06/1999	RP-04	RP-99331	001		Addition of Common Packet Channel (CPCH)	3.0.0	3.1.0
	RP-04	RP-99332	002		Proposed modification of MAC functions	3.0.0	3.1.0
	RP-04	RP-99399	003	1	Addition of ciphering model description	3.0.0	3.1.0
10/1999	RP-05	RP-99460	004		Modification of C-RNTI definition	3.1.0	3.2.0
	RP-05	RP-99460	005		Addition of integrity protection function on RRC	3.1.0	3.2.0
	RP-05	RP-99460	006		Clarification on the usage of CCCH vs DCCH logical channels	3.1.0	3.2.0
	RP-05	RP-99460	007		Removal of Quick repeat function from RLC	3.1.0	3.2.0
	RP-05	RP-99575	008		Introduction of Packet Data Convergence Protocol (PDCP) in the protocol architecture	3.1.0	3.2.0
	RP-05	RP-99460	009		Deletion of Annex B (informative)	3.1.0	3.2.0
	RP-05	RP-99460	010		Correction of Ciphering specification (editorial correction)	3.1.0	3.2.0
	RP-05	RP-99460	011	2	Broadcast/Multicast functions	3.1.0	3.2.0
	RP-05	RP-99460	012		Description of Timing Advance mechanism for TDD	3.1.0	3.2.0
	RP-05	RP-99460	013		MAC primitives addition and modification (harmonization of TDD with FDD)	3.1.0	3.2.0
	RP-05	RP-99460	014		Impact of two cipher key solution on multiplexing at RLC and MAC level	3.1.0	3.2.0
	RP-05	RP-99460	015	1	Support of Different Access Service Classes (clarification of present text)	3.1.0	3.2.0
	RP-05	RP-99460	016	1	Support of USCH/DSCH signalling (introduction of SHCCH, see TS 25.321)	3.1.0	3.2.0
	RP-05	RP-99460	017		DCCH mapped to DCH in RLC transparent mode	3.1.0	3.2.0
RP-05	RP-99576	018	2	Mapping of BCCH logical channel onto FACH transport channel	3.1.0	3.2.0	
RP-05	RP-99460	019	1	MAC PDU format for PCCH	3.1.0	3.2.0	
RP-05	RP-99460	020		Editorial changes regarding shared channels for TDD	3.1.0	3.2.0	
RP-05	RP-99460	021		Support of Uplink Synchronization Feature in UL channels (TDD only)	3.1.0	3.2.0	
RP-05	RP-99460	022		RRC functions	3.1.0	3.2.0	
RP-05	RP-99460	023		Modification of termination point for BCH	3.1.0	3.2.0	
RP-05	RP-99460	024		Updated description of UE modes	3.1.0	3.2.0	
RP-05	RP-99460	025		Enhanced protocol architecture	3.1.0	3.2.0	
12/1999	RP-06	RP-99621	026	1	Support of shared channel operation in TDD	3.2.0	3.3.0
	RP-06	RP-99620	027		Alignment to MAC-c/sh merge	3.2.0	3.3.0
	RP-06	RP-99621	028		Radio Interface Functions for Cell Broadcast	3.2.0	3.3.0
	RP-06	RP-99620	030	1	Editorial issues	3.2.0	3.3.0
	RP-06	RP-99621	031	1	Definition of ciphering unit	3.2.0	3.3.0
	RP-06	RP-99621	032		Correction of the CFN length	3.3.0	3.4.0
03/2000	RP-07	RP-000034	034		Removal of SCH	3.3.0	3.4.0
	RP-08	RP-000214	036	2	Ciphering related corrections	3.4.0	3.5.0
06/2000	RP-08	RP-000214	037		Clarification of ciphering parameters	3.4.0	3.5.0
	RP-08	RP-000214	038	1	Signalling radio bearers	3.4.0	3.5.0
	RP-08	RP-000214	040		Replacement of duplicated information on ciphering description by references	3.4.0	3.5.0
09/2000	RP-09	RP-000352	041		RLC modes for SHCCH	3.5.0	3.6.0
03/2001	RP-11	RP-010019	043	1	Correction for RACH/CPCH	3.6.0	3.7.0
	RP-11	RP-010019	044	2	Correction to Signalling Radio Bearer	3.6.0	3.7.0
	RP-11	RP-010019	045	1	Editorial update for Release'99	3.6.0	3.7.0
	RP-11	RP-010019	046		Removal of FAUSCH	3.6.0	3.7.0
	RP-11	RP-010019	047	1	Removal of ODMA channels	3.6.0	3.7.0
	RP-11	RP-010019	048	1	UE Model Channel numbering	3.6.0	3.7.0
	RP-11	RP-010019	049		Renaming of Dynamic Transport Channel Type Switching	3.6.0	3.7.0
	RP-11	RP-010019	050		Removal of payload unit concept	3.6.0	3.7.0
	RP-11	RP-010037	042		1.28Mcps TDD	3.7.0	4.0.0
	RP-12	RP-010302	054		Clarification in the services provided to upper layers by RLC	4.0.0	4.1.0
	RP-12	RP-010302	056		Cleanup of Layer 2 services and functions	4.0.0	4.1.0
09/2001	RP-14	RP-010753	059		Clean up of RLC function	4.1.0	4.2.0
	RP-14	RP-010753	061		Correction on transport channel numbering	4.1.0	4.2.0
03/2002	RP-15	RP-020094	062	1	Introduction of HSDPA	4.2.0	5.0.0
06/2002	RP-16	RP-020321	065		Introduction of DSCH-RNTI	5.0.0	5.1.0
	RP-16	RP-020341	066		HSDPA specific corrections	5.0.0	5.1.0
09/2002	RP-17	RP-020671	069	1	Clarification on RLC connection	5.1.0	5.2.0
12/2003	RP-22	-	-		Upgrade to Release 6 - no technical change	5.2.0	6.0.0

12/2004	RP-26	RP-040484	071		Introduction of Enhanced Uplink	6.0.0	6.1.0
03/2005	RP-27	RP-050111	072		Uncomplete logical channel identification for FACH	6.1.0	6.2.0
	RP-27	RP-050067	074		Lossless DL RLC PDU size change	6.1.0	6.2.0
	RP-27	RP-050075	075		Introduction of MBMS	6.1.0	6.2.0
06/2005	RP-28	RP-050308	0077		Feature Clean-up: Removal of DSCH (FDD)	6.2.0	6.3.0
	RP-28	RP-050309	0079		Feature Clean-up: Removal of CPCH	6.2.0	6.3.0
09/2005	RP-29	RP-050459	0081		Correction the mapping of PCCH to FACH	6.3.0	6.4.0
03/2006	RP-31	RP-060098	0082		7.68 Mcps TDD Option (Release 7)	6.4.0	7.0.0
03/2007	RP-35	RP-070164	0083		L2 enhancements: Stage 2	7.0.0	7.1.0
06/2007	RP-36	RP-070403	0084	1	Introduction of Enhanced CELL_FACH state in FDD	7.1.0	7.2.0
	RP-36	RP-070404	0085		Correction to the Introduction of Improved L2 support for high data rates	7.1.0	7.2.0
09/2007	RP-37	RP-070623	0087	4	Clarification on E-DCH and HS-DSCH Logical Channel Identities	7.2.0	7.3.0
	RP-37	RP-070626	0090		Correction to the introduction of Improved L2 support for high data rates	7.2.0	7.3.0
12/2007	RP-38	RP-070909	0091		Introduction of CS voice over HSPA	7.3.0	8.0.0
	RP-38	RP-070908	0092		Introduction of the Improved L2 in the uplink	7.3.0	8.0.0
03/2008	RP-39	RP-080176	0095		Correction of figures	8.0.0	8.1.0
	RP-39	RP-080202	0096		Correction of figures and addition of missing references to MAC-is/i	8.0.0	8.1.0
05/2008	RP-40	RP-080415	0097		Introduction of Uplink Enhanced CELL_FACH in 25.301	8.1.0	8.2.0
09/2008	RP-41	RP-080687	0098		Clarification of the CS Counter handling	8.2.0	8.3.0
12/2008	RP-42	RP-081025	0099	-	Introduction of enhanced CELL_FACH, CELL_PCH and URA_PCH for 1.28Mcps TDD	8.3.0	8.4.0
	RP-42	RP-081023	0100	-	Introduction of MBMS Improved Solution	8.3.0	8.4.0
03/2009	RP-43	RP-090265	0101	-	Correction on MBMS Improved Solution	8.4.0	8.5.0
12/2009	RP-46	-	-	-	Upgrade to the Release 9 - no technical change	8.5.0	9.0.0
03/2010	RP-47	RP-100288	0103	-	Correction of Protocol termination points for E-DCH for CCCH(R9)	9.0.0	9.1.0

---

# History

<b>Document history</b>		
V9.0.0	February 2010	Publication
V9.1.0	April 2010	Publication