

ETSI TS 126 094 V14.0.0 (2017-04)



**Digital cellular telecommunications system (Phase 2+) (GSM);
Universal Mobile Telecommunications System (UMTS);
LTE;
Mandatory speech codec speech processing functions;
Adaptive Multi-Rate (AMR) speech codec;
Voice Activity Detector (VAD)
(3GPP TS 26.094 version 14.0.0 Release 14)**



Reference

RTS/TSGS-0426094ve00

Keywords

GSM,LTE,UMTS

ETSI

650 Route des Lucioles
F-06921 Sophia Antipolis Cedex - FRANCE

Tel.: +33 4 92 94 42 00 Fax: +33 4 93 65 47 16

Siret N° 348 623 562 00017 - NAF 742 C
Association à but non lucratif enregistrée à la
Sous-Préfecture de Grasse (06) N° 7803/88

Important notice

The present document can be downloaded from:
<http://www.etsi.org/standards-search>

The present document may be made available in electronic versions and/or in print. The content of any electronic and/or print versions of the present document shall not be modified without the prior written authorization of ETSI. In case of any existing or perceived difference in contents between such versions and/or in print, the only prevailing document is the print of the Portable Document Format (PDF) version kept on a specific network drive within ETSI Secretariat.

Users of the present document should be aware that the document may be subject to revision or change of status. Information on the current status of this and other ETSI documents is available at
<https://portal.etsi.org/TB/ETSIDeliverableStatus.aspx>

If you find errors in the present document, please send your comment to one of the following services:
<https://portal.etsi.org/People/CommiteeSupportStaff.aspx>

Copyright Notification

No part may be reproduced or utilized in any form or by any means, electronic or mechanical, including photocopying and microfilm except as authorized by written permission of ETSI.

The content of the PDF version shall not be modified without the written authorization of ETSI.
The copyright and the foregoing restriction extend to reproduction in all media.

© European Telecommunications Standards Institute 2017.
All rights reserved.

DECT™, **PLUGTESTS™**, **UMTS™** and the ETSI logo are Trade Marks of ETSI registered for the benefit of its Members.
3GPP™ and **LTE™** are Trade Marks of ETSI registered for the benefit of its Members and of the 3GPP Organizational Partners.
GSM® and the GSM logo are Trade Marks registered and owned by the GSM Association.

Intellectual Property Rights

IPRs essential or potentially essential to the present document may have been declared to ETSI. The information pertaining to these essential IPRs, if any, is publicly available for **ETSI members and non-members**, and can be found in ETSI SR 000 314: "*Intellectual Property Rights (IPRs); Essential, or potentially Essential, IPRs notified to ETSI in respect of ETSI standards*", which is available from the ETSI Secretariat. Latest updates are available on the ETSI Web server (<https://ipr.etsi.org>).

Pursuant to the ETSI IPR Policy, no investigation, including IPR searches, has been carried out by ETSI. No guarantee can be given as to the existence of other IPRs not referenced in ETSI SR 000 314 (or the updates on the ETSI Web server) which are, or may be, or may become, essential to the present document.

Foreword

This Technical Specification (TS) has been produced by ETSI 3rd Generation Partnership Project (3GPP).

The present document may refer to technical specifications or reports using their 3GPP identities, UMTS identities or GSM identities. These should be interpreted as being references to the corresponding ETSI deliverables.

The cross reference between GSM, UMTS, 3GPP and ETSI identities can be found under <http://webapp.etsi.org/key/queryform.asp>.

Modal verbs terminology

In the present document "**shall**", "**shall not**", "**should**", "**should not**", "**may**", "**need not**", "**will**", "**will not**", "**can**" and "**cannot**" are to be interpreted as described in clause 3.2 of the [ETSI Drafting Rules](#) (Verbal forms for the expression of provisions).

"**must**" and "**must not**" are **NOT** allowed in ETSI deliverables except when used in direct citation.

Contents

Intellectual Property Rights	2
Foreword.....	2
Modal verbs terminology.....	2
Foreword.....	4
1 Scope	5
2 References	5
3 Technical Description of VAD Option 1.....	5
3.1 Definitions, symbols and abbreviations.....	5
3.1.1 Definitions	5
3.1.2 Symbols	5
3.1.2.1 Variables	5
3.1.2.2 Constants.....	6
3.1.2.3 Functions.....	7
3.1.3 Abbreviations.....	7
3.2 General	7
3.3 Functional description	7
3.3.1 Filter bank and computation of sub-band levels	8
3.3.2 Pitch detection	10
3.3.3 Tone detection	10
3.3.4 Correlated Complex Signal Analysis (and detection).....	11
3.3.5 VAD decision	11
3.3.5.1 Hangover addition.....	12
3.3.5.2 Background noise estimation	14
4 Technical Description of VAD Option 2.....	16
4.1 Definitions, symbols and abbreviations.....	16
4.1.1 Definitions	16
4.1.2 Symbols	16
4.1.2.1 Variables	16
4.1.2.2 Constants.....	17
4.1.2.3 Functions.....	17
4.1.3 Abbreviations.....	18
4.2 General	18
4.3 Functional description	18
4.3.1 Frequency Domain Conversion	19
4.3.2 Channel Energy Estimator	19
4.3.3 Channel SNR Estimator.....	20
4.3.4 Voice Metric Calculation.....	20
4.3.5 Frame SNR and Long-Term Peak SNR Calculation.....	20
4.3.6 Negative SNR Sensitivity Bias	21
4.3.7 VAD Decision	21
4.3.8 Spectral Deviation Estimator	22
4.3.9 Sinewave Detection	22
4.3.10 Background Noise Update Decision	23
4.3.10 Background Noise Estimate Update	23
5 Computational details.....	24
Annex A (informative) : Change history	25
History	26

Foreword

This Technical Specification has been produced by the 3rd Generation Partnership Project (3GPP).

The contents of the present document are subject to continuing work within the TSG and may change following formal TSG approval. Should the TSG modify the contents of the present document, it will be re-released by the TSG with an identifying change of release date and an increase in version number as follows:

Version x.y.z

where:

- x the first digit:
 - 1 presented to TSG for information;
 - 2 presented to TSG for approval;
 - 3 or greater indicates TSG approved document under change control.
- y the second digit is incremented for all changes of substance, i.e. technical enhancements, corrections, updates, etc.
- z the third digit is incremented when editorial only changes have been incorporated in the document.

1 Scope

The present document specifies two alternatives for the Voice Activity Detector (VAD) to be used in the Discontinuous Transmission (DTX) as described in [3]. Implementors of mobile station and infrastructure equipment conforming to the AMR specifications can choose which of the two VAD options to implement. There are no interoperability factors associated with this choice.

The requirements are mandatory on any VAD to be used either in User Equipment (UE) or Base Station Systems (BSS)s that utilize the AMR speech codec.

2 References

The following documents contain provisions which, through reference in this text, constitute provisions of the present document.

- References are either specific (identified by date of publication, edition number, version number, etc.) or non-specific.
- For a specific reference, subsequent revisions do not apply.
- For a non-specific reference, the latest version applies. In the case of a reference to a 3GPP document (including a GSM document), a non-specific reference implicitly refers to the latest version of that document *in the same Release as the present document*.

[1] 3GPP TS 26.073: "Adaptive Multi-Rate (AMR); ANSI C source code".

[2] 3GPP TS 26.090: "Transcoding functions".

[3] 3 GPP TS 26.093: "Source Controlled Rate operation".

[4] ITU, The International Telecommunications Union, Blue Book, Vol. III, Telephone Transmission Quality, IXth Plenary Assembly, Melbourne, 14-25 November, 1988, Recommendation G.711, Pulse code modulation (PCM) of voice frequencies.

3 Technical Description of VAD Option 1

3.1 Definitions, symbols and abbreviations

3.1.1 Definitions

For the purposes of the present document, the following terms and definitions apply:

frame: time interval of 20 ms corresponding to the time segmentation of the speech transcoder

3.1.2 Symbols

For the purposes of the present document, the following symbols apply.

3.1.2.1 Variables

bckr_est[n]	background noise estimate
burst_count	counts length of a speech burst, used by VAD hangover addition
hang_count	hangover counter, used by VAD hangover addition
complex_hang_count	hangover counter, used by CAD hangover addition
complex_hang_timer	hangover initiator, used fo Complex Activity Estimation

lagcount	pitch detection counter
level[n]	signal level
new_speech	pointer of the speech encoder, points a buffer containing last received samples of a speech frame [2]
noise_level	average level of the background noise estimate
oldlagcount	lagcount of the previous frame
pitch	flag indicating presence of a periodic signal
complex_warning	flag indicating the presence of a complex signal.
best_corr_hp	normalized and limited value from maximum HP filtered correlation vector
corr_hp	filtered best_corr_hp values
pow_sum	power of the input frame
s(i)	samples of the input framer
snr_sum	measure between input frame and noise estimate
stat_count	stationarity counter
stat_rat	measure indicating stationary
T_op[n]	open-loop lags [2]
t0	autocorrelation maxima calculated by the open-loop pitch analysis [2]
t1	signal power related to the autocorrelation maxima t0 [2]
tone	flag indicating the presence of a tone
vad_thr	VAD threshold
VAD_flag	boolean VAD flag
vadreg	intermediate VAD decision
complex_low	intermediate complex signal decisions
complex_high	intermediate complex signal decisions

3.1.2.2 Constants

ALPHA_UP1	constant for updating noise estimate (see clause 3.3.5.2)
ALPHA_DOWN1	constant for updating noise estimate (see clause 3.3.5.2)
ALPHA_UP2	constant for updating noise estimate (see clause 3.3.5.2)
ALPHA_DOWN2	constant for updating noise estimate (see clause 3.3.5.2)
ALPHA3	constant for updating noise estimate (see clause 3.3.5.2)
ALPHA4	constant for updating average signal level (see clause 3.3.5.2)
ALPHA5	constant for updating average signal level (see clause 3.3.5.2)
BURST_LEN_HIGH_NOISE	constant for controlling VAD hangover addition (see clause 3.3.5.1)
BURST_LEN_LOW_NOISE	constant for controlling VAD hangover addition (see clause 3.3.5.1)
COEFF3	coefficient for the filter bank (see clause 3.3.1)
COEFF5_1	coefficient for the filter bank (see clause 3.3.1)
COEFF5_2	coefficient for the filter bank (see clause 3.3.1)
HANG_LEN_HIGH_NOISE	constant for controlling VAD hangover addition (see clause 3.3.5.1)
HANG_LEN_LOW_NOISE	constant for controlling VAD hangover addition (see clause 3.3.5.2)
HANG_NOISE_THR	constant for controlling VAD hangover addition (see clause 3.3.5.2)
L_FRAME	size of a speech frame, 160
L_NEXT	length for the lookahead of the speech encoder, 40
LTHRESH	threshold for pitch detection (see clause 3.3.2)
NOISE_MAX	maximum value for noise estimate (see clause 3.3.5.2)
NOISE_MIN	minimum value for noise estimate (see clause 3.3.5.2)
NTHRESH	threshold for pitch detection (see clause 3.3.2)
POW_PITCH_THR	threshold for pitch detection (see clause 3.3.5)
POW_COMPLEX_THR	threshold for complex detection (see clause 3.3.5)
STAT_COUNT	threshold for stationary detection (see clause 3.3.5.2)
CAD_MIN_STAT_COUNT	minimum threshold after complex warning
STAT_THR	threshold for stationary detection (see clause 3.3.5.2)
STAT_THR_LEVEL	threshold for stationary detection (see clause 3.3.5.2)
TONE_THR	threshold for tone detection (see clause 3.3.3)
VAD_P1	constant of computation for VAD threshold (see clause 3.3.5.2)
VAD_POW_LOW	constant for controlling VAD hangover addition (see clause 3.3.5.1)
VAD_SLOPE	constant of computation for VAD threshold (see clause 3.3.5)
VAD_THR_HIGH	constant of computation for VAD threshold (see clause 3.3.5)
CVAD_THRESH_ADAPT_HIGH	constant for updating complex_high

CVAD_THRESH_ADAPT_LOW	constant for updating complex_low
CVAD_THRESH_HANG	constant for updating complex_hang_timer
CVAD_HANG_LIMIT	constant for initiating complex_hang_count
CVAD_HANG_LENGTH	constant for resetting complex_hang_count

3.1.2.3 Functions

+	addition
-	subtraction
*	multiplication
/	division
 x 	absolute value of x
AND	Boolean AND
OR	Boolean OR
$\sum_{n=a}^b x(n)$	$= x(a) + x(a+1) + \dots + x(b-1) + x(b)$
MIN(x,y)	$= \begin{cases} x, x \leq y \\ y, y < x \end{cases}$
MAX(x,y)	$= \begin{cases} x, x \geq y \\ y, y > x \end{cases}$

3.1.3 Abbreviations

For the purposes of the present document, the following abbreviations apply:

ANSI	American National Standards Institute
DTX	Discontinuous Transmission
VAD	Voice Activity Detector
CAD	Complex Activity Detection
CNG	Comfort Noise Generation

3.2 General

The function of the VAD algorithm is to indicate whether each 20 ms frame contains signals that should be transmitted, i.e. speech, music or information tones. The output of the VAD algorithm is a Boolean flag (VAD_flag) indicating presence of such signals.

3.3 Functional description

The block diagram of the VAD algorithm is depicted in figure 1. The VAD algorithm uses parameters of the speech encoder to compute the Boolean VAD flag (VAD_flag). Samples of the Input frame (s(i)) are divided into sub-bands and level of the signal in each band (level[n]) is calculated. Input for the pitch detection function are open-loop lags (T_op[n]), which are calculated by open-loop pitch analysis of the speech encoder. The pitch detection function computes a flag (pitch) which indicates presence of pitch. Tone detection function calculates a flag (tone), which indicates presence of an information tone. Tones are detected based on pitch gain of the open-loop pitch analysis. The pitch gain is estimated using autocorrelation values (t0 and t1) received from the pitch analysis. Complex Signal Detection function calculates a flag (complex_warning), which indicates presence of a correlated complex signal such as music. Correlate complex signals are detected based on analysis of the correlation vector available in the open-loop pitch analysis. The VAD decision function estimates background noise levels. Intermediate VAD decision is calculated based on the comparison of the background noise estimate and levels of the input frame (level[n]). Finally, the VAD flag is calculated by adding hangover to the intermediate VAD decision.

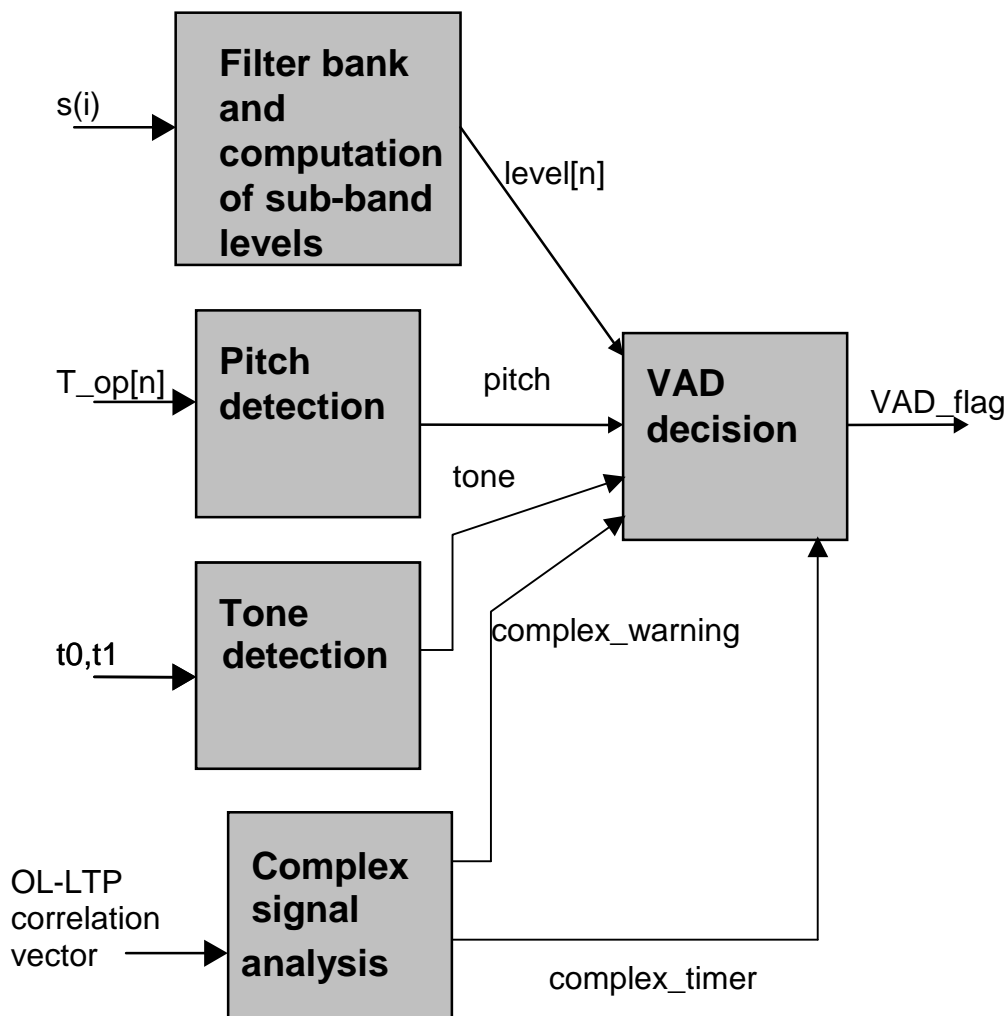


Figure 3.1: Simplified block diagram of the VAD algorithm: Option 1

3.3.1 Filter bank and computation of sub-band levels

The input signal is divided into frequency bands using a 9-band filter bank (figure 3.2). Cut-off frequencies for the filter bank are shown in table 3.1.

Table 3.1. Cut-off frequencies for the filter bank

Band number	Frequencies
1	0 - 250 Hz
2	250 - 500 Hz
3	500 - 750 Hz
4	750 - 1000 Hz
5	1000 - 1500 Hz
6	1500 - 2000 Hz
7	2000 - 2500 Hz
8	2500 - 3000 Hz
9	3000 - 4000 Hz

Input for the filter bank is the speech frame pointed by the new_speech pointer of the speech encoder [1]. Input values for the filter bank are scaled down by one bit. This ensures safe scaling, i.e. saturation can not occur during calculation of the filter bank.

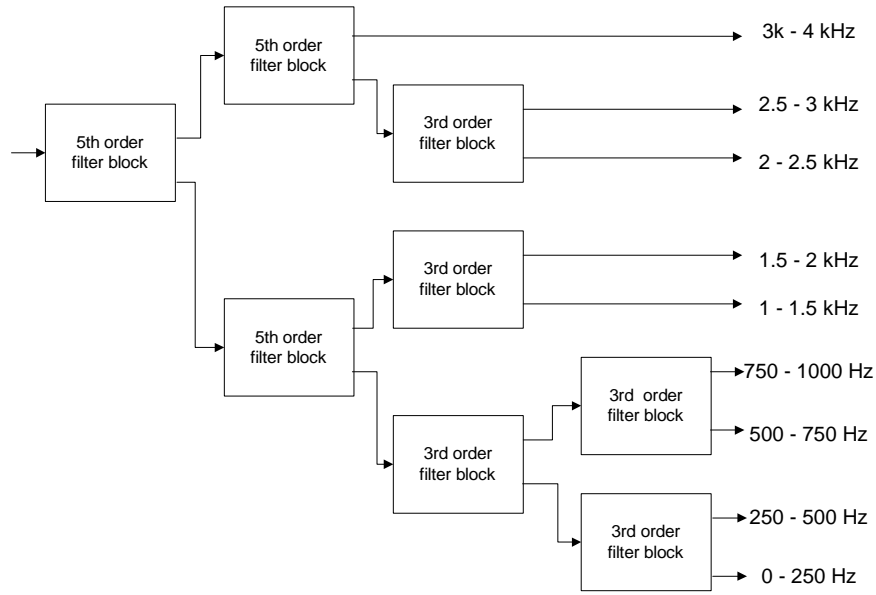


Figure 3.2: Filter bank

The filter bank consists of 5th and 3rd order filter blocks. Each filter block divides the input into high-pass and low-pass parts and decimates the sampling frequency by 2. The 5th order filter block is calculated as follows:

$$x_{lp}(i) = 0.5 * (A_1(x(i-1)) + A_2(x(i))) \tag{3.1a}$$

$$x_{hp}(i) = 0.5 * (A_1(x(i-1)) - A_2(x(i))) \tag{3.1b}$$

where

$x(i)$ input signal for a filter block

$x_{lp}(i)$ low-pass component

$x_{hp}(i)$ high-pass component

The 3rd order filter block is calculated as follows:

$$x_{lp}(i) = 0.5 * (x(i) + A_3(x(i-1))) \tag{3.2a}$$

$$x_{hp}(i) = 0.5 * (x(i) - A_3(x(i-1))) \tag{3.2b}$$

The filters $A_1()$, $A_2()$, and $A_3()$ are first order direct form all-pass filters, whose transfer function is given by:

$$A(z) = \frac{C + z^{-1}}{1 + C * z^{-1}}, \tag{3.3}$$

where C is the filter coefficient.

Coefficients for the all-pass filters $A_1()$, $A_2()$, and $A_3()$ are COEFF5_1, COEFF5_2, and COEFF3, respectively.

Signal level is calculated at the output of the filter bank at each frequency band as follows:

$$level(n) = \sum_{i=START_n}^{END_n} |x_n(i)|, \tag{3.4}$$

where:

n index for the frequency band

$x_n(i)$ sample i at the output of the filter bank at frequency band n

$$START_n = \begin{cases} -2, & n \leq 4 \\ -4, & 5 \leq n \leq 8 \\ -8, & n = 9 \end{cases}$$

$$END_n = \begin{cases} 9, & n \leq 4 \\ 19, & 5 \leq n \leq 8 \\ 39, & n = 9 \end{cases}$$

Negative indices of $x_n(i)$ refer to the previous frame.

3.3.2 Pitch detection

The purpose of the pitch detection function is to detect vowel sounds and other periodic signals. The pitch detection is based on comparison of open-loop lags ($T_{op}[n]$), which are calculated by the speech encoder [2]. If the difference of consecutive open-loop lags ($T_{op}[n]$) is smaller than a threshold, lagcount is incremented. If the sum of the lagcounts of two consecutive frames is high enough, the pitch flag is set. For 5.15 and 4.75 kbit/s rates, only one open-loop lag is calculated, and therefore only the first lag-comparison is made every frame. The pitch flag is calculated as follows:

Lagcount = 0;

If ($|T_{op}[-1] - T_{op}[0]| < LTHRESH$)

Lagcount = Lagcount + 1

If ($|T_{op}[0] - T_{op}[1]| < LTHRESH$)

Lagcount = Lagcount + 1

If (Lagcount + oldlagcount \geq NTHRESH)

pitch = 1

else

pitch = 0

oldlagcount = Lagcount

$T_{op}[-1]$ refers to the open-loop lag of the previous frame.

3.3.3 Tone detection

Tone detection is used to detect information tones, since the pitch detection function can not always detect these signals. Also, other signals which contain very strong periodic component are detected, because it may sound annoying if these signals are replaced by comfort noise. If the open-loop pitch gain is higher than the constant TONE_THR, tone is detected and tone flag is set. The pitch gain can be tested by comparing variables $t0$ and $t1$ as follows:

if ($t0 > TONE_THR * t1$)

tone = 1

The speech encoder calculates the pitch in three delay ranges, except for mode 10.2 kbit/s, where only one range is used. The above comparison is made once for each delay range and the tone flag should be set if the condition is true at least in one range. Otherwise, the tone flag should be set to zero.

The variables t_0 and t_1 are calculated by the open-loop pitch analysis of the speech encoder [2]. The variable t_0 is autocorrelation maxima given by:

$$t_0 = \sum_n s_w(n)s_w(n-k) \quad (3.5)$$

The variable t_1 is the signal power related to the autocorrelation maxima t_0 at the delay value k :

$$t_1 = \sum_n s_w^2(n-k) \quad (3.6)$$

The open-loop pitch search and correspondingly the tone flag is computed twice in each frame, except for modes 5.15 kbit/s and 4.75 kbit/s, where it is computed only once.

3.3.4 Correlated Complex Signal Analysis (and detection)

Correlated complex signal detection is used to detect correlated signals in the highpass filtered weighted speech domain, since the pitch and tone detection functions can not always detect these signals. Signals which contain very strong correlation values in the high pass filtered domain are taken care of, because it may sound really annoying if these signals are replaced by comfort noise. If the statistics of the maximum normalized correlation value of a high pass filtered input signal indicates the presence of a correlated complex signal a flag **complex_warning** is set. To reduce complexity the high band correlation analysis is performed in a simplified manner by analysing the high pass filtered fullband correlation vector which is available from the OL-LTP analysis performed by the speech encoder at least once in each frame.

$best_corr_hp_m$ is the maximum normalized value of the high pass filtered correlation in the range 19-146 limited to be in the range [1.0, 0.0]. (Note that the $best_corr_hp$ value is delayed one frame). The high pass filter is a simple first order filter with coefficients [1, -1] The $best_corr_hp$ value is filtered according to :

$$corr_hp_{m+1} = (\alpha) * corr_hp_m + (1 - \alpha) * best_corr_hp_m,$$

where α is varied between 0.98 and 0.8 as a function of $corr_hp_m$ and $best_corr_hp_m$

The $corr_hp$ output value is thresholded into two to registers *complex_high*, *complex_low* and one *counter* *complex_hang_timer*.

complex_low is set to 1 if the $corr_hp$ value is greater than CVAD_THRESH_ADAPT_LOW.

complex_high is set to 1 if the $corr_hp$ value is greater than CVAD_THRESH_ADAPT_HIGH.

complex_hang_timer is increased by 1 if the $corr_hp$ value is greater than CVAD_THRESH_HANG. If the $corr_hp$ value is lower than or equal to CVAD_THRESH_HANG the *complex_hang_timer* value is set to 0.

The flag **complex_warning** is set if *complex_low* have been set for 15 consecutive frames or *complex_high* has been set for 8 consecutive frames.

The open-loop pitch search and correspondingly the tone flag is computed twice in each frame, except for modes 5.15 kbit/s and 4.75 kbit/s, where it is computed only once. The computation of the $corr_hp$ value is however always done only once per frame using the newest correlation vector available.

3.3.5 VAD decision

Power of the input frame is calculated as follows:

$$pow_sum = \sum_{i=L_NEXT}^{L_FRAME-L_NEXT-1} s(i) * s(i), \quad (3.7)$$

where samples $s(i)$ of the input frame are pointed by the *new_speech* pointer of the speech encoder. If the power of the input frame (pow_sum) is lower than the constant POW_PITCH_THR, last pitch flag is set to zero. If the power of the input frame (pow_sum) is lower than the constant POW_COMPLEX_THR, last *complex_low* flag is set to zero.

The difference between the signal levels of the input frame and background noise estimate is calculated as follows:

$$snr_sum = \sum_{n=1}^9 \text{MAX} \left(1.0, \frac{level[n]}{bckr_est[n]} \right)^2, \quad (3.8)$$

where:

level[n] signal level at band n

bckr_est[n] level of background noise estimate at band n

VAD decision is made by comparing the variable snr_sum to a threshold. The threshold (vad_thr) is tuned to get desired sensitivity at each background noise level. The higher the noise level the lower is the threshold. Specially, a low threshold at high-level background noise is needed to detect speech reliably enough, although probability of detecting noise as speech also increases.

Average level of background noise is calculated by adding noise estimates at each band:

$$noise_level = \sum_{n=1}^9 bckr_est[n] \quad (3.9)$$

Threshold is calculated using average noise level as follows:

$$vad_thr = VAD_SLOPE * (noise_level - VAD_PI) + VAD_THR_HIGH, \quad (3.10)$$

where VAD_SLOPE, VAD_PI, and VAD_THR_HIGH are constants.

The variable vadreg indicates intermediate VAD decision and it is calculated as follows:

if (snr_sum > vad_thr)

vadreg = 1

else

vadreg = 0

3.3.5.1 Hangover addition

Before the final VAD flag is given, a hangover is added. The hangover addition helps to detect low power endings of speech bursts, which are subjectively important but difficult to detect. Also a long hangover is added if the signal has been found to be of very complex nature for a long time (2 seconds) since the VAD is not likely to work reliably for such a complex signal.

VAD flag is set to "1" if less than hang_len frames with "0" decision have been elapsed since burst_len consecutive "1" decisions have been detected. The variables hang_len and burst_len are set depending on the average noise level (noise_level). The **vad_flag** is also controlled by the **complex_hang_count** which indicates that the signal is too complex for the VAD and should not be used with a Comfort noise generation algorithm. The filtered correlation value **corr_hp** is also used as an activity indication after the VAD has indicated noise for a while (during 200 ms), this will aid in situations where the VAD noise estimate has adapted to a rather stationary but still all to complex signal to make it sound well with CNG.

The power of the input frame is compared to a threshold (VAD_POW_LOW). If the power is lower, the VAD flag is set to "0" and no hangover is added. The VAD_flag is calculated as follows:

if (noise_level > HANG_NOISE_THR)

burst_len = BURST_LEN_HIGH_NOISE

hang_len = HANG_LEN_HIGH_NOISE

else

```
burst_len = BURST_LEN_LOW_NOISE
hang_len = HANG_LEN_LOW_NOISE
if(complex_hang_timer > CVAD_HANG_LIMIT) {
    if(complex_hang_count < CVAD_HANG_LENGTH) {
        complex_hang_count = CVAD_HANG_LENGTH;
    }
}

if (powsum < VAD_POW_LOW){
burst_count = 0
hang_count = 0
complex_hang_count = 0;
complex_hang_timer = 0;
Vad_flag=0;
    Goto Exit;
}
VAD_flag=0;
if(complex_hang_count != 0){
    burst_count = BURST_LEN_HIGH_NOISE;
    complex_hang_count = complex_hang_count - 1 ;
    VAD_flag=1;
    goto Exit
} else {
    if ( (the 10 last out of 11 vadreg values all are zero) AND
        (corr_hp > CVAD_THRESH_IN_NOISE) ) {
        VAD_flag = 1;
        Goto Exit
    }
}

if (vadreg = 1){
    burst_count = burst_count + 1 }
if (burst_count >= burst_len){
hang_count = hang_len
}
```

```

VAD_flag = 1
} else {
    burst_count = 0
    if (hang_count > 0){
    hang_count = hang_count - 1
    VAD_flag=1
    }
    }
Label Exit

```

3.3.5.2 Background noise estimation

Background noise estimate ($bckr_est[n]$) is updated using amplitude levels of the previous frame. Thus, the update is delayed by one frame to avoid undetected start of speech bursts to corrupt the noise estimate. If the internal VAD decision is "1" or if pitch has been detected, the noise estimate is not updated upwards. The update speed for the current frame is selected as follows:

```

if ((vadreg for the last 4 frames has been zero) AND
    (pitch for the last 4 frames has been zero) AND
    (we are not in complex signal hangover))
alpha_up = ALPHA_UP1
alpha_down = ALPHA_DOWN1
else
    if ((stat_count = 0 ) AND (not in complex_signal hangover))
        alpha_up = ALPHA_UP2
alpha_down = ALPHA_DOWN2
    else
        alpha_up = 0
        alpha_down = ALPHA3

```

The variable $stat_count$ indicates stationary and its propose is explained later in this clause. The variables $alpha_up$ and $alpha_down$ define the update speed to upwards and downwards. The update speed for each band n is selected as follows:

```

if ( $bckr\_est_m[n] < level_{m-1}[n]$ )

```

```

alpha = alpha_up

```

```

else

```

```

alpha = alpha_down

```

Finally, noise estimate is updated as follows:

$$bckr_est_{m+1}[n] = (1.0 - alpha) * bckr_est_m[n] + alpha * level_{m-1}[n], \quad (3.11)$$

where:

n index of the frequency band

m index of the frame

Level of the background estimate ($bckr_est[n]$) is limited between constants NOISE_MIN and NOISE_MAX.

If level of background noise increases suddenly, $vadreg$ will be set to "1" and background noise is not updated upwards. To recover from this situation, update of the background noise estimate is enabled if the intermediate VAD decision ($vadreg$) is "1" for enough long time and spectrum is stationary. Stationary ($stat_rat$) is estimated using following equation:

$$stat_rat = \sum_{n=1}^9 \frac{MAX(STAT_THR_LEVEL, MAX(ave_level_m[n], level_m[n]))}{MAX(STAT_THR_LEVEL, MIN(ave_level_m[n], level_m[n]))} \quad (3.12)$$

If the stationary estimate ($stat_rat$) is higher than a threshold, the stationary counter ($stat_count$) is set to the initial value defined by constant STAT_COUNT. The stationary counter ($stat_count$) is also initialised if pitch or tone or a $complex_warning$ is detected. If the signal is not stationary but speech has been detected (VAD decision is "1"), $stat_count$ is decreased by one in each frame until it is zero.

if ($complex_warning$) {

If($stat_count < CAD_MIN_STAT_COUNT$)

$stat_count = CAD_MIN_STAT_COUNT$

}

if ((8 last $vadreg$ flags have been zero) OR (2 last pitch flags have been one) OR (5 last tone flags have been one))

$stat_count = STAT_COUNT$

else

if ($stat_rat > STAT_THR$)

$stat_count = STAT_COUNT$

else

if (($vadreg$) AND ($stat_count \neq 0$))

$stat_count = stat_count - 1$

The average signal levels ($ave_level[n]$) are calculated as follows:

$$ave_level_{m+1}[n] = (1.0 - alpha) * ave_level_m[n] + alpha * level_m[n] \quad (3.13)$$

The update speed ($alpha$) for the previous equation is selected as follows:

if ($stat_count = STAT_COUNT$)

$alpha = 1.0$

else if ($vadreg = 1$)

$alpha = ALPHA5$

else

$alpha = ALPHA4$

4 Technical Description of VAD Option 2

4.1 Definitions, symbols and abbreviations

4.1.1 Definitions

For the purposes of the present document, the following terms and definitions apply:

codec: combination of an encoder and decoder in series (encoder/decoder)

compand: process of compressing and expanding a signal. In this text, the process is described in terms of PCM [4]

Decoder: generally, a device for the translation of a signal from a digital representation into an analog format. For the present document, a device which converts speech encoded in the format specified in the present document to analog or an equivalent PCM representation

DFT: see Discrete Fourier Transform

Discrete Fourier Transform (DFT): method of transforming a time domain sequence into a corresponding frequency domain sequence

Encoder: generally, a device for the translation of a signal into a digital representation. For the present document, a device which converts speech from an analog or its equivalent PCM representation to the digital representation described in the present document

Fast Fourier Transform (FFT): efficient implementation of the Discrete Fourier Transform

FFT: see Fast Fourier Transform

Vocoder: voice coder

frame: time interval of 20 ms corresponding to the time segmentation of the speech transcoder

4.1.2 Symbols

For the purposes of the present document, the following symbols apply.

4.1.2.1 Variables

$\alpha_{ch}(m)$	channel energy smoothing factor
$\alpha(m)$	exponential windowing factor
$\Delta_E(m)$	estimated spectral deviation between current power spectrum and average long term power spectral estimate
$\phi(m)$	spectral peak-to-average ratio
$\sigma_q^{(i)}$	quantized channel SNR indices
$b(m)$	burst count
b_{th}	burst count threshold
$\{d(m)\}$	overlapped portion of the frame buffer of input samples
$E_{ch}(m,i)$	channel energy estimate; channel i , subframe m
$\mathbf{E}_{ch}(m)$	vector of channel energy estimates, $0 \leq i < N_c$
$E_{dB}(m,i)$	estimated log power spectrum
$\mathbf{E}_{dB}(m)$	vector of log power spectrum estimates, $0 \leq i < N_c$
$\bar{E}_{dB}(m,i)$	average long term power spectral estimate
$\bar{\mathbf{E}}_{dB}(m)$	vector of average long term power spectral estimates, $0 \leq i < N_c$
$E_n(m,i)$	channel noise estimate
$\mathbf{E}_n(m)$	vector of channel noise estimates, $0 \leq i < N_c$
$E_{in}(m)$	total estimated noise energy
$E_{tot}(m)$	total channel energy

$E'_{tot}(m)$	modified total channel energy
$h(m)$	hysteresis counter
h_{cnt}	hangover count
$h_o(n)$	overlap-and-add buffer of samples
$hyster_cnt$	hysteresis counter to avoid long term creeping of $update_cnt$
$last_update_cnt$	previous value of $update_cnt$
$s_{hp}(n)$	sample at the output of the speech encoder high pass filter
$sinewave_flag$	boolean flag, set TRUE when spectral peak-to-average ratio is greater than 10dB and the spectral deviation is less than DEV_THLD
SNR	Signal to Noise ratio
$SNR_p(m)$	long-term peak SNR
$SNR_q(m)$	quantized version of $SNR_p(m)$
$update_cnt$	counter gating noise estimate update process
$update_flag$	flag controlling noise estimate updating
$VAD(m)$	boolean VAD flag for subframe m
VAD_flag	boolean VAD Flag
$v(m)$	sum of voice metrics
v_{th}	voice metric threshold

4.1.2.2 Constants

α_H	upper limit for values of $\alpha(m)$
α_L	lower limit for values of $\alpha(m)$
α_n	channel noise smoothing factor
ζ_p	pre-emphasis factor
b_{table}	table to generate b_{th}
D	overlap (delay) in sample intervals
DEV_THLD	threshold for setting $sinewave_flag$
E_{floor}	low threshold for $E_{tot}(m)$
E_H	high energy endpoint for linear interpolation of $E_{tot}(m)$
E_{init}	minimum allowable channel noise initialisation energy
E_L	low energy endpoint for linear interpolation of $E_{tot}(m)$
E_{min}	minimum allowable channel energy
f_H	high channel combining table
f_L	low channel combining table
$g(n)$	trapezoidal window, $n = 0$ to M
G(k)	frequency domain transformation of $g(n)$
h_{table}	table to generate h_{cnt}
HYSTER_CNT_THLD	threshold for $hyster_cnt$
L	subframe length in samples
M	DFT sequence length
N_c	number of combined channels
NOISE_FLOOR_D	low threshold for $E_{tot}(m)$ in dB
UPDATE_CNT_THLD	threshold for $update_cnt$
UPDATE_THLD	threshold for $v(m)$
V	voice metric table
v_{table}	table to generate v_{th}

4.1.2.3 Functions

+	addition
-	subtraction
*	multiplication
/	division
$\lfloor x \rfloor$	largest integer $\leq x$
AND	Boolean AND
OR	Boolean OR

$$\sum_{n=a}^b x(n) = x(a) + x(a+1) + \dots + x(b-1) + x(b)$$

4.1.3 Abbreviations

For the purposes of the present document, the following abbreviations apply:

ANSI	American National Standards Institute
DTX	Discontinuous Transmission
VAD	Voice Activity Detector
CAD	Complex Activity Detection
CNG	Comfort Noise Generation

4.2 General

The function of the VAD algorithm is to indicate whether each 20 ms frame contains signals that should be transmitted, i.e. speech, music or information tones. The output of the VAD algorithm is a Boolean flag (VAD_flag) indicating presence of such signals.

4.3 Functional description

The block diagram of the VAD algorithm is depicted in figure 4.1. The VAD algorithm uses parameters of the speech encoder to compute the Boolean VAD flag (VAD_flag).

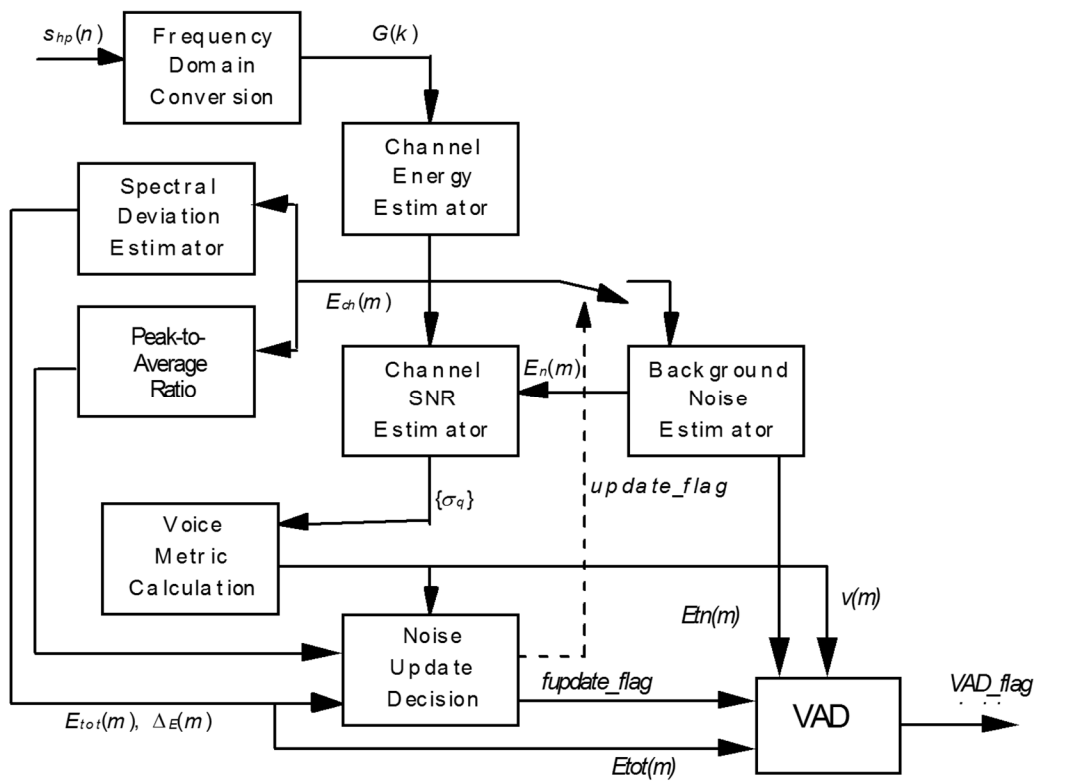


Figure 4.1: Block Diagram of the VAD algorithm: Option 2

Input:

The output of the High-Pass Filter, $\{s_{hp}(n)\}$

- LTP_flag is generated by the comparison of the long-term prediction gain to a constant threshold LTP_THLD , where the long-term prediction gain β is derived from the speech encoder[2] open-loop pitch predictor.

Output:

- The output of the vad is designated as VAD_flag

Initialization:

The following variables shall be set to zero at initialization (frame $m = 0$):

- The pre-emphasis memory

The following shall be initialized to a startup value other than zero:

The channel energy estimate, $\mathbf{E}_{ch}(m)$, (see clause 4.3.2)

The long-term power spectral estimate, $\overline{\mathbf{E}}_{dB}(m)$, (see clause 4.3.5)

The channel noise estimate, $\mathbf{E}_n(m)$, (see clause 4.3.8)

Processing: The following procedures shall be executed two times per 20 ms speech frame and the current 10 ms subframe shall be denoted m .

4.3.1 Frequency Domain Conversion

The input signal is pre-emphasised and windowed prior to frequency domain conversion. This process is defined as:

$$d(n) = s_{hp}(n) + \zeta_p s_{hp}(n-1), \quad 0 \leq n < L, \quad (4.1)$$

where $d(n)$ is the pre-emphasised speech buffer, ζ_p is the pre-emphasis factor, and L is the subframe length. A rectangular window is then used to frame the speech prior to frequency domain conversion, which is expressed as:

$$g(n) = \begin{cases} 0, & 0 \leq n < D, L + D \leq n < M \\ d(n - D), & D \leq n < L + D \end{cases}, \quad (4.2)$$

where D is the zero-padding offset into the DFT buffer, and M is the DFT length. The transformation of $g(n)$ to the frequency domain is performed using the Discrete Fourier Transform (DFT) defined¹ as:

$$G(k) = \frac{2}{M} \sum_{n=0}^{M-1} g(n) e^{-j2\pi nk/M}, \quad 0 \leq k < M \quad (4.3)$$

where $e^{j\omega}$ is a unit amplitude complex phasor with instantaneous radial position ω .

4.3.2 Channel Energy Estimator

Calculate the channel energy estimate $\mathbf{E}_{ch}(m)$ for the current subframe, m , as:

$$E_{ch}(m, i) = \max \left\{ E_{\min}, \alpha_{ch}(m) E_{ch}(m-1, i) + (1 - \alpha_{ch}(m)) \frac{1}{f_H(i) - f_L(i) + 1} \sum_{k=f_L(i)}^{f_H(i)} |G(k)|^2 \right\}, \quad 0 \leq i < N_c \quad (4.4)$$

where E_{\min} is the minimum allowable channel energy, $\alpha_{ch}(m)$ is the channel energy smoothing factor (defined below), N_c is the number of combined channels, and $f_L(i)$ and $f_H(i)$ are the i -th elements of the respective low and high channel combining tables.

The channel energy smoothing factor, $\alpha_{ch}(m)$, is defined as:

¹ This atypical definition is used to exploit the efficiencies of the complex Fast Fourier Transform (FFT). The $2/M$ scale factor results from preconditioning the M point real sequence to form an $M/2$ point complex sequence that is transformed using an $M/2$ point complex FFT. Details on this technique can be found in Proakis, J. G. and Manolakis, D. G., *Introduction to Digital Signal Processing*, New York, Macmillan, 1988, pp. 721-722.

$$\alpha_{ch}(m) = \begin{cases} 0, & m \leq 1 \\ 0.45, & m > 1 \end{cases} \quad (4.5)$$

So, this means that $\alpha_{ch}(m)$ assumes a value of zero for the first frame ($m = 1$) and a value of 0.45 for all subsequent frames. This allows the channel energy estimate to be initialized to the unfiltered channel energy of the first frame.

4.3.3 Channel SNR Estimator

Estimate the channel SNR vector $\{\sigma\}$ as:

$$\sigma(i) = 10 \log_{10} \left(\frac{E_{ch}(m, i)}{E_n(m, i)} \right), \quad 0 \leq i < N_c \quad (4.6)$$

where $E_n(m)$ is the current channel noise energy estimate (see clause 4.3.8), and then quantify the channel SNR estimate in 3/8 dB steps to yield the channel SNR indices $\{\sigma_q\}$ given as:

$$\sigma_q(i) = \max\{0, \min\{89, \text{round}\{\sigma(i)/0.375\}\}\}, \quad 0 \leq i < N_c \quad (4.7)$$

where the values of $\{\sigma_q\}$ are constrained to be between 0 and 89, inclusive.

4.3.4 Voice Metric Calculation

Next, calculate the sum of voice metrics as:

$$v(m) = \sum_{i=0}^{N_c-1} V(\sigma_q(i)), \quad (4.8)$$

where $V(k)$ is the k^{th} value of the 90 element voice metric table \mathbf{V} .

4.3.5 Frame SNR and Long-Term Peak SNR Calculation

The instantaneous frame SNR, SNR , and long-term peak SNR, $SNR_p(m)$, are used to calibrate the responsiveness of the VAD decision. When the frame count is less than or equal to four ($m \leq 4$) or the forced update flag (sec 4.3.10) is set (fupdate_flag == TRUE), then the SNR's are initialized as:

$$SNR_p(m) = SNR = 56 - 10 \log_{10} \left(\sum_{i=0}^{N_c-1} E_n(m, i) \right) \quad (4.9)$$

Otherwise, the instantaneous frame SNR is generated by:

$$SNR = 10 \log_{10} \left(\frac{1}{N_c} \sum_{i=0}^{N_c-1} 10^{\sigma(i)/10} \right) \quad (4.10)$$

and the long-term peak SNR is derived by the following expression:

$$SNR_p(m) = \begin{cases} 0.9SNR_p(m-1) + 0.1SNR, & SNR > SNR_p(m-1) \\ 0.998SNR_p(m-1) + 0.002SNR, & 0.625SNR_p(m-1) < SNR \leq SNR_p(m-1) \\ SNR_p(m-1), & otherwise \end{cases} \quad (4.11)$$

The long-term peak SNR is then quantized in 3 dB steps and limited to be between 0 and 19, as follows:

$$SNR_q = \max\{\min\lfloor SNR_p(m)/3 \rfloor, 19\}, 0\} \quad (4.12)$$

where $\lfloor x \rfloor$ is the largest integer $\leq x$ (floor function).

4.3.6 Negative SNR Sensitivity Bias

In order for the VAD decision to overcome the problem of being over-sensitive to fluctuating, non-stationary background noise conditions, a bias factor is used to increase the threshold on which the VAD decision is based. This bias factor is derived from an estimate of the variability of the background noise estimate. The variability estimate is further based on negative values of the instantaneous SNR. It is presumed that a negative SNR can only occur as a result of fluctuating background noise, and not from the presence of voice. Therefore, the bias factor $\mu(m)$ is derived by first calculating the variability factor $\psi(m)$ as:

$$\psi(m) = \begin{cases} 0.99\psi(m-1) + 0.01SNR^2, & SNR < 0 \\ \psi(m-1) & otherwise \end{cases} \quad (4.13)$$

which is then clamped in magnitude to $0 \leq \psi(m) \leq 4.0$. In addition, the variability factor is reset to zero when the frame count is less than or equal to four ($m \leq 4$) or the forced update flag (sec 4.3.10) is set (*fupdate_flag* == TRUE). The bias factor $\mu(m)$ is then calculated as:

$$\mu(m) = \max\{12.0(\psi(m) - 0.65), 0\} \quad (4.14)$$

4.3.7 VAD Decision

The quantized SNR SNR_q is used to determine the respective voice metric threshold v_{th} , hangover count h_{cnt} , and burst count threshold b_{th} parameters:

$$v_{th} = v_{table}(SNR_q), \quad h_{cnt} = h_{table}(SNR_q), \quad b_{th} = b_{table}(SNR_q) \quad (4.15)$$

where SNR_q is the index of the respective table elements. The VAD decision can then be made according to the following pseudocode:

```

if ( v(m) > vth + μ(m) ) {           /* if the voice metric > voice metric threshold*/
    VAD(m) = ON
    b(m) = b(m-1) + 1                /* increment burst counter */
    if ( b(m) > bth ) {              /* compare counter with threshold */
        h(m) = hcnt                /* set hangover */
    }
} else {
    b(m) = 0                          /* clear burst counter */
    h(m) = h(m-1) - 1                /* decrement hangover /
    if ( h(m) <= 0 ) {                /* check for expired hangover /
        VAD(m) = OFF
        h(m) = 0
    } else {
        VAD(m) = ON                  /* hangover not yet expired */
    }
}

```

Note that two 10 ms subframes are required to determine one VAD decision. The final decision is determined by the maximum of two subframe decisions, i.e.

```

if(VAD(m) == ON OR VAD(m-1) == ON) {
    VAD_flag = TRUE
} else {
    VAD_flag = FALSE
}

```

4.3.8 Spectral Deviation Estimator

The spectral deviation estimator is used as a safeguard against erroneous updates of the background noise estimate. If the spectral deviation of the input signal is too high, then the background noise estimate update may not be permitted. Calculate the estimated log power spectrum as:

$$E_{dB}(m,i) = 10\log_{10}(E_{ch}(m,i)), \quad 0 \leq i < N_c \quad (4.16)$$

Then, calculate the estimated spectral deviation between the current power spectrum and the average long-term power spectral estimate:

$$\Delta_E(m) = \sum_{i=0}^{N_c-1} |E_{dB}(m,i) - \bar{E}_{dB}(m,i)| \quad (4.17)$$

where $\bar{E}_{dB}(m)$ is the average long-term power spectral estimate calculated during the previous subframe, as defined in Equation 4.20. The initial value of $\bar{E}_{dB}(m)$, however, is defined to be the estimated log power spectrum of subframe 1, or:

$$\bar{E}_{dB}(m) = E_{dB}(m), \quad m = 1 \quad (4.18)$$

The exponential windowing factor, $\alpha(m)$, is then calculated as a function of the instantaneous frame SNR SNR and the long-term peak SNR $SNR_p(m)$, as:

$$\alpha(m) = \alpha_H - \left((\alpha_H - \alpha_L) \frac{SNR_p(m) - SNR}{SNR_p(m)} \right), \quad (4.19)$$

which is then limited to $\alpha_L \leq \alpha(m) \leq \alpha_H$.

The average long-term power spectral estimate is then updated for the next frame by:

$$\bar{E}_{dB}(m+1,i) = \alpha(m)\bar{E}_{dB}(m,i) + (1-\alpha(m))E_{dB}(m,i), \quad 0 \leq i < N_c \quad (4.20)$$

where all the variables are previously defined.

4.3.9 Sinewave Detection

Next the *sinewave_flag* is set TRUE when the spectral peak-to-average ratio $\phi(m)$ is greater than 10, i.e.

$$\text{sinewave_flag} = \begin{cases} \text{TRUE}, & \phi(m) > 10 \\ \text{FALSE}, & \text{otherwise} \end{cases} \quad (4.21)$$

where:

$$\phi(m) = 10\log_{10} \left(\frac{\max\{E_{ch}(m,i)\}}{\sum_{j=0}^{N_c-1} E_{ch}(m,j) / N_c} \right), \quad 2 \leq i < N_c \quad (4.22)$$

4.3.10 Background Noise Update Decision

The following logic, as shown in pseudo-code, demonstrates how the noise estimate update decision is ultimately made:

```

/* Normal update logic */
update_flag = fupdate_flag = FALSE
if ( v(m) ≤ UPDATE_THLD and b(m) == 0 ) {
    update_flag = TRUE
    update_cnt = 0
}

/* Forced update logic (for over-riding the normal update logic)*/
else if (( E_tot > NOISE_FLOOR) and ( ΔE(m) < DEV_THLD )
and ( sinewave_flag == FALSE ) and ( LTP_flag == FALSE)) {
    update_cnt = update_cnt + 1
    if ( update_cnt ≥ UPDATE_CNT_THLD )
        update_flag = fupdate_flag = TRUE
}

/* "Hysteresis" logic to prevent long-term creeping of update_cnt */

if ( update_cnt == last_update_cnt )
    hyster_cnt = hyster_cnt + 1
else
    hyster_cnt = 0
last_update_cnt = update_cnt
if ( hyster_cnt > HYSTER_CNT_THLD )
    update_cnt = 0

```

where E_{tot} is the total channel energy defined as:

$$E_{tot} = \sum_{i=0}^{N_c-1} E_{ch}(m, i) \quad (4.23)$$

and LTP_flag is generated by the comparison of the long-term prediction gain to a constant threshold LTP_THLD , i.e.:

$$LTP_flag = \begin{cases} \text{TRUE}, & \beta > LTP_THLD \\ \text{FALSE}, & \text{otherwise} \end{cases} \quad (4.24)$$

where the long-term prediction gain β is derived from the speech encoder [2] open-loop pitch predictor, and can be expressed as:

$$\beta = \frac{\sum_{n=0}^{N_p-1} s_w(n) s_w(n-k)}{\sum_{n=0}^{N-1} s_w^2(n)} \quad (4.25)$$

where $s_w(n)$ is the weighted speech, k is the optimal open-loop lag, and N_p is the pitch analysis frame length. This expression is calculated in the speech encoder on the previous frame.

4.3.10 Background Noise Estimate Update

If (and only if) the update flag is set ($update_flag == \text{TRUE}$), then update the channel noise estimate for the next subframe by:

$$E_n(m+1, i) = \max\{E_{\min}, \alpha_n E_n(m, i) + (1 - \alpha_n) E_{ch}(m, i)\}, \quad 0 \leq i < N_c \quad (4.26)$$

where E_{\min} is the minimum allowable channel energy, and α_n is the channel noise smoothing factor. The channel noise estimate shall be initialized for each of the first four frames to the estimated channel energy, i.e.:

$$E_n(m,i) = \max\{E_{init}, E_{ch}(m,i)\}, \quad m \leq 4, \quad 0 \leq i < N_c, \quad (4.27)$$

where E_{init} is the minimum allowable channel noise initialization energy.

5 Computational details

A low level description has been prepared in form of ANSI C source code [1].

Annex A (informative) : Change history

Document history							
V. 2.0.0	October 1999	3G TS 26.094 presented for approval to TSG#5 Plenary meeting					
V. 3.0.0	October 1999	3G TS 26.094 approved at TSG#5 Plenary meeting					
Change history							
Date	TSG #	TSG Doc.	CR	Rev	Subject/Comment	Old	New
03-2001	11				Version for Release 4		4.0.0
06-2002	16				Version for Release 5	4.0.0	5.0.0
12-2004	26				Version for Release 6	5.0.0	6.0.0
06-2006	32	SP-060356	0001	2	Correct the description error and syntax error	6.0.0	6.1.0
06-2007	36				Version for Release 7	6.1.0	7.0.0
12-2008	42				Version for Release 8	7.0.0	8.0.0
12-2009	46				Version for Release 9	8.0.0	9.0.0
03-2011	51				Version for Release 10	9.0.0	10.0.0
09-2012	57				Version for Release 11	10.0.0	11.0.0
09-2014	65				Version for Release 12	11.0.0	12.0.0
12-2015	70				Version for Release 13	12.0.0	13.0.0

Change history							
Date	Meeting	TDoc	CR	Rev	Cat	Subject/Comment	New version
2017-03	75					Version for Release 14	14.0.0

History

Document history		
V14.0.0	April 2017	Publication