

ETSI TS 126 237 V9.2.0 (2010-04)

Technical Specification

**Universal Mobile Telecommunications System (UMTS);
LTE;
IP Multimedia Subsystem (IMS) based
Packet Switch Streaming (PSS)
and Multimedia Broadcast/Multicast Service (MBMS)
User Service;
Protocols
(3GPP TS 26.237 version 9.2.0 Release 9)**



Reference

RTS/TSGS-0426237v920

Keywords

LTE, UMTS

ETSI

650 Route des Lucioles
F-06921 Sophia Antipolis Cedex - FRANCE

Tel.: +33 4 92 94 42 00 Fax: +33 4 93 65 47 16

Siret N° 348 623 562 00017 - NAF 742 C
Association à but non lucratif enregistrée à la
Sous-Préfecture de Grasse (06) N° 7803/88

Important notice

Individual copies of the present document can be downloaded from:

<http://www.etsi.org>

The present document may be made available in more than one electronic version or in print. In any case of existing or perceived difference in contents between such versions, the reference version is the Portable Document Format (PDF). In case of dispute, the reference shall be the printing on ETSI printers of the PDF version kept on a specific network drive within ETSI Secretariat.

Users of the present document should be aware that the document may be subject to revision or change of status. Information on the current status of this and other ETSI documents is available at

<http://portal.etsi.org/tb/status/status.asp>

If you find errors in the present document, please send your comment to one of the following services:

http://portal.etsi.org/chaicor/ETSI_support.asp

Copyright Notification

No part may be reproduced except as authorized by written permission.
The copyright and the foregoing restriction extend to reproduction in all media.

© European Telecommunications Standards Institute 2010.
All rights reserved.

DECT™, **PLUGTESTS™**, **UMTS™**, **TIPHON™**, the TIPHON logo and the ETSI logo are Trade Marks of ETSI registered for the benefit of its Members.

3GPP™ is a Trade Mark of ETSI registered for the benefit of its Members and of the 3GPP Organizational Partners.

LTE™ is a Trade Mark of ETSI currently being registered

for the benefit of its Members and of the 3GPP Organizational Partners.

GSM® and the GSM logo are Trade Marks registered and owned by the GSM Association.

Intellectual Property Rights

IPRs essential or potentially essential to the present document may have been declared to ETSI. The information pertaining to these essential IPRs, if any, is publicly available for **ETSI members and non-members**, and can be found in ETSI SR 000 314: *"Intellectual Property Rights (IPRs); Essential, or potentially Essential, IPRs notified to ETSI in respect of ETSI standards"*, which is available from the ETSI Secretariat. Latest updates are available on the ETSI Web server (<http://webapp.etsi.org/IPR/home.asp>).

Pursuant to the ETSI IPR Policy, no investigation, including IPR searches, has been carried out by ETSI. No guarantee can be given as to the existence of other IPRs not referenced in ETSI SR 000 314 (or the updates on the ETSI Web server) which are, or may be, or may become, essential to the present document.

Foreword

This Technical Specification (TS) has been produced by ETSI 3rd Generation Partnership Project (3GPP).

The present document may refer to technical specifications or reports using their 3GPP identities, UMTS identities or GSM identities. These should be interpreted as being references to the corresponding ETSI deliverables.

The cross reference between GSM, UMTS, 3GPP and ETSI identities can be found under <http://webapp.etsi.org/key/queryform.asp>.

Contents

Intellectual Property Rights	2
Foreword.....	2
Foreword.....	8
Introduction	8
1 Scope	9
2 References	9
3 Definitions and abbreviations.....	11
3.1 Definitions	11
3.2 Abbreviations	11
4 System description	12
4.1 Introduction	12
4.2 Architecture	12
4.2.1 Non IMS 3GPP PSS and MBMS User Service architecture.....	12
4.2.2 IMS based PSS and MBMS User Service architecture	13
4.3 IMS based PSS and MBMS US procedures overview	17
4.4 PSS and MBMS user profile and UE capabilities	18
4.4.1 User profile description	18
4.4.2 UE capabilities.....	18
4.4.3 Storage location	18
5 Service Provider Discovery	19
5.1 Introduction	19
5.2 DNS	19
5.3 Others	20
6 User Service Discovery	20
6.1 Introduction	20
6.2 Subscribe/Notify.....	20
6.2.1 General description	20
6.2.2 Procedures at the UE.....	21
6.2.2.1 Introduction	21
6.2.2.2 Subscription	21
6.2.2.3 Receiving notifications.....	22
6.2.3 Procedures at the SDF.....	22
7 User Service Description retrieval	23
7.1 Introduction	23
7.2 User Service Description retrieval for PSS and MBMS.....	23
7.2.1 Procedures at the UE.....	23
7.2.1.1 Procedure for Service Personalisation.....	23
7.2.1.2 Request of OMA BCAST ESG.....	23
7.2.1.3 Use of Service Description information.....	23
7.2.2 Procedures at the SSF	24
7.2.2.1 Authentication and authorisation in case of personalized service description information.....	24
7.2.2.2 Procedure for Service Personalization	24
7.2.2.3 Delivery of OMA BCAST ESG.....	24
8 Streaming session and media control	24
8.1 General	24
8.2 PSS Streaming.....	25
8.2.1 PSS Media codecs and formats.....	25
8.2.2 Procedure for providing missing parameters before session initiation	25
8.2.2.1 Procedures at the UE.....	25
8.2.2.2 Procedures at the SCF	25

8.2.2.3	Procedures at the PSS Adapter.....	25
8.2.3	PSS Streaming Session initiation.....	26
8.2.3.1	General description	26
8.2.3.2	Procedures at the UE.....	26
8.2.3.3	Procedures at the IM CN Subsystem.....	27
8.2.3.4	Procedures at the SCF	28
8.2.3.5	Procedures at the PSS Adapter.....	28
8.2.4	PSS Streaming Playback Control.....	30
8.2.4.1	General Description	30
8.2.4.2	Procedures at the UE.....	30
8.2.4.3	Procedures at the PSS Adapter.....	31
8.2.4.4	Procedures at the PSS Server	31
8.2.5	PSS content switching	31
8.2.5.1	PSS Streaming session modification.....	31
8.2.5.1.1	General description.....	31
8.2.5.1.2	Procedures at the UE	32
8.2.5.1.3	Procedures at the IM CN subsystem.....	33
8.2.5.1.4	Procedures at the SCF	33
8.2.5.1.5	Procedures at the PSS adapter	33
8.2.5.1.6	Procedures at the PSS server	33
8.2.5.2	PSS Content switching with available SDP, no change of media component and bandwidth.....	33
8.2.5.2.1	General description.....	33
8.2.5.2.2	Procedures at the UE	34
8.2.5.2.3	Procedures at the IM CN Subsystem	34
8.2.5.2.4	Procedures at the SCF	35
8.2.5.2.5	Procedures at the PSS Adapter	35
8.2.5.2.6	Procedures at the PSS Server.....	35
8.2.5.3	PSS Content switching with available SDP, change of media components or QoS	35
8.2.5.3.1	General Description.....	35
8.2.5.3.2	Procedures at the UE	36
8.2.5.3.3	Procedures at the IM CN Subsystem.....	37
8.2.5.3.4	Procedures at the SCF	37
8.2.5.3.5	Procedures at the PSS Adapter	37
8.2.5.3.6	Procedures at the PSS Server.....	37
8.2.5.4	PSS Content switching with unavailable SDP, no change of media component and/or bandwidth.....	37
8.2.5.4.1	General description.....	37
8.2.5.4.2	Procedures at the UE	38
8.2.5.4.3	Procedures at the IM CN Subsystem	38
8.2.5.4.4	Procedures at the SCF	38
8.2.5.4.5	Procedures at the PSS Adapter	38
8.2.5.4.6	Procedures at the PSS Server.....	39
8.2.5.5	PSS Content switching with unavailable SDP, change of media component and/or bandwidth.....	39
8.2.5.5.1	General description.....	39
8.2.5.5.2	Procedures at the UE	40
8.2.5.5.3	Procedures at the IM CN Subsystem	40
8.2.5.5.4	Procedures at the SCF	40
8.2.5.5.5	Procedures at the PSS Adapter	41
8.2.5.5.6	Procedures at the PSS Server.....	41
8.2.5.6	PSS content switching reporting update.....	41
8.2.5.6.1	General Description.....	41
8.2.5.6.2	Procedures at the PSS adapter	41
8.2.5.6.3	Procedures at the SCF	41
8.2.6	PSS Streaming Session Teardown	42
8.2.6.0	Introduction.....	42
8.2.6.1	General Description	42
8.2.6.1.1	UE-initiated PSS streaming session teardown.....	42
8.2.6.1.2	SCF-initiated PSS streaming session teardown	43
8.2.6.1.3	PSS adapter-initiated PSS streaming session teardown.....	44
8.2.6.2	Procedures at the UE.....	44
8.2.6.2.1	UE-initiated PSS streaming session teardown.....	44
8.2.6.2.2	Network-initiated PSS streaming session teardown	44
8.2.6.3	Procedures at the IM CN Subsystem.....	45

8.2.6.4	Procedures at the SCF	45
8.2.6.4.1	UE-initiated PSS streaming session teardown	45
8.2.6.4.2	SCF-initiated PSS streaming session teardown	45
8.2.6.4.3	PSS adapter-initiated PSS streaming session teardown	45
8.2.6.5	Procedures at the PSS Adapter	45
8.2.6.5.1	UE-initiated PSS streaming session teardown	45
8.2.6.5.2	SCF-initiated PSS streaming session teardown	45
8.2.6.5.3	PSS adapter-initiated PSS streaming session teardown	45
8.2.6.6	Procedures at the PSS Server	45
8.2.7	Supported procedures	45
8.3	MBMS Streaming	46
8.3.1	MBMS Media codecs and formats	46
8.3.2	Procedure for providing missing parameters before session initiation	46
8.3.2.1	Procedures at the UE	46
8.3.2.2	Procedures at the SCF	46
8.3.3	MBMS Streaming Session initiation	47
8.3.3.1	General description	47
8.3.3.2	Procedures at the UE	47
8.3.3.3	Procedures at the IM CN Subsystem	48
8.3.3.4	Procedures at the SCF	48
8.3.3.5	Procedures at the BMSC.UPF	48
8.3.4	MBMS content switching	48
8.3.4.1	General Description	48
8.3.4.2	Procedures at the UE	49
8.3.4.2	Procedures at the IM CN Subsystem	50
8.3.4.3	Procedures at the SCF	50
8.3.4.4	Procedures at the BMSC.UPF	50
8.3.5	MBMS Streaming Session Teardown	50
8.3.5.1	General Description	50
8.3.5.2	Procedures at the UE	50
8.3.5.3	Procedures at the IM CN Subsystem	51
8.3.5.4	Procedures at the SCF	51
8.3.5.5	Procedures at the BMSC.UPF	51
8.4	Combined PSS and MBMS Streaming	51
8.4.1	Introduction	51
8.4.2	PSS - MBMS Switching	51
8.4.3	Switching from MBMS streaming to PSS streaming	51
8.4.3.1	Combined Session establishment	52
8.4.3.1.1	Procedures at the UE	52
8.4.3.1.2	Procedures at the IM CN Subsystem	52
8.4.3.1.3	Procedures at the SCF	52
8.4.3.1.4	Procedures at the PSS Adapter	53
8.4.3.1.5	Procedures at the PSS Server	53
8.4.3.2	Combined session teardown	53
8.4.4	Switching from PSS streaming to MBMS streaming	53
8.4.4.1	Combined Session establishment	54
8.4.4.1.1	Procedures at the UE	54
8.4.4.1.2	Procedures at the IM CN Subsystem	54
8.4.4.1.3	Procedures at the SCF	54
8.4.4.1.4	Procedures at the PSS Adapter	55
8.4.4.1.5	Procedures at the PSS Server	55
8.4.4.2	Combined session teardown	55
9	Policy and charging control	55
9.1	General	55
9.2	QoS control	55
10	Security Procedures	56
10.1	General	56
10.2	Secure Service Description Retrieval	57
10.3	PSS Authentication and Content encryption	58
10.4	MBMS Security procedures	58

10.4.1	HTTP based MBMS security procedure	58
10.4.1.1	MSK procedures	59
10.4.1.1.1	IMS based MBMS user service key registration procedure	59
10.4.1.1.2	IMS based MBMS user service key deregistration procedure.....	60
10.4.1.1.3	IMS based MBMS user service MSK request procedure	60
10.4.1.1.4	IMS based MBMS user service MSK delivery procedure.....	60
10.4.1.2	MTK procedure.....	60
10.4.2	SIP based MBMS security procedures.....	60
10.4.2.0	General	60
10.4.2.1	SIP based MBMS User Service Registration	61
10.4.2.1a	SIP based MBMS User Service De-registration	63
10.4.2.2	SIP based Basic MSK Request.....	65
10.4.2.3	Updating MUK	67
10.4.2.4	SIP based BM-SC solicited pull.....	67
11	Blending of Presence and PSS/MBMS user services	67
11.1	General description.....	67
11.2	Procedures at the UE acting as presentity	68
11.3	Procedures at the UE acting as watcher.....	68
12	Networked Bookmark Service	68
12.1	Bookmarking Creation and Storage	69
12.2	Bookmarking Retrieval	69
12.2.1	Bookmarking Retrieval independent to session establishment	70
12.2.2	Bookmarking Retrieval during session establishment	70
13	User generated content service	71
13.1	UGC content provision procedure.....	72
13.2	UGC distribution procedure	73
14	MBMS Download Service	73
14.1	Missing parameters before session initiation.....	73
14.1.1	Procedures at the UE.....	73
14.1.2	Procedures at the SCF.....	74
14.2	MBMS Download Session Initiation, File Repair and Reception Report	74
14.2.1	General description	74
14.2.2	Procedures at the UE.....	75
14.2.3	Procedures at the IM CN Subsystem	75
14.2.4	Procedures at the SCF.....	75
14.2.5	Procedures at the BMSC.UPF.....	76
14.3	MBMS Download Session Teardown	76
14.3.1	General Description	76
14.3.2	Procedures at the UE.....	76
14.3.3	Procedures at the IM CN Subsystem	77
14.3.4	Procedures at the SCF.....	77
14.3.5	Procedures at the BMSC.UPF.....	77
15	PSS download service	77
15.1	General Description.....	77
15.2	Procedures at the UE	78
15.3	Procedures at the IM CN subsystem.....	79
15.4	Procedures at the SCF	79
15.5	Procedures at the HTTP/SIP adapter	79
15.6	Procedures at the HTTP server.....	80
16	Inter UE Session Transfer	80
16.1	Push mode	80
Annex A (normative):	3gpp_rtsp application.....	83
Annex B (informative):	Examples.....	84
Annex C (normative):	Void.....	85

Annex D (normative):	XML Schema for PSS and MBMS commands.....	86
Annex E (normative):	XML Schemas for the PSS content switch data.....	87
Annex F (normative):	XML Schemas for the MBMS content switch data	88
Annex G (normative):	XML Schema for PSS and MBMS UE Device Capabilities.....	89
Annex H (normative):	XML Schema for Service Attachment Information	90
Annex I (normative):	XML Schemas for SIP based MBMS security procedures	93
I.1	Bootstrapping transaction identifier	93
I.2	NAF key information	93
Annex J (normative):	XML Schema for nBookmark	94
J.1	XML Schema	94
J.2	Syntax	94
Annex K (informative):	Change history	96
History	97

Foreword

This Technical Specification has been produced by the 3rd Generation Partnership Project (3GPP).

The contents of the present document are subject to continuing work within the TSG and may change following formal TSG approval. Should the TSG modify the contents of the present document, it will be re-released by the TSG with an identifying change of release date and an increase in version number as follows:

Version x.y.z

where:

- x the first digit:
 - 1 presented to TSG for information;
 - 2 presented to TSG for approval;
 - 3 or greater indicates TSG approved document under change control.
- y the second digit is incremented for all changes of substance, i.e. technical enhancements, corrections, updates, etc.
- z the third digit is incremented when editorial only changes have been incorporated in the document.

Introduction

The 3GPP Packet Switch Streaming (PSS) provides a framework for Internet Protocol (IP) based streaming applications in by specifying protocols and codecs within the 3GPP system. Protocols for control signalling, capability exchange, media transport, rate adaptation and protection are specified. Codecs for speech, natural and synthetic audio, video, still images, bitmap graphics, vector graphics, timed text and text are specified.

The 3GPP Multimedia Broadcast and Multicast Service (MBMS) provides a framework for broadcast and Multicast streaming and download applications in 3GPP networks supporting the MBMS bearer service. The MBMS user services are enabled by a set of specified media codecs, formats and transport/application protocols. MBMS user services are built on top of the MBMS bearer service. There are two delivery methods for the MBMS user services: download and streaming.

The 3GPP IP Multimedia Subsystem (IMS) enables the deployment of IP multimedia applications. PSS and MBMS User Services are IP multimedia services but they were specified before IMS. IMS brings enablers and features to operators and subscribers that can enhance the experience of PSS and MBMS User Services.

The purpose of the present document is the specification of use of the IMS to initiate and control PSS and MBMS User Service. This should enable deployment of PSS and MBMS user services as IMS services. Note that the present specification uses components of the 3GPP PSS, 3GPP MBMS , ETSI TISPAN IPTV and Open IPTV Forum standards specifications.

1 Scope

The present document specifies the usage of IMS protocols to initiate and control PSS and MBMS Streaming User Services based applications. It applies to IMS enabled UEs that also implement PSS and/or MBMS clients. Existing protocols that are used are described in reference to relevant specifications. IMS based MBMS Download User Services are to be defined in a subsequent version of the present document.

The present document is applicable to IP-based packet-switched networks over 3GPP systems.

The present document includes information applicable to network operators, service providers and manufacturers.

2 References

The following documents contain provisions which, through reference in this text, constitute provisions of the present document.

- References are either specific (identified by date of publication, edition number, version number, etc.) or non-specific.
- For a specific reference, subsequent revisions do not apply.
- For a non-specific reference, the latest version applies. In the case of a reference to a 3GPP document (including a GSM document), a non-specific reference implicitly refers to the latest version of that document *in the same Release as the present document*.

- [1] 3GPP TR 21.905: "Vocabulary for 3GPP Specifications".
- [2] 3GPP TS 22.146: "Multimedia Broadcast/Multicast Service; Stage 1".
- [3] 3GPP TS 22.246: "Multimedia Broadcast/Multicast Service (MBMS) user services; Stage 1".
- [4] 3GPP TS 23.246: "Multimedia Broadcast/Multicast Service (MBMS); Architecture and functional description".
- [5] 3GPP TS 33.246: "3G Security; Security of Multimedia Broadcast/Multicast Service (MBMS)".
- [6] 3GPP TS 23.228: "IP multimedia subsystem; Stage 2".
- [7] 3GPP TS 24.229: "IP multimedia call control protocol based on Session Initiation Protocol (SIP) and Session Description Protocol (SDP); Stage 3".
- [8] 3GPP TS 26.234: "Transparent end-to-end streaming service; Protocols and codecs".
- [9] 3GPP TS 22.233: "Transparent End-to-End Packet-switched Streaming Service; Stage 1".
- [10] 3GPP TS 26.233: "Transparent end-to-end packet switched streaming service (PSS); General description".
- [11] 3GPP TS 26.346: "Multimedia Broadcast/Multicast Service (MBMS); Protocols and codecs".
- [12] 3GPP TS 23.203: "Policy and charging control architecture".
- [13] IETF RFC 4145 (September 2005): "TCP-Based Media Transport in the Session Description Protocol (SDP)".
- [14] IETF RFC 4572 (July 2006) Connection-Oriented Media Transport over the Transport Layer Security (TLS) Protocol in the Session Description Protocol (SDP)
- [15] void
- [16] 3GPP TS 23.060: "General Packet Radio Service (GPRS); Service description; Stage 2".

- [17] IETF RFC 2782: "A DNS RR for specifying the location of services (DNS SRV)".
- [18] IETF draft-channabasappa-sipping-app-profile-type-03: "Extension to the ua-profile Event Package to Support the Application Profile Type". .
- [19] Void.
- [20] 3GPP TS 33.222: "Generic Authentication Architecture (GAA); Access to network application functions using Hypertext Transfer Protocol over Transport Layer Security (HTTPS)".
- [21] 3GPP TS 24.423: "TISPAN; PSTN/ISDN simulation services; Extensible Markup Language (XML) Configuration Access Protocol (XCAP) over the Ut interface for Manipulating NGN PSTN/ISDN Simulation Services".
- [22] 3GPP TS 24.109: "Bootstrapping interface (Ub) and network application function interface (Ua); Protocol details".
- [23] ETSI TS 182 027 "TISPAN; IPTV Architecture; IPTV functions supported by the IMS subsystem".
- [24] ETSI TS 183 063 "TISPAN; IMS based IPTV Stage 3 Specification".
- [25] IETF RFC 2326: "Real Time Streaming Protocol (RTSP)".
- [26] 3GPP TS 33.220: "Generic Authentication Architecture (GAA); Generic bootstrapping architecture".
- [27] OMA-TS-BCAST_Service_Guide-V1_0: "Method and Apparatus for Broadcast Signaling in a Wireless Communication System".
- [28] IETF draft-ietf-sipping-config-framework-15: "A Framework for Session Initiation Protocol User Agent Profile Delivery".
- [29] 3GPP TS 23.003: "Numbering, addressing and identification".
- [30] 3GPP TS 23.401: "General Packet Radio Service (GPRS) enhancements for Evolved Universal Terrestrial Radio Access Network (E-UTRAN) access'.
- [31] 3GPP TS 33.203: "3G security; Access security for IP-based services".
- [32] 3GPP TS 33.210: "3G security; Network Domain Security (NDS); IP network layer security".
- [33] 3GPP TS 29.109: "Generic Authentication Architecture (GAA); Zh and Zn Interfaces based on the Diameter protocol; Stage 3".
- [34] IETF RFC 2616: "Hypertext Transfer Protocol -- HTTP/1.1".
- [35] 3GPP TS 23.141: "Presence Service; Architecture and functional description".
- [36] 3GPP TS 24.141: "Presence Service using the IP Multimedia (IM) Core network (CN) subsystem".
- [37] OMA-TS-Presence-SIMPLE-V1-00-20060725-A: 'Open Mobile Alliance: Presence SIMPLE specification".
- [38] 3GPP TS 26.114: 'IP Multimedia Subsystem (IMS); Multimedia telephony; Media handling and interaction'.
- [39] 3GPP TS 26.244: 'Transparent end-to-end packet switched streaming service (PSS); 3GPP file format (3GP).NOTE: IETF drafts references need to be updated/confirmed when published.
- [40] 3GPP TS 23.237: 'IP Multimedia Subsystem (IMS) Service Continuity; Stage 2'.
- [41] 3GPP TS 24.237: 'IP Multimedia Subsystem (IMS) Service Continuity; Stage 3'.
- [42] IETF draft-ietf-sipcore-info-events-02: 'Session Initiation Protocol (SIP) INFO Method and Package Framework'.

NOTE: IETF drafts references need to be updated/confirmed when published.

3 Definitions and abbreviations

3.1 Definitions

For the purposes of the present document, the terms and definitions given in 3GPP TR 21.905 [1] and the following apply:

On Demand: users can select their required content, for example with the assistance of the Electronic Programme Guide (EPG), at the user preferred time.

NOTE: The content is then transmitted uniquely (unicast) to that consumer who can usually use trick-modes functionalities to control their viewing of the content. e.g. TV Content on Demand (CoD)

IMS registration: registration procedure for a public user identity initiated by the UE in the absence of any valid registration

Live: content is streamed and intended for reception by anyone where the consumer has no control over the content or timing of what he receives, apart from the ability to select a particular channel. e.g. linear TV.

"Non-IMS" BM-SC: BM-SC function as defined in 3GPP TS 23.246 [5] and 3GPP TS 26.346 [11] without any IMS support

Multimedia Broadcast/Multicast Service (MBMS): See 3GPP TS 22.146 [2].

MBMS User Services: MBMS User Service may use more than one Multimedia Broadcast/Multicast Service (bearer service) and more than one Broadcast and/or Multicast session (See 3GPP TS 22.246 [3].)

MBMS user service discovery/announcement: user service discovery refers to methods for the UE to obtain the list of available MBMS user services along with information on the user service and the user service announcement refers to methods for the MBMS service provider to make the list of available MBMS user services along with information on the user service available to the UE

MBMS delivery method: mechanism used by a MBMS user service to deliver content
An MBMS delivery method uses MBMS bearers in delivering content and may make use of associated procedures.

MBMS download delivery method: delivery of discrete objects (e.g. files) by means of a MBMS download session

MBMS streaming delivery method: delivery of continuous media (e.g. real-time video) by means of a MBMS streaming session

MBMS streaming session: time, protocols and protocol state (i.e. parameters) which define sender and receiver configuration for the streaming of content

PSS client: client for the 3GPP packet switched streaming service based on the IETF RTSP/SDP and/or HTTP standards, with possible additional 3GPP requirements according to the present document

PSS server: server for the 3GPP packet switched streaming service based on the IETF RTSP/SDP and/or HTTP standards, with possible additional 3GPP requirements according to the present document

Trick Play: streaming playback mode during which the user can control playback by playing, seeking, pausing, fast forwarding and fast rewinding

3.2 Abbreviations

For the purposes of the present document, the abbreviations given in 3GPP TR 21.905 [1] and the following apply:

BM-SC	Broadcast-Multicast - Service Centre
CoD	Content on Demand
ESG	Electronic Service Guide
GGSN	Gateway GPRS Serving Node
IMPI	IMS Private Identity

IMPU	IMS Public Identity
IMS	IP Multimedia Subsystem
IUT	Inter UE Session Transfer
IP	Internet Protocol
MBMS	Multimedia Broadcast/Multicast Service
PSS	Packet Switch Streaming
PSI	Public Service Identity
RTP	Real-Time transport Protocol
RTSP	Real-Time Streaming Protocol
SCC	Service Centralization and Continuity
SCF	Service Control Function
SDF	Service Discovery Function
SDP	Session Description Protocol
SSF	Service Selection Function
UE	User Equipment
URI	Uniform Resource Identifier
USD	User Service Description

4 System description

4.1 Introduction

This clause describes the IMS initiated and controlled PSS and MBMS User Service system. It gives a description of the architecture, the role of each new and modified entity and interface.

The description of the PSS system is in 3GPP TS 22.233 [9] and 3GPP TS 26.233 [10]. The description of the MBMS system is in 3GPP TS 23.246 [4].

4.2 Architecture

4.2.1 Non IMS 3GPP PSS and MBMS User Service architecture

Figure 1 describes the Non IMS PSS and MBMS User Service architecture.

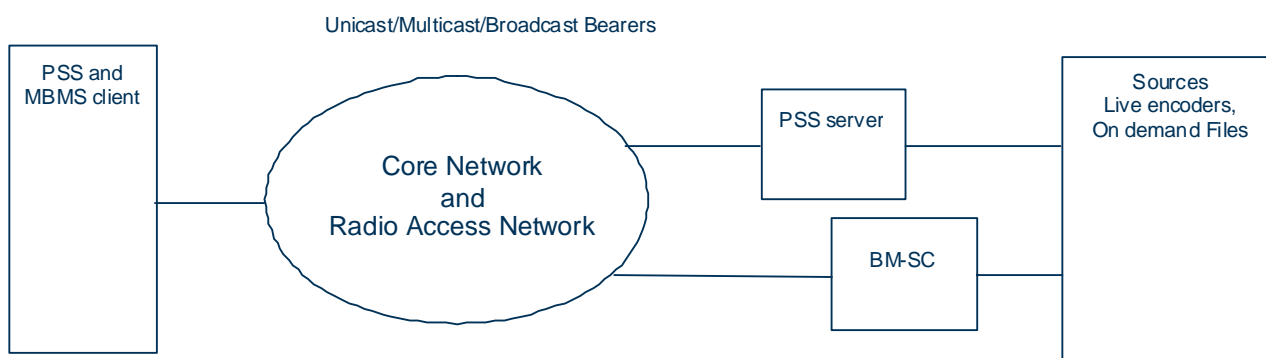


Figure 1: Non IMS PSS and MBMS User Service Architecture

The sources consist of all multimedia content in streaming or file form. E.g. live encoders processing in feeds from TV or Music Radio channels.

The PSS server performs control and streaming delivery functions on a Unicast access type.

The BM-SC performs control and streaming/download delivery functions in a hybrid Unicast/Multicast/Broadcast access type.

The core network and RAN enable the mobility, and provides IP connectivity over Unicast/Multicast/Broadcast bearers between the servers and the clients.

The PSS & MBMS client, located in the UE, performs service selection and initiation, receives and present the content to the user.

The PSS client interfaces to the PSS server transparently through the Packet Switch Network. The PSS client can discover the PSS services via multiple means like e.g. browsing. The session description protocol is SDP. The session control protocol is RTSP. The transport protocol is RTP.

The MBMS client interfaces to the BM-SC via layer 3 protocols defined between the UE and the GGSN and the GGSN with the BM-SC (Gmb).

The PSS and MBMS client interfaces via the Radio interface to the RAN and the CN.

The interface between the sources and the PSS server & BM-SC are outside the scope of the present document.

4.2.2 IMS based PSS and MBMS User Service architecture

Figure 2 describes the IMS based PSS and MBMS User Service functional architecture. In addition to PSS and MBMS User Service functions, the IMS core and various functions are added.

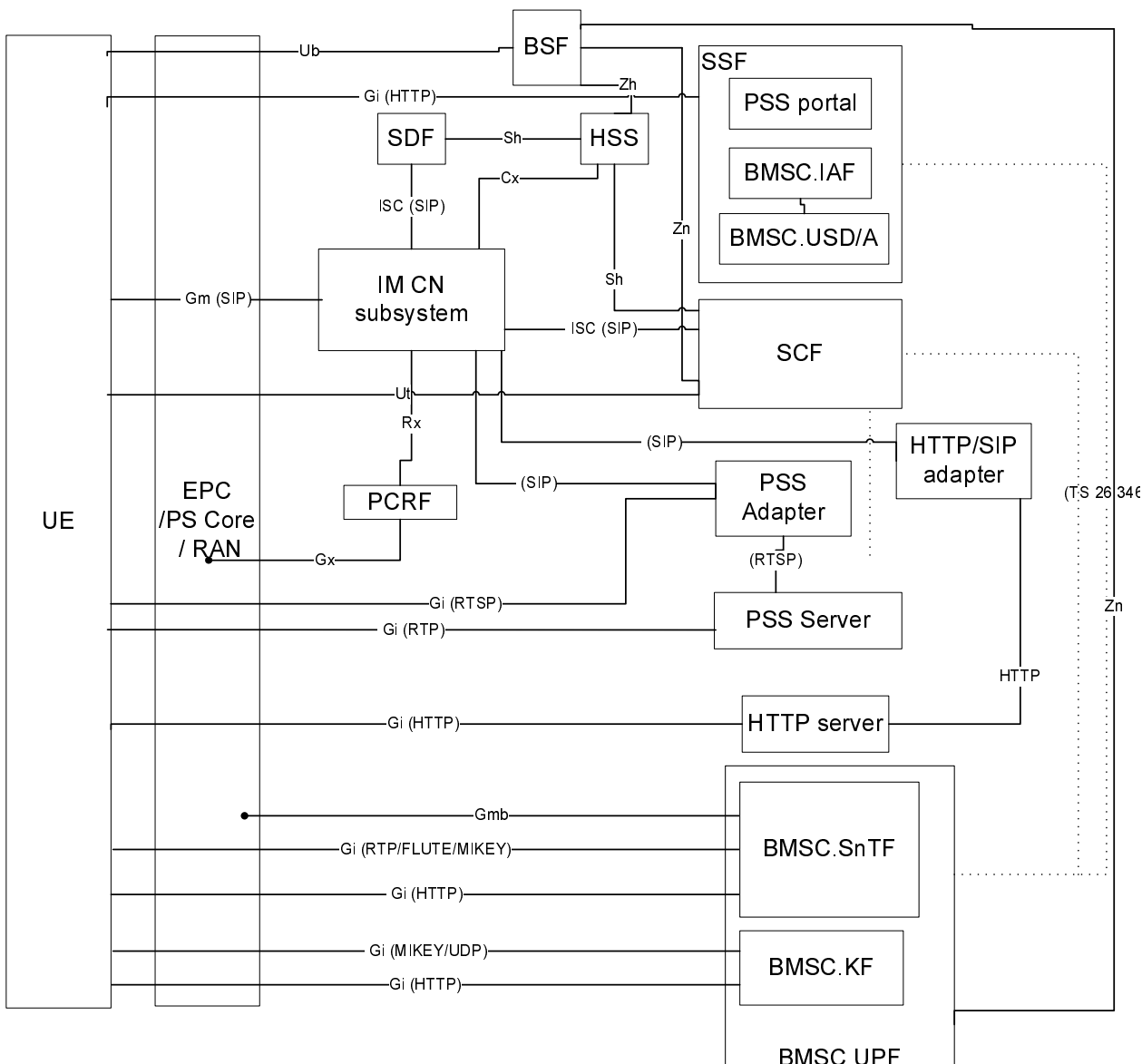


Figure 2: IMS based PSS and MBMS functional architecture

In figure 2:

- Solid lines are standard interfaces. E.g. interface between PSS server and UE4.
- Dotted lines are for interfaces for which the protocols in use is out of the scope of the present document. E.g. interface between SSF and BMSC.UPF.

Description of functional entities:

- IM CN Subsystem: IMS Core Network Subsystem as defined in 3GPP TS 23.228 [6].The IM CN Subsystem supports, user registration and authentication, mobility and roaming, control of multimedia sessions, QoS control, Policy control, charging and interworking with circuit switched.
- EPC/PS Core/RAN: Evolved Packet Core, Packet Switch Core Network and Radio Access Network. See 3GPP TS 23.060 [16] and TS 23.401 [30].

NOTE 0: the various packet core networks may offer different levels of support (e.g. the EPC does not support MBMS in 3GPP Release 8).

- UE: The UE contains an GBA/IMS/PSS/MBMS client, which performs service discovery and selection, handles service initiation, modification and termination, receives and present the content to the user. In addition to the procedures specified in this document, the UE shall support the procedures specified in 3GPP TS 24.229 [7] and 3GPP TS 24.109 [22] for the UE functional entity.
- SDF: Service Discovery Function (SDF): this function provides an entry point to SSF for the client to attach to the service provided by the service provider. In addition to the procedures specified in this document, the SDF shall support the procedures specified in 3GPP TS 24.229 [7] for the terminating UA functional entity.
- SSF: Service Selection Function (SSF): this function provides a list of available PSS and MBMS User Services and relevant User Service Description information. It can be personalized to the client's identity. The SSF shall support Service Announcement functions according to the Xa interface in TISPAN. The PSS portal is for formatting and delivery of PSS Service Description information. The BMSC.IAF and BMSC.USD/A functions are according to 3GPP TS 26.346 [11]. The interface between BMSC.IAF and UE is according to 3GPP TS 26.346 [11] and out of the scope of the present specification. If the User Service Description information exists in a BMSC.USD/A of a "Non-IMS" BM-SC, or in a PSS portal, the SSF takes USD information from them. The SSF may then reformat the USD information before delivery to the UE. The reformat may include information for the IMS UE to build a SIP URI to initiate PSS and MBMS user service.
- SCF: Service Control Function (SCF): it provides service logic and functions required to support execution of such logic. It does service authorization during session initiation and session modification, which includes checking PSS and MBMS user's service subscription in order to allow or deny access to the service. It selects the relevant PSS and MBMS media functions. In addition to the procedures specified in this document, the SCF shall support the procedures specified in 3GPP TS 24.229 [7]:
 - For PSS, the SCF acts as a proxy or B2BUA.
 - For MBMS, the SCF acts as a terminating UA.
- BSF: Bootstrapping Server Function (BSF) as defined in 3GPP TS 33.220 [26] and 3GPP TS 24.109 [22] to perform GBA/GAA procedures with the UE. The BSF supports procedures defined in 3GPP TS 33.220 [26] and 3GPP TS 29.109 [x] with the HSS and the BMSC.UPF (see clause 10.4.1) and with the HSS and the SCF (see clause 10.4.2) to enable GBA/GAA procedures.
- HSS: Home Subscriber Server as defined in 3GPP TS 23.002. Contains the IMS User Profile and optionally the GBA User Security Settings (GUSS) defined in 3GPP TS 33.220 [26] and 3GPP TS 29.109 [33]. It also may contain PSS and MBMS User Service specific User and UE data.
- PSS Adapter: this function performs bi-directional protocol translation between SIP and RTSP to offer control of PSS servers as defined in clause 8.2.3.5. It proxies RTSP messaging from the UE and SIP/RTSP translation towards the PSS server. Note that these functions can be incorporated into the SCF, the PSS Server or a new stand-alone entity. In addition to the procedures specified in this document, the PSS Adapter shall support the procedures specified in 3GPP TS 24.229 [7] for the terminating UA functional entity.
- HTTP/SIP adapter: this function correlates SIP session with HTTP incoming requests. In addition to the procedures specified in this document, the HTTP/SIP adapter shall support the procedures specified in 3GPP TS 24.229 [7] for the terminating UA functional entity.
- PCRF: Policy and Charging Rules Function (3GPP TS 23.203 [12]). This function controls the charging and the establishment of resources in the RAN and PS core network.
- PSS Server: Packet Switch Streaming server function as described in 3GPP TS 26.234 [8]. It functionally contains media control and media delivery functions.
- HTTP server: this function is described in 3GPP TS 26.234 [8].
- BMSC.UPF: it contains all BMSC User Plane sub-functions.

NOTE 1: The BM-SC Membership function and Proxy and Transport function are defined in 3GPP TS 23.246 [4]. These functions are not described on the architecture in figure 2. The BM-SC Membership function is invoked for the establishment and release of Multicast bearers.

Description of interfaces:

The interface between the UE and the SSF is used to retrieve service selection information. It is part of the SGI/Gi interface and based on HTTP protocol.

Gm: This is a SIP based interface between the UE (IMS Client) and the P-CSCF. It is used to forward the SIP service request and response between UE and network.

The interface between the UE (PSS Client) and the PSS Adapter allows media flow control. It is part of the SGI/Gi interface and based on RTSP protocol.

The interface between the PSS Server and the UE is for delivery of streaming data. It is part of the SGI/Gi interface and based on RTP and RTCP protocols.

The interface between the HTTP server and the UE is for delivery of download data. It is part of SGI/Gi interface and based on HTTP.

The interface between the BMSC.UPF and the UE is for delivery of streaming data and traffic keys. It is part of the SGI/Gi interface and based on (S)RTP, FLUTE and MIKEY protocols.

Gmb: This interface is between the BMSC.UPF and the GGSN. The Gmb interface is defined in 3GPP TS 23.246 [4].

The interface between the PSS Adapter and the PSS Server allows control of the PSS Server. This interface is based on RTSP protocol.

NOTE 2: This interface needs to be named.

The interface between the HTTP/SIP adapter and the HTTP server is based on HTTP.

The interface between the IM CN subsystem and the SCF is an ISC (IMS Service Control) interface based on SIP. The interface between the IM CN subsystem and the PSS adapter is an interface based on SIP protocol. Both interfaces are used to setup, modify and teardown PSS sessions.

NOTE 3: Under certain conditions this interface between the SCF and the PSS adapter can be implemented as a direct interface (i.e. not going via the IM CN subsystem).

NOTE 4: The interface between the IM CN subsystem and the PSS adapter needs to be named.

The interface between the IM CN subsystem and the SCF is an ISC (IMS Service Control) interface based on SIP. The interfaces between the IM CN subsystem and the HTTP/SIP adapter is an interface based on SIP.

NOTE 5: Under certain conditions this interface between the SCF and the PSS adapter can be implemented as a direct interface (i.e. not going via the IM CN subsystem).

This interface between the SSF and the BMSC.UPF is according to 3GPP TS 26.346 [11]. It may be used to carry USD over MBMS bearers.

The interface between the SDF and the IM CN subsystem is an ISC (IMS Service Control) interface based on SIP protocol.

The interface between the UE and SCF is used for PSS and MBMS User Service and User Profile configuration. It is equivalent to the Ut interface in TISPAN IPTV.

The interface between the SCF and the BMSC.UPF is used for security related functions (see clauses 10.4.1 and 10.4.2, respectively).

The interface between the SCF and the PSS Server is FFS.

The interface between the UE to the BMSC.SnTF is used for MBMS Associated Delivery procedures as defined in 3GPP TS 26.346 [11]. It is part of the SGI/Gi interface.

The interface between the UE and the BMSC.KF is used for delivery of the MSK as defined in 3GPP TS 33.246 [5]. It is part of the SGI/Gi interface and based on MIKEY/UDP protocols.

The interface between the UE and the BMSC.KF may be used for Key Request Functions (see clause 10.4.1).

The interface between the BSF and the UE is part of the Ub interface defined in 3GPP TS 33.220 [26] and 3GPP TS 24.109 [22] and used for security functionalities.

The interface between the BSF and the HSS is part of the Zh interface to fetch the Authentication Vectors (AV) and optionally the GBA User Security Settings (GUSS) and defined in 3GPP TS 33.220 [26] and 3GPP TS 29.109 [33].

The interface between the BSF and the BMSC.UPF (see clause 10.4.1) and between the BSF and the SCF (see clause 10.4.2) is part of the Zn interface to deliver the application security information and defined in 3GPP TS 29.109 [33] and 3GPP TS 33.220 [26].

4.3 IMS based PSS and MBMS US procedures overview

Figure 3 describes the IMS based PSS and MBMS procedures from connection establishment to User Service Description retrieval.

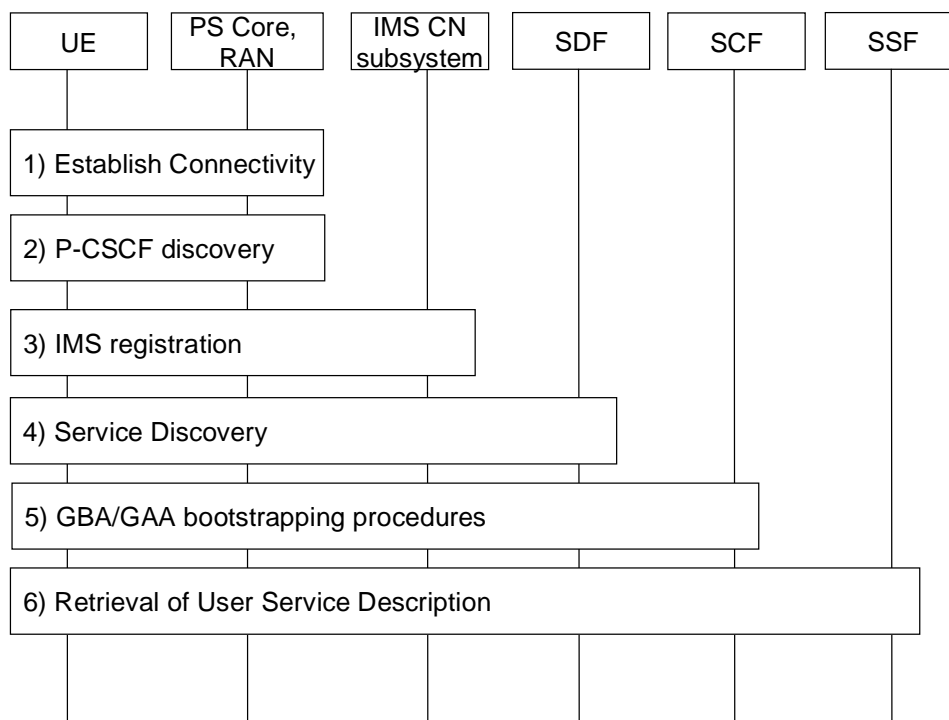


Figure 3: Procedures overview - part 1

Step 1 to 3: are outside the scope of the present document.

Step 4: Service discovery, allows the Client to be informed of the available Service Providers.

Step 5: GBA/GAA bootstrapping procedures, authenticates the User for signalling outside IMS and generates the Long Term Key that will be used during content key management procedures.

Step 6: Retrieval of User Service description, allows the client to obtain the service session information for the selected provider.

Figure 4 describes the IMS based PSS and MBMS procedures from session establishment to content key management.

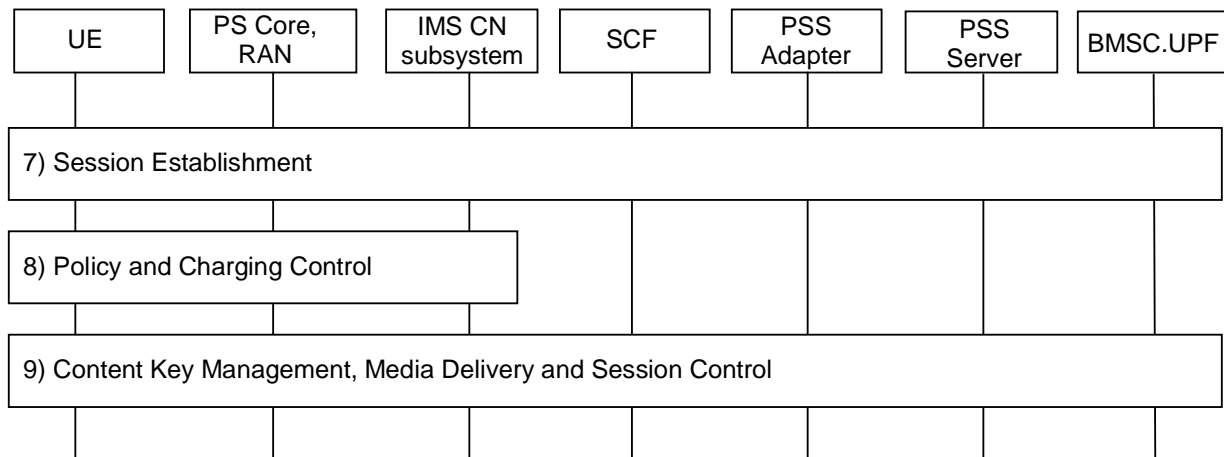


Figure 4: Procedures overview - part 2

- Step 7: Session Establishment, allows the Client to initiate a PSS or MBMS User Service session to receive content.
- Step 8: Policy and Charging Control, are procedures performed via the IMS core to setup relevant bearer QoS and charging functions.
- Step 9: Content Key Management is necessary to generate and distribute the keys to allow secure delivery of content to the User. At this stage, the delivery session is established and content is delivered to the client.

4.4 PSS and MBMS user profile and UE capabilities

4.4.1 User profile description

The PSS and MBMS user profile data contains all information required to operate PSS and MBMS user services.

The part of the PSS & MBMS user profile used for On Demand (CoD in TISPAN) and Live (BC in TISPAN) services shall be as defined in TISPAN TS 183 063, Annex C.

4.4.2 UE capabilities

A set of PSS and MBMS UE capabilities is required to personalize and operate PSS and MBMS user services. These capabilities are described in 2 documents:

- The PSS and MBMS UE Capabilities XML document defined in Annex G.
- The RDF/XML document for the PSS base vocabulary specified in Annex F of TS 26.234 [8].

These 2 documents are sent during the Service Discovery procedure. See clause 6.

4.4.3 Storage location

PSS and MBMS user profile and UE capabilities information may be stored in the following locations:

- Application Server functions.
- In a stand-alone server associated with one or more Application Server functions.
- In the HSS as transparent data associated to these Application Server functions.

The first and second options are recommended for data to be accessed by 3rd party application server functions. In the first and second case the Application Server function or the stand-alone server may exhibit the behaviour of an XDMS.

User data stored in the HSS can be accessed by Application Servers at the Sh reference point.

A subset of PSS and MBMS user-profile information may be accessed from the User Equipment at the Ut reference point.

For the purpose of personalized service selection, the SSF may need to access user data.

In the case when such user data is stored in the HSS, it can be accessed by the SSF at the Sh reference point when the SSF is in the same domain.

On the contrary, when such user data is stored in the AS or in a stand alone server associated with one or more application servers or if the SSF is not in the same domain as the HSS, the user data can be accessed by the SSF using an interface that is out of scope for this release.

The SSF may also request notification of user data updates.

5 Service Provider Discovery

5.1 Introduction

In order for the UE to access the PSS and MBMS User Service using IMS, it shall implement an IMS client that registers to the IM CN Subsystem [7]. This assumes that the UE has attached to a network and established PS connectivity through a PDP context according to 3GPP TS 23.060 [16] and has successfully completed the P-CSCF discovery procedure [7]. Once the UE is registered to the IM CN Subsystem, it can proceed to the Discovery of the PSS and MBMS User Service.

This clause specifies how the UE performs the PSS and MBMS Service Provider Discovery. This is equivalent to discovering the list of IMS PSI of the SDF and relative Service Providers. There are several means for the UE to acquire this information. The UE shall implement the DNS based Service Provider Discovery as defined in clause 5.2. Other methods are optional.

5.2 DNS

In this case, the SDFs are discovered using the DNS SRV mechanism in accordance with RFC 2782 [17], with the following input parameters:

- Service: Defined as "pss-mbms-user-service".

NOTE: to be registered with IANA.

- Protocol: Can take values "http" or "sip". Specifies the protocol to contain the particular service.
- Domain name: the domain for which the returned records are valid. The value can be derived from the ISIM. Without ISIM it can be derived from USIM together with MCC (Mobile Country Code) and MNC (Mobile Network Code) according to TS 23.003 [29]. If not possible, the domain name can be derived from network attachment phase (DHCP server). Manual configuration overrides these possibilities.

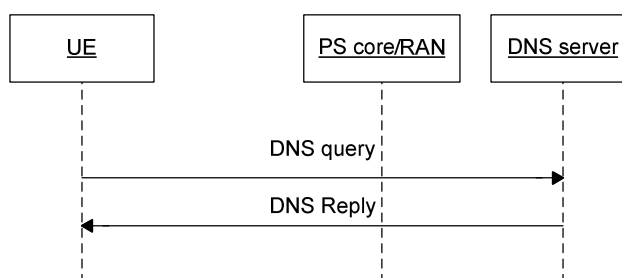


Figure 5: Service Provider Discovery with DNS

The output of the DNS SRV lookup is an ordered list of domain name, each pointing to a SDF server available within the specified Domain name.

5.3 Others

Alternatively, the SDF PSI may also be signalled to the UE by the following means:

- Manually provisioned in the UE.
- OMA Device Management.
- SMS.
- OMA Push.
- MBMS.
- DHCP.

6 User Service Discovery

6.1 Introduction

This clause specifies how the UE performs the PSS and MBMS User Service Discovery. This is equivalent to discovering the address of the SSF.

6.2 Subscribe/Notify

6.2.1 General description

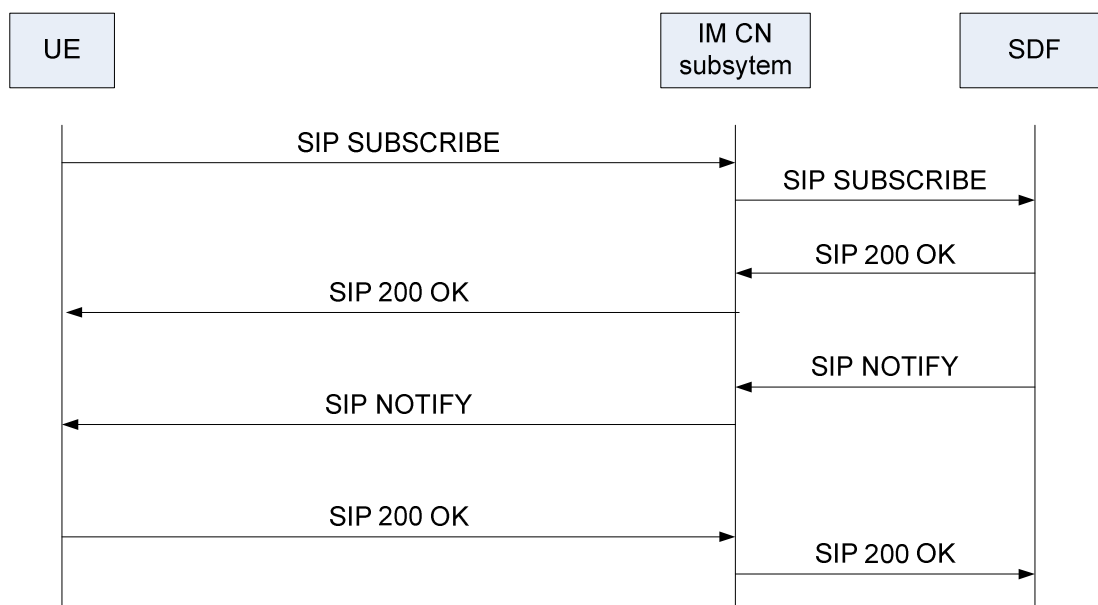


Figure 6: Service Discovery with Subscribe/Notify

- 1) The UE sends a SIP SUBSCRIBE message to the IM CN subsystem. It should indicate its capabilities in the message.
- 2) The IM CN subsystem forwards the request to the SDF, e.g. thanks to an iFC.

- 3) The SDF determines the proper service discovery information, e.g. according to the UE capabilities, the user's profile (Personalized Service Discovery). The user profile may be retrieved from the HSS or any other entity where it is stored.
- 4) The SDF sends a SIP 200 OK response to the IM CN subsystem, which forwards it to the UE.
- 5) The SDF sends a SIP NOTIFY message to the UE, with service discovery information that includes the SSF(s) address(es).
- 6) The IM CN subsystem relays the SIP NOTIFY message back to the UE, with the service discovery information related to PSS and MBMS user service.
- 7) The UE sends back a SIP 200 OK response to the IM CN subsystem.
- 8) The IM CN subsystem forwards the SIP 200 OK to the SDF.

6.2.2 Procedures at the UE

6.2.2.1 Introduction

The UE shall generate a SUBSCRIBE request. The behaviour of the UE when processing a SUBSCRIBE request shall conform to 3GPP TS 24.229 [7].

6.2.2.2 Subscription

When the UE intends to retrieve service attachment information from the SDF, it shall generate a SUBSCRIBE request for the "ua-profile" event package defined in [28] and extended as described in [18].

The contents of the SUBSCRIBE request shall be as follows:

- The value of the Request-URI shall be set to one of following:
 - the PSI of the SDF which is retrieved using SDF Discovery procedures in clause 5 Service Provider Discovery; or
 - the public user identity of the end user (when the UE does not know the PSI of the SDF).
- The From and To header shall be set to the public user identity of the user.
- The Accept header shall include the content-type identifier that corresponds to the registered MIME type of XML documents representing UE capabilities included in the body, See clause 4.4.2:
 - A first Content Type set to "application/3gpp-ims-pss-mbms-ue-capabilities+xml".
 - A second Content Type set to "application/rdf+xml".
- The Event header shall be set to the "ua-profile" event package.
- The Event parameters shall be set as follows:
 - The "profile-type" parameter shall be set to "application".
 - The "vendor", "model" and "version" parameter values shall be set to values specified by the implementer of the user equipment, as specified in 3GPP TS 24.229 [7].
 - The "appid" parameter shall be present and set to "urn:org:3gpp:applications:ims-pss-mbms-service-discovery".

The UE shall include a SIP SUBSCRIBE multipart/mixed content-type message body associated with the appid including the PSS and MBMS UE Device Capabilities defined in Annex G and the RDF/XML document describing the PSS base vocabulary defined in Annex F of TS 26.234 [8].

Upon receipt of a 2xx response to the SUBSCRIBE request, the UE shall store the information for the established dialog and the expiration time as indicated in the Expires header of the received response.

The UE shall automatically refresh the subscription, either 600 seconds before the expiration time if the initial subscription was for greater than 1 200 seconds, or when half of the time has expired if the initial subscription was for 1 200 seconds or less. If a SUBSCRIBE request to refresh a subscription fails with a non-481 response, the UE shall still consider the original subscription valid for the duration of the most recently known "Expires" value according to 3GPP TS 24.229 [7]. Otherwise, the UE shall consider the subscription invalid and start a new initial subscription according to 3GPP TS 24.229 [7].

6.2.2.3 Receiving notifications

Upon receipt of a NOTIFY request on the dialog which was generated during subscription, the application within the UE shall parse the XML document contained in the message body. The XML document schema is defined in Annex H. The definition of each parameter in the XML document is defined in 5.2.2.3 of [24]

The list of parameters in the XML document shall be used for service selection information retrieval according to clause 7.

When parsing the list of parameters the UE shall take the following action:

- information relates to an SSF with whom the UE has already an entry.
 - If the "@version" attribute is present and has not the same value or if not present, then the UE performs the following actions:
 - for parameters related to this SSF already present in the UE: the UE shall update these parameters with the new values sent by the SSF. If the Segment@Version has not the same value, the UE shall update user service selection information from the SSF before using it,
 - for parameters related to this SSF not present in the UE: the UE shall store the new parameters.
 - If the "@version" attribute is present and has the same value, the UE shall not update the stored SSF information.
- information relates to an SSF not known by the UE: the UE creates a new entry for this SSF with all indicated parameters.

After all elements have been processed, the UE shall return a 200 OK response to the NOTIFY request.

Failure to perform subscription refresh does not imply that there is a loss of communication to SSF or SCF. The UE has an option to continue using the lists of parameters from the last NOTIFY.

After deregistration, the UE may keep stored information on per user basis. As for subscription refresh, the UE may use the stored information if initial subscription fails after a new registration.

6.2.3 Procedures at the SDF

The SDF addresses are determined by the UE using any of the alternatives as defined in clause 5.

When the SDF receives a SUBSCRIBE request, it may perform user's identity verification as defined in 3GPP TS 24.229 [7]. After successful user identification, if a User Profile is available it is possible to perform personalization of the body (Service Attachment Information) of the NOTIFY request.

The SDF shall examine the parameters specified in the SIP SUBSCRIBE body and shall then record UE capabilities information as part of the user profile data.

NOTE: The UE capabilities that are recorded as part of the user profile may be used by the SSF for personalization purposes.

In case of successful subscription, the SDF shall generate a SIP 200 OK in response to the SUBSCRIBE request. The SDF shall then send a NOTIFY request immediately.

The contents of the NOTIFY request shall be as follows:

- The Event header shall be set to the "ua-profile" event package.
- The "effective-by" parameter for the event header shall be set to 0.

- The content type shall be set to "application/3gpp-ims-pss-mbms-service-discovery+xml";
- The message body shall contain an XML document listing SSF addresses and the means of connecting to the SSFs for retrieving service selection information defined in Annex H. The definition of each parameter in the XML document is defined in 5.2.2.3 of [24]. The "@technology" element name indicates the technology used to for delivering service selection information. It shall be set to the "openmobilealliance.org_bcast".

When any parameter of service configuration information has changed, the SDF may generate a NOTIFY request including new service configuration information.

7 User Service Description retrieval

7.1 Introduction

User Service Description retrieval can be done in several ways

- By retrieving OMA BCAST Service Guide information [27] from the SSF. See clause 7.2;
- By retrieving MBMS USD from the SSF as defined in 3GPP TS 26.346 [11] clause 5.2;
- By executing the Procedure for providing missing parameters before session initiation described in clauses 8.2.2 and 8.3.2 for PSS and MBMS user service respectively.

7.2 User Service Description retrieval for PSS and MBMS

7.2.1 Procedures at the UE

7.2.1.1 Procedure for Service Personalisation

For HTTP-based data retrieval, when sending the HTTP request to the SSFs, the UE may provide personalized information to enable a personalized answer. This shall be done by adding the X-3GPP-Intended-Identity HTTP header to the request to transmit the public identity.

The authentication shall follow 3GPP TS 33.222 [20].

The UE shall implement Transport Layer Security (TLS), as described in 3GPP TS 33.222 [20].

7.2.1.2 Request of OMA BCAST ESG

In the pull model of unicast delivery of an OMA BCAST ESG, the HTTP protocol shall be used conforming to OMA BCAST Service_Guide [27], clause 5.4.3.

7.2.1.3 Use of Service Description information

The UE shall use parameters received from the SSF for session initiation.

NOTE: There is no restriction on the UE to use any parameter received from SSF also for other purposes than session initiation, e.g. to present SSF information to the user.

The UE may store a part of the ESG information covering certain period of time and refresh this information periodically. This avoids the UE to contact the SSF every time the user needs to consult the ESG.

If the UE is unable to contact any discovered SSF, it shall not delete stored information immediately.

7.2.2 Procedures at the SSF

7.2.2.1 Authentication and authorisation in case of personalized service description information

In case of service selection personalisation the SSF shall authenticate the user.

The authentication shall follow 3GPP TS 33.222 [20].

The SSF shall implement Transport Layer Security (TLS) as described in 3GPP TS 33.222 [20].

An authentication proxy (AP) may exist between the UE and the SSF in which case the behaviour of the AP is assumed to conform to 3GPP TS 24.423 [21].

If an Authentication Proxy (AP) is provided in the path of the HTTP request, then the SSF receives an HTTP request from a trusted source (the AP) and the request contains an HTTP X-3GPP-Asserted-Identity header (3GPP TS 24.109 [22]) that includes an asserted identity of the user. In this case the SSF does not need to authenticate the user, but just provide authorization to access the requested resource.

If an HTTP X-3GPP-Asserted-Identity header (3GPP TS 24.109 [22]) is not present in the HTTP request or if the request is received from a non-trusted source, then the SSF needs to authenticate the user prior to providing personalise information by applying the procedures defined in 3GPP TS 33.222 [20] and

authorize or deny authorization depending on the authenticated identity.

7.2.2.2 Procedure for Service Personalization

If the public user identity information is present in the query from the UE, the SSF shall extract it to customize/personalize the service information that is returned in the query response.

The SSF shall use the public user identity that is specified in the X-3GPP-Intended-Identity header or the X-3GPPAsserted-Identity header if an authentication proxy is used to fetch the corresponding user profile associated with the user. For instance, the Parental Control (if present) should be used to remove unsuitable elements from the COD listings that are returned to the UE.

7.2.2.3 Delivery of OMA BCAST ESG

The procedure for retrieving OMA BCAST service selection information is employed to retrieve one or more Service Guide Delivery Descriptors (SGDD) and/or Service Guide Delivery Units (SGDU). The SGDD describes service level information as well as access information to the Service Guide fragments. The SGDU is the transport-independent network structure for encapsulating Service Guide fragments.

When the ESG SSF receives a HTTP POST request, if personalization headers are presents (in the form of key-value pairs) it shall use those headers in order to build a personalized response. For instance, the ESG SSF may use the provided user identity to retrieve the associated Parental Control Level in the user profile. This Parental Control Level would then be used to remove non suitable elements from the ESG data that are sent back. The provided user identity may also be used to retrieve a personalized ESG using the method in OMA BCAST Service Guide [27], clause 5.4.3.3. The ESG SSF shall send an HTTP response conforming to OMA BCAST Service Guide [27], clause 5.4.3.1. The body of the HTTP response shall contain an XML document with SGResponse data, conforming to OMA BCAST Service Guide[27], clause 5.4.3.1.1.

8 Streaming session and media control

8.1 General

This clause specifies the procedures and protocols used for the IMS based initiation and control of streaming sessions on PSS or MBMS User Service.

The client shall use SIP to initiate and control PSS and MBMS streaming sessions. Once a PSS streaming session is established, the client shall use RTSP protocols to perform media control.

8.2 PSS Streaming

8.2.1 PSS Media codecs and formats

PSS Media codecs and formats defined in 3GPP TS 26.234 [8] are applicable to the present document for IMS initiated and controlled PSS services.

8.2.2 Procedure for providing missing parameters before session initiation

8.2.2.1 Procedures at the UE

If the UE does not have all the information it needs to form an SDP offer, the UE shall send a SIP OPTIONS message:

- The "Request-URI" is related to the PSS session that the user wants to activate. The Request-URI shall be composed of a user and domain part as defined as follows:
 - The user part contains the content identifier, retrieved from user service description information from SSF.
 - For COD service, content identifier is constructed by 'PSS_COD_<content-id>', wherein content-id shall be globalContentID defined in [27].
 - For Live service, content identifier shall be globalServiceID defined in [27] or serviceId defined in [11].
 - The domain part is the Service Provider domain name, obtained from SSF.
- The TO header shall contain the same URI as in the "Request-URI" parameter.

The other headers shall be set according to TS 24.229 [7].

Upon reception of the 200 OK including SDP, the UE shall initiate PSS session as described in clause 8.2.3.

8.2.2.2 Procedures at the SCF

When receiving the SIP OPTIONS message, the SCF shall select the appropriate PSS Adapter and forward the SIP request to the appropriate PSS Adapter by changing the "Request-URI" accordingly.

The SCF shall not change the user-part of the TO header in order to keep the content-id in the OPTIONS request.

8.2.2.3 Procedures at the PSS Adapter

When receiving SIP OPTIONS request, the PSS Adapter shall examine the content identifier present in the user-part of the TO header.

If the PSS adapter does not have the user service description information, it shall send an RTSP DESCRIBE message to the PSS server to retrieve the user service description information

Then, the PSS Adapter shall answer with the user service description information of the content delivery channel in SDP as requested by the request URI.

8.2.3 PSS Streaming Session initiation

8.2.3.1 General description

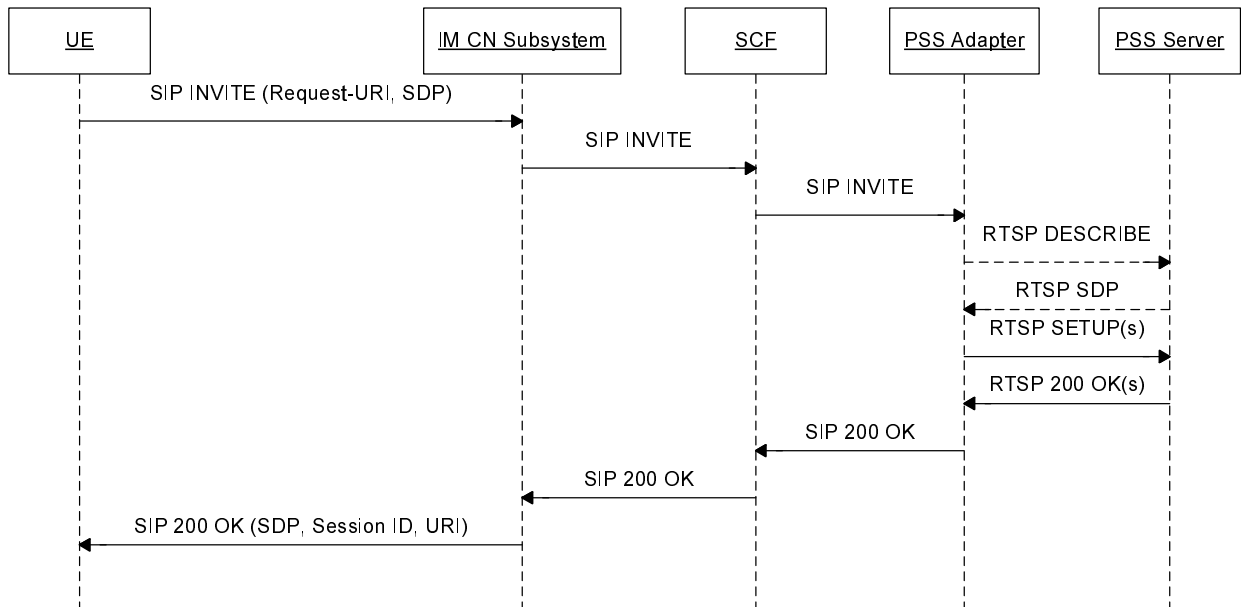


Figure 7: IMS based PSS initiation

NOTE 1: This sequence is simplified and does not e.g. show session progress messages and the ACK message from the UE in response to the reception of 200 OK.

NOTE 2: SIP messages between PSS adapter and SCF go through the IM CN Subsystem even if not indicated on the sequences.

8.2.3.2 Procedures at the UE

The UE shall generate an initial INVITE request according to TS 24.229 [7] with the following additions:

- The Request-URI is related to the PSS session that the user wants to activate.
- For an On Demand service, it shall be composed of a user part and a domain part, as follows:
 - A user part containing the content identifier in a free string format.
 - Content identifier is constructed by 'PSS_COD_<content-id>', wherein content-id shall be globalContentID defined in [27].
 - A domain part containing the content provider domain name, obtained from the SSF.
- For Live content, it shall contain the PSI (Public Service Identity) of the "Live stream@<domain name>", wherein the domain name is obtained from SSF".
- The To header shall contain the same URI as in the Request-URI.
- The Recv-Info header shall be set to nil [42].

The other headers shall be set according to TS 24.229 [7].

An SDP Offer shall be included in the initial INVITE request, in accordance with media capabilities and policies available for the PSS session and with the parameters received from the SSF during service selection procedure.

The SDP offer shall contain a media description for the RTSP content control channel and one for the content delivery channel. The RTSP content control media description shall be carried by TCP.

The SDP parameters for the RTSP content control channel shall be set as follows:

- a 'm' line for an RTSP stream of format: m=<media> <port> <transport> <fmt>
 - The media field shall have a value of "application".
 - The port field shall be set to a value of 9, which is the discard port. See RFC 4145 [13] and RFC 4572 [14].
 - The transport field shall be set to TCP or TCP/TLS. The former is used when RTSP runs directly on top of TCP and the latter is used when RTSP runs on top of TLS, which in turn runs on top of TCP.
 - The <fmt> parameter shall be included and shall be set to *3gpp_rtsp*.

NOTE: the *3gpp_rtsp* application format should have a new MIME subtype registered in IANA.

- An "a=setup" attribute shall be present and set to "active" indicating that the UE will initiate an outgoing TCP connection to the PSS Adapter [7] and [13].
- An "a= connection" attribute shall be present and set as "new" " indicating that the UE will establish a new outgoing TCP connection towards the PSS Adapter [7] and [13].
- A "c" line shall include the network type with the value set to IN, the address type set to IP4 or IP6 and IP address of the flow of the related RTSP content control (ex. c=IN IP4 <IP_ADDRESS>).
- For Live service, an 'a=PSS_Live_service: ServiceID' line shall be include to indicate the PSS live service which the UE intends to initiate. The ServiceID shall be globalServiceID defined in [27] or serviceId defined in [11], which is retrieved from service selection information.

Example of RTSP "m" line offer from the UE:

```
m=application 9 TCP 3gpp_rtsp
c=IN IP4 192.0.2.2
a=setup:active
a=connection:new
```

For each media stream controlled by the RTSP content control channel, the SDP offer shall include a "receiver only" content delivery channel media description set as defined in 3GPP TS 26.234 [8], clause 5.3.3:

- the "m=" line indicates the type of the media, the transport protocol and the port of the related content delivery channel. It may also include a fmt parameter which shall indicate the format given by the SSF or by executing the procedure for providing missing parameters before session initiation described in clauses 8.2.2, a subset of them or the format offered by the UE if none is given by the SSF;
- the "c=" line shall include the network type with the value set to IN, the address type set to IP4 or IP6 and unicast address of the flow of the related content delivery channel; (ex. c=IN IP4 <IP_ADDRESS>)
- optionally a "b=" line may contain the proposed bandwidth. If the user has fetched the bandwidth required for this particular content delivery channel during service selection retrieval, the bandwidth attribute at media level shall be set to this value. Otherwise, this attribute shall be set to a pre-configured value; (ex. b=AS:15000)
- A "a=" line with a "recvonly".

The UE should receive a SIP 200 OK back containing the final SDP.

8.2.3.3 Procedures at the IM CN Subsystem

The IM CN Subsystem handles the SIP dialog as defined in 3GPP TS 23.228 [6].

8.2.3.4 Procedures at the SCF

Upon receipt of SIP INVITE request, the SCF shall examine the Request-URI and SDP parameters to determine that it is a PSS session initiation request for Live Streaming or Content-On-Demand. According to the user subscription information, the SCF shall check the service rights of the requested PSS service.

If the Request-URI contains a content identifier in the user part and a domain name in the domain part, the SCF determines that the PSS streaming session is initiated for On Demand content. In this case, the SCF shall select a suitable PSS adapter and forwards the SIP INVITE to the selected PSS adapter by changing the Request-URI accordingly. The SCF shall not change the user part of the To header in order to keep the content identifier in the INVITE request.

When receiving a 301 or 302 response from the PSS adapter, the SCF shall not forward this message to the UE. It may check if the PSS adapter indicated in the Contact header belong to allowed destination. If allowed, the SCF shall use one of the PSS adapter URI indicated in the Contact header of this response and use it as a destination for the redirected INVITE.

If the request-URI contains the PSI "Live Stream", the SCF determines that the PSS streaming session is initiated for Live content. In this case, the SCF shall select a suitable PSS adapter and forwards the SIP INVITE to the selected PSS adapter. The SCF shall include the list of authorized Live content channels for the user in the SIP INVITE transmitted to the PSS adapter by including the package identifiers containing to the list of authorized Live content channels for the session and optionally transmitting the list of authorized RTSP URIs.

The Recv-Info header shall indicate the supported Info Package (Content reporting) for reception and processing by the SCF [42].

Based on the Request-URI and SDP parameters, the SCF selects a suitable PSS Adapter and forwards the SIP INVITE to the selected PSS Adapter.

Once receiving a SIP 200 OK response from PSS Adapter, the SCF shall forward the response to UE.

8.2.3.5 Procedures at the PSS Adapter

The PSS Adapter shall be statefully aware of any sessions between the PSS Adapter and a UE, and the PSS Adapter and the PSS Server related to the same streaming session. This means that the RTSP session between the PSS Adapter and the PSS Server and the SIP & RTSP sessions between the PSS Adapter and the UE are associated at the PSS Adapter in order to keep session structure and alignment. This includes, but is not limited to, RTSP parameters such as sessionId, IP version, CSeq, etc.

The PSS Adapter shall support the following RTSP methods for PSS Server session establishment and teardown control:

- DESCRIBE (PSS Adapter to PSS Server).
- SETUP (PSS Adapter to PSS Server).
- TEARDOWN (PSS Adapter to PSS Server).

The PSS Adapter should support the "3gpp-pipelined" feature so as to be able to pipeline SETUP messages.

Upon receipt of a SIP INVITE message, the PSS Adapter performs the following actions:

- It shall resolve the RTSP URI based on the R-URI, the SDP parameters and the selected PSS Server.
- It may send a DESCRIBE message to the PSS Server to fetch the SDP file.
- It shall construct and send the RTSP SETUP message(s) to setup the relevant media streams.
- Return the final SDP to the UE in the SIP 200 OK.

The PSS Adapter shall construct the RTSP SETUP message according to the SIP Invite as follows:

- The Request-Line shall be present of format: Request-Line = Method SP Request-URI SP RTSP-Version CRLF:

- Method field is set to SETUP;
- RTSP-Version field to be set of RTSP/1.0.
- The CSeq header field is set to a value allocated by PSS Adapter according to RFC 2326 [25]
- The transport header field:
 - the protocol and profile sub-fields together are set to a value of the protocol sub-field of the corresponding "m=" line in the SDP offer,
 - the unicast | multicast parameter is set to unicast.
 - The destination parameter is set to a value of the "c=" line of the corresponding media delivery channel in the SDP offer,
 - The RTP port value of client_port parameter is set to the value of the port sub-field of the corresponding "m=" line in the SDP offer, and the RTCP port value of client_port parameter is set to a value of the RTP port value plus 1.

An example of the RTSP SETUP message is:

```
PSS Adapter->PSS Server: SETUP rtsp://media.example.com/movie001/audiotrack RTSP/1.0
    CSeq: 1
    Transport: RTP/AVP/UDP; unicast; destination=<IP ADDRESS>; client_port=3400-3401
```

The PSS Adapter may send multiple RTSP SETUP messages if multiple media delivery channels are carried within the SDP offer. In this case, the pipeline of multiple RTSP SETUP messages may be supported.

When receiving a RTSP 200 OK response from the PSS Server, the PSS Adapter parses the response, constructs a SIP 200 OK response with the final SDP, and sends the SIP 200 OK response to the SCF. The final SDP shall describe the RTSP session established by the PSS Adapter and the TCP connection to be established by the UE.

The PSS Adapter shall construct the SIP 200 OK message according to RTSP 200 OK as follows:

- The Recv-Info header shall be set to nil [42].
- an 'm' line for an RTSP stream of format: m=<media> <port> <transport> <fmt>
 - The media field shall have a value of "application".
 - The port field shall be set to the value allocated by PSS Adapter for the UE to establish RTSP session, such as 554.
 - The transport field shall be set to TCP or TCP/TLS. The former is used when RTSP runs directly on top of TCP and the latter is used when RTSP runs on top of TLS, which in turn runs on top of TCP.
- a "c" line shall include the network type with the value set to IN, the address type set to IP4 or IP6 and IP address of PSS Adapter for the flow of the related RTSP content control (e.g. c=IN IP4 <IP_ADDRESS>).
- The "setup" attribute is set to 'passive' indicating that connection shall be initiated by the other endpoint (UE).
- An "a= connection" attribute shall be present and set as "new" indicating that the UE will establish a new outgoing TCP connection towards the PSS Adapter [7][13].
- An "a=control" attribute shall be present in the format of an absolute URI to be used for the UE in the subsequent RTSP requests.
- One or more a=fmtp lines representing RTSP specific attributes set as follows:
 - a "fmtp:3gpp_rtsp h-session" attribute representing the session identifier for the RTSP session to be established with the UE.

The PSS Adapter may include "fmtp: 3gpp_rtsp h-offset" attribute that indicates where the playback is to start from.

Example of RTSP "m' line answer from the PSS Adapter:

```
m=application 554 TCP 3gpp_rtsp
c=IN IP4 192.0.2.1
a=setup:passive
a=connection:new
a=control:rtsp://example.com/channel/content1.sdp
a=fmtp 3gpp_rtsp h-session=12345
a=fmtp 3gpp_rtsp h-offset=30
```

For each media stream controlled by the RTSP content control channel, the SDP answer shall include a content delivery channel media description set as follows:

- the "m=" line indicates the type of the media, the transport protocol and the port of the related content delivery channel.
- The port value shall be set to the RTP port value retrieved from the server_port parameter in the RTSP 200 OK message.
- If an fmt parameter is in the SDP offer it shall be completed with the supported format by the PSS Server;
- the "c=" line shall include the network type with the value set to IN, the address type set to IP4 or IP6 and the unicast address of the PSS Server for the flow related to the content delivery channel, (ex. c=IN IP4 <IP_ADDRESS>);
- the "b=" line shall contain the proposed bandwidth. Since the PSS media stream is unidirectional the bandwidth shall be set to 0, except for the case that the transport is RTP and RTCP is allowed. (ex. b=AS:0);
- an "a=" line with a value of "sendonly". (ex. a=sendonly).

8.2.4 PSS Streaming Playback Control

8.2.4.1 General Description

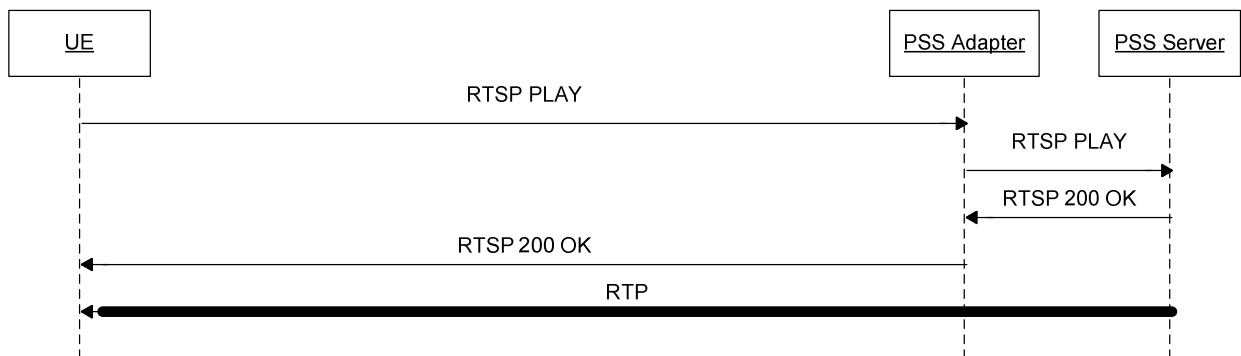


Figure 8: Initial Playback

8.2.4.2 Procedures at the UE

The UE shall support the following RTSP methods for RTSP playback control:

- PLAY (UE to PSS Adapter).
- PAUSE (UE to PSS Adapter).
- GET_PARAMETER (UE to PSS Adapter).
- SET_PARAMETER (UE to PSS Adapter).
- OPTIONS (UE to PSS Adapter).

When receiving any SIP response, the UE shall examine the media parameters in the received SDP: the UE shall immediately setup the TCP connection carrying RTSP. The UE shall fetch the RTSP session ID from the SDP answer contained in the SIP response. This RTSP session ID shall be used for RTSP media control messages.

After SIP session establishment, the UE can exchange RTSP messages to start to receive media streams. The UE shall send an RTSP PLAY message to the PSS adapter according to 3GPP TS 26.234 [8].

- The RTSP URL shall be set to the value retrieved from the SDP "a=control" attribute in the case of an absolute URI. If the value of "a=control" is a relative URI that is in the form of a media path, then the RTSP absolute URL is constructed by the UE using the SDP IP address (from c-line) and port (from m-line) as the base followed by "a=control" value for the media path.
- The RTSP session ID in the h-session received in the SDP shall be used in RTSP media control messages.
- The version attribute shall be present in the SDP and its value shall be 1.0 in this version of the specification.
- If the h-offset attribute is present in the SDP, the Range parameter in the first RTSP PLAY message may be set to its value. E.g. Range: npt=<OFFSET>- (with OFFSET being the value of the h-offset attribute).

8.2.4.3 Procedures at the PSS Adapter

If the PSS Adapter supports the proxying of RTSP towards the PSS Server then the following methods shall be supported:

- PLAY;
- PAUSE;
- GET_PARAMETER;
- SET_PARAMETER;
- OPTIONS.

Upon receipt of a RTSP message from an UE, the PSS Adapter shall match the RTSP session with the RTSP sessions once established with PSS Server according to the Session ID carried in the received RTSP message. If there is a session match, PSS Adapter shall send the RTSP message to PSS Server on the matched RTSP session. If no session matches, PSS Adapter shall response with a RTSP error code 454 (Session Not Found).

When receiving a RTSP response message from a PSS Server, the PSS Adapter shall match the RTSP session with the RTSP sessions once established with UEs according to the Session ID carried in the received RTSP response message, and send the RTSP response message to UE on the matched RTSP session.

The PSS Adapter should send a SIP INFO message to the SCF indicating that playback has started. This SIP INFO message should be equal to the SIP INFO messages for PSS content switching defined in clause 8.2.5.

8.2.4.4 Procedures at the PSS Server

The procedures at the PSS Server shall conform to those defined in 3GPP TS 26.234 [8].

8.2.5 PSS content switching

8.2.5.1 PSS Streaming session modification

8.2.5.1.1 General description

NOTE 1: The specification assumes the UE will trigger a Re-INVITE procedure to change the QoS to fit the new channel requirements. It will be considered whether the network can trigger the QoS change without the UE taking management.

This procedure presents the generic PSS streaming session modification procedure. It can be referred in some cases for PSS Content Switching, when there is a change of media components and/or bandwidth.

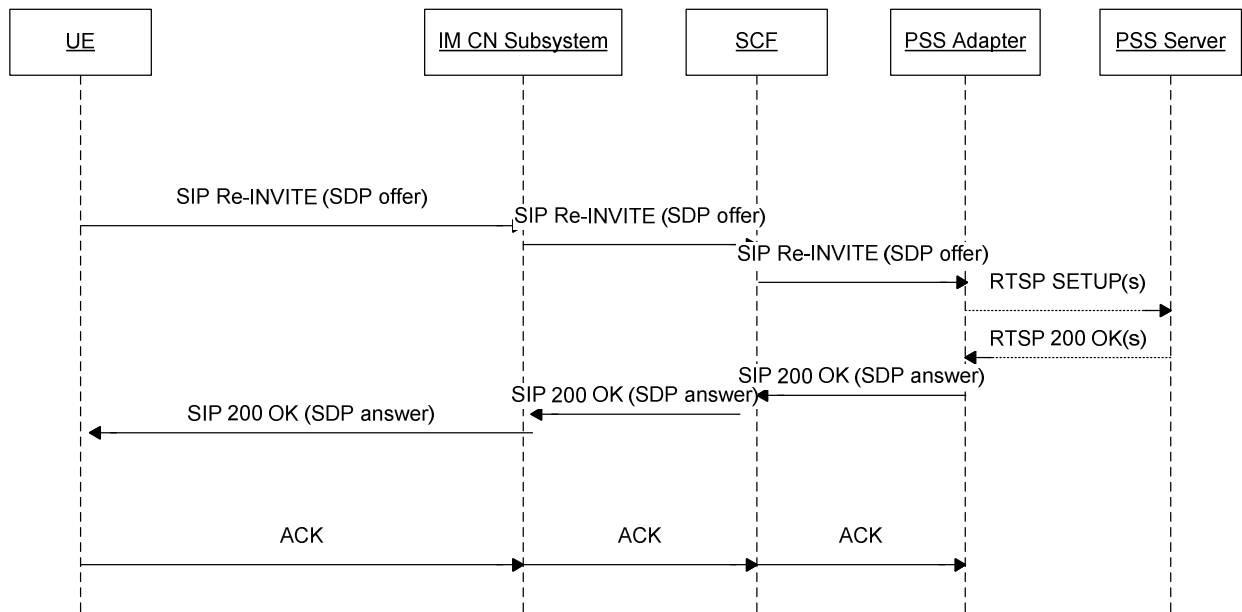


Figure 9: UE-initiated PSS session modification

NOTE 2: Like in other call-flows of the specification, the figure does not show that messages exchanged between the PSS adapter and the SCF are routed through the IM CN subsystem.

- 1) The UE sends the Re-INVITE request containing the SDP offer to the IM CN Subsystem to establish the content delivery channel. The IM CN Subsystem may require the PCRF to reserve additional resources for RTP streams according to the SDP in the Re-INVITE. The IM CN subsystem may also issue the PCRF to release resources for RTP streams.
- 2) The IM CN Subsystem forwards the Re-INVITE request to the SCF.
- 3) The SCF sends the Re-INVITE to the PSS adapter via the IM CN Subsystem.
- 4) The PSS adapter sends the according number of RTSP SETUP to the PSS server, if additional media components are described in the SDP.
- 5) The PSS server responds with RTSP 200 OK to the PSS adapter (only, if the PSS adapter has send SETUP messages to the PSS Server).
- 6) The PSS adapter sends one SIP 200 OK to the SCF with the SDP answer containing the new media descriptions of RTP streams to be used.
- 7) The SCF sends the SIP 200 OK to the IM CN Subsystem. The IM CN subsystem interacts with the PCRF to commit the reservation, and then forwards the SIP 200 OK to the UE.
- 8) The UE sends the SIP ACK to the IM CN subsystem, which forwards to the SCF. The SCF forwards the SIP ACK to the PSS adapter.

8.2.5.1.2 Procedures at the UE

To modify the session, the UE shall send a Re-INVITE or an UPDATE request as specified in TS 24.229 [7] for an originating UE.

The UE shall not modify RTSP channel m-line description in the SDP if the media delivery streams controlled by RTSP are not removed (port not set to 0 in the m lines) in the SDP.

Upon receipt of a Re-INVITE request or an UPDATE request, the UE shall modify the request as specified in TS 24.229 [7] if the request is acceptable to the UE.

8.2.5.1.3 Procedures at the IM CN subsystem

The IM CN subsystem handles the SIP dialog as defined in 3GPP TS 23.228 [6].

8.2.5.1.4 Procedures at the SCF

Upon receipt of a Re-INVITE request or an UPDATE request, the SCF shall follow the procedures defined in TS 24.229 [7] concerning the AS acting as a proxy or a B2BUA.

When receiving an SDP offer, the SCF may modify the SDP offer in accordance to the user subscription. If the SCF finds a media line not compatible with the user's subscription, it shall set the port of this media line to 0. If none of the media lines are acceptable, it shall reply with a 403 error response.

Then the SCF forwards the Re-INVITE message to the PSS adapter.

8.2.5.1.5 Procedures at the PSS adapter

Upon receipt of a Re-INVITE request or an UPDATE request, the PSS adapter shall modify the session as specified in TS 24.229 [7] if the request is acceptable to the PSS adapter in accordance with the user subscription.

The PSS adapter sets up new media components, if the SDP file contains additional components.

8.2.5.1.6 Procedures at the PSS server

Upon receipt of an RTSP setup, the PSS server executes the requested method and responds with an RTSP status code to the PSS adapter.

8.2.5.2 PSS Content switching with available SDP, no change of media component and bandwidth

8.2.5.2.1 General description

The UE has retrieved the SDP prior to the content switching. The procedure is as described as in 3GPP TS 26.234 [8], with the server role being played by the PSS adapter.

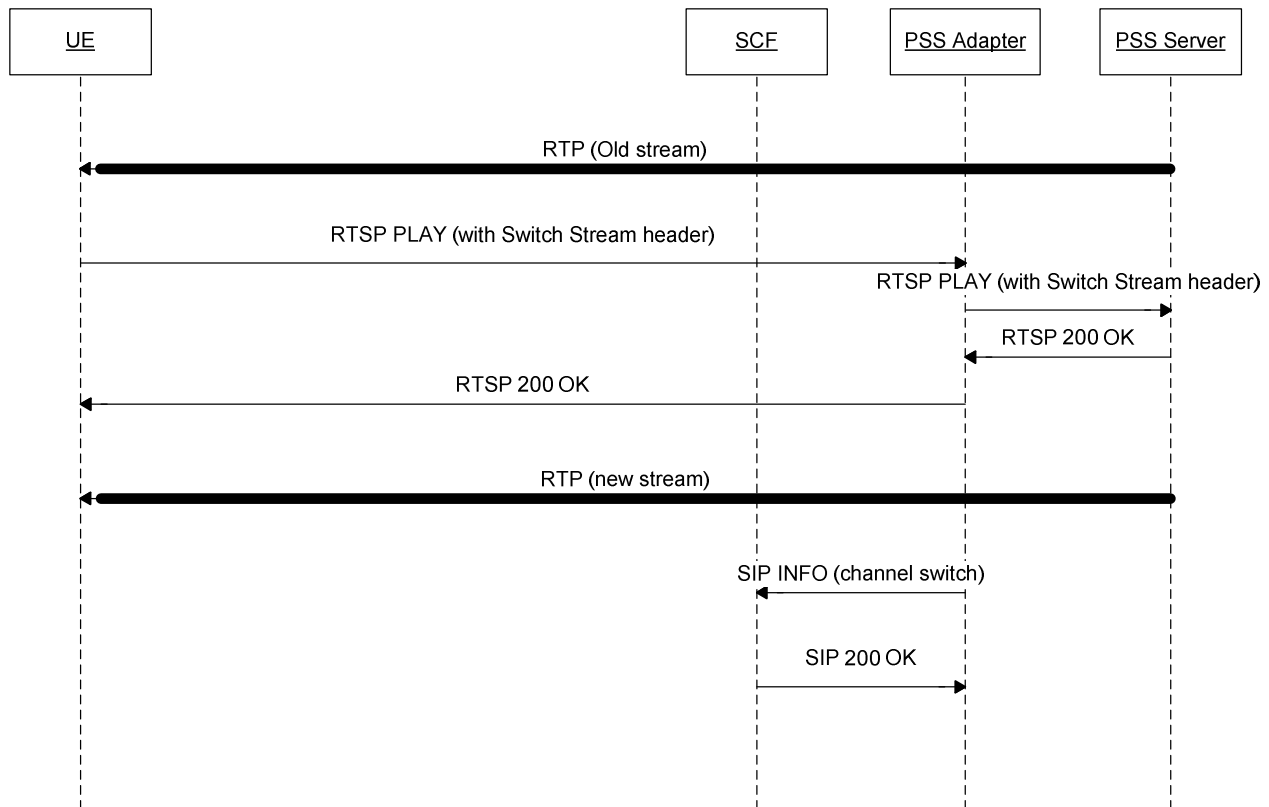


Figure 10: IMS PSS Content switching

NOTE: This sequence is simplified and does not e.g. show session progress messages and the ACK message from in response to the reception of 200 OK.

- 1) The UE sends a PLAY request with the aggregated control URI of the new content to the PSS adapter. The PSS client adds the media control URIs of the new streams in the "Switch-Stream" header field to the RTSP PLAY method request as defined 3GPP TS 26.234 [8] clause 5.5.4.3.
- 2) The PSS Adapter sends the RTSP PLAY message to the PSS Server.
- 3) The PSS Server responses a RTSP 200 OK message to the PSS Adapter.
- 4) The PSS Adapter sends the RTSP 200 OK message to UE.
- 5) The PSS server delivers the switched content streams to the UE.
- 6) The PSS Adapter should send a SIP INFO message including the Info Package (Content Reporting) to the SCF with content switching information. See clause 8.2.5.2.5.

The SCF may utilize the content switching information for statistic, charging etc. purpose, and may initiate a SIP Re-INVITE request to the UE to adjust the QoS reservation if the transport resources changed before and after switching.

8.2.5.2.2 Procedures at the UE

To switch content of the PSS streaming session the UE shall send an RTSP PLAY request with the new content URI as defined in TS 26.234 [8] clause 5.5.4.

8.2.5.2.3 Procedures at the IM CN Subsystem

The IM CN subsystem handles the SIP dialog as defined in 3GPP TS 23.228 [6].

8.2.5.2.4 Procedures at the SCF

Upon receipt of a SIP INFO message the SCF shall send a SIP 200 OK to the PSS adapter.

8.2.5.2.5 Procedures at the PSS Adapter

Upon identification of a successful content switch, the PSS Adapter starts the content switching timer for a particular session. If another content switch occurs during the life of the timer, the timer is restarted. If the session is terminated during the life of the timer, the timer is stopped. After timer expiration, the PSS Adapter should send a SIP INFO message with the Info Package (Content Reporting) to the SCF. The Content Reporting Info Package shall contain an XML document as defined in Annex D and Annex E.

- ImsPssMbmsCommand shall be set to "PssSwitch".
- ContentID is set to the RTSP URI of the new content.
- DateTime is set to the current date and time.

The Content-Type header shall be set to "application/3gpp-ims-pss-mbms-command+xml".

8.2.5.2.6 Procedures at the PSS Server

The PSS Server reacts as defined in 3GPP TS 26.234 [8] clause 5.5.4.

8.2.5.3 PSS Content switching with available SDP, change of media components or QoS

8.2.5.3.1 General Description

Fast Content Switching as defined in 26.234 [8] Clause 5.5.4 allows also changing content when the new content channel requires a different number of media components as the old content channel, or when the bandwidth needs to be modified.

For instance, the old content stream consists out of an audio and a video stream and the new content channel offers an audio, video and 3GPP Timed Text media component. Addition a media component to an ongoing stream is defined in 26.234 [8] clause 5.5.4.6 and removing a media component in 26.234 [8] clause 5.5.4.7.

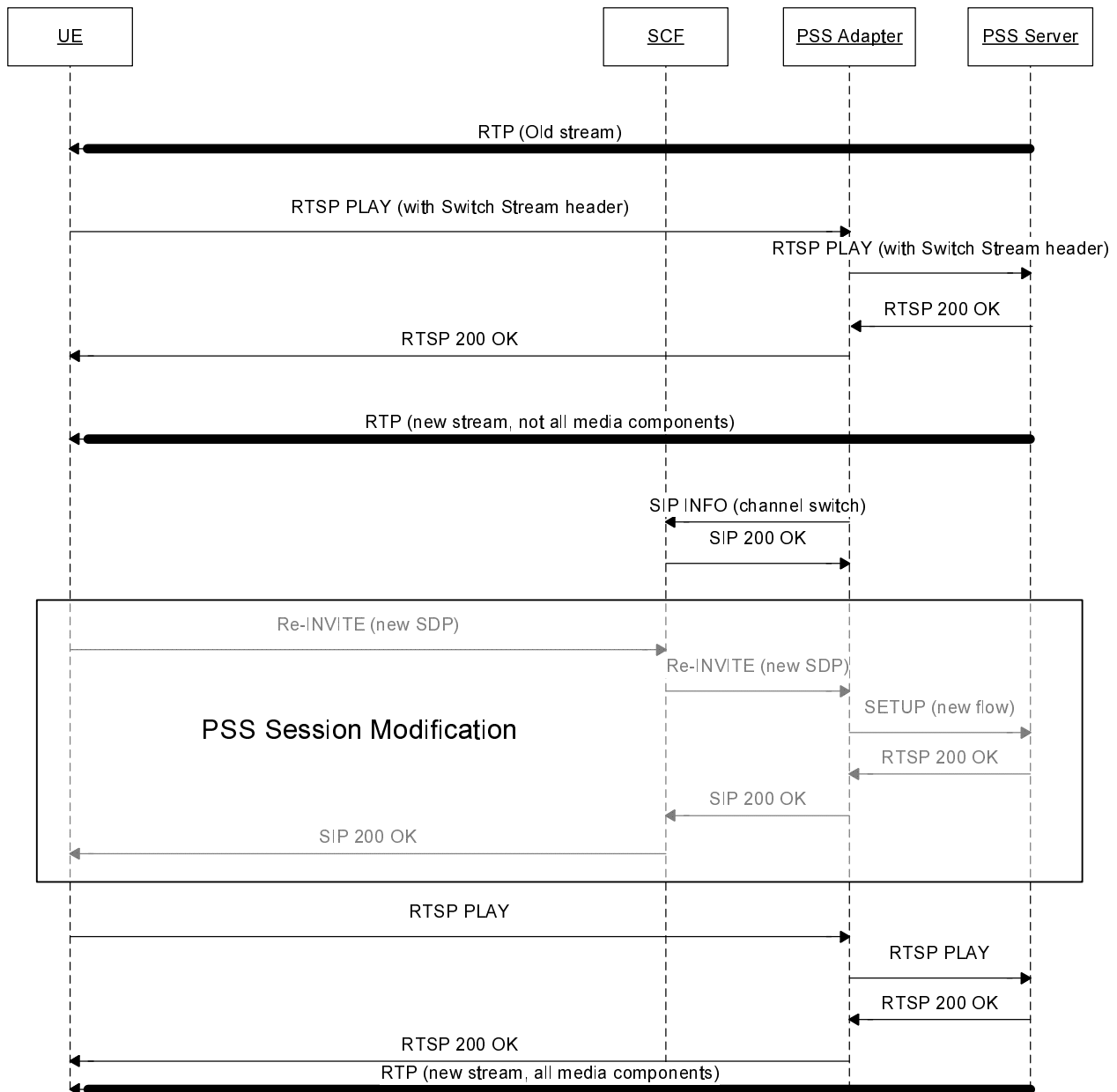


Figure 11: IMS PSS Content switching

NOTE 1: This sequence is simplified and does not e.g. show session progress messages and the ACK message from in response to the reception of 200 OK.

NOTE 2: The number of required RTSP SETUP interactions between the PSS Adapter and the PSS Server depend on the number of new media components in the SDP.

The UE determines that the new SDP file contains a different number of media components as the old SDP. The UE updates the streaming session by sending a Re-INVITE with the new SDP file, as described in clause 8.2.3.2. The Re-INVITE is sent either before, during or after the RTSP PLAY switch. As soon as the UE receives the 200 OK for the Re-INVITE, the UE initiates a PLAY to get the new synchronization information.

8.2.5.3.2 Procedures at the UE

The UE shall send an RTSP PLAY request with the new content URI as defined in TS 26.234 [8] clause 5.5.4. The UE changes the number of media components by sending a Re-INVITE message with the new SDP offer. After receiving the 200 OK for the Re-INVITE the UE initiates a PLAY to get the new synchronization information.

8.2.5.3.3 Procedures at the IM CN Subsystem

The IM CN subsystem handles the SIP dialog as defined in 3GPP TS 23.228 [6].

8.2.5.3.4 Procedures at the SCF

Upon receipt of a SIP INFO message the SCF shall send a SIP 200 OK to the PSS adapter.

The SCF may also decide to change the timer value, e.g. if it is overloaded. In this case, it shall include an XML document in the SIP 200 OK as defined in Annex C, indicating the value of this timer. If the boolean variable SendSwitchingInfo is set to False, the PSS Adapter shall not send further SIP INFO messages for the life of the session.

8.2.5.3.5 Procedures at the PSS Adapter

Upon identification of a successful content switch, the PSS Adapter starts the content switching timer for a particular session. If another content switch occurs during the life of the timer, the timer is restarted. If the session is terminated during the life of the timer, the timer is stopped. After timer expiration, the PSS Adapter should send a SIP INFO message with the Info Package (Content Reporting) to the SCF. The Content Reporting Info Package shall contain an XML document as defined in Annex D and Annex E.

- ImsPssMbmsCommand shall be set to "PssSwitch".
- ContentID is set to the RTSP URI of the new content.
- DateTime is set to the current date and time.

The Content-Type header shall be set to "application/3gpp-ims-pss-mbms-command+xml".

When receiving the SIP Re-INVITE message from the SCF, if a new media component needs to be added, the PSS adapter shall send the RTSP SETUP to the PSS server, indicating the new media component that needs to be added.

8.2.5.3.6 Procedures at the PSS Server

The PSS Server behaves as defined in 3GPP TS 26.234 [8] clause 5.5.4

8.2.5.4 PSS Content switching with unavailable SDP, no change of media component and/or bandwidth

8.2.5.4.1 General description

In this case, the UE does not have the SDP for the streams it intends to switch to. The new content has same media and bandwidth characteristics.

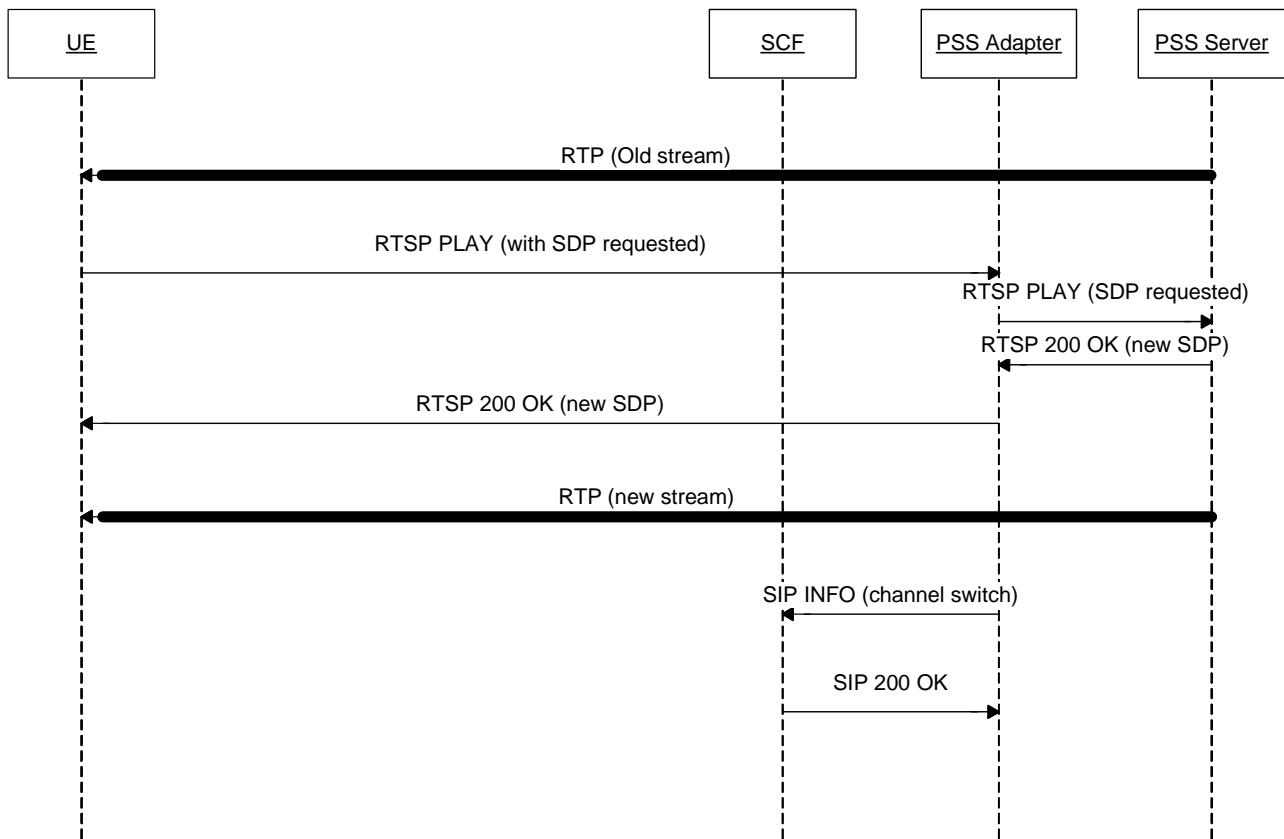


Figure 12: IMS PSS Content switching without available SDP, no change of media component and/or bandwidth

NOTE: This sequence is simplified and does not e.g. show session progress messages and the ACK message from in response to the reception of 200 OK.

The UE sends a PLAY request to the PSS adapter indicating that it needs the SDP for the new streams. The PSS Adapter sends the RTSP PLAY message to the PSS Server.

The PSS Server responds a RTSP 200 OK message to the PSS Adapter, PSS Adapter sends the RTSP 200 OK message to UE containing the SDP for the new streams.

The PSS server starts streaming the switched content streams to the UE.

The PSS Adapter should send a SIP INFO message including the Info Package (Content Reporting) to the SCF according to clause 8.2.5.2.1.

8.2.5.4.2 Procedures at the UE

To switch content of the PSS streaming session the UE shall send an RTSP PLAY to request the new SDP as defined in TS 26.234 [8].

8.2.5.4.3 Procedures at the IM CN Subsystem

The IM CN subsystem handles the SIP dialog as defined in 3GPP TS 23.228 [6].

8.2.5.4.4 Procedures at the SCF

Upon receipt of a SIP INFO message the SCF shall send a SIP 200 OK to the PSS adapter.

8.2.5.4.5 Procedures at the PSS Adapter

Upon identification of a successful content switch, the PSS Adapter starts the content switching timer for a particular session. If another content switch occurs during the life of the timer, the timer is restarted. If the session is terminated

during the life of the timer, the timer is stopped. After timer expiration, the PSS Adapter should send a SIP INFO message with the Info Package (Content Reporting) to the SCF. The Content Reporting Info Package shall contain an XML document as defined in Annex D and Annex E.

- ImsPssMbmsCommand shall be set to "PssSwitch".
- ContentID is set to the RTSP URI of the new content.
- DateTime is set to the current date and time.

The Content-Type header shall be set to "application/3gpp-ims-pss-mbms-command+xml".

The PSS Adapter sends the RTSP 200 OK message to UE containing the SDP for the new stream.

8.2.5.4.6 Procedures at the PSS Server

The PSS Server behaves as defined in 3GPP TS 26.234 [8] clause 5.5.4.

8.2.5.5 PSS Content switching with unavailable SDP, change of media component and/or bandwidth

8.2.5.5.1 General description

In this case, the UE does not have the SDP for the streams it intends to switch to. And the new content has different media and/or bandwidth characteristics.

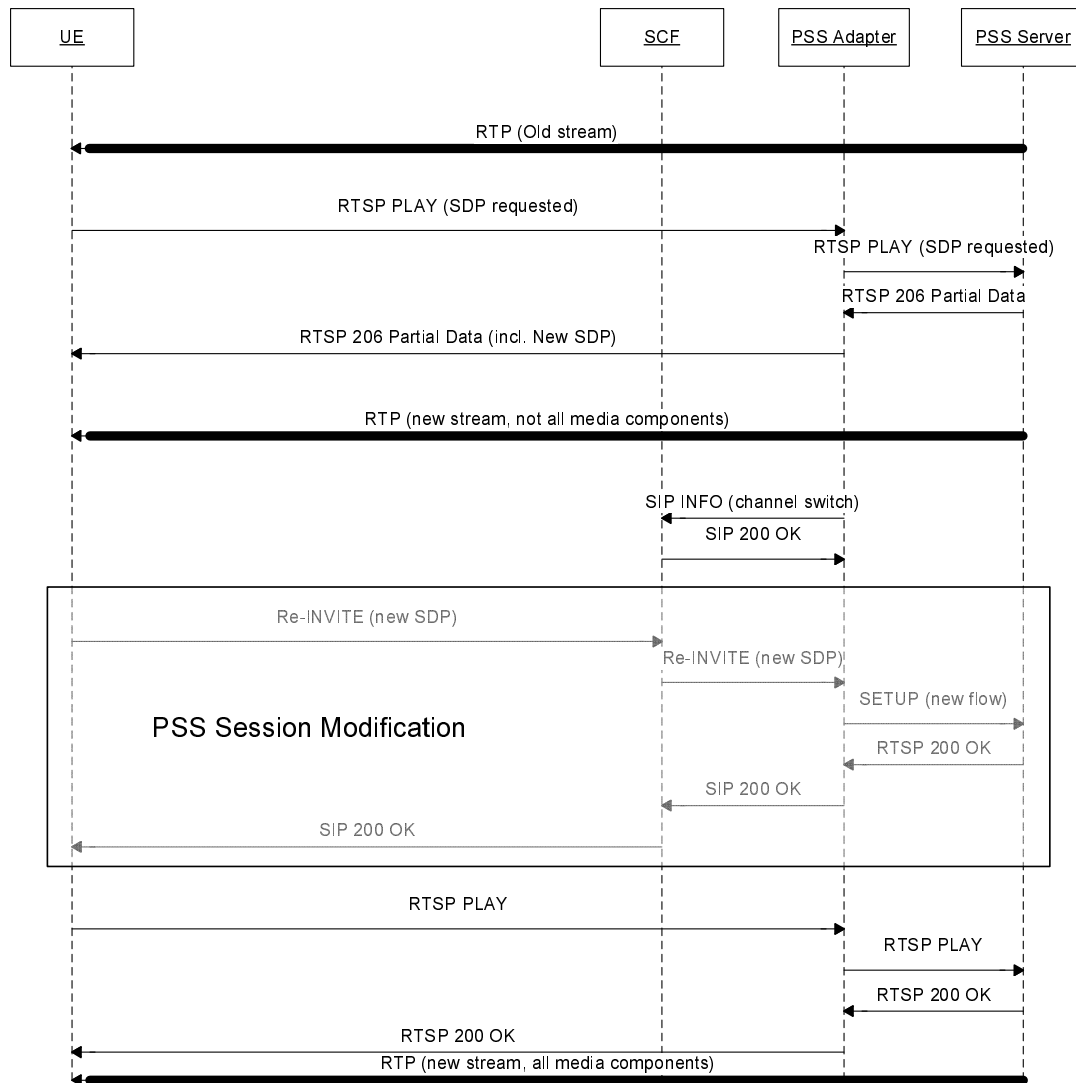


Figure 13: IMS PSS Content switching without available SDP, change of media component and/or bandwidth

The UE sends a PLAY request to the PSS adapter indicating that it needs the SDP for the new streams. The PSS Adapter sends the RTSP PLAY message to the PSS Server.. If the UE receives a "206 Partial Data" success status code, then the UE changes the number of media components and/or bandwidth by sending a RE-INVITE message with the new SDP file, as described in clause 8.2.5.1.

8.2.5.5.2 Procedures at the UE

If the UE receives a "206 Partial Data" success status code, then the UE changes the number of media components by sending a re-INVITE message with the new SDP file.

8.2.5.5.3 Procedures at the IM CN Subsystem

The IM CN subsystem handles the SIP dialog as defined in 3GPP TS 23.228 [6].

8.2.5.5.4 Procedures at the SCF

Upon receipt of a SIP INFO message the SCF shall send a SIP 200 OK to the PSS adapter.

8.2.5.5.5 Procedures at the PSS Adapter

Upon identification of a successful content switch, the PSS Adapter starts the content switching timer for a particular session. If another content switch occurs during the life of the timer, the timer is restarted. If the session is terminated during the life of the timer, the timer is stopped. After timer expiration, the PSS Adapter should send a SIP INFO message with the Info Package (Content Reporting) to the SCF. The Content Reporting Info Package shall contain an XML document as defined in Annex D and Annex E.

- ImsPssMbmsCommand shall be set to "PssSwitch".
- ContentID is set to the RTSP URI of the new content.
- DateTime is set to the current date and time.

The Content-Type header shall be set to "application/3gpp-ims-pss-mbms-command+xml".

When receiving the SIP RE-INVITE message from the SCF, if a new media component needs to be added, the PSS adapter shall send the RTSP SET-UP to the PSS server, indicating the new media component that needs to be added.

8.2.5.5.6 Procedures at the PSS Server

The PSS Server reacts as defined in 3GPP TS 26.234 [8] clause 5.5.4.

8.2.5.6 PSS content switching reporting update

8.2.5.6.1 General Description

If the SCF does not want to receive content switching information anymore or would like to start content switching reporting, the SCF should send a SIP UPDATE message to the PSS adapter with the Recv-Info header set appropriately.

Note: In this case, the SCF is acting as B2BUA.

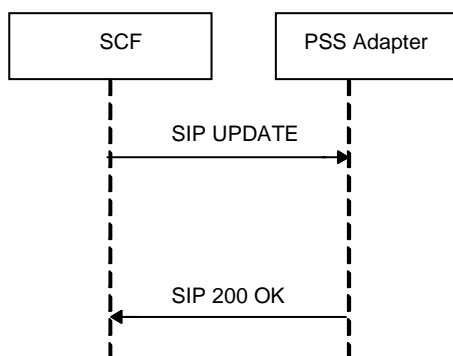


Figure 13a: PSS content switching reporting update

8.2.5.6.2 Procedures at the PSS adapter

After receiving a SIP UPDATE message from the SCF, the PSS adapter shall dependent on the Recv-Info header, stop or start the content switching reporting.

8.2.5.6.3 Procedures at the SCF

If the SCF does not want to receive content switching information anymore, it should send a SIP UPDATE message with the Recv-Info header set to nil to the PSS adapter.

If the SCF decides to start content switching reports, the SCF should send a SIP UPDATE message with the Recv-Info header set to content info to the PSS adapter.

8.2.6 PSS Streaming Session Teardown

8.2.6.0 Introduction

Assuming the streaming session is established, the session can be terminated either by the UE or by the network. For the network-initiated PSS streaming session teardown, either the SCF or the PSS adapter can initiate the procedure.

8.2.6.1 General Description

8.2.6.1.1 UE-initiated PSS streaming session teardown

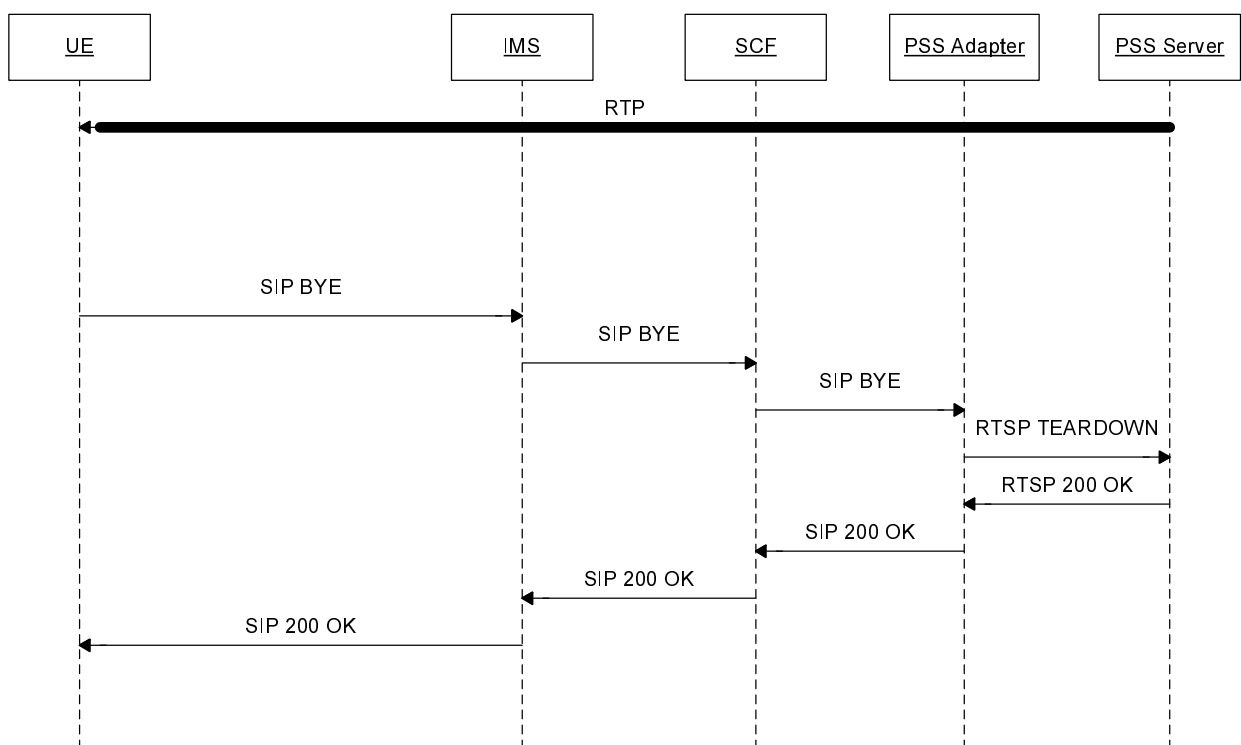


Figure 14a: UE-initiated IMS PSS Session termination

NOTE: This sequence is simplified and does not e.g. show session progress messages and the ACK message from the UE in response to the reception of 200 OK

Here the case of UE termination is described. The following steps are carried out:

- 1) Note that the PSS Adapter should maintain the RTSP session to the PSS Server until after step 5.
- 2) The UE sends a SIP BYE message.
- 3) The IMS CN subsystem forwards the SIP BYE message to the SCF.
- 4) The SCF sends the SIP BYE message to the PSS adapter.
- 5) The PSS adapter sends a RTSP TEARDOWN to the PSS server.
- 6) In case the PSS Server is transmitting RTP data it stops sending RTP data for this session. The PSS server sends a RTSP 200 OK to the PSS adapter.

- 7) The PSS adapter sends a SIP 200 OK to the UE via SCF and IMS CN subsystem.

8.2.6.1.2 SCF-initiated PSS streaming session teardown

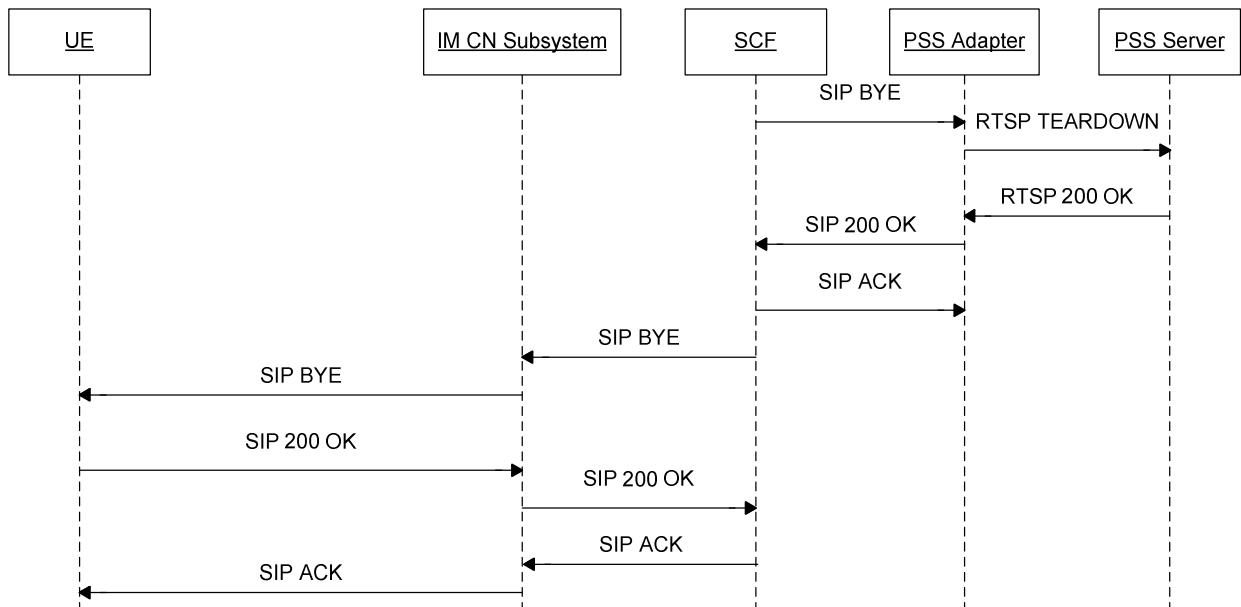


Figure 14b: SCF-initiated IMS PSS Session termination

NOTE: this sequence is simplified and does not show e.g. session progress messages.

Here the case of the SCF-initiated teardown procedure is described. The following steps are carried out:

- 1) The SCF sends a SIP BYE to the PSS adapter.
- 2) The PSS adapter sends the RTSP TEARDOWN message to the PSS server.
- 3) The PSS server sends the RTSP 200 OK message to the PSS adapter.
- 4) The PSS adapter sends the SIP 200 OK message to the SCF.
- 5) Upon receipt of the SIP 200 OK, the SCF sends the SIP ACK message to the PSS adapter, and sends the SIP BYE message to the IM CN subsystem.
- 6) The IM CN Subsystem forwards the SIP BYE message to the UE.
- 7) The UE sends a SIP 200 OK message to the IM CN Subsystem.
- 8) The IM CN Subsystem forwards the SIP 200 OK to the SCF.
- 9) The SCF sends the SIP ACK message to the IM CN subsystem, which forwards it to the UE.

8.2.6.1.3 PSS adapter-initiated PSS streaming session teardown

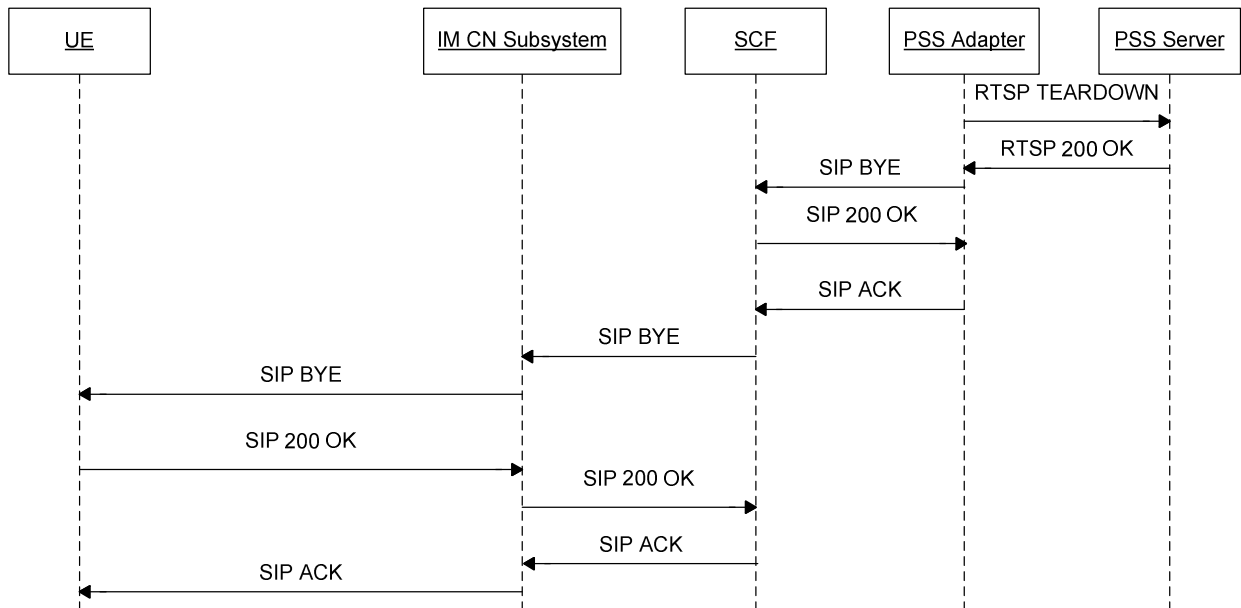


Figure 14c: PSS adapter-initiated IMS PSS Session termination

NOTE: this sequence is simplified and does not show e.g. session progress messages.

Here the case of the SCF-initiated teardown procedure is described. The following steps are carried out:

- 1) The PSS adapter sends the RTSP TEARDOWN to the PSS server.
- 2) The PSS server sends the RTSP 200 OK to the PSS adapter.
- 3) The PSS adapter sends the SIP BYE message to the SCF.
- 4) The SCF sends the SIP 200 OK message to the PSS adapter.
- 5) The PSS adapter sends the SIP ACK message to the SCF.
- 6) The SCF sends the SIP BYE message to the IM CN Subsystem.
- 7) The IM CN Subsystem forwards the SIP BYE message to the UE.
- 8) The UE sends a SIP 200 OK message to the IM CN Subsystem.
- 9) The IM CN Subsystem forwards the SIP 200 OK to the SCF.
- 10) The SCF sends the SIP ACK message to the IM CN subsystem, which forwards it to the UE.

8.2.6.2 Procedures at the UE

8.2.6.2.1 UE-initiated PSS streaming session teardown

To teardown the PSS streaming session the UE shall close the TCP connection for RTSP between UE and PSS Adapter, if existing. Further, the UE shall send a SIP BYE to the SCF.

8.2.6.2.2 Network-initiated PSS streaming session teardown

Upon receipt of the SIP BYE message, the UE shall send the SIP 200 OK message to the SCF. The UE proceeds to release the associated resources held for the PSS session.

8.2.6.3 Procedures at the IM CN Subsystem

The IM CN subsystem handles the SIP dialog as defined in 3GPP TS 23.228 [6].

8.2.6.4 Procedures at the SCF

8.2.6.4.1 UE-initiated PSS streaming session teardown

Upon receipt of a SIP BYE message the SCF shall forward it to the PSS adapter.

8.2.6.4.2 SCF-initiated PSS streaming session teardown

The SCF initiates the PSS streaming session teardown by sending a SIP BYE message to the PSS adapter. Upon receipt of the SIP 200 OK from the PSS adapter, the SCF shall send a SIP BYE message to the UE.

8.2.6.4.3 PSS adapter-initiated PSS streaming session teardown

Upon receipt of the SIP BYE message received from the PSS adapter, the SCF sends the SIP 200 OK message to the PSS adapter. Then the SCF forwards the SIP BYE message to the UE.

8.2.6.5 Procedures at the PSS Adapter

8.2.6.5.1 UE-initiated PSS streaming session teardown

Upon receipt of a SIP BYE message from the SCF the PSS adapter shall send a RTSP TEARDOWN message to the PSS Server.

Upon receipt of a RTSP 200 OK message from the PSS server, the PSS adapter shall send a SIP 200 OK message to the SCF.

The PSS Adapter shall not close the RTSP session to the PSS Server on receipt of a TCP close, but waits until it has received the SIP BYE message in step 4.

8.2.6.5.2 SCF-initiated PSS streaming session teardown

Upon receipt of the SIP BYE message, the PSS adapter sends the RTSP TEARDOWN message to the PSS server. Upon receipt of the RTSP 200 OK message from the PSS server, the PSS adapter sends the SIP 200 OK to the SCF.

8.2.6.5.3 PSS adapter-initiated PSS streaming session teardown

The PSS adapter sends the RTSP TEARDOWN to the PSS server. Upon receipt of the RTSP 200 OK, the PSS adapter sends the SIP BYE message to the SCF.

8.2.6.6 Procedures at the PSS Server

Upon receipt of a RTSP TEARDOWN from the PSS adapter, the PSS server shall stop still on-going RTP transmissions and send a RTSP 200 OK message to the PSS adapter.

8.2.7 Supported procedures

Clause 8.2 specifies IMS initiated and controlled PSS streaming sessions. Protocols and procedures as defined in 3GPP TS 26.234 [8] are supported including

- Fast content switching and start-up (clause 5.5). In the case of fast content start-up, the pipelining takes place between the PSS adapter and the PSS server.
- Time-shifting support (clause 5.6)
- RTP and RTCP extensions (clause 6.2.3)

- Adaptation of continuous media (clause 10)
- Quality of Experience reporting (clause 11).

8.3 MBMS Streaming

8.3.1 MBMS Media codecs and formats

MBMS Media codecs and formats defined in 3GPP TS 26.346 [11] are applicable to the present document for IMS initiated and controlled MBMS User service.

8.3.2 Procedure for providing missing parameters before session initiation

8.3.2.1 Procedures at the UE

If the UE does not have the all the information it needs to form an SDP offer, the UE shall send a SIP OPTIONS message.

The "Request-URI" is related to the MBMS service that the user wants to activate. The "Request-URI" shall be composed of a user and domain part as defined as follows:

- The user part contains the serviceId. The serviceId shall be globalServiceID defined in [27] or serviceId defined in [11], which is retrieved from service selection information.
- The domain part is the Service Provider domain name, obtained from SSF.

The TO header shall contain the same URI as in the "Request-URI" parameter.

The FROM header shall indicate the public user identity of the user.

Upon reception of the 200 OK including service access information encapsulated in multipart/MIME, the UE shall initiate MBMS session as described in clause 8.3.3.

8.3.2.2 Procedures at the SCF

When receiving the SIP OPTIONS message, the SCF shall examine the serviceId present in the user-part of the TO header and lookup the requested User Service Description information.

The SCF shall answer with the user service description information of the content delivery channel (encapsulated in multipart/MIME) as requested by the serviceId.

8.3.3 MBMS Streaming Session initiation

8.3.3.1 General description

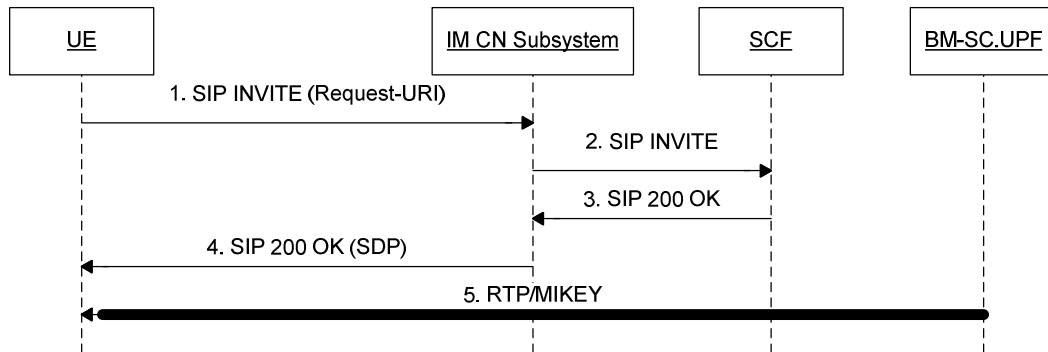


Figure 15: MBMS Streaming Session Initiation

It is assumed that the UE has already received the MBMS USD containing the SDP and associated fragments for the service from the SSF before initiating the MBMS session.

- Step 1, 2: UE initiates a SIP INVITE message to SCF, indicating which MBMS Streaming User Service the user has chosen.
- Step 3, 4: SCF responds UE with a SIP 200 OK message when the SIP INVITE is successfully handled. The SIP 200 OK contains an SDP files containing the Multicast address of the service. The UE then activates the MBMS bearers either using the MBMS Broadcast Service Activation procedure [4] or the MBMS Multicast Service Activation Procedure [4].
- Step 5: The UE can start receiving the MBMS Streaming session data when transmitted by the BM-SC.UPF.

The construction of the SDP is not affected by the use of MBMS stream bundling, see section 8.2.2 of [11], nor are any of the procedures.

8.3.3.2 Procedures at the UE

The UE shall support the procedures specified in TS 24 229 [7] for originating sessions.

The UE shall generate an initial INVITE request:

- The Request-URI in the INVITE request shall be the well known PSI (Public Service Identifier) of the MBMS Service, i.e. Live Stream@<Domain name>.
- The To header shall contain the same URI as in the Request-URI.
- The From header shall indicate the public user identity of the user.
- The Recv-Info header shall be set to nil [42].

An SDP offer shall be included in the request. The SDP offer shall be done in accordance with the parameters received during UE service selection procedure and with media capabilities and required bandwidth available for the MBMS session. The SDP offer corresponds to the MBMS Streaming Session. See 3GPP TS 26.346 [11], clause 8.3.1. . The SDP offer at media level shall include the following elements:

- The m-line(s) shall be set to the media parameters retrieved via service selection procedures for the requested MBMS service.

- The c-line(s) shall be set according to the multicast address retrieved via service selection procedures for the requested MBMS service.
- An a=mbms_service:MBMS_ServiceId line to indicate the MBMS service which the UE intends to initiate first. The MBMS_ServiceId shall be globalServiceID defined in [27] or serviceId defined in [11], which is retrieved from service selection information.
-

Once the UE receives the SIP response, the UE shall examine the media parameters in the received SDP, and initiate the MBMS channel according to the a=mbms_service line. It can activate the corresponding MBMS User Service as described in the USDs. MBMS User Service reception initiation may correspond to the MBMS Broadcast Mode activations as described in 3GPP TS 23.246 [4], clause 8.12 or the MBMS Multicast Mode activation procedure as described in 3GPP TS 23.246 [4], clause 8.2.

8.3.3.3 Procedures at the IM CN Subsystem

Once the IMS CN receives the SIP response, PCC procedures are performed as described in clause 9.

8.3.3.4 Procedures at the SCF

The SCF shall support the procedures specified in TS 24.229 [7] applicable to an AS acting as a terminating UA.

Upon receipt of SIP INVITE request, the SCF shall perform service authorization procedures to check the service rights of requested MBMS service according to the user subscription information, See clause 10.4.

The SCF shall examine the SDP parameters in the SDP offer.

- It shall examine the a=mbms_service parameter. This parameter contains the channel the UE intends to join. If the mbms_service parameter does not point to a channel that the UE is allowed to join the SCF shall not accept the offer and shall answer with a 403 error code.
- It shall examine the c-line(s) to determine that it is a multicast session. It may also check that it corresponds to the mbms_service parameter. If not, the SCF shall answer with an 403 error code.

If the SDP parameters are examined successfully, the SCF shall answer with a SIP 200 OK, indicating the SDP answer as follows:

- The c-lines and m-lines shall be identical to ones indicated in the SDP offer.
- It shall include an a=recvonly attribute.

The SIP 200 OK shall indicate the supported Info Packages in the Recv-Info header (Content Reporting) [42].

8.3.3.5 Procedures at the BMSC.UPF

The MBMS session is already ongoing at the BMSC.UPF. No specific action is required.

8.3.4 MBMS content switching

8.3.4.1 General Description

It is assumed that MBMS streaming reception is already active and a stream is delivered to the UE via MBMS. In case of MBMS content switching, the UE tunes into a new content channel e.g. in case of MBMS multicast mode the UE leaves a multicast channel and joins another one.

The UE should sent a SIP INFO Message with the included Info Package (Content Reporting) to inform the SCF about which channel is being received unless the SCF prohibits it. A timer is started with a preconfigured value with default value of 10 seconds, when the channel switch is executed. After timer expiration the SIP INFO message is sent.

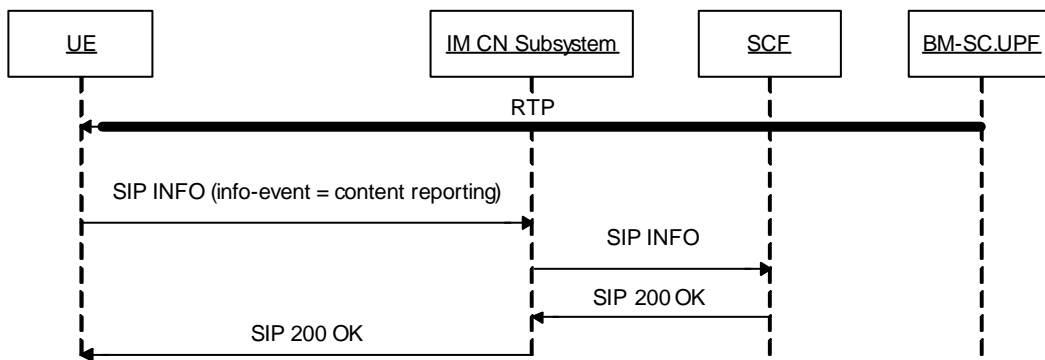


Figure 16: MBMS content switching reporting

The UE sends content switching information to the SCF.

The content switching information may include the serviceId after switching. The SCF may utilize the content switching information for statistical or charging purposes etc.

If the SCF does not want to receive content switching information anymore or would like to start content switching reporting, the SCF should send a SIP UPDATE message to the UE with the Recv-Info header set appropriately.

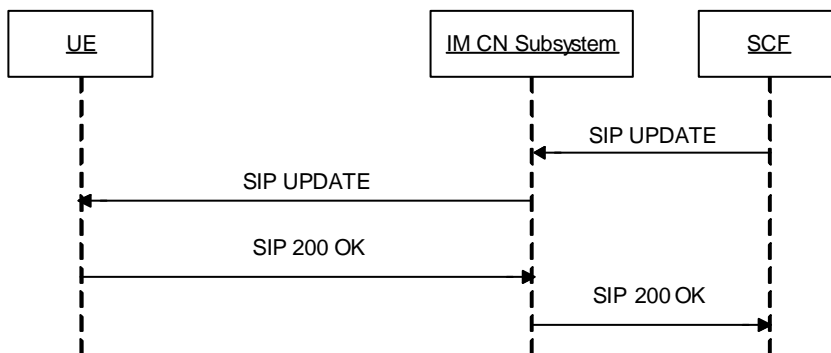


Figure 16a: MBMS content switching reporting update

8.3.4.2 Procedures at the UE

The UE performs MBMS content switching according to the deactivation/activation procedures defined in [4].

Upon identification of a successful content switch, the UE starts the content switching timer for a particular session. If another content switch occurs during the life of the timer, the timer is restarted. If the session is terminated during the life of the timer, the timer is stopped. After timer expiration, the UE should send a SIP INFO message with the Info Package (Content Reporting) to the SCF. The Content Reporting Info Package shall contain an XML document as defined in Annex D and Annex F.

- ImsPssMbmsCommand shall be set to "MbmsSwitch";
- ServiceId shall be set to the value of the new channel. If the OMA BCAST Service Guide [27] is used, this shall be set to Global Service ID, otherwise shall be set to the MBMS User Service Description serviceId.
- ProgrammeId may be present and if present shall be set to the identifier of the current programme of the new channel. If the OMA BCAST Service Guide [27] is used, this shall be set to service Name.

- DateTime shall be set to the date & time of the channel switch.

The Content-Type header shall be set to "application/3gpp-ims-pss-mbms-command+xml".

After receiving a SIP UPDATE message from the SCF, the UE shall dependent on the Recv-Info header, stop or start the content switching reporting.

8.3.4.2 Procedures at the IM CN Subsystem

The IM CN subsystem handles the SIP dialog as defined in 3GPP TS 23.228 [6].

8.3.4.3 Procedures at the SCF

Upon receipt of a SIP INFO message the SCF shall send a SIP 200 OK to the UE.

If the SCF does not want to receive content switching information anymore, it should send a SIP UPDATE message with the Recv-Info header set to nil.

If the SCF decides to start content switching reports, the SCF should send a SIP UPDATE message with the Recv-Info header set to Content Reporting to the UE.

8.3.4.4 Procedures at the BMSC.UPF

The BMSC.UPF transmits the RTP flows, and is not involved in the reporting of content switching information.

8.3.5 MBMS Streaming Session Teardown

8.3.5.1 General Description

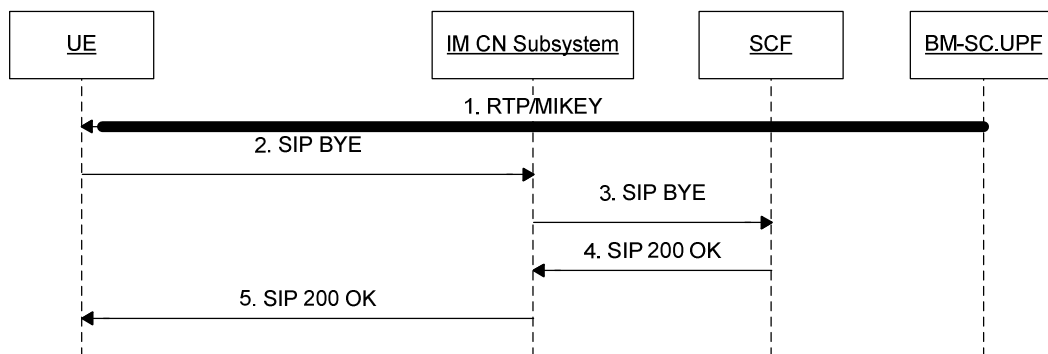


Figure 17: MBMS Streaming Session Termination

- Step 1: UE receives Streaming content from the BM-SC.UPF.
- Step 2, 3: UE initiates a SIP BYE message to SCF, indicating which MBMS Streaming session to close.
- Step 4, 5: SCF responds UE with a SIP 200 OK message when the SIP BYE is successfully handled and session terminated. At this stage, the UE can stop receiving the MBMS Streaming session.

The UE may deactivate the according MBMS Bearer Service during steps 2 to 5 or after step 5. The deactivation is either according to the MBMS Broadcast Service deactivation (3GPP TS 23.246 [4]) or the MBMS Multicast Mode deactivation procedure (3GPP TS 23.246 [4]).

8.3.5.2 Procedures at the UE

The UE shall send a SIP BYE to the SCF.

The UE may deactivate the according MBMS Bearer Service during steps 2 to 5 or after step 5 of clause 8.3.5.1. The deactivation is either according to the MBMS Broadcast Service deactivation (3GPP TS 23.246 [4]) or the MBMS Multicast Mode deactivation procedure (3GPP TS 23.246 [4]).

8.3.5.3 Procedures at the IM CN Subsystem

The IM CN subsystem handles the SIP dialog as defined in 3GPP TS 23.228 [6].

8.3.5.4 Procedures at the SCF

The SCF responds to the UE with a SIP 200 OK message after handling of the SIP BYE message.

8.3.5.5 Procedures at the BMSC.UPF

The BMSC.UPF is acting as described in 3GPP TS 23.246 [4].

8.4 Combined PSS and MBMS Streaming

8.4.1 Introduction

Combined PSS and MBMS streaming is important to ensure a consistent user experience. An UE may switch between one and the other depending on certain circumstances, e.g. changing between a PSS and MBMS coverage etc., or triggered by specific user action, e.g. trick play, etc.

It is assumed that the UE has an already established PSS or MBMS session and is capable of switching to the other delivery method.

Clause 8.4.2 gives the different cases and scenarios for switching between PSS and MBMS .

8.4.2 PSS - MBMS Switching

In the case of hybrid PSS-MBMS switching, it is distinguished between:

(a) switching from MBMS streaming to PSS streaming:

- Without channel change e.g. when a user is viewing an MBMS user service and moves out of MBMS coverage, or the user initiates trick play mode action, etc.
- With channel change e.g. changing to a channel only available on PSS.

(b) switching from PSS streaming to MBMS streaming:

- Without channel change e.g. the user returns back from trick play mode to a normal MBMS user service, etc.
- With channel change e.g. changing to a channel available on MBMS.

8.4.3 Switching from MBMS streaming to PSS streaming

According to clause 8.3.3 an MBMS streaming session was initiated and the UE is receiving the MBMS session from the BM-SC.UPF.

In order to switch from MBMS to unicast reception of a stream via PSS e.g. for allowing trick play mode, a SIP Re-INVITE is issued by the UE. A SDP offer shall be included according to clause 8.2.3.

After receiving the 200 OK, the UE leaves the multicast channel and starts playback.

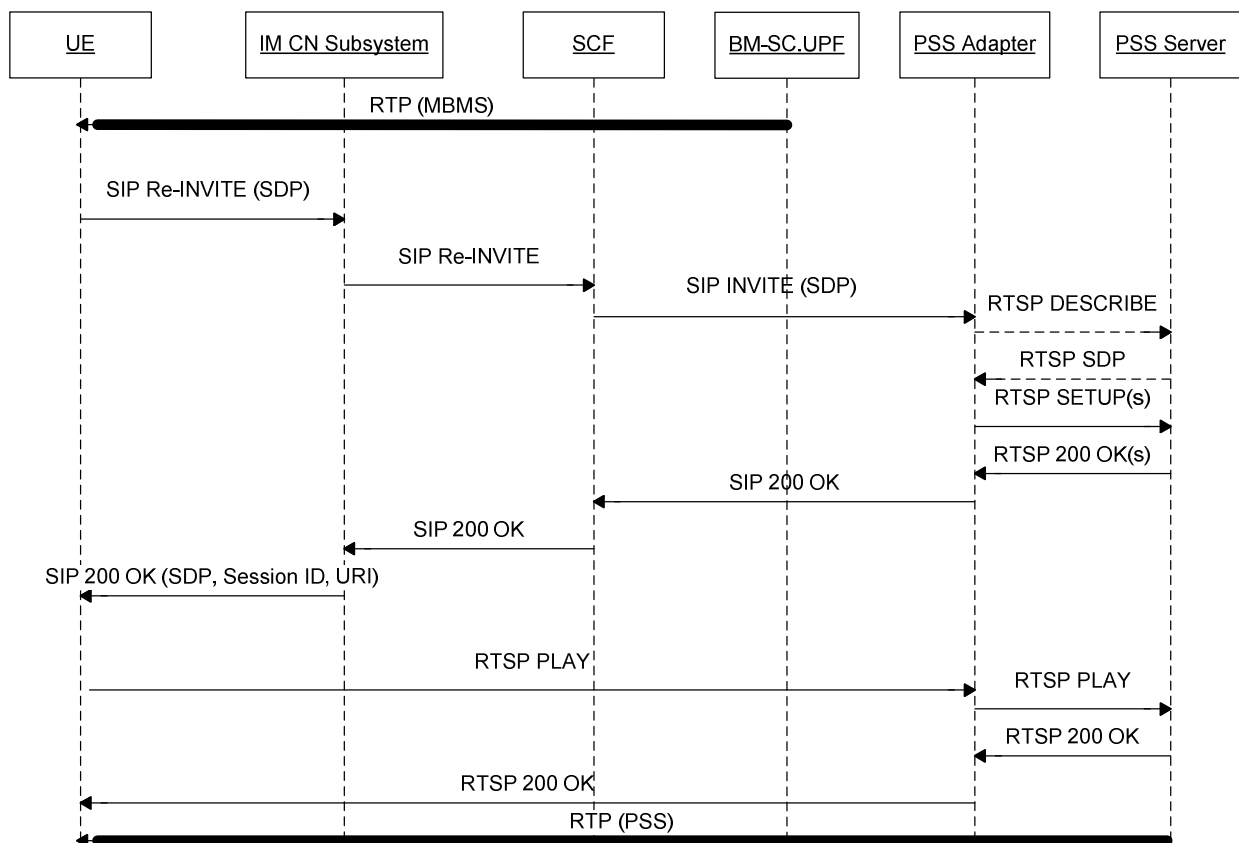


Figure 18: IMS Hybrid PSS-MBMS-to-PSS content switching

8.4.3.1 Combined Session establishment

8.4.3.1.1 Procedures at the UE

When the UE switches from an MBMS User Service to a PSS user service, the UE sends a session modification request, i.e. SIP re-INVITE, with a SDP Offer.

The SDP offer shall include previously negotiated media descriptions with the port set to zero and two or more additional media descriptions: one for media control channel (i.e. RTSP control channel) and one or more for media delivery channel (i.e. delivery channel for the unicast streams).

The RTSP control media descriptor shall follow TS 24.229 [7]. The SDP offer for media delivery shall be identical to the previous SDP offer done for broadcast in term of codecs and transport protocol.

The UE may record the media offset for the MBMS user service.

When receiving SIP 200 OK response, the UE shall setup a media control channel with the PSS Adapter, and setup a media delivery channel with PSS Server according to the SDP answer. The UE shall send RTSP PLAY message to start the delivery of the media streams.

8.4.3.1.2 Procedures at the IM CN Subsystem

The IM CN Subsystem handles the SIP dialog as defined in 3GPP TS 23.228 [6].

8.4.3.1.3 Procedures at the SCF

When receiving the SIP modification request, the SCF will determine if the programme currently broadcasted has MBMS to PSS switching support.

NOTE: The SCF may determine whether the SIP modification request is for MBMS to PSS switching according to the addition of the RTSP media control channel or unicast media delivery channel in the SDP offer.

If MBMS to PSS switching is not available for the UE, the session modification is rejected and the old MBMS session (along with the previous reserved resources) is maintained.

If MBMS to PSS switching is available for the UE, the SCF shall act as a B2BUA, and sending a SIP INVITE request to the PSS Adapter with the SDP parameters for the content control channel of RTSP, and for the media delivery channel of unicast streams. The SCF shall precise the content identifier in the user part of the Request-URI.

When sending the SIP INVITE message to PSS Adapter, SCF shall follow the procedures defined in TS 24.229 [7] concerning the AS acting as B2BUA.

8.4.3.1.4 Procedures at the PSS Adapter

When receiving a SIP INVITE request from SCF, as well as receiving RTSP 200 OK message from PSS Server, the PSS Adapter shall conform to clause 8.2.3.5.

Prior to replying, the PSS Adapter uses real time to calculate the media offset for the MBMS user service when replying with the offered media.

When receiving RTSP message from UE, the PSS Adapter shall conform to clause 8.2.4.2.

8.4.3.1.5 Procedures at the PSS Server

The procedures at the PSS Server shall conform to those defined in 3GPP TS 26.234 [8].

8.4.3.2 Combined session teardown

The combined session teardown shall conform to clause 8.2.6.

8.4.4 Switching from PSS streaming to MBMS streaming

According to clause 8.2.2 a PSS streaming session was initiated and the UE is receiving the PSS session from the PSS server.

In order to switch from PSS to MBMS reception of a stream, a SIP Re-INVITE is issued by the UE and sent to the SCF. The SCF shall act as a B2BUA, and send a SIP BYE message to PSS Adapter to terminate the SIP session between them. The PSS Adapter shall send a RTSP TEARDOWN message to PSS Server to release the RTSP session.

Once the UE receives the SIP 200 OK response, it can activate the corresponding MBMS User Service as described in the SDP as defined in clause 8.3.3.2.

After switching to MBMS reception, the PSS session shall be terminated.

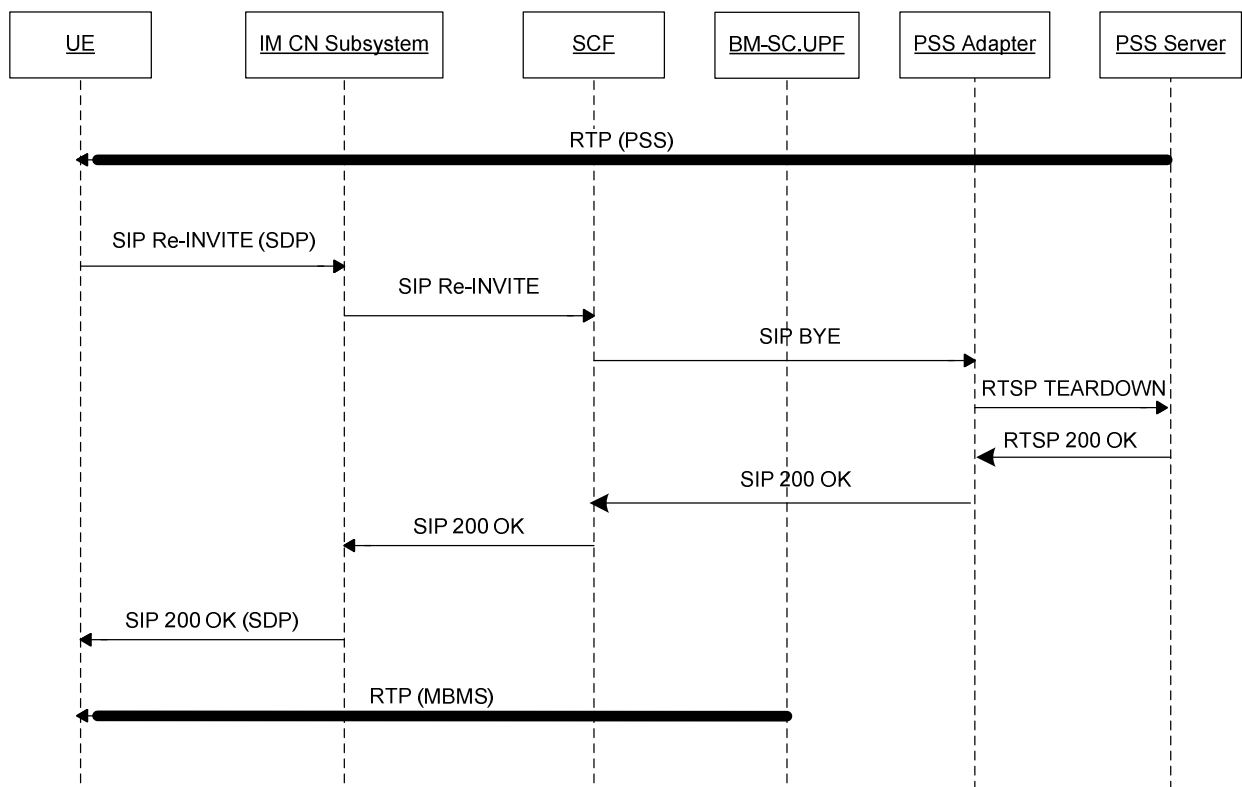


Figure 19: IMS PSS-to-MBMS content switching

8.4.4.1 Combined Session establishment

8.4.4.1.1 Procedures at the UE

When the UE switches from a PSS User Service to an MBMS user service, the UE sends a session modification request, i.e. SIP re-INVITE, an SDP offer shall be included according to clause 8.3.3. The SDP offer for media delivery shall be identical to the previous SDP offer done for PSS in term of codecs and transport protocol.

Once the UE receives the SIP 200 OK response, it can activate the corresponding MBMS User Service as described in the SDP as defined in clause 8.3.3.2. MBMS User Service reception initiation may correspond to the MBMS Broadcast Mode activation procedure as described in 3GPP TS 23.246 [4], clause 8.12 or the MBMS Multicast Mode activation procedure as described in 3GPP TS 23.246 [4], clause 8.2.

8.4.4.1.2 Procedures at the IM CN Subsystem

The IM CN Subsystem handles the SIP dialog as defined in 3GPP TS 23.228 [6].

8.4.4.1.3 Procedures at the SCF

When receiving the SIP modification request, the SCF will determine if the content currently delivered has PSS to MBMS switching support.

If PSS to MBMS switching is not available for the UE, the session modification is rejected and the old PSS session (along with the previous reserved resources) is maintained.

If PSS to MBMS switching is available for the UE, the SCF shall act as a B2BUA, and send a SIP BYE message to the PSS Adapter to terminate the SIP session between them. When sending the SIP BYE message to PSS Adapter, SCF shall follow the procedures defined in TS 24.229 [7] concerning the AS acting as B2BUA.

Once receiving a SIP 200 OK message from PSS Adapter, SCF sends a SIP 200 OK message to UE with a SDP answer as defined in clause 8.3.3.4.

8.4.4.1.4 Procedures at the PSS Adapter

When receiving a SIP BYE message from SCF, as well as receiving RTSP 200 OK message from PSS Server, the PSS Adapter shall conform to clause 8.2.6.5.

8.4.4.1.5 Procedures at the PSS Server

The procedures at the PSS Server shall conform to those defined in 3GPP TS 26.234 [8].

8.4.4.2 Combined session teardown

The combined session teardown shall conform to clause 8.3.5.

9 Policy and charging control

9.1 General

For the purpose of the present specification, the policy and charging control (PCC) is according to 3GPP TS 23.203 [12]. This clause is relevant when PCC is present. However, IMS based PSS and MBMS User Services can be realized without PCC. When PCC is not present, the UE is responsible for allocation of the resources based on Session Description information.

Service subscription control is performed by the SCF at registration and at PSS and MBMS session initiation.

QoS control is different for PSS and MBMS User Services.

9.2 QoS control

The P-CSCF is used as the Application Function in the PCC architecture. The PCRF decides how policy control of the QoS is performed for IMS initiated and controlled PSS and MBMS User Service.

In case of PSS, the PCRF shall use the SDP received from the P-CSCF during session establishment to calculate the proper QoS authorization. The way the QoS is enforced in this architecture is defined in 3GPP TS 23.203 [12].

In case of MBMS, the PCRF shall not initiate the establishment of a specific bearer.

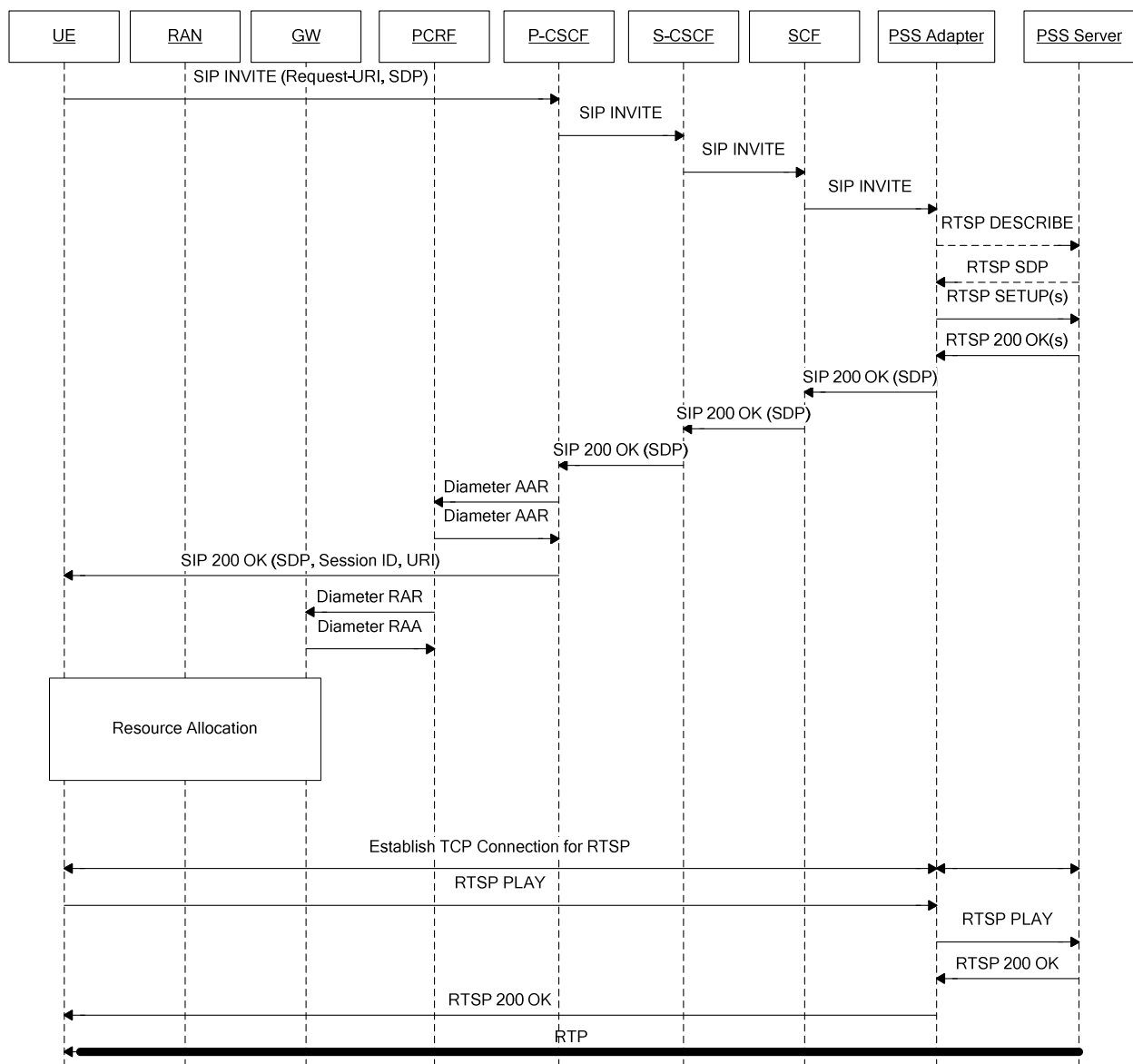


Figure 20: PSS QoS Policy Control

NOTE: The sequence shown is simplified and does not e.g. show session progress messages and the ACK message from the UE in response to the reception of 200 OK.

The PSS case of QoS control is shown on figure 20. The appropriate existing bearers are used or new required bearers are allocated. Network initiated bearer control and UE initiated bearer control are possible. When receiving the final SDP, the UE shall initiate the establishment of the required bearers unless a network initiated bearer allocation procedure is already ongoing, or the UE has been configured to use network initiated resource control.

10 Security Procedures

10.1 General

Different security procedures apply for IMS, MBMS and PSS.

IMS level authentication and access security is performed during IMS registration in accordance to [7].

PSS-Only: PSS defines an optional confidentiality protection of individual RTP payloads used in a streaming session. If PSS confidentiality protection as defined in 3GPP TS 26.234 [8], Annex K, is used, then the terminal initiates the GAA/GBA Bootstrapping procedure 3GPP TS 33.220 [26] after a successful IMS registration and Service discovery.

MBMS-only and combined PSS/MBMS service offerings: MBMS security is based on GAA/GBA [26]. The GAA/GBA Bootstrapping procedure is initiated by the UE after a successful IMS registration and Service discovery. It is necessary before any service description retrieval and session initiation.

GBA (see 3GPP TS 33.220 [26]) is used to generate a master key K_s from which NAF specific keys (e.g. K_{s_NAF} for ME based key management) can be derived when needed. It is also used to authenticate the user for signaling that is not performed via the IMS core network (e.g. HTTP based service description retrieval).

GBA is also used to generate and provision the NAF keys (e.g. K_{s_NAF} for ME based key management) - which is the Long Term Key that is used in content encryption/decryption procedures – and the B-TID – which is the corresponding bootstrapping transaction identifier.

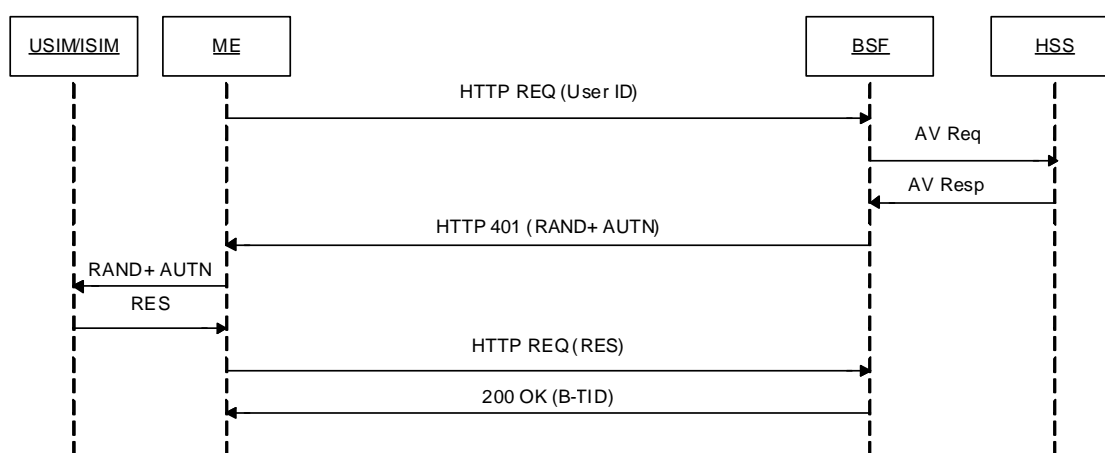


Figure 21: GBA/GAA Bootstrapping procedure

Figure 21 illustrates the GBA/GAA bootstrapping procedure. The following steps are performed. See [26] for details:

- The UE sends a request to the BSF with its IMPI as User ID. The UE discovers the address of the BSF as specified in [26].
- The BSF then acquires one Authentication Vector from the HSS and may acquire the User's GUSS (GBA User Security Settings) and forwards the RAND and AUTN to the UE in the HTTP 401 message.
- The UE checks AUTN to verify that the challenge is from an authorised network.
- The UE sends another HTTP request, containing the Digest AKA response (calculated using RES), to the BSF.
- The BSF authenticates the UE by verifying the Digest AKA response. The BSF shall send a 200 OK message, including a B-TID, to the UE to indicate the success of the authentication.

If UICC based MBMS key management is required, then USIM shall be used. Otherwise either USIM or ISIM may be used.

NOTE: The reason for this is that UICC based MBMS key management is currently specified only for USIM.

10.2 Secure Service Description Retrieval

The Service Description retrieval procedure allows the UE to acquire the necessary information to select and initiate PSS and/or MBMS sessions using IMS procedures. See clause 7 for more details on this procedure.

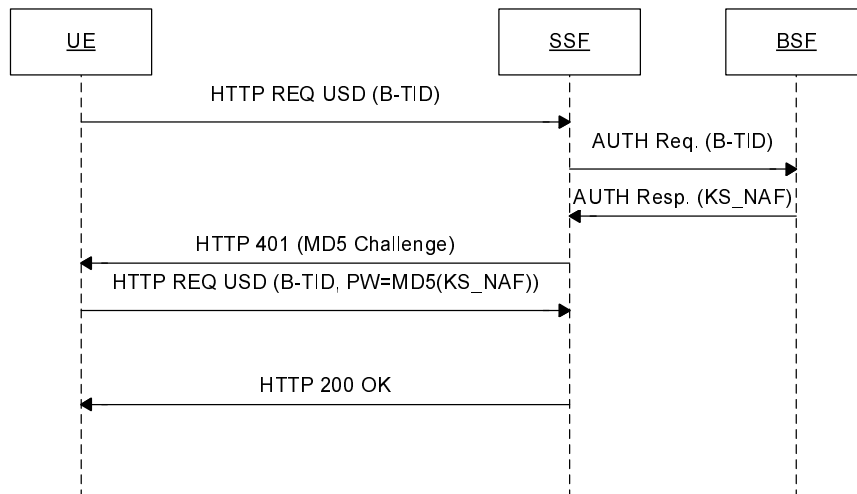


Figure 22: Service Description retrieval with authentication

Figure 22 describes the Service Description retrieval procedure with authentication.

The UE requesting a service description towards the SSF (acting as a GBA Network Application Function (NAF)) shall include the B-TID corresponding to the Ks established during the bootstrapping procedure. When the SSF receives the service description request, it shall trigger an authentication request towards the BSF to acquire the NAF keys (e.g. Ks_NAF for ME based key management) of the user if the SSF does not already have the NAF keys available. The SSF shall trigger HTTP digest authentication procedure towards the UE in accordance with 3GPP TS 33.222 [20].

The SSF shall use TLS to encrypt the Service Description during retrieval.

10.3 PSS Authentication and Content encryption

Void (TBD).

10.4 MBMS Security procedures

The IMS based MBMS user service security procedures shall fulfil the key management procedures defined in TS 33.246 [5], including MSK procedures in clause 6.3.2 of TS 33.246 [5], and MTK procedures in clause 6.3.3 of TS 33.246 [5]. The MSK procedure further includes MBMS user service registration procedure, deregistration procedure, MSK request procedure and MSK delivery procedure.

Clause 10.4.1 describes MBMS security procedures where HTTP is used as described in TS 33.246 [5], and BMSC.UPF acts as NAF to interact with BSF and derives security keys.

Clause 10.4.2 describes MBMS security procedures where SIP is used and SCF act as a NAF to interact with BSF and derives security keys.

The procedures according to clause 10.4.1 and clause 10.4.2, respectively, are alternatives for MBMS security procedures. They are equal in terms of security provision. The UE shall support both alternatives for MBMS security procedures. The UE is informed about the supported MBMS security procedure by retrieval of the service attachment information from the SDF as defined in Annex H.

10.4.1 HTTP based MBMS security procedure

Clause 10.4.1 describes MSK procedures, and clause 10.4.2 describes MTK procedures.

10.4.1.1 MSK procedures

The IMS based MBMS user service registration procedure, deregistration procedure, MSK request procedure and MSK delivery procedure are defined in clause 10.4.1 to 10.4.4 respectively.

10.4.1.1.1 IMS based MBMS user service key registration procedure

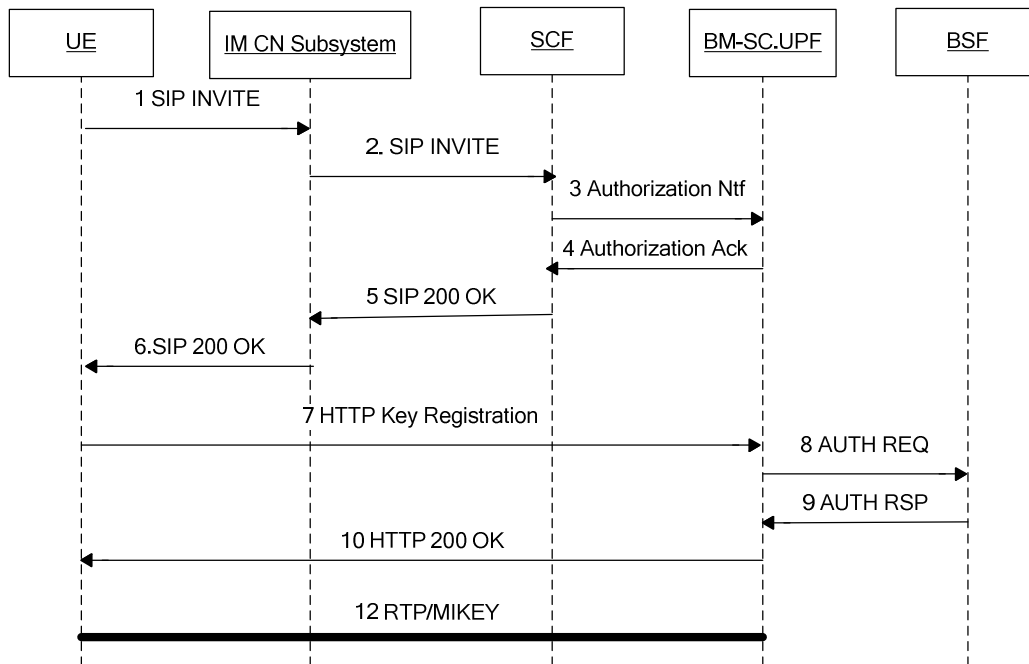


Figure 23: Security procedures for IMS based MSMS user service

10.4.1.1.1.1 Procedures at the UE

When the user indicates to view an MBMS user service, the UE shall send a SIP INVITE message to SCF via IM CN Subsystem, The SIP INVITE message shall include MBMS Service ID to indicate which service the user intends to watch, as defined in clause 8.3.3.2, and a P- Intended -Identity header with the value set to the desired user public identity.

After receiving a SIP 200 OK message, the UE shall perform MSK registration procedure as defined in clause 6.3.2.1a of TS 33.246[5]. The HTTP POST message initiated by the UE and addressed to BMSC.UPF shall conform to TS 33.246[5], and include an HTTP X-3GPP- Intended -Identity header as defined in TS 24.109 [22] with the value set to the user"s public identity.

10.4.1.1.1.2 Procedures at the IM CN Subsystem

The IM CN Subsystem handles the SIP dialog as defined in 3GPP TS 23.228 [6].

10.4.1.1.1.3 Procedures at the SCF

Upon receipt of a SIP INVITE request, the SCF shall perform service authorization procedure as defined in clause 8.3.3.4.

After successfully service authorization, the SCF shall send an Authorization Notification HTTP POST message to BMSC.UPF. The HTTP POST message shall be populated as follows:

- the HTTP version shall be 1.1 which is specified in RFC2616 [34];

- the base of the Request-URI shall contain the full BM-SC key management URI (e.g. `http://bmsc.home1.net:1234`);
- the Request-URI shall contain an URI parameter "requesttype" that shall be set to "authorize", i.e. Request-URI takes the form of `/keymanagement?requesttype= authorize`;
- the HTTP X-3GPP-Asserted-Identity header shall be the IMPU of the user retrieved from the SIP INVITE message.
- the HTTP header Content-Type shall be the MIME type of the payload, i.e. "application/mbms-authorize+xml".
- the HTTP payload shall contain request including the authorized MBMS Service ID ServiceId carried in the SIP INVITE message;

After receiving an authorization acknowledgement, the SCF shall send a SIP 200 OK message to the UE as defined in clause 8.3.3.4.

10.4.1.1.1.4 Procedures at the BM-SC.UPF

Upon receiving an Authorization Notification message from SCF, the BMSC.UPF shall store the received message, and respond an Authorization Acknowledgment HTTP 200 OK message.

Upon receiving MSK registration message from a UE, the BMSC.UPF shall act as a NAF and perform GBA usage procedure with BSF to get GBA keys to derive MUK. The MUK is used for BM-SC.UPF to protect the transfer of MSK.

The BMSC.UPF shall authorize the UE according to the stored information. The BMSC.UPF shall send MSKs to the UE corresponding to the service IDs in the received message via MIKEY, as defined in clause 6.3.2.1a of TS 33.246[5].

10.4.1.1.2 IMS based MBMS user service key deregistration procedure

The IMS based MBMS user service MSK request procedure conforms to clause 6.3.2.1B of TS 33.246[5]. Additionally, The HTTP POST message initiated by the UE and addressed to BMSC.UPF shall include an HTTP X-3GPP- Intended - Identity header as defined in TS 24.109 [22] with the value set to the user's public identity.

10.4.1.1.3 IMS based MBMS user service MSK request procedure

The IMS based MBMS user service MSK request procedure conforms to clause 6.3.2.2 of TS 33.246[5]. Additionally, The HTTP POST message initiated by the UE and addressed to BMSC.UPF shall include an HTTP X-3GPP- Intended - Identity header as defined in TS 24.109 [22] with the value set to the user's public identity.

10.4.1.1.4 IMS based MBMS user service MSK delivery procedure

The IMS based MBMS user service MSK delivery procedure conforms to clause 6.3.2.3 of TS 33.246[5].

10.4.1.2 MTK procedure

The IMS based MBMS user service MTK procedure conforms to clause 6.3.3 of TS 33.246[5].

10.4.2 SIP based MBMS security procedures

10.4.2.0 General

Clause 10.4.2 describes an alternative to clause 10.4.1 for MBMS security procedures, where the NAF for the MBMS User Services is implemented in the SCF and interacts with the BSF. The procedures apply for both ME and UICC based key management.

The MBMS Security specification 3GPP TS 33.246 [5] defines a set of security procedures. The following list describes how these procedures are applied in the context of IMS based MBMS user services when using SIP based MBMS security procedures.

- 'MBMS User Service Registration procedure'.

- In the context of SIP based MBMS security procedure, this procedure is applied as specified in clause 10.4.2.1 in the present document.
- 'MBMS User Service Deregistration procedure'.
 - In the context of SIP based MBMS security procedure, this procedure is applied as specified in clause 10.4.2.1A in the present document.
- 'Basic MSK request procedure'.
 - In the context of SIP based MBMS security procedure, this procedure is applied as specified in clause 10.4.2.2 in the present document.
- 'Missed key update procedure'.
 - This procedure is equivalent to Basic MSK request procedure.
- 'BM-SC solicited pull procedure'.
 - In the context of SIP based MBMS security procedure, this procedure is applied as specified in clause 10.4.2.4 in the present document.
- 'MSK delivery procedure'.
 - In the context of SIP based MBMS security procedure, this procedure is applied as defined TS 33.246 [5] with exception that SCF FQDN is sent instead of BM-SC FQDN.
- 'MTK update procedure'.
 - In the context of SIP based MBMS user services this procedure is applied as defined TS 33.246 [5].

10.4.2.1 SIP based MBMS User Service Registration

This procedure is used to register a UE with one or more MBMS User Services.

It is assumed that the UE has received the service description (cf. clause 10.2). The service description includes, e.g. the service protection description. The service protection description is similar as defined in 3GPP TS 33.246 [5] with the following exception: the FQDN of the BM-SC is not included in the service protection description. Instead, the service protection description for the service shall include an FQDN belonging to the SCF as the SCF acts as a NAF.

NOTE 1: This is to ensure consistent NAF key derivation in the UE and in the BSF as the SCF acts as a NAF and as the FQDN of the NAF is used as input in NAF key derivation.

In case more than one BM-SCs are connected to the SCF, the SCF shall locally associate a different one of its FQDNs to each connected BM-SC. As there is one NAF FQDN indicated in the service protection description for each service, the SCF (NAF) will know from the userServiceId indicated by the UE which NAF FQDN to be used for NAF key derivation.

NOTE 2: This will ensure that each connected BM-SC will get different NAF key, and consequently will get different MUK. GBA TS 33.220 [26] allows the NAF to be known in DNS under several FQDNs if it is ensured that the correct NAF FQDN is used in NAF key derivation.

It is also assumed that the UE has been registered and authenticated to IMS and the SIP procedures are protected according to 3GPP TS 33.203 [31], and that the UE has run GBA bootstrapping with the BSF as defined in 3GPP TS 33.220 [26]. It is also assumed that the network interfaces are protected with Network Domain Security (NDS/IP) as defined in 3GPP TS 33.210 [32].

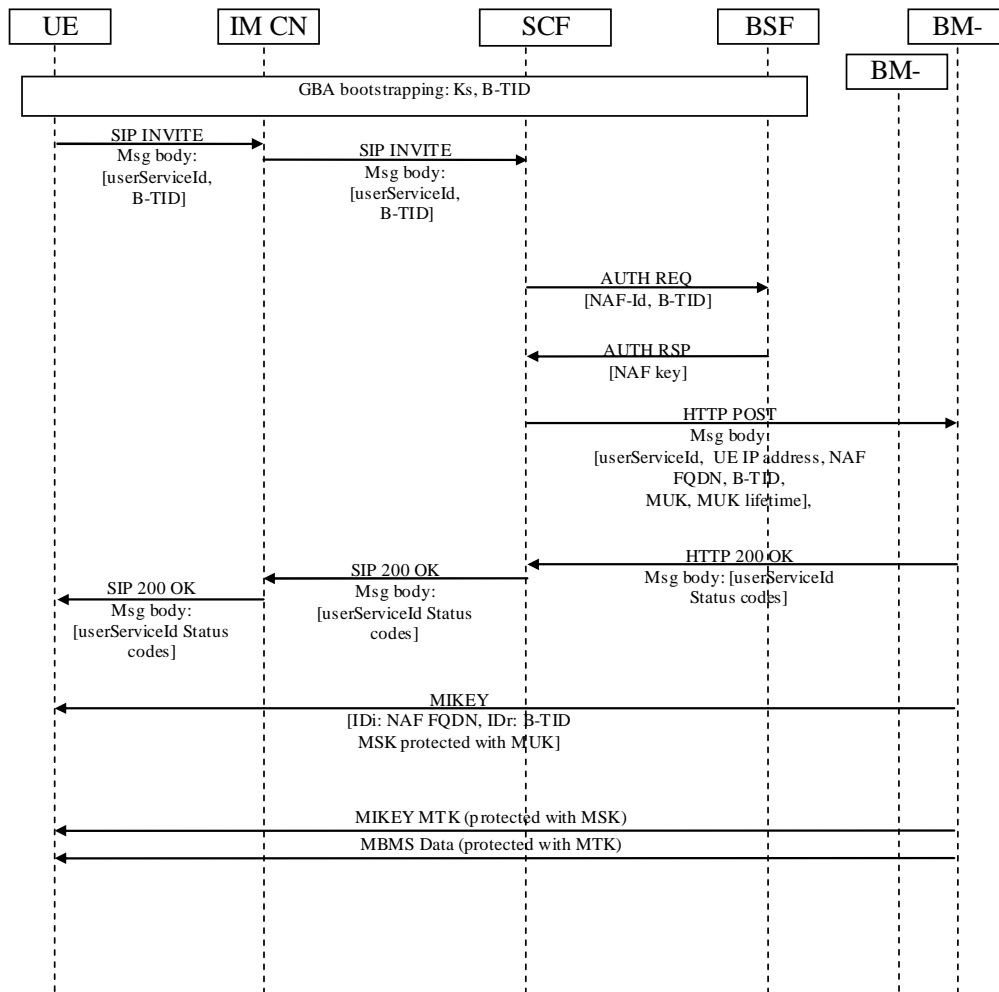


Figure 24: SIP based MBMS User Service Registration

The procedure is as follows (cf. figure 24 which is simplified as it does not show all parameters):

- The UE sends a SIP INVITE to the SCF via the IM CN subsystem. The INVITE indicates SCF in the Request-URI and the message includes the identities of the requested MBMS user services (userServiceIds) for which the UE wants to register and the bootstrapping transaction identifier (B-TID) in the body of the SIP INVITE. The XML schema for the list of MBMS user service IDs is defined in TS 26.346 [11] and the XML schema for the B-TID is defined in annex I.1.
- The SCF receives the IP address of the UE and the asserted identity(ies) of the UE from the headers of the SIP INVITE message. The SCF performs a check based on stored subscription information whether the UE is authorized to access the requested MBMS user services. If yes, the procedure continues. If not, the procedure is terminated.
- If there is no B-TID stored for the UE or if the received B-TID is different than the one stored for the UE, the SCF runs GBA usage procedure with the BSF over Zn to fetch the NAF keys corresponding to the UE as defined in 3GPP TS 33.220 [26]. The NAF-Id which the SCF uses over Zn is constructed from the NAF FQDN indicated in the service protection description for this service and Ua security protocol identifier specified in 3GPP TS 33.220 [26]. As there is one NAF FQDN indicated in the service protection description for each service, the SCF will know from the userServiceId indicated by the UE which FQDN to be used as NAF FQDN. Upon receiving the NAF keys from the BSF, the SCF derives MBMS User Key (MUK) as defined in TS 33.246 [5]. If the received B-TID is not valid or if the SCF desires the UE to make a new GBA bootstrapping, the SCF shall response to the UE with an appropriate error message. The error message will trigger the UE to run new GBA bootstrapping.
- The SCF sends a HTTP POST message to the BM-SC. The SCF populates the HTTP POST as follows:

- the HTTP version shall be 1.1 which is specified in RFC 2616 [34];
 - the base of the Request-URI shall contain the full BM-SC key management URI (e.g. http://bmsc.home1.net:1234);
 - the Request-URI shall contain an URI parameter "requesttype" that shall be set to "sip-based-register", i.e. Request-URI takes the form of "/keymanagement?requesttype= sip-based-register ";
 - the SCF may add additional URI parameters to the Request-URI;
 - X-3GPP-Asserted-Identity header which includes the identitie(s) of the UE;
 - the HTTP header Content-Type shall be the MIME type of the payloads;
 - the HTTP payload shall contain an XML document including a list of one or more userServiceIds of MBMS User Services to which the UE wants to register, IP address of the UE, MBMS user key (MUK), lifetime of MUK, NAF FQDN and B-TID. NAF FQDN and B-TID are included as they are further included in the MIKEY MSK messages from the BM-SC to the UE to identify the used MUK (i.e. NAF key). The XML schema for the list of MBMS user service IDs is defined in TS 26.346 [11] and the XML schema for carrying IP address, MUK, MUK lifetime, NAF FQDN and BTID is defined in annex x.2.
 - the SCF may add additional HTTP headers to the HTTP POST request.
- Upon receiving the HTTP POST message, the BM-SC checks that the HTTP POST is valid, and extracts the request for further processing. As the HTTP POST message came from SCF with asserted identitie(s), the BM-SC does not need to authenticate the UE as the UE has been authenticated by the IMS. Also, the HTTP POST message also implicitly indicates to the BM-SC that the SCF has authorized the UE to register to the indicated MBMS User Service(s).

The BM-SC stores the received information and returns HTTP 200 OK to the SCF. The BM-SC shall populate HTTP response as follows:

- the HTTP status code in the HTTP status line shall be 200;
 - the HTTP header Content-Type shall be the MIME type of the payload, i.e. "application/mbms-register-response+xml ";
 - the HTTP payload shall contain an XML document including a list including one status code for each MBMS User Service. The XML schema of the payload is the same that is used for MBMS Registration in 3GPP TS 33.246 [5] and it is specified in 3GPP TS 26.346 [11].
- Upon receiving the HTTP 200 OK., the SCF then includes the XML body from the HTTP 200 OK message into a SIP 200 OK message and sends the SIP 200 OK message to the UE via the IM CN subsystem.
- Upon receiving the 200 OK the UE derives NAF keys corresponding to the NAF-Id. The NAF-Id is constructed from the NAF FQDN indicated in the service description and Ua security protocol identifier specified in 3GPP TS 33.220 [26]. The UE derives MBMS User Key (MUK) from the NAF key as defined in 3GPP TS 33.246 [5].

BM-SC can now start sending MIKEY MSK messages (protected with MUK) to the UE as defined in 3GPP TS 33.246 [5]. In MIKEY MSK messages the BM-SC shall include the NAF FQDN and B-TID received from the SCF as they are used to identify the used MUK (i.e. NAF keys).

10.4.2.1a SIP based MBMS User Service De-registration

This procedure is used to de-register a UE from one or more MBMS User Services.

The same assumptions apply as in SIP based MBMS User Service Registration in clause 10.4.2.1.

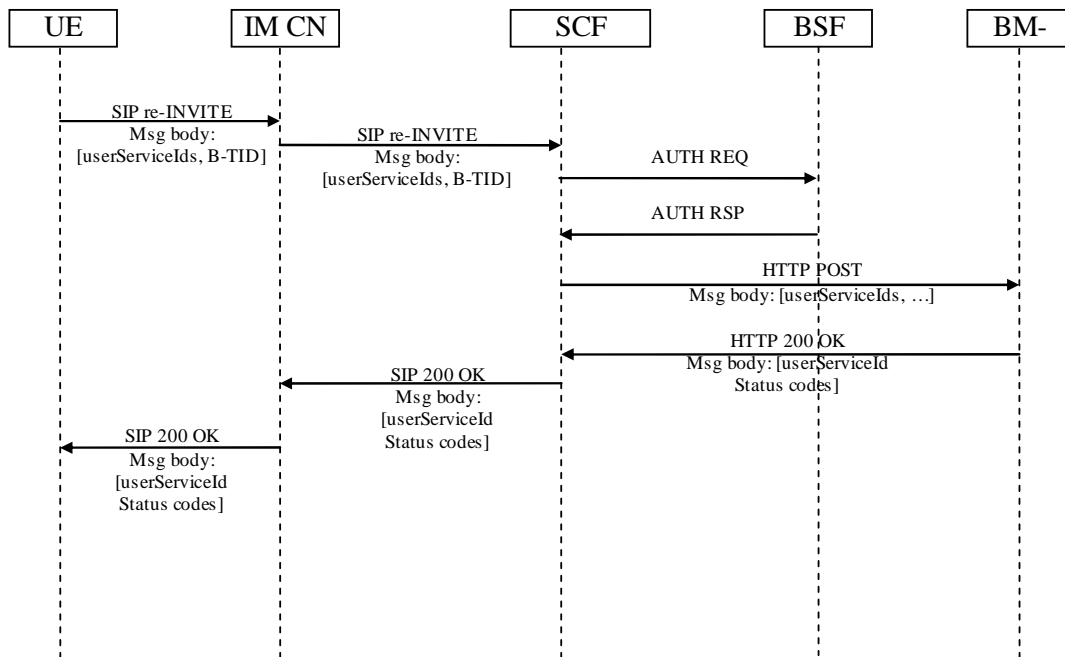


Figure 24a: SIP based MBMS User Service De-registration

The procedure is as follows (cf. figure 24a which is simplified as it does not show all parameters):

- UE sends a SIP re-INVITE to the SCF via the IM CN subsystem. The re-INVITE indicates SCF in the Request-URI and the message includes the identities of the requested MBMS user services (userServiceIds) from which the UE wants to de-register and the bootstrapping transaction identifier (B-TID) in the body of the SIP INVITE.. The XML schema for the list of MBMS user service IDs is defined in TS 26.346 [11] and the XML schema for the B-TID is defined in annex x.1.
- The SCF receives the asserted identity(ies) of the UE from the headers of the SIP re-INVITE message.
- If there is no B-TID stored for the UE or if the received B-TID is different than the one stored for the UE, the SCF runs GBA usage procedure with the BSF over Zn to fetch the NAF keys corresponding to the UE as defined in 3GPP TS 33.220 [26]. The NAF-Id which the SCF uses over Zn constructed from the NAF FQDN indicated in the service protection description for this service and Ua security protocol identifier specified in 3GPP TS 33.220 [26]. Upon receiving the NAF key from the BSF, the SCF derives MBMS User Key (MUK) as defined in 3GPP TS 33.246 [5].
If the received B-TID is not valid or if the SCF desires the UE to make a new GBA bootstrapping, the SCF shall response to the UE with an appropriate error message. The error message will trigger the UE to run new GBA bootstrapping.
- The SCF sends a HTTP POST message to the BM-SC. The SCF populates the HTTP POST as follows:
 - the HTTP version shall be 1.1 which is specified in RFC 2616 [34];
 - the base of the Request-URI shall contain the full BM-SC key management URI (e.g. http://bmsc.home1.net:1234);
 - the Request-URI shall contain an URI parameter "requesttype" that shall be set to "sip-based-deregister", i.e. Request-URI takes the form of "keymanagement?requesttype= sip-based-deregister";
 - the SCF may add additional URI parameters to the Request-URI;
 - X-3GPP-Asserted-Identity header which includes the identities of the UE;
 - the HTTP header Content-Type shall be the MIME type of the payloads;

- the HTTP payload shall contain the request an XML document including a list of one or more userServiceIds of MBMS User Services from which the UE wants to deregister. If new NAF keys were created in the previous step, then the SCF shall also include MBMS user key (MUK), lifetime of MUK, NAF FQDN and B-TID. E.g. the BM-SC may send an MSK message to invalidate the MSKs in the UE as defined in 3GPP TS 33.246 [5]. The XML schema for the list of MBMS user service IDs is defined in 3GPP TS 26.346 [11] and the XML schema for carrying MUK, MUK lifetime, NAF FQDN and BTID is defined in annex x.2;
- the SCF may add additional HTTP headers to the HTTP POST request.
- The BM-SC receives the HTTP POST message. The BM-SC checks that the HTTP POST is valid, and extracts the request for further processing. As the HTTP POST message came from SCF with asserted identities, the BM-SC does not need to authenticate the UE as the UE has been authenticated by the IMS.

The BM-SC returns HTTP 200 OK to the SCF. The BM-SC shall populate HTTP response as follows:

- the HTTP status code in the HTTP status line shall be 200;
- the HTTP header Content-Type shall be the MIME type of the payload, i.e. "application/mbms-register-response+xml". XML document is the same that is used for MBMS De-registration in 3GPP TS 33.246 [5] and it is specified in 3GPP TS 26.346 [11];
- the HTTP payload shall contain a list including one status code for each MBMS User Service.
- Upon receiving the HTTP 200 OK, the SCF then includes the XML body from the HTTP 200 OK message into a SIP 200 OK message and sends the SIP 200 OK message to the UE via the IM CN subsystem.

10.4.2.2 SIP based Basic MSK Request

This procedure is used to by the UE to request one or more MSKs.

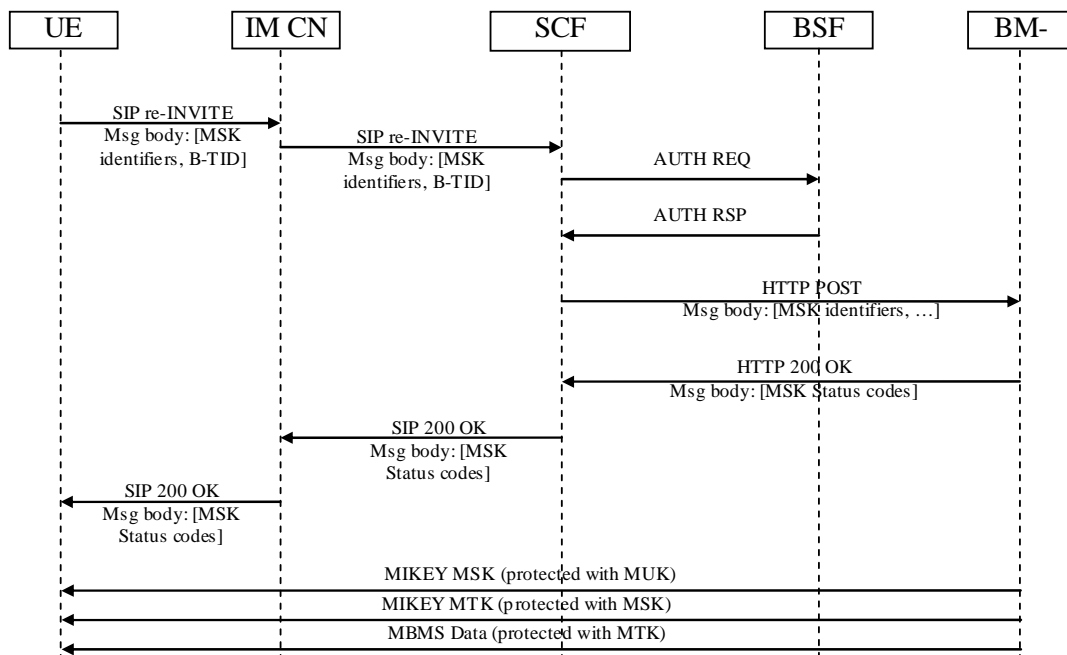


Figure 25: SIP based MBMS MSK request

The same assumptions apply as in IMS based MBMS User Service Registration in clause 10.4.2.1.

The procedure is as follows (cf. figure 25 which is simplified as it does not show all parameters):

- UE sends a SIP re-INVITE to the SCF via the IM CN subsystem. The re-INVITE indicates SCF in the Request-URI and the message includes a list of one or more Key Domain ID - MSK ID pair(s) of the MSKs that the UE

wants to receive and the bootstrapping transaction identifier (B-TID) in the body of the SIP INVITE. The XML schema for the list of MBMS user service IDs is defined in TS 26.346 [11] and the XML schema for the B-TID is defined in annex x.1.

- The SCF receives the asserted identity(ies) of the UE from the headers of the SIP re-INVITE message. The SCF performs a check based on stored subscription information whether the UE is authorized to receive the specified MSK(s). If yes, the procedure continues. If not, the procedure is terminated.
- If there is no B-TID stored for the UE or if the received B-TID is different than the one stored for the UE, the SCF runs GBA usage procedure with the BSF over Zn to fetch the NAF keys corresponding to the UE as defined in 3GPP TS 33.220 [26]. The NAF-Id which the SCF uses over Zn is constructed from the NAF FQDN indicated in the service protection description for this service and Ua security protocol identifier specified in 3GPP TS 33.220 [26]. Upon receiving the NAF keys from the BSF, the SCF derives MUK from the NAF key as defined in 3GPP TS 33.246 [5].
If the received B-TID is not valid or if the SCF desires the UE to make a new GBA bootstrapping, the SCF shall respond to the UE with an appropriate error message. The error message will trigger the UE to run new GBA bootstrapping.
- The SCF sends a HTTP POST message to the BM-SC. The SCF populates the HTTP POST as follows:
 - the HTTP version shall be 1.1 which is specified in RFC 2616 [34];
 - the base of the Request-URI shall contain the full BM-SC key management URI (e.g. `http://bmsc.home1.net:1234`);
 - the Request-URI shall contain an URI parameter "requesttype" that shall be set to "sip-based-msk-request", i.e. Request-URI takes the form of `"/keymanagement?requesttype= sip-based-msk-request"`;
 - the SCF may add additional URI parameters to the Request-URI;
 - X-3GPP-Asserted-Identity header which includes the identities of the UE;
 - the HTTP header Content-Type shall be the MIME type of the payloads;
 - the HTTP payload shall contain a list of one or more Key Domain ID - MSK ID pair(s) of the MSKs that the UE wants to receive. If new NAF keys were created in the previous step, then the SCF shall also include MBMS user key (MUK), lifetime of MUK, NAF FQDN and B-TID. NAF FQDN and B-TID are included as they may be further included in the MIKEY MSK messages from the BM-SC to the UE, The XML schema for the list of Key Domain ID - MSK ID pair(s) is defined in 3GPP TS 26.346 [11] and the XML schema for carrying IP address, MUK, MUK lifetime, NAF FQDN and BTID is defined in annex x.2.
 - the UE may add additional HTTP headers to the HTTP POST request.
- The BM-SC receives the HTTP POST message. The BM-SC checks that the HTTP POST is valid, and extracts the request for further processing. As the HTTP POST message came from SCF with asserted identities, the BM-SC does not need to authenticate the UE as the UE has been authenticated by the IMS. Also, the HTTP POST message also implicitly indicates to the BM-SC that the SCF has authorized the UE to receive the specified MSK(s).

The BM-SC stores the received information and returns HTTP 200 OK to the SCF. The BM-SC shall populate HTTP response as follows:

- the HTTP status code in the HTTP status line shall be 200;
- the HTTP header Content-Type shall be the MIME type of the payload, i.e. "application/mbms-msk-response+xml";
- the HTTP payload shall contain a list including one status code for each MSK. The XML schema of the payload is the same that is used for MBMS MSK request in 3GPP TS 33.246 [5] and it is specified in 3GPP TS 26.346 [11].
- The SCF receives the HTTP 200 OK. The SCF then includes the XML body from the HTTP 200 OK message into a SIP 200 OK message and sends the SIP 200 OK message to the UE via the IM CN subsystem.

10.4.2.3 Updating MUK

The GBA session (i.e. key Ks derived NAF specific keys, e.g. MUK) has a limited lifetime. The GBA session may expire during service consumption. In this case the UE shall run GBA bootstrapping again to create a new Ks. The UE shall then re-register to the services with the SIP based MBMS registration procedure defined in clause 10.4.2.1 with re-INVITE and the new B-TID. This will create a new MUK in the UE and network.

10.4.2.4 SIP based BM-SC solicited pull

According to 3GPP TS 33.246 BM-SC solicited pull procedure is triggered by the BM-SC by sending an MSK message with a specific MSK-ID value. This will trigger the UE to perform MSK request. IMS based MBMS uses the BM-SC solicited pull procedure as defined in TS 33.246 to trigger the UE to perform SIP based basic MSK request procedure which is specified in clause 10.4.2.2.

11 Blending of Presence and PSS/MBMS user services

11.1 General description

This clause describes the mechanisms that apply when IMS based PSS and MBMS user services are combined with presence service.

The architecture and functional description of the presence service when used in relation to the IMS based PSS & MBMS services shall conform to [37].

The protocol details for the presence service when used in relation to the IMS based PSS & MBMS services shall conform to [36].

The following call flow gives a high-level description for presence service used in the context of IMS based PSS and MBMS. In this example, the UE 1 is the watcher and the UE 2 is the presentity. The UE 2 is in the UE 1's list of contacts and wants to publish on-demand content currently watching.

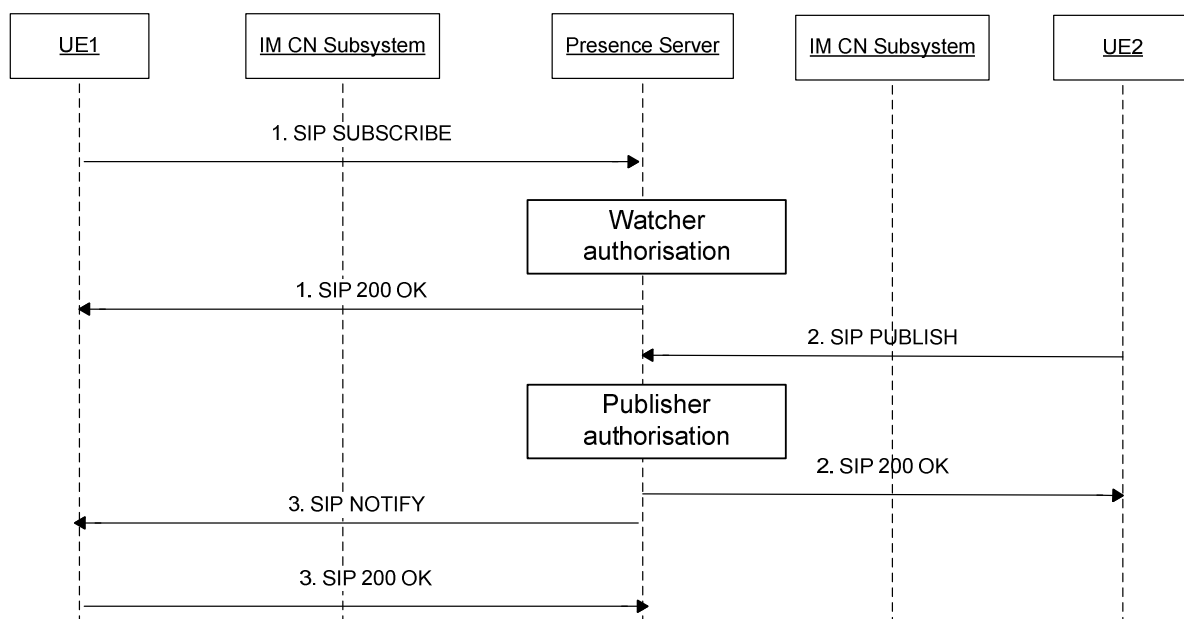


Figure 26: High-level description for presence service used in the context of IMS based PSS and MBMS

1. The UE 1 subscribes for presence information for a list of contacts which includes the UE 2, by sending a SIP SUBSCRIBE message to the Presence Server as defined in [36].
2. After having initiated the PSS or MBMS session, or after a content switching, the UE 2 decides to publish what content is being consumed. The UE 2 sends a SIP Publish message to the Presence Server, as defined in [36], including additional attributes specific to PSS and MBMS such as the content being consumed.
3. On reception of the SIP Publish, the Presence server notifies the UE 1 of what the UE 2 is doing, by sending a SIP NOTIFY message as defined in [36].

11.2 Procedures at the UE acting as presentity

The UE acting as presentity may send a SIP PUBLISH in the following cases:

- On receipt of a final SIP 200 OK concerning a PSS streaming session initiation procedure;
- On receipt of a final SIP 200 OK concerning a MBMS streaming session initiation procedure;

During a streaming session, the UE may also send a PUBLISH request after having performed content switching. This includes the cases of:

- PSS content switching,
- MBMS content switching,
- Switching from PSS to MBMS streaming with channel change,
- Switching from MBMS to PSS streaming with channel change.

The content of the PUBLISH request shall be set as follows:

- The request-URI, the To and the From headers shall be set to the public user identity of the user,
- The Event header shall be set to the "presence" event package,
- The content type shall be set to "application/pidf+xml"

The SIP PUBLISH generated by the UE acting as presentity shall conform to [36].

The presence XML document included in the PUBLISH body shall conform to [36] and [37].

Additional elements specific to PSS and MBMS services shall be included in the XML document. In case of a Live TV service, these specific additional elements are the Live TV channel currently watched, and the current TV program. In case of an on-demand service, specific additional element is the on-demand content.

The XML schema used when the presence documents are published by the UE is described in Annex E of [24], with the following conformity:

- the "currentBCServiceID" refers to the LiveTV channel delivered in PSS or MBMS,
- the "currentBCProgramID" refers to the currently watched program delivered in PSS or MBMS,
- the "currentCoDContentID" refers to the currently watched on-demand content delivered in PSS.

11.3 Procedures at the UE acting as watcher

The SIP SUBSCRIBE generated by the UE acting as a watcher shall conform to [36].

The UE acting as a watcher may then receive a SIP NOTIFY message including the content consumed by the UE acting as presentity.

12 Networked Bookmark Service

Bookmarking allows a user receiving a content item at an UE to mark a point in time in the streamed content which he can access at a later time. The content item is CoD delivered by a PSS server.

The user can later retrieve the bookmark from any device on which he is registered.

12.1 Bookmarking Creation and Storage

The call flow in Figure 27 depicts the sequence for creating a bookmark for a CoD item and storing it in the user's service profile for later retrieval.

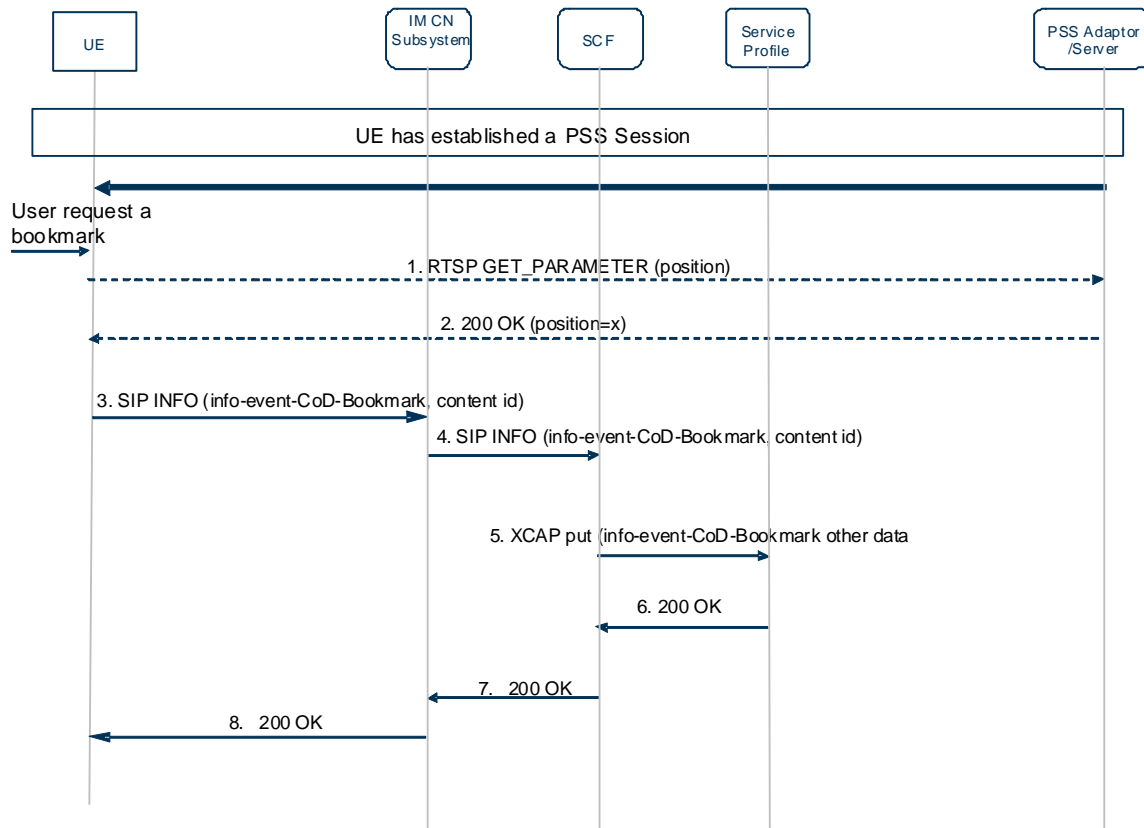


Figure 27: IMS-based CoD Bookmark creation and Storage

The following is a brief description of the steps:

1. The UE has established a CoD session. At some point in time, the user decides he wants to create a bookmark. If the UE does not have the current play out position, it sends an RTSP GET-PARAMETER request to the PSS server to request it.
2. The response to the RTSP GET-PARAMETER request is returned by the PSS server in an RTSP 200 OK.
3. The UE sends to the IM CN Subsystem a SIP INFO Message that includes the info-event CoD-Bookmark package as well as the CoD content id.
4. The IM CN Subsystem forwards the SIP INFO Message to the SCF.
5. The SCF issues an XCAP request, on behalf of the user, to update the service profile with the CoD-Bookmark data.
6. The Service Profile returns the response to the SCF.
7. The SCF returns a SIP 200 OK to the IM CN Subsystem.
8. The IM CN Subsystem forwards the SIP 200 OK to the UE.

12.2 Bookmarking Retrieval

Once a bookmark is created, a user can later retrieve the bookmark anytime, e.g. prior to or during PSS session establishment procedure, from any device on which he is registered.

Clause 12.2.1 depicts the bookmarking retrieval procedure which is independent to PSS session establishment procedure, and clause 12.2.2 depicts the bookmarking retrieval procedure during a PSS session establishment process.

12.2.1 Bookmarking Retrieval independent to session establishment

The call flow in Figure 28 depicts the bookmark retrieval procedure for retrieving bookmarks stored in the user's service profile.

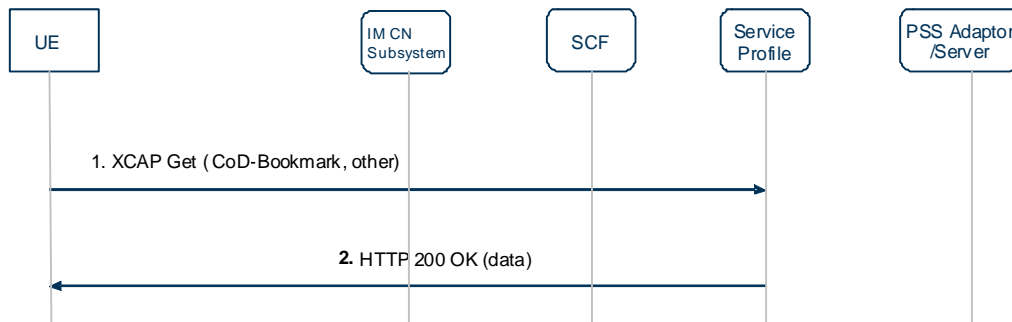


Figure 28: Bookmark retrieval independent to session establishment

The following is a brief description of the steps:

1. The UE issues an XCAP GET request to the Service Profile to request the bookmarks.
2. The bookmarks are returned in an HTTP 200 OK response.

12.2.2 Bookmarking Retrieval during session establishment

The call flow in Figure 29 depicts the bookmark retrieval procedure for retrieving bookmarks stored in the user's service profile during a PSS session establishment process.

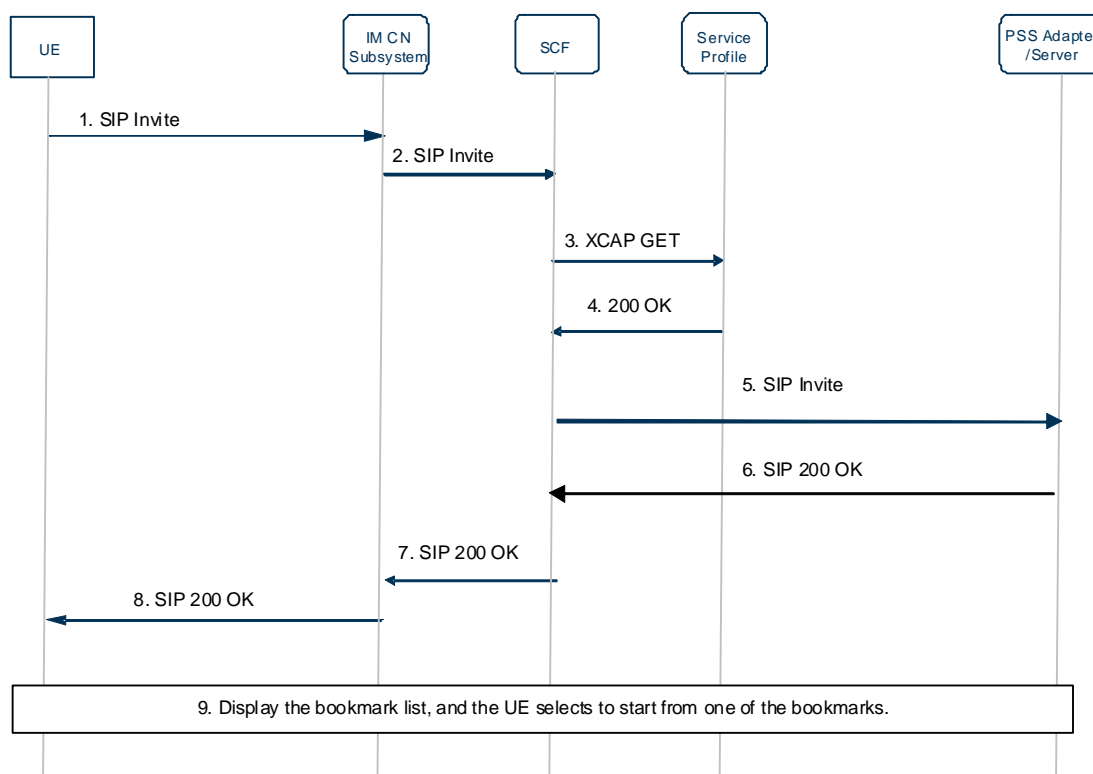


Figure 29 Bookmark Retrieval during session establishment

1. The UE sends an SIP INVITE to the SCF via the IM CN Subsystem.
2. The IM CN Subsystem forwards the SIP INVITE to the SCF.
3. The SCF validates the SIP INVITE request, and checks the rights of user for the requested content by sending an XCAP GET with the user ID and content identifier to the Service Profile.
4. The Service Profile authorizes the user, and returns the user's service profile with the bookmark list if it is set before. Each bookmark in the list should contain at least the content ID and the time reference.
5. The SCF selects the appropriate PSS Adapter for the requested content, and sends the SIP INVITE to the PSS Adapter via the IM CN Subsystem. The PSS Adapter then selects the PSS Server and sends the RTSP SETUP to the PSS Server.
6. The PSS Server returns an RTSP 200 OK to PSS Adapter, which returns a SIP 200 OK to the SCF via the IM CN Subsystem.
7. The SCF returns the SIP 200 OK to the UE via the IM CN Subsystem, with the bookmark list.
8. The IM CN Subsystem forwards the SIP 200 OK to UE.
9. The UE plays out the bookmark list to the user, and the user selects the bookmark from which they wish to start viewing the content.

13 User generated content service

This clause defines the provision and distribution procedures of user generated content (UGC) for IMS based PSS and MBMS User Services.

User generated content refers to content that is provided by an UE e.g. video or audio captured by an in-built camera or microphone. In the following this UE is noted as providing UE, and the UE receiving UGC by PSS or MBMS is noted as receiving UE.

The UGC provision procedure allows a providing UE to declare and upload/upstream UGC content to the network, which is defined in clause 13.1. The UGC distribution procedure allows a receiving UE to select and watch User Generated Content which is defined in clause 13.2.

13.1 UGC content provision procedure

UGC provision procedure is carried out in four steps as shown in figure 30:

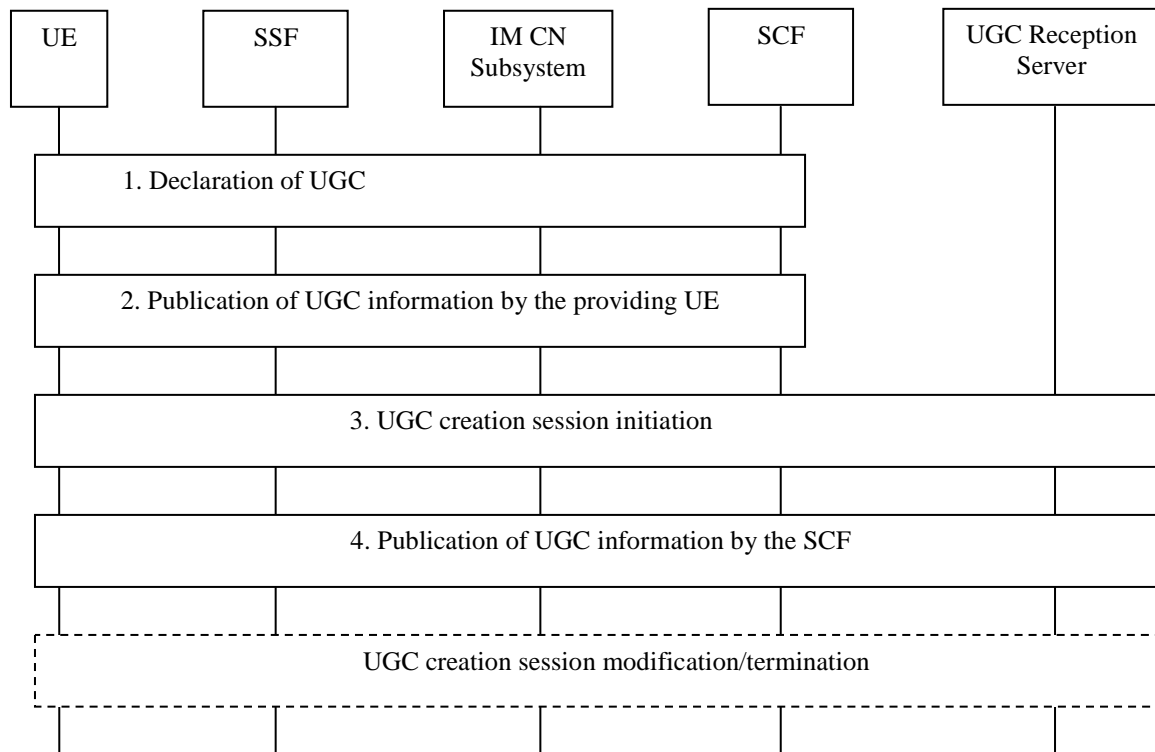


Figure 30 : IMS Based UGC Provision Procedures

NOTE: The UGC reception server can be implemented independent to, or within PSS Server, or BMSC.UPF.

Step 1: Declaration of UGC:

The providing UE sends a UGC declaration request to the SCF. The SCF records the UGC information, generates a unique UGC content ID and sends a UGC declaration response with the content ID to the providing UE.

NOTE: The content ID that should be used is out of scope of this release.

Step 2: Publication of UGC information by the providing UE:

The providing UE sends to the SCF a UGC description request including a UGC description, e.g. name, type, restriction, textual description, special group users etc. together with the UGC content ID.

The SCF records the UGC description, establishes the relationship between UGC content ID and UGC description, and sends UGC description response to the providing UE.

NOTE: Step 1 is always the first step. Step 2 may happen at any time during the UGC provision procedure and can be repeated during the lifetime of the content, e.g. for updating of the UGC description.

NOTE: The messages supporting steps 1 and 2 may be embedded in the messages supporting step 3.

Step 3: Creation of UGC:

User generated content could be provided for distribution by different means i.e. uploading and upstreaming from the providing UE.

Uploading should be used for user generated content that is stored at the UE. For uploading, HTTP should be used. 3GPP file format according to [39] should be supported.

Upstreaming should be used for live content that is continuously generated during upstreaming. For upstreaming, multimedia telephony service over IMS (MTSI) as defined in [38] should be used.

The SCF should signal the address of the UGC reception server to the providing UE.

In case of uploading, a HTTP connection is established and UGC is uploaded to a UGC upload reception server. In this case the upload reception server must support HTTP.

In case of upstreaming, the providing UE initiates a MTSI session and upstreams the UGC to the UGC upstreaming reception server. In this case, the upstreaming reception server must support MTSI specifications [38].

Step 4: Publication of UGC information by the SCF:

The SCF establishes the relationship between UGC content ID, UGC description and optionally UGC location (address), and publishes the UGC description information.

Step 4 may take place before, during or after step 3. In case of upstreaming, step 4 is carried out before step 3.

The UE can modify or terminate the established UGC creation session later on.

NOTE: Updating the SSF for UGC information from the SCF is required, but the method for achieving this is out of scope of this specification.

13.2 UGC distribution procedure

The UGC reception server is responsible for repackaging and/or transcoding the uploaded or upstreamed content into such a form that can be served to legacy PSS servers and BMSCs. The UGC reception server is responsible for serving received UGC to legacy PSS Servers and BMSC in live and pre-recorded forms. This interface is out of scope for this release.

Content distribution is carried out using either PSS or MBMS. In case of PSS, UGC is distributed by the PSS server. In case of MBMS, UGC is distributed via the BMSC.UPF.

Distribution of user generated content to PSS and MBMS clients (receiving UEs) uses the same procedures for service provider discovery (clause 5), user service discovery (clause 6) and description retrieval (clause 7), streaming (clause 8) and download delivery as content that is provided in a different way.

14 MBMS Download Service

This section depicts the procedures for retrieval of missing parameters before session initiation in clause 14.1, the MBMS download session initiation, file repair and reception report procedures in clause 14.2, and session teardown procedure in clause 14.3.

14.1 Missing parameters before session initiation

14.1.1 Procedures at the UE

If the UE does not have the all the information it needs to form an SDP offer, the UE shall send a SIP OPTIONS message.

The "Request-URI" is related to the MBMS service that the user wants to activate. The "Request-URI" shall be composed of a user and domain part as defined as follows:

- The user part contains the serviceId.
- The domain part is the Service Provider domain name, obtained from SSF.

The TO header shall contain the same URI as in the "Request-URI" parameter.

The FROM header shall indicate the public user identity of the user.

Upon reception of the 200 OK including service access information encapsulated in multipart/MIME, the UE shall initiate MBMS download session as described in 14.2.

14.1.2 Procedures at the SCF

When receiving the SIP OPTIONS message, the SCF shall examine the serviceId present in the user-part of the TO header and lookup the requested User Service Description information.

The SCF shall answer with the user service description information of the content delivery channel (encapsulated in multipart/MIME) as requested by the serviceId.

14.2 MBMS Download Session Initiation, File Repair and Reception Report

14.2.1 General description

Figure 31 gives an overview about the procedures for an IMS based MBMS Download Session initiation, File-Repair and reception report.

If an associated delivery procedure description for File-Repair operations is available, then the UE receiver may use the File-Repair service as specified in [11] sub-clause 9.3.

If an associated delivery procedure description for reception reporting is available, then the UE shall provide reception reports as specified in [11] sub-clause 9.4.

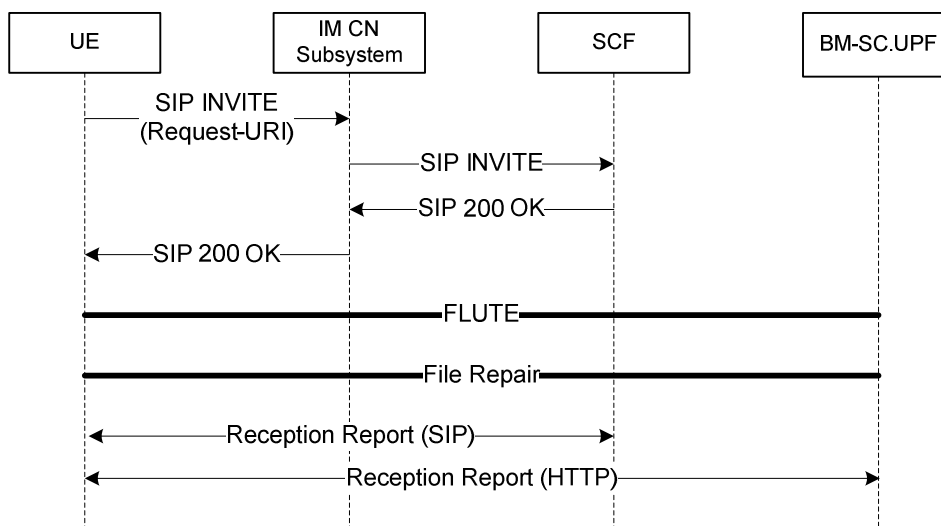


Figure 31 Procedures for IMS based MBMS Download

Step 1, 2: The UE generates an initial SIP INVITE message sent to the SCF, indicating the chosen MBMS Download Service. A SDP offer is included in the SIP INVITE message.

Step 3, 4: Upon receipt of SIP INVITE the SCF examine the SDP parameters in the SDP offer. In case of a successful examination, the SCF answers with a SIP 200 OK including the SDP answer.

Step 5: The UE receives the MBMS download data using FLUTE.

Step 6: In case of incomplete download, file repair procedures are executed.

Step 7, 8: The UE reports the reception statistics using either HTTP or SIP INFO message.

14.2.2 Procedures at the UE

The UE shall support the procedures specified in TS 24 229 [7] for originating sessions.

The UE shall generate an initial INVITE request:

- The Request-URI in the INVITE request shall be the well known PSI (Public Service Identifier) of the MBMS Download Service.
- The To header shall contain the same URI as in the Request-URI.
- The From header shall indicate the public user identity of the user.

An SDP offer shall be included in the request. The SDP offer shall be done in accordance with the parameters received during UE service selection procedure and with media capabilities and required bandwidth available for the MBMS download service. The SDP offer shall include the following elements:

- An a=source-filter line to indicate the IP source address of the FLUTE session.
- An a=flute_tsi line to indicate Transport Session ID (TSI) of the FLUTE session.

NOTE: The combination of the TSI and the IP source address identifies the FLUTE session.

- The m-line(s) shall be set to the media parameters retrieved via service selection procedures for the requested MBMS download service.
- The c-line(s) shall be set according to the multicast address retrieved via service selection procedures for the requested MBMS download service.

The descriptions of above parameters conform to section 7.3 of 3GPP TS 26.346[11].

- An a=mbms_download_service:ServiceId line to indicate the MBMS download service which the UE intends to initiate.

Once the UE receives the SIP response, the UE shall examine the FLUTE session parameters in the received SDP, and receive the MBMS download data accordingly.

In case the FDT is unavailable, the UE shall get the FDT according to fdt_address attribute in the SDP Answer. The FDT contains content description information for the files delivered in the FLUTE session.

In case of incomplete download, the UE shall execute the file repair procedures towards the repair server indicated by repair-server-address attribute in the SDP Answer.

The UE shall report the reception statistics using either HTTP or SIP INFO message according to report-channel parameter of the SDP Answer. The XML contents in the report message refer to section 9.5.3.2 of 3GPP TS 26.346[11].

14.2.3 Procedures at the IM CN Subsystem

The IM CN subsystem handles the SIP dialog as defined in 3GPP TS 23.228 [6].

14.2.4 Procedures at the SCF

The SCF shall support the procedures specified in TS 24.229 [7] applicable to an AS acting as a terminating UA.

Upon receipt of SIP INVITE request, the SCF shall perform service authorization procedures to check the service rights of requested MBMS download service according to the user subscription information, See clause 10.4.

The SCF shall examine the SDP parameters in the SDP offer.

- It shall examine the a=mbms_download_service parameter. This parameter contains the channel the UE intends to join. If the mbms_download_service parameter does not point to a channel that the UE is allowed to join the SCF shall not accept the offer and shall answer with a 403 error code.
- It shall examine the c-line(s) to determine that it is a multicast session. It may also check that it corresponds to the mbms_download_service parameter. If not, the SCF shall answer with a 403 error code.

If the SDP parameters are examined successfully, the SCF shall answer with a SIP 200 OK, indicating the SDP answer as follows:

- The m-line(s) and c-line(s) shall be identical to ones indicated in the SDP offer.
- The source-filter and flute_tsi attributes shall be identical to ones indicated in the SDP offer.
- An a=fdt_address:uri to indicate the address of the File Delivery Table.
- An a=repair-server-address:uri to indicate the address of the repair server.
- An a=report-channel:SIP/HTTP line to indicate the UE that the reception report procedure should be performed by SIP or HTTP channel.
- It shall include an a=recvonly attribute.

14.2.5 Procedures at the BMSC.UPF

The MBMS FLUTE session is already ongoing at the BMSC.UPF. No specific action is required.

14.3 MBMS Download Session Teardown

14.3.1 General Description

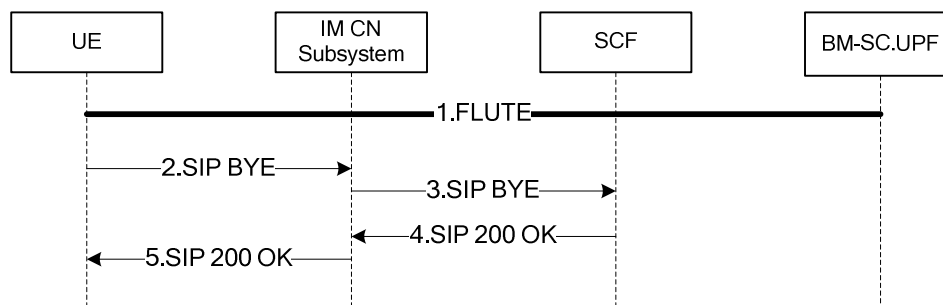


Figure 32: MBMS Download Session Termination

Step 1: UE receives download content from the BM-SC.UPF.

Step 2, 3: UE initiates a SIP BYE message to SCF, indicating which MBMS download session to close.

Step 4, 5: SCF responds UE with a SIP 200 OK message when the SIP BYE is successfully handled and session terminated. At this stage, the UE can stop receiving the MBMS download session.

The UE may deactivate the according MBMS Bearer Service during steps 2 to 5 or after step 5. The deactivation is either according to the MBMS Broadcast Service deactivation (3GPP TS 23.246 [4]) or the MBMS Multicast Mode deactivation procedure (3GPP TS 23.246 [4]).

14.3.2 Procedures at the UE

The UE shall send a SIP BYE to the SCF.

The UE may deactivate the according MBMS Bearer Service during steps 2 to 5 or after step 5 of clause 8.3.5.1. The deactivation is either according to the MBMS Broadcast Service deactivation (3GPP TS 23.246 [4]) or the MBMS Multicast Mode deactivation procedure (3GPP TS 23.246 [4]).

14.3.3 Procedures at the IM CN Subsystem

The IM CN subsystem handles the SIP dialog as defined in 3GPP TS 23.228 [6].

14.3.4 Procedures at the SCF

The SCF responds to the UE with a SIP 200 OK message after handling of the SIP BYE message.

14.3.5 Procedures at the BMSC.UPF

The BMSC.UPF is acting as described in 3GPP TS 23.246 [4].

15 PSS download service

15.1 General Description

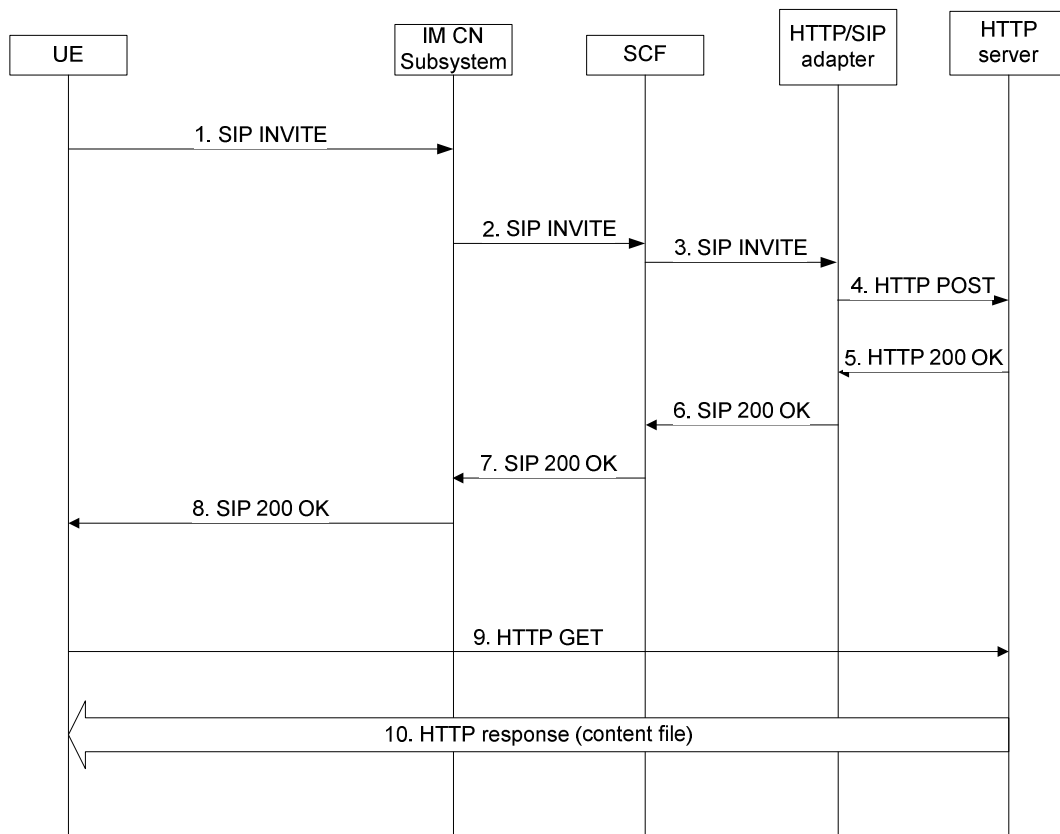


Figure 33: IMS based session set-up for progressive download

1. The UE initiates the progressive download session by sending SIP INVITE to the IM CN subsystem, including an SDP offer.
2. The IM CN subsystem forwards the SIP INVITE message to the SCF.
3. The SCF verifies the user rights for the requested content, selects a HTTP/SIP adapter, and forwards the SIP INVITE message to the HTTP/SIP adapter.
4. The HTTP/SIP adapter selects a HTTP Server, and sends an HTTP POST message to the HTTP server, including the IP address of the UE and the token. This message is used to indicate to the HTTP server that

it is going to receive an HTTP GET request from the UE with this IP address and token and will have to deliver the content file to this UE.

5. The HTTP server answers to the HTTP proxy/SIP adapter.
6. The HTTP/SIP adapter sends the SIP 200 OK answer to the SCF, including the token and the IP address of the HTTP server in the SDP answer.
7. The SCF forwards the SIP 200 OK to the IM CN subsystem.
8. The IM CN subsystem forwards the SIP 200 OK to the UE.
9. The UE sends HTTP request to the URL obtained from the HTTP/SIP adapter SCF in the SIP 200 OK message. The HTTP request contains the token obtained in the SIP 200 OK, as a parameter.
10. Based on the token and the IP address included in the request, the HTTP server delivers the content file in the HTTP response to the UE.

15.2 Procedures at the UE

The UE initiates the progressive download session by sending SIP INVITE to the IM CN subsystem. The content of the SIP INVITE shall be as follows:

- The Request URI is related to the session the user wants to activate. The Request-URI shall be composed of a user and domain part as defined as follows:
 - The user part contains the content identifier, retrieved from user service description information from SSF
 - The domain part is the Service Provider domain name, obtained from SSF.
- The To header shall contain the same URI as in the Request URI.

The other headers shall be set according to 24.229 [7].

An SDP offer shall be included in the initial INVITE request, in accordance with media capabilities and policies available for the PSS session and with the parameters received from the SSF during service selection procedure or during the procedure for retrieving missing parameters by SIP OPTIONS.

The SDP media parameters should describe the HTTP progressive download session. The differences with the SDP offer defined for streaming is the absence of media line corresponding to the control protocol (RTSP), and the indication of TCP transport and HTTP progressive download method instead of streaming in "m" line.

The SDP parameters for the HTTP progressive download channel shall be set as follows:

- a 'm' line for an HTTP progressive download channel of format: m=<media> <port> <transport> <fmt>
 - The media field shall have a value of "application".
 - The port field shall be set to a value of 9, which is the discard port. See RFC 4145 [13] and RFC 4572 [14].
 - The transport field shall be set to TCP or TCP/TLS. The former is used when HTTP runs directly on top of TCP and the latter is used when HTTP runs on top of TLS, which in turn runs on top of TCP.
 - The <fmt> parameter shall be included and shall be set to *3gpp_http*.

NOTE: the *3gpp_http* application format should have a new MIME subtype registered in IANA.

- An "a=setup" attribute shall be present and set to "active" indicating that the UE will initiate an outgoing TCP connection to the HTTP Server.
- An "a=connection" attribute shall be present and set as "new" indicating that the UE will establish a new outgoing TCP connection towards the HTTP Server.

- A "c" line shall include the network type with the value set to IN, the address type set to IP4 or IP6 and IP address of the flow of the related HTTP progressive download channel (ex. c=IN IP4 <IP_ADDRESS>).
- Optionally a "b=" line may contain the proposed bandwidth. If the user has fetched the bandwidth required for this particular content delivery channel during service selection retrieval, the bandwidth attribute at media level shall be set to this value. Otherwise, this attribute shall be set to a pre-configured value; (ex. b=AS:15000)

An example of the SDP offer for IMS-based PSS progressive download is:

```
v=0
o=bob 2890844527 2890844527 IN IP4 b.biloxi.example.com
s=Download Session
i=A download session declared within the session description protocol
t=0 0
m=application 9 TCP 3gpp_http
a=connection:new
a=setup:active
c= IN IP4 b.biloxi.example.com
b=AS:15000
```

Once the UE has received the SIP 200 OK, it can generate the HTTP message to the HTTP server. The UE sends the HTTP GET request to the URL obtained in the received SIP 200 OK. The HTTP request shall contain the value of the token obtained in the SIP 200 OK.

An example of the HTTP GET request sent by the UE is:

```
HTTP GET http://123.23.23.23/ movie1.mpeg?3gpp_http_token=342355
```

15.3 Procedures at the IM CN subsystem

The IM CN subsystem shall forward the SIP INVITE to the SCF.

Upon reception of the SIP 200 OK from the SCF, the IM CN subsystem forwards the SIP 200 OK to the UE.

The IM CN Subsystem handles the SIP dialog as defined in 3GPP TS 23.228 [6].

15.4 Procedures at the SCF

Upon reception of the SIP INVITE from the UE, the SCF checks the user rights for the requested content, identifies that the request is for progressive download, selects a HTTP/SIP adapter according to the Request URI, and forwards the SIP INVITE to the HTTP/SIP adapter.

15.5 Procedures at the HTTP/SIP adapter

Upon reception of the SIP INVITE, the HTTP/SIP adapter generates a token which will be associated with the on-going SIP session. The value of the token is stored in the HTTP/SIP adapter. The HTTP/SIP adapter selects a HTTP Server according to the Request URI, and sends a HTTP POST message to the HTTP server, including the token.

The HTTP/SIP adapter does not implicitly create a session state with the HTTP server for the HTTP delivery process, contrary to the case of streaming where the PSS adapter establishes an RTSP session with the PSS server. However the use of a token allows a mapping between the SIP session and the HTTP request for progressive download.

The HTTP/SIP adapter returns the SIP 200 OK message to the SCF, including the SDP answer with the token. The SDP answer should describe the HTTP progressive download session. The differences with the SDP answer defined for streaming is the absence of media line corresponding to the control protocol (RTSP), the indication of TCP transport and HTTP progressive download method instead of streaming in "m" line, the indication of HTTP URL instead of RTSP URI and the indication of the HTTP token value instead of RTSP session id.

The HTTP/SIP adapter shall construct the SIP 200 OK message as follows:

- an 'm' line for an HTTP progressive download channel of format: m=<media> <port> <transport> <fmt>

- The media field shall have a value of "application".
- The port field shall be set to the value of HTTP Server for the progressive download channel, such as 80.
- The transport field shall be set to TCP or TCP/TLS. The former is used when HTTP runs directly on top of TCP and the latter is used when HTTP runs on top of TLS, which in turn runs on top of TCP.
- a "c" line shall include the network type with the value set to IN, the address type set to IP4 or IP6 and IP address of HTTP Server for the flow of the related HTTP progressive download channel (e.g. c=IN IP4 <IP_ADDRESS>).
- The "setup" attribute is set to 'passive' indicating that connection shall be initiated by the other endpoint (UE).
- An "a= connection" attribute shall be present and set as "new" indicating that the UE will establish a new outgoing TCP connection towards the HTTP Server.
- One or more a=fmtp lines representing HTTP specific attributes set as follows:
 - a "fmtp:3gpp_http http-url" attribute in the format of an absolute URI to be used for the UE in the subsequent HTTP requests.
 - a "fmtp:3gpp_http token" attribute in the format of a string to be used for the UE in the subsequent HTTP requests.

An example of the SDP answer in the SIP 200 OK response is:

```
v=0
o=bob 2890844527 2890844527 IN IP4 b.biloxi.example.com
s=Download Session
i=A download session declared within the session description protocol
t=0 0
m=application 80 TCP 3gpp_http
a=connection:new
a=setup:passive
a=fmtp 3gpp_http h-url http://operator.com/movie1.mpeg
a=fmtp 3gpp_http token=342355
c=IN IP4 b.biloxi.example.com
b=AS:0
```

15.6 Procedures at the HTTP server

Upon reception of the HTTP GET received from the UE, the HTTP server compares the value of the token included in the request with the stored tokens of the on-going SIP session, to check that the HTTP request has really been preceded by a SIP session set-up procedure. If a corresponding SIP session is found, the HTTP server delivers the content file in the HTTP response.

16 Inter UE Session Transfer

Inter UE Session transfer (IUT) is used for the transfer of an ongoing PSS session from a transferor UE (UE-1) to a transferee UE (UE-2). IUT includes the transfer of the session control as well as the media flows.

UE-1 and UE-2 are under the same user subscription and are served by the same SCF.

Inter UE Session transfer follows the general Inter UE session transfer procedures as defined in [40] and [41].

NOTE 1: Functionality of SCC AS [40] for Inter UE transfer can be implemented by the SCF.

In the push mode, the session transfer is initiated by UE-1.

NOTE 2: In the pull mode, the session transfer is initiated by UE-2. Pull mode is not in the scope of Rel-9 and will be handled in a later Release.

16.1 Push mode

UE-1 is involved in an IMS session with the PSS server. The information flow in Figure 34 shows the transfer of the session from UE-1 to UE-2. The grey boxes refer to the session transfer procedures as defined in clause 15 of [41].

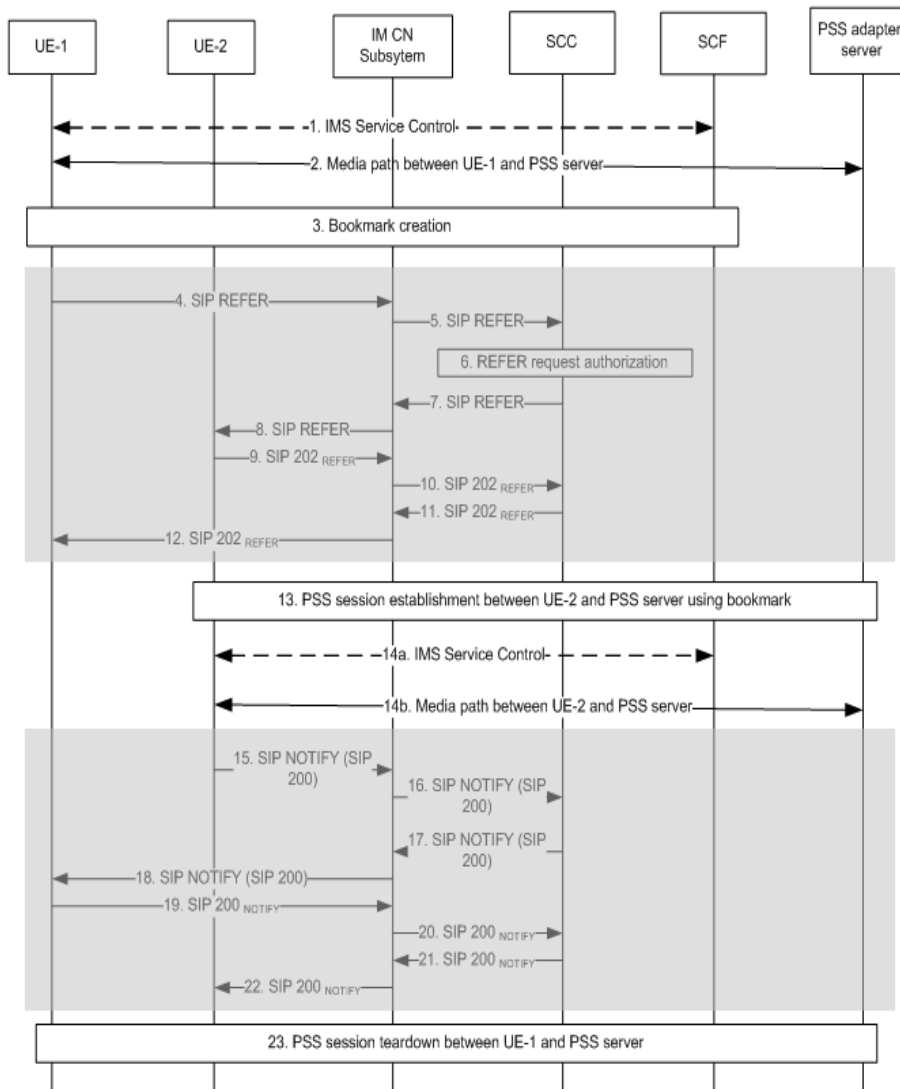


Figure 34: Inter UE session transfer.

Note: This sequence is simplified and does not e.g. show session progress messages

- 1.-2. UE-1 is in a IMS controlled PSS session with PSS server receiving a media stream.
3. UE-1 may initiate nBookmark procedure according to clause 12.1
- 4.-5. SIP REFER request initiating the inter UE transfer to UE-2 is sent from UE-1 to SCC

The SIP REFER request shall follow the procedures in [41] section 15.

Additionally, the Refer-To header shall be extended by a To header field which includes the original content identifier copied from the Request URI of the original SIP INVITE request initiated from the transferor.

Further a body header that contains the SDP body to be included in the PSS session initiation request initiated from the transferee UE. The SDP body shall contain the same number of media lines as the SDP used in the original PSS session from the transferor. Each media line shall indicate the same media type as its corresponding media component in the SDP used in the original session by the transferor UE.

The body of the REFER request shall include the bookmark as defined in Annex J.

If step 3 is carried out, the bookmark may be not present. In this case, an identifier of the stored bookmark is included.

NOTE: Before initiation of IUT, UE 1 may discover UE-2, e.g. by presence service, which is out of scope of TS 26.237.

6. The SCC authorizes the request and if authorization is passed successfully, the SCC forwards the SIP REFER request further.

7.-8. SIP REFER request (SCC to UE-2).

9.-12. SIP 202 response to the SIP REFER request (UE-2 to UE-1).

13. PSS session initiation using the bookmark according to clause 12.2.2.

14. UE-2 is in a IMS controlled PSS session with PSS server.

The media path is now established between UE-2 and PSS server and the IMS service control between UE-2 and SCC AS.

15.-18. SIP NOTIFY request (UE-2 to UE-1 over intermediate IM CN subsystem entities and SCC).

The UE-2 generates the SIP NOTIFY request carrying the message/sipfrag body and send it towards UE-1.

19.-22. SIP 200 OK response to the SIP NOTIFY request (UE-1 to UE-2 over intermediate IM CN subsystem entities and SCC).

23. PSS session teardown between UE-1 and PSS server according to clause 8.2.6.1.1.

Annex A (normative): 3gpp_rtsp application

The 3gpp_rtsp application defines a set of RTSP parameters. An RTSP parameter is included in "a=fmtp" line of the SDP and is expressed in the form of parameter=value.

```
a=fmtp:3gpp_rtsp <parameter name>=<value>
```

The "version" parameter sets the "version-number" representing the version of RTSP that will be used in the RTSP media stream. The version number shall be "1.0" in this version of the specification. The RTSP version shall be included in all SDP offers and answers. The same version shall be used by all entities.

```
a=fmtp:3gpp_rtsp version=<version-number>
```

To exchange RTSP header fields within the SIP offer/answer, the RTSP media stream allows for attributes with the following format:

```
a=fmtp:3gpp_rtsp h-<header-name>=<header-value>,
```

where "header-name" is the name of the RTSP header field being described and "header-value" is the value of the RTSP header field. The value of the header-name is case insensitive. The value of the header-value is interpreted according to the rules of RTSP. The list of authorized headers in the SIP offer/answer is as follows:

- Session: this is the RTSP session id as established by the PSS adapter to be used for further RTSP transactions.
- Offset: this is a range value to be used in the first PLAY request by the UE.
- Supported" header filed with the following feature tags (see 3GPP TS 26.234 [8]):
 - "3gpp-switch" feature-tag, clause 5.5.4.2.
 - "3gpp-switch-req-sdp" feature-tag, clause 5.5.4.3.
 - "3gpp-switch-stream" feature-tag, clause 5.5.4.4.
- Require (see 3GPP TS 26.234 [8]).
- Pipelined-Requests (see 3GPP TS 26.234 [8]).
- 3GPP-Adaptation (see 3GPP TS 26.234 [8]).

UE, PSS Servers and PSS adapters shall support all these headers and feature tags.

Annex B (informative): Examples

Void (TBD).

Annex C (normative):
Void

Annex D (normative): XML Schema for PSS and MBMS commands

```
<?xml version="1.0" encoding="UTF-8"?>
<xs:schema xmlns:xs="http://www.w3.org/2001/XMLSchema"
xmlns:pss="urn:org:etsi:ngn:params:xml:ns:PssContentSwitchData"
xmlns:mbms="urn:org:etsi:ngn:params:xml:ns:MbmsContentSwitchData"
xmlns:local="urn:org:etsi:ngn:params:xml:ns:PssMbmscommand"
targetNamespace="urn:org:etsi:ngn:params:xml:ns:PssMbmscommand" elementFormDefault="qualified"
attributeFormDefault="unqualified">
  <xs:import namespace="urn:org:etsi:ngn:params:xml:ns:PssContentSwitchData"
schemaLocation="PssSwitchData.xsd"/>
  <xs:import namespace="urn:org:etsi:ngn:params:xml:ns:MbmsContentSwitchData"
schemaLocation="MbmsSwitchData.xsd"/>
  <xs:element name="ImsPssMbmsCommand">
    <xs:complexType>
      <xs:choice>
        <xs:element name="PssSwitch" type="local:tPssSwitch" minOccurs="0"
maxOccurs="unbounded"/>
        <xs:element name="MbmsSwitch" type="local:tMbmsSwitch" minOccurs="0"
maxOccurs="unbounded"/>
      </xs:choice>
    </xs:complexType>
  </xs:element>
  <xs:complexType name="tPssSwitch">
    <xs:choice>
      <xs:element ref="pss:PssSwitchData"/>
    </xs:choice>
  </xs:complexType>
  <xs:complexType name="tMbmsSwitch">
    <xs:choice>
      <xs:element ref="mbms:MbmsSwitchData"/>
    </xs:choice>
  </xs:complexType>
</xs:schema>
```

Annex E (normative): XML Schemas for the PSS content switch data

This annex specifies XML schemas for PSS content switch data:

```
<?xml version="1.0" encoding="UTF-8"?>
<xs:schema xmlns:xs="http://www.w3.org/2001/XMLSchema"
xmlns="urn:org:etsi:ngn:params:xml:ns:PssContentSwitchData"
targetNamespace="urn:org:etsi:ngn:params:xml:ns:PssContentSwitchData" elementFormDefault="qualified"
attributeFormDefault="unqualified">
  <xs:element name="PssSwitchData">
    <xs:complexType>
      <xs:sequence>
        <xs:element name="ContentID" type="xs:string" minOccurs="0"/>
        <xs:element name="DateTime" type="xs:dateTime" minOccurs="0"/>
        <xs:element name="Extension" type="tExtension" minOccurs="0"/>
        <xs:any namespace="##other" processContents="lax" minOccurs="0" maxOccurs="unbounded"/>
      </xs:sequence>
    </xs:complexType>
  </xs:element>
  <xs:complexType name="tExtension">
    <xs:sequence>
      <xs:any processContents="lax" minOccurs="0" maxOccurs="unbounded"/>
    </xs:sequence>
  </xs:complexType>
</xs:schema>
```

Annex F (normative): XML Schemas for the MBMS content switch data

This annex specifies XML schemas for MBMS content switch data:

```
<?xml version="1.0" encoding="UTF-8"?>
<xs:schema xmlns="urn:org:etsi:ngn:params:xml:ns:MbmsContentSwitchData"
xmlns:xs="http://www.w3.org/2001/XMLSchema"
targetNamespace="urn:org:etsi:ngn:params:xml:ns:MbmsContentSwitchData"
elementFormDefault="qualified" attributeFormDefault="unqualified">
  <xs:element name="MbmsSwitchData">
    <xs:complexType>
      <xs:sequence>
        <xs:element name="ServiceId" type="xs:string" minOccurs="0"/>
        <xs:element name="ProgrammeId" type="xs:string" minOccurs="0"/>
        <xs:element name="DateTime" type="xs:dateTime" minOccurs="0"/>
        <xs:element name="Extension" type="tExtension" minOccurs="0"/>
        <xs:any namespace="##other" processContents="lax" minOccurs="0" maxOccurs="unbounded"/>
      </xs:sequence>
    </xs:complexType>
  </xs:element>
  <xs:complexType name="tExtension">
    <xs:sequence>
      <xs:any processContents="lax" minOccurs="0" maxOccurs="unbounded"/>
    </xs:sequence>
  </xs:complexType>
</xs:schema>
```

Annex G (normative): XML Schema for PSS and MBMS UE Device Capabilities

This XML Schema defines the UE device capabilities that are signalled by the UE within the body of the SIP SUBSCRIBE request when attaching to the service. Another document is also part of the body to describe PSS Capabilities as defined in TS 26.234.

```
<?xml version="1.0" encoding="UTF-8"?>
<xs:schema
targetNamespace="urn:3GPP:metadata:2008:IMS-PSS-MBMS:UECap"
xmlns:xs="http://www.w3.org/2001/XMLSchema"
elementFormDefault="qualified" attributeFormDefault="unqualified">

  <xs:annotation>
    <xs:documentation xml:lang="en">
      Defines the capabilities of the UE that is currently associated with the user
    </xs:documentation>
  </xs:annotation>

  <xs:element name="UEInformation" type="tUEProfile"/>
  <xs:complexType name="tUEProfile">
    <xs:sequence>
      <xs:element name="UserEquipmentModelName" type="xs:string"/>
      <xs:element name="UserEquipmentModelVersion" type="xs:string"/>
      <xs:element name="UserEquipmentID" type="tUEID"/>
      <xs:element name="UserEquipmentClass" type="tUserEquipmentClass"/>
      <xs:element name="UserEquipmentMBMSCapable" type="xs:boolean"/>
    </xs:sequence>
  </xs:complexType>

  <xs:simpleType name="tUEID" final="list restriction">
<xs:annotation>
  <xs:documentation>
    <label xml:lang="en">User Equipment ID</label>
    <definition xml:lang="en">Unique Identifier for the UE(eg;Could be MAC address of UE)
  </definition>
  </xs:documentation>
</xs:annotation>
  <xs:restriction base="xs:string">
    <xs:minLength value="0"/>
    <xs:maxLength value="16"/>
  </xs:restriction>
</xs:simpleType>

  <xs:simpleType name="tUserEquipmentClass" final="list restriction">
<xs:annotation>
  <xs:documentation>
    <label xml:lang="en">User Equipment class</label>
    <definition xml:lang="en">Specifies the type of UE</definition>
  </xs:documentation>
</xs:annotation>
  <xs:restriction base="xs:string">
    <xs:enumeration value="STB"> </xs:enumeration>
    <xs:enumeration value="PC"> </xs:enumeration>
    <xs:enumeration value="Handset"> </xs:enumeration>
  </xs:restriction>
</xs:simpleType>
</xs:schema>
```

Annex H (normative): XML Schema for Service Attachment Information

This annex describes the XML schema for the service attachment information to be returned to UE by SDF.

```

<?xml version="1.0" encoding="UTF-8"?>
<xs:schema xmlns:xs="http://www.w3.org/2001/XMLSchema" elementFormDefault="qualified"
attributeFormDefault="unqualified">

  <xs:element name="SSF" type="tSSF">
    <xs:annotation>
      <xs:documentation>XML Body of the SDF SIP Notify Response</xs:documentation>
    </xs:annotation>
  </xs:element>

  <xs:complexType name="tSSF">
    <xs:sequence>
      <xs:element name="Description" type="tMultilingual" minOccurs="0"
maxOccurs="unbounded"/>
      <xs:element name="ServiceProvider" type="tSSFSERVICEProvider" minOccurs="0"/>
      <xs:element name="Pull" type="tSSFPull" minOccurs="0" maxOccurs="unbounded"/>
      <xs:element name="Push" type="tSSFPush" minOccurs="0" maxOccurs="unbounded"/>
      <xs:element name="MBMSSecurityProcedure" type="tMBMSSec" minOccurs="0"/>
      <xs:element name="Extension" type="tExtension" minOccurs="0"/>
      <xs:any namespace="##other" processContents="lax" minOccurs="0" maxOccurs="unbounded"/>
    </xs:sequence>
    <xs:attribute name="ID" type="tHexadecimal16bit" use="required"/>
    <xs:attribute name="Technology" type="xs:string" use="required"/>
    <xs:attribute name="Version" type="tVersion">
      <xs:annotation>
        <xs:documentation>The version number is incremented when one or more attributes of
the SSF element have changed, so that the receiver knows whether it should update its data or
not.</xs:documentation>
      </xs:annotation>
    </xs:attribute>
    <xs:anyAttribute namespace="##other" processContents="lax"/>
  </xs:complexType>

  <xs:simpleType name="tVersion">
    <xs:restriction base="xs:integer">
      <xs:minInclusive value="0"/>
      <xs:maxInclusive value="255"/>
    </xs:restriction>
  </xs:simpleType>

  <xs:complexType name="tSSFSERVICEProvider">
    <xs:sequence>
      <xs:element name="Name" type="tMultilingual" maxOccurs="unbounded"/>
      <xs:element name="Description" type="tMultilingual" minOccurs="0"
maxOccurs="unbounded"/>
      <xs:element name="Extension" type="tExtension" minOccurs="0"/>
    </xs:sequence>
    <xs:attribute name="DomainName" type="tDomain" use="required">
      <xs:annotation>
        <xs:documentation>It is recommended that the DomainName complies with the "preferred
name syntax" of RFC1034 clause 3.5</xs:documentation>
      </xs:annotation>
    </xs:attribute>
    <xs:attribute name="LogoURI" type="xs:anyURI" use="optional"/>
    <xs:anyAttribute namespace="##other" processContents="lax"/>
  </xs:complexType>

  <xs:simpleType name="tDomain">
    <xs:restriction base="xs:string">
      <xs:pattern value="((.|\\n|\\r)*)?(\\.|.|\\n|\\r)*"/>
    </xs:restriction>
  </xs:simpleType>

  <xs:complexType name="tSSFPull">
    <xs:complexContent>
      <xs:extension base="tDataTypeList">
        <xs:attribute name="Location" type="xs:anyURI" use="required"/>
        <xs:anyAttribute namespace="##other" processContents="lax">
          <xs:annotation>

```

```

        <xs:documentation>Extension attribute to define further
data</xs:documentation>
        </xs:annotation>
        </xs:anyAttribute>
        </xs:extension>
        </xs:complexContent>
</xs:complexType>

<xs:complexType name="tSSFPush">
  <xs:complexContent>
    <xs:extension base="tDataTypeList">
      <xs:attribute name="IpVersion" type="tVersion" use="optional"/>
      <xs:attribute name="MulticastAddress" type="xs:string" use="required"/>
      <xs:attribute name="MulticastPort" type="xs:unsignedShort" use="required"/>
      <xs:attribute name="SourceAddress" type="xs:string" use="optional"/>
      <xs:anyAttribute namespace="##other" processContents="lax">
        <xs:annotation>
          <xs:documentation> Extension attribute to define further data
        </xs:documentation>
        </xs:annotation>
      </xs:anyAttribute>
    </xs:extension>
  </xs:complexContent>
</xs:complexType>

<xs:complexType name="tDataTypeList">
  <xs:sequence maxOccurs="unbounded">
    <xs:element name="DataType">
      <xs:complexType>
        <xs:sequence minOccurs="0" maxOccurs="unbounded">
          <xs:element name="Segment">
            <xs:annotation>
              <xs:documentation>Segments are used to logically separate Service
Selection information</xs:documentation>
            </xs:annotation>
          </xs:element>
          <xs:complexType>
            <xs:attribute name="ID" type="tHexadecimal16bit" use="required"/>
            <xs:attribute name="Version" type="tVersion" use="optional"/>
          </xs:complexType>
        </xs:sequence>
      </xs:complexType>
    </xs:element>
  </xs:sequence>
  <xs:attribute name="Type" type="tHexadecimal8bit" use="required">
    <xs:annotation>
      <xs:documentation> Specify the type of Service Selection Information
that is delivered by the SSF
    </xs:documentation>
    </xs:annotation>
  </xs:attribute>
</xs:complexType>
</xs:element>
</xs:sequence>
</xs:complexType>

<xs:complexType name="tExtension">
  <xs:sequence>
    <xs:any processContents="lax" minOccurs="0" maxOccurs="unbounded"/>
  </xs:sequence>
</xs:complexType>

<xs:complexType name="tMultilingual">
  <xs:simpleContent>
    <xs:extension base="xs:string">
      <xs:attribute name="Language" type="tLanguage" use="required"/>
    </xs:extension>
  </xs:simpleContent>
</xs:complexType>

<xs:simpleType name="tLanguage">
  <xs:restriction base="xs:string">
    <xs:annotation>
      <xs:documentation>
        <definition xml:lang="en">ISO 639-2 Language code</definition>
      </xs:documentation>
    </xs:annotation>
    <xs:minLength value="3"/>
    <xs:maxLength value="3"/>
  </xs:restriction>

```

```
</xs:simpleType>
<xs:simpleType name="tHexadecimal8bit">
  <xs:restriction base="xs:string">
    <xs:pattern value="[0-9a-fA-F]{1,2}"/>
  </xs:restriction>
</xs:simpleType>
<xs:simpleType name="tHexadecimal16bit">
  <xs:restriction base="xs:string">
    <xs:pattern value="[0-9a-fA-F]{1,4}"/>
  </xs:restriction>
</xs:simpleType>
<xs:simpleType name="tMBMSec">
  <xs:restriction base="xs:string">
    <xs:enumeration value="SIP"/>
    <xs:enumeration value="HTTP"/>
  </xs:restriction>
</xs:simpleType>
</xs:schema>
```

Annex I (normative): XML Schemas for SIP based MBMS security procedures

I.1 Bootstrapping transaction identifier

The following specifies XML schema for the bootstrapping transaction identifier to be sent within the body of SIP (re-)INVITE from the UE to the SCF.

```
<?xml version="1.0" encoding="UTF-8"?>
<xs:schema xmlns:xs="http://www.w3.org/2001/XMLSchema"
  targetNamespace="urn:3GPP:metadata:2005:MBMS:bootstrappingTransactionIdentifier"
  elementFormDefault="qualified" attributeFormDefault="unqualified">
  <xs:element name="mbmsAuthorizedSecurityRegister">
    <xs:annotation>
      <xs:documentation>MBMS Security Registration according to TS 26.237</xs:documentation>
    </xs:annotation>
    <xs:complexType>
      <xs:sequence>
        <xs:element name="btid" type="xs:string" maxOccurs="unbounded" minOccurs="1"/>
        <xs:any namespace="##other" minOccurs="0" maxOccurs="unbounded"
          processContents="lax"/>
      </xs:sequence>
      <xs:anyAttribute processContents="skip"/>
    </xs:complexType>
  </xs:element>
</xs:schema>
```

I.2 NAF key information

The following specifies XML schema for the UE and NAF key related information to be sent within the body of HTTP request from the SCF to the BM-SC.

```
<?xml version="1.0" encoding="UTF-8"?>
<xs:schema xmlns:xs="http://www.w3.org/2001/XMLSchema"
  targetNamespace="urn:3GPP:metadata:2005:MBMS:nafKeyInfo"
  elementFormDefault="qualified" attributeFormDefault="unqualified">
  <xs:element name="mbmsAuthorizedSecurityRegister">
    <xs:annotation>
      <xs:documentation> SIP based MBMS Security Registration according to TS
26.237</xs:documentation>
    </xs:annotation>
    <xs:complexType>
      <xs:sequence>
        <xs:element name="ueIPAddress" type="xs:anyURI" maxOccurs="unbounded"
minOccurs="0"/>
        <xs:element name="muk" type="xs:anyURI" maxOccurs="unbounded" minOccurs="1"/>
        <xs:element name="mukLifeTime" type="xs:anyURI" maxOccurs="unbounded"
minOccurs="1"/>
        <xs:element name="btid" type="xs:string" maxOccurs="unbounded" minOccurs="1"/>
        <xs:element name="nafFqdn" type="xs:base64Binary" maxOccurs="unbounded"
minOccurs="1"/>
        <xs:any namespace="##other" minOccurs="0" maxOccurs="unbounded"
          processContents="lax"/>
      </xs:sequence>
      <xs:anyAttribute processContents="skip"/>
    </xs:complexType>
  </xs:element>
</xs:schema>
```

Annex J (normative): XML Schema for nBookmark

This section defines the XML schema and its syntax for networked bookmark.

J.1 XML Schema

```
<?xml version="1.0" encoding="UTF-8"?>
<xs:schema xmlns:xs="http://www.w3.org/2001/XMLSchema" elementFormDefault="qualified"
attributeFormDefault="unqualified" targetNamespace="urn:3gpp:bookmark:2009:IMS-PSS-MBMS" xmlns:tns="
urn:3gpp:bookmark:2009:IMS-PSS-MBMS" xmlns:bcast="urn:oma:xml:bcast:sg:fragments:1.0">
<xs:import namespace="urn:oma:xml:bcast:sg:fragments:1.0" schemaLocation="imports/OMA-SUP-
XSD_bcast_sg_fragments-V1_0-20090212-A.xsd"/>
  <xs:element name="BookmarkList">
    <xs:complexType>
      <xs:sequence>
        <xs:element name="Bookmark" type="tns:BookmarkType" minOccurs="0"
maxOccurs="unbounded"/>
      </xs:sequence>
    </xs:complexType>
  </xs:element>
  <xs:complexType name="BookmarkType">
    <xs:sequence>
      <xs:element name="Creator" type="xs:anyURI"/>
      <xs:element name="Created" type="xs:dateTime"/>
      <xs:choice>
        <xs:element name="PSSProgramId" type="bcast:globalContentID"/>
        <xs:element name="MBMSProgramId" type="bcast:globalContentID"/>
      </xs:choice>
      <xs:element name="Offset" type="xs:duration"/>
      <xs:element name="Tag" type="xs:string" minOccurs="0"/>
      <xs:element name="Rank" type="xs:string" minOccurs="0"/>
      <xs:element name="Comment" type="xs:string" minOccurs="0"/>
      <xs:element name="Expires" type="xs:dateTime" minOccurs="0"/>
      <xs:element name="Sharing" type="xs:boolean"/>
      <xs:element name="RetrievalCount" type="xs:nonNegativeInteger" minOccurs="0"/>
      <xs:element name="RetrievalTime" type="xs:dateTime" minOccurs="0"
maxOccurs="unbounded"/>
    </xs:sequence>
    <xs:attribute name="id" type="xs:anyURI" use="required"/>
  </xs:complexType>
</xs:schema>
```

J.2 Syntax

This section provides the syntax for the above XML schema.

The following elements SHALL be provisioned by the UE:

- Creator: Represents the user who creates the bookmark, it shall be in the format of IMPU.
- Created: Represents the time when the bookmark is created.
- PSSProgramId: Represents the id of the bookmarked program, which shall be globalContentID retrieved from User Service Description.
- MBMSProgramId: Represents the id of the bookmarked program, which shall be globalContentID retrieved from User Service Description.
- Offset: Represents the bookmark time, in the format of an offset from the beginning of the program.
- Comment: Represents any comment chosen by the user.

- Tag: Represents any categorization chosen by the user
- Rank: Represents the user favorite rating for the bookmark
- Sharing: If set, the bookmark can be shared with others.

The following elements SHALL be provisioned by the SCF:

- Retrieval count: SHALL be set to 0 and incremented by the service provider when the bookmark is retrieved.
- Expires: Represents the expire time of current bookmark;
- Id: Represents the identifier of current bookmark;

Annex K (informative): Change history

Change history							
Date	TSG #	TSG Doc.	CR	Rev	Subject/Comment	Old	New
2008-12	42	SP-080675			Presented for approval at TSG SA#42	1.0.0	2.0.0
2008-12	42				Approved at TSG SA#42	2.0.0	8.0.0
2009-03	43	SP-090007	0001	2	Corrections on layout of structure, references, numbering of figures of TS 26.237	8.0.0	8.1.0
2009-03	43	SP-090007	0002	1	Improvement of general descriptions of TS 26.237	8.0.0	8.1.0
2009-03	43	SP-090007	0003	1	Security procedures of IMS based MBMS user service	8.0.0	8.1.0
2009-03	43	SP-090007	0004	2	Corrections and clarifications to policy and charging control	8.0.0	8.1.0
2009-03	43	SP-090007	0005	2	Corrections and clarifications to IMS based PSS and MBMS User Service; Protocols	8.0.0	8.1.0
2009-03	43	SP-090007	0006	2	Network-initiated PSS streaming session teardown	8.0.0	8.1.0
2009-03					Tidy up title	8.1.0	8.1.1
2009-06	44	SP-090250	0008	1	Selection of MBMS security option	8.1.1	8.2.0
2009-06	44	SP-090250	0009		Corrections and clarifications to SIP based MBMS security procedures	8.1.1	8.2.0
2009-06	44	SP-090250	0010		Corrections and clarifications to security related clauses	8.1.1	8.2.0
2009-09	45	SP-090563	0014		Corrections and clarifications to security procedures	8.2.0	8.3.0
2009-09	45	SP-090570	0013		Blending of presence and PSS/MBMS user services	8.3.0	9.0.0
2009-09	45	SP-090570	0016	1	IMS Based UGC Service	8.3.0	9.0.0
2009-09	45	SP-090570	0017		Networked Bookmark Service	8.3.0	9.0.0
2009-09	45	SP-090570	0019	2	Service Selection Information Update	8.3.0	9.0.0
2009-09	45	SP-090570	0020	2	Clarification on Content Identifier in Session Initialization Procedure	8.3.0	9.0.0
2009-12	46	SP-090707	0021	1	IMS based MBMS download service	9.0.0	9.1.0
2009-12	46	SP-090707	0022	1	Inter UE Transfer	9.0.0	9.1.0
2009-12	46	SP-090701	0023	2	Clarification on IMS based PSS streaming	9.0.0	9.1.0
2009-12	46	SP-090707	0025	3	SIP Info for content switching	9.0.0	9.1.0
2009-12	46	SP-090707	0027	1	Session set-up for IMS based download unicast service	9.0.0	9.1.0
2009-12	46	SP-090707	0028	1	Architecture for IMS based download unicast service	9.0.0	9.1.0
2009-12	46	SP-090707	0031		XML schema and syntax for nBookmark service	9.0.0	9.1.0
2010-03	47	SP-100022	0032		Corrections to Inter UE Session Transfer	9.1.0	9.2.0

History

Document history		
V9.1.0	January 2010	Publication
V9.2.0	April 2010	Publication