

ETSI TS 129 212 V12.12.0 (2016-05)



**Universal Mobile Telecommunications System (UMTS);
LTE;
Policy and Charging Control (PCC);
Reference points
(3GPP TS 29.212 version 12.12.0 Release 12)**



ReferenceRTS/TSGC-0329212vcc0

KeywordsLTE,UMTS

ETSI

650 Route des Lucioles
F-06921 Sophia Antipolis Cedex - FRANCE

Tel.: +33 4 92 94 42 00 Fax: +33 4 93 65 47 16

Siret N° 348 623 562 00017 - NAF 742 C
Association à but non lucratif enregistrée à la
Sous-Préfecture de Grasse (06) N° 7803/88

Important notice

The present document can be downloaded from:

<http://www.etsi.org/standards-search>

The present document may be made available in electronic versions and/or in print. The content of any electronic and/or print versions of the present document shall not be modified without the prior written authorization of ETSI. In case of any existing or perceived difference in contents between such versions and/or in print, the only prevailing document is the print of the Portable Document Format (PDF) version kept on a specific network drive within ETSI Secretariat.

Users of the present document should be aware that the document may be subject to revision or change of status. Information on the current status of this and other ETSI documents is available at

<http://portal.etsi.org/tb/status/status.asp>

If you find errors in the present document, please send your comment to one of the following services:

<https://portal.etsi.org/People/CommitteeSupportStaff.aspx>

Copyright Notification

No part may be reproduced or utilized in any form or by any means, electronic or mechanical, including photocopying and microfilm except as authorized by written permission of ETSI.

The content of the PDF version shall not be modified without the written authorization of ETSI.

The copyright and the foregoing restriction extend to reproduction in all media.

© European Telecommunications Standards Institute 2016.

All rights reserved.

DECT™, **PLUGTESTS™**, **UMTS™** and the ETSI logo are Trade Marks of ETSI registered for the benefit of its Members. **3GPP™** and **LTE™** are Trade Marks of ETSI registered for the benefit of its Members and of the 3GPP Organizational Partners.

GSM® and the GSM logo are Trade Marks registered and owned by the GSM Association.

Intellectual Property Rights

IPRs essential or potentially essential to the present document may have been declared to ETSI. The information pertaining to these essential IPRs, if any, is publicly available for **ETSI members and non-members**, and can be found in ETSI SR 000 314: *"Intellectual Property Rights (IPRs); Essential, or potentially Essential, IPRs notified to ETSI in respect of ETSI standards"*, which is available from the ETSI Secretariat. Latest updates are available on the ETSI Web server (<https://ipr.etsi.org>).

Pursuant to the ETSI IPR Policy, no investigation, including IPR searches, has been carried out by ETSI. No guarantee can be given as to the existence of other IPRs not referenced in ETSI SR 000 314 (or the updates on the ETSI Web server) which are, or may be, or may become, essential to the present document.

Foreword

This Technical Specification (TS) has been produced by ETSI 3rd Generation Partnership Project (3GPP).

The present document may refer to technical specifications or reports using their 3GPP identities, UMTS identities or GSM identities. These should be interpreted as being references to the corresponding ETSI deliverables.

The cross reference between GSM, UMTS, 3GPP and ETSI identities can be found under <http://webapp.etsi.org/key/queryform.asp>.

Modal verbs terminology

In the present document "**shall**", "**shall not**", "**should**", "**should not**", "**may**", "**need not**", "**will**", "**will not**", "**can**" and "**cannot**" are to be interpreted as described in clause 3.2 of the [ETSI Drafting Rules](#) (Verbal forms for the expression of provisions).

"**must**" and "**must not**" are **NOT** allowed in ETSI deliverables except when used in direct citation.

Contents

Intellectual Property Rights	2
Foreword.....	2
Modal verbs terminology.....	2
Foreword.....	13
1 Scope	14
2 References	14
3 Definitions and abbreviations.....	16
3.1 Definitions	16
3.2 Abbreviations	17
4 Gx reference point	17
4.1 Overview	17
4.2 Gx Reference model.....	18
4.3 PCC Rules	19
4.3.1 PCC Rule Definition.....	19
4.3.2 Operations on PCC Rules	21
4.3a IP flow mobility routing rules	22
4.3a.1 Functional entities.....	22
4.3a.2 IP flow mobility routing rule definition.....	22
4.3a.3 Operations on Routing rules	22
4.3a.4 PCC procedures for IP flow mobility routing rule over Gx reference point	23
4.3a.4.1 Provisioning of IP flow mobility routing rules.....	23
4.3b Void.....	23
4.4 Functional elements.....	23
4.4.1 PCRF	23
4.4.2 PCEF.....	24
4.5 PCC procedures over Gx reference point	25
4.5.1 Request for PCC rules.....	25
4.5.2 Provisioning of PCC rules	27
4.5.2.0 Overview.....	27
4.5.2.1 Selecting a PCC rule for Uplink IP packets	30
4.5.2.2 Selecting a PCC rule and IP CAN Bearer for Downlink IP packets	30
4.5.2.3 Gate function.....	31
4.5.2.4 Policy enforcement for "Authorized QoS" per PCC Rule.....	31
4.5.2.5 Usage Monitoring Control	31
4.5.2.6 Redirect function.....	31
4.5.3 Provisioning of Event Triggers.....	32
4.5.4 Provisioning of charging related information for the IP-CAN session	32
4.5.4.1 Provisioning of Charging Addresses.....	32
4.5.4.2 Provisioning of Default Charging Method.....	33
4.5.4.3 Void.....	33
4.5.4.4 Provisioning of Access Network Charging Identifier	33
4.5.5 Provisioning and Policy Enforcement of Authorized QoS	33
4.5.5.0 Overview	33
4.5.5.0a Provisioning of authorized QoS per IP CAN bearer	34
4.5.5.1 Policy enforcement for authorized QoS per IP CAN bearer	34
4.5.5.2 Policy provisioning for authorized QoS per service data flow.....	34
4.5.5.3 Policy enforcement for authorized QoS per service data flow	34
4.5.5.4 Coordination of authorized QoS scopes in mixed mode	35
4.5.5.5 Provisioning of authorized QoS per QCI	35
4.5.5.6 Policy enforcement for authorized QoS per QCI.....	35
4.5.5.7 Provisioning of authorized QoS per APN	35
4.5.5.8 Policy enforcement for authorized QoS per APN	36
4.5.5.9 Provisioning of authorized QoS for the Default EPS Bearer	37

4.5.5.10	Policy enforcement for authorized QoS of the Default EPS Bearer.....	37
4.5.6	Indication of IP-CAN Bearer Termination Implications.....	37
4.5.7	Indication of IP-CAN Session Termination.....	38
4.5.8	Request of IP-CAN Bearer Termination.....	38
4.5.9	Request of IP-CAN Session Termination.....	38
4.5.10	Bearer Control Mode Selection.....	39
4.5.11	Provisioning of Event Report Indication.....	39
4.5.12	PCC Rule Error Handling.....	40
4.5.13	Time of the day procedures.....	41
4.5.14	Trace activation/deactivation.....	42
4.5.15	IMS Emergency Session Support.....	42
4.5.15.1	Functional Entities.....	42
4.5.15.2	PCC procedures for Emergency services over Gx reference point.....	42
4.5.15.2.1	Request for PCC Rules for Emergency services.....	42
4.5.15.2.2	Provisioning of PCC Rules for Emergency services.....	42
4.5.15.2.3	Removal of PCC Rules for Emergency Services.....	43
4.5.15.2.4	Removal of PCC Rules at Gx session termination.....	44
4.5.16	Requesting Usage Monitoring Control.....	44
4.5.17	Reporting Accumulated Usage.....	45
4.5.17.0	General.....	45
4.5.17.1	Usage Threshold Reached.....	46
4.5.17.2	PCC Rule Removal.....	46
4.5.17.3	Usage Monitoring Disabled.....	46
4.5.17.4	IP-CAN Session Termination.....	47
4.5.17.5	PCRF Requested Usage Report.....	47
4.5.17.6	Report in case of Monitoring Time provided.....	47
4.5.18	IMS Restoration Support.....	47
4.5.18a	P-CSCF Restoration Enhancement Support.....	48
4.5.19	Multimedia Priority Support.....	48
4.5.19.1	PCC Procedures for Multimedia Priority services over Gx reference point.....	48
4.5.19.1.1	Provisioning of PCC Rules for Multimedia Priority Services.....	48
4.5.19.1.2	Invocation/Revocation of Priority EPS Bearer Services.....	49
4.5.19.1.3	Invocation/Revocation of IMS Multimedia Priority Services.....	49
4.5.20	Sponsored Data Connectivity.....	50
4.5.21	PCRF Failure and Restoration.....	50
4.5.22	Reporting Access Network Information.....	50
4.5.23	Application Detection Information.....	51
4.5.24	Group Communication Service Support.....	52
4.6	Void.....	52
4a	Gxx reference points.....	52
4a.1	Overview.....	52
4a.2	Gxx Reference model.....	53
4a.3	Quality of Service Control Rules.....	54
4a.3.1	Quality of Service Control Rule Definition.....	54
4a.3.2	Operations on QoS Rules.....	55
4a.4	Functional elements.....	56
4a.4.1	PCRF.....	56
4a.4.2	BBERF.....	56
4a.5	PCC procedures over Gxx reference points.....	57
4a.5.1	Gateway control and QoS Rules Request.....	57
4a.5.2	Gateway control and QoS Rules Provision.....	58
4a.5.2.1	Overview.....	58
4a.5.3	Gateway Control Session Termination.....	59
4a.5.4	Request of Gateway Control Session Termination.....	60
4a.5.5	QoS Control Rule error handling.....	60
4a.5.6	Gateway Control session to Gx session linking.....	60
4a.5.7	Multiple BBF support.....	61
4a.5.7.1	General.....	61
4a.5.7.2	Handling of two BBFs associated with the same IP-CAN session during handover.....	61
4a.5.7.3	Handling of multiple BBFs with flow mobility within IP-CAN session.....	63
4a.5.8	Provisioning of Event Triggers.....	63

4a.5.9	Bearer Control Mode Selection	64
4a.5.10	Provisioning and Policy Enforcement of Authorized QoS	64
4a.5.10.1	Provisioning of authorized QoS for the Default EPS Bearer	64
4a.5.10.2	Policy enforcement for authorized QoS of the Default EPS Bearer.....	65
4a.5.10.3	Provisioning of authorized QoS per APN	65
4a.5.10.4	Policy provisioning for authorized QoS per service data flow.....	65
4a.5.10.5	Policy enforcement for authorized QoS per service data flow	65
4a.5.11	Trace activation/deactivation	65
4a.5.12	IMS Emergency Session Support	65
4a.5.12.1	PCC procedures for Emergency services over Gxx reference point	65
4a.5.12.1.1	Gateway control and QoS Rules request for Emergency services.....	65
4a.5.12.1.2	Provisioning of QoS Rules for Emergency services.....	66
4a.5.12.2	Gateway Control Session to Gx session linking.....	66
4a.5.12.3	Removal of QoS Rules for Emergency Services.....	67
4a.5.12.4	Termination of Gateway Control session for Emergency Services.....	67
4a.5.13	Time of the day procedures.....	67
4a.5.14	Multimedia Priority Support	68
4a.5.14.1	PCC Procedures for Multimedia Priority services over Gxx reference point.....	68
4a.5.14.1.1	Provisioning of QoS Rules for Multimedia Priority Services.....	68
4a.5.14.1.2	Invocation/Revocation of Priority EPS Bearer Services	69
4a.5.14.1.3	Invocation/Revocation of IMS Multimedia Priority Services	69
4a.5.15	PCRF Failure and Restoration	69
4a.5.16	Reporting Access Network Information	69
4b	Sd reference point.....	70
4b.1	Overview	70
4b.2	Sd Reference model.....	70
4b.3	Application Detection and Control Rules.....	72
4b.3.1	Functional entities.....	72
4b.3.2	Application Detection and Control Rule Definition	72
4b.3.3	Operations on ADC Rules	74
4b.4	Functional elements.....	74
4b.4.1	PCRF	74
4b.4.2	TDF.....	75
4b.5	ADC procedures over Sd reference point for solicited application reporting.....	76
4b.5.1	Provisioning of ADC rules	76
4b.5.1.1	General	76
4b.5.1.2	Gate function.....	77
4b.5.1.3	Bandwidth limitation function	77
4b.5.1.4	Redirect function.....	77
4b.5.1.5	Usage Monitoring Control	78
4b.5.2	Request for ADC rules.....	78
4b.5.3	Provisioning of Event Triggers.....	78
4b.5.4	Request of TDF Session Termination.....	78
4b.5.5	ADC Rule Error Handling	79
4b.5.6	Requesting Usage Monitoring Control	79
4b.5.7	Reporting Accumulated Usage	81
4b.5.7.1	General	81
4b.5.7.2	Usage Threshold Reached.....	82
4b.5.7.3	ADC Rule Removal	82
4b.5.7.4	Usage Monitoring Disabled	82
4b.5.7.5	TDF Session Termination	82
4b.5.7.6	PCRF Requested Usage Report.....	82
4b.5.7.7	Report in case of Monitoring Time provided.....	83
4b.5.8	Provisioning of Event Report Indication	83
4b.5.9	Application Detection Information	84
4b.5.10	Time of the day procedures.....	84
4b.5.11	PCRF Failure and Restoration	85
4b.5.12	Bandwidth limitation function	85
4b.5.13	Provisioning of charging related information for the TDF session.....	85
4b.5.13.1	Provisioning of Charging Addresses.....	85
4b.5.13.2	Provisioning of Default Charging Method.....	86

4b.5.13.3	Provisioning of Charging Characteristics.....	86
4b.5a	ADC procedures over Sd reference point for unsolicited application reporting.....	86
4b.5a.1	Provisioning of ADC rules	86
4b.5a.1.1	General	86
4b.5a.2	Application Detection Information	86
4b.5a.3	Request of TDF Session Termination	87
4b.5a.4	TDF session to Gx session linking.....	87
5	Gx protocol.....	87
5.1	Protocol support	87
5.2	Initialization, maintenance and termination of connection and session.....	88
5.3	Gx specific AVPs.....	88
5.3.1	Bearer-Usage AVP (3GPP-GPRS and 3GPP-EPS access types).....	92
5.3.2	Charging-Rule-Install AVP (All access types)	92
5.3.3	Charging-Rule-Remove AVP (All access types).....	93
5.3.4	Charging-Rule-Definition AVP (All access types).....	93
5.3.5	Charging-Rule-Base-Name AVP (All access types).....	94
5.3.6	Charging-Rule-Name AVP (All access types).....	94
5.3.7	Event-Trigger AVP (All access types).....	94
5.3.8	Metering-Method AVP (All access types).....	101
5.3.9	Offline AVP (All access types).....	101
5.3.10	Online AVP (All access types)	102
5.3.11	Precedence AVP (All access types).....	102
5.3.12	Reporting-Level AVP (All access types).....	103
5.3.13	TFT-Filter AVP (3GPP-GPRS access type only)	103
5.3.14	TFT-Packet-Filter-Information AVP (3GPP-GPRS access type only).....	104
5.3.15	ToS-Traffic-Class AVP (All access types)	104
5.3.16	QoS-Information AVP (All access types).....	104
5.3.17	QoS-Class-Identifier AVP (All access types).....	105
5.3.18	Charging-Rule-Report AVP (All access types)	106
5.3.19	PCC-Rule-Status AVP (All access types).....	107
5.3.20	Bearer-Identifier AVP (Applicable access type 3GPP-GPRS)	107
5.3.21	Bearer-Operation AVP (Applicable access type 3GPP-GPRS).....	108
5.3.22	Access-Network-Charging-Identifier-Gx AVP (All access types)	108
5.3.23	Bearer-Control-Mode AVP.....	108
5.3.24	Network-Request-Support AVP	109
5.3.25	Guaranteed-Bitrate-DL AVP	109
5.3.26	Guaranteed-Bitrate-UL AVP	109
5.3.27	IP-CAN-Type AVP (All access types)	109
5.3.28	QoS-Negotiation AVP (3GPP-GPRS Access Type only).....	110
5.3.29	QoS-Upgrade AVP (3GPP-GPRS Access Type only).....	110
5.3.30	Event-Report-Indication AVP (All access types)	111
5.3.31	RAT-Type AVP.....	112
5.3.32	Allocation-Retention-Priority AVP (All access types)	113
5.3.33	CoA-IP-Address AVP (All access types)	113
5.3.34	Tunnel-Header-Filter AVP (All access types)	113
5.3.35	Tunnel-Header-Length AVP (All access types)	113
5.3.36	Tunnel-Information AVP (All access types)	113
5.3.37	CoA-Information AVP (All access types)	114
5.3.38	Rule-Failure-Code AVP (All access types)	114
5.3.39	APN-Aggregate-Max-Bitrate-DL AVP	116
5.3.40	APN-Aggregate-Max-Bitrate-UL AVP	116
5.3.41	Revalidation-Time (ALL Access Types).....	116
5.3.42	Rule-Activation-Time (ALL Access Types).....	117
5.3.43	Rule-Deactivation-Time (ALL Access Types)	117
5.3.44	Session-Release-Cause (All access types)	117
5.3.45	Priority-Level AVP (All access types).....	117
5.3.46	Pre-emption-Capability AVP.....	118
5.3.47	Pre-emption-Vulnerability AVP	118
5.3.48	Default-EPS-Bearer-QoS AVP.....	118
5.3.49	AN-GW-Address AVP (All access types).....	118
5.3.50	Resource-Allocation-Notification AVP (All access types).....	119

5.3.51	Security-Parameter-Index AVP (All access types).....	119
5.3.52	Flow-Label AVP (All access types)	119
5.3.53	Flow-Information AVP (All access types).....	119
5.3.54	Packet-Filter-Content AVP.....	120
5.3.55	Packet-Filter-Identifier AVP.....	120
5.3.56	Packet-Filter-Information AVP	120
5.3.57	Packet-Filter-Operation AVP.....	121
5.3.58	PDN-Connection-ID AVP	121
5.3.59	Monitoring-Key AVP	121
5.3.60	Usage-Monitoring-Information AVP.....	121
5.3.61	Usage-Monitoring-Level AVP.....	122
5.3.62	Usage-Monitoring-Report AVP.....	122
5.3.63	Usage-Monitoring-Support AVP	123
5.3.64	CSG-Information-Reporting AVP	123
5.3.65	Flow-Direction AVP.....	123
5.3.66	Packet-Filter-Usage AVP (All access types)	124
5.3.67	Charging-Correlation-Indicator AVP (All access types)	124
5.3.68	Routing-Rule-Install AVP	124
5.3.69	Routing-Rule-Remove AVP	124
5.3.70	Routing-Rule-Definition AVP.....	124
5.3.71	Routing-Rule-Identifier AVP.....	125
5.3.72	Routing-Filter AVP.....	125
5.3.73	Routing-IP-Address AVP	125
5.3.74	Void	125
5.3.75	Void	125
5.3.76	Void	125
5.3.77	TDF-Application-Identifier AVP.....	126
5.3.78	TDF-Information AVP	126
5.3.79	TDF-Destination-Realm AVP	126
5.3.80	TDF-Destination-Host AVP	126
5.3.81	TDF-IP-Address AVP.....	126
5.3.82	Redirect-Information AVP	126
5.3.83	Redirect-Support AVP.....	127
5.3.84	PS-to-CS-Session-Continuity AVP (3GPP-EPS access type only)	127
5.3.85	Void	127
5.3.86	Void	127
5.3.87	Void	127
5.3.88	Void	127
5.3.89	Void	127
5.3.90	Void	127
5.3.91	Application-Detection-Information AVP	127
5.3.92	TDF-Application-Instance-Identifier AVP	128
5.3.93	Void	128
5.3.94	Void	128
5.3.95	HeNB-Local-IP-Address AVP (3GPP-EPS access type only)	128
5.3.96	UE-Local-IP-Address AVP (Non-3GPP-EPS access type only)	128
5.3.97	UDP-Source-Port AVP (3GPP-EPS and Non-3GPP-EPS access types)	128
5.3.98	Mute-Notification AVP	128
5.3.99	Monitoring-Time AVP	129
5.3.100	AN-GW-Status AVP (3GPP-EPS access type).....	129
5.3.101	User-Location-Info-Time AVP.....	129
5.3.102	Credit-Management-Status AVP	129
5.3.103	Default-QoS-Information AVP (FBA access type)	129
5.3.104	Default-QoS-Name AVP (FBA access type).....	130
5.3.105	Conditional-APN-Aggregate-Max-Bitrate (All access types)	130
5.3.106	RAN-NAS-Release-Cause AVP (3GPP-EPS access type).....	130
5.3.107	Presence-Reporting-Area-Elements-List AVP (3GPP-EPS access type)	130
5.3.108	Presence-Reporting-Area-Identifier AVP (3GPP-EPS access type).....	131
5.3.109	Presence-Reporting-Area-Information AVP (3GPP-EPS access type).....	131
5.3.110	Presence-Reporting-Area-Status AVP (3GPP-EPS access type).....	131
5.3.111	NetLoc-Access-Support AVP.....	131
5.3.112	Fixed-User-Location-Info AVP (FBA access type).....	131

5.3.113	PCSCF-Restoration-Indication AVP	132
5.3.114	IP-CAN-Session-Charging-Scope AVP	132
5.4	Gx re-used AVPs.....	132
5.4.1	Use of the Supported-Features AVP on the Gx reference point	137
5.4.2	Flow-Description AVP	140
5.5	Gx specific Experimental-Result-Code AVP values	140
5.5.1	General.....	140
5.5.2	Success.....	141
5.5.3	Permanent Failures	141
5.5.4	Transient Failures	142
5.6	Gx Messages	142
5.6.1	Gx Application.....	142
5.6.2	CC-Request (CCR) Command.....	142
5.6.3	CC-Answer (CCA) Command.....	144
5.6.4	Re-Auth-Request (RAR) Command	144
5.6.5	Re-Auth-Answer (RAA) Command	145
5a	Gxx protocols	145
5a.1	Protocol support	145
5a.2	Initialization, maintenance and termination of connection and session.....	146
5a.3	Gxx specific AVPs	146
5a.3.1	QoS-Rule-Install AVP (All access types).....	146
5a.3.2	QoS-Rule-Remove AVP (All access types).....	147
5a.3.3	QoS-Rule-Definition AVP (All access types).....	147
5a.3.4	QoS-Rule-Name AVP (All access types)	148
5a.3.5	QoS-Rule-Report AVP (All access types)	148
5a.3.6	Session-Linking-Indicator AVP (All access types)	148
5a.3.7	QoS-Rule-Base-Name AVP (All access types)	149
5a.4	Gxx re-used AVPs.....	149
5a.4.1	Use of the Supported-Features AVP on the Gxx reference point	153
5a.5	Gxx specific Experimental-Result-Code AVP values	155
5a.6	Gxx Messages	155
5a.6.1	Gxx Application.....	155
5a.6.2	CC-Request (CCR) Command.....	155
5a.6.3	CC-Answer (CCA) Command.....	156
5a.6.4	Re-Auth-Request (RAR) Command	156
5a.6.5	Re-Auth-Answer (RAA) Command	157
5b	Sd protocol	157
5b.1	Protocol support	157
5b.2	Initialization, maintenance and termination of connection and session.....	157
5b.3	Sd specific AVPs.....	158
5b.3.1	ADC-Rule-Install AVP.....	158
5b.3.2	ADC-Rule-Remove AVP	158
5b.3.3	ADC-Rule-Definition AVP	159
5b.3.4	ADC-Rule-Base-Name AVP	159
5b.3.5	ADC-Rule-Name AVP	159
5b.3.6	ADC-Rule-Report AVP	159
5b.3.7	Void	160
5b.4	Sd re-used AVPs	160
5b.4.1	Use of the Supported-Features AVP on the Sd reference point.....	166
5b.5	Sd specific Experimental-Result-Code AVP values.....	167
5b.5.1	General.....	167
5b.5.2	Success.....	167
5b.5.3	Permanent Failures	167
5b.5.4	Transient Failures	168
5b.6	Sd Messages	168
5b.6.1	Sd Application	168
5b.6.2	TDF-Session-Request (TSR) Command.....	168
5b.6.3	TDF-Session-Answer (TSA) Command.....	169
5b.6.4	CC-Request (CCR) Command.....	169
5b.6.5	CC-Answer (CCA) Command.....	170

5b.6.6	Re-Auth-Request (RAR) Command	170
5b.6.7	Re-Auth-Answer (RAA) Command	171
Annex A (normative): Access specific aspects (GPRS).....		172
A.1	Scope	172
A.2	Reference model.....	172
A.2	Functional elements.....	172
A.2.1	PCRF	172
A.3	PCC procedures.....	172
A.3.1	Request for PCC rules	172
A.3.2	Provisioning of PCC rules	173
A.3.2.1	PCC rule request for services not known to PCRF	174
A.3.2.2	Selecting a PCC rule and IP CAN Bearer for Downlink IP packets	174
A.3.3	Provisioning and Policy Enforcement of Authorized QoS	174
A.3.3.0	Overview	174
A.3.3.1	Provisioning of authorized QoS per IP CAN bearer	174
A.3.3.2	Policy enforcement for authorized QoS per IP CAN bearer	176
A.3.3.2a	Policy provisioning for authorized QoS per service data flow	176
A.3.3.3	Policy enforcement for authorized QoS per service data flow	176
A.3.3.3a	Coordination of authorized QoS scopes in mixed mode	176
A.3.3.3b	Provisioning of authorized QoS per QCI.....	177
A.3.3.4	Policy enforcement for authorized QoS per QCI.....	177
A.3.3.5	Void	177
A.3.3.6	Provisioning of authorized QoS per APN.....	177
A.3.4	Indication of IP-CAN Bearer Termination Implications	177
A.3.5	Indication of IP-CAN Session Termination	177
A.3.6	Request of IP-CAN Bearer Termination	178
A.3.7	Request of IP-CAN Session Termination.....	178
A.3.8	Bearer Control Mode Selection	178
A.3.9	Bearer Binding Mechanism.....	179
A.3.10	Void.....	179
A.3.11	PCC Rule Error Handling.....	179
A.3.12	IMS Emergency Session Support.....	179
A.3.12.1	Request of PCC Rules for an Emergency services	179
A.3.12.2	Provisioning of PCC Rules for an Emergency services.....	179
A.3.13	Removal of PCC Rules for Emergency Services	180
A.3.14	Removal of PCC Rules at Gx session termination	180
A.3.15	IMS Restoration Support.....	180
A.3.16	Provisioning of CSG information reporting indication	180
A.3.17	Packet-Filter-Usage AVP	180
A.3.18	Precedence handling	180
A.3.19	Reporting Access Network Information.....	181
A.3.20	User CSG Information Reporting.....	181
A.4	QoS mapping.....	181
A.4.1	GPRS QCI to UM3GPP TS QoS parameter mapping	181
A.4.2	GPRS ARP to UM3GPP TS ARP parameter mapping	182
Annex B (normative): Access specific aspects, 3GPP (GERAN/UTRAN/E-UTRAN) EPS		183
B.1	Scope	183
B.2	Functional Elements	183
B.2.1	PCRF	183
B.2.2	PCEF	183
B.2.3	BBERF	183
B.3	PCC procedures.....	183
B.3.1	Request for PCC and/or QoS rules.....	183
B.3.2	Provisioning of PCC and/or QoS rules.....	185
B.3.3	Provisioning and Policy Enforcement of Authorized QoS	185

B.3.3.1	Provisioning of authorized QoS per APN.....	185
B.3.3.2	Policy enforcement for authorized QoS per APN.....	185
B.3.3.3	QoS handling for interoperation with Gn/Gp SGSN	185
B.3.3.4	Void	188
B.3.3.5	Policy provisioning for authorized QoS per service data flow	188
B.3.3.6	Policy enforcement for authorized QoS of the Default EPS Bearer	188
B.3.4	Packet-Filter-Information AVP	189
B.3.5	Bearer Control Mode Selection	189
B.3.6	Trace activation/deactivation at P-GW.....	189
B.3.7	IMS Restoration Support.....	189
B.3.8	Provisioning of CSG information reporting indication	189
B.3.9	Packet-Filter-Usage AVP	189
B.3.10	User CSG Information Reporting.....	190
B.3.10.1	GTP-based S5/S8.....	190
B.3.10.2	PMIP-based S5/S8.....	190
B.3.11	Request of IP-CAN Bearer Termination	190
B.3.12	CS to PS handover.....	190
B.3.13	Precedence handling.....	191
B.3.14	S-GW Restoration Support.....	191
B.3.15	Reporting Access Network Information.....	192
B.3.16	Presence Reporting Area Information reporting.....	192
Annex C (Informative): Mapping table for type of access networks.....		194
Annex D (normative): Access specific aspects (EPC-based Non-3GPP)		195
D.1	Scope	195
D.2	EPC-based eHRPD Access	195
D.2.1	General	195
D.2.2	Gxa procedures.....	195
D.2.2.1	Request for QoS rules.....	195
D.2.2.2	Provisioning of QoS rules.....	196
D.2.2.2.1	QoS rule request for services not known to PCRF.....	196
D.2.2.3	Provisioning and Policy Enforcement of Authorized QoS	196
D.2.2.3.1	Provisioning of authorized QoS	196
D.2.2.3.2	Policy enforcement for authorized QoS	196
D.2.3	Bearer Control Mode selection.....	196
D.2.4	QoS Mapping	197
D.2.4.1	QCI to eHRPD QoS parameter mapping	197
D.3	EPC-based Trusted WLAN Access with S2a.....	197
Annex E (normative): Access specific aspects, Fixed Broadband Access interworking with EPC		198
E.1	Scope	198
E.2	Definitions and abbreviations.....	198
E.2.1	Definitions.....	198
E.2.2	Abbreviations	198
E.3	Reference points and Reference model	198
E.3.0	General	198
E.3.1	Gx Reference Point	199
E.3.2	Gxx Reference Point	199
E.3.3	S15 Reference Point	199
E.3.3a	Sd Reference Point	199
E.3.4	Reference Model	199
E.4	Functional Elements.....	202
E.4.1	PCRF	202
E.4.2	PCEF	203
E.4.3	BBERF	203
E.4.4	HNB GW.....	203

E.5	PCC procedures.....	203
E.5.1	PCC procedures over Gx reference point	203
E.5.2	PCC procedures over Gxx reference point.....	204
E.5.2.1	Gateway Control Session Establishment	204
E.5.2.2	Gateway Control Session Modification	204
E.5.2.3	Gateway Control Session Termination	204
E.5.2.4	Request of Gateway Control Session Termination	204
E.5.3	S15 Procedures	204
E.5.3.1	S15 Session Establishment	204
E.5.3.2	S15 Session Modification	205
E.5.3.2.1	S15 Session Modification initiated by the HNB GW.....	205
E.5.3.2.2	S15 Session Modification initiated by the PCRF	205
E.5.3.3	S15 Session Termination	205
E.5.4	ADC procedures over Sd reference point for solicited application reporting.....	205
E.5.4.1	TDF session establishment	205
E.5.5	ADC procedures over Sd reference point for unsolicited application reporting.....	206
E.5.5.1	General.....	206
E.5.5.2	TDF session to S9a* session linking	206
E.6	S15 Protocol	206
E.6.1	Protocol support	206
E.6.2	Initialization, maintenance and termination of connection and session.....	207
E.6.3	S15 specific AVPs.....	207
E.6.3.1	General.....	207
E.6.3.2	CS-Service-QoS-Request-Identifier	207
E.6.3.3	CS-Service-QoS-Request-Operation	208
E.6.3.4	CS-Service-Resource-Result-Operation	208
E.6.3.5	CS-Service-Resource-Failure-Cause	208
E.6.3.6	CS-Service-Resource-Report.....	208
E.6.4	S15 re- used AVPs	209
E.6.4.1	General.....	209
E.6.4.2	Use of the Supported-Features AVP on the S15 reference point	209
E.6.5	S15 specific Experimental-Result-Code AVP values.....	210
E.6.5.1	General.....	210
E.6.5.2	Success.....	210
E.6.5.3	Permanent Failures	210
E.6.5.4	Transient Failures	210
E.6.6	S15 Messages	210
E.6.6.1	S15 Application	210
E.6.6.2	CC-Request (CCR) Command.....	210
E.6.6.3	CC-Answer (CCA) Command.....	211
E.6.6.4	Re-Auth-Request (RAR) Command	211
E.6.6.5	Re-Auth-Answer (RAA) Command	212
Annex F (informative):	Disabling/re-enabling Usage Monitoring for a PCC/ADC rule	213
Annex G (normative):	Access specific aspects, Fixed Broadband Access network convergence	214
G.1	Scope	214
G.2	Definitions and abbreviations.....	214
G.2.1	Definitions	214
G.2.2	Abbreviations	214
G.3	Reference points and Reference model	215
G.3.1	Reference architecture	215
G.3.1.1	General.....	215
G.3.1.2	Reference architecture	215
G.3.2	Gx Reference Point	216
G.3.3	Sd Reference Point	216
G.4	Functional Elements.....	216
G.4.1	PCRF	216

G.4.2	PCEF(IP Edge)	217
G.4.3	TDF	217
G.5	PCC procedures	217
G.5.1	Concept Adaptations for Fixed Broadband Access Network Convergence	217
G.5.1.1	General	217
G.5.1.2	IP-CAN session	217
G.5.1.3	IP-CAN bearer	218
G.5.1.4	PCC rule	218
G.5.1.5	ADC rule	218
G.5.1.6	Subscriber Identifier	218
G.5.1.7	Default QoS control	218
G.5.2	IP-CAN Session Establishment	219
G.5.3	IP-CAN Session Termination	220
G.5.4	IP-CAN Session Modification	220
G.5.4.1	PCEF-Initiated IP-CAN Session Modification	220
G.5.4.2	PCRF-Initiated IP-CAN Session Modification	220
Annex H (informative):	Change history	221
History		224

Foreword

This Technical Specification has been produced by the 3rd Generation Partnership Project (3GPP).

The contents of the present document are subject to continuing work within the TSG and may change following formal TSG approval. Should the TSG modify the contents of the present document, it will be re-released by the TSG with an identifying change of release date and an increase in version number as follows:

Version x.y.z

where:

- x the first digit:
 - 1 presented to TSG for information;
 - 2 presented to TSG for approval;
 - 3 or greater indicates TSG approved document under change control.
- Y the second digit is incremented for all changes of substance, i.e. technical enhancements, corrections, updates, etc.
- z the third digit is incremented when editorial only changes have been incorporated in the document.

1 Scope

The present document provides the stage 3 specification of the Gx, Gxx and Sd reference points for the present release. The functional requirements and the stage 2 specifications of the Gx, Gxx and Sd reference points are contained in 3GPP TS 23.203 [7]. The Gx reference point lies between the Policy and Charging Rule Function and the Policy and Charging Enforcement Function. The Gxx reference point lies between the Policy and Charging Rule Function and the Bearer Binding and Event Reporting Function. The Sd reference point lies between the Policy and Charging Rule Function and the Traffic Detection Function.

Whenever it is possible the present document specifies the requirements for the protocol by reference to specifications produced by the IETF within the scope of Diameter. Where this is not possible, extensions to Diameter are defined within the present document.

2 References

The following documents contain provisions which, through reference in this text, constitute provisions of the present document.

- References are either specific (identified by date of publication and/or edition number or version number) or non-specific.
- For a specific reference, subsequent revisions do not apply.
- For a non-specific reference, the latest version applies. In the case of a reference to a 3GPP document (including a GSM document), a non-specific reference implicitly refers to the latest version of that document in the same Release as the present document.

- [1] 3GPP TR 21.905: "Vocabulary for 3GPP Specifications".
- [2] 3GPP TS 29.210: "Charging Rule Provisioning over Gx Interface".
- [3] Void.
- [4] Void.
- [5] IETF RFC 3588: "Diameter Base Protocol".
- [6] Void.
- [7] 3GPP TS 23.203: "Policy Control and Charging architecture".
- [8] 3GPP TS 29.213: "Policy and charging control signalling flows and Quality of Service (QoS) parameter mapping".
- [9] IETF RFC 4006: "Diameter Credit Control Application".
- [10] 3GPP TS 29.214: "Policy and Charging Control over Rx reference point".
- [11] 3GPP TS 29.061: "Interworking between the Public Land Mobile Network (PLMN) supporting packet based services and Packet Data Networks (PDN)".
- [12] IETF RFC 4005: "Diameter Network Access Server Application".
- [13] 3GPP TS 24.008: "Mobile radio interface Layer 3 specification".
- [14] 3GPP TS 29.229: "Cx and Dx interfaces based on Diameter protocol; Protocol details".
- [15] IETF RFC 3162: "Radius and Ipv6".
- [16] 3GPP TS 32.295: "Telecommunication management; Charging management; Charging Data Record (CDR) transfer".

- [17] 3GPP TS 23.060: "General Packet Radio Service (GPRS); Service description; Stage 2".
- [18] 3GPP TS 29.060: "General Packet Radio Service (GPRS); GPRS Tunnelling Protocol (GTP) across the Gn and Gp interface".
- [19] 3GPP TS 32.299: "Telecommunication management; Charging management; Diameter charging applications".
- [20] 3GPP2 X.S0011-E: "cdma2000 Wireless IP Network Standard".
- [21] 3GPP TS 32.240: "Telecommunication management; Charging management; Charging architecture and principles".
- [22] 3GPP TS 29.274: "3GPP Evolved Packet System. Evolved GPRS Tunnelling Protocol for EPS (GTPv2)".
- [23] 3GPP TS 23.402: "Architecture enhancements for non-3GPP accesses".
- [24] 3GPP2 X.S0057-B: "E-UTRAN – eHRPD Connectivity and Interworking: Core Network Aspects".
- [25] 3GPP TS 23.003: "Numbering, addressing and identification".
- [26] 3GPP TS 29.272: "3GPP Evolved Packet System. Mobility Management Entity (MME) and Serving GPRS Support Node (SGSN) related interfaces based on Diameter protocol".
- [27] 3GPP TS 32.422: "Telecommunication management; Subscriber and equipment trace; Trace control and configuration management".
- [28] 3GPP TS 29.275: "Proxy Mobile Ipv6 (PMIPv6) based Mobility and Tunnelling Protocols; Stage 3".
- [29] 3GPP TS 43.318: "Generic access to the A/Gb interface; Stage 2".
- [30] 3GPP2 X.S0062-0: "PCC for cdma2000 1x and HRPD Networks".
- [31] 3GPP TS 23.228: "IP multimedia subsystem; Stage 2".
- [32] 3GPP TS 23.401: "General Packet Radio Service (GPRS) enhancements for Evolved Universal Terrestrial Radio Access Network (E-UTRAN) access".
- [33] 3GPP TS 23.380: "IMS Restoration Procedures".
- [34] Void.
- [35] 3GPP TS 23.261: "IP flow mobility and seamless Wireless Local Area Network (WLAN) offload; Stage 2".
- [36] IETF RFC 3046: "DHCP Relay Agent Information Option".
- [37] ETSI TS 283 034 v2.2.0: "Telecommunications and Internet converged Services and Protocols for Advanced Networking (TISPAN); Network Attachment Sub-System (NASS); e4 interface based on the DIAMETER protocol".
- [38] 3GPP TS 23.335: "User Data Convergence (UDC); Technical realization and information flows; Stage 2".
- [39] 3GPP TS 29.335: "User Data Convergence (UDC); User Data Repository Access Protocol over the Ud interface; Stage 3".
- [40] 3GPP TS 23.216: "Single Radio Voice Call Continuity (SRVCC); Stage 2".
- [41] 3GPP TS 23.107: "Quality of Service (QoS) concept and architecture".
- [42] 3GPP TS 24.301: "Non-Access-Stratum (NAS) protocol for Evolved Packet".
- [43] 3GPP TS 23.007: "Restoration Procedures".

- [44] Broadband Forum TR-134: "Policy Control Framework ".
- [45] Broadband Forum TR-124 Issue 3: "Functional Requirements for Broadband Residential Gateway Devices ".
- [46] Broadband Forum TR-146: "Internet Protocol (IP) Sessions".
- [47] Broadband Forum TR-300: "Nodal Requirements for Converged Policy Management".
- [48] 3GPP TS 29.273: "3GPP EPS AAA interfaces".
- [49] IETF RFC 7683 : "Diameter Overload Indication Conveyance".
- [50] 3GPP TS 23.468: "Group Services and System Aspects; Group Communication System Enablers for LTE (GCSE LTE)".

3 Definitions and abbreviations

3.1 Definitions

For the purposes of the present document, the terms and definitions given in 3GPP TR 21.905 [1] and the following apply:

Application detection filter: A logic used to detect packets generated by an application based on extended inspection of these packets, e.g., header and/or payload information, as well as dynamics of packet flows. The logic is entirely internal to a TDF or a PCEF enhanced with ADC, and is out of scope of this specification.

Application identifier: An identifier, referring to a specific application detection filter.

ADC decision: A decision consists of references to ADC rules, associated enforcement actions (for dynamic ADC rules) and TDF session attributes and is provided by the PCRF to the TDF for application detection and control.

ADC rule: A set of information enabling the detection of application traffic and associated enforcement actions. ADC rules are directly provisioned into the TDF and referenced by the PCRF.

Detected application traffic: An aggregate set of packet flows that are generated by a given application and detected by an application detection filter.

IP-CAN bearer: IP transmission path of defined capacity, delay and bit error rate, etc.
See 3GPP TR 21.905 [1] for the definition of bearer.

IP-CAN session: association between a UE and an IP network.

The association is identified by one or more UE Ipv4 addresses/ and/or Ipv6 prefix together with a UE identity information, if available, and a PDN represented by a PDN ID (e.g. an APN). An IP-CAN session incorporates one or more IP-CAN bearers. Support for multiple IP-CAN bearers per IP-CAN session is IP-CAN specific. An IP-CAN session exists as long as the related UE Ipv4 address and/or Ipv6 prefix are assigned and announced to the IP network.

IP flow: unidirectional flow of IP packets with the same source IP address and port number and the same destination IP address and port number and the same transport protocol.
Port numbers are only applicable if used by the transport protocol.

Gateway Control Session: An association between a BBERF and a PCRF (when GTP is not used in the EPC), used for transferring access specific parameters, BBERF events and QoS rules between the PCRF and BBERF. In the context of this specification this is implemented by use of the Gxx procedures.

GC1 signalling: Signalling between the GCS AS and the application client on the UE over the GC1 reference point as defined in 3GPP TS 23.468 [50].

Monitoring key: Identifies a usage monitoring control instance.

TDF session: An association between an IP-CAN session and the assigned TDF for the purpose of application detection and control by the PCRF. The association is identified by one UE Ipv4 address and/or Ipv6 prefix together with optionally a PDN represented by a PDN ID and a set of ADC rules to be applied by the TDF.

Usage monitoring control instance: the monitoring and reporting of the usage threshold for input, output or total data volume or time of usage for the IP-CAN session/TDF session or the service data flows/application's traffic associated with the same monitoring key.

Presence Reporting Area: An area defined within 3GPP Packet Domain for the purposes of reporting of UE presence within that area due to policy control and/or charging reasons. There are two types of Presence Reporting Area: "UE-dedicated Presence Reporting Area", and "Core Network pre-configured Presence Reporting Area".

Service data flow: An aggregate set of packet flows carried through the PCEF that matches a service data flow template (from 3GPP TS 23.203 [7]).

Service data flow filter: a set of packet flow header parameter values/ranges used to identify one or more of the packet flows constituting a service data flow (from 3GPP TS 23.203 [7]).

Service data flow template: The set of service data flow filters in a PCC rule or an application identifier in a PCC rule referring to an application detection filter, required for defining a service data flow (from 3GPP TS 23.203 [7]).

3.2 Abbreviations

For the purpose of the present document, the abbreviations given in 3GPP TR 21.905 [1] and the following apply:

ADC	Application Detection and Control
AF	Application Function
AMBR	Aggregate Maximum Bit Rate
BBERF	Bearer Binding and Event Reporting Function
CCA	Credit-Control-Answer (CC-Answer)
CCR	Credit-Control-Request (CC-Request)
CSG	Closed Subscriber Group
CSG-ID	Closed Subscriber Group Identity
DCC	Diameter Credit Control
GBR	Guaranteed Bit Rate
GCS	Group Communication Service
GCS AS	Group Communication Service Application Server
MPS	Multimedia Priority Service
OCS	Online charging system
OFCS	Offline charging system
PCEF	Policy and Charging Enforcement Function
PCRF	Policy and Charging Rule Function
RAA	Re-Auth-Answer (RA-Answer)
RAB	Radio Access Bearer
RAR	Re-Auth-Request (RA-Request)
SUPL	Secure User Plane for Location
TDF	Traffic Detection Function
TDA	TDF-Session-Answer
TDR	TDF-Session-Request
UDC	User Data Convergence
UDR	User Data Repository

4 Gx reference point

4.1 Overview

The Gx reference point is located between the Policy and Charging Rules Function (PCRF) and the Policy and Charging Enforcement Function (PCEF). The Gx reference point is used for provisioning and removal of PCC rules from the PCRF to the PCEF and the transmission of traffic plane events from the PCEF to the PCRF. The Gx reference point can be used for charging control, policy control or both by applying AVPs relevant to the application. The Gx reference point can also be used for application's traffic detection and control.

The stage 2 level requirements for the Gx reference point are defined in 3GPP TS 23.203 [7].

Signalling flows related to the both Rx and Gx interfaces are specified in 3GPP TS 29.213 [8].

The definition of case 1, case 2a and case 2b is specified in clause 4.0 in 3GPP TS 29.213 [8].

Refer to Annex G of 3GPP TS 29.213 [8] for Diameter overload control procedures over the Gx interface.

4.2 Gx Reference model

The Gx reference point is defined between the PCRF and the PCEF. The relationships between the different functional entities involved are depicted in figure 4.2.1 and 4.2.2.

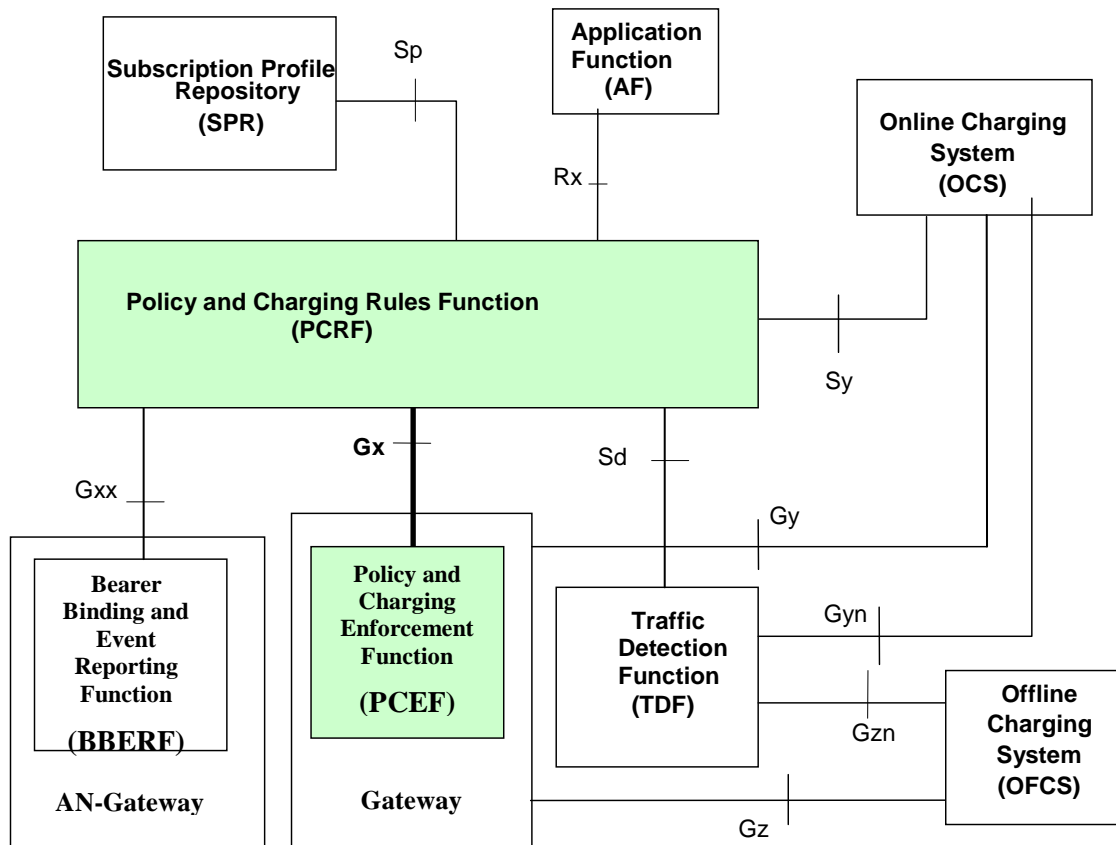


Figure 4.2.1: Gx reference point at the Policy and Charging Control (PCC) architecture with SPR

NOTE 1: The PCEF may support Application Detection and Control feature.

With the UDC-based architecture, as defined in 3GPP TS 23.335 [38] and applied in 3GPP TS 23.203 [7], the UDR replaces SPR and the Ud reference point provides access to the subscription data in the UDR. The Ud interface as defined in 3GPP TS 29.335 [39] is the interface between the PCRF and the UDR. The relationships between the different functional elements are depicted in figure 4.2. When UDC architecture is used, SPR and Sp, whenever mentioned in this document, is replaced by UDR and Ud.

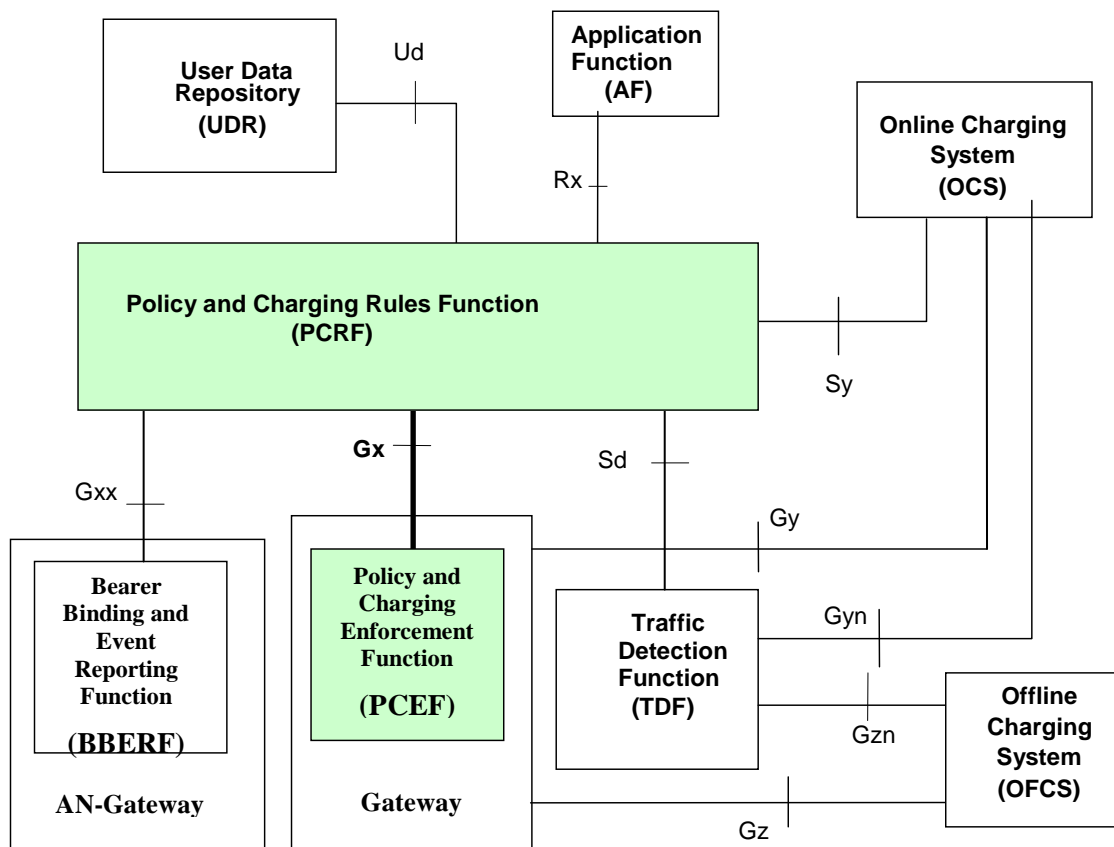


Figure 4.2.2: Gx reference point at the Policy and Charging Control (PCC) architecture with UDR

NOTE 2: The details associated with the Sp reference point are not specified in this Release. The SPR's relation to existing subscriber databases is not specified in this Release.

NOTE 3: The UDC Application Informational Model related to the PCRF is not specified in this Release.

NOTE 4: The PCEF may support Application Detection and Control feature.

NOTE 5: PCEF is located in the Gateway node implementing the IP access to the PDN. Refer to Annexes of 3GPP TS 23.203 [7] for application to specific IP-CAN types.

NOTE 6: Refer to Annexes A.5 and H.2 of 3GPP TS 23.203 [7] for application of AN-Gateways.

4.3 PCC Rules

4.3.1 PCC Rule Definition

The purpose of the PCC rule is to:

- Detect a packet belonging to a service data flow.
- The service data flow templates within the PCC rule are used for the selection of downlink IP CAN bearers.
- The service data flow filters within the PCC rule are used for the enforcement that uplink IP flows are transported in the correct IP CAN bearer.

NOTE 1: For aPCC rule that contains an application identifier referencing an application detection filter, the PCRF can inspect traffic on multiple bearers in the uplink direction. Such detected traffic counts as detection by that PCC rule.

- Identify the service the service data flow contributes to.

- Provide applicable charging parameters for a service data flow.
- Provide policy control for a service data flow.

The PCEF shall check each received packet against the service data flow filters of each PCC rule in the order of the precedence of the PCC rules. When a packet matches a service data flow filter, the packet matching process for that packet is completed, and the corresponding PCC rule shall be applied. For PCC rules that contain an application identifier referencing an application detection filter, the precedence is only relevant for the rule enforcement, i.e. when the detected application packet matches multiple PCC rules, only the enforcement, reporting of application starts and stops, usage monitoring, and charging actions of the PCC rule with the highest precedence shall be applied.

There are two different types of PCC rules as defined in 3GPP TS 23.203 [7]:

- Dynamic PCC rules. Dynamically provisioned by the PCRF to the PCEF via the Gx interface. These PCC rules may be either predefined or dynamically generated in the PCRF. Dynamic PCC rules can be installed, modified and removed at any time.
- Predefined PCC rules. Preconfigured in the PCEF. Predefined PCC rules can be activated or deactivated by the PCRF at any time. Predefined PCC rules within the PCEF may be grouped allowing the PCRF to dynamically activate a set of PCC rules over the Gx reference point.

NOTE 2: The operator may define a predefined PCC rule, to be activated by the PCEF. Such a predefined rule is not explicitly known in the PCRF.

A PCC rule consists of:

- a rule name;
- service identifier;
- service data flow filter(s);
- application identifier;
- precedence;
- gate status;
- QoS parameters;
- indication for PS to CS session continuity;
- charging key (i.e. rating group);
- other charging parameters;
- monitoring key;
- sponsor identity;
- application service provider identity;
- indication of access network information reporting;
- redirect.

The rule name shall be used to reference a PCC rule in the communication between the PCEF and the PCRF.

The service identifier shall be used to identify the service or the service component the service data flow relates to.

The service data flow filter(s) or the application detection filter shall be used to select the traffic for which the rule applies. Either service data flow filter(s) or application identifier shall exist in a PCC rule. It shall be possible to define wildcarded service data flow filter(s), both for the dynamic and predefined PCC rules.

The application identifier shall be used to reference an application detection filter, which is predefined in the PCEF. The same application identifier value can occur in more than one PCC rule. If so, the PCRF shall ensure that there is at most one PCC rule active per application identifier value and IP CAN session at any time.

NOTE 3: The application identifier can only be used for PCEF enhanced with ADC. The same application identifier value could be used for a dynamic PCC rule and a pre-defined PCC rule or for multiple pre-defined PCC rules.

The gate status indicates whether the service data flow may pass (gate is open) or shall be discarded (gate is closed) in uplink and/or in downlink direction.

The QoS information includes the QoS class identifier (authorized QoS class for the service data flow), the Allocation and Retention Priority (ARP) and authorized bitrates for uplink and downlink.

The PS to CS session continuity indicates that the service data flow may be handed over to the CS domain as defined in 3GPP TS 23.216 [40].

The charging parameters define whether online and offline charging interfaces are used, what is to be metered in offline charging, on what level the PCEF shall report the usage related to the rule, etc.

For different PCC rules with overlapping service data flow filter, the precedence of the rule determines which of these rules is applicable. For PCC rules with application detection filter, the precedence of the rule is only relevant for the enforcement or charging of the detected application. When a dynamic PCC rule and a predefined PCC rule have the same precedence, the dynamic PCC rule takes precedence. For dynamic PCC rules that contain an application identifier, the precedence shall be either preconfigured at the PCEF or provided dynamically by the PCRF within the PCC Rules.

NOTE 4: Whether precedence for dynamic PCC rules that contain an application identifier is preconfigured in PCEF or provided in the PCC rule from the PCRF depends on network configuration.

PCC rule also includes Application Function record information for enabling charging correlation between the application and bearer layer if the AF has provided this information via the Rx interface. For IMS this includes the IMS Charging Identifier (ICID) and flow identifiers.

The monitoring key for a PCC rule identifies a monitoring control instance that shall be used for usage monitoring control of the service data flows controlled by the predefined PCC rule or dynamic PCC rule.

If sponsored data connectivity is supported, the sponsor identity for a PCC rule identifies the 3rd party organization (the sponsor) willing to pay for the operator's charge for connectivity required to deliver a service to the end user.

If sponsored data connectivity is supported, the application service provider identity for a PCC rule identifies the 3rd party organization (the ASP) that is delivering the service to the end user.

If Access Network Information Reporting is supported, the value of Required-Access-Info AVP for a PCC rule identifies the Access Network Information parameters requested by the AF.

The redirect indicates whether the uplink part of the detected application traffic shall be redirected to a controlled address. The target redirect address may also be included.

NOTE 5: The redirect is applicable when application identifier exists in the PCC rule.

4.3.2 Operations on PCC Rules

For dynamic PCC rules, the following operations are available:

Installation: to provision a PCC rules that has not been already provisioned.

Modification: to modify a PCC rule already installed.

Removal: to remove a PCC rule already installed.

For predefined PCC rules, the following operations are available:

Activation: to allow the PCC rule being active.

Deactivation: to disallow the PCC rule.

The procedures to perform these operations are further described in clause 4.5.2.0.

4.3a IP flow mobility routing rules

4.3a.1 Functional entities

The PCEF shall provide IP flow mobility routing rules and report IP flow mobility routing rules related events to the PCRF via the Gx reference point.

The PCRF shall select either the PCEF or any applicable BBERF as the bearer binding function for each service data flow based on the Routing Address included in the IP flow mobility routing rules received from the PCEF.

4.3a.2 IP flow mobility routing rule definition

The IP flow mobility routing rule is used by the PCRF to select the applicable BBF (BBERF or PCEF) for a service data flow in flow mobility scenarios and in turn provision QoS rules related to the service data flow to the selected BBERF.

The PCRF shall evaluate the service data flow filters against the routing filter contained in the IP flow mobility routing rule in the order of the precedence of the IP flow mobility routing rules. When a routing filter matches the service data flow filter, the routing address contained in the matching IP flow mobility routing rule shall be applied to the service data flow.

An IP flow mobility routing rule consists of:

- a rule identifier;
- routing filter(s);
- precedence;
- routing address;

The rule identifier is assigned by the PCEF and shall be unique within an IP-CAN session. It is used to reference an IP flow mobility routing rule in the communication between the PCEF and the PCRF.

The IP flow mobility routing rule shall comprise one or more routing filters, containing information for matching service data flows. A default packet filter is specified by using wild card filters. The default packet filter is used to indicate the default route for service data flows without explicit route assignment. An IP flow mobility routing rule containing a default packet filter shall not contain any other packet filters.

The precedence defines in what order the IP flow mobility routing rules are used by the PCRF to determine where to route a service data flow. The precedence of the IP flow mobility routing rules not containing the default packet filter is derived from the priority assigned to the routing filters included in the Binding Update as specified in 3GPP TS 23.261 [35]. The PCEF shall assign the lowest evaluation precedence to the IP flow mobility routing rule containing the default packet filter.

The routing address identifies the IP address and thus the BBF to be used for all service data flows matching the routing filters contained in IP flow mobility routing rules. The routing address can be equal to a care-of address or to the home address of the UE. In case 1 and case 2b the routing address contains the home address and in case 2a the routing address contains the care-of address.

NOTE: IP flow mobility routing rules can be defined in case 1 only for 3GPP access where GTP-based S5/S8 are employed or case 2b only for PMIP-based 3GPP accesses.

4.3a.3 Operations on Routing rules

If IP flow mobility is supported as specified in 3GPP TS 23.261 [35], the PCEF shall derive IP flow mobility routing rules based on the IP flow mobility binding information provided by the UE. The rule contains information required by the PCRF to install the PCC/QoS rules for a service data flow at the correct BBF in flow mobility scenarios.

For IP flow mobility routing rules, the following operations are available:

- Installation: the PCEF provides a new IP flow mobility routing rule to the PCRF.

- Modification: the PCEF modifies an existing IP flow mobility routing rule already installed at the PCRF.
- Removal: the PCEF removes an IP flow mobility routing rule already installed at the PCRF.

The procedures to perform these operations are further described in clause 4.3a.4.

4.3a.4 PCC procedures for IP flow mobility routing rule over Gx reference point

4.3a.4.1 Provisioning of IP flow mobility routing rules

When provisioning IP flow mobility routing rules, the PCEF executes the same procedure as for a Request for PCC Rules as described in clause 4.5.1.

The PCEF may install IP flow mobility routing rules at IP-CAN session establishment.

NOTE: PCEF installs IP flow mobility routing rules at IP-CAN session establishment only in case 2a.

If the PCEF installs IP flow mobility routing rules at IP-CAN session establishment:

- In addition to the parameters defined in clause 4.5.1, the PCEF shall also include in the CC-Request, IP flow mobility routing rules within the Routing-Rule-Install AVP with one or more Routing-Rule-Definition AVPs.
- the PCEF shall include a default route within the Routing-Rule-Definition AVP by including wildcarded filters within Routing-Filter AVP.

The PCEF may install, modify, and remove IP flow mobility routing rules at IP-CAN session modification.

- In such a case in addition to the parameters defined in clause 4.5.1, for IP flow mobility routing rule installation and modification, the PCEF shall include in the CC-Request the Routing-Rule-Install AVP with one or more Routing-Rule-Definition AVPs containing the new and updated IP flow mobility routing rules.
- For IP flow mobility routing rule removal, the PCEF shall include the Routing-Rule-Remove AVP with the Routing-Rule-Identifier of the rules to be removed.
- The PCEF shall also include the Event-Trigger AVP set to ROUTING_RULE_CHANGE.

At IP-CAN session termination as described in 4.5.7, the PCRF removes instantly all IP flow mobility routing rules related to the terminated IP-CAN session.

To install a new or modify an already installed IP flow mobility routing rule, the Routing-Rule-Definition AVP shall be used. If an IP flow mobility routing rule with the same rule identifier, as supplied in the Routing-Rule-Identifier AVP within the Routing-Rule-Definition AVP, already exists at the PCRF, the new IP flow mobility routing rule shall update the currently installed rule. If the existing IP flow mobility routing rule already has attributes also included in the new IP flow mobility routing rule definition, the existing attributes shall be overwritten. Any attribute in the existing IP flow mobility routing rule not included in the new IP flow mobility routing rule definition shall remain valid.

4.3b Void

4.4 Functional elements

4.4.1 PCRF

The PCRF (Policy Control and Charging Rules Function) is a functional element that encompasses policy control decision and flow based charging control functionalities. These 2 functionalities are the heritage of the release 6 logical entities PDF and CRF respectively. The PCRF provides network control regarding the service data flow detection, gating, QoS and flow based charging (except credit management) towards the PCEF. The PCRF receives session and media related information from the AF and informs AF of traffic plane events.

The PCRF shall provision PCC Rules to the PCEF via the Gx reference point. Particularities for the Gxx reference point are specified in clause 4a.4.1. Particularities for the Sd reference point are specified in clause 4b.4.1.

If IP flow mobility applies, the PCRF shall, based on IP flow mobility routing rules received from the PCEF, provide the authorized PCC/QoS rules to the applicable BBF.

The PCRF PCC Rule decisions may be based on one or more of the following:

- Information obtained from the AF via the Rx reference point, e.g. the session, media and subscriber related information.
- Information obtained from the PCEF via the Gx reference point, e.g. IP-CAN bearer attributes, request type, subscriber related information, IP flow mobility routing rules (if IP flow mobility is supported) and detected application"s traffic information, if the PCEF supports Application Detection and Control feature.
- Information obtained from the SPR via the Sp reference point, e.g. subscriber and service related data.
- Information obtained from the TDF via the Sd reference point, e.g. report on application"s traffic detection start/stop.

NOTE: The details associated with the Sp reference point are not specified in this Release. The SPR"s relation to existing subscriber databases is not specified in this Release.

- Information obtained from the BBERF via the Gxx reference point.
- Own PCRF pre-configured information.

If the information from the PCEF contains traffic mapping information not matching any service data flow filter known to the PCRF, and the PCRF allows the UE to request enhanced QoS for services not known to the PCRF, the PCRF shall add this traffic mapping information as service data flow filters to the corresponding authorized PCC Rule. The PCRF may wildcard missing filter parameters, e.g. missing uplink TFT address and port information in case of GPRS.

The PCRF shall report events to the AF via the Rx reference point.

The PCRF shall inform the PCEF through the use of PCC rules on the treatment of each service data flow that is under PCC control, in accordance with the PCRF policy decisions.

The PCRF shall be able to select the bearer control mode that will apply for the IP-CAN session and provide it to the PCEF via the Gx reference point.

Upon subscription to loss of AF signalling bearer notifications by the AF, the PCRF shall request the PCEF to notify the PCRF of the loss of resources associated to the PCC Rules corresponding with AF Signalling IP Flows, if this has not been requested previously.

If permitted by the subscriber"s profile configuration received from the SPR, the PCRF may invoke the application"s traffic detection and control at the PCEF supporting Application Detection and Control feature, by providing the corresponding PCC Rules.

4.4.2 PCEF

The PCEF (Policy and Charging Enforcement Function) is the functional element that encompasses policy enforcement and flow based charging functionalities. These 2 functionalities are the heritage of the release 6 logical entities PEP and TPF respectively. This functional entity is located at the Gateway (e.g. GGSN in the GPRS case, P-GW in the EPS case and PDG in the WLAN case). It provides control over the user plane traffic handling at the Gateway and its QoS, and provides service data flow detection and counting as well as online and offline charging interactions.

For a service data flow that is under policy control the PCEF shall allow the service data flow to pass through the Gateway if and only if the corresponding gate is open.

For a service data flow that is under charging control the PCEF shall allow the service data flow to pass through the Gateway if and only if there is a corresponding active PCC rule and, for online charging, the OCS has authorized the applicable credit with that Charging key. The PCEF may let a service data flow pass through the Gateway during the course of the credit re-authorization procedure.

If requested by the PCRF, the PCEF shall report to the PCRF when the status of the related service data flow changes. This procedure can be used to monitor an IP-CAN bearer dedicated for AF signalling traffic.

In case the SDF is tunnelled at the BBERF, the PCEF shall inform the PCRF about the mobility protocol tunnelling header of the service data flows at IP-CAN session establishment or IP-CAN session modification when the tunnelling header information is changed.

If requested by PCRF, a PCEF, which supports Application Detection and Control feature, shall:

- Perform application's traffic detection and control.
- Report the detected application's traffic start/stop events to the PCRF along with TDF application instance identifier and service data flow descriptions when service data flow descriptions are deducible.

A PCEF shall ensure that an IP packet, which is discarded at the PCEF as a result of PCC rule enforcement, is neither reported for offline charging nor cause credit consumption for online charging.

4.5 PCC procedures over Gx reference point

4.5.1 Request for PCC rules

The PCEF shall indicate, via the Gx reference point, a request for PCC rules in the following instances.

1) At IP-CAN session establishment:

- The PCEF shall send a CC-Request with CC-Request-Type AVP set to the value "INITIAL_REQUEST". The PCEF shall supply user identification within the Subscription-Id AVP and other attributes to allow the PCRF to identify the rules to be applied. The other attributes shall include the type of IP-CAN within the IP-CAN-Type AVP, the type of the radio access technology, if available, within the RAT-Type AVP, the PDN information, if available, within the Called-Station-Id AVP, the PDN connection identifier, if available, within the PDN-Connection-ID AVP, the UE Ipv4 address within the Framed-IP-Address and/or the UE Ipv6 prefix within the Framed-Ipv6-Prefix AVP and the UE time zone information within 3GPP-MS-TimeZone AVP, if available. The PCEF may also include the Access-Network-Charging-Address and Access-Network-Charging-Identifier-Gx AVPs, the SGSN address within either 3GPP-SGSN-Address AVP or 3GPP-SGSN-Ipv6-Address AVP, the user location information within 3GPP-User-Location-Info, the Routing Area Identity within RAI AVP, the PLMN id within the 3GPP-SGSN-MCC-MNC AVP, the information about the user equipment within User-Equipment-Info AVP, AN-Trusted AVP if available and the charging characteristics within 3GPP-Charging-Characteristics AVP in the CC-Request. Furthermore, if applicable for the IP-CAN type, the PCEF may indicate the support of network-initiated bearer request procedures by supplying the Network-Request-Support AVP. The PCEF shall also include the APN-AMBR if available using the APN-Aggregate-Max-Bitrate-DL/UL AVPs. If available, the PCEF shall also provide an indication if the default bearer is requested to be used for IMS signalling using the Bearer-Usage AVP. If UE provides information of IP flow mobility change, the PCEF includes IP flow mobility routing rules as defined in clause 4.3a.4 . The PCEF may provide TDF-Information AVP, if available. The PCEF, based on its local configuration, may additionally provide its control plane address(es) within 3GPP-GGSN-Address AVP and/or 3GPP-GGSN-Ipv6-Address AVP, 3GPP-Selection-Mode AVP indicating how the APN was selected, Dynamic-Address-Flag AVP and Dynamic-Address-Flag-Extension AVP defining whether IP address(es) were statically or dynamically allocated and PDN-Connection-Charging-ID AVP containing the charging identifier to identify different records belonging to the same PDN connection.

For IP-CAN types that support multiple IP-CAN bearers, the PCEF may provide the Default-EPS-Bearer-QoS AVP including the ARP and QCI values corresponding to the Default EPS Bearer QoS.

For 3GPP-EPS and 3GPP2 accesses, the PCEF shall provide the IP address(es) (Ipv4 or Ipv6, if available) of the SGW/AGW within the AN-GW-Address AVP.

For xDSL IP-CAN Type the PCEF may provide the Subscription-Id AVP and shall not provide the RAT Type AVP, The Logical-Access-ID AVP and the Physical-Access-ID AVP shall be provided.

2) At IP-CAN session modification:

- IP-CAN session modification with PCEF-requested rules can occur for various reasons, e.g. when:

- a request to establish or terminate an IP-CAN bearer occurs;
- a request for resource modification occurs;
- an Event trigger is met.

The PCEF shall send a CC-Request with CC-Request-Type AVP set to the value "UPDATE_REQUEST". The PCEF may include the Access-Network-Charging-Address and Access-Network-Charging-Identifier-Gx AVPs in the CC-Request. For an IP-CAN Session modification where an existing IP-CAN Bearer is modified, the PCEF shall supply within the PCC rule request the specific event which caused the IP-CAN session modification (within the Event-Trigger AVP) and any related data affected by the IP-CAN session modification. Any change in PCC rule status shall be supplied to PCRF within the Charging-Rule-Report AVP. If UE provides information of IP flow mobility change, the PCEF includes IP flow mobility routing rules to the PCRF as specified in clause 4.3a.4.

In the case that the UE initiates a resource modification procedure, the PCEF shall include within the CC-Request the Event-Trigger AVP set to RESOURCE_MODIFICATION_REQUEST and shall include the Packet-Filter-Operation AVP set as follows, with the amendments as specified in Annex A and Annex B:

- When the UE requests to add filters without any link to existing bearer or existing packet filter, the PCEF shall set the Packet-Filter-Operation AVP to "ADDITION", and shall include:
 - a Packet-Filter-Information AVP for each packet filter requested for addition;
 - the QoS-Information AVP to indicate the requested QoS for the new packet filters.
- When the UE requests to add filters, including a link to an existing packet filter, the PCEF shall set the Packet-Filter-Operation AVP to "ADDITION", and shall include:
 - a Packet-Filter-Information AVP for each packet filter requested for addition; and
 - one Packet-Filter-Information AVP with only the Packet-Filter-Identifier AVP, set to the value for the linked existing filter; and
 - the QoS-Information AVP to indicate the requested QoS for the new packet filters and the PCC rule containing the linked packet filter.
- When the UE requests to modify existing packet filter the PCEF shall set the Packet-Filter-Operation AVP to "MODIFICATION", and shall include:
 - a Packet-Filter-Information AVP, including its Packet-Filter-Identifier AVP value, for each modified packet filter; and
 - if the UE request includes modified QoS information the PCEF shall also include the QoS-Information AVP to indicate the updated QoS for the affected PCC rule(s).
- When the UE requests to modify the QoS associated with existing packet filter(s), without modifying the filter(s), the PCEF shall set the Packet-Filter-Operation AVP to "MODIFICATION", and shall include:
 - one Packet-Filter-Information AVP with only the Packet-Filter-Identifier AVP, set to the value for each of the affected packet filter(s); and
 - the QoS-Information AVP to indicate the updated QoS for the affected PCC rule(s).
- When the UE requests to delete existing packet filter the PCEF shall set the Packet-Filter-Operation AVP to "DELETION", and shall include:
 - a Packet-Filter-Information AVP for each packet filter deleted by the UE. Each Packet-Filter-Information AVP shall include a packet filter identifier as provided by the PCRF in the PCC rule within the Packet-Filter-Identifier AVP identifying the previously requested packet filter being deleted; and
 - the QoS-Information AVP to indicate the updated QoS for the affected PCC rule(s).

The PCEF shall calculate the requested GBR, for a GBR QCI, as the sum of the previously authorized GBR for the set of affected PCC rules, containing one or more affected packet filter, adjusted with the difference between the requested

GBR for the bearer and previously negotiated GBR for the bearer. For the UE request to add filters, without providing any link to an existing filter, the GBR as requested by the UE for those filters shall be used.

If the request covers all the PCC rules with a bearer binding to the same bearer, then the PCEF may request a change to the QCI for existing packet filters.

A PCC rule is affected if one or more previously assigned packet filter identifiers for filters within the rule are included with the Packet-Filter-Identifier AVP within the request.

For the purpose of adding or modifying a packet filter, the Packet-Filter-Information AVP shall include the packet filter precedence information within the Precedence AVP and the Packet-Filter-Content, ToS-Traffic-Class, Security-Parameter-Index, Flow-Label and Flow-Direction AVPs set to the value(s) describing the packet filter provided by the UE.

PCC rules can also be requested as a consequence of a failure in the PCC rule installation/activation or enforcement without requiring an Event-Trigger. See clause 4.5.12.

NOTE 1: The UE signalling with the network is governed by the applicable NAS signalling TS. The NAS 3GPP TS for a specific access may restrict the UE possibilities to make requests compared to what is stated above.

If the PCRF is, due to incomplete, erroneous or missing information (e.g. QoS, SGSN address, RAT type, TFT, subscriber information) not able to provision a policy decision as response to the request for PCC rules by the PCEF, the PCRF may reject the request using a CC Answer with the Gx experimental result code `DIAMETER_ERROR_INITIAL_PARAMETERS` (5140). If the PCEF receives a CC Answer with this code, the PCEF shall reject the IP-CAN session establishment or modification that initiated the CC Request.

If the PCRF detects that the packet filters in the request for new PCC rules received from the PCEF is covered by the packet filters of outstanding PCC rules that the PCRF is provisioning to the PCEF, the PCRF may reject the request using a CC-Answer with the Gx experimental result code `DIAMETER_ERROR_CONFLICTING_REQUEST` (5147). If the PCEF receives a CC-Answer with this code, the PCEF shall reject the IP-CAN session modification that initiated the CC-Request.

If the PCRF does not accept one or more of the traffic mapping filters provided by the PCEF in a CC Request (e.g. because the PCRF does not allow the UE to request enhanced QoS for services not known to the PCRF), the PCRF shall reject the request using a CC Answer with the Gx experimental result code `DIAMETER_ERROR_TRAFFIC_MAPPING_INFO_REJECTED` (5144). If the PCEF receives a CC Answer with this code, the PCEF shall reject the IP-CAN session establishment or modification that initiated the CC Request.

The PCRF shall not combine a rejection with provisioning of PCC rule operations in the same CC Answer.

4.5.2 Provisioning of PCC rules

4.5.2.0 Overview

The PCRF shall indicate, via the Gx reference point, PCC rules to be applied at the PCEF. This may be using one of the following procedures:

- PULL procedure (Provisioning solicited by the PCEF): In response to a request for PCC rules being made by the PCEF, as described in the preceding section, the PCRF shall provision PCC rules in the CC-Answer; or
- PUSH procedure (Unsolicited provisioning): The PCRF may decide to provision PCC rules without obtaining a request from the PCEF, e.g. in response to information provided to the PCRF via the Rx reference point, or in response to an internal trigger within the PCRF. To provision PCC rules without a request from the PCEF, the PCRF shall include these PCC rules in an RA-Request message. No CCR/CCA messages are triggered by this RA-Request. The PCRF should NOT send a new RA-Request command to the PCEF until the previous RA-Request has been acknowledged for the same IP-CAN session.

For each request from the PCEF or upon the unsolicited provision the PCRF shall provision zero or more PCC rules. The PCRF may perform an operation on a single PCC rule by one of the following means:

- To activate or deactivate a PCC rule that is predefined at the PCEF, the PCRF shall provision a reference to this PCC rule within a Charging-Rule-Name AVP and indicate the required action by choosing either the Charging-Rule-Install AVP or the Charging-Rule-Remove AVP.
- To install or modify a PCRF-provisioned PCC rule, the PCRF shall provision a corresponding Charging-Rule-Definition AVP within a Charging-Rule-Install AVP.
- To remove a PCC rule which has previously been provisioned by the PCRF, the PCRF shall provision the name of this PCC rule as value of a Charging-Rule-Name AVP within a Charging-Rule-Remove AVP.
- If, for certain accesses, the PCRF performs the bearer binding, the PCRF may move previously installed or activated PCC rules from one IP CAN bearer to another IP CAN bearer. See annex A for further details.

As an alternative to providing a single PCC rule, the PCRF may provide a Charging-Rule-Base-Name AVP within a Charging-Rule-Install AVP or the Charging-Rule-Remove AVP as a reference to a group of PCC rules predefined at the PCEF. With a Charging-Rule-Install AVP, a predefined group of PCC rules is activated. With a Charging-Rule-Remove AVP, a predefined group of PCC rules is deactivated.

The PCRF may combine multiple of the above PCC rule operations in a single command.

When the UE initiates a resource modification procedure, the PCRF shall provision PCC rule(s) that are only related to the UE's resource modification in the corresponding CCA command.

To activate a predefined PCC rule at the PCEF, the rule name within a Charging-Rule-Name AVP shall be supplied within a Charging-Rule-Install AVP as a reference to the predefined rule. To activate a group of predefined PCC rules within the PCEF (e.g. gold users or gaming services) a Charging-Rule-Base-Name AVP shall be supplied within a Charging-Rule-Install AVP as a reference to the group of predefined PCC rules.

To install a new or modify an already installed PCRF defined PCC rule, the Charging-Rule-Definition AVP shall be used. If a PCC rule with the same rule name, as supplied in the Charging-Rule-Name AVP within the Charging-Rule-Definition AVP, already exists at the PCEF, the new PCC rule shall update the currently installed rule. If the existing PCC rule already has attributes also included in the new PCC rule definition, the existing attributes shall be overwritten. Any attribute in the existing PCC rule not included in the new PCC rule definition shall remain valid.

If no PCC rule(s) with uplink packet filters that are provided to the UE are bound to a bearer which requires traffic mapping information (according to the rules as defined in 3GPP TS 23.060 [17]), the PCEF shall derive traffic mapping information based on implementation specific logic (e.g. traffic mapping information that effectively disallows any useful packet flows in uplink direction as described in clause 15.3.3.4 of 3GPP TS 23.060 [17]) and shall provide it to the UE.

NOTE 1: For GPRS and EPS, the state of TFT packet filters, as defined in 3GPP TS 23.060 [17], for an IP-CAN session requires that there is at most one bearer with no traffic mapping information for the uplink direction.

NOTE 2: For a default bearer, the PCEF will not add traffic mapping information that effectively disallows any useful packet flows in uplink direction on its own.

Upon installation or activation of a PCC rule, the PCEF shall then perform the bearer binding according to clause 5.4 in 3GPP TS 29.213 [8] and use the select IP CAN bearer for the new PCC rule.

Upon the same modification of the QCI and/or ARP of all the PCC rules bound to the same bearer, the PCEF should modify the QCI and/or ARP for that bearer.

Provisioning of predefined PCC rules upon invocation/revocation of an MPS service shall be done according to clause 5.3 in 3GPP TS 29.213 [8].

Further details of the binding mechanism can be found in 3GPP TS 29.213 [8].

For deactivating single predefined or removing PCRF-provided PCC rules, the Charging-Rule-Name AVP shall be supplied within a Charging-Rule-Remove AVP. For deactivating a group of predefined PCC rules, the Charging-Rule-Base-Name AVP shall be supplied within a Charging-Rule-Remove AVP.

NOTE 3: When deactivating a predefined PCC rule that is activated in more than one IP-CAN bearers, the predefined PCC rule is deactivated simultaneously in all the IP-CAN bearers where it was previously activated.

The PCRF may request the PCEF to confirm that the resources associated to a PCC rule are successfully allocated. To do so the PCRF shall provide the Event-Trigger AVP with the value SUCCESSFUL_RESOURCE_ALLOCATION (22) if the event trigger is not previously set. In addition the PCRF shall install the rules that need resource allocation confirmation by including the Resource-Allocation-Notification AVP with the value ENABLE_NOTIFICATION (0) within the corresponding Charging-Rule-Install AVP. If a Charging-Rule-Install AVP does not include the Resource-Allocation-Notification AVP, the resource allocation shall not be notified by the PCEF even if this AVP was present in previous installations of the same rule.

NOTE 4: The PCEF reporting the successful installation of PCC rules using RAA command means that the PCC rules are installed but the bearer binding or QoS resource reservation may not yet be completed, see 3GPP TS 29.213 [8].

If the provisioning of PCC rules fails, the PCEF informs the PCRF as described in clause 4.5.12 PCC Rule Error Handling. Depending on the cause, the PCRF may decide if re-installation, modification, removal of PCC rules or any other action applies.

If the PCRF is unable to create a PCC rule for the response to the CC Request by the PCEF, the PCRF may reject the request as described in clause 4.5.1.

If the PCRF receives a request for PCC rules for an IP-CAN session from the PCEF, or a request for QoS rules for a gateway control session from the BBERF, while no suitable authorized PCC rules are configured in the PCRF or can be derived from service information provisioned by an AF, the PCRF shall check the set of services the user is allowed to access.

If the user is not allowed to access AF session based services, the PCRF shall check whether the user is allowed to request resources for services not known to the PCRF and whether the requested QoS and/or packet filters can be authorized. If this is the case, the PCRF shall provide a PCC rule to authorize the UE requested QoS and packet filters that were received as part of the request for PCC/QoS rules. The service data flow description shall be derived from the packet filter information. If the user is not allowed to request resources for services not known to the PCRF, the PCRF shall reject the request.

If the user is allowed to access AF session based services, the PCRF may, depending e.g. on the user's subscription details or operator policy, authorise the requested QoS for a timer supervised grace period (the timer started by the PCRF either by the request from the PCEF or from the BBERF) to wait for AF service information. If an AF session bound to the same IP-CAN session is ongoing and only preliminary service information was received within this AF session, the PCRF shall base the authorization of the requested QoS on the preliminary service information.

NOTE 5: This scenario may for instance be encountered for a UE terminated IMS session establishment or modification with UE initiated resource reservation, refer to 3GPP TS 29.214 [10]. If the PCRF does not authorize a request for PCC/QoS rules in this scenario, the IMS session setup may fail.

NOTE 6: During the grace period, the QoS and packet filters requested by the UE need to be authorized even if the user is not allowed to request for resources for services not known to the PCRF or if the requested QCI is not allowed for services not known to the PCRF as it is not clear at this point in time whether the UE resource request belongs to an AF session or to a service not known to the PCRF.

If the preliminary service information is insufficient to construct appropriate PCC rules or no preliminary service information is available, the PCRF shall provide preliminary PCC rules to authorize the UE requested QoS and packet filters. Therefore, the preliminary PCC rules shall contain wildcarded flow description or flow description derived from possible packet filters received as part of the request for PCC/QoS rules. The PCRF may apply a dedicated charging key value to indicate to the charging subsystem that the charging key is preliminary and may be corrected later on.

NOTE 7: With the dedicated charging key, the PCRF instructs the charging subsystem to recalculate the applicable charge for the time when the dedicated charging key value was applied once the dedicated charging key value is replaced with some other value in a new provisioning of PCC rules. For example, if online charging applies, Session Charging with Unit Reservation (SCUR) can be used. When the charging key changes, the PCEF will return initially reserved credit units and the OCS then can recalculate the consumed credit units applying the rate derived from the new other charging key value and update the user's credit accordingly.

NOTE 8: A preliminary PCC rule is a normal PCC rule containing preliminary information.

If the PCRF receives AF service information while the timer-supervised grace period is running, the PCRF shall stop the timer and may derive authorized PCC rules from this service information and update or replace the preliminary PCC

rules that were previously provided for the UE requested QoS and packet filters, for instance by choosing service specific QoS parameters and charging keys.

NOTE 9: The dedicated preliminary charging key value that was previously provided by the PCRF instructs the charging subsystem to recalculate the applicable charge when the new service specific charging key is provided. The recalculation covers the time when the previous dedicated charging key value was active. The new service specific charging key is applied from that time onwards.

If the timer expires and the PCRF has not received any AF service information, the PCRF should apply the policy for services not known to the PCRF and may downgrade or revoke the authorization for the preliminary PCC/QoS rules (previously provided for the UE requested QoS and packet filters) in accordance with the policy for services not known to the PCRF. The PCRF should adjust the charging keys within the PCC rules and should downgrade the authorized QoS to the allowed value for the services not known to the PCRF, if required.

For the case where the BBERF requests QoS rules from the PCRF, the PCRF derives the QoS rules from the PCC rules and provisions the QoS rules to the BBERF according to clause 4a.5.2.

If the IP flow mobility is supported and the tariff depends on what access network is in use for the service data flow, then the PCRF may set the charging key of the PCC rule in accordance with the access network in use.

4.5.2.1 Selecting a PCC rule for Uplink IP packets

If PCC is enabled, the PCEF shall select the applicable PCC rule for each received uplink IP packet within an IP CAN bearer by evaluating the packet against uplink service data flow template of PCRF-provided or predefined active PCC rules assigned to this IP CAN bearer.

PCC rules shall be assigned to an IP CAN bearer via bearer binding; PCC Rules that contain an application identifier may be assigned to other bearer(s) with non-GBR QCI (e.g. the default bearer) in addition to the bearer where the PCC rule is bound to.

NOTE 1: The PCEF uses implementation specific logic to assign PCC Rules that contain an application identifier to additional bearer(s) for uplink bearer binding verification, i.e. to determine for what bearers the uplink service data flow detection applies. When PCC rules with application detection filters cannot be used to generate traffic mapping information for the UE, the application detection may need to inspect traffic on multiple bearers. The uplink traffic will get the QoS of the bearer carrying the traffic. The QCI of the bearer may therefore be different than the QCI of the PCC rule detecting the service data flow. The charging and other enforcement functions performed by the PCEF will still be carried out based on parameters of the PCC rule detecting the service data flow. In case the PCC rule contains a GBR QCI, the GBR resource reservation will only apply on the bearer where the PCC rule is bound to. The PCRF can prevent that uplink GBR resources are reserved by providing an uplink GBR value of zero in the PCC rule.

For PCC rules that contain service data flow filters, the evaluation of packets against the service data flow templates shall be done in the order of the precedence of the PCC rules. When a packet matches a service data flow template, the packet matching process for that packet is completed, and the PCC rule for that filter shall be applied.

For PCC rules that contain an application identifier (i.e. that refer to an application detection filter), the order and the details of the application detection are implementation specific. Once an application has been detected, the PCC rule shall however be applied under consideration of the PCC rule precedence, i.e. when multiple PCC rules overlap (regardless of whether they contain service data flow filters or an application identifier), only the PCC rule with the highest precedence shall be applied and the packet matching process for that packet is completed.

When a PCRF-provided PCC rule and a predefined PCC rule have the same precedence, the uplink service data flow templates of the PCRF-provided PCC rule shall be applied.

Uplink IP packets which do not match any PCC rule assigned to the corresponding IP CAN bearer shall be silently discarded.

4.5.2.2 Selecting a PCC rule and IP CAN Bearer for Downlink IP packets

If PCC is enabled, the PCEF shall select a PCC rule for each received downlink IP packet within an IP CAN session by evaluating the packet against downlink service data flow templates of PCRF-provided or predefined active PCC rules of all IP CAN bearers of the IP CAN session.

For PCC rules that contain service data flow filters, the evaluation of packets against the service data flow templates shall be done in the order of the precedence of the PCC rules. When a packet matches a service data flow template, the packet matching process for that packet is completed, and the PCC rule for that template shall be applied.

For PCC rules that contain an application identifier (i.e. that refer to an application detection filter), the order and the details of the application detection are implementation specific. Once an application has been detected, the PCC rule shall however be applied under consideration of the PCC rule precedence, i.e. when multiple PCC rules overlap (regardless of whether they contain service data flow filters or an application identifier), only the PCC rule with the highest precedence shall be applied and the packet matching process for that packet is completed.

When a PCRF-provided PCC rule and a predefined PCC rule have the same precedence, the downlink service data flow template of the PCRF-provided PCC rule shall be applied.

The Downlink IP Packet shall be transported within the IP CAN bearer where the selected PCC rule is mapped.

Downlink IP packets which do not match any PCC rule of the IP CAN session shall be silently discarded.

4.5.2.3 Gate function

The Gate Function represents a user plane function enabling or disabling the forwarding of IP packets belonging to a service data flow. A gate is described within a PCC rule. If the PCC rule contains Flow-Information AVP(s) applicable for uplink IP flows, it shall describe a gate for the corresponding uplink IP flows. If the PCC rule contains Flow-Information AVP(s) applicable for downlink IP flows, it shall describe a gate for the corresponding downlink IP flows. If the PCC rule contains the application identifier, it shall describe a gate for the corresponding detected application traffic. The Flow-Status AVP of the PCC rule shall describe if the possible uplink and possible downlink gate is opened or closed.

The commands to open or close the gate shall lead to the enabling or disabling of the passage for corresponding IP packets. If the gate is closed all packets of the related IP flows shall be dropped. If the gate is opened the packets of the related IP flows are allowed to be forwarded.

4.5.2.4 Policy enforcement for "Authorized QoS" per PCC Rule

The PCRF can provide the authorized QoS for a PCC rule to the PCEF. The Provisioning of authorized QoS per PCC Rule shall be performed using the PCC rule provisioning procedure. For a PCRF-provided PCC rule, the "Authorized QoS" shall be encoded using a QoS-Information AVP within the Charging-Rule-Definition AVP of the PCC rule. If "Authorized QoS" is provided for a PCC rule, the PCEF shall enforce the corresponding policy.

See also Clause 4.5.5.

4.5.2.5 Usage Monitoring Control

Usage monitoring may be performed for service data flows associated with one or more PCC rules.

The provisioning of usage monitoring control per PCC rule shall be performed using the PCC rule provisioning procedure. For a PCRF-provided PCC rule, the monitoring key shall be set using the Monitoring-Key AVP within the Charging-Rule-Definition AVP of the PCC rule. For a predefined PCC rule, the monitoring key shall be included in the rule definition at the PCEF. Usage monitoring shall be activated both for service data flows associated with predefined PCC rules and dynamic PCC rules, including rules with deferred activation and/or deactivation times while those rules are active.

NOTE: It is recommended that the same traffic is not monitored by both PCC rules in the PCEF and ADC rules in the TDF with active usage monitoring at the same time. This avoids double counting.

4.5.2.6 Redirect function

The PCRF may provide the redirect instruction for a dynamic PCC rule to the PCEF enhanced with ADC. The Provisioning shall be performed using the PCC rule provisioning procedure. The redirect instruction shall be encoded using a Redirect-Information AVP within the Charging-Rule-Definition AVP of the dynamic PCC rule.

For a dynamic PCC rule, the redirect address may be provided as part of the dynamic PCC rule or may be preconfigured in the PCEF. A redirect destination provided within the Redirect-Server-Address AVP in a dynamic PCC Rule shall override the redirect destination preconfigured in the PCEF for this PCC rule.

NOTE: The PCEF uses the preconfigured redirection address only if it can be applied to the application traffic being detected, e.g. the redirection destination address could be preconfigured on a per application identifier basis.

If Redirect-Information AVP is provided for a dynamic PCC rule, the PCEF shall implement the redirection for the detected application's uplink traffic. If the Redirect-Server-Address AVP is provided within the Redirect-Information AVP and the Redirect-Support AVP is not set to REDIRECTION_DISABLED, the PCEF shall redirect the detected application's uplink traffic to this address. In this case, the redirect address type (e.g. Ipv4, Ipv6 or URL) shall be defined by the Redirect-Address-Type AVP. If the Redirect-Server-Address AVP is not provided, the redirection address preconfigured in the PCEF shall be used instead. If the Redirect-Server-Address AVP is not provided and the redirection address is not preconfigured in the PCEF for this PCC rule, the PCEF shall perform PCC Rule Error Handling as specified in clause 4.5.12.

When the PCRF wants to disable the redirect function for an already installed PCC Rule, the PCRF shall update the PCC rule including the Redirect-Information AVP with Redirect-Support AVP set to REDIRECTION_DISABLED.

4.5.3 Provisioning of Event Triggers

The PCRF may provide one or several event triggers within one or several Event-Trigger AVP to the PCEF using the PCC rule provision procedure. Event triggers may be used to determine which IP-CAN session modification or specific event causes the PCEF to re-request PCC rules. Although event trigger reporting from PCEF to PCRF can apply for an IP CAN session or bearer depending on the particular event, provisioning of event triggers will be done at session level. The Event-Trigger AVP may be provided in combination with the initial or subsequent PCC rule provisioning.

NOTE 1: There are event triggers that will only take effect when additional information is provided. The PCRF may provide the additional information together with the event trigger or in subsequent PCC rule provisioning. The PCEF will only report those event triggers when the related data is available.

The PCRF may add new event triggers or remove the already provided ones at each request from the PCEF or upon the unsolicited provision from the PCRF. In order to do so, the PCRF shall provide the new complete list of applicable event triggers including the needed provisioned Event-Trigger AVPs in the CCA or RAR commands.

The PCRF may remove all previously provided event triggers by providing the Event-Trigger AVP set to the value NO_EVENT_TRIGGERS. When an Event-Trigger AVP is provided with this value, no other Event-Trigger AVP shall be provided in the CCA or RAR command. Upon reception of an Event-Trigger AVP with this value, the PCEF shall not inform PCRF of any event except for those events that are always reported and do not require provisioning from the PCRF.

If no Event-Trigger AVP is included in a CCA or RAR operation, any previously provisioned event trigger will be still applicable. Unless otherwise stated for a certain event trigger, the PCRF shall be able to modify the data related to an event trigger without providing again a previously provisioned event trigger if such event trigger is still armed.

There are event triggers that are required to be unconditionally reported from the PCEF to the PCRF as specified in clause 5.3.7 even though the PCRF has not provisioned them to the PCEF.

4.5.4 Provisioning of charging related information for the IP-CAN session

4.5.4.1 Provisioning of Charging Addresses

In combination with the initial PCC rule provisioning only, the PCRF may provide OFCS and/or OCS addresses within a Charging-Information AVP to the PCEF defining the offline and online charging system addresses respectively. These shall overwrite any predefined addresses at the PCEF. Both primary and secondary addresses for OFCS and/or OCS shall be provided simultaneously. Provisioning OFCS or OCS addresses without PCC rules for offline or online charged service data flows, respectively, shall not be considered as an error since such PCC rules may be provided in later provisioning.

4.5.4.2 Provisioning of Default Charging Method

The default charging method indicates what charging method shall be used for every PCC rule where the charging method is omitted. The PCEF may have a pre-configured Default charging method.

Upon the initial interaction with the PCRF, the PCEF shall provide the pre-configured Default charging method if available within the Online AVP and/or Offline AVP embedded directly within the CCR command to the PCRF.

Upon the initial interaction with the PCEF, the PCRF may provide default charging method within the Online AVP or Offline AVP embedded directly within the CCA command to the PCEF. The default charging method provided by the PCRF shall overwrite any predefined default charging method at the PCEF.

4.5.4.3 Void

4.5.4.4 Provisioning of Access Network Charging Identifier

When the Access-Network-Charging-Identifier-Gx AVP is unknown for an AF session to the PCRF, the PCRF may request the PCEF to provide the Access-Network-Charging-Identifier-Gx AVP associated to dynamic PCC rules. To do so, the PCRF shall provide the Event-Trigger AVP with the value CHARGING_CORRELATION_EXCHANGE (28) if the event trigger is not previously set and the Charging-Correlation-Indicator AVP indicating CHARGING_IDENTIFIER_REQUIRED within the Charging-Rule-Install AVP.

The PCRF shall interpret that the Access-Network-Charging-Identifier-Gx AVP is known as follows:

- For case 1, when the Access-Network-Charging-Identifier-Gx AVP is received and includes the IP-CAN-Session-Charging-Scope AVP.
- For case 2a and case 2b when the Access-Network-Charging-Identifier-Gx AVP is received

If the Event-Trigger AVP with the value CHARGING_CORRELATION_EXCHANGE (28) has been provided to the PCEF, the PCEF shall include the access network charging identifier that the PCEF has assigned for the dynamic PCC Rules within the Access-Network-Charging-Identifier-Gx where the Charging-Correlation-Indicator AVP indicated CHARGING_IDENTIFIER_REQUIRED.

NOTE: The PCRF indicates CHARGING_IDENTIFIER_REQUIRED in the Charging-Correlation-Indicator AVP for the dynamic PCC rules related to the flows for which the AF has requested a notification about Access Network Charging Information, according to 3GPP TS 29.214 [10].

4.5.5 Provisioning and Policy Enforcement of Authorized QoS

4.5.5.0 Overview

The PCRF may provide authorized QoS to the PCEF.

The authorized QoS shall be provisioned within a CCA or RAR Diameter message as QoS-Information AVP. The provisioning of the authorized QoS (which is composed of QCI, ARP and bitrates) is performed from the PCRF to the PCEF. The authorized QoS can refer to a PCC rule, to an IP CAN bearer, to a QCI or to an APN.

- When the authorized QoS applies to an IP CAN bearer, it shall be provisioned outside a Charging-Rule-Definition AVP and it shall also include the Bearer-Identifier AVP to indicate what bearer it applies to.
- When the authorized QoS applies to a PCC rule, it shall be provisioned within the corresponding PCC rule by including the QoS-Information AVP within the Charging-Rule-Definition AVP. The QoS-Information AVP shall not contain a Bearer-Identifier AVP.
- When the authorized QoS applies to QCI, authorised MBR per QCI is supplied. In such a case the authorized QoS shall be provisioned outside a Charging-Rule-Definition AVP at the command level. This case applies only for IP-CAN types that support non-GBR bearers that have a separate MBR (i.e. 3GPP-GPRS access). Its applicability is specified in annex A.
- When the authorized QoS applies to an APN, authorised APN-Aggregate-Max-Bitrate UL/DL is supplied. In such a case the authorized QoS shall be provisioned outside a Charging-Rule-Definition AVP at command level.

- When the authorized QoS applies to the default EPS bearer it shall be provisioned within the Default-EPS-Bearer-QoS AVP.

Authorized QoS at IP-CAN bearer level is access specific. See Annex A for further details.

The authorized QoS provides appropriate values for the resources to be enforced.

The authorized QoS for a PCC rule is a request for allocating the corresponding resources, and the authorized QoS for a QCI is a request for an upper limit for the MBR that the PCEF assigns to non-GBR bearers with that QCI.

The Provisioning of authorized QoS per PCC rule is a part of PCC rule provisioning procedure.

If the PCEF cannot allocate any of the resources as authorized by the PCRF, the PCEF informs the PCRF and acts as described in Clause 4.5.12 PCC Rule Error handling.

The PCEF is responsible for enforcing the policy based authorization.

QoS authorization information may be dynamically provisioned by the PCRF or it can be a pre-defined PCC rule in the PCEF. Moreover, all the parameters of the authorized QoS can be changed, but no order is defined for QCI.

NOTE 1: A change of QCIs cannot be described as an upgrade or downgrade and also no QCI can be referred to as the higher or lower. Whether the QCI is permitted to be changed or not is subject to both operator policies and normal restrictions on changing from a non-GBR QCI value to GBR QCI value on a default bearer.

NOTE 2: All attributes of the ARP QoS parameter can be changed but only the ARP priority level represents an ordered range of values. The ARP priority level attribute represents the actual priority for the service/user with the value 1 as the highest and can thus be upgraded and downgraded.

The PCEF shall make sure that the total QoS information of the PCC rules for one IP-CAN bearer does not exceed the authorized QoS information, i.e. the information received from the PCRF.

If the PCRF is unable to make a decision for the response to the CC-Request by the PCEF, the PCRF may reject the request as described in clause 4.5.1.

4.5.5.0a Provisioning of authorized QoS per IP CAN bearer

The authorized QoS per IP-CAN bearer is used if the bearer binding is performed by the PCRF (as defined in 3GPP TS 29.213 [8]). Provisioning of authorized QoS per IP-CAN bearer is access specific. See Annex A for further details.

4.5.5.1 Policy enforcement for authorized QoS per IP CAN bearer

The PCEF is responsible for enforcing the policy based authorization, i.e. to ensure that the requested QoS is in-line with the "Authorized QoS" per IP CAN Bearer. Policy enforcement of authorized QoS per IP-CAN bearer is access specific. See Annex A for further details.

4.5.5.2 Policy provisioning for authorized QoS per service data flow

The Provisioning of authorized QoS per service data flow is a part of PCC rule provisioning procedure, as described in clause 4.5.2.0.

The authorized QoS per service data flow shall be provisioned within the corresponding PCC rule by including the QoS-Information AVP within the Charging-Rule-Definition AVP in the CCA or RAR commands. This QoS-Information AVP shall not contain a Bearer-Identifier AVP.

4.5.5.3 Policy enforcement for authorized QoS per service data flow

If an authorized QoS is defined for a PCC rule, the PCEF shall limit the data rate of the service data flow corresponding to that PCC rule not to exceed the maximum authorized bandwidth for the PCC rule by discarding packets exceeding the limit.

The PCEF shall reserve the resources necessary for the guaranteed bitrate for the PCC rule upon receipt of a PCC rule provisioning including QoS information. For GBR bearers the PCEF should set the bearer's GBR to the sum of the

GBRs of all PCC rules that are active/installed and bound to that GBR bearer. For GBR bearers the PCEF should set the bearer's MBR to the sum of the MBRs of all PCC rules that are active/installed and bound to that GBR bearer.

NOTE 1: Since the PCRF controls the GBR value in the PCC rule, the PCRF can prevent that uplink GBR resources are reserved by providing an uplink GBR value of zero for that PCC rule. This may be useful e.g. for a PCC rule with application identifier as the uplink traffic can be received in other bearers than the one the PCC rule is bound to.

For non-GBR bearers, when the IP-CAN type supports non-GBR bearers that have a separate MBR (i.e. 3GPP-GPRS), the PCEF may also set the bearer's MBR to the sum of the MBRs of all PCC rules that are active and bound to that non-GBR bearer unless that sum exceeds a possibly provisioned authorized QoS per QCI for the bearer's QCI (see clause 4.5.5.6). If an authorized QoS per QCI has been provisioned for the bearer's QCI, the PCEF should set the bearer's MBR to the corresponding MBR. The access-specific BS Manager (as included in 3GPP TS 29.213 [8]) within the PCEF receives the authorised access-specific QoS information from the Translation/mapping function. Then the PCEF shall start the needed procedures to ensure that the provisioned resources are according to the authorized values. This may imply that the PCEF needs to request the establishment of new IP CAN bearer(s) or the modification of existing IP CAN bearer(s). If the enforcement is not successful, the PCEF shall inform the PCRF as described in clause 4.5.5.0.

Upon deactivation or removal of a PCC rule, the PCEF shall free the resources reserved for that PCC rule.

4.5.5.4 Coordination of authorized QoS scopes in mixed mode

Coordination of authorized QoS scopes in mixed mode is access specific. See Annex A for further details.

4.5.5.5 Provisioning of authorized QoS per QCI

When the IP-CAN type supports non-GBR bearers that have a separate MBR (i.e. 3GPP-GPRS) the PCRF may provision an authorized QoS per QCI for non-GBR bearer QCI values. The PCRF shall not provision an authorized QoS per QCI for GBR bearer QCI values.

The authorized QoS per QCI shall be provisioned at RAR or CCA command level using the QoS-Information AVP with the QoS-Class-Identifier AVP and the Maximum-Requested-Bandwidth-UL AVP and/or the Maximum-Requested-Bandwidth-DL AVP. The Guaranteed Bitrate values shall not be filled up. Multiple QoS-Information AVPs can be used for assigning authorized QoS for several QCIs with one command. The authorized QoS per QCI may be provisioned before or in connection with the activation of the first PCC rule with a certain QCI. The PCRF may also provision a changed authorized QoS per QCI at any time.

4.5.5.6 Policy enforcement for authorized QoS per QCI

The PCEF can receive an authorized QoS per QCI for non-GBR-bearer QCI values for those IP-CAN types that support non-GBR bearers that have a separate MBR (i.e. 3GPP-GPRS). It sets an upper limit for the MBR that the PCEF may assign to a non-GBR bearer with that QCI. If the PCEF receives an authorized QoS per QCI for a non-GBR bearer QCI value, it shall not set a higher MBR for that bearer than the provisioned MBR. The PCEF should assign the authorized MBR per QCI to a non-GBR bearer with that QCI to avoid frequent IP-CAN bearer modifications as PCC rules can be dynamically activated and deactivated.

If multiple IP-CAN bearers within the same IP-CAN session are assigned the same QCI, the authorized MBR per QCI applies independently to each of those IP-CAN bearers.

The access-specific BS Manager (as included in 3GPP TS 29.213 [8]) within the PCEF receives the authorized access-specific QoS information from the Translation/mapping function.

4.5.5.7 Provisioning of authorized QoS per APN

The PCRF may provision the authorized QoS per APN as part of the IP-CAN session establishment procedure and may be modified at any time as long as there is an IP-CAN session active for that APN. The authorized QoS per APN may be modified as part of the IP-CAN session establishment or modification of any of the IP-CAN sessions active for a UE within that APN. To do so, the PCRF shall provision the authorized QoS per APN for each IP-CAN session for that APN.

The authorized QoS per APN, if provisioned by the PCRF, shall be provisioned at RAR or CCA command level using the QoS-Information AVP via one or both of the following mechanisms:

- **Unconditional APN policy info:** The APN-Aggregate-Max-Bitrate-UL AVP and/or the APN-Aggregate-Max-Bitrate-DL AVP shall be included. The PCEF enforces the provided values for every current RAT type and IP-CAN type for which no conditional APN policy info applies.
- **Conditional APN policy info:** Support of ConditionalAPNPolicyInfo feature is required. While providing conditional APN policy info one or more instances of the Conditional-APN-Aggregate-Max-Bitrate AVP shall be included. Each instance includes APN policy related info, i.e. APN-Aggregate-Max-Bitrate-UL AVP and/or the APN-Aggregate-Max-Bitrate-DL AVP. Additionally, a list of the applicable RAT-Type and/or IP-CAN-Type AVP(s), defining the condition for enforcing the APN policy info, shall also be included. The PCEF stores this information and enforces the APN policy info corresponding to the RAT-Type and IP-CAN-Type matching the current RAT-Type and IP-CAN-Type of the UE for the given APN. If the PCEF receives one or more instances of the Conditional-APN-Aggregate-Max-Bitrate AVP(s), then it shall replace all the existing instances of Conditional-APN-Aggregate-Max-Bitrate AVP(s), i.e. received earlier for the APN of this user, with the newly received instance(s). The PCRF shall provide the QoS-Information AVP excluding the Conditional-APN-Aggregate-Max-Bitrate AVP to remove the previously provisioned conditional APN policy info. If the PCEF receives the QoS-Information AVP without Conditional-APN-Aggregate-Max-Bitrate AVP, it shall delete the previously stored instance(s) of Conditional-APN-Aggregate-Max-Bitrate AVP(s).

NOTE 1: While providing the conditional APN policy info, unless the unconditional APN policy is also included, it is recommended to consider all the applicable IP-CAN-Type and RAT-Type of the UE.

NOTE 2: The QoS per APN limits the aggregate bit rate of all Non-GBR bearers of the same APN, i.e. the GBR bearers are outside the scope of QoS per APN.

In both the above cases, the Max-Requested-Bandwidth values, and the Guaranteed Bitrate values shall not be included. If the Unconditional and Conditional APN policy info, both, are provided then the Conditional APN policy info takes precedence and shall be enforced if the conditions specified by the Conditional APN policy info are met. Otherwise, the Unconditional APN policy info shall be enforced.

If conditions from multiple APN policy info are met at the same time then the APN policy related to the strict matching condition is enforced, e.g. APNPolicy1 specifies IP-CAN-Type only and APNPolicy2 specifies IP-CAN-Type (with the value same as in APNPolicy1) and an RAT-Type, both, then the APNPolicy2 shall be enforced when the UE's current IP-CAN-Type and RAT-Type matches with the condition specified by APNPolicy2.

If conditions from multiple APN policy info are met at the same time and all of these APN policies are equally applicable, e.g. APNPolicy1 specifies IP-CAN-Type only and APNPolicy2 specifies RAT-Type only and if the UE's current IP-CAN-Type matches with APNPolicy1 and the UE's current RAT-Type matches with APNPolicy2, then the PCEF should apply the APN policy with matching RAT-Type.

NOTE 3: The scenario of multiple APN policies such that all of them are equally applicable, e.g. as mentioned above, can be prevented by ensuring a proper configuration at the PCRF.

The PCRF may provision the authorized QoS per APN, based on information obtained from the SPR or internal policies.

For the case that BBF is located at the PCEF, if the modification of the QoS per APN fails, the PCEF shall retain the existing QoS per APN without any modification and send to the PCRF a new CCR command with the Event Trigger set to APN-AMBR_MODIFICATION_FAILURE providing the retained value within the APN-Aggregate-Max-Bitrate-UL AVP and/or APN-Aggregate-Max-Bitrate-DL AVP included in QoS-Information AVP. Additionally, the current RAT-Type and IP-CAN-Type of the UE shall be included if the failure corresponds to a conditional QoS per APN.

NOTE 4: The access network can reject the modification of the bearer if the APN-AMBR does not comply with the roaming agreement. Refer to 3GPP TS 23.401 [32].

4.5.5.8 Policy enforcement for authorized QoS per APN

The PCEF shall be able to enforce the AMBR per APN.

The PCEF may receive an authorized QoS per APN at IP-CAN session establishment and also at IP-CAN session modification. It sets an upper limit for the bandwidth usage for all the non-GBR bearers for that APN. The PCEF shall limit to that value the aggregated traffic of all SDFs of the same APN that are associated with Non-GBR QCI.

4.5.5.9 Provisioning of authorized QoS for the Default EPS Bearer

The PCRF may provision the authorized QoS for the default EPS bearer. The authorized QoS may be obtained upon interaction with the SPR.

The default EPS bearer QoS information shall be provisioned at RAR or CCA command level using the Default-EPS-Bearer-QoS AVP including the QoS-Class-Identifier AVP and the Allocation-Retention-Priority AVP. The provided QoS-Class-Identifier AVP shall include a non-GBR corresponding value.

If the modification of the default EPS bearer QoS information fails, the PCEF shall retain the existing default EPS bearer QoS without any modification and send the PCRF a new CCR command and include with Event Trigger set to DEFAULT-EPS-BEARER-QOS _MODIFICATION_FAILURE providing the retained values within the Allocation-Retention-Priority AVP and QoS-Class-Identifier AVP included in Default-EPS-Bearer-QoS AVP.

NOTE: The access network can reject the modification of the default bearer if the default bearer QoS does not comply with the roaming agreement. Refer to 3GPP TS 23.401 [32].

4.5.5.10 Policy enforcement for authorized QoS of the Default EPS Bearer

The PCEF may receive the authorized QoS for the default bearer over Gx interface. The PCEF enforces it which may lead to the change of the subscribed default EPS Bearer QoS.

4.5.6 Indication of IP-CAN Bearer Termination Implications

This procedure applies to those IP-CAN networks that support multiple bearers. This procedure applies only to dedicated bearers. For 3GPP-GPRS IP-CAN network, see annex A.

If the last IP CAN bearer within an IP CAN session is being terminated, the PCEF shall apply the procedures in clause 4.5.7 to indicate the IP CAN session termination.

When the PCEF detects that a dedicated IP-CAN bearer could not be activated or has been terminated it shall remove the affected PCC rules and send a CCR command to the PCRF with CC-Request-Type AVP set to the value "UPDATE_REQUEST", including the Charging-Rule-Report AVP specifying the affected PCC rules with the PCC-Rule-Status set to inactive and including the Rule-Failure-Code AVP assigned to the value RESOURCE_ALLOCATION_FAILURE (10).

If the RAN-NAS-Cause feature is supported, the PCEF shall provide the available access network information within the 3GPP-User-Location-Info AVP (if available), TWAN-Identifier (if available and Trusted-WLAN feature is supported), User-Location-Info-Time AVP (if available) and 3GPP-MS-TimeZone AVP (if available). Additionally, if the PCEF receives from the access network the RAN cause and/or the NAS cause due to bearer termination the PCEF shall provide the received cause(s) in the RAN-NAS-Release-Cause AVP included in the Charging-Rule-Report AVP.

This shall be done whenever one of these conditions applies:

- The PCEF is requested by the IP-CAN to initiate the deactivation of a bearer,
- PCC rule(s) are removed/deactivated by the PCEF without PCRF request (e.g. due to unsuccessful reservation of resources to satisfy the bearer binding).

NOTE: The PCEF will not initiate the deactivation of the bearer upon reception of the UE-initiated resource modification procedure indicating packet filter deletion. If all the PCC rules associated to a bearer have been deleted as a consequence of the PCRF interaction, the PCEF will initiate the bearer termination procedure towards the IP-CAN network.

Signalling flows for the IP-CAN bearer termination and details of the binding mechanism are presented in 3GPP TS 29.213 [8].

4.5.7 Indication of IP-CAN Session Termination

The PCEF shall contact the PCRF when the IP-CAN session is being terminated. The PCEF shall send a CC-Request with CC-Request-Type AVP set to the value "TERMINATION_REQUEST".

If the RAN-NAS-Cause feature is supported, the PCEF shall provide the available access network information within the 3GPP-User-Location-Info AVP (if available), TWAN-Identifier (if available and Trusted-WLAN is supported), User-Location-Info-Time AVP (if available) and 3GPP-MS-TimeZone AVP (if available). Additionally, if the PCEF receives from the access network the RAN cause and/or the NAS cause due IP-CAN session termination the PCEF shall provide the received cause(s) in the RAN-NAS-Release-Cause AVP at command level.

If the PCEF needs to send an IP-CAN session termination request towards a PCRF which is known to have restarted since the IP-CAN session establishment, the PCEF should not send CC-Request to inform the PCRF.

NOTE: When a PCRF is known to have restarted, the PCC contexts and Diameter sessions affected by the failure are lost in the PCRF, the PCEF does not need to inform the PCRF for this case.

When the PCRF receives the CC-Request, it shall acknowledge this message by sending a CC-Answer to the PCEF.

NOTE: According to DCC procedures, the Diameter Credit Control session is being terminated with this message exchange.

Signalling flows for the IP-CAN session termination are presented in 3GPP TS 29.213 [8].

4.5.8 Request of IP-CAN Bearer Termination

This procedure applies to those IP-CAN networks that support multiple bearers. This procedure applies only to dedicated bearers. For 3GPP-GPRS IP-CAN network, see annex A.

As a consequence of the removal of PCC rules initiated by the PCRF, the PCEF may require the termination of an existing bearer. The PCRF may not be aware that it requests the termination of an IP-CAN bearer by removing certain PCC rules.

The PCRF may request the removal of the PCC rules by using the PCC rule provisioning procedures in clause 4.5.2 to remove all PCRF-provisioned PCC rules and deactivate all PCC rules predefined within the PCEF. The PCRF may either completely remove these PCC rules from the IP CAN session or reinstall them (e.g. by changing the QoS or charging information) within the IP CAN session. When all the PCC rules applied to one bearer have been deleted and/or deactivated, the PCEF will instantly start the bearer termination procedure.

If the selected Bearer Control Mode (BCM) is UE-only, and the PCRF receives a trigger for the removal of all PCC rules from the AF, the following steps apply. In order to avoid race conditions, the PCRF should start a timer to wait for the UE-initiated resource release message. If a UE-initiated resource release is performed before timer expiry, the PCRF will receive an Indication of IP-CAN Bearer Termination Implications according to clause 4.5.6 and shall then not perform the removal of the PCC rules. Otherwise, if the timer expires, the PCRF shall remove/deactivate the affected PCC rules that have been previously installed/activated.

If the selected BCM is UE-only, and the PCRF decides to remove one or more PCC rules due to an internal trigger or trigger from the SPR, the PCRF shall instantly remove/deactivate the affected PCC rules that have been previously installed/activated.

If the selected BCM is UE/NW, and the PCRF removes/deactivates at the PCEF, all PCC rules bound to an IP CAN bearer (due to any trigger), the PCEF shall instantly start the procedures to terminate the related IP-CAN bearer.

If no more PCC rules are applied to an IP CAN bearer, the PCEF shall apply IP CAN specific procedures to terminate the IP CAN bearer, if such procedures exist for this IP CAN type.

4.5.9 Request of IP-CAN Session Termination

The PCRF may request the IP-CAN session termination in the following instances:

- If the PCRF decides to terminate an IP CAN session due to an internal trigger or trigger from the SPR, the PCRF shall send an RAR command including the Session-Release-Cause AVP to the PCEF. The PCEF shall acknowledge the command by sending an RAA command to the PCRF.

- The PCRF may also decide to terminate an IP-CAN session upon receiving CCR command with a CC-Request-Type AVP set to the value "UPDATE_REQUEST" from the PCEF (e.g. when usage quota reached). In that case, the PCRF shall send a CCA command including the Session-Release-Cause AVP to the PCEF.

The PCEF shall instantly remove/deactivate all the PCC rules that have been previously installed or activated on that IP-CAN session. The PCEF shall apply IP-CAN specific procedures to terminate the IP-CAN session. Furthermore, the PCEF shall apply the indication of IP-CAN Session Termination procedure in clause 4.5.7.

See Annex A for 3GPP-GPRS access type.

4.5.10 Bearer Control Mode Selection

The PCEF may indicate, via the Gx reference point, a request for Bearer Control Mode (BCM) selection at IP-CAN session establishment or IP-CAN session modification (e.g. as a consequence of an SGSN change). It will be done using the PCC rule request procedure.

NOTE 1: For the cases where Gxx is deployed in the network, the Bearer Control Mode selection may occur either in the Gxx reference point or Gx reference point, depending on the IP-CAN type. See access specific annexes.

When applicable for the IP-CAN type, if information about the support of network-initiated procedures is available, the PCEF shall supply at IP-CAN Session Establishment, the Network-Request-Support AVP in the CC-Request with a CC-Request-Type AVP set to the value "INITIAL_REQUEST". At IP-CAN Session Modification, the PCEF shall supply, if available, the Network-Request-Support AVP in the CC-Request with a CC-Request-Type AVP set to the value "UPDATE_REQUEST". The Network-Request-Support AVP indicates the access network support of the network requested bearer control.

The PCRF derives the selected Bearer-Control-Mode AVP based on the received Network-Request-Support AVP, access network information, subscriber information and operator policy. If the selected bearer control mode is UE_NW, the PCRF shall decide what mode (UE or NW) shall apply for every PCC rule.

NOTE 2: For operator-controlled services, the UE and the PCRF may be provisioned with information indicating which mode is to be used.

When applicable for the IP-CAN type, the selected Bearer-Control-Mode AVP shall be provided to the PCEF using the PCC Rules provision procedure at IP-CAN session establishment. The selected value will be applicable for the whole IP-CAN session.

When the bearer binding function is changed from the BBERF to the PCEF, the PCEF may indicate, via the Gx reference point, a request for Bearer Control Mode (BCM) selection at IP-CAN session modification as described above.

NOTE 3: The bearer binding function can be changed from the BBERF to the PCEF when the UE moves from a case 2a) system or a case 2b) system to a case 1) system (see 3GPP TS 29.213 [8]).

4.5.11 Provisioning of Event Report Indication

For the cases where Gxa and/or Gxc are deployed in the network, the PCEF may indicate the PCRF to be informed about specific changes occurred in the access network. In this case, the PCRF shall subscribe to the appropriate event triggers in the BBERF according to clause 4a.5.8. After receiving the reply of the event subscription from the BBERF, the PCRF shall send the event related information to the PCEF by using a RAR command. The Event Report concept is defined in 3GPP TS 23.203 [7] clause 3.1.

When PCRF is notified that an event is triggered in the BBERF, if the PCEF has previously requested to be informed of the specific event, the PCRF shall notify the PCEF about the event occurred together with additional related information. This notification will be done by using the Event-Report-Indication AVP. There may be neither PCC Rule provisioning nor Event Trigger provisioning together with event report indication in this message.

Whenever the PCEF subscribes to an event report indication by using the CCR command, the PCRF shall only send the corresponding currently applicable values which have been updated (e.g. 3GPP-User-Location-Info, 3GPP2-BSID, etc.) to the PCEF in the CCA if available. In this case, the Event-Trigger AVPs shall not be included.

NOTE: The PCRF can get the currently applicable values during the IP-CAN session establishment procedure or during the information reporting from the BBERF when the BBERF gets event subscription from the PCRF as defined in clause 5.3.7.

When multiple BBERFs exist as in flow mobility case, the PCEF may subscribe to different event triggers at different BBERFs. In this case, the PCEF shall include the Routing-IP-Address AVP within the Event-Report-Indication AVP to identify the BBERF for which the event triggers are to be installed. If the PCEF did not include Routing-IP-Address AVP within the Event-Report-Indication AVP, then the Event-Report-Indication AVP applies to all the BBERFs and the same event triggers will be installed on all of them.

4.5.12 PCC Rule Error Handling

If the installation/activation of one or more PCC rules fails, the PCEF shall include one or more Charging-Rule-Report AVP(s) in either a CCR or an RAA command as described below for the affected PCC rules. Within each Charging-Rule-Report AVP, the PCEF shall identify the failed PCC rule(s) by including the Charging-Rule-Name AVP(s) or Charging-Rule-Base-Name AVP(s), shall identify the failed reason code by including a Rule-Failure-Code AVP, and shall include the PCC-Rule-Status AVP as described below:

- If the installation/activation of one or more PCC rules fails using a PUSH mode (i.e., the PCRF installs/activates a rule using RAR command), the PCEF shall communicate the failure to the PCRF in the RAA response to the RAR if the validation of the PCC Rule was unsuccessful or in a CCR command if the resource allocation for the PCC Rule was unsuccessful.
- If the installation/activation of one or more PCC rules fails using a PULL mode (i.e., the PCRF installs/activates a rule using a CCA command) the PCEF shall send the PCRF a new CCR command and include the Rule-Failure-Code AVP.

If the installation/activation of one or more new PCC rules (i.e., rules which were not previously successfully installed) fails, the PCEF shall set the PCC-Rule-Status to INACTIVE for both the PUSH and the PULL modes.

The removal of a PCC rule shall not fail, even if the IP-CAN session procedures with the UE fail. The PCEF shall retain information on the removal and conduct the necessary IP-CAN session procedures with the UE when it is possible.

If the modification of a currently active PCC rule using PUSH mode fails, the PCEF shall retain the existing PCC rule as active without any modification unless the reason for the failure has an impact also on the existing PCC rule. The PCEF shall report the modification failure to the PCRF using the RAA command when the validation of the PCC Rule installation was unsuccessful or using the CCR command when the resource allocation for the corresponding PCC Rule was unsuccessful.

If the modification of a currently active PCC rule using PULL mode fails, the PCEF shall retain the existing PCC rule as active without any modification unless the reason for the failure has an impact also on the existing PCC rule. The PCEF shall report the modification failure to the PCRF using the CCR command.

Depending on the value of the Rule-Failure-Code for PULL and PUSH mode, the PCRF may decide whether retaining of the old PCC rule, re-installation, modification, removal of the PCC rule or any other action applies.

If a PCC rule was successfully installed/activated, but can no longer be enforced by the PCEF, the PCEF shall send the PCRF a new CCR command and include a Charging-Rule-Report AVP. The PCEF shall include the Rule-Failure-Code AVP within the Charging-Rule-Report AVP and shall set the PCC-Rule-Status to INACTIVE.

NOTE: When the PCRF receives PCC-Rule-Status set to INACTIVE, the PCRF does not need request the PCEF to remove the inactive PCC rule.

If the RAN-NAS-Cause feature is supported and as part of any of the procedures described in this clause the PCEF receives from the access network some RAN/NAS bearer failure cause(s), the PCEF shall also provide the received cause(s) in the Charging-Rule-Report AVP. If RAN-NAS-Cause feature is supported the PCEF shall provide the available access network information within the 3GPP-User-Location-Info AVP (if available), TWAN-Identifier (if available and Trusted-WLAN is supported), User-Location-Info-Time AVP (if available) and 3GPP-MS-TimeZone AVP (if available).

4.5.13 Time of the day procedures

PCEF shall be able to perform PCC rule request as instructed by the PCRF. To do so, the PCRF shall provide the Event-Trigger AVP with the value REVALIDATION_TIMEOUT (17) if the event trigger is not previously set and in addition the Revalidation-Time AVP when set by the PCRF. This shall cause the PCEF to trigger a PCRF interaction to request PCC rules from the PCRF for an established IP CAN session. The PCEF shall stop the timer once the PCEF triggers an REVALIDATION_TIMEOUT event. The PCEF should send the PCC rule request during a preconfigured period before the indicated revalidation time.

NOTE 0: The PCRF is expected to be prepared to provide a new policy, as desired for the revalidation time, during a preconfigured period before the revalidation time. The preconfigured periods in the PCEF and PCRF need to be aligned.

PCRF shall be able to provide a new value for the revalidation timeout by including Revalidation-Time AVP in CCA or RAR. The PCRF may provide the Revalidation-Time AVP together with the event trigger REVALIDATION_TIMEOUT or in a subsequent PCC rule provisioning.

PCRF shall be able to stop the revalidation timer by disabling the REVALIDATION_TIMEOUT event trigger.

NOTE 1: By disabling the REVALIDATION_TIMEOUT the revalidation time value previously provided to the PCEF is not applicable anymore.

The PCRF may control at what time the status of a PCC rule changes.

- 1) If Rule-Activation-Time is specified only and has not yet occurred, then the PCEF shall set the PCC rule inactive and make it active at that time. If Rule-Activation-Time has passed, then the PCEF shall immediately set the PCC rule active.
- 2) If Rule-Deactivation-Time is specified only and has not yet occurred, then the PCEF shall set the PCC rule active and make it inactive at that time. If Rule-Deactivation-Time has passed, then the PCEF shall immediately set the PCC rule inactive.
- 3) If both Rule-Activation-Time and Rule-Deactivation-Time are specified, and the Rule-Activation-Time occurs before the Rule-Deactivation-Time, and also when the PCC rule is provided before or at the time specified in the Rule-Deactivation-Time, the PCEF shall handle the rule as defined in 1) and then as defined in 2).
- 4) If both Rule-Activation-Time and Rule-Deactivation-Time are specified, and the Rule-Deactivation-Time occurs before the Rule-Activation-Time, and also when the PCC rule is provided before or at the time specified in the Rule-Activation-Time, the PCEF shall handle the rule as defined in 2) and then as defined in 1).
- 5) If both Rule-Activation-Time and Rule-Deactivation-Time are specified but time has already occurred for both, and the Rule-Activation-Time occurs before the Rule-Deactivation-Time, then the PCEF shall immediately set the PCC rule inactive.
- 6) If both Rule-Activation-Time and Rule-Deactivation-Time are specified but time has passed for both, and the Rule-Deactivation-Time occurs before the Rule-Activation-Time, then the PCEF shall immediately set the PCC rule active.

PCC Rule Activation or Deactivation will not generate any CCR commands with Charging-Rule-Report since PCRF is already aware of the state of the rules.

If Rule-Activation-Time or Rule-Deactivation-Time is specified in the Charging-Rule-Install then it will replace the previously set values for the specified PCC rules. If Rule-Activation-Time AVP, Rule-Deactivation-Time AVP or both AVPs are omitted, then any previous value for the omitted AVP is no longer valid.

The 3GPP-MS-TimeZone AVP, if available, may be used by the PCRF to derive the Rule-Activation-Time and Rule-Deactivation-Time.

If the PCC rule(s) that include the Rule-Activation-Time AVP are bound to a bearer that will require traffic mapping information to be sent to the UE, the PCEF shall report the failure to the PCRF by including the Charging-Rule-Report AVP with the Rule-Failure-Code set the value "NO_BEARER_BOUND (15)" for the affected PCC rule(s) identified by the Charging-Rule-Name AVP in either a CCR or an RAA command.

NOTE 2: This limitation prevents dependencies on the signalling of changed traffic mapping information towards the UE.

The PCC rules including Rule-Activation-Time and Rule-Deactivation-Time shall not be applied for changes of the QoS or service data flow filter information.

The PCRF may modify a currently installed PCC rule, including setting, modifying or clearing its deferred activation and/or deactivation time. When modifying a dynamic PCC rule with a prior and/or new deferred activation and/or deactivation time, the PCRF shall provide all attributes of that rule in the Charging-Rule-Definition AVP, including attributes that have not changed.

NOTE 3: In this case, the PCRF omission of an attribute that has a prior value will erase that attribute from the PCC rule.

4.5.14 Trace activation/deactivation

Trace activation/deactivation at the P-GW takes place via the PCRF and is 3GPP-EPS access specific. See Annex B for further information.

4.5.15 IMS Emergency Session Support

4.5.15.1 Functional Entities

The PCRF shall store a configurable list of Emergency APNs that are valid for the operator to which the PCRF belongs to.

For emergency APNs, the IMSI may not be present. The PCEF, BBERF and PCRF shall support request for PCC/QoS Rules that do not include an IMSI.

4.5.15.2 PCC procedures for Emergency services over Gx reference point

4.5.15.2.1 Request for PCC Rules for Emergency services

The PCEF executes the same procedure as for a Request for PCC Rules unrelated to Emergency Services described in clause 4.5.1.

A PCEF that requests PCC Rules at IP-CAN Session Establishment shall send a CCR command with CC-Request-Type AVP set to value "INITIAL_REQUEST" and the Called-Station-Id AVP including the Emergency APN. The PCEF may include the IMSI within the Subscription-Id AVP and if the IMSI is not available the PCEF shall include the IMEI within the User-Equipment-Info AVP. The PCEF may include the rest of the attributes described in clause 4.5.1.

Any PCEF-initiated requests for PCC Rules for an IMS Emergency service that include the "RESOURCE_MODIFICATION_REQUEST" Event-Trigger AVP shall be rejected by the PCRF with the error DIAMETER_ERROR_TRAFFIC_MAPPING_INFO_REJECTED.

If the PCRF detects that the initial or subsequent CCR command shall be rejected, it shall execute the procedure for the type of Gx experimental result code described in clause 4.5.1.

4.5.15.2.2 Provisioning of PCC Rules for Emergency services

4.5.15.2.2.1 Provisioning of PCC Rules at Gx session establishment

The PCRF shall detect that a Gx session is restricted to IMS Emergency services when a CCR command is received with a CC-Request-Type AVP set to value "INITIAL_REQUEST" and the Called-Station-Id AVP includes a PDN identifier that matches one of the Emergency APNs from the configurable list. The PCRF:

- shall provision PCC Rules restricting the access to Emergency Services (e.g. P-CSCF(s), DHCP(s) and DNS (s) and SUPL(s) addresses) as required by local operator policies in a CCA command according to the procedures described in clause 4.5.2.
- may provision the authorized QoS that applies to the default EPS bearer within the Default-EPS-Bearer-QoS AVP in a CCA command according to the procedures described in clause 4.5.5.10 except for obtaining the authorized QoS upon interaction with the SPR. The value for the Priority-Level AVP shall be assigned as required by local operator policies (e.g. if an IMS Emergency session is prioritized the Priority-Level AVP may

contain a value that is reserved for an operator domain use of IMS Emergency sessions). If the IP-CAN-Type AVP is assigned to "3GPP-EPS" or "3GPP-GPRS" the values for Pre-emption-Capability AVP and the Pre-emption-Vulnerability AVP shall be assigned as required by local operator policies.

- may provision the authorized QoS that applies to an APN in a CCA command according to the procedures described in clause 4.5.5.7.
- shall always assign NW mode to the PCC Rules that are bound to an IP-CAN session restricted to Emergency services.

When the PCEF detects that the provisioning of PCC Rules failed, it shall execute the procedure for the type of Gx experimental result code described in clause 4.5.2.

4.5.15.2.2.2 Provisioning of PCC Rules for Emergency Services

When the PCRF receives IMS service information from the AF for an Emergency service and derives authorized PCC Rules from the service information, the Priority-Level AVP in the QoS information within the PCC Rule shall be assigned a priority as required by local operator policies (e.g. if an IMS Emergency session is prioritized the Priority-Level AVP may contain a value that is reserved for an operator domain use of IMS Emergency session). If the IP-CAN Type AVP is assigned to "3GPP-EPS" or "3GPP-GPRS" and the Pre-emption-Capability AVP and Pre-emption-Vulnerability AVP were received within the Allocation-Retention-Priority AVP in the Default-EPS-Bearer-QoS AVP in the initial CCR command, the values of the Pre-emption-Capability AVP and Pre-emption-Vulnerability AVP shall also be assigned as required by local operator policies.

The PCRF shall immediately initiate a PUSH procedure as described in clause 4.5.2.0 to provision PCC Rules and the procedures described in clause 4.5.5.2 to provision the authorized QoS per service data flow.

The provisioning of PCC Rules at the PCEF that require the establishment of a dedicated bearer for emergency services shall cancel the inactivity timer in the PCEF, if running.

Any PCEF-initiated request for PCC Rules for an IMS Emergency service triggered by Event-Trigger AVP assigned to "RESOURCE_MODIFICATION_REQUEST" (i.e. UE-initiated resource reservation) shall be rejected by the PCRF with the error DIAMETER_ERROR_TRAFFIC_MAPPING_INFO_REJECTED. If the Bearer Control Mode is assigned to "UE_ONLY" and the PCRF receives a request for PCC Rules that are associated with an Emergency service, it shall provision PCC Rules as described in clause 4.5.2 and the authorized QoS per service data flow as described in clause 4.5.2.2.

The PCEF shall execute the procedures described in clause 4.5.2.0 and clause 4.5.5.3 to ensure that a new IP-CAN bearer is established for the Emergency service.

When the PCEF detects that the provisioning of PCC Rules failed, it shall execute the procedure for the type of Gx experimental result code described in clause 4.5.12.

4.5.15.2.3 Removal of PCC Rules for Emergency Services

The reception of a request to terminate an AF session for an IMS Emergency service by the PCRF triggers the removal of PCC Rules assigned to the terminated IMS Emergency Service from the PCEF by using a RAR command with Charging-Rule-Remove AVP including the removed PCC Rules.

At reception of a RAR that removes one or several PCC Rules from an IP-CAN Session restricted to emergency services the PCEF shall:

- when all PCC Rules bound to an IP-CAN bearer are removed, initiate an IP-CAN bearer termination procedure as defined in clause 4.5.8.
- when not all PCC Rule bound an IP-CAN bearer are removed, initiate an IP-CAN bearer modification procedure as defined in clause 4.5.2 and clause 4.5.5.1.

In addition, the PCEF shall initiate an inactivity timer if all PCC Rules with a QCI other than the default bearer QCI or the QCI used for IMS signalling were removed from the IP-CAN session restricted to Emergency Services. When the inactivity timer expires the PCEF shall initiate an IP-CAN session termination procedure as defined in clause 4.5.7.

4.5.15.2.4 Removal of PCC Rules at Gx session termination

The reception of a request to terminate the IP-CAN session restricted to IMS Emergency session shall trigger the termination of the Gx session for IMS Emergency session as defined in clause 4.5.7.

4.5.16 Requesting Usage Monitoring Control

The PCRF may indicate, via the Gx reference point, the need to apply monitoring control for the accumulated usage of network resources on an IP-CAN session basis. Usage is defined as volume or time of user plane traffic. Monitoring for traffic volume and traffic time can be performed in parallel. The data collection for usage monitoring control shall be performed per monitoring key, which may apply for a single Service Data Flow, a set of Service Data Flows or for all the traffic in an IP-CAN session.

If the PCRF requests usage monitoring control and if at this time, the PCRF is not subscribed to the "USAGE_REPORT" Event-Trigger, the PCRF shall include the Event-Trigger AVP, set to the value "USAGE_REPORT", in a CC-Answer or RA-Request. The PCRF shall not remove the "USAGE_REPORT" Event-Trigger AVP while usage monitoring is still active in the PCEF.

At IP-CAN session establishment and modification, the PCRF may provide the applicable thresholds, volume threshold, time threshold or both volume threshold and time threshold, for usage monitoring control to the PCEF, together with the respective monitoring keys. To provide the initial threshold for one or more monitoring key(s), the PCRF may include the threshold in either RA-Request or in the response of a CC-Request initiated by the PCEF.

During the IP-CAN session establishment, the PCRF may receive information about total allowed usage per PDN and UE from the SPR, i.e. the overall amount of allowed traffic volume and/or time of usage that are to be monitored per PDN and UE and/or total allowed usage for Monitoring key(s) per PDN and UE

NOTE: The details associated with the Sp reference point are not specified in this Release.

In order to provide the applicable threshold for usage monitoring control, the PCRF shall include a Usage-Monitoring-Information AVP per monitoring key. The threshold level shall be provided in its Granted-Service-Unit AVP. Threshold levels may be defined for:

- the total volume only; or
- the uplink volume only; or
- the downlink volume only; or
- the uplink and downlink volume; or
- the time.

The PCRF shall provide the applicable volume threshold(s) in the CC-Total-Octets, CC-Input-Octets or CC-Output-Octets AVPs and/or time threshold in the CC-Time AVP of the Granted-Service-Unit AVP. The monitoring key shall be provided in the Monitoring-Key AVP. The PCRF may provide multiple usage monitoring control instances. The PCRF shall indicate if the usage monitoring instance applies to the IP-CAN session or to one or more PCC rules. For this purpose, the Usage-Monitoring-Level AVP may be provided with a value respectively set to SESSION_LEVEL or PCC_RULE_LEVEL. The PCRF may provide one usage monitoring control instance applicable at IP-CAN session level and one or more usage monitoring instances applicable at PCC Rule level.

The PCRF may provide a Monitoring-Time AVP to the PCEF for the monitoring keys(s) in order to receive reports for the accumulated usage before and after the monitoring time occurs within the report triggered by the events defined in 4.5.17.1-4.5.17.5. In such a case, there may be two instances of Granted-Service-Unit AVP within Usage-Monitoring-Information AVP per monitoring key. One of them indicates the threshold levels before the monitoring time occurs, and the other one, which includes Monitoring-Time AVP, indicates the subsequent threshold levels after the monitoring time occurs. The detailed functionality in such a case is defined by 4.5.17.6.

If the PCRF wishes to modify the threshold level for one or more monitoring keys, the PCRF shall provide the thresholds for all the different levels applicable to the corresponding monitoring key(s).

If the PCRF wishes to modify the monitoring key for the session level usage monitoring instance, it shall disable the existing session level monitoring usage instance following the procedures defined in 4.5.17.3 and shall provide a new session level usage monitoring instance following the procedures defined in this clause. The PCRF may enable the new

session level usage monitoring instance and disable the existing session level usage monitoring instance in the same command.

When the accumulated usage is reported in a CCR command, the PCRF shall indicate to the PCEF if usage monitoring shall continue for that IP-CAN session, usage monitoring key, or both as follows:

- If monitoring shall continue for specific level(s), the PCRF shall provide the new thresholds for the level(s) in the CC-Answer using the same AVP as before (CC-Total-Octets, CC-Input-Octets, CC-Output-Octets AVP or CC-Time AVP within the Granted-Service-Unit AVP);
- otherwise, if the PCRF wishes to stop monitoring for specific level(s) the PCRF shall not include an updated threshold in the CCA command for the stopped level(s) i.e. the corresponding CC-Total-Octets, CC-Input-Octets, CC-Output-Octets or CC-Time AVPs shall not be included within Granted-Service-Units AVP.

If both volume and time thresholds were provided and the threshold for one of the measurements is reached, the PCEF shall report this event to the PCRF and the accumulated usage since last report shall be reported for both measurements.

When usage monitoring is enabled, the PCRF may request the PCEF to report accumulated usage for one or more enabled monitoring keys regardless if a usage threshold has been reached by sending to the PCEF within the Usage-Monitoring-Information AVP the Usage-Monitoring-Report AVP set to the value USAGE_MONITORING_REPORT_REQUIRED. The PCRF shall only require PCEF to report accumulated usage for one or more monitoring keys in a CC-Answer when the PCEF has not provided accumulated usage in the CC-Request for the same monitoring key(s).

To specify the usage monitoring key for which usage is requested the PCRF shall include the usage monitoring key within the Monitoring-Key AVP within the Usage-Monitoring-Information AVP. To request usage be reported for all enabled usage monitoring keys the PCRF shall omit the Monitoring-Key.

The PCRF shall process the usage reports and shall perform the actions as appropriate for each report.

4.5.17 Reporting Accumulated Usage

4.5.17.0 General

When usage monitoring is enabled, the PCEF shall measure the volume and/or the time of usage of the IP-CAN session or the volume and/or the time of usage of the applicable service data flows. The PCEF shall be able to support volume and time measurements simultaneously for a given IP-CAN session or service data flows.

When the time based usage monitoring is supported, the PCRF may optionally indicate to the PCEF, along with other usage monitoring information provided, the Inactivity Detection Time within the Quota-Consumption-Time AVP. This value represents the time interval after which the time measurement shall stop for the Monitoring Key, if no packets are received belonging to the corresponding Monitoring Key. Time measurement shall resume again on receipt of a further packet belonging to the Monitoring Key.

Time measurement for a Monitoring key shall also be stopped when time based usage monitoring is disabled, if this happens before the Inactivity Detection Time is reached.

If an Inactivity Detection Time value of zero is provided, or if no Inactivity Detection Time is present within the usage monitoring information provided by the PCRF, the time measurement shall be performed continuously from the point at the first packet is received matching the applicable Monitoring Key and until time based usage monitoring is disabled.

The PCEF shall report accumulated usage to the PCRF in the following conditions:

- when a usage threshold is reached;
- when all PCC rules for which usage monitoring is enabled for a particular usage monitoring key are removed or deactivated;
- when usage monitoring is explicitly disabled by the PCRF;
- when an IP-CAN session is terminated;
- when requested by the PCRF.

To report accumulated usage for a specific monitoring key the PCEF shall send a CC-Request with the Usage-Monitoring-Information AVP including the accumulated usage since the last report. For each of the enabled monitoring keys to be reported, the Usage-Monitoring-Information AVP shall include the monitoring key in the Monitoring-Key AVP and the accumulated volume usage in the [Used-Service-Unit AVP](#). Accumulated volume reporting shall be done for the total volume, the uplink volume or the downlink volume as requested by the PCRF, and set in CC-Total-Octets, CC-Input-Octets or CC-Output-Octets AVPs of Used-Service-Unit AVP respectively. Accumulated time reporting shall be set in the CC-Time AVP of Used-Service-Unit AVP. The PCEF shall continue to perform volume and/or time measurement after the report until instructed by the PCRF to stop the monitoring. If both volume and time measurements are requested by the PCRF and the threshold for one of the measurements is reached, the PCEF shall report this event to the PCRF and the accumulated usage since last report shall be reported for both measurements.

In case a Monitoring-Time AVP was provided by the PCRF within one instance of the Granted-Service-Unit AVP included within the Usage-Monitoring-Information AVP for the usage monitoring control request, the PCEF shall report as defined in 4.5.17.6.

For cases where the PCRF indicates in a CC-Answer command whether the usage monitoring shall continue as a response to the reporting of accumulated usage in a CCR command, the PCEF shall behave as follows

- if the PCRF provisions an updated usage threshold in the CCA command, the monitoring continues using the updated threshold value provisioned by the PCRF;
- otherwise, if the PCRF does not include an updated usage threshold in the CCA command, the PCEF shall not continue usage monitoring for that IP-CAN session, usage monitoring key, or both as applicable.

NOTE: When the PCRF indicates that usage monitoring shall not continue in the CCA, the PCEF does not report usage which has accumulated between sending the CCR and receiving the CCA.

Upon receiving the reported usage from the PCEF, the PCRF shall deduct the value of the usage report from the total allowed usage for that IP-CAN session, usage monitoring key, or both as applicable, and the PCRF may also derive the PCC rules based on the remaining allowed usage or reported usage and provision them to the PCEF.

Additional procedures for each of the scenarios above are described in the following clauses of 4.5.17.

4.5.17.1 Usage Threshold Reached

When usage monitoring is enabled for a particular monitoring key, the PCEF shall measure the volume and/or the time of usage of all traffic for the IP-CAN session or the corresponding service data flows and notify the PCRF when a usage threshold for that monitoring key is reached and report the accumulated usage for that monitoring key and include the "USAGE_REPORT" Event-Trigger in a CCR command with CC-Request Type AVP set to the value "UPDATE_REQUEST" by following the procedures to report accumulated usage defined in clause 4.5.17.

4.5.17.2 PCC Rule Removal

When the PCRF removes or deactivates the last PCC rule associated with a usage monitoring key in an RAR or CCA command in response to a CCR command not related to reporting usage for the same monitoring key, the PCEF shall send a new CCR command with the CC-Request-Type set to the value "UPDATE_REQUEST" including the Event-Trigger set to "USAGE_REPORT" to report accumulated usage for the usage monitoring key within the Usage-Monitoring-Information AVP using the procedures to report accumulated usage defined in clause 4.5.17.

When the PCEF reports that the last PCC rule associated with a usage monitoring key is inactive, the PCEF shall report the accumulated usage for that monitoring key within the same CCR command if the Charging-Rule-Report AVP was included in a CCR command; otherwise, if the Charging-Rule-Report AVP was included in an RAA command, the PCEF shall send a new CCR command to report accumulated usage for the usage monitoring key.

4.5.17.3 Usage Monitoring Disabled

Once enabled, the PCRF may explicitly disable usage monitoring as a result of receiving a CCR from the PCEF which is not related to reporting usage, other external triggers (e.g., receiving an AF request, subscriber profile update), or a PCRF internal trigger. When the PCRF disables usage monitoring, the PCEF shall report the accumulated usage which has occurred while usage monitoring was enabled since the last report.

To disable usage monitoring for a monitoring key, the PCRF shall send the Usage-Monitoring-Information AVP including only the applicable monitoring key within the Monitoring-Key AVP and the Usage-Monitoring-Support AVP set to USAGE_MONITORING_DISABLED.

When the PCRF disables usage monitoring in a RAR or CCA command, the PCEF shall send a new CCR command with CC-Request Type AVP set to the value "UPDATE_REQUEST" and the Event-Trigger AVP set to "USAGE_REPORT" to report accumulated usage for the disabled usage monitoring key(s).

4.5.17.4 IP-CAN Session Termination

At IP-CAN session termination the PCEF shall send the accumulated usage information for all monitoring keys for which usage monitoring is enabled in the CCR command with the CC-Request-Type AVP set to the value "TERMINATION_REQUEST" using the procedures to report accumulated usage defined in clause 4.5.17.

If all IP-CAN sessions of a user to the same APN are terminated, the PCRF may store the remaining allowed usage, i.e. the information about the remaining overall amount of resources, in the SPR.

4.5.17.5 PCRF Requested Usage Report

When the PCEF receives the Usage-Monitoring-Information AVP including the Usage-Monitoring-Report AVP set to the value USAGE_MONITORING_REPORT_REQUIRED, the PCEF shall send a new CCR command with CC-Request Type AVP set to the value "UPDATE_REQUEST" and the Event-Trigger AVP set to "USAGE_REPORT" to report accumulated usage for the monitoring key received in the Usage-Monitoring-Information AVP using the procedures to report accumulated usage defined in clause 4.5.17.1. If the volume threshold and time threshold were provided, the PCEF shall report both the volume usage and time of usage. If the Monitoring-Key AVP was omitted in the received Usage-Monitoring-Information AVP, the PCEF shall send the accumulated usage for all the monitoring keys that were enabled at the time the Usage-Monitoring-Information was received.

4.5.17.6 Report in case of Monitoring Time provided

If Monitoring-Time AVP was provided within one instance of the Granted-Service-Unit AVP included within the Usage-Monitoring-Information AVP by the PCRF, and if the PCEF needs to report the accumulated usage when one of the events defined in subclauses 4.5.17.1-4.5.17.5 occurs before the monitoring time, the PCEF shall report the accumulated usage as defined in subclauses 4.5.17.1-4.5.17.5 and the PCEF shall not retain the monitoring time; otherwise,

- If two instances of the Granted-Service-Unit AVP are provided by the PCRF, then the PCEF shall, at the monitoring time, reset the usage threshold to the value of the Granted-Service-Unit AVP with the Monitoring-Time AVP.
- If only one instance of the Granted-Service-Unit AVP is provided by the PCRF, then the PCEF shall, at the monitoring time, reset the usage threshold to the remaining value of the Granted-Service-Unit AVP previously sent by the PCRF (i.e. excluding the accumulated volume or time usage).
- For both cases, the usage report from the PCEF shall include two instances of the Used-Service-Unit AVP, one of them to indicate the usage before the monitoring time and the other one accompanied by the Monitoring-Time AVP under the same Used-Service-Unit AVP to indicate the usage after the monitoring time.

When the PCRF receives the accumulated usage report in a CCR command, the PCRF shall indicate to the PCEF if usage monitoring shall continue as defined in clause 4.5.16. The PCRF may provide the Monitoring-Time AVP again within one instance of the Granted-Service-Unit AVP if reports for the accumulated usage before and after the provided monitoring time are required.

4.5.18 IMS Restoration Support

In order to support IMS Restoration procedures (refer to 3GPP TS 23.380 [33]), PCRF needs to convey the AF address to the PCEF. In order to do so, in case AF provisions information about the AF signalling flows between the UE and the AF, as defined in 3GPP TS 29.214 [10] Section 4.4.5a, the PCRF shall install the corresponding dynamic PCC rules (if not installed before) by triggering a RAR message. The PCRF shall provide the Charging-Rule-Install AVP including the Charging-Rule-Definition AVP(s). The Charging-Rule-Definition AVP shall include in the Flow-Information AVP the signalling flows between UE and the AF. The Charging-Rule-Definition AVP shall also include the AF-Signalling-Protocol AVP set to the value corresponding to the signalling protocol used between the UE and the AF.

The PCEF shall acknowledge the command by sending an RAA command to the PCRF and shall initiate the corresponding bearer procedure if required. The PCEF shall extract the AF address from the PCC rules and use it for the monitoring procedure as defined for the different access types. See Annex A & B.

NOTE 1: The PCEF can use the extracted AF address from the PCC rule to check if, the monitoring procedure has to be started for the corresponding AF.

In case AF de-provisions information about the AF signalling flows between the UE and the AF, as defined in 3GPP TS 29.214 [10] Section 4.4.5a, the PCRF shall remove the corresponding dynamic PCC rules by triggering a RAR message. The PCRF shall provide the Charging-Rule-Remove AVP including the corresponding Charging-Rule-Name AVP(s).

The PCEF shall acknowledge the command by sending a RAA command to the PCRF.

NOTE 2: The PCEF can use the AF address associated with the removed rule to check if it can stop monitoring the corresponding AF.

4.5.18a P-CSCF Restoration Enhancement Support

This clause is applicable when the PCRF-based P-CSCF Restoration Enhancement, as defined in 3GPP TS 23.380 [33], is supported by both PCRF and PCEF.

If the PCRF receives a request for P-CSCF restoration from the P-CSCF as defined in 3GPP TS 29.214 [10], the PCRF shall send a Gx RAR command to the corresponding Gx session with a P-CSCF Restoration Indication to the PCEF.

The PCEF shall acknowledge the RAR command by sending an RAA command to the PCRF and shall initiate the corresponding bearer procedure for the IMS PDN connection as defined in 3GPP TS 23.380 [33].

4.5.19 Multimedia Priority Support

4.5.19.1 PCC Procedures for Multimedia Priority services over Gx reference point

4.5.19.1.1 Provisioning of PCC Rules for Multimedia Priority Services

The provision of PCC Rules corresponding to both MPS and non-MPS service shall be performed as described in clause 4.5.2.0.

When the PCRF derives PCC Rules corresponding to MPS service, the ARP and QCI shall be set as appropriate for the prioritized service, e.g. an IMS Multimedia Priority Service.

When the PCRF derives PCC Rules corresponding to non-MPS service, the PCRF shall generate the PCC Rules as per normal procedures. At the time the Priority EPS Service is invoked (i.e. MPS EPS Priority and MPS Priority Level are set), the PCRF shall upgrade the ARP and/or change QCI also for the PCC Rules corresponding to non-MPS service. The PCRF shall change the ARP and/or QCI modified for the Priority EPS Bearer service to an appropriate value according to PCRF decision.

When the PCRF receives a CCR command with CC-Request-Type AVP set to value "INITIAL_REQUEST", the PCRF shall check whether any of these parameters is stored in the SPR: MPS EPS Priority, MPS Priority Level and/or IMS Signalling Priority. The PCRF shall derive the applicable PCC rules and default bearer QoS based on that information. If the IMS Signalling Priority is set and the Called-Station-Id AVP corresponds to an APN dedicated for IMS, the PCRF shall assign an ARP corresponding to MPS for the default bearer and for the PCC Rules corresponding to the IMS signalling bearer. If the Called-Station-Id AVP does not correspond to an APN dedicated for IMS, the ARP shall be derived without considering IMS Signalling Priority.

NOTE 1: Subscription data for MPS is provided to PCRF through the Sp reference point.

Once the PCRF receives a notification of a change in MPS EPS Priority, MPS Priority Level and/or IMS Signalling Priority from the SPR, the PCRF shall make the corresponding policy decisions (i.e. ARP and/or QCI change) and, if applicable, shall initiate a RAR command to provision the modified data.

NOTE 2: The details associated with the Sp reference point are not specified in this Release. The SPR's relation to existing subscriber databases is not specified in this Release.

NOTE 3: The MPS Priority Level is one among other input data such as operator policy for the PCRF to set the ARP.

Whenever one or more AF sessions of an MPS service are active within the same PDN connection, the PCRF shall ensure that the ARP priority level of the default bearer is at least as high as the highest ARP priority level used by any authorized PCC rules belonging to an MPS service. If the ARP pre-emption capability is enabled for any of the authorized PCC rules belonging to an MPS service, the PCRF shall also enable the ARP pre-emption capability for the default bearer.

NOTE 4: This ensures that services using dedicated bearers are not terminated because of a default bearer with a lower ARP priority level or disabled ARP pre-emption capability being dropped during mobility events.

NOTE 5: This PCRF capability does not cover interactions with services other than MPS services.

4.5.19.1.2 Invocation/Revocation of Priority EPS Bearer Services

When a Priority EPS Bearer Service is invoked, the PCRF shall

- Derive the corresponding PCC Rules with the ARP and QCI set as appropriate for a prioritized service.
- Set the ARP of the default bearer as appropriate for a Priority EPS Bearer Service under the consideration of the requirements described in clause 4.5.19.1.1.
- Set the QCI of the default bearer as appropriate for the Priority EPS Bearer Service.
- Set the ARP of PCC Rules installed before the activation of the Priority EPS Bearer Service to the ARP as appropriate for the Priority EPS Bearer Service under the consideration of the requirements described in clause 4.5.19.1.1.
- Set the QCI of the PCC Rules installed before the activation of the Priority EPS Bearer Service to the QCI as appropriate for the Priority EPS Bearer Service if modification of the QCI of the PCC Rules is required.

When a Priority EPS Bearer Service is revoked, the PCRF shall

- Delete the PCC Rules corresponding to the Priority EPS Bearer Service if they were previously provided.
- Set the ARP of the default bearer to the normal ARP under the consideration of the requirements described in clause 4.5.19.1.1.
- Set the QCI of the default bearer as appropriate for PCRF decision.
- Set the ARP of all active PCC Rules as appropriate for the PCRF under the consideration of the requirements described in clause 4.5.19.1.1.
- Set the QCI to an appropriate value according to PCRF decision if modification of the QCI of PCC Rules is required.

NOTE: The activation/deactivation of a Priority EPS Bearer Service requires explicit invocation/revocation via SPR MPS user profile (MPS EPS Priority, MPS Priority Level). An AF for MPS Priority Service can also be used to provide Priority EPS Bearer Services using network-initiated resource allocation procedures (via interaction with PCC) for originating accesses.

The PCRF shall provision the PCEF with the applicable PCC Rules upon Priority EPS Bearer Service activation and deactivation as described in clause 4.5.2.0. The provision of the QoS information applicable for the PCC Rules shall be performed as described in clause 4.5.5.2. The provision of QoS information for the default bearer shall be performed as described in clause 4.5.5.9.

4.5.19.1.3 Invocation/Revocation of IMS Multimedia Priority Services

If the PCRF receives service information including an MPS session indication and the service priority level from the P-CSCF or at reception of the indication that IMS Signalling Priority is active for the IP-CAN session, the PCRF shall consider the requirements described in clause 4.5.19.1.1:

- set the ARP of the default bearer as appropriate for the prioritized service;

- if required, set the ARP of all PCC rules assigned to the IMS signalling bearer as appropriate for IMS Multimedia Priority Services;
- derive the PCC Rules corresponding to the IMS Multimedia Priority Service and set the ARP of these PCC Rules based on the information received over Rx.

If the PCRF detects that the P-CSCF released all the MPS session and the IMS Signalling Priority has been deactivated for the IP-CAN session the PCRF shall consider the requirements described in clause 4.5.19.1.1:

- delete the PCC Rules corresponding to the IMS Multimedia Priority Service;
- set the ARP of the default bearer as appropriate for the IMS Multimedia Priority set to inactive;
- replace the ARP of all PCC Rules assigned to the IMS signalling bearer as appropriate when the IMS Multimedia Priority is inactive.

The PCRF shall provision the PCEF with the applicable PCC Rules upon MPS session initiation and release as described in clause 4.5.2.0. The provision of the QoS information applicable for the PCC Rules shall be performed as described in clause 4.5.5.2. The provision of QoS information for the default bearer shall be performed as described in clause 4.5.5.9.

4.5.20 Sponsored Data Connectivity

Sponsored data connectivity may be performed for service data flows associated with one or more PCC rules if the information about the sponsor, the application service provider and optionally the threshold values are provided by the AF.

The provisioning of sponsored data connectivity per PCC rule shall be performed using the PCC rule provisioning procedure. The sponsor identity shall be set using the Sponsor-Identity AVP within the Charging-Rule-Definition AVP of the PCC rule. The application service provider identity shall be set using the Application-Service-Provider-Identity AVP within the Charging-Rule-Definition AVP of the PCC rule. Sponsor-Identity AVP and Application-Service-Provider-Identity AVP shall be included if the Reporting-Level AVP is set to the value SPONSORED_CONNECTIVITY_LEVEL.

When receiving the flow based usage thresholds from the AF, the PCRF shall use the sponsor identity to generate a monitoring key. The PCRF may also request usage monitoring control following the procedure specified in clause 4.5.16, in this case, only the flow based usage is applied for the sponsored data connectivity. If requested, the PCEF may also report the usage to the PCRF following the procedure specified in clause 4.5.17.

4.5.21 PCRF Failure and Restoration

If the PCEF needs to send an IP-CAN session modification request towards a PCRF which is known to have restarted since the IP-CAN session establishment, the PCEF should not send the IP-CAN session modification request towards a PCRF and the PCEF may tear down the associated PDN connection based on operator policy, by initiating PDN connection deactivation procedure. Emergency and eMPS sessions should not be torn down.

NOTE 1: This mechanism enables the clean up of PDN connections affected by the PCRF failure and leads the UE to initiate a UE requested PDN connectivity procedure for the same APN.

NOTE 2: The method the PCEF uses to determine that a PCRF has restarted is not specified in this release.

4.5.22 Reporting Access Network Information

When the NetLoc feature is supported, if the AF requests the PCRF to report the access network information and if the PCRF cannot determine that access network information cannot be provided as described in clause 5.5.4 of 3GPP TS 29.214 [10], the PCRF shall provide the requested access network information indication (e.g. user location and/or user timezone information) to the PCEF as follows:

- If the PCRF is installing or modifying a PCC rule, the PCRF shall include the Required-Access-Info AVP within the Charging-Rule-Definition AVP of an appropriate installed or modified PCC rule;

- Otherwise, if the PCRF is removing PCC rules based on the AF requests, the PCRF shall include the Required-Access-Info AVP within the Charging-Rule-Remove AVP associated with the corresponding PCC rules being removed.

The PCRF shall also provide the ACCESS_NETWORK_INFO_REPORT event trigger within Event-Trigger AVP (if this event trigger is not yet set).

For those PCC Rule(s) based on preliminary service information as described in 3GPP TS 29.214 [10] the PCRF may assign the QCI and ARP of the default bearer to avoid signalling to the UE. These PCC Rules shall not include the Packet-Filter-Usage AVP within the Flow-Information AVP included in the Charging-Rule-Definition AVP.

NOTE: 3GPP TS 23.203 [7] provides further information about appropriate PCC rules in clause 6.2.1.0.

If the ACCESS_NETWORK_INFO_REPORT event trigger is set, upon installation, modification and removal of any PCC rule(s) with the Required-Access-Info AVP in a Gx RAR command, and if the PCEF determines that the access network does not support the access network information reporting based on the currently used IP-CAN type or the RAT type and the value of AN-Trusted AVP, the PCEF shall immediately inform the PCRF by including the NetLoc-Access-Support AVP with the value of 0 (NETLOC_ACCESS_NOT_SUPPORTED) in the RAA command. Otherwise, the PCEF shall apply appropriate IP CAN specific procedures to obtain this information. When the PCEF then receives access network information through those IP CAN specific procedures, the PCEF shall provide the required access network information to the PCRF as follows:

- If the user location information was requested by the PCRF and was provided to the PCEF, the PCEF shall provide the user location information within the 3GPP-User-Location-Info AVP and the time when it was last known within User-Location-Info-Time AVP (if available).
- If the user location information was requested by the PCRF and was not provided to the PCEF, the PCEF shall provide the serving PLMN identifier within the 3GPP-SGSN-MCC-MNC AVP.
- If the time zone was requested by the PCRF, the PCEF shall provide it within the 3GPP-MS-TimeZone AVP.

In addition, the PCEF shall provide the ACCESS_NETWORK_INFO_REPORT event trigger within Event-Trigger AVP. The kind of user location retrieved in the access network is defined in the corresponding annex.

During bearer deactivation procedure, when the NetLoc feature is supported, the PCEF shall provide the access network information to the PCRF by including the user location information within the 3GPP-User-Location-Info AVP (if user location information was requested by the PCRF and was provided to the PCEF), the information on when the UE was last known to be in that location within User-Location-Info-Time AVP (if user location information was requested by the PCRF and the corresponding information was provided to the PCEF), the PLMN identifier within the 3GPP-SGSN-MCC-MNC AVP (if the user location information was requested by the PCRF but was not provided to the PCEF) and the timezone information within the 3GPP-MS-TimeZone AVP (if requested by the PCRF).

During IP-CAN session termination procedure, the PCEF shall, if ACCESS_NETWORK_INFO_REPORT event trigger is set, provide the access network information to the PCRF by including the user location information within the 3GPP-User-Location-Info AVP (if it was provided to the PCEF), the information on when the UE was last known to be in that location within User-Location-Info-Time AVP (if it was provided to the PCEF), the PLMN identifier within the 3GPP-SGSN-MCC-MNC AVP (if the user location information was not provided to the PCEF) and the timezone information within the 3GPP-MS-TimeZone AVP.

The PCEF shall not report any subsequent access network information updates received from the IP-CAN without any previous provisioning or removal of related PCC rules unless the associated IP-CAN bearer or connection has been released.

4.5.23 Application Detection Information

The PCRF may instruct the PCEF to detect application (s) by providing the Charging-Rule-Install AVP (s) with the corresponding parameters as follows: the application to be detected is identified by the TDF-Application-Identifier AVP, which is either provided under Charging-Rule-Definition AVP for dynamic PCC Rules or pre-provisioned for the corresponding predefined PCC Rule, and in such a case only Charging-Rule-Name/Charging-Rule-Base-Name is provided. If the PCRF requires to be reported about when the application start/stop is detected, it shall also subscribe to the APPLICATION_START and APPLICATION_STOP Event-Triggers. The PCRF may also mute such a notification about a specific detected application by providing Mute-Notification AVP within the PCC Rule.

The PCEF applies the PCC rule to the whole IP-CAN session traffic for the application detection and control. When the start or stop of the application's traffic, identified by TDF-Application-Identifier, is detected, if PCRF has previously subscribed to the APPLICATION_START/APPLICATION_STOP Event-Triggers, unless a request to mute such a notification (Mute-Notification AVP) is part of the corresponding PCC Rule, the PCEF shall report the information regarding the detected application's traffic in the Application-Detection-Information AVP in the CCR command even if the application traffic is discarded due to enforcement actions of the PCC rule.

The corresponding TDF-Application-Identifier AVP shall be included under Application-Detection-Information AVP. When the Event trigger indicates APPLICATION_START, the Flow-Information AVP for the detected application may be included under Application-Detection-Information AVP, if deducible. The Flow-Information AVP, if present, shall contain the Flow-Description AVP and Flow-Direction AVP. The TDF-Application-Instance-Identifier, which is dynamically assigned by the PCEF in order to allow correlation of APPLICATION_START and APPLICATION_STOP Event-Triggers to the specific Flow-Information AVP, if service data flow descriptions are deducible, shall also be provided when the Flow-Information AVP is included. Also, the corresponding Event-Trigger (APPLICATION_START or APPLICATION_STOP) shall be provided to PCRF. When the TDF-Application-Instance-Identifier is provided along with the APPLICATION_START, it shall also be provided along with the corresponding APPLICATION_STOP. The PCRF then may make policy decisions based on the information received and send the corresponding updated PCC rules to the PCEF, and corresponding QoS rules to the BBERF, if applicable.

4.5.24 Group Communication Service Support

If the PCRF receives service information for a prioritized GC session including a GCSE session indication and service priority level from the GCSE AS as described in 3GPP TS 23.468 [50], the PCRF shall:

- Derive the PCC Rules corresponding to the Group Communication Service and set the ARP (priority level, pre-emption capability and pre-emption vulnerability) of these PCC Rules based on the information received over Rx and operator policies.
- Ensure that the ARP (priority level, pre-emption capability, pre-emption vulnerability) of the default bearer is assigned a prioritized value.
- If a dedicated bearer is established for GC1 signalling, ensure that the ARP (priority level, pre-emption capability, pre-emption vulnerability) in all the PCC/QoS rules that describe the GC1 signalling traffic is assigned a prioritized value.

If the PCRF receives a request to change the service priority level for a prioritized GC session from the GCSE AS, the PCRF shall modify the PCC Rules corresponding to the Group Communication Service in order to set the ARP (priority level, pre-emption capability and pre-emption vulnerability) of these PCC Rules based on the information received over Rx. The PCRF shall ensure that the ARP (priority level, pre-emption capability, pre-emption vulnerability) of the default bearer is assigned the appropriate prioritized value.

If the PCRF receives a request to terminate a prioritized GC session, the PCRF shall remove the PCC Rules corresponding to the Group Communication Service. If the PCRF detects that all prioritized GC sessions within the same IP-CAN session are released, the PCRF shall set the ARP of the default bearer as appropriate.

The PCRF shall provision the PCEF with the applicable PCC Rules upon GC session initiation and release as described in clause 4.5.2.0. The provision of the QoS information applicable for the PCC Rules shall be performed as described in clause 4.5.5.2. The provision of QoS information for the default bearer shall be performed as described in clause 4.5.5.9.

4.6 Void

4a Gxx reference points

4a.1 Overview

The Gxx reference point is located between the Policy and Charging Rules Function (PCRF) and the Bearer Binding and Event Reporting Function (BBERF). Gxc applies when the BBERF is located in the S-GW and Gxa applies when the BBERF is located in a trusted non-3GPP access. The Gxx reference point is used for:

- Provisioning, update and removal of QoS rules from the PCRF to the BBERF
- Transmission of traffic plane events from the BBERF to the PCRF.

The stage 2 level requirements for the Gxx reference point are defined in 3GPP TS 23.203 [7] and 3GPP TS 23.402 [23].

Signalling flows related to Rx, Gx and Gxx interfaces are specified in 3GPP TS 29.213 [8].

Gxx reference point does not apply for 3GPP-GPRS Access Type.

The definition of case 1, case 2a and case 2b is specified in clause 4.0 in 3GPP TS 29.213 [8].

Refer to Annex G of 3GPP TS 29.213 [8] for Diameter overload control procedures over the Gxx interface.

4a.2 Gxx Reference model

The Gxx reference point is defined between the PCRF and the BBERF. The BBERF is located in the AN-Gateway. The AN-Gateway is the S-GW when Gxc applies and it is the trusted non-3GPP access gateway when Gxa applies. The relationships between the different functional entities involved are depicted in figure 4a.2.1 and 4a.2.2.

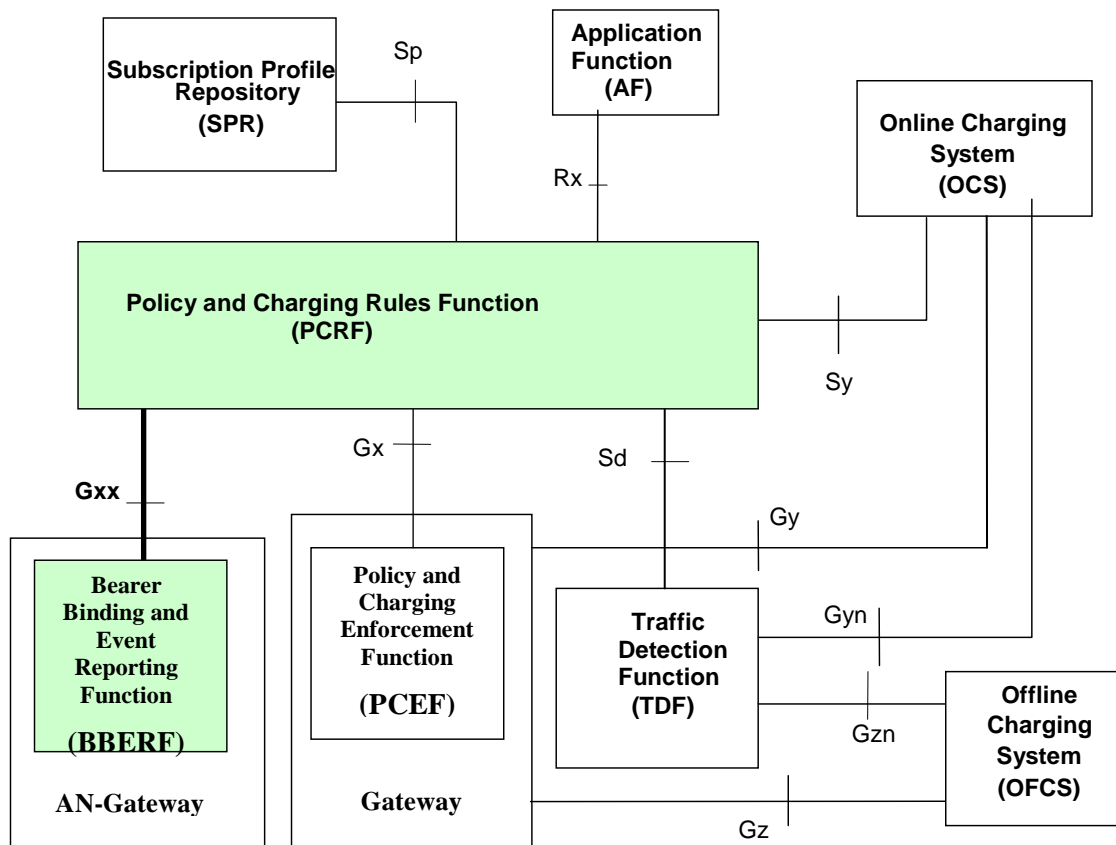


Figure 4a.2.1: Gxx reference point at the Policy and Charging Control (PCC) architecture with SPR

NOTE 1: The PCEF may support Application Detection and Control feature.

With the UDC-based architecture, as defined in 3GPP TS 23.335 [38] and applied in 3GPP TS 23.203 [7], the UDR replaces SPR and the Ud reference point provides access to the subscription data in the UDR. The Ud interface as defined in 3GPP TS 29.335 [39] is the interface between the PCRF and the UDR. The relationships between the different functional elements are depicted in figure 4a.2.2. When UDC architecture is used, SPR and Sp, whenever mentioned in this document, is replaced by UDR and Ud.

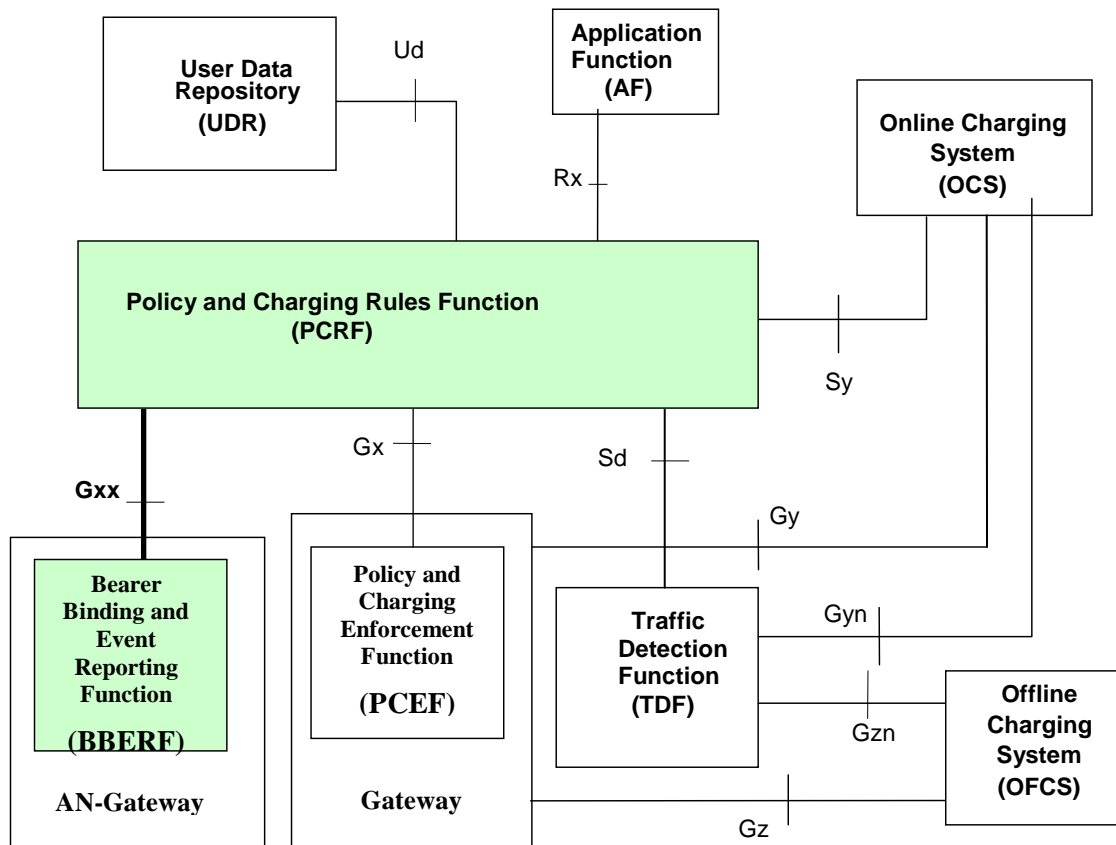


Figure 4a.2.2: Gxx reference point at the Policy and Charging Control (PCC) architecture with UDR

NOTE 2: The details associated with the Sp reference point are not specified in this Release. The SPR's relation to existing subscriber databases is not specified in this Release.

NOTE 3: The UDC Application Informational Model related to the PCRF is not specified in this Release.

NOTE 4: The PCEF may support Application Detection and Control feature.

NOTE 5: PCEF is located in the Gateway node implementing the IP access to the PDN. Refer to Annexes of 3GPP TS 23.203 [7] for application to specific IP-CAN types.

NOTE 6: Refer to Annexes A.5 and H.2 of 3GPP TS 23.203 [7] for application of AN-Gateways.

4a.3 Quality of Service Control Rules

4a.3.1 Quality of Service Control Rule Definition

The purpose of the Quality of Service Control rule (QoS rule) for the BBERF is to:

- Detect a packet belonging to a service data flow.
- The service data flow filters within the QoS rule are used for the selection of downlink IP CAN bearers.
- The service data flow filters within the QoS rule are used for the enforcement that uplink IP flows are transported in the correct IP CAN bearer.
- Identify the service the service data flow contributes to.

For an IP-CAN session, the QoS rules are derived from the PCC rules. The QoS rule shall contain the same service data flow template, precedence and QoS information as the corresponding PCC rule. For case 2a (as defined in 3GPP TS 29.213 [8]), the QoS rules that are derived from a PCC rule shall contain the applicable tunnelling header information.

NOTE 1: During the course of a BBERF relocation procedure, the QoS rules in the non-primary BBERF might not be consistent with the PCC rules in the PCEF.

For case 2a (as defined in 3GPP TS 29.213 [8]) there can be also QoS rules that do not apply to the IP-CAN session and that are local to the access system, thus not having any corresponding PCC rule. These QoS rules shall not have any associated tunnelling header information.

The BBERF shall select a QoS rule for each received packet by evaluating received packets against in this order:

- if present, the tunnelling header information
- the service data flow filters of QoS rules, associated with the matching tunnelling header information, in their order of the precedence.
- service data flow filters of QoS rules not associated with any tunnelling header info.

When a packet matches a service data flow filter, the packet matching process for that packet is completed, and the QoS rule for that filter shall be applied.

There are two different types of QoS rules as defined in 3GPP TS 23.203 [7]:

- Dynamic QoS rules. Dynamically provisioned by the PCRF to the BBERF via the Gxx interface. These QoS rules are dynamically generated in the PCRF according to the corresponding PCC rules.
- Predefined QoS rules. Preconfigured in the BBERF. Predefined QoS rules can be activated or deactivated by the PCRF along with the corresponding predefined PCC rules. Predefined QoS rules within the BBERF may be grouped allowing the PCRF to dynamically activate a set of QoS rules over the Gxx reference point.

NOTE 2: The mechanism for configuring pre-defined QoS rules at the BBERF and PCRF and corresponding pre-defined PCC rules at the PCEF and PCRF are outside the scope of this specification.

A QoS rule consists of:

- a rule name;
- service data flow filter(s);
- precedence;
- QoS parameters.

The rule name shall be used to reference a QoS rule in the communication between the BBERF and the PCRF.

The service data flow filter(s) shall be used to select the traffic for which the rule applies.

The QoS information includes the QoS class identifier (authorized QoS class for the service data flow), the ARP and authorized bitrates for uplink and downlink.

For different QoS rules with overlapping service data flow filter, the precedence of the rule determines which of these rules is applicable. When a dynamic QoS rule and a predefined QoS rule have the same precedence, the dynamic QoS rule takes precedence.

4a.3.2 Operations on QoS Rules

For dynamic QoS rules, the following operations are available:

- Installation: to provision a QoS rule that has not been already provisioned.
- Modification: to modify a QoS rule already installed.
- Removal: to remove a QoS rule already installed.

For predefined QoS rules, the following operations are available:

- Activation: to allow the QoS rule being active.
- Deactivation: to disallow the QoS rule.

The procedures to perform these operations are further described in clause 4a.5.2.

4a.4 Functional elements

4a.4.1 PCRF

The PCRF has been already specified in clause 4.4.1. Particularities for the Gxx reference point are specified in this clause.

The PCRF shall provision QoS Rules to the BBERF via the Gxx reference point.

The PCRF shall provide QoS rules with identical service data flow templates as provided to the PCEF in the PCC rules. If the service data flow is tunnelled at the BBERF, the PCRF shall provide the BBERF with mobility protocol tunnelling header information received from the PCEF to enable the service data flow detection in the mobility tunnel at the BBERF.

If IP flow mobility applies, the PCRF shall, based on IP flow mobility routing rules received from the PCEF, provide the authorized QoS rules to the applicable BBERF.

The PCRF QoS Rule decisions may be based on one or more of the following:

- Information obtained from the AF via the Rx reference point, e.g. the session, media and subscriber related information.
- Information obtained from the PCEF via the Gx reference point, e.g. IP-CAN bearer attributes, request type, subscriber related information and IP flow mobility routing rules (if IP flow mobility is supported).
- Information obtained from the SPR via the Sp reference point, e.g. subscriber and service related data.
- Information obtained from the BBERF via the Gxx reference point.

The PCRF shall inform the BBERF through the use of QoS rules on the treatment of each service data flow that is under PCC control, in accordance with the PCRF policy decision(s).

Upon subscription to loss of AF signalling bearer notifications by the AF, the PCRF shall request to BBERF to be notified of the loss of resources associated to the QoS Rules corresponding with AF Signalling IP Flows, if this has not been requested previously to the BBERF. In this case, PCRF will not subscribe to this event in the PCEF.

The PCRF shall, based on information reported from BBERF and PCEF, determine the Gx session(s) that shall be linked with a Gateway Control session.

4a.4.2 BBERF

The BBERF (Bearer Binding and Event Reporting Function) is a functional element located in the S-GW when Gxc applies and in a trusted non-3GPP access when Gxa applies. It provides control over the user plane traffic handling and encompasses the following functionalities:

- Bearer binding: For a service data flow that is under QoS control, the Bearer Binding Function (BBF) within BBERF shall ensure that the service data flow is carried over the bearer with the appropriate QoS class. The ARP, GBR, MBR and QCI are used by the BBERF in the same way as in the PCEF for resource reservation.
- Uplink bearer binding verification.
- Event reporting: The BBERF shall report events to the PCRF based on the event triggers installed by the PCRF.
- Service data flow detection for tunnelled and untunnelled SDFs: The BBERF uses service data flow filters received from the PCRF for service data flow detection.
- Service data flow detection for tunnelled SDFs: For the selection of the service data flow filters to apply the BBERF shall use a match with the tunnelling associated tunnelling header information received from the PCRF as a prerequisite.

If requested by the PCRF, the BBERF shall report to the PCRF when the status of the related service data flow changes.

4a.5 PCC procedures over Gxx reference points

4a.5.1 Gateway control and QoS Rules Request

The BBERF shall indicate, via the Gxx reference point, a request for QoS rules in the following instances:

1) At Gateway Control Session Establishment:

The BBERF shall send a CCR command with the CC-Request-Type AVP set to the value "INITIAL_REQUEST". The CCR command shall include the IMSI within the Subscription-Id AVP and the access network gateway address within the AN-GW-Address AVP. If available and applicable, the BBERF shall supply one or more of the following additional parameters to allow the PCRF to identify the rules to be applied : the type of IP-CAN within the IP-CAN-Type AVP, the type of the radio access technology within the RAT-Type AVP, the PDN information within the Called-Station-Id AVP, the PDN connection identifier within the PDN-Connection-ID AVP, if multiple PDN connections for the same APN are supported, the PLMN id within the 3GPP-SGSN-MCC-MNC AVP, the UE Ipv4 address within the Framed-IP-Address AVP and/or the UE Ipv6 prefix within the Framed-Ipv6-Prefix AVP, information about the user equipment within User-Equipment-Info AVP, QoS information within QoS-Information-AVP, user location information within the 3GPP-User-Location-Info AVP or 3GPP2-BSID AVP, the access network gateway address, and the UE time zone information within 3GPP-MS-TimeZone AVP. Furthermore, if applicable for the IP-CAN type, the BBERF may indicate the support of network-initiated bearer request procedures by supplying the Network-Request-Support AVP. The BBERF shall also send the APN-AMBR if available using the APN-Aggregate-Max-Bitrate-DL/UL AVPs.

For case 2b, the BBERF may provide the Session-Linking-Indicator AVP to indicate whether the PCRF shall perform the linking of the new Gateway Control Session with an existing Gx session immediately or not.

For IP-CAN types that support multiple IP-CAN bearers, the BBERF may provide the Default-EPS-Bearer-QoS AVP including the ARP and QCI values corresponding to the Default EPS Bearer QoS.

2) At Gateway Control Session Modification:

The BBERF shall send a CC-Request with CC-Request-Type AVP set to the value "UPDATE_REQUEST". For a Gateway Control and QoS Rules request where an existing IP-CAN resource is modified, the BBERF shall supply within the QoS rule request the specific event which caused such request (within the Event-Trigger AVP) and any previously provisioned QoS rule(s) affected by the gateway control and QoS Rules request. The affected QoS Rules and their status shall be supplied to the PCRF within the QoS-Rule-Report AVP.

In the case that the UE initiates a resource modification procedure, the BBERF shall include within the CC-Request the Event-Trigger AVP set to "RESOURCE_MODIFICATION_REQUEST" and shall include the Packet-Filter-Operation AVP set as follows:

- When the UE requests to allocate new resources the BBERF shall set the Packet-Filter-Operation AVP to "ADDITION", and shall include within the CC-Request a Packet-Filter-Information AVP for each packet filter requested by the UE and the QoS-Information AVP to indicate the requested QoS for the affected packet filters. Each Packet-Filter-Information AVP shall include the packet filter precedence information within the Precedence AVP and the Packet-Filter-Content AVP set to the value of the packet filter provided by the UE. If the UE has specified a reference to an existing packet filter, the BBERF shall include an additional Packet-Filter-Information AVP with only the Packet-Filter-Identifier AVP, set to the value for the referred existing filter. If the QoS rule is generated for a GBR QCI, the PCRF shall update the existing QoS rule by adding the new packet filter(s).
- When the UE requests to modify existing resources the BBERF shall set the Packet-Filter-Operation AVP to "MODIFICATION", and shall include within the CC-Request a Packet-Filter-Information AVP for each affected packet filter. A packet filter is affected by the modification if QoS associated with it is modified or if its filter value or precedence is modified. If the UE request includes modified QoS information the BBERF shall also include the QoS-Information AVP within the CC-Request to indicate the updated QoS for the affected packet filters. Each Packet-Filter-Information AVP shall include a packet filter identifier as provided by the PCRF in the QoS rule within the Packet-Filter-Identifier AVP identifying the previously requested packet filter being modified and, if the precedence value is changed, shall include packet filter precedence information within the Precedence AVP. For each packet filter that the UE has requested to modify the filter value (if any), the BBERF shall provide the Packet-Filter-Content AVP set to the value of the updated packet filter provided by the UE.

- When the UE requests to delete resources the BBERF shall set the Packet-Filter-Operation AVP to "DELETION", and shall include within the CC-Request a Packet-Filter-Information AVP for each packet filter deleted by the UE. Each Packet-Filter-Information AVP shall include a packet filter identifier as provided by the PCRF within the QoS rule within the Packet-Filter-Identifier AVP identifying the previously requested packet filter being deleted. If the deletion of the packet filters changes the QoS associated with the resource, the BBERF shall include the QoS-Information AVP to indicate the QoS associated with the deleted packet filters to allow the PCRF to modify the QoS accordingly.

QoS rules can also be requested as a consequence of a failure in the QoS rule installation or enforcement without requiring an Event-Trigger. See clause 4a.5.4.

If the PCRF is, due to incomplete, erroneous or missing information (e.g. subscription related information not available or authorized QoS exceeding the subscribed bandwidth) not able to provision a policy decision as response to the request for QoS Rules by the BBERF, the PCRF may reject the request using a CC Answer with the Gx experimental result code `DIAMETER_ERROR_INITIAL_PARAMETERS` (5140). If the BBERF receives a CC Answer with this code, the BBERF shall reject the access network specific request that has resulted in this gateway control and QoS Rules request.

If the PCRF detects that the packet filters in the request for new QoS rules by the BBERF is covered by the packet filters of outstanding PCC/QoS rules that the PCRF is provisioning to the PCEF/BBERF, the PCRF may reject the request using a CC-Answer with the Gx experimental result code `DIAMETER_ERROR_CONFLICTING_REQUEST` (5147). If the BBERF receives a CC-Answer with this code, the BBERF shall reject the modification that initiated the CC-Request.

4a.5.2 Gateway control and QoS Rules Provision

4a.5.2.1 Overview

The PCRF may decide to operate on QoS Rules without obtaining a request from the BBERF, e.g. in response to information provided to the PCRF via the Rx reference point, or in response to an internal trigger within the PCRF, or from a trigger by the SPR. To operate on QoS Rules without a request from the BBERF, the PCRF shall include these QoS Rules in an RA-Request message within either the QoS-Rule-Install AVP or the QoS-Rule-Remove AVP.

The BBERF shall reply with an RA-Answer. If the corresponding IP-CAN resource cannot be established or modified to satisfy the bearer binding, then the BBERF shall reject the activation of a QoS rule using the Gxx experimental result code `DIAMETER_BEARER_EVENT` (4142) and a proper Event-Trigger value. Depending on the cause, the PCRF can decide if re-installation, modification, removal of QoS Rules or any other action apply.

The PCRF shall indicate, via the Gxx reference point, QoS rules to be applied at the BBERF. This may be using one of the following procedures:

- PULL procedure (Provisioning solicited by the BBERF): In response to a request for QoS rules being made by the BBERF, as described in the preceding section, the PCRF shall provision QoS rules in the CC-Answer; or
- PUSH procedure (Unsolicited provisioning): The PCRF may decide to provision QoS rules without obtaining a request from the BBERF, e.g. in response to information provided to the PCRF via the Rx reference point, or in response to an internal trigger within the PCRF, or from a trigger by the SPR. To provision QoS rules without a request from the BBERF, the PCRF shall include these QoS rules in an RA-Request message. The PCRF should NOT send a new RA-Request command to the PCEF until the previous RA-Request has been acknowledged for the same IP-CAN session.

For each request from the BBERF or upon the unsolicited provision the PCRF shall provision zero or more QoS rules. The PCRF may perform an operation on a single QoS rule by one of the following means:

- To activate or deactivate a QoS rule that is predefined at the BBERF, the PCRF shall provision a reference to this QoS rule within a QoS-Rule-Name AVP and indicate the required action by choosing either the QoS-Rule-Install AVP or the QoS-Rule-Remove AVP.
- To install or modify a PCRF-provisioned QoS rule, the PCRF shall provision a corresponding QoS-Rule-Definition AVP within a QoS-Rule-Install AVP.
- To remove a QoS rule which has previously been provisioned by the PCRF, the PCRF shall provision the name of this rule as value of a QoS-Rule-Name AVP within a QoS-Rule-Remove AVP.

As an alternative to providing a single QoS rule, the PCRF may provide a QoS-Rule-Base-Name AVP within a QoS-Rule-Install AVP or the QoS-Rule-Remove AVP as a reference to a group of QoS rules predefined at the BBERF. With a QoS-Rule-Install AVP, a predefined group of QoS rules is activated or moved. With a QoS-Rule-Remove AVP, a predefined group of QoS rules is deactivated.

The PCRF may combine multiple of the above QoS rule operations in a single CC-Answer command or RA-Request command.

To install a new or modify an already installed PCRF defined QoS rule, the QoS-Rule-Definition AVP shall be used. If a QoS rule with the same rule name, as supplied in the QoS-Rule-Name AVP within the QoS-Rule-Definition AVP, already exists at the BBERF, the new QoS rule shall update the currently installed rule. If the existing QoS rule already has attributes also included in the new QoS rule definition, the existing attributes shall be overwritten. Any attribute in the existing QoS rule not included in the new QoS rule definition shall remain valid.

If no QoS rule(s) with uplink packet filters that are provided to the UE that are bound to a bearer which requires traffic mapping information (according to the rules as defined in 3GPP TS 23.060 [17]), the BBERF shall derive traffic mapping information based on implementation specific logic (e.g. traffic mapping information that effectively disallows any useful packet flows in uplink direction as described in clause 15.3.3.4 of 3GPP TS 23.060 [17]) and shall provide it to the UE.

NOTE 1: For GPRS and EPS, the state of TFT packet filters, as defined in 3GPP TS 23.060 [17], for an IP-CAN session requires that there is at most one bearer with no traffic mapping information for the uplink direction.

NOTE 2: For a default bearer, the BBERF will not add traffic mapping information that effectively disallows any useful packet flows in uplink direction on its own.

Upon the same modification of the QCI and/or ARP of all the QoS rules bound to the same bearer, the BBERF should modify the QCI and/or ARP for that bearer.

Provisioning of predefined QoS rules upon invocation/revocation of an MPS service shall be done according to clause 5.3 in 3GPP TS 29.213 [8].

In case 2a, if the PCRF has received the access network charging identifier information within Access-Network-Charging-Identifier-Gx AVP from the PCEF, the PCRF shall include the Access-Network-Charging-Identifier-Value AVP within the QoS-Rule-Install AVP to inform the BBERF about the charging identifier information for the related QoS rules. The charging identifier information is used by the BBERF for charging correlation.

The PCRF may request the BBERF to confirm that the resources associated to a QoS rule are successfully allocated. To do so the PCRF shall provide the Event-Trigger AVP with the value SUCCESSFUL_RESOURCE_ALLOCATION (22). In addition the PCRF shall install the rules that need resource allocation confirmation by including the Resource-Allocation-Notification AVP with the value ENABLE_NOTIFICATION (0) within the corresponding Charging-Rule-Install AVP. If a Charging-Rule-Install AVP does not include the Resource-Allocation-Notification AVP, the resource allocation shall not be notified by the BBERF even if this AVP was present in previous installations of the same rule.

NOTE 3: The BBERF reporting the successful installation of QoS rules using RAA command means that the QoS rules are installed but the bearer binding or QoS resource reservation may not yet be completed, see 3GPP TS 29.213 [8]. The BBERF informs the PCRF about the successful resource reservation only if the PCRF has provided the Event-Trigger AVP indicating SUCCESSFUL_RESOURCE_ALLOCATION (22).

If the provisioning of QoS rules fails or provisioning of QoS rules succeed and then QoS resource reservation failed, the BBERF informs the PCRF as described in clause 4a.5.4 QoS Rule Error Handling. Depending on the cause, PCRF can decide if re-installation, modification, removal of QoS rules or any other action apply.

If the PCRF is unable to create a QoS rule for the response to the CC Request by the PCEF, the PCRF may reject the request as described in clause 4a5.1.

4a.5.3 Gateway Control Session Termination

The BBERF shall contact the PCRF when the gateway control session is being terminated (e.g. detach). The BBERF shall send a CC-Request with CC-Request-Type AVP set to the value "TERMINATION_REQUEST".

If the BBERF needs to send a Gateway Control Session termination request towards a PCRF which is known to have restarted since the Gateway Control Session establishment, the BBERF should not send CC-Request to inform the PCRF.

When the PCRF receives the CC-Request, it shall acknowledge this message by sending a CC-Answer to the BBERF.

4a.5.4 Request of Gateway Control Session Termination

The PCRF may request the termination of a gateway control session.

If the PCRF decides to terminate a gateway control session due to an internal trigger or trigger from the SPR, the PCRF shall send an RAR command including the Session-Release-Cause AVP to the BBERF. When the BBERF receives the RAR Command, it shall acknowledge the command by sending an RAA command to the PCRF and instantly remove/deactivate all the QoS rules that have been previously installed or activated on that gateway control session. And then the BBERF shall apply the gateway control session termination procedure in Clause 4a.5.3.

4a.5.5 QoS Control Rule error handling

The same error handling behaviour as defined in clause 4.5.12 shall apply for QoS control rules. However, QoS-Rule-Report AVP shall be used to report the affected QoS rules instead of Charging-Rule-Report AVP.

4a.5.6 Gateway Control session to Gx session linking

For the cases where Gxx is deployed in the network, the PCRF shall determine at IP-CAN session establishment, which open Gateway Control session applies to the new established IP-CAN session.

If the already established Gateway Control session for that subscriber is not related with a PDN identifier (i.e. the Called-Station-Id AVP was not received at Gateway Control Session Establishment), the PCRF shall determine that the IP-CAN session being established corresponds to that Gateway Control Session if the following conditions are fulfilled:

- The CoA-IP-Address AVP received in the IP-CAN session establishment matches the Framed-IP-Address or Framed-Ipv6-Prefix received during the Gateway Control Session Establishment and
- Optionally, the Subscription-Id AVP received in the IP-CAN session establishment matches the Subscription-Id AVP received during the Gateway Control Session Establishment

In this case, the PCRF may have more than one IP-CAN Gx session linked to the Gateway Control session.

If the already established Gateway Control session for that subscriber is related with a PDN identifier (i.e. the Called-Station-Id AVP was received during the Gateway Control Session Establishment), the PCRF shall determine that the IP-CAN session being established corresponds to that Gateway Control Session if the following conditions are fulfilled:

- The Called-Station-Id AVP received in the IP-CAN session establishment matches the Called-Station-Id AVP received during the Gateway Control Session Establishment and
- The Subscription-Id AVP received in the IP-CAN session establishment matches the Subscription-Id AVP received during the Gateway Control Session Establishment and
- If received, the PDN-Connection-ID AVP received in the IP-CAN session establishment matches the PDN-Connection-ID AVP received during the Gateway Control Session Establishment.

In this case, the PCRF shall have only one IP-CAN Gx session linked to the Gateway Control session.

Upon reception of a Gateway Control Session Establishment where there are already active Gx sessions for that UE in the PCRF (i.e. BBERF relocation, BBERF pre-registration and flow mobility), the PCRF may be able to determine the Gx session(s) that apply to the new established Gateway Control session as follows:

- If the new Gateway Control session for that subscriber is not related with a PDN identifier (i.e. the Called-Station-Id AVP was not received at Gateway Control Session Establishment), the PCRF shall determine the Gx session(s) that correspond to that Gateway Control Session upon reception of IP-CAN session modification. In this case, the same conditions as for the IP-CAN session establishment must be fulfilled.

- If the new Gateway Control session for that subscriber is related with a PDN identifier (i.e. the Called-Station-Id AVP is received) the PCRF shall check the Session-Linking-Indicator AVP. If it is not received, or it indicates SESSION_LINKING_IMMEDIATE the PCRF shall determine the Gx session that corresponds to the Gateway Control Session as follows:

If multiple PDN connections for the same APN are not supported:

- The Called-Station-Id AVP is received in the Gateway Control Session Establishment and it matches the APN of the Gx session and
- The Subscription-Id AVP received in the Gateway Control Session Establishment matches the Subscription-Id for the IP-CAN session(s) and
- If received, the Framed-IP-Address AVP and/or Framed-Ipv6-Prefix AVP included in the Gateway Control Session Establishment matches the Framed-IP-Address AVP and/or Framed-Ipv6-Prefix AVP, of the Gx session. If both Framed-IP-Address AVP and Framed-Ipv6-Prefix AVP are present in the Gateway Control Session Establishment, both of them must also be present in the Gx session.

NOTE: The Subscription-Id AVP used for the session linking may be in the form IMSI or IMSI based NAI as defined in 3GPP TS 23.003 [25].

If multiple PDN connections for the same APN are supported:

- If the Framed-IP-Address AVP and/or Framed-Ipv6-Prefix AVP are received during the Gateway Control Session Establishment, the PCRF links the Gateway Control Session to the existing Gx session where Framed-IP-Address AVP and/or Framed-Ipv6-Prefix AVP are equal and the PDN ID are matched.
- If the Framed-IP-Address AVP and/or Framed-Ipv6-Prefix AVP are not received during the Gateway Control Session Establishment, the PCRF has to defer the linking with existing Gx session until an IP-CAN Session modification is received with matching UE Identity, PDN Connection ID, and PDN ID.

In this case, the PCRF shall link the Gateway Control Session to the Gx session.

When the Session-Linking-Indicator AVP is received and indicates SESSION_LINKING_DEFERRED, the PCRF shall keep the new Gateway Control Session pending and shall defer linking until an IP-CAN Session Establishment or Modification is received including the Subscription-Id AVP, Called-Station-Id AVP and IP-CAN-Type AVP with the same values as those received during the Gateway Control Session establishment.

4a.5.7 Multiple BBF support

4a.5.7.1 General

After the PCRF has linked the new established Gateway Control session with the active Gx session as specified in clause 4a.5.6, if the PCRF receives the indication of IP flow mobility applying (e.g. ROUTING_RULE_CHANGE (37) event trigger) from the active Gx session, then the clause 4a.5.7.3 will apply, otherwise the clause 4a.5.7.2 will apply.

4a.5.7.2 Handling of two BBFs associated with the same IP-CAN session during handover

This procedure takes place during the handover situations where one or more BBF can be part of a pre-registration procedure. The two BBFs can be located in two separate BBERFs, or one BBF is located in the PCEF and the other one in a BBERF.

The PCRF, based on IP-CAN type information received from the BBERF and PCEF, shall identify the BBERF as primary or non-primary.

Upon receiving a Gateway Control Session Establishment request from a new BBERF and if the PCRF identifies multiple Gateway Control sessions involved for a particular IP-CAN session (i.e. multiple BBERF connections during handovers) the PCRF shall carry out the following procedures:

- The PCRF shall identify the Gateway Control session that reported the same IP-CAN type as reported by PCEF and classify the BBERF that initiated that Gateway Control session as "primary".

- In the case where more than one Gateway Control sessions reported the same IP-CAN type as reported by PCEF the PCRF shall classify the BBERF that initiated the last Gateway Control session as "primary".
- The remaining BBERF connections shall be classified by the PCRF as "non-primary".

Additionally, the PCRF may update the PCC rules, derive corresponding QoS rules and provide the updated QoS rules to the new BBERF to accommodate the capabilities of the target access network (e.g. based on RAT and IP-CAN types).

During the Gateway Control and QoS Rule Request, the PCRF shall act as follows with regards to the Gxx reference point:

- In the response to a CCR command with the CC-Request-Type AVP set to the value "INITIAL_REQUEST", if the BCM selected by the PCRF for that BBERF (primary/non-primary) indicates UE_NW, the PCRF shall provision the applicable active QoS rules for the linked IP-CAN session in the QoS-Rule-Install AVP in the CC-Answer command. In the case of non-primary BBERF, only those that do not require any modification for the active PCC rules will be provided.
- In the response of a CCR command with the CC-Request-Type set to the value "INITIAL_REQUEST", if the BCM selected by the PCRF for that BBERF (primary/non-primary) that initiated the Gateway Control session indicates UE_ONLY, the PCRF shall only include QoS rules applicable to the default bearer in the CC-Answer command.
- In the response to a CCR command with the CC-Request-Type set to the value "UPDATE_REQUEST" initiated by a BBERF that the PCRF has classified as non-primary, indicating UE-initiated resource modification request as described in clause 4a.5.1, the PCRF shall create the QoS rules based on the traffic mapping information received in the request and check whether there are aligned PCC rules installed in the PCEF. If the aligned PCC rules active in the PCEF require no modification, the PCRF shall provision the QoS rules within the QoS-Rule-Install AVP to the non-primary BBERF that created the request. Otherwise, the PCRF shall reject the request using the Gxx experimental result code DIAMETER_ERROR_TRAFFIC_MAPPING_INFO_REJECTED (5144).
- In the response to a CCR command with the CC-Request-Type set to the value "UPDATE_REQUEST" initiated by a BBERF including any other event trigger within the Event-Trigger AVP, the PCRF shall provision/modify/remove the applicable QoS rules in the CC-Answer command when the BBERF is selected as primary. Otherwise, only QoS rules with aligned active PCC rules will be provided.

NOTE: The PCRF operates on the PCC rules towards the PCEF when the CCR command was received from a primary BBERF.

When the PCRF receives a CCR command with the CC-Request-Type set to the value "TERMINATION_REQUEST" initiated by a BBERF, the PCRF shall apply the procedure described in clause 4a.5.3.

For unsolicited provisioning of QoS rules, the PCRF shall provision the applicable QoS rules (those that are Nw-init) to those BBERFs where the Bearer Control Mode is UE_NW.

For the case where the primary BBERF rejects the installation of one or more QoS rule(s) in a RA-Answer command, the PCRF shall remove the impacted QoS rules from all the non-primary BBERFs in a RAR message including the removed QoS rules in the QoS-Rule-Remove AVP. If a non-primary BBERF rejects the installation of one or more QoS rules the PCRF shall not take any action towards the PCEF and BBERFs regarding the rejected rules.

If a primary BBERF reported the failure in a new CC-Request command, the PCRF shall remove the impacted QoS rules in the CC-Answer command and shall initiate a RA-Request command towards all the non-primary BBERFs including the removed QoS rules in the QoS-Rule-Remove AVP. If the BBERF that reported the failure is a non-primary BBERF, the PCRF shall acknowledge the Diameter CCR with a CCA command and shall not take further action towards the PCEF and BBERFs regarding the failed rules.

Upon reception of a CCR command over the Gx interface indicating "UPDATE_REQUEST" with Event-Trigger AVP value indicating IP-CAN_CHANGE and AN_GW_CHANGE, the PCRF shall reclassify the BBERFs based on the classification procedures described above. After re-classification of the BBERFs, the PCRF shall perform necessary update to the QoS rules in the new primary BBERF based on the status of the PCC rules and the Bearer Control Mode supported.

When the PCEF subscribes to events by using the Event-Report-Indication AVP, the PCRF shall provision those events only in the primary BBERF.

4a.5.7.3 Handling of multiple BBFs with flow mobility within IP-CAN session

This procedure takes place during flow mobility situations where more than one BBF exist within the same IP-CAN session. The multiple BBFs can be located in separate BBERFs, or one BBF is located in the PCEF and the other one in separate BBERFs.

For flow mobility within IP-CAN session, the PCRF does not differentiate between primary and non-primary BBFs. Based on the IP flow mobility routing information received from the PCEF, the PCRF may associate the default route with one of the BBFs. The default route is identified by the IP flow mobility routing rule containing a wild card routing filter.

Upon an IP-CAN Session Establishment or IP-CAN Session Modification that includes one or more Routing-Rule-Definition AVP(s), the PCRF shall store the IP flow mobility routing rule information.

Upon an IP-CAN Session Modification that includes one or more Routing-Rule-Definition AVP(s), the PCRF shall check whether there are service data flow(s) for active PCC Rules that can be associated with one BBF based on the routing information by comparing the Flow-Information AVP of the PCC Rules with the Routing-Filter AVP of the Routing-Rule-Definition AVP. If they match, the PCRF determines that the bearer binding for a service data flow is located in a BBF comparing the Routing-IP-address AVP contained in the IP flow mobility routing rule against the Framed-IP-Address/Framed-Ipv6-Prefix and CoA-IP-Address received during the IP-CAN session establishment/modification. The matching IP address will identify the BBF to be used for the related service data flows. When the BBF corresponds to a BBERF, the PCRF shall, if required, create the QoS rules, and provide the QoS rules to the identified BBERF.

If the PCRF creates new PCC Rules or modifies the Flow-Information AVP of an existing one (e.g. as a consequence of an AF interaction, or Bearer Resource Modification Request), the PCRF shall check if the new service data flow information matches any of the IP flow mobility routing rule information. If they match, the PCRF determines that the bearer binding for a service data flow is located in a BBF comparing the Routing-IP-address AVP contained in the IP flow mobility routing rule against the Framed-IP-Address/Framed-Ipv6-Prefix and CoA-IP-Address received during the IP-CAN session establishment/modification. The matching IP address will identify the BBF to be used for the related service data flows. If the PCRF determines that the bearer binding for a service data flow is located in the BBERF, the PCRF shall, if required, create the QoS rules, and provide the QoS rules to the identified BBERF.

NOTE: For IP flow mobility, the address/prefix contained in the CoA-IP-Address AVP identifies the BBERF set up for case 2a; the address/prefix contained in the Framed-IP-Address or Framed-Ipv6-Prefix AVP identifies the BBF located in the PCEF or in the BBERF of the 3GPP access.

The PCRF may select different bearer control mode for different BBFs based on the procedures described in clause 4.5.10 for PCEF and clause 4a.5.9 for BBERF. Provision of PCC/QoS rules to a specific BBF follows the rule provision procedures based on the bearer control mode selected for that BBF.

When the route of a service data flow changes from one source BBF to another target BBF, the PCRF shall:

- if the source BBF is located in a BBERF, remove the QoS rules related to the service data flow from the source BBERF following the Gateway control and QoS rules provision procedures described in clause 4a.5.2;
- if the target BBF is located in a BBERF, and the BCM is NW_UE, provision the QoS rules related to the service data flow to the target BBERF following the Gateway control and QoS rules provision procedures described in clause 4a.5.2.

The PCRF supporting IFOM that has received an IP-CAN type associated to an established IP-CAN session, upon reception of an IP-CAN type AVP from a PCEF as part of an IP-CAN session modification procedure, if the IP-CAN type is different from the one stored for that IP-CAN session and the IP-CAN session modification contains the ROUTING_RULE_CHANGE event trigger, shall associate the new received IP CAN type to the IP-CAN session (i.e. multiple IP-CAN types are associated to the IP-CAN session).

4a.5.8 Provisioning of Event Triggers

The PCRF may provide one or several event triggers within one or several Event-Trigger AVP to the BBERF using the Gateway Control and QoS rule provision procedure. Event triggers may be used to determine which specific event causes the BBERF to re-request QoS rules. Provisioning of event triggers will be done at Gateway Control session level. The Event-Trigger AVP may be provided either in combination with the initial or subsequent QoS rule provisioning.

The PCEF may request the PCRF to be informed about specific changes occurred in the access network as indicated in clause 4.5.11. In this case, the PCRF shall additionally subscribe to the corresponding event triggers at the BBERF.

The PCRF may add new event triggers or remove the already provided ones at each request from the BBERF or upon the unsolicited provision from the PCRF. In order to do so, the PCRF shall provide the new complete list of applicable event triggers related to the Gateway Control session including the needed provisioned Event-Trigger AVPs in the CCA or RAR commands.

The BBERF shall include the initial information related to the event trigger that has been provisioned in the Event-Trigger AVP in the response to the Gateway Control and QoS rule provisioning procedure. The initial information related to the event trigger is included within a RAA command.

The PCRF may remove all previously provided event triggers by providing the Event-Trigger AVP set to the value NO_EVENT_TRIGGERS. When an Event-Trigger AVP is provided with this value, no other Event-Trigger AVP shall be provided in the CCA or RAR command. Upon reception of an Event-Trigger AVP with this value, the BBERF shall not inform PCRF of any event that requires to be provisioned from the PCRF except for those events that are always reported and do not require provisioning from the PCRF.

If no Event-Trigger AVP is included in a CCA or RAR operation, any previously provisioned event trigger will be still applicable.

4a.5.9 Bearer Control Mode Selection

When bearer binding is performed at the BBERF, the BBERF may indicate, via the Gxx reference point, a request for Bearer Control Mode (BCM) selection at Gateway Control session establishment. It will be done using the Gateway Control and QoS rule request procedure.

When applicable for the IP-CAN type, the BBERF shall supply at Gateway Control Session Establishment, if information about the support of network initiated procedures is available, the Network-Request-Support AVP in the CC-Request with a CC-Request-Type AVP set to the value "INITIAL_REQUEST". The Network-Request-Support AVP indicates the access network support of the network requested bearer control.

The PCRF derives the selected Bearer-Control-Mode AVP based on the received Network-Request-Support AVP, access network information, subscriber information and operator policy. If the selected bearer control mode is UE_NW, the PCRF shall decide what mode (UE or NW) shall apply for every QoS rule.

NOTE: For operator-controlled services, the UE and the PCRF may be provisioned with information indicating which mode is to be used.

The selected Bearer-Control-Mode AVP shall be provided to the BBERF using the Gateway Control and QoS Rules provision procedure at Gateway Control session establishment. The selected value will be applicable for the whole Gateway Control session.

When the bearer binding function is changed from the PCEF to the BBERF, the BBERF may indicate, via the Gxx reference point, a request for Bearer Control Mode (BCM) selection at Gateway Control Session Establishment as described above.

In multiple BBERFs case, each BBERF may indicate a request for Bearer Control Mode selection independently and the BCM selected for each BBERF may be different.

4a.5.10 Provisioning and Policy Enforcement of Authorized QoS

4a.5.10.1 Provisioning of authorized QoS for the Default EPS Bearer

The PCRF may provision the authorized QoS for the default EPS bearer. The authorized QoS may be obtained upon interaction with the SPR.

The default EPS bearer QoS information shall be provisioned at RAR or CCA command level using the Default-EPS-Bearer-QoS AVP including the QoS-Class-Identifier AVP and the Allocation-Retention-Priority AVP. The provided QoS-Class-Identifier AVP shall include a non-GBR corresponding value.

4a.5.10.2 Policy enforcement for authorized QoS of the Default EPS Bearer

The BBERF may receive the authorized QoS for the default bearer over Gxx interface. The BBERF enforces it which may lead to the change of the subscribed default EPS Bearer QoS.

4a.5.10.3 Provisioning of authorized QoS per APN

The PCRF may provision the authorized QoS per APN as part of the Gateway Control and QoS rules provision procedure.

The authorized QoS per APN may be modified at Gateway Control session establishment and also at Gateway Control session modification. To do so, the PCRF shall provision the authorized QoS per APN for each IP-CAN session for that APN.

The authorized QoS per APN shall be provisioned at RAR or CCA command level using the QoS-Information AVP including the APN-Aggregate-Max-Bitrate-UL AVP and/or the APN-Aggregate-Max-Bitrate-DL AVP. When APN-Aggregate-Max-Bitrate-UL AVP and/or the APN-Aggregate-Max-Bitrate-DL AVP are provided, the Max-Requested-Bandwidth values, and the Guaranteed Bitrate values shall not be included.

NOTE: The QoS per APN limits the aggregate bit rate of all Non-GBR bearers of the same APN, i.e. the GBR bearers are outside the scope of QoS per APN.

Upon receiving the subscribed AMBR per APN from the BBERF, the PCRF shall be able to provision the AMBR per APN to the PCEF for enforcement using the provisioning of authorized QoS per APN procedure specified in clause 4.5.5.7.

4a.5.10.4 Policy provisioning for authorized QoS per service data flow

The Provisioning of authorized QoS per service data flow is a part of QoS rule provisioning procedure, as described in Clause 4a.5.2.

The authorized QoS per service data flow shall be provisioned within the corresponding QoS rule by including the QoS-Information AVP within the QoS-Rule-Definition AVP in the CCA or RAR commands. This QoS-Information AVP shall not contain a Bearer-Identifier AVP.

4a.5.10.5 Policy enforcement for authorized QoS per service data flow

The BBERF shall reserve the resources necessary for the guaranteed bitrate for the QoS rule upon receipt of a QoS rule provisioning including QoS information. The BBERF shall start the needed procedures to ensure that the provisioned resources are according to the authorized values. This may imply that the BBERF needs to request the establishment of new IP CAN bearer(s) or the modification of existing IP CAN bearer(s). If the enforcement is not successful, the BBERF shall inform the PCRF as described in clause 4a.5.5.

Upon deactivation or removal of a QoS rule, the BBERF shall free the resources reserved for that QoS rule.

4a.5.11 Trace activation/deactivation

Trace activation/deactivation at the P-GW takes place via the PCRF and is 3GPP-EPS access specific. See Annex B for further information.

4a.5.12 IMS Emergency Session Support

4a.5.12.1 PCC procedures for Emergency services over Gxx reference point

4a.5.12.1.1 Gateway control and QoS Rules request for Emergency services

The BBERF executes the same procedure as for a Gateway control and QoS Rules request unrelated to Emergency Services described in clause 4a.5.1.

A BBERF that requests QoS Rules at Gateway Control Session Establishment shall send a CCR command with CC-Request-Type AVP set to value "INITIAL_REQUEST". For case 2b the BBERF shall send the Called-Station-Id AVP including the Emergency APN. The BBERF may include the IMSI within the Subscription-Id AVP and if the IMSI is not available the BBERF shall include the IMEI within the User-Equipment-Info AVP. The BBERF may include the rest of the attributes described in clause 4a.5.1.

If the PCRF detects that the initial or subsequent CCR command shall be rejected, it shall execute the procedure for the type of Gx experimental result code described in clause 4a.5.1.

4a.5.12.1.2 Provisioning of QoS Rules for Emergency services

4a.5.12.1.2.1 Provisioning of QoS Rules at Gxx session establishment

The PCRF shall detect that a Gxx session is restricted to IMS Emergency services when a CCR command is received with a CC-Request-Type AVP set to value "INITIAL_REQUEST" and the Called-Station-Id AVP includes a PDN identifier that matches one of the Emergency APNs from the configurable list. The PCRF:

- shall provision QoS Rules restricting the access to Emergency Services (e.g. P-CSCF(s), DHCP(s) and DNS (s) and SUPL(s) addresses) as required by local operator policies in a CCA command according to the procedures described in clause 4a.5.2.
- may provision the authorized QoS that applies to the default EPS bearer within the Default-EPS-Bearer-QoS AVP in a CCA command according to the procedures described in clause 4a.5.10.1 except for obtaining the authorized QoS upon interaction with the SPR. The value for the Priority-Level AVP shall be assigned as required by local operator policies (e.g. if an IMS Emergency session is prioritized the Priority-Level AVP may contain a value that is reserved for an operator domain use of IMSEmergency sessions). If the IP-CAN Type AVP is assigned to "3GPP-EPS" the values for Pre-emption-Capability AVP and Pre-emption-Vulnerability AVP shall be assigned as required by local operator policies.
- may provision the authorized QoS that applies to an APN within the APN-Aggregate-Max-Bitrate UL/DL in a CCA command according to the procedures described in clause 4a.5.10.3.

When the PCEF detects that the provisioning of QoS Rules failed, it shall execute the procedure for the type of Gx experimental result code described in clause 4a.5.5.

4a.5.12.1.2.2 Provisioning of QoS Rules for Emergency services

When the PCRF receives IMS service information from the AF for an Emergency service and derives authorized QoS Rules from the service information, the priority in the Priority-Level AVP in the QoS information within the QoS Rule shall be assigned a value as required by local operator policies (e.g. if an IMS Emergency session is prioritized the Priority-Level AVP may contain a value that is reserved for an operator domain use of IMSEmergency sessions). If the IP-CAN Type AVP is assigned to "3GPP-EPS" the values for the Pre-emption-Capability AVP and Pre-emption-Vulnerability AVP shall also be assigned as required by local operator policies.

The PCRF shall derive authorized QoS Rules from the PCC Rules that are bound to an IP-CAN session restricted to Emergency services and immediately initiate a PUSH procedure as described in clause 4a.5.2.1 to provision QoS Rules and the procedures described in clause 4.5.5.2 to provision the authorized QoS per service data flow.

Any BBERF-initiated request for QoS Rules for an IMS Emergency service triggered by Event-Trigger AVP assigned to "RESOURCE_MODIFICATION_REQUEST" (i.e. UE-initiated resource reservation) shall be rejected by the PCRF, with the error DIAMETER_ERROR_TRAFFIC_MAPPING_INFO_REJECTED.

The BBERF shall execute the procedures described in clause 4a.5.2.1 and clause 4.5.5.3 to ensure that a new IP-CAN bearer is established for the Emergency service.

When the BBERF detects that the provisioning of QoS Rules failed, it shall execute the procedure for the type of Gx experimental result code described in clause 4a.5.5.

4a.5.12.2 Gateway Control Session to Gx session linking

If the Subscription-Id AVP was not received, the PCRF shall perform Gateway Control Session to Gx session linking by using the User-Equipment-Info AVP.

4a.5.12.3 Removal of QoS Rules for Emergency Services

The reception of a request to terminate an AF session for an IMS Emergency service by the PCRF triggers the removal of QoS Rules assigned to the terminated IMS Emergency Service from the BBERF by using the clause 4a.5.2.1 to provision QoS Rules.

At reception of a RAR that removes one or several QoS Rules from an IP-CAN Session restricted to emergency services the BBERF shall:

- when all QoS Rules bound to an IP-CAN bearer are removed, initiate an IP-CAN bearer termination procedure.
- when not all QoS Rules bound an IP-CAN bearer are removed, initiate an IP-CAN bearer modification procedure.

4a.5.12.4 Termination of Gateway Control session for Emergency Services

The procedure to terminate a Gateway Control Session defined for case 2b) in 4a.5.3 and for case 2a) in 4a.5.4 applies.

4a.5.13 Time of the day procedures

BBERF shall be able to perform PCC rule request as instructed by the PCRF. To do so, the PCRF shall provide the Event-Trigger AVP with the value REVALIDATION_TIMEOUT (17) if the event trigger is not previously set, and in addition the Revalidation-Time AVP when set by the PCRF. This shall cause the BBERF to trigger a PCRF interaction to request QoS rules from the PCRF for an established gateway control session. The BBERF shall stop the timer once the BBERF triggers a REVALIDATION_TIMEOUT event. The BBERF should send the PCC rule request during a preconfigured period before the indicated revalidation time.

NOTE 0: The PCRF is expected to be prepared to provide a new policy, as desired for the revalidation time, during a preconfigured period before the revalidation time. The preconfigured periods in the BBERF and PCRF need to be aligned.

PCRF shall be able to provide a new value for the revalidation timeout by including Revalidation-Time AVP in CCA or RAR. The PCRF may provide the Revalidation-Time AVP together with the event trigger REVALIDATION_TIMEOUT or in a subsequent QoS rule provisioning.

PCRF shall be able to stop the revalidation timer by disabling the REVALIDATION_TIMEOUT event trigger.

NOTE 1: By disabling the REVALIDATION_TIMEOUT the revalidation time value previously provided to the BBERF is not applicable anymore.

If the PCRF includes the activation time in Rule-Activation-Time and/or the deactivation time in Rule-Deactivation-Time when the PCRF provision the PCC rules to the PCEF, the PCRF shall set the same activation time in Rule-Activation-Time and/or the deactivation time in Rule-Deactivation-Time when the PCRF provision the corresponding QoS rules to the BBERF.

The PCRF may control at what time the status of a QoS rule changes.

- 1) If Rule-Activation-Time is specified only and has not yet occurred, then the BBERF shall set the QoS rule inactive and make it active at that time. If Rule-Activation-Time has passed, then the BBERF shall immediately set the QoS rule active.
- 2) If Rule-Deactivation-Time is specified only and has not yet occurred, then the BBERF shall set the QoS rule active and make it inactive at that time. If Rule-Deactivation-Time has passed, then the BBERF shall immediately set the QoS rule inactive.
- 3) If both Rule-Activation-Time and Rule-Deactivation-Time are specified, and the Rule-Activation-Time occurs before the Rule-Deactivation-Time, and also when the QoS rule is provided before or at the time specified in the Rule-Deactivation-Time, the BBERF shall handle the rule as defined in 1) and then as defined in 2).
- 4) If both Rule-Activation-Time and Rule-Deactivation-Time are specified, and the Rule-Deactivation-Time occurs before the Rule-Activation-Time, and also when the QoS rule is provided before or at the time specified in the Rule-Activation-Time, the BBERF shall handle the rule as defined in 2) and then as defined in 1).

- 5) If both Rule-Activation-Time and Rule-Deactivation-Time are specified but time has already occurred for both, and the Rule-Activation-Time occurs before the Rule-Deactivation-Time, then the BBERF shall immediately set the QoS rule inactive.
- 6) If both Rule-Activation-Time and Rule-Deactivation-Time are specified but time has passed for both, and the Rule-Deactivation-Time occurs before the Rule-Activation-Time, then the BBERF shall immediately set the QoS rule active.

If Rule-Activation-Time or Rule-Deactivation-Time is specified in the QoS-Rule-Install then it will replace the previously set values for the specified QoS rules. If Rule-Activation-Time AVP, Rule-Deactivation-Time AVP or both AVPs are omitted, then any previous value for the omitted AVP is no longer valid.

The 3GPP-MS-TimeZone AVP, if available, may be used by the PCRF to derive the Rule-Activation-Time and Rule-Deactivation-Time.

If the QoS rule(s) that include the Rule-Activation-Time AVP are bound to a bearer that will require traffic mapping information to be sent to the UE, the BBERF shall report the failure to the PCRF by including the QoS-Rule-Report AVP with the Rule-Failure-Code set the value "NO_BEARER_BOUND (15)" for the affected QoS rule(s) identified by the QoS-Rule-Name AVP in either a CCR or an RAA command.

NOTE 2: This limitation prevents dependencies on the signalling of changed traffic mapping information towards the UE.

The QoS rules including Rule-Activation-Time and Rule-Deactivation-Time shall not be applied for changes of the QoS or service data flow filter information.

4a.5.14 Multimedia Priority Support

4a.5.14.1 PCC Procedures for Multimedia Priority services over Gxx reference point

4a.5.14.1.1 Provisioning of QoS Rules for Multimedia Priority Services

The provision of QoS Rules corresponding to both MPS and non-MPS services shall be performed as described in clause 4a.5.2.

The QoS Rules applicable for MPS and non-MPS services shall be derived from the PCC Rules generated as described in clause 4.5.191.2.

When the PCRF receives a CCR command with CC-Request-Type AVP set to value "INITIAL_REQUEST", the PCRF shall check whether any of these parameters are stored in the SPR: MPS EPS Priority, MPS Priority Level and/or IMS Signalling Priority. The PCRF shall derive the QoS Rules from the generated PCC Rules and default bearer QoS based on that information. If the IMS Signalling Priority is set and the Called-Station-Id AVP is received and corresponds to an APN dedicated for IMS, the PCRF shall assign an ARP corresponding to MPS for the default bearer and for the PCC/QoS Rules corresponding to the IMS signalling bearer. If the Called-Station-Id AVP does not correspond to an APN dedicated for IMS, the ARP shall be derived without considering IMS Signalling Priority.

NOTE 0: Subscription data for MPS is provided to PCRF through the Sp reference point.

Once the PCRF receives a notification of a change in MPS EPS Priority, MPS Priority Level and/or IMS Signalling Priority from the SPR, the PCRF shall make the corresponding policy decisions (i.e. ARP and/or QCI change) and, if applicable, shall initiate a RAR command to provision the modified data.

NOTE 1: The details associated with the Sp reference point are not specified in this Release. The SPR's relation to existing subscriber databases is not specified in this Release.

NOTE 2: The MPS Priority Level is one among other input data such as operator policy for the PCRF to set the ARP.

The PCRF shall derive the ARP of the default bearer as described in clause 4.5.19.1.1.

4a.5.14.1.2 Invocation/Revocation of Priority EPS Bearer Services

When a Priority EPS Bearer Service is invoked or revoked, the PCRF shall behave as described in clause 4.5.19.1.2. The PCRF shall derive the QoS Rules from the applicable PCC Rules.

The PCRF shall provision the BBERF with the applicable QoS Rules upon Priority EPS Bearer Service activation and deactivation as described in clause 4a.5.2. The provision of the QoS information applicable for the QoS Rules shall be performed as described in clause 4a.5.10.4. The provision of QoS information for the default bearer shall be performed as described in clause 4a.5.10.1.

4a.5.14.1.3 Invocation/Revocation of IMS Multimedia Priority Services

If the PCRF receives service information including an MPS session indication and the service priority level from the P-CSCF or detects that the P-CSCF released all the MPS Session, the PCRF shall behave as described in clause 4.5.19.1.3. The PCRF shall derive the QoS Rules from the applicable PCC Rules.

The PCRF shall provision the BBERF with the applicable QoS Rules upon MPS session initiation and release as described in clause 4a.5.2. The provision of the QoS information applicable for the QoS Rules shall be performed as described in clause 4a.5.10.4. The provision of QoS information for the default bearer shall be performed as described in clause 4a.5.10.1.

4a.5.15 PCRF Failure and Restoration

If the BBERF needs to send a Gateway Control Session modification request towards a PCRF which is known to have restarted since the Gateway Control Session establishment, the BBERF should not send the Gateway Control Session modification request towards a PCRF and the BBERF may tear down the associated PDN connection based on operator policy, by initiating PDN connection deactivation procedure. Emergency and eMPS sessions should not be torn down.

NOTE 1: This mechanism enables the clean up of PDN connections affected by the PCRF failure and leads the UE to initiate a UE requested PDN connectivity procedure for the same APN.

NOTE 2: The method the BBERF uses to determine that a PCRF has restarted is not specified in this release.

4a.5.16 Reporting Access Network Information

If the AF requests the PCRF to report the access network information and if the PCRF cannot determine that access network information cannot be provided as described in clause 5.5.4 of 3GPP TS 29.214 [10], the PCRF shall provide the requested access network information indication (e.g. user location and/or user timezone information) to the BBERF as follows:

- If the PCRF is installing or modifying a QoS rule, the PCRF shall include the Required-Access-Info AVP within the QoS-Rule-Definition AVP of an appropriate installed or modified QoS rule;
- Otherwise, if the PCRF is removing QoS rules based on the AF requests, the PCRF shall include the Required-Access-Info AVP within the QoS-Rule-Remove AVP associated with the corresponding QoS rules being removed.

The PCRF shall also provide the ACCESS_NETWORK_INFO_REPORT event trigger within Event-Trigger AVP (if this event trigger is not yet set).

For the QoS Rule(s) based on preliminary service information as described in 3GPP TS 29.214 [10] the PCRF may assign the QCI and ARP of the default bearer to avoid signalling to the UE. These QoS Rules shall not include the Packet-Filter-Usage AVP within the Flow-Information AVP included in the QoS-Rule-Definition AVP. These QoS rule(s) may be provisioned by the PCRF without corresponding PCC rule(s).

NOTE: 3GPP TS 23.203 [7] provides further information about appropriate QoS rules in clause 6.2.1.0.

If the ACCESS_NETWORK_INFO_REPORT event trigger is set, upon installation, modification and removal of any QoS rule(s) with the Required-Access-Info AVP in a Gxx RAR command, the BBERF shall determine if it can obtain the required location information for the used IP CAN type. If the BBERF determines that the IP CAN type does not support such procedures, the BBERF shall immediately inform the PCRF by including the NetLoc-Access-Support AVP with the value of 0 (NETLOC_ACCESS_NOT_SUPPORTED) in the RAA command. Otherwise, the BBERF shall apply appropriate IP CAN specific procedures to obtain this information. When the BBERF then receives access

network information through those IP CAN specific procedures, the BBERF shall provide the corresponding access network information to the PCRF as follows:

- If the user location information was requested by the PCRF and was provided to the BBERF, the BBERF shall provide the user location information within the 3GPP-User-Location-Info AVP and the time when it was last known within User-Location-Info-Time AVP (if available).
- If the user location information was requested by the PCRF and was not provided to the BBERF, the BBERF shall provide the serving PLMN identifier within the 3GPP-SGSN-MCC-MNC AVP.
- If the time zone was requested by the PCRF, the BBERF shall provide it within the 3GPP-MS-TimeZone AVP.

In addition, the BBERF shall provide the ACCESS_NETWORK_INFO_REPORT event trigger within Event-Trigger AVP.

During bearer deactivation procedure, the BBERF shall provide the access network information to the PCRF by including the user location information within the 3GPP-User-Location-Info AVP (if user location information was requested by the PCRF and was provided to the BBERF), the information on when the UE was last known to be in that location within User-Location-Info-Time AVP (if user location information was requested by the PCRF and the corresponding information was provided to the BBERF) the PLMN identifier within the 3GPP-SGSN-MCC-MNC AVP (if the user location information was requested by the PCRF but was not provided to the BBERF) and the timezone information within the 3GPP-MS-TimeZone AVP (if requested by the PCRF).

During IP-CAN session termination procedure, the BBERF shall, if ACCESS_NETWORK_INFO_REPORT event trigger is set, provide the access network information to the PCRF by including the user location information within the 3GPP-User-Location-Info AVP (if it was provided to the BBERF), the information on when the UE was last known to be in that location within User-Location-Info-Time AVP (if it was provided to the BBERF), the PLMN identifier within the 3GPP-SGSN-MCC-MNC AVP (if the user location information was not provided to the BBERF) and the timezone information within the 3GPP-MS-TimeZone AVP.

The BBERF shall not report any subsequent access network information updates received from the IP-CAN without any previous provisioning or removal of related QoS rules unless the associated IP-CAN bearer or connection has been released.

4b Sd reference point

4b.1 Overview

The Sd reference point is located between the Policy and Charging Rules Function (PCRF) and the Traffic Detection Function (TDF). For the solicited application reporting, the Sd reference point is used for establishment and termination of TDF session between PCRF and TDF, provisioning of Application Detection and Control rules from the PCRF for the purpose of traffic detection and enforcement at the TDF, usage monitoring control of TDF session and of detected applications and reporting of the start and the stop of a detected applications's traffic and transfer of service data flow descriptions for detected applications, if deducible, from the TDF to the PCRF. For the unsolicited reporting, the Sd reference point is used for establishment and termination of TDF session between PCRF and TDF, reporting of the start and the stop of a detected application's traffic and transfer of service data flow descriptions for detected applications, if deducible, and transfer of Application instance identifier, if service data flow descriptions are deducible, from the TDF to the PCRF.

The stage 2 level requirements for the Sd reference point are defined in 3GPP TS 23.203 [7].

Signalling flows related to the Sd, Rx, Gxx and Gx interfaces are specified in 3GPP TS 29.213 [8].

Refer to Annex G of 3GPP TS 29.213 [8] for Diameter overload control procedures over the Sd interface.

4b.2 Sd Reference model

The Sd reference point is defined between the PCRF and the TDF. The relationships between the different functional entities involved are depicted in figure 4b.2.1 and 4b.2.2.

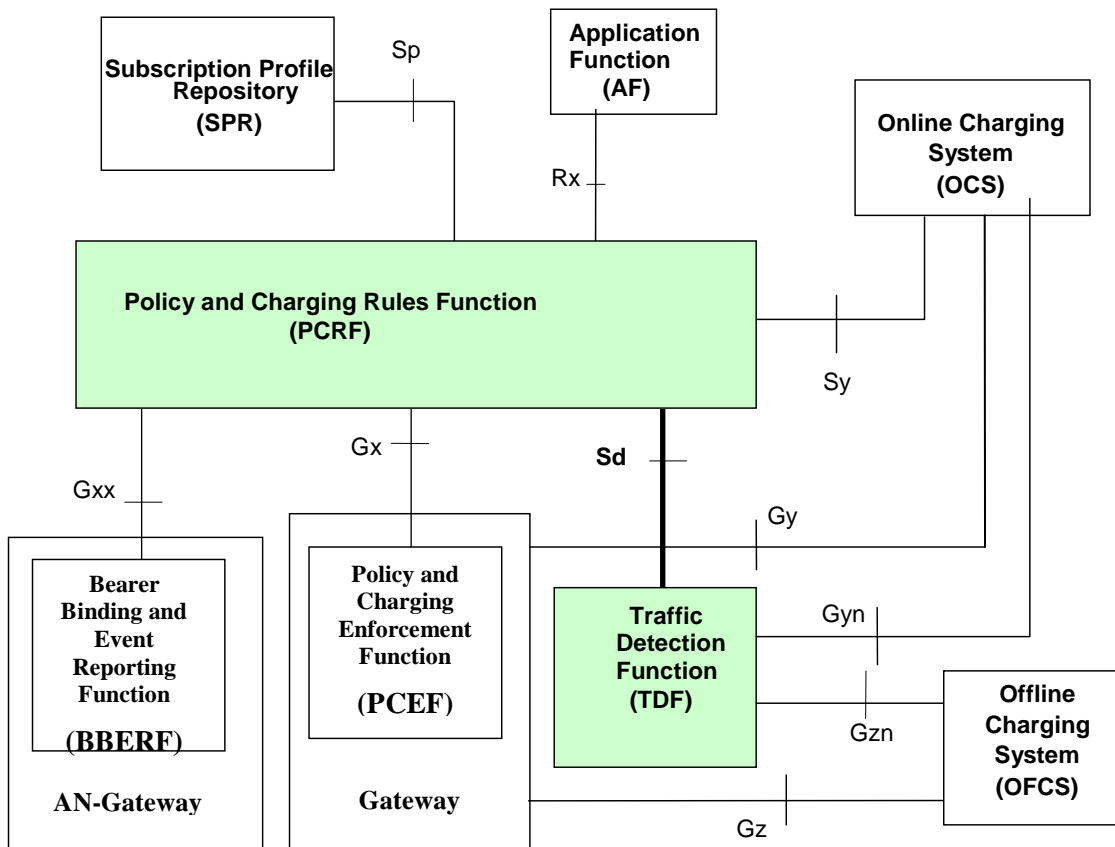


Figure 4b.2.1: Sd reference point at the Policy and Charging Control (PCC) architecture with SPR

NOTE: The PCEF may support Application Detection and Control feature.

With the UDC-based architecture, as defined in 3GPP TS 23.335 [38] and applied in 3GPP TS 23.203 [7], the UDR replaces SPR and the Ud reference point provides access to the subscription data in the UDR. The Ud interface as defined in 3GPP TS 29.335 [39] is the interface between the PCRF and the UDR. The relationships between the different functional elements are depicted in figure 4b.2.2. When UDC architecture is used, SPR and Sp, whenever mentioned in this document, is replaced by UDR and Ud.

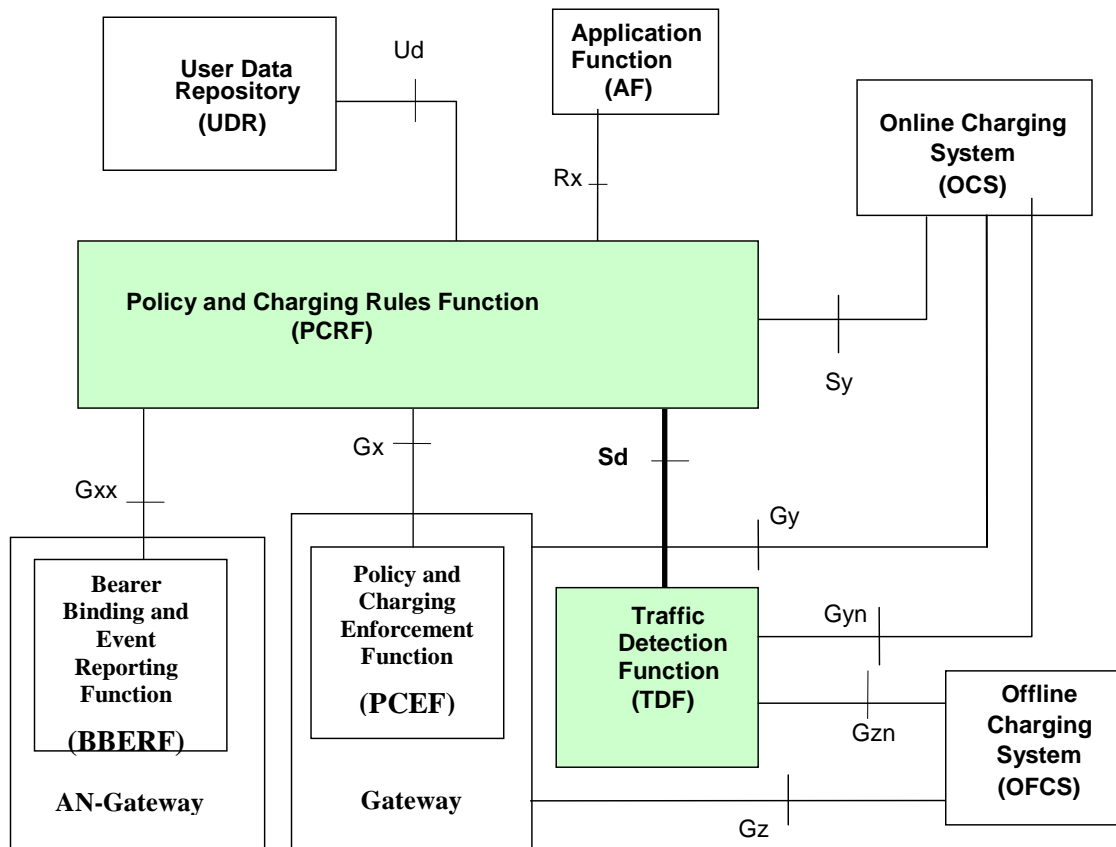


Figure 4b.2.2: Sd reference point at the Policy and Charging Control (PCC) architecture with UDR

NOTE 1: The details associated with the Sp reference point are not specified in this Release. The SPR's relation to existing subscriber databases is not specified in this Release.

NOTE 2: The UDC Application Informational Model related to the PCRF is not specified in this Release.

NOTE 3: The PCEF may support Application Detection and Control feature.

4b.3 Application Detection and Control Rules

4b.3.1 Functional entities

The PCRF may provide ADC Rules to the TDF by using Sd interface.

Once the start or stop of the application's traffic, matching one of those ADC Rules, is detected, if PCRF has previously subscribed to the APPLICATION_START/APPLICATION_STOP Event-Triggers, unless a request to mute such a notification (Mute-Notification AVP) is part of the corresponding ADC Rule, the TDF shall report the information regarding the detected application's traffic to the PCRF and apply the enforcement actions, if defined within the corresponding ADC Rule.

4b.3.2 Application Detection and Control Rule Definition

The purpose of the ADC rule is to provide and apply the detection, enforcement actions and applicable charging parameters for the specified application traffic.

There are two different types of ADC rules as defined in 3GPP TS 23.203 [7]:

- Dynamic ADC rules. The PCRF can however provide and modify some parameters via the Sd reference point, respectively. These ADC rules can be installed, modified and removed at any time. The dynamic ADC rules are applicable only in case of solicited application reporting.

- Predefined ADC rules. Preconfigured in the TDF. In the case of solicited reporting, the Predefined ADC rules can be activated or deactivated by the PCRF at any time. Predefined ADC rules within the TDF may be grouped allowing the PCRF to dynamically activate a set of ADC rules.

An ADC rule consists of:

- a rule identifier;
- TDF application identifier;
- precedence;
- charging key (i.e. rating group);
- other charging parameters;
- monitoring key;
- gate status;
- UL maximum bit rate;
- DL maximum bit rate;
- redirect.

The rule identifier shall be used to reference an ADC rule in the communication between the TDF and the PCRF.

NOTE 1: The PCRF has to ensure that there is no dynamically provided ADC rule that has the same rule identifier value as any of the predefined ADC rules.

The TDF application identifier shall be used to reference the corresponding application, for which the rule applies during reporting to the PCRF. The same application identifier value can occur in more than one ADC rule. If so, the PCRF shall ensure that there is at most one ADC rule active per application identifier value at any time.

NOTE 2: The same application identifier value could be used for a dynamic ADC rule and a pre-defined ADC rule or for multiple pre-defined ADC rules.

The precedence defines, if multiple ADC rules overlap in the application traffic detection, the ADC Rule with the highest precedence will be applied for the purpose of enforcement, reporting of application starts and stops, usage monitoring, and charging. When a dynamic ADC rule and a predefined ADC rule have the same precedence, the dynamic ADC rule takes precedence. For dynamic ADC rules, the Precedence will be either preconfigured at the TDF or provided dynamically by the PCRF within the ADC Rules.

NOTE 3: The operator ensures that overlap between the predefined ADC rules can be resolved based on precedence of each predefined ADC rule in the TDF. For dynamic ADC rules, if precedence is not preconfigured in the TDF, the PCRF ensures that overlap between the dynamic ADC rules can be resolved based on precedence of each dynamic ADC rule.

NOTE 4: Whether precedence for dynamic ADC rules that contain an application identifier is preconfigured in TDF or provided in the ADC rule from the PCRF depends on network configuration.

The charging parameters define whether online and offline charging interfaces are used, what is to be metered in offline charging, on what level the TDF shall report the usage related to the rule, etc.

The monitoring key for an ADC rule identifies a monitoring control instance that shall be used for usage monitoring control of a particular application or a group of applications (as identified by the predefined or dynamic ADC rule(s)) or all detected traffic belonging to a specific TDF session.

The gate status indicates whether the application, identified by the TDF application identifier, may pass (gate is open) or shall be blocked (gate is closed) in uplink and/or in downlink direction.

The UL maximum bitrate indicates the authorized maximum bitrate for the uplink component of the detected application traffic.

The DL maximum bitrate indicates the authorized maximum bitrate for the downlink component of the detected application traffic.

The Redirect indicates whether the uplink part of the detected application traffic should be redirected to another controlled address. The target redirect address may also be included.

One or more of the following parameters can be modified for a dynamic ADC rule:

- precedence;
- charging key (i.e. rating group);
- other charging parameters (with the exemption of charging method);
- monitoring key;
- gate status;
- UL maximum bit rate;
- DL maximum bit rate;
- redirect.

4b.3.3 Operations on ADC Rules

For dynamic ADC rules, the following operations are available:

- Installation: to provision an ADC rule that has not been already provisioned.
- Modification: to modify an ADC rule already installed.
- Removal: to remove an ADC rule already installed.

For predefined ADC rules, the following operations are available:

- Activation: to allow the ADC rule being active.
- Deactivation: to disallow the ADC rule.

The procedures to perform these operations are further described in clause 4b.5.

4b.4 Functional elements

4b.4.1 PCRF

The PCRF (Policy Control and Charging Rules Function) is a functional element that encompasses policy control decision. The PCRF provides network control regarding the application detection, gating, bandwidth limitation, redirection and application based charging (except credit management) towards the TDF.

The PCRF may provision ADC Rules to the TDF via the Sd reference point.

The PCRF ADC Rule decisions may be based on one or more of the following:

- Information obtained from the PCEF via the Gx reference point, e.g. request type, subscriber/device related information, location information.
- Information obtained from the SPR via the Sp reference point, e.g. subscriber related data. The subscription information may include user profile configuration indicating whether application detection and control should be enabled.

NOTE: The details associated with the Sp reference point are not specified in this Release. The SPR's relation to existing subscriber databases is not specified in this Release.

- Information obtained from the TDF via the Sd reference point, e.g. detected application, usage monitoring report.

- Information obtained from the BBERF via the Gxx reference point.
- Own PCRF pre-configured information.

The PCRF shall inform the TDF through the use of ADC rules, if applicable, on the treatment of applications, in accordance with the PCRF policy decisions.

It is PCRF's responsibility to coordinate the PCC rules and QoS rules, if applicable, with ADC rules in order to ensure consistent service delivery.

4b.4.2 TDF

The TDF (Traffic Detection Function) is a functional entity that performs application's traffic detection and reporting of the detected application by using TDF application identifier and its TDF application instance identifier and its service data flow descriptions to the PCRF when service data flow descriptions are deducible. The TDF shall support solicited application reporting and/or unsolicited application reporting.

The TDF shall detect start and stop of the application traffic for the ADC rules that the PCRF has activated at the TDF (solicited application reporting) or which are pre-provisioned at the TDF (unsolicited application reporting). When the APPLICATION_START and APPLICATION_STOP event trigger are subscribed, the TDF shall report, unless the notification is muted for the specific ADC rule in case of solicited application reporting, to the PCRF:

- For the APPLICATION_START event trigger: the application identifier and, when service data flow descriptions are deducible, the application instance identifier and the service data flow descriptions to use for detecting that application traffic with a dynamic PCC rule.
- For the APPLICATION_STOP event trigger: the application identifier and if the application instance identifier was reported for the start, also the application instance identifier.

For the solicited application reporting, the TDF shall perform the following enforcement actions to the detected application traffic, if requested by PCRF:

- Gating;
- Redirection;
- Bandwidth limitation.

For the solicited application reporting, the TDF shall support usage monitoring as specified in clauses 4b.5.6 and 4b.5.7.

For the solicited application reporting, the TDF shall support application based charging by having online and offline charging interactions.

For an application that is under charging control the TDF shall allow the application's traffic to pass through it if and only if, for online charging, the OCS has authorized the applicable credit with that Charging key. The TDF may let an application pass through it during the course of the credit re-authorization procedure.

A TDF shall ensure that a detected application's traffic, which is discarded at the TDF as a result of ADC rule enforcement (e.g. gating), is neither reported for offline charging nor cause credit consumption for online charging.

For unsolicited application reporting, the TDF shall only perform application detection and reporting functionality.

NOTE: For unsolicited application reporting, the TDF does not perform enforcement actions, application based charging or usage monitoring.

4b.5 ADC procedures over Sd reference point for solicited application reporting

4b.5.1 Provisioning of ADC rules

4b.5.1.1 General

If PCRF decides, based on subscriber's profile configuration, that the TDF session should be established with the TDF per corresponding IP-CAN session, during the IP-CAN session establishment or at any point of time when the PCRF decides that the session with TDF is to be established (e.g. subscriber profile changes), the PCRF shall indicate via the Sd reference point, the ADC rules to be applied at the TDF. The TDF-Information AVP shall be either received over Gx within initial CC-Request received from PCEF or pre-provisioned at PCRF. Each ADC rule shall include TDF-Application-Identifier AVP which references the corresponding application for which the rule applies.

When establishing the session with the TDF, the PCRF shall send a TS-Request with the PDN information, if available, within the Called-Station-Id AVP, the UE Ipv4 address within the Framed-IP-Address and/or the UE Ipv6 prefix within the Framed-Ipv6-Prefix AVP. These parameters shall uniquely identify the session between the PCRF and the TDF. Additionally, if available (i.e. received from the PCEF or the BBERF), the PCRF may include the following information: the user identification within the Subscription-Id AVP, the type of IP-CAN within the IP-CAN-Type AVP, the type of the radio access technology within the RAT-Type AVP if applicable and AN-Trusted AVP if applicable, the device information within User-Equipment-Info AVP, the SGSN address within either 3GPP-SGSN-Address AVP or 3GPP-SGSN-Ipv6-Address AVP, the user location information within 3GPP-User-Location-Info or within 3GPP2-BSID, the Routing Area Identity within RAI AVP, the Ipv4 and/ or Ipv6 address(es) of the access node gateway (SGW for 3GPP and AGW for non-3GPP networks) in the AN-GW-Address AVPs, the MCC and the MNC of the SGSN/S-GW in the 3GPP-SGSN-MCC-MNC AVP, the UE time zone information within 3GPP-MS-TimeZone AVP, the presence reporting area identifier within the Presence-Reporting-Area-Information AVP, the charging characteristics within 3GPP-Charging-Characteristics AVP, control plane P-GW address(es) within 3GPP-GGSN-Address AVP and/or 3GPP-GGSN-Ipv6-Address AVP, 3GPP-Selection-Mode AVP indicating how the APN was selected, Dynamic-Address-Flag AVP and Dynamic-Address-Flag-Extension AVP defining whether IP address(es) were statically or dynamically allocated and PDN-Connection-Charging-ID AVP containing the charging identifier to identify different records belonging to the same PDN connection. For xDSL IP-CAN Type, the Logical-Access-ID AVP and the Physical-Access-ID AVP may be provided.

NOTE: For PDN type Ipv4v6, in case the UE Ipv4 address is not available in the PCRF, the PCRF initiates the TDF session establishment providing the UE Ipv6 prefix, and will subsequently provide UE Ipv4 address to the TDF using Event-Report-Indication AVP (as specified in clause 4b.5.8) to the TDF.

The ADC rules may be transferred to the TDF by using one of the following procedures:

- PUSH procedure (Unsolicited provisioning): The PCRF may decide to provision ADC rules at TDF session establishment within TS-Request or at any point of time within active TDF session by using RA-Request. To provision ADC rules, the PCRF shall include those ADC rules in either TS-Request or RA-Request message; or
- PULL procedure (Provisioning solicited by the TDF): In response to a request for ADC rules being made by the TDF, as described in the clause 4b.5.2, the PCRF shall provision ADC rules in the CC-Answer.

For each request from the TDF or upon the unsolicited provision, the PCRF shall provision zero or more ADC rules. The PCRF may perform an operation on a single ADC rule by one of the following means:

- To activate or deactivate an ADC rule that is predefined at the TDF, the PCRF shall provision a reference to this ADC rule within an ADC-Rule-Name AVP and indicate the required action by choosing either the ADC-Rule-Install AVP or the ADC-Rule-Remove AVP.
- To install or modify a PCRF-provisioned ADC rule, the PCRF shall provision a corresponding ADC-Rule-Definition AVP within an ADC-Rule-Install AVP.
- To remove an ADC rule which has previously been provisioned by the PCRF, the PCRF shall provision the name of this ADC rule as value of an ADC-Rule-Name AVP within an ADC-Rule-Remove AVP.

As an alternative to providing a single ADC rule, the PCRF may provide an ADC-Rule-Base-Name AVP within an ADC-Rule-Install AVP or the ADC-Rule-Remove AVP as a reference to a group of ADC rules predefined at the TDF.

With an ADC-Rule-Install AVP, a predefined group of ADC rules is activated. With an ADC-Rule-Remove AVP, a predefined group of ADC rules is deactivated.

The PCRF may combine multiple of the above ADC rule operations in a single command.

To activate a predefined ADC rule at the TDF, the rule name within an ADC-Rule-Name AVP shall be supplied within an ADC-Rule-Install AVP as a reference to the predefined rule. To activate a group of predefined ADC rules within the TDF, an ADC-Rule-Base-Name AVP shall be supplied within an ADC-Rule-Install AVP as a reference to the group of predefined ADC rules.

To install a new or modify an already installed PCRF defined ADC rule, the ADC-Rule-Definition AVP shall be used. If an ADC rule with the same rule name, as supplied in the ADC-Rule-Name AVP within the ADC-Rule-Definition AVP, already exists at the TDF, the new ADC rule shall update the currently installed rule. If the existing ADC rule already has attributes also included in the new ADC rule definition, the existing attributes shall be overwritten. Any attribute in the existing ADC rule not included in the new ADC rule definition shall remain valid.

For deactivating single predefined or removing PCRF-provided ADC rules, the ADC-Rule-Name AVP shall be supplied within an ADC-Rule-Remove AVP. For deactivating a group of predefined ADC rules, the ADC-Rule-Base-Name AVP shall be supplied within an ADC-Rule-Remove AVP.

The TDF shall apply the ADC rules to the user plane traffic with the IP address(es) matching the UE Ipv4 address within the Framed-IP-Address and/or the UE Ipv6 prefix within the Framed-Ipv6-Prefix AVP received over Sd interface and report the detected *multiple* information via the corresponding TDF session.

If the provisioning of ADC rules fails, the TDF informs the PCRF as described in Clause 4b.5.5 ADC Rule Error Handling. Depending on the cause, the PCRF may decide if re-installation, modification, removal of ADC rules or any other action applies.

4b.5.1.2 Gate function

The Gate Function represents a user plane function enabling or disabling the forwarding of application's traffic. A gate is applicable to the detected application's traffic. The Flow-Status AVP of the ADC rule shall describe if the possible uplink and possible downlink gate for the detected application's traffic is opened or closed.

The commands to open or close the gate shall lead to the enabling or disabling of the passage for corresponding detected application's traffic uplink/downlink. If the corresponding uplink and/or downlink gate is closed, all packets belonging to the detected application's traffic uplink and/or downlink shall be dropped. If the corresponding uplink and/or downlink gate is opened, all packets belonging to the detected application's traffic uplink and/or downlink are allowed to be forwarded.

4b.5.1.3 Bandwidth limitation function

The PCRF can provide the maximum allowed bit rate (QoS) for an ADC rule to the TDF. The Provisioning shall be performed using the ADC rule provisioning procedure. The allowed QoS shall be encoded using a QoS-Information AVP within the ADC-Rule-Definition AVP of the ADC rule. If QoS-Information is provided for an ADC rule, the TDF shall enforce the corresponding policy for the detected application's traffic. Only the Max-Requested-Bandwidth-UL AVP and the Max-Requested-Bandwidth-DL AVP shall be used.

4b.5.1.4 Redirect function

The PCRF may provide the redirect instruction (e.g. redirect the detected application's traffic to another controlled address) for a dynamic ADC rule to the TDF. The Provisioning shall be performed using the ADC rule provisioning procedure. The redirect instruction shall be encoded using a Redirect-Information AVP within the ADC-Rule-Definition AVP of the dynamic ADC rule.

For a dynamic ADC rule, the redirect address may be provided as part of the dynamic ADC rule or may be preconfigured in the TDF. A redirect destination provided within the Redirect-Server-Address AVP in a dynamic ADC Rule shall override the redirect destination preconfigured in the TDF for this ADC Rule.

NOTE: The TDF uses the preconfigured redirection address only if it can be applied to the application traffic being detected, e.g. the redirection destination address could be preconfigured on a per application identifier basis.

If Redirect-Information AVP is provided for a dynamic ADC rule, the TDF shall implement the redirection for the detected application's uplink traffic. If the Redirect-Server-Address AVP is provided within the Redirect-Information AVP and the Redirect-Support AVP is not set to REDIRECTION_DISABLED, the TDF shall redirect the detected application's uplink traffic to this address. In this case, the redirect address type (e.g. Ipv4, Ipv6, URL) shall be defined by the Redirect-Address-Type AVP. If the Redirect-Server-Address AVP is not provided, the redirection address preconfigured in the TDF shall be used instead. If the Redirect-Server-Address AVP is not provided and the redirection address is not preconfigured in the TDF for the ADC rule, the TDF shall perform ADC Rule Error Handling as specified in clause 4b.5.5.

When the PCRF wants to disable the redirect function for an already installed ADC Rule, the PCRF shall update the ADC rule including the Redirect-Information AVP with Redirect-Support AVP set to REDIRECTION_DISABLED.

4b.5.1.5 Usage Monitoring Control

Usage monitoring may be performed for application (s) associated with one or more ADC rules.

The provisioning of usage monitoring control per ADC rule shall be performed using the ADC rule provisioning procedure. For a dynamic ADC rule, the monitoring key shall be set using the Monitoring-Key AVP within the ADC-Rule-Definition AVP of the ADC rule. For a predefined ADC rule, the monitoring key shall be included in the rule definition at the TDF.

4b.5.2 Request for ADC rules

The TDF shall indicate, via the Sd reference point, a request for ADC rules during the active TDF session established with PCRF, when a provisioned Event trigger is met. The TDF shall send a CC-Request with CC-Request-Type AVP set to the value "UPDATE_REQUEST". Additionally, the TDF shall supply the specific event which caused the request (within the Event-Trigger AVP) and any previously provisioned affected ADC rule(s). The ADC rules and their status shall be supplied to PCRF within the ADC-Rule-Report AVP.

ADC rules can also be requested as a consequence of a failure in the ADC rule installation/activation or enforcement without requiring an Event-Trigger. For the additional information see clause 4b.5.5.

4b.5.3 Provisioning of Event Triggers

The PCRF may provide one or several event triggers within one or several Event-Trigger AVP to the TDF using the ADC rule provision procedure. Event triggers may be used to determine which event causes the TDF to inform PCRF once occur. Provisioning of event triggers from the PCRF to the TDF shall be done at TDF session level. The Event-Trigger AVP may be provided in combination with the initial or subsequent ADC rule provisioning in TSR, RAR or CCA message.

The PCRF may add new event triggers or remove the already provided ones. In order to do so, the PCRF shall provide the new complete list of applicable event triggers including the needed provisioned Event-Trigger AVPs in the CCA or RAR commands.

The PCRF may remove all previously provided event triggers by providing the Event-Trigger AVP set to the value NO_EVENT_TRIGGERS. When an Event-Trigger AVP is provided with this value, no other Event-Trigger AVP shall be provided in the CCA or RAR command. Upon reception of an Event-Trigger AVP with this value, the TDF shall not inform PCRF of any event.

If no Event-Trigger AVP is included in a CCA or RAR operation, any previously provisioned event trigger shall still be applicable.

There are event triggers that are required to be unconditionally reported from the TDF to the PCRF as specified in clause 5.3.7 even though the PCRF has not provisioned them to the TDF.

4b.5.4 Request of TDF Session Termination

When the corresponding IP-CAN session is terminated or at any point of time when the PCRF decides that the session with TDF is to be terminated (e.g. subscriber profile changes), the PCRF shall send a RAR command including the Session-Release-Cause AVP to the TDF. The TDF shall acknowledge the command by sending a RAA command to the

PCRF and instantly remove/deactivate all the ADC rules that have been previously installed or activated on that TDF session.

The TDF shall send a CC-Request with CC-Request-Type AVP set to the value "TERMINATION_REQUEST" to PCRF to terminate the TDF session.

When the PCRF receives the CC-Request, it shall acknowledge this message by sending a CC-Answer to the TDF.

NOTE 1: According to DCC procedures, the Diameter Credit Control session is being terminated with this message exchange, as specified in IETF RFC 4006 [9].

Signalling flows for the TDF session termination are presented in 3GPP TS 29.213 [8].

4b.5.5 ADC Rule Error Handling

If the installation/activation of one or more ADC rules fails, the TDF shall include one or more ADC-Rule-Report AVP(s) in either a TSA, a CCR or an RAA command as described below for the affected ADC rules. Within each ADC-Rule-Report AVP, the TDF shall identify the failed ADC rule(s) by including the ADC-Rule-Name AVP(s) or ADC-Rule-Base-Name AVP(s), shall identify the failed reason code by including a Rule-Failure-Code AVP, and shall include the PCC-Rule-Status AVP as described below:

- If the installation/activation of one or more ADC rules fails using a PUSH mode (i.e., the PCRF installs/activates a rule using TSR or RAR command), the TDF shall communicate the failure to the PCRF in the corresponding TSA/RAA response.
- If the installation/activation of one or more ADC rules fails using a PULL mode (i.e., the PCRF installs/activates a rule using a CCA command), the TDF shall send the PCRF a new CCR command and include the Rule-Failure-Code AVP.

If the installation/activation of one or more new ADC rules (i.e., rules which were not previously successfully installed) fails, the TDF shall set the PCC-Rule-Status to INACTIVE for both the PUSH and the PULL modes.

If the modification of a currently active ADC rule using PUSH mode fails, the TDF shall retain the existing ADC rule as active without any modification unless the reason for the failure has an impact also on the existing ADC rule. The TDF shall report the modification failure to the PCRF using the TSA/RAA command.

If the modification of a currently active ADC rule using PULL mode fails, the TDF shall retain the existing ADC rule as active without any modification unless the reason for the failure has an impact also on the existing ADC rule. The TDF shall report the modification failure to the PCRF using the CCR command.

Depending on the value of the Rule-Failure-Code for PULL and PUSH mode, the PCRF may decide whether retaining of the old ADC rule, re-installation, modification, removal of the ADC rule or any other action applies.

If an ADC rule was successfully installed/activated, but can no longer be enforced by the TDF, the TDF shall send the PCRF a new CCR command and include an ADC-Rule-Report AVP. The TDF shall include the Rule-Failure-Code AVP within the ADC-Rule-Report AVP and shall set the PCC-Rule-Status to INACTIVE.

4b.5.6 Requesting Usage Monitoring Control

The PCRF may indicate, via the Sd reference point, the need to apply monitoring control for the accumulated usage of network resources on a per TDF session basis. Usage is defined as volume or time of user plane traffic. Monitoring for volume usage and time usage can be performed in parallel. The data collection for usage monitoring control shall be performed per monitoring key, which may apply to one application (i.e. the monitoring key is used by a single ADC rule), or to several applications (i.e., the monitoring key is used by many ADC rules), or all detected traffic belonging to a specific TDF session.

If the PCRF requests usage monitoring control and if at this time, the PCRF is not subscribed to the "USAGE_REPORT" Event-Trigger, the PCRF shall include the Event-Trigger AVP, set to the value "USAGE_REPORT", in a TS-Request, CC-Answer or RA-Request.

At TDF session establishment and modification, the PCRF may provide the applicable thresholds, volume threshold, time threshold or both volume threshold and time threshold, for usage monitoring control to the TDF, together with the

respective monitoring keys. To provide the initial threshold for one or more monitoring key(s), the PCRF may include the threshold in either TSR, RAR or in the response of a CCR, initiated by the TDF.

During the IP-CAN session establishment, the PCRF may receive information about total allowed usage per PDN and UE from the SPR, i.e. the overall amount of allowed traffic volume and/or time of usage that are to be monitored per PDN and UE and/or total allowed usage for Monitoring key(s) per PDN and UE and should use it when making a decisions about usage monitoring control.

In order to provide the applicable threshold for usage monitoring control, the PCRF shall include a Usage-Monitoring-Information AVP per monitoring key. The threshold level shall be provided in its Granted-Service-Unit AVP. Threshold levels may be defined for:

- the total volume only; or
- the uplink volume only; or
- the downlink volume only; or
- the uplink and downlink volume; or
- the time.

The PCRF shall provide the applicable volume threshold(s) in the CC-Total-Octets, CC-Input-Octets or CC-Output-Octets AVPs and/or time threshold in the CC-Time AVP of the Granted-Service-Unit AVP. The monitoring key shall be provided in the Monitoring-Key AVP. The PCRF may provide multiple usage monitoring control instances. The PCRF shall indicate if the usage monitoring instance applies to the TDF session or to one or more ADC rules. For this purpose, the Usage-Monitoring-Level AVP may be provided with a value respectively set to SESSION_LEVEL or ADC_RULE_LEVEL. The PCRF may provide one usage monitoring control instance applicable at TDF session level and one or more usage monitoring instances applicable at ADC Rule level.

The PCRF may provide a Monitoring-Time AVP to the TDF for the monitoring keys(s) in order to receive reports for the accumulated usage before and after the monitoring time occurs within the report triggered by the events defined in 4b.5.7.2-4b.5.7.6. In such a case, there may be two instances of Granted-Service-Unit AVP within Usage-Monitoring-Information AVP per monitoring key. One of them indicates the threshold levels before the monitoring time occurs, and the other one, which includes Monitoring-Time AVP, indicates the subsequent threshold levels after the monitoring time occurs. The detailed functionality in such a case is defined by 4b.5.7.7.

If the PCRF wishes to modify the threshold level for one or more monitoring keys, the PCRF shall provide the thresholds for all the different levels applicable to the corresponding monitoring key(s).

If the PCRF wishes to modify the monitoring key for the TDF session level usage monitoring instance, it shall disable the existing session level monitoring usage instance following the procedures defined in 4b.5.7.4 and shall provide a new TDF session level usage monitoring instance following the procedures defined in this clause. The PCRF may enable the new TDF session level usage monitoring instance and disable the existing TDF session level usage monitoring instance in the same command.

When the accumulated usage is reported in a CCR command, the PCRF shall indicate to the TDF if usage monitoring shall continue for that TDF session, usage monitoring key, or both as follows:

- If monitoring shall continue for specific level(s), the PCRF shall provide the new thresholds for the level(s) in the CC-Answer using the same AVP as before (CC-Total-Octets, CC-Input-Octets, CC-Output-Octets or CC-Time AVPs within the Granted-Service-Unit AVP);
- otherwise, if the PCRF wishes to stop monitoring for specific level(s) the PCRF shall not include an updated threshold in the CCA command for the stopped level(s) i.e. the corresponding CC-Total-Octets, CC-Input-Octets, CC-Output-Octets or CC-Time AVPs shall not be included within Granted-Service-Units AVP.

If both volume and time thresholds were provided and the threshold for one of the measurements is reached, the TDF shall report this event to the PCRF and the accumulated usage since last report shall be reported for both measurements.

When usage monitoring is enabled, the PCRF may request the TDF to report accumulated usage for all enabled monitoring or selected monitoring keys regardless if a usage threshold has been reached by sending to the TDF within the Usage-Monitoring-Information AVP the Usage-Monitoring-Report AVP set to the value USAGE_MONITORING_REPORT_REQUIRED. The PCRF shall only require TDF to report accumulated usage for

one or more monitoring keys in a CC-Answer when the TDF has not provided accumulated usage in the CC-Request for the same monitoring key(s).

To specify the usage monitoring key for which usage is requested, the PCRF shall include the usage monitoring key within the Monitoring-Key AVP within the Usage-Monitoring-Information AVP. To request usage be reported for all enabled usage monitoring keys, the PCRF shall omit the Monitoring-Key.

The PCRF shall process the usage reports and shall perform the actions as appropriate for each report.

4b.5.7 Reporting Accumulated Usage

4b.5.7.1 General

When usage monitoring is enabled, the TDF shall measure the volume and/or the time of usage of the TDF session or the volume and/or the time of usage of the particular application (s). The TDF shall be able to support volume and time measurements simultaneously for a given application(s).

When the time based usage monitoring is supported, the PCRF may optionally indicate to the TDF, along with other usage monitoring information provided, the Inactivity Detection Time within the Quota-Consumption-Time AVP. This value represents the time interval after which the time measurement shall stop for the Monitoring Key, if no packets are received belonging to the corresponding Monitoring Key. Time measurement shall resume again on receipt of a further packet belonging to the Monitoring Key.

Time measurement for a Monitoring key shall also be stopped when time based usage monitoring is disabled, if this happens before the Inactivity Detection Time is reached.

If an Inactivity Detection Time value of zero is provided, or if no Inactivity Detection Time is present within the usage monitoring information provided by the PCRF, the time measurement shall be performed continuously from the point at the first packet is received matching the applicable Monitoring Key and until time based usage monitoring is disabled.

The TDF shall report accumulated usage to the PCRF in the following conditions:

- when a usage threshold is reached;
- when all ADC rules for which usage monitoring is enabled for a particular usage monitoring key are removed or deactivated;
- when usage monitoring is explicitly disabled by the PCRF;
- when a TDF session is terminated;
- when requested by the PCRF.

To report accumulated usage for a specific monitoring key, the TDF shall send a CC-Request with the Usage-Monitoring-Information AVP including the accumulated usage since the last report. The Usage-Monitoring-Information AVP shall include the monitoring key in the Monitoring-Key AVP and the accumulated volume usage in the [Used-Service-Unit AVP](#). Accumulated volume reporting shall be done for the total volume, the uplink volume or the downlink volume as requested by the PCRF, and set in CC-Total-Octets, CC-Input-Octets or CC-Output-Octets AVPs of Used-Service-Unit AVP respectively. Accumulated time reporting shall be set in the CC-Time AVP of Used-Service-Unit AVP. The TDF shall continue to perform volume measurement after the report until instructed by the PCRF to stop the monitoring. If both volume and time measurements are requested by the PCRF and the threshold for one of the measurements is reached, the TDF shall report this event to the PCRF and the accumulated usage since last report shall be reported for both measurements.

In case a Monitoring-Time AVP was provided by the PCRF within one instance of the Granted-Service-Unit AVP included within the Usage-Monitoring-Information AVP for the usage monitoring control request, the PCEF shall report as defined in 4b.5.7.7.

For cases, where the PCRF indicates in a CC-Answer command whether the usage monitoring shall continue as a response to the reporting of accumulated usage in a CCR command, the TDF shall behave as follows:

- if the PCRF provisions an updated usage threshold in the CCA command, the monitoring continues using the updated threshold value provisioned by the PCRF;

- otherwise, if the PCRF does not include an updated usage threshold in the CCA command, the TDF shall not continue usage monitoring for that TDF session, usage monitoring key, or both as applicable.

NOTE: When the PCRF indicates that usage monitoring shall not continue in the CCA, the TDF does not report usage which has accumulated between sending the CCR and receiving the CCA.

Upon receiving the reported usage from the TDF, the PCRF shall deduct the value of the usage report from the total allowed usage for that IP-CAN session, usage monitoring key, or both as applicable, and the PCRF may also derive the ADC rules based on the remaining allowed usage or reported usage and provision them to the TDF.

Additional procedures for each of the scenarios above are described in the following clauses of 4b.5.7.

4b.5.7.2 Usage Threshold Reached

When usage monitoring is enabled for a particular monitoring key, the TDF shall measure the volume and/or the time of usage of all traffic for the TDF session or the corresponding application (s) and notify the PCRF when a usage threshold for that monitoring key is reached and report the accumulated usage for that monitoring key and include the "USAGE_REPORT" Event-Trigger in a CCR command with CC-Request Type AVP set to the value "UPDATE_REQUEST" by following the procedures to report accumulated usage defined in clause 4b.5.7.1.

4b.5.7.3 ADC Rule Removal

When the PCRF removes or deactivates the last ADC rule associated with a usage monitoring key in an RAR or CCA command in response to a CCR command not related to reporting usage for the same monitoring key, the TDF shall send a new CCR command with the CC-Request-Type set to the value "UPDATE_REQUEST" including the Event-Trigger set to "USAGE_REPORT" to report accumulated usage for the usage monitoring key within the Usage-Monitoring-Information AVP using the procedures to report accumulated usage defined in clause 4b.5.7.1.

When the TDF reports that the last ADC rule associated with a usage monitoring key is inactive, the TDF shall report the accumulated usage for that monitoring key within the same CCR command if the ADC-Rule-Report AVP was included in a CCR command; otherwise, if the ADC-Rule-Report AVP was included in an RAA command, the TDF shall send a new CCR command to report accumulated usage for the usage monitoring key.

4b.5.7.4 Usage Monitoring Disabled

Once enabled, the PCRF may explicitly disable usage monitoring as a result of receiving a CCR from the TDF which is not related to reporting usage, but related to other external triggers (e.g. subscriber profile update), or a PCRF internal trigger. When the PCRF disables usage monitoring, the TDF shall report the accumulated usage which has occurred while usage monitoring was enabled since the last report.

To disable usage monitoring for a monitoring key, the PCRF shall send the Usage-Monitoring-Information AVP including only the applicable monitoring key within the Monitoring-Key AVP and the Usage-Monitoring-Support AVP set to USAGE_MONITORING_DISABLED.

When the PCRF disables usage monitoring in a RAR or CCA command, the TDF shall send a new CCR command with CC-Request Type AVP set to the value "UPDATE_REQUEST" and the Event-Trigger AVP set to "USAGE_REPORT" to report accumulated usage for the disabled usage monitoring key(s).

4b.5.7.5 TDF Session Termination

At TDF session termination, the TDF shall send the accumulated usage information for all monitoring keys for which usage monitoring is enabled in the CCR command with the CC-Request-Type AVP set to the value "TERMINATION_REQUEST" using the procedures to report accumulated usage defined in clause 4b.5.7.1.

4b.5.7.6 PCRF Requested Usage Report

When the TDF receives the Usage-Monitoring-Information AVP including the Usage-Monitoring-Report AVP set to the value USAGE_MONITORING_REPORT_REQUIRED, the TDF shall send a new CCR command with CC-Request Type AVP set to the value "UPDATE_REQUEST" and the Event-Trigger AVP set to "USAGE_REPORT" to report accumulated usage for the monitoring key received in the Usage-Monitoring-Information AVP using the procedures to report accumulated usage defined in clause 4b.5.7, e.g. if the volume threshold and time threshold were

provided, the TDF shall report the volume usage and time of usage. If the Monitoring-Key AVP was omitted in the received Usage-Monitoring-Information AVP, the TDF shall send the accumulated usage for all the monitoring keys that were enabled at the time the Usage-Monitoring-Information was received.

4b.5.7.7 Report in case of Monitoring Time provided

If Monitoring-Time AVP was provided within one instance of the Granted-Service-Unit AVP included within the Usage-Monitoring-Information AVP by the PCRF, and if the TDF needs to report the accumulated usage when one of the events defined in subclauses 4b.5.7.2-4b.5.7.6 occurs before the monitoring time, the PCEF shall report the accumulated usage as defined subclauses 4b.5.7.2-4b.5.7.6 and the TDF shall not retain the monitoring time; otherwise,

- If two instances of the Granted-Service-Unit AVP are provided by the PCRF, then the TDF shall, at the monitoring time, reset the usage threshold to the value of the Granted-Service-Unit AVP with the Monitoring-Time AVP.
- If only one instance of the Granted-Service-Unit AVP is provided by the PCRF, then the TDF shall, at the monitoring time, reset the usage threshold to the remaining value of the Granted-Service-Unit AVP previously sent by the PCRF (i.e. excluding the accumulated volume and/or time usage).
- For both cases, the usage report from the TDF shall include two instances of the Used-Service-Unit AVP, one of them to indicate the usage before the monitoring time and the other one accompanied by the Monitoring-Time AVP under the same Used-Service-Unit AVP to indicate the usage after the monitoring time.

When PCRF receives the accumulated usage report in a CCR command, the PCRF shall indicate to the TDF if usage monitoring shall continue as defined in clause 4b.5.6. The PCRF may provide the Monitoring-Time AVP again within one instance of the Granted-Service-Unit AVP if reports for the accumulated usage before and after the provided monitoring time are required.

4b.5.8 Provisioning of Event Report Indication

The TDF may request from the PCRF to be informed about specific changes occurred in the location information/access network information in either a TSA, a CCR or an RAA command. In this case, the PCRF shall subscribe to the appropriate event triggers in the PCEF according to clause 4.5.3 or in the BBERF according to clause 4a.5.8.

NOTE 1: In case the IP flow mobility feature is enabled, the TDF doesn't have accurate information about the location and the type of RAT the user is attached to.

After receiving the reply of the event subscription from the PCEF or the BBERF, the PCRF shall send the event related information to the TDF by using a RAR command.

When PCRF is notified that an event is triggered in the PCEF or the BBERF, if the TDF has previously requested to be informed of the specific event, the PCRF shall notify the TDF about the event occurred together with additional related information (i.e. the parameter value). This notification shall be done by using the Event-Report-Indication AVP. There may be neither ADC Rule provisioning nor Event Trigger provisioning together with event report indication in this message.

When PCRF is notified by PCEF that either an UE_IP_ADDRESS_ALLOCATE or an UE_IP_ADDRESS_RELEASE event of the IP-CAN session occurs in the PCEF, the PCRF shall notify the TDF about the event for the corresponding TDF session. The Framed-IP-Address AVP shall also be provided. This notification shall also be done by using the Event-Report-Indication AVP within a RAR command. There may be neither ADC Rules nor Event Triggers in this message. If the PCRF notifies of the new Ipv4 address to the TDF, the TDF shall additionally apply the ADC rules to the user plane traffic with the IP address matching the new Ipv4 address and report the detected information via the corresponding TDF session. If the PCRF notifies to the TDF that the Ipv4 address has been released, the TDF shall stop applying the ADC rule to the user plane traffic with IP address matching the released Ipv4 address.

NOTE 2: The TDF does not need to subscribe the notification of the UE_IP_ADDRESS_ALLOCATE and UE_IP_ADDRESS_RELEASE.

Whenever the TDF subscribes to an event report indication by using the TSA, CCR or RAA command, the PCRF shall only send the corresponding currently applicable values which have been updated (e.g. 3GPP-User-Location-Info, 3GPP2-BSID, etc.) to the TDF in the RAR or CCA if available. In this case, the Event-Trigger AVPs shall not be included.

NOTE 3: The PCRF can get the currently applicable values during the IP-CAN session establishment procedure or during the information reporting from the BBERF when the BBERF gets event subscription from the PCRF as defined in clause 5.3.7.

4b.5.9 Application Detection Information

For the solicited application reporting, the PCRF may instruct the TDF to detect application (s) by providing the ADC-Rule-Install AVP (s) with the corresponding parameters as follows: the application to be detected is identified by the TDF-Application-Identifier AVP, which is either provided under ADC-Rule-Definition AVP for dynamic ADC Rules or pre-provisioned for the corresponding predefined ADC Rule, and in such a case only ADC-Rule-Name/ADC-Rule-Base-Name is provided. If the PCRF requires to be reported about when the application start/stop is detected, it shall also subscribe to the APPLICATION_START and APPLICATION_STOP Event-Triggers. The PCRF may also mute such a notification about a specific detected application by providing Mute-Notification within the corresponding ADC-Rule-Definition AVP.

When the start or stop of the application's traffic, identified by TDF-Application-Identifier, is detected, if PCRF has previously subscribed to the APPLICATION_START/APPLICATION_STOP Event-Triggers, unless a request to mute such a notification (Mute-Notification AVP) is part of the corresponding ADC-Rule-Definition AVP, the TDF shall report the information regarding the detected application's traffic in the Application-Detection-Information AVP in the CCR command even if the application traffic is discarded due to enforcement actions of the ADC rule.

The corresponding TDF-Application-Identifier AVP shall be included under Application-Detection-Information AVP. When the Event trigger indicates APPLICATION_START, the Flow-Information AVP for the detected application may be included under Application-Detection-Information AVP, if deducible. The Flow-Information AVP, if present, shall contain the Flow-Description AVP and Flow-Direction AVP. The TDF-Application-Instance-Identifier, which is dynamically assigned by the TDF in order to allow correlation of APPLICATION_START and APPLICATION_STOP Event-Triggers to the specific Flow-Information AVP, if service data flow descriptions are deducible, shall also be provided. Also, the corresponding Event-Trigger (APPLICATION_START or APPLICATION_STOP) shall be provided to PCRF. When the TDF-Application-Instance-Identifier is provided along with the APPLICATION_START, it shall also be provided along with the corresponding APPLICATION_STOP. The PCRF then may make the policy decision based on the information received and send the updated PCC rules to the PCEF, updated QoS rules to the BBERF, if applicable, and the updated ADC rules to the TDF.

4b.5.10 Time of the day procedures

TDF shall be able to perform ADC rule request based on time as instructed by the PCRF in a TSR, CCA or a RAR commands. To do so, the PCRF shall provide the Event-Trigger AVP with the value REVALIDATION_TIMEOUT (17) if the event trigger is not previously set, and in addition the Revalidation-Time, when set by the PCRF. This shall cause the TDF to trigger a PCRF interaction to request ADC rules from the PCRF for an established TDF session. The TDF shall stop the timer once the TDF triggers an REVALIDATION_TIMEOUT event.

PCRF shall be able to provide a new value for the revalidation timeout by including Revalidation-Time in CCA or RAR. The PCRF may provide the Revalidation-Time AVP together with the event trigger REVALIDATION_TIMEOUT or in a subsequent ADC rule provisioning.

PCRF shall be able to stop the ADC revalidation timer by disabling the REVALIDATION_TIMEOUT event trigger.

NOTE 1: By disabling the REVALIDATION_TIMEOUT the revalidation time value previously provided to the TDF is not applicable anymore.

The PCRF may control at what time the status of an ADC rule changes.

- 1) If Rule-Activation-Time is specified only and has not yet occurred, then the TDF shall set the ADC rule inactive and make it active at that time. If Rule-Activation-Time has passed, then the TDF shall immediately set the ADC rule active.
- 2) If Rule-Deactivation-Time is specified only and has not yet occurred, then the TDF shall set the ADC rule active and make it inactive at that time. If Rule-Deactivation-Time has passed, then the TDF shall immediately set the ADC rule inactive.
- 3) If both Rule-Activation-Time and Rule-Deactivation-Time are specified, and the Rule-Activation-Time occurs before the Rule-Deactivation-Time, and also when the ADC rule is provided before or at the time specified in the Rule-Deactivation-Time, the TDF shall handle the rule as defined in 1) and then as defined in 2),

- 4) If both Rule-Activation-Time and Rule-Deactivation-Time are specified, and the Rule-Deactivation-Time occurs before the Rule-Activation-Time, and also when the ADC rule is provided before or at the time specified in the Rule-Activation-Time., the TDF shall handle the rule as defined in 2) and then as defined in 1),
- 5) If both Rule-Activation-Time and Rule-Deactivation-Time are specified but time has passed for both, and the Rule-Activation-Time occurs before the Rule-Deactivation-Time, then the TDF shall immediately set the ADC rule inactive.
- 6) If both Rule-Activation-Time and Rule-Deactivation-Time are specified but time has passed for both, and the Rule-Deactivation-Time occurs before the Rule-Activation-Time, then the PCEF shall immediately set the ADC rule active.

ADC Rule Activation or Deactivation shall not generate any CCR commands with ADC-Rule-Report since PCRF is already aware of the state of the rules.

If Rule-Activation-Time or Rule-Deactivation-Time is specified in the ADC-Rule-Install, then it shall replace the previously set values for the specified ADC rules.

If Rule-Activation-Time AVP, Rule-Deactivation-Time AVP or both AVPs are omitted, then any previous value for the omitted AVP is no longer valid.

The 3GPP-MS-TimeZone AVP, if available, may be used by the PCRF and by the TDF to derive the Rule-Activation-Time and Rule-Deactivation-Time.

4b.5.11 PCRF Failure and Restoration

If the TDF needs to send a TDF Session update request (e.g. following usage threshold reached) towards a PCRF which is known to have restarted since the TDF Session establishment, the TDF should not send the TDF Session update request towards a PCRF, and the TDF may clean up the TDF session related information.

NOTE 1: This mechanism in the TDF removes all application traffic control on the PDN connection and has no effect on the state of the PDN connection. It is expected that the PCEF will perform the same detection and clean up of PDN connections affected by the PCRF failure and restoration

NOTE 2: The method the TDF uses to determine that a PCRF has restarted is not specified in this release.

4b.5.12 Bandwidth limitation function

The PCRF may provide the maximum allowed bit rate (QoS) to the TDF.

The maximum allowed bit rate (QoS) shall be provisioned within a TSR, CCA or RAR Diameter message as QoS-Information AVP. Only the Max-Requested-Bandwidth-UL AVP and the Max-Requested-Bandwidth-DL AVP shall be used. The maximum allowed bit rate (QoS) can refer to a detected application's traffic or to a TDF session.

- When the maximum allowed bit rate (QoS) applies to a detected application's traffic, see clause 4b.5.1.3.
- When the maximum allowed bit rate (QoS) applies to a TDF session, the provisioning is done outside an ADC-Rule-Definition AVP at command level. The allowed QoS shall be encoded using a QoS-Information AVP. Only the Max-Requested-Bandwidth-UL AVP and the Max-Requested-Bandwidth-DL AVP shall be used. If QoS-Information is provided at command level, the TDF shall enforce the corresponding policy for the TDF session.

NOTE: In case the maximum allowed bit rate (QoS) applies to a TDF session, in order to avoid down-link packets being discarded in PCEF when TDF performs charging, the PCRF has to set the Maximum downlink bit rate to the DL APN-AMBR.

4b.5.13 Provisioning of charging related information for the TDF session

4b.5.13.1 Provisioning of Charging Addresses

In combination with the initial ADC rule provisioning only, the PCRF may provide OFCS and/or OCS addresses within a Charging-Information AVP to the TDF within the TSR command defining the offline and online charging system addresses respectively. These shall overwrite any predefined addresses at the TDF. Both primary and secondary

addresses for OFCS and/or OCS shall be provided simultaneously. Provisioning of OFCS and/or OCS addresses without ADC rules for offline or online charged applications, respectively, shall not be considered as an error since such ADC rules may be provided in later provisioning.

4b.5.13.2 Provisioning of Default Charging Method

The default charging method indicates what charging method shall be used for every ADC rule where the charging method is omitted. The TDF may have a pre-configured Default charging method.

Upon the initial interaction with the TDF, the PCRF may provide default charging method within the Online AVP or Offline AVP embedded directly within the TSR command to the TDF. The default charging method provided by the PCRF shall overwrite any predefined default charging method at the TDF.

4b.5.13.3 Provisioning of Charging Characteristics

Upon the initial interaction with the TDF, if Charging Characteristics are received from the PCEF and charging is applicable to the TDF, the PCRF shall provide Charging Characteristics within 3GPP-Charging-Characteristics AVP within the TSR command to the TDF. In addition, if Charging Characteristics are received by the PCRF from the PCEF, the PCRF may take them into account to also provide Charging-Information AVP, Online AVP and Offline AVP to the TDF.

In case the TDF receives 3GPP-Charging-Characteristics AVP in addition to Charging-Information AVP, Online AVP and/or Offline AVP, then the Charging-Information AVP, Online AVP or Offline AVP shall supersede the values determined from the received 3GPP-Charging-Characteristics AVP.

4b.5a ADC procedures over Sd reference point for unsolicited application reporting

4b.5a.1 Provisioning of ADC rules

4b.5a.1.1 General

If a TDF is configured for unsolicited reporting, the TDF is pre-configured with ADC rules which specify which applications to detect and report. These rules are always active and are not controlled by the PCRF.

4b.5a.2 Application Detection Information

When the start or stop of the application's traffic, identified by TDF-Application-Identifier, is detected, the TDF shall report the information regarding the detected application's traffic in the Application-Detection-Information AVP in the CCR command.

- 1) When the TDF detects an application for an Ipv4 address or Ipv6 address for which a TDF session does not exist, the TDF shall send CC-Request with CC-Request-Type set to value "INITIAL-REQUEST". The TDF provides the full UE IP address using either Framed-IP-Address AVP or Framed-Ipv6-Prefix AVP and, if available, the PDN identifier. The corresponding CCA may contain the Ipv6 prefix within the Framed-Ipv6-Prefix AVPs if the established TDF session is Ipv6 address related.
- 2) When an application is detected for an Ipv4 address or Ipv6 Prefix for which a TDF session already exists, the TDF shall send CC-Request with CC-Request-Type set to value "UPDATE_REQUEST".

NOTE: It is considered that a TDF session exists for a detected application related to an Ipv6 address if the Ipv6 address belongs to the Ipv6 prefix provided by the PCRF for that TDF session.

The corresponding TDF-Application-Identifier AVP shall be included under Application-Detection-Information AVP. Also, the corresponding Event-Trigger (APPLICATION_START or APPLICATION_STOP) shall be provided to PCRF. When the Event trigger indicates APPLICATION_START, if deducible, the Flow-Information AVP for the detected application shall be included under Application-Detection-Information AVP. The Flow-Information AVP, if present, shall contain the Flow-Description AVP and Flow-Direction AVP. The TDF-Application-Instance-Identifier, which is dynamically assigned by the TDF in order to allow correlation of APPLICATION_START and

APPLICATION_STOP Event-Triggers to the specific Flow-Information AVP, if service data flow descriptions are deducible, shall also be provided.

4b.5a.3 Request of TDF Session Termination

In the unsolicited reporting case the session termination procedure as defined in clause 4b.5.4 is initiated in the following cases.

- the corresponding IP-CAN session is terminated;
- the Ipv4 address of a dual stack IP-CAN session is released and there is an active Ipv4 address related TDF session for that IP-CAN session;
- at any point of time when the PCRF decides that the session with TDF is to be terminated (e.g. subscriber profile changes).

4b.5a.4 TDF session to Gx session linking

When the PCRF receives the CCR command with the CC-Request-Type set to the value "INITIAL_REQUEST", the PCRF links the TDF session to a Gx session, if the Ipv4 address or Ipv6 address of the TDF session matches the Ipv4 address or Ipv6 prefix of the Gx session. The PDN information if available in the Called-Station-Id AVP may also be used for this session linking.

The TDF should handle each Ipv4 address and Ipv6 prefix, assuming the max prefix length used in the access network, within a separate TDF session. The PCRF shall link the separate Ipv4 address related TDF session and Ipv6 address related TDF session to the same IP-CAN session and correlate the TDF sessions.

NOTE 1: In the scenario where the TDF performs initial Application Detection on multiple simultaneous traffic flows for the same Ipv6 prefix (i.e. two or more traffic flows from Ipv6 addresses of the same IP-CAN session) the TDF could not be aware that those flows belong to the same IP-CAN session until a response is received from the PCRF, containing the Ipv6 prefix. This leads to using separate TDF sessions for the Ipv6 addresses for the same IP-CAN session. The TDF reports new application detection information related to that Ipv6 prefix via any of the TDF sessions at a later stage.

5 Gx protocol

5.1 Protocol support

The Gx protocol in the present release is based on Gx protocol defined for Release 6 as specified in 3GPP TS 29.210 [2]. However, due to a new paradigm (DCC session for an IP-CAN session) between Release 6 and the present release, the Gx application in the present release has an own vendor specific Diameter application.

The Gx application is defined as a vendor specific Diameter application, where the vendor is 3GPP and the Application-ID for the Gx Application in the present release is 16777238. The vendor identifier assigned by IANA to 3GPP (<http://www.iana.org/assignments/enterprise-numbers>) is 10415.

NOTE: A route entry can have a different destination based on the application identification AVP of the message. Therefore, Diameter agents (relay, proxy, redirection, translation agents) must be configured appropriately to identify the 3GPP Gx application within the Auth-Application-Id AVP in order to create suitable routing tables.

Due to the definition of the commands used in Gx protocol, there is no possibility to skip the Auth-Application-Id AVP and use the Vendor-Specific-Application-Id AVP instead. Therefore the Gx application identification shall be included in the Auth-Application-Id AVP.

With regard to the Diameter protocol defined over the Gx interface, the PCRF acts as a Diameter server, in the sense that it is the network element that handles PCC Rule requests for a particular realm. The PCEF acts as the Diameter client, in the sense that it is the network element requesting PCC rules in the transport plane network resources.

5.2 Initialization, maintenance and termination of connection and session

The initialization and maintenance of the connection between each PCRF and PCEF pair is defined by the underlying protocol. Establishment and maintenance of connections between Diameter nodes is described in RFC 3588 [5].

After establishing the transport connection, the PCRF and the PCEF shall advertise the support of the Gx specific Application by including the value of the application identifier in the Auth-Application-Id AVP and the value of the 3GPP (10415) in the Vendor-Id AVP of the Vendor-Specific-Application-Id AVP contained in the Capabilities-Exchange-Request and Capabilities-Exchange-Answer commands. The Capabilities-Exchange-Request and Capabilities-Exchange-Answer commands are specified in the Diameter Base Protocol (RFC 3588 [5]).

The termination of the Diameter session on Gx can be initiated either by the PCEF or PCRF, as specified in clauses 4.5.7 and 4.5.9, respectively.

5.3 Gx specific AVPs

Table 5.3.1 describes the Diameter AVPs defined for the Gx reference point, their AVP Code values, types, possible flag values, whether or not the AVP may be encrypted, what access types (e.g. 3GPP-GPRS, etc.) the AVP is applicable to, the applicability of the AVPs to charging control, policy control or both, and which supported features the AVP is applicable to. The Vendor-Id header of all AVPs defined in the present document shall be set to 3GPP (10415).

Table 5.3.1: Gx specific Diameter AVPs

Attribute Name	AVP Code	Clause defined	Value Type (NOTE 2)	AVP Flag rules (NOTE 1)				May Encr.	Acc. Type	Applicability (notes 3, 9)
				Must	May	Should not	Must not			
Access-Network-Charging-Identifier-Gx	1022	5.3.22	Grouped	M,V	P			Y	All	CC
Allocation-Retention-Priority	1034	5.3.32	Grouped	V	P		M	Y	All	Both Rel8
AN-GW-Address	1050	5.3.49	Address	V	P		M	Y	All	Both Rel8 EPC-routed
AN-GW-Status	2811	5.3.100	Enumerated	V	P		M	Y	3GPP-EPS	Both SGW-Rest
APN-Aggregate-Max-Bitrate-DL	1040	5.3.39	Unsigned32	V	P		M	Y	All	PC Rel8
APN-Aggregate-Max-Bitrate-UL	1041	5.3.40	Unsigned32	V	P		M	Y	All	PC Rel8
Application-Detection-Information	1098	5.3.91	Grouped	V	P		M	Y	All	ADC
Bearer-Control-Mode	1023	5.3.23	Enumerated	M,V	P			Y	3GPP-GPRS 3GPP-EPS 3GPP2 Non-3GPP-EPS (NOTE 6)	PC
Bearer-Identifier	1020	5.3.20	OctetString	M,V	P			Y	3GPP-GPRS	Both
Bearer-Operation	1021	5.3.21	Enumerated	M,V	P			Y	3GPP-GPRS	Both
Bearer-Usage	1000	5.3.1	Enumerated	M,V	P			Y	3GPP-GPRS 3GPP-EPS	Both
Charging-Correlation-Indicator	1073	5.3.67	Enumerated	V	P		M	Y	All	CC Rel8
Charging-Rule-Base-Name	1004	5.3.5	UTF8String	M,V	P			Y	All	Both
Charging-Rule-Definition	1003	5.3.4	Grouped	M,V	P			Y	All	Both
Charging-Rule-Install	1001	5.3.2	Grouped	M,V	P			Y	All	Both
Charging-Rule-Name	1005	5.3.6	OctetString	M,V	P			Y	All	Both
Charging-Rule-Remove	1002	5.3.3	Grouped	M,V	P			Y	All	Both
Charging-Rule-Report	1018	5.3.18	Grouped	M,V	P			Y	All	Both
CoA-Information	1039	5.3.37	Grouped	V	P		M	Y	All (NOTE 8)	Both Rel8
CoA-IP-Address	1035	5.3.33	Address	V	P		M	Y	All (NOTE 8)	Both Rel8
Conditional-APN-Aggregate-Max-Bitrate	2818	5.3.105	Grouped	V	P		M	Y	All (NOTE 5)	PC Conditional APNPolicyInfo
Credit-Management-Status	1082	5.3.102	Unsigned32	V	P		M	Y	All	ABC
CSG-Information-Reporting	1071	5.3.64	Enumerated	V	P		M	Y	3GPP-GPRS 3GPP-EPS	CC Rel9
Default-EPS-Bearer-QoS	1049	5.3.48	Grouped	V	P		M	Y	All (NOTE 5)	PC Rel8
Default-QoS-Information	2816	5.3.103	Grouped	V	P		M	Y	FBA	PC FBAC
Default-QoS-Name	2817	5.3.104	UTF8String	V	P		M	Y	FBA	PC FBAC
Event-Report-Indication	1033	5.3.30	Grouped	V	P		M	Y	All	Both Rel8
Event-Trigger	1006	5.3.7	Enumerated	M,V	P			Y	All	Both
Flow-Direction	1080	5.3.65	Enumerated	V	P		M	Y	All	Both Rel9
Flow-Information	1058	5.3.53	Grouped	V	P		M	Y	All	Both
Flow-Label	1057	5.3.52	OctetString	V	P		M	Y	All	Both
Fixed-User-Location-Info	2825	5.3.112	Grouped	V	P		M	Y	FBA	Both FBAC
Guaranteed-Bitrate-DL	1025	5.3.25	Unsigned32	M,V	P			Y	All	PC

Guaranteed-Bitrate-UL	1026	5.3.26	Unsigned32	M,V	P			Y	All	PC
HeNB-Local-IP-Address	2804	5.3.95	Address	V	P		M	Y	3GPP-EPS	PC EPC-routed
IP-CAN-Session-Charging- Scope	2827	5.3.114	Enumerated	V	P		M	Y	All	CC
IP-CAN-Type	1027	5.3.27	Enumerated	M,V	P			Y	All	Both
Metering-Method	1007	5.3.8	Enumerated	M,V	P			Y	All	CC
Monitoring-Key	1066	5.3.59	OctetString	V	P		M	Y	All	Both Rel9
Mute-Notification	2809	5.3.98	Enumerated	V	P		M	Y	All	ADC
Monitoring-Time	2810	5.3.99	Time	V	P		M	Y	All	Both UMCH
NetLoc-Access-Support	2824	5.3.111	Unsigned32	V	P		M	Y	All	NetLoc
Network-Request-Support	1024	5.3.24	Enumerated	M,V	P			Y	3GPP-GPRS 3GPP-EPS 3GPP2 Non- 3GPP-EPS (NOTE 6)	PC
Offline	1008	5.3.9	Enumerated	M,V	P			Y	All	CC
Online	1009	5.3.10	Enumerated	M,V	P			Y	All	CC
Packet-Filter-Content	1059	5.3.54	IPFilterRule	V	P		M	Y	All (NOTE 5)	Both Rel8
Packet-Filter-Identifier	1060	5.3.55	OctetString	V	P		M	Y	All (NOTE 5)	Both Rel8
Packet-Filter-Information	1061	5.3.56	Grouped	V	P		M	Y	All (NOTE 5)	Both Rel8
Packet-Filter-Operation	1062	5.3.57	Enumerated	V	P		M	Y	All (NOTE 5)	Both Rel8
Packet-Filter-Usage	1072	5.3.66	Enumerated	V	P		M	Y	All	Both Rel9
PCC-Rule-Status	1019	5.3.19	Enumerated	M,V	P			Y	All	Both
PDN-Connection-ID	1065	5.3.58	OctetString	V	P			Y	All (NOTE 7)	Both Rel9
Precedence	1010	5.3.11	Unsigned32	M,V	P			Y	All	Both
Pre-emption-Capability	1047	5.3.46	Enumerated	V	P		M	Y	3GPP- EPS, 3GPP-GPRS	Both Rel8
Pre-emption-Vulnerability	1048	5.3.47	Enumerated	V	P		M	Y	3GPP- EPS, 3GPP-GPRS	Both Rel8
Presence-Reporting-Area- Elements-List	2820	5.3.107	OctetString	V	P		M	Y	3GPP-EPS	Both CNO-ULI
Presence-Reporting-Area- Identifier	2821	5.3.108	OctetString	V	P		M	Y	3GPP-EPS	Both CNO-ULI
Presence-Reporting-Area- Information	2822	5.3.109	Grouped	V	P		M	Y	3GPP-EPS	Both CNO-ULI
Presence-Reporting-Area- Status	2823	5.3.110	Unsigned32	V	P		M	Y	3GPP-EPS	Both CNO-ULI
Priority-Level	1046	5.3.45	Unsigned32	V	P		M	Y	All	Both Rel8
PS-to-CS-Session-Continuity	1099	5.3.84	Enumerated	V	P			Y	3GPP-EPS	Both vSRVCC
QoS-Class-Identifier	1028	5.3.17	Enumerated	M,V	P			Y	All (Note 10)	Both
QoS-Information	1016	5.3.16	Grouped	M,V	P			Y	All	Both
QoS-Negotiation	1029	5.3.28	Enumerated	M,V	P			Y	3GPP-GPRS	PC
QoS-Upgrade	1030	5.3.29	Enumerated	M,V	P			Y	3GPP-GPRS	PC
RAN-NAS-Release-Cause	2819	5.3.106	OctetString	V	P		M	Y	3GPP-EPS	Both RAN-NAS- Cause
RAT-Type	1032	5.3.31	Enumerated	V	P		M	Y	All (NOTE 4)	Both Rel8
Redirect-Information	1085	5.3.82	Grouped	V	P		M	Y	All	ADC
Redirect-Support	1086	5.3.83	Enumerated	V	P		M	Y	All	ADC
Reporting-Level	1011	5.3.12	Enumerated	M,V	P			Y	All	CC
Resource-Allocation- Notification	1063	5.3.50	Enumerated	V	P		M	Y	All	Both Rel8
Revalidation-Time	1042	5.3.41	Time	M,V	P			Y	All	Both

Routing-Filter	1078	5.3.72	Grouped	V	P		M	Y	3GPP-EPS, Non-3GPP- EPS	Both IFOM
Routing-IP-Address	1079	5.3.73	Address	V	P		M	Y	3GPP-EPS, Non-3GPP- EPS	Both IFOM
Routing-Rule-Definition	1076	5.3.70	Grouped	V	P		M	Y	3GPP-EPS, Non-3GPP- EPS	Both IFOM
Routing-Rule-Identifier	1077	5.3.71	OctetString	V	P		M	Y	3GPP-EPS, Non-3GPP- EPS	Both IFOM
Routing-Rule-Install	1081	5.3.68	Grouped	V	P		M	Y	3GPP-EPS, Non-3GPP- EPS	Both IFOM
Routing-Rule-Remove	1075	5.3.69	Grouped	V	P		M	Y	3GPP-EPS, Non-3GPP- EPS	Both IFOM
Rule-Activation-Time	1043	5.3.42	Time	M,V	P			Y	All	Both
Rule-Deactivation-Time	1044	5.3.43	Time	M,V	P			Y	All	Both
Rule-Failure-Code	1031	5.3.38	Enumerated	M,V	P			Y	All	Both
Security-Parameter-Index	1056	5.3.51	OctetString	V	P		M	Y	All	Both
Session-Release-Cause	1045	5.3.44	Enumerated	M,V	P			Y	All	Both
TDF-Information	1087	5.3.78	Grouped	V	P		M	Y	All	PC
TDF-Application-Identifier	1088	5.3.77	OctetString	V	P		M	Y	All	PC ADC
TDF-Application-Instance- Identifier	2802	5.3.92	OctetString	V	P		M	Y	All	ADC
TDF-Destination-Host	1089	5.3.80	DiameterIde ntity	V	P		M	Y	All	PC
TDF-Destination-Realm	1090	5.3.79	DiameterIde ntity	V	P		M	Y	All	PC
TDF-IP-Address	1091	5.3.81	Address	V	P		M	Y	All	PC
TFT-Filter	1012	5.3.13	IPFilterRule	M,V	P			Y	3GPP-GPRS	Both
TFT-Packet-Filter-Information	1013	5.3.14	Grouped	M,V	P			Y	3GPP-GPRS	Both
ToS-Traffic-Class	1014	5.3.15	OctetString	M,V	P			Y	All	Both
Tunnel-Header-Filter	1036	5.3.34	IPFilterRule	V	P		M	Y	All (NOTE 8)	Both Rel8
Tunnel-Header-Length	1037	5.3.35	Unsigned32	V	P		M	Y	All (NOTE 8)	Both Rel8
Tunnel-Information	1038	5.3.36	Grouped	V	P		M	Y	All (NOTE 8)	Both Rel8
UDP-Source-Port	2806	5.3.97	Unsigned32	V	P		M	Y	3GPP-EPS Non-3GPP- EPS	PC EPC-routed
UE-Local-IP-Address	2805	5.3.96	Address	V	P		M	Y	Non-3GPP- EPS	PC BBAI
Usage-Monitoring-Information	1067	5.3.60	Grouped	V	P		M	Y	All	Both Rel9
Usage-Monitoring-Level	1068	5.3.61	Enumerated	V	P		M	Y	All	Both Rel9
Usage-Monitoring-Report	1069	5.3.62	Enumerated	V	P		M	Y	All	Both Rel9
Usage-Monitoring-Support	1070	5.3.63	Enumerated	V	P		M	Y	All	Both Rel9
User-Location-Info-Time	2812	5.3.101	Time	V	P		M	Y	3GPP- GPRS. 3GPP-EPS	CC NetLoc RAN-NAS- Cause
PCSCF-Restoration-Indication	2826	5.3.113	Unsigned32	V	P		M	Y	All	Both PCSCF- Restoration- Enhanceme nt

NOTE 1: The AVP header bit denoted as "M", indicates whether support of the AVP is required. The AVP header bit denoted as "V", indicates whether the optional Vendor-ID field is present in the AVP header. For further details, see RFC 3588 [5].

NOTE 2: The value types are defined in RFC 3588 [5].

NOTE 3: AVPs marked with "CC" are applicable to charging control, AVPs marked with "PC" are applicable to policy control and AVPs marked with "Both" are applicable to both charging control and policy control. AVPs marked with "ADC" are applicable to application detection and control. AVPs marked with "ABC" are applicable to application based charging.

NOTE 4: RAT-Type AVP applies to 3GPP, Non-3GPP-EPS, and 3GPP2 access types.

NOTE 5: This AVP does not apply to 3GPP-GPRS access type.

NOTE 6: The 3GPP2 usage is defined in 3GPP2 X.S0062 [30]. Non-3GPP-EPS usage applies to GTP based S2b,

NOTE 7: This AVP only applies to case 2b as defined in 3GPP TS 29.213 [8].

NOTE 8: This AVP only applies to case 2a as defined in 3GPP TS 29.213 [8].

NOTE 9: AVPs marked with a supported feature (e.g. "Rel8", "Rel9", "IFOM" or "EPC-routed") are applicable as described in clause 5.4.1.

NOTE 10: The MissionCriticalQCI supported feature indicates support for the Mission Critical QCI values 66, 67, 69 and 70 within the QoS-Class-Identifier AVP defined in clause 5.3.17.

5.3.1 Bearer-Usage AVP (3GPP-GPRS and 3GPP-EPS access types)

The Bearer-Usage AVP (AVP code 1000) is of type Enumerated, and it shall indicate how the bearer is being used. If the Bearer-Usage AVP has not been previously provided, its absence shall indicate that no specific information is available. If the Bearer-Usage AVP has been provided, its value shall remain valid until it is provided the next time. The following values are defined:

GENERAL (0)

This value shall indicate no specific bearer usage information is available.

IMS_SIGNALLING (1)

This value shall indicate that the bearer is used for IMS signalling only.

5.3.2 Charging-Rule-Install AVP (All access types)

The Charging-Rule-Install AVP (AVP code 1001) is of type Grouped, and it is used to activate, install or modify PCC rules as instructed from the PCRF to the PCEF.

For installing a new PCC rule or modifying a PCC rule already installed, Charging-Rule-Definition AVP shall be used.

For activating a specific PCC rule predefined at the PCEF, Charging-Rule-Name AVP shall be used as a reference for that PCC rule. The Charging-Rule-Base-Name AVP is a reference that may be used for activating a group of PCC rules predefined at the PCEF.

For GPRS scenarios where the bearer binding is performed by the PCRF, the Bearer Identifier AVP shall be included as part of Charging-Rule-Install AVP.

If present within Charging-Rule-Install AVP, the Bearer-Identifier AVP indicates that the PCC rules within this Charging-Rule-Install AVP shall be installed or activated within the IP CAN bearer identified by the Bearer-Identifier AVP.

If no Bearer-Identifier AVP is included within the Charging-Rule-Install AVP, the PCEF shall select an IP CAN bearer for each of the PCC rules within this Charging-Rule-Install AVP, were the PCC rule is installed or activated.

If Rule-Activation-Time or Rule-Deactivation-Time is specified then it applies to all the PCC rules within the Charging-Rule-Install AVP.

If Resource-Allocation-Notification AVP is included then it applies to all the rules within the Charging-Rule-Install AVP. If a Charging-Rule-Install AVP does not include the Resource-Allocation-Notification AVP, the resource allocation shall not be notified by the PCEF even if this AVP was present in previous installations of the same rule.

If the Charging-Correlation-Indicator AVP is included within the Charging-Rule-Install AVP, it indicates that the PCEF shall provide the assigned access network charging identifier for the dynamic PCC Rules that are provided in the Charging-Rule-Definition AVP(s) within the Access-Network-Charging-Identifier-Gx AVP.

AVP Format:

```
Charging-Rule-Install ::= < AVP Header: 1001 >
    * [ Charging-Rule-Definition ]
    * [ Charging-Rule-Name ]
    * [ Charging-Rule-Base-Name ]
    [ Bearer-Identifier ]
    [ Rule-Activation-Time ]
    [ Rule-Deactivation-Time ]
    [ Resource-Allocation-Notification ]
    [ Charging-Correlation-Indicator ]
    * [ AVP ]
```

5.3.3 Charging-Rule-Remove AVP (All access types)

The Charging-Rule-Remove AVP (AVP code 1002) is of type Grouped, and it is used to deactivate or remove PCC rules from an IP CAN session.

Charging-Rule-Name AVP is a reference for a specific PCC rule at the PCEF to be removed or for a specific PCC rule predefined at the PCEF to be deactivated. The Charging-Rule-Base-Name AVP is a reference for a group of PCC rules predefined at the PCEF to be deactivated.

Required-Access-Info AVP may be included if the AF requests the PCRF to report user access network information and the PCRF is removing PCC rules based on the AF requests. AVP Format:

```
Charging-Rule-Remove ::= < AVP Header: 1002 >
    * [ Charging-Rule-Name ]
    * [ Charging-Rule-Base-Name ]
    * [ Required-Access-Info ]
    * [ AVP ]
```

5.3.4 Charging-Rule-Definition AVP (All access types)

The Charging-Rule-Definition AVP (AVP code 1003) is of type Grouped, and it defines the PCC rule sent by the PCRF to the PCEF. The Charging-Rule-Name AVP uniquely identifies the PCC rule and it is used to reference to a PCC rule in communication between the PCEF and the PCRF within one IP CAN session. The Flow-Information AVP(s) or the application detection filter referenced by the TDF-Application-Identifier AVP determines the traffic that belongs to the service data flow. Either Flow-Information AVP(s) or TDF-Application-Identifier AVP shall exist in a Charging-Rule-Definition AVP.

If optional AVP(s) within a Charging-Rule-Definition AVP are omitted, but corresponding information has been provided in previous Gx messages, the previous information remains valid. If Flow-Information AVP(s) are supplied, they replace all previous Flow-Information AVP(s). If Flows AVP(s) are supplied, they replace all previous Flows AVP(s).

The PS-to-CS-Session-Continuity AVP indicates if a service data flow is a candidate for PS to CS session continuity.

Flows AVP may appear if and only if AF-Charging-Identifier AVP is also present.

AF-Signalling-Protocol AVP may appear if the PCC Rule applies for IMS signalling.

Monitoring-Key AVP contains the monitoring key that may apply to the PCC rule.

Mute-Notification status shall not be changed during the lifetime of the PCC rules.

Sponsor-Identity AVP and Application-Service-Provider-Identity AVP shall be included if the Reporting-Level AVP is set to the value SPONSORED_CONNECTIVITY_LEVEL for the service data flow.

Required-Access-Info AVP may appear if the AF requests PCRF to report user access network information.

AVP Format:

```
Charging-Rule-Definition ::= < AVP Header: 1003 >
    { Charging-Rule-Name }
    [ Service-Identifier ]
    [ Rating-Group ]
    * [ Flow-Information ]
    [ TDF-Application-Identifier ]
```

```

[ Flow-Status ]
[ QoS-Information ]
[ PS-to-CS-Session-Continuity ]
[ Reporting-Level ]
[ Online ]
[ Offline ]
[ Metering-Method ]
[ Precedence ]
[ AF-Charging-Identifier ]
*[ Flows ]
[ Monitoring-Key ]
[ Redirect-Information ]
[ Mute-Notification ]
[ AF-Signalling-Protocol ]
[ Sponsor-Identity ]
[ Application-Service-Provider-Identity ]
*[ Required-Access-Info ]
*[ AVP ]

```

5.3.5 Charging-Rule-Base-Name AVP (All access types)

The Charging-Rule-Base-Name AVP (AVP code 1004) is of type UTF8String, and it indicates the name of a pre-defined group of PCC rules residing at the PCEF.

5.3.6 Charging-Rule-Name AVP (All access types)

The Charging-Rule-Name AVP (AVP code 1005) is of type OctetString, and it defines a name for PCC rule. For PCC rules provided by the PCRF it uniquely identifies a PCC rule within one IP CAN session. For PCC rules pre-defined at the PCEF it uniquely identifies a PCC rule within the PCEF.

5.3.7 Event-Trigger AVP (All access types)

The Event-Trigger AVP (AVP code 1006) is of type Enumerated. When sent from the PCRF to the PCEF the Event-Trigger AVP indicates an event that shall cause a re-request of PCC rules. When sent from the PCEF to the PCRF the Event-Trigger AVP indicates that the corresponding event has occurred at the gateway.

NOTE 1: An exception to the above is the Event Trigger AVP set to NO_EVENT_TRIGGERS that indicates that PCEF shall not notify PCRF of any event that requires to be provisioned.

NOTE 2: There are events that do not require to be provisioned by the PCRF, according to the value definition included in this clause. These events will always be reported by the PCEF even though the PCRF has not provisioned them in a RAR or CCA command.

Whenever the PCRF subscribes to one or more event triggers by using the RAR command, unless otherwise specified in an event trigger's value definition, the PCEF shall send the corresponding currently applicable values (e.g. 3GPP-SGSN-Address AVP or 3GPP-SGSN-Ipv6-Address AVP, RAT-Type, 3GPP-User-Location-Info, etc.) to the PCRF in the RAA if available, and in this case, the Event-Trigger AVPs shall not be included.

Whenever one of these events occurs, the PCEF shall send the related AVP that has changed together with the event trigger indication.

Unless stated for a specific value, the Event-Trigger AVP applies to all access types.

The values 8, 9, 10, 38 and 41 are obsolete and shall not be used.

The following values are defined:

SGSN_CHANGE (0)

This value shall be used in CCA and RAR commands by the PCRF to indicate that upon the change of the serving SGSN PCC rules shall be requested. When used in a CCR command, this value indicates that the PCEF generated the request because the serving SGSN changed. The new value of the serving SGSN shall be indicated in either 3GPP-SGSN-Address AVP or 3GPP-SGSN-Ipv6-Address AVP. Applicable only to 3GPP-GPRS access types and 3GPP-EPS access types with access to the P-GW using Gn/Gp.

QOS_CHANGE (1)

This value shall be used in CCA and RAR commands by the PCRF to indicate that upon any QoS change (even within the limits of the current authorization) at bearer or APN level PCC rules shall be requested. When used in a CCR command, this value indicates that the PCEF generated the request because there has been a change in the requested QoS for a specific bearer (e.g. the previously maximum authorized QoS has been exceeded) or APN. When applicable to 3GPP-GPRS and if the PCRF performs bearer binding, the Bearer-Identifier AVP shall be provided to indicate the affected bearer. QoS-Information AVP is required to be provided in the same request with the new value. When applicable at APN level, this event trigger shall be reported when the corresponding event occurs, even if the event trigger is not provisioned by the PCRF. Not applicable for FBA.

RAT_CHANGE (2)

This value shall be used in CCA and RAR commands by the PCRF to indicate that upon a RAT change PCC rules shall be requested. When used in a CCR command, this value indicates that the PCEF generated the request because of a RAT change. The new RAT type shall be provided in the RAT-Type AVP and AN-Trusted AVP if applicable. Not applicable for FBA.

TFT_CHANGE (3)

This value shall be used in CCA and RAR commands by the PCRF to indicate that upon a TFT change at bearer level PCC rules shall be requested. When used in a CCR command, this value indicates that the PCEF generated the request because of a change in the TFT. The Bearer-Identifier AVP shall be provided to indicate the affected bearer. All the TFT filter definitions for this bearer, including the requested changes, but excluding the TFT filters created with NW-initiated procedures, shall be provided in TFT-Packet-Filter-Information AVP. This event trigger shall be provisioned by the PCRF at the PCEF. Applicable only to 3GPP-GPRS.

PLMN_CHANGE (4)

This value shall be used in CCA and RAR commands by the PCRF to indicate that upon a PLMN change PCC rules shall be requested. When used in a CCR command, this value indicates that the PCEF generated the request because there was a change of PLMN. 3GPP-SGSN-MCC-MNC AVP shall be provided in the same request with the new value. Not applicable for FBA.

LOSS_OF_BEARER (5)

This value shall be used in CCA and RAR commands by the PCRF to indicate that upon loss of bearer, GW should inform PCRF. When used in a CCR command, this value indicates that the PCEF generated the request because the bearer associated with the PCC rules indicated by the corresponding Charging-Rule-Report AVP was lost. The PCC-Rule-Status AVP within the Charging-Rule-Report AVP shall indicate that these PCC rules are temporarily inactive. Applicable to GPRS and 3GPP-EPS when PGW interoperates with a Gn/Gp SGSN. The mechanism of indicating loss of bearer to the GW is IP-CAN access type specific. For GPRS, this is indicated by a PDP context modification request with Maximum Bit Rate (MBR) in QoS profile changed to 0 kbps.

When the PCRF performs the bearer binding, the PCEF shall provide the Bearer-Identifier AVP to indicate the bearer that has been lost.

RECOVERY_OF_BEARER (6)

This value shall be in CCA and RAR commands by the PCRF used to indicate that upon recovery of bearer, GW should inform PCRF. When used in a CCR command, this value indicates that the PCEF generated the request because the bearer associated with the PCC rules indicated by the corresponding Charging-Rule-Report AVP was recovered. The PCC-Rule-Status AVP within the Charging-Rule-Report AVP shall indicate that these rules are active again. Applicable to GPRS and 3GPP-EPS when PGW interoperates with a Gn/Gp SGSN.

The mechanism for indicating recovery of bearer to the GW is IP-CAN access type specific. For GPRS, this is indicated by a PDP context modification request with Maximum Bit Rate (MBR) in QoS profile changed from 0 kbps to a valid value.

When the PCRF performs the bearer binding, the PCEF shall provide the Bearer-Identifier AVP to indicate the bearer that has been recovered.

IP-CAN_CHANGE (7)

This value shall be used in CCA and RAR commands by the PCRF to indicate that upon a change in the IP-CAN type PCC rules shall be requested. When used in a CCR command, this value indicates that the PCEF generated the request because there was a change of IP-CAN type. IP-CAN-Type AVP shall be provided in the same

request with the new value. The RAT-Type AVP and AN-Trusted AVP shall also be provided when applicable to the specific IP-CAN Type (e.g. 3GPP IP-CAN Type). Not applicable for FBA.

QOS_CHANGE_EXCEEDING_AUTHORIZATION (11)

This value shall be used in CCA and RAR commands by the PCRF to indicate that only upon a requested QoS change beyond the current authorized value(s) at bearer level PCC rules shall be requested. When used in a CCR command, this value indicates that the PCEF generated the request because there has been a change in the requested QoS beyond the authorized value(s) for a specific bearer. The Bearer-Identifier AVP shall be provided to indicate the affected bearer. QoS-Information AVP is required to be provided in the same request with the new value. Applicable only to 3GPP-GPRS.

RAI_CHANGE (12)

This value shall be used in CCA and RAR commands by the PCRF to indicate that upon a change in the RAI, PCEF shall inform the PCRF. When used in a CCR command, this value indicates that the PCEF generated the request because there has been a change in the RAI. The new RAI value shall be provided in the RAI AVP. If the user location has been changed but the PCEF can not get the detail location information (e.g. handover from 3G to 2G network), the PCEF shall send the RAI AVP to the PCRF by setting the LAC of the RAI to value 0x0000. Applicable only to 3GPP-GPRS and 3GPP-EPS access types.

USER_LOCATION_CHANGE (13)

This value shall be used in CCA and RAR commands by the PCRF to indicate that upon a change in the user location (i.e. applicable for CGI/SAI/RAI/TAI/ECGI), PCEF shall inform the PCRF. When used in a CCR command, this value indicates that the PCEF generated the request because there has been a change in the user location. The new location value shall be provided in the 3GPP-User-Location-Info AVP. If the user location has been changed but the PCEF can not get the detail location information (e.g. handover from 3G to 2G network), the PCEF shall send the 3GPP-User-Location-Info AVP to the PCRF by setting the LAC of the CGI/SAI to value 0x0000, LAC of the RAI to value 0x0000 for GPRS access, and setting the TAC of the TAI to value 0x0000, setting the ECI of the ECGI to value 0x0000 for the EPS access.

NOTE: The access network may be configured to report location changes only when transmission resources are established in the radio access network.

Applicable only to 3GPP-GPRS and 3GPP-EPS access types.

NO_EVENT_TRIGGERS (14)

This value shall be used in CCA and RAR commands by the PCRF to indicate that PCRF does not require any Event Trigger notification except for those events that do not require subscription and are always provisioned.

OUT_OF_CREDIT (15)

This value shall be used in CCA and RAR commands by the PCRF to indicate that the PCEF shall inform the PCRF about the PCC rules for which credit is no longer available, together with the applied termination action. When used in a CCR command, this value indicates that the PCEF generated the request because the PCC rules indicated by the corresponding Charging-Rule-Report AVP have run out of credit, and that the termination action indicated by the corresponding Final-Unit-Indication AVP applies (3GPP TS 32.240 [21] and 3GPP TS 32.299 [19]).

REALLOCATION_OF_CREDIT (16)

This value shall be used in CCA and RAR commands by the PCRF to indicate that the PCEF shall inform the PCRF about the PCC rules for which credit has been reallocated after the former out of credit indication. When used in a CCR command, this value indicates that the PCEF generated the request because the PCC rules indicated by the corresponding Charging-Rule-Report AVP have been reallocated credit after the former out of credit indication (3GPP TS 32.240 [21] and 3GPP TS 32.299 [19]).

REVALIDATION_TIMEOUT (17)

This value shall be used in CCA and RAR commands by the PCRF to indicate that upon revalidation timeout, the PCEF shall inform the PCRF. In order for the PCEF to report this event, it is required that the PCRF provides a revalidation time in the Revalidation-Time AVP. When used in a CCR command, this value indicates that the PCEF generated the request because there has been a PCC revalidation timeout.

UE_IP_ADDRESS_ALLOCATE (18)

When used in a CCR command, this value indicates that the PCEF generated the request because a UE Ipv4 address is allocated. The Framed-IP-Address AVP shall be provided in the same request. This event trigger does not require to be provisioned by the PCRF. This event trigger shall be reported when the corresponding event occurs, even if the event trigger is not provisioned by the PCRF. Applicable to functionality introduced with the Rel8 feature as described in clause 5.4.1. Not applicable for FBA.

UE_IP_ADDRESS_RELEASE (19)

When used in a CCR command, this value indicates that the PCEF generated the request because a UE Ipv4 address is released. The Framed-IP-Address AVP shall be provided in the same request. This event trigger does not require to be provisioned by the PCRF. This event trigger shall be reported when the corresponding event occurs, even if the event trigger is not provisioned by the PCRF. Applicable to functionality introduced with the Rel8 feature as described in clause 5.4.1. Not applicable for FBA.

DEFAULT_EPS_BEARER_QOS_CHANGE (20)

This value shall be used in CCA and RAR commands by the PCRF to indicate that upon a change in the default EPS Bearer QoS, PCEF shall inform the PCRF. When used in a CCR command, this value indicates that the PCEF generated the request because there has been a change in the default EPS Bearer QoS. The new value shall be provided in the Default-EPS-Bearer-QoS AVP. This event trigger shall be reported when the corresponding event occurs, even if the event trigger is not provisioned by the PCRF. Not applicable for 3GPP-GPRS and FBA access types. Applicable to functionality introduced with the Rel8 feature as described in clause 5.4.1.

AN_GW_CHANGE (21)

This value shall be used in CCA and RAR commands by the PCRF to indicate that upon the change of the serving Access Node Gateway, PCC rules shall be requested. When used in a CCR command, this value indicates that the PCEF generated the request because the serving Access Node gateway changed. The new value of the serving Access Node gateway shall be indicated in the AN-GW-Address AVP. Applicable to functionality introduced with the Rel8 feature as described in clause 5.4.1. Not applicable for FBA.

SUCCESSFUL_RESOURCE_ALLOCATION (22)

This value shall be used in CCA and RAR commands by the PCRF to indicate that the PCEF can inform the PCRF of successful resource allocation for those rules that requires so.

When used in a CCR command, this value indicates that the PCEF informs the PCRF that the resources for a rule have been successfully allocated. The affected rules are indicated within the Charging-Rule-Report AVP with the PCC-Rule-Status AVP set to the value ACTIVE (0). Applicable to functionality introduced with the Rel8 feature as described in clause 5.4.1. Not applicable for FBA.

RESOURCE_MODIFICATION_REQUEST (23)

This value shall be used in a CCR command to indicate that PCC rules are requested for a resource modification request initiated by the UE. The Packet-Filter-Operation and Packet-Filter-Information AVPs shall be provided in the same request. This event trigger does not require to be provisioned by the PCRF. It shall be reported by the PCEF when the corresponding event occurs even if the event trigger is not provisioned by the PCRF. Applicable to functionality introduced with the Rel8 feature as described in clause 5.4.1. Not applicable for FBA.

PGW_TRACE_CONTROL (24)

This value indicates that the command contains a trace activation or deactivation request for the P-GW. Trace activation is indicated with the presence of the Trace-Data AVP with the relevant trace parameters. Trace deactivation is indicated with the presence of the Trace-Reference AVP. This event trigger needs no subscription. Applicable to functionality introduced with the Rel8 feature as described in clause 5.4.1. Not applicable for FBA.

UE_TIME_ZONE_CHANGE (25)

This value shall be used in CCA and RAR commands by the PCRF to indicate that upon a change to the time zone the UE is currently located in, PCC rules shall be requested. When used in a CCR command, this value indicates that the PCEF generated the request because the time zone the UE is currently located in has changed.

The new value of the UE's time zone shall be indicated in the 3GPP-MS-TimeZone AVP. Not applicable for FBA.

TAI_CHANGE (26)

This value shall be used in CCA and RAR commands by the PCRF to indicate that upon a change in the TAI, PCEF shall inform the PCRF. When used in a CCR command, this value indicates that the PCEF generated the request because there has been a change in the TAI. The new TAI value shall be provided in the 3GPP-User-Location-Info AVP. If the user tracking area location has been changed but the PCEF can not get the detail location information, the PCEF shall send the 3GPP-User-Location-Info AVP to the PCRF by setting the TAC of the TAI to value 0x0000. Applicable only to 3GPP-EPS access type and to functionality introduced with the Rel8 feature as described in clause 5.4.1.

ECGI_CHANGE (27)

This value shall be used in CCA and RAR commands by the PCRF to indicate that upon a change in the ECGI, PCEF shall inform the PCRF. When used in a CCR command, this value indicates that the PCEF generated the request because there has been a change in the ECGI. The new ECGI value shall be provided in the 3GPP-User-Location-Info AVP. If the ECGI has been changed but the PCEF can not get the detail location information, the PCEF shall send the 3GPP-User-Location-Info AVP to the PCRF by setting the ECI of the ECGI to value 0x0000. Applicable only to 3GPP-EPS access type and to functionality introduced with the Rel8 feature as described in clause 5.4.1.

CHARGING_CORRELATION_EXCHANGE (28)

The PCRF shall use this value in CCA and RAR commands to indicate that the PCEF shall report the access network charging identifier associated to one or more dynamic PCC Rules within the Access-Network-Charging-Identifier-Gx AVP. In order for the PCEF to report this event, it is required that the Charging-Correlation-Indicator AVP with value CHARGING_IDENTIFIER_REQUIRED is provided. Not applicable for FBA.

When used in a CCR command, this value indicates that an access network charging identifier has been assigned. The actual value shall be reported with the Access-Network-Charging-Identifier-Gx AVP. Applicable to functionality introduced with the Rel8 feature as described in clause 5.4.1.

APN-AMBR_MODIFICATION_FAILURE (29)

The PCEF shall use this value to indicate to the PCRF that APN-AMBR modifications have failed. The PCEF shall use this value in a new CCR command that indicates the failure of either a PUSH initiated modification or a PULL initiated modification. This event trigger needs no subscription. Applicable to functionality introduced with the Rel8 feature as described in clause 5.4.1. Not applicable for FBA.

USER_CSG_INFORMATION_CHANGE (30)

The PCRF shall use this value to indicate a request of reporting the event that the user enters/leaves a CSG cell.

When the user enters a CSG cell, the User-CSG-Information AVP shall also be provided with the event report in the CCR command. Applicable to functionality introduced with the Rel9 feature as described in clause 5.4.1. Not applicable for FBA.

USAGE_REPORT (33)

This value shall be used in a CCA and RAR commands by the PCRF when requesting usage monitoring at the PCEF. In order for the PCEF to report this event, it is required that the PCRF provides in a CCA or RAR command the Usage-Monitoring-Information AVP(s) including the Monitoring-Key AVP and the Granted-Service-Unit AVP.

When used in a CCR command, this value indicates that the PCEF generated the request to report the accumulated usage for one or more monitoring keys. The PCEF shall also provide the accumulated usage volume and/or time using the Usage-Monitoring-Information AVP(s) including the Monitoring-Key AVP and the Used-Service-Unit AVP. Applicable to functionality introduced with the Rel9 feature for volume usage reporting, with the ADC feature and with the TimeBasedUM feature for time usage reporting, as described in clause 5.4.1.

DEFAULT-EPS-BEARER-QOS_MODIFICATION_FAILURE (34)

The PCEF shall use this value to indicate to the PCRF that Default EPS Bearer QoS modifications have failed. The PCEF shall use this value in a new CCR command that indicates the failure of either a PUSH initiated modification or a PULL initiated modification. This event trigger needs no subscription. Applicable to functionality introduced with the Rel8 feature as described in clause 5.4.1. Not applicable for FBA.

USER_CSG_HYBRID_SUBSCRIBED_INFORMATION_CHANGE (35)

The PCRF shall use this value to indicate a request of reporting the event that the user enters/leaves a hybrid cell that the user subscribes to.

When the user enters a hybrid cell where the user is a member, the User-CSG-Information AVP shall also be provided with the event report in the CCR command. Applicable to functionality introduced with the Rel9 feature as described in clause 5.4.1. Not applicable for FBA.

USER_CSG_HYBRID_UNSUBSCRIBED_INFORMATION_CHANGE (36)

The PCRF shall use this value to indicate a request of reporting the event that the user enters/leaves a hybrid cell that the user does not subscribe to.

When the user enters a hybrid cell where the user is not a member, the User-CSG-Information AVP shall be provided with the event report in the CCR command. Applicable to functionality introduced with the Rel9 feature as described in clause 5.4.1. Not applicable for FBA.

ROUTING_RULE_CHANGE (37)

When used in a CCR command, this value indicates that the PCEF generated the request because there has been a change in the IP flow mobility routing rules for flow mobility (installation/modification/removal of the IP flow mobility routing rule). The new IP flow mobility routing rule information shall be provided in the Routing-Rule-Definition AVP within the same CCR command. This event trigger needs no subscription. Applicable only to IPFlowMobility functionality feature (IFOM) as described in clause 5.4.1. Not applicable for FBA.

APPLICATION_START (39)

This value shall be used in CCA and RAR commands by the PCRF to indicate that the PCEF shall inform the PCRF when the start of the application's traffic for the application, required for detection, has been identified, unless a request to mute such a notification (Mute-Notification AVP) is part of the corresponding Charging-Rule-Definition AVP.

When used in a CCR command, this value indicates that the PCEF identified the start of the corresponding application's traffic for an application identified by a TDF-Application-Identifier AVP. The detected application(s) shall be identified by the Application-Detection-Information AVP(s). Applicable to functionality introduced with the ADC feature as described in clause 5.4.1.

For unsolicited application reporting, APPLICATION_START Event Trigger is always set and does not need to be subscribed by the PCRF.

NOTE 1: For solicited application reporting, APPLICATION_START is always provided together with APPLICATION_STOP, when used by the PCRF in CCA and RAR commands sent to the PCEF.

APPLICATION_STOP (40)

This value shall be used in a CCA and RAR commands by the PCRF to indicate that the PCEF shall inform the PCRF when the stop of the application's traffic for the application, required for detection, has been identified, unless a request to mute such a notification (Mute-Notification AVP) is part of the corresponding Charging-Rule-Definition AVP.

When used in a CCR command, this value indicates that the PCEF identified the stop of the corresponding application's traffic for an application identified by a TDF-Application-Identifier AVP. The detected application(s) shall be identified by the Application-Detection-Information AVP(s). Applicable to functionality introduced with the ADC feature as described in clause 5.4.1.

For unsolicited application reporting, APPLICATION_STOP Event Trigger is always set and does not need to be subscribed by the PCRF.

CS_TO_PS_HANDOVER (42)

This value shall be used in CCA and RAR command by the PCRF to indicate that upon a CS to PS Handover, the PCEF shall inform the PCRF. When used in a CCR command, this value indicates that the PCEF generated the request because there is a CS to PS handover. Applicable only to CS to PS SRVCC functionality feature (rSRVCC) as described in clause 5.4.1.

UE_LOCAL_IP_ADDRESS_CHANGE (43)

When used in a CCR command, this value indicates that the PCEF generated the request because the UE Local IP Address or the UDP source port number or both assigned by the Fixed Broadband Access have changed. The UE-Local-IP-Address AVP and/or the UDP-Source-Port AVP shall be provided in the same request. This event trigger does not require to be provisioned by the PCRF. Applicable to functionality introduced with the EPC-routed feature as described in clause 5.4.1.

H(E)NB_LOCAL_IP_ADDRESS_CHANGE (44)

When used in a CCR command, this value indicates that the PCEF generated the request because the H(e)NB Local IP Address or the UDP source port number or both assigned by the Fixed Broadband Access have changed. The HeNB-Local-IP-Address AVP and/or the UDP-Source-Port AVP shall be provided in the same request. Applicable to functionality introduced with the EPC-routed feature as described in clause 5.4.1.

ACCESS_NETWORK_INFO_REPORT (45)

This value shall be used in CCA and RAR commands by the PCRF to request access network information from the PCEF as defined in clause 4.5.22. When used in a CCR command, this value indicates that the PCEF generated the request because the PCEF reports the corresponding access network information to the PCRF as requested. The PCEF shall not provide the requested access network information in an RAA command solely based on the fact that the PCRF provisioned this Event-Trigger in an RAR command. Instead, procedures defined in clause 4.5.22 shall be followed. Applicable to functionality introduced with the NetLoc feature as described in clause 5.4.1.

CREDIT_MANAGEMENT_SESSION_FAILURE (46)

When used in a CCR command, this value indicates that a transient/permanent failure has been detected in the OCS. If the failure does not apply to all PCC Rules, the affected PCC Rules are indicated within the Charging-Rule-Report AVP, with the PCC-Rule-Status set to value ACTIVE and the Rule-Failure-Code AVP set to the corresponding value as reported by the OCS. If the failure applies to the session, the Credit-Management-Status shall be set to the corresponding value as reported by the OCS. Applicable to functionality introduced with the ABC feature as described in clause 5.4.1.

NOTE 2: For the PCEF, CREDIT_MANAGEMENT_SESSION_FAILURE event trigger only applies to the situation that the IP-CAN session is not terminated by the PCEF due to the credit management session failure.

DEFAULT_QOS_CHANGE (47)

This value shall be used in CCA and RAR commands by the PCRF to indicate that upon any Default QoS change PCEF shall inform the PCRF. When used in a CCR command, this value indicates that the PCEF generated the request because there has been a change in the Default QoS. The new value shall be provided in the Default-QoS-Information AVP. Applicable only to FBA access type and to functionality introduced with the FBAC feature as described in clause 5.4.1.

CHANGE_OF_UE_PRESENCE_IN_PRESENCE_REPORTING_AREA_REPORT (48)

This value shall be used in CCA or RAR commands by the PCRF to indicate that the PCEF shall report the event when the user enters/leaves the area as indicated in the Presence-Reporting-Area-Information AVP. This includes reporting the initial status at the time the request for reports is initiated.

When used in a CCR command, this value indicates whether the UE is within or outside the requested presence reporting area. Presence-Reporting-Area-Identifier AVP and Presence-Reporting-Area-Status AVP shall be provided in the same request included in Presence-Reporting-Area-Information AVP. Applicable only to 3GPP-EPS access type and to functionality introduced with the CNO-ULI feature as described in clause 5.4.1.

5.3.8 Metering-Method AVP (All access types)

The Metering-Method AVP (AVP code 1007) is of type Enumerated, and it defines what parameters shall be metered for offline charging. The PCEF may use the AVP for unit request in online charging in case of decentralized unit determination, refer to 3GPP TS 32.299 [19].

The following values are defined:

DURATION (0)

This value shall be used to indicate that the duration of the service data flow traffic shall be metered.

VOLUME (1)

This value shall be used to indicate that volume of the service data flow traffic shall be metered.

DURATION_VOLUME (2)

This value shall be used to indicate that the duration and the volume of the service data flow traffic shall be metered.

EVENT (3)

This value shall be used to indicate that events of the service data flow traffic shall be metered.

NOTE: Event based charging is only applicable to predefined PCC rule using a service data flow filter and any PCC rule (predefined and dynamic) using an application detection filter (i.e. with an application identifier).

If the Metering-Method AVP is omitted but has been supplied previously, the previous information remains valid. If the Metering-Method AVP is omitted and has not been supplied previously, the metering method pre-configured at the PCEF is applicable as default metering method.

5.3.9 Offline AVP (All access types)

The Offline AVP (AVP code 1008) is of type Enumerated.

If the Offline AVP is embedded within a Charging-Rule-definition AVP it defines whether the offline charging interface from the PCEF for the associated PCC rule shall be enabled. The absence of this AVP within the first provisioning of the Charging-Rule-definition AVP of a new PCC rule indicates that the default charging method for offline shall be used.

If the Offline AVP is embedded within the initial CCR on command level, it indicates the default charging method for offline pre-configured at the PCEF is applicable as default charging method for offline. The absence of this AVP within the initial CCR indicates that the charging method for offline pre-configured at the PCEF is not available.

If the Offline AVP is embedded within the initial CCA on command level, it indicates the default charging method for offline. The absence of this AVP within the initial CCA indicates that the charging method for offline pre-configured at the PCEF is applicable as default charging method for offline.

The default charging method provided by the PCRF shall take precedence over any pre-configured default charging method at the PCEF.

The following values are defined:

DISABLE_OFFLINE (0)

This value shall be used to indicate that the offline charging interface for the associated PCC rule shall be disabled.

ENABLE_OFFLINE (1)

This value shall be used to indicate that the offline charging interface for the associated PCC rule shall be enabled.

5.3.10 Online AVP (All access types)

The Online AVP (AVP code 1009) is of type Enumerated.

If the Online AVP is embedded within a Charging-Rule-definition AVP, it defines whether the online charging interface from the PCEF for the associated PCC rule shall be enabled. The absence of this AVP within the first provisioning of the Charging-Rule-Definition AVP of a new PCC rule indicates that the default charging method for online shall be used.

If the Online AVP is embedded within the initial CCR on command level, it indicates the default charging method for online pre-configured at the PCEF is applicable as default charging method for online. The absence of this AVP within the initial CCR indicates that the charging method for online pre-configured at the PCEF is not available.

If the Online AVP is embedded within the initial CCA on command level, it indicates the default charging method for online. The absence of this AVP within the initial CCA indicates that the charging method for online pre-configured at the PCEF is applicable as default charging method for online.

The default charging method provided by the PCRF shall take precedence over any pre-configured default charging method at the PCEF.

The following values are defined:

DISABLE_ONLINE (0)

This value shall be used to indicate that the online charging interface for the associated PCC rule shall be disabled.

ENABLE_ONLINE (1)

This value shall be used to indicate that the online charging interface for the associated PCC rule shall be enabled.

5.3.11 Precedence AVP (All access types)

The Precedence AVP (AVP code 1010) is of type Unsigned32.

Within the Charging Rule Definition AVP, the Precedence AVP determines the order, in which service data flow templates consisting of service data flow filters are applied at service data flow detection at the PCEF. For PCC rules with an application detection filter, the Precedence AVP only determines which PCC rule is applicable for the detected application for the enforcement of QoS, for charging control, for reporting of application start and stop and for usage monitoring. A PCC rule with the Precedence AVP with lower value shall be applied before a PCC rule with the Precedence AVP with higher value.

NOTE 1: For PCRF-initiated IP-CAN session modification cases where the PCEF creates new service data flow filters (e.g. mapping into new TFT-UL filters), the PCEF need to make an appropriate mapping between the value of the Precedence AVP from the PCC rule and the precedence information of the traffic mapping information filter. The PCEF have to maintain the order of the precedence information provided by the PCRF for the PCC rules with the precedence information of the new traffic mapping information filters. For UE-initiated IP-CAN session modification cases, according to 3GPP TS 23.060 [17], the precedence of the traffic mapping information filter provided by the UE is not modified by the PCEF. Also see access specific annexes for mapping of Precedence AVP from the PCC rule and the precedence information of the traffic mapping information filter.

NOTE 2: The precedence value range defined within the PCC rule is operator configurable and can be set based on the IP-CAN type.

The Precedence AVP is also used within the TFT-Packet-Filter-Information AVP to indicate the evaluation precedence of the Traffic Mapping Information filters (for GPRS the TFT packet filters) as received from the UE. The PCEF shall assign a lower value in the corresponding Precedence AVP to a Traffic Mapping Information filter with a higher evaluation precedence than to a Traffic Mapping Information filter with a lower evaluation precedence.

The Precedence AVP is also used within the Routing-Rule-Definition AVP to indicate the evaluation precedence of the routing filters contained as within the IP flow mobility routing rules. A lower value in the Precedence AVP indicates

higher evaluation precedence. The PCEF shall assign the lowest evaluation precedence to a Routing filter containing the wild card filter.

5.3.12 Reporting-Level AVP (All access types)

The Reporting-Level AVP (AVP code 1011) is of type Enumerated, and it defines on what level the PCEF reports the usage for the related PCC rule. The following values are defined:

SERVICE_IDENTIFIER_LEVEL (0)

This value shall be used to indicate that the usage shall be reported on service id and rating group combination level, and is applicable when the Service-Identifier and Rating-Group have been provisioned within the Charging-Rule-Definition AVP.

RATING_GROUP_LEVEL (1)

This value shall be used to indicate that the usage shall be reported on rating group level, and is applicable when the Rating-Group has been provisioned within the Charging-Rule-Definition AVP.

SPONSORED_CONNECTIVITY_LEVEL (2)

This value shall be used to indicate that the usage shall be reported on sponsor identity and rating group combination level, and is applicable when the Sponsor-IdentityAVP, Application-Service-Provider-Identity AVP and Rating-Group AVP have been provisioned within the Charging-Rule-Definition AVP. Applicable for offline charging.

If the Reporting-Level AVP is omitted but has been supplied previously, the previous information remains valid. If the Reporting-Level AVP is omitted and has not been supplied previously, the reporting level pre-configured at the PCEF is applicable as default reporting level.

5.3.13 TFT-Filter AVP (3GPP-GPRS access type only)

The TFT-Filter AVP (AVP code 1012) is of type IPFilterRule, and it contains the flow filter for one TFT packet filter. The TFT-Filter AVP is derived from the Traffic Flow Template (TFT) defined in 3GPP TS 24.008 [13]. The following information shall be sent:

- Action shall be set to "permit".
- Direction shall be set to "out".
- Protocol shall be set to the value provided within the TFT packet filter parameter "Protocol Identifier/Next Header Type". If the TFT packet filter parameter "Protocol Identifier/Next Header Type" is not provided within the TFT packet filter, Protocol shall be set to "ip".
- Source IP address (possibly masked). The source IP address shall be derived from TFT packet filter parameters "Remote address" and "Subnet Mask". The source IP address shall be set to "any", if no such information is provided in the TFT packet filter.
- Source and/or destination port (single value, list or ranges). The information shall be derived from the corresponding TFT packet filter remote and/or local port parameters. Source and/or destination port(s) shall be omitted if the corresponding information is not provided in the TFT packet filter.
- Destination IP address (possibly masked). The Destination IP address shall be derived from TFT packet filter parameters "Local address" and "Subnet Mask". If no such information is provided in the TFT packet filter, the Destination IP address shall be set to "assigned".

The IPFilterRule type shall be used with the following restrictions:

- No options shall be used.
- The invert modifier "!" for addresses shall not be used.

The direction "out" indicates that the IPFilterRule "source" parameters correspond to the TFT filter "remote" parameters in the packet filter and the IPFilterRule "destination" correspond to the TFT filter "local" (UE end) parameters. The TFT-Filter AVP applies in the direction(s) as specified in the accompanying Flow-Direction AVP.

Destination IP address including the value provided by the UE may be provided within the TFT-Filter AVP when the ExtendedFilter feature is supported as described in clause 5.4.1.

5.3.14 TFT-Packet-Filter-Information AVP (3GPP-GPRS access type only)

The TFT-Packet-Filter-Information AVP (AVP code 1013) is of type Grouped, and it contains the information from a single TFT packet filter including the evaluation precedence, the filter and the Type-of-Service/Traffic Class sent from the PCEF to the PCRF. The PCEF shall include one TFT-Packet-Filter-Information AVP for each TFT packet filter applicable at a PDP context within each PCC rule request corresponding to that PDP context. TFT-Packet-Filter-Information AVPs are derived from the Traffic Flow Template (TFT) defined in 3GPP TS 24.008 [13].

AVP Format:

```
TFT-Packet-Filter-Information ::= < AVP Header: 1013 >
    [ Precedence ]
    [ TFT-Filter ]
    [ ToS-Traffic-Class ]
    [ Security-Parameter-Index ]
    [ Flow-Label ]
    [ Flow-Direction ]
    *[ AVP ]
```

5.3.15 ToS-Traffic-Class AVP (All access types)

The ToS-Traffic-Class AVP (AVP code 1014) is of type OctetString, and is encoded on two octets. The first octet contains the Ipv4 Type-of-Service or the Ipv6 Traffic-Class field and the second octet contains the ToS/Traffic Class mask field. One example is that of a TFT packet filter as defined in 3GPP TS 24.008 [13].

5.3.16 QoS-Information AVP (All access types)

The QoS-Information AVP (AVP code 1016) is of type Grouped, and it defines the QoS information for resources requested by the UE, an IP-CAN bearer, PCC rule, QCI or APN. When this AVP is sent from the PCEF to the PCRF, it indicates the requested QoS information associated with resources requested by the UE, an IP CAN bearer or the subscribed QoS information at APN level. When this AVP is sent from the PCRF to the PCEF, it indicates the authorized QoS for:

- an IP CAN bearer (when appearing at CCA or RAR command level or
- a service data flow (when included within the PCC rule) or
- a QCI (when appearing at CCA or RAR command level with the QoS-Class-Identifier AVP and the Maximum-Requested-Bandwidth-UL AVP and/or the Maximum-Requested-Bandwidth-DL AVP) or
- an APN (when appearing at CCA or RAR command level with APN-Aggregate-Max-Bitrate-UL and APN-Aggregate-Max-Bitrate-DL).

The QoS class identifier identifies a set of IP-CAN specific QoS parameters that define QoS, excluding the applicable bitrates and ARP. It is applicable both for uplink and downlink direction.

The Max-Requested-Bandwidth-UL defines the maximum bit rate allowed for the uplink direction.

The Max-Requested-Bandwidth-DL defines the maximum bit rate allowed for the downlink direction.

The Guaranteed-Bitrate-UL defines the guaranteed bit rate allowed for the uplink direction.

The Guaranteed-Bitrate-DL defines the guaranteed bit rate allowed for the downlink direction.

The APN-Aggregate-Max-Bitrate-UL defines the total bandwidth usage for the uplink direction of non-GBR QCIs at the APN.

The APN-Aggregate-Max-Bitrate-DL defines the total bandwidth usage for the downlink direction of non-GBR QCI at the APN.

The Conditional-APN-Aggregate-Max-Bitrate defines total bandwidth usage for the uplink and downlink direction of non-GBR QCI at the APN, with condition.

The Bearer Identifier AVP shall be included as part of the QoS-Information AVP if the QoS information refers to an IP-CAN bearer initiated by the UE and the PCRF performs the bearer binding. The Bearer Identifier AVP identifies this bearer. Several QoS-Information AVPs for different Bearer Identifiers may be provided per command.

When the QoS-Information AVP is provided within the CCR command along with the RESOURCE_MODIFICATION_REQUEST event trigger, the QoS-information AVP includes only the QoS-Class-Identifier AVP and Guaranteed-Bitrate-UL and/or Guaranteed-Bitrate-DL AVPs.

The Allocation-Retention-Priority AVP is an indicator of the priority of allocation and retention for the Service Data Flow.

If the QoS-Information AVP has been supplied previously but is omitted in a Diameter message or AVP, the previous information remains valid. If the QoS-Information AVP has not been supplied from the PCRF to the PCEF previously and is omitted in a Diameter message or AVP, no enforcement of the authorized QoS shall be performed.

AVP Format:

```
QoS-Information ::= < AVP Header: 1016 >
    [ QoS-Class-Identifier ]
    [ Max-Requested-Bandwidth-UL ]
    [ Max-Requested-Bandwidth-DL ]
    [ Guaranteed-Bitrate-UL ]
    [ Guaranteed-Bitrate-DL ]
    [ Bearer-Identifier ]
    [ Allocation-Retention-Priority ]
    [ APN-Aggregate-Max-Bitrate-UL ]
    [ APN-Aggregate-Max-Bitrate-DL ]
    *[ Conditional-APN-Aggregate-Max-Bitrate ]
    *[ AVP ]
```

5.3.17 QoS-Class-Identifier AVP (All access types)

QoS-Class-Identifier AVP (AVP code 1028) is of type Enumerated, and it identifies a set of IP-CAN specific QoS parameters that define the authorized QoS, excluding the applicable bitrates and ARP for the IP-CAN bearer or service data flow. The allowed values for the standard QCI are defined in Table 6.1.7 of 3GPP TS 23.203 [7].

The following values are defined:

QCI_1 (1)

This value shall be used to indicate standardized characteristics associated with standardized QCI value 1 from 3GPP TS 23.203 [7].

QCI_2 (2)

This value shall be used to indicate standardized characteristics associated with standardized QCI value 2 from 3GPP TS 23.203 [7].

QCI_3 (3)

This value shall be used to indicate standardized characteristics associated with standardized QCI value 3 from 3GPP TS 23.203 [7].

QCI_4 (4)

This value shall be used to indicate standardized characteristics associated with standardized QCI value 4 from 3GPP TS 23.203 [7].

QCI_5 (5)

This value shall be used to indicate standardized characteristics associated with standardized QCI value 5 from 3GPP TS 23.203 [7].

QCI_6 (6)

This value shall be used to indicate standardized characteristics associated with standardized QCI value 6 from 3GPP TS 23.203 [7].

QCI_7 (7)

This value shall be used to indicate standardized characteristics associated with standardized QCI value 7 from 3GPP TS 23.203 [7].

QCI_8 (8)

This value shall be used to indicate standardized characteristics associated with standardized QCI value 8 from 3GPP TS 23.203 [7].

QCI_9 (9)

This value shall be used to indicate standardized characteristics associated with standardized QCI value 9 from 3GPP TS 23.203 [7].

QCI_65 (65)

This value shall be used to indicate standardized characteristics associated with standardized QCI value 65 from 3GPP TS 23.203 [7].

QCI_66 (66)

This value shall be used to indicate standardized characteristics associated with standardized QCI value 66 from 3GPP TS 23.203 [7].

QCI_69 (69)

This value shall be used to indicate standardized characteristics associated with standardized QCI value 69 from 3GPP TS 23.203 [7].

QCI_70 (70)

This value shall be used to indicate standardized characteristics associated with standardized QCI value 70 from 3GPP TS 23.203 [7].

The QCI values 0, 10 – 64, 67-68, and 71 - 255 are divided for usage as follows:

0: Reserved

10-64: Spare

67-68: Spare

71-127: Spare

128-254: Operator specific

255: Reserved

NOTE: For the different use of the terms "Reserved" and "Spare" see clause 9.9.4.3 in 3GPP TS 24.301 [42]

Table 5.3.17.1: Void

5.3.18 Charging-Rule-Report AVP (All access types)

The Charging-Rule-Report AVP (AVP code 1018) is of type Grouped, and it is used to report the status of PCC rules.

Charging-Rule-Name AVP is a reference for a specific PCC rule at the PCEF that has been successfully installed, modified or removed (for dynamic PCC rules), or activated or deactivated (for predefined PCC rules) because of trigger

from the MS. Charging-Rule-Base-Name AVP is a reference for a group of PCC rules predefined at the PCEF that has been successfully activated or deactivated because of trigger from the MS.

The Charging-Rule-Report AVP can also be used to report the status of the PCC rules which cannot be installed/activated or enforced at the PCEF. In this condition, the Charging-Rule-Name AVP is used to indicate a specific PCC rule which cannot be installed/activated or enforced, and the Charging-Rule-Base-Name AVP is used to indicate a group of PCC rules which cannot be activated. The Rule-Failure-Code indicates the reason that the PCC rules cannot be successfully installed/activated or enforced.

The Charging-Rule-Report AVP can also be used to report the status of the PCC rules for which credit is no longer available or credit has been reallocated after the former out of credit indication or credit management session failure has been detected by the OCS. When reporting an out of credit condition, the Final-Unit-Indication AVP indicates the termination action the PCEF applies to the PCC rules as instructed by the OCS.

For GPRS scenarios where the bearer binding is performed by the PCRF, the Bearer-Identifier AVP may be included within the Charging-Rule-Report AVP.

AVP Format:

```
Charging-Rule-Report ::= < AVP Header: 1018 >
    * [ Charging-Rule-Name ]
    * [ Charging-Rule-Base-Name ]
    [ Bearer-Identifier ]
    [ PCC-Rule-Status ]
    [ Rule-Failure-Code ]
    [ Final-Unit-Indication ]
    * [ RAN-NAS-Release-Cause ]
    * [ AVP ]
```

Multiple instances of Charging-Rule-Report AVPs shall be used in the case it is required to report different PCC-Rule-Status or Rule-Failure-Code values for different groups of rules within the same Diameter command.

5.3.19 PCC-Rule-Status AVP (All access types)

The PCC-Rule-Status AVP (AVP code 1019) is of type Enumerated, and describes the status of one or a group of PCC Rules.

The following values are defined:

ACTIVE (0)

This value is used to indicate that the PCC rule(s) are successfully installed (for those provisioned from PCRF) or activated (for those pre-provisioned in PCEF).

INACTIVE (1)

This value is used to indicate that the PCC rule(s) are removed (for those provisioned from PCRF) or inactive (for those pre-provisioned in PCEF).

TEMPORARILY INACTIVE (2)

This value is used to indicate that, for some reason (e.g. loss of bearer), already installed or activated PCC rules are temporarily disabled.

5.3.20 Bearer-Identifier AVP (Applicable access type 3GPP-GPRS)

The Bearer-Identifier AVP (AVP code 1020) is of type OctetString, and it indicates the bearer to which specific information refers.

When present within a CC-Request Diameter command, subsequent AVPs within the CC-Request refer to the specific bearer identified by this AVP.

The bearer identifier of an IP CAN bearer shall be unique within the corresponding IP CAN session. The bearer identifier shall be selected by the PCEF.

5.3.21 Bearer-Operation AVP (Applicable access type 3GPP-GPRS)

The Bearer-Operation AVP (AVP code 1021) is of type of Enumerated, and it indicates the bearer event that causes a request for PCC rules. This AVP shall be supplied if the bearer event relates to an IP CAN bearer initiated by the UE.

The following values are defined:

TERMINATION (0)

This value is used to indicate that a bearer is being terminated.

ESTABLISHMENT (1)

This value is used to indicate that a new bearer is being established.

MODIFICATION (2)

This value is used to indicate that an existing bearer is being modified.

5.3.22 Access-Network-Charging-Identifier-Gx AVP (All access types)

The Access-Network-Charging-Identifier-Gx AVP (AVP code 1022) is of type Grouped. It contains a charging identifier (e.g. GCID) within the Access-Network-Charging-Identifier-Value AVP and, when applicable, the related PCC rule name(s) within the Charging-Rule-Name AVP(s) and/or within the Charging-Rule-Base-Name AVP(s). If the charging identifier applies to the entire IP CAN session, no Charging-Rule-Name AVPs or Charging-Rule-Base-Name AVPs need to be provided. Otherwise, all the Charging-Rule-Name AVPs or Charging-Rule-Base-Name AVPs corresponding to PCC rules associated to the provided Access-Network-Charging-Identifier-Value shall be included.

NOTE 1: During the IP-CAN Session Establishment no Charging-Rule-Name AVPs or Charging-Rule-Base-Name AVPs are provided regardless if the charging identifier applies to the entire IP-CAN session or to the default bearer since the PCC Rules are not yet authorized at this stage.

NOTE 2: For Case 1 and GPRS, the charging identifier for an IP-CAN bearer is provided together with all the Charging-Rule-Name AVPs or Charging-Rule-Base-Name AVPs corresponding to PCC rules activated or installed within the IP-CAN bearer.

The Access-Network-Charging-Identifier-Gx AVP can be sent from the PCEF to the PCRF. The PCRF may use this information for charging correlation towards the AF.

AVP Format:

```
Access-Network-Charging-Identifier-Gx ::= < AVP Header: 1022 >
    { Access-Network-Charging-Identifier-Value }
    * [ Charging-Rule-Base-Name ]
    * [ Charging-Rule-Name ]
    [ IP-CAN-Session-Charging-Scope ]
    * [ AVP ]
```

5.3.23 Bearer-Control-Mode AVP

The Bearer-Control-Mode AVP (AVP code 1023) is of type of Enumerated. It is sent from PCRF to PCEF and indicates the PCRF selected bearer control mode.

The following values are defined:

UE_ONLY (0)

This value is used to indicate that the UE shall request any resource establishment, modification or termination.

RESERVED (1)

This value is not used in this Release.

UE_NW (2)

This value is used to indicate that both the UE and PCEF may request any resource establishment, modification or termination by adding, modifying or removing traffic flow information.

See Annex A.3.8 for particularities in 3GPP-GPRS access.

5.3.24 Network-Request-Support AVP

The Network-Request-Support AVP (AVP code 1024) is of type Enumerated and indicates the UE and network support of the network initiated procedures.

If the Network Request Support AVP has not been previously provided, its absence shall indicate the value NETWORK_REQUEST NOT SUPPORTED. If the Network Request Support AVP has been provided, its value shall remain valid until it is provided the next time.

The following values are defined:

NETWORK_REQUEST NOT SUPPORTED (0)

This value is used to indicate that the UE and the access network do not support the network initiated bearer establishment request procedure.

NETWORK_REQUEST SUPPORTED (1)

This value is used to indicate that the UE and the access network support the network initiated bearer establishment request procedure.

5.3.25 Guaranteed-Bitrate-DL AVP

The Guaranteed-Bitrate-DL AVP (AVP code 1025) is of type Unsigned32, and it indicates the guaranteed bitrate in bits per second for a downlink service data flow. The bandwidth contains all the overhead coming from the IP-layer and the layers above, e.g. IP, UDP, RTP and RTP payload.

5.3.26 Guaranteed-Bitrate-UL AVP

The Guaranteed –Bitrate-UL AVP (AVP code 1026) is of type Unsigned32, and it indicates the guaranteed bitrate in bits per second for an uplink service data flow. The bandwidth contains all the overhead coming from the IP-layer and the layers above, e.g. IP, UDP, RTP and RTP payload.

5.3.27 IP-CAN-Type AVP (All access types)

The IP-CAN-Type AVP (AVP code 1027) is of type Enumerated, and it shall indicate the type of Connectivity Access Network in which the user is connected.

The IP-CAN-Type AVP shall always be present during the IP-CAN session establishment. During an IP-CAN session modification, this AVP shall be present when there has been a change in the IP-CAN type and the PCRF requested to be informed of this event. The Event-Trigger AVP with value IP-CAN-CHANGE shall be provided together with the IP-CAN-Type AVP.

NOTE: The informative Annex C presents a mapping between the code values for different access network types.

The following values are defined:

3GPP-GPRS (0)

This value shall be used to indicate that the IP-CAN is associated with a 3GPP GPRS access that is connected to the GGSN based on the Gn/Gp interfaces and is further detailed by the RAT-Type AVP. RAT-Type AVP will include applicable 3GPP values, except EUTRAN.

DOCSIS (1)

This value shall be used to indicate that the IP-CAN is associated with a DOCSIS access.

xDSL (2)

This value shall be used to indicate that the IP-CAN is associated with an xDSL access.

WiMAX (3)

This value shall be used to indicate that the IP-CAN is associated with a WiMAX access (IEEE 802.16).

3GPP2 (4)

This value shall be used to indicate that the IP-CAN is associated with a 3GPP2 access connected to the 3GPP2 packet core as specified in 3GPP2 X.S0011 [20] and is further detailed by the RAT-Type AVP.

3GPP-EPS (5)

This value shall be used to indicate that the IP-CAN associated with a 3GPP EPS access and is further detailed by the RAT-Type AVP.

Non-3GPP-EPS (6)

This value shall be used to indicate that the IP-CAN associated with an EPC based non-3GPP access and is further detailed by the RAT-Type AVP and AN-Trusted AVP if applicable.

FBA (7)

This value shall be used to indicate that the IP-CAN is associated with any kind of Fixed Broadband Network access convergence via the IP Edge (e.g. xDSL, Fiber).

5.3.28 QoS-Negotiation AVP (3GPP-GPRS Access Type only)

The QoS-Negotiation AVP (AVP code 1029) is of type Enumerated. The value of the AVP indicates for a single PCC rule request if the PCRF is allowed to negotiate the QoS by supplying in the answer to this request an authorized QoS different from the requested QoS.

NOTE: The indicated value of the QoS-Negotiation AVP has no significance for any later PCC rule request. The following values are defined:

NO_QoS_NEGOTIATION (0)

This value indicates that a QoS negotiation is not allowed for the corresponding PCC rule request.

QoS_NEGOTIATION_SUPPORTED (1)

This value indicates that a QoS negotiation is allowed for the corresponding PCC rule request. This is the default value applicable if this AVP is not supplied.

5.3.29 QoS-Upgrade AVP (3GPP-GPRS Access Type only)

The QoS-Upgrade AVP (AVP code 1030) is of type Enumerated. The value of the AVP indicates whether the SGSN supports that the GGSN upgrades the QoS in a Create PDP context response or Update PDP context response. If the SGSN does not support a QoS upgrade, the PCRF shall not provision an authorized bitrates (e.g. GBR, MBR) which are higher than the requested bitrates for this IP CAN bearer in the response of the IP-CAN session establishment or modification. The setting is applicable to the bearer indicated in the request within the Bearer-Identifier AVP.

If no QoS-Upgrade AVP has been supplied for an IP CAN bearer, the default value QoS_UPGRADE_NOT_SUPPORTED is applicable. If the QoS-Upgrade AVP has previously been supplied for an IP CAN bearer but is not supplied in a new PCC rule request, the previously supplied value remains applicable.

The following values are defined:

QoS_UPGRADE_NOT_SUPPORTED (0)

This value indicates that the IP-CAN bearer does not support the upgrading of the requested QoS. This is the default value applicable if no QoS-Upgrade AVP has been supplied for an IP CAN bearer.

QoS_UPGRADE_SUPPORTED (1)

This value indicates that the IP-CAN bearer supports the upgrading of the requested QoS.

5.3.30 Event-Report-Indication AVP (All access types)

The Event-Report-Indication AVP (AVP code 1033) is of type Grouped. When sent from the PCRF to the PCEF, it is used to report an event coming from the Access Network GW (BBERF) and relevant info to the PCEF. When sent from the PCEF to the PCRF, it is used to provide the information about the required event triggers to the PCRF. Only Event-Trigger AVP will be supplied in this case.

The PCEF may require adding new event triggers or removing the already provided ones. In order to do so, the PCEF shall provide the new complete list of applicable event triggers within the Event-Trigger AVP included in the Event-Report-Indication AVP to the PCRF.

The PCEF may require removing all previously provided event triggers by providing the Event-Trigger AVP set to the value NO_EVENT_TRIGGERS included in the Event-Report-Indication AVP to the PCRF.

If the event triggers required by the PCEF are associated with certain parameter values, the PCRF shall provide those values to the PCEF.

Whenever the PCEF subscribes to an event report indication by using the CCR command, the PCRF shall only send the corresponding currently applicable values which have been updated (e.g. 3GPP-User-Location-Info, 3GPP2-BSID, etc.) to the PCEF in the CCA if available. In this case, the Event-Trigger AVPs shall not be included.

NOTE 1: The PCRF can get the currently applicable values during the IP-CAN session establishment procedure or during the information reporting from the BBERF when the BBERF gets event subscription from the PCRF as defined in clause 5.3.7.

The PCEF may subscribe to different or common set of event triggers at different BBERFs by including the Routing-IP-Address AVP in the Event-Report-Indication AVP to the PCRF.

The PCEF may provide the following Event-Trigger values to the PCRF: RAI_CHANGE, RAT_CHANGE, USER_LOCATION_CHANGE, UE_TIME_ZONE_CHANGE, USER_CSG_INFORMATION_CHANGE, USER_CSG_HYBRID_SUBSCRIBED_INFORMATION_CHANGE, USER_CSG_HYBRID_UNSUBSCRIBED_INFORMATION_CHANGE, TAI_CHANGE and ECGI_CHANGE.

Applicability of the Event-Triggers to the different accesses is defined in clause 5.3.7.

AVP Format:

```
Event-Report-Indication ::= < AVP Header: 1033 >
    [ AN-Trusted ]
    *[ Event-Trigger ]
    [ User-CSG-Information ]
    [ IP-CAN-Type ]
    0*2[ AN-GW-Address ]
        [ 3GPP-SGSN-Address ]
        [ 3GPP-SGSN-Ipv6-Address ]
        [ 3GPP-SGSN-MCC-MNC ]
        [ Framed-IP-Address ]
        [ RAT-Type ]
        [ RAI ]
        [ 3GPP-User-Location-Info ]
        [ Trace-Data ]
        [ Trace-Reference ]
        [ 3GPP2-BSID ]
        [ 3GPP-MS-TimeZone ]
        [ Routing-IP-Address ]
        [ UE-Local-IP-Address ]
        [ HeNB-Local-IP-Address ]
        [ UDP-Source-Port ]
        [ Presence-Reporting-Area-Information ]
    *[ AVP ]
```

NOTE 2: The IP-CAN-Type, AN-GW-Address, AN-Trusted, 3GPP-SGSN-Address, 3GPP-SGSN-Ipv6-Address, 3GPP-SGSN-MCC-MNC, Framed-IP-Address, UE-Local-IP-Address, HeNB-Local-IP-Address and UDP-Source-Port, Presence-Reporting-Area-Information AVPs are not applicable to the Gx interface.

5.3.31 RAT-Type AVP

The RAT-Type AVP (AVP code 1032) is of type Enumerated and is used to identify the radio access technology that is serving the UE. It may be further detailed by AN-Trusted if applicable.

NOTE 1: Values 0-999 are used for generic radio access technologies that can apply to different IP-CAN types and are not IP-CAN specific.

NOTE 2: Values 1000-1999 are used for 3GPP specific radio access technology types.

NOTE 3: Values 2000-2999 are used for 3GPP2 specific radio access technology types.

NOTE 4: The informative Annex C presents a mapping between the code values for different access network types.

The following values are defined:

WLAN (0)

This value shall be used to indicate that the RAT is WLAN.

VIRTUAL (1)

This value shall be used to indicate that the RAT is unknown. For further details refer to 3GPP TS 29.274 [22].

UTRAN (1000)

This value shall be used to indicate that the RAT is UTRAN. For further details refer to 3GPP TS 29.060 [18].

GERAN (1001)

This value shall be used to indicate that the RAT is GERAN. For further details refer to 3GPP TS 29.060 [18].

GAN (1002)

This value shall be used to indicate that the RAT is GAN. For further details refer to 3GPP TS 29.060 [18] and 3GPP TS 43.318 [29].

HSPA_EVOLUTION (1003)

This value shall be used to indicate that the RAT is HSPA Evolution. For further details refer to 3GPP TS 29.060 [18].

EUTRAN (1004)

This value shall be used to indicate that the RAT is EUTRAN. For further details refer to 3GPP TS 29.274 [22].

CDMA2000_1X (2000)

This value shall be used to indicate that the RAT is CDMA2000 1X. For further details refer to 3GPP2 X.S0011 [20].

HRPD (2001)

This value shall be used to indicate that the RAT is HRPD. For further details refer to 3GPP2 X.S0011 [20].

UMB (2002)

This value shall be used to indicate that the RAT is UMB. For further details refer to 3GPP2 X.S0011 [20].

EHRPD (2003)

This value shall be used to indicate that the RAT is eHRPD. For further details refer to 3GPP2 X.S0057 [24].

5.3.32 Allocation-Retention-Priority AVP (All access types)

The Allocation-Retention-Priority AVP (AVP code 1034) is of type Grouped, and it is used to indicate the priority of allocation and retention, the pre-emption capability and pre-emption vulnerability for the SDF if provided within the QoS-Information-AVP or for the EPS default bearer if provided within the Default-EPS-Bearer-QoS AVP.

The Priority-Level AVP of the default bearer should be set to a sufficiently high level of priority and the ARP pre-emption vulnerability of the default bearer should be set appropriately to minimize the risk for unexpected PDN disconnection or UE detach from the network according to operator specific policies.

AVP Format:

```
Allocation-Retention-Priority ::= < AVP Header: 1034 >
                                { Priority-Level }
                                [ Pre-emption-Capability ]
                                [ Pre-emption-Vulnerability ]
```

5.3.33 CoA-IP-Address AVP (All access types)

The CoA-IP-Address AVP (AVP Code 1035) is of type Address and contains the mobile node's care-of-address. The care-of-address type may be Ipv4 or Ipv6.

5.3.34 Tunnel-Header-Filter AVP (All access types)

The Tunnel-Header-Filter AVP (AVP code 1036) is of type IPFilterRule, and it defines the tunnel (outer) header filter information of a MIP tunnel where the associated QoS rules apply for the tunnel payload.

The Tunnel-Header-Filter AVP shall include the following information:

- Action shall be set to "permit";
- Direction (in or out);
- Protocol;
- Source IP address;
- Source port (single value) for UDP tunneling;
- Destination IP address;
- Destination port (single value) for UDP tunneling.

The IPFilterRule type shall be used with the following restrictions:

- Options shall not be used.
- The invert modifier "!" for addresses shall not be used.

The direction "out" refers to downlink direction.

The direction "in" refers to uplink direction.

5.3.35 Tunnel-Header-Length AVP (All access types)

The Tunnel-Header-Length AVP (AVP code 1037) is of type Unsigned32. This AVP indicates the length of the tunnel header in octets.

5.3.36 Tunnel-Information AVP (All access types)

The Tunnel-Information AVP (AVP code 1038) is of type Grouped, and it contains the tunnel (outer) header information from a single IP flow. The Tunnel-Information AVP is sent from the PCEF to the PCRF and from the PCRF to the BBERF.

The Tunnel-Information AVP may include only the Tunnel-Header-Length AVP, only the Tunnel-Header-Filter AVP, or both.

The Tunnel-Header-Length AVP provides the length of the tunnel header and identifies the offset where the tunnelled payload starts. The BBERF uses the length value provided in Tunnel-Header-Length AVP to locate the inner IP header and perform service data flow detection and related QoS control.

The Tunnel-Header-Filter AVP identifies the tunnel (outer) header information in the downlink and uplink directions.

AVP Format:

```
Tunnel-Information ::= < AVP Header: 1038 >
    [ Tunnel-Header-Length ]
    2[ Tunnel-Header-Filter ]
    *[ AVP ]
```

5.3.37 CoA-Information AVP (All access types)

The CoA-Information AVP (AVP code 1039) is of type Grouped, and it contains care-of-address and the tunnel information related to the care of address. The CoA-Information AVP is sent from the PCEF to the PCRF.

When used, the CoA-Information AVP shall include a CoA-IP-Address AVP. The CoA-Information AVP shall also include a Tunnel-Information AVP, which provides the tunnel header length and tunnel header filter information related to the specific care-of-address.

AVP Format:

```
CoA-Information ::= < AVP Header: 1039 >
    { Tunnel-Information }
    { CoA-IP-Address }
    *[ AVP ]
```

5.3.38 Rule-Failure-Code AVP (All access types)

The Rule-Failure-Code AVP (AVP code 1031) is of type Enumerated. It is sent by the PCEF to the PCRF within a Charging-Rule-Report AVP to identify the reason a PCC Rule is being reported.

The following values are defined:

UNKNOWN_RULE_NAME (1)

This value is used to indicate that the pre-provisioned PCC rule could not be successfully activated because the Charging-Rule-Name or Charging-Rule-Base-Name is unknown to the PCEF.

RATING_GROUP_ERROR (2)

This value is used to indicate that the PCC rule could not be successfully installed or enforced because the Rating-Group specified within the Charging-Rule-Definition AVP by the PCRF is unknown or, invalid.

SERVICE_IDENTIFIER_ERROR (3)

This value is used to indicate that the PCC rule could not be successfully installed or enforced because the Service-Identifier specified within the Charging-Rule-Definition AVP by the PCRF is invalid, unknown, or not applicable to the service being charged.

GW/PCEF_MALFUNCTION (4)

This value is used to indicate that the PCC rule could not be successfully installed (for those provisioned from the PCRF) or activated (for those pre-provisioned in PCEF) or enforced (for those already successfully installed) due to GW/PCEF malfunction.

RESOURCES_LIMITATION (5)

This value is used to indicate that the PCC rule could not be successfully installed (for those provisioned from PCRF) or activated (for those pre-provisioned in PCEF) or enforced (for those already successfully installed) due to a limitation of resources at the PCEF.

MAX_NR_BEARERS_REACHED (6)

This value is used to indicate that the PCC rule could not be successfully installed (for those provisioned from PCRF) or activated (for those pre-provisioned in PCEF) or enforced (for those already successfully installed) due to the fact that the maximum number of bearers has been reached for the IP-CAN session.

UNKNOWN_BEARER_ID (7)

This value is used to indicate that the PCC rule could not be successfully installed or enforced at the PCEF because the Bearer-Id specified within the Charging-Rule-Install AVP by the PCRF is unknown or invalid. Applicable only for GPRS in the case the PCRF performs the bearer binding.

MISSING_BEARER_ID (8)

This value is used to indicate that the PCC rule could not be successfully installed or enforced at the PCEF because the Bearer-Id is not specified within the Charging-Rule-Install AVP by the PCRF. Applicable only for GPRS in the case the PCRF performs the bearer binding.

MISSING_FLOW_INFORMATION (9)

This value is used to indicate that the PCC rule could not be successfully installed or enforced because the Flow-Information AVP is not specified within the Charging-Rule-Definition AVP by the PCRF during the first install request of the PCC rule.

RESOURCE_ALLOCATION_FAILURE (10)

This value is used to indicate that the PCC rule could not be successfully installed or maintained since the bearer establishment/modification failed, or the bearer was released.

UNSUCCESSFUL_QOS_VALIDATION (11)

This value is used to:

- indicate that the QoS validation has failed or,
- Indicate when Guaranteed Bandwidth > Max-Requested-Bandwidth.

INCORRECT_FLOW_INFORMATION (12)

This value is used to indicate that the PCC rule could not be successfully installed or modified at the PCEF because the provided flow information is not supported by the network (e.g. the provided IP address(es) or Ipv6 prefix(es) do not correspond to an IP version applicable for the IP-CAN session).

PS_TO_CS_HANDOVER (13)

This value is used to indicate that the PCC rule could not be maintained because of PS to CS handover. This value is only applicable for 3GPP-GPRS and 3GPP-EPS. Applicable to functionality introduced with the Rel9 feature as described in clause 5.4.1.

TDF_APPLICATION_IDENTIFIER_ERROR (14)

This value is used to indicate that the rule could not be successfully installed or enforced because the TDF-Application-Identifier is invalid, unknown, or not applicable to the application required for detection.

NO_BEARER_BOUND (15)

This value is used to indicate that there is no IP-CAN bearer which the PCEF can bind the PCC rule(s) to.

FILTER_RESTRICTIONS (16)

This value is used to indicate that the Flow-Description AVP(s) cannot be handled by the PCEF because any of the restrictions specified in clause 5.4.2 was not met.

AN_GW_FAILED (17)

This value is used to indicate that the AN-Gateway has failed and that the PCRF should refrain from sending policy decisions to the PCEF until it is informed that the S-GW has been recovered. This value shall not be used if the IP-CAN Session Modification procedure is initiated for PCC rule removal only.

MISSING_REDIRECT_SERVER_ADDRESS (18)

This value is used to indicate that the PCC rule could not be successfully installed or enforced at the PCEF because there is no valid Redirect_Server_Address within the Redirect-Server-Address AVP provided by the PCRF and no preconfigured redirection address for this PCC rule at the PCEF.

CM_END_USER_SERVICE_DENIED (19)

This value is used to indicate that the charging system denied the service request due to service restrictions (e.g. terminate rating group) or limitations related to the end-user, for example the end-user's account could not cover the requested service. Applicable to functionality introduced with the ABC feature for Sd reference point as described in clause 5b.4.1.

CM_CREDIT_CONTROL_NOT_APPLICABLE (20)

This value is used to indicate that the charging system determined that the service can be granted to the end user but no further credit control is needed for the service (e.g. service is free of charge or is treated for offline charging). Applicable to functionality introduced with the ABC feature for Sd reference point as described in clause 5b.4.1.

CM_AUTHORIZATION_REJECTED (21)

This value is used to indicate that the charging system denied the service request in order to terminate the service for which credit is requested. Applicable to functionality introduced with the ABC feature for Sd reference point as described in clause 5b.4.1.

CM_USER_UNKNOWN (22)

This value is used to indicate that the specified end user could not be found in the charging system. Applicable to functionality introduced with the ABC feature for Sd reference point as described in clause 5b.4.1.

CM_RATING_FAILED (23)

This value is used to inform the PCRF that the charging system cannot rate the service request due to insufficient rating input, incorrect AVP combination or due to an AVP or an AVP value that is not recognized or supported in the rating. Applicable to functionality introduced with the ABC feature for Sd reference point as described in clause 5b.4.1.

5.3.39 APN-Aggregate-Max-Bitrate-DL AVP

The APN-Aggregate-Max-Bitrate-DL AVP (AVP code 1040) is of type Unsigned32, and it indicates the maximum aggregate bit rate in bits per seconds for the downlink direction across all non-GBR bearers related with the same APN.

When provided in a CC-Request, it indicates the subscribed maximum bitrate and/or the maximum bitrate retained in the PCEF. When provided in a CC-Answer, it indicates the maximum bandwidth authorized by PCRF.

5.3.40 APN-Aggregate-Max-Bitrate-UL AVP

The APN-Aggregate-Max-Bitrate-UL AVP (AVP code 1041) is of type Unsigned32, and it indicates the maximum aggregate bit rate in bits per seconds for the uplink direction across all non-GBR bearers related with the same APN.

When provided in a CC-Request, it indicates the subscribed maximum bandwidth and/or the maximum bitrate retained in the PCEF. When provided in a CC-Answer, it indicates the maximum bandwidth authorized by PCRF.

5.3.41 Revalidation-Time (ALL Access Types)

The Revalidation-Time AVP (AVP code 1042) is of type Time. This value indicates the NTP time before which the PCEF will have to re-request PCC rules. This value only applies when the event trigger value

REVALIDATION_TIMEOUT is provisioned together with Revalidation-Time AVP or has been already provisioned via CCA or RAR.

5.3.42 Rule-Activation-Time (ALL Access Types)

The Rule-Activation-Time AVP (AVP code 1043) is of type Time. This value indicates the NTP time at which the PCC rule has to be enforced. The AVP is included in Charging-Rule-Install AVP and is applicable for all the PCC rules included within the Charging-Rule-Install AVP.

5.3.43 Rule-Deactivation-Time (ALL Access Types)

The Rule-Deactivation-Time AVP (AVP code 1044) is of type Time. This value indicates the NTP time at which the PCEF has to stop enforcing the PCC rule. The AVP is included in Charging-Rule-Install AVP and is applicable for all the PCC rules included within the Charging-Rule-Install AVP.

5.3.44 Session-Release-Cause (All access types)

Session-Release-Cause AVP (AVP code 1045) is of type Enumerated, and determines the cause of release the IP-CAN session by the PCRF. The following values are defined:

UNSPECIFIED_REASON (0)

This value is used for unspecified reasons.

UE_SUBSCRIPTION_REASON (1)

This value is used to indicate that the subscription of UE has changed (e.g. removed) and the session needs to be terminated.

INSUFFICIENT_SERVER_RESOURCES (2)

This value is used to indicate that the server is overloaded and needs to abort the session.

IP_CAN_SESSION_TERMINATION (3)

This value is used to indicate that the corresponding IP-CAN session is terminated. The IP_CAN_SESSION_TERMINATION value is introduced in order to be used by Sd only, when PCRF initiates the TDF session termination within IP-CAN session termination.

UE_IP_ADDRESS_RELEASE (4)

This value is used to indicate that the Ipv4 address of a dual stack IP-CAN session is released. The UE_IP_ADDRESS_RELEASE value is introduced in order to be used by Sd only, when PCRF initiates the TDF session termination if the Ipv4 address of a dual stack IP-CAN session is released and if there is an active Ipv4 address related TDF session for that IP-CAN session.

5.3.45 Priority-Level AVP (All access types)

The Priority-Level AVP (AVP code 1046) is of type Unsigned 32. The AVP is used for deciding whether a bearer establishment or modification request can be accepted or needs to be rejected in case of resource limitations (typically used for admission control of GBR traffic). The AVP can also be used to decide which existing bearers to pre-empt during resource limitations. The priority level defines the relative importance of a resource request.

Values 1 to 15 are defined, with value 1 as the highest level of priority.

Values 1 to 8 should only be assigned for services that are authorized to receive prioritized treatment within an operator domain. Values 9 to 15 may be assigned to resources that are authorized by the home network and thus applicable when a UE is roaming.

5.3.46 Pre-emption-Capability AVP

The Pre-emption-Capability AVP (AVP code 1047) is of type Enumerated. If it is provided within the QoS-Information AVP, the AVP defines whether a service data flow can get resources that were already assigned to another service data flow with a lower priority level. If it is provided within the Default-EPS-Bearer-QoS AVP, the AVP defines whether the default bearer can get resources that were already assigned to another bearer with a lower priority level.

The following values are defined:

PRE-EMPTION_CAPABILITY_ENABLED (0)

This value indicates that the service data flow or bearer is allowed to get resources that were already assigned to another service data flow or bearer with a lower priority level.

PRE-EMPTION_CAPABILITY_DISABLED (1)

This value indicates that the service data flow or bearer is not allowed to get resources that were already assigned to another service data flow or bearer with a lower priority level. This is the default value applicable if this AVP is not supplied.

5.3.47 Pre-emption-Vulnerability AVP

The Pre-emption Vulnerability AVP (AVP code 1048) is of type Enumerated. If it is provided within the QoS-Information AVP, the AVP defines whether a service data flow can lose the resources assigned to it in order to admit a service data flow with higher priority level. If it is provided within the Default-EPS-Bearer-QoS AVP, the AVP defines whether the default bearer can lose the resources assigned to it in order to admit a pre-emption capable bearer with a higher priority level.

The following values are defined:

PRE-EMPTION_VULNERABILITY_ENABLED (0)

This value indicates that the resources assigned to the service data flow or bearer can be pre-empted and allocated to a service data flow or bearer with a higher priority level. This is the default value applicable if this AVP is not supplied.

PRE-EMPTION_VULNERABILITY_DISABLED (1)

This value indicates that the resources assigned to the service data flow or bearer shall not be pre-empted and allocated to a service data flow or bearer with a higher priority level.

5.3.48 Default-EPS-Bearer-QoS AVP

The Default-EPS-Bearer-QoS AVP (AVP code 1049) is of type Grouped, and it defines the QoS information for the EPS default bearer. When this AVP is sent from the PCEF to the PCRF, it indicates the subscribed QoS for the default EPS bearer and/or the retained QoS for the default EPS bearer in the PCEF. When this AVP is sent from the PCRF to the PCEF, it indicates the authorized QoS for the default EPS bearer.

The QoS class identifier identifies a set of IP-CAN specific QoS parameters that define QoS, excluding the applicable bitrates and ARP. When included in the Default-EPS-Bearer-QoS AVP, it shall include only non-GBR values.

The Allocation-Retention-Priority AVP is an indicator of the priority of allocation and retention for the default bearer.

AVP Format:

```
Default-EPS-Bearer-QoS ::= < AVP Header: 1049 >
    [ QoS-Class-Identifier ]
    [ Allocation-Retention-Priority ]
    *[ AVP ]
```

5.3.49 AN-GW-Address AVP (All access types)

The AN-GW-Address AVP (AVP code 1050) is of type Address, and it contains the Ipv4 and/ or Ipv6 (if available) address(es) of the access node gateway (SGW for 3GPP and AGW/ePDG for non-3GPP networks).

NOTE: If both Ipv4 and Ipv6 addresses are provided then two instances of this AVP are required in Diameter commands

5.3.50 Resource-Allocation-Notification AVP (All access types)

The Resource-Allocation-Notification AVP (AVP code 1063) is of type Enumerated.

If the Resource-Allocation-Notification AVP is included within a Charging-Rule-Install AVP it defines whether the rules included within the Charging-Rule-Install AVP need be notified.

The following values are defined:

ENABLE_NOTIFICATION (0)

This value shall be used to indicate that the allocation of resources for the related PCC rules shall be confirmed.

5.3.51 Security-Parameter-Index AVP (All access types)

The Security-Parameter-Index AVP (AVP code 1056) is of type OctetString, and it contains the security parameter index of the IPSec packet. One example is that of a TFT packet filter as defined in 3GPP TS 24.008 [13].

5.3.52 Flow-Label AVP (All access types)

The Flow-Label AVP (AVP code 1057) is of type OctetString, and it contains the Ipv6 flow label header field. One example is that of a TFT packet filter as defined in 3GPP TS 24.008 [13].

5.3.53 Flow-Information AVP (All access types)

The Flow-Information AVP (AVP code 1058) is of type Grouped, and it is sent from the PCRF to the PCEF and contains the information from a single IP flow packet filter.

The Flow-Description, ToS-Traffic-Class, Security-Parameter-Index and Flow-Label AVPs specify the parameters to be used for matching payload packets. If any of these AVPs is present, then the Flow-Direction AVP shall also be included. If the Flow-Information AVP includes any of the Flow-Description, ToS-Traffic-Class, Security-Parameter-Index or Flow-Label AVPs, these values replace any previous value for all the Flow-Description, ToS-Traffic-Class, Security-Parameter-Index and Flow-Label AVPs.

The Flow-Information AVP shall include the Flow-Direction AVP, declaring in what direction(s) the filter applies.

The PCRF shall only assign the packet filter identifier in the Packet-Filter-Identifier AVP for PCC rules created as a result of UE-initiated resource allocation.

NOTE 1: The UE can only modify packet filters that the UE has introduced and associated resources. The packet filter identifiers are only needed for packet filters created by the UE.

For PCC rules modified as a result of UE-initiated resource modification that include the modified Flow-Information AVP, the PCRF shall include the packet filter identifier in the Packet-Filter-Identifier AVP.

The Flow-Information AVP may also include the Type-of-Service/Traffic Class, the IPSec SPI, and the Flow Label. The values of these AVPs are obtained from the packet filter information provided by the PCEF.

The Flow-Direction AVP shall be included unless no other AVPs other than Packet-Filter-Identifier AVP are included within the Flow-Information AVP.

NOTE 2: For 3GPP accesses, the possible combinations of Flow-Description, Type-of-Service/Traffic Class, the IPSec SPI, and the Flow Label in the TFT filter are defined in 3GPP TS 23.060 [17].

AVP Format:

```
Flow-Information ::= < AVP Header: 1058 >
    [ Flow-Description ]
    [ Packet-Filter-Identifier ]
    [ Packet-Filter-Usage ]
    [ ToS-Traffic-Class ]
```



```

    [ Security-Parameter-Index ]
    [ Flow-Label ]
    [ Flow-Direction ]
    *[ AVP ]

```

5.3.54 Packet-Filter-Content AVP

The Packet-Filter-Content AVP (AVP code 1059) is of type IPFilterRule, and it contains the content of the packet filter as requested by the UE and required by the PCRF to create the PCC rules. The following information shall be sent:

- Action shall be set to "permit".
- Direction shall be set to "out".
- Protocol shall be set to the value provided within the packet filter provided by the UE. If not provided, Protocol shall be set to "ip".
- Source IP address (possibly masked). The Source IP address shall be derived from the packet filter parameters, for the remote end, sent by the UE. If the Source IP address is not provided by the UE, this field shall be set to "any".
- Source and/or destination port (single value, list or ranges). The information shall be derived from the remote and/or local port packet filter parameters. Source and/or destination port(s) shall be omitted if the corresponding information is not provided in the packet filter.
- Destination IP address (possibly masked). The Destination IP address shall be derived from the packet filter parameters sent by the UE. The Destination shall be set to the value provided by the UE. If no Destination IP address is provided in the packet filter the Destination shall be set to "assigned", which refers to the Ipv4 address and/or Ipv6 prefix of the UE as indicated by the Framed-IP-Address and/or Framed-Ipv6-Prefix AVPs.

The IPFilterRule type shall be used with the following restrictions:

- No options shall be used.
- The invert modifier "!" for addresses shall not be used.

The direction "out" indicates that the IPFilterRule "source" parameters correspond to the "remote" parameters in the packet filter and the IPFilterRule "destination" parameters correspond to the "local" (UE end) parameters. The Packet-Filter-Content AVP applies in the direction(s) as specified in the accompanying Flow-Direction AVP.

Destination IP address including the value provided by the UE may be provided within the Packet-Filter-Content AVP when the ExtendedFilter feature is supported as described in clause 5.4.1.

5.3.55 Packet-Filter-Identifier AVP

The Packet-Filter-Identifier AVP (AVP code 1060) is of type OctetString, and it indicates the identity of the packet filter. For PCC rules created as a result of UE-initiated resource allocation, the packet filter identifier is assigned by the PCRF and within the scope of the PCRF is unique per UE.

5.3.56 Packet-Filter-Information AVP

The Packet-Filter-Information AVP (AVP code 1061) is of type Grouped, and it contains the information from a single packet filter sent from the PCEF to the PCRF. Depending on the Packet-Filter-Operation included within the CCR command it may include the packet filter identifier, evaluation precedence, filter value, filter direction, Type-of-Service/Traffic Class, the IPSec SPI, and the Flow Label.

When the Packet-Filter-Operation AVP included within the CCR command indicates DELETION, only the Packet-Filter-Identifier AVP shall be provided.

The Flow-Direction AVP shall be included unless no other AVPs other than Packet-Filter-Identifier AVP are included within the Packet-Filter-Information AVP.

When the Packet-Filter-Operation AVP included within the CCR command indicates ADDITION and is linked to an existing packet filter, only the Packet-Filter-Identifier AVP shall be provided for the existing packet filter.

See annex B.3.4 for E-UTRAN specific details.

AVP Format:

```
Packet-Filter-Information ::= < AVP Header: 1061 >
    [ Packet-Filter-Identifier ]
    [ Precedence ]
    [ Packet-Filter-Content ]
    [ ToS-Traffic-Class ]
    [ Security-Parameter-Index ]
    [ Flow-Label ]
    [ Flow-Direction ]
    *[ AVP ]
```

5.3.57 Packet-Filter-Operation AVP

The Packet-Filter-Operation AVP (AVP code 1062) is of type of Enumerated, and it indicates a UE initiated resource operation that causes a request for PCC rules.

The following values are defined:

DELETION (0)

This value is used to indicate that the resources reserved for the provided packet filter identifiers are to be deleted and are no longer used by the UE.

ADDITION (1)

This value is used to indicate that the UE requests resources allocated for the provided packet filters.

MODIFICATION (2)

This value is used to indicate that the reserved QoS, the filter, the precedence, or any of the fields for the provided packet filter identifiers are being modified.

5.3.58 PDN-Connection-ID AVP

The PDN-Connection-ID AVP (AVP code 1065) is of type OctetString, and it indicates the PDN connection to which specific information refers.

5.3.59 Monitoring-Key AVP

The Monitoring-Key AVP (AVP code 1066) is of type OctetString and is used for usage monitoring control purposes as an identifier to a usage monitoring control instance.

5.3.60 Usage-Monitoring-Information AVP

The Usage-Monitoring-Information AVP (AVP code 1067) is of type Grouped, and it contains the usage monitoring control information.

The Monitoring-Key AVP identifies the usage monitoring control instance.

The Granted-Service-Unit AVP shall be used by the PCRF to provide the volume and/or the time of usage threshold level to the PCEF. The CC-Total-Octets AVP shall be used for providing threshold level for the total volume, or the CC-Input-Octets and/or CC-Output-Octets AVPs shall be used for providing threshold level for the uplink volume and/or the downlink volume. The CC-Time AVP shall be used for providing the time threshold to the PCEF. Monitoring-Time AVP shall be used for providing the time at which the PCEF shall reapply the threshold value provided by the PCRF.

The Used-Service-Unit AVP shall be used by the PCEF to provide the measured usage to the PCRF. Reporting shall be done, as requested by the PCRF, in CC-Total-Octets, CC-Input-Octets, CC-Output-Octets or CC-Time AVPs of Used-Service-Unit AVP. The Monitoring-Time AVP within the Used-Service-Unit AVP shall indicate the usage after the monitoring time as specified in clause 4.5.17.6.

The Quota-Consumption-Time AVP defines the time interval in seconds after which the time measurement shall stop for the Monitoring Key, if no packets are received belonging to the corresponding Monitoring Key. The Quota-Consumption-Time may be included when the Usage-Monitoring-InformationAVP also contains a Granted-Service-Unit including a CC-Time AVP (i.e. when the granted usage is for usage monitoring based on time). If the Quota-Consumption-Time AVP contains a value of zero, or if no Quota-Consumption-Time AVP is present, the time of usage shall be measured continuously from the point user plane traffic is detected for the corresponding Monitoring Key until the time usage measurement is disabled for the same Monitoring Key.

The Usage-Monitoring-Level AVP determines the scope of the usage monitoring instance.

The Usage-Monitoring-Report AVP determines if accumulated usage shall be reported for the usage monitoring key included in Monitoring-Key AVP.

The Usage-Monitoring-Support AVP determines if a usage monitoring instance is disabled.

AVP Format:

```
Usage-Monitoring-Information ::= < AVP Header: 1067 >
    [ Monitoring-Key ]
    0*2[ Granted-Service-Unit ]
    0*2[ Used-Service-Unit ]
    [ Quota-Consumption-Time ]
    [ Usage-Monitoring-Level ]
    [ Usage-Monitoring-Report ]
    [ Usage-Monitoring-Support ]
    *[ AVP ]
```

5.3.61 Usage-Monitoring-Level AVP

The Usage-Monitoring-Level AVP (AVP code 1068) is of type Enumerated and is used by the PCRF to indicate whether the usage monitoring instance applies to the IP-CAN session or to one or more PCC rules or to one or more ADC rules.

If Usage-Monitoring-Level AVP is not provided, its absence shall indicate the value PCC_RULE_LEVEL (1).

The following values are defined:

SESSION_LEVEL (0)

This value, if provided within an RAR or CCA command by the PCRF, indicates that the usage monitoring instance applies to the entire IP-CAN session.

PCC_RULE_LEVEL (1)

This value, if provided within an RAR or CCA command by the PCRF indicates that the usage monitoring instance applies to one or more PCC rules. This value is only applicable to Gx reference point.

ADC_RULE_LEVEL (2)

This value, if provided within a TSR, RAR or CCA command by the PCRF, indicates that the usage monitoring instance applies to one or more ADC rules. This value is only applicable to Sd reference point. See clause 5b.4.

5.3.62 Usage-Monitoring-Report AVP

The Usage-Monitoring-Report AVP (AVP code 1069) is of type Enumerated and is used by the PCRF to indicate that accumulated usage is to be reported by the PCEF regardless of whether a usage threshold is reached.

The following values are defined:

USAGE_MONITORING_REPORT_REQUIRED (0)

This value, if provided within an RAR or CCA command by the PCRF indicates that accumulated usage shall be reported by the PCEF.

5.3.63 Usage-Monitoring-Support AVP

The Usage-Monitoring-Support AVP (AVP code 1070) is of type Enumerated and is used by the PCRF to indicate whether usage monitoring shall be disabled for certain Monitoring Key.

The following values are defined:

USAGE_MONITORING_DISABLED (0)

This value indicates that usage monitoring is disabled for a monitoring key.

5.3.64 CSG-Information-Reporting AVP

The CSG-Information-Reporting AVP (AVP code 1071) is of type Enumerated, it is sent from the PCRF to the PCEF to request the PCEF to report the user CSG information change to the OFCS. The following values are defined:

CHANGE_CSG_CELL (0)

This value indicates that the PCEF reports the user CSG information change to the OFCS when the UE enters/leaves/accesses via a CSG cell.

CHANGE_CSG_SUBSCRIBED_HYBRID_CELL (1)

This value indicates that the PCEF reports the user CSG information change to the OFCS when the UE enters/leaves/accesses via a hybrid cell in which the subscriber is a CSG member.

CHANGE_CSG_UNSUBSCRIBED_HYBRID_CELL (2)

This value indicates that the PCEF reports the user CSG information change to the OFCS when the UE enters/leaves/accesses via a hybrid cell in which the subscriber is not a CSG member.

NOTE: Due to the increased signalling load, it is recommended that such reporting applied for a limited number of subscribers only.

5.3.65 Flow-Direction AVP

The Flow-Direction AVP (AVP code 1080) is of type Enumerated. It indicates the direction/directions that a filter is applicable, downlink only, uplink only or both down- and uplink (bidirectional).

UNSPECIFIED (0)

The corresponding filter applies for traffic to the UE (downlink), but has no specific direction declared. The service data flow detection shall apply the filter for uplink traffic as if the filter was bidirectional. The PCRF shall not use the value UNSPECIFIED in filters created by the network in NW-initiated procedures. The PCRF shall only include the value UNSPECIFIED in filters in UE-initiated procedures if the same value is received from in the CCR request from the PCEF.

DOWNLINK (1)

The corresponding filter applies for traffic to the UE.

UPLINK (2)

The corresponding filter applies for traffic from the UE.

BIDIRECTIONAL (3)

The corresponding filter applies for traffic both to and from the UE.

NOTE: The corresponding filter data is unidirectional. The filter for the opposite direction has the same parameters, but having the source and destination address/port parameters swapped.

5.3.66 Packet-Filter-Usage AVP (All access types)

The Packet-Filter-Usage AVP (AVP code 1072) is of type of Enumerated, and it indicates whether the UE shall be provisioned with the related traffic mapping information, i.e. the packet filter. Traffic mapping information may be sent to the UE as per the relevant IP-CAN specifications even if not instructed to do so with the Packet-Filter-Usage AVP.

The following values are defined:

SEND_TO_UE (1)

This value is used to indicate that the related traffic mapping information, i.e. the packet filter, shall be sent to the UE, if applicable to the IP-CAN type as per relevant IP-CAN specifications.

NOTE: The maximum number of packet filters sent to UE is limited by the IP-CAN type. See access specific annexes.

5.3.67 Charging-Correlation-Indicator AVP (All access types)

The Charging-Correlation-Indicator AVP (AVP code 1073) is of type Enumerated.

If the Charging-Correlation-Indicator AVP is included within a Charging-Rule-Install AVP it indicates that the Access-Network-Charging-Identifier-Gx AVP assigned to the dynamic PCC rules need to be provided.

The following values are defined:

CHARGING_IDENTIFIER_REQUIRED (0)

This value shall be used to indicate that the Access-Network-Charging-Identifier-Gx AVP for the dynamic PCC rule(s) shall be reported to the PCRF by the PCEF.

5.3.68 Routing-Rule-Install AVP

The Routing-Rule-Install AVP (AVP code 1081) is of type Grouped, and it is used to install or modify IP flow mobility routing rules as instructed from the PCEF to the PCRF.

For installing a new IP flow mobility routing rule or modifying a IP flow mobility routing rule already installed, Routing-Rule-Definition AVP shall be used.

AVP Format:

```
Routing-Rule-Install ::= < AVP Header: 1081 >
                        *[ Routing-Rule-Definition ]
                        *[ AVP ]
```

5.3.69 Routing-Rule-Remove AVP

The Routing-Rule-Remove AVP (AVP code 1075) is of type Grouped, and it is used to remove IP flow mobility routing rules for an IP CAN session from the PCRF.

Routing-Rule-Identifier AVP is a reference for a specific IP flow mobility routing rule at the PCRF to be removed.

AVP Format:

```
Routing-Rule-Remove ::= < AVP Header: 1075 >
                        *[ Routing-Rule-Identifier ]
                        *[ AVP ]
```

5.3.70 Routing-Rule-Definition AVP

The Routing-Rule-Definition AVP (AVP code 1076) is of type Grouped, and it defines the IP flow mobility routing rule sent by the PCEF to the PCRF.

The Routing-Rule-Identifier AVP uniquely identifies the IP flow mobility routing rule and it is used to reference to a IP flow mobility routing rule in communication between the PCEF and the PCRF within one IP CAN session.

The Routing-IP-Address AVP identifies the IP address to be used for transporting for service data flows matching the IP flow mobility routing rule. The IP address may be a care-of-address or the home address.

The Routing-Filter AVP(s) contains detailed description of routing filter(s) for determining the service data flows that belong to the IP flow mobility routing rule.

AVP Format:

```
Routing-Rule-Definition ::= < AVP Header: 1076 >
    { Routing-Rule-Identifier }
    *[ Routing-Filter ]
    [ Precedence ]
    [ Routing-IP-Address ]
    *[ AVP ]
```

5.3.71 Routing-Rule-Identifier AVP

The Routing-Rule-Identifier AVP (AVP code 1077) is of type OctetString, and it defines a unique identifier for IP flow mobility routing rule. For IP flow mobility routing rules provided by the PCEF it uniquely identifies a IP flow mobility routing rule within one IP CAN session. The identifier value is assigned by the PCEF when instructing the PCRF to install the IP flow mobility routing rule.

5.3.72 Routing-Filter AVP

The Routing-Filter AVP (AVP code 1078) is of type Grouped and is sent from the PCEF to the PCRF. This AVP contains the information for a single routing filter .

The Routing-Filter AVP shall include the Flow-Direction AVP with value set to "BIDIRECTIONAL". The direction information contained in the Flow-Description AVP shall be "out".

The routing filter may be wild carded by omitting ToS-Traffic-Class AVP, Security-Parameter-Index AVP, and Flow-Label AVP, setting Flow-Direction AVP to the value "BIDIRECTIONAL", setting Flow-Description AVP to the value "permit out ip from any to any".

The Routing-Filter AVP may also include the Type-of-Service/Traffic Class, the IPSec SPI, and the Flow Label. The values of these AVPs are obtained from the routing information provided to the PCEF.

AVP Format:

```
Routing-Filter ::= < AVP Header: 1078 >
    { Flow-Description }
    { Flow-Direction }
    [ ToS-Traffic-Class ]
    [ Security-Parameter-Index ]
    [ Flow-Label ]
    *[ AVP ]
```

5.3.73 Routing-IP-Address AVP

The Routing-IP-Address AVP (AVP Code 1079) is of type Address and contains the mobile node's home address or care-of-address. The address type may be Ipv4 or Ipv6.

5.3.74 Void

5.3.75 Void

5.3.76 Void

5.3.77 TDF-Application-Identifier AVP

The TDF-Application-Identifier AVP (AVP Code 1088) is of type OctetString. It references the application detection filter (e.g. its value may represent an application such as a list of URLs, etc.) which the PCC rule for application detection and control in the PCEF applies. The TDF-Application-Identifier AVP references also the application in the reporting to the PCRF.

5.3.78 TDF-Information AVP

The TDF-Information AVP (AVP code 1087) is of type Grouped and may be sent from the PCEF to the PCRF in a Gx CCR with CC-Request-Type set to INITIAL-REQUEST. This AVP contains the information about the TDF that shall handle the application detection and reporting for that IP-CAN Session. The PCRF shall create the TDF session with that TDF.

The TDF-Information AVP shall include either the TDF-Destination-Realm and TDF-Destination-Host AVP, or the TDF-IP-Address AVP.

NOTE: The TDF-Information AVP may also be pre-provisioned in the PCRF. In case the TDF-Information AVP pre-provisioned at the PCRF and not received from the PCEF, it is being handled e.g. by configuration that PCEF routes the traffic to the same TDF. In case the TDF-Information is pre-provisioned in the PCRF and also the value is received in CC-Request from the PCEF, the value received in CC-Request takes precedence over pre-provisioned value.

AVP Format:

```
TDF-Information ::= < AVP Header: 1087 >
                [ TDF-Destination-Realm ]
                [ TDF-Destination-Host ]
                [ TDF-IP-Address ]
```

5.3.79 TDF-Destination-Realm AVP

The TDF-Destination-Realm AVP (AVP code 1090) is of type DiameterIdentity and contains the Destination-Realm of the TDF.

5.3.80 TDF-Destination-Host AVP

The TDF-Destination-Host AVP (AVP code 1089) is of type DiameterIdentity and contains the Destination-Host of the TDF.

5.3.81 TDF-IP-Address AVP

The TDF-IP-Address AVP (AVP Code 1091) is of type Address and contains the address of the corresponding TDF node.

The address type may be Ipv4 or Ipv6.

5.3.82 Redirect-Information AVP

The Redirect-Information AVP (AVP code 1085) is of type Grouped. It indicates whether the detected application traffic should be redirected to another controlled address. The Redirect-Information AVP is sent from the PCRF as a part of Charging-Rule-Definition AVP.

If the Redirect-Information AVP includes the Redirect-Server-Address AVP, the Redirect-Address-Type AVP shall also be provided indicating the type of address given in the Redirect-Server-Address AVP.

AVP Format:

```
Redirect-Information ::= < AVP Header: 1085 >
                [ Redirect-Support ]
                [ Redirect-Address-Type ]
                [ Redirect-Server-Address ]
                *[ AVP ]
```

5.3.83 Redirect-Support AVP

The Redirect-Support AVP (AVP Code 1086) is of type Enumerated.

The following value is defined:

REDIRECTION_DISABLED (0)

This value indicates that redirection is disabled for a detected application's traffic.

REDIRECTION_ENABLED (1)

This value indicates that redirection is enabled for a detected application's traffic. This is the default value applicable if a Redirect-Information AVP is provided for the first time and if this AVP is not supplied.

5.3.84 PS-to-CS-Session-Continuity AVP (3GPP-EPS access type only)

The PS-to-CS-Session-Continuity AVP (AVP code 1099) is of type Enumerated, and indicates whether the service data flow is a candidate for PS to CS session continuity as specified in 3GPP TS 23.216 [40].

The following values are defined:

VIDEO_PS2CS_CONT_CANDIDATE (0)

This value is used to indicate that the service data flow carries video and is a candidate for PS to CS session continuity.

5.3.85 Void

5.3.86 Void

5.3.87 Void

5.3.88 Void

5.3.89 Void

5.3.90 Void

5.3.91 Application-Detection-Information AVP

The Application-Detection-Information AVP (AVP code 1098) is of type Grouped, and it is used to report once the start/stop of the application traffic, defined by TDF-Application-Identifier, has been detected, in case PCRF has subscribed for APPLICATION_START/APPLICATION_STOP Event-Triggers, unless a request to mute such a notification (Mute-Notification AVP) is part of the corresponding Charging-Rule-Definition AVP to the PCEF.

The corresponding TDF-Application-Identifier AVP shall be included under Application-Detection-Information AVP. When the Event trigger indicates APPLICATION_START, the Flow-Information AVP for the detected application, if

deducible, shall be included under Application-Detection-Information AVP. When the Flow-Information AVP is included, the TDF-Application-Instance-Identifier AVP shall also be included. The Flow-Information AVP, if present, shall contain the Flow-Description AVP and Flow-Direction AVP. Also, the corresponding Event-Trigger (APPLICATION_START or APPLICATION_STOP) shall be provided to PCRF. When the TDF-Application-Instance-Identifier AVP is included with an APPLICATION_START event, it shall also be included when the corresponding APPLICATION_STOP event is notified.

AVP Format:

```
Application-Detection-Information ::= < AVP Header: 1098 >
    { TDF-Application-Identifier }
    [ TDF-Application-Instance-Identifier ]
    *[ Flow-Information ]
    *[ AVP ]
```

5.3.92 TDF-Application-Instance-Identifier AVP

The TDF-Application-Instance-Identifier AVP (AVP Code 2802) is of type OctetString. It shall be dynamically assigned by the PCEF supporting ADC feature in order to allow correlation of application Start and Stop events to the specific service data flow description, if service data flow descriptions are deducible and shall be reported from the PCEF to the PCRF when the flow description is deducible along with the corresponding Event Trigger.

5.3.93 Void

5.3.94 Void

5.3.95 HeNB-Local-IP-Address AVP (3GPP-EPS access type only)

The HeNB-Local-IP-Address AVP (AVP code 2804) is of type Address and contains the H(e)NB local IP address as defined in Annex E.2.1. The H(e)NB local IP address type may be Ipv4 or Ipv6.

5.3.96 UE-Local-IP-Address AVP (Non-3GPP-EPS access type only)

The UE-Local-IP-Address AVP (AVP code 2805) is of type Address and contains the UE local IP address as defined in Annex E.2.1. The UE local IP address type may be Ipv4 or Ipv6.

5.3.97 UDP-Source-Port AVP (3GPP-EPS and Non-3GPP-EPS access types)

The UDP-Source-Port AVP (AVP Code 2806) is of type Unsigned32 and contains the UDP source port number in the case that NA(P)T is detected for supporting interworking with fixed broadband access network as defined in Annex E.

5.3.98 Mute-Notification AVP

The Mute-Notification AVP (AVP code 2809) is of type Enumerated, and it is used to mute the notification to the PCRF of the detected application's start/stop for the specific PCC Rule from the PCEF.

The following values are defined:

MUTE_REQUIRED (0)

This value is used to indicate that the PCEF shall not inform the PCRF when the application's start/stop for the specific PCC rule(s) is detected.

Mute-Notification AVP shall be used for solicited application reporting only.

Absence of this AVP means that application start/stop notifications shall be sent for the detected application.

5.3.99 Monitoring-Time AVP

The Monitoring-Time AVP (AVP Code 2810) is of type Time and it defines the time at which the PCEF shall reapply the threshold value provided by the PCRF.

5.3.100 AN-GW-Status AVP (3GPP-EPS access type)

The AN-GW-Status AVP (AVP code 2811) is of type Enumerated. It is sent from the PCEF to the PCRF to indicate the status of the SGW.

The following values are defined:

AN_GW_FAILED (0)

This value indicates that the AN-Gateway has failed and that the PCRF should refrain from sending policy decisions to the PCEF until it is informed that the AN-Gateway has been recovered. This value shall not be used if the IP-CAN Session Modification procedure is initiated for PCC rule removal only.

5.3.101 User-Location-Info-Time AVP

The User-Location-Info-Time AVP (AVP Code 2812) is of type Time, and it contains the NTP time at which the UE was last known to be in the location which is reported during bearer deactivation or IP-CAN session termination procedure. The User-Location-Info-Time AVP is sent from the PCEF to the PCRF. The PCRF forwards it to the AF.

5.3.102 Credit-Management-Status AVP

The Credit-Management-Status AVP is of type Unsigned32 and it shall contain a bit mask. The bit 0 shall be the least significant bit. For example, to get the value of bit 0, a bit mask of 0x0001 should be used. The meaning of the bits shall be as defined below:

Table 5.3.102: Credit-Management-Status

Bit	Name	Description
0	End User Service Denied	This bit, when set, indicates that the charging system denied the service request due to service restrictions (e.g. terminate rating group) or limitations related to the end-user, for example the end-user's account could not cover the requested service.
1	Credit Control Not Applicable	This bit, when set, indicates that the charging system determined that the service can be granted to the end user but no further credit control is needed for the service (e.g. service is free of charge or is treated for offline charging).
2	Authorization Rejected	This bit, when set, indicates that the charging system denied the service request in order to terminate the service for which credit is requested.
3	User Unknown	This bit, when set, indicates that the specified end user could not be found in the charging system.
4	Rating Failed	This bit, when set, indicates that the charging system cannot rate the service request due to insufficient rating input, incorrect AVP combination or an AVP value that is not recognized or supported in rating.
5	No Gyn Session, service allowed	This bit, when set, indicates that the Gyn session was terminated (e.g. network failure), but the OCS allowed the service to continue (NOTE).
6	No Gyn Session, service not allowed	This bit, when set, indicates that the Gyn session was terminated (e.g. network failure) and the OCS did not allow the service to continue (NOTE).
NOTE: Applicable only over Sd reference point.		

5.3.103 Default-QoS-Information AVP (FBA access type)

The Default-QoS-Information AVP (AVP code 2816) is of type Grouped, and it defines the Default QoS information for the IP-CAN session in the Fixed Broadband Access. When this AVP is sent from the PCEF to the PCRF, it indicates the default QoS information provided by the Fixed Broadband Access network. When this AVP is sent from the PCRF to the PCEF, it indicates the authorized Default QoS for the IP-CAN session.

The Default-QoS-Information AVP can be dynamically provided or preconfigured in the PCEF. When dynamically provided, it consists of a QCI (QoS-Class-Identifier AVP) and MBR (Max-Requested-Bandwidth-UL AVP and Max-

Requested-Bandwidth-DL AVP). When it is preconfigured in the PCEF it consists of the default QoS profile name included in Default-QoS-Name AVP.

The QoS-Class-Identifier AVP identifies a set of IP-CAN specific QoS parameters that define the Default QoS.

The Max-Requested-Bandwidth-UL AVP defines the maximum bit rate allowed for the uplink direction.

The Max-Requested-Bandwidth-DL AVP defines the maximum bit rate allowed for the downlink direction.

The Default-QoS-Name AVP defines the default QoS profile pre-defined in the PCEF.

If the Default-QoS-Information AVP is omitted in a Diameter message, the previous information remains valid.

AVP Format:

```
Default-QoS-Information ::= < AVP Header: 2816 >
    [ QoS-Class-Identifier ]
    [ Max-Requested-Bandwidth-UL ]
    [ Max-Requested-Bandwidth-DL ]
    [ Default-QoS-Name ]
    *[ AVP ]
```

5.3.104 Default-QoS-Name AVP (FBA access type)

The Default-QoS-Name AVP (AVP code 2817) is of type UTF8String, and it indicates the name of a pre-configured default QoS profile at the PCEF.

5.3.105 Conditional-APN-Aggregate-Max-Bitrate (All access types)

The Conditional-APN-Aggregate-Max-Bitrate AVP (AVP code 2818) is of type Grouped, and it defines the conditional APN policy info.

The APN-Aggregate-Max-Bitrate-UL defines the total bandwidth usage for the uplink direction of non-GBR QCI at the APN.

The APN-Aggregate-Max-Bitrate-DL defines the total bandwidth usage for the downlink direction of non-GBR QCI at the APN.

One of the APN-Aggregate-Max-Bitrate-UL and APN-Aggregate-Max-Bitrate-DL AVP shall be present.

The IP-CAN-Type and the RAT-Type AVP(s) specify the condition, in terms of IP Connectivity Access Network type and the Radio Access Technology type of the UE, respectively, when the APN-Aggregate-Max-Bitrate-UL/DL shall be enforced.

At least one of the RAT-Type and IP-CAN-Type shall be present.

```
Conditional-APN-Aggregate-Max-Bitrate ::= < AVP Header: 2818 >
    [ APN-Aggregate-Max-Bitrate-UL ]
    [ APN-Aggregate-Max-Bitrate-DL ]
    *[ IP-CAN-Type ]
    *[ RAT-Type ]
    *[ AVP ]
```

5.3.106 RAN-NAS-Release-Cause AVP (3GPP-EPS access type)

The RAN-NAS-Release-Cause AVP (AVP code 2819) is of type OctetString, and indicates the RAN or NAS release cause code information. The AVP shall be coded as per the RAN/NAS Cause in clause 8.103 of 3GPP TS 29.274 [22], starting with Octet 5.

5.3.107 Presence-Reporting-Area-Elements-List AVP (3GPP-EPS access type)

The Presence-Reporting-Area-Elements-List AVP (AVP code 2820) is of type Octetstring and is coded as specified in 3GPP TS 29.274 [22] in Presence Reporting Area Action IE, starting from octet 9.

5.3.108 Presence-Reporting-Area-Identifier AVP (3GPP-EPS access type)

The Presence-Reporting-Area-Identifier AVP (AVP code 2821) is of type OctetString, and it indicates the presence reporting area to which specific information refers. The Presence Reporting Area Identifier, which is specified in 3GPP TS 29.274 [22] in the Presence Reporting Area Information IE in octets 5 to 7, shall contain the identifier of the Presence Reporting Area the UE is entering or leaving. It shall be encoded using full hexadecimal representation.

5.3.109 Presence-Reporting-Area-Information AVP (3GPP-EPS access type)

The Presence-Reporting-Area-Information AVP (AVP code 2822) is of type Grouped, contains the information which describes a Presence Reporting Area.

The Presence-Reporting-Area-Identifier AVP defines a unique identifier for presence area.

The Presence-Reporting-Area-Status AVP indicates the status of UE for presence reporting area.

The Presence-Reporting-Area-Elements-List AVP contains, for a UE-dedicated presence area, the elements of the Presence Reporting Area. For a core network pre-configured presence reporting area, the element list shall not be present.

When the presence area is UE-dedicated, the PCRF may acquire the presence reporting area information from the SPR.

AVP Format:

```
Presence-Reporting-Area-Information ::= < AVP Header: 2822 >
    [ Presence-Reporting-Area-Identifier ]
    [ Presence-Reporting-Area-Status ]
    [ Presence-Reporting-Area-Elements-List ]
    *[ AVP ]
```

5.3.110 Presence-Reporting-Area-Status AVP (3GPP-EPS access type)

The Presence-Reporting-Area-Status AVP (AVP code 2823) is of type Unsigned32, and it indicates whether the UE is inside or outside of the presence reporting area.

The following values are defined in this specification:

0 (In area):

This value shall be used to indicate that the UE is inside or enters the presence reporting area.

1 (Out of area):

This value shall be used to indicate that the UE is outside or leaves the presence reporting area.

5.3.111 NetLoc-Access-Support AVP

The NetLoc-Access-Support AVP (AVP code 2824) is of type Unsigned32. It indicates the level of support for NetLoc procedures provided by the current access network.

The following values are defined:

0 (NETLOC_ACCESS_NOT_SUPPORTED)

This value is used when the access network currently serving the UE does not support access network information retrieval as described by the NetLoc feature in clause 5.4.1

5.3.112 Fixed-User-Location-Info AVP (FBA access type)

The Fixed-User-Location-Info AVP (AVP code 2825) is of type Grouped and contains the UE location in a Fixed Access Network.

AVP Format:

```
Fixed-User-Location-Info ::= < AVP Header: 2825 >
    [ SSID ]
    [ BSSID ]
    [ Logical-Access-ID ]
    [ Physical-Access-ID ]
    *[ AVP ]
```

5.3.113 PCSCF-Restoration-Indication AVP

The PCSCF-Restoration-Indication AVP (AVP code 2826) is of type Unsigned32, and indicates a P-CSCF Restoration is requested. The following values are defined:

0 (PCSCF_RESTORATION)

This value indicates the P-CSCF Restoration is requested.

5.3.114 IP-CAN-Session-Charging-Scope AVP

The IP-CAN-Session-Charging-Scope AVP (AVP code 2827) is of type Enumerated, and indicates that the Access-Network-Charging-Identifier-Gx AVP applies to the whole IP-CAN Session. The following values are defined:

IP-CAN_SESSION_SCOPE (0)

This value indicates that the charging identifier corresponds to the IP-CAN Session.

5.4 Gx re-used AVPs

Table 5.4 lists the Diameter AVPs re-used by the Gx reference point from existing Diameter Applications, reference to their respective specifications, short description of their usage within the Gx reference point, the applicability of the AVPs to charging control, policy control or both, and which supported features the AVP is applicable to. Other AVPs from existing Diameter Applications, except for the AVPs from Diameter base protocol, do not need to be supported. The AVPs from Diameter base protocol are not included in table 5.4, but they are re-used for the Gx reference point. Unless otherwise stated, re-used AVPs shall maintain their "M", "P" and "V" flag settings. Where 3GPP Radius VSAs are re-used, unless otherwise stated, they shall be translated to Diameter AVPs as described in RFC 4005 [12] with the exception that the "M" flag shall be set and the "P" flag may be set.

Table 5.4: Gx re-used Diameter AVPs

Attribute Name	Reference	Description	Acc. Type	Applicability (notes 1, 4)
3GPP-Charging-Characteristics	3GPP TS 29.061 [11]	The Charging Characteristics applied to the IP-CAN session. This AVP shall have the "M" bit cleared.	All	ABC
3GPP-GGSN-Address	3GPP TS 29.061 [11]	The Ipv4 address of the P-GW. This AVP shall have the "M" bit cleared.	All (NOTE 8)	Both EPC-routed, ABC
3GPP-GGSN-Ipv6-Address	3GPP TS 29.061 [11]	The Ipv6 address of the P-GW. This AVP shall have the "M" bit cleared.	All (NOTE 8)	Both EPC-routed, ABC
3GPP-MS-TimeZone	3GPP TS 29.061 [11]	Indicate the offset between universal time and local time in steps of 15 minutes of where the MS currently resides.	All	Both
3GPP-RAT-Type (NOTE 3)	3GPP TS 29.061 [11]	Indicate which Radio Access Technology is currently serving the UE.	3GPP-GPRS	Both
3GPP-Selection-Mode	3GPP TS 29.061 [11]	An index indicating how the APN was selected. This AVP shall have the "M" bit cleared.	All	ABC
3GPP-SGSN-Address	3GPP TS 29.061 [11]	The Ipv4 address of the SGSN	3GPP-GPRS, 3GPP-EPS	Both
3GPP-SGSN-Ipv6-Address	3GPP TS 29.061 [11]	The Ipv6 address of the SGSN	3GPP-GPRS, 3GPP-EPS	Both
3GPP-SGSN-MCC-MNC (NOTE 6)	3GPP TS 29.061 [11]	For GPRS the MCC and the MNC of the SGSN. For 3GPP/non-3GPP accesses the MCC and the MNC provided by the serving gateway (SGW, or AGW or TWAG).	All	Both
3GPP-User-Location-Info	3GPP TS 29.061 [11]	Indicates details of where the UE is currently located (e.g. SAI or CGI)	3GPP-GPRS, 3GPP-EPS	Both
3GPP2-BSID	3GPP2 X.S0057 [24]	For 3GPP2 indicates the BSID of where the UE is currently located (e.g. Cell-Id, SID, NID). The Vendor-Id shall be set to 3GPP2 (5535) [24]. The support of this AVP shall be advertised in the capabilities exchange mechanisms (CER/CEA) by including the value 5535, identifying 3GPP2, in a Supported-Vendor-Id AVP. This AVP shall have the "M" bit cleared.	3GPP2, Non-3GPP-EPS	Both Rel8
Access-Network-Charging-Address	3GPP TS 29.214 [10]	Indicates the IP Address of the network entity within the access network performing charging (e.g. the GGSN IP address).	All	CC
Access-Network-Charging-Identifier-Value	3GPP TS 29.214 [10]	Contains a charging identifier (e.g. GCID).	All	CC
AF-Charging-Identifier	3GPP TS 29.214 [10]	The AF charging identifier that may be used in charging correlation. For IMS the ICID. This AVP may only be included in a Charging-Rule-definition AVP if the SERVICE_IDENTIFIER_LEVEL reporting is being selected with the Reporting-Level AVP.	All	CC
AF-Signalling-Protocol	3GPP TS 29.214 [10]	Indicates the protocol used for signalling between the UE and the AF.	All	Both ProvAF-signalFlow
AN-Trusted	3GPP TS 29.273 [48]	Indicates whether the access network is trusted or untrusted for the Non-3GPP access network. This AVP shall have the	Non-3GPP-EPS	Both

Attribute Name	Reference	Description	Acc. Type	Applicability (notes 1, 4)
		"M" bit cleared.		
Application-Service-Provider-Identity	3GPP TS 29.214 [10]	For sponsored connectivity, the identity of the application service provider that is delivering a service to a end user.	All	Both Sponsored-Connectivity
BSSID	3GPP TS 32.299 [19]	Contains the BSSID of the access point where UE is located.	FBA	Both FBAC
Called-Station-Id	IETF RFC 4005 [12]	The address the user is connected to. For GPRS the APN.	All	Both
CC-Request-Number	IETF RFC 4006 [9]	The number of the request for mapping requests and answers	All	Both
CC-Request-Type	IETF RFC 4006 [9]	The type of the request (initial, update, termination)	All	Both
Charging-Information	3GPP TS 29.229 [14]	<p>The Charging-Information AVP is of type Grouped, and contains the addresses of the charging functions in the following AVPs:</p> <ul style="list-style-type: none"> - Primary-Event-Charging-Function-Name is of type DiameterURI and defines the address of the primary online charging system. The protocol definition in the DiameterURI shall be either omitted or supplied with value "Diameter". - Secondary-Event-Charging-Function-Name is of type DiameterURI and defines the address of the secondary online charging system for the bearer. The protocol definition in the DiameterURI shall be either omitted or supplied with value "Diameter". - Primary-Charging-Collection-Function-Name is of type DiameterURI and defines the address of the primary offline charging system for the bearer. If the GTP" protocol is applied on the Gz interface as specified in 3GPP TS 32.295 [16], the protocol definition in the DiameterURI shall be omitted. If Diameter is applied on the Gz interface, the protocol definition in DiameterURI shall be either omitted or supplied with value "Diameter". The choice of the applied protocol on the Gz interface depends upon configuration in the PCEF. - Secondary-Charging-Collection-Function-Name is of type DiameterURI and defines the address of the secondary offline charging system for the bearer. If the GTP" protocol is applied on the Gz interface as specified in 3GPP TS 32.295 [16], the protocol definition in the DiameterURI shall be omitted. If Diameter is applied on the Gz interface, the protocol definition in DiameterURI shall be either omitted or supplied with value "Diameter". The choice of the applied protocol on the Gz interface depends upon configuration in the PCEF. 	All	CC
Dynamic-Address-Flag	3GPP TS 32.299 [19]	Indicates whether the PDP context/PDN address is statically or dynamically allocated. This AVP shall have the "M" bit cleared.	All	ABC

Attribute Name	Reference	Description	Acc. Type	Applicability (notes 1, 4)
Dynamic-Address-Flag-Extension	3GPP TS 32.299 [19]	Indicates that the Ipv4 PDN address has been dynamically allocated for that particular IP-CAN bearer (PDN connection) of PDN type Ipv4v6, while the dynamic Ipv6 address is indicated in Dynamic Address Flag. This AVP shall have the "M" bit cleared.	All	ABC
Final-Unit-Indication	IETF RFC 4006 [9]	The action applied by the PCEF, and the related filter parameters and redirect address parameters (if available), when the user's account cannot cover the service cost.	All	CC
Flow-Description	3GPP TS 29.214 [10], 5.4.2	- Defines the service data flow filter parameters for a PCC rule or routing filter parameters for an IP flow mobility routing rule. The rules for usage on Gx are defined in sub clause 5.4.2.	All	Both
Flows	3GPP TS 29.214 [10]	The flow identifiers of the IP flows related to a PCC rule as provided by the AF. May be only used in charging correlation together with AF-Charging-Identifier AVP.	All	CC
Flow-Status	3GPP TS 29.214 [10]	Defines whether the service data flow is enabled or disabled. The value "REMOVED" is not applicable to Gx.	All	Both
Framed-IP-Address	IETF RFC 4005 [12]	The Ipv4 address allocated for the user.	All	Both
Framed-Ipv6-Prefix	IETF RFC 4005 [12]	The Ipv6 prefix allocated for the user. The encoding of the value within this Octet String type AVP shall be as defined in IETF RFC 3162 [15], Clause 2.3. The "Reserved", "Prefix-Length" and "Prefix" fields shall be included in this order. For FBA, it may indicate an Ipv6 address by setting the "Prefix Length" to 128 and encoding the Ipv6 address of the fixed device within the "Prefix" field as defined in annex G.5.2.	All	Both
Granted-Service-Unit (NOTE 5) (NOTE 7)	IETF RFC 4006 [9]	The volume and/or time threshold for usage monitoring control purposes. Only the CC-Total-Octets, one of the CC-Input-Octets and CC-Output-Octets or CC-Time AVPs are re-used. Monitoring-Time AVP as defined in 5.3. 99 may be optionally added to the grouped AVP if UMCH feature is supported. This AVP shall have the "M" bit cleared.	All	Both Rel9 TimeBasedUM
Logical-Access-ID	ETSI 3GPP TS 283 034 [37]	Contains a Circuit-ID (as defined in RFC 3046 [36]). The Logical Access ID may explicitly contain the identity of the Virtual Path and Virtual Channel carrying the traffic. The vendor-id shall be set to ETSI (13019) [37]. The support of this AVP shall be advertised in the capabilities exchange mechanisms (CER/CEA) by including the ETSI parameter in the Supported-Vendor-Id AVP. This AVP shall have the "M" bit cleared.	xDSL	Both Rel10
Max-Requested-Bandwidth-UL (NOTE 2)	3GPP TS 29.214 [10]	Defines the maximum authorized bandwidth for uplink.	All	PC
Max-Requested-Bandwidth-DL (NOTE 2)	3GPP TS 29.214 [10]	Defines the maximum authorized bandwidth for downlink.	All	PC

Attribute Name	Reference	Description	Acc. Type	Applicability (notes 1, 4)
OC-OLR	IETF RFC 7683 [49]	Contains the necessary information to convey an overload report	All	Both
OC-Supported-Features	IETF RFC 7683 [49]	Defines the support for the Diameter overload indication conveyance by the sending node	All	Both
PDN-Connection-Charging-ID	3GPP TS 32.299 [19]	Contains the charging identifier to identify different records belonging to same PDN connection. This field includes Charging Id of first IP-CAN bearer activated within the PDN connection (the EPS default bearer in case of GTP based connectivity or the unique Charging Id in the PMIP based connectivity case). This AVP shall have the "M" bit cleared.	All	ABC
Physical-Access-ID	ETSI 3GPP TS 283 034 [37]	Identifies the physical access to which the user equipment is connected. Includes a port identifier and the identity of the access node where the port resides. The vendor-id shall be set to ETSI (13019) [37]. The support of this AVP shall be advertised in the capabilities exchange mechanisms (CER/CEA) by including the ETSI parameter in the Supported-Vendor-Id AVP. This AVP shall have the "M" bit cleared.	xDSL	Both Rel10
Quota-Consumption-Time	3GPP TS 32.299 [19]	Defines the time interval in seconds after which the time measurement shall stop for the Monitoring Key, if no packets are received belonging to the corresponding Monitoring Key. This AVP shall have the "M" bit cleared.	All	TimeBasedUM
RAI	3GPP TS 29.061 [11]	Contains the Routing Area Identity of the SGSN where the UE is registered	3GPP-GPRS. 3GPP-EPS	Both
Rating-Group	IETF RFC 4006 [9]	The charging key for the PCC rule used for rating purposes	All	CC
Redirect-Address-Type	IETF RFC 4006 [9]	Defines the address type of the address given in the Redirect-Server-Address AVP.	All	PC ADC
Redirect-Server-Address	IETF RFC 4006 [9]	Indicates the target for redirected application traffic.	All	PC ADC
Required-Access-Info	3GPP TS 29.214 [10]	Indicates the access network information for which the AF entity requests the PCRF reporting.	3GPP-GPRS. 3GPP-EPS	CC NetLoc
Service-Identifier	IETF RFC 4006 [9]	The identity of the service or service component the service data flow in a PCC rule relates to.	All	CC
Sponsor-Identity	3GPP TS 29.214 [10]	For sponsored data connectivity, it identifies the sponsor willing to pay for the operator's charge for connectivity.	All	CC Sponsored-Connectivity
SSID	3GPP TS 29.273 [48]	Contains the SSID of the access point where UE is located	FBA	Both FBAC
Subscription-Id	IETF RFC 4006 [9]	The identification of the subscription (IMSI, MSISDN, etc)	All	Both
Supported-Features	3GPP TS 29.229 [14]	If present, this AVP informs the destination host about the features that the origin host requires to successfully complete this command exchange.	All	Both Rel8
Trace-Data (NOTE 5)	3GPP TS 29.272 [26]	Contains trace control and configuration parameters, specified in 3GPP TS 32.422 [27]. This AVP shall have the "M" bit cleared.	3GPP-EPS	Both Rel8
Trace-Reference	3GPP TS 29.272 [26]	Contains the trace reference parameter, specified in 3GPP TS 32.422 [27].	3GPP-EPS	Both Rel8

Attribute Name	Reference	Description	Acc. Type	Applicability (notes 1, 4)
		This AVP shall have the "M" bit cleared.		
TWAN-Identifier	3GPP TS 29.061 [11]	Indicates the UE location in a Trusted WLAN Access Network	Non-3GPP-EPS	Trusted-WLAN
User-CSG-Information	3GPP TS 32.299 [19]	Indicates the user "Closed Subscriber Group" Information associated to CSG cell access: it comprises the CSG-Id, CSG-Access-Mode and CSG-Membership-Indication AVPs.	3GPP-EPS	CC Rel9
User-Equipment-Info	IETF RFC 4006 [9]	The identification and capabilities of the terminal (IMEISV, etc.) When the User-Equipment-Info-Type is set to IMEISV(0), the value within the User-Equipment-Info-Value shall be a UTF-8 encoded decimal.	All	Both
Used-Service-Unit (NOTE 5) (NOTE 7)	IETF RFC 4006 [9]	The measured volume and/or time for usage monitoring control purposes. The volume threshold for usage monitoring control purposes. Only the CC-Total-Octets, one of the CC-Input-Octets and CC-Output-Octets, or CC-Time AVPs are re-used. Monitoring-Time AVP as defined in clause 5.3.99 may be optionally added to the grouped AVP if UMCH feature is supported. This AVP shall have the "M" bit cleared.	All	Both Rel9 TimeBasedUM
NOTE 1: AVPs marked with "CC" are applicable to charging control, AVPs marked with "PC" are applicable to policy control and AVPs marked with "Both" are applicable to both charging control and policy control.				
NOTE 2: When sending from the PCRF to the PCEF, the Max-Requested-Bandwidth-UL/DL AVP indicate the maximum allowed bit rate for the uplink/downlink direction; when sending from the PCEF to the PCRF, the Max-Requested-Bandwidth-UL/DL AVP indicate the maximum requested bit rate for the uplink/downlink direction.				
NOTE 3: This AVP is included for backward compatibility purposes when the PCEF only supports features that are not required for the successful operation of the session.				
NOTE 4: AVPs marked with a supported feature (e.g. "Rel8", "Rel9", "ProvAFsignalFlow" or "SponsoredConnectivity" or "ADC") are applicable as described in clause 5.4.1.				
NOTE 5: AVPs included within this grouped AVP shall have the "M" bit cleared.				
NOTE 6: For Trusted WLAN access, TWAG provides the MCC and the MNC of the selected PLMN as described in subclause 16.2.1 of 3GPP TS 23.402 [23].				
NOTE 7: Volume Usage monitoring control functionality is applicable for Rel9 supported feature. Time Based Usage monitoring control is applicable for TimeBasedUM supported feature.				
NOTE 8: For EPC routed feature, only Non-3GPP-EPS is applicable.				

5.4.1 Use of the Supported-Features AVP on the Gx reference point

The Supported-Features AVP is used during session establishment to inform the destination host about the required and optional features that the origin host supports. The client shall, in the first request in a Diameter session indicate the set of supported features. The server shall, in the first answer within the Diameter session indicate the set of features that it has in common with the client and that the server shall support within the same Diameter session. Any further command messages shall always be compliant with the list of supported features indicated in the Supported-Features AVPs during session establishment. Features that are not advertised as supported shall not be used to construct the command messages for that Diameter session. Unless otherwise stated, the use of the Supported-Features AVP on the Gx reference point shall be compliant with the requirements for dynamic discovery of supported features and associated error handling on the Cx reference point as defined in clause 7.2.1 of 3GPP TS 29.229 [14].

The base functionality for the Gx reference point is the 3GPP Rel-7 standard and a feature is an extension to that functionality. If the origin host does not support any features beyond the base functionality, the Supported-Features AVP may be absent from the Gx commands. As defined in clause 7.1.1 of 3GPP TS 29.229 [14], when extending the application by adding new AVPs for a feature, the new AVPs shall have the M bit cleared and the AVP shall not be defined mandatory in the command ABNF.

As defined in 3GPP TS 29.229 [14], the Supported-Features AVP is of type grouped and contains the Vendor-Id, Feature-List-ID and Feature-List AVPs. On the Gx reference point, the Supported-Features AVP is used to identify features that have been defined by 3GPP and hence, for features defined in this document, the Vendor-Id AVP shall

contain the vendor ID of 3GPP (10415). If there are multiple feature lists defined for the Gx reference point, the Feature-List-ID AVP shall differentiate those lists from one another.

On receiving an initial request application message, the destination host shall act as defined in clause 7.2.1 of 3GPP TS 29.229 [14]. The following exceptions apply to the initial CCR/CCA command pair:

- If the PCEF supporting post-Rel-7 Gx functionality is able to interoperate with a PCRF supporting Rel-7, the CCR shall include the features supported by the PCEF within Supported-Features AVP(s) with the "M" bit cleared. Otherwise, the CCR shall include the supported features within the Supported-Features AVP(s) with the M-bit set.

NOTE 1: One instance of Supported-Features AVP is needed per Feature-List-ID.

- If the CCR command does not contain any Supported-Features AVP(s) and the PCRF supports Rel-7 Gx functionality, the CCA command shall not include the Supported-Features AVP. In this case, both PCEF and PCRF shall behave as specified in the Rel-7 version of this document.
- If the CCR command contains the Supported-Features AVP, the PCRF shall include the Supported-Features AVP in the CCA command, with the "M" bit cleared, indicating only the features that both the PCRF and PCEF support.

NOTE 2: The client will always declare all features that are supported according to table 5.4.1.1. When more than one feature identifying a release is supported by both PCEF and PCRF, the PCEF will work according to the latest common supported release.

Once the PCRF and PCEF have negotiated the set of supported features during session establishment, the set of common features shall be used during the lifetime of the Diameter session.

The table below defines the features applicable to the Gx interfaces for the feature list with a Feature-List-ID of 1.

Table 5.4.1.1: Features of Feature-List-ID 1 used in Gx

Feature bit	Feature	M/O	Description
0	Rel8	M	This feature indicates the support of base 3GPP Rel-8 Gx functionality, including the AVPs and corresponding procedures supported by the base 3GPP Rel-7 Gx standard, but excluding those features represented by separate feature bits. AVPs introduced with this feature are marked with "Rel8" in table 5.3.1.
1	Rel9	M	This feature indicates the support of base 3GPP Rel-9 Gx functionality, including the AVPs and corresponding procedures supported by the Rel8 feature bit, but excluding those features represented by separate feature bits. AVPs introduced with this feature are marked with "Rel9" in table 5.3.1.
2	ProvAFsignalFlow	O	This feature indicates support for the feature of IMS Restoration as described in clause 4.5.18. If PCEF supports this feature the PCRF may provision AF signalling IP flow information.
3	Rel10	M	This feature indicates the support of base 3GPP Rel-10 Gx functionality, including the AVPs and corresponding procedures supported by the Rel8 and Rel9 feature bit, but excluding those features represented by separate feature bits. AVPs introduced with this feature are marked with "Rel10" in table 5.3.1.
4	SponsoredConnectivity	O	This feature indicates support for sponsored data connectivity feature. If the PCEF supports this feature, the PCRF may authorize sponsored data connectivity to the subscriber.
5	IFOM	O	This feature indicates support for IP flow mobility feature. If the PCEF supports this feature, the PCRF shall behave as described in clause 4a.5.7.3.
6	ADC	O	This feature indicates support for the Application Detection and Control feature.
7	vSRVCC	O	This feature indicates support for the vSRVCC feature (see 3GPP TS 23.216 [40]).
8	EPC-routed	O	This feature indicates support for interworking with Fixed Broad band Access networks when the traffic is routed via the EPC network as defined in Annex E.
9	rSRVCC	O	This feature indicates support for the CS to PS SRVCC feature (see 3GPP TS 23.216 [40]).
10	NetLoc	O	This feature indicates the support of the Access Network Information Reporting for GPRS and EPS. If the PCEF supports this feature, the PCRF shall behave as described in clause 4.5.22
11	UMCH	O	This feature indicates support for Usage Monitoring Congestion Handling. If the PCEF supports this feature, the behaviour shall be as specified in clauses 4.5.17.6.
12	ExtendedFilter	O	This feature indicates the support for the local (i.e. UE) address and mask being present in filters signalled between network and UE.
13	Trusted-WLAN	O	This feature indicates the support for the Trusted WLAN access as defined in 3GPP TS 23.402 [23]
14	SGW-Rest	O	This feature indicates the support of SGW Restoration procedures as defined in 3GPP TS 23.007 [43]
15	TimeBasedUM	O	This feature indicates support for Time based Usage Monitoring Control. If the PCEF supports this feature, the behaviour shall be as specified in corresponding clauses in this specification.
16	PendingTransaction	O	This feature indicates support for the race condition handling as defined in 3GPP TS 29.213 [8].
17	ABC	O	This feature indicates support for Application Based Charging.
18	void		
19	NetLoc-Trusted-WLAN	O	This feature indicates the support of the Access Network Information Reporting for Trusted WLAN. If the PCEF supports this feature, the PCRF shall behave as described in annex D.3, this feature is applicable only if NetLoc feature and Trusted-WLAN feature are also supported.
20	FBAC	O	This feature indicates support for the Fixed Broadband Access Convergence as defined in Annex G.
21	ConditionalAPNPolicyInfo	O	This feature indicates support for APN related policy information with condition as defined in 3GPP TS 23.203 [7] clause A.4.3.3. Not applicable to IPFlowMobility functionality feature (IFOM) as described in clause 5.4.1.

22	RAN-NAS-Cause	O	This feature indicates the support for the detailed release cause code information (NOTE 1) from the access network.
23	CNO-ULI	O	This feature indicates support for Presence Reporting Area Information reporting. If the PCEF supports this feature, the PCRF shall behave as described in Annex B.3.16.
24	PCSCF-Restoration-Enhancement	O	This feature indicates support of P-CSCF Restoration Enhancement. It is used for the PCEF to indicate if it supports P-CSCF Restoration Enhancement.
25	MissionCriticalQCIs	O	This feature indicates support for the Mission Critical QCI values 66, 67, 69 and 70 within the QoS-Class-Identifier AVP defined in clause 5.3.17.
<p>Feature bit: The order number of the bit within the Feature-List AVP where the least significant bit is assigned number "0".</p> <p>Feature: A short name that can be used to refer to the bit and to the feature, e.g. "EPS".</p> <p>M/O: Defines if the implementation of the feature is mandatory ("M") or optional ("O") in this 3GPP Release.</p> <p>Description: A clear textual description of the feature.</p> <p>NOTE 1: In this release, the release cause code information from the access network can include RAN/NAS release cause(s).</p>			

5.4.2 Flow-Description AVP

The Flow-Description AVP (AVP code is defined in 3GPP TS 29.214 [10]) is of type IPFilterRule, and defines a packet filter for an IP flow with the following information:

- Action shall be keyword permit"
- Direction shall be keyword "out".
- Protocol shall be the decimal protocol number or, to indicate that the value is not used for matching packets, the keyword "ip".
- Source IP address (possibly masked) or, to indicate that the value is not used for matching packets, the keyword "any".
- Source port is optional and, if present, shall be the decimal port number or port range.
- Destination IP address (possibly masked) or, to indicate that the value is not used for matching packets, the keyword "assigned".
- Destination port is optional and, if present, shall be the decimal port number or port range.

The IPFilterRule type shall be used with the following restrictions:

- The parameter encoding shall comply with IETF RFC 3588 [5].
- No "options" shall be used.
- The invert modifier "!" for addresses shall not be used.

The direction "out" indicates that the IPFilterRule "source" parameters correspond to the "remote" parameters in the packet filter and the IPFilterRule "destination" parameters correspond to the "local" (UE end) parameters. The Flow-Description AVP applies in the direction(s) as specified in the accompanying Flow-Direction AVP.

5.5 Gx specific Experimental-Result-Code AVP values

5.5.1 General

RFC 3588 [5] specifies the Experimental-Result AVP containing Vendor-ID AVP and Experimental-Result-Code AVP. The Experimental-Result-Code AVP (AVP Code 298) is of type Unsigned32 and contains a vendor-assigned value representing the result of processing a request. The Vendor-ID AVP shall be set to 3GPP (10415).

5.5.2 Success

Result Codes that fall within the Success category are used to inform a peer that a request has been successfully completed.

The Result-Code AVP values defined in Diameter BASE RFC 3588 [5] shall be applied.

5.5.3 Permanent Failures

Errors that fall within the Permanent Failures category shall be used to inform the peer that the request failed, and should not be attempted again.

The Result-Code AVP values defined in Diameter BASE RFC 3588 [5] are applicable, as an addition the following Result-Code AVP value defined in IETF RFC 4006 [9] is applicable:

DIAMETER_USER_UNKNOWN (5030)

This error shall be used by the PCRF to indicate to the PCEF that the end user specified in the request is unknown to the PCRF and that the Gx session cannot be created.

Also the following specific Gx Experimental-Result-Codes values are defined:

DIAMETER_ERROR_INITIAL_PARAMETERS (5140)

This error shall be used when the set of bearer or session or subscriber information needed by the PCRF for rule selection is incomplete or erroneous or not available for the decision to be made. (E.g. QoS, SGSN address, RAT type, TFT, subscriber information)

DIAMETER_ERROR_TRIGGER_EVENT (5141)

This error shall be used when the set of bearer/session information sent in a CCR originated due to a trigger event been met is incoherent with the previous set of bearer/session information for the same bearer/session. (E.g. event trigger met was RAT changed, and the RAT notified is the same as before)

DIAMETER_PCC_RULE_EVENT (5142)

This error shall be used when the PCC rules cannot be installed/activated. Affected PCC-Rules will be provided in the Charging-Rule-Report AVP including the reason and status as described in Clause 4.5.12. Absence of the Charging-Rule-Report means that all provided PCC rules for that specific bearer/session are affected.

DIAMETER_ERROR_BEARER_NOT_AUTHORIZED (5143)

This error shall be used when the PCRF cannot authorize an IP-CAN bearer (e.g. the authorized QoS would exceed the subscribed QoS) upon the reception of an IP-CAN bearer authorization request coming from the PCEF. The affected IP-CAN bearer is the one that triggered the corresponding CCR. The PCEF shall reject the attempt to initiate or modify the bearer indicated in the related CCR command.

DIAMETER_ERROR_TRAFFIC_MAPPING_INFO_REJECTED (5144)

This error shall be used when the PCRF does not accept one or more of the traffic mapping filters (e.g. TFT filters for GPRS) provided by the PCEF in a CC Request.

DIAMETER_ERROR_CONFLICTING_REQUEST (5147)

This error shall be used when the PCRF cannot accept the UE-initiated resource request as a network-initiated resource allocation is already in progress that has packet filters that cover the packet filters in the received UE-initiated resource request. The PCEF shall reject the attempt for UE-initiated resource request.

DIAMETER_ADC_RULE_EVENT (5148)

This error shall be used when the ADC rules cannot be installed/activated. Affected ADC Rules shall be provided in the ADC-Rule-Report AVP including the reason and status as described in Clause 5b.3.6. Absence of the ADC-Rule-Report means that all provided ADC rules for that IP-CAN session are affected.

5.5.4 Transient Failures

Errors that fall within the transient failures category are used to inform a peer that the request could not be satisfied at the time it was received, but may be able to satisfy the request in the future.

The Result-Code AVP values defined in Diameter Base RFC 3588 [5] are applicable. Also the following specific Gx Experimental-Result-Code value is defined for transient failures:

DIAMETER_PCC_BEARER_EVENT (4141)

This error shall be used when for some reason a PCC rule cannot be enforced or modified successfully in a network initiated procedure. Affected PCC-Rules will be provided in the Charging-Rule-Report AVP including the reason and status as described in Clause 4.5.12.

DIAMETER_AN_GW_FAILED (4143)

This error shall be used when the policy decisions (i.e. installation/modification of PCC rules or provisioning of policy decisions not related to a PCC rule) received within a RAR initiated by the PCRF cannot be enforced by the PCEF because the AN-Gateway has failed. If one or more PCC Rules are affected, these PCC Rules will be provided in the Charging-Rule-Report AVP including the Rule-Failure-Code AVP set to AN_GW_FAILED (17), and PCC-Rule-Status AVP set to INACTIVE as described in Clause 4.5.12. Applicable only to 3GPP-EPS.

DIAMETER_PENDING_TRANSACTION (4144)

This error shall be used when a node that supports the PendingTransaction feature receives an incoming request on a session while it has an ongoing transaction on the same session and cannot handle the request as described in Clause 8.2 of 3GPP TS 29.213 [8].

5.6 Gx Messages

5.6.1 Gx Application

Gx Messages are carried within the Diameter Application(s) described in clause 5.1.

Existing Diameter command codes from the Diameter base protocol RFC 3588 [5] and the Diameter Credit Control Application RFC 4006 [9] are used with the Gx specific AVPs specified in clause 5.3. The Diameter Credit Control Application AVPs and AVPs from other Diameter applications that are re-used are defined in clause 5.4. Due to the definition of these commands there is no possibility to skip the Auth-Application-Id AVP and use the Vendor-Specific-Application-Id AVP instead. Therefore the Gx application identifier shall be included in the Auth-Application-Id AVP.

In order to support both PULL and PUSH procedures, a diameter session needs to be established for each IP-CAN session. For IP-CAN types that support multiple IP-CAN bearers (as in the case of GPRS), the diameter session is established when the very first IP-CAN bearer for the IP-CAN session is established.

NOTE: Some of the AVPs included in the messages formats below are in bold to highlight that these AVPs are used by this specific protocol and do not belong to the original message definition in the DCC Application RFC 4006 [9] or Diameter Base Protocol RFC 3588 [5].

5.6.2 CC-Request (CCR) Command

The CCR command, indicated by the Command-Code field set to 272 and the "R" bit set in the Command Flags field, is sent by the PCEF to the PCRF in order to request PCC rules for a bearer and provision IP flow mobility routing rules. The CCR command is also sent by the PCEF to the PCRF in order to indicate bearer, PCC rule or IP flow mobility routing rule related events or the termination of the IP CAN bearer and/or session.

Message Format:

```
<CC-Request> ::= < Diameter Header: 272, REQ, PXY >
    < Session-Id >
    { Auth-Application-Id }
    { Origin-Host }
    { Origin-Realm }
    { Destination-Realm }
```

```

    { CC-Request-Type }
    { CC-Request-Number }
    [ Credit-Management-Status ]
    [ Destination-Host ]
    [ Origin-State-Id ]
    *[ Subscription-Id ]
    [ OC-Supported-Features ]
    *[ Supported-Features ]
    [ TDF-Information ]
    [ Network-Request-Support ]
    *[ Packet-Filter-Information ]
    [ Packet-Filter-Operation ]
    [ Bearer-Identifier ]
    [ Bearer-Operation ]
    [ Dynamic-Address-Flag ]
    [ Dynamic-Address-Flag-Extension ]
    [ PDN-Connection-Charging-ID ]
    [ Framed-IP-Address ]
    [ Framed-Ipv6-Prefix ]
    [ IP-CAN-Type ]
    [ 3GPP-RAT-Type ]
    [ AN-Trusted ]
    [ RAT-Type ]
    [ Termination-Cause ]
    [ User-Equipment-Info ]
    [ QoS-Information ]
    [ QoS-Negotiation ]
    [ QoS-Upgrade ]
    [ Default-EPS-Bearer-QoS ]
    [ Default-QoS-Information ]
    0*2[ AN-GW-Address ]
    [ AN-GW-Status ]
    [ 3GPP-SGSN-MCC-MNC ]
    [ 3GPP-SGSN-Address ]
    [ 3GPP-SGSN-Ipv6-Address ]
    [ 3GPP-GGSN-Address ]
    [ 3GPP-GGSN-Ipv6-Address ]
    [ 3GPP-Selection-Mode ]
    [ RAI ]
    [ 3GPP-User-Location-Info ]
    [ Fixed-User-Location-Info ]
    [ User-Location-Info-Time ]
    [ User-CSG-Information ]
    [ TWAN-Identifier ]
    [ 3GPP-MS-TimeZone ]
    *[ RAN-NAS-Release-Cause ]
    [ 3GPP-Charging-Characteristics ]
    [ Called-Station-Id ]
    [ PDN-Connection-ID ]
    [ Bearer-Usage ]
    [ Online ]
    [ Offline ]
    *[ TFT-Packet-Filter-Information ]
    *[ Charging-Rule-Report ]
    *[ Application-Detection-Information ]
    *[ Event-Trigger ]
    [ Event-Report-Indication ]
    [ Access-Network-Charging-Address ]
    *[ Access-Network-Charging-Identifier-Gx ]
    *[ CoA-Information ]
    *[ Usage-Monitoring-Information ]
    [ Routing-Rule-Install ]
    [ Routing-Rule-Remove ]
    [ HeNB-Local-IP-Address ]
    [ UE-Local-IP-Address ]
    [ UDP-Source-Port ]
    [ Presence-Reporting-Area-Information ]
    [ Logical-Access-ID ]
    [ Physical-Access-ID ]
    *[ Proxy-Info ]
    *[ Route-Record ]
    *[ AVP ]

```

NOTE: Multiple instances of the Subscription-Id AVP in the CCR command correspond to multiple types of identifier for the same subscriber, for example IMSI and MSISDN.

5.6.3 CC-Answer (CCA) Command

The CCA command, indicated by the Command-Code field set to 272 and the "R" bit cleared in the Command Flags field, is sent by the PCRF to the PCEF in response to the CCR command. It is used to provision PCC rules and event triggers for the bearer/session and to provide the selected bearer control mode for the IP-CAN session. If the PCRF performs the bearer binding, PCC rules will be provisioned at bearer level. The primary and secondary CCF and/or primary and secondary OCS addresses may be included in the initial provisioning.

Message Format:

```
<CC-Answer> ::= < Diameter Header: 272, PXY >
< Session-Id >
{ Auth-Application-Id }
{ Origin-Host }
{ Origin-Realm }
[ Result-Code ]
[ Experimental-Result ]
{ CC-Request-Type }
{ CC-Request-Number }
[ OC-Supported-Features ]
[ OC-OLR ]
*[ Supported-Features ]
[ Bearer-Control-Mode ]
*[ Event-Trigger ]
[ Event-Report-Indication ]
[ Origin-State-Id ]
*[ Redirect-Host ]
[ Redirect-Host-Usage ]
[ Redirect-Max-Cache-Time ]
*[ Charging-Rule-Remove ]
*[ Charging-Rule-Install ]
[ Charging-Information ]
[ Online ]
[ Offline ]
*[ QoS-Information ]
[ Revalidation-Time ]
[ Default-EPS-Bearer-QoS ]
[ Default-QoS-Information ]
[ Bearer-Usage ]
*[ Usage-Monitoring-Information ]
*[ CSG-Information-Reporting ]
[ User-CSG-Information ]
[ Presence-Reporting-Area-Information ]
[ Session-Release-Cause ]
[ Error-Message ]
[ Error-Reporting-Host ]
*[ Failed-AVP ]
*[ Proxy-Info ]
*[ Route-Record ]
*[ AVP ]
```

5.6.4 Re-Auth-Request (RAR) Command

The RAR command, indicated by the Command-Code field set to 258 and the "R" bit set in the Command Flags field, is sent by the PCRF to the PCEF in order to provision PCC rules using the PUSH procedure initiate the provision of unsolicited PCC rules. It is used to provision PCC rules, event triggers and event report indications for the session. If the PCRF performs the bearer binding, PCC rules will be provisioned at bearer level.

Message Format:

```
<RA-Request> ::= < Diameter Header: 258, REQ, PXY >
< Session-Id >
{ Auth-Application-Id }
{ Origin-Host }
{ Origin-Realm }
{ Destination-Realm }
{ Destination-Host }
{ Re-Auth-Request-Type }
[ Session-Release-Cause ]
[ Origin-State-Id ]
[ OC-Supported-Features ]
*[ Event-Trigger ]
[ Event-Report-Indication ]
```

```

* [ Charging-Rule-Remove ]
* [ Charging-Rule-Install ]
  [ Default-EPS-Bearer-QoS ]
* [ QoS-Information ]
  [ Default-QoS-Information ]
  [ Revalidation-Time ]
* [ Usage-Monitoring-Information ]
  [ PCSCF-Restoration-Indication ]
* [ Proxy-Info ]
* [ Route-Record ]
* [ AVP ]

```

5.6.5 Re-Auth-Answer (RAA) Command

The RAA command, indicated by the Command-Code field set to 258 and the "R" bit cleared in the Command Flags field, is sent by the PCEF to the PCRF in response to the RAR command.

Message Format:

```

<RA-Answer> ::= < Diameter Header: 258, PXY >
  < Session-Id >
  { Origin-Host }
  { Origin-Realm }
  [ Result-Code ]
  [ Experimental-Result ]
  [ Origin-State-Id ]
  [ OC-Supported-Features ]
  [ OC-OLR ]
  [ IP-CAN-Type ]
  [ RAT-Type ]
  [ AN-Trusted ]
  0*2 [ AN-GW-Address ]
  [ 3GPP-SGSN-MCC-MNC ]
  [ 3GPP-SGSN-Address ]
  [ 3GPP-SGSN-Ipv6-Address ]
  [ RAI ]
  [ 3GPP-User-Location-Info ]
  [ User-Location-Info-Time ]
  [ NetLoc-Access-Support ]
  [ User-CSG-Information ]
  [ 3GPP-MS-TimeZone ]
  [ Default-QoS-Information ]
  * [ Charging-Rule-Report ]
  [ Error-Message ]
  [ Error-Reporting-Host ]
  * [ Failed-AVP ]
  * [ Proxy-Info ]
  * [ AVP ]

```

5a Gxx protocols

5a.1 Protocol support

The Gxx application is defined as a vendor specific Diameter application, where the vendor is 3GPP and the Application-ID for the Gxx Application in the present release is 16777266. The vendor identifier assigned by IANA to 3GPP (<http://www.iana.org/assignments/enterprise-numbers>) is 10415.

NOTE: A route entry can have a different destination based on the application identification AVP of the message. Therefore, Diameter agents (relay, proxy, redirection, translation agents) must be configured appropriately to identify the 3GPP Gxx application within the Auth-Application-Id AVP in order to create suitable routing tables.

Due to the definition of the commands used in Gxx protocol, there is no possibility to skip the Auth-Application-Id AVP and use the Vendor-Specific-Application-Id AVP instead. Therefore the Gxx application identification shall be included in the Auth-Application-Id AVP.

With regard to the Diameter protocol defined over the Gxx interface, the PCRF acts as a Diameter server, in the sense that it is the network element that handles QoS Rule requests for a particular realm. The BBERF acts as the Diameter client, in the sense that it is the network element requesting QoS rules in the transport plane network resources.

5a.2 Initialization, maintenance and termination of connection and session

The initialization and maintenance of the connection between the BBERF and PCRF (visited or home) are defined by the underlying protocol. Establishment and maintenance of connections between Diameter nodes are described in IETF RFC 3588 [5].

After establishing the transport connection, the PCRF and the BBERF shall advertise the support of the Gxx specific Application by including the value of the application identifier in the Auth-Application-Id AVP and the value of the 3GPP (10415) in the Vendor-Id AVP of the Vendor-Specific-Application-Id AVP contained in the Capabilities-Exchange-Request and Capabilities-Exchange-Answer commands. The Capabilities-Exchange-Request and Capabilities-Exchange-Answer commands are specified in the Diameter Base Protocol (RFC 3588 [5]).

The termination of the Diameter session on Gxx can be initiated either by the BBERF or PCRF, as specified in clauses 4a.5.3 and 4a.5.4, respectively.

5a.3 Gxx specific AVPs

Table 5a.3.1 describes the Diameter AVPs defined for the Gxx reference point, their AVP Code values, types, possible flag values, whether or not the AVP may be encrypted and what access types (e.g. 3GPP-EPS, etc.) the AVP is applicable to. The Vendor-Id header of all AVPs defined in the present document shall be set to 3GPP (10415).

Table 5a.3.1: Gxx specific Diameter AVPs

Attribute Name	AVP Code	Clause defined	Value Type (NOTE 2)	AVP Flag rules (NOTE 1)				May Encr.	Acc. Type	Applicability (NOTE 5)
				Must	May	Should not	Must not			
QoS-Rule-Install	1051	5a.3.1	Grouped	M,V	P			Y	All	
QoS-Rule-Remove	1052	5a.3.2	Grouped	M,V	P			Y	All	
QoS-Rule-Definition	1053	5a.3.3	Grouped	M,V	P			Y	All	
QoS-Rule-Name	1054	5a.3.4	OctetString	M,V	P			Y	All	
QoS-Rule-Base-Name	1074	5a.3.7	UTF8String	V	P		M	Y	All	Rel9
QoS-Rule-Report	1055	5a.3.5	Grouped	M,V	P			Y	All	
Session-Linking-Indicator	1064	5a.3.6	Enumerated	M,V	P			Y	All (NOTE4)	

NOTE 1: The AVP header bit denoted as "M", indicates whether support of the AVP is required. The AVP header bit denoted as "V", indicates whether the optional Vendor-ID field is present in the AVP header. For further details, see RFC 3588 [5].

NOTE 2: The value types are defined in RFC 3588 [5].

NOTE 3: The Gxx specific AVPs do not apply to 3GPP-GPRS Access Type.

NOTE 4: This AVP only applies to case 2b as defined in 3GPP TS 29.213 [8]

NOTE 5: AVPs marked with "Rel9" are applicable as described in clause 5a.4.1.

5a.3.1 QoS-Rule-Install AVP (All access types)

The QoS-Rule-Install AVP (AVP code 1051) is of type Grouped, and it is used to activate, install or modify QoS rules as instructed from the PCRF to the BBERF.

For installing a new QoS rule or modifying a QoS rule already installed, QoS-Rule-Definition AVP shall be used.

For activating a specific QoS rule predefined at the BBERF, QoS-Rule-Name AVP shall be used as a reference for that QoS rule. The QoS-Rule-Base-Name AVP is a reference that may be used for activating a group of QoS rules predefined at the BBERF.

When Tunnel-Information AVP is provided it applies to all the QoS rules included within the QoS-Rule-Install AVP. When QoS rules are being modified, the newly provided Tunnel-Information AVP replaces previously provided

Tunnel-Information AVP for the modified QoS rules. If Resource-Allocation-Notification AVP is included then it applies to all the rules within the QoS-Rule-Install AVP. If a QoS-Rule-Install AVP does not include the Resource-Allocation-Notification AVP, the resource allocation shall not be notified by the BBERF even if this AVP was present in previous installations of the same rule.

In case 2a, the QoS-Rule-Install AVP may also contain a charging identifier within the Access-Network-Charging-Identifier-Value AVP. The charging identifier information is used by the BBERF for charging correlation. When the Access-Network-Charging-Identifier-Value AVP is included, the identifier applies to all the QoS rules included within the QoS-Rule-Install AVP. The charging identifier value for a QoS rule shall be the same as that for the corresponding PCC rule. When a QoS rule is being modified and no new charging identifier is provided, then the previously provided charging identifier shall apply for the modified QoS rules.

If Rule-Activation-Time or Rule-Deactivation-Time is specified then it applies to all the QoS rules within the QoS-Rule-Install AVP.

The 3GPP-GGSN-Address AVP, 3GPP-GGSN-Ipv6-Address AVP, AN-GW-Address AVP and UDP-Source-Port AVP are only applicable for S9a interface when provided. UDP-Source-Port AVP provided within QoS-Rule-Install AVP is only applicable for the trusted S2c case and shall take precedence over the one provided at the S9a command level.

AVP Format:

```
QoS-Rule-Install ::= < AVP Header: 1051>
    * [ QoS-Rule-Definition ]
    * [ QoS-Rule-Name ]
    * [ QoS-Rule-Base-Name ]
    [ Tunnel-Information ]
    [ Access-Network-Charging-Identifier-Value ]
    [ Resource-Allocation-Notification ]
    [ Rule-Activation-Time ]
    [ Rule-Deactivation-Time ]
    [ 3GPP-GGSN-Address ]
    [ 3GPP-GGSN-Ipv6-Address ]
    0*2 [ AN-GW-Address ]
    [ UDP-Source-Port ]
    * [ AVP ]
```

5a.3.2 QoS-Rule-Remove AVP (All access types)

The QoS-Rule-Remove AVP (AVP code 1052) is of type Grouped, and it is used to deactivate or remove QoS rules from an Gateway Control session.

QoS-Rule-Name AVP is a reference for a specific QoS rule at the BBERF to be removed or for a specific QoS rule predefined at the BBERF to be deactivated. The QoS-Rule-Base-Name AVP is a reference for a group of QoS rules predefined at the BBERF to be deactivated.

Required-Access-Info AVP may be included if the AF requests the PCRF to report user access network information and the PCRF is removing QoS rules based on the AF requests.

AVP Format:

```
QoS-Rule-Remove ::= < AVP Header: 1052>
    * [ QoS-Rule-Name ]
    * [ QoS-Rule-Base-Name ]
    * [ Required-Access-Info ]
    * [ AVP ]
```

5a.3.3 QoS-Rule-Definition AVP (All access types)

The QoS-Rule-Definition AVP (AVP code 1053) is of type Grouped, and it defines the QoS rule for a service data flow sent by the PCRF to the BBERF. The QoS-Rule-Name AVP uniquely identifies the QoS rule and it is used to reference to a QoS rule in communication between the BBERF and the PCRF within one Gateway Control session. The Flow-Information AVP(s) determines the traffic that belongs to the service data flow.

If optional AVP(s) within a QoS-Rule-Definition AVP are omitted, but corresponding information has been provided in previous Gxx messages, the previous information remains valid. If Flow-Information AVP(s) are supplied, they replace all previous Flow-Information AVP(s).

Required-Access-Info AVP may appear if the AF requests PCRF to report user access network information.

AVP Format:

```
QoS-Rule-Definition ::= < AVP Header: 1053>
    { QoS-Rule-Name }
    * [ Flow-Information ]
    [ QoS-Information ]
    [ Precedence ]
    * [ Required-Access-Info ]
    * [ AVP ]
```

5a.3.4 QoS-Rule-Name AVP (All access types)

The QoS-Rule-Name AVP (AVP code 1054) is of type OctetString, and it defines a name for QoS rule. For QoS rules provided by the PCRF it uniquely identifies a QoS rule within one Gateway Control session. For QoS pre-defined at the BBERF it uniquely identifies a QoS rule within the BBERF.

5a.3.5 QoS-Rule-Report AVP (All access types)

The QoS-Rule-Report AVP (AVP code 1055) is of type Grouped, and it is used to report the status of QoS rules.

QoS-Rule-Name AVP is a reference for a specific QoS rule at the BBERF that has been successfully installed, modified or removed (for dynamic QoS rules), or activated or deactivated (for predefined QoS rules). QoS-Rule-Base-Name AVP is a reference for a group of QoS rules predefined at the BBERF that has been successfully activated or deactivated.

The QoS-Rule-Report AVP can also be used to report the status of the QoS rules which cannot be installed/activated or enforced at the BBERF. In this condition, the QoS-Rule-Name AVP is used to indicate a specific QoS rule which cannot be installed/activated or enforced and the QoS-Rule-Base-Name AVP is used to indicate a group of QoS rules which cannot be activated. The Rule-Failure-Code AVP indicates the reason that the QoS rules cannot be successfully installed/activated or enforced.

AVP Format:

```
QoS-Rule-Report ::= < AVP Header: 1055>
    * [ QoS-Rule-Name ]
    * [ QoS-Rule-Base-Name ]
    [ PCC-Rule-Status ]
    [ Rule-Failure-Code ]
    * [ AVP ]
```

Multiple instances of QoS-Rule-Report AVPs shall be used in the case it is required to report different PCC-Rule-Status or Rule-Failure-Code values for different rules within the same Diameter command.

5a.3.6 Session-Linking-Indicator AVP (All access types)

The Session-Linking-Indicator AVP (AVP code 1064) is of type Enumerated and indicates whether the session linking between the Gateway Control Session and the Gx session must be deferred. The absence of this AVP in case 2b as defined in 3GPP TS 29.213 [8] shall indicate the value SESSION_LINKING_IMMEDIATE.

The following values are defined:

SESSION_LINKING_IMMEDIATE (0)

This value shall be used to indicate that the PCRF shall perform the linking between the new Gateway Control Session with an existing Gx session immediately.

SESSION_LINKING_DEFERRED (1)

This value shall be used to indicate that the PCRF shall not attempt linking the new Gateway Control Session with an existing Gx session immediately.

5a.3.7 QoS-Rule-Base-Name AVP (All access types)

The QoS-Rule-Base-Name AVP (AVP code 1074) is of type UTF8String, and it indicates the name of a pre-defined group of QoS rules residing at the BBERF.

5a.4 Gxx re-used AVPs

Table 5a.4.1 lists the Diameter AVPs re-used by the Gxx reference point from Gx reference point and other existing Diameter Applications, reference to their respective specifications, short description of their usage within the Gxx reference point, the applicability of the AVPs to a specific access, and which supported features the AVP is applicable to. When reused from Gx reference point, the specific clause in the present specification is referred. Other AVPs from existing Diameter Applications, except for the AVPs from Diameter base protocol, do not need to be supported. The AVPs from Diameter base protocol are not included in table 5a.4, but they are re-used for the Gxx reference point. Unless otherwise stated, re-used AVPs shall maintain their "M", "P" and "V" flag settings. Where RADIUS VSAs are re-used, unless otherwise stated, they shall be translated to Diameter AVPs as described in IETF RFC 4005 [12] with the exception that the "M" flag shall be set and the "P" flag may be set.

Table 5a.4.1: Gxx re-used Diameter AVPs

Attribute Name	Reference	Description	Acc. Type	Applicability (NOTE 5)
3GPP-MS-TimeZone	3GPP TS 29.061 [11]	Indicate the offset between universal time and local time in steps of 15 minutes of where the MS currently resides.	All	
3GPP-SGSN-MCC-MNC	3GPP TS 29.061 [11]	Carries the MCC/MNC information of the AN-GW	All	
3GPP-User-Location-Info	3GPP TS 29.061 [11]	Indicates details of where the UE is currently located (e.g. SAI or CGI)	3GPP-EPS	
3GPP2-BSID	3GPP2 X.S0057 [24]	For 3GPP2 indicates the BSID of where the UE is currently located (e.g. Cell-Id, SID, NID). The Vendor-Id shall be set to 3GPP2 (5535) [24]. The support of this AVP shall be advertised in the capabilities exchange mechanisms (CER/CEA) by including the value 5535, identifying 3GPP2, in a Supported-Vendor-Id AVP.	3GPP2, Non-3GPP-EPS	
Access-Network-Charging-Identifier-Value	3GPP TS 29.214 [10]	Contains a charging identifier.	All (See NOTE 6)	
Allocation-Retention-Priority	5.3.32	Indicates a priority for accepting or rejecting a bearer establishment or modification request and dropping a bearer in case of resource limitations.	All	
AN-GW-Address	5.3.49	Carries the address of the AN-GW (S-GW/AGW/ePDG)	All	EPC-routed (See NOTE 8)
APN-Aggregate-Max-Bitrate-DL	5.3.39	Indicates the aggregate maximum bitrate for the downlink direction for all non-GBR bearers of the APN.	All	
APN-Aggregate-Max-Bitrate-UL	5.3.40	Indicates the aggregate maximum bitrate for the uplink direction for all non-GBR bearers of the APN.	All	
Bearer-Control-Mode	5.3.23	Indicates the PCRF selected bearer control mode.	All (See NOTE 3)	
Called-Station-Id	IETF RFC 4005 [12]	The address the user is connected to (i.e. the PDN identifier).	All	
CC-Request-Number	IETF RFC 4006 [9]	The number of the request for mapping requests and answers	All	
CC-Request-Type	IETF RFC 4006 [9]	The type of the request (initial, update, termination)	All	
Default-EPS-Bearer-QoS	5.3.48	Defines the QoS information of the default bearer	All	

Attribute Name	Reference	Description	Acc. Type	Applicability (NOTE 5)
Event-Trigger	5.3.7	Reports the event that occurred on the BBERF. For Event-Trigger LOSS_OF_BEARER, BBERF will include the impacted QoS rules within the QoS-Rule-Report. For Event-Trigger RECOVERY_OF_BEARER BBERF will include the impacted QoS rules within the QoS-Rule-Report. For 3GPP2 access USER_LOCATION_CHANGE is used to report and request changes to the 3GPP2-BSID. For the Event-Trigger UE_TIME_ZONE_CHANGE, the BBERF includes the new value of the UE time zone within the 3GPP-MS-TimeZone AVP. The following values are not applicable: SGSN_CHANGE (0), PLMN_CHANGE (4), IP-CAN_CHANGE (7), QOS_CHANGE_EXCEEDING_AUTHORIZATION (11), OUT_OF_CREDIT (15), REALLOCATION_OF_CREDIT (16), REVALIDATION_TIMEOUT (17), UE_IP_ADDRESS_ALLOCATE (18), UE_IP_ADDRESS_RELEASE (19), AN_GW_CHANGE (21) and USAGE_REPORT (33), ROUTING_RULE_CHANGE (37), APPLICATION_START (39), APPLICATION_STOP (40), CREDIT_MANAGEMENT_SESSION_FAILURE (46).	All	
Flow-Description	3GPP TS 29.214 [10], 5.4.2	Defines the service data flow filter parameters for a QoS rule. The same rules as for Gx, Table 5.4, apply. The rules for usage on Gxx are defined in clause 5.4.2	All	
Flow-Information	5.3.53	Defines the service data flow filter parameters for a QoS rule and may include flow description, packet filter identifier, ToS/Traffic Class, SPI and Flow Label information. May also include an instruction as to whether signalling the information to the UE is to occur.	All	
Flow-Label	5.3.52	Defines the Ipv6 flow label		
Framed-IP-Address	IETF RFC 4005 [12]	The Ipv4 address allocated for the user.	All	
Framed-Ipv6-Prefix	IETF RFC 4005 [12]	The Ipv6 prefix allocated for the user. The encoding of the value within this Octet String type AVP shall be as defined in IETF RFC 3162 [15], Clause 2.3. The "Reserved", "Prefix-Length" and "Prefix" fields shall be included in this order.	All	
Guaranteed-Bitrate-DL (NOTE 1)	5.3.25	Defines the guaranteed bitrate for downlink.	All	
Guaranteed-Bitrate-UL (NOTE 1)	5.3.26	Defines the guaranteed bitrate for uplink.	All	
HeNB-Local-IP-Address	5.3.95	Contains the H(e)NB local IP address as defined in Annex E.2.1.	3GPP-EPS	EPC-routed
IP-CAN-Type	5.3.27	Indicates the type of Connectivity Access Network that the user is connected to.	All	
Max-Requested-Bandwidth-UL (note 2)	3GPP TS 29.214 [10]	Defines the maximum authorized bandwidth for uplink.	All	
Max-Requested-Bandwidth-DL (note 2)	3GPP TS 29.214 [10]	Defines the maximum authorized bandwidth for downlink.	All	

Attribute Name	Reference	Description	Acc. Type	Applicability (NOTE 5)
NetLoc-Access-Support	5.3.111	Indicates the access network information reporting level of support.	All	NetLoc
Network-Request-Support	5.3.24	Indicates whether the UE and access network supports the network requested bearer control mode or not.	All (See NOTE 3)	
OC-OLR	IETF RFC 7683 [49]	Contains the necessary information to convey an overload report.	All	
OC-Supported-Features	IETF RFC 7683 [49]	Defines the support for the Diameter overload indication conveyence by the sending node.	All	
Packet-Filter-Content	5.3.54	Indicates the content of the packet filter. Destination IP address including the value provided by the UE may be provided when the ExtendedFilter feature is supported as described in clause 5a.4.1.	All	
Packet-Filter-Identifier	5.3.55	The identity of the packet filter.	All	
Packet-Filter-Information	5.3.56	Information related to the packet filters that the BBERF provides to the PCRF.	All	
Packet-Filter-Operation	5.3.57	Indicates the operation that the terminal is requesting over the packet filters provided by the Packet-Filter-Information AVPs.	All	
Packet-Filter-Usage	5.3.66	Indicates whether the UE shall be provisioned with the related traffic mapping information.	All	Rel9
PCC-Rule-Status	5.3.19	Describes the status of one or a group of QoS rules.	All	
PDN-Connection-ID	5.3.58	The identification of PDN connection to the same APN.	All (See NOTE 4)	Rel9
Precedence	5.3.11	Indicates the precedence of QoS rules or packet filters.	All	
PS-to-CS-Session-Continuity	5.3.84	Indicates whether the service data flow is a candidate for PS to CS session continuity.	3GPP-EPS	vSRVCC
QoS-Class-Identifier	5.3.17	Identifies a set of IP-CAN specific QoS parameters	All	
QoS-Information	5.3.16	Defines the QoS information for a resource or QoS rule.	All	
RAI	3GPP TS 29.061 [11]	Contains the Routing Area Identity of the SGSN where the UE is registered	3GPP-EPS	
RAT-Type	5.3.31	Identifies the radio access technology that is serving the UE.	All	
Required-Access-Info	3GPP TS 29.214 [10]	Indicates the access network information for which the AF entity requestes the PCRF reporting.	3GPP-EPS	CC NetLoc
Resource-Allocation-Notification	5.3.50	Indicates whether successful resource allocation notification for rules is needed or not.	All	
Rule-Activation-Time	5.3.41	Indicates the NTP time at which the QoS rules has to be enforced.	All	
Rule-Deactivation-Time	5.2.42	Indicates the NTP time at which the BBERF has to stop enforcing the QoS rules.	All	
Rule-Failure-Code	5.3.38	Identifies the reason a QoS rule is being reported.	All	
Security-Parameter-Index	5.3.51	Defines the IPSec SPI	All	
Session-Release-Cause	5.3.44	Indicate the reason of termination initiated by the PCRF. Only the reason code UNSPECIFIED_REASON is applicable for the PCRF-initiated Gxx session termination.	All	
Subscription-Id	IETF RFC 4006 [9]	The identification of the subscription (i.e. IMSI)	All	
Supported-Features	3GPP TS 29.229 [14]	If present, this AVP informs the destination host about the features that the origin host requires to successfully complete this command exchange	All	
ToS-Traffic-Class	5.3.15	Defines the Ipv4 ToS or Ipv6 Traffic Class	All	

Attribute Name	Reference	Description	Acc. Type	Applicability (NOTE 5)
Trace-Data	3GPP TS 29.272 [26]	Contains trace control and configuration parameters, specified in 3GPP TS 32.422 [27].	3GPP-EPS	
Trace-Reference	3GPP TS 29.272 [26]	Contains the trace reference parameter, specified in 3GPP TS 32.422 [27].	3GPP-EPS	
Tunnel-Header-Filter	5.3.34	Defines the tunnel (outer) header filter information of a tunnelled IP flow.	All (see NOTE 3 and NOTE 6)	
Tunnel-Header-Length	5.3.35	Indicates the length of the tunnel (outer) header.	All (see NOTE 3 and NOTE 6)	
Tunnel-Information	5.3.36	Defines the tunnel (outer) header information for an IP flow.	All (see NOTE 3 and NOTE 6)	
UDP-Source-Port	5.3.97	Contains the UDP source port number in the case that NA(P)T is detected for supporting interworking with Fixed Broadband access network as defined in Annex E.	3GPP-EPS Non-3GPP-EPS	EPC-routed
UE-Local-IP-Address	5.3.96	Contains the UE local IP address as defined in Annex E.2.1.	Non-3GPP-EPS	BBAI
User-CSG-Information (NOTE 7)	3GPP TS 32.299 [19]	Indicates the user "Closed Subscriber Group" Information associated to CSG or hybrid cell access: it comprises the CSG-Id, CSG-Access-Mode and CSG-Membership-Indication AVPs. This AVP shall have the "M" bit cleared.	3GPP-EPS	Rel9
User-Equipment-Info	IETF RFC 4006 [9]	The identification and capabilities of the terminal (IMEISV, etc.) When the User-Equipment-Info-Type is set to IMEISV(0), the value within the User-Equipment-Info-Value shall be a UTF-8 encoded decimal.	All	
User-Location-Info-Time	5.3.101	Indicates the time at which the user was in that location when the corresponding bearer is deactivated.	3GPP-EPS	CC NetLoc
<p>NOTE 1: When sending from the PCRF to the BBERF, the Guaranteed-Bitrate-UL/DL AVP indicate the allowed guaranteed bit rate for the uplink/downlink direction; when sending from the BBERF to the PCRF, the Guaranteed-Bitrate-UL/DL AVP indicate the requested guaranteed bit rate for the uplink/downlink direction.</p> <p>NOTE 2: When sending from the PCRF to the BBERF, the Max-Requested-Bandwidth-UL/DL AVP indicate the maximum allowed bit rate for the uplink/downlink direction; when sending from the BBERF to the PCRF, the Max-Requested-Bandwidth-UL/DL AVP indicate the maximum requested bit rate for the uplink/downlink direction.</p> <p>NOTE 3: This AVP does not apply to 3GPP-EPS Access Types.</p> <p>NOTE 4: This AVP only applies to case 2b as defined in 3GPP TS 29.213 [8].</p> <p>NOTE 5: AVPs marked with "Rel9" are applicable as described in clause 5a.4.1.</p> <p>NOTE 6: This AVP only applies to case 2a as defined in 3GPP TS 29.213 [8].</p> <p>NOTE 7: AVPs included within this grouped AVP shall have the "M" bit cleared.</p> <p>NOTE 8: AN-GW-Address AVP carries the address of the ePDG is only applicable for "EPC-routed".</p>				

5a.4.1 Use of the Supported-Features AVP on the Gxx reference point

The Supported-Features AVP is used during session establishment to inform the destination host about the required and optional features that the origin host supports. The client shall, in the first request of a Diameter session indicate the set of supported features. The server shall, in the first answer within the Diameter session indicate the set of features that it has in common with the client and that the server shall support within the same Diameter session. Any further command messages shall always be compliant with the list of supported features indicated in the Supported-Features AVPs during session establishment. Features that are not advertised as supported shall not be used to construct the command messages for that Diameter session. Unless otherwise stated, the use of the Supported-Features AVP on the Gxx

reference point shall be compliant with the requirements for dynamic discovery of supported features on the Cx reference point as defined in clause 7.2.1 of 3GPP TS 29.229 [14].

The base functionality for the Gxx reference point is the 3GPP Rel-8 standard and a feature is an extension to that functionality. If the origin host does not support any features beyond the base functionality, the Supported-Features AVP may be absent from the Gxx commands. As defined in clause 7.1.1 of 3GPP TS 29.229 [14], when extending the application by adding new AVPs for a feature, the new AVPs shall have the M bit cleared and the AVP shall not be defined mandatory in the command ABNF.

As defined in 3GPP TS 29.229 [14], the Supported-Features AVP is of type grouped and contains the Vendor-Id, Feature-List-ID and Feature-List AVPs. On the Gxx reference point, the Supported-Features AVP is used to identify features that have been defined by 3GPP and hence, for features defined in this document, the Vendor-Id AVP shall contain the vendor ID of 3GPP (10415). If there are multiple feature lists defined for the Gxx reference point, the Feature-List-ID AVP shall differentiate those lists from one another.

On receiving an initial request application message, the destination host shall act as defined in clause 7.2.1 of 3GPP TS 29.229 [14]. The following exceptions apply to the initial CCR/CCA command pair:

- If the BBERF supports post-Rel-8 Gxx functionality, the CCR shall include the features supported by the BBERF within Supported-Features AVP(s) with the "M" bit cleared.

NOTE: One instance of Supported-Features AVP is needed per Feature-List-ID.

- If the CCR command does not contain any Supported-Features AVP(s) and the PCRF supports Rel-8 Gxx functionality, the PCRF shall not include the Supported-Features AVP in the CCA command. In this case, both BBERF and PCRF shall behave as specified in the Rel-8 version of this document.

NOTE: The client will always declare all features that are supported according to table 5a.4.1.1. When more than one feature identifying a release is supported by both BBERF and PCRF, the BBERF will work according to the latest common supported release.

Once the PCRF and BBERF have negotiated the set of supported features during session establishment, the set of common features shall be used during the lifetime of the Diameter session.

The table below defines the features applicable to the Gxx interfaces for the feature list with a Feature-List-ID of 1.

Table 5a.4.1.1: Features of Feature-List-ID 1 used in Gxx

Feature bit	Feature	M/O	Description
0	Rel9	M	This feature indicates the support of base 3GPP Rel-9 Gxx functionality, including the AVPs and corresponding procedures supported by the base 3GPP Rel-8 Gxx standard, but excluding those features represented by separate feature bits. AVPs introduced with this feature are marked with "Rel9" in Table 5a.3.1 and Table 5a.4.1.
1	vSRVCC	O	This feature indicates support for the vSRVCC feature (see 3GPP TS 23.216 [40]).
2	EPC-routed	O	This feature indicates support for interworking with Fixed Broad band Access networks when the traffic is routed via the EPC network as defined in Annex E.
3	NetLoc	O	This feature indicates the support of the Access Network Information Reporting. If the BBERF supports this feature, the PCRF shall behave as described in clause 4a.5.16
4	ExtendedFilter	O	This feature indicates the support for the local UE address being present in filters signalled between network and UE.
5	PendingTransaction	O	This feature indicates support for the race condition handling as defined in 3GPP TS 29.213 [8]
6	void		

NOTE:

Feature bit: The order number of the bit within the Feature-List AVP where the least significant bit is assigned number "0".

Feature: A short name that can be used to refer to the bit and to the feature, e.g. "EPS".

M/O: Defines if the implementation of the feature is mandatory ("M") or optional ("O") in this 3GPP Release.

Description: A clear textual description of the feature.

5a.5 Gxx specific Experimental-Result-Code AVP values

The same codes specified in clause 5.5 apply here with the following exceptions:

The following permanent Experimental-Result-Code shall be used instead of DIAMETER_PCC_RULE_EVENT (5142):

DIAMETER_QOS_RULE_EVENT (5145)

This error shall be used when the QoS rules cannot be installed/activated. Affected QoS-Rules will be provided in the QoS-Rule-Report AVP including the reason and status as described in clause 4a.5.5.

The following transient Experimental-Result-Code shall be used instead of DIAMETER_PCC_BEARER_EVENT (4141):

DIAMETER_BEARER_EVENT (4142)

This error shall be used when for some reason a QoS rule cannot be enforced or modified successfully in a network initiated procedure. Affected QoS Rules will be provided in the QoS-Rule-Report AVP including the reason and status as described in clause 4a.5.5.

5a.6 Gxx Messages

5a.6.1 Gxx Application

Gxx Messages are carried within the Diameter Application(s) described in clause 5a.1.

Existing Diameter command codes from the Diameter base protocol RFC 3588 [5] and the Diameter Credit Control Application RFC 4006 [9] are used with the Gxx specific AVPs specified in clause 5a.3. The Diameter Credit Control Application AVPs and AVPs from other Diameter applications that are re-used are defined in clause 5a.4. Due to the definition of these commands there is no possibility to skip the Auth-Application-Id AVP and use the Vendor-Specific-Application-Id AVP instead. Therefore the Gxx application identifier shall be included in the Auth-Application-Id AVP. A diameter session needs to be established for each Gateway Control session.

NOTE: Some of the AVPs included in the messages formats below are in bold to highlight that these AVPs are used by this specific protocol and do not belong to the original message definition in the DCC Application RFC 4006 [9] or Diameter Base Protocol RFC 3588 [5].

5a.6.2 CC-Request (CCR) Command

The CCR command, indicated by the Command-Code field set to 272 and the "R" bit set in the Command Flags field, is sent by the BBERF to the PCRF in order to request QoS rules. The CCR command is also sent by the BBERF to the PCRF in order to indicate QoS rule related events or the termination of the Gateway Control session.

Message Format:

```
<CC-Request> ::= < Diameter Header: 272, REQ, PXY >
  < Session-Id >
  { Auth-Application-Id }
  { Origin-Host }
  { Origin-Realm }
  { Destination-Realm }
  { CC-Request-Type }
  { CC-Request-Number }
  [ Destination-Host ]
  [ Origin-State-Id ]
  [ OC-Supported-Features ]
  *[ Supported-Features ]
  *[ Subscription-Id ]
  [ Network-Request-Support ]
  *[ Packet-Filter-Information ]
  [ Packet-Filter-Operation ]
  [ Framed-IP-Address ]
  [ Framed-Ipv6-Prefix ]
  [ IP-CAN-Type ]
  [ RAT-Type ]
```

```

    [ Termination-Cause ]
    [ User-Equipment-Info ]
    [ QoS-Information ]
    [ Default-EPS-Bearer-QoS ]
0*2[ AN-GW-Address ]
    [ 3GPP-SGSN-MCC-MNC ]
    [ RAI ]
    [ 3GPP-User-Location-Info ]
    [ User-Location-Info-Time ]
    [ 3GPP-MS-TimeZone ]
    [ 3GPP2-BSID ]
    [ User-CSG-Information ]
    [ HeNB-Local-IP-Address ]
    [ UE-Local-IP-Address ]
    [ UDP-Source-Port ]
    [ Called-Station-Id ]
    [ PDN-Connection-ID ]
* [ QoS-Rule-Report ]
* [ Event-Trigger ]
    [ Session-Linking-Indicator ]
    [ Trace-Data ]
    [ Trace-Reference ]
* [ Proxy-Info ]
* [ Route-Record ]
* [ AVP ]

```

5a.6.3 CC-Answer (CCA) Command

The CCA command, indicated by the Command-Code field set to 272 and the "R" bit cleared in the Command Flags field, is sent by the PCRF to the BBERF in response to the CCR command. It is used to provision QoS rules and event triggers for the bearer/session and to provide the selected bearer control mode for the Gateway Control session.

Message Format:

```

<CC-Answer> ::= < Diameter Header: 272, PXY >
< Session-Id >
{ Auth-Application-Id }
{ Origin-Host }
{ Origin-Realm }
[ Result-Code ]
[ Experimental-Result ]
{ CC-Request-Type }
{ CC-Request-Number }
[ OC-Supported-Features ]
[ OC-OLR ]
* [ Supported-Features ]
[ Bearer-Control-Mode ]
* [ Event-Trigger ]
[ Framed-Ipv6-Prefix ]
[ Origin-State-Id ]
* [ Redirect-Host ]
[ Redirect-Host-Usage ]
[ Redirect-Max-Cache-Time ]
* [ QoS-Rule-Remove ]
* [ QoS-Rule-Install ]
[ QoS-Information ]
[ Default-EPS-Bearer-QoS ]
[ Error-Message ]
[ Error-Reporting-Host ]
* [ Failed-AVP ]
* [ Proxy-Info ]
* [ Route-Record ]
* [ AVP ]

```

5a.6.4 Re-Auth-Request (RAR) Command

The RAR command, indicated by the Command-Code field set to 258 and the "R" bit set in the Command Flags field, is sent by the PCRF to the BBERF in order to provision QoS rules using the PUSH procedure initiate the provision of unsolicited QoS rules. It is used to provision QoS rules, event triggers and event report indications for the session.

Message Format:

```

<RA-Request> ::= < Diameter Header: 258, REQ, PXY >

```

```

< Session-Id >
{ Auth-Application-Id }
{ Origin-Host }
{ Origin-Realm }
{ Destination-Realm }
{ Destination-Host }
{ Re-Auth-Request-Type }
[ Session-Release-Cause ]
[ Origin-State-Id ]
[ OC-Supported-Features ]
*[ Event-Trigger ]
*[ QoS-Rule-Remove ]
*[ QoS-Rule-Install ]
[ QoS-Information ]
[ Default-EPS-Bearer-QoS ]
*[ Proxy-Info ]
*[ Route-Record ]
*[ AVP ]

```

5a.6.5 Re-Auth-Answer (RAA) Command

The RAA command, indicated by the Command-Code field set to 258 and the "R" bit cleared in the Command Flags field, is sent by the BBERF to the PCRF in response to the RAR command.

Message Format:

```

<RA-Answer> ::= < Diameter Header: 258, PXY >
< Session-Id >
{ Origin-Host }
{ Origin-Realm }
[ Result-Code ]
[ Experimental-Result ]
[ Origin-State-Id ]
[ OC-Supported-Features ]
[ OC-OLR ]
[ RAT-Type ]
[ 3GPP-SGSN-MCC-MNC ]
[ RAI ]
[ 3GPP-User-Location-Info ]
[ User-Location-Info-Time ]
[ NetLoc-Access-Support ]
[ User-CSG-Information ]
[ 3GPP-MS-TimeZone ]
[ 3GPP2-BSID ]
*[ QoS-Rule-Report ]
[ Error-Message ]
[ Error-Reporting-Host ]
*[ Failed-AVP ]
*[ Proxy-Info ]
*[ AVP ]

```

5b Sd protocol

5b.1 Protocol support

The Sd application is defined as a vendor specific Diameter application, where the vendor is 3GPP. The vendor identifier assigned by IANA to 3GPP (<http://www.iana.org/assignments/enterprise-numbers>) is 10415. The Application-ID for the Sd Application is 16777303 and this value shall be used in the Diameter command header as well as any Application-ID AVPs (Auth-Application-Id/Vendor-Specific-Application-Id) in the command body.

5b.2 Initialization, maintenance and termination of connection and session

The initialization and maintenance of the connection between each PCRF and TDF pair is defined by the underlying protocol. Establishment and maintenance of connections between Diameter nodes is described in RFC 3588 [5].

After establishing the transport connection, the PCRF and the TDF shall advertise the support of the Sd specific Application by including the value of the application identifier in the Auth-Application-Id AVP and the value of the 3GPP (10415) in the Vendor-Id AVP of the Vendor-Specific-Application-Id AVP contained in the Capabilities-Exchange-Request and Capabilities-Exchange-Answer commands. The Capabilities-Exchange-Request and Capabilities-Exchange-Answer commands are specified in the Diameter Base Protocol (RFC 3588 [5]).

The Diameter session on Sd is established either at the request of the PCRF in case of solicited application reporting or at the request of the TDF in case of unsolicited application reporting. Session modifications may be initiated by either TDF or PCRF. Session termination is initiated at the request of the PCRF as specified in clause 4b.5.4.

5b.3 Sd specific AVPs

Table 5b.3.1 describes the Diameter AVPs defined for the Sd reference point, their AVP Code values, types, possible flag values, whether or not the AVP may be encrypted, what access types (e.g. 3GPP-GPRS, etc.) the AVP is applicable to, the applicability of the AVPs to charging control, policy control or both, and which supported features the AVP is applicable to. The Vendor-Id header of all AVPs defined in the present document shall be set to 3GPP (10415).

Table 5b.3.1: Sd specific Diameter AVPs

Attribute Name	AVP Code	Clause defined	Value Type (NOTE 2)	AVP Flag rules (NOTE 1)				May Encr.	Acc. Type	Applicability
				Must	May	Should not	Must not			
ADC-Rule-Base-Name	1095	5b.3.4	UTF8String	M,V	P			Y	All	
ADC-Rule-Definition	1094	5b.3.3	Grouped	M,V	P			Y	All	
ADC-Rule-Install	1092	5b.3.1	Grouped	M,V	P			Y	All	
ADC-Rule-Name	1096	5b.3.5	OctetString	M,V	P			Y	All	
ADC-Rule-Remove	1093	5b.3.2	Grouped	M,V	P			Y	All	
ADC-Rule-Report	1097	5b.3.6	Grouped	M,V	P			Y	All	
NOTE 1: The AVP header bit denoted as "M", indicates whether support of the AVP is required. The AVP header bit denoted as "V", indicates whether the optional Vendor-ID field is present in the AVP header. For further details, see RFC 3588 [5].										
NOTE 2: The value types are defined in RFC 3588 [5].										

5b.3.1 ADC-Rule-Install AVP

The ADC-Rule-Install AVP (AVP code 1092) is of type Grouped, and it is used to activate, install or modify ADC rules as instructed from the PCRF.

For installing a new ADC rule or modifying an ADC rule already installed, ADC-Rule-Definition AVP shall be used.

For activating a specific predefined ADC rule, ADC-Rule-Name AVP shall be used as a reference for that ADC rule. The ADC-Rule-Base-Name AVP is a reference that may be used for activating a group of predefined ADC rules.

If Rule-Activation-Time or Rule-Deactivation-Time is specified then it applies to all the ADC rules within the ADC-Rule-Install.

AVP Format:

```
ADC-Rule-Install ::= < AVP Header: 1092 >
    * [ ADC-Rule-Definition ]
    * [ ADC-Rule-Name ]
    * [ ADC-Rule-Base-Name ]
    [ Rule-Activation-Time ]
    [ Rule-Deactivation-Time ]
    * [ AVP ]
```

5b.3.2 ADC-Rule-Remove AVP

The ADC-Rule-Remove AVP (AVP code 1093) is of type Grouped, and it is used to deactivate or remove ADC rules as instructed from the PCRF.

ADC-Rule-Name AVP is a reference for a specific dynamic ADC rule to be removed or for a specific predefined ADC rule to be deactivated. The ADC-Rule-Base-Name AVP is a reference for a group of predefined ADC rules to be deactivated.

AVP Format:

```
ADC-Rule-Remove ::= < AVP Header: 1093 >
    * [ ADC-Rule-Name ]
    * [ ADC-Rule-Base-Name ]
    * [ AVP ]
```

5b.3.3 ADC-Rule-Definition AVP

The ADC-Rule-Definition AVP (AVP code 1094) is of type Grouped, and it defines the ADC rule sent by the PCRF. The ADC-Rule-Name AVP uniquely identifies the ADC rule and it is used to reference to an ADC rule in communication between the PCRF and the TDF within one TDF session. The TDF Application Identifier AVP(s) determines the traffic that belongs to the application.

If optional AVP(s) within an ADC-Rule-Definition AVP are omitted, but corresponding information has been provided in previous Sd messages, the previous information remains valid.

Monitoring-Key AVP contains the monitoring key that may apply to the ADC rule.

Mute-Notification status shall not be changed during the lifetime of the ADC rules.

AVP Format:

```
ADC-Rule-Definition ::= < AVP Header: 1094 >
    { ADC-Rule-Name }
    [ TDF-Application-Identifier ]
    [ Service-Identifier ]
    [ Rating-Group ]
    [ Reporting-Level ]
    [ Online ]
    [ Offline ]
    [ Metering-Method ]
    [ Precedence ]
    [ Flow-Status ]
    [ QoS-Information ]
    [ Monitoring-Key ]
    [ Redirect-Information ]
    [ Mute-Notification ]
    * [ AVP ]
```

5b.3.4 ADC-Rule-Base-Name AVP

The ADC-Rule-Base-Name AVP (AVP code 1095) is of type UTF8String, and it indicates the name of a predefined group of ADC rules.

5b.3.5 ADC-Rule-Name AVP

The ADC-Rule-Name AVP (AVP code 1096) is of type OctetString, and it defines a name for ADC rule. For ADC rules provided by the PCRF it uniquely identifies an ADC rule within one TDF session. For predefined ADC rules, it uniquely identifies an ADC rule within the TDF.

5b.3.6 ADC-Rule-Report AVP

The ADC-Rule-Report AVP (AVP code 1097) is of type Grouped, and it is used to report the status of ADC rules.

The ADC-Rule-Report AVP is used to report the status of the ADC rules which cannot be installed/activated or enforced at the TDF. In this condition, the ADC-Rule-Name AVP is used to indicate a specific ADC rule which cannot be installed/activated or enforced, and the ADC-Rule-Base-Name AVP is used to indicate a group of ADC rules which cannot be activated. The PCC-Rule-Status AVP is set to INACTIVE. The Rule-Failure-Code indicates the reason that the ADC rules cannot be successfully installed/activated or enforced.

The ADC-Rule-Report AVP can also be used to report the status of the ADC rules for which credit is no longer available or credit has been reallocated after the former out of credit indication. When reporting an out of credit condition, the Final-Unit-Indication AVP indicates the termination action the TDF applies to the ADC rules as instructed by the OCS.

AVP Format:

```
ADC-Rule-Report ::= < AVP Header: 1097 >
    * [ ADC-Rule-Name ]
    * [ ADC-Rule-Base-Name ]
    [ PCC-Rule-Status ]
    [ Rule-Failure-Code ]
    [ Final-Unit-Indication ]
    * [ AVP ]
```

Multiple instances of ADC-Rule-Report AVPs shall be used in the case it is required to report different PCC-Rule-Status or Rule-Failure-Code values for different groups of rules within the same Diameter command.

5b.3.7 Void

5b.4 Sd re-used AVPs

Table 5b.4 lists the Diameter AVPs re-used by the Sd reference point from existing Diameter Applications, reference to their respective specifications, short description of their usage within the Sd reference point and which supported features the AVP is applicable to. Other AVPs from existing Diameter Applications, except for the AVPs from Diameter base protocol, do not need to be supported. The AVPs from Diameter base protocol are not included in table 5b.4, but they are re-used for the Sd reference point. Unless otherwise stated, re-used AVPs shall maintain their "M", "P" and "V" flag settings. Where 3GPP Radius VSAs are re-used, unless otherwise stated, they shall be translated to Diameter AVPs as described in IETF RFC 4005 [12] with the exception that the "M" flag shall be set and the "P" flag may be set.

Table 5b.4: Sd re-used Diameter AVPs

Attribute Name	Reference	Description	
AN-GW-Address	5.3.49	Contains the Ipv4 and/ or Ipv6 (if available) address(es) of the access node gateway (SGW for 3GPP and AGW for non-3GPP networks).	
AN-Trusted	3GPP TS 29.273 [48]	Indicates whether the access network is trusted or untrusted for the Non-3GPP access network. This AVP shall have the "M" bit cleared.	
Application-Detection-Information	5.3.91	Used to report from the TDF to the PCRF once the start/stop of the application traffic, defined by TDF-Application-Identifier, has been detected. TDF is used instead of PCEF and ADC-Rule-Definition AVP is used instead of Charging-Rule-Definition AVP.	
BSSID	3GPP TS 32.299 [19]	Contains the BSSID of the access point where UE is located.	FBAC
Called-Station-Id	IETF RFC 4005 [12]	The address the user is connected to (i.e. the PDN identifier).	
CC-Request-Number	IETF RFC 4006 [9]	The number of the request for mapping requests and answers.	
CC-Request-Type	IETF RFC 4006 [9]	The type of the CC-Request. For the Solicited application reporting, only update and termination values are applicable.	
Charging-Information	3GPP TS 29.229 [14]	It contains the addresses of the charging functions in the following AVPs: <ul style="list-style-type: none"> - Primary-Event-Charging-Function-Name is of type DiameterURI and defines the address of the primary online charging system. The protocol definition in the DiameterURI shall be either omitted or supplied with value "Diameter". - Secondary-Event-Charging-Function-Name is of type DiameterURI and defines the address of the secondary online charging system. The protocol definition in the DiameterURI shall be either omitted or supplied with value "Diameter". - Primary-Charging-Collection-Function-Name is of type DiameterURI and defines the address of the primary offline charging system. If the GTP" protocol is applied on the Gzn interface as specified in 3GPP TS 32.295 [16], the protocol definition in the DiameterURI shall be omitted. If Diameter is applied on the Gzn interface, the protocol definition in DiameterURI shall be either omitted or supplied with value "Diameter". The choice of the applied protocol on the Gzn interface depends upon configuration in the TDF. - Secondary-Charging-Collection-Function-Name is of type DiameterURI and defines the address of the secondary offline charging system. If the GTP" protocol is applied on the Gzn interface as specified in 3GPP TS 32.295 [16], the protocol definition in the DiameterURI shall be omitted. If Diameter is applied on the Gzn interface, the protocol definition in DiameterURI shall be either omitted or supplied with value "Diameter". The choice of the applied protocol on the Gzn interface depends upon configuration in the TDF. 	ABC
Credit-Management-Status	5.3.102	Indicate the failure status in credit management.	ABC
CSG-Information-Reporting	5.5.64	Sent from the PCRF to the TDF to request the TDF to report the user CSG information change to the charging domain in case of offline charging. TDF is used instead of PCEF.	ABC
Dynamic-Address-Flag	3GPP TS 32.299 [19]	Indicates whether the PDP context/PDN address is statically or dynamically allocated. This AVP shall have the "M" bit cleared.	ABC
Dynamic-Address-Flag-Extension	3GPP TS 32.299 [19]	Indicates that the Ipv4 PDN address has been dynamically allocated for that particular IP-CAN bearer (PDN connection) of PDN type Ipv4v6, while the dynamic Ipv6 address is indicated in Dynamic Address Flag. This AVP shall have the "M" bit cleared.	ABC

Attribute Name	Reference	Description	
Event-Report-Indication (NOTE 3) (NOTE 4)	5.3.30	<p>When sent from the PCRF to the TDF, it is used to report an event coming from the PCEF, BBERF or BPCF if NSWO is supported and the relevant info to the TDF. When sent from the TDF to the PCRF, it is used to provide the information about the required event triggers to the PCRF. Only Event-Trigger AVP will be supplied in this case.</p> <p>For 3GPP2 access, USER_LOCATION_CHANGE is used to report and request changes to the 3GPP2-BSID.</p> <p>The following values for the included Event-Trigger are applicable: SGSN_CHANGE (0), RAT_CHANGE (2), PLMN_CHANGE (4), IP-CAN_CHANGE (7), RAI_CHANGE (12), USER_LOCATION_CHANGE (13), NO_EVENT_TRIGGERS (14), UE_IP_ADDRESS_ALLOCATE (18), UE_IP_ADDRESS_RELEASE (19), AN_GW_CHANGE (21), UE_TIME_ZONE_CHANGE (25), TAI_CHANGE (26), ECGI_CHANGE (27), USER_CSG_INFORMATION_CHANGE (30), USER_CSG_HYBRID_SUBSCRIBED_INFORMATION_CHANGE (35), USER_CSG_HYBRID_UNSUBSCRIBED_INFORMATION_CHANGE (36). CHANGE_OF_UE_PRESENCE_IN_PRESENCE AREA_REPORT (48)</p> <p>The following AVPs which are included in Event-Report-Indication are applicable to Sd interface: IP-CAN-Type, RAT-Type, AN-Trusted, AN-GW-Address, 3GPP-SGSN-Address, 3GPP-SGSN-Ipv6-Address, 3GPP-SGSN-MCC-MNC, RAI, 3GPP-User-Location-Info, 3GPP2-BSID, 3GPP-MS-Timezone, User-CSG-Information and Framed-IP-Address and Presence-Reporting-Area-Information.</p>	
Event-Trigger	5.3.7	<p>When sent from the PCRF to the TDF, indicates an event that shall cause a re-request of ADC rules. When sent from the TDF to the PCRF, indicates that the corresponding event has occurred at the TDF.</p> <p>The following values are applicable: NO_EVENT_TRIGGERS (14); OUT_OF_CREDIT (15), REALLOCATION_OF_CREDIT (16), REVALIDATION_TIMEOUT (17), USAGE_REPORT (33); APPLICATION_START (39); APPLICATION_STOP (40); CREDIT_MANAGEMENT_SESSION_FAILURE (46). CREDIT_MANAGEMENT_SESSION_FAILURE(46) does not require to be provisioned by the PCRF and it will always be reported by the TDF.</p> <p>TDF is used instead of PCEF, ADC rule is used instead of PCC rule, ADC-Rule-Report AVP is used instead of Charging-Rule-Report AVP and ADC-Rule-Definition AVP is used instead of Charging-Rule-Definition AVP.</p> <p>Event-Trigger AVP is also applicable in TSR command.</p>	(NOTE 3)
Final-Unit-Indication	IETF RFC 4006 [9]	The Final-Unit-Action applied by the TDF, and the related redirect address parameters (if available and applicable), when the user's account cannot cover the service cost.	ABC
Fixed-User-Location-Info	5.3.112	It contains the UE location in a Fixed Access Network.	FBAC
Flow-Description	3GPP TS 29.214 [10]	Defines the service data flow filter parameters for a detected application, if deducible.	
Flow-Direction	5.3.65	It indicates the direction/directions that a filter for a detected application is applicable, downlink only, uplink only or both down- and uplink (bidirectional).	
Flow-Information	5.3.53	This parameter may be sent from the TDF to the PCRF within Application-Detection-Information AVP and contains the information from a single IP flow packet filter of an application, once detected, if deducible at TDF. Only Flow-Description AVP and Flow-Direction AVPs are used. See NOTE 1.	

Attribute Name	Reference	Description	
Flow-Status	3GPP TS 29.214 [10]	This parameter may be sent from the PCRF to the TDF within ADC-Rule-Definition AVP and describe if the possible uplink and/or possible downlink gate for the detected application shall be opened or closed.	
Framed-IP-Address	IETF RFC 4005 [12]	The Ipv4 address allocated for the user. If NSWO is supported, the AVP contains the Local Ipv4 address assigned by Fixed Broadband Access network.	
Framed-Ipv6-Prefix	IETF RFC 4005 [12]	The Ipv6 prefix allocated for the user. If NSWO is supported, the AVP contains the Local Ipv6 prefix or address assigned by Fixed Broadband Access network. The encoding of the value within this Octet String type AVP shall be as defined in IETF RFC 3162 [15], Clause 2.3. The "Reserved", "Prefix-Length" and "Prefix" fields shall be included in this order. For the unsolicited case, the TDF may include the valid full Ipv6 address that is applicable to an IP flow or IP flows. The TDF shall set the "Prefix Length" to 128 and encode the Ipv6 address of the UE within the "Prefix" field.	
Granted-Service-Unit (NOTE 2)	IETF RFC 4006 [9]	The volume and/or time threshold for usage monitoring control purposes. Only the CC-Total-Octets, one of the CC-Input-Octets and CC-Output-Octets or CC-Time AVPs are re-used. Monitoring-Time AVP as defined in 5.3.99 may be optionally added to the grouped AVP if UMCH feature is supported. This AVP shall have the "M" bit cleared.	
IP-CAN-Type	5.3.27	Indicate the type of Connectivity Access Network in which the user is connected.	
Logical-Access-ID	ETSI 3GPP TS 283 034 [37]	Contains a Circuit-ID (as defined in RFC 3046 [36]). The Logical Access ID may explicitly contain the identity of the Virtual Path and Virtual Channel carrying the traffic. The vendor-id shall be set to ETSI (13019) [37]. The support of this AVP shall be advertised in the capabilities exchange mechanisms (CER/CEA) by including the ETSI parameter in the Supported-Vendor-Id AVP. This AVP shall have the "M" bit cleared.	
Max-Requested-Bandwidth-UL	3GPP TS 29.214 [10]	Defines the maximum authorized bandwidth for uplink.	
Max-Requested-Bandwidth-DL	3GPP TS 29.214 [10]	Defines the maximum authorized bandwidth for downlink.	
Metering-Method	5.3.8	Defines what parameters shall be metered by the TDF for offline charging and also for online charging in case of decentralized unit determination, refer to 3GPP TS 32.299 [19]. TDF is used instead of PCEF, application traffic is used instead of service data flow traffic, ADC Rule instead of PCC Rule (both predefined and dynamic ADC Rule are applicable).	ABC
Monitoring-key	5.3.59	An identifier to a usage monitoring control instance.	
Monitoring-Time	5.3.99	Defines the time at which the TDF re-applies the volume or time threshold, provided by the PCRF. Applicable if UMCH is supported as described in the clause 5b.4.1.	
Mute-Notification	5.3.98	An indication whether application start/stop notification is to be muted for ADC Rule by the TDF, Mute-Notification status shall not be changed during the lifetime of the ADC rules. TDF is used instead of PCEF and ADC rule is used instead of PCC rule.	
OC-OLR	IETF RFC 7683 [49]	Contains the necessary information to convey an overload report.	
OC-Supported-Features	IETF RFC 7683 [49]	Defines the support for the Diameter overload indication conveyence by the sending node.	
Offline	5.3.9	Defines whether the offline charging interface from the TDF shall be enabled. TDF is used instead of PCEF, ADC rule is used instead of PCC rule, and ADC-Rule-Definition AVP is used instead of Charging-Rule-Definition AVP. Can only be embedded within the initial TSR on command level or under ADC-Rule-Definition AVP for the initial provisioning of the specific ADC Rule.	ABC

Attribute Name	Reference	Description	
Online	5.3.10	Defines whether the offline charging interface from the TDF shall be enabled. TDF is used instead of PCEF, ADC rule is used instead of PCC rule, and ADC-Rule-Definition AVP is used instead of Charging-Rule-Definition AVP. Can only be embedded within the initial TSR on command level or under ADC-Rule-Definition AVP for the initial provisioning of the specific ADC Rule.	ABC
PCC-Rule-Status	5.3.19	Describes the status of one or a group of ADC rules.	
PDN-Connection-Charging-ID	3GPP TS 32.299 [19]	Contains the charging identifier to identify different records belonging to same PDN connection. This field includes Charging Id of first IP-CAN bearer activated within the PDN connection (the EPS default bearer in case of GTP based connectivity or the unique Charging Id in the PMIP based connectivity case). This AVP shall have the "M" bit cleared.	ABC
Physical-Access-ID	ETSI 3GPP TS 283 034 [37]	Identifies the physical access to which the user equipment is connected. Includes a port identifier and the identity of the access node where the port resides. The vendor-id shall be set to ETSI (13019) [37]. The support of this AVP shall be advertised in the capabilities exchange mechanisms (CER/CEA) by including the ETSI parameter in the Supported-Vendor-Id AVP. This AVP shall have the "M" bit cleared.	
Precedence	5.3.11	Defines, if multiple ADC rules overlap, which ADC Rule shall be applied for the purpose of enforcement, reporting of application start and stop, usage monitoring, and charging.	ABC
Presence-Reporting-Area-Identifier	5.3.108	Indicates the presence reporting area to which specific information refers.	CNO-ULI
Presence-Reporting-Area-Information	5.3.109	Contains the information from a presence reporting area.	CNO-ULI
Presence-Reporting-Area-Status	5.3.110	Indicates whether the UE moves in or out of the presence reporting area.	CNO-ULI
QoS-Information	5.3.16	Defines the QoS information (bandwidth limitation) for the applications, detected by the TDF and sent from the PCRF to the TDF. Only the Max-Requested-Bandwidth-UL and the Max-Requested-Bandwidth-DL are used.	
Quota-Consumption-Time	3GPP TS 32.299 [19]	Defines the time interval in seconds after which the time measurement shall stop for the Monitoring Key, if no packets are received belonging to the corresponding Monitoring Key during that time period. This AVP shall have the "M" bit cleared.	
RAI	3GPP TS 29.061 [11]	Contains the Routing Area Identity of the SGSN where the UE is registered.	
RAT-Type	5.3.31	Identifies the radio access technology that is serving the UE.	
Rating-Group	IETF RFC 4006 [9]	The charging key for the ADC rule used for rating purposes.	ABC
Redirect-Address-Type	IETF RFC 4006 [9]	Defines the address type of the address given in the Redirect-Server-Address AVP included in the ADC-Rule-Definition AVP.	
Redirect-Information	5.3.82	Contains the address information of the redirect server (e.g., captive portal) with which the end user is to be connected. ADC-Rule-Definition AVP is used instead of Charging-Rule-Definition AVP.	
Redirect-Server-Address	IETF RFC 4006 [9]	Defines the address of the redirect server with which the end user is to be connected.	
Redirect-Support	5.3.83	Indicates whether redirection is disabled or enabled for an ADC rule.	

Attribute Name	Reference	Description	
Reporting-Level	5.3.12	Defines on what level the TDF reports the usage for the related ADC rule. TDF is used instead of PCEF, ADC rule is used instead of PCC rule, and ADC-Rule-Definition AVP is used instead of Charging-Rule-Definition AVP. SPONSORED_CONNECTIVITY_LEVEL (2) value is not applicable.	ABC
Revalidation-Time	5.3.41	Indicates the NTP time before which the TDF will have to re-request ADC rules.	
Rule-Failure-Code	5.3.38	Identifies the reason an ADC rule is being reported. TDF is used instead of PCEF, ADC rule is used instead of PCC rule, and ADC-Rule-Definition AVP is used instead of Charging-Rule-Definition AVP.	
Rule-Activation-Time	5.3.42	Indicates the time when rule is to be activated.	
Rule-Deactivation-Time	5.3.43	Indicates the time when rule is to be deactivated.	
Service-Identifier	IETF RFC 4006 [9]	The identity of the service, the application for which the ADC rule applies, relates to.	ABC
Session-Release-Cause	5.3.44	Indicate the reason of termination initiated by the PCRF.	
SSID	3GPP TS 29.273 [48]	Contains the SSID of the access point where UE is located	FBAC
Subscription-Id	IETF RFC 4006 [9]	The identification of the subscription (IMSI, MSISDN, etc).	
Supported-Features	3GPP TS 29.229 [14]	If present, this AVP informs the destination host about the features that the origin host requires to successfully complete this command exchange.	
TDF-Application-Identifier	5.3.77	References the application, for which the Application Detection and Control (ADC) rule applies. TDF is used instead of PCEF and ADC rule is used instead of PCC rule.	
TDF-Application-Instance-Identifier	5.3.92	Shall be assigned and reported by the TDF to the PCRF in order to allow correlation of application Start and Stop Event-Triggers to the specific service data flow descriptions, if service data flow descriptions are deducible.	
TWAN-Identifier	3GPP TS 29.061 [11]	Indicates the UE location in a Trusted WLAN Access Network	Trusted-WLAN
Usage-Monitoring-Information	5.3.60	Contains the usage monitoring control information.	
Usage-Monitoring-Level	5.3.61	Indicates whether the usage monitoring instance applies to the TDF session or to one or more ADC rules. Only SESSION_LEVEL (0) referring to TDF session instead of IP-CAN session and ADC-Rule-Level (2) apply.	
Usage-Monitoring-Report	5.3.63	Indicates that accumulated usage is to be reported by the TDF regardless of whether a usage threshold is reached for certain usage monitoring key (within a Usage-Monitoring-Information AVP) .	
Usage-Monitoring-Support	5.3.62	Indicates whether usage monitoring shall be disabled for certain Monitoring Key.	
User-CSG-Information	3GPP TS 32.299 [19]	Indicates the user "Closed Subscriber Group" Information associated to CSG cell access: it comprises the CSG-Id, CSG-Access-Mode and CSG-Membership-Indication AVPs.	ABC
Used-Service-Unit (NOTE 2)	IETF RFC 4006 [9]	The measured volume and/or time for usage monitoring control purposes. The volume threshold for usage monitoring control purposes. Only the CC-Total-Octets, one of the CC-Input-Octets and CC-Output-Octets AVPs, or CC-Time are re-used. Monitoring-Time AVP as defined in 5.3.99 may be optionally added to the grouped AVP if UMCH feature is supported. This AVP shall have the "M" bit cleared.	

Attribute Name	Reference	Description	
User-Equipment-Info	IETF RFC 4006 [9]	The identification and capabilities of the terminal (IMEISV, etc.) When the User-Equipment-Info-Type is set to IMEISV(0), the value within the User-Equipment-Info-Value shall be a UTF-8 encoded decimal.	
3GPP-Charging-Characteristics	3GPP TS 29.061 [11]	The Charging Characteristics applied to the IP-CAN session. Indicate how to control TDF behaviour regarding online and offline charging. This AVP shall have the "M" bit cleared.	ABC
3GPP-GGSN-Address	3GPP TS 29.061 [11]	The Ipv4 address of the P-GW. This AVP shall have the "M" bit cleared.	ABC
3GPP-GGSN-Ipv6-Address	3GPP TS 29.061 [11]	The Ipv6 address of the P-GW. This AVP shall have the "M" bit cleared.	ABC
3GPP-MS-TimeZone	3GPP TS 29.061 [11]	Indicate the offset between universal time and local time in steps of 15 minutes of where the MS currently resides.	
3GPP-Selection-Mode	3GPP TS 29.061 [11]	An index indicating how the APN was selected. This AVP shall have the "M" bit cleared.	ABC
3GPP-SGSN-Address	3GPP TS 29.061 [11]	The Ipv4 address of the SGSN.	
3GPP-SGSN-Ipv6-Address	3GPP TS 29.061 [11]	The Ipv6 address of the SGSN.	
3GPP-SGSN-MCC-MNC	3GPP TS 29.061 [11]	For GPRS the MCC and the MNC of the SGSN. For 3GPP/non-3GPP accesses the MCC and the MNC provided by the serving gateway (SGW, or AGW). For TWAN, the MCC and the MNC of the selected PLMN as described in §16.2.1 of 3GPP TS 23.402 [23].	
3GPP-User-Location-Info	3GPP TS 29.061 [11]	Indicates details of where the UE is currently located (e.g. SAI or CGI)	
3GPP2-BSID	3GPP2 X.S0057 [24]	For 3GPP2 indicates the BSID of where the UE is currently located (e.g. Cell-Id, SID, NID). The Vendor-Id shall be set to 3GPP2 (5535) [24]. The support of this AVP shall be advertised in the capabilities exchange mechanisms (CER/CEA) by including the value 5535, identifying 3GPP2, in a Supported-Vendor-Id AVP. This AVP shall have the "M" bit cleared.	
<p>NOTE 1: This parameter can apply only to some of the detected applications. For other applications (e.g. P2P), this parameter may not be possible to provide.</p> <p>NOTE 2: AVPs included within this grouped AVP shall have the "M" bit cleared.</p> <p>NOTE 3: The following event trigger values are applicable when ABC feature is supported: OUT_OF_CREDIT (15), REALLOCATION_OF_CREDIT (16), USER_CSG_INFORMATION_CHANGE (30), USER_CSG_HYBRID_SUBSCRIBED_INFORMATION_CHANGE (35), USER_CSG_HYBRID_UNSUBSCRIBED_INFORMATION_CHANGE (36), CREDIT_MANAGEMENT_SESSION_FAILURE (46). User-CSG-Information AVP and Credit-Management-Status AVP are only applicable when ABC feature is supported.</p> <p>NOTE 4: For Fixed Broadband Access, the TDF does not subscribe to event triggers indication from the PCRF at any IP-CAN session procedure.</p>			

5b.4.1 Use of the Supported-Features AVP on the Sd reference point

The Supported-Features AVP is used during session establishment to inform the destination host about the required and optional features that the origin host supports. The Diameter node sending a Diameter request that establishes a Diameter session (i.e. the PCRF for solicited application reporting and the TDF for unsolicited application reporting) shall, in this request, indicate the set of features it supports. The Diameter node answering this request (i.e. the TDF for solicited application reporting and the PCRF for unsolicited application reporting) shall indicate the set of features that it has in common with the features in the request and that it shall support within the same Diameter session. Any further command messages shall always be compliant with the list of supported features indicated in the Supported-Features AVPs during session establishment. Features that are not advertised as supported shall not be used to construct the command messages for that Diameter session. Unless otherwise stated, the use of the Supported-Features AVP on the Sd reference point shall be compliant with the requirements for dynamic discovery of supported features and associated error handling on the Sd reference point as defined in clause 7.2.1 of 3GPP TS 29.229 [14].

The base functionality for the Sd reference point is the 3GPP Rel-11 standard and a feature is an extension to that functionality. If the origin host does not support any features beyond the base functionality, the Supported-Features AVP may be absent from the Sd commands. As defined in clause 7.1.1 of 3GPP TS 29.229 [14], when extending the application by adding new AVPs for a feature, the new AVPs shall have the M bit cleared and the AVP shall not be defined mandatory in the command ABNF.

As defined in 3GPP TS 29.229 [14], the Supported-Features AVP is of type grouped and contains the Vendor-Id, Feature-List-ID and Feature-List AVPs. On the Sd reference point, the Supported-Features AVP is used to identify features that have been defined by 3GPP and hence, for features defined in this document, the Vendor-Id AVP shall contain the vendor ID of 3GPP (10415). If there are multiple feature lists defined for the Sd reference point, the Feature-List-ID AVP shall differentiate those lists from one another.

On receiving an initial request application message, the destination host shall act as defined in clause 7.2.1 of 3GPP TS 29.229 [14]. The following exceptions apply to the initial TSR/TSA command pair:

- If the TDF supports post-Rel-11 Sd functionality, the TSA shall include the features supported by the TDF within Supported-Features AVP(s) with the "M" bit cleared.

NOTE: One instance of Supported-Features AVP is needed per Feature-List-ID.

- If the TSR command does not contain any Supported-Features AVP(s), the TSA command shall not include the Supported-Features AVP. In this case, both TDF and PCRF shall behave as specified in the Rel-11 version of this document without UMCH feature.

Once the PCRF and TDF have negotiated the set of supported features during session establishment, the set of common features shall be used during the lifetime of the Diameter session.

The table below defines the features applicable to the Sd interfaces for the feature list with a Feature-List-ID of 1.

Table 5b.4.1.1: Features of Feature-List-ID 1 used in Sd

Feature bit	Feature	M/O	Description
0	UMCH	O	This feature indicates support for Usage Monitoring Congestion Handling. If the TDF supports this feature, the behaviour shall be as specified in clauses 4b.5.7.7.
1	Trusted-WLAN	O	This feature indicates the support for the Trusted WLAN access as defined in 3GPP TS 23.402 [23].
2	TimeBasedUM	O	This feature indicates support for Time based Usage Monitoring Control. If the TDF supports this feature, the behaviour shall be as specified in corresponding clauses in this specification.
3	PendingTransaction	O	This feature indicates support for the race condition handling as defined in 3GPP TS 29.213 [8].
4	ABC	O	This feature indicates support for Application Based Charging.
5	CNO-ULI	O	This feature indicates support for Presence Reporting Area Information Reporting. If the TDF supports this feature, the PCRF shall behave as described in Annex B.3.16.

NOTE:

Feature bit: The order number of the bit within the Feature-List AVP where the least significant bit is assigned number "0".

Feature: A short name that can be used to refer to the bit and to the feature, e.g. "EPS".

M/O: Defines if the implementation of the feature is mandatory ("M") or optional ("O") in this 3GPP Release.

Description: A clear textual description of the feature.

5b.5 Sd specific Experimental-Result-Code AVP values

5b.5.1 General

RFC 3588 [5] specifies the Experimental-Result AVP containing Vendor-ID AVP and Experimental-Result-Code AVP. The Experimental-Result-Code AVP (AVP Code 298) is of type Unsigned32 and contains a vendor-assigned value representing the result of processing a request. The Vendor-ID AVP shall be set to 3GPP (10415).

5b.5.2 Success

Result Codes that fall within the Success category are used to inform a peer that a request has been successfully completed.

The Result-Code AVP values defined in Diameter BASE RFC 3588 [5] shall be applied.

5b.5.3 Permanent Failures

Errors that fall within the Permanent Failures category shall be used to inform the peer that the request failed, and should not be attempted again.

The Result-Code AVP values defined in Diameter BASE RFC 3588 [5] are applicable. Also the following specific Gx Experimental-Result-Codes value is reused for TDF session: DIAMETER_ADC_RULE_EVENT (see 5.5.3):

5b.5.4 Transient Failures

Errors that fall within the transient failures category are used to inform a peer that the request could not be satisfied at the time it was received, but may be able to satisfy the request in the future.

The Result-Code AVP values defined in Diameter Base RFC 3588 [5] are applicable.

5b.6 Sd Messages

5b.6.1 Sd Application

Sd Messages are carried within the Diameter Application(s) described in clause 5b.1.

In addition to the TDF-Session-Request/Answer commands used to establish the TDF session, existing Diameter command codes from the Diameter base protocol RFC 3588 [5] and the Diameter Credit Control Application RFC 4006 [9] are used with the Sd specific AVPs specified in clause 5b.3. The Diameter Credit Control Application AVPs and AVPs from other Diameter applications that are re-used are defined in clause 5b.4. Due to the definition of these reused commands there is no possibility to skip the Auth-Application-Id AVP and use the Vendor-Specific-Application-Id AVP instead. Therefore the Sd application identifier shall be included in the Auth-Application-Id AVP for the reused commands. The Sd application identifier shall be included in the Auth-Application-Id AVP within the Vendor-Specific-Application-Id grouped AVP contained in the TDF-Session-Request/Answer commands.

In order to support both PULL and PUSH procedures, a Diameter session needs to be established for each TDF session, if there is a decision made by PCRF to establish TDF session.

NOTE: Some of the AVPs included in the messages formats below are in bold to highlight that these AVPs are used by this specific protocol and do not belong to the original message definition in the DCC Application RFC 4006 [9] or Diameter Base Protocol RFC 3588 [5].

5b.6.2 TDF-Session-Request (TSR) Command

The TSR command, indicated by the Command-Code field set to 8388637 and the "R" bit set in the Command Flags field, is sent by the PCRF to the TDF in order to establish the TDF session and to provision the ADC rules. It may also include the requested event triggers.

Message Format:

```
<TS-Request> ::= < Diameter Header: 8388637, REQ, PXY >
  < Session-Id >
  { Vendor-Specific-Application-Id }
  { Origin-Host }
  { Origin-Realm }
  { Destination-Realm }
  [ Destination-Host ]
  [ Origin-State-Id ]
  [ OC-Supported-Features ]
  *[ Subscription-Id ]
```

```

* [ Supported-Features ]
  [ Framed-IP-Address ]
  [ Framed-Ipv6-Prefix ]
  [ IP-CAN-Type ]
  [ RAT-Type ]
  [ AN-Trusted ]
  [ User-Equipment-Info ]
  [ QoS-Information ]
0*2 [ AN-GW-Address ]
  [ 3GPP-SGSN-Address ]
  [ 3GPP-SGSN-Ipv6-Address ]
  [ 3GPP-GGSN-Address ]
  [ 3GPP-GGSN-Ipv6-Address ]
  [ 3GPP-Selection-Mode ]
  [ Dynamic-Address-Flag ]
  [ Dynamic-Address-Flag-Extension ]
  [ PDN-Connection-Charging-ID ]
  [ 3GPP-SGSN-MCC-MNC ]
  [ RAI ]
  [ 3GPP-User-Location-Info ]
  [ Fixed-User-Location-Info ]
  [ User-CSG-Information ]
  [ TWAN-Identifier ]
  [ 3GPP-MS-TimeZone ]
  [ 3GPP-Charging-Characteristics ]
  [ Called-Station-Id ]
  [ Charging-Information ]
  [ Online ]
  [ Offline ]
* [ ADC-Rule-Install ]
  [ Revalidation-Time ]
* [ Usage-Monitoring-Information ]
* [ CSG-Information-Reporting ]
* [ Event-Trigger ]
  [ Presence-Reporting-Area-Information ]
  [ Logical-Access-ID ]
  [ Physical-Access-ID ]
  [ 3GPP2-BSID ]
* [ Proxy-Info ]
* [ Route-Record ]
* [ AVP ]

```

5b.6.3 TDF-Session-Answer (TSA) Command

The TSA command, indicated by the Command-Code field set to 8388637 and the "R" bit cleared in the Command Flags field, is sent by the TDF to the PCRF in response to the TS-Request command.

Message Format:

```

<TS-Answer> ::= < Diameter Header: 8388637, PXY >
  < Session-Id >
  { Vendor-Specific-Application-Id }
  { Origin-Host }
  { Origin-Realm }
  [ Result-Code ]
  [ Experimental-Result ]
  [ Origin-State-Id ]
  [ OC-Supported-Features ]
  [ OC-OLR ]
* [ Supported-Features ]
* [ ADC-Rule-Report ]
  [ Event-Report-Indication ]
  [ Error-Message ]
  [ Error-Reporting-Host ]
* [ Failed-AVP ]
* [ Proxy-Info ]
* [ Route-Record ]
* [ AVP ]

```

5b.6.4 CC-Request (CCR) Command

The CCR command, indicated by the Command-Code field set to 272 and the "R" bit set in the Command Flags field, is sent by the TDF to the PCRF in order to request ADC rules or to inform PCRF about the application detection. It is also sent to the PCRF in case of TDF session termination, following receipt of the corresponding RAR command from the PCRF.

Message Format:

```

<CC-Request> ::= < Diameter Header: 272, REQ, PXY >
  < Session-Id >
    { Auth-Application-Id }
    { Origin-Host }
    { Origin-Realm }
    { Destination-Realm }
    [ OC-Supported-Features ]
    { CC-Request-Type }
    { CC-Request-Number }
    [ Credit-Management-Status ]
    [ Destination-Host ]
    [ Origin-State-Id ]
    [ Framed-IP-Address ]
    [ Framed-Ipv6-Prefix ]
    *[ ADC-Rule-Report ]
    *[ Application-Detection-Information ]
    *[ Event-Trigger ]
    [ Event-Report-Indication ]
    *[ Usage-Monitoring-Information ]
    *[ Proxy-Info ]
    *[ Route-Record ]
    *[ Supported-Features ]
    *[ AVP ]

```

NOTE 1: For the Solicited application reporting, only CC-Request-Type equal to UPDATE_REQUEST and TERMINATION_REQUEST are used.

5b.6.5 CC-Answer (CCA) Command

The CCA command, indicated by the Command-Code field set to 272 and the "R" bit cleared in the Command Flags field, is sent by the PCRF to the TDF in response to the CCR command. It is used to provision ADC rules and event triggers for the TDF session and to acknowledge the report of the application's traffic start/stop.

Message Format:

```

<CC-Answer> ::= < Diameter Header: 272, PXY >
  < Session-Id >
    { Auth-Application-Id }
    { Origin-Host }
    { Origin-Realm }
    [ Result-Code ]
    [ Experimental-Result ]
    { CC-Request-Type }
    { CC-Request-Number }
    [ OC-Supported-Features ]
    [ OC-OLR ]
    [ Framed-Ipv6-Prefix ]
    [ QoS-Information ]
    *[ Event-Trigger ]
    [ Event-Report-Indication ]
    [ Origin-State-Id ]
    *[ Redirect-Host ]
    [ Redirect-Host-Usage ]
    [ Redirect-Max-Cache-Time ]
    *[ ADC-Rule-Remove ]
    *[ ADC-Rule-Install ]
    [ Revalidation-Time ]
    *[ Usage-Monitoring-Information ]
    [ Error-Message ]
    [ Error-Reporting-Host ]
    *[ Failed-AVP ]
    *[ Proxy-Info ]
    *[ Route-Record ]
    *[ Supported-Features ]
    *[ AVP ]

```

NOTE 1: For the Solicited application reporting, only CC-Request-Type equal to UPDATE_REQUEST and TERMINATION_REQUEST are used.

NOTE 2: Framed-Ipv6-Prefix AVP is applicable only for the Unsolicited Application Reporting.

5b.6.6 Re-Auth-Request (RAR) Command

The RAR command, indicated by the Command-Code field set to 258 and the "R" bit set in the Command Flags field, is sent by the PCRF to the TDF in order to provision ADC rules using the PUSH procedure for solicited application reporting. It is also used to provision event triggers and to report event report indications for the TDF session for solicited application reporting and to request the TDF session termination for both solicited and unsolicited application reporting.

Message Format:

```
<RA-Request> ::= < Diameter Header: 258, REQ, PXY >
< Session-Id >
{ Auth-Application-Id }
{ Origin-Host }
{ Origin-Realm }
{ Destination-Realm }
{ Destination-Host }
{ Re-Auth-Request-Type }
[ Session-Release-Cause ]
[ Origin-State-Id ]
[ OC-Supported-Features ]
[ QoS-Information ]
*[ Event-Trigger ]
[ Event-Report-Indication ]
*[ ADC-Rule-Remove ]
*[ ADC-Rule-Install ]
[ Revalidation-Time ]
*[ Usage-Monitoring-Information ]
*[ Proxy-Info ]
*[ Route-Record ]
*[ AVP ]
```

5b.6.7 Re-Auth-Answer (RAA) Command

The RAA command, indicated by the Command-Code field set to 258 and the "R" bit cleared in the Command Flags field, is sent by the TDF to the PCRF in response to the RAR command.

Message Format:

```
<RA-Answer> ::= < Diameter Header: 258, PXY >
< Session-Id >
{ Origin-Host }
{ Origin-Realm }
[ Result-Code ]
[ Experimental-Result ]
[ Origin-State-Id ]
[ OC-Supported-Features ]
[ OC-OLR ]
*[ ADC-Rule-Report ]
[ Event-Report-Indication ]
[ Error-Message ]
[ Error-Reporting-Host ]
*[ Failed-AVP ]
*[ Proxy-Info ]
*[ AVP ]
```

Annex A (normative): Access specific aspects (GPRS)

A.1 Scope

This annex defines access specific aspects procedures for use of Gx/Gxx between PCRF and a GPRS IP-CAN.

A.2 Reference model

In GPRS IP-CAN, the BBERF does not apply. The Gxx reference point is not applicable.

A.2 Functional elements

A.2.1 PCRF

For GPRS it shall be possible to support policy control, i.e. access control and QoS control, on a per-PDP context basis for the UE initiated bearer control case.

A.3 PCC procedures

A.3.1 Request for PCC rules

At IP-CAN session establishment as described in clause 4.5.1, information about the user equipment (e.g. IMEISV), QoS negotiated and further QoS related information as detailed in Clause A.3.3.1, user location information (e.g. RAI, CGI/SAI) SGSN Address, SGSN country and network codes, APN and indication if the bearer is used as IMS signalling PDP context shall be provided. The PCEF shall provide the Bearer-Identifier AVP at the IP-CAN session establishment. In this case, the PCEF shall also include the Bearer-Operation AVP set to the value "Establishment". If information about the support of network-initiated bearer procedures is available, the Network-Request-Support AVP shall be provided.

NOTE 1: 3GPP TS 29.060 [18] defines the RAT type as optional over Gn/Gp interface up to 3GPP Rel-9. In fact the optionality was introduced solely for maintaining backwards compatibility at the protocol level between different versions of the protocol. For 3GPP Rel-9 and earlier releases, the conditions about when the RAT-Type is present over Gn/Gp interface are defined in 3GPP TS 23.060 [17] clause 15.1.1a. From 3GPP Rel-10 onwards, it is mandatory for the RAT Type IE to be sent by the SGSN to the GGSN at Create PDP Context, or at Update PDP Context when the RAT has changed.

IP-CAN session modification with PCEF-requested rules, as described in clause 4.5.1, can occur in the following cases:

- When a new PDP Context is being established by the UE in an already existing IP-CAN Session.
- When a PDP context is being modified and an Event trigger is met.
- When a PDP context is being terminated.

The request for PCC rules is formed in the same way, regardless the bearer control mode. The IP-CAN session may have no resources initiated by the network, e.g. for an IP-CAN session that operates in BCM UE_ONLY, and in that case there are no NW-initiated resources to take into account.

The following replaces, for packet filter information and QoS handling, what is specified in clause 4.5.1:

- If a new IP-CAN bearer is being established, the PCEF shall assign a new bearer identifier to this IP-CAN bearer, include this identifier within the Bearer-Identifier AVP, and include the Bearer-Operation AVP set to the value "ESTABLISHMENT", the UE-provided TFT filters and the requested QoS of the new IP-CAN bearer.
- If an existing IP-CAN bearer is being modified:
 - If the PCEF has not yet notified the PCRF about this IP CAN bearer and the UE adds one or more packet filters to the Traffic Flow template, the PCEF shall assign a new bearer identifier to this IP-CAN bearer, include the Bearer-Identifier AVP, the Bearer-Operation AVP set to the value "ESTABLISHMENT", the UE-provided TFT filters and the requested QoS as detailed in Clause A.3.3.3a.
 - If the PCEF has already notified the PCRF about this IP CAN bearer, the PCEF shall include the Bearer-Identifier AVP, the Bearer-Operation AVP set to the value "MODIFICATION" all the TFT filter definitions for this bearer, including the requested changes but excluding the TFT filters created with NW-initiated procedures, and QoS related information as detailed in Clause A.3.3.3a.
- If an existing IP-CAN bearer is being terminated, the PCEF shall include the Bearer-Identifier AVP, the Bearer-Operation AVP set to the value "TERMINATION" and the Charging-Rule-Report AVP indicating the removal of any PCC rules created with NW-initiated procedures having the bearer binding with the same bearer.
 - If the Event trigger that caused the IP-CAN bearer modification applies at session level (i.e. it is common to all the bearers belonging to that IP-CAN session), PCEF shall send a single CC-Request for all the affected bearers. In this case, the Bearer-Identifier AVP shall not be included to indicate that it applies to all the IP-CAN bearers in the IP-CAN session. If the Event trigger that caused the IP CAN bearer modification applies at bearer level, the Charging-Rule-Report AVP shall include all the affected PCC rules.

If the PCRF does not accept one or more of the TFT filters provided by the PCEF in a CC Request (e.g. because the PCRF does not allow the UE to request enhanced QoS for services not known to the PCRF), the PCRF shall reject the request using a CC Answer with the Gx experimental result code TRAFFIC_MAPPING_INFO_REJECTED (5144). If the PCEF receives a CC Answer with this code, the PCEF shall reject the IP-CAN session establishment or modification that initiated the CC Request by applying a proper cause code and other parameters as per 3GPP TS 29.060 [18].

A.3.2 Provisioning of PCC rules

If the PCRF performs the bearer binding and installs or activates a new PCC rule, the PCRF shall indicate the IP CAN bearer where the new rule shall be installed or activated using a Bearer-Identifier AVP within the Charging-Rule-Install AVP. If the PCRF modifies an already installed PCC rule, the PCRF does not need to indicate the bearer. If the PCEF obtains an updated definition of a PCC rule within a Charging-Rule-Install AVP without a Bearer-Identifier AVP, the PCEF shall continue to apply the PCC rule to the IP CAN bearer that has previously been indicated.

If the PCRF does not perform the bearer binding and installs or activates a new PCC rule, the PCRF does not indicate the bearer within the Charging-Rule-Install AVP. The PCEF shall then perform the bearer binding and select the IP CAN bearer where the provisioned new PCC rule is applied.

If the PCRF performs the bearer binding, the PCRF may move previously installed or activated PCC rule(s) from one IP CAN bearer to another IP CAN bearer. To move such PCC rule(s), the PCRF shall indicate the new bearer using the Bearer-Identifier AVP within a Charging-Rule-Install AVP and shall indicate the charging rules(s) to be moved using Charging-Rule name AVP(s), and/or a Charging-Rule-Base-Name AVP(s), and/or Charging-Rule-Definition AVP(s) (for PCC rule(s) that are modified at the same time). The PCEF shall then apply these PCC rules at the new indicated IP CAN bearer and shall remove them from the IP CAN bearer where the rules previously had been applied.

The PCRF may request the establishment of a bearer dedicated to IMS signalling by providing the applicable PCC rules to the PCEF.

When the PCEF includes the Bearer-Usage AVP required for the bearer within the CCR command during the IP-CAN session establishment procedure, the PCRF shall provide the Bearer-Usage AVP back in the response with the authorized usage. If the PCEF includes IMS_SIGNALLING within the Bearer-Usage AVP and the PCRF accepts that default bearer is dedicated to IMS signalling, the PCRF shall include the IMS_SIGNALLING within the Bearer-Usage AVP. In this case, the PCRF shall restrict the bearer to only be used for IMS signalling as specified in 3GPP TS 23.228 [31] by applying the applicable QCI for IMS signalling.

If the PCEF include the IMS_SIGNALLING within the Bearer-Usage AVP in the CCR command, but the PCRF does not include the IMS_SIGNALLING within the Bearer-Usage AVP in the CCA command, the PCC Rules provided by the PCRF shall have a QCI value different from the QCI value for the IMS signalling.

When the PCRF performs the bearer binding and the UE initiates a Secondary PDP Context Activation, if the PCEF includes the Bearer-Usage AVP indicating IMS_SIGNALLING and the PCRF accepts that a bearer dedicated to IMS signalling shall be used, the PCRF shall return the IMS_SIGNALLING within the Bearer-Usage AVP. The provided PCC rules shall have the QCI applicable for IMS signalling.

A.3.2.1 PCC rule request for services not known to PCRF

When the PCRF receives a request for PCC rules while no suitable authorized PCC rules are configured in the PCRF, and if the user is not allowed to access AF session based services but is allowed to request resources for services not known to the PCRF, refer to clause 4.5.2.0, the PCRF may downgrade the bitrate parameters and the QCI according to PCC internal policies when authorizing the request.

A.3.2.2 Selecting a PCC rule and IP CAN Bearer for Downlink IP packets

TFT filters shall not be applied to assign downlink IP packets to PDP contexts if PCC is enabled for an APN.

A.3.3 Provisioning and Policy Enforcement of Authorized QoS

For 3GPP-GPRS, default EPS bearer QoS provisioning and enforcement is not applicable.

A.3.3.0 Overview

The PCRF may provide the authorized QoS that applies to a bearer to the PCEF. When the authorized QoS applies to an IP CAN bearer, it shall be provisioned outside a Charging-Rule-Definition AVP and it shall also include the Bearer-Identifier AVP to indicate what bearer it applies to.

If the PCRF performs the bearer binding, the authorized QoS per IP CAN bearer presents the QoS for this IP CAN bearer. Authorized QoS per QCI is not applicable. If the PCEF performs the bearer binding, the authorized QoS per IP CAN bearer is not applicable.

The Provisioning of authorized QoS per IP CAN bearer may be performed separate or in combination with the PCC rule provisioning procedure in clause 4.5.2.0.

In case the PCRF provides PCC rules dynamically, authorised QoS information for the IP-CAN bearer (combined QoS) may be provided. For a predefined PCC rule within the PCEF the authorized QoS information shall take affect when the PCC rule is activated.

The PCEF shall make sure that the total QoS information of the PCC rules for one IP-CAN bearer does not exceed the authorized QoS information, i.e. the information received from the PCRF.

A.3.3.1 Provisioning of authorized QoS per IP CAN bearer

The authorized QoS per IP-CAN bearer is used if the bearer binding is performed by the PCRF (as defined in 3GPP TS 29.213 [8]).

The PCEF will request the authorization of an IP CAN bearer establishment or modification by the PCRF using the "Request for PCC rules" procedure if the related conditions outlined in clause 4.5.1 apply. While executing this procedure, the PCEF shall apply the following QoS related procedures:

- When the UE request the establishment of a new IP-CAN bearer, the PCEF shall derive the requested QoS information. The PCEF shall use Table A.4.1.1 to map the requested QoS within the IP CAN bearer establishment request to the QoS-Information AVP. If the PCEF receives the "upgrade QoS Supported" flag set to "1" in the Common Flag Information element within the corresponding Create PDP context request (3GPP TS 29.060 [18]), the PCEF shall supply the QoS-Upgrade AVP with value QoS_UPGRADE_SUPPORTED. The PCEF shall request a new PCC decisions using a CCR command

including the requested QoS information within the QoS-Information AVP, in the CCR command to be sent to the PCRF.

The PCEF shall then wait for the corresponding CCA before replying to the IP-CAN bearer establishment request.

- If at any point of time the PCEF receives a request for a modification of an already existing IP-CAN bearer that matches event triggers supplied by the PCRF for the IP CAN session, the PCEF shall also request a new PCC decisions using a CCR command including the corresponding event triggers in the Event-Trigger AVP. If a QoS change for the existing IP-CAN bearer is requested the PCEF shall include the requested QoS information within the QoS-Information AVP in the CCR. If the PCEF receives within the corresponding Update PDP context request the "upgrade QoS Supported" flag in the Common Flag Information element (3GPP TS 29.060 [18]) set to a different value than previously communicated to the PCRF, the PCEF shall supply the QoS-Upgrade AVP indicating the new value. If the PCEF receives within the Update PDP context request the "No QoS negotiation" flag set to "1" in the Common Flag Information element (3GPP TS 29.060 [18]), the PCEF shall supply the QoS-Negotiation AVP with the value NO_QoS_NEGOTIATION.

The PCEF shall wait for the corresponding CCA before replying to the IP-CAN bearer modification request.

When receiving a CCR with a QoS-Information AVP, the PCRF shall decide upon the requested QoS information within the CCR command.

- The PCRF may compare the authorized QoS derived according to clause 6.3 of 3GPP TS 29.213 [8] with the requested QoS. If the requested QoS is less than the authorised QoS, the PCRF may either request to upgrade the IP CAN QoS by supplying that authorised QoS in the QoS-Information AVP to the PCEF (e.g. if the PCRF has exact knowledge of the required QoS for the corresponding service), or the PCRF may only authorise the requested QoS by supplying the requested QoS in the QoS-Information AVP to the PCEF (e.g. if the PCRF only derives upper limits for the authorized QoS for the corresponding service). If the requested bitrates are higher than the authorised bitrates, the PCRF shall downgrade the IP CAN QoS by supplying the authorised QoS in the QoS-Information AVP to the PCEF.

The following restrictions apply to the PCRF QoS authorization process:

- If the QoS-Negotiation AVP is received by the PCRF indicating that QoS negotiation is not allowed, the PCRF shall provision the requested QoS as authorized QoS.
- If the QoS-Upgrade AVP has been received by the PCRF indicating that QoS upgrade is not supported, the PCRF shall not provision an authorized bitrates (e.g. GBR, MBR) that are higher than the requested bitrates.

If for any reason the PCRF cannot authorize the requested QoS (e.g. authorized QoS would exceed the subscribed QoS), the PCRF shall indicate to the PCEF that the request is rejected by answering with a CCA command including the Experimental-Result-Code AVP set to the value `DIAMETER_ERROR_BEARER_NOT_AUTHORIZED` (5143) together with the bearer-identifier AVP. Otherwise, the PCRF shall provide a response for the CCR to the PCEF by issuing a CCA command without this experimental result code. The PCRF may use this CCA at the same time for the solicited PCC rule provisioning procedure in clause 4.5.2. The CCA command shall include a QoS-Information AVP at command level including the Bearer-Identifier AVP used in the corresponding CCR and the authorized QCI and bitrates. If PCRF decides to move rules between bearers, the CCA command shall also include the QoS-Information AVP(s) for the impacted bearers.

The PCRF may also decide to modify the authorized QoS per IP CAN bearer if it receives a CCR with other event triggers, for instance if the PCRF moves PCC rules from one IP-CAN bearer to another (e.g. in GPRS due to a TFT change). The PCRF shall then provision the updated authorized QoS per IP CAN bearer in the CCA within a QoS-Information AVP at command level including the corresponding Bearer-Identifier AVP.

The PCRF may decide to modify the authorized QoS per IP CAN bearer at any time. To modify the authorized QoS per IP CAN bearer, The PCRF shall send an unsolicited authorization to the PCEF. The unsolicited authorization shall be performed by sending a RAR command to the PCEF and including the QoS-Information AVP(s) with the new authorized values per IP CAN bearer. The PCRF may use this RAR at the same time for the unsolicited PCC rule provisioning procedure in clause 4.5.2.0. If the trigger to modify the authorized QoS comes from the AF, before starting an unsolicited provisioning, the PCRF may start a timer to wait for a UE requested corresponding PDP context modification. At the expiry of the timer, if no PCC rule request has previously been received by the PCRF, the PCRF should go on with the unsolicited authorization as explained above.

In addition to a provisioning of the "Authorized QoS" per IP CAN Bearer, the PCRF may also provide an authorized QoS per PCC rule.

A.3.3.2 Policy enforcement for authorized QoS per IP CAN bearer

The PCEF is responsible for enforcing the policy based authorization, i.e., to ensure that the requested QoS is in-line with the "Authorized QoS" per IP-CAN bearer, as described in Clause 4.5.5.1.

Upon reception of an authorized QoS per IP-CAN bearer within a CCA or RAR command, the PCEF shall perform the mapping from that "Authorised QoS" information for the IP-CAN bearer into authorised UM3GPP TS QoS information according to Table A.4.1.1. The authorised UM3GPP TS QoS information is further processed by the UM3GPP TS BS Manager within the GGSN.

If the PCEF receives a solicited authorization decision from the PCRF (i.e. a decision within a CCA) and the requested QoS received within the IP-CAN bearer establishment or modification request that triggered the corresponding request for the authorization decision does not match the authorised QoS, the PCEF shall adjust the requested QoS information to the authorised QoS information within the IP-CAN bearer establishment or modification response.

The PCEF may store the authorized QoS of an active IP-CAN bearer in order to be able to make local decisions, when the UE requests for an IP-CAN bearer modification.

When the PCEF receives an unsolicited authorisation decision from the PCRF (i.e. a decision within a RAR) with updated QoS information for an IP-CAN bearer, the PCEF shall update the stored authorised QoS. If the existing QoS of the IP-CAN bearer does not match the updated authorised QoS the PCEF shall perform a network initiated IP-CAN bearer modification to adjust the QoS to the authorised level.

If the PCEF provide authorized QoS for both, the IP-CAN bearer and PCC rule(s), the enforcement of authorized QoS of the individual PCC rules shall take place first.

A.3.3.2a Policy provisioning for authorized QoS per service data flow

If the PCRF performs the bearer binding for a service data flow, the PCRF may optionally provision an authorized QoS for that service data flow.

For the authorization of a PCC rule with a GBR QCI the PCRF shall assign a GBR value within the limit supported by the serving network (i.e. GERAN/UTRAN). The PCRF shall subscribe the RAT_CHANGE event to get the RAT type information for PCC rule authorization.

NOTE: For the authorization of PCC Rules with the same QCI the PCRF may also check that aggregated GBR is within the limits supported by the serving network to minimize the risk of rejection of the bearer by the serving network.

A.3.3.3 Policy enforcement for authorized QoS per service data flow

If the PCRF provides authorized QoS for both, the IP-CAN bearer and PCC rule(s), the enforcement of authorized QoS of the individual PCC rules shall take place first.

The mapping from the authorized QoS parameters to the UM3GPP TS QoS parameters shall be performed according to Table A.4.1.1.

A.3.3.3a Coordination of authorized QoS scopes in mixed mode

The PCEF will request the authorization of an IP CAN bearer establishment or modification by the PCRF using the "Request for PCC rules" procedure if the related conditions outlined in Clause 4.5.1 and A.3.1 apply. The PCEF shall exclude any guaranteed bitrate for the NW-created PCC rule(s) it has bound to that IP CAN bearer from the requested QoS of that IP CAN bearer and request the authorization of the QoS for the affected PCC rules and, if any, new filters from the PCRF within the within the QoS-Information AVP.

The PCRF shall authorize the bandwidth for an IP CAN bearer which is required for the PCC rules it has bound to this IP CAN bearer. The PCEF shall add to the PCRF-provisioned authorized bandwidth of an IP CAN bearer the required bandwidth of all PCC rules it has bound to that IP CAN bearer unless the derived MBR value exceeds a possibly provisioned authorized QoS per QCI for the bearerer's QCI (see clause 4.5.5.6).

A.3.3.3b Provisioning of authorized QoS per QCI

If the PCRF performs the bearer binding the PCRF shall not provision an authorized QoS per QCI.

Policy provisioning for authorized QoS per QCI may apply when the IP-CAN type is 3GPP-GPRS. It shall be performed according to clause 4.5.5.5.

A.3.3.4 Policy enforcement for authorized QoS per QCI

Policy enforcement for authorized QoS per QCI may apply when the IP-CAN type is 3GPP-GPRS. It shall be performed according to clause 4.5.5.6.

The mapping from the authorized QoS parameters to the UM3GPP TS QoS parameters shall be performed according to Table A.4.1.1.

A.3.3.5 Void

A.3.3.6 Provisioning of authorized QoS per APN

If the PCRF receives the requested QoS per APN as part of the IP-CAN session establishment procedure, the PCRF shall provision the authorized unconditional APN policy information and may provision the authorized conditional APN policy information in the response.

A.3.4 Indication of IP-CAN Bearer Termination Implications

When a PDP context is terminated, the PCEF shall apply the "Indication of IP CAN Bearer Termination Implications" procedure to inform the PCRF about implications of this bearer termination if any of the following conditions apply while the IP-CAN Session remains active:

- A PDP Context is terminated, which has been initiated by the UE.
- A PDP Context is terminated, which has been initiated by the network (e.g. SGSN).

The following exceptions to clause 4.5.6 shall apply in 3GPP-GPRS.

When the PCRF performs bearer binding, the PCEF shall also supply the Bearer-Identifier and Bearer-Operation AVPs to indicate "Termination" of a specific bearer in a CC-Request with CC-Request-Type AVP set to the value "UPDATE_REQUEST".

When the PCRF receives the CC-Request indicating the implications of a bearer termination, it shall acknowledge the message by sending a CC-Answer to the PCEF. The PCRF has the option to make a new PCC decision for the affected PCC Rules. Within the CC-answer, the PCRF may provision PCC rules as detailed in clause 4.5.2.0. When the PCRF performs the bearer binding, the PCRF may provision PCC rules e.g. to move PCC rules previously applied to the terminated IP CAN bearer to any of the remaining IP CAN bearer(s). The Bearer-Identifier of the selected bearer(s) will be provided. The PCEF shall remove all PCC rules previously applied to the terminated IP CAN bearer, which have not been moved.

The PCEF shall remove all PCC rules previously applied to the terminated IP CAN bearer, which have not been moved.

If the last PDP context within an IP CAN session is being terminated, the PCEF shall apply the procedures in clause A.3.5 to indicate the IP CAN session termination.

A.3.5 Indication of IP-CAN Session Termination

For GPRS, an IP-CAN session is terminated when the last PDP Context within the IP-CAN session is being terminated. The procedure described in clause 4.5.7 applies here.

A.3.6 Request of IP-CAN Bearer Termination

If no more PCC rules are applied to an IP CAN bearer, the PCEF shall send a PDP context deactivation request.

If the termination of the last IP CAN bearer within an IP CAN session is requested, the PCRF and PCEF shall apply the procedures in clause A.3.7.

If the selected Bearer Control Mode is UE-only, the PCRF may request the termination of an existing IP CAN bearer within an IP CAN session by using the PCC rule provisioning procedures in clause 4.5.2.0 to remove all PCRF-provisioned PCC rules and deactivate all PCC rules predefined within the PCEF, which have been applied to this IP CAN bearer. The PCRF may either completely remove these PCC rules from the IP CAN session or move them to another IP CAN bearer within the IP CAN session.

If the PCEF performs the IP CAN bearer binding, the PCRF is not aware that it requests the termination of an IP CAN bearer by removing certain PCC rules. If upon removal of the PCC rules, there are no more PCC rules active in the PCEF for an IP-CAN bearer, the PCEF shall initiate the bearer termination procedure. Further details of the binding mechanism can be found in 3GPP TS 29.213 [8].

If the selected Bearer Control Mode (BCM) is UE-only, and the PCRF receives a trigger for the removal of all PCC rules bound to an IP CAN bearer from the AF, the following steps apply. In order to avoid race conditions, the PCRF should start a timer to wait for the UE-initiated termination message. If a UE-initiated termination of an IP CAN bearer is performed before timer expiry, the PCRF will receive an Indication of IP-CAN Bearer Termination Implications according to clause 4.5.6 and shall then not perform the network-initiated termination of that IP CAN bearer. Otherwise, if the timer expires, the PCRF shall remove/deactivate all the PCC rules that have been previously installed/activated for that IP-CAN bearer.

If the IP-CAN bearer termination is caused by the PS to CS handover, the PCEF shall report related PCC rules for this IP-CAN bearer by including the Rule-Failure-Code AVP set to the value PS_TO_CS_HANDOVER.

If the PCRF decides to remove all PCC rules bound to an IP CAN bearer due to an internal trigger or trigger from the SPR, the PCRF shall instantly remove/deactivate all the PCC rules that have been previously installed/activated on that IP-CAN bearer.

If no more PCC rules are applied to an IP CAN bearer, the PCEF shall terminate the IP CAN bearer.

A.3.7 Request of IP-CAN Session Termination

The procedure described in clause 4.5.9 applies with the following changes:

If no more PCC rules are applied to an IP CAN session, the PCEF shall send a PDP context deactivation request with the teardown indicator set to indicate that the termination of the entire IP-CAN session is requested.

If the selected Bearer Control Mode (BCM) is UE-only, and the PCRF receives a trigger for the removal of all PCC rules bound to an IP CAN session from the AF, the following steps apply. In order to avoid race conditions, the PCRF should start a timer to wait for the UE-initiated bearer termination message. If a UE-initiated bearer termination of an IP CAN session is performed before timer expiry, the PCRF will receive an Indication of IP-CAN Session Termination according to Clause A.3.5 and shall then not perform the network-initiated termination of that IP CAN session. Otherwise, if the timer expires, the PCRF shall remove/deactivate all the PCC rules that have been previously installed or activated for that IP-CAN session.

A.3.8 Bearer Control Mode Selection

The GGSN shall only include the Network-Request-Support AVP if it supports this procedure and both the UE and the SGSN have previously indicated to the GGSN (refer to 3GPP TS 23.060 [17] and 3GPP TS 29.060 [18]) that they also support it. The Network-Request-Support AVP shall be included if the GGSN received it from the SGSN.

The PCRF derives the Selected Bearer-Control-Mode AVP based on the received Network-Request-Support AVP, access network information, subscriber information and operator policy. The Selected Bearer-Control-Mode AVP shall be provided to the GGSN using the PCC Rules provision procedure at IP-CAN session establishment. The GGSN should forward it to the UE. The selected value is applicable to all PDP Contexts within the activated PDP Address/APN pair.

The BCM selection procedure can also be triggered as a consequence of a change of SGSN.

The values defined in 5.3.23 for the Bearer-Control-Mode AVP apply with the following meaning:

UE_ONLY (0)

This value is used to indicate that the UE shall request any additional PDP Context establishment.

RESERVED (1)

This value is not used in this Release.

UE_NW (2)

This value is used to indicate that both the UE and PCEF may request any additional PDP Context establishment and add own traffic mapping information to a PDP Context.

A.3.9 Bearer Binding Mechanism

Refer to annex D.2 of 3GPP TS 29.213 [8].

A.3.10 Void

A.3.11 PCC Rule Error Handling

In addition to the procedures described in clause 4.5.12 the following procedures apply:

If the PCRF performs the bearer binding, for predefined PCC rules that contain only uplink service data flow filters which are known to the PCRF, the PCEF may include the Bearer-Identifier AVP within the Charging-Rule-Report AVP to indicate the affected IP-CAN bearer from a failed PCC rule activation. If no Bearer-Identifier is provided then the PCRF shall assume that PCC rule failed to activate to all assigned IP-CAN bearers.

NOTE: In such a case the same PCC rule can be activated to multiple IP-CAN bearers of the same IP-CAN session.

A.3.12 IMS Emergency Session Support

A.3.12.1 Request of PCC Rules for an Emergency services

The PCEF shall execute the procedures described in clause A.3.1 to Request PCC Rules for Emergency.

A PCEF that requests PCC Rules at IP-CAN Session Establishment shall send a CCR command with CC-Request-Type AVP set to value "INITIAL_REQUEST" and the Called-Station-Id AVP including the Emergency APN. The PCEF may include the IMSI within the Subscription-Id AVP and if the IMSI is not available the PCEF shall include the IMEI within the User-Equipment-Info AVP. The PCEF may include the rest of the attributes described in clause A.3.1.

If the PCRF detects that the initial or subsequent CCR command shall be rejected, it shall execute the procedure for the type of Gx experimental result code described in clause A.3.1.

Any PCEF-initiated requests for PCC Rules for an IMS Emergency service that include the "TFT_CHANGE" Event-Trigger AVP shall be rejected by the PCRF with the error DIAMETER_ERROR_TRAFFIC_MAPPING_INFO_REJECTED.

A.3.12.2 Provisioning of PCC Rules for an Emergency services

The PCRF shall execute the procedures described in clause A.3.2 to provision PCC Rules.

The PCRF shall detect that a Gx session is restricted to IMS Emergency services when a CCR command is received with a CC-Request-Type AVP set to value "INITIAL_REQUEST" and the Called-Station-Id AVP includes a PDN identifier that matches one of the Emergency APNs from the configurable list. The PCRF:

- shall provision PCC Rules restricting the access to Emergency Services (e.g. P-CSCF(s), DHCP(s) and DNS (s) and SUPL(s) addresses) required by local operator policies in a CCA command according to the procedures described in clause A.3.2.
- may provision the authorized QoS within the QoS-Information AVP in a CCA command according to the procedures described in clause A.3.3.1 except for obtaining the authorized QoS upon interaction with the SPR.
- shall assign NW mode to the PCC Rules that are bound to an IP-CAN session restricted to Emergency services.

NOTE 1: The PCRF does not provision the authorized QoS per QCI for Gx sessions established for the Emergency purposes.

When the PCRF receives IMS service information for an Emergency service and derives authorized PCC Rules from the service information, the Priority-Level AVP, the Pre-emption-Capability AVP and the Pre-emption-Vulnerability AVP in the QoS information within the PCC Rule shall be assigned values as required by local operator policies.

If the Bearer Control Mode is assigned to "UE_NW" the PCRF shall assign NW mode to the PCC Rules that are bound to an IP-CAN session restricted to Emergency services and immediately initiate a PUSH procedure as described in clause A.3.2 to provision PCC Rules and the procedures described in clause A.3.3.2a to provision the authorized QoS per service data flow, except for the QoS Information within the PCC Rules that shall be assigned a priority within the Priority-Level AVP as required by local operator policies.

Any PCEF-initiated request for PCC Rules for an IMS Emergency service triggered by Event-Trigger AVP assigned to "TFT-change" shall be rejected by the PCRF with the error DIAMETER_ERROR_TRAFFIC_MAPPING_INFO_REJECTED.

A.3.13 Removal of PCC Rules for Emergency Services

The reception of a request to terminate an AF session for an IMS Emergency service by the PCRF follows the same procedure defined in clause 4.5.15.2.3.

A.3.14 Removal of PCC Rules at Gx session termination

The reception of a request to terminate the IP-CAN session restricted to IMS Emergency session shall follow the same procedure defined in clause 4.5.15.2.4.

A.3.15 IMS Restoration Support

The procedure described in clause 4.5.18 applies and the monitoring procedure is defined in 3GPP TS 29.061 [11] Section 13a.2.2.1.

A.3.16 Provisioning of CSG information reporting indication

The PCRF may provide one or more CSG-Information-Reporting AVPs during IP-CAN/TDF session establishment, to request the PCEF/TDF to report the user CSG information change applicable for an IP-CAN/TDF session to the OFCS.

NOTE: The SPR can provide the Subscriber's User CSG Information reporting rules to the PCRF, the SPR's relation to existing subscriber databases is not specified in this Release.

A.3.17 Packet-Filter-Usage AVP

NOTE: The maximum number of packet filters sent to UE is limited as specified in 3GPP TS 24.008 [13].

A.3.18 Precedence handling

PCRF provides only one precedence value per PCC rule. For network initiated IP-CAN session modification, since one PCC rule may result in more than one TFT filters, the PCEF shall ensure that each TFT filter is assigned unique

precedence value across all TFT filters of the corresponding PDN connection (as specified in 3GPP TS 24.008 [13]). When two PCC rules result in two sets of TFT filters, the PCEF shall also ensure that the relative precedence of the each set of TFT filters is same as the relative precedence of the corresponding PCC rule. E.g. if PCC rule R1 has higher precedence than PCC rule R2, all the TFT filters corresponding to R1 shall have higher precedence than all the TFT filters corresponding to R2.

NOTE: The maximum value of precedence of the TFT filter is limited as specified in 3GPP TS 24.008 [13].

Provisioning of CSG information reporting indication to the TDF applies when ABC feature is supported.

A.3.19 Reporting Access Network Information

The procedure described in clause 4.5.22 applies.

The GGSN provides the CGI/SAI within the 3GPP-User-Location-Info AVP.

A.3.20 User CSG Information Reporting

If the PCEF receives the credit re-authorization triggers from the OCS and CSG information reporting indications within the CSG-Information-Reporting AVPs from the PCRF which request different levels of reporting of user CSG information change for a single IP-CAN session, the PCEF should derive the highest level of detail required and request the user CSG information change from the SGSN as defined in 3GPP TS 29.060 [18].

When ABC feature is supported, the PCEF may send user CSG information to the TDF via the PCRF. During the IP-CAN Session Establishment, the PCEF may send the user CSG information to the PCRF in a CC-Request command within a User-CSG-Information AVP, and the PCRF sends User-CSG-Information AVP in a TSR command to the TDF.

The TDF shall, for the purpose of reporting to the OCS, select and subscribe to the applicable event triggers USER_CSG_INFORMATION_CHANGE, USER_CSG_HYBRID_SUBSCRIBED_INFORMATION_CHANGE and/or USER_CSG_HYBRID_UNSUBSCRIBED_INFORMATION_CHANGE within an Event-Report-Indication AVP for reporting from the PCEF via the PCRF if the corresponding credit re-authorization triggers are requested by the OCS. The PCRF shall subscribe to the event triggers for the highest level of detail required for the reporting within the user CSG information reporting rules and Event-Report-Indication AVP to the PCEF. Then the PCEF request the user CSG information change from the SGSN as defined in 3GPP TS 29.060 [18].

The PCEF reports that user CSG information has changed with the applicable values provided in the related Event-Trigger AVPs and, when applicable, the new user CSG information within the User-CSG-Information AVP.

The PCRF shall send the Event-Trigger AVPs and when applicable, the User-CSG-Information AVP within an Event-Report-Indication AVP to the TDF in a RA-Request command.

NOTE: The PCEF/TDF reports the user CSG information to the OFCS on the level of detail as requested by the PCRF within the CSG-Information-Reporting AVPs and reports the user CSG information to the OCS on the level of detail as requested by the OCS re-authorization triggers.

A.4 QoS mapping

A.4.1 GPRS QCI to UM3GPP TS QoS parameter mapping

The mapping of GPRS QCI to UM3GPP TS QoS parameters is shown in the following table (coming from 3GPP TS 23.203 [7] Annex A table A.3):

Table A.4.1.1: Mapping for GPRS QoS Class Identifier to/from R99 UM3GPP TS QoS parameters

GPRS QoS-Class- Identifier AVP Value	R99 UM3GPP TS QoS parameters			
	Traffic Class	THP	Signalling Indication	Source Statistics Descriptor
1	Conversational	n/a	n/a	speech (NOTE)
2	Conversational	n/a	n/a	unknown
3	Streaming	n/a	n/a	speech (NOTE)
4	Streaming	n/a	n/a	unknown
5	Interactive	1	Yes	n/a
6	Interactive	1	No	n/a
7	Interactive	2	No	n/a
8	Interactive	3	No	n/a
9	Background	n/a	n/a	n/a

NOTE: The QCI values that map to "speech" should be selected for service data flows consisting of speech (and the associated RTCP) only.

NOTE: This table defines the mapping for GPRS QCI to/from UM3GPP TS QoS parameters for pre-release 8 GPRS. The characteristics of GPRS QCIs are independent from the standardized QCI characteristics for EPS.

The PCEF determines R97/98 attributes from R99 attributes according to 3GPP TS 23.107 [41].

A.4.2 GPRS ARP to UM3GPP TS ARP parameter mapping

The mapping of the Allocation-Retention-Priority AVP to the UM3GPP TS ARP parameter(s) is specified in clause B.3.3.3.

Annex B (normative): Access specific aspects, 3GPP (GERAN/UTRAN/E-UTRAN) EPS

B.1 Scope

This annex defines access specific aspects procedures for use of Gx/Gxx between PCRF and a 3GPP EPC IP-CAN.

B.2 Functional Elements

B.2.1 PCRF

There are no access specific procedures defined.

B.2.2 PCEF

There are no access specific procedures defined.

B.2.3 BBERF

There are no access specific procedures defined.

B.3 PCC procedures

B.3.1 Request for PCC and/or QoS rules

This procedure is defined in clauses 4.5.1 and 4a.5.1 the following specifics.

Information about the support of network-initiated bearer procedures for the IP-CAN session shall be provided via the Gx reference point.

The PCEF shall always include the RAT-Type as part of the IP-CAN Session Establishment procedure.

For GERAN and UTRAN accesses:

- When the UE requests to modify the bearer QoS without specifying any TFT filter the PCEF shall set the Packet-Filter-Operation AVP to "MODIFICATION", and shall include within the CC-Request:
 - one Packet-Filter-Information AVP with only the Packet-Filter-Identifier AVP, set to the value for each of the packet filter(s) created by the UE. If BCM is MS-only, the PCEF shall include all the packet filter identifier(s) previously assigned on Gx for this EPS bearer within the Packet-Filter-Identifier AVP. If BCM is MS/NW, the PCEF shall also include the SDF filter identifier(s) that correspond to the packet filter identifier(s) in the parameter list of the TFT within the Packet-Filter-Identifier AVP; and
 - the QoS-Information AVP to indicate the requested QoS for the affected packet filters; and
 - if there is no packet filter set by the network on the same bearer, the QoS-Information AVP may indicate an updated QCI.

- When the UE requests to add filters to an existing TFT, the PCEF shall set the Packet-Filter-Operation AVP to "MODIFICATION", and shall include within the CC-Request the request:
 - one Packet-Filter-Information AVP for each for each packet filter requested for addition without any Packet-Filter-Identifier AVP; and
 - one Packet-Filter-Information AVP for each of the existing filter(s), created by the UE, with the Packet-Filter-Identifier AVP and without any filter attributes used for matching; and
 - the QoS-Information AVP to indicate the requested QoS for the affected PCC rules.

For GERAN and UTRAN access, the relationship between the TFT operation requested by MS and the Gx operation provided by PCEF to PCRF is as follows:

- If the TFT operation is "Replace packet filters in existing TFT", the PCEF shall set the Packet-Filter-Operation AVP to "MODIFICATION".
- If the TFT operation is "Delete packet filters from existing TFT", the PCEF shall set the Packet-Filter-Operation AVP to "DELETION".
- If the TFT operation is "Add packet filters to existing TFT", the PCEF shall set the Packet-Filter-Operation AVP to "MODIFICATION".
- If the TFT operation is "Create new TFT", the PCEF shall set the Packet-Filter-Operation AVP to "ADDITION".
- If the TFT operation is "Delete existing TFT", the PCEF shall set the Packet-Filter-Operation AVP to "DELETION".
- If the TFT operation is "No TFT operation" or the TFT is missing (allowed in BCM MS-only only, the PCEF shall set the Packet-Filter-Operation AVP to "MODIFICATION".

For GERAN and UTRAN accesses, the PCRF shall provide packet filters in the PCC rule as received in the Packet-Filter-Information AVP for each packet filter requested by the UE.

For GERAN and UTRAN accesses, if the PCRF receives a request for addition of service data flow(s) with a reference to existing packet filter identifiers (and by that to existing PCC rule(s)), the PCRF shall update the existing PCC rule for the new service data flow(s) without changing the QCI and ARP.

NOTE: The reference to an existing packet filter identifiers informs the PCRF that the request is confined to an existing bearer, having bearer bindings with PCC rules that have the same QCI/ARP combination. Assigning a different QCI or ARP to the new service data flows would cause the procedure to fail, since the PCEF cannot map the new service data flows to another bearer.

For GERAN and UTRAN accesses, when BCM is MS-only and the UE requests to create a TFT for a PDP context without a TFT created by the PDP Context Activation Procedure, the PCRF shall authorize a PCC rule which contains the packet filters as requested by the UE when receiving the CCR request from the PCEF. The PCEF shall install the PCC rule provisioned by the PCRF, shall deactivate/remove the activated PCC rules that were previously activated/installed by the PCRF and were bound to the same bearer, and shall send a CCR command to the PCRF with CC-Request-Type AVP set to the value "UPDATE_REQUEST", including the Charging-Rule-Report AVP specifying the deactivated/removed PCC rules with the PCC-Rule-Status set to inactive and including the Rule-Failure-Code AVP assigned to the value NO_BEARER_BOUND (15).

For GERAN and UTRAN accesses, when BCM is MS-only and the UE requests to delete the existing TFT, the PCRF should provide at least one new PCC rule to be installed at the same time when the PCC rule corresponding to the TFT is removed.

For E-UTRAN accesses with UE initiated resource modification procedure, the PCRF shall either authorize the same QoS as requested QoS within the QoS-Information AVP or reject the request if the requested QoS can not be authorized. The PCRF may reject the request using a CC-Answer with the Gx experimental result code DIAMETER_ERROR_INITIAL_PARAMETERS (5140). If the PCEF receives a CC-Answer with this code, the PCEF shall reject the IP-CAN session modification that initiated the CC-Request.

B.3.2 Provisioning of PCC and/or QoS rules

For GTP-based 3GPP accesses, the PCRF may request the establishment of a bearer dedicated to IMS signalling by providing the applicable PCC rules to the PCEF.

For PMIP-based 3GPP accesses, the PCRF may request the establishment of a bearer dedicated to IMS signalling by providing the applicable QoS rules to the BBERF.

When the PCEF includes the Bearer-Usage AVP required for the default bearer within the CCR command during the IP-CAN session establishment procedure, the PCRF shall provide the Bearer-Usage AVP back in the response with the authorized usage.

If during IP-CAN session establishment procedure, the PCEF includes IMS_SIGNALLING within the Bearer-Usage AVP and the PCRF accepts that default bearer is dedicated to IMS signalling, the PCRF shall include the IMS_SIGNALLING within the Bearer-Usage AVP. In this case, the PCRF shall restrict the bearer to only be used for IMS signalling as specified in 3GPP TS 23.228 [31] by applying the applicable QCI for IMS signalling.

If the PCEF include the IMS_SIGNALLING within the Bearer-Usage AVP in the CCR command, but the PCRF does not include the IMS_SIGNALLING within the Bearer-Usage AVP in the CCA command, the PCC Rules provided by the PCRF shall have a QCI value different from the QCI value for the IMS signalling.

When UE initiates a resource modification request, if the PCEF includes the Bearer-Usage AVP indicating IMS_SIGNALLING and the PCRF accepts that a bearer dedicated to IMS signalling shall be used, the PCRF shall return the IMS_SIGNALLING within the Bearer-Usage AVP. The provided PCC rules shall have the QCI applicable for IMS signalling.

During the IP-CAN session establishment, the PCEF shall not provide packet filters to UE on the default bearer in the IP-CAN session establishment response, referring to 3GPP TS 29.274 [22].

B.3.3 Provisioning and Policy Enforcement of Authorized QoS

B.3.3.1 Provisioning of authorized QoS per APN

The PCRF shall provision the authorized unconditional APN policy information and may provision the authorized conditional APN policy information as part of the IP-CAN session establishment procedure.

B.3.3.2 Policy enforcement for authorized QoS per APN

There are no access specific procedures defined.

B.3.3.3 QoS handling for interoperation with Gn/Gp SGSN

When the PCEF receives the establishment or modification of an IP-CAN bearer from a Gn/Gp SGSN, the PCEF shall derive the requested QoS information in the CC-Request command following the mapping rules included in 3GPP TS 23.401 [32] Annex E as follows:

- Guaranteed-Bitrate-UL AVP and Guaranteed-Bitrate-DL AVP shall be obtained from the bearer parameter GBR received within the PDP-Context.
- If APN-AMBR is not received within the initial PDP-Context for the IP-CAN session, the APN-Aggregate-Max-Bitrate-UL AVP and APN-Aggregate-Max-Bitrate-DL AVP shall be mapped from the bearer parameter MBR received within the PDP-Context. If APN-AMBR is received as a part of the initial PDP Context for the IP-CAN session, it shall be included within the APN-Aggregate-Max-Bitrate-UL AVP and APN-Aggregate-Max-Bitrate-DL AVP. When the PCEF receives a request for modification of the MBR for the initial PDP context or any non-GBR PDP context, the PCEF shall take the common flags "Upgrade QoS Supported" and "No QoS negotiation" described down below in to consideration and act accordingly.
- Default-EPS-Bearer-QoS AVP shall be derived based on the QoS bearer parameters included in the initial PDP-Context received for the IP-CAN session. When the PCEF receives a request for modification of the initial PDP context that modifies either the QoS-Class-Identifier AVP or Allocation-Retention-Priority AVP, the modified values shall be provided as part of the Default-EPS-Bearer-QoS AVP.

- Allocation-Retention-Priority AVP shall be mapped one-to-one from the Evolved ARP if this parameter is included within the PDP Context. Otherwise, it will be derived as follows:
 - The Pre-emption-Capability AVP and Pre-emption-Vulnerability AVP shall be set based on operator policies.
 - The Priority-Level AVP is derived as described in table B.3.3.3.1:

Table B.3.3.3.1: Mapping of ARP to Priority-Level AVP

ARP Value	Priority-Level AVP
1	1
2	H+1
3	M+1

NOTE 1: The values of H (high priority) and M (medium priority) can be set according to operator requirements to ensure proper treatment of users with higher priority level information. The minimum value of H is 1. The minimum value of M is H+1.

- QoS-Class-Identifier AVP may be derived based on table B.3.3.3.2:

Table B.3.3.3.2: Mapping between standardized QCIs and R99 UM3GPP TS QoS parameter values

QoS-Class-Identifier AVP value	R99 UM3GPP TS QoS parameters			
	Traffic Class	Traffic Handling Priority	Signalling Indication	Source Statistics Descriptor
1	Conversational	N/A	N/A	Speech
2	Conversational	N/A	N/A	Unknown (NOTE 1)
3	Conversational	N/A	N/A	Unknown (NOTE 2)
4	Streaming	N/A	N/A	Unknown (NOTE 3)
5	Interactive	1	Yes	N/A
6	Interactive	1	No	N/A
7	Interactive	2	No	N/A
8	Interactive	3	No	N/A
9	Background	N/A	N/A	N/A
NOTE 1: When QCI 2 is mapped to UM3GPP TS QoS parameter values, the Transfer Delay parameter is set to 150 ms. When UM3GPP TS QoS parameter values are mapped to a QCI, QCI 2 is used for conversational/unknown if the Transfer Delay parameter is greater or equal to 150 ms. NOTE 2: When QCI 3 is mapped to UM3GPP TS QoS parameter values, the Transfer Delay parameter is set to 80 ms as the lowest possible value. When UM3GPP TS QoS parameter values are mapped to a QCI, QCI 3 is used for conversational/unknown if the Transfer Delay parameter is lower than 150 ms. NOTE 3: When QCI 4 is mapped to UM3GPP TS QoS parameter values, it is mapped to Streaming/Unknown. When UM3GPP TS QoS parameter values are mapped to a QCI, Streaming/Unknown and Streaming/Speech are both mapped to QCI 4.				

The PCEF determines R97/98 attributes from R99 attributes according to 3GPP TS 23.107 [41].

The PCRF shall provide the authorized QoS information according to clause 4.5.5.2 (when the authorized QoS applies to the service data flow), clause 4.5.5.8 (when the authorized QoS applies at APN level) or 4.5.5.9 (when the authorized QoS applies to the default bearer).

When the PCEF receives the authorized QoS information applicable for the service data flow, the PCEF shall act according to clause 4.5.5.3. The PCEF shall then derive the QoS information of the PDP context from the calculated authorized QoS as follows:

- For non-GBR bearers, if APN-AMBR parameter was not received in the initial PDP context for the IP-CAN session, the bearer parameter MBR shall be set to the value of the authorized APN-Aggregate-Max-Bitrate-UL and APN-Aggregate-Max-Bitrate-DL AVPs. For GBR-bearers the MBR and GBR of the PDP-Context shall be mapped one-to-one from the MBR and GBR values calculated for that bearer according to clause 4.5.5.3.

- The Allocation-Retention-Priority AVP received as part of the PCC Rule shall be used to bind the PCC rules to the corresponding bearer. If the SGSN supports the Evolved ARP parameter (i.e. it was received as part of the PDP contexts) the Evolved ARP for the PDP context shall be mapped one-to-one from the Allocation-Retention-Priority AVP assigned to the corresponding bearer. If the SGSN does not support Evolved ARP parameter, the P-GW shall ignore the Pre-emption-Capability AVP and Pre-emption-Vulnerability AVP when deriving the ARP of the PDP Context.

The ARP parameter is derived as described in table B.3.3.3.3:

Table B.3.3.3.3: Mapping of Priority-Level AVP to ARP

Priority-Level AVP	ARP value
1 to H	1
H+1 to M	2
M+1 to 15	3

NOTE 2: The values of H (high priority) and M (medium priority) can be set according to operator requirements to ensure proper treatment of users with higher priority level information. The minimum value of H is 1. The minimum value of M is H+1.

- The P-GW shall bind only PCC rules with the same ARP setting (Priority-Level AVP, Pre-emption-Capability AVP and Pre-emption-Vulnerability AVP) to the same PDP context to enable modification of the bearer ARP without impacting the assignment of services to bearers after a handover to E-UTRAN.

NOTE 3: When Evolved ARP parameter is not received as part of the PDP-Context, any change of the bearer ARP parameter may get overwritten by the SGSN due to subscription enforcement.

- The PCEF may derive the Traffic Class, Traffic Handling Priority, Signalling Indication and Source Statistics Descriptor from the QoS-Class-Identifier AVP based on the table B.3.3.3.2. The standardized QCI characteristics may be derived from the QoS-Class-Identifier AVP according to table 6.1.7 in 3GPP TS 23.203 [7]. The derivation of other values received as part of the QoS-Class-Identifier AVP shall be performed as defined in 3GPP TS 23.401 [32], Annex E.

Common flags "Upgrade QoS Supported" and "No QoS negotiation" shall be handled as follows.

- When the PCEF receives a Create PDP context request, the PCEF shall derive the QoS information according to the mapping procedures described in this clause and it shall check whether the "Upgrade QoS Supported" flags are present. The following procedures shall apply.
- If the "Upgrade QoS Supported" flag is set to "1" in the Common Flag Information Element within the Common Flag IE (3GPP TS 29.060 [18]), normal procedures apply.
- If the "Upgrade QoS Supported" flag is set to "0" or if it is absent, the PCEF shall contact the PCRF including the requested QoS information derived following the mapping rules described in this clause. When the PCEF derives the authorized UM3GPP TS QoS information received from the PCRF according to the mapping procedures described in this clause, it shall check
 - Whether the authorized GBR, MBR or APN-AMBR is equal to or higher than the GBR, MBR or APN-AMBR requested from the GnGp SGSN. If it is so, the PCEF shall accept the requested values. Otherwise the PCEF shall accept the authorized values.
 - Whether the authorized ARP priority level is equal to or higher than the ARP priority level requested from the GnGp SGSN. If it is so, the PCEF shall accept the requested priority value. Otherwise the PCEF shall accept the authorized values.

NOTE 4: The ARP priority level attribute represents the actual priority for the service/user with the value 1 as the highest.

NOTE 5: Whether the QCI is permitted to be changed or not is subject to operator policies and normal restrictions on changing from a Non-GBR QCI value to GBR QCI value on a default bearer.

NOTE 6: Whether the Pre-emption capability and Pre-emption vulnerability are permitted to be changed or not is subject to operator policies.

- When the PCEF receives an Update PDP context request, the PCEF shall derive the QoS information according to the mapping procedures described in this clause and it shall check whether the "No QoS negotiation" flag and the "Upgrade QoS Supported" flags are present. The following procedures shall apply.
 - If the "Upgrade QoS Supported" flag set to "1" and the "No QoS negotiation" flag set to "0" or is absent, normal procedures apply with the following exceptions when only MBR is changed:
If the derived MBR is equal to or less than the authorized APN-AMBR for the IP-CAN session, the PCEF shall accept the requested QoS values without interacting with the PCRF. If the derived MBR is higher than the last authorized APN-AMBR for the IP-CAN session, the PCEF shall send a MBR equal to the authorized APN-AMBR in the Update PDP context response without interacting with the PCRF, i.e. the PCEF does not report the QOS_CHANGE event trigger to the PCRF.
 - If the "No QoS negotiation" flag is set to "1" in the Common Flag Information Element (3GPP TS 29.060 [18]), and the derived QCI and/or ARP is different from the QCI and/or ARP authorized for that bearer, the PCEF shall reject the procedure. Otherwise, the next procedure shall apply.
 - If the "No QoS negotiation" flag is set to "1", if the derived MBR or APN-AMBR is equal to or less than the authorized APN-AMBR for the IP-CAN session, the PCEF shall accept the requested QoS values without interacting with the PCRF. If the derived MBR or APN-AMBR is higher than the authorized APN-AMBR for the IP-CAN session, the PCEF shall reject the requested QoS change. If the GBR is different from the authorized GBR, the PCEF shall reject the requested QoS change.
 - If the "Upgrade QoS Supported" flag set to "0" in the Common Flag Information Element or if the corresponding bit within the Common Flag IE is absent (3GPP TS 29.060 [18]), and the "No QoS negotiation" flag is set to "0" or is absent, the PCEF shall behave in the same way as when the "Upgrade QoS supported" flag set to "0" is received in the Create PDP Context request procedure with the following exceptions when only MBR is changed:
If the derived MBR is equal to or less than the last authorized APN-AMBR for the IP-CAN session, the PCEF shall accept the requested QoS values without interacting with the PCRF. If the derived MBR is higher than the authorized APN-AMBR for the IP-CAN session, the PCEF shall send a MBR equal to the authorized APN-AMBR in the Update PDP context response without interacting with the PCRF, i.e. the PCEF does not report the QOS_CHANGE event trigger to the PCRF.

When the PCEF receives the authorized QoS information applicable for the default bearer as part of the Default-EPS-Bearer-QoS AVP, the PCEF shall then derive the QoS information corresponding to the initial PDP Context from the QoS-Class-Identifier AVP and Allocation-Retention-Priority AVP, following the same derivation rules as when the QoS information is received as part of the PCC Rule.

When the PCEF receives the authorized QoS information applicable for the APN, the PCEF shall act according to clause 4.5.5.8. The PCEF shall modify the MBR for the PDP contexts with Traffic Class "Interactive" and "Background".

When the PCEF receives the Secondary PDP Context Activation command, the PCEF shall derive the QoS information and packet filter information, and interact with PCRF by applying the UE initiated resource modification procedure as specified in clause 4.5.1.

B.3.3.4 Void

B.3.3.5 Policy provisioning for authorized QoS per service data flow

For the authorization of a PCC rule with a GBR QCI the PCRF shall assign a GBR value within the limit supported by the serving network (i.e. GERAN/UTRAN). The PCRF shall subscribe the RAT_CHANGE event to get the RAT type information for PCC rule authorization.

NOTE: For the authorization of PCC Rules with the same QCI the PCRF may also check that aggregated GBR is within the limits supported by the serving network to minimize the risk of rejection of the bearer by the serving network.

B.3.3.6 Policy enforcement for authorized QoS of the Default EPS Bearer

The procedures defined in clause 4.5.5.10 apply.

Whenever the PCRF modifies the Authorized QoS of the default bearer, the PCRF shall simultaneously modify the QCI and/or ARP of all PCC/QoS Rules that, according to the operator policy, shall have the same QoS as the default bearer. The PCEF/BBBERF shall re-evaluate the bearer binding procedure defined in clause 5.4 in the 3GPP 3GPP TS 29.213 [8] taking into account the default bearer QoS change and any PCC/QoS Rule operation requested by the PCRF.

NOTE: The network configuration can ensure that at least one PCC/QoS Rule is bound to the default bearer by applying either operator policies in the PCRF ensuring that a PCC/QoS Rule with matching QoS will be active or in the PCEF/BBBERF ensuring that a predefined PCC/QoS Rule not known to the PCRF is bound to the default bearer.

B.3.4 Packet-Filter-Information AVP

In addition to the definition of the Packet-Filter-Information AVP in clause 5.3.55, for E-UTRAN the Packet-Filter-Information AVPs shall be derived from the information defined in 3GPP TS 24.008 [13].

B.3.5 Bearer Control Mode Selection

Bearer Control Mode Selection shall take place via the Gx reference point according to clause 4.5.10.

B.3.6 Trace activation/deactivation at P-GW

In case of a PMIP-based 3GPP access the S-GW sends the trace activation and deactivation to the P-GW via the PCRF. To activate the trace, the S-GW sends the Trace Information to the PCRF in a CCR message within a Trace-Data AVP and with an Event-Trigger AVP containing the value PGW_TRACE_CONTROL. The PCRF sends the Trace-Data and Event-Trigger AVPs within an Event-Report-Indication AVP further to the P-GW in a CCA message (upon IP-CAN session establishment) or RAR message. To deactivate the trace, the S-GW sends the Trace Reference to the PCRF in a CCR message within a Trace-Reference AVP and with an Event-Trigger AVP containing the value PGW_TRACE_CONTROL. The PCRF sends the Trace-Reference and Event-Trigger AVPs within an Event-Report-Indication AVP further to the P-GW in a RAR message.

B.3.7 IMS Restoration Support

The procedure described in clause 4.5.18 applies and the monitoring procedure is defined in 3GPP TS 29.061 [11] Section 13a.2.2.1.

B.3.8 Provisioning of CSG information reporting indication

The PCRF may provide one or more CSG-Information-Reporting AVPs during IP-CAN/TDF session establishment, to request the PCEF/TDF to report the user CSG information change applicable for an IP-CAN/TDF session to the OFCS.

NOTE: The SPR can provide the Subscriber's User CSG Information reporting rules to the PCRF, the SPR's relation to existing subscriber databases is not specified in this Release.

Provisioning of CSG information reporting indication to the TDF applies when ABC feature is supported.

B.3.9 Packet-Filter-Usage AVP

NOTE: The maximum number of packet filters sent to UE is limited as specified in 3GPP TS 24.008 [13].

B.3.10 User CSG Information Reporting

B.3.10.1 GTP-based S5/S8

The procedure defined in clause A.3.20 is applied except that the PCEF should request the user CSG information change from the S-GW as defined in 3GPP TS 29.274 [22].

B.3.10.2 PMIP-based S5/S8

The S-GW may send user CSG information to the P-GW via the PCRF.

During the IP-CAN Session Establishment, the S-GW may send the user CSG information to the PCRF in a CC-Request command within a User-CSG-Information AVP and the PCRF sends User-CSG-Information AVP in a CC-Answer command to the P-GW or in a TSR command to the TDF if the ABC feature is supported.

The P-GW or TDF if ABC feature is supported shall select and subscribe to the applicable event triggers USER_CSG_INFORMATION_CHANGE, USER_CSG_HYBRID_SUBSCRIBED_INFORMATION_CHANGE and/or USER_CSG_HYBRID_UNSUBSCRIBED_INFORMATION_CHANGE within an Event-Report-Indication AVP for reporting from the BBERF via the PCRF if the corresponding credit re-authorization triggers are requested by the OCS. The PCRF shall subscribe to the event triggers for the highest level of detail required for the reporting within the user CSG information reporting rules and Event-Report-Indication AVP to the S-GW.

The S-GW reports that user CSG information has changed with the applicable values provided in the related Event-Trigger AVPs and, when applicable, the new user CSG information within the User-CSG-Information AVP.

The PCRF shall send the Event-Trigger AVPs and when applicable, the User-CSG-Information AVP within an Event-Report-Indication AVP to the P-GW/TDF in a RA-Request command.

NOTE: The PCEF/TDF reports the user CSG information to the OFCS on the level of detail as requested by the PCRF within the CSG-Information-Reporting AVPs and reports the user CSG information to the OCS on the level of detail as requested by the OCS re-authorization triggers.

B.3.11 Request of IP-CAN Bearer Termination

For PMIP-based 3GPP accesses, if the IP-CAN bearer termination is caused by the PS to CS handover, the BBERF reports related QoS rules for this IP-CAN bearer by including the Rule-Failure-Code AVP set to the value PS_TO_CS_HANDOVER as part of the Gateway Control Session Modification procedure.

For GTP-based 3GPP accesses, if the IP-CAN bearer termination is caused by the PS to CS handover, the PCEF reports related PCC rules for this IP-CAN bearer by including the Rule-Failure-Code AVP set to the value PS_TO_CS_HANDOVER as part of the IP-CAN session modification procedure.

B.3.12 CS to PS handover

In order to support CS to PS handover according to 3GPP TS 23.216 [40], the PCRF shall ensure that voice media may use the default bearer until the appropriate bearer has been established.

If the operator policy requires a policy decision to be made in order to allow voice media on the default bearer, the PCRF shall subscribe to the CS_TO_PS_HANDOVER event trigger. Upon detection of CS to PS handover, the PCEF shall generate a CS_TO_PS_HANDOVER event. In response to the event the PCRF shall make policy decisions, for example provisioning or modifying the appropriate PCC rules, to allow voice media on the default bearer.

NOTE 1: If the PCRF provides dynamic PCC rules to be installed in the default bearer, the QoS-Class-Identifier AVP and Allocation-Retention-Priority AVP in the PCC rule(s) shall be respectively set to the same value as the ones of the default EPS bearer QoS information of the IP-CAN session.

If the PCRF received the first voice media authorized over Rx interface that corresponds to the voice session being transferred, the PCRF shall provide the corresponding PCC Rules and shall also subscribe to SUCCESSFUL_RESOURCE_ALLOCATION event trigger.

If the PCRF receives the SUCCESSFUL_RESOURCE_ALLOCATION event trigger for the first voice media authorized over Rx that corresponds to the voice session being transferred and the PCRF made policy decisions upon request of the CS_TO_PS_HANDOVER event, the PCRF should revoke that decision. In the case there were PCC Rules related to the voice media being transferred installed in the default bearer should be removed by the PCRF.

NOTE 2: There exists a very small possibility that another Rx session is established before or in parallel to the IMS voice session in transfer, i.e. due to a terminating voice session request. It is considered that this can be avoided by implementation and is therefore out of scope of standard.

B.3.13 Precedence handling

PCRF provides only one precedence value per PCC rule. For network initiated IP-CAN session modification, since one PCC rule may result in more than one TFT filters, the PCEF/BBERF has to ensure that each TFT filter is assigned unique precedence value across all TFT filters of the corresponding PDN connection (as specified in 3GPP TS 24.008 [13] and 3GPP TS 24.301 [42]). When two PCC rules result in two sets of TFT filters, the PCEF/BBERF shall also ensure that the relative precedence of the each set of TFT filters is same as the relative precedence of the corresponding PCC rule. E.g. if PCC rule R1 has higher precedence than PCC rule R2, all the TFT filters corresponding to R1 shall have higher precedence than all the TFT filters corresponding to R2.

NOTE: The maximum value of precedence of the TFT filter is limited as specified in 3GPP TS 24.008 [13].

B.3.14 S-GW Restoration Support

During IP-CAN session establishment, if both the PCEF and PCRF advertise the support for S-GW restoration, the PCRF shall subscribe to the AN_GW_CHANGE event trigger.

When the PCRF sends a RAR or CCA command with new policy decisions for a PDN connection maintained during a S-GW failure, the PCEF shall act as follows:

- For MME/S4-SGSN triggered S-GW Restoration scenarios:

if the policy decisions were received in a RAR command, the PCEF shall send an RAA command with the Experimental-Result-Code set to DIAMETER_AN_GW_FAILED (4143) indicating the failure to enforce all those policy decisions.

If the installation/modification of one or more PCC rules fails the PCEF shall reject the procedure as described in clause 4.5.12. The Rule-Failure-Code AVP, for both PULL and PUSH modes shall be set to AN_GW_FAILED (17).

If the PCRF sends a CCA that includes policy decision not related to a PCC Rule (e.g. change of APN-AMBR), the PCEF shall send a CCR that includes the event trigger related with the failure to enforce the corresponding policy decision (as per the existing procedures) and the AN-GW-Status AVP set to AN_GW_FAILED (0).

- For P-GW triggered S-GW Restoration scenarios, the PCEF shall accept the procedure as per normal procedures. In the case, the PDN connection is not restored during an operator configured time period, the PCEF shall send a new CCR command when the related timer expires. If the RAR/CCA related to a PCC Rule procedure, the CCR shall include the Charging-Rule-Report AVP with the Rule-Failure-Code AVP set to RESOURCE_ALLOCATION_FAILURE and with the PCC-Rule-Status set to INACTIVE. If the RAR/CCA included policy decision not related to the PCC Rules (e.g. change of APN-AMBR), the CCR shall include the event trigger related with the failure to enforce the corresponding policy decision according to the current procedures.

For MME/S4-SGSN triggered S-GW Restoration scenarios, while the S-GW restoration is in progress, if the PCEF sends a CCR command towards the PCRF that is triggered by a different event (e.g. internal event at PCEF or Gy interface related event), the PCEF shall include the AN-GW-Status AVP set to AN_GW_FAILED (0).

Upon reception of the Rule-Failure-Code set to AN_GW_FAILED (17), AN-GW-Status set to AN_GW_FAILED (0) or a Experimental-Result-Code set to DIAMETER_AN_GW_FAILED (4143) the PCRF shall not initiate any IP-CAN Session Modification procedure, except if the IP-CAN Session Modification procedure is initiated for the PCC rule removal only, for the given IP-CAN session over Gx until the S-GW has recovered.

If the PCEF indicated AN_GW_FAILED previously according to the procedures described above, the PCEF shall inform the PCRF when the S-GW has recovered using the Event-Trigger AVP set to AN_GW_CHANGE and including the AN-GW-Address AVP related to the restored or new S-GW. The PCRF may after this update the PCEF with PCC Rules if necessary.

NOTE 1: The PCRF could reject requests from the AF and SPR when the Rule-Failure-Code set to AN_GW_FAILED (17), the AN-GW-Status AVP set to AN_GW_FAILED (0) or the Experimental-Result-Code set to DIAMETER_AN_GW_FAILED (4143) is received until the Event-Trigger AVP set to AN_GW_CHANGE is received.

The PCEF shall maintain the PDN connections affected by the S-GW failure and eligible for restoration for an operator configurable time period (see 3GPP TS 23.007 [43]). Upon expiry of that time period, the PCEF shall release the PDN connection and inform the PCRF about the IP-CAN Session Termination as specified in clause 4.5.7.

NOTE 2: The PCRF is not aware of which PDN connections are eligible for restoration. When the PCEF detects a S-GW failure, the PCEF requests the PCRF to terminate IP-CAN sessions associated to PDN connections affected by the S-GW failure and not eligible for restoration.

The PCEF should maintain the GBR bearers of the PDN connections eligible for restoration for an operator configurable time period (see 3GPP TS 23.007 [43]). Upon expiry of that time period, the PCEF shall release GBR bearers that have not yet been restored and inform the PCRF about the PCC rule removal as specified in clause 4.5.6.

The PCEF shall discard downlink packets received for a PDN connection maintained during a S-GW failure that has not yet been restored.

The PCEF shall delete the PDN connection locally when it receives an IP-CAN session termination from the PCRF as described in clause 4.5.9.

For the PMIP-based 3GPP access, when the PCRF detects a BBERF failure or restart, the PCRF shall maintain the IP-CAN sessions and delete locally the Gateway Control sessions affected by the BBERF failure. In this case, if the PCRF receives a request from the AF or SPR that requires to modify the IP-CAN session and no error indication was received from the PCEF before, the PCRF may initiate the IP-CAN session modification towards the PCEF.

NOTE 3: The method the PCRF uses to determine that a BBERF has failed or restarted is not specified in this release.

NOTE 4: The PCRF can refrain from sending policy information within the RAR command since it is aware that the BBERF has failed or restarted via Gxx reference point. The PCRF will know that the BBERF has recovered when a new Gateway Control Session Establishment is received that is linked with the affected IP-CAN session.

B.3.15 Reporting Access Network Information

The procedure described in clause 4.5.22 or clause 4a.5.16 applies.

In case of a GTP-based 3GPP access the P-GW provides the CGI/SAI/ECGI within the 3GPP-User-Location-Info AVP.

In case of a PMIP-based 3GPP access the S-GW provides the CGI/SAI/ECGI within the 3GPP-User-Location-Info AVP.

If the ACCESS_NETWORK_INFO_REPORT event trigger is set, upon installation, modification and removal of any PCC/QoS rule(s) containing the Required-Access-Info AVP the PCEF/BBERF shall send an appropriate "Bearer Setup Request", "Update Bearer Request" or "Delete Bearer Request". The response message will include the access network information to the PDN GW.

NOTE: No specific request for location information reporting is required within those request messages.

B.3.16 Presence Reporting Area Information reporting

The PCRF determines at IP-CAN session establishment, whether reports for change of UE presence in Presence Reporting Area are desired for the IP-CAN session based on the subscriber's profile configuration and the Supported-Features AVP indicating the value "CNO-ULI". If the reporting is desired for the IP-CAN session, the PCRF shall provide the Presence-Reporting-Area-Information AVP which contains the Presence Reporting Area Identifier within

the Presence-Reporting-Area-Identifier AVP, and, for a UE-dedicated Presence Reporting Area, the list of elements composing the presence reporting area within the Presence-Reporting-Area-Elements-List AVP to the PCEF. The PCRF may activate the reporting changes of UE presence in Presence Reporting Area by subscribing to the CHANGE_OF_UE_PRESENCE_IN_PRESENCE_REPORTING_AREA_REPORT event trigger at the PCEF at any time during the lifetime of the IP-CAN session.

NOTE 1: If Presence Reporting Area reporting is not supported, the PCRF can instead activate location change reporting that reports actual location. Due to the potential increase in signalling load, careful consideration of the network load is necessary for such reporting, e.g. limiting the number of subscribers subject to such reporting.

The PCRF may also provide Presence-Reporting-Area-Identifier AVP within Presence-Reporting-Area-Information AVP via TSR command during the TDF session establishment. The TDF may request the notification of "CHANGE_OF_UE_PRESENCE_IN_PRESENCE_REPORTING_AREA_REPORT (48)" by including it in Event-Trigger AVP within Event-Report-Indication AVP via TSA or CCR command to indicate the PCRF to report the presence reporting area status change.

When the UE enters or leaves the presence reporting area, the PCEF shall report the CHANGE_OF_UE_PRESENCE_IN_PRESENCE_REPORTING_AREA_REPORT event; additionally, the PCEF shall also report the presence reporting area status within the Presence-Reporting-Area-Status AVP and presence reporting area identifier within Presence-Reporting-Area-Identifier AVP included in Presence-Reporting-Area-Information AVP. If the TDF has requested the notification of the change of UE presence in Presence Reporting Area, the PCRF shall provide Presence-Reporting-Area-Information AVP within the Event-Report-Indication AVP via RAR command to the TDF.

NOTE 2: The PCRF may acquire the necessary data for presence reporting from the SPR. The SPR's relation to existing subscriber databases is not specified in this Release.

NOTE 3: For a given PDN connection, reporting for only one presence reporting area is specified in this Release.

NOTE 4: Homogeneous support of Presence Area reporting in a network is assumed.

NOTE 5: Presence Reporting Area reporting is not supported for case 2b in this release.

The PCRF may be notified during the lifetime of an IP-CAN session that the UE is located in an access network where local configuration indicates that the reporting change of UE presence in Presence Reporting Area is not supported. The PCRF may unsubscribe to the change of UE presence in Presence Reporting Area by providing the Event-Trigger AVP with removing the value CHANGE_OF_UE_PRESENCE_IN_PRESENCE_REPORTING_AREA_REPORT (48), if previously activated.

The PCEF shall de-activate the relevant IP-CAN specific procedure for reporting Change of UE presence in Presence Reporting Area, when the PCRF and OCS unsubscribe to change of UE presence in Presence Reporting Area.

Annex C (Informative): Mapping table for type of access networks

Table C-1 maps the values of the IANA registered Access Technology Types used for PMIP in 3GPP TS 29.275 [28] with the values of the RAT types specified for GTPv2 in 3GPP TS 29.274 [22] and with the values of the RAT types and IP-CAN types specified in this specification.

Table C-1: Mapping table for type of access network code values

Access Technology Type registered with IANA, see 3GPP TS 29.275 [28]		PCC related RAT-Type, see clause 5.3.31		RAT-Type specified for GTPv2, see 3GPP TS 29.274 [22]		IP-CAN-Type, see clause 5.3.27 (NOTE)	
Value	Description	Value	Description	Value	Description	Value	Description
0	Reserved			0	<reserved>		
1	Virtual	1	VIRTUAL	7	Virtual	6	Non-3GPP-EPS
2	PPP						
3	IEEE 802.3						
4	IEEE 802.11a/b/g	0	WLAN	3	WLAN		
5	IEEE 802.16e					6 3	Non-3GPP-EPS WiMAX
6	3GPP GERAN	1001	GERAN	2	GERAN	0 5	3GPP-GPRS 3GPP-EPS
7	3GPP UTRAN	1000	UTRAN	1	UTRAN	0 5	3GPP-GPRS 3GPP-EPS
8	3GPP E-UTRAN	1004	EUTRAN	6	EUTRAN	5	3GPP-EPS
9	3GPP2 eHRPD	2003	EHRPD			6	Non-3GPP-EPS
10	3GPP2 HRPD	2001	HRPD			4	3GPP2
11	3GPP2 1xRTT	2000	CDMA2000_1X			4	3GPP2
12	3GPP2 UMB	2002	UMB			4	3GPP2
13-255	Unassigned						
		1002	GAN	4	GAN	0 5	3GPP-GPRS 3GPP-EPS
		1003	HSPA_EVOLUTION	5	HSPA Evolution	0 5	3GPP-GPRS 3GPP-EPS
						1	DOCSIS
						2	xDSL
						7	FBA

NOTE: The mapping of RAT-Type and Access Technology Type parameters to IP-CAN-Type depends on the packet core the radio access network is connected to. Possible mappings are listed in the IP-CAN-Type column.

Annex D (normative): Access specific aspects (EPC-based Non-3GPP)

D.1 Scope

This annex defines access specific procedures for use of Gxx between PCRF and a Non-3GPP access connected to EPC. Gx interface applies between the PCRF and the PCEF and shall follow the procedures within the main body of this specification.

If an EPC-based non-3GPP access (3GPP TS 23.402 [23]) requires Gxx for dynamic QoS control then it shall include the BBERF. The allocation of a BBERF to a node within the non-3GPP IP-CAN is out of 3GPP scope, unless otherwise specified in this Annex.

D.2 EPC-based eHRPD Access

D.2.1 General

In case of EPC-based eHRPD access the BBERF is located in the HRPD Serving Gateway (HSGW) as defined in 3GPP2 X.S0057 [24].

The HSGW of an EPC-based eHRPD access that supports a Gxa interface shall support all the Gxa procedures defined in this specification.

During the pre-registration phase in case of optimised EUTRAN-to-HRPD handovers, the Serving GW and the HSGW are associated with the IP-CAN session(s) of the UE in the PCRF. The HSGW is the non-primary BBERF.

D.2.2 Gxa procedures

D.2.2.1 Request for QoS rules

The procedures specified in clause 4a.5.1 apply with the following additions.

At gateway control session establishment as described in clause 4a.5.1, the information about the radio access technology shall be provided. The BBERF includes also the BSID if available. If information about the support of network-initiated QoS procedures is available, the Network-Request-Support AVP shall be provided.

When the PCRF receives a CCR command with the CC-Request-Type set to the value "INITIAL_REQUEST", the IP-CAN-Type AVP set to the value "Non-3GPP-EPS", the RAT-Type AVP set to the value "EHRPD" from a new BBERF and at least one Gateway Control Session for the same user identity and PDN ID exists, and if the UE has acquired an IPv6 prefix via the 3GPP access, the PCRF shall provide the IPv6 prefix of the UE to the BBERF by including the Framed-IPv6-Prefix AVP in the CCA command.

NOTE In order to allow the PCRF to link the new Gateway Control session to a Gx session based on the information received in the CCR command, it is assumed that there is only a single IP-CAN session per PDN ID and user identity.

When UE requests the establishment or modification of resources, the BBERF shall map the requested QoS information to the QoS-Information AVP following the guideline described in clause D.2.4.

D.2.2.2 Provisioning of QoS rules

D.2.2.2.1 QoS rule request for services not known to PCRF

When the PCRF receives a request for QoS rules while no suitable authorized PCC/QoS rules are configured in the PCRF, and if the user is not allowed to access AF session based services but is allowed to request resources for services not known to the PCRF, to the procedures specified in clause 4.5.2.0 apply. In addition, the PCRF may downgrade the bitrate parameters and the QCI according to operator policies when authorizing the request.

D.2.2.3 Provisioning and Policy Enforcement of Authorized QoS

D.2.2.3.1 Provisioning of authorized QoS

When receiving a CCR with a QoS-Information AVP, the PCRF shall decide upon the requested QoS information within the CCR command.

- The PCRF may compare the authorized QoS derived according to Clause 6.3 of 3GPP TS 29.213 [8] with the requested QoS for the service data flow. If the requested QoS is less than the authorised QoS, the PCRF may either request to upgrade the IP CAN QoS by supplying that authorised QoS in the QoS-Information AVP within the QoS-Rule-Definition AVP to the BBERF (e.g. if the PCRF has exact knowledge of the required QoS for the corresponding service), or the PCRF may only authorise the requested QoS by supplying the requested QoS in the QoS-Information AVP within the QoS-Rule-Definition AVP to the BBERF (e.g. if the PCRF only derives upper limits for the authorized QoS for the corresponding service data flow). If the requested QoS is higher than the authorised QoS, the PCRF shall downgrade the IP CAN QoS by supplying the authorised QoS in the QoS-Information AVP within the QoS-Rule-Definition AVP to the BBERF.

The PCRF may decide to modify the authorized QoS at any time. The PCRF shall send an unsolicited authorization to the BBERF as described in 4a.5.2. If the trigger to modify the authorized QoS comes from the AF, before starting an unsolicited provisioning, the PCRF may start a timer to wait for a UE requested corresponding QoS modification. At the expiry of the timer, if no QoS rule request has previously been received by the PCRF, the PCRF should go on with the unsolicited authorization as explained above.

D.2.2.3.2 Policy enforcement for authorized QoS

The procedures as described in 4a.5.10 apply with the following additions.

Upon reception of an authorized QoS within a CCA or RAR command, the BBERF shall perform the mapping from that "Authorised QoS" information into authorised access specific QoS information according to guidelines described in Clause D.2.4.

When the BBERF receives an unsolicited authorisation decision from the PCRF (i.e. a decision within a RAR) with updated QoS information, the BBERF shall update the stored authorised QoS. If the existing QoS of the IP-CAN bearer does not match the updated authorised QoS the BBERF shall perform a network initiated QoS modification to adjust the QoS to the authorised level.

D.2.3 Bearer Control Mode selection

Bearer Control Mode selection shall take place via Gxa reference point to the HSGW.

The HSGW shall only include the Network-Request-Support AVP if it supports this the network-initiated bearer setup procedure and the UE has previously indicated to the HSGW that the UE also support it.

The PCRF derives the selected Bearer-Control-Mode AVP based on the received Network-Request-Support AVP, access network information, subscriber information and operator policy. The PCRF selects the same Bearer Control Mode for all PDN connections from a UE to the same APN. The selected Bearer-Control-Mode AVP shall be provided to the HSGW using the QoS rule provision procedures at Gateway control session establishment.

The BCM selection procedure may also be triggered as a consequence of a change of HSGW.

The values defined in 5.3.23 for the Bearer-Control-Mode AVP apply with the following meaning:

UE_ONLY (0)

This value is used to indicate that the UE shall request any additional resource establishment.

RESERVED (1)

This value is not used in this Release.

UE_NW (2)

This value is used to indicate that both the UE and the BBERF may request any additional bearer establishment and add additional traffic mapping information to an existing bearer.

D.2.4 QoS Mapping

D.2.4.1 QCI to eHRPD QoS parameter mapping

The mapping of QCI to eHRPD QoS parameters follows the guidelines described 3GPP2 X.S0057 [24].

D.3 EPC-based Trusted WLAN Access with S2a

For EPC-based trusted WLAN Access with S2a, the PCEF is located in the P-GW and the BBERF does not apply.

NOTE: Gxa interface is not used for S2a-PMIP in Trusted WLAN within this release of the specification.

The PCEF provides the PCRF with the access network information as described in clause 4.5.1, with the exception of the user location information that, if available, is included in the TWAN-Identifier AVP. If the NetLoc-Trusted-WLAN is supported, the procedure described in clause 4.5.22 shall apply with the exception of the user location information that, if available, is included in the TWAN-Identifier AVP.

Annex E (normative): Access specific aspects, Fixed Broadband Access interworking with EPC

E.1 Scope

This annex defines access specific aspects procedures for use of Gx, Gxx and S15 between PCRF and PCEF, BBERF(ePDG/S-GW) and HNB GW respectively.

E.2 Definitions and abbreviations

E.2.1 Definitions

UE local IP address is defined as: either the public Ipv4 address and/or Ipv6 address assigned to the UE by the BBF domain in the no-NAT case, or the public Ipv4 address assigned by the BBF domain to the NATed RG that is used for this UE.

H(e)NB local IP address is defined as: either the public IP Ipv4 address and/or Ipv6 address assigned to the H(e)NB by the BBF domain in the no-NAT case, or the public Ipv4 address assigned by the BBF domain to the NATed RG that is used for this H(e)NB.

Non-seamless WLAN offload (NSWO) is defined as: a capability of routing specific IP flows over the WLAN access without traversing the EPC as defined in clause 4.1.5 of 3GPP TS 23.402 [23].

Non-seamless WLAN offload APN (NSWO-APN) is defined as: an APN allowing the BPCF to indicate to PCRF that for subscribers of a certain HPLMN the IP-CAN session is related to NSWO traffic.

EPC-routed traffic is defined as: User plane traffic that is routed via a PDN GW in EPC as part of a PDN Connection. EPC-routed traffic applies to non-roaming, roaming with home routed and roaming with visited access cases.

E.2.2 Abbreviations

The following abbreviations are relevant for this annex only:

BBF	Broadband Forum
BPCF	Broadband Policy Control Function
NA(P)T	Network Address (Port) Translation
NSWO	Non-Seamless WLAN offload
NSWO-APN	Non-Seamless WLAN offload APN
RG	Residential Gateway

E.3 Reference points and Reference model

E.3.0 General

For Fixed Broadband Access network interworking, the applied scenarios of case 1, case 2a and case 2b are defined in clause E.4.1 in 3GPP TS 29.213 [8].

E.3.1 Gx Reference Point

In addition to the specification of the Gx reference point defined in clause 4, this reference point is also used to transport, for case 1:

- The UE local IP address, the UDP source port number of IPsec tunnel if the NA(P)T is detected and ePDG IP address when GTP-based S2b is used in the WLAN scenario.
- The UE local IP address, the UDP source port number of DSMIPv6 binding update signalling (user plane traffic is not encapsulated by Ipsec), UDP source port number of IPsec tunnel (user plane traffic is encapsulated by Ipsec) if the NA(P)T is detected and P-GW IP address when trusted S2c is used in the WLAN scenario.
- The H(e)NB local IP address and the UDP source port number of IPsec tunnel if the NA(P)T is detected for GTP-based S5/S8 is used in the H(e)NB scenario.

E.3.2 Gxx Reference Point

This reference point is defined between the PCRF and the BBERF which is located at the ePDG or S-GW for PMIP-based S5/S8. It is used to transport:

- The UE local IP address, the UDP source port number of IPsec tunnel if the NA(P)T is detected, and ePDG IP address when PMIP based S2b (case 2b) or untrusted S2c (case 2a) is used in the WLAN scenario (BBERF located at the ePDG).
- The H(e)NB local IP address and the UDP source port number of IPsec tunnel if the NA(P)T is detected for PMIP based S5/S8 (case 2b) in the H(e)NB scenario (BBERF located at the S-GW).

When the BBERF is located at the ePDG, no QoS Rules should be sent over the Gxx reference point.

E.3.3 S15 Reference Point

The S15 reference point is located between the HNB GW and the PCRF and between the HNB GW and the V-PCRF. It enables provisioning and removal of dynamic QoS rules from the (V-) PCRF to the BPCF for the purpose of allocation and release of QoS resources in the Fixed Broadband Access Network for HNB CS calls.

E.3.3a Sd Reference Point

This reference point is an intra-operator interface between the TDF and the (V-)PCRF for the NSW0 traffic. Scenarios where NSW0 traffic is routed via the TDF are therefore limited to the case where the Fixed Broadband Access Network and the PLMN are owned by the same operator.

E.3.4 Reference Model

The relationships between the different functional entities involved for EPC-routed traffic are depicted in figure E.3.4.1 and E.3.4.2

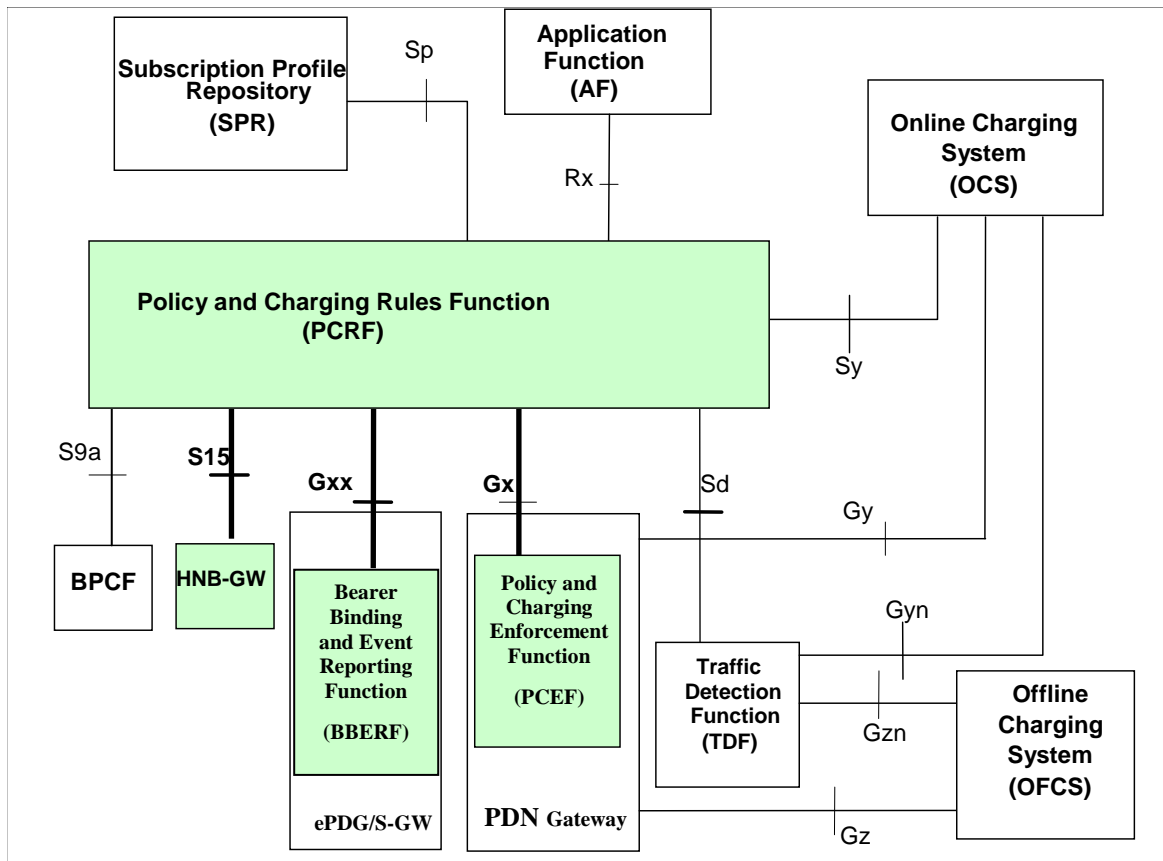


Figure E.3.4.1: Gx, Gxx and S15 reference point at the Policy and Charging Control (PCC) architecture with SPR

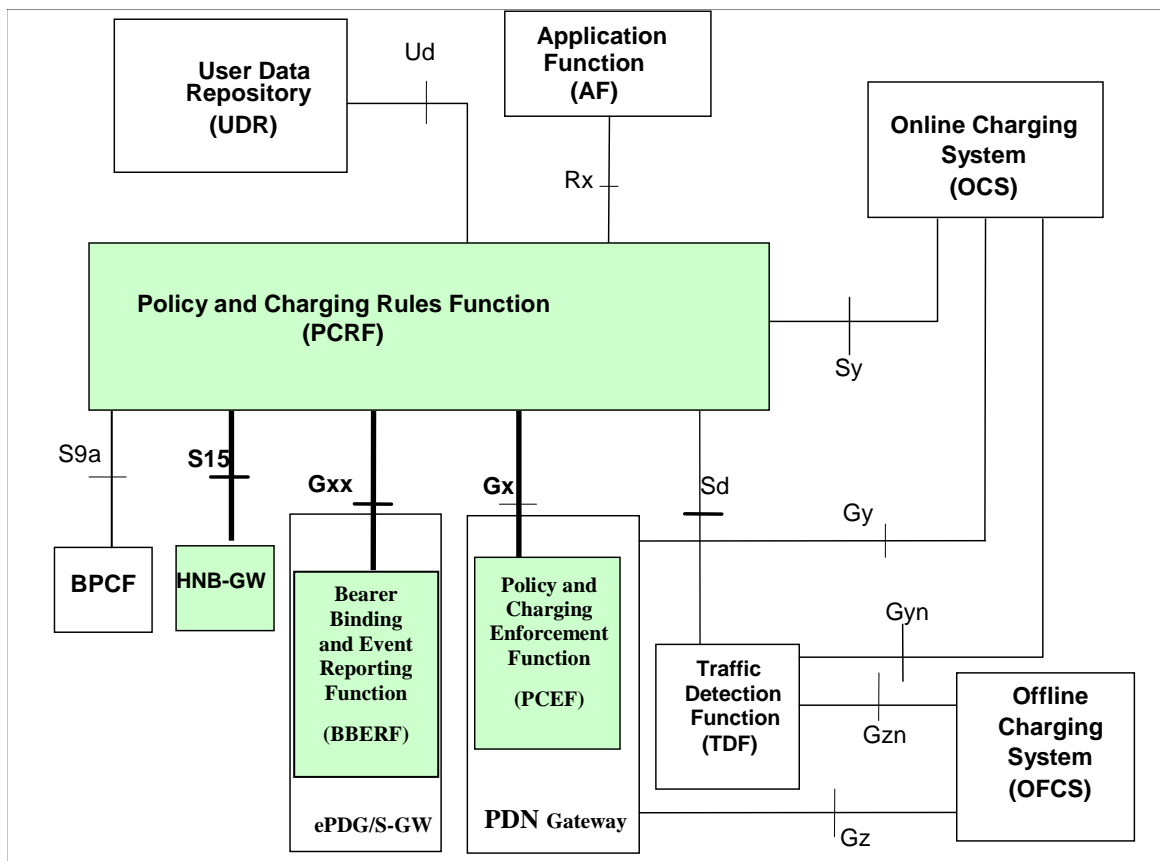


Figure E.3.4.2: Gx, Gxx and S15 reference point at the Policy and Charging Control (PCC) architecture with UDR

The relationships between the different functional entities involved for NSWO traffic are depicted in figure E.3.4.3 and E.3.4.4

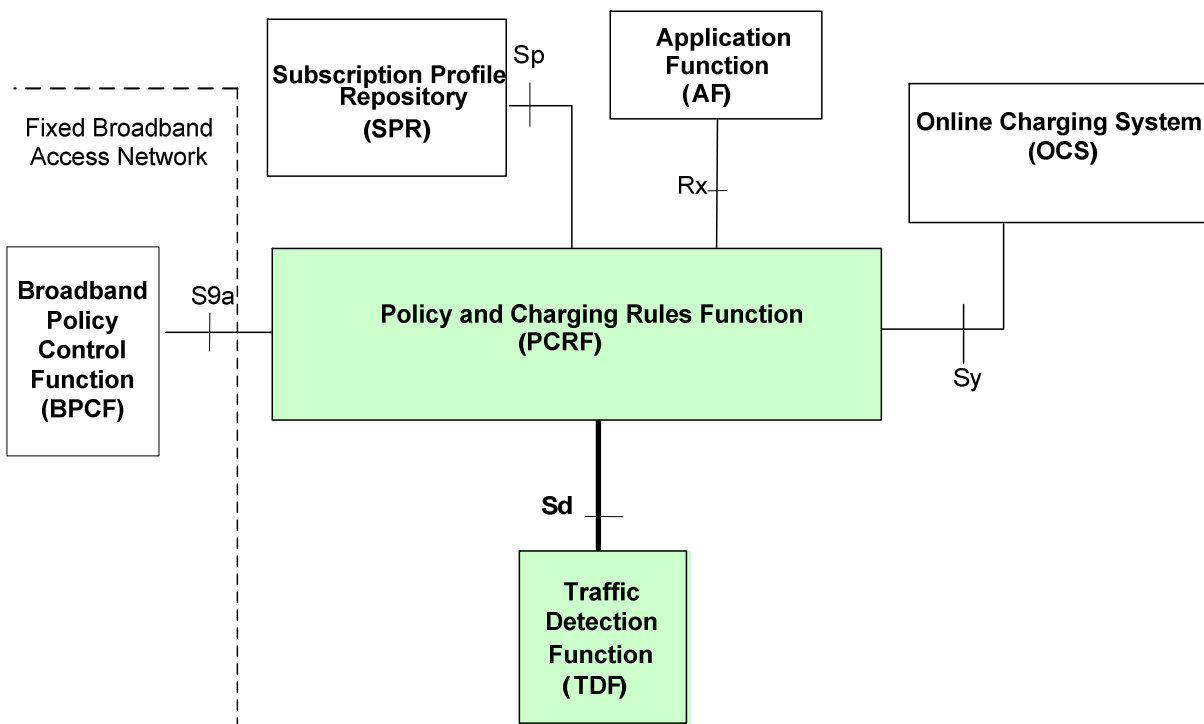


Figure E.3.4.3: Sd reference point at the Policy and Charging Control (PCC) architecture with SPR

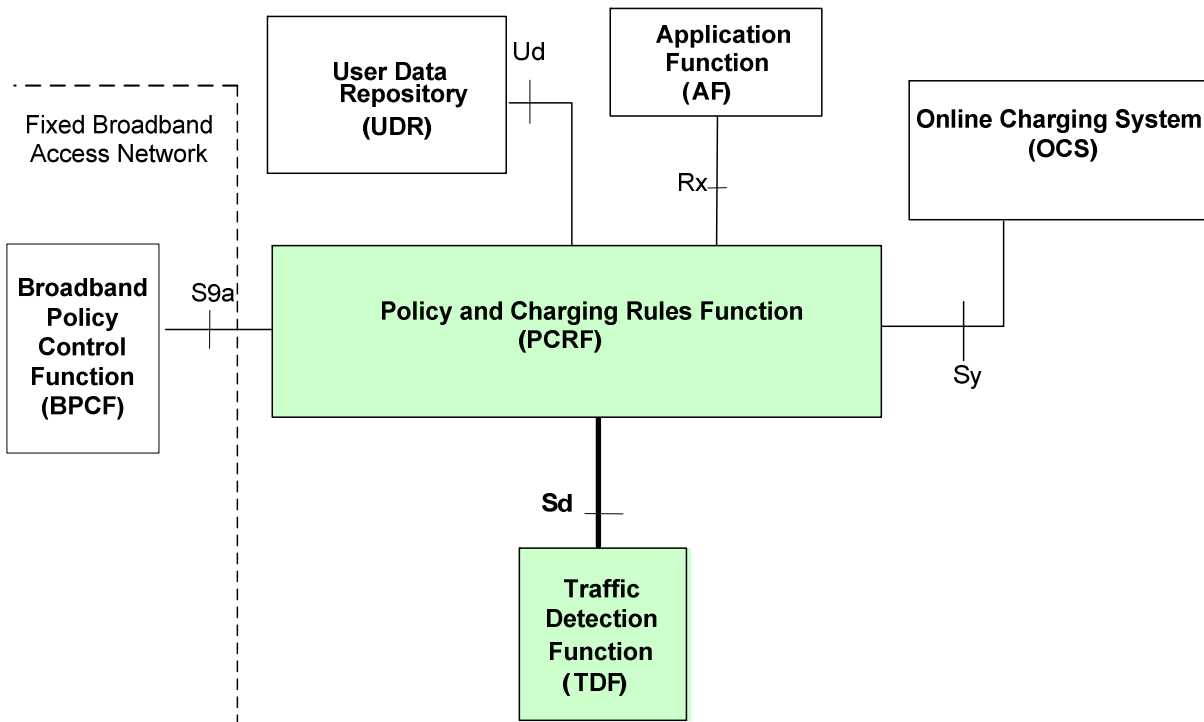


Figure E.3.4.4: Sd reference point at the Policy and Charging Control (PCC) architecture with UDR

NOTE 1: The TDF in this architecture is used with traffic that is non-seamless WLAN offloaded in the Fixed Broadband Access Network.

NOTE 2: Sd is an intra-operator interface. Scenarios where non-seamless WLAN offloaded traffic is routed via the TDF are therefore limited to the case where the Fixed Broadband Access Network and the PLMN are owned by the same operator.

E.4 Functional Elements

E.4.1 PCRF

The PCRF functionality defined in clause 4.4.1, clause 4a.4.1 and clause 4b.4.1 shall apply. In addition, to support interworking with Fixed Broadband Access networks for EPC-routed traffic, the PCRF shall:

- Be able to receive from the PCEF the H(e)NB Local IP address and if available UDP source port number for the H(e)NB scenario when GTP-based S5/S8 is used (case 1).
- Be able to receive from the BBERF(S-GW) the H(e)NB Local IP address and if available UDP source port number, and if available for the H(e)NB scenario when PMIP-based S5/S8 is used (case 2b).
- Be able to receive the UE local IP address, if available, UDP source port number from the BBERF (ePDG) (case 2a and case 2b) and PCEF (case 1) and ePDG IP address or P-GW IP address for the WLAN scenario.
- Be able to receive the HNB local IP address and if available, UDP source port number from HNB GW (case 1) for the HNB CS scenario.

In addition, to support interworking with Fixed Broadband Access networks for NSWO traffic, the PCRF shall:

- Establish an Sd session with the TDF for an S9a* session with the UE local IP address. The TDF address may be received over S9a reference point or can be preprovisioned in the PCRF.

NOTE: Scenarios where non-seamless WLAN offloaded traffic is routed via the TDF are limited to the case where the Fixed Broadband Access Network and the PLMN are owned by the same operator.

- Make the ADC decisions based on information obtained from the BPCF via the S9a reference point.

E.4.2 PCEF

The PCEF functionality defined in clause 4.4.2 shall apply. In addition, to support interworking with Fixed Broadband Access networks, the PCEF shall:

- Support the reporting of the H(e)NB Local IP address and if available UDP source port number over Gx reference point for the H(e)NB scenario when GTP-based S5/S8 is used (case 1).
- Support the reporting of the UE local IP address, if available UDP source port number (case 1) and P-GW IP address over Gx reference point for the WLAN scenario when GTP-based S2b or trusted S2c is used (case 1).

E.4.3 BBERF

For case 2a and case 2b of WLAN scenario, the BBERF(ePDG) shall support the reporting of the UE's Local IP address, UDP source port number if the NA(P)T is detected and ePDG IP address to the PCRF over Gxx reference point corresponding to Gxb* Bearer Binding, uplink bearer binding verification functions are not supported.

For case 2b of H(e)NB scenario, Gxx reference point corresponds to Gxc and the BBERF(S-GW) functionality defined in clause 4a.4.2 shall apply. In addition, to support interworking with Fixed Broadband Access networks, the BBERF shall support reporting the H(e)NB local IP address and the UDP source port number of IPsec tunnel if the NA(P)T is detected.

E.4.4 HNB GW

To support interworking with Fixed Broadband Access networks, the HNB GW shall:

- Support S15 session establishment, modification and termination between the HNB GW and PCRF for the CS sessions.
- Support the reporting of the QoS information of CS session to the PCRF so as to trigger the PCRF to request allocation of resources in the Fixed Broadband access network.
- Support the reporting of the HNB local IP address and if available UDP source port number.

E.5 PCC procedures

E.5.1 PCC procedures over Gx reference point

The PCC procedures over Gx reference point defined in clause 4.5 shall apply. In addition, to support interworking with Fixed Broadband Access networks, during the IP-CAN session establishment or modification, the PCEF may include

- In WLAN scenario, when GTP-based S2b and trusted S2c is used, the UE Local IP Address within the UE-Local-IP-Address AVP, and the UDP source port number of IPsec tunnel or the UDP source port number of DSMIPv6 binding update signalling within the UDP-Source-Port AVP if available for case 1 and the PDN-GW address used as the endpoint of the DSMIPv6 Ipv4 user plane tunnel with the UE within the 3GPP-GGSN-Address (Ipv4 address) or the PDN-GW address used as the endpoint of the DSMIPv6 Ipv6 user plane tunnel with the UE within the 3GPP-GGSN-Ipv6-Address (Ipv6 address) for trusted S2c access or the ePDG IP address derived from the ePDG IP address IE as defined in clause 7.2.1 of 3GPP TS 29.274 [22] within the AN-GW-Address for GTP-based S2b. The event trigger set to the value UE_LOCAL_IP_ADDRESS_CHANGE shall be included when the UE local IP address and/or UDP source port number are changed. The IP-CAN-Type is set to the value "Non-3GPP-EPS".
- In H(e)NB scenario, when GTP-based S5/S8 is used, the H(e)NB local IP Address within the HeNB-Local-IP-Address and UDP source port number of IPsec tunnel within UDP-Source-Port AVP if available for case 1 in H(e)NB scenario when GTP-base S5/S8 is used. The event trigger set to the value

H(E)NB_LOCAL_IP_ADDRESS_CHANGE shall be included when the H(e)NB local IP address and/or UDP source port number are changed. The IP-CAN-Type is set to the value "3GPP-EPS".

E.5.2 PCC procedures over Gxx reference point

E.5.2.1 Gateway Control Session Establishment

For the case 2a and case 2b of WLAN scenario, the BBERF (ePDG) may initiate a Gateway Control Session Establishment with the PCRF if it is aware that a 3GPP UE has attached via the BBF access and also learns the IMSI of the subscriber.

The BBERF(ePDG) shall send a CCR command with the CC-Request-Type AVP set to the value "INITIAL_REQUEST", the CCR command shall include the IMSI within the Subscription-Id AVP, the type of IP-CAN within the IP-CAN-Type AVP set to the value "Non-3GPP-EPS", the PDN information within the Called-Station-ID AVP if available, the UE Local IP Address within the UE-Local-IP-Address AVP, the UDP source port number of IPsec tunnel within the UDP-Source-Port AVP if available and the ePDG IP address used as IPsec tunnel endpoint with the UE within the AN-GW-Address AVP.

For the case 2b of H(e)NB scenario, the procedure defined in clause 4a.5.1 applies. In addition, to support interworking with Fixed Broadband Access networks, during the Gateway Control session establishment, the BBERF(S-GW) may include the H(e)NB local IP Address within the HeNB-Local-IP-Address and UDP source port number of IPsec tunnel within UDP-Source-Port AVP if available.

E.5.2.2 Gateway Control Session Modification

For the case 2a and case 2b of WLAN scenario, the BBERF(ePDG) may initiate a Gateway Control session modification with the PCRF if the Local UE IP address and/or the UDP source port number if available are changed.

The BBERF(ePDG) shall send a CCR command with the CC-Request-Type AVP set to the value "UPDATE_REQUEST", the CCR command shall include the UE Local IP Address within the UE-Local-IP-Address AVP and/or the UDP source port number of IPsec tunnel within the UDP-Source-Port AVP, and the event trigger set to the value UE_LOCAL_IP_ADDRESS_CHANGE.

For the case 2b of H(e)NB scenario, the procedure defined in clause 4a.5.1 applies. In addition, to support interworking with Fixed Broadband Access networks, during the Gateway Control session modification, the BBERF(S-GW) may include the H(e)NB local IP Address within the HeNB-Local-IP-Address and/or UDP source port number of IPsec tunnel within UDP-Source-Port AVP if available, and the event trigger set to the value H(E)NB_LOCAL_IP_ADDRESS_CHANGE.

E.5.2.3 Gateway Control Session Termination

Procedure defined in clause 4a.5.3 shall apply.

E.5.2.4 Request of Gateway Control Session Termination

Procedure defined in clause 4a.5.4 shall apply.

NOTE: BBERF(ePDG) does not need to remove/deactivate the QoS rule because the QoS rule are not applicable to the BBERF(ePDG).

E.5.3 S15 Procedures

E.5.3.1 S15 Session Establishment

The HNB GW initiates an S15 Session Establishment with the PCRF if the HNB registers to the HNB GW.

The HNB GW shall send a CC-Request with the CC-Request-Type AVP set to the value "INITIAL_REQUEST", The CCR command shall include the HNB Local IP address within the HeNB-Local-IP-Address AVP and the UDP source port number of IPSec tunnel within the UDP-Source-Port AVP if available.

When the PCRF receives the CC-Request, it shall acknowledge this message by sending a CC-Answer to the HNB GW.

E.5.3.2 S15 Session Modification

E.5.3.2.1 S15 Session Modification initiated by the HNB GW

The HNB GW initiates an S15 session modification with the PCRF if the HNB GW receives the RAB assignment message to request, modify and cancel the resource for the CS service.

The HNB GW shall send a CCR command with the CC-Request-Type AVP set to the value "UPDATE_REQUEST".

When the RAB assignment requests to allocate new resources, the HNB GW shall include the requested QoS information which is derived from the RAB message within the QoS-Information AVP, and the QoS request identifier assigned by the HNB GW within CS-Service-QoS-Request-Identifier AVP in the CCR command.

When the RAB assignment requests to modify existing resources, the HNB GW shall set the CS-Service-QoS-Request-Operation AVP to "MODIFICATION", the HNB GW shall also include the requested QoS information which is derived from the RAB message within the QoS-Information AVP and the QoS request identifier assigned by the HNB GW within CS-Service-QoS-Request-Identifier AVP in the CCR command.

When the RAB assignment requests to delete resources the HNB GW shall set the CS-Service-QoS-Request-Operation AVP to "DELETION", and shall also include the QoS request identifier assigned by the HNB GW within CS-Service-QoS-Request-Identifier AVP in the CCR command.

E.5.3.2.2 S15 Session Modification initiated by the PCRF

The PCRF initiates an S15 session modification with the HNB GW if the PCRF receives the QoS rule failure report with the PCC-Rule-Status AVP set to the value "INACTIVE" from the BPCF.

The PCRF shall include the CS-Service-Resource-Report AVP in the RAR command with the CS-Service-Resource-Result-Operation AVP set to the value "DELETION", the CS-Service-QoS-Request-Identifier AVP containing the QoS request identifier corresponding to the QoS rule reported by the BPCF and the CS-Service-Resource-Failure-Cause AVP indicating the reason why the resource is released.

The HNB GW shall initiate RAB modification or RAB release procedure to release the corresponding resource allocated in the 3GPP network as defined in 3GPP TS 23.060 [17].

E.5.3.3 S15 Session Termination

The HNB GW initiates the S15 session termination with the PCRF if the HNB GW initiates deregistration for the HNB or receives the deregistration request from the HNB.

The HNB GW shall send a CC-Request with CC-Request-Type AVP set to the value "TERMINATION_REQUEST".

If the HNB GW needs to send an S15 Session termination request towards a PCRF which is known to have restarted since the S15 Session establishment, the HNB GW should not send CC-Request to inform the PCRF.

When the PCRF receives the CC-Request, it shall acknowledge this message by sending a CC-Answer to the HNB GW.

E.5.4 ADC procedures over Sd reference point for solicited application reporting

E.5.4.1 TDF session establishment

If PCRF decides, based on subscriber's profile configuration, that the TDF session should be established with the TDF per corresponding IP-CAN session, during the IP-CAN session establishment or at any point of time when the PCRF

decides that the session with TDF is to be established (e.g. subscriber profile changes), the PCRF shall indicate via the Sd reference point, the ADC rules to be applied at the TDF. The TDF-Information AVP shall be either received over S9a within initial CC-Request received from BPCF or pre-provisioned at PCRF.

NOTE: In case the TDF-Information is pre-provisioned in the PCRF and also the value is received in CC-Request from the BPCF, the value received in CC-Request takes precedence over the pre-provisioned value.

When establishing the session with the TDF, the PCRF shall send a TS-Request with the PDN information (NSWO-APN), if available, within the Called-Station-Id AVP, the UE Local IP address within the Framed-IP-Address AVP and/or the Framed-Ipv6-Prefix AVP.

E.5.5 ADC procedures over Sd reference point for unsolicited application reporting

E.5.5.1 General

For provisioning of ADC Rules and Application Detection Information reporting the procedures described in clauses 4b.5a.1 and 4b.5a.2 apply respectively.

For the request of TDF Session Termination, the procedure described in clause 4b.5a.3 applies, with the exemption that the release of Ipv4 address in a dual stack scenario is notified with the S9a* Session Termination for that Ipv4 address.

E.5.5.2 TDF session to S9a* session linking

When the PCRF receives the CCR command with the CC-Request-Type set to the value "INITIAL_REQUEST" over Sd reference point, the PCRF links the TDF session to an S9a* session, if the Ipv4 address or Ipv6 address of the TDF session matches the UE local IP address of the S9a* session. The PDN information (i.e NSWO-APN) if available in the Called-Station-Id AVP may also be used for this session linking.

The TDF should handle each Ipv4 address and Ipv6 prefix, assuming the max prefix length used in the access network, within a separate TDF session.

NOTE 1: In a dual-stack scenario where a 3GPP UE in the Broadband Fixed Access Network is allocated an Ipv6 address/prefix and an Ipv4 address, this would result in two S9a* sessions. The PCRF would link the Ipv4 address related TDF session and Ipv6 address related TDF session for the same UE to the different S9a* sessions.

NOTE 2: In the scenario where the TDF performs initial Application Detection on 206multiple simultaneous traffic flows for the same Ipv6 prefix (i.e. two or more traffic flows from Ipv6 addresses of the same IP-CAN session) the TDF could not be aware that those flows belong to the same IP-CAN session until a response is received from the PCRF, containing the Ipv6 prefix. This leads to using separate TDF sessions for the Ipv6 addresses for the same IP-CAN session. The TDF reports new application detection information related to that Ipv6 prefix via any of the TDF sessions at a later stage.

E.6 S15 Protocol

E.6.1 Protocol support

The S15 application is defined as a vendor specific Diameter application, where the vendor is 3GPP and the Application-ID for the S15 Application in the present release is 16777318. The vendor identifier assigned by IANA to 3GPP (<http://www.iana.org/assignments/enterprise-numbers>) is 10415.

NOTE: A route entry can have a different destination based on the application identification AVP of the message. Therefore, Diameter agents (relay, proxy, redirection, translation agents) must be configured appropriately to identify the 3GPP S15 application within the Auth-Application-Id AVP in order to create suitable routing tables.

Due to the definition of the commands used in S15 protocol, there is no possibility to skip the Auth-Application-Id AVP and use the Vendor-Specific-Application-Id AVP instead. Therefore the S15 application identification shall be included in the Auth-Application-Id AVP.

With regard to the Diameter protocol defined over the S15 interface, the PCRF acts as a Diameter server, the HNB GW acts as the Diameter client.

E.6.2 Initialization, maintenance and termination of connection and session

The initialization and maintenance of the connection between each PCRF and HNB GW pair is defined by the underlying protocol. Establishment and maintenance of connections between Diameter nodes is described in IETF RFC 3588 [5].

After establishing the transport connection, the PCRF and the HNB GW shall advertise the support of the S15 specific Application by including the value of the application identifier in the Auth-Application-Id AVP and the value of the 3GPP (10415) in the Vendor-Id AVP of the Vendor-Specific-Application-Id AVP contained in the Capabilities-Exchange-Request and Capabilities-Exchange-Answer commands. The Capabilities-Exchange-Request and Capabilities-Exchange-Answer commands are specified in the Diameter base protocol (IETF RFC 3588 [5]).

The termination of the Diameter user session on S15 can be initiated by the HNB GW, as specified in clause E.5.3.3.

E.6.3 S15 specific AVPs

E.6.3.1 General

Table E.6.3.1.1 describes the Diameter AVPs defined for the S15 reference point, their AVP Code values, types, possible flag values, whether or not the AVP may be encrypted, what access types (e.g. 3GPP-EPS, etc.) the AVP is applicable to, the applicability of the AVPs to charging control, policy control or both, and which supported features the AVP is applicable to. The Vendor-Id header of all AVPs defined in the present document shall be set to 3GPP (10415).

Table E.6.3.1.1: S15 specific Diameter AVPs

Attribute Name	AVP Code	Clause defined	Value Type (NOTE 2)	AVP Flag rules (NOTE 1)				May Encr.	Acc. Type	Applicability (NOTE3)
				Must	May	Should not	Must not			
CS-Service-Qos-Request-Identifier	2807	E.6.3.2	OctetString	M, V	P			Y	3GPP-EPS	PC
CS-Service-QoS-Request-Operation	2808	E.6.3.3	Enumerated	M.V	P			Y	3GPP-EPS	PC
CS-Service-Resource-Report	2813	E.6.3.6	Grouped	M.V	P			Y	3GPP-EPS	PC
CS-Service-Resource-Failure-Cause	2814	E.6.3.5	Enumerated	M.V	P			Y	3GPP-EPS	PC
CS-Service-Resource-Result-Operation	2815	E.6.3.4	Enumerated	M.V	P			Y	3GPP-EPS	PC
NOTE 1: The AVP header bit denoted as "M", indicates whether support of the AVP is required. The AVP header bit denoted as "V", indicates whether the optional Vendor-ID field is present in the AVP header. For further details, see IETF RFC 3588 [5].										
NOTE 2: The value types are defined in IETF RFC 3588 [5].										
NOTE 3: AVPs marked "PC" are applicable to policy control.										

E.6.3.2 CS-Service-QoS-Request-Identifier

The CS-Service-QoS-Request-Identifier (AVP code 2807) is of type OctetString, and it identifies the QoS request instance request by the HNB GW for the CS-Service. QoS request identifier is assigned by the HNB GW and within the scope of the HNB GW is unique per PCRF.

E.6.3.3 CS-Service-QoS-Request-Operation

CS-Service-QoS-Request-Operation AVP (AVP code 2808) is type of Enumerated, and it indicates a resource request operation of the CS service.

The following values are defined:

DELETION (0)

This value is used to request that the resources reserved for the provided QoS request identifiers are to be deleted and no longer used by CS service.

MODIFICATION (1)

This value is used to request that the reserved resources for the provided QoS request identifiers are to be modified.

E.6.3.4 CS-Service-Resource-Result-Operation

CS-Service-Resource-Result-Operation AVP (AVP code 2815) is type of Enumerated, and it indicates a resource result operation of the CS service in the Fixed Broadband Access network.

The following values are defined:

DELETION (0)

This value is used to indicate a result that the resources reserved for the provided QoS request identifiers have been removed by the Fixed Broadband Access network.

E.6.3.5 CS-Service-Resource-Failure-Cause

CS-Service-Resource-Failure-Cause AVP (AVP code 2814) is type of Enumerated, and it indicates the reason why the resource is released.

The following values are defined:

RESOURCE_RELEASED (0)

This value is used to indicate that resource can not be maintained in the Fixed Broadband Access network.

E.6.3.6 CS-Service-Resource-Report

CS-Service-Resource-Report AVP (AVP code 2813) is type of Grouped, and it is used to report a resource result for the CS service in the Fixed Broadband Access network.

CS-Service-Resource-Result-Operation AVP indicates a resource result operation of the CS service in the Fixed Broadband Access network.

CS-Service-QoS-Request-Identifier AVP indicates the QoS request identifier that corresponding resource result is reported by the BPCF.

CS-Service-Resource-Failure-Cause AVP indicates the reason why the resource is released.

AVP Format:

```
CS-Service-Resource-Report ::= < AVP Header: 2813 >
    * [ CS-Service-QoS-Request-Identifier ]
    [ CS-Service-Resource-Result-Operation ]
    [ CS-Service-Resource-Failure-Cause ]
```

E.6.4 S15 re- used AVPs

E.6.4.1 General

Table E.6.4.1.1 lists the Diameter AVPs re-used by the S15 reference point from Gx reference point and other existing Diameter Applications, reference to their respective specifications, short description of their usage within the S15 reference point and the applicability of the AVPs to a specific access. When reused from Gx reference point, the specific clause in the present specification is referred. Other AVPs from existing Diameter Applications, except for the AVPs from Diameter base protocol, do not need to be supported. The AVPs from Diameter base protocol are not included in table E.6.4.1.1, but they are re-used for the S15 reference point. Unless otherwise stated, re-used AVPs shall maintain their "M", "P" and "V" flag settings. Where RADIUS VSAs are re-used, unless otherwise stated, they shall be translated to Diameter AVPs as described in IETF RFC 4005 [12] with the exception that the "M" flag shall be set and the "P" flag may be set.

Table E.6.4.1.1: S15 re-used Diameter AVPs

Attribute Name	Reference	Description	Acc. Type
HeNB-Local-IP-Address	5.3.95	Contains the HNB local IP address as defined in Annex E.2.1.	3GPP-EPS
QoS-Information	5.3.16	Contains the QoS information for a resource of the CS service	3GPP-EPS
UDP-Source-Port	5.3.97	Contains the UDP source port number in the case that NA(P)T is detected for supporting interworking with Fixed Broadband access network as defined in Annex E.	3GPP-EPS

E.6.4.2 Use of the Supported-Features AVP on the S15 reference point

The Supported-Features AVP is used during session establishment to inform the destination host about the required and optional features that the origin host supports. The client shall, in the first request of a Diameter session indicate the set of supported features. The server shall, in the first answer within the Diameter session indicate the set of features that it has in common with the client and that the server shall support within the same Diameter session. Any further command messages shall always be compliant with the list of supported features indicated in the Supported-Features AVPs during session establishment. Features that are not advertised as supported shall not be used to construct the command messages for that Diameter session. Unless otherwise stated, the use of the Supported-Features AVP on the S15 reference point shall be compliant with the requirements for dynamic discovery of supported features on the Cx reference point as defined in clause 7.2.1 of 3GPP TS 29.229 [14].

The base functionality for the S15 reference point is the 3GPP Rel-11 standard and a feature is an extension to that functionality. If the origin host does not support any features beyond the base functionality, the Supported-Features AVP may be absent from the S15 commands. As defined in clause 7.1.1 of 3GPP TS 29.229 [14], when extending the application by adding new AVPs for a feature, the new AVPs shall have the M bit cleared and the AVP shall not be defined mandatory in the command ABNF.

As defined in 3GPP TS 29.229 [14], the Supported-Features AVP is of type grouped and contains the Vendor-Id, Feature-List-ID and Feature-List AVPs. On the S15 reference point, the Supported-Features AVP is used to identify features that have been defined by 3GPP and hence, for features defined in this document, the Vendor-Id AVP shall contain the vendor ID of 3GPP (10415). If there are multiple feature lists defined for the S15 reference point, the Feature-List-ID AVP shall differentiate those lists from one another.

On receiving an initial request application message, the destination host shall act as defined in clause 7.2.1 of 3GPP TS 29.229 [14]. The following exceptions apply to the initial CCR/CCA command pair:

- If the HNB GW supports post-Rel-11 S15 functionality, the CCR shall include the features supported by the HNB GW within Supported-Features AVP(s) with the "M" bit cleared.

NOTE: One instance of Supported-Features AVP is needed per Feature-List-ID.

- If the CCR command does not contain any Supported-Features AVP(s) and the PCRF supports Rel-11 S15 functionality, the CCA command shall not include the Supported-Features AVP. In this case, both HNB GW and PCRF shall behave as specified in the Rel-11 version of this document.

Once the HNB GW and PCRF have negotiated the set of supported features during session establishment, the set of common features shall be used during the lifetime of the Diameter session.

E.6.5 S15 specific Experimental-Result-Code AVP values

E.6.5.1 General

IETF RFC 3588 [5] specifies the Experimental-Result AVP containing Vendor-ID AVP and Experimental-Result-Code AVP. The Experimental-Result-Code AVP (AVP Code 298) is of type Unsigned32 and contains a vendor-assigned value representing the result of processing a request. The Vendor-ID AVP shall be set to 3GPP (10415).

E.6.5.2 Success

Result Codes that fall within the Success category are used to inform a peer that a request has been successfully completed.

The Result-Code AVP values defined in Diameter base protocol, IETF RFC 3588 [5], shall be applied.

E.6.5.3 Permanent Failures

Errors that fall within the Permanent Failures category shall be used to inform the peer that the request failed, and should not be attempted again.

The Result-Code AVP values defined in Diameter base protocol, IETF RFC 3588 [5], are applicable.

E.6.5.4 Transient Failures

Errors that fall within the transient failures category are used to inform a peer that the request could not be satisfied at the time it was received, but may be able to satisfy the request in the future.

The Result-Code AVP values defined in Diameter base protocol, IETF RFC 3588 [5], are applicable.

E.6.6 S15 Messages

E.6.6.1 S15 Application

S15 Messages are carried within the Diameter Application(s) described in clause E.6.1.

Existing Diameter command codes from the Diameter base protocol, IETF RFC 3588 [5], and the Diameter Credit Control Application, IETF RFC 4006 [9], are used with the S15 specific AVPs specified in clause E.6.3. The Diameter Credit Control Application AVPs and AVPs from other Diameter applications that are re-used are defined in clause E.6.4. Due to the definition of these commands there is no possibility to skip the Auth-Application-Id AVP and use the Vendor-Specific-Application-Id AVP instead. Therefore the S15 application identifier shall be included in the Auth-Application-Id AVP. A diameter session needs to be established for each S15 session.

NOTE: Some of the AVPs included in the messages formats below are in bold to highlight that these AVPs are used by this specific protocol and do not belong to the original message definition in the DCC Application, IETF RFC 4006 [9], or Diameter base protocol, IETF RFC 3588 [5].

E.6.6.2 CC-Request (CCR) Command

The CCR command, indicated by the Command-Code field set to 272 and the "R" bit set in the Command Flags field, is sent by the HNB GW to the PCRF in order to initiate an S15 session establishment or request resource for the CS service. The CCR command is also sent by the HNB GW to the PCRF in order to indicate the termination of the S15 session.

Message Format:

```

<CC-Request> ::= < Diameter Header: 272, REQ, PXY >
  < Session-Id >
  { Auth-Application-Id }
  { Origin-Host }
  { Origin-Realm }
  { Destination-Realm }
  { CC-Request-Type }
  { CC-Request-Number }
  [ CS-Service-QoS-Request-Identifier ]
  [ CS-Service-QoS-Request-Operation ]
  [ Destination-Host ]
  [ HeNB-Local-IP-Address ]
  [ Origin-State-Id ]
  [ QoS-Information ]
  [ UDP-Source-Port ]
  * [ Proxy-Info ]
  * [ Route-Record ]
  * [ AVP ]

```

E.6.6.3 CC-Answer (CCA) Command

The CCA command, indicated by the Command-Code field set to 272 and the "R" bit cleared in the Command Flags field, is sent by the PCRF to the HNB GW in response to the CCR command. It is used to provision the admission control result in the fixed broadband access network.

Message Format:

```

<CC-Answer> ::= < Diameter Header: 272, PXY >
  < Session-Id >
  { Auth-Application-Id }
  { Origin-Host }
  { Origin-Realm }
  [ Result-Code ]
  [ Experimental-Result ]
  { CC-Request-Type }
  { CC-Request-Number }
  [ Origin-State-Id ]
  * [ Redirect-Host ]
  [ Redirect-Host-Usage ]
  [ Redirect-Max-Cache-Time ]
  [ Error-Message ]
  [ Error-Reporting-Host ]
  * [ Failed-AVP ]
  * [ Proxy-Info ]
  * [ Route-Record ]
  * [ AVP ]

```

E.6.6.4 Re-Auth-Request (RAR) Command

The RAR command, indicated by the Command-Code field set to 258 and the "R" bit set in the Command Flags field, is sent by the PCRF to the HNB GW in order to report the resource reservation result in the Fixed Broadband Access network.

Message Format:

```

<RA-Request> ::= < Diameter Header: 258, REQ, PXY >
  < Session-Id >
  { Auth-Application-Id }
  { Origin-Host }
  { Origin-Realm }
  { Destination-Realm }
  { Destination-Host }
  { Re-Auth-Request-Type }
  [ Origin-State-Id ]
  * [ CS-Service-Resource-Report ]
  * [ Proxy-Info ]
  * [ Route-Record ]
  * [ AVP ]

```

E.6.6.5 Re-Auth-Answer (RAA) Command

The RAA command, indicated by the Command-Code field set to 258 and the "R" bit cleared in the Command Flags field, is sent by the HNB GW to the PCRF in response to the RAR command.

Message Format:

```
<RA-Answer> ::= < Diameter Header: 258, PXY >
< Session-Id >
{ Origin-Host }
{ Origin-Realm }
[ Result-Code ]
[ Experimental-Result ]
[ Origin-State-Id ]
[ Error-Message ]
[ Error-Reporting-Host ]
*[ Failed-AVP ]
*[ Proxy-Info ]
*[ AVP ]
```

Annex F (informative): Disabling/re-enabling Usage Monitoring for a PCC/ADC rule

If usage monitoring for a PCC/ADC rule (belonging to a usage monitoring group) needs to be disabled, one of the two ways below can be chosen to realize this feature:

- The PCRF generates a new PCC/ADC rule with the same information (apart from the PCC/ADC Rule identifier within the Charging-Rule-Name AVP/ADC-Rule-Name AVP) as the existing PCC/ADC rule used to control the same traffic but without the monitoring key. The PCRF provides the new PCC/ADC rule with the Charging-Rule-Install AVP/ADC-Rule-Install AVP to the PCEF/TDF and removes the existing PCC/ADC rule with the Charging-Rule-Remove AVP/ ADC-Rule-Remove AVP in one CCA or RAR command.

NOTE 1: It is assumed that the activation of the new PCC/ADC rule takes place at the same time as the removal of the existing PCC/ADC rule and that no other actions are triggered (e.g. with respect to charging and bearer management) beside the ones related to the disabling of usage monitoring.

- The operator selects a specific monitoring key value to be used for all PCC/ADC rules for which usage monitoring is disabled. The PCRF modifies the monitoring key in the corresponding PCC/ADC rules to this specific value with the Charging-Rule-Install AVP/ADC-Rule-Install AVP. Following the PCRF instruction, the PCEF or TDF updates the monitoring key in the modified PCC/ADC rule and collects the usage information for the specific monitoring key value. The PCEF/TDF usage reports would still be received by the PCRF but could be ignored.

NOTE 2: The operator should configure the usage threshold to a sufficiently high value so that frequent usage reports are avoided.

If usage monitoring needs to be re-enabled for a PCC/ADC rule (i.e. usage monitoring has been disabled for this PCC/ADC rule before), one of the two ways below can be chosen to realize this feature:

- The PCRF generates a new PCC/ADC rule with the same information (apart from the PCC/ADC Rule identifier within the Charging-Rule-Name AVP/ADC-Rule-Name AVP) as the existing PCC/ADC rule used to control the same traffic and adds the required monitoring key. The PCRF provides the new PCC/ADC rule with the Charging-Rule-Install AVP/ADC-Rule-Install AVP to the PCEF/TDF and removes the existing PCC/ADC rule without monitoring key with the Charging-Rule-Remove AVP/ ADC-Rule-Remove AVP in one CCA or RAR command. The PCEF/TDF executes the operations in the same way it is described above in Note 1.
- The PCRF modifies the monitoring key of the corresponding PCC/ADC rule to the value of the required usage monitoring group (e.g. back to its original value) with the Charging-Rule-Install AVP/ADC-Rule-Install AVP.

Annex G (normative): Access specific aspects, Fixed Broadband Access network convergence

G.1 Scope

This annex defines the enhancement to Gx/Sd reference point for supporting policy and charging control in the fixed broadband access network in the convergent scenario where a single operator is deploying both the fixed broadband access network and the Evolved Packet Core (EPC).

The scope of this Annex is to define the convergent scenario where the PCRF controls directly the network element(s) in the fixed broadband access without the mediation of a different policy server, such as the Broadband Policy Control Function (BPCF).

Policy and charging control is provided for both Non-seamless WLAN offload traffic from a 3GPP UE and the traffic from fixed devices.

G.2 Definitions and abbreviations

G.2.1 Definitions

The definitions in the following are relevant for this annex only.

UE local IP address is defined as either the public IP address assigned to the UE by the Broadband Forum domain in the no-NAT case, or the public IP address assigned by the Broadband Forum domain to the NATed RG.

IP-CAN session as defined in clause 3.1 applies with the following clarifications for fixed broadband access. The term UE corresponds to the device that accesses the services provided by the network (i.e. either RG, or 3GPP UE or fixed end-device), the PDN identifies the IP network where the device gets IP connectivity and the UE identity information may be the IMSI, the user-name or the access line identifier (if available). In a Fixed Broadband Access an IP-CAN session corresponds to a Subscriber IP Session defined in Broadband Forum TR-146 [46].

NOTE: The PDN connection concept and APN are not applicable to Subscriber IP session for fixed device.

G.2.2 Abbreviations

The following abbreviations are relevant for this annex only:

BBF	Broadband Forum
BSSID	Basic Service Set Identifier
NAT	Network Address Translation
NSWO	Non-Seamless WLAN offload
NSWO-APN	Non-Seamless WLAN offload APN
RG	Residential Gateway
SSID	Service Set Identifier

G.3 Reference points and Reference model

G.3.1 Reference architecture

G.3.1.1 General

For Fixed Broadband Access network convergence, the reference architecture in Figure G.3.1.2.1 and Figure G.3.1.3.1 applies with the following conditions:

- PCEF resides in the IP Edge in the Fixed Broadband Access network.

NOTE 1: Either SPR or UDR is used in this architecture.

NOTE 2: Gxx reference point is not used.

G.3.1.2 Reference architecture

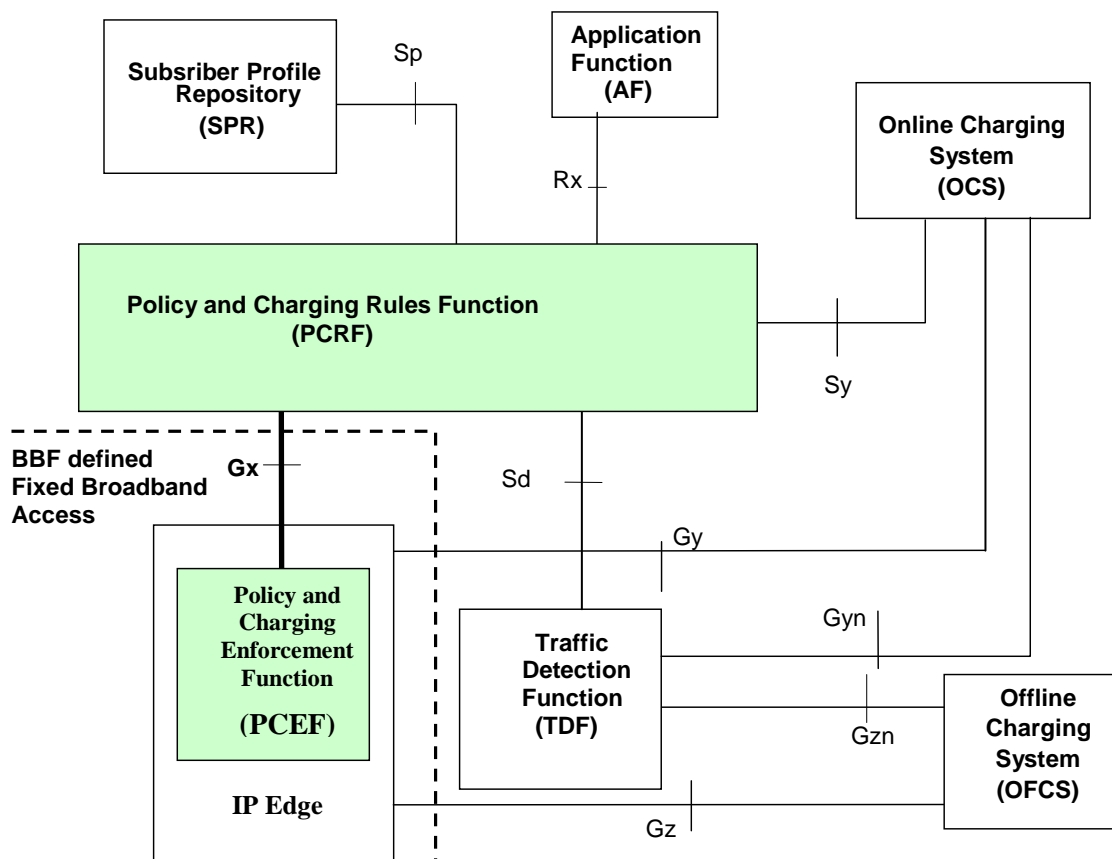


Figure G.3.1.2.1: PCC Reference architecture for Fixed Broadband Access network convergence when SPR is used

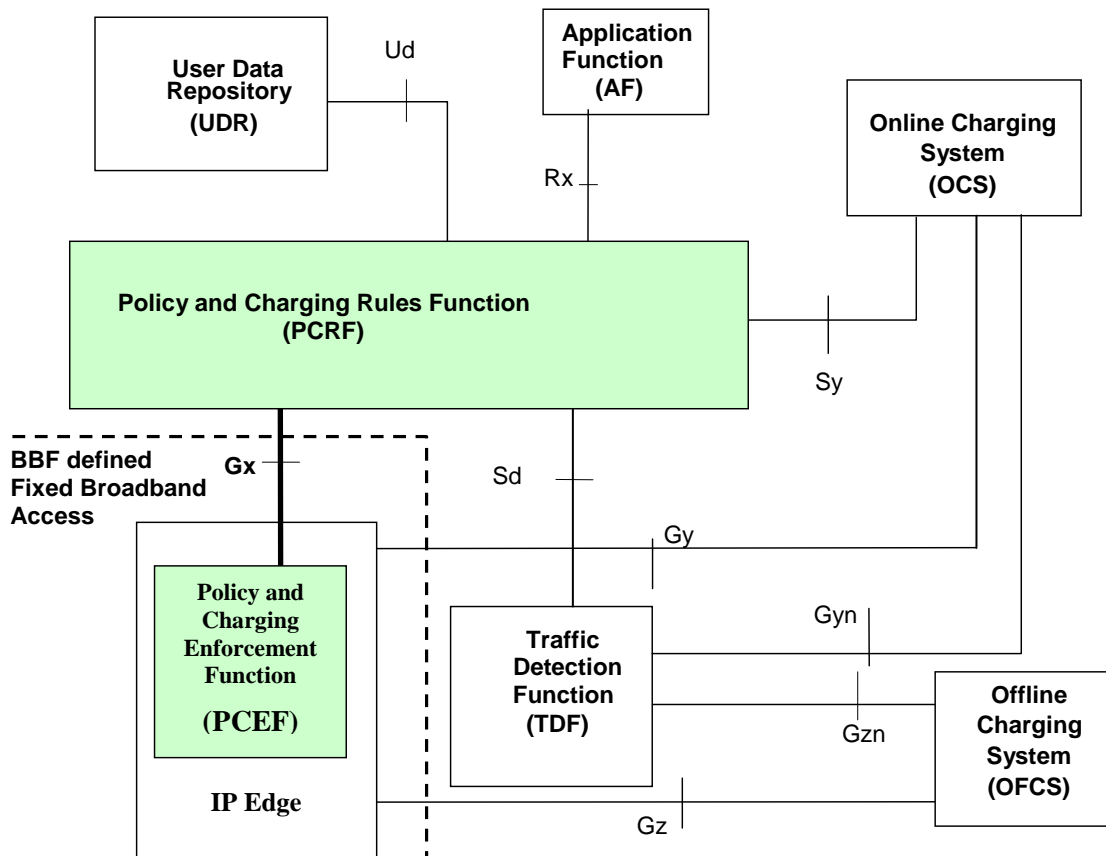


Figure G.3.1.2.2: PCC Reference architecture for Fixed Broadband Access network convergence when UDR is used

G.3.2 Gx Reference Point

This reference point corresponds to the Gx which resides between the PCEF in the IP Edge and the PCRF. The Gx reference point provides the same functionality as the Gx described in clause 4 with the following exceptions:

- No provisioning of IP flow mobility routing information from the PCEF in the IP Edge to the PCRF is performed.
- Negotiation of Bearer Control Mode (UE-only or UE/NW) does not apply.

In addition, for the purpose of convergence between 3GPP access and Fixed Broadband Access Network, the Gx reference point enables the transfer of PCC rules for an IP-CAN session that exists in the PCEF for a fixed device or for a 3GPP UE.

G.3.3 Sd Reference Point

The Sd reference point as described in clause 4b applies with the exception that the TDF does not request any notifications of specific events from the PCRF.

G.4 Functional Elements

G.4.1 PCRF

The PCRF functionality defined in clause 4.4.1 and clause 4b.4.1 shall apply, with the following exceptions:

- No negotiation of IP-CAN bearer control mode applies.

- Subscriptions to changes of IP-CAN type, RAT type or Access Network Information do not apply.
- Usage Monitoring Control as defined in clause 4.5.2.5, 4.5.16, 4.5.17 for Gx reference point and 4b.5.1.5, 4b.5.6, 4b.5.7 for Sd reference point applies with the following exceptions:
 - o In the routed RG with NAT mode, the IP-CAN session is per RG in the PCEF/IP Edge, the PCRF retrieves the usage monitoring related information from the SPR using the subscriber identifier within Subscription-ID AVP provided over Gx. The PCRF decides how to allocate a usage threshold to each existing IP-CAN session and/or monitoring key.
 - o In the bridge RG mode and in routed RG mode without NAT there may be a separate fixed subscriber session (i.e. IP-CAN session) for the each device behind the RG. The PCRF retrieves usage monitoring related information from the SPR using the subscriber identifier within Subscription-ID AVP and the NSWO APN information within the Called-Station-Id AVP if available provided over Gx. The PCRF decides how to allocate a usage threshold to each existing IP-CAN session and/or monitoring key.

G.4.2 PCEF(IP Edge)

The PCEF is located in the IP Edge as defined in TR-300 [47]. The PCEF performs those functions specified in clause 4.4.2 with the following Fixed Broadband specific functions:

The PCEF converts QoS parameters sent from the PCRF to Fixed Broadband Access to specific QoS attributes and determines the QoS parameters sent to the PCRF from a set of Fixed Broadband Access specific QoS attributes.

The support of Application Detection functionality is considered as a network operator's choice in Fixed Broadband Access. In addition, the UE and/or Network initiated bearer procedures and enforcement of authorized QoS for an IP-CAN bearer does not apply for Fixed Broadband Access.

G.4.3 TDF

The TDF functionality defined in clause 4b.4.2 shall apply. For supporting Fixed Broadband Access network convergence, the TDF does not request any notifications of specific events from the PCRF as described in clause 4b.5.8.

G.5 PCC procedures

G.5.1 Concept Adaptations for Fixed Broadband Access Network Convergence

G.5.1.1 General

The PCC procedures specified in clause 4.5 for Gx and in clause 4b.5 for Sd apply with the following concept adaptation for Fixed Broadband Access network convergence.

G.5.1.2 IP-CAN session

Fixed Broadband Access IP-CAN is a fixed access broadband network that provides IP connectivity to a 3GPP UE or fixed devices. The Fixed Broadband Access IP-CAN reuses the definition of an IP-CAN session in clause 3.1 with the following addition.

For routed mode RG with NAT, one IP-CAN session shall be established for each corresponding Subscriber IP session on the IP Edge for the Ipv4 address and/or Ipv6 address or Ipv6 prefix assigned to the RG.

In case of routed mode RG when the PPP pass-through feature is enabled (see requirement R-10 in Broadband Forum TR-124 Issue 3 [45]) an IP-CAN session shall be established for the each single fixed device starting the PPP session. In this case the 3GPP UE does not have Subscriber IP session in IP Edge.

For bridged mode RG, one IP-CAN session shall be established for each corresponding Subscriber IP session on the IP Edge for each Ipv4 address and/or Ipv6 address or Ipv6 prefix assigned to the fixed device or 3GPP UE which established a Subscriber IP session in Fixed Broadband Access network.

For routed mode RG with Ipv6 when stateless Ipv6 address autoconfiguration is used by the end-device behind the RG, one IP-CAN session shall be established for each corresponding Subscriber IP session on the IP Edge for the Ipv6 prefix assigned to the RG. When stateful Ipv6 address configuration is used by the end-devices, one IP-CAN session may be established for each end-device.

For routed mode RG, the successful completion of 3GPP-based access authentication and assignment of IP address to the 3GPP UE shall not result in any IP-CAN session establishment if the IP address assignment does not result in a new Subscriber IP Session in the IP Edge. In this case the pre-existent IP-CAN session for the RG is used.

A device connected to the RG (e.g. VoIP phones) may also initiate a Subscriber IP session when the RG is configured in bridge mode or when the PPP pass-through feature is enabled on the Routing RG (see requirement R-10 in Broadband Forum TR-124 Issue 3 [45]).

G.5.1.3 IP-CAN bearer

The Fixed Broadband Access network does not support the concept of a bearer and multiple bearers as defined in 3GPP TS 23.401 [32]. However, DSCP marking provides QoS support on transport network layer so that QoS and charging policies can be applied per SDF.

G.5.1.4 PCC rule

The definition of PCC rules and PCC rule operations in clause 4.3 are applicable except:

- PS to CS session continuity
- User Location Report

NOTE: The procedure for provisioning predefined PCC rules at the IP Edge is out of 3GPP scope.

G.5.1.5 ADC rule

For convergent application detection and control and TDF based charging, the definition of ADC rules in clause 4b.3 are applicable.

G.5.1.6 Subscriber Identifier

In the convergence scenario the Subscriber Identifier represents the identifier of the user.

For the 3GPP UE the Subscriber Identifier is received in the Subscription-Id AVP and includes the IMSI.

The Subscriber Identifier used by fixed device or the RG at establishment of Subscriber IP session in fixed broadband access network can be the Access Line Identifier (Physical-Access-ID AVP and Logical-Access-ID AVP) or the username received in Subscription-Id AVP, for example when the Subscriber IP session is a PPP Session.

NOTE: For the RG and fixed device based on Broadband Forum specification, the Subscriber Identifier is defined in Broadband Forum TR-134 [44].

G.5.1.7 Default QoS control

The BBF AAA may provide a default Access Profile QoS for the IP-CAN session that may contain QoS information.

The PCRF may provide the default QoS for the IP-CAN session to the PCEF over Gx. The IP Edge/PCEF shall enforce the default QoS provisioned over Gx.

NOTE: The IP Edge/PCEF does not enforce the default Access Profile QoS provided by the Broadband Fixed Access Network if PCRF is deployed.

The default QoS is included in the Default-QoS-Information AVP provided at command level as defined in clause 5.3.103.

The IP Edge/PCEF shall be able to convert default QoS into Fixed Broadband Access QoS attribute values. In the IP Edge, the QCI is mapped into e.g. DSCP code value or other transport specific information element and the MBR is used for bandwidth limitation for the DSCP code value. The PCEF/IP Edge shall enforce first the QoS for the packets that matches a service data flow template in an installed PCC Rule for which specific QoS enforcement actions are provided then the IP Edge/PCEF shall enforce the default QoS for all downlink and uplink traffic for the IP-CAN session.

The IP Edge/PCEF shall be able to convert the Fixed Broadband Access QoS attributes values into the default QoS included in the Default-QoS-Information AVP.

G.5.2 IP-CAN Session Establishment

The IP-CAN session establishment procedure defined in clause 4.5.1 applies.

NOTE 1: In routed mode configuration with NATed RG, the PCEF located in the IP Edge initiates the IP-CAN session establishment after the RG has been connected to the network and has been assigned an IPv4 address and/or IPv6 Prefix. In bridge mode, the PCEF located in the IP Edge initiates the IP-CAN session establishment after it becomes aware of an IPv4 address and/or an IPv6 address/IPv6 prefix has been assigned to the fixed device and/or 3GPP UE by the fixed broadband access.

NOTE 2: In case of routed mode RG when the PPP pass-through feature is enabled, an IP-CAN session is established for the each single fixed device starting the PPP session. In this case the 3GPP UE does not have Subscriber IP session in IP Edge.

NOTE 3: For routed mode RG, the successful completion of 3GPP-based access authentication and assignment of IP address to the 3GPP UE would not result in any IP-CAN session establishment if the IP address assignment does not result in a new Subscriber IP Session in the IP Edge. In this case the pre-existent IP-CAN session for the RG is used.

NOTE 4: How to assign the IPv4 address and/or IPv6 address/IPv6 Prefix to a RG or fixed device is out of the scope of 3GPP.

The PCEF located in the IP Edge shall send a CC-Request command to the PCRF with the CC-Request-Type AVP set to the value "INITIAL_REQUEST", the CC-Request command shall include the type of IP-CAN within the IP-CAN-Type AVP set to the value "FBA", the NSWO-APN information within the Called-Station-Id if available, the PLMN id within the 3GPP-SGSN-MCC-MNC AVP if available, the location information within the Fixed-User-Location-Info AVP if available and the Default QoS within the Default-QoS-Information AVP if available.

NOTE 5: How the location information becomes available to the PCEF/IP Edge is out of the scope of 3GPP.

NOTE 6: Operator policies in the PCEF indicate if dynamic policy control is provided. In addition, the NSWO-APN is also configured for subscribers on a PLMN basis.

In route mode configuration with NATed RG, the CC-Request command shall include the Access Line Identifier of the RG within the Physical-Access-ID AVP and the Logical-Access-ID AVP and the RG Ipv4 address within the Framed-IP-Address AVP and/or the RG Ipv6 prefix within the Framed-Ipv6-Prefix AVP.

In bridge mode, the CCR command may include the Subscription-Id AVP with the identity of the device (e.g. IMSI for the 3GPP UE, username for a fixed device) and the Access Line Identifier within the Physical-Access-ID AVP and the Logical-Access-ID AVP and the Ipv4 address within the Framed-IP-Address AVP and/or the Ipv6 address/prefix within the Framed-Ipv6-Prefix AVP.

When the PCRF receives the CC-Request, it shall respond to this message by sending a CC-Answer to the PCEF located in the IP Edge. The CC-Answer command shall include the Default QoS within the Default-QoS-Information AVP, the applicable PCC Rules within the Charging-Rule-Install AVP and the applicable event triggers within the Event-Trigger AVP. The PCEF located in the IP Edge maps the Default QoS received in the QoS-Information AVP into the Default Access Profile required in the Fixed Broadband Access network.

NOTE 7: The Default-Access-Profile is defined by Broadband Forum and out of the 3GPP scope.

NOTE 8: How the mapping between the Default-Access-Profile to Default-QoS is performed is out of 3GPP scope.

NOTE 9: Whether the Default QoS within the Default-QoS-Information AVP provided by the PCRF corresponds to a dynamic QoS or a default QoS name is subject to operator policies.

G.5.3 IP-CAN Session Termination

IP-CAN session termination can be initiated by the PCEF(IP Edge) and PCRF.

PCEF (IP Edge) initiated IP-CAN session termination is in accordance with the clause 4.5.7 with the following exceptions:

The IP-CAN session termination is triggered by PCEF when Subscriber IP session is terminated. The trigger to terminate the Subscriber IP session is Broadband Forum specific (e.g. RG switch off, loss of transmission, IP address lease expiration PPPoE session termination, etc) and out of the scope of 3GPP.

In routed mode configuration with NAT this procedure is applicable only when IP session from RG is terminated, e.g. when RG switches off or when public IP address assigned to the RG is released, etc. (The termination of connection from a device in LAN, e.g. when device releases the local IP address or it disconnects from WLAN does not trigger the IP-CAN session termination for IP session from RG.)

PCRF initiated IP-CAN session termination is in accordance with the clause 4.5.9. The term UE in the value of Session-Release-Cause AVP corresponds to the device that accesses the services provided by the network (i.e. either RG, or 3GPP UE or fixed end-device).

G.5.4 IP-CAN Session Modification

G.5.4.1 PCEF-Initiated IP-CAN Session Modification

This clause is related to IP-CAN session modification initiated by PCEF(IP Edge) for IP session. This procedure is in accordance with clause F.4.4.1 of 3GPP TS 29.213 [8].

The PCEF(IP Edge) may initiate an IP-CAN Session Modification by sending a CCR command when an event is met according to clause 4.5.1. The PCRF may provide in the CCA command PCC Rules according to clause 4.5.2.0 and Event Triggers according to clause 4.5.3. The PCRF may also provide the Default QoS within the Default-QoS-Information AVP. For solicited application reporting with a TDF, the PCRF may provide ADC Rules to the TDF as described in clause 4b.5.1 and Event Triggers according to clause 4b.5.3.

NOTE 1: Whether the Default QoS within the Default-QoS-Information AVP provided by the PCRF corresponds to a dynamic QoS or a default QoS name is subject to operator policies

The PCEF(IP Edge) may initiate an IP-CAN Session Modification by sending a CCR command in order to indicate a PCC Rule failure (e.g. release of resources) to the PCRF.

The CCR shall include the Charging-Rule-Report AVP indicating the PCC rules that were not accepted and the Rule-Failure-Code AVP indicating the failure cause at command level.

The PCRF shall include the result of the procedure in the CCA command.

G.5.4.2 PCRF-Initiated IP-CAN Session Modification

This procedure is in accordance with clause F.4.4.2 of 3GPP TS 29.213 [8].

The PCRF may include in the RAR command the applicable PCC Rules according to clause 4.5.2.0 and Event-Triggers according to clause 4.5.3. The PCRF may also provide the Default QoS within the Default-QoS-Information AVP. For solicited application reporting with a TDF, the PCRF may provide ADC Rules to the TDF according to clause 4b.5.1 and Event Triggers according to clause 4b.5.3.

NOTE 1: Whether the Default QoS within the Default-QoS-Information AVP provided by the PCRF corresponds to a dynamic QoS or a default QoS name is subject to operator policies.

The PCEF(IP Edge) shall include the result of the procedure in the RAA command.

Annex H (informative): Change history

Date	TSG #	TSG Doc.	CR	Rev	Subject/Comment	Old	New
03-2013	TSG#59	CP-130082	0968	4	IP-CAN session termination when usage quota reached	11.8.0	12.0.0
06-2013	TSG#60	CP-130341	0977	1	Reference model update to include Gyn and Gzn	12.0.0	12.1.0
06-2013	TSG#60	CP-130316	0983	2	Correction in QoS handling procedures in Gn-PGW	12.0.0	12.1.0
06-2013	TSG#60	CP-130325	0985	1	IP-CAN Session Modification Rejection during SGW Restoration procedure	12.0.0	12.1.0
06-2013	TSG#60	CP-130349	0993	2	Correction of PCC Rules to include support for ADC function	12.0.0	12.1.0
06-2013	TSG#60	CP-130322	0995	1	UE Ipv4 address availability in TDF session establishment	12.0.0	12.1.0
06-2013	TSG#60	CP-130331	0997	2	User Location Information Age	12.0.0	12.1.0
06-2013	TSG#60	CP-130348	1000		Disabling usage monitoring	12.0.0	12.1.0
06-2013	TSG#60	CP-130322	1003	1	Correction to event reporting indication	12.0.0	12.1.0
06-2013	TSG#60	CP-130328	1005	2	Supporting BPCF-initiated gateway control and QoS rule request procedure for HNB CS traffic	12.0.0	12.1.0
06-2013	TSG#60	CP-130346	1006	1	Clarification of the packet filter id only assigned for the UE-initiated resource modification procedure	12.0.0	12.1.0
06-2013	TSG#60	CP-130331	1008	1	Network provided location information related corrections	12.0.0	12.1.0
06-2013	TSG#60	CP-130316	1013	3	Corrections to the Event Report Indication	12.0.0	12.1.0
06-2013	TSG#60	CP-130336	1014	2	Race condition handling for Gx based applications	12.0.0	12.1.0
06-2013	TSG#60	CP-130315	1015	1	Clarify the provision of PCC rules	12.0.0	12.1.0
09-2013	TSG#61	CP-130561	1020	2	Addition of Application Based Charging feature	12.1.0	12.2.0
09-2013	TSG#61	CP-130539	1025	1	REVALIDATION_TIMEOUT event trigger over Gxx	12.1.0	12.2.0
09-2013	TSG#61	CP-130548	1027	1	Alignment correction on PCC rule definition in the PCEF	12.1.0	12.2.0
09-2013	TSG#61	CP-130563	1028	3	Adding new Annex to support Fixed Broadband Access network convergence	12.1.0	12.2.0
09-2013	TSG#61	CP-130563	1029	2	The scope of Fixed Broadband Access network convergence	12.1.0	12.2.0
09-2013	TSG#61	CP-130539	1036	1	Correction to QoS handling for interoperation with Gn/Gp SGSN	12.1.0	12.2.0
09-2013	TSG#61	CP-130542	1040	2	Clarifications for CSG information transfer	12.1.0	12.2.0
09-2013	TSG#61	CP-130548	1042		Correction to event report indication for SAPP	12.1.0	12.2.0
09-2013	TSG#61	CP-130551	1044		AVP code value correction	12.1.0	12.2.0
09-2013	TSG#61	CP-130553	1050	2	One time reporting of the present Access Network Information	12.1.0	12.2.0
09-2013	TSG#61	CP-130553	1052	3	Completion of NetLoc procedures in Gx & Gxx reference points	12.1.0	12.2.0
09-2013	TSG#61	CP-130552	1054	1	TWAN-Identifier applicability for Trusted-WLAN supported feature	12.1.0	12.2.0
12-2013	TSG#62	CP-130686	1060	1	Correction to QoS handling for interoperation with Gn/Gp SGSN	12.2.0	12.3.0
12-2013	TSG#62	CP-130671	1062	1	Corrections to CCA in Sd messages	12.2.0	12.3.0
12-2013	TSG#62	CP-130672	1064	1	Correction to USAGE_REPORT value in Sd re-used AVPs	12.2.0	12.3.0
12-2013	TSG#62	CP-130688	1065	2	Alignment correction to application detection description in ADC rule definition	12.2.0	12.3.0
12-2013	TSG#62	CP-130689	1066	3	Credit management session failure reporting by the PCEF	12.2.0	12.3.0
12-2013	TSG#62	CP-130692	1067	3	Adding the reference architecture to support fixed broadband access network convergence	12.2.0	12.3.0
12-2013	TSG#62	CP-130692	1068	4	Input for general part in PCC procedures	12.2.0	12.3.0
12-2013	TSG#62	CP-130692	1069	1	Adding IP-CAN session establishment to support fixed broadband access network convergence	12.2.0	12.3.0
12-2013	TSG#62	CP-130677	1070		Correction of AVP name for location age	12.2.0	12.3.0
12-2013	TSG#62	CP-130674	1072	2	Clarification of the ePDG/P-GW IP address	12.2.0	12.3.0
12-2013	TSG#62	CP-130677	1074		Correction to access network information for EPS	12.2.0	12.3.0
12-2013	TSG#62	CP-130677	1076	1	Access Network Information Reporting Correction	12.2.0	12.3.0
12-2013	TSG#62	CP-130682	1078	2	Error handling when the PCC rule is removed due to the S-GW restoration support	12.2.0	12.3.0
12-2013	TSG#62	CP-130686	1079	2	Clarification of PVI and PCI handling for interoperation with Gn/Gp SGSN	12.2.0	12.3.0
12-2013	TSG#62	CP-130692	1081	1	Definition and abbreviation to support Fixed Broadband Access network convergence	12.2.0	12.3.0
12-2013	TSG#62	CP-130692	1082	4	Functional elements to support Fixed Broadband Access network convergence	12.2.0	12.3.0
12-2013	TSG#62	CP-130692	1083	1	IP-CAN session Modification to support Fixed Broadband Access network convergence	12.2.0	12.3.0
12-2013	TSG#62	CP-130692	1084	3	IP-CAN session termination to support Fixed Broadband Access network convergence	12.2.0	12.3.0
12-2013	TSG#62	CP-130674	1093		Allocation of Diameter application id for S15	12.2.0	12.3.0
12-2013	TSG#62	CP-130661	1099	1	Unavailable RAT type	12.2.0	12.3.0
12-2013	TSG#62	CP-130686	1101	2	Authorized APN-AMBR handling for Update PDP context request when interoperating with Gn/Gp SGSN	12.2.0	12.3.0
03-2014	TSG#63	CP-140061	1138	2	Applicability of event triggers within the IP-CAN session	12.3.0	12.4.0
03-2014	TSG#63	CP-140062	1116	1	Clarifications to the values of IP-CAN-Type in case of 3GPP2	12.3.0	12.4.0

					access		
03-2014	TSG#63	CP-140069	1128	3	Inclusion of uplink service data flow filter in PCC/QoS rules	12.3.0	12.4.0
03-2014	TSG#63	CP-140070	1118	1	Correction to the Event Report Indication over Sd interface	12.3.0	12.4.0
03-2014	TSG#63	CP-140071	1122	2	Even trigger of local IP address and UDP port number change	12.3.0	12.4.0
03-2014	TSG#63	CP-140071	1124	1	Event-Report-Indication usage for EPC-routed scenario	12.3.0	12.4.0
03-2014	TSG#63	CP-140074	1126	1	Incorrect AVP name for ULI age	12.3.0	12.4.0
03-2014	TSG#63	CP-140075	1133	1	PCC Rule Removal error handling	12.3.0	12.4.0
03-2014	TSG#63	CP-140076	1104	3	Addition of charging characteristics transfer to the TDF	12.3.0	12.4.0
03-2014	TSG#63	CP-140076	1105	2	Correction on subscribing to credit management session failure	12.3.0	12.4.0
03-2014	TSG#63	CP-140083	1106	2	Alignment correction on reference architecture and function entities	12.3.0	12.4.0
03-2014	TSG#63	CP-140083	1107	1	Alignment correction on general part in PCC procedures	12.3.0	12.4.0
03-2014	TSG#63	CP-140083	1129	1	Default QoS handling for Fixed Broadband Access Convergence	12.3.0	12.4.0
03-2014	TSG#63	CP-140083	1130	2	Event Trigger applicability for Fixed Broadband Access	12.3.0	12.4.0
03-2014	TSG#63	CP-140083	1131	1	Completion of IP-CAN session procedures for Fixed Broadband Access Convergence	12.3.0	12.4.0
03-2014	TSG#63	CP-140086	1110	3	Access network information reporting in case of a TWAN access	12.3.0	12.4.0
03-2014	TSG#63	CP-140088	1108	1	Introduction of ULI reporting only when the UE is in "CONNECTED" state	12.3.0	12.4.0
03-2014	TSG#63	CP-140088	1111	1	Clarification for application detection function of PCEF and TDF	12.3.0	12.4.0
03-2014	TSG#63	CP-140088	1139	4	APN policy info with condition	12.3.0	12.4.0
03-2014	TSG#63	CP-140204	1141	5	Additional parameters" transfer to TDF for the purpose of charging reports	12.3.0	12.4.0
06-2014	TSG#64	CP-140352	1154	-	Correct the APN-AMBR provisioning over Gx for the PMIP case	12.4.0	12.5.0
06-2014	TSG#64	CP-140352	1164	-	APN-AMBR included in IP-CAN Session Establishment response	12.4.0	12.5.0
06-2014	TSG#64	CP-140356	1173	2	Correction to APN-AMBR provisioning in case of multiple PDN connections to the same APN	12.4.0	12.5.0
06-2014	TSG#64	CP-140365	1144	2	Correction on interface name for Sd supported feature	12.4.0	12.5.0
06-2014	TSG#64	CP-140365	1018	5	Corrections to handling of PCC rules with application identifier	12.4.0	12.5.0
06-2014	TSG#64	CP-140370	1146	1	Access Network Information Reporting Correction	12.4.0	12.5.0
06-2014	TSG#64	CP-140370	1185	2	Corrections for Netloc	12.4.0	12.5.0
06-2014	TSG#64	CP-140370	1179	2	Corrections to access network information reporting during the PCC rule removal and bearer deactivation/IP-CAN session termination	12.4.0	12.5.0
06-2014	TSG#64	CP-140370	1191	2	QoS rule only for access network information retrieve	12.4.0	12.5.0
06-2014	TSG#64	CP-140370	1204	2	Onetime reporting of the present Access Network Information	12.4.0	12.5.0
06-2014	TSG#64	CP-140377	1147	1	Correction to IMS Restoration procedure	12.4.0	12.5.0
06-2014	TSG#64	CP-140386	1142	1	Credit Control Failure Handling and Abort Session Request support	12.4.0	12.5.0
06-2014	TSG#64	CP-140386	1166	1	Correction to misleading wording on charging information	12.4.0	12.5.0
06-2014	TSG#64	CP-140386	1141	5	Reuse of AN-Trusted AVP to cover Trusted and Untrusted RAT separately	12.4.0	12.5.0
06-2014	TSG#64	CP-140388	1148	-	Editor"s note cleanup proposal for P4C-F Annex	12.4.0	12.5.0
06-2014	TSG#64	CP-140388	1168	1	Applying FBA in mapping table for type of access network	12.4.0	12.5.0
06-2014	TSG#64	CP-140391	1169	1	Corrections to Netloc-Trusted-WLAN	12.4.0	12.5.0
06-2014	TSG#64	CP-140391	1167	1	Trusted-WLAN supported feature required for NetLoc-Trusted-WLAN	12.4.0	12.5.0
06-2014	TSG#64	CP-140393	1149	5	Introduction of ULI reporting at presence reporting area	12.4.0	12.5.0
06-2014	TSG#64	CP-140400	1165	-	Unconditional APN-AMBR applicability correction	12.4.0	12.5.0
06-2014	TSG#64	CP-140400	1186	2	Reporting the RAN/NAS release cause on Gx interface	12.4.0	12.5.0
06-2014	TSG#64	CP-140401	1193	1	Diameter Overload Control for Gx	12.4.0	12.5.0
06-2014	TSG#64	CP-140402	1177	1	Usage allowance correction	12.4.0	12.5.0
06-2014	TSG#64	CP-140402	1194	4	Usage clarification on QoS-Negotiation AVP	12.4.0	12.5.0
06-2014	TSG#64	CP-140410	1198	2	Corrections to handling of PCC rules with application identifier	12.4.0	12.5.0
06-2014	TSG#64	CP-140411	1187	1	Corrections to include missed information in the non-seamless WLAN offload scenario	12.4.0	12.5.0
06-2014	TSG#64	CP-140412	1192	2	Ipv6 address in IP-CAN session establishment	12.4.0	12.5.0
07-2014	TSG#64	CP-140401	1193	1	Problem with the implementation of this CR corrected here	12.5.0	12.5.1
07-2014	-	-	-	-	Undo unwanted MS Word autocorrection ("€" corrected back to (e) in particular in "H(e)NB")	12.5.1	12.5.2
09-2014	CT-65	CP-140537	1208	3	Optimizing the description of IP-CAN session procedure	12.5.2	12.6.0
09-2014	CT-65	CP-140541	1211	-	Correction of access type for CNO_ULI related AVPs	12.5.2	12.6.0
09-2014	CT-65	CP-140541	1217	-	PRA information at TDF session establishment	12.5.2	12.6.0
09-2014	CT-65	CP-140541	1218	1	Correction of ULI reporting only when the UE is in 'CONNECTED' state	12.5.2	12.6.0
09-2014	CT-65	CP-140541	1209	2	Correction of supporting PRA reporting	12.5.1	12.6.0
09-2014	CT-65	CP-140544	1216	1	Group Communication Service support for Unicast bearers	12.5.2	12.6.0
09-2014	CT-65	CP-140547	1207	-	Diameter Overload Control for Sd	12.5.0	12.6.0
09-2014	CT-65	CP-140547	1212	-	Diameter overload control over Gxx	12.5.1	12.6.0
09-2014	CT-65	CP-140549	1215	2	Enhancement for P-CSCF Restoration	12.5.2	12.6.0
09-2014	CT-65	CP-140570	1213	2	New QCI values	12.5.2	12.6.0

12-2014	CT-66	CP-140916	1221	2	NAS/RAN cause handling	12.6.0	12.7.0
12-2014	CT-66	CP-140908	1222	3	Presence Reporting Area Indication on TDF Session	12.6.0	12.7.0
12-2014	CT-66	CP-140894	1224	2	Mute-Notification Status on Gx and Sd Session	12.6.0	12.7.0
12-2014	CT-66	CP-140893	1229	1	Correction to the PC to CS handover indication	12.6.0	12.7.0
12-2014	CT-66	CP-140889	1235		RESOURCE_ALLOCATION_FAILURE error response not to be sent upon PCRF-initiated PCC rule	12.6.0	12.7.0
12-2014	CT-66	CP-140910	1237		Number of standard QCI values	12.6.0	12.7.0
12-2014	CT-66	CP-140910	1243	1	QCI code values "spare for future use"	12.6.0	12.7.0
12-2014	CT-66	CP-140889	1248	1	3GPP2 reference correction	12.6.0	12.7.0
12-2014	CT-66	CP-140932	1251	1	Support for IPv6 prefix retrieve by the HSGW during the eHRPD pre-registration procedure	12.6.0	12.7.0
12-2014	CT-66	CP-140932	1253	1	TFT handling correction	12.6.0	12.7.0
12-2014	CT-66	CP-140900	1259	4	Correction of the REVALIDATION_TIMEOUT event trigger	12.6.0	12.7.0
03-2015	CT-67	CP-150105	1276	2	Corrections to the Used-Service-Unit AVP when UMCH feature is supported	12.7.0	12.8.0
03-2015	CT-67	CP-150111	1279		Reference update to align with the published BBF documents	12.7.0	12.8.0
03-2015	CT-67	CP-150122	1282	1	Correction on volume and time threshold provisioning	12.7.0	12.8.0
03-2015	CT-67	CP-150114	1284	1	TWAN supports access network information report	12.7.0	12.8.0
03-2015	CT-67	CP-150117	1286	2	Correction to the PRA reporting	12.7.0	12.8.0
03-2015	CT-67	CP-150106	1290	2	Charging correlation identifier for the IP-CAN session in Gx	12.7.0	12.8.0
03-2015	CT-67	CP-150106	1292	1	QoS change of default bearer	12.7.0	12.8.0
03-2015	CT-67	CP-150102	1295	2	Correction about conditions for filter restrictions	12.7.0	12.8.0
03-2015	CT-67	CP-150102	1303	2	Correction of TFT handling on default bearer	12.7.0	12.8.0
06-2015	CT-68	CP-150345	1310	-	Correction to the charging identifier scope	12.8.0	12.9.0
06-2015	CT-68	CP-150345	1312	2	QoS change of default bearer	12.8.0	12.9.0
06-2015	CT-68	CP-150354	1316	-	RAN-NAS-Cause supported feature update	12.8.0	12.9.0
06-2015	CT-68	CP-150354	1321	5	Priority of Default Bearer	12.8.0	12.9.0
06-2015	CT-68	CP-150344	1333	2	Corrections in Netloc functionality	12.8.0	12.9.0
09-2015	CT-69	CP-150466	1348	1	Use of the Supported-Features AVP on the Sd reference point	12.9.0	12.10.0
12-2015	CT-70	CP-150631	1386	1	Update the reference of draft-ietf-dime-ovli	12.10.0	12.11.0

Change history

Date	TSG #	TSG Doc.	CR	Rev	Cat	Subject/Comment	New
03-2016	CT-71	CP-160099	1415		F	Missed Fixed-User-Location-Info AVP in CC-request command	12.12.0
03-2016	CT-71	CP-160100	1423	1	F	Clarifications regarding Monitoring-Time procedures	12.12.0

History

Document history		
V12.6.0	October 2014	Publication
V12.7.0	January 2015	Publication
V12.8.0	April 2015	Publication
V12.9.0	July 2015	Publication
V12.10.0	October 2015	Publication
V12.11.0	January 2016	Publication
V12.12.0	May 2016	Publication