

ETSI TS 129 551 V15.9.0 (2021-08)



**5G;
5G System;
Packet Flow Description Management Service;
Stage 3
(3GPP TS 29.551 version 15.9.0 Release 15)**



Reference

RTS/TSGC-0329551vf90

Keywords

5G

ETSI

650 Route des Lucioles
F-06921 Sophia Antipolis Cedex - FRANCE

Tel.: +33 4 92 94 42 00 Fax: +33 4 93 65 47 16

Siret N° 348 623 562 00017 - NAF 742 C
Association à but non lucratif enregistrée à la
Sous-Préfecture de Grasse (06) N° 7803/88

Important notice

The present document can be downloaded from:

<http://www.etsi.org/standards-search>

The present document may be made available in electronic versions and/or in print. The content of any electronic and/or print versions of the present document shall not be modified without the prior written authorization of ETSI. In case of any existing or perceived difference in contents between such versions and/or in print, the prevailing version of an ETSI deliverable is the one made publicly available in PDF format at www.etsi.org/deliver.

Users of the present document should be aware that the document may be subject to revision or change of status.

Information on the current status of this and other ETSI documents is available at

<https://portal.etsi.org/TB/ETSIDeliverableStatus.aspx>

If you find errors in the present document, please send your comment to one of the following services:

<https://portal.etsi.org/People/CommitteeSupportStaff.aspx>

Copyright Notification

No part may be reproduced or utilized in any form or by any means, electronic or mechanical, including photocopying and microfilm except as authorized by written permission of ETSI.

The content of the PDF version shall not be modified without the written authorization of ETSI.

The copyright and the foregoing restriction extend to reproduction in all media.

© ETSI 2021.

All rights reserved.

DECT™, **PLUGTESTS™**, **UMTS™** and the ETSI logo are trademarks of ETSI registered for the benefit of its Members.

3GPP™ and **LTE™** are trademarks of ETSI registered for the benefit of its Members and of the 3GPP Organizational Partners.

oneM2M™ logo is a trademark of ETSI registered for the benefit of its Members and of the oneM2M Partners.

GSM® and the GSM logo are trademarks registered and owned by the GSM Association.

Intellectual Property Rights

Essential patents

IPRs essential or potentially essential to normative deliverables may have been declared to ETSI. The information pertaining to these essential IPRs, if any, is publicly available for **ETSI members and non-members**, and can be found in ETSI SR 000 314: "*Intellectual Property Rights (IPRs); Essential, or potentially Essential, IPRs notified to ETSI in respect of ETSI standards*", which is available from the ETSI Secretariat. Latest updates are available on the ETSI Web server (<https://ipr.etsi.org/>).

Pursuant to the ETSI IPR Policy, no investigation, including IPR searches, has been carried out by ETSI. No guarantee can be given as to the existence of other IPRs not referenced in ETSI SR 000 314 (or the updates on the ETSI Web server) which are, or may be, or may become, essential to the present document.

Trademarks

The present document may include trademarks and/or tradenames which are asserted and/or registered by their owners. ETSI claims no ownership of these except for any which are indicated as being the property of ETSI, and conveys no right to use or reproduce any trademark and/or tradename. Mention of those trademarks in the present document does not constitute an endorsement by ETSI of products, services or organizations associated with those trademarks.

Legal Notice

This Technical Specification (TS) has been produced by ETSI 3rd Generation Partnership Project (3GPP).

The present document may refer to technical specifications or reports using their 3GPP identities. These shall be interpreted as being references to the corresponding ETSI deliverables.

The cross reference between 3GPP and ETSI identities can be found under <http://webapp.etsi.org/key/queryform.asp>.

Modal verbs terminology

In the present document "**shall**", "**shall not**", "**should**", "**should not**", "**may**", "**need not**", "**will**", "**will not**", "**can**" and "**cannot**" are to be interpreted as described in clause 3.2 of the [ETSI Drafting Rules](#) (Verbal forms for the expression of provisions).

"**must**" and "**must not**" are **NOT** allowed in ETSI deliverables except when used in direct citation.

Contents

| | |
|---|----|
| Intellectual Property Rights | 2 |
| Legal Notice | 2 |
| Modal verbs terminology..... | 2 |
| Foreword..... | 5 |
| 1 Scope | 6 |
| 2 References | 6 |
| 3 Definitions, symbols and abbreviations | 7 |
| 3.1 Definitions | 7 |
| 3.2 Abbreviations | 7 |
| 4 Packet Flow Description Management Service..... | 7 |
| 4.1 Service Description | 7 |
| 4.1.1 Overview | 7 |
| 4.1.2 Service Architecture | 7 |
| 4.1.3 Network Functions..... | 8 |
| 4.1.3.1 Packet Flow Description Function (PFDf) | 8 |
| 4.1.3.2 NF Service Consumers..... | 8 |
| 4.2 Service Operations | 8 |
| 4.2.1 Introduction..... | 8 |
| 4.2.2 Nnef_PFDmanagement_Fetch Service Operation | 9 |
| 4.2.2.1 General | 9 |
| 4.2.2.2 Retrieval of PFDs..... | 9 |
| 4.2.3 Nnef_PFDmanagement_Subscribe Service Operation | 10 |
| 4.2.3.1 General | 10 |
| 4.2.3.2 Subscription for event notifications on PFDs change | 10 |
| 4.2.4 Nnef_PFDmanagement_Notify Service Operation..... | 11 |
| 4.2.4.1 General | 11 |
| 4.2.4.2 Notification of PFD change..... | 11 |
| 4.2.5 Nnef_PFDmanagement_Unsubscribe Service Operation | 11 |
| 4.2.5.1 General | 11 |
| 4.2.5.2 Unsubscribe from event notifications on PFDs change..... | 12 |
| 5 Nnef_PFDmanagement API..... | 12 |
| 5.1 Introduction | 12 |
| 5.2 Usage of HTTP..... | 12 |
| 5.2.1 General..... | 12 |
| 5.2.2 HTTP standard headers..... | 13 |
| 5.2.2.1 General | 13 |
| 5.2.2.2 Content type | 13 |
| 5.2.3 HTTP custom headers..... | 13 |
| 5.3 Resources | 13 |
| 5.3.1 Resource Structure | 13 |
| 5.3.2 Resource: PFD of applications..... | 14 |
| 5.3.2.1 Description | 14 |
| 5.3.2.2 Resource definition | 14 |
| 5.3.2.3 Resource Standard Methods..... | 14 |
| 5.3.2.3.1 GET | 14 |
| 5.3.2.4 Resource Custom Operations | 15 |
| 5.3.3 Resource: Individual application PFD | 15 |
| 5.3.3.1 Description | 15 |
| 5.3.3.2 Resource definition | 15 |
| 5.3.3.3 Resource Standard Methods..... | 15 |
| 5.3.3.3.1 GET | 15 |
| 5.3.3.4 Resource Custom Operations | 16 |
| 5.3.4 Resource: PFD subscriptions | 16 |

| | | |
|---|---|-----------|
| 5.3.4.1 | Description | 16 |
| 5.3.4.2 | Resource definition | 16 |
| 5.3.4.3 | Resource Standard Methods..... | 16 |
| 5.3.4.3.1 | POST | 16 |
| 5.3.4.4 | Resource Custom Operations | 17 |
| 5.3.5 | Resource: Individual PFD subscription | 17 |
| 5.3.5.1 | Description | 17 |
| 5.3.5.2 | Resource definition | 17 |
| 5.3.5.3 | Resource Standard Methods..... | 17 |
| 5.3.5.3.1 | DELETE..... | 17 |
| 5.3.5.4 | Resource Custom Operations | 18 |
| 5.4 | Custom Operations without associated resources..... | 18 |
| 5.5 | Notifications | 18 |
| 5.5.1 | General..... | 18 |
| 5.5.2 | PFD Change Notification..... | 18 |
| 5.5.2.1 | Description | 18 |
| 5.5.2.2 | Target URI | 18 |
| 5.5.2.3 | Standard Methods | 18 |
| 5.5.2.3.1 | POST | 18 |
| 5.6 | Data Model..... | 19 |
| 5.6.1 | General..... | 19 |
| 5.6.2 | Structured data types..... | 20 |
| 5.6.2.1 | Introduction..... | 20 |
| 5.6.2.2 | Type: PfdDataForApp..... | 20 |
| 5.6.2.3 | Type: PfdSubscription..... | 20 |
| 5.6.2.4 | Type: PfdChangeNotification | 21 |
| 5.6.2.5 | Type: PfdContent | 21 |
| 5.6.2.6 | Type: PfdChangeReport..... | 21 |
| 5.6.3 | Simple data types and enumerations | 22 |
| 5.6.3.1 | Introduction..... | 22 |
| 5.6.3.2 | Simple data types | 22 |
| 5.7 | Error handling | 22 |
| 5.7.1 | General..... | 22 |
| 5.7.2 | Protocol Errors..... | 22 |
| 5.7.3 | Application Errors | 22 |
| 5.8 | Feature negotiation..... | 22 |
| 5.9 | Security | 23 |
| Annex A (normative): OpenAPI specification..... | | 24 |
| A.1 | General | 24 |
| A.2 | Nnef_PFDmanagement API..... | 24 |
| Annex B (informative): Change history | | 30 |
| History | | 31 |

Foreword

This Technical Specification has been produced by the 3rd Generation Partnership Project (3GPP).

The contents of the present document are subject to continuing work within the TSG and may change following formal TSG approval. Should the TSG modify the contents of the present document, it will be re-released by the TSG with an identifying change of release date and an increase in version number as follows:

Version x.y.z

where:

- x the first digit:
 - 1 presented to TSG for information;
 - 2 presented to TSG for approval;
 - 3 or greater indicates TSG approved document under change control.
- y the second digit is incremented for all changes of substance, i.e. technical enhancements, corrections, updates, etc.
- z the third digit is incremented when editorial only changes have been incorporated in the document.

1 Scope

The present document provides the stage 3 specification of the PFD Management Service of 5G system.

The stage 2 definition and related procedures of the PFD Management Service are contained in 3GPP TS 23.502 [3] and 3GPP TS 23.503 [4]. The 5G System Architecture is defined in 3GPP TS 23.501 [2].

The Technical Realization of the Service Based Architecture and the Principles and Guidelines for Services Definition of the 5G System are specified in 3GPP TS 29.500 [5] and 3GPP TS 29.501 [6].

The Packet Flow Description Function (PFDF) provides the PFD Management Service to the NF consumers (i.e. Session Management Function). The PFDF is functionality within the NEF.

2 References

The following documents contain provisions which, through reference in this text, constitute provisions of the present document.

- References are either specific (identified by date of publication, edition number, version number, etc.) or non-specific.
- For a specific reference, subsequent revisions do not apply.
- For a non-specific reference, the latest version applies. In the case of a reference to a 3GPP document (including a GSM document), a non-specific reference implicitly refers to the latest version of that document *in the same Release as the present document*.

- [1] 3GPP TR 21.905: "Vocabulary for 3GPP Specifications".
- [2] 3GPP TS 23.501: "System Architecture for the 5G System; Stage 2".
- [3] 3GPP TS 23.502: "Procedures for the 5G System; Stage 2".
- [4] 3GPP TS 23.503: "Policy and Charging Control Framework for the 5G System; Stage 2".
- [5] 3GPP TS 29.500: "5G System; Technical Realization of Service Based Architecture; Stage 3".
- [6] 3GPP TS 29.501: "5G System; Principles and Guidelines for Services Definition; Stage 3".
- [7] IETF RFC 7540: "Hypertext Transfer Protocol Version 2 (HTTP/2)".
- [8] IETF RFC 8259: "The JavaScript Object Notation (JSON) Data Interchange Format".
- [9] OpenAPI: "OpenAPI 3.0.0 Specification", <https://github.com/OAI/OpenAPI-Specification/blob/master/versions/3.0.0.md>.
- [10] 3GPP TS 29.571: "5G System; Common Data Types for Service Based Interfaces Stage 3".
- [11] 3GPP TS 29.122: "T8 reference point for Northbound APIs".
- [12] 3GPP TS 29.251: "Gw and Gwn reference points for sponsored data connectivity".
- [13] 3GPP TS 29.510: "5G System; Network Function Repository Services; Stage 3".
- [14] 3GPP TS 33.501: "Security architecture and procedures for 5G system".
- [15] IETF RFC 6749: "The OAuth 2.0 Authorization Framework".
- [16] IETF RFC 7807: "Problem Details for HTTP APIs".
- [17] 3GPP TR 21.900: "Technical Specification Group working methods".

3 Definitions, symbols and abbreviations

3.1 Definitions

For the purposes of the present document, the terms and definitions given in 3GPP TR 21.905 [1] and the following apply. A term defined in the present document takes precedence over the definition of the same term, if any, in 3GPP TR 21.905 [1].

3.2 Abbreviations

For the purposes of the present document, the abbreviations given in 3GPP TR 21.905 [1] and the following apply. An abbreviation defined in the present document takes precedence over the definition of the same abbreviation, if any, in 3GPP TR 21.905 [1].

| | |
|------|----------------------------------|
| JSON | JavaScript Object Notation |
| NEF | Network Exposure Function |
| NRF | Network Repository Function |
| PFD | Packet Flow Description |
| PFDF | Packet Flow Description Function |
| SBI | Service Based Interface |
| SMF | Session Management Function |

4 Packet Flow Description Management Service

4.1 Service Description

4.1.1 Overview

The PFD Management Service, as defined as defined in 3GPP TS 23.501 [2], 3GPP TS 23.502 [3] and 3GPP TS 23.503 [4], is provided by the Packet Flow Description Function (PFDF).

The only known NF Service Consumer is the SMF.

This service:

- allows an SMF to subscribe to and unsubscribe from PFD changes;
- notifies an SMF about the changed PFDs; and
- allows an SMF to retrieve PFDs.

4.1.2 Service Architecture

The 5G System Architecture is defined in 3GPP TS 23.501 [2]. The Policy and Charging related 5G architecture is also described in 3GPP TS 23.503 [4].

The PFD Management Service is provided by the PFDF to the SMF and shown in the SBI representation model in Figure 4.1.2-1. PFDF is functionality within NEF.

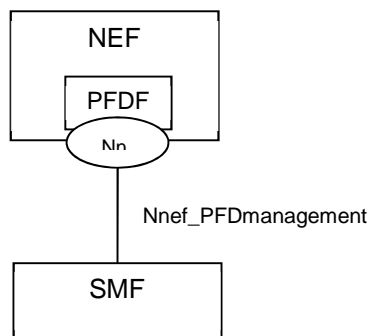


Figure 4.1.2-1: Reference Architecture for the Nnef_PFDmanagement Service; SBI representation



Figure 4.1.2-2: Reference Architecture for the Nnef_PFDmanagement Service; reference point representation

4.1.3 Network Functions

4.1.3.1 Packet Flow Description Function (PFDF)

The Packet Flow Description Function (PFDF):

- provides PFDs associated with one or more Application Identifiers; and
- allows NF consumers to subscribe to and unsubscribe from the notification of changes of PFDs for Application Identifier.

4.1.3.2 NF Service Consumers

The SMF shall support:

- requesting and receiving the PFD(s) for one or more Application Identifiers.

4.2 Service Operations

4.2.1 Introduction

Service operations defined for the Nnef_PFDmanagement Service are shown in table 4.2.1-1.

Table 4.2.1-1: Nnef_PFDmanagement Service Operations

| Service Operation Name | Description | Initiated by |
|--------------------------------|--|--------------|
| Nnef_PFDmanagement_Fetch | Provides the PFDs for application identifier(s) to the NF service consumer. | SMF |
| Nnef_PFDmanagement_Subscribe | Allows NF service consumers to subscribe the notification of events when the PFDs for application identifier change. | SMF |
| Nnef_PFDmanagement_Notify | Notifies NF service consumer to update and/or delete the PFDs for application identifier(s). | PFDF |
| Nnef_PFDmanagement_Unsubscribe | Allows NF service consumers to unsubscribe the notification of events. | SMF |

4.2.2 Nnef_PFDmanagement_Fetch Service Operation

4.2.2.1 General

The Nnef_PFDmanagement_Fetch service operation provides a means for the NF service consumer to retrieve the PFDs for one or more application identifier(s).

The following procedures using the Nnef_PFDmanagement_Fetch service operation are supported:

- Retrieval of PFDs.

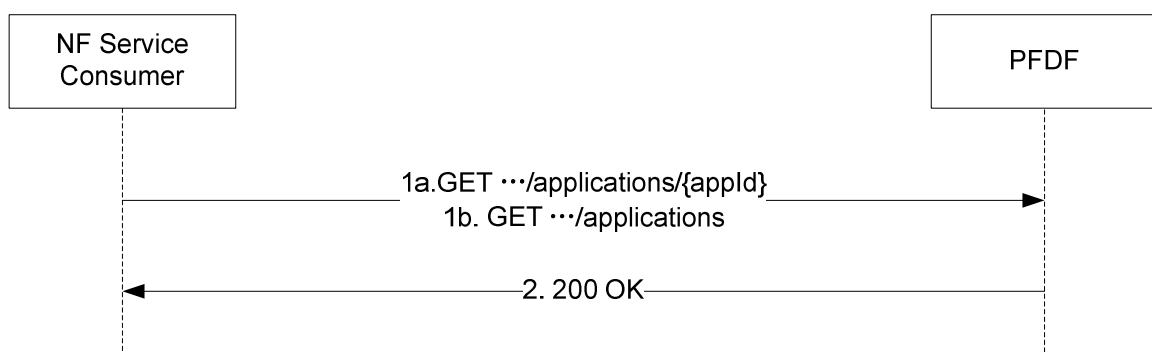
4.2.2.2 Retrieval of PFDs

This procedure as shown in Figure 4.2.2.2-1 is used to retrieve PFDs for an application identifier from the PFDF. This procedure enables the NF service consumer to retrieve PFDs for an Application Identifier(s) from the PFDF:

- when a PCC rule with this application identifier is provided/activated by the PCF and the PFDs provided by the PFDF are not available at the NF service consumer;
- when the caching timer for an application identifier elapses and a PCC rule for this application identifier is still active.

When the SMF removes the last PCC rule that refers to the corresponding application identifier, or when the caching timer expires and no PCC rule refers to the application identifier, the SMF may remove the PFD(s) related with the application identifier.

The PFDs retrieved from PFDF take precedence over any PFDs pre-configured in the SMF. If all PFDs retrieved from the PFDF are removed for an application identifier, the pre-configured PFDs shall be applied again for the application identifier.

**Figure 4.2.2.2-1: Retrieval of PFDs**

1. The NF service consumer (i.e. SMF) shall send a GET request to the resource representing the PFD for application identifier(s) to be required:

- for PFD of individual application identifier, the request URI shall include "{apiRoot}/nnef-pfdmanagement/v1/applications/{appId}" (as shown in figure 4.2.2.2-1, step 1a); and
 - for PFD of a collection of application identifiers, the request URI shall include "{apiRoot}/nnef-pfdmanagement/v1/applications" (as shown in figure 4.2.2.2-1, step 1b) with query parameters indicating the requested application identifier(s).
2. On success, "200 OK" shall be returned; the payload body of GET response shall contain a representation of "Individual application PFD" resource or "PFD of applications" resource for the requested application identifier(s). The NF service consumer shall replace the stored PFD(s) retrieved from the PFDF with the new received PFD(s) for the requested application identifier(s). If the resource of one or more requested application identifier(s) is not provided in the response, the NF service consumer shall remove the PFD(s) of the requested application identifier(s) which is not included in the response and re-apply the pre-configured PFDs.

On failure, one of the HTTP status code listed in table 5.3.2.3.1-3 or table 5.3.3.1-3 shall be returned. For "404 Not Found", the NF service consumer shall remove the PFD(s) of the requested application identifier(s) in the NF service consumer and re-apply the pre-configured PFDs.

4.2.3 Nnef_PFDmanagement_Subscribe Service Operation

4.2.3.1 General

The Nnef_PFDmanagement_Subscribe service operation enables NF service consumer to subscribe the notification of events when the PFDs for application identifier change.

4.2.3.2 Subscription for event notifications on PFDs change

This procedure as shown in Figure 4.2.3.2-1 is used to subscribe the notification of events when the PFDs for application identifier change.

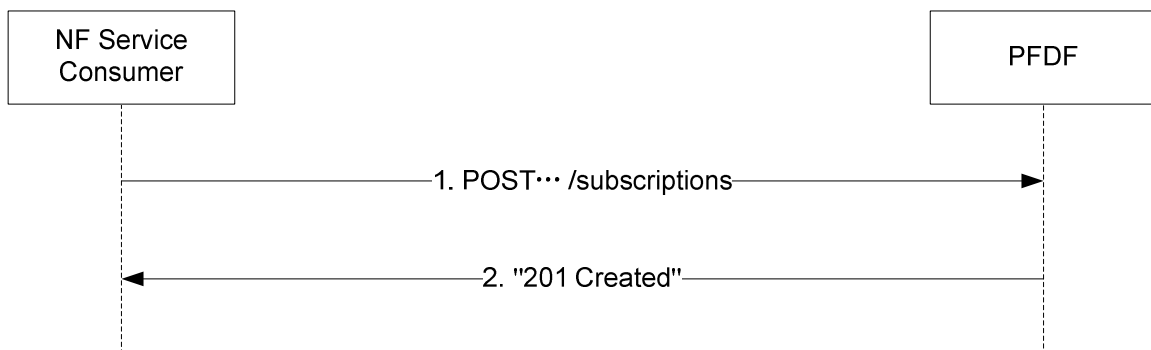


Figure 4.2.3.2-1: Creation of a subscription

1. The NF service consumer (i.e. SMF) shall send a POST request to the request URI representing the PFD subscriptions resource "{apiRoot}/nnef-pfdmanagement/v1/subscriptions". The request payload body shall include:
 - subscribed application identifier(s) optionally; and;
 - an URI where to receive the requested notifications as "notifyUri" attribute.
2. If the request is accepted, the PFDF shall:
 - create a new subscription;
 - assign an subscriptionId;
 - store the subscription; and

- send the response with "201 Created". The payload body shall contain a representation of the created subscription, and the Location header shall contain the URI of the created subscription "{apiRoot}/nnef-pfdmanagement/v1/subscriptions/{subscriptionId}".

Otherwise, one of the HTTP status code listed in table 5.3.4.3.1-3 shall be returned.

4.2.4 Nnef_PFDmanagement_Notify Service Operation

4.2.4.1 General

The Nnef_PFDmanagement_Notify service operation notifies the NF service consumer to update and/or delete the PFDs for application identifier(s).

The following procedures using the Nnef_PFDmanagement_Notify service operation are supported:

- Management of PFDs.

4.2.4.2 Notification of PFD change

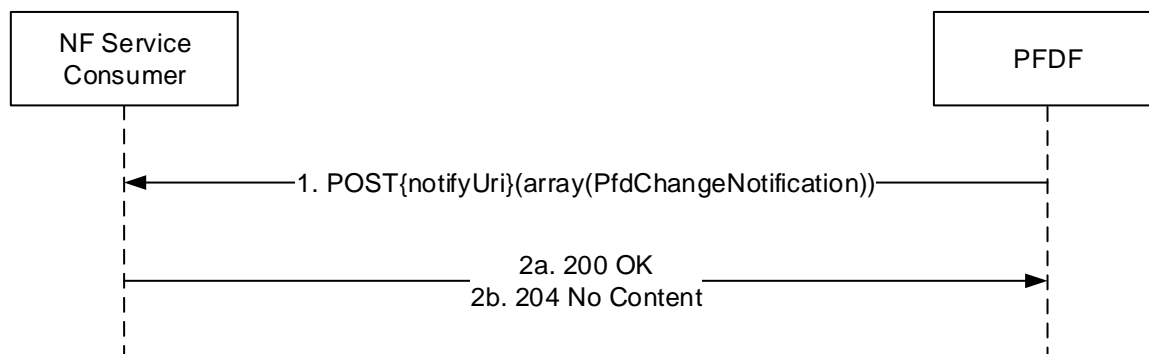


Figure 4.2.4.2-1: Notification of PFD change

1. The PFD shall send a POST request to the NF service consumer (i.e. SMF) using the notifyUri provided during creation of the subscription resource as specified in subclause 5.6.2.3. The payload body of the POST request shall contain one or more PfdChangeNotification data structure(s).
2. If the notification is accepted, the NF service consumer shall reply with:
 - "204 No Content" indicating the successful provisioning of all PFDs; or
 - "200 OK" and the payload body of the response shall contain "PfdChangeReport" data structure with detailed information of failed application(s).

Otherwise, one of the HTTP status code listed in table 5.5.2.3.1-3 shall be returned.

4.2.5 Nnef_PFDmanagement_Unsubscribe Service Operation

4.2.5.1 General

The Nnef_PFDmanagement_Unsubscribe service operation is used by the NF service consumer to unsubscribe the notification of events.

4.2.5.2 Unsubscribe from event notifications on PFDs change

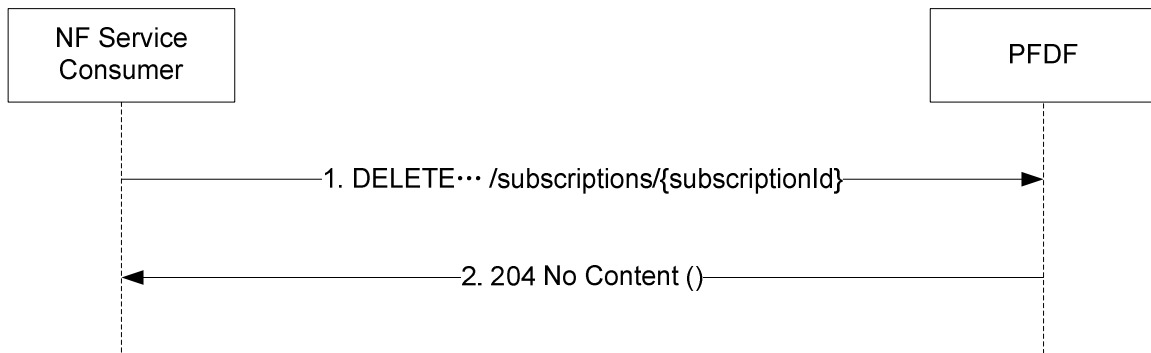


Figure 4.2.5.2-1: Unsubscribe from event notifications on PFDs change

1. The NF Service Consumer (i.e. SMF) shall send a DELETE request to the resource URI representing the individual PFD subscription. The request body shall be empty.
2. If the request is accepted, "204 No Content" shall be returned. The response body shall be empty.

Otherwise, one of the HTTP status code listed in table 5.3.5.3.1-3 shall be returned.

5 Nnef_PFDmanagement API

5.1 Introduction

The Packet Flow Description Management Service shall use the Nnef_PFDmanagement API.

The request URI used in HTTP request from the NF service consumer towards the PFDf shall have the structure defined in subclause 4.4.1 of 3GPP TS 29.501 [6], i.e.:

{apiRoot}/{apiName}/{apiVersion}/{apiSpecificResourceUriPart}

with the following components:

- The {apiRoot} shall be set as described in 3GPP TS 29.501 [6].
- The {apiName} shall be "nnef-pfdmanagement".
- The {apiVersion} shall be "v1".
- The {apiSpecificResourceUriPart} shall be set as described in subclause 5.3.

5.2 Usage of HTTP

5.2.1 General

HTTP/2, IETF RFC 7540 [7], shall be used as specified in subclause 5.2 of 3GPP TS 29.500 [5].

HTTP/2 shall be transported as specified in subclause 5.3 of 3GPP TS 29.500 [5].

The OpenAPI [9] specification of HTTP messages and content bodies for the Nnef_PFDmanagement service is contained in Annex A.

5.2.2 HTTP standard headers

5.2.2.1 General

See subclause 5.2.2 of 3GPP TS 29.500 [5] for the usage of HTTP standard headers.

5.2.2.2 Content type

JSON, IETF RFC 8259 [8], shall be used as content type of the HTTP bodies specified in the present specification, as specified in subclause 5.4 of 3GPP TS 29.500 [5]. The use of the JSON format shall be signalled by the content type "application/json".

"Problem Details" JSON object shall be used to indicate additional details of the error in a HTTP response body and shall be signalled by the content type "application/problem+json", as defined in IETF RFC 7807 [16].

5.2.3 HTTP custom headers

None

5.3 Resources

5.3.1 Resource Structure

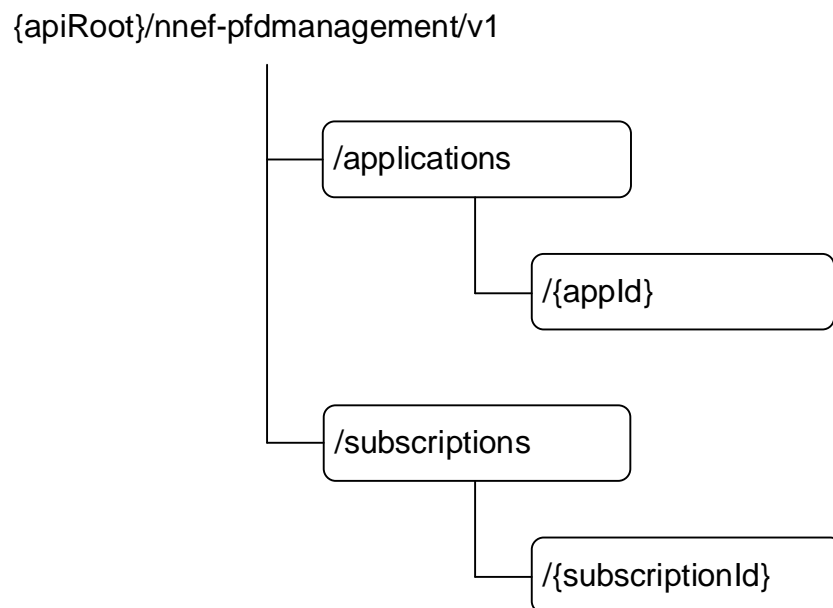


Figure 5.3.1-1: Resource URI structure of the Nnef_PFDmanagement API

Table 5.3.1-1 provides an overview of the resources and applicable HTTP methods.

Table 5.3.1-1: Resources and methods overview

| Resource name | Resource URI | HTTP method or custom operation | Description |
|-----------------------------|---|---------------------------------|--|
| PFD of applications | /// apiRoot }/nnef-pfdmanagement/v1/applications | GET | Nnef_PFDmanagement_Fetch. Retrieve PFDs for one or multiple applications with query parameter. |
| Individual application PFD | /// apiRoot }/nnef-pfdmanagement/v1/applications/{appId} | GET | Nnef_PFDmanagement_Fetch. Retrieve the PFD for an application. |
| PFD subscriptions | /// apiRoot }/nnef-pfdmanagement/v1/subscriptions | POST | Nnef_PFDmanagement_Subscribe. Subscribe the notification of PFD changes. |
| Individual PFD subscription | /// apiRoot }/nnef-pfdmanagement/v1/subscriptions/{subscriptionId} | DELETE | Nnef_PFDmanagement_Unsubscribe. Delete a subscription of PFD change notification. |

5.3.2 Resource: PFD of applications

5.3.2.1 Description

This resource represents PFDs for all applications.

5.3.2.2 Resource definition

Resource URI: **{apiRoot}/nnef-pfdmanagement/v1/applications**

This resource shall support the resource URI variables defined in table 5.3.2.2-1.

Table 5.3.2.2-1: Resource URI variables for this resource

| Name | Definition |
|---------|-------------------|
| apiRoot | See subclause 5.1 |

5.3.2.3 Resource Standard Methods

5.3.2.3.1 GET

This method shall support the URI query parameters specified in table 5.3.2.3.1-1.

Table 5.3.2.3.1-1: URI query parameters supported by the GET method on this resource

| Name | Data type | P | Cardinality | Description |
|--------------------|----------------------|---|-------------|---|
| application-ids | array(ApplicationId) | M | 1..N | The required application identifier(s) for the returned PFDs |
| supported-features | SupportedFeatures | O | 0..1 | To filter irrelevant responses related to unsupported features. |

This method shall support the request data structures specified in table 5.3.2.3.1-2 and the response data structures and response codes specified in table 5.3.2.3.1-3.

Table 5.3.2.3.1-2: Data structures supported by the GET Request Body on this resource

| Data type | P | Cardinality | Description |
|-----------|---|-------------|-------------|
| n/a | | | |

Table 5.3.2.3.1-3: Data structures supported by the GET Response Body on this resource

| Data type | P | Cardinality | Response codes | Description |
|---|---|-------------|----------------|---|
| array(PfdDataForApp) | M | 0..N | 200 OK | The PFDs for one or more application identifier(s) in the request URI are returned. |
| NOTE: In addition, the HTTP status codes which are specified as mandatory in table 5.2.7.1-1 of 3GPP TS 29.500 [5] for the GET method shall also apply. | | | | |

5.3.2.4 Resource Custom Operations

None.

5.3.3 Resource: Individual application PFD

5.3.3.1 Description

This resource represents the PFD identified by an application identifier.

5.3.3.2 Resource definition

Resource URI: {apiRoot}/nnef-pfdmanagement/v1/applications/{appId}

This resource shall support the resource URI variables defined in table 5.3.3.2-1.

Table 5.3.3.2-1: Resource URI variables for this resource

| Name | Definition |
|---------|--|
| apiRoot | See subclause 5.1. |
| appId | String identifying a set of PFD for an application identifier. |

5.3.3.3 Resource Standard Methods

5.3.3.3.1 GET

This method shall support the URI query parameters specified in table 5.3.3.3.1-1.

Table 5.3.3.3.1-1: URI query parameters supported by the GET method on this resource

| Name | Data type | P | Cardinality | Description |
|--------------------|-------------------|---|-------------|---|
| supported-features | SupportedFeatures | O | 0..1 | To filter irrelevant responses related to unsupported features. |

This method shall support the request data structures specified in table 5.3.3.3.1-2 and the response data structures and response codes specified in table 5.3.3.3.1-3.

Table 5.3.3.3.1-2: Data structures supported by the GET Request Body on this resource

| Data type | P | Cardinality | Description |
|-----------|---|-------------|-------------|
| n/a | | | |

Table 5.3.3.3.1-3: Data structures supported by the GET Response Body on this resource

| Data type | P | Cardinality | Response codes | Description |
|---|---|-------------|----------------|---|
| PfdDataForApp | M | 1 | 200 OK | A representation of PFDs for an application in the request URI is returned. |
| NOTE: In addition, the HTTP status codes which are specified as mandatory in table 5.2.7.1-1 of 3GPP TS 29.500 [5] for the GET method shall also apply. | | | | |

5.3.3.4 Resource Custom Operations

None.

5.3.4 Resource: PFD subscriptions

5.3.4.1 Description

This resource represents a collection of subscriptions created by NF service consumers of Nnef_PFDmanagement service.

5.3.4.2 Resource definition

Resource URI: {apiRoot}/nnef-pfdmanagement/v1/subscriptions

This resource shall support the resource URI variables defined in table 5.3.4.2-1.

Table 5.3.4.2-1: Resource URI variables for this resource

| Name | Definition |
|---------|-------------------|
| apiRoot | See subclause 5.1 |

5.3.4.3 Resource Standard Methods

5.3.4.3.1 POST

This method shall support the URI query parameters specified in table 5.3.4.3.1-1.

Table 5.3.4.3.1-1: URI query parameters supported by the POST method on this resource

| Name | Data type | P | Cardinality | Description |
|------|-----------|---|-------------|-------------|
| n/a | | | | |

This method shall support the request data structures specified in table 5.3.4.3.1-2 and the response data structures and response codes specified in table 5.3.4.3.1-3.

Table 5.3.4.3.1-2: Data structures supported by the POST Request Body on this resource

| Data type | P | Cardinality | Description |
|-----------------|---|-------------|------------------------------------|
| PfdSubscription | M | 1 | Create a PfdSubscription resource. |

Table 5.3.4.3.1-3: Data structures supported by the POST Response Body on this resource

| Data type | P | Cardinality | Response codes | Description |
|--|---|-------------|----------------|--|
| PfdSubscription | M | 1 | 201 Created | The creation of a PfdSubscription resource is confirmed and a representation of that resource is returned. |
| NOTE: In addition, the HTTP status codes which are specified as mandatory in table 5.2.7.1-1 of 3GPP TS 29.500 [5] for the POST method shall also apply. | | | | |

5.3.4.4 Resource Custom Operations

None.

5.3.5 Resource: Individual PFD subscription

5.3.5.1 Description

This resource represents an individual PFD subscription created by NF service consumers of Nnef_PFDmanagement service.

5.3.5.2 Resource definition

Resource URI: {apiRoot}/nnef-pfdmanagement/v1/subscriptions/{subscriptionId}

This resource shall support the resource URI variables defined in table 5.3.5.2-1.

Table 5.3.5.2-1: Resource URI variables for this resource

| Name | Definition |
|----------------|--|
| apiRoot | See subclause 5.1 |
| subscriptionId | String identifies an individual subscription to the PFD management service |

5.3.5.3 Resource Standard Methods

5.3.5.3.1 DELETE

This method shall support the URI query parameters specified in table 5.3.5.3.1-1.

Table 5.3.5.3.1-1: URI query parameters supported by the DELETE method on this resource

| Name | Data type | P | Cardinality | Description |
|------|-----------|---|-------------|-------------|
| n/a | | | | |

This method shall support the request data structures specified in table 5.3.5.3.1-2 and the response data structures and response codes specified in table 5.3.5.3.1-3.

Table 5.3.5.3.1-2: Data structures supported by the DELETE Request Body on this resource

| Data type | P | Cardinality | Description |
|-----------|---|-------------|-------------|
| n/a | | | |

Table 5.3.5.3.1-3: Data structures supported by the DELETE Response Body on this resource

| Data type | P | Cardinality | Response codes | Description |
|--|---|-------------|----------------|--|
| n/a | | | 204 No Content | The PfdSubscription resource matching the subscriptionId was deleted successfully. |
| NOTE: In addition, the HTTP status codes which are specified as mandatory in table 5.2.7.1-1 of 3GPP TS 29.500 [5] for the DELETE method shall also apply. | | | | |

5.3.5.4 Resource Custom Operations

None.

5.4 Custom Operations without associated resources

None

5.5 Notifications

5.5.1 General

Notifications shall comply to subclause 6.2 of 3GPP TS 29.500 [5] and subclause 4.6.2.3 of 3GPP TS 29.501 [6].

Table 5.5.1-1: Notifications

| Custom operation URI | Mapped HTTP method | Description |
|----------------------|--------------------|-----------------------------|
| {notifyUri} | POST | Notification of PFD change. |

5.5.2 PFD Change Notification

5.5.2.1 Description

The PFD Change Notification is used by the PFDF to inform the NF service consumer, which has subscribed to this Notification via the PFD subscriptions resource.

5.5.2.2 Target URI

The Notification URI "{notifyUri}" shall be used with the URI variables defined in table 5.5.2.2-1.

Table 5.5.2.2-1: URI variables

| Name | Definition |
|-----------|---|
| notifyUri | String formatted as URI with the Notification Uri as assigned within the PFD subscriptions resource and described within the PfdSubscription data type (see table 5.6.2.3-1). |

5.5.2.3 Standard Methods

5.5.2.3.1 POST

This method shall support the URI query parameters specified in table 5.5.2.3.1-1.

Table 5.5.2.3.1-1: URI query parameters supported by the POST method on this resource

| Name | Data type | P | Cardinality | Description |
|------|-----------|---|-------------|-------------|
| n/a | | | | |

This method shall support the request data structures specified in table 5.5.2.3.1-2 and the response data structures and response codes specified in table 5.5.2.3.1-3.

Table 5.5.2.3.1-2: Data structures supported by the POST Request Body on this resource

| Data type | P | Cardinality | Description |
|------------------------------|---|-------------|----------------------------------|
| array(PfdChangeNotification) | M | 1..N | Provides PFD change information. |

Table 5.5.2.3.1-3: Data structures supported by the POST Response Body on this resource

| Data type | P | Cardinality | Response codes | Description |
|--|---|-------------|---------------------------|---|
| n/a | | | 204 No Content | The PFD operation in the notification is performed successfully, i.e. all PFD changes are accepted by the SMF. |
| array(PfdChangeReport) | M | 1..N | 200 OK | The PFD operation in the notification is performed and the PfdChangeReport indicates failure reason for each failed application in the partial success. |
| ProblemDetails | M | 1 | 500 Internal Server Error | The server encountered an unexpected condition that prevented it from fulfilling the request. PFDs for all applications are not accepted by the SMF. (NOTE 2) |
| NOTE 1: In addition, the HTTP status codes which are specified as mandatory in table 5.2.7.1-1 of 3GPP TS 29.500 [5] for the POST method shall also apply. | | | | |
| NOTE 2: Failure cases are described in subclause 5.7. | | | | |

5.6 Data Model

5.6.1 General

This subclause specifies the application data model supported by the API.

Table 5.6.1-1 specifies the data types defined for the Nnef_PFDmanagement service based interface protocol.

Table 5.6.1-1: Nnef_PFDmanagement specific Data Types

| Data type | Section defined | Description | Applicability |
|-----------------------|-----------------|--|---------------|
| PfdDataForApp | 5.6.2.2 | Represents the PFDs for an application identifier. | |
| PfdSubscription | 5.6.2.3 | Represents a PFD subscription. | |
| PfdChangeNotification | 5.6.2.4 | Represents PFD change information. | |
| PfdContent | 5.6.2.5 | Represents the content of a PFD for an application identifier. | |
| PfdChangeReport | 5.6.2.6 | Represents error of PFD change. | |

Table 5.6.1-2 specifies data types re-used by the Nnef_PFDmanagement service based interface protocol from other specifications, including a reference to their respective specifications and when needed, a short description of their use within the Nnef_PFDmanagement service based interface.

Table 5.6.1-2: Nnef_PFDmanagement re-used Data Types

| Data type | Reference | Comments | Applicability |
|-------------------|---------------------|----------|---------------|
| ApplicationId | 3GPP TS 29.571 [10] | | |
| DateTime | 3GPP TS 29.571 [10] | | |
| SupportedFeatures | 3GPP TS 29.571 [10] | | |
| Uri | 3GPP TS 29.571 [10] | | |

5.6.2 Structured data types

5.6.2.1 Introduction

This subclause defines the structures to be used in resource representations.

Allowed structures are: array, object.

5.6.2.2 Type: PfdDataForApp

Table 5.6.2.2-1: Definition of type PfdDataForApp

| Attribute name | Data type | P | Cardinality | Description | Applicability |
|----------------|-------------------|---|-------------|---|---------------|
| applicationId | ApplicationId | M | 1 | Identifier of an application. | |
| pfd | array(PfdContent) | M | 1..N | PFDs for the application identifier. | |
| cachingTime | DateTime | O | 0..1 | Caching time for an application identifier. | |

5.6.2.3 Type: PfdSubscription

Table 5.6.2.3-1: Definition of type PfdSubscription

| Attribute name | Data type | P | Cardinality | Description | Applicability |
|-------------------|----------------------|---|-------------|--|---------------|
| applicationIds | array(ApplicationId) | O | 1..N | Identifiers of applications with PFDs change. | |
| notifyUri | Uri | M | 1 | Identifies the recipient of notifications sent by PFD for this subscription. | |
| supportedFeatures | SupportedFeatures | M | 1 | List of supported features used as described in subclause 5.8. This parameter shall be provided by the NF service consumer in the POST request that request the creation of a subscription, and shall be provided by the PFD in the response of corresponding request. | |

5.6.2.4 Type: PfdChangeNotification

Table 5.6.2.4-1: Definition of type PfdChangeNotification

| Attribute name | Data type | P | Cardinality | Description | Applicability |
|----------------|-------------------|---|-------------|--|---------------|
| applicationId | ApplicationId | M | 1 | Identifier of an application. | |
| removalFlag | boolean | C | 0..1 | Indication of removal of PFDs for an existing application identifier. | |
| partialFlag | boolean | C | 0..1 | Indication of partial update of PFDs for an existing application identifier if this operation is supported according to feature negotiation. | PartialUpdate |
| pfd | array(PfdContent) | C | 1..N | PFD creation/update for the application identifier as specified in subclause 6.3.3.5 of 3GPP TS 29.251 [12]. | |

5.6.2.5 Type: PfdContent

Table 5.6.2.5-1: Definition of type PfdContent

| Attribute name | Data type | P | Cardinality | Description | Applicability |
|--|---------------|---|-------------|---|---------------|
| pfdId | string | C | 0..1 | Identifies a PFD of an application identifier. If PartialUpdate feature is supported during PFD change event subscription, this attribute shall be provided by the PFD. | |
| flowDescriptions | array(string) | O | 1..N | Represents a 3-tuple with protocol, server ip and server port for UL/DL application traffic. (NOTE) | |
| urls | array(string) | O | 1..N | Indicates a URL or a regular expression which is used to match the significant parts of the URL. (NOTE) | |
| domainNames | array(string) | O | 1..N | Indicates an FQDN or a regular expression as a domain name matching criteria. (NOTE) | |
| NOTE: If a PFD contains multiple filter types, the PFD is only matched when every filter type contained in the PFD has a matching value. | | | | | |

5.6.2.6 Type: PfdChangeReport

Table 5.6.2.6-1: PfdChangeReport

| Attribute name | Data type | P | Cardinality | Description | Applicability |
|----------------|----------------------|---|-------------|---|---------------|
| pfdError | ProblemDetails | M | 1 | More information on the error shall be provided in the "cause" attribute of the "ProblemDetails" structure. The "cause" attribute in the ProblemDetails shall be set to one of following application errors (see table 5.2.7.1-1 of 3GPP TS 29.500 [5]): - SYSTEM_FAILURE - INSUFFICIENT_RESOURCES - UNSPECIFIED_NF_FAILURE | |
| applicationId | array(ApplicationId) | M | 1..N | Indicates the application identifier(s) which PFD(s) are failed to be added or modified. | |

5.6.3 Simple data types and enumerations

5.6.3.1 Introduction

This subclause defines simple data types and enumerations that can be referenced from data structures defined in the previous subclauses.

5.6.3.2 Simple data types

The simple data types defined in table 5.6.3.2-1 shall be supported.

Table 5.6.3.2-1: Simple data types

| Type Name | Type Definition | Description | Applicability |
|-----------|-----------------|-------------|---------------|
| | | | |

5.7 Error handling

5.7.1 General

HTTP error handling shall be supported as specified in subclause 5.2.4 of 3GPP TS 29.500 [5].

For the Nnef_PFDmanagement API, HTTP error responses shall be supported as specified in subclause 4.8 of 3GPP TS 29.501 [6]. Protocol errors and application errors specified in table 5.2.7.2-1 of 3GPP TS 29.500 [5] shall be supported for an HTTP method if the corresponding HTTP status codes are specified as mandatory for that HTTP method in table 5.2.7.1-1 of 3GPP TS 29.500 [5].

In addition, the requirements in the following subclauses shall apply.

5.7.2 Protocol Errors

In this Release of the specification, there are no additional protocol errors applicable for the Nnef_PFDmanagement API.

5.7.3 Application Errors

The application errors defined for the Nnef_PFDmanagement service are listed in table 5.7.3-1.

Table 5.7.3-1: Application errors

| Application Error | HTTP status code | Description |
|---|---------------------------|--|
| SYSTEM_FAILURE | 500 Internal Server Error | Something functions wrongly in PFD provisioning or the PFD provisioning does not function at all. (NOTE) |
| INSUFFICIENT_RESOURCE | 500 Internal Server Error | There is limitation for resource storage. (NOTE) |
| UNSPECIFIED_NF_FAILURE | 500 Internal Server Error | Unspecified reason. (NOTE) |
| NOTE: This application error is included in the responses to the POST request of PFD change notification. | | |

5.8 Feature negotiation

The optional features in table 5.8-1 are defined for the Nnef_PFDmanagement API. They shall be negotiated using the extensibility mechanism defined in subclause 6.6 of 3GPP TS 29.500 [5].

Table 5.8-1: Supported Features

| Feature number | Feature Name | Description |
|----------------|---------------|---|
| 1 | PartialUpdate | The PFDF can use this feature for partial update of PFDs. |

5.9 Security

As indicated in 3GPP TS 33.501 [14] and 3GPP TS 29.500 [5], the access to the Nnef_PFDmanagement API may be authorized by means of the OAuth2 protocol (see IETF RFC 6749 [15]), based on local configuration, using the "Client Credentials" authorization grant, where the NRF (see 3GPP TS 29.510 [13]) plays the role of the authorization server.

If OAuth2 is used, an NF Service Consumer, prior to consuming services offered by the Nnef_PFDmanagement API, shall obtain a "token" from the authorization server, by invoking the Access Token Request service, as described in 3GPP TS 29.510 [13], subclause 5.4.2.2.

NOTE: When multiple NRFs are deployed in a network, the NRF used as authorization server is the same NRF that the NF Service Consumer used for discovering the Nnef_PFDmanagement service.

The Nnef_PFDmanagement API defines a single scope "nnef-pfdmanagement" for OAuth2 authorization (as specified in 3GPP TS 33.501 [14]) for the entire service, and it does not define any additional scopes at resource or operation level.

Annex A (normative): OpenAPI specification

A.1 General

The present Annex contains an OpenAPI [9] specification of HTTP messages and content bodies used by the Nnef_PFDmanagement API.

This Annex shall take precedence when being discrepant to other parts of the specification with respect to the encoding of information elements and methods within the API.

NOTE 1: The semantics and procedures, as well as conditions, e.g. for the applicability and allowed combinations of attributes or values, not expressed in the OpenAPI definitions but defined in other parts of the specification also apply.

Informative copies of the OpenAPI specification file contained in this 3GPP Technical Specification are available on the public 3GPP file server in the following locations (see clause 5B of the 3GPP TR 21.900 [17] for further information):

- <https://www.3gpp.org/ftp/Specs/archive/OpenAPI/<Release>/>, and
- <https://www.3gpp.org/ftp/Specs/<Plenary>/<Release>/OpenAPI/>.

NOTE 2: To fetch the OpenAPI specification file after CT#83 plenary meeting for Release 15 in the above links <Plenary> must be replaced with the date the CT Plenary occurs, in the form of year-month (yyyy-mm), e.g. for CT#83 meeting <Plenary> must be replaced with value "2019-03" and <Release> must be replaced with value "Rel-15".

A.2 Nnef_PFDmanagement API

```

openapi: 3.0.0
info:
  title: Nnef_PFDmanagement Service API
  version: 1.0.1
  description: |
    Packet Flow Description Management Service.
    © 2019, 3GPP Organizational Partners (ARIB, ATIS, CCSA, ETSI, TSDSI, TTA, TTC).
    All rights reserved.
#
externalDocs:
  description: 3GPP TS 29.551 v15.4.0, 5G System; Packet Flow Description Management Service
  url: 'http://www.3gpp.org/ftp/Specs/archive/29_series/29.551/'
#
servers:
  - url: '{apiRoot}/nnef-pfdmanagement/v1'
    variables:
      apiRoot:
        default: https://example.com
        description: apiRoot as defined in subclause 4.4 of 3GPP TS 29.501
security:
  - {}
  - oAuth2ClientCredentials:
    - nnef-pfdmanagement
paths:
  /applications:
    get:
      summary: Retrieve PFDs for all applications or for one or multiple applications with query
parameter.
      tags:
        - PFD of applications
      operationId: Nnef_PFDmanagement_Fetch
      parameters:
        - name: application-ids
          description: The required application identifier(s) for the returned PFDs.
          in: query

```

```

    required: true
    schema:
      type: array
      items:
        $ref: 'TS29571_CommonData.yaml#/components/schemas/ApplicationId'
      minItems: 1
  - name: supported-features
    in: query
    description: To filter irrelevant responses related to unsupported features
    schema:
      $ref: 'TS29571_CommonData.yaml#/components/schemas/SupportedFeatures'
responses:
  '200':
    description: The PFDs for one or more application identifier(s) in the request URI are
returned.
    content:
      application/json:
        schema:
          type: array
          items:
            $ref: '#/components/schemas/PfdDataForApp'
          minItems: 0
  '400':
    $ref: 'TS29571_CommonData.yaml#/components/responses/400'
  '401':
    $ref: 'TS29571_CommonData.yaml#/components/responses/401'
  '403':
    $ref: 'TS29571_CommonData.yaml#/components/responses/403'
  '404':
    $ref: 'TS29571_CommonData.yaml#/components/responses/404'
  '406':
    $ref: 'TS29571_CommonData.yaml#/components/responses/406'
  '414':
    $ref: 'TS29571_CommonData.yaml#/components/responses/414'
  '429':
    $ref: 'TS29571_CommonData.yaml#/components/responses/429'
  '500':
    $ref: 'TS29571_CommonData.yaml#/components/responses/500'
  '503':
    $ref: 'TS29571_CommonData.yaml#/components/responses/503'

/applications/{appId}:
get:
  summary: Retrieve the PFD for an application.
  tags:
    - Individual application PFD
  operationId: Nnef_PFDmanagement_Fetch
  parameters:
    - name: appId
      description: The required application identifier(s) for the returned PFDs.
      in: path
      required: true
      schema:
        type: string
    - name: supported-features
      in: query
      description: To filter irrelevant responses related to unsupported features
      schema:
        $ref: 'TS29571_CommonData.yaml#/components/schemas/SupportedFeatures'
  responses:
    '200':
      description: A representation of PFDs for an application in the request URI is returned.
      content:
        application/json:
          schema:
            $ref: '#/components/schemas/PfdDataForApp'
    '400':
      $ref: 'TS29571_CommonData.yaml#/components/responses/400'
    '401':
      $ref: 'TS29571_CommonData.yaml#/components/responses/401'
    '403':
      $ref: 'TS29571_CommonData.yaml#/components/responses/403'
    '404':
      $ref: 'TS29571_CommonData.yaml#/components/responses/404'
    '406':
      $ref: 'TS29571_CommonData.yaml#/components/responses/406'
    '429':
      $ref: 'TS29571_CommonData.yaml#/components/responses/429'

```

```

    '414':
      $ref: 'TS29571_CommonData.yaml#/components/responses/414'
    '500':
      $ref: 'TS29571_CommonData.yaml#/components/responses/500'
    '503':
      $ref: 'TS29571_CommonData.yaml#/components/responses/503'

/subscriptions:
  post:
    summary: Subscribe the notification of PFD changes.
    tags:
      - PFD subscriptions
    operationId: Nnef_PFDmanagement_Subscribe
    requestBody:
      description: a PfdSubscription resource to be created.
      required: true
      content:
        application/json:
          schema:
            $ref: '#/components/schemas/PfdSubscription'
    callbacks:
      PfdChangeNotification:
        '{request.body#/notifyUri}':
          post:
            summary: Notification of PFD change.
            tags:
              - PfdChangeNotification data
            operationId: Nnef_PFDmanagement_Notify
            requestBody:
              required: true
              content:
                application/json:
                  schema:
                    type: array
                    items:
                      $ref: '#/components/schemas/PfdChangeNotification'
                    minItems: 1
            responses:
              '200':
                description: The PFD operation in the notification is performed and the
                PfdChangeReport indicates failure reason.
                content:
                  application/json:
                    schema:
                      type: array
                      items:
                        $ref: '#/components/schemas/PfdChangeReport'
                    minItems: 1
              '204':
                description: The PFD operation in the notification is performed successfully.
              '400':
                $ref: 'TS29571_CommonData.yaml#/components/responses/400'
              '401':
                $ref: 'TS29571_CommonData.yaml#/components/responses/401'
              '403':
                $ref: 'TS29571_CommonData.yaml#/components/responses/403'
              '404':
                $ref: 'TS29571_CommonData.yaml#/components/responses/404'
              '411':
                $ref: 'TS29571_CommonData.yaml#/components/responses/411'
              '413':
                $ref: 'TS29571_CommonData.yaml#/components/responses/413'
              '415':
                $ref: 'TS29571_CommonData.yaml#/components/responses/415'
              '429':
                $ref: 'TS29571_CommonData.yaml#/components/responses/429'
              '500':
                $ref: 'TS29571_CommonData.yaml#/components/responses/500'
              '503':
                $ref: 'TS29571_CommonData.yaml#/components/responses/503'

    responses:
      '201':
        description: The creation of a PfdSubscription resource is confirmed and a representation
        of that resource is returned.
        content:
          application/json:

```

```

    schema:
      $ref: '#/components/schemas/PfdSubscription'
  headers:
    Location:
      description: 'Contains the URI of the newly created resource, according to the
structure: {apiRoot}/nnef-pfdmanagement/v1/subscriptions/{subscriptionId}'
      required: true
      schema:
        type: string
  '400':
    $ref: 'TS29571_CommonData.yaml#/components/responses/400'
  '401':
    $ref: 'TS29571_CommonData.yaml#/components/responses/401'
  '403':
    $ref: 'TS29571_CommonData.yaml#/components/responses/403'
  '404':
    $ref: 'TS29571_CommonData.yaml#/components/responses/404'
  '411':
    $ref: 'TS29571_CommonData.yaml#/components/responses/411'
  '413':
    $ref: 'TS29571_CommonData.yaml#/components/responses/413'
  '415':
    $ref: 'TS29571_CommonData.yaml#/components/responses/415'
  '429':
    $ref: 'TS29571_CommonData.yaml#/components/responses/429'
  '500':
    $ref: 'TS29571_CommonData.yaml#/components/responses/500'
  '503':
    $ref: 'TS29571_CommonData.yaml#/components/responses/503'

/subscriptions/{subscriptionId}:
  delete:
    summary: Delete a subscription of PFD change notification.
    tags:
      - Individual PFD subscription
    operationId: Nnef_PFDmanagement_Unsubscribe
    parameters:
      - name: subscriptionId
        description: Identify the subscription.
        in: path
        required: true
        schema:
          type: string
    responses:
      '204':
        description: The PfdSubscription resource matching the subscriptionId was deleted
successfully.
      '400':
        $ref: 'TS29571_CommonData.yaml#/components/responses/400'
      '401':
        $ref: 'TS29571_CommonData.yaml#/components/responses/401'
      '403':
        $ref: 'TS29571_CommonData.yaml#/components/responses/403'
      '404':
        $ref: 'TS29571_CommonData.yaml#/components/responses/404'
      '429':
        $ref: 'TS29571_CommonData.yaml#/components/responses/429'
      '500':
        $ref: 'TS29571_CommonData.yaml#/components/responses/500'
      '503':
        $ref: 'TS29571_CommonData.yaml#/components/responses/503'

components:
  securitySchemes:
    oAuth2ClientCredentials:
      type: oauth2
      flows:
        clientCredentials:
          tokenUrl: '{nrfApiRoot}/oauth2/token'
          scopes:
            nnef-pfdmanagement: Access to the Nnef_PFDmanagement API
  schemas:
#
# STRUCTURED DATA TYPES
#
  PfdContent:
    type: object
    properties:

```

```

    pfdId:
      type: string
      description: Identifies a PDF of an application identifier.
    flowDescriptions:
      type: array
      items:
        type: string
      minItems: 1
      description: Represents a 3-tuple with protocol, server ip and server port for UL/DL
application traffic.
    urls:
      type: array
      items:
        type: string
      minItems: 1
      description: Indicates a URL or a regular expression which is used to match the
significant parts of the URL.
    domainNames:
      type: array
      items:
        type: string
      minItems: 1
      description: Indicates an FQDN or a regular expression as a domain name matching criteria.

PfdDataForApp:
  type: object
  properties:
    applicationId:
      $ref: 'TS29571_CommonData.yaml#/components/schemas/ApplicationId'
    pfd:
      type: array
      items:
        $ref: '#/components/schemas/PfdContent'
      minItems: 1
    cachingTime:
      $ref: 'TS29571_CommonData.yaml#/components/schemas/DateTime'
  required:
    - applicationId
    - pfd

PfdSubscription:
  type: object
  properties:
    applicationIds:
      type: array
      items:
        $ref: 'TS29571_CommonData.yaml#/components/schemas/ApplicationId'
      minItems: 1
    notifyUri:
      $ref: 'TS29571_CommonData.yaml#/components/schemas/Uri'
    supportedFeatures:
      $ref: 'TS29571_CommonData.yaml#/components/schemas/SupportedFeatures'
  required:
    - notifyUri
    - supportedFeatures

PfdChangeNotification:
  type: object
  properties:
    applicationId:
      $ref: 'TS29571_CommonData.yaml#/components/schemas/ApplicationId'
    removalFlag:
      type: boolean
      default: false
    partialFlag:
      type: boolean
      default: false
    pfd:
      type: array
      items:
        $ref: '#/components/schemas/PfdContent'
      minItems: 1
  required:
    - applicationId

PfdChangeReport:
  type: object
  properties:

```

```
  pfdError:
    $ref: 'TS29571_CommonData.yaml#/components/schemas/ProblemDetails'
  applicationId:
    type: array
    items:
      $ref: 'TS29571_CommonData.yaml#/components/schemas/ApplicationId'
    minItems: 1
required:
- pfdError
- applicationId
```

Annex B (informative): Change history

| Change history | | | | | | | |
|----------------|---------|-----------|------|-----|-----|---|-------------|
| Date | Meeting | TDoc | CR | Rev | Cat | Subject/Comment | New version |
| 2018-01 | | | | | | TS skeleton of PFD Management Service specification | 0.0.0 |
| 2018-01 | CT3#94 | | | | | Includes the following contribution agreed by CT3 at CT3#94: C3-180045, C3-180270, C3-180271. | 0.1.0 |
| 2018-03 | CT3#95 | | | | | Includes the following contribution agreed by CT3 at CT3#95: C3-181100, C3-181262, C3-181102, C3-181103, C3-181314. | 0.2.0 |
| 2018-04 | CT3#96 | | | | | Includes the following contribution agreed by CT3 at CT3#96: C3-182153, C3-182411, C3-182412, C3-182413, C3-182414, C3-182477, C3-182478. | 0.3.0 |
| 2018-05 | CT3#97 | | | | | Includes the following contribution agreed by CT3 at CT3#97: C3-183115, C3-183557, C3-183558, C3-183560. | 0.4.0 |
| 2018-06 | CT#80 | CP-181029 | | | | TS sent to plenary for approval | 1.0.0 |
| 2018-06 | CT#80 | CP-181029 | | | | TS approved by plenary | 15.0.0 |
| 2018-09 | CT#81 | CP-182015 | 0001 | 2 | F | Protocol error statement | 15.1.0 |
| 2018-09 | CT#81 | CP-182015 | 0002 | 1 | F | Description of Structured data types | 15.1.0 |
| 2018-12 | CT#82 | CP-183205 | 0003 | | F | Default value for apiRoot | 15.2.0 |
| 2018-12 | CT#82 | CP-183205 | 0004 | 3 | F | Cardinality | 15.2.0 |
| 2018-12 | CT#82 | CP-183205 | 0005 | 1 | F | Correct Nnef_PFDmanagement API | 15.2.0 |
| 2018-12 | CT#82 | CP-183205 | 0006 | | F | Location Header | 15.2.0 |
| 2018-12 | CT#82 | CP-183205 | 0007 | 1 | F | Alignment of openAPI | 15.2.0 |
| 2018-12 | CT#82 | CP-183205 | 0008 | | F | API version update | 15.2.0 |
| 2018-12 | CT#82 | CP-183205 | 0009 | | F | Security | 15.2.0 |
| 2018-12 | CT#82 | CP-183205 | 0010 | | F | Content type | 15.2.0 |
| 2019-03 | CT#83 | CP-190116 | 0011 | 1 | F | Fetch PFD for all applications | 15.3.0 |
| 2019-03 | CT#83 | CP-190116 | 0014 | 1 | F | Correction of resource URIs | 15.3.0 |
| 2019-03 | CT#83 | | | | | TS version correction in Open API by MCC | 15.3.0 |
| 2019-06 | CT#84 | CP-191083 | 0015 | 1 | F | Precedence of OpenAPI file | 15.4.0 |
| 2019-06 | CT#84 | CP-191083 | 0018 | | F | Correction to Notification of PFD change | 15.4.0 |
| 2019-06 | CT#84 | CP-191083 | 0020 | | F | Copyright Note in YAML file | 15.4.0 |
| 2019-06 | CT#84 | CP-191083 | 0022 | | F | API version Update | 15.4.0 |
| 2019-09 | CT#85 | CP-192149 | 0024 | 2 | F | Correct presence condition in PFD definition | 15.5.0 |
| 2020-09 | CT#89e | CP-202056 | 0034 | | F | Correction to the PFD change notification | 15.6.0 |
| 2020-12 | CT#90e | CP-203120 | 0044 | 1 | F | Correction to PFD retrieval in PULL mode | 15.7.0 |
| 2020-12 | CT#90e | CP-203120 | 0047 | | F | Correction to notification URI of PFD change notification | 15.7.0 |
| 2021-03 | CT#91e | CP-210200 | 0070 | | F | Datatype and figure corrections | 15.8.0 |
| 2021-06 | CT#92e | CP-211208 | 0077 | 1 | F | Correction of request URI in 4.2.2.2 | 15.9.0 |

History

| Document history | | |
|-------------------------|---------------|-------------|
| V15.0.0 | July 2018 | Publication |
| V15.1.0 | October 2018 | Publication |
| V15.2.0 | April 2019 | Publication |
| V15.3.0 | April 2019 | Publication |
| V15.4.0 | October 2019 | Publication |
| V15.5.0 | October 2019 | Publication |
| V15.6.0 | November 2020 | Publication |
| V15.7.0 | January 2021 | Publication |
| V15.8.0 | April 2021 | Publication |
| V15.9.0 | August 2021 | Publication |