

ETSI TS 131 113 V5.6.0 (2004-12)

Technical Specification

**Universal Mobile Telecommunications System (UMTS);
Universal Subscriber Identity Module Application
Toolkit (USAT) interpreter byte codes
(3GPP TS 31.113 version 5.6.0 Release 5)**



Reference

RTS/TSGT-0331113v560

Keywords

UMTS

ETSI

650 Route des Lucioles
F-06921 Sophia Antipolis Cedex - FRANCE

Tel.: +33 4 92 94 42 00 Fax: +33 4 93 65 47 16

Siret N° 348 623 562 00017 - NAF 742 C
Association à but non lucratif enregistrée à la
Sous-Préfecture de Grasse (06) N° 7803/88

Important notice

Individual copies of the present document can be downloaded from:

<http://www.etsi.org>

The present document may be made available in more than one electronic version or in print. In any case of existing or perceived difference in contents between such versions, the reference version is the Portable Document Format (PDF). In case of dispute, the reference shall be the printing on ETSI printers of the PDF version kept on a specific network drive within ETSI Secretariat.

Users of the present document should be aware that the document may be subject to revision or change of status. Information on the current status of this and other ETSI documents is available at

<http://portal.etsi.org/tb/status/status.asp>

If you find errors in the present document, please send your comment to one of the following services:

http://portal.etsi.org/chaicor/ETSI_support.asp

Copyright Notification

No part may be reproduced except as authorized by written permission.
The copyright and the foregoing restriction extend to reproduction in all media.

© European Telecommunications Standards Institute 2004.
All rights reserved.

DECTTM, **PLUGTESTS**TM and **UMTS**TM are Trade Marks of ETSI registered for the benefit of its Members.
TIPHONTM and the **TIPHON logo** are Trade Marks currently being registered by ETSI for the benefit of its Members.
3GPPTM is a Trade Mark of ETSI registered for the benefit of its Members and of the 3GPP Organizational Partners.

Intellectual Property Rights

IPRs essential or potentially essential to the present document may have been declared to ETSI. The information pertaining to these essential IPRs, if any, is publicly available for **ETSI members and non-members**, and can be found in ETSI SR 000 314: "*Intellectual Property Rights (IPRs); Essential, or potentially Essential, IPRs notified to ETSI in respect of ETSI standards*", which is available from the ETSI Secretariat. Latest updates are available on the ETSI Web server (<http://webapp.etsi.org/IPR/home.asp>).

Pursuant to the ETSI IPR Policy, no investigation, including IPR searches, has been carried out by ETSI. No guarantee can be given as to the existence of other IPRs not referenced in ETSI SR 000 314 (or the updates on the ETSI Web server) which are, or may be, or may become, essential to the present document.

Foreword

This Technical Specification (TS) has been produced by the ETSI 3rd Generation Partnership Project (3GPP).

The present document may refer to technical specifications or reports using their 3GPP identities, UMTS identities or GSM identities. These should be interpreted as being references to the corresponding ETSI deliverables.

The cross reference between GSM, UMTS, 3GPP and ETSI identities can be found under <http://webapp.etsi.org/key/queryform.asp>.

Contents

Intellectual Property Rights	2
Foreword.....	2
Foreword.....	8
1 Scope	9
2 References	9
3 Definitions, abbreviations and symbols	9
3.1 Definitions	9
3.2 Abbreviations	10
3.3 Symbols.....	11
4 Model of computation	11
4.1 Navigation	11
4.2 Communication with the external system entity	12
4.2.1 Incoming pages from the external system entity.....	12
4.2.2 Outgoing data to the external system entity	12
4.2.3 Wait State.....	13
4.3 Terminal response handler mechanism	14
4.3.1 Operation of the Terminal Response Handler.....	15
4.3.1.1 Definitions.....	15
4.3.1.2 Operation.....	15
4.3.2 Default Terminal Response Handler configuration	15
4.4 Activation	16
4.5 Page format overview.....	17
4.6 History list	18
5 TLV Format.....	19
5.1 Coding of the tag byte	19
5.2 Attributes in TLVs.....	20
5.3 Coding of attribute bytes	20
6 Variables.....	21
6.1 Usage areas.....	21
6.1.1 Environment variable usage area	22
6.1.1.1 USAT Interpreter system information partition	22
6.1.1.1.1 Write access to the partition	24
6.1.1.1.2 Read access of the partition	24
6.1.1.2 USIM issuer information partition	24
6.1.1.2.1 Write access to the partition	24
6.1.1.2.2 Read access of the partition	24
6.1.1.3 End user information partition	24
6.1.1.3.1 Write access to the partition	24
6.1.1.3.2 Read access of the partition	24
6.1.2 Permanent variable area.....	25
6.1.2.1 Write access to the permanent variable area	25
6.1.2.2 Read access of the permanent variable area	25
6.1.3 Temporary variable area	26
6.1.3.1 Write access to the temporary variable area.....	26
6.1.3.2 Read access of the temporary variable area	26
6.1.3.3 Lifetime of temporary variables	27
6.1.4 Page string element	27
6.1.4.1 Write access to page string elements.....	27
6.1.4.2 Read access of page string elements	27
6.2 Variable values	27
6.3 Variable substitution.....	27

7	Used USAT Interpreter data structures	29
7.1	Page	29
7.1.1	Attributes	30
7.1.2	Page Identification	30
7.1.3	Page Unlock Code	30
7.1.4	One Time Password	30
7.1.5	Keep Alive List	31
7.1.6	Service ID	31
7.1.7	String Pool	31
7.1.8	Terminal response handler modifier	31
7.1.8.1	Attribute	32
7.1.8.2	General result range	34
7.1.8.3	Text for user notification	34
7.1.8.4	Action	34
7.1.8.4.1	Attributes	35
7.1.8.4.2	Action ID	36
7.1.8.4.3	Action to be performed	36
7.1.8.4.4	Action description	37
7.2	Navigation Unit	38
7.2.1	Attributes	39
7.2.2	Anchor	39
7.2.3	Terminal response handler modifier	39
7.2.4	USAT Interpreter Byte Codes	39
7.3	Anchor Reference	40
7.4	Variable Identifier List	40
7.5	Inline Value	41
7.6	Inline Value 2	42
7.7	Input List	42
7.8	Ordered TLV List	42
7.9	Page Reference	43
7.9.1	Anchor Reference	43
7.9.2	Variable Identifier List	43
7.9.3	Submit Configuration	44
7.9.3.1	Attributes	44
7.9.3.2	Submit Data	44
7.9.3.3	Text to be displayed during the active wait state	44
7.9.3.4	Gateway Address	45
7.10	Submit	45
7.10.1	Submit Data	46
7.10.2	Page Identification	46
8	USAT Interpreter byte codes	46
8.1	Set Variable	46
8.2	Assign and Branch	47
8.2.1	Destination Variable Identifier	48
8.2.2	Inline TLV containing Select Item Title	48
8.2.3	Ordered TLV List TLV	48
8.3	Extract	49
8.4	Go Back	50
8.5	Branch On Variable Value	51
8.5.1	Variable ID	51
8.5.2	Ordered TLV List	51
8.5.3	Page Reference	51
8.6	Exit	51
8.7	Execute USAT Command	52
8.7.1	Attributes	53
8.7.2	Simple TLV	53
8.7.3	Simple TLV Indicator	53
8.7.4	Sequence of Simple TLVs and Simple TLV Indicators	54
8.7.5	Result of an Execute USAT Command	54
8.7.5.1	Optimisation not Required	55
8.7.5.2	Optimisation Required	55

8.8	Execute Native Command.....	55
8.8.1	Attributes	56
8.8.2	Result of a Native Function Call.....	56
8.9	Get Length.....	56
8.10	Get TLV Value.....	57
8.11	Display Text.....	57
8.12	Get Input.....	58
9	Native Commands	59
9.1	PKI Plug-ins	60
9.1.1	P7 - PKCS#7 Signature Plug-In.....	60
9.1.1.1	Description	60
9.1.1.2	NCI.....	60
9.1.1.3	Arguments	60
9.1.1.4	Output Parameters.....	60
9.1.1.5	Execution	60
9.1.1.6	Errors.....	60
9.1.2	FP – Fingerprint Plug-In	60
9.1.2.1	Description	60
9.1.2.2	NCI.....	60
9.1.2.3	Arguments	61
9.1.2.4	Output Parameters.....	61
9.1.2.5	Execution	61
9.1.2.6	Errors.....	61
9.1.3	AD – Asymmetric Decryption Plug-In	61
9.1.3.1	Description	61
9.1.3.2	NCI.....	61
9.1.3.3	Arguments.....	61
9.1.3.4	Output Parameters.....	61
9.1.3.5	Execution	61
9.1.3.6	Errors.....	61
9.2	Triple DES Plug-ins	61
9.2.1	DE – Triple DES Encryption Plug-In	61
9.2.1.1	Description	61
9.2.1.2	NCI.....	61
9.2.1.3	Arguments.....	62
9.2.1.4	Output Parameters.....	62
9.2.1.5	Execution	62
9.2.1.6	Errors.....	62
9.2.2	DD – Triple DES Decryption Plug-In.....	62
9.2.2.1	Description	62
9.2.2.2	NCI.....	62
9.2.2.3	Arguments.....	62
9.2.2.4	Output Parameters.....	62
9.2.2.5	Execution	62
9.2.2.6	Errors.....	62
9.2.3	DS – Triple DES Sign Plug-In.....	62
9.2.3.1	Description	62
9.2.3.2	NCI.....	62
9.2.3.3	Arguments.....	63
9.2.3.4	Output Parameters.....	63
9.2.3.5	Execution	63
9.2.3.6	Errors.....	63
9.2.4	DU – Triple DES Unwrap Plug-In.....	63
9.2.4.1	Description	63
9.2.4.2	NCI.....	63
9.2.4.3	Arguments.....	63
9.2.4.4	Output Parameters.....	63
9.2.4.5	Execution	63
9.2.4.6	Errors.....	63
9.3	PIN Management Plug-ins	63
9.3.1	CP – Change PIN Plug-In.....	63

9.3.1.1	Description	63
9.3.1.2	NCI.....	63
9.3.1.3	Arguments	64
9.3.1.4	Output Parameters	64
9.3.1.5	Execution	64
9.3.1.6	Errors.....	64
9.3.2	RP - Reset PIN Plug-In	64
9.3.2.1	Description	64
9.3.2.2	NCI.....	64
9.3.2.3	Arguments	64
9.3.2.4	Output Parameters	64
9.3.2.5	Execution	64
9.3.2.6	Errors.....	64
10	End to End Security.....	64
10.1	Encrypt	64
10.2	Decrypt	64
11	Modes of operation.....	65
11.1	Pull	65
11.2	Push / Cell Broadcast	65
12	Error coding.....	65
13	Tag Values.....	65
Annex A (informative):	Terminal Response Handler Flow Charts	67
Annex B (informative):	Example of Accessing USAT Interpreter Functionality in Wireless Mark-up Language	69
B.1	Introduction	69
B.1.1	Purpose	69
B.1.2	Terminology	69
B.1.3	Definitions and abbreviations.....	70
B.2	Namespace	70
B.2.1	The USAT Interpreter EF Class	70
B.2.2	Examples	70
B.3	WML	71
B.3.1	WML Syntax	71
B.3.1.1	The WML page.....	71
B.3.1.2	Entities	71
B.3.1.3	Elements	72
B.3.1.4	Attributes	72
B.3.1.5	Variables.....	72
B.3.2	Extended functionality interface.....	72
B.4	Implicit calls using WML syntax	72
B.4.1	Prologue	72
B.4.2	Character encoding.....	72
B.4.3	Elements.....	73
B.4.3.1	wml element.....	73
B.4.3.2	card element.....	74
B.4.3.3	p element.....	74
B.4.3.4	br element	74
B.4.3.5	input element	74
B.4.3.6	select Element.....	75
B.4.3.7	option element	75
B.4.3.8	go element.....	75
B.4.3.9	setvar element	76
B.4.3.10	noop element.....	77
B.4.3.11	do element.....	77
B.4.3.12	refresh Element.....	78

B.5	Explicit calls using WML syntax	78
B.5.1	Services for USAT Commands	78
B.5.1.1	Launch Browser	79
B.5.1.2	Play tone	79
B.5.1.3	Provide Local Information	79
B.5.1.4	Refresh	80
B.5.1.5	Run AT Command	80
B.5.1.6	Send USSD	81
B.5.1.7	Send SM	81
B.5.1.8	Set up call	81
B.5.1.9	Set Idle Mode Text	82
B.5.2	Services for Interpreter Commands	82
B.5.2.1	Get Interpreter Version Information	83
B.5.2.2	Get Interpreter Buffer Size	83
B.5.2.3	Get Native Command List	83
B.5.2.4	Get Terminal Profile	83
B.5.2.5	Get Error Code for Last Byte Code Command	84
B.5.2.6	Get Maximum Size for Temporary Storage of Page	84
B.5.2.7	Get USAT Interpreter Issuer URL	84
B.5.2.8	Get USAT Interpreter Issuer URL Hash	84
B.5.2.9	Get User Name	84
B.5.2.10	Get User Email	84
B.5.3	Services for Calling Client Plug-Ins	85
B.6	Access to Special Features	85
B.6.1	Variable Management	86
B.6.1.1	Keep Alive and Protect Variables	86
B.6.2	Terminal Response Handler Modifier	86
B.6.2.1	Replace	87
B.6.2.2	Add	88
B.6.2.3	Restore	88
B.6.2.4	Remove	89
B.7	References	89
Annex C (informative):	Terminal Response Handler Modifier examples.....	90
C.1	Replace Operation	90
C.2	Add/Append Operation	91
C.3	Remove Operation.....	92
C.4	Restore Operation.....	93
C.5	Special case: Empty text for user notification.....	94
C.6	Special case: No text for user notification.....	94
Annex D (informative):	Change History	96
History		97

Foreword

This Technical Specification (TS) has been produced by the 3rd Generation Partnership Project (3GPP).

The contents of the present document are subject to continuing work within the TSG and may change following formal TSG approval. Should the TSG modify the contents of the present document, it will be re-released by the TSG with an identifying change of release date and an increase in version number as follows:

Version x.y.z

where:

- x the first digit:
 - 1 presented to TSG for information;
 - 2 presented to TSG for approval;
 - 3 or greater indicates TSG approved document under change control.
- y the second digit is incremented for all changes of substance, i.e. technical enhancements, corrections, updates, etc.
- z the third digit is incremented when editorial only changes have been incorporated in the document.

1 Scope

The present document specifies the byte codes that are recognised by an USAT Interpreter. The byte codes primary purpose is to provide efficient programmatic access to the SIM Application Toolkit commands.

The design objectives of the byte code set are:

- Compact representation for efficient transmission over the air interface.
- Minimisation of USAT Interpreter complexity to minimise SIM footprint and ease compliance testing.
- Easily configured and extended.
- Source language independent although XML-style mark-up languages are explicitly envisioned.
- Transport bearer independent (e.g. SMS, GPRS...)
- Transport protocol independent.
- Independent from design of external entities.

2 References

The following documents contain provisions which, through reference in this text, constitute provisions of the present document.

- References are either specific (identified by date of publication, edition number, version number, etc.) or non-specific.
- For a specific reference, subsequent revisions do not apply.
- For a non-specific reference, the latest version applies. In the case of a reference to a 3GPP document (including a GSM document), a non-specific reference implicitly refers to the latest version of that document *in the same Release as the present document*.

- [1] 3GPP TS 31.111: "USIM Application Toolkit (USAT)".
- [2] 3GPP TS 31.114: "USAT Interpreter protocol and administration".
- [3] 3GPP TS 23.038: "Alphabets and language-specific information".
- [4] 3GPP TS 31.101: "UICC-terminal interface; Physical and logical characteristics".
- [5] ISO/IEC 7816-6 (1995): "Identification cards – Integrated circuit(s) cards with contacts - Part 6: Inter-industry data elements".
- [6] ISO 8731-1 (1987): "Banking – Approved algorithms for message authentication – Part 1: DEA".
- [7] IETF RFC 1738: "Uniform Resource Locators (URL)"
- [8] 3GPP TS 31.112: "USAT Interpreter Architecture Description; Stage 2"

3 Definitions, abbreviations and symbols

3.1 Definitions

For the purposes of the present document, the following terms and definitions apply:

anchor: named location on a page to which references can be made and at which rendering by the USAT Interpreter is initiated

NOTE: Anchors can be referenced by anchor reference TLVs.

attribute: A property assigned to a TLV. The attribute can consist of a single bit or of a sequence of consecutive bits within the attribute bytes of a TLV.

attribute byte(s): sequence of consecutive bytes in the value part of a TLV containing the attributes of that TLV

current page: page which is currently rendered by the USAT Interpreter

current terminal response handler configuration: terminal response handler configuration currently valid

external system entity: any entity outside the USAT Interpreter, able to communicate with the USAT Interpreter (e.g. USAT Gateway, content/application system)

default terminal response handler configuration: the terminal response handler configuration as specified in clause 4.3.2

general result range: general result range is a range of general results in the terminal response of an USAT command (refer to 3GPP TS 31.111 [1])

navigation unit: block of a service description that can be referenced (by its anchor) and hence independently activated

page: context of an USAT Interpreter rendering, the default scope of USAT Interpreter variables and the unit of transmission between an external system entity and the USAT Interpreter

protected variable: shared variable, which is protected by an one time password

service: collection of pages that defines an unitary capability of the mobile equipment from the point of view of the user. Examples include remote database access, electronic mail, and alerts

service ID: unique ID to identify a service on the external system entity

shared variable: variable to be shared with the following page

NOTE: Shared variables can be provided to the next page in a protected or non protected manner.

string pool: list of predefined variables provided by the current page within the page TLV

NOTE: The string pool is mainly used for optimisation purposes.

system terminal response handler configuration: default terminal response handler configuration possibly modified by personalisation

terminal response handler configuration: configuration used by the terminal response handler mechanism to allow the mapping of actions to general results of USAT commands (see 4.3.1.1)

variable ID: identifier to reference a variable within a variable usage area

wait state: state which is possibly entered by the USAT Interpreter to wait for a response from the external system entity after information has been submitted to the external system entity

3.2 Abbreviations

For the purposes of the present document, the following abbreviations apply:

C	Conditional
DCS	Data Coding Scheme
ID	IDentifier
LSB	Least Significant Bit
M	Mandatory
MSB	Most Significant Bit
NCI	Native Code Identifier

NU	Navigation Unit
O	Optional
OTP	One Time Password
SMS	Short Message Service
SW1/SW2	Status Word 1 / Status Word 2
TLV	Tag Length Value
TR	Terminal Response
TS	Technical Specification
UCS2	Universal two byte coded Character Set
UE	User Equipment
URL	Uniform Resource Locators
USAT	USIM Application Toolkit
USIM	Universal Subscriber Identity Module
XML	eXtensible Markup Language

3.3 Symbols

For the purposes of the present document, the following symbol applies:

'0' to '9' and 'A' to 'F' The sixteen hexadecimal digits

Single bits are identified by b1 to b8, where b1 is the LSB and b8 is the MSB of the byte containing the bit.

RFU bits and bytes are to be set to '0'.

4 Model of computation

A *service* is mobile device (user equipment) functionality as seen by the user, for example e-mail, information access or order entry.

A service is composed of one or more *pages*. Pages describe information presented to the subscriber and retrieve input from the subscriber. The unit of transmission to the user equipment as well as the unit of USAT Interpreter interpretation is the page. The set of all pages describing a service is called the *service description*.

Pages are composed of navigation units. Anchors reference the beginning of navigation units. Therefore anchors are points in a service description that can be branched to from other points in the service description. Each page has an implicit anchor at the beginning of the page.

In some mark-up languages pages are known as decks and anchors are known as cards.

The USAT Interpreter renders pages and provides a way to navigate from within pages to anchors belonging to the same page or other pages. The requirements of the USAT Interpreter include a way to automatically go back to previously visited anchors.

When reaching the last byte code of a page, the USAT Interpreter shall behave like ending a navigation unit.

4.1 Navigation

A page expressed as compiled byte code instructions is stored as a unit in the USAT Interpreter. The page is the smallest unit that the external system entity can provide to the USAT Interpreter. A page is partitioned into one or more navigation units each of which can be referenced using anchors. In other words, navigation units and anchors are included in pages.

The anchor is defined as being the elementary navigation target. The USAT Interpreter can skip from one anchor to another, backwards and forwards based either on control flow constructs or user interaction. If a navigation unit contains no instructions to branch to an anchor within the current page or another page, the behaviour of the USAT Interpreter is defined by the terminal response handler mechanism. This keeps the proactive session alive and allows further navigation.

Pages are stored in the USAT Interpreter. The structure of pages is described later in the present document. These pages are stored either permanently in the USAT Interpreter or received and interpreted on the fly.

Pages and navigation units are referenced using anchor references as described below.

To be able to create multiple-page services, page references within USAT Interpreter commands are used to fetch new pages or to link pages together.

The behaviour of the USAT Interpreter in response on user interaction (e.g. backward move, proactive session terminated, help information requested) is defined by the current terminal response handler configuration. The terminal response handler configuration can be modified by a terminal response handler modifier within the page or navigation unit context.

If no terminal response handler modifier is defined in the page context or in the navigation unit context, the system terminal response handler configuration shall be used.

4.2 Communication with the external system entity

This clause provides an overview of the communication of the USAT Interpreter with the external system entity. The present document describes the format of content exchanged between the external system entity and the USAT Interpreter. The protocol and bearer used for the communication with a USAT Interpreter Gateway System is specified in TS 31.114 [2]. The protocol and bearer used for the communication with other external system entities is out of the scope of the present document.

4.2.1 Incoming pages from the external system entity

Any information obtained by the USAT Interpreter from the external system entity shall be formatted as a Page TLV. After obtaining a Page TLV from the external system entity the USAT Interpreter shall start rendering the obtained page according to the present document.

4.2.2 Outgoing data to the external system entity

The submission of outgoing data can be triggered by the USAT Interpreter byte codes:

- Assign and Branch;
- Branch on Variable Value; and

implicitly by a "go back" history navigation action.

A service can trigger the submission of outgoing data by providing a Page Reference TLV containing a Submit Configuration TLV within the byte codes mentioned above.

The Submit Configuration TLV contains the parameters to be used to build a Submit TLV structure, which will be provided to the external system entity then.

The Submit TLV structure is used only in the direction from the USAT Interpreter to the external system entity. All information provided by the USAT Interpreter to the external system entity shall be formatted as a Submit TLV structure. The Submit TLV structure consists of a Submit Data TLV and optionally of a Page Identification TLV.

The Submit Data TLV is used in two forms:

- In the direction from the external system entity to the USAT Interpreter, the value part of the Submit Data TLV contained in the Submit Configuration TLV may consist of any byte sequence possibly containing variable references.

- In the direction from the USAT Interpreter to the external system entity, all variable references within the Submit Data TLV contained in the Submit Configuration TLV are substituted according to method 2 in clause 6.3. The resulting Submit Data TLV containing the substituted variable references with variable content shall then be used within the Submit TLV to be submitted by the USAT Interpreter to the external system entity.

4.2.3 Wait State

When rendering a Page Reference TLV containing a Submit Configuration TLV having the "ProcessingBehaviour" attribute set (post mode, not expecting a related answer from the external system entity, see 3GPP TS 31.112 [8]), the USAT Interpreter shall perform the following actions:

- provide the Submit TLV to the protocol layer to be transmitted to the external system entity (see clause 4.2.2);
- If the transport layer successfully executed the given information
 - process next byte code.
- If the transport layer could not execute the given information successfully
 - enter the exception case of the terminal response handler mechanism.

When rendering a Page Reference TLV containing a Submit Configuration TLV having the "ProcessingBehaviour" attribute not set, the USAT Interpreter shall perform the following actions:

- Generate a new RequestID value, by incrementing the RequestID value. If the Request ID value reaches its maximum value, the RequestID value shall start at 0 again.
- Provide the RequestID to the protocol layer to be incorporated into the transport protocol (refer to 3GPP TS 31.114 [2]).
- Provide the Submit TLV to the protocol layer to be transmitted to the external system entity (see clause 4.2.2).

If the transport layer successfully executed the given information

- enter the wait state.

If the transport layer could not execute the given information successfully

- enter the exception case of the terminal response handler mechanism.

In the wait state, the USAT Interpreter shall keep the proactive session alive. Therefore, a DISPLAY TEXT USAT command shall be issued by the USAT Interpreter to notify the user that the USAT Interpreter has entered the wait state.

The text to be used for the text string of the DISPLAY TEXT command shall be taken from the Inline Value TLV of the Submit Configuration TLV requesting the wait state.

If this Inline Value TLV is not available in the Submit Configuration TLV when entering the wait state, then a default text shall be taken by the USAT Interpreter. This default text can be personalised and later on changed by administrative means.

For the DISPLAY TEXT USAT command the command qualifier option:

- "clear message after delay".

shall be used.

The USAT Interpreter shall handle the wait state according to figure 4.1.

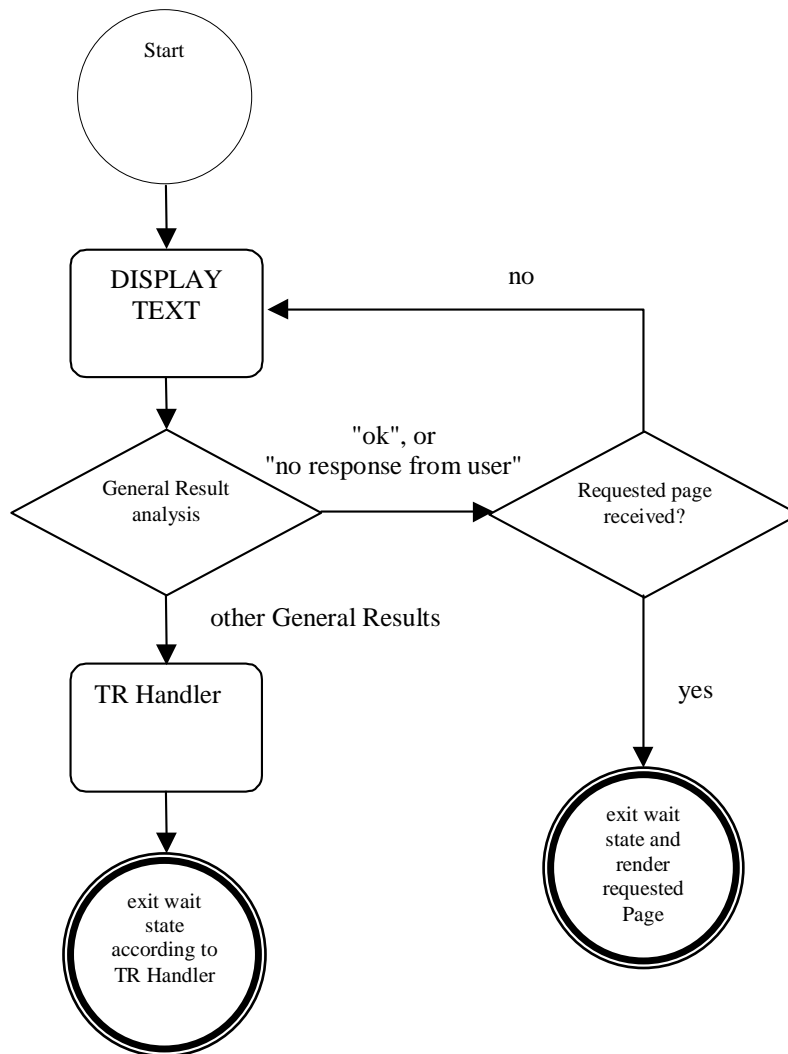


Figure 4.1: State diagram

The terminal response handler is activated by the USAT Interpreter, when the general result range of the DISPLAY TEXT command is not '00 0F' ("ok") and not '12 12' ("no response from user"). The terminal response handler shall use the current terminal response handler configuration (i.e. the configuration of the current navigation unit).

Incoming pages shall be handled as follows.

When getting a page during the wait state being active, the protocol layer shall check the received RequestID:

- If the provided RequestID does not match the expected RequestID, the page is discarded and the wait state remains active. The current page is not affected by the discarded page.
- If the provided RequestID does match the expected RequestID, the wait state is terminated by the USAT Interpreter and the received page is rendered.

If the wait state has been terminated before the expected RequestID has been received (e.g. the wait state was cancelled by the user, the UE was switched off...), the protocol layer shall discard pages from the external system entity, which have been received as operational pull messages (see 3GPP TS 31.114 [2] and 3GPP TS 31.112 [8]).

4.3 Terminal response handler mechanism

For any general result of an USAT command, the USAT Interpreter shall branch to the terminal response handler. The terminal response handler shall handle the general result according to the following rules.

4.3.1 Operation of the Terminal Response Handler

4.3.1.1 Definitions

For the description of the Terminal Response Handler Mechanism the following definitions and abbreviations apply:

Abbreviation	Item	Definition
AI	Action Identifier	a single value in the range of '00' to 'FF' identifying an action
GR	General Result	result of a USAT command; a single value in the range from '00' to 'FF'
GRR	General Result Range	multiple consecutive General Result (GR) values
a	Single Action	A single action identified by an external system or service defined Action Identifier(AI). a _{xx} is a single action with the AI 'xx'.
A	Set of Actions	a collection of zero or more single actions (a).
A _{GR}	General Result Actions	A set of Actions (A) applying to a specific General Result (GR).
TRHC	Terminal Response Handler Configuration	A collection of A _{GR} , so that there is one Set of Actions for each General Result (GR).

4.3.1.2 Operation

The execution of any USAT command generates a general result (GR). The behaviour of the USAT Interpreter after the execution of a USAT command is determined by the generated general result and the current terminal response handler configuration as follows:

While the USAT Interpreter is in execution there is always one active terminal response handler configuration called the *current terminal response handle configuration*.

Let the generated general result be GR. The USAT Interpreter shall check the current terminal response handler configuration for the corresponding A_{GR} for that GR. By definition, for each GR an A_{GR} shall exist. As specified in 4.3.1.1 an A_{GR} might have no, one or more actions (a) applied to it.

If the A_{GR} contains only one action (a), then the single action (a) in A_{GR} shall be performed by the USAT Interpreter without user confirmation. If there are several actions in the A_{GR}, then the USAT Interpreter shall issue a SELECT ITEM command to let the user select one action (a) out of A_{GR} that shall be used by the USAT Interpreter. The handling of the SELECT ITEM command is described in clause 7.1.8.4.4.

If there is no action (a) in A_{GR} the exception action shall be performed by the USAT Interpreter.

In case of an exception the exception action will apply. This action can be changed by using the terminal response handler modifier with the reserved general result range 'FF FF'. In the default terminal response handler table (clause 4.3.2, table 4.1), this range is called "exception".

Exception examples:

- no more byte code when process next byte code (e.g. end of navigation unit);
- other exception cases of the USAT Interpreter not covered currently in the present document.

4.3.2 Default Terminal Response Handler configuration

A default terminal response handler configuration is defined in the present document (see table 4.1). The proposed default terminal response handler configuration may be modified at personalization stage by the card issuer.

The possibly modified resulting terminal response handler configuration is called the system terminal response handler configuration, which shall be used by the USAT Interpreter. The system terminal response handler configuration can be the same as the default terminal response handler configuration or it can differ from it, depending on the decision of the card issuer.

NOTE: A service should take into account, that the system terminal response handler configuration might be different from the default terminal response handler configuration. The service might need to have knowledge of the system terminal response handler configuration in order to behave as intended.

The system terminal response handler configuration can be modified temporarily by the terminal response handler modifier (see clause 7.1.8).

If the USAT Interpreter branches to another page due to the terminal response handler configuration, the standard inter page variable management shall apply (see clause 6.1.3.1).

Default terminal response handler configuration.

Table 4.1

		Action ID	General result range								
			'FF FF'	'14 14'	'00 0F'	'13 13'	'12 12'	'11 11'	'10 10'	'20 2F'	'30 3F'
			exception	USSD/SS transaction terminated	ok	help request	no response from user	backward move requested	quit	worth to re-try	not worth to re-try
System actions	process next byte code	'00'			X						
	quit USAT Interpreter	'01'	X	X			X		X	X	X
	go back one entry in history list	'02'						X			
	retry last proactive command within current USAT Interpreter navigation unit	'03'				X				X (note)	
NOTE: In the case of SET UP CALL, the system action "retry last proactive command within current USAT Interpreter navigation unit" should be deactivated by the service.											

The USAT Interpreter may support storage of texts for user notification for the general result ranges of the system terminal response handler configuration. If texts for user notification are available, the texts shall be used according to clause 7.1.8.3.

For each of the system actions a text shall be assigned and shall to be used in the SELECT ITEM if more than one action is assigned to a general result (see clause 4.3.1.2). These texts shall be specified by the card issuer and shall be provided by personalisation.

4.4 Activation

Activation of USAT Interpreter depends on USAT Interpreter current state. The USAT Interpreter state corresponds to the presence or the origin of proactive session generated by USAT Interpreter. A state can be:

- Idle (i.e. no proactive session is running);
- Rendering a page (i.e. proactive session issued from byte code command);
- Wait state (see section 4.2.3).

The USAT Interpreter can be activated (i.e. be caused to leave the idle state and start rendering a page) in different ways:

- locally from the UE using menu selection;
- locally from the UE as the result of an event;
- by an incoming page initiated by an external system entity (push mode according to 3GPP TS 31.112 [8]); or

- optionally by an internal application using a proprietary interface.

The rendering of a page shall be independent of the means of activation.

In idle state of the USAT Interpreter, the protocol layer (see 3GPP TS 31.114 [2]) shall discard pages from the external system entity, which have been received as operational pull messages (see 3GPP TS 31.114 [2] and 3GPP TS 31.112 [8]).

With respect to activation locally from the UE using menu selection, the SETUP MENU command as described in 3GPP TS 31.111 [1] can contain one or more links to a Page Identification TLV which identifies a locally stored page. When one of these identifiers is selected, and when USAT Interpreter is in idle state, the USAT Interpreter is activated and renders the referenced page. If the referenced local page does not exist the USAT Interpreter shall generate a "Jump to undefined" error (see chapter 12). Registering of pages to the main menu is up to administrative means.

An event (as specified in 3GPP TS 31.111 [1] or proprietary events defined by the card issuer) is linked to a Page Identification TLV which identifies a locally stored page. When the UE sends an ENVELOPE command containing an event, and when USAT Interpreter is in idle state, the USAT Interpreter is activated and renders the referenced page. If an event is received not referencing to a page, the event shall be ignored by the USAT Interpreter. If the referenced local page does not exist the USAT Interpreter shall generate a "Jump to undefined" error (see chapter 12). For security reasons, setting up events is up to administrative means.

If an event occurs while the USAT Interpreter is not in idle state, the USAT Interpreter shall queue the event and shall postpone executing the event until the USAT Interpreter enters idle state again.

The USAT Interpreter shall be able to queue at least one event. Events shall be executed in the order the events have been occurred.

If the USAT Interpreter is not able to store an event (e.g. because the event queue is full already), it is up to the implementation of the USAT Interpreter to handle this situation.

4.5 Page format overview

Figure 4.2 gives an overview of the construction and elements of a page to be rendered by the USAT Interpreter.

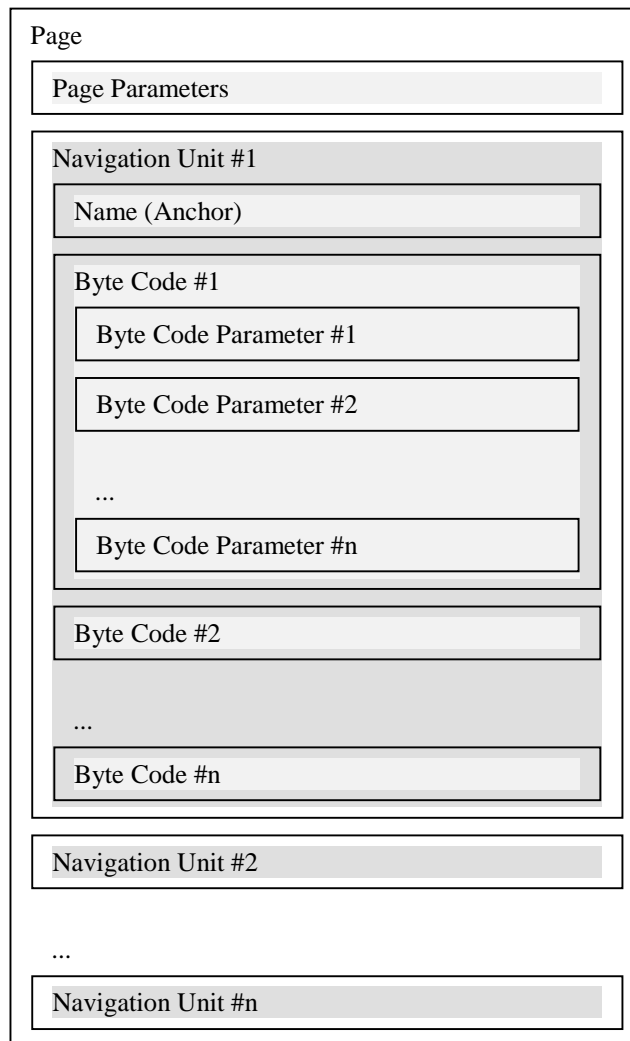


Figure 4.2: Overview of page format

A transmission initiated by the USAT Interpreter to the external system entity is performed when the USAT Interpreter executes a byte code containing a Page Reference TLV containing a Submit Configuration TLV (see clause 7.9.3) referring to a page which is not locally stored.

Page Reference TLVs are used in the following byte code commands:

- Assign and Branch;
- Branch on Variable Value.

4.6 History list

The history list is a list of anchor references. This history list also owns an anchor reference pointer which points to a specific entry in the history list. When a navigation unit is completely rendered (i.e. when the USAT Interpreter starts to render another navigation unit), its anchor reference is added on the top of the history list, and the anchor pointer points on it. A navigation unit is not added to this list in following cases:

- If an appropriate attribute flag is set in the navigation unit;
- if the navigation unit does not have any anchor name.

The maximum number of entries in the history list is N (anchor references) where N is greater than or equal to zero. If N=0, the history list mechanism and related navigation actions become deactivated.

If the history list is full, the bottom-most entry is removed from the list in order to free space for a new top-most entry.

The history is reset (is emptied) whenever the USAT Interpreter is initialised.

The USAT Interpreter allows navigation based on the history list and the anchor reference pointer. The history navigation action "go back one entry in history list" means that the navigation unit corresponding to the pointed anchor reference shall be rendered, and the anchor reference pointer is immediately moved down in the list. The origin of this action can be either the system action '02' in terminal response handler configuration, or the Go Back byte code command.

The moving of this anchor reference pointer in the history list does not modify the history list itself.

If the anchor reference pointer reaches the bottom of the history list or the history list does not contain any entry, and if a "go back" history navigation action has to be performed in this situation, then the exception case of the terminal response handler mechanism shall be performed..

Retry-last-proactive-command, system action '03' of the terminal response handler configuration shall not modify the history list.

If, at any time, the anchor reference pointer does not point to the top-most anchor reference in the history list, and if a navigation action other than the "go back" history navigation action (e.g. Assign and Branch byte code command) is performed, then any anchor references between the anchor reference pointer and the top-most entry are deleted from the history list, that means the entry referenced by the anchor reference pointer becomes the top-most entry in the history list.

If the USAT Interpreter does not find the requested anchor locally while processing a "go back" history navigation action, an outgoing message shall be sent to the external system entity to retrieve the page the requested anchor reference belongs to. The Submit TLV shall be formatted in the same way as the previously used Submit TLV to retrieve this page and the USAT Interpreter shall start to render the navigation unit the anchor reference points to.

NOTE: Service providers should take care of that the "go back" history navigation action on remote pages could generate security issues.

5 TLV Format

The Tag Length Value (TLV) is the basic data structure element. If the value part of a TLV contains other TLV elements it is called a BER-TLV or a template TLV. If not, it is called a simple TLV. Refer to ISO/IEC 7816-6 [5] for more information on data objects.

The tag byte contains a seven-bit tag value and an attribute byte-present bit in the MSB. If the attribute byte-present bit is set then the leading byte(s) in the value field contain attribute information for the element identified by the tag.

Length	Value	Description	M/O
1	T	Tag	M
1-3	L	Length of following data, a length value of '00' is allowed	M
L	V	The data value associated with the tag	O

The length is BER coded onto 1, 2 or 3 bytes according to ISO/IEC 7816-6 [5].

The value of a TLV is the content of its value field and therefore *evaluation* of a TLV yields its value.

TLVs shall appear in the order given in the present document. Additional TLVs may be appended to the TLVs given in the present document. If TLVs are expected by the USAT Interpreter and are missing, the USAT Interpreter shall generate an error message to the user. TLVs not supported by the USAT Interpreter shall be ignored by the USAT Interpreter.

5.1 Coding of the tag byte

The tag byte of all TLVs described in the present document is as follows:

b8	b7	b6	b5	b4	b3	b2	b1
Attribute byte present bit	Tag value coded on 7 bits						

Attribute byte present bit	Value
Attribute byte present as first byte of V	1
Attribute byte not present as first byte of V	0

5.2 Attributes in TLVs

Every TLV can have one or more attributes bytes if indicated by the attribute byte present bit of the tag byte. The coding of an attribute byte is shown below. Attributes provided in the attribute byte shall be related to the belonging TLV. The meaning of the attributes of a TLV is TLV specific and specified in the TLV descriptions.

An attribute given in an attribute byte can consist of a single bit or a combination of consecutive bits forming an attribute value.

The default value of an attribute value or an attribute bit within an attribute byte is always '0'. The '0' value of an attribute shall be used by the USAT Interpreter, if the attribute is not available in the TLV.

Whenever the attributes for a tag require more than 7 bits within an attribute byte, the number of attribute bytes will be extended. The extension of the attribute byte shall be indicated by the MSB of the attribute byte, which is called the follow bit.

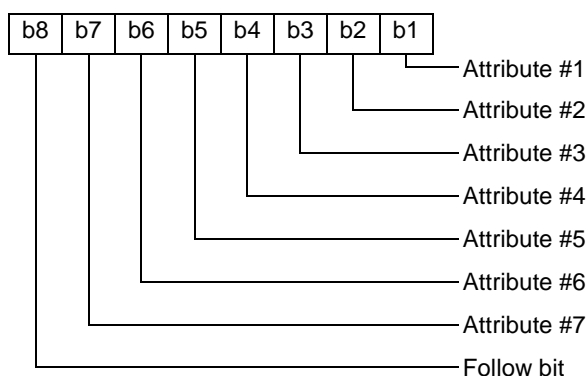
Attributes or attribute bytes not expected or not known by the USAT Interpreter shall be ignored by the USAT Interpreter.

5.3 Coding of attribute bytes

The MSB of each attribute byte indicates if another attribute byte follows or not. The MSB is called follow bit. The remaining seven bits of an attribute byte contain TLV specific attributes, either coded as a single bit or as a combination of consecutive bits.

The context, namely the tag, completely determines the order, span and semantics of the bit-packed attribute values. An attribute consisting of more than 1 bit may span two attribute bytes.

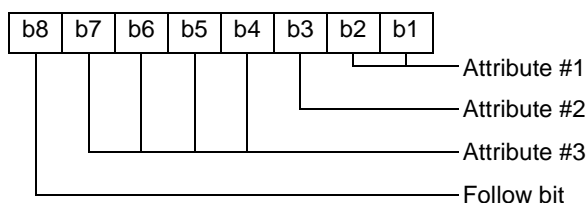
General coding:



Follow bit coding:

Follow bit	Value
Another attribute byte available as next byte of V	1
No more attribute bytes available	0

Other coding example where attribute #2 consists of a single bit, attribute #3 consists of a 4 bit value and attribute #1 consists of a 2 bit value.



6 Variables

Variables are name-value pairs. The name is called the variable identifier (ID) and the value is called the variable value. Operations are provided to refer to a variable value by using its variable ID and for setting and resetting the value associated with a variable.

Variables can be stored in the following usage areas:

- Environment variable area;
- Permanent variable area;
- Temporary variable area;
- Page string element.

Variables have one of the following variable types:

- SMS default 7-bit coded alphabet as specified in 3GPP TS 23.038 [3] with bit 8 set to 0;
- SMS default 7-bit coded alphabet as specified in 3GPP TS 23.038 [3] packed;
- Binary;
- UCS2 coded string.

The list can be extended.

6.1 Usage areas

Variables are referred by using an unified one byte notation. The one byte variable reference is called the variable ID. b8 and b7 of the variable ID are used to indicate the belonging of a variable to a certain usage area. The remaining 6 bits are used to reference a certain variable within the usage area.

Due to the used coding, the number of variables per area is restricted to 64.

The coding of the variable ID is as follows:

b8	b7	b6	b5	b4	b3	b2	b1	
0	0							belongs to Environment usage area
0	1							belongs to Permanent usage area
1	0							belongs to Temporary usage area
1	1							belongs to Page String Element usage area
		x	x	x	x	x	x	identifier of the variable within the usage area

Except for the Page String Element usage area, the size of the different usage areas is to be defined by the card issuer and configured during the personalisation process of the USAT Interpreter.

6.1.1 Environment variable usage area

This usage area consists of 3 different partitions:

- USAT Interpreter system information partition;
- USIM issuer information partition;
- End user information partition.

6.1.1.1 USAT Interpreter system information partition

The USAT Interpreter partition is preloaded during the manufacturing process of the USIM or during the runtime of the USAT Interpreter.

At least the following information shall be stored:

Variable ID	Description	Coding
'00'	ICCID of UICC	Binary coding as for EF _{ICCID} specified in 3GPP TS 31.101 [4]
'01'	USAT Interpreter version	<p>Byte 1: Issuer Version USAT Interpreter issuer specific version. The coding and value of this byte depends on the USAT Interpreter issuer. The USAT Interpreter issuer is stored in variable '07' and variable '08'.</p> <p>Bytes 2-3: TS 31.113, Version (this TS) Byte 2: first digit (x according to the foreword of the present document) of the version of the supported 3GPP TS 31.113; BCD coded</p> <p>Byte 3: second digit (y according to the foreword of the present document) of the version of the supported 3GPP TS 31.113; BCD coded</p> <p>Bytes 4-5: Version of TS 31.114 [2] Byte 2: first digit (x according to the foreword of the present document) of the version of the supported 3GPP TS 31.114; BCD coded</p> <p>Byte 3: second digit (y according to the foreword of the present document) of the version of the supported 3GPP TS 31.114; BCD coded</p> <p>further bytes are RFU</p> <p>Example: Issuer version: '22' TS 31.113 version: 5.2.0 TS 31.114 version: 5.12.3 resulting coding: '22 05 02 05 12'</p>
'02'	USAT Command Filter	<p>This includes the list of allowed USAT Commands. Coding as specified in TS 31.114 [2].</p> <p>NOTE: Content is dynamic, i.e. it is impacted by the current configuration</p>
'03'	USAT Interpreter Native Commands	List of supported native commands. Coding: Sequence of NCI. Each NCI coded in 2 bytes.
'04'	Terminal Profile as got at runtime	Binary coded as defined in 3GPP TS 31.111 [1] for TERMINAL PROFILE
'05'	Error Code as generated by the last byte code command executed	Binary coded as specified in clause 12
'06'	Maximum page size for temporary storage of one page	Binary coded, most significant byte first: Number of bytes available for page storage.
'07'	USAT Interpreter issuer identification	URL of USAT Interpreter issuer, coding according to RFC 1738 [7] <host> of URL.
'08'	Hash Value of URL of USAT Interpreter issuer identification	4 most significant (left most) bytes of SHA-1 hash of the content of variable '07'
'09'	Reception Buffer Size	<p>Binary coded, most significant byte first:</p> <ul style="list-style-type: none"> – Receive buffer size in bytes available for messages to be received by the USAT Interpreter. <p>This size includes all possibly needed space for transport headers, security, routing information, concatenation information and so on.</p>
'0A'	USAT Interpreter Byte Code Filter	This includes the list of allowed USAT Interpreter byte codes. Coding as specified in TS 31.114 [2].

		NOTE: Content is dynamic, i.e. it is impacted by the current configuration.
'0B'	Transmission Buffer Size	Binary coded, most significant byte first: – Transmit buffer size in bytes available for messages to be sent by the USAT Interpreter. This size includes all possibly needed space for transport headers, security, routing information, concatenation information and so on.
'0C'...'13'	RFU	

6.1.1.1.1 Write access to the partition

This partition shall not be updated by administrative means after the personalisation process. The variables in this partition may be changed by the USAT Interpreter itself, if e.g. the configuration of the USAT Interpreter changes (e.g. addition of a new native code functionality).

6.1.1.1.2 Read access of the partition

The information stored in this partition can be freely accessed by any page executed by the USAT Interpreter.

6.1.1.2 USIM issuer information partition

The information stored in this partition is under the control of the USIM issuer. The USIM issuer is responsible to allocate variable IDs for his own purposes in the range from '14' to '28'. The used variable IDs shall be published to content providers.

6.1.1.2.1 Write access to the partition

This partition can be updated by the USIM issuer by administrative means.

6.1.1.2.2 Read access of the partition

The information stored in this partition can be freely accessed by any page executed by the USAT Interpreter.

6.1.1.3 End user information partition

The information stored in this partition is under the control of the end user. If the user decides to store information in this partition, the following variable IDs shall be used:

Variable ID	Description	Coding
'29'	User name	SMS default 7-bit coded alphabet as defined in 3GPP TS 23.038 [3] with bit 8 set to 0 or UCS2 coded
'2A'	User e-mail address	SMS default 7-bit coded alphabet as defined in 3GPP TS 23.038 [3] with bit 8 set to 0
'2B' ... '3F'	RFU	

6.1.1.3.1 Write access to the partition

This area can only be updated by the end user. How this is implemented is out of the scope of the present document.

6.1.1.3.2 Read access of the partition

The information stored in this partition can be freely accessed by any page executed by the USAT Interpreter.

6.1.2 Permanent variable area

This area is used to store permanently variables which can be accessed even after the USIM was reset. This area is organised as a cyclic variable buffer. If the buffer is full, a new entry shall delete the oldest entries until enough space is made available to store the new entry.

Each entry consists of the service ID of the page storing the variable in this area, the variable ID and the content of the variable. A variable is identified by the couple {variable ID, service ID}. Therefore, in the permanent variable area, two different variables can share the same variable ID. For pages using this variable area, it is mandatory to provide the service ID in the Page TLV. The assignment of service IDs is up to an external system entity.

6.1.2.1 Write access to the permanent variable area

Any page which provides a service ID may store permanent variables.

6.1.2.2 Read access of the permanent variable area

The information in this area can be freely accessed by pages providing a service ID within the Page TLV, which is contained in the list of permanently stored variables. A page shall have access to those variables only, which have the same service ID as stored in the Page TLV.

If a page, which does not provide a Service ID TLV, attempts to access a variable, the USAT Interpreter shall generate a "security error".

If a page attempts to read a variable, which has never been initialised by the service the page belongs to, the USAT Interpreter shall generate a "reference to undefined" error.

Example:

Step 1: page 1, with service ID "1111", creates a permanent variable. Its variable ID is '41' and its content is "Toto".

Step 2: page 2, with service ID "222222", attempts to read the variable '41' content. The USAT Interpreter generates a "reference to undefined" error because the variable {'41', "222222"} does not exist yet.

Step 3: page 3, with service ID "222222", creates a permanent variable. Its variable ID is '41' and its content is "Fellow".

Step 4: page 4, with service ID "1111", attempts to read the variable '41' content. The result is "Toto" and not "Fellow".

This example shows that page 2 does not overwrite the page 1 variables.

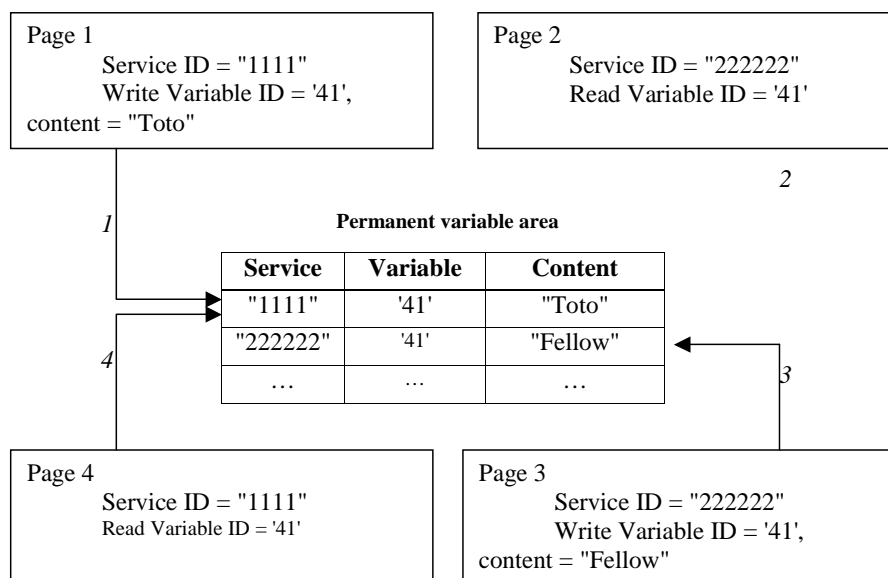


Figure 6.1: Example

6.1.3 Temporary variable area

Temporary variables are used during the execution of the current page. If the USAT Interpreter is not able to create a new temporary variable due to the limits of the temporary variable area memory space, the USAT Interpreter shall generate a "Problem in memory management " error. Temporary variables may be shared with the following page.

Temporary variables are used for 2 purposes:

- as variables defined and used within the current page;
- as variables to be shared between the current page and the following page.

The current page shall define, which variables are to be kept for access of the following page. To ensure, that only a dedicated following page can access the variables defined to be sharable, the current page may protect them with a One Time Password (OTP). The following page shall present a Page Unlock TLV to get access to the shared variables. This TLV contains the OTP of the preceding page.

If this mechanism is used to protect shared variable, it might happen that a page is not able to access the protected shared variables, if the sequence of pages provided to the USAT Interpreter is disturbed (e.g. by using backward navigation between pages...).

6.1.3.1 Write access to the temporary variable area

Only the current page can allocate temporary variables. The current page can allocate temporary variables as many as it is space available in this area.

To indicate how to provide variables to the next page, the KeepAll flag in the attribute of the current page and the OTP TLV and the Keep Alive List TLV within the current Page TLV is used according to the following table.

KeepAll flag	OTP TLV	KeepAliveList TLV	Actions
set	present	present	not valid, if occurs, the KeepAll attribute shall be ignored, variables listed in the Keep Alive List TLV shall be kept for the following page and shall be protected by OTP
set	present	not present	all temporary variables shall be kept for the following page and shall be protected by OTP
set	not present	present	not valid, if occurs, the variables listed in the Keep Alive List TLV shall be kept for the following page and shall not be protected by OTP
set	not present	not present	all temporary variables shall be kept for the following page and shall not be protected by OTP
not set	present	present	variables listed in the Keep Alive List TLV shall be kept for the following page and shall be protected by OTP
not set	present	not present	not valid, no variables to be kept for the following page
not set	not present	present	variables listed in the Keep Alive List TLV shall be kept for the following page and shall not be protected by OTP
not set	not present	not present	no variables to be kept for the following page

6.1.3.2 Read access of the temporary variable area

A current page can freely access temporary variables stored by this current page. Variables of the previous page shall only be accessible according to the rules of the table in clause 6.1.3.

In order to unlock the shared protected variables the Page Unlock TLV has to be present within the Page TLV. The Page Unlock TLV shall contain the OTP of the previous page. If the OTP in the Page Unlock TLV matches the OTP stored with the protected variables, the protected variables are made available to the current page as regular temporary variables.

6.1.3.3 Lifetime of temporary variables

By default, all variables which are not kept explicitly to be shared by the following page are deleted, after the page is processed.

If there are protected variables, but the current page does not contain a matching OTP, the protected variables are deleted before processing the current page.

6.1.4 Page string element

This area is provided optionally by the current page. It can be used to store e.g. strings that are used several times in the current page.

The first string element in the String Pool TLV shall be identified by the variable reference 'C0', the next with 'C1' and so on.

6.1.4.1 Write access to page string elements

The information contained in this area is read only.

6.1.4.2 Read access of page string elements

The information can be accessed by the current page.

6.2 Variable values

The value associated with a variable identifier is a length-byte string pair. The type of a variable value is determined by the usage context. The USAT Interpreter shall keep track of the type of a variable. How the type of the variable is stored internally within the USAT Interpreter is up to the implementation of the USAT Interpreter.

The length of the variable value is restricted to 65535 ('FFFF') bytes. Each variable has one of the following types.

Type of variable	coding (3 bits)
Unknown	'000'
SMS default 7-bit coded alphabet as defined in 3GPP TS 23.038 [3] with bit 8 set to 0	'001'
SMS default 7-bit coded alphabet as defined in 3GPP TS 23.038 [3] packed	'010'
Binary format	'011'
UCS2 coded string	'100'
Other types	RFU

The coding specified shall be used to indicate the type of variable, when variable substitution is used.

6.3 Variable substitution

Variable IDs may appear in fields explicitly labelled as containing a variable identification. Variable substitution can take place in the following TLVs:

- Simple TLV Indicator (see clause "Execute USAT Command");
- Inline Value TLV;
- Inline Value 2 TLV;

- Submit Data TLV.

The value part of TLVs, where variable substitution can take place, consists of sequences of:

- length - value pairs to indicate constant text; or
- variable substitution indicator - variable ID pairs to indicate variable substitutions.

Such sequences may appear in any order in value parts of TLVs where variable substitution may take place.

The variable substitution indicators are used to indicate that the next byte is a variable ID.

Length - Value pair

Length	Value	Description	M/O
1-3	L	Length of the following data	M
L	V	data	O

The length L is BER coded onto 1, 2 or 3 bytes according to ISO/IEC 7816-6 [5]. If L indicates a length of '00', no data shall be available.

Variable Substitution Indicator - Variable ID Pair

Length	Value	Description	M/O
1	'C0' or 'C1' or ... or 'C7'	Variable substitution indicator, see table below	M
1	ID	Variable ID	M

The least significant 3 bits of the variable substitution indicators shall be used to indicate the type of the variable coded according to the table below.

Coding of variable substitution indicators:

Coding of variable substitution indicator	Type of variable referenced to
'C0'	unknown
'C1'	SMS default 7-bit coded alphabet as defined in 3GPP TS 23.038 [3] with bit 8 set to 0
'C2'	SMS default 7-bit coded alphabet as defined in 3GPP TS 23.038 [3] packed
'C3'	Binary format
'C4'	UCS2 coded string
'C5' ... 'C7'	RFU

Whenever TLVs, where variable substitutions may take place, are encountered by the USAT Interpreter at runtime, one of the following mechanisms are used, to replace the respective Length - Value pair(s) or the Variable Substitution Indicator - Variable ID pair(s) depending on the context:

Method 1:

Length - Value pair:

- the length is removed from the running text;
- the value part remains unchanged;

Variable Substitution Indicator - Variable ID pair:

- the variable substitution indicator is removed from the running text;
- the type of the value corresponding to the following variable reference shall be checked against the type indicated in the variable substitution indicator. If the type of the value is different from the indicated type, the USAT Interpreter shall generate an error unless the indicated type was set to 'C0' ("unknown");

- the following variable reference is replaced by:
 - the current content of the variable (that means inserting the variable content into the running text).

Method 2:

Length - Value pair:

- the length is *not* removed from the running text;
- the value part remains unchanged;

Variable Substitution Indicator - Variable ID pair:

- the variable substitution indicator is *not* removed from the running text:
- the type of the value corresponding to the following variable reference shall be checked against the type indicated in the variable substitution indicator. If the type of the value is different from the indicated type, the USAT Interpreter shall generate an error unless the indicated type was set to 'C0' ("unknown");
- if the indicated type was set to 'C0' ("unknown"), the type information of the variable substitution indicator in the running text is updated with the actual type of the variable;
- the following variable reference is replaced by:
 - the length of the content of the variable. The length is coded onto 1, 2 or 3 bytes according to ISO/IEC 7816-6 [5];
 - the current content of the variable (inserting the variable content into the text).

A variable value shall not contain a variable substitution, i.e. an inserted variable value is not rescanned for variable IDs.

7 Used USAT Interpreter data structures

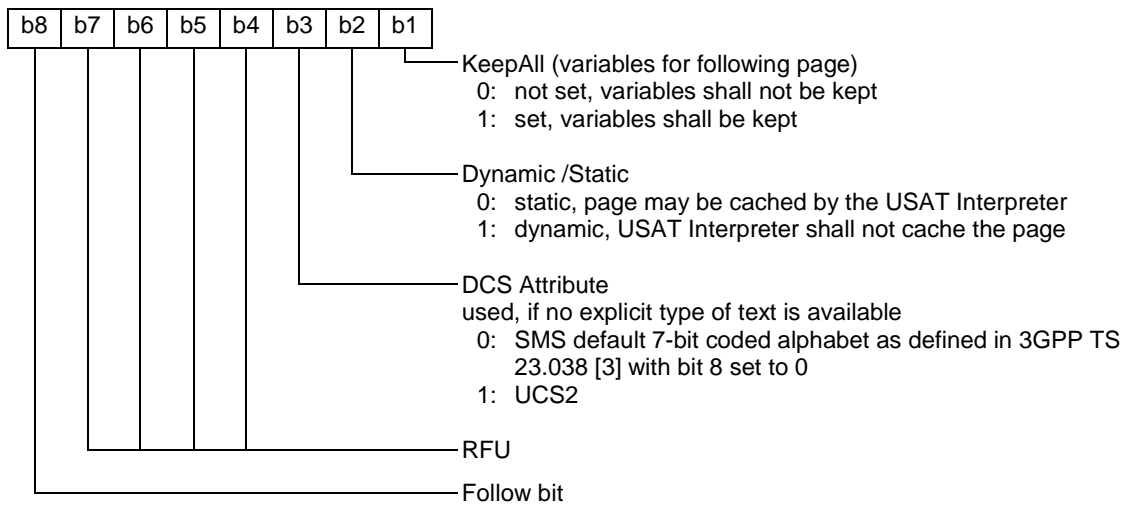
7.1 Page

A page is the unit which the USAT Interpreter does render and the default name scope of the temporary variables.

Length	Value	Description	M/O
1	'01' / '81'	Page Tag	M
1-3	A+B+C+D+ E+F+G+H+I	Length	M
A	Data	Attributes	O
B	TLV	Page Identification	M
C	TLV	Page Unlock Code	O
D	TLV	One Time Password	O
E	TLV	Keep Alive List	O
F	TLV	Service ID	O
G	TLV	String Pool	O
H	TLVs	Terminal response handler modifier - one or more TLVs	O
I	TLVs	Navigation Units – one or more TLVs	M

The following clauses specify the attributes and TLVs used in the Page TLV.

7.1.1 Attributes



7.1.2 Page Identification

The content of this TLV is a sequence of bytes to uniquely identify the page. This reference may later on be used by the USAT Interpreter to reference the page (e.g. for caching mechanisms or accessing the page by the end-user from the menu structure).

Coding:

Length	Value	Description	M/O
1	'02'	Page Identification Tag	M
1-3	L	Length	M
L	Data	Unique identification of the page. A sequence of bytes to uniquely identify the Page. This identification shall not contain a #-character (coded '23') and is coded by the external system entity.	M

7.1.3 Page Unlock Code

The content of this TLV is a sequence of bytes (the page unlock code) to be compared and verified by the USAT Interpreter against an OTP provided by a previous page.

Coding:

Length	Value	Description	M/O
1	'03'	Page Unlock Code Tag	M
1	L+1	Length (up to 1+8 bytes)	M
1	"XX"	Any one byte value. The USAT Interpreter shall ignore this byte	M
L	Data	Page unlock code (one time password of the previous page)	M

7.1.4 One Time Password

The content of this TLV is a sequence of bytes generated by random to protect the temporary variables of the current page against unauthorised access.

Coding:

Length	Value	Description	M/O
1	'04'	One Time Password Tag	M
1	L	Length (up to 8 bytes)	M
L	Data	One time password (random value generated by an external system entity)	M

7.1.5 Keep Alive List

The content of this TLV is a list of variable IDs indicating which variables of the current page may be shared with the following page. The list shall not contain other variable IDs than variable IDs referring to temporary variables.

Coding:

Length	Value	Description	M/O
1	'05'	Keep Alive List Tag	M
1	L	Length (number of temporary variable IDs, up to 64 variables)	M
L	Data	Variable IDs	M

7.1.6 Service ID

The content of this TLV is a sequence of bytes to indicate that the current page shall belong to a certain service and is mainly used to handle permanent variable management. The assignment and coding of service IDs is up to an external system entity. The length of a service ID shall not exceed 8 bytes.

Coding:

Length	Value	Description	M/O
1	'06'	Service ID Tag	M
1	L	Length (number of bytes of the service ID, <= 8 bytes)	M
L	Data	Service ID, unique identification of a service	M

7.1.7 String Pool

The content of this TLV is a list of strings coded in with the alphabet indicated in the DCS attribute used within the page. Within the page the strings are referenced by using their variable references (range 'C0' to 'FF') within the page string element area.

Coding:

Length	Value	Description	M/O
1	'07'	String Pool Tag	M
1 – 3	L	Length	M
L	Data	LV values of each string element in the string pool with the length L is BER coded onto 1, 2 or 3 bytes according to ISO/IEC 7816-6 [5].	M

7.1.8 Terminal response handler modifier

The current terminal response handler configuration can be modified temporarily by this TLV (e.g. to hide default entries by using action IDs, to add new ones or to modify existing entries).

This TLV can be used at the page level and at the navigation unit level. If this TLV is present at the page level and also at the navigation unit level, the last one will modify the first one. The content describes the action which shall be performed after the USAT Interpreter has received a general result byte of the terminal response within a proactive session. If a syntax error or a logical error occurs in the terminal response handler modifier, the current terminal response handler configuration remains unchanged.

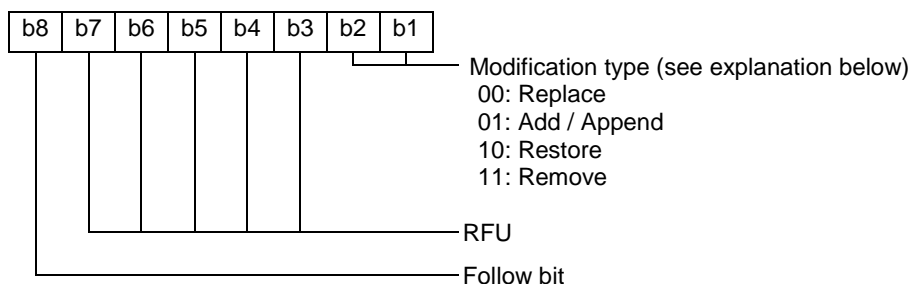
Coding of the terminal response handler modifier TLV:

Length	Value	Description	M/O/C
1	'08' / '88'	Terminal response handler modifier tag	M
1-3	A+2+B+C	Length	M
A	Attributes	Data	O
2	Data	General result range	M
B	TLV	Inline Value TLV, containing text for user notification	O
C	TLVs	Action TLVs – one or more TLVs	C

The following table gives an overview of conditions of presence for the Action TLVs depending on the modification type indicated in the attributes:

Modification Type (see Attributes)	Action TLV
Replace	shall be present
Add / Append	shall be present
Restore	need not to be present; to be ignored, if present
Remove	shall be present

7.1.8.1 Attribute



Modification type

A terminal response handler modifier can be combined with a terminal response handler configuration to produce a new terminal response handler configuration using one of four operations:

- Replace operation
- Add/Append operation
- Restore operation
- Remove operation

Each of these operations given a current terminal response handler configuration and a terminal response handler modifier produces a new current terminal response handler configuration. For the following description, the following definitions apply:

Abbreviation	Item	Definition
AI	Action Identifier	a single value in the range of '00' to 'FF' identifying an action
GR	General Result	result of a USAT command; a single value in the range from '00' to 'FF'
GRR	General Result Range	multiple consecutive General Result (GR) values
A	Set of Actions	a collection of zero or more single actions; one Action TLV represents one single action

Replace operation

For the replace operation a GRR and A with at least one single action shall be provided. The GRR is the range of GR on which the operation applies. A is the set of actions which shall be linked with all GR within the given GRR.

This operation replaces all actions for all GR within the given GRR by the given action(s); all previously defined action(s) for all the GR within this GRR shall be erased by the USAT Interpreter.

If a text for user notification is provided within the terminal response handler modifier TLV, this operation replaces the existing text for all the GR within the given GRR by the given text.

Add/Append operation

For the add/append operation a GRR and A with at least one single action shall be provided. The GRR is the range of GR on which the operation applies. A is the set of actions which shall be linked with all GR within the given GRR.

For every GR within the GRR, the given action(s) are appended to the existing ones for these GR. If action(s) with same action ID(s) exist already for a GR, the action(s) are replaced.

If a text for user notification is provided within the terminal response handler modifier TLV, this operation replaces the existing text for all the GR within the given GRR by the given text.

Restore operation

For the restore operation a GRR shall be provided. The GRR is the range of GR on which the operation applies.

For every GR within the GRR, the action(s) shall be restored to the predefined action(s) of the system terminal response handler configuration.

For every GR within the GRR, the user notification text of the system terminal response handler configuration shall be restored. If the system terminal response handler configuration does not contain a text for a GR in the given GRR, the user notification text shall be removed for that GR.

If a text for user notification is provided within the terminal response handler modifier TLV, this user notification text TLV shall be ignored by the USAT Interpreter.

Remove Operation

For the Remove operation a GRR and AI within one or more Action TLV(s) shall be provided. The GRR is the range of GR on which the operation applies.

For every GR within the GRR, the action(s) indicated by the given AI are removed from the existing set of actions.

If the given action(s) to be removed do not exist in the existing set of actions(s) for a GR, the requested modification shall be ignored for that GR.

If a text for user notification is provided within the terminal response handler modifier TLV, this operation replaces the existing text for all the GR within the given GRR by the given text.

Validity period of the terminal response handler modification:

All terminal response handler modifications are valid only within the context they have been introduced. There are 3 different contexts:

- **System context:** In this context the system terminal response handler configuration is valid (see clause 4.3).
- **Page context:** A terminal response handler modifier within the page context can modify the response handler configuration for the whole page. Just before entering another page, the modifications done by the terminal response handler modifier of the current page are discarded and the terminal response handler configuration of the system context as defined in the paragraph above is restored.
- **Navigation unit context:** A terminal response handler modifier within the navigation unit context can modify the response handler configuration for the navigation unit containing the modifier. After leaving a navigation unit the modifications done by the terminal response handler modifier of this navigation unit are discarded and the terminal response handler configuration of the page context is restored.

7.1.8.2 General result range

A general result range defines subsequent values of the general result in the terminal response to an USAT command.

- A range consisting of only one value of the general result is coded by setting both bytes to the desired value.
- A range is coded by setting the first byte to the lowest value of the range and the second byte to the highest value of the range.

For example:

- general result '10' shall be coded: '10 10';
- general result '1X' shall be coded: '10 1F';
- general result 'XX' shall be coded: '00 FF';
- general result between '11' and '13' shall be coded: '11 13'.

The general result range specifies the general results for which the modification applies: for every general result within the general result range, corresponding operations shall be taken into account by the USAT Interpreter.

7.1.8.3 Text for user notification

This text is displayed by a DISPLAY TEXT command whenever a general result in response to a proactive command is received, that is part of the general result range the text for user notification is given for.

If a Terminal Response Handler modifier contains a text for user notification TLV, then the text is handled by the USAT Interpreter according to the operation descriptions in clause 7.1.8.1. The value part of this TLV may be empty (L of the Inline Value TLV is '00'. In this case, the text for user notification is to be removed for the respective general results.

If this TLV is not available in the terminal response handler modifier TLV, the text for user notification remains unchanged for the respective general results.

After this DISPLAY TEXT command has been issued by the USAT Interpreter the actions defined for the general result are to be handled regardless of the general result of the DISPLAY TEXT command itself.

The parameters for the DISPLAY TEXT command shall be as follows:

- The DCS for the DISPLAY TEXT command shall be set according to the value type information of the Inline Value TLV;
- The command qualifier to be used for the DISPLAY TEXT command shall be '81' ("wait for user to clear message" and "high priority").

7.1.8.4 Action

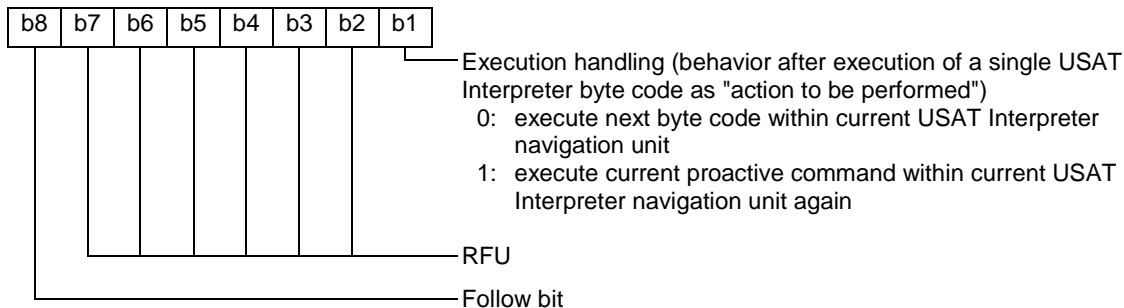
The action TLV defines the behaviour of the USAT Interpreter when the general result of the terminal response (TR) is part of the associated general result range.

Length	Value	Description	M/O/C
1	'09' / '89'	Action TLV tag	M
1-3	A+1+B+C	Length	M
A	Attributes	Data	O
1	1	Action ID	M
B	TLV	Action to be performed	C
C	TLV	Inline Value TLV, containing the action description of this action. This is a text assigned to this action to be used as text string of item within an item data object of a SELECT ITEM command.	C

The following table gives an overview of conditions of presence for the Action to be performed TLV and the Inline Value TLV depending on the modification type indicated in the attributes of the terminal response handler modifier:

Modification Type	Action to be performed TLV	Inline Value TLV
Replace	shall be present	shall be present
Add / Append	shall be present	shall be present
Restore	not applicable, see clause 7.1.8	not applicable, see clause 7.1.8
Remove	need not to be present; to be ignored, if present	need not to be present; to be ignored, if present

7.1.8.4.1 Attributes



The following figure gives an overview of the return behaviour of the terminal response handler depending on the attribute value.

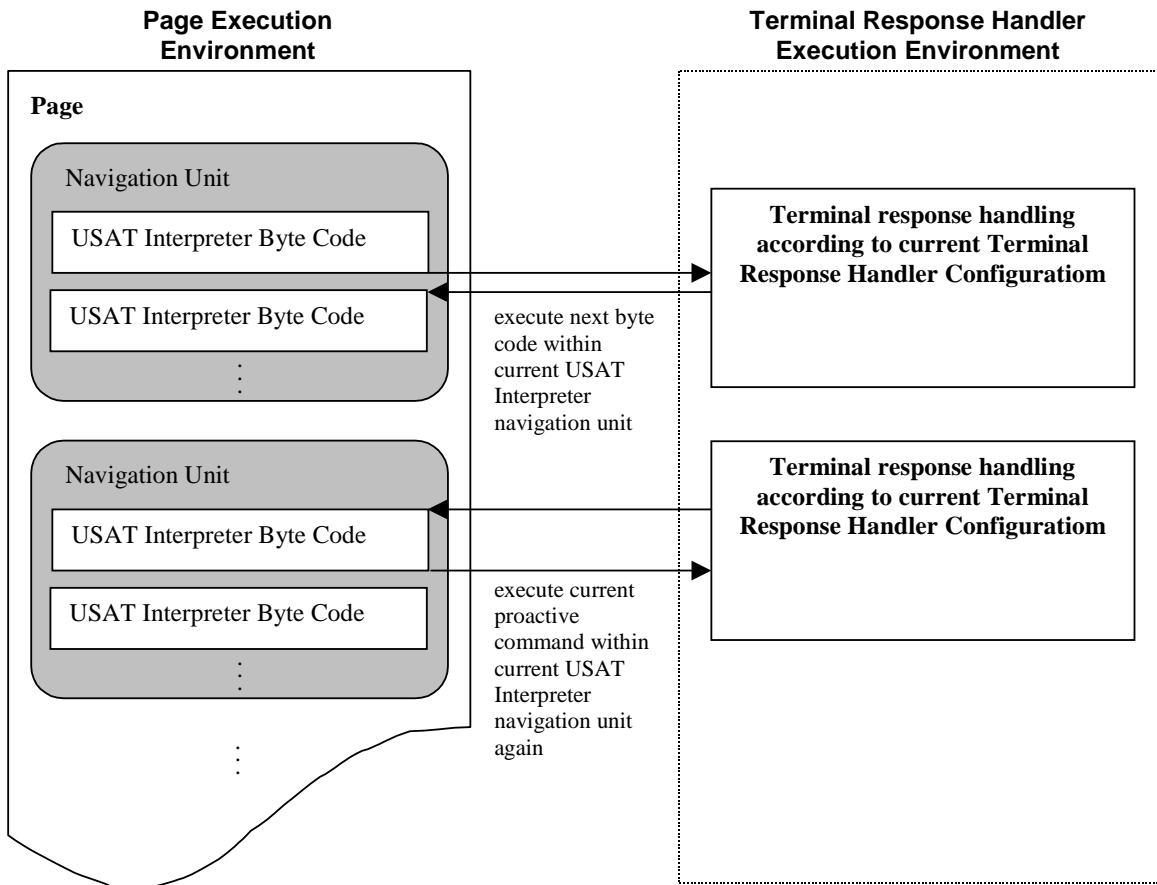


Figure 7.1

This attribute is to be considered only for certain types of actions to be performed (see table in clause 7.1.8.4.3).

7.1.8.4.2 Action ID

Every action shall be uniquely identified by an action ID. This allows to remove or to update a targeted item in the action list without reconstructing the whole action list.

IDs are separated into two ranges:

- '00' - '1F' predefined system action IDs;
- '20' - 'FF' service defined action IDs for navigation and other commands. These action IDs shall be uniquely assigned to the actions defined for a general result range by the service.

7.1.8.4.3 Action to be performed

The action to be performed is either predefined by the USAT Interpreter system (system action) or flow control information (navigation action) or a single USAT Interpreter byte code to be executed.

This TLV is mandatory if the modification type within the attribute byte of the terminal response handler modifier indicates "Replace" or "Add / Append".

A system action is indicated within the action TLV by a predefined system action ID only:

- process next byte code;
- quit USAT Interpreter without user confirmation;
- go back one entry in history list;
- retry last proactive command within current USAT Interpreter navigation unit (the command which generated the current general result).

For system actions the attribute of the action TLV shall be ignored by the USAT Interpreter.

A navigation action is indicated by a service given action ID and one of the following USAT Interpreter data structures as "action to be performed":

- page reference TLV;
- anchor reference TLV.

For navigation actions the attribute of the action TLV shall be ignored by the USAT Interpreter.

A single USAT Interpreter byte code to be executed is indicated by a service given action ID and one of the following USAT Interpreter byte codes as "action to be performed":

- Display Text;
- Get Input;
- Set Variable;
- Execute USAT Command;
- Execute Native Command.

The behavior of the USAT Interpreter after execution of the single USAT Interpreter byte code is given in the following table:

General result for the USAT command	Comment
"00"... "0F" (ok)	behave as define in attribute of action TLV
'11' (backward move requested)	execute current proactive command within current USAT Interpreter navigation unit again or return to the wait state if the wait state is currently active
'10' (Proactive SIM session terminated by the user)	quit USAT Interpreter without user confirmation
"12"... "1F"	quit USAT Interpreter without user confirmation
"20"... "2F" (worth to retry)	quit USAT Interpreter without user confirmation
"30"... "3F" (not worth to retry)	quit USAT Interpreter without user confirmation

Summary of action management in Terminal Response Handler mechanism:

Action to be performed			
	Action ID	used TLV	attribute handling
System actions			
process next byte code	'00'	none	attribute byte shall be ignored
quit USAT Interpreter without user confirmation	'01'	none	
go back one entry in history list	'02'	none	
retry last proactive command within current USAT Interpreter navigation unit	'03'	none	
RFU system actions	'04' to '1F'	RFU	
Navigation actions			
branch to another page	defined by service ('20' to 'FF')	page reference TLV or anchor reference TLV	attribute byte shall be ignored
branch to another navigation unit			
Single USAT Interpreter byte codes			
Execute Native Command byte code	defined by service ('20' to 'FF')	Execute Native Command byte code TLV	behavior after execution of a single USAT Interpreter byte code as "action to be performed": - execute next byte code within current USAT Interpreter navigation unit - execute current proactive command within current USAT Interpreter navigation unit again
Execute Display Text byte code		Display Text byte code TLV	
Execute Set Variable byte code		Set Variable byte code TLV	
Execute Get Input byte code		Get Input byte code TLV	
Execute USAT Command byte code		Execute USAT Command byte code TLV	

NOTE: The retry action should be used only in conjunction with other actions or a notification text for a general result range to avoid the immediate repetition of the USAT command causing retry (possible senseless loop).

7.1.8.4.4 Action description

In the case of several actions (action list) assigned to the same general result, a SELECT ITEM command shall be constructed by the USAT Interpreter using the corresponding action descriptions as items.

This TLV is mandatory if the modification type within the attribute byte of the terminal response handler modifier indicates "Replace" or "Add / Append".

If only one action is defined for the general result, the action is executed by the USAT Interpreter without building the SELECT ITEM command.

After this SELECT ITEM command has been issued by the USAT Interpreter, an action shall be performed depending on the general result of the SELECT ITEM command itself:

General result for the SELECT ITEM	Comment
'00'...'0F' (ok)	the action defined for the option selected by the user shall be performed
'11' (backward move requested)	execute current proactive command within current USAT Interpreter navigation unit again or return to the wait state if the wait state is currently active
'10' (Proactive SIM session terminated by the user)	quit USAT Interpreter without user confirmation
'12'...'1F'	quit USAT Interpreter without user confirmation
'20'...'2F' (worth to retry)	quit USAT Interpreter without user confirmation
'30'...'3F' (not worth to retry)	quit USAT Interpreter without user confirmation

The parameters for the SELECT ITEM command shall be as follows:

- Alpha identifier not used;
- The command qualifier to be used for the SELECT ITEM command shall be '03' ("presentation type is specified in bit 2" and "presentation as a choice of navigation options").

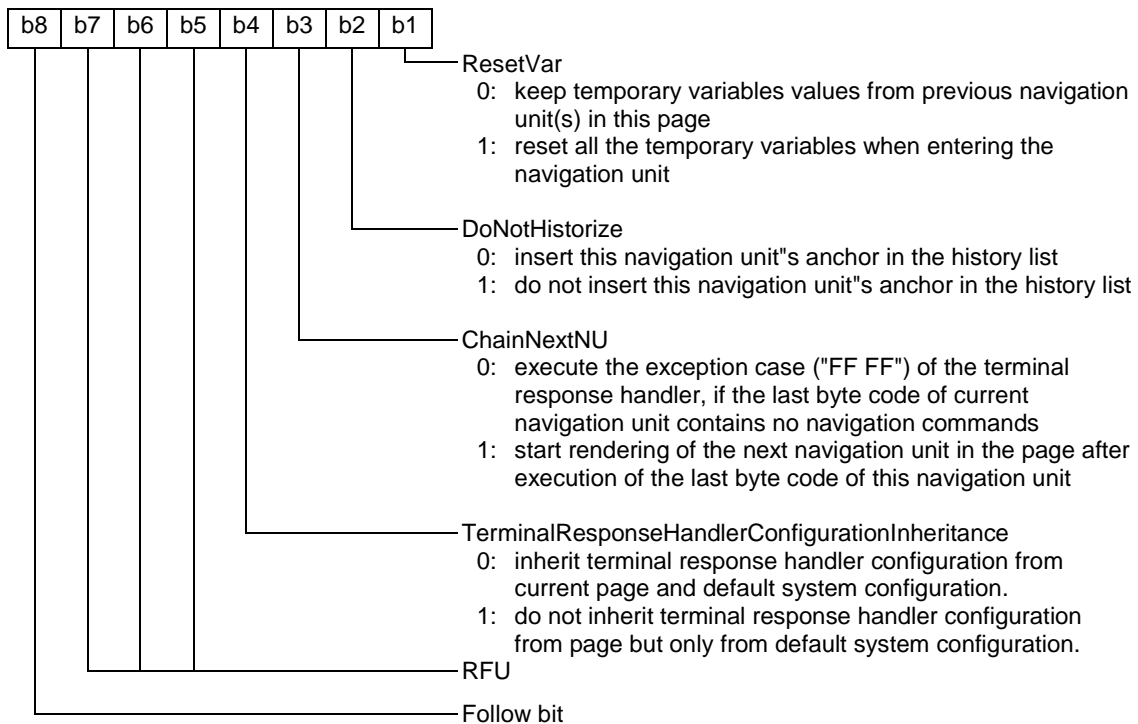
7.2 Navigation Unit

A navigation unit is a component of a page. It is named using an anchor. A navigation unit is referenced using an anchor reference.

Length	Value	Description	M/O
1	'0A' / '8A'	Navigation Unit Tag	M
1-3	A+B+C+D	Length	M
A	Data	Attributes	O
B	TLV	Anchor (name of a navigation unit)	O
C	TLVs	Terminal response handler modifier - one or more TLVs	O
D	TLVs	USAT Interpreter Byte Codes – one or more TLVs	O

The following clauses specify the attributes and TLVs used in the navigation unit TLV.

7.2.1 Attributes



7.2.2 Anchor

The content of this TLV is a sequence of bytes identifying the navigation unit. It is mandatory to provide this TLV, if a navigation unit of the current page or another page needs to branch to this navigation unit.

Coding:

Length	Value	Description	M/O
1	'0B'	Anchor Tag	M
1-3	L	Length	M
L	Data	Unique identification of navigation unit within the page. A sequence of bytes to uniquely identify the Anchor. This identification shall not contain a "#" -character (coded '23') and is coded by the external system entity.	M

7.2.3 Terminal response handler modifier

The current terminal response handler configuration can be modified temporarily by this TLV (e.g. to hide default entries by using action IDs, to add new ones or to modify existing entries).

Coding:

See clause 7.1.8.

7.2.4 USAT Interpreter Byte Codes

These TLVs contain the executable part of the page.

Coding:

See clause 8.

7.3 Anchor Reference

This TLV is used to refer to a navigation unit in the current page or in another page.

Length	Value	Description	M/O
1	'0C'	Anchor Reference Tag	M
1-3	L	Length	M
L	Data	Anchor Reference Name	M

An anchor reference name is the value part of a page identification TLV (unique identification of the page, see clause 7.1.2) followed by a '23' ("#") and the value part of the anchor TLV (unique identification of navigation unit, see clause 7.2.2) within the page. Either the page identification part or the anchor part (including "#"), but not both, can be omitted. If the page identification part is omitted the reference is to an anchor on the current page. If the anchor name part is omitted the reference is to the first navigation unit of the referenced page.

7.4 Variable Identifier List

This TLV is used to list a sequence of variables.

Length	Value	Description	M/O
1	'0D'	Variable Identifier List Tag	M
1	L	Length	M
L	Data	Variable IDs (up to 64 Variable IDs)	M

7.5 Inline Value

This TLV inserts a byte array, which often is simply running text, at the point of its appearance.

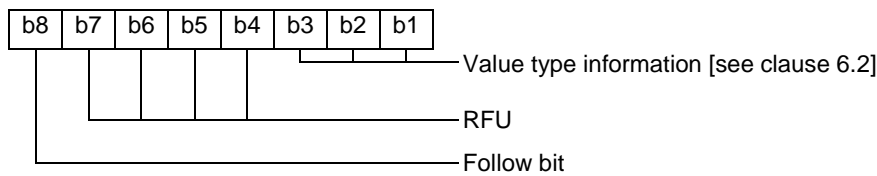
The Inline Value content may contain variable substitution indicators to indicate variable references. Therefore the Inline Value content has to be structured in Length-Value and Variable Substitution Indicator - Variable ID pairs. This structure shall be used even if the Inline Value content does not contain any variable substitution indicators. The possibly available constant data values and variable references have to be rendered according to clause 6.3 Method 1 during processing of this TLV by the USAT Interpreter. If the type of the possibly substituted variable values is different from the type indicated in the attribute of this TLV, the USAT Interpreter shall perform a type conversion or generate an error according to the following table:

from DCS	to DCS	comment
SMS default	SMS default	*
SMS packed		not supported, error generated
binary		cast allowed, no change of sequence of bytes
UCS2		not supported, error generated
unknown		cast allowed, no change of sequence of bytes
SMS default	SMS packed	not supported, error generated
SMS packed		*
binary		cast allowed, no change of sequence of bytes
UCS2		not supported, error generated
unknown		cast allowed, no change of sequence of bytes
SMS default	binary	cast allowed, no change of sequence of bytes
SMS packed		cast allowed, no change of sequence of bytes
binary		*
UCS2		cast allowed, no change of sequence of bytes
unknown		cast allowed, no change of sequence of bytes
SMS default	UCS2	conversion supplied, according to 3GPP TS 31.101 [4]
SMS packed		not supported, error generated
binary		cast allowed, no change of sequence of bytes
UCS2		*
unknown		cast allowed, no change of sequence of bytes
SMS default	unknown	cast allowed, no change of sequence of bytes
SMS packed		cast allowed, no change of sequence of bytes
binary		cast allowed, no change of sequence of bytes
UCS2		cast allowed, no change of sequence of bytes
unknown		*

Coding of the Inline Value TLV:

Length	Value	Description	M/O
1	'0E' / '8E'	Inline Value Tag	M
1-3	A+B	Length	M
A	Data	Attributes	O
B	Data	Inline value content	O

Coding of the attributes:



If the value type information indicates "unknown", then the DCS attribute of the page shall be applied.

7.6 Inline Value 2

This TLV inserts a byte array, which often is simply running text, at the point of its appearance. Usage and syntax and behaviour of this TLV is identical to the Inline Value TLV, but another tag value is used.

Length	Value	Description	M/O
1	'0F' / '8F'	Inline Value 2 Tag	M
1-3	A+B	Length	M
A	Data	Attributes	O
B	Data	Inline Value 2 content	O

Coding :See Inline Value TLV.

7.7 Input List

This TLV contains a list of Variable Identifier List TLVs and Inline Value TLVs.

Length	Value	Description	M/O
1	'10'	Input List Tag	M
1-3	L	Length	M
L	TLVs	Any sequence of <ul style="list-style-type: none"> - Variable Identifier List TLVs and / or - Inline Value TLVs 	M

7.8 Ordered TLV List

This TLV is used to associate a list of other TLVs. The order and the possible types of contained TLVs within an ordered TLV list is specified within the byte codes using this TLV. The number of actual contained TLVs is implicitly given by the length indication of the Ordered TLV List. It is allowed, that the ordered TLV list does not contain any TLV.

Depending on the context (the byte code using this TLV) each optional TLV within the Ordered List of TLVs shall have a different tag value.

Length	Value	Description	M/O
1	'11'	Ordered TLV List Tag	M
1-3	A+...+Z	Length	M
A	TLV	First TLV	O/M
...	
Z	TLV	Last TLV	O/M

7.9 Page Reference

This TLV can represent a page, an anchor within the current page, or an anchor within another page.

If the Anchor Reference TLV or the Variable Identifier List TLV is available, then the USAT Interpreter shall start rendering the requested locally stored Anchor. If the Anchor is not found locally, an error is generated.

If the Submit Configuration TLV is available (that indicates that the page is not locally stored on the USIM, i.e. e.g. stored at an external system entity), then the USAT Interpreter shall build a request to the external system entity according to clause 7.10. If the transmission to the external system entity fails, the USAT Interpreter shall execute the "Transport error while submitting data" exception case of the terminal response handler mechanism.

Length	Value	Description	M/O
1	'12'	Page Reference Tag	M
1-3	A	Length	M
A	TLV	either <ul style="list-style-type: none"> - Anchor Reference TLV or - Variable Identifier List TLV (referring to a variable containing the value part of an Anchor Reference, only the first variable ID shall be considered by the USAT Interpreter, remaining variable IDs shall be ignored) or - Submit Configuration TLV 	M

7.9.1 Anchor Reference

Reference to a locally stored anchor.

Coding:

See clause 7.3.

7.9.2 Variable Identifier List

Referring to a variable containing the value part of an Anchor Reference. Only the first variable ID within the variable ID list shall be considered by the USAT Interpreter. Possibly remaining variable IDs shall be ignored.

Coding:

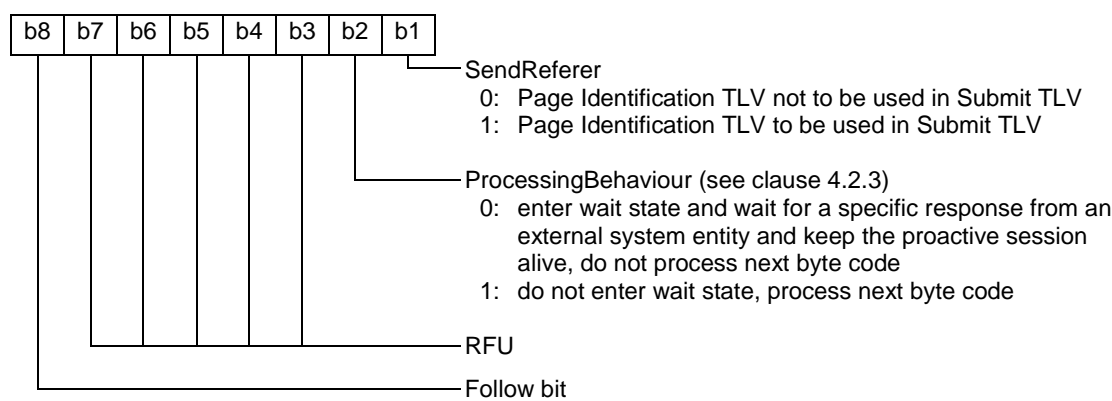
See clause 7.4.

7.9.3 Submit Configuration

This TLV describes the information which shall be sent to the external system entity.

Length	Value	Description	M/O
1	'13' / '93'	Submit Configuration Tag	M
1-3	A+B+C+D	Length	M
A	Data	Attributes	O
B	TLV	Submit Data TLV (submit information, text possibly containing variable references)	M
C	TLV	Inline Value TLV, text to be displayed during the wait state active.	O
D	TLV	Gateway Address TLV, to be incorporated into the operational layer, refer to TS 31.114 [2]	O

7.9.3.1 Attributes



If the SendReferer attribute is set, the Page Identification TLV of the current page shall be incorporated into the generated Submit TLV prior to the transmission to the external system entity.

7.9.3.2 Submit Data

The submit data information is a sequence of bytes possibly containing constant data values and variable references to be substituted according to clause 6.3 method 2. The sequence of bytes shall be structured into Length - Value and Variable Substitution Indicator - Variable ID pairs to ensure, that variable references can be detected. The content of the submit information is coded by the external system entity and possibly contains a request for the next page to be transmitted to the USAT Interpreter by an external system entity.

After variable substitution this TLV is used within the Submit TLV to provide information to the external system entity. See clause 7.10 for the structure of data provided to the external system entity.

Length	Value	Description	M/O
1	'14'	Submit Data Tag	M
1-3	A	Length	M
A	Data	Byte sequence, according to clause 6.3 containing possibly variable references	O

7.9.3.3 Text to be displayed during the active wait state

This TLV shall only be considered by the USAT Interpreter if the wait state is entered.

If this Inline Value TLV is given in the Submit Configuration TLV, the value part of this Inline Value TLV shall override the default Text String of the DISPLAY TEXT command to notify the user about the wait state (see clause 4.2.2). If the Inline Value TLV is not given in the Submit Configuration TLV, the default text shall be taken for the Text String of the DISPLAY TEXT command to notify the user about the wait state.

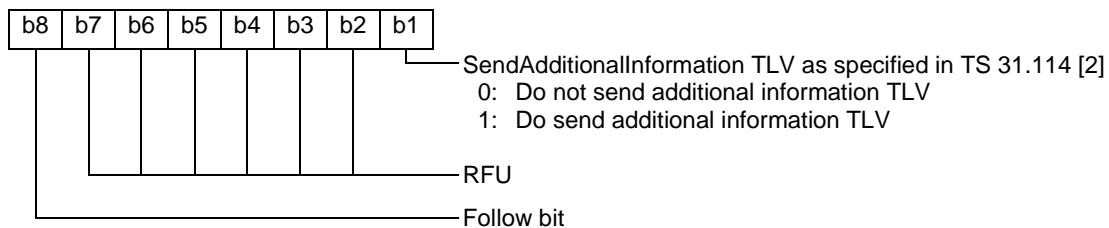
7.9.3.4 Gateway Address

The Gateway Address TLV contains data (the Gateway Address Information) to address a specific Gateway in the USAT Interpreter Gateway System. The coding of the Gateway Address Information is out of the scope of the present document.

The way the Gateway Address TLV is handled by the USAT Interpreter is specified in TS 31.114 [2].

Length	Value	Description	M/O
1	'15' / '95'	Gateway Address Tag	M
1-3	A+B	Length	M
A	Data	Attributes	O
B	Data	Gateway Address Information	O

Attributes:



7.10 Submit

This TLV is used to provide information from the USAT Interpreter to the external system entity. It shall be used only in the direction from the USAT Interpreter to the external system entity.

Length	Value	Description	M/O/C
1	'16'	Submit Tag	M
1-3	A+B	Length	M
A	TLV	Submit Data TLV	M
B	TLV	Page Identification TLV (if indicated in attribute 'sendReferer' of Submit Configuration TLV)	C

7.10.1 Submit Data

The submit data information is a sequence of bytes. The origin of this TLV is the Submit Data TLV in the Submit Configuration TLV with variables substituted according to clause 6.3 method 2.

Length	Value	Description	M/O
1	'14'	Submit Data Tag	M
1-3	A	Length	M
A	Data	Byte sequence, according to clause 6.3 containing substituted variable references	O

7.10.2 Page Identification

This TLV shall be available if and only if the SendReferer bit in the attributes of the Submit Configuration TLV was set. It contains the page identification of the current page.

8 USAT Interpreter byte codes

Each USAT Interpreter byte code is a TLV. Each byte code has its own byte code tag value, optional attributes and a list of arguments. Arguments, if present, shall appear in the order given.

The byte codes make use of the USAT Interpreter TLVs as follows:

	Attribute Bytes	Variable References	Variable Identifier List TLV	Inline Value TLV	Inline Value 2 TLV	Page Reference TLV	Ordered TLV List TLV	Input List TLV	Simple TLV Indicator
Set Variable		✓	✓	✓					
Assign and Branch		✓		✓	✓	✓	✓		
Extract		✓							
Go Back	1								
Branch on Variable Value		✓	✓	✓		✓	✓		
Exit	1		✓						
Execute USAT Command	1	✓							✓
Execute Native Command	1		✓					✓	
Get Length		✓	✓						
Get TLV Value		✓	✓						
Display Text	1			✓					
Get Input	1	✓		✓	✓				

8.1 Set Variable

This byte code sets one or more variables either to a value contained in the corresponding Inline Value TLV or to the concatenated contents of the referenced variables in the Variable Identifier List TLV. This byte code can be used to e.g. copy the content of one variable to another variable or to concatenate a list of variables and/or constant text into another variable. All pairs of Variable ID and Inline Value TLV or Variable Identifier List TLVs are used independently, i.e. the Variable ID is used to store the result of the following TLV only.

Length	Value	Description	M/O
1	'40'	Set Variable Tag	M
1-3	1+A+...+1+X	Length	M
1	Data	Variable ID to store the result of the following TLV	M
A	TLV	Inline Value TLV or Variable Identifier List TLV	M
...	
1	Data	Variable ID to store the result of the following TLV	O
X	TLV	Inline Value TLV or Variable Identifier List TLV	O

Possible errors:

Error Code	Description	Action
No error	OK	Continue
Syntax error	Syntax error	Stop
Reference to undefined	Reference to undefined variable	Stop
Problem in memory management	Memory allocation problem	Stop

At least one pair of Variable ID and Inline Value TLV or Variable Identifier List TLV shall be present in the Set Variable byte code.

If a Variable Identifier List TLV is used, the DCS of the variable, which stores the result of the concatenation, shall be set using the following rules:

- If all variables have the same type, then the DCS of the result variable shall be set to the same as the DCS of the first variable in the list;
- If variables have different types, then the DCS of the result variable shall be set to "unknown".

8.2 Assign and Branch

This byte code may display a menu on the UE and may assign a selected value to a variable according to the selection of the user.

The TLVs contained in the Ordered TLV List TLVs define whether the USAT Interpreter shall build a SELECT ITEM command according to 3GPP TS 31.111 [1] or perform an action immediately.

When a SELECT ITEM command is built by the USAT Interpreter, the command qualifier to be used shall be '03'.

Length	Value	Description	M/O
1	'41'	Assign and Branch Tag	M
1-3	1+A+...+1+X	Length	M
1	Data	Destination Variable ID, identifier of the variable to be set	M
A	TLV	Inline Value TLV: Contains the select item alpha-identifier (according to 3GPP TS 31.111 [1])	O
B	TLV	Ordered TLV List TLV (see description below) containing possibly: <ul style="list-style-type: none"> - Inline Value 2 TLV - Inline Value TLV - Page Reference TLV 	M
...	
X	TLV	Ordered TLV List TLV (see description below)	O

Possible errors:

Error Code	Description	Action
No error	OK	Continue
Reference to undefined	Reference to undefined variable	Stop
Problem in memory management	Memory allocation problem	Stop
Syntax error	Syntax error	Stop
USAT command failed	USAT command failed.(SELECT ITEM could not be built)	Stop

Explanation of used arguments:

8.2.1 Destination Variable Identifier

The content of this value identifies the destination variable. The value contained in the selected Inline value TLV within the Ordered TLV List TLV will be assigned to this destination variable by the USAT Interpreter.

8.2.2 Inline TLV containing Select Item Title

The content of this TLV is running text which specifies the alpha identifier to be used by the USAT Interpreter when generating a SELECT ITEM command from the "Assign and Branch" byte code according to 3GPP TS 31.111 [1].

8.2.3 Ordered TLV List TLV

One or more of these TLVs shall be contained in the "Assign and Branch" byte code.

Each of these TLVs encapsulate the

- "Inline Value 2", containing the text of a single item of the SELECT ITEM command;
- "Inline Value", containing a value to be assigned to the destination variable, if the item is selected; and
- "Page Reference", containing a destination for a branch, if the item is selected.

TLVs in the given order, which determine the action to be performed.

General variable assignments and navigation operations may be performed by the "Assign and Branch" byte code dependent on the data provided in the Ordered TLV List TLVs.

The "Assign and Branch" byte code can contain one or more Ordered TLV List TLVs. If more than one Ordered TLV List TLVs are present within the same "Assign and Branch" byte code, the following rules shall apply:

- If one or more Ordered TLV List TLVs containing an Inline Value 2 TLV are present in the same Assign and Branch TLV in addition to one or more Ordered TLV List TLVs not containing an Inline Value 2 TLV, the USAT Interpreter shall ignore the Ordered TLV List TLVs which do not contain the Inline Value 2 TLV. I.e. the items of the generated SELECT ITEM command are only determined by the Ordered TLV List TLVs which contain an Inline Value 2 TLV. Any actions defined by the Ordered TLV List TLVs not containing an Inline Value 2 TLV are ignored.
- If only Ordered TLV List TLVs not containing an Inline Value 2 TLV are present in the same Assign and Branch TLV, the USAT Interpreter shall take into account the first Ordered TLV List TLV only.

When optional TLVs within the Ordered TLV List TLV are omitted, special cases can be encoded according to the following table:

Inline Value 2	Inline value (to be assigned to destination variable)	Page Reference	
present	present	present	"Display, Assign and Branch" When the user has selected this item (described by the Inline Value 2 TLV) from the list, the USAT Interpreter shall assign the value of the Inline value TLV to the destination variable and branch to the page or the navigation unit specified within the Page Reference TLV.
present	present	not present	"Set Variable Selected" When the user has selected this item (described by the Inline Value 2 TLV) from the list, the USAT Interpreter shall assign the value of the Inline Value TLV to the destination variable and process next byte code.
present	not present	present	"Go Selected" When the user has selected this item (described by the Inline Value 2 TLV) from the list, the USAT Interpreter shall branch to the page or the navigation unit specified within the Page Reference TLV. A destination variable identifier shall be ignored for this case.
present	not present	not present	"Display and Process next byte code" When the user has selected this item (described by the Inline Value 2 TLV) from the list, the USAT Interpreter shall process the next byte code. A destination variable identifier shall be ignored for this case.
not present	present	present	"Assign and Branch" The USAT Interpreter shall assign the value of the Inline Value TLV to the destination variable and branch to the page or the navigation unit specified within the Page Reference TLV.
not present	present	not present	"Set Variable" The USAT Interpreter shall assign the value of the Inline value TLV to the destination variable.
not present	not present	present	"Direct Go" The USAT Interpreter shall directly branch to the page or the navigation unit specified within the Page Reference TLV. The destination variable identifier shall be ignored for this case.
not present	not present	not present	not valid, if occurs an error shall be issued.

If the Ordered TLV List TLVs contained in the "Assign and Branch" byte code resulted in the generation of a SELECT ITEM command with only one item according to the above defined rules, the USAT Interpreter shall immediately perform the action assigned to this item but not generate the SELECT ITEM command. For this optimisation the assigned actions are as follows:

- **"Display, Assign and Branch"**: Assign the value of the Inline value TLV to the destination variable and branch to the page or the navigation unit specified within the Page Reference TLV.
- **"Set Variable Selected"**: Assign the value of the Inline Value TLV to the destination variable and process next byte code.
- **"Go Selected"**: Branch to the page or the navigation unit specified within the Page Reference TLV.
- **"Display and Process next byte code"**: Process the next byte code.

8.3 Extract

This byte code extracts a byte array from a value and stores the result in a variable.

8.5 Branch On Variable Value

This byte code compares a variable to a list of values that have an associated Page Reference. When a match is found, the referenced page shall be executed. If no match is found, the first Page Reference after the Ordered TLV List shall be used to branch. If this last Page Reference TLV is not contained in the byte code, no branch shall be executed and the USAT Interpreter shall continue to render the next byte code after the Branch on Variable Value byte code.

Length	Value	Description	M/O
1	'44'	Branch on Variable Value Tag	M
1	1+A+...+X+Y	Length	M
1	Data	Variable ID (containing the value to match)	M
A	TLV	Ordered TLV List TLV (see description below) containing: <ul style="list-style-type: none"> - Variable Identifier List TLV (referring to one variable containing the value to be compared with the match value, additional Variable IDs to be ignored) or Inline Value TLV - Page Reference TLV, to branch to, if value matches 	M
...	
X	TLV	Ordered TLV List TLV	O
Y	TLV	Page Reference TLV, if no match is found, go to this reference	O

Possible errors:

Error Code	Description	Action
No error	OK	Continue
Reference to undefined	Reference to undefined variable	Stop
Jump to undefined	Page Reference not found.	Stop

Explanation of used arguments:

8.5.1 Variable ID

This variable shall contain the value to be compared.

8.5.2 Ordered TLV List

In each of these TLVs the following TLVs are encapsulated:

- Variable Identifier List TLV (referring to one variable containing the value to be compared with the match value; additional Variable IDs to be ignored);

OR

Inline Value TLV (directly containing the value to be compared with the match value);

- Page Reference TLV.

The Page Reference TLV contains the location to be branched to, if the comparison is successful.

8.5.3 Page Reference

If no match was found, the reference contained in here is used to branch. If this TLV is not available, no branch is executed and the USAT Interpreter continues to render the next byte code after the Branch on Variable Value byte code.

8.6 Exit

If the TerminateSession Attribute is not set, the USAT Interpreter shall behave as defined by the current terminal response handler configuration for the case of "Proactive SIM session terminated by the user".

If the TerminateSession Attribute is set, the proactive session is terminated immediately by the USAT Interpreter. The USAT Interpreter shall respond to the UE with SW1/SW2='9000' in this case.

If the USAT Interpreter had been called USIM internally (by an proprietary internal interface), the Variable Identifier List TLV may be used to provide return values to the calling function. Handling of these internal return values is out of the scope of the present document.

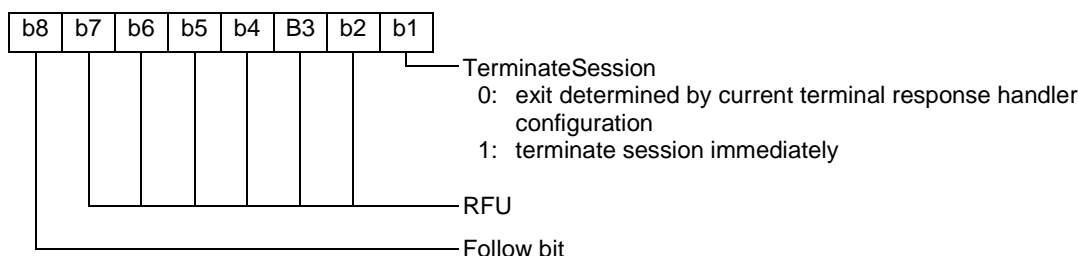
If the USAT Interpreter does not support the mechanism of providing return values, it shall ignore the possibly available Variable Identifier List TLV.

Length	Value	Description	M/O
1	'45' / 'C5'	Exit Tag	M
1	A+B	Length	M
A	Data	Attributes	O
B	TLV	Variable Identifier List TLV (containing return values)	O

Possible errors:

Error Code	Description	Action
No error	OK	Stop
Reference to undefined	Variables in Variable Identifier list are not available	Stop

Attributes:



8.7 Execute USAT Command

This byte code executes an USAT command using the provided arguments.

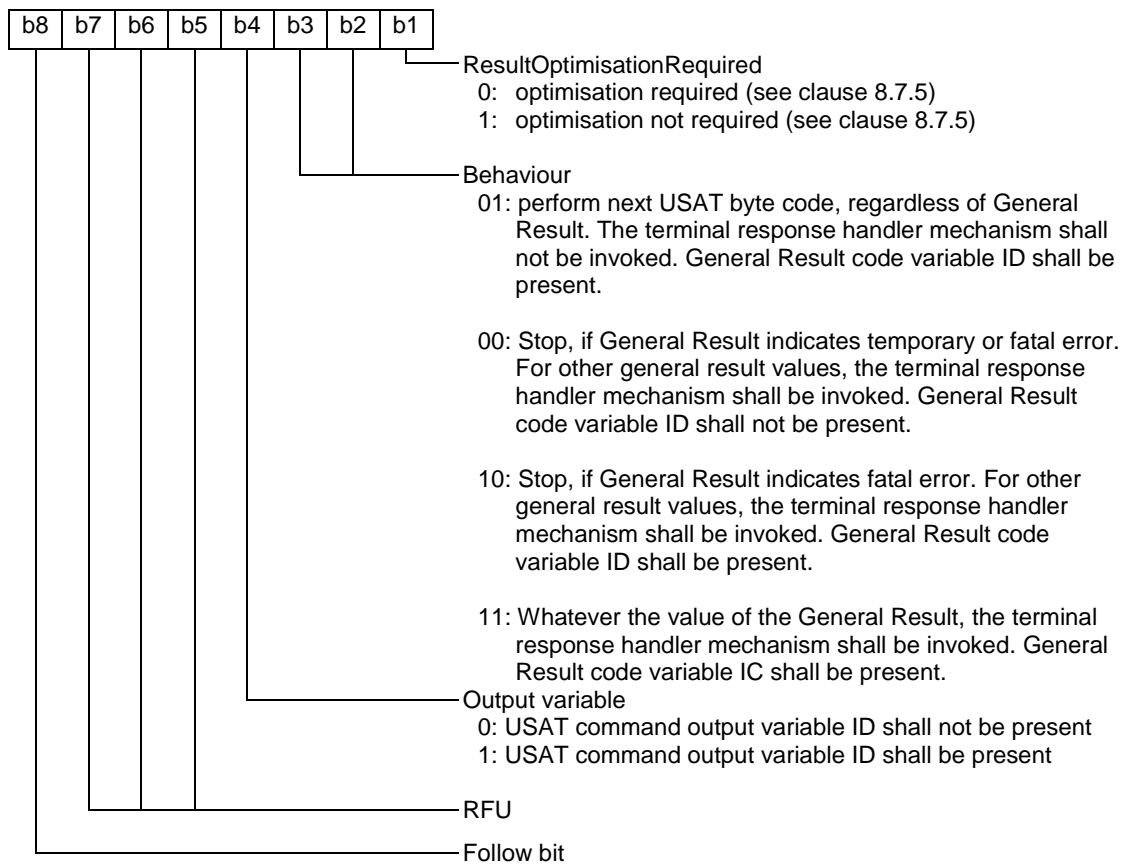
Length	Value	Description	M/O/C
1	'46' / 'C6'	Execute USAT Command Tag	M
1	A+5+B	Length	M
A	Data	Attributes	O
1	Data	General Result code variable ID. The variable referenced by this variable ID is used to hold the General Result code extracted from the Terminal Response of the executed USAT command. This variable ID shall be present if and only if indicated in the 'Behaviour' bits of the attribute byte.	C
1	Data	USAT command output variable ID. The variable referenced by this variable ID is used to hold the output of the USAT command according to clause 8.7.5. The content of the USAT command output variable depends on the "ResultOptimisationRequired" bit of the attribute byte. This variable ID shall be present if and only if indicated in the "Output variable" bit of the attributes byte.	C
1	Cmd type	Command type value according to 3GPP TS 31.111 [1]	M
1	Cmd qual.	Command qualifier value according to 3GPP TS 31.111 [1]	M
1	Dest dev.	Destination device according to 3GPP TS 31.111 [1]	M
B	TLVs and Simple TLV Indicators	Sequence of <ul style="list-style-type: none"> - simple TLVs of the proactive command as defined in 3GPP TS 31.111 [1] - and / or Simple TLV Indicators 	O

Possible errors:

Error Code	Description	Action
No error	OK	Continue
Reference to undefined	Reference to undefined	Stop
Problem in memory management	Memory problem in the preparation of the USAT command	Stop
Syntax error	Try to initialise a text element	Stop
USAT command failed	USAT Command could not be delivered to UE	Stop
USAT command not allowed	due to configuration of the USAT Interpreter	Stop

Explanation of used arguments:

8.7.1 Attributes



8.7.2 Simple TLV

This TLV shall be a simple TLV coded as described in 3GPP TS 31.111 [1] for the USAT proactive command to be executed.

8.7.3 Simple TLV Indicator

A Simple TLV Indicator is a placeholder for a Simple TLV. A Simple TLV Indicator is coded as follows:

Coding	Description
'00'	This value indicates the Simple TLV Indicator
Length	This value indicates the length of the following data belonging to the Simple TLV Indicator
Result Tag	This value represents the Tag value of the resulting Simple TLV
Simple TLV Indicator content	The Simple TLV Indicator content may contain variable substitution indicators to indicate variable references. Therefore the Simple TLV Indicator content has to be structured into Length - Value and Variable Substitution Indicator - Variable ID pairs. The possibly available variable references have to be expanded according to clause 6.3 Method 1 during processing of this indicator by the USAT Interpreter.

The result of processing the Simple TLV Indicator shall be a Simple TLV. When the USAT Interpreter processes a Simple TLV Indicator the Result Tag shall be the Tag of the resulting Simple TLV. The value part shall be formed of the Simple TLV Indicator content and the length of the resulting Simple TLV is the length of the Simple TLV Indicator content after possible variable substitution.

8.7.4 Sequence of Simple TLVs and Simple TLV Indicators

The sequence of these Simple TLVs and Simple TLV Indicators is translated by the USAT Interpreter to form the sequence of Simple TLVs of an USAT command (3GPP TS 31.111 [1]). When expanding Simple TLV Indicators to Simple TLVs the length of the BER-TLV of the resulting USAT command shall be adjusted by the USAT Interpreter before issuing the command to the UE.

When executing a Execute USAT command byte code, the USAT Interpreter issues a regular USAT command to the UE using the USAT protocol. The translation procedure from the Execute USAT Command TLV to an USAT command can be visualised in principle as follows:

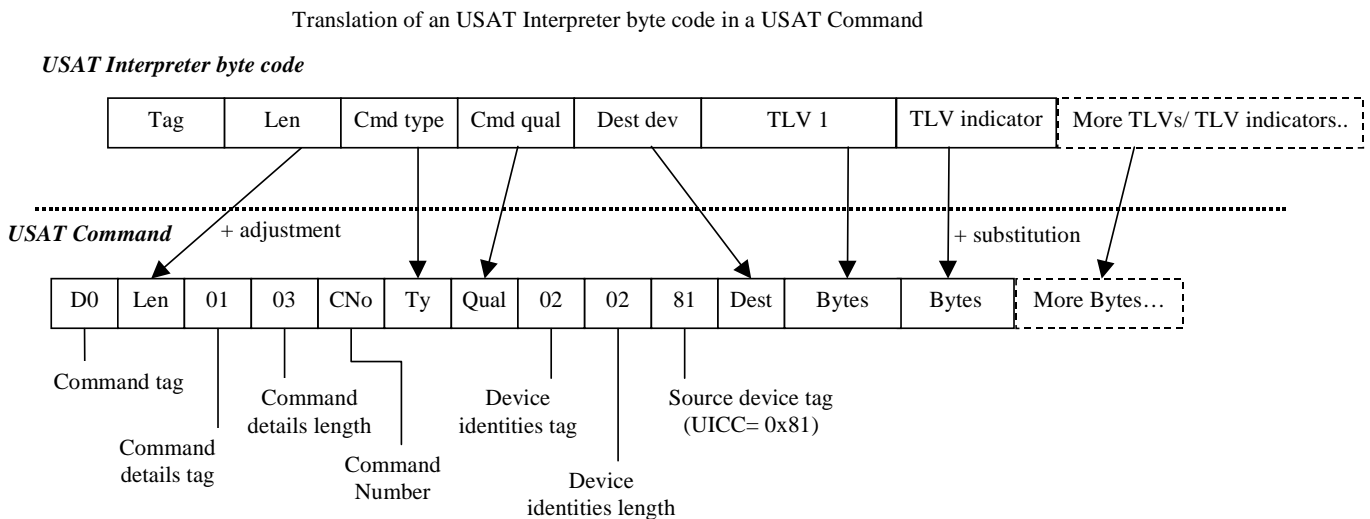


Figure 8.1

8.7.5 Result of an Execute USAT Command

The result of executing an USAT command is a Terminal Response structure containing a list of Simple TLVs as defined in 3GPP TS 31.111 [1].

If the General Result code variable ID is available the USAT Interpreter shall extract the General Result byte from the Result TLV of the Terminal Response structure and shall store the General Result byte into the variable referenced by the given General Result code variable ID. The extracted General Result (a single byte according to 3GPP TS 31.111 [1]) can be used e.g. for error handling on application byte code level.

If the General Result code variable ID is not available the USAT Interpreter does not extract the General Result byte from the Result TLV of the Terminal Response structure.

If the Output variable attribute bit in the attributes indicates that the USAT command output variable ID is present the Terminal Response structure itself is processed by the USAT Interpreter as specified in the following 2 clauses (8.5.5.1 and 8.7.5.2).

If the Output variable attribute bit in the attributes indicates that the USAT command output variable ID is not present the USAT Interpreter does not store the Terminal response structure. The ResultOptimisationRequire attribute bit shall be ignored by the USAT Interpreter in that case.

8.7.5.1 Optimisation not Required

If the ResultOptimisationRequired bit in the attributes is set to "optimisation not required", the complete Terminal Response structure as specified in 3GPP TS 31.111 [1] is stored in the USAT command output variable as referenced by the given USAT command output variable ID. The stored Terminal Response structure starts with the tag of the Command Details as specified in 3GPP TS 31.111 [1].

The Get TLV Value byte code can be used in this case to extract specific information from the Terminal Response structure.

8.7.5.2 Optimisation Required

Only the first TLVs after the Result Simple TLV within a Terminal Response (see 3GPP TS 31.111 [1]) shall be processed by the USAT Interpreter as follows:

- If the first TLV after the Result Simple TLV is a Text String TLV according to 3GPP TS 31.111 [1], the value part without the DCS byte is assigned to the variable referenced by the USAT command output variable ID. The DCS is removed from the V field of the Text String TLV, but used for variable management internally by the USAT Interpreter.
- In all other cases, the value part of the first TLV after the Result Simple TLV is assigned to the variable referenced by the USAT command output variable ID. The type "unknown" shall be used for variable management internally by the USAT Interpreter.

8.8 Execute Native Command

This byte code is used to execute an operating system call, "plug-in" or an application external to the USAT Interpreter.

The attribute indicates if the execution returns to the USAT Interpreter or not. Arguments are passed for input and output. The output is stored in a list of variables.

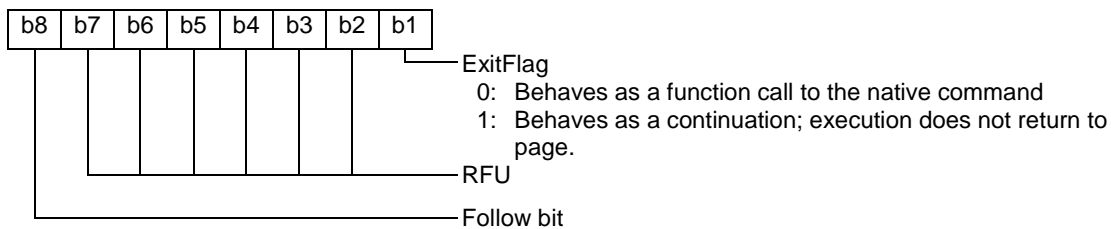
Length	Value	Description	M/O
1	'47' / 'C7'	Execute Native Command Tag	M
1	A+2+B+C	Length	M
A	Data	Attributes	O
2	Data	NCI of application or plug-in	M
B	TLV	Input List TLV containing arguments	O
C	TLV	Variable Identifier List TLV for output of application or plug-in	O

The NCI (Native Code Identifier) has a size of 2 bytes and is binary coded, most significant byte first. The values '0000' to '7FFF' are defined in clause 9. Other values may be used for proprietary implementations.

Possible errors:

Error Code	Description	Action
No error	OK	Continue
Reference to undefined	Reference to undefined	Stop
Jump to undefined	Execute element does not exist	Stop
Problem in memory management	Memory problem in the preparation of the structure	Stop
User Abort	Execute was aborted by user	Stop
Syntax Error	Incorrect number of arguments passed to the execute element.	Stop
Execution Error	Execute element generated an internal error.	Stop

8.8.1 Attributes



8.8.2 Result of a Native Function Call

When the native function call returns, the values produced by the call are stored in the variables referenced by the output list.

8.9 Get Length

This byte code instructs the USAT Interpreter to calculate the length of all variable contents of the variables in the Variable List and to assign the result to the output variable.

Length	Value	Description	M/O
1	'48'	Get Length Tag	M
1-3	1+A	Length	M
1	Data	Variable ID (output, containing the BER encoded result length in binary format according to ISO/IEC 7816-6 [5])	M
A	TLV	Variable Identifier List TLV, Variable List for length calculation	M

Possible errors:

Error Code	Description	Action
No error	OK	Continue
Problem in memory management	Memory allocation problem	Stop
Reference to undefined	Reference to undefined variable	Stop

8.10 Get TLV Value

This byte code instructs the USAT Interpreter to extract the value part of a TLV from a sequence of TLVs and to assign the resulting value to the output variable.

If the requested tag value is not found in the sequence of TLVs, the output variable is generated with no content (i.e. the length of content of the variable is 0).

Length	Value	Description	M/O
1	'49'	Get TLV Value Tag	M
1-3	2+A	Length	M
1	Data	Variable ID (output, containing the value of the requested TLV)	M
1	Data	Tag value to search for	M
A	TLV	Variable Identifier List TLV, each referenced variable shall contain a list of TLVs (e.g. generated Terminal Response of Execute USAT Command)	M

Possible errors:

Error Code	Description	Action
No error	OK	Continue
Problem in memory management	Memory allocation problem	Stop
Reference to undefined	Reference to undefined variable	Stop

8.11 Display Text

This byte code instructs the USAT Interpreter to issue a DISPLAY TEXT command according to 3GPP TS 31.111 [1].

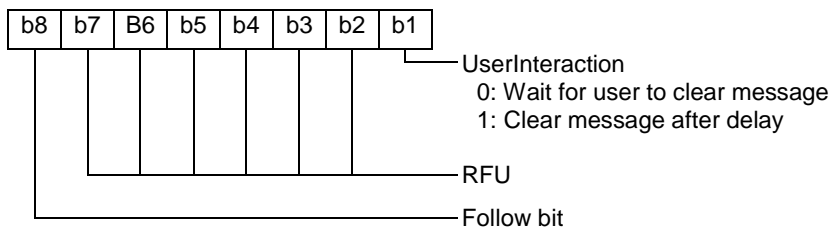
This command is used to display text of informational nature without require any input from user. The USAT Interpreter shall use the DCS value according to the indication given in the attributes of the Inline Value TLV. If no attributes are given in the Inline Value TLV, the coding scheme indication of the current page shall be used.

Length	Value	Description	M/O
1	'4A' / 'CA'	Display Text Tag	M
1-3	1+A	Length	M
1	Data	Attributes	O
A	TLV	Inline Value TLV, containing text to be displayed	M

The following parameters shall be used for the generated DISPLAY TEXT command:

Field	Comment
Command Details according to 3GPP TS 31.111 [1]	High Priority shall always be used. Other command parameters shall be used according to the information provided in the attribute byte.

Coding of the attributes:



Possible errors:

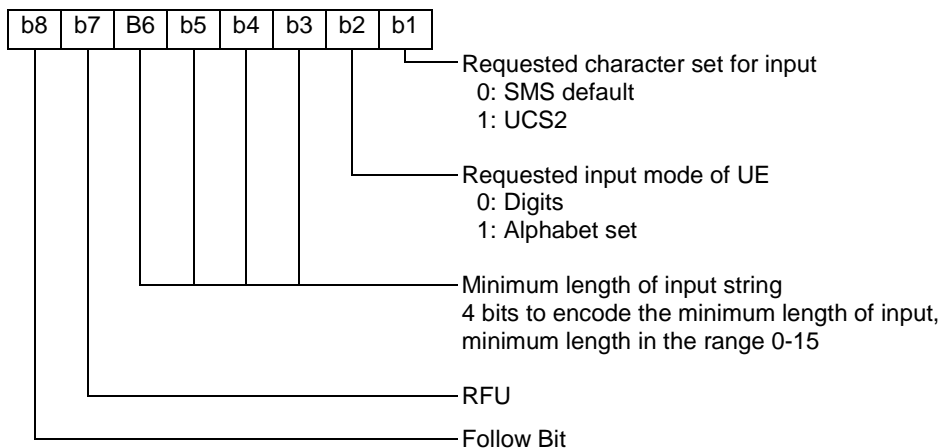
Error Code	Description	Action
No error	OK	Continue
Reference to undefined	Reference to undefined variable	Stop

8.12 Get Input

This command is used to request multiple character input from user.

Length	Value	Description	M/O
1	'4B' / 'CB'	Get Input Tag	M
1-3	A+1+B+C	Length	M
A	Data	Attributes	O
1	Data	Variable ID (for storing the entered characters, the variable type information of the variable is set according to the DCS indication received from the UE. The DCS received from the UE is not stored in the variable value.)	M
B	TLV	Inline Value TLV, containing text to be displayed (e.g. the question, to be used in the text string TLV of the GET INPUT USAT command)	M
C	TLV	Inline Value 2 TLV, containing the default text for the default text TLV of the GET INPUT USAT command	O

Coding of the attributes:



The following parameters shall be used for the generated GET INPUT command:

Field	Comment
Response length	Minimum length: the value supplied by the attribute byte is to be used; Maximum length: 'FF' shall be used
Command Qualifier	UE may echo user input on the display; User input to be in unpacked format; No help information available;

If more parameters are necessary for the Get Input command, for security reasons (e.g. user input shall not be revealed in any way), the Execute USAT command byte code shall be used.

Possible errors:

Error Code	Description	Action
No error	OK	Continue
Problem in memory management	Memory allocation problem	Stop
Reference to undefined	Reference to undefined variable	Stop

9 Native Commands

Native Commands or "plug-ins" shall be used to provide specific functionality not contained in the USAT Interpreter byte code set. This can be e.g. operating system calls, execution of specific security algorithms, calculation routines or conversion routines. All native commands are called using the Execute Native Command byte code.

Each native command shall have a Native Code Identifier. The Native Code Identifier has a size of 2 bytes and is binary coded, most significant byte first. The NCI values '0000' to '7FFF' are specified in this clause. Other values may be used for proprietary implementations.

Native Commands defined below are optionally to be supported by the USAT Interpreter. If any of these Native Commands are supported by the USAT Interpreter (which are specified within the present document using a NCI specified in the present document), they shall be implemented according to the present document.

Native commands specified by the present document:

NCI	Name	Chapter
'00 00'	RFU	
'00 01'	P7 – PKCS#7 Signature Plug-In	9.1.1
'00 02'	FP – Fingerprint Plug-In	9.1.2
'00 03'	AD – Asymmetric Decryption Plug-In	9.1.3
'00 04'	DE – Triple DES Encryption Plug-In	9.2.1
'00 05'	DD – Triple DES Decryption Plug-In	9.2.2
'00 06'	DS – Triple DES Sign Plug-In	9.2.3
'00 07'	DU – Triple DES Unwrap Plug-In	9.2.4
'00 08'	CP – Change PIN Plug-In	9.3.1
'00 09'	RP – Reset PIN Plug-In	9.3.2
'00 0A'-'7F FF'	RFU	

9.1 PKI Plug-ins

9.1.1 P7 - PKCS#7 Signature Plug-In

9.1.1.1 Description

The P7 plug-in is used to provide a digital signature based on a private (RSA) key stored on the USIM card. The output of the plug-in is compliant with the WMLScript Crypto Library SignText function. As such, P7 will also be compliant with other important specifications like PKCS#1, PKCS#7 and CMS.

Plug-in follows WYSIWYS (what-you-see-is-what-you-sign) principle.

9.1.1.2 NCI

The NCI for this plug-in is '00 01'.

9.1.1.3 Arguments

To be defined in REL-6.

9.1.1.4 Output Parameters

To be defined in REL-6.

9.1.1.5 Execution

To be defined in REL-6.

9.1.1.6 Errors

To be defined in REL-6.

9.1.2 FP – Fingerprint Plug-In

9.1.2.1 Description

The FP plug-in is used to provide a digital signature based on a private (RSA) key stored on the USIM card. The plug-in output contains a PKCS#1 compliant digital signature and is as such in line with important specifications like PKCS#1, PKCS#7 and CMS.

Plug-in is used to sign large amount of data (larger than few hundred bytes).

9.1.2.2 NCI

The NCI for this plug-in is '00 02'.

9.1.2.3 Arguments

To be defined in REL-6.

9.1.2.4 Output Parameters

To be defined in REL-6.

9.1.2.5 Execution

To be defined in REL-6.

9.1.2.6 Errors

To be defined in REL-6.

9.1.3 AD – Asymmetric Decryption Plug-In

9.1.3.1 Description

This plug-in is used for application-level asymmetric (RSA) decryption.

9.1.3.2 NCI

The NCI for this plug-in is '00 03'.

9.1.3.3 Arguments

To be defined in REL-6.

9.1.3.4 Output Parameters

To be defined in REL-6.

9.1.3.5 Execution

To be defined in REL-6.

9.1.3.6 Errors

To be defined in REL-6.

9.2 Triple DES Plug-ins

9.2.1 DE – Triple DES Encryption Plug-In

9.2.1.1 Description

The DE plug-in is used to encrypt arbitrary application-level data. It is typically called from a page to encrypt data before it is transmitted to a network application.

9.2.1.2 NCI

The NCI for this plug-in is '00 04'.

9.2.1.3 Arguments

To be defined in REL-6.

9.2.1.4 Output Parameters

To be defined in REL-6.

9.2.1.5 Execution

To be defined in REL-6

9.2.1.6 Errors

To be defined in REL-6.

9.2.2 DD – Triple DES Decryption Plug-In

9.2.2.1 Description

The DD plug-in is used to decrypt arbitrary application-level data. It is typically called from a page to decrypt data that has been encrypted by a network application.

9.2.2.2 NCI

The NCI for this plug-in is '00 05'.

9.2.2.3 Arguments

To be defined in REL-6.

9.2.2.4 Output Parameters

To be defined in REL-6.

9.2.2.5 Execution

To be defined in REL-6.

9.2.2.6 Errors

To be defined in REL-6.

9.2.3 DS – Triple DES Sign Plug-In

9.2.3.1 Description

The DS plug-in is used to calculate a message authentication code (MAC) for arbitrary application-level data. The MAC can be used as a data integrity mechanism to verify that data has not been altered in an unauthorised manner. It can also be used as a message authentication mechanism to provide assurance that a message has been originated by an entity in possession of the secret key.

9.2.3.2 NCI

The NCI for this plug-in is '00 06'.

9.2.3.3 Arguments

To be defined in REL-6.

9.2.3.4 Output Parameters

To be defined in REL-6.

9.2.3.5 Execution

To be defined in REL-6.

9.2.3.6 Errors

To be defined in REL-6.

9.2.4 DU – Triple DES Unwrap Plug-In

9.2.4.1 Description

The DU plug-in is a key-management plug-in that enables a party in possession of a certain secret key, called a *key encryption key*, to replace an USAT Interpreter application key stored in the USIM at its own desire.

9.2.4.2 NCI

The NCI for this plug-in is '00 07'.

9.2.4.3 Arguments

To be defined in REL-6.

9.2.4.4 Output Parameters

To be defined in REL-6.

9.2.4.5 Execution

To be defined in REL-6.

9.2.4.6 Errors

To be defined in REL-6.

9.3 PIN Management Plug-ins

These plug-ins shall be used to manage USAT Interpreter application related PINs.

9.3.1 CP – Change PIN Plug-In

9.3.1.1 Description

The CP plug-in shall be used to change a PIN to a value specified by the user.

9.3.1.2 NCI

The NCI for this plug-in is '00 08'.

9.3.1.3 Arguments

To be defined in REL-6.

9.3.1.4 Output Parameters

To be defined in REL-6.

9.3.1.5 Execution

To be defined in REL-6.

9.3.1.6 Errors

To be defined in REL-6.

9.3.2 RP - Reset PIN Plug-In

9.3.2.1 Description

The RP plug-in shall be used to set a PIN remotely.

9.3.2.2 NCI

The NCI for this plug-in is '00 09'.

9.3.2.3 Arguments

To be defined in REL-6.

9.3.2.4 Output Parameters

To be defined in REL-6.

9.3.2.5 Execution

To be defined in REL-6.

9.3.2.6 Errors

To be defined in REL-6.

10 End to End Security

10.1 Encrypt

This is for further study.

10.2 Decrypt

This is for further study.

11 Modes of operation

This is for further study.

11.1 Pull

This is for further study.

11.2 Push / Cell Broadcast

This is for further study.

12 Error coding

For the indication of errors occurring during byte code processing error codes listed in the following table are defined. This information can be accessed using the Error Code variable ('05') in the system information partition.

Type of error	Coding
No error	'0000'
Syntax error	'6F01'
Jump to undefined	'6F02'
Problem in memory management	'6F03'
Security problem	'6F04'
Reference to undefined	'6F05'
Out of range	'6F06'
User abort	'6F07'
Execution error	'6F08'
USAT command failed	'6F09'
USAT command not allowed	'6F0A'
USAT Interpreter transmission error	'6F0B'
Type mismatch	'6F0C'
General unspecific error	'6FFF'

13 Tag Values

The present document uses the following Tag values:

Tag Value	Usage
'01' / '81'	Page Tag
'02'	Page Identification Tag
'03'	Page Unlock Code Tag
'04'	One Time Password Tag
'05'	Keep Alive List Tag
'06'	Service ID Tag
'07'	String Pool Tag
'08' / '88'	Terminal response handler modifier Tag
'09' / '89'	Action TLV Tag
'0A' / '8A'	Navigation Unit Tag
'0B'	Anchor Tag
'0C'	Anchor Reference Tag
'0D'	Variable Identifier List Tag
'0E' / '8E'	Inline Value Tag
'0F' / '8F'	Inline Value 2 Tag
'10'	Input List Tag
'11'	Ordered TLV List Tag
'12'	Page Reference Tag
'13' / '93'	Submit Configuration Tag
'14'	Submit Data Tag
'15' / '95'	Gateway Address Tag
'16'	Submit Tag
'17' to '3F'	RFU for data structures
'40'	Set Variable Tag
'41'	Assign and Branch Tag
'42'	Extract Tag
'43' / 'C3'	Go Back Tag
'44'	Branch on Variable Value Tag
'45' / 'C5'	Exit Tag
'46' / 'C6'	Execute USAT Command Tag
'47' / 'C7'	Execute Native Command Tag
'48'	Get Length Tag
'49'	Get TLV Value Tag
'4A' / 'CA'	Display Text Tag
'4B' / 'CB'	Get Input Tag
'4C' to '7F'	RFU for commands

All other Tag values are RFU.

Annex A (informative): Terminal Response Handler Flow Charts

After an USAT command a General Result is returned and the returned General Result is checked according to the current Terminal Response Handler Configuration. The further processing depends on the current Terminal Response Handler Configuration which may have been modified by Terminal Response Handler Modifier TLVs.

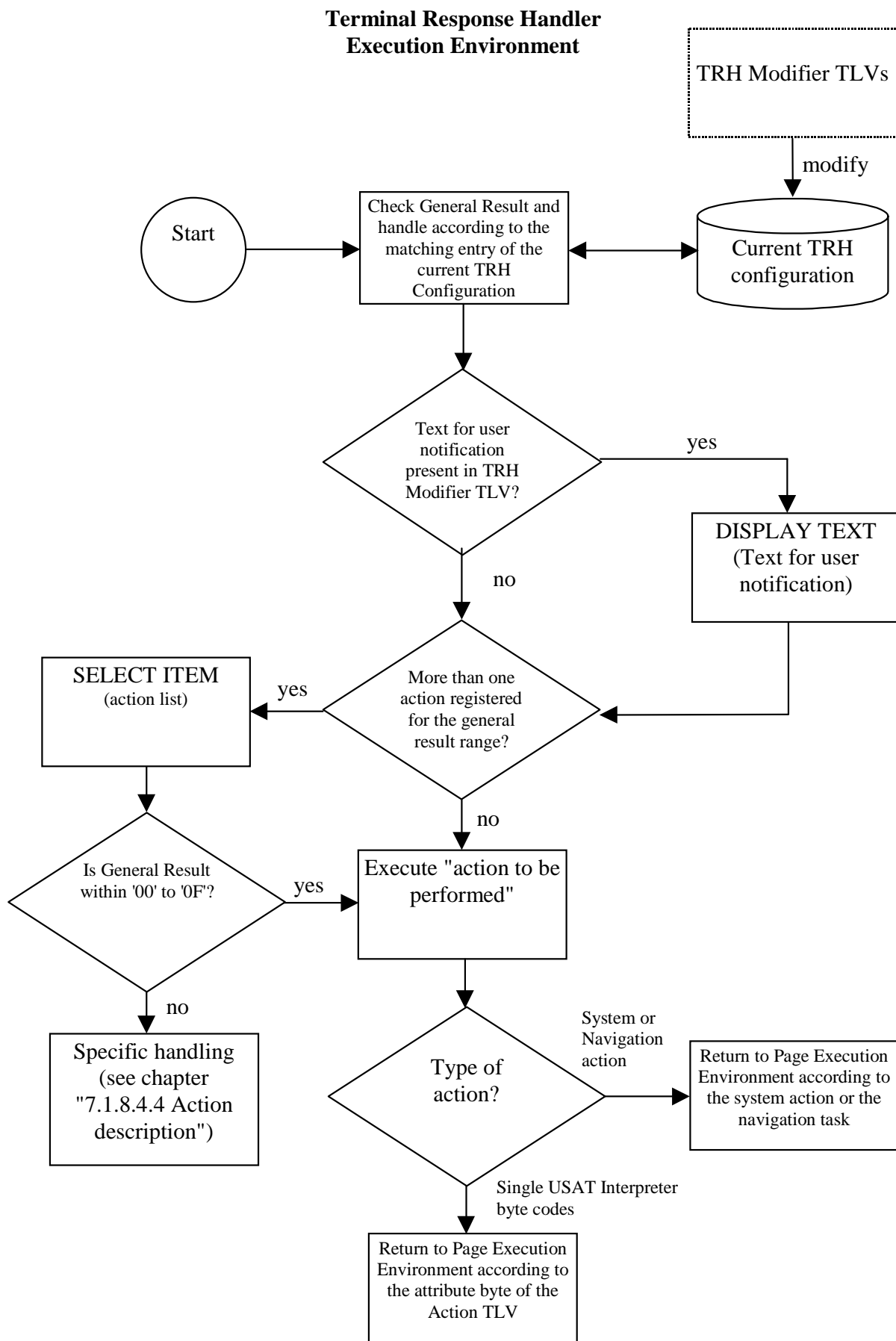


Figure A.1

Annex B (informative): Example of Accessing USAT Interpreter Functionality in Wireless Mark-up Language

B.1 Introduction

B.1.1 Purpose

The annex demonstrates how USAT Interpreter functionality can be provided to the application developer by usage of a mark-up language without requiring in-depth knowledge of USAT Commands. The annex is informative and the functionality does not have to be limited to what is proposed here.

The annex proposes how to form WML [B3] code to address USIM Application Toolkit commands and Plug-In extensions. The WML code constitutes the deck delivered from an application provider as a response to a request for an application.

The intention is to provide a necessary base for developing applications in WML. The annex thus describes a limited set of WML that can be regarded as the minimal support needed for application development.

B.1.2 Terminology

The present document uses the terms Implicit and Explicit calls when discussing access to USAT and Plug-In functionality. The distinction is that when the term Implicit is made it refers to cases where the WML code does not indicate that a specific command is called but the rendering of the WML will be encoded to use specific commands.

When using the term explicit, it refers to cases where the WML code specifically states that it intends to call a specific function.

As an example, one can say that the following WML code is an implicit call of the USAT command `displayText` since that function will be used to render the WML

```
<wml>
<card id="implicit">
  <p>
    Displayed
  </p>
</card>
</wml>
```

The explicit version of that WML would be

```
<wml>
<card id="explicit">
  <p>
    <do type="vnd.3gpp.org">
      <go href="efi://vnd.3gpp.interpreter/atk/displayText?text=Displayed"/>
    </do>
  </p>
</card>
</wml>
```

B.1.3 Definitions and abbreviations

Acronym	Definition
DCS	Data Coding Scheme
PID	Protocol IDentifier
WAP	Wireless Application Protocol
WML	Wireless Mark-up Language
UCS	Universal Character Set
URL	Uniform Resource Locators
USIM	Universal Subscriber Identity Module
UTF	Unicode Transformation Format
XML	eXtensible Mark-up Language

B.2 Namespace

The WML code makes use of the concept of namespace to address the functionality. The WML code in the present document uses the `efi` scheme, as defined by WAP Forum in reference [B4], to address USAT commands, Card plug-ins and other explicitly addressed functionality. The concepts used in the namespace for addressing this functionality is described in that specification.

According to the terminology of the EFI Framework specification, the USAT Interpreter can be introduced as an EF Class. The addressing is then fully compliant with those ideas, regardless of future development.

According to the EFI Framework specification, the WML namespace used for addressing services from WML is structured according to the below.

```
efi://vnd.3gpp.interpreter/atk/sendSm
```

In the terminology used in the EFI Framework, the above URL uses the default implementation of the `vnd.3gpp.interpreter` class as the server and calls the service named `atk/sendSm`.

B.2.1 The USAT Interpreter EF Class

The USAT Interpreter is viewed as an EF Class with the name `vnd.3gpp.interpreter`. Its services are named using an internally hierarchical structure to group the command types.

According to the EFI Framework, service names can contain the "/" which can be used to give a logical grouping to the services supplied by the class. The USAT Interpreter class uses this notation to place services in logical groups. The service groups address USAT Commands, Card resident plug-ins and interpreter internal functionality in appropriate groups.

The service grouping used is listed in the below table.

Service Type	Service Group
USAT commands	atk/
Client side plug-in	cpi/
Server side Plug-In	spi/
USIM Manufacturer specifics	Ssp/
Interpreter Internals	ipi/

The present document only specifies specific forms for the `atk`, `spi` and `ipi` groups of services.

B.2.2 Examples

The following lists a few examples of URLs that are used to address different type of functionality.

The following URL addresses the USAT command `powerOffCard` with argument `card`

```
efi://vnd.3gpp.interpreter/atk/powerOffCard?card=<value>
```

The following URL addresses a client side plug-in with name `sign`, which is called with argument `doc` containing the data to be signed and `keyId` identifying the key to be used.

```
efi://vnd.3gpp.interpreter/cpi/sign?doc=<text>&keyId=<value>
```

The following URL addresses the USIM Manufacturer specific function `doSpecifics` with data as contained by `data`.

```
efi://vnd.3gpp.interpreter/ssp/doSpecifics?data=11624
```

Here are some examples of more complete code using the addressing principles.

```
<wml>
<card id="play">
  <p>
    I will play you a tone!
    <do type="vnd.3gpp.org">
      <go href="efi://vnd.3gpp.interpreter/atk/playTone?toneId=03&
        timeUnit=01&duration=10&text=Hej" />
    </do>
  </p>
</card>
</wml>
```

```
<wml>
<card id="test">
  <p>
    Calling funny plugin
    <do type="vnd.3gpp.org">
      <go href="efi://vnd.3gpp.interpreter/cpi/doGuess?
        age=${age}&outputVar=output">
        <setvar name="age" value="35"/>
      </go>
    </do>
    Olle has a mobile of the brand ${output}!
  </p>
</card>
</wml>
```

B.3 WML

This clause gives an introduction to the WML and extended functionality.

B.3.1 WML Syntax

B.3.1.1 The WML page

A WML page is either stored at an application provider, or stored in compiled form on the USIM.

B.3.1.2 Entities

Entities are used to specify characters in the document character set which either need to be escaped in WML or may be difficult to enter in a text editor. WML text can contain numeric or named character entities. All entities begin with an ampersand and end with a semicolon.

The following predefined named entities are supported:

Entity	Character
&	&
'	<i>apostrophe</i>
<	<
>	>
 	<i>non-breaking space</i>
­	<i>soft hyphen</i>
"	"

B.3.1.3 Elements

Elements may contain a start tag, content and an end tag. Elements have one of two structures:

```
<tag/> or <tag>content</tag>
```

B.3.1.4 Attributes

Attributes specify additional information about an element and are always specified in the start tag of an element. For example:

```
<tag attr="abcd"/> or <tag attr="abcd">content</tag>
```

All attribute values are quoted using double quotation marks (").

B.3.1.5 Variables

Variables can be used in the place of strings and are substituted at run-time with their current values. Anywhere the variable syntax is legal, an \$ character followed by (**VARIABLENAME**) indicates a variable substitution:

\$ (VARIABLENAME)

The `setvar`, `input` and `select` elements can be used to set a variable.

Different variables may contain characters from different character sets. The type of a variable is set the first time the variable is defined in the WML document (for instance in a `setvar`, `input` or `select` element).

Variables have to be named with characters supported by ISO-8859-1.

A sequence of two dollar signs (\$\$) represents a single dollar sign, where variable syntax is legal.

B.3.2 Extended functionality interface

Some commands on the USAT Interpreter are not possible to address using WML [B3] tags. In those cases, an EFI [B4] syntax is used according to the following example:

```
<go href="efi://vnd.3gpp.interpreter/atk/functionName?arg1=a1"/>
```

The syntax is described in clause B.2.

The function name is unique for the command. All commands are called with different arguments, see clause B.5, and the arguments are used for both input and output data. The name of the function defines which command to be called.

B.4 Implicit calls using WML syntax

Supported WML tags are described in this clause.

B.4.1 Prologue

A WML document always starts with an XML declaration and a document type declaration.

```
<?xml version="1.0" encoding="ISO-8859-1" ?>  
<!DOCTYPE wml PUBLIC "-//3GPP//DTD USAT-WML 1.0//EN"  
"http://www.3gpp.org/DTD/USAT-WML10.dtd">
```

B.4.2 Character encoding

The document always begins with an XML declaration containing the `encoding` attribute.

The following examples show the declarations for two different character encoding:

```
<?xml version="1.0" encoding="UTF-8" ?>
or
<?xml version="1.0" encoding="ISO-8859-1" ?>
```

This example shows how Unicode can be used for text that are to be input and output on the telephone, and for the content of variables. It also shows that the Unicode variable content can be passed to the application provider as a parameter value to the "go href" command. The whole URL in "go href" is limited to contain valid URL characters. However, the content of the variables that are passed in the query string can be Unicode, e.g. in the example, the content of the variable DRINK is Unicode.

```
<?xml version="1.0" encoding="UTF-8" ?>
<!DOCTYPE wml PUBLIC "-//3GPP/DTD USAT-WML 1.0//EN"
"http://www.3gpp.org/DTD/USAT-WML1.0.dtd">
<wml>
  <card>
    <p>
      <select name="DRINK" title="喝什么">
        <option value="可乐" >可乐</option>
        <option value="雪碧" >雪碧</option>
        <option value="芬达" >芬达</option>
      </select>
      你选的是${DRINK}
      <do type="accept">
        <go href="http://webserver/path/page.asp?drink=${DRINK}" />
      </do>
    </p>
  </card>
</wml>
```

Figure B.1

B.4.3 Elements

The order of elements in a WML document is significant since the USAT interpreter will interpret the elements in sequence.

In the following subclauses, the last column in the attribute tables indicates if the attribute is Optional(O) or Mandatory(M).

The mapping of implicit WML tags to USAT commands are explained in the following table.

WML tag	USAT Command
wml	-
p	If containing text, DISPLAY TEXT is used.
br	-
input	GET INPUT
card	-
option	SELECT ITEM (In the select tag.)
select	SELECT ITEM
go	SELECT ITEM / SEND SM
setvar	-
noop	-
do	-
refresh	-

B.4.3.1 wml element

The WML element defines a WML document and encloses all information in the document.

Syntax

```
<wml>content</wml>
```

B.4.3.2 card element

The card element defines a container of text and elements in a WML document. A document may contain multiple card elements but card elements may not be nested. The first card element in a document is the start card.

Syntax

```
<card>content</card>
```

Attribute	Explanation	
id	This attribute specifies a unique id of the card within the deck.	O
newcontext	This attribute specifies if the current USAT interpreter context is to be re-initialised. Allowed values: <code>true</code> or <code>false</code> (Default).	O

```
<card id="card1">
.
.
</card>
```

B.4.3.3 p element

The p element, or paragraph element, delimits a text clause.

No arguments are supported for the p element.

Syntax

```
<p>content</p>
```

B.4.3.4 br element

The br element inserts a line break in the displayed text.

The `
` element can not take any arguments.

Syntax

```
<br/>
```

B.4.3.5 input element

The input element defines an input field where the user may enter information.

Syntax

```
<input/>
```

Attribute	Explanation	
name	This attribute specifies the name of variable to set.	M
value	This attribute specifies the default value of the variable named in the name attribute.	O
format	This attribute Expected data format entered by the user. The following values are allowed: *M – Any character. (Default) *N – Any numeric character.	O
emptyok	This attribute specifies whether or not empty input will be accepted Allowed values: <code>true</code> or <code>false</code> (Default).	O
maxlength	This attribute specifies the max number of bytes that can be entered by the user.	O
title	This attribute specifies the prompting string.	O

class This attribute specifies the type of the variable. The following values are allowed: O
 SMSDefault – Default for an ISO-8859 WML document.
 UCS2 – Default for an UTF-8 WML document.

```
<input title="Please enter your phone number" name="PHONE" format="*N" maxlength="20"/>
```

B.4.3.6 select Element

The `select` element defines and displays a set of optional list items from which the user can select an item. An `option` element is required for each item in the list, see clause B.4.3.7. The name of the menu, normally displayed by the telephone, is specified by the `title` attribute.

Either the `name` or `iname` attribute can be used. If the `iname` attribute is used, the `value` attribute in the contained `option` elements will be overridden with the calculated index.

Syntax

```
<select>content</select>
```

Attribute	Explanation	
<code>title</code>	This attribute specifies the title of the menu.	O
<code>name</code>	This attribute specifies the name of the variable to set.	O
<code>iname</code>	This variable specifies the name of the variable to set with the index result of the selection. See the WAP WML specification [B3].	O

B.4.3.7 option element

The `option` element represents a list item in a list defined by the `select` element. The content consists of text that is displayed as the option text. This text is used as the value of the `value` attribute if that attribute is not present. Empty item text strings are not supported.

When an `option` is selected, the variable named in the enclosing `select` element is set to the value given by the `value` attribute. Then the USAT interpreter navigates to the URI specified by the `onpick` attribute if present.

Syntax

```
<option>content</option>
```

Attribute	Explanation	
<code>value</code>	This attribute specifies what the variable named in <code>select</code> attribute name is set to, if this <code>option</code> element is selected.	O
<code>onpick</code>	This attribute specifies a destination URI to go to, if this <code>option</code> element is selected.	O

This example illustrates the use of `select` and `option`. If the user selects the "Banking" option, a jump will occur to "card2". If the user selects the "Gambling" option, a jump will occur to "card3". If "[Home]" is selected a GET request will be sent for the "home.wml" document. Note that the `value` attribute in the `option` element can not be used for anything if the corresponding `onpick` attribute refers to an external URL.

```
<select title="Please choose service" name="SELECTION">
  <option value="BANKING" onpick="#card2">Banking</option>
  <option value="GAMBLING" onpick="#card3">Gambling</option>
  <option value="Not used." onpick="http://www.3gpp.org/home.wml">[Home]</option>
</select>
```

B.4.3.8 go element

The `go` element declares a `go` task to a URL or to a specified card in the document. The `go` element may also be used for performing USAT interpreter or Gateway specific commands.

Note that after each "go href" referring to an external URL, no more WML elements will be executed. Using text or WML tags after a "go href" referring to an external URL may cause problems for the application.

The URL may contain variable references.

The URL starts with "https://", if SSL is to be used for connecting to the application server.

For referencing a card, a hash sign (#) is used:

```
<go href="#CARD" />
```

Syntax

```
<go/>
```

```
<go>content<go>
```

Attribute	Explanation	
href	This attribute identifies the destination URI.	M
method	This attribute specifies the http submission method to be used by the Gateway. The following values are allowed: get - HTTP GET will be used. (Default) post - HTTP POST will be used.	O

```
<card>
  <p>
    <input title="Variable" name="VARIABLE" />
    <do type="accept">
      <go href="http://www.3gpp.org/page.jsp?f=$(VARIABLE)&l=StaticText" />
    </do>
  </p>
</card>
```

```
<card>
  <p>
    <input title="First name" name="FIRSTNAME" />
    <input title="Last name" name="LASTNAME" />
    <input title="Age" name="AGE" />
    <do type="accept">
      <go method="post" href="http://www.3gpp.org/page.jsp?
        f=$(FIRSTNAME)&l=$(LASTNAME)&a=$(AGE)" />
    </do>
  </p>
</card>
```

A card reference starts with the character '#'.

```
<card id="CARD1">
  <p>
    <do type="accept">
      <go href="#CARD2" />
    </do>
  </p>
</card>
<card id="CARD2">
  <p>
    You have jumped to CARD2.
  </p>
</card>
```

B.4.3.9 setvar element

The setvar element sets the value of a variable.

The class attribute is used for setting the type of the variable according to the present document.

Syntax

```
<setvar/>
```

Attribute	Explanation	
name	This attribute specifies the name of the variable to be set.	M

value	This attribute specifies the value the variable is set to. May only contain fixed text. Variables are not allowed.	M
class	This attribute specifies an optional type specification of the variable, used for conversion purposes in the Gateway. The following values are allowed: SMSDefault SMSDefault.packed UCS2 binary.base64 – The variable contains binary data coded according to base64 encoding. This is the default value if the "class" attribute is omitted. The "binary.base64" class is used for instance when encrypted data is sent to the content. The type in the USAT interpreter will be "Binary" (Default).	O

The variable COUNTRY is set to "Sweden". The variable may later be used by referring to \$(COUNTRY).

```
<setvar name="COUNTRY" value="Sweden" />
```

setvar is contained in a refresh element

```
<card id="setexample2">
  <p>
    <do type="accept">
      <refresh>
        <setvar name="HEXVARIABLE" class="binary.base64" value="A678F5D3" />
      </refresh>
    </do>
    <do type="accept">
      <go href="http://www.3gpp.org?a=$(HEXVARIABLE)" />
    </do>
  </p>
</card>
```

setvar is contained in a go element. The variables are set before the go element is executed.

```
<card id="setexample3">
  <p>
    <do type="vnd.3gpp.org">
      <go href="efi://vnd.3gpp.interpreter/cpi/encrypt?
        a1=$(KEY1)&amp;a2=$(KEY2)&amp;outputVar=out">
        <setvar name="KEY1" class="binary.base64" value="F5FF34FF" />
        <setvar name="KEY2" class="binary.base64" value="90AB45DA" />
      </go>
    </do>
  </p>
</card>
```

B.4.3.10 noop element

The noop element specifies that nothing will be done. The noop element requires a start tag only.

Syntax

```
<noop/>
```

B.4.3.11 do element

The do element is a general mechanism for the user to act upon the current card. The supported types are accept and vnd.3gpp.org. Both of these imply that the task following the do element is always executed.

This means that the execution of the script does not stop at the do element. If a stop before the do element is desired, a construction as in the WML example given below can be used.

Syntax

```
<do>content</do>
```

Attribute	Explanation
-----------	-------------

type	This attribute specifies the type of the do element. The following values are allowed: vnd.3gpp.org - When the do element contains a USAT interpreter specific command. accept - All other cases.	M
------	---	---

```
<wml>
<card id="command">
  <p>
    <input title="Enter your age:" name="AGE"/>
    <do type="accept">
      <go href="http://www.3gpp.org/survey.asp?f=$(AGE)&name=Martin"/>
    </do>
  </p>
</card>
</wml>
```

B.4.3.12 refresh Element

The refresh element surrounds the setvar tag. The refresh tag has no function in itself.

Syntax

```
<refresh>content</refresh>
```

B.5 Explicit calls using WML syntax

This clause demonstrates how the namespace can be used to explicitly address USAT Commands, USAT Interpreter specific functions and Plug-ins. The purpose is to demonstrate how this can be done rather than to describe how the complete command set of the USAT Interpreter is addressed.

Mandatory parameters need always be present in an explicit call and the optional attributes may be left out. The last column in the following tables indicates if the attribute is M-mandatory or O-optional.

An argument value can include a variable, which is substituted at run-time with its current value.

B.5.1 Services for USAT Commands

Access to USAT commands is grouped into the service group atk. Anything that belongs to this group of services can be coded, by the gateway, by using generic coding on the byte code level.

The following table lists the logical group of services used for calling USAT commands.

Service Name
atk/launchBrowser
atk/playTone
atk/provideLocalInfo
atk/refresh
atk/runATCommand
atk/sendUSSD
atk/sendSM
atk/setupCall
atk/setIdleModeText

For detailed information on the parameters and data format, see TS 31.111 [1]. Although the "GO" tag is used, no message is sent to the server, as the commands are executed locally on the USIM.

The following clauses handle these functions in detail. The parameter names as listed in the tables below are the same as the ones that are to be used in the URL query string. The parameter names are case sensitive.

B.5.1.1 Launch Browser

This command causes the USIM to request that the ME start a browser to interpret the content corresponding to the URL.

Service name: **atk/launchBrowser?qualifier=&URL=**

Argument	Argument value	
qualifier	The Command Details to use (see 3GPP TS 31.111 [1]). The value is given in decimal format. The default value is 0.	O
URL	The URL whose contents is to be displayed.	M

A browser will be launched and the URL "http://www.3gpp.org/page.wml" will be fetched.

```
<card>
<p>
  <do type="vnd.3gpp.org">
    <go href="efi://vnd.3gpp.interpreter/atk/launchBrowser?
      URL=http://www.3gpp.org/page.wml" />
  </do>
</p>
</card>
```

B.5.1.2 Play tone

This command makes the mobile station play a tone.

Service name: **atk/playTone?toneId=&timeUnit=&duration=&text=**

Argument	Argument value	
toneId	01: Dial tone 02: Called subscriber busy 03: Congestion 04: Radio path acknowledge 05: Radio path not available 06: Error / special information 07: Call waiting time 08: Ringing tone	M
timeUnit	00: minutes 01: seconds 02: tenths of seconds	M
duration	Coded as integer multiples of the time unit used. Decimal value. Allowed values: 0–255.	M
text	Text to display. (Corresponds to the alpha identifier according to 3GPP TS 31.111 [1])	O

In this example, the mobile phone is requested to play a congestion tone with duration of 10 seconds. Since text string is empty, no text will be displayed.

```
<card>
<p>
  <do type="vnd.3gpp.org">
    <go href="efi://vnd.3gpp.interpreter/atk/playTone?
      toneId=03&timeUnit=01&duration=10" />
  </do>
</p>
</card>
```

B.5.1.3 Provide Local Information

This command is used to get location information from the mobile station. Different location parameters can be fetched from the mobile phone and put into a variable.

Service name: **atk/provideLocalInfo?qualifier=&outputVar=**

Argument	Argument value	
qualifier	00: location information (7 bytes) 01: IMEI of ME (8 bytes) 02: Network measurement results and BCCH list (16 bytes) 03: Date, time and time zone (7 bytes) 04: Language setting (2 bytes) 05: Timing advance (2 bytes)	M
outputVar	Variable to contain output data.	M

In this example, the IMEI is fetched and put in the variable `imeiOutput`. On the next line, the IMEI is sent to a content provider.

```
<card>
<p>
<do type="vnd.3gpp.org">
<go href="efi://vnd.3gpp.interpreter/atk/provideLocalInfo?
qualifier=01&outputVar=imeiOutput"/>
</do>
<do type="accept">
<go href="http://www.arne.se?IMEI=$(imeiOutput)"/>
</do>
</p>
</card>
```

B.5.1.4 Refresh

This command makes the USIM notify the mobile phone of changes in the USIM configuration as the result of USIM application activity. Depending on the command qualifier, different tasks will be performed. For more information see 3GPP TS 31.111 [1].

Service name: `atk/refresh?qualifier=&numberOfFiles=&fileList=`

Argument	Argument value	
qualifier	00: USIM Initialisation and Full File Change Notification 01: File Change Notification (requires file list) 02: USIM Initialisation and File Change Notification (requires file list) 03: USIM Initialisation 04: USIM Reset	M
numberOfFiles	Number of files included in <code>fileList</code> . Decimal value. Default: 0.	O
fileList	List of files.	O

In the example, a USIM initialisation is requested, and in addition, the mobile phone is notified that two files on the USIM have been updated, 3F00/2F05 and 3F00/7F10/6F3A.

```
<card id="command">
<p>
<do type="vnd.3gpp.org">
<go href="efi://vnd.3gpp.interpreter/atk/refresh?qualifier=02&
numberOfFiles=02&fileList=3F002F053F007F106F3A"/>
</do>
</p>
</card>
```

Full paths are given to files. Each file path is at least 4 octets in length. An entry in the file description begins with '3FXX' and there is no delimiters between files.

B.5.1.5 Run AT Command

This command makes the USIM request the ME to execute an AT Command.

Service name: `atk/runATCommand?command=&text=&iconId=`

Argument	Argument value	
----------	----------------	--

command	The AT Command string that is to be executed	M
text	Text to be displayed to the user.	O
iconId	The identifier of an icon to show instead of text.	O

```
<card id="command">
  <p>
    <do type="vnd.3gpp.org">
      <go href="efi://vnd.3gpp.interpreter/at/runATCommand?
        command=ATD0706746151&text=Calling"/>
    </do>
  </p>
</card>
```

B.5.1.6 Send USSD

This command sends a byte string by the Unstructured Supplementary Service.

Service name: **atk/sendUSSD?text=&ussd=**

Argument	Argument value	
text	Text to display.	O
ussd	According to [B1].	M

In this example, a USSD message with the contents "*21*1222#" is sent to the network.

```
<card>
  <p>
    <do type="vnd.3gpp.org">
      <go href="efi://vnd.3gpp.interpreter/at/sendUSSD?
        text=MessageText&ussd=*21*1222#"/>
    </do>
  </p>
</card>
```

B.5.1.7 Send SM

This command sends a plain text SM to a particular destination.

Service name: **atk/sendSM?userData=&pid=&dcS=&bNumber=&smScAddress=**

Argument	Argument value	
userData	Text in the SM.	O
pid	Protocol identifier. Decimal value. Default: 0.	O
dcS	Data Coding Scheme, according to 3GPP TS 23.038 [3]. Decimal value.	O
bNumber	The called party number.	M
smScAddress	The number of the service center.	O

In this example, a text SM, with contents as entered by the user, is sent to MSISDN "0706754321". As "PID" and "DCS" are omitted, the default values "0" and "242" decimally are used. The Service Centre "+46705008999" is used, regardless of the default value in the mobile phone.

```
<card>
  <p>
    <input title="Please enter message" name="m"/>
    <do type="vnd.3gpp.org">
      <go href="efi://vnd.3gpp.interpreter/at/sendSM?userData=$(m)&
        bNumber=0706754321&smScAddress="+46705008999"/>
    </do>
  </p>
</card>
```

B.5.1.8 Set up call

This command requests the mobile phone to initiate a call.

Service name:

atk/setupCall?qualifier=&text=&capability=&timeUnit=&duration=&bNumber=

Argument	Argument value	
qualifier	00: only if not currently busy 01: only if not currently busy, with redial 02: putting all other calls on hold 03: putting all other calls on hold, with redial 04: disconnecting all other calls 05: disconnecting all other calls, with redial	M
text	Text to display. (Corresponds to the alpha identifier according to 3GPP TS 31.111 [1].)	O
capability	Capability Configuration Parameters. For coding, see [B2]. Default: None.	O
timeUnit	This argument is mandatory if duration attribute is used. Default: Not used. 00: minutes 01: seconds 02: tenths of seconds	O
duration	Coded as integer multiples of the time unit used. Decimal value. Allowed values: 0-255. Default: Not used.	O
bNumber	The called party number.	M

In this example, the USIM requests the mobile phone to set up a call to "0707789613", if not currently busy with another call. No text is displayed, no Capability Configuration Parameters are attached, and no automatic retries to set up the call will be made.

```
<card>
<p>
  <do type="vnd.3gpp.org">
    <go href="efi://vnd.3gpp.interpreter/atk/setupCall?
      qualifier=00&bNumber=0707789613"/>
  </do>
</p>
</card>
```

B.5.1.9 Set Idle Mode Text

This command sets a text on the idle screen of the mobile station.

If no text attribute is included or the text attribute consists of an empty string, the existing idle mode text on the mobile phone will be removed.

Service name: **atk/setIdleModeText?text=**

Argument	Argument value	
text	The idle mode text to display.	O

This example will set the idle mode text to "Welcome".

```
<card>
<p>
  <do type="vnd.3gpp.org">
    <go href="efi://vnd.3gpp.interpreter/atk/setIdleModeText?
      text=Welcome"/>
  </do>
</p>
</card>
```

B.5.2 Services for Interpreter Commands

These are commands that are directed to the Interpreter itself and thus are internally handled by the interpreter. Unless otherwise stated, the encoding of the result variables match the format of the information as specified in other parts of this specification.

The following table lists the logical group of services used for calling interpreter internal functions.

Service Name

```

ipi/getInterpreterVersion
ipi/getBufferSize
ipi/getNativeCommandList
ipi/getTerminalProfile
ipi/getErrorCode
ipi/getMaxPageSize
ipi/getIssuerUrl
ipi/getIssuerUrlHash

```

B.5.2.1 Get Interpreter Version Information

This command reads the version information of the USAT Interpreter and assigns it to the specified variable.

Service name: `ipi/getInterpreterVersion?outputVar=`

Argument	Argument value	
outputVar	Variable to contain output data.	M

B.5.2.2 Get Interpreter Buffer Size

This command reads the size of the receive and send buffer of the USAT Interpreter and assigns it to the specified variable.

Service name: `ipi/getBufferSize?outputVar=`

Argument	Argument value	
outputVar	Variable to contain output data.	M

In the following example, the interpreter buffer size and version information are put into the variables "bufferSize" and "version" respectively. On the next line, the information is sent back to the Application Provider.

```

<card>
  <p>
    <do type="vnd.3gpp.org">
      <go href="efi://vnd.3gpp.interpreter/ipi/getInterpreterVersion?
        outputVar=version" />
    </do>
    <do type="vnd.3gpp.org">
      <go href="efi://vnd.3gpp.interpreter/ipi/getBufferSize?
        outputVar=bufferSize" />
    </do>
    <do type="accept">
      <go href="http://www.server.com?VERSION=$(version)&BUFFER=$(bufferSize)" />
    </do>
  </p>
</card>

```

B.5.2.3 Get Native Command List

This command reads the list of supported native commands.

Service name: `ipi/getNativeCommandList?outputVar=`

Argument	Argument value	
outputVar	Variable to contain the output list of supported Native Commands	M

B.5.2.4 Get Terminal Profile

This command gets the Terminal Profile as got at runtime by the USAT Interpreter.

Service name: `ipi/getTerminalProfile?outputVar=`

Argument	Argument value	
outputVar	Variable to contain the binary encoded terminal profile	M

B.5.2.5 Get Error Code for Last Byte Code Command

This command gets the Error Code generated by the last executed byte code command.

Service name: `ipi/getErrorCode?outputVar=`

Argument	Argument value	
outputVar	Variable to contain the error code	M

B.5.2.6 Get Maximum Size for Temporary Storage of Page

This command gets the maximum page size for temporary storage of one page.

Service name: `ipi/getMaxPageSize?outputVar=`

Argument	Argument value	
outputVar	Variable to contain the maximum size of a page	M

B.5.2.7 Get USAT Interpreter Issuer URL

This command gets the URL of the issuer of the USAT Interpreter.

Service name: `ipi/getIssuerUrl?outputVar=`

Argument	Argument value	
outputVar	Variable to contain the URL of the issuer of the USAT Interpreter	M

B.5.2.8 Get USAT Interpreter Issuer URL Hash

This command gets the 4 most significant byte of the SHA-1 hash of the URL of the issuer of the USAT Interpreter.

Service name: `ipi/getIssuerUrl?outputVar=`

Argument	Argument value	
outputVar	Variable to contain the hash of the URL	M

B.5.2.9 Get User Name

This command gets the name of the end user, if the end user has set the values.

Service name: `ipi/getUserName?outputVar=`

Argument	Argument value	
outputVar	Variable to contain the name of the end user	M

B.5.2.10 Get User Email

This command gets the email of the end user, if the user has chosen to set it.

Service name: `ipi/getUserEmail?outputVar=`

Argument	Argument value	
outputVar	Variable to contain the email of the end user.	M

B.5.3 Services for Calling Client Plug-Ins

This clause illustrates the way the addressing for calling a card plug-in is done and the principles for handling the arguments to the plug-in. The addressing enables the application to call any plug-in that is available for the application. The actual plug-ins that are available for the application depends on the configuration of the USAT Interpreter. On the byte code level, the card plug-ins are called in a generic way. The translation to generic format is done by the gateway.

To exemplify the calling of plug-ins from the application, an example plug-in with the name `myPlugin` is used. It is assumed that there are seven arguments to the plug-in as described in the table below.

a#	Argument	Argument value	
a1	homeTown	The home town of the user	M
a2	currentTown	The town where the user currently is.	M
a3	homePhone	The home phone number of the user	O
a4	buyTicket	This parameter acts as a Boolean value. If it is set to 1, a ticket will be reserved. If set to 0, only timetable is provided. The default behaviour is to provide timetable information only.	O
a5	timeToLeave	If set, the parameter gives a date when the user wishes to start travelling.	O
a6	timeToArrive	If set, this parameter gives a date when the user wishes to arrive.	O
a7	transport	The desired means of transport for the user.	O

As a calling convention for plug-ins, the parameter names are enumerated using **a** as a prefix. The enumeration order indicates the order in which the arguments are sent to the plug-in. Optional parameters that are not used are left out from the URL query string.

The order of the parameters in the query string is insignificant. It is the naming of the parameters that control the order when calling the plug-in.

This service will call the plug-in `myPlugin`. Any other plug-in is called in the same manner based on its documentation. The plug-in services are always placed in the `cpi` service group.

Service name: **`cpi/myPlugin`**

In this example, the plug-in `myPlugin` is called using only arguments 1,2 and 7 as described by the documentation.

```
<card>
  <p>
    <do type="vnd.3gpp.org">
      <go href="//vnd.3gpp.interpreter/cpi/myPlugin?
        a2=Stockhom&a7=Train&a1=Paris"/>
    </do>
  </p>
</card>
```

The WML code above causes the gateway to construct a call to the generic plug-in mechanism to call a plug-ins whose name is `myPlugin`. The arguments to the generic call are inserted in the order the naming enumerates them.

B.6 Access to Special Features

This chapter describes how to modify the behaviour of the USAT Interpreter. This includes modifying the Terminal Response Handler and variable management.

B.6.1 Variable Management

The byte code of the USAT Interpreter provides mechanisms for sharing access to variables between pages. The behaviour can be initiated from WML by using the constructs exemplified in this chapter.

Service Name

spi/keepAlive

B.6.1.1 Keep Alive and Protect Variables

The functionality to control saving of variables between decks is reached through a service. What is given is a list of variables that are to be shared with the next deck. Up to 64 variables can be indicated.

In the context of variable management, the one time password is used to control access to variables. Together with the Page Unlock Code, it provides a possibility for sharing variable values between decks in a protected manner. This is controlled by giving an argument to control password protection of the variables.

Service name: `spi/keepAlive?variableList=&password=`

Argument	Argument value	
VariableList	List of the variables that are to be made available to the following page. If the argument is not present, all variables will be kept	<input type="radio"/>
UsePassword	Indicates if the variables are to be protected by a usage of the combination of a one-time password and a page unlock. Values can be 'yes' or 'no'. The default value is 'no'.	<input type="radio"/>
password	Gives the application provider the possibility to explicitly specify the password to be used for protecting the variables	<input type="radio"/>

The service is valid for the whole deck and is thus called in a template at deck level.

```
<wml>
<template>
  <do type="vnd.3gpp.org">
    <go href="efi://vnd.3gpp.interpreter/spi/keepAlive?
      variableList="A, B, NAME"&usePassword=yes
      &password=gurksmorgas"/>
    </do>
  </template>
```

B.6.2 Terminal Response Handler Modifier

This chapter illustrates how the Terminal Response Handler can be modified. The Terminal Response Handler Modifier allows modification of the default behaviour for the Terminal Response Handler. In this context, modification includes addition to and overriding of the default behaviour. The Terminal Response Handler can be modified for the whole page and/or for each Navigation Unit.

When the service for modifying the Terminal Response Handler is called from a card, the scope is card. When the call is handled as a template at the deck level, it is valid for the whole deck.

The following table lists the logical group of services used for performing Terminal Response Handler modification.

Service Name

trh/add
trh/restore
trh/remove

The arguments to be supplied vary for the services.

B.6.2.1 Replace

Service name:

trh/replace?start=&end=&text=&actionDesc=&actionId=&href=&displayText=&variableName=&setvarValue=&getInputString

The replace operation erases all previously defined actions for a result range and adds the one supplied as an argument

Argument	Argument value	
Start	The start of the general result range that is to be modified	M
End	The end of the general result range that is to be modified	M
Text	Text to display to the user when handling this general result range.	O
actionDesc	Text to describe the action. To be used in User Interface for select item when asking the user which action to perform when multiple actions are defined for the general result range.	C
actionId	Unique identifier of the action to be performed	M
Href	Indicates where to branch execution if the intended action is a navigation action. The href argument can also be used if the intended action is to execute a native command, call a USAT Command or perform another action as specified in this appendix.	C ₁
displayText	Text to be displayed if the desired action is to execute a DISPLAY TEXT	C ₁
variableName	Name of variable to set. If this argument is present, either the setvarValue or getInputString is to be supplied. In the case where setvarValue is supplied, as set variable is executed. If getInputString is supplied, the user is asked for input by supplying the string.	C ₁
setvarValue	Value to assign to the variable. This argument is to be present only if the setvarName is given.	C ₁
getInputString	Text to display to the user when asking for input.	C ₁

The principle is to express the range that is to be modified and an action to be performed for that range. The actions that can be used require somewhat different arguments. The arguments having the "C₁"-property are mutually dependent as described above. If the actions are system actions, which means that the actionId is '00' – '03', none of the "C₁" arguments are to be supplied. If the action to be performed is a navigation action, the argument href is used. This attribute is also used for calling USAT Commands and Native Commands as defined elsewhere in this appendix.

The example below will modify the Terminal Response Handler by replacing the action for the general result value of '10' with a call to a USAT Command for setting a new idle mode text. The change is valid for the current card.

```
<card>
<p>
<do type="vnd.3gpp.org">
<go href="efi://vnd.3gpp.interpreter/trh/replace?
start=10&end=10&
text=Changing%20Idle Mode Text&
actionId=42&href="efi://vnd.3gpp.interpreter/atk/setIdleModeText?
text=Welcome " />
</do>
</p>
</card>
```

In the following example, the same change is applied to the whole deck.


```

<wml>
  <template>
    <do type="vnd.3gpp.org">
      <go href="efi://vnd.3gpp.interpreter/trh/replace?
        start=10&end=10&
        text=Changing%20Idle%20Mode%20Text&
        actionId=42&href="efi://vnd.3gpp.interpreter/atk/setIdleModeText?
        text=Welcome " "/>
      </do>
    </template>

    <card>
      <p>
        This is the card
      </p>
    </card>
  </wml>

```

B.6.2.2 Add

Service name: **trh/add?start=&end=&text=&actionDesc=&actionId=&href=&displayText=&variableName=&setvarValue=&getInputString**

The add operation adds a new action for an existing general result range or defines a new general result range and the corresponding action.

Argument	Argument value	
Start	The start of the general result range that is to be modified	M
End	The end of the general result range that is to be modified	M
Text	Text to display to the user when handling this general result range.	O
ActionDesc	Text to describe the action. To be used in User Interface for select item when asking the user which action to perform when multiple actions are defined for the general result range.	C
ActionId	Unique identifier of the action to be performed	M
Href	Indicates where to branch execution if the intended action is a navigation action. The href argument can also be used if the intended action is to execute a native command, call a USAT Command or perform another action as specified in this appendix.	C ₁
DisplayText	Text to be displayed if the desired action is to execute a DISPLAY TEXT	C ₁
VariableName	Name of variable to set. If this argument is present, either the setvarValue or getInputString is to be supplied. In the case where setvarValue is supplied, as set variable is executed. If getInputString is supplied, the user is asked for input by supplying the string.	C ₁
SetvarValue	Value to assign to the variable. This argument is to be present only if the setvarName is given.	C ₁
GetInputString	Text to display to the user when asking for input.	C ₁

The principle is exactly the same as for the replace modification.

B.6.2.3 Restore

Service name: **trh/restore?start=&end=&**

The operation restores the general result range.

Argument	Argument value	
Start	The start of the general result range that is to be modified	M
End	The end of the general result range that is to be modified	M

```
<card>
<p>
<do type="vnd.3gpp.org">
<go href="efi://vnd.3gpp.interpreter/trh/restore?
start=10&end=10"/>
</do>
</p>
</card>
```

B.6.2.4 Remove

Service name: **trh/remove?start=&end=&actionId=**

The remove operation removes the specified action from the general result range that is specified.

Argument	Argument value	
Start	The start of the general result range that is to be modified	M
End	The end of the general result range that is to be modified	M
actionId	Unique identifier of the action to be performed	M

This service will modify the Terminal Response Handler by removing the action of changing idle mode text for the general result value of '10'.

```
<card>
<p>
<do type="vnd.3gpp.org">
<go href="efi://vnd.3gpp.interpreter/trh/remove?
start=10&end=10&
actionId=42"/>
</do>
</p>
</card>
```

B.7 References

- [B1] 3GPP TS 22.030: "Man-Machine Interface (MMI) of the User Equipment (UE)".
- [B2] 3GPP TS 24.008: "Mobile radio interface layer 3 specification; Core Network Protocols – Stage 3".
- [B3] Wireless Application Protocol Forum: "Wireless Markup Language Specification. Version 1.3. 19 February 2000. Available: <http://www.wapforum.org/>".
- [B4] Wireless Application Protocol: "EFI Framework. Draft Version 0.15".

Annex C (informative): Terminal Response Handler Modifier examples

This annex provides examples for the operations of the terminal response header modifier. Starting point for the examples is the partly shown system terminal response handler configuration, which is in this case the unmodified default terminal response handler configuration as specified in table 4.1 with an assumed text for user notification for the exception case ("Error").

The first row in the following tables shows the text for user notification assigned to a general result. A terminal response handler modifier can provide such a text for a whole range of general results. "--" indicates, that no user notification text is assigned to a general result.

The second row in the following tables shows the single action(s) assigned to a general result. For general results without an assigned action (indicated by "--" in the tables), the USAT Interpreter uses the exception case, which is indicated with the general result range 'FF FF'. If more than one action is assigned to a general result, the USAT Interpreter issues a SELECT ITEM command, using the action description texts of the actions as items to let the user choose between the options. A terminal response handler modifier can provide such a set of actions for a whole range of general results. a_{xx} indicates an action a with the assigned Action ID 'xx'. For one general result, the Action ID uniquely identifies an action. For different general results, the same action ID in the service defined range (Action ID '20' to 'FF') could identify different actions. To distinguish between different actions with the same Action ID, the Action ID index is appended with a character. E.g. a_{20a} represents a different action than a_{20b}, even if the Action ID '20' is the same.

The third row the following tables shows the general result values to which the user notification texts and actions are assigned to.

Starting configuration, partly reflection the default terminal response handler configuration as specified in table 4.1:

Table C.1

Text for user notification assigned to a general result	--	--	--	--	--	--	--	--	--	--	--	...	--	--	--	...	"Error"
Single action(s) for a general result; the index indicates the assigned Action ID	a _{00'}	a _{00'}	...	a _{00'}	a _{01'}	a _{02'}	a _{01'}	a _{03'}	a _{01'}	--	--	...	a _{01'} a _{03'}	a _{01'} a _{03'}	a _{01'} a _{03'}	...	a _{01'}
general result value	'00'	'01'	...	'0F'	'10'	'11'	'12'	13'	'14'	'15'	'16'	...	'20'	'21'	'22'	...	'FF'

C.1 Replace Operation

The following terminal response handler modifier is applied as a replace operation to table C.1:

Table C.2

Text for user notification assigned to a general result range																	"Proceed?"																
Single action(s) for a general result range; the index indicates the assigned Action ID																	a _{01'} a _{'20a'} a _{21'}																
general result value	'00'	'01'	...	'0F'	'10'	'11'	'12'	13'	'14'	'15'	'16'	...	'20'	'21'	'22'	...	'FF'																

This terminal response handler modifier is applied to the general result range '10 11'. The new text for user notification for that result range is "Proceed?". The set of actions for that general result range is one system action ('Action ID '01': process next byte code) and two service defined actions with the Action IDs '20' and '21'. The result of a replace operation of table C.2 on table C.1 is shown in the following table:

Table C.3

Text for user notification assigned to a general result	--	--	--	--	"Proce ed?"	"Proce ed?"	--	--	--	--	--	...	--	--	--	...	"Error"
Single action(s) for a general result; the index indicates the assigned Action ID	a _{00'}	a _{00'}	...	a _{00'}	a _{01'} a _{'20a'} a _{21'}	a _{01'} a _{'20a'} a _{21'}	a _{01'}	a _{03'}	a _{01'}	--	--	...	a _{01'} a _{03'}	a _{01'} a _{03'}	a _{01'} a _{03'}	...	a _{01'}
general result value	'00'	'01'	...	'0F'	'10'	'11'	'12'	13'	'14'	'15'	'16'	...	'20'	'21'	'22'	...	'FF'

C.2 Add/Append Operation

The following terminal response handler modifier is applied as an add/append operation to table C.3:

Table C.4

Text for user notification assigned to a general result range																	"Cont.?"																
Single action(s) for a general result range; the index indicates the assigned Action ID																	a _{20b'} a _{22'} a _{23'} a _{24'}																
general result value	'00'	'01'	...	'0F'	'10'	'11'	'12'	13'	'14'	'15'	'16'	...	'20'	'21'	'22'	...	'FF'																

This terminal response handler modifier is applied to the general result range '11 15'. The new text for user notification for that result range is "Cont.?". The set of actions for that general result range are four service defined actions with the Action IDs '20' and '22' to '24'. Note that for this example action '20b' represents another action than '20a' to show this specific case. The result of an add/append operation of table C.4 on table C.3 is shown in the following table:

Table C.5

Text for user notification assigned to a general result	--	--	--	--	"Proce ed?"	"Cont. ?"	"Cont. ?"	"Cont. ?"	"Cont. ?"	"Cont. ?"	--	...	--	--	--	...	"Error"
Single action(s) for a general result; the index indicates the assigned Action ID	a ₀₀ '	a ₀₀ '	...	a ₀₀ '	a ₀₁ ' a _{20a} ' a ₂₁ '	a ₀₁ ' a _{20b} ' a ₂₁ ' a ₂₂ ' a ₂₃ ' a ₂₄ '	a ₀₁ ' a _{20b} ' a ₂₂ ' a ₂₃ ' a ₂₄ '	a ₀₃ ' a _{20b} ' a ₂₂ ' a ₂₃ ' a ₂₄ '	a ₀₁ ' a _{20b} ' a ₂₂ ' a ₂₃ ' a ₂₄ '	a _{20b} ' a ₂₂ ' a ₂₃ ' a ₂₄ '	--	...	a ₀₁ ' a ₀₃ '	a ₀₁ ' a ₀₃ '	a ₀₁ ' a ₀₃ '	...	a ₀₁ '
general result value	'00'	'01'	...	'0F'	'10'	'11'	'12'	13'	'14'	'15'	'16'	...	'20'	'21'	'22'	...	'FF'

Note, that in this specific case, for the general result '11' action a_{20a}' is replaced by a_{20b}', which are different. a_{20a}' for general result '10' remains unchanged and represents a different action than a_{20a}' for general result '10', even if the same Action ID is used.

C.3 Remove Operation

The following terminal response handler modifier is applied as a remove operation to table C.5:

Table C.6

Text for user notification assigned to a general result range																		"GoOn?"																	
Single action(s) for a general result range; the index indicates the assigned Action ID																		a ₂₀ ' a ₂₂ '																	
general result value	'00'	'01'	...	'0F'	'10'	'11'	'12'	13'	'14'	'15'	'16'	...	'20'	'21'	'22'	...	'FF'																		

This terminal response handler modifier is applied to the general result range '10 11'. The new text for user notification for that result range is "GoOn?". Actions with Action Ids '20' and '21' are to be removed. The result of a remove operation of table C.6 on table C.5 is shown in the following table:

Table C.7

Text for user notification assigned to a general result	--	--	--	--	"GoOn ?"	"GoOn ?"	"Cont. ?"	"Cont. ?"	"Cont. ?"	"Cont. ?"	--	...	--	--	--	...	"Error"
Single action(s) for a general result; the index indicates the assigned Action ID	a ₀₀ '	a ₀₀ '	...	a ₀₀ '	a ₀₁ ' a ₂₁ '	a ₀₁ ' a ₂₁ ' a ₂₃ ' a ₂₄ '	a ₀₁ ' a _{20b} ' a ₂₂ ' a ₂₃ ' a ₂₄ '	a ₀₃ ' a _{20b} ' a ₂₂ ' a ₂₃ ' a ₂₄ '	a ₀₁ ' a _{20b} ' a ₂₂ ' a ₂₃ ' a ₂₄ '	a _{20b} ' a ₂₂ ' a ₂₃ ' a ₂₄ '	--	...	a ₀₁ ' a ₀₃ '	a ₀₁ ' a ₀₃ '	a ₀₁ ' a ₀₃ '	...	a ₀₁ '
general result value	'00'	'01'	...	'0F'	'10'	'11'	'12'	'13'	'14'	'15'	'16'	...	'20'	'21'	'22'	...	'FF'

C.4 Restore Operation

The following terminal response handler modifier is applied as a restore operation to table C.7:

Table C.8

Text for user notification assigned to a general result range																		
Single action(s) for a general result range; the index indicates the assigned Action ID																		
general result value	'00'	'01'	...	'0F'	'10'	'11' – '15'						'16'	...	'20'	'21'	'22'	...	'FF'

This terminal response handler modifier is applied to the general result range '11 15'. No texts and no actions for the general result range are to be provided. All actions and user notification texts of the system terminal response handler are restored for the given general result range. The result of a restore operation of table C.8 on table C.7 is shown in the following table:

Table C.9

Text for user notification assigned to a general result	--	--	--	--	"GoOn ?"	--	--	--	--	--	--	...	--	--	--	...	"Error"
Single action(s) for a general result; the index indicates the assigned Action ID	a ₀₀ '	a ₀₀ '	...	a ₀₀ '	a ₀₁ ' a ₂₁ '	a ₀₂ '	a ₀₁ '	a ₀₃ '	a ₀₁ '	--	--	...	a ₀₁ ' a ₀₃ '	a ₀₁ ' a ₀₃ '	a ₀₁ ' a ₀₃ '	...	a ₀₁ '
general result value	'00'	'01'	...	'0F'	'10'	'11'	'12'	'13'	'14'	'15'	'16'	...	'20'	'21'	'22'	...	'FF'

C.5 Special case: Empty text for user notification

For the operations add/append, replace and remove, the text for user notification may have an empty value part. In that case, the text for user notification is removed for the respective general results.

E.g. for an add/append operation:

Table C.10

Text for user notification assigned to a general result range																	
Single action(s) for a general result range; the index indicates the assigned Action ID	"																
general result value	'00'	'01'	...	'0F'	'10'	'11'	'12'	13'	'14'	'15'	'16'	...	'20'	'21'	'22'	...	'FF'

This terminal response handler modifier is applied to the general result range '10 11'. The text for user notification for that result range is to be removed. Actions with Action IDs '20' and '22' are to be added. The result of an add/append operation of table C.10 on table C.9 is shown in the following table:

Table C.11

Text for user notification assigned to a general result	--	--	--	--	--	--	--	--	--	--	--	...	--	--	--	...	"Error"
Single action(s) for a general result; the index indicates the assigned Action ID	a _{00'}	a _{00'}	...	a _{00'}	a _{01'}	a _{02'}	a _{01'}	a _{03'}	a _{01'}	--	--	...	a _{01'}	a _{01'}	a _{01'}	...	a _{01'}
general result value	'00'	'01'	...	'0F'	'10'	'11'	'12'	13'	'14'	'15'	'16'	...	'20'	'21'	'22'	...	'FF'

C.6 Special case: No text for user notification

For the operations add/append, replace and remove, the text for user notification is optional. If no text for user notification is given in the terminal response handler modifier, the text for user notification is remains unchanged for the respective general results.

E.g. for an add/append operation:

Table C.12

Text for user notification assigned to a general result range																--	
Single action(s) for a general result range; the index indicates the assigned Action ID																a'34' a'35'	
general result value	'00'	'01'	...	'0F'	'10'	'11'	'12'	13'	'14'	'15'	'16'	...	'20'	'21'	'22'	...	'FF'

This terminal response handler modifier is applied to the exception case 'FF FF'. The text for user notification for the exception case remains unchanged as no text for user notification TLV is provided. Actions with Action IDs '34' and '35' are to be added to the exception case. The result of an add/append operation of table C.12 on table C.11 is shown in the following table:

Table C.13

Text for user notification assigned to a general result	--	--	--	--	--	--	--	--	--	--	--	...	--	--	--	...	"Error"
Single action(s) for a general result; the index indicates the assigned Action ID	a'00'	a'00'	...	a'00'	a'01' a'20' a'21' a'22'	a'02' a'20' a'22'	a'01'	a'03'	a'01'	--	--	...	a'01' a'03'	a'01' a'03'	a'01' a'03'	...	a'01' a'34' a'35'
general result value	'00'	'01'	...	'0F'	'10'	'11'	'12'	13'	'14'	'15'	'16'	...	'20'	'21'	'22'	...	'FF'

Annex D (informative): Change History

The table below indicates all CRs that have been incorporated into the present document since it was initially approved.

Change history								
Date	TSG #	TSG Doc.	CR	Rev	Cat	Subject/Comment	Old	New
2001-09	TP-13	TP-010208				Approved at TSG-T #13	2.0.0	5.0.0
2001-12	TP-14	TP-010245	001		F	Addition of SendAdditionalInformation attribute	5.0.0	5.1.0
			002		F	Collection of clarifications		
			003		C	Changes to USAT Interpreter system information partition table		
			004		B	comparison with a variable value		
2002-03	TP-15	TP-020066	005		B	Functional Additions to WML Annex	5.1.0	5.2.0
			006		F	Miscellaneous corrections and clarifications on the specification.		
			007		F	Clarification on behaviour on Single Actions for Terminal Response Handler		
			008		B	Addition of security plug-ins		
2002-06	TP-16	TP-020115	009		F	Miscellaneous corrections and clarifications on the specification	5.2.0	5.3.0
			010		F	Clarification of history management		
			011		F	Removal of cipherring of the One Time Password		
			012		F	Error on access to permanent variable		
			013		F	Clarification of the Terminal Response Handler Mechanism		
			017		F	Clarification of the Assign and Branch command		
2002-09	TP-17	TP-020213	018		F	Reference to non existing local pages	5.3.0	5.4.0
			020		F	Clarification of Execute USAT Command		
			022		F	Handling of operational pull messages and post mode		
2003-03	TP-19	TP-030022	025		F	Several Corrections	5.4.0	5.5.0
2004-12	TP-26	TP-040259	027		F	Correction of reference to SCP specification	5.5.0	5.6.0

History

Document history		
V5.2.0	March 2002	Publication
V5.3.0	June 2002	Publication
V5.4.0	September 2002	Publication
V5.5.0	March 2003	Publication
V5.6.0	December 2004	Publication