

# ETSI TS 132 280 V9.5.0 (2012-09)



Technical Specification

**Universal Mobile Telecommunications System (UMTS);  
LTE;  
Telecommunication management;  
Charging management;  
Advice of Charge (AoC) service  
(3GPP TS 32.280 version 9.5.0 Release 9)**



---

**Reference**

RTS/TSGS-0532280v950

---

**Keywords**

LTE,UMTS

**ETSI**

---

650 Route des Lucioles  
F-06921 Sophia Antipolis Cedex - FRANCE

Tel.: +33 4 92 94 42 00 Fax: +33 4 93 65 47 16

Siret N° 348 623 562 00017 - NAF 742 C  
Association à but non lucratif enregistrée à la  
Sous-Préfecture de Grasse (06) N° 7803/88

---

**Important notice**

Individual copies of the present document can be downloaded from:

<http://www.etsi.org>

The present document may be made available in more than one electronic version or in print. In any case of existing or perceived difference in contents between such versions, the reference version is the Portable Document Format (PDF). In case of dispute, the reference shall be the printing on ETSI printers of the PDF version kept on a specific network drive within ETSI Secretariat.

Users of the present document should be aware that the document may be subject to revision or change of status. Information on the current status of this and other ETSI documents is available at

<http://portal.etsi.org/tb/status/status.asp>

If you find errors in the present document, please send your comment to one of the following services:

[http://portal.etsi.org/chaicor/ETSI\\_support.asp](http://portal.etsi.org/chaicor/ETSI_support.asp)

---

**Copyright Notification**

No part may be reproduced except as authorized by written permission.  
The copyright and the foregoing restriction extend to reproduction in all media.

© European Telecommunications Standards Institute 2012.  
All rights reserved.

**DECT™**, **PLUGTESTS™**, **UMTS™** and the ETSI logo are Trade Marks of ETSI registered for the benefit of its Members.  
**3GPP™** and **LTE™** are Trade Marks of ETSI registered for the benefit of its Members and of the 3GPP Organizational Partners.  
**GSM®** and the GSM logo are Trade Marks registered and owned by the GSM Association.

---

## Intellectual Property Rights

IPRs essential or potentially essential to the present document may have been declared to ETSI. The information pertaining to these essential IPRs, if any, is publicly available for **ETSI members and non-members**, and can be found in ETSI SR 000 314: *"Intellectual Property Rights (IPRs); Essential, or potentially Essential, IPRs notified to ETSI in respect of ETSI standards"*, which is available from the ETSI Secretariat. Latest updates are available on the ETSI Web server (<http://ipr.etsi.org>).

Pursuant to the ETSI IPR Policy, no investigation, including IPR searches, has been carried out by ETSI. No guarantee can be given as to the existence of other IPRs not referenced in ETSI SR 000 314 (or the updates on the ETSI Web server) which are, or may be, or may become, essential to the present document.

---

## Foreword

This Technical Specification (TS) has been produced by ETSI 3rd Generation Partnership Project (3GPP).

The present document may refer to technical specifications or reports using their 3GPP identities, UMTS identities or GSM identities. These should be interpreted as being references to the corresponding ETSI deliverables.

The cross reference between GSM, UMTS, 3GPP and ETSI identities can be found under <http://webapp.etsi.org/key/queryform.asp>.



<b>Annex A (informative):</b>	<b>AoC Use Cases.....</b>	<b>31</b>
A.1	Call scenarios with AoC information provided at the beginning and/or during and/or at the end of the call.....	31
A.1.1	Outgoing call with tariff provided by the charging domain at the start of the call .....	31
A.1.2	Outgoing call with tariff provided by a remote network (PSTN or IMS) or a 3 <sup>rd</sup> Party Service Provider (AS) at the start of the call .....	31
A.1.3	Outgoing call with tariff provided by the charging domain in addition to an add on charge received from the remote network (PSTN or IMS) or from a 3 <sup>rd</sup> Party Service Provider (AS) .....	32
A.1.4	Outgoing call with tariff change provided by the charging domain during an on-going call .....	33
A.1.5	Outgoing call with regular cost updates provided by the charging domain during an on-going call.....	33
A.1.6	Outgoing call with cost summary provided at the end of the call.....	34
A.1.7	Incoming call with tariff provided by the charging domain at the start of the call .....	34
<b>Annex B (informative):</b>	<b>Message flow for basic IMS session establishment and interaction with online charging .....</b>	<b>36</b>
<b>Annex C (informative):</b>	<b>AoC Information mapping.....</b>	<b>39</b>
C.1	AoC information mapping to CAI element .....	39
C.2	AoC information mapping to Charging Information Elements .....	39
C.3	AoC information mapping to NNI Charging Information.....	40
<b>Annex D (informative):</b>	<b>Bibliography.....</b>	<b>42</b>
<b>Annex E (informative):</b>	<b>Change history .....</b>	<b>43</b>
History .....		44

---

## Foreword

This Technical Specification has been produced by the 3<sup>rd</sup> Generation Partnership Project (3GPP).

The contents of the present document are subject to continuing work within the TSG and may change following formal TSG approval. Should the TSG modify the contents of the present document, it will be re-released by the TSG with an identifying change of release date and an increase in version number as follows:

Version x.y.z

where:

- x the first digit:
  - 1 presented to TSG for information;
  - 2 presented to TSG for approval;
  - 3 or greater indicates TSG approved document under change control.
- y the second digit is incremented for all changes of substance, i.e. technical enhancements, corrections, updates, etc.
- z the third digit is incremented when editorial only changes have been incorporated in the document.

---

## Introduction

This clause is optional. If it exists, it is always the second unnumbered clause.

---

# 1 Scope

The present document specifies the AoC framework for relevant events, sessions, and services. The 3GPP umbrella charging architecture and principles are defined in 3GPP TS 32.240 [1].

The AoC framework detailed herein provides for both offline and online charging models. It specifies the following:

- The AoC architecture.
- The common principles that govern AoC.
- The AoC function that enables the IMS AoC framework.
- Exemplary message flows.
- AoC interface data description.

All terms, definitions and abbreviations used in the present document, that are common across 3GPP TSs, are defined in the 3GPP Vocabulary, TR 21.905 [100]. Those that are common across charging management in 3GPP network, services or subsystems are provided in the umbrella document TS 32.240 [1] and may be copied into clause 3 of the present document for ease of reading. Finally, those items that are specific to the present document are defined exclusively in the present document.

Requirements that govern the AoC work are specified in 3GPP TS 22.115 [101].

---

## 2 References

The following documents contain provisions which, through reference in this text, constitute provisions of the present document.

- References are either specific (identified by date of publication, edition number, version number, etc.) or non-specific.
- For a specific reference, subsequent revisions do not apply.
- For a non-specific reference, the latest version applies. In the case of a reference to a 3GPP document (including a GSM document), a non-specific reference implicitly refers to the latest version of that document *in the same Release as the present document*.

- [1] 3GPP TS 32.240: "Telecommunication management; Charging management; Charging Architecture and Principles".
- [2] – [19] Void
- [20] 3GPP TS 32.260: "Telecommunication management; Charging management; IP Multimedia Subsystem (IMS) charging".
- [21] 3GPP TS 32.275: "Telecommunication management; Charging management; MultiMedia Telephony (MMTel) charging".
- [22] – [49] Void
- [50] 3GPP TS 32.299: "Telecommunication management; Charging management; Diameter charging application".
- [51] 3GPP TS 32.298: "Telecommunication management; Charging management; Charging Data Record (CDR) parameter description".
- [52] Void
- [53] 3GPP TS 32.296: "Telecommunication management; Charging management; Online Charging System (OCS) applications and interfaces".
- [54] - [99] Void
- [100] 3GPP TR 21.905: "Vocabulary for 3GPP Specifications".
- [101] 3GPP TS 22.115 "Service aspects; Charging and billing".
- [102]- [199] Void.
- [200]- [202] Void.
- [203] 3GPP TS 22.024: "Description of Charge Advice Information (CAI)".
- [204] 3GPP TS 22.086: "Advice of Charge (AoC) supplementary services - Stage 1".
- [205] 3GPP TS 23.086: "AoC Supplementary Service, Stage 2".
- [206] 3GPP TS 24.086: "AoC Supplementary Service, Stage 3".
- [207] 3GPP TS 23.078: "Customized Applications for Mobile network Enhanced Logic (CAMEL); Stage 2".
- [208] 3GPP TS 24.647: "Advice Of Charge (AOC) using IP Multimedia (IM) Core; Network (CN) subsystem".
- [209] 3GPP TS 29.658: "SIP Transfer of IP Multimedia Service Tariff Information; Protocol specification".



- [210] 3GPP TS 24.229: "IP multimedia call control protocol based on Session Initiation Protocol (SIP) and Session Description Protocol (SDP); Stage 3".
- [211] 3GPP TS 29.364: "IP Multimedia Subsystem (IMS) Application Server (AS) service data descriptions for AS interoperability".
- [212]- [299] Void.
- [300]- [399] Void.
- [400] IETF RFC 2486: "The Network Access Identifier".

## 3 Definitions, symbols and abbreviations

### 3.1 Definitions

For the purposes of the present document, the terms and definitions given in TR 21.905 [100] and the following apply. A term defined in the present document takes precedence over the definition of the same term, if any, in TR 21.905 [100].

**Advice of Charge (AoC):** The Advice of Charge (AoC) supplementary service provides AoC Information to the served user for information (AoCI) or for charging (AoCC) related to a corresponding event, session or usage of a service. The AoC service may be delivered prior to, during or after the service delivery.

**AoC for Information (AoCI):** An AoC supplementary service where the provided information is non-binding. I.e. the provided information is an estimation of the service cost and/or tariff. The provided information and the actual charges may differ.

**AoC for Charging (AoCC):** An AoC supplementary service where the provided information is binding. I.e. the provided information must correspond to the actual charges.

**AoC at communication set-up time (AOC-S):** An AoC supplementary service provided at communication establishment and/or at tariff switch time. The provided information includes Tariff Information for the requested service.

**AoC during the communication (AOC-D):** An AoC supplementary service provided during the communication at predefined triggering conditions. The provided information includes accumulated Cost Information for the ongoing usage.

**AoC at the end of communication (AOC-E):** An AoC supplementary service provided when the communication is released. The provided information includes the total accumulated cost.

**Charge Advice information (CAI):** CAI elements as described in TS 22.024 [203].

**Tariff:** set of parameters defining the applied charges for the use of a particular bearer / session / service.

**Cost:** monetary amount that a user has to pay for the use of a particular bearer / session / service

**Add-on charge:** additional charge on top of the current tariff. An add-on charge can either be metered in non-monetary units (e.g. meter pulse) or in monetary-units (e.g. currency).

**Auxiliary Advice of Charge Function (AACF):** An AACF provides Tariff and/or Cost Information for the requested service. The AACF resides outside of the local AoC Function and the Charging Domain.

Note: In this release, the AACF is considered as CDP for AoCI purpose. CDP is defined in TS29.658 [209]. The terms AACF and CDP may change in the future as a result of possible addition of charging capabilities.

**Charge Determination Point (CDP):** Defined in ETSI ES 201.296.

*Editor's note: Terminology needs to be clarified and aligned with 3GPP TS 22.115 [101] and TS 29.658 [209].*

*Editor's note: Terminology used in message flows should be aligned with definitions used above.*

### 3.2 Symbols

For the purposes of the present document, the following symbols apply:

Symbol format

Bi	Reference point for the CDR file transfer from the IMS CGF to the BD.
ISC	ISC interface between the S-CSCF and the IMS-GWF

Rf	Offline Charging Reference Point between an IMS Network Entity or an AS and the CDF
Ro	Online Charging Reference Point between an AS, MRFC or the IMS-GWF and the OCS
<24.647>	Reference point between UE and P-CSCF as defined in TS 24.647 [208]
<29.658>	Reference point between IBCF/MGCF and the external network as defined in TS 29.658 [209]

### 3.3 Abbreviations

For the purposes of the present document, the abbreviations given in TR 21.905 [100] and the following apply. An abbreviation defined in the present document takes precedence over the definition of the same abbreviation, if any, in TR 21.905 [100].

AACF	Auxiliary AoC Function
ACF	AoC Function
AoC	Advice of Charge
AoC-S	AoC at communication Set-up time
AoC-D	AoC During the communication
AoC-E	AoC at the End of the communication
AoCI	AoC for Information
AoCC	AoC for Charging
CAI	Charge Advice Information
CCF	Charging Collection Function
CCR	Credit Control Request
CDF	Charging Data Function
CDP	Charging Determination Point
CGF	Charging Gateway Function
CPC	Calling Party Category
CSCF	Call Session Control Function (I-Interrogating; P-Proxy; and S-Serving)
ECUR	Event Charging with Unit Reservation
HSS	Home Subscriber Server
IBCF	Interconnection Border Control Function
IEC	Immediate Event Charging
IMS-GWF	IMS Gateway Function
ISC	IMS Service Control
MGCF	Media Gateway Control Function
OCS	Online Charging System
OFCS	Offline Charging System
RTTI	Realtime Transfer of Tariff Information
SCUR	Session Charging with Unit Reservation
UE	User Equipment
UNI	User to Network Interface

---

## 4 Architecture Considerations

Editor's note: This chapter should consider the Advice of Charge (AoC) requirement described in TS 22.115.

### 4.1 High level AoC aspects

Advice of Charge (AoC) is a user-specific supplementary service which provides AoC information to the UE in real-time. It contains cost and/or tariff for the requested service, which may be provided either in monetary format (e.g. 0,10 €) or non-monetary format (e.g. 10 charging units).

Depending on the AoC service obligatory type (AoCI or AoCC), the provided information is either non-binding or binding. AoCI provides an estimation of the service cost and/or tariff which may deviate from the actual charges. In contrast to AoCI, AoCC is binding and must correspond to the actual charges (e.g. corresponding bill position or amount which is deducted from the prepaid account).

The AoC service type depends on the following triggering events: AoC-S occurs at communication establishment and/or at tariff switch time. AoC-D is sent to the user during the communication, depending on predefined triggering conditions (e.g. to provide accumulated cost for the ongoing usage every 5 seconds). AoC-E provides the total accumulated cost of the service when the communication is released.

Any combination of the AoC service obligatory type and the service type may co-exist.

Online Charging and Offline Charging and AoC services are mutually independent from the end user perspective.

The AoC Information may be based on Tariff Information from a local charging system, e.g. from an Online Charging System (OCS). Additionally, Tariff or Cost Information may be received from an external network or service provider in real time according to the Real time Transfer of Tariff Information protocol defined in TS 29.658 [209]. This situation can occur in case of interconnection scenarios or 3rd party services like Service 0900. Depending on the local charging system indication, it may be decided whether external Tariff Information is either rejected or processed to create the AoC Information.

The selection of tariffs can be conditioned on any parameter defined in the charging information requirements mentioned in 3GPP TS 22.115 [101]. The selection of tariffs may also be dependent upon and not limited to the Calling Party Category (CPC) defined in 3GPP TS 24.229 [210], the user balances, consumed resource prior or within the session, discounts, benefits or any other commercial agreement that the user is engaged with the service provider.

AoC-related subscription status and user profiles are stored in the HSS. The AoC-related user profiles contain the following information:

- AoC service obligatory type (AoCI or AoCC)
- AoC service type (any combination of AoC-S, AoC-D, and AoC-E),
- AoC configuration and preferences

Details are described in 6.4..

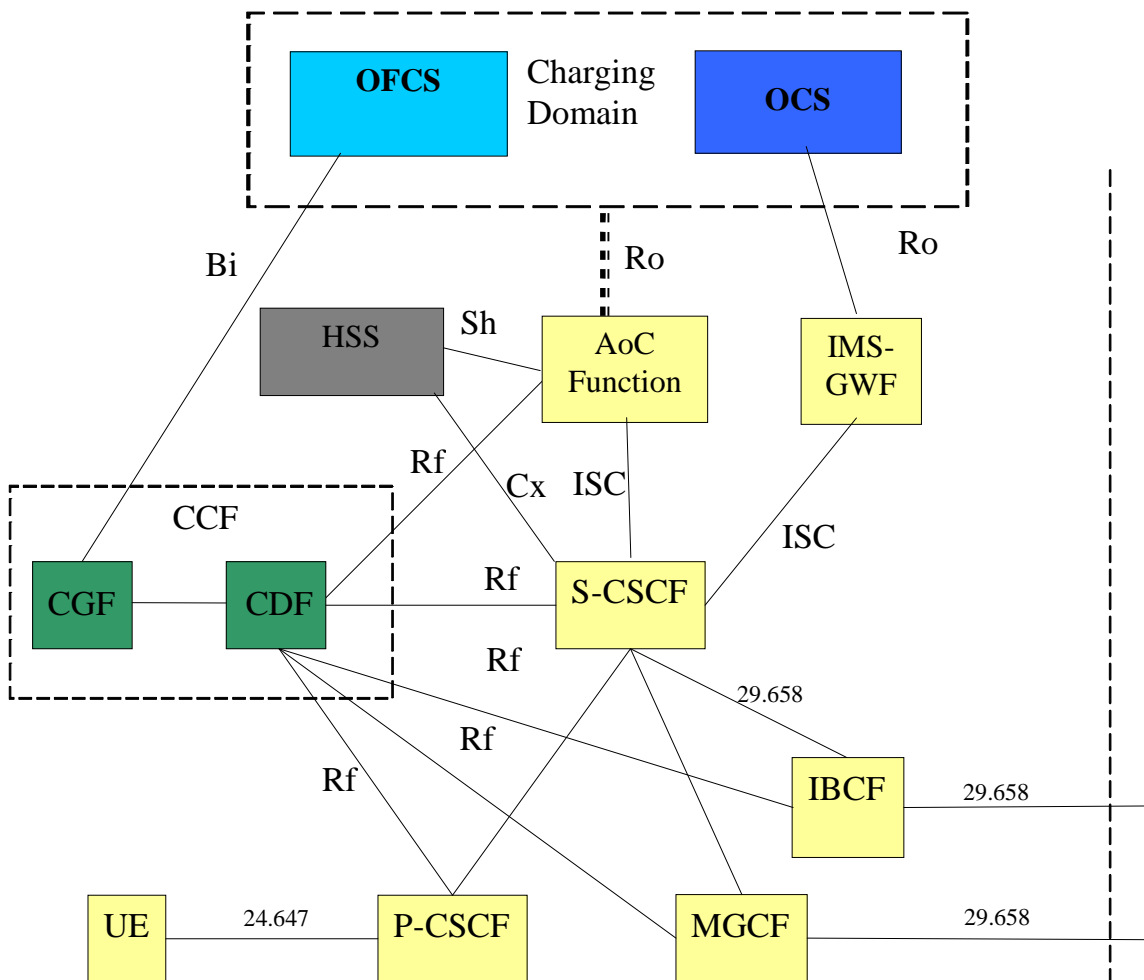
### 4.2. AoC in GSM network architecture

The CAMEL feature (Customised Applications for Mobile network Enhanced Logic) is described in TS 22.078.

The Charge Advice Information (CAI) is described in TS 22.024, TS 22.086, TS 23.086 and TS 24.086.

### 4.3. AoC in IP Multimedia Subsystem (IMS) architecture

The IMS Charging Architecture is described in TS 32.260 [20]. Figure 4.3.1 shows the specific part of the IMS charging architecture that handles AoC.



**Figure 4.3.1: IMS AoC architecture**

Figure 4.3.1 shows functional entities that are not directly involved in AoC, but completes the picture with affected interfaces. TS 24.647 [208] specifies the AoC information transferred to the UE via involved IMS functional entities. TS 29.658 [209] specifies the procedures for the realtime transfer of charging information in interconnection scenarios.

The AoC Function (ACF) requests the AoC-related subscription and formatting parameters from the HSS via Sh. Additionally, filter criteria for ACF triggering may also be retrieved from the HSS by a CSCF via Cx.

The AoC Function obtains tariff information from the charging domain via Ro or the AoC function may have local Tariff information available (see section 4.3.1.1). See the AoC interfaces for details.

Note: The AoC function may be unified with the IMS-GW function in online charging.

**Editor's note: The relationship between IMS-GWF and AoC Function in IMS offline charging is FFS.**

## 4.3.1 AoC Functional entities

### 4.3.1.1 AoC Function

The AoC Function is a logical functional entity that provides AoC information. It includes the following functions:

- Receive and or obtain cost / tariff data from various sources:
  - Charging domain
  - External tariff received from an AACF in real time (TS 29.658 [209])
  - Locally configured data (valid only for AoCI service)
- AoC data determination – reworks and arbitrates how to combine the incoming tariff / cost sources.  
Note: This must be done through consultation with the charging domain in the AoCC service and can be done locally at the AoC function for AoCI service
- Transform the AoC data into the corresponding output message format for presentation.

Note: In this release, the ACF is considered as CGP for AoCI purpose. The CGP is defined in TS29.658 [209]. The terms ACF and CGP may change in the future as a result of possible addition of charging capabilities.

Note: External tariff received in real time (according to TS 29.658 [209]) is not supported for AoCC service in this release.

## 4.3.2 AoC interfaces

AoC has the following interfaces:

Sh – for obtaining AoC-related subscription and formatting parameters from the HSS.

ISC – for receiving RTTI from Auxiliary AoC Function and for providing the AoC information to the UE. Ro / Re – for obtaining tariff and cost information; Ro MUST be used for providing AoCC service and may be used for AoCI services.

**Editor's note: New tariff information format may be needed for interaction with the IMS-GW and are ffs.**

Auxiliary AoC functionality (AACF) can be embodied in external nodes such as:

- Application Server
- Charging Determination Point (CDP) in a PSTN network
- SIP node in another IMS domain

Figure 4.3.2.1 shows possible locations of Auxiliary AoC Functional nodes interacting with IMS AoC Function.

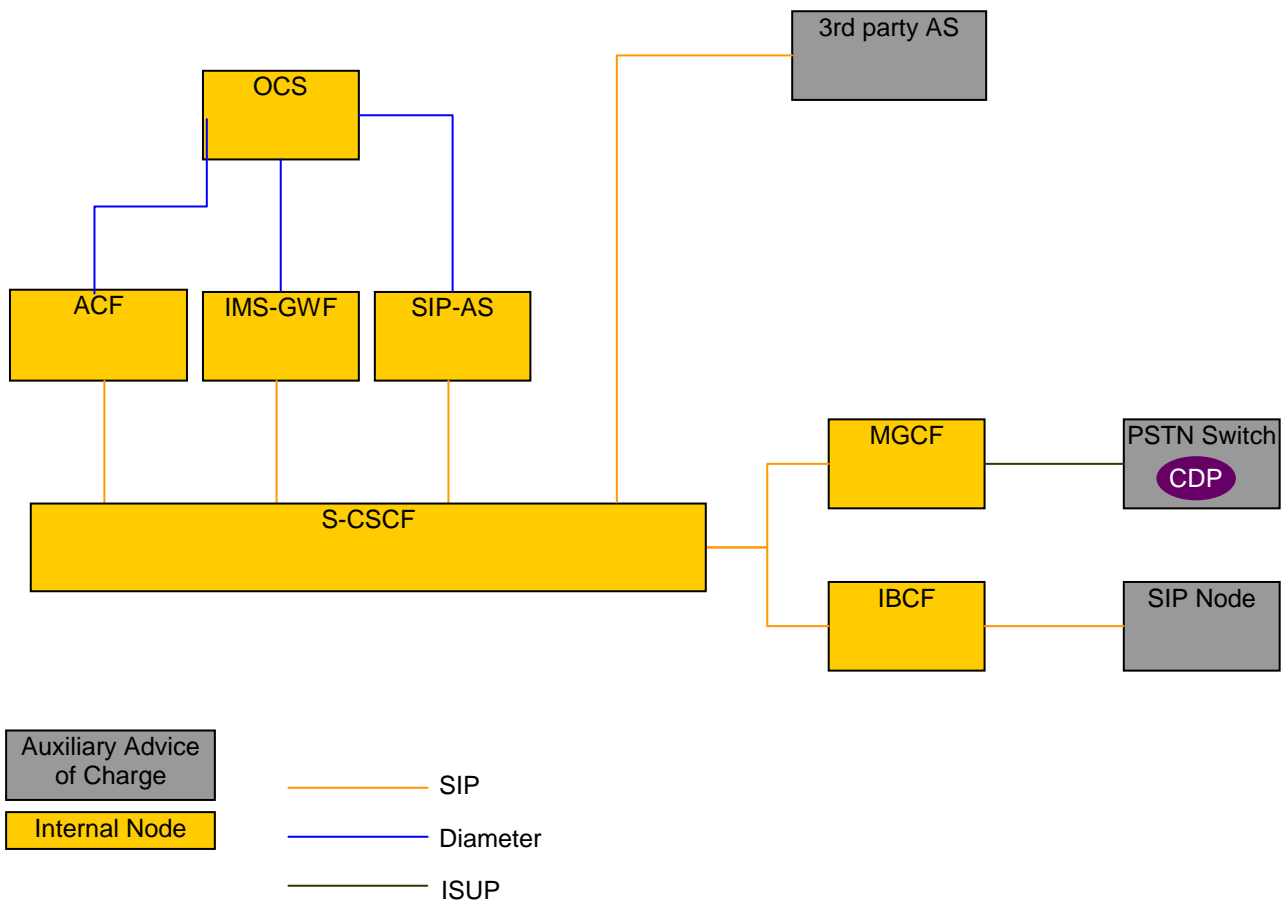


Figure 4.3.2.1: Logical AoC architecture with Auxiliary AoC Function

Editor's note: New interfaces needed or impacted existing interfaces are ffs.

### 4.3.3 AoC interworking with other features

#### 4.3.3.1 AoC and offline charging

For scenarios where the ACF is interworking with the offline charging feature and the service obligatory type is AoCI estimating cost and/or tariff information may be performed using any of the following methods:

- Local determination using offline synchronization of tariff information - The AoC function may synchronize out of band the tariff information from the charging domain. In this case, the AoC function will need to have an independent rating function.
- Interactively via the OFCS through Ro - AoC function may obtain the tariff information interactively from the OFCS.

- Interactively via the OCS through Ro - Offline subscribers can be perceived as online subscribers with unlimited balance (or very high balance that practically implies that). This approach enables the ACF to have unified flow of messages for offline and online subscribers in providing AoC information.

For scenarios where the ACF is interworking with the offline charging feature and the service obligatory type is AoCC determining cost and/or tariff information must be via the OCS through Ro.

**NOTE:** Offline Charging (Rf) messages generated by the ACF for AoC-related supplementary service CDRs are FFS.

#### 4.3.3.2 AoC and online charging

For scenarios where the ACF is interworking with the online charging feature and the service obligatory type is AoCI estimating cost and/or tariff information may be performed using any of the following methods:

- Local determination using offline synchronization of tariff information - The AoC function may synchronize out of band the tariff information from the charging domain. In this case, the AoC function will need to have an independent rating function.
- Interactively via the OCS through Ro.

For scenarios where the ACF is interworking with the online charging feature and the service obligatory type is AoCC, determining cost and/or tariff information must be via the OCS through Ro.

Note: The OCS has a rating function, performs correlations and calculates the costs. The OCS is responsible to determine the final cost of the service. Hence the OCS results MUST be used for AoCC service (obtained through Ro).

For calculating the actual cost when the tariff / charge is determined by 3rd party, the OCS needs to obtain the 3rd party tariff / add-on charge in real time. The AoC function is responsible for obtaining the tariff / charge information and translating it into the appropriate CCR in the Ro. The OCS may take further considerations as of the actual cost (e.g. add on charges, discounts).

Note: Therefore it is highly recommended that the AoC function and the IMS-GW functions will be unified at least for the online subscriptions.

#### 4.3.3.3 AoC and Realtime Transfer of Tariff Information

The AoC service shall receive the tariff or cost provided in real time by the external network or service provider (e.g. interconnection scenarios or 3rd party services), according to TS 29.658 [209]. The AoC information provided to the UE may take the provided information into consideration.

Note: This feature is valid only for AoCI service in this release.

**Editor's note: Should be synchronized with chapter 5.4.1. The whole close might be restructured else in the complete document.**



---

## 5 AoC Principles and Flows

### 5.1 Common Charge Advice Principles

*Editor's note: This subclause should contain the comparison of GSM-AoC and Inter-connect-AoC.*

### 5.2 AoC in GSM networks (CAI description)

The Charge Advice Information (CAI) is described in TS 22.024, TS 22.086, TS 23.086 and TS 24.086.

### 5.3 AoC in IMS

#### 5.3.1 Basic Principles and definitions

AoC uses the Diameter Credit Control application that is specified in 3GPP TS 32.299 [50].

AoC information can be provided in two cases:

- AoC Enquiry – An independent request with no credit control implications
- CCR - In conjunction with the credit control requests IEC, ECUR, SCUR

In the ECUR & SCUR, the Advise of charge is supported as part of the *CC-Request-Type(s)* INITIAL\_REQUEST, UPDATE\_REQUEST and TERMINATION\_REQUEST.

Both stage 2 and stage 3 mechanisms for the three cases for online charging are detailed in TS 32.299 [50].

#### 5.3.2 Message Flows and Types for Offline Charging

The message flows in this chapter are based on the signalling flows specified in TS 24.647 [208].

The basic IMS session establishment for a user registered to AoC service(s) is depicted in the annex B. This basic call-flow will help describing in the future the message flows for AoC-S, AoC-D, AoC-E and also including cases where information are received from RTTI messages.

NOTE: The detailed AoC call-flows are FFS.

### 5.3.2.1 Successful Session Establishment: AoC-S with AoC information in reliable 1xx response (originating side)

The following figure 5.3.2.1.1 shows the transactions for the successful delivery of the AoC information in 1xx response to the originating subscriber during session establishment originated by a UE.

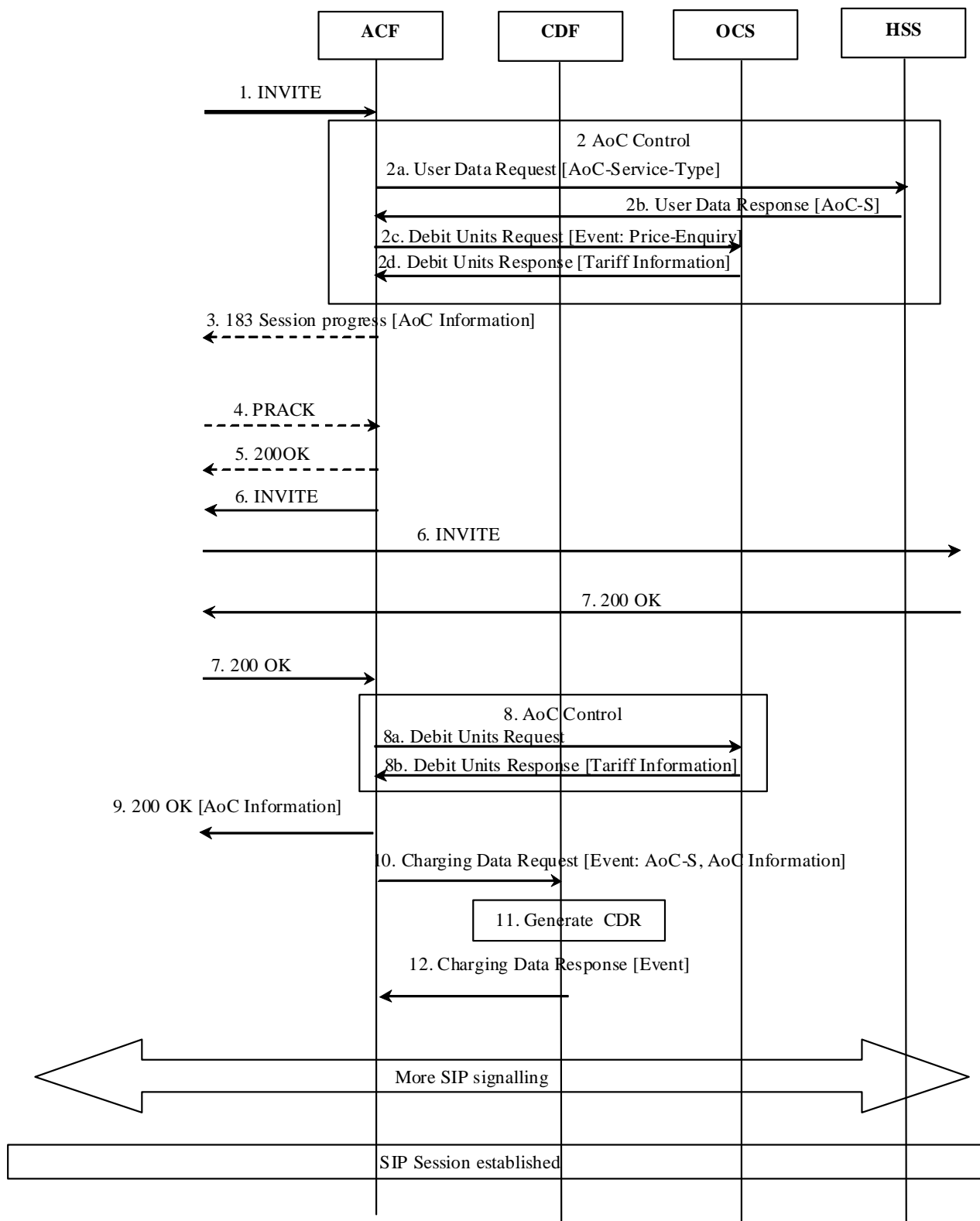


Figure 5.3.2.1.1 : Message Sequence Chart for Session Establishment (1xx Response) with AoC-S

- 1) An initial SIP Invite Request is received in the S-CSCF. This request is forwarded to the AoC Function.
- 2) The AoC Function received the AoC Type = [AoC-S] and queries the OCS for Tariff Information.
- 3) The AoC-S information is included in SIP 183 response.
- 4) The UE acknowledges the SIP 183 with PRACK.
- 5) AoC Function responds with SIP 200OK.
- 6) The SIP Invite Request is received in the S-CSCF and forwards this request.
- 7) The S-CSCF receives the SIP 200 OK response and forwards this response.
- 8) The AoC Function queries the OCS and maps the Tariff Information into the AoC Information for further proceeding.
- 9) The ACF inserts the AoC-S information in the SIP 200 OK response, and the S-CSCF forwards it towards UE
- 10) The ACF sends a Charging Data Request with AoC service type and AoC Information indicating EVENT\_RECORD to the CDF.
- 11) The CDF generates the ACF-CDR to record the AoC service type and AoC Information.
- 12) The CDF acknowledges the reception of the Charging Data Response.

### 5.3.2.2 Mid-session procedure: AoC-S with AoC information in an INFO request

The following figure 5.3.2.2.1 shows the transactions for the successful delivery of the AoC information to the originating subscriber when a tariff change is detected by AoC Function.

Note: This case is relevant when AoC-S is activated.

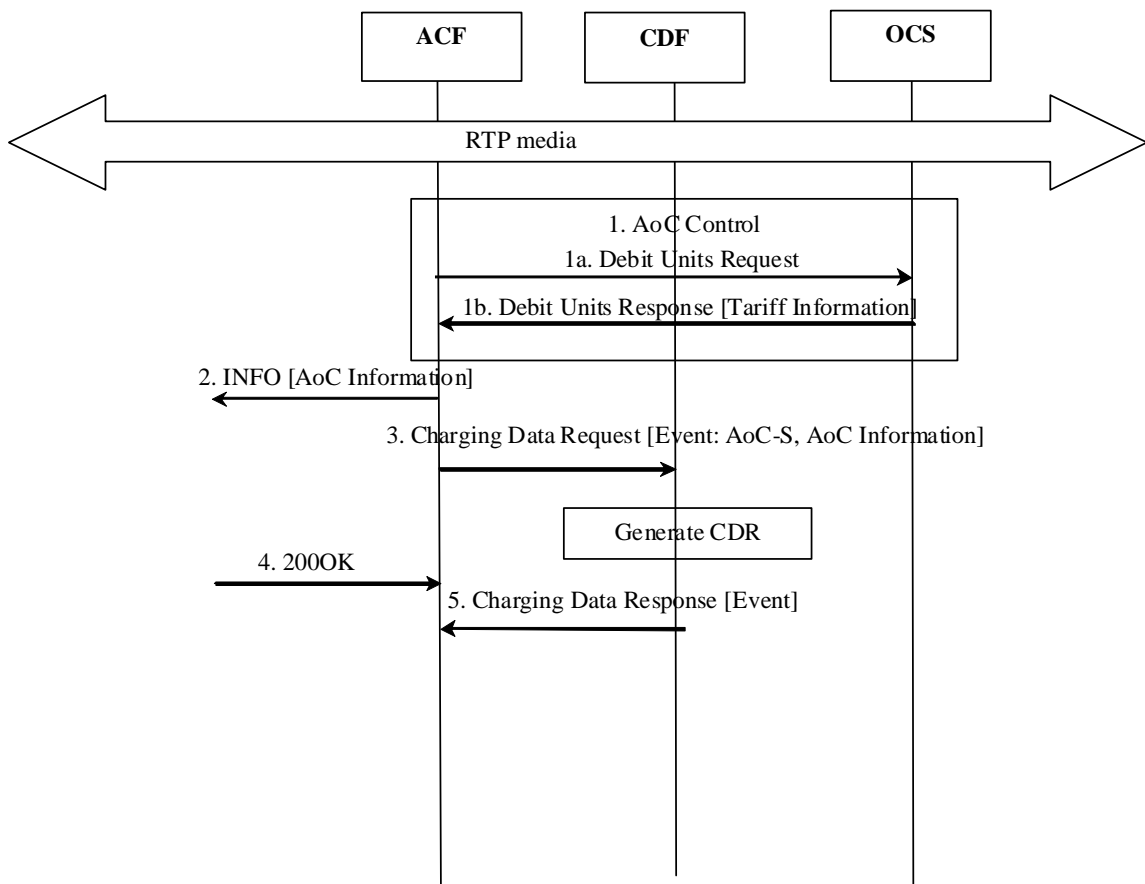


Figure 5.3.2.2.1 : Message Sequence Chart for mid-session procedure with AoC-S

- 1) The AoC Function detects that tariff is changed and queries the OCS for Tariff Information.
- 2) SIP INFO request is send with AoC-S information.
- 3) The ACF sends a Charging Data Request with AoC service type and AoC Information indicating EVENT\_RECORD to the CDF.
- 4) SIP 200OK is received.
- 5) The CDF acknowledges the reception of the Charging Data Response and generates the ACF-CDR.

### 5.3.2.3 Session Release: AoC-E – Originating Party Clears

The following figure 5.3.2.3.1 shows the transactions for the successful delivery of the AoC information to the originating subscriber when session is released by originating party.

Note: This case is relevant also when AoC-D is activated.

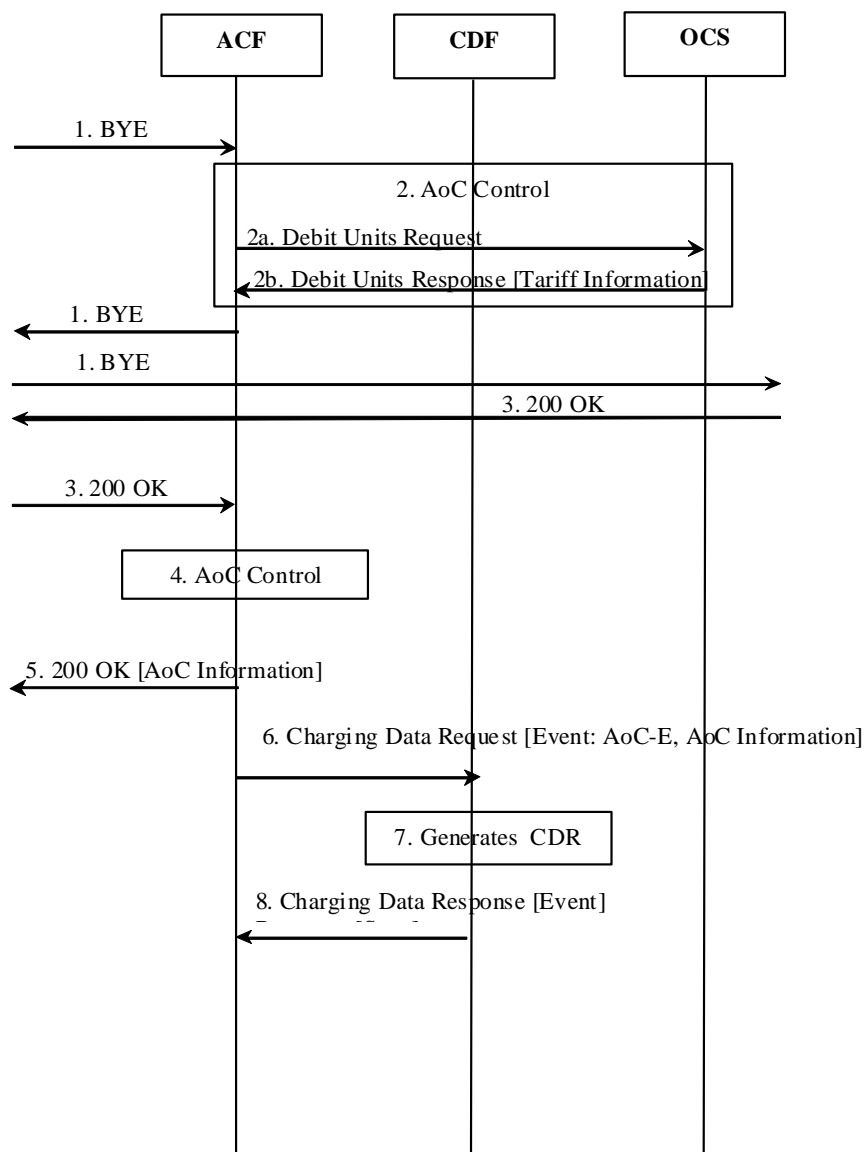


Figure 5.3.2.3.1: Message Sequence Chart for Session Release Originating Party Clears

- 1) A SIP session is released by sending a SIP BYE message. The S-CSCF forwards this message to the ACF and forwards this request.
- 2) The AoC Function received the AoC Type = [AoC-E] and queries the OCS for Tariff Information.
- 3) The S-CSCF receives the 200 OK response and forwards this response.
- 4) The AoC Function maps the Tariff Information into the AoC Information for further proceeding.
- 5) The ACF inserts the AoC-S information in the SIP 200 OK response, and the S-CSCF forwards it towards UE
- 6) The ACF sends a Charging Data Request with AoC service type and AoC Information indicating EVENT\_RECORD to the CDF.
- 7) The CDF generates the ACF-CDR to record the AoC service type and AoC Information.
- 8) The CDF acknowledges the reception of the Charging Data Response.

### 5.3.2.4 Session Release: AoC-E – Terminating party clears

The following figure 5.3.2.4.1 shows the transactions for the successful delivery of the AoC information to the originating subscriber when session is released by terminating party.

Note: This case is relevant also when AoC-D is activated.

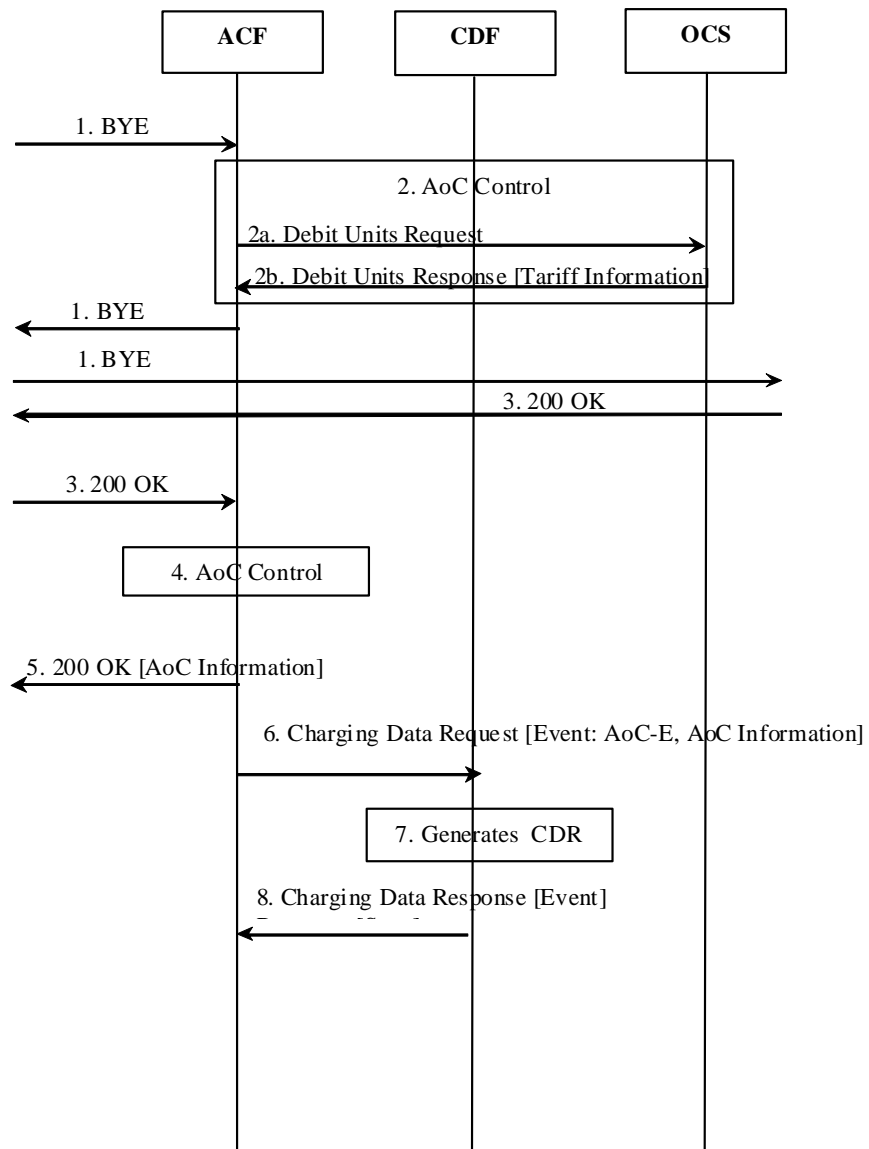


Figure 5.3.2.4.1: Message Sequence Chart for Session Release Terminating Party Clears

- 1) A SIP session is released by sending a SIP BYE message. The S-CSCF forwards this message to the AoC Function.
- 2) The AoC Function queries the OCS and converts the Tariff Information to AoC Information for AoC-E.
- 3) Upon receiving the BYE message, the AoC Function forwards the SIP BYE request to the UE. AoC information is included.
- 4) The ACF sends a Charging Data Request with AoC service type and AoC Information indicating EVENT\_RECORD to the CDF.
- 5) The CDF generates the ACF-CDR to record the AoC service type and AoC Information.
- 6) The CDF acknowledges the reception of the Charging Data Response.
- 7) The final answer to the BYE message is forwarded

## 5.4 AoC in Inter-connected

### 5.4.1 Principles

Editor's note: This chapter should consider the description for SIP transfer of Charging Information (chapter 4) of TS 29.658 [209].

### 5.4.2 Scenarios

Editor's note: This chapter should consider the AoC in Interconnection scenarios (Annex ZB) of TS 24.647 [208].

### 5.4.3 Message flows

Editor's note: This chapter should consider the description for Signalling Flows (Annex A) of TS 29.658 [209].



---

## 6 Definition of AoC Information

The following chapters describe an overall AoC Information model that enables the modelling of the various data flowing to and from the AoC Function (ACF). The model is followed by a data structure to be used in the Ro and the Rf reference points. Suggested data mapping to the model is provided in the informative Annex B.

### 6.1 AoC Information model principles

The AoC Information model is a logical representation of the AoC data internal to the AoC Function (ACF).

The AoC Information model has to adhere to the following principles:

- CAI element mapping ability – The model shall allow the mapping of CAI elements into AoC tariff (according to TS 22.024 [203]).
- UE AoC data mapping ability - The AoC information model shall allow the mapping of AoC into UE format (according to TS 24.647 [208])
- NNI data mapping ability – Be able to map incoming real time tariff information (RTTI) (according to TS 29.658 [209]) into the AoC information model
- Diameter protocol data mapping ability – The ability to map Diameter based requests / responses (in TS 32.299 [50]) to the AoC information model. i.e.:
  - Input: Service ID - The model shall allow the Charging Domain selecting tariffs based on the Service ID for Offline and Online Charging.
  - Input: Service Units – The model shall allow representing tariffs based on all different unit types (monetary and non-monetary) of Requested-Service-Units for Online Charging
  - Output: Cost Information – The model shall allow representing determined charges by the Charging Domain in Cost information for Offline and Online Charging.
  - Output: Ro data mapping ability – Be able to map information by the Charging Domain into the AoC information model.
- Inter Operator Tariff schemes support – The AoC Information model shall support inter operators tariffs (based on TS 22.115 [101]); i.e. absolute add on charges and relative add on charges.
- AoC types – accommodate all AoC service types and AoC service obligatory type data.

### 6.2 AoC Information model

The Aoc Information heading denotes the AoC obligatory type.

AoC Information comprises of two parts:

- the Cost Information e.g. AoC related accumulated and/or incremental cost;
- the Tariff Information for the requested service to be applied onward. A tariff switch time can occur. The tariff in effect after the switch time can be added to the model.

The following figure depicts the AoC Information model.

The Tariff Information contains the current Tariff and may optionally denote the anticipated Tariff after a Tariff Switch Time.

The Tariff Information may be related to a tariff given by a 3<sup>rd</sup> party provider. The Tariff may add additional tariff, change currency or place a markup (or discount) on top of the 3<sup>rd</sup> party provider Tariff. Thus Tariff Information can be chained numerous of times, based on the business value chain.

Each Tariff defines a Currency Code for monetary tariffs or none when the tariff is metered in non monetary units.

A Tariff may be defined by using multi dimensional rating elements. Each dimension is identified through the Unit Type. Any combination of rating elements can be provided. If a tariff is a markup on top of a 3<sup>rd</sup> part provider tariff no rating elements are provided in the tariff information model.

Each rating element is comprised of the Unit Type that describes the units to be measured, the number of units (Unit Value), what is the cost (Cost Value) associated of consuming this number of units and for how many units this rate is applicable (Unit Threshold). Chaining rating elements of the same dimension is possible, as long as a Unit Threshold is provide. The last rating element in the chain may be provided without a Unit Threshold. A rating element without a Unit Threshold denotes that the rate is applicable as long as the Tariff is in effect.

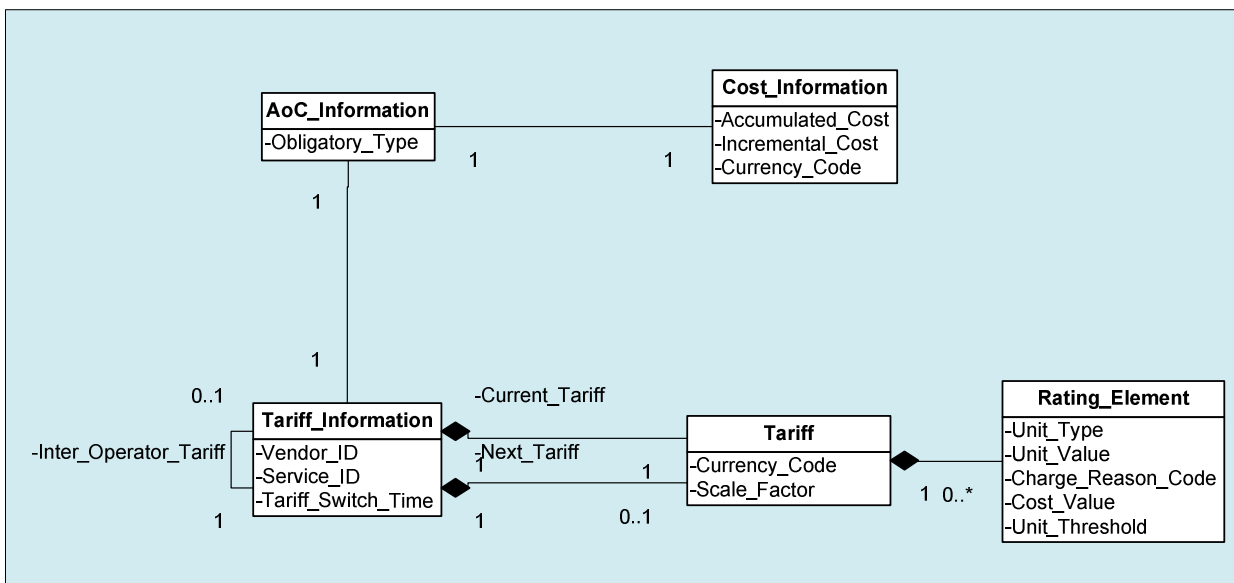


Figure 6.2.1: AoC Information model

## 6.3 AoC data definition

### 6.3.1 Diameter message contents

#### 6.3.1.1 Summary of AoC Message Formats

The AoC Service uses the Credit-Control-Request (CCR) and Credit-Control-Answer (CCA) messages defined in TS 32.299 [50]. AoC service can be used in a request type price enquiry or complementary to regular CCR as described in clause 5.3.1.

The following table describes the use of these messages for AoC.

**Table 6.3.1.1-1: AoC Messages Reference Table**

Command-Name	Source	Destination	Abbreviation
Credit-Control-Request	ACF	OCS	CCR
Credit-Control-Answer	OCS	ACF	CCA

#### 6.3.1.2 Structure for the Credit Control Message Formats

This clause describes the AVPs used in the credit control messages.

##### 6.3.1.2.1 Credit-Control-Request Message

Table 6.3.1.2.1-1 illustrates the basic structure of a Diameter CCR message from the ACF as used for AoC service.

**Table 6.3.1.2.1-1: Credit-Control-Request (CCR) Message Contents**

AVP	Category	Description
Session-Id	M	Described in TS 32.299 [50]
Origin-Host	M	Described in TS 32.299 [50]
Origin-Realm	M	Described in TS 32.299 [50]
Destination-Realm	M	Described in TS 32.299 [50]
Auth-Application-Id	M	Described in TS 32.299 [50]
Service-Context-Id	M	Described in TS 32.299 [50]
CC-Request-Type	M	Described in TS 32.299 [50].
CC-Request-Number	M	Described in TS 32.299 [50]
Destination-Host	O <sub>C</sub>	Described in TS 32.299 [50]
User-Name	O <sub>M</sub>	The field contains the Private User Identity described in IETF RFC 2486 [400]
Origin-State-Id	O <sub>C</sub>	Described in TS 32.299 [50]
Event-Timestamp	O <sub>C</sub>	Described in TS 32.299 [50]
Subscription-Id	O <sub>M</sub>	This field contains the identification of the subscriber (i.e. MSISDN or SIP-URI) that uses the requested service.
User-Equipment-Info	O <sub>C</sub>	Described in TS 32.299 [50]
Termination-Cause	O <sub>C</sub>	Described in TS 32.299 [50]
Requested-Action	O <sub>C</sub>	Described in TS 32.299 [50]
AoC-Request-Type	O <sub>M</sub>	This field denotes if AoC Information is requested and what type of information is needed.
Multiple-Services-Indicator	O <sub>M</sub>	Described in TS 32.299 [50], only used if AoC services is used together with an online charging session.
Multiple-Services-Credit Control	O <sub>C</sub>	Described in TS 32.299 [50], only used if AoC services is used together with an online charging session.
Route-Record	O <sub>C</sub>	Described in TS 32.299 [50]
AVP	O <sub>C</sub>	Described in TS 32.299 [50]
Service-Information	O <sub>M</sub>	Described in clause 6.3.2

The full description of the AVPs is specified in TS 32.299 [50].

### 6.3.1.2.2 Credit-Control-Answer Message

The following table illustrates the basic structure of a DCCA message as used for the ACF. This message is always used by the OCS as specified below, independent of the receiving ACF and the CCR request type that is being replied to. Service-Information is used to send back the AoC-Information.

**Table 6.3.1.2.2-1: Credit-Control-Answer (CCA) Message Contents**

AVP	Category	Description
Session-Id	M	Described in TS 32.299 [50]
Result-Code	M	Described in TS 32.299 [50]
Origin-Host	M	Described in TS 32.299 [50]
Origin-Realm	M	Described in TS 32.299 [50]
Auth-Application-Id	M	Described in TS 32.299 [50]
CC-Request-Type	M	Described in TS 32.299 [50]
CC-Request-Number	M	Described in TS 32.299 [50]
Multiple-Services-Credit-Control	O <sub>c</sub>	Described in TS 32.299 [50]
CC-Session-Failover	O <sub>c</sub>	Described in TS 32.299 [50]
Credit-Control-Failure-Handling	O <sub>c</sub>	Described in TS 32.299 [50]
Redirect-Host	O <sub>c</sub>	Described in TS 32.299 [50]
Redirect-Host-Usage	O <sub>c</sub>	Described in TS 32.299 [50]
Redirect-Max-Cache-Time	O <sub>c</sub>	Described in TS 32.299 [50]
Failed-AVP	O <sub>c</sub>	Described in TS 32.299 [50]
Route-Record	O <sub>c</sub>	Described in TS 32.299 [50]
Service-Information	O <sub>M</sub>	Described in TS 32.299 [50]
AVP	O <sub>c</sub>	Described in TS 32.299 [50]

## 6.3.2 Definition of Service-Information

**Table 6.3.2.1-1: Service-Information structure**

Field	Category	Description
Service Information	O <sub>c</sub>	This is a structured field and holds the 3GPP specific parameter for AoC service.
IMS Information	O <sub>c</sub>	Described in TS 32.260 [20]
Inter Operator Identifier	O <sub>c</sub>	Described in TS 32.260 [20]
Originating IOI	O <sub>c</sub>	Described in TS 32.260 [20]
Service ID	O <sub>c</sub>	Used to identify the third party service
AoC Information	O <sub>c</sub>	Described in clause 6.3.3

## 6.3.3 Definition of AoC information

The AoC Information parameter used for AoC is provided in the Service Information parameter.

### 6.3.3.1 AoC information assignment for Service Information

The components in the Service Information that are use for AoC can be found in Table 6.3.2.1-1.

**Table 6.3.3.1-1: AoC Information structure**

Field	Category	Description
AoC Information	O <sub>c</sub>	This is a structured field and holds the 3GPP specific parameter for AoC service.
Tariff Information	O <sub>c</sub>	This is a structured field and holds the Tariff specific parameters. The details are defined in subclause 6.3.2.2. It can chain inter operator tariff.
AoC Cost Information	O <sub>c</sub>	This is a structured field and holds the AoC cost specific parameters. The details are defined in subclause 6.3.2.3.
AoC-Subscription-Information	O <sub>c</sub>	Used by the AoC functions to inform the OCS about the AoC Subscription and Formatting parameters received from the HSS.

### 6.3.3.2 Definition of the Tariff Information

Tariff information is provided within the AoC Information.

The detailed structure of the Tariff Information can be found in the table 6.3.2.2-1.

**Table 6.3.3.2-1: Tariff Information**

Field	Category	Description
Tariff Information	O <sub>c</sub>	This is a grouped field with one of many tariffs
Current Tariff	M	Tariff as defined in table 6.3.2.2-2 for the current time period.
Tariff Time Change	O <sub>c</sub>	The tariffs switch time.
Next Tariff	O <sub>c</sub>	Tariff as defined in table 6.3.2.2-2 for the next time period.

The detailed structure of a Tariff can be found in the table 6.3.2.2-2.

**Table 6.3.3.2-2: Tariff**

Field	Category	Description
Tariff	O <sub>c</sub>	This is a grouped field with one of many tariffs
Currency_Code	O <sub>c</sub>	Omitted if non-monetary units is used
Scale_Factor	O <sub>c</sub>	A scaling factor on the whole calculation. Could be used for example between HPLMN and VPLMN.
Value_Digits	O <sub>M</sub>	
Exponent	O <sub>c</sub>	
Rate_Element	O <sub>c</sub>	Group of cost per unit values of unit type.
Charge Reason Code	O <sub>c</sub>	Indicates a specific charge type e.g. Usage, AddOn Charge, Set-Up-Charge or Communication-Attempt-Charge
Unit_Type	O <sub>M</sub>	The measuring unit; e.g. time, uplink volume, special service units
Unit_Value	O <sub>M</sub>	The number of consumed units that incur the charge.
Value_Digits	O <sub>M</sub>	
Exponent	O <sub>c</sub>	
Unit_Cost	O <sub>M</sub>	The associated cost (in currency code) to be charged per Unit_value
Value_Digits	O <sub>M</sub>	
Exponent	O <sub>c</sub>	
Unit_Quota_Threshold	O <sub>c</sub>	An upper limit for consumed units where the rate is still valid

For example:

1. A rate of 20c for each Megabyte (total volume) up to 10 Megabyte will be depicted as Unit type - TOTAL-OCTETS, Unit Value - 1,048,576, Cost – 20 and Unit threshold - 10,485,760.

2. A rate of 30c per 60s : Cost\_Value = 30, Unit\_Value =60 assuming appropriate settings for currency and unit\_type.

### 6.3.3.3 Definition of AoC Cost Information

Advice of charge Cost information is provided within the AoC Cost Information. The AoC Cost is only used in CCA.

The detailed structure of the AoC Cost Information can be found in the table 6.3.3.3-1.

**Table 6.3.3.3-1: Structure of AoC Cost Information**

Field	Category	Description
Accumulated_Cost	Oc	The ammount charged since the beginning of the session
Value_Digits	O <sub>M</sub>	
Exponent	Oc	
Incremental_Cost	Oc	The ammount charged since the last report.
Value_Digits	O <sub>M</sub>	
Exponent	Oc	
Currency_Code	Oc	Omitted if the ammount is in non-monetary units units

## 6.4 AoC subscription and formatting parameters

AoC-related subscription and formatting parameters are stored in the HSS and retrieved via Sh. (see 3GPP TS 29.364 [211]).

There are two sets of parameters retrieved from the HSS:

- Subscription based – general parameters pertaining the service registered per subscriber
- Formatting based – UE presentation preferences parameters

The subscription parameters are listed in table 6.4.1. The formatting parameters are listed in table 6.4.2.

Parameter	Description	Values
AoC Service	A paired list of AoC Service tyoe and AoC Service obligatory type	
- AoC service type	Defines the type of AoC information to be provided to the subscriber.	AoC-S AoC-D AoC-E None
- AoC service obligatory type	Defines whether AoC information is binding or non binding.	AoC for Information (AoCI) AoC for Charging (AoCC)
Preferred AoC currency	Defines the currency preferred by the subscriber	Currency

**Table 6.4.1: AoC Subscription parameters**

Parameter	Description	Values
AoC format	Defines the format of the AoC information sent to the UE.	Monetary Charging Information Element non-Monetary Charging Information Element Charge Advice Information (CAI)

**Table 6.4.2: AoC formatting parameters**

**The following additional rules are applicable for AoC:**

Any combination of AoC service obligatory types and the AoC service types may co-exist.

## Annex A (informative):

### AoC Use Cases

The following use cases detail a set of call scenarios that employ AoC services. The AoC services used are of type AoC-S, AoC-D and AoC-E. The use cases cover the AoC-S, AoC-D and AoC-E AoC service types and are applicable to either AoCI or AoCC service obligatory types.

#### A.1 Call scenarios with AoC information provided at the beginning and/or during and/or at the end of the call

##### A.1.1 Outgoing call with tariff provided by the charging domain at the start of the call

Actors:	Alan and Brendan are telecoms subscribers. Alan is an IMS subscriber with AoC service(s).
Description:	Tariff information is provided to Alan at the start of the call.
Preconditions:	AoC-related subscription status and user profile for Alan are stored in the HSS.
Post conditions:	Alan is ready to proceed with his call after receiving the tariff information applicable to the call.
Normal Flow:	<ul style="list-style-type: none"> <li>Alan initiates an IMS session to call Brendan</li> <li>The tariff for the call is sent to Alan at the beginning of the call</li> <li>Alan receives the AoC information on his UE</li> </ul>
Alternative Flows:	
Assumptions:	The charging domain (online or offline) has the tariff for this call.
Notes and Issues:	

##### A.1.2 Outgoing call with tariff provided by a remote network (PSTN or IMS) or a 3<sup>rd</sup> Party Service Provider (AS) at the start of the call

Actors:	Alan and Brendan are telecoms subscribers. Alan is an IMS subscriber with AoC service(s).
Description:	Tariff information is provided to Alan at the start of the call.
Preconditions:	AoC-related subscription status and user profile for Alan are stored in the



	HSS.
Post conditions:	Alan is ready to proceed with his call after receiving the tariff information applicable (from the remote network or 3 <sup>rd</sup> party service provider ) to the call.
Normal Flow:	<ul style="list-style-type: none"> <li>Alan initiates an IMS session to call Brendan</li> <li>The tariff for the call is sent to Alan at the beginning of the call</li> <li>Alan receives the AoC information on his UE</li> </ul>
Alternative Flows:	
Assumptions:	The tariff for this call is not available in the charging domain (online or offline). Tariff information can be transferred in real-time from the remote network or 3 <sup>rd</sup> party service provider.
Notes and Issues:	

### A.1.3 Outgoing call with tariff provided by the charging domain in addition to an add on charge received from the remote network (PSTN or IMS) or from a 3<sup>rd</sup> Party Service Provider (AS)

Actors:	Alan and Brendan are telecoms subscribers. Alan is an IMS subscriber with AoC service(s).
Description:	Tariff information incorporating an add-on charge from an external source is provided to Alan at the start/during of the call.
Preconditions:	AoC-related subscription status and user profile for Alan are stored in the HSS.
Post conditions:	Alan is ready to proceed/continue with his call after receiving the tariff information applicable to the call.
Normal Flow:	<ul style="list-style-type: none"> <li>Alan initiates an IMS session to call Brendan</li> <li>The tariff for the call is sent to Alan at the beginning of the call</li> <li>Alan receives the AoC information on his UE including the add-on charge from the remote network (PSTN or IMS) or from a 3<sup>rd</sup> party service provider.</li> </ul>
Alternative Flows:	<ul style="list-style-type: none"> <li>An IMS session between Alan and Brendan is proceeding</li> <li>The tariff for the call is sent to Alan during the call</li> <li>Alan receives the AoC information on his UE including the add-on charge from the remote network (PSTN or IMS) or from a 3<sup>rd</sup> party service provider.</li> </ul>
Assumptions:	The charging domain (online or offline) has the tariff for this call. Add-on charges can be transferred in real-time for the remote network or 3 <sup>rd</sup> party service provider.
Notes and Issues:	

#### A.1.4 Outgoing call with tariff change provided by the charging domain during an on-going call

Actors:	Alan and Brendan are telecoms subscribers. Alan is an IMS subscriber with AoC service(s).
Description:	Tariff information is provided to Alan when there is a tariff switch during a call.
Preconditions:	AoC-related subscription status and user profile for Alan are stored in the HSS.  There is an on-going call between Alan and Brendan.
Post conditions:	Alan is ready to continue his call with Brendan after receiving the updated tariff information that is now applicable to the call.
Normal Flow:	<ul style="list-style-type: none"> <li>• Alan initiates an IMS session to call Brendan.</li> <li>• A tariff switch relevant to this call occurs.</li> <li>• The new tariff for the call is sent to Alan.</li> <li>• Alan receives the updated tariff information on his UE.</li> </ul>
Alternative Flows:	
Assumptions:	The charging domain (online or offline) has the tariff for this call.
Notes and Issues:	

#### A.1.5 Outgoing call with regular cost updates provided by the charging domain during an on-going call

Actors:	Alan and Brendan are telecoms subscribers. Alan is an IMS subscriber with AoC service(s).
Description:	Cost information is provided to Alan at regulated periods during a call.
Preconditions:	AoC-related subscription status and user profile for Alan are stored in the HSS.  There is an on-going call between Alan and Brendan.
Post conditions:	Alan is ready to continue his call with Brendan after receiving the accumulated cost information that is now applicable to the on-going call.
Normal Flow:	<ul style="list-style-type: none"> <li>• Alan initiates an IMS session to call Brendan.</li> <li>• The duration of the call exceeds a predefined marker.</li> <li>• The accumulated cost for the call to date is sent to Alan.</li> <li>• Alan receives the updated cost information on his UE.</li> </ul>
Alternative Flows:	

Assumptions:	The charging domain can determine the accumulated costs for this call in real-time.
Notes and Issues:	

### A.1.6 Outgoing call with cost summary provided at the end of the call

Actors:	Alan and Brendan are telecoms subscribers. Alan is an IMS subscriber with AoC service(s).
Description:	Cost information is provided to Alan at the end of a call.
Preconditions:	AoC-related subscription status and user profile for Alan are stored in the HSS.  There is an on-going call between Alan and Brendan.
Post conditions:	Alan has completed his call with Brendan and receives the accumulated cost information that is now applicable to the preceding call.
Normal Flow:	<ul style="list-style-type: none"> <li>• Alan terminates an IMS session for a call to Brendan.</li> <li>• The accumulated costs for the call are sent to Alan.</li> <li>• Alan receives the cost information on his UE.</li> </ul>
Alternative Flows:	
Assumptions:	The charging domain can determine the accumulated costs for this call in real-time.
Notes and Issues:	

### A.1.7 Incoming call with tariff provided by the charging domain at the start of the call

Actors:	Alan and Brendan are telecoms subscribers. Brendan is an IMS subscriber with AoC service(s).
Description:	Tariff information is provided to Brendan at the start of the call.
Preconditions:	AoC-related subscription status and user profile for Brendan are stored in the HSS.
Post conditions:	Brendan is ready to proceed with his call from Alan after receiving the tariff information applicable to the call.
Normal Flow:	<ul style="list-style-type: none"> <li>• Alan initiates an IMS session to call Brendan</li> <li>• The tariff for the call is sent to Brendan at the beginning of the call</li> <li>• Brendan receives the AoC information on his UE</li> </ul>
Alternative Flows:	

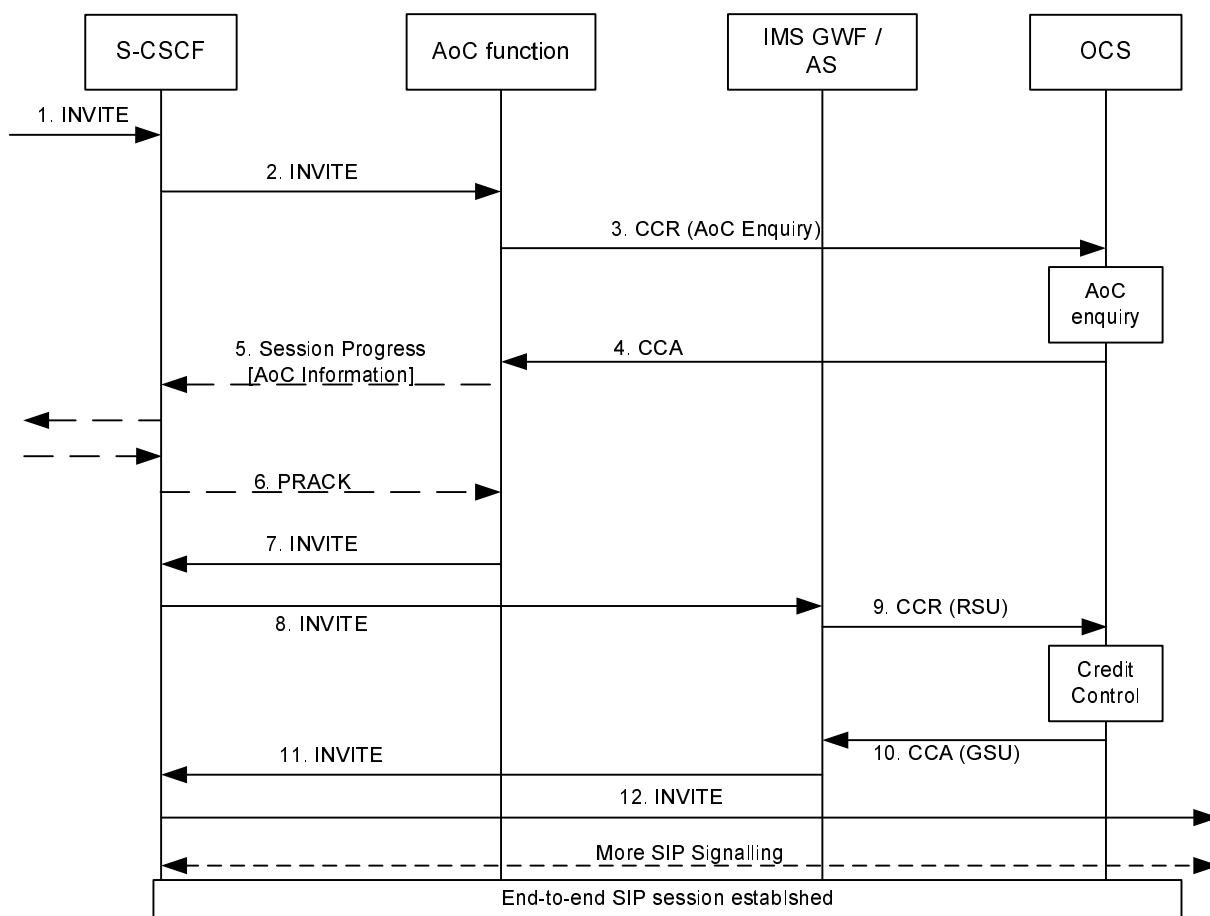
Assumptions:	The charging domain (online or offline) has the tariff for this call. There are business rules that determine that Brendan is the charged party for this call.
Notes and Issues:	

## Annex B (informative):

### Message flow for basic IMS session establishment and interaction with online charging

This annex describes the basic IMS session establishment for a user registered for AoC service(s) and the interaction with online charging when an AS or the IMS GWF handles credit control.

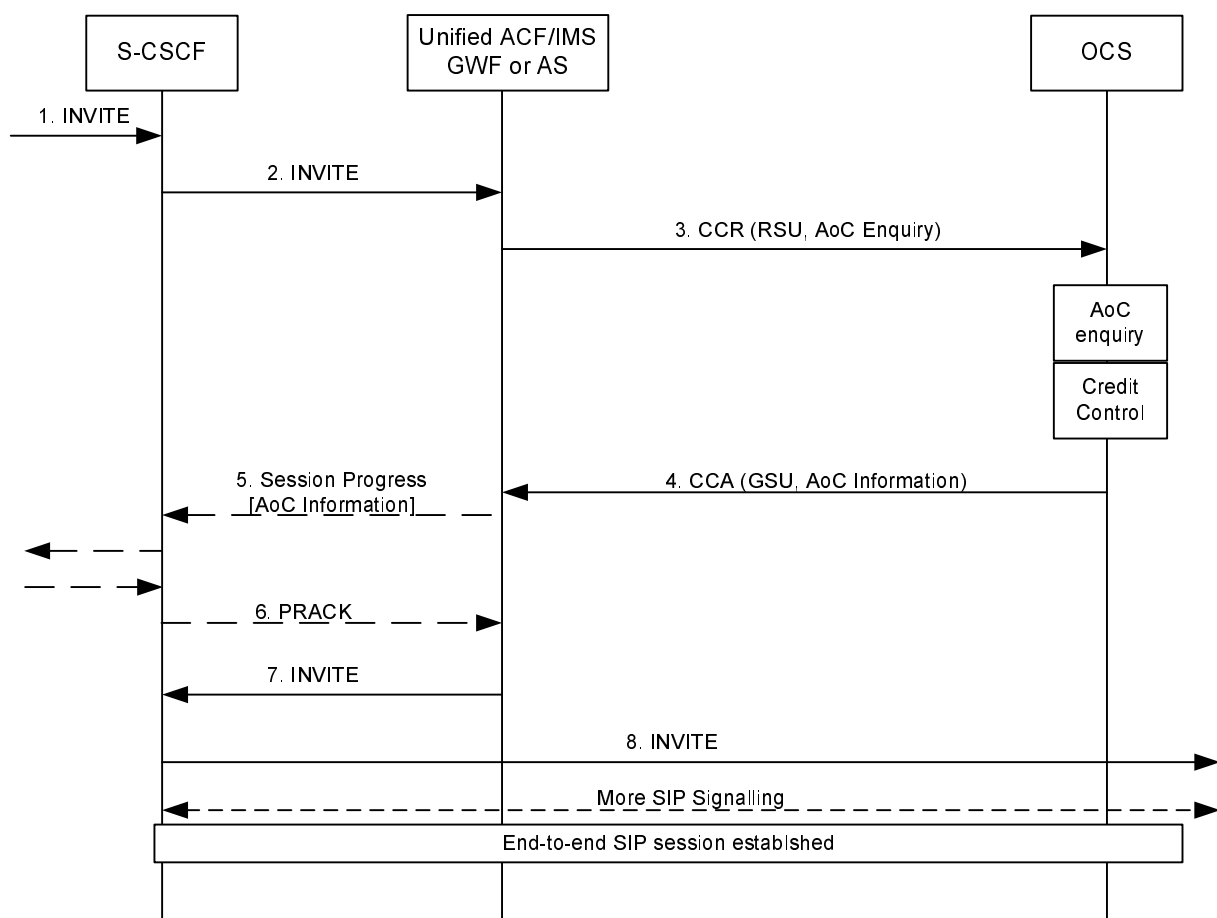
The following figure shows a basic IMS session establishment when an AS or the IMS GWF controls online charging.



**Figure B.2.1: Basic IMS session establishment for a user registered to AoC service(s) (online case controlled by AS / IMS GWF)**

- 1) An initial SIP INVITE message is received in the S-CSCF.
- 2) The S-CSCF forwards this request to the AoC function.
- 3) The AoC function needs to request the tariff and or cost for this session. An AoC Enquiry is sent to the OCS in a CCR message.
- 4) The OCS sends back to the AoC function the information requested (tariff/cost).
- 5) The AoC information is included by the ACF in a SIP 183 response.
- 6) UE acknowledgement of the 183 response is received at the ACF.
- 7) The SIP INVITE is forwarded to the S-CSCF.
- 8) The S-CSCF forwards the SIP INVITE message to the IMS GWF/AS to perform the online charging.
- 9) The IMS GWF/AS reserves a credit for the session. A CCR message is sent to the OCS. This CCR message is composed of a unit reservation request.
- 10) The OCS sends back to the IMS-GWF/AS a credit for the session.
- 11) The INVITE message is forwarded by the IMS GWF/AS to the S-CSCF.
- 12) The S-CSCF forwards the SIP INVITE message to the terminating party.

The service logic (AS/IMS GWF) and the AoC function may be unified. Thus, instead of sending two CCR messages (CCR RSU and CCR AoC Enquiry messages) towards the OCS, a grouped CCR message may be sent for performance reasons.



**Figure B.2.2: Basic IMS session establishment for a user registered to AoC service(s) (online case controlled by unified (IMS GWF/AS) and ACF)**

- 1) An initial SIP INVITE message is received in the S-CSCF.
- 2) The S-CSCF forwards this request to the AoC function.
- 3) The unified (IMS GWF or AS) and ACF generates a CCR message containing both a credit request and an AoC enquiry.
- 4) The OCS sends back to the unified (IMS GWF or AS) and ACF a response to the credit authorization and AoC enquiry.
- 5) The AoC information is included by the unified (IMS GWF or AS) and ACF in a SIP 183 response.
- 6) UE acknowledgement of the 183 response is received at the unified (IMS GWF or AS) and ACF.
- 7) The SIP INVITE is forwarded to the S-CSCF.
- 8) The S-CSCF forwards the SIP INVITE message to the terminating party.

## Annex C (informative): AoC Information mapping

This annex provides informative mapping concepts between the AoC information to surrounding protocol formats.

### C.1 AoC information mapping to CAI element

Herby is a conceptual mapping of the CAI element to the AoC Information.

The mapping is done by using 3 Rate Elements.

Rate Element 1 – Depicts the initial cost in the AoC

Rate Element 2 – Depicts the time related AoC

Rate Element 3 – Depicts the volume related AoC

CAI parameter	Mapping guidance
e1 - Units per interval	Cost_Value in a Rate Element(2) with Unit-Type = TIME;
e2 - Seconds/time interval	Unit_Value in Rate Element(2)
e3 - Scaling Factor	Scale_Factor
e4 - Unit increment	Cost_Value in a Rate Element(1) with Unit-Type = TIME
e5 - Units per data interval	Cost_Value in a Rate Element(3) with Unit-Type = TOTAL-OCTETS;
e6 - Segments/data interval	Unit_Value in Rate Element(3)
e7 - Initial secs/t interval	Unit_Threshold in Rate Element(1)

When a service is known to be provided by CAMEL, the AoC function shall use a map able construct of the AoC information.

### C.2 AoC information mapping to Charging Information Elements

Herby is a conceptual mapping advising how to populate the Charging Information Element provided to the UE (as described in TS 24.647 [208]) out of the AoC Information.



Charging Information Element	Mapping guidance
Expressing Charging Rates	
- Price per time unit	When only one Rate Element with Unit_Type = TIME exists
- Free of charge	When only one Rate Element with Unit_Type = MONEY and Unit-Value = 0 exists
- Flat rate	When only one Rate Element with Unit_Type = MONEY and Unit-Value > 0 exists
- Not available	No Rate Elements provided
Charged Items	not supported in this release
- Basic communication	When the Rate Element contains Charge Reason Code = Usage or no Charge Reason Code is available.  NOTE: If no other Charged Items are applicable, Basic Communication shall be used as default value.
- Communication attempt	This parameter may be populated when the Rate Element contains Charge Reason Code = Communication-Attempt-Charge  NOTE: Alternatively, this information may be mapped into 'Operation of service' (see below).
- Communication setup	This parameter may be populated when the Rate Element contains Charge Reason Code = Set-Up-Charge  NOTE: Alternatively, this information may be mapped into 'Operation of service' (see below).
- Operation of service	This parameter may be populated depending on Service- specific Information or when the Rate Element contains Charge Reason Code <> Usage.  NOTE: If this parameter is populated depending on the Charge Reason Code, Communication Attempt and Communication setup shall not be used.
Recorded Charges	Accumulated cost in AoC_Cost_Information

NOTE: Other legacy Charging Information Elements (e.g. Special charging code, Special charging arrangement and Billing Identification) are not supported in IMS.

Additionally, the following parameters are not supported by the Ro interface but locally configurable by operators:

Type of Charging	This parameter is part of the AoC UNI XML information described in TS 24.647 [208].
Granularity	This parameter is part of the AoC UNI XML information described in TS 24.647 [208].
Pes-transitioning behavior	This parameter is part of the AoC Extended XML schema described in ETSI TS 183 043 [213].

### C.3 AoC information mapping to NNI Charging Information

Herby is a conceptual mapping advising how to populate the incoming real time tariff information (as described in TS 29.658 [209]) to the AoC Information model.

Mapping concepts:

- Pulse based tariffs – Pulse based tariffs are translated to AoC Tariff with no Currency-Code (i.e. non-monetary format).
- Sub Tariff – Each sub tariff is mapped as a new Rate Element
- Delay Until Start – The ACF shall buffer the message and wait for the "start" signal.

NOTE: The Delay Until Start parameter in TS 29.658 [209] is not supported in this release

- An Add-on charge provides single additional Cost Information which does not change the current tariff. When an Add-on charge is received via RTTI, the add-on charge shall be considered in the resulting Cost Information

Data fields mapping:

NNI Charging Information	Mapping guidance
Currency	Currency_Code
Call attempt charge	Rate-Element with Unit_Type = MONEY. This parameter may be populated when Charge Reason Code = CONNECTION_ATTEMPT_CHARGE.
Call setup charge	Rate-Element with Unit_Type = MONEY, This parameter may be populated when Charge Reason Code CONNECTION_SETUP_CHARGE.
AddOn charge	Rate-Element with Charge Reason Code = ADDON_CHARGE.
Communication Charge	Rate-Element with Unit_Type = TIME.
- Currency factor scale	Cost_Value in a Rate-Element with Unit_Type = TIME.
- Currency factor	- Value_Digits
- Currency scale	- Exponent
- Charge unit time interval	Unit-Value in a Rate-Element with Unit_Type = TIME.  NOTE 1: this field is only used for non-monetary format. NOTE 2: A 50ms step support may not be supported in this release.
- Tariff duration	Unit_Threshold in the Rate-Element as above
Sub tariff control	Periodic charge will be mapped to Rate-Element with no Unit_Threshold or Unit_Threshold > Unit_Value. One time charge will be mapped to Rate-element with Unit_Value = Unit_Threshold
Tariff switchover time	Tariff_Switch_Time

---

## Annex D (informative): Bibliography

### a) **The 3GPP charging specifications**

- 3GPP TS 32.250: "Telecommunication management; Charging management; Circuit Switched (CS) domain charging".
- 3GPP TS 32.251: "Telecommunication management; Charging management; Packet Switched (PS) domain charging".
- 3GPP TS 32.252: "Telecommunication management; Charging management; Wireless Local Area Network (WLAN) charging".
- 3GPP TS 32.270: "Telecommunication management; Charging management; Multimedia Messaging Service (MMS) charging".
- 3GPP TS 32.271: "Telecommunication management; Charging management; Location Services (LCS) charging".
- 3GPP TS 32.272: "Telecommunication management; Charging management; Push-to-talk over Cellular (PoC) charging".
- 3GPP TS 32.273: "Telecommunication management; Charging management; Multimedia Broadcast and Multicast Service (MBMS) charging".
- 3GPP TS 32.274: "Telecommunication management; Charging management; Short Message Service (SMS) charging".
- 3GPP TS 32.297: "Telecommunication management; Charging management; Charging Data Record (CDR) file format and transfer".
- 3GPP TS 32.295: "Telecommunication management; Charging management; Charging Data Record (CDR) transfer".

### b) **Common 3GPP specifications**

- 3GPP TS 22.101: "Service aspects; Service Principles".
- 3GPP TS 22.115 "Service aspects; Charging and Billing".
- 3GPP TS 23.003: "Numbering, addressing and identification".
- 3GPP TS 27.001: "General on Terminal Adaptation Functions (TAF) for Mobile Stations (MS)".

### c) **other Domain and Service specific 3GPP / ETSI specifications**

-

### d) **Relevant ITU Recommendations**

- ITU-T Recommendation D.93: "Charging and accounting in the international land mobile telephone service (provided via cellular radio systems)".
- ITU-T Recommendation E.164: "The international public telecommunication numbering plan".
- ITU-T Recommendation Q.767: "Application of the ISDN user part of CCITT signalling System No.7 for international ISDN interconnections".
- ITU-T Recommendation X.25: "Interface between Data Terminal Equipment (DTE) and Data Circuit-terminating Equipment (DCE) for terminals operating in the packet mode and connected to public data networks by dedicated circuit".
- ITU-T Recommendation X.121: "International numbering plan for public data networks".

### e) **Relevant IETF RFCs**

- IETF RFC 959 (1985): "File Transfer Protocol".

## Annex E (informative): Change history

Change history							
Date	TSG #	TSG Doc.	CR	Rev	Subject/Comment	Old	New
2008-01	S5-57	S5-080184	--	--	Fist draft submitted to SA5#57	-	0.0.1
2009-03	SP-43	SP-090059	--	--	Presentation to SA for approval	1.1.0	8.0.0
2009-06	SP-44	SP-090293	001	--	Correction of AoC Message Flows	8.0.0	8.1.0
2009-09	SP-45	SP-090536	002	--	Correction and alignment with TS 32.299	8.1.0	8.2.0
2009-09	SP-45	SP-090537	003	--	Aligning AoC- Information AVP with RTTI Information	8.2.0	9.0.0
2009-12	SP-46	SP-090721	004	--	Aligning Diameter commands and AVPs with TS 32.299	9.0.0	9.1.0
2010-10	SP-49	SP-100496	007	--	Correction of AoC UNI Protocol Mapping	9.1.0	9.2.0
2010-12	SP-50	SP-100758	013	--	Correction of Reason-Code in the AoC Tariff Information – Align with 32.299	9.2.0	9.3.0
2010-12	SP-50	SP-100758	015	1	Correction of AoC Cost Information	9.2.0	9.3.0
2011-03	SP-51	SP-110108	016	2	Add missing AoC User to Network Interface (UNI) parameters: Type of Charging, Granularity and Pes-transitioning	9.3.0	9.4.0
2012-09	Sp-57	Sp-120646	024	1	Correction on AoC service support	9.4.0	9.5.0

---

## History

<b>Document history</b>		
V9.1.0	January 2010	Publication
V9.2.0	October 2010	Publication
V9.3.0	January 2011	Publication
V9.4.0	April 2011	Publication
V9.5.0	September 2012	Publication