

ETSI TS 132 345 V8.0.0 (2009-04)

Technical Specification

**Digital cellular telecommunications system (Phase 2+);
Universal Mobile Telecommunications System (UMTS);
Telecommunication management;
File Transfer (FT) Integration Reference Point (IRP);
eXtensible Markup Language (XML) definitions
(3GPP TS 32.345 version 8.0.0 Release 8)**



Reference

RTS/TSGS-0532345v800

Keywords

GSM, UMTS

ETSI

650 Route des Lucioles
F-06921 Sophia Antipolis Cedex - FRANCE

Tel.: +33 4 92 94 42 00 Fax: +33 4 93 65 47 16

Siret N° 348 623 562 00017 - NAF 742 C
Association à but non lucratif enregistrée à la
Sous-Préfecture de Grasse (06) N° 7803/88

Important notice

Individual copies of the present document can be downloaded from:

<http://www.etsi.org>

The present document may be made available in more than one electronic version or in print. In any case of existing or perceived difference in contents between such versions, the reference version is the Portable Document Format (PDF). In case of dispute, the reference shall be the printing on ETSI printers of the PDF version kept on a specific network drive within ETSI Secretariat.

Users of the present document should be aware that the document may be subject to revision or change of status. Information on the current status of this and other ETSI documents is available at

<http://portal.etsi.org/tb/status/status.asp>

If you find errors in the present document, please send your comment to one of the following services:

http://portal.etsi.org/chaicor/ETSI_support.asp

Copyright Notification

No part may be reproduced except as authorized by written permission.
The copyright and the foregoing restriction extend to reproduction in all media.

© European Telecommunications Standards Institute 2009.
All rights reserved.

DECTTM, **PLUGTESTS**TM, **UMTS**TM, **TIPHON**TM, the TIPHON logo and the ETSI logo are Trade Marks of ETSI registered for the benefit of its Members.

3GPPTM is a Trade Mark of ETSI registered for the benefit of its Members and of the 3GPP Organizational Partners.

LTETM is a Trade Mark of ETSI currently being registered

for the benefit of its Members and of the 3GPP Organizational Partners.

GSM[®] and the GSM logo are Trade Marks registered and owned by the GSM Association.

Intellectual Property Rights

IPRs essential or potentially essential to the present document may have been declared to ETSI. The information pertaining to these essential IPRs, if any, is publicly available for **ETSI members and non-members**, and can be found in ETSI SR 000 314: "*Intellectual Property Rights (IPRs); Essential, or potentially Essential, IPRs notified to ETSI in respect of ETSI standards*", which is available from the ETSI Secretariat. Latest updates are available on the ETSI Web server (<http://webapp.etsi.org/IPR/home.asp>).

Pursuant to the ETSI IPR Policy, no investigation, including IPR searches, has been carried out by ETSI. No guarantee can be given as to the existence of other IPRs not referenced in ETSI SR 000 314 (or the updates on the ETSI Web server) which are, or may be, or may become, essential to the present document.

Foreword

This Technical Specification (TS) has been produced by ETSI 3rd Generation Partnership Project (3GPP).

The present document may refer to technical specifications or reports using their 3GPP identities, UMTS identities or GSM identities. These should be interpreted as being references to the corresponding ETSI deliverables.

The cross reference between GSM, UMTS, 3GPP and ETSI identities can be found under <http://webapp.etsi.org/key/queryform.asp>.

Contents

Intellectual Property Rights	2
Foreword.....	2
Foreword.....	4
Introduction	4
1 Scope	5
2 References	5
3 Definitions and abbreviations.....	5
3.1 Definitions	5
3.2 Abbreviations	5
4 FT IRP XML Definitions	6
4.1 FT IRP notifications XML definition structure.....	6
4.2 FT IRP XML Schema for notifications	7
4.3 FT IRP XML Schema for IOCs.....	7
Annex A (informative): XML schema electronic files.....	9
Annex B (informative): Change history	10
History	11

Foreword

This Technical Specification has been produced by the 3rd Generation Partnership Project (3GPP).

The contents of the present document are subject to continuing work within the TSG and may change following formal TSG approval. Should the TSG modify the contents of the present document, it will be re-released by the TSG with an identifying change of release date and an increase in version number as follows:

Version x.y.z

where:

- x the first digit:
 - 1 presented to TSG for information;
 - 2 presented to TSG for approval;
 - 3 or greater indicates TSG approved document under change control.
- y the second digit is incremented for all changes of substance, i.e. technical enhancements, corrections, updates, etc.
- z the third digit is incremented when editorial only changes have been incorporated in the document.

Introduction

The present document is part of a TS-family covering the 3rd Generation Partnership Project; Technical Specification Group Services and System Aspects; Telecommunication management, as identified below:

- 32.341: "File Transfer (FT) Integration Reference Point (IRP): Requirements".
- 32.342: "File Transfer (FT) Integration Reference Point (IRP): Information Service (IS)".
- 32.343: "File Transfer (FT) Integration Reference Point (IRP): Common Object Request Broker Architecture (CORBA) Solution Set (SS)".
- 32.345: "File Transfer (FT) Integration Reference Point (IRP): eXtensible Markup Language (XML) definitions".**
- 32.347: "File Transfer (FT) Integration Reference Point (IRP): SOAP Solution Set (SS)".

The present document is part of a TS-family which describe the requirements and information model necessary for the Telecommunication Management (TM) of 3G systems. The TM principles and TM architecture are specified in 3GPP TS 32.101 [1] and 3GPP TS 32.102 [2].

Network Elements (NEs) under management, element managers as well as network managers generate various management information stored in file format. This IRP is addressing how these files are exchanged through Itf-N as well as certain aspects of file management and maintenance. It is anticipated that all management functions (e.g. PM, Call Trace, CM) as well as associated IRPs making reuse of capabilities provided by this File Transfer IRP.

1 Scope

The present document specifies the XML Definitions for the File Transfer IRP (FTIRP) as it applies to Itf-N, in accordance with FT IRP IS definitions [3], for usage with the SOAP Solution Set [6] as well as Notification Log IRP XML Definitions [4].

This specification is related to 3GPP TS 32.342 V8.0.X.

2 References

The following documents contain provisions which, through reference in this text, constitute provisions of the present document.

- References are either specific (identified by date of publication, edition number, version number, etc.) or non-specific.
- For a specific reference, subsequent revisions do not apply.
- For a non-specific reference, the latest version applies. In the case of a reference to a 3GPP document (including a GSM document), a non-specific reference implicitly refers to the latest version of that document *in the same Release as the present document*.

- [1] 3GPP TS 32.101: "Telecommunication management; Principles and high level requirements".
- [2] 3GPP TS 32.102: "Telecommunication management; Architecture".
- [3] 3GPP TS 32.342: "File Transfer (FT) Integration Reference Point (IRP): Information Service (IS)".
- [4] 3GPP TS 32.335: "Telecommunication management; Notification Log (NL) Integration Reference Point (IRP): eXtensible Markup Language (XML) solution definitions".
- [5] 3GPP TS 32.331: "Telecommunication management; Notification Log (NL) Integration Reference Point (IRP): Requirements".
- [6] 3GPP TS 32.347: "File Transfer (FT) Integration Reference Point (IRP): SOAP Solution Set (SS)".

3 Definitions and abbreviations

3.1 Definitions

For the purposes of the present document, the terms and definitions given in 3GPP TS 32.101 [1], 3GPP TS 32.102 [2], and 3GPP TS 32.331 [5] apply.

3.2 Abbreviations

For the purposes of the present document, the following abbreviations apply:

FT	File Transfer
FTIRP	File Transfer IRP
IRP	Integration Reference Point
IS	Information Service
NL	Notification Log
NRM	Network Resource Model
UML	Unified Modelling Language
XML	eXtensible Markup Language

4 FT IRP XML Definitions

4.1 FT IRP notifications XML definition structure

This section provides XML definitions of FT IRP notifications as defined in 3GPP TS 32.342 [3].

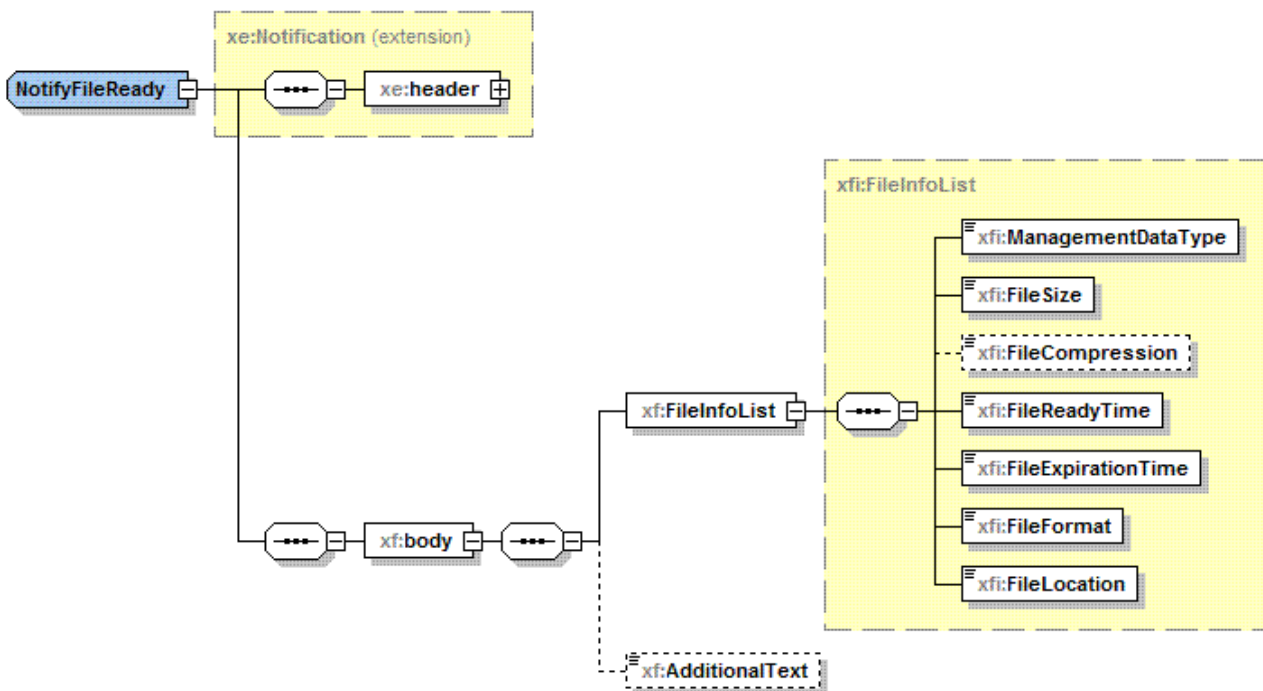


Figure 1

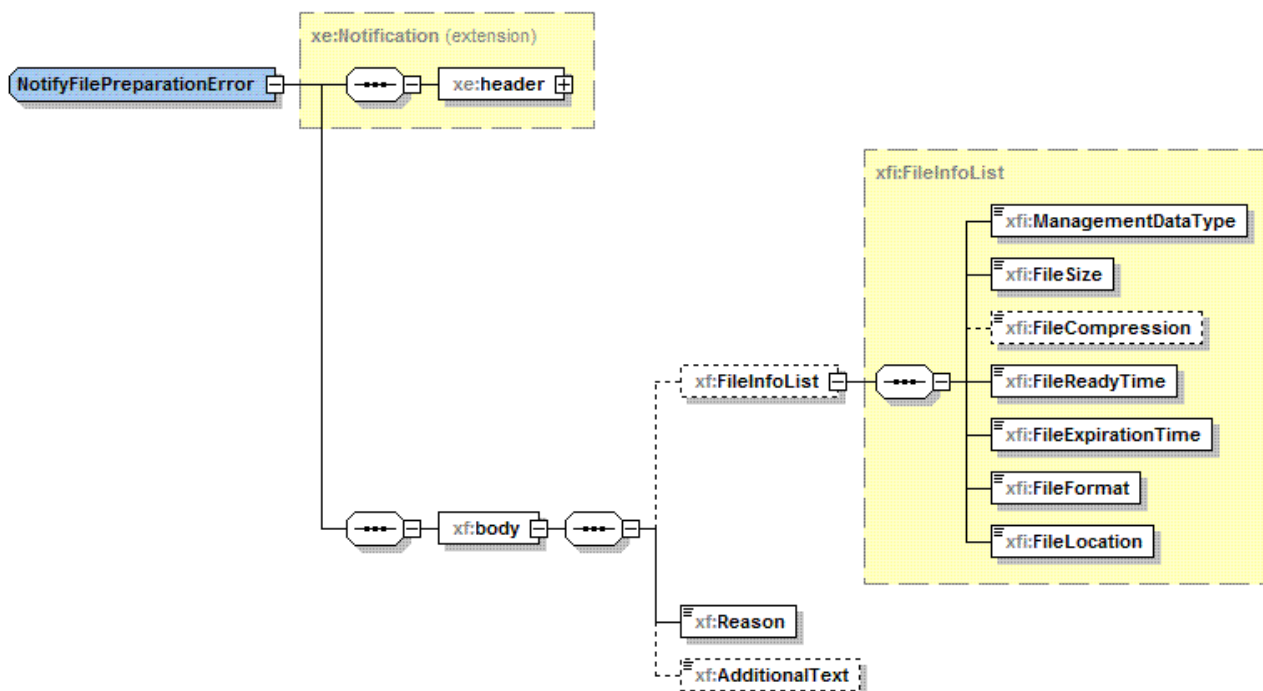


Figure 2

NOTE: The use of XML schema key word "sequence" to support IS-defined set (not sequence) is for the purpose of XML processor efficiency. This shall not imply the use of "sequence" in other technology.

4.2 FT IRP XML Schema for notifications

```

<?xml version="1.0" encoding="UTF-8"?>
<!--
  3GPP TS 32.345 FTIRP Notification XML Schema
  ftIRPNotif.xsd
-->
<schema xmlns:xf="http://www.3gpp.org/ftp/specs/archive/32_series/32.345#ftIRPNotif"
  xmlns:xfi="http://www.3gpp.org/ftp/specs/archive/32_series/32.345#ftIRPIOCs"
  xmlns:xe="http://www.3gpp.org/ftp/specs/archive/32_series/32.305#notification"
  xmlns="http://www.w3.org/2001/XMLSchema"
  targetNamespace="http://www.3gpp.org/ftp/specs/archive/32_series/32.345#ftIRPNotif"
  elementFormDefault="qualified" attributeFormDefault="unqualified">
  <import namespace="http://www.3gpp.org/ftp/specs/archive/32_series/32.345#ftIRPIOCs"/>
  <import namespace="http://www.3gpp.org/ftp/specs/archive/32_series/32.305#notification"/>
  <simpleType name="Reason">
    <restriction base="string">
      <enumeration value="errorInPreparation"/>
      <enumeration value="hardDiskFull"/>
      <enumeration value="hardDiskFailure"/>
      <enumeration value="tooManyFiles"/>
      <enumeration value="collectionTimeOut"/>
      <enumeration value="incompleteTruncatedFile"/>
      <enumeration value="corruptedFile"/>
      <enumeration value="lowMemory"/>
      <enumeration value="dataNotAvailable"/>
    </restriction>
  </simpleType>
  <complexType name="NotifyFileReady">
    <complexContent>
      <extension base="xe:Notification">
        <sequence>
          <element name="body">
            <complexType>
              <sequence>
                <element name="FileInfoList" type="xfi:FileInfoList" maxOccurs="unbounded"/>
                <element name="AdditionalText" type="string" minOccurs="0"/>
              </sequence>
            </complexType>
          </element>
        </sequence>
      </extension>
    </complexContent>
  </complexType>
  <complexType name="NotifyFilePreparationError">
    <complexContent>
      <extension base="xe:Notification">
        <sequence>
          <element name="body">
            <complexType>
              <sequence>
                <element name="FileInfoList" type="xfi:FileInfoList" minOccurs="0"/>
                <element name="Reason" type="xf:Reason"/>
                <element name="AdditionalText" type="string" minOccurs="0"/>
              </sequence>
            </complexType>
          </element>
        </sequence>
      </extension>
    </complexContent>
  </complexType>
  <element name="NotifyFileReady" type="xf:NotifyFileReady"/>
  <element name="NotifyFilePreparationError" type="xf:NotifyFilePreparationError"/>
</schema>

```

4.3 FT IRP XML Schema for IOCs

```

<?xml version="1.0" encoding="UTF-8"?>
<!--
  3GPP TS 32.345 FTIRP Notification XML Schema
  ftIRPIOCs.xsd
-->
<schema xmlns:xfi="http://www.3gpp.org/ftp/specs/archive/32_series/32.345#ftIRPIOCs"
  xmlns:xe="http://www.3gpp.org/ftp/specs/archive/32_series/32.305#notification"
  xmlns="http://www.w3.org/2001/XMLSchema"

```



```
targetNamespace="http://www.3gpp.org/ftp/specs/archive/32_series/32.345#fTIRPIOCs"
elementFormDefault="qualified" attributeFormDefault="unqualified">
  <simpleType name="FileFormat">
    <restriction base="string">
      <enumeration value="ASN1"/>
      <enumeration value="XML-schema"/>
    </restriction>
  </simpleType>
  <simpleType name="ManagementDataType">
    <restriction base="string">
      <enumeration value="CG"/>
      <enumeration value="CM"/>
      <enumeration value="CT"/>
      <enumeration value="IM"/>
      <enumeration value="NL"/>
      <enumeration value="OT"/>
      <enumeration value="PM"/>
      <enumeration value="TE"/>
    </restriction>
  </simpleType>
  <complexType name="FileInfoList">
    <sequence>
      <element name="ManagementDataType" type="xfi:ManagementDataType"/>
      <element name="FileSize" type="unsignedLong"/>
      <element name="FileCompression" type="string" minOccurs="0"/>
      <element name="FileReadyTime" type="dateTime"/>
      <element name="FileExpirationTime" type="dateTime"/>
      <element name="FileFormat" type="xfi:FileFormat"/>
      <element name="FileLocation" type="string"/>
    </sequence>
  </complexType>
  <!-- Attributes of the AvailableFileDescriptor IOC -->
  <element name="managementDataType" type="xfi:ManagementDataType"/>
  <element name="fileSize" type="unsignedLong"/>
  <element name="fileCompression" type="string"/>
  <element name="fileReadyTime" type="dateTime"/>
  <element name="fileExpirationTime" type="dateTime"/>
  <element name="fileFormat" type="xfi:FileFormat"/>
  <element name="fileLocation" type="string"/>
</schema>
```

Annex A (informative): XML schema electronic files

The electronic files corresponding to the XML schemas defined in the present document are available in native form in the following archive:

http://www.3gpp.org/ftp/specs/archive/32_series/32345/schema/32345-800-XMLSchema.zip

Annex B (informative): Change history

Change history								
Date	TSG #	TSG Doc.	CR	Rev	Subject/Comment	Cat	Old	New
Mar 2007	SA_35	SP-070071	--	--	Submitted to TSG SA#35 for Approval	--	1.0.0	7.0.0
Dec 2008	SA_42	SP-080845	0001	-	Change the schema definition for the NotifyFileReady Notification - Alignment with IS	F	7.0.0	7.1.0
Mar 2009	SA_43	SP-090207	0002	--	Create a new XSD for IOCs	C	7.1.0	8.0.0

History

Document history		
V8.0.0	April 2009	Publication