

ETSI TS 134 121-1 V11.1.1 (2013-10)



**Universal Mobile Telecommunications System (UMTS);
User Equipment (UE) conformance specification;
Radio transmission and reception (FDD);
Part 1: Conformance specification
(3GPP TS 34.121-1 version 11.1.1 Release 11)**



ReferenceRTS/TSGR-0534121-1vb1

KeywordsUMTS

ETSI

650 Route des Lucioles
F-06921 Sophia Antipolis Cedex - FRANCE

Tel.: +33 4 92 94 42 00 Fax: +33 4 93 65 47 16

Siret N° 348 623 562 00017 - NAF 742 C
Association à but non lucratif enregistrée à la
Sous-Préfecture de Grasse (06) N° 7803/88

Important notice

Individual copies of the present document can be downloaded from:

<http://www.etsi.org>

The present document may be made available in more than one electronic version or in print. In any case of existing or perceived difference in contents between such versions, the reference version is the Portable Document Format (PDF). In case of dispute, the reference shall be the printing on ETSI printers of the PDF version kept on a specific network drive within ETSI Secretariat.

Users of the present document should be aware that the document may be subject to revision or change of status. Information on the current status of this and other ETSI documents is available at

<http://portal.etsi.org/tb/status/status.asp>

If you find errors in the present document, please send your comment to one of the following services:

http://portal.etsi.org/chaicor/ETSI_support.asp

Copyright Notification

No part may be reproduced except as authorized by written permission.
The copyright and the foregoing restriction extend to reproduction in all media.

© European Telecommunications Standards Institute 2013.
All rights reserved.

DECT™, **PLUGTESTS™**, **UMTS™** and the ETSI logo are Trade Marks of ETSI registered for the benefit of its Members.
3GPP™ and **LTE™** are Trade Marks of ETSI registered for the benefit of its Members and
of the 3GPP Organizational Partners.
GSM® and the GSM logo are Trade Marks registered and owned by the GSM Association.

Intellectual Property Rights

IPRs essential or potentially essential to the present document may have been declared to ETSI. The information pertaining to these essential IPRs, if any, is publicly available for **ETSI members and non-members**, and can be found in ETSI SR 000 314: "*Intellectual Property Rights (IPRs); Essential, or potentially Essential, IPRs notified to ETSI in respect of ETSI standards*", which is available from the ETSI Secretariat. Latest updates are available on the ETSI Web server (<http://ipr.etsi.org>).

Pursuant to the ETSI IPR Policy, no investigation, including IPR searches, has been carried out by ETSI. No guarantee can be given as to the existence of other IPRs not referenced in ETSI SR 000 314 (or the updates on the ETSI Web server) which are, or may be, or may become, essential to the present document.

Foreword

This Technical Specification (TS) has been produced by the ETSI 3rd Generation Partnership Project (3GPP).

The present document may refer to technical specifications or reports using their 3GPP identities, UMTS identities or GSM identities. These should be interpreted as being references to the corresponding ETSI deliverables.

The cross reference between GSM, UMTS, 3GPP and ETSI identities can be found under <http://webapp.etsi.org/key/queryform.asp>.

Contents

| | |
|---|----|
| Intellectual Property Rights | 2 |
| Foreword..... | 2 |
| Foreword..... | 52 |
| Introduction | 52 |
| 1 Scope | 53 |
| 2 References | 53 |
| 3 Definitions, symbols, abbreviations and equations | 55 |
| 3.1 Definitions | 55 |
| 3.2 Symbols..... | 56 |
| 3.3 Abbreviations | 56 |
| 3.4 Equations..... | 57 |
| 4 Frequency bands and channel arrangement..... | 59 |
| 4.1 General | 59 |
| 4.2 Frequency bands..... | 60 |
| 4.3 TX-RX frequency separation | 61 |
| 4.4 Channel arrangement..... | 61 |
| 4.4.1 Channel spacing..... | 61 |
| 4.4.2 Channel raster | 62 |
| 4.4.3 Channel number | 62 |
| 4.4.4 UARFCN | 64 |
| 4A Reference Conditions | 65 |
| 4A.1 Generic setup procedures | 65 |
| 4A.2 System information | 65 |
| 4A.3 Message contents..... | 65 |
| 4A.4 Measurement configurations | 66 |
| 5 Transmitter Characteristics..... | 66 |
| 5.1 General | 66 |
| 5.2 Maximum Output Power | 67 |
| 5.2.1 Definition and applicability | 67 |
| 5.2.2 Minimum Requirements | 68 |
| 5.2.3 Test purpose..... | 69 |
| 5.2.4 Method of test | 69 |
| 5.2.4.1 Initial conditions | 69 |
| 5.2.4.2 Procedure | 69 |
| 5.2.5 Test requirements..... | 69 |
| 5.2A Maximum Output Power with HS-DPCCH (Release 5 only) | 70 |
| 5.2A.1 Definition and applicability | 70 |
| 5.2A.2 Minimum Requirements | 70 |
| 5.2A.3 Test purpose..... | 71 |
| 5.2A.4 Method of test | 71 |
| 5.2A.4.1 Initial conditions | 71 |
| 5.2A.4.2 Procedure | 71 |
| 5.2A.5 Test requirements..... | 71 |
| 5.2AA Maximum Output Power with HS-DPCCH (Release 6 and later)..... | 72 |
| 5.2AA.1 Definition and applicability | 72 |
| 5.2AA.2 Minimum Requirements | 72 |
| 5.2AA.3 Test purpose..... | 73 |
| 5.2AA.4 Method of test | 73 |
| 5.2AA.4.1 Initial conditions | 73 |
| 5.2AA.4.2 Procedure | 73 |
| 5.2AA.5 Test requirements..... | 74 |

| | | |
|-------------|--|----|
| 5.2AB | Maximum Output Power for OLTD..... | 74 |
| 5.2AC | Maximum Output Power for UL CLTD activation state 1 | 74 |
| 5.2AC.1 | Definition and applicability | 74 |
| 5.2AC.2 | Minimum Requirements | 75 |
| 5.2AC.3 | Test purpose..... | 75 |
| 5.2AC.4 | Method of test | 75 |
| 5.2.4.1 | Initial conditions | 75 |
| 5.2.4.2 | Procedure | 76 |
| 5.2AC.5 | Test requirements..... | 76 |
| 5.2AD | Maximum Output Power for UL CLTD activation state 2 and 3 | 77 |
| 5.2AD.1 | Definition and applicability | 77 |
| 5.2AD.2 | Minimum Requirements | 77 |
| 5.2AD.3 | Test purpose..... | 78 |
| 5.2AD.4 | Method of test | 78 |
| 5.2AD.4.1 | Initial conditions | 78 |
| 5.2AD.4.2 | Procedure | 78 |
| 5.2AD.5 | Test requirements..... | 78 |
| 5.2B | Maximum Output Power with HS-DPCCH and E-DCH..... | 79 |
| 5.2B.1 | Definition and applicability | 79 |
| 5.2B.2 | Minimum Requirements | 79 |
| 5.2B.3 | Test purpose..... | 80 |
| 5.2B.4 | Method of test | 80 |
| 5.2B.4.1 | Initial conditions | 80 |
| 5.2B.4.2 | Procedure | 82 |
| 5.2B.5 | Test requirements..... | 83 |
| 5.2BA | UE Maximum Output Power for DC-HSUPA (QPSK)..... | 84 |
| 5.2BA.1 | Definition and applicability | 84 |
| 5.2BA.2 | Minimum Requirements | 84 |
| 5.2BA.3 | Test purpose..... | 85 |
| 5.2BA.4 | Method of test | 85 |
| 5.2BA.4.1 | Initial conditions | 85 |
| 5.2BA.4.2 | Procedure | 86 |
| 5.2BA.5 | Test requirements..... | 86 |
| 5.2BB | UE Maximum Output Power for DC-HSUPA (16QAM) | 87 |
| 5.2BB.1 | Definition and applicability | 87 |
| 5.2BB.2 | Minimum Requirements | 87 |
| 5.2BB.3 | Test purpose..... | 88 |
| 5.2BB.4 | Method of test | 88 |
| 5.2BB.4.1 | Initial conditions | 88 |
| 5.2BB.4.2 | Procedure | 89 |
| 5.2BB.5 | Test requirements..... | 89 |
| 5.2BC | Maximum Output Power with HS-DPCCH and E-DCH for OLTD | 89 |
| 5.2BD | Maximum Output Power with HS-DPCCH and E-DCH for UL CLTD activation state 1 | 89 |
| 5.2BD.1 | Definition and applicability | 90 |
| 5.2BD.2 | Minimum Requirements | 90 |
| 5.2BD.3 | Test purpose..... | 90 |
| 5.2BD.4 | Method of test | 91 |
| 5.2BD.4.1 | Initial conditions | 91 |
| 5.2BD.4.2 | Procedure | 92 |
| 5.2BD.4.2.1 | Procedure for sub-test 1 to 4..... | 92 |
| 5.2BD.5 | Test requirements..... | 93 |
| 5.2BE | Maximum Output Power with HS-DPCCH and E-DCH for UL CLTD activation state 2 and 3..... | 94 |
| 5.2BE.1 | Definition and applicability | 94 |
| 5.2BE.2 | Minimum Requirements | 94 |
| 5.2BE.3 | Test purpose..... | 95 |
| 5.2BE.4 | Method of test | 95 |
| 5.2BE.4.1 | Initial conditions | 95 |
| 5.2BE.4.2 | Procedure | 97 |
| 5.2BE.4.2.1 | Procedure for sub-test 1 to 4..... | 97 |
| 5.2BE.5 | Test requirements..... | 97 |
| 5.2C | UE relative code domain power accuracy | 98 |
| 5.2C.1 | Definition and applicability | 98 |

| | | |
|-----------|--|-----|
| 5.2C.2 | Minimum Requirements | 99 |
| 5.2C.3 | Test purpose..... | 99 |
| 5.2C.4 | Method of test | 99 |
| 5.2C.4.1 | Initial conditions | 99 |
| 5.2C.4.2 | Procedure | 99 |
| 5.2C.5 | Test requirements..... | 100 |
| 5.2CA | UE relative code domain power accuracy for OLTD | 101 |
| 5.2CB | UE relative code domain power accuracy for UL CLTD activation state 1 | 101 |
| 5.2CB.1 | Definition and applicability | 101 |
| 5.2CB.2 | Minimum Requirements | 102 |
| 5.2CB.3 | Test purpose..... | 102 |
| 5.2CB.4 | Method of test | 102 |
| 5.2CB.4.1 | Initial conditions | 102 |
| 5.2CB.4.2 | Procedure | 103 |
| 5.2CB.5 | Test requirements..... | 104 |
| 5.2CC | UE relative code domain power accuracy for UL CLTD activation state 2 and 3 | 105 |
| 5.2CC.1 | Definition and applicability | 105 |
| 5.2CC.2 | Minimum Requirements | 105 |
| 5.2CC.3 | Test purpose..... | 105 |
| 5.2CC.4 | Method of test | 106 |
| 5.2CC.4.1 | Initial conditions | 106 |
| 5.2CC.4.2 | Procedure | 106 |
| 5.2CC.5 | Test requirements..... | 107 |
| 5.2D | UE Relative Code Domain Power Accuracy for HS-DPCCH and E-DCH..... | 108 |
| 5.2D.1 | Definition and applicability | 108 |
| 5.2D.2 | Minimum Requirements | 108 |
| 5.2D.3 | Test purpose..... | 108 |
| 5.2D.4 | Method of test | 109 |
| 5.2D.4.1 | Initial conditions | 109 |
| 5.2D.4.2 | Procedure | 110 |
| 5.2D.5 | Test requirements..... | 111 |
| 5.2DA | UE Relative Code Domain Power Accuracy for DC-HSUPA with QPSK | 112 |
| 5.2DA.1 | Definition and applicability | 112 |
| 5.2DA.2 | Minimum Requirements | 112 |
| 5.2DA.3 | Test purpose..... | 112 |
| 5.2DA.4 | Method of test | 113 |
| 5.2DA.4.1 | Initial conditions | 113 |
| 5.2DA.4.2 | Procedure | 113 |
| 5.2DA.5 | Test requirements..... | 114 |
| 5.2DB | UE Relative Code Domain Power Accuracy for HS-DPCCH and E-DCH for OLTD | 114 |
| 5.2DC | UE Relative Code Domain Power Accuracy for HS-DPCCH and E-DCH for UL CLTD activation state 1..... | 114 |
| 5.2DC.1 | Definition and applicability | 114 |
| 5.2DC.2 | Minimum Requirements | 115 |
| 5.2DC.3 | Test purpose..... | 115 |
| 5.2DC.4 | Method of test | 115 |
| 5.2DC.4.1 | Initial conditions | 115 |
| 5.2DC.4.2 | Procedure | 117 |
| 5.2DC.5 | Test requirements..... | 118 |
| 5.2DD | UE Relative Code Domain Power Accuracy for HS-DPCCH and E-DCH for UL CLTD activation state 2 and 3 | 118 |
| 5.2DD.1 | Definition and applicability | 118 |
| 5.2DD.2 | Minimum Requirements | 119 |
| 5.2DD.3 | Test purpose..... | 119 |
| 5.2DD.4 | Method of test | 119 |
| 5.2DD.4.1 | Initial conditions | 119 |
| 5.2DD.4.2 | Procedure | 121 |
| 5.2DD.5 | Test requirements..... | 122 |
| 5.2E | UE Relative Code Domain Power Accuracy for HS-DPCCH and E-DCH with 16QAM | 122 |
| 5.2E.1 | Definition and applicability | 122 |
| 5.2E.2 | Minimum Requirements | 123 |
| 5.2E.3 | Test purpose..... | 123 |

| | | |
|-----------|--|-----|
| 5.2E.4 | Method of test | 123 |
| 5.2E.4.1 | Initial conditions | 123 |
| 5.2E.4.2 | Procedure | 124 |
| 5.2E.5 | Test requirements..... | 125 |
| 5.2EA | UE Relative Code Domain Power Accuracy for DC-HSUPA with 16QAM..... | 126 |
| 5.2EA.1 | Definition and applicability | 126 |
| 5.2EA.2 | Minimum Requirements | 126 |
| 5.2EA.3 | Test purpose..... | 126 |
| 5.2EA.4 | Method of test..... | 127 |
| 5.2EA.4.1 | Initial conditions | 127 |
| 5.2EA.4.2 | Procedure | 127 |
| 5.2EA.5 | Test requirements..... | 128 |
| 5.2EB | FFS | 128 |
| 5.2EC | UE Relative Code Domain Power Accuracy for HS-DPCCH and E-DCH with 16QAM for UL CLTD activation state 1 | 128 |
| 5.2EC.1 | Definition and applicability | 128 |
| 5.2EC.2 | Minimum Requirements | 129 |
| 5.2EC.3 | Test purpose..... | 129 |
| 5.2EC.4 | Method of test | 129 |
| 5.2EC.4.1 | Initial conditions | 129 |
| 5.2EC.4.2 | Procedure | 130 |
| 5.2EC.5 | Test requirements..... | 131 |
| 5.2ED | UE Relative Code Domain Power Accuracy for HS-DPCCH and E-DCH with 16QAM for UL CLTD activation state 2 and 3 | 132 |
| 5.2ED.1 | Definition and applicability | 132 |
| 5.2ED.2 | Minimum Requirements | 132 |
| 5.2ED.3 | Test purpose..... | 133 |
| 5.2ED.4 | Method of test | 133 |
| 5.2ED.4.1 | Initial conditions | 133 |
| 5.2ED.4.2 | Procedure | 134 |
| 5.2ED.5 | Test requirements..... | 135 |
| 5.3 | Frequency Error..... | 136 |
| 5.3.1 | Definition and applicability | 136 |
| 5.3.2 | Minimum Requirements | 136 |
| 5.3.3 | Test purpose..... | 136 |
| 5.3.4 | Method of test | 136 |
| 5.3.4.1 | Initial conditions | 136 |
| 5.3.4.2 | Procedure | 136 |
| 5.3.5 | Test Requirements | 137 |
| 5.3A | Frequency Error for DC-HSUPA | 137 |
| 5.3A.1 | Definition and applicability | 137 |
| 5.3A.2 | Minimum Requirements | 137 |
| 5.3A.3 | Test purpose..... | 137 |
| 5.3A.4 | Method of test..... | 137 |
| 5.3A.4.1 | Initial conditions | 137 |
| 5.3A.4.2 | Procedure | 138 |
| 5.3A.5 | Test Requirements | 138 |
| 5.3C | Frequency Error for UL CLTD Activation state 1 | 138 |
| 5.3C.1 | Definition and applicability | 138 |
| 5.3C.2 | Minimum Requirements | 138 |
| 5.3C.3 | Test purpose..... | 138 |
| 5.3C.4 | Method of test | 139 |
| 5.3C.4.1 | Initial conditions | 139 |
| 5.3C.4.2 | Procedure | 139 |
| 5.3C.5 | Test Requirements | 139 |
| 5.3D | Frequency Error for UL CLTD Activation state 2 and 3..... | 139 |
| 5.3D.1 | Definition and applicability | 139 |
| 5.3D.2 | Minimum Requirements | 140 |
| 5.3D.3 | Test purpose..... | 140 |
| 5.3D.4 | Method of test | 140 |
| 5.3D.4.1 | Initial conditions | 140 |
| 5.3D.4.2 | Procedure | 140 |

| | | |
|------------|---|-----|
| 5.3D.5 | Test Requirements | 141 |
| 5.4 | Output Power Dynamics in the Uplink..... | 141 |
| 5.4.1 | Open Loop Power Control in the Uplink | 141 |
| 5.4.1.1 | Definition and applicability..... | 141 |
| 5.4.1.2 | Minimum requirements..... | 141 |
| 5.4.1.3 | Test purpose | 141 |
| 5.4.1.4 | Method of test | 141 |
| 5.4.1.5 | Test requirements..... | 143 |
| 5.4.1A | Open Loop Power Control in the Uplink for DC-HSUPA..... | 143 |
| 5.4.1A.1 | Definition and applicability..... | 143 |
| 5.4.1A.2 | Minimum requirements..... | 143 |
| 5.4.1A.3 | Test purpose | 143 |
| 5.4.1A.4 | Method of test | 144 |
| 5.4.1A.5 | Test requirements..... | 145 |
| 5.4.2 | Inner Loop Power Control in the Uplink | 145 |
| 5.4.2.1 | Definition and applicability..... | 145 |
| 5.4.2.2 | Minimum requirements..... | 145 |
| 5.4.2.3 | Test purpose | 146 |
| 5.4.2.4 | Method of test | 146 |
| 5.4.2.5 | Test requirements..... | 150 |
| 5.4.2A | Inner Loop Power Control in the Uplink for DC-HSUPA..... | 152 |
| 5.4.2A.1 | Definition and applicability..... | 152 |
| 5.4.2A.2 | Minimum requirements..... | 152 |
| 5.4.2A.3 | Test purpose | 153 |
| 5.4.2A.4 | Method of test | 154 |
| 5.4.2A.5 | Test requirements..... | 156 |
| 5.4.2B | FFS..... | 157 |
| 5.4.2C | Inner Loop Power Control in the Uplink for UL CLTD activation state 1 | 157 |
| 5.4.2C.1 | Definition and applicability..... | 158 |
| 5.4.2C.2 | Minimum requirements..... | 158 |
| 5.4.2C.3 | Test purpose | 159 |
| 5.4.2C.4 | Method of test | 159 |
| 5.4.2C.4.1 | Initial conditions..... | 159 |
| 5.4.2C.4.2 | Procedure..... | 160 |
| 5.4.2C.5 | Test requirements..... | 163 |
| 5.4.2D | Inner Loop Power Control in the Uplink for UL CLTD activation state 2 and 3 | 165 |
| 5.4.2D.1 | Definition and applicability..... | 165 |
| 5.4.2D.2 | Minimum requirements..... | 165 |
| 5.4.2D.3 | Test purpose | 166 |
| 5.4.2D.4 | Method of test | 167 |
| 5.4.2D.4.1 | Initial conditions..... | 167 |
| 5.4.2D.4.2 | Procedure..... | 167 |
| 5.4.2D.5 | Test requirements..... | 170 |
| 5.4.3 | Minimum Output Power | 172 |
| 5.4.3.1 | Definition and applicability..... | 172 |
| 5.4.3.2 | Minimum Requirements..... | 172 |
| 5.4.3.3 | Test purpose | 172 |
| 5.4.3.4 | Method of test | 172 |
| 5.4.3.5 | Test requirements..... | 173 |
| 5.4.3A | Minimum Output Power for DC-HSUPA..... | 173 |
| 5.4.3A.1 | Definition and applicability..... | 173 |
| 5.4.3A.2 | Minimum Requirements..... | 173 |
| 5.4.3A.3 | Test purpose | 173 |
| 5.4.3A.4 | Method of test | 173 |
| 5.4.3A.4.1 | Initial conditions..... | 173 |
| 5.4.3A.4.2 | Procedure..... | 174 |
| 5.4.3A.5 | Test requirements..... | 174 |
| 5.4.3B | Minimum Output Power for OLTD..... | 174 |
| 5.4.3C | Minimum Output Power for UL CLTD Activation state 1 | 174 |
| 5.4.3C.1 | Definition and applicability..... | 174 |
| 5.4.3C.2 | Minimum Requirements..... | 174 |
| 5.4.3C.3 | Test purpose | 175 |

| | | |
|------------|---|-----|
| 5.4.3C.4 | Method of test | 175 |
| 5.4.3C.4.1 | Initial conditions | 175 |
| 5.4.3C.4.2 | Procedure | 175 |
| 5.4.3C.5 | Test requirements | 175 |
| 5.4.3D | Minimum Output Power for UL CLTD Activation state 2 and 3 | 175 |
| 5.4.3D.1 | Definition and applicability | 176 |
| 5.4.3D.2 | Minimum Requirements | 176 |
| 5.4.3D.3 | Test purpose | 176 |
| 5.4.3D.4 | Method of test | 176 |
| 5.4.3D.4.1 | Initial conditions | 176 |
| 5.4.3D.4.2 | Procedure | 176 |
| 5.4.3D.5 | Test requirements | 177 |
| 5.4.4 | Out-of-synchronisation handling of output power | 177 |
| 5.4.4.1 | Definition and applicability | 177 |
| 5.4.4.2 | Minimum Requirements | 177 |
| 5.4.4.3 | Test purpose | 179 |
| 5.4.4.4 | Method of test | 179 |
| 5.4.4.5 | Test requirements | 180 |
| 5.4.4A | Out-of-synchronization handling of output power for a UE which supports type1 for DCH | 180 |
| 5.4.4A.1 | Definition and applicability | 180 |
| 5.4.4A.2 | Minimum requirement | 180 |
| 5.4.4A.3 | Test purpose | 182 |
| 5.4.4A.4 | Method of test | 182 |
| 5.4.4A.5 | Test requirements | 183 |
| 5.4.4B | FFS | 184 |
| 5.4.4C | Out-of-synchronisation handling of output power for UL CLTD activation state 1 | 184 |
| 5.4.4C.1 | Definition and applicability | 184 |
| 5.4.4C.2 | Minimum Requirements | 184 |
| 5.4.4C.3 | Test purpose | 186 |
| 5.4.4C.4 | Method of test | 186 |
| 5.4.4C.5 | Test requirements | 186 |
| 5.4.4D | Out-of-synchronisation handling of output power for UL CLTD activation state 2 and 3 | 187 |
| 5.4.4D.1 | Definition and applicability | 187 |
| 5.4.4D.2 | Minimum Requirements | 187 |
| 5.4.4D.3 | Test purpose | 189 |
| 5.4.4D.4 | Method of test | 189 |
| 5.4.4D.5 | Test requirements | 189 |
| 5.5 | Transmit ON/OFF Power | 190 |
| 5.5.1 | Transmit OFF Power | 190 |
| 5.5.1.1 | Definition and applicability | 190 |
| 5.5.1.2 | Minimum Requirements | 190 |
| 5.5.1.3 | Test purpose | 190 |
| 5.5.1.4 | Method of test | 190 |
| 5.5.1.5 | Test requirements | 190 |
| 5.5.2 | Transmit ON/OFF Time mask | 190 |
| 5.5.2.1 | Definition and applicability | 190 |
| 5.5.2.2 | Minimum requirements | 190 |
| 5.5.2.3 | Test purpose | 193 |
| 5.5.2.4 | Method of test | 193 |
| 5.5.2.5 | Test requirements | 195 |
| 5.6 | Change of TFC | 195 |
| 5.6.1 | Definition and applicability | 195 |
| 5.6.2 | Minimum requirements | 195 |
| 5.6.3 | Test purpose | 197 |
| 5.6.4 | Method of test | 197 |
| 5.6.5 | Test requirements | 197 |
| 5.6AA | FFS | 197 |
| 5.6AB | Change of TFC for UL CLTD activation state 1 | 197 |
| 5.6AB.1 | Definition and applicability | 198 |
| 5.6AB.2 | Minimum requirements | 198 |
| 5.6AB.3 | Test purpose | 200 |
| 5.6AB.4 | Method of test | 200 |

| | | |
|----------|--|-----|
| 5.6AB.5 | Test requirements..... | 200 |
| 5.6AC | Change of TFC for UL CLTD activation state 2 and 3 | 200 |
| 5.6AC.1 | Definition and applicability | 201 |
| 5.6AC.2 | Minimum requirements..... | 201 |
| 5.6AC.3 | Test purpose..... | 203 |
| 5.6AC.4 | Method of test | 203 |
| 5.6AC.5 | Test requirements..... | 203 |
| 5.7 | Power setting in uplink compressed mode | 203 |
| 5.7.1 | Definition and applicability | 203 |
| 5.7.2 | Minimum requirements..... | 204 |
| 5.7.3 | Test purpose..... | 206 |
| 5.7.4 | Method of test | 206 |
| 5.7.5 | Test requirements..... | 213 |
| 5.7A | HS-DPCCH power control | 215 |
| 5.7A.1 | Definition and applicability | 215 |
| 5.7A.2 | Minimum requirement | 215 |
| 5.7A.3 | Test purpose..... | 216 |
| 5.7A.4 | Method of test | 216 |
| 5.7A.5 | Test requirements..... | 218 |
| 5.8 | Occupied Bandwidth (OBW) | 219 |
| 5.8.1 | Definition and applicability | 219 |
| 5.8.2 | Minimum Requirements | 219 |
| 5.8.3 | Test purpose..... | 219 |
| 5.8.4 | Method of test | 219 |
| 5.8.5 | Test Requirements | 220 |
| 5.8A | Occupied Bandwidth (OBW) for DC-HSUPA..... | 220 |
| 5.8A.1 | Definition and applicability | 220 |
| 5.8A.2 | Minimum Requirements | 220 |
| 5.8A.3 | Test purpose..... | 220 |
| 5.8A.4 | Method of test | 220 |
| 5.8A.4.1 | Initial conditions | 220 |
| 5.8A.4.2 | Procedure | 221 |
| 5.8A.5 | Test Requirements | 221 |
| 5.9 | Spectrum emission mask | 222 |
| 5.9.1 | Definition and applicability | 222 |
| 5.9.2 | Minimum Requirements | 222 |
| 5.9.3 | Test purpose..... | 223 |
| 5.9.4 | Method of test | 223 |
| 5.9.4.1 | Initial conditions | 223 |
| 5.9.4.2 | Procedure | 223 |
| 5.9.5 | Test requirements..... | 224 |
| 5.9A | Spectrum Emission Mask with HS-DPCCH | 225 |
| 5.9A.1 | Definition and applicability | 225 |
| 5.9A.2 | Minimum Requirements | 225 |
| 5.9A.3 | Test purpose..... | 226 |
| 5.9A.4 | Method of test | 226 |
| 5.9A.4.1 | Initial conditions | 226 |
| 5.9A.4.2 | Procedure | 227 |
| 5.9A.5 | Test requirements..... | 227 |
| 5.9B | Spectrum Emission Mask with E-DCH..... | 229 |
| 5.9B.1 | Definition and applicability | 229 |
| 5.9B.2 | Minimum Requirements | 229 |
| 5.9B.3 | Test purpose..... | 230 |
| 5.9B.4 | Method of test | 230 |
| 5.9B.4.1 | Initial conditions | 230 |
| 5.9B.4.2 | Procedure | 231 |
| 5.9B.5 | Test requirements..... | 231 |
| 5.9C | Additional Spectrum Emission Mask for DC-HSUPA (QPSK)..... | 233 |
| 5.9C.1 | Definition and applicability | 233 |
| 5.9C.2 | Minimum Requirements | 233 |
| 5.9C.3 | Test purpose..... | 233 |
| 5.9C.4 | Method of test | 234 |

| | | |
|----------|---|-----|
| 5.9C.4.1 | Initial conditions | 234 |
| 5.9C.4.2 | Procedure | 234 |
| 5.9C.5 | Test requirements..... | 234 |
| 5.9D | Additional Spectrum Emission Mask for DC-HSUPA (16QAM)..... | 235 |
| 5.9D.1 | Definition and applicability | 235 |
| 5.9D.2 | Minimum Requirements | 235 |
| 5.9D.3 | Test purpose..... | 236 |
| 5.9D.4 | Method of test | 236 |
| 5.9D.4.1 | Initial conditions | 236 |
| 5.9D.4.2 | Procedure | 237 |
| 5.9D.5 | Test requirements..... | 237 |
| 5.10 | Adjacent Channel Leakage Power Ratio (ACLR)..... | 237 |
| 5.10.1 | Definition and applicability | 237 |
| 5.10.2 | Minimum Requirements | 238 |
| 5.10.3 | Test purpose..... | 238 |
| 5.10.4 | Method of test | 238 |
| 5.10.5 | Test requirements..... | 239 |
| 5.10A | Adjacent Channel Leakage Power Ratio (ACLR) with HS-DPCCH | 239 |
| 5.10A.1 | Definition and applicability | 239 |
| 5.10A.2 | Minimum Requirements | 239 |
| 5.10A.3 | Test purpose..... | 239 |
| 5.10A.4 | Method of test | 240 |
| 5.10A.5 | Test requirements..... | 241 |
| 5.10B | Adjacent Channel Leakage Power Ratio (ACLR) with E-DCH..... | 241 |
| 5.10B.1 | Definition and applicability | 241 |
| 5.10B.2 | Minimum Requirements | 241 |
| 5.10B.3 | Test purpose..... | 241 |
| 5.10B.4 | Method of test | 242 |
| 5.10B.5 | Test requirements..... | 243 |
| 5.10C | Adjacent Channel Leakage Power Ratio (ACLR) with E-DCH for DC-HSUPA (QPSK) | 243 |
| 5.10C.1 | Definition and applicability | 243 |
| 5.10C.2 | Minimum Requirements | 243 |
| 5.10C.3 | Test purpose..... | 243 |
| 5.10C.4 | Method of test | 244 |
| 5.10C.5 | Test requirements..... | 244 |
| 5.10D | Adjacent Channel Leakage Power Ratio (ACLR) with E-DCH for DC-HSUPA (16QAM) | 245 |
| 5.10D.1 | Definition and applicability | 245 |
| 5.10D.2 | Minimum Requirements | 245 |
| 5.10D.3 | Test purpose..... | 245 |
| 5.10D.4 | Method of test | 245 |
| 5.10D.5 | Test requirements..... | 246 |
| 5.11 | Spurious Emissions | 246 |
| 5.11.1 | Definition and applicability | 246 |
| 5.11.2 | Minimum Requirements | 247 |
| 5.11.3 | Test purpose..... | 252 |
| 5.11.4 | Method of test | 252 |
| 5.11.5 | Test requirements..... | 253 |
| 5.11A | Spurious Emissions for DC-HSUPA..... | 257 |
| 5.11A.1 | Definition and applicability | 257 |
| 5.11A.2 | Minimum Requirements | 257 |
| 5.11A.3 | Test purpose..... | 260 |
| 5.11A.4 | Method of test | 261 |
| 5.11A.5 | Test requirements..... | 261 |
| 5.12 | Transmit Intermodulation..... | 266 |
| 5.12.1 | Definition and applicability | 266 |
| 5.12.2 | Minimum Requirements | 266 |
| 5.12.3 | Test purpose..... | 266 |
| 5.12.4 | Method of test | 266 |
| 5.12.5 | Test requirements..... | 267 |
| 5.12A | Transmit Intermodulation for DC-HSUPA | 267 |
| 5.12A.1 | Definition and applicability | 267 |
| 5.12A.2 | Minimum Requirements for DC-HSUPA..... | 267 |

| | | |
|-------------|--|-----|
| 5.12A.3 | Test purpose..... | 267 |
| 5.12A.4 | Method of test..... | 268 |
| 5.12A.5 | Test requirements..... | 268 |
| 5.13 | Transmit Modulation..... | 268 |
| 5.13.1 | Error Vector Magnitude (EVM)..... | 269 |
| 5.13.1.1 | Definition and applicability..... | 269 |
| 5.13.1.2 | Minimum Requirements..... | 269 |
| 5.13.1.3 | Test purpose..... | 269 |
| 5.13.1.4 | Method of test..... | 269 |
| 5.13.1.5 | Test requirements..... | 270 |
| 5.13.1A | Error Vector Magnitude (EVM) with HS-DPCCH..... | 270 |
| 5.13.1A.1 | Definition and applicability..... | 270 |
| 5.13.1A.2 | Minimum Requirements..... | 270 |
| 5.13.1A.3 | Test purpose..... | 270 |
| 5.13.1A.4 | Method of test..... | 271 |
| 5.13.1A.5 | Test requirements..... | 272 |
| 5.13.1AA | Error Vector Magnitude (EVM) and phase discontinuity with HS-DPCCH..... | 272 |
| 5.13.1AA.1 | Definition and applicability..... | 272 |
| 5.13.1AA.2 | Minimum Requirements..... | 273 |
| 5.13.1AA.3 | Test purpose..... | 273 |
| 5.13.1AA.4 | Method of test..... | 273 |
| 5.13.1AA.5 | Test requirements..... | 275 |
| 5.13.1AAA | EVM and IQ origin offset for HS-DPCCH and E-DCH with 16 QAM..... | 275 |
| 5.13.1AAA.1 | Definition and applicability..... | 275 |
| 5.13.1AAA.2 | Minimum requirement..... | 276 |
| 5.13.1AAA.3 | Test purpose..... | 276 |
| 5.13.1AAA.4 | Method of test..... | 276 |
| 5.13.1AAA.5 | Test requirements..... | 278 |
| 5.13.2 | Peak code domain error..... | 278 |
| 5.13.2.1 | Definition and applicability..... | 278 |
| 5.13.2.2 | Minimum Requirements..... | 279 |
| 5.13.2.3 | Test purpose..... | 279 |
| 5.13.2.4 | Method of test..... | 279 |
| 5.13.2.5 | Test requirements..... | 279 |
| 5.13.2A | Relative Code Domain Error with HS-DPCCH..... | 280 |
| 5.13.2A.1 | Definition and applicability..... | 280 |
| 5.13.2A.2 | Minimum Requirements..... | 280 |
| 5.13.2A.3 | Test purpose..... | 281 |
| 5.13.2A.4 | Method of test..... | 281 |
| 5.13.2B | Relative Code Domain Error with HS-DPCCH and E-DCH..... | 282 |
| 5.13.2B.1 | Definition and applicability..... | 282 |
| 5.13.2B.2 | Minimum Requirements..... | 283 |
| 5.13.2B.3 | Test purpose..... | 283 |
| 5.13.2B.4 | Method of test..... | 283 |
| 5.13.2B.5 | Test requirements..... | 285 |
| 5.13.2BA | Relative Code Domain Error with HS-DPCCH and E-DCH for DC-HSUPA..... | 286 |
| 5.13.2BA.1 | Definition and applicability..... | 286 |
| 5.13.2BA.2 | Minimum Requirements..... | 287 |
| 5.13.2BA.3 | Test purpose..... | 287 |
| 5.13.2BA.4 | Method of test..... | 287 |
| 5.13.2BA.5 | Test requirements..... | 288 |
| 5.13.2C | Relative Code Domain Error for HS-DPCCH and E-DCH with 16QAM..... | 289 |
| 5.13.2C.1 | Definition and applicability..... | 289 |
| 5.13.2C.2 | Minimum Requirements..... | 290 |
| 5.13.2C.3 | Test purpose..... | 290 |
| 5.13.2C.4 | Method of test..... | 290 |
| 5.13.2C.5 | Test requirements..... | 292 |
| 5.13.2CA | Relative Code Domain Error for HS-DPCCH and E-DCH with 16QAM for DC-HSUPA..... | 293 |
| 5.13.2CA.1 | Definition and applicability..... | 293 |
| 5.13.2CA.2 | Minimum Requirements..... | 293 |
| 5.13.2CA.3 | Test purpose..... | 294 |
| 5.13.2CA.4 | Method of test..... | 294 |

| | | |
|------------|---|-----|
| 5.13.2CA.5 | Test requirements | 295 |
| 5.13.3 | UE phase discontinuity | 296 |
| 5.13.3.1 | Definition and applicability..... | 296 |
| 5.13.3.2 | Minimum requirements | 297 |
| 5.13.3.3 | Test purpose | 297 |
| 5.13.3.4 | Method of test | 297 |
| 5.13.3.5 | Test requirements | 299 |
| 5.13.4 | PRACH preamble quality | 299 |
| 5.13.4.1 | Definition and applicability..... | 299 |
| 5.13.4.2 | Minimum requirements | 299 |
| 5.13.4.3 | Test purpose | 299 |
| 5.13.4.4 | Method of test | 299 |
| 5.13.4.5 | Test requirements | 301 |
| 5.13.5 | In-band emission for DC-HSUPA | 301 |
| 5.13.5.1 | Definition and applicability..... | 301 |
| 5.13.5.2 | Minimum Requirements..... | 301 |
| 5.13.5.3 | Test purpose | 301 |
| 5.13.5.4 | Method of test | 301 |
| 5.13.5.5 | Test requirements | 302 |
| 6 | Receiver Characteristics | 303 |
| 6.1 | General | 303 |
| 6.1A | Reference input power adjustment for a dual band device | 304 |
| 6.2 | Reference Sensitivity Level..... | 304 |
| 6.2.1 | Definition and applicability | 304 |
| 6.2.2 | Minimum Requirements | 305 |
| 6.2.3 | Test purpose..... | 305 |
| 6.2.4 | Method of test | 305 |
| 6.2.5 | Test requirements..... | 306 |
| 6.2A | Reference Sensitivity Level for DC-HSDPA | 307 |
| 6.2A.1 | Definition and applicability | 307 |
| 6.2A.2 | Minimum Requirements | 307 |
| 6.2A.3 | Test purpose..... | 307 |
| 6.2A.4 | Method of test | 307 |
| 6.2A.5 | Test requirements..... | 308 |
| 6.2B | Reference Sensitivity Level for DB-DC-HSDPA | 309 |
| 6.2B.1 | Definition and applicability | 309 |
| 6.2B.2 | Minimum Requirements | 309 |
| 6.2B.3 | Test purpose..... | 310 |
| 6.2B.4 | Method of test | 310 |
| 6.2B.5 | Test requirements..... | 311 |
| 6.2C | Reference Sensitivity Level for Single band 4C-HSDPA | 311 |
| 6.2C.1 | Definition and applicability | 311 |
| 6.2C.2 | Minimum Requirements | 311 |
| 6.2C.3 | Test purpose..... | 312 |
| 6.2C.4 | Method of test | 312 |
| 6.2C.4.2 | Procedure | 312 |
| 6.2C.5 | Test requirements..... | 312 |
| 6.2D | Reference Sensitivity Level for Dual band 4C-HSDPA..... | 313 |
| 6.2D.1 | Definition and applicability | 313 |
| 6.2D.2 | Minimum Requirements | 313 |
| 6.2D.3 | Test purpose..... | 314 |
| 6.2D.4 | Method of test | 314 |
| 6.2D.5 | Test requirements..... | 314 |
| 6.2DA | Reference Sensitivity Level for Dual band 4C-HSDPA (3 carrier)..... | 315 |
| 6.2DA.1 | Definition and applicability | 315 |
| 6.2DA.2 | Minimum Requirements | 315 |
| 6.2DA.3 | Test purpose..... | 316 |
| 6.2DA.4 | Method of test | 316 |
| 6.2DA.5 | Test requirements..... | 316 |
| 6.3 | Maximum Input Level..... | 317 |
| 6.3.1 | Definition and applicability | 317 |

| | | |
|---------|---|-----|
| 6.3.2 | Minimum requirements..... | 317 |
| 6.3.3 | Test purpose..... | 317 |
| 6.3.4 | Method of test..... | 317 |
| 6.3.5 | Test requirements..... | 318 |
| 6.3A | Maximum Input Level for HS-PDSCH Reception (16QAM)..... | 318 |
| 6.3A.1 | Definition and applicability..... | 318 |
| 6.3A.2 | Minimum requirements..... | 318 |
| 6.3A.3 | Test purpose..... | 319 |
| 6.3A.4 | Method of test..... | 319 |
| 6.3A.5 | Test requirements..... | 320 |
| 6.3B | Maximum Input Level for HS-PDSCH Reception (64QAM)..... | 320 |
| 6.3B.1 | Definition and applicability..... | 320 |
| 6.3B.2 | Minimum requirements..... | 320 |
| 6.3B.3 | Test purpose..... | 321 |
| 6.3B.4 | Method of test..... | 321 |
| 6.3B.5 | Test requirements..... | 323 |
| 6.3C | Maximum Input Level for DC-HSDPA Reception (16QAM)..... | 323 |
| 6.3C.1 | Definition and applicability..... | 323 |
| 6.3C.2 | Minimum requirements..... | 323 |
| 6.3C.3 | Test purpose..... | 324 |
| 6.3C.4 | Method of test..... | 324 |
| 6.3C.5 | Test requirements..... | 325 |
| 6.3D | Maximum Input Level for DC-HSDPA Reception (64QAM)..... | 325 |
| 6.3D.1 | Definition and applicability..... | 325 |
| 6.3D.2 | Minimum requirements..... | 325 |
| 6.3D.3 | Test purpose..... | 326 |
| 6.3D.4 | Method of test..... | 326 |
| 6.3D.5 | Test requirements..... | 327 |
| 6.3E | Maximum Input Level for DB-DC-HSDPA Reception (16QAM)..... | 327 |
| 6.3E.1 | Definition and applicability..... | 327 |
| 6.3E.2 | Minimum requirements..... | 327 |
| 6.3E.3 | Test purpose..... | 328 |
| 6.3E.4 | Method of test..... | 328 |
| 6.3E.5 | Test requirements..... | 329 |
| 6.3F | Maximum Input Level for DB-DC-HSDPA Reception (64QAM)..... | 329 |
| 6.3F.1 | Definition and applicability..... | 329 |
| 6.3F.2 | Minimum requirements..... | 329 |
| 6.3F.3 | Test purpose..... | 330 |
| 6.3F.4 | Method of test..... | 330 |
| 6.3F.5 | Test requirements..... | 331 |
| 6.3G | Maximum Input Level for 4C-HSDPA Reception (16QAM)..... | 332 |
| 6.3G.1 | Definition and applicability..... | 332 |
| 6.3G.2 | Minimum requirements..... | 332 |
| 6.3G.3 | Test purpose..... | 332 |
| 6.3G.4 | Method of test..... | 332 |
| 6.3G.5 | Test requirements..... | 333 |
| 6.3GA | Maximum Input Level for 4C-HSDPA Reception (16QAM) (3 carrier)..... | 334 |
| 6.3GA.1 | Definition and applicability..... | 334 |
| 6.3GA.2 | Minimum requirements..... | 334 |
| 6.3GA.3 | Test purpose..... | 334 |
| 6.3GA.4 | Method of test..... | 334 |
| 6.3GA.5 | Test requirements..... | 335 |
| 6.3H | Maximum Input Level for 4C-HSDPA Reception (64QAM)..... | 336 |
| 6.3H.1 | Definition and applicability..... | 336 |
| 6.3H.2 | Minimum requirements..... | 336 |
| 6.3H.3 | Test purpose..... | 336 |
| 6.3H.4 | Method of test..... | 336 |
| 6.3H.5 | Test requirements..... | 338 |
| 6.3HA | Maximum Input Level for 4C-HSDPA Reception (64QAM) (3 carrier)..... | 338 |
| 6.3HA.1 | Definition and applicability..... | 338 |
| 6.3HA.2 | Minimum requirements..... | 338 |
| 6.3HA.3 | Test purpose..... | 339 |

| | | |
|----------|--|-----|
| 6.3HA.4 | Method of test | 339 |
| 6.3HA.5 | Test requirements..... | 340 |
| 6.4 | Adjacent Channel Selectivity (ACS) (Rel-99 and Rel-4) | 341 |
| 6.4.1 | Definition and applicability | 341 |
| 6.4.2 | Minimum Requirements | 341 |
| 6.4.3 | Test purpose..... | 341 |
| 6.4.4 | Method of test | 342 |
| 6.4.5 | Test requirements..... | 342 |
| 6.4A | Adjacent Channel Selectivity (ACS) (Rel-5 and later releases)..... | 343 |
| 6.4A.1 | Definition and applicability | 343 |
| 6.4A.2 | Minimum Requirements | 343 |
| 6.4A.3 | Test purpose..... | 343 |
| 6.4A.4 | Method of test | 343 |
| 6.4A.5 | Test requirements..... | 344 |
| 6.4B | Adjacent Channel Selectivity (ACS) for DC-HSDPA | 344 |
| 6.4B.1 | Definition and applicability | 344 |
| 6.4B.2 | Minimum Requirements | 345 |
| 6.4B.3 | Test purpose..... | 345 |
| 6.4B.4 | Method of test | 345 |
| 6.4B.5 | Test requirements..... | 346 |
| 6.4C | Adjacent Channel Selectivity (ACS) for DB-DC-HSDPA..... | 347 |
| 6.4C.1 | Definition and applicability | 347 |
| 6.4C.2 | Minimum Requirements | 347 |
| 6.4C.3 | Test purpose..... | 348 |
| 6.4C.4 | Method of test | 348 |
| 6.4C.5 | Test requirements..... | 349 |
| 6.5 | Blocking Characteristics..... | 349 |
| 6.5.1 | Definition and applicability | 349 |
| 6.5.2 | Minimum Requirements | 349 |
| 6.5.2.1 | Minimum Requirements (In-band blocking)..... | 349 |
| 6.5.2.2 | Minimum requirements (Out of-band blocking) | 351 |
| 6.5.2.3 | Minimum requirements (Narrow band blocking)..... | 353 |
| 6.5.3 | Test purpose..... | 353 |
| 6.5.4 | Method of test | 353 |
| 6.5.5 | Test requirements..... | 354 |
| 6.5A | Blocking Characteristics for DC-HSDPA | 357 |
| 6.5A.1 | Definition and applicability | 357 |
| 6.5A.2 | Minimum Requirements | 358 |
| 6.5A.2.1 | Minimum Requirements (In-band blocking)..... | 358 |
| 6.5A.2.2 | Minimum requirements (Out of-band blocking) | 359 |
| 6.5A.2.3 | Minimum requirements (Narrow band blocking)..... | 361 |
| 6.5A.3 | Test purpose..... | 361 |
| 6.5A.4 | Method of test | 361 |
| 6.5A.5 | Test requirements..... | 363 |
| 6.5B | Blocking Characteristics for DB-DC-HSDPA | 366 |
| 6.5B.1 | Definition and applicability | 366 |
| 6.5B.2 | Minimum Requirements | 366 |
| 6.5B.2.1 | Minimum Requirements (In-band blocking)..... | 366 |
| 6.5B.2.2 | Minimum requirements (Out of-band blocking) | 368 |
| 6.5B.2.3 | Minimum requirements (Narrow band blocking)..... | 368 |
| 6.5B.3 | Test purpose..... | 369 |
| 6.5B.4 | Method of test | 369 |
| 6.5B.5 | Test requirements..... | 370 |
| 6.5C | Blocking Characteristics for DC-HSUPA | 372 |
| 6.5C.1 | Definition and applicability | 372 |
| 6.5C.2 | Minimum Requirements | 372 |
| 6.5C.2.1 | Minimum Requirements (In-band blocking)..... | 372 |
| 6.5C.2.2 | Minimum requirements (Narrow band blocking)..... | 374 |
| 6.5C.3 | Test purpose..... | 375 |
| 6.5C.4 | Method of test | 375 |
| 6.5C.5 | Test requirements..... | 376 |
| 6.5D | Blocking Characteristics for single Uplink Single band 4C-HSDPA..... | 379 |

| | | |
|-----------|---|-----|
| 6.5D.1 | Definition and applicability | 379 |
| 6.5D.2 | Minimum Requirements | 379 |
| 6.5D.2.1 | Minimum Requirements (In-band blocking)..... | 379 |
| 6.5D.2.2 | Minimum requirements (Out of-band blocking) | 380 |
| 6.5D.3 | Test purpose..... | 380 |
| 6.5D.4 | Method of test | 381 |
| 6.5D.4.1 | Initial conditions | 381 |
| 6.5D.4.2 | Procedure | 381 |
| 6.5D.5 | Test requirements..... | 381 |
| 6.5E | Blocking Characteristics for dual uplink single band 4C-HSDPA | 383 |
| 6.5E.1 | Definition and applicability | 383 |
| 6.5E.2 | Minimum Requirements | 383 |
| 6.5E.2.1 | Minimum Requirements (In-band blocking)..... | 383 |
| 6.5E.3 | Test purpose..... | 383 |
| 6.5E.4 | Method of test | 384 |
| 6.5E.4.1 | Initial conditions | 384 |
| 6.5E.4.2 | Procedure | 384 |
| 6.5E.5 | Test requirements..... | 384 |
| 6.5F | Blocking Characteristics for single Uplink dual band 4C-HSDPA | 385 |
| 6.5F.1 | Definition and applicability | 385 |
| 6.5F.2 | Minimum Requirements | 385 |
| 6.5F.2.1 | Minimum Requirements (In-band blocking)..... | 385 |
| 6.5F.2.2 | Minimum requirements (Out of-band blocking) | 386 |
| 6.5F.2.3 | Minimum requirements (Narrow band blocking)..... | 388 |
| 6.5F.3 | Test purpose..... | 388 |
| 6.5F.4 | Method of test | 388 |
| 6.5F.4.1 | Initial conditions | 388 |
| 6.5F.4.2 | Procedure | 389 |
| 6.5F.5 | Test requirements..... | 389 |
| 6.5FA | Blocking Characteristics for single Uplink dual band 4C-HSDPA (3 carrier) | 392 |
| 6.5FA.1 | Definition and applicability | 392 |
| 6.5FA.2 | Minimum Requirements | 393 |
| 6.5FA.2.1 | Minimum Requirements (In-band blocking)..... | 393 |
| 6.5FA.2.2 | Minimum requirements (Out of-band blocking) | 393 |
| 6.5FA.2.3 | Minimum requirements (Narrow band blocking)..... | 395 |
| 6.5FA.3 | Test purpose..... | 396 |
| 6.5FA.4 | Method of test | 396 |
| 6.5FA.4.1 | Initial conditions | 396 |
| 6.5FA.4.2 | Procedure | 397 |
| 6.5FA.5 | Test requirements..... | 397 |
| 6.5G | Blocking Characteristics for dual uplink dual band 4C-HSDPA | 400 |
| 6.5G.1 | Definition and applicability | 400 |
| 6.5G.2 | Minimum Requirements | 400 |
| 6.5G.2.1 | Minimum Requirements (In-band blocking)..... | 400 |
| 6.5G.2.2 | Minimum requirements (Narrow band blocking)..... | 402 |
| 6.5G.3 | Test purpose..... | 403 |
| 6.5G.4 | Method of test | 403 |
| 6.5G.5 | Test requirements..... | 404 |
| 6.5GA | Blocking Characteristics for dual uplink dual band 4C-HSDPA (3 carrier)..... | 406 |
| 6.5GA.1 | Definition and applicability | 406 |
| 6.5GA.2 | Minimum Requirements | 406 |
| 6.5GA.2.1 | Minimum Requirements (In-band blocking)..... | 406 |
| 6.5GA.2.2 | Minimum requirements (Narrow band blocking)..... | 408 |
| 6.5GA.3 | Test purpose..... | 409 |
| 6.5GA.4 | Method of test | 409 |
| 6.5GA.5 | Test requirements..... | 410 |
| 6.6 | Spurious Response | 412 |
| 6.6.1 | Definition and applicability | 412 |
| 6.6.2 | Minimum Requirements | 412 |
| 6.6.3 | Test purpose..... | 413 |
| 6.6.4 | Method of test | 413 |
| 6.6.5 | Test requirements..... | 413 |

| | | |
|---------|--|-----|
| 6.6A | Spurious Response for DC-HSDPA | 414 |
| 6.6A.1 | Definition and applicability | 414 |
| 6.6A.2 | Minimum Requirements | 414 |
| 6.6A.3 | Test purpose..... | 414 |
| 6.6A.4 | Method of test | 414 |
| 6.6A.5 | Test requirements..... | 415 |
| 6.6B | Spurious Response for DB-DC-HSDPA | 416 |
| 6.6B.1 | Definition and applicability | 416 |
| 6.6B.2 | Minimum Requirements | 416 |
| 6.6B.3 | Test purpose..... | 416 |
| 6.6B.4 | Method of test | 416 |
| 6.6B.5 | Test requirements..... | 417 |
| 6.6C | Spurious Response for single band 4C-HSDPA..... | 418 |
| 6.6C.1 | Definition and applicability | 418 |
| 6.6C.2 | Minimum Requirements | 418 |
| 6.6C.3 | Test purpose..... | 418 |
| 6.6C.4 | Method of test | 418 |
| 6.6C.5 | Test requirements..... | 419 |
| 6.6D | Spurious Response for dual band 4C-HSDPA | 419 |
| 6.6D.1 | Definition and applicability | 419 |
| 6.6D.2 | Minimum Requirements | 420 |
| 6.6D.3 | Test purpose..... | 420 |
| 6.6D.4 | Method of test | 420 |
| 6.6D.5 | Test requirements..... | 421 |
| 6.6DA | Spurious Response for dual band 4C-HSDPA (3 carrier) | 421 |
| 6.6DA.1 | Definition and applicability | 421 |
| 6.6DA.2 | Minimum Requirements | 421 |
| 6.6DA.3 | Test purpose..... | 422 |
| 6.6DA.4 | Method of test | 422 |
| 6.6DA.5 | Test requirements..... | 422 |
| 6.7 | Intermodulation Characteristics..... | 423 |
| 6.7.1 | Definition and applicability | 423 |
| 6.7.2 | Minimum Requirements | 423 |
| 6.7.3 | Test purpose..... | 424 |
| 6.7.4 | Method of test | 424 |
| 6.7.5 | Test requirements..... | 425 |
| 6.7A | Intermodulation Characteristics for DC-HSDPA | 425 |
| 6.7A.1 | Definition and applicability | 425 |
| 6.7A.2 | Minimum Requirements | 426 |
| 6.7A.3 | Test purpose..... | 426 |
| 6.7A.4 | Method of test | 427 |
| 6.7A.5 | Test requirements..... | 427 |
| 6.7B | Intermodulation Characteristics for DB-DC-HSDPA | 428 |
| 6.7B.1 | Definition and applicability | 428 |
| 6.7B.2 | Minimum Requirements | 429 |
| 6.7B.3 | Test purpose..... | 429 |
| 6.7B.4 | Method of test | 430 |
| 6.7B.5 | Test requirements..... | 430 |
| 6.7C | Intermodulation Characteristics for DC-HSUPA | 431 |
| 6.7C.1 | Definition and applicability | 431 |
| 6.7C.2 | Minimum Requirements | 432 |
| 6.7C.3 | Test purpose..... | 433 |
| 6.7C.4 | Method of test | 433 |
| 6.7C.5 | Test requirements..... | 434 |
| 6.7D | Intermodulation Characteristics for single uplink single band 4C-HSDPA | 436 |
| 6.7D.1 | Definition and applicability | 436 |
| 6.7D.2 | Minimum Requirements | 436 |
| 6.7D.3 | Test purpose..... | 437 |
| 6.7D.4 | Method of test | 437 |
| 6.7D.5 | Test requirements..... | 438 |
| 6.7E | Intermodulation Characteristics for single uplink dual band 4C-HSDPA..... | 438 |
| 6.7E.1 | Definition and applicability | 438 |

| | | |
|----------|---|-----|
| 6.7E.2 | Minimum Requirements | 438 |
| 6.7E.3 | Test purpose..... | 440 |
| 6.7E.4 | Method of test | 440 |
| 6.7E.5 | Test requirements..... | 441 |
| 6.7EA | Intermodulation Characteristics for single uplink dual band 4C-HSDPA (3 carrier)..... | 443 |
| 6.7EA.1 | Definition and applicability | 443 |
| 6.7EA.2 | Minimum Requirements | 443 |
| 6.7EA.3 | Test purpose..... | 444 |
| 6.7EA.4 | Method of test | 445 |
| 6.7EA.5 | Test requirements..... | 445 |
| 6.8 | Spurious Emissions | 447 |
| 6.8.1 | Definition and applicability | 447 |
| 6.8.2 | Minimum Requirements | 447 |
| 6.8.3 | Test purpose..... | 451 |
| 6.8.4 | Method of test | 451 |
| 6.8.5 | Test requirements..... | 452 |
| 7 | Performance requirements..... | 456 |
| 7.1 | General | 456 |
| 7.1.1 | Measurement Configurations..... | 456 |
| 7.1.2 | Definition of Additive White Gaussian Noise (AWGN) Interferer | 456 |
| 7.2 | Demodulation in Static Propagation conditions | 457 |
| 7.2.1 | Demodulation of Dedicated Channel (DCH)..... | 457 |
| 7.2.1.1 | Definition and applicability..... | 457 |
| 7.2.1.2 | Minimum requirements | 457 |
| 7.2.1.3 | Test purpose | 457 |
| 7.2.1.4 | Method of test | 457 |
| 7.2.1.5 | Test requirements | 458 |
| 7.3 | Demodulation of DCH in Multi-path Fading Propagation conditions..... | 458 |
| 7.3.1 | Single Link Performance | 458 |
| 7.3.1.1 | Definition and applicability..... | 458 |
| 7.3.1.2 | Minimum requirements | 459 |
| 7.3.1.3 | Test purpose | 461 |
| 7.3.1.4 | Method of test | 461 |
| 7.3.1.5 | Test requirements | 461 |
| 7.4 | Demodulation of DCH in Moving Propagation conditions | 464 |
| 7.4.1 | Single Link Performance | 464 |
| 7.4.1.1 | Definition and applicability..... | 464 |
| 7.4.1.2 | Minimum requirements | 464 |
| 7.4.1.3 | Test purpose | 465 |
| 7.4.1.4 | Method of test | 465 |
| 7.4.1.5 | Test requirements | 465 |
| 7.5 | Demodulation of DCH in Birth-Death Propagation conditions..... | 466 |
| 7.5.1 | Single Link Performance | 466 |
| 7.5.1.1 | Definition and applicability..... | 466 |
| 7.5.1.2 | Minimum requirements | 466 |
| 7.5.1.3 | Test purpose | 466 |
| 7.5.1.4 | Method of test | 466 |
| 7.5.1.5 | Test requirements | 467 |
| 7.5A | Demodulation of DCH in high speed train condition..... | 467 |
| 7.5A.1 | Single Link Performance | 467 |
| 7.5A.1.1 | Definition and applicability..... | 467 |
| 7.5A.1.2 | Minimum requirement | 467 |
| 7.5A.1.3 | Test purpose | 468 |
| 7.5A.1.4 | Method of test | 468 |
| 7.5A.1.5 | Test requirements | 468 |
| 7.6 | Demodulation of DCH in downlink Transmit diversity modes..... | 469 |
| 7.6.1 | Demodulation of DCH in open-loop transmit diversity mode..... | 469 |
| 7.6.1.1 | Definition and applicability..... | 469 |
| 7.6.1.2 | Minimum requirements | 469 |
| 7.6.1.3 | Test purpose | 469 |
| 7.6.1.4 | Method of test | 469 |

| | | |
|-----------|---|-----|
| 7.6.1.5 | Test Requirements..... | 470 |
| 7.6.2 | Demodulation of DCH in closed loop transmit diversity mode..... | 471 |
| 7.6.2.1 | Definition and applicability..... | 471 |
| 7.6.2.2 | Minimum requirements..... | 471 |
| 7.6.2.3 | Test purpose..... | 472 |
| 7.6.2.4 | Method of test..... | 472 |
| 7.6.2.5 | Test Requirements..... | 473 |
| 7.6.3 | Demodulation of DCH in Site Selection Diversity Transmission Power Control mode..... | 474 |
| 7.6.3.1 | Definition and applicability..... | 474 |
| 7.6.3.2 | Minimum requirements..... | 474 |
| 7.6.3.3 | Test purpose..... | 475 |
| 7.6.3.4 | Method of test..... | 475 |
| 7.6.3.5 | Test Requirements..... | 478 |
| 7.7 | Demodulation in Handover conditions..... | 479 |
| 7.7.1 | Demodulation of DCH in Inter-Cell Soft Handover (Release 5 and earlier)..... | 479 |
| 7.7.1.1 | Definition and applicability..... | 479 |
| 7.7.1.2 | Minimum requirements..... | 479 |
| 7.7.1.3 | Test purpose..... | 480 |
| 7.7.1.4 | Method of test..... | 480 |
| 7.7.1.5 | Test requirements..... | 480 |
| 7.7.1A | Demodulation of DCH in Inter-Cell Soft Handover (Release 6 and later)..... | 481 |
| 7.7.1A.1 | Definition and applicability..... | 481 |
| 7.7.1A.2 | Minimum requirements..... | 481 |
| 7.7.1A.3 | Test purpose..... | 482 |
| 7.7.1A.4 | Method of test..... | 482 |
| 7.7.1A.5 | Test requirements..... | 482 |
| 7.7.2 | Combining of TPC commands from radio links of different radio link sets..... | 483 |
| 7.7.2.1 | Definition and applicability..... | 483 |
| 7.7.2.2 | Minimum requirements..... | 483 |
| 7.7.2.3 | Test purpose..... | 484 |
| 7.7.2.4 | Method of test..... | 484 |
| 7.7.2.5 | Test requirements..... | 485 |
| 7.7.3 | Combining of reliable TPC commands from radio links of different radio link sets..... | 486 |
| 7.7.3.1 | Definition and applicability..... | 486 |
| 7.7.3.2 | Minimum requirements..... | 486 |
| 7.7.3.3 | Test purpose..... | 487 |
| 7.7.3.4 | Method of test..... | 487 |
| 7.7.3.4.1 | Test 1 Initial conditions..... | 487 |
| 7.7.3.4.2 | Test 1 Procedures..... | 487 |
| 7.7.3.4.3 | Test 2 Initial conditions..... | 487 |
| 7.7.3.4.4 | Test 2 Procedures..... | 488 |
| 7.7.3.5 | Test requirements..... | 488 |
| 7.8 | Power control in downlink..... | 489 |
| 7.8.1 | Power control in the downlink, constant BLER target (Release 5 and earlier)..... | 489 |
| 7.8.1.1 | Definition and applicability..... | 489 |
| 7.8.1.2 | Minimum requirements..... | 490 |
| 7.8.1.3 | Test purpose..... | 490 |
| 7.8.1.4 | Method of test..... | 490 |
| 7.8.1.5 | Test Requirements..... | 491 |
| 7.8.1A | Power control in the downlink, constant BLER target (Release 6 and later)..... | 492 |
| 7.8.1A.1 | Definition and applicability..... | 492 |
| 7.8.1A.2 | Minimum requirements..... | 492 |
| 7.8.1A.3 | Test purpose..... | 492 |
| 7.8.1A.4 | Method of test..... | 492 |
| 7.8.1A.5 | Test Requirements..... | 493 |
| 7.8.2 | Power control in the downlink, initial convergence..... | 494 |
| 7.8.2.1 | Definition and applicability..... | 494 |
| 7.8.2.2 | Minimum requirements..... | 494 |
| 7.8.2.3 | Test purpose..... | 494 |
| 7.8.2.4 | Method of test..... | 494 |
| 7.8.2.5 | Test Requirements..... | 495 |
| 7.8.3 | Power control in the downlink, wind up effects (Release 5 and earlier)..... | 496 |

| | | |
|----------|--|-----|
| 7.8.3.1 | Definition and applicability..... | 496 |
| 7.8.3.2 | Minimum requirements..... | 497 |
| 7.8.3.3 | Test purpose..... | 497 |
| 7.8.3.4 | Method of test..... | 497 |
| 7.8.3.5 | Test Requirements..... | 498 |
| 7.8.3A | Power control in the downlink, wind up effects (Release 6 and later)..... | 499 |
| 7.8.3A.1 | Definition and applicability..... | 499 |
| 7.8.3A.2 | Minimum requirements..... | 499 |
| 7.8.3A.3 | Test purpose..... | 499 |
| 7.8.3A.4 | Method of test..... | 500 |
| 7.8.4 | Power control in the downlink, different transport formats..... | 501 |
| 7.8.4.1 | Definition and applicability..... | 501 |
| 7.8.4.2 | Minimum requirements..... | 501 |
| 7.8.4.3 | Test purpose..... | 502 |
| 7.8.4.4 | Method of test..... | 502 |
| 7.8.4.5 | Test Requirements..... | 503 |
| 7.8.5 | Power control in the downlink for F-DPCH..... | 503 |
| 7.8.5.1 | Definition and applicability..... | 503 |
| 7.8.5.2 | Minimum requirements..... | 504 |
| 7.8.5.3 | Test purpose..... | 504 |
| 7.8.5.4 | Method of test..... | 504 |
| 7.8.5.5 | Test Requirements..... | 507 |
| 7.9 | Downlink compressed mode..... | 507 |
| 7.9.1 | Single link performance (Release 5 and earlier)..... | 508 |
| 7.9.1.1 | Definition and applicability..... | 508 |
| 7.9.1.2 | Minimum requirements..... | 508 |
| 7.9.1.3 | Test purpose..... | 509 |
| 7.9.1.4 | Method of test..... | 509 |
| 7.9.1.5 | Test requirements..... | 509 |
| 7.9.1A | Single link performance (Release 6 and later)..... | 511 |
| 7.9.1A.1 | Definition and applicability..... | 511 |
| 7.9.1A.2 | Minimum requirements..... | 511 |
| 7.9.1A.3 | Test purpose..... | 511 |
| 7.9.1A.4 | Method of test..... | 512 |
| 7.9.1A.5 | Test requirements..... | 512 |
| 7.10 | Blind transport format detection..... | 513 |
| 7.10.1 | Definition and applicability..... | 513 |
| 7.10.2 | Minimum requirements..... | 513 |
| 7.10.3 | Test purpose..... | 514 |
| 7.10.4 | Method of test..... | 514 |
| 7.10.5 | Test requirements..... | 515 |
| 7.11 | Demodulation of Paging Channel (PCH)..... | 515 |
| 7.11.1 | Definition and applicability..... | 515 |
| 7.11.2 | Minimum requirements..... | 515 |
| 7.11.3 | Test purpose..... | 516 |
| 7.11.4 | Method of test..... | 516 |
| 7.11.5 | Test requirements..... | 519 |
| 7.12 | Detection of Acquisition Indicator (AI)..... | 519 |
| 7.12.1 | Definition and applicability..... | 519 |
| 7.12.2 | Minimum requirements..... | 520 |
| 7.12.3 | Test purpose..... | 520 |
| 7.12.4 | Method of test..... | 520 |
| 7.12.5 | Test requirements..... | 522 |
| 7.12A | Detection of E-DCH Acquisition Indicator (E-AI)..... | 522 |
| 7.12A.1 | Definition and applicability..... | 522 |
| 7.12A.2 | Minimum requirements..... | 522 |
| 7.12A.3 | Test purpose..... | 523 |
| 7.12A.4 | Method of test..... | 523 |
| 7.12A.5 | Test requirements..... | 524 |
| 7.13 | UE UL power control operation with discontinuous UL DPCCCH transmission operation..... | 525 |
| 7.13.1 | Definition and applicability..... | 525 |
| 7.13.2 | Minimum requirement..... | 525 |

| | | |
|-------------|---|-----|
| 7.13.3 | Test purpose..... | 525 |
| 7.13.4 | Method of test..... | 526 |
| 7.13.4.1 | Initial conditions | 526 |
| 7.13.4.2 | Procedure | 526 |
| 7.13.5. | Test Requirements..... | 528 |
| 8 | Requirements for support of RRM..... | 529 |
| 8.1 | General | 529 |
| 8.1.1 | Definition of Additive White Gaussian Noise (AWGN) Interferer | 529 |
| 8.2 | Idle Mode Tasks | 529 |
| 8.2.1 | Cell Selection..... | 529 |
| 8.2.2 | Cell Re-Selection | 529 |
| 8.2.2.1 | Scenario 1: Single carrier case | 529 |
| 8.2.2.1.1 | Definition and applicability | 529 |
| 8.2.2.1.2 | Minimum requirement..... | 530 |
| 8.2.2.1.3 | Test purpose | 530 |
| 8.2.2.1.4 | Method of test..... | 530 |
| 8.2.2.1.5 | Test requirements | 533 |
| 8.2.2.2 | Scenario 2: Multi carrier case..... | 533 |
| 8.2.2.2.1 | Definition and applicability | 533 |
| 8.2.2.2.2 | Minimum requirement..... | 533 |
| 8.2.2.2.3 | Test purpose | 533 |
| 8.2.2.2.4 | Method of test..... | 534 |
| 8.2.2.2.5 | Test requirements | 536 |
| 8.2.3 | UTRAN to GSM Cell Re-Selection..... | 538 |
| 8.2.3.1 | Scenario 1: Both UTRA and GSM level changed..... | 538 |
| 8.2.3.1.1 | Definition and applicability | 538 |
| 8.2.3.1.2 | Minimum requirement..... | 538 |
| 8.2.3.1.3 | Test purpose | 538 |
| 8.2.3.1.4 | Method of test..... | 538 |
| 8.2.3.1.5 | Test requirements | 540 |
| 8.2.3.2 | Scenario 2: Only UTRA level changed..... | 541 |
| 8.2.3.2.1 | Definition and applicability | 541 |
| 8.2.3.2.2 | Minimum requirement..... | 541 |
| 8.2.3.2.3 | Test purpose | 541 |
| 8.2.3.2.4 | Method of test..... | 541 |
| 8.2.3.2.5 | Test requirements | 543 |
| 8.2.3.3 | Scenario 3: HCS with only UTRA level changed | 544 |
| 8.2.3.3.1 | Definition and applicability | 544 |
| 8.2.3.3.2 | Minimum requirement..... | 544 |
| 8.2.3.3.3 | Test purpose | 544 |
| 8.2.3.3.4 | Method of test..... | 544 |
| 8.2.3.3.5 | Test requirements | 546 |
| 8.2.4 | FDD/TDD Cell Re-selection..... | 547 |
| 8.2.4.1 | Definition and applicability..... | 547 |
| 8.2.4.1.1 | 3.84 Mcps TDD Option..... | 547 |
| 8.2.4.1.2 | 1.28 Mcps TDD Option..... | 547 |
| 8.2.4.2 | Minimum requirement | 548 |
| 8.2.4.3 | Test purpose | 548 |
| 8.2.4.4 | Method of test | 548 |
| 8.2.4.4.1 | Initial conditions | 548 |
| 8.2.4.4.1.1 | 3.84 Mcps TDD Option | 548 |
| 8.2.4.4.1.2 | 1.28Mcps TDD Option | 549 |
| 8.2.4.4.2 | Procedures | 550 |
| 8.2.4.5 | Test requirements..... | 550 |
| 8.2.5 | UTRAN to E-UTRA Cell Re-Selection..... | 551 |
| 8.2.5.1 | E-UTRA is of higher priority | 551 |
| 8.2.5.1.1 | Definition and applicability | 551 |
| 8.2.5.1.2 | Minimum requirement..... | 551 |
| 8.2.5.1.3 | Test purpose | 551 |
| 8.2.5.1.4 | Method of test..... | 551 |
| 8.2.5.1.5 | Test requirements | 554 |

| | | |
|------------|--|-----|
| 8.2.5.2 | E-UTRA is of lower priority | 555 |
| 8.2.5.2.1 | Definition and applicability | 555 |
| 8.2.5.2.2 | Minimum requirement | 556 |
| 8.2.5.2.3 | Test purpose | 556 |
| 8.2.5.2.4 | Method of test..... | 556 |
| 8.2.5.2.5 | Test requirements | 559 |
| 8.2.5.3 | RSRQ based reselection when E-UTRA FDD is of higher priority | 560 |
| 8.2.5.3.1 | Definition and applicability | 560 |
| 8.2.5.3.2 | Minimum requirement | 560 |
| 8.2.5.3.3 | Test purpose | 560 |
| 8.2.5.3.4 | Method of test..... | 560 |
| 8.2.5.3.5 | Test requirements | 563 |
| 8.3 | UTRAN Connected Mode Mobility | 564 |
| 8.3.1 | FDD/FDD Soft Handover | 564 |
| 8.3.1.1 | Definition and applicability..... | 564 |
| 8.3.1.2 | Minimum requirement | 565 |
| 8.3.1.3 | Test purpose | 565 |
| 8.3.1.4 | Method of test | 565 |
| 8.3.1.5 | Test requirements | 570 |
| 8.3.2 | FDD/FDD Hard Handover..... | 571 |
| 8.3.2.1 | FDD/FDD Hard Handover to intra-frequency cell..... | 571 |
| 8.3.2.1.1 | Definition and applicability | 571 |
| 8.3.2.1.2 | Minimum requirement..... | 571 |
| 8.3.2.1.3 | Test purpose | 572 |
| 8.3.2.1.4 | Method of test..... | 572 |
| 8.3.2.1.5 | Test requirements | 578 |
| 8.3.2.2 | FDD/FDD Hard Handover to inter-frequency cell..... | 578 |
| 8.3.2.2.1 | Definition and applicability | 578 |
| 8.3.2.2.2 | Minimum requirement..... | 578 |
| 8.3.2.2.3 | Test purpose | 579 |
| 8.3.2.2.4 | Method of test..... | 579 |
| 8.3.2.2.5 | Test requirements | 584 |
| 8.3.3 | FDD/TDD Handover | 585 |
| 8.3.3.1 | Definition and applicability..... | 585 |
| 8.3.3.2 | Minimum requirement | 585 |
| 8.3.3.3 | Test purpose | 585 |
| 8.3.3.4 | Method of test | 585 |
| 8.3.3.5 | Test requirements..... | 590 |
| 8.3.4 | Inter-system Handover from UTRAN FDD to GSM..... | 591 |
| 8.3.4.1 | Definition and applicability | 591 |
| 8.3.4.2 | Minimum requirement..... | 591 |
| 8.3.4.3 | Test purpose | 591 |
| 8.3.4.4 | Method of test..... | 591 |
| 8.3.4.5 | Test requirements | 598 |
| 8.3.4a | Inter-system Handover from UTRAN FDD to E-UTRAN FDD | 598 |
| 8.3.4a.1 | Definition and applicability | 599 |
| 8.3.4a.2 | Minimum requirement..... | 599 |
| 8.3.4a.3 | Test purpose | 599 |
| 8.3.4a.4 | Method of test..... | 599 |
| 8.3.4a.5 | Test requirements | 607 |
| 8.3.4b | Inter-system Handover from UTRAN FDD to E-UTRAN TDD..... | 608 |
| 8.3.4b.1 | Definition and applicability..... | 608 |
| 8.3.4b.2 | Minimum requirement | 609 |
| 8.3.4b.3 | Test purpose | 609 |
| 8.3.4b.4 | Method of test | 609 |
| 8.3.4b.4.1 | Initial conditions | 609 |
| 8.3.4b.4.2 | Procedure..... | 611 |
| 8.3.4b.5 | Test requirements | 617 |
| 8.3.4c | Inter-system Handover from UTRAN FDD to E-UTRAN FDD: Unknown Target Cell | 619 |
| 8.3.4c.1 | Definition and applicability..... | 619 |
| 8.3.4c.2 | Minimum requirement | 619 |
| 8.3.4c.3 | Test purpose | 619 |

| | | |
|------------|---|-----|
| 8.3.4c.4 | Method of test | 619 |
| 8.3.4c.5 | Test requirements | 625 |
| 8.3.4d | Inter-system Handover from UTRAN FDD to E-UTRAN TDD; Unknown Target Cell | 626 |
| 8.3.4d.1 | Definition and applicability | 626 |
| 8.3.4d.2 | Minimum requirement | 626 |
| 8.3.4d.3 | Test purpose | 626 |
| 8.3.4d.4 | Method of test | 626 |
| 8.3.4d.4.1 | Initial conditions | 626 |
| 8.3.4d.4.2 | Procedure | 628 |
| 8.3.4d.5 | Test requirements | 632 |
| 8.3.5 | Cell Re-selection in CELL_FACH | 632 |
| 8.3.5.1 | One frequency present in neighbour list | 632 |
| 8.3.5.1.1 | Definition and applicability | 632 |
| 8.3.5.1.2 | Minimum requirements | 633 |
| 8.3.5.1.3 | Test purpose | 633 |
| 8.3.5.1.4 | Method of test | 633 |
| 8.3.5.1.5 | Test requirements | 635 |
| 8.3.5.2 | Two frequencies present in the neighbour list | 636 |
| 8.3.5.2.1 | Definition and applicability | 636 |
| 8.3.5.2.2 | Minimum requirements | 636 |
| 8.3.5.2.3 | Test purpose | 636 |
| 8.3.5.2.4 | Method of test | 637 |
| 8.3.5.2.5 | Test requirements | 640 |
| 8.3.5.3 | Cell Reselection to GSM | 640 |
| 8.3.5.3.1 | Definition and applicability | 640 |
| 8.3.5.3.2 | Minimum requirements | 640 |
| 8.3.5.3.3 | Test purpose | 641 |
| 8.3.5.3.4 | Method of test | 641 |
| 8.3.5.3.5 | Test requirements | 643 |
| 8.3.5.4 | Cell Reselection during an MBMS session, two frequencies present in neighbour list | 644 |
| 8.3.5.4.1 | Definition and applicability | 644 |
| 8.3.5.4.2 | Minimum requirements | 644 |
| 8.3.5.4.3 | Test purpose | 644 |
| 8.3.5.4.4 | Method of test | 644 |
| 8.3.5.4.5 | Test requirements | 649 |
| 8.3.6 | Cell Re-selection in CELL_PCH | 650 |
| 8.3.6.1 | One frequency present in the neighbour list | 650 |
| 8.3.6.1.1 | Definition and applicability | 650 |
| 8.3.6.1.2 | Minimum requirements | 650 |
| 8.3.6.1.3 | Test purpose | 650 |
| 8.3.6.1.4 | Method of test | 650 |
| 8.3.6.1.5 | Test requirements | 653 |
| 8.3.6.2 | Two frequencies present in the neighbour list | 653 |
| 8.3.6.2.1 | Definition and applicability | 653 |
| 8.3.6.2.2 | Minimum requirement | 653 |
| 8.3.6.2.3 | Test purpose | 654 |
| 8.3.6.2.4 | Method of test | 654 |
| 8.3.6.2.5 | Test requirements | 658 |
| 8.3.6.3 | Cell re-selection during an MBMS session, one UTRAN inter-frequency and 2 GSM cells present in the neighbour list | 659 |
| 8.3.6.3.1 | Definition and applicability | 659 |
| 8.3.6.3.2 | Minimum requirement | 659 |
| 8.3.6.3.3 | Test purpose | 659 |
| 8.3.6.3.4 | Method of test | 659 |
| 8.3.6.3.5 | Test requirements | 663 |
| 8.3.7 | Cell Re-selection in URA_PCH | 664 |
| 8.3.7.1 | One frequency present in the neighbour list | 664 |
| 8.3.7.1.1 | Definition and applicability | 664 |
| 8.3.7.1.2 | Minimum requirement | 664 |
| 8.3.7.1.3 | Test purpose | 665 |
| 8.3.7.1.4 | Method of test | 665 |
| 8.3.7.1.5 | Test requirements | 668 |

| | | |
|------------|--|-----|
| 8.3.7.2 | Two frequencies present in the neighbour list..... | 668 |
| 8.3.7.2.1 | Definition and applicability..... | 668 |
| 8.3.7.2.2 | Minimum requirement..... | 668 |
| 8.3.7.2.3 | Test purpose..... | 669 |
| 8.3.7.2.4 | Method of test..... | 669 |
| 8.3.7.2.5 | Test requirements..... | 672 |
| 8.3.8 | Serving HS-DSCH cell change..... | 673 |
| 8.3.8.1 | Definition and applicability..... | 673 |
| 8.3.8.2 | Minimum requirement..... | 673 |
| 8.3.8.3 | Test purpose..... | 673 |
| 8.3.8.4 | Method of test..... | 673 |
| 8.3.8.4.1 | Initial conditions..... | 677 |
| 8.3.8.4.2 | Procedure..... | 677 |
| 8.3.8.5 | Test requirements..... | 686 |
| 8.3.9 | Enhanced Serving HS-DSCH cell change..... | 688 |
| 8.3.9.1 | Definition and applicability..... | 688 |
| 8.3.9.2 | Minimum requirement..... | 688 |
| 8.3.9.3 | Test purpose..... | 688 |
| 8.3.9.4 | Method of test..... | 689 |
| 8.3.9.4.1 | Initial conditions..... | 690 |
| 8.3.9.4.2 | Procedure..... | 690 |
| 8.3.9.5 | Test requirements..... | 698 |
| 8.3.10 | System information acquisition for CSG cell..... | 698 |
| 8.3.10.1 | Intrafrequency System information acquisition for CSG cell..... | 698 |
| 8.3.10.1.1 | Definition and applicability..... | 698 |
| 8.3.10.1.2 | Minimum requirement..... | 699 |
| 8.3.10.1.3 | Test purpose..... | 699 |
| 8.3.10.1.4 | Method of test..... | 699 |
| 8.3.10.1.5 | Test requirements..... | 703 |
| 8.3.10.2 | Inter frequency System information acquisition for CSG cell..... | 703 |
| 8.3.10.2.1 | Definition and applicability..... | 703 |
| 8.3.10.2.2 | Minimum requirement..... | 703 |
| 8.3.10.2.3 | Test purpose..... | 704 |
| 8.3.10.2.4 | Method of test..... | 704 |
| 8.3.10.2.5 | Test requirements..... | 710 |
| 8.4 | RRC Connection Control..... | 711 |
| 8.4.1 | RRC Re-establishment delay..... | 711 |
| 8.4.1.1 | Test 1..... | 711 |
| 8.4.1.1.1 | Definition and applicability..... | 711 |
| 8.4.1.1.2 | Minimum requirement..... | 711 |
| 8.4.1.1.3 | Test purpose..... | 711 |
| 8.4.1.1.4 | Method of test..... | 712 |
| 8.4.1.1.5 | Test requirements..... | 714 |
| 8.4.1.2 | Test 2..... | 714 |
| 8.4.1.2.1 | Definition and applicability..... | 714 |
| 8.4.1.2.2 | Minimum requirement..... | 714 |
| 8.4.1.2.3 | Test purpose..... | 715 |
| 8.4.1.2.4 | Method of test..... | 715 |
| 8.4.1.2.5 | Test requirements..... | 716 |
| 8.4.2 | Random Access..... | 717 |
| 8.4.2.1 | Correct behaviour when receiving an ACK (Release 5 and earlier)..... | 717 |
| 8.4.2.1.1 | Definition and applicability..... | 717 |
| 8.4.2.1.2 | Minimum Requirements..... | 717 |
| 8.4.2.1.3 | Test purpose..... | 717 |
| 8.4.2.1.4 | Method of test..... | 717 |
| 8.4.2.1.5 | Test requirements..... | 719 |
| 8.4.2.1A | Correct behaviour when receiving an ACK (Release 6 and later)..... | 720 |
| 8.4.2.1A.1 | Definition and applicability..... | 720 |
| 8.4.2.1A.2 | Minimum Requirements..... | 720 |
| 8.4.2.1A.3 | Test purpose..... | 720 |
| 8.4.2.1A.4 | Method of test..... | 720 |
| 8.4.2.1A.5 | Test requirements..... | 722 |

| | | |
|------------|---|-----|
| 8.4.2.2 | Correct behaviour when receiving an NACK | 723 |
| 8.4.2.2.1 | Definition and applicability | 723 |
| 8.4.2.2.2 | Minimum Requirements | 723 |
| 8.4.2.2.3 | Test purpose | 723 |
| 8.4.2.2.4 | Method of test..... | 723 |
| 8.4.2.2.5 | Test requirements | 723 |
| 8.4.2.3 | Correct behaviour at Time-out | 724 |
| 8.4.2.3.1 | Definition and applicability | 724 |
| 8.4.2.3.2 | Minimum Requirements | 724 |
| 8.4.2.3.3 | Test purpose | 724 |
| 8.4.2.3.4 | Method of test..... | 724 |
| 8.4.2.3.5 | Test requirements | 724 |
| 8.4.2.4 | Correct behaviour when reaching maximum transmit power | 724 |
| 8.4.2.4.1 | Definition and applicability | 724 |
| 8.4.2.4.2 | Minimum Requirements | 725 |
| 8.4.2.4.3 | Test purpose | 725 |
| 8.4.2.4.4 | Method of test..... | 725 |
| 8.4.2.4.5 | Test requirements | 726 |
| 8.4.3 | Transport format combination selection in UE | 726 |
| 8.4.3.1 | Interactive or Background, PS, UL: 64 kbps..... | 726 |
| 8.4.3.1.1 | Definition and applicability | 726 |
| 8.4.3.1.2 | Minimum requirements | 726 |
| 8.4.3.1.3 | Test purpose | 727 |
| 8.4.3.1.4 | Method of test..... | 727 |
| 8.4.3.1.5 | Test requirements | 730 |
| 8.4.3.1A | Interactive or Background, PS, UL: 64 kbps + Conversational / speech, CS, UL: 12.2kbps..... | 730 |
| 8.4.3.1A.1 | Definition and applicability | 730 |
| 8.4.3.1A.2 | Minimum requirements | 730 |
| 8.4.3.1A.3 | Test purpose | 732 |
| 8.4.3.1A.4 | Method of test..... | 732 |
| 8.4.3.1A.5 | Test requirements | 735 |
| 8.4.4 | E-TFC restriction in UE..... | 735 |
| 8.4.4.1 | 10ms TTI E-DCH E-TFC restriction | 736 |
| 8.4.4.1.1 | Definition and applicability | 736 |
| 8.4.4.1.2 | Minimum requirements | 736 |
| 8.4.4.1.3 | Test Purpose | 738 |
| 8.4.4.1.4 | Method of test..... | 738 |
| 8.4.4.1.5 | Test Requirements | 742 |
| 8.4.4.2 | 2ms TTI E-DCH E-TFC restriction | 742 |
| 8.4.4.2.1 | Definition and applicability | 742 |
| 8.4.4.2.2 | Minimum requirements | 742 |
| 8.4.4.2.3 | Test Purpose | 745 |
| 8.4.4.2.4 | Method of test..... | 745 |
| 8.4.4.2.5 | Test Requirements | 749 |
| 8.5 | Timing and Signalling Characteristics | 749 |
| 8.5.1 | UE Transmit Timing..... | 749 |
| 8.5.1.1 | Definition and applicability..... | 749 |
| 8.5.1.2 | Minimum requirements | 750 |
| 8.5.1.3 | Test purpose | 751 |
| 8.5.1.4 | Method of test | 751 |
| 8.5.1.5 | Test requirements | 755 |
| 8.6 | UE Measurements Procedures..... | 756 |
| 8.6.1 | FDD intra frequency measurements | 756 |
| 8.6.1.1 | Event triggered reporting in AWGN propagation conditions (R99) | 756 |
| 8.6.1.1.1 | Definition and applicability | 756 |
| 8.6.1.1.2 | Minimum requirements | 756 |
| 8.6.1.1.3 | Test purpose | 757 |
| 8.6.1.1.4 | Method of test..... | 758 |
| 8.6.1.1.5 | Test requirements | 761 |
| 8.6.1.1A | Event triggered reporting in AWGN propagation conditions (Rel-4 and later) | 761 |
| 8.6.1.1A.1 | Definition and applicability | 761 |
| 8.6.1.1A.2 | Minimum requirements | 762 |

| | | |
|------------|--|-----|
| 8.6.1.1A.3 | Test purpose | 763 |
| 8.6.1.1A.4 | Method of test..... | 763 |
| 8.6.1.1A.5 | Test requirements | 766 |
| 8.6.1.2 | Event triggered reporting of multiple neighbours in AWGN propagation condition (R99)..... | 767 |
| 8.6.1.2.1 | Definition and applicability | 767 |
| 8.6.1.2.2 | Minimum requirements | 767 |
| 8.6.1.2.3 | Test purpose | 767 |
| 8.6.1.2.4 | Method of test..... | 767 |
| 8.6.1.2.5 | Test requirements | 774 |
| 8.6.1.2A | Event triggered reporting of multiple neighbours in AWGN propagation condition (Rel-4 and later) | 776 |
| 8.6.1.2A.1 | Definition and applicability | 776 |
| 8.6.1.2A.2 | Minimum requirements | 776 |
| 8.6.1.2A.3 | Test purpose | 776 |
| 8.6.1.2A.4 | Method of test..... | 776 |
| 8.6.1.2A.5 | Test requirements | 782 |
| 8.6.1.3 | Event triggered reporting of two detectable neighbours in AWGN propagation condition (R99)..... | 783 |
| 8.6.1.3.1 | Definition and applicability | 783 |
| 8.6.1.3.2 | Minimum requirements | 783 |
| 8.6.1.3.3 | Test purpose | 783 |
| 8.6.1.3.4 | Method of test..... | 783 |
| 8.6.1.3.5 | Test requirements | 789 |
| 8.6.1.3A | Event triggered reporting of two detectable neighbours in AWGN propagation condition (Rel-4 and later) | 791 |
| 8.6.1.3A.1 | Definition and applicability | 791 |
| 8.6.1.3A.2 | Minimum requirements | 791 |
| 8.6.1.3A.3 | Test purpose | 791 |
| 8.6.1.3A.4 | Method of test..... | 791 |
| 8.6.1.3A.5 | Test requirements | 794 |
| 8.6.1.4 | Void..... | 795 |
| 8.6.1.4A | Correct reporting of neighbours in fading propagation condition (Rel-4 and later)..... | 795 |
| 8.6.1.4A.1 | Definition and applicability | 795 |
| 8.6.1.4A.2 | Minimum requirements | 796 |
| 8.6.1.4A.3 | Test purpose | 796 |
| 8.6.1.4A.4 | Method of test..... | 796 |
| 8.6.1.4A.5 | Test requirements | 799 |
| 8.6.1.5 | Event triggered reporting of multiple neighbour cells in Case 1 fading condition..... | 800 |
| 8.6.1.5.1 | Definition and applicability | 800 |
| 8.6.1.5.2 | Minimum requirements | 800 |
| 8.6.1.5.3 | Test purpose | 800 |
| 8.6.1.5.4 | Method of test..... | 800 |
| 8.6.1.5.5 | Test requirements | 803 |
| 8.6.1.6 | Event triggered reporting of multiple neighbour cells in Case 3 fading condition..... | 804 |
| 8.6.1.6.1 | Definition and applicability | 804 |
| 8.6.1.6.2 | Minimum requirements | 804 |
| 8.6.1.6.3 | Test purpose | 804 |
| 8.6.1.6.4 | Method of test..... | 804 |
| 8.6.1.6.5 | Test requirements | 808 |
| 8.6.2 | FDD inter frequency measurements | 809 |
| 8.6.2.1 | Correct reporting of neighbours in AWGN propagation condition (Release 5 and earlier)..... | 809 |
| 8.6.2.1.1 | Definition and applicability | 809 |
| 8.6.2.1.2 | Minimum requirements | 809 |
| 8.6.2.1.3 | Test purpose | 810 |
| 8.6.2.1.4 | Method of test..... | 810 |
| 8.6.2.1.5 | Test requirements | 816 |
| 8.6.2.1A | Correct reporting of neighbours in AWGN propagation condition (Release 6 and later)..... | 817 |
| 8.6.2.1A.1 | Definition and applicability | 817 |
| 8.6.2.1A.2 | Minimum requirements | 818 |
| 8.6.2.1A.3 | Test purpose | 818 |
| 8.6.2.1A.4 | Method of test..... | 819 |
| 8.6.2.1A.5 | Test requirements | 825 |
| 8.6.2.2 | Correct reporting of neighbours in fading propagation condition (Release 5 only)..... | 826 |

| | | |
|---------------|---|-----|
| 8.6.2.2.1 | Definition and applicability | 826 |
| 8.6.2.2.2 | Minimum requirements | 826 |
| 8.6.2.2.3 | Test purpose | 826 |
| 8.6.2.2.4 | Method of test..... | 826 |
| 8.6.2.2.4.1 | Initial conditions | 826 |
| 8.6.2.2.4.2 | Procedure | 827 |
| 8.6.2.2.5 | Test requirements | 831 |
| 8.6.2.2A | Correct reporting of neighbours in fading propagation condition (Release 6 and later) | 831 |
| 8.6.2.2A.1 | Definition and applicability | 831 |
| 8.6.2.2A.2 | Minimum requirements | 831 |
| 8.6.2.2A.3 | Test purpose | 831 |
| 8.6.2.2A.4 | Method of test..... | 832 |
| 8.6.2.2A.4.1 | Initial conditions | 832 |
| 8.6.2.2A.4.2 | Procedure | 832 |
| 8.6.2.2A.5 | Test requirements | 836 |
| 8.6.2.3 | Correct reporting of neighbours in fading propagation condition using TGL1=14..... | 836 |
| 8.6.2.3.1 | Definition and applicability | 836 |
| 8.6.2.3.2 | Minimum requirements | 837 |
| 8.6.2.3.3 | Test purpose | 837 |
| 8.6.2.3.4 | Method of test..... | 837 |
| 8.6.2.3.4.1 | Initial conditions | 837 |
| 8.6.2.3.4.2 | Procedure | 838 |
| 8.6.2.3.5 | Test requirements | 841 |
| 8.6.3 | TDD measurements | 842 |
| 8.6.3.1 | Correct reporting of TDD neighbours in AWGN propagation condition..... | 842 |
| 8.6.3.1.1 | Definition and applicability | 842 |
| 8.6.3.1.2 | Minimum requirement..... | 842 |
| 8.6.3.1.2.1 | 3.84Mcps TDD option | 842 |
| 8.6.3.1.2.2 | 1.28Mcps TDD option | 843 |
| 8.6.3.1.3 | Test purpose | 844 |
| 8.6.3.1.4 | Method of test..... | 844 |
| 8.6.3.1.4.1 | Initial conditions | 844 |
| 8.6.3.1.4.1.1 | 3.84Mcps TDD option | 844 |
| 8.6.3.1.4.1.2 | 1.28Mcps TDD option | 846 |
| 8.6.3.1.5 | Test requirements | 851 |
| 8.6.4 | GSM measurements | 851 |
| 8.6.4.1 | Correct reporting of GSM neighbours in AWGN propagation condition | 851 |
| 8.6.4.1.1 | Definition and applicability | 851 |
| 8.6.4.1.2 | Minimum requirements | 852 |
| 8.6.4.1.3 | Test purpose | 852 |
| 8.6.4.1.4 | Method of test..... | 852 |
| 8.6.4.1.4.1 | Test 1 initial conditions..... | 852 |
| 8.6.4.1.4.2 | Test 1 Procedure | 853 |
| 8.6.4.1.4.3 | Test 2 initial conditions..... | 857 |
| 8.6.4.1.4.4 | Test 2 Procedure | 858 |
| 8.6.4.1.5 | Test requirements | 861 |
| 8.6.4.1.5.1 | TEST 1 With BSIC verification required..... | 861 |
| 8.6.4.1.5.2 | TEST 2 Without BSIC verification required | 861 |
| 8.6.5 | Combined inter frequency and GSM measurements | 862 |
| 8.6.5.1 | Correct reporting of neighbours in AWGN propagation condition..... | 862 |
| 8.6.5.1.1 | Definition and applicability | 862 |
| 8.6.5.1.2 | Minimum requirement..... | 862 |
| 8.6.5.1.3 | Test purpose | 863 |
| 8.6.5.1.4 | Method of test..... | 863 |
| 8.6.5.1.5 | Test requirements | 875 |
| 8.6.6 | E-UTRAN Measurement | 875 |
| 8.6.6.1 | Correct reporting of E-UTRAN FDD neighbour in fading propagation condition | 875 |
| 8.6.6.1.1 | Definition and applicability | 875 |
| 8.6.6.1.2 | Minimum requirement..... | 876 |
| 8.6.6.1.3 | Test purpose | 877 |
| 8.6.6.1.4 | Method of test..... | 877 |
| 8.6.6.1.5 | Test requirements | 882 |

| | | |
|------------|--|-----|
| 8.6.6.2 | Correct reporting of E-UTRAN TDD neighbour in fading propagation condition | 884 |
| 8.6.6.2.1 | Definition and applicability | 884 |
| 8.6.6.2.2 | Minimum requirement | 885 |
| 8.6.6.2.3 | Test purpose | 885 |
| 8.6.6.2.4 | Method of test..... | 885 |
| 8.6.6.2.5 | Test requirements | 890 |
| 8.6.7 | Combined Inter-frequency and E-UTRAN measurements | 891 |
| 8.6.7.1 | Correct reporting of E-UTRA FDD neighbours in fading propagation condition | 891 |
| 8.6.7.1.1 | Definition and applicability | 891 |
| 8.6.7.1.2 | Minimum requirement | 892 |
| 8.6.7.1.3 | Test purpose | 894 |
| 8.6.7.1.4 | Method of test..... | 894 |
| 8.6.7.1.5 | Test requirements | 900 |
| 8.6.7.2 | Correct reporting of E-UTRA TDD neighbours in Fading propagation condition | 902 |
| 8.6.7.2.1 | Definition and applicability | 902 |
| 8.6.7.2.2 | Minimum requirement | 902 |
| 8.6.7.2.3 | Test purpose | 903 |
| 8.6.7.2.4 | Method of test..... | 903 |
| 8.6.7.2.5 | Test requirements | 911 |
| 8.7 | Measurements Performance Requirements | 913 |
| 8.7.1 | CPICH RSCP | 913 |
| 8.7.1.1 | Intra frequency measurements accuracy | 913 |
| 8.7.1.1.1 | Absolute accuracy requirement | 913 |
| 8.7.1.1.2 | Relative accuracy requirement | 918 |
| 8.7.1.2 | Inter frequency measurement accuracy | 921 |
| 8.7.1.2.1 | Relative accuracy requirement | 921 |
| 8.7.2 | CPICH Ec/Io | 928 |
| 8.7.2.1 | Intra frequency measurements accuracy | 928 |
| 8.7.2.1.1 | Absolute accuracy requirement | 928 |
| 8.7.2.1.2 | Relative accuracy requirement | 933 |
| 8.7.2.2 | Inter frequency measurement accuracy | 937 |
| 8.7.2.2.1 | Absolute accuracy requirement | 937 |
| 8.7.2.2.2 | Relative accuracy requirement | 937 |
| 8.7.3 | UTRA Carrier RSSI..... | 944 |
| 8.7.3.1 | Absolute measurement accuracy requirement..... | 944 |
| 8.7.3.1.1 | Definition and applicability | 944 |
| 8.7.3.1.2 | Minimum Requirements | 944 |
| 8.7.3.1.3 | Test purpose | 944 |
| 8.7.3.1.4 | Method of test..... | 944 |
| 8.7.3.1.5 | Test requirements | 948 |
| 8.7.3.2 | Relative measurement accuracy requirement | 950 |
| 8.7.3.2.1 | Definition and applicability | 950 |
| 8.7.3.2.2 | Minimum Requirements | 950 |
| 8.7.3.2.3 | Test purpose | 950 |
| 8.7.3.2.4 | Method of test..... | 950 |
| 8.7.3.2.5 | Test requirements | 954 |
| 8.7.3A | GSM Carrier RSSI..... | 956 |
| 8.7.3A.1 | Definition and applicability..... | 956 |
| 8.7.3A.2 | Minimum Requirements..... | 956 |
| 8.7.3A.3 | Test purpose | 957 |
| 8.7.3A.4 | Method of test | 957 |
| 8.7.3A.4.1 | Initial conditions | 957 |
| 8.7.3A.4.2 | Procedure..... | 960 |
| 8.7.3A.5 | Test requirements | 963 |
| 8.7.3B | Transport channel BLER | 965 |
| 8.7.3C | UE transmitted power (R99 and Rel-4 only) | 965 |
| 8.7.3C.1 | Definition and applicability..... | 965 |
| 8.7.3C.2 | Minimum requirements | 966 |
| 8.7.3C.3 | Test purpose | 966 |
| 8.7.3C.4 | Method of test | 966 |
| 8.7.3C.4.1 | Initial conditions | 966 |
| 8.7.3C.4.2 | Procedure..... | 967 |

| | | |
|------------|--|------|
| 8.7.3C.5 | Test requirements | 969 |
| 8.7.3D | UE transmitted power (Rel-5 and later) | 969 |
| 8.7.3D.1 | Definition and applicability | 969 |
| 8.7.3D.2 | Minimum requirements | 969 |
| 8.7.3D.3 | Test purpose | 970 |
| 8.7.3D.4 | Method of test | 970 |
| 8.7.3D.4.1 | Initial conditions | 970 |
| 8.7.3D.4.2 | Procedure | 971 |
| 8.7.3D.5 | Test requirements | 974 |
| 8.7.4 | SFN-CFN observed time difference | 974 |
| 8.7.4.1 | Intra frequency measurement requirement | 974 |
| 8.7.4.1.1 | Definition and applicability | 974 |
| 8.7.4.1.2 | Minimum requirements | 975 |
| 8.7.4.1.3 | Test Purpose | 975 |
| 8.7.4.1.4 | Method of test | 975 |
| 8.7.4.1.5 | Test requirements | 978 |
| 8.7.4.2 | Inter frequency measurement requirement | 979 |
| 8.7.4.2.1 | Definition and applicability | 979 |
| 8.7.4.2.2 | Minimum requirements | 979 |
| 8.7.4.2.3 | Test purpose | 980 |
| 8.7.4.2.4 | Method of test | 980 |
| 8.7.4.2.5 | Test requirements | 984 |
| 8.7.5 | SFN-SFN observed time difference | 986 |
| 8.7.5.1 | SFN-SFN observed time difference type 1 | 986 |
| 8.7.5.1.1 | Definition and applicability | 986 |
| 8.7.5.1.2 | Minimum requirements | 986 |
| 8.7.5.1.3 | Test purpose | 986 |
| 8.7.5.1.4 | Method of test | 987 |
| 8.7.5.1.5 | Test requirements | 989 |
| 8.7.5.2 | SFN-SFN observed time difference type 2 without IPDL period active | 991 |
| 8.7.5.2.1 | Definition and applicability | 991 |
| 8.7.5.2.2 | Minimum requirements | 991 |
| 8.7.5.2.3 | Test purpose and Environment | 991 |
| 8.7.5.3 | SFN-SFN observed time difference type 2 with IPDL period active | 992 |
| 8.7.5.3.1 | Definition and applicability | 992 |
| 8.7.5.3.2 | Minimum requirements | 992 |
| 8.7.5.3.3 | Test purpose and Environment | 993 |
| 8.7.6 | UE Rx-Tx time difference | 994 |
| 8.7.6.1 | UE Rx-Tx time difference type 1 (Release 5 and earlier) | 994 |
| 8.7.6.1.1 | Definition and applicability | 994 |
| 8.7.6.1.2 | Minimum requirements | 994 |
| 8.7.6.1.3 | Test purpose | 994 |
| 8.7.6.1.4 | Method of test | 995 |
| 8.7.6.1.5 | Test requirements | 997 |
| 8.7.6.1A | UE Rx-Tx time difference type 1 (Release 6 and later) | 998 |
| 8.7.6.1A.1 | Definition and applicability | 998 |
| 8.7.6.1A.2 | Minimum requirements | 998 |
| 8.7.6.1A.3 | Test purpose | 999 |
| 8.7.6.1A.4 | Method of test | 999 |
| 8.7.6.1A.5 | Test requirements | 1001 |
| 8.7.6.2 | UE Rx-Tx time difference type 2 | 1002 |
| 8.7.6.2.1 | Definition and applicability | 1002 |
| 8.7.6.2.2 | Minimum requirements | 1003 |
| 8.7.6.2.3 | Test purpose | 1003 |
| 8.7.7 | Observed time difference to GSM cell (R99 and Rel-4 only) | 1003 |
| 8.7.8 | P-CCPCH RSCP | 1004 |
| 8.7.8.1 | Absolute measurement accuracy | 1004 |
| 8.7.8.1.1 | Definition and applicability | 1004 |
| 8.7.8.1.2 | Minimum Requirements | 1004 |
| 8.7.8.1.3 | Test purpose | 1004 |
| 8.7.8.1.4 | Method of test | 1005 |
| 8.7.8.1.5 | Test requirements | 1009 |

| | | |
|------------|--|------|
| 8.7.9 | UE Transmission Power Headroom..... | 1009 |
| 8.7.9.1 | Definition and applicability..... | 1009 |
| 8.7.9.2 | Minimum Requirements..... | 1009 |
| 8.7.9.3 | Test purpose | 1010 |
| 8.7.9.4 | Method of test | 1010 |
| 8.7.9.4.1 | Initial conditions..... | 1010 |
| 8.7.9.4.2 | Test procedure | 1012 |
| 8.7.9.5 | Test requirements..... | 1013 |
| 8.7.10 | E-UTRAN FDD RSRP absolute accuracy..... | 1013 |
| 8.7.10.1 | Definition and applicability | 1013 |
| 8.7.10.2 | Minimum Requirements | 1013 |
| 8.7.10.3 | Test purpose | 1014 |
| 8.7.10.4 | Method of test..... | 1014 |
| 8.7.10.5 | Test requirements | 1020 |
| 8.7.11 | E-UTRAN TDD RSRP absolute accuracy..... | 1022 |
| 8.7.11.1 | Definition and applicability | 1022 |
| 8.7.11.2 | Minimum Requirements | 1022 |
| 8.7.11.3 | Test purpose | 1023 |
| 8.7.11.4 | Method of test..... | 1023 |
| 8.7.11.5 | Test requirements | 1027 |
| 8.7.12 | E-UTRAN FDD RSRQ absolute accuracy | 1029 |
| 8.7.12.1 | Definition and applicability | 1029 |
| 8.7.12.2 | Minimum Requirements | 1029 |
| 8.7.12.3 | Test purpose | 1030 |
| 8.7.12.4 | Method of test..... | 1030 |
| 8.7.12.5 | Test requirements | 1034 |
| 8.7.13 | E-UTRAN TDD RSRQ absolute accuracy..... | 1036 |
| 8.7.13.1 | Definition and applicability | 1036 |
| 8.7.13.2 | Minimum Requirements | 1036 |
| 8.7.13.3 | Test purpose | 1037 |
| 8.7.13.4 | Method of test..... | 1037 |
| 8.7.13.5 | Test requirements | 1043 |
| 9 | Performance requirements for HSDPA..... | 1046 |
| 9.1 | General | 1046 |
| 9.2 | Demodulation of HS-DSCH (Fixed Reference Channel)..... | 1046 |
| 9.2.1 | Single Link Performance | 1056 |
| 9.2.1A | Single Link Performance - QPSK/16QAM, Fixed Reference Channel (FRC) H-Set 1/2/3..... | 1056 |
| 9.2.1A.1 | Definition and applicability..... | 1056 |
| 9.2.1A.2 | Minimum requirements..... | 1056 |
| 9.2.1A.3 | Test purpose | 1057 |
| 9.2.1A.4 | Method of test | 1057 |
| 9.2.1A.4.1 | Initial conditions..... | 1057 |
| 9.2.1A.4.2 | Procedure..... | 1058 |
| 9.2.1A.5 | Test Requirements..... | 1058 |
| 9.2.1B | Single Link Performance - QPSK, Fixed Reference Channel (FRC) H-Set 4/5 | 1060 |
| 9.2.1B.1 | Definition and applicability..... | 1060 |
| 9.2.1B.2 | Minimum requirements | 1060 |
| 9.2.1B.3 | Test purpose | 1061 |
| 9.2.1B.4 | Method of test | 1061 |
| 9.2.1B.4.1 | Initial conditions | 1061 |
| 9.2.1B.4.2 | Procedure..... | 1061 |
| 9.2.1B.5 | Test Requirements..... | 1062 |
| 9.2.1C | Single Link Performance - QPSK/16QAM, Fixed Reference Channel (FRC) H-Set 6/3..... | 1063 |
| 9.2.1C.1 | Definition and applicability..... | 1063 |
| 9.2.1C.2 | Minimum requirements | 1063 |
| 9.2.1C.3 | Test purpose | 1065 |
| 9.2.1C.4 | Method of test | 1065 |
| 9.2.1C.4.1 | Initial conditions | 1065 |
| 9.2.1C.4.2 | Procedure..... | 1065 |
| 9.2.1C.5 | Test Requirements..... | 1066 |

| | | |
|-------------|--|------|
| 9.2.1D | Single Link Performance - Enhanced Performance Requirements Type 1 - QPSK/16QAM, Fixed Reference Channel (FRC) H-Set 1/2/3 | 1067 |
| 9.2.1D.1 | Definition and applicability..... | 1067 |
| 9.2.1D.2 | Minimum requirements..... | 1068 |
| 9.2.1D.3 | Test purpose | 1069 |
| 9.2.1D.4 | Method of test | 1069 |
| 9.2.1D.4.1 | Initial conditions | 1069 |
| 9.2.1D.4.2 | Procedure..... | 1070 |
| 9.2.1D.5 | Test Requirements..... | 1070 |
| 9.2.1E | Single Link Performance - Enhanced Performance Requirements Type 1- QPSK/16QAM, Fixed Reference Channel (FRC) H-Set 6/3 | 1071 |
| 9.2.1E.1 | Definition and applicability..... | 1071 |
| 9.2.1E.2 | Minimum requirements..... | 1071 |
| 9.2.1E.3 | Test purpose | 1073 |
| 9.2.1E.4 | Method of test | 1074 |
| 9.2.1E.4.1 | Initial conditions..... | 1074 |
| 9.2.1E.4.2 | Procedure..... | 1074 |
| 9.2.1E.5 | Test Requirements..... | 1074 |
| 9.2.1F | Single Link Performance - Enhanced Performance Requirements Type 2 - QPSK/16QAM, Fixed Reference Channel (FRC) H-Set 6/3 | 1076 |
| 9.2.1F.1 | Definition and applicability..... | 1076 |
| 9.2.1F.2 | Minimum requirements..... | 1076 |
| 9.2.1F.3 | Test purpose | 1078 |
| 9.2.1F.4 | Method of test | 1078 |
| 9.2.1F.4.1 | Initial conditions | 1078 |
| 9.2.1F.4.2 | Procedure..... | 1079 |
| 9.2.1F.5 | Test Requirements..... | 1079 |
| 9.2.1FA | Single Link Performance - Enhanced Performance Requirements Type 2 - QPSK/16QAM, Fixed Reference Channel (FRC) H-Set 6A/3A..... | 1080 |
| 9.2.1FA.1 | Definition and applicability..... | 1080 |
| 9.2.1FA.2 | Minimum requirements..... | 1080 |
| 9.2.1FA.3 | Test purpose | 1082 |
| 9.2.1FA.4 | Method of test | 1082 |
| 9.2.1FA.4.1 | Initial conditions | 1082 |
| 9.2.1FA.4.2 | Procedure..... | 1083 |
| 9.2.1FA.5 | Test Requirements..... | 1083 |
| 9.2.1FB | Single Link Performance - Enhanced Performance Requirements Type 2 - QPSK/16QAM, Fixed Reference Channel (FRC) H-Set 6A/3A for DB-DC-HSDPA | 1085 |
| 9.2.1FB.1 | Definition and applicability..... | 1085 |
| 9.2.1FB.2 | Minimum requirements..... | 1085 |
| 9.2.1FB.3 | Test purpose | 1087 |
| 9.2.1FB.4 | Method of test | 1087 |
| 9.2.1FB.4.1 | Initial conditions | 1087 |
| 9.2.1FB.4.2 | Procedure..... | 1088 |
| 9.2.1FB.5 | Test Requirements..... | 1088 |
| 9.2.1FC | Single Link Performance - Enhanced Performance Requirements Type 2 - QPSK/16QAM, Fixed Reference Channel (FRC) H-Set 6B/3B | 1089 |
| 9.2.1FC.1 | Definition and applicability..... | 1089 |
| 9.2.1FC.2 | Minimum requirements..... | 1090 |
| 9.2.1FC.3 | Test purpose | 1091 |
| 9.2.1FC.4 | Method of test | 1092 |
| 9.2.1FC.4.1 | Initial conditions..... | 1092 |
| 9.2.1FC.4.2 | Procedure..... | 1092 |
| 9.2.1FC.5 | Test Requirements..... | 1092 |
| 9.2.1FD | Single Link Performance - Enhanced Performance Requirements Type 2 - QPSK/16QAM, Fixed Reference Channel (FRC) H-Set 6C/3C | 1094 |
| 9.2.1FD.1 | Definition and applicability..... | 1094 |
| 9.2.1FD.2 | Minimum requirements..... | 1094 |
| 9.2.1FD.3 | Test purpose | 1096 |
| 9.2.1FD.4 | Method of test | 1096 |
| 9.2.1FD.4.1 | Initial conditions | 1096 |
| 9.2.1FD.4.2 | Procedure..... | 1097 |

| | | |
|-------------|--|------|
| 9.2.1FD.5 | Test Requirements..... | 1097 |
| 9.2.1G | Single Link Performance - Enhanced Performance Requirements Type 3 - QPSK/16QAM, Fixed Reference Channel (FRC) H-Set 6/3 | 1099 |
| 9.2.1G.1 | Definition and applicability..... | 1099 |
| 9.2.1G.2 | Minimum requirements..... | 1099 |
| 9.2.1G.3 | Test purpose | 1101 |
| 9.2.1G.4 | Method of test | 1101 |
| 9.2.1G.4.1 | Initial conditions | 1101 |
| 9.2.1G.4.2 | Procedure..... | 1102 |
| 9.2.1G.5 | Test Requirements..... | 1102 |
| 9.2.1GA | Single Link Performance - Enhanced Performance Requirements Type 3 - QPSK/16QAM, Fixed Reference Channel (FRC) H-Set 6A/3A..... | 1104 |
| 9.2.1GA.1 | Definition and applicability..... | 1104 |
| 9.2.1GA.2 | Minimum requirements..... | 1104 |
| 9.2.1GA.3 | Test purpose | 1107 |
| 9.2.1GA.4 | Method of test | 1107 |
| 9.2.1GA.4.1 | Initial conditions..... | 1107 |
| 9.2.1GA.4.2 | Procedure..... | 1108 |
| 9.2.1GA.5 | Test Requirements..... | 1108 |
| 9.2.1GB | Single Link Performance - Enhanced Performance Requirements Type 3 - QPSK/16QAM, Fixed Reference Channel (FRC) H-Set 6A/3A for DB-DC-HSDPA | 1110 |
| 9.2.1GB.1 | Definition and applicability..... | 1110 |
| 9.2.1GB.2 | Minimum requirements..... | 1110 |
| 9.2.1GB.3 | Test purpose | 1113 |
| 9.2.1GB.4 | Method of test | 1113 |
| 9.2.1GB.4.1 | Initial conditions..... | 1113 |
| 9.2.1GB.4.2 | Procedure..... | 1114 |
| 9.2.1GB.5 | Test Requirements..... | 1114 |
| 9.2.1GC | Single Link Performance - Enhanced Performance Requirements Type 3 - QPSK/16QAM, Fixed Reference Channel (FRC) H-Set 6B/3B | 1116 |
| 9.2.1GC.1 | Definition and applicability..... | 1116 |
| 9.2.1GC.2 | Minimum requirements..... | 1116 |
| 9.2.1GC.3 | Test purpose | 1119 |
| 9.2.1GC.4 | Method of test | 1119 |
| 9.2.1GC.4.1 | Initial conditions..... | 1119 |
| 9.2.1GC.4.2 | Procedure..... | 1120 |
| 9.2.1GC.5 | Test Requirements..... | 1120 |
| 9.2.1GD | Single Link Performance - Enhanced Performance Requirements Type 3 - QPSK/16QAM, Fixed Reference Channel (FRC) H-Set 6C/3C | 1122 |
| 9.2.1GD.1 | Definition and applicability..... | 1122 |
| 9.2.1GD.2 | Minimum requirements..... | 1122 |
| 9.2.1GD.3 | Test purpose | 1125 |
| 9.2.1GD.4 | Method of test | 1125 |
| 9.2.1GD.4.1 | Initial conditions..... | 1125 |
| 9.2.1GD.4.2 | Procedure..... | 1126 |
| 9.2.1GD.5 | Test Requirements..... | 1126 |
| 9.2.1H | Single Link Performance - Enhanced Performance Requirements Type 2 - 64QAM, Fixed Reference Channel (FRC) H-Set 8..... | 1128 |
| 9.2.1H.1 | Definition and applicability..... | 1128 |
| 9.2.1H.2 | Minimum requirements..... | 1128 |
| 9.2.1H.3 | Test purpose | 1129 |
| 9.2.1H.4 | Method of test | 1129 |
| 9.2.1H.4.1 | Initial conditions..... | 1129 |
| 9.2.1H.4.2 | Procedure..... | 1131 |
| 9.2.1H.5 | Test Requirements..... | 1131 |
| 9.2.1HA | Single Link Performance - Enhanced Performance Requirements Type 2 - 64QAM, Fixed Reference Channel (FRC) H-Set 8 A..... | 1131 |
| 9.2.1HA.1 | Definition and applicability..... | 1131 |
| 9.2.1HA.2 | Minimum requirements..... | 1131 |
| 9.2.1HA.3 | Test purpose | 1132 |
| 9.2.1HA.4 | Method of test | 1132 |
| 9.2.1HA.4.1 | Initial conditions..... | 1132 |

| | | |
|-------------|---|------|
| 9.2.1HA.4.2 | Procedure..... | 1133 |
| 9.2.1HA.5 | Test Requirements..... | 1133 |
| 9.2.1HB | Single Link Performance - Enhanced Performance Requirements Type 2 - 64QAM, Fixed Reference Channel (FRC) H-Set 8 A for DB-DC-HSDPA | 1134 |
| 9.2.1HB.1 | Definition and applicability..... | 1134 |
| 9.2.1HB.2 | Minimum requirements..... | 1134 |
| 9.2.1HB.3 | Test purpose | 1135 |
| 9.2.1HB.4 | Method of test | 1135 |
| 9.2.1HB.4.1 | Initial conditions..... | 1135 |
| 9.2.1HB.4.2 | Procedure..... | 1136 |
| 9.2.1HB.5 | Test Requirements..... | 1136 |
| 9.2.1HC | Single Link Performance - Enhanced Performance Requirements Type 2 - 64QAM, Fixed Reference Channel (FRC) H-Set 8B | 1137 |
| 9.2.1HC.1 | Definition and applicability..... | 1137 |
| 9.2.1HC.2 | Minimum requirements..... | 1137 |
| 9.2.1HC.3 | Test purpose | 1138 |
| 9.2.1HC.4 | Method of test | 1138 |
| 9.2.1HC.4.1 | Initial conditions..... | 1138 |
| 9.2.1HC.4.2 | Procedure..... | 1139 |
| 9.2.1HC.5 | Test Requirements..... | 1139 |
| 9.2.1HD | Single Link Performance - Enhanced Performance Requirements Type 2 - 64QAM, Fixed Reference Channel (FRC) H-Set 8C..... | 1140 |
| 9.2.1HD.1 | Definition and applicability..... | 1140 |
| 9.2.1HD.2 | Minimum requirements..... | 1140 |
| 9.2.1HD.3 | Test purpose | 1141 |
| 9.2.1HD.4 | Method of test | 1141 |
| 9.2.1HD.4.1 | Initial conditions..... | 1141 |
| 9.2.1HD.4.2 | Procedure..... | 1142 |
| 9.2.1HD.5 | Test Requirements..... | 1142 |
| 9.2.1I | Single Link Performance - Enhanced Performance Requirements Type 3 - 64QAM, Fixed Reference Channel (FRC) H-Set 8..... | 1143 |
| 9.2.1I.1 | Definition and applicability..... | 1143 |
| 9.2.1I.2 | Minimum requirements..... | 1143 |
| 9.2.1I.3 | Test purpose | 1144 |
| 9.2.1I.4 | Method of test | 1144 |
| 9.2.1I.4.1 | Initial conditions..... | 1144 |
| 9.2.1I.4.2 | Procedure..... | 1145 |
| 9.2.1I.5 | Test Requirements..... | 1146 |
| 9.2.1IA | Single Link Performance - Enhanced Performance Requirements Type 3 - 64QAM, Fixed Reference Channel (FRC) H-Set 8A..... | 1146 |
| 9.2.1IA.1 | Definition and applicability..... | 1146 |
| 9.2.1IA.2 | Minimum requirements..... | 1146 |
| 9.2.1IA.3 | Test purpose | 1147 |
| 9.2.1IA.4 | Method of test | 1147 |
| 9.2.1IA.4.1 | Initial conditions..... | 1147 |
| 9.2.1IA.4.2 | Procedure..... | 1148 |
| 9.2.1IA.5 | Test Requirements..... | 1148 |
| 9.2.1IB | Single Link Performance - Enhanced Performance Requirements Type 3 - 64QAM, Fixed Reference Channel (FRC) H-Set 8A for DB-DC-HSDPA | 1149 |
| 9.2.1IB.1 | Definition and applicability..... | 1149 |
| 9.2.1IB.2 | Minimum requirements..... | 1149 |
| 9.2.1IB.3 | Test purpose | 1150 |
| 9.2.1IB.4 | Method of test | 1150 |
| 9.2.1IB.4.1 | Initial conditions..... | 1150 |
| 9.2.1IB.4.2 | Procedure..... | 1151 |
| 9.2.1IB.5 | Test Requirements..... | 1151 |
| 9.2.1IC | Single Link Performance - Enhanced Performance Requirements Type 3 - 64QAM, Fixed Reference Channel (FRC) H-Set 8B..... | 1152 |
| 9.2.1IC.1 | Definition and applicability..... | 1152 |
| 9.2.1IC.2 | Minimum requirements..... | 1152 |
| 9.2.1IC.3 | Test purpose | 1153 |
| 9.2.1IC.4 | Method of test | 1153 |

| | | |
|-------------|--|------|
| 9.2.1IC.4.1 | Initial conditions | 1153 |
| 9.2.1IC.4.2 | Procedure | 1154 |
| 9.2.1IC.5 | Test Requirements | 1154 |
| 9.2.1ID | Single Link Performance - Enhanced Performance Requirements Type 3 - 64QAM, Fixed Reference Channel (FRC) H-Set 8C | 1155 |
| 9.2.1ID.1 | Definition and applicability | 1155 |
| 9.2.1ID.2 | Minimum requirements | 1155 |
| 9.2.1ID.3 | Test purpose | 1156 |
| 9.2.1ID.4 | Method of test | 1156 |
| 9.2.1ID.4.1 | Initial conditions | 1156 |
| 9.2.1ID.4.2 | Procedure | 1157 |
| 9.2.1ID.5 | Test Requirements | 1157 |
| 9.2.1J | Single Link Performance - Enhanced Performance Requirements Type 2 - QPSK/16QAM, Fixed Reference Channel (FRC) H-Set 10 | 1158 |
| 9.2.1J.1 | Definition and applicability | 1158 |
| 9.2.1J.2 | Minimum requirements | 1158 |
| 9.2.1J.3 | Test purpose | 1159 |
| 9.2.1J.4 | Method of test | 1159 |
| 9.2.1J.4.1 | Initial conditions | 1159 |
| 9.2.1J.4.2 | Procedure | 1160 |
| 9.2.1J.5 | Test Requirements | 1161 |
| 9.2.1JA | Single Link Performance - Enhanced Performance Requirements Type 2 - QPSK/16QAM, Fixed Reference Channel (FRC) H-Set 10A | 1161 |
| 9.2.1JA.1 | Definition and applicability | 1161 |
| 9.2.1JA.2 | Minimum requirements | 1161 |
| 9.2.1JA.3 | Test purpose | 1163 |
| 9.2.1JA.4 | Method of test | 1163 |
| 9.2.1JA.4.1 | Initial conditions | 1163 |
| 9.2.1JA.4.2 | Procedure | 1164 |
| 9.2.1JA.5 | Test Requirements | 1164 |
| 9.2.1JB | Single Link Performance - Enhanced Performance Requirements Type 2 - QPSK/16QAM, Fixed Reference Channel (FRC) H-Set 10A DB-DC-HSDPA | 1165 |
| 9.2.1JB.1 | Definition and applicability | 1165 |
| 9.2.1JB.2 | Minimum requirements | 1165 |
| 9.2.1JB.3 | Test purpose | 1166 |
| 9.2.1JB.4 | Method of test | 1166 |
| 9.2.1JB.4.1 | Initial conditions | 1166 |
| 9.2.1JB.4.2 | Procedure | 1167 |
| 9.2.1JB.5 | Test Requirements | 1167 |
| 9.2.1JC | Single Link Performance - Enhanced Performance Requirements Type 2 - QPSK/16QAM, Fixed Reference Channel (FRC) H-Set 10B | 1168 |
| 9.2.1JC.1 | Definition and applicability | 1168 |
| 9.2.1JC.2 | Minimum requirements | 1168 |
| 9.2.1JC.3 | Test purpose | 1170 |
| 9.2.1JC.4 | Method of test | 1170 |
| 9.2.1JC.4.1 | Initial conditions | 1170 |
| 9.2.1JC.4.2 | Procedure | 1171 |
| 9.2.1JC.5 | Test Requirements | 1171 |
| 9.2.1JD | Single Link Performance - Enhanced Performance Requirements Type 2 - QPSK/16QAM, Fixed Reference Channel (FRC) H-Set 10C | 1172 |
| 9.2.1JD.1 | Definition and applicability | 1172 |
| 9.2.1JD.2 | Minimum requirements | 1172 |
| 9.2.1JD.3 | Test purpose | 1173 |
| 9.2.1JD.4 | Method of test | 1173 |
| 9.2.1JD.4.1 | Initial conditions | 1173 |
| 9.2.1JD.4.2 | Procedure | 1174 |
| 9.2.1JD.5 | Test Requirements | 1174 |
| 9.2.1K | Single Link Performance - Enhanced Performance Requirements Type 3 - QPSK/16QAM, Fixed Reference Channel (FRC) H-Set 10 | 1175 |
| 9.2.1K.1 | Definition and applicability | 1175 |
| 9.2.1K.2 | Minimum requirements | 1175 |
| 9.2.1K.3 | Test purpose | 1177 |

| | | |
|-------------|--|------|
| 9.2.1K.4 | Method of test | 1177 |
| 9.2.1K.4.1 | Initial conditions | 1177 |
| 9.2.1K.4.2 | Procedure..... | 1178 |
| 9.2.1K.5 | Test Requirements..... | 1178 |
| 9.2.1KA | Single Link Performance - Enhanced Performance Requirements Type 3 - QPSK/16QAM, Fixed Reference Channel (FRC) H-Set 10A..... | 1179 |
| 9.2.1KA.1 | Definition and applicability..... | 1179 |
| 9.2.1KA.2 | Minimum requirements | 1179 |
| 9.2.1KA.3 | Test purpose | 1180 |
| 9.2.1KA.4 | Method of test | 1180 |
| 9.2.1KA.4.1 | Initial conditions | 1180 |
| 9.2.1KA.4.2 | Procedure..... | 1181 |
| 9.2.1KA.5 | Test Requirements..... | 1181 |
| 9.2.1KB | Single Link Performance - Enhanced Performance Requirements Type 3 - QPSK/16QAM, Fixed Reference Channel (FRC) H-Set 10A for DB-DC-HSDPA | 1182 |
| 9.2.1KB.1 | Definition and applicability..... | 1182 |
| 9.2.1KB.2 | Minimum requirements | 1182 |
| 9.2.1KB.3 | Test purpose | 1183 |
| 9.2.1KB.4 | Method of test | 1184 |
| 9.2.1KB.4.1 | Initial conditions | 1184 |
| 9.2.1KB.4.2 | Procedure..... | 1185 |
| 9.2.1KB.5 | Test Requirements..... | 1185 |
| 9.2.1KC | Single Link Performance - Enhanced Performance Requirements Type 3 - QPSK/16QAM, Fixed Reference Channel (FRC) H-Set 10B | 1186 |
| 9.2.1KC.1 | Definition and applicability..... | 1186 |
| 9.2.1KC.2 | Minimum requirements | 1186 |
| 9.2.1KC.3 | Test purpose | 1187 |
| 9.2.1KC.4 | Method of test | 1187 |
| 9.2.1KC.4.1 | Initial conditions | 1187 |
| 9.2.1KC.4.2 | Procedure..... | 1188 |
| 9.2.1KC.5 | Test Requirements..... | 1188 |
| 9.2.1KD | Single Link Performance - Enhanced Performance Requirements Type 3 - QPSK/16QAM, Fixed Reference Channel (FRC) H-Set 10C..... | 1189 |
| 9.2.1KD.1 | Definition and applicability..... | 1189 |
| 9.2.1KD.2 | Minimum requirements | 1189 |
| 9.2.1KD.3 | Test purpose | 1190 |
| 9.2.1KD.4 | Method of test | 1191 |
| 9.2.1KD.4.1 | Initial conditions | 1191 |
| 9.2.1KD.4.2 | Procedure..... | 1191 |
| 9.2.1KD.5 | Test Requirements..... | 1192 |
| 9.2.1L | Single Link Performance - Enhanced Performance Requirements Type 3i - QPSK, Fixed Reference Channel (FRC) H-Set 6..... | 1192 |
| 9.2.1L.1 | Definition and applicability..... | 1192 |
| 9.2.1L.2 | Minimum requirements | 1193 |
| 9.2.1L.3 | Test purpose | 1193 |
| 9.2.1L.4 | Method of test | 1193 |
| 9.2.1L.5 | Test Requirements..... | 1195 |
| 9.2.1LA | Enhanced Performance Requirements Type 3i - QPSK, Fixed Reference Channel (FRC) H-Set 6A | 1196 |
| 9.2.1LA.1 | Definition and applicability..... | 1196 |
| 9.2.1LA.2 | Minimum requirements | 1196 |
| 9.2.1LA.3 | Test purpose | 1197 |
| 9.2.1LA.4 | Method of test | 1197 |
| 9.2.1LA.5 | Test Requirements..... | 1198 |
| 9.2.1LB | Enhanced Performance Requirements Type 3i - QPSK, Fixed Reference Channel (FRC) H-Set 6A for DB-DC-HSDPA | 1199 |
| 9.2.1LB.1 | Definition and applicability..... | 1199 |
| 9.2.1LB.2 | Minimum requirements | 1199 |
| 9.2.1LB.3 | Test purpose | 1200 |
| 9.2.1LB.4 | Method of test | 1200 |
| 9.2.1LB.5 | Test Requirements..... | 1201 |
| 9.2.1LC | Enhanced Performance Requirements Type 3i - QPSK, Fixed Reference Channel (FRC) H-Set 6B | 1202 |
| 9.2.1LC.1 | Definition and applicability..... | 1202 |

| | | |
|------------|---|------|
| 9.2.1LC.2 | Minimum requirements | 1202 |
| 9.2.1LC.3 | Test purpose | 1203 |
| 9.2.1LC.4 | Method of test | 1203 |
| 9.2.1LC.5 | Test Requirements..... | 1204 |
| 9.2.1LD | Enhanced Performance Requirements Type 3i - QPSK, Fixed Reference Channel (FRC) H-Set 6C | 1205 |
| 9.2.1LD.1 | Definition and applicability..... | 1205 |
| 9.2.1LD.2 | Minimum requirements | 1205 |
| 9.2.1LD.3 | Test purpose | 1206 |
| 9.2.1LD.4 | Method of test | 1206 |
| 9.2.1LD.5 | Test Requirements..... | 1207 |
| 9.2.2 | Open Loop Diversity Performance | 1208 |
| 9.2.2A | Open Loop Diversity Performance - QPSK/16QAM, Fixed Reference Channel (FRC) H-Set 1/2/3..... | 1208 |
| 9.2.2A.1 | Definition and applicability..... | 1208 |
| 9.2.2A.2 | Minimum requirements | 1208 |
| 9.2.2A.3 | Test purpose | 1210 |
| 9.2.2A.4 | Method of test | 1210 |
| 9.2.2B | Open Loop Diversity Performance - QPSK, Fixed Reference Channel (FRC) H-Set 4/5 | 1213 |
| 9.2.2B.1 | Definition and applicability..... | 1213 |
| 9.2.2B.2 | Minimum requirements | 1213 |
| 9.2.2B.3 | Test purpose | 1214 |
| 9.2.2B.4 | Method of test | 1214 |
| 9.2.2C | Open Loop Diversity Performance - Enhanced Performance Requirements Type 1 - QPSK/16QAM, Fixed Reference Channel (FRC) H-Set 1/2/3 | 1216 |
| 9.2.2C.1 | Definition and applicability..... | 1216 |
| 9.2.2C.2 | Minimum requirements | 1217 |
| 9.2.2C.3 | Test purpose | 1218 |
| 9.2.2C.4 | Method of test | 1218 |
| 9.2.2D | Open Loop Diversity Performance - Enhanced Performance Requirements Type 2 - QPSK/16QAM, Fixed Reference Channel (FRC) H-Set 3 | 1221 |
| 9.2.2D.1 | Definition and applicability..... | 1221 |
| 9.2.2D.2 | Minimum requirements | 1221 |
| 9.2.2D.3 | Test purpose | 1223 |
| 9.2.2D.4 | Method of test | 1223 |
| 9.2.2D.4.1 | Initial conditions | 1223 |
| 9.2.2D.4.2 | Procedure..... | 1224 |
| 9.2.2D.5 | Test Requirements | 1225 |
| 9.2.2E | Open Loop Diversity Performance - Enhanced Performance Requirements Type 3 - QPSK/16QAM, Fixed Reference Channel (FRC) H-Set 3 | 1226 |
| 9.2.2E.1 | Definition and applicability..... | 1226 |
| 9.2.2E.2 | Minimum requirements | 1226 |
| 9.2.2E.3 | Test purpose | 1228 |
| 9.2.2E.4 | Method of test | 1228 |
| 9.2.2E.4.1 | Initial conditions | 1228 |
| 9.2.2E.4.2 | Procedure..... | 1229 |
| 9.2.2E.5 | Test Requirements | 1229 |
| 9.2.3 | Closed Loop Diversity Performance..... | 1230 |
| 9.2.3A | Closed Loop Diversity Performance - QPSK/16QAM, Fixed Reference Channel (FRC) H-Set 1/2/3 .. | 1230 |
| 9.2.3A.1 | Definition and applicability..... | 1230 |
| 9.2.3A.2 | Minimum requirements | 1231 |
| 9.2.3A.3 | Test purpose | 1232 |
| 9.2.3A.4 | Method of test | 1232 |
| 9.2.3A.4.1 | Initial conditions | 1232 |
| 9.2.3A.4.2 | Procedure..... | 1233 |
| 9.2.3A.5 | Test Requirements..... | 1234 |
| 9.2.3B | Closed Loop Diversity Performance - QPSK, Fixed Reference Channel (FRC) H-Set 4/5..... | 1235 |
| 9.2.3B.1 | Definition and applicability..... | 1235 |
| 9.2.3B.2 | Minimum requirements | 1235 |
| 9.2.3B.3 | Test purpose | 1236 |
| 9.2.3B.4 | Method of test | 1236 |
| 9.2.3B.4.1 | Initial conditions | 1236 |
| 9.2.3B.4.2 | Procedure..... | 1238 |
| 9.2.3B.5 | Test Requirements..... | 1238 |

| | | |
|-------------|--|------|
| 9.2.3C | Closed Loop Diversity Performance Enhanced Performance Requirements Type 1, QPSK/16QAM, Fixed Reference Channel (FRC) H-Set 1/2/3 | 1239 |
| 9.2.3C.1 | Definition and applicability..... | 1239 |
| 9.2.3C.2 | Minimum requirements | 1239 |
| 9.2.3C.3 | Test purpose | 1241 |
| 9.2.3C.4 | Method of test | 1241 |
| 9.2.3C.4.1 | Initial conditions | 1241 |
| 9.2.3C.4.2 | Procedure..... | 1242 |
| 9.2.3C.5 | Test Requirements..... | 1242 |
| 9.2.3D | Closed Loop Diversity Performance - Enhanced Performance Requirements Type 2 - QPSK/16QAM, Fixed Reference Channel (FRC) H-Set 6/3 | 1244 |
| 9.2.3D.1 | Definition and applicability..... | 1244 |
| 9.2.3D.2 | Minimum requirements | 1244 |
| 9.2.3D.3 | Test purpose | 1247 |
| 9.2.3D.4 | Method of test | 1247 |
| 9.2.3D.4.1 | Initial conditions | 1247 |
| 9.2.3D.4.2 | Procedure..... | 1248 |
| 9.2.3D.5 | Test Requirements..... | 1248 |
| 9.2.3E | Closed Loop Diversity Performance Enhanced Performance Requirements Type 3, QPSK/16QAM, Fixed Reference Channel (FRC) H-Set 3 | 1250 |
| 9.2.3E.1 | Definition and applicability..... | 1250 |
| 9.2.3E.2 | Minimum requirements | 1250 |
| 9.2.3E.3 | Test purpose | 1252 |
| 9.2.3E.4 | Method of test | 1252 |
| 9.2.3E.4.1 | Initial conditions | 1252 |
| 9.2.3E.4.2 | Procedure..... | 1253 |
| 9.2.3E.5 | Test Requirements..... | 1254 |
| 9.2.4 | MIMO Performance..... | 1255 |
| 9.2.4A | MIMO Performance - Fixed Reference Channel (FRC) H-Set 9..... | 1255 |
| 9.2.4A.1 | Definition and applicability..... | 1255 |
| 9.2.4A.2 | Minimum requirements | 1255 |
| 9.2.4A.3 | Test purpose | 1256 |
| 9.2.4A.4 | Method of test | 1256 |
| 9.2.4A.4.1 | Initial conditions | 1256 |
| 9.2.4A.4.2 | Procedure..... | 1257 |
| 9.2.4A.5 | Test Requirements | 1258 |
| 9.2.4B | MIMO Performance - Fixed Reference Channel (FRC) H-Set 11..... | 1258 |
| 9.2.4B.1 | Definition and applicability..... | 1258 |
| 9.2.4B.2 | Minimum requirements | 1258 |
| 9.2.4B.3 | Test purpose | 1259 |
| 9.2.4B.4 | Method of test | 1259 |
| 9.2.4B.4.1 | Initial conditions | 1259 |
| 9.2.4B.4.2 | Procedure..... | 1260 |
| 9.2.4B.5 | Test Requirements | 1260 |
| 9.2.4C | MIMO Performance - Fixed Reference Channel (FRC) H-Set 9A..... | 1261 |
| 9.2.4C.1 | Definition and applicability..... | 1261 |
| 9.2.4C.2 | Minimum requirements | 1261 |
| 9.2.4C.3 | Test purpose | 1262 |
| 9.2.4C.4 | Method of test | 1262 |
| 9.2.4C.4.1 | Initial conditions | 1262 |
| 9.2.4C.4.2 | Procedure..... | 1264 |
| 9.2.4C.5 | Test Requirements..... | 1264 |
| 9.2.4CA | MIMO Performance - Fixed Reference Channel (FRC) H-Set 9A for DB DC-HSDPA..... | 1265 |
| 9.2.4CA.1 | Definition and applicability..... | 1265 |
| 9.2.4CA.2 | Minimum requirements | 1265 |
| 9.2.4CA.3 | Test purpose | 1266 |
| 9.2.4CA.4 | Method of test | 1266 |
| 9.2.4CA.4.1 | Initial conditions | 1266 |
| 9.2.4CA.4.2 | Procedure..... | 1267 |
| 9.2.4CA.5 | Test Requirements..... | 1267 |
| 9.2.4D | MIMO Performance - Fixed Reference Channel (FRC) H-Set 11A..... | 1268 |
| 9.2.4D.1 | Definition and applicability..... | 1268 |

| | | |
|-------------|---|------|
| 9.2.4D.2 | Minimum requirements | 1268 |
| 9.2.4D.3 | Test purpose | 1269 |
| 9.2.4D.4 | Method of test | 1269 |
| 9.2.4D.4.1 | Initial conditions | 1269 |
| 9.2.4D.4.2 | Procedure..... | 1270 |
| 9.2.4D.5 | Test Requirements..... | 1270 |
| 9.2.4DA | MIMO Performance - Fixed Reference Channel (FRC) H-Set 11A for DB DC-HSDPA..... | 1271 |
| 9.2.4DA.1 | Definition and applicability..... | 1271 |
| 9.2.4DA.2 | Minimum requirements | 1271 |
| 9.2.4DA.3 | Test purpose | 1272 |
| 9.2.4DA.4 | Method of test | 1272 |
| 9.2.4DA.4.1 | Initial conditions..... | 1272 |
| 9.2.4DA.4.2 | Procedure..... | 1273 |
| 9.2.4DA.5 | Test Requirements..... | 1273 |
| 9.2.4E | MIMO Performance - Fixed Reference Channel (FRC) H-Set 9 Asymmetric CPICHs..... | 1274 |
| 9.2.4E.1 | Definition and applicability..... | 1274 |
| 9.2.4E.2 | Minimum requirements | 1274 |
| 9.2.4E.3 | Test purpose | 1275 |
| 9.2.4E.4 | Method of test | 1275 |
| 9.2.4E.4.1 | Initial conditions | 1275 |
| 9.2.4E.4.2 | Procedure..... | 1276 |
| 9.2.4E.5 | Test Requirements | 1277 |
| 9.2.4F | MIMO Performance - Fixed Reference Channel (FRC) H-Set 11 Asymmetric CPICHs..... | 1277 |
| 9.2.4F.1 | Definition and applicability..... | 1277 |
| 9.2.4F.2 | Minimum requirements | 1277 |
| 9.2.4F.3 | Test purpose | 1278 |
| 9.2.4F.4 | Method of test | 1278 |
| 9.2.4F.4.1 | Initial conditions | 1278 |
| 9.2.4F.4.2 | Procedure..... | 1279 |
| 9.2.4F.5 | Test Requirements | 1279 |
| 9.2.4G | MIMO Performance - Fixed Reference Channel (FRC) H-Set 9A Asymmetric CPICHs..... | 1280 |
| 9.2.4G.1 | Definition and applicability..... | 1280 |
| 9.2.4G.2 | Minimum requirements | 1280 |
| 9.2.4G.3 | Test purpose | 1281 |
| 9.2.4G.4 | Method of test | 1281 |
| 9.2.4G.4.1 | Initial conditions | 1281 |
| 9.2.4G.4.2 | Procedure..... | 1283 |
| 9.2.4G.5 | Test Requirements..... | 1283 |
| 9.2.4H | MIMO Performance - Fixed Reference Channel (FRC) H-Set 11A Asymmetric CPICHs..... | 1284 |
| 9.2.4H.1 | Definition and applicability..... | 1284 |
| 9.2.4H.2 | Minimum requirements | 1284 |
| 9.2.4H.3 | Test purpose | 1285 |
| 9.2.4H.4 | Method of test | 1285 |
| 9.2.4H.4.1 | Initial conditions | 1285 |
| 9.2.4H.4.2 | Procedure..... | 1286 |
| 9.2.4H.5 | Test Requirements..... | 1286 |
| 9.3 | Reporting of Channel Quality Indicator | 1287 |
| 9.3.1 | Single Link Performance - AWGN Propagation Conditions | 1287 |
| 9.3.1.1 | Definition and applicability..... | 1287 |
| 9.3.1.2 | Minimum requirements | 1288 |
| 9.3.1.3 | Test purpose | 1288 |
| 9.3.1.4 | Method of test | 1289 |
| 9.3.1.4.1 | Initial conditions | 1289 |
| 9.3.1.4.2 | Procedure..... | 1289 |
| 9.3.1.5 | Test Requirements..... | 1290 |
| 9.3.1A | Single Link Performance - AWGN Propagation Conditions, 64QAM..... | 1290 |
| 9.3.1A.1 | Definition and applicability..... | 1290 |
| 9.3.1A.2 | Minimum requirements | 1290 |
| 9.3.1A.3 | Test purpose | 1291 |
| 9.3.1A.4 | Method of test | 1291 |
| 9.3.1A.4.1 | Initial conditions | 1291 |
| 9.3.1A.4.2 | Procedure..... | 1292 |

| | | |
|-------------|---|------|
| 9.3.1A.5 | Test Requirements..... | 1294 |
| 9.3.1B | Single Link Performance - AWGN Propagation Conditions, DC-HSDPA requirements..... | 1294 |
| 9.3.1B.1 | Definition and applicability..... | 1294 |
| 9.3.1B.2 | Minimum requirements..... | 1295 |
| 9.3.1B.3 | Test purpose..... | 1295 |
| 9.3.1B.4 | Method of test..... | 1296 |
| 9.3.1B.4.1 | Initial conditions..... | 1296 |
| 9.3.1B.4.2 | Procedure..... | 1296 |
| 9.3.1B.5 | Test Requirements..... | 1298 |
| 9.3.1BA | Single Link Performance - AWGN Propagation Conditions, DB-DC-HSDPA requirements..... | 1298 |
| 9.3.1BA.1 | Definition and applicability..... | 1298 |
| 9.3.1BA.2 | Minimum requirements..... | 1298 |
| 9.3.1BA.4 | Method of test..... | 1299 |
| 9.3.1BA.4.1 | Initial conditions..... | 1299 |
| 9.3.1BA.4.2 | Procedure..... | 1300 |
| 9.3.1BA.5 | Test Requirements..... | 1301 |
| 9.3.1BB | Single Link Performance - AWGN Propagation Conditions, 4C-HSDPA requirements (3 Carriers).... | 1302 |
| 9.3.1BB.1 | Definition and applicability..... | 1302 |
| 9.3.1BB.2 | Minimum requirements..... | 1302 |
| 9.3.1BB.4 | Method of test..... | 1303 |
| 9.3.1BB.4.1 | Initial conditions..... | 1303 |
| 9.3.1BB.4.2 | Procedure..... | 1303 |
| 9.3.1BB.5 | Test Requirements..... | 1304 |
| 9.3.1BC | Single Link Performance - AWGN Propagation Conditions, 4C-HSDPA requirements..... | 1304 |
| 9.3.1BC.1 | Definition and applicability..... | 1304 |
| 9.3.1BC.2 | Minimum requirements..... | 1305 |
| 9.3.1BC.4 | Method of test..... | 1305 |
| 9.3.1BC.4.1 | Initial conditions..... | 1305 |
| 9.3.1BC.4.2 | Procedure..... | 1306 |
| 9.3.1BC.5 | Test Requirements..... | 1307 |
| 9.3.2AB | Single Link Performance - Fading Propagation Conditions, 4C-HSDPA requirements(3 Carriers)..... | 1307 |
| 9.3.2AB.1 | Definition and applicability..... | 1307 |
| 9.3.2AB.2 | Minimum requirements..... | 1307 |
| 9.3.2AB.3 | Test purpose..... | 1308 |
| 9.3.2AB.4 | Method of test..... | 1308 |
| 9.3.2AB.4.1 | Initial conditions..... | 1308 |
| 9.3.2AB.4.2 | Procedure..... | 1309 |
| 9.3.2AB.5 | Test Requirements..... | 1310 |
| 9.3.2AC | Single Link Performance - Fading Propagation Conditions, 4C-HSDPA requirements..... | 1310 |
| 9.3.2AC.1 | Definition and applicability..... | 1310 |
| 9.3.2AC.2 | Minimum requirements..... | 1310 |
| 9.3.2AC.3 | Test purpose..... | 1311 |
| 9.3.2AC.4 | Method of test..... | 1311 |
| 9.3.2AC.4.1 | Initial conditions..... | 1311 |
| 9.3.2AC.4.2 | Procedure..... | 1312 |
| 9.3.2AC.5 | Test Requirements..... | 1313 |
| 9.3.1C | Single Link Performance - AWGN Propagation Conditions, Periodically Varying Radio Conditions.. | 1313 |
| 9.3.1C.1 | Definition and applicability..... | 1313 |
| 9.3.1C.2 | Minimum requirements..... | 1313 |
| 9.3.1C.3 | Test purpose..... | 1315 |
| 9.3.1C.4 | Method of test..... | 1316 |
| 9.3.1C.4.1 | Initial conditions..... | 1316 |
| 9.3.1C.4.2 | Procedure..... | 1316 |
| 9.3.1C.5 | Test Requirements..... | 1317 |
| 9.3.2 | Single Link Performance - Fading Propagation Conditions..... | 1317 |
| 9.3.2.1 | Definition and applicability..... | 1317 |
| 9.3.2.2 | Minimum requirements..... | 1317 |
| 9.3.2.3 | Test purpose..... | 1318 |
| 9.3.2.4 | Method of test..... | 1318 |
| 9.3.2.4.1 | Initial conditions..... | 1318 |
| 9.3.2.4.2 | Procedure..... | 1319 |
| 9.3.2.5 | Test Requirements..... | 1320 |

| | | |
|-------------|---|------|
| 9.3.2A | Single Link Performance - Fading Propagation Conditions, DC-HSDPA requirements | 1320 |
| 9.3.2A.1 | Definition and applicability | 1320 |
| 9.3.2A.2 | Minimum requirements | 1320 |
| 9.3.2A.3 | Test purpose | 1321 |
| 9.3.2A.4 | Method of test | 1321 |
| 9.3.2A.4.1 | Initial conditions | 1321 |
| 9.3.2A.4.2 | Procedure | 1322 |
| 9.3.2A.5 | Test Requirements | 1324 |
| 9.3.2AA | Single Link Performance - Fading Propagation Conditions, DB-DC-HSDPA requirements | 1324 |
| 9.3.2AA.1 | Definition and applicability | 1324 |
| 9.3.2AA.2 | Minimum requirements | 1324 |
| 9.3.2AA.3 | Test purpose | 1325 |
| 9.3.2AA.4 | Method of test | 1325 |
| 9.3.2AA.4.1 | Initial conditions | 1325 |
| 9.3.2AA.4.2 | Procedure | 1326 |
| 9.3.2AA.5 | Test Requirements | 1328 |
| 9.3.2B | Single Link Performance - Fading Propagation Conditions, 64QAM | 1328 |
| 9.3.2B.1 | Definition and applicability | 1328 |
| 9.3.2B.2 | Minimum requirements | 1328 |
| 9.3.2B.3 | Test purpose | 1329 |
| 9.3.2B.4 | Method of test | 1329 |
| 9.3.2B.4.1 | Initial conditions | 1329 |
| 9.3.2B.4.2 | Procedure | 1330 |
| 9.3.2B.5 | Test Requirements | 1332 |
| 9.3.3 | Open Loop Diversity Performance - AWGN Propagation Conditions | 1332 |
| 9.3.3.1 | Definition and applicability | 1332 |
| 9.3.3.2 | Minimum requirements | 1333 |
| 9.3.3.3 | Test purpose | 1333 |
| 9.3.3.4 | Method of test | 1333 |
| 9.3.3.4.1 | Initial conditions | 1333 |
| 9.3.3.4.2 | Procedure | 1334 |
| 9.3.3.5 | Test Requirements | 1336 |
| 9.3.4 | Open Loop Diversity Performance - Fading Propagation Conditions | 1336 |
| 9.3.4.1 | Definition and applicability | 1336 |
| 9.3.4.2 | Minimum requirements | 1336 |
| 9.3.4.3 | Test purpose | 1337 |
| 9.3.4.4 | Method of test | 1337 |
| 9.3.4.4.1 | Initial conditions | 1337 |
| 9.3.4.4.2 | Procedure | 1338 |
| 9.3.4.5 | Test Requirements | 1340 |
| 9.3.5 | Closed Loop Diversity Performance - AWGN Propagation Conditions | 1340 |
| 9.3.5.1 | Definition and applicability | 1340 |
| 9.3.5.2 | Minimum requirements | 1340 |
| 9.3.5.3 | Test purpose | 1341 |
| 9.3.5.4 | Method of test | 1341 |
| 9.3.5.4.1 | Initial conditions | 1341 |
| 9.3.5.4.2 | Procedure | 1342 |
| 9.3.5.5 | Test Requirements | 1344 |
| 9.3.6 | Closed Loop Diversity Performance - Fading Propagation Conditions | 1344 |
| 9.3.6.1 | Definition and applicability | 1344 |
| 9.3.6.2 | Minimum requirements | 1344 |
| 9.3.6.3 | Test purpose | 1345 |
| 9.3.6.4 | Method of test | 1345 |
| 9.3.6.4.1 | Initial conditions | 1345 |
| 9.3.6.4.2 | Procedure | 1346 |
| 9.3.6.5 | Test Requirements | 1348 |
| 9.3.7 | MIMO Performance - Reporting of Channel Quality Indicator | 1348 |
| 9.3.7A | MIMO Single Stream Fading Conditions | 1348 |
| 9.3.7A.1 | Definition and applicability | 1348 |
| 9.3.7A.2 | Minimum requirements | 1349 |
| 9.3.7A.3 | Test purpose | 1350 |
| 9.3.7A.4 | Method of test | 1350 |

| | | |
|------------|---|------|
| 9.3.7A.4.1 | Initial conditions | 1350 |
| 9.3.7A.4.2 | Procedure | 1350 |
| 9.3.7A.5 | Test Requirements | 1351 |
| 9.3.7B | MIMO Dual Stream Fading Conditions | 1351 |
| 9.3.7B.1 | Definition and applicability | 1351 |
| 9.3.7B.2 | Minimum requirements | 1352 |
| 9.3.7B.3 | Test purpose | 1353 |
| 9.3.7B.4 | Method of test | 1353 |
| 9.3.7B.4.1 | Initial conditions | 1353 |
| 9.3.7B.4.2 | Procedure | 1354 |
| 9.3.7B.5 | Test Requirements | 1355 |
| 9.3.7C | MIMO Dual Stream Fading Conditions - UE categories 19-20 | 1355 |
| 9.3.7C.1 | Definition and applicability | 1355 |
| 9.3.7C.2 | Minimum requirements | 1356 |
| 9.3.7C.3 | Test purpose | 1357 |
| 9.3.7C.4 | Method of test | 1358 |
| 9.3.7C.4.1 | Initial conditions | 1358 |
| 9.3.7C.4.2 | Procedure | 1358 |
| 9.3.7C.5 | Test Requirements | 1359 |
| 9.3.7D | MIMO Dual Stream Static Orthogonal Conditions - UE categories 15-20 | 1359 |
| 9.3.7D.1 | Definition and applicability | 1359 |
| 9.3.7D.2 | Minimum requirements | 1360 |
| 9.3.7D.3 | Test purpose | 1360 |
| 9.3.7D.4 | Method of test | 1360 |
| 9.3.7D.4.1 | Initial conditions | 1360 |
| 9.3.7D.4.2 | Procedure | 1361 |
| 9.3.7D.5 | Test Requirements | 1362 |
| 9.3.7E | MIMO Dual Stream Static Orthogonal Conditions - UE categories 19-20 | 1362 |
| 9.3.7E.1 | Definition and applicability | 1362 |
| 9.3.7E.2 | Minimum requirements | 1362 |
| 9.3.7E.3 | Test purpose | 1363 |
| 9.3.7E.4 | Method of test | 1363 |
| 9.3.7E.4.1 | Initial conditions | 1363 |
| 9.3.7E.4.2 | Procedure | 1364 |
| 9.3.7E.5 | Test Requirements | 1365 |
| 9.3.7F | MIMO Single Stream Fading Conditions - Asymmetric CPICHs | 1365 |
| 9.3.7F.1 | Definition and applicability | 1365 |
| 9.3.7F.2 | Minimum requirements | 1365 |
| 9.3.7F.3 | Test purpose | 1366 |
| 9.3.7F.4 | Method of test | 1366 |
| 9.3.7F.4.1 | Initial conditions | 1366 |
| 9.3.7F.4.2 | Procedure | 1367 |
| 9.3.7F.5 | Test Requirements | 1368 |
| 9.3.7G | MIMO Dual Stream Fading Conditions- Asymmetric CPICHs | 1368 |
| 9.3.7G.1 | Definition and applicability | 1368 |
| 9.3.7G.2 | Minimum requirements | 1369 |
| 9.3.7G.3 | Test purpose | 1370 |
| 9.3.7G.4 | Method of test | 1370 |
| 9.3.7G.4.1 | Initial conditions | 1370 |
| 9.3.7G.4.2 | Procedure | 1371 |
| 9.3.7G.5 | Test Requirements | 1372 |
| 9.3.7H | MIMO Dual Stream Fading Conditions - UE categories 19-20 - Asymmetric CPICHs | 1372 |
| 9.3.7H.1 | Definition and applicability | 1372 |
| 9.3.7H.2 | Minimum requirements | 1373 |
| 9.3.7H.3 | Test purpose | 1374 |
| 9.3.7H.4 | Method of test | 1375 |
| 9.3.7H.4.1 | Initial conditions | 1375 |
| 9.3.7H.4.2 | Procedure | 1375 |
| 9.3.7H.5 | Test Requirements | 1376 |
| 9.3.7I | MIMO Dual Stream Static Orthogonal Conditions - UE categories 15-20 - Asymmetric CPICHs | 1376 |
| 9.3.7I.1 | Definition and applicability | 1376 |
| 9.3.7I.2 | Minimum requirements | 1377 |

| | | |
|------------|--|------|
| 9.3.7I.3 | Test purpose | 1377 |
| 9.3.7I.4 | Method of test | 1377 |
| 9.3.7I.4.1 | Initial conditions | 1377 |
| 9.3.7I.4.2 | Procedure..... | 1378 |
| 9.3.7I.5 | Test Requirements..... | 1379 |
| 9.3.7J | MIMO Dual Stream Static Orthogonal Conditions - UE categories 19-20- Asymmetric CPICHs | 1379 |
| 9.3.7J.1 | Definition and applicability..... | 1379 |
| 9.3.7J.2 | Minimum requirements | 1379 |
| 9.3.7J.3 | Test purpose | 1380 |
| 9.3.7J.4 | Method of test | 1380 |
| 9.3.7J.4.1 | Initial conditions | 1380 |
| 9.3.7J.4.2 | Procedure..... | 1381 |
| 9.3.7J.5 | Test Requirements..... | 1382 |
| 9.4 | HS-SCCH Detection Performance | 1382 |
| 9.4.1 | Single Link Performance | 1382 |
| 9.4.1.1 | Definition and applicability..... | 1382 |
| 9.4.1.2 | Minimum requirements | 1382 |
| 9.4.1.3 | Test purpose | 1383 |
| 9.4.1.4 | Method of test | 1383 |
| 9.4.1.4.1 | Initial conditions | 1383 |
| 9.4.1.4.2 | Procedure..... | 1383 |
| 9.4.1.5 | Test Requirements..... | 1383 |
| 9.4.1A | Single Link Performance - Enhanced Performance Requirements Type 1 | 1384 |
| 9.4.1A.1 | Definition and applicability..... | 1384 |
| 9.4.1A.2 | Minimum requirements | 1385 |
| 9.4.1A.3 | Test purpose | 1385 |
| 9.4.1A.4 | Method of test | 1385 |
| 9.4.1A.4.1 | Initial conditions | 1385 |
| 9.4.1A.4.2 | Procedure..... | 1386 |
| 9.4.1A.5 | Test Requirements..... | 1386 |
| 9.4.2 | Open Loop Diversity Performance | 1387 |
| 9.4.2.1 | Definition and applicability..... | 1387 |
| 9.4.2.2 | Minimum requirements | 1387 |
| 9.4.2.3 | Test purpose | 1387 |
| 9.4.2.4 | Method of test | 1387 |
| 9.4.2.4.1 | Initial conditions | 1387 |
| 9.4.2.4.2 | Procedure..... | 1388 |
| 9.4.2.5 | Test Requirements..... | 1389 |
| 9.4.2A | Open Loop Diversity Performance - Enhanced Performance Requirements Type 1 | 1390 |
| 9.4.2A.1 | Definition and applicability..... | 1390 |
| 9.4.2A.2 | Minimum requirements | 1390 |
| 9.4.2A.3 | Test purpose | 1390 |
| 9.4.2A.4 | Method of test | 1391 |
| 9.4.2A.4.1 | Initial conditions | 1391 |
| 9.4.2A.4.2 | Procedure..... | 1391 |
| 9.4.2A.5 | Test Requirements..... | 1392 |
| 9.4.3 | HS-SCCH Type 3 Performance | 1392 |
| 9.4.3.1 | Definition and applicability..... | 1392 |
| 9.4.3.2 | Minimum requirements | 1393 |
| 9.4.3.3 | Test purpose | 1394 |
| 9.4.3.4 | Method of test | 1394 |
| 9.4.3.4.1 | Initial conditions | 1394 |
| 9.4.3.4.2 | Procedure..... | 1394 |
| 9.4.3.5 | Test Requirements..... | 1395 |
| 9.4.3A | HS-SCCH Type 3 Performance -STTD disabled- Asymmetric CPICHs | 1396 |
| 9.4.3A.1 | Definition and applicability..... | 1396 |
| 9.4.3A.2 | Minimum requirements | 1396 |
| 9.4.3A.3 | Test purpose | 1397 |
| 9.4.3A.4 | Method of test | 1397 |
| 9.4.3A.4.1 | Initial conditions | 1397 |
| 9.4.3A.5 | Test Requirements..... | 1398 |
| 9.4.3B | HS-SCCH Type 3 Performance -STTD enabled- Asymmetric CPICHs | 1399 |

| | | |
|------------|---|------|
| 9.4.3B.1 | Definition and applicability..... | 1399 |
| 9.4.3B.2 | Minimum requirements..... | 1400 |
| 9.4.3B.3 | Test purpose..... | 1401 |
| 9.4.3B.4 | Method of test..... | 1401 |
| 9.4.3B.4.1 | Initial conditions..... | 1401 |
| 9.4.3B.4.2 | Procedure..... | 1401 |
| 9.4.3B.5 | Test Requirements..... | 1402 |
| 9.4.4 | HS-SCCH Type 3 Performance for MIMO only with single-stream restriction..... | 1403 |
| 9.4.4.1 | Definition and applicability..... | 1403 |
| 9.4.4.2 | Minimum requirements..... | 1403 |
| 9.4.4.3 | Test purpose..... | 1404 |
| 9.4.4.4 | Method of test..... | 1404 |
| 9.4.4.4.1 | Initial conditions..... | 1404 |
| 9.4.4.4.2 | Procedure..... | 1404 |
| 9.4.4.5 | Test Requirements..... | 1405 |
| 9.4.4A | HS-SCCH Type 3 Performance for MIMO only with single-stream restriction- Enhanced Performance Requirements Type 1..... | 1405 |
| 9.4.4A.1 | Definition and applicability..... | 1405 |
| 9.4.4A.2 | Minimum requirements..... | 1406 |
| 9.4.4A.3 | Test purpose..... | 1406 |
| 9.4.4A.4 | Method of test..... | 1406 |
| 9.4.4A.4.1 | Initial conditions..... | 1406 |
| 9.4.4A.4.2 | Procedure..... | 1407 |
| 9.4.4A.5 | Test Requirements..... | 1407 |
| 9.4.4B | HS-SCCH Type 3 Performance for MIMO only with single-stream restriction-STTD disabled- asymmetric CPICHs..... | 1408 |
| 9.4.4B.1 | Definition and applicability..... | 1408 |
| 9.4.4B.2 | Minimum requirements..... | 1408 |
| 9.4.4B.3 | Test purpose..... | 1409 |
| 9.4.4B.4 | Method of test..... | 1409 |
| 9.4.4B.4.1 | Initial conditions..... | 1409 |
| 9.4.4B.4.2 | Procedure..... | 1409 |
| 9.4.4B.5 | Test Requirements..... | 1410 |
| 9.4.4C | HS-SCCH Type 3 Performance for MIMO only with single-stream restriction-STTD disabled- asymmetric CPICHs- Enhanced Performance Requirements Type 1..... | 1410 |
| 9.4.4C.1 | Definition and applicability..... | 1410 |
| 9.4.4C.2 | Minimum requirements..... | 1411 |
| 9.4.4C.3 | Test purpose..... | 1411 |
| 9.4.4C.4 | Method of test..... | 1411 |
| 9.4.4C.4.1 | Initial conditions..... | 1411 |
| 9.4.4C.4.2 | Procedure..... | 1412 |
| 9.4.4C.5 | Test Requirements..... | 1412 |
| 9.4.4D | HS-SCCH Type 3 Performance for MIMO only with single-stream restriction-STTD enabled- asymmetric CPICHs..... | 1413 |
| 9.4.4D.1 | Definition and applicability..... | 1413 |
| 9.4.4D.2 | Minimum requirements..... | 1413 |
| 9.4.4D.3 | Test purpose..... | 1414 |
| 9.4.4D.4 | Method of test..... | 1414 |
| 9.4.4D.4.1 | Initial conditions..... | 1414 |
| 9.4.4D.4.2 | Procedure..... | 1414 |
| 9.4.4D.5 | Test Requirements..... | 1415 |
| 9.4.4E | HS-SCCH Type 3 Performance for MIMO only with single-stream restriction-STTD enabled- asymmetric CPICHs- Enhanced Performance Requirements Type 1..... | 1415 |
| 9.4.4E.1 | Definition and applicability..... | 1415 |
| 9.4.4E.2 | Minimum requirements..... | 1416 |
| 9.4.4E.3 | Test purpose..... | 1416 |
| 9.4.4E.4 | Method of test..... | 1416 |
| 9.4.4E.4.1 | Initial conditions..... | 1416 |
| 9.4.4E.4.2 | Procedure..... | 1417 |
| 9.4.4E.5 | Test Requirements..... | 1417 |
| 9.5 | HS-SCCH-less demodulation of HS-DSCH (Fixed Reference Channel)..... | 1418 |
| 9.5.1 | Requirement QPSK, Fixed Reference Channel (FRC) H-Set 7..... | 1418 |

| | | |
|---------------|--|------|
| 9.5.1.1 | Definition and applicability..... | 1418 |
| 9.5.1.2 | Minimum requirements..... | 1418 |
| 9.5.1.3 | Test purpose..... | 1419 |
| 9.5.1.4 | Method of test..... | 1419 |
| 9.5.1.5 | Test Requirements..... | 1420 |
| 9.5.1A | Requirement QPSK, Fixed Reference Channel (FRC) H-Set 7 - Enhanced Performance | |
| | Requirements Type 1..... | 1420 |
| 9.5.1A.1 | Definition and applicability..... | 1420 |
| 9.5.1A.2 | Minimum requirements..... | 1421 |
| 9.5.1A.3 | Test purpose..... | 1421 |
| 9.5.1A.4 | Method of test..... | 1421 |
| 9.5.1A.5 | Test Requirements..... | 1422 |
| 9.6 | HS-DSCH and HS-SCCH reception in CELL-FACH state..... | 1423 |
| 9.6.1 | Single link HS-DSCH Demodulation performance in CELL_FACH state..... | 1423 |
| 9.6.1.1 | Definition and applicability..... | 1423 |
| 9.6.1.2 | Minimum requirement QPSK, Fixed Reference Channel (FRC) H-Set 3..... | 1423 |
| 9.6.1.3 | Test purpose..... | 1424 |
| 9.6.1.4 | Method of test..... | 1424 |
| 9.6.1.5 | Test Requirements..... | 1425 |
| 9.6.2 | Single link HS-SCCH Detection performance in CELL_FACH state..... | 1425 |
| 9.6.2.1 | Definition and applicability..... | 1425 |
| 9.6.2.2 | Minimum requirement..... | 1425 |
| 9.6.2.3 | Test purpose..... | 1426 |
| 9.6.2.4 | Method of test..... | 1426 |
| 9.6.2.5 | Test Requirements..... | 1426 |
| 10 | Performance requirement (E-DCH)..... | 1428 |
| 10.1 | General..... | 1428 |
| 10.2 | Detection of E-DCH HARQ ACK Indicator Channel (E-HICH)..... | 1428 |
| 10.2.1 | Single link performance..... | 1428 |
| 10.2.1.1 | Single link performance (10ms TTI)..... | 1428 |
| 10.2.1.1.1 | Definition and applicability..... | 1428 |
| 10.2.1.1.2 | Minimum requirement..... | 1428 |
| 10.2.1.1.3 | Test purpose..... | 1429 |
| 10.2.1.1.4 | Method of test..... | 1429 |
| 10.2.1.1.4.1 | Initial conditions..... | 1429 |
| 10.2.1.1.4.2 | Procedure..... | 1430 |
| 10.2.1.1.5. | Test requirements..... | 1431 |
| 10.2.1.1A | Single link performance (10ms TTI, Type 1)..... | 1431 |
| 10.2.1.1A.1 | Definition and applicability..... | 1431 |
| 10.2.1.1A.2 | Minimum requirement..... | 1431 |
| 10.2.1.1A.3 | Test purpose..... | 1432 |
| 10.2.1.1A.4 | Method of test..... | 1432 |
| 10.2.1.1A.4.1 | Initial conditions..... | 1432 |
| 10.2.1.1A.4.2 | Procedure..... | 1432 |
| 10.2.1.1A.5. | Test requirements..... | 1433 |
| 10.2.1.2 | Single link performance (2ms TTI)..... | 1433 |
| 10.2.1.2.1 | Definition and applicability..... | 1433 |
| 10.2.1.2.2 | Minimum requirement..... | 1433 |
| 10.2.1.2.3 | Test purpose..... | 1434 |
| 10.2.1.2.4 | Method of test..... | 1434 |
| 10.2.1.2.4.1 | Initial conditions..... | 1434 |
| 10.2.1.2.4.2 | Procedure..... | 1435 |
| 10.2.1.2.5. | Test requirements..... | 1436 |
| 10.2.1.2A | Single link performance (2ms TTI, Type 1)..... | 1436 |
| 10.2.1.2A.1 | Definition and applicability..... | 1436 |
| 10.2.1.2A.2 | Minimum requirement..... | 1436 |
| 10.2.1.2A.3 | Test purpose..... | 1437 |
| 10.2.1.2A.4 | Method of test..... | 1437 |
| 10.2.1.2A.4.1 | Initial conditions..... | 1437 |
| 10.2.1.2A.4.2 | Procedure..... | 1437 |
| 10.2.1.2A.5. | Test requirements..... | 1438 |

| | | |
|-----------------|--|------|
| 10.2.2 | Detection in Inter-Cell Handover conditions | 1438 |
| 10.2.2.1 | RLS not containing the Serving E-DCH cell | 1438 |
| 10.2.2.1.1 | RLS not containing the Serving E-DCH cell (10ms TTI) | 1438 |
| 10.2.2.1.1.1 | Definition and applicability | 1438 |
| 10.2.2.1.1.2 | Minimum requirement | 1439 |
| 10.2.2.1.1.3 | Test Purpose | 1439 |
| 10.2.2.1.1.4 | Method of test | 1440 |
| 10.2.2.1.1.5 | Test Requirements | 1442 |
| 10.2.2.1.1A | RLS not containing the Serving E-DCH cell (10ms TTI, Type 1) | 1443 |
| 10.2.2.1.1A.1 | Definition and applicability | 1443 |
| 10.2.2.1.1A.2 | Minimum requirement | 1443 |
| 10.2.2.1.1A.3 | Test Purpose | 1444 |
| 10.2.2.1.1A.4 | Method of test | 1444 |
| 10.2.2.1.1A.5 | Test Requirements | 1446 |
| 10.2.2.1.2 | RLS not containing the Serving E-DCH cell (2ms TTI) | 1447 |
| 10.2.2.1.2.1 | Definition and applicability | 1447 |
| 10.2.2.1.2.2 | Minimum requirement | 1447 |
| 10.2.2.1.2.3 | Test Purpose | 1448 |
| 10.2.2.1.2.4 | Method of test | 1448 |
| 10.2.2.1.2.4.1 | Initial conditions | 1448 |
| 10.2.2.1.2.4.2 | Procedure | 1449 |
| 10.2.2.1.2.5 | Test Requirements | 1451 |
| 10.2.2.1.2A | RLS not containing the Serving E-DCH cell (2ms TTI, Type 1) | 1452 |
| 10.2.2.1.2A.1 | Definition and applicability | 1452 |
| 10.2.2.1.2A.2 | Minimum requirement | 1452 |
| 10.2.2.1.2A.3 | Test Purpose | 1453 |
| 10.2.2.1.2A.4 | Method of test | 1453 |
| 10.2.2.1.2A.4.1 | Initial conditions | 1453 |
| 10.2.2.1.2A.4.2 | Procedure | 1454 |
| 10.2.2.1.2A.5 | Test Requirements | 1455 |
| 10.2.2.2 | RLS containing the Serving E-DCH cell | 1456 |
| 10.2.2.2.1 | RLS containing the Serving E-DCH cell (10ms TTI) | 1456 |
| 10.2.2.2.1.1 | Definition and applicability | 1456 |
| 10.2.2.2.1.2 | Minimum requirement | 1456 |
| 10.2.2.2.1.3 | Test purpose | 1457 |
| 10.2.2.2.1.4 | Method of test | 1457 |
| 10.2.2.2.1.4.1 | Initial conditions | 1457 |
| 10.2.2.2.1.4.2 | Procedure | 1458 |
| 10.2.2.2.1.5 | Test requirements | 1460 |
| 10.2.2.2.1A | RLS containing the Serving E-DCH cell (10ms TTI, Type 1) | 1461 |
| 10.2.2.2.1A.1 | Definition and applicability | 1461 |
| 10.2.2.2.1A.2 | Minimum requirement | 1462 |
| 10.2.2.2.1A.3 | Test purpose | 1462 |
| 10.2.2.2.1A.4 | Method of test | 1462 |
| 10.2.2.2.1A.4.1 | Initial conditions | 1462 |
| 10.2.2.2.1A.4.2 | Procedure | 1463 |
| 10.2.2.2.1A.5 | Test requirements | 1464 |
| 10.2.2.2.2 | RLS containing the Serving E-DCH cell (2ms TTI) | 1465 |
| 10.2.2.2.2.1 | Definition and applicability | 1465 |
| 10.2.2.2.2.2 | Minimum requirement | 1465 |
| 10.2.2.2.2.3 | Test purpose | 1466 |
| 10.2.2.2.2.4 | Method of test | 1466 |
| 10.2.2.2.2.4.1 | Initial conditions | 1466 |
| 10.2.2.2.2.4.2 | Procedure | 1467 |
| 10.2.2.2.2.5 | Test requirements | 1469 |
| 10.2.2.2.2A | RLS containing the Serving E-DCH cell (2ms TTI, Type 1) | 1470 |
| 10.2.2.2.2A.1 | Definition and applicability | 1470 |
| 10.2.2.2.2A.2 | Minimum requirement | 1470 |
| 10.2.2.2.2A.3 | Test purpose | 1471 |
| 10.2.2.2.2A.4 | Method of test | 1471 |
| 10.2.2.2.2A.4.1 | Initial conditions | 1471 |
| 10.2.2.2.2A.4.2 | Procedure | 1472 |

| | | |
|---------------|--|------|
| 10.2.2.2A.5 | Test requirements..... | 1473 |
| 10.3 | Detection of E-DCH Relative Grant Channel (E-RGCH)..... | 1474 |
| 10.3.1 | Single link performance..... | 1474 |
| 10.3.1.1 | Single link performance (10ms TTI)..... | 1474 |
| 10.3.1.1.1 | Definition and applicability..... | 1474 |
| 10.3.1.1.2 | Minimum requirement..... | 1474 |
| 10.3.1.1.3 | Test purpose..... | 1475 |
| 10.3.1.1.4 | Method of test..... | 1475 |
| 10.3.1.1.4.1 | Initial conditions..... | 1475 |
| 10.3.1.1.4.2 | Procedure..... | 1476 |
| 10.3.1.1.5 | Test requirements..... | 1477 |
| 10.3.1.1A | Single link performance (10ms TTI, Type 1)..... | 1478 |
| 10.3.1.1A.1 | Definition and applicability..... | 1478 |
| 10.3.1.1A.2 | Minimum requirement..... | 1478 |
| 10.3.1.1A.3 | Test purpose..... | 1478 |
| 10.3.1.1A.4 | Method of test..... | 1479 |
| 10.3.1.1A.4.1 | Initial conditions..... | 1479 |
| 10.3.1.1A.4.2 | Procedure..... | 1479 |
| 10.3.1.1A.5 | Test requirements..... | 1480 |
| 10.3.1.2 | Single link performance (2ms TTI)..... | 1481 |
| 10.3.1.2.1 | Definition and applicability..... | 1481 |
| 10.3.1.2.2 | Minimum requirement..... | 1481 |
| 10.3.1.2.3 | Test purpose..... | 1482 |
| 10.3.1.2.4 | Method of test..... | 1482 |
| 10.3.1.2.4.1 | Initial conditions..... | 1482 |
| 10.3.1.2.4.2 | Procedure..... | 1482 |
| 10.3.1.2.5 | Test requirements..... | 1484 |
| 10.3.1.2A | Single link performance (2ms TTI, Type 1)..... | 1485 |
| 10.3.1.2A.1 | Definition and applicability..... | 1485 |
| 10.3.1.2A.2 | Minimum requirement..... | 1485 |
| 10.3.1.2A.3 | Test purpose..... | 1485 |
| 10.3.1.2A.4 | Method of test..... | 1485 |
| 10.3.1.2A.4.1 | Initial conditions..... | 1485 |
| 10.3.1.2A.4.2 | Procedure..... | 1486 |
| 10.3.1.2A.5 | Test requirements..... | 1487 |
| 10.3.2 | Detection in Inter-Cell Handover conditions..... | 1488 |
| 10.3.2.1 | Definition and applicability..... | 1488 |
| 10.3.2.2 | Minimum requirement for Non-serving E-DCH RL..... | 1488 |
| 10.3.2.3 | Test Purpose..... | 1488 |
| 10.3.2.4 | Method of test..... | 1489 |
| 10.3.2.4.1 | Initial conditions..... | 1489 |
| 10.3.2.4.2 | Procedure..... | 1489 |
| 10.3.2.5 | Test Requirements..... | 1492 |
| 10.3.2A | Detection in Inter-Cell Handover conditions (Type 1)..... | 1493 |
| 10.3.2A.1 | Definition and applicability..... | 1493 |
| 10.3.2A.2 | Minimum requirement for Non-serving E-DCH RL..... | 1494 |
| 10.3.2A.3 | Test Purpose..... | 1494 |
| 10.3.2A.4 | Method of test..... | 1494 |
| 10.3.2A.4.1 | Initial conditions..... | 1494 |
| 10.3.2A.4.2 | Procedure..... | 1495 |
| 10.3.2A.5 | Test Requirements..... | 1497 |
| 10.4 | Demodulation of E-DCH Absolute Grant Channel (E-AGCH)..... | 1498 |
| 10.4.1 | Single link performance..... | 1498 |
| 10.4.1.1 | Definition and applicability..... | 1498 |
| 10.4.1.2 | Minimum requirement..... | 1498 |
| 10.4.1.3 | Test Purpose..... | 1499 |
| 10.4.1.4 | Method of test..... | 1499 |
| 10.4.1.4.1 | Initial conditions..... | 1499 |
| 10.4.1.4.2 | Procedure..... | 1499 |
| 10.4.1.5 | Test Requirements..... | 1500 |
| 10.4.1A | Single link performance (Type 1)..... | 1501 |
| 10.4.1A.1 | Definition and applicability..... | 1501 |

| | | |
|-------------------------------|--|-------------|
| 10.4.1A.2 | Minimum requirement | 1501 |
| 10.4.1A.3 | Test Purpose | 1501 |
| 10.4.1A.4 | Method of test | 1501 |
| 10.4.1A.4.1 | Initial conditions | 1501 |
| 10.4.1A.4.2 | Procedure | 1502 |
| 10.4.1A.5 | Test Requirements | 1502 |
| 11 | Performance requirement (MBMS) | 1503 |
| 11.1 | General | 1503 |
| 11.2 | Demodulation of MTCH | 1503 |
| 11.2.1 | Definition and applicability | 1503 |
| 11.2.2 | Minimum requirement | 1503 |
| 11.2.3 | Test Purpose | 1504 |
| 11.2.4 | Method of test | 1504 |
| 11.2.4.1 | Initial conditions | 1504 |
| 11.2.4.2 | Procedure | 1505 |
| 11.2.5 | Test Requirements | 1506 |
| 11.2A | Demodulation of MTCH - Enhanced Performance Requirements Type 1 | 1507 |
| 11.2A.1 | Definition and applicability | 1507 |
| 11.2A.2 | Minimum requirement | 1507 |
| 11.2A.3 | Test Purpose | 1507 |
| 11.2A.4 | Method of test | 1507 |
| 11.2A.4.1 | Initial conditions | 1507 |
| 11.2A.4.2 | Procedure | 1508 |
| 11.2A.5 | Test Requirements | 1509 |
| 11.3 | Demodulation of MTCH and cell identification | 1510 |
| 11.3.1 | Definition and applicability | 1510 |
| 11.3.2 | Minimum requirements | 1510 |
| 11.3.3 | Test purpose | 1511 |
| 11.3.4 | Method of test | 1511 |
| 11.3.5 | Test requirements | 1513 |
| Annex A (informative): | Connection Diagrams | 1514 |
| Annex B (normative): | Global In-Channel TX-Test | 1552 |
| B.1 | General | 1552 |
| B.2 | Definition of the process | 1552 |
| B.2.1 | Basic principle | 1552 |
| B.2.2 | Output signal of the TX under test | 1552 |
| B.2.3 | Reference signal | 1552 |
| B.2.4 | void | 1553 |
| B.2.5 | Classification of measurement results | 1553 |
| B.2.6 | Process definition to achieve results f , t , ϕ , g_1 , g_2 , and O | 1553 |
| B.2.6.1 | Decision Point Power | 1554 |
| B.2.6.2 | Measured total power of all active codes | 1554 |
| B.2.6.3 | Code-Domain Power | 1554 |
| B.2.6.4 | Code-Domain Power of the varied reference signal | 1555 |
| B.2.7 | Process definition to achieve results EVM, PCDE, RCDE | 1555 |
| B.2.7.1 | Error Vector Magnitude (EVM) | 1555 |
| B.2.7.2 | Code Domain Error Power | 1556 |
| B.2.7.3 | Relative Code Domain Error (RCDE) | 1556 |
| B.3 | Notes | 1557 |
| Annex C (normative): | Measurement channels | 1560 |
| C.1 | General | 1560 |
| C.2 | UL reference measurement channel | 1560 |
| C.2.1 | UL reference measurement channel (12,2 kbps) | 1560 |
| C.2.2 | UL reference measurement channel (64 kbps) | 1561 |
| C.2.3 | UL reference measurement channel (144 kbps) | 1563 |

| | | |
|----------|---|------|
| C.2.4 | UL reference measurement channel (384 kbps) | 1565 |
| C.2.5 | UL reference measurement channel (768 kbps) | 1567 |
| C.2.6 | UL E-DCH reference measurement channel for DC-HSUPA using BPSK modulation | 1569 |
| C.2.7 | UL E-DCH reference measurement channel for DC-HSUPA using 16QAM modulation..... | 1570 |
| C.2.8 | Combinations of UL E-DCH reference measurement channel for DC-HSUPA tests | 1571 |
| C.3 | DL reference measurement channel | 1571 |
| C.3.1 | DL reference measurement channel (12.2 kbps) | 1571 |
| C.3.1A | DL reference measurement channel (0 kbps and 12.2 kbps)..... | 1573 |
| C.3.2 | DL reference measurement channel (64 kbps) | 1575 |
| C.3.3 | DL reference measurement channel (144 kbps) | 1577 |
| C.3.4 | DL reference measurement channel (384 kbps) | 1579 |
| C.3.5 | DL reference measurement channel 2 (64 kbps) | 1581 |
| C.4 | Reference measurement channel for BTFD performance requirements | 1582 |
| C.4.1 | UL reference measurement channel for BTFD performance requirements..... | 1582 |
| C.4.2 | DL reference measurement channel for BTFD performance requirements..... | 1585 |
| C.4.3 | Reference parameters for discontinuous UL DPCCCH transmission | 1588 |
| C.5 | DL reference compressed mode parameters..... | 1588 |
| C.6 | Auxiliary measurement channels | 1591 |
| C.6.1 | Introduction | 1591 |
| C.6.2 | Channel combinations for BLER measurements..... | 1592 |
| C.6.3 | UL auxiliary reference measurement channel (TM, 12.2 kbps, no CRC) | 1593 |
| C.6.3A | UL auxiliary reference measurement channel (TM, 0 kbps and 12.2 kbps, no CRC) | 1593 |
| C.6.4 | Void..... | 1594 |
| C.6.5 | Void..... | 1594 |
| C.6.6 | Void..... | 1594 |
| C.6.7 | UL AUXMC AM 12.2 kbps..... | 1595 |
| C.6.8 | UL AUXMC AM 12.2 kbps(DCCH with TB size of 148bit) | 1595 |
| C.7 | DL reference parameters for PCH tests..... | 1596 |
| C.8 | DL reference channel parameters for HSDPA tests | 1596 |
| C.8.1 | Fixed Reference Channel (FRC) | 1596 |
| C.8.1.1 | Fixed Reference Channel Definition H-Set 1/1A/1B/1C | 1596 |
| C.8.1.2 | Fixed Reference Channel Definition H-Set 2 | 1597 |
| C.8.1.3 | Fixed Reference Channel Definition H-Set 3/3A/3B/3C..... | 1598 |
| C.8.1.4 | Fixed Reference Channel Definition H-Set 4 | 1599 |
| C.8.1.5 | Fixed Reference Channel Definition H-Set 5 | 1600 |
| C.8.1.6 | Fixed Reference Channel Definition H-Set 6/6A/6B/6C..... | 1601 |
| C.8.1.7 | Fixed Reference Channel Definition H-Set 7 | 1602 |
| C.8.1.8 | Fixed Reference Channel Definition H-Set 8/8A/8B/8C..... | 1603 |
| C.8.1.9 | Fixed Reference Channel Definition H-Set 9/9A/9B/9C..... | 1604 |
| C.8.1.10 | Fixed Reference Channel Definition H-Set 10/10A/10B/10C..... | 1605 |
| C.8.1.11 | Fixed Reference Channel Definition H-Set 11/11A/11B/11C..... | 1607 |
| C.8.1.12 | Fixed Reference Channel Definition H-Set 12 | 1608 |
| C.9 | Downlink reference channel dummy DCCH transmission on DCH..... | 1609 |
| C.9A | MAC header transmission on HS-DSCH | 1609 |
| C.10 | UL reference channel parameters for HSDPA tests | 1609 |
| C.10.1 | UL reference measurement channel for HSDPA tests..... | 1609 |
| C.11 | Reference channel parameters for E-DCH tests..... | 1610 |
| C.11.1 | UL reference measurement channel for E-DCH tests | 1610 |
| C.11.2 | DL reference measurement channel for E-DCH tests | 1611 |
| C.11.3 | RLC SDU size for E-DCH tests | 1611 |
| C.11A | Reference channel parameters for DC-HSUPA tests..... | 1613 |
| C.11A.1 | UL reference measurement channel for DC-HSUPA tests..... | 1613 |
| C.11A.2 | DL reference measurement channel for DC-HSUPA tests..... | 1614 |
| C.11A.3 | RLC SDU size for DC-HSUPA tests | 1614 |

| | | |
|---|--|-------------|
| C.12 | DL reference parameters for MBMS tests..... | 1615 |
| C.12.1 | MTCH | 1615 |
| C.12.2 | Combined MTCH demodulation and cell identification | 1615 |
| Annex D (normative): Propagation Conditions..... | | 1616 |
| D.1 | General | 1616 |
| D.1.1 | Definition of Additive White Gaussian Noise (AWGN) Interferer..... | 1616 |
| D.2 | Propagation Conditions | 1616 |
| D.2.1 | Static propagation condition..... | 1616 |
| D.2.2 | Multi-path fading propagation conditions | 1616 |
| D.2.3 | Moving propagation conditions..... | 1618 |
| D.2.4 | Birth-Death propagation conditions | 1618 |
| D.2.4A | High speed train conditions | 1619 |
| D.2.5 | Conditions for HSDPA enhanced performance requirements type 1 with UE receiver diversity | 1620 |
| D.2.6 | Conditions for HSDPA enhanced performance requirements type 3 with UE receiver diversity | 1620 |
| D.2.7 | Conditions for open and closed loop diversity performance | 1620 |
| D.2.8 | Conditions for MBMS enhanced performance requirements type 1 with UE receiver diversity | 1620 |
| D.2.9 | MIMO propagation conditions | 1621 |
| D.2.9.1 | MIMO Single Stream Fading Conditions | 1621 |
| D.2.9.2 | MIMO Dual Stream Fading Conditions..... | 1622 |
| D.2.9.3 | MIMO Dual Stream Static Orthogonal Conditions | 1623 |
| Annex E (normative): Downlink Physical Channels..... | | 1624 |
| E.1 | General | 1624 |
| E.2 | Connection Set-up for non-HSDPA test cases | 1624 |
| E.2.1 | Measurement without dedicated connection | 1624 |
| E.3 | During connection for non-HSDPA test cases | 1624 |
| E.3.1 | Measurement of Tx Characteristics..... | 1625 |
| E.3.2 | Measurement of Rx Characteristics..... | 1625 |
| E.3.3 | Measurement of Performance requirements..... | 1625 |
| E.3.4 | Connection with open-loop transmit diversity mode..... | 1627 |
| E.3.5 | Connection with closed loop transmit diversity mode..... | 1628 |
| E.3.6 | OCNS Definition..... | 1628 |
| E.4 | W-CDMA Modulated Interferer for non-HSDPA test cases..... | 1629 |
| E.5 | HSDPA DL Physical channels | 1629 |
| E.5.0 | Downlink Physical Channels for connection set-up..... | 1629 |
| E.5.1 | Downlink Physical Channels for measurement..... | 1629 |
| E.5.2 | HSDPA OCNS Definition..... | 1638 |
| E.5.3 | Downlink Physical Channels for measurement including test tolerances | 1639 |
| E.5.4 | Downlink Physical Channels for Transmitter Characteristics with HS-DPCCH | 1641 |
| E.5A | E-DCH with HSDPA DL Physical channels..... | 1642 |
| E.5A.0 | Downlink Physical Channels for connection set-up..... | 1642 |
| E.5A.1 | Downlink Physical Channels for measurement..... | 1642 |
| E.5A.2 | E-DCH OCNS Definition..... | 1644 |
| E.5B | MBMS DL Physical channels | 1645 |
| E.5B.1 | Downlink Physical Channels for connection set-up..... | 1645 |
| E.5C | F-DPCH with HSDPA DL Physical channels..... | 1645 |
| E.5C.0 | Downlink Physical Channels for connection set-up..... | 1645 |
| E.5C.1 | Downlink Physical Channels for measurement..... | 1645 |
| E.5D | HSDPA and E-DCH DL Physical channels with discontinuous UL DPCCH transmission | 1647 |
| E.5D.0 | Downlink Physical Channels for connection set-up..... | 1647 |
| E.5D.1 | Downlink Physical Channels for measurement..... | 1647 |
| E.5E | Test Definition for Enhanced Performance Type 3i..... | 1648 |
| E.5E.1 | Transmitted code and power characteristics for serving cell..... | 1649 |

| | | |
|--|---|-------------|
| E.5E.2 | Transmitted code and power characteristics for interfering cells | 1651 |
| E.5E.3 | Model for power control sequence generation | 1651 |
| E.6 | Downlink Physical Channels Code Allocation (This clause is informative) | 1653 |
| E.6.1 | Downlink Physical Channels Code Allocation for non-HSDPA test cases | 1653 |
| E.6.2 | Downlink Physical Channels Code Allocation for HSDPA test cases | 1655 |
| E.6.3 | Downlink Physical Channels Code Allocation for E-DCH test cases | 1659 |
| E.6.4 | Downlink Physical Channels Code Allocation for MBMS test cases | 1661 |
| Annex F (normative): General test conditions and declarations | | 1663 |
| F.1 | Acceptable uncertainty of Test System | 1663 |
| F.1.1 | Measurement of test environments | 1663 |
| F.1.2 | Measurement of transmitter | 1664 |
| F.1.3 | Measurement of receiver | 1668 |
| F.1.4 | Performance requirement | 1673 |
| F.1.5 | Requirements for support of RRM | 1679 |
| F.1.6 | Performance requirement (HSDPA) | 1705 |
| F.1.7 | Performance requirement (E-DCH) | 1711 |
| F.1.8 | Performance requirement (MBMS) | 1714 |
| F.2 | Test Tolerances (This clause is informative) | 1715 |
| F.2.1 | Transmitter | 1715 |
| F.2.2 | Receiver | 1718 |
| F.2.3 | Performance requirements | 1720 |
| F.2.4 | Requirements for support of RRM | 1722 |
| F.2.5 | Performance requirements (HSDPA) | 1731 |
| F.2.6 | Performance requirements (E-DCH) | 1734 |
| F.2.7 | Performance requirements (MBMS) | 1735 |
| F.3 | Interpretation of measurement results | 1735 |
| F.4 | Derivation of Test Requirements (This clause is informative) | 1735 |
| F.4.1 | Transmitter | 1736 |
| F.4.2 | Receiver | 1747 |
| F.4.3 | Performance requirements | 1753 |
| F.4.4 | Requirements for support of RRM | 1762 |
| F.4.5 | Performance requirements (HSDPA) | 1795 |
| F.4.6 | Performance requirements (E-DCH) | 1803 |
| F.4.7 | Performance requirements (MBMS) | 1806 |
| F.5 | Acceptable uncertainty of Test Equipment (This clause is informative) | 1806 |
| F.5.1 | Transmitter measurements | 1807 |
| F.5.2 | Receiver measurements | 1809 |
| F.5.3 | Performance measurements | 1810 |
| F.5.4 | Requirements for support of RRM | 1810 |
| F.5.5 | Performance measurements (HSDPA) | 1811 |
| F.5.6 | Performance measurements (E-DCH) | 1813 |
| F.5.7 | Performance measurements (MBMS) | 1814 |
| F.6 | General rules for statistical testing | 1814 |
| F.6.1 | Statistical testing of receiver BER/BLER performance | 1814 |
| F.6.1.1 | Error Definition | 1814 |
| F.6.1.2 | Test Method | 1814 |
| F.6.1.3 | Test Criteria | 1814 |
| F.6.1.4 | Calculation assumptions | 1815 |
| F.6.1.4.1 | Statistical independence | 1815 |
| F.6.1.4.2 | Applied formulas | 1815 |
| F.6.1.4.3 | Approximation of the distribution | 1815 |
| F.6.1.5 | Definition of good pass fail decision. | 1815 |
| F.6.1.6 | Good balance between test time and statistical significance | 1816 |
| F.6.1.7 | Pass fail decision rules | 1817 |
| F.6.1.8 | Test conditions for BER, BLER, RLC SDU Error Rate tests | 1818 |
| F.6.1.9 | Practical Use (informative) | 1821 |

| | | |
|---|--|-------------|
| F.6.1.10 | Dual limit BLER tests..... | 1823 |
| F.6.1.10.1 | Description of the parameters for dual limit BLER tests | 1824 |
| F.6.1.10.2 | Pass fail decision rules | 1826 |
| F.6.1.10.3 | Test conditions for dual limit BLER tests | 1827 |
| F.6.1.10.4 | Test conditions for dual limit TPC Command Error Rate tests..... | 1828 |
| F.6.2 | Statistical testing of RRM delay performance..... | 1828 |
| F.6.2.1 | Test Method..... | 1828 |
| F.6.2.2 | Bad Delay Ratio (ER)..... | 1828 |
| F.6.2.3 | Test Criteria | 1828 |
| F.6.2.4 | Calculation assumptions | 1828 |
| F.6.2.4.1 | Statistical independence | 1828 |
| F.6.2.4.2 | Applied formulas..... | 1829 |
| F.6.2.4.3 | Approximation of the distribution..... | 1829 |
| F.6.2.5 | Definition of good pass fail decision | 1829 |
| F.6.2.6 | Good balance between test-time and statistical significance | 1830 |
| F.6.2.7 | Pass fail decision rules..... | 1830 |
| F.6.2.8 | Test conditions for RRM delay tests, Combining of TPC commands test 1, Demodulation of Paging channel and Detection of acquisition indicator tests and UE measurement performance tests..... | 1830 |
| F.6.2.9 | Practical Use (informative)..... | 1834 |
| F.6.3 | Statistical Testing of HSDPA Receiver Performance | 1835 |
| F.6.3.1 | Definition..... | 1835 |
| F.6.3.2 | Mapping throughput to block error ratio..... | 1835 |
| F.6.3.3 | Bad DUT factor | 1836 |
| F.6.3.3.1 | Bad DUT factor, range of applicability..... | 1837 |
| F.6.3.4 | Minimum Test time | 1838 |
| F.6.3.5 | Test conditions for HSDPA Receiver Performance..... | 1840 |
| F.6.4 | Statistical testing of performance requirement (E-DCH and MBMS)..... | 1861 |
| F.6.4.1 | Test Method..... | 1861 |
| F.6.4.2 | Bad Result Ratio (ER) | 1861 |
| F.6.4.3 | Mapping of E-DCH and MBMS tests to RRM tests (F.6.2) and HSDPA tests (F.6.3) | 1861 |
| F.6.4.4 | Test conditions for E-DCH tests and MBMS | 1862 |
| Annex G (normative): Environmental conditions | | 1863 |
| G.1 | General | 1863 |
| G.2 | Environmental requirements | 1863 |
| G.2.1 | Temperature | 1863 |
| G.2.2 | Voltage | 1863 |
| G.2.3 | Vibration..... | 1864 |
| G.2.4 | Specified frequency range | 1864 |
| Annex H (normative): UE Capabilities (FDD)..... | | 1865 |
| H.1 | Void..... | 1865 |
| H.2 | Void..... | 1865 |
| Annex I (normative): Default Message Contents | | 1866 |
| Contents of MEASUREMENT REPORT message for Intra frequency test cases..... | | 1866 |
| Contents of MEASUREMENT REPORT message for Inter frequency test cases..... | | 1867 |
| Contents of MEASUREMENT REPORT message for inter – RAT test cases..... | | 1868 |
| Contents of RRC CONNECTION SETUP message: UM (Transition to CELL_DCH) | | 1868 |
| Contents of RADIO BEARER SETUP message: AM or UM (HSDPA)..... | | 1868 |
| Contents of Master Information Block PLMN type is the case of GSM-MAP..... | | 1869 |
| Contents of Scheduling Block 1 (FDD) | | 1869 |
| Contents of Scheduling Block 1 (FDD) | | 1870 |
| Contents of Scheduling Block 1 (FDD) | | 1870 |
| Contents of System Information Block type 11 (FDD)..... | | 1871 |
| Contents of System Information Block type 11 (FDD)..... | | 1872 |
| Contents of System Information Block type 11 (FDD)..... | | 1872 |
| Contents of System Information Block type 11 (FDD)..... | | 1873 |
| Contents of Scheduling Block 1 (FDD) | | 1873 |

| | |
|---|-------------|
| Contents of System Information Block type 11 (FDD)..... | 1874 |
| Contents of System Information Block type 11 (FDD)..... | 1875 |
| Contents of Scheduling Block 1 (FDD) | 1876 |
| Contents of System Information Block type 11 (FDD)..... | 1876 |
| Contents of System Information Block type 11 (FDD)..... | 1877 |
| Contents of ACTIVE SET UPDATE message for test cases with SHO in clauses 7.7.1, 7.7.1A, 7.7.2, and 7.7.3. | 1881 |
| Annex J (informative): Information about special regional application of test cases and requirements..... | 1884 |
| J.1 Japan..... | 1884 |
| Annex K (normative): Cell configuration mapping | 1885 |
| Annex L (informative): Change history | 1890 |
| History | 1929 |

Foreword

This Technical Specification has been produced by the 3rd Generation Partnership Project (3GPP).

The contents of the present document are subject to continuing work within the TSG and may change following formal TSG approval. Should the TSG modify the contents of the present document, it will be re-released by the TSG with an identifying change of release date and an increase in version number as follows:

Version x.y.z

where:

- x the first digit:
 - 1 presented to TSG for information;
 - 2 presented to TSG for approval;
 - 3 or greater indicates TSG approved document under change control.
- y the second digit is incremented for all changes of substance, i.e. technical enhancements, corrections, updates, etc.
- z the third digit is incremented when editorial only changes have been incorporated in the document.

Introduction

The present document is part 1 of a multi-parts TS:

3GPP TS 34.121-1: User Equipment (UE) conformance specification; Radio transmission and reception (FDD); Part 1: Conformance specification.

3GPP TS 34.121-2 [32]: User Equipment (UE) conformance specification; Radio transmission and reception (FDD); Part 2: Implementation Conformance Statement (ICS).

NOTE: TS 34.121 has been converted to multipart TS with version 7.0.0. Previous versions are a single part standard 34.121.

1 Scope

The present document specifies the UTRA measurement procedures for the conformance test of the user equipment (UE) that contain transmitting characteristics, receiving characteristics and performance requirements in addition to requirements for support of RRM (Radio Resource Management) in FDD mode. In addition it specifies conformance testing of RRM requirements for support of E-UTRA when the UE operates in UTRA mode.

NOTE: Conformance testing of RRM requirements for support of UTRA when the UE operates in E-UTRA mode are specified in TS 36.521-3 [38].

The requirements are listed in different clauses only if the corresponding parameters deviate. More generally, tests are only applicable to those mobiles that are intended to support the appropriate functionality. To indicate the circumstances in which tests apply, this is noted in the "*definition and applicability*" part of the test.

For example only Release 5 and later UE declared to support HSDPA shall be tested for this functionality. In the event that for some tests different conditions apply for different releases, this is indicated within the text of the test itself.

2 References

The following documents contain provisions which, through reference in this text, constitute provisions of the present document.

- References are either specific (identified by date of publication, edition number, version number, etc.) or non-specific.
- For a specific reference, subsequent revisions do not apply.
- For a non-specific reference, the latest version applies. In the case of a reference to a 3GPP document (including a GSM document), a non-specific reference implicitly refers to the latest version of that document.
 - For a Release 1999 UE, references to 3GPP documents are to version 3.x.y.
 - For a Release 4 UE, references to 3GPP documents are to version 4.x.y.
 - For a Release 5 UE, references to 3GPP documents are to version 5.x.y.
 - For a Release 6 UE, references to 3GPP documents are to version 6.x.y.
 - For a Release 7 UE, references to 3GPP documents are to version 7.x.y.
 - For a Release 8 UE, references to 3GPP documents are to version 8.x.y.
 - For a Release 9 UE, references to 3GPP documents are to version 9.x.y.

[1] 3GPP TS 25.101: "UE Radio transmission and reception (FDD)".

[2] 3GPP TS 25.133: "Requirements for Support of Radio Resource Management (FDD)".

[3] 3GPP TS 34.108: "Common Test Environments for User Equipment (UE) Conformance Testing".

[4] 3GPP TS 34.109: "Terminal logical test interface; Special conformance testing functions".

[5] 3GPP TS 25.214: "Physical layer procedures (FDD)".

[6] 3GPP TR 21.905: "Vocabulary for 3GPP Specifications".

[7] 3GPP TR 25.990: "Vocabulary".

[8] 3GPP TS 25.331: "Radio Resource Control (RRC); Protocol Specification".

[9] 3GPP TS 25.433: "UTRAN Iub Interface NBAP Signalling".

[10] ITU-R Recommendation SM.329: "Spurious emissions".

- [11] 3GPP TS 25.304: "UE Procedures in Idle Mode and Procedures for Cell Reselection in Connected Mode".
- [12] 3GPP TS 25.303: "Interlayer Procedures in Connected Mode".
- [13] 3GPP TS 25.321: "Medium Access Control (MAC) protocol specification".
- [14] 3GPP TS 25.213: "Spreading and modulation (FDD)".
- [15] 3GPP TS 25.223: "Spreading and modulation (TDD)".
- [16] ETSI ETR 273-1-2: "Improvement of radiated methods of measurement (using test sites) and evaluation of the corresponding measurement uncertainties; Part 1: Uncertainties in the measurement of mobile radio equipment characteristics; Sub-part 2: Examples and annexes".
- [17] 3GPP TR 25.926: "UE Radio Access Capabilities".
- [18] 3GPP TR 21.904: "UE capability requirements".
- [19] 3GPP TS 25.211: "Physical channels and mapping of transport channels onto physical channels (FDD)".
- [20] 3GPP TS 05.08 (R99): "Technical Specification Group GSM/EDGE Radio Access Network; Radio subsystem link control".
- [21] 3GPP TS 34.123-1: "User Equipment (UE) Conformance Specification; Part 1: Protocol Conformance Specification".
- [22] 3GPP TS 25.215: "Physical Layer - Measurements (FDD)".
- [23] Void
- [24] 3GPP TR 34.902: "Derivation of test tolerances for multi-cell Radio Resource Management (RRM) conformance tests".
- [25] 3GPP TS 51.010-1: "Mobile Station (MS) conformance specification; Part 1: Conformance specification".
- [26] 3GPP TS 25.307 "Requirements on UEs supporting a release independent frequency band".
- [27] ITU-T recommendation O.153: "Basic parameters for the measurement of error performance at bit rates below the primary rate".
- [28] 3GPP TS 05.05 (R99): "Technical Specification Group GSM/EDGE Radio Access Network; Radio transmission and reception".
- [29] 3GPP TS 45.005 (Rel-4 and later releases): "Technical Specification Group GSM/EDGE Radio Access Network; Radio transmission and reception".
- [30] 3GPP TS 45.008 (Rel-4 and later releases): "Technical Specification Group GSM/EDGE Radio Access Network; Radio subsystem link control".
- [31] 3GPP TS 25.212: "Multiplexing and channel coding (FDD)".
- [32] 3GPP TS 34.121-2: "User Equipment (UE) conformance specification; Radio transmission and reception (FDD); Part 2: Implementation Conformance Statement (ICS)".
- [33] 3GPP TS 36.508: "Technical Specification Group Radio Access Network; E-UTRA and EPC; Common test environments for User Equipment (UE)".3Definitions, symbols, abbreviations and equations
- [34] 3GPP TS 36.133: "E-UTRA requirements for support of radio resource management".
- [35] 3GPP TS 36.211: "Physical Channels and Modulation".
- [36] 3GPP TS 36.331: "E-UTRA Radio Resource Control (RRC): protocol specification".

- [37] 3GPP TS 36.101: "E-UTRA UE radio transmission and reception".
- [38] 3GPP TS 36.521-3: "Evolved Universal Terrestrial Radio Access (E-UTRA); User Equipment (UE) conformance specification; Radio transmission and reception; Part 3: Radio Resource Management (RRM) conformance testing".

3 Definitions, symbols, abbreviations and equations

3.1 Definitions

Definitions, symbols, abbreviations and equations used in the present document are listed in TR 21.905 [5] and TR 25.990 [6].

Terms are listed in alphabetical order in this clause.

For the purpose of the present document, the following terms and definitions apply:

Maximum Output Power: This is a measure of the maximum power the UE can transmit (i.e. the actual power as would be measured assuming no measurement error) in a bandwidth of at least $(1 + \alpha)$ times the chip rate of the radio access mode. The period of measurement shall be at least one timeslot.

For DC-HSUPA the maximum output power is defined by the sum of the broadband transmit power of each carrier in the UE.

Nominal Maximum Output Power: This is the nominal power defined by the UE power class.

Mean power: When applied to a W-CDMA modulated signal this is the power (transmitted or received) in a bandwidth of at least $(1 + \alpha)$ times the chip rate of the radio access mode. The period of measurement shall be at least one timeslot unless otherwise stated.

RRC filtered mean power: The mean power as measured through a root raised cosine filter with roll-off factor α and a bandwidth equal to the chip rate of the radio access mode.

NOTE 1: The RRC filtered mean power of a perfectly modulated W-CDMA signal is 0.246 dB lower than the mean power of the same signal.

NOTE 2: The roll-off factor α is defined in 3GPP TS 25.101 clause 6.8.1.

RegDTX: Regular DTX. These are the times when the HS-DPCCH ACK/NACK is not expected to be transmitted due to an Inter-TTI period greater than 1.

statDTX: Statistical DTX. These are the times when the HS-DPCCH is expected to transmit an ACK or NACK but none is transmitted due to the UE not being able to decode consistent control information from the HS_SCCH.

Throughput: Number of information bits per second excluding CRC bits successfully received on HS-DSCH by a HSDPA capable UE.

Enhanced performance requirements type 1: This defines performance requirements which are optional for the UE. The requirements are based on UEs which utilise receiver diversity.

Enhanced performance requirements type 2: This defines performance requirements which are optional for the UE. The requirements are based on UEs which utilise a chip equaliser receiver structure.

Enhanced performance requirements type 3: This defines performance requirements which are optional for the UE. The requirements are based on UEs which utilise a chip equaliser receiver structure with receiver diversity.

Enhanced performance requirements type 3i: This defines performance requirements which are optional for the UE. The requirements are based on UEs which utilise an interference-aware chip equaliser receiver structure with receiver diversity.

3.2 Symbols

For the purposes of the present document, the following symbols apply:

[...] Values included in square bracket must be considered for further studies, because it means that a decision about that value was not taken

3.3 Abbreviations

For the purpose of the present document, the following abbreviations apply:

| | |
|-----------------------|---|
| ACLR | Adjacent Channel Leakage power Ratio |
| ACS | Adjacent Channel Selectivity |
| AFC | Automatic Frequency Control |
| AICH | Acquisition Indication Channel |
| ASD | Acceleration Spectral Density |
| ATT | Attenuator |
| BER | Bit Error Ratio |
| BLER | Block Error Ratio |
| BTFD | Blind Transport Format Detection |
| CQI | Channel Quality Indicator |
| CW | Continuous Wave (un-modulated signal) |
| DB-DC-HSDPA | Dual Band Dual Cell HSDPA |
| DC-HSDPA | Dual Cell HSDPA |
| DCH | Dedicated Channel, which is mapped into Dedicated Physical Channel |
| DIP | Dominant Interferer Proportion ratio |
| DL | Down Link (forward link) |
| DTX | Discontinuous Transmission |
| DPCCCH | Dedicated Physical Control Channel |
| DPCH | Dedicated Physical Channel |
| DPDCH | Dedicated Physical Data Channel |
| E-DCH | Enhanced Dedicated Channel |
| E-AGCH | E-DCH Absolute Grant Channel |
| E-HICH | E-DCH HARQ ACK Indicator Channel |
| E-RGCH | E-DCH Relative Grant Channel |
| EIRP | Effective Isotropic Radiated Power |
| EVM | Error Vector Magnitude |
| FACH | Forward Access Channel |
| FDD | Frequency Division Duplex |
| FDR | False transmit format Detection Ratio. A false Transport Format detection occurs when the receiver detects a different TF to that which was transmitted, and the decoded transport block(s) for this incorrect TF passes the CRC check(s) |
| HARQ | Hybrid Automatic Repeat Request |
| HSDPA | High Speed Downlink Packet Access |
| HS-DSCH | High Speed Downlink Shared Channel |
| HS-PDSCH | High Speed Physical Downlink Shared Channel |
| HS-SCCH | High Speed Shared Control Channel |
| HYB | Hybrid |
| Information Data Rate | Rate of the user information, which must be transmitted over the Air Interface. For example, output rate of the voice codec |
| IM | Intermodulation |
| ITP | Initial Transmission Power control mode |
| MBSFN | MBMS over a Single Frequency Network |
| MER | Message Error Ratio |
| MIMO | Multiple Input Multiple Output |
| Node B | A logical node responsible for radio transmission / reception in one or more cells to/from the User Equipment. Terminates the Iub interface towards the RNC |
| OBW | Occupied Bandwidth |
| OCNS | Orthogonal Channel Noise Simulator, a mechanism used to simulate the users or control signals on the other orthogonal channels of a downlink |
| PAR | Peak to Average Ratio |

| | |
|---------|--|
| P-CCPCH | Primary Common Control Physical Channel |
| PCH | Paging Channel |
| P-CPICH | Primary Common Pilot Channel |
| PICH | Paging Indicator Channel |
| PPM | Parts Per Million |
| R | Number of information bits per second excluding CRC bits successfully received on HS-DSCH by a HSDPA capable UE. |
| RACH | Random Access Channel |
| RBW | Resolution Bandwidth |
| PRBS | Pseudo Random Bit Sequence |
| regDTX | Regular DTX |
| RRC | Root-Raised Cosine |
| S-CCPCH | Secondary Common Control Physical Channel |
| S-CPICH | Secondary Common Pilot Channel |
| SCH | Synchronisation Channel consisting of Primary and Secondary synchronisation channels |
| SG | Serving Grant |
| SIR | Signal to Interference ratio |
| SML | Soft Metric Location (Soft channel bit) |
| SS | System Simulator; see Annex A for description |
| statDTX | Statistical DTX |
| STTD | Space Time Transmit Diversity |
| TDD | Time Division Duplexing |
| TFC | Transport Format Combination |
| TFCI | Transport Format Combination Indicator |
| TGCFN | Transmission Gap Connection Frame Number |
| TGD | Transmission Gap Distance |
| TGL | Transmission Gap Length |
| TGPL | Transmission Gap Pattern Length |
| TGPRC | Transmission Gap Pattern Repetition Count |
| TGSN | Transmission Gap Starting Slot Number |
| TPC | Transmit Power Control |
| TSTD | Time Switched Transmit Diversity |
| UE | User Equipment |
| UL | Up Link (reverse link) |
| UTRA | UMTS Terrestrial Radio Access |

3.4 Equations

For the purpose of the present document, the following additional equations apply:

$\frac{CPICH_E_c}{I_{or}}$ The ratio of the received energy per PN chip of the CPICH to the total transmit power spectral density at the Node B (SS) antenna connector.

DPCH $_E_c$ Average energy per PN chip for DPCH.

$\frac{DPCH_E_c}{I_{or}}$ The ratio of the transmit energy per PN chip of the DPCH to the total transmit power spectral density at the Node B (SS) antenna connector.

$\frac{DPCCH_E_c}{I_{or}}$ The ratio of the transmit energy per PN chip of the DPCCH to the total transmit power spectral density at the Node B (SS) antenna connector.

$\frac{DPDCH_E_c}{I_{or}}$ The ratio of the transmit energy per PN chip of the DPDCH to the total transmit power spectral density at the Node B (SS) antenna connector

E_c Average energy per PN chip.

| | |
|----------------------------|--|
| $\frac{E_c}{I_{or}}$ | The ratio of the average transmit energy per PN chip for different fields or physical channels to the total transmit power spectral density. |
| F_{uw} | Frequency of unwanted signal. This is specified in bracket in terms of an absolute frequency(s) or a frequency offset from the assigned channel frequency. For DC-HSDPA, negative offset refers to the assigned channel frequency of the lowest carrier frequency used and positive offset refers to the assigned channel frequency of the highest carrier frequency used. For DB-DC-HSDPA, offset refers to the assigned channel frequencies of the individual cells. |
| I_{Node_B} | Interference signal power level at Node B in dBm, which is broadcasted on BCH. |
| I_o | The total received power spectral density, including signal and interference, as measured at the UE antenna connector. |
| I_{oac} | The power spectral density (integrated in a bandwidth of $(1+\alpha)$ times the chip rate and normalized to the chip rate) of the adjacent frequency channel as measured at the UE antenna connector. |
| I_{oc} | The power spectral density (integrated in a noise bandwidth equal to the chip rate and normalized to the chip rate) of a band limited white noise source (simulating interference from cells, which are not defined in a test procedure) as measured at the UE antenna connector. For DC-HSDPA and DB-DC-HSDPA, I_{oc} is defined for each of the cells individually and is assumed to be equal for both cells unless explicitly stated per cell. |
| I_{oc}' | The received power spectral density (integrated in a noise bandwidth equal to the chip rate and normalized to the chip rate) of the summation of the received power spectral densities of the two strongest interfering cells plus I_{oc} as measured at the UE antenna connector. The respective power spectral density of each interfering cell relative to I_{oc}' is defined by its associated DIP value. |
| I_{or} | The total transmit power spectral density (integrated in a bandwidth of $(1+\alpha)$ times the chip rate and normalized to the chip rate) of the downlink signal at the Node B antenna connect. For DC-HSDPA and DB-DC-HSDPA, I_{or} is defined for each of the cells individually and is assumed to be equal for both cells unless explicitly stated per cell. Or |
| \hat{I}_{or} | The received power spectral density (integrated in a bandwidth of $(1+\alpha)$ times the chip rate and normalized to the chip rate) of the downlink signal as measured at the UE antenna connector For DC-HSDPA and DB-DC-HSDPA, \hat{I}_{or} is defined for each of the cells individually and is assumed to be equal for both cells unless explicitly stated per cell. |
| I_{otx} | The power spectral density (integrated in a noise bandwidth equal to the chip rate and normalized to the chip rate) of a band limited white noise source (simulating Node B transmitter impairments) as measured at the Node B transmit antenna connector(s). For DC-HSDPA and DB-DC-HSDPA, I_{otx} is defined for each of the cells individually and is assumed to be equal for both cells unless explicitly stated per cell.). |
| I_{ouw} | Unwanted signal power level. |
| $OCNS_E_c$ | Average energy per PN chip for the OCNS. |
| $\frac{OCNS_E_c}{I_{or}}$ | The ratio of the average transmit energy per PN chip for the OCNS to the total transmit power spectral density. |
| $P_CCPCH_E_c$ | Average (note) energy per PN chip for P-CCPCH. |
| $P_CCPCH \frac{E_c}{I_o}$ | The ratio of the received P-CCPCH energy per chip to the total received power spectral density at the UE antenna connector. |

| | |
|---------------------------------|---|
| $\frac{P-CCPCH_{-}E_c}{I_{or}}$ | The ratio of the average (note) transmit energy per PN chip for the P-CCPCH to the total transmit power spectral density. |
| $P-CPICH_{-}E_c$ | Average (note) energy per PN chip for P-CPICH. |
| $PICH_{-}E_c$ | Average (note) energy per PN chip for PICH. |
| $\frac{PICH_{-}E_c}{I_{or}}$ | The ratio of the received energy per PN chip of the PICH to the total transmit power spectral density at the Node B (SS) antenna connector. |
| R | Number of information bits per second excluding CRC bits successfully received on HS-DSCH by a HSDPA capable UE. |
| <REFSENS> | Reference sensitivity |
| <REF \hat{I}_{or} > | Reference \hat{I}_{or} |
| $S-CCPCH$ | Secondary Common Control Physical Channel. |
| $S-CCPCH_{-}E_c$ | Average energy per PN chip for S-CCPCH. |
| $SCH_{-}E_c$ | Average (note) energy per PN chip for SCH. |
| $S-CPICH_{-}E_c$ | Average (note) energy per PN chip for S-CPICH. |

NOTE: Averaging period for energy/power of discontinuously transmitted channels should be defined.

NOTE: The units of Power Spectral Density (PSD) are extensively used in this document. PSD is a function of power versus frequency and when integrated across a given bandwidth, the function represents the mean power in such a bandwidth. When the mean power is normalised to (divided by) the chip-rate it represents the mean energy per chip. Some signals are directly defined in terms of energy per chip, (DPCH₋E_c and P-CPICH₋E_c) and others defined in terms of PSD (I_{oac}, I_{oc}, and \hat{I}_{or}). There also exist quantities that are a ratio of energy per chip to PSD (DPCH₋E_c/I_{or}, E_c/I_{or} etc.). This is the common practice of relating energy magnitudes in communication systems.

It can be seen that if both energy magnitudes in the ratio are divided by time, the ratio is converted from an energy ratio to a power ratio, which is more useful from a measurement point of view. It follows that an energy per chip of X dBm/3.84 MHz can be expressed as a mean power per chip of X dBm. Similarly, a signal PSD of Y dBm/3.84 MHz can be expressed as a signal power of Y dBm.

4 Frequency bands and channel arrangement

4.1 General

The information presented in this clause is based on a chip rate of 3.84 Mcps. The normative reference for the frequency bands and channel arrangement are defined in TS 25.101 [1], clause 5 and TS 25.307 [26].

NOTE: Other chip rates may be considered in future releases.

4.2 Frequency bands

a) UTRA/FDD is designed to operate in either of the following paired bands:

| Operating Band | UL Frequencies UE transmit, Node B receive | DL frequencies UE receive, Node B transmit |
|----------------|---|---|
| I | 1920 - 1980 MHz | 2110 - 2170 MHz |
| II | 1850 - 1910 MHz | 1930 - 1990 MHz |
| III | 1710 - 1785 MHz | 1805 - 1880 MHz |
| IV | 1710 - 1755 MHz | 2110 - 2155 MHz |
| V | 824 - 849 MHz | 869 - 894 MHz |
| VI | 830 - 840 MHz | 875 - 885 MHz |
| VII | 2500 - 2570 MHz | 2620 - 2690 MHz |
| VIII | 880 - 915 MHz | 925 - 960 MHz |
| IX | 1749.9 - 1784.9 MHz | 1844.9 - 1879.9 MHz |
| X | 1710 - 1770 MHz | 2110 - 2170 MHz |
| XI | 1427.9 - 1447.9 MHz | 1475.9 - 1495.9 MHz |
| XII | 699 - 716 MHz | 729 - 746 MHz |
| XIII | 777 - 787 MHz | 746 - 756 MHz |
| XIV | 788 - 798 MHz | 758 - 768 MHz |
| XV | Reserved | Reserved |
| XVI | Reserved | Reserved |
| XVII | Reserved | Reserved |
| XVIII | Reserved | Reserved |
| XIX | 830 - 845 MHz | 875 - 890 MHz |
| XX | 832 - 862 MHz | 791 - 821 MHz |
| XXI | 1447.9 - 1462.9 MHz | 1495.9 - 1510.9 MHz |
| XXII | 3410 - 3490 MHz | 3510 - 3590 MHz |
| XXV | 1850 - 1915 MHz | 1930 - 1995 MHz |
| XXVI | 814 - 849 MHz | 859 - 894 MHz |

b) Deployment in other frequency bands is not precluded.

c) DB-DC-HSDPA is designed to operate in the following configurations:

| DB-DC-HSDPA Configuration | UL Band | DL Bands |
|---------------------------|-----------|------------|
| 1 | I or VIII | I and VIII |
| 2 | II or IV | II and IV |
| 3 | I or V | I and V |
| 4 | I or XI | I and XI |
| 5 | II or V | II and V |

d) Single band 4C-HSDPA is designed to operate in the following configurations:

Table 4.0A Single band 4C-HSDPA configurations

| Single band 4C-HSDPA Configuration | Operating Band | Number of DL carriers |
|---|----------------|-----------------------|
| I-3 | I | 3 |
| NOTE: Single band 4C-HSDPA configuration is numbered as (X-M) where X denotes the operating band and M denotes the number of DL carriers. | | |

e) Dual band 4C-HSDPA is designed to operate in the following configurations:

Table 4.0B Dual band 4C-HSDPA configurations

| Dual band 4C-HSDPA Configuration | UL Band | DL Band A | Number of DL carriers in Band A | DL Band B | Number of DL carriers in Band B |
|----------------------------------|-----------|-----------|---------------------------------|-----------|---------------------------------|
| I-2-VIII-1 | I or VIII | I | 2 | VIII | 1 |
| I-3-VIII-1 | I or VIII | I | 3 | VIII | 1 |
| II-1-IV-2 | II or IV | II | 1 | IV | 2 |
| II-2-IV-1 | II or IV | II | 2 | IV | 1 |
| II-2-IV-2 | II or IV | II | 2 | IV | 2 |
| I-1-V-2 | I or V | I | 1 | V | 2 |
| I-2-V-1 | I or V | I | 2 | V | 1 |
| I-2-V-2 | I or V | I | 2 | V | 2 |

NOTE: Dual band 4C-HSDPA configuration is numbered as (X-M-Y-N) where X denotes the DL Band A, M denotes the number DL carriers in the DL Band A, Y denotes the DL Band B, and N denotes the number of DL carriers in the DL Band B.

4.3 TX-RX frequency separation

- a) UTRA/FDD is designed to operate with the following TX-RX frequency separation.

| Operating Band | TX-RX frequency separation |
|----------------|----------------------------|
| I | 190 MHz |
| II | 80 MHz |
| III | 95 MHz |
| IV | 400 MHz |
| V | 45 MHz |
| VI | 45 MHz |
| VII | 120 MHz |
| VIII | 45 MHz |
| IX | 95 MHz |
| X | 400 MHz |
| XI | 48 MHz |
| XII | 30 MHz |
| XIII | 31 MHz |
| XIV | 30 MHz |
| XIX | 45 MHz |
| XX | 41 MHz |
| XXI | 48 MHz |
| XXII | 100 MHz |
| XXV | 80 MHz |
| XXVI | 45 MHz |

- b) UTRA/FDD can support both fixed and variable transmit to receive frequency separation.
- c) The use of other transmit to receive frequency separations in existing or other frequency bands shall not be precluded.
- d) When configured to operate on dual cells, the TX-RX frequency separation shall be applied to UL and DL with the serving HS-DSCH cell. For band XII, XIII and XIV, the TX-RX frequency separation shall be the minimum spacing between UL and any of DL carriers.

4.4 Channel arrangement

4.4.1 Channel spacing

The nominal channel spacing is 5 MHz, but this can be adjusted to optimise performance in a particular deployment scenario. In DC-HSDPA and DB-DC-HSDPA mode, the UE receives two cells simultaneously. In context of DC-HSDPA and DB-DC-HSDPA, a cell is characterized by a combination of scrambling code and a carrier frequency; see TR 21.905 [5].

4.4.2 Channel raster

The channel raster is 200 kHz, for all bands which means that the centre frequency must be an integer multiple of 200 kHz. In addition a number of additional centre frequencies are specified according to table 4.1a, which means that the centre frequencies for these channels are shifted 100 kHz relative to the general raster.

4.4.3 Channel number

The carrier frequency is designated by the UTRA Absolute Radio Frequency Channel Number (UARFCN). For each operating Band, the values of the UARFCN are defined as follows.

Uplink: $N_U = 5 * (F_{UL} - F_{UL_Offset})$, for the carrier frequency range $F_{UL_low} \leq F_{UL} \leq F_{UL_high}$

Downlink: $N_D = 5 * (F_{DL} - F_{DL_Offset})$, for the carrier frequency range $F_{DL_low} \leq F_{DL} \leq F_{DL_high}$

For each operating Band, F_{UL_Offset} , F_{UL_low} , F_{UL_high} , F_{DL_Offset} , F_{DL_low} and F_{DL_high} are defined in Table 4.1 for the general UARFCN. For the additional UARFCN, F_{UL_Offset} , F_{DL_Offset} and the specific F_{UL} and F_{DL} are defined in Table 4.1A.

Table 4.1: UARFCN definition (general)

| Band | UPLINK (UL) UE transmit, Node B receive | | | DOWNLINK (DL) UE receive, Node B transmit | | |
|------|--|---|----------------|--|---|----------------|
| | UARFCN formula offset F_{UL_Offset} [MHz] | Carrier frequency (F_{UL}) range [MHz] | | UARFCN formula offset F_{DL_Offset} [MHz] | Carrier frequency (F_{DL}) range [MHz] | |
| | | F_{UL_low} | F_{UL_high} | | F_{DL_low} | F_{DL_high} |
| I | 0 | 1922.4 | 1977.6 | 0 | 2112.4 | 2167.6 |
| II | 0 | 1852.4 | 1907.6 | 0 | 1932.4 | 1987.6 |
| III | 1525 | 1712.4 | 1782.6 | 1575 | 1807.4 | 1877.6 |
| IV | 1450 | 1712.4 | 1752.6 | 1805 | 2112.4 | 2152.6 |
| V | 0 | 826.4 | 846.6 | 0 | 871.4 | 891.6 |
| VI | 0 | 832.4 | 837.6 | 0 | 877.4 | 882.6 |
| VII | 2100 | 2502.4 | 2567.6 | 2175 | 2622.4 | 2687.6 |
| VIII | 340 | 882.4 | 912.6 | 340 | 927.4 | 957.6 |
| IX | 0 | 1752.4 | 1782.4 | 0 | 1847.4 | 1877.4 |
| X | 1135 | 1712.4 | 1767.6 | 1490 | 2112.4 | 2167.6 |
| XI | 733 | 1430.4 | 1445.4 | 736 | 1478.4 | 1493.4 |
| XII | -22 | 701.4 | 713.6 | -37 | 731.4 | 743.6 |
| XIII | 21 | 779.4 | 784.6 | -55 | 748.4 | 753.6 |
| XIV | 12 | 790.4 | 795.6 | -63 | 760.4 | 765.6 |
| XIX | 770 | 832.4 | 842.6 | 735 | 877.4 | 887.6 |
| XX | -23 | 834.4 | 859.6 | -109 | 793.4 | 818.6 |
| XXI | 1358 | 1450.4 | 1460.4 | 1326 | 1498.4 | 1508.4 |
| XXII | 2525 | 3412.4 | 3487.6 | 2580 | 3512.4 | 3587.6 |
| XXV | 875 | 1852.4 | 1912.6 | 910 | 1932.4 | 1992.6 |
| XXVI | -291 | 816.4 | 846.6 | -291 | 861.4 | 891.6 |

Table 4.1a: UARFCN definition (additional channels)

| Band | UPLINK (UL) UE transmit, Node B receive | | DOWNLINK (DL) UE receive, Node B transmit | |
|------|--|--|--|--|
| | UARFCN formula offset F_{UL_Offset} [MHz] | Carrier frequency [MHz] (F_{UL}) | UARFCN formula offset F_{DL_Offset} [MHz] | Carrier frequency [MHz] (F_{DL}) |
| I | - | - | - | - |
| II | 1850.1 | 1852.5, 1857.5, 1862.5, 1867.5, 1872.5, 1877.5, 1882.5, 1887.5, 1892.5, 1897.5, 1902.5, 1907.5 | 1850.1 | 1932.5, 1937.5, 1942.5, 1947.5, 1952.5, 1957.5, 1962.5, 1967.5, 1972.5, 1977.5, 1982.5, 1987.5 |
| III | - | - | - | - |
| IV | 1380.1 | 1712.5, 1717.5, 1722.5, 1727.5, 1732.5, 1737.5, 1742.5, 1747.5, 1752.5 | 1735.1 | 2112.5, 2117.5, 2122.5, 2127.5, 2132.5, 2137.5, 2142.5, 2147.5, 2152.5 |
| V | 670.1 | 826.5, 827.5, 831.5, 832.5, 837.5, 842.5 | 670.1 | 871.5, 872.5, 876.5, 877.5, 882.5, 887.5 |
| VI | 670.1 | 832.5, 837.5 | 670.1 | 877.5, 882.5 |
| VII | 2030.1 | 2502.5, 2507.5, 2512.5, 2517.5, 2522.5, 2527.5, 2532.5, 2537.5, 2542.5, 2547.5, 2552.5, 2557.5, 2562.5, 2567.5 | 2105.1 | 2622.5, 2627.5, 2632.5, 2637.5, 2642.5, 2647.5, 2652.5, 2657.5, 2662.5, 2667.5, 2672.5, 2677.5, 2682.5, 2687.5 |
| VIII | - | - | - | - |
| IX | - | - | - | - |
| X | 1075.1 | 1712.5, 1717.5, 1722.5, 1727.5, 1732.5, 1737.5, 1742.5, 1747.5, 1752.5, 1757.5, 1762.5, 1767.5 | 1430.1 | 2112.5, 2117.5, 2122.5, 2127.5, 2132.5, 2137.5, 2142.5, 2147.5, 2152.5, 2157.5, 2162.5, 2167.5 |
| XI | - | - | - | - |
| XII | -39.9 | 701.5, 706.5, 707.5, 712.5, 713.5 | -54.9 | 731.5, 736.5, 737.5, 742.5, 743.5 |
| XIII | 11.1 | 779.5, 784.5 | -64.9 | 748.5, 753.5 |
| XIV | 2.1 | 790.5, 795.5 | -72.9 | 760.5, 765.5 |
| XIX | 755.1 | 832.5, 837.5, 842.5 | 720.1 | 877.5, 882.5, 887.5 |
| XX | - | - | - | - |
| XXI | - | - | - | - |
| XXII | - | - | - | - |
| XXV | 639.1 | 1852.5, 1857.5, 1862.5, 1867.5, 1872.5, 1877.5, 1882.5, 1887.5, 1892.5, 1897.5, 1902.5, 1907.5, 1912.5 | 674.1 | 1932.5, 1937.5, 1942.5, 1947.5, 1952.5, 1957.5, 1962.5, 1967.5, 1972.5, 1977.5, 1982.5, 1987.5, 1992.5 |
| XXVI | -325.9 | 816.5, 821.5, 826.5, 827.5, 831.5, 832.5, 836.5, 837.5, 841.5, 842.5, 846.5 | -325.9 | 861.5, 866.5, 871.5, 872.5, 876.5, 877.5, 881.5, 882.5, 886.5, 887.5, 891.5 |

4.4.4 UARFCN

The following UARFCN range shall be supported for each paired band.

Table 4.2: UTRA Absolute Radio Frequency Channel Number

| Band | Uplink (UL) UE transmit, Node B receive | | Downlink (DL) UE receive, Node B transmit | |
|------|--|---|--|--|
| | General | Additional | General | Additional |
| I | 9612 to 9888 | - | 10562 to 10838 | - |
| II | 9262 to 9538 | 12, 37, 62, 87, 112, 137, 162, 187, 212, 237, 262, 287 | 9662 to 9938 | 412, 437, 462, 487, 512, 537, 562, 587, 612, 637, 662, 687 |
| III | 937 to 1288 | - | 1162 to 1513 | - |
| IV | 1312 to 1513 | 1662, 1687, 1712, 1737, 1762, 1787, 1812, 1837, 1862 | 1537 to 1738 | 1887, 1912, 1937, 1962, 1987, 2012, 2037, 2062, 2087 |
| V | 4132 to 4233 | 782, 787, 807, 812, 837, 862 | 4357 to 4458 | 1007, 1012, 1032, 1037, 1062, 1087 |
| VI | 4162 to 4188 | 812, 837 | 4387 to 4413 | 1037, 1062 |
| VII | 2012 to 2338 | 2362, 2387, 2412, 2437, 2462, 2487, 2512, 2537, 2562, 2587, 2612, 2637, 2662, 2687 | 2237 to 2563 | 2587, 2612, 2637, 2662, 2687, 2712, 2737, 2762, 2787, 2812, 2837, 2862, 2887, 2912 |
| VIII | 2712 to 2863 | - | 2937 to 3088 | - |
| IX | 8762 to 8912 | - | 9237 to 9387 | - |
| X | 2887 to 3163 | 3187, 3212, 3237, 3262, 3287, 3312, 3337, 3362, 3387, 3412, 3437, 3462 | 3112 to 3388 | 3412, 3437, 3462, 3487, 3512, 3537, 3562, 3587, 3612, 3637, 3662, 3687 |
| XI | 3487 to 3562 | - | 3712 to 3787 | - |
| XII | 3617 to 3678 | 3707, 3732, 3737, 3762, 3767 | 3842 to 3903 | 3932, 3957, 3962, 3987, 3992 |
| XIII | 3792 to 3818 | 3842, 3867 | 4017 to 4043 | 4067, 4092 |
| XIV | 3892 to 3918 | 3942, 3967 | 4117 to 4143 | 4167, 4192 |
| XIX | 312 to 363 | 387, 412, 437 | 712 to 763 | 787, 812, 837 |
| XX | 4287 to 4413 | - | 4512 to 4638 | - |
| XXI | 462 to 512 | - | 862 to 912 | - |
| XXII | 4437 to 4813 | - | 4662 to 5038 | - |
| XXV | 4887 to 5188 | 6067, 6092, 6117, 6142, 6167, 6192, 6217, 6242, 6267, 6292, 6317, 6342, 6367 | 5112 to 5413 | 6292, 6317, 6342, 6367, 6392, 6417, 6442, 6467, 6492, 6517, 6542, 6567, 6592 |
| XXVI | 5537 to 5688 | 5712, 5737, 5762, 5767, 5787, 5792, 5812, 5817, 5837, 5842, 5862 | 5762 to 5913 | 5937, 5962, 5987, 5992, 6012, 6017, 6037, 6042, 6062, 6067, 6087 |

NOTE: If the UE is on a network with Mobile Country Code set to Japan then it may assume that any DL UARFCN sent by the network from the overlapping region of Band V and Band VI is from Band VI. If the UE is on a network with a Mobile Country Code other than Japan then it may assume that any DL UARFCN sent by the network from the overlapping region of Band V and Band VI is from Band V.

4A Reference Conditions

The reference environment used by all test cases in this document is specified in TS 34.108 [3] and TS 36.508 [33]. Where a test requires an environment that is different, this will be specified in the test itself.

4A.1 Generic setup procedures

Test procedures for RF test are defined in TS 34.108 [3] clause 7.3. The initial conditions of this clause also refer to the generic setup procedures defined in TS 34.108 [3] clause 7.2.

4A.2 System information

The reference system information used for test cases specified in this document is defined in TS 34.108 [3] clauses 6.1.0a (Default Master Information Block and Scheduling Block messages) and 6.1.0b (Default System Information Block Messages). For cells other than cell 1 the difference in information elements is defined in TS 34.108 [3] clause 6.1.4. For the generic setup procedures defined in TS 34.108 [3] clause 7.3 some SIB elements override those specific SIB elements from TS 34.108 [3] clause 6.1.0b. Annex I in the present document overwrites specific elements in the Master Information Block and Scheduling Block messages compared to TS 34.108 [3] clause 6.1.0a and specific SIB elements compared to TS 34.108 [3] clauses 6.1.0b and 7.3. In the test description itself specific SIB elements can be overwritten again. This leads to the following places defining Master Information Block, Scheduling Block messages and System Information Block Messages:

1. TS 34.108 [3] clauses 6.1.0a, 6.1.0b and 6.1.4
2. TS 34.108 [3] clause 7.3
3. TS 34.121 Annex I
4. TS 34.121 test case description

When the same Information Element is defined in several places then the place with the higher number according to the above list will override the other definition(s).

The reference system information for E-UTRAN is specified in TS 36.508 [33]

4A.3 Message contents

Default message contents for test cases specified in this document are defined in TS 34.108 [3] clause 9. Most default message contents are specified in TS 34.108 [3] clause 9.2.1, but some default message contents originally defined for signalling test cases are re-used for RF testing and specified in TS 34.108 [3] clause 9.1.1. TS 34.108 [3] clause 7.3 contains additional information regarding the default messages. Annex I in the present document overwrites specific message contents for some test cases. In the test description itself specific information elements can be overwritten again. This leads to the following places defining message contents:

- 1a. TS 34.108 [3] clause 9.1.1 (only if indicated by TS 34.108 [3] clause 7.3 or the test description in TS 34.121)
- 1b. TS 34.108 [3] clause 9.2.1 (as indicated by TS 34.108 [3] clause 7.3 or the test description in TS 34.121)
2. TS 34.108 [3] clause 7.3
3. TS 34.121 Annex I
4. TS 34.121 test case description

When the same Information Element is defined in several places then the place with the higher number according to the above list will override the other definition(s). Default message contents from TS 34.108 [3] clause 9 will be used either from clause 9.1.1 (1a in the list above) or from clause 9.2.1 (1b in the list above). Some messages are not defined in all places, but all messages have to be defined at least in the test description.

Default message contents for E-UTRAN is specified in TS 36.508 [33].

4A.4 Measurement configurations

Measurement configurations defined by system information are specified in TS 34.108 [3]. System Information Block type 11 (SIB 11) configures measurements for cell 1 according to TS 34.108 [3], clause 6.1.0b. See TS 34.108 [3], clause 6.1.4 for the difference in message contents of SIB 11 (FDD) for other cells used in the test. SIB 12 is specified in TS 34.108 [3] clause 6.1.0b, but is currently not used to configure measurements.

Some modifications to specific information elements in SIB 11 are defined in TS 34.121 Annex I or in the test description itself. In this case the priority defined in clause 4A.2 shall be applied.

Note: Currently SIB 11 in TS 34.108 [3] configures Intra-frequency measurement system information to use "Intra-frequency measurement identity=1" (default value), "Intra-frequency measurement identity =CPICH RSCP" with events 1a, 1b and 1c. The Inter-frequency measurement system information and the Inter-RAT measurement system information do not configure measurement identities. Traffic volume measurement system information is not present.

In many test cases the measurement identity as configured by SIB 11 is reused and the Measurement Control message will "Modify" the Measurement Identity configured in SIB 11.

In some test cases additional measurements are used. Then the Measurement Control message will "Setup" a new Measurement Identity with the default value for that measurement quantity as specified in TS 25.331 [8]. If the Measurement Control message uses "Setup" then the new Measurement Identity shall be different to already configured ones. All Inter-frequency measurements and Inter-RAT measurements are first configured by Measurement Control message using "Setup".

All UE measurements are referenced to the UE antenna connector.

Measurement configurations defined by system information for E-UTRAN is specified in TS 36.508 [33].

5 Transmitter Characteristics

5.1 General

Transmitting performance test of the UE is implemented during communicating with the SS via air interface. The procedure is using normal call protocol until the UE is communicating on traffic channel basically. On the traffic channel, the UE provides special function for testing that is called Logical Test Interface and the UE is tested using this function. (Refer to TS 34.109 [4]).

Transmitting or receiving bit/symbol rate for test channel is shown in table 5.1.

Table 5.1: Bit / Symbol rate for Test Channel

| Type of User Information | User bit rate | DL DPCH symbol rate | UL DPCH bit rate | Remarks |
|---|---------------|---------------------|------------------|---------------|
| 12,2 kbps reference measurement channel | 12,2 kbps | 30 ksps | 60 kbps | Standard Test |

Unless detailed the transmitter characteristic are specified at the antenna connector of the UE. For UE with integral antenna only, a reference antenna with a gain of 0 dBi is assumed. Transmitter characteristics for UE(s) with multiple antennas/antenna connectors are FFS.

The UE antenna performance has a significant impact on system performance, and minimum requirements on the antenna efficiency are therefore intended to be included in future versions of the present document. It is recognised that different requirements and test methods are likely to be required for the different types of UE.

All the parameters in clause 5 are defined using the UL reference measurement channel (12,2 kbps) specified in clause C.2.1 and unless stated otherwise, with the UL power control ON.

The common RF test conditions of Tx Characteristics are defined in clause E.3.1, and each test conditions in this clause (clause 5) should refer clause E.3.1. Individual test conditions are defined in the paragraph of each test.

When DCCH has been configured on downlink DCH then DCCH Data shall be continuously transmitted on downlink DCH during the measurement period. When there is no signalling to transmit on downlink DCCH then dummy DCCH transmission as described in Annex C.9 shall be used.

For HSDPA test cases and E-DCH test cases, when DTCH has been configured on downlink DCH then DTCH Data shall be continuously transmitted on downlink DCH during the measurement period.

The MAC header transmission on HS-DSCH for all E-DCH test cases shall use a correct MAC-hs header consistent with the actual HSDPA transmission.

The DL and UL RLC SDU size for all E-DCH tests in clause 5 shall be set according to Annex C.11.3.

For HSDPA test cases without E-DCH, the MAC headers on HS-DSCH shall be according to Annex C.9A.

UEs supporting DC-HSUPA shall support both minimum requirements, as well as additional requirements for DC-HSUPA.

For the additional requirements for DC-HSUPA, all the parameters in clause 6 are defined using the UL E-DCH reference measurement channel, specified in subclause C.2.6. For the additional requirements for DC-HSUPA, the spacing of the carrier frequencies of the two cells shall be 5 MHz.

5.2 Maximum Output Power

5.2.1 Definition and applicability

The nominal maximum output power and its tolerance are defined according to the Power Class of the UE.

The maximum output power is a measure of the maximum power the UE can transmit (i.e. the actual power as would be measured assuming no measurement error) in a bandwidth of at least $(1 + \alpha)$ times the chip rate of the radio access mode. The period of measurement shall be at least one timeslot.

The requirements and this test apply to all types of UTRA for the FDD UE.

5.2.2 Minimum Requirements

The UE maximum output power shall be within the nominal value and tolerance specified in table 5.2.1 even for the multi-code transmission mode.

Table 5.2.1: Nominal Maximum Output Power

| Operating Band | Power Class 1 | | Power Class 2 | | Power Class 3 | | Power Class 3bis | | Power Class 4 | |
|-----------------------|---------------|----------|---------------|----------|---------------|----------|------------------|----------|---------------|----------|
| | Power (dBm) | Tol (dB) | Power (dBm) | Tol (dB) | Power (dBm) | Tol (dB) | Power (dBm) | Tol (dB) | Power (dBm) | Tol (dB) |
| Band I | +33 | +1/-3 | +27 | +1/-3 | +24 | +1/-3 | +23 | +2/-2 | +21 | +2/-2 |
| Band II | - | - | - | - | +24 | +1/-3 | +23 | +2/-2 | +21 | +2/-2 |
| Band III | - | - | - | - | +24 | +1/-3 | +23 | +2/-2 | +21 | +2/-2 |
| Band IV | - | - | - | - | +24 | +1/-3 | +23 | +2/-2 | +21 | +2/-2 |
| Band V | - | - | - | - | +24 | +1/-3 | +23 | +2/-2 | +21 | +2/-2 |
| Band VI | - | - | - | - | +24 | +1/-3 | +23 | +2/-2 | +21 | +2/-2 |
| Band VII | - | - | - | - | +24 | +1/-3 | +23 | +2/-2 | +21 | +2/-2 |
| Band VIII | - | - | - | - | +24 | +1/-3 | +23 | +2/-2 | +21 | +2/-2 |
| Band IX | - | - | - | - | +24 | +1/-3 | +23 | +2/-2 | +21 | +2/-2 |
| Band X | - | - | - | - | +24 | +1/-3 | +23 | +2/-2 | +21 | +2/-2 |
| Band XI | - | - | - | - | +24 | +1/-3 | +23 | +2/-2 | +21 | +2/-2 |
| Band XII | - | - | - | - | +24 | +1/-3 | +23 | +2/-2 | +21 | +2/-2 |
| Band XIII | - | - | - | - | +24 | +1/-3 | +23 | +2/-2 | +21 | +2/-2 |
| Band XIV | - | - | - | - | +24 | +1/-3 | +23 | +2/-2 | +21 | +2/-2 |
| Band XIX | - | - | - | - | +24 | +1/-3 | +23 | +2/-2 | +21 | +2/-2 |
| Band XX | - | - | - | - | +24 | +1/-3 | +23 | +2/-2 | +21 | +2/-2 |
| Band XXI | - | - | - | - | +24 | +1/-3 | +23 | +2/-2 | +21 | +2/-2 |
| Band XXII | - | - | - | - | +24 | +1/-4.5 | +23 | +2/-3.5 | +21 | +2/-3.5 |
| Band XXV | - | - | - | - | +24 | +1/-4 | +23 | +2/-3 | +21 | +2/-3 |
| Band XXVI (Note 1) | - | - | - | - | +24 | +1/-4 | +23 | +2/-3 | +21 | +2/-3 |

NOTE 1: For the UE which supports both Band V and Band XXVI operating frequencies, the UE maximum output power of Band V shall apply for Band XXVI when the carrier frequency of the assigned UTRA channel is within 824-845 MHz.

For the UE which supports E-UTRA inter-band carrier aggregation, the lower side of the tolerance in Table 5.2.1 is allowed to be decreased by the amount given in Table 6.2.5A-3 of TS 36.101[11] for those UTRA operating bands corresponding to the E-UTRA operating bands that belong to the supported inter-band carrier aggregation configurations. The tolerance in Table 6.2.5A-3 of TS 36.101[11] does not apply to supported UTRA operating bands with frequency range below 1 GHz that correspond to the E-UTRA operating bands that belong to the supported inter-band carrier aggregation configurations when such bands are belonging only to band combination(s) where one band is <1GHz and another band is >1.7GHz and there is no harmonic relationship between the low band UL and high band DL.

In case the UE supports DB-DC-HSDPA or dual band 4C-HSDPA configurations and one or more of the E-UTRA inter-band carrier aggregation configurations listed in Table 6.2.5A-3 of TS36.101[11] with a UTRA operating band that belongs to UTRA and E-UTRA carrier aggregation configurations, then

- When the UTRA operating band frequency range is ≤ 1 GHz, the applicable additional tolerance shall be the average of the applicable tolerances, truncated to one decimal place for that operating band among the supported DB-DC-HSDPA, dual band 4C-HSDPA, and E-UTRA CA configurations, with the DB-DC-HSDPA, dual carrier 4C-HSDPA, and E-UTRA CA configurations counted separately. In case there is a harmonic relation between low band UL and high band DL, then the maximum tolerance among the different supported carrier aggregation configurations involving such band shall be applied
- When the UTRA operating band frequency range is >1 GHz, the applicable additional tolerance shall be the maximum tolerance that applies for that operating band among the supported DB-DC-HSDPA, dual band 4C-HSDPA, and E-UTRA CA configurations.

The normative reference for this requirement is TS 25.101 [1], clause 6.2.1.

5.2.3 Test purpose

To verify that the error of the UE maximum output power does not exceed the range prescribed by the nominal maximum output power and tolerance in table 5.2.1.

An excess maximum output power has the possibility to interfere to other channels or other systems. A small maximum output power decreases the coverage area.

5.2.4 Method of test

5.2.4.1 Initial conditions

Test environment: normal, TL/VL, TL/VH, TH/VL, TH/VH; see clauses G.2.1 and G.2.2.

Frequencies to be tested: low range, mid range, high range; see clause G.2.4.

- 1) Connect the SS to the UE antenna connector as shown in figure A.1.
- 2) A call is set up according to the Generic call setup procedure in TS34.108 [3], clause 7.3.2.
- 3) Enter the UE into loopback test mode and start the loopback test.

See TS 34.108 [3] and TS 34.109 [4] for details regarding generic call setup procedure and loopback test.

5.2.4.2 Procedure

- 1) Set and send continuously Up power control commands to the UE.
- 2) Measure the mean power of the UE in a bandwidth of at least $(1 + \alpha)$ times the chip rate of the radio access mode. The mean power shall be averaged over at least one timeslot.

5.2.5 Test requirements

The maximum output power, derived in step 2), shall not exceed the range prescribed by the nominal maximum output power and tolerance in table 5.2.2.

Table 5.2.2: Nominal Maximum Output Power

| Operating Band | Power Class 1 | | Power Class 2 | | Power Class 3 | | Power Class 3bis | | Power Class 4 | |
|--------------------|---------------|-----------|---------------|-----------|---------------|-----------|------------------|-----------|---------------|-----------|
| | Power (dBm) | Tol (dB) | Power (dBm) | Tol (dB) | Power (dBm) | Tol (dB) | Power (dBm) | Tol (dB) | Power (dBm) | Tol (dB) |
| Band I | +33 | +1,7/-3,7 | +27 | +1,7/-3,7 | +24 | +1,7/-3,7 | +23 | +2,7/-2,7 | +21 | +2,7/-2,7 |
| Band II | - | - | - | - | +24 | +1,7/-3,7 | +23 | +2,7/-2,7 | +21 | +2,7/-2,7 |
| Band III | - | - | - | - | +24 | +1,7/-3,7 | +23 | +2,7/-2,7 | +21 | +2,7/-2,7 |
| Band IV | - | - | - | - | +24 | +1,7/-3,7 | +23 | +2,7/-2,7 | +21 | +2,7/-2,7 |
| Band V | - | - | - | - | +24 | +1,7/-3,7 | +23 | +2,7/-2,7 | +21 | +2,7/-2,7 |
| Band VI | - | - | - | - | +24 | +1,7/-3,7 | +23 | +2,7/-2,7 | +21 | +2,7/-2,7 |
| Band VII | - | - | - | - | +24 | +1,7/-3,7 | +23 | +2,7/-2,7 | +21 | +2,7/-2,7 |
| Band VIII | - | - | - | - | +24 | +1,7/-3,7 | +23 | +2,7/-2,7 | +21 | +2,7/-2,7 |
| Band IX | - | - | - | - | +24 | +1,7/-3,7 | +23 | +2,7/-2,7 | +21 | +2,7/-2,7 |
| Band X | - | - | - | - | +24 | +1,7/-3,7 | +23 | +2,7/-2,7 | +21 | +2,7/-2,7 |
| Band XI | - | - | - | - | +24 | +1,7/-3,7 | +23 | +2,7/-2,7 | +21 | +2,7/-2,7 |
| Band XII | - | - | - | - | +24 | +1,7/-3,7 | +23 | +2,7/-2,7 | +21 | +2,7/-2,7 |
| Band XIII | - | - | - | - | +24 | +1,7/-3,7 | +23 | +2,7/-2,7 | +21 | +2,7/-2,7 |
| Band XIV | - | - | - | - | +24 | +1,7/-3,7 | +23 | +2,7/-2,7 | +21 | +2,7/-2,7 |
| Band XIX | - | - | - | - | +24 | +1,7/-3,7 | +23 | +2,7/-2,7 | +21 | +2,7/-2,7 |
| Band XX | - | - | - | - | +24 | +1,7/-3,7 | +23 | +2,7/-2,7 | +21 | +2,7/-2,7 |
| Band XXI | - | - | - | - | +24 | +1,7/-3,7 | +23 | +2,7/-2,7 | +21 | +2,7/-2,7 |
| Band XXII | - | - | - | - | +24 | +1,7/-5,2 | +23 | +2,7/-4,2 | +21 | +2,7/-4,2 |
| Band XXV | - | - | - | - | +24 | +1,7/-4,7 | +23 | +2,7/-3,7 | +21 | +2,7/-3,7 |
| Band XXVI (Note 1) | - | - | - | - | +24 | +1,7/-4,7 | +23 | +2,7/-3,7 | +21 | +2,7/-3,7 |

NOTE 1: For the UE which supports both Band V and Band XXVI operating frequencies, the UE maximum output power of Band V shall apply for Band XXVI when the carrier frequency of the assigned UTRA channel is within 824-845 MHz.

NOTE: If the above Test Requirement differs from the Minimum Requirement then the Test Tolerance applied for this test is non-zero. The Test Tolerance for this test is defined in clause F.2 and the explanation of how the Minimum Requirement has been relaxed by the Test Tolerance is given in clause F.4.

5.2A Maximum Output Power with HS-DPCCH (Release 5 only)

5.2A.1 Definition and applicability

The maximum output power with HS-DPCCH and its tolerance are defined according to the Power Class of the UE.

The maximum output power with HS-DPCCH is a measure of the maximum power the UE can transmit when HS-DPCCH is fully or partially transmitted during a DPCCH timeslot. The measurement period shall be at least one timeslot.

The requirements and this test apply to all types of UTRA for the FDD UE that support HSDPA for Release 5.

5.2A.2 Minimum Requirements

The UE maximum output power with HS-DPCCH shall be within the value and tolerance specified in table 5.2A.1 when HS-DPCCH is fully or partially transmitted during a DPCCH timeslot. The maximum output power where HS-DPCCH is not transmitted shall be within the values and tolerance specified in table 5.2.1.

Table 5.2A.1: Maximum Output Powers with HS-DPCCH

| Ratio of β_c to β_d for all values of β_{hs} | Power Class 3 | | Power Class 4 | |
|--|---------------|----------|---------------|----------|
| | Power (dBm) | Tol (dB) | Power (dBm) | Tol (dB) |
| $1/15 \leq \beta_c/\beta_d \leq 12/15$ | +24 | +1/-3 | +21 | +2/-2 |
| $13/15 \leq \beta_c/\beta_d \leq 15/8$ | +23 | +2/-3 | +20 | +3/-2 |
| $15/7 \leq \beta_c/\beta_d \leq 15/0$ | +22 | +3/-3 | +19 | +4/-2 |

The normative reference for this requirement is TS 25.101 [1], clause 6.2.2.

5.2A.3 Test purpose

To verify that the error of the UE maximum output power with HS-DPCCH does not exceed the range prescribed by the maximum output power and tolerance in table 5.2A.1.

An excess maximum output power may interfere with other channels or other systems. A small maximum output power decreases the coverage area.

5.2A.4 Method of test

5.2A.4.1 Initial conditions

Test environment: normal, TL/VL, TL/VH, TH/VL, TH/VH; see clauses G.2.1 and G.2.2.

Frequencies to be tested: low range, mid range, high range; see clause G.2.4.

- 1) Connect the SS (node B emulator) to the UE antenna connector as shown in figure A.1.
- 2) The UL Reference Measurement Channel and the Fixed Reference Channels (FRC H-Set 1, QPSK version) are specified in Annex C.10.1 and C.8.1.1 with the beta values set according to table C.10.1.4.
- 3) An HSDPA call is set up according to TS 34.108 [3] clause 7.3.6. RF parameters are set up according to table E.5.1 and table E.5.10. Settings for the serving cell are defined in table 5.2A.1A.
- 4) Enter the UE into loopback test mode in the presence of HSDPA and start the loopback test.

See TS 34.108 [3] and TS 34.109 [4] for details regarding loopback test mode for HSDPA.

Table 5.2A.1A: Settings for the serving cell during the measurement of Maximum Output Power with HS-DPCCH

| Parameter | Unit | Cell 1 |
|--|--------------|-------------------------------|
| Cell type | | Serving cell |
| UTRA RF Channel Number | | As defined in clause 5.2A.4.1 |
| Qqualmin | dB | -24 |
| Qrxlevmin | dBm | -115 |
| UE_TXPWR_MAX_RACH | dBm | +21 |
| \hat{I}_{or} (see notes 1 and 2) | dBm/3.84 MHz | -86 |
| NOTE 1: The power level is specified in terms of \hat{I}_{or} instead of CPICH_RSCP because RSCP is a receiver measurement, whereas the SS can only set \hat{I}_{or} . | | |
| NOTE 2: The cell fulfils TS 25.304, clause 5.2.3.1.2. | | |

5.2A.4.2 Procedure

- 1) Send TRANSPORT CHANNEL RECONFIGURATION message to set the beta values according to table C.10.1.4 and the DPCH frame offset according the HS-DPCCH slot offset required for measurements.
- 2) Set and send continuously Up power control commands to the UE.
- 3) Start transmitting HSDPA Data.
- 4) Measure the mean power of the UE. The mean power shall be averaged over at least one timeslot.
- 5) Repeat the measurement for the different combinations of beta values as given in table C.10.1.4.

Specific Message Contents

All messages indicated above shall use the same content as described in the default message content in clause 9 of TS 34.108 [3], except the TRANSPORT CHANNEL RECONFIGURATION message which is defined in Annex I.

5.2A.5 Test requirements

The maximum output power with HS-DPCCH, derived in step 4), shall not exceed the range prescribed by the maximum output power and tolerance in table 5.2A.2. The maximum output power where HS-DPCCH is not transmitted shall not exceed the range prescribed in table 5.2.2.

The UL reference measurement channel for TX test will be set as defined in C.10.1 with the power ratio between HS-DPCH, DPCCH and DPDCH being set to the values defined in table C.10.1.4.

Table 5.2A.2: Maximum Output Powers with HS-DPCCH for test

| Ratio of β_c to β_d for all values of β_{hs} | Power Class 3 | | Power Class 4 | |
|---|---------------|-----------|---------------|-----------|
| | Power (dBm) | Tol (dB) | Power (dBm) | Tol (dB) |
| $\beta_c/\beta_d = 2/15, 12/15$ | +24 | +1.7/-3.7 | +21 | +2.7/-2.7 |
| $\beta_c/\beta_d = 15/8$ | +23 | +2.7/-3.7 | +20 | +3.7/-2.7 |
| $\beta_c/\beta_d = 15/4$ | +22 | +3.7/-3.7 | +19 | +4.7/-2.7 |
| NOTE: For the purpose of the test Δ_{ACK} , Δ_{NACK} and $\Delta_{CQI} = 30/15$ with $\beta_{hs} = 30/15 * \beta_c$. | | | | |

NOTE: If the above Test Requirement differs from the Minimum Requirement then the Test Tolerance applied for this test is non-zero. The Test Tolerance for this test is defined in clause F.2 and the explanation of how the Minimum Requirement has been relaxed by the Test Tolerance is given in clause F.4.

5.2AA Maximum Output Power with HS-DPCCH (Release 6 and later)

5.2AA.1 Definition and applicability

The maximum output power with HS-DPCCH and its tolerance are defined according to the UE Maximum Power Reduction (MPR) for the nominal maximum output power.

The maximum output power with HS-DPCCH is a measure of the maximum power the UE can transmit when HS-DPCCH is fully or partially transmitted during a DPCCH timeslot. The measurement period shall be at least one timeslot.

The requirements and this test apply for Release 6 and later releases to all types of UTRA for the FDD UE that support HSDPA without E-DCH.

5.2AA.2 Minimum Requirements

The UE Maximum Power Reduction (MPR) for the nominal maximum output power shall be within the value and tolerance specified in table 5.2AA.1 for when the values of β_c , β_d , β_{hs} , β_{ec} and β_{ed} is fully or partially transmitted during a DPCCH timeslot.

Table 5.2AA.1: Maximum Output Power with HS-DPCCH and E-DCH

| UE transmit channel configuration | CM (dB) | MPR (dB) |
|---|----------------------|---------------|
| For all combinations of; DPDCH, DPCCH, HS-DPCCH, E-DPDCH and E-DPCCH | $0 \leq CM \leq 3.5$ | MAX (CM-1, 0) |
| NOTE 1: CM = 1 for $\beta_c/\beta_d = 12/15$, $\beta_{hs}/\beta_c = 24/15$. For all other combinations of DPDCH, DPCCH, HS-DPCCH, E-DPDCH and E-DPCCH the MPR is based on the relative CM difference. | | |

Where Cubic Metric (CM) is based on the UE transmit channel configuration and is given by:

$$CM = \text{CEIL} \{ [20 * \log_{10} ((v_{\text{norm}}^3)_{\text{rms}}) - 20 * \log_{10} ((v_{\text{norm_ref}}^3)_{\text{rms}})] / k, 0.5 \}$$

Where:

- CEIL{ x, 0.5 } means rounding upwards to closest 0.5dB, i.e. $CM \in [0, 0.5, 1.0, 1.5, 2.0, 2.5, 3.0, 3.5]$
- k is 1.85 for signals where all channelisations codes meet the following criteria $C_{SF,N}$ where $N < SF/2$
- k is 1.56 for signals where any channelisations codes meet the following criteria $C_{SF,N}$ where $N \geq SF/2$
- v_{norm} is the normalized voltage waveform of the input signal

- $v_{\text{norm_ref}}$ is the normalized voltage waveform of the reference signal (12.2 kbps AMR Speech) and $20 * \log_{10}((v_{\text{norm_ref}}^3)_{\text{rms}}) = 1.52$ dB

The normative reference for this requirement is TS 25.101 [1], clause 6.2.2.

5.2AA.3 Test purpose

To verify that the error of the UE maximum output power with HS-DPCCH does not exceed the range prescribed by the maximum output power and tolerance in table 5.2AA.2.

An excess maximum output power may interfere with other channels or other systems. A small maximum output power decreases the coverage area.

5.2AA.4 Method of test

5.2AA.4.1 Initial conditions

Test environment: normal, TL/VL, TL/VH, TH/VL, TH/VH; see clauses G.2.1 and G.2.2.

Frequencies to be tested: low range, mid range, high range; see clause G.2.4.

- 1) Connect the SS (node B emulator) to the UE antenna connector as shown in figure A.1.
- 2) The UL Reference Measurement Channel and the Fixed Reference Channels (FRC H-Set 1) are specified in clauses C.10.1 and C.8.1.1.
- 3) An HSDPA call is set up according to TS 34.108 [3] clause 7.3.6. RF parameters are set up according to table E.5.1 and table E.5.10. Settings for the serving cell are defined in table 5.2AA.1A.
- 4) Enter the UE into loopback test mode in the presence of HSDPA and start the loopback test.

See TS 34.108 [3] and TS 34.109 [4] for details regarding loopback test mode for HSDPA.

Table 5.2AA.1A: Settings for the serving cell during the measurement of Maximum Output Power with HS-DPCCH

| Parameter | Unit | Cell 1 |
|--|-----------------|--------------------------------|
| Cell type | | Serving cell |
| UTRA RF Channel Number | | As defined in clause 5.2AA.4.1 |
| Qqualmin | dB | -24 |
| Qrxlevmin | dBm | -115 |
| UE_TXPWR_MAX_RACH | dBm | +21 |
| \hat{I}_{or} (see notes 1 and 2) | dBm/3.84 MHz | -86 |
| NOTE 1: The power level is specified in terms of \hat{I}_{or} instead of CPICH_RSCP because RSCP is a receiver measurement, whereas the SS can only set \hat{I}_{or} . | | |
| NOTE 2: The cell fulfils TS 25.304, clause 5.2.3.1.2. | | |

5.2AA.4.2 Procedure

- 1) Send TRANSPORT CHANNEL RECONFIGURATION message to set the beta values according to table C.10.1.4 and the DPCH frame offset according to the HS-DPCCH slot offset required for measurements.
- 2) Set and send continuously Up power control commands to the UE.
- 3) Start transmitting HSDPA Data.
- 4) Measure the mean power of the UE. The mean power shall be averaged over at least one timeslot.
- 5) Repeat the measurement for the different combinations of beta values as given in table C.10.1.4.

Specific Message Contents

All messages indicated above shall use the same content as described in the default message content in clause 9 of TS 34.108 [3], except the TRANSPORT CHANNEL RECONFIGURATION message which is defined in Annex I.

5.2AA.5 Test requirements

The maximum output power with HS-DPCCH, derived in step 4), shall not exceed the range prescribed by the maximum output power and tolerance in table 5.2AA.2 or 5.2AA.3 depending on tested band. The maximum output power where HS-DPCCH is not transmitted shall not exceed the range prescribed in table 5.2.2.

The UL reference measurement channel for TX test will be set as defined in C.10.1 with the power ratio between HS-DPCH, DPCCH and DPDCH being set to the values defined in table C.10.1.4.

Table 5.2AA.2: Maximum Output Powers with HS-DPCCH for test

| Sub-test in table C.10.1.4 | Power Class 3 | | Power Class 4 | |
|----------------------------|---------------|-----------|---------------|-----------|
| | Power (dBm) | Tol (dB) | Power (dBm) | Tol (dB) |
| 1 | +24 | +1.7/-3.7 | +21 | +2.7/-2.7 |
| 2 | +24 | +1.7/-3.7 | +21 | +2.7/-2.7 |
| 3 | +23.5 | +2.2/-3.7 | +20.5 | +3.2/-2.7 |
| 4 | +23.5 | +2.2/-3.7 | +20.5 | +3.2/-2.7 |

Table 5.2AA.3: Maximum Output Powers with HS-DPCCH for test in bands XXV and XXVI

| Sub-test in table C.10.1.4 | Power Class 3 | | Power Class 4 | |
|----------------------------|---|-----------|---------------|-----------|
| | Power (dBm) | Tol (dB) | Power (dBm) | Tol (dB) |
| 1 | +24 | +1.7/-4.7 | +21 | +2.7/-3.7 |
| 2 | +24 | +1.7/-4.7 | +21 | +2.7/-3.7 |
| 3 | +23.5 | +2.2/-4.7 | +20.5 | +3.2/-3.7 |
| 4 | +23.5 | +2.2/-4.7 | +20.5 | +3.2/-3.7 |
| NOTE: | For the UE which supports both Band V and Band XXVI operating frequencies, the UE maximum output power of Band V shall apply for Band XXVI when the carrier frequency of the assigned UTRA channel is within 824-845 MHz. | | | |

NOTE: If the above Test Requirement differs from the Minimum Requirement then the Test Tolerance applied for this test is non-zero. The Test Tolerance for this test is defined in clause F.2 and the explanation of how the Minimum Requirement has been relaxed by the Test Tolerance is given in clause F.4.

5.2AB Maximum Output Power for OLTD

FFS

5.2AC Maximum Output Power for UL CLTD activation state 1

Editor's note: This clause is incomplete. The following aspects are either missing or not yet determined:

- Message Contents are FFS.
- Call Setup procedure, test procedure, test tolerances may need an update.
- Update of Annexure is FFS
- Update to 34.121-2 is FFS

5.2AC.1 Definition and applicability

The nominal maximum output power with UL CLTD and its tolerance are defined according to the Power Class of the UE.

The maximum output power is a measure of the maximum power the UE can transmit (i.e. the actual power as would be measured assuming no measurement error) in a bandwidth of at least $(1 + \alpha)$ times the chip rate of the radio access mode. The period of measurement shall be at least one timeslot.

The requirements and this test apply for Release 11 and later releases to all types of UTRA for the FDD UE that supports UL CLTD.

5.2AC.2 Minimum Requirements

For UE with two active transmit antenna connectors in UL CLTD activation state 1, the nominal maximum output power is specified in Table 5.2AC.1. The nominal transmit power is defined by the sum of transmit power at each transmit antenna connector.

Table 5.2AC.1: Nominal Maximum Output Power for UL CLTD

| Operating Band | Power Class 3 | | Power Class 3bis | |
|--------------------|---|----------|------------------|----------|
| | Power (dBm) | Tol (dB) | Power (dBm) | Tol (dB) |
| Band I | +24 | +1/-4 | 23 | +2/-3 |
| Band II | +24 | +1/-4 | 23 | +2/-3 |
| Band III | +24 | +1/-4 | 23 | +2/-3 |
| Band IV | +24 | +1/-4 | 23 | +2/-3 |
| Band V | +24 | +1/-4 | 23 | +2/-3 |
| Band VI | +24 | +1/-4 | 23 | +2/-3 |
| Band VII | +24 | +1/-4 | 23 | +2/-3 |
| Band VIII | +24 | +1/-4 | 23 | +2/-3 |
| Band IX | +24 | +1/-4 | 23 | +2/-3 |
| Band X | +24 | +1/-4 | 23 | +2/-3 |
| Band XI | +24 | +1/-4 | 23 | +2/-3 |
| Band XII | +24 | +1/-4 | 23 | +2/-3 |
| Band XIII | +24 | +1/-4 | 23 | +2/-3 |
| Band XIV | +24 | +1/-4 | 23 | +2/-3 |
| Band XIX | +24 | +1/-4 | 23 | +2/-3 |
| Band XX | +24 | +1/-4 | 23 | +2/-3 |
| Band XXI | +24 | +1/-4 | 23 | +2/-3 |
| Band XXII | +24 | +1/-5.5 | 23 | +2/-4.5 |
| Band XXV | +24 | +1/-5 | 23 | +2/-4 |
| Band XXVI (Note 1) | +24 | +1/-5 | 23 | +2/-4 |
| Note 1 | For the UE which supports both Band V and Band XXVI operating frequencies, the UE maximum output power of Band V shall apply for Band XXVI when the carrier frequency of the assigned UTRA channel is within 824-845 MHz. | | | |

The normative reference for this requirement is TS 25.101 [1], clause 6.2.1B.

5.2AC.3 Test purpose

To verify that the error of the UE maximum output power for UL CLTD activation state 1 does not exceed the range prescribed by the nominal maximum output power and tolerance in table 5.2AC.1.

An excess maximum output power has the possibility to interfere to other channels or other systems. A small maximum output power decreases the coverage area.

5.2AC.4 Method of test

5.2.4.1 Initial conditions

Test environment: normal, TL/VL, TL/VH, TH/VL, TH/VH; see clauses G.2.1 and G.2.2.

Frequencies to be tested: low range, mid range, high range; see clause G.2.4.

- 1) Connect the SS to the UE antenna connector as shown in figure FFS.
- 2) The UL Reference Measurement Channel and the Fixed Reference Channels (FRC H-Set 1) are specified in clauses FFS.

- 3) An HSDPA call is set up according to TS 34.108 [3] clause FFS. RF parameters are set up according to table E.5.1 and table E.5.10.
- 4) SS sends a HS-SCCH order activating UL_CLTD activation state 1.
- 5) Enter the UE into loopback test mode in the presence of HSDPA and start the loopback test.

See TS 34.108 [3] and TS 34.109 [4] for details regarding loopback test mode for HSDPA.

5.2.4.2 Procedure

- 1) Set and send continuously Up power control commands to the UE.
- 2) Start transmitting HSDPA Data.
- 3) Measure the mean power of the UE in a bandwidth of at least $(1 + \alpha)$ times the chip rate of the radio access mode. The mean power shall be averaged over at least one timeslot and measured at each transmit antenna connector.

5.2AC.5 Test requirements

For UE with two active transmit antenna connectors in UL CLTD activation state 1, the nominal maximum output power is specified in Table 5.2AC.2. The nominal transmit power is defined by the sum of transmit power at each transmit antenna connector.

The maximum output power, derived in step 3), shall not exceed the range prescribed by the nominal maximum output power and tolerance in table 5.2AC.2.

Table 5.2AC.2: Nominal Maximum Output Power for UL CLTD

| Operating Band | Power Class 3 | | Power Class 3bis | |
|--------------------|---|----------|------------------|----------|
| | Power (dBm) | Tol (dB) | Power (dBm) | Tol (dB) |
| Band I | +24 | +/-TT | 23 | +/-TT |
| Band II | +24 | +/-TT | 23 | +/-TT |
| Band III | +24 | +/-TT | 23 | +/-TT |
| Band IV | +24 | +/-TT | 23 | +/-TT |
| Band V | +24 | +/-TT | 23 | +/-TT |
| Band VI | +24 | +/-TT | 23 | +/-TT |
| Band VII | +24 | +/-TT | 23 | +/-TT |
| Band VIII | +24 | +/-TT | 23 | +/-TT |
| Band IX | +24 | +/-TT | 23 | +/-TT |
| Band X | +24 | +/-TT | 23 | +/-TT |
| Band XI | +24 | +/-TT | 23 | +/-TT |
| Band XII | +24 | +/-TT | 23 | +/-TT |
| Band XIII | +24 | +/-TT | 23 | +/-TT |
| Band IV | +24 | +/-TT | 23 | +/-TT |
| Band XIX | +24 | +/-TT | 23 | +/-TT |
| Band XX | +24 | +/-TT | 23 | +/-TT |
| Band XXI | +24 | +/-TT | 23 | +/-TT |
| Band XXII | +24 | +/-TT | 23 | +/-TT |
| Band XXV | +24 | +/-TT | 23 | +/-TT |
| Band XXVI (Note 1) | +24 | +/-TT | 23 | +/-TT |
| Note 1 | For the UE which supports both Band V and Band XXVI operating frequencies, the UE maximum output power of Band V shall apply for Band XXVI when the carrier frequency of the assigned UTRA channel is within 824-845 MHz. | | | |

NOTE: If the above Test Requirement differs from the Minimum Requirement then the Test Tolerance applied for this test is non-zero. The Test Tolerance for this test is defined in clause FFS and the explanation of how the Minimum Requirement has been relaxed by the Test Tolerance is given in clause FFS.

5.2AD Maximum Output Power for UL CLTD activation state 2 and 3

Editor's note: This clause is incomplete. The following aspects are either missing or not yet determined:

- Message Contents are FFS.
- Call Setup procedure, test procedure, test tolerances may need an update.
- Update of Annexure is FFS
- Update to 34.121-2 is FFS

5.2AD.1 Definition and applicability

The nominal maximum output power with UL CLTD and its tolerance are defined according to the Power Class of the UE.

The maximum output power is a measure of the maximum power the UE can transmit (i.e. the actual power as would be measured assuming no measurement error) in a bandwidth of at least $(1 + \alpha)$ times the chip rate of the radio access mode. The period of measurement shall be at least one timeslot.

The requirements and this test apply for Release 11 and later releases to all types of UTRA for the FDD UE that supports UL CLTD.

5.2AD.2 Minimum Requirements

For UE configured in UL CLTD activation state 2 or activation state 3, the nominal maximum output power specified in table 5.2AD.1 applies at the active transmit antenna connector.

Table 5.2AD.1: Nominal Maximum Output Power

| Operating Band | Power Class 1 | | Power Class 2 | | Power Class 3 | | Power Class 3bis | | Power Class 4 | |
|--------------------|---------------|----------|---------------|----------|---------------|----------|------------------|----------|---------------|----------|
| | Power (dBm) | Tol (dB) | Power (dBm) | Tol (dB) | Power (dBm) | Tol (dB) | Power (dBm) | Tol (dB) | Power (dBm) | Tol (dB) |
| Band I | +33 | +1/-3 | +27 | +1/-3 | +24 | +1/-3 | +23 | +2/-2 | +21 | +2/-2 |
| Band II | - | - | - | - | +24 | +1/-3 | +23 | +2/-2 | +21 | +2/-2 |
| Band III | - | - | - | - | +24 | +1/-3 | +23 | +2/-2 | +21 | +2/-2 |
| Band IV | - | - | - | - | +24 | +1/-3 | +23 | +2/-2 | +21 | +2/-2 |
| Band V | - | - | - | - | +24 | +1/-3 | +23 | +2/-2 | +21 | +2/-2 |
| Band VI | - | - | - | - | +24 | +1/-3 | +23 | +2/-2 | +21 | +2/-2 |
| Band VII | - | - | - | - | +24 | +1/-3 | +23 | +2/-2 | +21 | +2/-2 |
| Band VIII | - | - | - | - | +24 | +1/-3 | +23 | +2/-2 | +21 | +2/-2 |
| Band IX | - | - | - | - | +24 | +1/-3 | +23 | +2/-2 | +21 | +2/-2 |
| Band X | - | - | - | - | +24 | +1/-3 | +23 | +2/-2 | +21 | +2/-2 |
| Band XI | - | - | - | - | +24 | +1/-3 | +23 | +2/-2 | +21 | +2/-2 |
| Band XII | - | - | - | - | +24 | +1/-3 | +23 | +2/-2 | +21 | +2/-2 |
| Band XIII | - | - | - | - | +24 | +1/-3 | +23 | +2/-2 | +21 | +2/-2 |
| Band XIV | - | - | - | - | +24 | +1/-3 | +23 | +2/-2 | +21 | +2/-2 |
| Band XIX | - | - | - | - | +24 | +1/-3 | +23 | +2/-2 | +21 | +2/-2 |
| Band XX | - | - | - | - | +24 | +1/-3 | +23 | +2/-2 | +21 | +2/-2 |
| Band XXI | - | - | - | - | +24 | +1/-3 | +23 | +2/-2 | +21 | +2/-2 |
| Band XXII | - | - | - | - | +24 | +1/-4.5 | +23 | +2/-3.5 | +21 | +2/-3.5 |
| Band XXV | - | - | - | - | +24 | +1/-4 | +23 | +2/-3 | +21 | +2/-3 |
| Band XXVI (Note 1) | - | - | - | - | +24 | +1/-4 | +23 | +2/-3 | +21 | +2/-3 |

NOTE 1: For the UE which supports both Band V and Band XXVI operating frequencies, the UE maximum output power of Band V shall apply for Band XXVI when the carrier frequency of the assigned UTRA channel is within 824-845 MHz.

The normative reference for this requirement is TS 25.101 [1], clause 6.2.1B.

5.2AD.3 Test purpose

To verify that the error of the UE maximum output power with UL CLTD activation state 2 and 3 does not exceed the range prescribed by the nominal maximum output power and tolerance in table 5.2.AD.1.

An excess maximum output power has the possibility to interfere to other channels or other systems. A small maximum output power decreases the coverage area.

5.2AD.4 Method of test

5.2AD.4.1 Initial conditions

Test environment: normal, TL/VL, TL/VH, TH/VL, TH/VH; see clauses G.2.1 and G.2.2.

Frequencies to be tested: low range, mid range, high range; see clause G.2.4.

- 1) Connect the SS to the UE antenna connector as shown in figure FFS.
- 2) The UL Reference Measurement Channel and the Fixed Reference Channels (FRC H-Set 1) are specified in clauses FFS.
- 3) An HSDPA call is set up according to TS 34.108 [3] clause FFS. RF parameters are set up according to table E.5.1 and table E.5.10.
- 4) SS sends a HS-SCCH order activating UL_CLTD activation state 2
- 5) Enter the UE into loopback test mode in the presence of HSDPA and start the loopback test.

See TS 34.108 [3] and TS 34.109 [4] for details regarding loopback test mode for HSDPA.

5.2AD.4.2 Procedure

- 1) Set and send continuously up power control commands to the UE.
- 2) Start transmitting HSDPA Data.
- 3) Measure the mean power of the UE in a bandwidth of at least $(1 + \alpha)$ times the chip rate of the radio access mode. The mean power shall be averaged over at least one timeslot and is measured at the active transmit antenna connector.
- 4) SS sends a HS-SCCH order activating UL_CLTD activation state 3
- 5) Repeat step 1 to 3 for activation state 3.

5.2AD.5 Test requirements

For UE configured in UL CLTD activation state 2 or activation state 3, the nominal maximum output power specified in table 5.2AD.2 applies at the active transmit antenna connector.

The maximum output power, derived in step 3) for activation 2 and 3, shall not exceed the range prescribed by the nominal maximum output power and tolerance in table 5.2AD.2.

Table 5.2AD.2: Nominal Maximum Output Power

| Operating Band | Power Class 1 | | Power Class 2 | | Power Class 3 | | Power Class 3bis | | Power Class 4 | |
|--------------------|---------------|----------|---------------|----------|---------------|----------|------------------|----------|---------------|----------|
| | Power (dBm) | Tol (dB) | Power (dBm) | Tol (dB) | Power (dBm) | Tol (dB) | Power (dBm) | Tol (dB) | Power (dBm) | Tol (dB) |
| Band I | +33 | +/-TT | +27 | +/-TT | +24 | +/-TT | +23 | +/-TT | +21 | +/-TT |
| Band II | - | - | - | - | +24 | +/-TT | +23 | +/-TT | +21 | +/-TT |
| Band III | - | - | - | - | +24 | +/-TT | +23 | +/-TT | +21 | +/-TT |
| Band IV | - | - | - | - | +24 | +/-TT | +23 | +/-TT | +21 | +/-TT |
| Band V | - | - | - | - | +24 | +/-TT | +23 | +/-TT | +21 | +/-TT |
| Band VI | - | - | - | - | +24 | +/-TT | +23 | +/-TT | +21 | +/-TT |
| Band VII | - | - | - | - | +24 | +/-TT | +23 | +/-TT | +21 | +/-TT |
| Band VIII | - | - | - | - | +24 | +/-TT | +23 | +/-TT | +21 | +/-TT |
| Band IX | - | - | - | - | +24 | +/-TT | +23 | +/-TT | +21 | +/-TT |
| Band X | - | - | - | - | +24 | +/-TT | +23 | +/-TT | +21 | +/-TT |
| Band XI | - | - | - | - | +24 | +/-TT | +23 | +/-TT | +21 | +/-TT |
| Band XII | - | - | - | - | +24 | +/-TT | +23 | +/-TT | +21 | +/-TT |
| Band XIII | - | - | - | - | +24 | +/-TT | +23 | +/-TT | +21 | +/-TT |
| Band XIV | - | - | - | - | +24 | +/-TT | +23 | +/-TT | +21 | +/-TT |
| Band XIX | - | - | - | - | +24 | +/-TT | +23 | +/-TT | +21 | +/-TT |
| Band XX | - | - | - | - | +24 | +/-TT | +23 | +/-TT | +21 | +/-TT |
| Band XXI | - | - | - | - | +24 | +/-TT | +23 | +/-TT | +21 | +/-TT |
| Band XXII | - | - | - | - | +24 | +/-TT | +23 | +/-TT | +21 | +/-TT |
| Band XXV | - | - | - | - | +24 | +/-TT | +23 | +/-TT | +21 | +/-TT |
| Band XXVI (Note 1) | - | - | - | - | +24 | +/-TT | +23 | +/-TT | +21 | +/-TT |

NOTE 1: For the UE which supports both Band V and Band XXVI operating frequencies, the UE maximum output power of Band V shall apply for Band XXVI when the carrier frequency of the assigned UTRA channel is within 824-845 MHz.

NOTE: If the above Test Requirement differs from the Minimum Requirement then the Test Tolerance applied for this test is non-zero. The Test Tolerance for this test is defined in clause FFS and the explanation of how the Minimum Requirement has been relaxed by the Test Tolerance is given in clause FFS.

5.2B Maximum Output Power with HS-DPCCH and E-DCH

5.2B.1 Definition and applicability

The maximum output power with HS-DPCCH and E-DCH and its tolerance are defined according to the UE Maximum Power Reduction (MPR) for the nominal maximum output power.

The maximum output power with HS-DPCCH and E-DCH is a measure of the maximum power the UE can transmit when HS-DPCCH and E-DCH is fully or partially transmitted during a DPCCH timeslot. The measurement period shall be at least one timeslot.

The requirements and this test apply for Release 6 and later releases to all types of UTRA for the FDD UE that support HSDPA and E-DCH.

5.2B.2 Minimum Requirements

The UE Maximum Power Reduction (MPR) for the nominal maximum output power shall be within the value and tolerance specified in table 5.2B.1 for when the values of β_c , β_d , β_{hs} , β_{ec} and β_{ed} is fully or partially transmitted during a DPCCH timeslot.

Table 5.2B.1: Maximum Output Power with HS-DPCCH and E-DCH

| UE transmit channel configuration | CM (dB) | MPR (dB) |
|--|----------------------|---------------|
| For all combinations of; DPDCH, DPCCH, HS-DPCCH, E-DPDCH and E-DPCCH | $0 \leq CM \leq 3.5$ | MAX (CM-1, 0) |
| NOTE 1: CM = 1 for $\beta_c/\beta_d = 12/15$, $\beta_{hs}/\beta_{ec} = 24/15$. For all other combinations of DPDCH, DPCCH, HS-DPCCH, E-DPDCH and E-DPCCH the MPR is based on the relative CM difference. | | |

Where Cubic Metric (CM) is based on the UE transmit channel configuration and is given by:

$$CM = \text{CEIL} \{ [20 * \log_{10} ((v_{\text{norm}}^3)_{\text{rms}}) - 20 * \log_{10} ((v_{\text{norm_ref}}^3)_{\text{rms}})] / k, 0.5 \}$$

Where

- CEIL{ x, 0.5 } means rounding upwards to closest 0.5dB, i.e. $CM \in [0, 0.5, 1.0, 1.5, 2.0, 2.5, 3.0, 3.5]$
- k is 1.85 for signals where all channelisations codes meet the following criteria $C_{SF, N}$ where $N < SF/2$
- k is 1.56 for signals where any channelisations codes meet the following criteria $C_{SF, N}$ where $N \geq SF/2$
- v_{norm} is the normalized voltage waveform of the input signal
- $v_{\text{norm_ref}}$ is the normalized voltage waveform of the reference signal (12.2 kbps AMR Speech) and $20 * \log_{10} ((v_{\text{norm_ref}}^3)_{\text{rms}}) = 1.52$ dB

The normative reference for this requirement is TS 25.101 [1], clause 6.2.2.

5.2B.3 Test purpose

To verify that the error of the UE maximum output power with HS-DPCCH and E-DCH does not exceed the range prescribed by the maximum output power and tolerance in table 5.2B.5.

An excess maximum output power may interfere with other channels or other systems. A small maximum output power decreases the coverage area.

5.2B.4 Method of test

5.2B.4.1 Initial conditions

Test environment: normal, TL/VL, TL/VH, TH/VL, TH/VH; see clauses G.2.1 and G.2.2.

Frequencies to be tested: low range, mid range, high range; see clause G.2.4.

- 1) Connect the SS (node B emulator) to the UE antenna connector as shown in figure A.1.
- 2) The UL Reference Measurement Channel and the Fixed Reference Channels (FRC H-Set 1, QPSK) are specified in Annex C.11.1 and C.8.1.1.
- 3) An E-DCH call is set up according to TS 34.108 [3] 7.3.9 with the following exceptions in the RADIO BEARER SETUP messages. These exceptions allow the beta values to be set according to table C.11.1.3 and each UL physical channel to be at constant power during the measurement. RF parameters are set up according to table E.5A.1. Settings for the serving cell are defined in table 5.2B.4A.
- 4) For sub-test 1 to 4, enter the UE into loopback test mode 1 looping back both the 12.2kbps RMC and HSDPA to E-DCH according to procedure 7.3.9.3.1 in TS 34.108 [3] and start the loopback test. For sub-test 5, enter the UE into loopback test mode 1 looping back HSDPA to E-DCH according to procedure 7.3.9.3.2 in TS 34.108 [3] and start the loopback test.

See TS 34.109 [4] clauses 5.3.2.3 and 5.3.2.6 for details regarding loopback test mode for HSDPA and E-DCH.

Table 5.2B.1A: Contents of RADIO BEARER SETUP message: AM or UM (Test Loop Mode1)

| Information Element | Value/Remark |
|---|--|
| UL Transport channel information for all transport channels <ul style="list-style-type: none"> - 2bit CTFC - Power offset Information - CHOICE Gain Factors - CHOICE mode - Gain factor β_c - Gain factor β_d | 3 Signalled Gain Factors FDD Value used in test: see Table C.11.1.3 Value used in test: see Table C.11.1.3 |
| CHOICE channel requirement <ul style="list-style-type: none"> - Power Control Algorithm | Uplink DPCH info Algorithm2 |
| NOTE: All other 2 bit CTFC values use computed gain factors as in the default message. | |

Table 5.2B.2: Contents of RADIO BEARER SETUP message: AM or UM (E-DCH and HSDPA) for Sub-tests 1,2,4

| Information Element | Value/Remark |
|---|--|
| E-DCH info <ul style="list-style-type: none"> - E-DPDCH info - Reference E-TFCIs - Reference E-TFCI - Reference E-TFCI PO - Reference E-TFCI - Reference E-TFCI PO - Reference E-TFCI - Reference E-TFCI PO - Reference E-TFCI - Reference E-TFCI PO - Reference E-TFCI - Reference E-TFCI PO | Uplink DPCH info 5 E-TFCIs 11 4 67 18 71 23 75 26 81 27 |

Table 5.2B.3: Contents of RADIO BEARER SETUP message: AM or UM (E-DCH and HSDPA) for Sub-test 3

| Information Element | Value/Remark |
|--|--|
| E-DCH info <ul style="list-style-type: none"> - E-DPDCH info - Reference E-TFCIs - Reference E-TFCI - Reference E-TFCI PO - Reference E-TFCI - Reference E-TFCI PO | Uplink DPCH info 2 E-TFCIs 11 4 92 18 |

Table 5.2B.3A: Contents of RADIO BEARER SETUP message: AM or UM (E-DCH and HSDPA) -condition A3 for Sub-test 5

| Information Element | Value/Remark |
|--|---|
| E-DCH info <ul style="list-style-type: none"> - E-DPDCH info - E-DCH minimum set of E-TFCI - Reference E-TFCIs - Reference E-TFCI - Reference E-TFCI PO - Maximum channelisation codes | Uplink DPCH info 67 1 E-TFCI 67 18 Sf4 |

**Table 5.2B.4: Contents of RADIO BEARER SETUP message:
AM or UM (E-DCH and HSDPA)**

| Information Element | Value/Remark |
|---|--|
| CHOICE channel requirement - Power Control Algorithm | Uplink DPCH info For sub-test 1 to 4: Algorithm2 For sub-test 5: Algorithm 1 Value used in test: see Table C.11.1.3 |
| - Δ_{ACK} | Value used in test: see Table C.11.1.3 |
| - Δ_{NACK} | Value used in test: see Table C.11.1.3 |
| - Ack-Nack repetition factor | 3 (required for continuous HS-DPCCH signal) |
| E-DCH info | |
| - E-DPCCH/DPCCH power offset | Value used in test: see Table C.11.1.3 |
| Downlink HS-PDSCH Information | |
| - Measurement Feedback Info | |
| - CQI Feedback cycle, k | 4 ms |
| - CQI repetition factor | 2 (required for continuous HS-DPCCH signal) |
| - Δ_{CQI} | Value used in test: see Table C.11.1.3 |

**Table 5.2B.4A: Settings for the serving cell during the measurement
of Maximum Output Power with HS-DPCCH and E-DCH**

| Parameter | Unit | Cell 1 |
|--|-----------------|-------------------------------|
| Cell type | | Serving cell |
| UTRA RF Channel Number | | As defined in clause 5.2B.4.1 |
| Qqualmin | dB | -24 |
| Qrxlevmin | dBm | -115 |
| UE_TXPWR_MAX_RACH | dBm | +21 |
| \hat{I}_{or} (see notes 1 and 2) | dBm/3.84 MHz | -86 |
| NOTE 1: The power level is specified in terms of \hat{I}_{or} instead of CPICH_RSCP because RSCP is a receiver measurement, whereas the SS can only set \hat{I}_{or} . | | |
| NOTE 2: The cell fulfils TS 25.304, clause 5.2.3.1.2. | | |

5.2B.4.2 Procedure

5.2B.4.2.1 Procedure for sub-test 1 to 4

- 1) Set the Absolute Grant according to Table C.11.1.3.
- 2) The SS starts transmitting HSDPA and the UE loops the received data back on E-DCH.
- 3) Set the UE power to be at least 7.5dB lower than the maximum output power. Wait 150 ms.
- 4) Send power control bits to give one TPC_cmd = +1 command to the UE.
- 5) The SS checks the received E-TFCI for 150 ms. If UE does not send any decreased E-TFCI (DTX on E-DPDCH is also considered decreased E-TFCI) within the 150ms then go back to step (4) otherwise proceed to step 6).
- 6) Send power control bits to give one TPC_cmd = -1 command to the UE and wait 150ms.
- 7) The SS checks the received E-TFCI for 150 ms. If UE sends any decreased E-TFCI (DTX on E-DPDCH is also considered decreased E-TFCI) within the 150ms, then send new power control bits to give another TPC_cmd = -1 command to the UE and wait 150ms.
- 8) Confirm that the E-TFCI transmitted by the UE is equal to the target E-TFCI in Table C.11.1.3. If the E-TFCI transmitted by the UE is not equal to the target E-TFCI, then fail the UE.
- 9) Measure the mean power of the UE. The mean power shall be averaged over at least one timeslot.
- 10) Repeat the measurement for the different combinations of beta values for sub-test 1 to 4 as given in table C.11.1.3.

5.2B.4.2.2 Procedure for sub-test 5

- 1) Set the Absolute Grant according to sub-test 5 in Table C.11.1.3.
- 2) The SS starts transmitting HSDPA and the UE loops the received data back on E-DCH.
- 3) Set the UE power to be at least 7.5dB lower than the maximum output power. Wait 150ms.
- 4) Set and send continuously Up power control commands to the UE. Wait 150ms.
- 5) Measure the mean power of the UE. The mean power shall be averaged over at least one timeslot.

5.2B.5 Test requirements

The maximum output power with HS-DPCCH and E-DCH, derived in step 9), shall not exceed the range prescribed by the maximum output power and tolerance in table 5.2B.5 or 5.2B.6 depending on tested band. Note:

The UL reference measurement channel for TX test will be set as defined in C.11.1 with the power ratio between HS-DPCH, DPCCH, DPDCH, E-DPCCH and E-DPDCH being set to the values defined in table C.11.1.3.

Table 5.2B.5: Maximum Output Powers with HS-DPCCH and E-DCH for test

| Sub-test in table C.11.1.3 | Power Class 3 | | Power Class 4 | |
|----------------------------|---------------|-----------|---------------|-----------|
| | Power (dBm) | Tol (dB) | Power (dBm) | Tol (dB) |
| 1 | +24 | +1.7/-6.7 | +21 | +2.7/-5.7 |
| 2 | +22 | +3.7/-5.2 | +19 | +4.7/-4.2 |
| 3 | +23 | +2.7/-5.2 | +20 | +3.7/-4.2 |
| 4 | +22 | +3.7/-5.2 | +19 | +4.7/-4.2 |
| 5 | +24 | +1.7/-3.7 | +21 | +2.7/-2.7 |

Table 5.2B.6: Maximum Output Powers with HS-DPCCH and E-DCH for test in bands XXV and XXVI

| Sub-test in table C.11.1.3 | Power Class 3 | | Power Class 4 | |
|---|---------------|-----------|---------------|-----------|
| | Power (dBm) | Tol (dB) | Power (dBm) | Tol (dB) |
| 1 | +24 | +1.7/-7.7 | +21 | +2.7/-6.7 |
| 2 | +22 | +3.7/-6.2 | +19 | +4.7/-5.2 |
| 3 | +23 | +2.7/-6.2 | +20 | +3.7/-5.2 |
| 4 | +22 | +3.7/-6.2 | +19 | +4.7/-5.2 |
| 5 | +24 | +1.7/-4.7 | +21 | +2.7/-3.7 |
| NOTE 1: For the UE which supports both Band V and Band XXVI operating frequencies, the UE maximum output power of Band V shall apply for Band XXVI when the carrier frequency of the assigned UTRA channel is within 824-845 MHz. | | | | |

NOTE 1: If the above Test Requirement differs from the Minimum Requirement then the Test Tolerance applied for this test is non-zero. The Test Tolerance for this test is defined in clause F.2 and the explanation of how the Minimum Requirement has been relaxed by the Test Tolerance is given in clause F.4.

NOTE 2: The test procedure for sub-test 1 to 4 will result in a power slightly below the maximum, and therefore the lower limits in Table 5.2B.5 are made lower by 1.5 dB.

NOTE 3: The test procedure allows UE to decrease its maximum transmit power for E-TFC selection in sub-test 1, and therefore the lower limits of sub-test 1 in Table 5.2B.5 are made lower by 1.5 dB.

NOTE 4: For subtests 2, 3 and 4, UE may perform E-DPDCH power scaling at max power which could results in slightly smaller MPR values.

5.2BA UE Maximum Output Power for DC-HSUPA (QPSK)

5.2BA.1 Definition and applicability

The maximum output power with DC-HSUPA and its tolerance are defined according to the UE Maximum Power Reduction (MPR) for the nominal maximum output power.

The maximum output power with DC-HSUPA is a measure of the maximum power the UE can transmit when HS-DPCCH and E-DCH is fully or partially transmitted during a DPCCH timeslot. For DC-HSUPA, the nominal transmit power is defined by the sum of the broadband transmit power of each carrier in the UE. The measurement period shall be at least one timeslot.

The requirements and this test apply for Release 9 and later releases to all types of UTRA for the FDD UE that support HSDPA and Dual Cell E-DCH.

5.2BA.2 Minimum Requirements

The Maximum Power Reduction (MPR) for the nominal maximum output power shall be within the value and tolerance specified for the values of β_c , β_d , β_{hs} , β_{ec} and β_{ed} is fully or partially transmitted during a DPCCH timeslot and defined through calculation of the Raw Cubic Metric (Raw CM) which is based on the UE transmit channel configuration and is given by:

$$\text{Raw CM} = 20 * \log_{10} ((v_{\text{norm}}^3)_{\text{rms}}) - 20 * \log_{10} ((v_{\text{norm_ref}}^3)_{\text{rms}})$$

Where:

- v_{norm} is the normalized voltage waveform of the input signal
- $v_{\text{norm_ref}}$ is the normalized voltage waveform of the reference signal (12.2 kbps AMR Speech) and
- $20 * \log_{10} ((v_{\text{norm_ref}}^3)_{\text{rms}}) = 1.52 \text{ dB}$

For any DC-HSUPA signal not employing 16QAM modulation on any of the carriers, and for any DC-HSUPA signal having Raw CM < [2.5], the MPR is specified in Table 5.2BA.1.

Table 5.2BA.1: UE maximum output power for DC-HSUPA signals not employing 16QAM modulation, and DC-HSUPA signals having Raw CM < [2.5]

| UE transmit channel configuration | CM (dB) | MPR (dB) |
|---|---------------------------------|------------------|
| For all combinations of; DPCCH, HS-DPCCH, E-DPDCH and E-DPCCH | $0.22 \leq \text{CM} \leq 3.72$ | MAX (CM-0.72, 0) |

Where Cubic Metric (CM) is based on the Raw Cubic Metric and is given by

$$\text{CM} = \text{CEIL} \{ \text{Raw CM} / k, 0.22 \}$$

Where:

- CEIL { x, 0.22 } means rounding upwards to closest 0.22dB with 0.5 dB granularity, i.e. CM [0.22, 0.72, 1.22, 1.72, 2.22, 2.72, 3.22, 3.72]
- k is 1.66

For any DC-HSUPA signal employing 16QAM modulation on any of the carriers and having Raw CM \geq [2.5], the MPR is specified in Table 5.2BA.2.

Table 5.2BA.2: UE maximum output power for DC-HSUPA signals employing 16QAM modulation and having RAW CM \geq [2.5]

| UE transmit channel configuration | CM (dB) | MPR (dB) |
|---|-------------------------------------|--------------------|
| For all combinations of; DPCCH, HS-DPCCH, E-DPDCH and E-DPCCH | $[2.24] \leq \text{CM} \leq [5.24]$ | MAX (CM-[1.24], 0) |

Where Cubic Metric (CM) is based on the Raw Cubic Metric and is given by:

$$CM = \text{CEIL} \{ \text{Raw CM} / k, [0.24] \}$$

Where:

- CEIL { x, 0.24 } means rounding upwards to closest 0.24dB with 0.5 dB granularity, i.e. CM = [2.24, 2.74, 3.24, 3.74, 4.24, 4.74, 5.24]
- k is [1.23] for DC-HSUPA signals employing 16QAM modulation and having Raw CM \geq [2.5]

It is necessary to verify this requirement only for the DC-HSUPA configurations specified in clause C.2.8.

The normative reference for this requirement is TS 25.101 [1], clause 6.2.2A.

5.2BA.3 Test purpose

To verify that the error of the UE maximum output power with DC-HSUPA does not exceed the range prescribed by the maximum output power and tolerance in table 5.2BA.6.

An excess maximum output power may interfere with other channels or other systems. A small maximum output power decreases the coverage area.

5.2BA.4 Method of test

5.2BA.4.1 Initial conditions

Test environment: normal, TL/VL, TL/VH, TH/VL, TH/VH; see clauses G.2.1 and G.2.2.

Frequencies to be tested: low range, mid range, high range; see clause G.2.4.

- 1) Connect the SS (node B emulator) to the UE antenna connector as shown in figure A.41.
- 2) The UL Reference Measurement Channel and parameters are specified in clauses C.2.6, C.2.8 and C.11A. The DL Reference Measurement Channel (FRC H-SET 3A, QPSK) is specified in C.8.1.1.
- 3) An E-DCH call is set up according to TS 34.108 [3] 7.3.14. RF parameters are set up according to table E.5A.1A. Settings for the serving cell are defined in table 5.2BA.5.
- 4) Enter the UE into loopback test mode 1 looping back HSDPA to E-DCH according to procedure 7.3.14.3 in TS 34.108 [3] and start the loopback test.
- 5) Repeat for configuration 1, 2 and 3 in table C.2.8.1.

See TS 34.109 [4] clauses 5.3.2.3 and 5.3.2.6 for details regarding loopback test mode for HSDPA and E-DCH.

Table 5.2BA.3: Void

Table 5.2BA.4: Void

Table 5.2BA.5: Settings for the serving cell during the measurement of Maximum Output Power with HS-DPCCH and E-DCH

| Parameter | Unit | Cell 1 |
|--|--------------|--------------------------------|
| Cell type | | Serving cell |
| UTRA RF Channel Number | | As defined in clause 5.2BA.4.1 |
| Qqualmin | dB | -24 |
| Qrxlevmin | dBm | -115 |
| UE_TXPWR_MAX_RACH | dBm | +21 |
| \hat{I}_{or} (see notes 1 and 2) | dBm/3.84 MHz | -86 |
| NOTE 1: The power level is specified in terms of \hat{I}_{or} instead of CPICH_RSCP because RSCP is a receiver measurement, whereas the SS can only set \hat{I}_{or} . | | |
| NOTE 2: The cell fulfils TS 25.304, clause 5.2.3.1.2. | | |

5.2BA.4.2 Procedure

- 1) Set the Absolute Grant according to Table C.11A.1.1.
- 2) The SS starts transmitting HSDPA and the UE loops the received data back on E-DCH.
- 3) Generate suitable TPC commands to each individual carrier from the SS to set the total power in each of the assigned carriers to be equal to each other within ± 1.7 dB and the total output power of the UE to be at least 7.5dB lower than the maximum output power. Wait 150ms.
- 4) Set and send continuously Up power control commands to both carriers to the UE and wait 150ms.
- 5) Measure the mean power of each carrier of the UE. The mean power shall be averaged over at least one timeslot. The maximum output power is the sum of the broadband transmit power of each carrier in the UE.
- 6) The SS shall verify that UE is still in a DC-HSUPA call by verifying that UE transmits signal on each carrier. If UE is not transmitting signal on each carrier the SS shall fail the UE in this test.
- 7) Repeat steps 1-6 for all the different combinations of beta values as given in tables C.11A.1.1.

5.2BA.5 Test requirements

The maximum output power with DC-HSUPA, derived in step 6), shall not exceed the range prescribed by the maximum output power and tolerance in table 5.2BA.6 or 5.2BA.7 depending on tested band.

The UL reference measurement channel for TX test will be set as defined in C.2.6 and C.2.7 with the power ratio between HS-DPCH, DPCCH, DPDCH, E-DPCCH and E-DPDCH being set to the values defined in tables C.11A.1.1.

Table 5.2BA.6: Maximum Output Power for DC-HSUPA test

| Sub-test in table C.11A.1.1 | Power Class 3 | | Power Class 4 | |
|-----------------------------|---------------|-----------|---------------|-----------|
| | Power (dBm) | Tol (dB) | Power (dBm) | Tol (dB) |
| 1 | +22.5 | +3.2/-3.7 | +19.5 | +4.2/-2.7 |

Table 5.2BA.7: Maximum Output Power for DC-HSUPA test in bands XXV and XXVI

| Sub-test in table C.11A.1.1 | Power Class 3 | | Power Class 4 | |
|---|---------------|-----------|---------------|-----------|
| | Power (dBm) | Tol (dB) | Power (dBm) | Tol (dB) |
| 1 | +22.5 | +3.2/-4.7 | +19.5 | +4.2/-3.7 |
| NOTE 1: For the UE which supports both Band V and Band XXVI operating frequencies, the UE maximum output power of Band V shall apply for Band XXVI when the carrier frequency of the assigned UTRA channel is within 824-845 MHz. | | | | |

NOTE: If the above Test Requirement differs from the Minimum Requirement then the Test Tolerance applied for this test is non-zero. The Test Tolerance for this test is defined in clause F.2 and the explanation of how the Minimum Requirement has been relaxed by the Test Tolerance is given in clause F.4.

5.2BB UE Maximum Output Power for DC-HSUPA (16QAM)

5.2BB.1 Definition and applicability

The maximum output power with DC-HSUPA and its tolerance are defined according to the UE Maximum Power Reduction (MPR) for the nominal maximum output power.

The maximum output power with DC-HSUPA is a measure of the maximum power the UE can transmit when HS-DPCCH and E-DCH is fully or partially transmitted during a DPCCH timeslot. For DC-HSUPA, the nominal transmit power is defined by the sum of the broadband transmit power of each carrier in the UE. The measurement period shall be at least one timeslot.

The requirements and this test apply for Release 9 and later releases to all types of UTRA for the FDD UE that support HSDPA and Dual Cell E-DCH 16QAM UE capability category 9.

5.2BB.2 Minimum Requirements

The Maximum Power Reduction (MPR) for the nominal maximum output power shall be within the value and tolerance specified for the values of β_c , β_d , β_{hs} , β_{ec} and β_{ed} is fully or partially transmitted during a DPCCH timeslot and defined through calculation of the Raw Cubic Metric (Raw CM) which is based on the UE transmit channel configuration and is given by:

$$\text{Raw CM} = 20 * \log_{10} ((v_{\text{norm}}^3)_{\text{rms}}) - 20 * \log_{10} ((v_{\text{norm_ref}}^3)_{\text{rms}})$$

Where:

- v_{norm} is the normalized voltage waveform of the input signal
- $v_{\text{norm_ref}}$ is the normalized voltage waveform of the reference signal (12.2 kbps AMR Speech) and
- $20 * \log_{10} ((v_{\text{norm_ref}}^3)_{\text{rms}}) = 1.52$ dB

For any DC-HSUPA signal not employing 16QAM modulation on any of the carriers, and for any DC-HSUPA signal having Raw CM < [2.5], the MPR is specified in Table 5.2BB.1.

Table 5.2BB.1: UE maximum output power for DC-HSUPA signals not employing 16QAM modulation, and DC-HSUPA signals having Raw CM < [2.5]

| UE transmit channel configuration | CM (dB) | MPR (dB) |
|---|---------------------------------|------------------|
| For all combinations of; DPCCH, HS-DPCCH, E-DPDCH and E-DPCCH | $0.22 \leq \text{CM} \leq 3.72$ | MAX (CM-0.72, 0) |

Where Cubic Metric (CM) is based on the Raw Cubic Metric and is given by

$$\text{CM} = \text{CEIL} \{ \text{Raw CM} / k, 0.22 \}$$

Where:

- CEIL { x, 0.22 } means rounding upwards to closest 0.22dB with 0.5 dB granularity, i.e. CM [0.22, 0.72, 1.22, 1.72, 2.22, 2.72, 3.22, 3.72]
- k is 1.66

For any DC-HSUPA signal employing 16QAM modulation on any of the carriers and having Raw CM \geq [2.5], the MPR is specified in Table 5.2BB.2.

Table 5.2BB.2: UE maximum output power for DC-HSUPA signals employing 16QAM modulation and having RAW CM \geq [2.5]

| UE transmit channel configuration | CM (dB) | MPR (dB) |
|---|-------------------------------------|--------------------|
| For all combinations of; DPCCH, HS-DPCCH, E-DPDCH and E-DPCCH | $[2.24] \leq \text{CM} \leq [5.24]$ | MAX (CM-[1.24], 0) |

Where Cubic Metric (CM) is based on the Raw Cubic Metric and is given by:

$$CM = \text{CEIL} \{ \text{Raw CM} / k, [0.24] \}$$

Where:

- CEIL { x, 0.24 } means rounding upwards to closest 0.24dB with 0.5 dB granularity, i.e. CM = [2.24, 2.74, 3.24, 3.74, 4.24, 4.74, 5.24]
- k is [1.23] for DC-HSUPA signals employing 16QAM modulation and having Raw CM \geq [2.5]

It is necessary to verify this requirement only for the DC-HSUPA configurations specified in clause C.2.8.

The normative reference for this requirement is TS 25.101 [1], clause 6.2.2A.

5.2BB.3 Test purpose

To verify that the error of the UE maximum output power with DC-HSUPA does not exceed the range prescribed by the maximum output power and tolerance in table 5.2BB.6.

An excess maximum output power may interfere with other channels or other systems. A small maximum output power decreases the coverage area.

5.2BB.4 Method of test

5.2BB.4.1 Initial conditions

Test environment: normal, TL/VL, TL/VH, TH/VL, TH/VH; see clauses G.2.1 and G.2.2.

Frequencies to be tested: low range, mid range, high range; see clause G.2.4.

- 1) Connect the SS (node B emulator) to the UE antenna connector as shown in figure A.41.
- 2) The UL Reference Measurement Channel and parameters are specified in clauses C.2.6, C.2.8 and C.11A. The DL Reference Measurement Channel (FRC H-SET 3A, QPSK) is specified in C.8.1.1.
- 3) An E-DCH call is set up according to TS 34.108 [3] 7.3.14. RF parameters are set up according to table E.5A.1A. Settings for the serving cell are defined in table 5.2BB.5. E-DPDCH settings according to configuration 4 in Table C.2.8.1.
- 4) Enter the UE into loopback test mode 1 looping back HSDPA to E-DCH according to procedure 7.3.14.3 in TS 34.108 [3] and start the loopback test.

See TS 34.109 [4] clauses 5.3.2.3 and 5.3.2.6 for details regarding loopback test mode for HSDPA and E-DCH.

Table 5.2BB.3: Void

Table 5.2BB.4: Void

Table 5.2BB.5: Settings for the serving cell during the measurement of Maximum Output Power with HS-DPCCH and E-DCH

| Parameter | Unit | Cell 1 |
|--|--------------|--------------------------------|
| Cell type | | Serving cell |
| UTRA RF Channel Number | | As defined in clause 5.2BB.4.1 |
| Qqualmin | dB | -24 |
| Qrxlevmin | dBm | -115 |
| UE_TXPWR_MAX_RACH | dBm | +21 |
| \hat{I}_{or} (see notes 1 and 2) | dBm/3.84 MHz | -86 |
| NOTE 1: The power level is specified in terms of \hat{I}_{or} instead of CPICH_RSCP because RSCP is a receiver measurement, whereas the SS can only set \hat{I}_{or} . | | |
| NOTE 2: The cell fulfils TS 25.304, clause 5.2.3.1.2. | | |

5.2BB.4.2 Procedure

- 1) Set the Absolute Grant according to Table C.11A.1.1.
- 2) The SS starts transmitting HSDPA and the UE loops the received data back on E-DCH.
- 3) Generate suitable TPC commands to each individual carrier from the SS to set the total power in each of the assigned carriers to be equal to each other within ± 1.7 dB and the total output power of the UE to be at least 7.5dB lower than the maximum output power. Wait 150ms.
- 4) Set and send continuously Up power control commands to both carriers to the UE and wait 150ms.
- 5) Measure the mean power of each carrier of the UE. The mean power shall be averaged over at least one timeslot. The maximum output power is the sum of the broadband transmit power of each carrier in the UE..
- 6) The SS shall verify that UE is still in a DC-HSUPA call by verifying that UE transmits signal on each carrier. If UE is not transmitting signal on each carrier the SS shall fail the UE in this test.
- 7) Repeat steps 1-6 for all the different combinations of beta values as given in table C.11A.1.2.

5.2BB.5 Test requirements

The maximum output power with DC-HSUPA, derived in step 6), shall not exceed the range prescribed by the maximum output power and tolerance in table 5.2BB.6 or 5.2BB.7 depending on tested band.

The UL reference measurement channel for TX test will be set as defined in C.2.6 and C.2.7 with the power ratio between HS-DPCH, DPCCH, DPDCH, E-DPCCH and E-DPDCH being set to the values defined in table C.11A.1.2.

Table 5.2BB.6: Maximum Output Power for DC-HSUPA test

| Sub-test in table C.11A.1.1 | Power Class 3 | | Power Class 4 | |
|-----------------------------|---------------|-----------|---------------|-----------|
| | Power (dBm) | Tol (dB) | Power (dBm) | Tol (dB) |
| 1 | +22.5 | +3.2/-3.7 | +19.5 | +4.2/-2.7 |

Table 5.2BB.7: Maximum Output Power for DC-HSUPA test in bands XXV and XXVI

| Sub-test in table C.11A.1.1 | Power Class 3 | | Power Class 4 | |
|---|---------------|-----------|---------------|-----------|
| | Power (dBm) | Tol (dB) | Power (dBm) | Tol (dB) |
| 1 | +22.5 | +3.2/-4.7 | +19.5 | +4.2/-3.7 |
| NOTE 1: For the UE which supports both Band V and Band XXVI operating frequencies, the UE maximum output power of Band V shall apply for Band XXVI when the carrier frequency of the assigned UTRA channel is within 824-845 MHz. | | | | |

NOTE: If the above Test Requirement differs from the Minimum Requirement then the Test Tolerance applied for this test is non-zero. The Test Tolerance for this test is defined in clause F.2 and the explanation of how the Minimum Requirement has been relaxed by the Test Tolerance is given in clause F.4.

5.2BC Maximum Output Power with HS-DPCCH and E-DCH for OLTD

FFS

5.2BD Maximum Output Power with HS-DPCCH and E-DCH for UL CLTD activation state 1

Editor's note: This clause is incomplete. The following aspects are either missing or not yet determined:

- Message Contents are FFS.

- Call Setup procedure, test procedure, test tolerances may need an update.
- Update of Annexure is FFS
- Update to 34.121-2 is FFS

5.2BD.1 Definition and applicability

The maximum output power for UL CLTD with HS-DPCCH and E-DCH and its tolerance are defined according to the UE Maximum Power Reduction (MPR) for the nominal maximum output power.

The maximum output power with HS-DPCCH and E-DCH is a measure of the maximum power the UE can transmit when HS-DPCCH and E-DCH is fully or partially transmitted during a DPCCH timeslot. The measurement period shall be at least one timeslot.

The requirements and this test apply for Release 11 and later releases to all types of UTRA for the FDD UE that supports UL CLTD.

5.2BD.2 Minimum Requirements

The Maximum Power Reduction (MPR) for the nominal maximum output power is specified in table 5.2BD.1 for the values of β_c , β_d , β_{hs} , β_{ec} , β_{ed} and β_{sc} defined in [8] fully or partially transmitted during a DPCCH timeslot.

Table 5.2BD.1: Maximum Output Power with HS-DPCCH and E-DCH for UL CLTD

| UE transmit channel configuration | CM (dB) | MPR (dB) |
|---|--------------------|---------------|
| For all combinations of; DPDCH, DPCCH, HS-DPCCH, E-DPDCH, E-DPCCH and S-DPCCH | $0 \leq CM \leq 4$ | MAX (CM-1, 0) |

T Where Cubic Metric (CM) is based on the UE transmit channel configuration and is given by

$$CM = \text{CEIL} \{ [20 * \log_{10} ((v_{\text{norm}})^3)_{\text{rms}}] - 20 * \log_{10} ((v_{\text{norm_ref}})^3)_{\text{rms}} \} / k, 0.5 \}$$

Where:

- CEIL { x, 0.5 } means rounding upwards to closest 0.5dB, i.e. CM = [0, 0.5, 1.0, 1.5, 2.0, 2.5, 3.0, 3.5]
- k is 1.85 for signals where all channelisations codes meet the following criteria $C_{SF, N}$ where $N < SF/2$
- k is 1.56 for signals where any channelisations codes meet the following criteria $C_{SF, N}$ where $N \geq SF/2$
- v_{norm} is the normalized voltage waveform of the input signal
- $v_{\text{norm_ref}}$ is the normalized voltage waveform of the reference signal (12.2 kbps AMR Speech) and
- $20 * \log_{10} ((v_{\text{norm_ref}})^3)_{\text{rms}} = 1.52 \text{ dB}$

For UE with two active transmit antenna connectors in UL CLTD activation state 1, the allowed Maximum Power Reduction (MPR) for the nominal maximum output power of each antenna is specified in Table 5.2BA.1 The amount of applied power reduction on each antenna shall be the same.

NOTE: CM is measured at each transmit antenna connector.

The normative reference for this requirement is TS 25.101 [1], clause 6.2.2C.

5.2BD.3 Test purpose

To verify that the error of the UE maximum output power for UL CLTD activation state 1 with HS-DPCCH and E-DCH does not exceed the range prescribed by the maximum output power and tolerance in table 5.2BD.5.

An excess maximum output power may interfere with other channels or other systems. A small maximum output power decreases the coverage area.

5.2BD.4 Method of test

5.2BD.4.1 Initial conditions

Test environment: normal, TL/VL, TL/VH, TH/VL, TH/VH; see clauses G.2.1 and G.2.2.

Frequencies to be tested: low range, mid range, high range; see clause G.2.4.

- 1) Connect the SS (node B emulator) to the UE antenna connector as shown in figure FFS.
- 2) The UL Reference Measurement Channel and the Fixed Reference Channels (FRC H-Set 1, QPSK) are specified in Annex FFS.
- 3) An E-DCH call is set up according to TS 34.108 [3] FFS with the following exceptions in the RADIO BEARER SETUP messages. These exceptions allow the beta values to be set according to table C.11.1.3 and each UL physical channel to be at constant power during the measurement. RF parameters are set up according to table E.5A.1. Settings for the serving cell are defined in table 5.2BD.4A.
- 4) SS sends a HS-SCCH order activating UL_CLTD activation state 1.
- 5) For sub-test 1 to 4, enter the UE into loopback test mode 1 looping back both the 12.2kbps RMC and HSDPA to E-DCH according to procedure 7.3.9.3.1 in TS 34.108 [3] and start the loopback test.

See TS 34.109 [4] clauses 5.3.2.3 and 5.3.2.6 for details regarding loopback test mode for HSDPA and E-DCH.

Table 5.2BD.1A: Contents of RADIO BEARER SETUP message: AM or UM (Test Loop Mode1)

| Information Element | Value/Remark |
|--|--|
| UL Transport channel information for all transport channels - 2bit CTFC - Power offset Information - CHOICE Gain Factors - CHOICE mode - Gain factor β_c - Gain factor β_d | 3 Signalled Gain Factors FDD Value used in test: see Table C.11.1.3 Value used in test: see Table C.11.1.3 |
| CHOICE channel requirement - Power Control Algorithm | Uplink DPCH info Algorithm2 |
| NOTE: All other 2 bit CTFC values use computed gain factors as in the default message. | |

**Table 5.2BD.2: Contents of RADIO BEARER SETUP message:
AM or UM (E-DCH and HSDPA) for Sub-tests 1,2,4**

| Information Element | Value/Remark |
|-----------------------|------------------|
| E-DCH info | Uplink DPCH info |
| - E-DPDCH info | |
| - Reference E-TFCIs | 5 E-TFCIs |
| - Reference E-TFCI | 11 |
| - Reference E-TFCI PO | 4 |
| - Reference E-TFCI | 67 |
| - Reference E-TFCI PO | 18 |
| - Reference E-TFCI | 71 |
| - Reference E-TFCI PO | 23 |
| - Reference E-TFCI | 75 |
| - Reference E-TFCI PO | 26 |
| - Reference E-TFCI | 81 |
| - Reference E-TFCI PO | 27 |

**Table 5.2BD.3: Contents of RADIO BEARER SETUP message:
AM or UM (E-DCH and HSDPA) for Sub-test 3**

| Information Element | Value/Remark |
|-----------------------|------------------|
| E-DCH info | Uplink DPCH info |
| - E-DPDCH info | |
| - Reference E-TFCIs | 2 E-TFCIs |
| - Reference E-TFCI | 11 |
| - Reference E-TFCI PO | 4 |
| - Reference E-TFCI | 92 |
| - Reference E-TFCI PO | 18 |

**Table 5.2BD.3A: Contents of RADIO BEARER SETUP message:
AM or UM (E-DCH and HSDPA) -condition A3 for Sub-test 5**

| Information Element | Value/Remark |
|--------------------------------|------------------|
| E-DCH info | Uplink DPCH info |
| - E-DPDCH info | |
| - E-DCH minimum set of E-TFCI | 67 |
| - Reference E-TFCIs | 1 E-TFCI |
| - Reference E-TFCI | 67 |
| - Reference E-TFCI PO | 18 |
| - Maximum channelisation codes | Sf4 |

**Table 5.2BD.4: Contents of RADIO BEARER SETUP message:
AM or UM (E-DCH and HSDPA)**

| Information Element | Value/Remark |
|-------------------------------|--|
| CHOICE channel requirement | Uplink DPCH info |
| - Power Control Algorithm | For sub-test 1 to 4: Algorithm2 For sub-test 5: Algorithm 1 |
| - Δ_{ACK} | Value used in test: see Table C.11.1.3 |
| - Δ_{NACK} | Value used in test: see Table C.11.1.3 |
| - Ack-Nack repetition factor | 3 (required for continuous HS-DPCCH signal) |
| E-DCH info | |
| - E-DPCCH/DPCCH power offset | Value used in test: see Table C.11.1.3 |
| Downlink HS-PDSCH Information | |
| - Measurement Feedback Info | |
| - CQI Feedback cycle, k | 4 ms |
| - CQI repetition factor | 2 (required for continuous HS-DPCCH signal) |
| - Δ_{CQI} | Value used in test: see Table C.11.1.3 |

**Table 5.2BDs.4A: Settings for the serving cell during the measurement
of Maximum Output Power with HS-DPCCH and E-DCH**

| Parameter | Unit | Cell 1 |
|--|-----------------|-------------------------------|
| Cell type | | Serving cell |
| UTRA RF Channel Number | | As defined in clause 5.2B.4.1 |
| Qqualmin | dB | -24 |
| Qrxlevmin | dBm | -115 |
| UE_TXPWR_MAX_RACH | dBm | +21 |
| \hat{I}_{or} (see notes 1 and 2) | dBm/3.84 MHz | -86 |
| NOTE 1: The power level is specified in terms of \hat{I}_{or} instead of CPICH_RSCP because RSCP is a receiver measurement, whereas the SS can only set \hat{I}_{or} . | | |
| NOTE 2: The cell fulfils TS 25.304, clause 5.2.3.1.2. | | |

5.2BD.4.2 Procedure

5.2BD.4.2.1 Procedure for sub-test 1 to 4

- 1) Set the Absolute Grant according to Table C.11.1.3.

- 2) The SS starts transmitting HSDPA and the UE loops the received data back on E-DCH.
- 3) Set the UE power to be at least 7.5dB lower than the maximum output power. Wait 150 ms.
- 4) Send power control bits to give one TPC_cmd = +1 command to the UE.
- 5) The SS checks the received E-TFCI for 150 ms. If UE does not send any decreased E-TFCI (DTX on E-DPDCH is also considered decreased E-TFCI) within the 150ms then go back to step (4) otherwise proceed to step 6).
- 6) Send power control bits to give one TPC_cmd = -1 command to the UE and wait 150ms.
- 7) The SS checks the received E-TFCI for 150 ms. If UE sends any decreased E-TFCI (DTX on E-DPDCH is also considered decreased E-TFCI) within the 150ms, then send new power control bits to give another TPC_cmd = -1 command to the UE and wait 150ms.
- 8) Confirm that the E-TFCI transmitted by the UE is equal to the target E-TFCI in Table C.11.1.3. If the E-TFCI transmitted by the UE is not equal to the target E-TFCI, then fail the UE.
- 9) Measure the mean power of the UE. The mean power shall be averaged over at least one timeslot and measured at each transmit antenna connector.
- 10) Repeat the measurement for the different combinations of beta values for sub-test 1 to 4 as given in table C.11.1.3.

5.2BD.5 Test requirements

The maximum output power with HS-DPCCH and E-DCH, derived in step 9), shall not exceed the range prescribed by the maximum output power and tolerance in table 5.2BD.5 or 5.2BD.6 depending on tested band. Note:

For UE with two active transmit antenna connectors in UL CLTD activation state 1, the nominal transmit power is defined by the sum of transmit power at each transmit antenna connector.

The UL reference measurement channel for TX test will be set as defined in C.11.1 with the power ratio between HS-DPCH, DPCCH, DPDCH, E-DPCCH and E-DPDCH being set to the values defined in table C.11.1.3.

Table 5.2BD.5: Maximum Output Powers with HS-DPCCH and E-DCH for test

| Sub-test in table C.11.1.3 | Power Class 3 | | Power Class 4 | |
|----------------------------|---------------|----------|---------------|----------|
| | Power (dBm) | Tol (dB) | Power (dBm) | Tol (dB) |
| 1 | +24 | +/-TT | +21 | +/-TT |
| 2 | +22 | +/-TT | +19 | +/-TT |
| 3 | +23 | +/-TT | +20 | +/-TT |
| 4 | +22 | +/-TT | +19 | +/-TT |

Table 5.2BD.6: Maximum Output Powers with HS-DPCCH and E-DCH for test in bands XXV and XXVI

| Sub-test in table C.11.1.3 | Power Class 3 | | Power Class 4 | |
|---|---------------|----------|---------------|----------|
| | Power (dBm) | Tol (dB) | Power (dBm) | Tol (dB) |
| 1 | +24 | +/-TT | +21 | +/-TT |
| 2 | +22 | +/-TT | +19 | +/-TT |
| 3 | +23 | +/-TT | +20 | +/-TT |
| 4 | +22 | +/-TT | +19 | +/-TT |
| NOTE 1: For the UE which supports both Band V and Band XXVI operating frequencies, the UE maximum output power of Band V shall apply for Band XXVI when the carrier frequency of the assigned UTRA channel is within 824-845 MHz. | | | | |

NOTE 1: If the above Test Requirement differs from the Minimum Requirement then the Test Tolerance applied for this test is non-zero. The Test Tolerance for this test is defined in clause FFS and the explanation of how the Minimum Requirement has been relaxed by the Test Tolerance is given in clause FFS.

NOTE 2: The test procedure for sub-test 1 to 4 will result in a power slightly below the maximum, and therefore the lower limits in Table 5.2BD.5 are made lower by 1.5 dB.

NOTE 3: The test procedure allows UE to decrease its maximum transmit power for E-TFC selection in sub-test 1, and therefore the lower limits of sub-test 1 in Table 5.2BD.5 are made lower by 1.5 dB.

NOTE 4: For subtests 2, 3 and 4, UE may perform E-DPDCH power scaling at max power which could results in slightly smaller MPR values.

5.2BE Maximum Output Power with HS-DPCCH and E-DCH for UL CLTD activation state 2 and 3.

Editor's note: This clause is incomplete. The following aspects are either missing or not yet determined:

- Message Contents are FFS.
- Call Setup procedure, test procedure, test tolerances may need an update.
- Update of Annexure is FFS
- Update to 34.121-2 is FFS

5.2BE.1 Definition and applicability

The maximum output power for UL CLTD with HS-DPCCH and E-DCH and its tolerance are defined according to the UE Maximum Power Reduction (MPR) for the nominal maximum output power.

The maximum output power with HS-DPCCH and E-DCH is a measure of the maximum power the UE can transmit when HS-DPCCH and E-DCH is fully or partially transmitted during a DPCCH timeslot. The measurement period shall be at least one timeslot.

The requirements and this test apply for Release 11 and later releases to all types of UTRA for the FDD UE that supports UL CLTD.

5.2BE.2 Minimum Requirements

The UE Maximum Power Reduction (MPR) for the nominal maximum output power shall be within the value and tolerance specified in table 5.2BE.1 for when the values of β_c , β_d , β_{hs} , β_{ec} and β_{ed} is fully or partially transmitted during a DPCCH timeslot.

Table 5.2BE.1: Maximum Output Power with HS-DPCCH and E-DCH

| UE transmit channel configuration | CM (dB) | MPR (dB) |
|--|----------------------|---------------|
| For all combinations of; DPDCH, DPCCH, HS-DPCCH, E-DPDCH and E-DPCCH | $0 \leq CM \leq 3.5$ | MAX (CM-1, 0) |
| NOTE 1: CM = 1 for $\beta_c/\beta_d = 12/15$, $\beta_{hs}/\beta_{ec} = 24/15$. For all other combinations of DPDCH, DPCCH, HS-DPCCH, E-DPDCH and E-DPCCH the MPR is based on the relative CM difference. | | |

Where Cubic Metric (CM) is based on the UE transmit channel configuration and is given by:

$$CM = \text{CEIL} \{ [20 * \log_{10} ((v_{\text{norm}}^3)_{\text{rms}}) - 20 * \log_{10} ((v_{\text{norm_ref}}^3)_{\text{rms}})] / k, 0.5 \}$$

Where:

- CEIL{ x, 0.5 } means rounding upwards to closest 0.5dB, i.e. $CM \in [0, 0.5, 1.0, 1.5, 2.0, 2.5, 3.0, 3.5]$
- k is 1.85 for signals where all channelisations codes meet the following criteria $C_{SF, N}$ where $N < SF/2$
- k is 1.56 for signals were any channelisations codes meet the following criteria $C_{SF, N}$ where $N \geq SF/2$
- v_{norm} is the normalized voltage waveform of the input signal

- $v_{\text{norm_ref}}$ is the normalized voltage waveform of the reference signal (12.2 kbps AMR Speech) and $20 * \log_{10}((v_{\text{norm_ref}}^3)_{\text{rms}}) = 1.52 \text{ dB}$

For UE configured in UL CLTD activation state 2 or activation state 3, the allowed Maximum Power Reduction (MPR) for the nominal maximum output power applies at the active transmit antenna connector.

The normative reference for this requirement is TS 25.101 [1], clause 6.2.2C.

5.2BE.3 Test purpose

To verify that the error of the UE maximum output power for UL CLTD activation state 2 and 3 with HS-DPCCH and E-DCH does not exceed the range prescribed by the maximum output power and tolerance in table 5.2BD.5.

An excess maximum output power may interfere with other channels or other systems. A small maximum output power decreases the coverage area.

5.2BE.4 Method of test

5.2BE.4.1 Initial conditions

Test environment: normal, TL/VL, TL/VH, TH/VL, TH/VH; see clauses G.2.1 and G.2.2.

Frequencies to be tested: low range, mid range, high range; see clause G.2.4.

- 1) Connect the SS (node B emulator) to the UE antenna connector as shown in figure FFS.
- 2) The UL Reference Measurement Channel and the Fixed Reference Channels (FRC H-Set 1, QPSK) are specified in Annex FFS.
- 3) An E-DCH call is set up according to TS 34.108 [3] FFS with the following exceptions in the RADIO BEARER SETUP messages. These exceptions allow the beta values to be set according to table C.11.1.3 and each UL physical channel to be at constant power during the measurement. RF parameters are set up according to table E.5A.1. Settings for the serving cell are defined in table 5.2BE.4A.
- 4) SS sends a HS-SCCH order activating UL_CLTD activation state 2.
- 5) For sub-test 1 to 4, enter the UE into loopback test mode 1 looping back both the 12.2kbps RMC and HSDPA to E-DCH according to procedure 7.3.9.3.1 in TS 34.108 [3] and start the loopback test.

See TS 34.109 [4] clauses 5.3.2.3 and 5.3.2.6 for details regarding loopback test mode for HSDPA and E-DCH.

Table 5.2BE.1A: Contents of RADIO BEARER SETUP message: AM or UM (Test Loop Mode1)

| Information Element | Value/Remark |
|---|--|
| UL Transport channel information for all transport channels | |
| - 2bit CTFC | 3 |
| - Power offset Information | |
| - CHOICE Gain Factors | Signalled Gain Factors |
| - CHOICE mode | FDD |
| - Gain factor β_c | Value used in test: see Table C.11.1.3 |
| - Gain factor β_d | Value used in test: see Table C.11.1.3 |
| CHOICE channel requirement | Uplink DPCH info |
| - Power Control Algorithm | Algorithm2 |
| NOTE: | All other 2 bit CTFC values use computed gain factors as in the default message. |

**Table 5.2BE.2: Contents of RADIO BEARER SETUP message:
AM or UM (E-DCH and HSDPA) for Sub-tests 1,2,4**

| Information Element | Value/Remark |
|-----------------------|------------------|
| E-DCH info | Uplink DPCH info |
| - E-DPDCH info | |
| - Reference E-TFCIs | 5 E-TFCIs |
| - Reference E-TFCI | 11 |
| - Reference E-TFCI PO | 4 |
| - Reference E-TFCI | 67 |
| - Reference E-TFCI PO | 18 |
| - Reference E-TFCI | 71 |
| - Reference E-TFCI PO | 23 |
| - Reference E-TFCI | 75 |
| - Reference E-TFCI PO | 26 |
| - Reference E-TFCI | 81 |
| - Reference E-TFCI PO | 27 |

**Table 5.2BE.3: Contents of RADIO BEARER SETUP message:
AM or UM (E-DCH and HSDPA) for Sub-test 3**

| Information Element | Value/Remark |
|-----------------------|------------------|
| E-DCH info | Uplink DPCH info |
| - E-DPDCH info | |
| - Reference E-TFCIs | 2 E-TFCIs |
| - Reference E-TFCI | 11 |
| - Reference E-TFCI PO | 4 |
| - Reference E-TFCI | 92 |
| - Reference E-TFCI PO | 18 |

**Table 5.2BE.3A: Contents of RADIO BEARER SETUP message:
AM or UM (E-DCH and HSDPA) -condition A3 for Sub-test 5**

| Information Element | Value/Remark |
|--------------------------------|------------------|
| E-DCH info | Uplink DPCH info |
| - E-DPDCH info | |
| - E-DCH minimum set of E-TFCI | 67 |
| - Reference E-TFCIs | 1 E-TFCI |
| - Reference E-TFCI | 67 |
| - Reference E-TFCI PO | 18 |
| - Maximum channelisation codes | Sf4 |

**Table 5.2BE.4: Contents of RADIO BEARER SETUP message:
AM or UM (E-DCH and HSDPA)**

| Information Element | Value/Remark |
|-------------------------------|--|
| CHOICE channel requirement | Uplink DPCH info |
| - Power Control Algorithm | For sub-test 1 to 4: Algorithm2 For sub-test 5: Algorithm 1 |
| - Δ_{ACK} | Value used in test: see Table C.11.1.3 |
| - Δ_{NACK} | Value used in test: see Table C.11.1.3 |
| - Ack-Nack repetition factor | 3 (required for continuous HS-DPCCH signal) |
| E-DCH info | |
| - E-DPCCH/DPCCH power offset | Value used in test: see Table C.11.1.3 |
| Downlink HS-PDSCH Information | |
| - Measurement Feedback Info | |
| - CQI Feedback cycle, k | 4 ms |
| - CQI repetition factor | 2 (required for continuous HS-DPCCH signal) |
| - Δ_{CQI} | Value used in test: see Table C.11.1.3 |

Table 5.2BE.4A: Settings for the serving cell during the measurement of Maximum Output Power with HS-DPCCH and E-DCH

| Parameter | Unit | Cell 1 |
|--|--------------|-------------------------------|
| Cell type | | Serving cell |
| UTRA RF Channel Number | | As defined in clause 5.2B.4.1 |
| Qqualmin | dB | -24 |
| Qrxlevmin | dBm | -115 |
| UE_TXPWR_MAX_RACH | dBm | +21 |
| \hat{I}_{or} (see notes 1 and 2) | dBm/3.84 MHz | -86 |
| NOTE 1: The power level is specified in terms of \hat{I}_{or} instead of CPICH_RSCP because RSCP is a receiver measurement, whereas the SS can only set \hat{I}_{or} . | | |
| NOTE 2: The cell fulfils TS 25.304, clause 5.2.3.1.2. | | |

5.2BE.4.2 Procedure

5.2BE.4.2.1 Procedure for sub-test 1 to 4

- 1) Set the Absolute Grant according to Table C.11.1.3.
- 2) The SS starts transmitting HSDPA and the UE loops the received data back on E-DCH.
- 3) Set the UE power to be at least 7.5dB lower than the maximum output power. Wait 150 ms.
- 4) Send power control bits to give one TPC_cmd = +1 command to the UE.
- 5) The SS checks the received E-TFCI for 150 ms. If UE does not send any decreased E-TFCI (DTX on E-DPDCH is also considered decreased E-TFCI) within the 150ms then go back to step (4) otherwise proceed to step 6).
- 6) Send power control bits to give one TPC_cmd = -1 command to the UE and wait 150ms.
- 7) The SS checks the received E-TFCI for 150 ms. If UE sends any decreased E-TFCI (DTX on E-DPDCH is also considered decreased E-TFCI) within the 150ms, then send new power control bits to give another TPC_cmd = -1 command to the UE and wait 150ms.
- 8) Confirm that the E-TFCI transmitted by the UE is equal to the target E-TFCI in Table C.11.1.3. If the E-TFCI transmitted by the UE is not equal to the target E-TFCI, then fail the UE.
- 9) Measure the mean power of the UE. The mean power shall be averaged over at least one timeslot and is measured at the active transmit antenna connector.
- 10) Repeat the measurement for the different combinations of beta values for sub-test 1 to 4 as given in table C.11.1.3.
- 11) SS sends a HS-SCCH order activating UL_CLTD activation state 3.
- 12) Repeat step 1 to 10 for activation state 3.

5.2BE.5 Test requirements

The maximum output power with HS-DPCCH and E-DCH, derived in step 9) for activation 2 and 3, shall not exceed the range prescribed by the maximum output power and tolerance in table 5.2BE.5 or 5.2BE.6 depending on tested band. Note:

For UE configured in UL CLTD activation state 2 or activation state 3, the nominal maximum output power applies at the active transmit antenna connector.

The UL reference measurement channel for TX test will be set as defined in C.11.1 with the power ratio between HS-DPCH, DPCCH, DPDCH, E-DPCCH and E-DPDCH being set to the values defined in table C.11.1.3.

Table 5.2BE.5: Maximum Output Powers with HS-DPCCH and E-DCH for test

| Sub-test in table C.11.1.3 | Power Class 3 | | Power Class 4 | |
|----------------------------|---------------|----------|---------------|----------|
| | Power (dBm) | Tol (dB) | Power (dBm) | Tol (dB) |
| 1 | +24 | +/-TT | +21 | +/-TT |
| 2 | +22 | +/-TT | +19 | +/-TT |
| 3 | +23 | +/-TT | +20 | +/-TT |
| 4 | +22 | +/-TT | +19 | +/-TT |

Table 5.2BE.6: Maximum Output Powers with HS-DPCCH and E-DCH for test in bands XXV and XXVI

| Sub-test in table C.11.1.3 | Power Class 3 | | Power Class 4 | |
|---|---------------|----------|---------------|----------|
| | Power (dBm) | Tol (dB) | Power (dBm) | Tol (dB) |
| 1 | +24 | +/-TT | +21 | +/-TT |
| 2 | +22 | +/-TT | +19 | +/-TT |
| 3 | +23 | +/-TT | +20 | +/-TT |
| 4 | +22 | +/-TT | +19 | +/-TT |
| NOTE 1: For the UE which supports both Band V and Band XXVI operating frequencies, the UE maximum output power of Band V shall apply for Band XXVI when the carrier frequency of the assigned UTRA channel is within 824-845 MHz. | | | | |

NOTE 1: If the above Test Requirement differs from the Minimum Requirement then the Test Tolerance applied for this test is non-zero. The Test Tolerance for this test is defined in clause FFS and the explanation of how the Minimum Requirement has been relaxed by the Test Tolerance is given in clause FFS.

NOTE 2: The test procedure for sub-test 1 to 4 will result in a power slightly below the maximum, and therefore the lower limits in Table 5.2BE.5 are made lower by 1.5 dB.

NOTE 3: The test procedure allows UE to decrease its maximum transmit power for E-TFC selection in sub-test 1, and therefore the lower limits of sub-test 1 in Table 5.2BE.5 are made lower by 1.5 dB.

NOTE 4: For subtests 2, 3 and 4, UE may perform E-DPDCH power scaling at max power which could results in slightly smaller MPR values.

5.2C UE relative code domain power accuracy

5.2C.1 Definition and applicability

The UE Relative code domain power accuracy is a measure of the ability of the UE to correctly set the level of individual code powers relative to the total power of all active codes. The measure of accuracy is the difference between two dB ratios:

$$\text{UE Relative CDP accuracy} = (\text{Measured CDP ratio}) - (\text{Nominal CDP ratio})$$

where:

$$\text{Measured CDP ratio} = 10 \cdot \log((\text{Measured code power}) / (\text{Measured total power of all active codes}))$$

$$\text{Nominal CDP ratio} = 10 \cdot \log((\text{Nominal CDP}) / (\text{Sum of all nominal CDPs}))$$

The nominal CDP of a code is relative to the total of all codes and is derived from beta factors.

When the UE uses 16QAM modulation a correction factor shall be applied to the β_{ed} value used to compute the Nominal CDP equal to $\{A_1 \cdot (0.4472)^2 + A_2 \cdot (1.3416)^2 + A_3 \cdot (-0.4472)^2 + A_4 \cdot (-1.3416)^2\}^{1/2}$ where A_1 , A_2 , A_3 and A_4 are the fractions of symbols (00, 01, 10, 11 respectively) transmitted during the test.

The sum of all nominal CDPs will equal 1 by definition.

NOTE: The above definition of UE relative CDP accuracy is independent of variations in the actual total power of the signal and of noise in the signal that falls on inactive codes.

The requirements and this test apply for Release 6 and later releases to all types of UTRA for the FDD UE that support HSDPA but not E-DCH.

5.2C.2 Minimum Requirements

The required accuracy of the UE relative CDP is given in table 5.2C.1. The UE relative CDP accuracy shall be maintained over the period during which the total of all active code powers remains unchanged or one timeslot, whichever is the longer.

Table 5.2C.1: UE Relative CDP accuracy

| Nominal CDP ratio | Accuracy (dB) |
|-------------------------|---------------|
| ≥ -10 dB | ± 1.5 |
| -10 dB to ≥ -15 dB | ± 2.0 |
| -15 dB to ≥ -20 dB | ± 2.5 |

The normative reference for this requirement is TS 25.101 [1] clause 6.2.3.

5.2C.3 Test purpose

To verify that the UE relative code domain power accuracy meets the requirements given in table 5.2C.4.

5.2C.4 Method of test

5.2C.4.1 Initial conditions

Test environment: normal; see clauses G.2.1 and G.2.2.

Frequencies to be tested: mid range; see clause G.2.4.

- 1) Connect the SS (node B emulator) to the UE antenna connector as shown in figure A.1.
- 2) The UL Reference Measurement Channel and the Fixed Reference Channels (FRC H-Set 1, QPSK version) are specified in Annex C.10.1 and C.8.1.1.
- 3) An HSDPA call is set up according to TS 34.108 [3] clause 7.3.6. RF parameters are set up according to table E.5.1 and table E.5.10. Settings for the serving cell are defined in table 5.2C.2.
- 4) Enter the UE into loopback test mode 1 in the presence of HSDPA and start the loopback test.

Table 5.2C.2: Settings for the serving cell during the measurement of HS-DPCCH

| Parameter | Unit | Cell 1 |
|--|--------------|-------------------------------|
| Cell type | | Serving cell |
| UTRA RF Channel Number | | As defined in clause 5.2C.4.1 |
| Qqualmin | dB | -24 |
| Qrxlevmin | dBm | -115 |
| UE_TXPWR_MAX_RACH | dBm | +21 |
| \hat{I}_{or} (see notes 1 and 2) | dBm/3.84 MHz | -86 |
| NOTE 1: The power level is specified in terms of \hat{I}_{or} instead of CPICH_RSCP because RSCP is a receiver measurement, whereas the SS can only set \hat{I}_{or} . | | |
| NOTE 2: The cell fulfils TS 25.304, clause 5.2.3.1.2. | | |

See TS 34.108 [3] and TS 34.109 [4] for details regarding loopback test mode for HSDPA.

5.2C.4.2 Procedure

- 1) Send the TRANSPORT CHANNEL RECONFIGURATION message to set the beta values defined in table C.10.1.4 subtest 1 and the DPCH frame offset according the HS-DPCCH half slot offset required for measurements. This will create a signal with a repeat pattern of 12ms. The Uplink DPCH Power Control Info shall specify the Power Control Algorithm as algorithm 2 for interpreting TPC commands.

- 2) Generate suitable TPC commands from the SS to set the output power of the UE, when the HS-DPCCH is not transmitted, measured at the UE antenna connector, to be in the range $0 \text{ dBm} \pm 2\text{dB}$. This is a nominal setting and not part of the test requirements.
- 3) Send alternating "0" and "1" TPC commands in the downlink so as to satisfy the condition of obtaining $\text{TPC_cmd} = 0$.
- 4) Start transmitting HSDPA Data.
- 5) Figure 5.2C.1 shows the 12ms cycle created when using the TRANSPORT CHANNEL RECONFIGURATION message from Annex I with the test specific message content defined below and with $\text{TPC_cmd}=0$. Measure the relative code domain power of each active code at the measurement points specified in figure 5.2C.1. Each measurement is over a half slot period. Point 1 is the half slot prior to the ACK/NACK. Point 2 is the first half slot of the ACK/NACK, point 3 is the first half slot of the CQI and point 4 is the first half slot after the CQI. The 25us transient periods at the end of each half slot period shall not be included. The nominal UE relative code domain power for each active code at each point is defined in table 5.2C.3. The required accuracy which is the difference between the expected and measured code domain power shall meet the test requirements given in table 5.2C.4.

Specific Message Contents

All messages indicated above shall use the same content as described in the default message content in clause 9 of TS 34.108 [3], except the TRANSPORT CHANNEL RECONFIGURATION message which is defined in annex I. The test specific content for the TRANSPORT CHANNEL RECONFIGURATION message is as follows:

| Information Element | Value/remark |
|------------------------------|--------------|
| - Ack-Nack repetition factor | 1 |
| - CQI repetition factor | 1 |

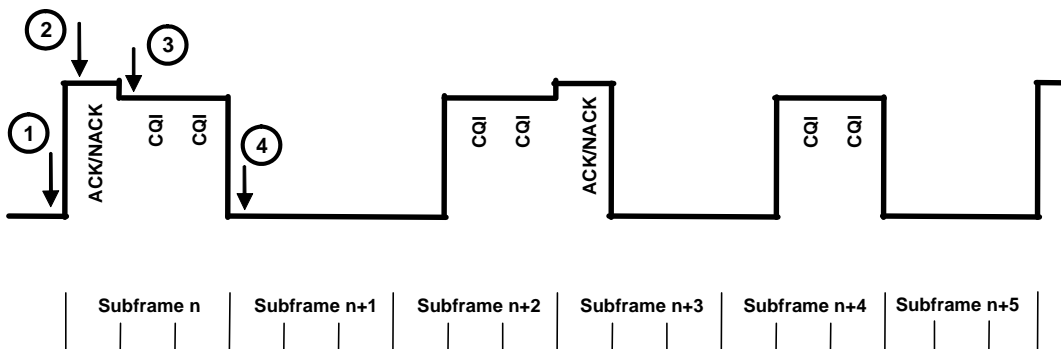


Figure 5.2C.1: Transmit power profile showing measurement points

5.2C.5 Test requirements

For the expected relative code domain power ratios given in table 5.2C.3 the UE shall meet the UE relative code domain power accuracy test requirements given in Table 5.2C.4.

Table 5.2C.3: UE relative code domain power nominal ratios

| Sub-test in table C.10.1.4 | Measurement point | Expected relative code domain power in dB | | |
|----------------------------|-------------------|---|-------|----------|
| | | DPCCH | DPDCH | HS-DPCCH |
| 1 | 1 | -17.6 | -0.08 | OFF |
| | 2 | -17.9 | -0.4 | -11.8 |
| | 3 | -17.8 | -0.3 | -13.7 |
| | 4 | -17.6 | -0.08 | OFF |
| 2 | 1 | -4.1 | -2.1 | OFF |
| | 2 | -8.2 | -6.2 | -2.1 |
| | 3 | -7.1 | -5.2 | -3 |
| | 4 | -4.1 | -2.1 | OFF |
| 3 | 1 | -1.1 | -6.5 | OFF |
| | 2 | -7.2 | -12.7 | -1.2 |
| | 3 | -5.8 | -11.3 | -1.8 |
| | 4 | -1.1 | -6.5 | OFF |
| 4 | 1 | -0.3 | -11.8 | OFF |
| | 2 | -7.1 | -18.5 | -1 |
| | 3 | -5.6 | -17.1 | -1.5 |
| | 4 | -0.3 | -11.8 | OFF |

Table 5.2C.4: UE relative code domain power accuracy test requirements

| Nominal CDP ratio | Accuracy (dB) |
|-------------------------|---------------|
| ≥ -10 dB | ± 1.7 |
| -10 dB to ≥ -15 dB | ± 2.3 |
| -15 dB to ≥ -20 dB | ± 2.9 |

NOTE: If the above Test Requirement differs from the Minimum Requirement then the Test Tolerance applied for this test is non-zero. The Test Tolerance for this test is defined in clause F.2 and the explanation of how the Minimum Requirement has been relaxed by the Test Tolerance is given in clause F.4.

5.2CA UE relative code domain power accuracy for OLTD

FFS

5.2CB UE relative code domain power accuracy for UL CLTD activation state 1

Editor's note: This clause is incomplete. The following aspects are either missing or not yet determined:

- Message Contents are FFS.
- Call Setup procedure, test procedure, test tolerances may need an update.
- Update of Annexure is FFS
- Update to 34.121-2 is FFS

5.2CB.1 Definition and applicability

The UE Relative code domain power accuracy is a measure of the ability of the UE to correctly set the level of individual code powers relative to the total power of all active codes. The measure of accuracy is the difference between two dB ratios:

$$\text{UE Relative CDP accuracy} = (\text{Measured CDP ratio}) - (\text{Nominal CDP ratio})$$

where:

$$\text{Measured CDP ratio} = 10 \cdot \log((\text{Measured code power}) / (\text{Measured total power of all active codes}))$$

$$\text{Nominal CDP ratio} = 10 \cdot \log((\text{Nominal CDP}) / (\text{Sum of all nominal CDPs}))$$

The nominal CDP of a code is relative to the total of all codes and is derived from beta factors.

When the UE uses 16QAM modulation a correction factor shall be applied to the β_{ed} value used to compute the Nominal CDP equal to $\{A_1*(0.4472)^2 + A_2*(1.3416)^2 + A_3*(-0.4472)^2 + A_4*(-1.3416)^2\}^{1/2}$ where A_1 , A_2 , A_3 and A_4 are the fractions of symbols (00, 01, 10, 11 respectively) transmitted during the test.

The sum of all nominal CDPs will equal 1 by definition.

NOTE: The above definition of UE relative CDP accuracy is independent of variations in the actual total power of the signal and of noise in the signal that falls on inactive codes.

The requirements and this test apply for Release 11 and later releases to all types of UTRA for the FDD UE that supports UL CLTD.

5.2CB.2 Minimum Requirements

The required accuracy of the UE relative CDP is given in table 5.2CB.1. The UE relative CDP accuracy shall be maintained over the period during which the total of all active code powers remains unchanged or one timeslot, whichever is the longer.

For UE with two active transmit antenna connectors in UL CLTD activation state 1, the relative code domain power accuracy specified in table 5.2CB.1 applies at each transmit antenna connector.

Table 5.2CB.1: UE Relative CDP accuracy

| Nominal CDP ratio | Accuracy (dB) |
|-------------------------|---------------|
| ≥ -10 dB | ± 1.5 |
| -10 dB to ≥ -15 dB | ± 2.0 |
| -15 dB to ≥ -20 dB | ± 2.5 |

The normative reference for this requirement is TS 25.101 [1] clause 6.2.3C.

5.2CB.3 Test purpose

To verify that the UE relative code domain power accuracy for UL CLTD activation state 1 meets the requirements given in table 5.2CB.4.

5.2CB.4 Method of test

5.2CB.4.1 Initial conditions

Test environment: normal; see clauses G.2.1 and G.2.2.

Frequencies to be tested: mid range; see clause G.2.4.

- 1) Connect the SS (node B emulator) to the UE antenna connector as shown in figure FFS.
- 2) The UL Reference Measurement Channel and the Fixed Reference Channels (FRC H-Set 1, QPSK version) are specified in Annex FFS.
- 3) An HSDPA call is set up according to TS 34.108 [3] clause 7.3.6. RF parameters are set up according to table E.5.1 and table E.5.10. Settings for the serving cell are defined in table 5.2CB.2.
- 4) SS sends a HS-SCCH order activating UL_CLTD activation state 1.
- 5) Enter the UE into loopback test mode 1 in the presence of HSDPA and start the loopback test.

Table 5.2CB.2: Settings for the serving cell during the measurement of HS-DPCCH

| Parameter | Unit | Cell 1 |
|--|--------------|-------------------------------|
| Cell type | | Serving cell |
| UTRA RF Channel Number | | As defined in clause 5.2C.4.1 |
| Qqualmin | dB | -24 |
| Qrxlevmin | dBm | -115 |
| UE_TXPWR_MAX_RACH | dBm | +21 |
| \hat{I}_{or} (see notes 1 and 2) | dBm/3.84 MHz | -86 |
| NOTE 1: The power level is specified in terms of \hat{I}_{or} instead of CPICH_RSCP because RSCP is a receiver measurement, whereas the SS can only set \hat{I}_{or} . | | |
| NOTE 2: The cell fulfils TS 25.304, clause 5.2.3.1.2. | | |

See TS 34.108 [3] and TS 34.109 [4] for details regarding loopback test mode for HSDPA.

5.2CB.4.2 Procedure

- 1) Send the TRANSPORT CHANNEL RECONFIGURATION message to set the beta values defined in table C.10.1.4 subtest 1 and the DPCH frame offset according the HS-DPCCH half slot offset required for measurements. This will create a signal with a repeat pattern of 12ms. The Uplink DPCH Power Control Info shall specify the Power Control Algorithm as algorithm 2 for interpreting TPC commands.
- 2) Generate suitable TPC commands from the SS to set the output power of the UE, when the HS-DPCCH is not transmitted, measured at the UE antenna connector, to be in the range 0 dBm \pm 2dB. This is a nominal setting and not part of the test requirements.
- 3) Send alternating "0" and "1" TPC commands in the downlink so as to satisfy the condition of obtaining TPC_cmd = 0.
- 4) Start transmitting HSDPA Data.
- 5) Figure 5.2CB.1 shows the 12ms cycle created when using the TRANSPORT CHANNEL RECONFIGURATION message from Annex I with the test specific message content defined below and with TPC_cmd=0. Measure the relative code domain power of each active code at the measurement points specified in figure 5.2CB.1 at each transmit antenna connector. Each measurement is over a half slot period. Point 1 is the half slot prior to the ACK/NACK. Point 2 is the first half slot of the ACK/NACK, point 3 is the first half slot of the CQI and point 4 is the first half slot after the CQI. The 25us transient periods at the end of each half slot period shall not be included. The nominal UE relative code domain power for each active code at each point is defined in table 5.2CB.3. The required accuracy which is the difference between the expected and measured code domain power shall meet the test requirements given in table 5.2CB.4.

Specific Message Contents

All messages indicated above shall use the same content as described in the default message content in clause 9 of TS 34.108 [3], except the TRANSPORT CHANNEL RECONFIGURATION message which is defined in annex I. The test specific content for the TRANSPORT CHANNEL RECONFIGURATION message is as follows:

| Information Element | Value/remark |
|------------------------------|--------------|
| - Ack-Nack repetition factor | 1 |
| - CQI repetition factor | 1 |

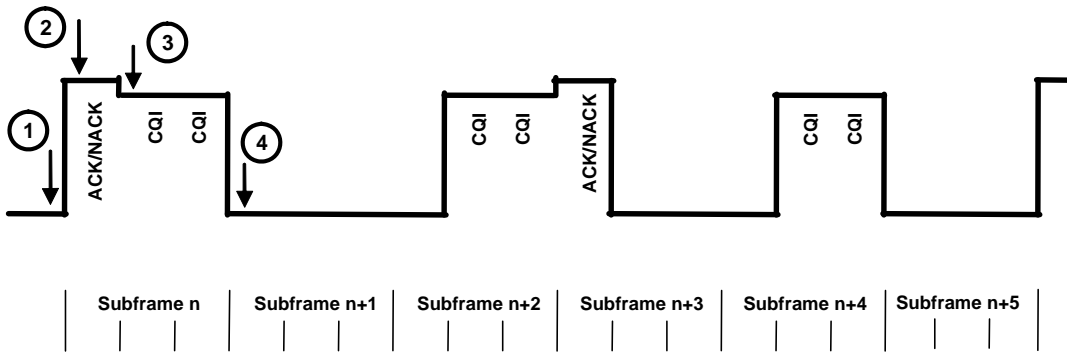


Figure 5.2CB.1: Transmit power profile showing measurement points

5.2CB.5 Test requirements

For the expected relative code domain power ratios given in table 5.2CB.3 the UE shall meet the UE relative code domain power accuracy test requirements given in Table 5.2CB.4.

For UE with two active transmit antenna connectors in UL CLTD activation state 1, the relative code domain power accuracy applies at each transmit antenna connector.

Table 5.2CB.3: UE relative code domain power nominal ratios

| Sub-test in table C.10.1.4 | Measurement point | Expected relative code domain power in dB | | |
|----------------------------|-------------------|---|-------|----------|
| | | DPCCH | DPDCH | HS-DPCCH |
| 1 | 1 | -17.6 | -0.08 | OFF |
| | 2 | -17.9 | -0.4 | -11.8 |
| | 3 | -17.8 | -0.3 | -13.7 |
| | 4 | -17.6 | -0.08 | OFF |
| 2 | 1 | -4.1 | -2.1 | OFF |
| | 2 | -8.2 | -6.2 | -2.1 |
| | 3 | -7.1 | -5.2 | -3 |
| | 4 | -4.1 | -2.1 | OFF |
| 3 | 1 | -1.1 | -6.5 | OFF |
| | 2 | -7.2 | -12.7 | -1.2 |
| | 3 | -5.8 | -11.3 | -1.8 |
| | 4 | -1.1 | -6.5 | OFF |
| 4 | 1 | -0.3 | -11.8 | OFF |
| | 2 | -7.1 | -18.5 | -1 |
| | 3 | -5.6 | -17.1 | -1.5 |
| | 4 | -0.3 | -11.8 | OFF |

Table 5.2CB.4: UE relative code domain power accuracy test requirements

| Nominal CDP ratio | Accuracy (dB) |
|--------------------|---------------|
| ≥ -10 dB | ±1.5 ± TT |
| -10 dB to ≥ -15 dB | ±2.0 ± TT |
| -15 dB to ≥ -20 dB | ±2.5 ± TT |

NOTE: If the above Test Requirement differs from the Minimum Requirement then the Test Tolerance applied for this test is non-zero. The Test Tolerance for this test is defined in clause FFS and the explanation of how the Minimum Requirement has been relaxed by the Test Tolerance is given in clause FFS.

5.2CC UE relative code domain power accuracy for UL CLTD activation state 2 and 3

Editor's note: This clause is incomplete. The following aspects are either missing or not yet determined:

- Message Contents are FFS.
- Call Setup procedure, test procedure, test tolerances may need an update.
- Update of Annexure is FFS
- Update to 34.121-2 is FFS

5.2CC.1 Definition and applicability

The UE Relative code domain power accuracy is a measure of the ability of the UE to correctly set the level of individual code powers relative to the total power of all active codes. The measure of accuracy is the difference between two dB ratios:

$$\text{UE Relative CDP accuracy} = (\text{Measured CDP ratio}) - (\text{Nominal CDP ratio})$$

where:

$$\text{Measured CDP ratio} = 10 \cdot \log((\text{Measured code power}) / (\text{Measured total power of all active codes}))$$

$$\text{Nominal CDP ratio} = 10 \cdot \log((\text{Nominal CDP}) / (\text{Sum of all nominal CDPs}))$$

The nominal CDP of a code is relative to the total of all codes and is derived from beta factors.

When the UE uses 16QAM modulation a correction factor shall be applied to the β_{cd} value used to compute the Nominal CDP equal to $\{A_1 \cdot (0.4472)^2 + A_2 \cdot (1.3416)^2 + A_3 \cdot (-0.4472)^2 + A_4 \cdot (-1.3416)^2\}^{1/2}$ where A_1 , A_2 , A_3 and A_4 are the fractions of symbols (00, 01, 10, 11 respectively) transmitted during the test.

The sum of all nominal CDPs will equal 1 by definition.

NOTE: The above definition of UE relative CDP accuracy is independent of variations in the actual total power of the signal and of noise in the signal that falls on inactive codes.

The requirements and this test apply for Release 11 and later releases to all types of UTRA for the FDD UE that supports UL CLTD.

5.2CC.2 Minimum Requirements

The required accuracy of the UE relative CDP is given in table 5.2CC.1. The UE relative CDP accuracy shall be maintained over the period during which the total of all active code powers remains unchanged or one timeslot, whichever is the longer.

For UE configured in UL CLTD activation state 2 or activation state 3, the relative code domain power accuracy specified in table 5.2CC.1 applies at the active transmit antenna connector.

Table 5.2CC.1: UE Relative CDP accuracy

| Nominal CDP ratio | Accuracy (dB) |
|-------------------------|---------------|
| ≥ -10 dB | ± 1.5 |
| -10 dB to ≥ -15 dB | ± 2.0 |
| -15 dB to ≥ -20 dB | ± 2.5 |

The normative reference for this requirement is TS 25.101 [1] clause 6.2.3C.

5.2CC.3 Test purpose

To verify that the UE relative code domain power accuracy for UL CLTD activation state 2 and 3 meets the requirements given in table 5.2CC.4.

5.2CC.4 Method of test

5.2CC.4.1 Initial conditions

Test environment: normal; see clauses G.2.1 and G.2.2.

Frequencies to be tested: mid range; see clause G.2.4.

- 1) Connect the SS (node B emulator) to the UE antenna connector as shown in figure FFS.
- 2) The UL Reference Measurement Channel and the Fixed Reference Channels (FRC H-Set 1, QPSK version) are specified in Annex FFS.
- 3) An HSDPA call is set up according to TS 34.108 [3] clause FFS. RF parameters are set up according to table E.5.1 and table E.5.10. Settings for the serving cell are defined in table 5.2CC.2.
- 4) SS sends a HS-SCCH order activating UL_CLTD activation state 2.
- 5) Enter the UE into loopback test mode 1 in the presence of HSDPA and start the loopback test.

Table 5.2CC.2: Settings for the serving cell during the measurement of HS-DPCCH

| Parameter | Unit | Cell 1 |
|--|--------------|-------------------------------|
| Cell type | | Serving cell |
| UTRA RF Channel Number | | As defined in clause 5.2C.4.1 |
| Qqualmin | dB | -24 |
| Qrxlevmin | dBm | -115 |
| UE_TXPWR_MAX_RACH | dBm | +21 |
| \hat{I}_{or} (see notes 1 and 2) | dBm/3.84 MHz | -86 |
| NOTE 1: The power level is specified in terms of \hat{I}_{or} instead of CPICH_RSCP because RSCP is a receiver measurement, whereas the SS can only set \hat{I}_{or} . | | |
| NOTE 2: The cell fulfils TS 25.304, clause 5.2.3.1.2. | | |

See TS 34.108 [3] and TS 34.109 [4] for details regarding loopback test mode for HSDPA.

5.2CC.4.2 Procedure

- 1) Send the TRANSPORT CHANNEL RECONFIGURATION message to set the beta values defined in table C.10.1.4 subtest 1 and the DPCH frame offset according the HS-DPCCH half slot offset required for measurements. This will create a signal with a repeat pattern of 12ms. The Uplink DPCH Power Control Info shall specify the Power Control Algorithm as algorithm 2 for interpreting TPC commands.
- 2) Generate suitable TPC commands from the SS to set the output power of the UE, when the HS-DPCCH is not transmitted, measured at the UE antenna connector, to be in the range 0 dBm \pm 2dB. This is a nominal setting and not part of the test requirements.
- 3) Send alternating "0" and "1" TPC commands in the downlink so as to satisfy the condition of obtaining TPC_cmd = 0.
- 4) Start transmitting HSDPA Data.
- 5) Figure 5.2CC.1 shows the 12ms cycle created when using the TRANSPORT CHANNEL RECONFIGURATION message from Annex I with the test specific message content defined below and with TPC_cmd=0. Measure the relative code domain power of each active code at the measurement points specified in figure 5.2CC.1 at the active transmit antenna connector. Each measurement is over a half slot period. Point 1 is the half slot prior to the ACK/NACK. Point 2 is the first half slot of the ACK/NACK, point 3 is the first half slot of the CQI and point 4 is the first half slot after the CQI. The 25us transient periods at the end of each half slot period shall not be included. The nominal UE relative code domain power for each active code at each point is defined in table 5.2CC.3. The required accuracy which is the difference between the expected and measured code domain power shall meet the test requirements given in table 5.2CC.4.
- 6) S sends a HS-SCCH order activating UL_CLTD activation state 3.
- 7) Repeat step 1 to 5 for activation state 3.

Specific Message Contents

All messages indicated above shall use the same content as described in the default message content in clause 9 of TS 34.108 [3], except the TRANSPORT CHANNEL RECONFIGURATION message which is defined in annex I. The test specific content for the TRANSPORT CHANNEL RECONFIGURATION message is as follows:

| Information Element | Value/remark |
|------------------------------|--------------|
| - Ack-Nack repetition factor | 1 |
| - CQI repetition factor | 1 |

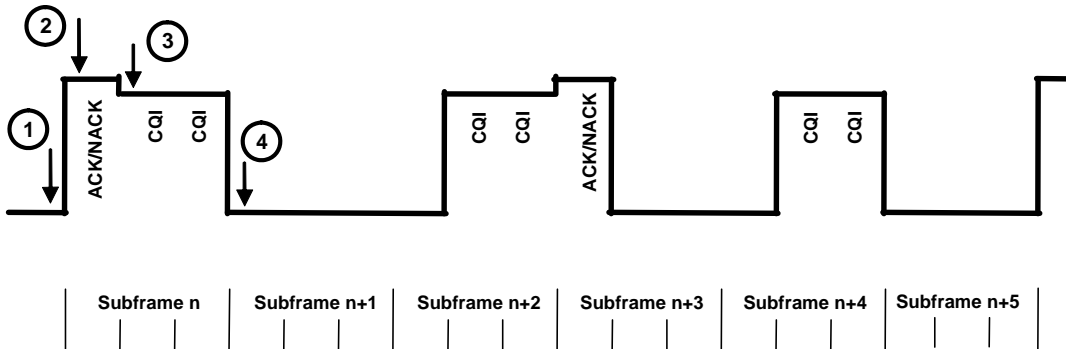


Figure 5.2CC.1: Transmit power profile showing measurement points

5.2CC.5 Test requirements

For the expected relative code domain power ratios given in table 5.2CC.3 the UE shall meet the UE relative code domain power accuracy test requirements given in Table 5.2CC.4.

For UE configured in UL CLTD activation state 2 or activation state 3, the relative code domain power accuracy applies at the active transmit antenna connector.

Table 5.2CC.3: UE relative code domain power nominal ratios

| Sub-test in table C.10.1.4 | Measurement point | Expected relative code domain power in dB | | |
|----------------------------|-------------------|---|-------|----------|
| | | DPCCH | DPDCH | HS-DPCCH |
| 1 | 1 | -17.6 | -0.08 | OFF |
| | 2 | -17.9 | -0.4 | -11.8 |
| | 3 | -17.8 | -0.3 | -13.7 |
| | 4 | -17.6 | -0.08 | OFF |
| 2 | 1 | -4.1 | -2.1 | OFF |
| | 2 | -8.2 | -6.2 | -2.1 |
| | 3 | -7.1 | -5.2 | -3 |
| | 4 | -4.1 | -2.1 | OFF |
| 3 | 1 | -1.1 | -6.5 | OFF |
| | 2 | -7.2 | -12.7 | -1.2 |
| | 3 | -5.8 | -11.3 | -1.8 |
| | 4 | -1.1 | -6.5 | OFF |
| 4 | 1 | -0.3 | -11.8 | OFF |
| | 2 | -7.1 | -18.5 | -1 |
| | 3 | -5.6 | -17.1 | -1.5 |
| | 4 | -0.3 | -11.8 | OFF |

Table 5.2CC.4: UE relative code domain power accuracy test requirements

| Nominal CDP ratio | Accuracy (dB) |
|--------------------|---------------|
| ≥ -10 dB | ±1.5 ± TT |
| -10 dB to ≥ -15 dB | ±2.0 ± TT |
| -15 dB to ≥ -20 dB | ±2.5 ± TT |

NOTE: If the above Test Requirement differs from the Minimum Requirement then the Test Tolerance applied for this test is non-zero. The Test Tolerance for this test is defined in clause FFS and the explanation of how the Minimum Requirement has been relaxed by the Test Tolerance is given in clause FFS.

5.2D UE Relative Code Domain Power Accuracy for HS-DPCCH and E-DCH

5.2D.1 Definition and applicability

The UE Relative code domain power accuracy is a measure of the ability of the UE to correctly set the level of individual code powers relative to the total power of all active codes. The measure of accuracy is the difference between two dB ratios:

$$\text{UE Relative CDP accuracy} = (\text{Measured CDP ratio}) - (\text{Nominal CDP ratio})$$

where

$$\text{Measured CDP ratio} = 10 \cdot \log((\text{Measured code power}) / (\text{Measured total power of all active codes}))$$

$$\text{Nominal CDP ratio} = 10 \cdot \log((\text{Nominal CDP}) / (\text{Sum of all nominal CDPs}))$$

The nominal CDP of a code is relative to the total of all codes and is derived from beta factors.

When the UE uses 16QAM modulation a correction factor shall be applied to the β_{ed} value used to compute the Nominal CDP equal to $\{A_1 \cdot (0.4472)^2 + A_2 \cdot (1.3416)^2 + A_3 \cdot (-0.4472)^2 + A_4 \cdot (-1.3416)^2\}^{1/2}$ where A_1 , A_2 , A_3 and A_4 are the fractions of symbols (00, 01, 10, 11 respectively) transmitted during the test.

The sum of all nominal CDPs will equal 1 by definition.

NOTE: The above definition of UE relative CDP accuracy is independent of variations in the actual total power of the signal and of noise in the signal that falls on inactive codes.

The requirements and this test apply for Release 6 and later releases to all types of UTRA for the FDD UE that support HSDPA and E-DCH.

5.2D.2 Minimum Requirements

The required accuracy of the UE relative CDP is given in table 5.2D.1. The UE relative CDP accuracy shall be maintained over the period during which the total of all active code powers remains unchanged or one timeslot, whichever is the longer.

Table 5.2D.1: UE Relative CDP accuracy

| Nominal CDP ratio | Accuracy (dB) |
|--------------------|---------------|
| ≥ -10 dB | ±1.5 |
| -10 dB to ≥ -15 dB | ±2.0 |
| -15 dB to ≥ -20 dB | ±2.5 |

The normative reference for this requirement is TS 25.101 [1] clause 6.2.3.

5.2D.3 Test purpose

To verify that the UE relative code domain power accuracy meets the requirements given in table 5.2D.8.

5.2D.4 Method of test

5.2D.4.1 Initial conditions

Test environment: normal; see clauses G.2.1 and G.2.2.

Frequencies to be tested: mid range; see clause G.2.4.

- 1) Connect the SS (node B emulator) to the UE antenna connector as shown in figure A.1.
- 2) The UL Reference Measurement Channel and the Fixed Reference Channels (FRC H-Set 1, QPSK version) are specified in Annex C.11.1 and C.8.1.1.
- 3) An E-DCH call is set up according to TS 34.108 [3] 7.3.9 with the following exceptions in the RADIO BEARER SETUP messages. These exceptions allow the beta values to be set according to table C.11.1.3 and each UL physical channel to be at constant power at the start of the measurement. RF parameters are set up according to table E.5A.1. Settings for the serving cell are defined in table 5.2D.6.
- 4) Enter the UE into loopback test mode 1 looping back both the 12.2kbps RMC and HSDPA to E-DCH, and start the loopback test.

See TS 34.109 [4] clauses 5.3.2.3 and 5.3.2.6 for details regarding loopback test mode for HSDPA and E-DCH.

Table 5.2D.2 Contents of RADIO BEARER SETUP message: AM or UM (Test Loop Mode1)

| Information Element | Value/Remark |
|---|---|
| UL Transport channel information for all transport channels | |
| - 2bit CTFC | 3 |
| - Power offset Information | |
| - CHOICE Gain Factors | Signalled Gain Factors |
| - CHOICE mode | FDD |
| - Gain factor β_c | Value used in test: see Table C.11.1.3 |
| - Gain factor β_d | Value used in test: see Table C.11.1.3 |
| NOTE: | All other 2 bit CTFC values use computed gain factors as in the default message |

**Table 5.2D.3: Contents of RADIO BEARER SETUP message:
AM or UM (E-DCH and HSDPA) for Sub-tests 1,2,4**

| Information Element | Value/Remark |
|-----------------------|------------------|
| E-DCH info | Uplink DPCH info |
| - E-DPDCH info | |
| - Reference E-TFCIs | 5 E-TFCIs |
| - Reference E-TFCI | 11 |
| - Reference E-TFCI PO | 4 |
| - Reference E-TFCI | 67 |
| - Reference E-TFCI PO | 18 |
| - Reference E-TFCI | 71 |
| - Reference E-TFCI PO | 23 |
| - Reference E-TFCI | 75 |
| - Reference E-TFCI PO | 26 |
| - Reference E-TFCI | 81 |
| - Reference E-TFCI PO | 27 |

**Table 5.2D.4: Contents of RADIO BEARER SETUP message:
AM or UM (E-DCH and HSDPA) for Sub-test 3**

| Information Element | Value/Remark |
|-----------------------|------------------|
| E-DCH info | Uplink DPCH info |
| - E-DPDCH info | |
| - Reference E-TFCIs | 2 E-TFCIs |
| - Reference E-TFCI | 11 |
| - Reference E-TFCI PO | 4 |
| - Reference E-TFCI | 92 |
| - Reference E-TFCI PO | 18 |

Table 5.2D.5 Contents of RADIO BEARER SETUP message: AM or UM (E-DCH and HSDPA)

| Information Element | Value/Remark |
|-------------------------------|---|
| CHOICE channel requirement | Uplink DPCH info |
| - Power Control Algorithm | Algorithm2 |
| - Δ_{ACK} | Value used in test: see Table C.11.1.3 |
| - Δ_{NACK} | Value used in test: see Table C.11.1.3 |
| - Ack-Nack repetition factor | 3 (required for continuous HS-DPCCH signal) |
| E-DCH info | |
| - E-DPCCH/DPCCH power offset | Value used in test: see Table C.11.1.3 |
| Downlink HS-PDSCH Information | |
| - Measurement Feedback Info | |
| - CQI Feedback cycle, k | 4 ms |
| - CQI repetition factor | 2 (required for continuous HS-DPCCH signal) |
| - Δ_{CQI} | Value used in test: see Table C.11.1.3 |

**Table 5.2D.6: Settings for the serving cell during the measurement of
UE Relative Code Domain Power Accuracy with HS-DPCCH and E-DCH**

| Parameter | Unit | Cell 1 |
|--|--------------|-------------------------------|
| Cell type | | Serving cell |
| UTRA RF Channel Number | | As defined in clause 5.2B.4.1 |
| Qqualmin | dB | -24 |
| Qrxlevmin | dBm | -115 |
| UE_TXPWR_MAX_RACH | dBm | +21 |
| \hat{I}_{or} (see notes 1 and 2) | dBm/3.84 MHz | -86 |
| NOTE 1: The power level is specified in terms of \hat{I}_{or} instead of CPICH_RSCP because RSCP is a receiver measurement, whereas the SS can only set \hat{I}_{or} . | | |
| NOTE 2: The cell fulfils TS 25.304, clause 5.2.3.1.2. | | |

5.2D.4.2 Procedure

- 1) Set the Absolute Grant according to Table C.11.1.3.
- 2) The SS starts transmitting HSDPA and the UE loops the received data back on E-DCH.
- 3) Generate suitable TPC commands from the SS to set the output power of the UE to be in the range 15 dBm \pm 2 dB.
- 4) Confirm that the E-TFCI transmitted by the UE is equal to the target E-TFCI in Table C.11.1.3. If the E-TFCI transmitted by the UE is not equal to the target E-TFCI, then fail the UE.
- 5) Send alternating "0" and "1" TPC commands in the downlink so as to satisfy the condition of obtaining TPC_cmd = 0.
- 6) Send Absolute Grants in a repeating pattern starting with the value according to Table C.11.1.3 and alternating between this value and an Absolute Grant Index of Zero_Grant. This will generate a repeating pattern on the E-DPDCH(s) with a level corresponding to the sending of Scheduling Information every other 10ms E-DCH TTI as shown in Figure 5.2D.1.

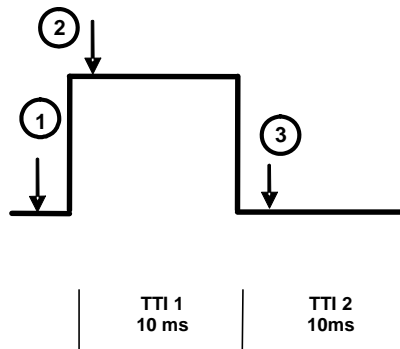


Figure 5.2D.1: Transmit power profile showing measurement points

- 7) Measure the relative code domain power of each active code at the measurement points specified in Figure 5.2D.1. Each measurement is made over one timeslot. Measurement point 1 is the last timeslot before TTI1. Measurement point 2 is the first timeslot of TTI1 and measurement point 3 is the first timeslot of TTI2. The 25 us transient periods at the ends of each measured timeslot shall not be included. The nominal UE relative code domain power for each active code at each point is defined in table 5.2D.7. The required accuracy which is the difference between the expected and measured code domain power shall meet the test requirements given in table 5.2D.8.
- 8) Repeat steps 1 through 7 for the other combinations of beta values for sub-tests 1, 2, 3, and 4 as given in Table C.11.1.3.

5.2D.5 Test requirements

For all UE relative code domain power nominal ratios given in table 5.2D.7 ≥ -20 dB the UE shall meet the UE relative code domain power accuracy test requirements given in Table 5.2D.8.

Table 5.2D.7: UE relative code domain power nominal ratios

| Sub-Test in Table C.11.1.3 | Measurement Point | Expected Relative Code Domain Power in dB | | | | | |
|----------------------------|-------------------|---|-------|----------|---------|----------|----------|
| | | DPCCH | DPDCH | HS-DPCCH | E-DPCCH | E-DPDCH1 | E-DPDCH2 |
| 1 | 1 | -9.3 | -6.6 | -3.3 | -7.3 | -18.9 | OFF |
| | 2 | -18.5 | -15.8 | -12.5 | -16.5 | -0.5 | OFF |
| | 3 | -9.3 | -6.6 | -3.3 | -7.3 | -18.9 | OFF |
| 2 | 1 | -11.9 | -3.9 | -5.8 | -5.8 | -21.4 | OFF |
| | 2 | -14.0 | -6.0 | -8.0 | -8.0 | -4.1 | OFF |
| | 3 | -11.9 | -3.9 | -5.8 | -5.8 | -21.4 | OFF |
| 3 | 1 | -9.8 | -14.2 | -3.7 | -3.7 | -19.3 | OFF |
| | 2 | -14.6 | -19.1 | -8.6 | -8.6 | -4.7 | -4.7 |
| | 3 | -9.8 | -14.2 | -3.7 | -3.7 | -19.3 | OFF |
| 4 | 1 | -17.9 | -0.4 | -11.9 | -17.9 | -27.5 | OFF |
| | 2 | -19.7 | -2.2 | -13.7 | -19.7 | -4.7 | OFF |
| | 3 | -17.9 | -0.4 | -11.9 | -17.9 | -27.5 | OFF |

Table 5.2D.8: UE relative code domain power accuracy test requirements

| Nominal CDP ratio | Accuracy (dB) |
|-------------------------|---------------|
| ≥ -10 dB | ± 1.7 |
| -10 dB to ≥ -15 dB | ± 2.3 |
| -15 dB to ≥ -20 dB | ± 2.9 |

NOTE: If the above Test Requirement differs from the Minimum Requirement then the Test Tolerance applied for this test is non-zero. The Test Tolerance for this test is defined in clause F.2 and the explanation of how the Minimum Requirement has been relaxed by the Test Tolerance is given in clause F.4.

5.2DA UE Relative Code Domain Power Accuracy for DC-HSUPA with QPSK

5.2DA.1 Definition and applicability

The requirement and corresponding measurements apply to each individual carrier when the total power in each of the assigned carriers is equal to each other. Furthermore, it is necessary to verify this requirement only for β values as specified in Table C.11A.1.1.

The UE Relative code domain power accuracy is a measure of the ability of the UE to correctly set the level of individual code powers in a carrier relative to the total power of all active codes in that carrier. The measure of accuracy is the difference between two dB ratios measured per carrier configured on the uplink:

$$\text{UE Relative CDP accuracy} = (\text{Measured CDP ratio}) - (\text{Nominal CDP ratio})$$

where

$$\text{Measured CDP ratio} = 10 \cdot \log((\text{Measured code power}) / (\text{Measured total power of all active codes}))$$

$$\text{Nominal CDP ratio} = 10 \cdot \log((\text{Nominal CDP}) / (\text{Sum of all nominal CDPs}))$$

The nominal CDP of a code is relative to the total of all codes in each carrier and is derived from beta factors. The sum of all nominal CDPs will equal 1 by definition.

NOTE: The above definition of UE relative CDP accuracy is independent of variations in the actual total power of the signal in each carrier and of noise in the signal that falls on inactive codes.

The requirements and this test apply for Release 9 and later releases to all types of UTRA for the FDD UE that support HSDPA and Dual Cell E-DCH.

5.2DA.2 Minimum Requirements

The required accuracy of the UE relative CDP is given in table 5.2DA.1. The UE relative CDP accuracy shall be maintained over the period during which the total of all active code powers remains unchanged or one timeslot, whichever is the longer.

Table 5.2DA.1: UE Relative CDP accuracy

| Nominal CDP ratio | Accuracy (dB) |
|-------------------------|---------------|
| ≥ -10 dB | ± 1.5 |
| -10 dB to ≥ -15 dB | ± 2.0 |
| -15 dB to ≥ -20 dB | ± 2.5 |
| -20 dB to ≥ -30 dB | ± 3.0 |

The normative reference for this requirement is TS 25.101 [1] clause 6.2.3A.

5.2DA.3 Test purpose

To verify that the UE relative code domain power accuracy for DC-HSUPA meets the requirements given in table 5.2DA.7.

5.2DA.4 Method of test

5.2DA.4.1 Initial conditions

Test environment: normal; see clauses G.2.1 and G.2.2.

Frequencies to be tested: mid range; see clause G.2.4.

- 1) Connect the SS (node B emulator) to the UE antenna connector as shown in figure A.41.
- 2) The UL Reference Measurement Channel and parameters are specified in Annex C.2.6 and C.11A. The DL Reference Measurement Channel (FRC H-SET 3A, QPSK) is specified in C.8.1.1.
- 3) An E-DCH call is set up according to TS 34.108 [3] 7.3.14. RF parameters are set up according to table E.5A.1A. Settings for the serving cell are defined in table 5.2DA.5.
- 4) Enter the UE into loopback test mode 1 looping back HSDPA to E-DCH, and start the loopback test.

See TS 34.109 [4] clauses 5.3.2.3 and 5.3.2.6 for details regarding loopback test mode for HSDPA and E-DCH.

Table 5.2DA.2: Void

Table 5.2DA.3: Void

Table 5.2DA.4: Contents of RADIO BEARER SETUP message: AM or UM

| Information Element | Value/Remark |
|---|--------------------------------|
| CHOICE channel requirement - Power Control Algorithm | Uplink DPCH info Algorithm2 |

Table 5.2DA.5: Settings for the serving cell during the measurement of UE Relative Code Domain Power Accuracy for DC-HSUPA with QPSK

| Parameter | Unit | Cell 1 |
|--|--------------|--------------------------------|
| Cell type | | Serving cell |
| UTRA RF Channel Number | | As defined in clause 5.2BA.4.1 |
| Qqualmin | dB | -24 |
| Qrxlevmin | dBm | -115 |
| UE_TXPWR_MAX_RACH | dBm | +21 |
| \hat{I}_{or} (see notes 1 and 2) | dBm/3.84 MHz | -86 |
| NOTE 1: The power level is specified in terms of \hat{I}_{or} instead of CPICH_RSCP because RSCP is a receiver measurement, whereas the SS can only set \hat{I}_{or} . | | |
| NOTE 2: The cell fulfils TS 25.304, 5.2.3.1.2. | | |

5.2DA.4.2 Procedure

- 1) Set the Absolute Grant according to Table C.11A.1.3.
- 2) The SS starts transmitting HSDPA and the UE loops the received data back on E-DCH.
- 3) Generate suitable TPC commands to each individual carrier from the SS to set the total power in each of the assigned carriers to be equal to each other within ± 1.7 dB and the total output power of the UE to be in the range $15\text{dBm} \pm 2\text{dB}$.
- 4) Confirm that the E-TFCI transmitted by the UE is equal to the target E-TFCI in Table C.11A.1.1. If the E-TFCI transmitted by the UE is not equal to the target E-TFCI, then fail the UE.
- 5) Send alternating "0" and "1" TPC commands in the downlink so as to satisfy the condition of obtaining $\text{TPC_cmd} = 0$. This test step is expected to keep the total power in each of the assigned carriers to be equal to

each other within ± 1.7 dB and the total output power of the UE to be in the range $15\text{dBm} \pm 2\text{dB}$ during the relative code domain power measurements performed at next step.

- 6) Measure the relative code domain power of each active code on each uplink frequency. Each measurement is made over one timeslot. The nominal UE relative code domain power for each active code is defined in table 5.2DA.6. The required accuracy which is the difference between the expected and measured code domain power shall meet the test requirements given in table 5.2DA.7.

5.2DA.5 Test requirements

For all UE relative code domain power nominal ratios given in table 5.2DA.6 the UE shall meet the UE relative code domain power accuracy test requirements given in Table 5.2DA.7.

Table 5.2DA.6: UE relative code domain power nominal ratios

| Sub-Test in Table C.11A.1.3 | Expected Relative Code Domain Power in dB | | | | | | |
|-----------------------------------|---|----------|---------|---------|----------------------------|---------|---------|
| | Primary Uplink Frequency | | | | Secondary Uplink Frequency | | |
| | DPCCH | HS-DPCCH | E-DPCCH | E-DPDCH | DPCCH | E-DPCCH | E-DPDCH |
| 1 | -5.8 | -15.3 | -15.3 | -1.7 | -5.6 | -15.2 | -1.6 |

Table 5.2DA.7: UE relative code domain power accuracy test requirements

| Nominal CDP ratio | Accuracy (dB) |
|-------------------------|---------------|
| ≥ -10 dB | ± 1.7 |
| -10 dB to ≥ -15 dB | ± 2.3 |
| -15 dB to ≥ -20 dB | ± 2.9 |

NOTE: If the above Test Requirement differs from the Minimum Requirement then the Test Tolerance applied for this test is non-zero. The Test Tolerance for this test is defined in clause F.2 and the explanation of how the Minimum Requirement has been relaxed by the Test Tolerance is given in clause F.4.

5.2DB UE Relative Code Domain Power Accuracy for HS-DPCCH and E-DCH for OLTD

FFS

5.2DC UE Relative Code Domain Power Accuracy for HS-DPCCH and E-DCH for UL CLTD activation state 1

Editor's note: This clause is incomplete. The following aspects are either missing or not yet determined:

- Message Contents are FFS.
- Call Setup procedure, test procedure, test tolerances may need an update.
- Update of Annexure is FFS
- Update to 34.121-2 is FFS

5.2DC.1 Definition and applicability

The UE Relative code domain power accuracy is a measure of the ability of the UE to correctly set the level of individual code powers relative to the total power of all active codes. The measure of accuracy is the difference between two dB ratios:

$$\text{UE Relative CDP accuracy} = (\text{Measured CDP ratio}) - (\text{Nominal CDP ratio})$$

where:

$$\text{Measured CDP ratio} = 10 \cdot \log\left(\frac{\text{Measured code power}}{\text{Measured total power of all active codes}}\right)$$

$$\text{Nominal CDP ratio} = 10 \cdot \log((\text{Nominal CDP}) / (\text{Sum of all nominal CDPs}))$$

The nominal CDP of a code is relative to the total of all codes and is derived from beta factors.

When the UE uses 16QAM modulation a correction factor shall be applied to the β_{ed} value used to compute the Nominal CDP equal to $\{A_1 \cdot (0.4472)^2 + A_2 \cdot (1.3416)^2 + A_3 \cdot (-0.4472)^2 + A_4 \cdot (-1.3416)^2\}^{1/2}$ where A_1 , A_2 , A_3 and A_4 are the fractions of symbols (00, 01, 10, 11 respectively) transmitted during the test.

The sum of all nominal CDPs will equal 1 by definition.

NOTE: The above definition of UE relative CDP accuracy is independent of variations in the actual total power of the signal and of noise in the signal that falls on inactive codes.

The requirements and this test apply for Release 11 and later releases to all types of UTRA for the FDD UE that supports UL CLTD.

5.2DC.2 Minimum Requirements

The required accuracy of the UE relative CDP is given in table 5.2DC.1. The UE relative CDP accuracy shall be maintained over the period during which the total of all active code powers remains unchanged or one timeslot, whichever is the longer.

For UE with two active transmit antenna connectors in UL CLTD activation state 1, the relative code domain power accuracy specified in table 5.2CB.1 applies at each transmit antenna connector.

Table 5.2DC.1: UE Relative CDP accuracy

| Nominal CDP ratio | Accuracy (dB) |
|-------------------------|---------------|
| ≥ -10 dB | ± 1.5 |
| -10 dB to ≥ -15 dB | ± 2.0 |
| -15 dB to ≥ -20 dB | ± 2.5 |

The normative reference for this requirement is TS 25.101 [1] clause 6.2.3C.

5.2DC.3 Test purpose

To verify that the UE relative code domain power accuracy for UL CLTD activation state 1 meets the requirements given in table 5.2DC.8.

5.2DC.4 Method of test

5.2DC.4.1 Initial conditions

Test environment: normal; see clauses G.2.1 and G.2.2.

Frequencies to be tested: mid range; see clause G.2.4.

- 1) Connect the SS (node B emulator) to the UE antenna connector as shown in figure FFS.
- 2) The UL Reference Measurement Channel and the Fixed Reference Channels (FRC H-Set 1, QPSK version) are specified in Annex FFS.
- 3) An E-DCH call is set up according to TS 34.108 [3] FFS with the following exceptions in the RADIO BEARER SETUP messages. These exceptions allow the beta values to be set according to table C.11.1.3 and each UL physical channel to be at constant power at the start of the measurement. RF parameters are set up according to table E.5A.1. Settings for the serving cell are defined in table 5.2DC.6.
- 4) SS sends a HS-SCCH order activating UL_CLTD activation state 1.
- 5) Enter the UE into loopback test mode 1 looping back both the 12.2kbps RMC and HSDPA to E-DCH, and start the loopback test.

See TS 34.109 [4] clauses 5.3.2.3 and 5.3.2.6 for details regarding loopback test mode for HSDPA and E-DCH.

Table 5.2DC.2 Contents of RADIO BEARER SETUP message: AM or UM (Test Loop Mode1)

| Information Element | Value/Remark |
|---|---|
| UL Transport channel information for all transport channels | |
| - 2bit CTFC | 3 |
| - Power offset Information | |
| - CHOICE Gain Factors | Signalled Gain Factors |
| - CHOICE mode | FDD |
| - Gain factor β_c | Value used in test: see Table C.11.1.3 |
| - Gain factor β_d | Value used in test: see Table C.11.1.3 |
| NOTE: | All other 2 bit CTFC values use computed gain factors as in the default message |

Table 5.2DC.3: Contents of RADIO BEARER SETUP message: AM or UM (E-DCH and HSDPA) for Sub-tests 1,2,4

| Information Element | Value/Remark |
|-----------------------|------------------|
| E-DCH info | Uplink DPCH info |
| - E-DPDCH info | |
| - Reference E-TFCIs | 5 E-TFCIs |
| - Reference E-TFCI | 11 |
| - Reference E-TFCI PO | 4 |
| - Reference E-TFCI | 67 |
| - Reference E-TFCI PO | 18 |
| - Reference E-TFCI | 71 |
| - Reference E-TFCI PO | 23 |
| - Reference E-TFCI | 75 |
| - Reference E-TFCI PO | 26 |
| - Reference E-TFCI | 81 |
| - Reference E-TFCI PO | 27 |

Table 5.2DC.4: Contents of RADIO BEARER SETUP message: AM or UM (E-DCH and HSDPA) for Sub-test 3

| Information Element | Value/Remark |
|-----------------------|------------------|
| E-DCH info | Uplink DPCH info |
| - E-DPDCH info | |
| - Reference E-TFCIs | 2 E-TFCIs |
| - Reference E-TFCI | 11 |
| - Reference E-TFCI PO | 4 |
| - Reference E-TFCI | 92 |
| - Reference E-TFCI PO | 18 |

Table 5.2DC.5 Contents of RADIO BEARER SETUP message: AM or UM (E-DCH and HSDPA)

| Information Element | Value/Remark |
|-------------------------------|---|
| CHOICE channel requirement | Uplink DPCH info |
| - Power Control Algorithm | Algorithm2 |
| - Δ_{ACK} | Value used in test: see Table C.11.1.3 |
| - Δ_{NACK} | Value used in test: see Table C.11.1.3 |
| - Ack-Nack repetition factor | 3 (required for continuous HS-DPCCH signal) |
| E-DCH info | |
| - E-DPCCH/DPCCH power offset | Value used in test: see Table C.11.1.3 |
| Downlink HS-PDSCH Information | |
| - Measurement Feedback Info | |
| - CQI Feedback cycle, k | 4 ms |
| - CQI repetition factor | 2 (required for continuous HS-DPCCH signal) |
| - Δ_{CQI} | Value used in test: see Table C.11.1.3 |

Table 5.2DC.6: Settings for the serving cell during the measurement of UE Relative Code Domain Power Accuracy with HS-DPCCH and E-DCH

| Parameter | Unit | Cell 1 |
|--|--------------|-------------------------------|
| Cell type | | Serving cell |
| UTRA RF Channel Number | | As defined in clause 5.2B.4.1 |
| Qqualmin | dB | -24 |
| Qrxlevmin | dBm | -115 |
| UE_TXPWR_MAX_RACH | dBm | +21 |
| \hat{I}_{or} (see notes 1 and 2) | dBm/3.84 MHz | -86 |
| NOTE 1: The power level is specified in terms of \hat{I}_{or} instead of CPICH_RSCP because RSCP is a receiver measurement, whereas the SS can only set \hat{I}_{or} . | | |
| NOTE 2: The cell fulfils TS 25.304, clause 5.2.3.1.2. | | |

5.2DC.4.2 Procedure

- 1) Set the Absolute Grant according to Table C.11.1.3.
- 2) The SS starts transmitting HSDPA and the UE loops the received data back on E-DCH.
- 3) Generate suitable TPC commands from the SS to set the output power of the UE to be in the range 15 dBm \pm 2 dB.
- 4) Confirm that the E-TFCI transmitted by the UE is equal to the target E-TFCI in Table C.11.1.3. If the E-TFCI transmitted by the UE is not equal to the target E-TFCI, then fail the UE.
- 5) Send alternating "0" and "1" TPC commands in the downlink so as to satisfy the condition of obtaining TPC_cmd = 0.
- 6) Send Absolute Grants in a repeating pattern starting with the value according to Table C.11.1.3 and alternating between this value and an Absolute Grant Index of Zero_Grant. This will generate a repeating pattern on the E-DPDCH(s) with a level corresponding to the sending of Scheduling Information every other 10ms E-DCH TTI as shown in Figure 5.2DC.1.

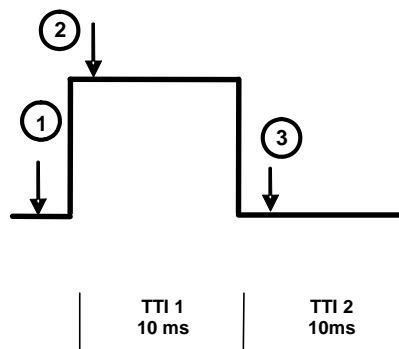


Figure 5.2DC.1: Transmit power profile showing measurement points

- 7) Measure the relative code domain power of each active code at the measurement points specified in Figure 5.2DC.1 at each transmit antenna connector. Each measurement is made over one timeslot. Measurement point 1 is the last timeslot before TTI1. Measurement point 2 is the first timeslot of TTI1 and measurement point 3 is the first timeslot of TTI2. The 25 μ s transient periods at the ends of each measured timeslot shall not be included. The nominal UE relative code domain power for each active code at each point is defined in table 5.2DC.7. The required accuracy which is the difference between the expected and measured code domain power shall meet the test requirements given in table 5.2DC.8.
- 8) Repeat steps 1 through 7 for the other combinations of beta values for sub-tests 1, 2, 3, and 4 as given in Table C.11.1.3.

5.2DC.5 Test requirements

For all UE relative code domain power nominal ratios given in table 5.2DC.7 ≥ -20 dB the UE shall meet the UE relative code domain power accuracy test requirements given in Table 5.2DC.8.

For UE with two active transmit antenna connectors in UL CLTD activation state 1, the relative code domain power accuracy applies at each transmit antenna connector.

Table 5.2DC.7: UE relative code domain power nominal ratios

| Sub-Test in Table C.11.1.3 | Measurement Point | Expected Relative Code Domain Power in dB | | | | | |
|----------------------------|-------------------|---|-------|----------|---------|----------|----------|
| | | DPCCH | DPDCH | HS-DPCCH | E-DPCCH | E-DPDCH1 | E-DPDCH2 |
| 1 | 1 | -9.3 | -6.6 | -3.3 | -7.3 | -18.9 | OFF |
| | 2 | -18.5 | -15.8 | -12.5 | -16.5 | -0.5 | OFF |
| | 3 | -9.3 | -6.6 | -3.3 | -7.3 | -18.9 | OFF |
| 2 | 1 | -11.9 | -3.9 | -5.8 | -5.8 | -21.4 | OFF |
| | 2 | -14.0 | -6.0 | -8.0 | -8.0 | -4.1 | OFF |
| | 3 | -11.9 | -3.9 | -5.8 | -5.8 | -21.4 | OFF |
| 3 | 1 | -9.8 | -14.2 | -3.7 | -3.7 | -19.3 | OFF |
| | 2 | -14.6 | -19.1 | -8.6 | -8.6 | -4.7 | -4.7 |
| | 3 | -9.8 | -14.2 | -3.7 | -3.7 | -19.3 | OFF |
| 4 | 1 | -17.9 | -0.4 | -11.9 | -17.9 | -27.5 | OFF |
| | 2 | -19.7 | -2.2 | -13.7 | -19.7 | -4.7 | OFF |
| | 3 | -17.9 | -0.4 | -11.9 | -17.9 | -27.5 | OFF |

Table 5.2DC.8: UE relative code domain power accuracy test requirements

| Nominal CDP ratio | Accuracy (dB) |
|-------------------------|------------------|
| ≥ -10 dB | $\pm 1.5 \pm TT$ |
| -10 dB to ≥ -15 dB | $\pm 2.0 \pm TT$ |
| -15 dB to ≥ -20 dB | $\pm 2.5 \pm TT$ |

NOTE: If the above Test Requirement differs from the Minimum Requirement then the Test Tolerance applied for this test is non-zero. The Test Tolerance for this test is defined in clause FFS and the explanation of how the Minimum Requirement has been relaxed by the Test Tolerance is given in clause FFS.

5.2DD UE Relative Code Domain Power Accuracy for HS-DPCCH and E-DCH for UL CLTD activation state 2 and 3

Editor's note: This clause is incomplete. The following aspects are either missing or not yet determined:

- Message Contents are FFS.
- Call Setup procedure, test procedure, test tolerances may need an update.
- Update of Annexure is FFS
- Update to 34.121-2 is FFS

5.2DD.1 Definition and applicability

The UE Relative code domain power accuracy is a measure of the ability of the UE to correctly set the level of individual code powers relative to the total power of all active codes. The measure of accuracy is the difference between two dB ratios:

$$\text{UE Relative CDP accuracy} = (\text{Measured CDP ratio}) - (\text{Nominal CDP ratio})$$

where:

$$\text{Measured CDP ratio} = 10 \cdot \log\left(\frac{\text{Measured code power}}{\text{Measured total power of all active codes}}\right)$$

$$\text{Nominal CDP ratio} = 10 \cdot \log((\text{Nominal CDP}) / (\text{Sum of all nominal CDPs}))$$

The nominal CDP of a code is relative to the total of all codes and is derived from beta factors.

When the UE uses 16QAM modulation a correction factor shall be applied to the β_{ed} value used to compute the Nominal CDP equal to $\{A_1 \cdot (0.4472)^2 + A_2 \cdot (1.3416)^2 + A_3 \cdot (-0.4472)^2 + A_4 \cdot (-1.3416)^2\}^{1/2}$ where A_1 , A_2 , A_3 and A_4 are the fractions of symbols (00, 01, 10, 11 respectively) transmitted during the test.

The sum of all nominal CDPs will equal 1 by definition.

NOTE: The above definition of UE relative CDP accuracy is independent of variations in the actual total power of the signal and of noise in the signal that falls on inactive codes.

The requirements and this test apply for Release 11 and later releases to all types of UTRA for the FDD UE that supports UL CLTD.

5.2DD.2 Minimum Requirements

The required accuracy of the UE relative CDP is given in table 5.2DD.1. The UE relative CDP accuracy shall be maintained over the period during which the total of all active code powers remains unchanged or one timeslot, whichever is the longer.

For UE configured in UL CLTD activation state 2 or activation state 3, the relative code domain power accuracy specified in table 5.2CC.1 applies at the active transmit antenna connector.

Table 5.2D.1: UE Relative CDP accuracy

| Nominal CDP ratio | Accuracy (dB) |
|-------------------------|---------------|
| ≥ -10 dB | ± 1.5 |
| -10 dB to ≥ -15 dB | ± 2.0 |
| -15 dB to ≥ -20 dB | ± 2.5 |

The normative reference for this requirement is TS 25.101 [1] clause 6.2.3C.

5.2DD.3 Test purpose

To verify that the UE relative code domain power accuracy for UL CLTD activation state 2 and 3 meets the requirements given in table 5.2DD.8.

5.2DD.4 Method of test

5.2DD.4.1 Initial conditions

Test environment: normal; see clauses G.2.1 and G.2.2.

Frequencies to be tested: mid range; see clause G.2.4.

- 1) Connect the SS (node B emulator) to the UE antenna connector as shown in figure FFS.
- 2) The UL Reference Measurement Channel and the Fixed Reference Channels (FRC H-Set 1, QPSK version) are specified in Annex FFS.
- 3) An E-DCH call is set up according to TS 34.108 [3] FFS with the following exceptions in the RADIO BEARER SETUP messages. These exceptions allow the beta values to be set according to table C.11.1.3 and each UL physical channel to be at constant power at the start of the measurement. RF parameters are set up according to table E.5A.1. Settings for the serving cell are defined in table 5.2DD.6.
- 4) SS sends a HS-SCCH order activating UL_CLTD activation state 2
- 5) Enter the UE into loopback test mode 1 looping back both the 12.2kbps RMC and HSDPA to E-DCH, and start the loopback test.

See TS 34.109 [4] clauses 5.3.2.3 and 5.3.2.6 for details regarding loopback test mode for HSDPA and E-DCH.

Table 5.2DD.2 Contents of RADIO BEARER SETUP message: AM or UM (Test Loop Mode1)

| Information Element | Value/Remark |
|---|---|
| UL Transport channel information for all transport channels | |
| - 2bit CTFC | 3 |
| - Power offset Information | |
| - CHOICE Gain Factors | Signalled Gain Factors |
| - CHOICE mode | FDD |
| - Gain factor β_c | Value used in test: see Table C.11.1.3 |
| - Gain factor β_d | Value used in test: see Table C.11.1.3 |
| NOTE: | All other 2 bit CTFC values use computed gain factors as in the default message |

Table 5.2DD.3: Contents of RADIO BEARER SETUP message: AM or UM (E-DCH and HSDPA) for Sub-tests 1,2,4

| Information Element | Value/Remark |
|-----------------------|------------------|
| E-DCH info | Uplink DPCH info |
| - E-DPDCH info | |
| - Reference E-TFCIs | 5 E-TFCIs |
| - Reference E-TFCI | 11 |
| - Reference E-TFCI PO | 4 |
| - Reference E-TFCI | 67 |
| - Reference E-TFCI PO | 18 |
| - Reference E-TFCI | 71 |
| - Reference E-TFCI PO | 23 |
| - Reference E-TFCI | 75 |
| - Reference E-TFCI PO | 26 |
| - Reference E-TFCI | 81 |
| - Reference E-TFCI PO | 27 |

Table 5.2DD.4: Contents of RADIO BEARER SETUP message: AM or UM (E-DCH and HSDPA) for Sub-test 3

| Information Element | Value/Remark |
|-----------------------|------------------|
| E-DCH info | Uplink DPCH info |
| - E-DPDCH info | |
| - Reference E-TFCIs | 2 E-TFCIs |
| - Reference E-TFCI | 11 |
| - Reference E-TFCI PO | 4 |
| - Reference E-TFCI | 92 |
| - Reference E-TFCI PO | 18 |

Table 5.2DD.5 Contents of RADIO BEARER SETUP message: AM or UM (E-DCH and HSDPA)

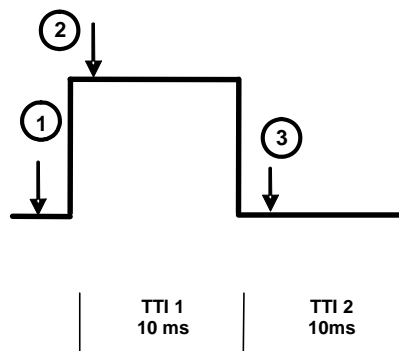
| Information Element | Value/Remark |
|-------------------------------|---|
| CHOICE channel requirement | Uplink DPCH info |
| - Power Control Algorithm | Algorithm2 |
| - Δ_{ACK} | Value used in test: see Table C.11.1.3 |
| - Δ_{NACK} | Value used in test: see Table C.11.1.3 |
| - Ack-Nack repetition factor | 3 (required for continuous HS-DPCCH signal) |
| E-DCH info | |
| - E-DPCCH/DPCCH power offset | Value used in test: see Table C.11.1.3 |
| Downlink HS-PDSCH Information | |
| - Measurement Feedback Info | |
| - CQI Feedback cycle, k | 4 ms |
| - CQI repetition factor | 2 (required for continuous HS-DPCCH signal) |
| - Δ_{CQI} | Value used in test: see Table C.11.1.3 |

Table 5.2DD.6: Settings for the serving cell during the measurement of UE Relative Code Domain Power Accuracy with HS-DPCCH and E-DCH

| Parameter | Unit | Cell 1 |
|--|--------------|-------------------------------|
| Cell type | | Serving cell |
| UTRA RF Channel Number | | As defined in clause 5.2B.4.1 |
| Qqualmin | dB | -24 |
| Qrxlevmin | dBm | -115 |
| UE_TXPWR_MAX_RACH | dBm | +21 |
| \hat{I}_{or} (see notes 1 and 2) | dBm/3.84 MHz | -86 |
| NOTE 1: The power level is specified in terms of \hat{I}_{or} instead of CPICH_RSCP because RSCP is a receiver measurement, whereas the SS can only set \hat{I}_{or} . | | |
| NOTE 2: The cell fulfils TS 25.304, clause 5.2.3.1.2. | | |

5.2DD.4.2 Procedure

- 1) Set the Absolute Grant according to Table C.11.1.3.
- 2) The SS starts transmitting HSDPA and the UE loops the received data back on E-DCH.
- 3) Generate suitable TPC commands from the SS to set the output power of the UE to be in the range 15 dBm \pm 2 dB.
- 4) Confirm that the E-TFCI transmitted by the UE is equal to the target E-TFCI in Table C.11.1.3. If the E-TFCI transmitted by the UE is not equal to the target E-TFCI, then fail the UE.
- 5) Send alternating "0" and "1" TPC commands in the downlink so as to satisfy the condition of obtaining TPC_cmd = 0.
- 6) Send Absolute Grants in a repeating pattern starting with the value according to Table C.11.1.3 and alternating between this value and an Absolute Grant Index of Zero_Grant. This will generate a repeating pattern on the E-DPDCH(s) with a level corresponding to the sending of Scheduling Information every other 10ms E-DCH TTI as shown in Figure 5.2DD.1.

**Figure 5.2DD.1: Transmit power profile showing measurement points**

- 7) Measure the relative code domain power of each active code at the measurement points specified in Figure 5.2DD.1 at the active transmit antenna connector. Each measurement is made over one timeslot. Measurement point 1 is the last timeslot before TTI1. Measurement point 2 is the first timeslot of TTI1 and measurement point 3 is the first timeslot of TTI2. The 25 μ s transient periods at the ends of each measured timeslot shall not be included. The nominal UE relative code domain power for each active code at each point is defined in table 5.2DD.7. The required accuracy which is the difference between the expected and measured code domain power shall meet the test requirements given in table 5.2DD.8.
- 8) Repeat steps 1 through 7 for the other combinations of beta values for sub-tests 1, 2, 3, and 4 as given in Table C.11.1.3.
- 9) SS sends a HS-SCCH order activating UL_CLTD activation state 3

10) Repeat step 1 to 8 for activation state 3.

5.2DD.5 Test requirements

For all UE relative code domain power nominal ratios given in table 5.2DD.7 ≥ -20 dB the UE shall meet the UE relative code domain power accuracy test requirements given in Table 5.2DD.8.

For UE configured in UL CLTD activation state 2 or activation state 3, the relative code domain power accuracy applies at the active transmit antenna connector.

Table 5.2DD.7: UE relative code domain power nominal ratios

| Sub-Test in Table C.11.1.3 | Measurement Point | Expected Relative Code Domain Power in dB | | | | | |
|----------------------------|-------------------|---|-------|----------|---------|----------|----------|
| | | DPCCH | DPDCH | HS-DPCCH | E-DPCCH | E-DPDCH1 | E-DPDCH2 |
| 1 | 1 | -9.3 | -6.6 | -3.3 | -7.3 | -18.9 | OFF |
| | 2 | -18.5 | -15.8 | -12.5 | -16.5 | -0.5 | OFF |
| | 3 | -9.3 | -6.6 | -3.3 | -7.3 | -18.9 | OFF |
| 2 | 1 | -11.9 | -3.9 | -5.8 | -5.8 | -21.4 | OFF |
| | 2 | -14.0 | -6.0 | -8.0 | -8.0 | -4.1 | OFF |
| | 3 | -11.9 | -3.9 | -5.8 | -5.8 | -21.4 | OFF |
| 3 | 1 | -9.8 | -14.2 | -3.7 | -3.7 | -19.3 | OFF |
| | 2 | -14.6 | -19.1 | -8.6 | -8.6 | -4.7 | -4.7 |
| | 3 | -9.8 | -14.2 | -3.7 | -3.7 | -19.3 | OFF |
| 4 | 1 | -17.9 | -0.4 | -11.9 | -17.9 | -27.5 | OFF |
| | 2 | -19.7 | -2.2 | -13.7 | -19.7 | -4.7 | OFF |
| | 3 | -17.9 | -0.4 | -11.9 | -17.9 | -27.5 | OFF |

Table 5.2DD.8: UE relative code domain power accuracy test requirements

| Nominal CDP ratio | Accuracy (dB) |
|-------------------------|------------------|
| ≥ -10 dB | $\pm 1.5 \pm TT$ |
| -10 dB to ≥ -15 dB | $\pm 2.0 \pm TT$ |
| -15 dB to ≥ -20 dB | $\pm 2.5 \pm TT$ |

NOTE: If the above Test Requirement differs from the Minimum Requirement then the Test Tolerance applied for this test is non-zero. The Test Tolerance for this test is defined in clause FFS and the explanation of how the Minimum Requirement has been relaxed by the Test Tolerance is given in clause FFS.

5.2E UE Relative Code Domain Power Accuracy for HS-DPCCH and E-DCH with 16QAM

5.2E.1 Definition and applicability

The UE Relative code domain power accuracy is a measure of the ability of the UE to correctly set the level of individual code powers relative to the total power of all active codes. When the UE uses 16QAM modulation on any of the uplink code channels the IQ origin offset power shall be removed from the Measured CDP ratio; however, the removed relative IQ origin offset power (relative carrier leakage power) also has to satisfy the applicable requirement. The measure of accuracy is the difference between two dB ratios:

$$\text{UE Relative CDP accuracy} = (\text{Measured CDP ratio}) - (\text{Nominal CDP ratio})$$

where

$$\text{Measured CDP ratio} = 10 \cdot \log((\text{Measured code power}) / (\text{Measured total power of all active codes}))$$

$$\text{Nominal CDP ratio} = 10 \cdot \log((\text{Nominal CDP}) / (\text{Sum of all nominal CDPs}))$$

The nominal CDP of a code is relative to the total of all codes and is derived from beta factors.

When the UE uses 16QAM modulation a correction factor shall be applied to the β_{ed} value used to compute the Nominal CDP equal to $\{A_1*(0.4472)^2 + A_2*(1.3416)^2 + A_3*(-0.4472)^2 + A_4*(-1.3416)^2\}^{1/2}$ where A_1 , A_2 , A_3 and A_4 are the fractions of symbols (00, 01, 10, 11 respectively) transmitted during the test.

The sum of all nominal CDPs will equal 1 by definition.

NOTE: The above definition of UE relative CDP accuracy is independent of variations in the actual total power of the signal and of noise in the signal that falls on inactive codes.

The requirements apply for Release 7 and later releases for all types of UTRA for the FDD UE that support E-DCH 16QAM UE capability category 7. This test applies only to UE that support HSDPA and E-DCH.

5.2E.2 Minimum Requirements

The required accuracy of the UE relative CDP is given in table 5.2E.1. The UE relative CDP accuracy shall be maintained over the period during which the total of all active code powers remains unchanged or one timeslot, whichever is the longer.

Table 5.2E.1: UE Relative CDP accuracy, HS-DPCCH and E-DCH with 16QAM

| Nominal CDP ratio | Accuracy (dB) |
|-------------------------|---------------|
| ≥ -10 dB | ± 1.5 |
| -10 dB to ≥ -15 dB | ± 2.0 |
| -15 dB to ≥ -20 dB | ± 2.5 |
| -20 dB to ≥ -30 dB | ± 3.0 |

The normative reference for this requirement is TS 25.101 [1] clause 6.2.3.

5.2E.3 Test purpose

To verify that the UE relative code domain power accuracy meets the requirements given in table 5.2E.6.

5.2E.4 Method of test

5.2E.4.1 Initial conditions

Test environment: normal; see clauses G.2.1 and G.2.2.

Frequencies to be tested: mid range; see clause G.2.4.

- 1) Connect the SS (node B emulator) to the UE antenna connector as shown in figure A.1.
- 2) The UL Reference Measurement Channel and the DL Fixed Reference Channels (FRC H-Set 1,16QAM) are specified in Annex C.11.1 and C.8.1.1. The payload of the transport block for the DL Fixed Reference Channels shall be PRBS data.
- 3) An E-DCH call is set up according to TS 34.108 [3] 7.3.9 with the following exceptions in the RADIO BEARER SETUP messages. These exceptions allow the beta values to be set according to table C.11.1.4 and each UL physical channel to be at constant power at the start of the measurement. RF parameters are set up according to table E.5A.1. Settings for the serving cell are defined in table 5.2E.4. Uplink SRB for DCCH mapped on E-DCH and downlink SRB for DCCH on DCH. E-DCH is configured with 2ms TTI.
- 4) Enter the UE into loopback test mode 1 looping back HSDPA to E-DCH, and start the loopback test.

See TS 34.109 [4] clauses 5.3.2.3 and 5.3.2.6 for details regarding loopback test mode for HSDPA and E-DCH.

**Table 5.2E.2: Contents of RADIO BEARER SETUP message:
AM or UM (E-DCH and HSDPA) for Sub-test 1**

| Information Element | Value/Remark |
|-------------------------------|------------------|
| E-DCH info | Uplink DPCH info |
| - E-DPCCH info | |
| - E-DPDCH power interpolation | FALSE |
| - E-DPDCH info | |
| - E-TFCI Table Index | 2 |
| - Reference E-TFCIs | 3 E-TFCIs |
| - Reference E-TFCI | 105 |
| - Reference E-TFCI PO | 12 |
| - Reference E-TFCI | 116 |
| - Reference E-TFCI PO | 14 |
| - Reference E-TFCI | 127 |
| - Reference E-TFCI PO | 16 |
| - Max Channelisation Codes | SF4x2 and SF2x2 |

Table 5.2E.3: Contents of RADIO BEARER SETUP message: AM or UM (E-DCH and HSDPA)

| Information Element | Value/Remark |
|--------------------------------------|---|
| CHOICE channel requirement | Uplink DPCH info |
| - Power Control Algorithm | Algorithm2 |
| - Δ_{ACK} | Value used in test: see Table C.11.1.4 |
| - Δ_{NACK} | Value used in test: see Table C.11.1.4 |
| - Ack-Nack repetition factor | 3 (required for continuous HS-DPCCH signal) |
| E-DCH info | |
| - E-DPCCH info | |
| - E-DPCCH/DPCCH power offset | Value used in test: see Table C.11.1.4 |
| - E-TFC Boost Info | |
| - E-TFCI boost | Value used in test: see Table C.11.1.4 |
| - Delta T2TP | 12 dB |
| - UL 16QAM settings | |
| - BetaEd gain E-AGCH table selection | 0 |
| Downlink HS-PDSCH Information | |
| - Measurement Feedback Info | |
| - CQI Feedback cycle, k | 4 ms |
| - CQI repetition factor | 2 (required for continuous HS-DPCCH signal) |
| - Δ_{CQI} | Value used in test: see Table C.11.1.4 |

Table 5.2E.4: Settings for the serving cell during the measurement of UE Relative Code Domain Power Accuracy with HS-DPCCH and E-DCH

| Parameter | Unit | Cell 1 |
|--|--------------|-------------------------------|
| Cell type | | Serving cell |
| UTRA RF Channel Number | | As defined in clause 5.2E.4.1 |
| Qqualmin | dB | -24 |
| Qrxlevmin | dBm | -115 |
| UE_TXPWR_MAX_RACH | dBm | +21 |
| \hat{I}_{or} (see notes 1 and 2) | dBm/3.84 MHz | -86 |
| NOTE 1: The power level is specified in terms of \hat{I}_{or} instead of CPICH_RSCP because RSCP is a receiver measurement, whereas the SS can only set \hat{I}_{or} . | | |
| NOTE 2: The cell fulfils TS 25.304, clause 5.2.3.1.2. | | |

5.2E.4.2 Procedure

- 1) Set the Absolute Grant according to Table C.11.1.4.
- 2) The SS starts transmitting HSDPA and the UE loops the received data back on E-DCH.
- 3) Generate suitable TPC commands from the SS to set the output power of the UE to be in the range 15 dBm \pm 2 dB.

- 4) Confirm that the E-TFCI transmitted by the UE is equal to the target E-TFCI in Table C.11.1.4. If the E-TFCI transmitted by the UE is not equal to the target E-TFCI, then fail the UE.
- 5) Send alternating "0" and "1" TPC commands in the downlink so as to satisfy the condition of obtaining $TPC_cmd = 0$.
- 6) Send Absolute Grants in a repeating pattern starting with the value according to Table C.11.1.4 and alternating between this value and an Absolute Grant Index of Zero_Grant. This will generate a repeating pattern on the E-DPDCH(s) with a level corresponding to the sending of Scheduling Information every other 2ms E-DCH TTI as shown in Figure 5.2E.1.

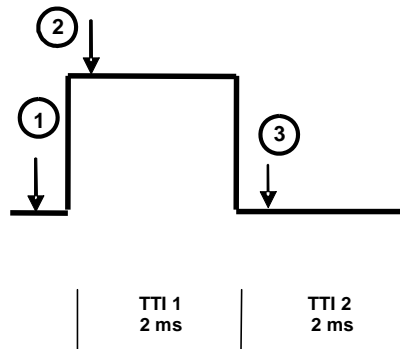


Figure 5.2E.1: Transmit power profile showing measurement points

- 7) Measure the relative code domain power of each active code at the measurement points specified in Figure 5.2E.1. Each measurement is made over one timeslot. Measurement point 1 is the last timeslot before TTI1. Measurement point 2 is the first timeslot of TTI1 and measurement point 3 is the first timeslot of TTI2. The 25 us transient periods at the ends of each measured timeslot shall not be included. The nominal UE relative code domain power for each active code at each point is defined in table 5.2E.5. The required accuracy which is the difference between the expected and measured code domain power shall meet the test requirements given in table 5.2E.6.

5.2E.5 Test requirements

For all UE relative code domain power nominal ratios given in table 5.2E.5 ≥ -30 dB the UE shall meet the UE relative code domain power accuracy test requirements given in Table 5.2E.6.

Table 5.2E.5: UE relative code domain power nominal ratios

| Sub-Test in Table C.11.1.4 | Meas Point | Expected Relative Code Domain Power in dB | | | | | |
|----------------------------|------------|---|----------|---------|-----------|-----------|-------------|
| | | DPCCH | HS-DPCCH | E-DPCCH | E-DPDCH 1 | E-DPDCH 2 | E-DPDCH 3,4 |
| 1 | 1 | -9.6 | -3.6 | -3.6 | -19.1 | OFF | OFF |
| | 2 | -13.4 | -7.4 | -7.4 | -7.4 | -7.4 | -9.4 |
| | 3 | -9.6 | -3.6 | -3.6 | -19.1 | OFF | OFF |

Table 5.2E.6: UE relative code domain power accuracy test requirements, HSDPA and E-DCH with 16QAM

| Nominal CDP ratio | Accuracy (dB) |
|-------------------------|---------------|
| ≥ -10 dB | ± 1.7 |
| -10 dB to ≥ -15 dB | ± 2.3 |
| -15 dB to ≥ -20 dB | ± 2.9 |
| -20 dB to ≥ -30 dB | $[\pm 3.5]$ |

NOTE 1: If the above Test Requirement differs from the Minimum Requirement then the Test Tolerance applied for this test is non-zero. The Test Tolerance for this test is defined in clause F.2 and the explanation of how the Minimum Requirement has been relaxed by the Test Tolerance is given in clause F.4.

NOTE 2: For the measurement points in which UE uses 16QAM modulation the correction factor in the measurements shall be applied to the β_{ed} value used to compute the Nominal CDP equal to $\{A_1*(0.4472)^2 + A_2*(1.3416)^2 + A_3*(-0.4472)^2 + A_4*(-1.3416)^2\}^{1/2}$ where A_1, A_2, A_3 and A_4 are the fractions of symbols (00, 01, 10, 11 respectively) transmitted during the test.

5.2EA UE Relative Code Domain Power Accuracy for DC-HSUPA with 16QAM

5.2EA.1 Definition and applicability

The requirement and corresponding measurements apply to each individual carrier when the total power in each of the assigned carriers is equal to each other.

The UE Relative code domain power accuracy is a measure of the ability of the UE to correctly set the level of individual code powers in a carrier relative to the total power of all active codes in that carrier. When the UE uses 16QAM modulation on any of the uplink code channels in a carrier the IQ origin offset power measured in that carrier shall be removed from the Measured CDP ratio in that carrier; however, the removed relative IQ origin offset power (relative carrier leakage power) measured in that carrier also has to satisfy the applicable requirement in that carrier. The measure of accuracy is the difference between two dB ratios measured per carrier configured on the uplink:

$$\text{UE Relative CDP accuracy} = (\text{Measured CDP ratio}) - (\text{Nominal CDP ratio})$$

where

$$\text{Measured CDP ratio} = 10 \cdot \log((\text{Measured code power}) / (\text{Measured total power of all active codes}))$$

$$\text{Nominal CDP ratio} = 10 \cdot \log((\text{Nominal CDP}) / (\text{Sum of all nominal CDPs}))$$

The nominal CDP of a code is relative to the total of all codes in each carrier and is derived from beta factors. The sum of all nominal CDPs will equal 1 by definition.

NOTE: The above definition of UE relative CDP accuracy is independent of variations in the actual total power of the signal in each carrier and of noise in the signal that falls on inactive codes.

The reference measurement channels for the requirements in this subclause are provided in subclause C.2.7 with additional parameters as specified in Table C.11A.1.2.

The requirements and this test apply for Release 9 and later releases to all types of UTRA for the FDD UE that support Dual Cell E-DCH 16QAM UE capability category 9.

5.2EA.2 Minimum Requirements

The required accuracy of the UE relative CDP is given in table 5.2EA.1. The UE relative CDP accuracy shall be maintained over the period during which the total of all active code powers remains unchanged or one timeslot, whichever is the longer.

Table 5.2EA.1: UE Relative CDP accuracy, HS-DPCCH and E-DCH with 16QAM

| Nominal CDP ratio | Accuracy (dB) |
|-------------------------|---------------|
| ≥ -10 dB | ± 1.5 |
| -10 dB to ≥ -15 dB | ± 2.0 |
| -15 dB to ≥ -20 dB | ± 2.5 |
| -20 dB to ≥ -30 dB | ± 3.0 |

The normative reference for this requirement is TS 25.101 [1] clause 6.2.3A.

5.2EA.3 Test purpose

To verify that the UE relative code domain power accuracy meets the requirements given in table 5.2EA.4.

5.2EA.4 Method of test

5.2EA.4.1 Initial conditions

Test environment: normal; see clauses G.2.1 and G.2.2.

Frequencies to be tested: mid range; see clause G.2.4.

- 1) Connect the SS (node B emulator) to the UE antenna connector as shown in figure A.41.
- 2) The UL Reference Measurement Channel and parameters are specified in Annex C.2.7 and C.11A. The DL Reference Measurement Channel (FRC H-SET 3A, QPSK) is specified in C.8.1.1.
- 3) An E-DCH call is set up according to TS 34.108 [3] 7.3.14 with the exceptions in the RADIO BEARER SETUP message as specified in Table 5.2EA.2. RF parameters are set up according to table E.5A.1A. Settings for the serving cell are defined in table 5.2EA.3.
- 4) Enter the UE into loopback test mode 1 looping back HSDPA to E-DCH, and start the loopback test.

See TS 34.109 [4] clauses 5.3.2.3 and 5.3.2.6 for details regarding loopback test mode for HSDPA and E-DCH.

Table 5.2EA.2: Contents of RADIO BEARER SETUP message: AM or UM (DC-HSUPA)

| Information Element | Value/Remark |
|---|--------------------------------|
| CHOICE channel requirement - Power Control Algorithm | Uplink DPCH info Algorithm2 |

Table 5.2EA.3: Settings for the serving cell during the measurement of UE Relative Code Domain Power Accuracy for DC-HSUPA with 16QAM

| Parameter | Unit | Cell 1 |
|--|--------------|--------------------------------|
| Cell type | | Serving cell |
| UTRA RF Channel Number | | As defined in clause 5.2BA.4.1 |
| Qqualmin | dB | -24 |
| Qrxlevmin | dBm | -115 |
| UE_TXPWR_MAX_RACH | dBm | +21 |
| \hat{I}_{or} (see notes 1 and 2) | dBm/3.84 MHz | -86 |
| NOTE 1: The power level is specified in terms of \hat{I}_{or} instead of CPICH_RSCP because RSCP is a receiver measurement, whereas the SS can only set \hat{I}_{or} . | | |
| NOTE 2: The cell fulfils TS 25.304, 5.2.3.1.2. | | |

5.2EA.4.2 Procedure

- 1) Set the Absolute Grant according to Table C.11A.1.2.
- 2) The SS starts transmitting HSDPA and the UE loops the received data back on E-DCH.
- 3) Generate suitable TPC commands to each individual carrier from the SS to set the total power in each of the assigned carriers to be equal to each other within ± 1.7 dB and the total output power of the UE to be in the range $15\text{dBm} \pm 2\text{dB}$.
- 4) Confirm that the E-TFCI transmitted by the UE is equal to the target E-TFCI in Table C.11A.1.2. If the E-TFCI transmitted by the UE is not equal to the target E-TFCI, then fail the UE.
- 5) Send alternating "0" and "1" TPC commands in the downlink so as to satisfy the condition of obtaining $\text{TPC_cmd} = 0$. This test step is expected to keep the total power in each of the assigned carriers to be equal to each other within ± 1.7 dB and the total output power of the UE to be in the range $15\text{dBm} \pm 2\text{dB}$ during the relative code domain power measurements performed at next step.
- 6) Measure the relative code domain power of each active code on each uplink frequency. Each measurement is made over one timeslot.

5.2EA.5 Test requirements

For all UE relative code domain power nominal ratios given in table 5.2EA.4 the UE shall meet the UE relative code domain power accuracy test requirements given in Table 5.2EA.5.

Table 5.2EA.4: UE relative code domain power nominal ratios

| Expected Relative Code Domain Power in dB | | | | | | | | |
|---|----------|---------|-------------------------------|-------------------------------|----------------------------|---------|-------------------------------|-------------------------------|
| Primary Uplink Frequency | | | | | Secondary Uplink Frequency | | | |
| DPCCH | HS-DPCCH | E-DPCCH | E-DPDCH codes 1 and 2 (2xSF2) | E-DPDCH codes 3 and 4 (2xSF4) | DPCCH | E-DPCCH | E-DPDCH codes 1 and 2 (2xSF2) | E-DPDCH codes 3 and 4 (2xSF4) |
| -24.0 | -21.9 | -15.9 | -4.9 | -7.9 | -23.9 | -15.9 | -4.9 | -7.9 |

Table 5.2EA.5: UE relative code domain power accuracy test requirements, HSDPA and E-DCH with 16QAM

| Nominal CDP ratio | Accuracy (dB) |
|--------------------|---------------|
| ≥ -10 dB | ±1.7 |
| -10 dB to ≥ -15 dB | ±2.3 |
| -15 dB to ≥ -20 dB | ±2.9 |
| -20 dB to ≥ -30 dB | ±3.5 |

NOTE 1: If the above Test Requirement differs from the Minimum Requirement then the Test Tolerance applied for this test is non-zero. The Test Tolerance for this test is defined in clause F.2 and the explanation of how the Minimum Requirement has been relaxed by the Test Tolerance is given in clause F.4.

NOTE 2: For the measurement points in which UE uses 16QAM modulation the correction factor in the measurements shall be applied to the β_{cd} value used to compute the Nominal CDP equal to $\{A_1*(0.4472)^2 + A_2*(1.3416)^2 + A_3*(-0.4472)^2 + A_4*(-1.3416)^2\}^{1/2}$ where A_1, A_2, A_3 and A_4 are the fractions of symbols (00, 01, 10, 11 respectively) transmitted during the test.

5.2EB FFS

5.2EC UE Relative Code Domain Power Accuracy for HS-DPCCH and E-DCH with 16QAM for UL CLTD activation state 1

Editor's note: This clause is incomplete. The following aspects are either missing or not yet determined:

- Message contents are FFS
- Test procedure, test tolerances may need an update.
- Update of Annexure is FFS
- Code domain power calculation is FFS.

5.2EC.1 Definition and applicability

The UE Relative code domain power accuracy is a measure of the ability of the UE to correctly set the level of individual code powers relative to the total power of all active codes. When the UE uses 16QAM modulation on any of the uplink code channels the IQ origin offset power shall be removed from the Measured CDP ratio; however, the removed relative IQ origin offset power (relative carrier leakage power) also has to satisfy the applicable requirement. The measure of accuracy is the difference between two dB ratios:

$$\text{UE Relative CDP accuracy} = (\text{Measured CDP ratio}) - (\text{Nominal CDP ratio})$$

where

$$\text{Measured CDP ratio} = 10 \cdot \log((\text{Measured code power}) / (\text{Measured total power of all active codes}))$$

$$\text{Nominal CDP ratio} = 10 \cdot \log((\text{Nominal CDP}) / (\text{Sum of all nominal CDPs}))$$

The nominal CDP of a code is relative to the total of all codes and is derived from beta factors.

When the UE uses 16QAM modulation a correction factor shall be applied to the β_{ed} value used to compute the Nominal CDP equal to $\{A_1 \cdot (0.4472)^2 + A_2 \cdot (1.3416)^2 + A_3 \cdot (-0.4472)^2 + A_4 \cdot (-1.3416)^2\}^{1/2}$ where A_1 , A_2 , A_3 and A_4 are the fractions of symbols (00, 01, 10, 11 respectively) transmitted during the test.

The sum of all nominal CDPs will equal 1 by definition.

NOTE: The above definition of UE relative CDP accuracy is independent of variations in the actual total power of the signal and of noise in the signal that falls on inactive codes.

The requirements apply for Release 11 and later releases for all types of UTRA for the FDD UE that support E-DCH 16QAM UE capability category 7 and UL CLTD.

5.2EC.2 Minimum Requirements

The required accuracy of the UE relative CDP is given in table 5.2EC.1. The UE relative CDP accuracy shall be maintained over the period during which the total of all active code powers remains unchanged or one timeslot, whichever is the longer.

For UE with two active transmit antenna connectors in UL CLTD activation state 1, the relative code domain power accuracy specified in table 5.2CB.1 applies at each transmit antenna connector.

Table 5.2EC.1: UE Relative CDP accuracy, HS-DPCCH and E-DCH with 16QAM

| Nominal CDP ratio | Accuracy (dB) |
|-------------------------|---------------|
| ≥ -10 dB | ± 1.5 |
| -10 dB to ≥ -15 dB | ± 2.0 |
| -15 dB to ≥ -20 dB | ± 2.5 |
| -20 dB to ≥ -30 dB | ± 3.0 |

The normative reference for this requirement is TS 25.101 [1] clause 6.2.3C.

5.2EC.3 Test purpose

To verify that the UE relative code domain power accuracy for UL CLTD activation state 1 meets the requirements given in table 5.2EC.6.

5.2EC.4 Method of test

5.2EC.4.1 Initial conditions

Test environment: normal; see clauses G.2.1 and G.2.2.

Frequencies to be tested: mid range; see clause G.2.4.

- 1) Connect the SS (node B emulator) to the UE antenna connector as shown in figure FFS.
- 2) The UL Reference Measurement Channel and the DL Fixed Reference Channels (FRC H-Set 1, 16QAM) are specified in Annex FFS. The payload of the transport block for the DL Fixed Reference Channels shall be PRBS data.
- 3) An E-DCH call is set up according to TS 34.108 [3] 7.3.17 with the following exceptions in the RADIO BEARER SETUP messages. These exceptions allow the beta values to be set according to table FFS and each UL physical channel to be at constant power at the start of the measurement. RF parameters are set up according to FFS. Settings for the serving cell are defined in table 5.2E.4. Uplink SRB for DCCH mapped on E-DCH and downlink SRB for DCCH on DCH. E-DCH is configured with 2ms TTI.
- 4) SS sends a HS-SCCH order activating UL_CLTD activation state 1.
- 5) Enter the UE into loopback test mode 1 looping back HSDPA to E-DCH, and start the loopback test.

See TS 34.109 [4] clauses 5.3.2.3 and 5.3.2.6 for details regarding loopback test mode for HSDPA and E-DCH.

**Table 5.2EC.2: Contents of RADIO BEARER SETUP message:
AM or UM (E-DCH and HSDPA) for Sub-test 1**

| Information Element | Value/Remark |
|--------------------------------|------------------|
| E-DCH info | Uplink DPCH info |
| - E-DPCCH info | |
| - E-DPDCCH power interpolation | FALSE |
| - E-DPDCCH info | |
| - E-TFCI Table Index | 2 |
| - Reference E-TFCIs | 3 E-TFCIs |
| - Reference E-TFCI | 105 |
| - Reference E-TFCI PO | 12 |
| - Reference E-TFCI | 116 |
| - Reference E-TFCI PO | 14 |
| - Reference E-TFCI | 127 |
| - Reference E-TFCI PO | 16 |
| - Max Channelisation Codes | SF4x2 and SF2x2 |

Table 5.2EC.3: Contents of RADIO BEARER SETUP message: AM or UM (E-DCH and HSDPA)

| Information Element | Value/Remark |
|--------------------------------------|---|
| CHOICE channel requirement | Uplink DPCH info |
| - Power Control Algorithm | Algorithm2 |
| - Δ_{ACK} | Value used in test: see Table C.11.1.4 |
| - Δ_{NACK} | Value used in test: see Table C.11.1.4 |
| - Ack-Nack repetition factor | 3 (required for continuous HS-DPCCH signal) |
| E-DCH info | |
| - E-DPCCH info | |
| - E-DPCCH/DPCCH power offset | Value used in test: see Table C.11.1.4 |
| - E-TFC Boost Info | |
| - E-TFCI boost | Value used in test: see Table C.11.1.4 |
| - Delta T2TP | 12 dB |
| - UL 16QAM settings | |
| - BetaEd gain E-AGCH table selection | 0 |
| Downlink HS-PDSCH Information | |
| - Measurement Feedback Info | |
| - CQI Feedback cycle, k | 4 ms |
| - CQI repetition factor | 2 (required for continuous HS-DPCCH signal) |
| - Δ_{CQI} | Value used in test: see Table C.11.1.4 |

Table 5.2EC.4: Settings for the serving cell during the measurement of UE Relative Code Domain Power Accuracy with HS-DPCCH and E-DCH

| Parameter | Unit | Cell 1 |
|--|-----------------|-------------------------------|
| Cell type | | Serving cell |
| UTRA RF Channel Number | | As defined in clause 5.2E.4.1 |
| Qqualmin | dB | -24 |
| Qrxlevmin | dBm | -115 |
| UE_TXPWR_MAX_RACH | dBm | +21 |
| \hat{I}_{or} (see notes 1 and 2) | dBm/3.84 MHz | -86 |
| NOTE 1: The power level is specified in terms of \hat{I}_{or} instead of CPICH_RSCP because RSCP is a receiver measurement, whereas the SS can only set \hat{I}_{or} . | | |
| NOTE 2: The cell fulfils TS 25.304, clause 5.2.3.1.2. | | |

5.2EC.4.2 Procedure

- 1) Set the Absolute Grant according to Table C.11.1.4.
- 2) The SS starts transmitting HSDPA and the UE loops the received data back on E-DCH.

- 3) Generate suitable TPC commands from the SS to set the output power of the UE to be in the range 15 dBm \pm 2 dB.
- 4) Confirm that the E-TFCI transmitted by the UE is equal to the target E-TFCI in Table C.11.1.4. If the E-TFCI transmitted by the UE is not equal to the target E-TFCI, then fail the UE.
- 5) Send alternating "0" and "1" TPC commands in the downlink so as to satisfy the condition of obtaining TPC_cmd = 0.
- 6) Send Absolute Grants in a repeating pattern starting with the value according to Table C.11.1.4 and alternating between this value and an Absolute Grant Index of Zero_Grant. This will generate a repeating pattern on the E-DPDCH(s) with a level corresponding to the sending of Scheduling Information every other 2ms E-DCH TTI as shown in Figure 5.2EC.1.

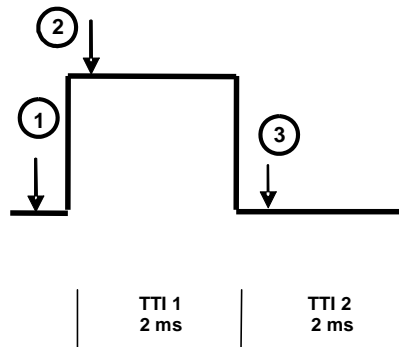


Figure 5.2EC.1: Transmit power profile showing measurement points

- 7) Measure the relative code domain power of each active code at the measurement points specified in Figure 5.2EC.1 at each transmit antenna connector. Each measurement is made over one timeslot. Measurement point 1 is the last timeslot before TTI1. Measurement point 2 is the first timeslot of TTI1 and measurement point 3 is the first timeslot of TTI2. The 25 μ s transient periods at the ends of each measured timeslot shall not be included. The nominal UE relative code domain power for each active code at each point is defined in table 5.2EC.5. The required accuracy which is the difference between the expected and measured code domain power shall meet the test requirements given in table 5.2EC.6.

5.2EC.5 Test requirements

For all UE relative code domain power nominal ratios given in table 5.2EC.5 \geq -30 dB the UE shall meet the UE relative code domain power accuracy test requirements given in Table 5.2EC.6.

For UE with two active transmit antenna connectors in UL CLTD activation state 1, the relative code domain power accuracy applies at each transmit antenna connector.

Table 5.2EC.5: UE relative code domain power nominal ratios

FFS

Table 5.2EC.6: UE relative code domain power accuracy test requirements, HSDPA and E-DCH with 16QAM

FFS

NOTE 1: If the above Test Requirement differs from the Minimum Requirement then the Test Tolerance applied for this test is non-zero. The Test Tolerance for this test is defined in clause FFS and the explanation of how the Minimum Requirement has been relaxed by the Test Tolerance is given in clause FFS.

NOTE 2: For the measurement points in which UE uses 16QAM modulation the correction factor in the measurements shall be applied to the β_{ed} value used to compute the Nominal CDP equal to $\{A_1*(0.4472)^2 + A_2*(1.3416)^2 + A_3*(-0.4472)^2 + A_4*(-1.3416)^2\}^{1/2}$ where A_1 , A_2 , A_3 and A_4 are the fractions of symbols (00, 01, 10, 11 respectively) transmitted during the test.

5.2ED UE Relative Code Domain Power Accuracy for HS-DPCCH and E-DCH with 16QAM for UL CLTD activation state 2 and 3

Editor's note: This clause is incomplete. The following aspects are either missing or not yet determined:

- Message contents are FFS
- Call Setup procedure, test procedure, test tolerances may need an update.
- Update of Annexure is FFS
- Code domain power calculation is FFS.

5.2ED.1 Definition and applicability

The UE Relative code domain power accuracy is a measure of the ability of the UE to correctly set the level of individual code powers relative to the total power of all active codes. When the UE uses 16QAM modulation on any of the uplink code channels the IQ origin offset power shall be removed from the Measured CDP ratio; however, the removed relative IQ origin offset power (relative carrier leakage power) also has to satisfy the applicable requirement. The measure of accuracy is the difference between two dB ratios:

$$\text{UE Relative CDP accuracy} = (\text{Measured CDP ratio}) - (\text{Nominal CDP ratio})$$

where

$$\text{Measured CDP ratio} = 10 \cdot \log((\text{Measured code power}) / (\text{Measured total power of all active codes}))$$

$$\text{Nominal CDP ratio} = 10 \cdot \log((\text{Nominal CDP}) / (\text{Sum of all nominal CDPs}))$$

The nominal CDP of a code is relative to the total of all codes and is derived from beta factors.

When the UE uses 16QAM modulation a correction factor shall be applied to the β_{ed} value used to compute the Nominal CDP equal to $\{A_1 \cdot (0.4472)^2 + A_2 \cdot (1.3416)^2 + A_3 \cdot (-0.4472)^2 + A_4 \cdot (-1.3416)^2\}^{1/2}$ where A_1 , A_2 , A_3 and A_4 are the fractions of symbols (00, 01, 10, 11 respectively) transmitted during the test.

The sum of all nominal CDPs will equal 1 by definition.

NOTE: The above definition of UE relative CDP accuracy is independent of variations in the actual total power of the signal and of noise in the signal that falls on inactive codes.

The requirements apply for Release 11 and later releases for all types of UTRA for the FDD UE that support E-DCH 16QAM UE capability category 7 and UL CLTD.

5.2ED.2 Minimum Requirements

The required accuracy of the UE relative CDP is given in table 5.2ED.1. The UE relative CDP accuracy shall be maintained over the period during which the total of all active code powers remains unchanged or one timeslot, whichever is the longer.

For UE configured in UL CLTD activation state 2 or activation state 3, the relative code domain power accuracy specified in table 5.2ED.1 applies at the active transmit antenna connector.

Table 5.2ED.1: UE Relative CDP accuracy, HS-DPCCH and E-DCH with 16QAM

| Nominal CDP ratio | Accuracy (dB) |
|-------------------------|---------------|
| ≥ -10 dB | ± 1.5 |
| -10 dB to ≥ -15 dB | ± 2.0 |
| -15 dB to ≥ -20 dB | ± 2.5 |
| -20 dB to ≥ -30 dB | ± 3.0 |

The normative reference for this requirement is TS 25.101 [1] clause 6.2.3C.

5.2ED.3 Test purpose

To verify that the UE relative code domain power accuracy for UL CLTD activation state 2 and 3 meets the requirements given in table 5.2ED.6.

5.2ED.4 Method of test

5.2ED.4.1 Initial conditions

Test environment: normal; see clauses G.2.1 and G.2.2.

Frequencies to be tested: mid range; see clause G.2.4.

- 1) Connect the SS (node B emulator) to the UE antenna connector as shown in figure FFS.
- 2) The UL Reference Measurement Channel and the DL Fixed Reference Channels (FRC H-Set 1,16QAM) are specified in Annex FFS. The payload of the transport block for the DL Fixed Reference Channels shall be PRBS data.
- 3) An E-DCH call is set up according to TS 34.108 [3] 7.3.17 with the following exceptions in the RADIO BEARER SETUP messages. These exceptions allow the beta values to be set according to table FFS and each UL physical channel to be at constant power at the start of the measurement. RF parameters are set up according to table FFS. Settings for the serving cell are defined in table 5.2ED.4. Uplink SRB for DCCH mapped on E-DCH and downlink SRB for DCCH on DCH. E-DCH is configured with 2ms TTI.
- 4) SS sends a HS-SCCH order activating UL_CLTD activation state 2.
- 5) Enter the UE into loopback test mode 1 looping back HSDPA to E-DCH, and start the loopback test.

See TS 34.109 [4] clauses 5.3.2.3 and 5.3.2.6 for details regarding loopback test mode for HSDPA and E-DCH.

**Table 5.2ED.2: Contents of RADIO BEARER SETUP message:
AM or UM (E-DCH and HSDPA) for Sub-test 1**

| Information Element | Value/Remark |
|-------------------------------|------------------|
| E-DCH info | Uplink DPCH info |
| - E-DPCCH info | |
| - E-DPDCH power interpolation | FALSE |
| - E-DPDCH info | |
| - E-TFCI Table Index | 2 |
| - Reference E-TFCIs | 3 E-TFCIs |
| - Reference E-TFCI | 105 |
| - Reference E-TFCI PO | 12 |
| - Reference E-TFCI | 116 |
| - Reference E-TFCI PO | 14 |
| - Reference E-TFCI | 127 |
| - Reference E-TFCI PO | 16 |
| - Max Channelisation Codes | SF4x2 and SF2x2 |

Table 5.2ED.3: Contents of RADIO BEARER SETUP message: AM or UM (E-DCH and HSDPA)

| Information Element | Value/Remark |
|--------------------------------------|---|
| CHOICE channel requirement | Uplink DPCH info |
| - Power Control Algorithm | Algorithm2 |
| - Δ_{ACK} | Value used in test: see Table C.11.1.4 |
| - Δ_{NACK} | Value used in test: see Table C.11.1.4 |
| - Ack-Nack repetition factor | 3 (required for continuous HS-DPCCH signal) |
| E-DCH info | |
| - E-DPCCH info | |
| - E-DPCCH/DPCCH power offset | Value used in test: see Table C.11.1.4 |
| - E-TFC Boost Info | |
| - E-TFCI boost | Value used in test: see Table C.11.1.4 |
| - Delta T2TP | 12 dB |
| - UL 16QAM settings | |
| - BetaEd gain E-AGCH table selection | 0 |
| Downlink HS-PDSCH Information | |
| - Measurement Feedback Info | |
| - CQI Feedback cycle, k | 4 ms |
| - CQI repetition factor | 2 (required for continuous HS-DPCCH signal) |
| - Δ_{CQI} | Value used in test: see Table C.11.1.4 |

Table 5.2ED.4: Settings for the serving cell during the measurement of UE Relative Code Domain Power Accuracy with HS-DPCCH and E-DCH

| Parameter | Unit | Cell 1 |
|--|--------------|-------------------------------|
| Cell type | | Serving cell |
| UTRA RF Channel Number | | As defined in clause 5.2E.4.1 |
| Qqualmin | dB | -24 |
| Qrxlevmin | dBm | -115 |
| UE_TXPWR_MAX_RACH | dBm | +21 |
| \hat{I}_{or} (see notes 1 and 2) | dBm/3.84 MHz | -86 |
| NOTE 1: The power level is specified in terms of \hat{I}_{or} instead of CPICH_RSCP because RSCP is a receiver measurement, whereas the SS can only set \hat{I}_{or} . | | |
| NOTE 2: The cell fulfils TS 25.304, clause 5.2.3.1.2. | | |

5.2ED.4.2 Procedure

- 1) Set the Absolute Grant according to Table C.11.1.4.
- 2) The SS starts transmitting HSDPA and the UE loops the received data back on E-DCH.
- 3) Generate suitable TPC commands from the SS to set the output power of the UE to be in the range 15 dBm \pm 2 dB.
- 4) Confirm that the E-TFCI transmitted by the UE is equal to the target E-TFCI in Table C.11.1.4. If the E-TFCI transmitted by the UE is not equal to the target E-TFCI, then fail the UE.
- 5) Send alternating "0" and "1" TPC commands in the downlink so as to satisfy the condition of obtaining TPC_cmd = 0.
- 6) Send Absolute Grants in a repeating pattern starting with the value according to Table C.11.1.4 and alternating between this value and an Absolute Grant Index of Zero_Grant. This will generate a repeating pattern on the E-DPDCH(s) with a level corresponding to the sending of Scheduling Information every other 2ms E-DCH TTI as shown in Figure 5.2ED.1.

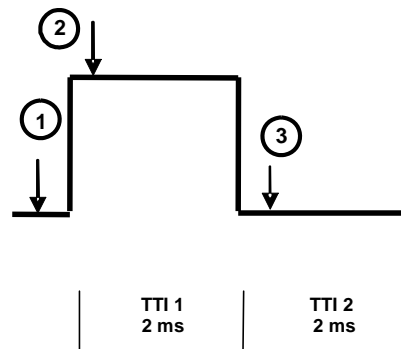


Figure 5.2ED.1: Transmit power profile showing measurement points

- 7) Measure the relative code domain power of each active code at the measurement points specified in Figure 5.2ED.1 at the active transmit antenna connector. Each measurement is made over one timeslot. Measurement point 1 is the last timeslot before TTI1. Measurement point 2 is the first timeslot of TTI1 and measurement point 3 is the first timeslot of TTI2. The 25 us transient periods at the ends of each measured timeslot shall not be included. The nominal UE relative code domain power for each active code at each point is defined in table 5.2ED.5. The required accuracy which is the difference between the expected and measured code domain power shall meet the test requirements given in table 5.2ED.6.
- 8) SS sends a HS-SCCH order activating UL_CLTD activation state 3
- 9) Repeat step 1 to 7 for activation state 3.

5.2ED.5 Test requirements

For all UE relative code domain power nominal ratios given in table 5.2ED.5 ≥ -30 dB the UE shall meet the UE relative code domain power accuracy test requirements given in Table 5.2ED.6.

For UE configured in UL CLTD activation state 2 or activation state 3, the relative code domain power accuracy applies at the active transmit antenna connector.

Table 5.2ED.5: UE relative code domain power nominal ratios

FFS

Table 5.2ED.6: UE relative code domain power accuracy test requirements, HSDPA and E-DCH with 16QAM

FFS

- NOTE 1: If the above Test Requirement differs from the Minimum Requirement then the Test Tolerance applied for this test is non-zero. The Test Tolerance for this test is defined in clause FFS and the explanation of how the Minimum Requirement has been relaxed by the Test Tolerance is given in clause FFS.
- NOTE 2: For the measurement points in which UE uses 16QAM modulation the correction factor in the measurements shall be applied to the β_{ed} value used to compute the Nominal CDP equal to $\{A_1*(0.4472)^2 + A_2*(1.3416)^2 + A_3*(-0.4472)^2 + A_4*(-1.3416)^2\}^{1/2}$ where A_1, A_2, A_3 and A_4 are the fractions of symbols (00, 01, 10, 11 respectively) transmitted during the test.

5.3 Frequency Error

5.3.1 Definition and applicability

The frequency error is the difference between the RF modulated carrier frequency transmitted from the UE and the assigned frequency. The UE transmitter tracks to the RF carrier frequency received from the Node B. These signals will have an apparent error due to Node B frequency error and Doppler shift. In the later case, signals from the Node B must be averaged over sufficient time that errors due to noise or interference are allowed for within the minimum requirements specified in 5.3.2.

The UE shall use the same frequency source for both RF frequency generation and the chip clock.

The requirements and this test apply to all types of UTRA for the FDD UE.

5.3.2 Minimum Requirements

The UE modulated carrier frequency shall be accurate to within $\pm 0,1$ ppm observed over a period of one timeslot compared to the carrier frequency received from the Node B.

The normative reference for this requirement is TS 25.101 [1] clause 6.3.

5.3.3 Test purpose

To verify that the UE carrier frequency error does not exceed $\pm 0,1$ ppm. This requirement is tested with the UE receiver at the reference sensitivity.

An excess error of the carrier frequency increases the transmission errors in the up link own channel.

This test verifies the ability of the receiver to derive correct frequency information for the transmitter, when locked to the DL carrier frequency.

5.3.4 Method of test

5.3.4.1 Initial conditions

Test environment for UE without vibration sensitive components: normal, TL/VL, TL/VH, TH/VL, TH/VH; see clauses G.2.1 and G.2.2.

Test environment for other UE: normal, TL/VL, TL/VH, TH/VL, TH/VH, vibration; see clauses G.2.1, G.2.2 and G.2.3.

NOTE: "UE without vibration sensitive components" is declared in table A.12 of [32].

Frequencies to be tested: low range, mid range, high range; see clause G.2.4.

- 1) Connect the SS to the UE antenna connector as shown in figure A.1.
- 2) A call is set up according to the Generic call setup procedure in TS34.108 [3] sub clause 7.3.2, and RF parameters (DPCH_Ec and $\hat{\sigma}$) are set up according to table 6.2.2. The relative power level of other downlink physical channels to the DPCH_Ec are set up according to clause E.3.2.
- 3) Enter the UE into loopback test mode and start the loopback test.

See TS 34.108 [3] and TS 34.109 [4] for details regarding generic call setup procedure and loopback test.

5.3.4.2 Procedure

- 1) Set and send continuously Up power control commands to the UE until the UE reaches its maximum output power.
- 2) Measure the frequency error Δf , using the Global In-Channel-Tx-test (annex B).

5.3.5 Test Requirements

For all measurements, the frequency error, derived in step 2), shall not exceed $\pm(0,1 \text{ ppm} + 10 \text{ Hz})$.

NOTE: If the above Test Requirement differs from the Minimum Requirement then the Test Tolerance applied for this test is non-zero. The Test Tolerance for this test is defined in clause F.2 and the explanation of how the Minimum Requirement has been relaxed by the Test Tolerance is given in clause F.4.

5.3A Frequency Error for DC-HSUPA

5.3A.1 Definition and applicability

The frequency error for DC-HSUPA is the difference, for each carrier, between the RF modulated carrier frequency transmitted from the UE and the assigned frequency. The UE transmitter tracks to the RF carrier frequencies received from the Node B. These signals will have an apparent error due to Node B frequency error and Doppler shift. In the later case, signals from the Node B must be averaged over sufficient time that errors due to noise or interference are allowed for within the minimum requirements specified in clause 5.3A.2.

The UE shall use the same frequency source for both RF frequency generation and the chip clock.

The requirements and this test apply for Release 9 and later releases to all types of UTRA for the FDD UE that support HSDPA and Dual Cell E-DCH.

5.3A.2 Minimum Requirements

The UE modulated carrier frequency per carrier shall be accurate to within $\pm 0,1 \text{ ppm}$ observed over a period of one timeslot compared to the carrier frequencies received from the Node B. If the signal from one Node B cell is out-of-sync, the UE modulated carrier frequency shall be compared to the remaining carrier frequency received from the other Node B cell.

The normative reference for this requirement is TS 25.101 [1] clause 6.3A.

5.3A.3 Test purpose

To verify that the UE carrier frequency error, on each carrier, does not exceed $\pm 0,1 \text{ ppm}$. This requirement is tested with the UE receiver at the reference sensitivity.

An excess error of the carrier frequency increases the transmission errors in the up link own channel.

This test verifies the ability of the receiver to derive correct frequency information for the transmitter, when locked to the DL carrier frequencies.

5.3A.4 Method of test

5.3A.4.1 Initial conditions

Test environment for UE without vibration sensitive components: normal, TL/VL, TL/VH, TH/VL, TH/VH; see clauses G.2.1 and G.2.2.

Test environment for other UE: normal, TL/VL, TL/VH, TH/VL, TH/VH, vibration; see clauses G.2.1, G.2.2 and G.2.3.

NOTE: "UE without vibration sensitive components" is declared in table A.12 of [32].

Frequencies to be tested: low range, mid range, high range; see clause G.2.4.

- 1) Connect the SS to the UE antenna connector as shown in figure A.41.
- 2) The UL Reference Measurement Channel and parameters are specified in Annex C.2.6 and C.11A. The DL Reference Measurement Channel (FRC H-SET 3A, QPSK) is specified in C.8.1.1.
- 3) A call is set up according to the Generic call setup procedure specified in TS34.108 [3] sub clause 7.3.14, and RF parameters (HS-PDSCH_Ec and \hat{I}_{or}) are set up according to table 6.2A.1. The other RF parameters are set up according to table E.5A.1A.

4) Enter the UE into loopback test mode and start the loopback test.

See TS 34.108 [3] and TS 34.109 [4] for details regarding generic call setup procedure and loopback test.

5.3A.4.2 Procedure

- 1) Set the UE to maximum output power according to 5.2BA.4.2 steps 1 to 4.
- 2) Measure the frequency error Δf on each of the two assigned channel frequencies, using the Global In-Channel-Tx-test (annex B).

5.3A.5 Test Requirements

For all measurements, the frequency error, derived in step 2), shall not exceed $\pm(0,1 \text{ ppm} + 10 \text{ Hz})$.

NOTE: If the above Test Requirement differs from the Minimum Requirement then the Test Tolerance applied for this test is non-zero. The Test Tolerance for this test is defined in clause F.2 and the explanation of how the Minimum Requirement has been relaxed by the Test Tolerance is given in clause F.4.

5.3C Frequency Error for UL CLTD Activation state 1

Editor's note: This clause is incomplete. The following aspects are either missing or not yet determined:

- Message Contents are FFS.
- Call Setup procedure and test procedure may need an update.
- Update to 34.121-2 is FFS

5.3C.1 Definition and applicability

The frequency error for UL CLTD is the difference, between the RF modulated carrier frequency transmitted at each antenna connector from the UE and the assigned frequency. The UE transmitter tracks to the RF carrier frequency received from the Node B. These signals will have an apparent error due to Node B frequency error and Doppler shift. In the later case, signals from the Node B must be averaged over sufficient time that errors due to noise or interference are allowed for within the minimum requirements specified in 5.3C.2.

The UE shall use the same frequency source for both RF frequency generation and the chip clock.

The requirements and this test apply for Release 11 and later releases to all types of UTRA for the FDD UE that support UL CLTD.

5.3C.2 Minimum Requirements

The UE modulated carrier frequency at each antenna connector shall be accurate to within $\pm 0,1 \text{ ppm}$ observed over a period of one timeslot compared to the carrier frequency received from the Node B.

The normative reference for this requirement is TS 25.101 [1] clause 6.3C.

5.3C.3 Test purpose

To verify that the UE carrier frequency error at each antenna connector does not exceed $\pm 0,1 \text{ ppm}$. This requirement is tested with the UE receiver at the reference sensitivity.

An excess error of the carrier frequency increases the transmission errors in the up link own channel.

This test verifies the ability of the receiver to derive correct frequency information for the transmitter, when locked to the DL carrier frequency.

5.3C.4 Method of test

5.3C.4.1 Initial conditions

Test environment for UE without vibration sensitive components: normal, TL/VL, TL/VH, TH/VL, TH/VH; see clauses G.2.1 and G.2.2.

Test environment for other UE: normal, TL/VL, TL/VH, TH/VL, TH/VH, vibration; see clauses G.2.1, G.2.2 and G.2.3.

NOTE: "UE without vibration sensitive components" is declared in table A.12 of [32].

Frequencies to be tested: low range, mid range, high range; see clause G.2.4.

- 1) Connect the SS to the UE antenna connector as shown in figure FFS.
- 2) The UL Reference Measurement Channel and parameters are specified in Annex TBD. The DL Fixed Reference Channels (FRC H-Set 1, QPSK) is specified in Annex C.8.1.1.
- 3) An HSDPA call with CLTD is set up according to TS 34.108 [3] 7.3.17. RF parameters are set up according to table TBD and table TBD.
- 4) SS sends a HS-SCCH order activating UL_CLTD activation state 1.
- 5) Enter the UE into loopback test mode 1 in the presence of HSDPA and start the loopback test.

See TS 34.108 [3] and TS 34.109 [4] for details regarding loopback test mode for HSDPA.

5.3C.4.2 Procedure

- 1) Set and send continuously Up power control commands to the UE until the UE reaches its maximum output power.
- 2) Measure the frequency error Δf at each antenna connector, using the Global In-Channel-Tx-test (annex B).

5.3C.5 Test Requirements

For all measurements, the frequency error at each antenna connector, derived in step 2), shall not exceed $\pm(0,1 \text{ ppm} + 10 \text{ Hz})$.

NOTE: If the above Test Requirement differs from the Minimum Requirement then the Test Tolerance applied for this test is non-zero. The Test Tolerance for this test is defined in clause F.2 and the explanation of how the Minimum Requirement has been relaxed by the Test Tolerance is given in clause F.4.

5.3D Frequency Error for UL CLTD Activation state 2 and 3

Editor's note: This clause is incomplete. The following aspects are either missing or not yet determined:

- Message Contents are FFS.
- Call Setup procedure and test procedure may need an update.
- Update to 34.121-2 is FFS

5.3D.1 Definition and applicability

The frequency error for UL CLTD is the difference, between the RF modulated carrier frequency transmitted at each antenna connector from the UE and the assigned frequency. The UE transmitter tracks to the RF carrier frequency received from the Node B. These signals will have an apparent error due to Node B frequency error and Doppler shift. In the later case, signals from the Node B must be averaged over sufficient time that errors due to noise or interference are allowed for within the minimum requirements specified in 5.3D.2.

The UE shall use the same frequency source for both RF frequency generation and the chip clock.

The requirements and this test apply for Release 11 and later releases to all types of UTRA for the FDD UE that support UL CLTD.

5.3D.2 Minimum Requirements

The UE modulated carrier frequency at each antenna connector shall be accurate to within $\pm 0,1$ ppm observed over a period of one timeslot compared to the carrier frequency received from the Node B.

The normative reference for this requirement is TS 25.101 [1] clause 6.3C.

5.3D.3 Test purpose

To verify that the UE carrier frequency error at each antenna connector does not exceed $\pm 0,1$ ppm. This requirement is tested with the UE receiver at the reference sensitivity.

An excess error of the carrier frequency increases the transmission errors in the up link own channel.

This test verifies the ability of the receiver to derive correct frequency information for the transmitter, when locked to the DL carrier frequency.

5.3D.4 Method of test

5.3D.4.1 Initial conditions

Test environment for UE without vibration sensitive components: normal, TL/VL, TL/VH, TH/VL, TH/VH; see clauses G.2.1 and G.2.2.

Test environment for other UE: normal, TL/VL, TL/VH, TH/VL, TH/VH, vibration; see clauses G.2.1, G.2.2 and G.2.3.

NOTE: "UE without vibration sensitive components" is declared in table A.12 of [32].

Frequencies to be tested: low range, mid range, high range; see clause G.2.4.

- 1) Connect the SS to the UE antenna connector as shown in figure FFS.
- 2) The UL Reference Measurement Channel and parameters are specified in Annex TBD. The DL Fixed Reference Channels (FRC H-Set 1, QPSK) is specified in Annex C.8.1.1.
- 3) An HSDPA call with CLTD is set up according to TS 34.108 [3] 7.3.17. RF parameters are set up according to table TBD and table TBD.
- 4) SS sends a HS-SCCH order activating UL_CLTD activation state 2.
- 5) Enter the UE into loopback test mode 1 in the presence of HSDPA and start the loopback test for state 2.

See TS 34.108 [3] and TS 34.109 [4] for details regarding loopback test mode for HSDPA.

5.3D.4.2 Procedure

- 1) Set and send continuously Up power control commands to the UE until the UE reaches its maximum output power.
- 2) Measure the frequency error Δf at each antenna connector, using the Global In-Channel-Tx-test (annex B).
- 3) SS sends a HS-SCCH order activating UL_CLTD activation state 3.
- 4) Repeat step 1 to 2 for activation state 3.

5.3D.5 Test Requirements

For all measurements, the frequency error at each antenna connector, derived in step 2), shall not exceed $\pm(0,1 \text{ ppm} + 10 \text{ Hz})$.

NOTE: If the above Test Requirement differs from the Minimum Requirement then the Test Tolerance applied for this test is non-zero. The Test Tolerance for this test is defined in clause F.2 and the explanation of how the Minimum Requirement has been relaxed by the Test Tolerance is given in clause F.4.

5.4 Output Power Dynamics in the Uplink

Power control is used to limit the interference level.

5.4.1 Open Loop Power Control in the Uplink

5.4.1.1 Definition and applicability

Open loop power control in the uplink is the ability of the UE transmitter to set its output power to a specific value. This function is used for PRACH transmission and based on the information from Node B using BCCH and the downlink received signal power level of the CPICH. The information from Node B includes transmission power of CPICH and uplink interference power level.

The requirements and this test apply to all types of UTRA for the FDD UE.

5.4.1.2 Minimum requirements

The UE open loop power is defined as the mean power in a timeslot or ON power duration, whichever is available.

The UE open loop power control tolerance is given in table 5.4.1.1.

Table 5.4.1.1: Open loop power control tolerance

| | |
|--------------------|---------------------|
| Normal conditions | $\pm 9 \text{ dB}$ |
| Extreme conditions | $\pm 12 \text{ dB}$ |

The reference for this requirement is TS 25.101 [1] clause 6.4.1.

5.4.1.3 Test purpose

The power measured by the UE of the received signal and the signalled BCCH information are used by the UE to control the power of the UE transmitted signal with the target to transmit at the lowest power acceptable for proper communication.

The test stresses the ability of the receiver to measure the received power correctly over the receiver dynamic range.

The test purpose is to verify that the UE open loop power control tolerance does not exceed the described value shown in table 5.4.1.1.

An excess error of the open loop power control decreases the system capacity.

5.4.1.4 Method of test

5.4.1.4.1 Initial conditions

Test environment: normal, TL/VL, TL/VH, TH/VL, TH/VH; see clauses G.2.1 and G.2.2.

Frequencies to be tested: low range, mid range, high range; see clause G.2.4.

- 1) Connect the SS to the UE antenna connector as shown in figure A.1.
- 2) Channel conditions are initially set up with received CPICH_RSCP $> -85 \text{ dBm}$. The relative power level of downlink physical channels to Ior are set up according to clause E.2.1. The parameter settings of the cell are set up according to Table 5.4.1.1a.

- 3) Switch on the phone.
- 4) After the UE has performed registration and entered idle mode, \hat{I}_{or} is set up according to table 5.4.1.2. The relative power level of downlink physical channels to I_{or} are set up according to clause E.2.1
- 5) A call is set up according to the Generic call setup procedure in [3] clause 7.3.1 with channel conditions according the test parameters in table 5.4.1.3, The RACH procedure within the call setup is used for the test.

Table 5.4.1.1a: Settings for the serving cell

| Parameter | Unit | Cell 1 |
|------------------------|------|--------------|
| Cell type | | Serving cell |
| UTRA RF Channel Number | | Channel 1 |
| Qqualmin | dB | -24 |
| Qrxlevmin | dBm | -115 |
| UE_TXPWR_MAX_RACH | dBm | 21 |
| Preamble Retrans Max | | 1 |

Table 5.4.1.2: Test parameters for Open Loop Power Control (UE)

| Parameter | Level / Status | Unit |
|----------------|-------------------|----------------|
| \hat{I}_{or} | See table 5.4.1.3 | dBm / 3,84 MHz |

Table 5.4.1.3: Test parameters for Open Loop Power Control (SS)

| Parameter | RX Upper dynamic end | RX-middle | RX-Sensitivity level |
|---|----------------------|----------------------|--|
| \hat{I}_{or} (note 3) | -25,0 dBm / 3,84 MHz | -65,7 dBm / 3,84 MHz | <REF \hat{I}_{or} > dBm / 3,84 MHz |
| CPICH_RSCP (notes 3 and 4) | -28,9 dBm | -69,6 dBm | <REF \hat{I}_{or} > +CPICH_Ec / I_{or} |
| Primary CPICH DL TX power | +19 dBm | +28 dBm | +19 dBm |
| Simulated path loss = Primary CPICH DL TX power - CPICH_RSCP | +47.9 dB | +97.6 dB | Band I, IV, VI, X, XIX, XI, XXI: +128.9 dB Band II, V, VII, XI: +126.9 dB Band III, VIII, XII, XIII, XIV, XX, XXII: +125.9 dB Band IX: +127.9 dB Band XXV, XXVI: +125.4 dB |
| UL interference | -75 dBm | -101 dBm | -110 dBm |
| | | | -108 dBm |
| | | | -107 dBm |
| | | | -109 dBm |
| | | | -106.5 dBm |
| Constant Value | -10 dB | -10 dB | -10 dB |
| Expected nominal UE TX power (note 5) | -37.1 dBm | -13.4 dBm | +8.9 dBm (note 2) |
| NOTE 1: While the SS transmit power shall cover the receiver input dynamic range, the logical parameters: Primary CPICH DL TX power, UL interference, Constant Value are chosen to achieve a UE TX power, located within the TX output power dynamic range of a class 4 UE. | | | |
| NOTE 2: Nominal TX output power <9 dBm allows to check the open loop power algorithm within the entire tolerance range (9 dBm \pm 12 dB; 9 dBm + 12 dB = 21 dBm = max power class 4). | | | |
| NOTE 3: <REF \hat{I}_{or} > is specified in Table 6.2.2, and CPICH_Ec / I_{or} is specified in Table E.2.2. The power level of S-CCPCH should be defined because S-CCPCH is transmitted during Preamble RACH transmission period. The power level of S-CCPCH is set to -5.3 dB relative to I_{or} . | | | |
| NOTE 4: The purpose of this parameter is to calculate the Expected nominal UE TX power. | | | |
| NOTE 5: The Expected nominal UE TX power is calculated by using the equation in the clause 8.5.7 Open Loop Power Control of TS 25.331 [8]. | | | |

5.4.1.4.2 Procedure

- 1) Set the TX output level of the SS to obtain \hat{I}_{or} at the UE antenna connector. \hat{I}_{or} shall be according to table 5.4.1.3 (-25 dBm / 3,84 MHz).
- 2) Measure the first RACH preamble mean power of the UE.
- 3) Repeat the above measurement for all SS levels in table 5.4.1.3.

5.4.1.5 Test requirements

The deviation with respect to the Expected nominal UE TX power (table 5.4.1.3), derived in step 2) shall not exceed the prescribed tolerance in table 5.4.1.4.

Table 5.4.1.4: Open loop power control tolerance

| | |
|--------------------|--------|
| Normal conditions | ±10 dB |
| Extreme conditions | ±13 dB |

NOTE: If the above Test Requirement differs from the Minimum Requirement then the Test Tolerance applied for this test is non-zero. The Test Tolerance for this test is defined in clause F.2 and the explanation of how the Minimum Requirement has been relaxed by the Test Tolerance is given in clause F.4.

5.4.1A Open Loop Power Control in the Uplink for DC-HSUPA

5.4.1A.1 Definition and applicability

Open loop power control in the uplink for DC-HSUPA is the ability of the UE transmitter to set its output power, for each carrier, to a specific value. This function is used for initial Dual Cell transmission in CELL_DCH and based on the information from Node B using RADIO BEARER SETUP message and the downlink received signal power level of the CPICH.

The requirements and this test apply for Release 9 and later releases to all types of UTRA for the FDD UE that support HSDPA and Dual Cell E-DCH.

5.4.1A.2 Minimum requirements

The UE open loop power is defined as the mean power in a timeslot or ON power duration, whichever is available.

The UE open loop power control tolerance per carrier is given in table 5.4.1A.1.

Table 5.4.1A.1: Open loop power control tolerance

| | |
|--------------------|--------|
| Normal conditions | ±9 dB |
| Extreme conditions | ±12 dB |

The reference for this requirement is TS 25.101 [1] clause 6.4.1.1A

5.4.1A.3 Test purpose

The power measured by the UE of the received signal and information in RADIO BEARER SETUP message are used by the UE to control the power of the UE transmitted signal with the target to transmit at the lowest power acceptable for proper communication.

The test stresses the ability of the receiver to measure the received power correctly over the receiver dynamic range.

The test purpose is to verify that the UE open loop power control tolerance does not exceed the described value shown in table 5.4.1A.1 during Dual Cell E-DCH.

An excess error of the open loop power control decreases the system capacity.

5.4.1A.4 Method of test

5.4.1A.4.1 Initial conditions

Test environment: normal, TL/VL, TL/VH, TH/VL, TH/VH; see clauses G.2.1 and G.2.2.

Frequencies to be tested: low range, mid range, high range, see clause G.2.4.

- 1) Connect the SS to the UE antenna connector as shown in figure A.41.
- 2) Channel conditions are initially set up with received CPICH_RSCP > -85 dBm. The relative power level of downlink physical channels to I_{or} are set up according to clause E.5.0. The parameter settings of the cell are set up according to Table 5.4.1A.1a.
- 3) Switch on the phone.
- 4) After the UE has performed registration and entered idle mode, I_{or} for primary and secondary serving cells are set up according to table 5.4.1A.2.
- 5) A call is set up according to the Generic call setup procedure in TS34.108 [3] sub clause 7.3.14 with channel conditions, for primary and secondary serving cells, according to the test parameters in table 5.4.1A.3 and exception for information elements in RADIO BEARER SETUP message as specified in table 5.4.1A.4. The uplink DPCCH power control preambles related to the call setup is used for the test.

Table 5.4.1A.1a: Settings for the serving cell

| Parameter | Unit | Cell 1 |
|------------------------|------|--------------|
| Cell type | | Serving cell |
| UTRA RF Channel Number | | Channel 1 |
| Q _{qualmin} | dB | -24 |
| Q _{rxlevmin} | dBm | -115 |
| UE_TXPWR_MAX_RACH | dBm | 21 |
| Preamble Retrans Max | | 1 |

Table 5.4.1A.2: Test parameters for Open Loop Power Control (UE)

| Parameter | Level / Status | Unit |
|-----------------|--------------------|----------------|
| I _{or} | See table 5.4.1A.3 | dBm / 3,84 MHz |

Table 5.4.1A.3: Test parameters for Open Loop Power Control (SS)

| Parameter | RX Upper dynamic end | RX-middle | RX-Sensitivity level |
|--|----------------------|----------------------|--|
| I _{or} (note 3) | -25,0 dBm / 3,84 MHz | -65,7 dBm / 3,84 MHz | <REF _{I_{or}} > dBm / 3,84 MHz |
| CPICH_RSCP (notes 3 and 4) | -28,9 dBm | -69,6 dBm | <REF _{I_{or}} > +CPICH_Ec / I _{or} |
| DPCCH Power offset | -66 dB | -84 dB | Band I, IV, VI, IX, X, XI, XIX, XXI: -108 dB Band II, III, V, VII, VIII, XII, XIII, XIV, XX, XXII: -106 dB |
| Expected nominal UE TX power (note 5) | -37.1 dBm | -14.4 dBm | Band I, II, IV, V, VI, VII, X, XI, XIX, XXI: +8.7 dBm (note 2) Band III, VIII, IX, XII, XIII, XIV, XX, XXII: +7.7 dBm |
| NOTE 1: While the SS transmit power shall cover the receiver input dynamic range, the logical parameter DPCCH Power offset is chosen to achieve a UE TX power, located within the TX output power dynamic range of a class 4 UE. | | | |
| NOTE 2: Nominal TX output power <9 dBm allows to check the open loop power algorithm within the entire tolerance range (9 dBm ± 12 dB; 9 dBm + 12 dB = 21 dBm = max power class 4). | | | |
| NOTE 3: <REF _{I_{or}} > is specified in Table 6.2.2, and CPICH_Ec / I _{or} is specified in Table E.5.0. | | | |
| NOTE 4: The purpose of this parameter is to calculate the Expected nominal UE TX power. | | | |
| NOTE 5: The Expected nominal UE TX power is calculated by using the equation in the clause 8.5.3 Open Loop Power Control of TS 25.331 [8]. | | | |

Table 5.4.1A.4: Contents of RADIO BEARER SETUP message: AM or UM

| Uplink radio resources | |
|----------------------------------|---|
| - Uplink DPCH info | |
| - PC Preamble | 1 |
| - SRB Delay | 7 |
| - Uplink secondary Cell info FDD | |
| - PC Preamble | 1 |

5.4.1A.4.2 Procedure

- 1) Set the TX output level of the SS to obtain \hat{I}_{or} at the UE antenna connector. \hat{I}_{or} shall be according to table 5.4.1A.3 (-25 dBm / 3,84 MHz).
- 2) Measure the Dual Cell transmission mean power from the first slot of uplink DPCCCH PC preamble for each carrier.
- 3) Repeat the above measurement for all SS levels in table 5.4.1A.3.

5.4.1A.5 Test requirements

The deviation at any carrier with respect to the Expected nominal UE TX power (table 5.4.1A.3), derived in step 2) shall not exceed the prescribed tolerance in table 5.4.1A.5.

Table 5.4.1A.5: Open loop power control tolerance per carrier

| | |
|--------------------|-------------|
| Normal conditions | ± 10 dB |
| Extreme conditions | ± 13 dB |

NOTE: If the above Test Requirement differs from the Minimum Requirement then the Test Tolerance applied for this test is non-zero. The Test Tolerance for this test is defined in clause F.2 and the explanation of how the Minimum Requirement has been relaxed by the Test Tolerance is given in clause F.4.

5.4.2 Inner Loop Power Control in the Uplink

5.4.2.1 Definition and applicability

Inner loop power control in the uplink is the ability of the UE transmitter to adjust its output power in accordance with one or more TPC commands received in the downlink.

The power control step is the change in the UE transmitter output power in response to a single TPC command, TPC_cmd, derived at the UE.

This clause does not cover all the requirements of compressed mode or soft handover.

The requirements and this test apply to all types of UTRA for the FDD UE.

5.4.2.2 Minimum requirements

The UE transmitter shall have the capability of changing the output power with a step size of 1 dB, 2 dB and 3 dB according to the value of Δ_{TPC} or Δ_{RP-TPC} , in the slot immediately after the TPC_cmd can be derived.

- a) The transmitter output power step due to inner loop power control shall be within the range shown in table 5.4.2.1.
- b) The transmitter aggregate output power step due to inner loop power control shall be within the range shown in table 5.4.2.2. Here a TPC_cmd group is a set of TPC_cmd values derived from a corresponding sequence of TPC commands of the same duration.

The inner loop power step is defined as the relative power difference between the mean power of the original (reference) timeslot and the mean power of the target timeslot, not including the transient duration. The transient duration is from 25 μ s before the slot boundary to 25 μ s after the slot boundary.

Table 5.4.2.1: Transmitter power control range

| TPC_cmd | Transmitter power control range (all units are in dB) | | | | | |
|---------|---|-------|----------------|-------|----------------|-------|
| | 1 dB step size | | 2 dB step size | | 3 dB step size | |
| | Lower | Upper | Lower | Upper | Lower | Upper |
| +1 | +0,5 | +1,5 | +1 | +3 | +1,5 | +4,5 |
| 0 | -0,5 | +0,5 | -0,5 | +0,5 | -0,5 | +0,5 |
| -1 | -0,5 | -1,5 | -1 | -3 | -1,5 | -4,5 |

Table 5.4.2.2: Transmitter aggregate power control tolerance

| TPC_cmd group | Transmitter power control range after 10 equal TPC_cmd group (all units are in dB) | | | | Transmitter power control range after 7 equal TPC_cmd groups (all units are in dB) | |
|---------------|--|-------|----------------|-------|--|-------|
| | 1 dB step size | | 2 dB step size | | 3 dB step size | |
| | Lower | Upper | Lower | Upper | Lower | Upper |
| +1 | +8 | +12 | +16 | +24 | +16 | +26 |
| 0 | -1 | +1 | -1 | +1 | -1 | +1 |
| -1 | -8 | -12 | -16 | -24 | -16 | -26 |
| 0,0,0,0,+1 | +6 | +14 | N/A | N/A | N/A | N/A |
| 0,0,0,0,-1 | -6 | -14 | N/A | N/A | N/A | N/A |

The UE shall meet the above requirements for inner loop power control over the power range bounded by the Minimum output power as defined in clause 5.4.3.2, and the Maximum output power supported by the UE (i.e. the actual power as would be measured assuming no measurement error). This power shall be in the range specified for the power class of the UE in clause 5.2.2.

NOTE: 3 dB inner loop power control steps are only used in compressed mode.

The reference for this requirement is TS 25.101 [1] clause 6.4.2.1.1.

The requirements for the derivation of TPC_cmd are detailed in TS 25.214 [5] clauses 5.1.2.2.2 and 5.1.2.2.3.

5.4.2.3 Test purpose

- To verify that the UE inner loop power control size and response is meet to the described value shown in clause 5.4.2.2.
- To verify that TPC_cmd is correctly derived from received TPC commands.

An excess error of the inner loop power control decreases the system capacity.

The UE shall be tested for the requirements for inner loop power control over the power range bounded by the Min power threshold for test and the Max power threshold for test.

The Min power threshold for test is defined as the Minimum Output Power Test Requirement (clause 5.4.3.5).

The Max power threshold for test is defined as the Measured Maximum output power of the UE in the relevant Step of the test (using the same method as in clause 5.2.4.2 step 2) minus the Test Tolerance specified for test 5.2 Maximum Output Power in table F.2.1.

For the final power step adjacent to the Min or Max power threshold for test, the lower step size requirement does not apply.

5.4.2.4 Method of test

5.4.2.4.1 Initial conditions

Test environment: normal; see clauses G.2.1 and G.2.2.

Frequencies to be tested: mid range; see clause G.2.4.

- 1) Connect the SS to the UE antenna connector as shown in figure A.1.

- 2) A call is set up according to the Generic call setup procedure specified in TS34.108 [3] sub clause 7.3.2, with the following exception for information elements in RADIO BEARER SETUP message. With this exception, the Power Control Algorithm for the Uplink is set to algorithm 2.

Table 5.4.2.4.1: Contents of RADIO BEARER SETUP message: AM or UM

| Information Element | Value/Remark |
|---|---------------------------------|
| CHOICE channel requirement - Power Control Algorithm | Uplink DPCH info Algorithm 2 |

- 3) Enter the UE into loopback test mode and start the loopback test.

See TS 34.108 [3] and TS 34.109 [4] for details regarding generic call setup procedure and loopback test.

5.4.2.4.2 Procedure

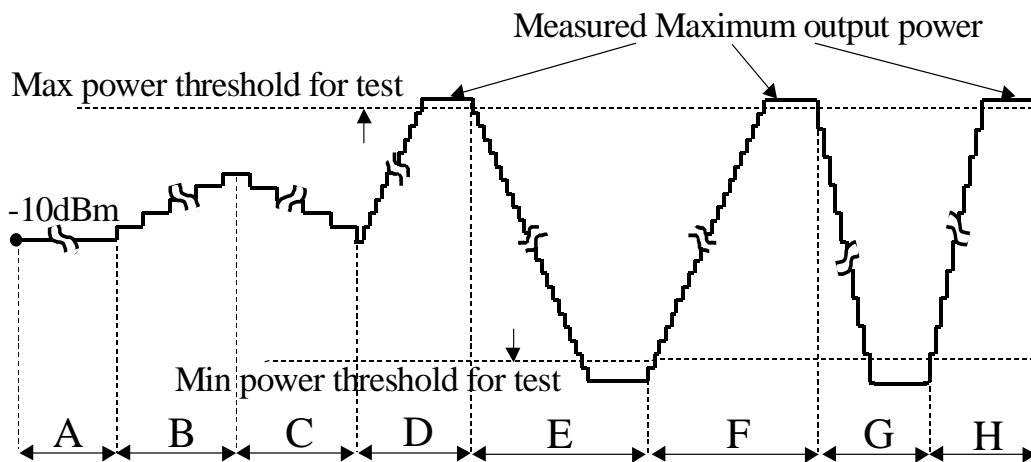


Figure 5.4.2.4 Inner Loop Power Control Test Steps

- 1) Before proceeding with paragraph (2) (Step A) below, set the output power of the UE to be in the range -10 ± 9 dBm. This may be achieved by setting the downlink signal (\hat{I}_{or}) to yield an appropriate open loop output power and/or by generating suitable downlink TPC commands from the SS.
- 2) Step A: Transmit a sequence of at least 30 and no more than 60 TPC commands, which shall commence at a frame boundary and last for a whole number of frames, and which shall contain:
 - no sets of 5 consecutive "0" or "1" commands which commence in the 1st, 6th or 11th slots of a frame;
 - at least one set of 5 consecutive "0" commands which does not commence in the 1st, 6th or 11th slots of a frame;
 - at least one set of 5 consecutive "1" commands which does not commence in the 1st, 6th or 11th slots of a frame.

The following is an example of a suitable sequence of TPC commands:

10000010101010111110100000101010101111010000010101010111110

- 3) Step B: Transmit a sequence of 50 TPC commands with the value 1.
- 4) Step C: Transmit a sequence of 50 TPC commands with the value 0.
- 5) Step D: Transmit the PHYSICAL CHANNEL RECONFIGURATION message to reconfigure the uplink channel in order to set the Power Control Algorithm to algorithm 1, and the TPC step size to 1 dB. Contents of the message is specified in the table 5.4.2.4.2.A. After the PHYSICAL CHANNEL RECONFIGURATION

COMPLETE message from the UE is received, transmit a sequence of TPC commands with the value 1 until the UE output power is above the maximum power threshold.

- 6) Step E: Transmit a sequence of 150 (note 1) TPC commands with the value 0.
- 7) Step F: Transmit a sequence of 150 (note 1) TPC commands with the value 1.
- 8) Step G: Transmit the PHYSICAL CHANNEL RECONFIGURATION message to reconfigure the uplink channel in order to set the TPC step size to 2 dB (with the Power Control Algorithm remaining as algorithm 1). Contents of the message is specified in the table 5.4.2.4.2.B. After the PHYSICAL CHANNEL RECONFIGURATION COMPLETE message from the UE is received, transmit a sequence of TPC commands with the value 1 until the UE output power is above the maximum power threshold. Transmit a sequence of 75 (note 1) TPC commands with the value 0.
- 9) Step H: Transmit a sequence of 75 (note 1) TPC commands with the value 1.
- 10) During steps A to H the mean power of every slot shall be measured, with the following exceptions:
 - In steps D and F, measurement of the mean power is not required in slots after the 10th slot after the mean power has exceeded the maximum power threshold;
 - In steps E and G, measurement of the mean power is not required in slots after the 10th slot after the mean power has fallen below the minimum power threshold.

The transient periods of 25 μ s before each slot boundary and 25 μ s after each slot boundary shall not be included in the power measurements.

- NOTE 1: These numbers of TPC commands are given as examples. The actual number of TPC commands transmitted in these steps shall be at least 10 more than the number required to ensure that the UE reaches the relevant maximum or minimum power threshold in each step, as shown in figure 5.4.2.4.
- NOTE 2: In order to make it more practical to measure the entire power control dynamic range (between min power threshold and max power threshold with suitable margins), it is permissible to segment the power control sequences into smaller subsequence. For example, Step-E can be divided into different stages while still fulfilling the purpose of the test to measure the entire dynamic range.

Table 5.4.2.4.2.A: PHYSICAL CHANNEL RECONFIGURATION message for step D (step 5)

| Information Element | Value/Remark | Version |
|--|--|--------------------|
| Message Type | | |
| UE Information Elements | | |
| -RRC transaction identifier | 0 | |
| -Integrity check info | | |
| - message authentication code | SS calculates the value of MAC-I for this message and writes to this IE. The first/ leftmost bit of the bit string contains the most significant bit of the MAC-I. | |
| - RRC message sequence number | SS provides the value of this IE, from its internal counter. | |
| -Integrity protection mode info | Not Present | |
| -Ciphering mode info | Not Present | |
| -Activation time | Not Present | |
| -New U-RNTI | Not Present | |
| -New C-RNTI | Not Present | |
| -RRC State Indicator | CELL_DCH | |
| -UTRAN DRX cycle length coefficient | Not Present | |
| CN Information Elements | | |
| -CN Information info | Not Present | |
| UTRAN mobility information elements | | |
| -URA identity | Not Present | |
| RB information elements | | |
| -Downlink counter synchronisation info | Not Present | |
| PhyCH information elements | | |
| -Frequency info | Not Present | |
| Uplink radio resources | | |
| -Maximum allowed UL TX power | Not Present | |
| -CHOICE channel requirement | Uplink DPCH info | |
| -Uplink DPCH power control info | | |
| -CHOICE mode | FDD | |
| -DPCCH Power offset | -40 (-80dB) | |
| -PC Preamble | 1 frame | |
| -SRB delay | 7 frames | |
| -Power Control Algorithm | Algorithm 1 | |
| -TPC step size | 1dB | |
| -CHOICE mode | FDD | |
| -Scrambling code type | Long | |
| -Scrambling code number | 0 | |
| -Number of DPDCH | 1 | |
| -spreading factor | 64 | |
| -TFCl existence | TRUE | |
| -Number of FBI bits | Not Present(0) | |
| -Puncturing Limit | 1 | |
| Downlink radio resources | | |
| -CHOICE mode | FDD | |
| -Downlink PDSCH information | Not Present | R99 and Rel-4 only |
| -Downlink information common for all radio links | Not Present | |
| -Downlink DPCH info common for all RL | Not Present | |

Table 5.4.2.4.2.B: PHYSICAL CHANNEL RECONFIGURATION message for step G (step 8)

| Information Element | Value/Remark | Version |
|--|--|--------------------|
| Message Type | | |
| UE Information Elements | | |
| -RRC transaction identifier | 0 | |
| -Integrity check info | | |
| - message authentication code | SS calculates the value of MAC-I for this message and writes to this IE. The first/ leftmost bit of the bit string contains the most significant bit of the MAC-I. | |
| - RRC message sequence number | SS provides the value of this IE, from its internal counter. | |
| -Integrity protection mode info | Not Present | |
| -Ciphering mode info | Not Present | |
| -Activation time | Not Present | |
| -New U-RNTI | Not Present | |
| -New C-RNTI | Not Present | |
| -RRC State Indicator | CELL_DCH | |
| -UTRAN DRX cycle length coefficient | Not Present | |
| CN Information Elements | | |
| -CN Information info | Not Present | |
| UTRAN mobility information elements | | |
| -URA identity | Not Present | |
| RB information elements | | |
| -Downlink counter synchronisation info | Not Present | |
| PhyCH information elements | | |
| -Frequency info | Not Present | |
| Uplink radio resources | | |
| -Maximum allowed UL TX power | Not Present | |
| -CHOICE channel requirement | Uplink DPCH info | |
| -Uplink DPCH power control info | | |
| -CHOICE mode | FDD | |
| -DPCCH Power offset | -40 (-80dB) | |
| -PC Preamble | 1 frame | |
| -SRB delay | 7 frames | |
| -Power Control Algorithm | Algorithm 1 | |
| -TPC step size | 2dB | |
| -CHOICE mode | FDD | |
| -Scrambling code type | Long | |
| -Scrambling code number | 0 | |
| -Number of DPDCH | 1 | |
| -spreading factor | 64 | |
| -TFCI existence | TRUE | |
| -Number of FBI bits | Not Present(0) | |
| -Puncturing Limit | 1 | |
| Downlink radio resources | | |
| -CHOICE mode | FDD | |
| -Downlink PDSCH information | Not Present | R99 and Rel-4 only |
| -Downlink information common for all radio links | Not Present | |
| -Downlink DPCH info common for all RL | Not Present | |

5.4.2.5 Test requirements

Table 5.4.2.5.1: Transmitter power control range

| TPC_cmd | Transmitter power control range (all units are in dB) | | | | | |
|---------|---|-------|----------------|-------|----------------|-------|
| | 1 dB step size | | 2 dB step size | | 3 dB step size | |
| | Lower | Upper | Lower | Upper | Lower | Upper |
| +1 | +0,4 | +1,6 | +0,85 | +3,15 | +1,3 | +4,7 |
| 0 | -0,6 | +0,6 | -0,6 | +0,6 | -0,6 | +0,6 |
| -1 | -0,4 | -1,6 | -0,85 | -3,15 | -1,3 | -4,7 |

Table 5.4.2.5.2: Transmitter aggregate power control tolerance

| TPC_cmd group | Transmitter power control range after 10 equal TPC_cmd group (all units are in dB) | | | | Transmitter power control range after 7 equal TPC_cmd groups (all units are in dB) | |
|---------------|--|-------|----------------|-------|--|-------|
| | 1 dB step size | | 2 dB step size | | 3 dB step size | |
| | Lower | Upper | Lower | Upper | Lower | Upper |
| +1 | +7,7 | +12,3 | +15,7 | +24,3 | +15,7 | +26,3 |
| 0 | -1,1 | +1,1 | -1,1 | +1,1 | -1,1 | +1,1 |
| -1 | -7,7 | -12,3 | -15,7 | -24,3 | -15,7 | -26,3 |
| 0,0,0,0,+1 | +5,7 | +14,3 | N/A | N/A | N/A | N/A |
| 0,0,0,0,-1 | -5,7 | -14,3 | N/A | N/A | N/A | N/A |

- a) During Step A, the difference in mean power between adjacent slots shall be within the prescribed range for a TPC_cmd of 0, as given in table 5.4.2.5.1.
- b) During Step A, the change in mean power over 10 consecutive slots shall be within the prescribed range for a TPC_cmd group of 0, as given in table 5.4.2.5.2.
- c) During Step B, the difference in mean power between adjacent slots shall be within the prescribed range given in table 5.4.2.5.1, given that every 5th TPC_cmd should have the value +1, with a step size of 1 dB, and all other TPC_cmd should have the value 0.
- d) During Step B, the change in mean power over 50 consecutive slots shall be within the prescribed range for a TPC_cmd group of {0,0,0,0,+1}, as given in table 5.4.2.5.2.
- e) During Step C, the difference in mean power between adjacent slots shall be within the prescribed range given in table 5.4.2.5.1, given that every 5th TPC_cmd should have the value -1, with a step size of 1 dB, and all other TPC_cmd should have the value 0.
- f) During Step C, the change in mean power over 50 consecutive slots shall be within the prescribed range for a TPC_cmd group of {0,0,0,0,-1}, as given in table 5.4.2.5.2.
- g) During Step E, the difference in mean power between adjacent slots shall be within the prescribed range given in table 5.4.2.5.1 for a TPC_cmd of -1 and step size of 1 dB. This applies when the original (reference) timeslot power and the target timeslot power are between the Min power threshold for test and the Max power threshold for test derived from the Measured Maximum output power in Step D. For the power step adjacent to the Min or Max power threshold for test, the lower step size requirement does not apply.
- h) During Step E, the change in mean power over 10 consecutive slots shall be within the prescribed range for a TPC_cmd group of -1, and step size of 1 dB as given in table 5.4.2.5.2. This applies when the original (reference) timeslot power and the target timeslot power are between the Min power threshold for test and the Max power threshold for test derived from the Measured Maximum output power in Step D. The power step adjacent to the Min or Max power threshold for test should not be part of the 10 consecutive slots tested.
- i) During Step F, the difference in mean power between adjacent slots shall be within the prescribed range given in table 5.4.2.5.1 for a TPC_cmd of +1 and step size of 1 dB. This applies when the original (reference) timeslot power and the target timeslot power are between the Min power threshold for test and the Max power threshold for test derived from the Measured Maximum output power in Step F. For the power step adjacent to the Min or Max power threshold for test, the lower step size requirement does not apply.
- j) During Step F, the change in mean power over 10 consecutive slots shall be within the prescribed range for a TPC_cmd group of +1, and step size of 1 dB as given in table 5.4.2.5.2. This applies when the original (reference) timeslot power and the target timeslot power are between the Min power threshold for test and the Max power threshold for test derived from the Measured Maximum output power in Step F. The power step adjacent to the Min or Max power threshold for test should not be part of the 10 consecutive slots tested.

- k) During Step G, the difference in mean power between adjacent slots shall be within the prescribed range given in table 5.4.2.5.1 for a TPC_cmd of -1 and step size of 2 dB. This applies when the original (reference) timeslot power and the target timeslot power are between the Min power threshold for test and the Max power threshold for test derived from the Measured Maximum output power in Step F. For the power step adjacent to the Min or Max power threshold for test, the lower step size requirement does not apply.
- l) During Step G, the change in mean power over 10 consecutive slots shall be within the prescribed range for a TPC_cmd group of -1 , and step size of 2 dB as given in table 5.4.2.5.2. This applies when the original (reference) timeslot power and the target timeslot power are between the Min power threshold for test and the Max power threshold for test derived from the Measured Maximum output power in Step F. The power step adjacent to the Min or Max power threshold for test should not be part of the 10 consecutive slots.
- m) During Step H, the difference in mean power between adjacent slots shall be within the prescribed range given in table 5.4.2.5.1 for a TPC_cmd of $+1$ and step size of 2 dB. This applies when the original (reference) timeslot power and the target timeslot power are between the Min power threshold for test and the Max power threshold for test derived from the Measured Maximum output power in Step H. For the power step adjacent to the Min or Max power threshold for test, the lower step size requirement does not apply.
- n) During Step H, the change in mean power over 10 consecutive slots shall be within the prescribed range for a TPC_cmd group of $+1$, and step size of 2 dB as given in table 5.4.2.5.2. This applies when the original (reference) timeslot power and the target timeslot power are between the Min power threshold for test and the Max power threshold for test derived from the Measured Maximum output power in Step H. The power step adjacent to the Min or Max power threshold for test should not be part of the 10 consecutive slots tested.

NOTE: If the above Test Requirement differs from the Minimum Requirement then the Test Tolerance applied for this test is non-zero. The Test Tolerance for this test is defined in clause F.2 and the explanation of how the Minimum Requirement has been relaxed by the Test Tolerance is given in clause F.4.

5.4.2A Inner Loop Power Control in the Uplink for DC-HSUPA

5.4.2A.1 Definition and applicability

Inner loop power control in the uplink for DC-HSUPA is the ability of the UE transmitter to adjust its output power, on each uplink carrier, in accordance with one or more TPC commands received in the downlink.

The power control step is the change in the UE transmitter output power in response to a single TPC command, TPC_cmd, derived at the UE.

This clause does not cover all the requirements of compressed mode or soft handover.

The requirements and this test apply for Release 9 and later releases for the FDD UE that supports HSDPA and Dual Cell E-DCH.

5.4.2A.2 Minimum requirements

The UE transmitter shall have the capability of changing the output power in each assigned carrier in the uplink with a step size of 1, 2 and 3 dB according to the value of Δ_{TPC} or $\Delta_{\text{RP-TPC}}$, in the slot immediately after the TPC_cmd for the corresponding carrier as follows

- a) The transmitter output power step due to inner loop power control in each assigned carrier in the uplink shall be within the range shown in Table 5.4.2A.1, when the total transmit power in each of the assigned carriers is equal to each other.
- b) The transmitter average output power step due to inner loop power control in each assigned carrier in the uplink shall be within the range shown in Table 5.4.2A.2, when the total transmit power in each of the assigned carriers is equal to each other. Here a TPC_cmd group is a set of TPC_cmd values derived from a corresponding sequence of TPC commands of the same duration.
- c) The requirements can be tested by sending the same TPC commands for each of the assigned carriers, assuming that the signal powers for the carriers (in terms of DPCCCH code power and total power) have been aligned prior to the beginning of the test procedure.

The inner loop power step is defined as the relative power difference between the mean power of the original (reference) timeslot and the mean power of the target timeslot in each carrier, not including the transient duration. The transient duration is from 25µs before the slot boundary to 25µs after the slot boundary.

Table 5.4.2A.1: Transmitter power control range

| TPC_cmd | Transmitter power control range (all units are in dB) | | | | | |
|---------|---|-------|----------------|-------|----------------|-------|
| | 1 dB step size | | 2 dB step size | | 3 dB step size | |
| | Lower | Upper | Lower | Upper | Lower | Upper |
| +1 | +0,5 | +1,5 | +1 | +3 | +1,5 | +4,5 |
| 0 | -0,5 | +0,5 | -0,5 | +0,5 | -0,5 | +0,5 |
| -1 | -0,5 | -1,5 | -1 | -3 | -1,5 | -4,5 |

Table 5.4.2A.2: Transmitter aggregate power control tolerance

| TPC_cmd group | Transmitter power control range after 10 equal TPC_cmd group (all units are in dB) | | | | Transmitter power control range after 7 equal TPC_cmd groups (all units are in dB) | |
|---------------|--|-------|----------------|-------|--|-------|
| | 1 dB step size | | 2 dB step size | | 3 dB step size | |
| | Lower | Upper | Lower | Upper | Lower | Upper |
| +1 | +8 | +12 | +16 | +24 | +16 | +26 |
| 0 | -1 | +1 | -1 | +1 | -1 | +1 |
| -1 | -8 | -12 | -16 | -24 | -16 | -26 |
| 0,0,0,0,+1 | +6 | +14 | N/A | N/A | N/A | N/A |
| 0,0,0,0,-1 | -6 | -14 | N/A | N/A | N/A | N/A |

The UE shall meet the above requirements for inner loop power control over the power range bounded by the Minimum output power as defined in clause 5.4.3.2, and the Maximum output power supported by the UE (i.e. the actual power as would be measured assuming no measurement error). This power shall be in the range specified for the power class of the UE in clause 5.2.2.

NOTE: 3 dB inner loop power control steps are only used in compressed mode.

The reference for this requirement is TS 25.101 [1] clause 6.4.2.1.1A.

The requirements for the derivation of TPC_cmd are detailed in TS 25.214 [5] clauses 5.1.2.2.2 and 5.1.2.2.3.

5.4.2A.3 Test purpose

- To verify that the UE inner loop power control size and response, on each carrier, is met to the described value shown in clause 5.4.2A.2.
- To verify that TPC_cmd is correctly derived from received TPC commands.

An excess error of the inner loop power control decreases the system capacity.

The UE shall be tested for the requirements for inner loop power control for DC-HSUPA over the power range bounded by the Min power threshold for test and the Max power threshold for test.

The Min power threshold for test is defined as the Minimum Output Power Test Requirement for DC-HSUPA (clause 5.4.3A.5).

The Max power threshold for test is defined as the Measured Maximum output power for DC-HSUPA of the UE in the relevant Step of the test (using the same method as in clause 5.2BA.4.2) minus the Test Tolerance specified for test 5.2BA Maximum Output Power for DC-HSUPA in table F.2.1.

For the final power step adjacent to the Min or Max power threshold for test, the lower step size requirement does not apply.

5.4.2A.4 Method of test

5.4.2A.4.1 Initial conditions

Test environment: normal; see clauses G.2.1 and G.2.2.

Frequencies to be tested: mid range; see clause G.2.4.

- 1) Connect the SS to the UE antenna connector as shown in figure A.41.
- 2) The UL Reference Measurement Channel and parameters are specified in Annex C.2.6 and C.11A.1.1. The DL Reference Measurement Channel (FRC H-SET 3A, QPSK) is specified in C.8.1.1.
- 3) A call is set up according to the Generic call setup procedure specified in TS34.108 [3] sub clause 7.3.14, with the following exception for information elements in RADIO BEARER SETUP message. With this exception, the Power Control Algorithm for each carrier in the Uplink is set to algorithm 2.

Table 5.4.2A.4.1: Contents of RADIO BEARER SETUP message: AM or UM

| Information Element | Value/Remark |
|---|---------------------------------|
| CHOICE channel requirement - Power Control Algorithm | Uplink DPCH info Algorithm 2 |

- 4) Enter the UE into loopback test mode and start the loopback test.

See TS 34.108 [3] and TS 34.109 [4] for details regarding generic call setup procedure and loopback test.

5.4.2A.4.2 Procedure

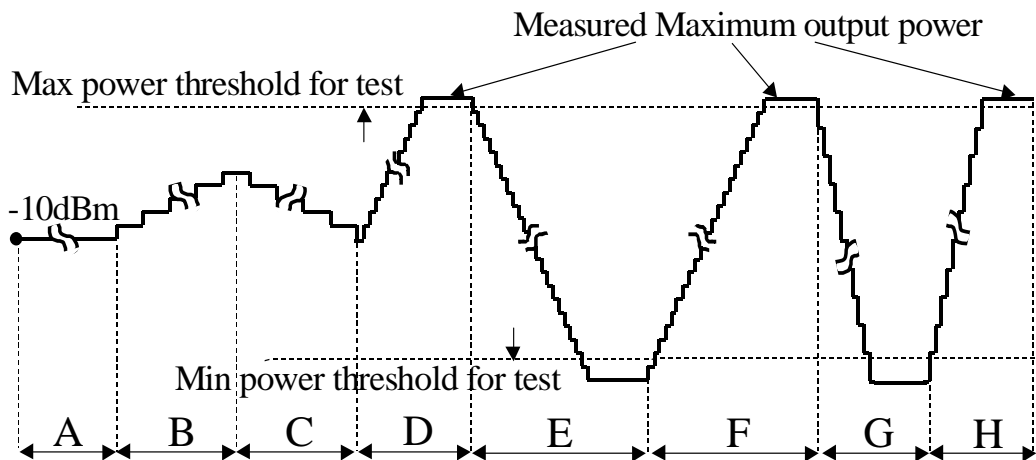


Figure 5.4.2A.4 Inner Loop Power Control Test Steps

- 1) Before proceeding with paragraph (2) (Step A) below, set the output power of the assigned carriers equal to each other within ± 1.7 dB and in the range -10 ± 9 dBm. This may be achieved by generating suitable downlink TPC commands from the SS.

- 2) Step A: Transmit a sequence of at least 30 and no more than 60 TPC commands on both cells, which shall commence at a frame boundary and last for a whole number of frames, and which shall contain:
- no sets of 5 consecutive "0" or "1" commands which commence in the 1st, 6th or 11th slots of a frame;
 - at least one set of 5 consecutive "0" commands which does not commence in the 1st, 6th or 11th slots of a frame;
 - at least one set of 5 consecutive "1" commands which does not commence in the 1st, 6th or 11th slots of a frame.

The following is an example of a suitable sequence of TPC commands:

```
10000010101010111110100000101010101111010000010101010111110
```

- 3) Step B: Transmit a sequence of 50 TPC commands with the value 1.
- 4) Step C: Transmit a sequence of 50 TPC commands with the value 0.
- 5) Step D: Transmit the PHYSICAL CHANNEL RECONFIGURATION message to reconfigure the uplink channel, in order to set the Power Control Algorithm to algorithm 1, and the TPC step size to 1 dB. Contents of the information elements are as specified in TS34.108 [3] sub clause 7.3.14.4.2 with the exception as specified in the table 5.4.2A.4.2.A. After the PHYSICAL CHANNEL RECONFIGURATION COMPLETE message from the UE is received, transmit a sequence of TPC commands with the value 1 until the UE output power is above the maximum power threshold.
- 6) Step E: Transmit a sequence of 150 (note 1) TPC commands with the value 0.
- 7) Step F: Transmit a sequence of 150 (note 1) TPC commands with the value 1.
- 8) Step G: Transmit the PHYSICAL CHANNEL RECONFIGURATION message to reconfigure the uplink channel, in order to set the TPC step size to 2 dB (with the Power Control Algorithm remaining as algorithm 1). Contents of the information elements are as specified in TS34.108 [3] sub clause 7.3.14.4.2 with the exception as specified in the table 5.4.2A.4.2.B. After the PHYSICAL CHANNEL RECONFIGURATION COMPLETE message from the UE is received, transmit a sequence of TPC commands with the value 1 until the UE output power is above the maximum power threshold. Transmit a sequence of 75 (note 1) TPC commands with the value 0.
- 9) Step H: Transmit a sequence of 75 (note 1) TPC commands with the value 1.
- 10) During steps A to H the mean power of every slot on each carrier shall be measured, with the following exceptions:
- In steps D and F, measurement of the mean power is not required in slots after the 10th slot after the mean power has exceeded the maximum power threshold;
 - In steps E and G, measurement of the mean power is not required in slots after the 10th slot after the mean power has fallen below the minimum power threshold.

The transient periods of 25 µs before each slot boundary and 25 µs after each slot boundary shall not be included in the power measurements.

NOTE 1: These numbers of TPC commands are given as examples. The actual number of TPC commands transmitted in these steps shall be at least 10 more than the number required to ensure that each carrier reaches the relevant maximum or minimum power threshold in each step, as shown in figure 5.4.2A.4.

NOTE 2: In order to make it more practical to measure the entire power control dynamic range (between min power threshold and max power threshold with suitable margins), it is permissible to segment the power control sequences into smaller subsequence. For example, Step-E can be divided into different stages while still fulfilling the purpose of the test to measure the entire dynamic range.

Table 5.4.2A.4.2.A: PHYSICAL CHANNEL RECONFIGURATION message for step D (step 5)

| Information Element | Value/Remark |
|--|---|
| CHOICE channel requirement - Power Control Algorithm - TPC step size | Uplink DPCH info Algorithm 1 1 dB |

Table 5.4.2A.4.2.B: PHYSICAL CHANNEL RECONFIGURATION message for step G (step 8)

| Information Element | Value/Remark |
|---|--------------------------|
| CHOICE channel requirement - TPC step size | Uplink DPCH info 2 dB |

5.4.2A.5 Test requirements

Table 5.4.2A.5.1: Transmitter power control range

| TPC_cmd | Transmitter power control range (all units are in dB) | | | | | |
|---------|---|-------|----------------|-------|----------------|-------|
| | 1 dB step size | | 2 dB step size | | 3 dB step size | |
| | Lower | Upper | Lower | Upper | Lower | Upper |
| +1 | +0,4 | +1,6 | +0,85 | +3,15 | +1,3 | +4,7 |
| 0 | -0,6 | +0,6 | -0,6 | +0,6 | -0,6 | +0,6 |
| -1 | -0,4 | -1,6 | -0,85 | -3,15 | -1,3 | -4,7 |

Table 5.4.2A.5.2: Transmitter aggregate power control tolerance

| TPC_cmd group | Transmitter power control range after 10 equal TPC_cmd group (all units are in dB) | | | | Transmitter power control range after 7 equal TPC_cmd groups (all units are in dB) | |
|---------------|--|-------|----------------|-------|--|-------|
| | 1 dB step size | | 2 dB step size | | 3 dB step size | |
| | Lower | Upper | Lower | Upper | Lower | Upper |
| +1 | +7,7 | +12,3 | +15,7 | +24,3 | +15,7 | +26,3 |
| 0 | -1,1 | +1,1 | -1,1 | +1,1 | -1,1 | +1,1 |
| -1 | -7,7 | -12,3 | -15,7 | -24,3 | -15,7 | -26,3 |
| 0,0,0,0,+1 | +5,7 | +14,3 | N/A | N/A | N/A | N/A |
| 0,0,0,0,-1 | -5,7 | -14,3 | N/A | N/A | N/A | N/A |

- During Step A, the difference in mean power between adjacent slots on each carrier shall be within the prescribed range for a TPC_cmd of 0, as given in table 5.4.2A.5.1.
- During Step A, the change in mean power over 10 consecutive slots on each carrier shall be within the prescribed range for a TPC_cmd group of 0, as given in table 5.4.2A.5.2.
- During Step B, the difference in mean power between adjacent slots on each carrier shall be within the prescribed range given in table 5.4.2A.5.1, given that every 5th TPC_cmd should have the value +1, with a step size of 1 dB, and all other TPC_cmd should have the value 0.
- During Step B, the change in mean power over 50 consecutive slots on each carrier shall be within the prescribed range for a TPC_cmd group of {0,0,0,0,+1}, as given in table 5.4.2A.5.2.
- During Step C, the difference in mean power between adjacent slots on each carrier shall be within the prescribed range given in table 5.4.2A.5.1, given that every 5th TPC_cmd should have the value -1, with a step size of 1 dB, and all other TPC_cmd should have the value 0.
- During Step C, the change in mean power over 50 consecutive slots on each carrier shall be within the prescribed range for a TPC_cmd group of {0,0,0,0,-1}, as given in table 5.4.2A.5.2.

- g) During Step E, the difference in mean power between adjacent slots on each carrier shall be within the prescribed range given in table 5.4.2A.5.1 for a TPC_cmd of -1 and step size of 1 dB. This applies when the original (reference) timeslot power and the target timeslot power are between the Min power threshold for test and the Max power threshold for test derived from the Measured Maximum output power in Step D. For the power step adjacent to the Min or Max power threshold for test, the lower step size requirement does not apply.
- h) During Step E, the change in mean power over 10 consecutive slots on each carrier shall be within the prescribed range for a TPC_cmd group of -1 , and step size of 1 dB as given in table 5.4.2A.5.2. This applies when the original (reference) timeslot power and the target timeslot power are between the Min power threshold for test and the Max power threshold for test derived from the Measured Maximum output power in Step D. The power step adjacent to the Min or Max power threshold for test should not be part of the 10 consecutive slots tested.
- i) During Step F, the difference in mean power between adjacent slots on each carrier shall be within the prescribed range given in table 5.4.2A.5.1 for a TPC_cmd of $+1$ and step size of 1 dB. This applies when the original (reference) timeslot power and the target timeslot power are between the Min power threshold for test and the Max power threshold for test derived from the Measured Maximum output power in Step F. For the power step adjacent to the Min or Max power threshold for test, the lower step size requirement does not apply.
- j) During Step F, the change in mean power over 10 consecutive slots on each carrier shall be within the prescribed range for a TPC_cmd group of $+1$, and step size of 1 dB as given in table 5.4.2A.5.2. This applies when the original (reference) timeslot power and the target timeslot power are between the Min power threshold for test and the Max power threshold for test derived from the Measured Maximum output power in Step F. The power step adjacent to the Min or Max power threshold for test should not be part of the 10 consecutive slots tested.
- k) During Step G, the difference in mean power between adjacent slots on each carrier shall be within the prescribed range given in table 5.4.2A.5.1 for a TPC_cmd of -1 and step size of 2 dB. This applies when the original (reference) timeslot power and the target timeslot power are between the Min power threshold for test and the Max power threshold for test derived from the Measured Maximum output power in Step F. For the power step adjacent to the Min or Max power threshold for test, the lower step size requirement does not apply.
- l) During Step G, the change in mean power over 10 consecutive slots on each carrier shall be within the prescribed range for a TPC_cmd group of -1 , and step size of 2 dB as given in table 5.4.2A.5.2. This applies when the original (reference) timeslot power and the target timeslot power are between the Min power threshold for test and the Max power threshold for test derived from the Measured Maximum output power in Step F. The power step adjacent to the Min or Max power threshold for test should not be part of the 10 consecutive slots.
- m) During Step H, the difference in mean power between adjacent slots on each carrier shall be within the prescribed range given in table 5.4.2A.5.1 for a TPC_cmd of $+1$ and step size of 2 dB. This applies when the original (reference) timeslot power and the target timeslot power are between the Min power threshold for test and the Max power threshold for test derived from the Measured Maximum output power in Step H. For the power step adjacent to the Min or Max power threshold for test, the lower step size requirement does not apply.
- n) During Step H, the change in mean power over 10 consecutive slots on each carrier shall be within the prescribed range for a TPC_cmd group of $+1$, and step size of 2 dB as given in table 5.4.2A.5.2. This applies when the original (reference) timeslot power and the target timeslot power are between the Min power threshold for test and the Max power threshold for test derived from the Measured Maximum output power in Step H. The power step adjacent to the Min or Max power threshold for test should not be part of the 10 consecutive slots tested.

NOTE: If the above Test Requirement differs from the Minimum Requirement then the Test Tolerance applied for this test is non-zero. The Test Tolerance for this test is defined in clause F.2 and the explanation of how the Minimum Requirement has been relaxed by the Test Tolerance is given in clause F.4.

5.4.2B FFS

5.4.2C Inner Loop Power Control in the Uplink for UL CLTD activation state 1

Editor's note: This clause is incomplete. The following aspects are either missing or not yet determined:

- Message Contents are FFS.
- Test procedure, test tolerances may need an update.

- Update of Annexure is FFS

5.4.2C.1 Definition and applicability

Inner loop power control in the uplink is the ability of the UE transmitter to adjust its output power in accordance with one or more TPC commands received in the downlink.

The power control step is the change in the UE transmitter output power in response to a single TPC command, TPC_cmd, derived at the UE.

This clause does not cover all the requirements of compressed mode or soft handover.

The requirements and this test apply for Release 11 and later releases to all types of UTRA for the FDD UE that supports UL CLTD.

5.4.2C.2 Minimum requirements

The UE transmitter shall have the capability of changing the output power with a step size of 1 dB, 2 dB and 3 dB according to the value of Δ_{TPC} or $\Delta_{\text{RP-TPC}}$, in the slot immediately after the TPC_cmd can be derived.

- The transmitter output power step due to inner loop power control shall be within the range shown in table 5.4.2C.1.
- The transmitter aggregate output power step due to inner loop power control shall be within the range shown in table 5.4.2C.2. Here a TPC_cmd group is a set of TPC_cmd values derived from a corresponding sequence of TPC commands of the same duration.

For UE with two active transmit antenna connectors in UL CLTD activation state 1, the inner loop power control in the uplink specified in this clause applies at each transmit antenna connector.

The inner loop power step is defined as the relative power difference between the mean power of the original (reference) timeslot and the mean power of the target timeslot, not including the transient duration. The transient duration is from 25 μs before the slot boundary to 25 μs after the slot boundary.

Table 5.4.2C.1: Transmitter power control range

| TPC_cmd | Transmitter power control range (all units are in dB) | | | | | |
|---------|---|-------|----------------|-------|----------------|-------|
| | 1 dB step size | | 2 dB step size | | 3 dB step size | |
| | Lower | Upper | Lower | Upper | Lower | Upper |
| +1 | +0,5 | +1,5 | +1 | +3 | +1,5 | +4,5 |
| 0 | -0,5 | +0,5 | -0,5 | +0,5 | -0,5 | +0,5 |
| -1 | -0,5 | -1,5 | -1 | -3 | -1,5 | -4,5 |

Table 5.4.2C.2: Transmitter aggregate power control tolerance

| TPC_cmd group | Transmitter power control range after 10 equal TPC_cmd group (all units are in dB) | | | | Transmitter power control range after 7 equal TPC_cmd groups (all units are in dB) | |
|---------------|--|-------|----------------|-------|--|-------|
| | 1 dB step size | | 2 dB step size | | 3 dB step size | |
| | Lower | Upper | Lower | Upper | Lower | Upper |
| +1 | +8 | +12 | +16 | +24 | +16 | +26 |
| 0 | -1 | +1 | -1 | +1 | -1 | +1 |
| -1 | -8 | -12 | -16 | -24 | -16 | -26 |
| 0,0,0,0,+1 | +6 | +14 | N/A | N/A | N/A | N/A |
| 0,0,0,0,-1 | -6 | -14 | N/A | N/A | N/A | N/A |

The UE shall meet the above requirements for inner loop power control over the power range bounded by the Minimum output power as defined in clause 5.4.3.2, and the Maximum output power supported by the UE (i.e. the actual power as would be measured assuming no measurement error). This power shall be in the range specified for the power class of the UE in clause 5.2.2.

NOTE: 3 dB inner loop power control steps are only used in compressed mode.

The reference for this requirement is TS 25.101 [1] clause 6.4.2.1.1C.

The requirements for the derivation of TPC_cmd are detailed in TS 25.214 [5] clauses 5.1.2.2.2 and 5.1.2.2.3.

5.4.2C.3 Test purpose

- To verify that the UE inner loop power control size and response with UL CLTD activation state 1 is meet to the described value shown in clause 5.4.2C.2.
- To verify that TPC_cmd is correctly derived from received TPC commands.

An excess error of the inner loop power control decreases the system capacity.

The UE shall be tested for the requirements for inner loop power control over the power range bounded by the Min power threshold for test and the Max power threshold for test.

The Min power threshold for test is defined as the Minimum Output Power Test Requirement (clause 5.4.3.5).

The Max power threshold for test is defined as the Measured Maximum output power of the UE in the relevant Step of the test (using the same method as in clause 5.2.4.2 step 2) minus the Test Tolerance specified for test 5.2 Maximum Output Power in table F.2.1.

For the final power step adjacent to the Min or Max power threshold for test, the lower step size requirement does not apply.

5.4.2C.4 Method of test

5.4.2C.4.1 Initial conditions

Test environment: normal; see clauses G.2.1 and G.2.2.

Frequencies to be tested: mid range; see clause G.2.4.

- 1) Connect the SS to the UE antenna connector as shown in figure FFS.
- 2) A call is set up according to the Generic call setup procedure specified in TS34.108 [3] sub clause 7.3.17, with the following exception for information elements in RADIO BEARER SETUP message. With this exception, the Power Control Algorithm for the Uplink is set to algorithm 2.

Table 5.4.2C.4.1: Contents of RADIO BEARER SETUP message: AM or UM

| Information Element | Value/Remark |
|---|---------------------------------|
| CHOICE channel requirement - Power Control Algorithm | Uplink DPCH info Algorithm 2 |

- 3) SS sends a HS-SCCH order activating UL_CLTD activation state 1.
- 4) Enter the UE into loopback test mode and start the loopback test.

See TS 34.108 [3] and TS 34.109 [4] for details regarding generic call setup procedure and loopback test.

5.4.2C.4.2 Procedure

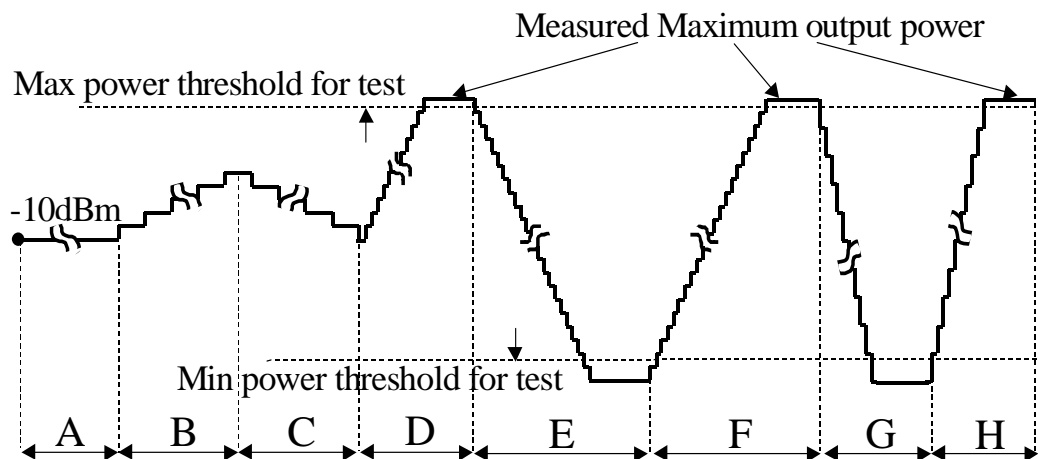


Figure 5.4.2C.4 Inner Loop Power Control Test Steps

- 1) Before proceeding with paragraph (2) (Step A) below, set the output power of the UE to be in the range -10 ± 9 dBm. This may be achieved by setting the downlink signal (\hat{I}_{or}) to yield an appropriate open loop output power and/or by generating suitable downlink TPC commands from the SS.
- 2) Step A: Transmit a sequence of at least 30 and no more than 60 TPC commands, which shall commence at a frame boundary and last for a whole number of frames, and which shall contain:
 - no sets of 5 consecutive "0" or "1" commands which commence in the 1st, 6th or 11th slots of a frame;
 - at least one set of 5 consecutive "0" commands which does not commence in the 1st, 6th or 11th slots of a frame;
 - at least one set of 5 consecutive "1" commands which does not commence in the 1st, 6th or 11th slots of a frame.

The following is an example of a suitable sequence of TPC commands:

```
10000010101010111110100000101010101111010000010101010111110
```

- 3) Step B: Transmit a sequence of 50 TPC commands with the value 1.
- 4) Step C: Transmit a sequence of 50 TPC commands with the value 0.
- 5) Step D: Transmit the PHYSICAL CHANNEL RECONFIGURATION message to reconfigure the uplink channel in order to set the Power Control Algorithm to algorithm 1, and the TPC step size to 1 dB. Contents of the message is specified in the table 5.4.2C.4.2.A. After the PHYSICAL CHANNEL RECONFIGURATION COMPLETE message from the UE is received, transmit a sequence of TPC commands with the value 1 until the UE output power is above the maximum power threshold.
- 6) Step E: Transmit a sequence of 150 (note 1) TPC commands with the value 0.
- 7) Step F: Transmit a sequence of 150 (note 1) TPC commands with the value 1.
- 8) Step G: Transmit the PHYSICAL CHANNEL RECONFIGURATION message to reconfigure the uplink channel in order to set the TPC step size to 2 dB (with the Power Control Algorithm remaining as algorithm 1). Contents of the message is specified in the table 5.4.2C.4.2.B. After the PHYSICAL CHANNEL RECONFIGURATION COMPLETE message from the UE is received, transmit a sequence of TPC commands with the value 1 until the UE output power is above the maximum power threshold. Transmit a sequence of 75 (note 1) TPC commands with the value 0.

9) Step H: Transmit a sequence of 75 (note 1) TPC commands with the value 1.

10) During steps A to H the mean power of every slot shall be measured, with the following exceptions:

- In steps D and F, measurement of the mean power is not required in slots after the 10th slot after the mean power has exceeded the maximum power threshold;
- In steps E and G, measurement of the mean power is not required in slots after the 10th slot after the mean power has fallen below the minimum power threshold.

The transient periods of 25 μ s before each slot boundary and 25 μ s after each slot boundary shall not be included in the power measurements.

NOTE 1: These numbers of TPC commands are given as examples. The actual number of TPC commands transmitted in these steps shall be at least 10 more than the number required to ensure that the UE reaches the relevant maximum or minimum power threshold in each step, as shown in figure 5.4.2C.4.

NOTE 2: In order to make it more practical to measure the entire power control dynamic range (between min power threshold and max power threshold with suitable margins), it is permissible to segment the power control sequences into smaller subsequence. For example, Step-E can be divided into different stages while still fulfilling the purpose of the test to measure the entire dynamic range.

Table 5.4.2C.4.2.A: PHYSICAL CHANNEL RECONFIGURATION message for step D (step 5)

| Information Element | Value/Remark | Version |
|--|--|--------------------|
| Message Type | | |
| UE Information Elements | | |
| -RRC transaction identifier | 0 | |
| -Integrity check info | | |
| - message authentication code | SS calculates the value of MAC-I for this message and writes to this IE. The first/ leftmost bit of the bit string contains the most significant bit of the MAC-I. | |
| - RRC message sequence number | SS provides the value of this IE, from its internal counter. | |
| -Integrity protection mode info | Not Present | |
| -Ciphering mode info | Not Present | |
| -Activation time | Not Present | |
| -New U-RNTI | Not Present | |
| -New C-RNTI | Not Present | |
| -RRC State Indicator | CELL_DCH | |
| -UTRAN DRX cycle length coefficient | Not Present | |
| CN Information Elements | | |
| -CN Information info | Not Present | |
| UTRAN mobility information elements | | |
| -URA identity | Not Present | |
| RB information elements | | |
| -Downlink counter synchronisation info | Not Present | |
| PhyCH information elements | | |
| -Frequency info | Not Present | |
| Uplink radio resources | | |
| -Maximum allowed UL TX power | Not Present | |
| -CHOICE channel requirement | Uplink DPCH info | |
| -Uplink DPCH power control info | | |
| -CHOICE mode | FDD | |
| -DPCCH Power offset | -40 (-80dB) | |
| -PC Preamble | 1 frame | |
| -SRB delay | 7 frames | |
| -Power Control Algorithm | Algorithm 1 | |
| -TPC step size | 1dB | |
| -CHOICE mode | FDD | |
| -Scrambling code type | Long | |
| -Scrambling code number | 0 | |
| -Number of DPDCH | 1 | |
| -spreading factor | 64 | |
| -TFCI existence | TRUE | |
| -Number of FBI bits | Not Present(0) | |
| -Puncturing Limit | 1 | |
| Downlink radio resources | | |
| -CHOICE mode | FDD | |
| -Downlink PDSCH information | Not Present | R99 and Rel-4 only |
| -Downlink information common for all radio links | Not Present | |
| -Downlink DPCH info common for all RL | Not Present | |

Table 5.4.2C.4.2.B: PHYSICAL CHANNEL RECONFIGURATION message for step G (step 8)

| Information Element | Value/Remark | Version |
|--|--|--------------------|
| Message Type | | |
| UE Information Elements | | |
| -RRC transaction identifier | 0 | |
| -Integrity check info | | |
| - message authentication code | SS calculates the value of MAC-I for this message and writes to this IE. The first/ leftmost bit of the bit string contains the most significant bit of the MAC-I. | |
| - RRC message sequence number | SS provides the value of this IE, from its internal counter. | |
| -Integrity protection mode info | Not Present | |
| -Ciphering mode info | Not Present | |
| -Activation time | Not Present | |
| -New U-RNTI | Not Present | |
| -New C-RNTI | Not Present | |
| -RRC State Indicator | CELL_DCH | |
| -UTRAN DRX cycle length coefficient | Not Present | |
| CN Information Elements | | |
| -CN Information info | Not Present | |
| UTRAN mobility information elements | | |
| -URA identity | Not Present | |
| RB information elements | | |
| -Downlink counter synchronisation info | Not Present | |
| PhyCH information elements | | |
| -Frequency info | Not Present | |
| Uplink radio resources | | |
| -Maximum allowed UL TX power | Not Present | |
| -CHOICE channel requirement | Uplink DPCH info | |
| -Uplink DPCH power control info | | |
| -CHOICE mode | FDD | |
| -DPCCH Power offset | -40 (-80dB) | |
| -PC Preamble | 1 frame | |
| -SRB delay | 7 frames | |
| -Power Control Algorithm | Algorithm 1 | |
| -TPC step size | 2dB | |
| -CHOICE mode | FDD | |
| -Scrambling code type | Long | |
| -Scrambling code number | 0 | |
| -Number of DPDCH | 1 | |
| -spreading factor | 64 | |
| -TFCI existence | TRUE | |
| -Number of FBI bits | Not Present(0) | |
| -Puncturing Limit | 1 | |
| Downlink radio resources | | |
| -CHOICE mode | FDD | |
| -Downlink PDSCH information | Not Present | R99 and Rel-4 only |
| -Downlink information common for all radio links | Not Present | |
| -Downlink DPCH info common for all RL | Not Present | |

5.4.2C.5 Test requirements

Table 5.4.2C.5.1: Transmitter power control range

| TPC_cmd | Transmitter power control range (all units are in dB) | | | | | |
|---------|---|----------|----------------|----------|----------------|----------|
| | 1 dB step size | | 2 dB step size | | 3 dB step size | |
| | Lower | Upper | Lower | Upper | Lower | Upper |
| +1 | +0,5± TT | +1,5± TT | +1± TT | +3± TT | +1,5± TT | +4,5± TT |
| 0 | -0,5± TT | +0,5± TT | -0,5± TT | +0,5± TT | -0,5± TT | +0,5± TT |
| -1 | -0,5± TT | -1,5± TT | -1± TT | -3± TT | -1,5± TT | -4,5± TT |

Table 5.4.2C.5.2: Transmitter aggregate power control tolerance

| TPC_cmd group | Transmitter power control range after 10 equal TPC_cmd group (all units are in dB) | | | | Transmitter power control range after 7 equal TPC_cmd groups (all units are in dB) | |
|---------------|--|--------|----------------|--------|--|--------|
| | 1 dB step size | | 2 dB step size | | 3 dB step size | |
| | Lower | Upper | Lower | Upper | Lower | Upper |
| +1 | +8±TT | +12±TT | +16±TT | +24±TT | +16±TT | +26±TT |
| 0 | -1±TT | +1±TT | -1±TT | +1±TT | -1±TT | +1±TT |
| -1 | -8±TT | -12±TT | -16±TT | -24±TT | -16±TT | -26±TT |
| 0,0,0,0,+1 | +6±TT | +14±TT | N/A | N/A | N/A | N/A |
| 0,0,0,0,-1 | -6±TT | -14±TT | N/A | N/A | N/A | N/A |

- a) During Step A, the difference in mean power between adjacent slots shall be within the prescribed range for a TPC_cmd of 0, as given in table 5.4.2C.5.1.
- b) During Step A, the change in mean power over 10 consecutive slots shall be within the prescribed range for a TPC_cmd group of 0, as given in table 5.4.2C.5.2.
- c) During Step B, the difference in mean power between adjacent slots shall be within the prescribed range given in table 5.4.2C.5.1, given that every 5th TPC_cmd should have the value +1, with a step size of 1 dB, and all other TPC_cmd should have the value 0.
- d) During Step B, the change in mean power over 50 consecutive slots shall be within the prescribed range for a TPC_cmd group of {0,0,0,0,+1}, as given in table 5.4.2C.5.2.
- e) During Step C, the difference in mean power between adjacent slots shall be within the prescribed range given in table 5.4.2C.5.1, given that every 5th TPC_cmd should have the value -1, with a step size of 1 dB, and all other TPC_cmd should have the value 0.
- f) During Step C, the change in mean power over 50 consecutive slots shall be within the prescribed range for a TPC_cmd group of {0,0,0,0,-1}, as given in table 5.4.2C.5.2.
- g) During Step E, the difference in mean power between adjacent slots shall be within the prescribed range given in table 5.4.2C.5.1 for a TPC_cmd of -1 and step size of 1 dB. This applies when the original (reference) timeslot power and the target timeslot power are between the Min power threshold for test and the Max power threshold for test derived from the Measured Maximum output power in Step D. For the power step adjacent to the Min or Max power threshold for test, the lower step size requirement does not apply.
- h) During Step E, the change in mean power over 10 consecutive slots shall be within the prescribed range for a TPC_cmd group of -1, and step size of 1 dB as given in table 5.4.2C.5.2. This applies when the original (reference) timeslot power and the target timeslot power are between the Min power threshold for test and the Max power threshold for test derived from the Measured Maximum output power in Step D. The power step adjacent to the Min or Max power threshold for test should not be part of the 10 consecutive slots tested.
- i) During Step F, the difference in mean power between adjacent slots shall be within the prescribed range given in table 5.4.2C.5.1 for a TPC_cmd of +1 and step size of 1 dB. This applies when the original (reference) timeslot power and the target timeslot power are between the Min power threshold for test and the Max power threshold for test derived from the Measured Maximum output power in Step F. For the power step adjacent to the Min or Max power threshold for test, the lower step size requirement does not apply.
- j) During Step F, the change in mean power over 10 consecutive slots shall be within the prescribed range for a TPC_cmd group of +1, and step size of 1 dB as given in table 5.4.2C.5.2. This applies when the original (reference) timeslot power and the target timeslot power are between the Min power threshold for test and the Max power threshold for test derived from the Measured Maximum output power in Step F. The power step adjacent to the Min or Max power threshold for test should not be part of the 10 consecutive slots tested.

- k) During Step G, the difference in mean power between adjacent slots shall be within the prescribed range given in table 5.4.2C.5.1 for a TPC_cmd of -1 and step size of 2 dB. This applies when the original (reference) timeslot power and the target timeslot power are between the Min power threshold for test and the Max power threshold for test derived from the Measured Maximum output power in Step F. For the power step adjacent to the Min or Max power threshold for test, the lower step size requirement does not apply.
- l) During Step G, the change in mean power over 10 consecutive slots shall be within the prescribed range for a TPC_cmd group of -1, and step size of 2 dB as given in table 5.4.2C.5.2. This applies when the original (reference) timeslot power and the target timeslot power are between the Min power threshold for test and the Max power threshold for test derived from the Measured Maximum output power in Step F. The power step adjacent to the Min or Max power threshold for test should not be part of the 10 consecutive slots.
- m) During Step H, the difference in mean power between adjacent slots shall be within the prescribed range given in table 5.4.2C.5.1 for a TPC_cmd of +1 and step size of 2 dB. This applies when the original (reference) timeslot power and the target timeslot power are between the Min power threshold for test and the Max power threshold for test derived from the Measured Maximum output power in Step H. For the power step adjacent to the Min or Max power threshold for test, the lower step size requirement does not apply.
- n) During Step H, the change in mean power over 10 consecutive slots shall be within the prescribed range for a TPC_cmd group of +1, and step size of 2 dB as given in table 5.4.2C.5.2. This applies when the original (reference) timeslot power and the target timeslot power are between the Min power threshold for test and the Max power threshold for test derived from the Measured Maximum output power in Step H. The power step adjacent to the Min or Max power threshold for test should not be part of the 10 consecutive slots tested.

NOTE: If the above Test Requirement differs from the Minimum Requirement then the Test Tolerance applied for this test is non-zero. The Test Tolerance for this test is defined in clause FFS and the explanation of how the Minimum Requirement has been relaxed by the Test Tolerance is given in clause FFS.

5.4.2D Inner Loop Power Control in the Uplink for UL CLTD activation state 2 and 3

Editor's note: This clause is incomplete. The following aspects are either missing or not yet determined:

- Message Contents are FFS.
- Call Setup procedure, test procedure, test tolerances may need an update.
- Update of Annexure is FFS

5.4.2D.1 Definition and applicability

Inner loop power control in the uplink is the ability of the UE transmitter to adjust its output power in accordance with one or more TPC commands received in the downlink.

The power control step is the change in the UE transmitter output power in response to a single TPC command, TPC_cmd, derived at the UE.

This clause does not cover all the requirements of compressed mode or soft handover.

The requirements and this test apply for Release 11 and later releases to all types of UTRA for the FDD UE that supports UL CLTD.

5.4.2D.2 Minimum requirements

The UE transmitter shall have the capability of changing the output power with a step size of 1 dB, 2 dB and 3 dB according to the value of Δ_{TPC} or $\Delta_{\text{RP-TPC}}$, in the slot immediately after the TPC_cmd can be derived.

- a) The transmitter output power step due to inner loop power control shall be within the range shown in table 5.4.2D.1.
- b) The transmitter aggregate output power step due to inner loop power control shall be within the range shown in table 5.4.2D.2. Here a TPC_cmd group is a set of TPC_cmd values derived from a corresponding sequence of TPC commands of the same duration.

For UE configured in UL CLTD activation state 2 or 3, the inner loop power control in the uplink specified in this clause applies at the active transmit antenna connector.

The inner loop power step is defined as the relative power difference between the mean power of the original (reference) timeslot and the mean power of the target timeslot, not including the transient duration. The transient duration is from 25 μ s before the slot boundary to 25 μ s after the slot boundary.

Table 5.4.2D.1: Transmitter power control range

| TPC_cmd | Transmitter power control range (all units are in dB) | | | | | |
|---------|---|-------|----------------|-------|----------------|-------|
| | 1 dB step size | | 2 dB step size | | 3 dB step size | |
| | Lower | Upper | Lower | Upper | Lower | Upper |
| +1 | +0,5 | +1,5 | +1 | +3 | +1,5 | +4,5 |
| 0 | -0,5 | +0,5 | -0,5 | +0,5 | -0,5 | +0,5 |
| -1 | -0,5 | -1,5 | -1 | -3 | -1,5 | -4,5 |

Table 5.4.2D.2: Transmitter aggregate power control tolerance

| TPC_cmd group | Transmitter power control range after 10 equal TPC_cmd group (all units are in dB) | | | | Transmitter power control range after 7 equal TPC_cmd groups (all units are in dB) | |
|---------------|--|-------|----------------|-------|--|-------|
| | 1 dB step size | | 2 dB step size | | 3 dB step size | |
| | Lower | Upper | Lower | Upper | Lower | Upper |
| +1 | +8 | +12 | +16 | +24 | +16 | +26 |
| 0 | -1 | +1 | -1 | +1 | -1 | +1 |
| -1 | -8 | -12 | -16 | -24 | -16 | -26 |
| 0,0,0,0,+1 | +6 | +14 | N/A | N/A | N/A | N/A |
| 0,0,0,0,-1 | -6 | -14 | N/A | N/A | N/A | N/A |

The UE shall meet the above requirements for inner loop power control over the power range bounded by the Minimum output power as defined in clause 5.4.3.2, and the Maximum output power supported by the UE (i.e. the actual power as would be measured assuming no measurement error). This power shall be in the range specified for the power class of the UE in clause 5.2.2.

NOTE: 3 dB inner loop power control steps are only used in compressed mode.

The reference for this requirement is TS 25.101 [1] clause 6.4.2.1.1C.

The requirements for the derivation of TPC_cmd are detailed in TS 25.214 [5] clauses 5.1.2.2.2 and 5.1.2.2.3.

5.4.2D.3 Test purpose

- To verify that the UE inner loop power control size and response with UL CLTD activation state 2 and 3 is meet to the described value shown in clause 5.4.2D.2.
- To verify that TPC_cmd is correctly derived from received TPC commands.

An excess error of the inner loop power control decreases the system capacity.

The UE shall be tested for the requirements for inner loop power control over the power range bounded by the Min power threshold for test and the Max power threshold for test.

The Min power threshold for test is defined as the Minimum Output Power Test Requirement (clause 5.4.3.5).

The Max power threshold for test is defined as the Measured Maximum output power of the UE in the relevant Step of the test (using the same method as in clause 5.2.4.2 step 2) minus the Test Tolerance specified for test 5.2 Maximum Output Power in table F.2.1.

For the final power step adjacent to the Min or Max power threshold for test, the lower step size requirement does not apply.

5.4.2D.4 Method of test

5.4.2D.4.1 Initial conditions

Test environment: normal; see clauses G.2.1 and G.2.2.

Frequencies to be tested: mid range; see clause G.2.4.

- 1) Connect the SS to the UE antenna connector as shown in figure FFS.
- 2) A call is set up according to the Generic call setup procedure specified in TS34.108 [3] sub clause 7.3.17, with the following exception for information elements in RADIO BEARER SETUP message. With this exception, the Power Control Algorithm for the Uplink is set to algorithm 2.

Table 5.4.2D.4.1: Contents of RADIO BEARER SETUP message: AM or UM

| Information Element | Value/Remark |
|---|---------------------------------|
| CHOICE channel requirement - Power Control Algorithm | Uplink DPCH info Algorithm 2 |

- 3) SS sends a HS-SCCH order activating UL_CLTD activation state 2.
- 4) Enter the UE into loopback test mode and start the loopback test.

See TS 34.108 [3] and TS 34.109 [4] for details regarding generic call setup procedure and loopback test.

5.4.2D.4.2 Procedure

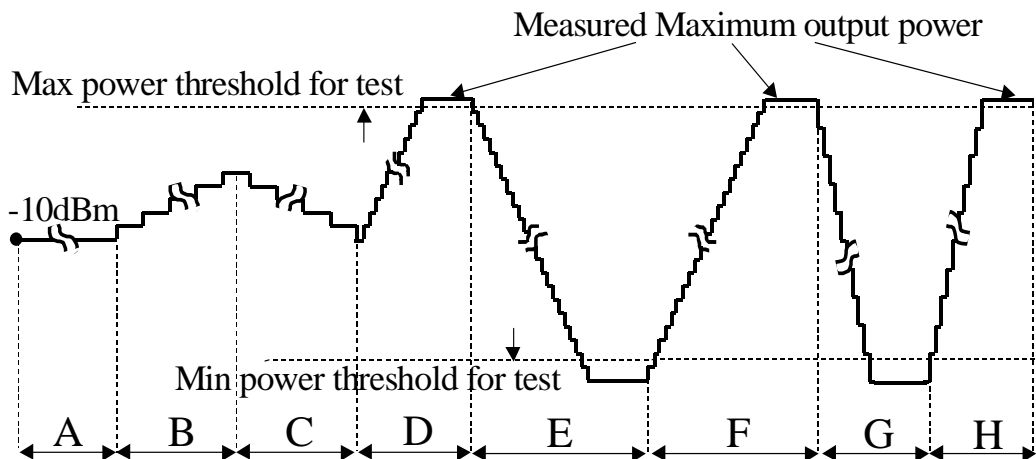


Figure 5.4.2D.4 Inner Loop Power Control Test Steps

- 1) Before proceeding with paragraph (2) (Step A) below, set the output power of the UE to be in the range -10 ± 9 dBm. This may be achieved by setting the downlink signal (\hat{I}_{or}) to yield an appropriate open loop output power and/or by generating suitable downlink TPC commands from the SS.

2) Step A: Transmit a sequence of at least 30 and no more than 60 TPC commands, which shall commence at a frame boundary and last for a whole number of frames, and which shall contain:

- no sets of 5 consecutive "0" or "1" commands which commence in the 1st, 6th or 11th slots of a frame;
- at least one set of 5 consecutive "0" commands which does not commence in the 1st, 6th or 11th slots of a frame;
- at least one set of 5 consecutive "1" commands which does not commence in the 1st, 6th or 11th slots of a frame.

The following is an example of a suitable sequence of TPC commands:

```
10000010101010111110100000101010101111010000010101010111110
```

- 3) Step B: Transmit a sequence of 50 TPC commands with the value 1.
 - 4) Step C: Transmit a sequence of 50 TPC commands with the value 0.
 - 5) Step D: Transmit the PHYSICAL CHANNEL RECONFIGURATION message to reconfigure the uplink channel in order to set the Power Control Algorithm to algorithm 1, and the TPC step size to 1 dB. Contents of the message is specified in the table 5.4.2D.4.2.A. After the PHYSICAL CHANNEL RECONFIGURATION COMPLETE message from the UE is received, transmit a sequence of TPC commands with the value 1 until the UE output power is above the maximum power threshold.
 - 6) Step E: Transmit a sequence of 150 (note 1) TPC commands with the value 0.
 - 7) Step F: Transmit a sequence of 150 (note 1) TPC commands with the value 1.
 - 8) Step G: Transmit the PHYSICAL CHANNEL RECONFIGURATION message to reconfigure the uplink channel in order to set the TPC step size to 2 dB (with the Power Control Algorithm remaining as algorithm 1). Contents of the message is specified in the table 5.4.2D.4.2.B. After the PHYSICAL CHANNEL RECONFIGURATION COMPLETE message from the UE is received, transmit a sequence of TPC commands with the value 1 until the UE output power is above the maximum power threshold. Transmit a sequence of 75 (note 1) TPC commands with the value 0.
 - 9) Step H: Transmit a sequence of 75 (note 1) TPC commands with the value 1.
- 10) During steps A to H the mean power of every slot shall be measured, with the following exceptions:
- In steps D and F, measurement of the mean power is not required in slots after the 10th slot after the mean power has exceeded the maximum power threshold;
 - In steps E and G, measurement of the mean power is not required in slots after the 10th slot after the mean power has fallen below the minimum power threshold.

The transient periods of 25 µs before each slot boundary and 25 µs after each slot boundary shall not be included in the power measurements.

11) SS sends a HS-SCCH order activating UL_CLTD activation state 3

12) Repeat step 1 to 10 for activation state 3.

NOTE 1: These numbers of TPC commands are given as examples. The actual number of TPC commands transmitted in these steps shall be at least 10 more than the number required to ensure that the UE reaches the relevant maximum or minimum power threshold in each step, as shown in figure 5.4.2D.4.

NOTE 2: In order to make it more practical to measure the entire power control dynamic range (between min power threshold and max power threshold with suitable margins), it is permissible to segment the power control sequences into smaller subsequence. For example, Step-E can be divided into different stages while still fulfilling the purpose of the test to measure the entire dynamic range.

Table 5.4.2D.4.2.A: PHYSICAL CHANNEL RECONFIGURATION message for step D (step 5)

| Information Element | Value/Remark | Version |
|--|--|--------------------|
| Message Type | | |
| UE Information Elements | | |
| -RRC transaction identifier | 0 | |
| -Integrity check info | | |
| - message authentication code | SS calculates the value of MAC-I for this message and writes to this IE. The first/ leftmost bit of the bit string contains the most significant bit of the MAC-I. | |
| - RRC message sequence number | SS provides the value of this IE, from its internal counter. | |
| -Integrity protection mode info | Not Present | |
| -Ciphering mode info | Not Present | |
| -Activation time | Not Present | |
| -New U-RNTI | Not Present | |
| -New C-RNTI | Not Present | |
| -RRC State Indicator | CELL_DCH | |
| -UTRAN DRX cycle length coefficient | Not Present | |
| CN Information Elements | | |
| -CN Information info | Not Present | |
| UTRAN mobility information elements | | |
| -URA identity | Not Present | |
| RB information elements | | |
| -Downlink counter synchronisation info | Not Present | |
| PhyCH information elements | | |
| -Frequency info | Not Present | |
| Uplink radio resources | | |
| -Maximum allowed UL TX power | Not Present | |
| -CHOICE channel requirement | Uplink DPCH info | |
| -Uplink DPCH power control info | | |
| -CHOICE mode | FDD | |
| -DPCCH Power offset | -40 (-80dB) | |
| -PC Preamble | 1 frame | |
| -SRB delay | 7 frames | |
| -Power Control Algorithm | Algorithm 1 | |
| -TPC step size | 1dB | |
| -CHOICE mode | FDD | |
| -Scrambling code type | Long | |
| -Scrambling code number | 0 | |
| -Number of DPDCH | 1 | |
| -spreading factor | 64 | |
| -TFCl existence | TRUE | |
| -Number of FBI bits | Not Present(0) | |
| -Puncturing Limit | 1 | |
| Downlink radio resources | | |
| -CHOICE mode | FDD | |
| -Downlink PDSCH information | Not Present | R99 and Rel-4 only |
| -Downlink information common for all radio links | Not Present | |
| -Downlink DPCH info common for all RL | Not Present | |

Table 5.4.2D.4.2.B: PHYSICAL CHANNEL RECONFIGURATION message for step G (step 8)

| Information Element | Value/Remark | Version |
|--|--|--------------------|
| Message Type | | |
| UE Information Elements | | |
| -RRC transaction identifier | 0 | |
| -Integrity check info | | |
| - message authentication code | SS calculates the value of MAC-I for this message and writes to this IE. The first/ leftmost bit of the bit string contains the most significant bit of the MAC-I. | |
| - RRC message sequence number | SS provides the value of this IE, from its internal counter. | |
| -Integrity protection mode info | Not Present | |
| -Ciphering mode info | Not Present | |
| -Activation time | Not Present | |
| -New U-RNTI | Not Present | |
| -New C-RNTI | Not Present | |
| -RRC State Indicator | CELL_DCH | |
| -UTRAN DRX cycle length coefficient | Not Present | |
| CN Information Elements | | |
| -CN Information info | Not Present | |
| UTRAN mobility information elements | | |
| -URA identity | Not Present | |
| RB information elements | | |
| -Downlink counter synchronisation info | Not Present | |
| PhyCH information elements | | |
| -Frequency info | Not Present | |
| Uplink radio resources | | |
| -Maximum allowed UL TX power | Not Present | |
| -CHOICE channel requirement | Uplink DPCH info | |
| -Uplink DPCH power control info | | |
| -CHOICE mode | FDD | |
| -DPCCH Power offset | -40 (-80dB) | |
| -PC Preamble | 1 frame | |
| -SRB delay | 7 frames | |
| -Power Control Algorithm | Algorithm 1 | |
| -TPC step size | 2dB | |
| -CHOICE mode | FDD | |
| -Scrambling code type | Long | |
| -Scrambling code number | 0 | |
| -Number of DPDCH | 1 | |
| -spreading factor | 64 | |
| -TFCI existence | TRUE | |
| -Number of FBI bits | Not Present(0) | |
| -Puncturing Limit | 1 | |
| Downlink radio resources | | |
| -CHOICE mode | FDD | |
| -Downlink PDSCH information | Not Present | R99 and Rel-4 only |
| -Downlink information common for all radio links | Not Present | |
| -Downlink DPCH info common for all RL | Not Present | |

5.4.2D.5 Test requirements

Table 5.4.2D.5.1: Transmitter power control range

| TPC_cmd | Transmitter power control range (all units are in dB) | | | | | |
|---------|---|----------|----------------|----------|----------------|----------|
| | 1 dB step size | | 2 dB step size | | 3 dB step size | |
| | Lower | Upper | Lower | Upper | Lower | Upper |
| +1 | +0,5± TT | +1,5± TT | +1± TT | +3± TT | +1,5± TT | +4,5± TT |
| 0 | -0,5± TT | +0,5± TT | -0,5± TT | +0,5± TT | -0,5± TT | +0,5± TT |
| -1 | -0,5± TT | -1,5± TT | -1± TT | -3± TT | -1,5± TT | -4,5± TT |

Table 5.4.2D.5.2: Transmitter aggregate power control tolerance

| TPC_cmd group | Transmitter power control range after 10 equal TPC_cmd group (all units are in dB) | | | | Transmitter power control range after 7 equal TPC_cmd groups (all units are in dB) | |
|---------------|--|--------|----------------|--------|--|--------|
| | 1 dB step size | | 2 dB step size | | 3 dB step size | |
| | Lower | Upper | Lower | Upper | Lower | Upper |
| +1 | +8±TT | +12±TT | +16±TT | +24±TT | +16±TT | +26±TT |
| 0 | -1±TT | +1±TT | -1±TT | +1±TT | -1±TT | +1±TT |
| -1 | -8±TT | -12±TT | -16±TT | -24±TT | -16±TT | -26±TT |
| 0,0,0,0,+1 | +6±TT | +14±TT | N/A | N/A | N/A | N/A |
| 0,0,0,0,-1 | -6±TT | -14±TT | N/A | N/A | N/A | N/A |

- a) During Step A, the difference in mean power between adjacent slots shall be within the prescribed range for a TPC_cmd of 0, as given in table 5.4.2D.5.1.
- b) During Step A, the change in mean power over 10 consecutive slots shall be within the prescribed range for a TPC_cmd group of 0, as given in table 5.4.2D.5.2.
- c) During Step B, the difference in mean power between adjacent slots shall be within the prescribed range given in table 5.4.2D.5.1, given that every 5th TPC_cmd should have the value +1, with a step size of 1 dB, and all other TPC_cmd should have the value 0.
- d) During Step B, the change in mean power over 50 consecutive slots shall be within the prescribed range for a TPC_cmd group of {0,0,0,0,+1}, as given in table 5.4.2D.5.2.
- e) During Step C, the difference in mean power between adjacent slots shall be within the prescribed range given in table 5.4.2D.5.1, given that every 5th TPC_cmd should have the value -1, with a step size of 1 dB, and all other TPC_cmd should have the value 0.
- f) During Step C, the change in mean power over 50 consecutive slots shall be within the prescribed range for a TPC_cmd group of {0,0,0,0,-1}, as given in table 5.4.2D.5.2.
- g) During Step E, the difference in mean power between adjacent slots shall be within the prescribed range given in table 5.4.2D.5.1 for a TPC_cmd of -1 and step size of 1 dB. This applies when the original (reference) timeslot power and the target timeslot power are between the Min power threshold for test and the Max power threshold for test derived from the Measured Maximum output power in Step D. For the power step adjacent to the Min or Max power threshold for test, the lower step size requirement does not apply.
- h) During Step E, the change in mean power over 10 consecutive slots shall be within the prescribed range for a TPC_cmd group of -1, and step size of 1 dB as given in table 5.4.2D.5.2. This applies when the original (reference) timeslot power and the target timeslot power are between the Min power threshold for test and the Max power threshold for test derived from the Measured Maximum output power in Step D. The power step adjacent to the Min or Max power threshold for test should not be part of the 10 consecutive slots tested.
- i) During Step F, the difference in mean power between adjacent slots shall be within the prescribed range given in table 5.4.2D.5.1 for a TPC_cmd of +1 and step size of 1 dB. This applies when the original (reference) timeslot power and the target timeslot power are between the Min power threshold for test and the Max power threshold for test derived from the Measured Maximum output power in Step F. For the power step adjacent to the Min or Max power threshold for test, the lower step size requirement does not apply.
- j) During Step F, the change in mean power over 10 consecutive slots shall be within the prescribed range for a TPC_cmd group of +1, and step size of 1 dB as given in table 5.4.2D.5.2. This applies when the original (reference) timeslot power and the target timeslot power are between the Min power threshold for test and the Max power threshold for test derived from the Measured Maximum output power in Step F. The power step adjacent to the Min or Max power threshold for test should not be part of the 10 consecutive slots tested.

- k) During Step G, the difference in mean power between adjacent slots shall be within the prescribed range given in table 5.4.2D.5.1 for a TPC_cmd of -1 and step size of 2 dB. This applies when the original (reference) timeslot power and the target timeslot power are between the Min power threshold for test and the Max power threshold for test derived from the Measured Maximum output power in Step F. For the power step adjacent to the Min or Max power threshold for test, the lower step size requirement does not apply.
- l) During Step G, the change in mean power over 10 consecutive slots shall be within the prescribed range for a TPC_cmd group of -1, and step size of 2 dB as given in table 5.4.2D.5.2. This applies when the original (reference) timeslot power and the target timeslot power are between the Min power threshold for test and the Max power threshold for test derived from the Measured Maximum output power in Step F. The power step adjacent to the Min or Max power threshold for test should not be part of the 10 consecutive slots.
- m) During Step H, the difference in mean power between adjacent slots shall be within the prescribed range given in table 5.4.2D.5.1 for a TPC_cmd of +1 and step size of 2 dB. This applies when the original (reference) timeslot power and the target timeslot power are between the Min power threshold for test and the Max power threshold for test derived from the Measured Maximum output power in Step H. For the power step adjacent to the Min or Max power threshold for test, the lower step size requirement does not apply.
- n) During Step H, the change in mean power over 10 consecutive slots shall be within the prescribed range for a TPC_cmd group of +1, and step size of 2 dB as given in table 5.4.2D.5.2. This applies when the original (reference) timeslot power and the target timeslot power are between the Min power threshold for test and the Max power threshold for test derived from the Measured Maximum output power in Step H. The power step adjacent to the Min or Max power threshold for test should not be part of the 10 consecutive slots tested.

NOTE: If the above Test Requirement differs from the Minimum Requirement then the Test Tolerance applied for this test is non-zero. The Test Tolerance for this test is defined in clause FFS and the explanation of how the Minimum Requirement has been relaxed by the Test Tolerance is given in clause FFS.

5.4.3 Minimum Output Power

5.4.3.1 Definition and applicability

The minimum controlled output power of the UE is when the power control setting is set to a minimum value. This is when both the inner loop and open loop power control indicate a minimum transmit output power is required.

The requirements and this test apply to all types of UTRA for the FDD UE.

5.4.3.2 Minimum Requirements

The minimum output power is defined as the mean power in one timeslot. The minimum transmit power shall be less than -50 dBm.

The normative reference for this requirement is TS 25.101 [1] clause 6.4.3.1.

5.4.3.3 Test purpose

To verify that the UE minimum transmit power is less than -50 dBm.

An excess minimum output power increases the interference to other channels, and decreases the system capacity.

5.4.3.4 Method of test

5.4.3.4.1 Initial conditions

Test environment: normal, TL/VL, TL/VH, TH/VL, TH/VH; see clauses G.2.1 and G.2.2.

Frequencies to be tested: low range, mid range, high range; see clause G.2.4.

- 1) Connect the SS to the UE antenna connector as shown in figure A.1.
- 2) A call is set up according to the Generic call setup procedure in TS34.108 [3] sub clause 7.3.2.
- 3) Enter the UE into loopback test mode and start the loopback test.

See TS 34.108 [3] and TS 34.109 [4] for details regarding generic call setup procedure and loopback test.

5.4.3.4.2 Procedure

- 1) Set and send continuously Down power control commands to the UE.
- 2) Measure the mean power of the UE.

5.4.3.5 Test requirements

The measured power, derived in step 2), shall be less than -49 dBm.

NOTE: If the above Test Requirement differs from the Minimum Requirement then the Test Tolerance applied for this test is non-zero. The Test Tolerance for this test is defined in clause F.2 and the explanation of how the Minimum Requirement has been relaxed by the Test Tolerance is given in clause F.4.

5.4.3A Minimum Output Power for DC-HSUPA

5.4.3A.1 Definition and applicability

The minimum controlled output power of the UE is when the power control setting is set to a minimum value. This is when both the inner loop and open loop power control indicate a minimum transmit output power is required.

The requirements and this test apply for Release 9 and later releases to all types of UTRA for the FDD UE that support HSDPA and Dual Cell E-DCH.

5.4.3A.2 Minimum Requirements

The minimum output power is defined as the mean power in one time slot in each carrier. The minimum output power in each carrier shall be less than -50 dBm, when both carriers are set to minimum output power.

The normative reference for this requirement is TS 25.101 [1] clause 6.4.3.1A.

5.4.3A.3 Test purpose

To verify that the UE minimum transmit power in each carrier is less than -50 dBm when both carriers are set to minimum output power.

An excess minimum output power increases the interference to other channels, and decreases the system capacity.

5.4.3A.4 Method of test

5.4.3A.4.1 Initial conditions

Test environment: normal, TL/VL, TL/VH, TH/VL, TH/VH; see clauses G.2.1 and G.2.2.

Frequencies to be tested: low range, mid range, high range; see clause G.2.4.

- 1) Connect the SS to the UE antenna connector as shown in figure A.41.
- 2) The UL Reference Measurement Channel and parameters are specified in Annex C.2.6 and C.11A. The DL Reference Measurement Channel (FRC H-SET 3A, QPSK) is specified in C.8.1.1.
- 3) An E-DCH call is set up according to TS 34.108 [3] 7.3.14 with the exceptions in the RADIO BEARER SETUP message given in Tables 5.2BA.2, 5.2BA.3 and 5.2BA.4. These exceptions allow the beta values to be set according to table C.11A.1. and each UL physical channel to be at constant power during the measurement. RF parameters are set up according to table E.5A.1A. Settings for the serving cell are defined in table 5.4.3A.
- 4) Enter the UE into loopback test mode 1 looping back HSDPA to E-DCH according to procedure 7.3.14.3 in TS 34.108 [3] and start the loopback test

See TS 34.109 [4] clauses 5.3.2.3 and 5.3.2.6 for details regarding loopback test mode for HSDPA and E-DCH.

Table 5.4.3A: Settings for the serving cell during the measurement of Minimum Output Power with HS-DPCCH and E-DCH

| Parameter | Unit | Cell 1 |
|--|--------------|---------------------------------|
| Cell type | | Serving cell |
| UTRA RF Channel Number | | As defined in clause 5.4.3A.4.1 |
| Qqualmin | dB | -24 |
| Qrxlevmin | dBm | -115 |
| UE_TXPWR_MAX_RACH | dBm | +21 |
| \hat{I}_{or} (see notes 1 and 2) | dBm/3.84 MHz | -86 |
| NOTE 1: The power level is specified in terms of \hat{I}_{or} instead of CPICH_RSCP because RSCP is a receiver measurement, whereas the SS can only set \hat{I}_{or} . | | |
| NOTE 2: The cell fulfils TS 25.304, clause 5.2.3.1.2. | | |

5.4.3A.4.2 Procedure

- 1) Set and send continuously Down power control commands to the UE.
- 2) Measure the mean power in each carrier of the UE.

5.4.3A.5 Test requirements

The measured power in each carrier, derived in step 2), shall be less than -49 dBm.

NOTE: If the above Test Requirement differs from the Minimum Requirement then the Test Tolerance applied for this test is non-zero. The Test Tolerance for this test is defined in clause F.2 and the explanation of how the Minimum Requirement has been relaxed by the Test Tolerance is given in clause F.4.

5.4.3B Minimum Output Power for OLTD

FFS

5.4.3C Minimum Output Power for UL CLTD Activation state 1

Editor's Note: : This clause is incomplete. The following aspects are either missing or not yet determined

- Method of Test contains many TBDs.
- Test Tolerances are FFS.
- Call Setup procedure is FFS.
- Update of Annexure is FFS
- Corresponding CR to TS 34.121-2 is missing

5.4.3C.1 Definition and applicability

The minimum controlled output power of the UE is when the power control setting is set to a minimum value. This is when both the inner loop and open loop power control indicate a minimum transmit output power is required.

The requirements and this test apply for Release 11 and later releases to all types of UTRA for the FDD UE that support uplink CLTD.

5.4.3C.2 Minimum Requirements

For UE with two active transmit antenna connectors in UL CLTD activation state 1, the minimum output power specified in sub-clause 5.4.3.2 applies at each transmit antenna connector, when the UE power is set to a minimum value.

The normative reference for this requirement is TS 25.101 [1] clause 6.4.3.1C.

5.4.3C.3 Test purpose

To verify that the UE minimum transmit power at each carrier is less than -50 dBm when the UE power is set to a minimum value.

An excess minimum output power increases the interference to other channels, and decreases the system capacity.

5.4.3C.4 Method of test

5.4.3C.4.1 Initial conditions

Test environment: normal, TL/VL, TL/VH, TH/VL, TH/VH; see clauses G.2.1 and G.2.2.

Frequencies to be tested: low range, mid range, high range; see clause G.2.4.

- 1) Connect the SS to the UE antenna connector as shown in figure TBD.
- 2) The UL Reference Measurement Channel and parameters are specified in Annex TBD. The DL Reference Measurement Channel (FRC H-Set 1, QPSK) is specified in Annex C.8.1.1.
- 3) An HSDPA call with CLTD is set up according to TS 34.108 [3] 7.3.17.. RF parameters are set up according to table TBD. Settings for the serving cell are defined in table 5.4.3C.1.
- 4) SS sends a HS-SCCH order activating UL_CLTD activation state 1.
- 5) Enter the UE into loopback test mode 1 in the presence of HSDPA and start the loopback test.

Table 5.4.3C.1: Settings for the serving cell

| Parameter | Unit | Cell 1 |
|--|--------------|---------------------------------|
| Cell type | | Serving cell |
| UTRA RF Channel Number | | As defined in clause 5.4.3C.4.1 |
| Qqualmin | dB | -24 |
| Qrxlevmin | dBm | -115 |
| UE_TXPWR_MAX_RACH | dBm | +21 |
| \hat{I}_{or} (see notes 1 and 2) | dBm/3.84 MHz | -86 |
| NOTE 1: The power level is specified in terms of \hat{I}_{or} instead of CPICH_RSCP because RSCP is a receiver measurement, whereas the SS can only set \hat{I}_{or} . | | |
| NOTE 2: The cell fulfils TS 25.304, clause 5.2.3.1.2. | | |

See TS 34.109 [4] for details regarding loopback test mode for HSDPA .

5.4.3C.4.2 Procedure

- 1) Set and send continuously Down power control commands to the UE.
- 2) Measure the mean power at each carrier of the UE.

5.4.3C.5 Test requirements

The measured power at each carrier, derived in step 2), shall be less than $-50 + \text{TBD}$ dBm.

NOTE: If the above Test Requirement differs from the Minimum Requirement then the Test Tolerance applied for this test is non-zero. The Test Tolerance for this test is defined in clause F.2 and the explanation of how the Minimum Requirement has been relaxed by the Test Tolerance is given in clause F.4.

5.4.3D Minimum Output Power for UL CLTD Activation state 2 and 3

Editor's Note: : This clause is incomplete. The following aspects are either missing or not yet determined

- Method of Test contains many TBDs.
- Test Tolerances are FFS.
- Call Setup procedure is FFS.

- Update of Annexure is FFS
- Corresponding CR to TS 34.121-2 is missing

5.4.3D.1 Definition and applicability

The minimum controlled output power of the UE is when the power control setting is set to a minimum value. This is when both the inner loop and open loop power control indicate a minimum transmit output power is required.

The requirements and this test apply for Release 11 and later releases to all types of UTRA for the FDD UE that support uplink CLTD.

5.4.3D.2 Minimum Requirements

For UE configured in UL CLTD activation state 2 or activation state 3, the minimum output power specified in sub-clause 5.4.3.2 applies at the active transmit antenna connector, when the UE power is set to a minimum value.

The normative reference for this requirement is TS 25.101 [1] clause 6.4.3.1C.

5.4.3D.3 Test purpose

To verify that the UE minimum transmit power at the active carrier is less than -50 dBm when the UE power is set to a minimum value.

An excess minimum output power increases the interference to other channels, and decreases the system capacity.

5.4.3D.4 Method of test

5.4.3D.4.1 Initial conditions

Test environment: normal, TL/VL, TL/VH, TH/VL, TH/VH; see clauses G.2.1 and G.2.2.

Frequencies to be tested: low range, mid range, high range; see clause G.2.4.

- 1) Connect the SS to the UE antenna connector as shown in figure TBD.
- 2) The UL Reference Measurement Channel and parameters are specified in Annex TBD. The DL Reference Measurement Channel (F-H-Set 1) is specified in Annex C.8.1.1.
- 3) An HSDPA call with CLTD is set up according to TS 34.108 [3] 7.3.17. RF parameters are set up according to table TBD. Settings for the serving cell are defined in table 5.4.3D.1.
- 4) SS sends a HS-SCCH order activating UL_CLTD activation state 2.5) Enter the UE into loopback test mode 1 in the presence of HSDPA and start the loopback test.

Table 5.4.3D.1: Settings for the serving cell.

| Parameter | Unit | Cell 1 |
|--|--------------|---------------------------------|
| Cell type | | Serving cell |
| UTRA RF Channel Number | | As defined in clause 5.4.3D.4.1 |
| Qqualmin | dB | -24 |
| Qrxlevmin | dBm | -115 |
| UE_TXPWR_MAX_RACH | dBm | +21 |
| \hat{I}_{or} (see notes 1 and 2) | dBm/3.84 MHz | -86 |
| NOTE 1: The power level is specified in terms of \hat{I}_{or} instead of CPICH_RSCP because RSCP is a receiver measurement, whereas the SS can only set \hat{I}_{or} . | | |
| NOTE 2: The cell fulfils TS 25.304, clause 5.2.3.1.2. | | |

See TS 34.109 [4] for details regarding loopback test mode for HSDPA.

5.4.3D.4.2 Procedure

- 1) Set and send continuously Down power control commands to the UE.
- 2) Measure the mean power at active carrier of the UE.
- 3) SS sends a HS-SCCH order activating UL_CLTD activation state 3.

4) Repeat step 1 to 2 for activation state 3.

5.4.3D.5 Test requirements

The measured power at active carrier in activation state 2 or 3, derived in step 2), shall be less than $-50 + \text{TBD}$ dBm.

NOTE: If the above Test Requirement differs from the Minimum Requirement then the Test Tolerance applied for this test is non-zero. The Test Tolerance for this test is defined in clause F.2 and the explanation of how the Minimum Requirement has been relaxed by the Test Tolerance is given in clause F.4.

5.4.4 Out-of-synchronisation handling of output power

5.4.4.1 Definition and applicability

The receiver characteristics in this section are specified at the antenna connector of the UE. For UEs with more than one receiver antenna connector the AWGN signals applied to each receiver antenna connector shall be uncorrelated. The levels of the test signal applied to each of the antenna connectors shall be as defined in section 5.4.4.2 below.

The UE shall monitor the DPCCH quality in order to detect a loss of the signal on Layer 1, as specified in TS 25.214 [5]. The thresholds Q_{out} and Q_{in} specify at what DPCCH quality levels the UE shall shut its power off and when it shall turn its power on respectively. The thresholds are not defined explicitly, but are defined by the conditions under which the UE shall shut its transmitter off and turn it on, as stated in this clause.

The DPCCH quality shall be monitored in the UE and compared to the thresholds Q_{out} and Q_{in} for the purpose of monitoring synchronization. The threshold Q_{out} should correspond to a level of DPCCH quality where no reliable detection of the TPC commands transmitted on the downlink DPCCH can be made. This can be at a TPC command error ratio level of e.g. 30%. The threshold Q_{in} should correspond to a level of DPCCH quality where detection of the TPC commands transmitted on the downlink DPCCH is significantly more reliable than at Q_{out} . This can be at a TPC command error ratio level of e.g. 20%.

The requirements of this test apply to all types of UTRA for the FDD UE and not supporting type 1 for DCH.

5.4.4.2 Minimum Requirements

When the UE estimates the DPCCH quality or the quality of the TPC fields of the F-DPCH frame received from the serving HS-DSCH cell over the last 160 ms period or quality of the TPC fields of the F-DPCH from the serving HS-DSCH cell over the previous 240 slots in which the TPC symbols are known to be present when the discontinuous uplink DPCCH transmission operation is enabled to be worse than a threshold Q_{out} , the UE shall shut its transmitter off within 40 ms. The UE shall not turn its transmitter on again until the DPCCH quality exceeds an acceptable level Q_{in} . When the UE estimates the DPCCH quality or the quality of the TPC fields of the F-DPCH frame received from the serving HS-DSCH cell over the last 160 ms period or quality of the TPC fields of the F-DPCH from the serving HS-DSCH cell over the previous 240 slots in which the TPC symbols are known to be present when the discontinuous uplink DPCCH transmission operation is enabled to be better than a threshold Q_{in} , the UE shall again turn its transmitter on within 40 ms.

The UE transmitter shall be considered "off" if the transmitted power is below the level defined in TS 25.101 [1] subclause 6.5.1 (Transmit off power). Otherwise the transmitter shall be considered as "on".

The normative reference for this requirement is TS 25.101 [1] clause 6.4.4.1.

The quality levels at the thresholds Q_{out} and Q_{in} correspond to different signal levels depending on the downlink conditions DCH parameters. For the conditions in table 5.4.4.1, a signal with the quality at the level Q_{out} can be generated by a DPCCH_Ec/Ior ratio of -25 dB, and a signal with Q_{in} by a DPCCH_Ec/Ior ratio of -21 dB. The DL reference measurement channel (12.2) kbps specified in subclause C.3.1 and with static propagation conditions. The downlink physical channels, other than those specified in table 5.4.4.1, are as specified in table E.3.3 of Annex E.

Table 5.4.4.1: DCH parameters for test of Out-of-synch handling test case

| Parameter | Value | Unit |
|-----------------------------|---|----------------|
| \hat{I}_{or}/I_{oc} | -1 | dB |
| I_{oc} | -60 | dBm / 3,84 MHz |
| $\frac{DPDCH_E_c}{I_{or}}$ | See Figure 5.4.4.1: Before point A -16,6 After point A Not defined See note in clause 5.4.4.3 | dB |
| $\frac{DPCCH_E_c}{I_{or}}$ | See table 5.4.4.2 | dB |
| Information Data Rate | 12,2 | kbps |

Table 5.4.4.2: Minimum Requirements for DPCCH_Ec/Ior levels

| Clause from figure 5.4.4.1 | DPCCH_Ec/Ior | Unit |
|----------------------------|--------------|------|
| Before A | -16,6 | dB |
| A to B | -22,0 | dB |
| B to D | -28,0 | dB |
| D to E | -24,0 | dB |
| After E | -18,0 | dB |

Figure 5.4.4.1 shows an example scenario where the DPCCH_Ec/Ior ratio varies from a level where the DPCH is demodulated under normal conditions, down to a level below Q_{out} where the UE shall shut its power off and then back up to a level above Q_{in} where the UE shall turn the power back on.

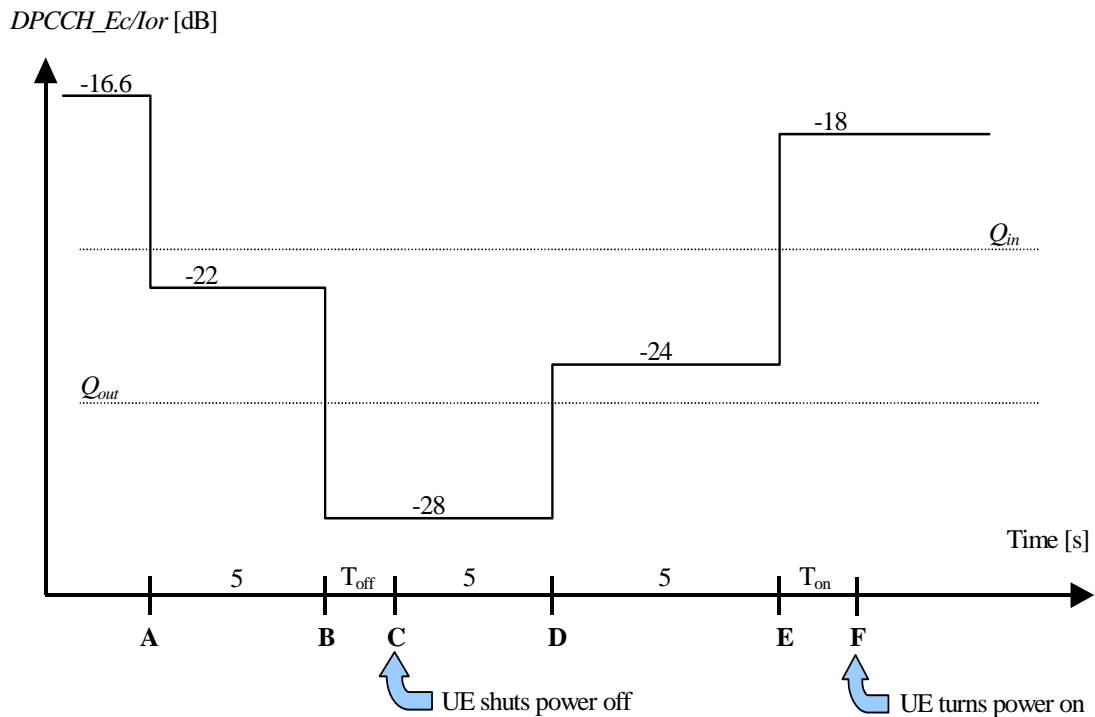


Figure 5.4.4.1: Test case for out-of-synch handling in the UE.

In this test case, the requirements for the UE are that:

1. The UE shall not shut its transmitter off before point B.
2. The UE shall shut its transmitter off before point C, which is $T_{off} = 200$ ms after point B.
3. The UE shall not turn its transmitter on between points C and E.
4. The UE shall turn its transmitter on before point F, which is $T_{on} = 200$ ms after point E.

The reference for this test case is TS 25.101 [1] clause 6.4.4.2.

5.4.4.3 Test purpose

To verify that the UE monitors the DPCCH quality and turns its transmitter on or off according to DPCCH level diagram specified in figure 5.4.4.1.

NOTE 1: DPDCH_Ec/I_{or} after point A is not defined in table 5.4.4.1. However it is assumed that DPDCH and DPCCH power level are same on DL 12,2 kbps reference measurement channel for testing. (PO1, PO2, and PO3 are zero.)

NOTE 2: The test case covers only the continuous uplink DPCCH transmission scenario.

5.4.4.4 Method of test

5.4.4.4.1 Initial conditions

Test environment: normal; see clauses G.2.1 and G.2.2.

Frequencies to be tested: mid range; see clause G.2.4.

- 1) Connect the SS to the UE antenna connector as shown in figure A.9.
- 2) A call is set up according to the Generic call setup procedure in TS34.108 [3], clause 7.3.2, with the following exception for information elements in System Information Block type 1 specified in TS 34.108 [3], clause 6.1.0b.

Table 5.4.4.2A: System Information Block type 1 message

| Information Element | Value/Remark |
|---|--------------|
| UE Timers and constants in connected mode | |
| - T313 | 15 seconds |
| - N313 | 200 |

- 3) DCH parameters are set up according to table 5.4.4.1 with DPCCH_Ec/I_{or} ratio level at -16,6 dB. The other RF parameters are set up according to clause E.3.3.
- 4) Enter the UE into loopback test mode and start the loopback test.

See TS 34.108 [3] and TS 34.109 [4] for details regarding generic call setup procedure and loopback test.

5.4.4.4.2 Procedure

- 1) The SS sends continuously Up power control commands to the UE until the UE transmitter power reach maximum level.
- 2) The SS controls the DPCCH_Ec/I_{or} ratio level according to clause 'A to B' as defined in table 5.4.4.3. The SS monitors the UE transmitted power for 5 seconds and verifies that the UE transmitter is not switched off during this time.
- 3) The SS controls the DPCCH_Ec/I_{or} ratio level according to clause 'B to D' as defined in table 5.4.4.3. The SS waits 200 ms and then verifies that the UE transmitter has been switched off.
- 4) The SS monitors the UE transmitted power for 5 seconds and verifies that the UE transmitter is not switched on during this time.
- 5) The SS controls the DPCCH_Ec/I_{or} ratio level according to clause 'D to E' as defined in table 5.4.4.3. The SS monitors the UE transmitted power for 5 s and verifies that the UE transmitter is not switched on during this time.
- 6) The SS controls the DPCCH_Ec/I_{or} ratio level according to clause 'After E' as defined in table 5.4.4.3. The SS waits 200 ms and then verifies that the UE transmitter has been switched on.

5.4.4.5 Test requirements

Table 5.4.4.3: Test Requirements for DPCCH_Ec/Ior levels

| Clause from figure 5.4.4.1 | DPCCH_Ec/Ior | Unit |
|----------------------------|--------------|------|
| Before A | -16,6 | dB |
| A to B | -21,6 | dB |
| B to D | -28,4 | dB |
| D to E | -24,4 | dB |
| After E | -17,6 | dB |

To pass the test, steps 1 through 6 of the procedure in clause 5.4.4.4.2 must be fulfilled.

The UE transmitter off criterion and its tolerances is defined in clause 5.5.1 (Transmit off power).

The UE transmitter on criterion and its tolerances is defined in clause 5.4.3 (Minimum Output Power). The UE transmitter is considered to be on if the UE transmitted power is higher than minimum output power.

NOTE: If the above Test Requirement differs from the Minimum Requirement then the Test Tolerance applied for this test is non-zero. The Test Tolerance for this test is defined in clause F.2 and the explanation of how the Test Requirement has been relaxed by the Test Tolerance is given in clause F.4.

5.4.4A Out-of-synchronization handling of output power for a UE which supports type1 for DCH

5.4.4A.1 Definition and applicability

The receiver characteristics in this section are specified at the antenna connector of the UE. For UEs with more than one receiver antenna connector the AWGN signals applied to each receiver antenna connector shall be uncorrelated. The levels of the test signal applied to each of the antenna connectors shall be as defined in section 5.4.4A.2 below.

The UE shall monitor the DPCCH quality in order to detect a loss of the signal on Layer 1, as specified in TS 25.214 [5]. The thresholds Q_{out} and Q_{in} specify at what DPCCH quality levels the UE shall shut its power off and when it shall turn its power on respectively. The thresholds are not defined explicitly, but are defined by the conditions under which the UE shall shut its transmitter off and turn it on, as stated in this clause.

The DPCCH quality shall be monitored in the UE and compared to the thresholds Q_{out} and Q_{in} for the purpose of monitoring synchronization. The threshold Q_{out} should correspond to a level of DPCCH quality where no reliable detection of the TPC commands transmitted on the downlink DPCCH can be made. This can be at a TPC command error ratio level of e.g. 30%. The threshold Q_{in} should correspond to a level of DPCCH quality where detection of the TPC commands transmitted on the downlink DPCCH is significantly more reliable than at Q_{out} . This can be at a TPC command error ratio level of e.g. 20%.

The requirements of this test apply to UEs, which support the enhanced receiver performance of type1 for DCH of UTRA for the FDD from Release 7 onwards.

5.4.4A.2 Minimum requirement

When the UE estimates the DPCCH quality or the quality of the TPC fields of the F-DPCH frame received from the serving HS-DSCH cell over the last 160 ms period or quality of the TPC fields of the F-DPCH from the serving HS-DSCH cell over the previous 240 slots in which the TPC symbols are known to be present when the discontinuous uplink DPCCH transmission operation is enabled to be worse than a threshold Q_{out} , the UE shall shut its transmitter off within 40 ms. The UE shall not turn its transmitter on again until the DPCCH quality exceeds an acceptable level Q_{in} . When the UE estimates the DPCCH quality or the quality of the TPC fields of the F-DPCH frame received from the serving HS-DSCH cell over the last 160 ms period or quality of the TPC fields of the F-DPCH from the serving HS-DSCH cell over the previous 240 slots in which the TPC symbols are known to be present when the discontinuous uplink DPCCH transmission operation is enabled to be better than a threshold Q_{in} , the UE shall again turn its transmitter on within 40 ms.

The UE transmitter shall be considered "off" if the transmitted power is below the level defined in TS 25.101 [1] subclause 6.5.1 (Transmit off power). Otherwise the transmitter shall be considered as "on".

The normative reference for this requirement is TS 25.101 [1] clause 6.4.4.1.

The quality levels at the thresholds Q_{out} and Q_{in} correspond to different signal levels depending on the downlink conditions DCH parameters. For the conditions in Table 5.4.4A.1, a signal with the quality at the level Q_{out} can be generated by a $DPCCH_Ec/I_{or}$ ratio of -28 dB, and a signal with Q_{in} by a $DPCCH_Ec/I_{or}$ ratio of -24 dB. The DL reference measurement channel (12.2) kbps specified in subclause C.3.1 and with static propagation conditions. The downlink physical channels, other than those specified in Table 5.4.4A.1, are as specified in Table E.3.3 of Annex E.

Table 5.4.4A.1: DCH parameters for the Out-of-synch handling test case

| Parameter | Unit | Value |
|-----------------------------|--------------|---|
| \hat{I}_{or}/I_{oc} | dB | -1 |
| I_{oc} | dBm/3.84 MHz | -60 |
| $\frac{DPDCH_E_c}{I_{or}}$ | dB | See figure 5.4.4A.1: Before point A -19.6 After point A Not defined |
| $\frac{DPCCH_E_c}{I_{or}}$ | | See table 5.4.4A.2 |
| Information Data Rate | kbps | 12.2 |

Table 5.4.4A.2: Minimum Requirements for DPCCH_Ec/Ior levels

| Clause from figure 5.4.4A.1 | DPCCH_Ec/Ior (UE, supporting enhanced performance requirements type 1 for DCH) | Unit |
|-----------------------------|---|------|
| Before A | -19.6 | dB |
| A to B | -25.0 | dB |
| B to D | -31.0 | dB |
| D to E | -27.0 | dB |
| After E | -21.0 | dB |

Figure 5.4.4A.1 shows an example scenario for a UE which supports the optional enhanced performance requirements type1 for DCH, where the $DPCCH_Ec/I_{or}$ ratio varies from a level where the DPCH is demodulated under normal conditions, down to a level below Q_{out} where the UE shall shut its power off and then back up to a level above Q_{in} where the UE shall turn the power back on.

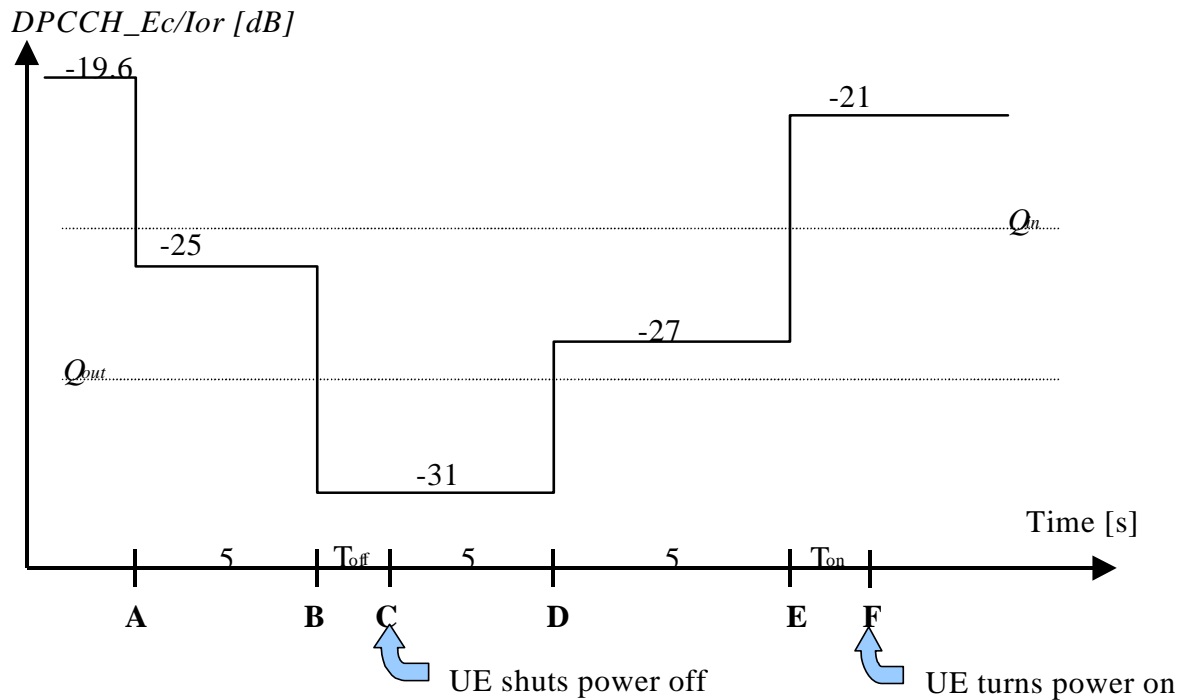


Figure 5.4.4A.1: Test case for out-of-synch handling in the UE supporting the enhanced performance requirements type1 for DCH

In this test case, the requirements for the UE are that:

1. The UE shall not shut its transmitter off before point B.
2. The UE shall shut its transmitter off before point C, which is $T_{\text{off}} = 200$ ms after point B.
3. The UE shall not turn its transmitter on between points C and E.
4. The UE shall turn its transmitter on before point F, which is $T_{\text{on}} = 200$ ms after point E.

5.4.4A.3 Test purpose

To verify that the UE monitors the DPCCH quality and turns its transmitter on or off according to DPCCH level diagram specified in figure 5.4.4A.1.

NOTE 1: DPDCH_Ec/I_{or} after point A is not defined in table 5.4.4A.1. However it is assumed that DPDCH and DPCCH power level are same on DL 12,2 kbps reference measurement channel for testing. (PO1, PO2, and PO3 are zero.)

NOTE 2: The test case covers only the continuous uplink DPCCH transmission scenario.

5.4.4A.4 Method of test

5.4.4A.4.1 Initial conditions

Test environment: normal; see clauses G.2.1 and G.2.2.

Frequencies to be tested: mid range; see clause G.2.4.

- 1) Connect the SS to the UE antenna connector as shown in figure A.9 or figure A.26 in case of a UE, supporting enhanced performance requirements type 1 for DCH, equipped with RX-diversity.
- 2) A call is set up according to the Generic call setup procedure in TS34.108 [3], clause 7.3.2, with the following exception for information elements in System Information Block type 1 specified in TS 34.108 [3], clause 6.1.0b.

Table 5.4.4A.2A: System Information Block type 1 message

| Information Element | Value/Remark |
|---|-------------------|
| UE Timers and constants in connected mode - T313 - N313 | 15 seconds 200 |

- 3) DCH parameters are set up according to table 5.4.4A.1 with DPCCH_Ec/Ior ratio level at -19,6 dB. The other RF parameters are set up according to clause E.3.3.
- 4) Enter the UE into loopback test mode and start the loopback test.

See TS 34.108 [3] and TS 34.109 [4] for details regarding generic call setup procedure and loopback test.

5.4.4A.4.2 Procedure

- 1) The SS sends continuously Up power control commands to the UE until the UE transmitter power reach maximum level.
- 2) The SS controls the DPCCH_Ec/Ior ratio level according to clause 'A to B' as defined in table 5.4.4A.3. The SS monitors the UE transmitted power for 5 seconds and verifies that the UE transmitter is not switched off during this time.
- 3) The SS controls the DPCCH_Ec/Ior ratio level according to clause 'B to D' as defined in table 5.4.4A.3. The SS waits 200 ms and then verifies that the UE transmitter has been switched off.
- 4) The SS monitors the UE transmitted power for 5 seconds and verifies that the UE transmitter is not switched on during this time.
- 5) The SS controls the DPCCH_Ec/Ior ratio level according to clause 'D to E' as defined in table 5.4.4A.3. The SS monitors the UE transmitted power for 5 s and verifies that the UE transmitter is not switched on during this time.
- 6) The SS controls the DPCCH_Ec/Ior ratio level according to clause 'After E' as defined in table 5.4.4A.3. The SS waits 200 ms and then verifies that the UE transmitter has been switched on.

5.4.4A.5 Test requirements

Table 5.4.4A.3: Test Requirements for DPCCH_Ec/Ior levels

| Clause from figure 5.4.4A.1 | DPCCH_Ec/Ior (UE, supporting enhanced performance requirements type 1) | Unit |
|-----------------------------|--|------|
| Before A | -19.6 | dB |
| A to B | -24.6 | dB |
| B to D | -31.4 | dB |
| D to E | -27.4 | dB |
| After E | -20.6 | dB |

To pass the test, steps 1 through 6 of the procedure in clause 5.4.4A.2 must be fulfilled.

The UE transmitter off criterion and its tolerances is defined in clause 5.5.1 (Transmit off power).

The UE transmitter on criterion and its tolerances is defined in clause 5.4.3 (Minimum Output Power). The UE transmitter is considered to be on if the UE transmitted power is higher than minimum output power.

NOTE: If the above Test Requirement differs from the Minimum Requirement then the Test Tolerance applied for this test is non-zero. The Test Tolerance for this test is defined in clause F.2 and the explanation of how the Test Requirement has been relaxed by the Test Tolerance is given in clause F.4.

5.4.4B FFS

5.4.4C Out-of-synchronisation handling of output power for UL CLTD activation state 1

Editor's note: This clause is incomplete. The following aspects are either missing or not yet determined:

- Message Contents are FFS.
- Call Setup procedure, test procedure, test tolerances may need an update.
- Update of Annexure is FFS
- Test procedure is FFS

5.4.4C.1 Definition and applicability

The receiver characteristics in this section are specified at the antenna connector of the UE. For UEs with more than one receiver antenna connector the AWGN signals applied to each receiver antenna connector shall be uncorrelated. The levels of the test signal applied to each of the antenna connectors shall be as defined in section 5.4.4C.2 below.

The UE shall monitor the DPCCH quality in order to detect a loss of the signal on Layer 1, as specified in TS 25.214 [5]. The thresholds Q_{out} and Q_{in} specify at what DPCCH quality levels the UE shall shut its power off and when it shall turn its power on respectively. The thresholds are not defined explicitly, but are defined by the conditions under which the UE shall shut its transmitter off and turn it on, as stated in this clause.

The DPCCH quality shall be monitored in the UE and compared to the thresholds Q_{out} and Q_{in} for the purpose of monitoring synchronization. The threshold Q_{out} should correspond to a level of DPCCH quality where no reliable detection of the TPC commands transmitted on the downlink DPCCH can be made. This can be at a TPC command error ratio level of e.g. 30%. The threshold Q_{in} should correspond to a level of DPCCH quality where detection of the TPC commands transmitted on the downlink DPCCH is significantly more reliable than at Q_{out} . This can be at a TPC command error ratio level of e.g. 20%.

The requirements and this test apply for Release 11 and later releases to all types of UTRA for the FDD UE that supports UL CLTD and not supporting type 1 for DCH.

5.4.4C.2 Minimum Requirements

For UE with two active transmit antenna connectors in UL CLTD activation state 1, the minimum requirements specified below apply at each transmit antenna connector.

When the UE estimates the DPCCH quality or the quality of the TPC fields of the F-DPCH frame received from the serving HS-DSCH cell over the last 160 ms period or quality of the TPC fields of the F-DPCH from the serving HS-DSCH cell over the previous 240 slots in which the TPC symbols are known to be present when the discontinuous uplink DPCCH transmission operation is enabled to be worse than a threshold Q_{out} , the UE shall shut its transmitter off within 40 ms. The UE shall not turn its transmitter on again until the DPCCH quality exceeds an acceptable level Q_{in} . When the UE estimates the DPCCH quality or the quality of the TPC fields of the F-DPCH frame received from the serving HS-DSCH cell over the last 160 ms period or quality of the TPC fields of the F-DPCH from the serving HS-DSCH cell over the previous 240 slots in which the TPC symbols are known to be present when the discontinuous uplink DPCCH transmission operation is enabled to be better than a threshold Q_{in} , the UE shall again turn its transmitter on within 40 ms.

The UE transmitter shall be considered "off" if the transmitted power is below the level defined in TS 25.101 [1] subclause 6.5.1 (Transmit off power). Otherwise the transmitter shall be considered as "on".

The quality levels at the thresholds Q_{out} and Q_{in} correspond to different signal levels depending on the downlink conditions DCH parameters. For the conditions in table 5.4.4C.1, a signal with the quality at the level Q_{out} can be generated by a DPCCH_Ec/Ior ratio of -25 dB, and a signal with Q_{in} by a DPCCH_Ec/Ior ratio of -21 dB. The DL reference measurement channel (12.2) kbps specified in subclause C.3.1 and with static propagation conditions. The downlink physical channels, other than those specified in table 5.4.4C.1, are as specified in table E.3.3 of Annex E.

Table 5.4.4C.1: DCH parameters for test of Out-of-synch handling test case

| Parameter | Value | Unit |
|-----------------------------|---|----------------|
| \hat{I}_{or}/I_{oc} | -1 | dB |
| I_{oc} | -60 | dBm / 3,84 MHz |
| $\frac{DPDCH_E_c}{I_{or}}$ | See Figure 5.4.4C.1: Before point A -16,6 After point A Not defined See note in clause 5.4.4C.3 | dB |
| $\frac{DPCCH_E_c}{I_{or}}$ | See table 5.4.4C.2 | dB |
| Information Data Rate | 12,2 | kbps |

Table 5.4.4C.2: Minimum Requirements for DPCCH_Ec/Ior levels

| Clause from figure 5.4.4C.1 | DPCCH_Ec/Ior | Unit |
|-----------------------------|--------------|------|
| Before A | -16,6 | dB |
| A to B | -22,0 | dB |
| B to D | -28,0 | dB |
| D to E | -24,0 | dB |
| After E | -18,0 | dB |

Figure 5.4.4C.1 shows an example scenario where the DPCCH_Ec/Ior ratio varies from a level where the DPCH is demodulated under normal conditions, down to a level below Q_{out} where the UE shall shut its power off and then back up to a level above Q_{in} where the UE shall turn the power back on.

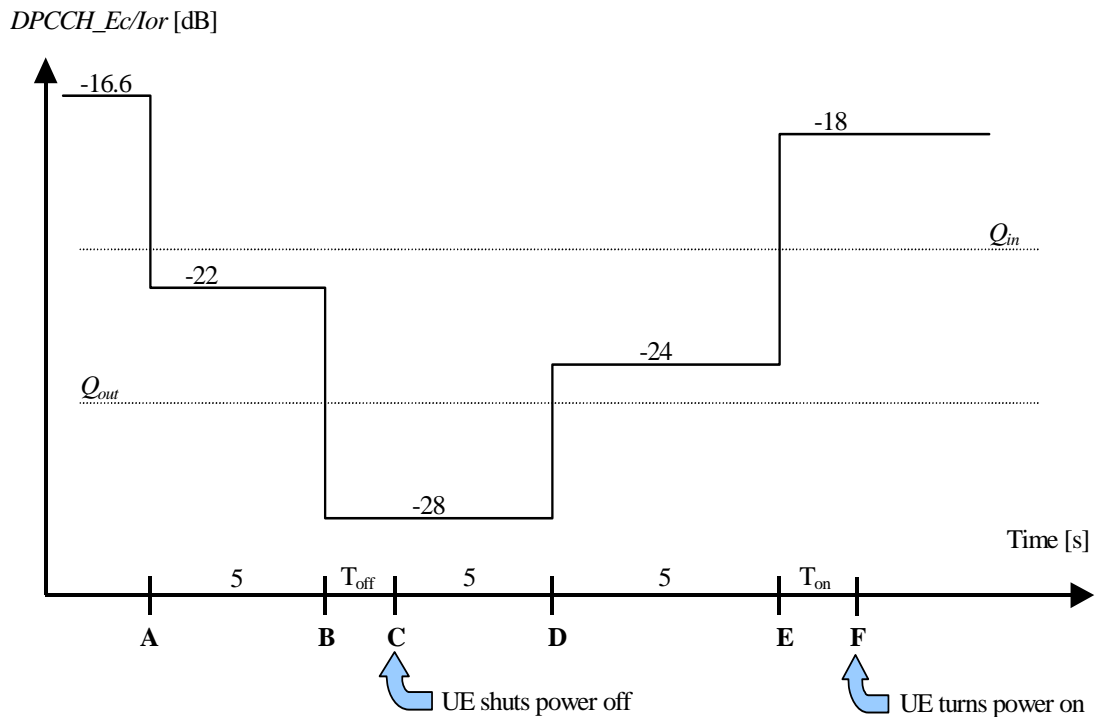


Figure 5.4.4C.1: Test case for out-of-synch handling in the UE

In this test case, the requirements for the UE are that:

1. The UE shall not shut its transmitter off before point B.
2. The UE shall shut its transmitter off before point C, which is $T_{off} = 200$ ms after point B.
3. The UE shall not turn its transmitter on between points C and E.

4. The UE shall turn its transmitter on before point F, which is $T_{on} = 200$ ms after point E.

The normative reference for this requirement is TS 25.101 [1] clause 6.4.4.1B.

5.4.4C.3 Test purpose

To verify that the UE monitors the DPCCH quality and turns its transmitter on or off according to DPCCH level diagram specified in figure 5.4.4C.1.

NOTE 1: $DPDCH_{Ec}/I_{or}$ after point A is not defined in table 5.4.4C.1. However it is assumed that DPDCH and DPCCH power level are same on DL 12,2 kbps reference measurement channel for testing. (PO1, PO2, and PO3 are zero.)

NOTE 2: The test case covers only the continuous uplink DPCCH transmission scenario.

5.4.4C.4 Method of test

5.4.4C.4.1 Initial conditions

Test environment: normal; see clauses G.2.1 and G.2.2.

Frequencies to be tested: mid range; see clause G.2.4.

- 1) Connect the SS to the UE antenna connector as shown in figure FFS.
- 2) A call is set up according to the Generic call setup procedure in TS34.108 [3], clause FFS, with the following exception for information elements in System Information Block type 1 specified in TS 34.108 [3], clause 6.1.0b.
- 3) SS activates UL_CLTD activation state 1.

Table 5.4.4C.2A: System Information Block type 1 message

| Information Element | Value/Remark |
|---|--------------|
| UE Timers and constants in connected mode | |
| - T313 | 15 seconds |
| - N313 | 200 |

- 4) DCH parameters are set up according to table 5.4.4C.1 with $DPDCH_{Ec}/I_{or}$ ratio level at -16,6 dB. The other RF parameters are set up according to clause E.3.3.
- 5) Enter the UE into loopback test mode and start the loopback test.

See TS 34.108 [3] and TS 34.109 [4] for details regarding generic call setup procedure and loopback test.

5.4.4C.4.2 Procedure

1FFS

5.4.4C.5 Test requirements

Table 5.4.4C.3: Test Requirements for DPCCH_Ec/Ior levels

| Clause from figure 5.4.4C.1 | DPCCH_Ec/Ior | Unit |
|-----------------------------|--------------|------|
| Before A | -16,6+TT | dB |
| A to B | -21,6+TT | dB |
| B to D | -28,4+TT | dB |
| D to E | -24,4+TT | dB |
| After E | -17,6+TT | dB |

To pass the test, steps 1 through 6 of the procedure in clause 5.4.4C.4.2 must be fulfilled.

The UE transmitter off criterion and its tolerances is defined in clause 5.5.1 (Transmit off power).

The UE transmitter on criterion and its tolerances is defined in clause 5.4.3 (Minimum Output Power). The UE transmitter is considered to be on if the UE transmitted power is higher than minimum output power.

NOTE: If the above Test Requirement differs from the Minimum Requirement then the Test Tolerance applied for this test is non-zero. The Test Tolerance for this test is defined in clause FFS and the explanation of how the Test Requirement has been relaxed by the Test Tolerance is given in clause FFS.

5.4.4D Out-of-synchronisation handling of output power for UL CLTD activation state 2 and 3

Editor's note: This clause is incomplete. The following aspects are either missing or not yet determined:

- Message Contents are FFS.
- Call Setup procedure, test procedure, test tolerances may need an update.
- Update of Annexure is FFS
- Test Procedure is FFS

5.4.4D.1 Definition and applicability

The receiver characteristics in this section are specified at the antenna connector of the UE. For UEs with more than one receiver antenna connector the AWGN signals applied to each receiver antenna connector shall be uncorrelated. The levels of the test signal applied to each of the antenna connectors shall be as defined in section 5.4.4D.2 below.

The UE shall monitor the DPCCH quality in order to detect a loss of the signal on Layer 1, as specified in TS 25.214 [5]. The thresholds Q_{out} and Q_{in} specify at what DPCCH quality levels the UE shall shut its power off and when it shall turn its power on respectively. The thresholds are not defined explicitly, but are defined by the conditions under which the UE shall shut its transmitter off and turn it on, as stated in this clause.

The DPCCH quality shall be monitored in the UE and compared to the thresholds Q_{out} and Q_{in} for the purpose of monitoring synchronization. The threshold Q_{out} should correspond to a level of DPCCH quality where no reliable detection of the TPC commands transmitted on the downlink DPCCH can be made. This can be at a TPC command error ratio level of e.g. 30%. The threshold Q_{in} should correspond to a level of DPCCH quality where detection of the TPC commands transmitted on the downlink DPCCH is significantly more reliable than at Q_{out} . This can be at a TPC command error ratio level of e.g. 20%.

The requirements and this test apply for Release 11 and later releases to all types of UTRA for the FDD UE that supports UL CLTD and not supporting type 1 for DCH.

5.4.4D.2 Minimum Requirements

For UE configured in UL CLTD activation state 2 or activation state 3, the minimum requirements specified below apply at the active transmit antenna connector.

When the UE estimates the DPCCH quality or the quality of the TPC fields of the F-DPCH frame received from the serving HS-DSCH cell over the last 160 ms period or quality of the TPC fields of the F-DPCH from the serving HS-DSCH cell over the previous 240 slots in which the TPC symbols are known to be present when the discontinuous uplink DPCCH transmission operation is enabled to be worse than a threshold Q_{out} , the UE shall shut its transmitter off within 40 ms. The UE shall not turn its transmitter on again until the DPCCH quality exceeds an acceptable level Q_{in} . When the UE estimates the DPCCH quality or the quality of the TPC fields of the F-DPCH frame received from the serving HS-DSCH cell over the last 160 ms period or quality of the TPC fields of the F-DPCH from the serving HS-DSCH cell over the previous 240 slots in which the TPC symbols are known to be present when the discontinuous uplink DPCCH transmission operation is enabled to be better than a threshold Q_{in} , the UE shall again turn its transmitter on within 40 ms.

The UE transmitter shall be considered "off" if the transmitted power is below the level defined in TS 25.101 [1] subclause 6.5.1 (Transmit off power). Otherwise the transmitter shall be considered as "on".

The quality levels at the thresholds Q_{out} and Q_{in} correspond to different signal levels depending on the downlink conditions DCH parameters. For the conditions in table 5.4.4D.1, a signal with the quality at the level Q_{out} can be generated by a DPCCH_Ec/Ior ratio of -25 dB, and a signal with Q_{in} by a DPCCH_Ec/Ior ratio of -21 dB. The DL

reference measurement channel (12.2) kbps specified in subclause C.3.1 and with static propagation conditions. The downlink physical channels, other than those specified in table 5.4.4D.1, are as specified in table E.3.3 of Annex E.

Table 5.4.4D.1: DCH parameters for test of Out-of-synch handling test case

| Parameter | Value | Unit |
|-----------------------------|---|----------------|
| \hat{I}_{or}/I_{oc} | -1 | dB |
| I_{oc} | -60 | dBm / 3,84 MHz |
| $\frac{DPDCH_E_c}{I_{or}}$ | See Figure 5.4.4D.1: Before point A -16,6 After point A Not defined See note in clause 5.4.4D.3 | dB |
| $\frac{DPCCH_E_c}{I_{or}}$ | See table 5.4.4D.2 | dB |
| Information Data Rate | 12,2 | kbps |

Table 5.4.4D.2: Minimum Requirements for DPCCH_Ec/Ior levels

| Clause from figure 5.4.4D.1 | DPCCH_Ec/Ior | Unit |
|-----------------------------|--------------|------|
| Before A | -16,6 | dB |
| A to B | -22,0 | dB |
| B to D | -28,0 | dB |
| D to E | -24,0 | dB |
| After E | -18,0 | dB |

Figure 5.4.4D.1 shows an example scenario where the DPCCH_Ec/Ior ratio varies from a level where the DPCCH is demodulated under normal conditions, down to a level below Q_{out} where the UE shall shut its power off and then back up to a level above Q_{in} where the UE shall turn the power back on.

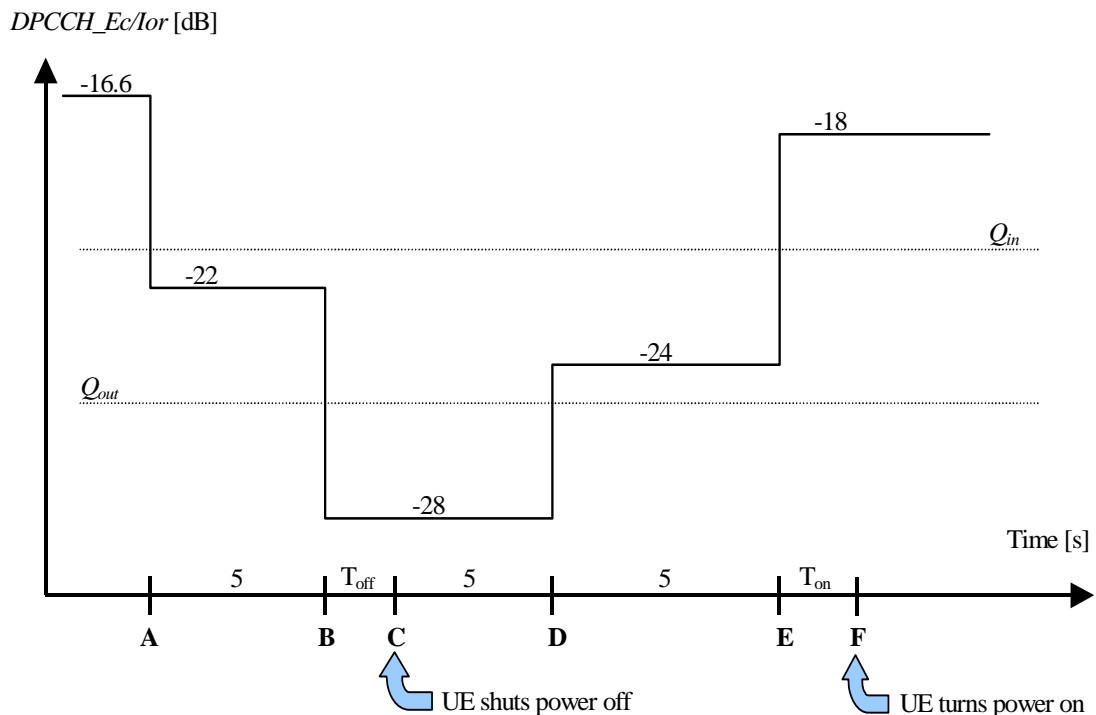


Figure 5.4.4D.1: Test case for out-of-synch handling in the UE.

In this test case, the requirements for the UE are that:

1. The UE shall not shut its transmitter off before point B.
2. The UE shall shut its transmitter off before point C, which is $T_{off} = 200$ ms after point B.

3. The UE shall not turn its transmitter on between points C and E.
4. The UE shall turn its transmitter on before point F, which is $T_{on} = 200$ ms after point E.

The normative reference for this requirement is TS 25.101 [1] clause 6.4.4.1B.

5.4.4D.3 Test purpose

To verify that the UE monitors the DPCCH quality and turns its transmitter on or off according to DPCCH level diagram specified in figure 5.4.4D.1.

NOTE 1: $DPDCH_{Ec}/I_{or}$ after point A is not defined in table 5.4.4D.1. However it is assumed that DPDCH and DPCCH power level are same on DL 12,2 kbps reference measurement channel for testing. (PO1, PO2, and PO3 are zero.)

NOTE 2: The test case covers only the continuous uplink DPCCH transmission scenario.

5.4.4D.4 Method of test

5.4.4D.4.1 Initial conditions

Test environment: normal; see clauses G.2.1 and G.2.2.

Frequencies to be tested: mid range; see clause G.2.4.

- 1) Connect the SS to the UE antenna connector as shown in figure FFS.
- 2) A call is set up according to the Generic call setup procedure in TS34.108 [3], clause FFS, with the following exception for information elements in System Information Block type 1 specified in TS 34.108 [3], clause 6.1.0b.

Table 5.4.4D.2A: System Information Block type 1 message

| Information Element | Value/Remark |
|---|-------------------|
| UE Timers and constants in connected mode - T313 - N313 | 15 seconds 200 |

- 3) SS sends a HS-SCCH order activating UL_CLTD activation state 2.
- 4) DCH parameters are set up according to table 5.4.4D.1 with $DPDCH_{Ec}/I_{or}$ ratio level at -16,6 dB. The other RF parameters are set up according to clause E.3.3.
- 5) Enter the UE into loopback test mode and start the loopback test.

See TS 34.108 [3] and TS 34.109 [4] for details regarding generic call setup procedure and loopback test.

5.4.4D.4.2 Procedure

FFS

5.4.4D.5 Test requirements

Table 5.4.4D.3: Test Requirements for $DPDCH_{Ec}/I_{or}$ levels

| Clause from figure 5.4.4D.1 | $DPDCH_{Ec}/I_{or}$ | Unit |
|-----------------------------|---------------------|------|
| Before A | -16,6+TT | dB |
| A to B | -21,6+TT | dB |
| B to D | -28,4+TT | dB |
| D to E | -24,4+TT | dB |
| After E | -17,6+TT | dB |

To pass the test, steps 1 through 6 of the procedure in clause 5.4.4D.4.2 must be fulfilled.

The UE transmitter off criterion and its tolerances is defined in clause 5.5.1 (Transmit off power).

The UE transmitter on criterion and its tolerances is defined in clause 5.4.3 (Minimum Output Power). The UE transmitter is considered to be on if the UE transmitted power is higher than minimum output power.

NOTE: If the above Test Requirement differs from the Minimum Requirement then the Test Tolerance applied for this test is non-zero. The Test Tolerance for this test is defined in clause FFS and the explanation of how the Test Requirement has been relaxed by the Test Tolerance is given in clause FFS.

5.5 Transmit ON/OFF Power

5.5.1 Transmit OFF Power

5.5.1.1 Definition and applicability

Transmit OFF power is defined as the RRC filtered mean power when the transmitter is off. The transmit OFF power state is when the UE does not transmit or during periods when the UE is not transmitting DPCCCH due to discontinuous uplink DPCCCH transmission. During transmission gaps in UL compressed mode, the UE is not considered to be in the OFF state.

The requirements and this test apply to all types of UTRA for the FDD UE.

5.5.1.2 Minimum Requirements

The requirement for the transmit OFF power shall be less than -56 dBm.

The normative reference for this requirement is TS 25.101 [1] clause 6.5.1.1.

5.5.1.3 Test purpose

To verify that the UE transmit OFF power is less than -56 dBm.

An excess transmit OFF power increases the interference to other channels, and decreases the system capacity.

5.5.1.4 Method of test

This test is covered by clause 5.5.2 Transmit ON/OFF Time mask.

5.5.1.5 Test requirements

The measured RRC filtered mean power shall be less than -55 dBm.

NOTE: If the above Test Requirement differs from the Minimum Requirement then the Test Tolerance applied for this test is non-zero. The Test Tolerance for this test is defined in clause F.2 and the explanation of how the Minimum Requirement has been relaxed by the Test Tolerance is given in clause F.4.

5.5.2 Transmit ON/OFF Time mask

5.5.2.1 Definition and applicability

The time mask for transmit ON/OFF defines the ramping time allowed for the UE between transmit OFF power and transmit ON power. Possible ON/OFF scenarios for release 99 and release 4 only are PRACH, CPCH or uplink compressed mode. For release 5 and later the possible ON/OFF scenarios are PRACH, discontinuous uplink DPCCCH transmission or uplink compressed mode.

The requirements and this test apply to all types of UTRA for the FDD UE.

5.5.2.2 Minimum requirements

The mean power of successive slots shall be calculated according to figure 5.5.1 for PRACH preambles, figure 5.5.1A for discontinuous uplink DPCCCH transmission and figure 5.5.2 for all other cases. The off signal is defined as the RRC filtered mean power.

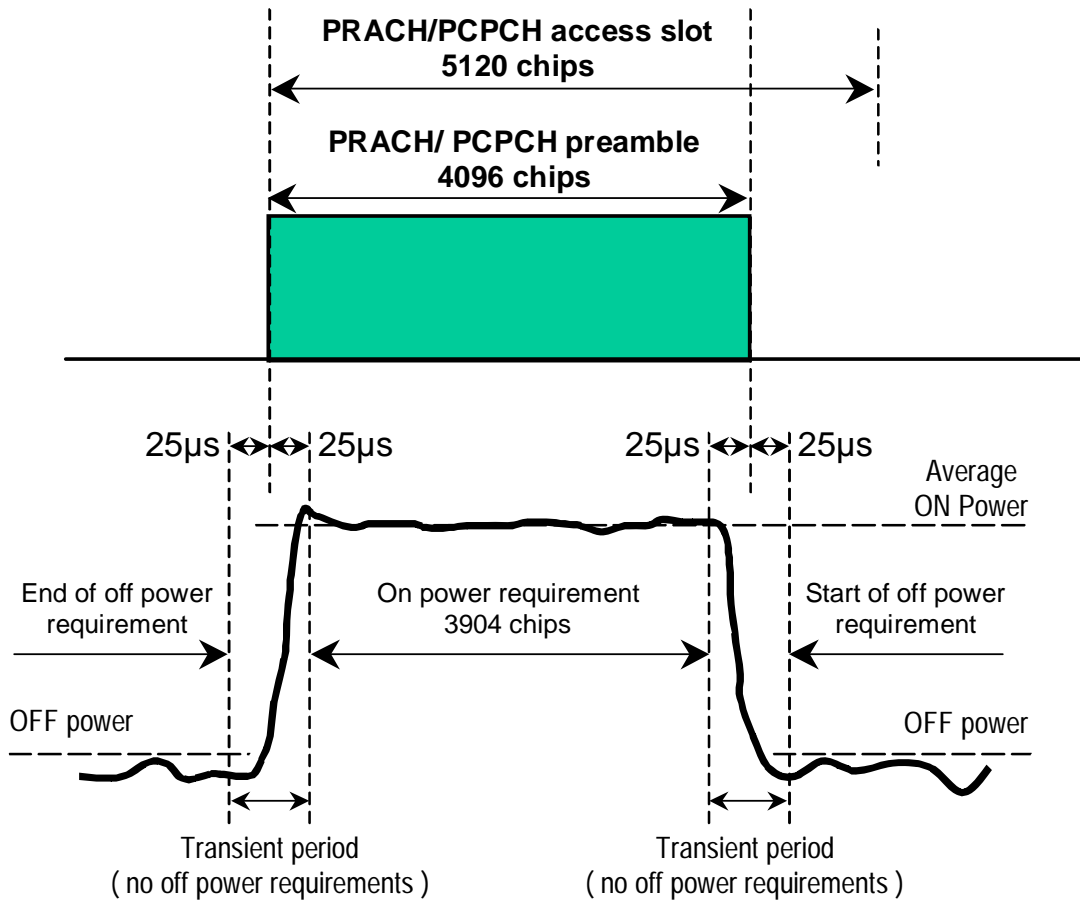


Figure 5.5.1: Transmit ON/OFF template for PRACH preambles

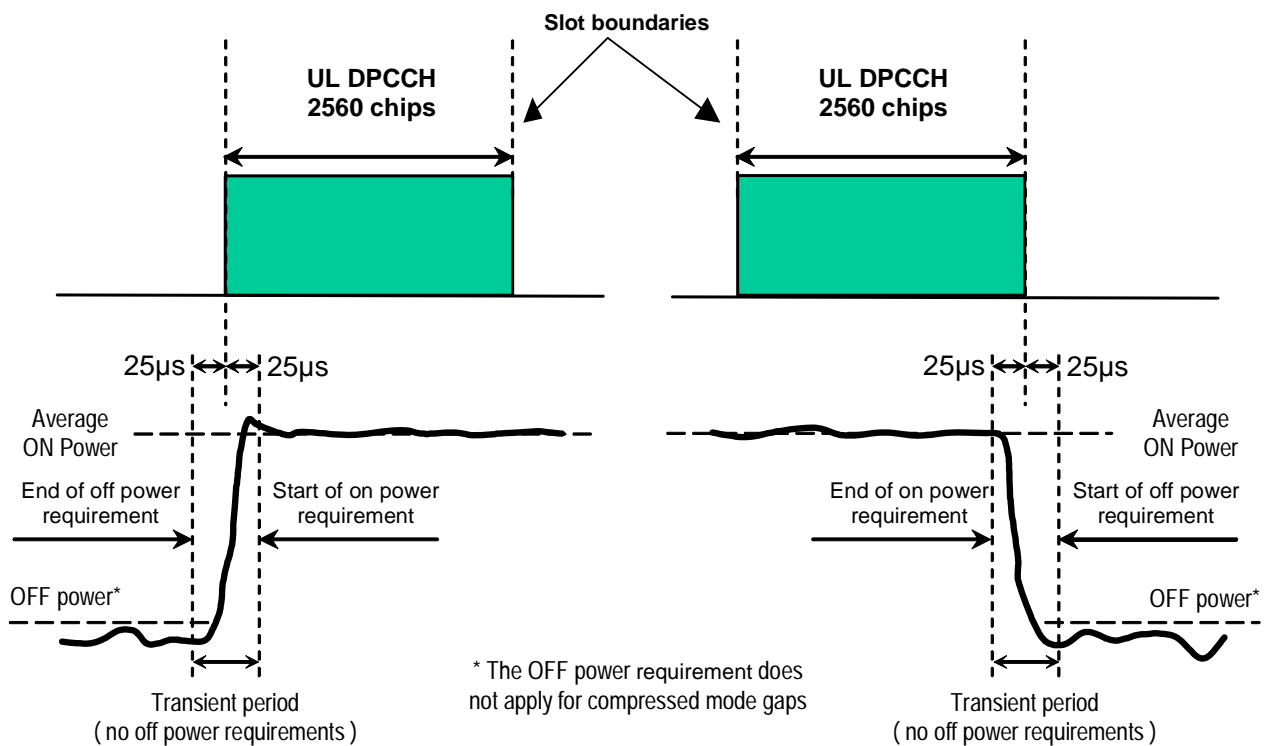


Figure 5.5.1A: Transmit ON/OFF template for discontinuous uplink DPCCH transmission

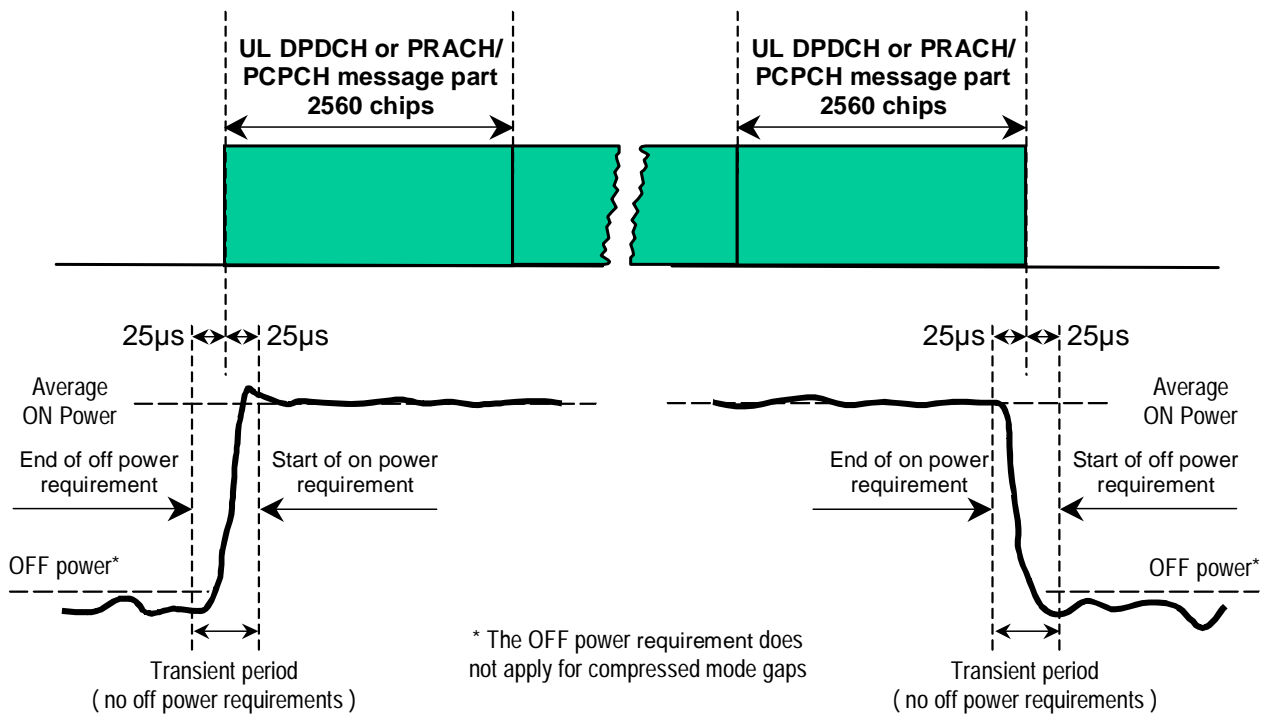


Figure 5.5.2: Transmit ON/OFF template for all other On/Off cases

OFF Power is defined in clause 5.5.1.2.

ON power is defined as the mean power. The specification depends on each possible case.

- First preamble of PRACH: Open loop accuracy (table 5.4.1.1).
- During preamble ramping of the RACH and between final RACH preamble and RACH message part: Accuracy depending on size of the required power difference (table 5.5.2.1).
- After transmission gap due to discontinuous uplink DPCCH transmission: Accuracy as in table 5.5.2.1A.
- After transmission gaps in compressed mode: Accuracy as in table 5.7.1.
- Power step to Maximum Power: Maximum power accuracy (table 5.2.1).

Table 5.5.2.1: Transmitter power difference tolerance for RACH preamble ramping, and between final RACH preamble and RACH message part

| Power difference size ΔP [dB] | Transmitter power difference tolerance [dB] |
|--|--|
| 0 | ± 1 |
| 1 | ± 1 |
| 2 | $\pm 1,5$ |
| 3 | ± 2 |
| $4 \leq \Delta P \leq 10$ | $\pm 2,5$ |
| $11 \leq \Delta P \leq 15$ | $\pm 3,5$ |
| $16 \leq \Delta P \leq 20$ | $\pm 4,5$ |
| $21 \leq \Delta P$ | $\pm 6,5$ |

Table 5.5.2.1A: Transmitter power difference tolerance after a gap of up to 10 sub-frames due to discontinuous uplink DPCCH transmission

| Last TPC_cmd | Transmitter power step tolerance after discontinuous UL DPCCH transmission gap | | | | | |
|--------------|--|-------|----------------|-------|----------------|-------|
| | 1 dB step size | | 2 dB step size | | 3 dB step size | |
| | Lower | Upper | Lower | Upper | Lower | Upper |
| +1 | -2 dB | +4 dB | -1 dB | +5 dB | 0 dB | +6 dB |
| 0 | -3 dB | +3 dB | -3 dB | +3 dB | -3 dB | +3 dB |
| -1 | -4 dB | +2 dB | -5 dB | +1 dB | -6 dB | 0 dB |

The reference for this requirement is TS 25.101 [1] clause 6.5.2.1.

This is tested using PRACH operation.

5.5.2.3 Test purpose

To verify that the power ON/OFF ratio of the PRACH shown in figure 5.5.1 meets the requirements given in 5.5.2.2.

Transmission of the wrong power increases interference to other channels, or increases transmission errors in the uplink's own channel.

NOTE: The test case covers only the PRACH scenario.

5.5.2.4 Method of test

5.5.2.4.1 Initial conditions

Test environment: normal, TL/VL, TL/VH, TH/VL, TH/VH; see clauses G.2.1 and G.2.2.

Frequencies to be tested: low range, mid range, high range; see clause G.2.4.

- 1) Connect the SS to the UE antenna connector as shown in figure A.1.
- 2) Channel conditions are initially set up with received CPICH_RSCP > -85 dBm. The relative power level of downlink physical channels to I_{Or} are set up according to clause E.2.1. The parameter settings of the cell are set up according to table 5.5.2.1A.
- 3) Switch on the phone.
- 4) After the UE has performed registration and entered idle mode, \hat{I}_{Or} is set up according to table 5.5.2.2. The relative power level of downlink physical channels to I_{Or} are set up according to clause E.2.1
- 5) A call is set up according to the Generic call setup procedure, in [3] clause 7.3.1 with channel conditions according the test parameters in table 5.5.2.3.

The RACH procedure within the call setup is used for the test. The number of the available subchannels should be limited to one. This ensures that the preamble sequence is known to the SS. The preamble retransmission shall be at least 3. The power ramping step size shall be 1 dB. Note that the maximum number of preamble retransmissions is limited to 5 due to the fact that the commanded uplink power exceeds the allowed uplink power of more than 6 dB. The SS shall not send either an ACK or a NACK.

Table 5.5.2.1A: Settings for the serving cell

| Parameter | Unit | Cell 1 | | | |
|------------------------|------|---------------|---------------|---------------|---------------|
| | | Power class 1 | Power class 2 | Power class 3 | Power class 4 |
| Cell type | | Serving cell | | | |
| UTRA RF Channel Number | | Channel 1 | | | |
| Qqualmin | dB | -24 | | | |
| Qrxlevmin | dBm | -115 | | | |
| UE_TXPWR_MAX_RACH | dBm | 33 | 27 | 24 | 21 |

Table 5.5.2.2: Test parameters for Transmit ON/OFF Time mask (UE)

| Parameter | Level / Status | Unit |
|----------------|-------------------|----------------|
| \hat{I}_{or} | See table 5.5.2.3 | dBm / 3,84 MHz |

Table 5.5.2.3: Test parameters for Transmit ON/OFF Time mask (SS)

| Parameter | Power Class 1 | Power Class 2 | Power Class 3 | Power Class 4 | Unit |
|---|--|--|--|--|----------------|
| \hat{I}_{or} (note 1) | <REF \hat{I}_{or} > | <REF \hat{I}_{or} > | <REF \hat{I}_{or} > | <REF \hat{I}_{or} > | dBm / 3,84 MHz |
| CPICH_RSCP (notes 1 and 2) | <REF \hat{I}_{or} > + CPICH_Ec / I_{or} | <REF \hat{I}_{or} > + CPICH_Ec / I_{or} | <REF \hat{I}_{or} > + CPICH_Ec / I_{or} | <REF \hat{I}_{or} > + CPICH_Ec / I_{or} | dBm |
| Primary CPICH DL TX power | +19 | +19 | +19 | +19 | dBm |
| Simulated path loss = Primary CPICH DL TX power - CPICH_RSCP | Band I, IV, VI, X, XIX, XI, XXI | 128.9 | 128.9 | 128.9 | dB |
| | Band II, V, VII | 126.9 | 126.9 | 126.9 | |
| | Band III, VIII, XII, XIII, XIV, XX, XXII | 125.9 | 125.9 | 125.9 | |
| | Band IX | 127.9 | 127.9 | 127.9 | |
| | Band XXV, XXVI | 125.4 | 125.4 | 125.4 | |
| UL interference | Band I, IV, VI, X, XIX, XI, XXI | -86 | -92 | -95 | dBm |
| | Band II, V, VII | -84 | -90 | -93 | |
| | Band III, VIII, XII, XIII, XIV, XX, XXII | -83 | -89 | -92 | |
| | Band IX | -85 | -91 | -94 | |
| | Band XXV, XXVI | -83 | -89 | -92 | |
| Constant Value | -10 | -10 | -10 | -10 | dB |
| Expected nominal UE TX power for all bands except bands XXV and XXVI (note 3) | +32.9 | +26.9 | +23.9 | +20.9 | dBm |
| Expected nominal UE TX power for bands XXV and XXVI (note 3) | +32.4 | +26.4 | +23.4 | +20.4 | |
| NOTE 1: <REF \hat{I}_{or} > is specified in Table 6.2.2, and CPICH_Ec / I_{or} is specified in Table E.2.2. The power level of S-CCPCH should be defined because S-CCPCH is transmitted during Preamble RACH transmission period. The power level of S-CCPCH is set to -5.3 dB relative to I_{or} . | | | | | |
| NOTE 2: The purpose of this parameter is to calculate the Expected nominal UE TX power. | | | | | |
| NOTE 3: The Expected nominal UE TX power is calculated by using the equation in the clause 8.5.7 Open Loop Power Control of TS 25.331 [8]. | | | | | |

5.5.2.4.2 Procedure

- 1) Set the TX output level of the SS to obtain \hat{I}_{or} at the UE antenna connector and select the test parameters of table 5.5.2.3 according to the power class. \hat{I}_{or} shall be according to table 5.5.2.3.
- 2) Measure the mean power (ON power) of the UE on the first PRACH preamble according to the timing in figure 5.5.1.
- 3) Measure the RRC filtered mean power (OFF power) in a 2368 chip time interval before a transient period of 25 μ s (96 chips) prior to a RACH preamble (ON power). Measure the RRC filtered mean power (OFF power) in a 2368 chip time interval after a transient period of 25 μ s (96 chips) after a RACH preamble (ON power). Due to the dynamic range between the ON and OFF power measurements, the OFF power measurements can be made on subsequent PRACH preambles rather than adjacent to the first PRACH preamble.

5.5.2.5 Test requirements

The deviation with respect to the Expected nominal UE TX power (table 5.5.2.3), derived in step 2), shall not exceed the prescribed upper tolerance in table 5.2.2 (clause 5.2.5) and lower tolerance in table 5.4.1.4. (clause 5.4.1.5) for the first PRACH preamble.

The measured RRC filtered mean power, derived in step 3), shall be less than -55 dBm. (clause 5.5.1.5).

5.6 Change of TFC

5.6.1 Definition and applicability

A change of TFC (Transport Format Combination) in uplink means that the power in the uplink varies according to the change in data rate. DTX, where the DPDCH is turned off, is a special case of variable data, which is used to minimise the interference between UE(s) by reducing the UE transmit power when voice, user or control information is not present.

The requirements and this test apply to all types of UTRA for the FDD UE.

5.6.2 Minimum requirements

A change of output power is required when the TFC, and thereby the data rate, is changed. The ratio of the amplitude between the DPDCH codes and the DPCCH code will vary. The power step due to a change in TFC shall be calculated in the UE so that the power transmitted on the DPCCH shall follow the inner loop power control. The step in total transmitted power (DPCCH + DPDCH) shall then be rounded to the closest integer dB value. A power step exactly half-way between two integer values shall be rounded to the closest integer of greater magnitude. The accuracy of the power step, given the step size is specified in table 5.6.1. The power change due to a change in TFC is defined as the relative power difference between the mean power of the original (reference) timeslot and the mean power of the target timeslot, not including the transient duration. The transient duration is from $25 \mu\text{s}$ before the slot boundary to $25 \mu\text{s}$ after the slot boundary.

Table 5.6.1: Transmitter power step tolerance

| Power control step size (Up or down) ΔP [dB] | Transmitter power step tolerance [dB] |
|---|---------------------------------------|
| 0 | $\pm 0,5$ |
| 1 | $\pm 0,5$ |
| 2 | $\pm 1,0$ |
| 3 | $\pm 1,5$ |
| $4 \leq \Delta P \leq 10$ | $\pm 2,0$ |
| $11 \leq \Delta P \leq 15$ | $\pm 3,0$ |
| $16 \leq \Delta P \leq 20$ | $\pm 4,0$ |
| $21 \leq \Delta P$ | $\pm 6,0$ |

Clause C.2.1 defines the UL reference measurement channels (12,2 kbps) for TX test and the power ratio between DPCCH and DPDCH as $-5,46$ dB. Therefore, only one power control step size is selected as minimum requirement from table 5.6.1. The accuracy of the power step, given the step size is specified in table 5.6.2.

Table 5.6.2: Transmitter power step tolerance for test

| Quantized amplitude ratios β_c and β_d | Power control step size (Up or down) ΔP [dB] | Transmitter power step tolerance [dB] |
|---|--|---------------------------------------|
| $\beta_c = 0,5333, \beta_d = 1,0$ | 7 | ± 2 |

The mean power of successive slots shall be calculated according to figure 5.6.1.

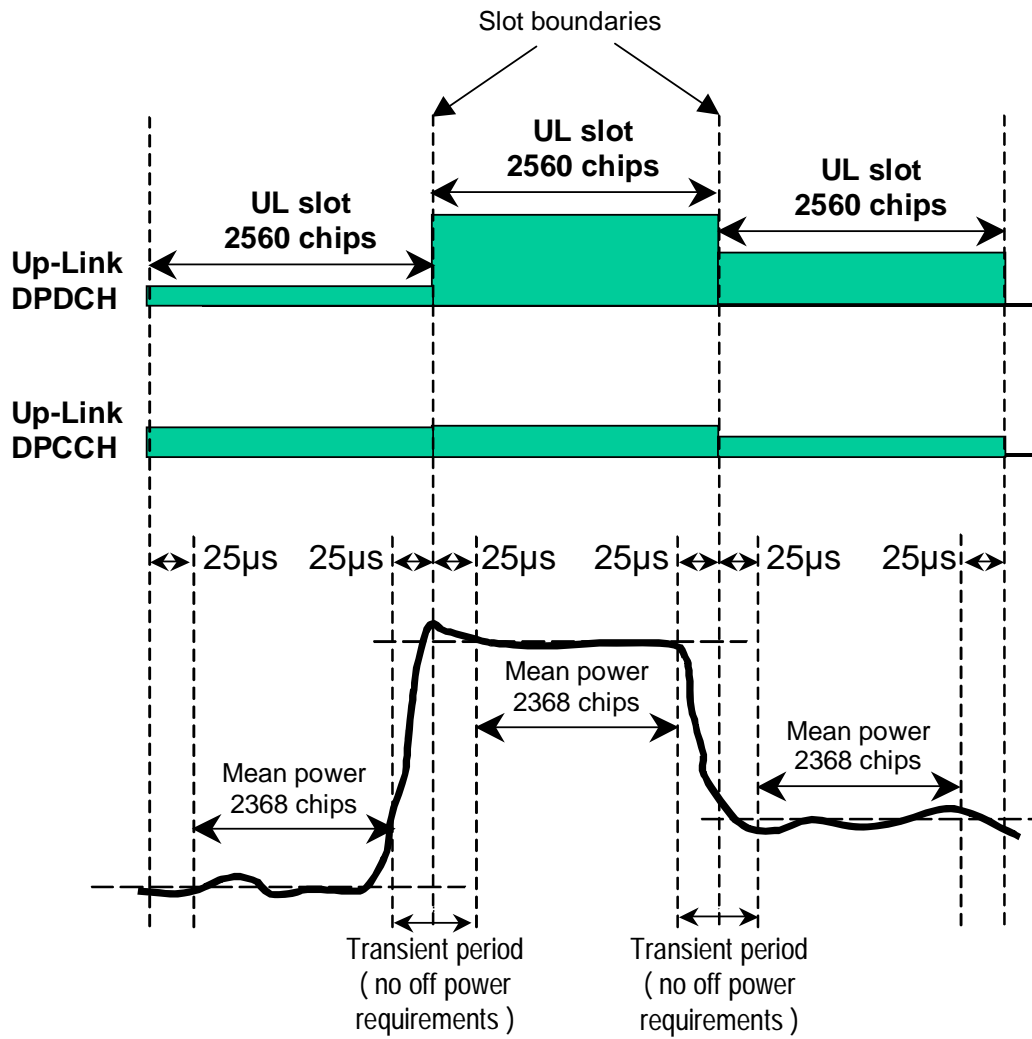


Figure 5.6.1: Transmit template during TFC change

The UL reference measurement channel (12,2 kbps) is a fixed rate channel. Therefore, DTX, where the DPDCH is turned off, is tested, as shown in figure 5.6.2.

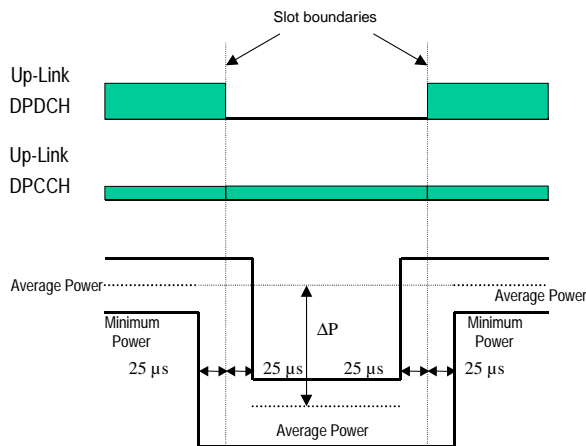


Figure 5.6.2: Transmit template during DTX

The reference for this requirement is TS 25.101 [1] clause 6.5.3.1.

5.6.3 Test purpose

To verify that the tolerance of power control step size does not exceed the described value shown in table 5.6.2.

To verify that the DTX ON/OFF power levels versus time meets the described mask shown in figure 5.6.2.

5.6.4 Method of test

5.6.4.1 Initial conditions

Test environment: normal; see clauses G.2.1 and G.2.2.

Frequencies to be tested: mid range; see clause G.2.4.

- 1) Connect the SS to the UE antenna connector as shown in figure A.1.
- 2) A call is set up according to the Generic call setup procedure in TS34.108 [3] sub clause 7.3.2. The Uplink DPCH Power Control Info shall specify the Power Control Algorithm as algorithm 2 for interpreting TPC commands.
- 3) Enter the UE into loopback test mode and start the loopback test.

See TS 34.108 [3] and TS 34.109 [4] for details regarding generic call setup procedure and loopback test.

5.6.4.2 Procedure

- 1) Set the power level of the UE to , 0 dBm \pm 1 dB.
- 2) Send alternating "0" and "1" TPC commands in the downlink so as to satisfy the condition of obtaining TPC_cmd = 0.
- 3) Measure the mean output power of the UE in two cases, both DPDCH and DPCCH are ON and only DPCCH is ON. The measurements shall not include the transient periods.

5.6.5 Test requirements

The difference in mean power between DPDCH ON and OFF, derived in step 3), shall not exceed the prescribed range in table 5.6.3.

Table 5.6.3: Transmitter power step tolerance for test

| Quantized amplitude ratios β_c and β_d | Power control step size (Up or down) ΔP [dB] | Transmitter power step tolerance [dB] |
|---|---|--|
| $\beta_c = 0,5333, \beta_d = 1,0$ | 7 | $\pm 2,3$ |

NOTE: If the above Test Requirement differs from the Minimum Requirement then the Test Tolerance applied for this test is non-zero. The Test Tolerance for this test is defined in clause F.2 and the explanation of how the Minimum Requirement has been relaxed by the Test Tolerance is given in clause F.4.

5.6AA FFS

5.6AB Change of TFC for UL CLTD activation state 1

Editor's note: This clause is incomplete. The following aspects are either missing or not yet determined:

- Message Contents are FFS.
- Test procedure, test tolerances may need an update.
- Update of Annexure is FFS

5.6AB.1 Definition and applicability

A change of TFC (Transport Format Combination) in uplink means that the power in the uplink varies according to the change in data rate. DTX, where the DPDCH is turned off, is a special case of variable data, which is used to minimise the interference between UE(s) by reducing the UE transmit power when voice, user or control information is not present.

The requirements and this test apply for Release 11 and later releases to all types of UTRA for the FDD UE that support uplink CLTD.

5.6AB.2 Minimum requirements

A change of output power is required when the TFC, and thereby the data rate, is changed. The ratio of the amplitude between the DPDCH codes and the DPCCH code will vary. The power step due to a change in TFC shall be calculated in the UE so that the power transmitted on the DPCCH shall follow the inner loop power control. The step in total transmitted power (DPCCH + S-DPCCH + DPDCH for UE configured in UL CLTD activation state 1) shall then be rounded to the closest integer dB value. A power step exactly half-way between two integer values shall be rounded to the closest integer of greater magnitude. The accuracy of the power step, given the step size, is specified in Table 5.6AB.1 at each transmit antenna connector. The power change at each transmit antenna connector due to a change in TFC is defined as the relative power difference between the mean power of the original (reference) timeslot and the mean power of the target timeslot, not including the transient duration. The transient duration is from 25 μ s before the slot boundary to 25 μ s after the slot boundary.

Table 5.6AB.1: Transmitter power step tolerance

| Power control step size (Up or down) ΔP [dB] | Transmitter power step tolerance [dB] |
|---|---------------------------------------|
| 0 | $\pm 0,5$ |
| 1 | $\pm 0,5$ |
| 2 | $\pm 1,0$ |
| 3 | $\pm 1,5$ |
| $4 \leq \Delta P \leq 10$ | $\pm 2,0$ |
| $11 \leq \Delta P \leq 15$ | $\pm 3,0$ |
| $16 \leq \Delta P \leq 20$ | $\pm 4,0$ |
| $21 \leq \Delta P$ | $\pm 6,0$ |

Clause FFS defines the UL reference measurement channels for TX test and the power ratio between DPCCH and DPDCH as FFS. Therefore, only one power control step size is selected as minimum requirement from table 5.6AB.1. The accuracy of the power step, given the step size is specified in table 5.6AB.2.

Table 5.6AB.2: Transmitter power step tolerance for test

| Quantized amplitude ratios β_C and β_D | Power control step size (Up or down) ΔP [dB] | Transmitter power step tolerance [dB] |
|---|--|---------------------------------------|
| $\beta_C = 0,5333, \beta_D = 1,0$ | 7 | ± 2 |

The mean power of successive slots shall be calculated according to figure 5.6AB.1.

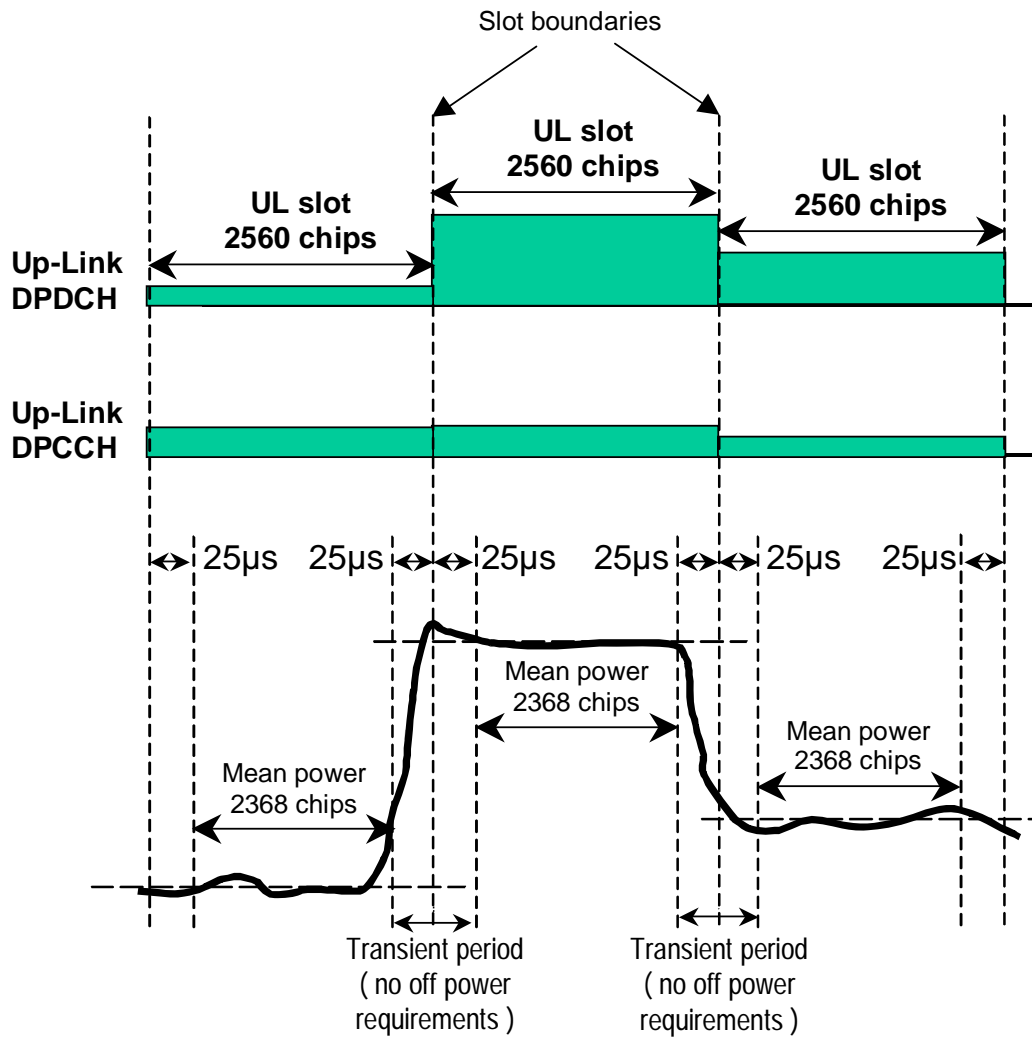


Figure 5.6AB.1: Transmit template during TFC change

The UL reference measurement channel (12,2 kbps) is a fixed rate channel. Therefore, DTX, where the DPDCH is turned off, is tested, as shown in figure 5.6AB.2.

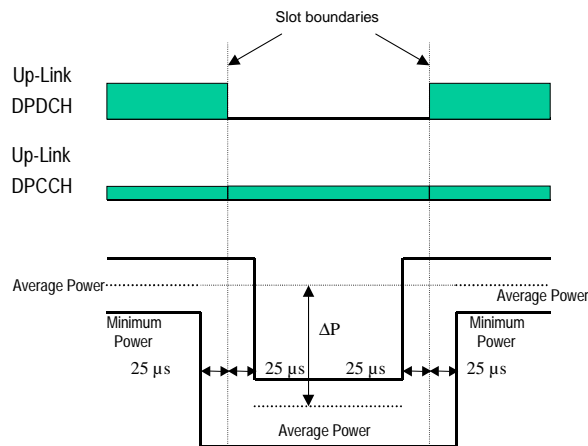


Figure 5.6AB.2: Transmit template during DTX

The reference for this requirement is TS 25.101 [1] clause 6.5.3.1B.

5.6AB.3 Test purpose

To verify that the tolerance of power control step size does not exceed the described value shown in table 5.6AB.2.

To verify that the DTX ON/OFF power levels versus time meets the described mask shown in figure 5.6AB.2.

5.6AB.4 Method of test

5.6AB.4.1 Initial conditions

Test environment: normal; see clauses G.2.1 and G.2.2.

Frequencies to be tested: mid range; see clause G.2.4.

- 1) Connect the SS to the UE antenna connector as shown in figure FFS.
- 2) A call is set up according to the Generic call setup procedure in TS34.108 [3] sub clause 7.3.17. The Uplink DPCH Power Control Info shall specify the Power Control Algorithm as algorithm 2 for interpreting TPC commands.
- 3) SS sends a HS-SCCH order activating UL_CLTD activation state 1.
- 4) Enter the UE into loopback test mode and start the loopback test.

See TS 34.108 [3] and TS 34.109 [4] for details regarding generic call setup procedure and loopback test.

5.6AB.4.2 Procedure

- 1) Set the power level of the UE to , 0 dBm \pm 1 dB.
- 2) Send alternating "0" and "1" TPC commands in the downlink so as to satisfy the condition of obtaining TPC_cmd = 0.
- 3) Measure the mean output power of the UE in two cases, when all DPDCH, S-DPCCH and DPCCH are ON and when only DPCCH is ON. The measurements shall not include the transient periods.

5.6AB.5 Test requirements

The difference in mean power between DPDCH ON and OFF, derived in step 3), shall not exceed the prescribed range in table 5.6AB.3.

Table 5.6AB.3: Transmitter power step tolerance for test

| Quantized amplitude ratios β_C and β_D | Power control step size (Up or down) ΔP [dB] | Transmitter power step tolerance [dB] |
|---|---|--|
| $\beta_C = 0,5333$, $\beta_D = 1,0$ | 7 | $\pm 2.3 + TT$ |

NOTE: If the above Test Requirement differs from the Minimum Requirement then the Test Tolerance applied for this test is non-zero. The Test Tolerance for this test is defined in clause FFS and the explanation of how the Minimum Requirement has been relaxed by the Test Tolerance is given in clause FFS.

5.6AC Change of TFC for UL CLTD activation state 2 and 3

Editor's note: This clause is incomplete. The following aspects are either missing or not yet determined:

- Message Contents are FFS.
- Call Setup procedure, test procedure, test tolerances may need an update.
- Update of Annexure is FFS

5.6AC.1 Definition and applicability

A change of TFC (Transport Format Combination) in uplink means that the power in the uplink varies according to the change in data rate. DTX, where the DPDCH is turned off, is a special case of variable data, which is used to minimise the interference between UE(s) by reducing the UE transmit power when voice, user or control information is not present.

The requirements and this test apply for Release 11 and later releases to all types of UTRA for the FDD UE that support uplink CLTD.

5.6AC.2 Minimum requirements

A change of output power is required when the TFC, and thereby the data rate, is changed. The ratio of the amplitude between the DPDCH codes and the DPCCH code will vary. The power step due to a change in TFC shall be calculated in the UE so that the power transmitted on the DPCCH shall follow the inner loop power control. The step in total transmitted power (DPCCH + S-DPCCH + DPDCH for UE configured in UL CLTD activation state 1, and DPCCH + DPDCH for UE configured in UL CLTD activation state 2 or activation state 3) shall then be rounded to the closest integer dB value. A power step exactly half-way between two integer values shall be rounded to the closest integer of greater magnitude. The accuracy of the power step, given the step size, is specified in Table 5.6AC.1 at each transmit antenna connector. The power change at each transmit antenna connector due to a change in TFC is defined as the relative power difference between the mean power of the original (reference) timeslot and the mean power of the target timeslot, not including the transient duration. The transient duration is from 25 μ s before the slot boundary to 25 μ s after the slot boundary.

Table 5.6AC.1: Transmitter power step tolerance

| Power control step size (Up or down) ΔP [dB] | Transmitter power step tolerance [dB] |
|---|---------------------------------------|
| 0 | $\pm 0,5$ |
| 1 | $\pm 0,5$ |
| 2 | $\pm 1,0$ |
| 3 | $\pm 1,5$ |
| $4 \leq \Delta P \leq 10$ | $\pm 2,0$ |
| $11 \leq \Delta P \leq 15$ | $\pm 3,0$ |
| $16 \leq \Delta P \leq 20$ | $\pm 4,0$ |
| $21 \leq \Delta P$ | $\pm 6,0$ |

Clause FFS defines the UL reference measurement channels for TX test and the power ratio between DPCCH and DPDCH as FFS. Therefore, only one power control step size is selected as minimum requirement from table 5.6AC.1. The accuracy of the power step, given the step size is specified in table 5.6AC.2.

Table 5.6AC.2: Transmitter power step tolerance for test

| Quantized amplitude ratios β_c and β_d | Power control step size (Up or down) ΔP [dB] | Transmitter power step tolerance [dB] |
|---|--|---------------------------------------|
| $\beta_c = 0,5333, \beta_d = 1,0$ | 7 | ± 2 |

The mean power of successive slots shall be calculated according to figure 5.6AC.1.

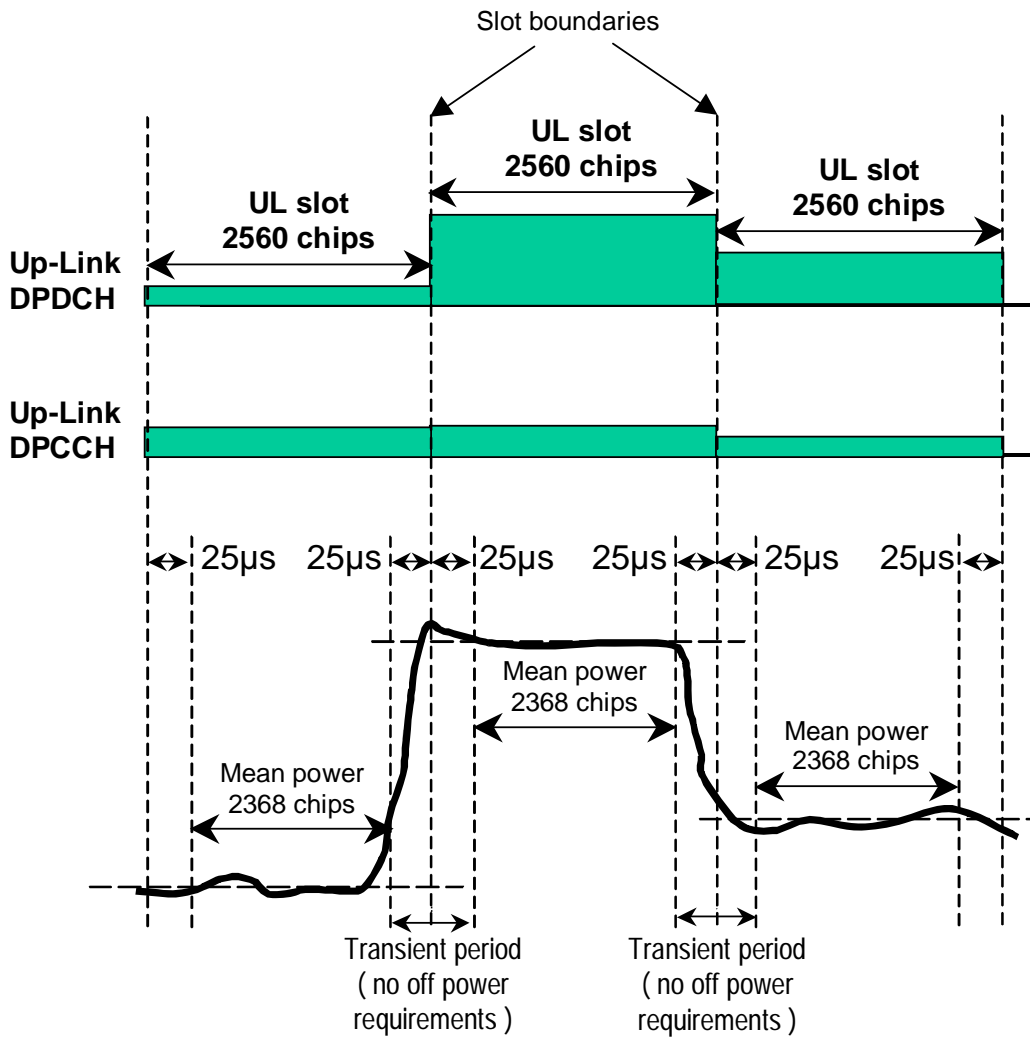


Figure 5.6AC.1: Transmit template during TFC change

The UL reference measurement channel (12,2 kbps) is a fixed rate channel. Therefore, DTX, where the DPDCH is turned off, is tested, as shown in figure 5.6AC.2.

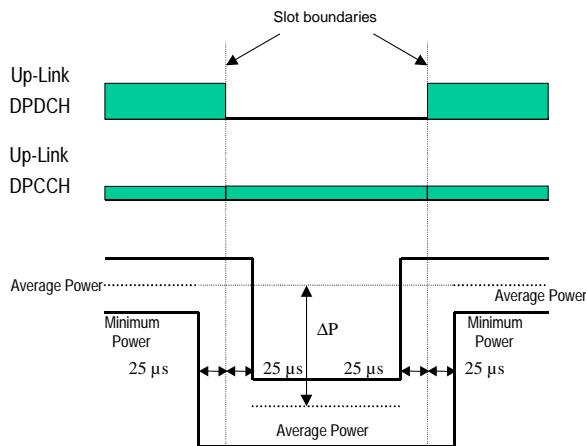


Figure 5.6AC.2: Transmit template during DTX

The reference for this requirement is TS 25.101 [1] clause 6.5.3.1B.

5.6AC.3 Test purpose

To verify that the tolerance of power control step size does not exceed the described value shown in table 5.6AC.2.

To verify that the DTX ON/OFF power levels versus time meets the described mask shown in figure 5.6AC.2.

5.6AC.4 Method of test

5.6AC.4.1 Initial conditions

Test environment: normal; see clauses G.2.1 and G.2.2.

Frequencies to be tested: mid range; see clause G.2.4.

- 1) Connect the SS to the UE antenna connector as shown in figure FFS.
- 2) A call is set up according to the Generic call setup procedure in TS34.108 [3] sub clause 7.3.17. The Uplink DPCH Power Control Info shall specify the Power Control Algorithm as algorithm 2 for interpreting TPC commands.
- 3) SS sends a HS-SCCH order activating UL_CLTD activation state 2.
- 4) Enter the UE into loopback test mode and start the loopback test.

See TS 34.108 [3] and TS 34.109 [4] for details regarding generic call setup procedure and loopback test.

5.6AC.4.2 Procedure

- 1) Set the power level of the UE to , 0 dBm \pm 1 dB.
- 2) Send alternating "0" and "1" TPC commands in the downlink so as to satisfy the condition of obtaining TPC_cmd = 0.
- 3) Measure the mean output power of the UE in two cases, both DPDCH and DPCCH of the active transmit antenna are ON and only DPCCH is ON. The measurements shall not include the transient periods.

5.6AC.5 Test requirements

The difference in mean power between DPDCH ON and OFF, derived in step 3), shall not exceed the prescribed range in table 5.6AC.3.

Table 5.6AC.3: Transmitter power step tolerance for test

| Quantized amplitude ratios β_C and β_D | Power control step size (Up or down) ΔP [dB] | Transmitter power step tolerance [dB] |
|---|---|--|
| $\beta_C = 0,5333$, $\beta_D = 1,0$ | 7 | $\pm 2,3 + TT$ |

NOTE: If the above Test Requirement differs from the Minimum Requirement then the Test Tolerance applied for this test is non-zero. The Test Tolerance for this test is defined in clause FFS and the explanation of how the Minimum Requirement has been relaxed by the Test Tolerance is given in clause FFS.

5.7 Power setting in uplink compressed mode

5.7.1 Definition and applicability

Compressed mode in uplink means that the power in uplink is changed.

The requirements and this test apply to all types of UTRA for the FDD UE that support UL or combined UL/DL compressed modes.

5.7.2 Minimum requirements

A change of output power is required during uplink compressed frames since the transmission of data is performed in a shorter interval. The ratio of the amplitude between the DPDCH codes and the DPCCH code will also vary. The power step due to compressed mode shall be calculated in the UE so that the energy transmitted on the pilot bits during each transmitted slot shall follow the inner loop power control.

Thereby, the power during compressed mode, and immediately afterwards, shall be such that the mean power of the DPCCH follows the steps due to inner loop power control combined with additional steps of $10\log_{10}(N_{\text{pilot,prev}} / N_{\text{pilot,curr}})$ dB where $N_{\text{pilot,prev}}$ is the number of pilot bits in the previously transmitted slot, and $N_{\text{pilot,curr}}$ is the current number of pilot bits per slot.

The resulting step in total transmitted power (DPCCH + DPDCH) shall then be rounded to the closest integer dB value. A power step exactly half-way between two integer values shall be rounded to the closest integer of greatest magnitude. The accuracy of the power step, given the step size, is specified in table 5.6.1 in clause 5.6.2. The power step is defined as the relative power difference between the mean power of the original (reference) timeslot and the mean power of the target timeslot, when neither the original timeslot nor the reference timeslot are in a transmission gap. The transient duration is not included, and is from 25 μ s before the slot boundary to 25 μ s after the slot boundary.

In addition to any power change due to the ratio $N_{\text{pilot,prev}} / N_{\text{pilot,curr}}$, the mean power of the DPCCH in the first slot after a compressed mode transmission gap shall differ from the mean power of the DPCCH in the last slot before the transmission gap by an amount Δ_{RESUME} , where Δ_{RESUME} is calculated as described in clause 5.1.2.3 of TS 25.214 [5].

The resulting difference in the total transmitted power (DPCCH + DPDCH) shall then be rounded to the closest integer dB value. A power difference exactly half-way between two integer values shall be rounded to the closest integer of greatest magnitude. The accuracy of the resulting difference in the total transmitted power (DPCCH + DPDCH) after a transmission gap of up to 14 slots shall be as specified in table 5.7.1.

Table 5.7.1: Transmitter power difference tolerance after a transmission gap of up to 14 slots

| Power difference (Up or down) ΔP [dB] | Transmitter power step tolerance after a transmission gap [dB] |
|--|---|
| $\Delta P \leq 2$ | ± 3 |
| 3 | ± 3 |
| $4 \leq \Delta P \leq 10$ | ± 3.5 |
| $11 \leq \Delta P \leq 15$ | ± 4 |
| $16 \leq \Delta P \leq 20$ | ± 4.5 |
| $21 \leq \Delta P$ | ± 6.5 |

The power difference is defined as the difference between the mean power of the original (reference) timeslot before the transmission gap and the mean power of the target timeslot after the transmission gap, not including the transient durations. The transient durations at the start and end of the transmission gaps are each from 25 μ s before the slot boundary to 25 μ s after the slot boundary.

The mean power of successive slots shall be calculated according to figure 5.7.1.

The reference for this requirement is TS 25.101 [1], clause 6.5.4.1.

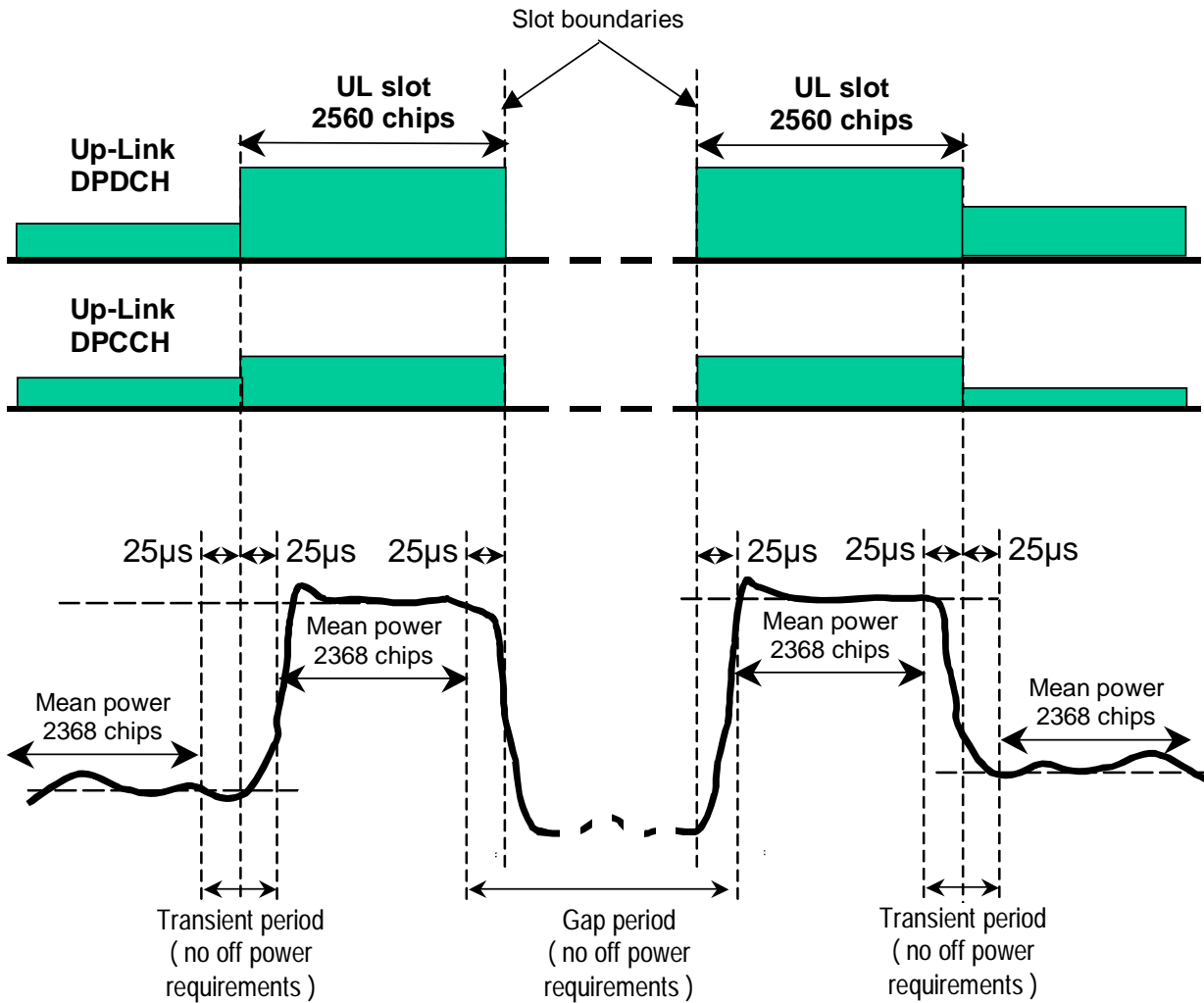


Figure 5.7.1: Transmit template during Compressed mode

For RPL (Recovery Period Length) slots after the transmission gap, where RPL is the minimum out of the transmission gap length and 7 slots, the UE shall use the power control algorithm and step size specified by the signalled Recovery Period Power Control Mode (RPP), as detailed in TS 25.214 [5] clause 5.1.2.3.

When nominal 3 dB power control steps are used in the recovery period, the transmitter mean power steps due to inner loop power control shall be within the range shown in table 5.7.2, and the transmitter aggregate mean power step due to inner loop power control shall be within the range shown in table 5.7.3, excluding any other power changes due, for example, to changes in spreading factor or number of pilot bits.

Table 5.7.2: Transmitter power control range for 3dB step size

| TPC_cmd | Transmitter power control range for 3dB step size | |
|---------|---|---------|
| | Lower | Upper |
| +1 | +1,5 dB | +4,5 dB |
| 0 | -0,5 dB | +0,5 dB |
| -1 | -1,5 dB | -4,5 dB |

Table 5.7.3: Transmitter aggregate power control range for 3dB step size

| TPC_cmd group | Transmitter power control range after 7 equal TPC_cmd groups | |
|---------------|--|--------|
| | Lower | Upper |
| +1 | +16 dB | +26 dB |
| 0 | -1 dB | +1 dB |
| -1 | -16 dB | -26 dB |

The reference for this requirement is TS 25.101 [1] clause 6.4.2.1.1.

5.7.3 Test purpose

To verify that the changes in uplink transmit power in compressed mode are within the prescribed tolerances.

Excess error in transmit power setting in compressed mode increases the interference to other channels, or increases transmission errors in the uplink.

5.7.4 Method of test

5.7.4.1 Initial conditions

Test environment: normal; see clauses G.2.1 and G.2.2.

Frequencies to be tested: mid range; see clause G.2.4.

- 1) Connect the SS to the UE antenna connector as shown in figure A.1.
- 2) A call is set up according to the Generic call setup procedure in TS34.108 [3] sub clause 7.3.2. The 12,2 kbps UL reference measurement channel is used, with gain factors $\beta_c = 0,5333$ and $\beta_d = 1,0$ in non-compressed frames. Slot formats 0 and 0B are used on the uplink DPCCCH.
- 3) Enter the UE into loopback test mode and start the loopback test.

See TS 34.108 [3] and TS 34.109 [4] for details regarding generic call setup procedure and loopback test.

5.7.4.2 Procedure

NOTE: CFNs are given in this procedure for reference as examples only. A fixed offset may be applied to the CFNs.

- 1) Before proceeding with step (3) below, set the output power of the UE to be in the range -36 ± 9 dBm. This may be achieved by setting the downlink signal (\hat{I}_{or}) to yield an appropriate open loop output power and/or by generating suitable downlink TPC commands from the SS.
- 2) Transmit the PHYSICAL CHANNEL RECONFIGURATION message to set the uplink power control parameters to use Algorithm 1 and a step size of 2 dB, and to set the compressed mode parameters shown in table 5.7.5. The contents of the message are specified in table 5.7.9. This set of compressed mode parameters defines the compressed mode pattern which is used to test the implementation of:
 - a) in steps (3) and (4), upward 3 dB output power steps and the implementation of a downward power change when resuming transmission after a compressed mode gap, and
 - b) in steps (7) and (8), downward 3dB output power steps and the implementation of an upward power change when resuming transmission after a compressed mode gap.

Table 5.7.5: Parameters for pattern A for compressed mode test

| Parameter | Meaning | Value |
|---------------------------------|--|---|
| TGPRC | Number of transmission gap patterns within the Transmission Gap Pattern Sequence | 1 |
| TGCFN | Connection Frame Number of the first frame of the first pattern within the Transmission Gap Pattern Sequence | 0 |
| TGSN | Slot number of the first transmission gap slot within the TGCFN | 2 |
| TGL1 | Length of first transmission gap within the transmission gap pattern | 7 slots |
| TGL2 | Length of second transmission gap within the transmission gap pattern | 7 slots |
| TGD | Duration between the starting slots of two consecutive transmission gaps within a transmission gap pattern | 15 slots |
| TGPL1 | Duration of transmission gap pattern 1 | 3 frames |
| TGPL2 | Duration of transmission gap pattern 2 | R99 and Rel-4: Omit Rel-5 and later releases: Not applicable |
| RPP | Recovery Period Power Control Mode | Mode 1 |
| ITP | Initial Transmit Power Mode | Mode 1 |
| UL/DL Mode | Defines whether UL only or combined UL/DL compressed mode is used | UL only or UL/DL |
| Downlink Compressed Mode Method | Method for generating downlink compressed mode gap | SF/2 |
| Uplink Compressed Mode Method | Method for generating uplink compressed mode gap | SF/2 |
| Scrambling code change | Indicates whether the alternative scrambling code is used | No code change |
| Downlink frame type | Downlink compressed frame structure | A |
| DeltaSIR | Delta in DL SIR target value to be set in the UE during compressed frames | 0 |
| DeltaSIRafter | Delta in DL SIR target value to be set in the UE one frame after the compressed frames | 0 |

The resulting compressed mode pattern is shown in figure 5.7.2.

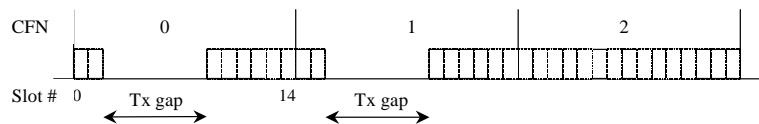


Figure 5.7.2: Pattern A for compressed mode test

- 3) After the PHYSICAL CHANNEL RECONFIGURATION COMPLETE message from the UE is received, transmit TPC commands on the downlink as shown in table 5.7.6.

Table 5.7.6: TPC commands transmitted in downlink

| CFN | TPC commands in downlink |
|-----|-------------------------------|
| 0 | 0 1 - - - - - 1 1 1 1 1 1 |
| 1 | 1 1 - - - - - 1 0 1 0 1 0 |
| 2 | 1 0 1 0 1 0 1 0 1 0 1 0 1 0 1 |

- 4) Measure the mean power in the following slots, not including the 25 μs transient periods at the start and end of each slot:

CFN 0: Slots # 9,10,11,12,13,14
 CFN 1: Slots # 0,1,9

- 5) Re-start the test. Before proceeding with step (7) below, set the output power of the UE to be in the range 2 ± 9 dBm. This may be achieved by setting the downlink signal (\hat{I}_{or}) to yield an appropriate open loop output power and/or by generating suitable downlink TPC commands from the SS.
- 6) Repeat step (2) above, with the exception that TGCFN = 3 in table 5.7.5 and table 5.7.9.
- 7) After the PHYSICAL CHANNEL RECONFIGURATION COMPLETE message from the UE is received, transmit TPC commands on the downlink as shown in table 5.7.7.

Table 5.7.7: TPC commands transmitted in downlink

| CFN | TPC commands in downlink |
|-----|---------------------------|
| 3 | 0 1 - - - - - 0 0 0 0 0 |
| 4 | 0 0 - - - - - 0 1 0 1 0 1 |
| 5 | 0 1 0 1 0 1 0 1 0 1 0 1 0 |

- 8) Measure the mean power in the following slots, not including the 25 μ s transient periods at the start and end of each slot:

CFN 3: Slots # 9,10,11,12,13,14
 CFN 4: Slots # 0,1,9

- 9) Re-start the test. Before proceeding with step (11) below, set the output power of the UE to be in the range -10 ± 9 dBm. This may be achieved by setting the downlink signal (\hat{I}_{or}) to yield an appropriate open loop output power and/or by generating suitable downlink TPC commands from the SS.
- 10) Transmit the PHYSICAL CHANNEL RECONFIGURATION message to set the uplink power control parameters to use Algorithm 1 and a step size of 1 dB, and to set the compressed mode parameters shown in table 5.7.8. The contents of the message are specified in table 5.7.10. This set of compressed mode parameters defines the compressed mode pattern which is used to test the implementation of power steps at the start and end of compressed frames, and the implementation of a zero power change when resuming transmission after a compressed mode gap.

Table 5.7.8: Parameters for pattern B for compressed mode test

| Parameter | Meaning | Value |
|---------------------------------|--|---|
| TGPRC | Number of transmission gap patterns within the Transmission Gap Pattern Sequence | 1 |
| TGCFN | Connection Frame Number of the first frame of the first pattern within the Transmission Gap Pattern Sequence | 7 |
| TGSN | Slot number of the first transmission gap slot within the TGCFN | 8 |
| TGL1 | Length of first transmission gap within the transmission gap pattern | 14 slots |
| TGL2 | Length of second transmission gap within the transmission gap pattern | omit |
| TGD | Duration between the starting slots of two consecutive transmission gaps within a transmission gap pattern | UNDEFINED |
| TGPL1 | Duration of transmission gap pattern 1 | 4 frames |
| TGPL2 | Duration of transmission gap pattern 2 | R99 and Rel-4: Omit Rel-5 and later releases: Not applicable |
| RPP | Recovery Period Power Control Mode | Mode 0 |
| ITP | Initial Transmit Power Mode | Mode 0 |
| UL/DL Mode | Defines whether UL only or combined UL/DL compressed mode is used | UL only or UL/DL |
| Downlink Compressed Mode Method | Method for generating downlink compressed mode gap | SF/2 |
| Uplink Compressed Mode Method | Method for generating uplink compressed mode gap | SF/2 |
| Scrambling code change | Indicates whether the alternative scrambling code is used | No code change |
| Downlink frame type | Downlink compressed frame structure | A |
| DeltaSIR | Delta in DL SIR target value to be set in the UE during compressed frames | 0 |
| DeltaSIRafter | Delta in DL SIR target value to be set in the UE one frame after the compressed frames | 0 |

The resulting compressed mode pattern is shown in figure 5.7.3.

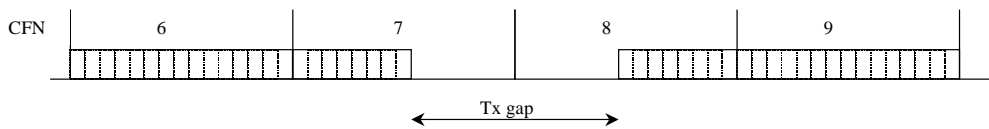


Figure 5.7.3: Pattern B for compressed mode test

11) After the PHYSICAL CHANNEL RECONFIGURATION COMPLETE message from the UE is received, transmit TPC commands on the downlink as shown in table 5.7.8.

Table 5.7.8: TPC commands transmitted in downlink

| CFN | TPC commands in downlink |
|-----|-------------------------------|
| 6 | 0 0 0 0 0 0 0 0 0 0 0 0 1 1 1 |
| 7 | 1 1 1 1 1 1 1 1 1 - - - - - |
| 8 | - - - - - 0 0 0 0 0 0 0 |
| 9 | 0 0 0 1 1 1 1 1 1 1 1 1 1 1 1 |

12) Measure the mean power in the following slots, not including the 25 μ s transient periods at the start and end of each slot:

- CFN 6: Slot # 14
- CFN 7: Slots # 0 and 7
- CFN 8: Slots # 7 and 14
- CFN 9: Slot # 0

Table 5.7.9: PHYSICAL CHANNEL RECONFIGURATION message (step 2)

| Information Element | Value/Remark | Version |
|--|--|---------|
| Message Type | | |
| UE Information Elements | | |
| -RRC transaction identifier | 0 | |
| -Integrity check info | | |
| - message authentication code | SS calculates the value of MAC-I for this message and writes to this IE. The first/ leftmost bit of the bit string contains the most significant bit of the MAC-I. | |
| - RRC message sequence number | SS provides the value of this IE, from its internal counter. | |
| -Integrity protection mode info | Not Present | |
| -Ciphering mode info | Not Present | |
| -Activation time | Not Present | |
| -New U-RNTI | Not Present | |
| -New C-RNTI | Not Present | |
| -RRC State Indicator | CELL_DCH | |
| -UTRAN DRX cycle length coefficient | Not Present | |
| CN Information Elements | | |
| -CN Information info | Not Present | |
| UTRAN mobility information elements | | |
| -URA identity | Not Present | |
| RB information elements | | |
| -Downlink counter synchronisation info | Not Present | |
| PhyCH information elements | | |
| -Frequency info | Not Present | |
| Uplink radio resources | | |
| -Maximum allowed UL TX power | Not Present | |
| -CHOICE channel requirement | Uplink DPCH info | |
| -Uplink DPCH power control info | | |
| -CHOICE mode | FDD | |
| -DPCCH Power offset | -40 (-80dB) | |
| -PC Preamble | 1 frame | |
| -SRB delay | 7 frames | |
| -Power Control Algorithm | Algorithm 1 | |
| -TPC step size | 2dB | |
| -CHOICE mode | FDD | |
| -Scrambling code type | Long | |
| -Scrambling code number | 0 | |
| -Number of DPDCH | 1 | |
| -spreading factor | 64 | |
| -TFCl existence | TRUE | |
| -Number of FBI bits | Not Present(0) | |
| -Puncturing Limit | 1 | |

| Information Element | Value/Remark | Version |
|--|---|--------------------|
| Downlink radio resources | | |
| -CHOICE mode | FDD | |
| -Downlink PDSCH information | Not Present | R99 and Rel-4 only |
| -Downlink information common for all radio links | | |
| -Downlink DPCH info common for all RL | Not Present | |
| -CHOICE mode | FDD | |
| -DPCH compressed mode info | | |
| -Transmission gap pattern sequence | | |
| -TGPSI | 1 | |
| -TGPS Status Flag | Activate | |
| -TGCFN | 0 | |
| -Transmission gap pattern sequence | | |
| configuration parameters | | |
| -TGMP | FDD measurement | |
| -TGPRC | 1 | |
| -TGSN | 2 | |
| -TGL1 | 7 | |
| -TGL2 | 7 | |
| -TGD | 15 | |
| -TGPL1 | 3 | |
| -TGPL2 | Not Present | R99 and Rel-4 only |
| -RPP | Mode 1 | |
| -ITP | Mode 1 | |
| -CHOICE UL/DL mode | UL only or UL and DL, depending on UE capability | |
| -Downlink compressed mode method | SF/2 or Not present depending on UE capability | |
| -Uplink compressed mode method | SF/2 | |
| -Downlink frame type | A | |
| -DeltaSIR1 | 0 | |
| -DeltaSIRafter1 | 0 | |
| -DeltaSIR2 | Not Present | |
| -DeltaSIRafter2 | Not Present | |
| -N Identify abort | Not Present | |
| -T Reconfirm abort | Not Present | |
| -TX Diversity Mode | Not Present | |
| -SSDT information | Not Present | R99 and Rel-4 only |
| -Default DPCH Offset Value | Not Present | |
| -Downlink information per radio link list | | |
| - Downlink information for each radio link | | |
| -Choice mode | FDD | |
| -Primary CPICH info | | |
| -Primary scrambling code | 100 | |
| -PDSCH with SHO DCH Info | Not Present | R99 and Rel-4 only |
| -PDSCH code mapping | Not Present | R99 and Rel-4 only |
| -Downlink DPCH info for each RL | | |
| -CHOICE mode | FDD | |
| -Primary CPICH usage for channel estimation | Primary CPICH may be used | |
| -DPCH frame offset | Set to value Default DPCH Offset Value (as currently stored in SS) mod 38400 | |
| -Secondary CPICH info | Not Present | |
| -DL channelisation code | | |
| -Secondary scrambling code | Not Present | |
| -Spreading factor | 128 | |
| -Code number | 96 | |
| -Scrambling code change | No code change | |
| -TPC combination index | 0 | |
| -SSDT Cell Identity | Not Present | R99 and Rel-4 only |
| -Closed loop timing adjustment mode | Not Present | |
| -SCCPCH Information for FACH | Not Present | |

Table 5.7.10: PHYSICAL CHANNEL RECONFIGURATION message (step 10)

| Information Element | Value/Remark | Version |
|--|--|--------------------|
| Message Type | | |
| UE Information Elements | | |
| -RRC transaction identifier | 0 | |
| -Integrity check info | | |
| - message authentication code | SS calculates the value of MAC-I for this message and writes to this IE. The first/ leftmost bit of the bit string contains the most significant bit of the MAC-I. | |
| - RRC message sequence number | SS provides the value of this IE, from its internal counter. | |
| -Integrity protection mode info | Not Present | |
| -Ciphering mode info | Not Present | |
| -Activation time | Not Present | |
| -New U-RNTI | Not Present | |
| -New C-RNTI | Not Present | |
| -RRC State Indicator | CELL_DCH | |
| -UTRAN DRX cycle length coefficient | Not Present | |
| CN Information Elements | | |
| -CN Information info | Not Present | |
| UTRAN mobility information elements | | |
| -URA identity | Not Present | |
| RB information elements | | |
| -Downlink counter synchronisation info | Not Present | |
| PhyCH information elements | | |
| -Frequency info | Not Present | |
| Uplink radio resources | | |
| -Maximum allowed UL TX power | Not Present | |
| -CHOICE channel requirement | Uplink DPCH info | |
| -Uplink DPCH power control info | | |
| -CHOICE mode | FDD | |
| -DPCCH Power offset | -40 (-80dB) | |
| -PC Preamble | 1 frame | |
| -SRB delay | 7 frames | |
| -Power Control Algorithm | Algorithm 1 | |
| -TPC step size | 1dB | |
| -CHOICE mode | FDD | |
| -Scrambling code type | Long | |
| -Scrambling code number | 0 | |
| -Number of DPDCH | 1 | |
| -spreading factor | 64 | |
| -TFCI existence | TRUE | |
| -Number of FBI bits | Not Present(0) | |
| -Puncturing Limit | 1 | |
| Downlink radio resources | | |
| -CHOICE mode | FDD | |
| -Downlink PDSCH information | Not Present | R99 and Rel-4 only |
| -Downlink information common for all radio links | | |
| -Downlink DPCH info common for all RL | Not Present | |
| -CHOICE mode | FDD | |
| -DPCH compressed mode info | | |
| -Transmission gap pattern sequence | | |
| -TGPSI | 1 | |
| -TGPS Status Flag | Activate | |
| -TGCFN | 7 | |
| -Transmission gap pattern sequence | | |
| configuration parameters | | |

| Information Element | Value/Remark | Version |
|---|---|--------------------|
| -TGMP | FDD measurement | |
| -TGPRC | 1 | |
| -TGSN | 8 | |
| -TGL1 | 14 | |
| -TGL2 | Not Present | |
| -TGD | UNDEFINED | |
| -TGPL1 | 4 | |
| -TGPL2 | Not Present | R99 and Rel-4 only |
| -RPP | Mode 0 | |
| -ITP | Mode 0 | |
| -CHOICE UL/DL mode | UL only or UL and DL, depending on UE capability | |
| -Downlink compressed mode method | SF/2 or Not present depending on UE capability | |
| -Uplink compressed mode method | SF/2 | |
| -Downlink frame type | A | |
| -DeltaSIR1 | 0 | |
| -DeltaSIRafter1 | 0 | |
| -DeltaSIR2 | Not Present | |
| -DeltaSIRafter2 | Not Present | |
| -N Identify abort | Not Present | |
| -T Reconfirm abort | Not Present | |
| -TX Diversity Mode | Not Present | |
| -SSDT information | Not Present | R99 and Rel-4 only |
| -Default DPCH Offset Value | Not Present | |
| -Downlink information per radio link list | | |
| - Downlink information for each radio link | | |
| -Choice mode | FDD | |
| -Primary CPICH info | | |
| -Primary scrambling code | 100 | |
| -PDSCH with SHO DCH Info | Not Present | R99 and Rel-4 only |
| -PDSCH code mapping | Not Present | R99 and Rel-4 only |
| -Downlink DPCH info for each RL | | |
| -CHOICE mode | FDD | |
| -Primary CPICH usage for channel estimation | Primary CPICH may be used | |
| -DPCH frame offset | Set to value Default DPCH Offset Value (as currently stored in SS) mod 38400 | |
| -Secondary CPICH info | Not Present | |
| -DL channelisation code | | |
| -Secondary scrambling code | Not Present | |
| -Spreading factor | 128 | |
| -Code number | 96 | |
| -Scrambling code change | No code change | |
| -TPC combination index | 0 | |
| -SSDT Cell Identity | Not Present | R99 and Rel-4 only |
| -Closed loop timing adjustment mode | Not Present | |
| -SCCPCH Information for FACH | Not Present | |

5.7.5 Test requirements

For ease of reference, the following uplink output power measurements are defined in figure 5.7.4. In this figure:

- P_g is the RRC filtered mean power in an uplink transmission gap, excluding the 25 μ s transient periods.
- P_a is the mean power in the last slot before a compressed frame (or pair of compressed frames), excluding the 25 μ s transient periods.
- P_b is the mean power in the first slot of a compressed frame, excluding the 25 μ s transient periods.
- P_c is the mean power in the last slot before a transmission gap, excluding the 25 μ s transient periods.

- P_d is the mean power in the first slot after a transmission gap, excluding the 25 μ s transient periods.
- P_e is the mean power in the last slot of a compressed frame, excluding the 25 μ s transient periods.
- P_f is the mean power in the first slot after a compressed frame (or pair of compressed frames), excluding the 25 μ s transient periods.

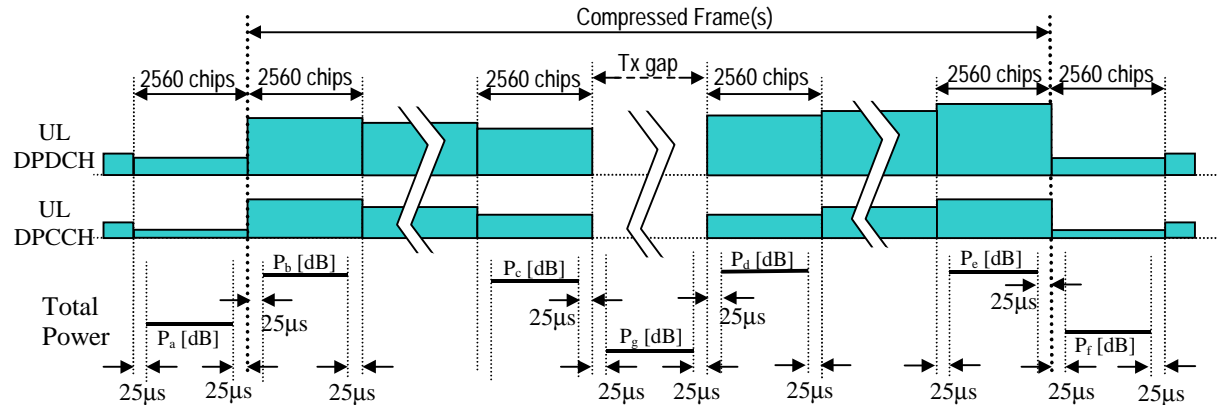


Figure 5.7.4: Uplink transmit power in uplink compressed mode

1. At the boundary between CFN 6 and CFN 7, $P_b - P_a$ shall be within the range $+4 \pm 2.3$ dB.
2. In slot #9 of CFN 1, the power difference $P_d - P_c$ from the power in slot #1 of CFN 1 shall be within the range -11 ± 4.3 dB.
3. In slot #9 of CFN 4, the power difference $P_d - P_c$ from the power in slot #1 of CFN 4 shall be within the range $+11 \pm 4.3$ dB.
4. In slot #7 of CFN 8, the power difference $P_d - P_c$ from the power in slot #7 of CFN 7 shall be within the range 0 ± 3.2 dB.
5. (void)
6. At the boundary between CFN 8 and CFN 9, $P_f - P_e$ shall be within the range -4 ± 2.3 dB.
7. In the slots between slot #10 of CFN 0 and slot #1 of CFN 1 inclusive, the change in mean power from the previous slot shall be within the range given in table 5.7. 11 for TPC_cmd = +1.
8. The aggregate change in mean power from slot #9 of CFN 0 to slot #1 of CFN 1 shall be within the range given in table 5.7. 12 for TPC_cmd = +1.
9. In the slots between slot #10 of CFN 3 and slot #1 of CFN 4 inclusive, the change in mean power from the previous slot shall be within the range given in table 5.7. 11 for TPC_cmd = -1.
10. The aggregate change in mean power from slot #9 of CFN 3 to slot #1 of CFN 4 shall be within the range given in table 5.7. 12 for TPC_cmd = -1.

Table 5.7.11: Transmitter power control range for 3dB step size

| TPC_cmd | Transmitter power control range for 3dB step size | |
|---------|---|---------|
| | Lower | Upper |
| +1 | +1,3 dB | +4,7 dB |
| 0 | -0,6 dB | +0,6 dB |
| -1 | -1,3 dB | -4,7 dB |

Table 5.7.12: Transmitter aggregate power control range for 3dB step size

| TPC_cmd group | Transmitter power control range after 7 equal TPC_cmd groups | |
|---------------|--|---------|
| | Lower | Upper |
| +1 | +15,7dB | +26,3dB |
| 0 | -1,1dB | +1,1dB |
| -1 | -15,7dB | -26,3dB |

NOTE: If the above Test Requirement differs from the Minimum Requirement then the Test Tolerance applied for this test is non-zero. The Test Tolerance for this test is defined in clause F.2 and the explanation of how the Minimum Requirement has been relaxed by the Test Tolerance is given in clause F.4.

5.7A HS-DPCCH power control

5.7A.1 Definition and applicability

The transmission of Ack/Nack or CQI over the HS-DPCCH may cause the transmission power in the uplink to vary. The ratio of the amplitude between the DPCCH and the Ack/Nack and CQI respectively is signalled by higher layers.

The requirements and this test apply for Release 5 and later releases to all types of UTRA for the FDD UE that support HSDPA.

5.7A.2 Minimum requirement

The nominal sum power on DPCCH+DPDCH is independent of the transmission of Ack/Nack and CQI unless the UE output power when Ack/Nack or CQI is transmitted would exceed the maximum value specified in Table 5.2A.1 or fall below the value specified in 5.4.3.2, whereupon the UE may then also apply additional scaling to the total transmit power as defined in section 5.1.2.6 of TS.25.214 [5].

The composite transmitted power (DPCCH + DPDCH+HS-DPCCH) may then also be rounded to the closest integer dB value. If rounding is done a power step exactly half-way between two integer values shall be rounded to the closest integer of greater magnitude.

The nominal power step due to transmission of Ack/Nack or CQI is defined as the difference between the nominal mean powers of two power evaluation periods either side of an HS-DPCCH boundary. The first evaluation period starts 25 μ s after a DPCCH slot boundary and ends 25 μ s before the following HS-DPCCH slot boundary. The second evaluation period starts 25 μ s after the same HS-DPCCH slot boundary and ends 25 μ s before the following DPCCH slot boundary. This is described in figure 5.7A.1.

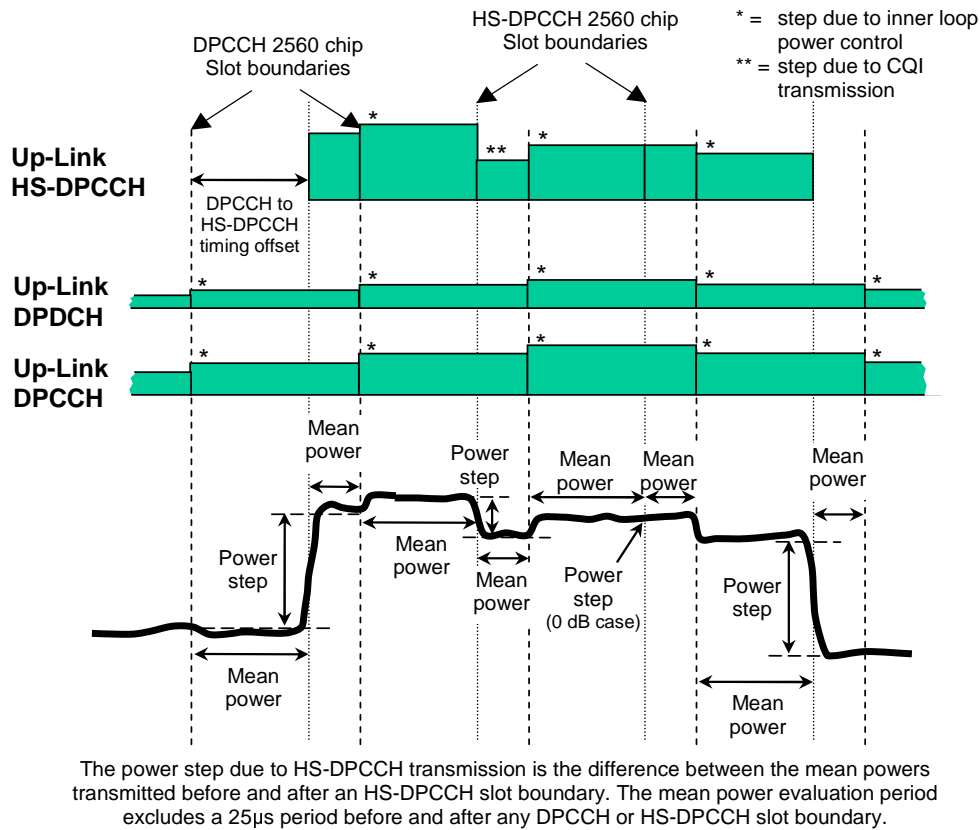


Figure 5.7A.1: Transmit power template during HS-DPCCH transmission

The tolerance of the power step due to transmission of the HS-DPCCH shall meet the requirements in table 5.7A.1.

Table 5.7A.1: Transmitter power step tolerance

| Power step size (Up or down) ΔP [dB] | Transmitter power step tolerance [dB] |
|---|---------------------------------------|
| 0 | ± 0.5 |
| 1 | ± 0.5 |
| 2 | ± 1.0 |
| 3 | ± 1.5 |
| $4 \leq \Delta P \leq 7$ | ± 2.0 |

The normative reference for this requirement is TS 25.101 [1], clause 6.5.5.1.

5.7A.3 Test purpose

To verify that the changes in uplink transmit power when transmitting the HS-DPCCH (Ack/Nack and CQI) and the power between HS-DPCCH transmissions are within the allowed power step tolerances as shown in table 5.7A.2 and 5.7A.3. The test is carried out at max power with TPC_cmd=1 and at a nominal power of 0 dBm at the minimum point of the 12ms transmit pattern (HS-DPCCH off).

5.7A.4 Method of test

5.7A.4.1 Initial conditions

Test environment: normal; see clauses G.2.1 and G.2.2.

Frequencies to be tested: mid range; see clause G.2.4.

- 1) Connect the SS (node B emulator) to the UE antenna connector as shown in figure A.1.

- 2) The UL Reference Measurement Channel and the Fixed Reference Channels (FRC H-Set 1, QPSK version) are specified in Annex C.10.1 and C.8.1.1.
- 3) An HSDPA call is set up according to TS 34.108 [3] clause 7.3.6. RF parameters are set up according to table E.5.1 and table E.5.10. Settings for the serving cell are defined in table 5.7A.1A.
- 4) Enter the UE into loopback test mode 1 in the presence of HSDPA and start the loopback test.

See TS 34.108 [3] and TS 34.109 [4] for details regarding loopback test mode for HSDPA.

Table 5.7A.1A: Settings for the serving cell during the measurement of HS-DPCCH

| Parameter | Unit | Cell 1 |
|--|--------------|-------------------------------|
| Cell type | | Serving cell |
| UTRA RF Channel Number | | As defined in clause 5.7A.4.1 |
| Qqualmin | dB | -24 |
| Qrxlevmin | dBm | -115 |
| UE_TXPWR_MAX_RACH | dBm | +21 |
| \hat{I}_{or} (see notes 1 and 2) | dBm/3.84 MHz | -86 |
| NOTE 1: The power level is specified in terms of \hat{I}_{or} instead of CPICH_RSCP because RSCP is a receiver measurement, whereas the SS can only set \hat{I}_{or} . | | |
| NOTE 2: The cell fulfils TS 25.304, clause 5.2.3.1.2. | | |

5.7A.4.2 Procedure

- 1) Send TRANSPORT CHANNEL RECONFIGURATION message to set the beta values defined in table C.10.1.4 subtest 3 and the DPCCH frame offset according the HS-DPCCH half slot offset required for measurements. This will create a signal with a repeat pattern of 12ms. The Uplink DPCCH Power Control Info shall initially specify the Power Control Algorithm as algorithm 2 for interpreting TPC commands.
- 2) Generate suitable TPC commands from the SS to set the output power of the UE, measured at the UE antenna connector when the HS-DPCCH is not transmitted, to be in the range 0 dBm \pm 2dB. This is a nominal setting and not part of the test requirements.
- 5) Figure 5.7A.2 shows the 12ms cycle created when using the TRANSPORT CHANNEL RECONFIGURATION message from Annex I with the test specific message content defined below and with TPC_cmd=0. Measure the mean power during the half slot periods either side of the measurement points specified on figure 5.7A.2. The 25us transient periods at the end of each half slot period shall not be included. Measurement points 4, 8 and 11 are at the DPCCH slot boundaries just after and just before the HS-DPCCH transmission. Evaluate the difference in mean power to determine the power steps around the measurement points shown in Figure 5.7A.2. The power steps shall meet the test requirements in table 5.7A.2.
- 6) Reconfigure the uplink DPCCH power control Info to use Algorithm 1 with 1 dB step size. Set and send continuously Up power control commands to the UE until the UE output power during HS-DPCCH ACK/NACK transmission reaches the maximum as defined in table 5.2A.1.
- 7) Figure 5.7A.3 shows the 12ms cycle created when using TPC_cmd=1. Measure the mean power during the half slot periods either side of the measurement points specified on figure 5.7A.3. The 25us transient periods at the end of each half slot period shall not be included. Measurement points 5, 10 and 13 are at the DPCCH slot boundaries in between the HS-DPCCH transmissions. The last downward step prior to the HS-DPCCH transmission is not tested due to the accumulation of tolerances making the test requirement very wide. Evaluate the difference in mean power to determine the power steps around the measurement points shown in Figure 5.7A.3. The transmitter power steps shall meet the test requirements in table 5.7A.3.

Specific Message Contents

All messages indicated above shall use the same content as described in the default message content in clause 9 of TS 34.108 [3], except the TRANSPORT CHANNEL RECONFIGURATION message which is defined in Annex I. The test specific content for the TRANSPORT CHANNEL RECONFIGURATION message is as follows:

| Information Element | Value/remark |
|------------------------------|--------------|
| - Ack-Nack repetition factor | 1 |
| - CQI repetition factor | 1 |

5.7A.5 Test requirements

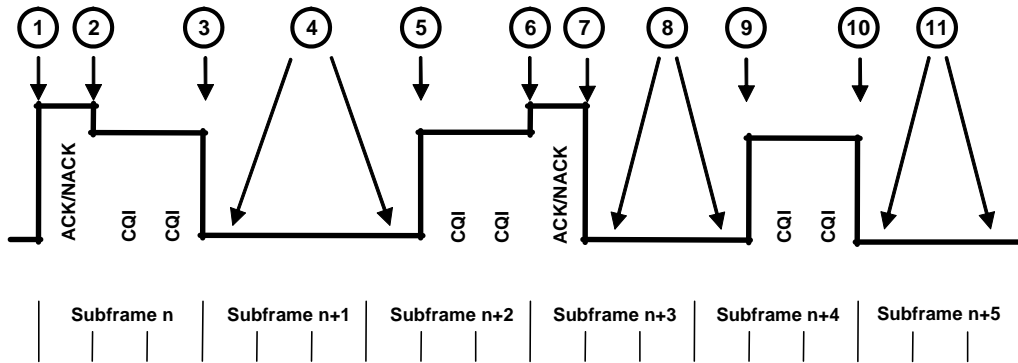


Figure 5.7A.2: Transmit power template below max power with TPC_cmd = 0

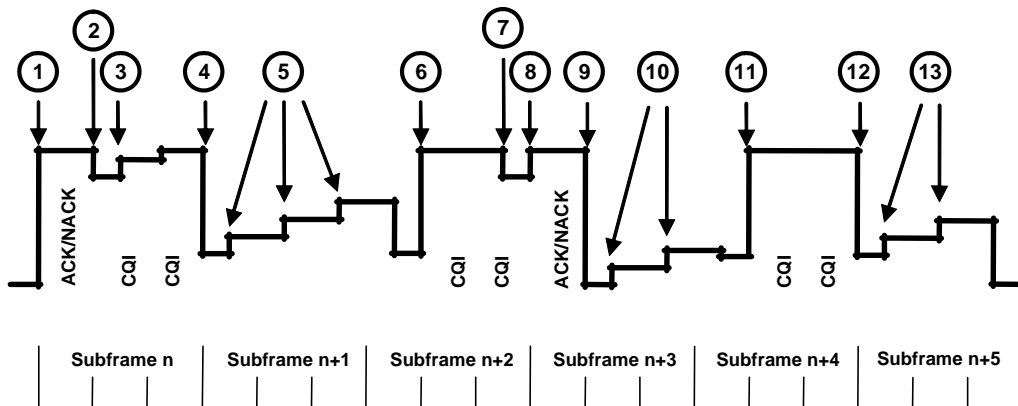


Figure 5.7A.3: Transmit power template at max power with TPC_cmd = 1

The difference in mean power derived in steps 5) and 7), shall not exceed the allowed transmitter power step range in table 5.7A.2 and 5.7A.3 respectively.

The UL reference measurement channel for TX test will be set as defined in C.10.1 with the power ratio between HS-DPCH, DPCCCH and DPDCH being set to the values defined in table C.10.1.4 sub-test 3.

Table 5.7A.2: Transmitter power test requirements for TPC_cmd=0

| Sub-test in table C.10.1.4 | Power step | Nominal Power step size, ΔP [dB] | Rounded Power step size, ΔP [dB] | Transmitter power step Tolerance [dB] | Allowed Transmitter power step range [dB] |
|----------------------------|-----------------|----------------------------------|----------------------------------|---------------------------------------|---|
| 3 | 1 | 6.14 | 6 | +/- 2.3 | 3.7 to 8.44 |
| | 2 | -1.38 | -1 | +/- 0.6 | -1.98 to -0.4 |
| | 3 | -4.76 | -5 | +/- 2.3 | -7.3 to -2.46 |
| | 4 ¹ | 0 | 0 | +/- 0.6 | -0.6 to 0.6 |
| | 5 | 4.76 | 5 | +/- 2.3 | 2.46 to 7.3 |
| | 6 | 1.38 | 1 | +/- 0.6 | 0.4 to 1.98 |
| | 7 | -6.14 | -6 | +/- 2.3 | -8.44 to -3.7 |
| | 8 ¹ | 0 | 0 | +/- 0.6 | -0.6 to 0.6 |
| | 9 | 4.76 | 5 | +/- 2.3 | 2.46 to 7.3 |
| | 10 | -4.76 | -5 | +/- 2.3 | -7.3 to -2.46 |
| | 11 ¹ | 0 | 0 | +/- 0.6 | -0.6 to 0.6 |

NOTE 1: Two test points.

Table 5.7A.3: Transmitter power test requirements for TPC_cmd=1

| Sub-test in table C.10.1.4 | Power step | Nominal Power step size, ΔP [dB] | Rounded Power step size, ΔP [dB] | Transmitter power step Tolerance [dB] | Allowed Transmitter power step range [dB] |
|---|-----------------|--|--|---------------------------------------|---|
| 3 | 1 | 6.14 | 6 | +/- 2.3 | 3.7 to 8.44 |
| | 2 | -1.38 | -1 | +/- 0.6 | -1.98 to -0.4 |
| | 3 ³ | No requirements | No requirements | NA | No requirements |
| | 4 | -4.76 | -5 | +/- 2.3 | -7.3 to -2.46 |
| | 5 ¹ | 1 | 1 | +/- 0.6 | 0.4 to 1.6 |
| | 6 | 4.76 | 5 | +/- 2.3 | 2.46 to 7.3 |
| | 7 ³ | No Requirements | No requirements | NA | No requirements |
| | 8 | 1.38 | 1 | +/- 0.6 | 0.40 to 1.98 |
| | 9 | -6.14 | -6 | +/- 2.3 | -8.44 to -3.7 |
| | 10 ² | 1 | 1 | +/- 0.6 | 0.4 to 1.6 |
| | 11 | 4.76 | 5 | +/- 2.3 | 2.46 to 7.3 |
| | 12 | -4.76 | -5 | +/- 2.3 | -7.3 to -2.46 |
| 13 ² | 1 | 1 | +/- 0.6 | 0.4 to 1.6 | |
| NOTE 1: Three test points. NOTE 2: Two test points. NOTE 3: In these test points rel-6 UE performs additional power scaling due to changes in allowed MPR, and therefore there are no requirements specified for transmitter power steps. | | | | | |

NOTE: If the above Test Requirement differs from the Minimum Requirement then the Test Tolerance applied for this test is non-zero. The Test Tolerance for this test is defined in clause F.2 and the explanation of how the Minimum Requirement has been relaxed by the Test Tolerance is given in clause F.4.

5.8 Occupied Bandwidth (OBW)

5.8.1 Definition and applicability

Occupied bandwidth is a measure of the bandwidth containing 99 % of the total integrated power of the transmitted spectrum, centred on the assigned channel frequency.

The requirements and this test apply to all types of UTRA for the FDD UE.

5.8.2 Minimum Requirements

The occupied channel bandwidth shall be less than 5 MHz based on a chip rate of 3,84 Mcps.

The normative reference for this requirement is TS 25.101 [1] clause 6.6.1.

5.8.3 Test purpose

To verify that the UE occupied channel bandwidth is less than 5 MHz based on a chip rate of 3,84 Mcps.

Excess occupied channel bandwidth increases the interference to other channels or to other systems.

5.8.4 Method of test

5.8.4.1 Initial conditions

Test environment: normal; see clauses G.2.1 and G.2.2.

Frequencies to be tested: low range, mid range, high range; see clause G.2.4.

- 1) Connect the SS to the UE antenna connector as shown in figure A.1.
- 2) A call is set up according to the Generic call setup procedure in TS34.108 [3] sub clause 7.3.2.
- 3) Enter the UE into loopback test mode and start the loopback test.

See TS 34.108 [3] and TS 34.109 [4] for details regarding generic call setup procedure and loopback test.

5.8.4.2 Procedure

- 1) Set and send continuously Up power control commands to the UE until the UE output power shall be maximum level.
- 2) Measure the power spectrum distribution within two times or more range over the requirement for Occupied Bandwidth specification centring on the current carrier frequency with 30 kHz or less RBW. The characteristic of the filter shall be approximately Gaussian (typical spectrum analyzer filter).
- 3) Calculate the total power within the range of all frequencies measured in '2)' and save this value as "Total Power".
- 4) Sum up the power upward from the lower boundary of the measured frequency range in '2)' and seek the limit frequency point by which this sum becomes 0,5 % of "Total Power" and save this point as "Lower Frequency".
- 5) Sum up the power downward from the upper boundary of the measured frequency range in '2)' and seek the limit frequency point by which this sum becomes 0,5 % of "Total Power" and save this point as "Upper Frequency".
- 6) Calculate the difference ("Upper Frequency" - "Lower Frequency" = "Occupied Bandwidth") between two limit frequencies obtained in '4)' and '5)'.

5.8.5 Test Requirements

The measured Occupied Bandwidth, derived in step 6), shall not exceed 5 MHz.

NOTE: If the above Test Requirement differs from the Minimum Requirement then the Test Tolerance applied for this test is non-zero. The Test Tolerance for this test is defined in clause F.2 and the explanation of how the Minimum Requirement has been relaxed by the Test Tolerance is given in clause F.4.

5.8A Occupied Bandwidth (OBW) for DC-HSUPA

5.8A.1 Definition and applicability

In the case dual adjacent carriers are assigned in the uplink, occupied bandwidth is a measure of the bandwidth containing 99 % of the total integrated power of the transmitted spectrum, centred at the centre of the assigned channel frequencies.

The requirements and this test apply for Release 9 and later releases to all types of UTRA for the FDD UE that support HSDPA and Dual Cell E-DCH.

5.8A.2 Minimum Requirements

The occupied channel bandwidth shall be less than 10 MHz on a chip rate of 3.84 Mcps.

The normative reference for this requirement is TS 25.101 [1] clause 6.6.1A.

5.8A.3 Test purpose

To verify that the DC-HSUPA UE occupied channel bandwidth is less than 10 MHz based on a chip rate of 3,84 Mcps.

Excess occupied channel bandwidth increases the interference to other channels or to other systems.

5.8A.4 Method of test

5.8A.4.1 Initial conditions

Test environment: normal; see clauses G.2.1 and G.2.2.

Frequencies to be tested: low range, mid range, high range; see clause G.2.4.

- 1) Connect the SS to the UE antenna connector as shown in figure A.41.
- 2) The UL Reference Measurement Channel and parameters are specified in Annex C.2.6 and C.11A. The DL Reference Measurement Channel (FRC H-SET 3A, QPSK) is specified in C.8.1.1.

- 3) An E-DCH call is set up according to TS 34.108 [3] 7.3.14 with the exceptions in the RADIO BEARER SETUP message given in Tables 5.2BA.2, 5.2BA.3, 5.2BA.4. These exceptions allow the beta values to be set according to table C.11A.1. and each UL physical channel to be at constant power during the measurement. RF parameters are set up according to table E.5A.1A. Settings for the serving cell are defined in table 5.8A.
- 4) Enter the UE into loopback test mode 1 looping back HSDPA to E-DCH according to procedure 7.3.14.3 in TS 34.108 [3] and start the loopback test

See TS 34.109 [4] clauses 5.3.2.3 and 5.3.2.6 for details regarding loopback test mode for HSDPA and E-DCH.

Table 5.8A: Settings for the serving cell during the measurement of Occupied Bandwidth for with HS-DPCCH and E-DCH

| Parameter | Unit | Cell 1 |
|--|--------------|-------------------------------|
| Cell type | | Serving cell |
| UTRA RF Channel Number | | As defined in clause 5.8A.4.1 |
| Qqualmin | dB | -24 |
| Qrxlevmin | dBm | -115 |
| UE_TXPWR_MAX_RACH | dBm | +21 |
| \hat{I}_{or} (see notes 1 and 2) | dBm/3.84 MHz | -86 |
| NOTE 1: The power level is specified in terms of \hat{I}_{or} instead of CPICH_RSCP because RSCP is a receiver measurement, whereas the SS can only set \hat{I}_{or} . | | |
| NOTE 2: The cell fulfils TS 25.304, clause 5.2.3.1.2. | | |

5.8A.4.2 Procedure

- 1) Set the Absolute Grant according to Table C.11A.1.1.
- 2) The SS starts transmitting HSDPA and the UE loops the received data back on E-DCH.
- 3) Generate suitable TPC commands to each individual carrier from the SS to set the total power in each of the assigned carriers to be equal to each other within ± 1.7 dB and the total output power of the UE to be at least 7.5dB lower than the maximum output power. Wait 150ms.
- 4) Set and send continuously Up power control commands to both carriers to the UE and wait 150ms.
- 5) Measure the power spectrum distribution within two times or more range over the requirement for Occupied Bandwidth specification centring between the two carrier frequencies with 30 kHz or less RBW. The characteristic of the filter shall be approximately Gaussian (typical spectrum analyzer filter).
- 6) Calculate the total power of the two carriers within the range of all frequencies measured in '2)' and save this value as "Total Power".
- 7) Sum up the power upward from the lower boundary of the measured frequency range in '2)' and seek the limit frequency point by which this sum becomes 0,5 % of "Total Power" of the two carriers and save this point as "Lower Frequency".
- 8) Sum up the power downward from the upper boundary of the measured frequency range in '2)' and seek the limit frequency point by which this sum becomes 0,5 % of "Total Power" and save this point as "Upper Frequency".
- 9) Calculate the difference ("Upper Frequency" – "Lower Frequency" = "Occupied Bandwidth") between two limit frequencies obtained in '4)' and '5)'.

5.8A.5 Test Requirements

The measured Occupied Bandwidth, derived in step 6), shall not exceed 10 MHz.

NOTE: If the above Test Requirement differs from the Minimum Requirement then the Test Tolerance applied for this test is non-zero. The Test Tolerance for this test is defined in clause F.2 and the explanation of how the Minimum Requirement has been relaxed by the Test Tolerance is given in clause F.4.

5.9 Spectrum emission mask

5.9.1 Definition and applicability

The spectrum emission mask of the UE applies to frequencies, which are between 2,5 MHz and 12,5 MHz away from the UE centre carrier frequency. The out of channel emission is specified relative to the RRC filtered mean power of the UE carrier.

The requirements and this test apply to all types of UTRA for the FDD UE.

5.9.2 Minimum Requirements

The power of any UE emission shall not exceed the levels specified in Table 5.9.1. The absolute requirement is based on a -50 dBm/3.84 MHz minimum power threshold for the UE. This limit is expressed for the narrower measurement bandwidths as -55.8 dBm/1 MHz and -71.1 dBm/30 kHz. The requirements are applicable for all values of β_c , β_d as specified in [5].

Table 5.9.1: Spectrum Emission Mask Requirement

| Δf in MHz (Note 1) | Minimum requirement (note 2) | | Measurement bandwidth |
|-------------------------------|---|----------------------|-----------------------|
| | Relative requirement | Absolute requirement | |
| 2.5 - 3.5 | $\left\{ -35 - 15 \cdot \left(\frac{\Delta f}{\text{MHz}} - 2.5 \right) \right\} \text{dBc}$ | -71.1 dBm | 30 kHz (note 3) |
| 3.5 - 7.5 | $\left\{ -35 - 1 \cdot \left(\frac{\Delta f}{\text{MHz}} - 3.5 \right) \right\} \text{dBc}$ | -55.8 dBm | 1 MHz (note 4) |
| 7.5 - 8.5 | $\left\{ -39 - 10 \cdot \left(\frac{\Delta f}{\text{MHz}} - 7.5 \right) \right\} \text{dBc}$ | -55.8 dBm | 1 MHz (note 4) |
| 8.5 - 12.5 MHz | -49 dBc | -55.8 dBm | 1 MHz (note 4) |

NOTE 1: Δf is the separation between the carrier frequency and the centre of the measurement bandwidth.
NOTE 2: The minimum requirement is calculated from the relative requirement or the absolute requirement, whichever is the higher power.
NOTE 3: The first and last measurement position with a 30 kHz filter is at Δf equals to 2.515 MHz and 3.485 MHz.
NOTE 4: The first and last measurement position with a 1 MHz filter is at Δf equals to 4 MHz and 12 MHz.

For operation in band II, IV, V, X, XII, XIII, XIV, XXV and XXVI the minimum requirement is calculated from the minimum requirement in table 5.9.1 or the applicable additional requirement in Tables 5.9.1A, 5.9.1B or 5.9.1C, whichever is the tighter requirement.

Table 5.9.1A: Additional spectrum emission limits for Bands II, IV, X and XXV

| Δf in MHz (note 1) | Frequency offset of measurement filter centre frequency, f_{offset} | Additional requirements Band II, IV, X | Measurement bandwidth |
|---|--|--|-----------------------|
| $2.5 \text{ MHz} \leq \Delta f < 3.5 \text{ MHz}$ | $2.515 \text{ MHz} \leq f_{\text{offset}} < 3.485 \text{ MHz}$ | -15 dBm | 30 kHz |
| $3.5 \text{ MHz} \leq \Delta f \leq 12.5 \text{ MHz}$ | $4.0 \text{ MHz} \leq f_{\text{offset}} < 12.0 \text{ MHz}$ | -13 dBm | 1 MHz |

NOTE 1: Δf is the separation between the carrier frequency and the centre of the measurement bandwidth.

Table 5.9.1B: Additional spectrum emission limits for Band V and XXVI

| Δf in MHz (note 1) | Frequency offset of measurement filter centre frequency, f_{offset} | Additional requirements Band V | Measurement bandwidth |
|---|--|-----------------------------------|--------------------------|
| $2.5 \text{ MHz} \leq \Delta f < 3.5 \text{ MHz}$ | $2.515 \text{ MHz} \leq f_{\text{offset}} < 3.485 \text{ MHz}$ | -15 dBm | 30 kHz |
| $3.5 \text{ MHz} \leq \Delta f \leq 12.5 \text{ MHz}$ | $3.55 \text{ MHz} \leq f_{\text{offset}} < 12.45 \text{ MHz}$ | -13 dBm | 100 kHz |

NOTE 1: Δf is the separation between the carrier frequency and the centre of the measurement bandwidth.

Table 5.9.1C: Additional spectrum emission limits for Bands XII, XIII and XIV

| Δf in MHz (note 1) | Frequency offset of measurement filter centre frequency, f_{offset} | Additional requirements Band XII, XIII, XIV | Measurement bandwidth |
|--|--|---|--------------------------|
| $2.5 \text{ MHz} \leq \Delta f < 2.6 \text{ MHz}$ | $2.515 \text{ MHz} \leq f_{\text{offset}} < 2.585 \text{ MHz}$ | -13 dBm | 30 kHz |
| $2.6 \text{ MHz} \leq \Delta f \leq 12.45 \text{ MHz}$ | $2.65 \text{ MHz} \leq f_{\text{offset}} < 12.45 \text{ MHz}$ | -13 dBm | 100 kHz |

NOTE 1: Δf is the separation between the carrier frequency and the centre of the measurement bandwidth.

NOTE: As a general rule, the resolution bandwidth of the measuring equipment should be equal to the measurement bandwidth specified in tables 5.9.1, 5.9.1A, 5.9.1B and 5.9.1C. However, to improve measurement accuracy, sensitivity and efficiency, the resolution bandwidth may be smaller than the measurement bandwidth. When the resolution bandwidth is smaller than the measurement bandwidth, the result should be integrated over the measurement bandwidth in order to obtain the equivalent noise bandwidth of the measurement bandwidth.

The normative reference for this requirement is TS 25.101 [1], clause 6.6.2.1.1.

5.9.3 Test purpose

To verify that the power of UE emission does not exceed the prescribed limits shown in table 5.9.1.

Excess emission increases the interference to other channels or to other systems.

5.9.4 Method of test

5.9.4.1 Initial conditions

Test environment: normal; see clauses G.2.1 and G.2.2.

Frequencies to be tested: low range, mid range, high range; see clause G.2.4.

- 1) Connect the SS to the UE antenna connector as shown in figure A.1.
- 2) A call is set up according to the Generic call setup procedure in TS34.108 [3] sub clause 7.3.2.
- 3) Enter the UE into loopback test mode and start the loopback test.

See TS 34.108 [3] and TS 34.109 [4] for details regarding generic call setup procedure and loopback test.

5.9.4.2 Procedure

- 1) Set and send continuously Up power control commands to the UE until the UE output power shall be maximum level.
- 2) Measure the power of the transmitted signal with a measurement filter of bandwidths according to table 5.9.2 and 5.9.2A, 5.9.2B, 5.9.2C if applicable. For measurements using 1 MHz or 100KHz measurement bandwidths the result may be calculated by integrating multiple 50 kHz or narrower filter measurements. The characteristic of the filter shall be approximately Gaussian (typical spectrum analyzer filter). The centre frequency of the filter shall be stepped in contiguous steps according to table 5.9.2. The measured power shall be recorded for each step.
- 3) Measure the RRC filtered mean power centred on the assigned channel frequency.

4) Calculate the ratio of the power 2) with respect to 3) in dBc.

5.9.5 Test requirements

The result of clause 5.9.4.2 step 4) shall fulfil the requirements of table 5.9.2.

For operation in band II, IV, V, X, XII, XIII, XIV, XXV and XXVI both minimum requirement in table 5.9.2 and the applicable additional requirement in Tables 5.9.2A, 5.9.2B, or 5.9.2C need to be satisfied.

Table 5.9.2: Spectrum Emission Mask Requirement

| Δf in MHz (note 1) | Minimum requirement (note 2) | | Measurement bandwidth |
|-------------------------------|---|-------------------------|--------------------------|
| | Relative requirement | Absolute requirement | |
| 2.5 - 3.5 | $\left\{ -33.5 - 15 \cdot \left(\frac{\Delta f}{\text{MHz}} - 2.5 \right) \right\} \text{dBc}$ | -69.6 dBm | 30 kHz (note 3) |
| 3.5 - 7.5 | $\left\{ -33.5 - 1 \cdot \left(\frac{\Delta f}{\text{MHz}} - 3.5 \right) \right\} \text{dBc}$ | -54.3 dBm | 1 MHz (note 4) |
| 7.5 - 8.5 | $\left\{ -37.5 - 10 \cdot \left(\frac{\Delta f}{\text{MHz}} - 7.5 \right) \right\} \text{dBc}$ | -54.3 dBm | 1 MHz (note 4) |
| 8.5 - 12.5 MHz | -47.5 dBc | -54.3 dBm | 1 MHz (note 4) |

NOTE 1: Δf is the separation between the carrier frequency and the centre of the measurement bandwidth.
NOTE 2: The minimum requirement is calculated from the relative requirement or the absolute requirement, whichever is the higher power.
NOTE 3: The first and last measurement position with a 30 kHz filter is at Δf equals to 2.515 MHz and 3.485 MHz.
NOTE 4: The first and last measurement position with a 1 MHz filter is at Δf equals to 4 MHz and 12 MHz.

Table 5.9.2A: Additional spectrum emission limits for Bands II, IV, X, XXV

| Δf in MHz (note 1) | Frequency offset of measurement filter centre frequency, f_{offset} | Additional requirements Band II, IV, X | Measurement bandwidth |
|---|--|--|--------------------------|
| $2.5 \text{ MHz} \leq \Delta f < 3.5 \text{ MHz}$ | $2.515 \text{ MHz} \leq f_{\text{offset}} < 3.485 \text{ MHz}$ | -15 dBm | 30 kHz |
| $3.5 \text{ MHz} \leq \Delta f \leq 12.5 \text{ MHz}$ | $4.0 \text{ MHz} \leq f_{\text{offset}} < 12.0 \text{ MHz}$ | -13 dBm | 1 MHz |

NOTE 1: Δf is the separation between the carrier frequency and the centre of the measurement bandwidth.

Table 5.9.2B: Additional spectrum emission limits for Band V and XXVI

| Δf in MHz (note 1) | Frequency offset of measurement filter centre frequency, f_{offset} | Additional requirements Band V | Measurement bandwidth |
|---|--|-----------------------------------|--------------------------|
| $2.5 \text{ MHz} \leq \Delta f < 3.5 \text{ MHz}$ | $2.515 \text{ MHz} \leq f_{\text{offset}} < 3.485 \text{ MHz}$ | -15 dBm | 30 kHz |
| $3.5 \text{ MHz} \leq \Delta f \leq 12.5 \text{ MHz}$ | $3.55 \text{ MHz} \leq f_{\text{offset}} < 12.45 \text{ MHz}$ | -13 dBm | 100 kHz |

NOTE 1: Δf is the separation between the carrier frequency and the centre of the measurement bandwidth.

Table 5.9.2C: Additional spectrum emission limits for Bands XII, XIII and XIV

| Δf in MHz (note 1) | Frequency offset of measurement filter centre frequency, f_{offset} | Additional requirements Band XII, XIII, XIV | Measurement bandwidth |
|--|--|---|--------------------------|
| $2.5 \text{ MHz} \leq \Delta f < 2.6 \text{ MHz}$ | $2.515 \text{ MHz} \leq f_{\text{offset}} < 2.585 \text{ MHz}$ | -13 dBm | 30 kHz |
| $2.6 \text{ MHz} \leq \Delta f \leq 12.45 \text{ MHz}$ | $2.65 \text{ MHz} \leq f_{\text{offset}} < 12.45 \text{ MHz}$ | -13 dBm | 100 kHz |

NOTE 1: Δf is the separation between the carrier frequency and the centre of the measurement bandwidth.

NOTE: If the above Test Requirement differs from the Minimum Requirement then the Test Tolerance applied for this test is non-zero. The Test Tolerance for this test is defined in clause F.2 and the explanation of how the Minimum Requirement has been relaxed by the Test Tolerance is given in clause F.4.

5.9A Spectrum Emission Mask with HS-DPCCH

5.9A.1 Definition and applicability

The spectrum emission mask of the UE applies to frequencies, which are between 2,5 MHz and 12,5 MHz away from the UE centre carrier frequency. The out of channel emission is specified relative to the RRC filtered mean power of the UE carrier.

The requirements and this test apply for Release 5 and later releases to all types of UTRA for the FDD UE that support HSDPA.

5.9A.2 Minimum Requirements

The power of any UE emission shall not exceed the levels specified in Table 5.9A.1. The absolute requirement is based on a -50 dBm/3.84 MHz minimum power threshold for the UE. This limit is expressed for the narrower measurement bandwidths as -55.8 dBm/1 MHz and -71.1 dBm/30 kHz. The requirements are applicable for all values of β_c , β_d , β_{hs} as specified in [5].

Table 5.9A.1: Spectrum Emission Mask Requirement

| Δf in MHz (note 1) | Minimum requirement (note 2) | | Measurement bandwidth |
|-------------------------------|---|----------------------|-----------------------|
| | Relative requirement | Absolute requirement | |
| 2.5 - 3.5 | $\left\{ -35 - 15 \cdot \left(\frac{\Delta f}{\text{MHz}} - 2.5 \right) \right\} \text{dBc}$ | -71.1 dBm | 30 kHz (note 3) |
| 3.5 - 7.5 | $\left\{ -35 - 1 \cdot \left(\frac{\Delta f}{\text{MHz}} - 3.5 \right) \right\} \text{dBc}$ | -55.8 dBm | 1 MHz (note 4) |
| 7.5 - 8.5 | $\left\{ -39 - 10 \cdot \left(\frac{\Delta f}{\text{MHz}} - 7.5 \right) \right\} \text{dBc}$ | -55.8 dBm | 1 MHz (note 4) |
| 8.5 - 12.5 MHz | -49 dBc | -55.8 dBm | 1 MHz (note 4) |

NOTE 1: Δf is the separation between the carrier frequency and the centre of the measurement bandwidth.
NOTE 2: The minimum requirement is calculated from the relative requirement or the absolute requirement, whichever is the higher power.
NOTE 3: The first and last measurement position with a 30 kHz filter is at Δf equals to 2.515 MHz and 3.485 MHz.
NOTE 4: The first and last measurement position with a 1 MHz filter is at Δf equals to 4 MHz and 12 MHz.

For operation in band II, IV, V, X, XII, XIII, XIV, XXV and XXVI the minimum requirement is calculated from the minimum requirement in table 5.9A.1 or the applicable additional requirement in Tables 5.9A.1A, 5.9A.1B or 5.9A.1C, whichever is the tighter requirement.

Table 5.9A.1A: Additional spectrum emission limits for Bands II, IV, X and XXV

| Δf in MHz (note 1) | Frequency offset of measurement filter centre frequency, f_{offset} | Additional requirements Band II, IV, X | Measurement bandwidth |
|---|--|--|-----------------------|
| $2.5 \text{ MHz} \leq \Delta f < 3.5 \text{ MHz}$ | $2.515 \text{ MHz} \leq f_{\text{offset}} < 3.485 \text{ MHz}$ | -15 dBm | 30 kHz |
| $3.5 \text{ MHz} \leq \Delta f \leq 12.5 \text{ MHz}$ | $4.0 \text{ MHz} \leq f_{\text{offset}} < 12.0 \text{ MHz}$ | -13 dBm | 1 MHz |

NOTE 1: Δf is the separation between the carrier frequency and the centre of the measurement bandwidth.

Table 5.9A.1B: Additional spectrum emission limits for Bands V and XXVI

| Δf in MHz (note 1) | Frequency offset of measurement filter centre frequency, f_{offset} | Additional requirements Band V | Measurement bandwidth |
|---|--|-----------------------------------|--------------------------|
| $2.5 \text{ MHz} \leq \Delta f < 3.5 \text{ MHz}$ | $2.515 \text{ MHz} \leq f_{\text{offset}} < 3.485 \text{ MHz}$ | -15 dBm | 30 kHz |
| $3.5 \text{ MHz} \leq \Delta f \leq 12.5 \text{ MHz}$ | $3.55 \text{ MHz} \leq f_{\text{offset}} < 12.45 \text{ MHz}$ | -13 dBm | 100 kHz |

NOTE 1: Δf is the separation between the carrier frequency and the centre of the measurement bandwidth.

Table 5.9A.1C: Additional spectrum emission limits for Bands XII, XIII and XIV

| Δf in MHz (note 1) | Frequency offset of measurement filter centre frequency, f_{offset} | Additional requirements Band XII, XIII, XIV | Measurement bandwidth |
|--|--|---|--------------------------|
| $2.5 \text{ MHz} \leq \Delta f < 2.6 \text{ MHz}$ | $2.515 \text{ MHz} \leq f_{\text{offset}} < 2.585 \text{ MHz}$ | -13 dBm | 30 kHz |
| $2.6 \text{ MHz} \leq \Delta f \leq 12.45 \text{ MHz}$ | $2.65 \text{ MHz} \leq f_{\text{offset}} < 12.45 \text{ MHz}$ | -13 dBm | 100 kHz |

NOTE 1: Δf is the separation between the carrier frequency and the centre of the measurement bandwidth.

NOTE: As a general rule, the resolution bandwidth of the measuring equipment should be equal to the measurement bandwidth specified in tables 5.9A.1, 5.9A.1A, 5.9A.1B and 5.9A.1C. However, to improve measurement accuracy, sensitivity and efficiency, the resolution bandwidth may be smaller than the measurement bandwidth. When the resolution bandwidth is smaller than the measurement bandwidth, the result should be integrated over the measurement bandwidth in order to obtain the equivalent noise bandwidth of the measurement bandwidth.

The normative reference for this requirement is TS 25.101 [1], clause 6.6.2.1.1.

5.9A.3 Test purpose

To verify that the power of UE emission does not exceed the prescribed limits shown in table 5.9A.1. even in the presence of the HS-DPCCH. (see note). This is applicable for all values of β_c , β_d and β_{hs} as specified in [5]. The maximum output power with HS-DPCCH is specified in table 5.2A.1.

Excess emission increases the interference to other channels or to other systems.

NOTE: For a static signal, the measurement with a 1MHz filter can be replaced by a narrower filter and integration over the bandwidth. (Note 6 in table 5.9A.1) For a non static signal the above described replacement gives different results, depending on the type of dynamic in the signal and depending on the bandwidth of the filter. Hence the signal is tested only when static.

5.9A.4 Method of test

5.9A.4.1 Initial conditions

Test environment: normal; see clauses G.2.1 and G.2.2.

Frequencies to be tested: low range, mid range, high range; see clause G.2.4.

- 1) Connect the SS (node B emulator) to the UE antenna connector as shown in figure A.1.
- 2) The UL Reference Measurement Channel and the Fixed Reference Channels (FRC H-Set 1, QPSK version) are specified in Annex C.10.1 and C.8.1.1.
- 3) An HSDPA call is set up according to TS 34.108 [3] clause 7.3.6. RF parameters are set up according to table E.5.1 and table E.5.10. Settings for the serving cell are defined in table 5.9A.2.
- 4) Enter the UE into loopback test mode in the presence of HSDPA and start the loopback test.

See TS 34.108 [3] and TS 34.109 [4] for details regarding loopback test mode for HSDPA.

Table 5.9A.2: Settings for the serving cell during the measurement of Spectrum Emission Mask with HS-DPCCH

| Parameter | Unit | Cell 1 |
|--|--------------|-------------------------------|
| Cell type | | Serving cell |
| UTRA RF Channel Number | | As defined in clause 5.9A.4.1 |
| Qqualmin | dB | -24 |
| Qrxlevmin | dBm | -115 |
| UE_TXPWR_MAX_RACH | dBm | +21 |
| \hat{I}_{or} (see notes 1 and 2) | dBm/3.84 MHz | -86 |
| NOTE 1: The power level is specified in terms of \hat{I}_{or} instead of CPICH_RSCP because RSCP is a receiver measurement, whereas the SS can only set \hat{I}_{or} . | | |
| NOTE 2: The cell fulfils TS 25.304, clause 5.2.3.1.2. | | |

5.9A.4.2 Procedure

- 1) Send TRANSPORT CHANNEL RECONFIGURATION message to set the beta values according to table C.10.1.4 and the DPCH frame offset according the HS-DPCCH slot offset required for measurements.
- 2) Set and send continuously Up power control commands to the UE.
- 3) Start transmitting HSDPA Data.
- 4) When UE has reached the maximum power, measure the power of the transmitted signal with a measurement filter of bandwidths according to table 5.9A.3 and 5.9A.3A, 5.9A.3B, 5.9A.3C if applicable. For measurements using 1 MHz or 100KHz measurement bandwidths the result may be calculated by integrating multiple 50 kHz or narrower filter(≥ 3 kHz) measurements. The characteristic of the filter shall be approximately Gaussian (typical spectrum analyzer filter). The centre frequency of the filter shall be stepped in contiguous steps according to table 5.9A.3 and 5.9A.3A, 5.9A.3B, 5.9A.3C if applicable. The measured power shall be recorded for each step. The measurement duration with the filter on one frequency shall last at least the filter settling time and the measurement period shall be inside the HS-DPCCH on-period.
- 5) Measure the RRC filtered mean power centred on the assigned channel frequency.
- 6) Calculate the ratio of the power 4) with respect to 5) in dBc.
- 7) Repeat steps 1-6 for all the different combinations of beta values as given in table C.10.1.4.

All messages indicated above shall use the same content as described in the default message content in clause 9 of TS 34.108 [3], except the TRANSPORT CHANNEL RECONFIGURATION message which is defined in Annex I.

5.9A.5 Test requirements

The result of clause 5.9A.4.2 step 6) shall fulfil the requirements of table 5.9A.3.

For operation in band II, IV, V, X, XII, XIII, XIV, XXV and XXVI both minimum requirement in table 5.9A.3 and the applicable additional requirement in Tables 5.9A.3A, 5.9A.3B, or 5.9A.3C need to be satisfied.

Table 5.9A.3: Spectrum Emission Mask Requirement

| Δf in MHz (note 1) | Minimum requirement (note 2) | | Measurement bandwidth |
|-------------------------------|---|----------------------|-----------------------|
| | Relative requirement | Absolute requirement | |
| 2.5 - 3.5 | $\left\{ -33.5 - 15 \cdot \left(\frac{\Delta f}{\text{MHz}} - 2.5 \right) \right\} \text{dBc}$ | -69.6 dBm | 30 kHz (note 3) |
| 3.5 - 7.5 | $\left\{ -33.5 - 1 \cdot \left(\frac{\Delta f}{\text{MHz}} - 3.5 \right) \right\} \text{dBc}$ | -54.3 dBm | 1 MHz (note 4) |
| 7.5 - 8.5 | $\left\{ -37.5 - 10 \cdot \left(\frac{\Delta f}{\text{MHz}} - 7.5 \right) \right\} \text{dBc}$ | -54.3 dBm | 1 MHz (note 4) |
| 8.5 - 12.5 MHz | -47.5 dBc | -54.3 dBm | 1 MHz (note 4) |

NOTE 1: Δf is the separation between the carrier frequency and the centre of the measurement bandwidth.
NOTE 2: The minimum requirement is calculated from the relative requirement or the absolute requirement, whichever is the higher power.
NOTE 3: The first and last measurement position with a 30 kHz filter is at Δf equals to 2.515 MHz and 3.485 MHz.
NOTE 4: The first and last measurement position with a 1 MHz filter is at Δf equals to 4 MHz and 12 MHz.

Table 5.9A.3A: Additional spectrum emission limits for Bands II, IV, X and XXV

| Δf in MHz (note 1) | Frequency offset of measurement filter centre frequency, f_{offset} | Additional requirements Band II, IV, X | Measurement bandwidth |
|---|--|--|-----------------------|
| $2.5 \text{ MHz} \leq \Delta f < 3.5 \text{ MHz}$ | $2.515 \text{ MHz} \leq f_{\text{offset}} < 3.485 \text{ MHz}$ | -15 dBm | 30 kHz |
| $3.5 \text{ MHz} \leq \Delta f \leq 12.5 \text{ MHz}$ | $4.0 \text{ MHz} \leq f_{\text{offset}} < 12.0 \text{ MHz}$ | -13 dBm | 1 MHz |

NOTE 1: Δf is the separation between the carrier frequency and the centre of the measurement bandwidth.

Table 5.9A.3B: Additional spectrum emission limits for Bands V and XXVI

| Δf in MHz (note 1) | Frequency offset of measurement filter centre frequency, f_{offset} | Additional requirements Band V | Measurement bandwidth |
|---|--|--------------------------------|-----------------------|
| $2.5 \text{ MHz} \leq \Delta f < 3.5 \text{ MHz}$ | $2.515 \text{ MHz} \leq f_{\text{offset}} < 3.485 \text{ MHz}$ | -15 dBm | 30 kHz |
| $3.5 \text{ MHz} \leq \Delta f \leq 12.5 \text{ MHz}$ | $3.55 \text{ MHz} \leq f_{\text{offset}} < 12.45 \text{ MHz}$ | -13 dBm | 100 kHz |

NOTE 1: Δf is the separation between the carrier frequency and the centre of the measurement bandwidth.

Table 5.9A.3C: Additional spectrum emission limits for Bands XII, XIII and XIV

| Δf in MHz (note 1) | Frequency offset of measurement filter centre frequency, f_{offset} | Additional requirements Band XII, XIII, XIV | Measurement bandwidth |
|--|--|---|-----------------------|
| $2.5 \text{ MHz} \leq \Delta f < 2.6 \text{ MHz}$ | $2.515 \text{ MHz} \leq f_{\text{offset}} < 2.585 \text{ MHz}$ | -13 dBm | 30 kHz |
| $2.6 \text{ MHz} \leq \Delta f \leq 12.45 \text{ MHz}$ | $2.65 \text{ MHz} \leq f_{\text{offset}} < 12.45 \text{ MHz}$ | -13 dBm | 100 kHz |

NOTE 1: Δf is the separation between the carrier frequency and the centre of the measurement bandwidth.

NOTE: If the above Test Requirement differs from the Minimum Requirement then the Test Tolerance applied for this test is non-zero. The Test Tolerance for this test is defined in clause F.2 and the explanation of how the Minimum Requirement has been relaxed by the Test Tolerance is given in clause F.4.

5.9B Spectrum Emission Mask with E-DCH

5.9B.1 Definition and applicability

The spectrum emission mask of the UE applies to frequencies, which are between 2,5 MHz and 12,5 MHz away from the UE centre carrier frequency. The out of channel emission is specified relative to the RRC filtered mean power of the UE carrier.

The requirements and this test apply for Release 6 and later releases to all types of UTRA for the FDD UE that support HSDPA and E-DCH.

5.9B.2 Minimum Requirements

The power of any UE emission shall not exceed the levels specified in table 5.9B.1. The absolute requirement is based on a -50 dBm/3.84 MHz minimum power threshold for the UE. This limit is expressed for the narrower measurement bandwidths as -55.8 dBm/1 MHz and -71.1 dBm/30 kHz. This is applicable for all values of β_c , β_d , β_{hs} , β_{ec} and β_{ed} as specified in [5].

Table 5.9B.1: Spectrum Emission Mask Requirement

| Δf in MHz (note 1) | Minimum requirement (note 2) | | Measurement bandwidth |
|-------------------------------|---|----------------------|-----------------------|
| | Relative requirement | Absolute requirement | |
| 2.5 - 3.5 | $\left\{ -35 - 15 \cdot \left(\frac{\Delta f}{\text{MHz}} - 2.5 \right) \right\} \text{dBc}$ | -71.1 dBm | 30 kHz (note 3) |
| 3.5 - 7.5 | $\left\{ -35 - 1 \cdot \left(\frac{\Delta f}{\text{MHz}} - 3.5 \right) \right\} \text{dBc}$ | -55.8 dBm | 1 MHz (note 4) |
| 7.5 - 8.5 | $\left\{ -39 - 10 \cdot \left(\frac{\Delta f}{\text{MHz}} - 7.5 \right) \right\} \text{dBc}$ | -55.8 dBm | 1 MHz (note 4) |
| 8.5 - 12.5 MHz | -49 dBc | -55.8 dBm | 1 MHz (note 4) |

NOTE 1: Δf is the separation between the carrier frequency and the centre of the measurement bandwidth.
NOTE 2: The minimum requirement is calculated from the relative requirement or the absolute requirement, whichever is the higher power.
NOTE 3: The first and last measurement position with a 30 kHz filter is at Δf equals to 2.515 MHz and 3.485 MHz.
NOTE 4: The first and last measurement position with a 1 MHz filter is at Δf equals to 4 MHz and 12 MHz.

For operation in band II, IV, V, X, XII, XIII, XIV, XXV and XXVI the minimum requirement is calculated from the minimum requirement in table 5.9B.1 or the applicable additional requirement in Tables 5.9B.1A, 5.9B.1B or 5.9B.1C, whichever is the tighter requirement.

Table 5.9B.1A: Additional spectrum emission limits for Bands II, IV, X and XXV

| Δf in MHz (note 1) | Frequency offset of measurement filter centre frequency, f_{offset} | Additional requirements Band II, IV, X | Measurement bandwidth |
|---|--|--|-----------------------|
| $2.5 \text{ MHz} \leq \Delta f < 3.5 \text{ MHz}$ | $2.515 \text{ MHz} \leq f_{\text{offset}} < 3.485 \text{ MHz}$ | -15 dBm | 30 kHz |
| $3.5 \text{ MHz} \leq \Delta f \leq 12.5 \text{ MHz}$ | $4.0 \text{ MHz} \leq f_{\text{offset}} < 12.0 \text{ MHz}$ | -13 dBm | 1 MHz |

NOTE 1: Δf is the separation between the carrier frequency and the centre of the measurement bandwidth.

Table 5.9B.1B: Additional spectrum emission limits for Bands V and XXVI

| Δf in MHz (note 1) | Frequency offset of measurement filter centre frequency, f_{offset} | Additional requirements Band V | Measurement bandwidth |
|---|--|-----------------------------------|--------------------------|
| $2.5 \text{ MHz} \leq \Delta f < 3.5 \text{ MHz}$ | $2.515 \text{ MHz} \leq f_{\text{offset}} < 3.485 \text{ MHz}$ | -15 dBm | 30 kHz |
| $3.5 \text{ MHz} \leq \Delta f \leq 12.5 \text{ MHz}$ | $3.55 \text{ MHz} \leq f_{\text{offset}} < 12.45 \text{ MHz}$ | -13 dBm | 100 kHz |

NOTE 1: Δf is the separation between the carrier frequency and the centre of the measurement bandwidth.

Table 5.9B.1C: Additional spectrum emission limits for Bands XII, XIII, XIV

| Δf in MHz (Note 1) | Frequency offset of measurement filter centre frequency, f_{offset} | Additional requirements Band XII, XIII, XIV | Measurement bandwidth |
|--|--|---|--------------------------|
| $2.5 \text{ MHz} \leq \Delta f < 2.6 \text{ MHz}$ | $2.515 \text{ MHz} \leq f_{\text{offset}} < 2.585 \text{ MHz}$ | -13 dBm | 30 kHz |
| $2.6 \text{ MHz} \leq \Delta f \leq 12.45 \text{ MHz}$ | $2.65 \text{ MHz} \leq f_{\text{offset}} < 12.45 \text{ MHz}$ | -13 dBm | 100 kHz |

NOTE 1: Δf is the separation between the carrier frequency and the centre of the measurement bandwidth.

NOTE: As a general rule, the resolution bandwidth of the measuring equipment should be equal to the measurement bandwidth specified in tables 5.9B.1, 5.9B.1A, 5.9B.1B and 5.9B.1C. However, to improve measurement accuracy, sensitivity and efficiency, the resolution bandwidth may be smaller than the measurement bandwidth. When the resolution bandwidth is smaller than the measurement bandwidth, the result should be integrated over the measurement bandwidth in order to obtain the equivalent noise bandwidth of the measurement bandwidth.

The normative reference for this requirement is TS 25.101 [1] clause 6.6.2.1.1.

5.9B.3 Test purpose

To verify that the power of UE emission does not exceed the prescribed limits shown in table 5.9B.1. even in the presence of the E-DCH. (see note). This is applicable for all values of β_c , β_d , β_{hs} , β_{ec} and β_{ed} as specified in [5]. The maximum output power with HS-DPCCH and/or E-DCH is specified in table 5.2B.1.

Excess emission increases the interference to other channels or to other systems.

NOTE: For a static signal, the measurement with a 1MHz filter can be replaced by a narrower filter and integration over the bandwidth. (Note 6 in table 5.9B.1) For a non static signal the above described replacement gives different results, depending on the type of dynamic in the signal and depending on the bandwidth of the filter. Hence the signal is tested only when static.

5.9B.4 Method of test

5.9B.4.1 Initial conditions

Test environment: normal; see clauses G.2.1 and G.2.2.

Frequencies to be tested: low range, mid range, high range; see clause G.2.4.

- 1) Connect the SS (node B emulator) to the UE antenna connector as shown in figure A.1.
- 2) The UL Reference Measurement Channel and the Fixed Reference Channels (FRC H-Set 1, QPSK) are specified in Annex C.11.1 and C.8.1.1.
- 3) An E-DCH call is set up according to TS 34.108 [3] 7.3.9 with the exceptions in the RADIO BEARER SETUP messages as given in Tables 5.2B.1A, 5.2B.2, 5.2B.3, 5.2B.3A and 5.2B.4. These exceptions allow the beta values to be set according to table C.11.1.3 and each UL physical channel to be at constant power during the measurement. RF parameters are set up according to table E.5A.1. Settings for the serving cell are defined in table 5.9B.2.

- 4) For sub-test 1 to 4, enter the UE into loopback test mode 1 looping back both the 12.2kbps RMC and HSDPA to E-DCH according to procedure 7.3.9.3.1 in TS 34.108 [3] and start the loopback test. For sub-test 5, enter the UE into loopback test mode 1 looping back HSDPA to E-DCH according to procedure 7.3.9.3.2 in TS 34.108 [3] and start the loopback test.

See TS 34.109 [4] clauses 5.3.2.3 and 5.3.2.6 for details regarding loopback test mode for HSDPA and E-DCH.

Table 5.9B.2: Settings for the serving cell during the measurement of Spectrum Emission Mask with E-DCH

| Parameter | Unit | Cell 1 |
|--|--------------|-------------------------------|
| Cell type | | Serving cell |
| UTRA RF Channel Number | | As defined in clause 5.9B.4.1 |
| Qqualmin | dB | -24 |
| Qrxlevmin | dBm | -115 |
| UE_TXPWR_MAX_RACH | dBm | +21 |
| \hat{I}_{or} (see notes 1 and 2) | dBm/3.84 MHz | -86 |
| NOTE 1: The power level is specified in terms of \hat{I}_{or} instead of CPICH_RSCP because RSCP is a receiver measurement, whereas the SS can only set \hat{I}_{or} . | | |
| NOTE 2: The cell fulfils TS 25.304, 5.2.3.1.2. | | |

5.9B.4.2 Procedure

- 1) For sub-test 1 to 4, set UE to maximum output power according to 5.2B.4.2.1 steps 1 to 8. For sub-test 5, set UE to maximum output power according to 5.2B.4.2.2 step 1 to 4.
- 2) When UE has reached the maximum power, measure the power of the transmitted signal with a measurement filter of bandwidths according to table 5.9B.3 and 5.9B.3A, 5.9B.3B, 5.9B.3C if applicable. For measurements using 1 MHz or 100kHz measurement bandwidths the result may be calculated by integrating multiple 50 kHz or narrower filter (≥ 3 kHz) measurements. The characteristic of the filter shall be approximately Gaussian (typical spectrum analyzer filter). The centre frequency of the filter shall be stepped in contiguous steps according to table 5.9B.3 and 5.9B.3A, 5.9B.3B 5.9B.3C if applicable. The measured power shall be recorded for each step. The measurement duration with the filter on one frequency shall last at least the filter settling time and the measurement period shall be inside the HS-DPCCH on-period.
- 3) Measure the RRC filtered mean power centred on the assigned channel frequency.
- 4) Calculate the ratio of the power 2) with respect to 3) in dBc.
- 5) Repeat steps 1-4 for all the different combinations of beta values as given in table C.11.1.3.

5.9B.5 Test requirements

The result of clause 5.9B.4.2 step 4) shall fulfil the requirements of table 5.9B.3.

For operation in band II, IV, V, X, XII, XIII, XIV, XXV and XXVI both minimum requirement in table 5.9B.3 and the applicable additional requirement in Tables 5.9B.3A, 5.9B.3B or 5.9B.3C need to be satisfied.

Table 5.9B.3: Spectrum Emission Mask Requirement

| Δf in MHz (Note 1) | Minimum requirement (Note 2) | | Measurement bandwidth |
|-------------------------------|---|----------------------|-----------------------|
| | Relative requirement | Absolute requirement | |
| 2.5 - 3.5 | $\left\{ -33.5 - 15 \cdot \left(\frac{\Delta f}{\text{MHz}} - 2.5 \right) \right\} \text{dBc}$ | -69.6 dBm | 30 kHz (Note 3) |
| 3.5 - 7.5 | $\left\{ -33.5 - 1 \cdot \left(\frac{\Delta f}{\text{MHz}} - 3.5 \right) \right\} \text{dBc}$ | -54.3 dBm | 1 MHz (Note 4) |
| 7.5 - 8.5 | $\left\{ -37.5 - 10 \cdot \left(\frac{\Delta f}{\text{MHz}} - 7.5 \right) \right\} \text{dBc}$ | -54.3 dBm | 1 MHz (Note 4) |
| 8.5 - 12.5 MHz | -47.5 dBc | -54.3 dBm | 1 MHz (Note 4) |

NOTE 1: Δf is the separation between the carrier frequency and the centre of the measurement bandwidth.
NOTE 2: The minimum requirement is calculated from the relative requirement or the absolute requirement, whichever is the higher power.
NOTE 3: The first and last measurement position with a 30 kHz filter is at Δf equals to 2.515 MHz and 3.485 MHz.
NOTE 4: The first and last measurement position with a 1 MHz filter is at Δf equals to 4 MHz and 12 MHz.

Table 5.9B.3A: Additional spectrum emission limits for Bands II, IV, X and XXV

| Δf in MHz (Note 1) | Frequency offset of measurement filter centre frequency, f_{offset} | Additional requirements Band II, IV, X | Measurement bandwidth |
|---|--|--|-----------------------|
| $2.5 \text{ MHz} \leq \Delta f < 3.5 \text{ MHz}$ | $2.515 \text{ MHz} \leq f_{\text{offset}} < 3.485 \text{ MHz}$ | -15 dBm | 30 kHz |
| $3.5 \text{ MHz} \leq \Delta f \leq 12.5 \text{ MHz}$ | $4.0 \text{ MHz} \leq f_{\text{offset}} < 12.0 \text{ MHz}$ | -13 dBm | 1 MHz |

NOTE 1: Δf is the separation between the carrier frequency and the centre of the measurement bandwidth.

Table 5.9B.3B: Additional spectrum emission limits for Bands V and XXVI

| Δf in MHz (Note 1) | Frequency offset of measurement filter centre frequency, f_{offset} | Additional requirements Band V | Measurement bandwidth |
|---|--|--------------------------------|-----------------------|
| $2.5 \text{ MHz} \leq \Delta f < 3.5 \text{ MHz}$ | $2.515 \text{ MHz} \leq f_{\text{offset}} < 3.485 \text{ MHz}$ | -15 dBm | 30 kHz |
| $3.5 \text{ MHz} \leq \Delta f \leq 12.5 \text{ MHz}$ | $3.55 \text{ MHz} \leq f_{\text{offset}} < 12.45 \text{ MHz}$ | -13 dBm | 100 kHz |

NOTE 1: Δf is the separation between the carrier frequency and the centre of the measurement bandwidth.

Table 5.9B.3C: Additional spectrum emission limits for Bands XII, XIII and XIV

| Δf in MHz (Note 1) | Frequency offset of measurement filter centre frequency, f_{offset} | Additional requirements Band XII, XIII, XIV | Measurement bandwidth |
|--|--|---|-----------------------|
| $2.5 \text{ MHz} \leq \Delta f < 2.6 \text{ MHz}$ | $2.515 \text{ MHz} \leq f_{\text{offset}} < 2.585 \text{ MHz}$ | -13 dBm | 30 kHz |
| $2.6 \text{ MHz} \leq \Delta f \leq 12.45 \text{ MHz}$ | $2.65 \text{ MHz} \leq f_{\text{offset}} < 12.45 \text{ MHz}$ | -13 dBm | 100 kHz |

NOTE 1: Δf is the separation between the carrier frequency and the centre of the measurement bandwidth.

NOTE: If the above Test Requirement differs from the Minimum Requirement then the Test Tolerance applied for this test is non-zero. The Test Tolerance for this test is defined in clause F.2 and the explanation of how the Minimum Requirement has been relaxed by the Test Tolerance is given in clause F.4.

5.9C Additional Spectrum Emission Mask for DC-HSUPA (QPSK)

5.9C.1 Definition and applicability

The spectrum emission mask of the UE applies to frequencies, which are between 5 MHz and 20 MHz away from the UE centre frequency of the two assigned channel frequencies. The requirements assume that the UE output power shall be maximum level.

It is necessary to verify the requirements only for the DC-HSUPA configurations specified in subclause C.2.8. The requirements and this test apply for Release 9 and later releases to all types of UTRA for the FDD UE that support HSDPA and Dual Cell E-DCH.

5.9C.2 Minimum Requirements

The power of any UE emission shall not exceed the levels specified in Table 5.9C.1 for the specified channel bandwidth.

Table 5.9C.1: Spectrum emission mask for DC-HSUPA

| Δf (MHz) | Frequency offset of measurement filter centre frequency, f_{offset} | Spectrum emission limit (dBm) | Measurement bandwidth |
|------------------|---|-------------------------------|-----------------------|
| $\pm 5-6$ | $5.015\text{MHz} \leq f_{\text{offset}} < 5.985\text{MHz}$ | -18 | 30 kHz |
| $\pm 6-10$ | $6.5\text{MHz} \leq f_{\text{offset}} < 10.0\text{MHz}$ | -10 | 1 MHz |
| $\pm 10-19$ | $10.0\text{MHz} \leq f_{\text{offset}} < 19.0\text{MHz}$ | -13 | 1 MHz |
| $\pm 19-20$ | $19.0\text{MHz} \leq f_{\text{offset}} < 19.5\text{MHz}$ | -25 | 1 MHz |
| Note: | Δf is the separation between the the center of two assigned channel frequencies and the centre of the measurement bandwidth | | |

The UE shall meet an additional requirement specified in Table 5.9C.1A for band II, IV, V and X.

Table 5.9C.1A: Additional spectrum emission mask for DC-HSUPA in band II, IV, V, X, XXV and XXVI

| Δf (MHz) | Frequency offset of measurement filter centre frequency, f_{offset} | Spectrum emission limit (dBm) | Measurement bandwidth |
|------------------|---|-------------------------------|-----------------------|
| $\pm 5-6$ | $5.015\text{MHz} \leq f_{\text{offset}} < 5.985\text{MHz}$ | -18 | 30 kHz |
| $\pm 6-19$ | $6.5\text{MHz} \leq f_{\text{offset}} < 19.0\text{MHz}$ | -13 | 1 MHz |
| $\pm 19-20$ | $19.0\text{MHz} \leq f_{\text{offset}} < 19.5\text{MHz}$ | -25 | 1 MHz |
| Note: | Δf is the separation between the the center of two assigned channel frequencies and the centre of the measurement bandwidth | | |

The normative reference for this requirement is TS 25.101 [1] clause 6.6.2.1A

5.9C.3 Test purpose

To verify that the power of UE emission, during DC-HSUPA transmission, does not exceed the prescribed limits shown in table 5.9C.1 or 5.9C.1A. This is applicable for all values of β_c , β_d , β_{hs} , β_{ec} and β_{ed} as specified in [5]. The maximum output power with HS-DPCCH and/or E-DCH is specified in table 5.2BA.1.

Excess emission increases the interference to other channels or to other systems.

NOTE: For a static signal, the measurement with a 1MHz filter can be replaced by a narrower filter and integration over the bandwidth. For a non static signal the above described replacement gives different results, depending on the type of dynamic in the signal and depending on the bandwidth of the filter. Hence the signal is tested only when static.

5.9C.4 Method of test

5.9C.4.1 Initial conditions

Test environment: normal; see clauses G.2.1 and G.2.2.

Frequencies to be tested: low range, mid range, high range; see clause G.2.4.

- 1) Connect the SS (node B emulator) to the UE antenna connector as shown in figure A.41.
- 2) The UL Reference Measurement Channel and parameters are specified in Annex C.2.8 and C.11A. The DL Reference Measurement Channel (FRC H-SET 3A, QPSK) is specified in C.8.1.1.
- 3) A call is set up according to the Generic call setup procedure specified in TS34.108 [3] sub clause 7.3.14, with exceptions for information elements in RADIO BEARER SETUP message as given in Table 5.2BA.2, 5.2BA.3 and 5.2BA.4. These exceptions allow the beta values to be set according to table C.11A.1.1 and each UL physical channel to be at constant power during the measurement. RF parameters are set up according to E.5 A.1A. Settings for the serving cell are defined in table 5.9C.2.
- 3) Enter the UE into loopback test mode and start the loopback test.

See TS 34.108 [3] and TS 34.109 [4] for details regarding generic call setup procedure and loopback test.

Table 5.9C.2: Settings for the serving cell during the measurement of Spectrum Emission Mask for DC-HSUPA

| Parameter | Unit | Cell 1 |
|--|--------------|-------------------------------|
| Cell type | | Serving cell |
| UTRA RF Channel Number | | As defined in clause 5.9C.4.1 |
| Qqualmin | dB | -24 |
| Qrxlevmin | dBm | -115 |
| UE_TXPWR_MAX_RACH | dBm | +21 |
| \hat{I}_{or} (see notes 1 and 2) | dBm/3.84 MHz | -86 |
| NOTE 1: The power level is specified in terms of \hat{I}_{or} instead of CPICH_RSCP because RSCP is a receiver measurement, whereas the SS can only set \hat{I}_{or} . | | |
| NOTE 2: The cell fulfils TS 25.304, 5.2.3.1.2. | | |

5.9C.4.2 Procedure

- 1) Set the UE to maximum output power according to 5.2BA.4.2 steps 1 to 4.
- 2) When UE has reached the maximum power, measure the power of the transmitted signal with a measurement filter of bandwidths according to table 5.9C.1 and 5.9C.1A. For measurements using 1 MHz or 100kHz measurement bandwidths the result may be calculated by integrating multiple 50 kHz or narrower filter (≥ 3 kHz) measurements. The characteristic of the filter shall be approximately Gaussian (typical spectrum analyzer filter). The centre frequency of the filter shall be stepped in contiguous steps according to table 5.9C.1 and 5.9C.1A. The measured power shall be recorded for each step. The measurement duration with the filter on one frequency shall last at least the filter settling time and the measurement period shall be inside the HS-DPCCH on-period.
- 3) Repeat steps 1-2 for all the different combinations of UL E-DCH reference measurement channels and of beta values as given in clause C.2.8 and table C.11A.1.1.

5.9C.5 Test requirements

The result of clause 5.9C.4.2 step 2) shall fulfil the requirements of table 5.9C.3.

For operation in band II, IV, V and X both minimum requirement in table 5.9C.3 and the applicable additional requirement in Tables 5.9C.3A need to be satisfied.

Table 5.9C.3: Spectrum Emission Mask Requirement

| Δf (MHz) | Frequency offset of measurement filter centre frequency, f_{offset} | Spectrum emission limit (dBm) | Measurement bandwidth |
|---------------------|---|----------------------------------|--------------------------|
| $\pm 5-6$ | $5.015\text{MHz} \leq f_{\text{offset}} < 5.985\text{MHz}$ | -16.5 | 30 kHz |
| $\pm 6-10$ | $6.5\text{MHz} \leq f_{\text{offset}} < 10.0\text{MHz}$ | -8.5 | 1 MHz |
| $\pm 10-19$ | $10.0\text{MHz} \leq f_{\text{offset}} < 19.0\text{MHz}$ | -11.5 | 1 MHz |
| $\pm 19-20$ | $19.0\text{MHz} \leq f_{\text{offset}} < 19.5\text{MHz}$ | -23.5 | 1 MHz |
| Note: | Δf is the separation between the the center of two assigned channel frequencies and the centre of the measurement bandwidth | | |

Table 5.9C.3A: Additional spectrum emission limits for Bands II, IV, V, X, XXV and XXVI

| Δf (MHz) | Frequency offset of measurement filter centre frequency, f_{offset} | Spectrum emission limit (dBm) | Measurement bandwidth |
|---------------------|---|----------------------------------|--------------------------|
| $\pm 5-6$ | $5.015\text{MHz} \leq f_{\text{offset}} < 5.985\text{MHz}$ | -18 | 30 kHz |
| $\pm 6-19$ | $6.5\text{MHz} \leq f_{\text{offset}} < 19.0\text{MHz}$ | -13 | 1 MHz |
| $\pm 19-20$ | $19.0\text{MHz} \leq f_{\text{offset}} < 19.5\text{MHz}$ | -25 | 1 MHz |
| Note: | Δf is the separation between the the center of two assigned channel frequencies and the centre of the measurement bandwidth | | |

NOTE: If the above Test Requirement differs from the Minimum Requirement then the Test Tolerance applied for this test is non-zero. The Test Tolerance for this test is defined in clause F.2 and the explanation of how the Minimum Requirement has been relaxed by the Test Tolerance is given in clause F.4.

5.9D Additional Spectrum Emission Mask for DC-HSUPA (16QAM)

5.9D.1 Definition and applicability

The spectrum emission mask of the UE applies to frequencies, which are between 5 MHz and 20 MHz away from the UE centre frequency of the two assigned channel frequencies. The requirements assume that the UE output power shall be maximum level.

It is necessary to verify the requirements only for the DC-HSUPA configurations specified in subclause C.2.8. The requirements and this test apply for Release 9 and later releases to all types of UTRA for the FDD UE that support HSDPA and Dual Cell E-DCH 16QAM UE capability category 9.

5.9D.2 Minimum Requirements

The power of any UE emission shall not exceed the levels specified in Table 5.9D.1 for the specified channel bandwidth.

Table 5.9D.1: Spectrum emission mask for DC-HSUPA

| Δf (MHz) | Frequency offset of measurement filter centre frequency, f_{offset} | Spectrum emission limit (dBm) | Measurement bandwidth |
|---------------------|---|----------------------------------|--------------------------|
| $\pm 5-6$ | $5.015\text{MHz} \leq f_{\text{offset}} < 5.985\text{MHz}$ | -18 | 30 kHz |
| $\pm 6-10$ | $6.5\text{MHz} \leq f_{\text{offset}} < 10.0\text{MHz}$ | -10 | 1 MHz |
| $\pm 10-19$ | $10.0\text{MHz} \leq f_{\text{offset}} < 19.0\text{MHz}$ | -13 | 1 MHz |
| $\pm 19-20$ | $19.0\text{MHz} \leq f_{\text{offset}} < 19.5\text{MHz}$ | -25 | 1 MHz |
| Note: | Δf is the separation between the the center of two assigned channel frequencies and the centre of the measurement bandwidth | | |

The UE shall meet an additional requirement specified in Table 5.9D.1A for band II, IV, V and X.

Table 5.9D.1A: Additional spectrum emission mask for DC-HSUPA in band II, IV, V, X, XXV and XXVI

| Δf (MHz) | Frequency offset of measurement filter centre frequency, f_{offset} | Spectrum emission limit (dBm) | Measurement bandwidth |
|---------------------|---|-------------------------------|-----------------------|
| ± 5 -6 | $5.015\text{MHz} \leq f_{\text{offset}} < 5.985\text{MHz}$ | -18 | 30 kHz |
| ± 6 -19 | $6.5\text{MHz} \leq f_{\text{offset}} < 19.0\text{MHz}$ | -13 | 1 MHz |
| ± 19 -20 | $19.0\text{MHz} \leq f_{\text{offset}} < 19.5\text{MHz}$ | -25 | 1 MHz |
| Note: | Δf is the separation between the the center of two assigned channel frequencies and the centre of the measurement bandwidth | | |

The normative reference for this requirement is TS 25.101 [1] clause 6.6.2.1A

5.9D.3 Test purpose

To verify that the power of UE emission, during DC-HSUPA transmission, does not exceed the prescribed limits shown in table 5.9D.1 or 5.9D.1A. This is applicable for all values of β_c , β_d , β_{hs} , β_{ec} and β_{ed} as specified in [5]. The maximum output power with HS-DPCCH and/or E-DCH is specified in table 5.2BA.1.

Excess emission increases the interference to other channels or to other systems.

NOTE: For a static signal, the measurement with a 1MHz filter can be replaced by a narrower filter and integration over the bandwidth. For a non static signal the above described replacement gives different results, depending on the type of dynamic in the signal and depending on the bandwidth of the filter. Hence the signal is tested only when static.

5.9D.4 Method of test

5.9D.4.1 Initial conditions

Test environment: normal; see clauses G.2.1 and G.2.2.

Frequencies to be tested: low range, mid range, high range; see clause G.2.4.

- 1) Connect the SS (node B emulator) to the UE antenna connector as shown in figure A.41.
- 2) The UL Reference Measurement Channel and parameters are specified in Annex C.2.8 and C.11A. The DL Reference Measurement Channel (FRC H-SET 3A, QPSK) is specified in C.8.1.1.
- 3) A call is set up according to the Generic call setup procedure specified in TS34.108 [3] sub clause 7.3.14, with exceptions for information elements in RADIO BEARER SETUP message as given in Table 5.2BA.2, 5.2BA.3 and 5.2BA.4. These exceptions allow the beta values to be set according to table C.11A.1.1 and each UL physical channel to be at constant power during the measurement. RF parameters are set up according to E.5 A.1A. Settings for the serving cell are defined in table 5.9D.2.
- 3) Enter the UE into loopback test mode and start the loopback test.

See TS 34.108 [3] and TS 34.109 [4] for details regarding generic call setup procedure and loopback test.

Table 5.9D.2: Settings for the serving cell during the measurement of Spectrum Emission Mask for DC-HSUPA

| Parameter | Unit | Cell 1 |
|--|--------------|-------------------------------|
| Cell type | | Serving cell |
| UTRA RF Channel Number | | As defined in clause 5.9D.4.1 |
| Qqualmin | dB | -24 |
| Qrxlevmin | dBm | -115 |
| UE_TXPWR_MAX_RACH | dBm | +21 |
| \hat{I}_{or} (see notes 1 and 2) | dBm/3.84 MHz | -86 |
| NOTE 1: The power level is specified in terms of \hat{I}_{or} instead of CPICH_RSCP because RSCP is a receiver measurement, whereas the SS can only set \hat{I}_{or} . | | |
| NOTE 2: The cell fulfils TS 25.304, 5.2.3.1.2. | | |

5.9D.4.2 Procedure

- 1) Set the UE to maximum output power according to 5.2BA.4.2 steps 1 to 4.
- 2) When UE has reached the maximum power, measure the power of the transmitted signal with a measurement filter of bandwidths according to table 5.9D.1 and 5.9D.1A. For measurements using 1 MHz or 100kHz measurement bandwidths the result may be calculated by integrating multiple 50 kHz or narrower filter (≥ 3 kHz) measurements. The characteristic of the filter shall be approximately Gaussian (typical spectrum analyzer filter). The centre frequency of the filter shall be stepped in contiguous steps according to table 5.9D.1 and 5.9D.1A. The measured power shall be recorded for each step. The measurement duration with the filter on one frequency shall last at least the filter settling time and the measurement period shall be inside the HS-DPCCH on-period.
- 3) Repeat steps 1-2 for all the different combinations of UL E-DCH reference measurement channels and of beta values as given in clause C.2.8 and table C.11A.1.2.

5.9D.5 Test requirements

The result of clause 5.9D.4.2 step 2) shall fulfil the requirements of table 5.9D.3.

For operation in band II, IV, V and X both minimum requirement in table 5.9D.3 and the applicable additional requirement in Tables 5.9D.3A need to be satisfied.

Table 5.9D.3: Spectrum Emission Mask Requirement

| Δf (MHz) | Frequency offset of measurement filter centre frequency, f_{offset} | Spectrum emission limit (dBm) | Measurement bandwidth |
|---------------------|---|-------------------------------|-----------------------|
| $\pm 5-6$ | $5.015\text{MHz} \leq f_{\text{offset}} < 5.985\text{MHz}$ | -16.5 | 30 kHz |
| $\pm 6-10$ | $6.5\text{MHz} \leq f_{\text{offset}} < 10.0\text{MHz}$ | -8.5 | 1 MHz |
| $\pm 10-19$ | $10.0\text{MHz} \leq f_{\text{offset}} < 19.0\text{MHz}$ | -11.5 | 1 MHz |
| $\pm 19-20$ | $19.0\text{MHz} \leq f_{\text{offset}} < 19.5\text{MHz}$ | -23.5 | 1 MHz |
| Note: | Δf is the separation between the the center of two assigned channel frequencies and the centre of the measurement bandwidth | | |

Table 5.9D.3A: Additional spectrum emission limits for Bands II, IV, V, X, XXV and XXVI

| Δf (MHz) | Frequency offset of measurement filter centre frequency, f_{offset} | Spectrum emission limit (dBm) | Measurement bandwidth |
|---------------------|---|-------------------------------|-----------------------|
| $\pm 5-6$ | $5.015\text{MHz} \leq f_{\text{offset}} < 5.985\text{MHz}$ | -18 | 30 kHz |
| $\pm 6-19$ | $6.5\text{MHz} \leq f_{\text{offset}} < 19.0\text{MHz}$ | -13 | 1 MHz |
| $\pm 19-20$ | $19.0\text{MHz} \leq f_{\text{offset}} < 19.5\text{MHz}$ | -25 | 1 MHz |
| Note: | Δf is the separation between the the center of two assigned channel frequencies and the centre of the measurement bandwidth | | |

NOTE: If the above Test Requirement differs from the Minimum Requirement then the Test Tolerance applied for this test is non-zero. The Test Tolerance for this test is defined in clause F.2 and the explanation of how the Minimum Requirement has been relaxed by the Test Tolerance is given in clause F.4.

5.10 Adjacent Channel Leakage Power Ratio (ACLR)

5.10.1 Definition and applicability

ACLR is the ratio of the RRC filtered mean power centred on the assigned channel frequency to the RRC filtered mean power centred on an adjacent channel frequency.

The requirements and this test apply to all types of UTRA for the FDD UE.

5.10.2 Minimum Requirements

If the adjacent channel RRC filtered mean power is greater than -50dBm then the ACLR shall be higher than the value specified in table 5.10.1.

Table 5.10.1: UE ACLR

| Power Class | UE channel | ACLR limit |
|-------------|-----------------------------|------------|
| 3 | +5 MHz or -5 MHz | 33 dB |
| 3 | +10 MHz or -10 MHz | 43 dB |
| 4 | +5 MHz or -5 MHz | 33 dB |
| 4 | +10 MHz or -10 MHz | 43 dB |

NOTE 1: The requirement shall still be met in the presence of switching transients.

NOTE 2: The ACLR requirements reflect what can be achieved with present state of the art technology.

NOTE 3: Requirement on the UE shall be reconsidered when the state of the art technology progresses.

The normative reference for this requirement is TS 25.101 [1] clause 6.6.2.2.1.

5.10.3 Test purpose

To verify that the UE ACLR does not exceed prescribed limit shown in table 5.10.1.

Excess ACLR increases the interference to other channels or to other systems.

5.10.4 Method of test

5.10.4.1 Initial conditions

Test environment: normal, TL/VL, TL/VH, TH/VL, TH/VH; see clauses G.2.1 and G.2.2.

Frequencies to be tested: low range, mid range, high range; see clause G.2.4.

- 1) Connect the SS to the UE antenna connector as shown in figure A.1.
- 2) A call is set up according to the Generic call setup procedure in TS34.108 [3] sub clause 7.3.2.
- 3) Enter the UE into loopback test mode and start the loopback test.

See TS 34.108 [3] and TS 34.109 [4] for details regarding generic call setup procedure and loopback test.

5.10.4.2 Procedure

- 1) Set and send continuously Up power control commands to the UE until the UE output power shall be maximum level.
- 2) Measure the RRC filtered mean power.
- 3) Measure the RRC filtered mean power of the first adjacent channels and the second adjacent channels.
- 4) Calculate the ratio of the power between the values measured in '2)' and '3)'.

5.10.5 Test requirements

If the measured adjacent channel RRC filtered mean power, derived in step 3), is greater than $-50,0$ dBm then the measured ACLR, derived in step 4), shall be higher than the limit in table 5.10.2.

Table 5.10.2: UE ACLR

| Power Class | UE channel | ACLR limit |
|-------------|----------------------|------------|
| 3 | +5 MHz or -5 MHz | 32,2 dB |
| 3 | +10 MHz or -10 MHz | 42,2 dB |
| 4 | +5 MHz or -5 MHz | 32,2 dB |
| 4 | +10 MHz or -10 MHz | 42,2 dB |

NOTE 1: The requirement shall still be met in the presence of switching transients.

NOTE 2: The ACLR requirements reflect what can be achieved with present state of the art technology.

NOTE 3: Requirement on the UE shall be reconsidered when the state of the art technology progresses.

NOTE 4: If the above Test Requirement differs from the Minimum Requirement then the Test Tolerance applied for this test is non-zero. The Test Tolerance for this test is defined in clause F.2 and the explanation of how the Minimum Requirement has been relaxed by the Test Tolerance is given in clause F.4.

5.10A Adjacent Channel Leakage Power Ratio (ACLR) with HS-DPCCH

5.10A.1 Definition and applicability

ACLR is the ratio of the RRC filtered mean power centred on the assigned channel frequency to the RRC filtered mean power centred on an adjacent channel frequency.

The requirements and this test apply for Release 5 and later releases to all types of UTRA for the FDD UE that support HSDPA.

5.10A.2 Minimum Requirements

If the adjacent channel RRC filtered mean power is greater than -50 dBm then the ACLR shall be higher than the value specified in table 5.10A.1. This is applicable for all values of β_c , β_d and β_{hs} as specified in [5].

Table 5.10A.1: UE ACLR

| Power Class | UE channel | ACLR limit |
|-------------|----------------------|------------|
| 3 | +5 MHz or -5 MHz | 33 dB |
| 3 | +10 MHz or -10 MHz | 43 dB |
| 4 | +5 MHz or -5 MHz | 33 dB |
| 4 | +10 MHz or -10 MHz | 43 dB |

NOTE 1: The requirement shall still be met in the presence of switching transients.

NOTE 2: The ACLR requirements reflect what can be achieved with present state of the art technology.

NOTE 3: Requirement on the UE shall be reconsidered when the state of the art technology progresses.

The normative reference for this requirement is TS 25.101 [1] clause 6.6.2.2.1.

5.10A.3 Test purpose

To verify that the UE ACLR does not exceed prescribed limit shown in table 5.10A.1. This is applicable for all values of β_c , β_d and β_{hs} as specified in [5]. The maximum output power with HS-DPCCH is specified in table 5.2A.1.

Excess ACLR increases the interference to other channels or to other systems.

5.10A.4 Method of test

5.10A.4.1 Initial conditions

Test environment: normal, TL/VL, TL/VH, TH/VL, TH/VH; see clauses G.2.1 and G.2.2.

Frequencies to be tested: low range, mid range, high range; see clause G.2.4.

- 1) Connect the SS (node B emulator) to the UE antenna connector as shown in figure A.1.
- 2) The UL Reference Measurement Channel and the Fixed Reference Channels (FRC H-Set 1, QPSK version) are specified in Annex C.10.1 and C.8.1.1.
- 3) An HSDPA call is set up according to TS 34.108 [3] clause 7.3.6. RF parameters are set up according to table E.5.1 and table E.5.10. Settings for the serving cell are defined in table 5.10A.2.
- 4) Enter the UE into loopback test mode in the presence of HSDPA and start the loopback test.

See TS 34.108 [3] and TS 34.109 [4] for details regarding loopback test mode for HSDPA.

Table 5.10A.2: Settings for the serving cell during the measurement of Adjacent Channel Leakage Power Ratio (ACLR) with HS-DPCCH

| Parameter | Unit | Cell 1 |
|--|--------------|--------------------------------|
| Cell type | | Serving cell |
| UTRA RF Channel Number | | As defined in clause 5.10A.4.1 |
| Qqualmin | dB | -24 |
| Qrxlevmin | dBm | -115 |
| UE_TXPWR_MAX_RACH | dBm | +21 |
| \hat{I}_{or} (see notes 1 and 2) | dBm/3.84 MHz | -86 |
| NOTE 1: The power level is specified in terms of \hat{I}_{or} instead of CPICH_RSCP because RSCP is a receiver measurement, whereas the SS can only set \hat{I}_{or} . | | |
| NOTE 2: The cell fulfils TS 25.304, 5.2.3.1.2. | | |

5.10A.4.2 Procedure

- 1) Send TRANSPORT CHANNEL RECONFIGURATION message to set the beta values according to table C.10.1.4 and the DPCH frame offset according the HS-DPCCH slot offset required for measurements.
- 2) Set and send continuously Up power control commands to the UE.
- 3) Start transmitting HSDPA Data.
- 4) When UE has reached the maximum power, measure the RRC filtered mean power on the wanted channel. The measurement period shall be inside the HS-DPCCH on-period for the wanted and the adjacent channels.
- 5) Measure the RRC filtered mean power of the first adjacent channels and the second adjacent channels.
- 6) Calculate the ratio of the power between the values measured in step 4) and step 5).
- 7) Repeat steps 1-6 for all the different combinations of beta values as given in table C.10.1.4.

All messages indicated above shall use the same content as described in the default message content in clause 9 of TS 34.108 [3], except the TRANSPORT CHANNEL RECONFIGURATION message which is defined in Annex I.

5.10A.5 Test requirements

The measured ACLR, derived in step 6), shall be higher than the limit in table 5.10A.3.

Table 5.10A.3: UE ACLR

| Power Class | UE channel | ACLR limit |
|-------------|--------------------|------------|
| 3 | +5 MHz or –5 MHz | 32.2 dB |
| 3 | +10 MHz or –10 MHz | 42.2 dB |
| 4 | +5 MHz or –5 MHz | 32.2 dB |
| 4 | +10 MHz or –10 MHz | 42.2 dB |

NOTE: If the above Test Requirement differs from the Minimum Requirement then the Test Tolerance applied for this test is non-zero. The Test Tolerance for this test is defined in clause F.2 and the explanation of how the Minimum Requirement has been relaxed by the Test Tolerance is given in clause F.4.

5.10B Adjacent Channel Leakage Power Ratio (ACLR) with E-DCH

5.10B.1 Definition and applicability

ACLR is the ratio of the RRC filtered mean power centred on the assigned channel frequency to the RRC filtered mean power centred on an adjacent channel frequency.

The requirements and this test apply for Release 6 and later releases to all types of UTRA for the FDD UE that support HSDPA and E-DCH.

5.10B.2 Minimum Requirements

If the adjacent channel RRC filtered mean power is greater than –50dBm then the ACLR shall be higher than the value specified in table 5.10B.1. This is applicable for all values of β_c , β_d , β_{hs} , β_{ec} and β_{ed} as specified in [5].

Table 5.10B.1: UE ACLR

| Power Class | UE channel | ACLR limit |
|-------------|--------------------|------------|
| 3 | +5 MHz or –5 MHz | 33 dB |
| 3 | +10 MHz or –10 MHz | 43 dB |
| 4 | +5 MHz or –5 MHz | 33 dB |
| 4 | +10 MHz or –10 MHz | 43 dB |

NOTE 1: The requirement shall still be met in the presence of switching transients.

NOTE 2: The ACLR requirements reflect what can be achieved with present state of the art technology.

NOTE 3: Requirement on the UE shall be reconsidered when the state of the art technology progresses.

The normative reference for this requirement is TS 25.101 [1] clause 6.6.2.2.1.

5.10B.3 Test purpose

To verify that the UE ACLR does not exceed prescribed limit shown in table 5.10B.1. This is applicable for all values of β_c , β_d , β_{hs} , β_{ec} and β_{ed} as specified in [5]. The maximum output power with HS-DPCCH and/or E-DCH is specified in table 5.2B.1.

Excess ACLR increases the interference to other channels or to other systems.

5.10B.4 Method of test

5.10B.4.1 Initial conditions

Test environment: normal, TL/VL, TL/VH, TH/VL, TH/VH; see clauses G.2.1 and G.2.2.

Frequencies to be tested: low range, mid range, high range; see clause G.2.4.

- 1) Connect the SS (node B emulator) to the UE antenna connector as shown in figure A.1.
- 2) The UL Reference Measurement Channel and the Fixed Reference Channels (FRC H-Set 1, QPSK) are specified in Annex C.11.1 and C.8.1.1.
- 3) An E-DCH call is set up according to TS 34.108 [3] 7.3.9, with the exceptions in the RADIO BEARER SETUP messages as given in Tables 5.2B.1A, 5.2B.2, 5.2B.3, 5.2B.3A and 5.2B.4. These exceptions allow the beta values to be set according to table C.11.1.3 and each UL physical channel to be at constant power during the measurement. RF parameters are set up according to table E.5A.1. Settings for the serving cell are defined in table 5.10B.1A.
- 4) For sub-test 1 to 4, enter the UE into loopback test mode 1 looping back both the 12.2kbps RMC and HSDPA to E-DCH according to procedure 7.3.9.3.1 in TS 34.108 [3] and start the loopback test. For sub-test 5, enter the UE into loopback test mode 1 looping back HSDPA to E-DCH according to procedure 7.3.9.3.2 in TS 34.108 [3] and start the loopback test.

See TS 34.109 [4] clauses 5.3.2.3 and 5.3.2.6 for details regarding loopback test mode for HSDPA and E-DCH.

Table 5.10B.1A: Settings for the serving cell during the measurement of Adjacent Channel Leakage Power Ratio (ACLR) with E-DCH

| Parameter | Unit | Cell 1 |
|--|--------------|--------------------------------|
| Cell type | | Serving cell |
| UTRA RF Channel Number | | As defined in clause 5.10B.4.1 |
| Qqualmin | dB | -24 |
| Qrxlevmin | dBm | -115 |
| UE_TXPWR_MAX_RACH | dBm | +21 |
| \hat{I}_{or} (see notes 1 and 2) | dBm/3.84 MHz | -86 |
| NOTE 1: The power level is specified in terms of \hat{I}_{or} instead of CPICH_RSCP because RSCP is a receiver measurement, whereas the SS can only set \hat{I}_{or} . | | |
| NOTE 2: The cell fulfils TS 25.304, 5.2.3.1.2. | | |

5.10B.4.2 Procedure

- 1) For sub-test 1 to 4, set UE to maximum output power according to 5.2B.4.2.1 steps 1 to 8. For sub-test 5, set UE to maximum output power according to 5.2B.4.2.2 step 1 to 4.
- 2) When UE has reached the maximum power, measure the RRC filtered mean power on the wanted channel. The measurement period shall be inside the HS-DPCCH on-period for the wanted and the adjacent channels.
- 3) Measure the RRC filtered mean power of the first adjacent channels and the second adjacent channels.
- 4) Calculate the ratio of the power between the values measured in step 2) and step 3).
- 5) Repeat steps 1-4 for all the different combinations of beta values as given in table C.11.1.3.

5.10B.5 Test requirements

The measured ACLR, derived in step 4), shall be higher than the limit in table 5.10B.2.

Table 5.10B.2: UE ACLR

| Power Class | UE channel | ACLR limit |
|-------------|--------------------|------------|
| 3 | +5 MHz or –5 MHz | 32.2 dB |
| 3 | +10 MHz or –10 MHz | 42.2 dB |
| 4 | +5 MHz or –5 MHz | 32.2 dB |
| 4 | +10 MHz or –10 MHz | 42.2 dB |

NOTE: If the above Test Requirement differs from the Minimum Requirement then the Test Tolerance applied for this test is non-zero. The Test Tolerance for this test is defined in clause F.2 and the explanation of how the Minimum Requirement has been relaxed by the Test Tolerance is given in clause

5.10C Adjacent Channel Leakage Power Ratio (ACLR) with E-DCH for DC-HSUPA (QPSK)

5.10C.1 Definition and applicability

In the case dual adjacent carriers are assigned on the uplink, ACLR is the ratio of the sum of the RRC filtered mean powers centred on each of the two assigned channel frequencies to the RRC filtered mean power centred on an adjacent channel frequency.

The requirements and this test apply for Release 9 and later releases to all types of UTRA for the FDD UE that support HSDPA and Dual Cell E-DCH.

5.10C.2 Minimum Requirements

If the adjacent channel RRC filtered mean power is greater than –50dBm then the ACLR shall be higher than the value specified in table 5.10C.1. This is applicable for all values of β_c , β_{hs} , β_{ec} and β_{ed} as specified in [5]. However, it is necessary to verify the requirements only for the DC-HSUPA configurations in subclause C.2.8.

Table 5.10C.1: UE ACLR for DC-HSUPA

| Power Class | Adjacent channel frequency relative to the centre of two assigned channel frequencies | ACLR limit |
|-------------|---|------------|
| 3 | + 7.5 MHz or - 7.5 MHz | 33 dB |
| 3 | + 12.5 MHz or - 12.5 MHz | 36 dB |
| 4 | + 7.5 MHz or - 7.5 MHz | 33 dB |
| 4 | + 12.5 MHz or -12.5 MHz | 36 dB |

NOTE 1: The requirement shall still be met in the presence of switching transients.

NOTE 2: The ACLR requirements reflect what can be achieved with present state of the art technology.

NOTE 3: Requirement on the UE shall be reconsidered when the state of the art technology progresses.

The normative reference for this requirement is TS 25.101 [1] clause 6.6.2.2.1A.

5.10C.3 Test purpose

To verify that the UE ACLR does not exceed prescribed limit shown in table 5.10C.1. This is applicable for all values of β_c , β_d , β_{hs} , β_{ec} and β_{ed} as specified in [5].

Excess ACLR increases the interference to other channels or to other systems.

5.10C.4 Method of test

5.10C.4.1 Initial conditions

Test environment: normal, TL/VL, TL/VH, TH/VL, TH/VH; see clauses G.2.1 and G.2.2.

Frequencies to be tested: low range, mid range, high range; see clause G.2.4.

- 1) Connect the SS (node B emulator) to the UE antenna connector as shown in figure A.41.
- 2) The UL Reference Measurement Channel and parameters are specified in Annex C.2.8 and C.11A. The DL Reference Measurement Channel (FRC H-SET 3A, QPSK) is specified in C.8.1.1.
- 3) An E-DCH call is set up according to TS 34.108 [3] 7.3.14, with the exceptions in the RADIO BEARER SETUP messages as given in Tables 5.2BA.2, 5.2BA.3, 5.2BA.4 and 5.2BA.5. These exceptions allow the beta values to be set according to table C.11A.1.1, table C.11A.1.2 and each UL physical channel to be at constant power during the measurement. RF parameters are set up according to table E.5A.1A. Settings for the serving cell are defined in table 5.10C.2.
- 4) Enter the UE into loopback test mode 1 looping back HSDPA to E-DCH according to procedure 7.3.14.3 in TS 34.108 [3] and start the loopback test.

See TS 34.109 [4] clauses 5.3.2.3 and 5.3.2.6 for details regarding loopback test mode for HSDPA and E-DCH.

Table 5.10C.2: Settings for the serving cell during the measurement of Adjacent Channel Leakage Power Ratio (ACLR) with E-DCH

| Parameter | Unit | Cell 1 |
|--|--------------|--------------------------------|
| Cell type | | Serving cell |
| UTRA RF Channel Number | | As defined in clause 5.10C.4.1 |
| Qqualmin | dB | -24 |
| Qrxlevmin | dBm | -115 |
| UE_TXPWR_MAX_RACH | dBm | +21 |
| \hat{I}_{or} (see notes 1 and 2) | dBm/3.84 MHz | -86 |
| NOTE 1: The power level is specified in terms of \hat{I}_{or} instead of CPICH_RSCP because RSCP is a receiver measurement, whereas the SS can only set \hat{I}_{or} . | | |
| NOTE 2: The cell fulfils TS 25.304, 5.2.3.1.2. | | |

5.10C.4.2 Procedure

- 1) Set UE to maximum output power according to 5.2BA.4.2 step 1 to 4.
- 2) Measure the sum of the RRC filtered mean powers centred on each of the two assigned channel frequencies. The measurement period shall be inside the HS-DPCCH on-period for the wanted and the adjacent channels.
- 3) Measure the RRC filtered mean power of the first adjacent channels and the second adjacent channels.
- 4) Calculate the ratio of the power between the values measured in step 2) and step 3).
- 5) Repeat steps 1-4 for all the different combinations of beta values as given in table C.11A.1.1.

5.10C.5 Test requirements

The measured ACLR, derived in step 4), shall be higher than the limit in table 5.10C.3.

Table 5.10C.3: UE ACLR for DC-HSUPA

| Power Class | Adjacent channel frequency relative to the centre of two assigned channel frequencies | ACLR limit |
|-------------|---|------------|
| 3 | + 7.5 MHz or - 7.5 MHz | 32.2 dB |
| 3 | + 12.5 MHz or - 12.5 MHz | 35.2 dB |
| 4 | + 7.5 MHz or - 7.5 MHz | 32.2 dB |
| 4 | + 12.5 MHz or -12.5 MHz | 35.2 dB |

NOTE: If the above Test Requirement differs from the Minimum Requirement then the Test Tolerance applied for this test is non-zero. The Test Tolerance for this test is defined in clause F.2 and the explanation of how the Minimum Requirement has been relaxed by the Test Tolerance is given in clause

5.10D Adjacent Channel Leakage Power Ratio (ACLR) with E-DCH for DC-HSUPA (16QAM)

5.10D.1 Definition and applicability

In the case dual adjacent carriers are assigned on the uplink, ACLR is the ratio of the sum of the RRC filtered mean powers centred on each of the two assigned channel frequencies to the RRC filtered mean power centred on an adjacent channel frequency.

The requirements and this test apply for Release 9 and later releases to all types of UTRA for the FDD UE that support HSDPA and Dual Cell E-DCH 16QAM UE capability category 9.

5.10D.2 Minimum Requirements

If the adjacent channel RRC filtered mean power is greater than -50dBm then the ACLR shall be higher than the value specified in table 5.10D.1. This is applicable for all values of β_c , β_{hs} , β_{ec} and β_{ed} as specified in [5]. However, it is necessary to verify the requirements only for the DC-HSUPA configurations in subclause C.2.8.

Table 5.10D.1: UE ACLR for DC-HSUPA

| Power Class | Adjacent channel frequency relative to the centre of two assigned channel frequencies | ACLR limit |
|-------------|---|------------|
| 3 | + 7.5 MHz or - 7.5 MHz | 33 dB |
| 3 | + 12.5 MHz or - 12.5 MHz | 36 dB |
| 4 | + 7.5 MHz or - 7.5 MHz | 33 dB |
| 4 | + 12.5 MHz or -12.5 MHz | 36 dB |

NOTE 1: The requirement shall still be met in the presence of switching transients.

NOTE 2: The ACLR requirements reflect what can be achieved with present state of the art technology.

NOTE 3: Requirement on the UE shall be reconsidered when the state of the art technology progresses.

The normative reference for this requirement is TS 25.101 [1] clause 6.6.2.2.1A.

5.10D.3 Test purpose

To verify that the UE ACLR does not exceed prescribed limit shown in table 5.10D.1. This is applicable for all values of β_c , β_d , β_{hs} , β_{ec} and β_{ed} as specified in [5].

Excess ACLR increases the interference to other channels or to other systems.

5.10D.4 Method of test

5.10D.4.1 Initial conditions

Test environment: normal, TL/VL, TL/VH, TH/VL, TH/VH; see clauses G.2.1 and G.2.2.

Frequencies to be tested: low range, mid range, high range; see clause G.2.4.

- 1) Connect the SS (node B emulator) to the UE antenna connector as shown in figure A.41.
- 2) The UL Reference Measurement Channel and parameters are specified in Annex C.2.8 and C.11A. The DL Reference Measurement Channel (FRC H-SET 3A, QPSK) is specified in C.8.1.1.
- 3) An E-DCH call is set up according to TS 34.108 [3] 7.3.14, with the exceptions in the RADIO BEARER SETUP messages as given in Tables 5.2BA.2, 5.2BA.3, 5.2BA.4 and 5.2BA.5. These exceptions allow the beta values to

be set according to table C.11A.1.1, table C.11A.1.2 and each UL physical channel to be at constant power during the measurement. RF parameters are set up according to table E.5A.1A. Settings for the serving cell are defined in table 5.10D.2.

- 4) Enter the UE into loopback test mode 1 looping back HSDPA to E-DCH according to procedure 7.3.14.3 in TS 34.108 [3] and start the loopback test.

See TS 34.109 [4] clauses 5.3.2.3 and 5.3.2.6 for details regarding loopback test mode for HSDPA and E-DCH.

Table 5.10D.2: Settings for the serving cell during the measurement of Adjacent Channel Leakage Power Ratio (ACLR) with E-DCH

| Parameter | Unit | Cell 1 |
|--|--------------|--------------------------------|
| Cell type | | Serving cell |
| UTRA RF Channel Number | | As defined in clause 5.10D.4.1 |
| Qqualmin | dB | -24 |
| Qrxlevmin | dBm | -115 |
| UE_TXPWR_MAX_RACH | dBm | +21 |
| \hat{I}_{or} (see notes 1 and 2) | dBm/3.84 MHz | -86 |
| NOTE 1: The power level is specified in terms of \hat{I}_{or} instead of CPICH_RSCP because RSCP is a receiver measurement, whereas the SS can only set \hat{I}_{or} . | | |
| NOTE 2: The cell fulfils TS 25.304, 5.2.3.1.2. | | |

5.10D.4.2 Procedure

- 1) Set UE to maximum output power according to 5.2BA.4.2 step 1 to 4.
- 2) Measure the sum of the RRC filtered mean powers centred on each of the two assigned channel frequencies. The measurement period shall be inside the HS-DPCCH on-period for the wanted and the adjacent channels.
- 3) Measure the RRC filtered mean power of the first adjacent channels and the second adjacent channels.
- 4) Calculate the ratio of the power between the values measured in step 2) and step 3).
- 5) Repeat steps 1-4 for all the different combinations of beta values as given in table C.11A.1.2.

5.10D.5 Test requirements

The measured ACLR, derived in step 4), shall be higher than the limit in table 5.10D.3.

Table 5.10D.3: UE ACLR for DC-HSUPA

| Power Class | Adjacent channel frequency relative to the centre of two assigned channel frequencies | ACLR limit |
|-------------|---|------------|
| 3 | + 7.5 MHz or - 7.5 MHz | 32.2 dB |
| 3 | + 12.5 MHz or - 12.5 MHz | 35.2 dB |
| 4 | + 7.5 MHz or - 7.5 MHz | 32.2 dB |
| 4 | + 12.5 MHz or -12.5 MHz | 35.2 dB |

NOTE: If the above Test Requirement differs from the Minimum Requirement then the Test Tolerance applied for this test is non-zero. The Test Tolerance for this test is defined in clause F.2 and the explanation of how the Minimum Requirement has been relaxed by the Test Tolerance is given in clause.

5.11 Spurious Emissions

5.11.1 Definition and applicability

Spurious emissions are emissions which are caused by unwanted transmitter effects such as harmonics emission, parasitic emission, intermodulation products and frequency conversion products, but exclude out of band emissions.

The frequency boundary and the detailed transitions of the limits between the requirement for out band emissions and spectrum emissions are based on ITU-R Recommendations SM.329.

The requirements and this test apply to all types of UTRA for the FDD UE.

5.11.2 Minimum Requirements

These requirements are only applicable for frequencies, which are greater than 12.5 MHz away from the UE centre carrier frequency.

Table 5.11.1a: General spurious emissions requirements

| Frequency Bandwidth | Measurement Bandwidth | Minimum requirement | Note |
|---|-----------------------|---------------------|--------|
| $9 \text{ kHz} \leq f < 150 \text{ kHz}$ | 1 kHz | -36 dBm | |
| $150 \text{ kHz} \leq f < 30 \text{ MHz}$ | 10 kHz | -36 dBm | |
| $30 \text{ MHz} \leq f < 1\,000 \text{ MHz}$ | 100 kHz | -36 dBm | |
| $1 \text{ GHz} \leq f < 12,75 \text{ GHz}$ | 1 MHz | -30 dBm | |
| $12,75 \text{ GHz} \leq f < 5^{\text{th}}$ harmonic of the upper frequency edge of the UL operating band in GHz | 1 MHz | -30 dBm | Note 1 |

NOTE 1: Applies only for Band XXII.

Table 5.11.1b: Additional spurious emissions requirements

| Operating Band | Frequency Bandwidth | Measurement Bandwidth | Minimum requirement |
|-----------------------------------|---------------------------------------|-----------------------|---------------------------------|
| I | 791 MHz \leq f \leq 821 MHz | 3.84 MHz | -60 dBm |
| | 852 MHz \leq f \leq 859 MHz | 1 MHz | -50 dBm |
| | 859 MHz \leq f \leq 895 MHz | 3.84 MHz | -60 dBm |
| | 921 MHz \leq f < 925 MHz | 100 kHz | -60 dBm (see note 1) |
| | 925 MHz \leq f \leq 935 MHz | 100 kHz 3.84 MHz | -67 dBm (see note 1) -60 dBm |
| | 935 MHz < f \leq 960 MHz | 100 kHz | -79 dBm (see note 1) |
| | 1475.9 MHz \leq f \leq 1510.9 MHz | 3.84 MHz | -60 dBm |
| | 1805 MHz \leq f \leq 1880 MHz | 100 kHz | -71 dBm (see note 1) |
| | 1844.9 MHz \leq f \leq 1879.9 MHz | 3.84 MHz | -60 dBm |
| | 1884.5 MHz < f < 1915.7 MHz | 300 kHz | -41 dBm |
| | 2110 MHz \leq f \leq 2170 MHz | 3.84 MHz | -60 dBm |
| 2585 MHz \leq f \leq 2690 MHz | 3.84 MHz | -60 dBm | |
| II | 729 MHz \leq f \leq 746 MHz | 3.84 MHz | -60 dBm |
| | 746 MHz \leq f \leq 758 MHz | 3.84 MHz | -60 dBm |
| | 758 MHz \leq f \leq 768 MHz | 3.84 MHz | -60 dBm |
| | 852 MHz \leq f \leq 859 MHz | 1 MHz | -50 dBm |
| | 859 MHz \leq f \leq 894 MHz | 3.84 MHz | -60 dBm |
| | 1930 MHz \leq f \leq 1990 MHz | 3.84 MHz | -60 dBm |
| | 2110 MHz \leq f \leq 2170 MHz | 3.84 MHz | -60 dBm |
| III | 791 MHz \leq f \leq 821 MHz | 3.84 MHz | -60 dBm |
| | 852 MHz \leq f \leq 869 MHz | 1 MHz | -50 dBm |
| | 921 MHz \leq f < 925 MHz | 100 kHz | -60 dBm (see note 1) |
| | 925 MHz \leq f \leq 935 MHz | 100 kHz 3.84 MHz | -67 dBm (see note 1) -60 dBm |
| | 935 MHz < f \leq 960 MHz | 100 kHz | -79 dBm (see note 1) |
| | 1805 MHz \leq f \leq 1880 MHz | 3.84 MHz | -60 dBm |
| | 2110 MHz \leq f \leq 2170 MHz | 3.84 MHz | -60 dBm |
| | 2585 MHz \leq f \leq 2690 MHz | 3.84 MHz | -60 dBm |
| IV | 729 MHz \leq f \leq 746 MHz | 3.84 MHz | -60 dBm |
| | 746 MHz \leq f \leq 756 MHz | 3.84 MHz | -60 dBm |
| | 758 MHz \leq f \leq 768 MHz | 3.84 MHz | -60 dBm |
| | 852 MHz \leq f \leq 859 MHz | 1 MHz | -50 dBm |
| | 859 MHz \leq f \leq 894 MHz | 3.84 MHz | -60 dBm |
| | 1930 MHz \leq f \leq 1990 MHz | 3.84 MHz | -60 dBm |
| | 2110 MHz \leq f \leq 2170 MHz | 3.84 MHz | -60 dBm |
| V | 729 MHz \leq f \leq 746 MHz | 3.84 MHz | -60 dBm |
| | 746 MHz \leq f \leq 756 MHz | 3.84 MHz | -60 dBm |
| | 758 MHz \leq f \leq 768 MHz | 3.84 MHz | -60 dBm |
| | 859 MHz \leq f \leq 869 MHz | 1 MHz | -27 dBm |
| | 869 MHz \leq f \leq 894 MHz | 3.84 MHz | -60 dBm |
| | 1930 MHz \leq f \leq 1990 MHz | 3.84 MHz | -60 dBm |
| 2110 MHz \leq f \leq 2170 MHz | 3.84 MHz | -60 dBm | |
| VI | 860 MHz \leq f < 875 MHz | 1 MHz | -37 dBm |
| | 875 MHz \leq f \leq 895 MHz | 3.84 MHz | -60 dBm |
| | 1475.9 MHz \leq f \leq 1510.9 MHz | 3.84 MHz | -60 dBm |
| | 1844.9 MHz \leq f \leq 1879.9 MHz | 3.84 MHz | -60 dBm |
| | 1884.5 MHz \leq f \leq 1915.7 MHz | 300 kHz | -41 dBm |
| 2110 MHz \leq f \leq 2170 MHz | 3.84 MHz | -60 dBm | |
| VII | 791 MHz \leq f \leq 821 MHz | 3.84 MHz | -60 dBm |
| | 852 MHz \leq f \leq 869 MHz | 1 MHz | -50 dBm |
| | 921 MHz \leq f < 925 MHz | 100 kHz | -60 dBm (see note 1) |
| | 925 MHz \leq f \leq 935 MHz | 100 kHz 3.84 MHz | -67 dBm (see note 1) -60 dBm |
| | 935 MHz < f \leq 960 MHz | 100 kHz | -79 dBm (see note 1) |
| | 1805 MHz \leq f \leq 1880 MHz | 100 kHz | -71 dBm (see note 1) |
| | 2110 MHz \leq f \leq 2170 MHz | 3.84 MHz | -60 dBm |
| | 2620 MHz \leq f \leq 2690 MHz | 3.84 MHz | -60 dBm |

| Operating Band | Frequency Bandwidth | Measurement Bandwidth | Minimum requirement |
|----------------|-----------------------------|-----------------------|---|
| | 2590 MHz ≤ f ≤ 2620 MHz | 3.84 MHz | -50 dBm |
| VIII | 791 MHz ≤ f ≤ 821 MHz | 3.84 MHz | -60 dBm |
| | 925 MHz ≤ f ≤ 935 MHz | 100 kHz 3.84 MHz | -67 dBm (see note 1) -60 dBm |
| | 935 MHz < f ≤ 960 MHz | 100 kHz 3.84 MHz | -79 dBm (see note 1) -60 dBm |
| | 1805 MHz < f ≤ 1830 MHz | 100 kHz 3.84 MHz | -71 dBm (see notes 1 and 2) -60 dBm (see note 2) |
| | 1830 MHz < f ≤ 1880 MHz | 100 kHz 3.84 MHz | -71 dBm (see note 1) -60 dBm |
| | 2110 MHz ≤ f ≤ 2170 MHz | 3.84 MHz | -60 dBm |
| | 2585 MHz ≤ f ≤ 2640 MHz | 3.84 MHz | -60 dBm |
| | 2640 MHz < f ≤ 2690 MHz | 3.84 MHz | -60 dBm (see note 2) |
| IX | 860 MHz ≤ f ≤ 895 MHz | 3.84 MHz | -60dBm |
| | 1475.9 MHz ≤ f ≤ 1510.9 MHz | 3.84 MHz | -60 dBm |
| | 1844.9 MHz ≤ f ≤ 1879.9 MHz | 3.84 MHz | -60dBm |
| | 1884.5 MHz ≤ f ≤ 1915.7 MHz | 300 kHz | -41 dBm |
| | 2110 MHz ≤ f ≤ 2170 MHz | 3.84 MHz | -60 dBm |
| X | 729 MHz ≤ f ≤ 746 MHz | 3.84 MHz | -60 dBm |
| | 746 MHz ≤ f ≤ 756 MHz | 3.84 MHz | -60 dBm |
| | 758 MHz ≤ f ≤ 768 MHz | 3.84 MHz | -60 dBm |
| | 852 MHz ≤ f ≤ 859 MHz | 1 MHz | -50 dBm |
| | 859 MHz ≤ f ≤ 894 MHz | 3.84 MHz | -60 dBm |
| | 1930 MHz ≤ f ≤ 1990 MHz | 3.84 MHz | -60 dBm |
| | 2110 MHz ≤ f ≤ 2170 MHz | 3.84 MHz | -60 dBm |
| XI | 860 MHz ≤ f ≤ 895 MHz | 3.84 MHz | -60 dBm |
| | 1475.9 MHz ≤ f ≤ 1510.9 MHz | 3.84 MHz | -60 dBm |
| | 1844.9 MHz ≤ f ≤ 1879.9 MHz | 3.84 MHz | -60 dBm |
| | 1884.5 MHz ≤ f ≤ 1915.7 MHz | 300 kHz | -41 dBm |
| | 2110 MHz ≤ f ≤ 2170 MHz | 3.84 MHz | -60 dBm |
| XII | 729 MHz ≤ f ≤ 746 MHz | 3.84 MHz | -60 dBm |
| | 746 MHz ≤ f ≤ 756 MHz | 3.84 MHz | -60 dBm |
| | 758 MHz ≤ f ≤ 768 MHz | 3.84 MHz | -60 dBm |
| | 852 MHz ≤ f ≤ 859 MHz | 1 MHz | -50 dBm |
| | 859 MHz ≤ f ≤ 894 MHz | 3.84 MHz | -60 dBm |
| | 1930 MHz ≤ f ≤ 1990 MHz | 3.84 MHz | -60 dBm |
| | 2110 MHz ≤ f ≤ 2170 MHz | 3.84 MHz | -60 dBm |
| XIII | 729 MHz ≤ f ≤ 746 MHz | 3.84 MHz | -60 dBm |
| | 746 MHz ≤ f ≤ 756MHz | 3.84 MHz | -60 dBm |
| | 758 MHz ≤ f ≤ 768 MHz | 3.84 MHz | -60 dBm |
| | 763 MHz ≤ f ≤ 775 MHz | 6.25 kHz | [TBD] dBm (see note 3) |
| | 793 MHz ≤ f ≤ 805 MHz | 6.25 kHz | [TBD] dBm (see note 3) |
| | 852 MHz ≤ f ≤ 859 MHz | 1 MHz | -50 dBm |
| | 859 MHz ≤ f ≤ 894 MHz | 3.84 MHz | -60 dBm |
| | 1930 MHz ≤ f ≤ 1990 MHz | 3.84 MHz | -60 dBm |
| | 2110 MHz ≤ f ≤ 2170 MHz | 3.84 MHz | -60 dBm |
| XIV | 729 MHz ≤ f ≤ 746 MHz | 3.84 MHz | -60 dBm |
| | 746 MHz ≤ f ≤ 756 MHz | 3.84 MHz | -60 dBm |
| | 758 MHz ≤ f ≤ 768 MHz | 3.84 MHz | -60 dBm |
| | 852 MHz ≤ f ≤ 859 MHz | 1 MHz | -50 dBm |
| | 759 MHz ≤ f ≤ 775 MHz | 6.25 kHz | [TBD] dBm (see note 3) |
| | 799 MHz ≤ f ≤ 805 MHz | 6.25 kHz | [TBD] dBm (see note 3) |
| | 869 MHz ≤ f ≤ 894 MHz | 3.84 MHz | -60 dBm |
| | 1930 MHz ≤ f ≤ 1990 MHz | 3.84 MHz | -60 dBm |
| | 2110 MHz ≤ f ≤ 2170 MHz | 3.84 MHz | -60 dBm |
| XIX | 860 MHz ≤ f < 875 MHz | 1 MHz | -37 dBm |
| | 875 MHz ≤ f ≤ 895 MHz | 3.84 MHz | -60 dBm |
| | 1475.9 MHz ≤ f ≤ 1500.9 MHz | 3.84 MHz | -60 dBm |
| | 1844.9 MHz ≤ f ≤ 1879.9 MHz | 3.84 MHz | -60 dBm |
| | 1884.5 MHz ≤ f ≤ 1915.7 MHz | 300 kHz | -41 dBm |

| Operating Band | Frequency Bandwidth | Measurement Bandwidth | Minimum requirement |
|----------------|---|-----------------------|---------------------|
| | $2110 \text{ MHz} \leq f \leq 2170 \text{ MHz}$ | 3.84 MHz | -60 dBm |

| Operating Band | Frequency Bandwidth | Measurement Bandwidth | Minimum requirement |
|----------------|---|-----------------------|---------------------------------|
| XX | $791 \text{ MHz} \leq f \leq 821 \text{ MHz}$ | 3.84 MHz | -60 dBm |
| | $921 \text{ MHz} \leq f < 925 \text{ MHz}$ | 100 kHz | -60 dBm (see note 1) |
| | $925 \text{ MHz} \leq f \leq 935 \text{ MHz}$ | 100 kHz 3.84 MHz | -67 dBm (see note 1) -60 dBm |
| | $935 \text{ MHz} < f \leq 960 \text{ MHz}$ | 100 kHz | -79 dBm (see note 1) |
| | $1805 \text{ MHz} \leq f \leq 1880 \text{ MHz}$ | 100 kHz | -71 dBm (see note 1) |
| | $2110 \text{ MHz} \leq f \leq 2170 \text{ MHz}$ | 3.84 MHz | -60 dBm |
| | $2620 \text{ MHz} \leq f \leq 2690 \text{ MHz}$ | 3.84 MHz | -60 dBm |
| | $2590 \text{ MHz} \leq f \leq 2620 \text{ MHz}$ | 3.84 MHz | -50 dBm |
| XXI | $860 \text{ MHz} \leq f \leq 895 \text{ MHz}$ | 3.84 MHz | -60 dBm |
| | $1475.9 \text{ MHz} \leq f \leq 1510.9 \text{ MHz}$ | 1 MHz | -35 dBm |
| | $1844.9 \text{ MHz} \leq f \leq 1879.9 \text{ MHz}$ | 3.84 MHz | -60 dBm |
| | $1884.5 \text{ MHz} \leq f \leq 1915.7 \text{ MHz}$ | 300 kHz | -41 dBm |
| | $2110 \text{ MHz} \leq f \leq 2170 \text{ MHz}$ | 3.84 MHz | -60 dBm |
| XXII | $791 \text{ MHz} \leq f \leq 821 \text{ MHz}$ | 3.84 MHz | -60 dBm |
| | $852 \text{ MHz} \leq f \leq 859 \text{ MHz}$ | 1 MHz | -50 dBm |
| | $859 \text{ MHz} \leq f \leq 894 \text{ MHz}$ | 3.84 MHz | -60 dBm |
| | $921 \text{ MHz} \leq f < 925 \text{ MHz}$ | 100 kHz | -60 dBm (see note 1) |
| | $925 \text{ MHz} \leq f \leq 935 \text{ MHz}$ | 100 kHz 3.84 MHz | -67 dBm (see note 1) -60 dBm |
| | $935 \text{ MHz} < f \leq 960 \text{ MHz}$ | 100 kHz | -79 dBm (see note 1) |
| | $1805 \text{ MHz} \leq f \leq 1880 \text{ MHz}$ | 100 kHz | -71 dBm (see note 1) |
| | $1880 \text{ MHz} \leq f \leq 1920 \text{ MHz}$ | 3.84 MHz | -60 dBm |
| | $2010 \text{ MHz} \leq f \leq 2025 \text{ MHz}$ | 3.84 MHz | -60 dBm |
| | $2110 \text{ MHz} \leq f \leq 2170 \text{ MHz}$ | 3.84 MHz | -60 dBm |
| | $2300 \text{ MHz} \leq f \leq 2400 \text{ MHz}$ | 3.84 MHz | -60 dBm |
| | $2620 \text{ MHz} \leq f \leq 2690 \text{ MHz}$ | 3.84 MHz | -60 dBm |
| | $2590 \text{ MHz} \leq f \leq 2620 \text{ MHz}$ | 3.84 MHz | -50 dBm |
| | $3510 \text{ MHz} \leq f \leq 3525 \text{ MHz}$ | 1 MHz | -40 dBm |
| | $3525 \text{ MHz} \leq f \leq 3590 \text{ MHz}$ | 1 MHz | -50 dBm |
| | $3600 \text{ MHz} \leq f \leq 3800 \text{ MHz}$ | 3.84 MHz | -50 dBm |
| XXV | $729 \text{ MHz} \leq f \leq 746 \text{ MHz}$ | 3.84 MHz | -60 dBm |
| | $746 \text{ MHz} \leq f \leq 756 \text{ MHz}$ | 3.84 MHz | -60 dBm |
| | $758 \text{ MHz} \leq f \leq 768 \text{ MHz}$ | 3.84 MHz | -60 dBm |
| | $852 \text{ MHz} \leq f \leq 859 \text{ MHz}$ | 1 MHz | -50 dBm |
| | $859 \text{ MHz} \leq f \leq 894 \text{ MHz}$ | 3.84 MHz | -60 dBm |
| | $1525 \text{ MHz} \leq f \leq 1559 \text{ MHz}$ | 3.84 MHz | -60 dBm |
| | $1930 \text{ MHz} \leq f \leq 1995 \text{ MHz}$ | 3.84 MHz | -60 dBm |
| | $2110 \text{ MHz} \leq f \leq 2170 \text{ MHz}$ | 3.84 MHz | -60 dBm |
| | $2180 \text{ MHz} \leq f \leq 2200 \text{ MHz}$ | 1 MHz | -50 dBm |
| | $2496 \text{ MHz} \leq f \leq 2690 \text{ MHz}$ | 1 MHz | -50 dBm |
| | $3510 \text{ MHz} \leq f \leq 3590 \text{ MHz}$ | 3.84 MHz | -60 dBm |
| | $3400 \text{ MHz} \leq f \leq 3800 \text{ MHz}$ | 1 MHz | -50 dBm (see note 2) |
| XXVI | $703 \text{ MHz} \leq f \leq 729 \text{ MHz}$ | 1 MHz | -50 dBm |
| | $729 \text{ MHz} \leq f \leq 768 \text{ MHz}$ | 3.84 MHz | -60 dBm |
| | $768 \text{ MHz} \leq f \leq 799 \text{ MHz}$ | 1 MHz | -50 dBm |
| | $799 \text{ MHz} \leq f \leq 803 \text{ MHz}$ | 1 MHz | -40 dBm |
| | $859 \text{ MHz} \leq f \leq 894 \text{ MHz}$ | 3.84 MHz | -60 dBm |
| | $1475.9 \text{ MHz} \leq f \leq 1510.9 \text{ MHz}$ | 3.84 MHz | -60 dBm |
| | $1525 \text{ MHz} \leq f \leq 1559 \text{ MHz}$ | 1 MHz | -50 dBm |
| | $1844.9 \text{ MHz} \leq f \leq 1879.9 \text{ MHz}$ | 3.84 MHz | -60 dBm |
| | $1884.5 \text{ MHz} \leq f \leq 1919.6 \text{ MHz}$ | 300 kHz | -41 dBm |
| | $1930 \text{ MHz} \leq f \leq 1995 \text{ MHz}$ | 3.84 MHz | -60 dBm |
| | $2010 \text{ MHz} \leq f \leq 2025 \text{ MHz}$ | 1 MHz | -50 dBm |
| | $2110 \text{ MHz} \leq f \leq 2170 \text{ MHz}$ | 3.84 MHz | -60 dBm |
| | $2180 \text{ MHz} \leq f \leq 2200 \text{ MHz}$ | 1 MHz | -50 dBm |
| | $2300 \text{ MHz} \leq f \leq 2400 \text{ MHz}$ | 1 MHz | -50 dBm |
| | $2496 \text{ MHz} \leq f \leq 2690 \text{ MHz}$ | 1 MHz | -50 dBm (see note 2) |
| | $3400 \text{ MHz} \leq f \leq 3800 \text{ MHz}$ | 1 MHz | -50 dBm |

| Operating Band | Frequency Bandwidth | Measurement Bandwidth | Minimum requirement |
|---|---------------------|-----------------------|---------------------|
| NOTE 1: The measurements are made on frequencies which are integer multiples of 200 kHz. As exceptions, up to five measurements with a level up to the applicable requirements defined in table 5.11.1a are permitted for each UARFCN used in the measurement. | | | |
| NOTE 2: The measurements are made on frequencies which are integer multiples of 200 kHz. As exceptions, measurements with a level up to the applicable requirements defined in Table 5.11.1a are permitted for each UARFCN used in the measurement due to 2 nd or 3 rd harmonic spurious emissions. | | | |
| NOTE 3: This requirement is applicable also for frequencies, which are between 2.5 MHz and 12.5 MHz away from the UE centre carrier frequency. | | | |
| NOTE 4: The frequency bandwidth protection 2585-2690 MHz test requirement for Bands I, III, and VIII deviates from the requirement in TS 25.101 [1] Rel-8 and earlier releases. The present document reflects the frequency bandwidth specified in the EN 301 908-2 [Ref.] which became a mandatory requirement after these earlier TS 25.101 releases were frozen. | | | |

NOTE: The applicability of each line in Table 5.11.1b for UEs of different releases is defined in TS 25.101 [1].

As exceptions, up to five measurements with a level up to the applicable requirements defined in table 5.11.1a are permitted in each of the bands, 925 MHz to 960 MHz and 1805 MHz to 1880 MHz for each UARFCN used in the measurement. The reference is 3GPP TS 45.005 [29].

The normative reference for this requirement is TS 25.101 [1] clause 6.6.3.1.

5.11.3 Test purpose

To verify that the UE spurious emissions do not exceed described value shown in table 5.11.1a and table 5.11.1b.

Excess spurious emissions increase the interference to other systems.

5.11.4 Method of test

5.11.4.1 Initial conditions

Test environment: normal; see clauses G.2.1 and G.2.2.

Frequencies to be tested: low range, mid range, high range; see clause G.2.4.

- 1) Connect the SS to the UE antenna connector as shown in figure A.8.
- 2) A call is set up according to the Generic call setup procedure in TS34.108 [3] sub clause 7.3.2.
- 3) Enter the UE into loopback test mode and start the loopback test.

See TS 34.108 [3] and TS 34.109 [4] for details regarding generic call setup procedure and loopback test.

5.11.4.2 Procedure

- 1) Set and send continuously Up power control commands to the UE until the UE output power shall be maximum level.
- 2) Sweep the spectrum analyzer (or equivalent equipment) over a frequency range and measure the average power of spurious emission.

5.11.5 Test requirements

The measured average power of spurious emission, derived in step 2), shall not exceed the described value in tables 5.11.2a and 5.11.2b.

These requirements are only applicable for frequencies, which are greater than 12,5 MHz away from the UE centre carrier frequency.

Table 5.11.2a: General spurious emissions test requirements

| Frequency Bandwidth | Measurement Bandwidth | Minimum requirement | Note |
|---|-----------------------|---------------------|--------|
| $9 \text{ kHz} \leq f < 150 \text{ kHz}$ | 1 kHz | -36 dBm | |
| $150 \text{ kHz} \leq f < 30 \text{ MHz}$ | 10 kHz | -36 dBm | |
| $30 \text{ MHz} \leq f < 1\,000 \text{ MHz}$ | 100 kHz | -36 dBm | |
| $1 \text{ GHz} \leq f < 12,75 \text{ GHz}$ | 1 MHz | -30 dBm | |
| $12,75 \text{ GHz} \leq f < 5^{\text{th}}$ harmonic of the upper frequency edge of the UL operating band in GHz | 1 MHz | -30 dBm | Note 1 |

NOTE 1: Applies only for Band XXII.

Table 5.11.2b: Additional spurious emissions test requirements

| Operating Band | Frequency Bandwidth | Measurement Bandwidth | Minimum requirement |
|----------------|---|-----------------------|----------------------|
| I | $791 \text{ MHz} \leq f \leq 821 \text{ MHz}$ | 3.84 MHz | -60 dBm |
| | $852 \text{ MHz} \leq f \leq 859 \text{ MHz}$ | 1 MHz | -50 dBm |
| | $859 \text{ MHz} \leq f \leq 895 \text{ MHz}$ | 3.84 MHz | -60 dBm |
| | $921 \text{ MHz} \leq f < 925 \text{ MHz}$ | 100 kHz | -60 dBm (see note 1) |
| | $925 \text{ MHz} \leq f \leq 935 \text{ MHz}$ | 100 kHz | -67 dBm (see note 1) |
| | $935 \text{ MHz} < f \leq 960 \text{ MHz}$ | 3.84 MHz | -60 dBm |
| | $935 \text{ MHz} < f \leq 960 \text{ MHz}$ | 100 kHz | -79 dBm (see note 1) |
| | $1475,9 \text{ MHz} \leq f \leq 1510,9 \text{ MHz}$ | 100 kHz | -60 dBm |
| | $1805 \text{ MHz} \leq f \leq 1880 \text{ MHz}$ | 3.84 MHz | -71 dBm (see note 1) |
| | $1844,9 \text{ MHz} \leq f \leq 1879,9 \text{ MHz}$ | 100 kHz | -60 dBm |
| | $1884,5 \text{ MHz} < f < 1915,7 \text{ MHz}$ | 300 kHz | -41 dBm |
| II | $2110 \text{ MHz} \leq f \leq 2170 \text{ MHz}$ | 3.84 MHz | -60 dBm |
| | $2585 \text{ MHz} \leq f \leq 2690 \text{ MHz}$ | 3.84 MHz | -60 dBm |
| | $729 \text{ MHz} \leq f \leq 746 \text{ MHz}$ | 3.84 MHz | -60 dBm |
| | $746 \text{ MHz} \leq f \leq 758 \text{ MHz}$ | 3.84 MHz | -60 dBm |
| | $758 \text{ MHz} \leq f \leq 768 \text{ MHz}$ | 3.84 MHz | -60 dBm |
| | $852 \text{ MHz} \leq f \leq 859 \text{ MHz}$ | 1 MHz | -50 dBm |
| | $859 \text{ MHz} \leq f \leq 894 \text{ MHz}$ | 3.84 MHz | -60 dBm |
| | $1930 \text{ MHz} \leq f \leq 1990 \text{ MHz}$ | 3.84 MHz | -60 dBm |
| III | $2110 \text{ MHz} \leq f \leq 2155 \text{ MHz}$ | 3.84 MHz | -60 dBm (see note 3) |
| | $2110 \text{ MHz} \leq f \leq 2170 \text{ MHz}$ | 3.84 MHz | -60 dBm (see note 4) |
| | $791 \text{ MHz} \leq f \leq 821 \text{ MHz}$ | 3.84 MHz | -60 dBm |
| | $852 \text{ MHz} \leq f \leq 869 \text{ MHz}$ | 1 MHz | -50 dBm |
| | $921 \text{ MHz} \leq f < 925 \text{ MHz}$ | 100 kHz | -60 dBm (see note 1) |
| | $925 \text{ MHz} \leq f \leq 935 \text{ MHz}$ | 100 kHz | -67 dBm (see note 1) |
| | $935 \text{ MHz} < f \leq 960 \text{ MHz}$ | 3.84 MHz | -60 dBm |
| | $935 \text{ MHz} < f \leq 960 \text{ MHz}$ | 100 kHz | -79 dBm (see note 1) |
| IV | $1805 \text{ MHz} \leq f \leq 1880 \text{ MHz}$ | 3.84 MHz | -60 dBm |
| | $2110 \text{ MHz} \leq f \leq 2170 \text{ MHz}$ | 3.84 MHz | -60 dBm |
| | $2585 \text{ MHz} \leq f \leq 2690 \text{ MHz}$ | 3.84 MHz | -60 dBm |
| | $729 \text{ MHz} \leq f \leq 746 \text{ MHz}$ | 3.84 MHz | -60 dBm |
| | $746 \text{ MHz} \leq f \leq 756 \text{ MHz}$ | 3.84 MHz | -60 dBm |
| IV | $758 \text{ MHz} \leq f \leq 768 \text{ MHz}$ | 3.84 MHz | -60 dBm |
| | $852 \text{ MHz} \leq f \leq 859 \text{ MHz}$ | 1 MHz | -50 dBm |
| | $859 \text{ MHz} \leq f \leq 894 \text{ MHz}$ | 3.84 MHz | -60 dBm |
| | $1930 \text{ MHz} \leq f \leq 1990 \text{ MHz}$ | 3.84 MHz | -60 dBm |
| | $1930 \text{ MHz} \leq f \leq 1990 \text{ MHz}$ | 3.84 MHz | -60 dBm |

| Operating Band | Frequency Bandwidth | Measurement Bandwidth | Minimum requirement |
|----------------|---|-----------------------|---|
| | $2110 \text{ MHz} \leq f \leq 2155 \text{ MHz}$ | 3.84 MHz | -60 dBm (see note 3) |
| | $2110 \text{ MHz} \leq f \leq 2170 \text{ MHz}$ | 3.84 MHz | -60 dBm (see note 4) |
| V | $729 \text{ MHz} \leq f \leq 746 \text{ MHz}$ | 3.84 MHz | -60 dBm |
| | $746 \text{ MHz} \leq f \leq 756 \text{ MHz}$ | 3.84 MHz | -60 dBm |
| | $758 \text{ MHz} \leq f \leq 768 \text{ MHz}$ | 3.84 MHz | -60 dBm |
| | $859 \text{ MHz} \leq f \leq 869 \text{ MHz}$ | 1 MHz | -27 dBm |
| | $869 \text{ MHz} \leq f \leq 894 \text{ MHz}$ | 3.84 MHz | -60 dBm |
| | $1930 \text{ MHz} \leq f \leq 1990 \text{ MHz}$ | 3.84 MHz | -60 dBm |
| | $2110 \text{ MHz} \leq f \leq 2155 \text{ MHz}$ | 3.84 MHz | -60 dBm (see note 3) |
| | $2110 \text{ MHz} \leq f \leq 2170 \text{ MHz}$ | 3.84 MHz | -60 dBm (see note 4) |
| VI | $860 \text{ MHz} \leq f < 875 \text{ MHz}$ | 1 MHz | -37 dBm |
| | $875 \text{ MHz} \leq f \leq 895 \text{ MHz}$ | 3.84 MHz | -60 dBm |
| | $1475.9 \text{ MHz} \leq f \leq 1510.9 \text{ MHz}$ | 3.84 MHz | -60 dBm |
| | $1844.9 \text{ MHz} \leq f \leq 1879.9 \text{ MHz}$ | 3.84 MHz | -60 dBm |
| | $1884.5 \text{ MHz} \leq f \leq 1915.7 \text{ MHz}$ | 300 kHz | -41 dBm |
| | $2110 \text{ MHz} \leq f \leq 2170 \text{ MHz}$ | 3.84 MHz | -60 dBm |
| VII | $791 \text{ MHz} \leq f \leq 821 \text{ MHz}$ | 3.84 MHz | -60 dBm |
| | $852 \text{ MHz} \leq f \leq 869 \text{ MHz}$ | 1 MHz | -50 dBm |
| | $921 \text{ MHz} \leq f < 925 \text{ MHz}$ | 100 kHz | -60 dBm (see note 1) |
| | $925 \text{ MHz} \leq f \leq 935 \text{ MHz}$ | 100 kHz 3.84 MHz | -67 dBm (see note 1) -60 dBm |
| | $935 \text{ MHz} < f \leq 960 \text{ MHz}$ | 100 kHz | -79 dBm (see note 1) |
| | $1805 \text{ MHz} \leq f \leq 1880 \text{ MHz}$ | 100 kHz | -71 dBm (see note 1) |
| | $2110 \text{ MHz} \leq f \leq 2170 \text{ MHz}$ | 3.84 MHz | -60 dBm |
| | $2620 \text{ MHz} \leq f \leq 2690 \text{ MHz}$ | 3.84 MHz | -60 dBm |
| | $2590 \text{ MHz} \leq f \leq 2620 \text{ MHz}$ | 3.84 MHz | -50 dBm |
| VIII | $791 \text{ MHz} \leq f \leq 821 \text{ MHz}$ | 3.84 MHz | -60 dBm |
| | $925 \text{ MHz} \leq f \leq 935 \text{ MHz}$ | 100 kHz 3.84 MHz | -67 dBm (see note 1) -60 dBm |
| | $935 \text{ MHz} < f \leq 960 \text{ MHz}$ | 100 kHz 3.84 MHz | -79 dBm (see note 1) -60 dBm |
| | $1805 \text{ MHz} < f \leq 1830 \text{ MHz}$ | 100 kHz 3.84 MHz | -71 dBm (see notes 1 and 2) -60 dBm (see note 2) |
| | $1830 \text{ MHz} < f \leq 1880 \text{ MHz}$ | 100 kHz 3.84 MHz | -71 dBm (see note 1) -60 dBm |
| | $2110 \text{ MHz} \leq f \leq 2170 \text{ MHz}$ | 3.84 MHz | -60 dBm |
| | $2585 \text{ MHz} \leq f \leq 2640 \text{ MHz}$ | 3.84 MHz | -60 dBm |
| | $2640 \text{ MHz} < f \leq 2690 \text{ MHz}$ | 3.84 MHz | -60 dBm (see note 2) |
| IX | $860 \text{ MHz} \leq f \leq 895 \text{ MHz}$ | 3.84 MHz | -60dBm |
| | $1475.9 \text{ MHz} \leq f \leq 1510.9 \text{ MHz}$ | 3.84 MHz | -60 dBm |
| | $1844.9 \text{ MHz} \leq f \leq 1879.9 \text{ MHz}$ | 3.84 MHz | -60dBm |
| | $1884.5 \text{ MHz} \leq f \leq 1915.7 \text{ MHz}$ | 300 kHz | -41 dBm |
| | $2110 \text{ MHz} \leq f \leq 2170 \text{ MHz}$ | 3.84 MHz | -60 dBm |
| X | $729 \text{ MHz} \leq f \leq 746 \text{ MHz}$ | 3.84 MHz | -60 dBm |
| | $746 \text{ MHz} \leq f \leq 756 \text{ MHz}$ | 3.84 MHz | -60 dBm |
| | $758 \text{ MHz} \leq f \leq 768 \text{ MHz}$ | 3.84 MHz | -60 dBm |
| | $852 \text{ MHz} \leq f \leq 859 \text{ MHz}$ | 1 MHz | -50 dBm |
| | $859 \text{ MHz} \leq f \leq 895 \text{ MHz}$ | 3.84 MHz | -60 dBm |
| | $1930 \text{ MHz} \leq f \leq 1990 \text{ MHz}$ | 3.84 MHz | -60 dBm |
| | $2110 \text{ MHz} \leq f \leq 2170 \text{ MHz}$ | 3.84 MHz | -60 dBm |
| | | | |
| XI | $860 \text{ MHz} \leq f \leq 895 \text{ MHz}$ | 3.84 MHz | -60 dBm |
| | $1475.9 \text{ MHz} \leq f \leq 1510.9 \text{ MHz}$ | 3.84 MHz | -60 dBm |
| | $1844.9 \text{ MHz} \leq f \leq 1879.9 \text{ MHz}$ | 3.84 MHz | -60 dBm |
| | $1884.5 \text{ MHz} \leq f \leq 1915.7 \text{ MHz}$ | 300 kHz | -41 dBm |
| | $2110 \text{ MHz} \leq f \leq 2170 \text{ MHz}$ | 3.84 MHz | -60 dBm |
| XII | $729 \text{ MHz} \leq f \leq 746 \text{ MHz}$ | 3.84 MHz | -60 dBm |
| | $746 \text{ MHz} \leq f \leq 756 \text{ MHz}$ | 3.84 MHz | -60 dBm |

| Operating Band | Frequency Bandwidth | Measurement Bandwidth | Minimum requirement |
|-------------------------|-----------------------------|-----------------------|---------------------------------|
| | 758 MHz ≤ f ≤ 768 MHz | 3.84 MHz | -60 dBm |
| | 852 MHz ≤ f ≤ 859 MHz | 1 MHz | -50 dBm |
| | 859 MHz ≤ f ≤ 894 MHz | 3.84 MHz | -60 dBm |
| | 1930 MHz ≤ f ≤ 1990 MHz | 3.84 MHz | -60 dBm |
| | 2110 MHz ≤ f ≤ 2170 MHz | 3.84 MHz | -60 dBm |
| XIII | 729 MHz ≤ f ≤ 746 MHz | 3.84 MHz | -60 dBm |
| | 746 MHz ≤ f ≤ 756 MHz | 3.84 MHz | -60 dBm |
| | 758 MHz ≤ f ≤ 768 MHz | 3.84 MHz | -60 dBm |
| | 763 MHz ≤ f ≤ 775 MHz | 6.25 kHz | [TBD] dBm (see note 6) |
| | 793 MHz ≤ f ≤ 805 MHz | 6.25 kHz | [TBD] dBm (see note 6) |
| | 852 MHz ≤ f ≤ 859 MHz | 1 MHz | -50 dBm |
| | 859 MHz ≤ f ≤ 894 MHz | 3.84 MHz | -60 dBm |
| | 1930 MHz ≤ f ≤ 1990 MHz | 3.84 MHz | -60 dBm |
| | 2110 MHz ≤ f ≤ 2170 MHz | 3.84 MHz | -60 dBm |
| | XIV | 729 MHz ≤ f ≤ 746 MHz | 3.84 MHz |
| 746 MHz ≤ f ≤ 756 MHz | | 3.84 MHz | -60 dBm |
| 758 MHz ≤ f ≤ 768 MHz | | 3.84 MHz | -60 dBm |
| 769 MHz ≤ f ≤ 775 MHz | | 6.25 kHz | [TBD] dBm (see note 6) |
| 799 MHz ≤ f ≤ 805 MHz | | 6.25 kHz | [TBD] dBm (see note 6) |
| 852 MHz ≤ f ≤ 859 MHz | | 1 MHz | -50 dBm |
| 859 MHz ≤ f ≤ 894 MHz | | 3.84 MHz | -60 dBm |
| 1930 MHz ≤ f ≤ 1990 MHz | | 3.84 MHz | -60 dBm |
| 2110 MHz ≤ f ≤ 2170 MHz | | 3.84 MHz | -60 dBm |
| XIX | | 860 MHz ≤ f < 875 MHz | 1 MHz |
| | 875 MHz ≤ f ≤ 895 MHz | 3.84 MHz | -60 dBm |
| | 1475.9 MHz ≤ f ≤ 1510.9 MHz | 3.84 MHz | -60 dBm |
| | 1844.9 MHz ≤ f ≤ 1879.9 MHz | 3.84 MHz | -60 dBm |
| | 1884.5 MHz ≤ f ≤ 1915.7 MHz | 300 kHz | -41 dBm |
| | 2110 MHz ≤ f ≤ 2170 MHz | 3.84 MHz | -60 dBm |
| XX | 791 MHz ≤ f ≤ 821 MHz | 3.84 MHz | -60 dBm |
| | 921 MHz ≤ f < 925 MHz | 100 kHz | -60 dBm (see note 1) |
| | 925 MHz ≤ f ≤ 935 MHz | 100 kHz 3.84 MHz | -67 dBm (see note 1) -60 dBm |
| | 935 MHz < f ≤ 960 MHz | 100 kHz | -79 dBm (see note 1) |
| | 1805 MHz ≤ f ≤ 1880 MHz | 100 kHz | -71 dBm (see note 1) |
| | 2110 MHz ≤ f ≤ 2170 MHz | 3.84 MHz | -60 dBm |
| | 2620 MHz ≤ f ≤ 2690 MHz | 3.84 MHz | -60 dBm |
| | 2590 MHz ≤ f ≤ 2620 MHz | 3.84 MHz | -50 dBm |
| XXI | 860 MHz ≤ f ≤ 895 MHz | 3.84 MHz | -60 dBm |
| | 1475.9 MHz ≤ f ≤ 1510.9 MHz | 1 MHz | -35 dBm |
| | 1844.9 MHz ≤ f ≤ 1879.9 MHz | 3.84 MHz | -60 dBm |
| | 1884.5 MHz ≤ f ≤ 1915.7 MHz | 300 kHz | -41 dBm |
| | 2110 MHz ≤ f ≤ 2170 MHz | 3.84 MHz | -60 dBm |
| XXII | 791 MHz ≤ f ≤ 821 MHz | 3.84 MHz | -60 dBm |
| | 852 MHz ≤ f ≤ 859 MHz | 1 MHz | -50 dBm |
| | 859 MHz ≤ f ≤ 894 MHz | 3.84 MHz | -60 dBm |
| | 921 MHz ≤ f < 925 MHz | 100 kHz | -60 dBm (see note 1) |
| | 925 MHz ≤ f ≤ 935 MHz | 100 kHz 3.84 MHz | -67 dBm (see note 1) -60 dBm |
| | 935 MHz < f ≤ 960 MHz | 100 kHz | -79 dBm (see note 1) |
| | 1805 MHz ≤ f ≤ 1880 MHz | 100 kHz | -71 dBm (see note 1) |
| | 1880 MHz ≤ f ≤ 1920 MHz | 3.84 MHz | -60 dBm |
| | 2010 MHz ≤ f ≤ 2025 MHz | 3.84 MHz | -60 dBm |
| | 2110 MHz ≤ f ≤ 2170 MHz | 3.84 MHz | -60 dBm |
| | 2300 MHz ≤ f ≤ 2400 MHz | 3.84 MHz | -60 dBm |
| | 2620 MHz ≤ f ≤ 2690 MHz | 3.84 MHz | -60 dBm |
| | 2590 MHz ≤ f ≤ 2620 MHz | 3.84 MHz | -50 dBm |
| | 3510 MHz ≤ f ≤ 3525 MHz | 1 MHz | -40 dBm |
| | 3525 MHz ≤ f ≤ 3590 MHz | 1 MHz | -50 dBm |
| 3600 MHz ≤ f ≤ 3800 MHz | 3.84 MHz | -50 dBm | |

| Operating Band | Frequency Bandwidth | Measurement Bandwidth | Minimum requirement |
|--|-----------------------------|-----------------------|----------------------|
| XXV | 729 MHz ≤ f ≤ 746 MHz | 3.84 MHz | -60 dBm |
| | 746 MHz ≤ f ≤ 756 MHz | 3.84 MHz | -60 dBm |
| | 758 MHz ≤ f ≤ 768 MHz | 3.84 MHz | -60 dBm |
| | 852 MHz ≤ f ≤ 859 MHz | 1 MHz | -50 dBm |
| | 859 MHz ≤ f ≤ 894 MHz | 3.84 MHz | -60 dBm |
| | 1525 MHz ≤ f ≤ 1559 MHz | 3.84 MHz | -60 dBm |
| | 1930 MHz ≤ f ≤ 1995 MHz | 3.84 MHz | -60 dBm |
| | 2110 MHz ≤ f ≤ 2170 MHz | 3.84 MHz | -60 dBm |
| | 2180 MHz ≤ f ≤ 2200 MHz | 1 MHz | -50 dBm |
| | 2496 MHz ≤ f ≤ 2690 MHz | 1 MHz | -50 dBm |
| | 3510 MHz ≤ f ≤ 3590 MHz | 3.84 MHz | -60 dBm |
| | 3400 MHz ≤ f ≤ 3800 MHz | 1 MHz | -50 dBm (see note 2) |
| XXVI | 703 MHz ≤ f ≤ 729 MHz | 1 MHz | -50 dBm |
| | 729 MHz ≤ f ≤ 768 MHz | 3.84 MHz | -60 dBm |
| | 768 MHz ≤ f ≤ 799 MHz | 1 MHz | -50 dBm |
| | 799 MHz ≤ f ≤ 803 MHz | 1 MHz | -40 dBm |
| | 859 MHz ≤ f ≤ 894 MHz | 3.84 MHz | -60 dBm |
| | 1475.9 MHz ≤ f ≤ 1510.9 MHz | 3.84 MHz | -60 dBm |
| | 1525 MHz ≤ f ≤ 1559 MHz | 1 MHz | -50 dBm |
| | 1844.9 MHz ≤ f ≤ 1879.9 MHz | 3.84 MHz | -60 dBm |
| | 1884.5 MHz ≤ f ≤ 1919.6 MHz | 300 kHz | -41 dBm |
| | 1930 MHz ≤ f ≤ 1995 MHz | 3.84 MHz | -60 dBm |
| | 2010 MHz ≤ f ≤ 2025 MHz | 1 MHz | -50 dBm |
| | 2110 MHz ≤ f ≤ 2170 MHz | 3.84 MHz | -60 dBm |
| | 2180 MHz ≤ f ≤ 2200 MHz | 1 MHz | -50 dBm |
| | 2300 MHz ≤ f ≤ 2400 MHz | 1 MHz | -50 dBm |
| | 2496 MHz ≤ f ≤ 2690 MHz | 1 MHz | -50 dBm (see note 2) |
| | 3400 MHz ≤ f ≤ 3800 MHz | 1 MHz | -50 dBm |
| NOTE 1: The measurements are made on frequencies which are integer multiples of 200 kHz. As exceptions, up to five measurements with a level up to the applicable requirements defined in table 5.11.2a are permitted for each UARFCN used in the measurement. | | | |
| NOTE 2: The measurements are made on frequencies which are integer multiples of 200 kHz. As exceptions, measurements with a level up to the applicable requirements defined in Table 5.11.2a are permitted for each UARFCN used in the measurement due to 2 nd or 3 rd harmonic spurious emissions. Exception is allowed if bandwidth of the harmonic signal and measurement bandwidth are totally or partially overlapping. - Bandwidth for 2nd harmonic = 2 x 5 MHz. - Bandwidth for 3rd harmonic = 3 x 5 MHz. | | | |
| NOTE 3: For UEs that conform to Release 6 and support Band II, IV or V shall support the defined frequency bandwidth. | | | |
| NOTE 4: For UEs that conform to Release 7 and later releases and support Band II, IV or V shall support the defined frequency bandwidth. | | | |
| NOTE 5: The applicability of each line in Table 5.11.2b for UEs of different releases is defined in TS 25.101 [1]. | | | |
| NOTE 6: This requirement is applicable also for frequencies, which are between 2.5 MHz and 12.5 MHz away from the UE centre carrier frequency. | | | |
| NOTE 7: The frequency bandwidth protection 2585-2690 MHz test requirement for Bands I, III, and VIII deviates from the requirement in TS 25.101 [1] Rel-8 and earlier releases. The present document reflects the frequency bandwidth specified in the European Harmonized Standard EN 301 908-2 [Ref.] which became a mandatory requirement after these earlier TS 25.101 releases were frozen. | | | |

NOTE: The applicability of each line in Table 5.11.2b for UEs of different releases is defined in TS 25.101 [1].

As exceptions, up to five measurements with a level up to the applicable requirements defined in table 5.11.2a are permitted in each of the bands, 925 MHz to 960 MHz and 1805 MHz to 1880 MHz for each UARFCN used in the measurement. The reference is 3GPP TS 45.005 [29].

NOTE: If the above Test Requirement differs from the Minimum Requirement then the Test Tolerance applied for this test is non-zero. The Test Tolerance for this test is defined in clause F.2 and the explanation of how the Minimum Requirement has been relaxed by the Test Tolerance is given in clause F.4.

5.11A Spurious Emissions for DC-HSUPA

5.11A.1 Definition and applicability

Spurious emissions are emissions which are caused by unwanted transmitter effects such as harmonics emission, parasitic emission, intermodulation products and frequency conversion products, but exclude out of band emissions.

The frequency boundary and the detailed transitions of the limits between the requirement for out band emissions and spectrum emissions are based on ITU-R Recommendations SM.329.

The requirements and this test apply for Release 9 and later releases to all types of UTRA for the FDD UE that support HSDPA and Dual Cell E-DCH.

5.11A.2 Minimum Requirements

These requirements are only applicable for frequencies, which are greater than 20 MHz away from the centre of the assigned carrier frequencies when dual adjacent carriers are assigned on the uplink.

Table 5.11A.1: General spurious emissions requirements for DC-HSUPA

| Frequency Bandwidth | Measurement Bandwidth | Minimum requirement | Note |
|---|-----------------------|---------------------|--------|
| $9 \text{ kHz} \leq f < 150 \text{ kHz}$ | 1 kHz | -36 dBm | |
| $150 \text{ kHz} \leq f < 30 \text{ MHz}$ | 10 kHz | -36 dBm | |
| $30 \text{ MHz} \leq f < 1\,000 \text{ MHz}$ | 100 kHz | -36 dBm | |
| $1 \text{ GHz} \leq f < 12,75 \text{ GHz}$ | 1 MHz | -30 dBm | |
| $12.75 \text{ GHz} \leq f < 5^{\text{th}}$ harmonic of the upper frequency edge of the UL operating band in GHz | 1 MHz | -30 dBm | Note 1 |

NOTE 1: Applies only for Band XXII.

The requirements in Table 5.11A.2 are only applicable for frequencies, which are greater than 25 MHz away from the centre of the assigned frequencies when dual adjacent carriers are assigned on the uplink.

Table 5.11A.2: Additional spurious emissions requirements for DC-HSUPA

| Operating Band | Frequency Bandwidth | Measurement Bandwidth | Minimum requirement |
|---|---|-----------------------|---------------------------------|
| I | $791 \text{ MHz} \leq f \leq 821 \text{ MHz}$ | 3.84 MHz | -60 dBm |
| | $852 \text{ MHz} \leq f \leq 859 \text{ MHz}$ | 1 MHz | -50 dBm |
| | $859 \text{ MHz} \leq f \leq 895 \text{ MHz}$ | 3.84 MHz | -60 dBm |
| | $921 \text{ MHz} \leq f < 925 \text{ MHz}$ | 100 kHz | -60 dBm (see note 1) |
| | $925 \text{ MHz} \leq f \leq 935 \text{ MHz}$ | 100 kHz 3.84MHz | -67 dBm (see note 1) -60 dBm |
| | $935 \text{ MHz} < f \leq 960 \text{ MHz}$ | 100 kHz | -79 dBm (see note 1) |
| | $1475.9 \text{ MHz} \leq f \leq 1500.9 \text{ MHz}$ | 3.84 MHz | -60 dBm |
| | $1805 \text{ MHz} \leq f \leq 1880 \text{ MHz}$ | 100 kHz | -71 dBm (see note 1) |
| | $1844.9 \text{ MHz} \leq f \leq 1879.9 \text{ MHz}$ | 3.84 MHz | -55 dBm |
| | $1884.5 \text{ MHz} < f < 1915.7 \text{ MHz}$ | 300 kHz | -41 dBm |
| | $2110 \text{ MHz} \leq f \leq 2170 \text{ MHz}$ | 3.84 MHz | -60 dBm |
| II | $2620 \text{ MHz} \leq f \leq 2690 \text{ MHz}$ | 3.84 MHz | -60 dBm |
| | $729 \text{ MHz} \leq f \leq 746 \text{ MHz}$ | 3.84 MHz | -60 dBm |
| | $746 \text{ MHz} \leq f \leq 758 \text{ MHz}$ | 3.84 MHz | -60 dBm |
| | $758 \text{ MHz} \leq f \leq 768 \text{ MHz}$ | 3.84 MHz | -60 dBm |
| | $852 \text{ MHz} \leq f \leq 859 \text{ MHz}$ | 1 MHz | -50 dBm |
| | $859 \text{ MHz} \leq f \leq 894 \text{ MHz}$ | 3.84 MHz | -60 dBm |
| | $1930 \text{ MHz} \leq f \leq 1990 \text{ MHz}$ | 3.84 MHz | -60 dBm |
| $2110 \text{ MHz} \leq f \leq 2170 \text{ MHz}$ | 3.84 MHz | -60 dBm | |

| Operating Band | Frequency Bandwidth | Measurement Bandwidth | Minimum requirement |
|---|---|--|-----------------------------|
| III | $791 \text{ MHz} \leq f \leq 821 \text{ MHz}$ | 3.84 MHz | -60 dBm |
| | $852 \text{ MHz} \leq f \leq 869 \text{ MHz}$ | 1 MHz | -50 dBm |
| | $921 \text{ MHz} \leq f < 925 \text{ MHz}$ | 100 kHz | -60 dBm (see note 1) |
| | $925 \text{ MHz} \leq f \leq 935 \text{ MHz}$ | 100 kHz | -67 dBm (see note 1) |
| | | 3.84 MHz | -60 dBm |
| | $935 \text{ MHz} < f \leq 960 \text{ MHz}$ | 100 kHz | -79 dBm (see note 1) |
| | $1805 \text{ MHz} \leq f \leq 1880 \text{ MHz}$ | 3.84 MHz | -60 dBm |
| | $2110 \text{ MHz} \leq f \leq 2170 \text{ MHz}$ | 3.84 MHz | -60 dBm |
| IV | $2620 \text{ MHz} \leq f \leq 2690 \text{ MHz}$ | 3.84 MHz | -60 dBm |
| | $729 \text{ MHz} \leq f \leq 746 \text{ MHz}$ | 3.84 MHz | -60 dBm |
| | $746 \text{ MHz} \leq f \leq 756 \text{ MHz}$ | 3.84 MHz | -60 dBm |
| | $758 \text{ MHz} \leq f \leq 768 \text{ MHz}$ | 3.84 MHz | -60 dBm |
| | $852 \text{ MHz} \leq f \leq 859 \text{ MHz}$ | 1 MHz | -50 dBm |
| | $859 \text{ MHz} \leq f \leq 894 \text{ MHz}$ | 3.84 MHz | -60 dBm |
| | $1930 \text{ MHz} \leq f \leq 1990 \text{ MHz}$ | 3.84 MHz | -60 dBm |
| | $2110 \text{ MHz} \leq f \leq 2170 \text{ MHz}$ | 3.84 MHz | -60 dBm |
| V | $729 \text{ MHz} \leq f \leq 746 \text{ MHz}$ | 3.84 MHz | -60 dBm |
| | $746 \text{ MHz} \leq f \leq 756 \text{ MHz}$ | 3.84 MHz | -60 dBm |
| | $758 \text{ MHz} \leq f \leq 768 \text{ MHz}$ | 3.84 MHz | -60 dBm |
| | $859 \text{ MHz} \leq f \leq 869 \text{ MHz}$ | 1 MHz | -27 dBm |
| | $869 \text{ MHz} \leq f \leq 894 \text{ MHz}$ | 3.84 MHz | -60 dBm |
| | $1930 \text{ MHz} \leq f \leq 1990 \text{ MHz}$ | 3.84 MHz | -60 dBm |
| | $2110 \text{ MHz} \leq f \leq 2170 \text{ MHz}$ | 3.84 MHz | -60 dBm |
| | VI | $860 \text{ MHz} \leq f < 875 \text{ MHz}$ | 1 MHz |
| $875 \text{ MHz} \leq f \leq 895 \text{ MHz}$ | | 3.84 MHz | -60 dBm |
| $1475.9 \text{ MHz} \leq f \leq 1500.9 \text{ MHz}$ | | 3.84 MHz | -60 dBm |
| $1844.9 \text{ MHz} \leq f \leq 1879.9 \text{ MHz}$ | | 3.84 MHz | -60 dBm |
| $1884.5 \text{ MHz} \leq f \leq 1915.7 \text{ MHz}$ | | 300 kHz | -41 dBm |
| $2110 \text{ MHz} \leq f \leq 2170 \text{ MHz}$ | | 3.84 MHz | -60 dBm |
| VII | $791 \text{ MHz} \leq f \leq 821 \text{ MHz}$ | 3.84 MHz | -60 dBm |
| | $852 \text{ MHz} \leq f \leq 869 \text{ MHz}$ | 1 MHz | -50 dBm |
| | $921 \text{ MHz} \leq f < 925 \text{ MHz}$ | 100 kHz | -60 dBm (see note 1) |
| | $925 \text{ MHz} \leq f \leq 935 \text{ MHz}$ | 100 kHz | -67 dBm (see note 1) |
| | | 3.84 MHz | -60 dBm |
| | $935 \text{ MHz} < f \leq 960 \text{ MHz}$ | 100 kHz | -79 dBm (see note 1) |
| | $1805 \text{ MHz} \leq f \leq 1880 \text{ MHz}$ | 100 kHz | -71 dBm (see note 1) |
| | $2110 \text{ MHz} \leq f \leq 2170 \text{ MHz}$ | 3.84 MHz | -60 dBm |
| | $2620 \text{ MHz} \leq f \leq 2690 \text{ MHz}$ | 3.84 MHz | -60 dBm |
| VIII | $2590 \text{ MHz} \leq f \leq 2620 \text{ MHz}$ | 1 MHz | -37 dBm |
| | $791 \text{ MHz} \leq f \leq 821 \text{ MHz}$ | 3.84 MHz | -60 dBm |
| | $925 \text{ MHz} \leq f \leq 935 \text{ MHz}$ | 100 kHz | -57 dBm (see notes 1 and 3) |
| | | 3.84 MHz | -50 dBm |
| | $935 \text{ MHz} < f \leq 960 \text{ MHz}$ | 100 kHz | -79 dBm (see note 1) |
| | | 3.84 MHz | -60 dBm |
| | $1805 \text{ MHz} < f \leq 1830 \text{ MHz}$ | 100 kHz | -71 dBm (see notes 1 and 2) |
| | | 3.84 MHz | -60 dBm (see note 2) |
| | $1830 \text{ MHz} < f \leq 1880 \text{ MHz}$ | 100 kHz | -71 dBm (see note 1) |
| | 3.84 MHz | -60 dBm | |
| IX | $2110 \text{ MHz} \leq f \leq 2170 \text{ MHz}$ | 3.84 MHz | -60 dBm |
| | $2620 \text{ MHz} \leq f \leq 2640 \text{ MHz}$ | 3.84 MHz | -60 dBm |
| | $2640 \text{ MHz} < f \leq 2690 \text{ MHz}$ | 3.84 MHz | -60 dBm (see note 2) |
| | $860 \text{ MHz} \leq f \leq 895 \text{ MHz}$ | 3.84 MHz | -60 dBm |
| | $1475.9 \text{ MHz} \leq f \leq 1500.9 \text{ MHz}$ | 3.84 MHz | -60 dBm |
| X | $1844.9 \text{ MHz} \leq f \leq 1879.9 \text{ MHz}$ | 3.84 MHz | -60 dBm |
| | $1884.5 \text{ MHz} \leq f \leq 1915.7 \text{ MHz}$ | 300 kHz | -41 dBm |
| | $2110 \text{ MHz} \leq f \leq 2170 \text{ MHz}$ | 3.84 MHz | -60 dBm |
| | $729 \text{ MHz} \leq f \leq 746 \text{ MHz}$ | 3.84 MHz | -60 dBm |
| | $746 \text{ MHz} \leq f \leq 756 \text{ MHz}$ | 3.84 MHz | -60 dBm |
| X | $758 \text{ MHz} \leq f \leq 768 \text{ MHz}$ | 3.84 MHz | -60 dBm |
| | $852 \text{ MHz} \leq f \leq 859 \text{ MHz}$ | 1 MHz | -50 dBm |

| Operating Band | Frequency Bandwidth | Measurement Bandwidth | Minimum requirement |
|----------------|---|-----------------------|---------------------------------|
| | $859 \text{ MHz} \leq f \leq 894 \text{ MHz}$ | 3.84 MHz | -60 dBm |
| | $1930 \text{ MHz} \leq f \leq 1990 \text{ MHz}$ | 3.84 MHz | -60 dBm |
| | $2110 \text{ MHz} \leq f \leq 2170 \text{ MHz}$ | 3.84 MHz | -60 dBm |
| XI | $860 \text{ MHz} \leq f \leq 895 \text{ MHz}$ | 3.84 MHz | -60 dBm |
| | $1475.9 \text{ MHz} \leq f \leq 1500.9 \text{ MHz}$ | 3.84 MHz | -60 dBm |
| | $1844.9 \text{ MHz} \leq f \leq 1879.9 \text{ MHz}$ | 3.84 MHz | -60 dBm |
| | $1884.5 \text{ MHz} \leq f \leq 1915.7 \text{ MHz}$ | 300 kHz | -41 dBm |
| | $2110 \text{ MHz} \leq f \leq 2170 \text{ MHz}$ | 3.84 MHz | -60 dBm |
| XII | $729 \text{ MHz} \leq f \leq 746 \text{ MHz}$ | 3.84 MHz | -55 dBm (see note 3) |
| | $746 \text{ MHz} \leq f \leq 756 \text{ MHz}$ | 3.84 MHz | -60 dBm |
| | $758 \text{ MHz} \leq f \leq 768 \text{ MHz}$ | 3.84 MHz | -60 dBm |
| | $852 \text{ MHz} \leq f \leq 859 \text{ MHz}$ | 1 MHz | -50 dBm |
| | $859 \text{ MHz} \leq f \leq 894 \text{ MHz}$ | 3.84 MHz | -60 dBm |
| | $1930 \text{ MHz} \leq f \leq 1990 \text{ MHz}$ | 3.84 MHz | -60 dBm |
| | $2110 \text{ MHz} \leq f \leq 2170 \text{ MHz}$ | 3.84 MHz | -60 dBm |
| XIII | $729 \text{ MHz} \leq f \leq 746 \text{ MHz}$ | 3.84 MHz | -60 dBm |
| | $746 \text{ MHz} \leq f \leq 756 \text{ MHz}$ | 3.84 MHz | -60 dBm |
| | $758 \text{ MHz} \leq f \leq 768 \text{ MHz}$ | 3.84 MHz | -44 dBm (see note 3) |
| | $763 \text{ MHz} \leq f \leq 775 \text{ MHz}$ | 6.25 kHz | [TBD] dBm (see note 3) |
| | $793 \text{ MHz} \leq f \leq 805 \text{ MHz}$ | 6.25 kHz | [TBD] dBm (see note 3) |
| | $852 \text{ MHz} \leq f \leq 859 \text{ MHz}$ | 1 MHz | -50 dBm |
| | $859 \text{ MHz} \leq f \leq 894 \text{ MHz}$ | 3.84 MHz | -60 dBm |
| | $1930 \text{ MHz} \leq f \leq 1990 \text{ MHz}$ | 3.84 MHz | -60 dBm |
| | $2110 \text{ MHz} \leq f \leq 2170 \text{ MHz}$ | 3.84 MHz | -60 dBm |
| XIV | $729 \text{ MHz} \leq f \leq 746 \text{ MHz}$ | 3.84 MHz | -60 dBm |
| | $746 \text{ MHz} \leq f \leq 756 \text{ MHz}$ | 3.84 MHz | -60 dBm |
| | $758 \text{ MHz} \leq f \leq 768 \text{ MHz}$ | 3.84 MHz | -60 dBm |
| | $769 \text{ MHz} \leq f \leq 775 \text{ MHz}$ | 6.25 kHz | [TBD] dBm (see note 3) |
| | $799 \text{ MHz} \leq f \leq 805 \text{ MHz}$ | 6.25 kHz | [TBD] dBm (see note 3) |
| | $852 \text{ MHz} \leq f \leq 859 \text{ MHz}$ | 1 MHz | -50 dBm |
| | $859 \text{ MHz} \leq f \leq 894 \text{ MHz}$ | 3.84 MHz | -60 dBm |
| | $1930 \text{ MHz} \leq f \leq 1990 \text{ MHz}$ | 3.84 MHz | -60 dBm |
| | $2110 \text{ MHz} \leq f \leq 2170 \text{ MHz}$ | 3.84 MHz | -60 dBm |
| XIX | $860 \text{ MHz} \leq f < 875 \text{ MHz}$ | 1 MHz | -30 dBm |
| | $875 \text{ MHz} \leq f \leq 895 \text{ MHz}$ | 3.84 MHz | -60 dBm |
| | $1475.9 \text{ MHz} \leq f \leq 1500.9 \text{ MHz}$ | 3.84 MHz | -60 dBm |
| | $1844.9 \text{ MHz} \leq f \leq 1879.9 \text{ MHz}$ | 3.84 MHz | -60 dBm |
| | $1884.5 \text{ MHz} \leq f \leq 1915.7 \text{ MHz}$ | 300 kHz | -41 dBm |
| | $2110 \text{ MHz} \leq f \leq 2170 \text{ MHz}$ | 3.84 MHz | -60 dBm |
| XX | $811 \text{ MHz} \leq f \leq 821 \text{ MHz}$ | 3.84 MHz | -50 dBm (see note 3) |
| | $791 \text{ MHz} \leq f \leq 811 \text{ MHz}$ | 3.84 MHz | -60 dBm |
| | $921 \text{ MHz} \leq f < 925 \text{ MHz}$ | 100 kHz | -60 dBm (see note 1) |
| | $925 \text{ MHz} \leq f \leq 935 \text{ MHz}$ | 100 kHz 3.84 MHz | -67 dBm (see note 1) -60 dBm |
| | $935 \text{ MHz} < f \leq 960 \text{ MHz}$ | 100 kHz | -79 dBm (see note 1) |
| | $1805 \text{ MHz} \leq f \leq 1880 \text{ MHz}$ | 100 kHz | -71 dBm (see note 1) |
| | $2110 \text{ MHz} \leq f \leq 2170 \text{ MHz}$ | 3.84 MHz | -60 dBm |
| | $2620 \text{ MHz} \leq f \leq 2690 \text{ MHz}$ | 3.84 MHz | -60 dBm |
| | $2590 \text{ MHz} \leq f \leq 2620 \text{ MHz}$ | 1 MHz | -37 dBm |
| XXII | $791 \text{ MHz} \leq f \leq 821 \text{ MHz}$ | 3.84 MHz | -60 dBm |
| | $852 \text{ MHz} \leq f \leq 859 \text{ MHz}$ | 1 MHz | -50 dBm |
| | $859 \text{ MHz} \leq f \leq 894 \text{ MHz}$ | 3.84 MHz | -60 dBm |
| | $921 \text{ MHz} \leq f < 925 \text{ MHz}$ | 100 kHz | -60 dBm (see note 1) |
| | $925 \text{ MHz} \leq f \leq 935 \text{ MHz}$ | 100 kHz 3.84 MHz | -67 dBm (see note 1) -60 dBm |
| | $935 \text{ MHz} < f \leq 960 \text{ MHz}$ | 100 kHz | -79 dBm (see note 1) |
| | $1805 \text{ MHz} \leq f \leq 1880 \text{ MHz}$ | 100 kHz | -71 dBm (see note 1) |
| | $1880 \text{ MHz} \leq f \leq 1920 \text{ MHz}$ | 3.84 MHz | -60 dBm |
| | $2010 \text{ MHz} \leq f \leq 2025 \text{ MHz}$ | 3.84 MHz | -60 dBm |
| | $2110 \text{ MHz} \leq f \leq 2170 \text{ MHz}$ | 3.84 MHz | -60 dBm |

| Operating Band | Frequency Bandwidth | Measurement Bandwidth | Minimum requirement |
|---|-------------------------|-----------------------|----------------------|
| | 2300 MHz ≤ f ≤ 2400 MHz | 3.84 MHz | -60 dBm |
| | 2620 MHz ≤ f ≤ 2690 MHz | 3.84 MHz | -60 dBm |
| | 2590 MHz ≤ f ≤ 2620 MHz | 3.84 MHz | -50 dBm |
| | 3510 MHz ≤ f ≤ 3525 MHz | 1 MHz | -40 dBm |
| | 3525 MHz ≤ f ≤ 3590 MHz | 1 MHz | -50 dBm |
| | 3600 MHz ≤ f ≤ 3800 MHz | 3.84 MHz | -50 dBm |
| XXV | 729 MHz ≤ f ≤ 746 MHz | 3.84 MHz | -60 dBm |
| | 746 MHz ≤ f ≤ 756 MHz | 3.84 MHz | -60 dBm |
| | 758 MHz ≤ f ≤ 768 MHz | 3.84 MHz | -60 dBm |
| | 852 MHz ≤ f ≤ 859 MHz | 1 MHz | -50 dBm |
| | 859 MHz ≤ f ≤ 894 MHz | 3.84 MHz | -60 dBm |
| | 1525 MHz ≤ f ≤ 1559 MHz | 3.84 MHz | -60 dBm |
| | 1930 MHz ≤ f ≤ 1995 MHz | 3.84 MHz | -60 dBm |
| | 2110 MHz ≤ f ≤ 2170 MHz | 3.84 MHz | -60 dBm |
| | 2180 MHz ≤ f ≤ 2200 MHz | 1 MHz | -50 dBm |
| | 2496 MHz ≤ f ≤ 2690 MHz | 1 MHz | -50 dBm |
| | 3400 MHz ≤ f ≤ 3800 MHz | 1 MHz | -50 dBm |
| | XXVI | 703 MHz ≤ f ≤ 729 MHz | 1 MHz |
| 729 MHz ≤ f ≤ 768 MHz | | 3.84 MHz | -60 dBm |
| 768 MHz ≤ f ≤ 799 MHz | | 1 MHz | -50 dBm |
| 799 MHz ≤ f ≤ 803 MHz | | 1 MHz | -40 dBm |
| 859 MHz ≤ f ≤ 894 MHz | | 3.84 MHz | -60 dBm |
| 1475.9 MHz ≤ f ≤ 1510.9 MHz | | 3.84 MHz | -60 dBm |
| 1525 MHz ≤ f ≤ 1559 MHz | | 1 MHz | -50 dBm |
| 1844.9 MHz ≤ f ≤ 1879.9 MHz | | 3.84 MHz | -60 dBm |
| 1884.5 MHz ≤ f ≤ 1919.6 MHz | | 300 kHz | -41 dBm |
| 1930 MHz ≤ f ≤ 1995 MHz | | 3.84 MHz | -60 dBm |
| 2010 MHz ≤ f ≤ 2025 MHz | | 1 MHz | -50 dBm |
| 2110 MHz ≤ f ≤ 2170 MHz | | 3.84 MHz | -60 dBm |
| 2180 MHz ≤ f ≤ 2200 MHz | | 1 MHz | -50 dBm |
| 2300 MHz ≤ f ≤ 2400 MHz | | 1 MHz | -50 dBm |
| 2496 MHz ≤ f ≤ 2690 MHz | | 1 MHz | -50 dBm (see note 2) |
| 3400 MHz ≤ f ≤ 3800 MHz | 1 MHz | -50 dBm | |
| NOTE 1: The measurements are made on frequencies which are integer multiples of 200 kHz. As exceptions, up to five measurements with a level up to the applicable requirements defined in Table 5.11A.1 are permitted for each UARFCN used in the measurement. | | | |
| NOTE 2: The measurements are made on frequencies which are integer multiples of 200 kHz. As exceptions, measurements with a level up to the applicable requirements defined in Table 5.11A.1 are permitted for each UARFCN used in the measurement due to 2nd or 3rd harmonic spurious emissions. | | | |
| NOTE 3: This requirement is applicable also for frequencies, which are between 5 MHz and 25 MHz away from the UE centre carrier frequency. | | | |

NOTE: The applicability of each line in Table 5.11A.2 for UEs of different releases is defined in TS 25.101 [1].

As exceptions, up to five measurements with a level up to the applicable requirements defined in table 5.11A.1 are permitted in each of the bands, 925 MHz to 960 MHz and 1805 MHz to 1880 MHz for each UARFCN used in the measurement. The reference is 3GPP TS 45.005 [29].

The normative reference for this requirement is TS 25.101 [1] clause 6.6.3.1A.

5.11A.3 Test purpose

To verify that the UE spurious emissions do not exceed described value shown in table 5.11A.1 and table 5.11A.2.

Excess spurious emissions increase the interference to other systems.

5.11A.4 Method of test

5.11A.4.1 Initial conditions

Test environment: normal; see clauses G.2.1 and G.2.2.

Frequencies to be tested: low range, mid range, high range; see clause G.2.4.

- 1) Connect the SS to the UE antenna connector as shown in figure A.41.
- 2) The UL Reference Measurement Channel and parameters are specified in Annex C.2.6 and C.11A. The DL Reference Measurement Channel (FRC H-SET 3A, QPSK) is specified in C.8.1.1.
- 3) An E-DCH call is set up according to TS 34.108 [3] 7.3.14, with the exceptions in the RADIO BEARER SETUP messages as given in Tables 5.2BA.2, 5.2BA.3, 5.2BA.4 and 5.2BA.5. These exceptions allow the beta values to be set according to table C.11A.1 and each UL physical channel to be at constant power during the measurement. RF parameters are set up according to table E.5A.1A.
- 4) Enter the UE into loopback test mode 1 looping back HSDPA to E-DCH according to procedure 7.3.14.3 in TS 34.108 [3] and start the loopback test.

See TS 34.108 [3] and TS 34.109 [4] for details regarding generic call setup procedure and loopback test.

5.11A.4.2 Procedure

- 1) Set UE to maximum output power according to 5.2BA.4.2 step 1 to 4.
- 2) Sweep the spectrum analyzer (or equivalent equipment) over a frequency range and measure the average power of spurious emission.

5.11A.5 Test requirements

The measured average power of spurious emission, derived in step 2), shall not exceed the described value in tables 5.11A.3 and 5.11A.4.

These requirements are only applicable for frequencies, which are greater than 20 MHz away from the centre of the assigned carrier frequencies when dual adjacent carriers are assigned on the uplink.

Table 5.11A.3: General spurious emissions test requirements for DC-HSUPA

| Frequency Bandwidth | Measurement Bandwidth | Minimum requirement | Note |
|---|-----------------------|---------------------|--------|
| $9 \text{ kHz} \leq f < 150 \text{ kHz}$ | 1 kHz | -36 dBm | |
| $150 \text{ kHz} \leq f < 30 \text{ MHz}$ | 10 kHz | -36 dBm | |
| $30 \text{ MHz} \leq f < 1\,000 \text{ MHz}$ | 100 kHz | -36 dBm | |
| $1 \text{ GHz} \leq f < 12,75 \text{ GHz}$ | 1 MHz | -30 dBm | |
| $12,75 \text{ GHz} \leq f < 5^{\text{th}}$ harmonic of the upper frequency edge of the UL operating band in GHz | 1 MHz | -30 dBm | Note 1 |

NOTE 1: Applies only for Band XXII.

| Frequency Bandwidth | Measurement Bandwidth | Minimum requirement |
|--|-----------------------|---------------------|
| $9 \text{ kHz} \leq f < 150 \text{ kHz}$ | 1 kHz | -36 dBm |
| $150 \text{ kHz} \leq f < 30 \text{ MHz}$ | 10 kHz | -36 dBm |
| $30 \text{ MHz} \leq f < 1\,000 \text{ MHz}$ | 100 kHz | -36 dBm |
| $1 \text{ GHz} \leq f < 12,75 \text{ GHz}$ | 1 MHz | -30 dBm |

The requirements in Table 5.11A.4 are only applicable for frequencies, which are greater than 25 MHz away from the centre of the assigned frequencies when dual adjacent carriers are assigned on the uplink.

Table 5.11A.4: Additional spurious emissions test requirements for DC-HSUPA

| Operating Band | Frequency Bandwidth | Measurement Bandwidth | Minimum requirement |
|---|---|-----------------------|----------------------|
| I | $791 \text{ MHz} \leq f \leq 821 \text{ MHz}$ | 3.84 MHz | -60 dBm |
| | $852 \text{ MHz} \leq f \leq 859 \text{ MHz}$ | 1 MHz | -50 dBm |
| | $859 \text{ MHz} \leq f \leq 895 \text{ MHz}$ | 3.84 MHz | -60 dBm |
| | $921 \text{ MHz} \leq f < 925 \text{ MHz}$ | 100 kHz | -60 dBm (see note 1) |
| | $925 \text{ MHz} \leq f \leq 935 \text{ MHz}$ | 100 kHz | -67 dBm (see note 1) |
| | | 3.84 MHz | -60 dBm |
| | $935 \text{ MHz} < f \leq 960 \text{ MHz}$ | 100 kHz | -79 dBm (see note 1) |
| | $1475.9 \text{ MHz} \leq f \leq 1500.9 \text{ MHz}$ | 3.84 MHz | -60 dBm |
| | $1805 \text{ MHz} \leq f \leq 1880 \text{ MHz}$ | 100 kHz | -71 dBm (see note 1) |
| | $1844.9 \text{ MHz} \leq f \leq 1879.9 \text{ MHz}$ | 3.84 MHz | -55 dBm |
| | $1884.5 \text{ MHz} < f < 1915.7 \text{ MHz}$ | 300 kHz | -41 dBm |
| $2110 \text{ MHz} \leq f \leq 2170 \text{ MHz}$ | 3.84 MHz | -60 dBm | |
| $2620 \text{ MHz} \leq f \leq 2690 \text{ MHz}$ | 3.84 MHz | -60 dBm | |
| II | $729 \text{ MHz} \leq f \leq 746 \text{ MHz}$ | 3.84 MHz | -60 dBm |
| | $746 \text{ MHz} \leq f \leq 758 \text{ MHz}$ | 3.84 MHz | -60 dBm |
| | $758 \text{ MHz} \leq f \leq 768 \text{ MHz}$ | 3.84 MHz | -60 dBm |
| | $852 \text{ MHz} \leq f \leq 859 \text{ MHz}$ | 1 MHz | -50 dBm |
| | $859 \text{ MHz} \leq f \leq 894 \text{ MHz}$ | 3.84 MHz | -60 dBm |
| | $1930 \text{ MHz} \leq f \leq 1990 \text{ MHz}$ | 3.84 MHz | -60 dBm |
| | $2110 \text{ MHz} \leq f \leq 2170 \text{ MHz}$ | 3.84 MHz | -60 dBm |
| III | $791 \text{ MHz} \leq f \leq 821 \text{ MHz}$ | 3.84 MHz | -60 dBm |
| | $852 \text{ MHz} \leq f \leq 869 \text{ MHz}$ | 1 MHz | -50 dBm |
| | $921 \text{ MHz} \leq f < 925 \text{ MHz}$ | 100 kHz | -60 dBm (see note 1) |
| | $925 \text{ MHz} \leq f \leq 935 \text{ MHz}$ | 100 kHz | -67 dBm (see note 1) |
| | | 3.84 MHz | -60 dBm |
| | $935 \text{ MHz} < f \leq 960 \text{ MHz}$ | 100 kHz | -79 dBm (see note 1) |
| | $1805 \text{ MHz} \leq f \leq 1880 \text{ MHz}$ | 3.84 MHz | -60 dBm |
| | $2110 \text{ MHz} \leq f \leq 2170 \text{ MHz}$ | 3.84 MHz | -60 dBm |
| $2620 \text{ MHz} \leq f \leq 2690 \text{ MHz}$ | 3.84 MHz | -60 dBm | |

| Operating Band | Frequency Bandwidth | Measurement Bandwidth | Minimum requirement |
|----------------|---|-----------------------|---|
| IV | $729 \text{ MHz} \leq f \leq 746 \text{ MHz}$ | 3.84 MHz | -60 dBm |
| | $746 \text{ MHz} \leq f \leq 756 \text{ MHz}$ | 3.84 MHz | -60 dBm |
| | $758 \text{ MHz} \leq f \leq 768 \text{ MHz}$ | 3.84 MHz | -60 dBm |
| | $852 \text{ MHz} \leq f \leq 859 \text{ MHz}$ | 1 MHz | -50 dBm |
| | $859 \text{ MHz} \leq f \leq 894 \text{ MHz}$ | 3.84 MHz | -60 dBm |
| | $1930 \text{ MHz} \leq f \leq 1990 \text{ MHz}$ | 3.84 MHz | -60 dBm |
| | $2110 \text{ MHz} \leq f \leq 2170 \text{ MHz}$ | 3.84 MHz | -60 dBm |
| V | $729 \text{ MHz} \leq f \leq 746 \text{ MHz}$ | 3.84 MHz | -60 dBm |
| | $746 \text{ MHz} \leq f \leq 756 \text{ MHz}$ | 3.84 MHz | -60 dBm |
| | $758 \text{ MHz} \leq f \leq 768 \text{ MHz}$ | 3.84 MHz | -60 dBm |
| | $859 \text{ MHz} \leq f \leq 869 \text{ MHz}$ | 1 MHz | -27 dBm |
| | $869 \text{ MHz} \leq f \leq 894 \text{ MHz}$ | 3.84 MHz | -60 dBm |
| | $1930 \text{ MHz} \leq f \leq 1990 \text{ MHz}$ | 3.84 MHz | -60 dBm |
| | $2110 \text{ MHz} \leq f \leq 2170 \text{ MHz}$ | 3.84 MHz | -60 dBm |
| VI | $860 \text{ MHz} \leq f < 875 \text{ MHz}$ | 1 MHz | -37 dBm |
| | $875 \text{ MHz} \leq f \leq 895 \text{ MHz}$ | 3.84 MHz | -60 dBm |
| | $1475.9 \text{ MHz} \leq f \leq 1500.9 \text{ MHz}$ | 3.84 MHz | -60 dBm |
| | $1844.9 \text{ MHz} \leq f \leq 1879.9 \text{ MHz}$ | 3.84 MHz | -60 dBm |
| | $1884.5 \text{ MHz} \leq f \leq 1915.7 \text{ MHz}$ | 300 kHz | -41 dBm |
| | $2110 \text{ MHz} \leq f \leq 2170 \text{ MHz}$ | 3.84 MHz | -60 dBm |
| VII | $791 \text{ MHz} \leq f \leq 821 \text{ MHz}$ | 3.84 MHz | -60 dBm |
| | $852 \text{ MHz} \leq f \leq 869 \text{ MHz}$ | 1 MHz | -50 dBm |
| | $921 \text{ MHz} \leq f < 925 \text{ MHz}$ | 100 kHz | -60 dBm (see note 1) |
| | $925 \text{ MHz} \leq f \leq 935 \text{ MHz}$ | 100 kHz 3.84 MHz | -67 dBm (see note 1) -60 dBm |
| | $935 \text{ MHz} < f \leq 960 \text{ MHz}$ | 100 kHz | -79 dBm (see note 1) |
| | $1805 \text{ MHz} \leq f \leq 1880 \text{ MHz}$ | 100 kHz | -71 dBm (see note 1) |
| | $2110 \text{ MHz} \leq f \leq 2170 \text{ MHz}$ | 3.84 MHz | -60 dBm |
| | $2620 \text{ MHz} \leq f \leq 2690 \text{ MHz}$ | 3.84 MHz | -60 dBm |
| VIII | $2590 \text{ MHz} \leq f \leq 2620 \text{ MHz}$ | 1 MHz | -37 dBm |
| | $791 \text{ MHz} \leq f \leq 821 \text{ MHz}$ | 3.84 MHz | -60 dBm |
| | $925 \text{ MHz} \leq f \leq 935 \text{ MHz}$ | 100 kHz 3.84 MHz | -57 dBm (see notes 1 and 3) -50 dBm |
| | $935 \text{ MHz} < f \leq 960 \text{ MHz}$ | 100 kHz 3.84 MHz | -79 dBm (see note 1) -60 dBm |
| | $1805 \text{ MHz} < f \leq 1830 \text{ MHz}$ | 100 kHz 3.84 MHz | -71 dBm (see notes 1 and 2) -60 dBm (see note 2) |
| | $1830 \text{ MHz} < f \leq 1880 \text{ MHz}$ | 100 kHz 3.84 MHz | -71 dBm (see note 1) -60 dBm |
| | $2110 \text{ MHz} \leq f \leq 2170 \text{ MHz}$ | 3.84 MHz | -60 dBm |
| | $2620 \text{ MHz} \leq f \leq 2640 \text{ MHz}$ | 3.84 MHz | -60 dBm |
| IX | $2640 \text{ MHz} < f \leq 2690 \text{ MHz}$ | 3.84 MHz | -60 dBm (see note 2) |
| | $860 \text{ MHz} \leq f \leq 895 \text{ MHz}$ | 3.84 MHz | -60 dBm |
| | $1475.9 \text{ MHz} \leq f \leq 1500.9 \text{ MHz}$ | 3.84 MHz | -60 dBm |
| | $1844.9 \text{ MHz} \leq f \leq 1879.9 \text{ MHz}$ | 3.84 MHz | -60 dBm |
| | $1884.5 \text{ MHz} \leq f \leq 1915.7 \text{ MHz}$ | 300 kHz | -41 dBm |
| | $2110 \text{ MHz} \leq f \leq 2170 \text{ MHz}$ | 3.84 MHz | -60 dBm |

| Operating Band | Frequency Bandwidth | Measurement Bandwidth | Minimum requirement |
|----------------|---|-----------------------|------------------------|
| X | $729 \text{ MHz} \leq f \leq 746 \text{ MHz}$ | 3.84 MHz | -60 dBm |
| | $746 \text{ MHz} \leq f \leq 756 \text{ MHz}$ | 3.84 MHz | -60 dBm |
| | $758 \text{ MHz} \leq f \leq 768 \text{ MHz}$ | 3.84 MHz | -60 dBm |
| | $852 \text{ MHz} \leq f \leq 859 \text{ MHz}$ | 1 MHz | -50 dBm |
| | $859 \text{ MHz} \leq f \leq 894 \text{ MHz}$ | 3.84 MHz | -60 dBm |
| | $1930 \text{ MHz} \leq f \leq 1990 \text{ MHz}$ | 3.84 MHz | -60 dBm |
| | $2110 \text{ MHz} \leq f \leq 2170 \text{ MHz}$ | 3.84 MHz | -60 dBm |
| XI | $860 \text{ MHz} \leq f \leq 895 \text{ MHz}$ | 3.84 MHz | -60 dBm |
| | $1475.9 \text{ MHz} \leq f \leq 1500.9 \text{ MHz}$ | 3.84 MHz | -60 dBm |
| | $1844.9 \text{ MHz} \leq f \leq 1879.9 \text{ MHz}$ | 3.84 MHz | -60 dBm |
| | $1884.5 \text{ MHz} \leq f \leq 1915.7 \text{ MHz}$ | 300 kHz | -41 dBm |
| | $2110 \text{ MHz} \leq f \leq 2170 \text{ MHz}$ | 3.84 MHz | -60 dBm |
| XII | $729 \text{ MHz} \leq f \leq 746 \text{ MHz}$ | 3.84 MHz | -55 dBm (see note 3) |
| | $746 \text{ MHz} \leq f \leq 756 \text{ MHz}$ | 3.84 MHz | -60 dBm |
| | $758 \text{ MHz} \leq f \leq 768 \text{ MHz}$ | 3.84 MHz | -60 dBm |
| | $852 \text{ MHz} \leq f \leq 859 \text{ MHz}$ | 1 MHz | -50 dBm |
| | $859 \text{ MHz} \leq f \leq 894 \text{ MHz}$ | 3.84 MHz | -60 dBm |
| | $1930 \text{ MHz} \leq f \leq 1990 \text{ MHz}$ | 3.84 MHz | -60 dBm |
| | $2110 \text{ MHz} \leq f \leq 2170 \text{ MHz}$ | 3.84 MHz | -60 dBm |
| XIII | $729 \text{ MHz} \leq f \leq 746 \text{ MHz}$ | 3.84 MHz | -60 dBm |
| | $746 \text{ MHz} \leq f \leq 756 \text{ MHz}$ | 3.84 MHz | -60 dBm |
| | $758 \text{ MHz} \leq f \leq 768 \text{ MHz}$ | 3.84 MHz | -44 dBm (see note 3) |
| | $763 \text{ MHz} \leq f \leq 775 \text{ MHz}$ | 6.25 kHz | [TBD] dBm (see note 3) |
| | $793 \text{ MHz} \leq f \leq 805 \text{ MHz}$ | 6.25 kHz | [TBD] dBm (see note 3) |
| | $852 \text{ MHz} \leq f \leq 859 \text{ MHz}$ | 1 MHz | -50 dBm |
| | $859 \text{ MHz} \leq f \leq 894 \text{ MHz}$ | 3.84 MHz | -60 dBm |
| | $1930 \text{ MHz} \leq f \leq 1990 \text{ MHz}$ | 3.84 MHz | -60 dBm |
| XIV | $2110 \text{ MHz} \leq f \leq 2170 \text{ MHz}$ | 3.84 MHz | -60 dBm |
| | $729 \text{ MHz} \leq f \leq 746 \text{ MHz}$ | 3.84 MHz | -60 dBm |
| | $746 \text{ MHz} \leq f \leq 756 \text{ MHz}$ | 3.84 MHz | -60 dBm |
| | $758 \text{ MHz} \leq f \leq 768 \text{ MHz}$ | 3.84 MHz | -60 dBm |
| | $769 \text{ MHz} \leq f \leq 775 \text{ MHz}$ | 6.25 kHz | [TBD] dBm (see note 3) |
| | $799 \text{ MHz} \leq f \leq 805 \text{ MHz}$ | 6.25 kHz | [TBD] dBm (see note 3) |
| | $852 \text{ MHz} \leq f \leq 859 \text{ MHz}$ | 1 MHz | -50 dBm |
| | $859 \text{ MHz} \leq f \leq 894 \text{ MHz}$ | 3.84 MHz | -60 dBm |
| XIX | $1930 \text{ MHz} \leq f \leq 1990 \text{ MHz}$ | 3.84 MHz | -60 dBm |
| | $2110 \text{ MHz} \leq f \leq 2170 \text{ MHz}$ | 3.84 MHz | -60 dBm |
| | $860 \text{ MHz} \leq f < 875 \text{ MHz}$ | 1 MHz | -30 dBm |
| | $875 \text{ MHz} \leq f \leq 895 \text{ MHz}$ | 3.84 MHz | -60 dBm |
| | $1475.9 \text{ MHz} \leq f \leq 1500.9 \text{ MHz}$ | 3.84 MHz | -60 dBm |
| | $1844.9 \text{ MHz} \leq f \leq 1879.9 \text{ MHz}$ | 3.84 MHz | -60 dBm |
| | $1884.5 \text{ MHz} \leq f \leq 1915.7 \text{ MHz}$ | 300 kHz | -41 dBm |
| XX | $2110 \text{ MHz} \leq f \leq 2170 \text{ MHz}$ | 3.84 MHz | -60 dBm |
| | $811 \text{ MHz} \leq f \leq 821 \text{ MHz}$ | 3.84 MHz | -50 dBm (see note 3) |
| | $791 \text{ MHz} \leq f \leq 811 \text{ MHz}$ | 3.84 MHz | -60 dBm |
| | $921 \text{ MHz} \leq f < 925 \text{ MHz}$ | 100 kHz | -60 dBm (see note 1) |
| | $925 \text{ MHz} \leq f \leq 935 \text{ MHz}$ | 100 kHz | -67 dBm (see note 1) |
| | $935 \text{ MHz} < f \leq 960 \text{ MHz}$ | 3.84 MHz | -60 dBm |
| | $935 \text{ MHz} < f \leq 960 \text{ MHz}$ | 100 kHz | -79 dBm (see note 1) |
| | $1805 \text{ MHz} \leq f \leq 1880 \text{ MHz}$ | 100 kHz | -71 dBm (see note 1) |
| XX | $2110 \text{ MHz} \leq f \leq 2170 \text{ MHz}$ | 3.84 MHz | -60 dBm |
| | $2620 \text{ MHz} \leq f \leq 2690 \text{ MHz}$ | 3.84 MHz | -60 dBm |
| | $2590 \text{ MHz} \leq f \leq 2620 \text{ MHz}$ | 1 MHz | -37 dBm |
| | $2590 \text{ MHz} \leq f \leq 2620 \text{ MHz}$ | 1 MHz | -37 dBm |

| Operating Band | Frequency Bandwidth | Measurement Bandwidth | Minimum requirement |
|---|-----------------------------------|---------------------------------|----------------------|
| XXII | 791 MHz \leq f \leq 821 MHz | 3.84 MHz | -60 dBm |
| | 852 MHz \leq f \leq 859 MHz | 1 MHz | -50 dBm |
| | 859 MHz \leq f \leq 894 MHz | 3.84 MHz | -60 dBm |
| | 921 MHz \leq f < 925 MHz | 100 kHz | -60 dBm (see note 1) |
| | 925 MHz \leq f \leq 935 MHz | 100 kHz | -67 dBm (see note 1) |
| | | 3.84 MHz | -60 dBm |
| | 935 MHz < f \leq 960 MHz | 100 kHz | -79 dBm (see note 1) |
| | 1805 MHz \leq f \leq 1880 MHz | 100 kHz | -71 dBm (see note 1) |
| | 1880 MHz \leq f \leq 1920 MHz | 3.84 MHz | -60 dBm |
| | 2010 MHz \leq f \leq 2025 MHz | 3.84 MHz | -60 dBm |
| | 2110 MHz \leq f \leq 2170 MHz | 3.84 MHz | -60 dBm |
| | 2300 MHz \leq f \leq 2400 MHz | 3.84 MHz | -60 dBm |
| | 2620 MHz \leq f \leq 2690 MHz | 3.84 MHz | -60 dBm |
| | 2590 MHz \leq f \leq 2620 MHz | 3.84 MHz | -50 dBm |
| | 3510 MHz \leq f \leq 3525 MHz | 1 MHz | -40 dBm |
| 3525 MHz \leq f \leq 3590 MHz | 1 MHz | -50 dBm | |
| 3600 MHz \leq f \leq 3800 MHz | 3.84 MHz | -50 dBm | |
| XXV | 729 MHz \leq f \leq 746 MHz | 3.84 MHz | -60 dBm |
| | 746 MHz \leq f \leq 756 MHz | 3.84 MHz | -60 dBm |
| | 758 MHz \leq f \leq 768 MHz | 3.84 MHz | -60 dBm |
| | 852 MHz \leq f \leq 859 MHz | 1 MHz | -50 dBm |
| | 859 MHz \leq f \leq 894 MHz | 3.84 MHz | -60 dBm |
| | 1525 MHz \leq f \leq 1559 MHz | 3.84 MHz | -60 dBm |
| | 1930 MHz \leq f \leq 1995 MHz | 3.84 MHz | -60 dBm |
| | 2110 MHz \leq f \leq 2170 MHz | 3.84 MHz | -60 dBm |
| | 2180 MHz \leq f \leq 2200 MHz | 1 MHz | -50 dBm |
| | 2496 MHz \leq f \leq 2690 MHz | 1 MHz | -50 dBm |
| | 3400 MHz \leq f \leq 3800 MHz | 1 MHz | -50 dBm |
| | XXVI | 703 MHz \leq f \leq 729 MHz | 1 MHz |
| 729 MHz \leq f \leq 768 MHz | | 3.84 MHz | -60 dBm |
| 768 MHz \leq f \leq 799 MHz | | 1 MHz | -50 dBm |
| 799 MHz \leq f \leq 803 MHz | | 1 MHz | -40 dBm |
| 859 MHz \leq f \leq 894 MHz | | 3.84 MHz | -60 dBm |
| 1475.9 MHz \leq f \leq 1510.9 MHz | | 3.84 MHz | -60 dBm |
| 1525 MHz \leq f \leq 1559 MHz | | 1 MHz | -50 dBm |
| 1844.9 MHz \leq f \leq 1879.9 MHz | | 3.84 MHz | -60 dBm |
| 1884.5 MHz \leq f \leq 1919.6 MHz | | 300 kHz | -41 dBm |
| 1930 MHz \leq f \leq 1995 MHz | | 3.84 MHz | -60 dBm |
| 2010 MHz \leq f \leq 2025 MHz | | 1 MHz | -50 dBm |
| 2110 MHz \leq f \leq 2170 MHz | | 3.84 MHz | -60 dBm |
| 2180 MHz \leq f \leq 2200 MHz | | 1 MHz | -50 dBm |
| 2300 MHz \leq f \leq 2400 MHz | | 1 MHz | -50 dBm |
| 2496 MHz \leq f \leq 2690 MHz | | 1 MHz | -50 dBm (see note 1) |
| 3400 MHz \leq f \leq 3800 MHz | 1 MHz | -50 dBm | |
| NOTE 1: The measurements are made on frequencies which are integer multiples of 200 kHz. As exceptions, up to five measurements with a level up to the applicable requirements defined in Table 5.11A.3 are permitted for each UARFCN used in the measurement. | | | |
| NOTE 2: The measurements are made on frequencies which are integer multiples of 200 kHz. As exceptions, measurements with a level up to the applicable requirements defined in Table 5.11A.3 are permitted for each UARFCN used in the measurement due to 2nd or 3rd harmonic spurious emissions. | | | |
| NOTE 3: This requirement is applicable also for frequencies, which are between 5 MHz and 25 MHz away from the UE centre carrier frequency. | | | |
| NOTE 4: The applicability of each line in Table 5.11A.4 for UEs of different releases is defined in TS 25.101 [1]. | | | |

As exceptions, up to five measurements with a level up to the applicable requirements defined in table 5.11A.3 are permitted in each of the bands, 925 MHz to 960 MHz and 1805 MHz to 1880 MHz for each UARFCN used in the measurement. The reference is 3GPP TS 45.005 [29].

NOTE: If the above Test Requirement differs from the Minimum Requirement then the Test Tolerance applied for this test is non-zero. The Test Tolerance for this test is defined in clause F.2 and the explanation of how the Minimum Requirement has been relaxed by the Test Tolerance is given in clause F.4.

5.12 Transmit Intermodulation

5.12.1 Definition and applicability

The transmit intermodulation performance is a measure of the capability of the transmitter to inhibit the generation of signals in its non linear elements caused by presence of the wanted signal and an interfering signal reaching the transmitter via the antenna.

UE(s) transmitting in close vicinity of each other can produce intermodulation products, which can fall into the UE, or Node B receive band as an unwanted interfering signal. The UE transmit intermodulation attenuation is defined by the ratio of the RRC filtered mean power of the wanted signal to the RRC filtered mean power of the intermodulation product when an interfering CW signal is added at a level below the wanted signal.

The requirements and this test apply to all types of UTRA for the FDD UE.

5.12.2 Minimum Requirements

The UE transmit intermodulation shall not exceed the described value in table 5.12.1.

Table 5.12.1: Transmit Intermodulation

| CW Signal Frequency Offset from Transmitting Carrier | 5MHz | 10MHz |
|--|---------|---------|
| Interference CW Signal Level | -40 dBc | |
| Intermodulation Product | -31 dBc | -41 dBc |

The normative reference for this requirement is TS 25.101 [1] clause 6.7.1.

5.12.3 Test purpose

To verify that the UE transmit intermodulation does not exceed the described value in table 5.12.1.

An excess transmit intermodulation increases transmission errors in the up link own channel when other transmitter exists nearby.

5.12.4 Method of test

5.12.4.1 Initial conditions

Test environment: normal; see clauses G.2.1 and G.2.2.

Frequencies to be tested: mid range; see clause G.2.4.

- 1) Connect the SS to the UE antenna connector as shown in figure A.2.
- 2) A call is set up according to the Generic call setup procedure in TS34.108 [3] sub clause 7.3.2.
- 3) Enter the UE into loopback test mode and start the loopback test.

See TS 34.108 [3] and TS 34.109 [4] for details regarding generic call setup procedure and loopback test.

5.12.4.2 Procedure

- 1) Set and send continuously Up power control commands to the UE until the UE output power shall be maximum level.
- 2) Set the frequency of the CW generator to the offset 1 or offset 2 as shown in table 5.12.2.
- 3) Measure the RRC filtered mean power of the UE.

- 4) Search the intermodulation product signal, then measure the RRC filtered mean power of transmitting intermodulation, and calculate the ratio with the power measured in step 3).
- 5) Repeat the measurement with another tone offset.

5.12.5 Test requirements

The ratio derived in step 4), shall not exceed the described value in table 5.12.2.

Table 5.12.2: Transmit Intermodulation

| CW Signal Frequency Offset from Transmitting Carrier | 5MHz | 10MHz |
|--|---------|---------|
| Interference CW Signal Level | -40 dBc | |
| Intermodulation Product | -31 dBc | -41 dBc |

NOTE: If the above Test Requirement differs from the Minimum Requirement then the Test Tolerance applied for this test is non-zero. The Test Tolerance for this test is defined in clause F.2 and the explanation of how the Minimum Requirement has been relaxed by the Test Tolerance is given in clause F.4.

5.12A Transmit Intermodulation for DC-HSUPA

5.12A.1 Definition and applicability

The transmit intermodulation performance is a measure of the capability of the transmitter to inhibit the generation of signals in its non linear elements caused by presence of the wanted signal and an interfering signal reaching the transmitter via the antenna.

The UE intermodulation attenuation is defined by the ratio of the sum of the RRC filtered mean powers of the wanted signal on the assigned carriers to the sum of the RRC filtered mean powers of the intermodulation product on two adjacent carriers when an interfering CW signal is added at a level below the wanted signal.

The requirements and this test apply for Release 9 and later releases to all types of UTRA for the FDD UE that supports HSDPA and Dual Cell E-DCH.

5.12A.2 Minimum Requirements for DC-HSUPA

The requirement of transmitting intermodulation for a carrier spacing of 5 MHz is prescribed in Table 5.12A.1.

Table 5.12A.1: Transmit Intermodulation requirement for DC-HSUPA

| Interference Signal Frequency Offset | 10MHz | 20MHz |
|--------------------------------------|--------|--------|
| Interference CW Signal Level | -40dBc | |
| Intermodulation Product | -31dBc | -41dBc |

The normative reference for this requirement is TS 25.101 [1] clause 6.7.1A.

5.12A.3 Test purpose

To verify that the UE transmit intermodulation does not exceed the described value in table 5.12A.2.

An excess transmit intermodulation increases transmission errors in the up link when other transmitter exists nearby.

5.12A.4 Method of test

5.12A.4.1 Initial conditions

Test environment: normal; see clauses G.2.1 and G.2.2.

Frequencies to be tested: mid range; see clause G.2.4.

- 1) Connect the SS (node B emulator) to the UE antenna connector as shown in figure A.42.
- 2) The UL Reference Measurement Channel and parameters are specified in Annex C.11A. The DL Reference Measurement Channel (FRC H-SET 3A, QPSK) is specified in C.8.1.1.
- 3) An E-DCH call is set up according to TS 34.108 [3] 7.3.14.
- 4) Enter the UE into loopback test mode 1 looping back HSDPA to E-DCH according to procedure 7.3.14.3 in TS 34.108 [3] and start the loopback test.

See TS 34.109 [4] clauses 5.3.2.3 and 5.3.2.6 for details regarding loopback test mode for HSDPA and E-DCH.

5.12A.4.2 Procedure

- 1) Set the UE to maximum output power according to 5.2BA.4.2 steps 1 to 4.
- 2) Set the frequency of the CW generator to the first offset as shown in table 5.12A.2.
- 3) Measure the sum of the RRC filtered mean powers centred on each of the two assigned channels.
- 4) Search the intermodulation product signal and measure the RRC filtered mean power of transmitting intermodulation.
- 5) Calculate the ratio of the intermodulation product signal power (step 4) with the wanted power (step 3).
- 6) Repeat the measurement to both sides of the two assigned channels and using the second tone offset.

5.12A.5 Test requirements

The ratio derived in step 4), shall not exceed the described value in table 5.12A.2.

Table 5.12A.2: Transmit Intermodulation

| Interference Signal Frequency Offset | 10MHz | 20MHz |
|--------------------------------------|--------|--------|
| Interference CW Signal Level | -40dBc | |
| Intermodulation Product | -31dBc | -41dBc |

NOTE: If the above Test Requirement differs from the Minimum Requirement then the Test Tolerance applied for this test is non-zero. The Test Tolerance for this test is defined in clause F.2 and the explanation of how the Minimum Requirement has been relaxed by the Test Tolerance is given in clause F.4.

5.13 Transmit Modulation

Transmit modulation defines the modulation quality for expected in-channel RF transmissions from the UE. The requirements apply to all transmissions including the PRACH/PCPCH pre-amble and message parts and all other expected transmissions for release 99 and release 4 only. For release 5 and later the requirements apply to all transmissions including the PRACH pre-amble and message parts and all other expected transmissions. In cases where the mean power of the RF signal is allowed to change versus time e.g. PRACH, DPCH in compressed mode, change of TFC, inner loop power control and for HSDPA transmissions with non-constant HS-DPCCH code power, the EVM and Peak Code Domain Error requirements do not apply during the 25 us period before and after the nominal time when the mean power is expected to change.

5.13.1 Error Vector Magnitude (EVM)

5.13.1.1 Definition and applicability

The Error Vector Magnitude is a measure of the difference between the reference waveform and the measured waveform. This difference is called the error vector. Both waveforms pass through a matched Root Raised Cosine filter with bandwidth 3,84 MHz and roll-off $\alpha=0,22$. Both waveforms are then further modified by selecting the frequency, absolute phase, absolute amplitude and chip clock timing so as to minimise the error vector. The EVM result is defined as the square root of the ratio of the mean error vector power to the mean reference power expressed as a %.

For Release 99 and Release 4 the measurement interval is one timeslot.

For Release 5 and later releases where tests may include power changes, the measurement interval is further clarified as being one timeslot except when the mean power between slots is expected to change whereupon the measurement interval is reduced by 25 μ s at each end of the slot. The requirements and this test apply to all types of UTRA for the FDD UE.

5.13.1.2 Minimum Requirements

The EVM shall not exceed 17,5 % for the parameters specified in table 5.13.1.

Table 5.13.1: Parameters for EVM

| Parameter | Level / Status | Unit |
|-------------------------|-------------------|------|
| Output power | ≥ -20 | dBm |
| Operating conditions | Normal conditions | |
| Power control step size | 1 | dB |

The normative reference for this requirement is TS 25.101 [1] clause 6.8.3.0.

5.13.1.3 Test purpose

To verify that the EVM does not exceed 17,5 % for the specified parameters in table 5.13.1.

An excess EVM increases transmission errors in the up link own channel.

5.13.1.4 Method of test

5.13.1.4.1 Initial conditions

Test environment: normal; see clauses G.2.1 and G.2.2.

Frequencies to be tested: low range, mid range, high range; see clause G.2.4.

- 1) Connect the SS to the UE antenna connector as shown in figure A.1.
- 2) A call is set up according to the Generic call setup procedure in TS34.108 [3] sub clause 7.3.2.
- 3) Enter the UE into loopback test mode and start the loopback test.

See TS 34.108 [3] and TS 34.109 [4] for details regarding generic call setup procedure and loopback test.

5.13.1.4.2 Procedure

- 1) Set and send continuously Up power control commands to the UE until the UE output power shall be maximum level.
- 2) Measure the EVM using Global In-Channel Tx-Test (annex B).
- 3) Set the power level of UE to -18dBm or send Down power control commands (1dB step size should be used.) to the UE until UE output power shall be -18dBm with ± 2 dB tolerance.
- 4) Repeat step 2).

5.13.1.5 Test requirements

The measured EVM, derived in step 2) and 4), shall not exceed 17,5 % for parameters specified in table 5.13.1 Parameters for EVM.

NOTE: If the above Test Requirement differs from the Minimum Requirement then the Test Tolerance applied for this test is non-zero. The Test Tolerance for this test is defined in clause F.2 and the explanation of how the Minimum Requirement has been relaxed by the Test Tolerance is given in clause F.4.

5.13.1A Error Vector Magnitude (EVM) with HS-DPCCH

5.13.1A.1 Definition and applicability

The Error Vector Magnitude is a measure of the difference between the reference waveform and the measured waveform. This difference is called the error vector. Both waveforms pass through a matched Root Raised Cosine filter with bandwidth 3,84 MHz and roll-off $\alpha=0,22$. Both waveforms are then further modified by selecting the frequency, absolute phase, absolute amplitude and chip clock timing so as to minimise the error vector. The EVM result is defined as the square root of the ratio of the mean error vector power to the mean reference power expressed as a %.

The measurement interval is one timeslot except when the mean power between slots is expected to change whereupon the measurement interval is reduced by 25 μ s at each end of the slot.

For signals containing more than one spreading code where the slot alignment of the codes is not the same and the code power is varying, the period over which the nominal mean power remains constant can be less than one timeslot. For such time-varying signals it is not possible to define EVM across one timeslot since this interval contains an expected change in mean power, and the exact timing and trajectory of the power change is not defined. For these signals, the EVM minimum requirements apply only for intervals of at least one half timeslot (less any 25 μ s transient periods) during which the nominal code power of each individual code is constant.

NOTE: The reason for setting a lower limit for the EVM measurement interval is that for any given impaired signal, the EVM would be expected to improve for measurement intervals less than one timeslot while the frequency error would be expected to degrade.

The requirements and this test apply for Release 5 only to all types of UTRA for the FDD UE that support HSDPA.

5.13.1A.2 Minimum Requirements

The EVM shall not exceed 17.5 % for the parameters specified in table 5.13.1A.1. This is applicable for all values of β_c , β_d and β_{hs} as specified in [5].

Table 5.13.1A.1: Parameters for EVM

| Parameter | | Level / Status | Unit |
|--|----------|--------------------------------|-------|
| Output power | | ≥ -20 | dBm |
| Operating conditions | | Normal conditions | |
| Power control step size | | 1 | dB |
| Measurement period ¹ | PRACH | 3904 | Chips |
| | Any DPCH | From 1280 to 2560 ² | |
| NOTE 1: Less any 25 μ s transient periods | | | |
| NOTE 2: The longest period over which the nominal power remains constant | | | |

The normative reference for this requirement is TS 25.101 [1] clause 6.8.3.0.

5.13.1A.3 Test purpose

To verify that the EVM does not exceed 17.5 % for the specified parameters in table 5.13.1A.1 using the values of β_c , β_d and β_{hs} specified in table C.10.1.4 for subtest 3.

5.13.1A.4 Method of test

5.13.1A.4.1 Initial conditions

Test environment: normal; see clauses G.2.1 and G.2.2.

Frequencies to be tested: low range, mid range, high range; see clause G.2.4.

- 1) Connect the SS (node B emulator) to the UE antenna connector as shown in figure A.1.
- 2) The UL Reference Measurement Channel and the Fixed Reference Channels (FRC H-Set 1, QPSK version) are specified in Annex C.10.1 and C.8.1.1.
- 3) An HSDPA call is set up according to TS 34.108 [3] clause 7.3.6. RF parameters are set up according to table E.5.1 and table E.5.10. Settings for the serving cell are defined in table 5.13.1A.2. Set the Default DPCH Offset Value according to the required HS-DPCCH slot offset as specified in TS 25.331 [8] clause 8.6.6.14 and TS 25.211 [19].
- 4) Enter the UE into loopback test mode in the presence of HSDPA and start the loopback test.

See TS 34.108 [3] and TS 34.109 [4] for details regarding loopback test mode for HSDPA.

Table 5.13.1A.2: Settings for the serving cell during the measurement of Error Vector Magnitude (EVM) with HS-DPCCH

| Parameter | Unit | Cell 1 |
|--|--------------|----------------------------------|
| Cell type | | Serving cell |
| UTRA RF Channel Number | | As defined in clause 5.13.1A.4.1 |
| Qqualmin | dB | -24 |
| Qrxlevmin | dBm | -115 |
| UE_TXPWR_MAX_RACH | dBm | +21 |
| \hat{I}_{or} (see notes 1 and 2) | dBm/3.84 MHz | -86 |
| NOTE 1: The power level is specified in terms of \hat{I}_{or} instead of CPICH_RSCP because RSCP is a receiver measurement, whereas the SS can only set \hat{I}_{or} . | | |
| NOTE 2: The cell fulfils TS 25.304, 5.2.3.1.2. | | |

5.13.1A.4.2 Procedure

- 1) Send the TRANSPORT CHANNEL RECONFIGURATION message defined in Annex I to set the beta values according to table C.10.1.4 subtest 3 and the DPCH frame offset according the HS-DPCCH half slot offset required for measurements. This will create a signal with a repeat pattern of 12ms as shown in Figure 5.13.1A.1. The Uplink DPCH Power Control Info shall specify the Power Control Algorithm as algorithm 2 for interpreting TPC commands.
- 2) Generate suitable TPC commands from the SS such that the half slot period with the highest output power for the defined 12ms sequence as measured at the UE antenna connector is the maximum output as defined in table 5.2A.2. Maintain this power level by sending alternating "0" and "1" TPC commands in the downlink so as to satisfy the condition of obtaining $TPC_cmd = 0$.
- 3) Start transmitting HSDPA Data.
- 4) With reference to Figure 5.13.1A.1 measure the EVM using Global In-Channel Tx-Test (annex B) during the last half slot period of the ACK/NACK in subframe n+3 when the UE is at its maximum power in the 12ms cycle (measurement point 3) and in the following half slot period when the CQI is off (measurement point 4) and the UE is at its minimum power in the cycle. Measure the EVM in the last half slot before subframe n when the UE is at its minimum power (measurement point 1) and immediately following in the first half slot of subframe n when the ACK/NACK is transmitting and the UE is at its maximum power in the 12ms cycle (measurement point 2). All measurements shall exclude the 25 us transient periods at the beginning and end of each measurement period.
- 5) Generate suitable TPC commands from the SS such that the half slot period with the lowest output power for the defined 12ms sequence as measured at the UE antenna connector is -18dBm with ± 2 dB tolerance. Maintain this power level by sending alternating "0" and "1" TPC commands in the downlink so as to satisfy the condition of obtaining $TPC_cmd = 0$.

6) Repeat step 4).

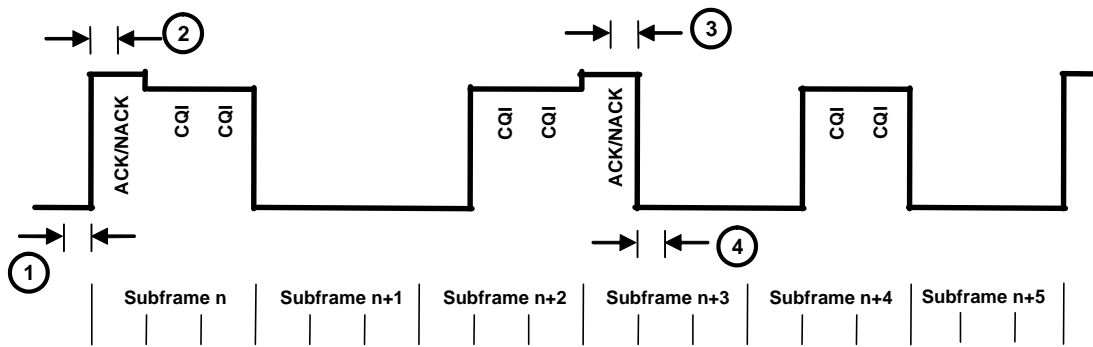


Figure 5.13.1A.1: HS-DPCCH on/off pattern showing measurement positions

All messages indicated above shall use the same content as described in the default message content in clause 9 of TS 34.108 [3], except the TRANSPORT CHANNEL RECONFIGURATION message which is defined in Annex I. The test specific exception for the TRANSPORT CHANNEL RECONFIGURATION message is as follows:

| Information Element | Value/remark |
|------------------------------|--------------|
| - Ack-Nack repetition factor | 1 |
| - CQI repetition factor | 1 |

5.13.1A.5 Test requirements

The measured EVM, derived in steps 4) and 6), shall not exceed 17.5 % for parameters specified in table 5.13.1A.1 parameters for EVM.

NOTE: If the above Test Requirement differs from the Minimum Requirement then the Test Tolerance applied for this test is non-zero. The Test Tolerance for this test is defined in clause F.2 and the explanation of how the Minimum Requirement has been relaxed by the Test Tolerance is given in clause F.4.

5.13.1AA Error Vector Magnitude (EVM) and phase discontinuity with HS-DPCCH

5.13.1AA.1 Definition and applicability

The Error Vector Magnitude is a measure of the difference between the reference waveform and the measured waveform. This difference is called the error vector. Both waveforms pass through a matched Root Raised Cosine filter with bandwidth 3,84 MHz and roll-off $\alpha=0,22$. Both waveforms are then further modified by selecting the frequency, absolute phase, absolute amplitude and chip clock timing so as to minimise the error vector. The EVM result is defined as the square root of the ratio of the mean error vector power to the mean reference power expressed as a %.

The measurement interval is one timeslot except when the mean power between slots is expected to change whereupon the measurement interval is reduced by 25 μ s at each end of the slot.

For signals containing more than one spreading code where the slot alignment of the codes is not the same and the code power is varying, the period over which the nominal mean power remains constant can be less than one timeslot. For such time-varying signals it is not possible to define EVM across one timeslot since this interval contains an expected change in mean power, and the exact timing and trajectory of the power change is not defined. For these signals, the EVM minimum requirements apply only for intervals of at least one half timeslot (less any 25 μ s transient periods) during which the nominal code power of each individual code is constant.

NOTE: The reason for setting a lower limit for the EVM measurement interval is that for any given impaired signal, the EVM would be expected to improve for measurement intervals less than one timeslot while the frequency error would be expected to degrade.

Phase discontinuity for HS-DPCCH is the change in phase due to the transmission of the HS-DPCCH. In the case where the HS-DPCCH timeslot is offset from the DPCCH timeslot, the period of evaluation of the phase discontinuity shall be the DPCCH timeslot that contains the HS-DPCCH slot boundary. The phase discontinuity for HS-DPCCH result is defined as the difference between the absolute phase used to calculate the EVM for that part of the DPCCH timeslot prior to the HS-DPCCH slot boundary, and the absolute phase used to calculate the EVM for remaining part of the DPCCH timeslot following the HS-DPCCH slot boundary. In all cases the subslot EVM is measured excluding the transient periods of 25 μ s.

Since subslot EVM is only defined for intervals of at least one half timeslot, the phase discontinuity for HS-DPCCH is only defined for non-aligned timeslots when the offset is 0.5 slots.

The requirements and this test apply for Release 6 and later releases to all types of UTRA for the FDD UE that support HSDPA.

5.13.1AA.2 Minimum Requirements

The EVM shall not exceed 17.5 % for the parameters specified in table 5.13.1AA. This is applicable for all values of β_c , β_d and β_{hs} as specified in [5].

Table 5.13.1AA.1: Parameters for EVM

| Parameter | | Level / Status | Unit |
|--|----------|--------------------------------|-------|
| Output power | | ≥ -20 | dBm |
| Operating conditions | | Normal conditions | |
| Power control step size | | 1 | dB |
| Measurement period ¹ | PRACH | 3904 | Chips |
| | Any DPCH | From 1280 to 2560 ² | |
| NOTE 1: Less any 25 μ s transient periods | | | |
| NOTE 2: The longest period over which the nominal power remains constant | | | |

The phase discontinuity for HS-DPCCH shall not exceed the value specified in table 5.13.1AA.2 90% of the time. When calculating the phase discontinuity, the requirements for frequency error and EVM in sub clauses 6.3 and 6.8.2, of TS 25.101 [1] respectively shall be met.

Table 5.13.1AA.2: Phase discontinuity minimum requirement for HS-DPCCH at HS-DPCCH slot boundary

| | |
|--|------------------------|
| Phase discontinuity for HS-DPCCH $\Delta\theta$ in degrees | $\Delta\theta \leq 30$ |
|--|------------------------|

The normative reference for these requirements is TS 25.101 [1] clause 6.8.3.0 and 6.8.5.1.

5.13.1AA.3 Test purpose

To verify that the EVM does not exceed 17.5 % for the specified parameters in table 5.13.1AA using the values of β_c , β_d and β_{hs} specified in table C.10.1.4 for subtest 3.

To verify that HSDPA phase discontinuity does not exceed the values in table 5.13.1AA.2.

NOTE: The statistical aspect (90% pass rate) of this minimum requirement is not currently tested.

5.13.1AA.4 Method of test

5.13.1AA.4.1 Initial conditions

Test environment: normal; see clauses G.2.1 and G.2.2.

Frequencies to be tested: low range, mid range, high range; see clause G.2.4.

- 1) Connect the SS (node B emulator) to the UE antenna connector as shown in figure A.1.

- 2) The UL Reference Measurement Channel and the Fixed Reference Channels (FRC H-Set 1, QPSK version) are specified in Annex C.10.1 and C.8.1.1.
- 3) An HSDPA call is set up according to TS 34.108 [3] clause 7.3.6. RF parameters are set up according to table E.5.1 and table E.5.10. Settings for the serving cell are defined in table 5.13.1AA.3. Set the Default DPCH Offset Value according to the required HS-DPCCH slot offset as specified in TS 25.331 [8] clause 8.6.6.14 and TS 25.211 [19].
- 4) Enter the UE into loopback test mode in the presence of HSDPA and start the loopback test.

See TS 34.108 [3] and TS 34.109 [4] for details regarding loopback test mode for HSDPA.

Table 5.13.1AA.3: Settings for the serving cell during the measurement of Error Vector Magnitude (EVM) with HS-DPCCH

| Parameter | Unit | Cell 1 |
|--|-----------------|-----------------------------------|
| Cell type | | Serving cell |
| UTRA RF Channel Number | | As defined in clause 5.13.1AA.4.1 |
| Qqualmin | dB | -24 |
| Qrxlevmin | dBm | -115 |
| UE_TXPWR_MAX_RACH | dBm | +21 |
| \hat{I}_{or} (see notes 1 and 2) | dBm/3.84 MHz | -86 |
| NOTE 1: The power level is specified in terms of \hat{I}_{or} instead of CPICH_RSCP because RSCP is a receiver measurement, whereas the SS can only set \hat{I}_{or} . | | |
| NOTE 2: The cell fulfils TS 25.304, 5.2.3.1.2. | | |

5.13.1AA.4.2 Procedure

- 1) Send the TRANSPORT CHANNEL RECONFIGURATION message defined in Annex I to set the beta values according to table C.10.1.4 subtest 3 and the DPCH frame offset according the HS-DPCCH half slot offset required for measurements. This will create a signal with a repeat pattern of 12ms as shown in Figure 5.13.1AA.1. The Uplink DPCH Power Control Info shall specify the Power Control Algorithm as algorithm 2 for interpreting TPC commands.
- 2) Generate suitable TPC commands from the SS such that the half slot period with the highest output power for the defined 12ms sequence as measured at the UE antenna connector is the maximum output as defined in table 5.2AA.2. Maintain this power level by sending alternating "0" and "1" TPC commands in the downlink so as to satisfy the condition of obtaining $TPC_cmd = 0$.
- 3) Start transmitting HSDPA Data.
- 4) With reference to Figure 5.13.1AA.1 measure the EVM using Global In-Channel Tx-Test (annex B) during the last half slot period of the ACK/NACK in subframe n+3 when the UE is at its maximum power in the 12ms cycle (measurement point 3) and in the following half slot period when the CQI is off and the UE is at its minimum power in the cycle (measurement point 4). Compute from these two EVM results the phase discontinuity between the two half slot periods. Measure the EVM in the last half slot before subframe n when the UE is at its minimum power (measurement point 1) and immediately following in the first half slot of subframe n when the ACK/NACK is transmitting and the UE is at its maximum power in the 12ms cycle (measurement point 2). Compute from these two EVM results the phase discontinuity between the two half slot periods. All measurements shall exclude the 25 us transient periods at the beginning and end of each measurement period.
- 5) Generate suitable TPC commands from the SS such that the half slot period with the lowest output power for the defined 12ms sequence as measured at the UE antenna connector is -18dBm with ± 2 dB tolerance. Maintain this power level by sending alternating "0" and "1" TPC commands in the downlink so as to satisfy the condition of obtaining $TPC_cmd = 0$.
- 6) Repeat step 4).

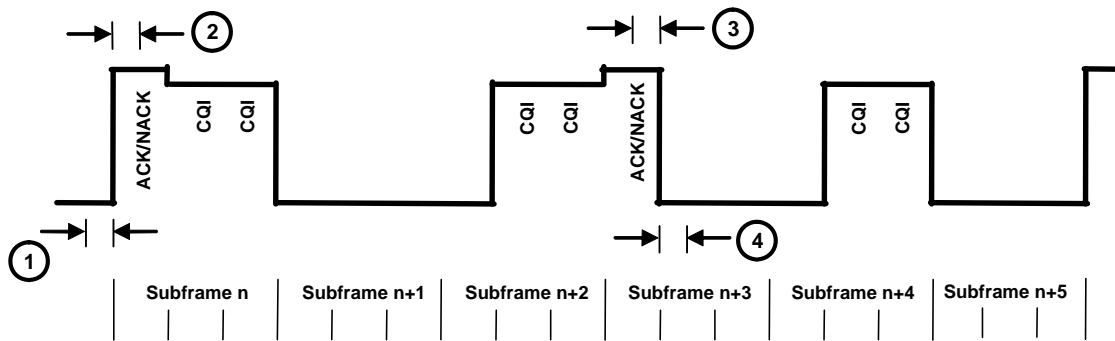


Figure 5.13.1AA.1: HS-DPCCH on/off pattern showing measurement positions

All messages indicated above shall use the same content as described in the default message content in clause 9 of TS 34.108 [3], except the TRANSPORT CHANNEL RECONFIGURATION message which is defined in Annex I. The test specific exception for the TRANSPORT CHANNEL RECONFIGURATION message is as follows:

| Information Element | Value/remark |
|------------------------------|--------------|
| - Ack-Nack repetition factor | 1 |
| - CQI repetition factor | 1 |

5.13.1AA.5 Test requirements

Table 5.13.1AA.4: Phase discontinuity test requirement for HS-DPCCH at HS-DPCCH slot boundary

| | |
|--|------------------------|
| Phase discontinuity for HS-DPCCH $\Delta\theta$ in degrees | $\Delta\theta \leq 36$ |
|--|------------------------|

The measured EVM, derived in steps 4) and 6), shall not exceed 17.5 % for parameters specified in table 5.13.1AA.1 parameters for EVM.

The measured phase discontinuity, derived in steps 4) and 6), shall not exceed the value specified in table 5.13.1AA.4.

NOTE: If the above Test Requirement differs from the Minimum Requirement then the Test Tolerance applied for this test is non-zero. The Test Tolerance for this test is defined in clause F.2 and the explanation of how the Minimum Requirement has been relaxed by the Test Tolerance is given in clause F.4.

5.13.1AAA EVM and IQ origin offset for HS-DPCCH and E-DCH with 16 QAM

5.13.1AAA.1 Definition and applicability

The Error Vector Magnitude is a measure of the difference between the reference waveform and the measured waveform. This difference is called the error vector. Both waveforms pass through a matched Root Raised Cosine filter with bandwidth 3,84 MHz and roll-off $\alpha=0,22$. Both waveforms are then further modified by selecting the frequency, absolute phase, absolute amplitude and chip clock timing so as to minimise the error vector. The EVM result is defined as the square root of the ratio of the mean error vector power to the mean reference power expressed as a %. The measurement interval is one timeslot except when the mean power between slots is expected to change whereupon the measurement interval is reduced by 25 μ s at each end of the slot. For the PRACH preamble the measurement interval is 4096 chips less 25 μ s at each end of the burst (3904 chips).

When the UE uses 16QAM modulation on any of the uplink code channels, the error minimization step also includes selecting an IQ origin offset besides selecting the frequency, absolute phase, absolute amplitude and chip clock timing to minimise the error vector. The IQ origin offset shall be removed from the evaluated signal before calculating the EVM; however, the removed relative IQ origin offset power (relative carrier leakage power) also has to satisfy the applicable requirement.

For signals containing more than one spreading code where the slot alignment of the codes is not the same and the code power is varying, the period over which the nominal mean power remains constant can be less than one timeslot. For such time-varying signals it is not possible to define EVM across one timeslot since this interval contains an expected change in mean power, and the exact timing and trajectory of the power change is not defined. For these signals, the EVM minimum requirements apply only for intervals of at least one half timeslot (less any 25 μ s transient periods) during which the nominal code power of each individual code is constant.

NOTE: The reason for setting a lower limit for the EVM measurement interval is that for any given impaired signal, the EVM would be expected to improve for measurement intervals less than one timeslot while the frequency error would be expected to degrade.

The requirements apply for Release 7 and later releases to all types of UTRA for the FDD UE that support E-DCH 16 QAM UE capability category 7. This test applies only to UE that support HSDPA and E-DCH.

5.13.1AAA.2 Minimum requirement

When 16QAM modulation is not used on any of the uplink code channels, the Error Vector Magnitude shall not exceed 17.5 %. This is tested in 5.13.1A.

When 16QAM modulation is used on any of the uplink code channels, the modulation accuracy requirement shall meet one or both of the following requirements:

1. The Error Vector Magnitude does not exceed 14 %. This is not tested
2. The Relative Code Domain Error requirements are met. This is tested in 5.13.2C

When 16QAM modulation is used on any of the uplink code channels, the relative carrier leakage power (IQ origin offset power) shall not exceed the values specified in Table 5.13.1AAA.2

The requirements are applicable for all values of β_c , β_d , β_{hs} , β_{ec} and β_{ed} as specified in [8].

Table 5.13.1AAA.1: Parameters for IQ origin offset

| Parameter | | Unit | Level |
|--|----------|-------|----------------------------|
| UE Output Power, 16QAM | | dBm | ≥ -30 |
| Operating conditions | | | Normal conditions |
| Power control step size | | dB | 1 |
| Measurement period (Note 1) | PRACH | Chips | 3904 |
| | Any DPCH | | From 1280 to 2560 (Note 2) |
| NOTE 1: Less any 25 μ s transient periods | | | |
| NOTE 2: The longest period over which the nominal power remains constant | | | |

Table 5.13.1AAA.2: Relative Carrier Leakage Power

| UE Transmitted Mean Power | Relative Carrier Leakage Power (dB) |
|---------------------------|-------------------------------------|
| $P \geq -30$ dBm | < -17 |

5.13.1AAA.3 Test purpose

To verify that the IQ offset does not exceed the values in table 5.13.1AAA.6 for the specified parameters in Table 5.13.1AAA.1 and for the beta values defined in table C.11.1.4.

5.13.1AAA.4 Method of test

5.13.1AAA.4.1 Initial conditions

Test environment: normal; see clauses G.2.1 and G.2.2.

Frequencies to be tested: low range, mid range, high range; see clause G.2.4.

- 1) Connect the SS (node B emulator) to the UE antenna connector as shown in figure A.1.

- 2) The UL Reference Measurement Channel and the DL Fixed Reference Channels-are specified in Annex C.11.1 and C. 11.2
- 3) An E-DCH call is set up according to TS 34.108 [3] 7.3.9, with the following exceptions in the RADIO BEARER SETUP messages. These exceptions allow the beta values to be set according to table C.11.1.4 and each UL physical channel to be at constant power at the start of the measurement. RF parameters are set up according to table E.5A.1. Settings for the serving cell are defined in table 5.13.1AAA.5. Uplink SRB for DCCH mapped on E-DCH and downlink SRB for DCCH on DCH. E-DCH is configured with 2ms TTI.
- 4) Enter the UE into loopback test mode 1 looping back HSDPA to E-DCH and start the loopback test.

See TS 34.109 [4] clauses 5.3.2.3 and 5.3.2.6 for details regarding loopback test mode for HSDPA and E-DCH.

**Table 5.13.1AAA.3: Contents of RADIO BEARER SETUP message:
AM or UM (E-DCH and HSDPA) for Sub-test 1**

| Information Element | Value/Remark |
|-------------------------------|------------------|
| E-DCH info | Uplink DPCH info |
| - E-DPCCH info | |
| - E-DPDCH power interpolation | FALSE |
| - E-DPDCH info | |
| - E-TFCI Table index | 2 |
| - Reference E-TFCIs | 3 E-TFCIs |
| - Reference E-TFCI | 105 |
| - Reference E-TFCI PO | 12 |
| - Reference E-TFCI | 116 |
| - Reference E-TFCI PO | 14 |
| - Reference E-TFCI | 127 |
| - Reference E-TFCI PO | 16 |
| - Max Channelisation Codes | SF4x2 and SF2x2 |

Table 5.13.1AAA.4: Contents of RADIO BEARER SETUP message: AM or UM (E-DCH and HSDPA)

| Information Element | Value/Remark |
|--------------------------------------|---|
| CHOICE channel requirement | Uplink DPCH info |
| - Power Control Algorithm | Algorithm2 |
| - Δ_{ACK} | Value used in test: see Table C.11.1.4 |
| - Δ_{NACK} | Value used in test: see Table C.11.1.4 |
| - Ack-Nack repetition factor | 3 (required for continuous HS-DPCCH signal) |
| E-DCH info | |
| - E-DPCCH info | |
| - E-DPCCH/DPCCH power offset | Value used in test: see Table C.11.1.4 |
| - E-TFC Boost Info | |
| - E-TFCI boost | Value used in test: see Table C.11.1.4 |
| - Delta T2TP | 12 dB |
| - UL 16QAM settings | |
| - BetaEd gain E-AGCH table selection | 0 |
| Downlink HS-PDSCH Information | |
| - Measurement Feedback Info | |
| - CQI Feedback cycle, k | 4 ms |
| - CQI repetition factor | 2 (required for continuous HS-DPCCH signal) |
| - Δ_{CQI} | Value used in test: see Table C.11.1.4 |

Table 5.13.1AAA.5: Settings for the serving cell during the measurement of IQ origin offset

| Parameter | Unit | Cell 1 |
|--|--------------|------------------------------------|
| Cell type | | Serving cell |
| UTRA RF Channel Number | | As defined in clause 5.13.1AAA.4.1 |
| Qqualmin | dB | -24 |
| Qrxlevmin | dBm | -115 |
| UE_TXPWR_MAX_RACH | dBm | +21 |
| \hat{I}_{or} (see notes 1 and 2) | dBm/3.84 MHz | -86 |
| NOTE 1: The power level is specified in terms of \hat{I}_{or} instead of CPICH_RSCP because RSCP is a receiver measurement, whereas the SS can only set \hat{I}_{or} . | | |
| NOTE 2: The cell fulfils TS 25.304, 5.2.3.1.2. | | |

5.13.1AAA.4.2 Procedure

- 1) Set the Absolute Grant according to Table C.11.1.4.
- 2) The SS starts transmitting HSDPA and the UE loops the received data back on E-DCH.
- 3) Generate suitable TPC commands from the SS to set the output power of the UE to be in the range -28 dBm \pm 2 dB.
- 4) Confirm that the E-TFCI transmitted by the UE is equal to the target E-TFCI in Table C.11.1.4. If the E-TFCI transmitted by the UE is not equal to the target E-TFCI, then fail the UE.
- 5) Send alternating "0" and "1" TPC commands in the downlink so as to satisfy the condition of obtaining TPC_cmd = 0.
- 6) Measure Relative Carrier Leakage Power (IQ origin offset) according Annex B of the composite signal.

5.13.1AAA.5 Test requirements

The Relative Carrier Leakage Power shall not exceed the value given in table 5.13.1AAA.6.

Table 5.13.1AAA.6: Relative Carrier Leakage Power

| UE Transmitted Mean Power | Relative Carrier Leakage Power (dB) |
|---------------------------|-------------------------------------|
| -28 dBm | <-16.5 |

NOTE: If the above Test Requirement differs from the Minimum Requirement then the Test Tolerance applied for this test is non-zero. The Test Tolerance for this test is defined in clause F.2 and the explanation of how the Minimum Requirement has been relaxed by the Test Tolerance is given in clause F.4.

5.13.2 Peak code domain error

5.13.2.1 Definition and applicability

The Peak Code Domain Error is computed by projecting power of the error vector (as defined in clause 5.13.1.1) onto the code domain at a specific spreading factor. The Code Domain Error for every code in the domain is defined as the ratio of the mean power of the projection onto that code, to the mean power of the composite reference waveform expressed in dB. The Peak Code Domain Error is defined as the maximum value for the Code Domain Error for all codes.

For Release 99 and Release 4 the measurement interval is one timeslot.

For Release 5 and later releases where tests may include power changes, the measurement interval is further clarified as being one timeslot except when the mean power between slots is expected to change whereupon the measurement interval is reduced by 25 μ s at each end of the slot.

The requirements and this test apply only to the UE in which the multi-code DPDCH transmission is provided and therefore does not apply for the PRACH and PCPCH preamble and message parts for R99 and Release 4 only or the PRACH preamble and message parts for Release 5 and later.

5.13.2.2 Minimum Requirements

The peak code domain error shall not exceed -15 dB at spreading factor 4 for the parameters specified in table 5.13.3. The requirements are defined using the UL reference measurement channel (768 kbps) specified in clause C.2.5.

Table 5.13.3: Parameters for Peak code domain error

| Parameter | Level / Status | Unit |
|-------------------------|-------------------|------|
| Output power | ≥ -20 | dBm |
| Operating conditions | Normal conditions | |
| Power control step size | 1 | dB |

The normative reference for this requirement is TS 25.101 [1] clause 6.8.3.1.

5.13.2.3 Test purpose

To verify that the UE peak code domain error does not exceed -15 dB for the specified parameters in table 5.13.3.

An excess peak code domain error increases transmission errors in the up link own channel.

5.13.2.4 Method of test

5.13.2.4.1 Initial conditions

Test environment: normal; see clauses G.2.1 and G.2.2.

Frequencies to be tested: low range, mid range, high range; see clause G.2.4.

- 1) Connect the SS to the UE antenna connector as shown in figure A.1.
- 2) A call is set up according to the Generic call setup procedure in TS34.108 [3] sub clause 7.3.2, and RF parameters are set up according to table 5.13.4.
- 3) Enter the UE into loopback test mode and start the loopback test.

See TS 34.108 [3] and TS 34.109 [4] for details regarding generic call setup procedure and loopback test.

Table 5.13.4: Test parameters for Peak code domain error

| Parameter | Level / Status | Unit |
|-------------------------|-------------------|------|
| Operating conditions | Normal conditions | |
| Uplink signal | multi-code | |
| Information bit rate | 2*384 | kbps |
| Power control step size | 1 | dB |

5.13.2.4.2 Procedure

- 1) Set and send continuously Up power control commands to the UE until the UE output power shall be maximum level.
- 2) Measure the Peak code Domain error using Global In-Channel Tx-Test (annex B).
- 3) Set the power level of UE to -18dBm or send Down power control commands (1dB step size should be used.) to the UE until UE output power shall be -18dBm with ± 2 dB tolerance.
- 4) Repeat step 2).

5.13.2.5 Test requirements

The measured Peak code domain error, derived in step 2) and 4), shall not exceed -14 dB.

NOTE: If the above Test Requirement differs from the Minimum Requirement then the Test Tolerance applied for this test is non-zero. The Test Tolerance for this test is defined in clause F.2 and the explanation of how the Minimum Requirement has been relaxed by the Test Tolerance is given in clause F.4

5.13.2A Relative Code Domain Error with HS-DPCCH

5.13.2A.1 Definition and applicability

The Relative Code Domain Error is computed by projecting the error vector (as defined in TS 25.101 [1] 6.8.2) onto the code domain. Only the code channels with non-zero betas in the composite reference waveform are considered for this requirement. The Relative Code Domain Error for every non-zero beta code in the domain is defined as the ratio of the mean power of the projection onto that non-zero beta code, to the mean power of the non-zero beta code in the composite reference waveform. This ratio is expressed in dB. The measurement interval is one timeslot except when the mean power between slots is expected to change whereupon the measurement interval is reduced by 25 μ s at each end of the slot.

The Relative Code Domain Error is affected by both the spreading factor and beta value of the various code channels in the domain. The Effective Code Domain Power (ECDP) is defined to capture both considerations into one parameter. It uses the Nominal CDP ratio (as defined in TS25101 [1] 6.2.3), and is defined as follows for each used code, k, in the domain:

$$ECDP_k = (\text{Nominal CDP ratio})_k + 10 \cdot \log_{10}(SF_k/256)$$

The requirements for Relative Code Domain Error are not applicable when either or both the following channel combinations occur:

- when the ECDP of any code channel is < -30dB.
- when the nominal code domain power of any code channel is < -20 dB

The requirement for Relative Code Domain Error also does not apply for the PRACH preamble and message parts.

The requirements and this test apply for Release 6 and later releases to all types of UTRA for the FDD UE that support HSDPA but not E-DCH.

5.13.2A.2 Minimum Requirements

The Relative Code Domain Error shall meet the requirements in Table 5.13.2A.1 for the parameters specified in table 5.13.2A.2.

Table 5.13.2A.1: Relative Code Domain Error minimum requirement

| ECDP dB | Relative Code Domain Error dB |
|----------------------------|-------------------------------|
| -21 < ECDP | ≤ -16 |
| -30 \leq ECDP \leq -21 | $\leq -37 - \text{ECDP}$ |
| ECDP < -30 | No requirement |

Table 5.13.2A.2: Parameters for Error Vector Magnitude/Peak Code Domain Error

| Parameter | | Unit | Level |
|--|----------|-------|----------------------------|
| UE Output Power | | dBm | ≥ -20 |
| Operating conditions | | | Normal conditions |
| Power control step size | | dB | 1 |
| Measurement period (Note 1) | PRACH | Chips | 3904 |
| | Any DPCH | | From 1280 to 2560 (Note 2) |
| NOTE 1: Less any 25 μ s transient periods | | | |
| NOTE 2: The longest period over which the nominal power remains constant | | | |

The normative reference for this requirement is TS 25.101 [1] clause 6.8.3a.

5.13.2A.3 Test purpose

To verify that the Relative Code Domain Error does not exceed the values in table 5.13.2A.5 for the beta values defined in table 5.13.2A.4.

5.13.2A.4 Method of test

5.13.2A.4.1 Initial conditions

Test environment: normal; see clauses G.2.1 and G.2.2.

Frequencies to be tested: low range, mid range, high range; see clause G.2.4.

- 1) Connect the SS (node B emulator) to the UE antenna connector as shown in figure A.1.
- 2) The UL Reference Measurement Channel and the Fixed Reference Channels (FRC H-Set 1, QPSK version) are specified in Annex C.10.1 and C.8.1.1 with the beta values set according to table C.10.1.4.
- 3) An HSDPA call is set up according to TS 34.108 [3] clause 7.3.6. RF parameters are set up according to table E.5.1 and table E.5.10. Settings for the serving cell are defined in table 5.13.2A.3.
- 4) Enter the UE into loopback test mode in the presence of HSDPA and start the loopback test.

See TS 34.108 [3] and TS 34.109 [4] for details regarding loopback test mode for HSDPA.

Table 5.13.2A.3: Settings for the serving cell during the measurement of Relative Code Domain Error with HS-DPCCH

| Parameter | Unit | Cell 1 |
|--|--------------|-------------------------------|
| Cell type | | Serving cell |
| UTRA RF Channel Number | | As defined in clause 5.2A.4.1 |
| Qqualmin | dB | -24 |
| Qrxlevmin | dBm | -115 |
| UE_TXPWR_MAX_RACH | dBm | +21 |
| \hat{I}_{or} (see notes 1 and 2) | dBm/3.84 MHz | -86 |
| NOTE 1: The power level is specified in terms of \hat{I}_{or} instead of CPICH_RSCP because RSCP is a receiver measurement, whereas the SS can only set \hat{I}_{or} . | | |
| NOTE 2: The cell fulfils TS 25.304, 5.2.3.1.2. | | |

5.13.2A.4.2 Procedure

- 1) Set and send continuously Up power control commands to the UE and wait until the UE has reached maximum power.
- 2) Send TRANSPORT CHANNEL RECONFIGURATION message to set the beta values according to table C.10.1.4 sub test 1 and the DPCH frame offset according the HS-DPCCH slot offset required for measurements.
- 3) Start transmitting HSDPA Data.
- 4) Measure the Relative Code Domain Error of the DPCCH, DPDCH and HS-DPCCH.
- 5) Repeat step 4 for the other combinations of beta values as given in table 5.13.2A.4.
- 6) Set the power level of UE to -18dBm or send Down power control commands (1dB step size should be used.) to the UE until UE output power shall be -18dBm with ± 2 dB tolerance.
- 7) Repeat step 4 for all the combinations of beta values as given in table 5.13.2A.4.

All messages indicated above shall use the same content as described in the default message content in clause 9 of TS 34.108 [3], except the TRANSPORT CHANNEL RECONFIGURATION message which is defined in Annex I.

5.13.2A.5 Test requirements

For the ECDP of each code measured in step 4 the Relative Code Domain Error shall not exceed the value given in table 5.13.2A.5.

Table 5.13.2A.4: Nominal ECDP ratios

| Sub-test in table C.10.1.4 | Code | Nominal Code Domain Power | Spreading factor | Nominal ECDP |
|----------------------------|----------|---------------------------|------------------|--------------|
| 1 | DPCCH | -17.9 | 256 | -17.9 |
| | DPDCH | -0.4 | 64 | -6.4 |
| | HS-DPCCH | -11.8 | 256 | -11.8 |
| 3 | DPCCH | -7.2 | 256 | -7.2 |
| | DPDCH | -12.7 | 64 | -18.7 |
| | HS-DPCCH | -1.2 | 256 | -1.2 |
| 4 | DPCCH | -7.1 | 256 | -7.1 |
| | DPDCH | -18.5 | 64 | -24.5 |
| | HS-DPCCH | -1 | 256 | -1 |

NOTE: The nominal ECDP ratios given above are calculated from the nominal beta factors and are for general information to indicate the test coverage. The actual ECDP to use in the test for each code shall be based on the measured code domain power. The accuracy of the code domain powers is tested separately in 5.2C.

Table 5.13.2A.5: Relative Code Domain Error test requirement

| ECDP dB | Relative Code Domain Error dB |
|---------------------------------|-------------------------------|
| $-21 < \text{ECDP}$ | ≤ -15.5 |
| $-30 \leq \text{ECDP} \leq -21$ | $\leq -36.5 - \text{ECDP}$ |
| $\text{ECDP} < -30$ | No requirement |

NOTE: If the above Test Requirement differs from the Minimum Requirement then the Test Tolerance applied for this test is non-zero. The Test Tolerance for this test is defined in clause F.2 and the explanation of how the Minimum Requirement has been relaxed by the Test Tolerance is given in clause F.4.

5.13.2B Relative Code Domain Error with HS-DPCCH and E-DCH

5.13.2B.1 Definition and applicability

The Relative Code Domain Error is computed by projecting the error vector (as defined in TS 25.101 [1] 6.8.2) onto the code domain. Only the code channels with non-zero betas in the composite reference waveform are considered for this requirement. The Relative Code Domain Error for every non-zero beta code in the domain is defined as the ratio of the mean power of the projection onto that non-zero beta code, to the mean power of the non-zero beta code in the composite reference waveform. This ratio is expressed in dB. The measurement interval is one timeslot except when the mean power between slots is expected to change whereupon the measurement interval is reduced by 25 μ s at each end of the slot.

The Relative Code Domain Error is affected by both the spreading factor and beta value of the various code channels in the domain. The Effective Code Domain Power (ECDP) is defined to capture both considerations into one parameter. It uses the Nominal CDP ratio (as defined in TS25101 [1] 6.2.3), and is defined as follows for each used code, k, in the domain:

$$\text{ECDP}_k = (\text{Nominal CDP ratio})_k + 10 \cdot \log_{10}(\text{SF}_k/256)$$

The requirements for Relative Code Domain Error are not applicable when either or both of the following channel combinations occur:

- when the ECDP of any code channel is < -30 dB.
- when the nominal code domain power of any code channel is < -20 dB

The requirement for Relative Code Domain Error also does not apply for the PRACH preamble and message parts.

The requirements and this test apply for Release 6 and later releases to all types of UTRA for the FDD UE that support HSDPA and E-DCH.

5.13.2B.2 Minimum Requirements

The Relative Code Domain Error shall meet the requirements in Table 5.13.2B.1 for the parameters specified in Table 5.13.2B.2.

Table 5.13.2B.1: Relative Code Domain Error minimum requirement

| ECDP dB | Relative Code Domain Error dB |
|---------------------------------|-------------------------------|
| $-21 < \text{ECDP}$ | ≤ -16 |
| $-30 \leq \text{ECDP} \leq -21$ | $\leq -37 - \text{ECDP}$ |
| $\text{ECDP} < -30$ | No requirement |

Table 5.13.2B.2: Parameters for Relative Code Domain Error with HS-DPCCH and E-DCH

| Parameter | | Unit | Level |
|--|----------|-------|----------------------------|
| UE Output Power | | dBm | ≥ -20 |
| Operating conditions | | | Normal conditions |
| Power control step size | | dB | 1 |
| Measurement period (Note 1) | PRACH | Chips | 3904 |
| | Any DPCH | | From 1280 to 2560 (Note 2) |
| NOTE 1: Less any 25 μ s transient periods | | | |
| NOTE 2: The longest period over which the nominal power remains constant | | | |

The normative reference for this requirement is TS 25.101 [1] clause 6.8.3a.

5.13.2B.3 Test purpose

To verify that the Relative Code Domain Error does not exceed the values in table 5.13.2B.9 for the beta values defined in table 5.13.2B.8.

5.13.2B.4 Method of test

5.13.2B.4.1 Initial conditions

Test environment: normal; see clauses G.2.1 and G.2.2.

Frequencies to be tested: low range, mid range, high range; see clause G.2.4.

- 1) Connect the SS (node B emulator) to the UE antenna connector as shown in figure A.1.
- 2) The UL Reference Measurement Channel and the Fixed Reference Channels (FRC H-Set 1, QPSK) are specified in Annex C.11.1 and C.8.1.1.
- 3) An E-DCH call is set up according to TS 34.108 [3] 7.3.9, with the following exceptions in the RADIO BEARER SETUP messages. These exceptions allow the beta values to be set according to table C.11.1.3 and each UL physical channel to be at constant power at the start of the measurement. RF parameters are set up according to table E.5A.1. Settings for the serving cell are defined in table 5.13.2B.7.
- 4) Enter the UE into loopback test mode 1 looping back both the 12.2kbps RMC and HSDPA to E-DCH and start the loopback test.

See TS 34.109 [4] clauses 5.3.2.3 and 5.3.2.6 for details regarding loopback test mode for HSDPA and E-DCH.

Table 5.13.2B.3: Contents of RADIO BEARER SETUP message: AM or UM (Test Loop Mode1)

| Information Element | Value/Remark |
|--|--|
| UL Transport channel information for all transport channels | |
| - 2bit CTFC | 3 |
| - Power offset Information | |
| - CHOICE Gain Factors | Signalled Gain Factors |
| - CHOICE mode | FDD |
| - Gain factor β_c | Value used in test: see Table C.11.1.3 |
| - Gain factor β_d | Value used in test: see Table C.11.1.3 |
| NOTE: All other 2 bit CTFC values use computed gain factors as in the default message. | |

Table 5.13.2B.4: Contents of RADIO BEARER SETUP message: AM or UM (E-DCH and HSDPA) for Sub-tests 1,2,4

| Information Element | Value/Remark |
|-----------------------|------------------|
| E-DCH info | Uplink DPCH info |
| - E-DPDCH info | |
| - Reference E-TFCIs | 5 E-TFCIs |
| - Reference E-TFCI | 11 |
| - Reference E-TFCI PO | 4 |
| - Reference E-TFCI | 67 |
| - Reference E-TFCI PO | 18 |
| - Reference E-TFCI | 71 |
| - Reference E-TFCI PO | 23 |
| - Reference E-TFCI | 75 |
| - Reference E-TFCI PO | 26 |
| - Reference E-TFCI | 81 |
| - Reference E-TFCI PO | 27 |

Table 5.13.2B.5: Contents of RADIO BEARER SETUP message: AM or UM (E-DCH and HSDPA) for Sub-test 3

| Information Element | Value/Remark |
|-----------------------|------------------|
| E-DCH info | Uplink DPCH info |
| - E-DPDCH info | |
| - Reference E-TFCIs | 2 E-TFCIs |
| - Reference E-TFCI | 11 |
| - Reference E-TFCI PO | 4 |
| - Reference E-TFCI | 92 |
| - Reference E-TFCI PO | 18 |

Table 5.13.2B.6: Contents of RADIO BEARER SETUP message: AM or UM (E-DCH and HSDPA)

| Information Element | Value/Remark |
|-------------------------------|---|
| CHOICE channel requirement | Uplink DPCH info |
| - Power Control Algorithm | Algorithm2 |
| - Δ_{ACK} | Value used in test: see Table C.11.1.3 |
| - Δ_{NACK} | Value used in test: see Table C.11.1.3 |
| - Ack-Nack repetition factor | 3 (required for continuous HS-DPCCH signal) |
| E-DCH info | |
| - E-DPCCH/DPCCH power offset | Value used in test: see Table C.11.1.3 |
| Downlink HS-PDSCH Information | |
| - Measurement Feedback Info | |
| - CQI Feedback cycle, k | 4 ms |
| - CQI repetition factor | 2 (required for continuous HS-DPCCH signal) |
| - Δ_{CQI} | Value used in test: see Table C.11.1.3 |

Table 5.13.2B.7: Settings for the serving cell during the measurement of Relative Code Domain Error with HS-DPCCH and E-DCH

| Parameter | Unit | Cell 1 |
|--|--------------|----------------------------------|
| Cell type | | Serving cell |
| UTRA RF Channel Number | | As defined in clause 5.13.2B.4.1 |
| Qqualmin | dB | -24 |
| Qrxlevmin | dBm | -115 |
| UE_TXPWR_MAX_RACH | dBm | +21 |
| \hat{I}_{or} (see notes 1 and 2) | dBm/3.84 MHz | -86 |
| NOTE 1: The power level is specified in terms of \hat{I}_{or} instead of CPICH_RSCP because RSCP is a receiver measurement, whereas the SS can only set \hat{I}_{or} . | | |
| NOTE 2: The cell fulfils TS 25.304, 5.2.3.1.2. | | |

5.13.2B.4.2 Procedure

- 1) Set the Absolute Grant according to Table C.11.1.3.
- 2) The SS starts transmitting HSDPA and the UE loops the received data back on E-DCH.
- 3) Generate suitable TPC commands from the SS to set the output power of the UE to be in the range 15dBm \pm 2dB.
- 4) Confirm that the E-TFCI transmitted by the UE is equal to the target E-TFCI in Table C.11.1.3. If the E-TFCI transmitted by the UE is not equal to the target E-TFCI, then fail the UE.
- 5) Measure the Relative Code Domain Error of the DPCCH, DPDCH, HS-DPCCH, E-DPCCH and E-DPDCH(s).
- 6) Repeat steps 1 through 5 for the other combinations of beta values as given in Table C.11.1.3.
- 7) Set the power level of UE to -18 dBm or send down power control commands (1 dB step size should be used) to the UE until UE output power shall be -18 dBm with \pm 2 dB tolerance.
- 8) Measure the Relative Code Domain Error of the DPCCH, DPDCH, HS-DPCCH, E-DPCCH and E-DPDCH(s).
- 9) Repeat steps 7 and 8 for all the combinations of beta values for sub-tests 1, 2, 3, and 4 as given in Table C.11.1.3.

5.13.2B.5 Test requirements

For the ECDP of each code measured in steps 5 and 8 the Relative Code Domain Error shall not exceed the value given in table 5.13.2B.9.

Table 5.13.2B.8: Nominal ECDP ratios

| Sub-Test in Table C.11.1.3 | Code | Nominal Code Domain Power | Spreading Factor | Nominal ECDP |
|----------------------------|----------|---------------------------|------------------|--------------|
| 1 | DPCCH | -18.5 | 256 | -18.5 |
| | DPDCH | -15.8 | 64 | -21.8 |
| | HS-DPCCH | -12.5 | 256 | -12.5 |
| | E-DPCCH | -16.5 | 256 | -16.5 |
| | E-DPDCH | -0.5 | 4 | -18.6 |
| 2 | DPCCH | -14.0 | 256 | -14.0 |
| | DPDCH | -6.0 | 64 | -12.0 |
| | HS-DPCCH | -8.0 | 256 | -8.0 |
| | E-DPCCH | -8.0 | 256 | -8.0 |
| | E-DPDCH | -4.1 | 4 | -22.2 |
| 3 | DPCCH | -14.6 | 256 | -14.6 |
| | DPDCH | -19.1 | 64 | -25.1 |
| | HS-DPCCH | -8.6 | 256 | -8.6 |
| | E-DPCCH | -8.6 | 256 | -8.6 |
| | E-DPDCH1 | -4.7 | 4 | -22.8 |
| E-DPDCH2 | -4.7 | 4 | -22.8 | |
| 4 | DPCCH | -19.7 | 256 | -19.7 |
| | DPDCH | -2.2 | 64 | -8.2 |
| | HS-DPCCH | -13.7 | 256 | -13.7 |
| | E-DPCCH | -19.7 | 256 | -19.7 |
| | E-DPDCH | -4.7 | 4 | -22.8 |

NOTE: The nominal ECDP ratios given above are calculated from the nominal beta factors and are for general information to indicate the test coverage. The actual ECDP to use in the test for each code shall be based on the measured code domain power. The accuracy of the code domain powers is tested separately in 5.2D.

Table 5.13.2B.9: Relative Code Domain Error test requirement

| ECDP dB | Relative Code Domain Error dB |
|---------------------------------|-------------------------------|
| $-21 < \text{ECDP}$ | ≤ -15.5 |
| $-30 \leq \text{ECDP} \leq -21$ | $\leq -36.5 - \text{ECDP}$ |
| $\text{ECDP} < -30$ | No requirement |

NOTE: If the above Test Requirement differs from the Minimum Requirement then the Test Tolerance applied for this test is non-zero. The Test Tolerance for this test is defined in clause F.2 and the explanation of how the Minimum Requirement has been relaxed by the Test Tolerance is given in clause F.4.

5.13.2BA Relative Code Domain Error with HS-DPCCH and E-DCH for DC-HSUPA

5.13.2BA.1 Definition and applicability

The Relative Code Domain Error is computed by projecting the error vector (as defined in TS 25.101 [1] 6.8.2) onto the code domain for each of the two assigned channel frequencies. Only the code channels with non-zero betas in the composite reference waveform are considered for this requirement. The Relative Code Domain Error for every non-zero beta code in the domain is defined as the ratio of the mean power of the projection onto that non-zero beta code, to the mean power of the non-zero beta code in the composite reference waveform. This ratio is expressed in dB. The measurement interval is one timeslot except when the mean power between slots is expected to change whereupon the measurement interval is reduced by 25 μs at each end of the slot.

In the mode of DC-HSUPA, the requirement and corresponding measurements apply to each individual carrier when the total power in each of the assigned carriers is equal to each other. Furthermore, it is necessary to verify the requirements when each carrier is configured according to either of the UL E-DCH reference measurement channel for DC-HSUPA using BPSK or 16QAM modulation, specified in subclause C.2.6, C.2.7 and C.11A.

The Relative Code Domain Error is affected by both the spreading factor and beta value of the various code channels in the domain. The Effective Code Domain Power (ECDP) is defined to capture both considerations into one parameter. It uses the Nominal CDP ratio (as defined in TS25101 [1] 6.2.3), and is defined as follows for each used code, k , in the domain:

$$ECDP_k = (\text{Nominal CDP ratio})_k + 10 \cdot \log_{10}(SF_k/256)$$

The requirements for Relative Code Domain Error are not applicable when either or both of the following channel combinations occur:

- when the ECDP of any code channel is < -30 dB.
- when the nominal code domain power of any code channel is < -20 dB

The requirement for Relative Code Domain Error also does not apply for the PRACH preamble and message parts.

The requirements and this test apply for Release 9 and later releases to all types of UTRA for the FDD UE that support HSDPA and Dual Cell E-DCH.

5.13.2BA.2 Minimum Requirements

The Relative Code Domain Error shall meet the requirements in Table 5.13.2BA.1 for the parameters specified in Table 5.13.2BA.2.

Table 5.13.2BA.1: Relative Code Domain Error minimum requirement

| ECDP dB | Relative Code Domain Error dB |
|--------------------------|-------------------------------|
| $-21 < ECDP$ | ≤ -16 |
| $-30 \leq ECDP \leq -21$ | $\leq -37 - ECDP$ |
| $ECDP < -30$ | No requirement |

Table 5.13.2BA.2: Parameters for Relative Code Domain Error with HS-DPCCH and E-DCH for DC-HSUPA

| Parameter | Unit | Level |
|---------------------------|------|-------------------|
| UE Output Power, no 16QAM | dBm | ≥ -20 |
| Operating conditions | | Normal conditions |
| Power control step size | dB | 1 |

The normative reference for this requirement is TS 25.101 [1] clause 6.8.3a.

5.13.2BA.3 Test purpose

To verify that the Relative Code Domain Error does not exceed the values in table 5.13.2BA.9 for the beta values defined in table 5.13.2BA.8.

5.13.2BA.4 Method of test

5.13.2BA.4.1 Initial conditions

Test environment: normal; see clauses G.2.1 and G.2.2.

Frequencies to be tested: low range, mid range, high range; see clause G.2.4.

- 1) Connect the SS (node B emulator) to the UE antenna connector as shown in figure A.41.
- 2) The UL Reference Measurement Channel and the Fixed Reference Channels (FRC H-Set 3A, QPSK) and parameters are specified in Annex C.2.6 and C.8.1.1.
- 3) An E-DCH call is set up according to TS 34.108 [3] 7.3.14, with the following exceptions in the RADIO BEARER SETUP messages. These exceptions allow the beta values to be set according to table C.11A.1 and each UL physical channel to be at constant power at the start of the measurement. RF parameters are set up according to table E.5A.1A. Settings for the serving cell are defined in table 5.13.2BA.7.

- 4) Enter the UE into loopback test mode 1 looping back HSDPA to E-DCH according to procedure 7.3.14.3 in TS 34.108 [3] and start the loopback test.

See TS 34.109 [4] clauses 5.3.2.3 and 5.3.2.6 for details regarding loopback test mode for HSDPA and E-DCH.

Table 5.13.2BA.3: Void

Table 5.13.2BA.4: Void

Table 5.13.2BA.5: Void

Table 5.13.2BA.6: Contents of RADIO BEARER SETUP message: AM or UM (E-DCH and HSDPA)

| Information Element | Value/Remark |
|---|--------------------------------|
| CHOICE channel requirement - Power Control Algorithm | Uplink DPCH info Algorithm2 |

Table 5.13.2BA.7: Settings for the serving cell during the measurement of Relative Code Domain Error with HS-DPCCH and E-DCH

| Parameter | Unit | Cell 1 |
|--|-----------------|-----------------------------------|
| Cell type | | Serving cell |
| UTRA RF Channel Number | | As defined in clause 5.13.2BA.4.1 |
| Qqualmin | dB | -24 |
| Qrxlevmin | dBm | -115 |
| UE_TXPWR_MAX_RACH | dBm | +21 |
| \hat{I}_{or} (see notes 1 and 2) | dBm/3.84 MHz | -86 |
| NOTE 1: The power level is specified in terms of \hat{I}_{or} instead of CPICH_RSCP because RSCP is a receiver measurement, whereas the SS can only set \hat{I}_{or} . | | |
| NOTE 2: The cell fulfils TS 25.304, 5.2.3.1.2. | | |

5.13.2BA.4.2 Procedure

- 1) Set the Absolute Grant according to Table C.11.1.3.
- 2) The SS starts transmitting HSDPA and the UE loops the received data back on E-DCH.
- 3) Generate suitable TPC commands from the SS to set the output power of each of the two carriers to be in the range $15\text{dBm} \pm 2\text{dB}$.
- 4) Confirm that the E-TFCI transmitted by the UE is equal to the target E-TFCI in Table C.11A.1.1. If the E-TFCI transmitted by the UE is not equal to the target E-TFCI, then fail the UE.
- 5) Measure the Relative Code Domain Error of the DPCCH, HS-DPCCH, E-DPCCH and E-DPDCH(s) on each of the two assigned channel frequencies.
- 6) Set the power level of each of the two carriers to -18 dBm or send down power control commands (1 dB step size should be used) to the UE until the power level of each of the two carriers is -18 dBm with ± 2 dB tolerance.
- 7) Measure the Relative Code Domain Error of the DPCCH, HS-DPCCH, E-DPCCH and E-DPDCH(s) on each of the two assigned channel frequencies.

5.13.2BA.5 Test requirements

For the ECDP of each code measured in steps 5 and 8 the Relative Code Domain Error shall not exceed the value given in table 5.13.2BA.9.

Table 5.13.2BA.8: Nominal ECDP ratios

| Sub-Test in Table C.11A.1.1 | UL frequency | Code | Nominal Code Domain Power | Spreading Factor | Nominal ECDP |
|-----------------------------|--------------|----------|---------------------------|------------------|--------------|
| 1 | Primary | DPCCH | -5.8 | 256 | -5.8 |
| | | DPDCH | - | - | - |
| | | HS-DPCCH | -15.3 | 256 | -15.3 |
| | | E-DPCCH | -15.3 | 256 | -15.3 |
| | | E-DPDCH | -1.7 | 16 | -13.7 |
| | Secondary | DPCCH | -5.6 | 256 | -5.6 |
| | | DPDCH | - | - | - |
| | | HS-DPCCH | - | - | - |
| | | E-DPCCH | -15.2 | 256 | -15.2 |
| | | E-DPDCH | -1.6 | 16 | -13.6 |

NOTE: The nominal ECDP ratios given above are calculated from the nominal beta factors and are for general information to indicate the test coverage. The actual ECDP to use in the test for each code shall be based on the measured code domain power. The accuracy of the code domain powers is tested separately in 5.2DA.

Table 5.13.2BA.9: Relative Code Domain Error test requirement

| ECDP dB | Relative Code Domain Error dB |
|---------------------------------|-------------------------------|
| $-21 < \text{ECDP}$ | ≤ -15.5 |
| $-30 \leq \text{ECDP} \leq -21$ | $\leq -36.5 - \text{ECDP}$ |
| $\text{ECDP} < -30$ | No requirement |

NOTE: If the above Test Requirement differs from the Minimum Requirement then the Test Tolerance applied for this test is non-zero. The Test Tolerance for this test is defined in clause F.2 and the explanation of how the Minimum Requirement has been relaxed by the Test Tolerance is given in clause F.4.

5.13.2C Relative Code Domain Error for HS-DPCCH and E-DCH with 16QAM

5.13.2C.1 Definition and applicability

The Relative Code Domain Error is computed by projecting the error vector (as defined in TS 25.101 [1] 6.8.2) onto the code domain. Only the code channels with non-zero betas in the composite reference waveform are considered for this requirement. The Relative Code Domain Error for every non-zero beta code in the domain is defined as the ratio of the mean power of the projection onto that non-zero beta code, to the mean power of the non-zero beta code in the composite reference waveform. This ratio is expressed in dB. The measurement interval is one timeslot except when the mean power between slots is expected to change whereupon the measurement interval is reduced by 25 μs at each end of the slot.

The Relative Code Domain Error is affected by both the spreading factor and beta value of the various code channels in the domain. The Effective Code Domain Power (ECDP) is defined to capture both considerations into one parameter. It uses the Nominal CDP ratio (as defined in TS25101 [1] 6.2.3), and is defined as follows for each used code, k, in the domain:

$$\text{ECDP}_k = (\text{Nominal CDP ratio})_k + 10 \cdot \log_{10}(\text{SF}_k/256)$$

When 16QAM is used on any of the UL code channels, the requirements for Relative Code Domain Error are not applicable when either or both of the following channel combinations occur:

- when the ECDP of any code channel is $< -30\text{dB}$.
- when the nominal code domain power of any code channel is $< -30\text{ dB}$

The requirement for Relative Code Domain Error also does not apply for the PRACH preamble and message parts.

The requirements apply for Release 7 and later releases for all types of UTRA for the FDD UE that support E-DCH 16QAM UE capability category 7. This test applies only to UE that support HSDPA and E-DCH.

5.13.2C.2 Minimum Requirements

When 16QAM is used on any of the UL code channels, the Relative Code Domain Error of the codes not using 16QAM shall meet the requirements in Table 5.13.2C.1 for the parameters specified in Table 5.13.2C.3.

Table 5.13.2C.1: Relative Code Domain Error minimum requirement, codes not using 16QAM

| ECDP dB | Relative Code Domain Error dB |
|---------------------------------|-------------------------------|
| $-22 < \text{ECDP}$ | ≤ -18 |
| $-30 \leq \text{ECDP} \leq -22$ | $\leq -40 - \text{ECDP}$ |
| $\text{ECDP} < -30$ | No requirement |

When 16QAM is used on any of the UL code channels; the Nominal CDP-Ratio-weighted average of the Relative Code Domain Errors measured individually on each of the codes using 16QAM shall meet the requirements in Table 5.13.2C.2 for the parameters specified in Table 5.13.2C.3. The Nominal CDP Ratio-weighted average of the Relative Code Domain Errors means the sum $\sum_k 10^{(\text{Nominal CDP ratio})_k / 10} \cdot 10^{(\text{Relative Code Domain Error})_k / 10}$ over all code k that uses 16QAM.

For the purposes of evaluating the requirements specified in Table 5.13.2C.2, the ECDP value is determined as the minimum of the individual ECDP values corresponding to the codes using 16QAM.

Table 5.13.2C.2: Relative Code Domain Error minimum requirement, with 16QAM used

| ECDP dB | Average Relative Code Domain Error dB |
|-----------------------------------|---------------------------------------|
| $-25.5 < \text{ECDP}$ | ≤ -18 |
| $-30 \leq \text{ECDP} \leq -25.5$ | $\leq -43.5 - \text{ECDP}$ |
| $\text{ECDP} < -30$ | No requirement |

Table 5.13.2C.3: Parameters for Relative Code Domain Error, with 16QAM used

| Parameter | | Unit | Level |
|--|----------|-------|----------------------------|
| UE Output Power, 16QAM | | dBm | ≥ -30 |
| Operating conditions | | | Normal conditions |
| Power control step size | | dB | 1 |
| Measurement period (Note 1) | PRACH | Chips | 3904 |
| | Any DPCH | | From 1280 to 2560 (Note 2) |
| NOTE 1: Less any 25 μ s transient periods | | | |
| NOTE 2: The longest period over which the nominal power remains constant | | | |

The normative reference for this requirement is TS 25.101 [1] clause 6.8.3a.

5.13.2C.3 Test purpose

To verify that the Relative Code Domain Error does not exceed the values in table 5.13.2C.7 for the beta values defined in table 5.13.2C.6.

5.13.2C.4 Method of test

5.13.2C.4.1 Initial conditions

Test environment: normal; see clauses G.2.1 and G.2.2.

Frequencies to be tested: low range, mid range, high range; see clause G.2.4.

- 1) Connect the SS (node B emulator) to the UE antenna connector as shown in figure A.1.
- 2) The UL Reference Measurement Channel and the DL Fixed Reference Channels (FRC H-Set 1, 16QAM) are specified in Annex C.11.1 and C.8.1.1.

3) An E-DCH call is set up according to TS 34.108 [3] 7.3.9, with the following exceptions in the RADIO BEARER SETUP messages. These exceptions allow the beta values to be set according to table C.11.1.4 and each UL physical channel to be at constant power at the start of the measurement. RF parameters are set up according to table E.5A.1. Settings for the serving cell are defined in table 5.13.2C.5. Uplink SRB for DCCH mapped on E-DCH and downlink SRB for DCCH on DCH. E-DCH is configured with 2ms TTI.

4) Enter the UE into loopback test mode 1 looping back HSDPA to E-DCH and start the loopback test.

See TS 34.109 [4] clauses 5.3.2.3 and 5.3.2.6 for details regarding loopback test mode for HSDPA and E-DCH.

Table 5.13.2C.4: Contents of RADIO BEARER SETUP message: AM or UM (E-DCH and HSDPA) for Sub-test 1

| Information Element | Value/Remark |
|-------------------------------|------------------|
| E-DCH info | Uplink DPCH info |
| - E-DPCCH info | |
| - E-TFCI Table Index | 2 |
| - E-DPDCH power interpolation | FALSE |
| - E-DPDCH info | |
| - Reference E-TFCIs | 3 E-TFCIs |
| - Reference E-TFCI | 105 |
| - Reference E-TFCI PO | 12 |
| - Reference E-TFCI | 116 |
| - Reference E-TFCI PO | 14 |
| - Reference E-TFCI | 127 |
| - Reference E-TFCI PO | 16 |
| - Max Channelisation Codes | SF4x2 and SF2x2 |

Table 5.13.2C.5: Contents of RADIO BEARER SETUP message: AM or UM (E-DCH and HSDPA)

| Information Element | Value/Remark |
|--------------------------------------|---|
| CHOICE channel requirement | Uplink DPCH info |
| - Power Control Algorithm | Algorithm2 |
| - Δ_{ACK} | Value used in test: see Table C.11.1.4 |
| - Δ_{NACK} | Value used in test: see Table C.11.1.4 |
| - Ack-Nack repetition factor | 3 (required for continuous HS-DPCCH signal) |
| E-DCH info | |
| - E-DPCCH info | |
| - E-DPCCH/DPCCH power offset | Value used in test: see Table C.11.1.4 |
| - E-TFC Boost Info | |
| - E-TFCI boost | Value used in test: see Table C.11.1.4 |
| - Delta T2TP | 12 dB |
| - UL 16QAM settings | |
| - BetaEd gain E-AGCH table selection | 0 |
| Downlink HS-PDSCH Information | |
| - Measurement Feedback Info | |
| - CQI Feedback cycle, k | 4 ms |
| - CQI repetition factor | 2 (required for continuous HS-DPCCH signal) |
| - Δ_{CQI} | Value used in test: see Table C.11.1.4 |

Table 5.13.2C.6: Settings for the serving cell during the measurement of Relative Code Domain Error with HS-DPCCH and E-DCH

| Parameter | Unit | Cell 1 |
|--|--------------|----------------------------------|
| Cell type | | Serving cell |
| UTRA RF Channel Number | | As defined in clause 5.13.2C.4.1 |
| Qqualmin | dB | -24 |
| Qrxlevmin | dBm | -115 |
| UE_TXPWR_MAX_RACH | dBm | +21 |
| \hat{I}_{or} (see notes 1 and 2) | dBm/3.84 MHz | -86 |
| NOTE 1: The power level is specified in terms of \hat{I}_{or} instead of CPICH_RSCP because RSCP is a receiver measurement, whereas the SS can only set \hat{I}_{or} . | | |
| NOTE 2: The cell fulfils TS 25.304, 5.2.3.1.2. | | |

5.13.2C.4.2 Procedure

- 1) Set the Absolute Grant according to Table C.11.1.4.
- 2) The SS starts transmitting HSDPA and the UE loops the received data back on E-DCH.
- 3) Generate suitable TPC commands from the SS to set the output power of the UE to be in the range 15 dBm \pm 2 dB.
- 4) Confirm that the E-TFCI transmitted by the UE is equal to the target E-TFCI in Table C.11.1.4. If the E-TFCI transmitted by the UE is not equal to the target E-TFCI, then fail the UE.
- 5) Send alternating "0" and "1" TPC commands in the downlink so as to satisfy the condition of obtaining TPC_cmd = 0.
- 6) Measure the Relative Code Domain Error of the DPCCH, HS-DPCCH, E-DPCCH and E-DPDCH(s).
- 7) Generate suitable TPC commands from the SS to set the output power of the UE to be in the range -18 dBm \pm 2 dB and repeat steps 4 to 6.5.13.2C.5 Test requirements

For the ECDP of each code measured in step 6) the Relative Code Domain Error shall not exceed the value given in table 5.13.2C.8 and table 5.13.2C.9.

Table 5.13.2C.7: Nominal ECDP ratios

| Sub-Test in Table C.11.1.4 | Code | Nominal Code Domain Power | Spreading Factor | Nominal ECDP |
|----------------------------|----------|---------------------------|------------------|--------------|
| 1 | DPCCH | -13.4 | 256 | -13.4 |
| | HS-DPCCH | -7.4 | 256 | -7.4 |
| | E-DPCCH | -7.4 | 256 | -7.4 |
| | E-DPDCH1 | -7.4 | 2 | -28.5 |
| | E-DPDCH2 | -7.4 | 2 | -28.5 |
| | E-DPDCH3 | -9.4 | 4 | -27.5 |
| | E-DPDCH4 | -9.4 | 4 | -27.5 |

NOTE: The nominal ECDP ratios given above are calculated from the nominal beta factors and are for general information to indicate the test coverage. The actual ECDP to use in the test for each code shall be based on the measured code domain power. The accuracy of the code domain powers is tested separately in 5.2E.

Table 5.13.2C.8: Relative Code Domain Error test requirement, codes not using 16QAM

| ECDP dB | Average Relative Code Domain Error dB |
|----------------------------|---------------------------------------|
| -22 < ECDP | ≤ -17.5 |
| -30 \leq ECDP \leq -22 | $\leq -39.5 - \text{ECDP}$ |
| ECDP < -30 | No requirement |

Table 5.13.2C.9: Relative Code Domain Error test requirement, with 16QAM used

| ECDP dB | Average Relative Code Domain Error dB |
|--------------------|--|
| -25.5 < ECDP | ≤ -17.5 |
| -30 ≤ ECDP ≤ -25.5 | ≤ -43.0 - ECDP |
| ECDP < -30 | No requirement |

NOTE 1: For the measurement points in which UE uses 16QAM modulation the correction factor in the measurements shall be applied to the β_{ed} value used to compute the Nominal CDP equal to $\{A_1*(0.4472)^2 + A_2*(1.3416)^2 + A_3*(-0.4472)^2 + A_4*(-1.3416)^2\}^{1/2}$ where A_1, A_2, A_3 and A_4 are the fractions of symbols (00, 01, 10, 11 respectively) transmitted during the test.

NOTE 2: If the above Test Requirement differs from the Minimum Requirement then the Test Tolerance applied for this test is non-zero. The Test Tolerance for this test is defined in clause F.2 and the explanation of how the Minimum Requirement has been relaxed by the Test Tolerance is given in clause F.4.

5.13.2CA Relative Code Domain Error for HS-DPCCH and E-DCH with 16QAM for DC-HSUPA

5.13.2CA.1 Definition and applicability

The Relative Code Domain Error is computed by projecting the error vector (as defined in TS 25.101 [1] 6.8.2) onto the code domain for each of the two assigned channel frequencies. Only the code channels with non-zero betas in the composite reference waveform are considered for this requirement. The Relative Code Domain Error for every non-zero beta code in the domain is defined as the ratio of the mean power of the projection onto that non-zero beta code, to the mean power of the non-zero beta code in the composite reference waveform. This ratio is expressed in dB. The measurement interval is one timeslot except when the mean power between slots is expected to change whereupon the measurement interval is reduced by 25 μ s at each end of the slot.

The Relative Code Domain Error is affected by both the spreading factor and beta value of the various code channels in the domain. The Effective Code Domain Power (ECDP) is defined to capture both considerations into one parameter. It uses the Nominal CDP ratio (as defined in TS25101 [1] 6.2.3), and is defined as follows for each used code, k, in the domain:

$$ECDP_k = (\text{Nominal CDP ratio})_k + 10*\log_{10}(SF_k/256)$$

The requirements for Relative Code Domain Error are not applicable when either or both of the following channel combinations occur:

- when the ECDP of any code channel is < -30dB.
- when the nominal code domain power of any code channel is < -30 dB

The requirement for Relative Code Domain Error also does not apply for the PRACH preamble and message parts.

The requirements and this test apply for Release 9 and later releases to all types of UTRA for the FDD UE that support HSDPA and Dual Cell E-DCH.

5.13.2CA.2 Minimum Requirements

When 16QAM is used on any of the UL code channels, the Relative Code Domain Error of the codes not using 16QAM shall meet the requirements in Table 5.13.2CA.1 for the parameters specified in Table 5.13.2CA.3.

Table 5.13.2CA.1: Relative Code Domain Error minimum requirement, codes not using 16QAM

| ECDP dB | Relative Code Domain Error dB |
|------------------|--------------------------------------|
| -22 < ECDP | ≤ -18 |
| -30 ≤ ECDP ≤ -22 | ≤ -40 - ECDP |
| ECDP < -30 | No requirement |

When 16QAM is used on any of the UL code channels; the Nominal CDP-Ratio-weighted average of the Relative Code Domain Errors measured individually on each of the codes using 16QAM in that carrier shall meet the requirements in Table 5.13.2CA.2 for the parameters specified in Table 5.13.2CA.3. The Nominal CDP Ratio-weighted average of the

Relative Code Domain Errors means the sum $\sum_k 10^{(\text{Nominal CDP ratio})_k / 10} \cdot 10^{(\text{Relative Code Domain Error})_k / 10}$ over all code k that uses 16QAM.

For the purposes of evaluating the requirements specified in Table 5.13.2CA.2, the ECDP value is determined as the minimum of the individual ECDP values corresponding to the codes using 16QAM.

Table 5.13.2CA.2: Relative Code Domain Error minimum requirement, with 16QAM used

| ECDP dB | Average Relative Code Domain Error dB |
|-----------------------------------|---------------------------------------|
| $-25.5 < \text{ECDP}$ | ≤ -18 |
| $-30 \leq \text{ECDP} \leq -25.5$ | $\leq -43.5 - \text{ECDP}$ |
| $\text{ECDP} < -30$ | No requirement |

Table 5.13.2CA.3: Parameters for Relative Code Domain Error, with 16QAM used

| Parameter | | Unit | Level |
|--|----------|-------|----------------------------|
| UE Output Power, 16QAM | | dBm | ≥ -30 |
| Operating conditions | | | Normal conditions |
| Power control step size | | dB | 1 |
| Measurement period (Note 1) | PRACH | Chips | 3904 |
| | Any DPCH | | From 1280 to 2560 (Note 2) |
| NOTE 1: Less any 25 μ s transient periods | | | |
| NOTE 2: The longest period over which the nominal power remains constant | | | |

The normative reference for this requirement is TS 25.101 [1] clause 6.8.3a.

5.13.2CA.3 Test purpose

To verify that the Relative Code Domain Error does not exceed the values in table 5.13.2CA.6 for the beta values defined in table 5.13.2CA.5.

5.13.2CA.4 Method of test

5.13.2CA.4.1 Initial conditions

Test environment: normal; see clauses G.2.1 and G.2.2.

Frequencies to be tested: low range, mid range, high range; see clause G.2.4.

- 1) Connect the SS (node B emulator) to the UE antenna connector as shown in figure A.41.
- 2) The UL Reference Measurement Channel and the DL Fixed Reference Channels (FRC H-Set 3A, 16QAM) are specified in Annex C.2.6 and C.8.1.1.
- 3) An E-DCH call is set up according to TS 34.108 [3] 7.3.14, with the following exceptions in the RADIO BEARER SETUP messages. These exceptions allow the beta values to be set according to table C.11.A.1 and each UL physical channel to be at constant power at the start of the measurement. RF parameters are set up according to table E.5A.1A. Settings for the serving cell are defined in table 5.13.2CA.5. Uplink SRB for DCCH mapped on E-DCH and downlink SRB for DCCH on DCH. E-DCH is configured with 2ms TTI.
- 4) Enter the UE into loopback test mode 1 looping back HSDPA to E-DCH and start the loopback test.

See TS 34.109 [4] clauses 5.3.2.3 and 5.3.2.6 for details regarding loopback test mode for HSDPA and E-DCH.

Table 5.13.2CA.4: Contents of RADIO BEARER SETUP message: AM or UM (E-DCH and HSDPA)

| Information Element | Value/Remark |
|---|--------------------------------|
| CHOICE channel requirement - Power Control Algorithm | Uplink DPCH info Algorithm2 |

Table 5.13.2CA.5: Settings for the serving cell during the measurement of Relative Code Domain Error with HS-DPCCH and E-DCH

| Parameter | Unit | Cell 1 |
|--|--------------|-----------------------------------|
| Cell type | | Serving cell |
| UTRA RF Channel Number | | As defined in clause 5.13.2CA.4.1 |
| Qqualmin | dB | -24 |
| Qrxlevmin | dBm | -115 |
| UE_TXPWR_MAX_RACH | dBm | +21 |
| \hat{I}_{or} (see notes 1 and 2) | dBm/3.84 MHz | -86 |
| NOTE 1: The power level is specified in terms of \hat{I}_{or} instead of CPICH_RSCP because RSCP is a receiver measurement, whereas the SS can only set \hat{I}_{or} . | | |
| NOTE 2: The cell fulfils TS 25.304, 5.2.3.1.2. | | |

5.13.2CA.4.2 Procedure

- 1) Set the Absolute Grant according to Table C.11A.1.2.
- 2) The SS starts transmitting HSDPA and the UE loops the received data back on E-DCH.
- 3) Generate suitable TPC commands from the SS to set the output power of each of the two carriers to be in the range 15dBm \pm 2dB.
- 4) Confirm that the E-TFCI transmitted by the UE is equal to the target E-TFCI in Table C.11A.1.2. If the E-TFCI transmitted by the UE is not equal to the target E-TFCI, then fail the UE.
- 5) Measure the Relative Code Domain Error of the DPCCH, HS-DPCCH, E-DPCCH and E-DPDCH(s) on each of the two assigned channel frequencies.
- 6) Set the power level of each of the two carriers to -18 dBm or send down power control commands (1 dB step size should be used) to the UE until the power level of each of the two carriers is -18 dBm with \pm 2 dB tolerance.
- 7) Measure the Relative Code Domain Error of the DPCCH, HS-DPCCH, E-DPCCH and E-DPDCH(s) on each of the two assigned channel frequencies.

5.13.2CA.5 Test requirements

For the ECDP of each code measured in steps 5) and 7) the Relative Code Domain Error shall not exceed the value given in table 5.13.2CA.7 and table 5.13.2CA.8.

Table 5.13.2CA.6: Nominal ECDP ratios

| Sub-Test in Table C.11A.1.2 | UL frequency | Code | Nominal Code Domain Power | Spreading Factor | Nominal ECDP |
|-----------------------------|----------------|----------------|---------------------------|------------------|--------------|
| 1 | Primary | DPCCH | -24,0 | 256 | -24,0 |
| | | DPDCH | - | - | - |
| | | HS-DPCCH | -21,9 | 256 | -21,9 |
| | | E-DPCCH | -15,9 | 256 | -15,9 |
| | | E-DPDCH (SF/2) | -4,9 | 2 | -26,0 |
| | E-DPDCH (SF/4) | -7,9 | 4 | -26,0 | |
| | Secondary | DPCCH | -23,9 | 256 | -23,9 |
| | | DPDCH | - | - | - |
| | | HS-DPCCH | - | - | - |
| | | E-DPCCH | -15,9 | 256 | -15,9 |
| | | E-DPDCH (SF/2) | -4,9 | 2 | -26,0 |
| E-DPDCH (SF/4) | -7,9 | 4 | -26,0 | | |

NOTE: The nominal ECDP ratios given above are calculated from the nominal beta factors and are for general information to indicate the test coverage. The actual ECDP to use in the test for each code shall be based on the measured code domain power. The accuracy of the code domain powers is tested separately in 5.2E.

Table 5.13.2CA.7: Relative Code Domain Error test requirement, codes not using 16QAM

| ECDP dB | Average Relative Code Domain Error dB |
|------------------|---------------------------------------|
| -22 < ECDP | ≤ -17.5 |
| -30 ≤ ECDP ≤ -22 | ≤ -39.5 - ECDP |
| ECDP < -30 | No requirement |

Table 5.13.2CA.8: Relative Code Domain Error test requirement, with 16QAM used

| ECDP dB | Average Relative Code Domain Error dB |
|--------------------|---------------------------------------|
| -25.5 < ECDP | ≤ -17.5 |
| -30 ≤ ECDP ≤ -25.5 | ≤ -43.0 - ECDP |
| ECDP < -30 | No requirement |

NOTE 1: For the measurement points in which UE uses 16QAM modulation the correction factor in the measurements shall be applied to the β_{ed} value used to compute the Nominal CDP equal to $\{A_1*(0.4472)^2 + A_2*(1.3416)^2 + A_3*(-0.4472)^2 + A_4*(-1.3416)^2\}^{1/2}$ where A_1, A_2, A_3 and A_4 are the fractions of symbols (00, 01, 10, 11 respectively) transmitted during the test.

NOTE 2: If the above Test Requirement differs from the Minimum Requirement then the Test Tolerance applied for this test is non-zero. The Test Tolerance for this test is defined in clause F.2 and the explanation of how the Minimum Requirement has been relaxed by the Test Tolerance is given in clause F.4.

5.13.3 UE phase discontinuity

5.13.3.1 Definition and applicability

Phase discontinuity is the change in phase between any two adjacent timeslots. The EVM for each timeslot (excluding the transient periods of 25 μs on either side of the nominal timeslot boundaries) shall be measured according to subclause 5.13.1. The frequency, absolute phase, absolute amplitude and chip clock timing used to minimise the error vector are chosen independently for each timeslot. The phase discontinuity result is defined as the difference between the absolute phase used to calculate EVM for the preceding timeslot, and the absolute phase used to calculate EVM for the succeeding timeslot.

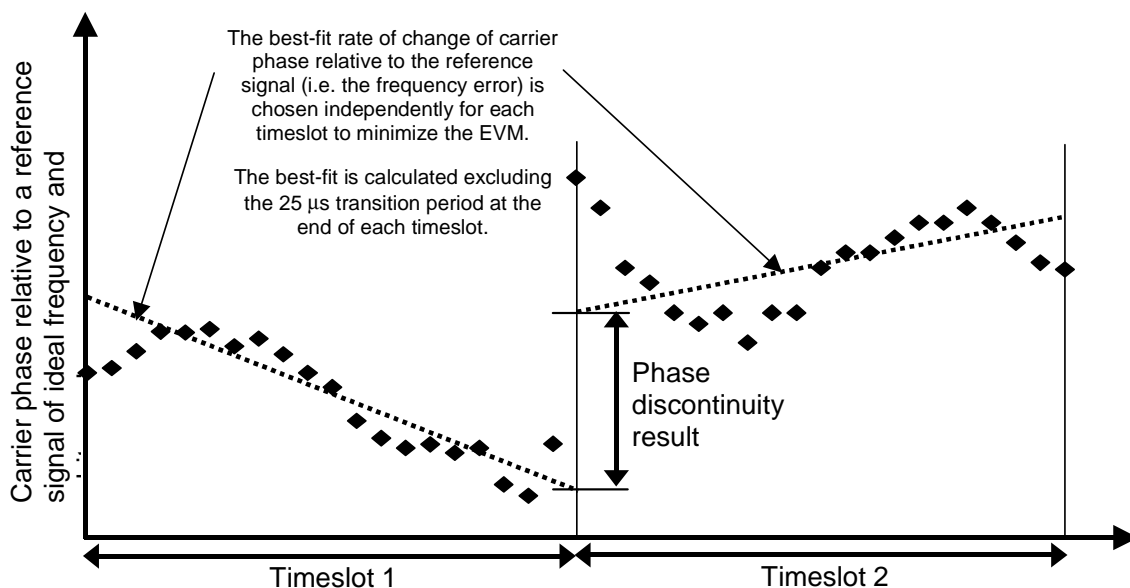


Figure 5.13.3.1 Graphical description of phase discontinuity

The best-fit rate of change of phase for each timeslot is calculated using the same process as used to minimize the EVM. This best-fit rate of change of phase is by definition the frequency error result for the timeslot. Due to the presence of power steps in the test, the data used for the best-fit calculation shall exclude the 25 μ s transition period at the beginning and end of each timeslot. The best-fit rate of change of phase for each timeslot is then extrapolated in both directions onto the timeslot boundaries. The phase discontinuity result at any one slot boundary is the difference between the extrapolated phase at the end of the timeslot preceding the slot boundary and the extrapolated phase at the start of the timeslot following the slot boundary.

The requirements and this test apply to all types of UTRA for the FDD UE for Release 5 and later releases.

5.13.3.2 Minimum requirements

The rate of occurrence of any phase discontinuity on an uplink DPCH for the parameters specified in table 5.13.3.1 shall not exceed the values specified in table 5.13.3.2. Phase shifts that are caused by changes of the UL transport format combination (TFC) and compressed mode are not included. When calculating the phase discontinuity, the requirements for frequency error and EVM in subclauses TS 25.101 [1] 6.3 and TS 25.101 [1] 6.8.2 for each timeslot shall be met.

Table 5.13.3.1: Parameters for Phase discontinuity

| Parameter | Unit | Level |
|-------------------------|------|-------|
| Power control step size | dB | 1 |

Table 5.13.3.2: Phase discontinuity minimum requirement

| Phase discontinuity $\Delta\theta$ in degrees | Maximum allowed rate of occurrence in Hz |
|---|--|
| $\Delta\theta \leq 30$ | 1500 |
| $30 < \Delta\theta \leq 60$ | 300 |
| $\Delta\theta > 60$ | 0 |

The normative reference for this requirement is TS 25.101 [1] clause 6.8.4.

5.13.3.3 Test purpose

To verify that the UE phase discontinuity is within the limits shown in clause 5.13.3.2.

To verify that any timeslot used in the calculation of a phase discontinuity result also passes the frequency error and EVM requirements referenced in clause 5.3.2 and 5.13.3.2.

5.13.3.4 Method of test

5.13.3.4.1 Initial conditions

Test environment: normal; see clauses G.2.1 and G.2.2.

Frequencies to be tested: mid range; see clause G.2.4.

- 1) Connect the SS to the UE antenna connector as shown in figure A.1.
- 2) A call is set up according to the Generic call setup procedure using power control algorithm 1 as specified in TS34.108 [3] sub clause 7.3.2.
- 3) Enter the UE into loopback test mode and start the loopback test.

See TS 34.108 [3] and TS 34.109 [4] for details regarding generic call setup procedure and loopback test.

Procedure

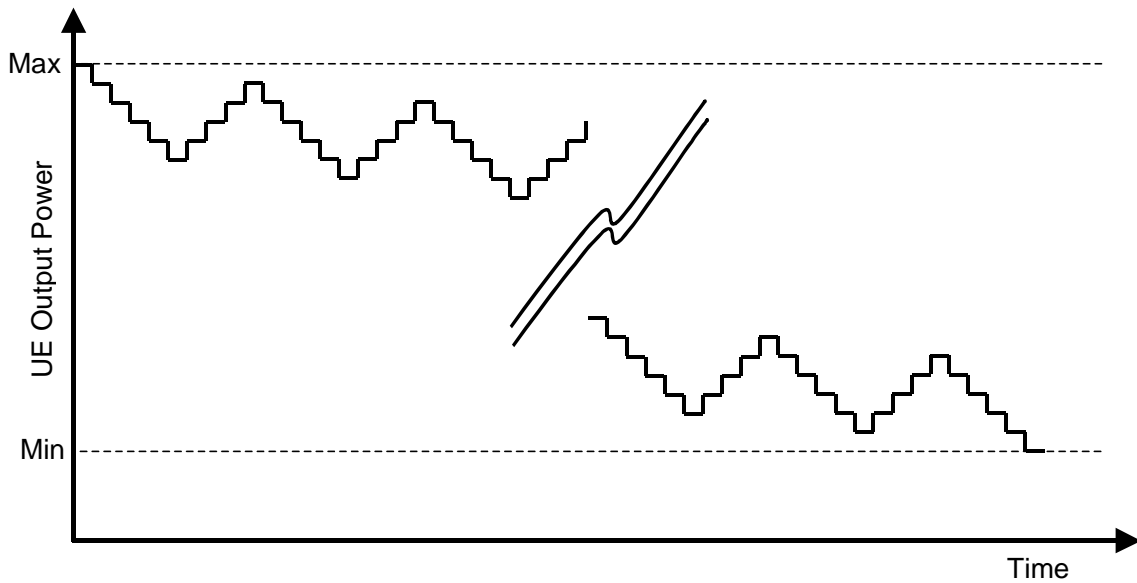


Figure 5.13.3.2: Five down four up hysteresis test pattern

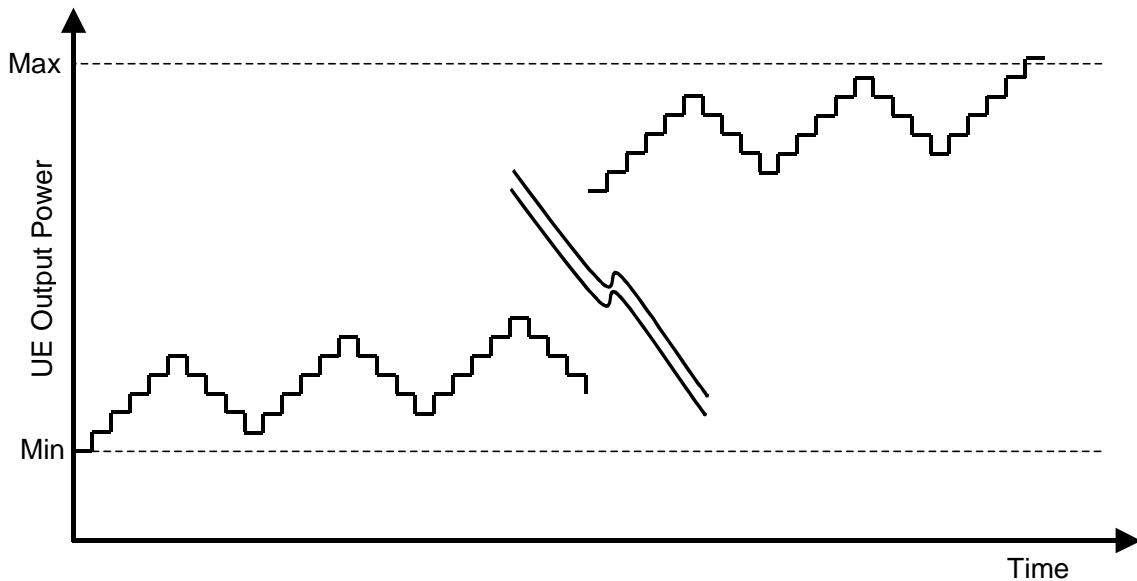


Figure 5.13.3.3: Five up four down hysteresis test pattern

- 1) Set the power of the UE to max power using continuous up TPC commands.
- 2) Transmit a sequence of five down four up TPC commands as shown in figure 5.13.3.2 until the UE has reached the minimum power defined in 5.4.3 with ± 2 dB tolerance.
- 3) During step 2 starting with the slot before the first down power step, measure the EVM of each slot and the phase discontinuity to the next slot.
- 4) Transmit a sequence of five up four down TPC commands as shown in figure 5.13.3.3 until the UE has reached its maximum power defined in 5.2 with ± 2 dB tolerance.
- 5) During step 4 starting with the slot before the first up power step, measure the EVM of each slot and the phase discontinuity to the next slot.

NOTE: In order to make it practical to measure the entire power control dynamic range (between min power threshold and max power threshold with suitable margins), it is permissible to segment the power control sequences into smaller subsequences. Except when within 5 dB of the upper or lower thresholds, segmentation will require sufficient overlap such that every power step in one direction is followed by four steps in the other direction.

5.13.3.5 Test requirements

- a) During 5.13.3.4.2 step 3, and step 5, the EVM of every measured slot which is greater than or equal to -20 dBm shall not exceed 17.5%
- b) During 5.13.3.4.2 step 3, and step 5, the Frequency error of every measured slot shall not exceed $\pm(0,1 \text{ ppm} + 10 \text{ Hz})$.
- c) During 5.13.3.4.2 step 3, and step 5; the phase discontinuity measurements made between any two adjacent slots shall be less than or equal to 36 degrees. If a phase discontinuity measurement is greater than 36 degrees and less than or equal to 66 degrees then the next four measurements shall be less than or equal to 36 degrees. No measurement shall exceed 66 degrees.

NOTE: If the above Test Requirement differs from the Minimum Requirement then the Test Tolerance applied for this test is non-zero. The Test Tolerance for this test is defined in clause F.2 and the explanation of how the Minimum Requirement has been relaxed by the Test Tolerance is given in clause F.4.

5.13.4 PRACH preamble quality

5.13.4.1 Definition and applicability

PRACH preamble quality is a measure of the ability of the UE to transmit the PRACH preamble in accordance with the core requirements so that the Node B can reliably decode the PRACH.

This test applies to all types of UTRA for the FDD UE from Release 5 onwards.

5.13.4.2 Minimum requirements

The EVM of the PRACH preamble observed over the interval of 3904 chips (i.e. excluding the transient periods) shall not exceed 17.5%.

The reference for this requirement is TS 25.101 [1] clause 6.8.2.

The UE modulated carrier frequency used to transmit the PRACH preamble observed over the interval of 3904 chips (i.e. excluding the transient periods) shall be within $\pm 0.1 \text{ PPM}$ compared to the carrier frequency received from the Node B.

The reference for this requirement is TS 25.101 [1] clause 6.3.

The PRACH preamble shall be transmitted in the correct access slot using the correct signature as defined by the parameters signalled to the UE.

The reference for this requirement is TS 25.214 [5] clause 6.1 physical random access procedure.

5.13.4.3 Test purpose

The test purpose is to verify that the transmission quality of the first PRACH preamble meets the minimum requirements for modulation quality, carrier frequency, access slot and signature as defined in 5.13.4.2. The UE is tested at nominal maximum output power and nominally 5.6 dB to 8.6 dB above reference sensitivity, which simulates operation towards the cell boundary. The access slot and signature are chosen randomly from the allowed possibilities for each execution of the RACH procedure. There are 384 possible configurations that could be chosen, but only 10 of these are randomly selected for test in order to minimize the test time.

5.13.4.4 Method of test

5.13.4.4.1 Initial conditions

Test environment: normal, TL/VL, TL/VH, TH/VL, TH/VH; see clauses G.2.1 and G.2.2.

Frequencies to be tested: low range, mid range, high range; see clause G.2.4.

- 1) Connect the SS to the UE antenna connector as shown in figure A.1.
- 2) A call is set up according to the Generic call setup procedure, using the modified parameters according to table 5.13.4.1 and table 5.13.4.2. The relative power levels of the downlink physical channels to I_{or} are set up according to clause E.2.1. The physical random access procedure within the call setup is used for the test.

See TS 34.108 [3] for details regarding generic call setup procedure and 25.214 [5] for details of the physical random access procedure.

Table 5.13.4.1: Static test parameters for PRACH quality

| Static Parameters | Power Class 1 | Power Class 2 | Power Class 3 | Power Class 4 | Unit |
|--|---------------|---------------|---------------|---------------|----------------|
| \hat{I}_{or} | -98.1 | -98.1 | -98.1 | -98.1 | dBm / 3,84 MHz |
| Nominal CPICH_RSCP | -102 | -102 | -102 | -102 | dBm |
| Primary CPICH TX power | +24 | +24 | +24 | +24 | dBm |
| Simulated path loss = Primary CPICH TX power - CPICH_RSCP | +126 | +126 | +126 | +126 | dB |
| UL interference | -83 | -89 | -92 | -95 | dBm |
| Constant Value | -10 | -10 | -10 | -10 | dB |
| Expected nominal UE TX power ¹ | +33 | +27 | +24 | +21 | dBm |
| Preamble Retrans Max | 1 | | | | |
| NOTE 1: The Expected nominal UE TX power is calculated by using the equation in the clause 8.5.7 Open Loop Power Control of TS 25.331 [8]. | | | | | |

Table 5.13.4.2: Random test parameters for PRACH quality

| Random Parameters ¹ | Value |
|---|---|
| Available RACH Sub Channels | One sub-channel chosen at random from the 12-bit Available sub channel number |
| Available PRACH Signatures | One signature chosen at random from the 16-bit Available signature number |
| ASC Setting | Both Available signature Start Index and Available signature End Index are 0 |
| AICH transmission timing | Chosen at random from the range 0 to 1 |
| NOTE 1: In order to avoid a static test configuration, each time the RACH procedure is executed, the parameters in this table are to be chosen at random from the defined range. The random function used shall be such that each of the allowed selections is chosen with equal probability. | |

Table 5.13.4.3: PAGING TYPE 1 Message content

| Information Element | Value/remark |
|---|---|
| BCCH modification info MIB Value Tag | Set to the same value as the value tag of the MIB after the BCCH modification |
| BCCH Modification time | Not present |

5.13.4.4.2 Procedure

- 1) Set the TX output level of the SS to obtain \hat{I}_{or} at the UE antenna connector. \hat{I}_{or} shall be according to table 5.13.4.1 depending on the power class of the UE.
- 2) The SS shall initiate a call by sending PAGING TYPE 1 message and measure the first RF transmission from the UE.
- 3) The SS shall determine the access slot used, the received signature, the EVM and the frequency error.
- 4) Choose a new set of parameters from table 5.13.4.2
- 5) Send PAGING TYPE 1 message with BCCH modification info as per table 5.13.4.3.
- 6) Wait 5seconds to allow the UE to read the new SIB 5.

7) Repeat from step number 2) ten times.

5.13.4.5 Test requirements

For all the transmitted PRACH preambles measured in 5.13.4.4.2 step 3:

- 1) The EVM shall not exceed 17,5 %.
- 2) The frequency error shall not exceed $\pm(0,1 \text{ ppm} + 10 \text{ Hz})$.
- 3) The detected access slot and signature shall be correct according to the physical random access procedure defined in [5].

NOTE: If the above Test Requirement differs from the Minimum Requirement then the Test Tolerance applied for this test is non-zero. The Test Tolerance for this test is defined in clause F.2 and the explanation of how the Minimum Requirement has been relaxed by the Test Tolerance is given in clause F.4.

5.13.5 In-band emission for DC-HSUPA

5.13.5.1 Definition and applicability

The in-band emission is measured as the ratio of the UE output power in one carrier in dual cells to the UE output power in the other carrier, where the power in the former carrier shall be set to the minimum output power and the power in the latter carrier to the maximum output power. It is necessary to verify the requirements when the both carriers are configured according to the UL E-DCH reference measurement channel for DC-HSUPA using BPSK modulation, specified in subclause C.11A. The basic in-band emission measurement interval is defined over one slot in the time domain.

The requirements and this test apply for Release 9 and later releases to all types of UTRA for the FDD UE that support HSDPA and Dual Cell E-DCH.

5.13.5.2 Minimum Requirements

The in-band emission shall not exceed the value specified in Table 5.13.5.1.

Table 5.13.5.1: In-band emission minimum requirements for DC-HSUPA

| Parameter | Description | Unit | Limit |
|-----------|---|------|-------|
| | In-band emission | dBc | -24 |
| NOTE: | The measurement bandwidth is 3.84 MHz centred on each carrier frequency and the limit is expressed as a ratio of RRC filtered mean power in one carrier, transmitting at minimum output power, to the RRC filtered mean power in the other carrier, transmitting at maximum output power. | | |

The normative reference for this requirement is TS 25.101 [1] clause 6.8.3b.1.

5.13.5.3 Test purpose

To verify that the in-band emission, during DC-HSUPA transmission, does not exceed the prescribed limits shown in table 5.13.5.1. This is applicable for all values of β_c , β_d , β_{hs} , β_{ec} and β_{ed} as specified in [5]. The maximum output power with HS-DPCCH and/or E-DCH is specified in table 5.2BA.1.

Excess in-band emission decreases the uplink stability and throughput in DC-HSUPA operation.

NOTE: For a static signal, the measurement with a 3.84 MHz filter can be replaced by a narrower filter and integration over the bandwidth. For a non static signal the above described replacement gives different results, depending on the type of dynamic in the signal and depending on the bandwidth of the filter. Hence the signal is tested only when static.

5.13.5.4 Method of test

5.13.5.4.1 Initial conditions

Test environment: normal; see clauses G.2.1 and G.2.2.

Frequencies to be tested: low range, mid range, high range; see clause G.2.4.

- 1) Connect the SS (node B emulator) to the UE antenna connector as shown in figure A.41.
- 2) The UL Reference Measurement Channel and parameters are specified in Annex C.2.6 and C.11A. The DL Reference Measurement Channel (FRC H-SET 3A, QPSK) is specified in C.8.1.1.
- 3) A call is set up according to the Generic call setup procedure specified in TS34.108 [3] sub clause 7.3.14, with exceptions for information elements in RADIO BEARER SETUP message as given in Table 5.2BA.2, 5.2BA.3 and 5.2BA.4. These exceptions allow the beta values to be set according to table C.11A.1.1 and each UL physical channel to be at constant power during the measurement. RF parameters are set up according to E.5 A.1A. Settings for the serving cell are defined in table 5.13.5.2
- 4) Enter the UE into loopback test mode 1 looping back HSDPA to E-DCH according to procedure 7.3.14.3 in TS 34.108 [3] and start the loopback test.

See TS 34.109 [4] clauses 5.3.2.3 and 5.3.2.6 for details regarding loopback test mode for HSDPA and E-DCH.

Table 5.13.5.2: Settings for the serving cell during the measurement of in-band emission for DC-HSUPA

| Parameter | Unit | Cell 1 |
|--|--------------|-------------------------------------|
| Cell type | | Serving cell |
| UTRA RF Channel Number | | As defined in clause 5.145.13.5.4.1 |
| Qqualmin | dB | -24 |
| Qrxlevmin | dBm | -115 |
| UE_TXPWR_MAX_RACH | dBm | +21 |
| \hat{I}_{or} (see notes 1 and 2) | dBm/3.84 MHz | -86 |
| NOTE 1: The power level is specified in terms of \hat{I}_{or} instead of CPICH_RSCP because RSCP is a receiver measurement, whereas the SS can only set \hat{I}_{or} . | | |
| NOTE 2: The cell fulfils TS 25.304, 5.2.3.1.2. | | |

Table 5.13.5.3: Power Settings of Uplink Carriers for the measurement of in-band emission for DC-HSUPA

| Sub-test | Power of First Carrier | Power of Second Carrier |
|----------|------------------------|-------------------------|
| 1 | Maximum | Minimum |
| 2 | Minimum | Maximum |

5.13.5.4.2 Procedure

- 1) Set the Absolute Grant according to Table C.11A.1.1.
- 2) The SS starts transmitting HSDPA and the UE loops the received data back on E-DCH.
- 3) Set and send continuously Up power control commands to one carrier and Down power control commands to the other carrier to reach the power levels as given in table 5.13.5.3. Wait for 150ms.
- 4) Measure the power of each carrier with a measurement filter of bandwidths according to table 5.13.5.1 and record the power difference. The power may be calculated by integrating multiple narrower filter (≥ 3 kHz) measurements. The characteristic of the filter shall be approximately Gaussian (typical spectrum analyzer filter). The measurement duration with the filter on one frequency shall last at least the filter settling time and the measurement period shall be inside the HS-DPCCH on-period.
- 5) Repeat steps 1-4 for sub-tests as given in table 5.13.5.3.

5.13.5.5 Test requirements

The result of clause 5.13.5.4.2 step 4) shall fulfil the requirements of table 5.13.5.4.

Table 5.13.5.4: In-band Emission Requirement for DC-HSUPA

| Parameter Description | Unit | Limit |
|---|------|-------|
| In-band emission | dBc | -23.2 |
| NOTE: The measurement bandwidth is 3.84 MHz centred on each carrier frequency and the limit is expressed as a ratio of RRC filtered mean power in one carrier, transmitting at minimum output power, to the RRC filtered mean power in the other carrier, transmitting at maximum output power. | | |

NOTE: If the above Test Requirement differs from the Minimum Requirement then the Test Tolerance applied for this test is non-zero. The Test Tolerance for this test is defined in clause F.2 and the explanation of how the Minimum Requirement has been relaxed by the Test Tolerance is given in clause F.4.

6 Receiver Characteristics

6.1 General

Receiving performance test of the UE is implemented during communicating with the SS via air interface. The procedure is using normal call protocol until the UE is communicating on traffic channel basically. On the traffic channel, the UE provides special function for testing that is called Logical Test Interface and the UE is tested using this function (Refer to TS 34.109 [4]).

Transmitting or receiving bit/symbol rate for test channel is shown in table 6.1.

Table 6.1: Bit / Symbol rate for Test Channel

| Type of User Information | User bit rate | DL DPCH symbol rate | UL DPCH bit rate | Remarks |
|---|---------------|---------------------|------------------|---------------|
| 12,2 kbps reference measurement channel | 12,2 kbps | 30 ksp/s | 60 kbps | Standard Test |

Unless otherwise stated the receiver characteristics are specified at the antenna connector of the UE. For UE(s) with an integral antenna only, a reference antenna with a gain of 0 dBi is assumed. UE with an integral antenna may be taken into account by converting these power levels into field strength requirements, assuming a 0 dBi gain antenna. For UEs with more than one receiver antenna connector the AWGN signals applied to each receiver antenna connector shall be uncorrelated. The levels of the test signals applied to each of the antenna connectors shall be as defined in the respective sections below. The UE antenna performance has a significant impact on system performance, and minimum requirements on the antenna efficiency are therefore intended to be included in future versions of the present document. It is recognised that different requirements and test methods are likely to be required for the different types of UE.

With the exception of clause 6.8, all the parameters in clause 6 are defined using the DL reference measurement channel (12,2 kbps) specified in clause C.3.1 and unless stated otherwise, with DL power control OFF.

The common RF test conditions of Rx Characteristics are defined in clause E.3.2, and each test conditions in this clause (clause 6) should refer clause E.3.2. Individual test conditions are defined in the paragraph of each test.

When DCCH has been configured on downlink DCH then DCCH Data shall be continuously transmitted on downlink DCH during the measurement period. When there is no signalling to transmit on downlink DCCH then dummy DCCH transmission as described in Annex C.9 shall be used.

For HSDPA test cases, when DTCH has been configured on downlink DCH then DTCH Data shall be continuously transmitted on downlink DCH during the measurement period.

All Bit Error ratio (BER) measurements in clause 6 shall be performed according to the general rules for statistical testing in Annex F.6.

For HSDPA test cases without E-DCH, the MAC headers on HS-DSCH shall be according to Annex C.9A.

UEs supporting DC-HSDPA shall support both minimum requirements, as well as additional requirements for DC-HSDPA.

UEs supporting DB-DC-HSDPA shall support both minimum requirements as well as additional requirements for DB-DC-HSDPA.

For the additional requirements for DC-HSDPA or DB-DC-HSDPA, all the parameters in clause 6 are defined using the DL reference measurement channel H-Set 12 unless otherwise stated, specified in subclause C.8.1.12 and the downlink physical channel setup according to table E.5.4B. For the additional requirements for DC-HSDPA, the spacing of the carrier frequencies of the two cells shall be 5 MHz.

6.1A Reference input power adjustment for a dual band device

For the UE which supports DB-DC-HSDPA configuration in clause 4.2, the reference input powers (HS-PDSCH_{Ec} and \hat{I}_{or}) of core requirements specified in test cases 6.5C and 6.7C are allowed to be increased by the amount given in Table 6.1A for the applicable bands.

Table 6.1A: Allowed increase of HS-PDSCH E_c and \hat{I}_{or} for UE which supports DB-DC-HSDPA.

| DB-DC-HSDPA Configuration | Allowed increase of HS-PDSCH E_c and \hat{I}_{or} (dB) | Applicable bands |
|---------------------------|--|------------------|
| 1 | 0.5 | I, VIII |
| 2 | 1 | II, IV |
| 3 | 0.5 | I, V |

For the UE which supports dual band 4C-HSDPA configuration in Table 4.0B, the reference input powers (HS-PDSCH_{Ec} and \hat{I}_{or}) of core requirements specified in clause 6.5C, 6.5E and 6.7C are allowed to be increased by the amount given in Table 6.1B for the applicable bands.

Table 6.1B: Allowed increase of HS-PDSCH E_c and \hat{I}_{or} for UE which supports dual band 4C-HSDPA

| Dual Band 4C-HSDPA Configuration | Allowed increase of HS-PDSCH E_c and \hat{I}_{or} (dB) | Applicable bands |
|-------------------------------------|--|------------------|
| I-2-VIII-1 I-3-VIII-1 | 0.5 | I, VIII |
| II-1-IV-2 II-2-IV-1 II-2-IV-2 | 1 | II, IV |
| I-1-V-2 I-2-V-1 I-2-V-2 | 0.5 | I, V |

6.2 Reference Sensitivity Level

6.2.1 Definition and applicability

The reference sensitivity level <REFSENS> is the minimum mean power received at the UE antenna port at which the Bit Error Ratio (BER) shall not exceed a specific value

The requirements and this test apply to all types of UTRA for the FDD UE.

6.2.2 Minimum Requirements

The BER shall not exceed 0,001 for the parameters specified in table 6.2.1.

Table 6.2.1: Test parameters for Reference Sensitivity Level

| Operating Band | Unit | DPCH_Ec <REFSENS> | <REF \hat{I}_{or} > |
|----------------|--------------|----------------------|-----------------------|
| I | dBm/3.84 MHz | -117 | -106.7 |
| II | dBm/3.84 MHz | -115 | -104.7 |
| III | dBm/3.84 MHz | -114 | -103.7 |
| IV | dBm/3.84 MHz | -117 | -106.7 |
| V | dBm/3.84 MHz | -115 | -104.7 |
| VI | dBm/3.84 MHz | -117 | -106.7 |
| VII | dBm/3.84 MHz | -115 | -104.7 |
| VIII | dBm/3.84 MHz | -114 | -103.7 |
| IX | dBm/3.84 MHz | -116 | -105.7 |
| X | dBm/3.84 MHz | -117 | -106.7 |
| XI | dBm/3.84 MHz | -117 | -106.7 |
| XII | dBm/3.84 MHz | -114 | -103.7 |
| XIII | dBm/3.84 MHz | -114 | -103.7 |
| XIV | dBm/3.84 MHz | -114 | -103.7 |
| XIX | dBm/3.84 MHz | -117 | -106.7 |
| XX | dBm/3.84 MHz | -114 | -103.7 |
| XXI | dBm/3.84 MHz | -117 | -106.7 |
| XXII | dBm/3.84 MHz | -114 | -103.7 |
| XXV | dBm/3.84 MHz | -113.5 | -103.2 |
| XXVI | dBm/3.84 MHz | -113.5 | -103.2 |

NOTE 1: For Power class 3 and 3bis this shall be at the maximum output power.
NOTE 2: For Power class 4 this shall be at the maximum output power.
NOTE 3: For the UE which supports both Band III and Band IX operating frequencies, the reference sensitivity level of -114.5 dBm DPCH_Ec <REFSENS> shall apply for Band IX. The corresponding <REF \hat{I}_{or} > is -104.2 dBm.
NOTE 4: For the UE which supports both Band XI and Band XXI operating frequencies, the reference sensitivity level is FFS.

For the UE which supports DB-DC-HSDPA configuration in Table 6.2.1A, the reference sensitivity level DPCH_Ec <REFSENS> and corresponding <REF \hat{I}_{or} > in Table 6.2.1 are allowed to be increased by the amount given in Table 6.2.1A for the applicable bands.

Table 6.2.1A: Allowed de-sensitization relative to reference sensitivity for UE which supports DB-DC-HSDPA.

| DB-DC-HSDPA Configuration | Allowed de-sensitization (dB) | Applicable bands |
|---------------------------|-------------------------------|------------------|
| 2 | 1 | II, IV |

The normative reference for this requirement is TS 25.101 [1] clause 7.3.1.

6.2.3 Test purpose

To verify that the UE BER shall not exceed 0,001 for the parameters specified in table 6.2.2.

The lack of the reception sensitivity decreases the coverage area at the far side from Node B.

6.2.4 Method of test

6.2.4.1 Initial conditions

Test environment: normal, TL/VL, TL/VH, TH/VL, TH/VH; see clauses G.2.1 and G.2.2.

Frequencies to be tested: low range, mid range, high range; see clause G.2.4.

- 1) Connect the SS to the UE antenna connector as shown in figure A.1.

- 2) Channel conditions are initially set up with received CPICH_RSCP >-85 dBm. The relative power level of downlink physical channels to Ior are set up according to clause E.2.1. The parameter settings of the cell are set up according to TS 34.108 [3], clause 6.1.5 for "Default settings for a serving cell in a single cell environment".
- 3) Switch on the phone.
- 4) A call is set up according to the Generic call setup procedure in TS34.108 [3] sub clause 7.3.2.
- 5) The RF parameters are set up according to table 6.2.2.
- 6) Enter the UE into loopback test mode and start the loopback test.

See TS 34.109 [4] for details regarding loopback test.

6.2.4.2 Procedure

- 1) Set and send continuously Up power control commands to the UE until the UE output power shall be maximum level.
- 2) Measure the BER of DCH received from the UE at the SS.

6.2.5 Test requirements

The measured BER, derived in step 2), shall not exceed 0,001.

Table 6.2.2: Test parameters for Reference Sensitivity Level

| Operating Band | Unit | DPCH_Ec <REFSENS> | <REF \hat{I}_{or} > |
|----------------|--------------|----------------------|-----------------------|
| I | dBm/3.84 MHz | -116.3 | -106 |
| II | dBm/3.84 MHz | -114.3 | -104 |
| III | dBm/3.84 MHz | -113.3 | -103 |
| IV | dBm/3.84 MHz | -116.3 | -106 |
| V | dBm/3.84 MHz | -114.3 | -104 |
| VI | dBm/3.84 MHz | -116.3 | -106 |
| VII | dBm/3.84 MHz | -114.3 | -104 |
| VIII | dBm/3.84 MHz | -113.3 | -103 |
| IX | dBm/3.84 MHz | -115.3 | -105 |
| X | dBm/3.84 MHz | -116.3 | -106 |
| XI | dBm/3.84 MHz | -116.3 | -106 |
| XII | dBm/3.84 MHz | -113.3 | -103 |
| XIII | dBm/3.84 MHz | -113.3 | -103 |
| XIV | dBm/3.84 MHz | -113.3 | -103 |
| XIX | dBm/3.84 MHz | -116.3 | -106 |
| XX | dBm/3.84 MHz | -113.3 | -103 |
| XXI | dBm/3.84 MHz | -116.3 | -106 |
| XXII | dBm/3.84 MHz | -113.3 | -103 |
| XXV | dBm/3.84 MHz | -112.8 | -102.5 |
| XXVI | dBm/3.84 MHz | -112.8 | -102.5 |

NOTE 1: For Power class 3 and 3bis this shall be at the maximum output power.
NOTE 2: For Power class 4 this shall be at the maximum output power.
NOTE 3: For the UE which supports both Band III and Band IX operating frequencies, the reference sensitivity level of -113.8 dBm DPCH_Ec <REFSENS> shall apply for Band IX. The corresponding <REF \hat{I}_{or} > is -103.5 dBm.
NOTE 4: For the UE which supports DB-DC-HSDPA configuration 2, the reference sensitivity level of -113.3 dBm/3.84 MHz DPCH_Ec <REFSENS> shall apply for Band II. The corresponding <REF \hat{I}_{or} > is -103 dBm/3.84 MHz.
NOTE 5: For the UE which supports DB-DC-HSDPA configuration 2, the reference sensitivity level of -115.3 dBm/3.84 MHz DPCH_Ec <REFSENS> shall apply for Band IV. The corresponding <REF \hat{I}_{or} > is -105 dBm/3.84 MHz.

NOTE: If the above Test Requirement differs from the Minimum Requirement then the Test Tolerance applied for this test is non-zero. The Test Tolerance for this test is defined in clause F.2 and the explanation of how the Minimum Requirement has been relaxed by the Test Tolerance is given in clause F.4.

6.2A Reference Sensitivity Level for DC-HSDPA

6.2A.1 Definition and applicability

The reference sensitivity level <REFSENS> is the minimum mean power received at the UE antenna port at which the Block Error Ratio (BLER) on each individual cell shall not exceed a specific value.

The requirements and this test apply for Release 8 and later releases to all types of UTRA for the FDD UE that support DC-HSDPA.

6.2A.2 Minimum Requirements

The BLER measured on each individual cell shall not exceed 0.1 for the parameters specified in Table 6.2A.1.

Table 6.2A.1: Test parameters for reference sensitivity, additional requirement for DC-HSDPA

| Operating Band | Unit | HS-PDSCH_Ec <REFSENS> | <REF _{or} > |
|----------------|--------------|--------------------------|----------------------|
| I | dBm/3.84 MHz | -113 | -102.7 |
| II | dBm/3.84 MHz | -111 | -100.7 |
| III | dBm/3.84 MHz | -110 | -99.7 |
| IV | dBm/3.84 MHz | -113 | -102.7 |
| V | dBm/3.84 MHz | -111 | -100.7 |
| VI | dBm/3.84 MHz | -113 | -102.7 |
| VII | dBm/3.84 MHz | -111 | -100.7 |
| VIII | dBm/3.84 MHz | -110 | -99.7 |
| IX | dBm/3.84 MHz | -112 | -101.7 |
| X | dBm/3.84 MHz | -113 | -102.7 |
| XI | dBm/3.84 MHz | -113 | -102.7 |
| XII | dBm/3.84 MHz | -110 | -99.7 |
| XIII | dBm/3.84 MHz | -110 | -99.7 |
| XIV | dBm/3.84 MHz | -110 | -99.7 |
| XIX | dBm/3.84 MHz | -113 | -102.7 |
| XX | dBm/3.84 MHz | -110 | -99.7 |
| XXI | dBm/3.84 MHz | -113 | -102.7 |
| XXII | dBm/3.84 MHz | -110 | -99.7 |
| XXV | dBm/3.84 MHz | -109.5 | -99.2 |
| XXVI | dBm/3.84 MHz | -109.5 | -99.2 |

NOTE 1: For Power class 3 and 3bis this shall be at the maximum output power
NOTE 2: For Power class 4 this shall be at the maximum output power
NOTE 3: For the UE which supports both Band III and Band IX operating frequencies, the reference sensitivity level of -110.5 dBm HS-PDSCH_Ec <REFSENS> shall apply for Band IX. The corresponding <REF_{or}> is -100.2 dBm
NOTE 4: For the UE which supports both Band XI and Band XXI operating frequencies, the reference sensitivity level is FFS.

The normative reference for this requirement is TS 25.101 [1] clause 7.3.2.

6.2A.3 Test purpose

To verify that the UE BLER of HS-PDSCH on each individual cell shall not exceed 0,1 for the parameters specified in table 6.2A.3 for the DL reference channel H-Set 12 specified in Annex C.8.1.12.

The lack of the reception sensitivity decreases the HSDPA coverage area at the far side from Node B.

6.2A.4 Method of test

6.2A.4.1 Initial conditions

Test environment: normal, TL/VL, TL/VH, TH/VL, TH/VH; see clauses G.2.1 and G.2.2.

Frequencies to be tested: low range, mid range, high range; see clause G.2.4.

- 1) Connect the SS to the UE antenna connector as shown in figure A.30.

- 2) Channel conditions are initially set up with received CPICH_RSCP >-85 dBm. The relative power level of primary downlink physical channels to Ior are set up according to clause E.5.0.
- 3) Switch on the phone.
- 4) A call is set up according to the Generic DC-HSDPA setup procedure in TS34.108 [3] sub clause 7.3.13 with exceptions for information elements listed in table 6.2A.2.
- 5) The RF parameters are set up according to table 6.2A.3 for both primary and secondary serving cells.

Contents of RADIO BEARER SETUP message: AM or UM (DC-HSDPA)

Table 6.2A.2: Specific Message Contents for reference sensitivity, additional requirement for DC-HSDPA

| Information Element | Value/remark | Version |
|----------------------------------|------------------------------|---------|
| Downlink HS-PDSCH Information | | |
| - CHOICE mode | FDD | |
| - Downlink 64QAM configured | Not Present | Rel-7 |
| - HS-DSCH TB size table | octet aligned (for H-Set 12) | Rel-7 |
| Downlink secondary cell info FDD | | Rel-8 |
| - CHOICE Configuration info | New configuration | |
| - Downlink 64QAM configured | Not Present | |
| - HS-DSCH TB size table | octet aligned (for H-Set 12) | |

See TS 34.109 [4] for details regarding loopback test.

6.2A.4.2 Procedure

- 1) Set and send continuously Up power control commands to the UE until the UE output power shall be maximum level.
- 2) Measure the BLER of HS-PDSCH on each individual cell received from the UE at the SS by counting the number of NACK, ACK and statDTX on the UL HS-DPCCH ($BLER = (NACK + statDTX)/(NACK + statDTX + ACK)$).

6.2A.5 Test requirements

The measured BLER, derived in step 2), shall not exceed 0,1 on each individual cell. The minimum number of measurements required for a statistically significant result to this test is clarified in annex F.6.3, Table F.6.3.5.0.

Table 6.2A.3: Test parameters for reference sensitivity, additional requirement for DC-HSDPA

| Operating Band | Unit | HS-PDSCH_Ec <REFSENS> | <REF _{or} > |
|----------------|--------------|--------------------------|----------------------|
| I | dBm/3.84 MHz | -112.3 | -102 |
| II | dBm/3.84 MHz | -110.3 | -100 |
| III | dBm/3.84 MHz | -109.3 | -99 |
| IV | dBm/3.84 MHz | -112.3 | -102 |
| V | dBm/3.84 MHz | -110.3 | -100 |
| VI | dBm/3.84 MHz | -112.3 | -102 |
| VII | dBm/3.84 MHz | -110.3 | -100 |
| VIII | dBm/3.84 MHz | -109.3 | -99 |
| IX | dBm/3.84 MHz | -111.3 | -101 |
| X | dBm/3.84 MHz | -112.3 | -102 |
| XI | dBm/3.84 MHz | -112.3 | -102 |
| XII | dBm/3.84 MHz | -109.3 | -99 |
| XIII | dBm/3.84 MHz | -109.3 | -99 |
| XIV | dBm/3.84 MHz | -109.3 | -99 |
| XIX | dBm/3.84 MHz | -112.3 | -102 |
| XX | dBm/3.84 MHz | -109.3 | -99 |
| XXI | dBm/3.84 MHz | -112.3 | -102 |
| XXII | dBm/3.84 MHz | -119.3 | -99 |
| XXV | dBm/3.84 MHz | -108.8 | -98.5 |
| XXVI | dBm/3.84 MHz | -108.8 | -98.5 |

NOTE 1 For Power class 3 and 3bis this shall be at the maximum output power.
NOTE 2 For Power class 4 this shall be at the maximum output power.
NOTE 3 For the UE which supports both Band III and Band IX operating frequencies, the reference sensitivity level of -109.8 dBm HS-PDSCH_Ec <REFSENS> shall apply for Band IX. The corresponding <REF_{or}> is -99.5 dBm.
NOTE 4: For the UE which supports both Band XI and Band XXI operating frequencies, the reference sensitivity level is FFS.

NOTE: If the above Test Requirement differs from the Minimum Requirement then the Test Tolerance applied for this test is non-zero. The Test Tolerance for this test is defined in clause F.2 and the explanation of how the Minimum Requirement has been relaxed by the Test Tolerance is given in clause F.4.

6.2B Reference Sensitivity Level for DB-DC-HSDPA

6.2B.1 Definition and applicability

The reference sensitivity level <REFSENS> is the minimum mean power received at the UE antenna port at which the Block Error Ratio (BLER) on each individual cell shall not exceed a specific value.

The requirements and this test apply for Release 9 and later releases to all types of UTRA for the FDD UE that support DB-DC-HSDPA.

DB-DC-HSDPA is designed to operate in configurations specified in clause 4.2.

6.2B.2 Minimum Requirements

For all requirements listed in Table 6.2B.1, corresponding to the specific DB-DC-HSDPA configuration(s) supported by the UE, (see clause 4.2), the BLER measured on each individual cell shall not exceed 0.1.

Table 6.2B.1: Test parameters for reference sensitivity, additional requirement for DB-DC-HSDPA.

| DB-DC-HSDPA configuration | DL Band | UL Band | Unit | HS-PDSCH_Ec <REFSENS> | <REF _{Ior} > |
|---------------------------|---------|---------|--------------|-----------------------|-----------------------|
| 1 | I | I | dBm/3.84 MHz | -113 | -102.7 |
| | VIII | | dBm/3.84 MHz | -110 | -99.7 |
| | I | VIII | dBm/3.84 MHz | -113 | -102.7 |
| | VIII | | dBm/3.84 MHz | -110 | -99.7 |
| 2 | II | II | dBm/3.84 MHz | -110 | -99.7 |
| | IV | | dBm/3.84 MHz | -112 | -101.7 |
| | II | IV | dBm/3.84 MHz | -110 | -99.7 |
| | IV | | dBm/3.84 MHz | -112 | -101.7 |
| 3 | I | I | dBm/3.84 MHz | -113 | -102.7 |
| | V | | dBm/3.84 MHz | -111 | -100.7 |
| | I | V | dBm/3.84 MHz | -113 | -102.7 |
| | V | | dBm/3.84 MHz | -111 | -100.7 |

NOTE 1: For Power class 3 and 3bis this shall be at the maximum output power.
NOTE 2: For Power class 4 this shall be at the maximum output power.

The normative reference for this requirement is TS 25.101 [1] clause 7.3.3.

6.2B.3 Test purpose

To verify that the UE BLER of HS-PDSCH on each individual cell shall not exceed 0,1 for the parameters specified in table 6.2B.2 for the DL reference channel H-Set 12 specified in Annex C.8.1.12.

The lack of the reception sensitivity decreases the HSDPA coverage area at the far side from Node B.

6.2B.4 Method of test

6.2B.4.1 Initial conditions

Test environment: normal, TL/VL, TL/VH, TH/VL, TH/VH; see clauses G.2.1 and G.2.2.

Frequencies to be tested: low range, mid range, high range; see clause G.2.4.

- 1) Connect the SS to the UE antenna connector as shown in figure A.30.
- 2) Channel conditions are initially set up with received CPICH_RSCP >-85 dBm. The relative power level of primary downlink physical channels to Ior are set up according to clause E.5.0.
- 3) Switch on the phone.
- 4) A call is set up according to the Generic call setup procedure in TS34.108 [3] sub clause 7.3.13 with exceptions for information elements listed in table 6.2B.2.
- 5) The RF parameters are set up according to table 6.2B.3 for both primary and secondary serving cells.

Contents of RADIO BEARER SETUP message: AM or UM (DC-HSDPA)

Table 6.2B.2: Specific Message Contents for reference sensitivity, additional requirement for DB-DC-HSDPA

| Information Element | Value/remark | Version |
|----------------------------------|------------------------------|---------|
| Downlink HS-PDSCH Information | | |
| - CHOICE mode | FDD | |
| - Downlink 64QAM configured | Not Present | Rel-7 |
| - HS-DSCH TB size table | octet aligned (for H-Set 12) | Rel-7 |
| Downlink secondary cell info FDD | | Rel-8 |
| - CHOICE Configuration info | New configuration | |
| - Downlink 64QAM configured | Not Present | |
| - HS-DSCH TB size table | octet aligned (for H-Set 12) | |

See TS 34.109 [4] for details regarding loopback test.

6.2B.4.2 Procedure

- 1) Set and send continuously Up power control commands to the UE until the UE output power shall be maximum level.
- 2) Measure the BLER of HS-PDSCH on each individual cell received from the UE at the SS.

6.2B.5 Test requirements

The measured BLER, derived in step 2), shall not exceed 0,1 on each individual cell. The minimum number of measurements required for a statistically significant result to this test is clarified in annex F.6.3, Table F.6.3.5.0.

Table 6.2B.3: Test parameters for reference sensitivity, additional requirement for DB-DC-HSDPA

| DB-DC-HSDPA configuration | DL Band | UL Band | Unit | HS-PDSCH_Ec <REFSENS> | <REF \hat{I}_{or} > |
|---------------------------|---------|---------|--------------|-----------------------|-----------------------|
| 1 | I | I | dBm/3.84 MHz | -112.3 | -102 |
| | VIII | | dBm/3.84 MHz | -109.3 | -99 |
| | I | VIII | dBm/3.84 MHz | -112.3 | -102 |
| | VIII | | dBm/3.84 MHz | -109.3 | -99 |
| 2 | II | II | dBm/3.84 MHz | -109.3 | -99 |
| | IV | | dBm/3.84 MHz | -111.3 | -101 |
| | II | IV | dBm/3.84 MHz | -109.3 | -99 |
| | IV | | dBm/3.84 MHz | -111.3 | -101 |
| 3 | I | I | dBm/3.84 MHz | -112.3 | -102 |
| | V | | dBm/3.84 MHz | -110.3 | -100 |
| | I | V | dBm/3.84 MHz | -112.3 | -102 |
| | V | | dBm/3.84 MHz | -110.3 | -100 |

NOTE 1: For Power class 3 and 3bis this shall be at the maximum output power.
NOTE 2: For Power class 4 this shall be at the maximum output power.

NOTE: If the above Test Requirement differs from the Minimum Requirement then the Test Tolerance applied for this test is non-zero. The Test Tolerance for this test is defined in clause F.2 and the explanation of how the Minimum Requirement has been relaxed by the Test Tolerance is given in clause F.4.

6.2C Reference Sensitivity Level for Single band 4C-HSDPA

6.2C.1 Definition and applicability

The reference sensitivity level <REFSENS> is the minimum mean power received at the UE antenna port at which the Block Error Ratio (BLER) on each individual cell shall not exceed a specific value.

The requirements and this test apply for Release 10 and later releases to all types of UTRA for the FDD UE that support Single band 4C-HSDPA and HS-DSCH categories 29 to 32.

Single band 4C-HSDPA is designed to operate in configurations specified in clause 4.2.

6.2C.2 Minimum Requirements

For all requirements listed in Table 6.2C.1, corresponding to the specific single band 4C-HSDPA configuration(s) supported by the UE, (see Table 4.0A), the BLER measured on each individual cell shall not exceed 0.1.

NOTE: The reference sensitivity level <REFSENS> requirement for single band 4C-HSDPA is not applicable for dual uplink operation. However, there might be a substantial Rx de-sensitization for the UE operating in bands which have less than 80 MHz Tx-Rx frequency separation, transmitting on more than one uplink frequency, at maximum power.

Table 6.2C.1: Test parameters for reference sensitivity, additional requirement for single band 4C-HSDPA

| Single band 4C-HSDPA configuration | DL Band | Unit | HS-PDSCH_Ec <REFSENS> | <REFI _{or} > | UL-DL carrier separation |
|---|---------|--------------|-----------------------|-----------------------|--------------------------|
| I-3 | I | dBm/3.84 MHz | -113 | -102.7 | Minimum |
| NOTE 1 For Power class 3, 3bis and 4, this shall be at the maximum output power | | | | | |

For the UE which supports DB-DC-HSDPA configuration in Table 6.2C.2, the reference sensitivity level HS-PDSCH_Ec <REFSENS> and corresponding <REFI_{or}> in Table 6.2C.1 are allowed to be increased by the amount given in Table 6.2C.2 for the applicable bands.

Table 6.2C.2: Allowed de-sensitization relative to reference sensitivity for UE which supports DB-DC-HSDPA

| DB-DC-HSDPA Configuration | Allowed de-sensitization (dB) | Applicable bands |
|---------------------------|-------------------------------|------------------|
| 4 | 1 | I |

The normative reference for this requirement is TS 25.101 [1] clause 7.3.4.

6.2C.3 Test purpose

To verify that the UE BLER of HS-PDSCH on each individual cell shall not exceed 0,1 for the parameters specified in table 6.2C.4 for the DL reference channel H-Set 1B specified in Annex C.8.1.1.

The lack of the reception sensitivity decreases the HSDPA coverage area at the far side from Node B.

This test case tests only 3 carrier configurations.

6.2C.4 Method of test

6.2C.4.1 Initial conditions

Test environment: normal, TL/VL, TL/VH, TH/VL, TH/VH; see clauses G.2.1 and G.2.2.

Frequencies to be tested: low range, mid range, high range; see clause G.2.4.

- 1) Connect the SS to the UE antenna connector as shown in figure A.48.
- 2) Channel conditions are initially set up with received CPICH_RSCP >-85 dBm. The relative power level of primary downlink physical channels to I_{or} are set up according to clause E.5.0.
- 3) Switch on the phone.
- 4) A call is set up according to the Generic call setup procedure in TS34.108 [3] sub clause 7.3.16.
- 5) The RF parameters are set up according to table 6.2C.3 for each individual cells.

See TS 34.109 [4] for details regarding loopback test.

6.2C.4.2 Procedure

- 1) Set and send continuously Up power control commands to the UE until the UE output power shall be maximum level.
- 2) Measure the BLER of HS-PDSCH on each individual cell received from the UE at the SS.

6.2C.5 Test requirements

The measured BLER, derived in step 2), shall not exceed 0,1 on each individual cell. The minimum number of measurements required for a statistically significant result to this test is clarified in annex F.6.3, Table F.6.3.5.0.

Table 6.2C.3: Test parameters for reference sensitivity, additional requirement for single band 4C-HSDPA.

| Single band 4C-HSDPA configuration | DL Band | Unit | HS-PDSCH_Ec <REFSENS> | <REF \hat{I}_{or} > | UL-DL carrier separation |
|---|---------|--------------|-----------------------|-----------------------|--------------------------|
| I-3 | I | dBm/3.84 MHz | -112.3 | -102 | Minimum |
| NOTE 1 For Power class 3, 3bis and 4, this shall be at the maximum output power | | | | | |

For the UE which supports DB-DC-HSDPA configuration in Table 6.2C.3, the reference sensitivity level HS-PDSCH_Ec <REFSENS> and corresponding <REF \hat{I}_{or} > in Table 6.2C.3 are allowed to be increased by the amount given in Table 6.2C.4 for the applicable bands.

Table 6.2C.4: Allowed de-sensitization relative to reference sensitivity for UE which supports DB-DC-HSDPA

| DB-DC-HSDPA Configuration | Allowed de-sensitization (dB) | Applicable bands |
|---------------------------|-------------------------------|------------------|
| 4 | 1 | I |

NOTE: If the above Test Requirement differs from the Minimum Requirement then the Test Tolerance applied for this test is non-zero. The Test Tolerance for this test is defined in clause F.2 and the explanation of how the Minimum Requirement has been relaxed by the Test Tolerance is given in clause F.4.

6.2D Reference Sensitivity Level for Dual band 4C-HSDPA

6.2D.1 Definition and applicability

The reference sensitivity level <REFSENS> is the minimum mean power received at the UE antenna port at which the Block Error Ratio (BLER) on each individual cell shall not exceed a specific value.

The requirements and this test apply for Release 10 and later releases to all types of UTRA for the FDD UE that support dual band 4C-HSDPA and HS-DSCH categories 31 or 32.

Dual band 4C-HSDPA is designed to operate in configurations specified in clause 4.2.

6.2D.2 Minimum Requirements

For all requirements listed in Table 6.2D.1, corresponding to the specific dual band 4C-HSDPA configuration(s) supported by the UE, (see Table 4.0B), the BLER measured on each individual cell shall not exceed 0.1.

Note: The reference sensitivity level <REFSENS> requirement for dual band 4C-HSDPA is not applicable for dual uplink operation. However, there might be a substantial Rx de-sensitization for the UE operating in bands which have less than 80 MHz Tx-Rx frequency separation, transmitting on more than one uplink frequency, at maximum power.

Table 6.2D.1: Test parameters for reference sensitivity, additional requirement for dual band 4C-HSDPA

| Dual band 4C-HSDPA configuration | DL Band | UL Band | Unit | HS-PDSCH_Ec <REFSENS> | <REF _{Ior} > | UL-DL carrier separation |
|---|---------|---------|--------------|-----------------------|-----------------------|--------------------------|
| I-2-VIII-1 I-3-VIII-1 | I | I | dBm/3.84 MHz | -113 | -102.7 | Minimum |
| | VIII | | dBm/3.84 MHz | -110 | -99.7 | Minimum |
| | I | VIII | dBm/3.84 MHz | -113 | -102.7 | Minimum |
| | VIII | | dBm/3.84 MHz | -110 | -99.7 | Minimum |
| II-1-IV-2 II-2-IV-1 II-2-IV-2 | II | II | dBm/3.84 MHz | -110 | -99.7 | Minimum |
| | IV | | dBm/3.84 MHz | -112 | -101.7 | Minimum |
| | II | IV | dBm/3.84 MHz | -110 | -99.7 | Minimum |
| | IV | | dBm/3.84 MHz | -112 | -101.7 | Minimum |
| I-1-V-2 I-2-V-1 I-2-V-2 | I | I | dBm/3.84 MHz | -113 | -102.7 | Minimum |
| | V | | dBm/3.84 MHz | -111 | -100.7 | Minimum |
| | I | V | dBm/3.84 MHz | -113 | -102.7 | Minimum |
| | V | | dBm/3.84 MHz | -111 | -100.7 | Minimum |
| NOTE 1 For Power class 3, 3bis and 4, this shall be at the maximum output power | | | | | | |

The normative reference for this requirement is TS 25.101 [1] clause 7.3.5.

6.2D.3 Test purpose

To verify that the UE BLER of HS-PDSCH on each individual cell shall not exceed 0,1 for the parameters specified in table 6.2D.3 for the DL reference channel H-Set 1C specified in Annex C.8.1.1.

The lack of the reception sensitivity decreases the HSDPA coverage area at the far side from Node B.

This test case tests only 4 carrier configurations.

6.2D.4 Method of test

6.2D.4.1 Initial conditions

Test environment: normal, TL/VL, TL/VH, TH/VL, TH/VH; see clauses G.2.1 and G.2.2.

Frequencies to be tested: low range, mid range, high range; see clause G.2.4.

- 1) Connect the SS to the UE antenna connector as shown in figure A.48.
- 2) Channel conditions are initially set up with received CPICH_RSCP >-85 dBm. The relative power level of primary downlink physical channels to Ior are set up according to clause E.5.0.
- 3) Switch on the phone.
- 4) A call is set up according to the Generic call setup procedure in TS34.108 [3] sub clause 7.3.16.
- 5) The RF parameters are set up according to table 6.2D.2 for each individual cells.

See TS 34.109 [4] for details regarding loopback test.

6.2D.4.2 Procedure

- 1) Set and send continuously Up power control commands to the UE until the UE output power shall be maximum level.
- 2) Measure the BLER of HS-PDSCH on each individual cell received from the UE at the SS.

6.2D.5 Test requirements

The measured BLER, derived in step 2), shall not exceed 0,1 on each individual cell. The minimum number of measurements required for a statistically significant result to this test is clarified in annex F.6.3, Table F.6.3.5.0.

Table 6.2D.2: Test parameters for reference sensitivity, additional requirement for dual band 4C-HSDPA

| Dual band 4C-HSDPA configuration | DL Band | UL Band | Unit | HS-PDSCH_Ec <REFSENS> | <REFI _{or} > | UL-DL carrier separation |
|----------------------------------|---------|---------|--------------|-----------------------|-----------------------|--------------------------|
| I-2-VIII-1 | I | I | dBm/3.84 MHz | -112.3 | -102 | Minimum |
| | VIII | | dBm/3.84 MHz | -109.3 | -99 | Minimum |
| I-3-VIII-1 | I | VIII | dBm/3.84 MHz | -112.3 | -102 | Minimum |
| | VIII | | dBm/3.84 MHz | -109.3 | -99 | Minimum |
| II-1-IV-2 | II | II | dBm/3.84 MHz | -109.3 | -99 | Minimum |
| | IV | | dBm/3.84 MHz | -111.3 | -101 | Minimum |
| II-2-IV-1 | II | IV | dBm/3.84 MHz | -109.3 | -99 | Minimum |
| | IV | | dBm/3.84 MHz | -111.3 | -101 | Minimum |
| I-1-V-2 | I | I | dBm/3.84 MHz | -112.3 | -102 | Minimum |
| | V | | dBm/3.84 MHz | -110.3 | -100 | Minimum |
| I-2-V-1 | I | V | dBm/3.84 MHz | -112.3 | -102 | Minimum |
| | V | | dBm/3.84 MHz | -110.3 | -100 | Minimum |

NOTE 1 For Power class 3, 3bis and 4, this shall be at the maximum output power

NOTE: If the above Test Requirement differs from the Minimum Requirement then the Test Tolerance applied for this test is non-zero. The Test Tolerance for this test is defined in clause F.2 and the explanation of how the Minimum Requirement has been relaxed by the Test Tolerance is given in clause F.4.

6.2DA Reference Sensitivity Level for Dual band 4C-HSDPA (3 carrier)

6.2DA.1 Definition and applicability

The reference sensitivity level <REFSENS> is the minimum mean power received at the UE antenna port at which the Block Error Ratio (BLER) on each individual cell shall not exceed a specific value.

The requirements and this test apply for Release 10 and later releases to all types of UTRA for the FDD UE that support dual band 4C-HSDPA and HS-DSCH categories 29 to 32.

Dual band 4C-HSDPA is designed to operate in configurations specified in clause 4.2.

6.2DA.2 Minimum Requirements

For all requirements listed in Table 6.2DA.1, corresponding to the specific dual band 4C-HSDPA configuration(s) supported by the UE, (see Table 4.0B), the BLER measured on each individual cell shall not exceed 0.1.

Note: The reference sensitivity level <REFSENS> requirement for dual band 4C-HSDPA is not applicable for dual uplink operation. However, there might be a substantial Rx de-sensitization for the UE operating in bands which have less than 80 MHz Tx-Rx frequency separation, transmitting on more than one uplink frequency, at maximum power.

Table 6.2DA.1: Test parameters for reference sensitivity, additional requirement for dual band 4C-HSDPA

| Dual band 4C-HSDPA configuration | DL Band | UL Band | Unit | HS-PDSCH_Ec <REFSENS> | <REF _{Ior} > | UL-DL carrier separation |
|-------------------------------------|---------|---------|--------------|-----------------------|-----------------------|--------------------------|
| I-2-VIII-1 I-3-VIII-1 | I | I | dBm/3.84 MHz | -113 | -102.7 | Minimum |
| | VIII | | dBm/3.84 MHz | -110 | -99.7 | Minimum |
| | I | VIII | dBm/3.84 MHz | -113 | -102.7 | Minimum |
| | VIII | | dBm/3.84 MHz | -110 | -99.7 | Minimum |
| II-1-IV-2 II-2-IV-1 II-2-IV-2 | II | II | dBm/3.84 MHz | -110 | -99.7 | Minimum |
| | IV | | dBm/3.84 MHz | -112 | -101.7 | Minimum |
| | II | IV | dBm/3.84 MHz | -110 | -99.7 | Minimum |
| | IV | | dBm/3.84 MHz | -112 | -101.7 | Minimum |
| I-1-V-2 I-2-V-1 I-2-V-2 | I | I | dBm/3.84 MHz | -113 | -102.7 | Minimum |
| | V | | dBm/3.84 MHz | -111 | -100.7 | Minimum |
| | I | V | dBm/3.84 MHz | -113 | -102.7 | Minimum |
| | V | | dBm/3.84 MHz | -111 | -100.7 | Minimum |

NOTE 1: For Power class 3, 3bis and 4, this shall be at the maximum output power

The normative reference for this requirement is TS 25.101 [1] clause 7.3.5.

6.2DA.3 Test purpose

To verify that the UE BLER of HS-PDSCH on each individual cell shall not exceed 0,1 for the parameters specified in table 6.2DA.3 for the DL reference channel H-Set 1C specified in Annex C.8.1.1.

The lack of the reception sensitivity decreases the HSDPA coverage area at the far side from Node B.

This test case tests only 3 carrier configurations.

6.2DA.4 Method of test

6.2DA.4.1 Initial conditions

Test environment: normal, TL/VL, TL/VH, TH/VL, TH/VH; see clauses G.2.1 and G.2.2.

Frequencies to be tested: low range, mid range, high range; see clause G.2.4.

- 1) Connect the SS to the UE antenna connector as shown in figure A.48.
- 2) Channel conditions are initially set up with received CPICH_RSCP >-85 dBm. The relative power level of primary downlink physical channels to I_{or} are set up according to clause E.5.0.
- 3) Switch on the phone.
- 4) A call is set up according to the Generic call setup procedure in TS34.108 [3] sub clause 7.3.16.
- 5) The RF parameters are set up according to table 6.2DA.2 for each individual cells.

See TS 34.109 [4] for details regarding loopback test.

6.2DA.4.2 Procedure

- 1) Set and send continuously Up power control commands to the UE until the UE output power shall be maximum level.
- 2) Measure the BLER of HS-PDSCH on each individual cell received from the UE at the SS.

6.2DA.5 Test requirements

The measured BLER, derived in step 2), shall not exceed 0,1 on each individual cell. The minimum number of measurements required for a statistically significant result to this test is clarified in annex F.6.3, Table F.6.3.5.0.

Table 6.2DA.2: Test parameters for reference sensitivity, additional requirement for dual band 4C-HSDPA

| Dual band 4C-HSDPA configuration | DL Band | UL Band | Unit | HS-PDSCH_Ec <REFSENS> | <REF _{or} > | UL-DL carrier separation |
|-------------------------------------|---------|---------|--------------|-----------------------|----------------------|--------------------------|
| I-2-VIII-1 I-3-VIII-1 | I | I | dBm/3.84 MHz | -112.3 | -102 | Minimum |
| | VIII | | | | | |
| | I | VIII | dBm/3.84 MHz | -112.3 | -102 | Minimum |
| | VIII | | | | | |
| II-1-IV-2 II-2-IV-1 II-2-IV-2 | II | II | dBm/3.84 MHz | -109.3 | -99 | Minimum |
| | IV | | | | | |
| | II | IV | dBm/3.84 MHz | -109.3 | -99 | Minimum |
| | IV | | | | | |
| I-1-V-2 I-2-V-1 I-2-V-2 | I | I | dBm/3.84 MHz | -112.3 | -102 | Minimum |
| | V | | | | | |
| | I | V | dBm/3.84 MHz | -112.3 | -102 | Minimum |
| | V | | | | | |

NOTE 1 For Power class 3, 3bis and 4, this shall be at the maximum output power

NOTE: If the above Test Requirement differs from the Minimum Requirement then the Test Tolerance applied for this test is non-zero. The Test Tolerance for this test is defined in clause F.2 and the explanation of how the Minimum Requirement has been relaxed by the Test Tolerance is given in clause F.4.

6.3 Maximum Input Level

6.3.1 Definition and applicability

This is defined as the maximum mean power received at the UE antenna port, which shall not degrade the specified BER performance.

The requirements and this test apply to all types of UTRA for the FDD UE.

6.3.2 Minimum requirements

The BER shall not exceed 0.001 for the parameters specified in table 6.3.2.

The reference for this requirement is TS 25.101 [1] clause 7.4.1.

NOTE: Since the spreading factor is large ($10\log(SF)=21\text{dB}$), the majority of the total input signal consists of the OCNS interference. The structure of OCNS signal is defined in clause E.3.3.

6.3.3 Test purpose

To verify that the UE BER shall not exceed 0,001 for the parameters specified in table 6.3.3.

An inadequate maximum input level causes loss of coverage near the Node B

6.3.4 Method of test

6.3.4.1 Initial conditions

Test environment: normal; see clauses G.2.1 and G.2.2.

Frequencies to be tested: mid range; see clause G.2.4.

- 1) Connect the SS to the UE antenna connector as shown in figure A.1.
- 2) RF parameters are set up according to table 6.3.3 and table E.3.3.
- 3) A call is set up according to the Generic call setup procedure specified in TS34.108[3] sub clause 7.3.2, with the following exception for information elements in RADIO BEARER SETUP message. With this exception, the Power Control Algorithm for the Uplink is set to algorithm 2.

- 4) Enter the UE into loopback test mode and start the loopback test.

Table 6.3.1 Contents of RADIO BEARER SETUP message: AM or UM

| Information Element | Value/Remark |
|---|--------------------------------|
| CHOICE channel requirement - Power Control Algorithm | Uplink DPCH info Algorithm2 |

See TS 34.108 [3] and TS 34.109 [4] for details regarding generic call setup procedure and loopback test.

Table 6.3.2: Test parameters for Maximum Input Level

| Parameter | Level / Status | Unit |
|----------------------------|--|---------------|
| I_{or} | -25 | dBm / 3,84MHz |
| $\frac{DPCH_E_c}{I_{or}}$ | -19 | dB |
| UE transmitted mean power | 20 (for Power class 3 and 3bis) 18 (for Power class 4) | dBm |

6.3.4.2 Procedure

- 1) Set the power level of UE according to the table 6.3.3 or send the power control commands (1dB step size should be used.) to the UE until UE output power measured by Test System shall be kept at the specified power level with ± 1 dB tolerance.
- 2) Measure the BER of DCH received from the UE at the SS.

6.3.5 Test requirements

The measured BER, derived in step 1), shall not exceed 0,001.

Table 6.3.3: Test requirements for Maximum Input Level

| Parameter | Level / Status | Unit |
|----------------------------|--|---------------|
| I_{or} | -25.7 | dBm / 3,84MHz |
| $\frac{DPCH_E_c}{I_{or}}$ | -19 | dB |
| UE transmitted mean power | 20 (for Power class 3 and 3bis) 18 (for Power class 4) | dBm |

NOTE: If the above Test Requirement differs from the Minimum Requirement then the Test Tolerance applied for this test is non-zero. The Test Tolerance for this test is defined in clause F.2 and the explanation of how the Minimum Requirement has been relaxed by the Test Tolerance is given in clause F.4.

6.3A Maximum Input Level for HS-PDSCH Reception (16QAM)

6.3A.1 Definition and applicability

Maximum input level for HS-PDSCH reception is defined as the maximum power received at the UE antenna port, which shall not degrade the specified HSDPA throughput performance. The requirements and this test apply to all types of UTRA FDD UE that support HSDPA (16QAM).

6.3A.2 Minimum requirements

The requirements are specified in terms of a minimum information bit throughput R for the DL reference channel H-Set 1 (16QAM version) specified in Annex C.8.1.1 with the addition of the parameters in Table 6.3A.1 and the downlink physical channel setup according to table E.5.1.

Using this configuration the throughput shall meet or exceed the minimum requirements specified in table 6.3A.2.

The reference for this requirement is TS 25.101 [1] clause 7.4.2.

Table 6.3A.1 Minimum requirement parameters for 16QAM Maximum Input Level

| Parameter | Unit | Value |
|--------------------------------------|--------------|---|
| Phase reference | | P-CPICH |
| I_{or} | dBm/3.84 MHz | -25 * |
| UE transmitted mean power | dBm | 20 (for Power class 3 and 3bis) 18 (for Power class 4) |
| DPCH_Ec/I _{or} | dB | -13 |
| HS-SCCH_1_Ec/I _{or} | dB | -13 |
| Redundancy and constellation version | | 6 |
| Maximum number of HARQ transmissions | | 1 |

NOTE: The HS-SCCH and corresponding HS-PDSCH shall be transmitted continuously with constant power but the HS-SCCH shall only use the identity of the UE under test every third TTI.

Table 6.3A.2 Minimum throughput requirement

| HS-PDSCH E_c / I_{or} (dB) | T-put R (kbps) |
|------------------------------|------------------|
| -3 | 700 |

6.3A.3 Test purpose

To verify that the UE HSDPA throughput meets the minimum requirements specified in table 6.3A.2 for the DL reference channel H-Set 1 specified in Annex C.8.1.1 with the addition of the parameters specified in table 6.3A.4.

An inadequate maximum input level causes loss of coverage near the Node B.

6.3A.4 Method of test

6.3A.4.1 Initial conditions

Test environment: normal; see clauses G.2.1 and G.2.2.

Frequencies to be tested: mid range; see clause G.2.4.

RF parameters are given in tables 6.3A.4 and table E.5.1.

Table 6.3A.3 Contents of RADIO BEARER SETUP message: AM or UM

| Information Element | Value/Remark |
|---|--------------------------------|
| CHOICE channel requirement - Power Control Algorithm | Uplink DPCH info Algorithm2 |

6.3A.4.2 Procedure

Connect the SS to the UE antenna connector as shown in figure A.1.

- 1) The UE is switched on.
- 2) An RRC connection is set-up according to the generic HSDPA set-up procedure with looping back 12.2kbps RMC specified in TS 34.108 [3] clause 7.3.6. Additional radio bearer message definition is in table 6.3A.3
- 3) Set the power level of UE according to the table 6.3A.4 and send power control commands to the UE .The UE output power measured by Test System shall be kept at the specified power level with ± 1 dB tolerance.
- 4) Measure the HS-PDSCH throughput R received by the UE by counting the number of NACK, ACK and statDTX on the UL HS-DPCCH (Throughput = blocksize*number of blocks acknowledged/time).
- 5) The UE is switched off.

6.3A.5 Test requirements

The measured throughput, as derived in step 4), shall meet or exceed 700Kbit/second. The minimum number of measurements required for a statistically significant result to this test is clarified in annex F.6.3, Table F.6.3.5.1.

Table 6.3A.4: Test requirement parameters for 16QAM Maximum Input Level

| Parameter | Unit | Value |
|---|--------------|---|
| Phase reference | | P-CPICH |
| \hat{I}_{or} | dBm/3.84 MHz | -25.7 |
| UE transmitted mean power | dBm | 20 (for Power class 3 and 3bis) 18 (for Power class 4) |
| DPCH_Ec/Ior | dB | -13 |
| HS-SCCH_1_Ec/Ior | dB | -13 |
| Redundancy and constellation version | | 6 |
| Maximum number of HARQ transmissions | | 1 |
| NOTE: The HS-SCCH and corresponding HS-DSCH shall be transmitted continuously with constant power but the HS-SCCH shall only use the identity of the UE under test every third TTI. | | |

NOTE: If the above Test Requirement differs from the Minimum Requirement then the Test Tolerance applied for this test is non-zero. The Test Tolerance for this test is defined in clause F.2 and the explanation of how the Minimum Requirement has been relaxed by the Test Tolerance is given in clause F.4.

6.3B Maximum Input Level for HS-PDSCH Reception (64QAM)

6.3B.1 Definition and applicability

Maximum input level for HS-PDSCH reception is defined as the maximum power received at the UE antenna port, which shall not degrade the specified HSDPA throughput performance. The requirements and this test apply for Release 7 and later releases to all types of UTRA FDD UE that support HSDPA (64QAM).

6.3B.2 Minimum requirements

The requirements are specified in terms of a minimum information bit throughput R for the DL reference channel H-Set 8 (64QAM version) specified in Annex C.8.1.8 with the addition of the parameters in Table 6.3B.1 and the downlink physical channel setup according to table E.5.1A.

Using this configuration the throughput shall meet or exceed the minimum requirements specified in table 6.3B.2.

The reference for this requirement is TS 25.101 [1] clause 7.4.2.

Table 6.3B.1 Minimum requirement parameters for 64QAM Maximum Input Level

| Parameter | Unit | Value |
|--|--------------|---------|
| Phase reference | | P-CPICH |
| \hat{I}_{or} | dBm/3.84 MHz | -25 |
| UE transmitted mean power | dBm | 0 |
| DPCH_Ec/Ior | dB | -13 |
| HS-SCCH_1_Ec/Ior | dB | -13 |
| Redundancy and constellation version | | 6 |
| Maximum number of HARQ transmissions | | 1 |
| NOTE: The HS-SCCH and corresponding HS-PDSCH shall be transmitted continuously with constant power but the HS-SCCH shall only use the identity of the UE under test every third TTI. | | |

Table 6.3B.2 Minimum throughput requirement

| HS-PDSCH E_c / I_{or} (dB) | T-put R (kbps) |
|---------------------------------|------------------|
| -2 | 11800 |

6.3B.3 Test purpose

To verify that the UE HSDPA throughput meets the minimum requirements specified in table 6.3B.2 for the DL reference channel H-Set 8 specified in Annex C.8.1.8 with the addition of the parameters specified in table 6.3B.4.

An inadequate maximum input level causes loss of coverage near the Node B.

6.3B.4 Method of test

6.3B.4.1 Initial conditions

Test environment: normal; see clauses G.2.1 and G.2.2.

Frequencies to be tested: mid range; see clause G.2.4.

RF parameters are given in tables 6.3B.4 and table E.5.1A.

Contents of RRC CONNECTION SETUP message: UM (Transition to CELL_DCH)

Table 6.3B.3 Specific Message Contents for 64QAM Maximum Input Level

| Information Element | Value/remark | Version |
|---|--------------|---------|
| Downlink information for per radio links list - Downlink information for each radio links - Downlink DPCH info for each RL - DL channelisation code - Code number | 14 | |

Contents of RADIO BEARER SETUP message: AM or UM (Test Loop Mode1)

| Information Element | Value/Remark | Version |
|---|--------------|---------|
| Uplink DPCH info - Power Control Algorithm | Algorithm2 | Rel-6 |
| Downlink information per radio link list - Downlink information for each radio link - Downlink DPCH info for each RL - DL channelisation code - Code number | 7 | |

Contents of RADIO BEARER SETUP message: AM or UM (HSDPA)

| Information Element | Value/remark | Version |
|---|--|--|
| RAB information for setup list - RAB information for setup - RB mapping info - Downlink RLC logical channel info - Downlink transport channel type - CHOICE DL MAC header type - DL HS-DSCH MAC-ehs Queue Id - Logical channel identity | HS-DSCH MAC-ehs 0 1 | Rel-7 Rel-7 |
| Added or Reconfigured DL TrCH information list - Added or Reconfigured DL TrCH information - CHOICE DL parameters - CHOICE DL MAC header type - Added or reconfigured MAC-ehs reordering queue - MAC-ehs queue to add or reconfigure list - MAC-ehs queue Id - T1 - Treset - MAC-ehs window size | 1 TrCHs added HS-DSCH MAC-ehs (one queue) 0 50 Not Present 16 | Rel-7 Rel-7 Rel-7 Rel-7 Rel-7 Rel-7 |
| Uplink DPCH info - Power Control Algorithm | Algorithm2 | Rel-6 |
| Downlink HS-PDSCH Information - HS-SCCH Info - CHOICE mode - DL Scrambling Code - HS-SCCH Channelisation Code Information - HS-SCCH Channelisation Code - HS-SCCH Channelisation Code - CHOICE mode - Downlink 64QAM configured | FDD 2 3 FDD TRUE | Rel-7 |
| Downlink information per radio link list - Downlink information for each radio link - Downlink DPCH info for each RL - DL channelisation code - Code number | 7 | |

6.3B.4.2 Procedure

Connect the SS to the UE antenna connector as shown in figure A.1.

- 1) The UE is switched on.
- 2) An RRC connection is set-up according to the generic HSDPA set-up procedure with looping back 12.2kbps RMC specified in TS 34.108 [3] clause 7.3.6, with the exceptions for information elements listed in table 6.3B.3
- 3) Set the power level of UE according to the table 6.3B.4 and send power control commands to the UE .The UE output power measured by Test System shall be kept at the specified power level with ± 1 dB tolerance.
- 4) Measure the HS-PDSCH throughput R received by the UE by counting the number of NACK, ACK and statDTX on the UL HS-DPCCH (Throughput = blocksize*number of blocks acknowledged/time).
- 5) The UE is switched off.

6.3B.5 Test requirements

The measured throughput, as derived in step 4), shall meet or exceed 11800Kbit/second. The minimum number of measurements required for a statistically significant result to this test is clarified in annex F.6.3, Table F.6.3.5.1A.

Table 6.3B.4: Test requirement parameters for 64QAM Maximum Input Level

| Parameter | Unit | Value |
|---|--------------|---------|
| Phase reference | | P-CPICH |
| \hat{I}_{or} | dBm/3.84 MHz | -25.7 |
| UE transmitted mean power | dBm | 0 |
| DPCH_Ec/lor | dB | -13 |
| HS-SCCH_1_Ec/lor | dB | -13 |
| Redundancy and constellation version | | 6 |
| Maximum number of HARQ transmissions | | 1 |
| NOTE: The HS-SCCH and corresponding HS-PDSCH shall be transmitted continuously with constant power but the HS-SCCH shall only use the identity of the UE under test every third TTI | | |

NOTE: If the above Test Requirement differs from the Minimum Requirement then the Test Tolerance applied for this test is non-zero. The Test Tolerance for this test is defined in clause F.2 and the explanation of how the Minimum Requirement has been relaxed by the Test Tolerance is given in clause F.4.

6.3C Maximum Input Level for DC-HSDPA Reception (16QAM)

6.3C.1 Definition and applicability

Maximum input level for DC-HSDPA reception is defined as the maximum power received at the UE antenna port, which shall not degrade the specified DC-HSDPA throughput performance.

The requirements and this test apply for Release 8 and later releases to all types of UTRA for the FDD UE that support DC-HSDPA with 16QAM.

6.3C.2 Minimum requirements

The additional DC-HSDPA requirements are specified in terms of a minimum information throughput per cell R with the DL reference channel H-Set 1 (16QAM version) specified in Annex C.8.1.1, with the addition of the parameters in Table 6.3C.1, and the downlink physical channel setup according to table E.5.1, applied to both cells simultaneously. Using this configuration the throughput shall meet or exceed the minimum requirements specified in table 6.3C.2.

Table 6.3C.1 Minimum requirement parameters for 16QAM Maximum Input Level (DC-HSDPA)

| Parameter | Unit | Value |
|--|--------------|---|
| Phase reference | | P-CPICH |
| \hat{I}_{or} | dBm/3.84 MHz | -25 * |
| UE transmitted mean power | dBm | 20 (for Power class 3 and 3bis) 18 (for Power class 4) |
| DPCH_Ec/lor | dB | -13 |
| HS-SCCH_1_Ec/lor | dB | -13 |
| Redundancy and constellation version | | 6 |
| Maximum number of HARQ transmissions | | 1 |
| NOTE: The HS-SCCH and corresponding HS-PDSCH shall be transmitted continuously with constant power but the HS-SCCH shall only use the identity of the UE under test every third TTI. | | |

Table 6.3C.2 Minimum throughput requirement (DC-HSDPA)

| HS-PDSCH E_c/I_{or} (dB) | T-put R (kbps) |
|----------------------------|------------------|
| -3 | 700 |

The reference for this requirement is TS 25.101 [1] clause 7.4.3.1

6.3C.3 Test purpose

To verify that the UE DC-HSDPA throughput meets the minimum requirements specified in table 6.3C.2 for the DL reference channel H-Set 1 specified in Annex C.8.1.1 with the addition of the parameters specified in table 6.3C.4.

An inadequate maximum input level causes loss of DC-HSDPA coverage near the Node B.

6.3C.4 Method of test

6.3C.4.1 Initial conditions

Test environment: normal; see clauses G.2.1 and G.2.2.

Frequencies to be tested: mid range; see clause G.2.4.

RF parameters are given in tables 6.3C.4 and table E.5.1.

Contents of RADIO BEARER SETUP message: AM or UM (Test Loop Mode1)

Table 6.3C.3: Specific Message Contents for 16QAM Maximum Input Level (DC-HSDPA)

| Information Element | Value/Remark | Version |
|----------------------------------|--------------|---------|
| Uplink DPCH info | | Rel-6 |
| - Uplink DPCH power control info | | |
| - CHOICE mode | FDD | |
| - Power Control Algorithm | Algorithm2 | |

Contents of RADIO BEARER SETUP message: AM or UM (DC-HSDPA)

| Information Element | Value/Remark | Version |
|----------------------------------|--------------|---------|
| Uplink DPCH info | | Rel-6 |
| - Uplink DPCH power control info | | |
| - CHOICE mode | FDD | |
| - Power Control Algorithm | Algorithm2 | |

6.3C.4.2 Procedure

Connect the SS to the UE antenna connector as shown in figure A.30.

- 1) The UE is switched on.
- 2) An RRC connection is set-up according to the generic HSDPA set-up procedure specified in TS 34.108 [3] clause 7.3.13 with exceptions for information elements listed in table 6.3C.3
- 3) Set the power level of UE according to the table 6.3C.4 and send power control commands to the UE .The UE output power measured by Test System shall be kept at the specified power level with ± 1 dB tolerance.
- 4) Measure the HS-PDSCH throughput R received by the UE on each individual cell by counting the number of NACK, ACK and statDTX on the UL HS-DPCCH (Throughput = blocksize*number of blocks acknowledged/time).
- 5) The UE is switched off.

6.3C.5 Test requirements

The measured throughput, as derived in step 4), shall meet or exceed 700Kbit/second on each individual cell. The minimum number of measurements required for a statistically significant result to this test is clarified in annex F.6.3, Table F.6.3.5.1.

Table 6.3C.4: Test requirement parameters for 16QAM Maximum Input Level (DC-HSDPA)

| Parameter | Unit | Value |
|---|--------------|---|
| Phase reference | | P-CPICH |
| I_{or} | dBm/3.84 MHz | -25.7 |
| UE transmitted mean power | dBm | 20 (for Power class 3 and 3bis) 18 (for Power class 4) |
| DPCH_Ec/I _{or} | dB | -13 |
| HS-SCCH_1_Ec/I _{or} | dB | -13 |
| Redundancy and constellation version | | 6 |
| Maximum number of HARQ transmissions | | 1 |
| NOTE: The HS-SCCH and corresponding HS-DSCH shall be transmitted continuously with constant power but the HS-SCCH shall only use the identity of the UE under test every third TTI. | | |

NOTE: If the above Test Requirement differs from the Minimum Requirement then the Test Tolerance applied for this test is non-zero. The Test Tolerance for this test is defined in clause F.2 and the explanation of how the Minimum Requirement has been relaxed by the Test Tolerance is given in clause F.4.

6.3D Maximum Input Level for DC-HSDPA Reception (64QAM)

6.3D.1 Definition and applicability

Maximum input level for DC-HSDPA reception is defined as the maximum power received at the UE antenna port, which shall not degrade the specified DC-HSDPA throughput performance.

The requirements and this test apply for Release 8 and later releases to all types of UTRA for the FDD UE that support DC-HSDPA with 64QAM.

6.3D.2 Minimum requirements

The additional DC-HSDPA requirements are specified in terms of a minimum information throughput per cell R with the DL reference channel H-Set 8A specified in Annex C.8.1.8, with the addition of the parameters in Table 6.3D.1, and the downlink physical channel setup according to table E.5.1, applied to both cells simultaneously. Using this configuration the throughput shall meet or exceed the minimum requirements specified in table 6.3D.2.

Table 6.3D.1: Minimum requirement parameters for 64QAM Maximum Input Level (DC-HSDPA)

| Parameter | Unit | Value |
|--|--------------|---------|
| Phase reference | | P-CPICH |
| I_{or} | dBm/3.84 MHz | -25 * |
| UE transmitted mean power | dBm | 0 |
| DPCH_Ec/I _{or} | dB | -13 |
| HS-SCCH_1_Ec/I _{or} | dB | -13 |
| Redundancy and constellation version | | 6 |
| Maximum number of HARQ transmissions | | 1 |
| NOTE: The HS-SCCH and corresponding HS-PDSCH shall be transmitted continuously with constant power but the HS-SCCH shall only use the identity of the UE under test every third TTI. | | |

Table 6.3D.2: Minimum throughput requirement (DC-HSDPA)

| HS-PDSCH E_c/I_{or} (dB) | T-put R (kbps) |
|----------------------------|------------------|
| -2 | 11800 |

The reference for this requirement is TS 25.101 [1] clause 7.4.3.2.

6.3D.3 Test purpose

To verify that the UE DC-HSDPA throughput meets the minimum requirements specified in table 6.3D.2 for the DL reference channel H-Set 8A specified in Annex C.8.1.8 with the addition of the parameters specified in table 6.3D.4.

An inadequate maximum input level causes loss of DC-HSDPA coverage near the Node B.

6.3D.4 Method of test

6.3D.4.1 Initial conditions

Test environment: normal; see clauses G.2.1 and G.2.2.

Frequencies to be tested: mid range; see clause G.2.4.

RF parameters are given in tables 6.3D.4 and table E.5.1.

Contents of RRC CONNECTION SETUP message: UM (Transition to CELL_DCH)

Table 6.3D.3: Specific Message Contents for 64QAM Maximum Input Level (DC-HSDPA)

| Information Element | Value/remark | Version |
|--|--------------|---------|
| Downlink information for per radio links list -Downlink information for each radio links - Downlink DPCH info for each RL - DL channelisation code - Code number | 14 | |

Contents of RADIO BEARER SETUP message: AM or UM (Test Loop Mode1)

| Information Element | Value/Remark | Version |
|---|--------------|---------|
| Uplink DPCH info - Uplink DPCH power control info | | Rel-6 |
| - CHOICE mode | FDD | |
| - Power Control Algorithm | Algorithm2 | |
| Downlink information per radio link list - Downlink information for each radio link - Downlink DPCH info for each RL - DL channelisation code - Code number | 7 | |

Contents of RADIO BEARER SETUP message: AM or UM (DC-HSDPA)

| Information Element | Value/remark | Version |
|---|----------------------------|---------|
| Uplink DPCH info - Uplink DPCH power control info | | Rel-6 |
| - CHOICE mode | FDD | |
| - Power Control Algorithm | Algorithm2 | |
| Downlink HS-PDSCH Information - CHOICE mode - Downlink 64QAM configured | FDD TRUE (for H-Set 8A) | Rel-7 |
| - HS-DSCH TB size table | Not Present | Rel-7 |
| Downlink information per radio link list - Downlink information for each radio link - Downlink DPCH info for each RL - DL channelisation code - Code number | 7 | |
| Downlink secondary cell info FDD - CHOICE Configuration info | New configuration | Rel-8 |
| - Downlink 64QAM configured | TRUE (for H-Set 8A) | |
| - HS-DSCH TB size table | Not Present | |

6.3D.4.2 Procedure

Connect the SS to the UE antenna connector as shown in figure A.30.

- 1) The UE is switched on.
- 2) An RRC connection is set-up according to the generic HSDPA set-up procedure specified in TS 34.108 [3] clause 7.3.13 with exceptions for information elements listed in table 6.3D.3
- 3) Set the power level of UE according to the table 6.3D.4 and send power control commands to the UE. The UE output power measured by Test System shall be kept at the specified power level with ± 1 dB tolerance.
- 4) Measure the HS-PDSCH throughput R received by the UE on each individual cell by counting the number of NACK, ACK and statDTX on the UL HS-DPCCH (Throughput = blocksize*number of blocks acknowledged/time).
- 5) The UE is switched off.

6.3D.5 Test requirements

The measured throughput, as derived in step 4), shall meet or exceed 11800 Kbit/second on each individual cell. The minimum number of measurements required for a statistically significant result to this test is clarified in annex F.6.3, Table F.6.3.5.1A.

Table 6.3D.4: Test requirement parameters for 64QAM Maximum Input Level (DC-HSDPA)

| Parameter | Unit | Value |
|---|--------------|---------|
| Phase reference | | P-CPICH |
| I_{or} | dBm/3.84 MHz | -25.7 |
| UE transmitted mean power | dBm | 0 |
| DPCH E_c/I_{or} | dB | -13 |
| HS-SCCH 1 E_c/I_{or} | dB | -13 |
| Redundancy and constellation version | | 6 |
| Maximum number of HARQ transmissions | | 1 |
| NOTE: The HS-SCCH and corresponding HS-DSCH shall be transmitted continuously with constant power but the HS-SCCH shall only use the identity of the UE under test every third TTI. | | |

NOTE: If the above Test Requirement differs from the Minimum Requirement then the Test Tolerance applied for this test is non-zero. The Test Tolerance for this test is defined in clause F.2 and the explanation of how the Minimum Requirement has been relaxed by the Test Tolerance is given in clause F.4.

6.3E Maximum Input Level for DB-DC-HSDPA Reception (16QAM)

6.3E.1 Definition and applicability

Maximum input level for DB-DC-HSDPA reception is defined as the maximum power received at the UE antenna port, which shall not degrade the specified DB-DC-HSDPA throughput performance.

The requirements and this test apply for Release 9 and later releases to all types of UTRA for the FDD UE that support DB-DC-HSDPA with 16QAM.

DB-DC-HSDPA is designed to operate in configurations specified in clause 4.2.

6.3E.2 Minimum requirements

The additional DB-DC-HSDPA requirements are specified in terms of a minimum information throughput per cell R with the DL reference channel H-Set 1 (16QAM version) specified in Annex C.8.1.1, with the addition of the parameters in Table 6.3E.1, and the downlink physical channel setup according to table E.5.1, applied to both cells simultaneously. Using this configuration the throughput shall meet or exceed the minimum requirements specified in table 6.3E.2.

Table 6.3E.1: Minimum requirement parameters for 16QAM Maximum Input Level (DB-DC-HSDPA)

| Parameter | Unit | Value |
|--------------------------------------|--------------|---|
| Phase reference | | P-CPICH |
| I_{or} | dBm/3.84 MHz | -25 |
| UE transmitted mean power | dBm | 20 (for Power class 3 and 3bis) 18 (for Power class 4) |
| DPCH_Ec/I _{or} | dB | -13 |
| HS-SCCH_1_Ec/I _{or} | dB | -13 |
| Redundancy and constellation version | | 6 |
| Maximum number of HARQ transmissions | | 1 |

NOTE: The HS-SCCH and corresponding HS-PDSCH shall be transmitted continuously with constant power but the HS-SCCH shall only use the identity of the UE under test every third TTI.

Table 6.3E.2: Minimum throughput requirement (DB-DC-HSDPA)

| HS-PDSCH E_c / I_{or} (dB) | T-put R (kbps) |
|------------------------------|------------------|
| -3 | 700 |

The reference for this requirement is TS 25.101 [1] clause 7.4.3.1

6.3E.3 Test purpose

To verify that the UE DB-DC-HSDPA throughput meets the minimum requirements specified in table 6.3E.2 for the DL reference channel H-Set 1 specified in Annex C.8.1.1 with the addition of the parameters specified in table 6.3E.4.

An inadequate maximum input level causes loss of DB-DC-HSDPA coverage near the Node B.

6.3E.4 Method of test

6.3E.4.1 Initial conditions

Test environment: normal; see clauses G.2.1 and G.2.2.

Frequencies to be tested: mid range; see clause G.2.4.

RF parameters are given in tables 6.3E.4 and table E.5.1.

Contents of RADIO BEARER SETUP message: AM or UM (Test Loop Mode1)

Table 6.3E.3: Specific Message Contents for 16QAM Maximum Input Level (DC-HSDPA)

| Information Element | Value/Remark | Version |
|----------------------------------|--------------|---------|
| Uplink DPCH info | | Rel-6 |
| - Uplink DPCH power control info | | |
| - CHOICE mode | FDD | |
| - Power Control Algorithm | Algorithm2 | |

Contents of RADIO BEARER SETUP message: AM or UM (DC-HSDPA)

| Information Element | Value/Remark | Version |
|----------------------------------|--------------|---------|
| Uplink DPCH info | | Rel-6 |
| - Uplink DPCH power control info | | |
| - CHOICE mode | FDD | |
| - Power Control Algorithm | Algorithm2 | |

6.3E.4.2 Procedure

Connect the SS to the UE antenna connector as shown in figure A.30.

- 1) The UE is switched on.

- 2) An RRC connection is set-up according to the generic HSDPA set-up procedure specified in TS 34.108 [3] clause 7.3.13 with exceptions for information elements listed in table 6.3E.3
- 3) Set the power level of UE according to the table 6.3E.4 and send power control commands to the UE .The UE output power measured by Test System shall be kept at the specified power level with ± 1 dB tolerance.
- 4) Measure the HS-PDSCH throughput R received by the UE on each individual cell by counting the number of NACK, ACK and statDTX on the UL HS-DPCCH (Throughput = blocksize*number of blocks acknowledged/time).
- 5) The UE is switched off.

6.3E.5 Test requirements

The measured throughput, as derived in step 4), shall meet or exceed 700Kbit/second on each individual cell. The minimum number of measurements required for a statistically significant result to this test is clarified in annex F.6.3, Table F.6.3.5.1.

Table 6.3E.4: Test requirement parameters for 16QAM Maximum Input Level (DB-DC-HSDPA)

| Parameter | Unit | Value |
|---|--------------|---|
| Phase reference | | P-CPICH |
| I_{or} | dBm/3.84 MHz | -25.7 |
| UE transmitted mean power | dBm | 20 (for Power class 3 and 3bis) 18 (for Power class 4) |
| DPCH E_c/I_{or} | dB | -13 |
| HS-SCCH 1 E_c/I_{or} | dB | -13 |
| Redundancy and constellation version | | 6 |
| Maximum number of HARQ transmissions | | 1 |
| NOTE: The HS-SCCH and corresponding HS-DSCH shall be transmitted continuously with constant power but the HS-SCCH shall only use the identity of the UE under test every third TTI. | | |

NOTE: If the above Test Requirement differs from the Minimum Requirement then the Test Tolerance applied for this test is non-zero. The Test Tolerance for this test is defined in clause F.2 and the explanation of how the Minimum Requirement has been relaxed by the Test Tolerance is given in clause F.4.

6.3F Maximum Input Level for DB-DC-HSDPA Reception (64QAM)

6.3F.1 Definition and applicability

Maximum input level for DB-DC-HSDPA reception is defined as the maximum power received at the UE antenna port, which shall not degrade the specified DB-DC-HSDPA throughput performance.

The requirements and this test apply for Release 9 and later releases to all types of UTRA for the FDD UE that support DB-DC-HSDPA with 64QAM.

DB-DC-HSDPA is designed to operate in configurations, specified in clause 4.2

6.3F.2 Minimum requirements

The additional DB-DC-HSDPA requirements are specified in terms of a minimum information throughput per cell R with the DL reference channel H-Set 8A specified in Annex C.8.1.8, with the addition of the parameters in Table 6.3F.1, and the downlink physical channel setup according to table E.5.1, applied to both cells simultaneously. Using this configuration the throughput shall meet or exceed the minimum requirements specified in table 6.3F.2.

Table 6.3F.1: Minimum requirement parameters for 64QAM Maximum Input Level (DB-DC-HSDPA)

| Parameter | Unit | Value |
|--------------------------------------|--------------|---------|
| Phase reference | | P-CPICH |
| I_{or} | dBm/3.84 MHz | -25 |
| UE transmitted mean power | dBm | 0 |
| DPCH E_c/I_{or} | dB | -13 |
| HS-SCCH_1 E_c/I_{or} | dB | -13 |
| Redundancy and constellation version | | 6 |
| Maximum number of HARQ transmissions | | 1 |

NOTE: The HS-SCCH and corresponding HS-PDSCH shall be transmitted continuously with constant power but the HS-SCCH shall only use the identity of the UE under test every third TTI.

Table 6.3F.2: Minimum throughput requirement (DB-DC-HSDPA)

| HS-PDSCH E_c / I_{or} (dB) | T-put R (kbps) |
|------------------------------|------------------|
| -2 | 11800 |

The reference for this requirement is TS 25.101 [1] clause 7.4.3.2.

6.3F.3 Test purpose

To verify that the UE DB-DC-HSDPA throughput meets the minimum requirements specified in table 6.3F.2 for the DL reference channel H-Set 8A specified in Annex C.8.1.8 with the addition of the parameters specified in table 6.3F.4.

An inadequate maximum input level causes loss of DB-DC-HSDPA coverage near the Node B.

6.3F.4 Method of test

6.3F.4.1 Initial conditions

Test environment: normal; see clauses G.2.1 and G.2.2.

Frequencies to be tested: mid range; see clause G.2.4.

RF parameters are given in tables 6.3F.4 and table E.5.1.

Contents of RRC CONNECTION SETUP message: UM (Transition to CELL_DCH)

Table 6.3F.3: Specific Message Contents for 64QAM Maximum Input Level (DB-DC-HSDPA)

| Information Element | Value/remark | Version |
|--|--------------|---------|
| Downlink information for per radio links list -Downlink information for each radio links - Downlink DPCH info for each RL - DL channelisation code - Code number | 14 | |

Contents of RADIO BEARER SETUP message: AM or UM (Test Loop Mode1)

| Information Element | Value/Remark | Version |
|---|--------------|---------|
| Uplink DPCH info - Uplink DPCH power control info | | Rel-6 |
| - CHOICE mode | FDD | |
| - Power Control Algorithm | Algorithm2 | |
| Downlink information per radio link list - Downlink information for each radio link - Downlink DPCH info for each RL - DL channelisation code - Code number | 7 | |

Contents of RADIO BEARER SETUP message: AM or UM (DC-HSDPA)

| Information Element | Value/remark | Version |
|--|---------------------|---------|
| Uplink DPCH info | | Rel-6 |
| - Uplink DPCH power control info | | |
| - CHOICE mode | FDD | |
| - Power Control Algorithm | Algorithm2 | |
| Downlink HS-PDSCH Information | | |
| - CHOICE mode | FDD | |
| - Downlink 64QAM configured | TRUE (for H-Set 8A) | Rel-7 |
| - HS-DSCH TB size table | Not Present | Rel-7 |
| Downlink information per radio link list | | |
| - Downlink information for each radio link | | |
| - Downlink DPCH info for each RL | | |
| - DL channelisation code | | |
| - Code number | 7 | |
| Downlink secondary cell info FDD | | Rel-8 |
| - CHOICE Configuration info | New configuration | |
| - Downlink 64QAM configured | TRUE (for H-Set 8A) | |
| - HS-DSCH TB size table | Not Present | |

6.3F.4.2 Procedure

Connect the SS to the UE antenna connector as shown in figure A.30.

- 1) The UE is switched on.
- 2) An RRC connection is set-up according to the generic HSDPA set-up procedure specified in TS 34.108 [3] clause 7.3.13 with exceptions for information elements listed in table 6.3F.3
- 3) Set the power level of UE according to the table 6.3F.4 and send power control commands to the UE .The UE output power measured by Test System shall be kept at the specified power level with ± 1 dB tolerance.
- 4) Measure the HS-PDSCH throughput R received by the UE on each individual cell by counting the number of NACK, ACK and statDTX on the UL HS-DPCCH (Throughput = blocksize*number of blocks acknowledged/time).
- 5) The UE is switched off.

6.3F.5 Test requirements

The measured throughput, as derived in step 4), shall meet or exceed 11800 Kbit/second on each individual cell. The minimum number of measurements required for a statistically significant result to this test is clarified in annex F.6.3, Table F.6.3.5.1A.

Table 6.3F.4: Test requirement parameters for 64QAM Maximum Input Level (DB-DC-HSDPA)

| Parameter | Unit | Value |
|---|--------------|---------|
| Phase reference | | P-CPICH |
| I_{or} | dBm/3.84 MHz | -25.7 |
| UE transmitted mean power | dBm | 0 |
| DPCH_Ec/Ior | dB | -13 |
| HS-SCCH_1_Ec/Ior | dB | -13 |
| Redundancy and constellation version | | 6 |
| Maximum number of HARQ transmissions | | 1 |
| NOTE: The HS-SCCH and corresponding HS-DSCH shall be transmitted continuously with constant power but the HS-SCCH shall only use the identity of the UE under test every third TTI. | | |

NOTE: If the above Test Requirement differs from the Minimum Requirement then the Test Tolerance applied for this test is non-zero. The Test Tolerance for this test is defined in clause F.2 and the explanation of how the Minimum Requirement has been relaxed by the Test Tolerance is given in clause F.4.

6.3G Maximum Input Level for 4C-HSDPA Reception (16QAM)

6.3G.1 Definition and applicability

Maximum input level for 4C-HSDPA reception is defined as the maximum power received at the UE antenna port, which shall not degrade the specified 4C-HSDPA throughput performance.

The requirements and this test apply for Release 10 and later releases to all types of UTRA for the FDD UE that support Single band/Dual band 4C-HSDPA with 16QAM and HS-DSCH categories 31 or 32.

Single band/Dual band 4C-HSDPA is designed to operate in configurations specified in clause 4.2.

6.3G.2 Minimum requirements

The additional 4C-HSDPA requirements are specified in terms of a minimum information throughput per cell R with the DL reference channel H-Set 1C (16QAM version) specified in Annex C.8.1.1, with the addition of the parameters in Table 6.3G.1, and the downlink physical channel setup according to table E.5.1, applied to all the cells simultaneously. Using this configuration the throughput shall meet or exceed the minimum requirements specified in table 6.3G.2.

Table 6.3G.1: Minimum requirement parameters for 16QAM Maximum Input Level (4C-HSDPA)

| Parameter | Unit | Value |
|---|---|---|
| Phase reference | | P-CPICH |
| Wanted signal mean power per band (dBm) | dBm/band | -22 |
| UE transmitted mean power | dBm | 20 (for Power class 3 and 3bis) 18 (for Power class 4) |
| DPCH_Ec/Ior | dB | -13 |
| HS-SCCH_1_Ec/Ior | dB | -13 |
| Redundancy and constellation version | | 6 |
| Maximum number of HARQ transmissions | | 1 |
| Note 1: | The HS-SCCH and corresponding HS-PDSCH shall be transmitted continuously with constant power but the HS-SCCH shall only use the identity of the UE under test every third TTI | |
| Note 2: | Wanted signal mean power per band is the sum of measured mean power on each carrier in a band over 3.84 MHz. | |

Table 6.3G.2: Minimum throughput requirement (4C-HSDPA)

| HS-PDSCH E_c/I_{or} (dB) | T-put R (kbps) |
|----------------------------|------------------|
| -3 | 700 |

The reference for this requirement is TS 25.101 [1] clause 7.4.4.1

6.3G.3 Test purpose

To verify that the UE DC-HSDPA throughput meets the minimum requirements specified in table 6.3G.2 for the DL reference channel H-Set 1C specified in Annex C.8.1.1 with the addition of the parameters specified in table 6.3G.4.

An inadequate maximum input level causes loss of 4C-HSDPA coverage near the Node B.

This test case tests only 4 carrier configurations.

6.3G.4 Method of test

6.3G.4.1 Initial conditions

Test environment: normal; see clauses G.2.1 and G.2.2.

Frequencies to be tested: mid range; see clause G.2.4.

RF parameters are given in tables 6.3G.4 and table E.5.1.

Contents of RADIO BEARER SETUP message: AM or UM (Test Loop Mode1)

Table 6.3G.3: Specific Message Contents for 16QAM Maximum Input Level (4C-HSDPA)

| Information Element | Value/Remark | Version |
|----------------------------------|--------------|---------|
| Uplink DPCH info | | Rel-6 |
| - Uplink DPCH power control info | | |
| - CHOICE mode | FDD | |
| - Power Control Algorithm | Algorithm2 | |

6.3G.4.2 Procedure

Connect the SS to the UE antenna connector as shown in figure A.48.

- 1) The UE is switched on.
- 2) An RRC connection is set-up according to the generic HSDPA set-up procedure specified in TS 34.108 [3] clause 7.3.16 with exceptions for information elements listed in table 6.3G.3
- 3) Set the power level of UE according to the table 6.3G.4 and send power control commands to the UE .The UE output power measured by Test System shall be kept at the specified power level with ± 1 dB tolerance.
- 4) Measure the HS-PDSCH throughput R received by the UE on each individual cell by counting the number of NACK, ACK and statDTX on the UL HS-DPCCH (Throughput = blocksize*number of blocks acknowledged/time).
- 5) The UE is switched off.

6.3G.5 Test requirements

The measured throughput, as derived in step 4), shall meet or exceed 700Kbit/second on each individual cell. The minimum number of measurements required for a statistically significant result to this test is clarified in annex F.6.3, Table F.6.3.5.1.

Table 6.3G.4: Test requirement parameters for 16QAM Maximum Input Level (4C-HSDPA)

| Parameter | Unit | Value |
|---|--|---|
| Phase reference | | P-CPICH |
| Wanted signal mean power per band (dBm) | dBm/band | -22.7 |
| UE transmitted mean power | dBm | 20 (for Power class 3 and 3bis) 18 (for Power class 4) |
| DPCH_Ec/Ior | dB | -13 |
| HS-SCCH_1_Ec/Ior | dB | -13 |
| Redundancy and constellation version | | 6 |
| Maximum number of HARQ transmissions | | 1 |
| Note 1: | The HS-SCCH and corresponding HS-PDSCH shall be transmitted continuously with constant power but the HS-SCCH shall only use the identity of the UE under test every third TTI. | |
| Note 2: | Wanted signal mean power per band is the sum of measured mean power on each carrier in a band over 3.84 MHz. | |

NOTE: If the above Test Requirement differs from the Minimum Requirement then the Test Tolerance applied for this test is non-zero. The Test Tolerance for this test is defined in clause F.2 and the explanation of how the Minimum Requirement has been relaxed by the Test Tolerance is given in clause F.4.

6.3GA Maximum Input Level for 4C-HSDPA Reception (16QAM) (3 carrier)

6.3GA.1 Definition and applicability

Maximum input level for 4C-HSDPA reception is defined as the maximum power received at the UE antenna port, which shall not degrade the specified 4C-HSDPA throughput performance.

The requirements and this test apply for Release 10 and later releases to all types of UTRA for the FDD UE that support Single band/Dual band 4C-HSDPA with 16QAM and HS-DSCH UE categories 29 to 32.

Single band/Dual band 4C-HSDPA is designed to operate in configurations specified in clause 4.2.

6.3GA.2 Minimum requirements

The additional 4C-HSDPA requirements are specified in terms of a minimum information throughput per cell R with the DL reference channel H-Set 1B (16QAM version) specified in Annex C.8.1.1, with the addition of the parameters in Table 6.3GA.1, and the downlink physical channel setup according to table E.5.1, applied to all the cells simultaneously. Using this configuration the throughput shall meet or exceed the minimum requirements specified in table 6.3GA.2.

Table 6.3GA.1 Minimum requirement parameters for 16QAM Maximum Input Level (4C-HSDPA)

| Parameter | Unit | Value |
|---|---|---|
| Phase reference | | P-CPICH |
| Wanted signal mean power per band (dBm) | dBm/band | -22 |
| UE transmitted mean power | dBm | 20 (for Power class 3 and 3bis) 18 (for Power class 4) |
| DPCH_Ec/lor | dB | -13 |
| HS-SCCH_1_Ec/lor | dB | -13 |
| Redundancy and constellation version | | 6 |
| Maximum number of HARQ transmissions | | 1 |
| Note 1: | The HS-SCCH and corresponding HS-PDSCH shall be transmitted continuously with constant power but the HS-SCCH shall only use the identity of the UE under test every third TTI | |
| Note 2: | Wanted signal mean power per band is the sum of measured mean power on each carrier in a band over 3.84 MHz. | |

Table 6.3GA.2: Minimum throughput requirement (4C-HSDPA)

| HS-PDSCH E_c/I_{or} (dB) | T-put R (kbps) |
|----------------------------|----------------|
| -3 | 700 |

The reference for this requirement is TS 25.101 [1] clause 7.4.4.1

6.3GA.3 Test purpose

To verify that the UE 4C-HSDPA throughput meets the minimum requirements specified in table 6.3GA.2 for the DL reference channel H-Set 1B specified in Annex C.8.1.1 with the addition of the parameters specified in table 6.3GA.4.

An inadequate maximum input level causes loss of 4C-HSDPA coverage near the Node B.

This test case tests only 3 carrier configurations.

6.3GA.4 Method of test

6.3GA.4.1 Initial conditions

Test environment: normal; see clauses G.2.1 and G.2.2.

Frequencies to be tested: mid range; see clause G.2.4.

RF parameters are given in tables 6.3GA.4 and table E.5.1.

Contents of RADIO BEARER SETUP message: AM or UM (Test Loop Mode1)

Table 6.3GA.3: Specific Message Contents for 16QAM Maximum Input Level (4C-HSDPA)

| Information Element | Value/Remark | Version |
|----------------------------------|--------------|---------|
| Uplink DPCH info | | Rel-6 |
| - Uplink DPCH power control info | | |
| - CHOICE mode | FDD | |
| - Power Control Algorithm | Algorithm2 | |

6.3GA.4.2 Procedure

Connect the SS to the UE antenna connector as shown in figure A.48.

- 1) The UE is switched on.
- 2) An RRC connection is set-up according to the generic HSDPA set-up procedure specified in TS 34.108 [3] clause 7.3.16 with exceptions for information elements listed in table 6.3GA.3
- 3) Set the power level of UE according to the table 6.3GA.4 and send power control commands to the UE .The UE output power measured by Test System shall be kept at the specified power level with ± 1 dB tolerance.
- 4) Measure the HS-PDSCH throughput R received by the UE on each individual cell by counting the number of NACK, ACK and statDTX on the UL HS-DPCCH (Throughput = blocksize*number of blocks acknowledged/time).
- 5) The UE is switched off.

6.3GA.5 Test requirements

The measured throughput, as derived in step 4), shall meet or exceed 700Kbit/second on each individual cell. The minimum number of measurements required for a statistically significant result to this test is clarified in annex F.6.3, Table F.6.3.5.1.

Table 6.3GA.4: Test requirement parameters for 16QAM Maximum Input Level (4C-HSDPA)

| Parameter | Unit | Value |
|---|--|---|
| Phase reference | | P-CPICH |
| Wanted signal mean power per band (dBm) | dBm/band | -22.7 |
| UE transmitted mean power | dBm | 20 (for Power class 3 and 3bis) 18 (for Power class 4) |
| DPCH_Ec/lor | dB | -13 |
| HS-SCCH_1_Ec/lor | dB | -13 |
| Redundancy and constellation version | | 6 |
| Maximum number of HARQ transmissions | | 1 |
| Note 1: | The HS-SCCH and corresponding HS-PDSCH shall be transmitted continuously with constant power but the HS-SCCH shall only use the identity of the UE under test every third TTI. | |
| Note 2: | Wanted signal mean power per band is the sum of measured mean power on each carrier in a band over 3.84 MHz. | |

NOTE: If the above Test Requirement differs from the Minimum Requirement then the Test Tolerance applied for this test is non-zero. The Test Tolerance for this test is defined in clause F.2 and the explanation of how the Minimum Requirement has been relaxed by the Test Tolerance is given in clause F.4.

6.3H Maximum Input Level for 4C-HSDPA Reception (64QAM)

6.3H.1 Definition and applicability

Maximum input level for DC-HSDPA reception is defined as the maximum power received at the UE antenna port, which shall not degrade the specified DC-HSDPA throughput performance.

The requirements and this test apply for Release 10 and later releases to all types of UTRA for the FDD UE that support Single band/Dual band 4C-HSDPA with 64QAM and HS-DSCH categories 31 or 32.

Single band/Dual band 4C-HSDPA is designed to operate in configurations specified in clause 4.2.

6.3H.2 Minimum requirements

The additional 4C-HSDPA requirements are specified in terms of a minimum information throughput per cell R with the DL reference channel H-Set 8C specified in Annex C.8.1.8, with the addition of the parameters in Table 6.3H.1, and the downlink physical channel setup according to table E.5.1, applied to all the cells simultaneously. Using this configuration the throughput shall meet or exceed the minimum requirements specified in table 6.3H.2.

Table 6.3H.1: Minimum requirement parameters for 64QAM Maximum Input Level (4C-HSDPA)

| Parameter | Unit | Value |
|---|---|---------|
| Phase reference | | P-CPICH |
| Wanted signal mean power per band (dBm) | dBm/band | -22 |
| UE transmitted mean power | dBm | 0 |
| DPCH_Ec/lor | dB | -13 |
| HS-SCCH_1_Ec/lor | dB | -13 |
| Redundancy and constellation version | | 6 |
| Maximum number of HARQ transmissions | | 1 |
| Note 1: | The HS-SCCH and corresponding HS-PDSCH shall be transmitted continuously with constant power but the HS-SCCH shall only use the identity of the UE under test every third TTI | |
| Note 2: | Wanted signal mean power per band is the sum of measured mean power on each carrier in a band over 3.84 MHz. | |

Table 6.3H.2: Minimum throughput requirement (4C-HSDPA)

| HS-PDSCH E_c/I_{or} (dB) | T-put R (kbps) |
|----------------------------|----------------|
| -2 | 11800 |

The reference for this requirement is TS 25.101 [1] clause 7.4.4.2.

6.3H.3 Test purpose

To verify that the UE 4C-HSDPA throughput meets the minimum requirements specified in table 6.3H.2 for the DL reference channel H-Set 8C specified in Annex C.8.1.8 with the addition of the parameters specified in table 6.3H.4.

An inadequate maximum input level causes loss of 4C-HSDPA coverage near the Node B.

This test case tests only 4 carrier configurations.

6.3H.4 Method of test

6.3H.4.1 Initial conditions

Test environment: normal; see clauses G.2.1 and G.2.2.

Frequencies to be tested: mid range; see clause G.2.4.

RF parameters are given in tables 6.3H.4 and table E.5.1.

Contents of RRC CONNECTION SETUP message: UM (Transition to CELL_DCH)

Table 6.3H.3: Specific Message Contents for 64QAM Maximum Input Level (4C-HSDPA)

| Information Element | Value/remark | Version |
|--|--------------|---------|
| Downlink information for per radio links list -Downlink information for each radio links - Downlink DPCH info for each RL - DL channelisation code - Code number | 14 | |

Contents of RADIO BEARER SETUP message: AM or UM (Test Loop Mode1)

| Information Element | Value/Remark | Version |
|---|--------------|---------|
| Uplink DPCH info - Uplink DPCH power control info | | Rel-6 |
| - CHOICE mode | FDD | |
| - Power Control Algorithm | Algorithm2 | |
| Downlink information per radio link list - Downlink information for each radio link - Downlink DPCH info for each RL - DL channelisation code - Code number | 7 | |

Contents of RADIO BEARER SETUP message: AM or UM (DC-HSDPA)

| Information Element | Value/remark | Version |
|---|---------------------------|---------|
| Downlink HS-PDSCH Information - CHOICE mode - Downlink 64QAM configured | FDD TRUE | Rel-7 |
| Downlink information per radio link list - Downlink information for each radio link - Downlink DPCH info for each RL - DL channelisation code - Code number | 7 | |
| Downlink secondary cell info FDD - CHOICE Configuration info - Downlink 64QAM configured | New configuration TRUE | Rel-8 |

6.3H.4.2 Procedure

Connect the SS to the UE antenna connector as shown in figure A.48.

- 1) The UE is switched on.
- 2) An RRC connection is set-up according to the generic HSDPA set-up procedure specified in TS 34.108 [3] clause 7.3.16 exceptions for information elements listed in table 6.3H.3
- 3) Set the power level of UE according to the table 6.3H.4 and send power control commands to the UE .The UE output power measured by Test System shall be kept at the specified power level with ± 1 dB tolerance.
- 4) Measure the HS-PDSCH throughput R received by the UE on each individual cell by counting the number of NACK, ACK and statDTX on the UL HS-DPCCH (Throughput = blocksize*number of blocks acknowledged/time).
- 5) The UE is switched off.

6.3H.5 Test requirements

The measured throughput, as derived in step 4), shall meet or exceed 11800 Kbit/second on each individual cell. The minimum number of measurements required for a statistically significant result to this test is clarified in annex F.6.3, Table F.6.3.5.1A.

Table 6.3H.4: Test requirement parameters for 64QAM Maximum Input Level (4C-HSDPA)

| Parameter | Unit | Value |
|---|---|---------|
| Phase reference | | P-CPICH |
| Wanted signal mean power per band (dBm) | dBm/band | -22.7 |
| UE transmitted mean power | dBm | 0 |
| DPCH_Ec/lor | dB | -13 |
| HS-SCCH_1_Ec/lor | dB | -13 |
| Redundancy and constellation version | | 6 |
| Maximum number of HARQ transmissions | | 1 |
| Note 1: | The HS-SCCH and corresponding HS-PDSCH shall be transmitted continuously with constant power but the HS-SCCH shall only use the identity of the UE under test every third TTI | |
| Note 2: | Wanted signal mean power per band is the sum of measured mean power on each carrier in a band over 3.84 MHz. | |

NOTE: If the above Test Requirement differs from the Minimum Requirement then the Test Tolerance applied for this test is non-zero. The Test Tolerance for this test is defined in clause F.2 and the explanation of how the Minimum Requirement has been relaxed by the Test Tolerance is given in clause F.4.

6.3HA Maximum Input Level for 4C-HSDPA Reception (64QAM) (3 carrier)

6.3HA.1 Definition and applicability

Maximum input level for 4C-HSDPA reception is defined as the maximum power received at the UE antenna port, which shall not degrade the specified 4C-HSDPA throughput performance.

The requirements and this test apply for Release 10 and later releases to all types of UTRA for the FDD UE that support Single band/Dual band 4C-HSDPA with 64QAM and HSDPA UE capability categories 29 to 32.

Single band/Dual band 4C-HSDPA is designed to operate in configurations specified in clause 4.2.

6.3HA.2 Minimum requirements

The additional 4C-HSDPA requirements are specified in terms of a minimum information throughput per cell R with the DL reference channel H-Set 8B specified in Annex C.8.1.8, with the addition of the parameters in Table 6.3HA.1, and the downlink physical channel setup according to table E.5.1, applied to all the cells simultaneously. Using this configuration the throughput shall meet or exceed the minimum requirements specified in table 6.3HA.2.

Table 6.3HA.1: Minimum requirement parameters for 64QAM Maximum Input Level (4C-HSDPA)

| Parameter | Unit | Value |
|---|---|---------|
| Phase reference | | P-CPICH |
| Wanted signal mean power per band (dBm) | dBm/band | -22 |
| UE transmitted mean power | dBm | 0 |
| DPCH_Ec/lor | dB | -13 |
| HS-SCCH_1_Ec/lor | dB | -13 |
| Redundancy and constellation version | | 6 |
| Maximum number of HARQ transmissions | | 1 |
| Note 1: | The HS-SCCH and corresponding HS-PDSCH shall be transmitted continuously with constant power but the HS-SCCH shall only use the identity of the UE under test every third TTI | |
| Note 2: | Wanted signal mean power per band is the sum of measured mean power on each carrier in a band over 3.84 MHz. | |

Table 6.3HA.2: Minimum throughput requirement (4C-HSDPA)

| HS-PDSCH E_c/I_{or} (dB) | T-put R (kbps) |
|----------------------------|------------------|
| -2 | 11800 |

The reference for this requirement is TS 25.101 [1] clause 7.4.4.2.

6.3HA.3 Test purpose

To verify that the UE 4C-HSDPA throughput meets the minimum requirements specified in table 6.3HA.2 for the DL reference channel H-Set 8B specified in Annex C.8.1.8 with the addition of the parameters specified in table 6.3HA.4.

An inadequate maximum input level causes loss of 4C-HSDPA coverage near the Node B.

This test case tests only 3 carrier configurations.

6.3HA.4 Method of test

6.3HA.4.1 Initial conditions

Test environment: normal; see clauses G.2.1 and G.2.2.

Frequencies to be tested: mid range; see clause G.2.4.

RF parameters are given in tables 6.3HA.4 and table E.5.1.

Contents of RRC CONNECTION SETUP message: UM (Transition to CELL_DCH)

Table 6.3HA.3: Specific Message Contents for 64QAM Maximum Input Level (4C-HSDPA)

| Information Element | Value/remark | Version |
|--|--------------|---------|
| Downlink information for per radio links list -Downlink information for each radio links - Downlink DPCH info for each RL - DL channelisation code - Code number | 14 | |

Contents of RADIO BEARER SETUP message: AM or UM (Test Loop Mode1)

| Information Element | Value/Remark | Version |
|--|--------------|---------|
| Uplink DPCH info | | Rel-6 |
| - Uplink DPCH power control info | | |
| - CHOICE mode | FDD | |
| - Power Control Algorithm | Algorithm2 | |
| Downlink information per radio link list | | |
| - Downlink information for each radio link | | |
| - Downlink DPCH info for each RL | | |
| - DL channelisation code | | |
| - Code number | 7 | |

Contents of RADIO BEARER SETUP message: AM or UM (DC-HSDPA)

| Information Element | Value/remark | Version |
|--|-------------------|---------|
| Downlink HS-PDSCH Information | | |
| - CHOICE mode | FDD | |
| - Downlink 64QAM configured | TRUE | Rel-7 |
| Downlink information per radio link list | | |
| - Downlink information for each radio link | | |
| - Downlink DPCH info for each RL | | |
| - DL channelisation code | | |
| - Code number | 7 | |
| Downlink secondary cell info FDD | | Rel-8 |
| - CHOICE Configuration info | New configuration | |
| - Downlink 64QAM configured | TRUE | |

6.3HA.4.2 Procedure

Connect the SS to the UE antenna connector as shown in figure A.48.

- 1) The UE is switched on.
- 2) An RRC connection is set-up according to the generic HSDPA set-up procedure specified in TS 34.108 [3] clause 7.3.16 exceptions for information elements listed in table 6.3HA.3
- 3) Set the power level of UE according to the table 6.3HA.4 and send power control commands to the UE .The UE output power measured by Test System shall be kept at the specified power level with ± 1 dB tolerance.
- 4) Measure the HS-PDSCH throughput R received by the UE on each individual cell by counting the number of NACK, ACK and statDTX on the UL HS-DPCCH (Throughput = blocksize*number of blocks acknowledged/time).
- 5) The UE is switched off.

6.3HA.5 Test requirements

The measured throughput, as derived in step 4), shall meet or exceed 11800 Kbit/second on each individual cell. The minimum number of measurements required for a statistically significant result to this test is clarified in annex F.6.3, Table F.6.3.5.1A.

Table 6.3HA.4: Test requirement parameters for 64QAM Maximum Input Level (4C-HSDPA)

| Parameter | Unit | Value |
|---|---|---------|
| Phase reference | | P-CPICH |
| Wanted signal mean power per band (dBm) | dBm/band | -22.7 |
| UE transmitted mean power | dBm | 0 |
| DPCH_Ec/lor | dB | -13 |
| HS-SCCH_1_Ec/lor | dB | -13 |
| Redundancy and constellation version | | 6 |
| Maximum number of HARQ transmissions | | 1 |
| Note 1: | The HS-SCCH and corresponding HS-PDSCH shall be transmitted continuously with constant power but the HS-SCCH shall only use the identity of the UE under test every third TTI | |
| Note 2: | Wanted signal mean power per band is the sum of measured mean power on each carrier in a band over 3.84 MHz. | |

NOTE: If the above Test Requirement differs from the Minimum Requirement then the Test Tolerance applied for this test is non-zero. The Test Tolerance for this test is defined in clause F.2 and the explanation of how the Minimum Requirement has been relaxed by the Test Tolerance is given in clause F.4.

6.4 Adjacent Channel Selectivity (ACS) (Rel-99 and Rel-4)

6.4.1 Definition and applicability

Adjacent Channel Selectivity (ACS) is a measure of a receiver's ability to receive a W-CDMA signal at its assigned channel frequency in the presence of an adjacent channel signal at a given frequency offset from the centre frequency of the assigned channel. ACS is the ratio of the receive filter attenuation on the assigned channel frequency to the receive filter attenuation on the adjacent channel(s).

The requirements and this test apply to all types of UTRA for the FDD UE for Release 99 and Release 4.

6.4.2 Minimum Requirements

For the UE of power class 3 and 4, the BER shall not exceed 0,001 for the parameters specified in table 6.4.1. This test condition is equivalent to the ACS value 33 dB.

Table 6.4.1: Test parameters for Adjacent Channel Selectivity for Release 99 and Release 4.

| Parameter | Level / Status | Unit |
|---|--|----------------|
| DPCH_Ec | -103 | dBm / 3,84 MHz |
| I _{or} | -92,7 | dBm / 3,84 MHz |
| I _{oac} mean power (modulated) | -52 | dBm |
| F _{uw} (offset) | -5 or +5 | MHz |
| UE transmitted mean power | 20 (for Power class 3) 18 (for Power class 4) | dBm |

The normative reference for these requirements is TS 25.101 [1] clause 7.5.1.

NOTE: The I_{oac} (modulated) signal consists of the common channels needed for tests as specified in table E.4.1 and 16 dedicated data channels as specified in table E.3.6.

6.4.3 Test purpose

To verify that the UE BER does not exceed 0,001 for the test parameters specified in table 6.4.2.

The lack of the ACS decreases the coverage area when other transmitter exists in the adjacent channel.

6.4.4 Method of test

6.4.4.1 Initial conditions

Test environment: normal; see clauses G.2.1 and G.2.2.

Frequencies to be tested: mid range; see clause G.2.4.

- 1) Connect the SS to the UE antenna connector as shown in figure A.4.
- 2) RF parameters are set up according to table 6.4.2.
- 3) A call is set up according to the Generic call setup procedure specified in TS34.108[3] sub clause 7.3.2, with the following exception for information elements in RADIO BEARER SETUP message. With this exception, the Power Control Algorithm for the Uplink is set to algorithm 2.
- 4) Enter the UE into loopback test mode and start the loopback test.

Table 6.4.1A Contents of RADIO BEARER SETUP message: AM or UM

| Information Element | Value/Remark |
|---|--------------------------------|
| CHOICE channel requirement - Power Control Algorithm | Uplink DPCH info Algorithm2 |

See TS 34.108 [3] and TS 34.109 [4] for details regarding generic call setup procedure and loopback test.

6.4.4.2 Procedure

- 1) Set the parameters of the interference signal generator as shown in table 6.4.2.
- 2) Set the power level of UE according to the table 6.4.2 or send the power control commands (1dB step size should be used.) to the UE until UE output power measured by Test System shall be kept at the specified power level with ± 1 dB tolerance.
- 3) Measure the BER of DCH received from the UE at the SS.

6.4.5 Test requirements

The measured BER, derived in step 1), shall not exceed 0,001.

Table 6.4.2: Test parameters for Adjacent Channel Selectivity for Release 99 and Release 4.

| Parameter | Level / Status | Unit |
|---|--|----------------|
| DPCH_Ec | -103 | dBm / 3,84 MHz |
| I _{or} | -92,7 | dBm / 3,84 MHz |
| I _{oac} mean power (modulated) | -52 | dBm |
| F _{uw} (offset) | -5 or +5 | MHz |
| UE transmitted mean power | 20 (for Power class 3) 18 (for Power class 4) | dBm |

NOTE: If the above Test Requirement differs from the Minimum Requirement then the Test Tolerance applied for this test is non-zero. The Test Tolerance for this test is defined in clause F.2 and the explanation of how the Minimum Requirement has been relaxed by the Test Tolerance is given in clause F.4.

6.4A Adjacent Channel Selectivity (ACS) (Rel-5 and later releases)

6.4A.1 Definition and applicability

Adjacent Channel Selectivity (ACS) is a measure of a receiver's ability to receive a W-CDMA signal at its assigned channel frequency in the presence of an adjacent channel signal at a given frequency offset from the centre frequency of the assigned channel. ACS is the ratio of the receive filter attenuation on the assigned channel frequency to the receive filter attenuation on the adjacent channel(s).

The requirements and this test apply to all types of UTRA for the FDD UE for Release 5 and later releases.

6.4A.2 Minimum Requirements

For the UE of power class 3, 3bis and 4, the BER shall not exceed 0,001 for the parameters specified in table 6.4A.1. This test condition is equivalent to the ACS value 33 dB.

Table 6.4A.1: Test parameters for Adjacent Channel Selectivity for release 5 and later releases

| Parameter | Unit | Case 1 | Case 2 |
|----------------------------------|--------------|---|---|
| DPCH_Ec | dBm/3.84 MHz | <REFSENS> + 14 dB | <REFSENS> + 41 dB |
| I_{or} | dBm/3.84 MHz | <REF I_{or} > + 14 dB | <REF I_{or} > + 41 dB |
| I_{oac} mean power (modulated) | dBm | -52 | -25 |
| F_{uw} (offset) | MHz | +5 or -5 | +5 or -5 |
| UE transmitted mean power | dBm | 20 (for Power class 3 and 3bis) 18 (for Power class 4) | 20 (for Power class 3 and 3bis) 18 (for Power class 4) |

The normative reference for these requirements is TS 25.101 [1] clause 7.5.1.

NOTE 1: The I_{oac} (modulated) signal consists of the common channels needed for tests as specified in table E.4.1 and 16 dedicated data channels as specified in table E.3.6.

NOTE 2: <REFSENS> and <REF I_{or} > refers to the DPCH_Ec<REFSENS> and the DPCH<REF I_{or} > as specified in Table 6.2.1.

6.4A.3 Test purpose

To verify that the UE BER does not exceed 0,001 for the test parameters specified in table 6.4A.2.

The lack of the ACS decreases the coverage area when other transmitter exists in the adjacent channel.

6.4A.4 Method of test

6.4A.4.1 Initial conditions

Test environment: normal; see clauses G.2.1 and G.2.2.

Frequencies to be tested: mid range; see clause G.2.4.

- 1) Connect the SS to the UE antenna connector as shown in figure A.4.
- 2) RF parameters are set up according to table 6.4A.2.
- 3) A call is set up according to the Generic call setup procedure specified in TS34.108[3] sub clause 7.3.2, with the following exception for information elements in RADIO BEARER SETUP message. With this exception, the Power Control Algorithm for the Uplink is set to algorithm 2.
- 4) Enter the UE into loopback test mode and start the loopback test.

Table 6.4A.1A: Contents of RADIO BEARER SETUP message: AM or UM

| Information Element | Value/Remark |
|---|--------------------------------|
| CHOICE channel requirement - Power Control Algorithm | Uplink DPCH info Algorithm2 |

See TS 34.108 [3] and TS 34.109 [4] for details regarding generic call setup procedure and loopback test.

6.4A.4.2 Procedure

- 1) Set the parameters of the interference signal generator as shown in table 6.4A.2 case 1.
- 2) Set the power level of UE according to the table 6.4A.2 case 1 or send the power control commands (1dB step size should be used.) to the UE until UE output power measured by Test System shall be kept at the specified power level with ± 1 dB tolerance.
- 3) Measure the BER of DCH received from the UE at the SS.
- 4) Set the parameters of the interference signal generator as shown in table 6.4A.2 case 2.
- 5) Set the power level of UE according to the table 6.4A.2 case 2 or send the power control commands (1dB step size should be used.) to the UE until UE output power measured by Test System shall be kept at the specified power level with ± 1 dB tolerance.
- 6) Measure the BER of DCH received from the UE at the SS.

6.4A.5 Test requirements

The measured BER, derived in step 1) and step 6), shall not exceed 0,001.

Table 6.4A.2: Test parameters for Adjacent Channel Selectivity for Release 5 and later releases

| Parameter | Unit | Case 1 | Case 2 |
|---|--------------|---|---|
| DPCH_Ec | dBm/3.84 MHz | <REFSENS> + 14 dB | <REFSENS> + 41 dB |
| I _{or} | dBm/3.84 MHz | <REFI _{or} > + 14 dB | <REFI _{or} > + 41 dB |
| I _{oac} mean power (modulated) | dBm | -52 | -25 |
| F _{uw} (offset) | MHz | +5 or -5 | +5 or -5 |
| UE transmitted mean power | dBm | 20 (for Power class 3 and 3bis) 18 (for Power class 4) | 20 (for Power class 3 and 3bis) 18 (for Power class 4) |

NOTE 1: The I_{oac} (modulated) signal consists of the common channels needed for tests as specified in table E.4.1 and 16 dedicated data channels as specified in table E.3.6.

NOTE 2: <REFSENS> and <REFI_{or}> refers to the DPCH_Ec<REFSENS> and the DPCH<REFI_{or}> as specified in Table 6.2.1.

NOTE 3: If the above Test Requirement differs from the Minimum Requirement then the Test Tolerance applied for this test is non-zero. The Test Tolerance for this test is defined in clause F.2 and the explanation of how the Minimum Requirement has been relaxed by the Test Tolerance is given in clause F.4.

6.4B Adjacent Channel Selectivity (ACS) for DC-HSDPA

6.4B.1 Definition and applicability

Adjacent Channel Selectivity (ACS) is a measure of a receiver's ability to receive a W-CDMA signal at its assigned channel frequency in the presence of an adjacent channel signal at a given frequency offset from the centre frequency of the assigned channel. ACS is the ratio of the receive filter attenuation on the assigned channel frequency to the receive filter attenuation on the adjacent channel(s).

The requirements and this test apply for Release 8 and later releases to all types of UTRA for the FDD UE that support DC-HSDPA.

6.4B.2 Minimum Requirements

The UE shall fulfil the additional requirement specified in Table 6.4B.1 for all values of an adjacent channel interferer up to -25 dBm.

However it is not possible to directly measure the ACS, instead the lower and upper range of test parameters are chosen in Table 6.4B.2, where the HS-PDSCH BLER shall not exceed 0.1.

Table 6.4B.1: Adjacent Channel Selectivity

| Power Class | Unit | ACS |
|-------------|------|-----|
| 3 | dB | 33 |
| 4 | dB | 33 |

Table 6.4B.2: Test parameters for Adjacent Channel Selectivity (DC-HSDPA)

| Parameter | Unit | Case 1 | Case 2 |
|----------------------------------|--------------|---|---|
| HS-PDSCH_Ec | dBm/3.84 MHz | <REFSENS> + 14 dB | <REFSENS> + 41 dB |
| \hat{I}_{or} | dBm/3.84 MHz | <REF \hat{I}_{or} > + 14 dB | <REF \hat{I}_{or} > + 41 dB |
| I_{oac} mean power (modulated) | dBm | -52 | -25 |
| F_{uw} (offset) (note 2) | MHz | +5 or -5 | +5 or -5 |
| UE transmitted mean power | dBm | 20 (for Power class 3 and 3bis) 18 (for Power class 4) | 20 (for Power class 3 and 3bis) 18 (for Power class 4) |

NOTE 1: The I_{oac} (modulated) signal consists of the common channels needed for tests as specified in Table E.4.1 and 16 dedicated data channels as specified in Table E.3.6.

NOTE 2: Negative offsets refer to the assigned channel frequency of the lowest carrier frequency used and positive offsets refer to the assigned channel frequency of the highest carrier frequency used.

NOTE 3: <REFSENS> and <REF \hat{I}_{or} > refers to the HS-PDSCH_Ec<REFSENS> and the HS-PDSCH<REF \hat{I}_{or} > as specified in Table 6.2A.1.

The normative reference for these requirements is TS 25.101 [1] clause 7.5.2.

6.4B.3 Test purpose

To verify that the UE BLER of HS-PDSCH does not exceed 0.1 for the test parameters specified in table 6.4B.4 for the DL reference channel H-Set 12 specified in Annex C.8.1.12.

The lack of the ACS decreases the DC-HSDPA coverage area when other transmitter exists in the adjacent channel.

6.4B.4 Method of test

6.4B.4.1 Initial conditions

Test environment: normal; see clauses G.2.1 and G.2.2.

Frequencies to be tested: mid range; see clause G.2.4.

- 1) Connect the SS to the UE antenna connector as shown in figure A.31.
- 2) RF parameters are set up according to table 6.4B.2.
- 3) A call is set up according to the Generic DC-HSDPA setup procedure specified in TS34.108[3] sub clause 7.3.13, with exceptions for information elements listed in Table 6.4B.3. With this exception, the Power Control Algorithm for the Uplink is set to algorithm 2.

Contents of RADIO BEARER SETUP message: AM or UM (Test Loop Mode1)

Table 6.4B.3: Specific Message Contents for Adjacent Channel Selectivity (DC-HSDPA)

| Information Element | Value/Remark | Version |
|----------------------------------|--------------|---------|
| Uplink DPCH info | | Rel-6 |
| - Uplink DPCH power control info | | |
| - CHOICE mode | FDD | |
| - Power Control Algorithm | Algorithm2 | |

Contents of RADIO BEARER SETUP message: AM or UM (DC-HSDPA)

| Information Element | Value/remark | Version |
|----------------------------------|------------------------------|---------|
| Uplink DPCH info | | Rel-6 |
| - Uplink DPCH power control info | | |
| - CHOICE mode | FDD | |
| - Power Control Algorithm | Algorithm2 | |
| Downlink HS-PDSCH Information | | |
| - CHOICE mode | FDD | |
| - Downlink 64QAM configured | Not Present | Rel-7 |
| - HS-DSCH TB size table | octet aligned (for H-Set 12) | Rel-7 |
| Downlink secondary cell info FDD | | Rel-8 |
| - CHOICE Configuration info | New configuration | |
| - Downlink 64QAM configured | Not Present | |
| - HS-DSCH TB size table | octet aligned (for H-Set 12) | |

See TS 34.108 [3] and TS 34.109 [4] for details regarding generic call setup procedure and loopback test.

6.4B.4.2 Procedure

- 1) Set the parameters of the interference signal generator as shown in table 6.4B.4 case 1.
- 2) Set the power level of UE according to the table 6.4B.4 case 1 or send the power control commands (1dB step size should be used.) to the UE until UE output power measured by Test System shall be kept at the specified power level with ± 1 dB tolerance.
- 3) Measure the BLER of HS-PDSCH received from the UE at the SS by counting the number of NACK, ACK and statDTX on the UL HS-DPCCH ($BLER = (NACK + statDTX)/(NACK + statDTX + ACK)$).
- 4) Set the parameters of the interference signal generator as shown in table 6.4B.4 case 2.
- 5) Set the power level of UE according to the table 6.4B.4 case 2 or send the power control commands (1dB step size should be used.) to the UE until UE output power measured by Test System shall be kept at the specified power level with ± 1 dB tolerance.
- 6) Measure the BLER of HS-PDSCH received from the UE at the SS by counting the number of NACK, ACK and statDTX on the UL HS-DPCCH ($BLER = (NACK + statDTX)/(NACK + statDTX + ACK)$).

6.4B.5 Test requirements

The measured BLER, derived in step 1) and step 6), shall not exceed 0.1 on each individual cell. The minimum number of measurements required for a statistically significant result to this test is clarified in annex F.6.3, Table F.6.3.5.0.

Table 6.4B.4: Test parameters for Adjacent Channel Selectivity (DC-HSDPA)

| Parameter | Unit | Case 1 | Case 2 |
|----------------------------------|--------------|---|---|
| HS-PDSCH_Ec | dBm/3.84 MHz | <REFSENS> + 14 dB | <REFSENS> + 41 dB |
| I_{or} | dBm/3.84 MHz | <REF I_{or} > + 14 dB | <REF I_{or} > + 41 dB |
| I_{oac} mean power (modulated) | dBm | -52 | -25 |
| F_{uw} (offset) | MHz | +5 or -5 | +5 or -5 |
| UE transmitted mean power | dBm | 20 (for Power class 3 and 3bis) 18 (for Power class 4) | 20 (for Power class 3 and 3bis) 18 (for Power class 4) |

NOTE 1: The I_{oac} (modulated) signal consists of the common channels needed for tests as specified in Table E.4.1 and 16 dedicated data channels as specified in Table E.3.6.

NOTE 2: Negative offsets refer to the assigned channel frequency of the lowest carrier frequency used and positive offsets refer to the assigned channel frequency of the highest carrier frequency used.

NOTE 3: $\langle \text{REFSENS} \rangle$ and $\langle \text{REFI}_{\text{or}} \rangle$ refers to the HS-PDSCH_Ec $\langle \text{REFSENS} \rangle$ and the HS-PDSCH $\langle \text{REFI}_{\text{or}} \rangle$ as specified in Table 6.2A.1.

NOTE 4: If the above Test Requirement differs from the Minimum Requirement then the Test Tolerance applied for this test is non-zero. The Test Tolerance for this test is defined in clause F.2 and the explanation of how the Minimum Requirement has been relaxed by the Test Tolerance is given in clause F.4.

6.4C Adjacent Channel Selectivity (ACS) for DB-DC-HSDPA

6.4C.1 Definition and applicability

Adjacent Channel Selectivity (ACS) is a measure of a receiver's ability to receive a W-CDMA signal at its assigned channel frequency in the presence of an adjacent channel signal at a given frequency offset from the centre frequency of the assigned channel. ACS is the ratio of the receive filter attenuation on the assigned channel frequency to the receive filter attenuation on the adjacent channel(s).

The requirements and this test apply for Release 9 and later releases to all types of UTRA for the FDD UE that support DB-DC-HSDPA.

DB-DC-HSDPA is designed to operate in configurations specified in clause 4.2.

6.4C.2 Minimum Requirements

The UE shall fulfil the additional requirement specified in Table 6.4C.1 for all values of an adjacent channel interferer up to -25 dBm.

However it is not possible to directly measure the ACS, instead the lower and upper range of test parameters are chosen in Table 6.4.B.2, where the HS-PDSCH BLER shall not exceed 0.1.

Table 6.4C.1: Adjacent Channel Selectivity

| Power Class | Unit | ACS |
|-------------|------|-----|
| 3 | dB | 33 |
| 4 | dB | 33 |

Table 6.4C.2: Test parameters for Adjacent Channel Selectivity (DB-DC-HSDPA)

| Parameter | Unit | Case 1 | Case 2 |
|---|--------------|---|---|
| HS-PDSCH_Ec | dBm/3.84 MHz | $\langle \text{REFSENS} \rangle + 14$ dB | $\langle \text{REFSENS} \rangle + 41$ dB |
| I_{or} | dBm/3.84 MHz | $\langle \text{REFI}_{\text{or}} \rangle + 14$ dB | $\langle \text{REFI}_{\text{or}} \rangle + 41$ dB |
| I_{oac} mean power (modulated) | dBm | -52 | -25 |
| F_{uw} (offset) (note 2) | MHz | +5 or -5 | +5 or -5 |
| UE transmitted mean power | dBm | 20 (for Power class 3 and 3bis) 18 (for Power class 4) | 20 (for Power class 3 and 3bis) 18 (for Power class 4) |

NOTE 1: The I_{oac} (modulated) signal consists of the common channels needed for tests as specified in Table E.4.1 and 16 dedicated data channels as specified in Table E.3.6.

NOTE 2: For DC-HSDPA, negative offset refers to the assigned channel frequency of the lowest carrier frequency used and positive offset refers to the assigned channel frequency of the highest carrier frequency used. For DB-DC-HSDPA, offset refers to the assigned channel frequencies of the individual cells.

NOTE 3: $\langle \text{REFSENS} \rangle$ and $\langle \text{REFI}_{\text{or}} \rangle$ refers to the HS-PDSCH_Ec $\langle \text{REFSENS} \rangle$ and the HS-PDSCH $\langle \text{REFI}_{\text{or}} \rangle$ as specified in Table 6.2B.1.

The normative reference for these requirements is TS 25.101 [1] clause 7.5.2.

6.4C.3 Test purpose

To verify that the UE BLER of HS-PDSCH does not exceed 0.1 for the test parameters specified in table 6.4C.4 for the DL reference channel H-Set 12 specified in Annex C.8.1.12.

The lack of the ACS decreases the DB-DC-HSDPA coverage area when other transmitter exists in the adjacent channel.

6.4C.4 Method of test

6.4C.4.1 Initial conditions

Test environment: normal; see clauses G.2.1 and G.2.2.

Frequencies to be tested: mid range; see clause G.2.4.

- 1) Connect the SS to the UE antenna connector as shown in figure A.31.
- 2) RF parameters are set up according to table 6.4C.2.
- 3) A call is set up according to the Generic call setup procedure specified in TS34.108[3] sub clause 7.3.13, with exceptions for information elements listed in Table 6.4C.3. With this exception, the Power Control Algorithm for the Uplink is set to algorithm 2.

Contents of RADIO BEARER SETUP message: AM or UM (Test Loop Mode1)

Table 6.4C.3: Specific Message Contents for Adjacent Channel Selectivity (DB-DC-HSDPA)

| Information Element | Value/Remark | Version |
|----------------------------------|--------------|---------|
| Uplink DPCH info | | Rel-6 |
| - Uplink DPCH power control info | | |
| - CHOICE mode | FDD | |
| - Power Control Algorithm | Algorithm2 | |

Contents of RADIO BEARER SETUP message: AM or UM (DC-HSDPA)

| Information Element | Value/remark | Version |
|----------------------------------|------------------------------|---------|
| Uplink DPCH info | | Rel-6 |
| - Uplink DPCH power control info | | |
| - CHOICE mode | FDD | |
| - Power Control Algorithm | Algorithm2 | |
| Downlink HS-PDSCH Information | | |
| - CHOICE mode | FDD | |
| - Downlink 64QAM configured | Not Present | Rel-7 |
| - HS-DSCH TB size table | octet aligned (for H-Set 12) | Rel-7 |
| Downlink secondary cell info FDD | | Rel-8 |
| - CHOICE Configuration info | New configuration | |
| - Downlink 64QAM configured | Not Present | |
| - HS-DSCH TB size table | octet aligned (for H-Set 12) | |

See TS 34.108 [3] and TS 34.109 [4] for details regarding generic call setup procedure and loopback test.

6.4C.4.2 Procedure

- 1) Set the parameters of the interference signal generator as shown in table 6.4C.4 case 1.
- 2) Set the power level of UE according to the table 6.4C.4 case 1 or send the power control commands (1dB step size should be used.) to the UE until UE output power measured by Test System shall be kept at the specified power level with ± 1 dB tolerance.
- 3) Measure the BLER of HS-PDSCH received from the UE at the SS by counting the number of NACK, ACK and statDTX on the UL HS-DPCCH ($BLER = (NACK + statDTX)/(NACK + statDTX + ACK)$).
- 4) Set the parameters of the interference signal generator as shown in table 6.4C.4 case 2.

- 5) Set the power level of UE according to the table 6.4C.4 case 2 or send the power control commands (1dB step size should be used.) to the UE until UE output power measured by Test System shall be kept at the specified power level with ± 1 dB tolerance.
- 6) Measure the BLER of HS-PDSCH received from the UE at the SS by counting the number of NACK, ACK and statDTX on the UL HS-DPCCH ($BLER = (NACK + statDTX)/(NACK + statDTX + ACK)$).

6.4C.5 Test requirements

The measured BLER, derived in step 1) and step 6), shall not exceed 0.1 on each individual cell. The minimum number of measurements required for a statistically significant result to this test is clarified in annex F.6.3, Table F.6.3.5.0.

Table 6.4C.4: Test parameters for Adjacent Channel Selectivity (DB-DC-HSDPA)

| Parameter | Unit | Case 1 | Case 2 |
|----------------------------------|--------------|---|---|
| HS-PDSCH_Ec | dBm/3.84 MHz | <REFSENS> + 14 dB | <REFSENS> + 41 dB |
| I_{or} | dBm/3.84 MHz | <REF I_{or} > + 14 dB | <REF I_{or} > + 41 dB |
| I_{oac} mean power (modulated) | dBm | -52 | -25 |
| F_{uw} (offset) | MHz | +5 or -5 | +5 or -5 |
| UE transmitted mean power | dBm | 20 (for Power class 3 and 3bis) 18 (for Power class 4) | 20 (for Power class 3 and 3bis) 18 (for Power class 4) |

NOTE 1: The I_{oac} (modulated) signal consists of the common channels needed for tests as specified in Table E.4.1 and 16 dedicated data channels as specified in Table E.3.6.

NOTE 2: Offset refers to the assigned channel frequencies of the individual cells.

NOTE 3: <REFSENS> and <REF I_{or} > refers to the HS-PDSCH_Ec<REFSENS> and the HS-PDSCH<REF I_{or} > as specified in Table 6.2B.1.

NOTE 5: If the above Test Requirement differs from the Minimum Requirement then the Test Tolerance applied for this test is non-zero. The Test Tolerance for this test is defined in clause F.2 and the explanation of how the Minimum Requirement has been relaxed by the Test Tolerance is given in clause F.4.

6.5 Blocking Characteristics

6.5.1 Definition and applicability

The blocking characteristic is a measure of the receiver's ability to receive a wanted signal at its assigned channel frequency in the presence of an unwanted interferer on frequencies other than those of the spurious response or the adjacent channels, without this unwanted input signal causing a degradation of the performance of the receiver beyond a specified limit. The blocking performance shall apply at all frequencies except those at which a spurious response occur.

The requirements in clause 6.5.2.1 and 6.5.2.2 and this test apply to all types of UTRA for the FDD UE.

The requirements in clause 6.5.2.3 and this test apply to the FDD UE supporting Band II, Band III, Band IV, Band V, Band VIII, Band X, Band XII, Band XIII or Band XIV.

The frequency range 4 requirements do not apply to Release 5 or earlier releases, but only to Release 6 and onwards.

6.5.2 Minimum Requirements

6.5.2.1 Minimum Requirements (In-band blocking)

The BER shall not exceed 0,001 for the parameters specified in table 6.5.1. In-band blocking is defined for an unwanted interfering signal falling into the UE receive band or into the first 15 MHz below or above the UE receive band.

The normative reference for this requirement is TS 25.101 [1] clause 7.6.1.

Table 6.5.1: Test parameters for In-band blocking characteristics

| Parameter | Unit | Level | |
|--|--------------|---|---------------------------------|
| DPCH_Ec | dBm/3.84 MHz | <REFSENS>+3 dB | |
| I _{or} | dBm/3.84 MHz | <REFI _{or} > + 3 dB | |
| I _{blocking} mean power (modulated) | dBm | -56 | -44 |
| F _{uw} offset | | =±10 MHz | ≤-15 MHz & ≥15 MHz |
| F _{uw} (Band I operation) | MHz | 2102.4 ≤ f ≤ 2177.6 (Note 2) | 2095 ≤ f ≤ 2185 |
| F _{uw} (Band II operation) | MHz | 1922.4 ≤ f ≤ 1997.6 (Note 2) | 1915 ≤ f ≤ 2005 |
| F _{uw} (Band III operation) | MHz | 1797.4 ≤ f ≤ 1887.6 (Note 2) | 1790 ≤ f ≤ 1895 |
| F _{uw} (Band IV operation) | MHz | 2102.4 ≤ f ≤ 2162.6 (Note 2) | 2095 ≤ f ≤ 2170 |
| F _{uw} (Band V operation) | MHz | 861.4 ≤ f ≤ 901.6 (Note 2) | 854 ≤ f ≤ 909 |
| F _{uw} (Band VI operation) | MHz | 867.4 ≤ f ≤ 892.6 (Note 2 and 3) | 860 ≤ f ≤ 900 (Note 3) |
| F _{uw} (Band VII operation) | MHz | 2612.4 ≤ f ≤ 2697.6 (Note 2) | 2605 ≤ f ≤ 2705 |
| F _{uw} (Band VIII operation) | MHz | 917.4 ≤ f ≤ 967.6 (Note 2) | 910 ≤ f ≤ 975 |
| F _{uw} (Band IX operation) | MHz | 1837.4 ≤ f ≤ 1887.4 (Note 2) | 1829.9 ≤ f ≤ 1894.9 |
| F _{uw} (Band X operation) | MHz | 2102.4 ≤ f ≤ 2177.6 (Note 2) | 2095 ≤ f ≤ 2185 |
| F _{uw} (Band XI operation) | MHz | 1468.4 ≤ f ≤ 1503.4 (Note 2) | 1460.9 ≤ f ≤ 1510.9 |
| F _{uw} (Band XII operation) | MHz | 721.4 ≤ f ≤ 753.6 (Note 2) | 714 ≤ f ≤ 761 |
| F _{uw} (Band XIII operation) | MHz | 738.4 ≤ f ≤ 763.6 (Note 2) | 731 ≤ f ≤ 771 |
| F _{uw} (Band XIV operation) | MHz | 750.4 ≤ f ≤ 775.6 (Note 2) | 743 ≤ f ≤ 783 |
| F _{uw} (Band XIX operation) | MHz | 867.4 ≤ f ≤ 897.6 (Note 2) | 860 ≤ f ≤ 905 (Note 3) |
| F _{uw} (Band XX operation) | MHz | 783.4 ≤ f ≤ 828.6 (Note 2) | 776 ≤ f ≤ 836 |
| F _{uw} (Band XXI operation) | MHz | 1488.4 ≤ f ≤ 1518.4 (Note 2) | 1480.9 ≤ f ≤ 1525.9 (Note 3) |
| F _{uw} (Band XXII operation) | MHz | 3502.4 ≤ f ≤ 3597.6 | 3495 ≤ f ≤ 3605 |
| F _{uw} (Band XXV operation) | MHz | 1922.4 ≤ f ≤ 2002.6 | 1915 ≤ f ≤ 2010 |
| F _{uw} (Band XXVI operation) | MHz | 851.4 ≤ f ≤ 901.6 | 844 ≤ f ≤ 909 |
| UE transmitted mean power | dBm | 20 (for Power class 3 and 3bis) 18 (for Power class 4) | |

NOTE 1: I_{blocking} (modulated) consists of the common channels needed for tests as specified in Table E.4.1 and 16 dedicated data channels as specified in Table E.3.6.

NOTE 2: For each carrier frequency the requirement is valid for two frequencies, the carrier frequency +/- 10 MHz.

NOTE 3: For Band VI, Band XIX and Band XXI, the unwanted interfering signal does not fall inside the UE receive band, but within the first 15 MHz below or above the UE receive band.

NOTE 4: <REFSENS> and <REFI_{or}> refers to the DPCH_Ec<REFSENS> and the DPCH<REFI_{or}> as specified in Table 6.2.1.

6.5.2.2 Minimum requirements (Out of-band blocking)

The BER shall not exceed 0.001 for the parameters specified in table 6.5.2. Out-of-band band blocking is defined for an unwanted interfering signal falling more than 15 MHz below or above the UE receive band. For table 6.5.2 in frequency range 1, 2 and 3, up to 24 exceptions are allowed for spurious response frequencies in each assigned frequency channel when measured using a 1 MHz step size.

For Table 6.5.2 in frequency range 4, up to 8 exceptions are allowed for spurious response frequencies in each assigned frequency channel when measured using 1 MHz step size.

The normative reference for this requirement is TS 25.101 [1] clause 7.6.2.

Table 6.5.2: Test parameters for Out of band blocking characteristics

| Parameter | Unit | Frequency range 1 | Frequency range 2 | Frequency range 3 | Frequency range 4 |
|--------------------------------|--------------|--|--|--------------------------------------|------------------------------|
| DPCH_Ec | dBm/3.84 MHz | <REFSENS>+3 dB | <REFSENS>+3 dB | <REFSENS>+3 dB | <REFSENS> +3 dB |
| \hat{I}_{or} | dBm/3.84 MHz | <REF \hat{I}_{or} > + 3 dB | <REF \hat{I}_{or} > + 3 dB | <REF \hat{I}_{or} > + 3 dB | <REF \hat{I}_{or} > + 3 dB |
| $I_{blocking}$ (CW) | dBm | -44 | -30 | -15 | -15 |
| F_{uw} (Band I operation) | MHz | 2050 < f < 2095 2185 < f < 2230 | 2025 < f ≤ 2050 2230 ≤ f < 2255 | 1 < f ≤ 2025 2255 ≤ f < 12750 | - |
| F_{uw} (Band II operation) | MHz | 1870 < f < 1915 2005 < f < 2050 | 1845 < f ≤ 1870 2050 ≤ f < 2075 | 1 < f ≤ 1845 2075 ≤ f < 12750 | 1850 ≤ f ≤ 1910 |
| F_{uw} (Band III operation) | MHz | 1745 < f < 1790 1895 < f < 1940 | 1720 < f ≤ 1745 1940 ≤ f < 1965 | 1 < f ≤ 1720 1965 ≤ f < 12750 | - |
| F_{uw} (Band IV operation) | MHz | 2050 < f < 2095 2170 < f < 2215 | 2025 < f ≤ 2050 2215 ≤ f < 2240 | 1 < f ≤ 2025 2240 ≤ f < 12750 | - |
| F_{uw} (Band V operation) | MHz | 809 < f < 854 909 < f < 954 | 784 < f ≤ 809 954 ≤ f < 979 | 1 < f ≤ 784 979 ≤ f < 12750 | 824 ≤ f ≤ 849 |
| F_{uw} (Band VI operation) | MHz | 815 < f < 860 900 < f < 945 | 790 < f ≤ 815 945 ≤ f < 970 | 1 < f ≤ 790 970 ≤ f < 12750 | - |
| F_{uw} (Band VII operation) | MHz | 2570 < f < 2605 2705 < f < 2750 | na 2750 ≤ f < 2775 | 1 < f ≤ 2570 2775 ≤ f < 12750 | - |
| F_{uw} (Band VIII operation) | MHz | 865 < f < 910 975 < f < 1020 | 840 < f ≤ 865 1020 ≤ f < 1045 | 1 < f ≤ 840 1045 ≤ f < 12750 | - |
| F_{uw} (Band IX operation) | MHz | 1784.9 < f < 1829.9 1894.9 < f < 1939.9 | 1759.9 < f ≤ 1784.9 1939.9 ≤ f < 1964.9 | 1 < f ≤ 1759.9 1964.9 ≤ f < 12750 | - |
| F_{uw} (Band X operation) | MHz | 2050 < f < 2095 2185 < f < 2230 | 2025 < f ≤ 2050 2230 ≤ f < 2255 | 1 < f ≤ 2025 2255 ≤ f < 12750 | - |
| F_{uw} (Band XI operation) | MHz | 1415.9 < f < 1460.9 1510.9 < f < 1555.9 | 1390.9 < f ≤ 1415.9 1555.9 ≤ f < 1580.9 | 1 < f ≤ 1390.9 1580.9 ≤ f < 12750 | - |
| F_{uw} (Band XII operation) | MHz | 669 < f < 714 761 < f < 806 | 644 < f ≤ 669 806 < f < 831 | 1 < f ≤ 644 831 ≤ f < 12750 | 699 ≤ f ≤ 716 |
| F_{uw} (Band XIII operation) | MHz | 686 < f < 731 771 < f < 816 | 661 < f ≤ 686 816 ≤ f < 841 | 1 < f ≤ 661 841 ≤ f < 12750 | 776 ≤ f ≤ 788 |
| F_{uw} (Band XIV operation) | MHz | 698 < f < 743 783 < f < 828 | 673 < f ≤ 698 828 ≤ f < 853 | 1 < f ≤ 673 853 ≤ f ≤ 12750 | 788 ≤ f ≤ 798 |
| F_{uw} Band XIX operation) | MHz | 815 < f < 860 905 < f < 950 | 790 < f ≤ 815 950 ≤ f < 975 | 1 < f ≤ 790 975 ≤ f < 12750 | - |

| Parameter | Unit | Frequency range 1 | Frequency range 2 | Frequency range 3 | Frequency range 4 |
|-----------------------------------|--|---|--|--------------------------------------|-------------------|
| F_{uw} (Band XX operation) | MHz | 731 < f < 776 836 < f < 881 | 706 < f ≤ 731 881 ≤ f < 906 | 1 < f ≤ 706 906 ≤ f < 12750 | - |
| F_{uw} (Band XXI operation) | MHz | 1435.9 < f < 1480.9 1525.9 < f < 1570.9 | 1410.9 < f ≤ 1435.9 1570.9 ≤ f < 1595.9 | 1 < f ≤ 1410.9 1595.9 ≤ f < 12750 | - |
| F_{uw} (Band XXII operation) | MHz | 3450 < f < 3495 3605 < f < 3650 | 3425 < f ≤ 3450 3650 ≤ f < 3675 | 1 < f ≤ 3425 3675 ≤ f < 12750 | - |
| F_{uw} (Band XXV operation) | MHz | 1870 < f < 1915 2010 < f < 2055 | 1845 < f ≤ 1870 2055 ≤ f < 2080 | 1 < f ≤ 1845 2080 ≤ f < 12750 | 1850 ≤ f ≤ 1915 |
| F_{uw} (Band XXVI operation) | MHz | 799 < f < 844 909 < f < 954 | 774 < f ≤ 799 954 ≤ f < 979 | 1 < f ≤ 774 979 ≤ f < 12750 | 814 ≤ f ≤ 849 |
| UE transmitted mean power | dBm | 20 (for Power class 3 and 3bis) 18 (for Power class 4) | | | |
| Band I operation | For 2095 ≤ f ≤ 2185 MHz, the appropriate in-band blocking or adjacent channel selectivity in clause 6.5.2 and clause 6.4.2 shall be applied. | | | | |
| Band II operation | For 1915 ≤ f ≤ 2005 MHz, the appropriate in-band blocking or adjacent channel selectivity in clause 6.5.2 and clause 6.4.2 shall be applied | | | | |
| Band III operation | For 1790 ≤ f ≤ 1895 MHz, the appropriate in-band blocking or adjacent channel selectivity in clause 6.5.2 and clause 6.4.2 shall be applied. | | | | |
| Band IV operation | For 2095 ≤ f ≤ 2170 MHz, the appropriate in-band blocking or adjacent channel selectivity in clause 6.5.2 and clause 6.4.2 shall be applied. | | | | |
| Band V operation | For 854 ≤ f ≤ 909 MHz, the appropriate in-band blocking or adjacent channel selectivity in subclause 6.5.2 and subclause 6.4.2 shall be applied. | | | | |
| Band VI operation | For 860 ≤ f ≤ 900 MHz, the appropriate in-band blocking or adjacent channel selectivity in clause 6.5.2 and clause 6.4.2 shall be applied. | | | | |
| Band VII operation | For 2605 ≤ f ≤ 2705 MHz, the appropriate in-band blocking or adjacent channel selectivity in subclause 6.5.2 and subclause 6.4.2 shall be applied. | | | | |
| Band VIII operation | For 910 ≤ f ≤ 975 MHz, the appropriate in-band blocking or adjacent channel selectivity in subclause 6.5.2 and subclause 6.4.2 shall be applied. | | | | |
| Band IX operation | For 1829.9 ≤ f ≤ 1894.9 MHz, the appropriate in-band blocking or adjacent channel selectivity in clause 6.5.2 and clause 6.4.2 shall be applied. | | | | |
| Band X operation | For 2095 ≤ f ≤ 2185 MHz, the appropriate in-band blocking or adjacent channel selectivity in clause 6.5.2 and clause 6.4.2 shall be applied. | | | | |
| Band XI operation | For 1460.9 ≤ f ≤ 1510.9 MHz, the appropriate in-band blocking or adjacent channel selectivity in clause 6.5.2 and clause 6.4.2 shall be applied. | | | | |
| Band XII operation | For 714 ≤ f ≤ 761 MHz, the appropriate in-band blocking or adjacent channel selectivity in subclause 6.5.2 and subclause 6.4.2 shall be applied. | | | | |
| Band XIII operation | For 731 ≤ f ≤ 771 MHz, the appropriate in-band blocking or adjacent channel selectivity in subclause 6.5.2 and subclause 6.4.2 shall be applied. | | | | |
| Band XIV operation | For 743 ≤ f ≤ 783 MHz, the appropriate in-band blocking or adjacent channel selectivity in subclause 6.5.2 and subclause 6.4.2 shall be applied. | | | | |
| Band XIX operation | For 860 ≤ f ≤ 905 MHz, the appropriate in-band blocking or adjacent channel selectivity in clause 6.5.2 and clause 6.4.2 shall be applied. | | | | |
| Band XX operation | For 776 ≤ f ≤ 836 MHz, the appropriate in-band blocking or adjacent channel selectivity in clause 6.5.2 and clause 6.4.2 shall be applied. | | | | |
| Band XXI operation | For 1480.9 ≤ f ≤ 1525.9 MHz, the appropriate in-band blocking or adjacent channel selectivity in subclause 6.5.2 and subclause 6.4.2 shall be applied. | | | | |
| Band XXII operation | For 3495 ≤ f ≤ 3605 MHz, the appropriate in-band blocking or adjacent channel selectivity in subclause 6.5.2 and subclause 6.4.2 shall be applied. | | | | |
| Band XXV operation | For 1915 ≤ f ≤ 2010 MHz, the appropriate in-band blocking or adjacent channel selectivity in subclause 6.5.2 and subclause 6.4.2 shall be applied | | | | |
| Band XXVI operation | For 844 ≤ f ≤ 909 MHz, the appropriate in-band blocking or adjacent channel selectivity in subclause 6.5.2 and subclause 6.4.2 shall be applied. | | | | |
| NOTE: | For the UE which supports both Band XI and Band XXI operating frequencies, the Out of band blocking is FFS. | | | | |

NOTE: <REFSENS> and <REF_{or}> refers to the DPCH_Ec<REFSENS> and the DPCH<REF_{or}> as specified in Table 6.2.1.

6.5.2.3 Minimum requirements (Narrow band blocking)

The BER shall not exceed 0.001 for the parameters specified in table 6.5.3. This requirement is measure of a receiver's ability to receive a W-CDMA signal at its assigned channel frequency in the presence of an unwanted narrow band interferer at a frequency, which is less than the nominal channel spacing. The requirements and this test apply to UTRA for the FDD UE supporting band II, band III, band IV, band V, band VIII, band X, band XII, band XIII or band XIV.

The normative reference for this requirement is TS 25.101 [1] clause 7.6.3

Table 6.5.3: Test parameters for narrow band blocking

| Parameter | Unit | Band II, IV, V, X, XXV, XXVI | Band III, VIII, XII, XIII, XIV |
|---------------------------|--------------|---|--------------------------------|
| DPCH_Ec | dBm/3.84 MHz | <REFSENS> + 10 dB | <REFSENS> + 10 dB |
| \hat{I}_{or} | dBm/3.84 MHz | <REF \hat{I}_{or} > + 10 dB | <REF \hat{I}_{or} > + 10 dB |
| $I_{blocking}$ (GMSK) | dBm | -57 | -56 |
| F_{uw} (offset) | MHz | 2.7 | 2.8 |
| UE transmitted mean power | dBm | 20 (for Power class 3 and 3bis) 18 (for Power class 4) | |

NOTE 1: $I_{blocking}$ (GMSK) is an interfering signal as defined in TS 45.004. It is a continuous GMSK modulated carrier following the structure of the GSM signals, but with all modulating bits (including the midamble period) derived directly from a random or any pseudo random data stream.

NOTE 2: <REFSENS> and <REF \hat{I}_{or} > refers to the DPCH_Ec<REFSENS> and the DPCH<REF \hat{I}_{or} > as specified in Table 6.2.1.

6.5.3 Test purpose

To verify that the UE BER does not exceed 0,001 for the parameters specified in table 6.5.4, table 6.5.5 and table 6.5.6. For Table 6.5.5 in frequency range 1, 2 and 3, up to (24) exceptions are allowed for spurious response frequencies in each assigned frequency channel when measured using a 1 MHz step size.

For Table 6.5.5 in frequency range 4, up to 8 exceptions are allowed for spurious response frequencies in each assigned frequency channel when measured using a 1 MHz step size.

The lack of the blocking ability decreases the coverage area when other transmitter exists (except in the adjacent channels and spurious response).

6.5.4 Method of test

6.5.4.1 Initial conditions

For in-band case:

Test environment: normal; see clauses G.2.1 and G.2.2.

Frequencies to be tested: mid range; see clause G.2.4.

For out-of-band case:

Test environment: normal; see clauses G.2.1 and G.2.2.

Frequency to be tested: 1 arbitrary frequency chosen from the low, mid or high range; see clause G.2.4.

For narrow-band case:

Test environment: normal; see clauses G.2.1 and G.2.2.

Frequencies to be tested: mid range; see clause G.2.4.

- 1) Connect the SS to the UE antenna connector as shown in figure A.5.
- 2) RF parameters are set up according to table 6.5.4, table 6.5.5 and table 6.5.6.

- 3) A call is set up according to the Generic call setup procedure specified in TS34.108[3] sub clause 7.3.2, with the following exception for information elements in RADIO BEARER SETUP message. With this exception, the Power Control Algorithm for the Uplink is set to algorithm 2.
- 4) Enter the UE into loopback test mode and start the loopback test.

Table 6.5.3A Contents of RADIO BEARER SETUP message: AM or UM

| Information Element | Value/Remark |
|---|--------------------------------|
| CHOICE channel requirement - Power Control Algorithm | Uplink DPCH info Algorithm2 |

See TS 34.108 [3] and TS 34.109 [4] for details regarding generic call setup procedure and loopback test.

6.5.4.2 Procedure

- 1) Set the parameters of the CW generator or the interference signal generator as shown in table 6.5.4, 6.5.5 and table 6.5.6. For table 6.5.5, the frequency step size is 1 MHz.
- 2) Set the power level of UE according to the table 6.5.4, table 6.5.5, and table 6.5.6, or send the power control commands (1dB step size should be used.) to the UE until UE output power measured by Test System shall be kept at the specified power level with ± 1 dB tolerance.
- 3) Measure the BER of DCH received from the UE at the SS.
- 4) For table 6.5.5, record the frequencies for which BER exceed the test requirements.

6.5.5 Test requirements

For table 6.5.4, the measured BER, derived in step 2), shall not exceed 0.001. For table 6.5.5, the measured BER, derived in step 2) shall not exceed 0,001 except for the spurious response frequencies, recorded in step 3). The number of spurious response frequencies, recorded in step 3) shall not exceed 24 for frequency range 1, 2 and 3. The number of spurious response frequencies, recorded in step 3) shall not exceed 8 for frequency range 4 . For table 6.5.6, the measured BER, derived in step 2), shall not exceed 0.001.

Table 6.5.4: Test parameters for In-band blocking characteristics

| Parameter | Unit | Level | |
|--|--------------|---|--------------------------------------|
| DPCH_Ec | dBm/3.84 MHz | <REFSENS>+3 dB | |
| I _{or} | dBm/3.84 MHz | <REFI _{or} > + 3 dB | |
| I _{blocking} mean power (modulated) | dBm | -56 | -44 |
| F _{uw} offset | | ± 10 MHz | ≤ -15 MHz & ≥ 15 MHz |
| F _{uw} (Band I operation) | MHz | $2102.4 \leq f \leq 2177.6$ (Note 2) | $2095 \leq f \leq 2185$ |
| F _{uw} (Band II operation) | MHz | $1922.4 \leq f \leq 1997.6$ (Note 2) | $1915 \leq f \leq 2005$ |
| F _{uw} (Band III operation) | MHz | $1797.4 \leq f \leq 1887.6$ (Note 2) | $1790 \leq f \leq 1895$ |
| F _{uw} (Band IV operation) | MHz | $2102.4 \leq f \leq 2162.6$ (Note 2) | $2095 \leq f \leq 2170$ |
| F _{uw} (Band V operation) | MHz | $861.4 \leq f \leq 901.6$ (Note 2) | $854 \leq f \leq 909$ |
| F _{uw} (Band VI operation) | MHz | $867.4 \leq f \leq 892.6$ (Note 2 and 3) | $860 \leq f \leq 900$ (Note 3) |
| F _{uw} (Band VII operation) | MHz | $2612.4 \leq f \leq 2697.6$ (Note 2) | $2605 \leq f \leq 2705$ |
| F _{uw} (Band VIII operation) | MHz | $917.4 \leq f \leq 967.6$ (Note 2) | $910 \leq f \leq 975$ |
| F _{uw} (Band IX operation) | MHz | $1837.4 \leq f \leq 1887.4$ (Note 2) | $1829.9 \leq f \leq 1894.9$ |
| F _{uw} (Band X operation) | MHz | $2102.4 \leq f \leq 2177.6$ (Note 2) | $2095 \leq f \leq 2185$ |

| Parameter | Unit | Level | |
|-----------------------------------|------|---|---|
| F_{UW} (Band XI operation) | MHz | $1468.4 \leq f \leq 1503.4$ (Note 2) | $1460.9 \leq f \leq 1510.9$ |
| F_{UW} (Band XII operation) | MHz | $721.4 \leq f \leq 753.6$ (Note 2) | $714 \leq f \leq 761$ |
| F_{UW} (Band XIII operation) | MHz | $738.4 \leq f \leq 763.6$ (Note 2) | $731 \leq f \leq 771$ |
| F_{UW} (Band XIV operation) | MHz | $750.4 \leq f \leq 775.6$ (Note 2) | $743 \leq f \leq 783$ |
| F_{UW} (Band XIX operation) | MHz | $867.4 \leq f \leq 897.6$ (Note 2) | $860 \leq f \leq 905$ (Note 3) |
| F_{UW} (Band XX operation) | MHz | $783.4 \leq f \leq 828.6$ (Note 2) | $776 \leq f \leq 836$ |
| F_{UW} (Band XXI operation) | MHz | $1488.4 \leq f \leq 1518.4$ (Note 2) | $1480.9 \leq f \leq 1525.9$ (Note 3) |
| F_{UW} (Band XXII operation) | MHz | $3502.4 \leq f \leq 3597.6$ | $3495 \leq f \leq 3605$ |
| F_{UW} (Band XXV operation) | MHz | $1922.4 \leq f \leq 2002.6$ | $1915 \leq f \leq 2010$ |
| F_{UW} (Band XXVI operation) | MHz | $851.4 \leq f \leq 901.6$ | $844 \leq f \leq 909$ |
| UE transmitted mean power | dBm | 20 (for Power class 3 and 3bis) 18 (for Power class 4) | |

NOTE 1: I_{blocking} (modulated) consists of the common channels needed for tests as specified in Table E.4.1 and 16 dedicated data channels as specified in Table E.3.6.

NOTE 2: For each carrier frequency the requirement is valid for two frequencies, the carrier frequency +/- 10 MHz.

NOTE 3: For Band VI, Band XIX and Band XXI and Band XIX, the unwanted interfering signal does not fall inside the UE receive band, but within the first 15 MHz below or above the UE receive band.

NOTE 4: $\langle \text{REFSENS} \rangle$ and $\langle \text{REF}_{\text{or}} \hat{I} \rangle$ refers to the DPCH_Ec $\langle \text{REFSENS} \rangle$ and the DPCH $\langle \text{REF}_{\text{or}} \hat{I} \rangle$ as specified in Table 6.2.1.

Table 6.5.5: Test parameters for Out of band blocking characteristics

| Parameter | Unit | Frequency range 1 | Frequency range 2 | Frequency range 3 | Frequency range 4 |
|----------------------------------|--------------|---|---|---|---|
| DPCH_Ec | dBm/3.84 MHz | $\langle \text{REFSENS} \rangle + 3 \text{ dB}$ | $\langle \text{REFSENS} \rangle + 3 \text{ dB}$ | $\langle \text{REFSENS} \rangle + 3 \text{ dB}$ | $\langle \text{REFSENS} \rangle + 3 \text{ dB}$ |
| \hat{I}_{or} | dBm/3.84 MHz | $\langle \text{REF}_{\text{or}} \hat{I} \rangle + 3 \text{ dB}$ | $\langle \text{REF}_{\text{or}} \hat{I} \rangle + 3 \text{ dB}$ | $\langle \text{REF}_{\text{or}} \hat{I} \rangle + 3 \text{ dB}$ | $\langle \text{REF}_{\text{or}} \hat{I} \rangle + 3 \text{ dB}$ |
| I_{blocking} (CW) | dBm | -44 | -30 | -15 | -15 |
| F_{UW} (Band I operation) | MHz | $2050 < f < 2095$ $2185 < f < 2230$ | $2025 < f \leq 2050$ $2230 \leq f < 2255$ | $1 < f \leq 2025$ $2255 \leq f < 12750$ | - |
| F_{UW} (Band II operation) | MHz | $1870 < f < 1915$ $2005 < f < 2050$ | $1845 < f \leq 1870$ $2050 \leq f < 2075$ | $1 < f \leq 1845$ $2075 \leq f < 12750$ | $1850 \leq f \leq 1910$ |
| F_{UW} (Band III operation) | MHz | $1745 < f < 1790$ $1895 < f < 1940$ | $1720 < f \leq 1745$ $1940 \leq f < 1965$ | $1 < f \leq 1720$ $1965 \leq f < 12750$ | - |
| F_{UW} (Band IV operation) | MHz | $2050 < f < 2095$ $2170 < f < 2215$ | $2025 < f \leq 2050$ $2215 \leq f < 2240$ | $1 < f \leq 2025$ $2240 \leq f < 12750$ | - |
| F_{UW} (Band V operation) | MHz | $809 < f < 854$ $909 < f < 954$ | $784 < f \leq 809$ $954 \leq f < 979$ | $1 < f \leq 784$ $979 \leq f < 12750$ | $824 \leq f \leq 849$ |
| F_{UW} (Band VI operation) | MHz | $815 < f < 860$ $900 < f < 945$ | $790 < f \leq 815$ $945 \leq f < 970$ | $1 < f \leq 790$ $970 \leq f < 12750$ | - |
| F_{UW} (Band VII operation) | MHz | $2570 < f < 2605$ $2705 < f < 2750$ | na $2750 \leq f < 2775$ | $1 < f \leq 2570$ $2775 \leq f < 12750$ | - |

| Parameter | Unit | Frequency range 1 | Frequency range 2 | Frequency range 3 | Frequency range 4 |
|-----------------------------------|--|---|------------------------------------|----------------------------------|-------------------|
| F_{uw} (Band VIII operation) | MHz | 865 < f < 910 975 < f < 1020 | 840 < f ≤ 865 1020 ≤ f < 1045 | 1 < f ≤ 840 1045 ≤ f < 12750 | - |
| F_{uw} (Band IX operation) | MHz | 1785 < f < 1830 1895 < f < 1940 | 1760 < f ≤ 1785 1940 ≤ f < 1965 | 1 < f ≤ 1760 1965 ≤ f < 12750 | - |
| F_{uw} (Band X operation) | MHz | 2050 < f < 2095 2185 < f < 2230 | 2025 < f ≤ 2050 2230 ≤ f < 2255 | 1 < f ≤ 2025 2255 ≤ f < 12750 | - |
| F_{uw} (Band XI operation) | MHz | 1416 < f < 1461 1511 < f < 1556 | 1391 < f ≤ 1416 1556 ≤ f < 1581 | 1 < f ≤ 1391 1581 ≤ f < 12750 | - |
| F_{uw} (Band XII operation) | MHz | 669 < f < 714 761 < f < 806 | 644 < f < 669 806 < f < 831 | 1 < f ≤ 644 831 ≤ f < 12750 | 699 ≤ f ≤ 716 |
| F_{uw} (Band XIII operation) | MHz | 686 < f < 731 771 < f < 816 | 661 < f < 686 816 < f < 841 | 1 < f ≤ 661 841 ≤ f < 12750 | 776 ≤ f ≤ 788 |
| F_{uw} (Band XIV operation) | MHz | 698 < f < 743 783 < f < 828 | 673 < f < 698 828 < f < 853 | 1 < f ≤ 673 853 ≤ f < 12750 | 788 ≤ f ≤ 798 |
| F_{uw} (Band XIX operation) | MHz | 815 < f < 860 905 < f < 950 | 790 < f ≤ 815 950 ≤ f < 975 | 1 < f ≤ 790 975 ≤ f < 12750 | - |
| F_{uw} (Band XX operation) | MHz | 731 < f < 776 836 < f < 881 | 706 < f ≤ 731 881 ≤ f < 906 | 1 < f ≤ 706 906 ≤ f < 12750 | - |
| F_{uw} (Band XXI operation) | MHz | 1436 < f < 1481 1526 < f < 1571 | 1411 < f ≤ 1436 1571 ≤ f < 1596 | 1 < f ≤ 1411 1596 ≤ f < 12750 | - |
| F_{uw} (Band XXII operation) | MHz | 3450 < f < 3495 3605 < f < 3650 | 3425 < f ≤ 3450 3650 ≤ f < 3675 | 1 < f ≤ 3425 3675 ≤ f < 12750 | - |
| F_{uw} (Band XXV operation) | MHz | 1870 < f < 1915 2010 < f < 2055 | 1845 < f ≤ 1870 2055 ≤ f < 2080 | 1 < f ≤ 1845 2080 ≤ f < 12750 | 1850 ≤ f ≤ 1915 |
| F_{uw} (Band XXVI operation) | MHz | 799 < f < 844 909 < f < 954 | 774 < f ≤ 799 954 ≤ f < 979 | 1 < f ≤ 774 979 ≤ f < 12750 | 814 ≤ f ≤ 849 |
| UE transmitted mean power | dBm | 20 (for Power class 3 and 3bis) 18 (for Power class 4) | | | |
| Band I operation | For 2095 ≤ f ≤ 2185 MHz, the appropriate in-band blocking or adjacent channel selectivity in clause 6.5.2 and clause 6.4.2 shall be applied. | | | | |
| Band II operation | For 1915 ≤ f ≤ 2005 MHz, the appropriate in-band blocking or adjacent channel selectivity in clause 6.5.2 and clause 6.4.2 shall be applied. | | | | |
| Band III operation | For 1790 ≤ f ≤ 1895 MHz, the appropriate in-band blocking or adjacent channel selectivity in clause 6.5.2 and clause 6.4.2 shall be applied. | | | | |
| Band IV operation | For 2095 ≤ f ≤ 2170 MHz, the appropriate in-band blocking or adjacent channel selectivity in clause 6.5.2 and clause 6.4.2 shall be applied. | | | | |
| Band V operation | For 854 ≤ f ≤ 909 MHz, the appropriate in-band blocking or adjacent channel selectivity in subclause 6.5.2 and subclause 6.4.2 shall be applied. | | | | |
| Band VI operation | For 860 < f < 875 MHz and 885 < f < 900 MHz, the appropriate in-band blocking or adjacent channel selectivity in subclause 6.5.2 and subclause 6.4.2 shall be applied. | | | | |
| Band VII operation | For 2605 ≤ f ≤ 2705 MHz, the appropriate in-band blocking or adjacent channel selectivity in subclause 6.5.2 and subclause 6.4.2 shall be applied. | | | | |
| Band VIII operation | For 910 ≤ f ≤ 975 MHz, the appropriate in-band blocking or adjacent channel selectivity in subclause 6.5.2 and subclause 6.4.2 shall be applied. | | | | |
| Band IX operation | For 1830 ≤ f ≤ 1895 MHz, the appropriate in-band blocking or adjacent channel selectivity in clause 6.5.2 and clause 6.4.2 shall be applied. | | | | |
| Band X operation | For 2095 ≤ f ≤ 2185 MHz, the appropriate in-band blocking or adjacent channel selectivity in clause 6.5.2 and clause 6.4.2 shall be applied. | | | | |
| Band XI operation | For 1461 ≤ f ≤ 1511 MHz, the appropriate in-band blocking or adjacent channel selectivity in clause 6.5.2 and clause 6.4.2 shall be applied. | | | | |
| Band XII operation | For 714 ≤ f ≤ 761 MHz, the appropriate in-band blocking or adjacent channel selectivity in subclause 6.5.2 and subclause 6.4.2 shall be applied. | | | | |
| Band XIII | For 731 ≤ f ≤ 771 MHz, the appropriate in-band blocking or adjacent channel selectivity in subclause | | | | |

| Parameter | Unit | Frequency range 1 | Frequency range 2 | Frequency range 3 | Frequency range 4 |
|---|------|--|-------------------|-------------------|-------------------|
| operation | | 6.5.2 and subclause 6.4.2 shall be applied. | | | |
| Band XIV operation | | For $743 \leq f \leq 783$ MHz, the appropriate in-band blocking or adjacent channel selectivity in subclause 6.5.2 and subclause 6.4.2 shall be applied. | | | |
| Band XIX operation | | For $860 \leq f \leq 905$ MHz, the appropriate in-band blocking or adjacent channel selectivity in clause 6.5.2 and clause 6.4.2 shall be applied. | | | |
| Band XX operation | | For $776 \leq f \leq 836$ MHz, the appropriate in-band blocking or adjacent channel selectivity in clause 6.5.2 and clause 6.4.2 shall be applied. | | | |
| Band XXI operation | | For $1480.9 \leq f \leq 1525.9$ MHz, the appropriate in-band blocking or adjacent channel selectivity in subclause 6.5.2 and subclause 6.4.2 shall be applied. | | | |
| Band XXII operation | | For $3495 \leq f \leq 3605$ MHz, the appropriate in-band blocking or adjacent channel selectivity in subclause 6.5.2 and subclause 6.4.2 shall be applied. | | | |
| Band XXV operation | | For $1915 \leq f \leq 2010$ MHz, the appropriate in-band blocking or adjacent channel selectivity in subclause 6.5.2 and subclause 6.4.2 shall be applied. | | | |
| Band XXVI operation | | For $844 \leq f \leq 909$ MHz, the appropriate in-band blocking or adjacent channel selectivity in subclause 6.5.2 and subclause 6.4.2 shall be applied. | | | |
| NOTE: For the UE which supports both Band XI and Band XXI operating frequencies, the Out of band blocking is FFS. | | | | | |

NOTE 1: $\langle \text{REFSENS} \rangle$ and $\langle \text{REF}_{\text{or}} \hat{I} \rangle$ refers to the $\text{DPCH_Ec} \langle \text{REFSENS} \rangle$ and the $\text{DPCH} \langle \text{REF}_{\text{or}} \hat{I} \rangle$ as specified in Table 6.2.1.

Table 6.5.6: Test parameters for narrow band blocking

| Parameter | Unit | Band II, IV, V, X, XXV, XXVI | Band III, VIII, XII, XIII, XIV |
|------------------------------------|--------------|---|--|
| DPCH_Ec | dBm/3.84 MHz | $\langle \text{REFSENS} \rangle + 10$ dB | $\langle \text{REFSENS} \rangle + 10$ dB |
| \hat{I}_{or} | dBm/3.84 MHz | $\langle \text{REF}_{\text{or}} \hat{I} \rangle + 10$ dB | $\langle \text{REF}_{\text{or}} \hat{I} \rangle + 10$ dB |
| $I_{\text{blocking}}(\text{GMSK})$ | dBm | -57 | -56 |
| $F_{\text{uw}}(\text{offset})$ | MHz | 2.7 | 2.8 |
| UE transmitted mean power | dBm | 20 (for Power class 3 and 3bis) 18 (for Power class 4) | |

NOTE 2: $I_{\text{blocking}}(\text{GMSK})$ is an interfering signal as defined in TS 45.004. It is a continuous GMSK modulated carrier following the structure of the GSM signals, but with all modulating bits (including the midamble period) derived directly from a random or any pseudo random data stream.

NOTE 3: $\langle \text{REFSENS} \rangle$ and $\langle \text{REF}_{\text{or}} \hat{I} \rangle$ refers to the $\text{DPCH_Ec} \langle \text{REFSENS} \rangle$ and the $\text{DPCH} \langle \text{REF}_{\text{or}} \hat{I} \rangle$ as specified in Table 6.2.1.

NOTE 4: If the above Test Requirement differs from the Minimum Requirement then the Test Tolerance applied for this test is non-zero. The Test Tolerance for this test is defined in clause F.2 and the explanation of how the Minimum Requirement has been relaxed by the Test Tolerance is given in clause F.4.

6.5A Blocking Characteristics for DC-HSDPA

6.5A.1 Definition and applicability

The blocking characteristic is a measure of the receiver's ability to receive a wanted signal at its assigned channel frequency in the presence of an unwanted interferer on frequencies other than those of the spurious response or the adjacent channels, without this unwanted input signal causing a degradation of the performance of the receiver beyond a specified limit. The blocking performance shall apply at all frequencies except those at which a spurious response occur.

The requirements in clause 6.5A.2.1 and 6.5A.2.2 and this test apply for Release 8 and later releases to all types of UTRA for the FDD UE that support DC-HSDPA.

The requirements in clause 6.5A.2.3 and this test apply for Release 8 and later releases to the FDD UE that support DC-HSDPA and are supporting Band II, Band III, Band IV, Band V, Band VIII, Band X, Band XII, Band XIII or Band XIV.

6.5A.2 Minimum Requirements

6.5A.2.1 Minimum Requirements (In-band blocking)

The BLER measured on each individual cell shall not exceed 0.1 for the parameters specified in Table 6.5A.1. In-band blocking is defined for an unwanted interfering signal falling into the UE receive band or into the first 15 MHz below or above the UE receive band.

Table 6.5A.1: In-band blocking for DC-HSDPA

| Parameter | Unit | Level | |
|---------------------------------------|--------------|---|---|
| HS-PDSCH_Ec | dBm/3.84 MHz | <REFSENS>+3 dB | |
| I_{or} | dBm/3.84 MHz | <REF I_{or} > + 3 dB | |
| $I_{blocking}$ mean power (modulated) | dBm | -56 | -44 |
| F_{uw} offset (note 4) | | ± 10 MHz | ≤ 15 MHz & ≥ 15 MHz |
| F_{uw} (Band I operation) | MHz | $2102.4 \leq f \leq 2177.6$ (Note 2) | $2095 \leq f \leq 2185$ |
| F_{uw} (Band II operation) | MHz | $1922.4 \leq f \leq 1997.6$ (Note 2) | $1915 \leq f \leq 2005$ |
| F_{uw} (Band III operation) | MHz | $1797.4 \leq f \leq 1887.6$ (Note 2) | $1790 \leq f \leq 1895$ |
| F_{uw} (Band IV operation) | MHz | $2102.4 \leq f \leq 2162.6$ (Note 2) | $2095 \leq f \leq 2170$ |
| F_{uw} (Band V operation) | MHz | $861.4 \leq f \leq 901.6$ (Note 2) | $854 \leq f \leq 909$ |
| F_{uw} (Band VI operation) | MHz | $867.4 \leq f \leq 892.6$ (Note 2 and 3) | $860 \leq f \leq 900$ (Note 3) |
| F_{uw} (Band VII operation) | MHz | $2612.4 \leq f \leq 2697.6$ (Note 2) | $2605 \leq f \leq 2705$ |
| F_{uw} (Band VIII operation) | MHz | $917.4 \leq f \leq 967.6$ (Note 2) | $910 \leq f \leq 975$ |
| F_{uw} (Band IX operation) | MHz | $1837.4 \leq f \leq 1887.4$ (Note 2) | $1829.9 \leq f \leq 1894.9$ |
| F_{uw} (Band X operation) | MHz | $2102.4 \leq f \leq 2177.6$ (Note 2) | $2095 \leq f \leq 2185$ |
| F_{uw} (Band XI operation) | MHz | $1468.4 \leq f \leq 1503.4$ (Note 2) | $1460.9 \leq f \leq 1510.9$ |
| F_{uw} (Band XII operation) | MHz | $721.4 \leq f \leq 753.6$ (Note 2) | $714 \leq f \leq 761$ |
| F_{uw} (Band XIII operation) | MHz | $738.4 \leq f \leq 763.6$ (Note 2) | $731 \leq f \leq 771$ |
| F_{uw} (Band XIV operation) | MHz | $750.4 \leq f \leq 775.6$ (Note 2) | $743 \leq f \leq 783$ |
| F_{uw} (Band XIX operation) | MHz | $867.4 \leq f \leq 897.6$ (Note 2) | $860 \leq f \leq 905$ (Note 3) |
| F_{uw} (Band XX operation) | MHz | $783.4 \leq f \leq 828.6$ (Note 2) | $776 \leq f \leq 836$ |
| F_{uw} (Band XXI operation) | MHz | $1488.4 \leq f \leq 1518.4$ (Note 2) | $1480.9 \leq f \leq 1525.9$ (Note 3) |
| F_{uw} (Band XXII operation) | MHz | $3502.4 \leq f \leq 3597.6$ (Note 2) | $3495 \leq f \leq 3605$ |
| F_{uw} (Band XXV operation) | MHz | $1922.4 \leq f \leq 2002.6$ | $1915 \leq f \leq 2010$ |
| F_{uw} (Band XXVI operation) | MHz | $851.4 \leq f \leq 901.6$ | $844 \leq f \leq 909$ |
| UE transmitted mean power | dBm | 20 (for Power class 3 and 3bis) 18 (for Power class 4) | |

NOTE 1: $I_{blocking}$ (modulated) consists of the common channels needed for tests as specified in Table E.4.1 and 16 dedicated data channels as specified in Table E.3.6.

NOTE 2: For each carrier frequency the requirement is valid for two frequencies, the carrier frequency +/- 10 MHz.

NOTE 3: For Band VI, Band XIX and Band XXI, the unwanted interfering signal does not fall inside the UE receive band, but within the first 15 MHz below or above the UE receive band.

NOTE 4: Negative offsets refer to the assigned channel frequency of the lowest carrier frequency used and positive offsets refer to the assigned channel frequency of the highest carrier frequency used.

NOTE 5: <REFSENS> and <REF_{or}> refers to the HS-PDSCH_Ec<REFSENS> and the HS-PDSCH<REF_{or}> as specified in Table 6.2A.1.

The normative reference for this requirement is TS 25.101 [1] clause 7.6.1A.

6.5A.2.2 Minimum requirements (Out of-band blocking)

The BLER measured on each individual cell shall not exceed 0.1 for the parameters specified in Table 6.5A.2. Out-of-band band blocking is defined for an unwanted interfering signal falling more than 15 MHz below or above the UE receive band.

For Table 6.5A.2 in frequency range 1, 2 and 3, up to 24 exceptions per received cell are allowed for spurious response frequencies in each assigned frequency channel when measured using a 1 MHz step size. For these exceptions the requirements of clause 6.6A spurious response are applicable.

For Table 6.5A.2 in frequency range 4, up to 8 exceptions per received cell are allowed for spurious response frequencies in each assigned frequency channel when measured using a 1 MHz step size. For these exceptions the requirements of clause 6.6A spurious response are applicable.

Table 6.5A.2: Out of band blocking for DC-HSDPA

| Parameter | Unit | Frequency range 1 | Frequency range 2 | Frequency range 3 | Frequency range 4 |
|---|-------------------|--|--|--------------------------------------|-----------------------------|
| HS-PDSCH_Ec | dBm / 3.84 MHz | <REFSENS>+3 dB | <REFSENS>+3 dB | <REFSENS>+3 dB | <REFSENS> +3 dB |
| I _{or} | dBm / 3.84 MHz | <REF _{or} > + 3 dB | <REF _{or} > + 3 dB | <REF _{or} > + 3 dB | <REF _{or} > + 3 dB |
| I _{blocking} (CW) | dBm | -44 | -30 | -15 | -15 |
| F _{uw} (Band I operation) | MHz | 2050<f <2095 2185<f <2230 | 2025 <f ≤2050 2230 ≤f <2255 | 1 < f ≤2025 2255≤f<12750 | - |
| F _{uw} (Band II operation) | MHz | 1870<f <1915 2005<f <2050 | 1845 <f ≤1870 2050 ≤f <2075 | 1 < f ≤1845 2075≤f<12750 | 1850 ≤ f ≤ 1910 |
| F _{uw} (Band III operation) | MHz | 1745 <f <1790 1895<f <1940 | 1720 <f ≤ 1745 1940≤f < 1965 | 1 < f ≤1720 1965≤f<12750 | - |
| F _{uw} (Band IV operation) | MHz | 2050< f <2095 2170< f <2215 | 2025< f ≤2050 2215≤ f < 2240 | 1 < f ≤2025 2240≤f<12750 | - |
| F _{uw} (Band V operation) | MHz | 809< f <854 909< f <954 | 784< f ≤809 954≤ f < 979 | 1 < f ≤784 979≤f<12750 | 824 ≤ f ≤ 849 |
| F _{uw} (Band VI operation) | MHz | 815 < f < 860 900 < f < 945 | 790 < f ≤ 815 945 ≤ f < 970 | 1 < f ≤ 790 970 ≤ f < 12750 | - |
| F _{uw} (Band VII operation) | MHz | 2570 < f < 2605 2705 < f < 2750 | na 2750 ≤ f < 2775 | 1 < f ≤ 2570 2775 ≤ f < 12750 | - |
| F _{uw} (Band VIII operation) | MHz | 865 < f < 910 975 < f < 1020 | 840 < f ≤ 865 1020 ≤ f < 1045 | 1 < f ≤ 840 1045 ≤ f < 12750 | - |
| F _{uw} (Band IX operation) | MHz | 1784.9 < f < 1829.9 1894.9 < f < 1939.9 | 1759.9 < f ≤ 1784.9 1939.9 ≤ f < 1964.9 | 1 < f ≤ 1759.9 1964.9 ≤ f < 12750 | - |
| F _{uw} (Band X operation) | MHz | 2050 < f < 2095 2185 < f < 2230 | 2025 < f ≤ 2050 2230 ≤ f < 2255 | 1 < f ≤ 2025 2255 ≤f< 12750 | - |

| Parameter | Unit | Frequency range 1 | Frequency range 2 | Frequency range 3 | Frequency range 4 |
|-----------------------------------|---|---|--|--------------------------------------|-------------------|
| F_{uw} (Band XI operation) | MHz | 1415.9 < f < 1460.9 1510.9 < f < 1555.9 | 1390.9 < f ≤ 1415.9 1555.9 ≤ f < 1580.9 | 1 < f ≤ 1390.9 1580.9 ≤ f < 12750 | - |
| F_{uw} (Band XII operation) | MHz | 669 < f < 714 761 < f < 806 | 644 < f ≤ 669 806 ≤ f < 831 | 1 < f ≤ 644 831 ≤ f < 12750 | 699 ≤ f ≤ 716 |
| F_{uw} (Band XIII operation) | MHz | 686 < f < 731 771 < f < 816 | 661 < f ≤ 686 816 ≤ f < 841 | 1 < f ≤ 661 841 ≤ f < 12750 | 776 ≤ f ≤ 788 |
| F_{uw} (Band XIV operation) | MHz | 698 < f < 743 783 < f < 828 | 673 < f ≤ 698 828 ≤ f < 853 | 1 < f ≤ 673 853 ≤ f < 12750 | 788 ≤ f ≤ 798 |
| F_{uw} (Band XIX operation) | MHz | 815 < f < 860 905 < f < 950 | 790 < f ≤ 815 950 ≤ f < 975 | 1 < f ≤ 790 975 ≤ f < 12750 | - |
| F_{uw} (Band XX operation) | MHz | 731 < f < 776 836 < f < 881 | 706 < f ≤ 731 881 ≤ f < 906 | 1 < f ≤ 706 906 ≤ f < 12750 | - |
| F_{uw} (Band XXI operation) | MHz | 1435.9 < f < 1480.9 1525.9 < f < 1570.9 | 1410.9 < f ≤ 1435.9 1570.9 ≤ f < 1595.9 | 1 < f ≤ 1410.9 1595.9 ≤ f < 12750 | - |
| F_{uw} (Band XXII operation) | MHz | 3450 < f < 3495 3605 < f < 3650 | 3425 < f ≤ 3450 3650 ≤ f < 3675 | 1 < f ≤ 3425 3675 ≤ f < 12750 | - |
| F_{uw} (Band XXV operation) | MHz | 1870 < f < 1915 2010 < f < 2055 | 1845 < f ≤ 1870 2055 ≤ f < 2080 | 1 < f ≤ 1845 2080 ≤ f < 12750 | 1850 ≤ f ≤ 1915 |
| F_{uw} (Band XXVI operation) | MHz | 799 < f < 844 909 < f < 954 | 774 < f ≤ 799 954 ≤ f < 979 | 1 < f ≤ 774 979 ≤ f < 12750 | 814 ≤ f ≤ 849 |
| UE transmitted mean power | dBm | 20 (for Power class 3 and 3bis) 18 (for Power class 4) | | | |
| Band I operation | For 2095 ≤ f ≤ 2185 MHz, the appropriate in-band blocking or adjacent channel selectivity in subclause 6.4A.2 and subclause 6.5.2.1 shall be applied. | | | | |
| Band II operation | For 1915 ≤ f ≤ 2005 MHz, the appropriate in-band blocking or adjacent channel selectivity in subclause 6.4A.2 and subclause 6.5.2.1 shall be applied. | | | | |
| Band III operation | For 1790 ≤ f ≤ 1895 MHz, the appropriate in-band blocking or adjacent channel selectivity in subclause 6.4A.2 and subclause 6.5.2.1 shall be applied. | | | | |
| Band IV operation | For 2095 ≤ f ≤ 2170 MHz, the appropriate in-band blocking or adjacent channel selectivity in subclause 6.4A.2 and subclause 6.5.2.1 shall be applied. | | | | |
| Band V operation | For 854 ≤ f ≤ 909 MHz, the appropriate in-band blocking or adjacent channel selectivity in subclause 6.4A.2 and subclause 6.5.2.1 shall be applied. | | | | |
| Band VI operation | For 860 ≤ f ≤ 900 MHz, the appropriate in-band blocking or adjacent channel selectivity in subclause 6.4A.2 and subclause 6.5.2.1 shall be applied. | | | | |
| Band VII operation | For 2605 ≤ f ≤ 2705 MHz, the appropriate in-band blocking or adjacent channel selectivity in subclause 6.4A.2 and subclause 6.5.2.1 shall be applied. | | | | |
| Band VIII operation | For 910 ≤ f ≤ 975 MHz, the appropriate in-band blocking or adjacent channel selectivity in subclause 6.4A.2 and subclause 6.5.2.1 shall be applied. | | | | |
| Band IX operation | For 1829.9 ≤ f ≤ 1894.9 MHz, the appropriate in-band blocking or adjacent channel selectivity in subclause 6.4A.2 and subclause 6.5.2.1 shall be applied. | | | | |
| Band X operation | For 2095 ≤ f ≤ 2185 MHz, the appropriate in-band blocking or adjacent channel selectivity in subclause 6.4A.2 and subclause 6.5.2.1 shall be applied. | | | | |
| Band XI operation | For 1460.9 ≤ f ≤ 1510.9 MHz, the appropriate in-band blocking or adjacent channel selectivity in subclause 6.4A.2 and subclause 6.5.2.1 shall be applied. | | | | |
| Band XII operation | For 714 ≤ f ≤ 761 MHz, the appropriate in-band blocking or adjacent channel selectivity in subclause 6.4A.2 and subclause 6.5.2.1 shall be applied. | | | | |
| Band XIII operation | For 731 ≤ f ≤ 771 MHz, the appropriate in-band blocking or adjacent channel selectivity in subclause 6.4A.2 and subclause 6.5.2.1 shall be applied. | | | | |
| Band XIV operation | For 743 ≤ f ≤ 783 MHz, the appropriate in-band blocking or adjacent channel selectivity in subclause 6.4A.2 and subclause 6.5.2.1 shall be applied. | | | | |
| Band XX operation | For 776 ≤ f ≤ 836 MHz, the appropriate in-band blocking or adjacent channel selectivity in subclause 6.4A.2 and subclause 6.5.2.1 shall be applied. | | | | |
| Band XIX operation | For 860 ≤ f ≤ 905 MHz, the appropriate in-band blocking or adjacent channel selectivity in subclause 6.4A.2 and subclause 6.5.2.1 shall be applied. | | | | |

| Parameter | Unit | Frequency range 1 | Frequency range 2 | Frequency range 3 | Frequency range 4 |
|---------------------|---|---|-------------------|-------------------|-------------------|
| Band XXI operation | | For $1480.9 \leq f \leq 1525.9$ MHz, the appropriate in-band blocking or adjacent channel selectivity in subclause 6.4A.2 and subclause 6.5.2.1 shall be applied. | | | |
| Band XXII operation | | For $3495 \leq f \leq 3605$ MHz, the appropriate in-band blocking or adjacent channel selectivity in subclause 6.4A.2 and subclause 6.5.2.1 shall be applied. | | | |
| Band XXV operation | | For $1915 \leq f \leq 2010$ MHz, the appropriate in-band blocking or adjacent channel selectivity in subclause 6.4A.2 and subclause 6.5.2.1 shall be applied. | | | |
| Band XXVI operation | | For $844 \leq f \leq 909$ MHz, the appropriate in-band blocking or adjacent channel selectivity in subclause 6.4A.2 and subclause 6.5.2.1 shall be applied. | | | |
| NOTE: | For the UE which supports both Band XI and Band XXI operating frequencies, the Out of band blocking is FFS. | | | | |

NOTE: $\langle \text{REFSENS} \rangle$ and $\langle \text{REFI}_{\text{or}} \rangle$ refers to the HS-PDSCH_Ec $\langle \text{REFSENS} \rangle$ and the HS-PDSCH $\langle \text{REFI}_{\text{or}} \rangle$ as specified in Table 6.2A.1

The normative reference for this requirement is TS 25.101 [1] clause 7.6.2A.

6.5A.2.3 Minimum requirements (Narrow band blocking)

The BLER measured on each individual cell shall not exceed 0.1 for the parameters specified in Table 6.5A.3. This requirement is measure of a receiver's ability to receive a W-CDMA signal at its assigned channel frequency in the presence of an unwanted narrow band interferer at a frequency, which is less than the nominal channel spacing.

Table 6.5A.3: Narrow band blocking characteristics for DC-HSDPA

| Parameter | Unit | Band II, IV, V, X, XXV, XXVI | Band III, VIII, XII, XIII, XIV |
|-----------------------------------|--------------|---|---|
| HS-PDSCH_Ec | dBm/3.84 MHz | $\langle \text{REFSENS} \rangle + 10$ dB | $\langle \text{REFSENS} \rangle + 10$ dB |
| I_{or} | dBm/3.84 MHz | $\langle \text{REFI}_{\text{or}} \rangle + 10$ dB | $\langle \text{REFI}_{\text{or}} \rangle + 10$ dB |
| I_{blocking} (GMSK) | dBm | -57 | -56 |
| F_{uw} (offset) (NOTE 2) | MHz | ± 2.7 | ± 2.8 |
| UE transmitted mean power | dBm | 20 (for Power class 3 and 3bis) 18 (for Power class 4) | |

NOTE 1: I_{blocking} (GMSK) is an interfering signal as defined in TS 45.004.

NOTE 2: Negative offsets refer to the assigned channel frequency of the lowest carrier frequency used and positive offsets refer to the assigned channel frequency of the highest carrier frequency used.

NOTE 3: $\langle \text{REFSENS} \rangle$ and $\langle \text{REFI}_{\text{or}} \rangle$ refers to the HS-PDSCH_Ec $\langle \text{REFSENS} \rangle$ and the HS-PDSCH $\langle \text{REFI}_{\text{or}} \rangle$ as specified in Table 6.2A.1.

The normative reference for this requirement is TS 25.101 [1] clause 7.6.3A.

6.5A.3 Test purpose

To verify that the UE BLER of HS-PDSCH on each individual cell does not exceed 0.1 for the parameters specified in table 6.5A.5, table 6.5A.6 and table 6.5A.7 for the DL reference channel H-Set 12 specified in Annex C.8.1.12.

The lack of the blocking ability decreases the DC-HSDPA coverage area when other transmitter exists (except in the adjacent channels and spurious response).

6.5A.4 Method of test

6.5A.4.1 Initial conditions

For in-band case:

Test environment: normal; see clauses G.2.1 and G.2.2.

Frequencies to be tested: mid range; see clause G.2.4.

For out-of-band case:

Test environment: normal; see clauses G.2.1 and G.2.2.

Frequency to be tested: 1 arbitrary frequency chosen from the low, mid or high range; see clause G.2.4.

For narrow-band case:

Test environment: normal; see clauses G.2.1 and G.2.2.

Frequencies to be tested: mid range; see clause G.2.4.

- 1) Connect the SS to the UE antenna connector as shown in figure A.32.
- 2) RF parameters are set up according to table 6.5A.5, table 6.5A.6 and table 6.5A.7.
- 3) A call is set up according to the Generic DC-HSDPA setup procedure specified in TS34.108[3] sub clause 7.3.13, with exceptions for information elements listed in Table 6.5A.4. With this exception, the Power Control Algorithm for the Uplink is set to algorithm 2.

Contents of RADIO BEARER SETUP message: AM or UM (Test Loop Mode1)

Table 6.5A.: Specific Message Contents for In-band blocking characteristics for DC-HSDPA

| Information Element | Value/Remark | Version |
|----------------------------------|--------------|---------|
| Uplink DPCH info | | Rel-6 |
| - Uplink DPCH power control info | | |
| - CHOICE mode | FDD | |
| - Power Control Algorithm | Algorithm2 | |

Contents of RADIO BEARER SETUP message: AM or UM (DC-HSDPA)

| Information Element | Value/remark | Version |
|----------------------------------|------------------------------|---------|
| Uplink DPCH info | | Rel-6 |
| - Uplink DPCH power control info | | |
| - CHOICE mode | FDD | |
| - Power Control Algorithm | Algorithm2 | |
| Downlink HS-PDSCH Information | | |
| - CHOICE mode | FDD | |
| - Downlink 64QAM configured | Not Present | Rel-7 |
| - HS-DSCH TB size table | octet aligned (for H-Set 12) | Rel-7 |
| Downlink secondary cell info FDD | | Rel-8 |
| - CHOICE Configuration info | New configuration | |
| - Downlink 64QAM configured | Not Present | |
| - HS-DSCH TB size table | octet aligned (for H-Set 12) | |

See TS 34.108 [3] and TS 34.109 [4] for details regarding generic call setup procedure and loopback test.

6.5A.4.2 Procedure

- 1) Set the parameters of the CW generator or the interference signal generator as shown in table 6.5A.5, table 6.5A.6 and table 6.5A.6. For table 6.5A.6, the frequency step size is 1 MHz.
- 2) Set the power level of UE according to the table 6.5A.5, table 6.5A.6, and table 6.5A.7, or send the power control commands (1dB step size should be used.) to the UE until UE output power measured by Test System shall be kept at the specified power level with ± 1 dB tolerance.
- 3) Measure the BLER of HS-PDSCH received from the UE at the SS by counting the number of NACK, ACK and statDTX on the UL HS-DPCCH (BLER = (NACK + statDTX)/(NACK + statDTX + ACK)).
- 4) For table 6.5A.6, record the frequencies for which BLER exceed the test requirements.

6.5A.5 Test requirements

For table 6.5A.5, the measured BLER, derived in step 2), shall not exceed 0.1 on each individual cell. For table 6.5A.6, the measured BLER, derived in step 2) shall not exceed 0.1 on each individual cell except for the spurious response frequencies, recorded in step 3). The number of spurious response frequencies, recorded in step 3) shall not exceed 24 for frequency range 1, 2 and 3. The number of spurious response frequencies, recorded in step 3) shall not exceed 8 for frequency range 4. For table 6.5A.7, the measured BLER, derived in step 2), shall not exceed 0.1 on each individual cell. The minimum number of measurements required for a statistically significant result to this test is clarified in annex F.6.3, Table F.6.3.5.0.

Table 6.5A.5: Test parameters for In-band blocking characteristics for DC-HSDPA

| Parameter | Unit | Level | |
|--|--------------|---|---------------------------------|
| HS-PDSCH_Ec | dBm/3.84 MHz | <REFSENS>+3 dB | |
| I _{or} | dBm/3.84 MHz | <REFI _{or} > + 3 dB | |
| I _{blocking} mean power (modulated) | dBm | -56 | -44 |
| F _{uw} offset (NOTE 4) | | ±10 MHz | ≤-15 MHz & ≥15 MHz |
| F _{uw} (Band I operation) | MHz | 2102.4 ≤ f ≤ 2177.6 (Note 2) | 2095 ≤ f ≤ 2185 |
| F _{uw} (Band II operation) | MHz | 1922.4 ≤ f ≤ 1997.6 (Note 2) | 1915 ≤ f ≤ 2005 |
| F _{uw} (Band III operation) | MHz | 1797.4 ≤ f ≤ 1887.6 (Note 2) | 1790 ≤ f ≤ 1895 |
| F _{uw} (Band IV operation) | MHz | 2102.4 ≤ f ≤ 2162.6 (Note 2) | 2095 ≤ f ≤ 2170 |
| F _{uw} (Band V operation) | MHz | 861.4 ≤ f ≤ 901.6 (Note 2) | 854 ≤ f ≤ 909 |
| F _{uw} (Band VI operation) | MHz | 867.4 ≤ f ≤ 892.6 (Note 2 and 3) | 860 ≤ f ≤ 900 (Note 3) |
| F _{uw} (Band VII operation) | MHz | 2612.4 ≤ f ≤ 2697.6 (Note 2) | 2605 ≤ f ≤ 2705 |
| F _{uw} (Band VIII operation) | MHz | 917.4 ≤ f ≤ 967.6 (Note 2) | 910 ≤ f ≤ 975 |
| F _{uw} (Band IX operation) | MHz | 1837.4 ≤ f ≤ 1887.4 (Note 2) | 1829.9 ≤ f ≤ 1894.9 |
| F _{uw} (Band X operation) | MHz | 2102.4 ≤ f ≤ 2177.6 (Note 2) | 2095 ≤ f ≤ 2185 |
| F _{uw} (Band XI operation) | MHz | 1468.4 ≤ f ≤ 1503.4 (Note 2) | 1460.9 ≤ f ≤ 1510.9 |
| F _{uw} (Band XII operation) | MHz | 721.4 ≤ f ≤ 753.6 (Note 2) | 714 ≤ f ≤ 761 |
| F _{uw} (Band XIII operation) | MHz | 738.4 ≤ f ≤ 763.6 (Note 2) | 731 ≤ f ≤ 771 |
| F _{uw} (Band XIV operation) | MHz | 750.4 ≤ f ≤ 775.6 (Note 2) | 743 ≤ f ≤ 783 |
| F _{uw} (Band XIX operation) | MHz | 867.4 ≤ f ≤ 897.6 (Note 2) | 860 ≤ f ≤ 905 (Note 3) |
| F _{uw} (Band XXI operation) | MHz | 1488.4 ≤ f ≤ 1518.4 (Note 2) | 1480.9 ≤ f ≤ 1525.9 (Note 3) |
| F _{uw} (Band XXII operation) | MHz | 3502.4 ≤ f ≤ 3597.6 (Note 2) | 3495 ≤ f ≤ 3605 |
| F _{uw} (Band XXV operation) | MHz | 1922.4 ≤ f ≤ 2002.6 | 1915 ≤ f ≤ 2010 |
| F _{uw} (Band XXVI operation) | MHz | 851.4 ≤ f ≤ 901.6 | 844 ≤ f ≤ 909 |
| UE transmitted mean power | dBm | 20 (for Power class 3 and 3bis) 18 (for Power class 4) | |

NOTE 1: I_{blocking} (modulated) consists of the common channels needed for tests as specified in Table E.4.1 and 16 dedicated data channels as specified in Table E.3.6.

NOTE 2: For each carrier frequency the requirement is valid for two frequencies, the carrier frequency +/- 10 MHz.

NOTE 3: For Band VI, Band XIX and Band XXI, the unwanted interfering signal does not fall inside the UE receive band, but within the first 15 MHz below or above the UE receive band.

NOTE 4: Negative offsets refer to the assigned channel frequency of the lowest carrier frequency used and positive offsets refer to the assigned channel frequency of the highest carrier frequency used.

NOTE 5: <REFSENS> and <REF_{or}> refers to the HS-PDSCH_Ec<REFSENS> and the HS-PDSCH<REF_{or}> as specified in Table 6.2A.1.

Table 6.5A.6: Test parameters for Out of band blocking characteristics for DC-HSDPA

| Parameter | Unit | Frequency range 1 | Frequency range 2 | Frequency range 3 | Frequency range 4 |
|--------------------------------------|-------------------|----------------------------------|-----------------------------------|---------------------------------|-----------------------------|
| HS-PDSCH_Ec | dBm / 3.84 MHz | <REFSENS>+3 dB | <REFSENS>+3 dB | <REFSENS>+3 dB | <REFSENS> +3 dB |
| \hat{I}_{or} | dBm / 3.84 MHz | <REF _{or} > + 3 dB | <REF _{or} > + 3 dB | <REF _{or} > + 3 dB | <REF _{or} > + 3 dB |
| $I_{blocking}$ (CW) | dBm | -44 | -30 | -15 | -15 |
| F_{uw} (Band I operation) | MHz | 2050<f <2095 2185<f <2230 | 2025 <f ≤2050 2230 ≤f <2255 | 1< f ≤2025 2255≤f<12750 | - |
| F_{uw} (Band II operation) | MHz | 1870<f <1915 2005<f <2050 | 1845 <f ≤1870 2050 ≤f <2075 | 1< f ≤1845 2075≤f<12750 | 1850 ≤ f ≤ 1910 |
| F_{uw} (Band III operation) | MHz | 1745 <f <1790 1895<f <1940 | 1720 <f ≤ 1745 1940≤f < 1965 | 1< f ≤1720 1965≤f<12750 | - |
| F_{uw} (Band IV operation) | MHz | 2050< f <2095 2170< f <2215 | 2025< f ≤2050 2215≤ f < 2240 | 1< f ≤2025 2240≤f<12750 | - |
| F_{uw} (Band V operation) | MHz | 809<f <854 909<f <954 | 784< f ≤809 954≤ f < 979 | 1< f ≤784 979≤f<12750 | 824 ≤ f ≤ 849 |
| F_{uw} (Band VI operation) | MHz | 815 <f < 860 900 <f < 945 | 790 <f ≤ 815 945 ≤ f < 970 | 1 <f ≤ 790 970 ≤ f < 12750 | - |
| F_{uw} (Band VII operation) | MHz | 2570 <f < 2605 2705 <f < 2750 | na 2750 ≤ f < 2775 | 1 <f ≤ 2570 2775 ≤ f < 12750 | - |
| F_{uw} (Band VIII operation) | MHz | 865 <f < 910 975 <f < 1020 | 840 <f ≤ 865 1020 ≤ f < 1045 | 1 <f ≤ 840 1045 ≤ f < 12750 | - |
| F_{uw} (Band IX operation) | MHz | 1785 <f < 1830 1895 <f < 1940 | 1760 <f ≤ 1785 1940 ≤ f < 1965 | 1 <f ≤ 1760 1965 ≤ f < 12750 | - |
| F_{uw} (Band X operation) | MHz | 2050 <f < 2095 2185 <f < 2230 | 2025 <f ≤ 2050 2230 ≤ f < 2255 | 1 <f ≤ 2025 2255 ≤f< 12750 | - |
| F_{uw} (Band XI operation) | MHz | 1416 <f < 1461 1511 <f < 1556 | 1391 <f ≤ 1416 1556 ≤ f < 1581 | 1 <f ≤ 1391 1581 ≤ f < 12750 | - |
| F_{uw} (Band XII operation) | MHz | 669 <f < 714 761 <f < 806 | 644 <f ≤ 669 806 ≤ f < 831 | 1 <f ≤ 644 831 ≤f< 12750 | 699 ≤ f ≤ 716 |
| F_{uw} (Band XIII operation) | MHz | 686 <f < 731 771 <f < 816 | 661 <f ≤ 686 816 ≤ f < 841 | 1 <f ≤ 661 841 ≤f< 12750 | 776 ≤ f ≤ 788 |
| F_{uw} (Band XIV operation) | MHz | 698 <f < 743 783 <f < 828 | 673 <f ≤ 698 828 ≤ f < 853 | 1 <f ≤ 673 853 ≤f< 12750 | 788 ≤ f ≤ 798 |
| F_{uw} (Band XIX operation) | MHz | 815 <f < 860 905 <f < 950 | 790 <f ≤ 815 950 ≤ f < 975 | 1 <f ≤ 790 975 ≤ f < 12750 | - |
| F_{uw} (Band XX operation) | MHz | 731<f <776 836<f <881 | 706 <f ≤ 731 881 ≤ f < 906 | 1 <f ≤ 706 906 ≤ f < 12750 | - |

| Parameter | Unit | Frequency range 1 | Frequency range 2 | Frequency range 3 | Frequency range 4 |
|-----------------------------------|---|---|------------------------------------|----------------------------------|-------------------|
| F_{uw} (Band XXI operation) | MHz | 1436 < f < 1481 1526 < f < 1571 | 1411 < f ≤ 1436 1571 ≤ f < 1596 | 1 < f ≤ 1411 1596 ≤ f < 12750 | - |
| F_{uw} (Band XXV operation) | MHz | 1870 < f < 1915 2010 < f < 2055 | 1845 < f ≤ 1870 2055 ≤ f < 2080 | 1 < f ≤ 1845 2080 ≤ f < 12750 | 1850 ≤ f ≤ 1915 |
| F_{uw} (Band XXVI operation) | MHz | 799 < f < 844 909 < f < 954 | 774 < f ≤ 799 954 ≤ f < 979 | 1 < f ≤ 774 979 ≤ f < 12750 | 814 ≤ f ≤ 849 |
| F_{uw} (Band XXII operation) | MHz | 3450 < f < 3495 3605 < f < 3650 | 3425 < f ≤ 3450 3650 ≤ f < 3675 | 1 < f ≤ 3425 3675 ≤ f < 12750 | - |
| UE transmitted mean power | dBm | 20 (for Power class 3 and 3bis) 18 (for Power class 4) | | | |
| Band I operation | For 2095 ≤ f ≤ 2185 MHz, the appropriate in-band blocking or adjacent channel selectivity in subclause 6.4A.2 and subclause 6.5.2.1 shall be applied. | | | | |
| Band II operation | For 1915 ≤ f ≤ 2005 MHz, the appropriate in-band blocking or adjacent channel selectivity in subclause 6.4A.2 and subclause 6.5.2.1 shall be applied. | | | | |
| Band III operation | For 1790 ≤ f ≤ 1895 MHz, the appropriate in-band blocking or adjacent channel selectivity in subclause 6.4A.2 and subclause 6.5.2.1 shall be applied. | | | | |
| Band IV operation | For 2095 ≤ f ≤ 2170 MHz, the appropriate in-band blocking or adjacent channel selectivity in subclause 6.4A.2 and subclause 6.5.2.1 shall be applied. | | | | |
| Band V operation | For 854 ≤ f ≤ 909 MHz, the appropriate in-band blocking or adjacent channel selectivity in subclause 6.4A.2 and subclause 6.5.2.1 shall be applied. | | | | |
| Band VI operation | For 860 ≤ f ≤ 900 MHz, the appropriate in-band blocking or adjacent channel selectivity in subclause 6.4A.2 and subclause 6.5.2.1 shall be applied. | | | | |
| Band VII operation | For 2605 ≤ f ≤ 2705 MHz, the appropriate in-band blocking or adjacent channel selectivity in subclause 6.4A.2 and subclause 6.5.2.1 shall be applied. | | | | |
| Band VIII operation | For 910 ≤ f ≤ 975 MHz, the appropriate in-band blocking or adjacent channel selectivity in subclause 6.4A.2 and subclause 6.5.2.1 shall be applied. | | | | |
| Band IX operation | For 1830 ≤ f ≤ 1895 MHz, the appropriate in-band blocking or adjacent channel selectivity in subclause 6.4A.2 and subclause 6.5.2.1 shall be applied. | | | | |
| Band X operation | For 2095 ≤ f ≤ 2185 MHz, the appropriate in-band blocking or adjacent channel selectivity in subclause 6.4A.2 and subclause 6.5.2.1 shall be applied. | | | | |
| Band XI operation | For 1461 ≤ f ≤ 1516 MHz, the appropriate in-band blocking or adjacent channel selectivity in subclause 6.4A.2 and subclause 6.5.2.1 shall be applied. | | | | |
| Band XII operation | For 714 ≤ f ≤ 761 MHz, the appropriate in-band blocking or adjacent channel selectivity in subclause 6.4A.2 and subclause 6.5.2.1 shall be applied. | | | | |
| Band XIII operation | For 731 ≤ f ≤ 771 MHz, the appropriate in-band blocking or adjacent channel selectivity in subclause 6.4A.2 and subclause 6.5.2.1 shall be applied. | | | | |
| Band XIV operation | For 743 ≤ f ≤ 783 MHz, the appropriate in-band blocking or adjacent channel selectivity in subclause 6.4A.2 and subclause 6.5.2.1 shall be applied. | | | | |
| Band XIX operation | For 860 ≤ f ≤ 905 MHz, the appropriate in-band blocking or adjacent channel selectivity in subclause 6.4A.2 and subclause 6.5.2.1 shall be applied. | | | | |
| Band XXI operation | For 1481 ≤ f ≤ 1526 MHz, the appropriate in-band blocking or adjacent channel selectivity in subclause 6.4A.2 and subclause 6.5.2.1 shall be applied. | | | | |
| Band XXII operation | For 3495 ≤ f ≤ 3605 MHz, the appropriate in-band blocking or adjacent channel selectivity in subclause 6.4A.2 and subclause 6.5.2.1 shall be applied. | | | | |
| Band XXV operation | For 1915 ≤ f ≤ 2010 MHz, the appropriate in-band blocking or adjacent channel selectivity in subclause 6.4A.2 and subclause 6.5.2.1 shall be applied. | | | | |
| Band XXVI operation | For 844 ≤ f ≤ 909 MHz, the appropriate in-band blocking or adjacent channel selectivity in subclause 6.4A.2 and subclause 6.5.2.1 shall be applied. | | | | |
| NOTE | For the UE which supports both Band XI and Band XXI operating frequencies, the Out of band blocking is FFS. | | | | |

NOTE 6: <REFSENS> and <REF_{or}> refers to the HS-PDSCH_{Ec}<REFSENS> and the HS-PDSCH<REF_{or}> as specified in Table 6.2A.1

Table 6.5A.7: Test parameters for narrow band blocking for DC-HSDPA

| Parameter | Unit | Band II, IV, V, X, XXV, XXVI | Band III, VIII, XII, XIII, XIV |
|-------------------------------|--------------|---|--------------------------------|
| HS-PDSCH_Ec | dBm/3.84 MHz | <REFSENS> + 10 dB | <REFSENS> + 10 dB |
| I_{or} | dBm/3.84 MHz | <REF I_{or} > + 10 dB | <REF I_{or} > + 10 dB |
| $I_{blocking}$ (GMSK) | dBm | -57 | -56 |
| F_{uw} (offset) (NOTE 2) | MHz | ±2.7 | ±2.8 |
| UE transmitted mean power | dBm | 20 (for Power class 3 and 3bis) 18 (for Power class 4) | |

NOTE 7: $I_{blocking}$ (GMSK) is an interfering signal as defined in TS 45.004.

NOTE 8: Negative offsets refer to the assigned channel frequency of the lowest carrier frequency used and positive offsets refer to the assigned channel frequency of the highest carrier frequency used.

NOTE 9: <REFSENS> and <REF I_{or} > refers to the HS-PDSCH_Ec<REFSENS> and the HS-PDSCH<REF I_{or} > as specified in Table 6.2A.1.

NOTE 10: If the above Test Requirement differs from the Minimum Requirement then the Test Tolerance applied for this test is non-zero. The Test Tolerance for this test is defined in clause F.2 and the explanation of how the Minimum Requirement has been relaxed by the Test Tolerance is given in clause F.4.

6.5B Blocking Characteristics for DB-DC-HSDPA

6.5B.1 Definition and applicability

The blocking characteristic is a measure of the receiver's ability to receive a wanted signal at its assigned channel frequency in the presence of an unwanted interferer on frequencies other than those of the spurious response or the adjacent channels, without this unwanted input signal causing a degradation of the performance of the receiver beyond a specified limit. The blocking performance shall apply at all frequencies except those at which a spurious response occur.

The requirements in this test apply for Release 9 and later releases to all types of UTRA for the FDD UE that support DB-DC-HSDPA.

DB-DC-HSDPA is designed to operate in configurations specified in clause 4.2.

6.5B.2 Minimum Requirements

6.5B.2.1 Minimum Requirements (In-band blocking)

The BLER measured on each individual cell shall not exceed 0.1 for the parameters specified in Table 6.5B.1. In-band blocking is defined for an unwanted interfering signal falling into the UE receive band or into the first 15 MHz below or above the UE receive band.

Table 6.5B.1: In-band blocking for DB-DC-HSDPA

| Parameter | Unit | Level | |
|--|--------------|---|------------------------------|
| HS-PDSCH_Ec | dBm/3.84 MHz | <REFSENS>+3 dB | |
| I _{or} | dBm/3.84 MHz | <REFI _{or} > + 3 dB | |
| I _{blocking} mean power (modulated) | dBm | -56 | -44 |
| F _{uw} offset (NOTE 4) | | =±10 MHz | ≤-15 MHz & ≥15 MHz |
| F _{uw} (Band I operation) | MHz | 2102.4 ≤ f ≤ 2177.6 | 2095 ≤ f ≤ 2185 |
| F _{uw} (Band II operation) | MHz | 1922.4 ≤ f ≤ 1997.6 | 1915 ≤ f ≤ 2005 |
| F _{uw} (Band III operation) | MHz | 1797.4 ≤ f ≤ 1887.6 | 1790 ≤ f ≤ 1895 |
| F _{uw} (Band IV operation) | MHz | 2102.4 ≤ f ≤ 2162.6 | 2095 ≤ f ≤ 2170 |
| F _{uw} (Band V operation) | MHz | 861.4 ≤ f ≤ 901.6 | 854 ≤ f ≤ 909 |
| F _{uw} (Band VI operation) | MHz | 867.4 ≤ f ≤ 892.6 (Note3) | 860 ≤ f ≤ 900 (Note 3) |
| F _{uw} (Band VII operation) | MHz | 2612.4 ≤ f ≤ 2697.6 | 2605 ≤ f ≤ 2705 |
| F _{uw} (Band VIII operation) | MHz | 917.4 ≤ f ≤ 967.6 | 910 ≤ f ≤ 975 |
| F _{uw} (Band IX operation) | MHz | 1837.4 ≤ f ≤ 1887.4 | 1829.9 ≤ f ≤ 1894.9 |
| F _{uw} (Band X operation) | MHz | 2102.4 ≤ f ≤ 2177.6 | 2095 ≤ f ≤ 2185 |
| F _{uw} (Band XI operation) | MHz | 1468.4 ≤ f ≤ 1503.4 | 1460.9 ≤ f ≤ 1510.9 |
| F _{uw} (Band XII operation) | MHz | 721.4 ≤ f ≤ 753.6 | 714 ≤ f ≤ 761 |
| F _{uw} (Band XIII operation) | MHz | 738.4 ≤ f ≤ 763.6 | 731 ≤ f ≤ 771 |
| F _{uw} (Band XIV operation) | MHz | 750.4 ≤ f ≤ 775.6 | 743 ≤ f ≤ 783 |
| F _{uw} (Band XIX operation) | MHz | 867.4 ≤ f ≤ 897.6 | 860 ≤ f ≤ 905 (Note 3) |
| F _{uw} (Band XX operation) | MHz | 783.4 ≤ f ≤ 828.6 | 776 ≤ f ≤ 836 |
| F _{uw} (Band XXI operation) | MHz | 1488.4 ≤ f ≤ 1518.4 | 1480.9 ≤ f ≤ 1525.9 (Note 3) |
| F _{uw} (Band XXII operation) | MHz | 3502.4 ≤ f ≤ 3597.6 | 3495 ≤ f ≤ 3605 |
| F _{uw} (Band XXV operation) | MHz | 1922.4 ≤ f ≤ 2002.6 | 1915 ≤ f ≤ 2010 |
| F _{uw} (Band XXVI operation) | MHz | 851.4 ≤ f ≤ 901.6 | 844 ≤ f ≤ 909 |
| UE transmitted mean power | dBm | 20 (for Power class 3 and 3bis) 18 (for Power class 4) | |

NOTE 1: I_{blocking} (modulated) consists of the common channels needed for tests as specified in Table E.4.1 and 16 dedicated data channels as specified in Table E.3.6.

NOTE 2: For each carrier frequency the requirement is valid for two frequencies, the carrier frequency +/- 10 MHz.

NOTE 3: For Band VI, Band XIX and Band XXI, the unwanted interfering signal does not fall inside the UE receive band, but within the first 15 MHz below or above the UE receive band.

NOTE 4: For DC-HSDPA, negative offset refers to the assigned channel frequency of the lowest carrier frequency used and positive offset refers to the assigned channel frequency of the highest carrier frequency used. For DB-DC-HSDPA, offset refers to the assigned channel frequencies of the individual cells.

NOTE 5: <REFSENS> and <REF_{or}[↑]> refers to the HS-PDSCH_Ec<REFSENS> and the HS-PDSCH<REF_{or}[↑]> as specified in Table 6.2B.1.

The normative reference for this requirement is TS 25.101 [1] clause 7.6.1A.

6.5B.2.2 Minimum requirements (Out of-band blocking)

The BLER measured on each individual cell shall not exceed 0.1 for the parameters specified in Table 6.5B.2. Out-of-band blocking is defined for an unwanted interfering signal falling at frequencies outside of frequency regions defined as the UE receive bands extended by 15 MHz at their lower and upper ends. For Table 6.5B.2 in frequency range 1, 2 and 3, up to 24 exceptions per received cell are allowed for spurious response frequencies in each assigned frequency channel when measured using a 1 MHz step size. For these exceptions the requirements of clause 6.6B Spurious response are applicable.

For Table 6.5B.2 in frequency range 4, up to 8 exceptions per received cell are allowed for spurious response frequencies in each assigned frequency channel when measured using a 1 MHz step size. For these exceptions the requirements of clause 6.6B Spurious response for DB-DC-HSDPA are applicable.

Table 6.5B.2: Out of band blocking for DB-DC-HSDPA

| Parameter | Unit | Frequency range 1 | Frequency range 2 | Frequency range 3 | Frequency range 4 |
|--|--|---|--|--|--|
| HS-PDSCH_Ec | dBm / 3.84 MHz | <REFSENS>+3 dB | <REFSENS>+3 dB | <REFSENS>+3 dB | <REFSENS> +3 dB |
| \hat{I}_{or} | dBm / 3.84 MHz | <REF _{or} [↑] > + 3 dB | <REF _{or} [↑] > + 3 dB | <REF _{or} [↑] > + 3 dB | <REF _{or} [↑] > + 3 dB |
| $I_{blocking}(CW)$ | dBm | -44 | -30 | -15 | -15 |
| F_{uw} (DB-DC-HSDPA Configuration 1) | MHz | 865 < f < 910 975 < f < 1020 2050 < f < 2095 2185 < f < 2230 | 840 < f ≤ 865 1020 ≤ f < 1045 2025 < f ≤ 2050 2230 ≤ f < 2255 | 1 < f ≤ 840 1045 ≤ f < 2025 2255 < f ≤ 12750 | - |
| F_{uw} (DB-DC-HSDPA Configuration 2) | MHz | 1870 < f < 1915 2005 < f < 2095 2170 < f < 2215 | 1845 < f ≤ 1870 2215 ≤ f < 2240 | 1 < f ≤ 1845 2240 ≤ f < 12750 | 1850 ≤ f ≤ 1910 |
| F_{uw} (DB-DC-HSDPA Configuration 3) | MHz | 809 < f < 854 909 < f < 954 2050 < f < 2095 2185 < f < 2230 | 784 < f ≤ 809 954 ≤ f < 979 2025 < f ≤ 2050 2230 ≤ f < 2255 | 1 < f ≤ 784 979 ≤ f < 2025 2255 < f ≤ 12750 | 824 ≤ f ≤ 849 |
| UE transmitted mean power | dBm | 20 (for Power class 3 and 3bis) 18 (for Power class 4) | | | |
| DB-DC-HSDPA Configuration 1 | For 910 ≤ f ≤ 975 MHz and 2095 ≤ f ≤ 2185 MHz, the appropriate in-band blocking or adjacent channel selectivity in subclause 6.4C.2 and subclause 6.5.B2.1 shall be applied. | | | | |
| DB-DC-HSDPA Configuration 2 | For 1915 ≤ f ≤ 2005 MHz and 2095 ≤ f ≤ 2070 MHz, the appropriate in-band blocking or adjacent channel selectivity in subclause 6.4C.2 and subclause 6.5.B2.1 shall be applied. | | | | |
| DB-DC-HSDPA Configuration 3 | For 854 ≤ f ≤ 909 MHz and 2095 ≤ f ≤ 2185 MHz, the appropriate in-band blocking or adjacent channel selectivity in subclause 6.4C.2 and subclause 6.5.B2.1 shall be applied. | | | | |

NOTE: <REFSENS> and <REF_{or}[↑]> refers to the HS-PDSCH_Ec<REFSENS> and the HS-PDSCH<REF_{or}[↑]> as specified in Table 6.2B.1

The normative reference for this requirement is TS 25.101 [1] clause 7.6.2B.

6.5B.2.3 Minimum requirements (Narrow band blocking)

The BLER measured on each individual cell shall not exceed 0.1 for the parameters specified in Table 6.5B.3. This requirement is measure of a receiver's ability to receive a W-CDMA signal at its assigned channel frequency in the presence of an unwanted narrow band interferer at a frequency, which is less than the nominal channel spacing.

Table 6.5B.3: Narrow band blocking characteristics for DB-DC-HSDPA

| Parameter | Unit | Band II, IV, V, X, XXV, XXVI | Band III, VIII, XII, XIII, XIV |
|-------------------------------|--------------|---|--------------------------------|
| HS-PDSCH_Ec | dBm/3.84 MHz | <REFSENS> + 10 dB | <REFSENS> + 10 dB |
| \hat{I}_{or} | dBm/3.84 MHz | <REF \hat{I}_{or} > + 10 dB | <REF \hat{I}_{or} > + 10 dB |
| $I_{blocking}$ (GMSK) | dBm | -57 | -56 |
| F_{uw} (offset) (NOTE 2) | MHz | ± 2.7 | ± 2.8 |
| UE transmitted mean power | dBm | 20 (for Power class 3 and 3bis) 18 (for Power class 4) | |

NOTE 1: $I_{blocking}$ (GMSK) is an interfering signal as defined in TS 45.004.

NOTE 2: For DC-HSDPA, negative offset refers to the assigned channel frequency of the lowest carrier frequency used and positive offset refers to the assigned channel frequency of the highest carrier frequency used. For DB-DC-HSDPA, offset refers to the assigned channel frequencies of the individual cells.

NOTE 3: <REFSENS> and <REF \hat{I}_{or} > refers to the HS-PDSCH_Ec<REFSENS> and the HS-PDSCH<REF \hat{I}_{or} > as specified in Table 6.2B.1.

The normative reference for this requirement is TS 25.101 [1] clause 7.6.3A.

6.5B.3 Test purpose

To verify that the UE BLER of HS-PDSCH on each individual cell does not exceed 0.1 for the parameters specified in table 6.5B.5, table 6.5B.6 and table 6.5B.7 for the DL reference channel H-Set 12 specified in Annex C.8.1.12.

The lack of the blocking ability decreases the DB-DC-HSDPA coverage area when other transmitter exists (except in the adjacent channels and spurious response).

6.5B.4 Method of test

6.5B.4.1 Initial conditions

For in-band case:

Test environment: normal; see clauses G.2.1 and G.2.2.

Frequencies to be tested: mid range; see clause G.2.4.

For out-of-band case:

Test environment: normal; see clauses G.2.1 and G.2.2.

Frequency to be tested: 1 arbitrary frequency chosen from the low, mid or high range; see clause G.2.4.

For narrow-band case:

Test environment: normal; see clauses G.2.1 and G.2.2.

Frequencies to be tested: mid range; see clause G.2.4.

- 1) Connect the SS to the UE antenna connector as shown in figure A.32.
- 2) RF parameters are set up according to table 6.5B.5, table 6.5B.6 and table 6.5B.7.
- 3) A call is set up according to the Generic call setup procedure specified in TS34.108[3] sub clause 7.3.13, with exceptions for information elements listed in Table 6.5B.4. With this exception, the Power Control Algorithm for the Uplink is set to algorithm 2.

Contents of RADIO BEARER SETUP message: AM or UM (Test Loop Mode1)

Table 6.5B.4 Specific Message Contents for In-band blocking characteristics for DB-DC-HSDPA

| Information Element | Value/Remark | Version |
|----------------------------------|--------------|---------|
| Uplink DPCH info | | Rel-6 |
| - Uplink DPCH power control info | | |
| - CHOICE mode | FDD | |
| - Power Control Algorithm | Algorithm2 | |

Contents of RADIO BEARER SETUP message: AM or UM (DC-HSDPA)

| Information Element | Value/remark | Version |
|----------------------------------|------------------------------|---------|
| Uplink DPCH info | | Rel-6 |
| - Uplink DPCH power control info | | |
| - CHOICE mode | FDD | |
| - Power Control Algorithm | Algorithm2 | |
| Downlink HS-PDSCH Information | | |
| - CHOICE mode | FDD | |
| - Downlink 64QAM configured | Not Present | Rel-7 |
| - HS-DSCH TB size table | octet aligned (for H-Set 12) | Rel-7 |
| Downlink secondary cell info FDD | | Rel-8 |
| - CHOICE Configuration info | New configuration | |
| - Downlink 64QAM configured | Not Present | |
| - HS-DSCH TB size table | octet aligned (for H-Set 12) | |

See TS 34.108 [3] and TS 34.109 [4] for details regarding generic call setup procedure and loopback test.

6.5B.4.2 Procedure

- 1) Set the parameters of the CW generator or the interference signal generator as shown in table 6.5B.5, table 6.5B.6 and table 6.5B.6. For table 6.5B.6, the frequency step size is 1 MHz.
- 2) Set the power level of UE according to the table 6.5B.5, table 6.5B.6, and table 6.5B.7, or send the power control commands (1dB step size should be used.) to the UE until UE output power measured by Test System shall be kept at the specified power level with ± 1 dB tolerance.
- 3) Measure the BLER of HS-PDSCH received from the UE at the SS by counting the number of NACK, ACK and statDTX on the UL HS-DPCCH ($BLER = (NACK + statDTX)/(NACK + statDTX + ACK)$).
- 4) For table 6.5B.6, record the frequencies for which BLER exceed the test requirements.

6.5B.5 Test requirements

For table 6.5B.5, the measured BLER, derived in step 2), shall not exceed 0.1 on each individual cell. For table 6.5B.6, the measured BLER, derived in step 2) shall not exceed 0.1 on each individual cell except for the spurious response frequencies, recorded in step 3). The number of spurious response frequencies, recorded in step 3) shall not exceed 24 for frequency range 1, 2 and 3. The number of spurious response frequencies, recorded in step 3) shall not exceed 8 for frequency range 4. For table 6.5B.7, the measured BLER, derived in step 2), shall not exceed 0.1 on each individual cell. The minimum number of measurements required for a statistically significant result to this test is clarified in annex F.6.3, Table F.6.3.5.0.

Table 6.5B.5: Test parameters for In-band blocking characteristics for DB-DC-HSDPA

| Parameter | Unit | Level | |
|--|--------------|---|--------------------------|
| HS-PDSCH_Ec | dBm/3.84 MHz | <REFSENS>+3 dB | |
| I _{or} | dBm/3.84 MHz | <REFI _{or} > + 3 dB | |
| I _{blocking} mean power (modulated) | dBm | -56 | -44 |
| F _{uw} offset (NOTE 3) | | ±10 MHz | ≤-15 MHz & ≥15 MHz |
| F _{uw} (Band I operation) | MHz | 2102.4 ≤ f ≤ 2177.6 (Note 2) | 2095 ≤ f ≤ 2185 |
| F _{uw} (Band II operation) | MHz | 1922.4 ≤ f ≤ 1997.6 (Note 2) | 1915 ≤ f ≤ 2005 |
| F _{uw} (Band IV operation) | MHz | 2102.4 ≤ f ≤ 2162.6 (Note 2) | 2095 ≤ f ≤ 2170 |
| F _{uw} (Band V operation) | MHz | 861.4 ≤ f ≤ 901.6 (Note 2) | 854 ≤ f ≤ 909 |
| F _{uw} (Band VIII operation) | MHz | 917.4 ≤ f ≤ 967.6 (Note 2) | 910 ≤ f ≤ 975 |
| UE transmitted mean power | dBm | 20 (for Power class 3 and 3bis) 18 (for Power class 4) | |

NOTE 1: I_{blocking} (modulated) consists of the common channels needed for tests as specified in Table E.4.1 and 16 dedicated data channels as specified in Table E.3.6.

NOTE 2: For each carrier frequency the requirement is valid for two frequencies, the carrier frequency +/- 10 MHz.

NOTE 3: Offset refers to the assigned channel frequencies of the individual cells.

NOTE 4: <REFSENS> and <REFI_{or}> refers to the HS-PDSCH_Ec<REFSENS> and the HS-PDSCH<REFI_{or}> as specified in Table 6.2B.1.

Table 6.5B.6: Test parameters for Out of band blocking characteristics for DB-DC-HSDPA

| Parameter | Unit | Frequency range 1 | Frequency range 2 | Frequency range 3 | Frequency range 4 |
|---|--|---|--|--|------------------------------|
| HS-PDSCH_Ec | dBm / 3.84 MHz | <REFSENS>+3 dB | <REFSENS>+3 dB | <REFSENS>+3 dB | <REFSENS> +3 dB |
| I _{or} | dBm / 3.84 MHz | <REFI _{or} > + 3 dB | <REFI _{or} > + 3 dB | <REFI _{or} > + 3 dB | <REFI _{or} > + 3 dB |
| I _{blocking} (CW) | dBm | -44 | -30 | -15 | -15 |
| F _{uw} (DB-DC-HSDPA Configuration 1) | MHz | 865 < f < 910 975 < f < 1020 2050 < f < 2095 2185 < f < 2230 | 840 < f ≤ 865 1020 ≤ f < 1045 2025 < f ≤ 2050 2230 ≤ f < 2255 | 1 < f ≤ 840 1045 ≤ f < 2025 2255 < f ≤ 12750 | - |
| F _{uw} (DB-DC-HSDPA Configuration 2) | MHz | 1870 < f < 1915 2005 < f < 2095 2170 < f < 2215 | 1845 < f ≤ 1870 2215 ≤ f < 2240 | 1 < f ≤ 1845 2240 ≤ f < 12750 | 1850 ≤ f ≤ 1910 |
| F _{uw} (DB-DC-HSDPA Configuration 3) | MHz | 809 < f < 854 909 < f < 954 2050 < f < 2095 2185 < f < 2230 | 784 < f ≤ 809 954 ≤ f < 979 2025 < f ≤ 2050 2230 ≤ f < 2255 | 1 < f ≤ 784 979 ≤ f < 2025 2255 < f ≤ 12750 | 824 ≤ f ≤ 849 |
| UE transmitted mean power | dBm | 20 (for Power class 3 and 3bis) 18 (for Power class 4) | | | |
| DB-DC-HSDPA Configuration 1 | For 910 ≤ f ≤ 975 MHz and 2095 ≤ f ≤ 2185 MHz, the appropriate in-band blocking or adjacent channel selectivity in subclause 6.4C.2 and subclause 6.5B.2.1 shall be applied. | | | | |
| DB-DC-HSDPA Configuration 2 | For 1915 ≤ f ≤ 2005 MHz and 2095 ≤ f ≤ 2070 MHz, the appropriate in-band blocking or adjacent channel selectivity in subclause 6.4C.2 and subclause 6.5B.2.1 shall be applied. | | | | |
| DB-DC-HSDPA Configuration 3 | For 854 ≤ f ≤ 909 MHz and 2095 ≤ f ≤ 2185 MHz, the appropriate in-band blocking or adjacent channel selectivity in subclause 6.4C.2 and subclause 6.5B.2.1 shall be applied. | | | | |

NOTE 5: <REFSENS> and <REFI_{or}> refers to the HS-PDSCH_Ec<REFSENS> and the HS-PDSCH<REFI_{or}> as specified in Table 6.2B.1

Table 6.5B.7: Test parameters for narrow band blocking for DB-DC-HSDPA

| Parameter | Unit | Band II, IV, V | Band VIII |
|-------------------------------|--------------|---|-------------------------|
| HS-PDSCH_Ec | dBm/3.84 MHz | <REFSENS> + 10 dB | <REFSENS> + 10 dB |
| I_{or} | dBm/3.84 MHz | <REF I_{or} > + 10 dB | <REF I_{or} > + 10 dB |
| $I_{blocking}$ (GMSK) | dBm | -57 | -56 |
| F_{uw} (offset) (NOTE 2) | MHz | ±2.7 | ±2.8 |
| UE transmitted mean power | dBm | 20 (for Power class 3 and 3bis) 18 (for Power class 4) | |

NOTE 6: $I_{blocking}$ (GMSK) is an interfering signal as defined in TS 45.004.

NOTE 7: Offset refers to the assigned channel frequencies of the individual cells.

NOTE 8: <REFSENS> and <REF I_{or} > refers to the HS-PDSCH_Ec<REFSENS> and the HS-PDSCH<REF I_{or} > as specified in Table 6.2B.1.

NOTE 9: If the above Test Requirement differs from the Minimum Requirement then the Test Tolerance applied for this test is non-zero. The Test Tolerance for this test is defined in clause F.2 and the explanation of how the Minimum Requirement has been relaxed by the Test Tolerance is given in clause F.4.

6.5C Blocking Characteristics for DC-HSUPA

6.5C.1 Definition and applicability

The blocking characteristic is a measure of the receiver's ability to receive a wanted signal at its assigned channel frequency in the presence of an unwanted interferer on frequencies other than those of the spurious response or the adjacent channels, without this unwanted input signal causing a degradation of the performance of the receiver beyond a specified limit. The blocking performance shall apply at all frequencies except those at which a spurious response occur.

The requirements and this test apply for Release 9 and later releases for the FDD UE that supports HSDPA and Dual Cell E-DCH.

6.5C.2 Minimum Requirements

6.5C.2.1 Minimum Requirements (In-band blocking)

The BLER measured on each individual cell shall not exceed 0.1 for the parameters specified in Table 6.5C.1 and Table 6.5C.2. In-band blocking is defined for an unwanted interfering signal falling into the UE receive band or into the first 15 MHz below or above the UE receive band.

Table 6.5C.1: In-band blocking for DC-HSUPA

| Parameter | Unit | Level | |
|--|------|---|---|
| | | -56 | -44 |
| I_{blocking} mean power (modulated) | dBm | -56 | -44 |
| F_{uw} offset (NOTE 4) | | ± 10 MHz | ≤ 15 MHz & ≥ 15 MHz |
| F_{uw} (Band I operation) | MHz | $2102.4 \leq f \leq 2177.6$ (Note 2) | $2095 \leq f \leq 2185$ |
| F_{uw} (Band II operation) | MHz | $1922.4 \leq f \leq 1997.6$ (Note 2) | $1915 \leq f \leq 2005$ |
| F_{uw} (Band III operation) | MHz | $1797.4 \leq f \leq 1887.6$ (Note 2) | $1790 \leq f \leq 1895$ |
| F_{uw} (Band IV operation) | MHz | $2102.4 \leq f \leq 2162.6$ (Note 2) | $2095 \leq f \leq 2170$ |
| F_{uw} (Band V operation) | MHz | $861.4 \leq f \leq 901.6$ (Note 2) | $854 \leq f \leq 909$ |
| F_{uw} (Band VI operation) | MHz | $867.4 \leq f \leq 892.6$ (Note 3) | $860 \leq f \leq 900$ (Note 3) |
| F_{uw} (Band VII operation) | MHz | $2612.4 \leq f \leq 2697.6$ (Note 2) | $2605 \leq f \leq 2705$ |
| F_{uw} (Band VIII operation) | MHz | $917.4 \leq f \leq 967.6$ (Note 2) | $910 \leq f \leq 975$ |
| F_{uw} (Band IX operation) | MHz | $1837.4 \leq f \leq 1887.4$ (Note 2) | $1829.9 \leq f \leq 1894.9$ |
| F_{uw} (Band X operation) | MHz | $2102.4 \leq f \leq 2177.6$ (Note 2) | $2095 \leq f \leq 2185$ |
| F_{uw} (Band XI operation) | MHz | $1468.4 \leq f \leq 1503.4$ (Note 2) | $1460.9 \leq f \leq 1510.9$ |
| F_{uw} (Band XII operation) | MHz | $721.4 \leq f \leq 753.6$ (Note 2) | $714 \leq f \leq 761$ |
| F_{uw} (Band XIII operation) | MHz | $738.4 \leq f \leq 763.6$ (Note 2) | $731 \leq f \leq 771$ |
| F_{uw} (Band XIV operation) | MHz | $750.4 \leq f \leq 775.6$ (Note 2) | $743 \leq f \leq 783$ |
| F_{uw} (Band XIX operation) | MHz | $867.4 \leq f \leq 897.6$ (Note 2) | $860 \leq f \leq 905$ (Note 3) |
| F_{uw} (Band XX operation) | MHz | $783.4 \leq f \leq 828.6$ (Note 2) | $776 \leq f \leq 836$ (Note 3) |
| F_{uw} (Band XXI operation) | MHz | $1488.4 \leq f \leq 1518.4$ (Note 2) | $1480.9 \leq f \leq 1525.9$ (Note 3) |
| F_{uw} (Band XXII operation) | MHz | $3502.4 \leq f \leq 3597.6$ (Note 2) | $3495 \leq f \leq 3605$ (Note 3) |
| F_{uw} (Band XXV operation) | MHz | $1922.4 \leq f \leq 2002.6$ (Note 2) | $1915 \leq f \leq 2010$ (Note 3) |
| F_{uw} (Band XXVI operation) | MHz | $851.4 \leq f \leq 901.6$ | $844 \leq f \leq 909$ |
| UE transmitted mean power | dBm | 20 (for Power class 3 and 3bis) 18 (for Power class 4) | |

NOTE 1: I_{blocking} (modulated) consists of the common channels needed for tests as specified in Table E.4.1 and 16 dedicated data channels as specified in Table E.3.6.

NOTE 2: For each carrier frequency the requirement is valid for two frequencies, the carrier frequency +/- 10 MHz.

NOTE 3: For Band VI, Band XIX and Band XXI, the unwanted interfering signal does not fall inside the UE receive band, but within the first 15 MHz below or above the UE receive band.

NOTE 4: Negative offsets refer to the assigned channel frequency of the lowest carrier frequency used and positive offsets refer to the assigned channel frequency of the highest carrier frequency used.

Table 6.5C.2: Reference input powers for in-band blocking, DC-HSUPA

| Operating Band | Unit | HS-PDSCH E_c | \hat{I}_{or} |
|---|--------------|----------------|----------------|
| I | dBm/3.84 MHz | -110 | -99.7 |
| II | dBm/3.84 MHz | -108 | -97.7 |
| III | dBm/3.84 MHz | -107 | -96.7 |
| IV | dBm/3.84 MHz | -110 | -99.7 |
| V | dBm/3.84 MHz | -104.3 | -94 |
| VI | dBm/3.84 MHz | -104.7 | -94.4 |
| VII | dBm/3.84 MHz | -108 | -97.7 |
| VIII | dBm/3.84 MHz | -101.1 | -90.8 |
| IX | dBm/3.84 MHz | -109 | -98.7 |
| X | dBm/3.84 MHz | -110 | -99.7 |
| XI | dBm/3.84 MHz | -101.4 | -91.1 |
| XII | dBm/3.84 MHz | N/A | N/A |
| XIII | dBm/3.84 MHz | N/A | N/A |
| XIV | dBm/3.84 MHz | N/A | N/A |
| XIX | dBm/3.84 MHz | -104.7 | -94.4 |
| XX | dBm/3.84 MHz | TBD | TBD |
| XXI | dBm/3.84 MHz | -101.4 | -91.1 |
| XXII | dBm/3.84 MHz | TBD | TBD |
| XXV | dBm/3.84 MHz | -106.5 | -96.2 |
| XXVI | dBm/3.84 MHz | -101.1 | -90.8 |
| NOTE 1: For the UE which supports both Band III and Band IX operating frequencies, the reference sensitivity level of TBD dBm <REF_ E_c ,in-band> shall apply for Band IX. The corresponding <REF \hat{I}_{or} ,in-band> is TBD dBm | | | |
| NOTE 2: For the UE which supports both Band XI and Band XXI operating frequencies, the reference input power level is FFS. | | | |
| NOTE 3: For the UE which supports DB-DC-HSDPA configuration in clause 4.2 the < HS-PDSCH E_c > and < \hat{I}_{or} > are allowed to be increased by an amount defined in Table 6.1A | | | |

The normative reference for this requirement is TS 25.101 [1] clause 7.6.1B.

6.5C.2.2 Minimum requirements (Narrow band blocking)

The BLER measured on each individual cell shall not exceed 0.1 for the parameters specified in Table 6.5C.3 and Table 6.5C.4. This requirement is measure of a receiver's ability to receive a W-CDMA signal at its assigned channel frequency in the presence of an unwanted narrow band interferer at a frequency, which is less than the nominal channel spacing.

Table 6.5C.3: Narrow band blocking characteristics for DC-HSUPA

| Parameter | Unit | Band II, IV, V, X, XXV, XXVI | Band III, VIII, XII, XIII, XIV |
|----------------------------|------|---|--------------------------------|
| $I_{blocking}$ (GMSK) | dBm | -57 | -56 |
| F_{uw} (offset) (NOTE 2) | MHz | ± 2.7 | ± 2.8 |
| UE transmitted mean power | dBm | 20 (for Power class 3 and 3bis) 18 (for Power class 4) | |

NOTE 1: $I_{blocking}$ (GMSK) is an interfering signal as defined in TS 45.004.

NOTE 2: Negative offsets refer to the assigned channel frequency of the lowest carrier frequency used and positive offsets refer to the assigned channel frequency of the highest carrier frequency used.

Table 6.5C.4: Reference input powers for narrow-band blocking, DC-HSUPA

| Operating Band | Unit | HS-PDSCH_Ec | I _{or} |
|----------------|--------------|-------------|-----------------|
| II | dBm/3.84 MHz | -101 | -90.7 |
| III | dBm/3.84 MHz | -100 | -89.7 |
| IV | dBm/3.84 MHz | -102.8 | -92.5 |
| V | dBm/3.84 MHz | -100.9 | -90.6 |
| VIII | dBm/3.84 MHz | -98.5 | -88.2 |
| X | dBm/3.84 MHz | -102.8 | -92.5 |
| XII | dBm/3.84 MHz | N/A | N/A |
| XIII | dBm/3.84 MHz | N/A | N/A |
| XIV | dBm/3.84 MHz | N/A | N/A |
| XXV | dBm/3.84 MHz | -99.5 | -89.2 |
| XXVI | dBm/3.84 MHz | -98.5 | -88.2 |

NOTE 1: For the UE which supports DB-DC-HSDPA configuration in clause 4.2 the < HS-PDSCH_Ec > and < I_{or} > are allowed to be increased by an amount defined in Table 6.1A

The normative reference for this requirement is TS 25.101 [1] clause 7.6.3B.

6.5C.3 Test purpose

To verify that the UE BLER of HS-PDSCH on each individual cell does not exceed 0.1 for the parameters specified in table 6.5C.6, table 6.5C.7, table 6.5C.8 and table 6.5C.9 for the DL reference channel H-Set 12 specified in Annex C.8.1.12.

The lack of the blocking ability decreases the DC-HSUPA coverage area when other transmitter exists (except in the adjacent channels and spurious response).

6.5C.4 Method of test

6.5C.4.1 Initial conditions

For in-band case:

Test environment: normal; see clauses G.2.1 and G.2.2.

Frequencies to be tested: mid range; see clause G.2.4.

For out-of-band case:

Test environment: normal; see clauses G.2.1 and G.2.2.

Frequency to be tested: 1 arbitrary frequency chosen from the low, mid or high range; see clause G.2.4.

For narrow-band case:

Test environment: normal; see clauses G.2.1 and G.2.2.

Frequencies to be tested: mid range; see clause G.2.4.

- 1) Connect the SS to the UE antenna connector as shown in figure A.43.
- 2) RF parameters are set up according to table 6.5C.6, table 6.5C.7, table 6.5C.8 and table 6.5C.9.
- 3) A call is set up according to the Generic call setup procedure specified in TS34.108[3] sub clause 7.3.14, with exceptions for information elements listed in Table 6.5C.5. With this exception, the Power Control Algorithm for the Uplink is set to algorithm 2.

Contents of RADIO BEARER SETUP message: AM or UM (Test Loop Mode1)

Table 6.5C.5 Specific Message Contents for In-band blocking characteristics for DC-HSUPA

| Information Element | Value/Remark | Version |
|----------------------------------|--------------|---------|
| Uplink DPCH info | | Rel-6 |
| - Uplink DPCH power control info | | |
| - CHOICE mode | FDD | |
| - Power Control Algorithm | Algorithm2 | |

Contents of RADIO BEARER SETUP message: AM or UM (DC-HSDPA)

| Information Element | Value/remark | Version |
|----------------------------------|------------------------------|---------|
| Uplink DPCH info | | Rel-6 |
| - Uplink DPCH power control info | | |
| - CHOICE mode | FDD | |
| - Power Control Algorithm | Algorithm2 | |
| Downlink HS-PDSCH Information | | |
| - CHOICE mode | FDD | |
| - Downlink 64QAM configured | Not Present | Rel-7 |
| - HS-DSCH TB size table | octet aligned (for H-Set 12) | Rel-7 |
| Downlink secondary cell info FDD | | Rel-8 |
| - CHOICE Configuration info | New configuration | |
| - Downlink 64QAM configured | Not Present | |
| - HS-DSCH TB size table | octet aligned (for H-Set 12) | |

See TS 34.108 [3] and TS 34.109 [4] for details regarding generic call setup procedure and loopback test.

6.5C.4.2 Procedure

- 1) Set the parameters of the CW generator or the interference signal generator as shown in table 6.5C.6 and table 6.5C.8.
- 2) Set the power level of UE according to the table 6.5C.6, table 6.5C.7, table 6.5C.8 and table 6.5C.9 or send the power control commands (1dB step size should be used.) to the UE until UE output power measured by Test System shall be kept at the specified power level with ± 1 dB tolerance.
- 3) Measure the BLER of HS-PDSCH received from the UE at the SS by counting the number of NACK, ACK and statDTX on the UL HS-DPCCH ($BLER = (NACK + statDTX)/(NACK + statDTX + ACK)$).

6.5C.5 Test requirements

For table 6.5C.6, the measured BLER, derived in step 2), shall not exceed 0.1 on each individual cell. For table 6.5C.8, the measured BLER, derived in step 2), shall not exceed 0.1 on each individual cell. The minimum number of measurements required for a statistically significant result to this test is clarified in annex F.6.3, Table F.6.3.5.0.

Table 6.5C.6: Test parameters for In-band blocking characteristics for DC-HSUPA

| Parameter | Unit | Level | |
|--|------|---|---|
| | | -56 | -44 |
| I_{blocking} mean power (modulated) | dBm | -56 | -44 |
| F_{uw} offset (NOTE 4) | | ± 10 MHz | ≤ 15 MHz & ≥ 15 MHz |
| F_{uw} (Band I operation) | MHz | $2102.4 \leq f \leq 2177.6$ (Note 2) | $2095 \leq f \leq 2185$ |
| F_{uw} (Band II operation) | MHz | $1922.4 \leq f \leq 1997.6$ (Note 2) | $1915 \leq f \leq 2005$ |
| F_{uw} (Band III operation) | MHz | $1797.4 \leq f \leq 1887.6$ (Note 2) | $1790 \leq f \leq 1895$ |
| F_{uw} (Band IV operation) | MHz | $2102.4 \leq f \leq 2162.6$ (Note 2) | $2095 \leq f \leq 2170$ |
| F_{uw} (Band V operation) | MHz | $861.4 \leq f \leq 901.6$ (Note 2) | $854 \leq f \leq 909$ |
| F_{uw} (Band VI operation) | MHz | $867.4 \leq f \leq 892.6$ (Note 3) | $860 \leq f \leq 900$ (Note 3) |
| F_{uw} (Band VII operation) | MHz | $2612.4 \leq f \leq 2697.6$ (Note 2) | $2605 \leq f \leq 2705$ |
| F_{uw} (Band VIII operation) | MHz | $917.4 \leq f \leq 967.6$ (Note 2) | $910 \leq f \leq 975$ |
| F_{uw} (Band IX operation) | MHz | $1837.4 \leq f \leq 1887.4$ (Note 2) | $1829.9 \leq f \leq 1894.9$ |
| F_{uw} (Band X operation) | MHz | $2102.4 \leq f \leq 2177.6$ (Note 2) | $2095 \leq f \leq 2185$ |
| F_{uw} (Band XI operation) | MHz | $1468.4 \leq f \leq 1503.4$ (Note 2) | $1460.9 \leq f \leq 1510.9$ |
| F_{uw} (Band XII operation) | MHz | $721.4 \leq f \leq 753.6$ (Note 2) | $714 \leq f \leq 761$ |
| F_{uw} (Band XIII operation) | MHz | $738.4 \leq f \leq 763.6$ (Note 2) | $731 \leq f \leq 771$ |
| F_{uw} (Band XIV operation) | MHz | $750.4 \leq f \leq 775.6$ (Note 2) | $743 \leq f \leq 783$ |
| F_{uw} (Band XIX operation) | MHz | $867.4 \leq f \leq 897.6$ (Note 2) | $860 \leq f \leq 905$ (Note 3) |
| F_{uw} (Band XX operation) | MHz | $783.4 \leq f \leq 828.6$ (Note 2) | $776 \leq f \leq 836$ (Note 3) |
| F_{uw} (Band XXI operation) | MHz | $1488.4 \leq f \leq 1518.4$ (Note 2) | $1480.9 \leq f \leq 1525.9$ (Note 3) |
| F_{uw} (Band XXII operation) | MHz | $3502.4 \leq f \leq 3597.6$ (Note 2) | $3495 \leq f \leq 3605$ (Note 3) |
| F_{uw} (Band XXV operation) | MHz | $1922.4 \leq f \leq 2002.6$ (Note 2) | $1915 \leq f \leq 2010$ (Note 3) |
| F_{uw} (Band XXVI operation) | MHz | $851.4 \leq f \leq 901.6$ | $844 \leq f \leq 909$ |
| UE transmitted mean power | dBm | 20 (for Power class 3 and 3bis) 18 (for Power class 4) | |

NOTE 1: I_{blocking} (modulated) consists of the common channels needed for tests as specified in Table E.4.1 and 16 dedicated data channels as specified in Table E.3.6.

NOTE 2: For each carrier frequency the requirement is valid for two frequencies, the carrier frequency +/- 10 MHz.

NOTE 3: For Band VI, Band XIX and Band XXI, the unwanted interfering signal does not fall inside the UE receive band, but within the first 15 MHz below or above the UE receive band.

NOTE 4: Negative offsets refer to the assigned channel frequency of the lowest carrier frequency used and positive offsets refer to the assigned channel frequency of the highest carrier frequency used.

Table 6.5C.7: Test parameters for reference input powers for in-band blocking characteristics, DC-HSUPA

| Operating Band | Unit | HS-PDSCH_Ec | I _{or} |
|----------------|--------------|-------------|-----------------|
| I | dBm/3.84 MHz | -110 | -99.7 |
| II | dBm/3.84 MHz | -108 | -97.7 |
| III | dBm/3.84 MHz | -107 | -96.7 |
| IV | dBm/3.84 MHz | -110 | -99.7 |
| V | dBm/3.84 MHz | -104.3 | -94 |
| VI | dBm/3.84 MHz | -104.7 | -94.4 |
| VII | dBm/3.84 MHz | -108 | -97.7 |
| VIII | dBm/3.84 MHz | -101.1 | -90.8 |
| IX | dBm/3.84 MHz | -109 | -98.7 |
| X | dBm/3.84 MHz | -110 | -99.7 |
| XI | dBm/3.84 MHz | -101.4 | -91.1 |
| XII | dBm/3.84 MHz | N/A | N/A |
| XIII | dBm/3.84 MHz | N/A | N/A |
| XIV | dBm/3.84 MHz | N/A | N/A |
| XIX | dBm/3.84 MHz | -104.7 | -94.4 |
| XX | dBm/3.84 MHz | TBD | TBD |
| XXI | dBm/3.84 MHz | -101.4 | -91.1 |
| XXII | dBm/3.84 MHz | TBD | TBD |
| XXV | dBm/3.84 MHz | -106.5 | -96.2 |
| XXVI | dBm/3.84 MHz | -101.1 | -90.8 |

NOTE 1: For the UE which supports both Band III and Band IX operating frequencies, the reference sensitivity level of TBD dBm <REF_Ec,in-band> shall apply for Band IX. The corresponding <REF_I_{or},in-band> is TBD dBm

NOTE 2: For the UE which supports both Band XI and Band XXI operating frequencies, the reference input power level is FFS.

NOTE 3: For the UE which supports DB-DC-HSDPA configuration in clause 4.2 the < HS-PDSCH_Ec > and < I_{or} > are allowed to be increased by an amount defined in Table 6.1A

Table 6.5C.8: Test parameters for narrow band blocking for DC-HSUPA

| Parameter | Unit | Band II, IV, V, X, XXV, XXVI | Band III, VIII, XII, XIII, XIV |
|-----------------------------------|------|---|--------------------------------|
| I _{blocking} (GMSK) | dBm | -57 | -56 |
| F _{uw} (offset) (NOTE 2) | MHz | ±2.7 | ±2.8 |
| UE transmitted mean power | dBm | 20 (for Power class 3 and 3bis) 18 (for Power class 4) | |

NOTE 5: I_{blocking} (GMSK) is an interfering signal as defined in TS 45.004.

NOTE 6: Offset refers to the assigned channel frequencies of the individual cells.

Table 6.5C.9: Test parameters for reference input powers for narrow-band blocking, DC-HSUPA

| Operating Band | Unit | HS-PDSCH_Ec | I _{or} |
|----------------|--------------|-------------|-----------------|
| II | dBm/3.84 MHz | -101 | -90.7 |
| III | dBm/3.84 MHz | -100 | -89.7 |
| IV | dBm/3.84 MHz | -102.8 | -92.5 |
| V | dBm/3.84 MHz | -100.9 | -90.6 |
| VIII | dBm/3.84 MHz | -98.5 | -88.2 |
| X | dBm/3.84 MHz | -102.8 | -92.5 |
| XII | dBm/3.84 MHz | N/A | N/A |
| XIII | dBm/3.84 MHz | N/A | N/A |
| XIV | dBm/3.84 MHz | N/A | N/A |
| XXV | dBm/3.84 MHz | -99.5 | -89.2 |
| XXVI | dBm/3.84 MHz | -98.5 | -88.2 |

NOTE: For the UE which supports DB-DC-HSDPA configuration in clause 4.2 the < HS-PDSCH_Ec > and < I_{or} > are allowed to be increased by an amount defined in Table 6.1A

NOTE 7: If the above Test Requirement differs from the Minimum Requirement then the Test Tolerance applied for this test is non-zero. The Test Tolerance for this test is defined in clause F.2 and the explanation of how the Minimum Requirement has been relaxed by the Test Tolerance is given in clause F.4.

6.5D Blocking Characteristics for single Uplink Single band 4C-HSDPA

6.5D.1 Definition and applicability

The blocking characteristic is a measure of the receiver's ability to receive a wanted signal at its assigned channel frequency in the presence of an unwanted interferer on frequencies other than those of the spurious response or the adjacent channels, without this unwanted input signal causing a degradation of the performance of the receiver beyond a specified limit. The blocking performance shall apply at all frequencies except those at which a spurious response occur.

The requirements in clause 6.5D.2.1 and 6.5D.2.2 and this test apply for Release 10 and later releases to all types of UTRA for the FDD UE that support single band single uplink 4C-HSDPA.

Single band 4C-HSDPA is designed to operate in configurations specified in clause 4.2.

6.5D.2 Minimum Requirements

6.5D.2.1 Minimum Requirements (In-band blocking)

The BLER measured on each individual cell shall not exceed 0.1 for the parameters specified in Table 6.5D.1 and 6.5D.2. In-band blocking is defined for an unwanted interfering signal falling into the UE receive band or into the first 15 MHz below or above the UE receive band.

Table 6.5D.1: Test parameters for in-band blocking, single band 4C-HSDPA, single uplink operation

| Parameter | Unit | Level | |
|--|------|---|--------------------------|
| I _{blocking} mean power (modulated) | dBm | -56 | -44 |
| F _{uw} offset (NOTE 2) | | ±10 MHz | ≤-15 MHz & ≥15 MHz |
| F _{uw} (Band I operation) | MHz | 2102.4 ≤ f ≤ 2177.6 | 2095 ≤ f ≤ 2185 |
| UE transmitted mean power | dBm | 20 (for Power class 3 and 3bis) 18 (for Power class 4) | |

NOTE 1: I_{blocking} (modulated) consists of the common channels needed for tests as specified in Table E.4.1 and 16 dedicated data channels as specified in Table E.3.6.

NOTE 2: For single band 4C-HSDPA, negative offset refers to the assigned channel frequency of the lowest carrier frequencies, and positive offset refers to the assigned channel frequency of the highest carrier frequencies.

Table 6.5D.2: In-band blocking requirements, single band 4C-HSDPA, single uplink operation

| Single band 4C-HSDPA Configuration | DL Band | HS-PDSCH E_c (dBm/3.84MHz) | \hat{I}_{or} (dBm/3.84MHz) | UL-DL carrier separation |
|------------------------------------|---------|------------------------------|------------------------------|--------------------------|
| I-3 | I | <REFSENS>+3 dB | <REF \hat{I}_{or} >+3 dB | Minimum |

NOTE 3: <REFSENS> and <REF \hat{I}_{or} > refer to the HS-PDSCH_ E_c <REFSENS> and the HS-PDSCH<REF \hat{I}_{or} > as specified in Table 6.2C.1 for single band 4C-HSDPA.

The normative reference for this requirement is TS 25.101 [1] clause 7.6.1C.1.

6.5D.2.2 Minimum requirements (Out of-band blocking)

The BLER measured on each individual cell shall not exceed 0.1 for the parameters specified in Table 6.5D.3 and 6.5D.4. Out-of-band band blocking is defined for an unwanted interfering signal falling more than 15 MHz below or above the UE receive band.

For Table 6.5D.3 in frequency range 1, 2 and 3, up to 24 exceptions per received cell are allowed for spurious response frequencies in each assigned frequency channel when measured using a 1 MHz step size. For these exceptions the requirements of clause 6.6C spurious response are applicable.

For Table 6.5D.4 in frequency range 4, up to 8 exceptions per received cell are allowed for spurious response frequencies in each assigned frequency channel when measured using a 1 MHz step size. For these exceptions the requirements of clause 6.6C spurious response are applicable.

Table 6.5D.3: Test parameters for out of band blocking, single band 4C-HSDPA

| Parameter | Unit | Frequency range 1 | Frequency range 2 | Frequency range 3 | Frequency range 4 |
|--|---|---|--------------------------------|----------------------------|-------------------|
| $I_{blocking}$ (CW) | dBm | -44 | -30 | -15 | -15 |
| F_{uw} (Single band 4C-HSDPA Configuration I-3) | MHz | 2050<f <2095 2185<f <2230 | 2025 <f ≤2050 2230 ≤f <2255 | 1< f ≤2025 2255≤f<12750 | - |
| UE transmitted mean power | dBm | 20 (for Power class 3 and 3bis) 18 (for Power class 4) | | | |
| Single band 4C-HSDPA Configuration I-3 | For 2095≤f ≤2185 MHz, the appropriate in-band blocking or adjacent channel selectivity in subclause [6.4D.2] and subclause 6.5D.2.1 shall be applied. | | | | |

Table 6.5D.4: Out of band blocking requirements, single band 4C-HSDPA

| Single band 4C-HSDPA Configuration | Parameter | Frequency range 1 | Frequency range 2 | Frequency range 3 | Frequency range 4 | UL-DL carrier separation |
|------------------------------------|-------------------------------|------------------------------|------------------------------|------------------------------|------------------------------|--------------------------|
| I-3 | HS-PDSCH_ E_c (dBm/3.84MHz) | <REFSENS> +3 dB | <REFSENS> +3 dB | <REFSENS> +3 dB | <REFSENS> +3 dB | Minimum |
| | \hat{I}_{or} (dBm/3.84MHz) | <REF \hat{I}_{or} > + 3 dB | <REF \hat{I}_{or} > + 3 dB | <REF \hat{I}_{or} > + 3 dB | <REF \hat{I}_{or} > + 3 dB | |

NOTE: <REFSENS> and <REF \hat{I}_{or} > refers to the HS-PDSCH_ E_c <REFSENS> and the HS-PDSCH<REF \hat{I}_{or} > as specified in Table 6.2C.1.

The normative reference for this requirement is TS 25.101 [1] clause 7.6.2C.

6.5D.3 Test purpose

To verify that the UE BLER of HS-PDSCH on each individual cell does not exceed 0.1 for the parameters specified in table 6.5D.6, table 6.5D.7, table 6.5D.8 and table 6.5D.10 for the DL reference channel H-Set 1B specified in Annex C.8.1.1.

The lack of the blocking ability decreases the 4C-HSDPA coverage area when other transmitter exists (except in the adjacent channels and spurious response).

6.5D.4 Method of test

6.5D.4.1 Initial conditions

For in-band case:

Test environment: normal; see clauses G.2.1 and G.2.2.

Frequencies to be tested: mid range; see clause G.2.4.

For out-of-band case:

Test environment: normal; see clauses G.2.1 and G.2.2.

Frequency to be tested: 1 arbitrary frequency chosen from the low, mid or high range; see clause G.2.4.

- 1) Connect the SS to the UE antenna connector as shown in figure A.49.
- 2) RF parameters are set up according to table 6.5D.6, table 6.5D.7, table 6.5D.8 and table 6.5D.9.
- 3) A call is set up according to the Generic 4C-HSDPA setup procedure specified in TS34.108[3] sub clause 7.3.16, with exceptions for information elements listed in Table 6.5D.5. With this exception, the Power Control Algorithm for the Uplink is set to algorithm 2.

Contents of RADIO BEARER SETUP message: AM or UM (Test Loop Mode1)

Table 6.5D.5: Specific Message Contents for In-band blocking characteristics for Single band 4C-HSDPA, Single uplink operation

| Information Element | Value/Remark | Version |
|----------------------------------|--------------|---------|
| Uplink DPCH info | | Rel-6 |
| - Uplink DPCH power control info | | |
| - CHOICE mode | FDD | |
| - Power Control Algorithm | Algorithm2 | |

6.5D.4.2 Procedure

- 1) Set the parameters of the CW generator or the interference signal generator as shown in table 6.5D.6 and table 6.5D.7, for inbanding measurements and table 6.5D.8 and table 6.5D.9 for out of band measurements. For table 6.5D.8 and 6.5D.9, the frequency step size is 1 MHz.
- 2) Set the power level of UE according to the table 6.5D.6, table 6.5D.7, table 6.5D.8 and table 6.5D.9, or send the power control commands (1dB step size should be used.) to the UE until UE output power measured by Test System shall be kept at the specified power level with ± 1 dB tolerance.
- 3) Measure the BLER of HS-PDSCH received from the UE at the SS by counting the number of NACK, ACK and statDTX on the UL HS-DPCCH ($BLER = (NACK + statDTX)/(NACK + statDTX + ACK)$).
- 4) For table 6.5D.8 and 6.5D.9, record the frequencies for which BLER exceed the test requirements.

6.5D.5 Test requirements

For table 6.5D.6 and 6.5D.7, the measured BLER, derived in step 2), shall not exceed 0.1 on each individual cell. For table 6.5D.8 and 6.5D.9, the measured BLER, derived in step 2) shall not exceed 0.1 on each individual cell except for the spurious response frequencies, recorded in step 3). The number of spurious response frequencies, recorded in step 3) shall not exceed 24 for frequency range 1, 2 and 3. The number of spurious response frequencies, recorded in step 3) shall not exceed 8 for frequency range 4. The minimum number of measurements required for a statistically significant result to this test is clarified in annex F.6.3, Table F.6.3.5.0.

Table 6.5D.6: Test parameters for in-band blocking, single band 4C-HSDPA, single uplink operation

| Parameter | Unit | Level | |
|--|------|---|--------------------------------------|
| I_{blocking} mean power (modulated) | dBm | -56 | -44 |
| F_{uw} offset (NOTE 2) | | ± 10 MHz | ≤ -15 MHz & ≥ 15 MHz |
| F_{uw} (Band I operation) | MHz | $2102.4 \leq f \leq 2177.6$ | $2095 \leq f \leq 2185$ |
| UE transmitted mean power | dBm | 20 (for Power class 3 and 3bis) 18 (for Power class 4) | |

NOTE 1: I_{blocking} (modulated) consists of the common channels needed for tests as specified in Table E.4.1 and 16 dedicated data channels as specified in Table E.3.6.

NOTE 2: For single band 4C-HSDPA, negative offset refers to the assigned channel frequency of the lowest carrier frequencies, and positive offset refers to the assigned channel frequency of the highest carrier frequencies.

Table 6.5D.7: In-band blocking requirements, single band 4C-HSDPA, single uplink operation

| Single band 4C-HSDPA Configuration | DL Band | HS-PDSCH_Ec (dBm/3.84MHz) | \hat{I}_{or} (dBm/3.84MHz) | UL-DL carrier separation |
|------------------------------------|---------|---------------------------|-------------------------------------|--------------------------|
| I-3 | I | <REFSENS>+3 dB | <REF \hat{I}_{or} >+3 dB | Minimum |

NOTE 3: <REFSENS> and <REF \hat{I}_{or} > refer to the HS-PDSCH_Ec<REFSENS> and the HS-PDSCH<REF \hat{I}_{or} > as specified in Table 6.2C.1 for single band 4C-HSDPA.

Table 6.5D.8: Test parameters for out of band blocking, single band 4C-HSDPA

| Parameter | Unit | Frequency range 1 | Frequency range 2 | Frequency range 3 | Frequency range 4 |
|--|--|---|--|--|-------------------|
| I_{blocking} (CW) | dBm | -44 | -30 | -15 | -15 |
| F_{uw} (Single band 4C-HSDPA Configuration I-3) | MHz | $2050 < f < 2095$ $2185 < f < 2230$ | $2025 < f \leq 2050$ $2230 \leq f < 2255$ | $1 < f \leq 2025$ $2255 \leq f < 12750$ | - |
| UE transmitted mean power | dBm | 20 (for Power class 3 and 3bis) 18 (for Power class 4) | | | |
| Single band 4C-HSDPA Configuration I-3 | For $2095 \leq f \leq 2185$ MHz, the appropriate in-band blocking or adjacent channel selectivity in subclause [6.4D.2] and subclause 6.5D.2.1 shall be applied. | | | | |

Table 6.5D.9: Out of band blocking requirements, single band 4C-HSDPA

| Single band 4C-HSDPA Configuration | Parameter | Frequency range 1 | Frequency range 2 | Frequency range 3 | Frequency range 4 | UL-DL carrier separation |
|------------------------------------|-------------------------------------|-------------------------------------|-------------------------------------|-------------------------------------|-------------------------------------|--------------------------|
| I-3 | HS-PDSCH_Ec (dBm/3.84MHz) | <REFSENS> +3 dB | <REFSENS> +3 dB | <REFSENS> +3 dB | <REFSENS> +3 dB | Minimum |
| | \hat{I}_{or} (dBm/3.84MHz) | <REF \hat{I}_{or} > + 3 dB | <REF \hat{I}_{or} > + 3 dB | <REF \hat{I}_{or} > + 3 dB | <REF \hat{I}_{or} > + 3 dB | |

NOTE 4: <REFSENS> and <REF \hat{I}_{or} > refers to the HS-PDSCH_Ec<REFSENS> and the HS-PDSCH<REF \hat{I}_{or} > as specified in Table 6.2C.1.

NOTE 5: If the above Test Requirement differs from the Minimum Requirement then the Test Tolerance applied for this test is non-zero. The Test Tolerance for this test is defined in clause F.2 and the explanation of how the Minimum Requirement has been relaxed by the Test Tolerance is given in clause F.4.

6.5E Blocking Characteristics for dual uplink single band 4C-HSDPA

6.5E.1 Definition and applicability

The blocking characteristic is a measure of the receiver's ability to receive a wanted signal at its assigned channel frequency in the presence of an unwanted interferer on frequencies other than those of the spurious response or the adjacent channels, without this unwanted input signal causing a degradation of the performance of the receiver beyond a specified limit. The blocking performance shall apply at all frequencies except those at which a spurious response occur.

The requirements in clause 6.5E.2.1 and 6.5E.2.2 and this test apply for Release 10 and later releases to all types of UTRA for the FDD UE that support single band dual uplink 4C-HSDPA.

Single band 4C-HSDPA is designed to operate in configurations specified in clause 4.2.

6.5E.2 Minimum Requirements

6.5E.2.1 Minimum Requirements (In-band blocking)

The BLER measured on each individual cell shall not exceed 0.1 for the parameters specified in Table 6.5E.1 and 6.5E.2. In-band blocking is defined for an unwanted interfering signal falling into the UE receive band or into the first 15 MHz below or above the UE receive band.

Table 6.5E.1: Test parameters for in-band blocking, single band 4C-HSDPA, dual uplink operation

| Parameter | Unit | Level | |
|--|------|-----------------------------|-------------------------------------|
| I_{blocking} mean power (modulated) | dBm | -56 | -44 |
| F_{uw} offset (NOTE 2) | | ± 10 MHz | ≤ 15 MHz & ≥ 15 MHz |
| F_{uw} (Band I operation) | MHz | $2102.4 \leq f \leq 2177.6$ | $2095 \leq f \leq 2185$ |

NOTE 1: I_{blocking} (modulated) consists of the common channels needed for tests as specified in Table E.4.1 and 16 dedicated data channels as specified in Table E.3.6.

NOTE 2: For single band 4C-HSDPA, negative offset refers to the assigned channel frequency of the lowest carrier frequencies, and positive offset refers to the assigned channel frequency of the highest carrier frequencies.

Table 6.5E.2: In-band blocking requirements, single band 4C-HSDPA, dual uplink operation

| Single band 4C-HSDPA Configuration | DL Band | HS-PDSCH_Ec (dBm/3.84MHz) | \hat{I}_{or} (dBm/3.84MHz) | UE transmitted mean power (dBm) | UL-DL carrier separation |
|--|---------|---------------------------|-------------------------------------|---|--------------------------|
| I-3 | I | -110 | -99.7 | 20 (for Power class 3 and 3bis) 18 (for Power class 4) | Minimum |
| NOTE 1: For the UE which supports DB-DC-HSDPA configuration in section 4.2 the < HS-PDSCH_Ec > and < \hat{I}_{or} > are allowed to be increased by an amount defined in Table 6.1A. | | | | | |
| NOTE 2: For the UE which supports dual band 4C-HSDPA configuration in Table 4.0B the < HS-PDSCH_Ec > and < \hat{I}_{or} > are allowed to be increased by an amount defined in Table 6.1B. | | | | | |

The normative reference for this requirement is TS 25.101 [1] clause 7.6.1C.2.

6.5E.3 Test purpose

To verify that the UE BLER of HS-PDSCH on each individual cell does not exceed 0.1 for the parameters specified in table 6.5E.4 and table 6.5E.5 for the DL reference channel H-Set 1B specified in Annex C.8.1.1.

The lack of the blocking ability decreases the 4C-HSDPA coverage area when other transmitter exists (except in the adjacent channels and spurious response).

6.5E.4 Method of test

6.5E.4.1 Initial conditions

For in-band case:

Test environment: normal; see clauses G.2.1 and G.2.2.

Frequencies to be tested: mid range; see clause G.2.4.

For out-of-band case:

Test environment: normal; see clauses G.2.1 and G.2.2.

Frequency to be tested: 1 arbitrary frequency chosen from the low, mid or high range; see clause G.2.4.

- 1) Connect the SS to the UE antenna connector as shown in figure A.49.
- 2) RF parameters are set up according to table 6.5E.4 and table 6.5E.5.
- 3) A call is set up according to the Generic 4C-HSDPA setup procedure specified in TS34.108[3] sub clause 7.3.16, with exceptions for information elements listed in Table 6.5E.3. With this exception, the Power Control Algorithm for the Uplink is set to algorithm 2.

Contents of RADIO BEARER SETUP message: AM or UM (Test Loop Mode1)

Table 6.5E.3: Specific Message Contents for In-band blocking characteristics for Single band 4C-HSDPA, Single uplink operation

| Information Element | Value/Remark | Version |
|----------------------------------|--------------|---------|
| Uplink DPCH info | | Rel-6 |
| - Uplink DPCH power control info | | |
| - CHOICE mode | FDD | |
| - Power Control Algorithm | Algorithm2 | |

6.5E.4.2 Procedure

- 1) Set the parameters of the CW generator or the interference signal generator as shown in table 6.5E.4 and table 6.5E.5, for inblocking measurements.
- 2) Set the power level of UE according to the table 6.5E.4 and table 6.5E.5, or send the power control commands (1dB step size should be used.) to the UE until UE output power measured by Test System shall be kept at the specified power level with ± 1 dB tolerance.
- 3) Measure the BLER of HS-PDSCH received from the UE at the SS by counting the number of NACK, ACK and statDTX on the UL HS-DPCCH ($BLER = (NACK + statDTX)/(NACK + statDTX + ACK)$).
- 4) For table 6.5E.5, record the frequencies for which BLER exceed the test requirements.

6.5E.5 Test requirements

For table 6.5E.4 and 6.5E.5, the measured BLER, derived in step 2), shall not exceed 0.1 on each individual cell. The minimum number of measurements required for a statistically significant result to this test is clarified in annex F.6.3, Table F.6.3.5.0.

Table 6.5E.4: Test parameters for in-band blocking, single band 4C-HSDPA, dual uplink operation

| Parameter | Unit | Level | |
|--|------|-----------------------------|--------------------------------------|
| I_{blocking} mean power (modulated) | dBm | -56 | -44 |
| F_{uw} offset (NOTE 2) | | ± 10 MHz | ≤ -15 MHz & ≥ 15 MHz |
| F_{uw} (Band I operation) | MHz | $2102.4 \leq f \leq 2177.6$ | $2095 \leq f \leq 2185$ |

NOTE 1: I_{blocking} (modulated) consists of the common channels needed for tests as specified in Table E.4.1 and 16 dedicated data channels as specified in Table E.3.6.

NOTE 2: For single band 4C-HSDPA, negative offset refers to the assigned channel frequency of the lowest carrier frequencies, and positive offset refers to the assigned channel frequency of the highest carrier frequencies.

Table 6.5E.5: In-band blocking requirements, single band 4C-HSDPA, dual uplink operation

| Single band 4C-HSDPA Configuration | DL Band | HS-PDSCH_Ec (dBm/3.84MHz) | \hat{I}_{or} (dBm/3.84MHz) | UE transmitted mean power (dBm) | UL-DL carrier separation |
|--|---------|---------------------------|-------------------------------------|---|--------------------------|
| I-3 | I | -110 | -99.7 | 20 (for Power class 3 and 3bis) 18 (for Power class 4) | Minimum |
| NOTE 1: For the UE which supports DB-DC-HSDPA configuration in section 4.2 the $\langle \text{HS-PDSCH_Ec} \rangle$ and $\langle \hat{I}_{\text{or}} \rangle$ are allowed to be increased by an amount defined in Table 6.1A. | | | | | |
| NOTE 2: For the UE which supports dual band 4C-HSDPA configuration in Table 4.0B the $\langle \text{HS-PDSCH_Ec} \rangle$ and $\langle \hat{I}_{\text{or}} \rangle$ are allowed to be increased by an amount defined in Table 6.1B. | | | | | |

NOTE 3: If the above Test Requirement differs from the Minimum Requirement then the Test Tolerance applied for this test is non-zero. The Test Tolerance for this test is defined in clause F.2 and the explanation of how the Minimum Requirement has been relaxed by the Test Tolerance is given in clause F.4.

6.5F Blocking Characteristics for single Uplink dual band 4C-HSDPA

6.5F.1 Definition and applicability

The blocking characteristic is a measure of the receiver's ability to receive a wanted signal at its assigned channel frequency in the presence of an unwanted interferer on frequencies other than those of the spurious response or the adjacent channels, without this unwanted input signal causing a degradation of the performance of the receiver beyond a specified limit. The blocking performance shall apply at all frequencies except those at which a spurious response occur.

The requirements in clause 6.5F.2.1 and 6.5F.2.2 and this test apply for Release 10 and later releases to all types of UTRA for the FDD UE that support dual band single uplink 4C-HSDPA and HS-DSCH categories 31 or 32.

Dual band 4C-HSDPA is designed to operate in configurations specified in clause 4.2.

6.5F.2 Minimum Requirements

6.5F.2.1 Minimum Requirements (In-band blocking)

The BLER measured on each individual cell shall not exceed 0.1 for the parameters specified in Table 6.5F.1 and 6.5F.2. In-band blocking is defined for an unwanted interfering signal falling into the UE receive band or into the first 15 MHz below or above the UE receive band.

Table 6.5F.1: Test parameters for in-band blocking, dual band 4C-HSDPA, single uplink operation

| Parameter | Unit | Level | |
|--|------|---|--------------------------------------|
| I_{blocking} mean power (modulated) | dBm | -56 | -44 |
| F_{uw} offset (NOTE 2) | | ± 10 MHz | ≤ -15 MHz & ≥ 15 MHz |
| F_{uw} (Band I operation) | MHz | $2102.4 \leq f \leq 2177.6$ | $2095 \leq f \leq 2185$ |
| F_{uw} (Band II operation) | MHz | $1922.4 \leq f \leq 1997.6$ | $1915 \leq f \leq 2005$ |
| F_{uw} (Band IV operation) | MHz | $2102.4 \leq f \leq 2162.6$ | $2095 \leq f \leq 2170$ |
| F_{uw} (Band V operation) | MHz | $861.4 \leq f \leq 901.6$ | $854 \leq f \leq 909$ |
| F_{uw} (Band VIII operation) | MHz | $917.4 \leq f \leq 967.6$ | $910 \leq f \leq 975$ |
| UE transmitted mean power | dBm | 20 (for Power class 3 and 3bis) 18 (for Power class 4) | |

NOTE 1: I_{blocking} (modulated) consists of the common channels needed for tests as specified in Table E.4.1 and 16 dedicated data channels as specified in Table E.3.6.

NOTE 2: For dual band 4C-HSDPA, negative offset refers to the assigned channel frequency of the lowest carrier frequencies, and positive offset refers to the assigned channel frequency of the highest carrier frequencies.

Table 6.5F.2: In-band blocking requirements, dual band 4C-HSDPA, single uplink operation

| Dual band 4C-HSDPA Configuration | DL Band | UL Band | HS-PDSCH_Ec (dBm/3.84MHz) | \hat{I}_{or} (dBm/3.84MHz) | UL-DL carrier separation |
|-------------------------------------|---------|---------|---------------------------|-------------------------------------|--------------------------|
| I-2-VIII-1 I-3-VIII-1 | I | I | <REFSENS>+3 dB | <REF \hat{I}_{or} >+3 dB | Minimum |
| | VIII | | <REFSENS>+3 dB | <REF \hat{I}_{or} >+3 dB | Minimum |
| | I | VIII | <REFSENS>+3 dB | <REF \hat{I}_{or} >+3 dB | Minimum |
| | VIII | | <REFSENS>+3 dB | <REF \hat{I}_{or} >+3 dB | Minimum |
| II-1-IV-2 II-2-IV-1 II-2-IV-2 | II | II | <REFSENS>+3 dB | <REF \hat{I}_{or} >+3 dB | Minimum |
| | IV | | <REFSENS>+3 dB | <REF \hat{I}_{or} >+3 dB | Minimum |
| | II | IV | <REFSENS>+3 dB | <REF \hat{I}_{or} >+3 dB | Minimum |
| | IV | | <REFSENS>+3 dB | <REF \hat{I}_{or} >+3 dB | Minimum |
| I-1-V-2 I-2-V-1 I-2-V-2 | I | I | <REFSENS>+3 dB | <REF \hat{I}_{or} >+3 dB | Minimum |
| | V | | <REFSENS>+3 dB | <REF \hat{I}_{or} >+3 dB | Minimum |
| | I | V | <REFSENS>+3 dB | <REF \hat{I}_{or} >+3 dB | Minimum |
| | V | | <REFSENS>+3 dB | <REF \hat{I}_{or} >+3 dB | Minimum |

NOTE 3: <REFSENS> and <REF \hat{I}_{or} > refers to the HS-PDSCH_Ec<REFSENS> and the HS-PDSCH<REF \hat{I}_{or} > as specified in Table 6.2D.1

The normative reference for this requirement is TS 25.101 [1] clause 7.6.1D.1.

6.5F.2.2 Minimum requirements (Out of-band blocking)

The BLER measured on each individual cell shall not exceed 0.1 for the parameters specified in Table 6.5F.3 and 6.5F.4. Out-of-band band blocking is defined for an unwanted interfering signal falling more than 15 MHz below or above the UE receive band.

For Table 6.5F.3 in frequency range 1, 2 and 3, up to 24 exceptions per received cell are allowed for spurious response frequencies in each assigned frequency channel when measured using a 1 MHz step size. For these exceptions the requirements of clause 6.6D spurious response are applicable.

For Table 6.5F.4 in frequency range 4, up to 8 exceptions per received cell are allowed for spurious response frequencies in each assigned frequency channel when measured using a 1 MHz step size. For these exceptions the requirements of clause 6.6D spurious response are applicable.

Table 6.5F.3: Test parameters for out of band blocking, dual band 4C-HSDPA

| Parameter | Unit | Frequency range 1 | Frequency range 2 | Frequency range 3 | Frequency range 4 |
|---|--|---|--|--|-------------------|
| $I_{\text{blocking}}(\text{CW})$ | dBm | -44 | -30 | -15 | -15 |
| F_{uw} (Dual band 4C-HSDPA Configuration I-2-VIII-1, I-3-VIII-1) | MHz | 865 < f < 910 975 < f < 1020 2050 < f < 2095 2185 < f < 2230 | 840 < f ≤ 865 1020 ≤ f < 1045 2025 < f ≤ 2050 2230 ≤ f < 2255 | 1 < f ≤ 840 1045 ≤ f < 2025 2255 < f ≤ 12750 | - |
| F_{uw} (Dual band 4C-HSDPA Configuration II-1-IV-2, II-2-IV-1, II-2-IV-2) | MHz | 1870 < f < 1915 2005 < f < 2095 2170 < f < 2215 | 1845 < f ≤ 1870 2215 ≤ f < 2240 | 1 < f ≤ 1845 2240 ≤ f < 12750 | 1850 ≤ f ≤ 1910 |
| F_{uw} (Dual band 4C-HSDPA Configuration I-1-V-2, I-2-V-1, I-2-V-2) | MHz | 809 < f < 854 909 < f < 954 2050 < f < 2095 2185 < f < 2230 | 784 < f ≤ 809 954 ≤ f < 979 2025 < f ≤ 2050 2230 ≤ f < 2255 | 1 < f ≤ 784 979 ≤ f < 2025 2255 < f ≤ 12750 | 824 ≤ f ≤ 849 |
| UE transmitted mean power | dBm | 20 (for Power class 3 and 3bis) 18 (for Power class 4) | | | |
| Dual band 4C-HSDPA Configuration I-2-VIII-1, I-3-VIII-1 | For 910 ≤ f ≤ 975 MHz and 2095 ≤ f ≤ 2185 MHz, the appropriate in-band blocking or adjacent channel selectivity in subclause [6.4D.2] and subclause 6.5F.2.1 shall be applied. | | | | |
| Dual band 4C-HSDPA Configuration II-1-IV-2, II-2-IV-1, II-2-IV-2 | For 1915 ≤ f ≤ 2005 MHz and 2095 ≤ f ≤ 2070 MHz, the appropriate in-band blocking or adjacent channel selectivity in subclause [6.4D.2] and subclause 6.5F.2.1 shall be applied. | | | | |
| Dual band 4C-HSDPA Configuration I-1-V-2, I-2-V-1, I-2-V-2 | For 854 ≤ f ≤ 909 MHz and 2095 ≤ f ≤ 2185 MHz, the appropriate in-band blocking or adjacent channel selectivity in subclause [6.4D.2] and subclause 6.5F.2.1 shall be applied. | | | | |

Table 6.5F.4: Out of band blocking requirements, dual band 4C-HSDPA

| Dual band 4C-HSDPA Configuration | DL Band | UL Band | Parameter | Frequency range 1 | Frequency range 2 | Frequency range 3 | Frequency range 4 | UL-DL carrier separation |
|-------------------------------------|---------|---------|-------------------------------|---------------------------------|---------------------------------|---------------------------------|---------------------------------|--------------------------|
| I-2-VIII-1 I-3-VIII-1 | I | I | HS-PDSCH_Ec (dBm/3.84MHz) | <REFSENS> +3 dB | <REFSENS> +3 dB | <REFSENS> +3 dB | <REFSENS> +3 dB | Minimum |
| | VIII | | I_{or} (dBm/3.84MHz) | <REF I_{or} > +3 dB | <REF I_{or} > +3 dB | <REF I_{or} > +3 dB | <REF I_{or} > +3 dB | Minimum |
| | I | VIII | HS-PDSCH_Ec (dBm/3.84MHz) | <REFSENS> +3 dB | <REFSENS> +3 dB | <REFSENS> +3 dB | <REFSENS> +3 dB | Minimum |
| | VIII | | I_{or} (dBm/3.84MHz) | <REF I_{or} > +3 dB | <REF I_{or} > +3 dB | <REF I_{or} > +3 dB | <REF I_{or} > +3 dB | Minimum |
| II-1-IV-2 II-2-IV-1 II-2-IV-2 | II | II | HS-PDSCH_Ec (dBm/3.84MHz) | <REFSENS> +3 dB | <REFSENS> +3 dB | <REFSENS> +3 dB | <REFSENS> +3 dB | Minimum |
| | IV | | I_{or} (dBm/3.84MHz) | <REF I_{or} > +3 dB | <REF I_{or} > +3 dB | <REF I_{or} > +3 dB | <REF I_{or} > +3 dB | Minimum |
| | II | IV | HS-PDSCH_Ec (dBm/3.84MHz) | <REFSENS> +3 dB | <REFSENS> +3 dB | <REFSENS> +3 dB | <REFSENS> +3 dB | Minimum |
| | IV | | I_{or} (dBm/3.84MHz) | <REF I_{or} > +3 dB | <REF I_{or} > +3 dB | <REF I_{or} > +3 dB | <REF I_{or} > +3 dB | Minimum |
| I-1-V-2 I-2-V-1 I-2-V-2 | I | I | HS-PDSCH_Ec (dBm/3.84MHz) | <REFSENS> +3 dB | <REFSENS> +3 dB | <REFSENS> +3 dB | <REFSENS> +3 dB | Minimum |
| | V | | I_{or} (dBm/3.84MHz) | <REF I_{or} > +3 dB | <REF I_{or} > +3 dB | <REF I_{or} > +3 dB | <REF I_{or} > +3 dB | Minimum |
| | I | V | HS-PDSCH_Ec (dBm/3.84MHz) | <REFSENS> +3 dB | <REFSENS> +3 dB | <REFSENS> +3 dB | <REFSENS> +3 dB | Minimum |
| | V | | I_{or} (dBm/3.84MHz) | <REF I_{or} > +3 dB | <REF I_{or} > +3 dB | <REF I_{or} > +3 dB | <REF I_{or} > +3 dB | Minimum |

NOTE: <REFSENS> and <REF I_{or} > refers to the HS-PDSCH_Ec<REFSENS> and the HS-PDSCH<REF I_{or} > as specified in Table 6.2D.1.

The normative reference for this requirement is TS 25.101 [1] clause 7.6.2D.

6.5F.2.3 Minimum requirements (Narrow band blocking)

The BLER measured on each individual cell shall not exceed 0.1 for the parameters specified in Table 6.5F.5 and 6.5F.6. This requirement is measure of a receiver's ability to receive a W-CDMA signal at its assigned channel frequency in the presence of an unwanted narrow band interferer at a frequency, which is less than the nominal channel spacing.

Table 6.5F.5: Test parameters for narrow band blocking characteristics, dual band 4C-HSDPA, single uplink operation

| Parameter | Unit | Band II, IV, V | Band VIII |
|--------------------------------------|------|---|-----------|
| I_{blocking} (GMSK) | dBm | -57 | -56 |
| F_{uw} (offset) (NOTE 2) | MHz | ± 2.7 | ± 2.8 |
| UE transmitted mean power | dBm | 20 (for Power class 3 and 3bis) 18 (for Power class 4) | |

NOTE 1: I_{blocking} (GMSK) is an interfering signal as defined in TS 45.004.

NOTE 2: For dual band 4C-HSDPA, negative offset refers to the assigned channel frequency of the lowest carrier frequency(ies) in each band, and positive offset refers to the assigned channel frequency of the highest carrier frequency(ies) in each band.

Table 6.5F.6: Narrow band blocking requirements, dual band 4C-HSDPA, single uplink operation

| Dual band 4C-HSDPA Configuration | DL Band | UL Band | HS-PDSCH_Ec (dBm/3.84MHz) | \hat{I}_{or} (dBm/3.84MHz) | UL-DL carrier separation |
|----------------------------------|---------|---------|---------------------------|-------------------------------------|--------------------------|
| I-2-VIII-1 | VIII | I | <REFSENS>+10 dB | <REF \hat{I}_{or} >+10 dB | Minimum |
| I-3-VIII-1 | VIII | VIII | <REFSENS>+10 dB | <REF \hat{I}_{or} >+10 dB | Minimum |
| II-1-IV-2 | II | II | <REFSENS>+10 dB | <REF \hat{I}_{or} >+10 dB | Minimum |
| II-2-IV-1 | IV | | <REFSENS>+10 dB | <REF \hat{I}_{or} >+10 dB | Minimum |
| II-2-IV-2 | II | IV | <REFSENS>+10 dB | <REF \hat{I}_{or} >+10 dB | Minimum |
| | IV | | <REFSENS>+10 dB | <REF \hat{I}_{or} >+10 dB | Minimum |
| I-1-V-2 | V | I | <REFSENS>+10 dB | <REF \hat{I}_{or} >+10 dB | Minimum |
| I-2-V-1 | V | V | <REFSENS>+10 dB | <REF \hat{I}_{or} >+10 dB | Minimum |
| I-2-V-2 | | | | | |

NOTE 3: <REFSENS> and <REF \hat{I}_{or} > refer to the HS-PDSCH_Ec<REFSENS> and the HS-PDSCH<REF \hat{I}_{or} > as specified in Table 6.2D.1 for dual band 4C-HSDPA.

The normative reference for this requirement is TS 25.101 [1] clause 7.6.3D.1.

6.5F.3 Test purpose

To verify that the UE BLER of HS-PDSCH on each individual cell does not exceed 0.1 for the parameters specified in table 6.5F.8, table 6.5F.9, table 6.5F.10, table 6.5F.11, table 6.5F.12 and table 6.5F.13 for the DL reference channel H-Set 1C specified in Annex C.8.1.1.

The lack of the blocking ability decreases the 4C-HSDPA coverage area when other transmitter exists (except in the adjacent channels and spurious response).

This test case tests only 4 carrier configurations.

6.5F.4 Method of test

6.5F.4.1 Initial conditions

For in-band case:

Test environment: normal; see clauses G.2.1 and G.2.2.

Frequencies to be tested: mid range; see clause G.2.4.

For out-of-band case:

Test environment: normal; see clauses G.2.1 and G.2.2.

Frequency to be tested: 1 arbitrary frequency chosen from the low, mid or high range; see clause G.2.4.

- 1) Connect the SS to the UE antenna connector as shown in figure A.49.
- 2) RF parameters are set up according to table 6.5F.8 through table 6.5F.13.
- 3) A call is set up according to the Generic 4C-HSDPA setup procedure specified in TS34.108[3] sub clause 7.3.16, with exceptions for information elements listed in Table 6.5F.5. With this exception, the Power Control Algorithm for the Uplink is set to algorithm 2.

Contents of RADIO BEARER SETUP message: AM or UM (Test Loop Mode1)

Table 6.5F.7: Specific Message Contents for In-band blocking characteristics for Single band 4C-HSDPA, Single uplink operation

| Information Element | Value/Remark | Version |
|----------------------------------|--------------|---------|
| Uplink DPCH info | | Rel-6 |
| - Uplink DPCH power control info | | |
| - CHOICE mode | FDD | |
| - Power Control Algorithm | Algorithm2 | |

6.5F.4.2 Procedure

- 1) Set the parameters of the CW generator or the interference signal generator as shown in table 6.5F.8 and table 6.5F.9, for inband measurements, Table 6.5F.10 and table 6.5F.11 for out of band measurements and Table 6.5F.12 and table 6.5F.13 for narrow band blocking. For table 6.5F.8 and 6.5F.9, the frequency step size is 1 MHz.
- 2) Set the power level of UE according to the table 6.5F.8 through table 6.5F.13, or send the power control commands (1dB step size should be used.) to the UE until UE output power measured by Test System shall be kept at the specified power level with ± 1 dB tolerance.
- 3) Measure the BLER of HS-PDSCH received from the UE at the SS by counting the number of NACK, ACK and statDTX on the UL HS-DPCCH ($BLER = (NACK + statDTX)/(NACK + statDTX + ACK)$).
- 4) For table 6.5F.9, table 6.5F.11 and table 6.5F.13, record the frequencies for which BLER exceed the test requirements.

6.5F.5 Test requirements

For table 6.5F.8 and 6.5F.9, the measured BLER, derived in step 2), shall not exceed 0.1 on each individual cell. For table 6.5F.10 and 6.5F.11, the measured BLER, derived in step 2) shall not exceed 0.1 on each individual cell except for the spurious response frequencies, recorded in step 3). The number of spurious response frequencies, recorded in step 3) shall not exceed 24 for frequency range 1, 2 and 3. The number of spurious response frequencies, recorded in step 3) shall not exceed 8 for frequency range 4. For table 6.5F.12 and 6.5F.13, the measured BLER, derived in step 2), shall not exceed 0.1 on each individual cell. The minimum number of measurements required for a statistically significant result to this test is clarified in annex F.6.3, Table F.6.3.5.0.

Table 6.5F.8: Test parameters for in-band blocking, dual band 4C-HSDPA, single uplink operation

| Parameter | Unit | Level | |
|--|------|---|--------------------------------------|
| I_{blocking} mean power (modulated) | dBm | -56 | -44 |
| F_{UW} offset (NOTE 2) | | ± 10 MHz | ≤ -15 MHz & ≥ 15 MHz |
| F_{UW} (Band I operation) | MHz | $2102.4 \leq f \leq 2177.6$ | $2095 \leq f \leq 2185$ |
| F_{UW} (Band II operation) | MHz | $1922.4 \leq f \leq 1997.6$ | $1915 \leq f \leq 2005$ |
| F_{UW} (Band IV operation) | MHz | $2102.4 \leq f \leq 2162.6$ | $2095 \leq f \leq 2170$ |
| F_{UW} (Band V operation) | MHz | $861.4 \leq f \leq 901.6$ | $854 \leq f \leq 909$ |
| F_{UW} (Band VIII operation) | MHz | $917.4 \leq f \leq 967.6$ | $910 \leq f \leq 975$ |
| UE transmitted mean power | dBm | 20 (for Power class 3 and 3bis) 18 (for Power class 4) | |

NOTE 1: I_{blocking} (modulated) consists of the common channels needed for tests as specified in Table E.4.1 and 16 dedicated data channels as specified in Table E.3.6.

NOTE 2: For dual band 4C-HSDPA, negative offset refers to the assigned channel frequency of the lowest carrier frequencies, and positive offset refers to the assigned channel frequency of the highest carrier frequencies.

Table 6.5F.9: In-band blocking requirements, dual band 4C-HSDPA, single uplink operation

| Dual band 4C-HSDPA Configuration | DL Band | UL Band | HS-PDSCH_Ec (dBm/3.84MHz) | \hat{I}_{or} (dBm/3.84MHz) | UL-DL carrier separation |
|-------------------------------------|---------|---------|---------------------------|-------------------------------------|--------------------------|
| I-2-VIII-1 I-3-VIII-1 | I | I | <REFSENS>+3 dB | <REF \hat{I}_{or} >+3 dB | Minimum |
| | VIII | | <REFSENS>+3 dB | <REF \hat{I}_{or} >+3 dB | Minimum |
| | I | VIII | <REFSENS>+3 dB | <REF \hat{I}_{or} >+3 dB | Minimum |
| | VIII | | <REFSENS>+3 dB | <REF \hat{I}_{or} >+3 dB | Minimum |
| II-1-IV-2 II-2-IV-1 II-2-IV-2 | II | II | <REFSENS>+3 dB | <REF \hat{I}_{or} >+3 dB | Minimum |
| | IV | | <REFSENS>+3 dB | <REF \hat{I}_{or} >+3 dB | Minimum |
| | II | IV | <REFSENS>+3 dB | <REF \hat{I}_{or} >+3 dB | Minimum |
| | IV | | <REFSENS>+3 dB | <REF \hat{I}_{or} >+3 dB | Minimum |
| I-1-V-2 I-2-V-1 I-2-V-2 | I | I | <REFSENS>+3 dB | <REF \hat{I}_{or} >+3 dB | Minimum |
| | V | | <REFSENS>+3 dB | <REF \hat{I}_{or} >+3 dB | Minimum |
| | I | V | <REFSENS>+3 dB | <REF \hat{I}_{or} >+3 dB | Minimum |
| | V | | <REFSENS>+3 dB | <REF \hat{I}_{or} >+3 dB | Minimum |

NOTE 3: <REFSENS> and <REF \hat{I}_{or} > refers to the HS-PDSCH_Ec<REFSENS> and the HS-PDSCH<REF \hat{I}_{or} > as specified in Table 6.2D.1.

Table 6.5F.10: Test parameters for out of band blocking, dual band 4C-HSDPA

| Parameter | Unit | Frequency range 1 | Frequency range 2 | Frequency range 3 | Frequency range 4 |
|---|--|---|--|--|-------------------|
| $I_{\text{blocking}} \text{ (CW)}$ | dBm | -44 | -30 | -15 | -15 |
| F_{uw} (Dual band 4C-HSDPA Configuration I-2-VIII-1, I-3-VIII-1) | MHz | 865 < f < 910 975 < f < 1020 2050 < f < 2095 2185 < f < 2230 | 840 < f ≤ 865 1020 ≤ f < 1045 2025 < f ≤ 2050 2230 ≤ f < 2255 | 1 < f ≤ 840 1045 ≤ f < 2025 2255 < f ≤ 12750 | - |
| F_{uw} (Dual band 4C-HSDPA Configuration II-1-IV-2, II-2-IV-1, II-2-IV-2) | MHz | 1870 < f < 1915 2005 < f < 2095 2170 < f < 2215 | 1845 < f ≤ 1870 2215 ≤ f < 2240 | 1 < f ≤ 1845 2240 ≤ f < 12750 | 1850 ≤ f ≤ 1910 |
| F_{uw} (Dual band 4C-HSDPA Configuration I-1-V-2, I-2-V-1, I-2-V-2) | MHz | 809 < f < 854 909 < f < 954 2050 < f < 2095 2185 < f < 2230 | 784 < f ≤ 809 954 ≤ f < 979 2025 < f ≤ 2050 2230 ≤ f < 2255 | 1 < f ≤ 784 979 ≤ f < 2025 2255 < f ≤ 12750 | 824 ≤ f ≤ 849 |
| UE transmitted mean power | dBm | 20 (for Power class 3 and 3bis) 18 (for Power class 4) | | | |
| Dual band 4C-HSDPA Configuration I-2-VIII-1, I-3-VIII-1 | For 910 ≤ f ≤ 975 MHz and 2095 ≤ f ≤ 2185 MHz, the appropriate in-band blocking or adjacent channel selectivity in subclause [6.4D.2] and subclause 6.5F.2.1 shall be applied. | | | | |
| Dual band 4C-HSDPA Configuration II-1-IV-2, II-2-IV-1, II-2-IV-2 | For 1915 ≤ f ≤ 2005 MHz and 2095 ≤ f ≤ 2070 MHz, the appropriate in-band blocking or adjacent channel selectivity in subclause [6.4D.2] and subclause 6.5F.2.1 shall be applied. | | | | |
| Dual band 4C-HSDPA Configuration I-1-V-2, I-2-V-1, I-2-V-2 | For 854 ≤ f ≤ 909 MHz and 2095 ≤ f ≤ 2185 MHz, the appropriate in-band blocking or adjacent channel selectivity in subclause [6.4D.2] and subclause 6.5F.2.1 shall be applied. | | | | |

Table 6.5F.11: Out of band blocking requirements, dual band 4C-HSDPA

| Dual band 4C-HSDPA Configuration | DL Band | UL Band | Parameter | Frequency range 1 | Frequency range 2 | Frequency range 3 | Frequency range 4 | UL-DL carrier separation |
|-------------------------------------|---------|---------|-------------------------------|-------------------------------|-------------------------------|-------------------------------|-------------------------------|--------------------------|
| I-2-VIII-1 I-3-VIII-1 | I | I | HS-PDSCH_Ec (dBm/3.84MHz) | <REFSENS> + 3 dB | <REFSENS> + 3 dB | <REFSENS> + 3 dB | <REFSENS> + 3 dB | Minimum |
| | VIII | | I_{or} (dBm/3.84MHz) | <REF I_{or} > + 3 dB | <REF I_{or} > + 3 dB | <REF I_{or} > + 3 dB | <REF I_{or} > + 3 dB | Minimum |
| | I | VIII | HS-PDSCH_Ec (dBm/3.84MHz) | <REFSENS> + 3 dB | <REFSENS> + 3 dB | <REFSENS> + 3 dB | <REFSENS> + 3 dB | Minimum |
| | VIII | | I_{or} (dBm/3.84MHz) | <REF I_{or} > + 3 dB | <REF I_{or} > + 3 dB | <REF I_{or} > + 3 dB | <REF I_{or} > + 3 dB | Minimum |
| II-1-IV-2 II-2-IV-1 II-2-IV-2 | II | II | HS-PDSCH_Ec (dBm/3.84MHz) | <REFSENS> + 3 dB | <REFSENS> + 3 dB | <REFSENS> + 3 dB | <REFSENS> + 3 dB | Minimum |
| | IV | | I_{or} (dBm/3.84MHz) | <REF I_{or} > + 3 dB | <REF I_{or} > + 3 dB | <REF I_{or} > + 3 dB | <REF I_{or} > + 3 dB | Minimum |
| | II | IV | HS-PDSCH_Ec (dBm/3.84MHz) | <REFSENS> + 3 dB | <REFSENS> + 3 dB | <REFSENS> + 3 dB | <REFSENS> + 3 dB | Minimum |
| | IV | | I_{or} (dBm/3.84MHz) | <REF I_{or} > + 3 dB | <REF I_{or} > + 3 dB | <REF I_{or} > + 3 dB | <REF I_{or} > + 3 dB | Minimum |
| I-1-V-2 I-2-V-1 I-2-V-2 | I | I | HS-PDSCH_Ec (dBm/3.84MHz) | <REFSENS> + 3 dB | <REFSENS> + 3 dB | <REFSENS> + 3 dB | <REFSENS> + 3 dB | Minimum |
| | V | | I_{or} (dBm/3.84MHz) | <REF I_{or} > + 3 dB | <REF I_{or} > + 3 dB | <REF I_{or} > + 3 dB | <REF I_{or} > + 3 dB | Minimum |
| | I | V | HS-PDSCH_Ec (dBm/3.84MHz) | <REFSENS> + 3 dB | <REFSENS> + 3 dB | <REFSENS> + 3 dB | <REFSENS> + 3 dB | Minimum |
| | V | | I_{or} (dBm/3.84MHz) | <REF I_{or} > + 3 dB | <REF I_{or} > + 3 dB | <REF I_{or} > + 3 dB | <REF I_{or} > + 3 dB | Minimum |

NOTE 4: <REFSENS> and <REF I_{or} > refers to the HS-PDSCH_Ec<REFSENS> and the HS-PDSCH<REF I_{or} > as specified in Table 6.2D.1

Table 6.5F.12: Test parameters for narrow band blocking characteristics, dual band 4C-HSDPA, single uplink operation

| Parameter | Unit | Band II, IV, V | Band VIII |
|--------------------------------------|------|---|-----------|
| I_{blocking} (GMSK) | dBm | -57 | -56 |
| F_{uw} (offset) (NOTE 2) | MHz | ± 2.7 | ± 2.8 |
| UE transmitted mean power | dBm | 20 (for Power class 3 and 3bis) 18 (for Power class 4) | |

NOTE 5: I_{blocking} (GMSK) is an interfering signal as defined in TS 45.004

NOTE 6: For dual band 4C-HSDPA, negative offset refers to the assigned channel frequency of the lowest carrier frequency(ies) in each band, and positive offset refers to the assigned channel frequency of the highest carrier frequency(ies) in each band.

Table 6.5F.13: Narrow band blocking requirements, dual band 4C-HSDPA, single uplink operation

| Dual band 4C-HSDPA Configuration | DL Band | UL Band | HS-PDSCH E_c (dBm/3.84MHz) | \hat{I}_{or} (dBm/3.84MHz) | UL-DL carrier separation |
|-------------------------------------|---------|---------|------------------------------|-------------------------------------|--------------------------|
| I-2-VIII-1 I-3-VIII-1 | VIII | I | <REFSENS>+10 dB | <REF \hat{I}_{or} >+10 dB | Minimum |
| | VIII | VIII | <REFSENS>+10 dB | <REF \hat{I}_{or} >+10 dB | Minimum |
| II-1-IV-2 II-2-IV-1 II-2-IV-2 | II | II | <REFSENS>+10 dB | <REF \hat{I}_{or} >+10 dB | Minimum |
| | IV | | <REFSENS>+10 dB | <REF \hat{I}_{or} >+10 dB | Minimum |
| | II | IV | <REFSENS>+10 dB | <REF \hat{I}_{or} >+10 dB | Minimum |
| | IV | | <REFSENS>+10 dB | <REF \hat{I}_{or} >+10 dB | Minimum |
| I-1-V-2 I-2-V-1 I-2-V-2 | V | I | <REFSENS>+10 dB | <REF \hat{I}_{or} >+10 dB | Minimum |
| | V | V | <REFSENS>+10 dB | <REF \hat{I}_{or} >+10 dB | Minimum |

NOTE 7: <REFSENS> and <REF \hat{I}_{or} > refer to the HS-PDSCH E_c <REFSENS> and the HS-PDSCH<REF \hat{I}_{or} > as specified in Table 6.2D.1 for dual band 4C-HSDPA.

NOTE 8: If the above Test Requirement differs from the Minimum Requirement then the Test Tolerance applied for this test is non-zero. The Test Tolerance for this test is defined in clause F.2 and the explanation of how the Minimum Requirement has been relaxed by the Test Tolerance is given in clause F.4.

6.5FA Blocking Characteristics for single Uplink dual band 4C-HSDPA (3 carrier)

6.5FA.1 Definition and applicability

The blocking characteristic is a measure of the receiver's ability to receive a wanted signal at its assigned channel frequency in the presence of an unwanted interferer on frequencies other than those of the spurious response or the adjacent channels, without this unwanted input signal causing a degradation of the performance of the receiver beyond a specified limit. The blocking performance shall apply at all frequencies except those at which a spurious response occur.

The requirements in clause 6.5FA.2.1 and 6.5FA.2.2 and this test apply for Release 10 and later releases to all types of UTRA for the FDD UE that support dual band single uplink 4C-HSDPA and HS-DSCH categories 29 to 32.

Dual band 4C-HSDPA is designed to operate in configurations specified in clause 4.2.

6.5FA.2 Minimum Requirements

6.5FA.2.1 Minimum Requirements (In-band blocking)

The BLER measured on each individual cell shall not exceed 0.1 for the parameters specified in Table 6.5FA.1 and 6.5FA.2. In-band blocking is defined for an unwanted interfering signal falling into the UE receive band or into the first 15 MHz below or above the UE receive band.

Table 6.5FA.1: Test parameters for in-band blocking, dual band 4C-HSDPA, single uplink operation

| Parameter | Unit | Level | |
|--|------|---|--------------------------------------|
| I_{blocking} mean power (modulated) | dBm | -56 | -44 |
| F_{uw} offset (NOTE 2) | | ± 10 MHz | ≤ -15 MHz & ≥ 15 MHz |
| F_{uw} (Band I operation) | MHz | $2102.4 \leq f \leq 2177.6$ | $2095 \leq f \leq 2185$ |
| F_{uw} (Band II operation) | MHz | $1922.4 \leq f \leq 1997.6$ | $1915 \leq f \leq 2005$ |
| F_{uw} (Band IV operation) | MHz | $2102.4 \leq f \leq 2162.6$ | $2095 \leq f \leq 2170$ |
| F_{uw} (Band V operation) | MHz | $861.4 \leq f \leq 901.6$ | $854 \leq f \leq 909$ |
| F_{uw} (Band VIII operation) | MHz | $917.4 \leq f \leq 967.6$ | $910 \leq f \leq 975$ |
| UE transmitted mean power | dBm | 20 (for Power class 3 and 3bis) 18 (for Power class 4) | |

NOTE 1: I_{blocking} (modulated) consists of the common channels needed for tests as specified in Table E.4.1 and 16 dedicated data channels as specified in Table E.3.6.

NOTE 2: For dual band 4C-HSDPA, negative offset refers to the assigned channel frequency of the lowest carrier frequencies, and positive offset refers to the assigned channel frequency of the highest carrier frequencies.

Table 6.5FA.2: In-band blocking requirements, dual band 4C-HSDPA, single uplink operation

| Dual band 4C-HSDPA Configuration | DL Band | UL Band | HS-PDSCH E_c (dBm/3.84MHz) | \hat{I}_{or} (dBm/3.84MHz) | UL-DL carrier separation |
|-------------------------------------|---------|---------|---|--|--------------------------|
| I-2-VIII-1 I-3-VIII-1 | I | I | $\langle \text{REFSENS} \rangle + 3$ dB | $\langle \text{REF}\hat{I}_{\text{or}} \rangle + 3$ dB | Minimum |
| | VIII | | $\langle \text{REFSENS} \rangle + 3$ dB | $\langle \text{REF}\hat{I}_{\text{or}} \rangle + 3$ dB | Minimum |
| | I | VIII | $\langle \text{REFSENS} \rangle + 3$ dB | $\langle \text{REF}\hat{I}_{\text{or}} \rangle + 3$ dB | Minimum |
| | VIII | | $\langle \text{REFSENS} \rangle + 3$ dB | $\langle \text{REF}\hat{I}_{\text{or}} \rangle + 3$ dB | Minimum |
| II-1-IV-2 II-2-IV-1 II-2-IV-2 | II | II | $\langle \text{REFSENS} \rangle + 3$ dB | $\langle \text{REF}\hat{I}_{\text{or}} \rangle + 3$ dB | Minimum |
| | IV | | $\langle \text{REFSENS} \rangle + 3$ dB | $\langle \text{REF}\hat{I}_{\text{or}} \rangle + 3$ dB | Minimum |
| | II | IV | $\langle \text{REFSENS} \rangle + 3$ dB | $\langle \text{REF}\hat{I}_{\text{or}} \rangle + 3$ dB | Minimum |
| | IV | | $\langle \text{REFSENS} \rangle + 3$ dB | $\langle \text{REF}\hat{I}_{\text{or}} \rangle + 3$ dB | Minimum |
| I-1-V-2 I-2-V-1 I-2-V-2 | I | I | $\langle \text{REFSENS} \rangle + 3$ dB | $\langle \text{REF}\hat{I}_{\text{or}} \rangle + 3$ dB | Minimum |
| | V | | $\langle \text{REFSENS} \rangle + 3$ dB | $\langle \text{REF}\hat{I}_{\text{or}} \rangle + 3$ dB | Minimum |
| | I | V | $\langle \text{REFSENS} \rangle + 3$ dB | $\langle \text{REF}\hat{I}_{\text{or}} \rangle + 3$ dB | Minimum |
| | V | | $\langle \text{REFSENS} \rangle + 3$ dB | $\langle \text{REF}\hat{I}_{\text{or}} \rangle + 3$ dB | Minimum |

NOTE 3: $\langle \text{REFSENS} \rangle$ and $\langle \text{REF}\hat{I}_{\text{or}} \rangle$ refers to the HS-PDSCH $E_c \langle \text{REFSENS} \rangle$ and the HS-PDSCH $\langle \text{REF}\hat{I}_{\text{or}} \rangle$ as specified in Table 6.2DA.1

The normative reference for this requirement is TS 25.101 [1] clause 7.6.1D.1.

6.5FA.2.2 Minimum requirements (Out of-band blocking)

The BLER measured on each individual cell shall not exceed 0.1 for the parameters specified in Table 6.5FA.3 and 6.5FA.4. Out-of-band band blocking is defined for an unwanted interfering signal falling more than 15 MHz below or above the UE receive band.

For Table 6.5FA.3 in frequency range 1, 2 and 3, up to 24 exceptions per received cell are allowed for spurious response frequencies in each assigned frequency channel when measured using a 1 MHz step size. For these exceptions the requirements of clause 6.6DA spurious response are applicable.

For Table 6.5FA.4 in frequency range 4, up to 8 exceptions per received cell are allowed for spurious response frequencies in each assigned frequency channel when measured using a 1 MHz step size. For these exceptions the requirements of clause 6.6DA spurious response are applicable.

Table 6.5FA.3: Test parameters for out of band blocking, dual band 4C-HSDPA

| Parameter | Unit | Frequency range 1 | Frequency range 2 | Frequency range 3 | Frequency range 4 |
|---|---|---|--|--|-------------------|
| $I_{\text{blocking}}(\text{CW})$ | dBm | -44 | -30 | -15 | -15 |
| F_{uw} (Dual band 4C-HSDPA Configuration I-2-VIII-1, I-3-VIII-1) | MHz | 865 < f < 910 975 < f < 1020 2050 < f < 2095 2185 < f < 2230 | 840 < f ≤ 865 1020 ≤ f < 1045 2025 < f ≤ 2050 2230 ≤ f < 2255 | 1 < f ≤ 840 1045 ≤ f < 2025 2255 < f ≤ 12750 | - |
| F_{uw} (Dual band 4C-HSDPA Configuration II-1-IV-2, II-2-IV-1, II-2-IV-2) | MHz | 1870 < f < 1915 2005 < f < 2095 2170 < f < 2215 | 1845 < f ≤ 1870 2215 ≤ f < 2240 | 1 < f ≤ 1845 2240 ≤ f < 12750 | 1850 ≤ f ≤ 1910 |
| F_{uw} (Dual band 4C-HSDPA Configuration I-1-V-2, I-2-V-1, I-2-V-2) | MHz | 809 < f < 854 909 < f < 954 2050 < f < 2095 2185 < f < 2230 | 784 < f ≤ 809 954 ≤ f < 979 2025 < f ≤ 2050 2230 ≤ f < 2255 | 1 < f ≤ 784 979 ≤ f < 2025 2255 < f ≤ 12750 | 824 ≤ f ≤ 849 |
| UE transmitted mean power | dBm | 20 (for Power class 3 and 3bis) 18 (for Power class 4) | | | |
| Dual band 4C-HSDPA Configuration I-2-VIII-1, I-3-VIII-1 | For 910 ≤ f ≤ 975 MHz and 2095 ≤ f ≤ 2185 MHz, the appropriate in-band blocking or adjacent channel selectivity in subclause [6.4D.2] and subclause 6.5FA.2.1 shall be applied. | | | | |
| Dual band 4C-HSDPA Configuration II-1-IV-2, II-2-IV-1, II-2-IV-2 | For 1915 ≤ f ≤ 2005 MHz and 2095 ≤ f ≤ 2070 MHz, the appropriate in-band blocking or adjacent channel selectivity in subclause [6.4D.2] and subclause 6.5FA.2.1 shall be applied. | | | | |
| Dual band 4C-HSDPA Configuration I-1-V-2, I-2-V-1, I-2-V-2 | For 854 ≤ f ≤ 909 MHz and 2095 ≤ f ≤ 2185 MHz, the appropriate in-band blocking or adjacent channel selectivity in subclause [6.4D.2] and subclause 6.5FA.2.1 shall be applied. | | | | |

Table 6.5FA.4: Out of band blocking requirements, dual band 4C-HSDPA

| Dual band 4C-HSDPA Configuration | DL Band | UL Band | Parameter | Frequency range 1 | Frequency range 2 | Frequency range 3 | Frequency range 4 | UL-DL carrier separation |
|-------------------------------------|---------|---------|------------------------------|------------------------------|------------------------------|------------------------------|------------------------------|--------------------------|
| I-2-VIII-1 I-3-VIII-1 | I | I | HS-PDSCH_Ec (dBm/3.84MHz) | <REFSENS> +3 dB | <REFSENS> +3 dB | <REFSENS> +3 dB | <REFSENS> +3 dB | Minimum |
| | VIII | | \hat{I}_{or} (dBm/3.84MHz) | <REF \hat{I}_{or} > + 3 dB | <REF \hat{I}_{or} > + 3 dB | <REF \hat{I}_{or} > + 3 dB | <REF \hat{I}_{or} > + 3 dB | Minimum |
| | I | VIII | HS-PDSCH_Ec (dBm/3.84MHz) | <REFSENS> +3 dB | <REFSENS> +3 dB | <REFSENS> +3 dB | <REFSENS> +3 dB | Minimum |
| | VIII | | \hat{I}_{or} (dBm/3.84MHz) | <REF \hat{I}_{or} > + 3 dB | <REF \hat{I}_{or} > + 3 dB | <REF \hat{I}_{or} > + 3 dB | <REF \hat{I}_{or} > + 3 dB | Minimum |
| II-1-IV-2 II-2-IV-1 II-2-IV-2 | II | II | HS-PDSCH_Ec (dBm/3.84MHz) | <REFSENS> +3 dB | <REFSENS> +3 dB | <REFSENS> +3 dB | <REFSENS> +3 dB | Minimum |
| | IV | | \hat{I}_{or} (dBm/3.84MHz) | <REF \hat{I}_{or} > + 3 dB | <REF \hat{I}_{or} > + 3 dB | <REF \hat{I}_{or} > + 3 dB | <REF \hat{I}_{or} > + 3 dB | Minimum |
| | II | IV | HS-PDSCH_Ec (dBm/3.84MHz) | <REFSENS> +3 dB | <REFSENS> +3 dB | <REFSENS> +3 dB | <REFSENS> +3 dB | Minimum |
| | IV | | \hat{I}_{or} (dBm/3.84MHz) | <REF \hat{I}_{or} > + 3 dB | <REF \hat{I}_{or} > + 3 dB | <REF \hat{I}_{or} > + 3 dB | <REF \hat{I}_{or} > + 3 dB | Minimum |
| I-1-V-2 I-2-V-1 I-2-V-2 | I | I | HS-PDSCH_Ec (dBm/3.84MHz) | <REFSENS> +3 dB | <REFSENS> +3 dB | <REFSENS> +3 dB | <REFSENS> +3 dB | Minimum |
| | V | | \hat{I}_{or} (dBm/3.84MHz) | <REF \hat{I}_{or} > + 3 dB | <REF \hat{I}_{or} > + 3 dB | <REF \hat{I}_{or} > + 3 dB | <REF \hat{I}_{or} > + 3 dB | Minimum |
| | I | V | HS-PDSCH_Ec (dBm/3.84MHz) | <REFSENS> +3 dB | <REFSENS> +3 dB | <REFSENS> +3 dB | <REFSENS> +3 dB | Minimum |
| | V | | \hat{I}_{or} (dBm/3.84MHz) | <REF \hat{I}_{or} > + 3 dB | <REF \hat{I}_{or} > + 3 dB | <REF \hat{I}_{or} > + 3 dB | <REF \hat{I}_{or} > + 3 dB | Minimum |

NOTE: <REFSENS> and <REF \hat{I}_{or} > refers to the HS-PDSCH_Ec<REFSENS> and the HS-PDSCH<REF \hat{I}_{or} > as specified in Table 6.2DA.1.

The normative reference for this requirement is TS 25.101 [1] clause 7.6.2DA.

6.5FA.2.3 Minimum requirements (Narrow band blocking)

The BLER measured on each individual cell shall not exceed 0.1 for the parameters specified in Table 6.5FA.5 and 6.5FA.6. This requirement is measure of a receiver's ability to receive a W-CDMA signal at its assigned channel frequency in the presence of an unwanted narrow band interferer at a frequency, which is less than the nominal channel spacing.

Table 6.5FA.5: Test parameters for narrow band blocking characteristics, dual band 4C-HSDPA, single uplink operation

| Parameter | Unit | Band II, IV, V | Band VIII |
|-----------------------------------|------|---|-----------|
| I_{blocking} (GMSK) | dBm | -57 | -56 |
| F_{uw} (offset) (NOTE 2) | MHz | ± 2.7 | ± 2.8 |
| UE transmitted mean power | dBm | 20 (for Power class 3 and 3bis) 18 (for Power class 4) | |

NOTE 1: I_{blocking} (GMSK) is an interfering signal as defined in TS 45.004.

NOTE 2: For dual band 4C-HSDPA, negative offset refers to the assigned channel frequency of the lowest carrier frequency(ies) in each band, and positive offset refers to the assigned channel frequency of the highest carrier frequency(ies) in each band.

Table 6.5FA.6: Narrow band blocking requirements, dual band 4C-HSDPA, single uplink operation

| Dual band 4C-HSDPA Configuration | DL Band | UL Band | HS-PDSCH_Ec (dBm/3.84MHz) | \hat{I}_{or} (dBm/3.84MHz) | UL-DL carrier separation |
|----------------------------------|---------|---------|---------------------------|------------------------------|--------------------------|
| I-2-VIII-1 | VIII | I | <REFSENS>+10 dB | <REF \hat{I}_{or} >+10 dB | Minimum |
| I-3-VIII-1 | VIII | VIII | <REFSENS>+10 dB | <REF \hat{I}_{or} >+10 dB | Minimum |
| II-1-IV-2 | II | II | <REFSENS>+10 dB | <REF \hat{I}_{or} >+10 dB | Minimum |
| II-2-IV-1 | IV | | <REFSENS>+10 dB | <REF \hat{I}_{or} >+10 dB | Minimum |
| II-2-IV-2 | II | IV | <REFSENS>+10 dB | <REF \hat{I}_{or} >+10 dB | Minimum |
| | IV | | <REFSENS>+10 dB | <REF \hat{I}_{or} >+10 dB | Minimum |
| I-1-V-2 | V | I | <REFSENS>+10 dB | <REF \hat{I}_{or} >+10 dB | Minimum |
| I-2-V-1 | V | V | <REFSENS>+10 dB | <REF \hat{I}_{or} >+10 dB | Minimum |
| I-2-V-2 | | | | | |

NOTE 3: <REFSENS> and <REF \hat{I}_{or} > refer to the HS-PDSCH_Ec<REFSENS> and the HS-PDSCH<REF \hat{I}_{or} > as specified in Table 6.2DA.1 for dual band 4C-HSDPA.

The normative reference for this requirement is TS 25.101 [1] clause 7.6.3D.1.

6.5FA.3 Test purpose

To verify that the UE BLER of HS-PDSCH on each individual cell does not exceed 0.1 for the parameters specified in table 6.5FA.8, table 6.5FA.9, table 6.5FA.10, table 6.5FA.11, table 6.5FA.12 and table 6.5FA.13 for the DL reference channel H-Set 1B specified in Annex C.8.1.1.

The lack of the blocking ability decreases the 4C-HSDPA coverage area when other transmitter exists (except in the adjacent channels and spurious response).

This test case tests only 3 carrier configurations.

6.5FA.4 Method of test

6.5FA.4.1 Initial conditions

For in-band case:

Test environment: normal; see clauses G.2.1 and G.2.2.

Frequencies to be tested: mid range; see clause G.2.4.

For out-of-band case:

Test environment: normal; see clauses G.2.1 and G.2.2.

Frequency to be tested: 1 arbitrary frequency chosen from the low, mid or high range; see clause G.2.4.

- 1) Connect the SS to the UE antenna connector as shown in figure A.49.
- 2) RF parameters are set up according to table 6.5FA.8 through table 6.5FA.13.
- 3) A call is set up according to the Generic 4C-HSDPA setup procedure specified in TS34.108[3] sub clause 7.3.16, with exceptions for information elements listed in Table 6.5FA.5. With this exception, the Power Control Algorithm for the Uplink is set to algorithm 2.

Contents of RADIO BEARER SETUP message: AM or UM (Test Loop Mode1)

Table 6.5FA.7: Specific Message Contents for In-band blocking characteristics for Single band 4C-HSDPA, Single uplink operation

| Information Element | Value/Remark | Version |
|----------------------------------|--------------|---------|
| Uplink DPCH info | | Rel-6 |
| - Uplink DPCH power control info | | |
| - CHOICE mode | FDD | |
| - Power Control Algorithm | Algorithm2 | |

6.5FA.4.2 Procedure

- 1) Set the parameters of the CW generator or the interference signal generator as shown in table 6.5FA.8 and table 6.5FA.9, for inblocking measurements, Table 6.5FA.10 and table 6.5FA.11 for out of band measurements and Table 6.5FA.12 and table 6.5FA.13 for narrow band blocking. For table 6.5FA.8 and 6.5FA.9, the frequency step size is 1 MHz.
- 2) Set the power level of UE according to the table 6.5FA.8 through table 6.5FA.13, or send the power control commands (1dB step size should be used.) to the UE until UE output power measured by Test System shall be kept at the specified power level with ± 1 dB tolerance.
- 3) Measure the BLER of HS-PDSCH received from the UE at the SS by counting the number of NACK, ACK and statDTX on the UL HS-DPCCH ($BLER = (NACK + statDTX)/(NACK + statDTX + ACK)$).
- 4) For table 6.5FA.9, table 6.5FA.11 and table 6.5FA.13, record the frequencies for which BLER exceed the test requirements.

6.5FA.5 Test requirements

For table 6.5FA.8 and 6.5FA.9, the measured BLER, derived in step 2), shall not exceed 0.1 on each individual cell. For table 6.5FA.10 and 6.5FA.11, the measured BLER, derived in step 2) shall not exceed 0.1 on each individual cell except for the spurious response frequencies, recorded in step 3). The number of spurious response frequencies, recorded in step 3) shall not exceed 24 for frequency range 1, 2 and 3. The number of spurious response frequencies, recorded in step 3) shall not exceed 8 for frequency range 4. For table 6.5FA.12 and 6.5FA.13, the measured BLER, derived in step 2), shall not exceed 0.1 on each individual cell. The minimum number of measurements required for a statistically significant result to this test is clarified in annex F.6.3, Table F.6.3.5.0.

Table 6.5FA.8: Test parameters for in-band blocking, dual band 4C-HSDPA, single uplink operation

| Parameter | Unit | Level | |
|--|------|---|--------------------------------------|
| I_{blocking} mean power (modulated) | dBm | -56 | -44 |
| F_{uw} offset (NOTE 2) | | ± 10 MHz | ≤ -15 MHz & ≥ 15 MHz |
| F_{uw} (Band I operation) | MHz | $2102.4 \leq f \leq 2177.6$ | $2095 \leq f \leq 2185$ |
| F_{uw} (Band II operation) | MHz | $1922.4 \leq f \leq 1997.6$ | $1915 \leq f \leq 2005$ |
| F_{uw} (Band IV operation) | MHz | $2102.4 \leq f \leq 2162.6$ | $2095 \leq f \leq 2170$ |
| F_{uw} (Band V operation) | MHz | $861.4 \leq f \leq 901.6$ | $854 \leq f \leq 909$ |
| F_{uw} (Band VIII operation) | MHz | $917.4 \leq f \leq 967.6$ | $910 \leq f \leq 975$ |
| UE transmitted mean power | dBm | 20 (for Power class 3 and 3bis) 18 (for Power class 4) | |

NOTE 1: I_{blocking} (modulated) consists of the common channels needed for tests as specified in Table E.4.1 and 16 dedicated data channels as specified in Table E.3.6.

NOTE 2: For dual band 4C-HSDPA, negative offset refers to the assigned channel frequency of the lowest carrier frequencies, and positive offset refers to the assigned channel frequency of the highest carrier frequencies.

Table 6.5FA.9: In-band blocking requirements, dual band 4C-HSDPA, single uplink operation

| Dual band 4C-HSDPA Configuration | DL Band | UL Band | HS-PDSCH_Ec (dBm/3.84MHz) | \hat{I}_{or} (dBm/3.84MHz) | UL-DL carrier separation |
|-------------------------------------|---------|---------|---------------------------|------------------------------|--------------------------|
| I-2-VIII-1 I-3-VIII-1 | I | I | <REFSENS>+3 dB | <REF \hat{I}_{or} >+3 dB | Minimum |
| | VIII | | <REFSENS>+3 dB | <REF \hat{I}_{or} >+3 dB | Minimum |
| | I | VIII | <REFSENS>+3 dB | <REF \hat{I}_{or} >+3 dB | Minimum |
| | VIII | | <REFSENS>+3 dB | <REF \hat{I}_{or} >+3 dB | Minimum |
| II-1-IV-2 II-2-IV-1 II-2-IV-2 | II | II | <REFSENS>+3 dB | <REF \hat{I}_{or} >+3 dB | Minimum |
| | IV | | <REFSENS>+3 dB | <REF \hat{I}_{or} >+3 dB | Minimum |
| | II | IV | <REFSENS>+3 dB | <REF \hat{I}_{or} >+3 dB | Minimum |
| | IV | | <REFSENS>+3 dB | <REF \hat{I}_{or} >+3 dB | Minimum |
| I-1-V-2 I-2-V-1 I-2-V-2 | I | I | <REFSENS>+3 dB | <REF \hat{I}_{or} >+3 dB | Minimum |
| | V | | <REFSENS>+3 dB | <REF \hat{I}_{or} >+3 dB | Minimum |
| | I | V | <REFSENS>+3 dB | <REF \hat{I}_{or} >+3 dB | Minimum |
| | V | | <REFSENS>+3 dB | <REF \hat{I}_{or} >+3 dB | Minimum |

NOTE 3: <REFSENS> and <REF \hat{I}_{or} > refers to the HS-PDSCH_Ec<REFSENS> and the HS-PDSCH<REF \hat{I}_{or} > as specified in Table 6.2DA.1.

Table 6.5FA.10: Test parameters for out of band blocking, dual band 4C-HSDPA

| Parameter | Unit | Frequency range 1 | Frequency range 2 | Frequency range 3 | Frequency range 4 |
|--|---|---|--|--|-------------------|
| $I_{blocking}(CW)$ | dBm | -44 | -30 | -15 | -15 |
| F_{uw} (Dual band 4C-HSDPA Configuration I-2-VIII-1, I-3-VIII-1) | MHz | 865 < f < 910 975 < f < 1020 2050 < f < 2095 2185 < f < 2230 | 840 < f ≤ 865 1020 ≤ f < 1045 2025 < f ≤ 2050 2230 ≤ f < 2255 | 1 < f ≤ 840 1045 ≤ f < 2025 2255 < f ≤ 12750 | - |
| F_{uw} (Dual band 4C-HSDPA Configuration II-1-IV-2, II-2-IV-1, II-2-IV-2) | MHz | 1870 < f < 1915 2005 < f < 2095 2170 < f < 2215 | 1845 < f ≤ 1870 2215 ≤ f < 2240 | 1 < f ≤ 1845 2240 ≤ f < 12750 | 1850 ≤ f ≤ 1910 |
| F_{uw} (Dual band 4C-HSDPA Configuration I-1-V-2, I-2-V-1, I-2-V-2) | MHz | 809 < f < 854 909 < f < 954 2050 < f < 2095 2185 < f < 2230 | 784 < f ≤ 809 954 ≤ f < 979 2025 < f ≤ 2050 2230 ≤ f < 2255 | 1 < f ≤ 784 979 ≤ f < 2025 2255 < f ≤ 12750 | 824 ≤ f ≤ 849 |
| UE transmitted mean power | dBm | 20 (for Power class 3 and 3bis) 18 (for Power class 4) | | | |
| Dual band 4C-HSDPA Configuration I-2-VIII-1, I-3-VIII-1 | For 910 ≤ f ≤ 975 MHz and 2095 ≤ f ≤ 2185 MHz, the appropriate in-band blocking or adjacent channel selectivity in subclause [6.4D.2] and subclause 6.5FA.2.1 shall be applied. | | | | |
| Dual band 4C-HSDPA Configuration II-1-IV-2, II-2-IV-1, II-2-IV-2 | For 1915 ≤ f ≤ 2005 MHz and 2095 ≤ f ≤ 2070 MHz, the appropriate in-band blocking or adjacent channel selectivity in subclause [6.4D.2] and subclause 6.5FA.2.1 shall be applied. | | | | |
| Dual band 4C-HSDPA Configuration I-1-V-2, I-2-V-1, I-2-V-2 | For 854 ≤ f ≤ 909 MHz and 2095 ≤ f ≤ 2185 MHz, the appropriate in-band blocking or adjacent channel selectivity in subclause [6.4D.2] and subclause 6.5FA.2.1 shall be applied. | | | | |

Table 6.5FA.11: Out of band blocking requirements, dual band 4C-HSDPA

| Dual band 4C-HSDPA Configuration | DL Band | UL Band | Parameter | Frequency range 1 | Frequency range 2 | Frequency range 3 | Frequency range 4 | UL-DL carrier separation |
|-------------------------------------|---------|---------|------------------------------|------------------------------|------------------------------|------------------------------|------------------------------|--------------------------|
| I-2-VIII-1 I-3-VIII-1 | I | I | HS-PDSCH_Ec (dBm/3.84MHz) | <REFSENS> +3 dB | <REFSENS> +3 dB | <REFSENS> +3 dB | <REFSENS> +3 dB | Minimum |
| | VIII | | \hat{I}_{or} (dBm/3.84MHz) | <REF \hat{I}_{or} > + 3 dB | <REF \hat{I}_{or} > + 3 dB | <REF \hat{I}_{or} > + 3 dB | <REF \hat{I}_{or} > + 3 dB | Minimum |
| | I | VIII | HS-PDSCH_Ec (dBm/3.84MHz) | <REFSENS> +3 dB | <REFSENS> +3 dB | <REFSENS> +3 dB | <REFSENS> +3 dB | Minimum |
| | VIII | | \hat{I}_{or} (dBm/3.84MHz) | <REF \hat{I}_{or} > + 3 dB | <REF \hat{I}_{or} > + 3 dB | <REF \hat{I}_{or} > + 3 dB | <REF \hat{I}_{or} > + 3 dB | Minimum |
| II-1-IV-2 II-2-IV-1 II-2-IV-2 | II | II | HS-PDSCH_Ec (dBm/3.84MHz) | <REFSENS> +3 dB | <REFSENS> +3 dB | <REFSENS> +3 dB | <REFSENS> +3 dB | Minimum |
| | IV | | \hat{I}_{or} (dBm/3.84MHz) | <REF \hat{I}_{or} > + 3 dB | <REF \hat{I}_{or} > + 3 dB | <REF \hat{I}_{or} > + 3 dB | <REF \hat{I}_{or} > + 3 dB | Minimum |
| | II | IV | HS-PDSCH_Ec (dBm/3.84MHz) | <REFSENS> +3 dB | <REFSENS> +3 dB | <REFSENS> +3 dB | <REFSENS> +3 dB | Minimum |
| | IV | | \hat{I}_{or} (dBm/3.84MHz) | <REF \hat{I}_{or} > + 3 dB | <REF \hat{I}_{or} > + 3 dB | <REF \hat{I}_{or} > + 3 dB | <REF \hat{I}_{or} > + 3 dB | Minimum |
| I-1-V-2 I-2-V-1 I-2-V-2 | I | I | HS-PDSCH_Ec (dBm/3.84MHz) | <REFSENS> +3 dB | <REFSENS> +3 dB | <REFSENS> +3 dB | <REFSENS> +3 dB | Minimum |
| | V | | \hat{I}_{or} (dBm/3.84MHz) | <REF \hat{I}_{or} > + 3 dB | <REF \hat{I}_{or} > + 3 dB | <REF \hat{I}_{or} > + 3 dB | <REF \hat{I}_{or} > + 3 dB | Minimum |
| | I | V | HS-PDSCH_Ec (dBm/3.84MHz) | <REFSENS> +3 dB | <REFSENS> +3 dB | <REFSENS> +3 dB | <REFSENS> +3 dB | Minimum |
| | V | | \hat{I}_{or} (dBm/3.84MHz) | <REF \hat{I}_{or} > + 3 dB | <REF \hat{I}_{or} > + 3 dB | <REF \hat{I}_{or} > + 3 dB | <REF \hat{I}_{or} > + 3 dB | Minimum |

NOTE 4: <REFSENS> and <REF \hat{I}_{or} > refers to the HS-PDSCH_Ec<REFSENS> and the HS-PDSCH<REF \hat{I}_{or} > as specified in Table 6.2DA.1

Table 6.5FA.12: Test parameters for narrow band blocking characteristics, dual band 4C-HSDPA, single uplink operation

| Parameter | Unit | Band II, IV, V | Band VIII |
|-----------------------------------|------|---|-----------|
| I_{blocking} (GMSK) | dBm | -57 | -56 |
| F_{uw} (offset) (NOTE 2) | MHz | ±2.7 | ±2.8 |
| UE transmitted mean power | dBm | 20 (for Power class 3 and 3bis) 18 (for Power class 4) | |

NOTE 5: I_{blocking} (GMSK) is an interfering signal as defined in TS 45.004

NOTE 6: For dual band 4C-HSDPA, negative offset refers to the assigned channel frequency of the lowest carrier frequency(ies) in each band, and positive offset refers to the assigned channel frequency of the highest carrier frequency(ies) in each band.

Table 6.5FA.13: Narrow band blocking requirements, dual band 4C-HSDPA, single uplink operation

| Dual band 4C-HSDPA Configuration | DL Band | UL Band | HS-PDSCH_Ec (dBm/3.84MHz) | \hat{I}_{or} (dBm/3.84MHz) | UL-DL carrier separation |
|-------------------------------------|---------|---------|---------------------------|------------------------------|--------------------------|
| I-2-VIII-1 I-3-VIII-1 | VIII | I | <REFSENS>+10 dB | <REF \hat{I}_{or} >+10 dB | Minimum |
| | VIII | VIII | <REFSENS>+10 dB | <REF \hat{I}_{or} >+10 dB | Minimum |
| II-1-IV-2 II-2-IV-1 II-2-IV-2 | II | II | <REFSENS>+10 dB | <REF \hat{I}_{or} >+10 dB | Minimum |
| | IV | | <REFSENS>+10 dB | <REF \hat{I}_{or} >+10 dB | Minimum |
| | II | IV | <REFSENS>+10 dB | <REF \hat{I}_{or} >+10 dB | Minimum |
| | IV | | <REFSENS>+10 dB | <REF \hat{I}_{or} >+10 dB | Minimum |
| I-1-V-2 I-2-V-1 I-2-V-2 | V | I | <REFSENS>+10 dB | <REF \hat{I}_{or} >+10 dB | Minimum |
| | V | V | <REFSENS>+10 dB | <REF \hat{I}_{or} >+10 dB | Minimum |

NOTE 7: <REFSENS> and <REF \hat{I}_{or} > refer to the HS-PDSCH_Ec<REFSENS> and the HS-PDSCH<REF \hat{I}_{or} > as specified in Table 6.2DA.1 for dual band 4C-HSDPA.

NOTE 8: If the above Test Requirement differs from the Minimum Requirement then the Test Tolerance applied for this test is non-zero. The Test Tolerance for this test is defined in clause F.2 and the explanation of how the Minimum Requirement has been relaxed by the Test Tolerance is given in clause F.4.

6.5G Blocking Characteristics for dual uplink dual band 4C-HSDPA

6.5G.1 Definition and applicability

The blocking characteristic is a measure of the receiver's ability to receive a wanted signal at its assigned channel frequency in the presence of an unwanted interferer on frequencies other than those of the spurious response or the adjacent channels, without this unwanted input signal causing a degradation of the performance of the receiver beyond a specified limit. The blocking performance shall apply at all frequencies except those at which a spurious response occur.

The requirements in clause 6.5G.2.1 and 6.5G.2.2 and this test apply for Release 10 and later releases to all types of UTRA for the FDD UE that support dual band dual uplink 4C-HSDPA and HS-DSCH categories 31 or 32.

Dual band 4C-HSDPA is designed to operate in configurations specified in clause 4.2.

6.5G.2 Minimum Requirements

6.5G.2.1 Minimum Requirements (In-band blocking)

The BLER measured on each individual cell shall not exceed 0.1 for the parameters specified in Table 6.5G.1 and 6.5G.2. In-band blocking is defined for an unwanted interfering signal falling into the UE receive band or into the first 15 MHz below or above the UE receive band.

Table 6.5G.1: Test parameters for in-band blocking, dual band 4C-HSDPA, dual uplink operation

| Parameter | Unit | Level | |
|--|------|-----------------------------|--------------------------------------|
| I_{blocking} mean power (modulated) | dBm | -56 | -44 |
| F_{uw} offset (NOTE 2) | | ± 10 MHz | ≤ -15 MHz & ≥ 15 MHz |
| F_{uw} (Band I operation) | MHz | $2102.4 \leq f \leq 2177.6$ | $2095 \leq f \leq 2185$ |
| F_{uw} (Band II operation) | MHz | $1922.4 \leq f \leq 1997.6$ | $1915 \leq f \leq 2005$ |
| F_{uw} (Band IV operation) | MHz | $2102.4 \leq f \leq 2162.6$ | $2095 \leq f \leq 2170$ |
| F_{uw} (Band V operation) | MHz | $861.4 \leq f \leq 901.6$ | $854 \leq f \leq 909$ |
| F_{uw} (Band VIII operation) | MHz | $917.4 \leq f \leq 967.6$ | $910 \leq f \leq 975$ |

NOTE 1: I_{blocking} (modulated) consists of the common channels needed for tests as specified in Table E.4.1 and 16 dedicated data channels as specified in Table E.3.6.

NOTE 2: For single band 4C-HSDPA, negative offset refers to the assigned channel frequency of the lowest carrier frequencies, and positive offset refers to the assigned channel frequency of the highest carrier frequencies.

Table 6.5G.2: In-band blocking requirements, dual band 4C-HSDPA, dual uplink operation

| Dual band 4C-HSDPA Configuration | DL Band | UL Band | HS-PDSCH_Ec (dBm/3.84MHz) | \hat{I}_{or} (dBm/3.84MHz) | UE transmitted mean power (dBm) | UL-DL carrier separation |
|----------------------------------|---------|---------|---------------------------|------------------------------|---|--------------------------|
| I-2-VIII-1 I-3-VIII-1 | I | I | -110 | -99.7 | 20 (for Power class 3 and 3bis) 18 (for Power class 4) | Minimum |
| | VIII | | -107 | -96.7 | 20 (for Power class 3 and 3bis) 18 (for Power class 4) | Minimum |
| II-1-IV-2 | II | IV | -107 | -96.7 | 20 (for Power class 3 and 3bis) 18 (for Power class 4) | Minimum |
| | IV | | -109 | -98.7 | 20 (for Power class 3 and 3bis) 18 (for Power class 4) | Minimum |
| II-2-IV-1 | II | II | -107 | -96.7 | 20 (for Power class 3 and 3bis) 18 (for Power class 4) | Minimum |
| | IV | | -109 | -98.7 | 20 (for Power class 3 and 3bis) 18 (for Power class 4) | Minimum |
| II-2-IV-2 | II | II | -107 | -96.7 | 20 (for Power class 3 and 3bis) 18 (for Power class 4) | Minimum |
| | IV | | -109 | -98.7 | 20 (for Power class 3 and 3bis) 18 (for Power class 4) | Minimum |
| | II | IV | -107 | -96.7 | 20 (for Power class 3 and 3bis) 18 (for Power class 4) | Minimum |
| | IV | | -109 | -98.7 | 20 (for Power class 3 and 3bis) 18 (for Power class 4) | Minimum |
| I-1-V-2 | I | V | -110 | -99.7 | 20 (for Power class 3 and 3bis) 18 (for Power class 4) | Minimum |
| | V | | -103.2 | -92.9 | 20 (for Power class 3 and 3bis) 18 (for Power class 4) | Minimum |
| I-2-V-1 | I | I | -110 | -99.7 | 20 (for Power class 3 and 3bis) 18 (for Power class 4) | Minimum |
| | V | | -108 | -97.7 | 20 (for Power class 3 and 3bis) 18 (for Power class 4) | Minimum |
| I-2-V-2 | I | I | -110 | -99.7 | 20 (for Power class 3 and 3bis) 18 (for Power class 4) | Minimum |
| | V | | -108 | -97.7 | 20 (for Power class 3 and 3bis) 18 (for Power class 4) | Minimum |
| | I | V | -110 | -99.7 | 20 (for Power class 3 and 3bis) 18 (for Power class 4) | Minimum |
| | V | | -103.2 | -92.9 | 20 (for Power class 3 and 3bis) 18 (for Power class 4) | Minimum |

NOTE 3: <REFSENS> and <REF \hat{I}_{or} > refer to the HS-PDSCH_Ec<REFSENS> and the HS-PDSCH<REF \hat{I}_{or} > as specified in Table 6.2D.1 for single band 4C-HSDPA.

The normative reference for this requirement is TS 25.101 [1] clause 7.6.1D.2.

6.5G.2.2 Minimum requirements (Narrow band blocking)

The BLER measured on each individual cell shall not exceed 0.1 for the parameters specified in Table 6.5G.3 and Table 6.5G.4. This requirement is measure of a receiver's ability to receive a W-CDMA signal at its assigned channel frequency in the presence of an unwanted narrow band interferer at a frequency, which is less than the nominal channel spacing.

Table 6.5G.3: Test parameters for narrow band blocking characteristics for dual band 4C-HSDPA, dual uplink operation

| Parameter | Unit | Band II, IV, V | Band VIII |
|-----------------------------------|------|----------------|-----------|
| I_{blocking} (GMSK) | dBm | -57 | -56 |
| F_{uw} (offset) (NOTE 2) | MHz | ±2.7 | ±2.8 |

NOTE 1: I_{blocking} (GMSK) is an interfering signal as defined in TS 45.004

NOTE 2: For dual band 4C-HSDPA, negative offset refers to the assigned channel frequency of the lowest carrier frequency(ies) in each band, and positive offset refers to the assigned channel frequency of the highest carrier frequency(ies) in each band.

Table 6.5G.4: Narrow band blocking requirements, dual band 4C-HSDPA, dual uplink operation

| Dual band 4C-HSDPA Configuration | DL Band | UL Band | HS-PDSCH E_c (dBm/3.84MHz) | \hat{I}_{or} (dBm/3.84MHz) | UE transmitted mean power (dBm) | UL-DL carrier separation |
|----------------------------------|---------|---------|------------------------------|------------------------------|---|--------------------------|
| I-2-VIII-1 I-3-VIII-1 | VIII | I | -100 | -89.7 | 20 (for Power class 3 and 3bis) 18 (for Power class 4) | Minimum |
| II-1-IV-2 | II | IV | -100 | -89.7 | 20 (for Power class 3 and 3bis) 18 (for Power class 4) | Minimum |
| | IV | | -101 | -90.7 | 20 (for Power class 3 and 3bis) 18 (for Power class 4) | Minimum |
| II-2-IV-1 | II | II | -100 | -89.7 | 20 (for Power class 3 and 3bis) 18 (for Power class 4) | Minimum |
| | IV | | -101 | -90.7 | 20 (for Power class 3 and 3bis) 18 (for Power class 4) | Minimum |
| II-2-IV-2 | II | II | -100 | -89.7 | 20 (for Power class 3 and 3bis) 18 (for Power class 4) | Minimum |
| | IV | | -101 | -90.7 | 20 (for Power class 3 and 3bis) 18 (for Power class 4) | Minimum |
| | II | IV | -100 | -89.7 | 20 (for Power class 3 and 3bis) 18 (for Power class 4) | Minimum |
| | IV | | -101 | -90.7 | 20 (for Power class 3 and 3bis) 18 (for Power class 4) | Minimum |
| I-1-V-2 | V | V | -99.8 | -89.5 | 20 (for Power class 3 and 3bis) 18 (for Power class 4) | Minimum |
| I-2-V-1 | V | I | -101 | -90.7 | 20 (for Power class 3 and 3bis) 18 (for Power class 4) | Minimum |
| I-2-V-2 | V | I | -101 | -90.7 | 20 (for Power class 3 and 3bis) 18 (for Power class 4) | Minimum |
| | V | V | -99.8 | -89.5 | 20 (for Power class 3 and 3bis) 18 (for Power class 4) | Minimum |

The normative reference for this requirement is TS 25.101 [1] clause 7.6.3D.2.

6.5G.3 Test purpose

To verify that the UE BLER of HS-PDSCH on each individual cell does not exceed 0.1 for the parameters specified in table 6.5G.6, table 6.5G.7, table 6.5G.8 and table 6.5G.9 for the DL reference channel H-Set 1C specified in Annex C.8.1.1.

The lack of the blocking ability decreases the 4C-HSDPA coverage area when other transmitter exists (except in the adjacent channels and spurious response).

This test case tests only 4 carrier configurations.

6.5G.4 Method of test

6.5G.4.1 Initial conditions

For in-band case:

Test environment: normal; see clauses G.2.1 and G.2.2.

Frequencies to be tested: mid range; see clause G.2.4.

For out-of-band case:

Test environment: normal; see clauses G.2.1 and G.2.2.

Frequency to be tested: 1 arbitrary frequency chosen from the low, mid or high range; see clause G.2.4.

- 1) Connect the SS to the UE antenna connector as shown in figure A.49.
- 2) RF parameters are set up according to table 6.5G.6, table 6.5G.7, table 6.5G.8 and table 6.5G.9.
- 3) A call is set up according to the Generic 4C-HSDPA setup procedure specified in TS34.108[3] sub clause 7.3.16, with exceptions for information elements listed in Table 6.5G.5. With this exception, the Power Control Algorithm for the Uplink is set to algorithm 2.

Contents of RADIO BEARER SETUP message: AM or UM (Test Loop Mode1)

Table 6.5G.5: Specific Message Contents for In-band blocking characteristics for Single band 4C-HSDPA, Single uplink operation

| Information Element | Value/Remark | Version |
|----------------------------------|--------------|---------|
| Uplink DPCH info | | Rel-6 |
| - Uplink DPCH power control info | | |
| - CHOICE mode | FDD | |
| - Power Control Algorithm | Algorithm2 | |

6.5G.4.2 Procedure

- 1) Set the parameters of the CW generator or the interference signal generator as shown in table 6.5G.6 and table 6.5G.7, for inband blocking measurements and table 6.5G.8 and table 6.5G.9 for narrow band measurements. For table 6.5G.8 and 6.5G.9, the frequency step size is 1 MHz.
- 2) Set the power level of UE according to the table 6.5G.6, table 6.5G.7, table 6.5G.8 and table 6.5G.9, or send the power control commands (1dB step size should be used.) to the UE until UE output power measured by Test System shall be kept at the specified power level with ± 1 dB tolerance.
- 3) Measure the BLER of HS-PDSCH received from the UE at the SS by counting the number of NACK, ACK and statDTX on the UL HS-DPCCH ($BLER = (NACK + statDTX)/(NACK + statDTX + ACK)$).
- 4) For table 6.5G.8 and 6.5G.9, record the frequencies for which BLER exceed the test requirements.

6.5G.5 Test requirements

For table 6.5G.6 and 6.5G.7, the measured BLER, derived in step 2), shall not exceed 0.1 on each individual cell. For table 6.5G.8 and 6.5G.9, the measured BLER, derived in step 2) shall not exceed 0.1 on each individual cell except for the spurious response frequencies, recorded in step 3). The number of spurious response frequencies, recorded in step 3) shall not exceed 24 for frequency range 1, 2 and 3. The number of spurious response frequencies, recorded in step 3) shall not exceed 8 for frequency range 4. The minimum number of measurements required for a statistically significant result to this test is clarified in annex F.6.3, Table F.6.3.5.0.

Table 6.5G.6: Test parameters for in-band blocking, dual band 4C-HSDPA, dual uplink operation

| Parameter | Unit | Level | |
|--|------|-----------------------------|--------------------------------------|
| I_{blocking} mean power (modulated) | dBm | -56 | -44 |
| F_{uw} offset (NOTE 2) | | ± 10 MHz | ≤ -15 MHz & ≥ 15 MHz |
| F_{uw} (Band I operation) | MHz | $2102.4 \leq f \leq 2177.6$ | $2095 \leq f \leq 2185$ |
| F_{uw} (Band II operation) | MHz | $1922.4 \leq f \leq 1997.6$ | $1915 \leq f \leq 2005$ |
| F_{uw} (Band IV operation) | MHz | $2102.4 \leq f \leq 2162.6$ | $2095 \leq f \leq 2170$ |
| F_{uw} (Band V operation) | MHz | $861.4 \leq f \leq 901.6$ | $854 \leq f \leq 909$ |
| F_{uw} (Band VIII operation) | MHz | $917.4 \leq f \leq 967.6$ | $910 \leq f \leq 975$ |

NOTE 1: I_{blocking} (modulated) consists of the common channels needed for tests as specified in Table E.4.1 and 16 dedicated data channels as specified in Table E.3.6.

NOTE 2: For single band 4C-HSDPA, negative offset refers to the assigned channel frequency of the lowest carrier frequencies, and positive offset refers to the assigned channel frequency of the highest carrier frequencies.

Table 6.5G.7: In-band blocking requirements, dual band 4C-HSDPA, dual uplink operation

| Dual band 4C-HSDPA Configuration | DL Band | UL Band | HS-PDSCH E_c (dBm/3.84MHz) | \hat{I}_{or} (dBm/3.84MHz) | UE transmitted mean power (dBm) | UL-DL carrier separation |
|----------------------------------|---------|---------|------------------------------|------------------------------|---|--------------------------|
| I-2-VIII-1 I-3-VIII-1 | I | I | -110 | -99.7 | 20 (for Power class 3 and 3bis) 18 (for Power class 4) | Minimum |
| | VIII | | -107 | -96.7 | 20 (for Power class 3 and 3bis) 18 (for Power class 4) | Minimum |
| II-1-IV-2 | II | IV | -107 | -96.7 | 20 (for Power class 3 and 3bis) 18 (for Power class 4) | Minimum |
| | IV | | -109 | -98.7 | 20 (for Power class 3 and 3bis) 18 (for Power class 4) | Minimum |
| II-2-IV-1 | II | II | -107 | -96.7 | 20 (for Power class 3 and 3bis) 18 (for Power class 4) | Minimum |
| | IV | | -109 | -98.7 | 20 (for Power class 3 and 3bis) 18 (for Power class 4) | Minimum |
| II-2-IV-2 | II | II | -107 | -96.7 | 20 (for Power class 3 and 3bis) 18 (for Power class 4) | Minimum |
| | IV | | -109 | -98.7 | 20 (for Power class 3 and 3bis) 18 (for Power class 4) | Minimum |
| | II | IV | -107 | -96.7 | 20 (for Power class 3 and 3bis) 18 (for Power class 4) | Minimum |
| | IV | | -109 | -98.7 | 20 (for Power class 3 and 3bis) 18 (for Power class 4) | Minimum |
| I-1-V-2 | I | V | -110 | -99.7 | 20 (for Power class 3 and 3bis) 18 (for Power class 4) | Minimum |
| | V | | -103.2 | -92.9 | 20 (for Power class 3 and 3bis) 18 (for Power class 4) | Minimum |
| I-2-V-1 | I | I | -110 | -99.7 | 20 (for Power class 3 and 3bis) 18 (for Power class 4) | Minimum |
| | V | | -108 | -97.7 | 20 (for Power class 3 and 3bis) 18 (for Power class 4) | Minimum |
| I-2-V-2 | I | I | -110 | -99.7 | 20 (for Power class 3 and 3bis) 18 (for Power class 4) | Minimum |
| | V | | -108 | -97.7 | 20 (for Power class 3 and 3bis) 18 (for Power class 4) | Minimum |
| | I | V | -110 | -99.7 | 20 (for Power class 3 and 3bis) 18 (for Power class 4) | Minimum |
| | V | | -103.2 | -92.9 | 20 (for Power class 3 and 3bis) 18 (for Power class 4) | Minimum |

NOTE 3: $\langle \text{REFSENS} \rangle$ and $\langle \text{REF}\hat{I}_{or} \rangle$ refer to the HS-PDSCH $E_c \langle \text{REFSENS} \rangle$ and the HS-PDSCH $\langle \text{REF}\hat{I}_{or} \rangle$ as specified in Table 6.2D.1 for single band 4C-HSDPA.

Table 6.5G.8: Test parameters for narrow band blocking characteristics for dual band 4C-HSDPA, dual uplink operation

| Parameter | Unit | Band II, IV, V | Band VIII |
|------------------------------|------|----------------|-----------|
| I_{blocking} (GMSK) | dBm | -57 | -56 |
| F_{uw} (offset) (NOTE 2) | MHz | ± 2.7 | ± 2.8 |

NOTE 4: I_{blocking} (GMSK) is an interfering signal as defined in TS 45.004.

NOTE 5: For dual band 4C-HSDPA, negative offset refers to the assigned channel frequency of the lowest carrier frequency(ies) in each band, and positive offset refers to the assigned channel frequency of the highest carrier frequency(ies) in each band.

Table 6.5G.9: Narrow band blocking requirements, dual band 4C-HSDPA, dual uplink operation

| Dual band 4C-HSDPA Configuration | DL Band | UL Band | HS-PDSCH_Ec (dBm/3.84MHz) | \hat{I}_{or} (dBm/3.84MHz) | UE transmitted mean power (dBm) | UL-DL carrier separation |
|----------------------------------|---------|---------|---------------------------|------------------------------|---|--------------------------|
| I-2-VIII-1 I-3-VIII-1 | VIII | I | -100 | -89.7 | 20 (for Power class 3 and 3bis) 18 (for Power class 4) | Minimum |
| II-1-IV-2 | II | IV | -100 | -89.7 | 20 (for Power class 3 and 3bis) 18 (for Power class 4) | Minimum |
| | IV | | -101 | -90.7 | 20 (for Power class 3 and 3bis) 18 (for Power class 4) | Minimum |
| II-2-IV-1 | II | II | -100 | -89.7 | 20 (for Power class 3 and 3bis) 18 (for Power class 4) | Minimum |
| | IV | | -101 | -90.7 | 20 (for Power class 3 and 3bis) 18 (for Power class 4) | Minimum |
| II-2-IV-2 | II | II | -100 | -89.7 | 20 (for Power class 3 and 3bis) 18 (for Power class 4) | Minimum |
| | IV | | -101 | -90.7 | 20 (for Power class 3 and 3bis) 18 (for Power class 4) | Minimum |
| | II | IV | -100 | -89.7 | 20 (for Power class 3 and 3bis) 18 (for Power class 4) | Minimum |
| | IV | | -101 | -90.7 | 20 (for Power class 3 and 3bis) 18 (for Power class 4) | Minimum |
| I-1-V-2 | V | V | -99.8 | -89.5 | 20 (for Power class 3 and 3bis) 18 (for Power class 4) | Minimum |
| I-2-V-1 | V | I | -101 | -90.7 | 20 (for Power class 3 and 3bis) 18 (for Power class 4) | Minimum |
| I-2-V-2 | V | I | -101 | -90.7 | 20 (for Power class 3 and 3bis) 18 (for Power class 4) | Minimum |
| | V | V | -99.8 | -89.5 | 20 (for Power class 3 and 3bis) 18 (for Power class 4) | Minimum |

NOTE 6: If the above Test Requirement differs from the Minimum Requirement then the Test Tolerance applied for this test is non-zero. The Test Tolerance for this test is defined in clause F.2 and the explanation of how the Minimum Requirement has been relaxed by the Test Tolerance is given in clause F.4.

6.5GA Blocking Characteristics for dual uplink dual band 4C-HSDPA (3 carrier)

6.5GA.1 Definition and applicability

The blocking characteristic is a measure of the receiver's ability to receive a wanted signal at its assigned channel frequency in the presence of an unwanted interferer on frequencies other than those of the spurious response or the adjacent channels, without this unwanted input signal causing a degradation of the performance of the receiver beyond a specified limit. The blocking performance shall apply at all frequencies except those at which a spurious response occur.

The requirements in clause 6.5GA.2.1 and 6.5GA.2.2 and this test apply for Release 10 and later releases to all types of UTRA for the FDD UE that support dual band dual uplink 4C-HSDPA and HS-DSCH categories 29 to 32.

Dual band 4C-HSDPA is designed to operate in configurations specified in clause 4.2.

6.5GA.2 Minimum Requirements

6.5GA.2.1 Minimum Requirements (In-band blocking)

The BLER measured on each individual cell shall not exceed 0.1 for the parameters specified in Table 6.5GA.1 and 6.5GA.2. In-band blocking is defined for an unwanted interfering signal falling into the UE receive band or into the first 15 MHz below or above the UE receive band.

Table 6.5GA.1: Test parameters for in-band blocking, dual band 4C-HSDPA, dual uplink operation

| Parameter | Unit | Level | |
|--|------|-----------------------------|--------------------------------------|
| I_{blocking} mean power (modulated) | dBm | -56 | -44 |
| F_{uw} offset (NOTE 2) | | ± 10 MHz | ≤ -15 MHz & ≥ 15 MHz |
| F_{uw} (Band I operation) | MHz | $2102.4 \leq f \leq 2177.6$ | $2095 \leq f \leq 2185$ |
| F_{uw} (Band II operation) | MHz | $1922.4 \leq f \leq 1997.6$ | $1915 \leq f \leq 2005$ |
| F_{uw} (Band IV operation) | MHz | $2102.4 \leq f \leq 2162.6$ | $2095 \leq f \leq 2170$ |
| F_{uw} (Band V operation) | MHz | $861.4 \leq f \leq 901.6$ | $854 \leq f \leq 909$ |
| F_{uw} (Band VIII operation) | MHz | $917.4 \leq f \leq 967.6$ | $910 \leq f \leq 975$ |

NOTE 1: I_{blocking} (modulated) consists of the common channels needed for tests as specified in Table E.4.1 and 16 dedicated data channels as specified in Table E.3.6.

NOTE 2: For single band 4C-HSDPA, negative offset refers to the assigned channel frequency of the lowest carrier frequencies, and positive offset refers to the assigned channel frequency of the highest carrier frequencies.

Table 6.5GA.2: In-band blocking requirements, dual band 4C-HSDPA, dual uplink operation

| Dual band 4C-HSDPA Configuration | DL Band | UL Band | HS-PDSCH_Ec (dBm/3.84MHz) | \hat{I}_{or} (dBm/3.84MHz) | UE transmitted mean power (dBm) | UL-DL carrier separation |
|----------------------------------|---------|---------|---------------------------|------------------------------|---|--------------------------|
| I-2-VIII-1 I-3-VIII-1 | I | I | -110 | -99.7 | 20 (for Power class 3 and 3bis) 18 (for Power class 4) | Minimum |
| | VIII | | -107 | -96.7 | 20 (for Power class 3 and 3bis) 18 (for Power class 4) | Minimum |
| II-1-IV-2 | II | IV | -107 | -96.7 | 20 (for Power class 3 and 3bis) 18 (for Power class 4) | Minimum |
| | IV | | -109 | -98.7 | 20 (for Power class 3 and 3bis) 18 (for Power class 4) | Minimum |
| II-2-IV-1 | II | II | -107 | -96.7 | 20 (for Power class 3 and 3bis) 18 (for Power class 4) | Minimum |
| | IV | | -109 | -98.7 | 20 (for Power class 3 and 3bis) 18 (for Power class 4) | Minimum |
| II-2-IV-2 | II | II | -107 | -96.7 | 20 (for Power class 3 and 3bis) 18 (for Power class 4) | Minimum |
| | IV | | -109 | -98.7 | 20 (for Power class 3 and 3bis) 18 (for Power class 4) | Minimum |
| | II | IV | -107 | -96.7 | 20 (for Power class 3 and 3bis) 18 (for Power class 4) | Minimum |
| | IV | | -109 | -98.7 | 20 (for Power class 3 and 3bis) 18 (for Power class 4) | Minimum |
| I-1-V-2 | I | V | -110 | -99.7 | 20 (for Power class 3 and 3bis) 18 (for Power class 4) | Minimum |
| | V | | -103.2 | -92.9 | 20 (for Power class 3 and 3bis) 18 (for Power class 4) | Minimum |
| I-2-V-1 | I | I | -110 | -99.7 | 20 (for Power class 3 and 3bis) 18 (for Power class 4) | Minimum |
| | V | | -108 | -97.7 | 20 (for Power class 3 and 3bis) 18 (for Power class 4) | Minimum |
| I-2-V-2 | I | I | -110 | -99.7 | 20 (for Power class 3 and 3bis) 18 (for Power class 4) | Minimum |
| | V | | -108 | -97.7 | 20 (for Power class 3 and 3bis) 18 (for Power class 4) | Minimum |
| | I | V | -110 | -99.7 | 20 (for Power class 3 and 3bis) 18 (for Power class 4) | Minimum |
| | V | | -103.2 | -92.9 | 20 (for Power class 3 and 3bis) 18 (for Power class 4) | Minimum |

NOTE 3: <REFSENS> and <REF \hat{I}_{or} > refer to the HS-PDSCH_Ec<REFSENS> and the HS-PDSCH<REF \hat{I}_{or} > as specified in Table 6.2DA.1 for single band 4C-HSDPA.

The normative reference for this requirement is TS 25.101 [1] clause 7.6.1D.2.

6.5GA.2.2 Minimum requirements (Narrow band blocking)

The BLER measured on each individual cell shall not exceed 0.1 for the parameters specified in Table 6.5GA.3 and Table 6.5GA.4. This requirement is measure of a receiver's ability to receive a W-CDMA signal at its assigned channel frequency in the presence of an unwanted narrow band interferer at a frequency, which is less than the nominal channel spacing.

Table 6.5GA.3: Test parameters for narrow band blocking characteristics for dual band 4C-HSDPA, dual uplink operation

| Parameter | Unit | Band II, IV, V | Band VIII |
|----------------------------|------|----------------|-----------|
| $I_{blocking}$ (GMSK) | dBm | -57 | -56 |
| F_{uw} (offset) (NOTE 2) | MHz | ±2.7 | ±2.8 |

NOTE 1: $I_{blocking}$ (GMSK) is an interfering signal as defined in TS 45.004

NOTE 2: For dual band 4C-HSDPA, negative offset refers to the assigned channel frequency of the lowest carrier frequency(ies) in each band, and positive offset refers to the assigned channel frequency of the highest carrier frequency(ies) in each band.

Table 6.5GA.4: Narrow band blocking requirements, dual band 4C-HSDPA, dual uplink operation

| Dual band 4C-HSDPA Configuration | DL Band | UL Band | HS-PDSCH E_c (dBm/3.84MHz) | \hat{I}_{or} (dBm/3.84MHz) | UE transmitted mean power (dBm) | UL-DL carrier separation |
|----------------------------------|---------|---------|------------------------------|------------------------------|---|--------------------------|
| I-2-VIII-1 I-3-VIII-1 | VIII | I | -100 | -89.7 | 20 (for Power class 3 and 3bis) 18 (for Power class 4) | Minimum |
| II-1-IV-2 | II | IV | -100 | -89.7 | 20 (for Power class 3 and 3bis) 18 (for Power class 4) | Minimum |
| | IV | | -101 | -90.7 | 20 (for Power class 3 and 3bis) 18 (for Power class 4) | Minimum |
| II-2-IV-1 | II | II | -100 | -89.7 | 20 (for Power class 3 and 3bis) 18 (for Power class 4) | Minimum |
| | IV | | -101 | -90.7 | 20 (for Power class 3 and 3bis) 18 (for Power class 4) | Minimum |
| II-2-IV-2 | II | II | -100 | -89.7 | 20 (for Power class 3 and 3bis) 18 (for Power class 4) | Minimum |
| | IV | | -101 | -90.7 | 20 (for Power class 3 and 3bis) 18 (for Power class 4) | Minimum |
| | II | IV | -100 | -89.7 | 20 (for Power class 3 and 3bis) 18 (for Power class 4) | Minimum |
| | IV | | -101 | -90.7 | 20 (for Power class 3 and 3bis) 18 (for Power class 4) | Minimum |
| I-1-V-2 | V | V | -99.8 | -89.5 | 20 (for Power class 3 and 3bis) 18 (for Power class 4) | Minimum |
| I-2-V-1 | V | I | -101 | -90.7 | 20 (for Power class 3 and 3bis) 18 (for Power class 4) | Minimum |
| I-2-V-2 | V | I | -101 | -90.7 | 20 (for Power class 3 and 3bis) 18 (for Power class 4) | Minimum |
| | V | V | -99.8 | -89.5 | 20 (for Power class 3 and 3bis) 18 (for Power class 4) | Minimum |

The normative reference for this requirement is TS 25.101 [1] clause 7.6.3D.2.

6.5GA.3 Test purpose

To verify that the UE BLER of HS-PDSCH on each individual cell does not exceed 0.1 for the parameters specified in table 6.5GA.6, table 6.5GA.7, table 6.5GA.8 and table 6.5GA.9 for the DL reference channel H-Set 1B specified in Annex C.8.1.1.

The lack of the blocking ability decreases the 4C-HSDPA coverage area when other transmitter exists (except in the adjacent channels and spurious response).

This test case tests only 3 carrier configurations.

6.5GA.4 Method of test

6.5GA.4.1 Initial conditions

For in-band case:

Test environment: normal; see clauses G.2.1 and G.2.2.

Frequencies to be tested: mid range; see clause G.2.4.

For out-of-band case:

Test environment: normal; see clauses G.2.1 and G.2.2.

Frequency to be tested: 1 arbitrary frequency chosen from the low, mid or high range; see clause G.2.4.

- 1) Connect the SS to the UE antenna connector as shown in figure A.49.
- 2) RF parameters are set up according to table 6.5GA.6, table 6.5GA.7, table 6.5GA.8 and table 6.5GA.9.
- 3) A call is set up according to the Generic 4C-HSDPA setup procedure specified in TS34.108[3] sub clause 7.3.16, with exceptions for information elements listed in Table 6.5GA.5. With this exception, the Power Control Algorithm for the Uplink is set to algorithm 2.

Contents of RADIO BEARER SETUP message: AM or UM (Test Loop Mode1)

Table 6.5GA.5: Specific Message Contents for In-band blocking characteristics for Single band 4C-HSDPA, Single uplink operation

| Information Element | Value/Remark | Version |
|----------------------------------|--------------|---------|
| Uplink DPCH info | | Rel-6 |
| - Uplink DPCH power control info | | |
| - CHOICE mode | FDD | |
| - Power Control Algorithm | Algorithm2 | |

6.5GA.4.2 Procedure

- 1) Set the parameters of the CW generator or the interference signal generator as shown in table 6.5GA.6 and table 6.5GA.7, for inblocking measurements and table 6.5GA.8 and table 6.5GA.9 for narrow band measurements. For table 6.5GA.8 and 6.5GA.9, the frequency step size is 1 MHz.
- 2) Set the power level of UE according to the table 6.5GA.6, table 6.5GA.7, table 6.5GA.8 and table 6.5GA.9, or send the power control commands (1dB step size should be used.) to the UE until UE output power measured by Test System shall be kept at the specified power level with ± 1 dB tolerance.
- 3) Measure the BLER of HS-PDSCH received from the UE at the SS by counting the number of NACK, ACK and statDTX on the UL HS-DPCCH ($BLER = (NACK + statDTX)/(NACK + statDTX + ACK)$).
- 4) For table 6.5GA.8 and 6.5GA.9, record the frequencies for which BLER exceed the test requirements.

6.5GA.5 Test requirements

For table 6.5GA.6 and 6.5GA.7, the measured BLER, derived in step 2), shall not exceed 0.1 on each individual cell. For table 6.5GA.8 and 6.5GA.9, the measured BLER, derived in step 2) shall not exceed 0.1 on each individual cell except for the spurious response frequencies, recorded in step 3). The number of spurious response frequencies, recorded in step 3) shall not exceed 24 for frequency range 1, 2 and 3. The number of spurious response frequencies, recorded in step 3) shall not exceed 8 for frequency range 4. The minimum number of measurements required for a statistically significant result to this test is clarified in annex F.6.3, Table F.6.3.5.0.

Table 6.5GA.6: Test parameters for in-band blocking, dual band 4C-HSDPA, dual uplink operation

| Parameter | Unit | Level | |
|--|------|-----------------------------|--------------------------------------|
| I_{blocking} mean power (modulated) | dBm | -56 | -44 |
| F_{uw} offset (NOTE 2) | | ± 10 MHz | ≤ -15 MHz & ≥ 15 MHz |
| F_{uw} (Band I operation) | MHz | $2102.4 \leq f \leq 2177.6$ | $2095 \leq f \leq 2185$ |
| F_{uw} (Band II operation) | MHz | $1922.4 \leq f \leq 1997.6$ | $1915 \leq f \leq 2005$ |
| F_{uw} (Band IV operation) | MHz | $2102.4 \leq f \leq 2162.6$ | $2095 \leq f \leq 2170$ |
| F_{uw} (Band V operation) | MHz | $861.4 \leq f \leq 901.6$ | $854 \leq f \leq 909$ |
| F_{uw} (Band VIII operation) | MHz | $917.4 \leq f \leq 967.6$ | $910 \leq f \leq 975$ |

NOTE 1: I_{blocking} (modulated) consists of the common channels needed for tests as specified in Table E.4.1 and 16 dedicated data channels as specified in Table E.3.6.

NOTE 2: For single band 4C-HSDPA, negative offset refers to the assigned channel frequency of the lowest carrier frequencies, and positive offset refers to the assigned channel frequency of the highest carrier frequencies.

Table 6.5GA.7: In-band blocking requirements, dual band 4C-HSDPA, dual uplink operation

| Dual band 4C-HSDPA Configuration | DL Band | UL Band | HS-PDSCH E_c (dBm/3.84MHz) | \hat{I}_{or} (dBm/3.84MHz) | UE transmitted mean power (dBm) | UL-DL carrier separation |
|----------------------------------|---------|---------|------------------------------|------------------------------|---|--------------------------|
| I-2-VIII-1 I-3-VIII-1 | I | I | -110 | -99.7 | 20 (for Power class 3 and 3bis) 18 (for Power class 4) | Minimum |
| | VIII | | -107 | -96.7 | 20 (for Power class 3 and 3bis) 18 (for Power class 4) | Minimum |
| II-1-IV-2 | II | IV | -107 | -96.7 | 20 (for Power class 3 and 3bis) 18 (for Power class 4) | Minimum |
| | IV | | -109 | -98.7 | 20 (for Power class 3 and 3bis) 18 (for Power class 4) | Minimum |
| II-2-IV-1 | II | II | -107 | -96.7 | 20 (for Power class 3 and 3bis) 18 (for Power class 4) | Minimum |
| | IV | | -109 | -98.7 | 20 (for Power class 3 and 3bis) 18 (for Power class 4) | Minimum |
| II-2-IV-2 | II | II | -107 | -96.7 | 20 (for Power class 3 and 3bis) 18 (for Power class 4) | Minimum |
| | IV | | -109 | -98.7 | 20 (for Power class 3 and 3bis) 18 (for Power class 4) | Minimum |
| | II | IV | -107 | -96.7 | 20 (for Power class 3 and 3bis) 18 (for Power class 4) | Minimum |
| | IV | | -109 | -98.7 | 20 (for Power class 3 and 3bis) 18 (for Power class 4) | Minimum |
| I-1-V-2 | I | V | -110 | -99.7 | 20 (for Power class 3 and 3bis) 18 (for Power class 4) | Minimum |
| | V | | -103.2 | -92.9 | 20 (for Power class 3 and 3bis) 18 (for Power class 4) | Minimum |
| I-2-V-1 | I | I | -110 | -99.7 | 20 (for Power class 3 and 3bis) 18 (for Power class 4) | Minimum |
| | V | | -108 | -97.7 | 20 (for Power class 3 and 3bis) 18 (for Power class 4) | Minimum |
| I-2-V-2 | I | I | -110 | -99.7 | 20 (for Power class 3 and 3bis) 18 (for Power class 4) | Minimum |
| | V | | -108 | -97.7 | 20 (for Power class 3 and 3bis) 18 (for Power class 4) | Minimum |
| | I | V | -110 | -99.7 | 20 (for Power class 3 and 3bis) 18 (for Power class 4) | Minimum |
| | V | | -103.2 | -92.9 | 20 (for Power class 3 and 3bis) 18 (for Power class 4) | Minimum |

NOTE 3: <REFSENS> and <REF \hat{I}_{or} > refer to the HS-PDSCH E_c <REFSENS> and the HS-PDSCH<REF \hat{I}_{or} > as specified in Table 6.2DA.1 for single band 4C-HSDPA.

Table 6.5GA.8: Test parameters for narrow band blocking characteristics for dual band 4C-HSDPA, dual uplink operation

| Parameter | Unit | Band II, IV, V | Band VIII |
|-----------------------------------|------|----------------|-----------|
| I_{blocking} (GMSK) | dBm | -57 | -56 |
| F_{uw} (offset) (NOTE 2) | MHz | ± 2.7 | ± 2.8 |

NOTE 4: I_{blocking} (GMSK) is an interfering signal as defined in TS 45.004.

NOTE 5: For dual band 4C-HSDPA, negative offset refers to the assigned channel frequency of the lowest carrier frequency(ies) in each band, and positive offset refers to the assigned channel frequency of the highest carrier frequency(ies) in each band.

Table 6.5GA.9: Narrow band blocking requirements, dual band 4C-HSDPA, dual uplink operation

| Dual band 4C-HSDPA Configuration | DL Band | UL Band | HS-PDSCH_Ec (dBm/3.84MHz) | \hat{I}_{or} (dBm/3.84MHz) | UE transmitted mean power (dBm) | UL-DL carrier separation |
|----------------------------------|---------|---------|---------------------------|------------------------------|---|--------------------------|
| I-2-VIII-1 I-3-VIII-1 | VIII | I | -100 | -89.7 | 20 (for Power class 3 and 3bis) 18 (for Power class 4) | Minimum |
| II-1-IV-2 | II | IV | -100 | -89.7 | 20 (for Power class 3 and 3bis) 18 (for Power class 4) | Minimum |
| | IV | | -101 | -90.7 | 20 (for Power class 3 and 3bis) 18 (for Power class 4) | Minimum |
| II-2-IV-1 | II | II | -100 | -89.7 | 20 (for Power class 3 and 3bis) 18 (for Power class 4) | Minimum |
| | IV | | -101 | -90.7 | 20 (for Power class 3 and 3bis) 18 (for Power class 4) | Minimum |
| II-2-IV-2 | II | II | -100 | -89.7 | 20 (for Power class 3 and 3bis) 18 (for Power class 4) | Minimum |
| | IV | | -101 | -90.7 | 20 (for Power class 3 and 3bis) 18 (for Power class 4) | Minimum |
| | II | IV | -100 | -89.7 | 20 (for Power class 3 and 3bis) 18 (for Power class 4) | Minimum |
| | IV | | -101 | -90.7 | 20 (for Power class 3 and 3bis) 18 (for Power class 4) | Minimum |
| I-1-V-2 | V | V | -99.8 | -89.5 | 20 (for Power class 3 and 3bis) 18 (for Power class 4) | Minimum |
| I-2-V-1 | V | I | -101 | -90.7 | 20 (for Power class 3 and 3bis) 18 (for Power class 4) | Minimum |
| I-2-V-2 | V | I | -101 | -90.7 | 20 (for Power class 3 and 3bis) 18 (for Power class 4) | Minimum |
| | V | V | -99.8 | -89.5 | 20 (for Power class 3 and 3bis) 18 (for Power class 4) | Minimum |

NOTE 6: If the above Test Requirement differs from the Minimum Requirement then the Test Tolerance applied for this test is non-zero. The Test Tolerance for this test is defined in clause F.2 and the explanation of how the Minimum Requirement has been relaxed by the Test Tolerance is given in clause F.4.

6.6 Spurious Response

6.6.1 Definition and applicability

Spurious response is a measure of the receiver's ability to receive a wanted signal on its assigned channel frequency without exceeding a given degradation due to the presence of an unwanted CW interfering signal at any other frequency at which a response is obtained i.e. for which the out of band blocking limit is not met.

The requirements and this test apply to all types of UTRA for the FDD UE.

6.6.2 Minimum Requirements

The BER shall not exceed 0,001 for the parameters specified in table 6.6.1.

The normative reference for this requirement is TS 25.101 [1] clause 7.7.1.

Table 6.6.1: Test parameters for Spurious Response

| Parameter | Level | Unit |
|---------------------------|---|---------------|
| DPCH_Ec | <REFSENS> +3 dB | dBm / 3,84MHz |
| \hat{I}_{or} | <REF \hat{I}_{or} > +3 dB | dBm / 3,84MHz |
| $I_{blocking}(CW)$ | -44 | dBm |
| F_{uw} | Spurious response frequencies | MHz |
| UE transmitted mean power | 20 (for Power class 3 and 3bis) 18 (for Power class 4) | dBm |

6.6.3 Test purpose

To verify that the UE BER does not exceed 0,001 for the parameters specified in table 6.6.2.

The lack of the spurious response ability decreases the coverage area when other unwanted interfering signal exists at any other frequency.

6.6.4 Method of test

6.6.4.1 Initial conditions

Test environment: normal; see clauses G.2.1 and G.2.2.

Frequency to be tested: the same frequency as chosen in clause 6.5.4.1 for Blocking characteristics out-of-band case.

- 1) Connect the SS to the UE antenna connector as shown in figure A.6.
- 2) RF parameters are set up according to table 6.6.2.
- 3) A call is set up according to the Generic call setup procedure specified in TS 34.108 [3] sub clause 7.3.2, with the following exception for information elements in RADIO BEARER SETUP message. With this exception, the Power Control Algorithm for the Uplink is set to algorithm 2.
- 4) Enter the UE into loopback test mode and start the loopback test.

Table 6.6.1A Contents of RADIO BEARER SETUP message: AM or UM

| Information Element | Value/Remark |
|---|--------------------------------|
| CHOICE channel requirement - Power Control Algorithm | Uplink DPCH info Algorithm2 |

See TS 34.108 [3] and TS 34.109 [4] for details regarding generic call setup procedure and loopback test.

6.6.4.2 Procedure

- 1) Set the parameter of the CW generator as shown in table 6.6.2. The spurious response frequencies are determined in step 3) of clause 6.5.4.2.
- 2) Set the power level of UE according to the table 6.6.2 or send the power control commands (1dB step size should be used.) to the UE until UE output power measured by Test System shall be kept at the specified power level with ± 1 dB tolerance.
- 3) Measure the BER of DCH received from the UE at the SS.

6.6.5 Test requirements

The measured BER, derived in step 3), shall not exceed 0,001.

Table 6.6.2: Test parameters for Spurious Response

| Parameter | Level | Unit |
|----------------------------|---|---------------|
| DPCH_Ec | <REFSENS> +3 dB | dBm / 3,84MHz |
| I _{or} | <REFI _{or} > +3 dB | dBm / 3,84MHz |
| I _{blocking} (CW) | -44 | dBm |
| F _{uw} | Spurious response frequencies | MHz |
| UE transmitted mean power | 20 (for Power class 3 and 3bis) 18 (for Power class 4) | dBm |

NOTE: If the above Test Requirement differs from the Minimum Requirement then the Test Tolerance applied for this test is non-zero. The Test Tolerance for this test is defined in clause F.2 and the explanation of how the Minimum Requirement has been relaxed by the Test Tolerance is given in clause F.4.

6.6A Spurious Response for DC-HSDPA

6.6A.1 Definition and applicability

Spurious response is a measure of the receiver's ability to receive a wanted signal on its assigned channel frequency without exceeding a given degradation due to the presence of an unwanted CW interfering signal at any other frequency at which a response is obtained i.e. for which the out of band blocking limit as specified in subclause 6.5A.2.2 is not met.

The requirements and this test apply for Release 8 and later releases to all types of UTRA for the FDD UE that support DC-HSDPA.

6.6A.2 Minimum Requirements

The BLER measured on each individual cell shall not exceed 0.1 for the parameters specified in Table 6.6A.1.

Table 6.6A.1: Test Parameters for Spurious Response (DC-HSDPA)

| Parameter | Unit | Level |
|---------------------------|--------------|---|
| HS-PDSCH_Ec | dBm/3.84 MHz | <REFSENS> +3 dB |
| \hat{I}_{or} | dBm/3.84 MHz | <REF \hat{I}_{or} > +3 dB |
| $I_{blocking}$ (CW) | dBm | -44 |
| F_{uw} | MHz | Spurious response frequencies |
| UE transmitted mean power | dBm | 20 (for Power class 3 and 3bis) 18 (for Power class 4) |

NOTE: <REFSENS> and <REF \hat{I}_{or} > refers to the HS-PDSCH_Ec<REFSENS> and the HS-PDSCH<REF \hat{I}_{or} > as specified in Table 7.2A.

The normative reference for this requirement is TS 25.101 [1] clause 7.7.2.

6.6A.3 Test purpose

To verify that the UE BLER of HS-PDSCH does not exceed 0.1 for the parameters specified in table 6.6A.3 for the DL reference channel H-Set 12 specified in Annex C.8.1.12.

The lack of the spurious response ability decreases the DC-HSDPA coverage area when other unwanted interfering signal exists at any other frequency.

6.6A.4 Method of test

6.6A.4.1 Initial conditions

Test environment: normal; see clauses G.2.1 and G.2.2.

Frequency to be tested: the same frequency as chosen in clause 6.5A.4.1 for Blocking characteristics out-of-band case.

- 1) Connect the SS to the UE antenna connector as shown in figure A.33.
- 2) RF parameters are set up according to table 6.6A.3.
- 3) A call is set up according to the Generic DC-HSDPA setup procedure specified in TS 34.108 [3] sub clause 7.3.13, with exceptions for information elements listed in Table 6.6A.2. With this exception, the Power Control Algorithm for the Uplink is set to algorithm 2.

Contents of RADIO BEARER SETUP message: AM or UM (Test Loop Mode1)

Table 6.6A.2: Specific Message Contents for Spurious Response (DC-HSDPA)

| Information Element | Value/Remark | Version |
|----------------------------------|--------------|---------|
| Uplink DPCH info | | Rel-6 |
| - Uplink DPCH power control info | | |
| - CHOICE mode | FDD | |
| - Power Control Algorithm | Algorithm2 | |

Contents of RADIO BEARER SETUP message: AM or UM (DC-HSDPA)

| Information Element | Value/remark | Version |
|----------------------------------|------------------------------|---------|
| Uplink DPCH info | | Rel-6 |
| - Uplink DPCH power control info | | |
| - CHOICE mode | FDD | |
| - Power Control Algorithm | Algorithm2 | |
| Downlink HS-PDSCH Information | | |
| - CHOICE mode | FDD | |
| - Downlink 64QAM configured | Not Present | Rel-7 |
| - HS-DSCH TB size table | octet aligned (for H-Set 12) | Rel-7 |
| Downlink secondary cell info FDD | | Rel-8 |
| - CHOICE Configuration info | New configuration | |
| - Downlink 64QAM configured | Not Present | |
| - HS-DSCH TB size table | octet aligned (for H-Set 12) | |

See TS 34.108 [3] and TS 34.109 [4] for details regarding generic call setup procedure and loopback test.

6.6A.4.2 Procedure

- 1) Set the parameter of the CW generator as shown in table 6.6A.3. The spurious response frequencies are determined in step 3) of clause 6.5A.4.2.
- 2) Set the power level of UE according to the table 6.6A.3 or send the power control commands (1dB step size should be used.) to the UE until UE output power measured by Test System shall be kept at the specified power level with ± 1 dB tolerance.
- 3) Measure the BLER of HS-PDSCH received from the UE at the SS by counting the number of NACK, ACK and statDTX on the UL HS-DPCCH ($BLER = (NACK + statDTX)/(NACK + statDTX + ACK)$).

6.6A.5 Test requirements

The measured BLER, derived in step 3), shall not exceed 0.1 on each individual cell. The minimum number of measurements required for a statistically significant result to this test is clarified in annex F.6.3, Table F.6.3.5.0.

Table 6.6A.3: Test parameters for Spurious Response (DC-HSDPA)

| Parameter | Level | Unit |
|----------------------------|---|---------------|
| HS-PDSCH_Ec | <REFSENS> +3 dB | dBm / 3,84MHz |
| I _{or} | <REFI _{or} > +3 dB | dBm / 3,84MHz |
| I _{blocking} (CW) | -44 | dBm |
| F _{uw} | Spurious response frequencies | MHz |
| UE transmitted mean power | 20 (for Power class 3 and 3bis) 18 (for Power class 4) | dBm |

NOTE: If the above Test Requirement differs from the Minimum Requirement then the Test Tolerance applied for this test is non-zero. The Test Tolerance for this test is defined in clause F.2 and the explanation of how the Minimum Requirement has been relaxed by the Test Tolerance is given in clause F.4.

6.6B Spurious Response for DB-DC-HSDPA

6.6B.1 Definition and applicability

Spurious response is a measure of the receiver's ability to receive a wanted signal on its assigned channel frequency without exceeding a given degradation due to the presence of an unwanted CW interfering signal at any other frequency at which a response is obtained i.e. for which the out of band blocking limit as specified in subclause 6.5B.2.2 is not met.

The requirements and this test apply for Release 9 and later releases to all types of UTRA for the FDD UE that support DB-DC-HSDPA.

DB-DC-HSDPA is designed to operate in configurations specified in clause 4.2.

6.6B.2 Minimum Requirements

The BLER measured on each individual cell shall not exceed 0.1 for the parameters specified in Table 6.6B.1.

Table 6.6B.1: Test Parameters for Spurious Response (DB-DC-HSDPA)

| Parameter | Unit | Level |
|---------------------------|--------------|---|
| HS-PDSCH_Ec | dBm/3.84 MHz | <REFSENS> +3 dB |
| \hat{I}_{or} | dBm/3.84 MHz | <REF \hat{I}_{or} > +3 dB |
| $I_{blocking}$ (CW) | dBm | -44 |
| F_{uw} | MHz | Spurious response frequencies |
| UE transmitted mean power | dBm | 20 (for Power class 3 and 3bis) 18 (for Power class 4) |

NOTE: <REFSENS> and <REF \hat{I}_{or} > refers to the HS-PDSCH_Ec<REFSENS> and the HS-PDSCH<REF \hat{I}_{or} > as specified in Table 6.2B.1.

The normative reference for this requirement is TS 25.101 [1] clause 7.7.2.

6.6B.3 Test purpose

To verify that the UE BLER of HS-PDSCH does not exceed 0.1 for the parameters specified in table 6.6B.3 for the DL reference channel H-Set 12 specified in Annex C.8.1.12.

The lack of the spurious response ability decreases the DB-DC-HSDPA coverage area when other unwanted interfering signal exists at any other frequency.

6.6B.4 Method of test

6.6B.4.1 Initial conditions

Test environment: normal; see clauses G.2.1 and G.2.2.

Frequency to be tested: the same frequency as chosen in clause 6.5B.4.1 for Blocking characteristics out-of-band case.

- 1) Connect the SS to the UE antenna connector as shown in figure A.33.
- 2) RF parameters are set up according to table 6.6B.3.
- 3) A call is set up according to the Generic call setup procedure specified in TS 34.108 [3] sub clause 7.3.13, with exceptions for information elements listed in Table 6.6B.2. With this exception, the Power Control Algorithm for the Uplink is set to algorithm 2.

Contents of RADIO BEARER SETUP message: AM or UM (Test Loop Mode1)

Table 6.6B.2: Specific Message Contents for Spurious Response (DB-DC-HSDPA)

| Information Element | Value/Remark | Version |
|----------------------------------|--------------|---------|
| Uplink DPCH info | | Rel-6 |
| - Uplink DPCH power control info | | |
| - CHOICE mode | FDD | |
| - Power Control Algorithm | Algorithm2 | |

Contents of RADIO BEARER SETUP message: AM or UM (DC-HSDPA)

| Information Element | Value/remark | Version |
|----------------------------------|------------------------------|---------|
| Uplink DPCH info | | Rel-6 |
| - Uplink DPCH power control info | | |
| - CHOICE mode | FDD | |
| - Power Control Algorithm | Algorithm2 | |
| Downlink HS-PDSCH Information | | |
| - CHOICE mode | FDD | |
| - Downlink 64QAM configured | Not Present | Rel-7 |
| - HS-DSCH TB size table | octet aligned (for H-Set 12) | Rel-7 |
| Downlink secondary cell info FDD | | Rel-8 |
| - CHOICE Configuration info | New configuration | |
| - Downlink 64QAM configured | Not Present | |
| - HS-DSCH TB size table | octet aligned (for H-Set 12) | |

See TS 34.108 [3] and TS 34.109 [4] for details regarding generic call setup procedure and loopback test.

6.6B.4.2 Procedure

- 1) Set the parameter of the CW generator as shown in table 6.6B.3. The spurious response frequencies are determined in step 3) of clause 6.5B.4.2.
- 2) Set the power level of UE according to the table 6.6B.3 or send the power control commands (1dB step size should be used.) to the UE until UE output power measured by Test System shall be kept at the specified power level with ± 1 dB tolerance.
- 3) Measure the BLER of HS-PDSCH received from the UE at the SS by counting the number of NACK, ACK and statDTX on the UL HS-DPCCH ($BLER = (NACK + statDTX)/(NACK + statDTX + ACK)$).

6.6B.5 Test requirements

The measured BLER, derived in step 3), shall not exceed 0.1 on each individual cell. The minimum number of measurements required for a statistically significant result to this test is clarified in annex F.6.3, Table F.6.3.5.0.

Table 6.6B.3: Test parameters for Spurious Response (DB-DC-HSDPA)

| Parameter | Level | Unit |
|----------------------------|---|---------------|
| HS-PDSCH_Ec | <REFSENS> +3 dB | dBm / 3,84MHz |
| I _{or} | <REFI _{or} > +3 dB | dBm / 3,84MHz |
| I _{blocking} (CW) | -44 | dBm |
| F _{uw} | Spurious response frequencies | MHz |
| UE transmitted mean power | 20 (for Power class 3 and 3bis) 18 (for Power class 4) | dBm |

NOTE: If the above Test Requirement differs from the Minimum Requirement then the Test Tolerance applied for this test is non-zero. The Test Tolerance for this test is defined in clause F.2 and the explanation of how the Minimum Requirement has been relaxed by the Test Tolerance is given in clause F.4.

6.6C Spurious Response for single band 4C-HSDPA

6.6C.1 Definition and applicability

Spurious response is a measure of the receiver's ability to receive a wanted signal on its assigned channel frequency without exceeding a given degradation due to the presence of an unwanted CW interfering signal at any other frequency at which a response is obtained i.e. for which the out of band blocking limit as specified in subclause 6.5D.2.2 is not met.

The requirements and this test apply for Release 10 and later releases to all types of UTRA for the FDD UE that support single band 4C-HSDPA.

Single band 4C-HSDPA is designed to operate in configurations specified in clause 4.2.

6.6C.2 Minimum Requirements

The BLER measured on each individual cell shall not exceed 0.1 for the parameters specified in Table 6.6C.1.

Table 6.6C.1: Test Parameters for Spurious Response single band 4C-HSDPA

| Parameter | Unit | Level |
|---------------------------|--------------|---|
| HS-PDSCH_Ec | dBm/3.84 MHz | <REFSENS> +3 dB |
| I_{or} | dBm/3.84 MHz | <REF I_{or} > +3 dB |
| $I_{blocking}$ (CW) | dBm | -44 |
| F_{uw} | MHz | Spurious response frequencies |
| UE transmitted mean power | dBm | 20 (for Power class 3 and 3bis) 18 (for Power class 4) |

NOTE: <REFSENS> and <REF I_{or} > refers to the HS-PDSCH_Ec<REFSENS> and the HS-PDSCH<REF I_{or} > as specified in Table 6.2C.1.

The normative reference for this requirement is TS 25.101 [1] clause 7.7.2.

6.6C.3 Test purpose

To verify that the UE BLER of HS-PDSCH does not exceed 0.1 for the parameters specified in table 6.6C.3 for the DL reference channel H-Set 1B specified in Annex C.8.1.1.

The lack of the spurious response ability decreases the 4C-HSDPA coverage area when other unwanted interfering signal exists at any other frequency.

6.6C.4 Method of test

6.6C.4.1 Initial conditions

Test environment: normal; see clauses G.2.1 and G.2.2.

Frequency to be tested: the same frequency as chosen in clause 6.5D.4.1 for Blocking characteristics out-of-band case.

- 1) Connect the SS to the UE antenna connector as shown in figure A.50.
- 2) RF parameters are set up according to table 6.6C.3.
- 3) A call is set up according to the Generic call setup procedure specified in TS 34.108 [3] sub clause 7.3.16, with exceptions for information elements listed in Table 6.6C.2. With this exception, the Power Control Algorithm for the Uplink is set to algorithm 2.

Contents of RADIO BEARER SETUP message: AM or UM (Test Loop Mode1)

Table 6.6C.2: Specific Message Contents for Spurious Response (single band 4C-HSDPA)

| Information Element | Value/Remark | Version |
|----------------------------------|--------------|---------|
| Uplink DPCH info | | Rel-6 |
| - Uplink DPCH power control info | | |
| - CHOICE mode | FDD | |
| - Power Control Algorithm | Algorithm2 | |

See TS 34.108 [3] and TS 34.109 [4] for details regarding generic call setup procedure and loopback test.

6.6C.4.2 Procedure

- 1) Set the parameter of the CW generator as shown in table 6.6C.3. The spurious response frequencies are determined in step 3) of clause 6.5D.4.2.
- 2) Set the power level of UE according to the table 6.6C.3 or send the power control commands (1dB step size should be used.) to the UE until UE output power measured by Test System shall be kept at the specified power level with ± 1 dB tolerance.
- 3) Measure the BLER of HS-PDSCH received from the UE at the SS by counting the number of NACK, ACK and statDTX on the UL HS-DPCCH ($BLER = (NACK + statDTX)/(NACK + statDTX + ACK)$).

6.6C.5 Test requirements

The measured BLER, derived in step 3), shall not exceed 0.1 on each individual cell. The minimum number of measurements required for a statistically significant result to this test is clarified in annex F.6.3, Table F.6.3.5.0.

Table 6.6C.3: Test parameters for Spurious Response (single band 4C-HSDPA)

| Parameter | Level | Unit |
|---------------------------|---|---------------|
| HS-PDSCH_Ec | <REFSENS> +3 dB | dBm / 3,84MHz |
| I _{or} | <REFI _{or} > +3 dB | dBm / 3,84MHz |
| I _{blocking(CW)} | -44 | dBm |
| F _{uw} | Spurious response frequencies | MHz |
| UE transmitted mean power | 20 (for Power class 3 and 3bis) 18 (for Power class 4) | dBm |

NOTE: If the above Test Requirement differs from the Minimum Requirement then the Test Tolerance applied for this test is non-zero. The Test Tolerance for this test is defined in clause F.2 and the explanation of how the Minimum Requirement has been relaxed by the Test Tolerance is given in clause F.4.

6.6D Spurious Response for dual band 4C-HSDPA

6.6D.1 Definition and applicability

Spurious response is a measure of the receiver's ability to receive a wanted signal on its assigned channel frequency without exceeding a given degradation due to the presence of an unwanted CW interfering signal at any other frequency at which a response is obtained i.e. for which the out of band blocking limit as specified in subclause 6.5B.2.2 is not met.

The requirements and this test apply for Release 10 and later releases to all types of UTRA for the FDD UE that support dual band 4C-HSDPA and HS-DSCH categories 31 or 32.

Dual band 4C-HSDPA is designed to operate in configurations specified in clause 4.2.

6.6D.2 Minimum Requirements

The BLER measured on each individual cell shall not exceed 0.1 for the parameters specified in Table 6.6D.1.

Table 6.6D.1: Test Parameters for Spurious Response (Dual band 4C-HSDPA)

| Parameter | Unit | Level |
|---------------------------|--------------|---|
| HS-PDSCH_Ec | dBm/3.84 MHz | <REFSENS> +3 dB |
| \hat{I}_{or} | dBm/3.84 MHz | <REF \hat{I}_{or} > +3 dB |
| $I_{blocking}$ (CW) | dBm | -44 |
| F_{uw} | MHz | Spurious response frequencies |
| UE transmitted mean power | dBm | 20 (for Power class 3 and 3bis) 18 (for Power class 4) |

NOTE: <REFSENS> and <REF \hat{I}_{or} > refers to the HS-PDSCH_Ec<REFSENS> and the HS-PDSCH<REF \hat{I}_{or} > as specified in Table 6.2D.1.

The normative reference for this requirement is TS 25.101 [1] clause 7.7.2.

6.6D.3 Test purpose

To verify that the UE BLER of HS-PDSCH does not exceed 0.1 for the parameters specified in table 6.6D.3 for the DL reference channel H-Set 1C specified in Annex C.8.1.1.

The lack of the spurious response ability decreases the 4C-HSDPA coverage area when other unwanted interfering signal exists at any other frequency.

This test case tests only 4 carrier configurations.

6.6D.4 Method of test

6.6D.4.1 Initial conditions

Test environment: normal; see clauses G.2.1 and G.2.2.

Frequency to be tested: the same frequency as chosen in clause 6.5F.4.1 for Blocking characteristics out-of-band case.

- 1) Connect the SS to the UE antenna connector as shown in figure A.50.
- 2) RF parameters are set up according to table 6.6D.3.
- 3) A call is set up according to the Generic call setup procedure specified in TS 34.108 [3] sub clause 7.3.16, with exceptions for information elements listed in Table 6.6D.2. With this exception, the Power Control Algorithm for the Uplink is set to algorithm 2.

Contents of RADIO BEARER SETUP message: AM or UM (Test Loop Mode1)

Table 6.6D.2: Specific Message Contents for Spurious Response (Dual band 4C-HSDPA)

| Information Element | Value/Remark | Version |
|----------------------------------|--------------|---------|
| Uplink DPCH info | | Rel-6 |
| - Uplink DPCH power control info | | |
| - CHOICE mode | FDD | |
| - Power Control Algorithm | Algorithm2 | |

See TS 34.108 [3] and TS 34.109 [4] for details regarding generic call setup procedure and loopback test.

6.6D.4.2 Procedure

- 1) Set the parameter of the CW generator as shown in table 6.6D.3. The spurious response frequencies are determined in step 3) of clause 6.5F.4.2.

- 2) Set the power level of UE according to the table 6.6D.3 or send the power control commands (1dB step size should be used.) to the UE until UE output power measured by Test System shall be kept at the specified power level with ± 1 dB tolerance.
- 3) Measure the BLER of HS-PDSCH received from the UE at the SS by counting the number of NACK, ACK and statDTX on the UL HS-DPCCH ($BLER = (NACK + statDTX)/(NACK + statDTX + ACK)$).

6.6D.5 Test requirements

The measured BLER, derived in step 3), shall not exceed 0.1 on each individual cell. The minimum number of measurements required for a statistically significant result to this test is clarified in annex F.6.3, Table F.6.3.5.0.

Table 6.6D.3: Test parameters for Spurious Response (Dual band 4C-HSDPA)

| Parameter | Level | Unit |
|----------------------------|---|---------------|
| HS-PDSCH_Ec | <REFSENS> +3 dB | dBm / 3,84MHz |
| I _{or} | <REFI _{or} > +3 dB | dBm / 3,84MHz |
| I _{blocking} (CW) | -44 | dBm |
| F _{uw} | Spurious response frequencies | MHz |
| UE transmitted mean power | 20 (for Power class 3 and 3bis) 18 (for Power class 4) | dBm |

NOTE: If the above Test Requirement differs from the Minimum Requirement then the Test Tolerance applied for this test is non-zero. The Test Tolerance for this test is defined in clause F.2 and the explanation of how the Minimum Requirement has been relaxed by the Test Tolerance is given in clause F.4.

6.6DA Spurious Response for dual band 4C-HSDPA (3 carrier)

6.6DA.1 Definition and applicability

Spurious response is a measure of the receiver's ability to receive a wanted signal on its assigned channel frequency without exceeding a given degradation due to the presence of an unwanted CW interfering signal at any other frequency at which a response is obtained i.e. for which the out of band blocking limit as specified in subclause 6.5B.2.2 is not met.

The requirements and this test apply for Release 10 and later releases to all types of UTRA for the FDD UE that support dual band 4C-HSDPA and HS-DSCH categories 29 to 32.

Dual band 4C-HSDPA is designed to operate in configurations specified in clause 4.2.

6.6DA.2 Minimum Requirements

The BLER measured on each individual cell shall not exceed 0.1 for the parameters specified in Table 6.6DA.1.

Table 6.6DA.1: Test Parameters for Spurious Response (Dual band 4C-HSDPA)

| Parameter | Unit | Level |
|----------------------------|--------------|---|
| HS-PDSCH_Ec | dBm/3.84 MHz | <REFSENS> +3 dB |
| I _{or} | dBm/3.84 MHz | <REFI _{or} > +3 dB |
| I _{blocking} (CW) | dBm | -44 |
| F _{uw} | MHz | Spurious response frequencies |
| UE transmitted mean power | dBm | 20 (for Power class 3 and 3bis) 18 (for Power class 4) |

NOTE: <REFSENS> and <REFI_{or}> refers to the HS-PDSCH_Ec<REFSENS> and the HS-PDSCH<REFI_{or}> as specified in Table 6.2DA.1.

The normative reference for this requirement is TS 25.101 [1] clause 7.7.2.

6.6DA.3 Test purpose

To verify that the UE BLER of HS-PDSCH does not exceed 0.1 for the parameters specified in table 6.6DA.3 for the DL reference channel H-Set 1B specified in Annex C.8.1.1.

The lack of the spurious response ability decreases the 4C-HSDPA coverage area when other unwanted interfering signal exists at any other frequency.

This test case tests only 3 carrier configurations.

6.6DA.4 Method of test

6.6DA.4.1 Initial conditions

Test environment: normal; see clauses G.2.1 and G.2.2.

Frequency to be tested: the same frequency as chosen in clause 6.5FA.4.1 for Blocking characteristics out-of-band case.

- 1) Connect the SS to the UE antenna connector as shown in figure A.50.
- 2) RF parameters are set up according to table 6.6DA.3.
- 3) A call is set up according to the Generic call setup procedure specified in TS 34.108 [3] sub clause 7.3.16, with exceptions for information elements listed in Table 6.6DA.2. With this exception, the Power Control Algorithm for the Uplink is set to algorithm 2.

Contents of RADIO BEARER SETUP message: AM or UM (Test Loop Mode1)

Table 6.6DA.2: Specific Message Contents for Spurious Response (Dual band 4C-HSDPA)

| Information Element | Value/Remark | Version |
|----------------------------------|--------------|---------|
| Uplink DPCH info | | Rel-6 |
| - Uplink DPCH power control info | | |
| - CHOICE mode | FDD | |
| - Power Control Algorithm | Algorithm2 | |

See TS 34.108 [3] and TS 34.109 [4] for details regarding generic call setup procedure and loopback test.

6.6DA.4.2 Procedure

- 1) Set the parameter of the CW generator as shown in table 6.6DA.3. The spurious response frequencies are determined in step 3) of clause 6.5FA.4.2.
- 2) Set the power level of UE according to the table 6.6DA.3 or send the power control commands (1dB step size should be used.) to the UE until UE output power measured by Test System shall be kept at the specified power level with ± 1 dB tolerance.
- 3) Measure the BLER of HS-PDSCH received from the UE at the SS by counting the number of NACK, ACK and statDTX on the UL HS-DPCCH ($BLER = (NACK + statDTX)/(NACK + statDTX + ACK)$).

6.6DA.5 Test requirements

The measured BLER, derived in step 3), shall not exceed 0.1 on each individual cell. The minimum number of measurements required for a statistically significant result to this test is clarified in annex F.6.3, Table F.6.3.5.0.

Table 6.6DA.3: Test parameters for Spurious Response (Dual band 4C-HSDPA)

| Parameter | Level | Unit |
|----------------------------|---|---------------|
| HS-PDSCH_Ec | <REFSENS> +3 dB | dBm / 3,84MHz |
| I _{or} | <REFI _{or} > +3 dB | dBm / 3,84MHz |
| I _{blocking} (CW) | -44 | dBm |
| F _{uw} | Spurious response frequencies | MHz |
| UE transmitted mean power | 20 (for Power class 3 and 3bis) 18 (for Power class 4) | dBm |

NOTE: If the above Test Requirement differs from the Minimum Requirement then the Test Tolerance applied for this test is non-zero. The Test Tolerance for this test is defined in clause F.2 and the explanation of how the Minimum Requirement has been relaxed by the Test Tolerance is given in clause F.4.

6.7 Intermodulation Characteristics

6.7.1 Definition and applicability

Third and higher order mixing of the two interfering RF signals can produce an interfering signal in the band of the desired channel. Intermodulation response rejection is a measure of the capability of the receiver to receive a wanted signal on its assigned channel frequency in the presence of two or more interfering signals which have a specific frequency relationship to the wanted signal.

The requirements and this test apply to all types of UTRA for the FDD UE. The test parameters in tables 6.7.2 and 6.7.4 applies to the FDD UE supporting Band II, Band III, Band IV, Band V, Band VIII, Band X, Band XII, Band XIII or Band XIV.

6.7.2 Minimum Requirements

The BER shall not exceed 0,001 for the parameters specified in table 6.7.1 and in table 6.7.2.

The normative reference for this requirement is TS 25.101 [1] clause 7.8.1 and clause 7.8.2.

Table 6.7.1: Test parameters for Intermodulation Characteristics

| Parameter | Level | Unit |
|--|---|----------------|
| DPCH_Ec | <REFSENS> +3 dB | dBm / 3,84 MHz |
| I _{or} | <REFI _{or} > +3 dB | dBm / 3,84 MHz |
| I _{ouw1} (CW) | -46 | dBm |
| I _{ouw2} mean power (modulated) | -46 | dBm |
| F _{uw1} (offset) | 10 -10 | MHz |
| F _{uw2} (offset) | 20 -20 | MHz |
| UE transmitted mean power | 20 (for Power class 3 and 3bis) 18 (for Power class 4) | dBm |

NOTE 1: I_{ouw2} (modulated) consists of the common channels needed for tests as specified in table E.4.1 and 16 dedicated data channels as specified in table E.3.6.

NOTE 2: <REFSENS> and <REFI_{or}> refers to the DPCH_Ec<REFSENS> and the DPCH<REFI_{or}> as specified in Table 6.2A.1.

Table 6.7.2: Test parameters for narrow band intermodulation characteristics

| Parameter | Unit | Band II, IV, V, X | | Band III, VIII, XII, XIII, XIV | |
|---------------------------|--------------|---|------|--------------------------------|------|
| DPCH_Ec | dBm/3.84 MHz | <REFSENS>+ 10 dB | | <REFSENS>+ 10 dB | |
| I _{or} | dBm/3.84 MHz | <REFI _{or} > + 10 dB | | [<REFI _{or} > +10 dB | |
| I _{ouw1} (CW) | dBm | -44 | | -43 | |
| I _{ouw2} (GMSK) | dBm | -44 | | -43 | |
| F _{uw1} (offset) | MHz | 3.5 | -3.5 | 3.6 | -3.6 |
| F _{uw2} (offset) | MHz | 5.9 | -5.9 | 6.0 | -6.0 |
| UE transmitted mean power | dBm | 20 (for Power class 3 and 3bis) 18 (for Power class 4) | | | |

NOTE 3: I_{ouw2} (GMSK) is an interfering signal as defined in TS 45.004. It is a continuous GMSK modulated carrier following the structure of the GSM signals, but with all modulating bits (including the midamble period) derived directly from a random or any pseudo random data stream.

NOTE 4: <REFSENS> and <REFI_{or}> refers to the DPCH_Ec<REFSENS> and the DPCH<REFI_{or}> as specified in Table 6.2.1A.

6.7.3 Test purpose

To verify that the UE BER does not exceed 0,001 for the parameters specified in table 6.7.3 and in table 6.7.4.

The lack of the intermodulation response rejection ability decreases the coverage area when two or more interfering signals, which have a specific frequency relationship to the wanted signal, exist.

6.7.4 Method of test

6.7.4.1 Initial conditions

Test environment: normal; see clauses G.2.1 and G.2.2.

Frequencies to be tested: mid range; see clause G.2.4.

- 1) Connect the SS to the UE antenna connector as shown in figure A.7.
- 2) RF parameters are set up according to table 6.7.3 and table 6.7.4.
- 3) A call is set up according to the Generic call setup procedure specified in TS 34.108 [3] sub clause 7.3.2, with the following exception for information elements in RADIO BEARER SETUP message. With this exception, the Power Control Algorithm for the Uplink is set to algorithm 2.
- 4) Enter the UE into loopback test mode and start the loopback test.

Table 6.7.2A Contents of RADIO BEARER SETUP message: AM or UM

| Information Element | Value/Remark |
|---|--------------------------------|
| CHOICE channel requirement - Power Control Algorithm | Uplink DPCH info Algorithm2 |

See TS 34.108 [3] and TS 34.109 [4] for details regarding generic call setup procedure and loopback test.

6.7.4.2 Procedure

- 1) Set the parameters of the CW generator and interference signal generator as shown in table 6.7.3 and in table 6.7.4.
- 2) Set the power level of UE according to the tables 6.7.3, and table 6.7.4 or send the power control commands (1dB step size should be used.) to the UE until UE output power measured by Test System shall be kept at the specified power level with ± 1 dB tolerance.
- 3) Measure the BER of DCH received from the UE at the SS.

6.7.5 Test requirements

The measured BER, derived in step 3), shall not exceed 0,001.

Table 6.7.3: Test parameters for Intermodulation Characteristics

| Parameter | Level | | Unit |
|-----------------------------------|---|-----|----------------|
| DPCH_Ec | <REFSENS> +3 dB | | dBm / 3.84 MHz |
| \hat{I}_{or} | <REF \hat{I}_{or} > +3 dB | | dBm / 3.84 MHz |
| I_{ouw1} (CW) | -46 | | dBm |
| I_{ouw2} mean power (modulated) | -46 | | dBm |
| F_{uw1} (offset) | 10 | -10 | MHz |
| F_{uw2} (offset) | 20 | -20 | MHz |
| UE transmitted mean power | 20 (for Power class 3 and 3bis) 18 (for Power class 4) | | dBm |

NOTE 1: I_{ouw2} (modulated) consists of the common channels needed for tests as specified in table E.4.1 and 16 dedicated data channels as specified in table E.3.6.

NOTE 2: <REFSENS> and <REF \hat{I}_{or} > refers to the DPCH_Ec<REFSENS> and the DPCH<REF \hat{I}_{or} > as specified in Table 6.2A.1.

Table 6.7.4: Test parameters for narrow band intermodulation characteristics

| Parameter | Unit | Band II, IV, V, X | | Band III, VIII, XII, XIII, XIV | |
|---------------------------|---------------|---|------|--------------------------------|------|
| DPCH_Ec | DdBm/3.84 MHz | <REFSENS>+ 10 dB | | <REFSENS>+ 10 dB | |
| \hat{I}_{or} | DdBm/3.84 MHz | <REF \hat{I}_{or} > + 10 dB | | [<REF \hat{I}_{or} > +10 dB | |
| I_{ouw1} (CW) | dBm | -44 | | -43 | |
| I_{ouw2} (GMSK) | dBm | -44 | | -43 | |
| F_{uw1} (offset) | MHz | 3.5 | -3.5 | 3.6 | -3.6 |
| F_{uw2} (offset) | MHz | 5.9 | -5.9 | 6.0 | -6.0 |
| UE transmitted mean power | dBm | 20 (for Power class 3 and 3bis) 18 (for Power class 4) | | | |

NOTE 3: I_{ouw2} (GMSK) is an interfering signal as defined in TS 45.004. It is a continuous GMSK modulated carrier following the structure of the GSM signals, but with all modulating bits (including the midamble period) derived directly from a random or any pseudo random data stream.

NOTE 4: <REFSENS> and <REF \hat{I}_{or} > refers to the DPCH_Ec<REFSENS> and the DPCH<REF \hat{I}_{or} > as specified in Table 6.2.1A.

NOTE 5: If the above Test Requirement differs from the Minimum Requirement then the Test Tolerance applied for this test is non-zero. The Test Tolerance for this test is defined in clause F.2 and the explanation of how the Minimum Requirement has been relaxed by the Test Tolerance is given in clause F.4.

6.7A Intermodulation Characteristics for DC-HSDPA

6.7A.1 Definition and applicability

Third and higher order mixing of the two interfering RF signals can produce an interfering signal in the band of the desired channel. Intermodulation response rejection is a measure of the capability of the receiver to receive a wanted signal on its assigned channel frequency in the presence of two or more interfering signals which have a specific frequency relationship to the wanted signal.

The test parameters in Tables 6.7A.1 and 6.7.A.4 apply for Release 8 and later releases to all types of UTRA for the FDD UE that support DC-HSDPA.

The test parameters in Tables 6.7A.2 and 6.7A.5 apply to all types of UTRA for the FDD UE that support DC-HSDPA and are supporting Band II, Band III, Band IV, Band V, Band VIII, Band X, Band XII, Band XIII or Band XIV.

6.7A.2 Minimum Requirements

The BLER measured on each individual cell shall not exceed 0.1 for the parameters specified in Table 6.7A.1.

Table 6.7A.1: Test Parameters for Receive intermodulation characteristics (DC-HSDPA)

| Parameter | Unit | Level | |
|-----------------------------------|--------------|---|-----|
| HS-PDSCH_Ec | dBm/3.84 MHz | <REFSENS> +3 dB | |
| \hat{I}_{or} | dBm/3.84 MHz | <REF \hat{I}_{or} > +3 dB | |
| I_{ouw1} (CW) | dBm | -46 | |
| I_{ouw2} mean power (modulated) | dBm | -46 | |
| F_{uw1} (offset) (NOTE 2) | MHz | 10 | -10 |
| F_{uw2} (offset) (NOTE 2) | MHz | 20 | -20 |
| UE transmitted mean power | dBm | 20 (for Power class 3 and 3bis) 18 (for Power class 4) | |

NOTE 1: I_{ouw2} (modulated) consists of the common channels needed for tests as specified in Table E.4.1 and 16 dedicated data channels as specified in Table E.3.6.

NOTE 2: Negative offsets refer to the assigned channel frequency of the lowest carrier frequency used and positive offsets refer to the assigned channel frequency of the highest carrier frequency used.

NOTE 3: <REFSENS> and <REF \hat{I}_{or} > refers to the HS-PDSCH_Ec<REFSENS> and the HS-PDSCH<REF \hat{I}_{or} > as specified in Table 6.2A.1.

The BLER measured on each individual cell shall not exceed 0.1 for the parameters specified in Table 6.7A.2.

Table 6.7A.2: Test Parameters for narrow band intermodulation characteristics (DC-HSDPA)

| Parameter | Unit | Band II, IV, V, X, XXV, XXVI | | Band III, VIII, XII, XIII, XIV | |
|-----------------------------|--------------|---|------|--------------------------------|------|
| | | | | | |
| HS-PDSCH_Ec | dBm/3.84 MHz | <REFSENS>+ 10 dB | | <REFSENS>+ 10 dB | |
| \hat{I}_{or} | dBm/3.84 MHz | <REF \hat{I}_{or} > + 10 dB | | [<REF \hat{I}_{or} > +10 dB | |
| I_{ouw1} (CW) | dBm | -44 | | -43 | |
| I_{ouw2} (GMSK) | dBm | -44 | | -43 | |
| F_{uw1} (offset) (NOTE 2) | MHz | 3.5 | -3.5 | 3.6 | -3.6 |
| F_{uw2} (offset) (NOTE 2) | MHz | 5.9 | -5.9 | 6.0 | -6.0 |
| UE transmitted mean power | dBm | 20 (for Power class 3 and 3bis) 18 (for Power class 4) | | | |

NOTE 4: I_{ouw2} (GMSK) is an interfering signal as defined in TS 45.004 [6].

NOTE 5: Negative offsets refer to the assigned channel frequency of the lowest carrier frequency used and positive offsets refer to the assigned channel frequency of the highest carrier frequency used.

NOTE 6: <REFSENS> and <REF \hat{I}_{or} > refers to the HS-PDSCH_Ec<REFSENS> and the HS-PDSCH<REF \hat{I}_{or} > as specified in Table 6.2A.1.

The normative reference for this requirement is TS 25.101 [1] clause 7.8.1A and clause 7.8.2A.

6.7A.3 Test purpose

To verify that the UE BLER of HS-PDSCH does not exceed 0.1 for the parameters specified in table 6.7A.4 and in table 6.7A.5 for the DL reference channel H-Set 12 specified in Annex C.8.1.12.

The lack of the intermodulation response rejection ability decreases the DC-HSDPA coverage area when two or more interfering signals, which have a specific frequency relationship to the wanted signal, exist.

6.7A.4 Method of test

6.7A.4.1 Initial conditions

Test environment: normal; see clauses G.2.1 and G.2.2.

Frequencies to be tested: mid range; see clause G.2.4.

- 1) Connect the SS to the UE antenna connector as shown in figure A.34.
- 2) RF parameters are set up according to table 6.7A.4 and table 6.7A.5.
- 3) A call is set up according to the Generic DC-HSDPA setup procedure specified in TS 34.108 [3] sub clause 7.3.13, with exceptions for information elements listed in Table 6.7A.3. With this exception, the Power Control Algorithm for the Uplink is set to algorithm 2.

Contents of RADIO BEARER SETUP message: AM or UM (Test Loop Mode1)

Table 6.7A.3: Specific Message Contents for Intermodulation Characteristics (DC-HSDPA)

| Information Element | Value/Remark | Version |
|----------------------------------|--------------|---------|
| Uplink DPCH info | | Rel-6 |
| - Uplink DPCH power control info | | |
| - CHOICE mode | FDD | |
| - Power Control Algorithm | Algorithm2 | |

Contents of RADIO BEARER SETUP message: AM or UM (DC-HSDPA)

| Information Element | Value/remark | Version |
|----------------------------------|------------------------------|---------|
| Uplink DPCH info | | Rel-6 |
| - Uplink DPCH power control info | | |
| - CHOICE mode | FDD | |
| - Power Control Algorithm | Algorithm2 | |
| Downlink HS-PDSCH Information | | |
| - CHOICE mode | FDD | |
| - Downlink 64QAM configured | Not Present | Rel-7 |
| - HS-DSCH TB size table | octet aligned (for H-Set 12) | Rel-7 |
| Downlink secondary cell info FDD | | Rel-8 |
| - CHOICE Configuration info | New configuration | |
| - Downlink 64QAM configured | Not Present | |
| - HS-DSCH TB size table | octet aligned (for H-Set 12) | |

See TS 34.108 [3] and TS 34.109 [4] for details regarding generic call setup procedure and loopback test.

6.7A.4.2 Procedure

- 1) Set the parameters of the CW generator and interference signal generator as shown in table 6.7A.4 and in table 6.7A.5.
- 2) Set the power level of UE according to the tables 6.7A.4, and table 6.7A.5 or send the power control commands (1dB step size should be used.) to the UE until UE output power measured by Test System shall be kept at the specified power level with ± 1 dB tolerance.
- 3) Measure the BLER of HS-PDSCH received from the UE at the SS by counting the number of NACK, ACK and statDTX on the UL HS-DPCCH ($BLER = (NACK + statDTX)/(NACK + statDTX + ACK)$).

6.7A.5 Test requirements

The measured BLER, derived in step 3), shall not exceed 0.1 on each individual cell. The minimum number of measurements required for a statistically significant result to this test is clarified in annex F.6.3, Table F.6.3.5.0.

Table 6.7A.4: Test parameters for Intermodulation Characteristics (DC-HSDPA)

| Parameter | Unit | Level | |
|-----------------------------------|--------------|---|-----|
| HS-PDSCH_Ec | dBm/3.84 MHz | <REFSENS> +3 dB | |
| \hat{I}_{or} | dBm/3.84 MHz | <REF \hat{I}_{or} > +3 dB | |
| I_{ouw1} (CW) | dBm | -46 | |
| I_{ouw2} mean power (modulated) | dBm | -46 | |
| F_{uw1} (offset) (NOTE 2) | MHz | 10 | -10 |
| F_{uw2} (offset) (NOTE 2) | MHz | 20 | -20 |
| UE transmitted mean power | dBm | 20 (for Power class 3 and 3bis) 18 (for Power class 4) | |

NOTE 1: I_{ouw2} (modulated) consists of the common channels needed for tests as specified in Table E.4.1 and 16 dedicated data channels as specified in Table E.3.6.

NOTE 2: Negative offsets refer to the assigned channel frequency of the lowest carrier frequency used and positive offsets refer to the assigned channel frequency of the highest carrier frequency used.

NOTE 3: <REFSENS> and <REF \hat{I}_{or} > refers to the HS-PDSCH_Ec<REFSENS> and the HS-PDSCH<REF \hat{I}_{or} > as specified in Table 6.2A.1.

Table 6.7A.5: Test parameters for narrow band intermodulation characteristics (DC-HSDPA)

| Parameter | Unit | Band II, IV, V, X, XXV, XXVI | | Band III, VIII, XII, XIII, XIV | |
|-----------------------------|--------------|---|------|---------------------------------|------|
| HS-PDSCH_Ec | dBm/3.84 MHz | <REFSENS>+ 10 dB | | <REFSENS>+ 10 dB | |
| \hat{I}_{or} | dBm/3.84 MHz | <REF \hat{I}_{or} > + 10 dB | | [<REF \hat{I}_{or} > + 10 dB] | |
| I_{ouw1} (CW) | dBm | -44 | | -43 | |
| I_{ouw2} (GMSK) | dBm | -44 | | -43 | |
| F_{uw1} (offset) (NOTE 2) | MHz | 3.5 | -3.5 | 3.6 | -3.6 |
| F_{uw2} (offset) (NOTE 2) | MHz | 5.9 | -5.9 | 6.0 | -6.0 |
| UE transmitted mean power | dBm | 20 (for Power class 3 and 3bis) 18 (for Power class 4) | | | |

NOTE 4: I_{ouw2} (GMSK) is an interfering signal as defined in TS 45.004 [6].

NOTE 5: Negative offsets refer to the assigned channel frequency of the lowest carrier frequency used and positive offsets refer to the assigned channel frequency of the highest carrier frequency used.

NOTE 6: <REFSENS> and <REF \hat{I}_{or} > refers to the HS-PDSCH_Ec<REFSENS> and the HS-PDSCH<REF \hat{I}_{or} > as specified in Table 6.2A.1.

NOTE 7: If the above Test Requirement differs from the Minimum Requirement then the Test Tolerance applied for this test is non-zero. The Test Tolerance for this test is defined in clause F.2 and the explanation of how the Minimum Requirement has been relaxed by the Test Tolerance is given in clause F.4.

6.7B Intermodulation Characteristics for DB-DC-HSDPA

6.7B.1 Definition and applicability

Third and higher order mixing of the two interfering RF signals can produce an interfering signal in the band of the desired channel. Intermodulation response rejection is a measure of the capability of the receiver to receive a wanted signal on its assigned channel frequency in the presence of two or more interfering signals which have a specific frequency relationship to the wanted signal.

The requirements and this test apply for Release 9 and later releases to all types of UTRA for the FDD UE that support DB-DC-HSDPA.

DB-DC-HSDPA is designed to operate in configurations specified in clause 4.2.

6.7B.2 Minimum Requirements

The BLER measured on each individual cell shall not exceed 0.1 for the parameters specified in Table 6.7B.1.

Table 6.7B.1: Test Parameters for Receive intermodulation characteristics (DB-DC-HSDPA)

| Parameter | Unit | Level | |
|-----------------------------------|--------------|---|-----|
| HS-PDSCH_Ec | dBm/3.84 MHz | <REFSENS> +3 dB | |
| \hat{I}_{or} | dBm/3.84 MHz | <REF \hat{I}_{or} > +3 dB | |
| I_{ouw1} (CW) | dBm | -46 | |
| I_{ouw2} mean power (modulated) | dBm | -46 | |
| F_{uw1} (offset) (NOTE 2) | MHz | 10 | -10 |
| F_{uw2} (offset) (NOTE 2) | MHz | 20 | -20 |
| UE transmitted mean power | dBm | 20 (for Power class 3 and 3bis) 18 (for Power class 4) | |

NOTE 1: I_{ouw2} (modulated) consists of the common channels needed for tests as specified in Table E.4.1 and 16 dedicated data channels as specified in Table E.3.6.

NOTE 2: For DC-HSDPA, negative offset refers to the assigned channel frequency of the lowest carrier frequency used and positive offset refers to the assigned channel frequency of the highest carrier frequency used. For DB-DC-HSDPA, offset refers to the assigned channel frequencies of the individual cells.

NOTE 3: <REFSENS> and <REF \hat{I}_{or} > refers to the HS-PDSCH_Ec<REFSENS> and the HS-PDSCH<REF \hat{I}_{or} > as specified in Table 6.2B.1.

The BLER measured on each individual cell shall not exceed 0.1 for the parameters specified in Table 6.7B.2.

Table 6.7B.2: Test Parameters for narrow band intermodulation characteristics (DB-DC-HSDPA)

| Parameter | Unit | Band II, IV, V, X | | Band III, VIII, XII, XIII, XIV | |
|-----------------------------|--------------|---|------|--------------------------------|------|
| HS-PDSCH_Ec | dBm/3.84 MHz | <REFSENS>+ 10 dB | | <REFSENS>+ 10 dB | |
| \hat{I}_{or} | dBm/3.84 MHz | <REF \hat{I}_{or} > + 10 dB | | [<REF \hat{I}_{or} > +10 dB | |
| I_{ouw1} (CW) | dBm | -44 | | -43 | |
| I_{ouw2} (GMSK) | dBm | -44 | | -43 | |
| F_{uw1} (offset) (NOTE 2) | MHz | 3.5 | -3.5 | 3.6 | -3.6 |
| F_{uw2} (offset) (NOTE 2) | MHz | 5.9 | -5.9 | 6.0 | -6.0 |
| UE transmitted mean power | dBm | 20 (for Power class 3 and 3bis) 18 (for Power class 4) | | | |

NOTE 4: I_{ouw2} (GMSK) is an interfering signal as defined in TS 45.004 [6].

NOTE 5: For DC-HSDPA, negative offset refers to the assigned channel frequency of the lowest carrier frequency used and positive offset refers to the assigned channel frequency of the highest carrier frequency used. For DB-DC-HSDPA, offset refers to the assigned channel frequencies of the individual cells.

NOTE 6: <REFSENS> and <REF \hat{I}_{or} > refers to the HS-PDSCH_Ec<REFSENS> and the HS-PDSCH<REF \hat{I}_{or} > as specified in Table 6.2B.1.

The normative reference for this requirement is TS 25.101 [1] clause 7.8.1A and clause 7.8.2A.

6.7B.3 Test purpose

To verify that the UE BLER of HS-PDSCH does not exceed 0.1 for the parameters specified in table 6.7B.4 and in table 6.7B.5 for the DL reference channel H-Set 12 specified in Annex C.8.1.12.

The lack of the intermodulation response rejection ability decreases the DB-DC-HSDPA coverage area when two or more interfering signals, which have a specific frequency relationship to the wanted signal, exist.

6.7B.4 Method of test

6.7B.4.1 Initial conditions

Test environment: normal; see clauses G.2.1 and G.2.2.

Frequencies to be tested: mid range; see clause G.2.4.

- 1) Connect the SS to the UE antenna connector as shown in figure A.34.
- 2) RF parameters are set up according to table 6.7B.4 and table 6.7B.5.
- 3) A call is set up according to the Generic call setup procedure specified in TS 34.108 [3] sub clause 7.3.13, with exceptions for information elements listed in Table 6.7B.3. With this exception, the Power Control Algorithm for the Uplink is set to algorithm 2.

Contents of RADIO BEARER SETUP message: AM or UM (Test Loop Mode1)

Table 6.7B.3: Specific Message Contents for Intermodulation Characteristics (DB-DC-HSDPA)

| Information Element | Value/Remark | Version |
|----------------------------------|--------------|---------|
| Uplink DPCH info | | Rel-6 |
| - Uplink DPCH power control info | | |
| - CHOICE mode | FDD | |
| - Power Control Algorithm | Algorithm2 | |

Contents of RADIO BEARER SETUP message: AM or UM (DC-HSDPA)

| Information Element | Value/remark | Version |
|----------------------------------|------------------------------|---------|
| Uplink DPCH info | | Rel-6 |
| - Uplink DPCH power control info | | |
| - CHOICE mode | FDD | |
| - Power Control Algorithm | Algorithm2 | |
| Downlink HS-PDSCH Information | | |
| - CHOICE mode | FDD | |
| - Downlink 64QAM configured | Not Present | Rel-7 |
| - HS-DSCH TB size table | octet aligned (for H-Set 12) | Rel-7 |
| Downlink secondary cell info FDD | | Rel-8 |
| - CHOICE Configuration info | New configuration | |
| - Downlink 64QAM configured | Not Present | |
| - HS-DSCH TB size table | octet aligned (for H-Set 12) | |

See TS 34.108 [3] and TS 34.109 [4] for details regarding generic call setup procedure and loopback test.

6.7B.4.2 Procedure

- 1) Set the parameters of the CW generator and interference signal generator as shown in table 6.7B.4 and in table 6.7B.5.
- 2) Set the power level of UE according to the tables 6.7B.4, and table 6.7B.5 or send the power control commands (1dB step size should be used.) to the UE until UE output power measured by Test System shall be kept at the specified power level with ± 1 dB tolerance.
- 3) Measure the BLER of HS-PDSCH received from the UE at the SS by counting the number of NACK, ACK and statDTX on the UL HS-DPCCH ($BLER = (NACK + statDTX)/(NACK + statDTX + ACK)$).

6.7B.5 Test requirements

The measured BLER, derived in step 3), shall not exceed 0.1 on each individual cell. The minimum number of measurements required for a statistically significant result to this test is clarified in annex F.6.3, Table F.6.3.5.0.

Table 6.7B.4: Test parameters for Intermodulation Characteristics (DB-DC-HSDPA)

| Parameter | Unit | Level | |
|--|--------------|---|-----|
| HS-PDSCH_Ec | dBm/3.84 MHz | <REFSENS> +3 dB | |
| I _{or} | dBm/3.84 MHz | <REFI _{or} > +3 dB | |
| I _{ouw1} (CW) | dBm | -46 | |
| I _{ouw2} mean power (modulated) | dBm | -46 | |
| F _{uw1} (offset) (NOTE 2) | MHz | 10 | -10 |
| F _{uw2} (offset) (NOTE 2) | MHz | 20 | -20 |
| UE transmitted mean power | dBm | 20 (for Power class 3 and 3bis) 18 (for Power class 4) | |

NOTE 1: I_{ouw2} (modulated) consists of the common channels needed for tests as specified in Table E.4.1 and 16 dedicated data channels as specified in Table E.3.6.

NOTE 2: Offset refers to the assigned channel frequencies of the individual cells.

NOTE 3: <REFSENS> and <REFI_{or}> refers to the HS-PDSCH_Ec<REFSENS> and the HS-PDSCH<REFI_{or}> as specified in Table 6.2B.1.

Table 6.7B.5: Test parameters for narrow band intermodulation characteristics (DB-DC-HSDPA)

| Parameter | Unit | Band II, IV, V | | Band VIII | |
|------------------------------------|--------------|---|------|-------------------------------|------|
| HS-PDSCH_Ec | dBm/3.84 MHz | <REFSENS>+ 10 dB | | <REFSENS>+ 10 dB | |
| I _{or} | dBm/3.84 MHz | <REFI _{or} > + 10 dB | | [<REFI _{or} > +10 dB | |
| I _{ouw1} (CW) | dBm | -44 | | -43 | |
| I _{ouw2} (GMSK) | dBm | -44 | | -43 | |
| F _{uw1} (offset) (NOTE 2) | MHz | 3.5 | -3.5 | 3.6 | -3.6 |
| F _{uw2} (offset) (NOTE 2) | MHz | 5.9 | -5.9 | 6.0 | -6.0 |
| UE transmitted mean power | dBm | 20 (for Power class 3 and 3bis) 18 (for Power class 4) | | | |

NOTE 4: I_{ouw2} (GMSK) is an interfering signal as defined in TS 45.004 [6].

NOTE 5: Offset refers to the assigned channel frequencies of the individual cells.

NOTE 6: <REFSENS> and <REFI_{or}> refers to the HS-PDSCH_Ec<REFSENS> and the HS-PDSCH<REFI_{or}> as specified in Table 6.2B.1.

NOTE 7: If the above Test Requirement differs from the Minimum Requirement then the Test Tolerance applied for this test is non-zero. The Test Tolerance for this test is defined in clause F.2 and the explanation of how the Minimum Requirement has been relaxed by the Test Tolerance is given in clause F.4.

NOTE 8: Band II and band IV correspond to DB-DC-HSDPA configuration 2, band V corresponds to DB-DC-HSDPA configuration 3 and band VIII corresponds to DB-DC-HSDPA configuration 1 as given in clause 4.2.

6.7C Intermodulation Characteristics for DC-HSUPA

6.7C.1 Definition and applicability

Third and higher order mixing of the two interfering RF signals can produce an interfering signal in the band of the desired channel. Intermodulation response rejection is a measure of the capability of the receiver to receive a wanted signal on its assigned channel frequency in the presence of two or more interfering signals which have a specific frequency relationship to the wanted signal.

The requirements and this test apply for Release 9 and later releases for the FDD UE that supports HSDPA and Dual Cell E-DCH.

6.7C.2 Minimum Requirements

The BLER measured on each individual cell shall not exceed 0.1 for the parameters specified in Table 6.7C.1 and Table 6.7C.2.

Table 6.7C.1: Receive intermodulation characteristics (DC-HSUPA)

| Parameter | Unit | Level | |
|--|------|---|-----|
| I_{ouw1} (CW) | dBm | -46 | |
| I_{ouw2} mean power (modulated) | dBm | -46 | |
| F_{uw1} (offset) (NOTE 2) | MHz | 10 | -10 |
| F_{uw2} (offset) (NOTE 2) | MHz | 20 | -20 |
| UE transmitted mean power | dBm | 20 (for Power class 3 and 3bis) 18 (for Power class 4) | |

NOTE 1: I_{ouw2} (modulated) consists of the common channels needed for tests as specified in Table E.4.1 and 16 dedicated data channels as specified in Table E.3.6.

NOTE 2: Negative offsets refer to the assigned channel frequency of the lowest carrier frequency used and positive offsets refer to the assigned channel frequency of the highest carrier frequency used.

Table 6.7C.2: Reference input powers for intermodulation (DC-HSUPA)

| Operating Band | Unit | HS-PDSCH_Ec | \hat{I}_{or} |
|----------------|--------------|-------------|-----------------------|
| I | dBm/3.84 MHz | -104.7 | -94.4 |
| II | dBm/3.84 MHz | -104.4 | -94.1 |
| III | dBm/3.84 MHz | -104.1 | -93.8 |
| IV | dBm/3.84 MHz | -104.7 | -94.4 |
| V | dBm/3.84 MHz | -102 | -91.7 |
| VI | dBm/3.84 MHz | -102.2 | -91.9 |
| VII | dBm/3.84 MHz | -104.4 | -94.1 |
| VIII | dBm/3.84 MHz | -99.8 | -89.5 |
| IX | dBm/3.84 MHz | -104.6 | -94.3 |
| X | dBm/3.84 MHz | -104.7 | -94.4 |
| XI | dBm/3.84 MHz | -100 | -89.7 |
| XII | dBm/3.84 MHz | N/A | N/A |
| XIII | dBm/3.84 MHz | N/A | N/A |
| XIV | dBm/3.84 MHz | N/A | N/A |
| XIX | dBm/3.84 MHz | -102.2 | -91.9 |
| XX | dBm/3.84 MHz | TBD | TBD |
| XXI | dBm/3.84 MHz | -100 | -89.7 |
| XXII | dBm/3.84 MHz | TBD | TBD |
| XXV | dBm/3.84 MHz | -103.5 | -93.2 |
| XXVI | dBm/3.84 MHz | -99.8 | -89.5 |

NOTE 1: For the UE which supports both Band III and Band IX operating frequencies, the reference sensitivity level of TBD dBm <REF_Ec_intermod> shall apply for Band IX. The corresponding <REF_I_or_intermod> is TBD dBm.

NOTE 2: For the UE which supports both Band XI and Band XXI operating frequencies, the reference input power level is FFS.

NOTE 3: For the UE which supports DB-DC-HSDPA configuration in clause 4.2 the <HS-PDSCH_Ec> and <I_or> are allowed to be increased by an amount defined in Table 7.12 of TS 25.101[1] clause 7.10.

The BLER measured on each individual cell shall not exceed 0.1 for the parameters specified in Table 6.7C.3 and Table 6.7C.4.

Table 6.7C.3: Receive intermodulation for narrow band (DC-HSUPA)

| Parameter | Unit | Band II, IV, V, X, XXV, XXVI | | Band III, VIII, XII, XIII, XIV | |
|---------------------------------------|------|---|------|--------------------------------|------|
| I_{ouw1} (CW) | dBm | -44 | | -43 | |
| I_{ouw2} (GMSK) | dBm | -44 | | -43 | |
| F_{uw1} (offset) (NOTE 2) | MHz | 3.5 | -3.5 | 3.6 | -3.6 |
| F_{uw2} (offset) (NOTE 2) | MHz | 5.9 | -5.9 | 6.0 | -6.0 |
| UE transmitted mean power | dBm | 20 (for Power class 3 and 3bis) 18 (for Power class 4) | | | |

NOTE 1: I_{ouw2} (GMSK) is an interfering signal as defined in TS 45.004 [6].

NOTE 2: Negative offsets refer to the assigned channel frequency of the lowest carrier frequency used and positive offsets refer to the assigned channel frequency of the highest carrier frequency used.

Table 6.7C.4: Reference input powers for intermodulation, narrow band, (DC-HSUPA)

| Operating Band | Unit | HS-PDSCH_Ec | \hat{I}_{or} |
|----------------|--------------|-------------|-----------------------|
| II | dBm/3.84 MHz | -86.7 | -76.4 |
| III | dBm/3.84 MHz | -85.7 | -75.4 |
| IV | dBm/3.84 MHz | -86.7 | -76.4 |
| V | dBm/3.84 MHz | -86.7 | -76.4 |
| VIII | dBm/3.84 MHz | -85.6 | -75.3 |
| X | dBm/3.84 MHz | -86.7 | -76.4 |
| XII | dBm/3.84 MHz | N/A | N/A |
| XIII | dBm/3.84 MHz | N/A | N/A |
| XIV | dBm/3.84 MHz | N/A | N/A |
| XXV | dBm/3.84 MHz | -84.7 | -74.4 |
| XXVI | dBm/3.84 MHz | -85.6 | -75.3 |

NOTE 1: For the UE which supports DB-DC-HSDPA configuration in clause 4.2 the $\langle \text{HS-PDSCH_Ec} \rangle$ and $\langle \hat{I}_{\text{or}} \rangle$ are allowed to be increased by an amount defined in Table 6.1A.

The normative reference for this requirement is TS 25.101 [1] clause 7.8.1B and clause 7.8.2B.

6.7C.3 Test purpose

To verify that the UE BLER of HS-PDSCH does not exceed 0.1 for the parameters specified in table 6.7C.6, table 6.7C.7 table 6.7C.8 and in table 6.7C.9 for the DL reference channel H-Set 12 specified in Annex C.8.1.12.

The lack of the intermodulation response rejection ability decreases the DC-HSUPA coverage area when two or more interfering signals, which have a specific frequency relationship to the wanted signal, exist.

6.7C.4 Method of test

6.7C.4.1 Initial conditions

Test environment: normal; see clauses G.2.1 and G.2.2.

Frequencies to be tested: mid range; see clause G.2.4.

- 1) Connect the SS to the UE antenna connector as shown in figure A.44.
- 2) RF parameters are set up according to table 6.7C.6, table 6.7C.7 table 6.7C.8 and table 6.7C.9.
- 3) A call is set up according to the Generic call setup procedure specified in TS 34.108 [3] sub clause 7.3.14, with exceptions for information elements listed in Table 6.7C.5. With this exception, the Power Control Algorithm for the Uplink is set to algorithm 2.

Contents of RADIO BEARER SETUP message: AM or UM (Test Loop Mode1)

Table 6.7C.5: Specific Message Contents for Intermodulation Characteristics (DC-HSUPA)

| Information Element | Value/Remark | Version |
|----------------------------------|--------------|---------|
| Uplink DPCH info | | Rel-6 |
| - Uplink DPCH power control info | | |
| - CHOICE mode | FDD | |
| - Power Control Algorithm | Algorithm2 | |

Contents of RADIO BEARER SETUP message: AM or UM (DC-HSDPA)

| Information Element | Value/remark | Version |
|----------------------------------|------------------------------|---------|
| Uplink DPCH info | | Rel-6 |
| - Uplink DPCH power control info | | |
| - CHOICE mode | FDD | |
| - Power Control Algorithm | Algorithm2 | |
| Downlink HS-PDSCH Information | | |
| - CHOICE mode | FDD | |
| - Downlink 64QAM configured | Not Present | Rel-7 |
| - HS-DSCH TB size table | octet aligned (for H-Set 12) | Rel-7 |
| Downlink secondary cell info FDD | | Rel-8 |
| - CHOICE Configuration info | New configuration | |
| - Downlink 64QAM configured | Not Present | |
| - HS-DSCH TB size table | octet aligned (for H-Set 12) | |

See TS 34.108 [3] and TS 34.109 [4] for details regarding generic call setup procedure and loopback test.

6.7C.4.2 Procedure

- 1) Set the parameters of the CW generator and interference signal generator as shown in table 6.7C.6 and in table 6.7C.8.
- 2) Set the power level of UE according to the table 6.7C.6, table 6.7C.7 table 6.7C.8 and table 6.7C.9 or send the power control commands (1dB step size should be used.) to the UE until UE output power measured by Test System shall be kept at the specified power level with ± 1 dB tolerance.
- 3) Measure the BLER of HS-PDSCH received from the UE at the SS by counting the number of NACK, ACK and statDTX on the UL HS-DPCCH ($BLER = (NACK + statDTX)/(NACK + statDTX + ACK)$).

6.7C.5 Test requirements

The measured BLER, derived in step 3), shall not exceed 0.1 on each individual cell. The minimum number of measurements required for a statistically significant result to this test is clarified in annex F.6.3, Table F.6.3.5.0.

Table 6.7C.6: Test parameters for Intermodulation Characteristics (DC-HSUPA)

| Parameter | Unit | Level | |
|-----------------------------------|------|---|-----|
| I_{ouw1} (CW) | dBm | -46 | |
| I_{ouw2} mean power (modulated) | dBm | -46 | |
| F_{uw1} (offset) (NOTE 2) | MHz | 10 | -10 |
| F_{uw2} (offset) (NOTE 2) | MHz | 20 | -20 |
| UE transmitted mean power | dBm | 20 (for Power class 3 and 3bis) 18 (for Power class 4) | |

NOTE 1: I_{ouw2} (modulated) consists of the common channels needed for tests as specified in Table E.4.1 and 16 dedicated data channels as specified in Table E.3.6.

NOTE 2: Offset refers to the assigned channel frequencies of individual cells.

Table 6.7C.7: Test Parameters for reference input powers for intermodulation characteristics (DC-HSUPA)

| Operating Band | Unit | HS-PDSCH_Ec | I _{or} |
|----------------|--------------|-------------|-----------------|
| I | dBm/3.84 MHz | -104.7 | -94.4 |
| II | dBm/3.84 MHz | -104.4 | -94.1 |
| III | dBm/3.84 MHz | -104.1 | -93.8 |
| IV | dBm/3.84 MHz | -104.7 | -94.4 |
| V | dBm/3.84 MHz | -102 | -91.7 |
| VI | dBm/3.84 MHz | -102.2 | -91.9 |
| VII | dBm/3.84 MHz | -104.4 | -94.1 |
| VIII | dBm/3.84 MHz | -99.8 | -89.5 |
| IX | dBm/3.84 MHz | -104.6 | -94.3 |
| X | dBm/3.84 MHz | -104.7 | -94.4 |
| XI | dBm/3.84 MHz | -100 | -89.7 |
| XII | dBm/3.84 MHz | N/A | N/A |
| XIII | dBm/3.84 MHz | N/A | N/A |
| XIV | dBm/3.84 MHz | N/A | N/A |
| XIX | dBm/3.84 MHz | -102.2 | -91.9 |
| XX | dBm/3.84 MHz | TBD | TBD |
| XXI | dBm/3.84 MHz | -100 | -89.7 |
| XXII | dBm/3.84 MHz | TBD | TBD |
| XXV | dBm/3.84 MHz | -103.5 | -93.2 |

NOTE 1: For the UE which supports both Band III and Band IX operating frequencies, the reference sensitivity level of TBD dBm <REF_Ec_{intermod}> shall apply for Band IX. The corresponding <REF_I_{or,intermod}> is TBD dBm

NOTE 2: For the UE which supports both Band XI and Band XXI operating frequencies, the reference input power level is FFS.

NOTE 3: For the UE which supports DB-DC-HSDPA configuration in clause 4.2 the < HS-PDSCH_Ec > and < I_{or} > are allowed to be increased by an amount defined in Table 6.1A

Table 6.7C.8: Test Parameters for narrow band intermodulation characteristics (DC-HSUPA)

| Parameter | Unit | Band II, IV, V, X | | Band III, VIII, XII, XIII, XIV | |
|------------------------------------|------|---|------|--------------------------------|------|
| I _{ouw1} (CW) | dBm | -44 | | -43 | |
| I _{ouw2} (GMSK) | dBm | -44 | | -43 | |
| F _{uw1} (offset) (NOTE 2) | MHz | 3.5 | -3.5 | 3.6 | -3.6 |
| F _{uw2} (offset) (NOTE 2) | MHz | 5.9 | -5.9 | 6.0 | -6.0 |
| UE transmitted mean power | dBm | 20 (for Power class 3 and 3bis) 18 (for Power class 4) | | | |

NOTE 1: I_{ouw2} (GMSK) is an interfering signal as defined in TS 45.004 [6].

NOTE 2: Offset refers to the assigned channel frequencies of the individual cells.

NOTE 3: If the above Test Requirement differs from the Minimum Requirement then the Test Tolerance applied for this test is non-zero. The Test Tolerance for this test is defined in clause F.2 and the explanation of how the Minimum Requirement has been relaxed by the Test Tolerance is given in clause F.4.

Table 6.7C.9: Test Parameters for reference input powers for narrow band intermodulation characteristics (DC-HSUPA)

| Operating Band | Unit | HS-PDSCH_Ec | I _{or} |
|----------------|--------------|-------------|-----------------|
| II | dBm/3.84 MHz | -86.7 | -76.4 |
| III | dBm/3.84 MHz | -85.7 | -75.4 |
| IV | dBm/3.84 MHz | -86.7 | -76.4 |
| V | dBm/3.84 MHz | -86.7 | -76.4 |
| VIII | dBm/3.84 MHz | -85.6 | -75.3 |
| X | dBm/3.84 MHz | -86.7 | -76.4 |
| XII | dBm/3.84 MHz | N/A | N/A |
| XIII | dBm/3.84 MHz | N/A | N/A |
| XIV | dBm/3.84 MHz | N/A | N/A |
| XXV | dBm/3.84 MHz | -84.7 | -74.4 |

NOTE 1: For the UE which supports DB-DC-HSDPA configuration in clause 4.2 the < HS-PDSCH_Ec > and < I_{or} > are allowed to be increased by an amount defined in Table 6.1A.

6.7D Intermodulation Characteristics for single uplink single band 4C-HSDPA

6.7D.1 Definition and applicability

Third and higher order mixing of the two interfering RF signals can produce an interfering signal in the band of the desired channel. Intermodulation response rejection is a measure of the capability of the receiver to receive a wanted signal on its assigned channel frequency in the presence of two or more interfering signals which have a specific frequency relationship to the wanted signal.

The test parameters in Tables 6.7D.1 and 6.7D.4 apply for Release 10 and later releases to all types of UTRA for the FDD UE that support single band 4C-HSDPA, single uplink operation.

Single band 4C-HSDPA is designed to operate in configurations specified in clause 4.2.

6.7D.2 Minimum Requirements

The BLER measured on each individual cell shall not exceed 0.1 for the parameters specified in Table 6.7D.1 and 6.7D.2.

Table 6.7D.1: Test parameters for receive intermodulation characteristics, single band 4C-HSDPA, single uplink operation

| Parameter | Unit | Level | |
|--|------|---|-----|
| I _{ouw1} (CW) | dBm | -46 | |
| I _{ouw2} mean power (modulated) | dBm | -46 | |
| F _{uw1} (offset) (NOTE 2) | MHz | 10 | -10 |
| F _{uw2} (offset) (NOTE 2) | MHz | 20 | -20 |
| UE transmitted mean power | dBm | 20 (for Power class 3 and 3bis) 18 (for Power class 4) | |

NOTE 1: I_{ouw2} (modulated) consists of the common channels needed for tests as specified in Table E.4.1 and 16 dedicated data channels as specified in Table E.3.6.

NOTE 2: Negative offsets refer to the assigned channel frequency of the lowest carrier frequency used and positive offsets refer to the assigned channel frequency of the highest carrier frequency used.

Table 6.7D.2: Intermodulation requirements, single band 4C-HSDPA, single uplink operation

| Single band 4C-HSDPA Configuration | DL Band | HS-PDSCH_Ec (dBm/3.84MHz) | \hat{I}_{or} (dBm/3.84MHz) | UL-DL carrier separation |
|------------------------------------|---------|---------------------------|------------------------------|--------------------------|
| I-3 | I | <REFSENS>+3 dB | <REF \hat{I}_{or} >+3 dB | Minimum |

NOTE 3: <REFSENS> and <REF \hat{I}_{or} > refers to the HS-PDSCH_Ec<REFSENS> and the HS-PDSCH<REF \hat{I}_{or} > as specified in Table 6.2C.1.

The normative reference for this requirement is TS 25.101 [1] clause 7.8.1C.1.

6.7D.3 Test purpose

To verify that the UE BLER of HS-PDSCH does not exceed 0.1 for the parameters specified in table 6.7D.4 and in table 6.7D.5 for the DL reference channel H-Set 1B/1C specified in Annex C.8.1.1.

The lack of the intermodulation response rejection ability decreases the 4C-HSDPA coverage area when two or more interfering signals, which have a specific frequency relationship to the wanted signal, exist.

6.7D.4 Method of test

6.7D.4.1 Initial conditions

Test environment: normal; see clauses G.2.1 and G.2.2.

Frequencies to be tested: mid range; see clause G.2.4.

- 1) Connect the SS to the UE antenna connector as shown in figure A.51.
- 2) RF parameters are set up according to table 6.7D.4 and table 6.7D.5.
- 3) A call is set up according to the Generic 4C-HSDPA setup procedure specified in TS 34.108 [3] sub clause 7.3.16, with exceptions for information elements listed in Table 6.7D.3. With this exception, the Power Control Algorithm for the Uplink is set to algorithm 2.

Contents of RADIO BEARER SETUP message: AM or UM (Test Loop Mode1)

Table 6.7D.3: Specific Message Contents for Intermodulation Characteristics (Single Uplink Single band 4C-HSDPA)

| Information Element | Value/Remark | Version |
|----------------------------------|--------------|---------|
| Uplink DPCH info | | Rel-6 |
| - Uplink DPCH power control info | | |
| - CHOICE mode | FDD | |
| - Power Control Algorithm | Algorithm2 | |

See TS 34.108 [3] and TS 34.109 [4] for details regarding generic call setup procedure and loopback test.

6.7D.4.2 Procedure

- 1) Set the parameters of the CW generator and interference signal generator as shown in table 6.7D.4 and in table 6.7D.5.
- 2) Set the power level of UE according to the tables 6.7D.4, and table 6.7D.5 or send the power control commands (1dB step size should be used.) to the UE until UE output power measured by Test System shall be kept at the specified power level with ± 1 dB tolerance.
- 3) Measure the BLER of HS-PDSCH received from the UE at the SS by counting the number of NACK, ACK and statDTX on the UL HS-DPCCH (BLER = (NACK + statDTX)/(NACK + statDTX + ACK)).

6.7D.5 Test requirements

The measured BLER, derived in step 3), shall not exceed 0.1 on each individual cell. The minimum number of measurements required for a statistically significant result to this test is clarified in annex F.6.3, Table F.6.3.5.0.

Table 6.7D.4: Test parameters for receive intermodulation characteristics, single band 4C-HSDPA, single uplink operation

| Parameter | Unit | Level | |
|-----------------------------------|------|---|-----|
| I_{ouw1} (CW) | dBm | -46 | |
| I_{ouw2} mean power (modulated) | dBm | -46 | |
| F_{uw1} (offset) (NOTE 2) | MHz | 10 | -10 |
| F_{uw2} (offset) (NOTE 2) | MHz | 20 | -20 |
| UE transmitted mean power | dBm | 20 (for Power class 3 and 3bis) 18 (for Power class 4) | |

NOTE 1: I_{ouw2} (modulated) consists of the common channels needed for tests as specified in Table E.4.1 and 16 dedicated data channels as specified in Table E.3.6.

NOTE 2: Negative offsets refer to the assigned channel frequency of the lowest carrier frequency used and positive offsets refer to the assigned channel frequency of the highest carrier frequency used.

Table 6.7D.5: Intermodulation requirements, single band 4C-HSDPA, single uplink operation

| Single band 4C-HSDPA Configuration | DL Band | HS-PDSCH_Ec (dBm/3.84MHz) | \hat{I}_{or} (dBm/3.84MHz) | UL-DL carrier separation |
|------------------------------------|---------|---------------------------|------------------------------|--------------------------|
| I-3 | I | <REFSENS>+3 dB | <REF \hat{I}_{or} >+3 dB | Minimum |

NOTE 3: <REFSENS> and <REF \hat{I}_{or} > refers to the HS-PDSCH_Ec<REFSENS> and the HS-PDSCH<REF \hat{I}_{or} > as specified in Table 6.2C.1.

NOTE 4: If the above Test Requirement differs from the Minimum Requirement then the Test Tolerance applied for this test is non-zero. The Test Tolerance for this test is defined in clause F.2 and the explanation of how the Minimum Requirement has been relaxed by the Test Tolerance is given in clause F.4.

6.7E Intermodulation Characteristics for single uplink dual band 4C-HSDPA

6.7E.1 Definition and applicability

Third and higher order mixing of the two interfering RF signals can produce an interfering signal in the band of the desired channel. Intermodulation response rejection is a measure of the capability of the receiver to receive a wanted signal on its assigned channel frequency in the presence of two or more interfering signals which have a specific frequency relationship to the wanted signal.

The test parameters in Tables 6.7E.1 and 6.7E.4 apply for Release 10 and later releases to all types of UTRA for the FDD UE that support dual band 4C-HSDPA, single uplink operation and HSDPA UE capability categories 31 or 32.

Dual band 4C-HSDPA is designed to operate in configurations specified in clause 4.2.

6.7E.2 Minimum Requirements

The BLER measured on each individual cell shall not exceed 0.1 for the parameters specified in Table 6.7E.1 and 6.7E.2.

Table 6.7E.1: Test parameters for receive intermodulation characteristics, dual band 4C-HSDPA, single uplink operation

| Parameter | Unit | Level | |
|-----------------------------------|------|---|-----|
| I_{ouw1} (CW) | dBm | -46 | |
| I_{ouw2} mean power (modulated) | dBm | -46 | |
| F_{uw1} (offset) (NOTE 2) | MHz | 10 | -10 |
| F_{uw2} (offset) (NOTE 2) | MHz | 20 | -20 |
| UE transmitted mean power | dBm | 20 (for Power class 3 and 3bis) 18 (for Power class 4) | |

NOTE 1: I_{ouw2} (modulated) consists of the common channels needed for tests as specified in Table E.4.1 and 16 dedicated data channels as specified in Table E.3.6.

NOTE 2: Negative offsets refer to the assigned channel frequency of the lowest carrier frequency used and positive offsets refer to the assigned channel frequency of the highest carrier frequency used.

Table 6.7E.2: Intermodulation requirements, dual band 4C-HSDPA, single uplink operation

| Dual band 4C-HSDPA Configuration | DL Band | UL Band | HS-PDSCH E_c (dBm/3.84MHz) | \hat{I}_{or} (dBm/3.84MHz) | UL-DL carrier separation |
|-------------------------------------|---------|---------|------------------------------|------------------------------|--------------------------|
| I-2-VIII-1 I-3-VIII-1 | I | I | <REFSENS>+3 dB | <REF \hat{I}_{or} >+3 dB | Minimum |
| | VIII | | <REFSENS>+3 dB | <REF \hat{I}_{or} >+3 dB | Minimum |
| | I | VIII | <REFSENS>+3 dB | <REF \hat{I}_{or} >+3 dB | Minimum |
| | VIII | | <REFSENS>+3 dB | <REF \hat{I}_{or} >+3 dB | Minimum |
| II-1-IV-2 II-2-IV-1 II-2-IV-2 | II | II | <REFSENS>+3 dB | <REF \hat{I}_{or} >+3 dB | Minimum |
| | IV | | <REFSENS>+3 dB | <REF \hat{I}_{or} >+3 dB | Minimum |
| | II | IV | <REFSENS>+3 dB | <REF \hat{I}_{or} >+3 dB | Minimum |
| | IV | | <REFSENS>+3 dB | <REF \hat{I}_{or} >+3 dB | Minimum |
| I-1-V-2 I-2-V-1 I-2-V-2 | I | I | <REFSENS>+3 dB | <REF \hat{I}_{or} >+3 dB | Minimum |
| | V | | <REFSENS>+3 dB | <REF \hat{I}_{or} >+3 dB | Minimum |
| | I | V | <REFSENS>+3 dB | <REF \hat{I}_{or} >+3 dB | Minimum |
| | V | | <REFSENS>+3 dB | <REF \hat{I}_{or} >+3 dB | Minimum |

NOTE 3: <REFSENS> and <REF \hat{I}_{or} > refers to the HS-PDSCH E_c <REFSENS> and the HS-PDSCH<REF \hat{I}_{or} > as specified in Table 6.2D.1.

The BLER measured on each individual cell shall not exceed 0.1 for the parameters specified in Table 6.7E.3 and Table 6.7E.4.

Table 6.7E.3: Test parameters for receive narrow-band intermodulation characteristics, dual band 4C-HSDPA, single uplink operation

| Parameter | Unit | Band II, IV, V | | Band VIII | |
|-----------------------------|------|---|------|-----------|------|
| I_{ouw1} (CW) | dBm | -44 | | -43 | |
| I_{ouw2} (GMSK) | dBm | -44 | | -43 | |
| F_{uw1} (offset) (NOTE 2) | MHz | 3.5 | -3.5 | 3.6 | -3.6 |
| F_{uw2} (offset) (NOTE 2) | MHz | 5.9 | -5.9 | 6.0 | -6.0 |
| UE transmitted mean power | dBm | 20 (for Power class 3 and 3bis) 18 (for Power class 4) | | | |

NOTE 1: I_{ouw2} (GMSK) is an interfering signal as defined in TS 45.004.

NOTE 2: For dual band 4C-HSDPA, negative offset refers to the assigned channel frequency of the lowest carrier frequency(ies) in each band, and positive offset refers to the assigned channel frequency of the highest carrier frequency(ies) in each band.

Table 6.7E.4: Narrow-band intermodulation requirements, dual band 4C-HSDPA, single uplink operation

| Dual band 4C-HSDPA Configuration | DL Band | UL Band | HS-PDSCH_Ec (dBm/3.84MHz) | \hat{I}_{or} (dBm/3.84MHz) | UL-DL carrier separation |
|-------------------------------------|---------|---------|---------------------------|-------------------------------|--------------------------|
| I-2-VIII-1 I-3-VIII-1 | VIII | I | <REFSENS>+16.6 dB | <REF \hat{I}_{or} >+16.6 dB | Minimum |
| | VIII | VIII | <REFSENS>+16.6 dB | <REF \hat{I}_{or} >+16.6 dB | Minimum |
| II-1-IV-2 II-2-IV-1 II-2-IV-2 | II | II | <REFSENS>+17 dB | <REF \hat{I}_{or} >+17 dB | Minimum |
| | IV | | <REFSENS>+18.9 dB | <REF \hat{I}_{or} >+18.9 dB | Minimum |
| | II | IV | <REFSENS>+17 dB | <REF \hat{I}_{or} >+17 dB | Minimum |
| | IV | | <REFSENS>+18.9 dB | <REF \hat{I}_{or} >+18.9 dB | Minimum |
| I-1-V-2 I-2-V-1 I-2-V-2 | V | I | <REFSENS>+17 dB | <REF \hat{I}_{or} >+17 dB | Minimum |
| | V | V | <REFSENS>+17 dB | <REF \hat{I}_{or} >+17 dB | Minimum |

NOTE 3: <REFSENS> and <REF \hat{I}_{or} > refers to the HS-PDSCH_Ec<REFSENS> and the HS-PDSCH<REF \hat{I}_{or} > as specified in Table 6.2D.1 for dual band 4C-HSDPA.

The normative reference for this requirement is TS 25.101 [1] clause 7.8.1D.1 and clause 7.8.2D.1.

6.7E.3 Test purpose

To verify that the UE BLER of HS-PDSCH does not exceed 0.1 for the parameters specified in table 6.7E.6 through 6.7E.9 for the DL reference channel H-Set 1C specified in Annex C.8.1.1.

The lack of the intermodulation response rejection ability decreases the 4C-HSDPA coverage area when two or more interfering signals, which have a specific frequency relationship to the wanted signal, exist.

This test case tests only 4 carrier configurations.

6.7E.4 Method of test

6.7E.4.1 Initial conditions

Test environment: normal; see clauses G.2.1 and G.2.2.

Frequencies to be tested: mid range; see clause G.2.4.

- 1) Connect the SS to the UE antenna connector as shown in figure A.51.
- 2) RF parameters are set up according to table 6.7E.6 and table 6.7E.8.
- 3) A call is set up according to the Generic 4C-HSDPA setup procedure specified in TS 34.108 [3] sub clause 7.3.16, with exceptions for information elements listed in Table 6.7E.5. With this exception, the Power Control Algorithm for the Uplink is set to algorithm 2.

Contents of RADIO BEARER SETUP message: AM or UM (Test Loop Mode1)

Table 6.7E.5: Specific Message Contents for Intermodulation Characteristics (Single Uplink Single band 4C--HSDPA)

| Information Element | Value/Remark | Version |
|----------------------------------|--------------|---------|
| Uplink DPCH info | | Rel-6 |
| - Uplink DPCH power control info | | |
| - CHOICE mode | FDD | |
| - Power Control Algorithm | Algorithm2 | |

See TS 34.108 [3] and TS 34.109 [4] for details regarding generic call setup procedure and loopback test.

6.7E.4.2 Procedure

- 1) Set the parameters of the CW generator and interference signal generator as shown in table 6.7E.4 and in table 6.7E.5.
- 2) Set the power level of UE according to the tables 6.7E.6, 6.7E.7, 6.7E.8 and table 6.7E.9 or send the power control commands (1dB step size should be used.) to the UE until UE output power measured by Test System shall be kept at the specified power level with ± 1 dB tolerance.
- 3) Measure the BLER of HS-PDSCH received from the UE at the SS by counting the number of NACK, ACK and statDTX on the UL HS-DPCCH (BLER = (NACK + statDTX)/(NACK + statDTX + ACK)).

6.7E.5 Test requirements

The measured BLER, derived in step 3), shall not exceed 0.1 on each individual cell. The minimum number of measurements required for a statistically significant result to this test is clarified in annex F.6.3, Table F.6.3.5.0.

Table 6.7E.6: Test parameters for receive intermodulation characteristics, dual band 4C-HSDPA, single uplink operation

| Parameter | Unit | Level | |
|-----------------------------------|------|---|-----|
| I_{ouw1} (CW) | dBm | -46 | |
| I_{ouw2} mean power (modulated) | dBm | -46 | |
| F_{uw1} (offset) (NOTE 2) | MHz | 10 | -10 |
| F_{uw2} (offset) (NOTE 2) | MHz | 20 | -20 |
| UE transmitted mean power | dBm | 20 (for Power class 3 and 3bis) 18 (for Power class 4) | |

NOTE 1: I_{ouw2} (modulated) consists of the common channels needed for tests as specified in Table E.4.1 and 16 dedicated data channels as specified in Table E.3.6.

NOTE 2: Negative offsets refer to the assigned channel frequency of the lowest carrier frequency used and positive offsets refer to the assigned channel frequency of the highest carrier frequency used.

Table 6.7E.7: Intermodulation requirements, dual band 4C-HSDPA, single uplink operation

| Dual band 4C-HSDPA Configuration | DL Band | UL Band | HS-PDSCH E_c (dBm/3.84MHz) | \hat{I}_{or} (dBm/3.84MHz) | UL-DL carrier separation |
|----------------------------------|---------|---------|------------------------------|------------------------------|--------------------------|
| | | | | | |

| | | | | | |
|------------|------|------|----------------|--|---------|
| I-2-VIII-1 | I | I | <REFSENS>+3 dB | <REF _{or} [†] >+3 dB | Minimum |
| | VIII | | <REFSENS>+3 dB | <REF _{or} [†] >+3 dB | Minimum |
| I-3-VIII-1 | I | VIII | <REFSENS>+3 dB | <REF _{or} [†] >+3 dB | Minimum |
| | VIII | | <REFSENS>+3 dB | <REF _{or} [†] >+3 dB | Minimum |
| II-1-IV-2 | II | II | <REFSENS>+3 dB | <REF _{or} [†] >+3 dB | Minimum |
| | IV | | <REFSENS>+3 dB | <REF _{or} [†] >+3 dB | Minimum |
| II-2-IV-1 | II | IV | <REFSENS>+3 dB | <REF _{or} [†] >+3 dB | Minimum |
| | IV | | <REFSENS>+3 dB | <REF _{or} [†] >+3 dB | Minimum |
| I-1-V-2 | I | I | <REFSENS>+3 dB | <REF _{or} [†] >+3 dB | Minimum |
| | V | | <REFSENS>+3 dB | <REF _{or} [†] >+3 dB | Minimum |
| I-2-V-1 | I | V | <REFSENS>+3 dB | <REF _{or} [†] >+3 dB | Minimum |
| | V | | <REFSENS>+3 dB | <REF _{or} [†] >+3 dB | Minimum |

Table 6.7E.8: Test parameters for receive narrow-band intermodulation characteristics, dual band 4C-HSDPA, single uplink operation

| Parameter | Unit | Band II, IV, V | | Band VIII | |
|--------------------------------|------|---|------|-----------|------|
| I_{ouw1} (CW) | dBm | -44 | | -43 | |
| I_{ouw2} (GMSK) | dBm | -44 | | -43 | |
| F_{uw1} (offset) (NOTE 2) | MHz | 3.5 | -3.5 | 3.6 | -3.6 |
| F_{uw2} (offset) (NOTE 2) | MHz | 5.9 | -5.9 | 6.0 | -6.0 |
| UE transmitted mean power | dBm | 20 (for Power class 3 and 3bis) 18 (for Power class 4) | | | |

NOTE 1: I_{ouw2} (GMSK) is an interfering signal as defined in TS 45.004.

NOTE 2: For dual band 4C-HSDPA, negative offset refers to the assigned channel frequency of the lowest carrier frequency(ies) in each band, and positive offset refers to the assigned channel frequency of the highest carrier frequency(ies) in each band.

Table 6.7E.8: Narrow-band intermodulation requirements, dual band 4C-HSDPA, single uplink operation

| Dual band 4C-HSDPA Configuration | DL Band | UL Band | HS-PDSCH E_c (dBm/3.84MHz) | \hat{I}_{or} (dBm/3.84MHz) | UL-DL carrier separation |
|-------------------------------------|---------|---------|------------------------------|---|--------------------------|
| I-2-VIII-1 I-3-VIII-1 | VIII | I | <REFSENS>+16.6 dB | <REF _{or} [†] >+16.6 dB | Minimum |
| | VIII | VIII | <REFSENS>+16.6 dB | <REF _{or} [†] >+16.6 dB | Minimum |
| II-1-IV-2 II-2-IV-1 II-2-IV-2 | II | II | <REFSENS>+17 dB | <REF _{or} [†] >+17 dB | Minimum |
| | IV | | <REFSENS>+18.9 dB | <REF _{or} [†] >+18.9 dB | Minimum |
| | II | IV | <REFSENS>+17 dB | <REF _{or} [†] >+17 dB | Minimum |
| | IV | | <REFSENS>+18.9 dB | <REF _{or} [†] >+18.9 dB | Minimum |
| I-1-V-2 I-2-V-1 I-2-V-2 | V | I | <REFSENS>+17 dB | <REF _{or} [†] >+17 dB | Minimum |
| | V | V | <REFSENS>+17 dB | <REF _{or} [†] >+17 dB | Minimum |

NOTE 3: <REFSENS> and <REF_{or}[†]> refers to the HS-PDSCH E_c <REFSENS> and the HS-PDSCH<REF_{or}[†]> as specified in Table 6.2D.1 for dual band 4C-HSDPA.

NOTE 4: If the above Test Requirement differs from the Minimum Requirement then the Test Tolerance applied for this test is non-zero. The Test Tolerance for this test is defined in clause F.2 and the explanation of how the Minimum Requirement has been relaxed by the Test Tolerance is given in clause F.4.

6.7EA Intermodulation Characteristics for single uplink dual band 4C-HSDPA (3 carrier)

6.7EA.1 Definition and applicability

Third and higher order mixing of the two interfering RF signals can produce an interfering signal in the band of the desired channel. Intermodulation response rejection is a measure of the capability of the receiver to receive a wanted signal on its assigned channel frequency in the presence of two or more interfering signals which have a specific frequency relationship to the wanted signal.

The test parameters in Tables 6.7EA.1 and 6.7EA.4 apply for Release 10 and later releases to all types of UTRA for the FDD UE that support dual band 4C-HSDPA, single uplink operation and HS-DSCH categories 29 to 32.

Dual band 4C-HSDPA is designed to operate in configurations specified in clause 4.2.

6.7EA.2 Minimum Requirements

The BLER measured on each individual cell shall not exceed 0.1 for the parameters specified in Table 6.7EA.1 and 6.7EA.2.

Table 6.7EA.1: Test parameters for receive intermodulation characteristics, dual band 4C-HSDPA, single uplink operation

| Parameter | Unit | Level | |
|-----------------------------------|------|---|-----|
| I_{ouw1} (CW) | dBm | -46 | |
| I_{ouw2} mean power (modulated) | dBm | -46 | |
| F_{uw1} (offset) (NOTE 2) | MHz | 10 | -10 |
| F_{uw2} (offset) (NOTE 2) | MHz | 20 | -20 |
| UE transmitted mean power | dBm | 20 (for Power class 3 and 3bis) 18 (for Power class 4) | |

NOTE 1: I_{ouw2} (modulated) consists of the common channels needed for tests as specified in Table E.4.1 and 16 dedicated data channels as specified in Table E.3.6.

NOTE 2: Negative offsets refer to the assigned channel frequency of the lowest carrier frequency used and positive offsets refer to the assigned channel frequency of the highest carrier frequency used.

Table 6.7EA.2: Intermodulation requirements, dual band 4C-HSDPA, single uplink operation

| Dual band 4C-HSDPA Configuration | DL Band | UL Band | HS-PDSCH_Ec (dBm/3.84MHz) | \hat{I}_{or} (dBm/3.84MHz) | UL-DL carrier separation |
|-------------------------------------|---------|---------|---------------------------|------------------------------|--------------------------|
| I-2-VIII-1 I-3-VIII-1 | I | I | <REFSENS>+3 dB | <REF \hat{I}_{or} >+3 dB | Minimum |
| | VIII | | <REFSENS>+3 dB | <REF \hat{I}_{or} >+3 dB | Minimum |
| | I | VIII | <REFSENS>+3 dB | <REF \hat{I}_{or} >+3 dB | Minimum |
| | VIII | | <REFSENS>+3 dB | <REF \hat{I}_{or} >+3 dB | Minimum |
| II-1-IV-2 II-2-IV-1 II-2-IV-2 | II | II | <REFSENS>+3 dB | <REF \hat{I}_{or} >+3 dB | Minimum |
| | IV | | <REFSENS>+3 dB | <REF \hat{I}_{or} >+3 dB | Minimum |
| | II | IV | <REFSENS>+3 dB | <REF \hat{I}_{or} >+3 dB | Minimum |
| | IV | | <REFSENS>+3 dB | <REF \hat{I}_{or} >+3 dB | Minimum |
| I-1-V-2 I-2-V-1 I-2-V-2 | I | I | <REFSENS>+3 dB | <REF \hat{I}_{or} >+3 dB | Minimum |
| | V | | <REFSENS>+3 dB | <REF \hat{I}_{or} >+3 dB | Minimum |
| | I | V | <REFSENS>+3 dB | <REF \hat{I}_{or} >+3 dB | Minimum |
| | V | | <REFSENS>+3 dB | <REF \hat{I}_{or} >+3 dB | Minimum |

NOTE 3: <REFSENS> and <REF \hat{I}_{or} > refers to the HS-PDSCH_Ec<REFSENS> and the HS-PDSCH<REF \hat{I}_{or} > as specified in Table 6.2DA.1.

The BLER measured on each individual cell shall not exceed 0.1 for the parameters specified in Table 6.7EA.3 and Table 6.7EA.4.

Table 6.7EA.3: Test parameters for receive narrow-band intermodulation characteristics, dual band 4C-HSDPA, single uplink operation

| Parameter | Unit | Band II, IV, V | | Band VIII | |
|--------------------------------|------|---|------|-----------|------|
| I_{ouw1} (CW) | dBm | -44 | | -43 | |
| I_{ouw2} (GMSK) | dBm | -44 | | -43 | |
| F_{uw1} (offset) (NOTE 2) | MHz | 3.5 | -3.5 | 3.6 | -3.6 |
| F_{uw2} (offset) (NOTE 2) | MHz | 5.9 | -5.9 | 6.0 | -6.0 |
| UE transmitted mean power | dBm | 20 (for Power class 3 and 3bis) 18 (for Power class 4) | | | |

NOTE 1: I_{ouw2} (GMSK) is an interfering signal as defined in TS 45.004.

NOTE 2: For dual band 4C-HSDPA, negative offset refers to the assigned channel frequency of the lowest carrier frequency(ies) in each band, and positive offset refers to the assigned channel frequency of the highest carrier frequency(ies) in each band.

Table 6.7EA.4: Narrow-band intermodulation requirements, dual band 4C-HSDPA, single uplink operation

| Dual band 4C-HSDPA Configuration | DL Band | UL Band | HS-PDSCH E_c (dBm/3.84MHz) | \hat{I}_{or} (dBm/3.84MHz) | UL-DL carrier separation |
|-------------------------------------|---------|---------|------------------------------|-------------------------------|--------------------------|
| I-2-VIII-1 I-3-VIII-1 | VIII | I | <REFSENS>+16.6 dB | <REF \hat{I}_{or} >+16.6 dB | Minimum |
| | VIII | VIII | <REFSENS>+16.6 dB | <REF \hat{I}_{or} >+16.6 dB | Minimum |
| II-1-IV-2 II-2-IV-1 II-2-IV-2 | II | II | <REFSENS>+17 dB | <REF \hat{I}_{or} >+17 dB | Minimum |
| | IV | | <REFSENS>+18.9 dB | <REF \hat{I}_{or} >+18.9 dB | Minimum |
| | II | IV | <REFSENS>+17 dB | <REF \hat{I}_{or} >+17 dB | Minimum |
| | IV | | <REFSENS>+18.9 dB | <REF \hat{I}_{or} >+18.9 dB | Minimum |
| I-1-V-2 I-2-V-1 I-2-V-2 | V | I | <REFSENS>+17 dB | <REF \hat{I}_{or} >+17 dB | Minimum |
| | V | V | <REFSENS>+17 dB | <REF \hat{I}_{or} >+17 dB | Minimum |

NOTE 3: <REFSENS> and <REF \hat{I}_{or} > refers to the HS-PDSCH E_c <REFSENS> and the HS-PDSCH<REF \hat{I}_{or} > as specified in Table 6.2DA.1 for dual band 4C-HSDPA.

The normative reference for this requirement is TS 25.101 [1] clause 7.8.1D.1 and clause 7.8.2D.1.

6.7EA.3 Test purpose

To verify that the UE BLER of HS-PDSCH does not exceed 0.1 for the parameters specified in table 6.7EA.6 through 6.7EA.9 for the DL reference channel H-Set 1B specified in Annex C.8.1.1.

The lack of the intermodulation response rejection ability decreases the 4C-HSDPA coverage area when two or more interfering signals, which have a specific frequency relationship to the wanted signal, exist.

This test case tests only 4 carrier configurations.

6.7EA.4 Method of test

6.7EA.4.1 Initial conditions

Test environment: normal; see clauses G.2.1 and G.2.2.

Frequencies to be tested: mid range; see clause G.2.4.

- 1) Connect the SS to the UE antenna connector as shown in figure A.51.
- 2) RF parameters are set up according to table 6.7EA.6 and table 6.7EA.8.
- 3) A call is set up according to the Generic 4C-HSDPA setup procedure specified in TS 34.108 [3] sub clause 7.3.16, with exceptions for information elements listed in Table 6.7EA.5. With this exception, the Power Control Algorithm for the Uplink is set to algorithm 2.

Contents of RADIO BEARER SETUP message: AM or UM (Test Loop Mode1)

Table 6.7EA.5: Specific Message Contents for Intermodulation Characteristics (Single Uplink Single band 4C--HSDPA)

| Information Element | Value/Remark | Version |
|----------------------------------|--------------|---------|
| Uplink DPCH info | | Rel-6 |
| - Uplink DPCH power control info | | |
| - CHOICE mode | FDD | |
| - Power Control Algorithm | Algorithm2 | |

See TS 34.108 [3] and TS 34.109 [4] for details regarding generic call setup procedure and loopback test.

6.7EA.4.2 Procedure

- 1) Set the parameters of the CW generator and interference signal generator as shown in table 6.7EA.4 and in table 6.7EA.5.
- 2) Set the power level of UE according to the tables 6.7EA.6, 6.7EA.7, 6.7EA.8 and table 6.7EA.9 or send the power control commands (1dB step size should be used.) to the UE until UE output power measured by Test System shall be kept at the specified power level with ± 1 dB tolerance.
- 3) Measure the BLER of HS-PDSCH received from the UE at the SS by counting the number of NACK, ACK and statDTX on the UL HS-DPCCH ($BLER = (NACK + statDTX)/(NACK + statDTX + ACK)$).

6.7EA.5 Test requirements

The measured BLER, derived in step 3), shall not exceed 0.1 on each individual cell. The minimum number of measurements required for a statistically significant result to this test is clarified in annex F.6.3, Table F.6.3.5.0.

Table 6.7EA.6: Test parameters for receive intermodulation characteristics, dual band 4C-HSDPA, single uplink operation

| Parameter | Unit | Level | |
|-----------------------------------|------|---|-----|
| I_{ouw1} (CW) | dBm | -46 | |
| I_{ouw2} mean power (modulated) | dBm | -46 | |
| F_{uw1} (offset) (NOTE 2) | MHz | 10 | -10 |
| F_{uw2} (offset) (NOTE 2) | MHz | 20 | -20 |
| UE transmitted mean power | dBm | 20 (for Power class 3 and 3bis) 18 (for Power class 4) | |

NOTE 1: I_{ouw2} (modulated) consists of the common channels needed for tests as specified in Table E.4.1 and 16 dedicated data channels as specified in Table E.3.6.

NOTE 2: Negative offsets refer to the assigned channel frequency of the lowest carrier frequency used and positive offsets refer to the assigned channel frequency of the highest carrier frequency used.

Table 6.7EA.7: Intermodulation requirements, dual band 4C-HSDPA, single uplink operation

| Dual band 4C-HSDPA Configuration | DL Band | UL Band | HS-PDSCH_Ec (dBm/3.84MHz) | \hat{I}_{or} (dBm/3.84MHz) | UL-DL carrier separation |
|-------------------------------------|---------|---------|---------------------------|------------------------------|--------------------------|
| I-2-VIII-1 I-3-VIII-1 | I | I | <REFSENS>+3 dB | <REF \hat{I}_{or} >+3 dB | Minimum |
| | VIII | | <REFSENS>+3 dB | <REF \hat{I}_{or} >+3 dB | Minimum |
| | I | VIII | <REFSENS>+3 dB | <REF \hat{I}_{or} >+3 dB | Minimum |
| | VIII | | <REFSENS>+3 dB | <REF \hat{I}_{or} >+3 dB | Minimum |
| II-1-IV-2 II-2-IV-1 II-2-IV-2 | II | II | <REFSENS>+3 dB | <REF \hat{I}_{or} >+3 dB | Minimum |
| | IV | | <REFSENS>+3 dB | <REF \hat{I}_{or} >+3 dB | Minimum |
| | II | IV | <REFSENS>+3 dB | <REF \hat{I}_{or} >+3 dB | Minimum |
| | IV | | <REFSENS>+3 dB | <REF \hat{I}_{or} >+3 dB | Minimum |
| I-1-V-2 I-2-V-1 I-2-V-2 | I | I | <REFSENS>+3 dB | <REF \hat{I}_{or} >+3 dB | Minimum |
| | V | | <REFSENS>+3 dB | <REF \hat{I}_{or} >+3 dB | Minimum |
| | I | V | <REFSENS>+3 dB | <REF \hat{I}_{or} >+3 dB | Minimum |
| | V | | <REFSENS>+3 dB | <REF \hat{I}_{or} >+3 dB | Minimum |

Table 6.7EA.8: Test parameters for receive narrow-band intermodulation characteristics, dual band 4C-HSDPA, single uplink operation

| Parameter | Unit | Band II, IV, V | | Band VIII | |
|--------------------------------|------|---|------|-----------|------|
| I_{ouw1} (CW) | dBm | -44 | | -43 | |
| I_{ouw2} (GMSK) | dBm | -44 | | -43 | |
| F_{uw1} (offset) (NOTE 2) | MHz | 3.5 | -3.5 | 3.6 | -3.6 |
| F_{uw2} (offset) (NOTE 2) | MHz | 5.9 | -5.9 | 6.0 | -6.0 |
| UE transmitted mean power | dBm | 20 (for Power class 3 and 3bis) 18 (for Power class 4) | | | |

NOTE 1: I_{ouw2} (GMSK) is an interfering signal as defined in TS 45.004.

NOTE 2: For dual band 4C-HSDPA, negative offset refers to the assigned channel frequency of the lowest carrier frequency(ies) in each band, and positive offset refers to the assigned channel frequency of the highest carrier frequency(ies) in each band.

Table 6.7EA.8: Narrow-band intermodulation requirements, dual band 4C-HSDPA, single uplink operation

| Dual band 4C-HSDPA Configuration | DL Band | UL Band | HS-PDSCH_Ec (dBm/3.84MHz) | \hat{I}_{or} (dBm/3.84MHz) | UL-DL carrier separation |
|----------------------------------|---------|---------|---------------------------|------------------------------|--------------------------|
|----------------------------------|---------|---------|---------------------------|------------------------------|--------------------------|

| | | | | | |
|-------------------------------------|------|------|-------------------|-------------------------------|---------|
| I-2-VIII-1 I-3-VIII-1 | VIII | I | <REFSENS>+16.6 dB | <REF \hat{I}_{or} >+16.6 dB | Minimum |
| | VIII | VIII | <REFSENS>+16.6 dB | <REF \hat{I}_{or} >+16.6 dB | Minimum |
| II-1-IV-2 II-2-IV-1 II-2-IV-2 | II | II | <REFSENS>+17 dB | <REF \hat{I}_{or} >+17 dB | Minimum |
| | IV | | <REFSENS>+18.9 dB | <REF \hat{I}_{or} >+18.9 dB | Minimum |
| | II | IV | <REFSENS>+17 dB | <REF \hat{I}_{or} >+17 dB | Minimum |
| | IV | | <REFSENS>+18.9 dB | <REF \hat{I}_{or} >+18.9 dB | Minimum |
| I-1-V-2 I-2-V-1 I-2-V-2 | V | I | <REFSENS>+17 dB | <REF \hat{I}_{or} >+17 dB | Minimum |
| | V | V | <REFSENS>+17 dB | <REF \hat{I}_{or} >+17 dB | Minimum |

NOTE 3: <REFSENS> and <REF \hat{I}_{or} > refers to the HS-PDSCH_{Ec}<REFSENS> and the HS-PDSCH<REF \hat{I}_{or} > as specified in Table 6.2DA.1 for dual band 4C-HSDPA.

NOTE 4: If the above Test Requirement differs from the Minimum Requirement then the Test Tolerance applied for this test is non-zero. The Test Tolerance for this test is defined in clause F.2 and the explanation of how the Minimum Requirement has been relaxed by the Test Tolerance is given in clause F.4.

6.8 Spurious Emissions

6.8.1 Definition and applicability

The spurious emissions power is the power of emissions generated or amplified in a receiver that appear at the UE antenna connector. The spurious emission is verified per antenna connector with the other(s) terminated.

The requirements and this test apply to all types of UTRA for the FDD UE.

6.8.2 Minimum Requirements

The power of any narrow band CW spurious emission shall not exceed the maximum level specified in table 6.8.1 and table 6.8.2.

Table 6.8.1: General receiver spurious emission requirements

| Frequency Band | Measurement Bandwidth | Maximum level | Note |
|-----------------------|-----------------------|---------------|------|
| 30 MHz ≤ f < 1 GHz | 100 kHz | -57 dBm | |
| 1 GHz ≤ f ≤ 12,75 GHz | 1 MHz | -47 dBm | |

Table 6.8.2: Additional receiver spurious emission requirements

| Operating band | Frequency Band | Measurement Bandwidth | Maximum level | Note |
|---|---|-----------------------|----------------------|--|
| I | $791 \text{ MHz} \leq f \leq 821 \text{ MHz}$ | 3.84 MHz | -60 dBm | |
| | $1475.9 \text{ MHz} \leq f \leq 1510.9 \text{ MHz}$ | 3.84 MHz | -60 dBm | |
| | $1844.9 \text{ MHz} \leq f \leq 1879.9 \text{ MHz}$ | 3.84 MHz | -60 dBm | |
| | $1\ 920 \text{ MHz} \leq f \leq 1\ 980 \text{ MHz}$ | 3,84 MHz | -60 dBm | UE transmit band in URA_PCH, Cell_PCH and idle state |
| | $2\ 110 \text{ MHz} \leq f \leq 2\ 170 \text{ MHz}$ | 3,84 MHz | -60 dBm | UE receive band |
| | $2585 \text{ MHz} \leq f \leq 2690 \text{ MHz}$ | 3.84 MHz | -60 dBm | |
| II | $1850 \text{ MHz} \leq f \leq 1910 \text{ MHz}$ | 3.84 MHz | -60 dBm | UE transmit band in URA_PCH, Cell_PCH and idle state |
| | $1930 \text{ MHz} \leq f \leq 1990 \text{ MHz}$ | 3.84 MHz | -60 dBm | UE receive band |
| III | $791 \text{ MHz} \leq f \leq 821 \text{ MHz}$ | 3.84 MHz | -60 dBm | |
| | $1710 \text{ MHz} \leq f \leq 1785 \text{ MHz}$ | 3.84 MHz | -60 dBm | UE transmit band in URA_PCH, Cell_PCH and idle state |
| | $1805 \text{ MHz} \leq f \leq 1880 \text{ MHz}$ | 3.84 MHz | -60 dBm | UE receive band |
| | $2585 \text{ MHz} \leq f \leq 2690 \text{ MHz}$ | 3.84 MHz | -60 dBm | |
| IV | $869 \text{ MHz} \leq f < 894 \text{ MHz}$ | 3.84 MHz | -60 dBm | |
| | $1710 \text{ MHz} \leq f < 1755 \text{ MHz}$ | 3.84 MHz | -60 dBm | UE transmit band in URA_PCH, Cell_PCH and idle state |
| | $1930 \text{ MHz} \leq f \leq 1990 \text{ MHz}$ | 3.84 MHz | -60 dBm | |
| | $2110 \text{ MHz} \leq f \leq 2170 \text{ MHz}$ | 3.84 MHz | -60 dBm | UE receive band |
| V | $824 \text{ MHz} \leq f \leq 849 \text{ MHz}$ | 3.84 MHz | -60 dBm | UE transmit band in URA_PCH, Cell_PCH and idle state |
| | $869 \text{ MHz} \leq f < 894 \text{ MHz}$ | 3.84 MHz | -60 dBm | UE receive band |
| VI | $815 \text{ MHz} \leq f \leq 850 \text{ MHz}$ | 3.84 MHz | -60 dBm | UE in URA_PCH, Cell_PCH and idle state |
| | $860 \text{ MHz} \leq f \leq 895 \text{ MHz}$ | 3.84 MHz | -60 dBm | UE in URA_PCH, Cell_PCH and idle state |
| | $1475.9 \text{ MHz} \leq f \leq 1510.9 \text{ MHz}$ | 3.84 MHz | -60 dBm | |
| | $1844.9 \text{ MHz} \leq f \leq 1879.9 \text{ MHz}$ | 3.84 MHz | -60 dBm | |
| | $2110 \text{ MHz} \leq f \leq 2170 \text{ MHz}$ | 3.84 MHz | -60 dBm | |
| VII | $791 \text{ MHz} \leq f \leq 821 \text{ MHz}$ | 3.84 MHz | -60 dBm | |
| | $921 \text{ MHz} \leq f < 925 \text{ MHz}$ | 100 kHz | -60 dBm (see note 1) | |
| | $925 \text{ MHz} \leq f \leq 935 \text{ MHz}$ | 100 kHz | -67 dBm (see note 1) | |
| | $935 \text{ MHz} < f \leq 960 \text{ MHz}$ | -3.84 MHz | -60 dBm | |
| | $935 \text{ MHz} < f \leq 960 \text{ MHz}$ | 100 kHz | -79 dBm (see note 1) | |
| | $1805 \text{ MHz} \leq f \leq 1880 \text{ MHz}$ | 100 kHz | -71 dBm (see note 1) | |
| | $2110 \text{ MHz} \leq f \leq 2170 \text{ MHz}$ | 3.84 MHz | -60 dBm | |
| | $2500 \text{ MHz} \leq f \leq 2570 \text{ MHz}$ | 3.84 MHz | -60 dBm | UE transmit band in URA_PCH, Cell_PCH and idle state |
| $2620 \text{ MHz} \leq f \leq 2690 \text{ MHz}$ | 3.84 MHz | -60 dBm | UE receive band | |
| VIII | $791 \text{ MHz} \leq f \leq 821 \text{ MHz}$ | 3.84 MHz | -60 dBm | |
| | $880 \text{ MHz} \leq f \leq 915 \text{ MHz}$ | 3.84 MHz | -60 dBm | |
| | $921 \text{ MHz} \leq f < 925 \text{ MHz}$ | 100 kHz | -60 dBm (see note 1) | |
| | $925 \text{ MHz} \leq f \leq 935 \text{ MHz}$ | 100 kHz | -67 dBm (see note 1) | UE receive band |
| | $935 \text{ MHz} < f \leq 960 \text{ MHz}$ | 3.84 MHz | -60 dBm | |
| | $935 \text{ MHz} < f \leq 960 \text{ MHz}$ | 100 kHz | -79 dBm (see note 1) | UE receive band |
| | $1805 \text{ MHz} < f \leq 1880 \text{ MHz}$ | 3.84 MHz | -60 dBm | |
| | $2110 \text{ MHz} \leq f \leq 2170 \text{ MHz}$ | 3.84 MHz | -60 dBm | |
| $2585 \text{ MHz} \leq f \leq 2690 \text{ MHz}$ | 3.84 MHz | -60 dBm | | |

| Operating band | Frequency Band | Measurement Bandwidth | Maximum level | Note |
|----------------|-----------------------------|-----------------------|---------------|--|
| IX | 860 MHz ≤ f ≤ 895 MHz | 3.84 MHz | -60 dBm | |
| | 1475.9 MHz ≤ f ≤ 1510.9 MHz | 3.84 MHz | -60 dBm | |
| | 1749.9 MHz ≤ f ≤ 1784.9 MHz | 3.84 MHz | -60 dBm | UE transmit band in URA_PCH, Cell_PCH and idle state |
| | 1844.9 MHz ≤ f ≤ 1879.9 MHz | 3.84 MHz | -60 dBm | UE receive band |
| | 2110 MHz ≤ f ≤ 2170 MHz | 3.84 MHz | -60 dBm | |
| X | 869 MHz ≤ f < 894 MHz | 3.84 MHz | - 60 dBm | |
| | 1710 MHz ≤ f < 1770 MHz | 3.84 MHz | - 60 dBm | UE transmit band in URA_PCH, Cell_PCH and idle state |
| | 1930 MHz ≤ f ≤ 1990 MHz | 3.84 MHz | - 60 dBm | |
| | 2110 MHz ≤ f ≤ 2170 MHz | 3.84 MHz | -60 dBm | UE receive band |
| XI | 860 MHz ≤ f ≤ 895 MHz | 3.84 MHz | -60 dBm | |
| | 1427.9 MHz ≤ f ≤ 1462.9 MHz | 3.84 MHz | -60 dBm | UE transmit band in URA_PCH, Cell_PCH and idle state |
| | 1475.9 MHz ≤ f ≤ 1510.9 MHz | 3.84 MHz | -60 dBm | UE receive band |
| | 1844.9 MHz ≤ f ≤ 1879.9 MHz | 3.84 MHz | -60 dBm | |
| XII | 2110 MHz ≤ f ≤ 2170 MHz | 3.84 MHz | -60 dBm | |
| | 699 MHz ≤ f ≤ 716 MHz | 3.84 MHz | -60 dBm | UE transmit band in URA_PCH, Cell_PCH and idle state |
| | 728 MHz ≤ f ≤ 746 MHz | 3.84 MHz | -60 dBm | UE receive band |
| | 746 MHz ≤ f ≤ 756 MHz | 3.84 MHz | -60 dBm | |
| | 758 MHz ≤ f ≤ 768 MHz | 3.84 MHz | -60 dBm | |
| | 869 MHz ≤ f ≤ 894 MHz | 3.84 MHz | -60 dBm | |
| XIII | 1930 MHz ≤ f ≤ 1990 MHz | 3.84 MHz | -60 dBm | |
| | 2110 MHz ≤ f ≤ 2170 MHz | 3.84 MHz | -60 dBm | |
| | 729 MHz ≤ f ≤ 746 MHz | 3.84 MHz | -60 dBm | |
| | 746 MHz ≤ f ≤ 756 MHz | 3.84 MHz | -60 dBm | UE receive band |
| | 758 MHz ≤ f ≤ 768 MHz | 3.84 MHz | -60 dBm | |
| | 776 MHz ≤ f ≤ 788 MHz | 3.84 MHz | -60 dBm | UE transmit band in URA_PCH, Cell_PCH and idle state |
| | 869 MHz ≤ f ≤ 894 MHz | 3.84 MHz | -60 dBm | |
| XIV | 1930 MHz ≤ f ≤ 1990 MHz | 3.84 MHz | -60 dBm | |
| | 2110 MHz ≤ f ≤ 2170 MHz | 3.84 MHz | -60 dBm | |
| | 729 MHz ≤ f ≤ 746 MHz | 3.84 MHz | -60 dBm | |
| | 746 MHz ≤ f ≤ 756 MHz | 3.84 MHz | -60 dBm | |
| | 758 MHz ≤ f ≤ 768 MHz | 3.84 MHz | -60 dBm | UE receive band |
| | 788 MHz ≤ f ≤ 798 MHz | 3.84 MHz | -60 dBm | UE transmit band in URA_PCH, Cell_PCH and idle state |
| | 869 MHz ≤ f ≤ 894 MHz | 3.84 MHz | -60 dBm | |
| XIX | 1930 MHz ≤ f ≤ 1990 MHz | 3.84 MHz | -60 dBm | |
| | 2110 MHz ≤ f ≤ 2170 MHz | 3.84 MHz | -60 dBm | |
| | 815 MHz ≤ f ≤ 850 MHz | 3.84 MHz | -60 dBm | UE in URA_PCH, Cell_PCH and idle state |
| | 860 MHz ≤ f ≤ 895 MHz | 3.84 MHz | -60 dBm | UE in URA_PCH, Cell_PCH and idle state |
| | 1475.9 MHz ≤ f ≤ 1510.9 MHz | 3.84 MHz | -60 dBm | |
| | 1844.9 MHz ≤ f ≤ 1879.9 MHz | 3.84 MHz | -60 dBm | |
| | 2110 MHz ≤ f ≤ 2170 MHz | 3.84 MHz | -60 dBm | |

| Operating band | Frequency Band | Measurement Bandwidth | Maximum level | Note |
|----------------|---|-----------------------|---------------------------------|--|
| XX | $791 \text{ MHz} \leq f \leq 821 \text{ MHz}$ | 3.84 MHz | -60 dBm | UE receive band |
| | $832 \text{ MHz} \leq f \leq 862 \text{ MHz}$ | 3.84 MHz | -60 dBm | UE transmit band in URA_PCH, Cell_PCH and idle state |
| | $921 \text{ MHz} \leq f < 925 \text{ MHz}$ | 100 kHz | -60 dBm * | |
| | $925 \text{ MHz} \leq f \leq 935 \text{ MHz}$ | 100 kHz 3.84 MHz | -67 dBm * -60 dBm | |
| | $935 \text{ MHz} < f \leq 960 \text{ MHz}$ | 100 kHz | -79 dBm * | |
| | $1805 \text{ MHz} \leq f \leq 1880 \text{ MHz}$ | 3.84 MHz | -60 dBm | |
| | $2110 \text{ MHz} \leq f \leq 2170 \text{ MHz}$ | 3.84 MHz | -60 dBm | |
| | $2620 \text{ MHz} \leq f \leq 2690 \text{ MHz}$ | 3.84 MHz | -60 dBm | |
| XXI | $860 \text{ MHz} \leq f \leq 895 \text{ MHz}$ | 3.84 MHz | -60 dBm | |
| | $1427.9 \text{ MHz} \leq f \leq 1462.9 \text{ MHz}$ | 3.84 MHz | -60 dBm | UE transmit band in URA_PCH, Cell_PCH and idle state |
| | $1475.9 \text{ MHz} \leq f \leq 1510.9 \text{ MHz}$ | 3.84 MHz | -60 dBm | UE receive band |
| | $1844.9 \text{ MHz} \leq f \leq 1879.9 \text{ MHz}$ | 3.84 MHz | -60 dBm | |
| | $2110 \text{ MHz} \leq f \leq 2170 \text{ MHz}$ | 3.84 MHz | -60 dBm | |
| XXII | $791 \text{ MHz} \leq f < 821 \text{ MHz}$ | 3.84 MHz | -60 dBm | |
| | $921 \text{ MHz} \leq f < 925 \text{ MHz}$ | 100 kHz | -60 dBm (see note 1) | |
| | $925 \text{ MHz} \leq f \leq 935 \text{ MHz}$ | 100 kHz 3.84 MHz | -67 dBm (see note 1) -60 dBm | |
| | $935 \text{ MHz} < f \leq 960 \text{ MHz}$ | 100 kHz | -79 dBm (see note 1) | |
| | $1805 \text{ MHz} \leq f \leq 1880 \text{ MHz}$ | 3.84 MHz | -60 dBm | |
| | $1880 \text{ MHz} \leq f \leq 1920 \text{ MHz}$ | 3.84 MHz | -60 dBm | |
| | $2010 \text{ MHz} \leq f \leq 2025 \text{ MHz}$ | 3.84 MHz | -60 dBm | |
| | $2110 \text{ MHz} \leq f \leq 2170 \text{ MHz}$ | 3.84 MHz | -60 dBm | |
| | $2300 \text{ MHz} \leq f \leq 2400 \text{ MHz}$ | 3.84 MHz | -60 dBm | |
| | $2590 \text{ MHz} \leq f \leq 2620 \text{ MHz}$ | 3.84 MHz | -50 dBm | |
| | $2620 \text{ MHz} \leq f \leq 2690 \text{ MHz}$ | 3.84 MHz | -60 dBm | |
| | $3410 \text{ MHz} \leq f \leq 3490 \text{ MHz}$ | 3.84 MHz | -60 dBm | UE transmit band in URA_PCH, Cell_PCH and idle state |
| | $3510 \text{ MHz} \leq f \leq 3590 \text{ MHz}$ | 3.84 MHz | -60 dBm | UE receive band |
| | $3600 \text{ MHz} \leq f \leq 3800 \text{ MHz}$ | 3.84 MHz | -50 dBm | |
| XXV | $729 \text{ MHz} \leq f \leq 746 \text{ MHz}$ | 3.84 MHz | [-60] dBm | |
| | $746 \text{ MHz} \leq f \leq 756 \text{ MHz}$ | 3.84 MHz | [-60] dBm | |
| | $758 \text{ MHz} \leq f \leq 768 \text{ MHz}$ | 3.84 MHz | [-60] dBm | |
| | $869 \text{ MHz} \leq f \leq 894 \text{ MHz}$ | 3.84 MHz | [-60] dBm | |
| | $1850 \text{ MHz} \leq f \leq 1915 \text{ MHz}$ | 3.84 MHz | [-60] dBm | UE transmit band in URA_PCH, Cell_PCH and idle state |
| | $1930 \text{ MHz} \leq f \leq 1995 \text{ MHz}$ | 3.84 MHz | [-60] dBm | UE receive band |
| | $2110 \text{ MHz} \leq f \leq 2170 \text{ MHz}$ | 3.84 MHz | [-60] dBm | |
| | $2180 \text{ MHz} \leq f \leq 2200 \text{ MHz}$ | 1 MHz | [-50] dBm | |
| | $2496 \text{ MHz} \leq f \leq 2690 \text{ MHz}$ | 1 MHz | [-50] dBm | |
| | $3400 \text{ MHz} \leq f \leq 3800 \text{ MHz}$ | 1 MHz | [-50] dBm | |

| Operating band | Frequency Band | Measurement Bandwidth | Maximum level | Note |
|--|-----------------------------|-----------------------|----------------------|------|
| XXVI | 703 MHz ≤ f ≤ 799 MHz | 1 MHz | -50 dBm | |
| | 799 MHz ≤ f ≤ 803 MHz | 1 MHz | -40 dBm | |
| | 729 MHz ≤ f ≤ 756 MHz | 3.84 MHz | -60 dBm | |
| | 758 MHz ≤ f ≤ 768 MHz | 3.84 MHz | -60 dBm | |
| | 859 MHz ≤ f ≤ 894 MHz | 3.84 MHz | -60 dBm | |
| | 1475.9 MHz ≤ f ≤ 1510.9 MHz | 3.84 MHz | -60 dBm | |
| | 1525 MHz ≤ f ≤ 1559 MHz | 1 MHz | -50 dBm | |
| | 1844.9 MHz ≤ f ≤ 1879.9 MHz | 3.84 MHz | -60 dBm | |
| | 1884.5 MHz ≤ f ≤ 1919.6 MHz | 300 kHz | -41 dBm | |
| | 1930 MHz ≤ f ≤ 1995 MHz | 3.84 MHz | -60 dBm | |
| | 2010 MHz ≤ f ≤ 2025 MHz | 1 MHz | -50 dBm | |
| | 2110 MHz ≤ f ≤ 2170 MHz | 3.84 MHz | -60 dBm | |
| | 2180 MHz ≤ f ≤ 2200 MHz | 1 MHz | -50 dBm | |
| | 2300 MHz ≤ f ≤ 2400 MHz | 1 MHz | -50 dBm | |
| | 2496 MHz ≤ f ≤ 2690 MHz | 1 MHz | -50 dBm (see note 2) | |
| 3400 MHz ≤ f ≤ 3800 MHz | 1 MHz | -50 dBm | | |
| NOTE 1: The measurements are made on frequencies which are integer multiples of 200 kHz. As exceptions, up to five measurements with a level up to the applicable requirements defined in Table 6.8.1 are permitted for each UARFCN used in the measurement. | | | | |
| NOTE 2: The frequency bandwidth protection 2585-2690 MHz test requirement for Bands I, III, and VIII deviates from the requirement in TS 25.101 [1] Rel-8 and earlier releases. The present document reflects the frequency bandwidth specified in the European Harmonized Standard EN 301 908-2 [Ref.] which became a mandatory requirement after these earlier TS 25.101 releases were frozen. | | | | |

The reference for this requirement is TS 25.101 [1] clause 7.9.1.

6.8.3 Test purpose

To verify that the UE spurious emission meets the specifications described in clause 6.8.5.

Excess spurious emissions increase the interference to other systems.

6.8.4 Method of test

6.8.4.1 Initial conditions

Test environment: normal; see clauses G.2.1 and G.2.2.

Frequencies to be tested: low range, mid range, high range; see clause G.2.4.

- 1) Connect a spectrum analyzer (or other suitable test equipment) to the UE antenna connector as shown in figure A.8.
- 2) RF parameters are setup according to table E.3.2.2. Settings for the serving cell are defined in table 6.8.2A.
- 3) A call is set up according to the setup procedure specified in TS34.108 [3] sub clause 7.3.5, with the following exceptions for information elements in System Information Block type3.

| SIB 3 Information Element | Value/Remark |
|--|-----------------------------------|
| - Cell selection and re-selection info | |
| - CHOICE mode | FDD |
| - Sintrasearch | 0 dB |
| - Sintersearch | 0 dB |
| - RAT List | This parameter is not present |
| - Maximum allowed UL TX power | Power level where Pcompensation=0 |

The exceptions for SIB1 are defined in TS 34.108 [3] clause 7.3.5.2.

NOTE: The setup procedure (3) sets the UE into the CELL_FACH state. With this state and the SS level (2) it is ensured that UE continuously monitors the S-CCPCH and no cell reselections are performed [see 3GPP TS 25.304, clauses 5.2.3 and 5.2.6]. The UE will not be transmitting, and therefore will not interfere with the measurement.

Table 6.8.2A: Settings for the serving cell during the measurement of Rx Spurious Emissions

| Parameter | Unit | Cell 1 |
|---|--------------|------------------------------|
| Cell type | | Serving cell |
| UTRA RF Channel Number | | As defined in clause 6.8.4.1 |
| Qqualmin | dB | -24 |
| Qrxlevmin | dBm | -115 |
| UE_TXPWR_MAX_RACH | dBm | +21 |
| CPICH Ec (see notes 1 and 2) | dBm/3.84 MHz | As defined in table E.3.2.2 |
| NOTE 1: The power level is specified in terms of CPICH_Ec instead of CPICH_RSCP as RSCP is a receiver measurement and only CPICH_Ec can be directly controlled by the SS. | | |
| NOTE 2: The cell fulfils TS 25.304, 5.2.3.1.2. | | |

6.8.4.2 Procedure

- 1) Sweep the spectrum analyzer (or equivalent equipment) over a frequency range and measure the average power of spurious emission.

6.8.5 Test requirements

It shall be verified that the RRC connection release at the end of the procedure described in 34.108 [3] clause 7.3.5.3 shall be completed successfully indicating that the UE has stayed in CELL_FACH state during the measurement of the spurious emissions.

The measured spurious emissions, derived in step 1), shall not exceed the maximum level specified in table 6.8.3 and table 6.8.4.

Table 6.8.3: General receiver spurious emission requirements

| Frequency Band | Measurement Bandwidth | Maximum level | Note |
|-----------------------|-----------------------|---------------|------|
| 30 MHz ≤ f < 1 GHz | 100 kHz | -57 dBm | |
| 1 GHz ≤ f ≤ 12,75 GHz | 1 MHz | -47 dBm | |

Table 6.8.4: Additional receiver spurious emission requirements

| Operating Band | Frequency Band | Measurement Bandwidth | Maximum level | Note |
|----------------|-----------------------------|-----------------------|---------------|------------------------------|
| I | 791 MHz ≤ f ≤ 821 MHz | 3.84 MHz | -60 dBm | |
| | 1475.9 MHz ≤ f ≤ 1510.9 MHz | 3.84 MHz | -60 dBm | |
| | 1844.9 MHz ≤ f ≤ 1879.9 MHz | 3.84 MHz | -60 dBm | |
| | 1 920 MHz ≤ f ≤ 1 980 MHz | 3,84 MHz | -60 dBm | UE transmit band |
| | 2 110 MHz ≤ f ≤ 2 170 MHz | 3,84 MHz | -60 dBm | UE receive band |
| II | 2585 MHz ≤ f ≤ 2690 MHz | 3.84 MHz | -60 dBm | |
| | 1850 MHz ≤ f ≤ 1910 MHz | 3.84 MHz | -60 dBm | UE transmit band |
| III | 1930 MHz ≤ f ≤ 1990 MHz | 3.84 MHz | -60 dBm | UE receive band |
| | 791 MHz ≤ f ≤ 821 MHz | 3.84 MHz | -60 dBm | |
| IV | 1710 MHz ≤ f ≤ 1785 MHz | 3.84 MHz | -60 dBm | UE transmit band |
| | 1805 MHz ≤ f ≤ 1880 MHz | 3.84 MHz | -60 dBm | UE receive band |
| | 2585 MHz ≤ f ≤ 2690 MHz | 3.84 MHz | -60 dBm | |
| | 869 MHz ≤ f < 894 MHz | 3.84 MHz | -60 dBm | |
| | 1710 MHz ≤ f < 1755 MHz | 3.84 MHz | -60 dBm | UE transmit band |
| | 1930 MHz ≤ f ≤ 1990 MHz | 3.84 MHz | -60 dBm | |
| | 2110 MHz ≤ f ≤ 2155 MHz | 3.84 MHz | -60 dBm | UE receive band (see note 2) |
| | 2110 MHz ≤ f ≤ 2170 MHz | 3.8.4 MHz | -60 dBm | UE receive band (see note 3) |

| Operating Band | Frequency Band | Measurement Bandwidth | Maximum level | Note |
|----------------|---|-----------------------|---------------------------------|------------------|
| V | $824 \text{ MHz} \leq f \leq 849 \text{ MHz}$ | 3.84 MHz | -60 dBm | UE transmit band |
| | $869 \text{ MHz} \leq f < 894 \text{ MHz}$ | 3.84 MHz | -60 dBm | UE receive band |
| VI | $815 \text{ MHz} \leq f \leq 850 \text{ MHz}$ | 3.84 MHz | -60 dBm | |
| | $860 \text{ MHz} \leq f \leq 895 \text{ MHz}$ | 3.84 MHz | -60 dBm | |
| | $1475.9 \text{ MHz} \leq f \leq 1510.9 \text{ MHz}$ | 3.84 MHz | -60 dBm | |
| | $1844.9 \text{ MHz} \leq f \leq 1879.9 \text{ MHz}$ | 3.84 MHz | -60 dBm | |
| | $2110 \text{ MHz} \leq f \leq 2170 \text{ MHz}$ | 3.84 MHz | -60 dBm | |
| VII | $791 \text{ MHz} \leq f \leq 821 \text{ MHz}$ | 3.84 MHz | -60 dBm | |
| | $921 \text{ MHz} \leq f < 925 \text{ MHz}$ | 100 kHz | -60 dBm (see note 1) | |
| | $925 \text{ MHz} \leq f \leq 935 \text{ MHz}$ | 100 kHz -3.84 MHz | -67 dBm (see note 1) -60 dBm | |
| | $935 \text{ MHz} < f \leq 960 \text{ MHz}$ | 100 kHz | -79 dBm (see note 1) | |
| | $1805 \text{ MHz} \leq f \leq 1880 \text{ MHz}$ | 100 kHz | -71 dBm (see note 1) | |
| | $2110 \text{ MHz} \leq f \leq 2170 \text{ MHz}$ | 3.84 MHz | -60 dBm | |
| | $2500 \text{ MHz} \leq f \leq 2570 \text{ MHz}$ | 3.84 MHz | -60 dBm | UE transmit band |
| | $2620 \text{ MHz} \leq f \leq 2690 \text{ MHz}$ | 3.84 MHz | -60 dBm | UE receive band |
| VIII | $791 \text{ MHz} \leq f \leq 821 \text{ MHz}$ | 3.84 MHz | -60 dBm | |
| | $880 \text{ MHz} \leq f \leq 915 \text{ MHz}$ | 3.84 MHz | -60 dBm | |
| | $921 \text{ MHz} \leq f < 925 \text{ MHz}$ | 100 kHz | -60 dBm (see note 1) | |
| | $925 \text{ MHz} \leq f \leq 935 \text{ MHz}$ | 100 kHz 3.84 MHz | -67 dBm (see note 1) -60 dBm | UE receive band |
| | $935 \text{ MHz} < f \leq 960 \text{ MHz}$ | 100 kHz | -79 dBm (see note 1) | UE receive band |
| | $1805 \text{ MHz} < f \leq 1880 \text{ MHz}$ | 3.84 MHz | -60 dBm | |
| | $2110 \text{ MHz} \leq f \leq 2170 \text{ MHz}$ | 3.84 MHz | -60 dBm | |
| | $2585 \text{ MHz} \leq f \leq 2690 \text{ MHz}$ | 3.84 MHz | -60 dBm | |
| IX | $860 \text{ MHz} \leq f \leq 895 \text{ MHz}$ | 3.84 MHz | -60 dBm | |
| | $1475.9 \text{ MHz} \leq f \leq 1510.9 \text{ MHz}$ | 3.84 MHz | -60 dBm | |
| | $1749.9 \text{ MHz} \leq f \leq 1784.9 \text{ MHz}$ | 3.84 MHz | -60 dBm | UE transmit band |
| | $1844.9 \text{ MHz} \leq f \leq 1879.9 \text{ MHz}$ | 3.84 MHz | -60 dBm | UE receive band |
| X | $2110 \text{ MHz} \leq f \leq 2170 \text{ MHz}$ | 3.84 MHz | -60 dBm | |
| | $869 \text{ MHz} \leq f < 894 \text{ MHz}$ | 3.84 MHz | -60 dBm | |
| | $1710 \text{ MHz} \leq f < 1770 \text{ MHz}$ | 3.84 MHz | -60 dBm | UE transmit band |
| | $1930 \text{ MHz} \leq f \leq 1990 \text{ MHz}$ | 3.84 MHz | -60 dBm | |
| XI | $2110 \text{ MHz} \leq f \leq 2170 \text{ MHz}$ | 3.84 MHz | -60 dBm | UE transmit band |
| | $860 \text{ MHz} \leq f \leq 895 \text{ MHz}$ | 3.84 MHz | -60 dBm | |
| | $1427.9 \text{ MHz} \leq f \leq 1462.9 \text{ MHz}$ | 3.84 MHz | -60 dBm | UE transmit band |
| | $1475.9 \text{ MHz} \leq f \leq 1510.9 \text{ MHz}$ | 3.84 MHz | -60 dBm | UE receive band |
| XII | $1844.9 \text{ MHz} \leq f \leq 1879.9 \text{ MHz}$ | 3.84 MHz | -60 dBm | |
| | $2110 \text{ MHz} \leq f \leq 2170 \text{ MHz}$ | 3.84 MHz | -60 dBm | |
| | $699 \text{ MHz} \leq f \leq 716 \text{ MHz}$ | 3.84 MHz | -60 dBm | UE transmit band |
| | $728 \text{ MHz} \leq f \leq 746 \text{ MHz}$ | 3.84 MHz | -60 dBm | UE receive band |
| | $746 \text{ MHz} \leq f \leq 756 \text{ MHz}$ | 3.84 MHz | -60 dBm | |
| | $758 \text{ MHz} \leq f \leq 768 \text{ MHz}$ | 3.84 MHz | -60 dBm | |
| XIII | $869 \text{ MHz} \leq f \leq 894 \text{ MHz}$ | 3.84 MHz | -60 dBm | |
| | $1930 \text{ MHz} \leq f \leq 1990 \text{ MHz}$ | 3.84 MHz | -60 dBm | |
| | $2110 \text{ MHz} \leq f \leq 2170 \text{ MHz}$ | 3.84 MHz | -60 dBm | |
| | $729 \text{ MHz} \leq f \leq 746 \text{ MHz}$ | 3.84 MHz | -60 dBm | |
| | $746 \text{ MHz} \leq f \leq 756 \text{ MHz}$ | 3.84 MHz | -60 dBm | UE receive band |
| | $758 \text{ MHz} \leq f \leq 768 \text{ MHz}$ | 3.84 MHz | -60 dBm | |
| | $776 \text{ MHz} \leq f \leq 788 \text{ MHz}$ | 3.84 MHz | -60 dBm | UE transmit band |
| XIV | $869 \text{ MHz} \leq f \leq 894 \text{ MHz}$ | 3.84 MHz | -60 dBm | |
| | $1930 \text{ MHz} \leq f \leq 1990 \text{ MHz}$ | 3.84 MHz | -60 dBm | |
| | $2110 \text{ MHz} \leq f \leq 2170 \text{ MHz}$ | 3.84 MHz | -60 dBm | |
| | $729 \text{ MHz} \leq f \leq 746 \text{ MHz}$ | 3.84 MHz | -60 dBm | |
| | $746 \text{ MHz} \leq f \leq 756 \text{ MHz}$ | 3.84 MHz | -60 dBm | |
| | $758 \text{ MHz} \leq f \leq 768 \text{ MHz}$ | 3.84 MHz | -60 dBm | UE receive band |
| XIV | $788 \text{ MHz} \leq f \leq 798 \text{ MHz}$ | 3.84 MHz | -60 dBm | UE transmit band |
| | $869 \text{ MHz} \leq f \leq 894 \text{ MHz}$ | 3.84 MHz | -60 dBm | |
| | $1930 \text{ MHz} \leq f \leq 1990 \text{ MHz}$ | 3.84 MHz | -60 dBm | |
| | $2110 \text{ MHz} \leq f \leq 2170 \text{ MHz}$ | 3.84 MHz | -60 dBm | |
| | $2110 \text{ MHz} \leq f \leq 2170 \text{ MHz}$ | 3.84 MHz | -60 dBm | |

| Operating Band | Frequency Band | Measurement Bandwidth | Maximum level | Note |
|----------------|---|-----------------------|---------------------------------|--|
| XIX | $815 \text{ MHz} \leq f \leq 850 \text{ MHz}$ | 3.84 MHz | -60 dBm | UE in URA_PCH, Cell_PCH and idle state |
| | $860 \text{ MHz} \leq f \leq 895 \text{ MHz}$ | 3.84 MHz | -60 dBm | UE in URA_PCH, Cell_PCH and idle state |
| | $1475.9 \text{ MHz} \leq f \leq 1510.9 \text{ MHz}$ | 3.84 MHz | -60 dBm | |
| | $1844.9 \text{ MHz} \leq f \leq 1879.9 \text{ MHz}$ | 3.84 MHz | -60 dBm | |
| | $2110 \text{ MHz} \leq f \leq 2170 \text{ MHz}$ | 3.84 MHz | -60 dBm | |
| XX | $791 \text{ MHz} \leq f \leq 821 \text{ MHz}$ | 3.84 MHz | -60 dBm | UE receive band |
| | $832 \text{ MHz} \leq f \leq 862 \text{ MHz}$ | 3.84 MHz | -60 dBm | UE transmit band in URA_PCH, Cell_PCH and idle state |
| | $921 \text{ MHz} \leq f < 925 \text{ MHz}$ | 100 kHz | -60 dBm * | |
| | $925 \text{ MHz} \leq f \leq 935 \text{ MHz}$ | 100 kHz 3.84 MHz | -67 dBm * -60 dBm | |
| | $935 \text{ MHz} < f \leq 960 \text{ MHz}$ | 100 kHz | -79 dBm * | |
| | $1805 \text{ MHz} \leq f \leq 1880 \text{ MHz}$ | 3.84 MHz | -60 dBm | |
| | $2110 \text{ MHz} \leq f \leq 2170 \text{ MHz}$ | 3.84 MHz | -60 dBm | |
| | $2620 \text{ MHz} \leq f \leq 2690 \text{ MHz}$ | 3.84 MHz | -60 dBm | |
| XXIs | $860 \text{ MHz} \leq f \leq 895 \text{ MHz}$ | 3.84 MHz | -60 dBm | |
| | $1427.9 \text{ MHz} \leq f \leq 1462.9 \text{ MHz}$ | 3.84 MHz | -60 dBm | UE transmit band in URA_PCH, Cell_PCH and idle state |
| | $1475.9 \text{ MHz} \leq f \leq 1510.9 \text{ MHz}$ | 3.84 MHz | -60 dBm | UE receive band |
| | $1844.9 \text{ MHz} \leq f \leq 1879.9 \text{ MHz}$ | 3.84 MHz | -60 dBm | |
| | $2110 \text{ MHz} \leq f \leq 2170 \text{ MHz}$ | 3.84 MHz | -60 dBm | |
| XXII | $791 \text{ MHz} \leq f < 821 \text{ MHz}$ | 3.84 MHz | -60 dBm | |
| | $921 \text{ MHz} \leq f < 925 \text{ MHz}$ | 100 kHz | -60 dBm (see note 1) | |
| | $925 \text{ MHz} \leq f \leq 935 \text{ MHz}$ | 100 kHz 3.84 MHz | -67 dBm (see note 1) -60 dBm | |
| | $935 \text{ MHz} < f \leq 960 \text{ MHz}$ | 100 kHz | -79 dBm (see note 1) | |
| | $1805 \text{ MHz} \leq f \leq 1880 \text{ MHz}$ | 3.84 MHz | -60 dBm | |
| | $1880 \text{ MHz} \leq f \leq 1920 \text{ MHz}$ | 3.84 MHz | -60 dBm | |
| | $2010 \text{ MHz} \leq f \leq 2025 \text{ MHz}$ | 3.84 MHz | -60 dBm | |
| | $2110 \text{ MHz} \leq f \leq 2170 \text{ MHz}$ | 3.84 MHz | -60 dBm | |
| | $2300 \text{ MHz} \leq f \leq 2400 \text{ MHz}$ | 3.84 MHz | -60 dBm | |
| | $2590 \text{ MHz} \leq f \leq 2620 \text{ MHz}$ | 3.84 MHz | -50 dBm | |
| | $2620 \text{ MHz} \leq f \leq 2690 \text{ MHz}$ | 3.84 MHz | -60 dBm | |
| | $3410 \text{ MHz} \leq f \leq 3490 \text{ MHz}$ | 3.84 MHz | -60 dBm | UE transmit band in URA_PCH, Cell_PCH and idle state |
| | $3510 \text{ MHz} \leq f \leq 3590 \text{ MHz}$ | 3.84 MHz | -60 dBm | UE receive band |
| XXV | $729 \text{ MHz} \leq f \leq 746 \text{ MHz}$ | 3.84 MHz | [-60] dBm | |
| | $746 \text{ MHz} \leq f \leq 756 \text{ MHz}$ | 3.84 MHz | [-60] dBm | |
| | $758 \text{ MHz} \leq f \leq 768 \text{ MHz}$ | 3.84 MHz | [-60] dBm | |
| | $869 \text{ MHz} \leq f \leq 894 \text{ MHz}$ | 3.84 MHz | [-60] dBm | |
| | $1850 \text{ MHz} \leq f \leq 1915 \text{ MHz}$ | 3.84 MHz | [-60] dBm | UE transmit band in URA_PCH, Cell_PCH and idle state |
| | $1930 \text{ MHz} \leq f \leq 1995 \text{ MHz}$ | 3.84 MHz | [-60] dBm | UE receive band |
| | $2110 \text{ MHz} \leq f \leq 2170 \text{ MHz}$ | 3.84 MHz | [-60] dBm | |
| | $2180 \text{ MHz} \leq f \leq 2200 \text{ MHz}$ | 1 MHz | [-50] dBm | |
| | $2496 \text{ MHz} \leq f \leq 2690 \text{ MHz}$ | 1 MHz | [-50] dBm | |
| | $3400 \text{ MHz} \leq f \leq 3800 \text{ MHz}$ | 1 MHz | [-50] dBm | |

| Operating Band | Frequency Band | Measurement Bandwidth | Maximum level | Note |
|---|---|-----------------------|----------------------|------|
| XXVI | $703 \text{ MHz} \leq f \leq 799 \text{ MHz}$ | 1 MHz | -50 dBm | |
| | $799 \text{ MHz} \leq f \leq 803 \text{ MHz}$ | 1 MHz | -40 dBm | |
| | $729 \text{ MHz} \leq f \leq 756 \text{ MHz}$ | 3.84 MHz | -60 dBm | |
| | $758 \text{ MHz} \leq f \leq 768 \text{ MHz}$ | 3.84 MHz | -60 dBm | |
| | $859 \text{ MHz} \leq f \leq 894 \text{ MHz}$ | 3.84 MHz | -60 dBm | |
| | $1475.9 \text{ MHz} \leq f \leq 1510.9 \text{ MHz}$ | 3.84 MHz | -60 dBm | |
| | $1525 \text{ MHz} \leq f \leq 1559 \text{ MHz}$ | 1 MHz | -50 dBm | |
| | $1844.9 \text{ MHz} \leq f \leq 1879.9 \text{ MHz}$ | 3.84 MHz | -60 dBm | |
| | $1884.5 \text{ MHz} \leq f \leq 1919.6 \text{ MHz}$ | 300 kHz | -41 dBm | |
| | $1930 \text{ MHz} \leq f \leq 1995 \text{ MHz}$ | 3.84 MHz | -60 dBm | |
| | $2010 \text{ MHz} \leq f \leq 2025 \text{ MHz}$ | 1 MHz | -50 dBm | |
| | $2110 \text{ MHz} \leq f \leq 2170 \text{ MHz}$ | 3.84 MHz | -60 dBm | |
| | $2180 \text{ MHz} \leq f \leq 2200 \text{ MHz}$ | 1 MHz | -50 dBm | |
| | $2300 \text{ MHz} \leq f \leq 2400 \text{ MHz}$ | 1 MHz | -50 dBm | |
| | $2496 \text{ MHz} \leq f \leq 2690 \text{ MHz}$ | 1 MHz | -50 dBm (see note 2) | |
| $3400 \text{ MHz} \leq f \leq 3800 \text{ MHz}$ | 1 MHz | -50 dBm | | |

NOTE 1: The measurements are made on frequencies which are integer multiples of 200 kHz. As exceptions, up to five measurements with a level up to the applicable requirements defined in Table 6.8.3 are permitted for each UARFCN used in the measurement.

NOTE 2: For UEs that conform to Release 6 and support Band IV shall support the defined frequency bandwidth.

NOTE 3: For UEs that conform to Release 7 and later releases and support Band IV shall support the defined frequency bandwidth.

NOTE 4: The frequency bandwidth protection 2585-2690 MHz test requirement for Bands I, III, and VIII deviates from the requirement in TS 25.101 [1] Rel-8 and earlier releases. The present document reflects the frequency bandwidth specified in the European Harmonized Standard EN 301 908-2 [Ref.] which became a mandatory requirement after these earlier TS 25.101 releases were frozen.

NOTE 5: The applicability of each line in Table 6.8.4 for UEs of different releases is defined in TS 25.101, Clause 7.9, Table 7.11.

NOTE 1: If the above Test Requirement differs from the Minimum Requirement then the Test Tolerance applied for this test is non-zero. The Test Tolerance for this test is defined in clause F.2 and the explanation of how the Minimum Requirement has been relaxed by the Test Tolerance is given in clause F.4.

NOTE 2: The Test Requirements are measured in the CELL_FACH state instead of in the UE states defined in the Minimum Requirement because the CELL_FACH state ensures that the UE receiver is continuously on and the UE transmitter is off whilst the spectrum analyser searches for spurious emissions. The UE states defined in the Minimum Requirement allow the UE receiver to be in discontinuous reception, and using those UE states during the measurement would have resulted in a complicated and significantly lengthened test procedure since the UE receiver would be allowed to be switched off part of the time.

7 Performance requirements

7.1 General

The performance requirements for the UE in this clause are specified for the measurement channels specified in annex C and table 7.1.1, the propagation conditions specified in clause 7.1.2 and the Down link Physical channels specified in annex D. Unless stated otherwise, DL power control is OFF. Unless otherwise stated the performance requirements are specified at the antenna connector of the UE. For UE(s) with more than one receive antenna connector the fading of the signals and the AWGN signals applied to each receiver antenna connector shall be uncorrelated. The levels of the test signal applied to each of the antenna connectors shall be as defined in the respective sections below.

When DCCH has been configured on downlink DCH then DCCH Data shall be continuously transmitted on downlink DCH during the measurement period. When there is no signalling to transmit on downlink DCCH then dummy DCCH transmission as described in Annex C.9 shall be used.

The method for Block Error Ratio (BLER) measurement is specified in Annex C.6. See 3GPP TS 34.109 [4] for details regarding the UE test loop.

Table 7.1.1: Bit / Symbol rate for Test Channel

| Type of User Information | User bit rate | DL DPCH symbol rate | DL DPCH bit rate | TTI (ms) |
|---|---------------|---------------------|------------------|----------|
| 12,2 kbps reference measurement channel | 12,2 kbps | 30 ksps | 60 kbps | 20 |
| 64 kbps reference measurement channel | 64 kbps | 120 ksps | 240 kbps | 20 |
| 144kbps reference measurement channel | 144 kbps | 240 ksps | 480 kbps | 20 |
| 384 kbps reference measurement channel | 384 kbps | 480 ksps | 960 kbps | 10 |

The common RF test conditions of Performance requirement are defined in clause E.3.3, and each test conditions in this clause (clause 7) should refer clause E.3.3. Individual test conditions are defined in the paragraph of each test.

All Block Error ratio (BLER) measurements in clause 7 shall be performed according to the general rules for statistical testing in Annex F.6

7.1.1 Measurement Configurations

It is assumed that fields inside DPCH have the same energy per PN chip. Also, if the power of S-CCPCH is not specified in the test parameter table, it should be set to zero. The power of OCNS should be adjusted that the power ratios (E_c/I_{or}) of all specified downlink channels add up to one.

Unless otherwise stated, the UE output power for the tests shall be greater than -10 dBm.

NOTE 1: If tests are performed with maximum UE output power it is known that this may cause a good UE to fail at least for tests in sections 7.7 and 7.10.

7.1.2 Definition of Additive White Gaussian Noise (AWGN) Interferer

See clause D.1.1.

7.2 Demodulation in Static Propagation conditions

7.2.1 Demodulation of Dedicated Channel (DCH)

7.2.1.1 Definition and applicability

The receive characteristic of the Dedicated Channel (DCH) in the static environment is determined by the Block Error Ratio (BLER). BLER is specified for each individual data rate of the DCH. DCH is mapped into the Dedicated Physical Channel (DPCH).

The UE shall be tested only according to the data rate, supported. The data-rate-corresponding requirements shall apply to the UE.

7.2.1.2 Minimum requirements

For the parameters specified in table 7.2.1.1 the average downlink $\frac{DPCH_E_c}{I_{or}}$ power ratio shall be below the specified value for the BLER shown in table 7.2.1.2. These requirements are applicable for TFCS size 16.

Table 7.2.1.1: DCH parameters in static propagation conditions

| Parameter | Test 1 | Test 2 | Test 3 | Test 4 | Unit |
|-----------------------|---------|--------|--------|--------|----------------|
| Phase reference | P-CPICH | | | | |
| \hat{I}_{or}/I_{oc} | -1 | | | | dB |
| I_{oc} | -60 | | | | dBm / 3,84 MHz |
| Information Data Rate | 12,2 | 64 | 144 | 384 | kbps |

Table 7.2.1.2: DCH requirements in static propagation conditions

| Test Number | $\frac{DPCH_E_c}{I_{or}}$ | BLER |
|-------------|----------------------------|-----------|
| 1 | -16,6 dB | 10^{-2} |
| 2 | -13,1 dB | 10^{-1} |
| | -12,8 dB | 10^{-2} |
| 3 | -9,9 dB | 10^{-1} |
| | -9,8 dB | 10^{-2} |
| 4 | -5,6 dB | 10^{-1} |
| | -5,5 dB | 10^{-2} |

The reference for this requirement is TS 25.101 [1] clause 8.2.3.1.

7.2.1.3 Test purpose

To verify the ability of the receiver to receive a predefined test signal, representing a static propagation channel for the wanted and for the co-channel signals from serving and adjacent cells, with a BLER not exceeding a specified value.

7.2.1.4 Method of test

7.2.1.4.1 Initial conditions

Test environment: normal; see clauses G.2.1 and G.2.2.

Frequencies to be tested: mid range; see clause G.2.4.

1. Connect the SS and an AWGN noise source to the UE antenna connector as shown in figure A.9. In case of UE-receive diversity connect according to figure A.26.
2. Set up a call according to the Generic call setup procedure TS 34.108 [3] sub clause 7.3.2.

3. Set the test parameters for test 1-4 as specified in table 7.2.1.3.
4. Enter the UE into loopback test mode and start the loopback test.

7.2.1.4.2 Procedures

1. Measure BLER of DCH.

7.2.1.5 Test requirements

For the parameters specified in table 7.2.1.3 the average downlink $\frac{DPCH_E_c}{I_{or}}$ power ratio shall be below the specified value for the BLER shown in table 7.2.1.4. These requirements are applicable for TFCS size 16.

NOTE: The test case is executed with TFCS size 4 according to the Reference Measurement Channels defined in Annex C.

Table 7.2.1.3: DCH parameters in static propagation conditions

| Parameter | Test 1 | Test 2 | Test 3 | Test 4 | Unit |
|-----------------------|---------|--------|--------|--------|----------------|
| Phase reference | P-CPICH | | | | |
| \hat{I}_{or}/I_{oc} | -0,7 | | | | dB |
| I_{oc} | -60 | | | | dBm / 3,84 MHz |
| Information Data Rate | 12,2 | 64 | 144 | 384 | kbps |

Table 7.2.1.4: DCH requirements in static propagation conditions

| Test Number | $\frac{DPCH_E_c}{I_{or}}$ | BLER |
|-------------|----------------------------|-----------|
| 1 | -16,5 dB | 10^{-2} |
| 2 | -13,0 dB | 10^{-1} |
| | -12,7 dB | 10^{-2} |
| 3 | -9,8 dB | 10^{-1} |
| | -9,7 dB | 10^{-2} |
| 4 | -5,5 dB | 10^{-1} |
| | -5,4 dB | 10^{-2} |

NOTE: If the above Test Requirement differs from the Minimum Requirement then the Test Tolerance applied for this test is non-zero. The Test Tolerance for this test is defined in clause F.2 and the explanation of how the Minimum Requirement has been relaxed by the Test Tolerance is given in clause F.4.

7.3 Demodulation of DCH in Multi-path Fading Propagation conditions

7.3.1 Single Link Performance

7.3.1.1 Definition and applicability

The receive characteristics of the Dedicated Channel (DCH) in different multi-path fading environments are determined by the Block Error Ratio (BLER) values. BLER is measured for the each of the individual data rate specified for the DPCH. DCH is mapped into in Dedicated Physical Channel (DPCH).

The UE shall be tested only according to the data rate, supported. The data-rate-corresponding requirements shall apply to the UE.

7.3.1.2 Minimum requirements

For the parameters specified in tables 7.3.1.1, 7.3.1.3, 7.3.1.5, 7.3.1.7 and 7.3.1.9 the average downlink $\frac{DPCH_E_c}{I_{or}}$ power ratio shall be below the specified value for the BLER shown in tables 7.3.1.2, 7.3.1.4, 7.3.1.6, 7.3.1.8 and 7.3.1.10. These requirements are applicable for TFCS size 16.

Table 7.3.1.1: DCH parameters in multi-path fading propagation conditions (Case 1)

| Parameter | Test 1 | Test 2 | Test 3 | Test 4 | Unit |
|-----------------------|---------|--------|--------|--------|----------------|
| Phase reference | P-CPICH | | | | |
| \hat{I}_{or}/I_{oc} | 9 | | | | dB |
| I_{oc} | -60 | | | | dBm / 3,84 MHz |
| Information Data Rate | 12,2 | 64 | 144 | 384 | kbps |

Table 7.3.1.2: DCH requirements in multi-path fading propagation conditions (Case 1)

| Test Number | $\frac{DPCH_E_c}{I_{or}}$ | BLER |
|-------------|----------------------------|-----------|
| 1 | -15,0 dB | 10^{-2} |
| 2 | -13,9 dB | 10^{-1} |
| | -10,0 dB | 10^{-2} |
| 3 | -10,6 dB | 10^{-1} |
| | -6,8 dB | 10^{-2} |
| 4 | -6,3 dB | 10^{-1} |
| | -2,2 dB | 10^{-2} |

Table 7.3.1.3: DCH parameters in multi-path fading propagation conditions (Case 2)

| Parameter | Test 5 | Test 6 | Test 7 | Test 8 | Unit |
|-----------------------|---------|--------|--------|--------|----------------|
| Phase reference | P-CPICH | | | | |
| \hat{I}_{or}/I_{oc} | -3 | -3 | 3 | 6 | dB |
| I_{oc} | -60 | | | | dBm / 3,84 MHz |
| Information Data Rate | 12,2 | 64 | 144 | 384 | kbps |

Table 7.3.1.4: DCH requirements in multi-path fading propagation conditions (Case 2)

| Test Number | $\frac{DPCH_E_c}{I_{or}}$ | BLER |
|-------------|----------------------------|-----------|
| 5 | -7,7 dB | 10^{-2} |
| 6 | -6,4 dB | 10^{-1} |
| | -2,7 dB | 10^{-2} |
| 7 | -8,1 dB | 10^{-1} |
| | -5,1 dB | 10^{-2} |
| 8 | -5,5 dB | 10^{-1} |
| | -3,2 dB | 10^{-2} |

Table 7.3.1.5: DCH parameters in multi-path fading propagation conditions (Case 3)

| Parameter | Test 9 | Test 10 | Test 11 | Test 12 | Unit |
|-----------------------|---------|---------|---------|---------|----------------|
| Phase reference | P-CPICH | | | | |
| \hat{I}_{or}/I_{oc} | -3 | -3 | 3 | 6 | dB |
| I_{oc} | -60 | | | | dBm / 3,84 MHz |
| Information Data Rate | 12,2 | 64 | 144 | 384 | kbps |

Table 7.3.1.6: DCH requirements in multi-path fading propagation conditions (Case 3)

| Test Number | $\frac{DPCH_E_c}{I_{or}}$ | BLER |
|-------------|----------------------------|-----------|
| 9 | -11,8 dB | 10^{-2} |
| 10 | -8,1 dB | 10^{-1} |
| | -7,4 dB | 10^{-2} |
| | -6,8 dB | 10^{-3} |
| 11 | -9,0 dB | 10^{-1} |
| | -8,5 dB | 10^{-2} |
| | -8,0 dB | 10^{-3} |
| 12 | -5,9 dB | 10^{-1} |
| | -5,1 dB | 10^{-2} |
| | -4,4 dB | 10^{-3} |

Table 7.3.1.7: DCH parameters in multi-path fading propagation conditions (Case 1) with S-CPICH

| Parameter | Test 13 | Test 14 | Test 15 | Test 16 | Unit |
|-----------------------|---------|---------|---------|---------|----------------|
| Phase reference | S-CPICH | | | | |
| \hat{I}_{or}/I_{oc} | 9 | | | | dB |
| I_{oc} | -60 | | | | dBm / 3,84 MHz |
| Information Data Rate | 12,2 | 64 | 144 | 384 | kbps |

Table 7.3.1.8: DCH requirements in multi-path fading propagation conditions (Case 1) with S-CPICH

| Test Number | $\frac{DPCH_E_c}{I_{or}}$ | BLER |
|-------------|----------------------------|-----------|
| 13 | -15,0 dB | 10^{-2} |
| 14 | -13,9 dB | 10^{-1} |
| | -10,0 dB | 10^{-2} |
| 15 | -10,6 dB | 10^{-1} |
| | -6,8 dB | 10^{-2} |
| 16 | -6,3 dB | 10^{-1} |
| | -2,2 dB | 10^{-2} |

Table 7.3.1.9: DCH parameters in multi-path fading propagation conditions (Case 6)

| Parameter | Test 17 | Test 18 | Test 19 | Test 20 | Unit |
|-----------------------|---------|---------|---------|---------|----------------|
| Phase reference | P-CPICH | | | | |
| \hat{I}_{or}/I_{oc} | -3 | -3 | 3 | 6 | dB |
| I_{oc} | -60 | | | | dBm / 3,84 MHz |
| Information Data Rate | 12,2 | 64 | 144 | 384 | kbps |

Table 7.3.1.10: DCH requirements in multi-path fading propagation conditions (Case 6)

| Test Number | $\frac{DPCH_E_c}{I_{or}}$ | BLER |
|-------------|----------------------------|-----------|
| 17 | -8,8 dB | 10^{-2} |
| 18 | -5,1 dB | 10^{-1} |
| | -4,4 dB | 10^{-2} |
| | -3,8 dB | 10^{-3} |
| 19 | -6,0 dB | 10^{-1} |
| | -5,5 dB | 10^{-2} |
| | -5,0 dB | 10^{-3} |
| 20 | -2,9 dB | 10^{-1} |
| | -2,1 dB | 10^{-2} |
| | -1,4 dB | 10^{-3} |

The reference for this requirement is TS 25.101 [1] clause 8.3.1.1.

7.3.1.3 Test purpose

To verify the ability of the receiver to receive a predefined test signal, representing a multi-path fading propagation channel for the wanted and for the co-channel signals from serving and adjacent cells, with a BLER not exceeding a specified value.

7.3.1.4 Method of test

7.3.1.4.1 Initial conditions

Test environment: normal; see clauses G.2.1 and G.2.2.

Frequencies to be tested: mid range; see clause G.2.4.

1. Connect the SS, multi-path fading simulator and an AWGN noise source to the UE antenna connector as shown in figure A.10. In case of UE-receive diversity connect according to figure A.21.
2. Set up a call according to the Generic call setup procedure TS34.108 [3] sub clause 7.3.2.
3. Set the test parameters for test 1-20 as specified table 7.3.1.11, table 7.3.1.13, table 7.3.1.15, table 7.3.1.17 and table 7.3.1.19.
4. Enter the UE into loopback test mode and start the loopback test.
5. Setup fading simulators as fading condition case 1, case 2, case 3 and case 6, which are described in table D.2.2.1.

7.3.1.4.2 Procedures

1. Measure BLER of DCH.

7.3.1.5 Test requirements

For the parameters specified in tables 7.3.1.11, 7.3.1.13, 7.3.1.15, 7.3.1.17 and 7.3.1.19 the average downlink $\frac{DPCH_E_c}{I_{or}}$ power ratio shall be below the specified value for the BLER shown in tables 7.3.1.12, 7.3.1.14, 7.3.1.16, 7.3.1.18 and 7.3.1.20. These requirements are applicable for TFCS size 16.

NOTE: The test case is executed with TFCS size 4 according to the Reference Measurement Channels defined in Annex C.

Table 7.3.1.11: DCH parameters in multi-path fading propagation conditions (Case 1)

| Parameter | Test 1 | Test 2 | Test 3 | Test 4 | Unit |
|-----------------------|---------|--------|--------|--------|----------------|
| Phase reference | P-CPICH | | | | |
| \hat{I}_{or}/I_{oc} | 9,6 | | | | dB |
| I_{oc} | -60 | | | | dBm / 3,84 MHz |
| Information Data Rate | 12,2 | 64 | 144 | 384 | kbps |

Table 7.3.1.12: DCH requirements in multi-path fading propagation conditions (Case 1)

| Test Number | $\frac{DPCH_E_c}{I_{or}}$ | BLER |
|-------------|----------------------------|-----------|
| 1 | -14,9 dB | 10^{-2} |
| 2 | -13,8 dB | 10^{-1} |
| | -9,9 dB | 10^{-2} |
| 3 | -10,5 dB | 10^{-1} |
| | -6,7 dB | 10^{-2} |
| 4 | -6,2 dB | 10^{-1} |
| | -2,1 dB | 10^{-2} |

Table 7.3.1.13: DCH parameters in multi-path fading propagation conditions (Case 2)

| Parameter | Test 5 | Test 6 | Test 7 | Test 8 | Unit |
|-----------------------|---------|--------|--------|--------|----------------|
| Phase reference | P-CPICH | | | | |
| \hat{I}_{or}/I_{oc} | -2,4 | -2,4 | 3,6 | 6,6 | dB |
| I_{oc} | -60 | | | | dBm / 3,84 MHz |
| Information Data Rate | 12,2 | 64 | 144 | 384 | kbps |

Table 7.3.1.14: DCH requirements in multi-path fading propagation conditions (Case 2)

| Test Number | $\frac{DPCH_E_c}{I_{or}}$ | BLER |
|-------------|----------------------------|-----------|
| 5 | -7,6 dB | 10^{-2} |
| 6 | -6,3 dB | 10^{-1} |
| | -2,6 dB | 10^{-2} |
| 7 | -8,0 dB | 10^{-1} |
| | -5,0 dB | 10^{-2} |
| 8 | -5,4 dB | 10^{-1} |
| | -3,1 dB | 10^{-2} |

Table 7.3.1.15: DCH parameters in multi-path fading propagation conditions (Case 3)

| Parameter | Test 9 | Test 10 | Test 11 | Test 12 | Unit |
|-----------------------|---------|---------|---------|---------|----------------|
| Phase reference | P-CPICH | | | | |
| \hat{I}_{or}/I_{oc} | -2,4 | -2,4 | 3,6 | 6,6 | dB |
| I_{oc} | -60 | | | | dBm / 3,84 MHz |
| Information Data Rate | 12,2 | 64 | 144 | 384 | kbps |

Table 7.3.1.16: DCH requirements in multi-path fading propagation conditions (Case 3)

| Test Number | $\frac{DPCH_E_c}{I_{or}}$ | BLER |
|-------------|----------------------------|-----------|
| 9 | -11,7 dB | 10^{-2} |
| 10 | -8,0 dB | 10^{-1} |
| | -7,3 dB | 10^{-2} |
| | -6,7 dB | 10^{-3} |
| 11 | -8,9 dB | 10^{-1} |
| | -8,4 dB | 10^{-2} |
| | -7,9 dB | 10^{-3} |
| 12 | -5,8 dB | 10^{-1} |
| | -5,0 dB | 10^{-2} |
| | -4,3 dB | 10^{-3} |

Table 7.3.1.17: DCH parameters in multi-path fading propagation conditions (Case 1) with S-CPICH

| Parameter | Test 13 | Test 14 | Test 15 | Test 16 | Unit |
|-----------------------|---------|---------|---------|---------|----------------|
| Phase reference | S-CPICH | | | | |
| \hat{I}_{or}/I_{oc} | 9,6 | | | | dB |
| I_{oc} | -60 | | | | dBm / 3,84 MHz |
| Information Data Rate | 12,2 | 64 | 144 | 384 | kbps |

Table 7.3.1.18: DCH requirements in multi-path fading propagation conditions (Case 1) with S-CPICH

| Test Number | $\frac{DPCH_E_c}{I_{or}}$ | BLER |
|-------------|----------------------------|-----------|
| 13 | -14,9 dB | 10^{-2} |
| 14 | -13,8 dB | 10^{-1} |
| | -9,9 dB | 10^{-2} |
| 15 | -10,5 dB | 10^{-1} |
| | -6,7 dB | 10^{-2} |
| 16 | -6,2 dB | 10^{-1} |
| | -2,1 dB | 10^{-2} |

Table 7.3.1.19: DCH parameters in multi-path fading propagation conditions (Case 6)

| Parameter | Test 17 | Test 18 | Test 19 | Test 20 | Unit |
|-----------------------|---------|---------|---------|---------|----------------|
| Phase reference | P-CPICH | | | | |
| \hat{I}_{or}/I_{oc} | -2,4 | -2,4 | 3,6 | 6,6 | dB |
| I_{oc} | -60 | | | | dBm / 3,84 MHz |
| Information Data Rate | 12,2 | 64 | 144 | 384 | kbps |

Table 7.3.1.20: DCH requirements in multi-path fading propagation conditions (Case 6)

| Test Number | $\frac{DPCH - E_c}{I_{or}}$ | BLER |
|-------------|-----------------------------|-----------|
| 17 | -8,7 dB | 10^{-2} |
| 18 | -5,0 dB | 10^{-1} |
| | -4,3 dB | 10^{-2} |
| | -3,7 dB | 10^{-3} |
| 19 | -5,9 dB | 10^{-1} |
| | -5,4 dB | 10^{-2} |
| | -4,9 dB | 10^{-3} |
| 20 | -2,8 dB | 10^{-1} |
| | -2,0 dB | 10^{-2} |
| | -1,3 dB | 10^{-3} |

NOTE: If the above Test Requirement differs from the Minimum Requirement then the Test Tolerance applied for this test is non-zero. The Test Tolerance for this test is defined in clause F.2 and the explanation of how the Minimum Requirement has been relaxed by the Test Tolerance is given in clause F.4.

7.4 Demodulation of DCH in Moving Propagation conditions

7.4.1 Single Link Performance

7.4.1.1 Definition and applicability

The receive single link performance of the Dedicated Channel (DCH) in dynamic moving propagation conditions are determined by the Block Error Ratio (BLER) values. BLER is measured for the each of the individual data rate specified for the DPCH. DCH is mapped into Dedicated Physical Channel (DPCH).

The UE shall be tested only according to the data rate, supported. The data-rate-corresponding requirements shall apply to the UE.

7.4.1.2 Minimum requirements

For the parameters specified in table 7.4.1.1 the average downlink $\frac{DPCH - E_c}{I_{or}}$ power ratio shall be below the specified value for the BLER shown in table 7.4.1.2.

Table 7.4.1.1: DCH parameters in moving propagation conditions

| Parameter | Test 1 | Test 2 | Unit |
|-----------------------|---------|--------|----------------|
| Phase reference | P-CPICH | | |
| \hat{I}_{or}/I_{oc} | -1 | | dB |
| I_{oc} | -60 | | dBm / 3,84 MHz |
| Information Data Rate | 12,2 | 64 | kbps |

Table 7.4.1.2: DCH requirements in moving propagation conditions

| Test Number | $\frac{DPCH - E_c}{I_{or}}$ | BLER |
|-------------|-----------------------------|-----------|
| 1 | -14,5 dB | 10^{-2} |
| 2 | -10,9 dB | 10^{-2} |

The reference for this requirement is TS 25.101 [1] clause 8.4.1.1.

7.4.1.3 Test purpose

To verify the ability of the receiver to receive a predefined test signal, representing a moving propagation channel for the wanted and for the co-channel signals from serving and adjacent cells, with a BLER not exceeding a specified value.

7.4.1.4 Method of test

7.4.1.4.1 Initial conditions

Test environment: normal; see clauses G.2.1 and G.2.2.

Frequencies to be tested: mid range; see clause G.2.4.

1. Connect the SS and an AWGN noise source to the UE antenna connector as shown in figure A.10. In case of UE-receive diversity connect according to figure A.21.
2. Set up a call according to the Generic call setup procedure TS34.108 [3] sub clause 7.3.2.
3. Set the test parameters as specified in table 7.4.1.3.
4. Enter the UE into loopback test mode and start the loopback test.
5. Setup fading simulator as moving propagation condition, which is described in clause D.2.3.

7.4.1.4.2 Procedures

1. Measure BLER of DCH.

7.4.1.5 Test requirements

For the parameters specified in table 7.4.1.3 the average downlink $\frac{DPCH_E_c}{I_{or}}$ power ratio shall be below the specified value for the BLER shown in table 7.4.1.4.

Table 7.4.1.3: DCH parameters in moving propagation conditions

| Parameter | Test 1 | Test 2 | Unit |
|-----------------------|---------|--------|----------------|
| Phase reference | P-CPICH | | |
| \hat{I}_{or}/I_{oc} | -0,4 | | dB |
| I_{oc} | -60 | | dBm / 3,84 MHz |
| Information Data Rate | 12,2 | 64 | kbps |

Table 7.4.1.4: DCH requirements in moving propagation conditions

| Test Number | $\frac{DPCH_E_c}{I_{or}}$ | BLER |
|-------------|----------------------------|-----------|
| 1 | -14,4 dB | 10^{-2} |
| 2 | -10,8 dB | 10^{-2} |

NOTE: If the above Test Requirement differs from the Minimum Requirement then the Test Tolerance applied for this test is non-zero. The Test Tolerance for this test is defined in clause F.2 and the explanation of how the Minimum Requirement has been relaxed by the Test Tolerance is given in clause F.4.

7.5 Demodulation of DCH in Birth-Death Propagation conditions

7.5.1 Single Link Performance

7.5.1.1 Definition and applicability

The receive single link performance of the Dedicated Channel (DCH) in dynamic birth-death propagation conditions are determined by the Block Error Ratio (BLER) values. BLER is measured for the each of the individual data rate specified for the DPCH. DCH is mapped into Dedicated Physical Channel (DPCH).

The UE shall be tested only according to the data rate, supported. The data-rate-corresponding requirements shall apply to the UE.

7.5.1.2 Minimum requirements

For the parameters specified in table 7.5.1.1 the average downlink $\frac{DPCH - E_c}{I_{or}}$ power ratio shall be below the specified value for the BLER shown in table 7.5.1.2.

Table 7.5.1.1: DCH parameters in birth-death propagation conditions

| Parameter | Test 1 | Test 2 | Unit |
|-----------------------|---------|--------|----------------|
| Phase reference | P-CPICH | | |
| \hat{I}_{or}/I_{oc} | -1 | | dB |
| I_{oc} | -60 | | dBm / 3,84 MHz |
| Information Data Rate | 12,2 | 64 | kbps |

Table 7.5.1.2: DCH requirements in birth-death propagation conditions

| Test Number | $\frac{DPCH - E_c}{I_{or}}$ | BLER |
|-------------|-----------------------------|-----------|
| 1 | -12,6 dB | 10^{-2} |
| 2 | -8,7 dB | 10^{-2} |

The reference for this requirement is TS 25.101 [1] clause 8.5.1.1.

7.5.1.3 Test purpose

To verify the ability of the receiver to receive a predefined test signal, representing a birth-death propagation channel for the wanted and for the co-channel signals from serving and adjacent cells, with a BLER not exceeding a specified value.

7.5.1.4 Method of test

7.5.1.4.1 Initial conditions

Test environment: normal; see clauses G.2.1 and G.2.2.

Frequencies to be tested: mid range; see clause G.2.4.

1. Connect the SS and an AWGN noise source to the UE antenna connector as shown in figure A.10. In case of UE-receive diversity connect according to figure A.21.
2. Set up a call according to the Generic call setup procedure TS34.108 [3] sub clause 7.3.2.
3. Set the test parameters as specified in table 7.5.1.3.
4. Enter the UE into loopback test mode and start the loopback test.
5. Setup fading simulator as birth-death propagation condition, which is described in clause D.2.4.

7.5.1.4.2 Procedures

1. Measure BLER of DCH.

7.5.1.5 Test requirements

For the parameters specified in table 7.5.1.3 the average downlink $\frac{DPCH_E_c}{I_{or}}$ power ratio shall be below the specified value for the BLER shown in table 7.5.1.4.

Table 7.5.1.3: DCH parameters in birth-death propagation conditions

| Parameter | Test 1 | Test 2 | Unit |
|-----------------------|---------|--------|----------------|
| Phase reference | P-CPICH | | |
| \hat{I}_{or}/I_{oc} | -0,4 | | dB |
| I_{oc} | -60 | | dBm / 3,84 MHz |
| Information Data Rate | 12,2 | 64 | kbps |

Table 7.5.1.4: DCH requirements in birth-death propagation conditions

| Test Number | $\frac{DPCH_E_c}{I_{or}}$ | BLER |
|-------------|----------------------------|-----------|
| 1 | -12,5 dB | 10^{-2} |
| 2 | -8,6 dB | 10^{-2} |

NOTE: If the above Test Requirement differs from the Minimum Requirement then the Test Tolerance applied for this test is non-zero. The Test Tolerance for this test is defined in clause F.2 and the explanation of how the Minimum Requirement has been relaxed by the Test Tolerance is given in clause F.4.

7.5A Demodulation of DCH in high speed train condition

7.5A.1 Single Link Performance

7.5A.1.1 Definition and applicability

The receive single link performance of the Dedicated Channel (DCH) in high speed train conditions are determined by the Block Error Ratio (BLER) values. BLER is measured for the each of the individual data rate specified for the DPCH. DCH is mapped into Dedicated Physical Channel (DPCH).

The data-rate-corresponding requirements shall apply to the UE for Release 7 and later releases.

7.5A.1.2 Minimum requirement

For the parameters specified in Table 7.5A.1.1 the average downlink $\frac{DPCH_E_c}{I_{or}}$ power ratio shall be below the specified value for the BLER shown in Table 7.5A.2.

Table 7.5A.1.1: DCH parameters in high speed train condition

| Parameter | Unit | Test 1 |
|-----------------------|--------------|---------|
| Phase reference | | P-CPICH |
| \hat{I}_{or}/I_{oc} | dB | 5 |
| I_{oc} | dBm/3.84 MHz | -60 |
| Information Data Rate | kbps | 12.2 |

Table 7.5A.1.2: DCH requirements in high speed train condition

| Test Number | $\frac{DPCH_E_c}{I_{or}}$ | BLER |
|-------------|----------------------------|-----------|
| 1 | -21.8 | 10^{-2} |

The reference for this requirement is TS 25.101 [1] clause 8.5A.1.1.

7.5A.1.3 Test purpose

To verify the ability of the receiver to receive a predefined test signal, representing a high speed train channel for the wanted and for the co-channel signals from serving and adjacent cells, with a BLER not exceeding a specified value.

7.5A.1.4 Method of test

7.5A.1.4.1 Initial conditions

Test environment: normal; see clauses G.2.1 and G.2.2.

Frequencies to be tested: mid range; see clause G.2.4.

1. Connect the SS and an AWGN noise source to the UE antenna connector as shown in figure A.10. In case of UE-receive diversity connect according to figure A.21.
2. Set up a call according to the Generic call setup procedure in TS34.108[3] sub clause 7.3.2.
3. Set the test parameters as specified in table 7.5A.1.3.
4. Enter the UE into loopback test mode and start the loopback test.
5. Setup fading simulator as High speed train conditions, which is described in clause D.2.4A.

7.5A.1.4.2 Procedures

1. Measure BLER of DCH.

7.5A.1.5 Test requirements

For the parameters specified in table 7.5A.1.3 the average downlink $\frac{DPCH_E_c}{I_{or}}$ power ratio shall be below the specified value for the BLER shown in table 7.5A.1.4.

Table 7.5A.1.3: DCH parameters in high speed train condition

| Parameter | Unit | Test 1 |
|-----------------------|--------------|---------|
| Phase reference | | P-CPICH |
| \hat{I}_{or}/I_{oc} | dB | 5.6 |
| I_{oc} | dBm/3.84 MHz | -60 |
| Information Data Rate | kbps | 12.2 |

Table 7.5A.1.4: DCH requirements in high speed train condition

| Test Number | $\frac{DPCH_E_c}{I_{or}}$ | BLER |
|-------------|----------------------------|-----------|
| 1 | -21.7 | 10^{-2} |

NOTE: If the above Test Requirement differs from the Minimum Requirement then the Test Tolerance applied for this test is non-zero. The Test Tolerance for this test is defined in clause F.2 and the explanation of how the Minimum Requirement has been relaxed by the Test Tolerance is given in clause F.4.

7.6 Demodulation of DCH in downlink Transmit diversity modes

7.6.1 Demodulation of DCH in open-loop transmit diversity mode

7.6.1.1 Definition and applicability

The receive characteristic of the Dedicated Channel (DCH) in open loop transmit diversity mode is determined by the Block Error Ratio (BLER). DCH is mapped into in Dedicated Physical Channel (DPCH).

The requirements and this test apply to all types of UTRA for the FDD UE.

7.6.1.2 Minimum requirements

For the parameters specified in table 7.6.1.1 the average downlink $\frac{DPCH_E_c}{I_{or}}$ power ratio shall be below the specified value for the BLER shown in table 7.6.1.2.

Table 7.6.1.1: Test parameters for DCH reception in a open-loop transmit diversity scheme (Propagation condition: Case 1)

| Parameter | Test 1 | Unit |
|-----------------------|---------|----------------|
| Phase reference | P-CPICH | |
| \hat{I}_{or}/I_{oc} | 9 | dB |
| I_{oc} | -60 | dBm / 3,84 MHz |
| Information data rate | 12,2 | kbps |

Table 7.6.1.2: Test requirements for DCH reception in open-loop transmit diversity scheme

| Test Number | $\frac{DPCH_E_c}{I_{or}}$ (antenna 1/2) | BLER |
|-------------|---|-----------|
| 1 | -16,8 dB | 10^{-2} |

The reference for this requirement is TS 25.101 [1] clause 8.6.1.1.

7.6.1.3 Test purpose

To verify that UE reliably demodulates the DPCH of the Node B while open loop transmit diversity is enabled during the connection.

7.6.1.4 Method of test

7.6.1.4.1 Initial conditions

Test environment: normal; see clauses G.2.1 and G.2.2.

Frequencies to be tested: mid range; see clause G.2.4.

- 1) Connect SS, multi-path fading simulators and an AWGN source to the UE antenna connector as shown in figure A.12. In case of UE-receive diversity connect according to figure A.22.
- 2) Set up a call according to the Generic call setup procedure specified in TS 34.108 [3] clause 7.3.2, with the exceptions for information elements listed in table 7.6.1.3. With these exceptions, open-loop transmit diversity mode is activated.
- 3) RF parameters are set up according to table 7.6.1.4 and table E 3.4.
- 4) Enter the UE into loopback test mode and start the loopback test.
- 5) Set up fading simulators as fading condition case 1, which is described in table D.2.2.1.

See TS 34.108 [3] and TS 34.109 [4] for details regarding generic call setup procedure and loopback test.

Table 7.6.1.3: Specific Message Contents for open-loop transmit diversity mode

SYSTEM INFORMATION BLOCK TYPE5

| Information Element | Value/remark |
|---|----------------------|
| PRACH system information list - AICH info - STTD Indicator | TRUE |
| Secondary CCPCH system information - PICH info - STTD Indicator - Secondary CCPCH info - STTD Indicator | TRUE TRUE TRUE |
| Primary CCPCH info - CHOICE mode - TX Diversity indicator | FDD TRUE |

SYSTEM INFORMATION BLOCK TYPE11

| Information Element | Value/remark |
|--|--------------|
| New intra-frequency cells - Intra-frequency cell id | 1 |
| - TX Diversity indicator | TRUE |

RRC CONNECTION SETUP

| Information Element | Value/remark |
|---|--------------|
| Downlink information common for all radio links - CHOICE mode - TX Diversity Mode | FDD STTD, |
| Downlink DPCH info for each RL - CHOICE mode - Downlink DPCH info for each RL - Closed loop timing adjustment mode | FDD 1 |

RADIO BEARER SETUP

| Information Element | Value/remark |
|---|--------------|
| Downlink information common for all radio links - Choice mode - TX Diversity Mode | FDD STTD |
| Downlink DPCH info for each RL - CHOICE mode - Downlink DPCH info for each RL - Closed loop timing adjustment mode | FDD 1 |

7.6.1.4.2 Procedure

- 1) Measure BLER in points specified in table 7.6.1.5.

7.6.1.5 Test Requirements

For the parameters specified in table 7.6.1.4 the average downlink $\frac{DPCH - E_c}{I_{or}}$ power ratio shall be below the specified value for the BLER shown in table 7.6.1.5.

Table 7.6.1.4: Test parameters for DCH reception in a open-loop transmit diversity scheme (Propagation condition: Case 1)

| Parameter | Test 1 | Unit |
|-----------------------|---------|----------------|
| Phase reference | P-CPICH | |
| \hat{I}_{or}/I_{oc} | 9,8 | dB |
| I_{oc} | -60 | dBm / 3,84 MHz |
| Information data rate | 12,2 | kbps |

Table 7.6.1.5: Test requirements for DCH reception in open-loop transmit diversity scheme

| Test Number | $\frac{DPCH_E_c}{I_{or}}$ (antenna 1/2) | BLER |
|-------------|---|-----------|
| 1 | -16,7 dB | 10^{-2} |

NOTE: If the above Test Requirement differs from the Minimum Requirement then the Test Tolerance applied for this test is non-zero. The Test Tolerance for this test is defined in clause F.2 and the explanation of how the Minimum Requirement has been relaxed by the Test Tolerance is given in clause F.4.

7.6.2 Demodulation of DCH in closed loop transmit diversity mode

7.6.2.1 Definition and applicability

The receive characteristic of the dedicated channel (DCH) in closed loop transmit diversity mode is determined by the Block Error Ratio (BLER). DCH is mapped into in Dedicated Physical Channel (DPCH).

The requirements for Closed loop mode 1 and test 1 apply to all types of UTRA for the FDD UE. The requirements for Closed loop mode 2 and test 2 apply to all types of UTRA for the FDD UE for Release 99 and Release 4 only.

7.6.2.2 Minimum requirements

For the parameters specified in table 7.6.2.1 the average downlink $\frac{DPCH_E_c}{I_{or}}$ power ratio shall be below the specified value for the BLER shown in table 7.6.2.2.

Table 7.6.2.1: Test Parameters for DCH Reception in closed loop transmit diversity mode (Propagation condition: Case 1)

| Parameter | Test 1 (Mode 1) | Test 2 (Mode 2) | Unit |
|------------------------------------|--------------------|--------------------|----------------|
| \hat{I}_{or}/I_{oc} | 9 | 9 | dB |
| I_{oc} | -60 | -60 | dBm / 3,84 MHz |
| Information data rate | 12,2 | 12,2 | kbps |
| Feedback error ratio | 4 | 4 | % |
| Closed loop timing adjustment mode | 1 | 1 | - |

Table 7.6.2.2: Test requirements for DCH reception in closed loop transmit diversity mode

| Test Number | $\frac{DPCH_E_c}{I_{or}}$ (see note) | BLER |
|--|---------------------------------------|-----------|
| 1 | -18,0 dB | 10^{-2} |
| 2 | -18,3 dB | 10^{-2} |
| NOTE: This is the total power from both antennas. Power sharing between antennas are closed loop mode dependent as specified in TS 25.214 [5]. | | |

The reference for this requirement is TS 25.101 [1] clause 8.6.2.1.

7.6.2.3 Test purpose

To verify that UE reliably demodulates the DPCH of the Node B while closed loop transmit diversity is enabled during the connection.

7.6.2.4 Method of test

7.6.2.4.1 Initial conditions

Test environment: normal; see clauses G.2.1 and G.2.2.

Frequencies to be tested: mid range; see clause G.2.4.

- 1) Connect SS, multi-path fading simulators and an AWGN source to the UE antenna connector as shown in figure A.12. In case of UE-receive diversity connect according to figure A.22.
- 2) Set up a call according to the Generic call setup procedure specified in TS 34.108 [3] clause 7.3.2, with the exceptions for information elements listed in table 7.6.2.3. With these exceptions, closed loop transmit diversity mode is activated.
- 3) RF parameters are set up according to table 7.6.2.1 and table E 3.5.
- 4) Enter the UE into loopback test mode and start the loopback test.
- 5) Set up fading simulators as fading condition case 1, which is described in table D.2.2.1.

See TS 34.108 [3] and TS 34.109 [4] for details regarding generic call setup procedure and loopback test.

Table 7.6.2.3: Specific Message Contents for closed loop transmit diversity mode

SYSTEM INFORMATION BLOCK TYPE5

| Information Element | Value/remark |
|---|----------------------|
| PRACH system information list - AICH info - STTD Indicator | TRUE |
| Secondary CCPCH system information - PICH info - STTD Indicator - Secondary CCPCH info - STTD Indicator | TRUE TRUE TRUE |
| Primary CCPCH info - CHOICE mode - TX Diversity indicator | FDD TRUE |

SYSTEM INFORMATION BLOCK TYPE11

| Information Element | Value/remark |
|--|--------------|
| New intra-frequency cells - Intra-frequency cell id | 1 |
| - TX Diversity indicator | TRUE |

RRC CONNECTION SETUP for Closed loop mode1

| Information Element | Value/remark |
|---|-------------------|
| CHOICE channel requirement | Uplink DPCH info |
| - Number of FBI bit | 1 |
| Downlink information common for all radio links | |
| - CHOICE mode | FDD |
| - TX Diversity Mode | Closed loop mode1 |
| Downlink DPCH info for each RL | |
| - CHOICE mode | FDD |
| - Downlink DPCH info for each RL | |
| - Closed loop timing adjustment mode | 1 |

RRC CONNECTION SETUP for Closed loop mode2

| Information Element | Value/remark |
|---|-------------------|
| CHOICE channel requirement | Uplink DPCH info |
| - Number of FBI bit | 1 |
| Downlink information common for all radio links | |
| - CHOICE mode | FDD |
| - TX Diversity Mode | Closed loop mode2 |
| Downlink DPCH info for each RL | |
| - CHOICE mode | FDD |
| - Downlink DPCH info for each RL | |
| - Closed loop timing adjustment mode | 1 |

RADIO BEARER SETUP for Closed loop mode1

| Information Element | Value/remark |
|---|-------------------|
| CHOICE channel requirement | Uplink DPCH info |
| - Number of FBI bit | 1 |
| Downlink information common for all radio links | |
| - Choice mode | FDD |
| - TX Diversity Mode | Closed loop mode1 |
| Downlink DPCH info for each RL | |
| - CHOICE mode | FDD |
| - Downlink DPCH info for each RL | |
| - Closed loop timing adjustment mode | 1 |

RADIO BEARER SETUP for Closed loop mode2

| Information Element | Value/remark |
|---|-------------------|
| CHOICE channel requirement | Uplink DPCH info |
| - Number of FBI bit | 1 |
| Downlink information common for all radio links | |
| - Choice mode | FDD |
| - TX Diversity Mode | Closed loop mode2 |
| Downlink DPCH info for each RL | |
| - CHOICE mode | FDD |
| - Downlink DPCH info for each RL | |
| - Closed loop timing adjustment mode | 1 |

7.6.2.4.2 Procedure

- 1) Measure BLER in points specified in table 7.6.2.2.

7.6.2.5 Test Requirements

For the parameters specified in table 7.6.2.4 the average downlink $\frac{DPCH - E_c}{I_{or}}$ power ratio shall be below the specified value for the BLER shown in table 7.6.2.5.

Table 7.6.2.4: Test Parameters for DCH Reception in closed loop transmit diversity mode (Propagation condition: Case 1)

| Parameter | Test 1 (Mode 1) | Test 2 (Mode 2) | Unit |
|--|-----------------|-----------------|----------------|
| \hat{I}_{or}/I_{oc} | 9,8 | 9,8 | dB |
| I_{oc} | -60 | -60 | dBm / 3,84 MHz |
| Information data rate | 12,2 | 12,2 | kbps |
| Feedback error ratio (*) | 4 | 4 | % |
| Closed loop timing adjustment mode | 1 | 1 | - |
| * Note: As the uplink is error free, the feedback error ratio is generated by the SS internally as follows: 4% of the feedback bits, received by the SS on the uplink, shall be inverted prior to being processed. The inverted bits shall occur at random, e.g. controlled by a random generator. | | | |

Table 7.6.2.5: Test requirements for DCH reception in closed loop transmit diversity mode

| Test Number | $\frac{DPCH_E_c}{I_{or}}$ (see note) | BLER |
|--|---------------------------------------|-----------|
| 1 | -17,9 dB | 10^{-2} |
| 2 | -18,2 dB | 10^{-2} |
| NOTE: This is the total power from both antennas. Power sharing between antennas are closed loop mode dependent as specified in TS 25.214 [5]. | | |

NOTE: If the above Test Requirement differs from the Minimum Requirement then the Test Tolerance applied for this test is non-zero. The Test Tolerance for this test is defined in clause F.2 and the explanation of how the Minimum Requirement has been relaxed by the Test Tolerance is given in clause F.4.

7.6.3 Demodulation of DCH in Site Selection Diversity Transmission Power Control mode

7.6.3.1 Definition and applicability

The bit error characteristics of UE receiver is determined in Site Selection Diversity Transmission Power Control (SSDT) mode. Two Node B emulators are required for this performance test. The delay profiles of signals received from different base stations are assumed to be the same but time shifted by 10 chip periods.

The requirements and this test apply to all types of UTRA for the Release 99 and Release 4 FDD UE.

7.6.3.2 Minimum requirements

The downlink physical channels and their relative power to I_{or} are the same as those specified in clause E.3.3 irrespective of Node Bs and the test cases. $DPCH_E_c/I_{or}$ value applies whenever DPDCH in the cell is transmitted. In Test 1 and Test 3, the received powers at UE from two Node Bs are the same, while 3dB offset is given to one that comes from one of Node Bs for Test 2 and Test 4 as specified in table 7.6.3.1.

For the parameters specified in table 7.6.3.1 the average downlink $\frac{DPCH_E_c}{I_{or}}$ power ratio shall be below the specified value for the BLER shown in table 7.6.3.2.

Table 7.6.3.1: DCH parameters in multi-path propagation conditions during SSDT mode (Propagation condition: Case 1)

| Parameter | Test 1 | Test 2 | Test 3 | Test 4 | Unit |
|--|---------|--------|--------|--------|----------------|
| Phase reference | P-CPICH | | | | |
| \hat{I}_{or1}/I_{oc} | 0 | -3 | 0 | 0 | dB |
| \hat{I}_{or2}/I_{oc} | 0 | 0 | 0 | -3 | dB |
| I_{oc} | -60 | | | | dBm / 3,84 MHz |
| Information Data Rate | 12,2 | 12,2 | 12,2 | 12,2 | kbps |
| Cell ID code word error ratio in uplink (note) | 1 | 1 | 1 | 1 | % |
| Number of FBI bits assigned to "S" Field | 1 | 1 | 2 | 2 | |
| Code word Set | Long | Long | Short | Short | |
| UL DPCCH slot Format | #2 | | #5 | | |
| NOTE: The code word errors are introduced independently in both uplink channels. | | | | | |

Table 7.6.3.2: DCH requirements in multi-path propagation conditions during SSDT Mode

| Test Number | $\frac{DPCH_E_c}{I_{or}}$ | BLER |
|-------------|----------------------------|-----------|
| 1 | -6,0 dB | 10^{-2} |
| 2 | -5,0 dB | 10^{-2} |
| 3 | -10,5 dB | 10^{-2} |
| 4 | -9,2 dB | 10^{-2} |

The reference for this requirement is TS 25.101 [1] clause 8.6.3.1.

7.6.3.3 Test purpose

To verify that UE reliably demodulates the DPCH of the selected Node B while site selection diversity is enabled during soft handover.

7.6.3.4 Method of test

7.6.3.4.1 Initial conditions

Test environment: normal; see clauses G.2.1 and G.2.2.

Frequencies to be tested: mid range; see clause G.2.4.

- 1) Connect two SS's, multi-path fading simulators and an AWGN source to the UE antenna connector as shown in figure A.11 In case of UE-receive diversity connect according to figure A.24.
- 2) Activate one of two cells (Cell 1).
- 3) Set up a call according to the Generic call setup procedure specified in TS 34.108 [3] clause 7.3.2, with the exceptions for information elements listed in table 7.6.3.3A. With these exceptions, necessary information for SSDT mode is sent to the UE.
- 4) Activate the other cell (Cell 2) on the other SS.
- 5) RF parameters are set up according to table 7.6.3.4 and table 7.6.3.5
- 6) After receiving MEASUREMENT REPORT message from the UE, send the ACTIVESET UPDATE message from Cell 1 to the UE in order to activate SSDT mode. Contents of the message is specified in table 7.6.3.3B
- 7) Enter the UE into loopback test mode and start the loopback test.
- 8) Set up fading simulators as fading condition case 1, which is described in table D.2.2.1.

Table 7.6.3.3A: Specific Message Contents for SSDT mode

RRC CONNECTION SETUP for Test 1 and Test 2

| Information Element | Value/remark |
|--|----------------------|
| Downlink information common for all radio links - CHOICE mode - SSDT information - S field - Code Word Set | FDD 1 long |
| Downlink DPCH info for each RL - CHOICE mode - Downlink DPCH info for each RL - SSDT Cell Identity | FDD a |

RRC CONNECTION SETUP for Test 3 and Test 4

| Information Element | Value/remark |
|--|-----------------------|
| Downlink information common for all radio links - CHOICE mode - SSDT information - S field - Code Word Set | FDD 2 short |
| Downlink DPCH info for each RL - CHOICE mode - Downlink DPCH info for each RL - SSDT Cell Identity | FDD a |

RADIO BEARER SETUP for Test 1 and Test 2

| Information Element | Value/remark |
|--|----------------------|
| Downlink information common for all radio links - CHOICE mode - SSDT information - S field - Code Word Set | FDD 1 long |
| Downlink DPCH info for each RL - CHOICE mode - Downlink DPCH info for each RL - SSDT Cell Identity | FDD a |

RADIO BEARER SETUP for Test 3 and Test 4

| Information Element | Value/remark |
|--|-----------------------|
| Downlink information common for all radio links - CHOICE mode - SSDT information - S field - Code Word Set | FDD 2 short |
| Downlink DPCH info for each RL - CHOICE mode - Downlink DPCH info for each RL - SSDT Cell Identity | FDD a |

Table 7.6.3.3B: Message Contents of ACTIVESET UPDATE message

ACTIVESET UPDATE for Test 1 and Test 2

| Information Element/Group name | Value/Remark | Version |
|---|---|--------------------|
| Message Type (10.2.17) | | |
| UE information elements - RRC transaction identifier - Integrity check info -message authentication code -RRC message sequence number - Activation time - New U-RNTI | 0 SS calculates the value of MAC-I for this message and writes to this IE. The first/ leftmost bit of the bit string contains the most significant bit of the MAC-I. SS provides the value of this IE, from its internal counter. "now". Not Present | |
| CN information elements - CN Information info | Not Present | |
| Phy CH information elements Uplink radio resources - Maximum allowed UL TX power | 33 dBm | |
| Downlink radio resources - Radio link addition information - Radio link addition information - Primary CPICH info - Downlink DPCH info for each RL | 1 Same as defined in Cell2 | |
| - CHOICE mode - Primary CPICH usage for channel estimation - DPCH frame offset - Secondary CPICH info | FDD Primary CPICH may be used This should be reflected by the IE" Cell synchronisation information" in received MEASUREMENT REPORT message Not Present | |
| - DL channelisation code - Secondary scrambling code - Spreading factor - Code number - Scrambling code change - TPC combination index - SSDT Cell Identity - Closed loop timing adjustment mode - TFCI combining indicator - SCCPCH Information for FACH - Radio link removal information - TX Diversity Mode | Not Present 128 96 No code change 0 b Not Present FALSE Not Present Not Present None | R99 and Rel-4 only |
| - SSDT information - S field - Code Word Set | 1 long | |

ACTIVESET UPDATE for Test 3 and Test 4

| Information Element/Group name | Value/Remark | Version |
|---|---|--------------------|
| Message Type (10.2.17) | | |
| UE information elements - RRC transaction identifier - Integrity check info - message authentication code - RRC message sequence number - Activation time - New U-RNTI | 0 SS calculates the value of MAC-I for this message and writes to this IE. The first/ leftmost bit of the bit string contains the most significant bit of the MAC-I. SS provides the value of this IE, from its internal counter. "now". Not Present | |
| CN information elements - CN Information info | Not Present | |
| Phy CH information elements Uplink radio resources - Maximum allowed UL TX power | 33 dBm | |
| Downlink radio resources - Radio link addition information - Radio link addition information - Primary CPICH info - Downlink DPCH info for each RL | 1 Same as defined in Cell2 | |
| - CHOICE mode - Primary CPICH usage for channel estimation - DPCH frame offset - Secondary CPICH info | FDD Primary CPICH may be used This should be reflected by the IE " Cell synchronisation information" in received MEASUREMENT REPORT message Not Present | |
| - DL channelisation code - Secondary scrambling code - Spreading factor - Code number - Scrambling code change - TPC combination index - SSDT Cell Identity - Closed loop timing adjustment mode - TFCI combining indicator - SCCPCH Information for FACH - Radio link removal information - TX Diversity Mode | Not Present 128 96 No code change 0 b Not Present FALSE Not Present Not Present None | R99 and Rel-4 only |
| - SSDT information - S field - Code Word Set | 2 short | |

7.6.3.4.2 Procedure

Measure BLER in points specified in table 7.6.3.4.

7.6.3.5 Test Requirements

For the parameters specified in table 7.6.3.4 the average downlink $\frac{DPCH - E_c}{I_{or}}$ power ratio shall be below the specified value for the BLER shown in table 7.6.3.5.

Table 7.6.3.4: DCH parameters in multi-path propagation conditions during SSDT mode (Propagation condition: Case 1)

| Parameter | Test 1 | Test 2 | Test 3 | Test 4 | Unit |
|--|---------|--------|--------|--------|----------------|
| Phase reference | P-CPICH | | | | |
| \hat{I}_{or1}/I_{oc} | 0,8 | -2,2 | 0,8 | 0,8 | dB |
| \hat{I}_{or2}/I_{oc} | 0,8 | 0,8 | 0,8 | -2,2 | dB |
| I_{oc} | -60 | | | | dBm / 3,84 MHz |
| Information Data Rate | 12,2 | 12,2 | 12,2 | 12,2 | kbps |
| Cell ID code word error ratio in uplink (note) | 1 | 1 | 1 | 1 | % |
| Number of FBI bits assigned to "S" Field | 1 | 1 | 2 | 2 | |
| Code word Set | Long | Long | Short | Short | |
| UL DPCCH slot Format | #2 | | #5 | | |
| NOTE: The code word errors are introduced independently in both uplink channels. | | | | | |

Table 7.6.3.5: DCH requirements in multi-path propagation conditions during SSDT mode

| Test Number | $\frac{DPCH_E_c}{I_{or}}$ | BLER |
|-------------|----------------------------|-----------|
| 1 | -5,9 dB | 10^{-2} |
| 2 | -4,9 dB | 10^{-2} |
| 3 | -10,4 dB | 10^{-2} |
| 4 | -9,1 dB | 10^{-2} |

NOTE: If the above Test Requirement differs from the Minimum Requirement then the Test Tolerance applied for this test is non-zero. The Test Tolerance for this test is defined in clause F.2 and the explanation of how the Minimum Requirement has been relaxed by the Test Tolerance is given in clause F.4.

7.7 Demodulation in Handover conditions

7.7.1 Demodulation of DCH in Inter-Cell Soft Handover (Release 5 and earlier)

7.7.1.1 Definition and applicability

The bit error ratio characteristics of UE is determined during an inter-cell soft handover. During the soft handover a UE receives signals from different Base Stations. A UE has to be able to demodulate two P-CCPCH channels and to combine the energy of DCH channels. Delay profiles of signals received from different Base Stations are assumed to be the same but time shifted by 10 chips.

The receive characteristics of the different channels during inter-cell handover are determined by the Block Error Ratio (BLER) values.

The UE shall be tested only according to the data rate, supported. The data-rate-corresponding requirements shall apply to the UE. This test is applicable for Release 5 and earlier releases only.

7.7.1.2 Minimum requirements

For the parameters specified in table 7.7.1.1 the average downlink $\frac{DPCH_E_c}{I_{or}}$ power ratio shall be below the specified value for the BLER shown in table 7.7.1.2.

Table 7.7.1.1: DCH parameters in multi-path propagation conditions during Soft Handoff (Case 3)

| Parameter | Test 1 | Test 2 | Test 3 | Test 4 | Unit |
|---|---------|--------|--------|--------|----------------|
| Phase reference | P-CPICH | | | | |
| \hat{I}_{or1}/I_{oc} and \hat{I}_{or2}/I_{oc} | 0 | 0 | 3 | 6 | dB |
| I_{oc} | -60 | | | | dBm / 3,84 MHz |
| Information Data Rate | 12,2 | 64 | 144 | 384 | kbps |

Table 7.7.1.2: DCH requirements in multi-path propagation conditions during Soft Handoff (Case 3)

| Test Number | $\frac{DPCH_E_c}{I_{or}}$ | BLER |
|-------------|----------------------------|-----------|
| 1 | -15,2 dB | 10^{-2} |
| 2 | -11,8 dB | 10^{-1} |
| | -11,3 dB | 10^{-2} |
| 3 | -9,6 dB | 10^{-1} |
| | -9,2 dB | 10^{-2} |
| 4 | -6,0 dB | 10^{-1} |
| | -5,5 dB | 10^{-2} |

The reference for this requirement is TS 25.101 [1] clause 8.7.1.1.

7.7.1.3 Test purpose

To verify that the BLER does not exceed the value at the $DPCH_E_c/I_{or}$ specified in table 7.7.1.2.

7.7.1.4 Method of test

7.7.1.4.1 Initial conditions

Test environment: normal; see clauses G.2.1 and G.2.2.

Frequencies to be tested: mid range; see clause G.2.4.

7.7.1.4.2 Procedures

- 1) Connect the SS, multi-path fading simulator and an AWGN noise source to the UE antenna connector as shown in figure A.11. In case of UE-receive diversity connect according to figure A.24.
- 2) Set up the call according to the Generic call setup procedure specified in TS 34.108 [3] clause 7.3.2.
- 3) Set the test parameters for test 1-4 as specified in table 7.7.1.3.
- 4) Count, at the SS, the number of information blocks transmitted and the number of correctly received information blocks at the UE.
- 5) Measure BLER of DCH channel.

7.7.1.5 Test requirements

For the parameters specified in table 7.7.1.3 the average downlink $\frac{DPCH_E_c}{I_{or}}$ power ratio shall be below the specified value for the BLER shown in table 7.7.1.4.

Table 7.7.1.3: DCH parameters in multi-path propagation conditions during Soft Handoff (Case 3)

| Parameter | Test 1 | Test 2 | Test 3 | Test 4 | Unit |
|---|---------|--------|--------|--------|----------------|
| Phase reference | P-CPICH | | | | |
| \hat{I}_{or1}/I_{oc} and \hat{I}_{or2}/I_{oc} | 0,6 | 0,6 | 3,6 | 6,6 | dB |
| I_{oc} | -60 | | | | dBm / 3,84 MHz |
| Information Data Rate | 12,2 | 64 | 144 | 384 | kbps |

Table 7.7.1.4: DCH requirements in multi-path propagation conditions during Soft Handoff (Case 3)

| Test Number | $\frac{DPCH_E_c}{I_{or}}$ | BLER |
|-------------|----------------------------|-----------|
| 1 | -15,1 dB | 10^{-2} |
| 2 | -11,7 dB | 10^{-1} |
| | -11,2 dB | 10^{-2} |
| 3 | -9,5 dB | 10^{-1} |
| | -9,1 dB | 10^{-2} |
| 4 | -5,9 dB | 10^{-1} |
| | -5,4 dB | 10^{-2} |

NOTE: If the above Test Requirement differs from the Minimum Requirement then the Test Tolerance applied for this test is non-zero. The Test Tolerance for this test is defined in clause F.2 and the explanation of how the Minimum Requirement has been relaxed by the Test Tolerance is given in clause F.4.

7.7.1A Demodulation of DCH in Inter-Cell Soft Handover (Release 6 and later)

7.7.1A.1 Definition and applicability

The bit error ratio characteristics of UE is determined during an inter-cell soft handover. During the soft handover a UE receives signals from different Base Stations. A UE has to be able to demodulate two P-CCPCH channels and to combine the energy of DCH channels. Delay profiles of signals received from different Base Stations are assumed to be the same but time shifted by 10 chips.

The receive characteristics of the different channels during inter-cell handover are determined by the Block Error Ratio (BLER) values.

The UE shall be tested only according to the data rate, supported. The data-rate-corresponding requirements shall apply to the UE. This test is applicable for Release 6 and later releases only.

7.7.1A.2 Minimum requirements

For the parameters specified in table 7.7.1A.1 the average downlink $\frac{DPCH_E_c}{I_{or}}$ power ratio shall be below the specified value for the BLER shown in table 7.7.1A.2.

Table 7.7.1A.1: DCH parameters in multi-path propagation conditions during Soft Handoff (Case 3)

| Parameter | Test 1 | Test 2 | Test 3 | Test 4 | Unit |
|---|---------|--------|--------|--------|----------------|
| Phase reference | P-CPICH | | | | |
| \hat{I}_{or1}/I_{oc} and \hat{I}_{or2}/I_{oc} | 0 | 0 | 3 | 6 | dB |
| I_{oc} | -60 | | | | dBm / 3,84 MHz |
| Information Data Rate | 12,2 | 64 | 144 | 384 | kbps |

Table 7.7.1A.2: DCH requirements in multi-path propagation conditions during Soft Handoff (Case 3)

| Test Number | $\frac{DPCH_Ec}{I_{or}}$ | BLER |
|-------------|---------------------------|-----------|
| 1 | -15,2 dB | 10^{-2} |
| 2 | -11,8 dB | 10^{-1} |
| | -11,3 dB | 10^{-2} |
| 3 | -9,9 dB | 10^{-1} |
| | -9,5 dB | 10^{-2} |
| 4 | -6,3 dB | 10^{-1} |
| | -5,8 dB | 10^{-2} |

The reference for this requirement is TS 25.101 [1] clause 8.7.1A.1.

7.7.1A.3 Test purpose

To verify that the BLER does not exceed the value at the $DPCH_Ec/I_{or}$ specified in table 7.7.1A.2.

7.7.1A.4 Method of test

7.7.1A.4.1 Initial conditions

Test environment: normal; see clauses G.2.1 and G.2.2.

Frequencies to be tested: mid range; see clause G.2.4.

7.7.1A.4.2 Procedures

- 1) Connect the SS, multi-path fading simulator and an AWGN noise source to the UE antenna connector as shown in figure A.11. In case of UE-receive diversity connect according to figure A.24.
- 2) Set up the call according to the Generic call setup procedure specified in TS 34.108 [3] clause 7.3.2.
- 3) Set the test parameters for test 1-4 as specified in table 7.7.1A.3.
- 4) Count, at the SS, the number of information blocks transmitted and the number of correctly received information blocks at the UE.
- 5) Measure BLER of DCH channel.

7.7.1A.5 Test requirements

For the parameters specified in table 7.7.1A.3 the average downlink $\frac{DPCH_Ec}{I_{or}}$ power ratio shall be below the specified value for the BLER shown in table 7.7.1A.4.

Table 7.7.1A.3: DCH parameters in multi-path propagation conditions during Soft Handoff (Case 3)

| Parameter | Test 1 | Test 2 | Test 3 | Test 4 | Unit |
|---|---------|--------|--------|--------|----------------|
| Phase reference | P-CPICH | | | | |
| \hat{I}_{or1}/I_{oc} and \hat{I}_{or2}/I_{oc} | 0,6 | 0,6 | 3,6 | 6,6 | dB |
| I_{oc} | -60 | | | | dBm / 3,84 MHz |
| Information Data Rate | 12,2 | 64 | 144 | 384 | kbps |

Table 7.7.1A.4: DCH requirements in multi-path propagation conditions during Soft Handoff (Case 3)

| Test Number | $\frac{DPCH_Ec}{I_{or}}$ | BLER |
|-------------|---------------------------|-----------|
| 1 | -15,1 dB | 10^{-2} |
| 2 | -11,7 dB | 10^{-1} |
| | -11,2 dB | 10^{-2} |
| 3 | -9,8 dB | 10^{-1} |
| | -9,4 dB | 10^{-2} |
| 4 | -6,2 dB | 10^{-1} |
| | -5,7 dB | 10^{-2} |

NOTE: If the above Test Requirement differs from the Minimum Requirement then the Test Tolerance applied for this test is non-zero. The Test Tolerance for this test is defined in clause F.2 and the explanation of how the Minimum Requirement has been relaxed by the Test Tolerance is given in clause F.4.

7.7.2 Combining of TPC commands from radio links of different radio link sets

7.7.2.1 Definition and applicability

When a UE is in soft handover, multiple TPC commands may be received in each slot from different cells in the active set. In general, the TPC commands transmitted in the same slot in the different cells may be different and need to be combined to give TPC_cmd as specified in TS 25.214 [5], in order to determine the required uplink power step.

The requirements and this test apply to all types of UTRA for the FDD UE.

7.7.2.2 Minimum requirements

Test parameters are specified in table 7.7.2.1. The delay profiles of the signals received from the different cells are the same but time-shifted by 10 chips.

For Test 1, the sequence of uplink power changes between adjacent slots shall be as shown in table 7.7.2.2 over the 4 consecutive slots more than 99% of the time. Note that this case is without an additional noise source I_{oc} .

For Test 2, the Cell1 and Cell2 TPC patterns are repeated a number of times. If the transmitted power of a given slot is increased compared to the previous slot, then a variable "Transmitted power UP" is increased by one, otherwise a variable "Transmitted power DOWN" is increased by one. The requirements for "Transmitted power UP" and "Transmitted power DOWN" are shown in table 7.7.2.3.

Table 7.7.2.1: Parameters for TPC command combining

| Parameter | Test 1 | Test 2 | Unit |
|-------------------------------------|--|--------------------------|----------------|
| Phase reference | P-CPICH | | - |
| DPCH_Ec/I _{or} | -12 | | dB |
| \hat{I}_{or1} and \hat{I}_{or2} | -60 | | dBm / 3,84 MHz |
| I_{oc} | - | -60 | dBm / 3,84 MHz |
| Power-Control-Algorithm | Algorithm 1 | | - |
| Cell 1 TPC commands over 4 slots | {0,0,1,1} | | - |
| Cell 2 TPC commands over 4 slots | {0,1,0,1} | | - |
| Information Data Rate | 12,2 | | Kbps |
| Propagation condition | Static without AWGN source I_{oc} | Multi-path fading case 3 | - |

Table 7.7.2.2: Requirements for Test 1

| Test Number | Required power changes over the 4 consecutive slots |
|-------------|---|
| 1 | Down, Down, Down, Up |

Table 7.7.2.3: Requirements for Test 2

| Test Number | Ratio (Transmitted power UP) / (Total number of slots) | Ratio (Transmitted power DOWN) / (Total number of slots) |
|-------------|--|--|
| 2 | $\geq 0,25$ | $\geq 0,5$ |

The reference for this requirement is TS 25.101 [1] clause 8.7.2.1.

7.7.2.3 Test purpose

To verify that the combining of TPC commands received in soft handover results in TPC_cmd being derived so as to meet the requirements stated in tables 7.7.2.2 and 7.7.2.3.

7.7.2.4 Method of test

7.7.2.4.1 Initial conditions

Test environment: normal; see clauses G.2.1 and G.2.2.

Frequencies to be tested: mid range; see clause G.2.4.

- 1) Connect two SS's to the UE antenna connector as shown in figure A.13. In case of UE-receive diversity connect according to figure A.27. In case of UE-receive diversity connect according to figure A.27. In test 1 the AWGN generators in figure A.13 and A.27 are switched off.
- 2) Set the test parameters as specified in table 7.7.2.4 for Test 1.
- 3) Set up a call according to the Generic Call Setup procedure TS34.108 [3] sub clause 7.3.2.
- 4) Signal the uplink DPCCH power control parameters to use Algorithm 1 and a step size of 1dB.
- 5) Enter the UE into loopback test mode and start the loopback test.

See TS 34.108 [3] and TS 34.109 [4] for details regarding the generic call setup procedure and loopback test.

7.7.2.4.2 Procedures

- 1) Before proceeding with paragraph (2), set the output power of the UE to be in the range -10 ± 9 dBm. This may be achieved by setting the downlink signal (\hat{I}_{Or}) to yield an appropriate open loop output power and/or by generating suitable downlink TPC commands from the SSs.
- 2) Send the following sequences of TPC commands in the downlink from each SS over a period of 5 timeslots:

| | Downlink TPC commands | | | | |
|-----|-----------------------|---------|---------|---------|---------|
| | Slot #0 | Slot #1 | Slot #2 | Slot #3 | Slot #4 |
| SS1 | 0 | 0 | 0 | 1 | 1 |
| SS2 | 0 | 0 | 1 | 0 | 1 |

- 3) Measure the mean output power of the UE in timeslots # 0, 1, 2, 3 and 4, not including the 25 μ s transient periods at the start and end of each slot.
- 4) Repeat steps 1) to 3) according to Annex F.6.2 Table F.6.2.8.
- 5) End test 1 and disconnect UE.
- 6) Connect two SS's and an AWGN source to the UE antenna connector as shown in figure A.11. In case of UE-receive diversity connect according to figure A.24.

- 7) Initialise variables "Transmitted power UP" and "Transmitted power DOWN" to zero.
- 8) Set the test parameters as specified in table 7.7.2.4 for Test 2.
- 9) Set up a call according to the Generic Call Setup procedure.
- 10) Signal the uplink DPCH power control parameters to use Algorithm 1 and a step size of 1 dB.
- 11) Enter the UE into loopback test mode and start the loopback test.
- 12) Perform the following steps a) to d) 193 times:
 - a) Before proceeding with step b), set the output power of the UE to be in the range -10 ± 9 dBm. This may be achieved by generating suitable downlink TPC commands from the SSs.
 - b) Send the following sequences of TPC commands in the downlink from each SS over a period of 33 timeslots:

| | Downlink TPC commands |
|-----|---|
| SS1 | 1 0 0 1 1 0 0 1 1 0 0 1 1 0 0 1 1 0 0 1 1 0 0 1 1 0 0 1 1 0 0 1 1 0 0 1 1 |
| SS2 | 1 0 1 0 1 0 1 0 1 0 1 0 1 0 1 0 1 0 1 0 1 0 1 0 1 0 1 0 1 0 1 0 1 0 1 0 1 0 1 |

- c) Measure the mean output power of the UE in each timeslot, not including the 25 μ s transient periods at the start and end of each slot.
- d) For each timeslot from the 2nd timeslot to the 33rd timeslot inclusive:
 - if the mean power in that timeslot is greater than or equal to the mean power in the previous timeslot plus 0.4 dB, increment "Transmitted power UP" by 1;
 - if the mean power in that timeslot is less than or equal to the mean power in the previous timeslot minus 0.4 dB, increment "Transmitted power DOWN" by 1.

7.7.2.5 Test requirements

Test parameters are specified in table 7.7.2.4. The delay profiles of the signals received from the different cells are the same but time-shifted by 10 chips.

Table 7.7.2.4: Parameters for TPC command combining

| Parameter | Test 1 | Test 2 | Unit |
|-------------------------------------|---------------------|------------------------|----------------|
| Phase reference | P-CPICH | | - |
| DPCH_Ec/I _{or} | -11,9 | | dB |
| \hat{I}_{or1} and \hat{I}_{or2} | -60 | -59.4 | dBm / 3,84 MHz |
| I_{oc} | - | -60 | dBm / 3,84 MHz |
| Power-Control-Algorithm | Algorithm 1 | | - |
| Cell 1 TPC commands over 4 slots | {0,0,1,1} | | - |
| Cell 2 TPC commands over 4 slots | {0,1,0,1} | | - |
| Information Data Rate | 12,2 | | Kbps |
| Propagation condition | Static without AWGN | Multi-path fading case | - |
| | source I_{oc} | 3 | |

- 1) In Step 3) of clause 7.7.2.4.2, the mean power in slot #1 shall be less than or equal to the mean power in slot #0 minus 0.4 dB.
- 2) In Step 3) of clause 7.7.2.4.2, the mean power in slot #2 shall be less than or equal to the mean power in slot #1 minus 0.4 dB.
- 3) In Step 3) of clause 7.7.2.4.2, the mean power in slot #3 shall be less than or equal to the mean power in slot #2 minus 0.4 dB.
- 4) In Step 3) of clause 7.7.2.4.2, the mean power in slot #4 shall be greater than or equal to the mean power in slot #3 plus 0.4 dB.

- 5) The sequence of test requirements 1-4 shall be fulfilled more than 99% of the time.
- 6) At the end of the test, "Transmitted power UP" shall be greater than or equal to 1443(23.36% of Total number of slots) and "Transmitted power DOWN" shall be greater than or equal to 2971(48.10% of total number of slots).

NOTE 1: The test limits in requirement (6) have been computed to give a confidence level of 99,7 % that a UE which follows the core requirements will pass while meeting the minimum test duration in Annex F table F.6.1.6.2 for multi-path fading environments. The number of timeslots has been chosen to get a good compromise between the test time and the risk of passing a bad UE.

NOTE 2: If the above Test Requirement differs from the Minimum Requirement then the Test Tolerance applied for this test is non-zero. The Test Tolerance for this test is defined in clause F.2 and the explanation of how the Minimum Requirement has been relaxed by the Test Tolerance is given in clause F.4.

7.7.3 Combining of reliable TPC commands from radio links of different radio link sets

7.7.3.1 Definition and applicability

When a UE is in soft handover, reliable TPC commands may be received in each slot from different cells in the active set. In general, the TPC commands transmitted in the same slot in the different cells may be different and need to be combined to give TPC_cmd as specified in TS 25.214 [5], in order to determine the required uplink power step.

The requirements and this test apply to all types of UTRA for the FDD UE.

7.7.3.2 Minimum requirements

Test parameters are specified in Table 7.7.3.1. Before the start of the tests, the UE transmit power shall be initialised to -15 dBm. An actual UE transmit power may vary from the target level of -15 dBm due to inaccurate UE output power step.

Test 1 verifies that the UE follows only the reliable TPC commands in soft handover. Test 2 verifies that the UE follows all the reliable TPC commands in soft handover.

During tests 1 and 2 the UE transmit power samples, which are defined as the mean power over one timeslot, shall stay 90% of the time within the range defined in Table 7.7.3.2.

Table 7.7.3.1: Parameters for reliable TPC command combining

| Parameter | Unit | Test 1 | Test 2 |
|-------------------------|---|-------------------|------------------|
| Phase reference | - | P-CPICH | |
| DPCH_Ec/Ior1 | dB | Note 1 | Note 1 & Note 3 |
| DPCH_Ec/Ior2 | dB | DPCH_Ec/Ior1 - 10 | DPCH_Ec/Ior1 + 6 |
| DPCH_Ec/Ior3 | dB | DPCH_Ec/Ior1 - 10 | - |
| I_{or1}/I_{oc} | dB | -1 | -1 |
| I_{or2}/I_{oc} | dB | -1 | -1 |
| I_{or3}/I_{oc} | dB | -1 | - |
| I_{oc} | dBm/3.84 MHz | -60 | |
| Power-Control-Algorithm | - | Algorithm 1 | |
| Cell 1 TPC commands | - | Note 2 | Note 2 |
| Cell 2 TPC commands | - | "1" | "1" |
| Cell 3 TPC commands | - | "1" | - |
| Information data Rate | Kbps | 12.2 | |
| Propagation condition | - | Static | |
| Note 1: | The DPCH_Ec/Ior1 is set at the level corresponding to 5% TPC error rate. | | |
| Note 2: | The uplink power control from cell1 shall be such that the UE transmit power would stay at -15 dBm. | | |
| Note 3: | The maximum DPCH_Ec/Ior1 level in cell1 is -9 dB. | | |

Table 7.7.3.2: Test requirements for reliable TPC command combining

| Parameter | Unit | Test 1 | Test 2 |
|-----------------|------|------------|------------|
| UE output power | dBm | -15 ± 5 dB | -15 ± 3 dB |

The reference for this requirement is TS 25.101 [1] clause 8.7.3.1.

7.7.3.3 Test purpose

To verify that the combining of reliable TPC commands received in soft handover results in TPC_cmd being derived so as to meet the requirements stated in tables 7.7.3.2 and 7.7.3.3.

7.7.3.4 Method of test

7.7.3.4.1 Test 1 Initial conditions

Test environment: normal; see clauses G.2.1 and G.2.2.

Frequencies to be tested: mid range; see clause G.2.4.

- 1) Connect three SS's to the UE antenna connector as shown in figure A.18. In case of UE-receive diversity connect according to figure A.28.
- 2) Activate Cell 1.

7.7.3.4.2 Test 1 Procedures

- 1) Set up a call according to the Generic Call Setup procedure TS34.108 [3] sub clause 7.3.2. Signal the uplink DPCH power control parameters to use Algorithm 1 and a step size of 1dB. Enter the UE into loopback test mode and start the loopback test.
- 2) Activate the other two cells (Cell 2 and Cell 3) on the other SS's.
- 3) Set the test parameters as specified in table 7.7.3.3 for Test 1.
- 4) The downlink DPCH E_c/I_{or1} level is adjusted so that 5 +/-1%. downlink TPC error is maintained from E_c/I_{or1} . Cell 1 transmits a known pattern of TPC commands and for each slot detect the power step. Thereby the TPC error rate can be measured. The downlink DPCH E_c/I_{or1} is adjusted so that the TPC error rate is equal to 5 +/- 1%.
- 5) Send power control commands to the UE until the UE output power measured by Test System is adjusted to the specified power level with ± 1.5 dB tolerance due to power control step size.
- 6) Set up the UE in soft handover between Cell 1, Cell 2 and Cell 3. The downlink TPC commands from Cell 2 and Cell 3 shall continuously have the value "1" during the test while Cell 1 use the UE Output power = -15 dBm as the power control target.
- 7) The DPCH E_c/I_{or2} and DPCH E_c/I_{or3} are adjusted to be 10 dB lower than DPCH_ E_c/I_{or1} .
- 8) Measure the mean output power of the UE, not including the 25 μ s transient periods at the start and end of each slot.
- 9) Repeat step 8) according to Annex F.6.2 Table F.6.2.8.
- 10) End test 1 and disconnect UE.

See TS 34.108 [3] and TS 34.109 [4] for details regarding the generic call setup procedure and loopback test.

7.7.3.4.3 Test 2 Initial conditions

Test environment: normal; see clauses G.2.1 and G.2.2.

Frequencies to be tested: mid range; see clause G.2.4.

- 1) Connect two SS's to the UE antenna connector as shown in figure A.13. In case of UE-receive diversity connect according to figure A.27.
- 2) Activate Cell 1.

7.7.3.4.4 Test 2 Procedures

- 1) Set up a call according to the Generic Call Setup procedure TS34.108 [3] sub clause 7.3.2. Signal the uplink DPCH power control parameters to use Algorithm 1 and a step size of 1dB. Enter the UE into loopback test mode and start the loopback test.
- 2) Activate the other cell (Cell 2) on the other SS
- 3) Set the test parameters as specified in table 7.7.3.3 for Test 2.
- 4) The downlink DPCH Ec/Ior1 level is adjusted so that 5 +/-1%. downlink TPC error is maintained from Ec/Ior1. Cell 1 transmits a known pattern of TPC commands and for each slot detect the power step. Thereby the TPC error rate can be measured. The downlink DPCH Ec/Ior1 is adjusted so that the TPC error rate is equal to 5 +/-1%.
- 5) Send power control commands to the UE until the UE output power measured by Test System is adjusted to the specified power level with ±1.5 dB tolerance due to power control step size.
- 6) Set up the UE in soft handover between Cell 1 and Cell 2. The downlink TPC commands from Cell 2 shall continuously have the value "1" during the test while Cell 1 use the UE Output power = -15 dBm as the power control target.
- 7) The DPCH Ec/Ior2 is adjusted to be 6 dB higher than DPCH_Ec/Ior1.
- 8) Measure the mean output power of the UE, not including the 25 μs transient periods at the start and end of each slot.
- 9) Repeat step 8) according to Annex F.6.2 Table F.6.2.8.
- 10) End test 2 and disconnect UE.

See TS 34.108 [3] and TS 34.109 [4] for details regarding the generic call setup procedure and loopback test.

7.7.3.5 Test requirements

Test parameters are specified in Table 7.7.3.3. Before the start of the tests, the UE transmit power shall be initialised to -15 dBm. An actual UE transmit power may vary from the target level of -15 dBm due to inaccurate UE output power step.

Table 7.7.3.3: Parameters for reliable TPC command combining

| Parameter | Unit | Test 1 | Test 2 |
|--|--------------|-------------------|------------------|
| Phase reference | - | P-CPICH | |
| DPCH_Ec/Ior1 | dB | Note 1 | Note 1 & Note 3 |
| DPCH_Ec/Ior2 | dB | DPCH_Ec/Ior1 - 10 | DPCH_Ec/Ior1 + 6 |
| DPCH_Ec/Ior3 | dB | DPCH_Ec/Ior1 - 10 | - |
| I_{or1}/I_{oc} | dB | -1 | -1 |
| I_{or2}/I_{oc} | dB | -1 | -1 |
| I_{or3}/I_{oc} | dB | -1 | - |
| I_{oc} | dBm/3.84 MHz | -60 | |
| Power-Control-Algorithm | - | Algorithm 1 | |
| Cell 1 TPC commands | - | Note 2 | Note 2 |
| Cell 2 TPC commands | - | "1" | "1" |
| Cell 3 TPC commands | - | "1" | - |
| Information data Rate | Kbps | 12.2 | |
| Propagation condition | - | Static | |
| NOTE 1: The DPCH_Ec/Ior1 is configured to a level such that the TPC error rate is set to 5+/-1% (with 95% confidence). | | | |
| NOTE 2: The uplink power control from cell1 shall be such that the UE transmit power would stay at -15 dBm. | | | |
| NOTE 3: The maximum DPCH_Ec/Ior1 level in cell1 is -9 dB. | | | |

NOTE 1: If the above Test Requirement differs from the Minimum Requirement then the Test Tolerance applied for this test is non-zero. The Test Tolerance for this test is defined in clause F.2 and the explanation of how the Minimum Requirement has been relaxed by the Test Tolerance is given in clause F.4.

- 1) In step 8) of clause 7.7.3.4.2, the UE transmit power samples, which are defined as the mean power over one timeslot, shall stay 90% of the time within the range defined in Table 7.7.3.2.
- 2) In step 8) of clause 7.7.3.4.4, the UE transmit power samples, which are defined as the mean power over one timeslot, shall stay 90% of the time within the range defined in Table 7.7.3.2.

7.8 Power control in downlink

Power control in the downlink is the ability of the UE receiver to converge to required link quality set by the network while using as low power as possible in downlink. If a BLER target has been assigned to a DCCH (See clause C.3), then it has to be such that outer loop is based on DTCH and not on DCCH.

Note: The above implies that the BLER target for the DCCH should be set low enough so that it does not dominate the one for the DTCH.

The minimum requirements in this subclause were derived with the assumption that the UTRAN responds immediately to the uplink TPC commands by adjusting the power of the first pilot field of the DL DPCCCH that commences after end of the received TPC command.

However, for downlink power control tests introduced to the specifications in Release 99, Release 4 and Release 5, (and for those same tests that exist unmodified in Release 6 and later releases), it is permitted to use an SS implementation which has an additional one slot delay in responding to TPC commands. In such cases, there are two sets of test requirements and the choice of which set to use is a function only of the implementation of the SS and not a function of the UE.

NOTE: The additional delay in TPC response time shifts the expected UE performance. Simulations have predicted the expected change and rather than provide two alternative minimum requirements, for convenience the change in expected performance is covered by altering the test tolerance. This change in test tolerance does not imply the alternative implementation is less accurate.

NOTE: The possibility of removing the alternative test method for release 7 and later is for further study. If an SS implementation is upgraded to use the immediate TPC response time it will be necessary to modify the test implementation to use the applicable test requirements.

7.8.1 Power control in the downlink, constant BLER target (Release 5 and earlier)

7.8.1.1 Definition and applicability

Power control in the downlink is the ability of the UE receiver to converge to required link quality set by the network while using as low power as possible in downlink. If a BLER target has been assigned to a DCCH (See clause C.3), then it has to be such that outer loop is based on DTCH and not on DCCH. The requirements and this test apply to all types of UTRA for the FDD UE for Release 5 and earlier releases.

7.8.1.2 Minimum requirements

For the parameters specified in table 7.8.1.1 the downlink $\frac{DPCH_E_c}{I_{or}}$ power ratio measured values, which are averaged over one slot, shall be below the specified value in table 7.8.1.2 more than 90% of the time. BLER shall be as shown in table 7.8.1.2. Power control in downlink is ON during the test.

Table 7.8.1.1: Test parameter for downlink power control, constant BLER target

| Parameter | Test 1 | Test 2 | Unit |
|---|------------|--------|----------------|
| \hat{I}_{or}/I_{oc} | 9 | -1 | dB |
| I_{oc} | -60 | | dBm / 3,84 MHz |
| Information Data Rate | 12,2 | | kbps |
| Target quality on DTCH | 0,01 | | BLER |
| Propagation condition | Case 4 | | |
| Maximum_DL_Power (note) | 7 | | dB |
| Minimum_DL_Power (note) | -18 | | dB |
| DL Power Control step size, Δ_{TPC} | 1 | | dB |
| Limited Power Increase | "Not used" | | - |
| NOTE: Power is compared to P-CPICH as specified in [9]. | | | |

Table 7.8.1.2: Requirements in downlink power control, constant BLER target

| Parameter | Test 1 | Test 2 | Unit |
|----------------------------|-----------------|-----------------|------|
| $\frac{DPCH_E_c}{I_{or}}$ | -16,0 | -9,0 | dB |
| Measured quality on DTCH | 0,01 \pm 30 % | 0,01 \pm 30 % | BLER |

The reference for this requirement is TS 25.101 [1] clause 8.8.1.1.

7.8.1.3 Test purpose

To verify that the UE receiver is capable of converging to required link quality set by network while using as low power as possible.

7.8.1.4 Method of test

7.8.1.4.1 Initial conditions

Test environment: normal; see clauses G.2.1 and G.2.2.

Frequencies to be tested: mid range; see clause G.2.4.

- 1) Connect SS, multipath fading simulator and an AWGN source to the UE antenna connector as shown in figure A.10. In case of UE-receive diversity connect according to figure A.21.
- 2) Set up a call according to the Generic call setup procedure specified in TS 34.108 [3] clause 7.3.2, with the exception of the information element of Target quality on DCCH as 1(100%) in the RRC CONNECTION SETUP message. With this exception, the outer loop is based on DTCH and not on DCCH.
- 3) RF parameters are set up according to table 7.8.1.3.
- 4) Enter the UE into loopback test mode and start the loopback test.
- 5) SS will vary the physical channel power in downlink according to the TPC commands from UE. Downlink power control mode (DPC_MODE) 0 shall be used.

See TS 34.108 [3] and TS 34.109 [4] for details regarding generic call setup procedure and loopback test.

7.8.1.4.2 Procedure

- 1) After call set up, the SS waits 15 seconds.
- 2) After this period, BLER is measured. Simultaneously the downlink $\frac{DPCH - E_c}{I_{or}}$ power ratio averaged over one slot is measured.

7.8.1.5 Test Requirements

The test parameters are specified in table 7.8.1.3.

Table 7.8.1.3: Test parameter for downlink power control, constant BLER target

| Parameter | Test 1 | Test 2 | Unit |
|---|------------|--------|----------------|
| \hat{I}_{or}/I_{oc} | 9,6 | -0,4 | dB |
| I_{oc} | -60 | | dBm / 3,84 MHz |
| Information Data Rate | 12,2 | | kbps |
| Target quality on DTCH | 0,01 | | BLER |
| Propagation condition | Case 4 | | |
| Maximum_DL_Power (note) | 7 | | dB |
| Minimum_DL_Power (note) | -18 | | dB |
| DL Power Control step size, Δ_{TPC} | 1 | | dB |
| Limited Power Increase | "Not used" | | - |
| NOTE: Power is compared to P-CPICH as specified in [9]. | | | |

- a) The measured quality on DTCH does not exceed the values in table 7.8.1.4 for SS supporting immediate TPC response time or the values in 7.8.1.4A for SS supporting an additional one slot delay in TPC response time. BLER measurements shall be performed according to the statistical testing in Annex F.6.1.10.
- b) The downlink $\frac{DPCH - E_c}{I_{or}}$ power ratio values, which are averaged over one slot, shall be below the values in table 7.8.1.4 more than 90 % of the time for SS supporting immediate TPC response time or the values in 7.8.1.4A for SS supporting an additional one slot delay in TPC response time.

Table 7.8.1.4: Requirements in downlink power control, constant BLER target

| Parameter | Test 1 | Test 2 | Unit |
|-----------------------------|-------------|-------------|------|
| $\frac{DPCH - E_c}{I_{or}}$ | -15,9 | -8,9 | dB |
| Measured quality on DTCH | 0,01 ± 30 % | 0,01 ± 30 % | BLER |

Table 7.8.1.4A: Requirements in downlink power control, constant BLER target using SS with an additional one slot delay in power control response time

| Parameter | Test 1 | Test 2 | Unit |
|-----------------------------|-------------|-------------|------|
| $\frac{DPCH - E_c}{I_{or}}$ | -15,6 | -8,7 | dB |
| Measured quality on DTCH | 0,01 ± 30 % | 0,01 ± 30 % | BLER |

NOTE: If the above Test Requirement differs from the Minimum Requirement then the Test Tolerance applied for this test is non-zero. The Test Tolerance for this test is defined in clause F.2 and the explanation of how the Minimum Requirement has been relaxed by the Test Tolerance is given in clause F.4.

7.8.1A Power control in the downlink, constant BLER target (Release 6 and later)

7.8.1A.1 Definition and applicability

Power control in the downlink is the ability of the UE receiver to converge to required link quality set by the network while using as low power as possible in downlink. If a BLER target has been assigned to a DCCH (See clause C.3), then it has to be such that outer loop is based on DTCH and not on DCCH. The requirements and this test apply to Release 6 and later release for all types of UTRA for the FDD UE.

7.8.1A.2 Minimum requirements

For the parameters specified in table 7.8.1A.1 the downlink $\frac{DPCH_E_c}{I_{or}}$ power ratio measured values, which are averaged over one slot, shall be below the specified value in table 7.8.1A.2 more than 90% of the time. BLER shall be as shown in table 7.8.1A.2. Power control in downlink is ON during the test.

Table 7.8.1A.1: Test parameter for downlink power control, constant BLER target

| Parameter | Test 1 | Test 2 | Test 3 | Test 4 | Unit |
|--|--------|------------|--------|--------|----------------|
| \hat{I}_{or}/I_{oc} | 9 | -1 | 4 | 9 | dB |
| I_{oc} | | -60 | | | dBm / 3,84 MHz |
| Information Data Rate | 12.2 | | 64 | | kbps |
| Reference channel (See clause C.3) | C.3.1 | | C.3.5 | | - |
| Target quality on DTCH | 0.01 | | 0.1 | 0.001 | BLER |
| Target quality on DCCH | - | | 0.1 | 0.1 | BLER |
| Propagation condition | | Case 4 | | | |
| Maximum_DL_Power (note) | | 7 | | | dB |
| Minimum_DL_Power (note) | | -18 | | | dB |
| DL Power Control step size, Δ_{TPC} | | 1 | | | dB |
| Limited Power Increase | | "Not used" | | | - |

NOTE: Power is compared to P-CPICH as specified in [9].

Table 7.8.1A.2: Requirements in downlink power control, constant BLER target

| Parameter | Test 1 | Test 2 | Test 3 | Test 4 | Unit |
|----------------------------|-------------|-------------|------------|--------------|------|
| $\frac{DPCH_E_c}{I_{or}}$ | -16,0 | -9,0 | -9,0 | -10,3 | dB |
| Measured quality on DTCH | 0.01 ± 30 % | 0.01 ± 30 % | 0.1 ± 30 % | 0.001 ± 30 % | BLER |

The reference for this requirement is TS 25.101 [1] clause 8.8.1.1.

7.8.1A.3 Test purpose

To verify that the UE receiver is capable of converging to required link quality set by network while using as low power as possible.

7.8.1A.4 Method of test

7.8.1A.4.1 Initial conditions

Test environment: normal; see clauses G.2.1 and G.2.2.

Frequencies to be tested: mid range; see clause G.2.4.

- 1) Connect SS, multipath fading simulator and an AWGN source to the UE antenna connector as shown in figure A.10. In case of UE-receive diversity connect according to figure A.21.s
- 2) Set up a call according to the Generic call setup procedure specified in TS 34.108 [3] clause 7.3.2.

- 3) RF parameters are set up according to table 7.8.1A.3.
- 4) Enter the UE into loopback test mode and start the loopback test.
- 5) SS will vary the physical channel power in downlink according to the TPC commands from UE. Downlink power control mode (DPC_MODE) 0 shall be used.

See TS 34.108 [3] and TS 34.109 [4] for details regarding generic call setup procedure and loopback test.

7.8.1A.4.2 Procedure

- 1) After call set up, the SS waits 15 seconds.
- 2) After this period, BLER is measured. Simultaneously the downlink $\frac{DPCH - E_c}{I_{or}}$ power ratio averaged over one slot is measured.

7.8.1A.5 Test Requirements

The test parameters are specified in table 7.8.1A.3.

Table 7.8.1A.3: Test parameter for downlink power control, constant BLER target

| Parameter | Test 1 | Test 2 | Test 3 | Test 4 | Unit |
|--|--------|------------|--------|--------|----------------|
| \hat{I}_{or}/I_{oc} | 9.6 | -0.4 | 4.6 | 9.6 | dB |
| I_{oc} | | -60 | | | dBm / 3,84 MHz |
| Information Data Rate | 12.2 | | | 64 | kbps |
| Reference channel (See clause C.3) | C.3.1 | | | C.3.5 | - |
| Target quality on DTCH | 0.01 | | 0.1 | 0.001 | BLER |
| Target quality on DCCH | - | | 0.1 | 0.1 | BLER |
| Propagation condition | | Case 4 | | | |
| Maximum_DL_Power (note) | | 7 | | | dB |
| Minimum_DL_Power (note) | | -18 | | | dB |
| DL Power Control step size, Δ_{TPC} | | 1 | | | dB |
| Limited Power Increase | | "Not used" | | | - |

NOTE: Power is compared to P-CPICH as specified in [9].
Target quality on DCCH as 1(100%) for Test 1 and Test2.

- a) The measured quality on DTCH does not exceed the values in table 7.8.1A.4. BLER measurements shall be performed according to the statistical testing in Annex F.6.1.10.
- b) The downlink $\frac{DPCH - E_c}{I_{or}}$ power ratio values, which are averaged over one slot, shall be below the values in table 7.8.1A.4 more than 90 % of the time.

Table 7.8.1A.4: Requirements in downlink power control, constant BLER target

| Parameter | Test 1 | Test 2 | Test 3 | Test 4 | Unit |
|-----------------------------|-------------|-------------|------------|--------------|------|
| $\frac{DPCH - E_c}{I_{or}}$ | -15,9 | -8,9 | -8,9 | -10,2 | dB |
| Measured quality on DTCH | 0.01 ± 30 % | 0.01 ± 30 % | 0.1 ± 30 % | 0.001 ± 30 % | BLER |

NOTE: If the above Test Requirement differs from the Minimum Requirement then the Test Tolerance applied for this test is non-zero. The Test Tolerance for this test is defined in clause F.2 and the explanation of how the Minimum Requirement has been relaxed by the Test Tolerance is given in clause F.4.

7.8.2 Power control in the downlink, initial convergence

7.8.2.1 Definition and applicability

This requirement verifies that DL power control works properly during the first seconds after DPCH connection is established. The requirements and this test apply to all types of UTRA for the FDD UE.

7.8.2.2 Minimum requirements

For the parameters specified in table 7.8.2.1 the downlink DPCH_Ec/Ior power ratio measured values, which are averaged over 50 ms, shall be within the range specified in table 7.8.2.2 more than 90 % of the time. T1 equals to 500 ms and it starts 10 ms after the uplink DPDCH physical channel is considered established. T2 equals to 500 ms and it starts when T1 has expired. Power control is ON during the test.

The first 10 ms shall not be used for averaging, i.e. the first sample to be input to the averaging filter is at the beginning of T1. The averaging shall be performed with a sliding rectangular window averaging filter. The window size of the averaging filter is linearly increased from 0 up to 50 ms during the first 50 ms of T1, and then kept equal to 50ms.

Table 7.8.2.1: Test parameters for downlink power control, initial convergence

| Parameter | Test 1 | Test 2 | Test 3 | Test 4 | Unit |
|---|------------|--------|--------|--------|--------------|
| Target quality value on DTCH | 0,01 | 0,01 | 0,1 | 0,1 | BLER |
| Initial DPCH_Ec/Ior | -5,9 | -25,9 | -3 | -22,8 | dB |
| Information Data Rate | 12,2 | 12,2 | 64 | 64 | kbps |
| \hat{I}_{or}/I_{oc} | -1 | | | | dB |
| I_{oc} | -60 | | | | dBm/3,84 MHz |
| Propagation condition | Static | | | | |
| Maximum_DL_Power (note) | 7 | | | | dB |
| Minimum_DL_Power (note) | -18 | | | | dB |
| DL Power Control step size, Δ_{TPC} | 1 | | | | dB |
| Limited Power Increase | "Not used" | | | | |
| NOTE: Power is compared to P-CPICH as specified in [9]. | | | | | |

Table 7.8.2.2: Requirements in downlink power control, initial convergence

| Parameter | Test 1 and Test 2 | Test 3 and Test 4 | Unit |
|--------------------------------------|--|--|------|
| $\frac{DPCH_E_c}{I_{or}}$ during T1 | $-18,9 \leq DPCH_E_c/I_{or} \leq -11,9$ | $-15,1 \leq DPCH_E_c/I_{or} \leq -8,1$ | dB |
| $\frac{DPCH_E_c}{I_{or}}$ during T2 | $-18,9 \leq DPCH_E_c/I_{or} \leq -14,9$ | $-15,1 \leq DPCH_E_c/I_{or} \leq -11,1$ | dB |

NOTE: The low limit is decreased by 3 dB for a UE with more than one antenna connector.

The reference for this requirement is TS 25.101 [1] clause 8.8.2.1.

NOTE: DTCH shall be transmitted during the whole test.

7.8.2.3 Test purpose

To verify that DL power control works properly during the first seconds after DPCH connection is established.

7.8.2.4 Method of test

7.8.2.4.1 Initial conditions

Test environment: normal; see clauses G.2.1 and G.2.2.

Frequencies to be tested: mid range; see clause G.2.4.

- 1) Connect SS and an AWGN source to the UE antenna connector as shown in figure A.9. In case of UE-receive diversity connect according to figure A.26.

7.8.2.4.2 Procedure

- 1) Enter the UE into loopback test mode according to the Generic call setup procedure specified in TS 34.108 [3] clause 7.3.2, with the exception of the information element of Target quality on DCCH as 1(100%) in the RRC CONNECTION SETUP message. With this exception, the outer loop is based on DTCH and not on DCCH. System simulator shall activate power control at the activation time of the Radio Bearer Setup message (At RRC connection setup only DCCH is established). The uplink DPCH physical channel is considered established at the activation time of the Radio Bearer Setup message.
- 2) RF parameters are set up according to table 7.8.2.3 for the test running. After the transmission of Radio Bearer Setup message, Initial DPCH_Ec/I_{or} is set to the specified level at the activation time.
- 3) SS will vary the physical channel power in downlink according to the TPC commands from UE. Downlink power control mode (DPC_MODE) 0 shall be used.
- 4) Measure $\frac{DPCH_E_c}{I_{or}}$ power ratio averaged over 50 ms during T1. T1 starts 10 ms after the uplink DPDCH physical channel is considered established and T1 equals to 500 ms. The first 10 ms shall not be used for averaging, i.e. the first sample to be input to the averaging filter is at the beginning of T1. The averaging shall be performed with a sliding rectangular window averaging filter. The window size of the averaging filter is linearly increased from 0 up to 50 ms during the first 50 ms of T1, and then kept equal to 50ms. At the first slot where the averaging window crosses the T1 - T2 boundary, the average power level within the window begins to test against the T2 requirements.
- 5) Measure $\frac{DPCH_E_c}{I_{or}}$ power ratio averaged over 50 ms during T2. T2 starts, when T1 has expired and T2 equals to 500 ms.

The reception of the "RB setup complete" and the "CLOSE UE TEST LOOP COMPLETE" messages is not necessary to pass this test.

7.8.2.5 Test Requirements

The test parameters are specified in table 7.8.2.3.

Table 7.8.2.3: Test parameters for downlink power control, initial convergence

| Parameter | Test 1 | Test 2 | Test 3 | Test 4 | Unit |
|---|----------------|----------------|----------------|----------------|--------------|
| Target quality value on DTCH | 0,01 | 0,01 | 0,1 | 0,1 | BLER |
| Initial DPCH_Ec/I _{or} | -5,9 | -25,9 | -3 | -22,8 | dB |
| Down Link Information Data Rate | 12,2 | 12,2 | 64 | 64 | kbps |
| Up Link Information Data Rate | 12,2 Note 2 | 12,2 Note 2 | 12,2 Note 3 | 12,2 Note 3 | kbps |
| \hat{I}_{or}/I_{oc} | -1 | | | | dB |
| I_{oc} | -60 | | | | dBm/3,84 MHz |
| Propagation condition | Static | | | | |
| Maximum_DL_Power (note 1) | 7 | | | | dB |
| Minimum_DL_Power (note 1) | -18 | | | | dB |
| DL Power Control step size, Δ_{TPC} | 1 | | | | dB |
| Limited Power Increase | "Not used" | | | | |
| NOTE 1: Power is compared to P-CPICH as specified in [9]. | | | | | |
| NOTE 2: UL TM AUXMC 12.2 kbps, no CRC. See C.6.3. | | | | | |
| NOTE 3: UL AM AUXMC 12.2 kbps. See C.6.7. | | | | | |

- a) The downlink $\frac{DPCH_E_c}{I_{or}}$ power ratio values shall be within the range specified in table 7.8.2.4 during T1 more than 90 % of the time or, when using an SS with an additional one slot delay in power control response, within the range specified in table 7.8.2.4A during T1 more than 90 % of the time.

- b) The downlink $\frac{DPCH_E_c}{I_{or}}$ power ratio values shall be within the range specified in table 7.8.2.4 during T2 more than 90 % of the time or, when using an SS with an additional one slot delay in power control response, within the range specified in table 7.8.2.4A during T2 more than 90 % of the time.

Table 7.8.2.4: Requirements in downlink power control, initial convergence

| Parameter | Test 1 and Test 2 | Test 3 and Test 4 | Unit |
|--------------------------------------|--------------------------------------|--------------------------------------|------|
| $\frac{DPCH_E_c}{I_{or}}$ during T1 | $-19,5 \leq DPCH_Ec/lor \leq -11,3$ | $-15,7 \leq DPCH_Ec/lor \leq -7,5$ | dB |
| $\frac{DPCH_E_c}{I_{or}}$ during T2 | $-19,5 \leq DPCH_Ec/lor \leq -14,3$ | $-15,7 \leq DPCH_Ec/lor \leq -10,5$ | dB |

NOTE: The low limit is decreased by 3 dB for a UE with more than one antenna connector.

Table 7.8.2.4A: Requirements in downlink power control, initial convergence target using SS with an additional one slot delay in power control response time

| Parameter | Test 1 and Test 2 | Test 3 and Test 4 | Unit |
|--------------------------------------|--------------------------------------|--------------------------------------|------|
| $\frac{DPCH_E_c}{I_{or}}$ during T1 | $-19,7 \leq DPCH_Ec/lor \leq -11,1$ | $-15,9 \leq DPCH_Ec/lor \leq -7,3$ | dB |
| $\frac{DPCH_E_c}{I_{or}}$ during T2 | $-19,7 \leq DPCH_Ec/lor \leq -14,1$ | $-15,9 \leq DPCH_Ec/lor \leq -10,3$ | dB |

NOTE: The low limit is decreased by 3 dB for a UE with more than one antenna connector.

NOTE: If the above Test Requirement differs from the Minimum Requirement then the Test Tolerance applied for this test is non-zero. The Test Tolerance for this test is defined in clause F.2 and the explanation of how the Minimum Requirement has been relaxed by the Test Tolerance is given in clause F.4.

7.8.3 Power control in the downlink, wind up effects (Release 5 and earlier)

7.8.3.1 Definition and applicability

This requirement verifies that, after the downlink maximum power is limited in the UTRAN and it has been released again, the downlink power control in the UE does not have a wind up effect, i.e. the required DL power has increased during time period the DL power was limited. The requirements and this test apply to all types of UTRA for the FDD UE for Release 5 and earlier releases.

7.8.3.2 Minimum requirements

This test is run in three stages where stage 1 is for convergence of the power control loop, in stage two the maximum downlink power for the dedicated channel is limited not to be higher than the parameter specified in table 7.8.3.1. All parameters used in the three stages are specified in table 7.8.3.1. The downlink $\frac{DPCH_E_c}{I_{or}}$ power ratio measured values, which are averaged over one slot, during stage 3 shall be lower than the value specified in table 7.8.3.2 more than 90 % of the time. Power control of the UE is ON during the test.

Table 7.8.3.1: Test parameter for downlink power control, wind-up effects

| Parameter | Test 1 | | | Unit |
|---|---|---------|---------|--------------|
| | Stage 1 | Stage 2 | Stage 3 | |
| Time in each stage | >15 | 5 | 0,5 | s |
| \hat{I}_{or}/I_{oc} | 5 | | | dB |
| I_{oc} | -60 | | | dBm/3,84 MHz |
| Information Data Rate | 12,2 | | | kbps |
| Quality target on DTCH | 0,01 | | | BLER |
| Propagation condition | Case 4 | | | |
| Maximum_DL_Power (note) | 7 | -6,2 | 7 | dB |
| Minimum_DL_Power (note) | -18 | | | dB |
| DL Power Control step size, Δ_{TPC} | 1 | | | dB |
| Limited Power Increase | "Not used" | | | - |
| NOTE: | Power is compared to P-CPICH as specified in [9]. | | | |

Table 7.8.3.2: Requirements in downlink power control, wind-up effects

| Parameter | Test 1, stage 3 | Unit |
|----------------------------|-----------------|------|
| $\frac{DPCH_E_c}{I_{or}}$ | -13,3 | dB |

The reference for this requirement is TS 25.101 [1] clause 8.8.3.1.

7.8.3.3 Test purpose

To verify that the UE downlink power control does not require too high downlink power during a period after the downlink power is limited by the UTRAN.

7.8.3.4 Method of test

7.8.3.4.1 Initial conditions

Test environment: normal; see clauses G.2.1 and G.2.2.

Frequencies to be tested: mid range; see clause G.2.4.

- 1) Connect SS, multipath fading simulator and an AWGN source to the UE antenna connector as shown in figure A.10. In case of UE-receive diversity connect according to figure A.21.
- 2) Set up a call according to the Generic call setup procedure specified in TS 34.108 [3] clause 7.3.2, with the exception of the information element of Target quality on DCCH as 1(100%) in the RRC CONNECTION SETUP message. With this exception, the outer loop is based on DTCH and not on DCCH.
- 3) Enter the UE into loopback test mode and start the loopback test.

See TS 34.108 [3] and TS 34.109 [4] for details regarding generic call setup procedure and loopback test.

7.8.3.4.2 Procedure

- 1) RF parameters are set up according to table 7.8.3.3. Stage 1 is used for the power control to converge and during Stage 2 the maximum downlink power is limited by UTRAN.
- 2) SS will vary the physical channel power in downlink according to the TPC commands from UE during stages 1, 2, and 3. Downlink power control mode (DPC_MODE) 0 shall be used.
- 3) Measure $\frac{DPCH_E_c}{I_{or}}$ power ratio during stage 3 according to table 7.8.3.3.
- 4) Repeat steps 1 - 3 328 times.

NOTE: The number of repetitions (328) is derived from minimum testing time for 3 km/h fading channels (Table F.6.1.6.2; 164 seconds).

7.8.3.5 Test Requirements

The test parameters are specified in table 7.8.3.3.

Table 7.8.3.3: Test parameter for downlink power control, wind-up effects

| Parameter | Test 1 | | | Unit |
|---|------------|---------|---------|--------------|
| | Stage 1 | Stage 2 | Stage 3 | |
| Time in each stage | >15 | 5 | 0,5 | s |
| \hat{I}_{or}/I_{oc} | 5,6 | | | dB |
| I_{oc} | -60 | | | dBm/3,84 MHz |
| Information Data Rate | 12,2 | | | kbps |
| Quality target on DTCH | 0,01 | | | BLER |
| Propagation condition | Case 4 | | | |
| Maximum_DL_Power (note) | 7 | -6,2 | 7 | dB |
| Minimum_DL_Power (note) | -18 | | | dB |
| DL Power Control step size, Δ_{TPC} | 1 | | | dB |
| Limited Power Increase | "Not used" | | | - |
| NOTE: Power is compared to P-CPICH as specified in [9]. | | | | |

The downlink $\frac{DPCH_E_c}{I_{or}}$ power ratio values, which are averaged over one slot during stage 3, shall be lower than the level specified in table 7.8.3.4 during stage 3 more than 90 % of the time for SS supporting immediate TPC response time or the values in 7.8.3.4A for SS supporting an additional one slot delay in TPC response time.

Table 7.8.3.4: Requirements in downlink power control, wind-up effects

| Parameter | Test 1, stage 3 | Unit |
|----------------------------|-----------------|------|
| $\frac{DPCH_E_c}{I_{or}}$ | -13,2 | dB |

Table 7.8.3.4A: Requirements in downlink power control, wind-up effects with an additional one slot delay in power control response time

| Parameter | Test 1, stage 3 | Unit |
|----------------------------|-----------------|------|
| $\frac{DPCH_E_c}{I_{or}}$ | -12.9 | dB |

NOTE: If the above Test Requirement differs from the Minimum Requirement then the Test Tolerance applied for this test is non-zero. The Test Tolerance for this test is defined in clause F.2 and the explanation of how the Minimum Requirement has been relaxed by the Test Tolerance is given in clause F.4.

7.8.3A Power control in the downlink, wind up effects (Release 6 and later)

7.8.3A.1 Definition and applicability

This requirement verifies that, after the downlink maximum power is limited in the UTRAN and it has been released again, the downlink power control in the UE does not have a wind up effect, i.e. the required DL power has increased during time period the DL power was limited. The requirements and this test apply to Release 6 and later release for all types of UTRA for the FDD UE.

7.8.3A.2 Minimum requirements

This test is run in three stages where stage 1 is for convergence of the power control loop. In stage two the maximum downlink power for the dedicated channel is limited not to be higher than the parameter specified in table 7.8.3A.1. All

parameters used in the three stages are specified in table 7.8.3A.1. The downlink $\frac{DPCH - E_c}{I_{or}}$ power ratio measured values, which are averaged over one slot, during stage 3 shall be lower than the value specified in table 7.8.3A.2 more than 90 % of the time. Power control of the UE is ON during the test.

Table 7.8.3A.1: Test parameter for downlink power control, wind-up effects

| Parameter | Test 1 | | | Unit |
|--|------------|---------------------|---------|--------------|
| | Stage 1 | Stage 2 | Stage 3 | |
| Time in each stage | 5 | 5 | 0,5 | S |
| \hat{I}_{or}/I_{oc} | 5 | | | dB |
| I_{oc} | -60 | | | dBm/3,84 MHz |
| Information Data Rate | 12,2 | | | Kbps |
| Quality target on DTCH | 0,01 | | | BLER |
| Propagation condition | Case 4 | | | |
| Maximum_DL_Power (Note 2) | 7 | min(-6,2, P) Note 1 | 7 | dB |
| Minimum_DL_Power (Note 2) | -18 | | | dB |
| DL Power Control step size, Δ_{TPC} | 1 | | | dB |
| Limited Power Increase | "Not used" | | | - |
| <p style="text-align: center;">$\frac{DPCH - E_c}{I_{or}}$</p> <p>NOTE 1: P is the level corresponding to the average $\frac{DPCH - E_c}{I_{or}}$ power ratio - 2 dB compared to the P-CPICH level. The average $\frac{DPCH - E_c}{I_{or}}$ power ratio is measured during the initialisation stage after the power control loop has converged before the actual test starts.</p> <p>NOTE 2: Power is compared to P-CPICH as specified in [9].</p> | | | | |

Table 7.8.3A.2: Requirements in downlink power control, wind-up effects

| Parameter | Test 1, stage 3 | Unit |
|-----------------------------|-----------------|------|
| $\frac{DPCH - E_c}{I_{or}}$ | -13,3 | dB |

The reference for this requirement is TS 25.101 [1] clause 8.8.3.1.

7.8.3A.3 Test purpose

To verify that the UE downlink power control does not require too high downlink power during a period after the downlink power is limited by the UTRAN.

7.8.3A.4 Method of test

7.8.3A.4.1 Initial conditions

Test environment: normal; see clauses G.2.1 and G.2.2.

Frequencies to be tested: mid range; see clause G.2.4.

- 1) Connect SS, multipath fading simulator and an AWGN source to the UE antenna connector as shown in figure A.10. In case of UE-receive diversity connect according to figure A.21
- 2) Set up a call according to the Generic call setup procedure specified in TS 34.108 [3] clause 7.3.2.
- 3) Enter the UE into loopback test mode and start the loopback test. RF parameters are set up according to table

7.8.3A.3. SS waits 15 seconds and then collects the $\frac{DPCH - E_c}{I_{or}}$ power ratio measured values, which are averaged over one slot, over 10 second period. The average of these $\frac{DPCH - E_c}{I_{or}}$ values is then calculated and 2 dB is subtracted from it to get the power value P, which will then be used during the stage 2 in the test procedure.

See TS 34.108 [3] and TS 34.109 [4] for details regarding generic call setup procedure and loopback test.

7.8.3A.4.2 Procedure

- 1) RF parameters are set up according to table 7.8.3A.3. Stage 1 is used for the power control to converge and During Stage 2 the maximum downlink power is limited by UTRAN.
- 2) SS will vary the physical channel power in downlink according to the TPC commands from UE during stages 1, 2, and 3. Downlink power control mode (DPC_MODE) 0 shall be used.

- 3) Measure $\frac{DPCH - E_c}{I_{or}}$ power ratio during stage 3 according to table 7.8.3A.3.
- 4) Repeat steps 1) to 3) 328 times.

NOTE: The number of repetitions (328) is derived from minimum testing time for 3 km/h fading channels (Table F.6.1.6.2; 164 seconds).

Table 7.8.3A.3: Test parameter for downlink power control, wind-up effects

| Parameter | Test 1 | | | Unit |
|--|------------|---------------------|---------|--------------|
| | Stage 1 | Stage 2 | Stage 3 | |
| Time in each stage | 5 | 5 | 0,5 | s |
| \hat{I}_{or}/I_{oc} | 5,6 | | | dB |
| I_{oc} | -60 | | | dBm/3,84 MHz |
| Information Data Rate | 12,2 | | | kbps |
| Quality target on DTCH | 0,01 | | | BLER |
| Propagation condition | Case 4 | | | |
| Maximum_DL_Power (Note 2) | 7 | min(-6,2, P) Note 1 | 7 | dB |
| Minimum_DL_Power (Note 2) | -18 | | | dB |
| DL Power Control step size, Δ_{TPC} | 1 | | | dB |
| Limited Power Increase | "Not used" | | | - |
| <p>NOTE 1: P is the level corresponding to the average $\frac{DPCH - E_c}{I_{or}}$ power ratio - 2 dB compared to the P-CPICH level. The average $\frac{DPCH - E_c}{I_{or}}$ power ratio is measured during the initialisation stage after the power control loop has converged before the actual test starts.</p> <p>NOTE 2: Power is compared to P-CPICH as specified in [9]. Target quality on DCCH as 1(100%) for Test1.</p> | | | | |

The downlink $\frac{DPCH - E_c}{I_{or}}$ power ratio values, which are averaged over one slot during stage 3, shall be lower than the level specified in table 7.8.3A.4 during stage 3 more than 90 % of the time.

Table 7.8.3A.4: Requirements in downlink power control, wind-up effects

| Parameter | Test 1, stage 3 | Unit |
|-----------------------------|-----------------|------|
| $\frac{DPCH - E_c}{I_{or}}$ | -13,2 | dB |

NOTE: If the above Test Requirement differs from the Minimum Requirement then the Test Tolerance applied for this test is non-zero. The Test Tolerance for this test is defined in clause F.2 and the explanation of how the Minimum Requirement has been relaxed by the Test Tolerance is given in clause F.4.

7.8.4 Power control in the downlink, different transport formats

7.8.4.1 Definition and applicability

This requirement verifies that UE outer loop power control has proper behaviour with different transport formats. The requirements and this test apply for Release 5 and later releases to all types of UTRA for the FDD UE.

7.8.4.2 Minimum requirements

Test 1 verifies that UE outer loop power control has proper behaviour with different transport formats.

The downlink reference measurement channel used in this subclause shall have two different transport formats. The different transport formats of the downlink reference measurement channel used shall correspond to the measurement channels specified in Annex C.3.1A. The different transport formats of the uplink reference measurement channel used shall correspond to the measurement channels specified in Annex C.6.3A. The transport format used in downlink reference measurement channel during different stages of the test shall be set according to the information data rates specified in Table 7.8.4.1. During stage 1 a downlink transport format combination using the 12.2kbps information data rate DTCH shall be used, and during stage 2 the downlink transport format combination shall be changed such that a 0kbps information data rate transport format combination is then used.

For the parameters specified in Table 7.8.4.1 the downlink $\frac{DPCH - E_c}{I_{or}}$ power ratio measured values, which are averaged over one slot, shall be below the specified value in Table 7.8.4.2 more than 90% of the time. BLER shall be as shown in Table 7.8.4.2. Power control in downlink is ON during the test.

Table 7.8.4.1: Parameters for downlink power control in case of different transport formats

| Parameter | Unit | Test 1 | |
|--|--------------|------------|---------|
| | | Stage 1 | Stage 2 |
| Time in each stage | S | Note 1 | Note 1 |
| \hat{I}_{or}/I_{oc} | dB | 9 | |
| I_{oc} | dBm/3.84 MHz | -60 | |
| Information Data Rate | Kbps | 12.2 | 0 |
| Quality target on DTCH | BLER | 0.01 | |
| Quality target on DCCH | BLER | 1 | |
| Propagation condition | | Case4 | |
| Maximum_DL_Power | dB | 7 | |
| Minimum_DL_Power | dB | -18 | |
| DL Power Control step size, Δ_{TPC} | dB | 1 | |
| Limited Power Increase | - | "Not used" | |
| NOTE 1: The stage lasts until the DTCH quality has converged to the quality target | | | |

NOTE: Power is compared to P-CPICH as specified in [9].

Table 7.8.4.2: Requirements in downlink power control in case of different transport formats

| Parameter | Unit | Test 1, stage 1 | Test 1, stage 2 |
|----------------------------|------|-----------------|-----------------|
| $\frac{DPCH_E_c}{I_{or}}$ | dB | -16.0 | -18.0 |
| Measured quality on DTCH | BLER | 0.01±30% | 0.01±30% |

The reference for this requirement is TS 25.101 [1] clause 8.8.4.1.

7.8.4.3 Test purpose

To verify that the UE outer loop power control works properly with different transport formats.

7.8.4.4 Method of test

7.8.4.4.1 Initial conditions

Test environment: normal; see clauses G.2.1 and G.2.2.

Frequencies to be tested: mid range; see clause G.2.4.

- 1) Connect SS, multipath fading simulator and an AWGN source to the UE antenna connector as shown in figure A.10. In case of UE-receive diversity connect according to figure A.21
- 2) Set up a call according to the Generic call setup procedure specified in TS 34.108 [3] clause 7.3.2, with the exception of the information elements of Target quality on DCCH as 1(100%) in the RRC CONNECTION SETUP message. With this exception, the outer loop is based on DTCH and not on DCCH. Downlink power control mode (DPC_MODE) 0 shall be used.
- 3) Enter the UE into loopback test mode 2 and start the loopback test.

See TS 34.108 [3] and TS 34.109 [4] for details regarding generic call setup procedure and loopback test.

7.8.4.4.2 Procedure

- 1) RF parameters are set up according to table 7.8.4.3.
- 2) SS will vary the physical channel power in downlink according to the TPC commands from UE during stage 1 and 2.
- 3) Stage 1. The SS waits 15 seconds before it performs the measurement in step 4.
- 4) Measure quality on DTCH according to statistical significance in Annex F.6.1.10 and $\frac{DPCH_E_c}{I_{or}}$ power ratio according to table 7.8.4.3.
- 5) Stage 2. The SS waits 15 seconds before it performs the measurement in step 6.
- 6) Measure quality on DTCH according to statistical significance in Annex F.6.1.10 and $\frac{DPCH_E_c}{I_{or}}$ power ratio according to table 7.8.4.3. Note: The measurement should not start until after power control has converged.

7.8.4.5 Test Requirements

The test parameters are specified in table 7.8.4.3.

Table 7.8.4.3: Parameters for downlink power control in case of different transport formats

| Parameter | Unit | Test 1 | |
|---|--------------|------------|---------|
| | | Stage 1 | Stage 2 |
| Time in each stage | S | Note 1 | Note 1 |
| \hat{I}_{or}/I_{oc} | dB | 9.6 | |
| I_{oc} | dBm/3.84 MHz | -60 | |
| Information Data Rate | Kbps | 12.2 | 0 |
| Quality target on DTCH | BLER | 0.01 | |
| Quality target on DCCH | BLER | 1 | |
| Propagation condition | | Case4 | |
| Maximum_DL_Power | dB | 7 | |
| Minimum_DL_Power | dB | -18 | |
| DL Power Control step size, Δ_{TPC} | dB | 1 | |
| Limited Power Increase | - | "Not used" | |
| NOTE 1: The stage lasts until the DTCH quality has converged to the quality target. | | | |

NOTE: Power is compared to P-CPICH as specified in [9].

- a) The measured quality on DTCH does not exceed the values in table 7.8.4.4 or in table 7.8.4.5.
- b) The downlink $\frac{DPCH - E_c}{I_{or}}$ power ratio values, which are averaged over one slot, shall be below the values in table 7.8.4.4 more than 90 % of the time for SS supporting immediate power control response time or below the values in 7.8.4.5 for SS supporting an additional one slot delay in power control response time.

Table 7.8.4.4: Requirements in downlink power control in case of different transport formats

| Parameter | Unit | Test 1, stage 1 | Test 1, stage 2 |
|-----------------------------|------|-----------------|-----------------|
| $\frac{DPCH - E_c}{I_{or}}$ | dB | -15.9 | -17.9 |
| Measured quality on DTCH | BLER | 0.01±30% | 0.01±30% |

Table 7.8.4.5: Requirements in downlink power control in case of different transport formats with an additional one slot delay in power control response time

| Parameter | Unit | Test 1, stage 1 | Test 1, stage 2 |
|-----------------------------|------|-----------------|-----------------|
| $\frac{DPCH - E_c}{I_{or}}$ | dB | -15.6 | -17.7 |
| Measured quality on DTCH | BLER | 0.01±30% | 0.01±30% |

NOTE: If the above Test Requirement differs from the Minimum Requirement then the Test Tolerance applied for this test is non-zero. The Test Tolerance for this test is defined in clause F.2 and the explanation of how the Minimum Requirement has been relaxed by the Test Tolerance is given in clause F.4.

7.8.5 Power control in the downlink for F-DPCH

7.8.5.1 Definition and applicability

Power control in the downlink is the ability of the UE receiver to converge to required link quality set by the network while using as low power as possible in downlink.

The requirements and this test apply to release 6 and later releases for all types of UTRA for the FDD UE that support F-DPCH and HSDPA.

7.8.5.2 Minimum requirements

For the parameters specified in table 7.8.5.1 the downlink $\frac{F - DPCH - E_c}{I_{or}}$ power ratio measured values, which are averaged over TPC symbols of the F-DPCH frame, shall be below the specified value in table 7.8.5.2 more than 90% of the time. TPC Command Error Ratio shall be in the limits given by table 7.8.5.2. Power control in downlink is ON during the test.

Table 7.8.5.1: Test parameter for downlink power control for F-DPCH

| Parameter | Test 1 | Test 2 | Unit |
|---|-------------|--------|----------------|
| \hat{I}_{or}/I_{oc} | 9 | -1 | dB |
| I_{oc} | -60 | | dBm / 3,84 MHz |
| Spreading Factor (SF) | 256 | | |
| Target quality value on Fractional DPCH (F-DPCH) | 0.01 | 0.05 | |
| Propagation condition | Case 4 | | |
| Maximum_DL_Power (note) | 7 | | dB |
| Minimum_DL_Power (note) | -18 | | dB |
| DL Power Control step size, Δ_{TPC} | 1 | | dB |
| Limited Power Increase | "Not used" | | - |
| Power Control Algorithm | Algorithm 1 | | |
| NOTE: Power is compared to P-CPICH as specified in [9]. | | | |

Table 7.8.5.2: Requirements in downlink power control for F-DPCH

| Parameter | Test 1 | Test 2 | Unit |
|---------------------------------|--------|--------|------|
| $\frac{F - DPCH - E_c}{I_{or}}$ | -15,9 | -12,0 | dB |
| TPC Command Error Ratio high | 0,015 | 0,065 | - |
| TPC Command Error Ratio low | 0,005 | 0,035 | - |

The reference for this requirement is TS 25.101 [1] clause 8.8.1.1.

7.8.5.3 Test purpose

To verify that the UE receiver is capable of converging to required link quality set by network while using as low power as possible.

7.8.5.4 Method of test

7.8.5.4.1 Initial conditions

Test environment: normal; see clauses G.2.1 and G.2.2.

Frequencies to be tested: mid range; see clause G.2.4.

- 1) Connect SS, multipath fading simulator and an AWGN source to the UE antenna connector as shown in figure A.10. In case of UE-receive diversity connect according to figure A.21.
- 2) The Fixed Reference Channels (FRC H-Set 1, QPSK) are specified in Annex C.8.1.1.3) Set up a HSDPA call according to the call setup procedure specified in TS 34.108 [3] clause 7.3.11 with levels according to table E.5C.1.
- 3) Once the HSDPA connection is setup, and start transmitting HSDPA Data.
- 4) Additional RF parameters are set up according to table 7.8.5.3.

- 5) Set the uplink DPCH power control parameters to use Algorithm 1 with a step size of 1 dB and the uplink HS-DPCCH to be continuous.
- 6) SS will vary the physical channel power in downlink according to the TPC commands from UE. Downlink power control mode (DPC_MODE) 0 shall be used.

See TS 34.108 [3] for details regarding generic call setup procedure.

7.8.5.4.2 Procedure

- 1) After call set up generate suitable TPC commands from the SS to set the output power of the UE, measured at the UE antenna connector, to be in the range 0 dBm +/-2 dB. This is a nominal setting and not part of the test requirements.
- 2) SS waits 15 seconds and then sends repetitive UP/DOWN/UP/DOWN TPC pattern to the UE. During the measurements it may be possible that UE output power drifts far away from the nominal setting (0 dBm) due to erroneously received TPC commands. If power drift causes problems for the SS to continue the measurements, then the SS shall send suitable TPC commands to set UE output power back to its nominal setting. Same as the regular UP/DOWN/UP/DOWN TPCs, the deviating TPCs with the corresponding power steps are counted as samples.
- 3) After this period, measure TPC Command Error Rate according to statistical significance in Annex F.6.1.10. This is done as follows: The SS shall measure the mean output power of the UE in each timeslot, not including the 25 µs transient periods at the start and end of each slot. For each timeslot
 - if TPC command corresponding to this timeslot was UP, and the mean power in that timeslot is greater than or equal to the mean power in the previous timeslot plus 0.4 dB, increment a counter of correct samples. Otherwise increment a counter of wrong samples.
 - if TPC command corresponding to this timeslot was DOWN, and the mean power in that timeslot is less than or equal to the mean power in the previous timeslot minus 0.4 dB, increment a counter of correct samples. Otherwise increment a counter of wrong samples.

Simultaneously the downlink $\frac{F - DPCH - E_c}{I_{or}}$ power ratio averaged over TPC symbols of the F-DPCH frame is measured..

Specific Message Contents

All message indicated above shall use the same content as described in the default message content in clause 9 of TS 34.108 [3] with the following exceptions

RRC CONNECTION REQUEST (Step 2)

| Information Element | Value/remark | Version |
|---------------------|--------------|---------|
| Message Type | | |
| Support for F-DPCH | TRUE | Rel-6 |

RADIO BEARER SETUP HSDPA with F-DPCH (Step 2)

| Information Element | Value/remark | Version |
|---|--|---------|
| UL Transport channel information for all transport channels | | |
| - PRACH TFCS | Not Present | |
| - CHOICE Mode | FDD | |
| - TFC subset | Not Present | |
| - UL DCH TFCS | | |
| - CHOICE TFCI signalling | Normal | |
| - TFCI Field 1 information | | |
| - CHOICE TFCS representation | Complete reconfiguration | |
| - TFCS complete reconfiguration information | | |
| - CHOICE CTFC Size | 2 bit CTFC | |
| - CTFC information | 2 TFCS | |
| - 2bit CTFC | 0 | |
| - Power offset Information | | |
| - CHOICE Gain Factors | computedGainFactors | |
| - Reference TFC ID | 0 | |
| - CHOICE mode | FDD | |
| - Power offset Pp-m | Not Present | |
| - 2bit CTFC | 1 | |
| - Power offset Information | | |
| - CHOICE Gain Factors | signalledGainFactors | |
| - CHOICE mode | FDD | |
| - Gain factor β_c | 11 | |
| - Gain factor β_d | 15 | |
| - Reference TFC ID | 0 | |
| - CHOICE mode | FDD | |
| - Power offset Pp-m | Not Present | |
| Uplink DPCH info | | Rel-6 |
| - Uplink DPCH power control info | | |
| - Δ_{ACK} | 5 | |
| - Δ_{NACK} | 5 | |
| - Ack-Nack repetition factor | 3(required for continuous HS-DPCCH signal) | |
| Downlink HS-PDSCH Information | | Rel-6 |
| - HS-SCCH Info | | |
| - CHOICE mode | FDD | |
| - DL Scrambling Code | Not present | |
| - HS-SCCH Channelisation Code Information | | |
| - HS-SCCH Channelisation Code | 2 | |
| - Measurement Feedback Info | | |
| - CHOICE mode | FDD | |
| - POhsdsch | 3 dB | |
| - CQI Feedback cycle, k | 4 ms | |
| - CQI repetition factor | 2(required for continuous HS-DPCCH signal) | |
| - Δ_{CQI} | 5 (corresponds to 0dB in relative power offset) | |
| - CHOICE mode | FDD (no data) | |
| Downlink information common for all radio links | | |
| - Downlink F-DPCH info common for all RL | | Rel-6 |
| - Timing Indication | Maintain | |
| - Timing maintained Synchronization indicator | FALSE | |
| - Downlink F-DPCH power control information | | |
| - DPC mode | 0 (single) | |
| - TPC command error rate target | 0,01 \pm 50 % (Test 1), 0,05 \pm 30 % (Test 2) | |
| Downlink information for each radio link | | |
| - Downlink information for each radio link | | |
| - Choice mode | FDD | |
| - Primary CPICH info | | |
| - Primary scrambling code | Reference to clause 6.1 "Default settings (FDD)" | |
| - Serving HS-DSCH radio link indicator | TRUE | Rel-5 |
| - Downlink DPCH info for each RL | Not Present | |
| - Downlink F-DPCH info for each RL | | Rel-6 |
| - Primary CPICH usage for channel estimation | Primary CPICH may be used | |

| Information Element | Value/remark | Version |
|-----------------------------|---|---------|
| - F-DPCH frame offset | Set to value Default DPCH Offset Value (as currently stored in SS) mod 38 400 | |
| - Secondary CPICH info | Not Present | |
| - Secondary scrambling code | Not Present | |
| - Code number | 12 | |
| - TPC combination index | 0 | |

7.8.5.5 Test Requirements

The test parameters are specified in table 7.8.5.3.

Table 7.8.5.3: Test parameter for downlink power control for F-DPCH

| Parameter | Test 1 | Test 2 | Unit |
|---|-------------|--------|----------------|
| \hat{I}_{or}/I_{oc} | 9,6 | -0,4 | dB |
| I_{oc} | -60 | | dBm / 3,84 MHz |
| Spreading Factor (SF) | 256 | | |
| Target quality value on Fractional DPCH (F-DPCH) | 0,01 | 0,05 | - |
| Propagation condition | Case 4 | | |
| Maximum_DL_Power (note) | 7 | | dB |
| Minimum_DL_Power (note) | -18 | | dB |
| DL Power Control step size, Δ_{TPC} | 1 | | dB |
| Limited Power Increase | "Not used" | | - |
| Power Control Algorithm | Algorithm 1 | | |
| NOTE: Power is compared to P-CPICH as specified in [9]. | | | |

- a) The measured quality on F-DPCH shall be in the limits given by table 7.8.5.4. TPC Command Error Rate shall be performed as specified in TS 25.214 [9].
- b) The downlink $\frac{F - DPCH - E_c}{I_{or}}$ power ratio values, which are averaged over TPC symbols of the F-DPCH frame, shall be below the values in table 7.8.5.4 more than 90 % of the time.

Table 7.8.5.4: Requirements in downlink power control for F- DPCH

| Parameter | Test 1 | Test 2 | Unit |
|---------------------------------|--------|--------|------|
| $\frac{F - DPCH - E_c}{I_{or}}$ | -15,8 | -11,9 | dB |
| TPC Command Error Ratio high | 0,015 | 0,065 | - |
| TPC Command Error Ratio low | 0,005 | 0,035 | - |

NOTE: If the above Test Requirement differs from the Minimum Requirement then the Test Tolerance applied for this test is non-zero. The Test Tolerance for this test is defined in clause F.2 and the explanation of how the Minimum Requirement has been relaxed by the Test Tolerance is given in clause F.4.

7.9 Downlink compressed mode

Downlink compressed mode is used to create gaps in the downlink transmission, to allow the UE to make measurements on other frequencies.

7.9.1 Single link performance (Release 5 and earlier)

7.9.1.1 Definition and applicability

The receiver single link performance of the Dedicated Traffic Channel (DCH) in compressed mode is determined by the Block Error Ratio (BLER) and transmitted DPCH_Ec/I_{or} power ratio in the downlink. If a BLER target has been assigned to a DCCH (See clause C.3), then it has to be such that outer loop is based on DTCH and not on DCCH.

NOTE: The above implies that the BLER target for the DCCH should be set low enough so that it does not dominate the one for the DTCH.

The compressed mode parameters are given in clause C.5. Tests 1 and 2 are using Set 1 compressed mode pattern parameters from table C.5.1 in clause C.5 while tests 3 and 4 are using Set 2 compressed mode patterns from the same table.

The requirements for compressed mode by spreading factor reduction (tests 1 and 2) apply to all types of UTRA for the FDD UE from Release 5 and earlier releases only. The requirements for compressed mode by puncturing (tests 3 and 4) apply to all types of UTRA for the FDD UE for Release 99 and Release 4 only.

7.9.1.2 Minimum requirements

For the parameters specified in table 7.9.1 the downlink $\frac{DPCH_Ec}{I_{or}}$ power ratio measured values, which are averaged over one slot, shall be below the specified value in table 7.9.2 more than 90% of the time. The measured quality on DTCH shall be as required in table 7.9.2.

Downlink power control is ON during the test. Uplink TPC commands shall be error free.

Table 7.9.1: Test parameter for downlink compressed mode

| Parameter | Test 1 | Test 2 | Test 3 | Test 4 | Unit |
|--|------------|--------|--------|--------|----------------|
| Delta SIR1 | 0 | 3 | 0 | 3 | dB |
| Delta SIR after1 | 0 | 3 | 0 | 3 | dB |
| Delta SIR2 | 0 | 0 | 0 | 0 | dB |
| Delta SIR after2 | 0 | 0 | 0 | 0 | dB |
| \hat{I}_{or}/I_{oc} | 9 | | | | dB |
| I_{oc} | -60 | | | | dBm / 3,84 MHz |
| Information Data Rate | 12,2 | | | | kbps |
| Propagation condition | Case 2 | | | | |
| Target quality value on DTCH | 0,01 | | | | BLER |
| Maximum DL Power (note) | 7 | | | | dB |
| Minimum DL Power (note) | -18 | | | | dB |
| DL Power Control step size, Δ_{TPC} | 1 | | | | dB |
| Limited Power Increase | "Not used" | | | | - |

NOTE: Power is compared to P-CPICH as specified in [9].

Table 7.9.2: Requirements in downlink compressed mode

| Parameter | Test 1 | Test 2 | Test 3 | Test 4 | Unit |
|--|-----------------|-----------------|-----------------|-----------------|------|
| $\frac{DPCH_Ec}{I_{or}}$ | -14,6 | No requirements | -15,2 | No requirements | dB |
| Measured quality of compressed and recovery frames | No requirements | < 0,001 | No requirements | < 0,001 | BLER |
| Measured quality on DTCH | 0,01 ± 30 % | | | | BLER |

The reference for this requirement is TS 25.101 [1] clause 8.9.1.1.

7.9.1.3 Test purpose

The purpose of this test is to verify the reception of DPCH in a UE while downlink is in a compressed mode. The UE needs to preserve the BLER using sufficient low DL power. It is also verified that UE applies the Delta SIR values, which are signalled from network, in its outer loop power control algorithm.

7.9.1.4 Method of test

7.9.1.4.1 Initial conditions

Test environment: normal; see clauses G.2.1 and G.2.2.

Frequencies to be tested: mid range; see clause G.2.4.

- 1) Connect SS, multipath fading simulator and an AWGN source to the UE antenna connector as shown in figure A.10. In case of UE-receive diversity connect according to figure A.21.
- 2) Set up a call according to the Generic call setup procedure, specified in TS 34.108 [3] clause 7.3.2, with the exception of the information element of Target quality on DCCH as 1(100%) in the RRC CONNECTION SETUP message. With this exception, the outer loop is based on DTCH and not on DCCH..
- 3) RF parameters are set up according to table 7.9.3.
- 4) Set compressed mode parameters according to table C.5.1. Tests 1 and 2 are using Set 1 compressed mode pattern parameters and while tests 3 and 4 are using Set 2 compressed mode pattern parameters.

NOTE: Set 2 is applicable to Release 99 and Release 4 only.

- 5) Enter the UE into loopback test mode and start the loopback test.
- 6) SS will vary the physical channel power in downlink according to the TPC commands from UE. Downlink power control mode (DPC_MODE) 0 shall be used. SS response time for UE TPC commands shall be one slot.
- 7) The SS waits 15 seconds before it performs measurements as described in 7.9.1.4.2.

See TS 34.108 [3] and TS 34.109 [4] for details regarding generic call setup procedure and loopback test.

7.9.1.4.2 Procedure

- 1) Test 1: Measure quality on DTCH and $\frac{DPCH - E_c}{I_{or}}$ power ratio values averaged over one slot.
- 2) Test 2: Measure quality on DTCH and quality of compressed and recovery frames.
- 3) Test 3: Measure quality on DTCH and $\frac{DPCH - E_c}{I_{or}}$ power ratio values averaged over one slot.
- 4) Test 4: Measure quality on DTCH and quality of compressed and recovery frames.

7.9.1.5 Test requirements

The test parameters are specified in table 7.9.3.

Table 7.9.3: Test parameter for downlink compressed mode

| Parameter | Test 1 | Test 2 | Test 3 | Test 4 | Unit |
|---|------------|--------|--------|--------|----------------|
| Delta SIR1 | 0 | 3 | 0 | 3 | dB |
| Delta SIR after1 | 0 | 3 | 0 | 3 | dB |
| Delta SIR2 (note 2) | 0 | 0 | 0 | 0 | dB |
| Delta SIR after2 (note 2) | 0 | 0 | 0 | 0 | dB |
| \hat{I}_{or}/I_{oc} | 9,6 | | | | dB |
| I_{oc} | -60 | | | | dBm / 3,84 MHz |
| Information Data Rate | 12,2 | | | | kbps |
| Propagation condition | Case 2 | | | | |
| Target quality value on DTCH | 0,01 | | | | BLER |
| Maximum DL Power (note 1) | 7 | | | | dB |
| Minimum DL Power (note 1) | -18 | | | | dB |
| DL Power Control step size, Δ_{TPC} | 1 | | | | dB |
| Limited Power Increase | "Not used" | | | | - |
| NOTE 1: Power is compared to P-CPICH as specified in [9]. | | | | | |
| NOTE 2: Delta SIR2 is not present in Test 1, Test 2, Test 3 and Test 4. | | | | | |

- a) Test 1: The downlink $\frac{DPCH - E_c}{I_{or}}$ power ratio values averaged over one slot shall be below the values in table 7.9.4 more than 90 % of the time. The measured quality on DTCH shall be as required in table 7.9.4. BLER measurements based on measured quality on DTCH shall be performed according to the statistical testing in Annex F.6.1.10.
- b) Test 2: Measured quality on DTCH and measured quality of compressed and recovery frames do not exceed the values in table 7.9.4. BLER measurements based on measured quality on DTCH shall be performed according to the statistical testing in Annex F.6.1.10.
- c) Test3: The downlink $\frac{DPCH - E_c}{I_{or}}$ power ratio values averaged over one slot shall be below the values in table 7.9.2 more than 90 % of the time. The measured quality on DTCH shall be as required in table 7.9.4. BLER measurements based on measured quality on DTCH shall be performed according to the statistical testing in Annex F.6.1.10.
- d) Test 4: Measured quality on DTCH and measured quality of compressed and recovery frames do not exceed the values in table 7.9.4. BLER measurements based on measured quality on DTCH shall be performed according to the statistical testing in Annex F.6.1.10.

Table 7.9.4: Requirements in downlink compressed mode

| Parameter | Test 1 | Test 2 | Test 3 | Test 4 | Unit |
|--|-----------------|-----------------|-----------------|-----------------|------|
| $\frac{DPCH - E_c}{I_{or}}$ | -14,5 | No requirements | -15,1 | No requirements | dB |
| Measured quality of compressed and recovery frames | No requirements | < 0,001 | No requirements | < 0,001 | BLER |
| Measured quality on DTCH | 0,01 ± 30 % | | | | BLER |

NOTE: If the above Test Requirement differs from the Minimum Requirement then the Test Tolerance applied for this test is non-zero. The Test Tolerance for this test is defined in clause F.2 and the explanation of how the Minimum Requirement has been relaxed by the Test Tolerance is given in clause F.4.

7.9.1A Single link performance (Release 6 and later)

7.9.1A.1 Definition and applicability

The receiver single link performance of the Dedicated Traffic Channel (DCH) in compressed mode is determined by the Block Error Ratio (BLER) and transmitted DPCH_Ec/I_{or} power ratio in the downlink. If a BLER target has been assigned to a DCCH (See clause C.3), then it has to be such that outer loop is based on DTCH and not on DCCH.

NOTE: The above implies that the BLER target for the DCCH should be set low enough so that it does not dominate the one for the DTCH.

The compressed mode parameters are given in clause C.5. Test 1 is using Set 2A compressed mode pattern parameters from table C.5.1 and Test 2 is using Set 1 compressed mode patterns from the same table.

The requirements for compressed mode by spreading factor reduction (tests 1 and 2) apply to all types of UTRA for the FDD UE from Release 6 and later releases.

7.9.1A.2 Minimum requirements

For the parameters specified in table 7.9.1A the downlink $\frac{DPCH_Ec}{I_{or}}$ power ratio measured values, which are averaged over one slot, shall be below the specified value in table 7.9.2A more than 90% of the time. The measured quality on DTCH shall be as required in table 7.9.2A.

Downlink power control is ON during the test. Uplink TPC commands shall be error free.

Table 7.9.1A: Test parameter for downlink compressed mode

| Parameter | Test 1 | Test 2 | Unit |
|--|--------------|-------------|----------------|
| Delta SIR1 | 0 | 3 | dB |
| Delta SIR after1 | 0 | 3 | dB |
| Delta SIR2 | 0 | 0 | dB |
| Delta SIR after2 | 0 | 0 | dB |
| Compressed Mode Patterns | C.5.1 Set 2A | C.5.1 Set 1 | dB |
| \hat{I}_{or}/I_{oc} | 9 | | dB |
| I_{oc} | -60 | | dBm / 3,84 MHz |
| Information Data Rate | 12,2 | | kbps |
| Propagation condition | Case 3 | Case 2 | |
| Target quality value on DTCH | 0,01 | | BLER |
| Maximum DL Power (note) | 7 | | dB |
| Minimum DL Power (note) | -18 | | dB |
| DL Power Control step size, Δ_{TPC} | 1 | | dB |
| Limited Power Increase | "Not used" | | - |
| NOTE : Power is compared to P-CPICH as specified in [9]. | | | |

Table 7.9.2A: Requirements in downlink compressed mode

| Parameter | Test 1 | Test 2 | Unit |
|--|-----------------|-----------------|------|
| $\frac{DPCH_Ec}{I_{or}}$ | -13.7 | No requirements | dB |
| Measured quality of compressed and recovery frames | No requirements | < 0,001 | BLER |
| Measured quality on DTCH | 0,01 ± 30 % | | BLER |

The reference for this requirement is TS 25.101 [1] clause 8.9.1.1.

7.9.1A.3 Test purpose

The purpose of this test is to verify the reception of DPCH in a UE while downlink is in a compressed mode. The UE needs to preserve the BLER using sufficient low DL power. It is also verified that UE applies the Delta SIR values, which are signalled from network, in its outer loop power control algorithm.

7.9.1A.4 Method of test

7.9.1A.4.1 Initial conditions

Test environment: normal; see clauses G.2.1 and G.2.2.

Frequencies to be tested: mid range; see clause G.2.4.

- 1) Connect SS, multipath fading simulator and an AWGN source to the UE antenna connector as shown in figure A.10. In case of UE-receive diversity connect according to figure A.21.
- 2) Set up a call according to the Generic call setup procedure, specified in TS 34.108 [3] clause 7.3.2, with the exception of the information element of Target quality on DCCH as 1(100%) in the RRC CONNECTION SETUP message. With this exception, the outer loop is based on DTCH and not on DCCH.
- 3) RF parameters are set up according to table 7.9.3A.
- 4) Set compressed mode parameters according to table C.5.1. Test 1 is using Set 2A compressed mode pattern parameters and test 2 is using Set 1 compressed mode pattern parameters.
- 5) Enter the UE into loopback test mode and start the loopback test.
- 6) SS will vary the physical channel power in downlink according to the TPC commands from UE. Downlink power control mode (DPC_MODE) 0 shall be used. SS response time for UE TPC commands shall be one slot.
- 7) The SS waits 15 seconds before it performs measurements as described in 7.9.1A.4.2.

See TS 34.108 [3] and TS 34.109 [4] for details regarding generic call setup procedure and loopback test.

7.9.1A.4.2 Procedure

- 1) Test 1: Measure quality on DTCH and $\frac{DPCH - E_c}{I_{or}}$ power ratio values averaged over one slot.
- 2) Test 2: Measure quality on DTCH and quality of compressed and recovery frames.

7.9.1A.5 Test requirements

The test parameters are specified in table 7.9.3A.

Table 7.9.3A: Test parameter for downlink compressed mode

| Parameter | Test 1 | Test 2 | Unit |
|--|--------------|-------------|----------------|
| Delta SIR1 | 0 | 3 | dB |
| Delta SIR after1 | 0 | 3 | dB |
| Delta SIR2 (note 2) | 0 | 0 | dB |
| Delta SIR after2 (note 2) | 0 | 0 | dB |
| Compressed Mode Patterns | C.5.1 Set 2A | C.5.1 Set 1 | dB |
| \hat{I}_{or}/I_{oc} | 9,6 | | dB |
| I_{oc} | -60 | | dBm / 3,84 MHz |
| Information Data Rate | 12,2 | | kbps |
| Propagation condition | Case 3 | Case 2 | |
| Target quality value on DTCH | 0,01 | | BLER |
| Maximum DL Power (note 1) | 7 | | dB |
| Minimum DL Power (note 1) | -18 | | dB |
| DL Power Control step size, Δ_{TPC} | 1 | | dB |
| Limited Power Increase | "Not used" | | - |

NOTE 1: Power is compared to P-CPICH as specified in [9].
NOTE 2: Delta SIR2 is not present in Test 1 and Test 2.

- a) Test 1: The downlink $\frac{DPCH_E_c}{I_{or}}$ power ratio values averaged over one slot shall be below the values in table 7.9.4A more than 90 % of the time. The measured quality on DTCH shall be as required in table 7.9.4A. BLER measurements based on measured quality on DTCH shall be performed according to the statistical testing in Annex F.6.1.10.
- b) Test 2: Measured quality on DTCH and measured quality of compressed and recovery frames do not exceed the values in table 7.9.4A. BLER measurements based on measured quality on DTCH shall be performed according to the statistical testing in Annex F.6.1.10.

Table 7.9.4A: Requirements in downlink compressed mode

| Parameter | Test 1 | Test 2 | Unit |
|--|-----------------|-----------------|------|
| $\frac{DPCH_E_c}{I_{or}}$ | -13.6 | No requirements | dB |
| Measured quality of compressed and recovery frames | No requirements | < 0,001 | BLER |
| Measured quality on DTCH | 0,01 ± 30 % | | BLER |

NOTE: If the above Test Requirement differs from the Minimum Requirement then the Test Tolerance applied for this test is non-zero. The Test Tolerance for this test is defined in clause F.2 and the explanation of how the Minimum Requirement has been relaxed by the Test Tolerance is given in clause F.4.

7.10 Blind transport format detection

7.10.1 Definition and applicability

Performance of Blind transport format detection is determined by the Block Error Ratio (BLER) values and by the measured average transmitted $DPCH_E_c/I_{or}$ value.

7.10.2 Minimum requirements

For the parameters specified in table 7.10.1 the average downlink $\frac{DPCH_E_c}{I_{or}}$ power ratio shall be below the specified value for the BLER and FDR shown in table 7.10.2. Table 7.10.3 defines the Transport Format Combinations Set for the downlink. The reference measurement channel used in this test case is defined in Annex C.4.

Table 7.10.1: Test parameters for Blind transport format detection

| Parameter | Test 1 | Test 2 | Test 3 | Test 4 | Test 5 | Test 6 | Unit |
|-----------------------|------------------|------------------|------------------|--------------------------|------------------|------------------|----------------|
| \hat{I}_{or}/I_{oc} | -1 | | -3 | | | | dB |
| I_{oc} | -60 | | | | | | dBm / 3.84 MHz |
| Information Data Rate | 12,2 (rate 1) | 7,95 (rate 2) | 1,95 (rate 3) | 12,2 (rate 1) | 7,95 (rate 2) | 1,95 (rate 3) | kbps |
| Propagation condition | static | | | multi-path fading case 3 | | | - |
| TFCI | off | | | | | | - |

Table 7.10.2: The Requirements for DCH reception in Blind transport format detection

| Test Number | $\frac{DPCH_E_c}{I_{or}}$ | BLER | FDR |
|--|----------------------------|-----------|-----------|
| 1 | -17,7dB | 10^{-2} | 10^{-4} |
| 2 | -17,8dB | 10^{-2} | 10^{-4} |
| 3 | -18,4dB | 10^{-2} | 10^{-4} |
| 4 | -13,0dB | 10^{-2} | 10^{-4} |
| 5 | -13,2dB | 10^{-2} | 10^{-4} |
| 6 | -13,8dB | 10^{-2} | 10^{-4} |
| NOTE: The value of DPCH_Ec/lor, loc, and lor/loc are defined in case of DPCH is transmitted. | | | |

NOTE: In the test, 9 different Transport Format Combinations (table 7.10.3) are sent during the call set up procedure, so that the UE has to detect the correct transport format from these 9 candidates.

Table 7.10.3: Transport format combinations informed during the call set up procedure in the test

| | 1 | 2 | 3 | 4 | 5 | 6 | 7 | 8 | 9 |
|------|--------|--------|--------|-------|-------|-------|--------|--------|--------|
| DTCH | 12,2 k | 10,2 k | 7,95 k | 7,4 k | 6,7 k | 5,9 k | 5,15 k | 4,75 k | 1,95 k |
| DCCH | 2,4 k | | | | | | | | |

7.10.3 Test purpose

To verify the ability of the blind transport format detection to receive a predefined test signal, representing a static propagation channel for the wanted and for the co-channel signals from serving and adjacent cells, with a block error ratio (BLER) and false transport format detection ratio (FDR) not exceeding a specified value.

To verify the ability of the blind transport format detection to receive a predefined test signal, representing a multi-path propagation channel for the wanted and for the co-channel signals from serving and adjacent cells, with a block error ratio (BLER) and false transport format detection ratio (FDR) not exceeding a specified value.

7.10.4 Method of test

Test environment: normal; see clauses G.2.1 and G.2.2.

Frequencies to be tested: mid range; see clause G.2.4.

1. For test 1-3 connect the SS and AWGN noise source to the UE antenna connector as shown in figure A.9. In case of UE-receive diversity connect according to figure A.26. For test 4-6 connect the SS, multipath fading simulator and an AWGN noise source to the UE antenna connector as shown in figure A.10. In case of UE-receive diversity connect according to figure A.21.
2. Set up a call according to the Generic call setup procedure TS34.108 [3] sub clause 7.3.2.
3. Set the test parameters for test 1-6 as specified table 7.10.4 and table 7.10.5.
4. Enter the UE into loopback test mode 2 and start the loopback test.
5. In the case of test 4-6, Setup fading simulator as fading condition case 3 which are described in table D.2.2.1.

NOTE: In loopback test mode 2 the UE may return any valid uplink Transport Format Combination.

7.10.4.2 Procedure

Measure BLER and FDR of DCH.

For FDR, the SS shall check the TFI of the UE transmitted transport format to verify that the UE has detected the correct downlink transport format.

In this test TF0 and TF10 on uplink DTCH shall be counted as block errors.

During the measurements downlink DCCH shall be continuously transmitted. When there is no signalling to transmit on downlink DCCH then dummy DCCH transmission as described in Annex C.9 shall be used.

NOTE: The TFCS size used in this test shall be 18 and not 9 as implied by TS 25.101 (and the NOTE above Table 7.10.3). Since the DCCH will be continuously transmitted and the DCCH is not used in the BTFD for the DTCH this does not have an impact on the BTFD performance.

7.10.5 Test requirements

The test parameters are specified in table 7.10.4.

Table 7.10.4: Test parameters for Blind transport format detection

| Parameter | Test 1 | Test 2 | Test 3 | Test 4 | Test 5 | Test 6 | Unit |
|-----------------------|------------------|------------------|------------------|--------------------------|------------------|------------------|----------------|
| \hat{I}_{or}/I_{oc} | -0,7 | | | -2,4 | | | dB |
| I_{oc} | -60 | | | | | | dBm / 3.84 MHz |
| Information Data Rate | 12,2 (rate 1) | 7,95 (rate 2) | 1,95 (rate 3) | 12,2 (rate 1) | 7,95 (rate 2) | 1,95 (rate 3) | kbps |
| propagation condition | Static | | | multi-path fading case 3 | | | - |
| TFCI | off | | | | | | - |

BLER and FDR shall not exceed the values at the DPCH_Ec/Ior specified in table 7.10.5.

Table 7.10.5: The Requirements for DCH reception in Blind transport format detection

| Test Number | $\frac{DPCH_E_c}{I_{or}}$ | BLER | FDR |
|--|----------------------------|-----------|-----------|
| 1 | -17,6dB | 10^{-2} | 10^{-4} |
| 2 | -17,7dB | 10^{-2} | 10^{-4} |
| 3 | -18,3dB | 10^{-2} | 10^{-4} |
| 4 | -12,9dB | 10^{-2} | 10^{-4} |
| 5 | -13,1dB | 10^{-2} | 10^{-4} |
| 6 | -13,7dB | 10^{-2} | 10^{-4} |
| NOTE: The value of DPCH_Ec/Ior, Ioc, and Ior/Ioc are defined in case of DPCH is transmitted. | | | |

NOTE: If the above Test Requirement differs from the Minimum Requirement then the Test Tolerance applied for this test is non-zero. The Test Tolerance for this test is defined in clause F.2 and the explanation of how the Minimum Requirement has been relaxed by the Test Tolerance is given in clause F.4.

7.11 Demodulation of Paging Channel (PCH)

7.11.1 Definition and applicability

The receiver characteristics of paging channel are determined by the probability of missed paging message (Pm-p). PCH is mapped into the S-CCPCH and it is associated with the transmission of Paging Indicators (PI) to support efficient sleep-mode procedures.

The requirements and this test apply to all types of UTRA for the FDD UE for Release 4 and later releases.

7.11.2 Minimum requirements

For the parameters specified in table 7.11.1 the average probability of missed paging (Pm-p) shall be below the specified value in table 7.11.2. Power of downlink channels other than S-CCPCH and PICH are as defined in Table E.3.3.1 of Annex E. S-CCPCH structure is as defined in Annex C.7.

Table 7.11.1: Parameters for PCH detection

| Parameter | Unit | Test 1 | Test 2 |
|---|--------------|---------|--------|
| Number of paging indicators per frame (N_p) | - | 72 | |
| Phase reference | - | P-CPICH | |
| I_{oc} | dBm/3.84 MHz | -60 | |
| \hat{I}_{or}/I_{oc} | dB | -1 | -3 |
| Propagation condition | | Static | Case 3 |

Table 7.11.2: Test requirements for PCH detection

| Test Number | S-CCPCH E_c/I_{or} | PICH E_c/I_{or} | Pm-p |
|-------------|----------------------|-------------------|------|
| 1 | -14.8 | -19 | 0.01 |
| 2 | -9.8 | -12 | 0.01 |

The reference for this requirement is TS 25.101 [1] clause 8.12.1.

7.11.3 Test purpose

To verify that average probability of missed paging (P_{m-p}) does not exceed a specified value.

7.11.4 Method of test

7.11.4.1 Initial conditions

Test environment: normal; see clauses G.2.1 and G.2.2.

Frequencies to be tested: mid range; see clause G.2.4.

- 1) For test 1 connect the SS and AWGN noise source to the UE antenna connector as shown in figure A.9. In case of UE-receive diversity connect according to figure A.26. For test 2 connect the SS, multipath fading simulator and an AWGN noise source to the UE antenna connector as shown in figure A.10. In case of UE-receive diversity connect according to figure A.21.
- 2) Set the test parameters for test 1-2 as specified in tables 7.11.3 and 7.11.4. In the case of test 2, Setup fading simulator as fading condition case 3 which are described in table D.2.2.1. Power of downlink channels other than S-CCPCH and PICH are as defined in table E.3.3.1. The S-CCPCH structure is as defined in Annex C.7 and includes 2 S-CCPCH according to TS 34.108 [3] section 6.1.1. The SCCPCH E_c/I_{or} for the S-CCPCH carrying FACH is -7.0 dB while the SCCPCH E_c/I_{or} for the S-CCPCH carrying PCH is defined in table 7.11.4.

7.11.4.2 Procedure

- 1) The UE is switched on.
- 2) An RRC connection is set up according to the generic set-up procedure specified in TS 34.108 [3] subclause 7.3.3 to place the UE in the CELL_PCH state.
- 3) The SS transmits the Paging type 1 message with used paging identity being a UTRAN identity and including the UE's assigned U-RNTI
- 4) If the UE responds with a CELL UPDATE message within 8 seconds, then a success is recorded. If the UE does not respond with a CELL UPDATE message within 8 seconds, a failure is recorded. On reception of the CELL UPDATE message the SS transmits 3 identical CELL UPDATE CONFIRM messages using CCCH on downlink FACH. Then the SS waits for 3 seconds to allow the UE time to move back to CELL_PCH state.
- 5) Repeat steps 3-4 according to Annex F.6.2 table 6.2.8.

NOTE: In the Step 4 above, the 3 identical CELL UPDATE CONFIRM messages are transmitted with the same RRC message sequence number. Transmitting 3 identical CELL UPDATE CONFIRM messages is done to increase the probability of correct message reception at the UE.

Specific Message Contents

All messages indicated above shall use the same content as described in the default message content in clause 9 of TS 34.108 [3] and clause 6.1.1 based on 6.1.0a.3 SIB default schedule of 34.108 [3], with the following exceptions:

PHYSICAL CHANNEL RECONFIGURATION (STEP 2)

| Information Element | Value/remark |
|---|--|
| RRC State Indicator | CELL PCH |
| UTRAN DRX cycle length coefficient | 6 |
| Downlink information for each radio link - Primary CPICH info - Primary scrambling code | Reference to TS 34.108 [3] clause 6.1 "Default settings (FDD)" |

SYSTEM INFORMATION BLOCK TYPE1 (STEP 2)

| Information Element | Value/remark |
|---|--------------|
| - UE timers and constants in connected mode | |
| - T302 | 1000 ms |

SYSTEM INFORMATION BLOCK TYPE5 (STEP 2)

| Information Element | Value/remark |
|---|---|
| - SIB6 indicator | TRUE |
| - PICH Power offset | -9 dB (in Test 1) -2 dB (in Test 2) |
| - CHOICE Mode | FDD |
| - AICH Power offset | 0 dB |
| ... | |
| - Secondary CCPCH system information | (For 2 SCCPCHs) |
| - Secondary CCPCH info | (SCCPCH for standalone PCH) |
| - CHOICE mode | FDD |
| - Secondary scrambling code | Not Present |
| - STTD indicator | FALSE |
| - Spreading factor | 128 |
| - Code number | 3 |
| - Pilot symbol existence | FALSE |
| - TFCI existence | FALSE |
| - Fixed or Flexible position | Fixed |
| - Timing offset | 30 |
| - TFCS | |
| - CHOICE TFCI signalling | Normal |
| - TFCI Field 1 information | |
| - CHOICE TFCS representation | Complete reconfiguration |
| - TFCS complete reconfiguration information | |
| - CHOICE CTFC Size | 2 bit |
| - CTFC information | 0 |
| - Power offset information | Not Present |
| - CTFC information | 1 |
| - Power offset information | Not Present |
| - FACH/PCH information | |
| - TFS | (PCH) |
| - CHOICE Transport channel type | Common transport channels |
| - Dynamic Transport format information | |
| - RLC Size | 240 |
| - Number of TB and TTI List | |
| - Number of Transport blocks | 0 |
| - Number of Transport blocks | 1 |
| - CHOICE Mode | FDD |
| - CHOICE Logical channel List | ALL |
| - Semi-static Transport Format information | |
| - Transmission time interval | 10 ms |
| - Type of channel coding | Convolutional |
| - Coding Rate | 1/2 |
| - Rate matching attribute | 256 |
| - CRC size | 16 bit |
| - Transport channel Identity | 12 (for PCH) |
| - CTCH indicator | FALSE |
| - PICH info | |
| - CHOICE mode | FDD |
| - Channelisation code | 2 |
| - Number of PI per frame | 72 |
| - STTD indicator | FALSE |
| - Secondary CCPCH info | (SCCPCH including two FACHs) |
| - CHOICE mode | FDD |
| - Secondary scrambling code | Not Present |
| - STTD indicator | FALSE |
| - Spreading factor | 64 |
| - Code number | 2 |
| - Pilot symbol existence | FALSE |
| - TFCI existence | TRUE (default value) |
| - Fixed or Flexible position | Flexible (default value) |
| - Timing offset | Not Present |
| | Absence of this IE is equivalent to default value 0 |

PAGING TYPE 1 (STEP 3)

| Information Element | Value/remark |
|-------------------------------|-------------------------|
| Message Type | |
| Paging record list | |
| -Paging record | |
| - CHOICE Used paging identity | Utran-Identity |
| -U-RNTI | |
| -SRNC-Identity | '000000000001'B |
| -S-RNTI | '00000000000000000001'B |
| BCCH modification info | Not Present |

CELL UPDATE (STEP 4):

| Information Element | Value/remark | Version |
|---------------------|-----------------|---------|
| Cell update cause | paging response | |

CELL UPDATE CONFIRM (STEP 4):

| Information Element | Value/remark |
|------------------------------------|--------------|
| RRC transaction identifier | 0 |
| Activation time | Not Present |
| RRC State indicator | CELL_PCH |
| UTRAN DRX cycle length coefficient | 6 |

7.11.5 Test requirements

For the parameters specified in table 7.11.3 the average probability of missed paging (P_{m-p}) shall be below the specified value in table 7.11.4. Power of downlink channels other than S-CCPCH and PICH are as defined in Table E.3.3.1 of Annex E. S-CCPCH structure is as defined in Annex C.7.

Table 7.11.3: Parameters for PCH detection

| Parameter | Unit | Test 1 | Test 2 |
|---|--------------|---------|--------|
| Number of paging indicators per frame (N_p) | - | 72 | |
| Phase reference | - | P-CPICH | |
| I_{oc} | dBm/3.84 MHz | -60 | |
| \hat{I}_{or}/I_{oc} | dB | -0.6 | -2.3 |
| Propagation condition | | Static | Case 3 |

Table 7.11.4: Test requirements for PCH detection

| Test Number | S-CCPCH_Ec/Ior | PICH_Ec/Ior | Pm-p |
|-------------|----------------|-------------|------|
| 1 | -14.8 | -19 | 0.01 |
| 2 | -9.8 | -12 | 0.01 |

NOTE: If the above Test Requirement differs from the Minimum Requirement then the Test Tolerance applied for this test is non-zero. The Test Tolerance for this test is defined in clause F.2 and the explanation of how the Minimum Requirement has been relaxed by the Test Tolerance is given in clause F.4.

7.12 Detection of Acquisition Indicator (AI)

7.12.1 Definition and applicability

The receiver characteristics of Acquisition Indicator (AI) are determined by the probability of false alarm P_{fa} and probability of correct detection P_d . P_{fa} is defined as a conditional probability of detection of AI signature given that a AI signature was not transmitted. P_d is defined as a conditional probability of correct detection of AI signature given that the AI signature is transmitted.

The requirements and this test apply to all types of UTRA for the FDD UE for Release 4 and later releases.

7.12.2 Minimum requirements

For the parameters specified in table 7.12.1 the Pfa and 1-Pd shall not exceed the specified values in table 7.12.2. Power of downlink channels other than AICH is as defined in Table E.3.3.1 of Annex E.

Table 7.12.1: Parameters for AI detection

| Parameter | Unit | Test 1 |
|---|--------------|---------|
| Phase reference | - | P-CPICH |
| I_{oc} | dBm/3.84 MHz | -60 |
| Number of other transmitted AI signatures on AICH | - | 0 |
| \hat{I}_{or}/I_{oc} | dB | -1 |
| AICH_Ec/Ior | dB | -22.0 |
| AICH Power Offset | dB | -12.0 |
| Propagation condition | - | Static |

Note that AICH_Ec/Ior can not be set. Its value is calculated from other parameters and it is given for information only. (AICH_Ec/Ior = AICH Power Offset + CPICH_Ec/Ior)

Table 7.12.2: Test requirements for AI detection

| Test Number | Pfa | 1-Pd |
|-------------|------|------|
| 1 | 0.01 | 0.01 |

The reference for this requirement is TS 25.101 [1] clause 8.13.1.

7.12.3 Test purpose

To verify that average probability of false detection of AI (Pfa) and average probability of missed AI (1-Pd) do not exceed specified values.

7.12.4 Method of test

7.12.4.1 Initial conditions

Test environment: normal; see clauses G.2.1 and G.2.2.

Frequencies to be tested: mid range; see clause G.2.4.

- 1) Connect the SS and AWGN noise source to the UE antenna connector as shown in figure A.9. In case of UE-receive diversity connect according to figure A.26.
- 2) Set the test parameters for test 1 as specified in tables 7.12.4 and 7.12.5. Power of downlink channels other than AICH are as defined in Table E.3.3.1 of Annex E.

Table 7.12.3 UE parameters for AI test

| Parameter | Unit | Set 1 | Set 2 |
|---|------|-------|-------|
| Maximum number of preamble ramping cycles(Mmax) | | 2 | 2 |
| Maximum number of preambles in one preamble cycle (preamble retrans max) | | 32 | 12 |
| Back-off time (Tb01=10ms*NB01) (NB01min=NB01max=10) | ms | 100 | 100 |
| Power ramp step when no acquisition indicator is received (power offset p0) | dB | 1 | 3 |

Table 7.12.4 SS parameters for AI test

| Parameter | Unit | Value |
|---|------|-------|
| Primary CPICH DL TX power | dBm | -8 |
| UL interference | dBm | -82 |
| SIR in open loop power control (Constant value) | dB | -10 |

See reference TS25.331 [8] clause 8.5.7 Open loop power control to calculate Pinitial. See also reference TS25.214 [5] subclause 6 step 6.3.

7.12.4.2 Procedure

- 1) The UE is switched on.
- 2) The SS and the UE shall perform location registration procedure as specified in TS34.108 [3] clause 7.2.2. UE parameters are set as defined in table 7.12.3 Set 1.
- 3) SS sends the Paging type 1 message in idle mode with used paging identity being a CN identity and including the UE's assigned IMSI.
- 4) UE starts transmitting RACH preambles at level $P=P_{initial}$.
- 5) SS does not send AI. If UE sends a new preamble a success for calculating Pfa is recorded. This step is repeated until UE stops sending preambles. SS does not calculate Pfa for the first preamble of every preamble cycles.
- 6) UE stops sending preambles. If number of sent preambles in the preamble cycle $< preamble_retrans_max$ a failure for calculating Pfa is recorded and test continues from step 3. If number of preamble cycles $M \neq M_{max}$, a new preamble cycle is initiated and test continues from step 4. If number of preamble cycles $M = M_{max}$ then test continues from step 3.
- 7) Repeat steps 5-6 according to Annex F.6.2 table 6.2.8.
- 8) UE parameters are set as defined in table 7.12.3 Set 2 by modification of system information block 5.
- 9) SS sends the Paging type 1 message in idle mode with used paging identity being a CN identity and including the UE's assigned IMSI.
- 10) UE starts transmitting RACH preambles.
- 11) SS responds with AI signature containing NACK in AICH.
- 12) If UE stops sending preambles, a success for calculating Pd is recorded. If UE does not stop sending preambles, a failure for calculating Pd is recorded.
- 13) Repeat steps 9-12 according to Annex F.6.2 table 6.2.8.

Specific Message Contents

All messages indicated above shall use the same content as described in the default message content in clause 9 of 34.108 [3] and clause 6.1.0b of 34.108 [3], with the following exceptions:

SYSTEM INFORMATION BLOCK TYPE 1

| Information Element | Value/remark |
|--|--------------|
| - UE timers and constants in idle mode | |
| - T300 | 1000 ms |

SYSTEM INFORMATION BLOCK TYPE 5

| Information Element | Value/remark |
|---------------------|--------------|
| AICH Power Offset | -12 |

7.12.5 Test requirements

For the parameters specified in table 7.12.5 the Pfa and 1-Pd shall not exceed the specified values in table 7.12.6. Power of downlink channels other than AICH are as defined in Table E.3.3.1 of Annex E.

Table 7.12.5: Parameters for AI detection

| Parameter | Unit | Test 1 |
|---|--------------|---------|
| Phase reference | - | P-CPICH |
| I_{oc} | dBm/3.84 MHz | -60 |
| Number of other transmitted AI signatures on AICH | - | 0 |
| \hat{I}_{or}/I_{oc} | dB | -0.6 |
| AICH_Ec/Ior | dB | -22.0 |
| AICH Power Offset | dB | -12.0 |
| Propagation condition | - | Static |

Table 7.12.6: Test requirements for AI detection

| Test Number | Pfa | 1-Pd |
|-------------|------|------|
| 1 | 0.01 | 0.01 |

NOTE: If the above Test Requirement differs from the Minimum Requirement then the Test Tolerance applied for this test is non-zero. The Test Tolerance for this test is defined in clause F.2 and the explanation of how the Minimum Requirement has been relaxed by the Test Tolerance is given in clause F.4.

7.12A Detection of E-DCH Acquisition Indicator (E-AI)

7.12A.1 Definition and applicability

The receiver characteristics of E-DCH Acquisition Indicator (E-AI) are determined by the probability of correct detection Pde. Pde is defined as a conditional probability of correct detection of E-AI signature given that the E-AI signature is transmitted and AI signature was correctly received.

The requirements and this test apply to all types of UTRA for the FDD UE for Release 8 and later releases supporting Enhanced Uplink in CELL_FACH state.

7.12A.2 Minimum requirements

For the parameters specified in Table 7.12A.1 the 1-Pde shall not exceed the specified value in Table 7.12A.2. The power settings for downlink channels other than AICH and E-AICH are set as defined in Table E.3.3.1 of Annex E.

Table 7.12A.1: Parameters for E-AI detection

| Parameter | Unit | Test 1 |
|---|--------------|---------|
| Phase reference | - | P-CPICH |
| I_{oc} | dBm/3.84 MHz | -60 |
| Number of other transmitted AI signatures on AICH | - | 0 |
| Number of resources assumed for E-DCH random access | - | 32 |
| \hat{I}_{or}/I_{oc} | dB | -1 |
| AICH_Ec/Ior | dB | -22.0 |
| AICH Power Offset | dB | -12.0 |
| E-AICH_Ec/Ior | dB | -22.0 |
| E-AICH Power Offset | dB | -12.0 |
| Propagation condition | - | Static |

Note that AICH_Ec/Ior and E-AICH_Ec/Ior can not be set; their values are calculated from other parameters and are given for information only.

Table 7.12A.2: Test requirements for E-AI detection

| Test Number | 1- Pde |
|-------------|--------|
| 1 | 0.005 |

The reference for this requirement is TS 25.101 [1] clause 8.13A.1.

7.12A.3 Test purpose

To verify that average probability of missed E-AI detection (1-Pde) does not exceed specified value.

7.12A.4 Method of test

7.12A.4.1 Initial conditions

Test environment: normal; see clauses G.2.1 and G.2.2.

Frequencies to be tested: mid range; see clause G.2.4.

- 1) Connect the SS and AWGN noise source to the UE antenna connector as shown in figure A.9. In case of UE-receive diversity connect according to figure A.26.
- 2) Set the test parameters for test 1 as specified in tables 7.12A.4 and 7.12A.5. Power of downlink channels other than AICH are as defined in Table E.3.3.1 of Annex E.

Table 7.12A.3: UE parameters for E-AI test

| Parameter | Unit | Set 1 |
|---|------|-------|
| Maximum number of preamble ramping cycles(Mmax) | | 2 |
| Maximum number of preambles in one preamble cycle (preamble retrans max) | | 12 |
| Back-off time (Tb01=10ms*NB01) (NB01min=NB01max=10) | ms | 100 |
| Power ramp step when no acquisition indicator is received (power offset p0) | dB | 3 |

Table 7.12A.4: SS parameters for E-AI test

| Parameter | Unit | Value |
|--|------|-------|
| Primary CPICH DL TX power | dBm | -8 |
| UL interference | dBm | -82 |
| SIR in open loop power control (Constant value) | dB | -10 |

See reference TS25.331 [8] clause 8.5.7 Open loop power control to calculate Pinitial. See also reference TS25.214 [5] subclause 6 step 6.3.

7.12A.4.2 Procedure

- 1) The UE is switched on.
- 2) The SS and the UE shall perform location registration procedure as specified in TS34.108 [3] clause 7.2.2. UE parameters are set as defined in table 7.12A.3 Set 1 by modification of system information block 5.
- 3) SS sends the Paging type 1 message in idle mode with used paging identity being a CN identity and including the UE's assigned IMSI.
- 4) UE starts transmitting RACH preambles at level P=Pinitial.
- 5) SS responds with AI signature containing NACK in AICH and (-1) on E-AI corresponding to ACK on E-AICH. For E-AI SS can use any signature.

- 6) If UE stops sending preambles, and transmits a E-DCH on default resource block in CELL_FACH state then this is an indication that UE has falsely detected NACK on AI as ACK. However SS is not counting this as a false sample and tester goes back to step 3.
- 7) If UE sends another preamble then this is an indication that UE has falsely detected NACK on AI as No ACK/NACK. However SS is not counting this as a false sample and tester goes back to step 5.
- 8) If UE transmits a E-DCH on some other resource block than on a default value then this is an indication that UE has received correctly AI. Then tester checks whether the used E-DCH resource block corresponds to (-1) on transmitted E-AI signature or to some other combination of E-AI and signature using the E-AI resource configuration mapping table as specified in TS 25.211 [19] clause 5.3.3.7. If the used resource block corresponds (-1) on transmitted signature then a success for calculating Pde is recorded. Otherwise a failure for calculating Pde is recorded.
- 9) Repeat steps 3-8 according to Annex F.6.2 table 6.2.8.

Specific Message Contents

All messages indicated above shall use the same content as described in the default message content in clause 9 of TS 34.108 [3] and clause 6.1.0b of 34.108 [3], with the following exceptions:

SYSTEM INFORMATION BLOCK TYPE1

| Information Element | Value/remark |
|--|--------------|
| - UE timers and constants in idle mode | |
| - T300 | 1000 ms |

SYSTEM INFORMATION BLOCK TYPE5

| Information Element | Value/remark |
|---------------------|--------------|
| AICH Power Offset | -12 |

7.12A.5 Test requirements

For the parameters specified in Table 7.12A.5 the 1-Pde shall not exceed the specified value in Table 7.12A.6. The power settings for downlink channels other than AICH and E-AICH are set as defined in Table E.3.3.1 of Annex E.

Table 7.12A.5: Parameters for E-AI detection

| Parameter | Unit | Test 1 |
|---|--------------|---------|
| Phase reference | - | P-CPICH |
| I_{oc} | dBm/3.84 MHz | -60 |
| Number of other transmitted AI signatures on AICH | - | 0 |
| Number of resources assumed for E-DCH random access | - | 32 |
| \hat{I}_{or}/I_{oc} | dB | -0.6 |
| AICH_Ec/Ior | dB | -22.0 |
| AICH Power Offset | dB | -12.0 |
| E-AICH_Ec/Ior | dB | -22.0 |
| E-AICH Power Offset | dB | -12.0 |
| Propagation condition | - | Static |

Table 7.12A.6: Test requirements for E-AI detection

| Test Number | 1- Pde |
|-------------|--------|
| 1 | 0.005 |

NOTE: If the above Test Requirement differs from the Minimum Requirement then the Test Tolerance applied for this test is non-zero. The Test Tolerance for this test is defined in clause F.2 and the explanation of how the Minimum Requirement has been relaxed by the Test Tolerance is given in clause F.4.

7.13 UE UL power control operation with discontinuous UL DPCCH transmission operation

7.13.1 Definition and applicability

This test verifies that the UE follows only those TPC commands that correspond to the UL DPCCH slots which are transmitted.

The requirements and this test apply to all types of UTRA for the FDD UE for Release 7 and later releases supporting Discontinuous UL DPCCH transmission.

Editor's note: This test case is not complete

7.13.2 Minimum requirement

Test parameters are specified in Table 7.13.1. The discontinuous UL DPCCH transmission is enabled during the test. The parameters for discontinuous UL DPCCH transmission operation are as specified in Table C.4.3.1. Before the start of the tests, the UE transmit power shall be initialised to -15 dBm. An actual UE transmit power may vary from the target level of -15 dBm due to inaccurate UE output power step.

After transmission gaps due to discontinuous uplink DPCCH transmission the uplink transmitter power difference shall be within the range as defined in Table 7.13.2. The transmit power difference is defined as the difference between the power of the last slot transmitted before the gap and the power of first slot transmitted after the gap. The on power observation period is defined as the mean power over one timeslot excluding any transient periods.

Table 7.13.1: Parameters for UE UL power control operation with discontinuous UL DPCCH transmission

| Parameter | Unit | Test 1 |
|---|--------------|--|
| Phase reference | - | P-CPICH |
| HS-SCCH_1 E_c/I_{or} | dB | -10 |
| F-DPCH E_c/I_{or} | dB | -10 |
| F-DPCH slot format | - | 0 |
| I_{or1} | dBm/3.84 MHz | -60 |
| Power-Control-Algorithm | - | Algorithm 1 |
| UL Power Control step size, ΔTPC | dB | 1 |
| Uplink TPC commands corresponding to the UL DPCCH slots which are transmitted | - | {0,1,0,1,0,1 } Note 1 |
| Propagation condition | - | Static without AWGN source I_{oc} |
| NOTE 1: The sequence of uplink TPC commands corresponds to the UL DPCCH slots that are transmitted. During those slots which correspond to UL DPCCH slots that are not transmitted, UP-commands shall be transmitted. | | |

Table 7.13.2: Minimum requirements for UE UL power control operation with discontinuous UL DPCCH transmission

| Parameter | Unit | Test 1 | |
|--------------------------------------|------|--------|-------|
| | | Lower | Upper |
| UE output power difference tolerance | dB | -2 | +4 |

The reference for this requirement is TS 25.101 [1] clause 8.14.1.

7.13.3 Test purpose

To verify that the UE follows only those TPC commands that correspond to the UL DPCCH slots which are transmitted.

7.13.4 Method of test

7.13.4.1 Initial conditions

Test environment: normal; see clauses G.2.1 and G.2.2.

Frequencies to be tested: mid range; see clause G.2.4.

1. Connect the SS and AWGN noise source to the UE antenna connector as shown in figure A.9. In case of UE-receive diversity connect according to figure A.26.
2. Set up a HSDPA call according to the call setup procedure specified in TS 34.108 [3] clause 7.3.11 with levels according to Table E.5D.0.
3. Set the test parameters for the test as specified in tables 7.13.1. Power of downlink channels other than F-DPCH and HS-SCCH are as defined in Table E.5D.1.
4. Set the uplink DPCH power control parameters to use Algorithm 1 with a step size of 1 dB and the uplink HS-DPCCH to be discontinuous as specified in Table C.4.3.1.

See TS 34.108 [3] for details regarding generic call setup procedure.

7.13.4.2 Procedure

1. After call set up generate suitable TPC commands from the SS to set the output power of the UE, measured at the UE antenna connector, to be in the range -15 dBm +2 dB. This is a nominal setting and not part of the test requirements.
2. SS shall not send any data on HS-DSCH.
3. SS then sends UP/DOWN/UP/DOWN TPC pattern as specified in Table 7.13.3 during those slots which correspond to UL DPCH slots that are transmitted. During those slots which correspond to UL DPCH slots that are not transmitted the SS shall send UP commands to the UE.

NOTE: Test requirements assume that SS sends UP command during the slot which corresponds to the first UL DPCH slot which is transmitted after the gap. The SS implementation of this feature may require further studies.

4. The SS shall measure the uplink transmitter power difference. The transmit power difference is defined as the difference between the power of the last slot transmitted before the gap and the power of the first slot transmitted after the gap. The on power observation period is defined as the mean power over one timeslot excluding any transient periods.
5. The measured uplink transmitter power difference shall be within the range as defined in Table 7.13.4.

Specific Message Contents

All message indicated above shall use the same content as described in the default message content in clause 9 of TS 34.108 [3] with the following exceptions.

RRC CONNECTION REQUEST (Step 2)

| Information Element | Value/remark | Version |
|---------------------|--------------|---------|
| Message Type | | |
| Support for F-DPCH | TRUE | Rel-6 |

RADIO BEARER SETUP HSDPA with F-DPCH (Step 2)

| Information Element | Value/remark | Version |
|---|--|---------|
| UL Transport channel information for all transport channels | | |
| - PRACH TFCS | Not Present | |
| - CHOICE Mode | FDD | |
| - TFC subset | Not Present | |
| - UL DCH TFCS | | |
| - CHOICE TFCI signalling | Normal | |
| - TFCI Field 1 information | | |
| - CHOICE TFCS representation | Complete reconfiguration | |
| - TFCS complete reconfiguration information | | |
| - CHOICE CTFC Size | 2 bit CTFC | |
| - CTFC information | 2 TFCs | |
| - 2bit CTFC | 0 | |
| - Power offset Information | | |
| - CHOICE Gain Factors | computedGainFactors | |
| - Reference TFC ID | 0 | |
| - CHOICE mode | FDD | |
| - Power offset Pp-m | Not Present | |
| - 2bit CTFC | 1 | |
| - Power offset Information | | |
| - CHOICE Gain Factors | signalledGainFactors | |
| - CHOICE mode | FDD | |
| - Gain factor β_c | 11 | |
| - Gain factor β_d | 15 | |
| - Reference TFC ID | 0 | |
| - CHOICE mode | FDD | |
| - Power offset Pp-m | Not Present | |
| Uplink DPCH info | | Rel-6 |
| - Uplink DPCH power control info | | |
| - Δ_{ACK} | 5 | |
| - Δ_{NACK} | 5 | |
| - Ack-Nack repetition factor | 1 (ACKs/NACKs are not repeated) | |
| Downlink HS-PDSCH Information | | Rel-6 |
| - HS-SCCH Info | | |
| - CHOICE mode | FDD | |
| - DL Scrambling Code | Not present | |
| - HS-SCCH Channelisation Code Information | | |
| - HS-SCCH Channelisation Code | 2 | |
| - Measurement Feedback Info | | |
| - CHOICE mode | FDD | |
| - POhsdsch | 7 dB | |
| - CQI Feedback cycle, k | 0 ms (CQI reports are not sent) | |
| - CQI repetition factor | 1 (CQI reports are not repeated) | |
| - Δ_{CQI} | 5 (corresponds to 0dB in relative power offset) | |
| - CHOICE mode | FDD (no data) | |
| Downlink information common for all radio links | | |
| - Downlink F-DPCH info common for all RL | | Rel-6 |
| - Timing Indication | Maintain | |
| - Timing maintained Synchronization indicator | FALSE | |
| - Downlink F-DPCH power control information | | |
| - DPC mode | 0 (single) | |
| - TPC command error rate target | 0,01 | |
| Downlink information for each radio link | | |
| - Downlink information for each radio link | | |
| - Choice mode | FDD | |
| - Primary CPICH info | | |
| - Primary scrambling code | Reference to clause 6.1 "Default settings (FDD)" | |
| - Serving HS-DSCH radio link indicator | TRUE | Rel-5 |
| - Downlink DPCH info for each RL | Not Present | |
| - Downlink F-DPCH info for each RL | | Rel-6 |
| - Primary CPICH usage for channel estimation | Primary CPICH may be used | |

| Information Element | Value/remark | Version |
|-----------------------------|---|---------|
| - F-DPCH frame offset | Set to value Default DPCH Offset Value (as currently stored in SS) mod 38 400 | |
| - Secondary CPICH info | Not Present | |
| - Secondary scrambling code | Not Present | |
| - Code number | 12 | |
| - TPC combination index | 0 | |

7.13.5. Test Requirements

Test parameters are specified in Table 7.13.3. After transmission gaps due to discontinuous uplink DPCCCH transmission the uplink transmitter power difference shall be within the range as defined in Table 7.13.4.

Table 7.13.3: Parameters for UE UL power control operation with discontinuous UL DPCCCH transmission

| Parameter | Unit | Test 1 |
|---|--------------|-------------------------------------|
| Phase reference | - | P-CPICH |
| HS-SCCH_1 E_c / I_{or} | dB | -10 |
| F-DPCH E_c / I_{or} | dB | -10 |
| F-DPCH slot format | - | 0 |
| I_{or1} | dBm/3.84 MHz | -60 |
| Power-Control-Algorithm | - | Algorithm 1 |
| UL Power Control step size, Δ_{TPC} | dB | 1 |
| Uplink TPC commands corresponding to the UL DPCCCH slots which are transmitted | - | {0,1,0,1,0,1} Note 1 |
| Propagation condition | - | Static without AWGN source I_{oc} |
| NOTE 1: The sequence of uplink TPC commands corresponds to the UL DPCCCH slots that are transmitted. During those slots which correspond to UL DPCCCH slots that are not transmitted, UP-commands shall be transmitted. | | |

Table 7.13.4: Test requirements for UE UL power control operation with discontinuous UL DPCCCH transmission

| Parameter | Unit | Test 1 | |
|--------------------------------------|------|--------|--------|
| | | Lower | Upper |
| UE output power difference tolerance | dB | -[2.3] | +[4.3] |

NOTE: If the above Test Requirement differs from the Minimum Requirement then the Test Tolerance applied for this test is non-zero. The Test Tolerance for this test is defined in clause F.2 and the explanation of how the Minimum Requirement has been relaxed by the Test Tolerance is given in clause F.4.

8 Requirements for support of RRM

8.1 General

The cell configuration mapping between cells as defined in TS 34.121-1 and cells as defined in TS 34.108 [3] section 6.1.4 is described in Annex K. E-UTRA cells are defined in TS 36.521-3 [38] and 36.508 [33].

When DCCH has been configured on downlink DCH then DCCH Data shall be continuously transmitted on downlink DCH. When there is no signalling to transmit on downlink DCCH then dummy DCCH transmission as described in Annex C.9 shall be used.

The MAC header transmission on HS-DSCH for all E-DCH test cases shall use a correct MAC-hs header consistent with the actual HSDPA transmission.

For HSDPA test cases without E-DCH, the MAC headers on HS-DSCH shall be according to Annex C.9A.

The DL and UL RLC SDU size for all E-DCH tests in clause 8 shall be set according to Annex C.11.3.

For MBMS test cases which require invalid MAC header to be transmitted during the test, the configuration of invalid MAC header for MTCH transmission shall use the value "1111" for the MBMS-Id field. The UE shall discard PDU's with this invalid MAC header according TS 25.321 [13] section 10.

For the UE which supports both Band I and Band VI operating frequencies, the inter-frequency requirements for Band VI shall apply to the multi-band UE by measuring a Band I frequency while in Band VI to prevent interference. Otherwise, the Band VI inter-frequency requirements cannot be tested.

Parameters given in table 8.1 will be used throughout this section, unless otherwise stated by the test case.

Table 8.1: Test parameters for UTRAN Cell (FDD)

| Parameter | Unit | UTRAN Cells |
|-----------|------|-------------|
| Qrxlevmin | dBm | -115 |

For testing a UE with multiple UTRA receive diversity antenna connectors, test signals from each cell shall be generated with independent fading and applied to each antenna port. For each carrier frequency specified in the test case, independent noise shall be generated and applied to each antenna port. The received power spectral density at each antenna connector n , denoted as $\hat{I}_{or,n}$ shall be the same as to the received power spectral density \hat{I}_{or} specified for testing a UE with a single antenna connector. The noise spectral density at each antenna connector n , denoted as $I_{oc,n}$ shall be the same as the noise spectral density I_{oc} specified for testing a UE with a single antenna connector.

8.1.1 Definition of Additive White Gaussian Noise (AWGN) Interferer

See clause D.1.1.

8.2 Idle Mode Tasks

8.2.1 Cell Selection

Void.

8.2.2 Cell Re-Selection

8.2.2.1 Scenario 1: Single carrier case

8.2.2.1.1 Definition and applicability

The cell re-selection delay is defined as the time from a change of cell levels to the moment when this change makes the UE camp on a new cell, and starts to send preambles on the PRACH for the RRC CONNECTION REQUEST message to perform a Location Updating procedure (MM) or Routing Area Updating procedure (GMM) on the new cell.

The requirements and this test apply to the FDD UE.

8.2.2.1.2 Minimum requirement

The cell re-selection delay shall be less than 8 s with a DRX cycle length of 1.28 s.

The rate of correct cell reselections observed during repeated tests shall be at least 90% with a confidence level of 95 %.

NOTE: The cell re-selection delay can be expressed as: $T_{\text{evaluateFDD}} + T_{\text{SI}}$, where:

| | |
|--------------------------|---|
| $T_{\text{evaluateFDD}}$ | See table 4.1 in TS 25.133 [2] clause 4.2.2. |
| T_{SI} | Maximum repetition period of relevant system info blocks that needs to be received by the UE to camp on a cell. 1280 ms is assumed in this test case. |

This gives a total of 7.68 s, allow 8s in the test case.

The normative reference for this requirement is TS 25.133 [2] clauses 4.2.2.2 and A.4.2.1.

8.2.2.1.3 Test purpose

To verify that the UE meets the minimum requirement.

8.2.2.1.4 Method of test

8.2.2.1.4.1 Initial conditions

Test environment: normal; see clauses G.2.1 and G.2.2.

Frequencies to be tested: mid range; see clause G.2.4.

This scenario implies the presence of 1 carrier and 6 cells as given in tables 8.2.2.1.1 to 8.2.2.1.3. The UE is requested to monitor neighbouring cells on 1 carrier. The maximum repetition period of the relevant system info blocks that needs to be received by the UE to camp on a cell shall be 1 280 ms. Cell 1 and cell 2 shall belong to different Location Areas.

Table 8.2.2.1.1: Scenario 1: General test parameters for Cell Re-selection single carrier multi-cell case

| Parameter | | Unit | Value | Comment |
|---|-----------------|------|--|---|
| Initial condition | Active cell | | Cell2 | |
| | Neighbour cells | | Cell1, Cell3, Cell4, Cell5, Cell6 | |
| Final condition | Active cell | | Cell1 | |
| SYSTEM INFORMATION BLOCK TYPE 1 - CN common GSM-MAP NAS system information | | - | 00 80(H) → Cell 1 00 81(H) → Cell 2 | This identity should be set as different value from the neighbour cell so that a Location Updating procedure(MM) or a Routing Area Updating procedure(GMM) is performed when UE selects more suitable cell in idle state. |
| Access Service Class (ASC#0) - Persistence value | | - | 1 | Selected so that no additional delay is caused by the random access procedure. The value shall be used for all cells in the test. |
| HCS | | | | Not used |
| T_{SI} | | ms | 1280 | See Annex I for the SIB repetition period of system information blocks. |
| DRX cycle length | | s | 1,28 | The value shall be used for all cells in the test. |
| T1 | | s | 15 | T1 need to be defined so that cell re-selection reaction time is taken into account. |
| T2 | | s | 15 | T2 need to be defined so that cell re-selection reaction time is taken into account. |

Table 8.2.2.1.2: Scenario 1: Test parameters for Cell re-selection single carrier multi cell

| Parameter | Unit | Cell 1 | | Cell 2 | | Cell 3 | | Cell 4 | | Cell 5 | | Cell 6 | |
|--|----------------|---|--------|---|--------|---|--------|---|--------|---|--------|---|--------|
| | | T1 | T2 | T1 | T2 | T1 | T2 | T1 | T2 | T1 | T2 | T1 | T2 |
| UTRA RF Channel Number | | Channel1 | | Channel1 | | Channel1 | | Channel1 | | Channel1 | | Channel1 | |
| CPICH_Ec/Ior | dB | -10 | | -10 | | -10 | | -10 | | -10 | | -10 | |
| PCCPCH_Ec/Ior | dB | -12 | | -12 | | -12 | | -12 | | -12 | | -12 | |
| SCH_Ec/Ior | dB | -12 | | -12 | | -12 | | -12 | | -12 | | -12 | |
| PICH_Ec/Ior | dB | -15 | | -15 | | -15 | | -15 | | -15 | | -15 | |
| OCNS_Ec/Ior | dB | -0,941 | | -0,941 | | -0,941 | | -0,941 | | -0,941 | | -0,941 | |
| \hat{I}_{or}/I_{oc} | dB | 7,3 | 10,27 | 10,27 | 7,3 | 0,27 | 0,27 | 0,27 | 0,27 | -4.8 | -7.4 | -4.8 | -7.4 |
| \hat{I}_{or} (Note 1) | dBm | -62.73 | -59.73 | -59.73 | -62.73 | -69.73 | -69.73 | -69.73 | -69.73 | -74.75 | -77.39 | -74.75 | -77.39 |
| I_{oc} | dBm / 3,84 MHz | -70 | | | | | | | | | | | |
| CPICH_Ec/Io | dB | -16 | -13 | -13 | -16 | -23 | | -23 | | -23 | | -23 | |
| Propagation Condition | | AWGN | | | | | | | | | | | |
| Cell_selection_and_reselection_quality_measure | | CPICH E _c /N ₀ | | CPICH E _c /N ₀ | | CPICH E _c /N ₀ | | CPICH E _c /N ₀ | | CPICH E _c /N ₀ | | CPICH E _c /N ₀ | |
| Qqualmin | dB | -20 | | -20 | | -20 | | -20 | | -20 | | -20 | |
| Qrxlevmin | dBm | -115 | | -115 | | -115 | | -115 | | -115 | | -115 | |
| UE_TXPWR_MAX_RACH | dB | 21 | | 21 | | 21 | | 21 | | 21 | | 21 | |
| Qoffset2 _{s, n} | dB | C1, C2: 0 C1, C3: 0 C1, C4: 0 C1, C5: 0 C1, C6: 0 | | C2, C1: 0 C2, C3: 0 C2, C4: 0 C2, C5: 0 C2, C6: 0 | | C3, C1: 0 C3, C2: 0 C3, C4: 0 C3, C5: 0 C3, C6: 0 | | C4, C1: 0 C4, C2: 0 C4, C3: 0 C4, C5: 0 C4, C6: 0 | | C5, C1: 0 C5, C2: 0 C5, C3: 0 C5, C4: 0 C5, C6: 0 | | C6, C1: 0 C6, C2: 0 C6, C3: 0 C6, C4: 0 C6, C5: 0 | |
| Qhyst2 | dB | 0 | | 0 | | 0 | | 0 | | 0 | | 0 | |
| Treselection | s | 0 | | 0 | | 0 | | 0 | | 0 | | 0 | |
| Sintrasearch | dB | not sent | | not sent | | not sent | | not sent | | not sent | | not sent | |

NOTE 1: The nominal \hat{I}_{or} values, although not explicitly defined in 25.133 [2] are added here since they are implied and need to be identified so that the test equipment can be configured.

8.2.2.1.4.2 Procedure

- 1) The SS activates cell 1-6 with T1 defined parameters in table 8.2.2.1.3 and monitors cell 1 and 2 for random access requests from the UE.
- 2) The UE is switched on.
- 3) The SS and the UE shall perform a first registration procedure on cell2.
- 4) 15 s after step 3 has completed, the parameters are changed to that as described for T2 in table 8.2.2.1.3.
- 5) The SS waits for random access requests from the UE. If the UE responds on cell 1 within 8 s from the beginning of time period T2 then the number of successful tests is increased by one. The SS and the UE shall perform a Location Updating procedure (MM) or a Routing Area Updating procedure (GMM) on cell1.
- 6) After 15 s from the beginning of time period T2, the parameters are changed to that as described for T1 in table 8.2.2.1.3.
- 7) The SS waits for random access requests from the UE. If the UE responds on cell 2 within 8 s from the beginning of time period T1 then the number of successful tests is increased by one. The SS and the UE shall perform a Location Updating procedure(MM) or a Routing Area Updating procedure (GMM) on cell2.
- 8) After 15 s from the beginning of time period T1, the parameters are changed to that as described for T2.
- 9) Repeat step 5) to 8) until the confidence level according to annex F.6.2 is achieved.

NOTE 1: The time required for receiving all the relevant system information data according to the reception procedure and the RRC procedure delay of system information blocks defined in 25.331 for a UTRAN cell. Since the maximum time to read the relevant system info blocks that needs to be received by the UE to camp on a cell is 1420ms (see note 2) and the maximum RRC procedure delay for reception system information block is 100ms, 1520 ms is assumed in this test case. Therefore this gives a total of 7.92s.(Minimum requirement + 240ms), allow 8s in the test case.

NOTE 2: The maximum repetition period of the relevant system info blocks that needs to be received by the UE to camp on a cell is 1280ms. The Master Information Block (MIB) is repeated every 8 frame and SIB5 (and SIB11) is segmented into 4 segments where the first segment is scheduled adjacent to the MIB at SIB_POS=40 and the other three segments are scheduled after the MIB (SIB_POS=42, 44 and 46). The maximum time for a UE to read SIB5 will occur if the UE start reading the BCH at the SFN after the MIB located prior to the first segment of SIB5 (SIB_POS 32). Then the UE will not be able to read SIB5 until the second occurrence of SIB5, which will happen at SIB_POS 46 + 1280ms. This gives that the maximum time for the UE to read the relevant system info will be 1420ms ((SIB_POS 46 – SIB_POS 32)*10ms +1280ms).

8.2.2.1.5 Test requirements

For the test to pass, the total number of successful attempts shall be more than 90% of the cases with a confidence level of 95 %.

Table 8.2.2.1.3: Scenario 1: Test requirements for Cell re-selection single carrier multi cell

| Parameter | Unit | Cell 1 | | Cell 2 | | Cell 3 | | Cell 4 | | Cell 5 | | Cell 6 | |
|--------------------------------|----------------------|----------|-------|----------|-------|----------|----|----------|----|----------|----|----------|----|
| | | T1 | T2 | T1 | T2 | T1 | T2 | T1 | T2 | T1 | T2 | T1 | T2 |
| UTRA RF Channel Number | | Channel1 | | Channel1 | | Channel1 | | Channel1 | | Channel1 | | Channel1 | |
| CPICH_Ec/I _{or} | dB | -9.4 | | -9.4 | | -10.5 | | -10.5 | | -10.5 | | -10.5 | |
| PCCPCH_Ec/I _{or} | dB | -11.4 | | -11.4 | | -12.5 | | -12.5 | | -12.5 | | -12.5 | |
| SCH_Ec/I _{or} | dB | -11.4 | | -11.4 | | -12.5 | | -12.5 | | -12.5 | | -12.5 | |
| PICH_Ec/I _{or} | dB | -14.4 | | -14.4 | | -15.5 | | -15.5 | | -15.5 | | -15.5 | |
| OCNS_Ec/I _{or} | dB | -1.10 | | -1.10 | | -0.83 | | -0.83 | | -0.83 | | -0.83 | |
| \hat{I}_{or}/I_{oc} Note 1 | dB | 7.00 | 10.40 | 10.40 | 7.00 | 0.30 | | 0.30 | | 0.30 | | 0.30 | |
| \hat{I}_{or} | dBm | -63.0 | -59.6 | -59.6 | -63.0 | -69.7 | | -69.7 | | -69.7 | | -69.7 | |
| I_{oc} | dBm / 3,84 MHz | -70 | | | | | | | | | | | |
| CPICH_Ec/I _o Note 1 | dB | -15.7 | -12.3 | -12.3 | -15.7 | -23.5 | | -23.5 | | -23.5 | | -23.5 | |

All other parameters and conditions specified in table 8.2.2.1.2 are unchanged.

NOTE 1: These parameters are not directly settable, but are derived by calculation from the settable parameters.

NOTE 2: If the above Test Requirement differs from the Minimum Requirement then the Test Tolerance applied for this test is non-zero. The Test Tolerance for this test is defined in clause F.2 and the explanation of how the Minimum Requirement has been relaxed by the Test Tolerance is given in clause F.4.

8.2.2.2 Scenario 2: Multi carrier case

8.2.2.2.1 Definition and applicability

The cell re-selection delay is defined as the time from a change of cell levels to the moment when this change makes the UE camp on a new cell, and starts to send preambles on the PRACH for the RRC CONNECTION REQUEST message to perform a Location Updating procedure(MM) or Routing Area Updating procedure (GMM) on the new cell.

The requirements and this test apply to the FDD UE.

8.2.2.2.2 Minimum requirement

The cell re-selection delay shall be less than 8 s with a DRX cycle length of 1.28 s.

The rate of correct cell reselections observed during repeated tests shall be at least 90% with a confidence level of 95 %.

NOTE: The cell re-selection delay can be expressed as: $T_{\text{evaluateFDD}} + T_{\text{SI}}$, where:

| | |
|--------------------------|---|
| $T_{\text{evaluateFDD}}$ | See table 4.1 in TS 25.133 [2] clause 4.2.2. |
| T_{SI} | Maximum repetition period of relevant system info blocks that needs to be received by the UE to camp on a cell. 1280 ms is assumed in this test case. |

This gives a total of 7.68 s, allow 8s in the test case.

The normative reference for this requirement is TS 25.133 [2] clauses 4.2.2.3 and A.4.2.2.

8.2.2.2.3 Test purpose

To verify that the UE meets the minimum requirement.

8.2.2.2.4 Method of test

8.2.2.2.4.1 Initial conditions

Test environment: normal; see clauses G.2.1 and G.2.2.

Frequencies to be tested: mid range; see clause G.2.4.

This scenario implies the presence of 2 carriers and 6 cells as given in tables 8.2.2.2.1 to 8.2.2.2.3. The UE is requested to monitor neighbouring cells on 2 carriers. The maximum repetition period of the relevant system info blocks that needs to be received by the UE to camp on a cell shall be 1 280 ms. Cell 1 and cell 2 shall belong to different Location Areas.

Table 8.2.2.2.1: Scenario 2: General test parameters for Cell Re-selection in multi carrier case

| Parameter | Unit | Value | Comment |
|---|-----------------|--|---|
| Initial condition | Active cell | Cell2 | |
| | Neighbour cells | Cell1, Cell3, Cell4, Cell5, Cell6 | |
| Final condition | Active cell | Cell1 | |
| SYSTEM INFORMATION BLOCK TYPE 1 - CN common GSM-MAP NAS system information | - | 00 80(H) → Cell 1 00 81(H) → Cell 2 | This identity should be set as different value from the neighbour cell so that a Location Updating procedure (MM) or a Routing Area Updating procedure (GMM) is performed when UE selects more suitable cell in idle state. |
| Access Service Class (ASC#0) - Persistence value | - | 1 | Selected so that no additional delay is caused by the random access procedure. The value shall be used for all cells in the test. |
| HCS | | | Not used |
| T _{SI} | ms | 1280 | See Annex I for the SIB repetition period of system information blocks. |
| DRX cycle length | S | 1,28 | The value shall be used for all cells in the test. |
| T1 | s | 30 | T1 need to be defined so that cell re-selection reaction time is taken into account. |
| T2 | s | 15 | T2 need to be defined so that cell re-selection reaction time is taken into account. |
| NOTE: Monitored cell list size has 6 cells on 2 carriers. See Annex I for the cell information. | | | |

Table 8.2.2.2: Scenario 2: Test parameters for Cell re-selection multi carrier multi cell

| Parameter | Unit | Cell 1 | | Cell 2 | | Cell 3 | | Cell 4 | | Cell 5 | | Cell 6 | |
|--|----------------|---|---|---|---|---|---|--------------------------------------|--------|--------------------------------------|--------|--------------------------------------|--------|
| | | T1 | T2 | T1 | T2 | T1 | T2 | T1 | T2 | T1 | T2 | T1 | T2 |
| UTRA RF Channel Number | | Channel 1 | | Channel 2 | | Channel 1 | | Channel 1 | | Channel 2 | | Channel 2 | |
| CPICH_Ec/Ior | dB | -10 | | -10 | | -10 | | -10 | | -10 | | -10 | |
| PCCPCH_Ec/Ior | dB | -12 | | -12 | | -12 | | -12 | | -12 | | -12 | |
| SCH_Ec/Ior | dB | -12 | | -12 | | -12 | | -12 | | -12 | | -12 | |
| PICH_Ec/Ior | dB | -15 | | -15 | | -15 | | -15 | | -15 | | -15 | |
| OCNS_Ec/Ior | dB | -0.941 | | -0.941 | | -0.941 | | -0.941 | | -0.941 | | -0.941 | |
| \hat{I}_{or}/I_{oc} | dB | -3.4 | 2.2 | 2.2 | -3.4 | -7.4 | -4.8 | -7.4 | -4.8 | -4.8 | -7.4 | -4.8 | -7.4 |
| \hat{I}_{or} (Note 1) | dBm | -73.39 | -67.75 | -67.75 | -73.39 | -77.39 | -74.75 | -77.39 | -74.75 | -74.75 | -77.39 | -74.75 | -77.39 |
| I_{oc} | dBm / 3.84 MHz | -70 | | | | | | | | | | | |
| CPICH_Ec/Io | dB | -16 | -13 | -13 | -16 | -20 | | -20 | | -20 | | -20 | |
| Propagation Condition | | AWGN | | | | | | | | | | | |
| Cell_selection_and_reselection_quality_measure | | CPICH E _c /N ₀ | | CPICH E _c /N ₀ | | CPICH E _c /N ₀ | | CPICH E _c /N ₀ | | CPICH E _c /N ₀ | | CPICH E _c /N ₀ | |
| Qqualmin | dB | -20 | | -20 | | -20 | | -20 | | -20 | | -20 | |
| Qrxlevmin | dBm | -115 | | -115 | | -115 | | -115 | | -115 | | -115 | |
| UE_TXPWR_MAX_RACH | dB | 21 | | 21 | | 21 | | 21 | | 21 | | 21 | |
| Qoffset2 _{s, n} | dB | C1, C2: 0 C1, C3: 0 C1, C4: 0 C1, C5: 0 C1, C6: 0 | C2, C1: 0 C2, C3: 0 C2, C4: 0 C2, C5: 0 C2, C6: 0 | C3, C1: 0 C3, C2: 0 C3, C4: 0 C3, C5: 0 C3, C6: 0 | C4, C1: 0 C4, C2: 0 C4, C3: 0 C4, C5: 0 C4, C6: 0 | C5, C1: 0 C5, C2: 0 C5, C3: 0 C5, C4: 0 C5, C6: 0 | C6, C1: 0 C6, C2: 0 C6, C3: 0 C6, C4: 0 C6, C5: 0 | | | | | | |
| Qhyst2 | dB | 0 | | 0 | | 0 | | 0 | | 0 | | 0 | |
| Treselection | s | 0 | | 0 | | 0 | | 0 | | 0 | | 0 | |
| Sintrasearch | dB | not sent | | not sent | | not sent | | not sent | | not sent | | not sent | |
| Sintersearch | dB | not sent | | not sent | | not sent | | not sent | | not sent | | not sent | |

NOTE 1 The nominal \hat{I}_{or} values, although not explicitly defined in 25.133 [2] are added here since they are implied and need to be identified so that the test equipment can be configured.

8.2.2.2.4.2 Procedures

- 1) The SS activates cell 1-6 with T1 defined parameters in table 8.2.2.2.3 and monitors cell 1 and 2 for random access requests from the UE.
- 2) The UE is switched on.
- 3) The SS and the UE shall perform a first location registration procedure on cell2.
- 4) 30 s after step3 has completed, the parameters are changed to that as described for T2 in table 8.2.2.2.3.
- 5) The SS waits for random access request from the UE. If the UE responds on cell 1 within 8 s from the beginning of time period T2 then the number of successful tests is increased by one. The SS and the UE shall perform a Location Updating procedure (MM) or a Routing Area Updating procedure (GMM) on cell1.
- 6) After another 15 s from the beginning of time period T2, the parameters are changed to that as described for T1 in table 8.2.2.2.3.
- 7) The SS waits for random access requests from the UE. If the UE responds on cell 2 within 8 s from the beginning of time period T1 then the number of successful tests is increased by one. The SS and the UE shall perform a Location Updating procedure (MM) or a Routing Area Updating procedure (GMM) on cell2.
- 8) After 15 s from the beginning of time period T1, the parameters are changed as described for T2.
- 9) Repeat step 5) to 8) until the confidence level according to annex F.6.2 is achieved.

NOTE 1: T1 is initially 30 s to allow enough time for the UE to search for cells as it has no prior knowledge of these.

NOTE 2: The time required for receiving all the relevant system information data according to the reception procedure and the RRC procedure delay of system information blocks defined in 25.331 for a UTRAN cell. Since the maximum time to read the relevant system info blocks that needs to be received by the UE to camp on a cell is 1420ms (see note 3) and the maximum RRC procedure delay for reception system information block is 100ms, 1520 ms is assumed in this test case. Therefore this gives a total of 7.92s (Minimum requirement + 240ms), allow 8s in the test case.

NOTE 3: The maximum repetition period of the relevant system info blocks that needs to be received by the UE to camp on a cell is 1280ms. The Master Information Block (MIB) is repeated every 8 frame and SIB5 (and SIB11) is segmented into 4 segments where the first segment is scheduled adjacent to the MIB at SIB_POS=40 and the other three segments are scheduled after the MIB (SIB_POS=42, 44 and 46). The maximum time for a UE to read SIB5 will occur if the UE start reading the BCH at the SFN after the MIB located prior to the first segment of SIB5 (SIB_POS 32). Then the UE will not be able to read SIB5 until the second occurrence of SIB5, which will happen at SIB_POS 46 + 1280ms. This gives that the maximum time for the UE to read the relevant system info will be 1420ms ((SIB_POS 46 – SIB_POS 32)*10ms +1280ms).

8.2.2.2.5 Test requirements

For the test to pass, the total number of successful tests shall be more than 90% of the cases with a confidence level of 95 %.

Table 8.2.2.3: Scenario 2: Test parameters for Cell re-selection multi carrier multi cell

| Parameter | Unit | Cell 1 | | Cell 2 | | Cell 3 | | Cell 4 | | Cell 5 | | Cell 6 | |
|------------------------------|--------------|-----------|-------|-----------|-------|-----------|-------|-----------|-------|-----------|-------|-----------|-------|
| | | T1 | T2 | T1 | T2 | T1 | T2 | T1 | T2 | T1 | T2 | T1 | T2 |
| UTRA RF Channel Number | | Channel 1 | | Channel 2 | | Channel 1 | | Channel 1 | | Channel 2 | | Channel 2 | |
| CPICH_Ec/Ior | dB | -9.3 | | -9.3 | | -10.8 | | -10.8 | | -10.8 | | -10.8 | |
| PCCPCH_Ec/Ior | dB | -11.3 | | -11.3 | | -12.8 | | -12.8 | | -12.8 | | -12.8 | |
| SCH_Ec/Ior | dB | -11.3 | | -11.3 | | -12.8 | | -12.8 | | -12.8 | | -12.8 | |
| PICH_Ec/Ior | dB | -14.3 | | -14.3 | | -15.8 | | -15.8 | | -15.8 | | -15.8 | |
| OCNS_Ec/Ior | dB | -1.13 | | -1.13 | | -0.77 | | -0.77 | | -0.77 | | -0.77 | |
| \hat{I}_{or}/I_{oc} Note 1 | dB | -3.40 | +4.80 | +4.80 | -3.40 | -7.40 | -3.00 | -7.40 | -3.00 | -3.00 | -7.40 | -3.00 | -7.40 |
| \hat{I}_{or} | dBm | -73.4 | -67.0 | -67.0 | -73.4 | -77.4 | -74.8 | -77.4 | -74.8 | -74.8 | -77.4 | -74.8 | -77.4 |
| I_{oc} | dBm/3.84 MHz | -70.0 | -71.8 | -71.8 | -70.0 | -70.0 | -71.8 | -70.0 | -71.8 | -71.8 | -70.0 | -71.8 | -70.0 |
| CPICH_Ec/Io Note 1 | dB | -15.3 | -11.5 | -11.5 | -15.3 | -20.8 | -20.8 | -20.8 | -20.8 | -20.8 | -20.8 | -20.8 | -20.8 |

All other parameters and conditions specified in table 8.2.2.2 are unchanged.

NOTE 1: These parameters are not directly settable, but are derived by calculation from the settable parameters.

NOTE 2: If the above Test Requirement differs from the Minimum Requirement then the Test Tolerance applied for this test is non-zero. The Test Tolerance for this test is defined in clause F.2 and the explanation of how the Minimum Requirement has been relaxed by the Test Tolerance is given in clause F.4.

8.2.3 UTRAN to GSM Cell Re-Selection

8.2.3.1 Scenario 1: Both UTRA and GSM level changed

8.2.3.1.1 Definition and applicability

The cell re-selection delay is defined as the time from a change of cell levels to the moment when this change makes the UE camp on a new cell and starts to send the RR Channel Request message for location update to the new cell.

The requirements and this test apply to the combined FDD and GSM UE.

8.2.3.1.2 Minimum requirement

The cell re-selection delay shall be less than $26\text{ s} + T_{\text{BCCH}}$, where T_{BCCH} is the maximum time allowed to read BCCH data from GSM cell, see TS 05.08 [20] for R99 and TS 45.008 [30] for Rel-4 and later releases.

The rate of correct cell reselections observed during repeated tests shall be at least 90% with a confidence level of 95 %.

NOTE: The cell re-selection delay can be expressed as: $4 * T_{\text{measureGSM}} + T_{\text{BCCH}}$, where:

| | |
|-------------------------|---|
| $T_{\text{measureGSM}}$ | See table 4.1 in TS 25.133 [2] clause 4.2.2. |
| T_{BCCH} | Maximum time allowed to read BCCH data from GSM cell, see TS 05.08 [20] for R99 and TS 45.008 [30] for Rel-4 or later releases. According to [20] and [30], the maximum time allowed to read the BCCH data, when being synchronized to a BCCH carrier, is 1.9 s. |

This gives a total of $25.6\text{ s} + T_{\text{BCCH}}$, allow $26\text{ s} + T_{\text{BCCH}}$ in the test case.

The normative reference for this requirement is TS 25.133 [2] clauses 4.2.2 and A.4.3.1.

8.2.3.1.3 Test purpose

To verify that the UE meets the minimum requirement.

8.2.3.1.4 Method of test

8.2.3.1.4.1 Initial conditions

Test environment: normal; see clauses G.2.1 and G.2.2.

Frequencies to be tested: mid range; see clause G.2.4.

This scenario implies the presence of 1 UTRAN serving cell, and 1 GSM cell to be re-selected, as given in tables 8.2.3.1.1 to 8.2.3.1.5. The UE is requested to monitor neighbouring cells on 1 UMTS carrier and 12 GSM cells. Cell 1 and cell 2 shall belong to different Location Areas.

Table 8.2.3.1.1: Scenario 1: General test parameters for UTRAN to GSM Cell Re-selection

| Parameter | | Unit | Value | Comment |
|--------------------------|----------------|------|---|--|
| Initial condition | Active cell | | Cell1 | |
| | Neighbour cell | | Cell2 | |
| Final condition | Active cell | | Cell2 | |
| HCS | | | | Not used |
| DRX cycle length | | s | 1.28 | |
| Monitored cell list size | | | 12 GSM neighbours including the ARFCN of cell 2 | NOTE: See Annex I for cell information |
| T1 | | s | 45 | |
| T2 | | s | 35 | |

Table 8.2.3.1.2: Scenario 1: Test parameters for Cell re-selection UTRAN to GSM cell case (cell 1)

| Parameter | Unit | Cell 1 (UTRA) | |
|--|--------------|---------------|-------|
| | | T1 | T2 |
| UTRA RF Channel Number | | Channel 1 | |
| CPICH_Ec/Ior | dB | -10 | |
| PCCPCH_Ec/Ior | dB | -12 | |
| SCH_Ec/Ior | dB | -12 | |
| PICH_Ec/Ior | dB | -15 | |
| OCNS_Ec/Ior | dB | -0.941 | |
| \hat{I}_{or}/I_{oc} | dB | 0 | -5 |
| I_{oc} | dBm/3.84 MHz | -70 | |
| CPICH_Ec/Io | dB | -13 | -16.2 |
| CPICH_RSCP | dBm | -80 | -85 |
| Propagation Condition | | AWGN | |
| Cell_selection_and_reselection_quality_measure | | CPICH Ec/N0 | |
| Qqualmin | dB | -20 | |
| Qrxlevmin | dBm | -115 | |
| UE_TXPWR_MAX_RACH | dBm | 21 | |
| Qoffset1 _{s,n} | dB | C1, C2: 0 | |
| Qhyst1 | dB | 0 | |
| Treselection | S | 0 | |
| Ssearch _{RAT} | dB | not sent | |

Table 8.2.3.1.3: Scenario 1: Test parameters for Cell re-selection UTRAN to GSM cell case (cell 2)

| Parameter | Unit | Cell 2 (GSM) | |
|----------------------------|------|--------------|-----|
| | | T1 | T2 |
| Absolute RF Channel Number | | ARFCN 1 | |
| RXLEV | dBm | -90 | -75 |
| RXLEV_ACCESS_MIN | dBm | -104 | |
| MS_TXPWR_MAX_CCH | dBm | 33 | |
| FDD_Qmin | dB | -14 | |
| Qsearch_I | - | always | |

Specific 2 quarter Message Contents

All messages indicated shall use the same content as described in the default message content in TS 05.08 [20] clause 9 for R99 and in TS45.008 [30] clause 9 for Rel-4 and later releases, with the above exceptions.

8.2.3.1.4.2 Procedure

- 1) The SS activates cell 1 and 2 with T1 defined parameters in tables 8.2.3.1.4 and 8.2.3.1.5 and monitors cell 1 and 2 for random access requests from the UE.
- 2) The UE is switched on.
- 3) The SS and the UE shall perform a location registration procedure on cell 1.
- 4) After 45 s from the end of step 3, the parameters are changed as described for T2 in tables 8.2.3.1.4 and 8.2.3.1.5.
- 5) The SS waits for a location registration procedure from the UE. If the UE begins transmitting on cell 2 within 27.9 s then the number of successful tests is increased by one.
- 6) After 35 s from the beginning of T2, the parameters are changed as described for T1 in tables 8.2.3.1.4 and 8.2.3.1.5.
- 7) The SS and the UE shall perform a location registration procedure on cell 1.
- 8) After 45 s from the end of step 6, the parameters are changed as described for T2 in tables 8.2.3.1.4 and 8.2.3.1.5.

9) Repeat step 5) to 8) until the confidence level according to annex F.6.2 is achieved.

8.2.3.1.5 Test requirements

Table 8.2.3.1.4: Scenario 1: Cell re-selection UTRAN to GSM cell case (cell 1), test requirements

| Parameter | Unit | Cell 1 (UTRA) | |
|--|--------------|--------------------------------------|--------|
| | | T1 | T2 |
| UTRA RF Channel Number | | Channel 1 | |
| CPICH_Ec/Ior | dB | -9.9 | -10.1 |
| PCCPCH_Ec/Ior | dB | -12 | |
| SCH_Ec/Ior | dB | -12 | |
| PICH_Ec/Ior | dB | -15 | |
| OCNS_Ec/Ior | dB | -0.953 | -0,928 |
| \hat{I}_{or}/I_{oc} | dB | 0.3 | -5.3 |
| I_{oc} | dBm/3.84 MHz | -70 | |
| CPICH_Ec/Io (Note 1) | dB | -12.8 | -16.5 |
| CPICH_RSCP (Note1) | dBm | -79.6 | -85.4 |
| Propagation Condition | | AWGN | |
| Cell_selection_and_reselection_quality_measure | | CPICH E _c /N ₀ | |
| Qqualmin | dB | -20 | |
| Qrxlevmin | dBm | -115 | |
| UE_TXPWR_MAX_RACH | dBm | 21 | |
| Qoffset1 _{s,n} | dB | C1, C2: 0 | |
| Qhyst1 | dB | 0 | |
| Treselection | s | 0 | |
| Ssearch _{RAT} | dB | not sent | |

Table 8.2.3.1.5: Scenario 1: Cell re-selection UTRAN to GSM cell case (cell 2), test requirements

| Parameter | Unit | Cell 2 (GSM) | |
|----------------------------|------|--|-----|
| | | T1 | T2 |
| Absolute RF Channel Number | | BCCH ARFCN of cell A as defined in the initial conditions in clause 26.6.5.1 of TS 51.010-1 [25] for the GSM band under test. BCCH ARFCN is 744 for FDD Band II and PCS1900 under test. BCCH ARFCN is 241 for FDD Band V, VI or XIX and GSM850 under test. BCCH ARFCN is 114 for FDD Band VIII and GSM900 under test. | |
| RXLEV | dBm | -91 | -74 |
| RXLEV_ACCESS_MIN | dBm | -104 | |
| MS_TXPWR_MAX_CCH | dBm | 33 | |
| FDD_Qmin | dB | -14 | |
| Qsearch_I | - | always | |

NOTE 1: CPICH_Ec/Io and CPICH_RSCP levels have been calculated from other parameters for information purposes. They are not settable parameters themselves.

For the test to pass, the total number of successful tests shall be at least 90% of the cases with a confidence level of 95 %.

NOTE: If the above Test Requirement differs from the Minimum Requirement then the Test Tolerance applied for this test is non-zero. The Test Tolerance for this test is defined in clause F.2 and the explanation of how the Minimum Requirement has been relaxed by the Test Tolerance is given in clause F.4.

8.2.3.2 Scenario 2: Only UTRA level changed

8.2.3.2.1 Definition and applicability

The cell re-selection delay is defined as the time from a change of cell levels to the moment when this change makes the UE camp on a new cell and starts to send the RR Channel Request message for location update to the new cell.

The requirements and this test apply to the combined FDD and GSM UE.

8.2.3.2.2 Minimum requirement

The cell re-selection delay shall be less than $7.7 \text{ s} + T_{\text{BCCH}}$, where T_{BCCH} is the maximum time allowed to read BCCH data from GSM cell, see TS 05.08 [20] for R99 and TS 45.008 [30] for Rel-4 and later releases.

The rate of correct cell reselections observed during repeated tests shall be at least 90% with a confidence level of 95 %.

NOTE: The cell re-selection delay can be expressed as: $\text{Max}(3 * T_{\text{measureFDD}}, T_{\text{measureGSM}} + \text{DRX cycle length}) + T_{\text{BCCH}}$, where:

| | |
|-------------------------|--|
| $T_{\text{measureFDD}}$ | See table 4.1 in TS 25.133 [2] clause 4.2.2. |
| $T_{\text{measureGSM}}$ | See table 4.1 in TS 25.133 [2] clause 4.2.2. |
| DRX cycle length | 1.28s see Table A.4.7.A in TS 25.133 [2] clause A.4.3.2. |
| T_{BCCH} | Maximum time allowed to read BCCH data from GSM cell, see TS 05.08 [20] for R99 and TS 45.008 [30] for Rel-4 and later releases. According to [20] and [30], the maximum time allowed to read the BCCH data, when being synchronized to a BCCH carrier, is 1.9 s. |

This gives a total of $7.68 \text{ s} + T_{\text{BCCH}}$, allow $7.7 \text{ s} + T_{\text{BCCH}}$ in the test case.

The normative reference for this requirement is TS 25.133 [2] clauses 4.2.2 and A.4.3.2.

8.2.3.2.3 Test purpose

To verify that the UE meets the minimum requirement.

8.2.3.2.4 Method of test

8.2.3.2.4.1 Initial conditions

Test environment: normal; see clauses G.2.1 and G.2.2.

Frequencies to be tested: mid range; see clause G.2.4.

This scenario implies the presence of 1 UTRAN serving cell, and 1 GSM cell to be re-selected, as given in tables 8.2.3.2.1 to 8.2.3.2.5. The UE is requested to monitor neighbouring cells on 1 UMTS carrier and 12 GSM cells. Cell 1 and cell 2 shall belong to different Location Areas.

Table 8.2.3.2.1: Scenario 2: General test parameters for UTRAN to GSM Cell Re-selection

| Parameter | | Unit | Value | Comment |
|--------------------------|----------------|------|---|--|
| Initial condition | Active cell | | Cell1 | |
| | Neighbour cell | | Cell2 | |
| Final condition | Active cell | | Cell2 | |
| HCS | | | | Not used |
| DRX cycle length | | s | 1.28 | |
| Monitored cell list size | | | 12 GSM neighbours including the ARFCN of cell 2 | NOTE: See Annex I for cell information |
| T1 | | s | 45 | |
| T2 | | s | 12 | |

Table 8.2.3.2.2: Scenario 2: Test parameters for Cell re-selection UTRAN to GSM cell case (cell 1)

| Parameter | Unit | Cell 1 (UTRA) | |
|--|--------------|--------------------------------------|-------|
| | | T1 | T2 |
| UTRA RF Channel Number | | Channel 1 | |
| CPICH_Ec/Ior | dB | -10 | |
| PCCPCH_Ec/Ior | dB | -12 | |
| SCH_Ec/Ior | dB | -12 | |
| PICH_Ec/Ior | dB | -15 | |
| OCNS_Ec/Ior | dB | -0.941 | |
| \hat{I}_{or}/I_{oc} | dB | 20 | -9 |
| I_{oc} | dBm/3.84 MHz | -81 | |
| CPICH_Ec/Io | dB | -10.0 | -19.5 |
| CPICH_RSCP | dBm | -70 | -100 |
| Propagation Condition | | AWGN | |
| Cell_selection_and_reselection_quality_measure | | CPICH E _c /N ₀ | |
| Qqualmin | dB | -20 | |
| Qrxlevmin | dBm | -115 | |
| UE_TXPWR_MAX_RACH | dBm | 21 | |
| Qoffset1 _{s,n} | dB | C1, C2: 0 | |
| Qhyst1 | dB | 0 | |
| Treselection | s | 0 | |
| Ssearch _{RAT} | dB | not sent | |

Table 8.2.3.2.3: Scenario 2: Test parameters for Cell re-selection UTRAN to GSM cell case (cell 2)

| Parameter | Unit | Cell 2 (GSM) | |
|----------------------------|------|--------------|-----|
| | | T1 | T2 |
| Absolute RF Channel Number | | ARFCN 1 | |
| RXLEV | dBm | -80 | -80 |
| RXLEV_ACCESS_MIN | dBm | -104 | |
| MS_TXPWR_MAX_CCH | dBm | 33 | |
| Qsearch_I | - | always | |

Specific 2 quarter Message Contents

All messages indicated shall use the same content as described in the default message content in TS 05.08 [20] clause 9 for R99 and in TS45.008 [30] clause 9 for Rel-4 and later releases, with the above exceptions.

8.2.3.2.4.2 Procedure

- 1) The SS activates cell 1 and 2 with T1 defined parameters in tables 8.2.3.2.4 and 8.2.3.2.5 and monitors cell 1 and 2 for random access requests from the UE.
- 2) The UE is switched on.
- 3) The SS and the UE shall perform a location registration procedure on cell 1.
- 4) After 45 s from the end of step 3, the parameters are changed as described for T2 in tables 8.2.3.2.4 and 8.2.3.2.5.
- 5) The SS waits for a location registration procedure from the UE. If the UE begins transmitting on cell 2 within 9.6 s then the number of successful tests is increased by one.
- 6) After 12 s from the beginning of T2, the parameters are changed as described for T1 in tables 8.2.3.2.4 and 8.2.3.2.5.
- 7) The SS and the UE shall perform a location registration procedure on cell 1.
- 8) After 45 s from the end of step 6, the parameters are changed as described for T2 in tables 8.2.3.2.4 and 8.2.3.2.5.

9) Repeat step 5) to 8) until the confidence level according to annex F.6.2 is achieved.

8.2.3.2.5 Test requirements

Table 8.2.3.2.4: Scenario 2: Cell re-selection UTRAN to GSM cell case (cell 1), test requirements

| Parameter | Unit | Cell 1 (UTRA) | |
|--|--------------|-----------------|--------|
| | | T1 | T2 |
| UTRA RF Channel Number | | Channel 1 | |
| CPICH_Ec/Ior | dB | -9.9 | -10.1 |
| PCCPCH_Ec/Ior | dB | -12 | |
| SCH_Ec/Ior | dB | -12 | |
| PICH_Ec/Ior | dB | -15 | |
| OCNS_Ec/Ior | dB | -0.953 | -0.941 |
| \hat{I}_{or}/I_{oc} | dB | 20.3 | -9.3 |
| I_{oc} | dBm/3.84 MHz | -81 | |
| CPICH_Ec/Io (Note1) | dB | -9.9 | -19.9 |
| CPICH_RSCP (Note1) | dBm | -70.6 | -100.4 |
| Propagation Condition | | AWGN | |
| Cell_selection_and_reselection_quality_measure | | CPICH E_c/N_0 | |
| Qqualmin | dB | -20 | |
| Qrxlevmin | dBm | -115 | |
| UE_TXPWR_MAX_RACH | dBm | 21 | |
| Qoffset1 _{s,n} | dB | C1, C2: 0 | |
| Qhyst1 | dB | 0 | |
| Treselection | s | 0 | |
| Ssearch _{RAT} | dB | not sent | |

Table 8.2.3.2.5: Scenario 2: Cell re-selection UTRAN to GSM cell case (cell 2), test requirements

| Parameter | Unit | Cell 2 (GSM) | |
|----------------------------|------|--|-----|
| | | T1 | T2 |
| Absolute RF Channel Number | | BCCH ARFCN of cell A as defined in the initial conditions in clause 26.6.5.1 of TS 51.010-1 [25] for the GSM band under test. BCCH ARFCN is 744 for FDD Band II and PCS1900 under test. BCCH ARFCN is 241 for FDD Band V, VI or XIX and GSM850 under test. BCCH ARFCN is 114 for FDD Band VIII and GSM900 under test. | |
| RXLEV | dBm | -81 | -79 |
| RXLEV_ACCESS_MIN | dBm | -104 | |
| MS_TXPWR_MAX_CCH | dBm | 33 | |
| Qsearch_I | - | always | |

NOTE 1: CPICH_Ec/Io and CPICH_RSCP levels have been calculated from other parameters for information purposes. They are not settable parameters themselves.

For the test to pass, the total number of successful tests shall be at least 90% of the cases with a confidence level of 95%.

NOTE: If the above Test Requirement differs from the Minimum Requirement then the Test Tolerance applied for this test is non-zero. The Test Tolerance for this test is defined in clause F.2 and the explanation of how the Minimum Requirement has been relaxed by the Test Tolerance is given in clause F.4.

8.2.3.3 Scenario 3: HCS with only UTRA level changed

8.2.3.3.1 Definition and applicability

The cell re-selection delay is defined as the time from a change of cell levels to the moment when this change makes the UE camp on a new cell and starts to send the RR Channel Request message for location update to the new cell.

The requirements and this test apply to Release 6 and later releases for the combined FDD and GSM UE.

8.2.3.3.2 Minimum requirement

The cell re-selection delay shall be less than $37.7 \text{ s} + T_{\text{BCCH}}$, where T_{BCCH} is the maximum time allowed to read BCCH data from GSM cell, see TS 45.008 [30].

The rate of correct cell reselections observed during repeated tests shall be at least 90% with a confidence level of 95 %.

NOTE: The cell re-selection delay can be expressed as: $30 \text{ s} + T_{\text{measureGSM}} + \text{DRX cycle length} + T_{\text{BCCH}}$, where:

| | |
|-------------------------|--|
| $T_{\text{measureFDD}}$ | See Table 4.1 in TS 25.133 [2] clause 4.2.2. |
| $T_{\text{measureGSM}}$ | See Table 4.1 in TS 25.133 [2] clause 4.2.2. |
| DRX cycle length | 1.28s see Table A.4.7.D in TS 25.133 [2] clause A.4.3.3. |
| T_{BCCH} | Maximum time allowed to read BCCH data from GSM cell, see TS 45.008 [30]. According to [20] and [30], the maximum time allowed to read the BCCH data, when being synchronized to a BCCH carrier, is 1.9 s. |

This gives a total of $37.68 \text{ s} + T_{\text{BCCH}}$, allow $37.7 \text{ s} + T_{\text{BCCH}}$ in the test case.

The normative reference for this requirement is TS 25.133 [2] clauses 4.2.2 and A.4.3.3.

8.2.3.3.3 Test purpose

To verify that the UE meets the minimum requirement.

8.2.3.3.4 Method of test

8.2.3.3.4.1 Initial conditions

Test environment: normal; see clauses G.2.1 and G.2.2.

Frequencies to be tested: mid range; see clause G.2.4.

This scenario implies the presence of 1 UTRAN serving cell, and 1 GSM cell to be re-selected, as given in tables 8.2.3.3.1 to 8.2.3.3.5. The UE is requested to monitor neighbouring cells on 1 UMTS carrier and 12 GSM cells. Cell 1 and cell 2 shall belong to different Location Areas.

Table 8.2.3.3.1: Scenario 3: General test parameters for UTRAN to GSM Cell Re-selection

| Parameter | | Unit | Value | Comment |
|--------------------------|----------------|------|---|--|
| Initial condition | Active cell | | Cell1 | |
| | Neighbour cell | | Cell2 | |
| Final condition | Active cell | | Cell2 | |
| HCS | | | | Used |
| DRX cycle length | | s | 1.28 | |
| Monitored cell list size | | | 12 GSM neighbours including the ARFCN of cell 2 | NOTE: See Annex I for cell information |
| T1 | | s | 45 | |
| T2 | | s | 45 | |

Table 8.2.3.3.2: Scenario 3: Test parameters for Cell re-selection UTRAN to GSM cell case (cell 1)

| Parameter | Unit | Cell 1 (UTRA) | |
|--|--------------|--------------------------------------|-------|
| | | T1 | T2 |
| UTRA RF Channel Number | | Channel 1 | |
| CPICH_Ec/Ior | dB | -10 | |
| PCCPCH_Ec/Ior | dB | -12 | |
| SCH_Ec/Ior | dB | -12 | |
| PICH_Ec/Ior | dB | -15 | |
| OCNS_Ec/Ior | dB | -0.941 | |
| \hat{I}_{or}/I_{oc} | dB | 40 | 10 |
| I_{oc} | dBm/3.84 MHz | -100 | |
| CPICH_Ec/Io | dB | -10.0 | -10.4 |
| CPICH_RSCP | dBm | -70 | -100 |
| Propagation Condition | | AWGN | |
| Cell_selection_and_reselection_quality_measure | | CPICH E _c /N ₀ | |
| Qqualmin | dB | -20 | |
| Qrxlevmin | dBm | -115 | |
| UE_TXPWR_MAX_RACH | dBm | 21 | |
| Qoffset1 _{s,n} | dB | C1, C2: 0 | |
| Qhyst1 | dB | 0 | |
| Treselection | s | 0 | |
| Ssearch _{RAT} | dB | 0 | |
| SHCS, _{RAT} m | dB | 25 | |
| S _{limit,SearchRAT} | dB | 0 | |
| Penalty_time | s | 0 (default value) | |
| HCS_PRIO | | 0 (default value) | |
| Qhcs | | 0 (default value) | |
| T _{Crmax} | s | not used (default value) | |

Table 8.2.3.3.3: Scenario 3: Test parameters for Cell re-selection UTRAN to GSM cell case (cell 2)

| Parameter | Unit | Cell 2 (GSM) | |
|----------------------------|------|--------------|-----|
| | | T1 | T2 |
| Absolute RF Channel Number | | ARFCN 1 | |
| RXLEV | dBm | -80 | -80 |
| RXLEV_ACCESS_MIN | dBm | -104 | |
| MS_TXPWR_MAX_CCH | dBm | 33 | |
| Qsearch_I | - | always | |

Specific 2 quarter Message Contents

All messages indicated shall use the same content as described in the default message content in TS45.008 [30] clause 9, with the above exceptions.

8.2.3.3.4.2 Procedure

- 1) The SS activates cell 1 and 2 with T1 defined parameters in tables 8.2.3.3.4 and 8.2.3.3.5 and monitors cell 1 and 2 for random access requests from the UE.
- 2) The UE is switched on.
- 3) The SS and the UE shall perform a location registration procedure on cell 1.
- 4) After 45 s from the end of step 3, the parameters are changed as described for T2 in tables 8.2.3.3.4 and 8.2.3.3.5.
- 5) The SS waits for a location registration procedure from the UE. If the UE begins transmitting on cell 2 within 39.6 s then the number of successful tests is increased by one.

- 6) After 45 s from the beginning of T2, the parameters are changed as described for T1 in tables 8.2.3.3.4 and 8.2.3.3.5.
- 7) The SS and the UE shall perform a location registration procedure on cell 1.
- 8) After 45 s from the end of step 6, the parameters are changed as described for T2 in tables 8.2.3.3.4 and 8.2.3.3.5.
- 9) Repeat step 5) to 8) until the confidence level according to annex F.6.2 is achieved.

Specific Message Contents

All messages indicated above shall use the same content as described in the default message content in clause 6.1.0b of 34.108 [3], with the above and the following exceptions:

SYSTEM INFORMATION BLOCK TYPE3

| Information Element | Value |
|------------------------------|----------|
| HCS Serving Cell Information | |
| -HCS PRIO | 0 |
| -Qhcs | 0 |
| -T _{CRmax} | not used |

SYSTEM INFORMATION BLOCK TYPE11

| Information Element | Value |
|------------------------------------|-------|
| HCS neighbouring Cell Information | |
| -HCS PRIO | 0 |
| -Qhcs | 0 |
| -HCS Cell RE-selection Information | |
| -Penalty_time | 0 |

8.2.3.3.5 Test requirements

Table 8.2.3.3.4: Scenario 3: Cell re-selection UTRAN to GSM cell case (cell 1), test requirements

| Parameter | Unit | Cell 1 (UTRA) | |
|--|--------------|--------------------------------------|--------|
| | | T1 | T2 |
| UTRA RF Channel Number | | Channel 1 | |
| CPICH_Ec/lor | dB | -9.9 | -10.1 |
| PCCPCH_Ec/lor | dB | -12 | |
| SCH_Ec/lor | dB | -12 | |
| PICH_Ec/lor | dB | -15 | |
| OCNS_Ec/lor | dB | -0.953 | -0.928 |
| \hat{I}_{or}/I_{oc} | dB | 40.3 | 9.7 |
| I_{oc} | dBm/3.84 MHz | -100 | |
| CPICH_Ec/lo (Note1) | dB | -9.9 | -10.5 |
| CPICH_RSCP (Note1) | dBm | -69.6 | -100.4 |
| Propagation Condition | | AWGN | |
| Cell_selection_and_reselection_quality_measure | | CPICH E _c /N ₀ | |
| Qqualmin | dB | -20 | |
| Qrxlevmin | dBm | -115 | |
| UE_TXPWR_MAX_RACH | dBm | 21 | |
| Qoffset1 _{s,n} | dB | C1, C2: 0 | |
| Qhyst1 | dB | 0 | |
| Treselection | s | 0 | |
| Ssearch _{RAT} | dB | 0 | |
| SHCS,RATm | dB | 25 | |
| S _{limit,SearchRAT} | dB | 0 | |
| Penalty_time | s | 0 (default value) | |
| HCS_PRIO | | 0 (default value) | |
| Qhcs | | 0 (default value) | |
| T _{CRmax} | s | not used (default value) | |

Table 8.2.3.3.5: Scenario 3: Cell re-selection UTRAN to GSM cell case (cell 2), test requirements

| Parameter | Unit | Cell 2 (GSM) | |
|----------------------------|------|--|-----|
| | | T1 | T2 |
| Absolute RF Channel Number | | BCCH ARFCN of cell A as defined in the initial conditions in clause 26.6.5.1 of TS 51.010-1 [25] for the GSM band under test. BCCH ARFCN is 744 for FDD Band II and PCS1900 under test. BCCH ARFCN is 241 for FDD Band V, VI or XIX and GSM850 under test. BCCH ARFCN is 114 for FDD Band VIII and GSM900 under test. | |
| RXLEV | dBm | -81 | -79 |
| RXLEV_ACCESS_MIN | dBm | -104 | |
| MS_TXPWR_MAX_CCH | dBm | 33 | |
| Qsearch_I | - | always | |

NOTE 1: CPICH_Ec/Io and CPICH_RSCP levels have been calculated from other parameters for information purposes. They are not settable parameters themselves.

For the test to pass, the total number of successful tests shall be at least 90% of the cases with a confidence level of 95 %.

NOTE 2: If the above Test Requirement differs from the Minimum Requirement then the Test Tolerance applied for this test is non-zero. The Test Tolerance for this test is defined in clause F.2 and the explanation of how the Minimum Requirement has been relaxed by the Test Tolerance is given in clause F.4.

8.2.4 FDD/TDD Cell Re-selection

8.2.4.1 Definition and applicability

The cell re-selection delay is defined as the time from the cell quality levels change to the moment when this change makes the UE reselect a better ranked cell, and starts to send the RRC CONNECTION REQUEST message to perform a Location Registration on the new cell.

This test is for the case where the UE camps on an FDD cell and reselects to a TDD cell.

The requirements and this test apply to UEs supporting both FDD and TDD.

8.2.4.1.1 3.84 Mcps TDD Option

The cell re-selection delay is defined as the time from the cell quality levels change to the moment when this change makes the UE reselect a better ranked cell, and starts to send the RRC CONNECTION REQUEST message to perform a Location Registration on the new cell.

This test is for the case where the UE camps on an FDD cell and reselects to a 3.84Mcps TDD cell.

The requirements and this test apply to UEs supporting both FDD and 3.84Mcps TDD.

8.2.4.1.2 1.28 Mcps TDD Option

The cell re-selection delay is defined as the time from the cell quality levels change to the moment when this change makes the UE reselect a better ranked cell, and starts to send SYNCH-UL sequence in the UpPTS for sending RRC CONNECTION REQUEST message to perform a Location Registration on the new cell.

This test is for the case where the UE camps on a FDD cell and reselects to a 1.28Mcps TDD cell.

The requirements and this test apply to UEs supporting both FDD and 1.28Mcps TDD.

8.2.4.2 Minimum requirement

The cell re-selection delay shall be less than 8 s with a DRX cycle length of 1,28 s. This shall be verified in more than 90 % of the cases with a confidence level of 95 %.

The normative reference for this requirement is TS 25.133 [2] clauses 4.2.2.4 and A.4.4.

8.2.4.3 Test purpose

To verify that the UE meets the minimum requirement for the case where the UE camps on an FDD cell and reselects to a TDD cell.

8.2.4.4 Method of test

8.2.4.4.1 Initial conditions

8.2.4.4.1.1 3.84 Mcps TDD Option

This scenario implies the presence of UTRA FDD and 1 3.84Mcps TDD cell as given in tables 8.2.4.1, 8.2.4.2 and 8.2.4.3. The maximum repetition period of the relevant system information blocks that need to be received by the UE to camp on a cell shall be 1280 ms.

Cell 1 and cell 2 shall belong to different Location Areas.

Table 8.2.4.1: General test parameters for FDD/TDD Cell Re-selection

| Parameter | | Unit | Value | Comment |
|---|-----------------|------|-------|---|
| Initial condition | Active cell | | Cell1 | FDD cell |
| | Neighbour cells | | Cell2 | TDD cell |
| Final condition | Active cell | | Cell2 | TDD cell |
| UE_TXPWR_MAX_RACH | | dBm | 21 | The value shall be used for all cells in the test. |
| Access Service Class (ASC#0) - Persistence value | | | 1 | Selected so that no additional delay is caused by the random access procedure. The value shall be used for all cells in the test. |
| HCS | | | | Not used |
| DRX cycle length | | S | 1.28 | The value shall be used for all cells in the test. |
| T1 | | S | 15 | |
| T2 | | S | 15 | |

Table 8.2.4.2: Cell 1 specific test parameters for FDD/TDD Cell Re-selection

| Parameter | Unit | Cell 1 | |
|--|----------------|-------------|-----|
| | | T1 | T2 |
| UTRA RF Channel Number | | Channel 1 | |
| CPICH_Ec/I _{or} | dB | -10 | |
| P-CCPCH_Ec/I _{or} | dB | -12 | |
| SCH_Ec/I _{or} | dB | -12 | |
| PICH_Ec/I _{or} | dB | -15 | |
| OCNS_Ec/I _{or} | dB | -0.941 | |
| \hat{I}_{or}/I_{oc} | dB | 9 | 3 |
| I_{oc} | dBm / 3.84 MHz | -70 | |
| CPICH_RSCP | dBm | -71 | -77 |
| Propagation Condition | | AWGN | |
| Cell_selection_and_reselection_quality_measure | | CPICH_Ec/No | |
| Qrxlevmin | dBm | -115 | |
| Qoffset1 _{s,n} | dB | 0 | |
| Qhyst1 | dB | 0 | |
| Treselection | s | 0 | |
| Sintrasearch | dB | not sent | |
| Sintersearch | dB | not sent | |

Table 8.2.4.3: Cell 2 specific test parameters for FDD/TDD Cell Re-selection

| Parameter | Unit | Cell 2 | | | |
|---|---------------|-----------|-----|------|------|
| | | 0 | | 8 | |
| DL timeslot number | | T1 | T2 | T1 | T2 |
| UTRA RF Channel Number | | Channel 2 | | | |
| P-CCPCH_Ec/lor | dB | -3 | | n.a. | |
| PICH_Ec/lor | dB | n.a. | | -3 | |
| SCH_Ec/lor | dB | -9 | | | |
| SCH_t _{offset} | dB | 10 | | | |
| OCNS_Ec/lor | dB | -3.12 | | | |
| \hat{I}_{or}/I_{oc} | dB | -4 | 2 | -4 | 2 |
| P-CCPCH RSCP | dBm | -77 | -71 | n.a. | n.a. |
| I_{oc} | dBm/ 3,84 MHz | -70 | | | |
| Propagation Condition | | AWGN | | | |
| Qrxlevmin | dBm | -103 | | | |
| Qoffset2 _{s,n} | dB | 0 | | | |
| Qhyst2 | dB | 0 | | | |
| Treselection | s | 0 | | | |
| Sintrasearch | dB | not sent | | | |
| Sintersearch | dB | not sent | | | |
| NOTE: that the transmit energy per PN chip for the SCH is averaged over the 256 chip duration when the SCH is present in the time slot. | | | | | |

8.2.4.4.1.2 1.28Mcps TDD Option

This scenario implies the presence of UTRA FDD and 1 1.28Mcps TDD cell as given in tables 8.2.4.1A, 8.2.4.2A and 8.2.4.3A. The maximum repetition period of the relevant system information blocks that need to be received by the UE to camp on a cell shall be 1280 ms.

Cell 1 and cell 2 shall belong to different Location Areas.

Table 8.2.4.1A: General test parameters for FDD/TDD cell re-selection

| Parameter | | Unit | Value | Comment |
|---|-----------------|------|-------|---|
| Initial condition | Active cell | | Cell1 | FDD cell |
| | Neighbour cells | | Cell2 | TDD cell |
| Final condition | Active cell | | Cell2 | TDD cell |
| UE_TXPWR_MAX_RACH | | dBm | 21 | The value shall be used for all cells in the test. |
| Access Service Class (ASC#0) - Persistence value | | | 1 | Selected so that no additional delay is caused by the random access procedure. The value shall be used for all cells in the test. |
| HCS | | | | Not used |
| DRX cycle length | | s | 1.28 | The value shall be used for all cells in the test. |
| T1 | | s | 15 | |
| T2 | | s | 15 | |

Table 8.2.4.2A: FDD/TDD cell re-selection

| Parameter | Unit | Cell 1 | |
|------------------------|------|-----------|----|
| | | T1 | T2 |
| UTRA RF Channel Number | | Channel 1 | |
| CPICH_Ec/lor | dB | -10 | |
| P-CCPCH_Ec/lor | dB | -12 | |
| SCH_Ec/lor | dB | -12 | |
| PICH_Ec/lor | dB | -15 | |
| OCNS_Ec/lor | dB | -0.941 | |
| \hat{I}_{or}/I_{oc} | dB | 9 | 3 |

| Parameter | Unit | Cell 1 | |
|--|----------------|-------------|-----|
| | | T1 | T2 |
| I_{oc} | dBm / 3.84 MHz | -70 | |
| CPICH_RSCP | dBm | -71 | -77 |
| Propagation Condition | | AWGN | |
| Cell_selection_and_reselection_quality_measure | | CPICH_Ec/No | |
| Qrxlevmin | dBm | -115 | |
| Qoffset1 _{s,n} | dB | 0 | |
| Qhyst1 | dB | 0 | |
| Treselection | s | 0 | |
| Sintrasearch | dB | not sent | |
| Sintersearch | dB | not sent | |

Table 8.2.4.3A: Cell 2 specific test parameters for FDD/TDD Cell Re-selection

| Parameter | Unit | Cell 2 | | | |
|-------------------------|------------------|-----------|-----|-------|----|
| | | 0 | | DwPTs | |
| DL timeslot number | | T1 | T2 | T1 | T2 |
| UTRA RF Channel Number | | Channel 2 | | | |
| P-CCPCH_Ec/lor | dB | -3 | | | |
| DwPCH_Ec/lor | dB | | | 0 | |
| OCNS_Ec/lor | dB | -3 | | | |
| \hat{I}_{or}/I_{oc} | dB | -4 | 2 | -4 | 2 |
| P-CCPCH RSCP | dBm | -77 | -71 | | |
| I_{oc} | dBm/ 1.28 MHz | -70 | | | |
| Propagation Condition | | AWGN | | | |
| Qrxlevmin | dBm | -103 | | | |
| Qoffset1 _{s,n} | dB | 0 | | | |
| Qhyst1 | dB | 0 | | | |
| Treselection | s | 0 | | | |
| Sintrasearch | dB | not sent | | | |
| Sintersearch | dB | not sent | | | |

8.2.4.4.2 Procedures

- The SS activates cell 1 and cell 2 with T1 defined parameters and monitors them for random access requests from the UE.
- The UE is switched on.
- The SS waits for random access requests from the UE.
- After 15 s, the parameters are changed as described for T2.
- The SS waits for random access request from the UE.
- After another 15 s, the parameters are changed as described for T1.
- The SS waits for random access requests from the UE.
- Repeat step d) to g) until the confidence level according to annex F.6.2 is achieved.

8.2.4.5 Test requirements

- In step c), after the UE has responded on cell 1, it shall not respond on any other cell (cell selection).
- In step e), the UE shall respond on cell 2 within 8 s in more than 90 % of the cases.
- In step g), the UE shall respond on cell 1.

NOTE: If the above Test Requirement differs from the Minimum Requirement then the Test Tolerance applied for this test is non-zero. The Test Tolerance for this test is defined in clause F.2 and the explanation of how the Minimum Requirement has been relaxed by the Test Tolerance is given in clause F.4.

8.2.5 UTRAN to E-UTRA Cell Re-Selection

8.2.5.1 E-UTRA is of higher priority

Editor's note: This Test case is incomplete for frequencies above 3GHz

- The Test system uncertainties applicable above 3GHz are undefined
- The Test Tolerances and Test Requirements applicable above 3GHz are undefined

8.2.5.1.1 Definition and applicability

The cell re-selection delay is defined as the time from a change of cell levels, to the moment when the UE camps on a new cell, and starts to send preambles on the PRACH for sending the RRC CONNECTION REQUEST message to perform a Tracking Area Update procedure on the new cell.

The requirements and this test apply to **Release 8 and later releases UTRA FDD UE that support E-UTRA FDD.**

8.2.5.1.2 Minimum requirement

The cell re-selection delay shall be less than 81 s.

The rate of correct cell reselections observed during repeated tests shall be at least 90%.

NOTE: The cell re-selection delay can be expressed as: $T_{\text{higher_priority_search}} + T_{\text{evaluateEUTRA}} + T_{\text{SI}}$, where:

$T_{\text{higher_priority_search}}$ See section 4.2.2 of TS 25.133 [2]

$T_{\text{evaluateEUTRA}}$ See Table 4.2 in section 4.2.2.5a of TS 25.133 [2]

T_{SI} Maximum repetition period of relevant system info blocks that needs to be received by the UE to camp on a cell; 1280 ms is assumed in this test case.

This gives a total of 80.48 s, within the allowance of 81 s for the test case.

The normative reference for this requirement is TS 25.133 [2] clauses 4.2.2 and A.4.5.1.

8.2.5.1.3 Test purpose

To verify that the UE meets the minimum requirement.

8.2.5.1.4 Method of test

8.2.5.1.4.1 Initial conditions

Test environment: normal; see clauses G.2.1 and G.2.2.

Frequencies to be tested: see table K.2 in Annex K.

The test scenario comprises two different cells, with cell 1 being the UTRA serving cell and cell 2 being the E-UTRA cell to be re-selected to. Test parameters are given in Table 8.2.5.1.1. The test consists of three successive time periods, with time duration of T1, T2, and T3 respectively. UTRA cell 1 is already identified by the UE prior to the start of the test. Cell 2 is of higher priority than cell 1.

Cell 1 and cell 2 shall belong to different tracking areas. Furthermore, UE has not registered with network for the tracking area containing cell 2.

Table 8.2.5.1.1: General test parameters for UTRAN to E-UTRA Cell Reselection

| Parameter | | Unit | Value | Comment |
|-------------------|-------------|------|-------|--|
| Initial condition | Active cell | | Cell1 | |
| T2 end condition | Active cell | | Cell2 | UE shall perform reselection to cell 2 during T2 |

| Parameter | Unit | Value | Comment |
|-----------------------------------|----------------|----------|--|
| T3 end condition | Neighbour cell | Cell1 | |
| | Active cell | Cell1 | UE shall perform reselection to cell 1 during T3 |
| | Neighbour cell | Cell2 | |
| DRX cycle length | s | 1.28 | |
| HCS | | | Not used |
| E-UTRA PRACH configuration | | 4 | As specified in table 5.7.1-2 in TS 36.211 |
| E-UTRA access barring information | | Not sent | No additional delays in random access procedure |
| T1 | s | >20 | During T1, cell 2 shall be powered off, and during the off time its physical cell identity shall be changed. The intention is to ensure that cell 2 has not been detected by the UE prior to the start of period T2. |
| T2 | s | 85 | T2 needs to be defined so that cell re-selection reaction time is taken into account. |
| T3 | s | 25 | T3 needs to be defined so that cell re-selection reaction time is taken into account. |

Table 8.2.5.1.2: Cell specific test parameters for UTRAN to E-UTRA cell reselection (cell 1)

| Parameter | Unit | Cell 1 (UTRA) | | |
|---|--------------|---------------|--------|--------|
| | | T1 | T2 | T3 |
| UTRA RF Channel Number | | Channel 1 | | |
| CPICH_Ec/Ior | dB | -10 | | |
| PCCPCH_Ec/Ior | dB | -12 | | |
| SCH_Ec/Ior | dB | -12 | | |
| PICH_Ec/Ior | dB | -15 | | |
| OCNS_Ec/Ior | dB | -0.941 | | |
| \hat{I}_{or}/I_{oc} | dB | 13 | 13 | 13 |
| I_{oc} | dBm/3,84 MHz | -70 | | |
| CPICH_Ec/Io | dB | -10.21 | -10.21 | -10.21 |
| CPICH_RSCH | dBm | -67 | -67 | -67 |
| Qqualmin | dB | -20 | | |
| Qrxlevmin | dBm | -115 | | |
| UE_TXPWR_MAX_RACH | dBm | 21 | | |
| Treselection | s | 0 | | |
| S _{prioritysearch1} | dB | 42 | | |
| S _{prioritysearch2} | dB | 0 | | |
| S _{searchE-UTRA} | dB | Not sent | | |
| Thresh _{x,high} (Note 1) | dB | 48 | | |
| Propagation Condition | | AWGN | | |
| NOTE 1: This refers to the value of Thresh _{x,high} which is included in UTRA system information, and is a threshold for the E-UTRA target cell. | | | | |

Table 8.2.5.1.3: Cell specific test parameters for UTRAN to E-UTRA cell reselection (cell 2)

| Parameter | Unit | Cell 2 | | |
|--|------|----------|----|----|
| | | T1 | T2 | T3 |
| E-UTRA RF Channel number | | 2 | | |
| BW _{channel} | MHz | 10 | | |
| OCNG Patterns defined in TS 36.133 A.3.2.1.2 (OP.2 FDD) [24] | | OP.2 FDD | | |
| PBCH_RA | dB | 0 | | |
| PBCH_RB | dB | | | |
| PSS_RA | dB | | | |

| Parameter | Unit | Cell 2 | | | | | |
|---|------------|-----------|-----|------|-----------|----|----|
| | | T1 | T2 | T3 | | | |
| SSS_RA | dB | | | | | | |
| PCFICH_RB | dB | | | | | | |
| PHICH_RA | dB | | | | | | |
| PHICH_RB | dB | | | | | | |
| PDCCH_RA | dB | | | | | | |
| PDCCH_RB | dB | | | | | | |
| PDSCH_RA | dB | | | | | | |
| PDSCH_RB | dB | | | | | | |
| OCNG_RA ^{Note 1} | dB | | | | | | |
| OCNG_RB ^{Note 1} | dB | | | | | | |
| Qrxlevmin | dBm | | | | -140 | | |
| N_{oc} | dBm/15 kHz | | | | -98 | | |
| \hat{E}_s / N_{oc} | dB | | | | -infinity | 12 | -4 |
| RSRP | dBm/15 KHz | -infinity | -86 | -102 | | | |
| \hat{E}_s / I_{ot} | dB | -infinity | 12 | -4 | | | |
| Treselection _{EUTRAN} | s | 0 | | | | | |
| Snonintrasearch | dB | Not sent | | | | | |
| Thresh _{serv, low} | dB | 44 | | | | | |
| Thresh _{x, low} (Note 2) | dB | 42 | | | | | |
| Propagation Condition | | AWGN | | | | | |
| NOTE 1: OCNG shall be used such that cell 2 is fully allocated and a constant total transmitted power spectral density is achieved for all OFDM symbols. | | | | | | | |
| NOTE 2: This refers to the value of Thresh _{x, low} which is included in E-UTRA system information, and is a threshold for the UTRA target cell. | | | | | | | |

8.2.5.1.4.2 Procedure

- 1) The SS activates cell 1 and 2 with T1 defined parameters in tables 8.2.5.1.4 and 8.2.5.1.5 and monitors cell 1 and 2 for random access requests from the UE.
- 2) The UE is switched on.
- 3) The SS and the UE shall perform a location / routing area update procedure on cell 1.
- 4) After T1 from the end of step 3, the parameters are changed as described for T2 in tables 8.2.5.1.4 and 8.2.5.1.5.
- 5) The SS waits for random access request information from the UE to perform cell re-selection procedure on cell 2.
- 6) If the UE camps on cell 2, and starts to send preambles on the PRACH for sending the RRC CONNECTION REQUEST message to perform a Tracking Area Update procedure or an Attach Procedure for Rel-10 and higher UEs on cell 2 within 81 s then the number of successful tests is increased by one. Otherwise, the number of failure tests is increased by one.
- 7) After the re-selection or when T2 expires, the parameters are changed as described for T3 as specified in tables 8.2.5.1.4 and 8.2.5.1.5.
- 8) The SS and the UE shall perform a location / routing area update procedure on cell 1.
- 9) After the re-selection or when T3 expires, the parameters are changed as described for T1 in tables 8.2.5.1.4 and 8.2.5.1.5. During T1, Cell 2 shall be powered off and the SS shall set Cell 2 physical cell identity = ((current cell 2 physical cell identity + 1) mod 14 + 2).
- 10) If UE failed to complete the location / routing area update on cell 1 in step 8) then switch OFF the UE and go to step 2).
- 11) When T1 expires, the parameters are changed as described for T2 in tables 8.2.5.1.4 and 8.2.5.1.5.
- 12) Repeat step 5) to 11) until the confidence level according to Table G.2.3-1 in TS36.521-3 [38] is achieved.

8.2.5.1.4.3 Message contents

All messages indicated above shall use the same content as described in the default message content in TS 36.508 [33] clause 4.4 and 4.6 with the following exceptions:

SystemInformationBlockType19: for inter-RAT UTRA FDD - EUTRAN FDD is of higher priority cell re-selection

| Derivation Path: TS 36.508 [33] clause 4.4.4.1, Table 4.4.4.1-1 SystemInformationBlockType19 | | | |
|--|----------------|---|-----------|
| Information Element | Value/remark | Comment | Condition |
| SystemInfoType19 ::= SEQUENCE { | | | |
| utran-FDD-FrequencyList SEQUENCE | | | |
| (SIZE(1..maxNumFDDFreqs)) OF SEQUENCE { | | | |
| priority | 3 | E-UTRA is of high priority | |
| s-PrioritySearch1 | 42 | | |
| s-PrioritySearch2 | 0 | | |
| } | | | |
| eutra-FrequencyAndPriorityInfoList SEQUENCE | | <i>n</i> denotes the index of the entry | |
| (SIZE(1..maxNumEUTRAFreqs)) OF SEQUENCE { | | | |
| Priority | 5 | E-UTRA is of high priority | |
| qRxLevMinEUTRA | -70 (-140 dBm) | | |
| Thresh _{x, high} | 48 dB | | |
| } | | | |
| } | | | |

PRACH-ConfCommonDEFAULT: (FDD) for Inter-RAT cell re-selection

| Derivation Path: TS 36.508 [33] clause 4.6.3, Table 4.6.3-7 PRACH-ConfCommonDEFAULT | | | |
|---|--------------|---------|-----------|
| Information Element | Value/remark | Comment | Condition |
| PRACH-ConfigInfo SEQUENCE { | | | |
| prach-ConfigIndex | 4 | | |
| } | | | |

8.2.5.1.5 Test requirements

Table 8.2.5.1.4: Cell specific test parameters for UTRAN to E-UTRA cell reselection (cell 1)

| Parameter | Unit | Cell 1 (UTRA) | | |
|--|--------------|---------------|--------|--------|
| | | T1 | T2 | T3 |
| UTRA RF Channel Number | | Channel 1 | | |
| CPICH_Ec/lor | dB | -10 | | |
| PCCP-infinity CH_Ec/lor | dB | -12 | | |
| SCH_Ec/lor | dB | -12 | | |
| PICH_Ec/lor | dB | -15 | | |
| OCNS_Ec/lor | dB | -0.941 | | |
| \hat{I}_{or}/I_{oc} | dB | 13.80 | 13.80 | 13.80 |
| I_{oc} | dBm/3,84 MHz | -70 | | |
| CPICH_Ec/lo | dB | -10.18 | -10.18 | -10.18 |
| CPICH_RSCP | dBm | -66.20 | -66.20 | -66.20 |
| Qqualmin | dB | -20 | | |
| Qrxlevmin | dBm | -115 | | |
| UE_TXPWR_MAX_RACH | dBm | 21 | | |
| Treselection | s | 0 | | |
| S _{prioritysearch1} | dB | 42 | | |
| S _{prioritysearch2} | dB | 0 | | |
| S _{searchE-UTRA} | dB | Not sent | | |
| Thresh _{x, high} (Note 1) | dB | 48 | | |
| Propagation Condition | | AWGN | | |
| NOTE 1: This refers to the value of Thresh _{x, high} which is included in UTRA system information, and is a threshold for the E-UTRA target cell. | | | | |

Table 8.2.5.1.5: Cell specific test parameters for UTRAN to E-UTRA cell reselection (cell 2)

| Parameter | Unit | Cell 2 | | |
|---|------------|-----------|--------|---------|
| | | T1 | T2 | T3 |
| E-UTRA RF Channel number | | 2 | | |
| BW_{channel} | MHz | 10 | | |
| OCNG Patterns defined in TS 36.133 A.3.2.1.2 (OP.2 FDD) [24] | | OP.2 FDD | | |
| PBCH_RA | dB | 0 | | |
| PBCH_RB | dB | | | |
| PSS_RA | dB | | | |
| SSS_RA | dB | | | |
| PCFICH_RB | dB | | | |
| PHICH_RA | dB | | | |
| PHICH_RB | dB | | | |
| PDCCH_RA | dB | | | |
| PDCCH_RB | dB | | | |
| PDSCH_RA | dB | | | |
| PDSCH_RB | dB | | | |
| OCNG_RA ^{Note 1} | dB | | | |
| OCNG_RB ^{Note 1} | dB | | | |
| Qrxlevmin | dBm | -140 | | |
| N_{oc} | dBm/15 kHz | -99.10 | | |
| \hat{E}_s / N_{oc} | dB | -infinity | 13.90 | -3.70 |
| RSRP ^{Note 3} | dBm/15 KHz | | -85.20 | -102.80 |
| \hat{E}_s / I_{ot} | dB | -infinity | 13.90 | -3.70 |
| Treselection _{EUTRAN} | s | 0 | | |
| Snonintrasearch | dB | Not sent | | |
| Thresh _{serv, low} | dB | 44 | | |
| Thresh _{x, low} (Note 2) | dB | 42 | | |
| Propagation Condition | | AWGN | | |
| NOTE 1: OCNG shall be used such that cell 2 is fully allocated and a constant total transmitted power spectral density is achieved for all OFDM symbols. | | | | |
| NOTE 2: This refers to the value of Thresh _{x, low} which is included in E-UTRA system information, and is a threshold for the UTRA target cell. | | | | |
| NOTE 3: RSRP levels have been derived from other parameters for information purposes. They are not settable parameters themselves. | | | | |

For the test to pass, the total number of successful tests shall be at least 90% of the cases with a confidence level of 95 %.

NOTE: If the above Test Requirement differs from the Minimum Requirement then the Test Tolerance applied for this test is non-zero. The Test Tolerance for this test is defined in clause F.2 and the explanation of how the Minimum Requirement has been relaxed by the Test Tolerance is given in clause F.4.

8.2.5.2 E-UTRA is of lower priority

Editor's note: This Test case is incomplete for frequencies above 3GHz

- The Test system uncertainties applicable above 3GHz are undefined
- The Test Tolerances and Test Requirements applicable above 3GHz are undefined

8.2.5.2.1 Definition and applicability

The cell re-selection delay is defined as the time from a change of cell levels, to the moment when the UE camps on a new cell, and starts to send preambles on the PRACH for sending the RRC CONNECTION REQUEST message to perform a Tracking Area Update procedure on the new cell.

The requirements and this test apply to Release 8 and later releases UTRA FDD UE that support E-UTRA FDD.

8.2.5.2.2 Minimum requirement

The cell re-selection delay shall be less than 21 s.

The rate of correct cell reselections observed during repeated tests shall be at least 90%.

NOTE: The cell re-selection delay can be expressed as: $T_{\text{evaluateEUTRA}} + T_{\text{SI-EUTRA}}$, where:

$T_{\text{evaluateEUTRA}}$ See Table 4.2 in section 4.2.2 of TS 25.133 [2].

$T_{\text{SI-EUTRA}}$ Maximum repetition period of relevant system info blocks that needs to be received by the UE to camp on a cell; 1280 ms is assumed in this test case.

This gives a total of 20.48 s, within the allowance of 21 s in the test case.

The normative reference for this requirement is TS 25.133 [2] clauses 4.2.2 and A.4.5.2.

8.2.5.2.3 Test purpose

To verify that the UE meets the minimum requirement.

8.2.5.2.4 Method of test

8.2.5.2.4.1 Initial conditions

Test environment: normal; see clauses G.2.1 and G.2.2.

Frequencies to be tested: see table K.2 in Annex K.

This scenario implies the presence of 1 UTRAN serving cell, and 1 E-UTRAN cell to be re-selected. The UE is requested to monitor neighbouring cells on 1 UTRAN carrier and 1 E-UTRAN carrier. Test parameters are given in Table 8.2.5.2.1 to 8.2.5.2.5. The test consists of two successive time periods, with time duration of T1 and T2, respectively. Both UTRA cell 1 and E-UTRA cell 2 are already identified by the UE prior to the start of the test. Cell 2 is of lower priority than cell 1. Cell 1 and cell 2 shall belong to different tracking areas.

Table 8.2.5.2.1: General test parameters for UTRAN to E-UTRAN Cell Re-selection

| Parameter | | Unit | Value | Comment |
|-----------------------------------|----------------|------|----------|--|
| Initial condition | Active cell | | Cell 1 | UTRAN cell |
| | Neighbour cell | | Cell 2 | E-UTRAN cell |
| Final condition | Active cell | | Cell 2 | UE shall perform reselection to cell 2 during T2 |
| DRX cycle length | | s | 1.28 | |
| HCS | | | | Not used |
| E-UTRA PRACH configuration | | | 4 | As specified in table 5.7.1-2 in TS 36.211 |
| E-UTRA access barring information | | | Not sent | No additional delays in random access procedure |
| T1 | | s | 85 | T1 need to be defined so that cell re-selection reaction time is taken into account. |
| T2 | | s | 25 | T2 need to be defined so that cell re-selection reaction time is taken into account. |

Table 8.2.5.2.2: Cell specific test parameters for UTRAN to E-UTRA cell reselection (cell 1)

| Parameter | Unit | Cell 1 (UTRA) | |
|------------------------|------|---------------|----|
| | | T1 | T2 |
| UTRA RF Channel Number | | Channel 1 | |
| CPICH_Ec/Ior | dB | -10 | |
| PCCPCH_Ec/Ior | dB | -12 | |
| SCH_Ec/Ior | dB | -12 | |
| PICH_Ec/Ior | dB | -15 | |
| OCNS_Ec/Ior | dB | -0.941 | |

| Parameter | Unit | Cell 1 (UTRA) | |
|---|--------------|--------------------------------------|--------|
| | | T1 | T2 |
| \hat{I}_{or}/I_{oc} | dB | 11 | -5 |
| I_{oc} | dBm/3,84 MHz | -70 | |
| CPICH_Ec/Io | dB | -10.33 | -16.19 |
| CPICH_RSCP | dBm | -69 | -85 |
| Propagation Condition | | AWGN | |
| Cell_selection_and_reselection_quality_measure | | CPICH E _c /N ₀ | |
| Qqualmin | dB | -20 | |
| Qrxlevmin | dBm | -115 | |
| UE_TXPWR_MAX_RACH | dBm | 21 | |
| Qhyst1 | dB | 0 | |
| Treselection | s | 0 | |
| Ssearch _{RAT} | dB | not sent | |
| Sprioritysearch1 | dB | 62 | |
| Sprioritysearch2 | dB | 0 | |
| Thresh _{serv,low} | dB | 36 | |
| Thresh _{x,low} (Note 1) | dB | 50 | |
| NOTE 1: This refers to the value of Thresh _{x,low} which is included in UTRA system information, and is a threshold for the E-UTRA target cell | | | |

Table 8.2.5.2.3: Cell specific test parameters for UTRAN to E-UTRA cell reselection (cell 2)

| Parameter | Unit | Cell 2 (E-UTRA) | |
|--|------------|-----------------|-----|
| | | T1 | T2 |
| E-UTRA RF Channel number | | 1 | |
| BW _{channel} | MHz | 10 | |
| OCNG Patterns defined in A.3.2.1.1 (OP.2 FDD) | | OP.2 FDD | |
| PBCH_RA | dB | 0 | |
| PBCH_RB | dB | | |
| PSS_RA | dB | | |
| SSS_RA | dB | | |
| PCFICH_RB | dB | | |
| PHICH_RA | dB | | |
| PHICH_RB | dB | | |
| PDCCH_RA | dB | | |
| PDCCH_RB | dB | | |
| PDSCH_RA | dB | | |
| PDSCH_RB | dB | | |
| OCNG_RA ^{Note 1} | dB | | |
| OCNG_RB ^{Note 1} | dB | | |
| Qrxlevmin | dBm | | |
| N _{oc} | dBm/15 kHz | -98 | |
| RSRP | dBm/15 KHz | -84 | -84 |
| \hat{E}_s/I_{ot} | dB | 14 | 14 |
| Treselection _{EUTRAN} | s | 0 | |
| Snonintrasearch | dB | 50 | |
| Thresh _{x,high} | dB | 40 | |
| Propagation Condition | | AWGN | |
| NOTE 1: OCNG shall be used such that cell 2 is fully allocated and a constant total transmitted power spectral density is achieved for all OFDM symbols. | | | |
| NOTE 2: This refers to the value of Thresh _{x,high} which is included in E-UTRA system information, and is a threshold for the UTRA target cell | | | |

8.2.5.2.4.2

Procedure

- 1) The SS activates cell 1 with T1 parameters defined in tables 8.2.5.2.4 and monitors cell 1 for random access requests from the UE.
- 2) The UE is switched on.
- 3) The SS and the UE shall perform a location / routing area update procedure on cell 1 and apply the cell 2 parameters with T1 defined in table 8.2.5.2.5. T1 starts.
- 4) After the re-selection or when T1 expires, the parameters are changed as described for T2 in tables 8.2.5.2.4 and 8.2.5.2.5.
- 5) The SS waits for random access request information from the UE to perform cell re-selection procedure on cell 2.
- 6) If the UE camps on cell 2 and starts to send preambles on the PRACH for sending the RRC CONNECTION REQUEST message to perform a Tracking Area Update procedure or an Attach Procedure for Rel-10 and higher UEs on cell 2 within 21 s, then the number of successful tests is increased by one. Otherwise, the number of failure tests is increased by one.
- 7) After the re-selection or when T2 expires, the parameters are changed as defined for T1 in tables 8.2.5.2.4 and 8.2.5.2.5.
- 8) The SS and the UE shall perform a location / routing area update procedure on cell 1.
- 9) If UE failed to complete the location / routing area update on cell 1 in step 8) then switch OFF the UE and go to step 1).
- 10) Repeat step 4) to 9) until the confidence level according to Table G.2.3-1 in TS36.521-3 [38] is achieved.

8.2.5.2.4.3 Message contents

All messages indicated above shall use the same content as described in the default message content in TS 36.508 [33] clause 4.4 and 4.6 with the following exceptions:

SystemInformationBlockType19: for inter-RAT UTRA FDD - EUTRAN FDD is of lower priority cell re-selection

| Derivation Path: TS 36.508 [33] clause 4.4.4.1, Table 4.4.4.1-1 SystemInformationBlockType19 | | | |
|--|----------------|-----------------------------|-----------|
| Information Element | Value/remark | Comment | Condition |
| SysInfoType19 ::= SEQUENCE { | | | |
| utra-PriorityInfoList SEQUENCE { | | | |
| utra-ServingCell SEQUENCE { | | | |
| priority | 5 | E-UTRA is of lower priority | |
| s-PrioritySearch1 | 62 | | |
| s-PrioritySearch2 | 0 | | |
| threshServingLow | 36 dB | | |
| } | | | |
| utra-FrequencyAndPriorityInfoList SEQUENCE (SIZE (1..maxNumEUTRAFreqs)) OF SEQUENCE | | | |
| priority | 3 | E-UTRA is of lower priority | |
| qRxLevMinEUTRA | -70 (-140 dBm) | | |
| Thresh _{x, low} | 50 dB | | |
| } | | | |
| } | | | |

PRACH-ConfCommonDEFAULT: (FDD) for Inter-RAT cell re-selection

| Derivation Path: TS 36.508 [33] clause 4.6.3, Table 4.6.3-7 PRACH-ConfCommonDEFAULT | | | |
|---|--------------|---------|-----------|
| Information Element | Value/remark | Comment | Condition |
| PRACH-ConfigInfo SEQUENCE { | | | |
| prach-ConfigIndex | 4 | | |
| } | | | |

8.2.5.2.5 Test requirements

Table 8.2.5.2.4: Cell specific test parameters for UTRAN to E-UTRA cell reselection (cell 1)

| Parameter | Unit | Cell 1 (UTRA) | |
|--|--------------|--------------------------------------|--------|
| | | T1 | T2 |
| UTRA RF Channel Number | | Channel 1 | |
| CPICH_Ec/Ior | dB | -10 | |
| PCCPCH_Ec/Ior | dB | -12 | |
| SCH_Ec/Ior | dB | -12 | |
| PICH_Ec/Ior | dB | -15 | |
| OCNS_Ec/Ior | dB | -0.941 | |
| \hat{I}_{or}/I_{oc} | dB | 11.90 | -5.70 |
| I_{oc} | dBm/3,84 MHz | -70.10 | |
| CPICH_Ec/Io | dB | -10.27 | -16.74 |
| CPICH_RSCP | dBm | -68.20 | -85.80 |
| Propagation Condition | | AWGN | |
| Cell_selection_and_reselection_quality_measure | | CPICH E _c /N ₀ | |
| Qqualmin | dB | -20 | |
| Qrxlevmin | dBm | -115 | |
| UE_TXPWR_MAX_RACH | dBm | 21 | |
| Qhyst1 | dB | 0 | |
| Sprioritysearch1 | dB | 62 | |
| Sprioritysearch2 | dB | 0 | |
| Treselection | s | 0 | |
| Ssearch _{RAT} | dB | not sent | |
| Thresh _{serving, low} | dB | 37 | |
| Thresh _{x, low} (Note 1) | dB | 50 | |
| NOTE 1: This refers to the value of Thresh _{x, low} which is included in UTRA system information, and is a threshold for the E-UTRA target cell | | | |

Table 8.2.5.2.5: Cell specific test parameters for UTRAN to E-UTRA cell reselection (cell 2)

| Parameter | Unit | Cell 2 (E-UTRA) | |
|---|------------|-----------------|--------|
| | | T1 | T2 |
| E-UTRA RF Channel number | | 1 | |
| BW _{channel} | MHz | 10 | |
| OCNG Patterns defined in A.3.2.1.1 (OP.2 FDD) | | OP.2 FDD | |
| PBCH_RA | dB | 0 | |
| PBCH_RB | dB | | |
| PSS_RA | dB | | |
| SSS_RA | dB | | |
| PCFICH_RB | dB | | |
| PHICH_RA | dB | | |
| PHICH_RB | dB | | |
| PDCCH_RA | dB | | |
| PDCCH_RB | dB | | |
| PDSCH_RA | dB | | |
| PDSCH_RB | dB | | |
| OCNG_RA ^{Note 1} | dB | | |
| OCNG_RB ^{Note 1} | dB | | |
| Qrxlevmin | dBm | | |
| N_{oc} | dBm/15 kHz | -98 | |
| RSRP | dBm/15 KHz | -83.20 | -83.20 |
| \hat{E}_s/I_{ot} | dB | 14.80 | 14.80 |
| Treselection _{EUTRAN} | s | 0 | |
| Snonintrasearch | dB | 50 | |
| Thresh _{x, high} | dB | 40 | |
| Propagation Condition | | AWGN | |

NOTE 1: OCNG shall be used such that cell 2 is fully allocated and a constant total transmitted power spectral density is achieved for all OFDM symbols.

NOTE 2: This refers to the value of $\text{Thresh}_{x, \text{high}}$ which is included in E-UTRA system information, and is a threshold for the UTRA target cell

For the test to pass, the total number of successful tests shall be at least 90% of the cases with a confidence level of 95 %.

NOTE: If the above Test Requirement differs from the Minimum Requirement then the Test Tolerance applied for this test is non-zero. The Test Tolerance for this test is defined in clause F.2 and the explanation of how the Minimum Requirement has been relaxed by the Test Tolerance is given in clause F.4.

8.2.5.3 RSRQ based reselection when E-UTRA FDD is of higher priority

Editor's notes: The following items are missing or incomplete:

- Message contents are undefined.
- The Test system uncertainties are undefined

8.2.5.3.1 Definition and applicability

The cell re-selection delay is defined as the time from a change of cell levels, to the moment when the UE camps on a new cell, and starts to send preambles on the PRACH for sending the RRC CONNECTION REQUEST message to perform a Tracking Area Update procedure on the new cell.

The requirements and this test apply to Release 11 and later releases UTRA FDD UE that support E-UTRA FDD.

8.2.5.3.2 Minimum requirement

The cell re-selection delay shall be less than 21 s. The rate of correct cell reselections observed during repeated tests shall be at least 90%.

NOTE: The cell re-selection delay can be expressed as: $T_{\text{higher_priority_search}} + T_{\text{evaluateEUTRA}} + T_{\text{SI}}$, where:

$T_{\text{higher_priority_search}}$ See section 4.2.2 of TS 25.133 [2], where, this value should be 0s, since the cell2 shall be already indentified at the beginning of T3

$T_{\text{evaluateEUTRA}}$ See Table 4.2 in section 4.2.2.5a of TS 25.133 [2]

T_{SI} Maximum repetition period of relevant system info blocks that needs to be received by the UE to camp on a cell; 1280 ms is assumed in this test case.

This gives a total of 20.48 s, allow 21 s in the test case.

The normative reference for this requirement is TS 25.133 [2] clauses 4.2.2 and A.4.5.3.

8.2.5.3.3 Test purpose

To verify that the UE meets the minimum requirement.

8.2.5.3.4 Method of test

8.2.5.3.4.1 Initial conditions

Test environment: normal; see clauses G.2.1 and G.2.2.

Frequencies to be tested: see table K.2 in Annex K.

The test scenario comprises two different cells, with cell 1 being the UTRA serving cell, cell 2 being the E-UTRA cell to be re-selected to. Test parameters are given in Tables 8.2.5.3.1, 8.2.5.3.2, 8.2.5.3.3. The test consists of four successive time periods, with time duration of T1, T2, T3 and T4, respectively. UTRA cell 1 is already identified by the UE prior to the start of the test. Cell 2 is of higher priority than cell 1.

Cell 1 and cell 2 shall belong to different tracking areas. Furthermore, UE has not registered with network for the tracking area containing cell 2.

Table 8.2.5.3.1: General test parameters for UTRAN to E-UTRA Cell Reselection

| Parameter | | Unit | Value | Comment |
|-----------------------------------|----------------|------|----------|--|
| Initial condition | Active cell | | Cell1 | |
| T2 end condition | Active cell | | Cell1 | UE shall not perform reselection to cell 2 during T2 |
| | Neighbour cell | | Cell2 | |
| T3 end condition | Active cell | | Cell2 | UE shall perform reselection to cell 2 during T3 |
| | Neighbour cell | | Cell1 | |
| T4 end condition | Active cell | | Cell1 | UE shall perform reselection to cell 1 during T4 |
| | Neighbour cell | | Cell2 | |
| DRX cycle length | | s | 1.28 | |
| HCS | | | | Not used |
| E-UTRA PRACH configuration | | | 4 | As specified in table 5.7.1-2 in TS 36.211 |
| E-UTRA access barring information | | | Not sent | No additional delays in random access procedure |
| T1 | | s | >20 | During T1, cell 2 shall be powered off, and during the off time its physical cell identity shall be changed. The intention is to ensure that cell 2 has not been detected by the UE prior to the start of period T2. |
| T2 | | s | 85 | T2 needs to be defined, in order to ensure UE do not conduct cell reselect to Cell2 |
| T3 | | s | 25 | T3 needs to be defined so that cell re-selection reaction time is taken into account. |
| T4 | | s | 25 | T4 needs to be defined, in order to ensure UE conducting cell reselection to Cell 1 by end of the T4. |

Table 8.2.5.3.2: Cell specific test parameters for UTRAN to E-UTRA cell reselection (cell 1)

| Parameter | Unit | Cell 1 (UTRA) | | | |
|--|--------------|---------------|--------|--------|--------|
| | | T1 | T2 | T3 | T4 |
| UTRA RF Channel Number | | Channel 1 | | | |
| CPICH_Ec/lor | dB | -10 | | | |
| PCCPCH_Ec/lor | dB | -12 | | | |
| SCH_Ec/lor | dB | -12 | | | |
| PICH_Ec/lor | dB | -15 | | | |
| OCNS_Ec/lor | dB | -0.941 | | | |
| \hat{I}_{or}/I_{oc} | dB | 13 | 13 | 13 | 13 |
| I_{oc} | dBm/3,84 MHz | -70 | | | |
| CPICH_Ec/lo | dB | -10.21 | -10.21 | -10.21 | -10.21 |
| CPICH_RSCP | dBm | -67 | -67 | -67 | -67 |
| Qqualmin | dB | -20 | | | |
| Qrxlevmin | dBm | -115 | | | |
| UE_TXPWR_MAX_RACH | dBm | 21 | | | |
| Treselection | s | 0 | | | |
| S _{prioritysearch1} | dB | 42 | | | |
| S _{prioritysearch2} | dB | 0 | | | |
| S _{searchE-UTRA} | dB | Not sent | | | |
| Thresh _{x,highQ} (Note 1) | dB | 5 | | | |
| Propagation Condition | | AWGN | | | |
| Note 1: This refers to the value of Thresh _{x,highQ} which is included in UTRA system information, and is a threshold for the E-UTRA target cell. | | | | | |

Table 8.2.5.3.3: Cell specific test parameters for UTRAN to E-UTRA cell reselection (cell 2)

| Parameter | Unit | Cell 2 | | | |
|--|------------|----------|----------|----------|----------|
| | | T1 | T2 | T3 | T4 |
| E-UTRA RF Channel Number | | 2 | | | |
| BW_{channel} | MHz | 10 | | | |
| OCNG Patterns defined in TS 36.133 A.3.2.1.2 (OP.2 FDD) [24] | | OP.2 FDD | | | |
| PBCH_RA | dB | 0 | | | |
| PBCH_RB | dB | | | | |
| PSS_RA | dB | | | | |
| SSS_RA | dB | | | | |
| PCFICH_RB | dB | | | | |
| PHICH_RA | dB | | | | |
| PHICH_RB | dB | | | | |
| PDCCH_RA | dB | | | | |
| PDCCH_RB | dB | | | | |
| PDSCH_RA | dB | | | | |
| PDSCH_RB | dB | | | | |
| OCNG_RA ^{Note 1} | dB | | | | |
| OCNG_RB ^{Note 1} | dB | | | | |
| Qrxlevmin | dBm | | | | |
| Qqualmin | dB | -20 | | | |
| N_{oc} | dBm/15 kHz | -98 | | | |
| RSRP | dBm/15 kHz | -inf | [-105.5] | [-84.91] | [-105.5] |
| RSRQ | dB | -inf | [-19] | [-11] | [-19] |
| \hat{E}_s / I_{ot} | dB | -inf | [-7.50] | [13.09] | [-7.50] |
| \hat{E}_s / N_{oc} | dB | -inf | [-7.50] | [13.09] | [-7.50] |
| Treselection | S | 0 | | | |
| Snonintrasearch | dB | Not sent | | | |
| Thresh _{serv, lowQ} | | 5 | | | |
| Thresh _{x, lowQ} (Note 2) | | 5 | | | |
| Propagation Condition | | AWGN | | | |
| Note 1: OCNG shall be used such that cell 2 is fully allocated and a constant total transmitted power spectral density is achieved for all OFDM symbols. | | | | | |
| Note 2: This refers to the value of Thresh _{x, lowQ} which is included in E-UTRA system information, and is a threshold for the UTRA target cell. | | | | | |

8.2.5.3.4.2 Procedure

- 1) The SS activates cell 1 with T1 parameters defined in tables 8.2.5.3.4 and monitors cell 1 for random access requests from the UE.
- 2) The UE is switched on.
- 3) The SS and the UE shall perform a location / routing area update procedure on cell 1. T1 starts.
- 4) After T1 from the end of step 3, the parameters are changed as described for T2 in tables 8.2.5.3.4 and 8.2.5.3.5.
- 5) The SS waits for no uplink from the UE during T2. If the UE camps on cell 2 and starts to send preambles on the PRACH for sending the RRC CONNECTION REQUEST message to perform a Tracking Area Update procedure or an Attach Procedure for Rel-10 and higher UEs on cell 2 during T2, then the number of failure tests is increased by one.

- 6) When T2 expires, the parameters are changed as described for T3 in tables 8.2.5.3.4 and 8.2.5.3.5.
- 7) The SS waits for random access request information from the UE to perform cell re-selection procedure on cell 2.
- 8) If the UE camps on cell 2, and starts to send preambles on the PRACH for sending the RRC CONNECTION REQUEST message to perform a Tracking Area Update procedure or an Attach Procedure for Rel-10 and higher UEs on cell 2 within 21 s then the number of successful tests is increased by one. Otherwise, the number of failure tests is increased by one.
- 9) After the re-selection or when T3 expires, the parameters are changed as defined for T4 in tables 8.2.5.3.4 and 8.2.5.3.5.
- 10) The SS and the UE shall perform a location / routing area update procedure on cell 1.
- 11) If UE failed to complete the location / routing area update on cell 1 in step 10) then switch OFF the UE and go to step 1).
- 12) Repeat step 5) to 11) until the confidence level according to Table G.2.3-1 in TS 36.521-3 [38] is achieved.

8.2.5.3.4.3 Message contents

All messages indicated above shall use the same content as described in the default message content in TS 36.508 [33] clause 4.4 and 4.6 with the following exceptions:

FFS

8.2.5.3.5 Test requirements

Table 8.2.5.3.4: Cell specific test parameters for UTRAN to E-UTRA cell reselection (cell 1)

| Parameter | Unit | Cell 1 (UTRA) | | | |
|-------------------------------------|---|-------------------|-------------------|-------------------|-------------------|
| | | T1 | T2 | T3 | T4 |
| UTRA RF Channel Number | | Channel 1 | | | |
| CPICH_Ec/Ior | dB | -10 | | | |
| PCCPCH_Ec/Ior | dB | -12 | | | |
| SCH_Ec/Ior | dB | -12 | | | |
| PICH_Ec/Ior | dB | -15 | | | |
| OCNS_Ec/Ior | dB | -0.941 | | | |
| \hat{I}_{or}/I_{oc} | dB | 13+TT | 13+TT | 13+TT | 13+TT |
| I_{oc} | dBm/3,84 MHz | -70+TT | | | |
| CPICH_Ec/Io | dB | - 10.21+T T | - 10.21+ TT | - 10.21+ TT | - 10.21+T T |
| CPICH_RSCP | dBm | -67+TT | -67+TT | - 67+TT | -67+TT |
| Qqualmin | dB | -20 | | | |
| Qrxlevmin | dBm | -115 | | | |
| UE_TXPWR_MAX_RACH | dBm | 21 | | | |
| Treselection | s | 0 | | | |
| S _{prioritysearch1} | dB | 42 | | | |
| S _{prioritysearch2} | dB | 0 | | | |
| S _{searchE-UTRA} | dB | Not sent | | | |
| Thresh _{x, highQ} (Note 1) | dB | 5 | | | |
| Propagation Condition | | AWGN | | | |
| Note 1: | This refers to the value of Thresh _{x, highQ} which is included in UTRA system information, and is a threshold for the E-UTRA target cell. | | | | |

Table 8.2.5.3.5: Cell specific test parameters for UTRAN to E-UTRA cell reselection (cell 2)

| Parameter | Unit | Cell 2 | | | |
|--|------------|----------|-------------|-------------|-------------|
| | | T1 | T2 | T3 | T4 |
| E-UTRA RF Channel Number | | 2 | | | |
| $BW_{channel}$ | MHz | 10 | | | |
| OCNG Patterns defined in TS 36.133 A.3.2.1.2 (OP.2 FDD) [24] | | OP.2 FDD | | | |
| PBCH_RA | dB | 0 | | | |
| PBCH_RB | dB | | | | |
| PSS_RA | dB | | | | |
| SSS_RA | dB | | | | |
| PCFICH_RB | dB | | | | |
| PHICH_RA | dB | | | | |
| PHICH_RB | dB | | | | |
| PDCCH_RA | dB | | | | |
| PDCCH_RB | dB | | | | |
| PDSCH_RA | dB | | | | |
| PDSCH_RB | dB | | | | |
| OCNG_RA ^{Note 1} | dB | | | | |
| OCNG_RB ^{Note 1} | dB | | | | |
| Qrxlevmin | dBm | | | | |
| Qqualmin | dB | -20 | | | |
| N_{oc} | dBm/15 kHz | -98 | | | |
| RSRP | dBm/15 kHz | -inf | [-105.5+TT] | [-84.91+TT] | [-105.5+TT] |
| RSRQ | dB | -inf | [-19+TT] | [-11+TT] | [-19+TT] |
| \hat{E}_s / I_{ot} | dB | -inf | [-7.50+TT] | [13.09+TT] | [-7.50+TT] |
| \hat{E}_s / N_{oc} | dB | -inf | [-7.50+TT] | [13.09+TT] | [-7.50+TT] |
| Treselection | S | 0 | | | |
| Snonintrasearch | dB | Not sent | | | |
| Thresh _{serv, lowQ} | | 5 | | | |
| Thresh _{x, lowQ} (Note 2) | | 5 | | | |
| Propagation Condition | | AWGN | | | |
| Note 1: OCNG shall be used such that cell 2 is fully allocated and a constant total transmitted power spectral density is achieved for all OFDM symbols. | | | | | |
| Note 2: This refers to the value of Thresh _{x, lowQ} which is included in E-UTRA system information, and is a threshold for the UTRA target cell. | | | | | |

For the test to pass, the total number of successful tests shall be at least 90% of the cases with a confidence level of 95 %.

NOTE: If the above Test Requirement differs from the Minimum Requirement then the Test Tolerance applied for this test is non-zero. The Test Tolerance for this test is defined in clause F.2 and the explanation of how the Minimum Requirement has been relaxed by the Test Tolerance is given in clause F.4.

8.3 UTRAN Connected Mode Mobility

8.3.1 FDD/FDD Soft Handover

8.3.1.1 Definition and applicability

The active set update delay of the UE is defined as the time from the end of the last TTI containing an RRC message implying soft handover to the switch off of the old downlink DPCH.

The requirements and this test apply to the FDD UE.

8.3.1.2 Minimum requirement

The active set update delay is defined as the time from when the UE has received the ACTIVE SET UPDATE message from UTRAN, or at the time stated through the activation time when to perform the active set update, to the time when the UE successfully uses the set of radio links stated in that message for power control.

The active set update delay is depending on the number of known cells referred to in the ACTIVE SET UPDATE message. A cell is known if it has been measured by the UE during the last 5 seconds and the SFN of the cell has been decoded by the UE.

And the phase reference is the primary CPICH.

The active set update delay shall be less than $50+10*KC+100*OC$ ms, where

KC is the number of known cells in the active set update message.

OC is the number of cells that are not known in the active set update message.

If the UE have radio links in the active set that it can not use for data detection (due to low signal level), the UE shall at least every 150 ms search for the radio link.

The normative reference for this requirement is TS 25.133 [2] clauses 5.1.2 and A.5.1.1. The active set update delay shall be less than 60 ms in CELL_DCH state when using test parameters as given in table 8.3.1.1.1.

8.3.1.3 Test purpose

To verify that the UE meets the minimum requirement.

8.3.1.4 Method of test

8.3.1.4.1 Initial conditions

Test environment: normal; see clauses G.2.1 and G.2.2.

Frequencies to be tested: mid range; see clause G.2.4.

The test parameters are given in table 8.3.1.1.1 and 8.3.1.1.2 below. In the measurement control information it is indicated to the UE that event-triggered reporting with Event 1A shall be used, and that CPICH Ec/Io and SFN-CFN observed time difference shall be reported together with Event 1A. The test consists of six successive time periods, with a time duration of T1, T2, T3, T4, T5 and T6 respectively. At the start of time duration T1, the UE may not have any timing information of cell 2.

Table 8.3.1.1.1: General test parameters for Soft handover

| Parameter | Unit | Value | Comment |
|----------------------------------|-------------------|---|--|
| DCH parameters | | DL Reference Measurement Channel 12.2 kbps and UL Auxiliary Measurement Channel 12.2 kbps | DL Measurement Channel as specified in clause C.3.1 UL Auxiliary Measurement Channel as specified in clause C.6.3 |
| Power Control | | On | |
| Target quality value on DTCH | BLER | 0.01 | |
| Initial conditions | Active cell | | Cell 1 |
| | Neighbouring cell | | Cell 2 |
| Final condition | Active cell | | Cell 2 |
| Reporting range | dB | 3 | Applicable for event 1A and 1B |
| Hysteresis | dB | 0 | |
| W | | 1 | Applicable for event 1A and 1B |
| Reporting deactivation threshold | | 0 | Applicable for event 1A |

| | | | |
|--------------------|----|-----|--|
| Time to Trigger | ms | 0 | |
| Filter coefficient | | 0 | |
| T0 | s | 10 | |
| T1 | s | 5 | |
| T2 | s | 3 | |
| T3 | s | 0.5 | |
| T4 | ms | 60 | This is the requirement on active set update delay, see clause 8.3.1.2, where KC=1 and OC=0. |
| T5 | ms | 20 | |
| T6 | s | 2 | |

Table 8.3.1.1.1A: Cell specific test parameters for Soft handover (T0)

| Parameter | Unit | Cell 1 | | Cell 2 | |
|-----------------------|---------------|--------|--|--------|--|
| | | T0 | | T0 | |
| CPICH_Ec/lor | dB | -10 | | -10 | |
| PCCPCH_Ec/lor | dB | -12 | | -12 | |
| SCH_Ec/lor | dB | -12 | | -12 | |
| PICH_Ec/lor | dB | -15 | | -15 | |
| DPCH_Ec/lor | dB | Note1 | | N/A | |
| OCNS_Ec/lor | dB | Note2 | | -0.94 | |
| \hat{I}_{or}/I_{oc} | dB | 0 | | -Inf | |
| I_{oc} | dBm/ 3.84 MHz | -70 | | | |
| CPICH_Ec/lo | dB | -13 | | -Inf | |
| Propagation Condition | | AWGN | | | |

NOTE 1: The DPCH level is controlled by the power control loop.
 NOTE 2: The power of the OCNS channel that is added shall make the total power from the cell to be equal to I_{or} .

Table 8.3.1.1.2: Cell specific test parameters for Soft handover

| Parameter | Unit | Cell 1 | | | | | | Cell 2 | | | | | |
|---|--------------|--------------------------|-------|-------|-------|-------|-------|--------|-------|-------|-------|-------|----|
| | | T1 | T2 | T3 | T4 | T5 | T6 | T1 | T2 | T3 | T4 | T5 | T6 |
| CPICH_Ec/lor | dB | -10 | | | | | | -10 | | | | | |
| PCCPCH_Ec/lor | dB | -12 | | | | | | -12 | | | | | |
| SCH_Ec/lor | dB | -12 | | | | | | -12 | | | | | |
| PICH_Ec/lor | dB | -15 | | | | | | -15 | | | | | |
| DPCH_Ec/lor | dB | Note1 | Note1 | Note1 | N/A | N/A | N/A | N/A | Note3 | Note1 | Note1 | Note1 | |
| OCNS_Ec/lor | dB | Note2 | Note2 | Note2 | -0.94 | -0.94 | -0.94 | -0.94 | Note2 | Note2 | Note2 | Note2 | |
| \hat{I}_{or}/I_{oc} | dB | 0 | 2.91 | 2.91 | 2.91 | 2.91 | -Inf | 2.91 | 2.91 | 2.91 | 2.91 | 2.91 | |
| I_{oc} | dBm/3.84 MHz | -70 | | | | | | | | | | | |
| CPICH_Ec/lo | dB | -13 | -14 | -14 | -14 | -14 | -14 | -Inf | -14 | -14 | -14 | -14 | |
| Propagation Condition | | AWGN | | | | | | | | | | | |
| Relative delay of paths received from cell 2 with respect to cell 1 | chips | {-148 ... 148} Note 4 | | | | | | | | | | | |

NOTE 1: The DPCH level is controlled by the power control loop
 NOTE 2: The power of the OCNS channel that is added shall make the total power from the cell to be equal to I_{or}
 NOTE 3: The DPCH level is controlled by the power control loop. The initial power shall be set equal to the DPCH_Ec/lor of Cell 1 at the end of T2.
 NOTE 4: The relative delay of the path from cell 2 with respect to cell 1 shall always be within ± 148 chip.

8.3.1.4.2 Procedure

- 1) The RF parameters are set up according to T0 in table 8.3.1.1.2A.
- 2) The UE is switched on.

- 3) A call is set up according to the test procedure specified in TS 34.108 [3] subclause 7.3.4 without compressed mode parameters and test loop mode 2 is used. See TS 34.109 [4] for details regarding loopback test. 10 seconds after call setup is completed, the power settings will be set according to T1.
 - 4) SS shall transmit a MEASUREMENT CONTROL message.
 - 5) 5 seconds after power settings have been changed to T1, the SS shall switch the power settings from T1 to T2.
 - 6) UE shall transmit a MEASUREMENT REPORT message triggered by event 1A containing the CFN-SFN observed time difference between cell 1 and cell 2.
 - 7) At the beginning of T3 the downlink DPCH of cell 2 shall be activated.
 - 8) SS shall send an ACTIVE SET UPDATE message with activation time "now ", adding cell 2 to the active set. The start of T4 is defined as the end of the last TTI containing the ACTIVE SET UPDATE message.
 - 9) At the beginning of T5 the DPCH from cell 1 shall be switched off.
 - 10) The UE downlink BLER shall be measured during time period T6.
 - 11) If the UE sends a Cell Update message with the cell update cause as radio link failure, the SS shall re-establish the radio link on the first cell and shall continue the test. The BLER values measured for this loop will be discarded while maintaining the BLER values measured for the previous loops,
- NOTE: The Radio link could be setup either by switching off the UE and restarting the test or by re-establishing the Radio Link directly using additional signalling procedures. However this decision is left up to the SS manufacturer
- 12) After step 10 has completed, the DPCH from cell 1 shall be switched on. The SS shall send ACTIVE SET UPDATE message with activation time "now" to remove cell 2 from the active set. The RF parameters will be set according to T1.
 - 13) BLER is measured during concatenated time periods T6. Repeat step 4-12 until the confidence level for BLER is achieved. This is defined in annex F.6.1.10.

Specific Message Contents

All messages indicated above shall use the same content as described in the default message content in clause 9 of 34.108 [3], with the following exceptions:

Contents of RRC CONNECTION SETUP message: UM (step 3):

| Information Element | Value/remark | Version |
|--|--------------|---------|
| Added or Reconfigured DL TrCH information list | 1 | |
| - Added or Reconfigured DL TrCH information | | |
| - Downlink transport channel type | DCH | |
| - DL Transport channel identity | 10 | |
| - CHOICE DL parameters | Same as UL | |
| - Uplink transport channel type | DCH | |
| - UL TrCH Identity | 5 | |
| - DCH quality target | Not Present | |

MEASUREMENT CONTROL message (step 4):

| Information Element/Group name | Value/Remark |
|----------------------------------|--|
| Message Type (10.2.17) | |
| UE information elements | |
| -RRC transaction identifier | 0 |
| -Integrity check info | |
| -message authentication code | SS calculates the value of MAC-I for this message and writes to this IE. The first/ leftmost bit of the bit string contains the most significant bit of the MAC-I. |
| -RRC message sequence number | SS provides the value of this IE, from its internal counter. |
| Measurement Information elements | |

| Information Element/Group name | Value/Remark |
|--|--|
| -Measurement Identity -Measurement Command (10.3.7.46) -Measurement Reporting Mode (10.3.7.49) -Measurement Report Transfer Mode -Periodical Reporting / Event Trigger Reporting Mode -Additional measurements list (10.3.7.1) | 1 Modify AM RLC Event trigger Not Present |
| -CHOICE Measurement type -Intra-frequency measurement (10.3.7.36) -Intra-frequency measurement objects list (10.3.7.33) -Intra-frequency measurement quantity (10.3.7.38) -Filter coefficient (10.3.7.9) -CHOICE mode -Measurement quantity -Intra-frequency reporting quantity (10.3.7.41) | Intra-frequency measurement Not Present 0 FDD CPICH_Ec/N0 |
| -Reporting quantities for active set cells (10.3.7.5) -Cell synchronisation information reporting indicator -Cell Identity reporting indicator -CHOICE mode -CPICH Ec/N0 reporting indicator -CPICH RSCP reporting indicator -Pathloss reporting indicator | TRUE (Note 1) TRUE FDD TRUE TRUE FALSE |
| -Reporting quantities for monitored set cells (10.3.7.5) -Cell synchronisation information reporting indicator -Cell Identity reporting indicator -CHOICE mode -CPICH Ec/N0 reporting indicator -CPICH RSCP reporting indicator -Pathloss reporting indicator | TRUE (Note 1) TRUE FDD TRUE TRUE FALSE |
| -Reporting quantities for detected set cells (10.3.7.5) | Not Present |
| -Reporting cell status (10.3.7.61) -Measurement validity (10.3.7.51) -CHOICE report criteria -Intra-frequency measurement reporting criteria (10.3.7.39) -Parameters required for each event | Not Present Not Present Intra-frequency measurement reporting criteria 2 |
| -Intra-frequency event identity -Triggering condition 2 -Reporting Range Constant -Cells forbidden to affect Reporting Range -W -Hysteresis -Threshold used frequency -Reporting deactivation threshold -Replacement activation threshold -Time to trigger -Amount of reporting -Reporting interval -Reporting cell status | Event 1A Monitored set cells 3 dB Not Present 1.0 0 dB Not Present 0 Not Present 0 ms Infinity 0 ms (Note 2) |
| - CHOICE reported cell - Maximum number of reported cells | Report cell within active set and/or monitored set cells on used frequency 3 |
| -Intra-frequency event identity -Triggering condition 1 -Reporting Range Constant -Cells forbidden to affect Reporting Range -W -Hysteresis -Threshold used frequency -Reporting deactivation threshold -Replacement activation threshold -Time to trigger -Amount of reporting -Reporting interval -Reporting cell status - CHOICE reported cell - Maximum number of reported cells | Event 1B Active set cells 3 dB Not Present 1.0 0 dB Not Present Not Present Not Present 0 ms Not Present Not Present Report cell within active set and/or monitored set cells on used frequency 3 |

| Information Element/Group name | Value/Remark |
|---|--------------|
| Physical channel information elements -DPCH compressed mode status info (10.3.6.34) | Not Present |
| NOTE 1: The SFN-CFN observed time difference is calculated from the OFF and Tm parameters contained in the IE "Cell synchronisation information", TS 25.331, clause 10.3.7.6. According to TS 25.331, 8.6.7.7, this IE is included in MEASUREMENT REPORT if IE "Cell synchronisation information reporting indicator" in IE "Cell reporting quantities" TS 25.331, clause 10.3.7.5 is set to TRUE in MEASUREMENT CONTROL. | |
| NOTE 2: Reporting interval = 0 ms means no periodical reporting | |

ACTIVE SET UPDATE message (step 8):

| Information Element/Group name | Type and reference | Value/Remark | Version |
|---|---|---|---------|
| Message Type | Message Type | | |
| UE information elements | | | |
| -RRC transaction identifier | RRC transaction identifier 10.3.3.36 | 0 | |
| -Integrity check info | Integrity check info 10.3.3.16 | | |
| -message authentication code | | SS calculates the value of MAC-I for this message and writes to this IE. The first/leftmost bit of the bit string contains the most significant bit of the MAC-I. | |
| -RRC message sequence number | | SS provides the value of this IE, from its internal counter. | |
| -Integrity protection mode info | Integrity protection mode info 10.3.3.19 | Not Present | |
| -Ciphering mode info | Ciphering mode info 10.3.3.5 | Not Present | |
| -Activation time | Activation time 10.3.3.1 | "now". | |
| -New U-RNTI | U-RNTI 10.3.3.47 | Not Present | |
| CN information elements | | | |
| -CN Information info | CN Information info 10.3.1.3 | Not Present | |
| Phy CH information elements | | | |
| Uplink radio resources | | | |
| -Maximum allowed UL TX power | Maximum allowed UL TX power 10.3.6.39 | 33 dBm | |
| Downlink radio resources | | | |
| -Radio link addition information | Radio link addition information 10.3.6.68 | Radio link addition information required for each RL to add | |
| -Primary CPICH info | Primary CPICH info 10.3.6.60 | Same as defined in cell2 | |
| -Downlink DPCH info for each RL | Downlink DPCH info for each RL 10.3.6.21 | | |
| -CHOICE mode -FDD -Primary CPICH usage for channel estimation | Primary CPICH usage for channel estimation 10.3.6.62 | Primary CPICH may be used | |
| -DPCH frame offset | Integer(0..38144 by step of 256) | This should be reflected by the IE "Cell synchronisation information" in received MEASUREMENT REPORT message | |
| -Secondary CPICH info | Secondary CPICH info 10.3.6.73 | Not Present | |
| -DL channelisation code -Secondary scrambling code | Secondary scrambling code 10.3.6.74 | Not Present | |
| -Spreading factor | Integer(4, 8, 16, 32, 64, 128, 256, 512) | 128 | |
| -Code number | Integer(0..Spreading factor - | 96 | |

| Information Element/Group name | Type and reference | Value/Remark | Version |
|-------------------------------------|---|---|-----------------------|
| -Scrambling code change | 1) Enumerated (code change, no code change) | No code change | |
| -TPC combination index | TPC combination index 10.3.6.85 | 0 | |
| -SSDT Cell Identity | SSDT Cell Identity 10.3.6.76 | Not Present | R99 and Rel-4 only |
| -Closed loop timing adjustment mode | Integer(1, 2) | Not Present | |
| -TFCl combining indicator | TFCl combining indicator 10.3.6.81 | FALSE | R99 and Rel-4 only |
| -SCCPCH Information for FACH | SCCPCH Information for FACH 10.3.6.70 | Not Present | |
| Radio link removal information | | Radio link removal information required for each RL to remove | |
| -Radio link removal information | Radio link removal information 10.3.6.69 | Not Present | |
| -TX Diversity Mode | TX Diversity Mode 10.3.6.86 | None | |
| -SSDT information | SSDT information 10.3.6.77 | Not Present | R99 and Rel-4 only |

ACTIVESET UPDATE message (Radio link removal information)

| Information Element/Group name | Value/Remark | Version |
|-----------------------------------|---|-----------------------|
| Message Type (10.2.17) | | |
| UE information elements | | |
| - RRC transaction identifier | 0 | |
| - Integrity check info | | |
| -message authentication code | SS calculates the value of MAC-I for this message and writes to this IE. The first/ leftmost bit of the bit string contains the most significant bit of the MAC-I. | |
| -RRC message sequence number | SS provides the value of this IE, from its internal counter. | |
| - Activation time | "now". | |
| - New U-RNTI | Not Present | |
| CN information elements | | |
| - CN Information info | Not Present | |
| Phy CH information elements | | |
| Uplink radio resources | | |
| - Maximum allowed UL TX power | 33 dBm | |
| Downlink radio resources | | |
| - Radio link addition information | Not Present | |
| - Radio link removal information | 1 | |
| - Primary CPICH info | | |
| - Primary scrambling code | Same as defined in cell2 | |
| - TX Diversity Mode | Not Present | |
| - SSDT information | Not Present | R99 and Rel-4 only |

8.3.1.5 Test requirements

Table 8.3.1.1.2A: Cell specific test parameters for Soft handover (T0)

| Parameter | Unit | Cell 1 | Cell 2 |
|-----------------------|------|--------|--------|
| | | T0 | T0 |
| CPICH_Ec/Ior | dB | -9.3 | -9.3 |
| PCCPCH_Ec/Ior | dB | -11.3 | -11.3 |
| SCH_Ec/Ior | dB | -11.3 | -11.3 |
| PICH_Ec/Ior | dB | -14.3 | -14.3 |
| DPCH_Ec/Ior | dB | Note1 | N/A |
| OCNS_Ec/Ior | dB | Note2 | -1.13 |
| \hat{I}_{or}/I_{oc} | dB | 0 | -Inf |

| | | | |
|---|---------------|-------|------|
| I_{oc} | dBm/ 3.84 MHz | -70 | |
| CPICH_Ec/I _o | dB | -12.3 | -Inf |
| Propagation Condition | | AWGN | |
| NOTE 1: The DPCH level is controlled by the power control loop. | | | |
| NOTE 2: The power of the OCNS channel that is added shall make the total power from the cell to be equal to I _{or} . | | | |

Table 8.3.1.1.3: Cell specific test parameters for Soft handover

| Parameter | Unit | Cell 1 | | | | | | Cell 2 | | | | | |
|---|---------------|------------------------------|-------|-------|-------|-------|-------|--------|-------|-------|-------|-------|----|
| | | T1 | T2 | T3 | T4 | T5 | T6 | T1 | T2 | T3 | T4 | T5 | T6 |
| CPICH_Ec/I _{or} | dB | -9.3 | | | | | | -9.3 | | | | | |
| PCCPCH_Ec/I _{or} | dB | -11.3 | | | | | | -11.3 | | | | | |
| SCH_Ec/I _{or} | dB | -11.3 | | | | | | -11.3 | | | | | |
| PICH_Ec/I _{or} | dB | -14.3 | | | | | | -14.3 | | | | | |
| DPCH_Ec/I _{or} | dB | Note1 | Note1 | Note1 | N/A | N/A | N/A | N/A | Note3 | Note1 | Note1 | | |
| OCNS | | Note2 | Note2 | Note2 | -1.13 | -1.13 | -1.13 | -1.13 | Note2 | Note2 | Note2 | | |
| \hat{I}_{or}/I_{oc} | dB | 0 | 2.91 | 2.91 | 2.91 | 2.91 | -Inf | 2.91 | 2.91 | 2.91 | 2.91 | | |
| I_{oc} | dBm/ 3.84 MHz | -70 | | | | | | | | | | | |
| CPICH_Ec/I _o | dB | -12.3 | -13.3 | -13.3 | | -13.3 | -13.3 | -Inf | -13.3 | -13.3 | -13.3 | -13.3 | |
| Propagation Condition | | AWGN | | | | | | | | | | | |
| Relative delay of paths received from cell 2 with respect to cell 1 | chips | {-147.5 ... 147.5} Note 4 | | | | | | | | | | | |
| NOTE 1: The DPCH level is controlled by the power control loop | | | | | | | | | | | | | |
| NOTE 2: The power of the OCNS channel that is added shall make the total power from the cell to be equal to I _{or} | | | | | | | | | | | | | |
| NOTE 3: The DPCH level is controlled by the power control loop. The initial power shall be set equal to the DPCH_Ec/I _{or} of Cell 1 at the end of T2. | | | | | | | | | | | | | |
| NOTE 4: The relative delay of the path from cell 2 with respect to cell 1 shall always be within -147.5 ... 147.5 chip. | | | | | | | | | | | | | |

The average measured quality on the DTCH of the UE downlink during T6 shall be BLER = 0.01±30%. (The final BLER shall be achieved by integrating over a number of repetitions of procedure step 10).

NOTE: If the above Test Requirement differs from the Minimum Requirement then the Test Tolerance applied for this test is non-zero. The Test Tolerance for this test is defined in clause F.2 and the explanation of how the Minimum Requirement has been relaxed by the Test Tolerance is given in clause F.4.

8.3.2 FDD/FDD Hard Handover

8.3.2.1 FDD/FDD Hard Handover to intra-frequency cell

8.3.2.1.1 Definition and applicability

The hard handover delay of the UE is defined as the time from the end of the last TTI containing an RRC message implying hard handover to the transmission of the new uplink DPCH.

The requirements and this test apply to the FDD UE.

8.3.2.1.2 Minimum requirement

The interruption time shall be less than 110 ms in CELL_DCH state in the single carrier case. The rate of correct handovers observed during repeated tests shall be at least 90% with a confidence level of 95 %.

The hard handover delay $D_{handover}$ equals the RRC procedure delay defined in TS 25.331 clause 13.5.2 plus the interruption time stated in TS 25.133 [2] clause 5.2.2.2 as follows:

The interruption time, i.e. the time between the last TTI containing a transport block on the old DPDCH and the time the UE starts transmission of the new uplink DPCCH, is depending on whether the target cell is known for the UE or not.

If intra-frequency hard handover is commanded or inter-frequency hard handover is commanded when the UE does not need compressed mode to perform inter-frequency measurements, the interruption time shall be less than $T_{\text{interrupt1}}$

For Release 99, Release 4 and Release 5 $T_{\text{interrupt1}}$ is the following equation:

$$T_{\text{interrupt1}} = T_{\text{IU}} + 40 + 20 * \text{KC} + 150 * \text{OC} + 10 * F_{\text{max}} \text{ ms}$$

where:

T_{IU} is the interruption uncertainty when changing the timing from the old to the new cell. T_{IU} can be up to one frame (10 ms).

KC is the number of known target cells in the message, and

OC is the number of target cells that are not known in the message.

F_{max} denotes the maximum number of radio frames within the transmission time intervals of all transport channels that are multiplexed into the same CCTrCH.

NOTE: The figure 40 ms is the time required for measuring the downlink DPCCH channel as stated in TS 25.214 clause 4.3.1.2.

For Release 6 and later releases $T_{\text{interrupt1}}$ is the following equation:

$$T_{\text{interrupt1}} = T_{\text{IU}} + T_{\text{sync}} + 20 * \text{KC} + 150 * \text{OC} + 10 * F_{\text{max}} \text{ ms}$$

where

T_{IU} is the interruption uncertainty when changing the timing from the old to the new cell. T_{IU} can be up to one frame (10 ms).

KC is the number of known target cells in the message, and

OC is the number of target cells that are not known in the message.

F_{max} denotes the maximum number of radio frames within the transmission time intervals of all transport channels that are multiplexed into the same CCTrCH.

T_{sync} is the time required for measuring the downlink DPCCH channel as stated in TS 25.214 section 4.3.1.2. In case higher layers indicate the usage of a post-verification period $T_{\text{sync}}=0$ ms. Otherwise $T_{\text{sync}}=40$ ms.

In the interruption requirement $T_{\text{interrupt1}}$ a cell is known if it has been measured by the UE during the last 5 seconds and the SFN of the cell has been decoded by the UE.

The normative reference for this requirement is TS 25.133 [2] clauses 5.2.2 and A.5.2.1.

8.3.2.1.3 Test purpose

To verify that the UE meets the minimum requirement.

8.3.2.1.4 Method of test

8.3.2.1.4.1 Initial conditions

Test environment: normal; see clauses G.2.1 and G.2.2.

Frequencies to be tested: mid range; see clause G.2.4.

The test parameters are given in tables 8.3.2.1.1 to 8.3.2.1.3 below. In the measurement control information it is indicated to the UE that event-triggered reporting with Event 1A and 1B shall be used, and that CPICH Ec/Io and SFN-CFN observed timed difference shall be reported together with Event 1A. The test consists of three successive time

periods, with a time duration of T1, T2 and T3 respectively. At the start of time duration T1, the UE may not have any timing information of cell 2.

UTRAN shall send a PHYSICAL CHANNEL RECONFIGURATION with activation time "now" with one active cell, cell 2. The Physical Channel reconfiguration message shall be sent to the UE during period T2, after the UE has reported event 1A. The start of T3 is defined as the end of the last TTI containing the Physical Channel reconfiguration message.

N312 shall have the smallest possible value i.e. only one insync is required.

Table 8.3.2.1.1: General test parameters for Handover to intra-frequency cell

| Parameter | | Unit | Value | Comment |
|----------------------------------|-------------------|------|---|--|
| DCH parameters | | | DL and UL Reference Measurement Channel 12.2 kbps | As specified in clause C.3.1 and C.2.1 |
| Power Control | | | On | |
| Target quality value on DTCH | | BLER | 0.001 | |
| Initial conditions | Active cell | | Cell 1 | |
| | Neighbouring cell | | Cell 2 | |
| Final condition | Active cell | | Cell 2 | |
| Reporting range | | dB | 3 | Applicable for event 1A and 1B |
| Hysteresis | | dB | 0 | |
| W | | | 1 | Applicable for event 1A and 1B |
| Reporting deactivation threshold | | | 0 | Applicable for event 1A |
| Time to Trigger | | ms | 0 | |
| Filter coefficient | | | 0 | |
| T1 | | s | 5 | |
| T2 | | s | ≤5 | |
| T3 | | s | 1 | |

Table 8.3.2.1.2: Cell specific test parameters for Handover to intra-frequency cell

| Parameter | Unit | Cell 1 | | | Cell 2 | | |
|--|--------------|--------|--------|-------|-----------|--------|-------|
| | | T1 | T2 | T3 | T1 | T2 | T3 |
| CPICH_Ec/lor | dB | -10 | | | -10 | | |
| PCCPCH_Ec/lor | dB | -12 | | | -12 | | |
| SCH_Ec/lor | dB | -12 | | | -12 | | |
| PICH_Ec/lor | dB | -15 | | | -15 | | |
| DPCH_Ec/lor | dB | Note1 | Note1 | Note3 | N/A | N/A | Note1 |
| OCNS_Ec/lor | dB | Note2 | Note2 | Note2 | -0.941 | -0.941 | Note2 |
| \hat{I}_{or}/I_{oc} | dB | 0 | 6.97 | | -Infinity | 5.97 | |
| \hat{I}_{or} (Note 4) | dBm | -70.00 | -63.03 | | -Infinity | -64.03 | |
| I_{oc} | dBm/3.84 MHz | -70 | | | | | |
| CPICH_Ec/lo | dB | -13 | | | -Infinity | -14 | |
| Propagation Condition | | AWGN | | | | | |
| NOTE 1: The DPCH level is controlled by the power control loop | | | | | | | |
| NOTE 2: The power of the OCNS channel that is added shall make the total power from the cell to be equal to I_{or} . | | | | | | | |
| NOTE 3: The DPCH may not be power controlled by the power control loop. | | | | | | | |
| NOTE 4: The nominal \hat{I}_{or} values, although not explicitly defined in 25.133 [2] are added here since they are implied and need to be identified so that the test equipment can be configured. | | | | | | | |

8.3.2.1.4.2 Procedure

- 1) The RF parameters are set up according to T1 in table 8.3.2.1.3.
- 2) The UE is switched on.

- 3) A call is set up according to the test procedure specified in TS 34.108 [3] subclause 7.3.4. Data shall be sent on the DTCH throughout the call.
- 4) SS shall transmit a MEASUREMENT CONTROL message on cell 1.
- 5) 5 seconds after step 4 has completed, the SS shall switch the power settings from T1 to T2 in table 8.3.2.1.3.
- 6) UE shall transmit a MEASUREMENT REPORT message triggered by event 1A
- 7) SS shall transmit a PHYSICAL CHANNEL RECONFIGURATION message with activation time set to "now". The start of T3 is defined as the end of the last TTI containing the physical channel reconfiguration message.
- 8) The SS shall switch the power settings from T2 to T3 in table 8.3.2.1.3.
- 9) If the UE transmits the UL DPCCH to cell 2 less than 190 ms from the beginning of time period T3 then the number of successful tests is increased by one. The UE shall transmit a PHYSICAL CHANNEL RECONFIGURATION COMPLETE message on the UL DCCH of cell 2.
- 10) After 1 seconds from the beginning of time period T3, the UE is switched off. Any timing information of cell 2 is deleted in the UE.
- 11) Repeat step 1-10 until the confidence level according to annex F.6.2 is achieved

Specific Message Contents

All messages indicated above shall use the same content as described in the default message content in clause 9 of 34.108 [3], with the following exceptions:

MEASUREMENT CONTROL message (step 4):

| Information Element/Group name | Value/Remark |
|--|---|
| Message Type (10.2.17) | |
| UE information elements -RRC transaction identifier -Integrity check info -message authentication code -RRC message sequence number | 0 SS calculates the value of MAC-I for this message and writes to this IE. The first/ leftmost bit of the bit string contains the most significant bit of the MAC-I. SS provides the value of this IE, from its internal counter. |
| Measurement Information elements -Measurement Identity -Measurement Command (10.3.7.46) -Measurement Reporting Mode (10.3.7.49) -Measurement Report Transfer Mode -Periodical Reporting / Event Trigger Reporting Mode -Additional measurements list (10.3.7.1) | 1 Modify AM RLC Event trigger Not Present |
| -CHOICE Measurement type -Intra-frequency measurement (10.3.7.36) -Intra-frequency measurement objects list (10.3.7.33) -Intra-frequency measurement quantity (10.3.7.38) -Filter coefficient (10.3.7.9) -CHOICE mode -Measurement quantity -Intra-frequency reporting quantity (10.3.7.41) | Intra-frequency measurement Not Present 0 FDD CPICH_Ec/N0 |
| -Reporting quantities for active set cells (10.3.7.5) -Cell synchronisation information reporting indicator -Cell Identity reporting indicator -CHOICE mode -CPICH Ec/N0 reporting indicator -CPICH RSCP reporting indicator -Pathloss reporting indicator | TRUE (Note 1) TRUE FDD TRUE TRUE FALSE |
| -Reporting quantities for monitored set cells (10.3.7.5) -Cell synchronisation information reporting indicator -Cell Identity reporting indicator -CHOICE mode -CPICH Ec/N0 reporting indicator | TRUE (Note 1) TRUE FDD TRUE |

| Information Element/Group name | Value/Remark |
|---|---|
| -CPICH RSCP reporting indicator | TRUE |
| -Pathloss reporting indicator | FALSE |
| -Reporting quantities for detected set cells (10.3.7.5) | Not Present |
| -Reporting cell status (10.3.7.61) | Not Present |
| -Measurement validity (10.3.7.51) | Not Present |
| -CHOICE report criteria | Intra-frequency measurement reporting criteria |
| -Intra-frequency measurement reporting criteria (10.3.7.39) | |
| -Parameters required for each event | 2 |
| -Intra-frequency event identity | Event 1A |
| -Triggering condition 2 | Monitored set cells |
| -Reporting Range Constant | 3 dB |
| -Cells forbidden to affect Reporting Range | Not Present |
| -W | 1.0 |
| -Hysteresis | 0 dB |
| -Threshold used frequency | Not Present |
| -Reporting deactivation threshold | 0 |
| -Replacement activation threshold | Not Present |
| -Time to trigger | 0 ms |
| -Amount of reporting | Infinity |
| -Reporting interval | 0 ms (Note 2) |
| -Reporting cell status (10.3.7.61) | |
| -CHOICE reported cell | Report cells within active set and/or monitored set cells on used frequency |
| -Maximum number of reported cells | 2 |
| -Intra-frequency event identity | Event 1B |
| -Triggering condition 1 | Active set cells |
| -Reporting Range Constant | 3 dB |
| -Cells forbidden to affect Reporting Range | Not Present |
| -W | 1.0 |
| -Hysteresis | 0 dB |
| -Threshold used frequency | Not Present |
| -Reporting deactivation threshold | Not Present |
| -Replacement activation threshold | Not Present |
| -Time to trigger | 0 ms |
| -Amount of reporting | Not Present |
| -Reporting interval | Not Present |
| -Reporting cell status (10.3.7.61) | |
| -CHOICE reported cell | Report cells within active set and/or monitored set cells on used frequency |
| -Maximum number of reported cells | 2 |
| Physical channel information elements | |
| -DPCH compressed mode status info (10.3.6.34) | Not Present |
| NOTE 1: The SFN-CFN observed time difference is calculated from the OFF and Tm parameters contained in the IE "Cell synchronisation information", TS 25.331, clause 10.3.7.6. According to TS 25.331, 8.6.7.7, this IE is included in MEASUREMENT REPORT if IE "Cell synchronisation information reporting indicator" in IE "Cell reporting quantities" TS 25.331, clause 10.3.7.5 is set to TRUE in MEASUREMENT CONTROL. | |
| NOTE 2: Reporting interval = 0 ms means no periodical reporting. | |

PHYSICAL CHANNEL RECONFIGURATION message (step 7):

| Information Element | Value/Remark | Version |
|---------------------------------|---|---------|
| Message Type | | |
| UE Information Elements | | |
| -RRC transaction identifier | 0 | |
| -Integrity check info | | |
| -message authentication code | SS calculates the value of MAC-I for this message and writes to this IE. The first/leftmost bit of the bit string contains the most significant bit of the MAC-I. | |
| -RRC message sequence number | SS provides the value of this IE, from its internal counter. | |
| -Integrity protection mode info | Not Present | |
| -Ciphering mode info | Not Present | |
| -Activation time | "now" | |

| Information Element | Value/Remark | Version |
|---|---------------------------|--------------------|
| -Downlink DPCH info for each RL (10.3.6.21) | | only |
| -CHOICE mode | FDD | |
| -Primary CPICH usage for channel estimation | Primary CPICH may be used | |
| -DPCH frame offset | 0 chips | |
| -Secondary CPICH info | Not Present | |
| -DL channelisation code | | |
| -Secondary scrambling code | Not Present | |
| -Spreading factor | 128 | |
| -Code number | 96 | |
| -Scrambling code change | No change | |
| -TPC combination index | 0 | |
| -SSDT Cell Identity | Not Present | R99 and Rel-4 only |
| - Closed loop timing adjustment mode | Not Present | |
| -SCCPCH information for FACH (10.3.6.70) | Not Present | |

MEASUREMENT REPORT message for Intra frequency test cases

| Information Element | Value/remark |
|---|--|
| Message Type | |
| Integrity check info | The presence of this IE is dependent on IXIT statements in TS 34.123-2. If integrity protection is indicated to be active, this IE shall be present with the values of the sub IEs as stated below. Else, this IE and the sub-IEs shall be absent. |
| - Message authentication code | This IE is checked to see if it is present. The value is compared against the XMAC-I value computed by SS. |
| - RRC Message sequence number | This IE is checked to see if it is present. The value is used by SS to compute the XMAC-I value. |
| Measurement identity | 1 |
| Measured Results | |
| - Intra-frequency measured results list | |
| - Cell measured results | |
| - Cell Identity | Not present |
| - SFN-SFN observed time difference | Checked that this IE is present |
| - Cell synchronisation information | |
| - Tm | Checked that this IE is present |
| - CHOICE mode | FDD |
| - Primary CPICH info | Checked that this IE is present |
| - Primary scrambling code | 100 |
| - CPICH Ec/N0 | Checked that this IE is present |
| - CPICH RSCP | Checked that this IE is present |
| - Cell measured results | |
| - Cell Identity | Not present |
| - Cell synchronisation information | |
| - Tm | Checked that this IE is present |
| - OFF | Checked that this IE is present |
| - CHOICE mode | FDD |
| - Primary CPICH info | Checked that this IE is present |
| - Primary scrambling code | 150 |
| - CPICH Ec/N0 | Checked that this IE is present |
| - CPICH RSCP | Checked that this IE is present |
| - Pathloss | Checked that this IE is absent |
| Measured results on RACH | Checked that this IE is absent |
| Additional measured results | Checked that this IE is absent |
| Event results | Checked that this IE is present |

8.3.2.1.5 Test requirements

For the test to pass, the total number of successful tests shall be more than 90 % of the cases with a confidence level of 95 %.

Table 8.3.2.1.3: Test requirements for Handover to intra-frequency cell

| Parameter | Unit | Cell 1 | | | Cell 2 | | |
|--|---------------------|--------|--------|--------|-----------|-------|--------|
| | | T1 | T2 | T3 | T1 | T2 | T3 |
| CPICH_Ec/lor | dB | -9.3 | | | -9.3 | | |
| PCCPCH_Ec/lor | dB | -11.3 | | | -11.3 | | |
| SCH_Ec/lor | dB | -11.3 | | | -11.3 | | |
| PICH_Ec/lor | dB | -14.3 | | | -14.3 | | |
| DPCH_Ec/lor | dB | Note1 | Note 1 | Note 3 | N/A | N/A | Note 1 |
| OCNS_Ec/lor | dB | Note2 | Note 2 | Note 2 | -1.13 | -1.13 | Note 2 |
| \hat{I}_{or}/I_{oc} (Note 4) | dB | 0 | 7.0 | | -Infinity | 6.0 | |
| \hat{I}_{or} | dBm | -70.0 | -63.0 | | -Infinity | -64.0 | |
| I_{oc} | dBm/3. 84 MHz | -70 | | | | | |
| CPICH_Ec/lo (Note 4) | dB | -12.3 | | | -Infinity | -13.3 | |
| Propagation Condition | | AWGN | | | | | |
| NOTE 1: The DPCH level is controlled by the power control loop | | | | | | | |
| NOTE 2: The power of the OCNS channel that is added shall make the total power from the cell to be equal to I_{or} . | | | | | | | |
| NOTE 3: The DPCH may not be power controlled by the power control loop. | | | | | | | |
| NOTE 4: These parameters are not directly settable, but are derived by calculation from the settable parameters. | | | | | | | |

NOTE: If the above Test Requirement differs from the Minimum Requirement then the Test Tolerance applied for this test is non-zero. The Test Tolerance for this test is defined in clause F.2 and the explanation of how the Minimum Requirement has been relaxed by the Test Tolerance is given in clause F.4.

8.3.2.2 FDD/FDD Hard Handover to inter-frequency cell

8.3.2.2.1 Definition and applicability

The hard handover delay is defined as the time from the end of the last TTI containing an RRC message implying hard handover to the transmission of the new uplink DPCCCH.

The requirements and this test apply to the FDD UE.

8.3.2.2.2 Minimum requirement

The interruption time shall be less than 140 ms in CELL_DCH state in the dual carrier case. The rate of correct handovers observed during repeated tests shall be at least 90% with a confidence level of 95 %.

The hard handover delay $D_{handover}$ equals the RRC procedure delay defined in TS 25.331 clause 13.5.2 plus the interruption time stated in TS 25.133 [2] clause 5.2.2.2 as follows:

If inter-frequency hard handover is commanded and the UE needs compressed mode to perform inter-frequency measurements, the interruption time shall be less than $T_{interrupt2}$

For Release 99, Release 4 and Release 5 $T_{interrupt2}$ is the following equation:

$$T_{interrupt2} = T_{IU} + 40 + 50 * KC + 150 * OC + 10 * F_{max} \text{ ms}$$

For Release 6 and later releases $T_{interrupt2}$ is the following equation:

$$T_{interrupt2} = T_{IU} + T_{sync} + 50 * KC + 150 * OC + 10 * F_{max} \text{ ms}$$

In the interruption requirement $T_{interrupt2}$ a cell is known if:

- the cell has been measured by the UE during the last 5 seconds.

The phase reference is the primary CPICH.

The normative reference for this requirement is TS 25.133 [2] clauses 5.2.2 and A.5.2.2.

8.3.2.2.3 Test purpose

To verify that the UE meets the minimum requirement.

8.3.2.2.4 Method of test

8.3.2.2.4.1 Initial conditions

Test environment: normal; see clauses G.2.1 and G.2.2.

Frequencies to be tested: mid range; see clause G.2.4.

The test parameters are given in tables 8.3.2.2.1 to 8.3.2.2.3 below. The test consists of three successive time periods, with a time duration of T1, T2 and T3 respectively. In the measurement control information it is indicated to the UE that event-triggered reporting with Event 2C shall be used. The CPICH E_c/I_0 of the best cell on the unused frequency shall be reported together with Event 2C reporting. At the start of time duration T1, the UE may not have any timing information of cell 2.

UTRAN shall send a PHYSICAL CHANNEL RECONFIGURATION with activation time "now" with one active cell, cell 2. The Physical Channel reconfiguration message shall be sent to the UE during period T2, after the UE has reported event 2C. The start of T3 is defined as the end of the last TTI containing the Physical Channel reconfiguration message.

N312 shall have the smallest possible value i.e. only one insync is required.

Table 8.3.2.2.1: General test parameters for Handover to inter-frequency cell

| Parameter | | Unit | Value | Comment |
|------------------------------|----------------|------|---|---|
| DCH parameters | | | DL and UL Reference Measurement Channel 12.2 kbps | As specified in clause C.3.1 and C.2.1 |
| Power Control | | | On | |
| Target quality value on DTCH | | BLER | 0.001 | |
| Compressed mode | | | A.22 set 1 | As specified in TS 34.121 clause C.5. |
| Initial conditions | Active cell | | Cell 1 | |
| | Neighbour cell | | Cell 2 | |
| Final conditions | Active cell | | Cell 2 | |
| Threshold non used frequency | | dB | -18 | Absolute E_c/I_0 threshold for event 2C |
| Hysteresis | | dB | 0 | |
| W non-used frequency | | | 1 | Applicable for event 2C |
| Time to Trigger | | ms | 0 | |
| Filter coefficient | | | 0 | |
| T1 | | s | 5 | |
| T2 | | s | ≤ 5 | |
| T3 | | s | 1 | |

Table 8.3.2.2.2: Cell Specific parameters for Handover to inter-frequency cell

| Parameter | Unit | Cell 1 | | | Cell 2 | | |
|--|--------------|-----------|-------|-------|-----------|--------|-------|
| | | T1 | T2 | T3 | T1 | T2 | T3 |
| UTRA RF Channel Number | | Channel 1 | | | Channel 2 | | |
| CPICH_Ec/I _{or} | dB | -10 | | | -10 | | |
| PCCPCH_Ec/I _{or} | dB | -12 | | | -12 | | |
| SCH_Ec/I _{or} | dB | -12 | | | -12 | | |
| PICH_Ec/I _{or} | dB | -15 | | | -15 | | |
| DPCH_Ec/I _{or} | dB | Note1 | Note1 | Note3 | N/A | N/A | Note1 |
| OCNS_Ec/I _{or} | dB | Note2 | Note2 | Note2 | -0.941 | -0.941 | Note2 |
| \hat{I}_{or}/I_{oc} | dB | 0 | | | -Infinity | -1.8 | -1.8 |
| \hat{I}_{or} (Note 4) | dBm | -70.0 | | | -Infinity | -71.8 | -71.8 |
| I_{oc} | dBm/3.84 MHz | -70 | | | | | |
| CPICH_Ec/I _o | dB | -13 | | | -Infinity | -14 | |
| Propagation Condition | | AWGN | | | | | |
| NOTE 1: The DPCH level is controlled by the power control loop | | | | | | | |
| NOTE 2: The power of the OCNS channel that is added shall make the total power from the cell to be equal to I_{or} . | | | | | | | |
| NOTE 3: The DPCH may not be power controlled by the power control loop. | | | | | | | |
| NOTE 4: The nominal \hat{I}_{or} values, although not explicitly defined in 25.133 [2] are added here since they are implied and need to be identified so that the test equipment can be configured. | | | | | | | |

8.3.2.2.4.2 Procedure

- 1) The RF parameters are set up according to T1 in table 8.3.2.2.3.
- 2) The UE is switched on.
- 3) A call is set up according to the test procedure specified in TS 34.108 [3] subclause 7.3.4 with Compressed mode parameters as in Table 8.3.2.2.1. Data shall be sent on the DTCH throughout the call.
- 4) SS shall transmit a MEASUREMENT CONTROL message on cell 1.
- 5) 5 seconds after step 4 has completed, the SS shall switch the power settings from T1 to T2 in table 8.3.2.2.3.
- 6) UE shall transmit a MEASUREMENT REPORT message triggered by event 2C
- 7) SS shall transmit a PHYSICAL CHANNEL RECONFIGURATION message with activation time "now". The start of T3 is defined as the end of the last TTI containing the physical channel reconfiguration message.
- 8) The SS shall switch the power settings from T2 to T3 in table 8.3.2.2.3.
- 9) If the UE transmits the UL DPCCCH to cell 2 less than 220 ms from the beginning of time period T3 then the number of successful tests is increased by one. The UE shall transmit a PHYSICAL CHANNEL RECONFIGURATION COMPLETE message on the UL DCCH of cell 2.
- 10) After 1 seconds from the beginning of time period T3, the UE is switched off. Any timing information of cell 2 is deleted in the UE.
- 11) Repeat step 1-10 until the confidence level according to annex F.6.2 is achieved

Specific Message Contents

All messages indicated below above shall use the same content as described in the default message content in clause 9 of 34.108 [3], with the following exceptions:

MEASUREMENT CONTROL message, event 2C (step 4):

| Information Element/Group name | Value/Remark |
|--|---|
| Message Type (10.2.17) | |
| UE information elements -RRC transaction identifier -Integrity check info -message authentication code -RRC message sequence number | 0 SS calculates the value of MAC-I for this message and writes to this IE. The first/ leftmost bit of the bit string contains the most significant bit of the MAC-I. SS provides the value of this IE, from its internal counter. |
| Measurement Information elements -Measurement Identity -Measurement Command (10.3.7.46) -Measurement Reporting Mode (10.3.7.49) -Measurement Report Transfer Mode -Periodical Reporting / Event Trigger Reporting Mode -Additional measurements list (10.3.7.1) | 2 Setup AM RLC Event trigger Not Present |
| -CHOICE Measurement type -Inter-frequency measurement (10.3.7.16) -Inter-frequency measurement objects list (10.3.7.13) - CHOICE Inter-frequency cell removal - New Inter frequency cells - Inter frequency cell id - Frequency info - CHOICE mode - UARFCN uplink(Nu) - UARFCN downlink(Nd) - Cell info - Cell individual offset - Reference time difference to cell - Read SFN indicator - CHOICE mode - Primary CPICH info - Primary scrambling code - Primary CPICH Tx Power - Tx Diversity Indicator - Cell for measurement -Inter-frequency measurement quantity (10.3.7.18) -CHOICE reporting criteria -Inter-frequency reporting criteria -Filter coefficient -CHOICE mode -Measurement quantity for frequency quality estimate | Inter-frequency measurement Not Present 4 FDD Not Present Same frequency as "Channel2" in Table 8.3.2.2.2 Not Present Not Present FALSE FDD Set to Primary scrambling code of Cell2 Not Present FALSE Not Present Inter-frequency reporting criteria 0 FDD CPICH Ec/N0 |
| -Inter-frequency reporting quantity (10.3.7.21) -UTRA Carrier RSSI -Frequency quality estimate -Non frequency related cell reporting quantities (10.3.7.5) -Cell synchronisation information reporting indicator -Cell Identity reporting indicator -CHOICE mode -CPICH Ec/N0 reporting indicator -CPICH RSCP reporting indicator -Pathloss reporting indicator | FALSE FALSE TRUE TRUE FDD TRUE TRUE FALSE |
| -Reporting cell status (10.3.7.61) -Measurement validity (10.3.7.51) -Inter-frequency set update (10.3.7.22) -UE autonomous update mode | Not Present Not Present On with no reporting |
| -CHOICE report criteria | Inter-frequency measurement reporting criteria |

| Information Element/Group name | Value/Remark |
|--|---|
| -Inter-frequency measurement reporting criteria (10.3.7.19) -Parameters required for each event -Inter-frequency event identity (10.3.7.14) -Threshold used frequency -W used frequency -Hysteresis -Time to trigger -Reporting cell status (10.3.7.61) -CHOICE reported cell -Maximum number of reported cells per reported non-used frequency -Parameters required for each non-used frequency -Threshold non-used frequency -W non-used frequency | 1 Event 2C Not Present Not Present 0 dB 0 ms Report cells within monitored and/or virtual active set on non-used frequency 1 1 -18 dB 1 |
| Physical channel information elements -DPCH compressed mode status info (10.3.6.34) | Not Present |

PHYSICAL CHANNEL RECONFIGURATION message (step 7):

| Information Element | Value/Remark | Version |
|--|--|---------|
| Message Type | | |
| UE Information Elements -RRC transaction identifier -Integrity check info -message authentication code -RRC message sequence number -Integrity protection mode info -Ciphering mode info -Activation time -New U-RNTI -New C-RNTI -RRC State Indicator -UTRAN DRX cycle length coefficient | 0 SS calculates the value of MAC-I for this message and writes to this IE. The first/leftmost bit of the bit string contains the most significant bit of the MAC-I. SS provides the value of this IE, from its internal counter. Not Present Not Present "now" Not Present Not Present CELL_DCH Not Present | |
| CN Information Elements -CN Information info | Not Present | |
| UTRAN mobility information elements -URA identity | Not Present | |
| RB information elements -Downlink counter synchronisation info >RB with PDCP information list >>RB with PDCP information | Not Present Not Present Not Present | |
| PhyCH information elements -Frequency info (10.3.6.36) -CHOICE mode -UARFCN uplink(Nu) -UARFCN downlink(Nd) | FDD Same uplink UARFCN as used for cell 2 Same downlink UARFCN as used for cell 2 | |
| Uplink radio resources -Maximum allowed UL TX power -CHOICE channel requirement -Uplink DPCH info (10.3.6.88) -Uplink DPCH power control info (10.3.6.91) -CHOICE mode -DPCCH power offset - PC Preamble - SRB delay - Power Control Algorithm - TPC step size -CHOICE mode -Scrambling code type -Scrambling code number -Number of DPDCH | 33 dBm Uplink DPCH info FDD -40 (-80dB) 1 frame 7 frames Algorithm1 1dB FDD Long 0 (0 to 16777215) Not Present(1) | |

| Information Element | Value/Remark | Version |
|---|--|--|
| -Spreading factor -TFCI existence -Number of FBI bit -Puncturing Limit | 64 TRUE Not Present(0) 1 | |
| Downlink radio resources -CHOICE mode -Downlink PDSCH information | FDD Not Present | R99 and Rel-4 only |
| -Downlink information common for all radio links (10.3.6.24) -Downlink DPCH info common for all RL (10.3.6.18) -Timing indicator -CFN-targetSFN frame offset -Downlink DPCH power control information (10.3.6.23) -DPC mode -CHOICE mode -Power offset $P_{Pilot-DPCH}$ -DL rate matching restriction information -Spreading factor -Fixed or Flexible Position -TFCI existence -CHOICE SF -Number of bits for Pilot bits(SF=128,256) -CHOICE mode -DPCH compressed mode info (10.3.6.33) -Transmission gap pattern sequence - TGPSI - TGPS Status Flag - TGCFN - Transmission gap pattern sequence configuration parameters -TX Diversity mode (10.3.6.86) -SSDT information (10.3.6.77) | Initialise Not Present 0 (single) FDD 0 Not Present 128 Fixed TRUE 128 8 FDD 1 1 deactivate Not Present Not Present None Not Present | |
| -Default DPCH Offset Value (10.3.6.16) -Downlink information per radio link list -Downlink information for each radio link (10.3.6.27) -CHOICE mode -Primary CPICH info (10.3.6.60) -Primary scrambling code -PDSCH with SHO DCH info (10.3.6.47) -PDSCH code mapping (10.3.6.43) | 0 1 FDD 250 Not Present Not Present | R99 and Rel-4 only R99 and Rel-4 only |
| -Downlink DPCH info for each RL (10.3.6.21) -CHOICE mode -Primary CPICH usage for channel estimation -DPCH frame offset -Secondary CPICH info -DL channelisation code -Secondary scrambling code -Spreading factor -Code number -Scrambling code change -TPC combination index - SSDT Cell Identity - Closed loop timing adjustment mode - SCCPCH information for FACH (10.3.6.70) | FDD Primary CPICH may be used 0 chips Not Present Not Present 128 96 No change 0 Not Present Not Present | R99 and Rel-4 only |

MEASUREMENT REPORT message for Inter frequency test cases

| Information Element | Value/remark |
|--|--|
| Message Type | The presence of this IE is dependent on IXIT statements in TS 34.123-2. If integrity protection is indicated to be active, this IE shall be present with the values of the sub IEs as stated below. Else, this IE and the sub-IEs shall be absent. |
| Integrity check info | |
| - Message authentication code | This IE is checked to see if it is present. The value is compared against the XMAC-I value computed by SS. |
| - RRC Message sequence number | This IE is checked to see if it is present. The value is used by SS to compute the XMAC-I value. |
| Measurement identity | 2 |
| Measured Results | |
| - Inter-frequency measured results | Checked that this IE is present |
| - Frequency Info | |
| - Inter-freqcell measured results list | Not present |
| - Cell measured results | |
| - Cell Identity | Checked that this IE is present |
| - Cell synchronisation information | |
| - Tm | FDD |
| - CHOICE mode | Checked that this IE is present |
| - Primary CPICH info | |
| - Primary scrambling code | 250 |
| - CPICH Ec/N0 | Checked that this IE is present |
| - CPICH RSCP | Checked that this IE is present |
| - Pathloss | Checked that this IE is absent |
| Measured results on RACH | Checked that this IE is absent |
| Additional measured results | Checked that this IE is absent |
| Event results | Checked that this IE is present |

8.3.2.2.5 Test requirements

For the test to pass, the total number of successful tests shall be more than 90% of the cases with a confidence level of 95 %.

Table 8.3.2.2.3: Test requirements for Handover to inter-frequency cell

| Parameter | Unit | Cell 1 | | | Cell 2 | | |
|--|--------------|-----------|-------|-------|-----------|-------|-------|
| | | T1 | T2 | T3 | T1 | T2 | T3 |
| UTRA RF Channel Number | | Channel 1 | | | Channel 2 | | |
| CPICH_Ec/Ior | dB | -9.2 | | | -9.2 | | |
| PCCPCH_Ec/Ior | dB | -11.2 | | | -11.2 | | |
| SCH_Ec/Ior | dB | -11.2 | | | -11.2 | | |
| PICH_Ec/Ior | dB | -14.2 | | | -14.2 | | |
| DPCH_Ec/Ior | dB | Note1 | Note1 | Note3 | N/A | N/A | Note1 |
| OCNS_Ec/Ior | dB | Note2 | Note2 | Note2 | -1.16 | -1.16 | Note2 |
| \hat{I}_{or} / I_{oc} (Note 4) | dB | 0 | | | -Infinity | -1.8 | -1.8 |
| I_{or} | dBm | -70.0 | | | -Infinity | -71.8 | -71.8 |
| I_{oc} | dBm/3.84 MHz | -70 | | | | | |
| CPICH_Ec/Io (Note 4) | dB | -12.2 | | | -Infinity | -13.2 | |
| Propagation Condition | | AWGN | | | | | |
| NOTE 1: The DPCH level is controlled by the power control loop | | | | | | | |
| NOTE 2: The power of the OCNS channel that is added shall make the total power from the cell to be equal to I_{or} . | | | | | | | |
| NOTE 3: The DPCH may not be power controlled by the power control loop. | | | | | | | |
| NOTE 4: These parameters are not directly settable, but are derived by calculation from the settable parameters. | | | | | | | |

NOTE: If the above Test Requirement differs from the Minimum Requirement then the Test Tolerance applied for this test is non-zero. The Test Tolerance for this test is defined in clause F.2 and the explanation of how the Minimum Requirement has been relaxed by the Test Tolerance is given in clause F.4.

8.3.3 FDD/TDD Handover

8.3.3.1 Definition and applicability

The hard handover delay is defined as the time from the end of the last TTI containing an RRC message implying hard handover to the transmission of the new uplink DPCH.

The requirements and this test apply to the combined FDD and TDD UE for Release 99 and Release 4 only.

8.3.3.2 Minimum requirement

The hard handover delay shall be less than 110 ms in CELL_DCH state in the dual carrier case. The rate of correct handovers observed during repeated tests shall be at least 90% with a confidence level of 95 %.

The hard handover delay D_{handover} equals the RRC procedure delay defined in TS 25.331 clause 13.5.2 plus the interruption time stated in TS 25.133 [2] clause 5.3.2.2 as follows:

If FDD/TDD handover is commanded, the interruption time shall be less than:

$$T_{\text{interrupt}} = T_{\text{offset}} + T_{\text{UL}} + 30 * F_{\text{SFN}} + 20 * \text{KC} + 180 * \text{UC} + 10 * F_{\text{max}} \text{ ms}$$

where,

| | |
|---------------------|---|
| T_{offset} | Equal to 10 ms, the frame timing uncertainty between the old cell and the target cell and the time that can elapse until the appearance of a Beacon channel |
| T_{UL} | Equal to 10 ms, the time that can elapse until the appearance of the UL timeslot in the target cell |
| F_{SFN} | Equal to 1 if SFN decoding is required and equal to 0 otherwise |
| KC | Equal to 1 if a known target cell is indicated in the RRC message implying FDD/TDD handover and equal to 0 otherwise |
| UC | Equal to 1 if an unknown target cell is indicated in the RRC message implying FDD/TDD handover and equal to 0 otherwise |
| F_{max} | Denotes the maximum number of radio frames within the transmission time intervals of all transport channels that are multiplexed into the same CCTrCH. |

An inter-frequency TDD target cell shall be considered known by the UE, if the target cell has been measured by the UE during the last 5 seconds.

The phase reference is the primary CPICH.

The normative reference for this requirement is TS 25.133 [2] clauses 5.3.2 and A.5.3.2.

8.3.3.3 Test purpose

To verify that the UE meets the minimum requirement.

8.3.3.4 Method of test

8.3.3.4.1 Initial conditions

Test environment: normal; see clauses G.2.1 and G.2.2.

Frequencies to be tested: mid range; see clause G.2.4.

The test parameters are given in Table 8.3.2.2.1 and 8.3.2.2.2 below. The test consists of three successive time periods, with a time duration of T1, T2 and T3 respectively. In the measurement control information it is indicated to the UE that event-triggered reporting with Event 2C shall be used. The Primary CCPCH RSCP of the best cell on the unused frequency shall be reported together with Event 2C reporting. At the start of time duration T1, the UE may not have any timing information of cell 2.

UTRAN shall send a PHYSICAL CHANNEL RECONFIGURATION with activation time "now" with one active cell, cell 2. The Physical Channel reconfiguration message shall be sent to the UE so that the whole message is available at the UE the RRC procedure delay prior to the beginning of T3. The RRC procedure delay is defined in TS 25.133 [2].

The UL DPCH in cell 2 shall be transmitted in timeslot 10.

Table 8.3.3.1: General test parameters for Handover to TDD cell

| Parameter | | Unit | Value | Comment |
|------------------------------|----------------|------|--|---|
| DCH parameters | | | DL and UL Reference Measurement Channel 12.2 kbps | As specified in TS 34.121 clause C.3.1 and in TS 34.122 clause C.2.2 |
| Power Control | | | On | |
| Target quality value on DTCH | | BLER | 0.001 | |
| Compressed mode | | | A.22 set 3 | As specified in TS 34.121 clause C.5 |
| Initial conditions | Active cell | | Cell 1 | FDD cell |
| | Neighbour cell | | Cell 2 | TDD cell |
| Final condition | Active cell | | Cell 2 | TDD cell |
| O | | dB | 0 | Cell individual offset. This value shall be used for all cells in the test. |
| Hysteresis | | dB | 0 | Hysteresis parameter for event 2C |
| Time to Trigger | | ms | 0 | |
| Threshold non-used frequency | | dBm | -75 | Applicable for Event 2C |
| Filter coefficient | | | 0 | |
| Monitored cell list size | | | 6 FDD neighbours on Channel 1 6 TDD neighbours on Channel 2 | |
| T _{SI} | | s | 1.28 | The value shall be used for all cells in the test |
| T1 | | s | 5 | |
| T2 | | s | 15 | |
| T3 | | s | 1 | |

Table 8.3.3.2: Cell Specific parameters for Handover to TDD cell (cell 1)

| Parameter | Unit | Cell 1 | |
|---|--------------|-----------|------|
| | | T1, T2 | T3 |
| UTRA RF Channel Number | | Channel 1 | |
| CPICH_Ec/I _{or} | dB | -10 | |
| P-CCPCH_Ec/I _{or} | dB | -12 | |
| SCH_Ec/I _{or} | dB | -12 | |
| PICH_Ec/I _{or} | dB | -15 | |
| DPCH_Ec/I _{or} | dB | Note 1 | n.a. |
| OCNS_Ec/I _{or} | dB | Note 2 | |
| \hat{I}_{or}/I_{oc} | dB | 0 | |
| I _{oc} | dBm/3.84 MHz | -70 | |
| CPICH_Ec/I _o | dB | -13 | |
| Propagation Condition | | AWGN | |
| NOTE 1: The DPCH level is controlled by the power control loop | | | |
| NOTE 2: The power of the OCNS channel that is added shall make the total power from the cell to be equal to I _{or} | | | |

Table 8.3.3.3: Cell Specific parameters for Handover to TDD cell (cell 2)

| Parameter | Unit | Cell 2 | | | | | | | | |
|--|---------------------|-----------|-----|----|------|----|--------|-------|----|----|
| | | 0 | | | 2 | | | 8 | | |
| DL timeslot number | | T1 | T2 | T3 | T1 | T2 | T3 | T1 | T2 | T3 |
| UTRA RF Channel Number | | Channel 2 | | | | | | | | |
| P-CCPCH_Ec/lor | dB | -3 | | | n.a. | | | n.a. | | |
| PICH_Ec/lor | dB | n.a. | | | n.a. | | | -3 | | |
| SCH_Ec/lor | dB | -9 | | | n.a. | | | -9 | | |
| SCH_t_offset | dB | 5 | | | n.a. | | | 5 | | |
| DPCH_Ec/lor | dB | n.a. | | | n.a. | | Note 1 | n.a. | | |
| OCNS_Ec/lor | dB | -3.12 | | | 0 | | Note 2 | -3.12 | | |
| \hat{I}_{or}/I_{oc} | dB | -Inf | 6 | | -Inf | 6 | | -Inf | 6 | |
| P-CCPCH RSCP | dBm | -Inf | -67 | | n.a. | | | n.a. | | |
| I_{oc} | dBm/3, 84 MHz | -70 | | | | | | | | |
| Propagation Condition | | AWGN | | | | | | | | |
| NOTE 1: The DPCH level is controlled by the power control loop | | | | | | | | | | |
| NOTE 2: The power of the OCNS channel that is added shall make the total power from the cell to be equal to lor. | | | | | | | | | | |
| Note that the transmit energy per PN chip for the SCH is averaged over the 256 chip duration when the SCH is present in the time slot. | | | | | | | | | | |

8.3.3.4.2 Procedure

- 1) The RF parameters are set up according to T1.
- 2) The UE is switched on.
- 3) A call is set up according to the test procedure specified in TS 34.108 [3] subclause 7.3.4 with Compressed mode parameters as in Table 8.3.2.2.1. Data shall be sent on the DTCH throughout the call.
- 4) SS shall transmit a MEASUREMENT CONTROL message.
- 5) After 5 seconds, the SS shall switch the power settings from T1 to T2.
- 6) UE shall transmit a MEASUREMENT REPORT message triggered by event 2C.
- 7) SS shall transmit a PHYSICAL CHANNEL RECONFIGURATION message with activation time "now".
- 8) After 10 seconds, the SS shall switch the power settings from T2 to T3.
- 9) UE shall transmit a PHYSICAL CHANNEL RECONFIGURATION COMPLETE message on the UL DCCH of cell 2. If the UE transmits the UL DPCCH to cell 2 less than 110 ms from the beginning of time period T3 then the number of successful tests is increased by one.
- 10) After 1 seconds, the UE is switched off. Any timing information of cell 2 is deleted in the UE.
- 11) Repeat step 1-10 until the confidence level according to annex F.6.2 is achieved.

Specific Message Contents

All messages indicated above shall use the same content as described in the default message content in clause 9 of 34.108 [3], with the following exceptions:

MEASUREMENT CONTROL message, event 2C (step 4):

| Information Element/Group name | Value/Remark |
|---|--------------|
| Message Type (10.2.17) | |
| UE information elements -RRC transaction identifier -Integrity check info | 0 |

| Information Element/Group name | Value/Remark |
|---|---|
| -message authentication code -RRC message sequence number | SS calculates the value of MAC-I for this message and writes to this IE. The first/leftmost bit of the bit string contains the most significant bit of the MAC-I. SS provides the value of this IE, from its internal counter. |
| Measurement Information elements -Measurement Identity -Measurement Command (10.3.7.46) -Measurement Reporting Mode (10.3.7.49) -Measurement Report Transfer Mode -Periodical Reporting / Event Trigger Reporting Mode -Additional measurements list (10.3.7.1) | 1 Modify AM RLC Event trigger Not Present |
| -CHOICE Measurement type -Inter-frequency measurement (10.3.7.16) -Inter-frequency measurement objects list (10.3.7.13) -Inter-frequency measurement quantity (10.3.7.18) -CHOICE reporting criteria -Inter-frequency reporting criteria -Filter coefficient -CHOICE <i>mode</i> -Measurement quantity for frequency quality estimate | Inter-frequency measurement Not Present Inter-frequency reporting criteria 0 TDD Primary CCPCH RSCP |
| -Inter-frequency reporting quantity (10.3.7.21) -UTRA Carrier RSSI -Frequency quality estimate -Non frequency related cell reporting quantities (10.3.7.5) -Cell synchronisation information reporting indicator -Cell Identity reporting indicator -CHOICE <i>mode</i> -Timeslot ISCP reporting indicator -Proposed TGSN reporting required -Primary CCPCH RSCP reporting indicator -Pathloss reporting indicator | FALSE FALSE TRUE TRUE TDD TRUE FALSE TRUE TRUE |
| -Reporting cell status (10.3.7.61) -CHOICE reported cell -Maximum number of reported cells per reported non-used frequency -Measurement validity (10.3.7.51) -Inter-frequency set update (10.3.7.22) -CHOICE report criteria | Report cells within monitored set on non-used frequency 1 Not Present Not Present Inter-frequency measurement reporting criteria |
| -Inter-frequency measurement reporting criteria (10.3.7.19) -Parameters required for each event -Inter-frequency event identity (10.3.7.14) -Threshold used frequency -W used frequency -Hysteresis -Time to trigger -Reporting cell status (10.3.7.61) -CHOICE <i>reported cell</i> -Maximum number of reported cells per reported non-used frequency -Parameters required for each non-used frequency -Threshold non-used frequency -W non-used frequency | 1 Event 2C Not Present Not Present 0 dB 0 ms Report cells within monitored set on non-used frequency 1 1 -80 dBm 1 |
| Physical channel information elements -DPCH compressed mode status info (10.3.6.34) | Not Present |

PHYSICAL CHANNEL RECONFIGURATION message (step 7):

| Information Element | Value/Remark |
|---|--|
| Message Type | |
| UE Information Elements | |
| -RRC transaction identifier | 0 |
| -Integrity check info | |
| -message authentication code | SS calculates the value of MAC-I for this message and writes to this IE. The first/ leftmost bit of the bit string contains the most significant bit of the MAC-I. |
| -RRC message sequence number | SS provides the value of this IE, from its internal counter. |
| -Integrity protection mode info | Not Present |
| -Ciphering mode info | Not Present |
| -Activation time | "now" |
| -New U-RNTI | Not Present |
| -New C-RNTI | Not Present |
| -RRC State Indicator | CELL_DCH |
| -UTRAN DRX cycle length coefficient | Not Present |
| CN Information Elements | |
| -CN Information info | Not Present |
| UTRAN mobility information elements | |
| -URA identity | Not Present |
| RB information elements | |
| -Downlink counter synchronisation info | Not Present |
| -RB with PDCP information list | Not Present |
| -RB with PDCP information | Not Present |
| PhyCH information elements | |
| -Frequency info (10.3.6.36) | |
| -CHOICE <i>mode</i> | TDD |
| -UARFCN (Nt) | Same UARFCN as used for cell 2 |
| Uplink radio resources | |
| -Maximum allowed UL TX power | 33 dBm |
| -CHOICE channel requirement | Uplink DPCH info |
| -Uplink DPCH info (10.3.6.88) | |
| -Uplink DPCH power control info (10.3.6.91) | |
| -CHOICE <i>mode</i> | TDD |
| -CHOICE <i>TDD option</i> | 3.84 Mcps TDD |
| -UL Target SIR | Not Present |
| -CHOICE <i>UL OL PC info</i> | Individually signalled |
| -CHOICE <i>TDD option</i> | 3.84 Mcps TDD |
| -Individual Timeslot interference info | 1 |
| -Individual timeslot interference (10.3.6.38) | |
| -Timeslot Number (10.3.6.84) | |
| -CHOICE <i>TDD option</i> | 3.84 Mcps TDD |
| -Timeslot number | 10 |
| - UL Timeslot Interference | -90 dBm |
| -CHOICE <i>mode</i> | TDD |
| -Uplink timing advance control (10.3.6.96) | |
| -CHOICE Timing Advance | Disabled |
| -UL CCTrCH list | 1 |
| -UL Target SIR | TBD dB |
| -Time Info (10.3.6.83) | |
| -Activation Time | "now" |
| -Duration | Infinite |
| -Common timeslot info | Not Present |
| -Uplink DPCH timeslots and codes (10.3.6.94) | |
| -Dynamic SF Usage | False |
| -First individual timeslot info (10.3.6.37) | |
| -Timeslot Number (10.3.6.84) | |
| -CHOICE <i>TDD option</i> | 3.84 Mcps |
| -Timeslot number | 10 |
| -TFCl existence | True |
| -Midamble shift and burst type (10.3.6.41) | |
| -CHOICE <i>TDD option</i> | 3.84 Mcps |
| -CHOICE <i>Burst Type</i> | Type 1 |
| -Midamble Allocation Mode | Default |

| Information Element | Value/Remark |
|--|-------------------|
| -Midamble configuration burst type 1 and 3 | 16 |
| -Midamble shift | Not present |
| -CHOICE <i>TDD option</i> | 3.84 Mcps |
| -First timeslot code list | 1 |
| -Channelisation code | 8/1 |
| -CHOICE more timeslots | No more timeslots |
| Downlink radio resources | |
| -CHOICE <i>mode</i> | TDD |
| -Downlink information common for all radio links (10.3.6.24) | |
| -Downlink DPCH info common for all RL (10.3.6.18) | |
| -Timing indicator | Initialise |
| -CFN-targetSFN frame offset | Not Present |
| -Downlink DPCH power control information (10.3.6.23) | |
| -CHOICE <i>mode</i> | TDD |
| -TPC Step size | 1 dB |
| -CHOICE <i>mode</i> | TDD |
| -CHOICE <i>mode</i> | TDD |
| -CHOICE <i>TDD option</i> | 3.84 Mcps |
| -TX Diversity mode (10.3.6.86) | None |
| -Default DPCH Offset Value (10.3.6.16) | 0 |
| -Downlink information per radio link list | 1 |
| -Downlink information for each radio link (10.3.6.27) | |
| -CHOICE <i>mode</i> | TDD |
| -Primary CCPCH info (10.3.6.57) | |
| - CHOICE <i>mode</i> | TDD |
| - CHOICE <i>TDD option</i> | 3.84 Mcps |
| - CHOICE <i>sync case</i> | Case 2 |
| - Timeslot | 0 |
| - Cell parameters ID | 20 |
| - SCTD indicator | False |
| -Downlink DPCH info for each RL (10.3.6.21) | |
| -CHOICE <i>mode</i> | TDD |
| - DL CCTrCH list | 1 |
| -TFCS ID | Not Present |
| -Time Info (10.3.6.83) | |
| -Activation Time | "now" |
| -Duration | Infinite |
| -Common timeslot info | Not Present |
| - Downlink DPCH timeslots and codes (10.3.6.32) | |
| - First individual timeslot info (10.3.6.37) | |
| - Timeslot Number (10.3.6.84) | |
| - CHOICE <i>TDD option</i> | 3.84 Mcps |
| - Timeslot number | 2 |
| - TFCl existence | True |
| - Midamble shift and burst type (10.3.6.41) | |
| - CHOICE <i>TDD option</i> | 3.84 Mcps |
| - CHOICE <i>Burst Type</i> | Type 1 |
| - Midamble Allocation Mode | Default |
| - Midamble configuration burst type 1 and 3 | 16 |
| - Midamble shift | Not present |
| - CHOICE <i>TDD option</i> | 3.84 Mcps |
| - First timeslot channelisation codes (10.3.6.17) | |
| - CHOICE codes representation | Consecutive codes |
| - First channelisation code | 16/1 |
| - Last channelisation code | 16/2 |
| - CHOICE <i>more timeslots</i> | No more timeslots |
| - SCCPCH information for FACH (10.3.6.70) | Not Present |

MEASUREMENT REPORT message for Inter frequency test cases

This message is common for all inter frequency test cases in clause 8.7 and is described in Annex I.

8.3.3.5 Test requirements

For the test to pass, the total number of successful tests shall be more than 90% of the cases with a confidence level of 95 %.

NOTE: If the above Test Requirement differs from the Minimum Requirement then the Test Tolerance applied for this test is non-zero. The Test Tolerance for this test is defined in clause F.2 and the explanation of how the Minimum Requirement has been relaxed by the Test Tolerance is given in clause F.4.

8.3.4 Inter-system Handover from UTRAN FDD to GSM

8.3.4.1 Definition and applicability

The UTRAN to GSM cell handover delay is defined as the time from the end of the last TTI containing an RRC message implying hard handover to the transmission on the channel of the new RAT.

The requirements and this test apply to the combined FDD and GSM UE.

8.3.4.2 Minimum requirement

The UE shall begin to send access bursts on the new DCCH of the target cell less than 100 ms from the beginning of time period T3.

The rate of correct handovers observed during repeated tests shall be at least 90%.

NOTE: The test requirement in this case is expressed as:

$$T_{\text{Handover delay}} = 90 \text{ ms (Table 8.3.4.1)} + T_{\text{offset}} + T_{\text{UL}}$$

T_{offset} : Equal to 4.65 ms, GSM timing uncertainty between the time from when the UE is ready to transmit until the start of the next time-slot in GSM 26 multiframe structure

T_{UL} : Equal to 4.65 ms, the time the UE has to wait in case the next timeslot is an idle frame or a SACCH frame.

This gives a total of 99.3 ms, allow 100 ms in the test case.

Table 8.3.4.1: FDD/GSM handover - handover delay

| UE synchronisation status | handover delay [ms] |
|--|---------------------|
| The UE has synchronised to the GSM cell before the HANDOVER FROM UTRAN COMMAND is received | 90 |
| The UE has not synchronised to the GSM cell before the HANDOVER FROM UTRAN COMMAND is received | 190 |

Table 8.3.4.2: FDD/GSM handover - interruption time

| Synchronisation status | Interruption time [ms] |
|--|------------------------|
| The UE has synchronised to the GSM cell before the HANDOVER FROM UTRAN COMMAND is received | 40 |
| The UE has not synchronised to the GSM cell before the HANDOVER FROM UTRAN COMMAND is received | 140 |

The normative reference for this requirement is TS 25.133 [2] clauses 5.4.2 and A.5.4.

8.3.4.3 Test purpose

To verify that the UE meets the minimum requirement.

8.3.4.4 Method of test

8.3.4.4.1 Initial conditions

Test environment: normal; see clauses G.2.1 and G.2.2.

Frequencies to be tested: mid range; see clause G.2.4.

The test parameters are given in table 8.3.4.3, 8.3.4.4 and 8.3.4.5 below. In the measurement control information it is indicated to the UE that event-triggered reporting with Event 3C shall be used.. The test consists of three successive time periods, with a time duration of T1, T2 and T3 respectively. At the start of time duration T1, the UE may not have any timing information of cell 2.

The UTRAN shall send a HANOVER FROM UTRAN COMMAND with activation time "now". In the GSM Handover command contained in that message, the IE starting time shall not be included. The RRC HANOVER FROM UTRAN COMMAND message shall be sent to the UE. The start of T3 is defined as the end of the last TTI, containing the HO command.

The requirements are also applicable for a UE not requiring compressed mode, in which case no compressed mode pattern should be sent for the parameters specified in table 8.3.4.3.

Table 8.3.4.3: General test parameters for Correct reporting of GSM neighbours in AWGN propagation condition

| Parameter | Unit | Value | Comment |
|--------------------------------------|------|---|---|
| DCH parameters | | Conversational / speech / UL:12.2 DL:12.2 kbps / CS RAB + UL:3.4 DL:3.4 kbps | As specified in TS 34.108 clause 6.10.2.4.1.4 |
| Power Control | | On | |
| Target quality value on DTCH | BLER | 0.001 | |
| Compressed mode patterns | | | Only applicable for UE requiring compressed mode patterns |
| - GSM carrier RSSI measurement | | DL Compressed mode reference pattern 2 in Set 2 | As specified in clause C.5, table C.5.2 |
| - GSM Initial BSIC identification | | Pattern 2 | As specified in clause TS 25.133 [2] 8.1.2.5.2.1 table 8.7. |
| - GSM BSIC re- confirmation | | Pattern 2 | As specified in clause TS 25.133 [2] 8.1.2.5.2.2 table 8.8. |
| Active cell | | Cell 1 | |
| Inter-RAT measurement quantity | | GSM Carrier RSSI | |
| BSIC verification required | | Required | |
| Threshold other system | dBm | -80 | Absolute GSM carrier RSSI threshold for event 3B and 3C. |
| Hysteresis | dB | 0 | |
| Time to Trigger | ms | 0 | |
| Filter coefficient | | 0 | |
| Monitored cell list size | | 24 FDD neighbours on Channel 1 6 GSM neighbours including the ARFCN of cell 2 | NOTE: See Annex I for cell information . The information is sent before the compressed mode patterns starts. |
| N Identify abort | | 66 | Taken from TS 25.133 [2] 8.1.2.5.2.1 table 8.7. |
| T Reconfirm abort | | 5.5 | Based on TS 25.133 [2] 8.1.2.5.2.2 table 8.8, rounded up due to 0.5 seconds quantization, as specified in section 10.3.6.33 of TS 25.331 [8] |
| T1 | s | 20 | |
| T2 | s | 5 | |
| T3 | s | 1 | |

Table 8.3.4.4: Cell Specific Parameters for Handover UTRAN to GSM cell case (cell 1)

| Parameter | Unit | Cell 1 (UTRA) |
|--|--------------|---------------|
| | | T1, T2, T3 |
| CPICH_Ec/I _{or} | dB | -10 |
| PCCPCH_Ec/I _{or} | dB | -12 |
| SCH_Ec/I _{or} | dB | -12 |
| PICH_Ec/I _{or} | dB | -15 |
| DCH_Ec/I _{or} | dB | Note 1 |
| OCNS_Ec/I _{or} | dB | Note 2 |
| \hat{I}_{or}/I_{oc} | dB | 0 |
| I_{oc} | dBm/3.84 MHz | -70 |
| CPICH_Ec/I _o | dB | -13 |
| Propagation Condition | | AWGN |
| Qrxlevmin | dBm | -115 |
| NOTE 1: The DPCH level is controlled by the power control loop | | |
| NOTE 2: The power of the OCNS channel that is added shall make the total power from the cell to be equal to I_{or} . | | |

Table 8.3.4.5: Cell Specific Parameters for Handover UTRAN to GSM cell case (cell 2)

| Parameter | Unit | Cell 2 (GSM) | |
|----------------------------|------|--------------|--------|
| | | T1 | T2, T3 |
| Absolute RF Channel Number | | ARFCN 1 | |
| RXLEV | dBm | -85 | -75 |

8.3.4.4.2 Procedure

- 1) The RF parameters for cell 1 are set up according to T1 in Table 8.3.4.4.
- 2) The UE is switched on.
- 3) A call is set up according to the test procedure specified in TS 34.108 [3] subclause 7.3.7. For UEs that require compressed mode, the compressed mode parameters are configured as in the table 8.3.4.3. The compressed mode shall remain inactive. Data shall be sent on the DTCH on the UTRA cell throughout the call.
- 4) The RF parameters for cell 2 are set up according to T1 in Table 8.3.4.6 and the SS configures a traffic channel.
- 5) The start of T1 is TTI aligned.
- 6) If Compressed mode is required, SS shall transmit PHYSICAL CHANNEL RECONFIGURATION message. Otherwise, Go to Step8.
- 7) UE shall transmit PHYSICAL CHANNEL RECONFIGURATION COMPLETE message.
- 8) The SS shall transmit a MEASUREMENT CONTROL message on cell 1.
- 9) At the T1-T2 transition, the SS shall switch the power of cell 2 as in Table 8.3.4.6.
- 10) The UE shall transmit a MEASUREMENT REPORT message triggered by event 3C.
- 11) The SS shall transmit a HANDOVER FROM UTRAN COMMAND message with activation time "now" and indicating the traffic channel of the target GSM cell to the UE through DCCH of the serving UTRAN cell. The start of T3 is defined as the end of the last TTI, containing the HANDOVER command.
- 12) The UE shall transmit a burst on the traffic channel of cell 2 implying that it has switched to the GSM cell. The UE sends a HANDOVER ACCESS message. If the UE transmits access bursts on the new DCCH of the target cell less than 100 ms from the beginning of time period T3, then the number of successful tests is increased by one.
- 13) At the end of T3 SS shall end the call and UE is switched off. Any timing information of cell 2 is deleted in the UE.

14) Repeat step 1-13 until the confidence level according to annex F.6.2 is achieved.

Specific Message Contents

All messages indicated above shall use the same content as described in the default message content in clause 9 of 34.108 [3], with the following exceptions:

PHYSICAL CHANNEL RECONFIGURATION message for Inter Rat measurement (step 6):

| Information Element | Value/Remark | Version |
|--|---|--------------------|
| Message Type (10.2.22) | | |
| UE Information Elements | | |
| -RRC transaction identifier | 0 | |
| -Integrity check info | | |
| -message authentication code | SS calculates the value of MAC-I for this message and writes to this IE. The first/leftmost bit of the bit string contains the most significant bit of the MAC-I. | |
| -RRC message sequence number | SS provides the value of this IE, from its internal counter. | |
| -Integrity protection mode info | Not Present | |
| -Ciphering mode info | Not Present | |
| -Activation time | Not Present | |
| -New U-RNTI | Not Present | |
| -New C-RNTI | Not Present | |
| -RRC State Indicator | CELL_DCH | |
| -UTRAN DRX cycle length coefficient | Not Present | |
| CN Information Elements | | |
| -CN Information info | Not Present | |
| UTRAN mobility information elements | | |
| -URA identity | Not Present | |
| RB information elements | | |
| -Downlink counter synchronisation info | Not Present | |
| PhyCH information elements | | |
| -Frequency info (10.3.6.36) | Not Present | |
| Uplink radio resources | | |
| -Maximum allowed UL TX power | 33 dBm | |
| -CHOICE channel requirement | Not Present | |
| Downlink radio resources | | |
| -CHOICE mode | FDD | |
| -Downlink PDSCH information | Not Present | R99 and Rel-4 only |
| -Downlink information common for all radio links (10.3.6.24) | | |
| -Downlink DPCH info common for all RL (10.3.6.18) | Not Present | |
| -CHOICE mode | FDD | |
| -DPCH compressed mode info (10.3.6.33) | | |
| - Transmission gap pattern sequence | (1/3 TGPS) | |
| - TGPSI | 1 | |
| - TGPS Status Flag | deactivate | |
| - Transmission gap pattern sequence | | |
| configuration parameters | | |
| -TGMP | GSM carrier RSSI measurement | |
| -TGPRC | Infinity | |
| -TGSN | 4 | |
| -TGL1 | 7 | |
| -TGL2 | Not Present | |
| -TGD | UNDEFINED | |
| -TGPL1 | 12 | |
| -TGPL2 | Not Present | R99 and Rel-4 only |
| -RPP | mode 0 | |
| -ITP | mode 0 | |
| -CHOICE UL/DL mode | UL and DL | |
| -Downlink compressed mode method | SF/2 | |
| -Uplink compressed mode method | SF/2 | |
| -Downlink frame type | B | |
| -DeltaSIR1 | 3.0 | |
| -DeltaSIRafter1 | 3.0 | |

| Information Element | Value/Remark | Version |
|---|-------------------------------|--------------------|
| -DeltaSIR2 | Not Present | |
| -DeltaSIRafter2 | Not Present | |
| -N Identify abort | Not Present | |
| -T Reconfirm abort | Not Present | |
| - Transmission gap pattern sequence | (2/3 TGPS) | |
| - TGPSI | 2 | |
| - TGPS Status Flag | deactivate | |
| - Transmission gap pattern sequence | | |
| configuration parameters | | |
| -TGMP | gsm-initialBSICIdentification | |
| -TGPRC | Infinity | |
| -TGSN | 4 | |
| -TGL1 | 7 | |
| -TGL2 | Not Present | |
| -TGD | UNDEFINED | |
| -TGPL1 | 8 | |
| -TGPL2 | Not Present | |
| -RPP | mode 0 | |
| -ITP | mode 0 | |
| -CHOICE UL/DL mode | UL and DL | |
| -Downlink compressed mode method | SF/2 | |
| -Uplink compressed mode method | SF/2 | |
| -Downlink frame type | B | |
| -DeltaSIR1 | 3.0 | |
| -DeltaSIRafter1 | 3.0 | |
| -DeltaSIR2 | Not Present | |
| -DeltaSIRafter2 | Not Present | |
| -N Identify abort | 66 | |
| -T Reconfirm abort | Not Present | |
| - Transmission gap pattern sequence | (3/3 TGPS) | |
| - TGPSI | 3 | |
| - TGPS Status Flag | deactivate | |
| - Transmission gap pattern sequence | | |
| configuration parameters | | |
| -TGMP | GSM BSIC re-confirmation | |
| -TGPRC | Infinity | |
| -TGSN | 4 | |
| -TGL1 | 7 | |
| -TGL2 | Not Present | |
| -TGD | UNDEFINED | |
| -TGPL1 | 8 | |
| -TGPL2 | Not Present | |
| -RPP | mode 0 | |
| -ITP | mode 0 | |
| -CHOICE UL/DL mode | UL and DL | |
| -Downlink compressed mode method | SF/2 | |
| -Uplink compressed mode method | SF/2 | |
| -Downlink frame type | B | |
| -DeltaSIR1 | 3.0 | |
| -DeltaSIRafter1 | 3.0 | |
| -DeltaSIR2 | Not Present | |
| -DeltaSIRafter2 | Not Present | |
| -N Identify abort | Not Present | |
| -T Reconfirm abort | 5.5 | |
| -SSDT information (10.3.6.77) | Not Present | R99 and Rel-4 only |
| -Default DPCH Offset Value (10.3.6.16) | Not Present | |
| -Downlink information per radio link list | 1 | |
| -Downlink information for each radio link (10.3.6.27) | | |
| -CHOICE mode | FDD | |
| -Primary CPICH info (10.3.6.60) | | |
| -Primary scrambling code | 100 | |
| -PDSCH with SHO DCH info (10.3.6.47) | Not Present | R99 and Rel-4 only |
| -PDSCH code mapping (10.3.6.43) | Not Present | R99 and Rel-4 only |
| -Downlink DPCH info for each RL (10.3.6.21) | | |
| -CHOICE mode | FDD | |
| -Primary CPICH usage for channel estimation | Primary CPICH may be used | |

| Information Element | Value/Remark | Version |
|---|---|--------------------|
| -DPCH frame offset | Set to value Default DPCH Offset Value (as currently stored in SS) mod 38400 | R99 and Rel-4 only |
| -Secondary CPICH info | Not Present | |
| -DL channelisation code | Not Present | |
| -Secondary scrambling code | Not Present | |
| -Spreading factor | 128 | |
| -Code number | 96 | |
| -Scrambling code change | No change | |
| -TPC combination index | 0 | |
| -SSDT Cell Identity | Not Present | |
| - Closed loop timing adjustment mode | Not Present | |
| - SCCPCH information for FACH (10.3.6.70) | Not Present | |

MEASUREMENT CONTROL message (step 8):

| Information Element/Group name | Value/Remark |
|--|--|
| Message Type (10.2.17) | |
| UE information elements | |
| -RRC transaction identifier | 0 |
| -Integrity check info | |
| -message authentication code | SS calculates the value of MAC-I for this message and writes to this IE. The first/ leftmost bit of the bit string contains the most significant bit of the MAC-I. |
| -RRC message sequence number | SS provides the value of this IE, from its internal counter. |
| Measurement Information elements | |
| -Measurement Identity | 2 |
| -Measurement Command (10.3.7.46) | Setup |
| -Measurement Reporting Mode (10.3.7.49) | AM RLC |
| -Measurement Report Transfer Mode | Event trigger |
| -Periodical Reporting / Event Trigger Reporting Mode | Not Present |
| -Additional measurements list (10.3.7.1) | |
| -CHOICE Measurement type | Inter-RAT measurement |
| -Inter-RAT measurement (10.3.7.27) | |
| -Inter-RAT measurement objects list (10.3.7.23) | Not Present |
| -Inter-RAT measurement quantity (10.3.7.29) | |
| -Measurement quantity for UTRAN quality estimate (10.3.7.38) | |
| -Filter coefficient | 0 |
| -CHOICE mode | FDD |
| -Measurement quantity | CPICH Ec/N0 |
| -CHOICE system | GSM |
| -Measurement quantity | GSM Carrier RSSI |
| -Filter coefficient | 0 |
| -BSIC verification required | Required |
| -Inter-RAT reporting quantity (10.3.7.32) | |
| - UTRAN estimated quality | FALSE |
| - CHOICE system | GSM |
| - Observed time difference to GSM cell reporting indicator | FALSE |
| - GSM Carrier RSSI reporting indicator | FALSE |
| -Reporting cell status (10.3.7.61) | |
| -CHOICE report criteria | Inter-RAT measurement reporting criteria |
| -Inter-RAT measurement reporting criteria (10.3.7.30) | |
| -Parameters required for each event | 1 |
| -Inter-RAT event identity (10.3.7.24) | Event 3C |
| -Threshold own system | Not Present |
| -W | Not Present |
| -Threshold other system | -80 dBm |
| -Hysteresis | 0 dB |
| -Time to trigger | 0 ms |
| -CHOICE reported cell | Report cells within active set or within virtual active set or of the other RAT |
| -Maximum number of reported cells | 2 |

| Information Element/Group name | Value/Remark |
|--|---|
| Physical channel information elements -DPCH compressed mode status info (10.3.6.34) | If Compressed mode is required, active (for all three patterns specified in table 8.3.4.3). Otherwise, Not Present |

HANDOVER FROM UTRAN COMMAND message (step 11):

| Information Element | Value/remark |
|---|--|
| Message Type (10.2.15) | |
| UE information elements -RRC transaction identifier -Integrity check info -message authentication code -RRC message sequence number -Activation time | 0 SS calculates the value of MAC-I for this message and writes to this IE. The first/ leftmost bit of the bit string contains the most significant bit of the MAC-I. SS provides the value of this IE, from its internal counter. now |
| RB information elements -RAB information list -RAB Info | 1 |
| - RAB identity | 0000 0001B The first/ leftmost bit of the bit string contains the most significant bit of the RAB identity. |
| - CN domain identity | CS domain |
| - NAS Synchronization Indicator | Not present |
| - Re-establishment timer | Use T315 |
| Other information elements -CHOICE System type -Frequency Band -CHOICE GSM message -Single GSM message | GSM Set to "GSM/ PCS 1900" if GSM/ PCS 1900 is used in this test. Otherwise set to "GSM/DCS 1800 Band" Single GSM message GSM HANDOVER COMMAND formatted and coded according to GSM specifications as BIT STRING (1..512). The first/ <i>leftmost/ most significant</i> bit of the bit string contains bit 8 of the first octet of the GSM message. The contents of the HANDOVER COMMAND see next table. |

HANDOVER COMMAND

| Information Element (GSM) | Value/remark | Version |
|--|--|---------|
| Protocol Discriminator | RR Management. | |
| Skip Indicator | 0000 | |
| Message Type | 00101011 | |
| Cell Description - Network Colour Code - Base station Colour Code - BCCH Carrier Number | 1 5 BCCH ARFCN of cell A as defined in the initial conditions in clause 26.6.5.1 of TS 51.010-1 [25] for the GSM band under test. BCCH ARFCN is 744 for FDD Band II and PCS1900 under test. BCCH ARFCN is 241 for FDD Band V, VI or XIX and GSM850 under test. BCCH ARFCN is 114 for FDD Band VIII and GSM900 under test. | |

| Information Element (GSM) | Value/remark | Version |
|--|---|---|
| Channel Description 2 - Channel Type and TDMA offset - Timeslot Number - Training Sequence Code - Hopping - ARFCN | TCH/F + FACCH/F and SACCH/F Chosen arbitrarily by the test house, but not Zero. Chosen arbitrarily by the test house. Single RF channel. BCCH ARFCN of cell A as defined in the initial conditions in clause 26.6.5.1 of TS 51.010-1 [25] for the GSM band under test. BCCH ARFCN is 744 for FDD Band II and PCS1900 under test. BCCH ARFCN is 241 for FDD Band V, VI or XIX and GSM850 under test. BCCH ARFCN is 114 for FDD Band VIII and GSM900 under test. | |
| Handover Reference - Handover Reference Value | Chosen arbitrarily by the test house. | |
| Power Command and ACCESS Type - ATC - EPC_mode - FPC - EPC_FPC - Power level | 0 0 0 0 Chosen arbitrarily by the test house. | REL-5 R99 and REL-4 only REL-5 |
| Synchronization Indication | Not present. | |
| Channel Mode | speech full rate or half rate version 1 | |
| All other information elements | Not present. | |

MEASUREMENT REPORT message for Inter-RAT test cases

This message is common for all inter RAT-frequency test cases and is described in Annex I.

8.3.4.5 Test requirements

Table 8.3.4.6: Cell Specific Parameters for Handover UTRAN to GSM cell case (cell 2), test requirements

| Parameter | Unit | Cell 2 (GSM) | |
|----------------------------|------|--|--------|
| | | T1 | T2, T3 |
| Absolute RF Channel Number | | BCCH ARFCN of cell A as defined in the initial conditions in clause 26.6.5.1 of TS 51.010-1 [25] for the GSM band under test. BCCH ARFCN is 744 for FDD Band II and PCS1900 under test. BCCH ARFCN is 241 for FDD Band V, VI or XIX and GSM850 under test. BCCH ARFCN is 114 for FDD Band VIII and GSM900 under test. | |
| RXLEV | dBm | -85 | -74 |

For the test to pass, the total number of successful tests shall be more than 90% of the cases with a confidence level of 95 %.

NOTE: If the above Test Requirement differs from the Minimum Requirement then the Test Tolerance applied for this test is non-zero. The Test Tolerance for this test is defined in clause F.2 and the explanation of how the Minimum Requirement has been relaxed by the Test Tolerance is given in clause F.4.

8.3.4a Inter-system Handover from UTRAN FDD to E-UTRAN FDD

Editor's note: This Test case is incomplete for frequencies above 3GHz

- The Test system uncertainties applicable above 3GHz are undefined
- The Test Tolerances and Test Requirements applicable above 3GHz are undefined

8.3.4a.1 Definition and applicability

The UTRAN to E-UTRAN cell handover delay is defined as the time from the end of the last TTI containing an RRC message implying handover to the transmission on the channel of the new RAT.

The requirements and this test apply to Release 8 and later releases UTRA FDD UE that support E-UTRA FDD and inter-RAT PS handover to E-UTRA(FDD) from UTRA. Applicability requires support for EUTRA FGI bit 2.

8.3.4a.2 Minimum requirement

The UE shall start to transmit the PRACH to Cell 2 less than 85ms from the beginning of time period T3.

The rate of correct cell reselections observed during repeated tests shall be at least 90%.

NOTE:

The total HO delay is the sum of the RRC procedure delay and interruption time:

The RRC procedure delay is 50 ms

The interruption time is $T_{interrupt} = T_{search} + T_{IU} + 20\text{ ms}$

Where:

T_{search} : 0 ms since the target cell is known.

T_{IU} : 15 ms since the PRACH configuration used in the target cell (E-UTRAN) is assumed to be 4 for FDD and 53 for TDD respectively as specified in table 5.7.1-2 and 5.7.1-4 in TS 36.211 [35]. T_{SI} Maximum repetition period of relevant system info blocks that needs to be received by the UE to camp on a cell; 1280 ms is assumed in this test case.

This gives a total of 85 ms for the test case.

The normative reference for this requirement is TS 25.133 [2] clauses 5.4a and A.5.4a

8.3.4a.3 Test purpose

To verify that the UE meets the minimum requirement.

8.3.4a.4 Method of test

8.3.4a.4.1 Initial conditions

Test environment: normal; see clauses G.2.1 and G.2.2.

Frequencies to be tested: see table K.2 in Annex K.

The test parameters are given in Table 8.3.4a.1, 8.3.4a.2 and 8.3.4a.3 below. In the measurement control information it is indicated to the UE that event-triggered reporting with Event 3A shall be used. The test consists of three successive time periods, with time durations of T1, T2 and T3 respectively. At the start of time duration T1, the UE does not have any timing information of Cell 2. Starting T2, Cell 2 becomes detectable and the UE is expected to detect and send a measurement report.

The UTRAN shall send a Handover from UTRAN command with activation time "now" with a new active cell, cell 2. In the E-UTRAN Handover command contained in that message, the IE starting time shall not be included. The RRC HANDOVER FROM UTRAN COMMAND message shall be sent to the UE. The start of T3 is defined as the end of last TTI containing the HO command.

The requirements are also applicable for a UE not requiring compressed mode, in which case no compressed mode pattern should be sent for the parameters specified in table 8.3.4a.1.

Table 8.3.4a.1: General test parameters for UTRAN FDD to E-UTRAN FDD handover test case

| Parameter | Unit | Value | Comment |
|--|------|---|---|
| DCH parameters | | DL Reference Measurement Channel 12.2 kbps | As specified in TS 25.101 [1] section A.3.1 |
| Power Control | | On | |
| Target quality value on DTCH | BLER | 0.001 | |
| Compressed mode | | DL Compressed mode reference pattern 2 in Set 5 | Only applicable for UE requiring compressed mode patterns As specified in table A.22 TS 25.101 [1] section A.5 |
| Active cell | | Cell 1 | |
| UTRAN FDD measurement quantity | | CPICH Ec/N0 | |
| Inter-RAT (E-UTRAN) measurement quantity | | RSRP | |
| Threshold own system | dB | -10 | Absolute UTRAN CPICH Ec/N0 threshold for event 3A |
| Threshold other system | dBm | -99 | Absolute E-UTRAN RSRP threshold for event 3A |
| Hysteresis | dB | 0 | |
| Time to Trigger | ms | 0 | |
| Filter coefficient | | 0 | |
| Monitored UTRA FDD cell list size | | 24 UTRA FDD neighbours on Channel 1 | Measurement control information is sent before the compressed mode patterns starts. |
| PDSCH parameters | | DL Reference Measurement Channel R.0 FDD | As specified in TS 36. 521-3 [38] section A.1.1 |
| PCFICH/PDCCH/PHICH parameters | | DL Reference Measurement Channel R.6 FDD | As specified in TS 36. 521-3 [38] section A.2.1 |
| PRACH configuration | | 4 | As specified in table 5.7.1-2 in 3GPP TS 36.211 [35] |
| Access Barring Information | - | Not sent | No additional delays in random access procedure |
| T1 | s | 5 | |
| T2 | s | ≤7 | |
| T3 | s | 1 | |

Table 8.3.4a.2: Cell specific test parameters for UTRAN FDD to E-UTRAN FDD handover test case (cell 1)

| Parameter | Unit | Cell 1 (UTRA) | | |
|--|--------------|---------------|----|----|
| | | T1 | T2 | T3 |
| CPICH_Ec/lor | dB | -10 | | |
| PCCPCH_Ec/lor | dB | -12 | | |
| SCH_Ec/lor | dB | -12 | | |
| PICH_Ec/lor | dB | -15 | | |
| DCH_Ec/lor | dB | Note 1 | | |
| OCNS_Ec/lor | dB | Note 2 | | |
| \hat{I}_{or}/I_{oc} | dB | 0 | | |
| I_{oc} | dBm/3,84 MHz | -70 | | |
| CPICH_Ec/lo | dB | -13 | | |
| Propagation Condition | | AWGN | | |
| NOTE 1: The DPCH level is controlled by the power control loop | | | | |
| NOTE 2: The power of the OCNS channel that is added shall make the total power from the cell to be equal to I_{or} . | | | | |

Table 8.3.4a.3: Cell specific test parameters for UTRAN FDD to E-UTRAN FDD handover test case (cell 2)

| Parameter | Unit | Cell 2 (E-UTRA) | | |
|--|------------|-----------------|----------|----------|
| | | T1 | T2 | T3 |
| E-UTRA RF Channel number | | 1 | | |
| $BW_{channel}$ | MHz | 10 | | |
| OCNG Patterns defined in TS 36.521-3 [38] section D.1.1 (OP.1 FDD) and in D.1.2 (OP.2 FDD) | | OP.2 FDD | OP.2 FDD | OP.1 FDD |
| PBCH_RA | dB | 0 | | |
| PBCH_RB | dB | | | |
| PSS_RA | dB | | | |
| SSS_RA | dB | | | |
| PCFICH_RB | dB | | | |
| PHICH_RA | dB | | | |
| PHICH_RB | dB | | | |
| PDCCH_RA | dB | | | |
| PDCCH_RB | dB | | | |
| PDSCH_RA | dB | | | |
| PDSCH_RB | dB | | | |
| OCNG_RA ^{Note 1} | dB | | | |
| OCNG_RB ^{Note 1} | dB | | | |
| \hat{E}_s/I_{ot} | dB | | | |
| N_{oc} ^{Note 2} | dBm/15 kHz | -98 | | |
| \hat{E}_s/N_{oc} ^{Note 3} | dB | -infinity | 7 | 7 |
| RSRP ^{Note 3} | dBm/15 KHz | -infinity | -91 | -91 |
| l_o ^{Note 3} | dBm/9 MHz | -70.22 | -62.43 | -62.43 |
| Propagation Condition | | AWGN | | |
| NOTE 1: OCNG shall be used such that both cells are fully allocated and a constant total transmitted power spectral density is achieved for all OFDM symbols. | | | | |
| NOTE 2: Interference from other cells and noise sources not specified in the test is assumed to be constant over subcarriers and time and shall be modelled as AWGN of appropriate power for N_{oc} to be fulfilled. | | | | |
| NOTE 3: RSRP and l_o levels have been derived from other parameters for information purposes. They are not settable parameters themselves. | | | | |

8.3.4a.4.2 Procedure

- 1) The RF parameters for cell 1 are set up according to T1 in Table 8.3.4a.2.
- 2) The UE is switched on.
- 3) A call is set up according to the test procedure specified in TS 34.108 [3] subclause 7.3.4. For UEs that require compressed mode, the compressed mode parameters are configured as in the Table 8.3.4a.1. The compressed mode shall remain inactive. Data shall be sent on the DTCH on the UTRA cell throughout the call.
- 4) The RF parameters for cell 2 are set up according to T1 in Table 8.3.4a.3 and the SS configures a traffic channel.
- 5) The start of T1 is TTI aligned.
- 6) If Compressed mode is required, SS shall transmit PHYSICAL CHANNEL RECONFIGURATION message. Otherwise , Go to Step8.
- 7) UE shall transmit PHYSICAL CHANNEL RECONFIGURATION COMPLETE message.
- 8) The SS shall transmit a MEASUREMENT CONTROL message on cell 1.
- 9) After T1 expired, the SS shall switch the power of cell 2 from T1 to T2 as in Table 8.3.4a.3.
- 10)The UE shall transmit a MEASUREMENT REPORT message triggered by event 3A.
- 11)The SS shall transmit a HANDOVER FROM UTRAN COMMAND message with activation time "now" and indicating the traffic channel of the target E-UTRAN FDD cell to the UE through DCCH of the serving UTRAN cell. The start of T3 is defined as the end of the last TTI, containing the HANDOVER COMMAND, at that instant the SS shall switch the power setting from T2 to T3 as specified in Table 8.3.4a.2 and Table 8.3.4a.3.
- 12)The UE shall transmit a PRACH to cell 2 implying that it has switched to the E-UTRAN FDD cell. If the UE transmits the PRACH to cell2 less than 85 ms from the beginning of time period T3, then the number of successful tests is increased by one.
- 13)At the end of T3 SS shall end the call and UE is switched off. Any timing information of cell 2 is deleted in the UE.
- 14)Repeat step 1-13 until the confidence level according to Tables G.2.3-1 in TS 36.521-3 [38] is achieved.

Specific Message Contents

All messages indicated above shall use the same content as described in the default message content in clause 9 of TS 34.108 [3] and clause 4.6.1, 4.6.3, 4.6.4 and 4.7B.1 of TS 36.508 [33], with the following exceptions:

PHYSICAL CHANNEL RECONFIGURATION message:

| Derivation Path: TS 36.508 [33], clause 4.7B.1 Table 4.7B.1-5: PHYSICAL CHANNEL RECONFIGURATION | | | |
|---|--------------------|---------|-----------|
| Information Element | Value/remark | Comment | Condition |
| Message Type | | | |
| RRC transaction identifier | 0 | | |
| Downlink information common for all radio links | | | |
| - Downlink DPCH info common for all RL | Not Present | | |
| - DPCH compressed mode info | | | |
| - TGPSI | 1 | | |
| - TGPS Status Flag | Deactivate | | |
| - TGCFN | Not Present | | |
| - Transmission gap pattern sequence configuration parameters | | | |
| - TGMP | E-UTRA measurement | | |
| - TGPRC | Infinity | | |
| - TGSN | 10 | | |
| - TGL1 | 10 | | |
| - TGL2 | Not Present | | |
| - TGD | 0 | | |
| - TGPL1 | 8 | | |
| - TGPL2 | Not Present | | |
| - RPP | mode 0 | | |

| | | | |
|--|-------------|--|--|
| - ITP | mode 0 | | |
| - CHOICE UL/DL Mode | UL and DL | | |
| - Downlink compressed mode method | SF/2 | | |
| - Uplink compressed mode method | SF/2 | | |
| - Downlink frame type | B | | |
| - DeltaSIR1 | 3.0 | | |
| - DeltaSIRAfter1 | 3.0 | | |
| - DeltaSIR2 | Not Present | | |
| - DeltaSIRAfter2 | Not Present | | |
| - N identify abort | Not Present | | |
| - T Reconfirm abort | Not Present | | |
| - TX Diversity mode | Not Present | | |
| - SSDT information | Not Present | | |
| - Default DPCH Offset Value | Not Present | | |
| Downlink information for each radio link | Not Present | | |
| MBMS PL Service Restriction Information | Not Present | | |

MEASUREMENT CONTROL message:

| Derivation Path: TS 36.508 [33], clause 4.7B.1 Table 4.7B.1-3: MEASUREMENT CONTROL | | | |
|--|--|--|-----------|
| Information Element | Value/remark | Comment | Condition |
| Message Type | | | |
| RRC transaction identifier | 0 | | |
| Measurement Identity | 2 | | |
| CHOICE Measurement type | Inter-RAT measurement | | |
| - CHOICE report criteria | Inter-RAT measurement reporting criteria | | |
| - Parameters required for each event | 1 entry | | |
| - Inter-RAT event identity | 3a | | |
| - Threshold own system | -10 dB | | |
| - W | 0 | | |
| - Threshold other system | -74 (-99 dBm) | When measurement quantity is RSRP, range should be (-115..-19), the actual value = Threshold other system - 25 [dBm] | |
| - Hysteresis | 0 dB | | |
| - Time to trigger | 10 ms | | |
| - Reporting cell status | | | |
| - CHOICE reported cell | Report cells within active set or within virtual active set or of the other RAT | | |
| - Maximum number of reported cells | 2 | | |
| - DPCH compressed mode status info (10.3.6.34) | If compressed mode is required, Active (for the pattern specified in table 8.3.4a.1). Otherwise, this should be Not Present. | | |

MEASUREMENT REPORT message

| Derivation Path: TS 36.508 [33], clause 4.7B.1 Table 4.7B.1-4: MEASUREMENT REPORT | | | |
|---|-------------------------------------|--------------------------------|-----------|
| Information Element | Value/remark | Comment | Condition |
| Message Type | | | |
| Measurement identity | 2 | | |
| E-UTRA Measured Results | | | |
| - E-UTRA measured results list | 1 entry | | |
| - E-UTRA Carrier Frequency | Checked that this IE is present | | |
| - Measured E-UTRA cells | 1 entry | | |
| - Physical Cell Identity | Checked that this IE is present | PhysicalCellIdentity of Cell 2 | |
| - RSRP | Checked that this IE is present | | |
| - RSRQ | This IE does not need to be checked | | |
| E-UTRA Event Results | | | |
| - Inter-RAT event identity | 3a | | |
| - E-UTRA events results list | 1 entry | | |
| - E-UTRA Carrier Frequency | Checked that this IE is present | Downlink EARFCN of Cell 2 | |
| - Reported cells | 1 entry | | |
| - Physical Cell Identity | Checked that this IE is present | PhysicalCellIdentity of Cell 2 | |

RRCConnectionReconfiguration

| Derivation Path: TS 36.508 [33] clause 4.6.1, Table 4.6.1-8 RRCConnectionReconfiguration | | | |
|--|--|---------|------------------|
| Information Element | Value/remark | Comment | Condition |
| RRCConnectionReconfiguration ::= SEQUENCE { | | | |
| criticalExtensions CHOICE { | | | |
| c1 CHOICE{ | | | |
| rrcConnectionReconfiguration-r8 SEQUENCE { | | | |
| mobilityControlInfo | MobilityControlInfo-HO | | HO-TO-EUTRA |
| dedicatedInfoNASList | Not present | | |
| radioResourceConfigDedicated | RadioResourceConfigDedicated-HO-TO-EUTRA(n, m) | | HO-TO-EUTRA(n,m) |
| securityConfigHO | SecurityConfigHO-DEFAULT | | HO-TO-EUTRA |
| } | | | |
| } | | | |
| } | | | |
| } | | | |

SecurityConfigHO-DEFAULT

| Derivation Path: TS 36.508[33] clause 4.6.4, Table 4.6.4-1: SecurityConfigHO-DEFAULT | | | |
|--|---|--|-----------|
| Information Element | Value/remark | Comment | Condition |
| SecurityConfigHO-DEFAULT ::= SEQUENCE { | | | |
| handoverType CHOICE { | interRAT | | |
| interRAT SEQUENCE { | | | |
| securityAlgorithmConfig SEQUENCE { | | | |
| cipheringAlgorithm | Set according to PIXIT parameter for default ciphering algorithm | | |
| integrityProtAlgorithm | Set according to PIXIT parameter for default integrity protection algorithm | | |
| } | | | |
| nas-SecurityParamToEUTRA | OCTET STRING (SIZE(6)) | This field is used to activate NAS security after inter-RAT handover to E-UTRA. The content is defined in TS 24.301. | |
| } | | | |
| } | | | |

MobilityControllInfo-HO

| Derivation Path: TS 36.508[33] clause 4.6.5, Table 4.6.5-1: MobilityControllInfo-HO | | | |
|---|--|---------|-----------|
| Information Element | Value/remark | Comment | Condition |
| MobilityControllInfo-HO ::= SEQUENCE { | | | |
| targetPhysCellId | Set according to specific message content | | |
| carrierFreq | Set according to the frequency used for E-UTRA cell under test | | |
| carrierBandwidth ::= SEQUENCE { | | | |
| dl-Bandwidth | Set according to the bandwidth used for E-UTRA cell under test | | |
| ul-Bandwidth | Not present | | |
| } | | | |
| additionalSpectrumEmission | 1 | | |
| t304 | ms1000 | | |
| newUE-Identity | SS arbitrarily selects a value between '003C'H and 'FFF2'H. | | |
| radioResourceConfigCommon | RadioResourceConfigCommon-DEFAULT | | |
| rach-ConfigDedicated | Not present | | |
| } | | | |

RadioResourceConfigCommon-DEFAULT

| Derivation Path: TS 36.508 [33] clause 4.6.3, Table 4.6.3-13 RadioResourceConfigCommon-DEFAULT | | | |
|--|------------------------------------|---------|-----------|
| Information Element | Value/remark | Comment | Condition |
| RadioResourceConfigCommon-DEFAULT ::= SEQUENCE { | | | |
| rach-ConfigCommon | RACH-ConfigCommon-DEFAULT | | |
| prach-Config | PRACH-Config-DEFAULT | | |
| pdsch-ConfigCommon | PDSCH-ConfigCommon-DEFAULT | | |
| pusch-ConfigCommon | PUSCH-ConfigCommon-DEFAULT | | |
| phich-Config | PHICH-Config-DEFAULT | | |
| pucch-ConfigCommon | PUCCH-ConfigCommon-DEFAULT | | |
| soundingRSUL-ConfigCommon | SoundingRS-UL-ConfigCommon-DEFAULT | | |
| uplinkPowerControlCommon | UplinkPowerControlCommon-DEFAULT | | |
| antennaInfoCommon SEQUENCE { | | | |
| antennaPortsCount | an1 | | |
| } | | | |
| p-Max | Not present | | |
| tdd-Config | Not present | | FDD |
| ul-CyclicPrefixLength | len1 | | |
| } | | | |

PRACH-Config-DEFAULT

| Derivation Path: TS 36.508 [33] clause 4.6.3, Table 4.6.3-7 PRACH-Config-DEFAULT | | | |
|--|--------------|---------|-----------|
| Information Element | Value/remark | Comment | Condition |
| PRACH-ConfigInfo SEQUENCE { | | | |
| prach-ConfigIndex | 4 | | |

RadioResourceConfigDedicated-HO-TO-EUTRA(n,m)

| Derivation Path: TS 36.508 [33] clause 4.6.3, Table 4.6.3-18 RadioResourceConfigDedicated-HO-TO-EUTRA(n,m) | | | |
|--|---|---------|-----------|
| Information Element | Value/remark | Comment | Condition |
| RadioResourceConfigDedicated-HO-TO-EUTRA(n, m) ::= SEQUENCE { | | | |
| srb-ToAddModList SEQUENCE (SIZE (1..2)) OF SEQUENCE { | 2 entries | | |
| srb-ToAddMod[1] | SRB-ToAddMod-DEFAULT using condition SRB1 | | |
| srb-ToAddMod[2] | SRB-ToAddMod-DEFAULT using condition SRB2 | | |
| } | | | |
| drb-ToAddModList SEQUENCE (SIZE (1..maxDRB)) OF SEQUENCE { | 1 entry | | |
| drb-ToAddMod[1] | DRB-ToAddMod-DEFAULT using condition AM | | |
| } | | | |
| drb-ToReleaseList | Not present | | |
| mac-MainConfig CHOICE { | | | |
| explicitValue | MAC-MainConfig-RBC | | |
| } | | | |
| sps-Config | Not present | | |
| physicalConfigDedicated | PhysicalConfigDedicated-DEFAULT using condition RBC | | |
| } | | | |

MAC-MainConfig-RBC

| Derivation Path: TS 36.508 [33] clause 4.8.2, Table 4.8.2.1.5-1 MAC-MainConfig-RBC | | | |
|--|--------------|---------|-----------|
| Information Element | Value/remark | Comment | Condition |
| MAC-MainConfig-RBC ::= SEQUENCE { | | | |
| ul-SCH-Config SEQUENCE { | | | |
| maxHARQ-Tx | n5 | | |
| periodicBSR-Timer | sf20 | | |
| retxBSR-Timer | sf320 | | |
| ttiBundling | FALSE | | |
| } | | | |
| drx-Config | Not present | | |
| timeAlignmentTimerDedicated | sf750 | | |
| phr-Config CHOICE { | | | |
| setup SEQUENCE { | | | |
| periodicPHR-Timer | sf500 | | |
| prohibitPHR-Timer | sf200 | | |
| dl-PathlossChange | dB3 | | |
| } | | | |
| } | | | |
| } | | | |

PhysicalConfigDedicated-DEFAULT

| Derivation Path: TS 36.508 [33] clause 4.8.2, Table 4.8.2.1.6-1: PhysicalConfigDedicated-DEFAULT | | | |
|--|---------------------------------------|---------|-------------|
| Information Element | Value/remark | Comment | Condition |
| PhysicalConfigDedicated-DEFAULT ::= SEQUENCE { | | | |
| pdsch-ConfigDedicated | Not present | | HO-TO-EUTRA |
| pucch-ConfigDedicated | Not present | | HO-TO-EUTRA |
| pusch-ConfigDedicated | Not present | | HO-TO-EUTRA |
| uplinkPowerControlDedicated | Not present | | HO-TO-EUTRA |
| soundingRS-LU-ConfigDedicated | SoundingRS-UI-ConfigDedicated-DEFAULT | | HO-TO-EUTRA |
| schedulingRequestConfig | Not present | | HO-TO-EUTRA |
| NOTE: Default values are defined in TS 36.331 [36] section 9.2.4. | | | |

8.3.4a.5 Test requirements

Table 8.3.4a.4: Test requirement for Cell specific test parameters for UTRAN FDD to E-UTRAN FDD handover test case (cell 1)

| Parameter | Unit | Cell 1 (UTRA) |
|-----------------------|--------------|---------------|
| | | T1, T2, T3 |
| CPICH_Ec/lor | dB | -10 |
| PCCPCH_Ec/lor | dB | -12 |
| SCH_Ec/lor | dB | -12 |
| PICH_Ec/lor | dB | -15 |
| DCH_Ec/lor | dB | Note 1 |
| OCNS_Ec/lor | dB | Note 2 |
| \hat{I}_{or}/I_{oc} | dB | 0 |
| I_{oc} | dBm/3,84 MHz | -70 |
| CPICH_Ec/lo | dB | -13 |
| Propagation Condition | | AWGN |

NOTE 1: The DPCH level is controlled by the power control loop
 NOTE 2: The power of the OCNS channel that is added shall make the total power from the cell to be equal to I_{ot} .

Table 8.3.4a. 5: Test requirement for Cell specific test parameters for UTRAN FDD to E-UTRAN FDD handover test case (cell 2)

| Parameter | Unit | Cell 2 (E-UTRA) | | |
|--|------------|-----------------|----------|----------|
| | | T1 | T2 | T3 |
| E-UTRA RF Channel number | | 1 | | |
| $BW_{channel}$ | MHz | 10 | | |
| OCNG Patterns defined in TS 36.521-3 [38] D.1.1 (OP.1 FDD) and in D.1.2 (OP.2 FDD) | | OP.2 FDD | OP.2 FDD | OP.1 FDD |
| PBCH_RA | dB | 0 | | |
| PBCH_RB | dB | | | |
| PSS_RA | dB | | | |
| SSS_RA | dB | | | |
| PCFICH_RB | dB | | | |
| PHICH_RA | dB | | | |
| PHICH_RB | dB | | | |
| PDCCH_RA | dB | | | |
| PDCCH_RB | dB | | | |
| PDSCH_RA | dB | | | |
| PDSCH_RB | dB | | | |
| OCNG_RA ^{Note 1} | dB | | | |
| OCNG_RB ^{Note 1} | dB | | | |
| \hat{E}_s / I_{ot} | dB | | | |
| N_{oc} ^{Note 2} | dBm/15 kHz | -98 | | |
| \hat{E}_s / N_{oc} ^{Note 3} | dB | -infinity | 7.80 | 7.80 |
| RSRP ^{Note 3} | dBm/15 KHz | -infinity | -90.20 | -90.20 |
| I_o ^{Note 3} | dBm/9 MHz | -70.22 | -61.75 | -61.75 |
| Propagation Condition | | AWGN | | |
| NOTE 1: OCNG shall be used such that both cells are fully allocated and a constant total transmitted power spectral density is achieved for all OFDM symbols. | | | | |
| NOTE 2: Interference from other cells and noise sources not specified in the test is assumed to be constant over subcarriers and time and shall be modelled as AWGN of appropriate power for N_{oc} to be fulfilled. | | | | |
| NOTE 3: RSRP and I_o levels have been derived from other parameters for information purposes. They are not settable parameters themselves. | | | | |

For the test to pass, the total number of successful tests shall be at least 90% of the cases with a confidence level of 95 %.

NOTE: If the above Test Requirement differs from the Minimum Requirement then the Test Tolerance applied for this test is non-zero. The Test Tolerance for this test is defined in clause F.2 and the explanation of how the Minimum Requirement has been relaxed by the Test Tolerance is given in clause F.4.

8.3.4b Inter-system Handover from UTRAN FDD to E-UTRAN TDD

Editor's note: This Test case is incomplete for frequencies above 3GHz

- The Test system uncertainties applicable above 3GHz are undefined
- The Test Tolerances and Test Requirements applicable above 3GHz are undefined

8.3.4b.1 Definition and applicability

The UTRAN FDD to E-UTRAN TDD cell handover delay is defined as the time from the end of the last TTI containing an RRC message implying hard handover to the transmission on the channel of the new RAT.

The requirements and this test apply to Release 8 and later releases the combined UTRAN FDD and E-UTRAN TDD UE and inter-RAT PS handover to E-UTRA(TDD) from UTRA. Applicability requires support for EUTRA FGI bit 2.

8.3.4b.2 Minimum requirement

The UE shall begin to send PRACH to the target cell less than [80][85] ms from the beginning of time period T3.

The rate of correct handovers observed during repeated tests shall be at least 90%.

NOTE: The test requirement in this case is expressed as:

- The total HO delay is the sum of the RRC procedure delay and interruption time.
- The RRC procedure delay is 50 ms.
- The interruption time is defined as follows:

$$T_{\text{interrupt}} = T_{\text{search}} + T_{\text{IU}} + 20 \text{ ms}$$

Where:

- T_{search} : is the time required to search the target cell when the target cell is not already known when the handover command is received by the UE. If the target cell is known, then $T_{\text{search}} = 0$ ms
- T_{IU} : is the interruption uncertainty in acquiring the first available PRACH occasion in the new cell. T_{IU} can be up to 30 ms. It is chosen 10 ms since the PRACH configuration used in the target cell (E-UTRAN TDD) is assumed to be 53 as specified in table 5.7.1-3 and 5.7.1-4 in TS 36.211 [35].

Thus the total interruption time is 30 ms.

The UE shall start to transmit the PRACH to Cell 2 with a handover delay less than 80 ms.

The normative reference for this requirement is TS 25.133 [2] clauses 5.4b.2 and A.5.4b.

8.3.4b.3 Test purpose

To verify that the UE meets the minimum requirement.

8.3.4b.4 Method of test

8.3.4b.4.1 Initial conditions

Test environment: normal; see clauses G.2.1 and G.2.2.

Frequencies to be tested: see table K.2 in Annex K.

The test parameters are given in table 8.3.4b.1, 8.3.4b.2 and 8.3.4b.3 below. In the measurement control information it is indicated to the UE that event-triggered reporting with Event 3A shall be used. The test consists of three successive time periods, with a time duration of T1, T2 and T3 respectively. At the start of time duration T1, the UE may not have any timing information of cell 2. Starting T2, cell2 becomes detectable and the UE is expected to detect and send a measurement report.

The UTRAN shall send a HANDOVER FROM UTRAN COMMAND with activation time "now" with a new active cell, cell2. In the E-UTRAN TDD Handover command contained in that message, the IE starting time shall not be included. The RRC HANDOVER FROM UTRAN COMMAND message shall be sent to the UE. The start of T3 is defined as the end of the last TTI, containing the HO command.

The requirements are also applicable for a UE not requiring compressed mode, in which case no compressed mode pattern should be sent for the parameters specified in table 8.3.4b.1.

Table 8.3.4b.1: General test parameters for UTRAN FDD to E-UTRAN TDD handover test case

| Parameter | Unit | Value | Comment |
|--|------|---|---|
| DCH parameters | | DL Reference Measurement Channel 12.2 kbps | As specified in TS 25.101 [1] section A.3.1 |
| Power Control | | On | |
| Target quality value on DTCH | BLER | 0.001 | |
| Compressed mode | | DL Compressed mode reference pattern 2 in Set 5 | Only applicable for UE requiring compressed mode patterns As specified in table A.22 TS 25.101 [1] section A.5 |
| Active cell | | Cell 1 | |
| UTRAN FDD measurement quantity | | CPICH Ec/N0 | |
| Inter-RAT (E-UTRAN) measurement quantity | | RSRP | |
| Threshold own system | dB | -10 | Absolute UTRAN CPICH Ec/N0 threshold for event 3A |
| Threshold other system | dBm | -99 | Absolute E-UTRAN RSRP threshold for event 3A |
| Hysteresis | dB | 0 | |
| Time to Trigger | ms | 0 | |
| Filter coefficient | | 0 | |
| Monitored UTRA FDD cell list size | | 24 UTRA FDD neighbours on Channel 1 | Measurement control information is sent before the compressed mode patterns starts. |
| PDSCH parameters | | DL Reference Measurement Channel R.0 TDD | As specified in TS36. 521-3 [38] section A.1.2 |
| PCFICH/PDCCH/PHICH parameters | | DL Reference Measurement Channel R.6 TDD | As specified in TS36. 521-3 [38] section A.2.2 |
| Access Barring Information | - | Not sent | No additional delays in random access procedure |
| Special subframe configuration | | 6 | As specified in table 4.2-1 in 3GPP TS 36.211 [35] |
| Uplink-downlink configuration | | 1 | As specified in table 4.2-2 in 3GPP TS 36.211 [35] |
| PRACH configuration | | 53 | As specified in table 5.7.1-3 in 3GPP TS 36.211 [35] |
| T1 | s | 5 | |
| T2 | s | ≤7 | |
| T3 | s | 1 | |

Table 8.3.4b.2: Cell specific test parameters for UTRAN FDD to E-UTRAN TDD handover test case (cell 1)

| Parameter | Unit | Cell 1 (UTRA) |
|---|--------------|---------------|
| | | T1, T2, T3 |
| CPICH_Ec/I _{or} | dB | -10 |
| PCCPCH_Ec/I _{or} | dB | -12 |
| SCH_Ec/I _{or} | dB | -12 |
| PICH_Ec/I _{or} | dB | -15 |
| DCH_Ec/I _{or} | dB | Note 1 |
| OCNS_Ec/I _{or} | dB | Note 2 |
| \hat{I}_{or}/I_{oc} | dB | 0 |
| I_{oc} | dBm/3,84 MHz | -70 |
| CPICH_Ec/I _o | dB | -13 |
| Propagation Condition | | AWGN |
| NOTE 1: The DPCH level is controlled by the power control loop | | |
| NOTE 2: The power of the OCNS channel that is added shall make the total power from the cell to be equal to I _{or} . | | |

Table 8.3.4b.3: Cell specific test parameters for UTRAN FDD to E-UTRAN TDD handover test case (cell 2)

| Parameter | Unit | Cell 2 (E-UTRA) | | |
|--|------------|-----------------|----------|----------|
| | | T1 | T2 | T3 |
| E-UTRA RF Channel number | | 1 | | |
| BW _{channel} | MHz | 10 | | |
| OCNG Patterns defined in TS 36. 521-3 [38] section D.2.1 (OP.1 TDD) and D.2.2 (OP.2 TDD) | | OP.2 TDD | OP.2 TDD | OP.1 TDD |
| PBCH_RA | dB | 0 | | |
| PBCH_RB | dB | | | |
| PSS_RA | dB | | | |
| SSS_RA | dB | | | |
| PCFICH_RB | dB | | | |
| PHICH_RA | dB | | | |
| PHICH_RB | dB | | | |
| PDCCH_RA | dB | | | |
| PDCCH_RB | dB | | | |
| PDSCH_RA | dB | | | |
| PDSCH_RB | dB | | | |
| OCNG_RA ^{Note 1} | dB | | | |
| OCNG_RB ^{Note 1} | dB | | | |
| \hat{E}_s / I_{ot} | dB | -infinity | 7 | 7 |
| N_{oc} ^{Note 2} | dBm/15 kHz | -98 | | |
| \hat{E}_s / N_{oc} ^{Note 3} | dB | -infinity | 7 | 7 |
| l_o ^{Note 3} | dBm/9 MHz | -70.22 | -62.43 | -62.43 |
| RSRP ^{Note 3} | dBm/15 KHz | -infinity | -91 | -91 |
| Propagation Condition | | AWGN | | |
| NOTE 1: OCNG shall be used such that both cells are fully allocated and a constant total transmitted power spectral density is achieved for all OFDM symbols. | | | | |
| NOTE 2: Interference from other cells and noise sources not specified in the test is assumed to be constant over subcarriers and time and shall be modelled as AWGN of appropriate power for N_{oc} to be fulfilled. | | | | |
| NOTE 3: RSRP and l_o levels have been derived from other parameters for information purposes. They are not settable parameters themselves. | | | | |

8.3.4b.4.2 Procedure

- 1) The RF parameters for cell 1 are set up according to T1 in Table 8.3.4b.2.
- 2) The UE is switched on.
- 3) A call is set up according to the test procedure specified in TS 34.108 [3] subclause 7.3.4. For UEs that require compressed mode, the compressed mode parameters are configured as in the table 8.3.4b.1. The compressed mode shall remain inactive. Data shall be sent on the DTCH on the UTRA cell throughout the call.
- 4) The RF parameters for cell 2 are set up according to T1 in Table 8.3.4b.3 and the SS configures a traffic channel.
- 5) The start of T1 is TTI aligned.
- 6) If Compressed mode is required, SS shall transmit PHYSICAL CHANNEL RECONFIGURATION message. Otherwise , Go to Step8.
- 7) UE shall transmit PHYSICAL CHANNEL RECONFIGURATION COMPLETE message.
- 8) The SS shall transmit a MEASUREMENT CONTROL message on cell 1.

- 9) At the T1-T2 transition, the SS shall switch the power of cell 2 as in Table 8.3.4b.3.
- 10) The UE shall transmit a MEASUREMENT REPORT message triggered by event 3A.
- 11) The SS shall transmit a HANDOVER FROM UTRAN COMMAND message with activation time "now" and indicating the traffic channel of the target E-UTRAN TDD cell to the UE through DCCH of the serving UTRAN cell. The start of T3 is defined as the end of the last TTI, containing the HANDOVER command.
- 12) The UE shall transmit a PRACH to cell 2 implying that it has switched to the E-UTRAN TDD cell. If the UE transmits the PRACH to cell2 less than 80 ms from the beginning of time period T3, then the number of successful tests is increased by one.
- 13) At the end of T3 SS shall end the call and UE is switched off. Any timing information of cell 2 is deleted in the UE.
- 14) Repeat step 1-13 until the confidence level according to Tables G.2.3-1 in TS36.521-3 [38] is achieved.

Specific Message Contents

All messages indicated above shall use the same content as described in the default message content in clause 9 of TS 34.108 [3] and clause 4.6.1, 4.6.3, 4.6.4 and 4.7B.1 of TS 36.508 [33], with the following exceptions:

PHYSICAL CHANNEL RECONFIGURATION message for Inter RAT measurement (step 6):

| Derivation Path: TS 36.508 [33], clause 4.7B.1 Table 4.7B.1-5: PHYSICAL CHANNEL RECONFIGURATION | | | |
|---|--------------------|---------|-----------|
| Information Element | Value/remark | Comment | Condition |
| Message Type | | | |
| RRC transaction identifier | 0 | | |
| Downlink information common for all radio links | | | |
| - Downlink DPCH info common for all RL | Not Present | | |
| - DPCH compressed mode info | | | |
| - TGPSI | 1 | | |
| - TGPS Status Flag | Deactivate | | |
| - TGCFN | Not Present | | |
| - Transmission gap pattern sequence configuration parameters | | | |
| - TGMP | E-UTRA measurement | | |
| - TGPRC | Infinity | | |
| - TGSN | 10 | | |
| - TGL1 | 10 | | |
| - TGL2 | Not Present | | |
| - TGD | 0 | | |
| - TGPL1 | 8 | | |
| - TGPL2 | Not Present | | |
| - RPP | mode 0 | | |
| - ITP | mode 0 | | |
| - CHOICE UL/DL Mode | UL and DL | | |
| - Downlink compressed mode method | SF/2 | | |
| - Uplink compressed mode method | SF/2 | | |
| - Downlink frame type | B | | |
| - DeltaSIR1 | 3.0 | | |
| - DeltaSIRAfter1 | 3.0 | | |
| - DeltaSIR2 | Not Present | | |
| - DeltaSIRAfter2 | Not Present | | |
| - N identify abort | Not Present | | |
| - T Reconfirm abort | Not Present | | |
| - TX Diversity mode | Not Present | | |
| - SSDT information | Not Present | | |
| - Default DPCH Offset Value | Not Present | | |
| Downlink information for each radio link | Not Present | | |
| MBMS PL Service Restriction Information | Not Present | | |

MEASUREMENT CONTROL message (step 8):

| Information Element/Group name | Value/Remark |
|--------------------------------|--------------|
|--------------------------------|--------------|

| Information Element/Group name | Value/Remark |
|--|--|
| Message Type (10.2.17 of 25.331) | |
| UE information elements | |
| -RRC transaction identifier | 0 |
| -Integrity check info | |
| -message authentication code | SS calculates the value of MAC-I for this message and writes to this IE. The first/ leftmost bit of the bit string contains the most significant bit of the MAC-I. |
| -RRC message sequence number | SS provides the value of this IE, from its internal counter. |
| Measurement Information elements | |
| -Measurement Identity | 2 |
| -Measurement Command (10.3.7.46) | Setup |
| -Measurement Reporting Mode (10.3.7.49) | |
| -Measurement Report Transfer Mode | AM RLC |
| -Periodical Reporting / Event Trigger Reporting Mode | Event trigger |
| -Additional measurements list (10.3.7.1) | Not Present |
| -CHOICE <i>Measurement type</i> | Inter-RAT measurement |
| -Inter-RAT measurement (10.3.7.27) | |
| -Inter-RAT measurement objects list (10.3.7.23) | Not Present |
| -Inter-RAT measurement quantity (10.3.7.29) | |
| -Measurement quantity for UTRAN quality estimate (10.3.7.38) | |
| -Filter coefficient | 0 |
| -CHOICE mode | FDD |
| -Measurement quantity | CPICH Ec/N0 |
| -CHOICE system | E-UTRA |
| -Measurement quantity | RSRP |
| -Filter coefficient | 0 |
| -Inter-RAT reporting quantity (10.3.7.32) | |
| - UTRAN estimated quality | FALSE |
| - CHOICE system | E-UTRA |
| -E-UTRA | |
| - Reporting indicator | Measurement quantity |
| -Reporting cell status (10.3.7.61) | |
| -CHOICE report criteria | Inter-RAT measurement reporting criteria |
| -Inter-RAT measurement reporting criteria (10.3.7.30) | |
| -Parameters required for each event | 1 |
| -Inter-RAT event identity (10.3.7.24) | Event 3A |
| -Threshold own system | -10dB |
| -W | Not Present |
| -Threshold other system | -74 (-99 dBm) When measurement quantity is RSRP, range should be (-115..-19), the actual value = Threshold other system - 25 [dBm] |
| -Hysteresis | 0 dB |
| -Time to trigger | 0 ms |
| -Reporting cell status | |
| -CHOICE reported cell | Report cells within active set or within virtual active set or of the other RAT |
| -Maximum number of reported cells | 2 |
| -Idle Interval Information | Not Present |
| Physical channel information elements | |
| -DPCH compressed mode status info (10.3.6.34) | If Compressed mode is required, active (for all three patterns specified in table 8.3.4b.1). Otherwise, Not Present |

HANDOVER FROM UTRAN COMMAND message (step 11):

| Information Element | Value/remark |
|------------------------------------|--------------|
| Message Type (10.2.15 in TS25.331) | |
| UE information elements | |
| -RRC transaction identifier | 0 |

| | |
|-----------------------------------|--|
| -Integrity check info | |
| -message authentication code | SS calculates the value of MAC-I for this message and writes to this IE. The first/ leftmost bit of the bit string contains the most significant bit of the MAC-I. |
| -RRC message sequence number | SS provides the value of this IE, from its internal counter. |
| -Activation time | now |
| RB information elements | |
| -RAB information list | 1 |
| -RAB Info | |
| - RAB identity | 0000 0001B The first/ leftmost bit of the bit string contains the most significant bit of the RAB identity. |
| - CN domain identity | CS domain |
| - NAS Synchronization Indicator | Not present |
| - Re-establishment timer | Use T315 |
| Other information elements | |
| -CHOICE System type | E-UTRA |
| -E-UTRA message | Formatted and coded according to E-UTRA specifications. The first/leftmost/most significant bit of the octet string contains bit 8 of the first octet of the E-UTRA message. |

HANDOVER COMMAND

HANDOVER COMMAND from UTRA FDD to E-UTRAN TDD is defined in Table 4.6.1-8: *RRCCONNECTIONReconfiguration* of 36.508, with the following exceptions:

| Derivation Path: TS 36.508 [33] clause 4.6.1, Table 4.6.1-8 RRCCONNECTIONReconfiguration | | | |
|--|--|---------|------------------|
| Information Element | Value/remark | Comment | Condition |
| RRCCONNECTIONReconfiguration ::= SEQUENCE { | | | |
| rrc-TransactionIdentifier | RRC-TransactionIdentifier-DL | | |
| criticalExtensions CHOICE { | | | |
| c1 CHOICE{ | | | |
| rrcConnectionReconfiguration-r8 SEQUENCE { | | | |
| mobilityControlInfo | MobilityControlInfo-HO | | HO-TO-EUTRA |
| dedicatedInfoNASList | Not present | | |
| radioResourceConfigDedicated | RadioResourceConfigDedicated-HO-TO-EUTRA(n, m) | | HO-TO-EUTRA(n,m) |
| securityConfigHO | SecurityConfigHO-DEFAULT | | HO-TO-EUTRA |
| } | | | |
| } | | | |
| } | | | |
| } | | | |

SecurityConfigHO-DEFAULT

| Derivation Path: TS 36.508[33] clause 4.6.4, Table 4.6.4-1: SecurityConfigHO-DEFAULT | | | |
|--|--|---------|-----------|
| Information Element | Value/remark | Comment | Condition |
| SecurityConfigHO-DEFAULT ::= SEQUENCE { | | | |
| handoverType CHOICE { | interRAT | | |
| interRAT SEQUENCE { | | | |
| securityAlgorithmConfig SEQUENCE { | | | |
| cipheringAlgorithm | Set according to PIXIT parameter for default ciphering algorithm | | |
| integrityProtAlgorithm | Set according to PIXIT parameter for default | | |

| | | | |
|--------------------------|--------------------------------|--|--|
| | integrity protection algorithm | | |
| } | | | |
| nas-SecurityParamToEUTRA | OCTET STRING (SIZE(6)) | This field is used to activate NAS security after inter-RAT handover to E-UTRA. The content is defined in TS 24.301. | |
| } | | | |
| } | | | |
| } | | | |

MobilityControllInfo-HO

| Derivation Path: TS 36.508[33] clause 4.6.5, Table 4.6.5-1: MobilityControllInfo-HO | | | |
|---|--|---------|-----------|
| Information Element | Value/remark | Comment | Condition |
| MobilityControllInfo-HO ::= SEQUENCE { | | | |
| targetPhysCellId | Set according to specific message content | | |
| carrierFreq | Set according to the frequency used for E-UTRA cell under test | | |
| carrierBandwidth ::= SEQUENCE { | | | |
| dl-Bandwidth | Set according to the bandwidth used for E-UTRA cell under test | | |
| ul-Bandwidth | Not present | | |
| } | | | |
| additionalSpectrumEmission | 1 | | |
| t304 | ms1000 | | |
| newUE-Identity | SS arbitrarily selects a value between '003C'H and 'FFF2'H. | | |
| radioResourceConfigCommon | RadioResourceConfigCommon-DEFAULT | | |
| rach-ConfigDedicated | Not present | | |
| } | | | |

RadioResourceConfigCommon-DEFAULT

| Derivation Path: TS 36.508 [33] clause 4.6.3, Table 4.6.3-13 RadioResourceConfigCommon-DEFAULT | | | |
|--|------------------------------------|---------|-----------|
| Information Element | Value/remark | Comment | Condition |
| RadioResourceConfigCommon-DEFAULT ::= SEQUENCE { | | | |
| rach-ConfigCommon | RACH-ConfigCommon-DEFAULT | | |
| prach-Config | PRACH-Config-DEFAULT | | |
| pdsch-ConfigCommon | PDSCH-ConfigCommon-DEFAULT | | |
| pusch-ConfigCommon | PUSCH-ConfigCommon-DEFAULT | | |
| phich-Config | PHICH-Config-DEFAULT | | |
| pucch-ConfigCommon | PUCCH-ConfigCommon-DEFAULT | | |
| soundingRSUL-ConfigCommon | SoundingRS-UL-ConfigCommon-DEFAULT | | |
| uplinkPowerControlCommon | UplinkPowerControlCommon-DEFAULT | | |
| antennaInfoCommon SEQUENCE { | | | |
| antennaPortsCount | an1 | | |
| } | | | |
| p-Max | Not present | | |
| tdd-Config | TDD-Config-DEFAULT | | TDD |

| | | | |
|-----------------------|------|--|--|
| ul-CyclicPrefixLength | len1 | | |
| } | | | |

PRACH-ConfCommonDEFAULT

| Derivation Path: TS 36.508 [33] clause 4.6.3, Table 4.6.3-7 PRACH-ConfCommonDEFAULT | | | |
|---|--------------|---------|-----------|
| Information Element | Value/remark | Comment | Condition |
| PRACH-ConfigInfo SEQUENCE { | | | |
| prach-ConfigIndex | 53 | | |

RadioResourceConfigDedicated-HO-TO-EUTRA(n,m)

| Derivation Path: TS 36.508 [33] clause 4.6.3, Table 4.6.3-18 RadioResourceConfigDedicated-HO-TO-EUTRA(n,m) | | | |
|--|---|---------|-----------|
| Information Element | Value/remark | Comment | Condition |
| RadioResourceConfigDedicated-HO-TO-EUTRA(n, m) ::= SEQUENCE { | | | |
| srb-ToAddModList SEQUENCE (SIZE (1..2)) OF SEQUENCE { | 2 entries | | |
| srb-ToAddMod[1] | SRB-ToAddMod-DEFAULT using condition SRB1 | | |
| srb-ToAddMod[2] | SRB-ToAddMod-DEFAULT using condition SRB2 | | |
| } | | | |
| drb-ToAddModList SEQUENCE (SIZE (1..maxDRB)) OF SEQUENCE { | 1 entry | | |
| drb-ToAddMod[1] | DRB-ToAddMod-DEFAULT using condition AM | | |
| } | | | |
| drb-ToReleaseList | Not present | | |
| mac-MainConfig CHOICE { | | | |
| explicitValue | MAC-MainConfig-RBC | | |
| } | | | |
| sps-Config | Not present | | |
| physicalConfigDedicated | PhysicalConfigDedicated-DEFAULT using condition RBC | | |
| } | | | |

MAC-MainConfig-RBC

| Derivation Path: TS 36.508 [33] clause 4.8.2, Table 4.8.2.1.5-1 MAC-MainConfig-RBC | | | |
|--|--------------|---------|-----------|
| Information Element | Value/remark | Comment | Condition |
| MAC-MainConfig-RBC ::= SEQUENCE { | | | |
| ul-SCH-Config SEQUENCE { | | | |
| maxHARQ-Tx | n5 | | |
| periodicBSR-Timer | sf20 | | |
| retxBSR-Timer | sf320 | | |
| ttiBundling | FALSE | | |
| } | | | |
| drx-Config | Not present | | |
| timeAlignmentTimerDedicated | sf750 | | |
| phr-Config CHOICE { | | | |
| setup SEQUENCE { | | | |
| periodicPHR-Timer | sf500 | | |
| prohibitPHR-Timer | sf200 | | |
| dl-PathlossChange | dB3 | | |
| } | | | |
| } | | | |
| } | | | |

PhysicalConfigDedicated-DEFAULT

| Derivation Path: TS 36.508 [33] clause 4.8.2, Table 4.8.2.1.6-1: PhysicalConfigDedicated-DEFAULT | | | |
|--|---------------------------------------|---------|-------------|
| Information Element | Value/remark | Comment | Condition |
| PhysicalConfigDedicated-DEFAULT ::= SEQUENCE { | | | |
| pdsch-ConfigDedicated | Not present | | HO-TO-EUTRA |
| pucch-ConfigDedicated | Not present | | HO-TO-EUTRA |
| pusch-ConfigDedicated | Not present | | HO-TO-EUTRA |
| uplinkPowerControlDedicated | Not present | | HO-TO-EUTRA |
| soundingRS-LU-ConfigDedicated | SoundingRS-UI-ConfigDedicated-DEFAULT | | HO-TO-EUTRA |
| schedulingRequestConfig | Not present | | HO-TO-EUTRA |
| NOTE: Default values are defined in TS 36.331 [36] section 9.2.4. | | | |

MEASUREMENT REPORT message for Inter-RAT test cases

| Information Element | Value/remark |
|------------------------------------|--|
| Message Type(10.2.19 in TS 25.331) | |
| Integrity check info | The presence of this IE is dependent on IXIT statements in TS 34.123-2. If integrity protection is indicated to be active, this IE shall be present with the values of the sub IEs as stated below. Else, this IE and the sub-IEs shall be absent. |
| - Message authentication code | This IE is checked to see if it is present. The value is compared against the XMAC-I value computed by SS. |
| - RRC Message sequence number | This IE is checked to see if it is present. The value is used by SS to compute the XMAC-I value. |
| Activation time | Not present |
| Measurement identity | 2 |
| E-UTRA Measured Results | |
| - E-UTRA measured results list | 1 entry |
| - E-UTRA Carrier Frequency | Checked that this IE is present |
| - Measured E-UTRA cells | 1 entry |
| - Physical Cell Identity | Checked that this IE is present |
| | PhysicalCellIdentity of Cell 2 |
| - RSRP | Checked that this IE is present |
| - RSRQ | Checked that this IE is absent |
| E-UTRA event results | |
| - Inter-RAT event identity | 3a |
| - E-UTRA events results list | 1 entry |
| - E-UTRA Carrier Frequency | Checked that this IE is present |
| | Downlink EARFCN of Cell 2 |
| - Reported cells | 1 entry |
| - Physical Cell Identity | Checked that this IE is present |
| | PhysicalCellIdentity of Cell 2 |
| Measured results on RACH | This IE does not need to be checked. |
| Additional measured results | This IE does not need to be checked. |
| Event results | This IE does not need to be checked. |
| Additional measured results | This IE does not need to be checked. |

8.3.4b.5 Test requirements

Table 8.3.4b.4: Test requirements for Cell specific test parameters for UTRAN FDD to E-UTRAN TDD handover test case (cell 1)

| Parameter | Unit | Cell 1 (UTRA) |
|--|--------------|---------------|
| | | T1, T2, T3 |
| CPICH_Ec/Ior | dB | -10 |
| PCCPCH_Ec/Ior | dB | -12 |
| SCH_Ec/Ior | dB | -12 |
| PICH_Ec/Ior | dB | -15 |
| DCH_Ec/Ior | dB | Note 1 |
| OCNS_Ec/Ior | dB | Note 2 |
| \hat{I}_{or}/I_{oc} | dB | 0 |
| I_{oc} | dBm/3,84 MHz | -70 |
| CPICH_Ec/Io | dB | -13 |
| Propagation Condition | | AWGN |
| NOTE 1: The DPCH level is controlled by the power control loop | | |
| NOTE 2: The power of the OCNS channel that is added shall make the total power from the cell to be equal to I_{or} . | | |

Table 8.3.4b.5: Test requirement for Cell specific test parameters for UTRAN FDD to E-UTRAN TDD handover test case (cell 2)

| Parameter | Unit | Cell 2 (E-UTRA) | | |
|--|------------|-----------------|----------|----------|
| | | T1 | T2 | T3 |
| E-UTRA RF Channel number | | 1 | | |
| $BW_{channel}$ | MHz | 10 | | |
| OCNG Patterns defined in TS 36. 521-3 section D.2.1 (OP.1 TDD) and D.2.2 (OP.2 TDD) | | OP.2 TDD | OP.2 TDD | OP.1 TDD |
| PBCH_RA | dB | 0 | | |
| PBCH_RB | dB | | | |
| PSS_RA | dB | | | |
| SSS_RA | dB | | | |
| PCFICH_RB | dB | | | |
| PHICH_RA | dB | | | |
| PHICH_RB | dB | | | |
| PDCCH_RA | dB | | | |
| PDCCH_RB | dB | | | |
| PDSCH_RA | dB | | | |
| PDSCH_RB | dB | | | |
| OCNG_RA ^{Note 1} | dB | | | |
| OCNG_RB ^{Note 1} | dB | | | |
| \hat{E}_s/I_{ot} | dB | | | |
| N_{oc} ^{Note 2} | dBm/15 kHz | -98 | | |
| \hat{E}_s/N_{oc} | dB | -infinity | 7.80 | 7.80 |
| RSRP ^{Note 3} | dBm/15 kHz | -infinity | -90.20 | -90.20 |
| I_o ^{Note 3} | dBm/9 MHz | -70.22 | -61.75 | -61.75 |
| Propagation Condition | | AWGN | | |
| NOTE 1: OCNG shall be used such that both cells are fully allocated and a constant total transmitted power spectral density is achieved for all OFDM symbols. | | | | |
| NOTE 2: Interference from other cells and noise sources not specified in the test is assumed to be constant over subcarriers and time and shall be modelled as AWGN of appropriate power for N_{oc} to be fulfilled. | | | | |
| NOTE 3: RSRP and I_o levels have been derived from other parameters for information purposes. They are not settable parameters themselves. | | | | |

For the test to pass, the total number of successful tests shall be more than 90% of the cases with a confidence level of 95 %.

NOTE: If the above Test Requirement differs from the Minimum Requirement then the Test Tolerance applied for this test is non-zero. The Test Tolerance for this test is defined in clause F.2 and the explanation of how the Minimum Requirement has been relaxed by the Test Tolerance is given in clause F.4.

8.3.4c Inter-system Handover from UTRAN FDD to E-UTRAN FDD: Unknown Target Cell

Editor's note: This Test case is incomplete for frequencies above 3GHz

- The Test system uncertainties applicable above 3GHz are undefined
- The Test Tolerances and Test Requirements applicable above 3GHz are undefined

8.3.4c.1 Definition and applicability

The UTRAN to E-UTRAN cell handover delay is defined as the time from the end of the last TTI containing an RRC message implying handover to the transmission on the channel of the new RAT.

The requirements and this test apply to Release 8 and later releases UTRA FDD UE that support E-UTRA FDD and inter-RAT PS handover to E-UTRA(FDD) from UTRA. Applicability requires support for EUTRA FGI bit 2.

8.3.4c.2 Minimum requirement

The UE shall start to transmit the PRACH to Cell 2 less than 165 ms from the beginning of time period T2.

The rate of correct cell reselections observed during repeated tests shall be at least 90%.

NOTE:

The total HO delay is the sum of the RRC procedure delay and interruption time:

The RRC procedure delay is 50 ms

The interruption time is $T_{interrupt} = T_{search} + T_{IU} + 20\text{ ms}$

Where:

T_{search} : 80 ms in case the target cell is unknown.

T_{IU} : 15 ms since the PRACH configuration used in the target cell (E-UTRAN) is assumed to be 4 for FDD and 53 for TDD respectively as specified in table 5.7.1-2 and 5.7.1-4 in TS 36.211 [35]. T_{SI} Maximum repetition period of relevant system info blocks that needs to be received by the UE to camp on a cell; 1280 ms is assumed in this test case.

This gives a total of 165 ms for the test case.

The normative reference for this requirement is TS 25.133 [2] clauses 5.4a and A.5.4c

8.3.4c.3 Test purpose

To verify that the UE meets the minimum requirement.

8.3.4c.4 Method of test

8.3.4c.4.1 Initial conditions

Test environment: normal; see clauses G.2.1 and G.2.2.

Frequencies to be tested: see table K.2 in Annex K.

The test parameters are given in Table 8.3.4c.1, 8.3.4c.2 and 8.3.4c.3 below. The test consists of two successive time periods, with time durations of T1 and T2 respectively. At the start of time duration T1, the UE does not have any timing information of Cell 2. No compressed mode patterns are configured in the test case.

The UTRAN shall send a Handover from UTRAN command with activation time "now" with a new active cell, cell 2. In the E-UTRAN Handover command contained in that message, the IE starting time shall not be included. The RRC HANDOVER FROM UTRAN COMMAND message shall be sent to the UE towards the end of the time period T1. The start of T2 is defined as the end of last TTI containing the handover command.

Table 8.3.4c.1: General test parameters for UTRAN FDD to E-UTRAN FDD handover test case; unknown target E-UTRAN FDD cell

| Parameter | Unit | Value | Comment |
|-------------------------------|-------------------|--|--|
| DCH parameters | | DL Reference Measurement Channel 12.2 kbps | As specified in TS 25.101 [1] section A.3.1 |
| Power Control | | On | |
| Target quality value on DTCH | BLER | 0.001 | |
| Initial condition | Active cell | Cell 1 | UTRAN FDD |
| | Neighbouring cell | Cell 2 | E-UTRAN FDD |
| Final condition | Active cell | Cell 2 | E-UTRAN FDD |
| PDSCH parameters | | DL Reference Measurement Channel R.0 FDD | As specified in TS 36. 521-3 [38] section A.1.1 |
| PCFICH/PDCCH/PHICH parameters | | DL Reference Measurement Channel R.6 FDD | As specified in TS 36. 521-3 [38] section A.2.1 |
| PRACH configuration | | 4 | As specified in table 5.7.1-2 in 3GPP TS 36.211 [35] |
| Access Barring Information | - | Not sent | No additional delays in random access procedure |
| T1 | s | ≤5 | |
| T2 | s | 1 | |

Table 8.3.4c.2: Cell specific test parameters for cell # 1 in UTRAN FDD to E-UTRAN FDD handover test

| Parameter | Unit | Cell 1 (UTRA FDD) |
|---|--------------|-------------------|
| | | T1, T2 |
| CPICH_Ec/I _{or} | dB | -10 |
| PCCPCH_Ec/I _{or} | dB | -12 |
| SCH_Ec/I _{or} | dB | -12 |
| PICH_Ec/I _{or} | dB | -15 |
| DCH_Ec/I _{or} | dB | Note 1 |
| OCNS_Ec/I _{or} | dB | Note 2 |
| \hat{I}_{or}/I_{oc} | dB | 0 |
| I_{oc} | dBm/3,84 MHz | -70 |
| CPICH_Ec/I _o | dB | -13 |
| Propagation Condition | | AWGN |
| NOTE 1: The DPCH level is controlled by the power control loop | | |
| NOTE 2: The power of the OCNS channel that is added shall make the total power from the cell to be equal to I _{or} . | | |

Table 8.3.4c.3: Cell specific test parameters for UTRAN FDD to E-UTRAN FDD handover test case (cell 2)

| Parameter | Unit | Cell 2 (E-UTRA FDD) | |
|--|------|---------------------|----------|
| | | T1 | T2 |
| E-UTRA RF Channel number | | 1 | |
| BW _{channel} | MHz | 10 | |
| OCNG Patterns defined in TS 36.521-3 [38] D.1.1 (OP.1 FDD) and in D.1.2 (OP.2 FDD) | | OP.2 FDD | OP.1 FDD |
| PBCH_RA | dB | 0 | |
| PBCH_RB | dB | | |
| PSS_RA | dB | | |
| SSS_RA | dB | | |
| PCFICH_RB | dB | | |
| PHICH_RA | dB | | |
| PHICH_RB | dB | | |

| Parameter | Unit | Cell 2 (E-UTRA FDD) | |
|--|------------|---------------------|-----|
| | | T1 | T2 |
| PDCCH_RA | dB | | |
| PDCCH_RB | dB | | |
| PDSCH_RA | dB | | |
| PDSCH_RB | dB | | |
| OCNG_RA ^{Note 1} | dB | | |
| OCNG_RB ^{Note 1} | dB | | |
| \hat{E}_s / I_{ot} | dB | -infinity | 0 |
| N_{oc} ^{Note 2} | dBm/15 kHz | -98 | |
| \hat{E}_s / N_{oc} | dB | -infinity | 0 |
| RSRP ^{Note 3} | dBm/15 KHz | -infinity | -98 |
| Propagation Condition | | AWGN | |
| NOTE 1: OCNG shall be used such that both cells are fully allocated and a constant total transmitted power spectral density is achieved for all OFDM symbols. | | | |
| NOTE 2: Interference from other cells and noise sources not specified in the test is assumed to be constant over subcarriers and time and shall be modelled as AWGN of appropriate power for N_{oc} to be fulfilled. | | | |
| NOTE 3: RSRP levels have been derived from other parameters for information purposes. They are not settable parameters themselves. | | | |

8.3.4c.4.2 Procedure

- 1) The RF parameters for cell 1 are set up according to T1 in Table 8.3.4c.2.
- 2) The UE is switched on.
- 3) A call is set up according to the test procedure specified in TS 34.108 [3] subclause 7.3.4.
- 4) The RF parameters for cell 2 are set up according to T1 in Table 8.3.4 c.4 and the SS configures a traffic channel. T1 starts.
- 5) After T1 expired, the SS shall transmit a HANOVER FROM UTRAN COMMAND message with activation time "now" and indicating the traffic channel of the target E-UTRAN FDD cell to the UE through DCCH of the serving UTRAN cell. The start of T2 is defined as the end of the last TTI, containing the HANOVER COMMAND, at that instant the SS shall switch the power setting from T1 to T2 as specified in Table 8.3.4c.2 and Table 8.3.4c.4.
- 6) The UE shall transmit a PRACH to cell 2 implying that it has switched to the E-UTRAN FDD cell. If the UE transmits the PRACH to cell2 less than 165 ms from the beginning of time period T2, then the number of successful tests is increased by one.
- 7) At the end of T2 SS shall end the call and UE is switched off. Any timing information of cell 2 is deleted in the UE.
- 8) Repeat step 1-7 until the confidence level according to Tables G.2.3-1 in TS 36.521-3 [38] is achieved.

Specific Message contents

All messages indicated above shall use the same content as described in the default message content in clause 9 of TS 34.108 [3] and in clause 4.6.1, 4.6.3, 4.6.4 and 4.7B.1 of TS 36.508 [33], with the following exceptions:

PRACH-ConfCommonDEFAULT: (FDD) for Inter-RAT handover

| Derivation Path: TS 36.508 [33] clause 4.6.3, Table 4.6.3-7 PRACH-ConfCommonDEFAULT | | | |
|---|--------------|---------|-----------|
| Information Element | Value/remark | Comment | Condition |
| PRACH-ConfigInfo SEQUENCE { | | | |
| prach-ConfigIndex | 4 | | |

RRCConnectionReconfiguration

| Derivation Path: TS 36.508 [33] clause 4.6.1, Table 4.6.1-8 RRCConnectionReconfiguration | | | |
|--|---|---------|------------------|
| Information Element | Value/remark | Comment | Condition |
| RRCConnectionReconfiguration ::= SEQUENCE { | | | |
| criticalExtensions CHOICE { | | | |
| c1 CHOICE{ | | | |
| rrcConnectionReconfiguration-r8 SEQUENCE { | | | |
| mobilityControlInfo | MobilityControlInfo-HO | | HO-TO-EUTRA |
| dedicatedInfoNASList | Not present | | |
| radioResourceConfigDedicated | RadioResourceConfigDedicated-HO-TO-EUTRA(n,m) | | HO-TO-EUTRA(n,m) |
| securityConfigHO | SecurityConfigHO-DEFAULT | | HO-TO-EUTRA |
| } | | | |
| } | | | |
| } | | | |
| } | | | |

SecurityConfigHO-DEFAULT

| Derivation Path: TS 36.508[33] clause 4.6.4, Table 4.6.4-1: SecurityConfigHO-DEFAULT | | | |
|--|---|--|-----------|
| Information Element | Value/remark | Comment | Condition |
| SecurityConfigHO-DEFAULT ::= SEQUENCE { | | | |
| handoverType CHOICE { | interRAT | | |
| interRAT SEQUENCE { | | | |
| securityAlgorithmConfig SEQUENCE { | | | |
| cipheringAlgorithm | Set according to PIXIT parameter for default ciphering algorithm | | |
| integrityProtAlgorithm | Set according to PIXIT parameter for default integrity protection algorithm | | |
| } | | | |
| nas-SecurityParamToEUTRA | OCTET STRING (SIZE(6)) | This field is used to activate NAS security after inter-RAT handover to E-UTRA. The content is defined in TS 24.301. | |
| } | | | |
| } | | | |
| } | | | |

MobilityControlInfo-HO

| Derivation Path: TS 36.508[33] clause 4.6.5, Table 4.6.5-1: MobilityControlInfo-HO | | | |
|--|--|---------|-----------|
| Information Element | Value/remark | Comment | Condition |
| MobilityControlInfo-HO ::= SEQUENCE { | | | |
| targetPhysCellId | Set according to specific message content | | |
| carrierFreq | Set according to the frequency used for E-UTRA cell under test | | |
| carrierBandwidth ::= SEQUENCE { | | | |
| dl-Bandwidth | Set according to the bandwidth used for E-UTRA cell under test | | |
| ul-Bandwidth | Not present | | |
| } | | | |
| additionalSpectrumEmission | 1 | | |
| t304 | ms1000 | | |
| newUE-Identity | SS arbitrarily selects a value between '003C'H and 'FFF2'H. | | |
| radioResourceConfigCommon | RadioResourceConfigCommon-DEFAULT | | |
| rach-ConfigDedicated | Not present | | |
| } | | | |

RadioResourceConfigCommon-DEFAULT

| Derivation Path: TS 36.508 [33] clause 4.6.3, Table 4.6.3-13 RadioResourceConfigCommon-DEFAULT | | | |
|--|------------------------------------|---------|-----------|
| Information Element | Value/remark | Comment | Condition |
| RadioResourceConfigCommon-DEFAULT ::= SEQUENCE { | | | |
| rach-ConfigCommon | RACH-ConfigCommon-DEFAULT | | |
| prach-Config | PRACH-Config-DEFAULT | | |
| pdsch-ConfigCommon | PDSCH-ConfigCommon-DEFAULT | | |
| pusch-ConfigCommon | PUSCH-ConfigCommon-DEFAULT | | |
| phich-Config | PHICH-Config-DEFAULT | | |
| pucch-ConfigCommon | PUCCH-ConfigCommon-DEFAULT | | |
| soundingRSUL-ConfigCommon | SoundingRS-UL-ConfigCommon-DEFAULT | | |
| uplinkPowerControlCommon | UplinkPowerControlCommon-DEFAULT | | |
| antennaInfoCommon SEQUENCE { | | | |
| antennaPortsCount | an1 | | |
| } | | | |
| p-Max | Not present | | |
| tdd-Config | Not present | | FDD |
| ul-CyclicPrefixLength | len1 | | |
| } | | | |

RadioResourceConfigDedicated-HO-TO-EUTRA(n,m)

| Derivation Path: TS 36.508 [33] clause 4.6.3, Table 4.6.3-18 RadioResourceConfigDedicated-HO-TO-EUTRA(n,m) | | | |
|--|---|---------|-----------|
| Information Element | Value/remark | Comment | Condition |
| RadioResourceConfigDedicated-HO-TO-EUTRA(n, m) ::= SEQUENCE { | | | |
| srb-ToAddModList SEQUENCE (SIZE (1..2)) OF SEQUENCE { | 2 entries | | |
| srb-ToAddMod[1] | SRB-ToAddMod-DEFAULT using condition SRB1 | | |
| srb-ToAddMod[2] | SRB-ToAddMod-DEFAULT using condition SRB2 | | |
| } | | | |
| drb-ToAddModList SEQUENCE (SIZE (1..maxDRB)) OF SEQUENCE { | 1 entry | | |
| drb-ToAddMod[1] | DRB-ToAddMod-DEFAULT using condition AM | | |
| } | | | |
| drb-ToReleaseList | Not present | | |
| mac-MainConfig CHOICE { | | | |
| explicitValue | MAC-MainConfig-RBC | | |
| } | | | |
| sps-Config | Not present | | |
| physicalConfigDedicated | PhysicalConfigDedicated-DEFAULT using condition RBC | | |
| } | | | |

MAC-MainConfig-RBC

| Derivation Path: TS 36.508 [33] clause 4.8.2, Table 4.8.2.1.5-1 MAC-MainConfig-RBC | | | |
|--|--------------|---------|-----------|
| Information Element | Value/remark | Comment | Condition |
| MAC-MainConfig-RBC ::= SEQUENCE { | | | |
| ul-SCH-Config SEQUENCE { | | | |
| maxHARQ-Tx | n5 | | |
| periodicBSR-Timer | sf20 | | |
| retxBSR-Timer | sf320 | | |
| ttiBundling | FALSE | | |
| } | | | |
| drx-Config | Not present | | |
| timeAlignmentTimerDedicated | sf750 | | |
| phr-Config CHOICE { | | | |
| setup SEQUENCE { | | | |
| periodicPHR-Timer | sf500 | | |
| prohibitPHR-Timer | sf200 | | |
| dl-PathlossChange | dB3 | | |
| } | | | |
| } | | | |
| } | | | |

PhysicalConfigDedicated-DEFAULT

| Derivation Path: TS 36.508 [33] clause 4.8.2, Table 4.8.2.1.6-1: PhysicalConfigDedicated-DEFAULT | | | |
|--|---------------------------------------|---------|-------------|
| Information Element | Value/remark | Comment | Condition |
| PhysicalConfigDedicated-DEFAULT ::= SEQUENCE { | | | |
| pdsch-ConfigDedicated | Not present | | HO-TO-EUTRA |
| pucch-ConfigDedicated | Not present | | HO-TO-EUTRA |
| pusch-ConfigDedicated | Not present | | HO-TO-EUTRA |
| uplinkPowerControlDedicated | Not present | | HO-TO-EUTRA |
| soundingRS-LU-ConfigDedicated | SoundingRS-UI-ConfigDedicated-DEFAULT | | HO-TO-EUTRA |
| schedulingRequestConfig | Not present | | HO-TO-EUTRA |
| NOTE: Default values are defined in TS 36.331 [36] section 9.2.4. | | | |

8.3.4c.5 Test requirements

Table 8.3.4c.4: Test requirement for Cell specific test parameters for UTRAN FDD to E-UTRAN FDD handover test case (cell 2)

| Parameter | Unit | Cell 2 (E-UTRA FDD) | |
|--|------------|---------------------|----------|
| | | T1 | T2 |
| E-UTRA RF Channel number | | 1 | |
| $BW_{channel}$ | MHz | 10 | |
| OCNG Patterns defined in TS 36.521-3 [38] D.1.1 (OP.1 FDD) and in D.1.2 (OP.2 FDD) | | OP.2 FDD | OP.1 FDD |
| PBCH_RA | dB | 0 | |
| PBCH_RB | dB | | |
| PSS_RA | dB | | |
| SSS_RA | dB | | |
| PCFICH_RB | dB | | |
| PHICH_RA | dB | | |
| PHICH_RB | dB | | |
| PDCCH_RA | dB | | |
| PDCCH_RB | dB | | |
| PDSCH_RA | dB | | |
| PDSCH_RB | dB | | |
| OCNG_RA ^{Note 1} | dB | | |
| OCNG_RB ^{Note 1} | dB | | |
| \hat{E}_s / I_{ot} | dB | -infinity | 0 |
| N_{oc} ^{Note 2} | dBm/15 kHz | -98 | |
| \hat{E}_s / N_{oc} | dB | -infinity | 0 |
| RSRP ^{Note 3} | dBm/15 KHz | -infinity | -98 |
| Propagation Condition | | AWGN | |
| NOTE 1: OCNG shall be used such that both cells are fully allocated and a constant total transmitted power spectral density is achieved for all OFDM symbols. | | | |
| NOTE 2: Interference from other cells and noise sources not specified in the test is assumed to be constant over subcarriers and time and shall be modelled as AWGN of appropriate power for N_{oc} to be fulfilled. | | | |
| NOTE 3: RSRP levels have been derived from other parameters for information purposes. They are not settable parameters themselves. | | | |

For the test to pass, the total number of successful tests shall be at least 90% of the cases with a confidence level of 95%.

NOTE: If the above Test Requirement differs from the Minimum Requirement then the Test Tolerance applied for this test is non-zero. The Test Tolerance for this test is defined in clause F.2 and the explanation of how the Minimum Requirement has been relaxed by the Test Tolerance is given in clause F.4.

8.3.4d Inter-system Handover from UTRAN FDD to E-UTRAN TDD; Unknown Target Cell

Editor's note: This Test case is incomplete for frequencies above 3GHz

- The Test system uncertainties applicable above 3GHz are undefined
- The Test Tolerances and Test Requirements applicable above 3GHz are undefined

8.3.4d.1 Definition and applicability

The UTRAN FDD to E-UTRAN TDD cell handover delay is defined as the time from the end of the last TTI containing an RRC message implying hard handover to the transmission on the channel of the new RAT.

The requirements and this test apply to Release 8 and later releases the combined UTRAN FDD and E-UTRAN TDD UE and inter-RAT PS handover to E-UTRA(TDD) from UTRA. Applicability requires support for EUTRA FGI bit 2.

8.3.4d.2 Minimum requirement

The UE shall begin to send PRACH to the target cell less than 160 ms from the beginning of time period T2.

The rate of correct handovers observed during repeated tests shall be at least 90%.

NOTE: The test requirement in this case is expressed as:

- The total HO delay is the sum of the RRC procedure delay and interruption time.
- The RRC procedure delay is 50 ms.
- The interruption time is defined as follows:

$$T_{\text{interrupt}} = T_{\text{search}} + T_{\text{IU}} + 20 \text{ ms}$$

Where:

- T_{search} : is the time required to search the target cell when the target cell is not already known when the handover command is received by the UE. T_{search} is 80 ms if the target cell is unknown and signal quality is sufficient for successful cell detection on the first attempt.
- T_{IU} : is the interruption uncertainty in acquiring the first available or PRACH occasion in the new cell. T_{IU} can be up to 30 ms. It is chosen 10 ms since the PRACH configuration used in the target cell (E-UTRAN TDD) is assumed to be 53 as specified in table 5.7.1-3 and 5.7.1-4 in TS 36.211 [35].

The total interruption time is 110 ms.

Thus the total HO delay is 160 ms.

The UE shall start to transmit the PRACH to Cell 2 with a handover delay less than 160ms.

The normative reference for this requirement is TS 25.133 [2] clauses 5.4b.2 and A.5.4d.

8.3.4d.3 Test purpose

To verify that the UE meets the minimum requirement.

8.3.4d.4 Method of test

8.3.4d.4.1 Initial conditions

Test environment: normal; see clauses G.2.1 and G.2.2.

Frequencies to be tested: see table K.2 in Annex K.

The test parameters are given in Table 8.3.4d.1, 8.3.4d.2 and 8.3.4d.3 below. The test consists of two successive time periods, with time durations of T1 and T2 respectively. At the start of time duration T1, the UE does not have any timing information of Cell 2. No compressed mode patterns are configured in the test case.

The UTRAN shall send a Handover from UTRAN command with activation time "now" with a new active cell, cell 2. In the E-UTRAN Handover command contained in that message, the IE starting time shall not be included. The RRC HANDOVER FROM UTRAN COMMAND message shall be sent to the UE towards the end of the time period T1. The start of T2 is defined as the end of last TTI containing the handover command.

Table 8.3.4d.1: General test parameters for UTRAN FDD to E-UTRAN TDD handover test case

| Parameter | Unit | Value | Comment |
|--------------------------------|-------------------|---|--|
| DCH parameters | | DL Reference Measurement Channel 12.2 kbps | As specified in TS 25.101 [1] section A.3.1 |
| Power Control | | On | |
| Target quality value on DTCH | BLER | 0.001 | |
| Initial condition | Active cell | Cell 1 | UTRAN FDD |
| | Neighbouring cell | Cell 2 | E-UTRAN TDD |
| Final condition | Active cell | Cell 2 | E-UTRAN TDD |
| PDSCH parameters | | DL Reference Measurement Channel R.0 TDD | As specified in 3GPP TS 36.521-3 [38] section A.1.2 |
| PCFICH/PDCCH/PHICH parameters | | DL Reference Measurement Channel R.6 TDD | As specified in 3GPP TS 36.521-3 [38] section A.2.2 |
| PRACH configuration | | s | As specified in table 5.7.1-2 in 3GPP TS 36.211 [35] |
| Access Barring Information | - | Not sent | No additional delays in random access procedure |
| Special subframe configuration | | 6 | As specified in table 4.2-1 in 3GPP TS 36.211 [35] |
| Uplink-downlink configuration | | 1 | As specified in table 4.2-2 in 3GPP TS 36.211 [35] |
| PRACH configuration | | 53 | As specified in table 5.7.1-3 in 3GPP TS 36.211 [35] |
| T1 | s | ≤5 | |
| T2 | s | 1 | |

Table 8.3.4d.2: Cell specific test parameters for UTRAN FDD to E-UTRAN TDD handover test case (cell 1)

| Parameter | Unit | Cell 1 (UTRAN FDD) |
|---|--------------|--------------------|
| | | T1, T2 |
| CPICH_Ec/I _{or} | dB | -10 |
| PCCPCH_Ec/I _{or} | dB | -12 |
| SCH_Ec/I _{or} | dB | -12 |
| PICH_Ec/I _{or} | dB | -15 |
| DCH_Ec/I _{or} | dB | Note 1 |
| OCNS_Ec/I _{or} | dB | Note 2 |
| \hat{I}_{or}/I_{oc} | dB | 0 |
| I_{oc} | dBm/3,84 MHz | -70 |
| CPICH_Ec/I _o | dB | -13 |
| Propagation Condition | | AWGN |
| NOTE 1: The DPCH level is controlled by the power control loop | | |
| NOTE 2: The power of the OCNS channel that is added shall make the total power from the cell to be equal to I _{or} . | | |

Table 8.3.4d.3: Cell specific test parameters for UTRAN FDD to E-UTRAN TDD handover test case (cell 2)

| Parameter | Unit | Cell 2 (E-UTRA TDD) | |
|--|------------|---------------------|----------|
| | | T1 | T2 |
| E-UTRA RF Channel number | | 1 | |
| BWchannel | MHz | 10 | |
| OCNG Patterns defined in 3GPP TS 36.521-3 [38] Section D.2.1 (OP.1 TDD) and in D.2.2 (OP.2 TDD) | | OP.2 TDD | OP.1 TDD |
| PBCH_RA | dB | 0 | |
| PBCH_RB | dB | | |
| PSS_RA | dB | | |
| SSS_RA | dB | | |
| PCFICH_RB | dB | | |
| PHICH_RA | dB | | |
| PHICH_RB | dB | | |
| PDCCH_RA | dB | | |
| PDCCH_RB | dB | | |
| PDSCH_RA | dB | | |
| PDSCH_RB | dB | | |
| OCNG_RANote 1 | dB | | |
| OCNG_RBNote 1 | dB | | |
| \hat{E}_s / I_{ot} | dB | | |
| N_{oc} Note 2 | dBm/15 kHz | -98 | |
| \hat{E}_s / N_{oc} | dB | -infinity | 0 |
| RSRP Note 3 | dBm/15 KHz | -infinity | -98 |
| Propagation Condition | | AWGN | |
| NOTE 1: OCNG shall be used such that both cells are fully allocated and a constant total transmitted power spectral density is achieved for all OFDM symbols. | | | |
| NOTE 2: Interference from other cells and noise sources not specified in the test is assumed to be constant over subcarriers and time and shall be modelled as AWGN of appropriate power for N_{oc} to be fulfilled. | | | |
| NOTE 3: RSRP levels have been derived from other parameters for information purposes. They are not settable parameters themselves. | | | |

8.3.4d.4.2 Procedure

- 1) The RF parameters for cell 1 are set up according to T1 in Table 8.3.4d.2.
- 2) The UE is switched on.
- 3) A call is set up according to the test procedure specified in TS 34.108 [3] subclause 7.3.4. Data shall be sent on the DTCH on the UTRA cell throughout the call.
- 4) The RF parameters for cell 2 are set up according to T1 in Table 8.3.4d.3. The start of T1 is TTI aligned.
- 5) At the T1-T2 transition, the SS shall switch the power of cell 2 to T2 as in Table 8.3.4d.3.
- 6) The SS shall transmit a HANDOVER FROM UTRAN COMMAND message with activation time "now" with a new active cell, cell 2. The IE starting time shall not be included in the E-UTRAN handover command. The start of T2 is defined as the end of the last TTI, containing the HANDOVER command.
- 7) The UE shall transmit a PRACH to cell 2 implying that it has switched to the E-UTRAN TDD cell. If the UE transmits the PRACH to cell2 less than 160 ms from the beginning of time period T2, then the number of successful tests is increased by one.
- 8) At the end of T2 SS shall end the call and UE is switched off. Any timing information of cell 2 is deleted in the UE.
- 9) Repeat step 1-8 until the confidence level according to Tables G.2.3-1 in TS 36.521-3 [38] is achieved.

Specific Message Contents

All messages indicated above shall use the same content as described in the default message content in clause 9 of TS 34.108 [3] and in clause 4.6.1, 4.6.3, 4.6.4 and 4.7B.1 of TS 36.508 [33], with the following exceptions:

HANDOVER FROM UTRAN COMMAND message (step 6):

| Information Element | Value/remark |
|------------------------------------|--|
| Message Type (10.2.15 in TS25.331) | |
| UE information elements | |
| -RRC transaction identifier | 0 |
| -Integrity check info | |
| -message authentication code | SS calculates the value of MAC-I for this message and writes to this IE. The first/ leftmost bit of the bit string contains the most significant bit of the MAC-I. |
| -RRC message sequence number | SS provides the value of this IE, from its internal counter. |
| -Activation time | Now |
| RB information elements | |
| -RAB information list | 1 |
| -RAB Info | |
| - RAB identity | 0000 0001B The first/ leftmost bit of the bit string contains the most significant bit of the RAB identity. |
| - CN domain identity | CS domain |
| - NAS Synchronization Indicator | Not present |
| - Re-establishment timer | Use T315 |
| Other information elements | |
| -CHOICE System type | E-UTRA |
| -E-UTRA message | Formatted and coded according to E-UTRA specifications. The first/leftmost/most significant bit of the octet string contains bit 8 of the first octet of the E-UTRA message. |

HANDOVER COMMAND

| Derivation Path: TS 36.508 [33] clause 4.6.1, Table 4.6.1-8 RRCConnectionReconfiguration | | | |
|--|--|---------|------------------|
| Information Element | Value/remark | Comment | Condition |
| RRCConnectionReconfiguration ::= SEQUENCE { | | | |
| rrc-TransactionIdentifier | RRC-TransactionIdentifier-DL | | |
| criticalExtensions CHOICE { | | | |
| c1 CHOICE{ | | | |
| rrcConnectionReconfiguration-r8 SEQUENCE { | | | |
| mobilityControlInfo | MobilityControlInfo-HO | | HO-TO-EUTRA |
| dedicatedInfoNASList | Not present | | |
| radioResourceConfigDedicated | RadioResourceConfigDedicated-HO-TO-EUTRA(n, m) | | HO-TO-EUTRA(n,m) |
| securityConfigHO | SecurityConfigHO-DEFAULT | | HO-TO-EUTRA |
| } | | | |
| } | | | |
| } | | | |
| } | | | |

SecurityConfigHO-DEFAULT

| Derivation Path: TS 36.508[33] clause 4.6.4, Table 4.6.4-1: SecurityConfigHO-DEFAULT | | | |
|--|---|--|-----------|
| Information Element | Value/remark | Comment | Condition |
| SecurityConfigHO-DEFAULT ::= SEQUENCE { | | | |
| handoverType CHOICE { | interRAT | | |
| interRAT SEQUENCE { | | | |
| securityAlgorithmConfig SEQUENCE { | | | |
| cipheringAlgorithm | Set according to PIXIT parameter for default ciphering algorithm | | |
| integrityProtAlgorithm | Set according to PIXIT parameter for default integrity protection algorithm | | |
| } | | | |
| nas-SecurityParamToEUTRA | OCTET STRING (SIZE(6)) | This field is used to activate NAS security after inter-RAT handover to E-UTRA. The content is defined in TS 24.301. | |
| } | | | |
| } | | | |

MobilityControllInfo-HO

| Derivation Path: TS 36.508[33] clause 4.6.5, Table 4.6.5-1: MobilityControllInfo-HO | | | |
|---|--|---------|-----------|
| Information Element | Value/remark | Comment | Condition |
| MobilityControllInfo-HO ::= SEQUENCE { | | | |
| targetPhysCellId | Set according to specific message content | | |
| carrierFreq | Set according to the frequency used for E-UTRA cell under test | | |
| carrierBandwidth ::= SEQUENCE { | | | |
| dl-Bandwidth | Set according to the bandwidth used for E-UTRA cell under test | | |
| ul-Bandwidth | Not present | | |
| } | | | |
| additionalSpectrumEmission | 1 | | |
| t304 | ms1000 | | |
| newUE-Identity | SS arbitrarily selects a value between '003C'H and 'FFF2'H. | | |
| radioResourceConfigCommon | RadioResourceConfigCommon-DEFAULT | | |
| rach-ConfigDedicated | Not present | | |
| } | | | |

RadioResourceConfigCommon-DEFAULT

| Derivation Path: TS 36.508 [33] clause 4.6.3, Table 4.6.3-13 RadioResourceConfigCommon-DEFAULT | | | |
|--|------------------------------------|---------|-----------|
| Information Element | Value/remark | Comment | Condition |
| RadioResourceConfigCommon-DEFAULT ::= SEQUENCE { | | | |
| rach-ConfigCommon | RACH-ConfigCommon-DEFAULT | | |
| prach-Config | PRACH-Config-DEFAULT | | |
| pdsch-ConfigCommon | PDSCH-ConfigCommon-DEFAULT | | |
| pusch-ConfigCommon | PUSCH-ConfigCommon-DEFAULT | | |
| phich-Config | PHICH-Config-DEFAULT | | |
| pucch-ConfigCommon | PUCCH-ConfigCommon-DEFAULT | | |
| soundingRSUL-ConfigCommon | SoundingRS-UL-ConfigCommon-DEFAULT | | |
| uplinkPowerControlCommon | UplinkPowerControlCommon-DEFAULT | | |
| antennaInfoCommon SEQUENCE { | | | |
| antennaPortsCount | an1 | | |
| } | | | |
| p-Max | Not present | | |
| tdd-Config | TDD-Config-DEFAULT | | TDD |
| ul-CyclicPrefixLength | len1 | | |
| } | | | |

PRACH-ConfCommonDEFAULT

| Derivation Path: TS 36.508 [33] clause 4.6.3, Table 4.6.3-7 PRACH-ConfCommonDEFAULT | | | |
|---|--------------|---------|-----------|
| Information Element | Value/remark | Comment | Condition |
| PRACH-ConfigInfo SEQUENCE { | | | |
| prach-ConfigIndex | 53 | | |

RadioResourceConfigDedicated-HO-TO-EUTRA(n,m)

| Derivation Path: TS 36.508 [33] clause 4.6.3, Table 4.6.3-18 RadioResourceConfigDedicated-HO-TO-EUTRA(n,m) | | | |
|--|---|---------|-----------|
| Information Element | Value/remark | Comment | Condition |
| RadioResourceConfigDedicated-HO-TO-EUTRA(n, m) ::= SEQUENCE { | | | |
| srb-ToAddModList SEQUENCE (SIZE (1..2)) OF SEQUENCE { | 2 entries | | |
| srb-ToAddMod[1] | SRB-ToAddMod-DEFAULT using condition SRB1 | | |
| srb-ToAddMod[2] | SRB-ToAddMod-DEFAULT using condition SRB2 | | |
| } | | | |
| drb-ToAddModList SEQUENCE (SIZE (1..maxDRB)) OF SEQUENCE { | 1 entry | | |
| drb-ToAddMod[1] | DRB-ToAddMod-DEFAULT using condition AM | | |
| } | | | |
| drb-ToReleaseList | Not present | | |
| mac-MainConfig CHOICE { | | | |
| explicitValue | MAC-MainConfig-RBC | | |
| } | | | |
| sps-Config | Not present | | |
| physicalConfigDedicated | PhysicalConfigDedicated-DEFAULT using condition RBC | | |
| } | | | |

MAC-MainConfig-RBC

| Derivation Path: TS 36.508 [33] clause 4.8.2, Table 4.8.2.1.5-1 MAC-MainConfig-RBC | | | |
|--|--------------|---------|-----------|
| Information Element | Value/remark | Comment | Condition |
| MAC-MainConfig-RBC ::= SEQUENCE { | | | |
| ul-SCH-Config SEQUENCE { | | | |
| maxHARQ-Tx | n5 | | |
| periodicBSR-Timer | sf20 | | |
| retxBSR-Timer | sf320 | | |
| ttiBundling | FALSE | | |
| } | | | |
| drx-Config | Not present | | |
| timeAlignmentTimerDedicated | sf750 | | |
| phr-Config CHOICE { | | | |
| setup SEQUENCE { | | | |
| periodicPHR-Timer | sf500 | | |
| prohibitPHR-Timer | sf200 | | |
| dl-PathlossChange | dB3 | | |
| } | | | |
| } | | | |
| } | | | |

PhysicalConfigDedicated-DEFAULT

| Derivation Path: TS 36.508 [33] clause 4.8.2, Table 4.8.2.1.6-1: PhysicalConfigDedicated-DEFAULT | | | |
|--|---------------------------------------|---------|-------------|
| Information Element | Value/remark | Comment | Condition |
| PhysicalConfigDedicated-DEFAULT ::= SEQUENCE { | | | |
| pdsch-ConfigDedicated | Not present | | HO-TO-EUTRA |
| pucch-ConfigDedicated | Not present | | HO-TO-EUTRA |
| pusch-ConfigDedicated | Not present | | HO-TO-EUTRA |
| uplinkPowerControlDedicated | Not present | | HO-TO-EUTRA |
| soundingRS-LU-ConfigDedicated | SoundingRS-UI-ConfigDedicated-DEFAULT | | HO-TO-EUTRA |
| schedulingRequestConfig | Not present | | HO-TO-EUTRA |
| NOTE: Default values are defined in TS 36.331 [36] section 9.2.4. | | | |

8.3.4d.5 Test requirements

For the test to pass, the total number of successful tests shall be more than 90% of the cases with a confidence level of 95 %.

NOTE: If the above Test Requirement differs from the Minimum Requirement then the Test Tolerance applied for this test is non-zero. The Test Tolerance for this test is defined in clause F.2 and the explanation of how the Minimum Requirement has been relaxed by the Test Tolerance is given in clause F.4.

8.3.5 Cell Re-selection in CELL_FACH

8.3.5.1 One frequency present in neighbour list

8.3.5.1.1 Definition and applicability

The cell re-selection delay is defined as the time between the occurrence of an event which will trigger Cell Reselection process and the moment in time when the UE starts sending the preambles on the PRACH for sending RRC CELL UPDATE message to the UTRAN.

The requirements and this test apply to the FDD UE.

8.3.5.1.2 Minimum requirements

The cell re-selection delay shall be less than 1.6 s.

The rate of correct cell reselections observed during repeated tests shall be at least 90%.

If a cell has been detectable at least $T_{\text{identify,intra}}$, the cell reselection delay in CELL_FACH state to a cell in the same frequency shall be less than

$$T_{\text{reselection,intra}} = T_{\text{Measurement_Period Intra}} + T_{\text{IU}} + 20 + T_{\text{SI}} + T_{\text{RA}} \text{ ms}$$

where

$$T_{\text{Measurement_Period Intra}} = 200 \text{ ms.}$$

T_{IU} is the interruption uncertainty when changing the timing from the old to the new cell. T_{IU} can be up to one frame (10 ms).

T_{SI} = The time required for receiving all the relevant system information data according to the reception procedure and the RRC procedure delay of system information blocks defined in 25.331 for a UTRAN cell. 1280 ms is assumed in this test case.

T_{RA} = The additional delay caused by the random access procedure. T_{RA} is a delay is caused by the physical random access procedure described in TS 25.214 clause 6.1. A persistence value is assumed to be 1 in this test case and therefore T_{RA} in this test case is 40 ms.

These requirements assume radio conditions to be sufficient, so reading of system information can be done without errors.

The normative reference for this requirement is TS 25.133 [2] clauses 5.5.2.1.1 and A.5.5.1.

8.3.5.1.3 Test purpose

The purpose of this test is to verify the requirement for the cell re-selection delay in CELL_FACH state in the single carrier case

8.3.5.1.4 Method of test

8.3.5.1.4.1 Initial conditions

Test environment: normal; see clauses G.2.1 and G.2.2.

Frequencies to be tested: mid range; see clause G.2.4.

The test parameters are given in table 8.3.5.1.1 to 8.3.5.1.5. The UE is requested to monitor neighbouring cells on 1 carrier. The maximum repetition period of the relevant system info blocks that needs to be received by the UE to camp on a cell shall be 1280 ms.

Table 8.3.5.1.1: General test parameters for Cell Re-selection in CELL_FACH, one freq. in neighbour list

| Parameter | | Unit | Value | Comment |
|--|-----------------|------|-----------------------------------|---|
| Initial condition | Active cell | | Cell2 | |
| | Neighbour cells | | Cell1, Cell3, Cell4, Cell5, Cell6 | |
| Final condition | Active cell | | Cell1 | |
| Access Service Class (ASC#0) – Persistence value | | - | 1 | Selected so that no additional delay is caused by the random access procedure. The value shall be used for all cells in the test. |
| HCS | | | | Not used |
| T_{SI} | | ms | 1280 | See Annex I for the SIB repetition period of system information blocks. |
| T1 | | s | 15 (initial), 5 (repetition) | |
| T2 | | s | 5 | |

The transport and physical parameters of the S-CCPCH carrying the FACH are defined in TS 34.108 [3] clause 6.1.0b (Contents of System Information Block type 5 (FDD)).

Table 8.3.5.1.2: void

Table 8.3.5.1.3: void

Table 8.3.5.1.4: Cell specific conditions for Cell Re-selection in CELL_FACH, one freq. in neighbour list

| Parameter | Unit | Cell 1 | | Cell 2 | | Cell 3 | | Cell 4 | | Cell 5 | | Cell 6 | |
|--|--------------|---|--------|---|--------|---|--------|---|--------|---|--------|---|--------|
| | | T1 | T2 | T1 | T2 | T1 | T2 | T1 | T2 | T1 | T2 | T1 | T2 |
| UTRA RF Channel Number | | Channel 1 | | Channel 1 | | Channel 1 | | Channel 1 | | Channel 1 | | Channel 1 | |
| CPICH_Ec/Ior | dB | -10 | | -10 | | -10 | | -10 | | -10 | | -10 | |
| PCCPCH_Ec/Ior | dB | -12 | | -12 | | -12 | | -12 | | -12 | | -12 | |
| SCH_Ec/Ior | dB | -12 | | -12 | | -12 | | -12 | | -12 | | -12 | |
| PICH_Ec/Ior | dB | -15 | | -15 | | -15 | | -15 | | -15 | | -15 | |
| S-CCPCH_Ec/Ior | dB | -12 | | -12 | | -12 | | -12 | | -12 | | -12 | |
| OCNS_Ec/Ior | dB | -1.295 | | -1.295 | | -1.295 | | -1.295 | | -1.295 | | -1.295 | |
| \hat{I}_{or}/I_{oc} | dB | 7.3 | 10.27 | 10.27 | 7.3 | 0.27 | 0.27 | 0.27 | 0.27 | 0.27 | 0.27 | 0.27 | 0.27 |
| \hat{I}_{or} (Note 1) | dBm | -62.73 | -59.73 | -59.73 | -62.73 | -69.73 | -69.73 | -69.73 | -69.73 | -69.73 | -69.73 | -69.73 | -69.73 |
| | dBm/3.84 MHz | -70 | | | | | | | | | | | |
| CPICH_Ec/Io | dB | -16 | -13 | -13 | -16 | -23 | -23 | -23 | -23 | -23 | -23 | -23 | -23 |
| Propagation Condition | | AWGN | | | | | | | | | | | |
| Cell_selection_and_reselection_quality_measure | | CPICH E _c /N ₀ | | CPICH E _c /N ₀ | | CPICH E _c /N ₀ | | CPICH E _c /N ₀ | | CPICH E _c /N ₀ | | CPICH E _c /N ₀ | |
| Qqualmin | dB | -20 | | -20 | | -20 | | -20 | | -20 | | -20 | |
| Qrxlevmin | dBm | -115 | | -115 | | -115 | | -115 | | -115 | | -115 | |
| UE_TXPWR_MAX_RACH | dBm | 21 | | 21 | | 21 | | 21 | | 21 | | 21 | |
| Qoffset 2 _{s, n} | dB | C1, C2: 0 C1, C3: 0 C1, C4: 0 C1, C5: 0 C1, C6: 0 | | C2, C1: 0 C2, C3: 0 C2, C4: 0 C2, C5: 0 C2, C6: 0 | | C3, C1: 0 C3, C2: 0 C3, C4: 0 C3, C5: 0 C3, C6: 0 | | C4, C1: 0 C4, C2: 0 C4, C3: 0 C4, C5: 0 C4, C6: 0 | | C5, C1: 0 C5, C2: 0 C5, C3: 0 C5, C4: 0 C5, C6: 0 | | C6, C1: 0 C6, C2: 0 C6, C3: 0 C6, C4: 0 C6, C5: 0 | |
| Qhyst2 | dB | 0 | | 0 | | 0 | | 0 | | 0 | | 0 | |
| Treselection | s | 0 | | 0 | | 0 | | 0 | | 0 | | 0 | |
| Sintrasearch | dB | not sent | | not sent | | not sent | | not sent | | not sent | | not sent | |
| IE "FACH Measurement occasion info" | | not sent | | not sent | | not sent | | not sent | | not sent | | not sent | |

NOTE 1: The nominal \hat{I}_{or} values, although not explicitly defined in 25.133 [2] are added here since they are implied and need to be identified so that the test equipment can be configured.

8.3.5.1.4.2 Procedure

- 1) The SS activates cell 1-6 with RF parameters set up according to T1 in table 8.3.5.1.5.
- 2) The UE is switched on.
- 3) An RRC connection is set up according to the signalling sequence in the generic set-up procedure specified in TS 34.108 [3] subclause 7.3.5 to place the UE in the CELL_FACH state on Cell 2 and the SS waits for this process to complete.
- 4) After 15 seconds at initial or 5 seconds for repeated case from completion of step 3 or the beginning of T1, the parameters are changed to those defined for T2 in table 8.3.5.1.5.

- 5) If the UE responds on Cell 1 with a PRACH (CELL UPDATE message cause "cell reselection") within 1.84 s, then the success is recorded, the SS shall transmit a CELL UPDATE CONFIRM message and then the procedure moves to step 7.
- 6) Since the UE has failed to respond with the correct message within the allowed time, a failure is recorded. The SS shall then wait for a total of 5 s from the beginning of T2 and if no response is received, the UE shall be switched off and the procedure returns to step 1. Otherwise the SS shall transmit a CELL UPDATE CONFIRM message and then the procedure continues with step 7.
- 7) After total of 5 s from the beginning of T2, the parameters are changed to those defined for T1 in table 8.3.5.1.5.
- 8) If the UE responds on Cell 2 with a PRACH (CELL UPDATE message cause "cell reselection") within 1.84 s, then a success is recorded and the procedure moves to step 10.
- 9) Since the UE has failed to respond with the correct message within the allowed time, a failure is recorded. The SS shall then wait for a total of 15 s at initial or 5 s for repeated case from the beginning of T1 and if no response is received the UE shall be switched off and the procedure returns to step 1. Otherwise the SS shall transmit a CELL UPDATE CONFIRM message and then the procedure continues with step 10.
- 10) Steps 4 to 10 are repeated until the confidence level according to annex F.6.2 is achieved .

NOTE 1: The time required for receiving all the relevant system information data according to the reception procedure and the RRC procedure delay of system information blocks defined in 25.331 for a UTRAN cell. Since the maximum time to read the relevant system info blocks that needs to be received by the UE to camp on a cell is 1420ms (see note 2) and the maximum RRC procedure delay for reception system information block is 100ms, 1520 ms is assumed in this test case. Therefore the cell re-selection delay shall be less than 1.84 s.(Minimum requirement + 240ms). Specific Message Contents

NOTE 2: The maximum repetition period of the relevant system info blocks that needs to be received by the UE to camp on a cell is 1280ms. The Master Information Block (MIB) is repeated every 8 frame and SIB5 (and SIB11) is segmented into 4 segments where the first segment is scheduled adjacent to the MIB at SIB_POS=40 and the other three segments are scheduled after the MIB (SIB_POS=42, 44 and 46). The maximum time for a UE to read SIB5 will occur if the UE start reading the BCH at the SFN after the MIB located prior to the first segment of SIB5 (SIB_POS 32). Then the UE will not be able to read SIB5 until the second occurrence of SIB5, which will happen at SIB_POS 46 + 1280ms. This gives that the maximum time for the UE to read the relevant system info will be 1420ms ((SIB_POS 46 – SIB_POS 32)*10ms +1280ms).

All messages indicated above shall use the same content as described in the default message content in clause 9 of 34.108 [3], with the following exceptions:

Contents of CELL UPDATE CONFIRM message for CELL_FACH

| Information Element | Value/remark |
|----------------------------|--------------------|
| RRC transaction identifier | 0 |
| Activation time | Not Present |
| New C-RNTI | 1010101010101010 B |
| RRC State indicator | CELL_FACH |

8.3.5.1.5 Test requirements

For the test to pass, the total number of successful attempts shall be more than 90% of the cases with a confidence level of 95 %.

Table 8.3.5.1.5: Cell specific test requirements for Cell Re-selection in CELL_FACH, one freq. in neighbour list

| Parameter | Unit | Cell 1 | | Cell 2 | | Cell 3 | | Cell 4 | | Cell 5 | | Cell 6 | |
|------------------------|------|-----------|----|-----------|----|-----------|----|-----------|----|-----------|----|-----------|----|
| | | T1 | T2 | T1 | T2 | T1 | T2 | T1 | T2 | T1 | T2 | T1 | T2 |
| UTRA RF Channel Number | | Channel 1 | | Channel 1 | | Channel 1 | | Channel 1 | | Channel 1 | | Channel 1 | |
| CPICH_Ec/lor | dB | -9.4 | | -9.4 | | -10.5 | | -10.5 | | -10.5 | | -10.5 | |
| PCCPCH_Ec/lor | dB | -11.4 | | -11.4 | | -12.5 | | -12.5 | | -12.5 | | -12.5 | |

| | | | | | | | | | |
|------------------------------|--------------|-------|-------|-------|-------|-------|-------|-------|-------|
| SCH_Ec/lor | dB | -11.4 | -11.4 | -11.4 | -11.4 | -12.5 | -12.5 | -12.5 | -12.5 |
| PICH_Ec/lor | dB | -14.4 | -14.4 | -14.4 | -14.4 | -15.5 | -15.5 | -15.5 | -15.5 |
| S-CCPCH_Ec/lor | dB | -11.4 | -11.4 | -11.4 | -11.4 | -12.5 | -12.5 | -12.5 | -12.5 |
| OCNS_Ec/lor | dB | -1.52 | -1.52 | -1.52 | -1.52 | -1.13 | -1.13 | -1.13 | -1.13 |
| \hat{I}_{or}/I_{oc} Note 1 | dB | 7.0 | 10.4 | 10.4 | 7.0 | 0.3 | 0.3 | 0.3 | 0.3 |
| \bar{I}_{or} | dBm | -63.0 | -59.6 | -59.6 | -63.0 | -69.7 | -69.7 | -69.7 | -69.7 |
| I_{oc} | dBm/3.84 MHz | -70 | | | | | | | |
| CPICH_Ec/lor Note 1 | dB | -15.7 | -12.3 | -12.3 | -15.7 | -23.5 | -23.5 | -23.5 | -23.5 |

All other parameters and conditions specified in table 8.3.5.1.4 are unchanged.

NOTE 1: These parameters are not directly settable, but are derived by calculation from the settable parameters.

NOTE 2: If the above Test Requirement differs from the Minimum Requirement then the Test Tolerance applied for this test is non-zero. The Test Tolerance for this test is defined in clause F.2 and the explanation of how the Minimum Requirement has been relaxed by the Test Tolerance is given in clause F.4.

8.3.5.2 Two frequencies present in the neighbour list

8.3.5.2.1 Definition and applicability

The cell re-selection delay is defined as the time between the occurrence of an event which will trigger Cell Reselection process and the moment in time when the UE starts sending the preambles on the PRACH for sending RRC CELL UPDATE message to the UTRAN.

The requirements and this test apply to the FDD UE.

8.3.5.2.2 Minimum requirements

The cell re-selection delay shall be less than 1.9 s.

The rate of correct cell reselections observed during repeated tests shall be at least 90%.

If a cell has been detectable at least $T_{\text{identify,inter}}$, the cell reselection delay in CELL_FACH state to a FDD cell on a different frequency shall be less than

$$T_{\text{reselection,inter}} = T_{\text{Measurement inter}} + T_{\text{IU}} + 20 + T_{\text{SI}} + T_{\text{RA}} \text{ ms}$$

where

$T_{\text{Measurement inter}}$ is 480 ms in this case

T_{IU} is the interruption uncertainty when changing the timing from the old to the new cell. T_{IU} can be up to one frame (10 ms).

T_{SI} = The time required for receiving all the relevant system information data according to the reception procedure and the RRC procedure delay of system information blocks defined in 25.331 for a UTRAN cell. 1280 ms is assumed in this test case.

T_{RA} = The additional delay caused by the random access procedure. T_{RA} is a delay is caused by the physical random access procedure described in TS 25.214 clause 6.1. A persistence value is assumed to be 1 in this test case and therefore T_{RA} in this test case is 40 ms.

These requirements assume radio conditions to be sufficient, so that reading of system information can be done without errors.

The normative reference for this requirement is TS 25.133 [2] clauses 5.5.2.1.2 and A.5.5.2.

8.3.5.2.3 Test purpose

The purpose of this test is to verify the requirement for the cell re-selection delay in CELL_FACH state in the single carrier case

8.3.5.2.4 Method of test

8.3.5.2.4.1 Initial conditions

Test environment: normal; see clauses G.2.1 and G.2.2.

Frequencies to be tested: mid range; see clause G.2.4.

The test parameters are given in table 8.3.5.2.1 to 8.3.5.2.5. The UE is requested to monitor neighbouring cells on 2 carriers. The maximum repetition period of the relevant system info blocks that needs to be received by the UE to camp on a cell shall be 1 280 ms

Table 8.3.5.2.1: General test parameters for Cell Re-selection in CELL_FACH, two frequencies in neighbour list

| Parameter | | Unit | Value | Comment |
|---|-----------------|------|-----------------------------------|---|
| Initial condition | Active cell | | Cell2 | |
| | Neighbour cells | | Cell1, Cell3, Cell4, Cell5, Cell6 | |
| Final condition | Active cell | | Cell1 | |
| Access Service Class (ASC#0) – Persistence value | | - | 1 | Selected so that no additional delay is caused by the random access procedure. The value shall be used for all cells in the test. |
| HCS | | | | Not used |
| T _{SI} | | ms | 1280 | See Annex I for the SIB repetition period of system information blocks. |
| T1 | | s | 15 (initial), 5 (repetition) | |
| T2 | | s | 5 | |
| NOTE: Monitored cell list size has 6 cells on 2 carriers. See Annex I for the cell information. | | | | |

The transport and physical parameters of the S-CCPCH carrying the FACH are defined in TS 34.108 [3] clause 6.1.0b (Contents of System Information Block type 5 (FDD)).

Table 8.3.5.2.2: void

Table 8.3.5.2.3: void

Table 8.3.5.2.4: Cell specific conditions for Cell re-selection in CELL_FACH state, two frequencies in neighbour list

| Parameter | Unit | Cell 1 | | Cell 2 | | Cell 3 | | Cell 4 | | Cell 5 | | Cell 6 | |
|--|--------------|---|---|---|---|---|---|--------------------------------------|--------|--------------------------------------|--------|--------------------------------------|--------|
| | | T1 | T2 | T1 | T2 | T1 | T2 | T1 | T2 | T1 | T2 | T1 | T2 |
| UTRA RF Channel Number | | Channel 1 | | Channel 2 | | Channel 1 | | Channel 1 | | Channel 2 | | Channel 2 | |
| CPICH_Ec/Ior | dB | -10 | | -10 | | -10 | | -10 | | -10 | | -10 | |
| PCCPCH_Ec/Ior | dB | -12 | | -12 | | -12 | | -12 | | -12 | | -12 | |
| SCH_Ec/Ior | dB | -12 | | -12 | | -12 | | -12 | | -12 | | -12 | |
| PICH_Ec/Ior | dB | -15 | | -15 | | -15 | | -15 | | -15 | | -15 | |
| S-CCPCH_Ec/Ior | dB | -12 | | -12 | | -12 | | -12 | | -12 | | -12 | |
| OCNS_Ec/Ior | dB | -1.295 | | -1.295 | | -1.295 | | -1.295 | | -1.295 | | -1.295 | |
| \hat{I}_{or}/I_{oc} | dB | -1.8 | 2.2 | 2.2 | -1.8 | -6.8 | -4.8 | -6.8 | -4.8 | -4.8 | -6.8 | -4.8 | -6.8 |
| \hat{I}_{or} (Note 1) | dBm | -71.85 | -67.75 | -67.75 | -71.85 | -76.85 | -74.75 | -76.85 | -74.75 | -74.75 | -76.85 | -74.75 | -76.85 |
| I_{oc} | dBm/3.84 MHz | -70 | | | | | | | | | | | |
| CPICH_Ec/Io | dB | -15 | -13 | -13 | -15 | -20 | | -20 | | -20 | | -20 | |
| Propagation Condition | | AWGN | | | | | | | | | | | |
| Cell_selection_and_reselection_quality_measure | | CPICH E _c /N ₀ | | CPICH E _c /N ₀ | | CPICH E _c /N ₀ | | CPICH E _c /N ₀ | | CPICH E _c /N ₀ | | CPICH E _c /N ₀ | |
| Qqualmin | dB | -20 | | -20 | | -20 | | -20 | | -20 | | -20 | |
| Qrxlevmin | dBm | -115 | | -115 | | -115 | | -115 | | -115 | | -115 | |
| UE_TXPWR_MAX_RACH | dBm | 21 | | 21 | | 21 | | 21 | | 21 | | 21 | |
| Qoffset2 _{s, n} | dB | C1, C2: 0 C1, C3: 0 C1, C4: 0 C1, C5: 0 C1, C6: 0 | C2, C1: 0 C2, C3: 0 C2, C4: 0 C2, C5: 0 C2, C6: 0 | C3, C1: 0 C3, C2: 0 C3, C4: 0 C3, C5: 0 C3, C6: 0 | C4, C1: 0 C4, C2: 0 C4, C3: 0 C4, C5: 0 C4, C6: 0 | C5, C1: 0 C5, C2: 0 C5, C3: 0 C5, C4: 0 C5, C6: 0 | C6, C1: 0 C6, C2: 0 C6, C3: 0 C6, C4: 0 C6, C5: 0 | | | | | | |
| Qhyst2 | dB | 0 | | 0 | | 0 | | 0 | | 0 | | 0 | |
| Treselection | s | 0 | | 0 | | 0 | | 0 | | 0 | | 0 | |
| Sintrasearch | dB | not sent | | not sent | | not sent | | not sent | | not sent | | not sent | |
| Sintersearch | dB | not sent | | not sent | | not sent | | not sent | | not sent | | not sent | |
| IE "FACH Measurement occasion info" | | sent | | sent | | sent | | sent | | Sent | | sent | |
| FACH Measurement occasion cycle length coefficient | | 3 | | 3 | | 3 | | 3 | | 3 | | 3 | |
| Inter-frequency FDD measurement indicator | | TRUE | | TRUE | | TRUE | | TRUE | | TRUE | | TRUE | |
| Inter-frequency TDD measurement indicator | | FALSE | | FALSE | | FALSE | | FALSE | | FALSE | | FALSE | |
| NOTE 1: The nominal \hat{I}_{or} values, although not explicitly defined in 25.133 [2] are added here since they are implied and need to be identified so that the test equipment can be configured. | | | | | | | | | | | | | |

8.3.5.2.4.2 Procedure

- 1) The RF parameters for cell 1 are set up according to T1 in table 8.3.5.2.5.
- 2) The UE is switched on.
- 3) An RRC connection is set up according to the signalling sequence in the generic set-up procedure specified in TS 34.108 [3] subclause 7.3.5 to place the UE in the CELL_FACH state on Cell 2 and the SS waits for this process to complete.
- 4) After 15 seconds at initial or 5 seconds for repeated case from completion of step3 or the beginning of T1, the parameters are changed to those defined for T2 in table 8.3.5.2.5.
- 5) If the UE responds on Cell 1 with a PRACH (CELL UPDATE message cause "cell reselection") within 2.14 s, then the success is recorded, the SS shall transmit a CELL UPDATE CONFIRM message and then the procedure moves to step 7.
- 6) Since the UE has failed to respond with the correct message within the allowed time, a failure is recorded. The SS shall then wait for a total of 5 s from the beginning of T2 and if no response is received, the UE shall be switched off and the procedure returns to step 1. Otherwise the SS shall transmit a CELL UPDATE CONFIRM message and then the procedure continues with step 7.
- 7) After total of 5 s from the beginning of T2, the parameters are changed to those defined for T1 in table 8.3.5.2.5.
- 8) If the UE responds on Cell 2 with a PRACH (CELL UPDATE message cause "cell reselection") within 2.14 s, then a success is recorded and the procedure moves to step 10.
- 9) Since the UE has failed to respond with the correct message within the allowed time, a failure is recorded. The SS shall then wait for a total of 15 s at initial or 5 s for repeated case from the beginning of T1 and if no response is received the UE shall be switched off and the procedure returns to step 1. Otherwise the SS shall transmit a CELL UPDATE CONFIRM message and then the procedure continues with step 10.
- 10) Steps 4 to 10 are repeated until the confidence level according to annex F.6.2 is achieved.

NOTE 1: The time required for receiving all the relevant system information data according to the reception procedure and the RRC procedure delay of system information blocks defined in 25.331 for a UTRAN cell. Since the maximum time to read the relevant system info blocks that needs to be received by the UE to camp on a cell is 1420ms (see note 2) and the maximum RRC procedure delay for reception system information block is 100ms, 1520 ms is assumed in this test case. Therefore the cell re-selection delay shall be less than 2.14 s. (Minimum requirement + 240ms).

NOTE 2: The maximum repetition period of the relevant system info blocks that needs to be received by the UE to camp on a cell is 1280ms. The Master Information Block (MIB) is repeated every 8 frame and SIB5 (and SIB11) is segmented into 4 segments where the first segment is scheduled adjacent to the MIB at SIB_POS=40 and the other three segments are scheduled after the MIB (SIB_POS=42, 44 and 46). The maximum time for a UE to read SIB5 will occur if the UE start reading the BCH at the SFN after the MIB located prior to the first segment of SIB5 (SIB_POS 32). Then the UE will not be able to read SIB5 until the second occurrence of SIB5, which will happen at SIB_POS 46 + 1280ms. This gives that the maximum time for the UE to read the relevant system info will be 1420ms ((SIB_POS 46 – SIB_POS 32)*10ms +1280ms).

Specific Message Contents

All messages indicated above shall use the same content as described in the default message content in clause 9 of 34.108 [3], with the following exceptions:

Contents of CELL UPDATE CONFIRM message for CELL_FACH

| Information Element | Value/remark |
|----------------------------|------------------|
| RRC transaction identifier | 0 |
| Activation time | Not Present |
| New C-RNTI | 10101010101010 B |
| RRC State indicator | CELL_FACH |

8.3.5.2.5 Test requirements

For the test to pass, the total number of successful attempts shall be more than 90 % of the cases with a confidence level of 95 %.

Table 8.3.5.2.5: Cell specific test requirements for Cell re-selection in CELL_FACH state, two frequencies in neighbour list

| Parameter | Unit | Cell 1 | | Cell 2 | | Cell 3 | | Cell 4 | | Cell 5 | | Cell 6 | |
|------------------------------|--------------|-----------|-------|-----------|-------|-----------|-------|-----------|-------|-----------|-------|-----------|-------|
| | | T1 | T2 | T1 | T2 | T1 | T2 | T1 | T2 | T1 | T2 | T1 | T2 |
| UTRA RF Channel Number | | Channel 1 | | Channel 2 | | Channel 1 | | Channel 1 | | Channel 2 | | Channel 2 | |
| CPICH_Ec/Ior | dB | -9.4 | | -9.4 | | -10.7 | | -10.7 | | -10.7 | | -10.7 | |
| PCCPCH_Ec/Ior | dB | -11.4 | | -11.4 | | -12.7 | | -12.7 | | -12.7 | | -12.7 | |
| SCH_Ec/Ior | dB | -11.4 | | -11.4 | | -12.7 | | -12.7 | | -12.7 | | -12.7 | |
| PICH_Ec/Ior | dB | -14.4 | | -14.4 | | -15.7 | | -15.7 | | -15.7 | | -15.7 | |
| S-CCPCH_Ec/Ior | dB | -11.4 | | -11.4 | | -12.7 | | -12.7 | | -12.7 | | -12.7 | |
| OCNS_Ec/Ior | dB | -1.52 | | -1.52 | | -1.08 | | -1.08 | | -1.08 | | -1.08 | |
| \hat{I}_{or}/I_{oc} Note 1 | dB | -1.80 | +4.64 | +4.64 | -1.80 | -6.80 | -3.16 | -6.80 | -3.16 | -3.16 | -6.80 | -3.16 | -6.80 |
| \hat{I}_{or} | dBm | -71.8 | -67.0 | -67.0 | -71.8 | -76.8 | -74.8 | -76.8 | -74.8 | -74.8 | -76.8 | -74.8 | -76.8 |
| I_{oc} | dBm/3.84 MHz | -70.0 | -71.6 | -71.6 | -70.0 | -70.0 | -71.6 | -70.0 | -71.6 | -71.6 | -70.0 | -71.6 | -70.0 |
| CPICH_Ec/Io Note 1 | dB | -14.4 | -11.6 | -11.6 | -14.4 | -20.7 | -20.7 | -20.7 | -20.7 | -20.7 | -20.7 | -20.7 | -20.7 |

All other parameters and conditions specified in table 8.3.5.2.4 are unchanged.

NOTE 1: These parameters are not directly settable, but are derived by calculation from the settable parameters.

NOTE 2: If the above Test Requirement differs from the Minimum Requirement then the Test Tolerance applied for this test is non-zero. The Test Tolerance for this test is defined in clause F.2 and the explanation of how the Minimum Requirement has been relaxed by the Test Tolerance is given in clause F.4.

8.3.5.3 Cell Reselection to GSM

8.3.5.3.1 Definition and applicability

The cell re-reselection delay is defined as the time from the beginning of time period T2, to the moment when the UE starts to transmit the random access in Cell 2 (the GSM cell).

This requirements and this test apply to UE supporting FDD PS and GSM GPRS.

8.3.5.3.2 Minimum requirements

The cell re-selection delay shall be less than $5.5 + T_{RA}$ s.

The rate of correct reselections observed during repeated tests shall be at least 90%.

NOTE: The cell re-selection delay can be expressed

$$T_{\text{reselection, GSM}} = T_{\text{identify, GSM}} + T_{\text{measurement, GSM}} + 40 + T_{\text{BCCH}} + T_{\text{RA}} \text{ ms}$$

where:

$T_{\text{identify, GSM}}$ Specified in TS 25.133 [2] clause 8.4.2.5.2.1, here it is 2880 ms

$T_{\text{measurement, GSM}}$ Specified in TS 25.133 [2] clause 5.5.2.1.4, here it is 640 ms

T_{BCCH} According to TS 05.08 [20] for R99 and TS 45.008 [30] for Rel-4 and later releases, the maximum time allowed to read the BCCH data, when being synchronized to a BCCH carrier, is 1.9 s.

T_{RA} The additional delay caused by the random access procedure in the GSM cell, is 10 ms (2 GSM radio frames).

These requirements assume radio conditions to be sufficient, so reading of system information can be done without errors.

The normative reference for this requirement is TS 25.133 [2] clauses 5.5.2.1.4 and A.5.5.3.

8.3.5.3.3 Test purpose

The purpose of this test is to verify the requirement for the cell re-selection delay in CELL_FACH state.

8.3.5.3.4 Method of test

8.3.5.3.4.1 Initial conditions

Test environment: normal; see clauses G.2.1 and G.2.2.

Frequencies to be tested: mid range; see clause G.2.4.

The test parameters are given in table 8.3.5.3.1 to 8.3.5.3.5. This scenario implies the presence of 1 UTRAN serving cell, and 1 GSM cell to be re-selected. The UTRAN cell and the GSM cell are set to belong to different location areas. The GSM cell shall be set up to allow the UE to transmit radio access bursts in every GSM radio frame. The UE is requested to monitor neighbouring cells on 1 UMTS carrier and 6 GSM cells. The GSM cell is configured as GSM only (GPRS not active).

Table 8.3.5.3.1: General test parameters for UTRAN to GSM Cell Re-selection

| Parameter | | Unit | Value | Comment |
|--------------------------|----------------|------|--|---|
| Initial condition | Active cell | | Cell1 | |
| | Neighbour cell | | Cell2 | |
| Final condition | Active cell | | Cell2 | |
| HCS | | | | Not used |
| Neighbour cell list size | | | 24 FDD neighbours on Channel 1 6 GSM neighbours including the ARFCN of cell 2 | NOTE: See Annex I for cell information. |
| T1 | | s | 5 | |
| T2 | | s | 10 | |

The transport and physical parameters of the S-CCPCH carrying the FACH are defined in TS 34.108 [3] clause 6.1.0b (Contents of System Information Block type 5 (FDD)).

Table 8.3.5.3.2: void

Table 8.3.5.3.3: void

Table 8.3.5.3.4: Cell re-selection UTRAN to GSM cell case (cell 1)

| Parameter | Unit | Cell 1 (UTRA) | |
|--|--------------|---------------|-------|
| | | T1 | T2 |
| UTRA RF Channel Number | | Channel 1 | |
| CPICH_Ec/lor | dB | -10 | |
| PCCPCH_Ec/lor | dB | -12 | |
| SCH_Ec/lor | dB | -12 | |
| PICH_Ec/lor | dB | -15 | |
| S-CCPCH_Ec/lor | dB | -12 | |
| OCNS_Ec/lor | dB | -1.295 | |
| \hat{I}_{or}/I_{oc} | dB | 0 | -5 |
| I_{oc} | dBm/3.84 MHz | -70 | |
| CPICH_Ec/lo | dB | -13 | -16.2 |
| CPICH_RSCP | dBm | -80 | -85 |
| Propagation Condition | | AWGN | |
| Cell_selection_and_reselection_quality_measure | | CPICH Ec/No | |
| Qqualmin | dB | -20 | |
| Qrxlevmin | dBm | -115 | |
| UE_TXPWR_MAX_RACH | dBm | 21 | |
| Qoffset1 _{s,n} | dB | C1, C2: 0 | |

| Parameter | Unit | Cell 1 (UTRA) | |
|--|------|---------------|----|
| | | T1 | T2 |
| Qhyst1 | dB | 0 | |
| Treselection | s | 0 | |
| Ssearch _{RAT} | dB | Not sent | |
| IE "FACH Measurement occasion info" | | Sent | |
| FACH Measurement occasion cycle length coefficient | | 3 | |
| Inter-frequency FDD measurement indicator | | FALSE | |
| Inter-frequency TDD measurement indicator | | FALSE | |
| Inter-RAT measurement indicators | | Included | |
| >RAT type | | GSM | |

Table 8.3.5.3.5: Cell re-selection UTRAN to GSM cell case (cell 2)

| Parameter | Unit | Cell 2 (GSM) | |
|----------------------------|------|--------------|-----|
| | | T1 | T2 |
| Absolute RF Channel Number | | ARFCN 1 | |
| RXLEV | dBm | -90 | -75 |
| RXLEV_ACCESS_MIN | dBm | -104 | |
| MS_TXPWR_MAX_CCH | dBm | 33 | |
| FDD_Qmin | dB | -14 | |
| Qsearch_I | - | always | |

Specific 2 quarter Message Contents

All messages indicated shall use the same content as described in the default message content in TS 05.08 [20] clause 9 for R99 and in TS45.008 [30] clause 9 for Rel-4 and later releases, with the above exceptions.

In order to ensure that all system information can be sent to the UE in one multiframe if all three of the SYSTEM INFORMATION TYPE 2 bis, SYSTEM INFORMATION TYPE 2 quarter, and SYSTEM INFORMATION TYPE 2 ter are broadcasted SYSTEM INFORMATION TYPE 2 quarter message is sent on BCCH Ext.

8.3.5.3.4.2 Procedure

- 1) The SS activates cell 1-2 with RF parameters set up according to T1 in tables 8.3.5.3.6 and 8.3.5.3.7.
- 2) The UE is switched on.
- 3) An RRC connection is set up according to the signalling sequence in the generic set-up procedure specified in TS 34.108 [3] subclause 7.3.8 to place the UE in CELL_FACH and the SS waits for this process to complete. T1 starts.
- 4) After 5 seconds from the beginning of T1, the parameters are changed to those defined for T2 in tables 8.3.5.3.6 and 8.3.5.3.7.
- 5) The SS waits for random access requests from the UE. If the UE responds on cell 2 within 5.51 s ($=5.5 \text{ s} + T_{\text{RAS}}$) from the beginning of time period T2 then a success is recorded and the SS completes the location update procedure in GSM and the procedure continues with step 7.
- 6) Since the UE has failed to respond with the correct message within the allowed time, a failure is recorded. The SS shall then wait for a total of 10s from the beginning of T2 and if no response is received, the UE shall be switched off and the procedure returns to step 1. Otherwise the SS completes the location update procedure in GSM and the procedure continues with step 7.
- 7) After 10 s from the beginning of time period T2, the parameters are changed to those defined for T1 in tables 8.3.5.3.6 and 8.3.5.3.7.
- 8) The SS waits for random access requests from the UE on cell 1. The SS completes the routing area update procedure in UTRA. T1 starts.
- 9) Repeat step 4) to 8) until the confidence level according to annex F.6.2 is achieved.

8.3.5.3.5 Test requirements

Table 8.3.5.3.6: Cell re-selection UTRAN to GSM cell case (cell 1) Test Requirements

| Parameter | Unit | Cell 1 (UTRA) | |
|--|--------------|---------------|--------|
| | | T1 | T2 |
| UTRA RF Channel Number | | Channel 1 | |
| CPICH_Ec/Ior | dB | -9.9 | -10.1 |
| PCCPCH_Ec/Ior | dB | -12 | |
| SCH_Ec/Ior | dB | -12 | |
| PICH_Ec/Ior | dB | -15 | |
| S-CCPCH_Ec/Ior | dB | -12 | |
| OCNS_Ec/Ior | dB | -1.309 | -1.282 |
| \hat{I}_{or}/I_{oc} | dB | 0.3 | -5.3 |
| I_{oc} | dBm/3.84 MHz | -70 | |
| CPICH_Ec/Io | dB | -12.8 | -16.5 |
| CPICH_RSCP | dBm | -79.6 | -85.4 |
| Propagation Condition | | AWGN | |
| Cell_selection_and_reselection_quality_measure | | CPICH Ec/No | |
| Qqualmin | dB | -20 | |
| Qrxlevmin | dBm | -115 | |
| UE_TXPWR_MAX_RACH | dBm | 21 | |
| Qoffset1 _{s,n} | dB | C1, C2: 0 | |
| Qhyst1 | dB | 0 | |
| Treselection | s | 0 | |
| Ssearch _{RAT} | dB | Not sent | |
| IE "FACH Measurement occasion info" | | Sent | |
| FACH Measurement occasion cycle length coefficient | | 3 | |
| Inter-frequency FDD measurement indicator | | FALSE | |
| Inter-frequency TDD measurement indicator | | FALSE | |
| Inter-RAT measurement indicators | | Included | |
| >RAT type | | GSM | |

Table 8.3.5.3.7: Cell re-selection UTRAN to GSM cell case (cell 2) Test Requirements

| Parameter | Unit | Cell 2 (GSM) | |
|----------------------------|------|--|-----|
| | | T1 | T2 |
| Absolute RF Channel Number | | BCCH ARFCN of cell A as defined in the initial conditions in clause 26.6.5.1 of TS 51.010-1 [25] for the GSM band under test. BCCH ARFCN is 744 for FDD Band II and PCS1900 under test. BCCH ARFCN is 241 for FDD Band V, VI or XIX and GSM850 under test. BCCH ARFCN is 114 for FDD Band VIII and GSM900 under test. | |
| RXLEV | dBm | -91 | -74 |
| RXLEV_ACCESS_MIN | dBm | -104 | |
| MS_TXPWR_MAX_CCH | dBm | 33 | |
| FDD_Qmin | dB | -14 | |
| Qsearch_I | - | always | |

NOTE 1: CPICH_Ec/No and CPICH_RSCP levels have been calculated from other parameters for information purposes. They are not settable parameters themselves.

For the test to pass, the total number of successful attempts shall be more than 90% of the cases with a confidence level of 95 %.

NOTE: If the above Test Requirement differs from the Minimum Requirement then the Test Tolerance applied for this test is non-zero. The Test Tolerance for this test is defined in clause F.2 and the explanation of how the Minimum Requirement has been relaxed by the Test Tolerance is given in clause F.4.

8.3.5.4 Cell Reselection during an MBMS session, two frequencies present in neighbour list

8.3.5.4.1 Definition and applicability

The purpose of this test is to verify the requirement for the cell identification for UEs in an MBMS PTM session and the required functionality on measurement occasions by use of a cell re-selection test case.

The requirements and this test apply to release 6 and later releases for FDD UE that supports MBMS.

8.3.5.4.2 Minimum requirements

The UE is requested to receive the MBMS service and monitor neighbouring cells on 2 carriers. The maximum repetition period of the relevant system info blocks that needs to be received by the UE to camp on a cell shall be 1280 ms.

The cell re-selection delay shall be less than 1.9s.

During T1 and T2 the MTCH SDU ER shall not exceed 4.0%.

The rate of correct cell reselections observed during repeated tests shall be at least 90%.

NOTE: The cell re-selection delay in this case is expressed as:

$$T_{\text{reselection, inter}} = T_{\text{Measurement, inter}} + T_{\text{IU}} + 20 + T_{\text{SI}} + T_{\text{RA}} \text{ ms,}$$

where:

$T_{\text{Measurement, inter}}$ Specified in TS 25.133 [2] section 8.4.2.3.2 as 480ms

$T_{\text{Identify, inter}}^i$ Specified in TS 25.133 [2] section 8.4.2.3.1 as 2.72 s in this case, thus 3sec for T2 is sufficient for identification of cell 1.

Note: The calculation based on the S-CCPCH carrying the FACH provides a measurement occasion of 20ms repeated every 80ms. As the MTCH TTI length is only 40ms this has to be shortened to a gap of 10ms every 80ms, the re-selection delay is based upon.

T_{SI} : The time required for receiving all the relevant system information data according to the reception procedure and the RRC procedure delay of system information blocks defined in 25.331 [8] for a UTRAN cell. 1280 ms is assumed in this test case.

Note: Since 1280 ms is one of the typical values for repeating system information blocks, T_{SI} of 1280 ms could be increased by the RRC procedure delay in order to allow the SIB repetition period of 1280 ms.

T_{RA} : T_{RA} is a delay is caused by the physical random access procedure described in TS 25.214 [5] section 6.1. A persistence value is assumed to be 1 in this test case and therefore T_{RA} in this test case is 40 ms.

Note: The maximum allowed time to be used to perform the measurements for a UE in an MBMS session may be smaller than the duration of the measurement occasion to fulfil the MBMS demodulation performance.

This gives a total of 1.83 s, allow 1.9s in the test case.

The reference for this requirement is TS 25.133 [2] clause A.5.5.4.1.

8.3.5.4.3 Test purpose

The purpose of this test is to verify the requirement for the cell identification for UEs in an MBMS PTM session and the required functionality on measurement occasions by use of a cell re-selection test case.

8.3.5.4.4 Method of test

8.3.5.4.4.1 Initial conditions

Test environment: normal; see clauses G.2.1 and G.2.2.

Frequencies to be tested: mid range; see clause G.2.4.

For the test parameters given in tables 8.3.5.4.4.1, 8.3.5.4.4.2, 8.3.5.4.4.3, 8.3.5.4.4.4, 8.3.5.4.4.5 and 8.3.5.4.4.6. The UE is requested to receive the MBMS service and monitor neighbouring cells on 2 carriers. The maximum repetition period of the relevant system info blocks that needs to be received by the UE to camp on a cell shall be 1280 ms.

Table 8.3.5.4.4.1: General test parameters for Cell Re-selection in CELL_FACH

| Parameter | | Unit | Value | Comment |
|---|-------------|------|-----------------------------|---|
| initial condition | Active cell | | Cell2 | UMTS cell providing the MBMS session |
| final condition | Active cell | | Cell1 | UMTS inter-frequency neighbour cell (no MBMS session) |
| Access Service Class (ASC#0) - Persistence value | | - | 1 | Selected so that no additional delay is caused by the random access procedure. The value shall be used for all cells in the test. |
| HCS | | | | Not used |
| MBMS preferred frequency layer | | | | Not used |
| T1 | | s | 15(initial), 5 (repetition) | |
| T2 | | s | 3 | |
| T3 | | s | 3 | |

The transport and physical parameters of the S-CCPCH carrying the FACH are defined in Table 8.3.5.4.4.2 and Table 8.3.5.4.4.3.

Table 8.3.5.4.4.2: Physical channel parameters for S-CCPCH_1 carrying the FACH.

| Parameter | Unit | Level |
|---|------|-------|
| Channel bit rate | Kbps | 120 |
| Channel symbol rate | Ksps | 60 |
| Slot Format #l | - | 8 |
| TFCI | - | ON |
| Power offsets of TFCI and Pilot fields relative to data field | dB | 0 |

Table 8.3.5.4.4.3: Void

The transport channel parameters for S-CCPCH_1 carrying FACH are defined in TS34.108 clause 6.1.0b (Content of System Information Block type 5 (FDD)) with M2 condition and with the exception that TTI for FACH carrying BCCH set to 20ms.

The transport and physical parameters of the S-CCPCH carrying the MTCH are defined in Table 8.3.5.4.4.4 and Table 8.3.5.4.4.5.

Table 8.3.5.4.4.4: Physical channel parameters for S-CCPCH_2 carrying the MTCH.

| Parameter | Unit | Level |
|---|------|-------|
| Channel bit rate | Kbps | 960 |
| Channel symbol rate | Ksps | 480 |
| Slot Format #l | - | 14 |
| TFCI | - | ON |
| Power offsets of TFCI and Pilot fields relative to data field | dB | 0 |

Table 8.3.5.4.4.5: Transport channel parameters for S-CCPCH_2

| Parameter | FACH |
|---------------------------------|--------------|
| Transport Channel Number | 1 |
| Transport Block Size | 2536 |
| Transport Block Set Size | 10144 |
| Transmission Time Interval | 40ms |
| Type of Error Protection | Turbo Coding |
| Coding Rate | 1/3 |
| Rate Matching attribute | 256 |
| Size of CRC | 16 |
| Position of TrCH in radio frame | Flexible |

Table 8.3.5.4.4.6: Cell specific test parameters for Cell re-selection in CELL_FACH state

| Parameter | Unit | Cell 1 | | | Cell 2 | | |
|---|------------------|--------------------------------------|-------|-----|--------------------------------------|-----|-------|
| | | T1 | T2 | T3 | T1 | T2 | T3 |
| UTRA RF Channel Number | | Channel 1 | | | Channel 2 | | |
| CPICH_Ec/I _{or} | dB | -10 | | | -10 | | |
| PCCPCH_Ec/I _{or} | dB | -12 | | | -12 | | |
| SCH_Ec/I _{or} | dB | -12 | | | -12 | | |
| PICH_Ec/I _{or} | dB | -15 | | | -15 | | |
| S-CCPCH_1_Ec/I _{or} | dB | -12 | | | -12 | | |
| S-CCPCH_2_Ec/I _{or} | dB | n.a. | | | -6 | | |
| OCNS_Ec/I _{or} | dB | Note 1 | | | Note 1 | | |
| \hat{I}_{or}/I_{oc} | dB | -infinity | -3.37 | 0 | 0 | 0 | -5 |
| I_{oc} | dBm/3.8 4 MHz | -70 | | | | | |
| CPICH_Ec/I _o | dB | -infinity | -15 | -13 | -13 | -13 | -16.2 |
| Propagation Condition | | AWGN | | | | | |
| Cell_selection_and_reselection_quality_measure | | CPICH E _c /N ₀ | | | CPICH E _c /N ₀ | | |
| Qqualmin | dB | -20 | | | -20 | | |
| Qrxlevmin | dBm | -115 | | | | | |
| UE_TXPWR_MAX_RACH | dBm | 21 | | | 21 | | |
| Qoffset2 _{s,n} | dB | C1, C2: 0 | | | C2, C1: 0 | | |
| Qhyst2 | dB | 0 | | | 0 | | |
| Treselection | S | 0 | | | 0 | | |
| Sintrasearch | dB | not sent | | | not sent | | |
| Sintersearch | dB | not sent | | | not sent | | |
| IE "FACH Measurement occasion info" | | Sent | | | Sent | | |
| FACH Measurement occasion cycle length coefficient | | 2 | | | 2 | | |
| Inter-frequency FDD measurement indicator | | TRUE | | | TRUE | | |
| Inter-frequency TDD measurement indicator | | FALSE | | | FALSE | | |
| NOTE 1: The power of the OCNS channel that is added shall make the total power from the cell to be equal to I _{or} . | | | | | | | |

The cell re-selection delay is defined as the time from the beginning of time period T3, to the moment when the UE camps on Cell 1, and starts to send preambles on the PRACH for sending the CELL UPDATE message with cause value "cell reselection" in Cell 1.

8.3.5.4.4.2 Procedure

Initiation

- 1) The SS activates cell 1-2 with T1 defined parameters in table 8.3.5.4.5 and monitors cell 2 for random access requests from the UE. The SS broadcast the cell reselection parameters according to table 8.3.5.4.5.
- 2) The UE is switched on. The UE has selected the broadcast service provided by the SS (included in the MBMS_ACTIVATED_SERVICES VARIABLE).
- 3) Set up a call according to the generic call setup procedure TS34.108 [3] clause 7.3.10 to configure and activate an MBMS broadcast session, and transition to CELL_FACH state on Cell 2. The SS waits for this procedure to be completed.
- 4) Initiate the variables N_UEOK_PREV, N_UEOK_TEMP, N_UEOK_ACC, N_SS_ACC to 0. (The variables N_UEOK_ACC, N_SS_ACC shall not be initiated when returning back from step 15.)

T1

- 5) Start T1, and simultaneously start transmitting valid MAC headers on MTCH.
- 6) After 5 s (15 s in the first iteration) from the start of T1, start transmitting invalid MAC headers on MTCH.

T2

- 7) The parameters are changed as described for T2 in table 8.3.5.4.5 and the SS start sending valid MAC headers on MTCH.
- 8) After 3 s from the start of T2, start transmitting invalid MAC headers on MTCH and store N_SS.

Read out UE counter

Note: Steps 9 to 13 below implies that the duration of T2 is longer than specified in the core requirement. The active measurement period is however correct.

- 9) The SS sends a "UE TEST LOOP MODE 3 RLC SDU COUNTER REQUEST" message.
- 10) The UE to respond by a "UE TEST LOOP MODE 3 RLC SDU COUNTER RESPONSE" message reporting the number of received RLC SDUs on MTCH. Store this in the variable N_UEOK_TEMP.
- 11) The SS calculate the following:

N_SS: Number of SS transmitted RLC SDUs with valid MAC headers during T1 and T2.

N_UEOK_TEMP: UE received RLC SDUs as reported in the "UE TEST LOOP MODE 3 RLC SDU COUNTER RESPONSE" message in step 10.

N_UEOK: UE received RLC SDUs during T1 and T2. This is calculated as $N_UEOK_TEMP - N_UEOK_PREV$.

N_UEOK_ACC: Accumulated sum of N_UEOK during T1 and T2 periods tested so far.

N_SS_ACC: Accumulated sum of N_SS during T1 and T2 periods tested so far.

- 12) The SS sets the value of N_UEOK_TEMP to N_UEOK_PREV.

T3

- 13) The parameters are changed as described for T3 in table 8.3.5.4.5.
- 14) If the UE responds on Cell 1 with a PRACH (CELL UPDATE message cause "cell reselection") within 1.9 s, then a success is recorded for the delay requirement, the SS shall transmit a CELL UPDATE CONFIRM message and the procedure moves to step 16.

15) Since the UE has failed to respond with the correct message within the allowed time, a failure for the delay requirement is recorded. The SS shall then wait for a total of 3 s from the beginning of T3 and if no response is received, the UE shall be switched off and the procedure returns to step 1. Otherwise the SS shall transmit a CELL UPDATE CONFIRM message and then the procedure continues with step 16.

16) After the cell update procedure, the parameters are changed to those defined for T1 in table 8.3.5.4.5.

17) The SS waits for PRACH (CELL UPDATE message cause "cell reselection") from the UE on cell 2. The SS completes the cell update procedure.

Repeat step 5) to 17) until the confidence level for the delay requirement according to annex F.6.2 are achieved. This includes the confidence level for the RLC SDU error ratio. Refer Annex F.6.1 Table F.6.1.8-3.

Post procedure

18) End the call according to the generic call setup procedure TS34.108 [3] clause 7.3.10.

SDU error rate is measured during T1 and T2, as follows:

$$SDU_ER_ACC = (N_SS_ACC - N_UEOK_ACC) / N_SS_ACC$$

Specific Message Contents

All messages indicated above shall use the same content as described in the default message content in clause 9 and clause 6.1.0b of 34.108 [3], with the exceptions stated in clause 7.3.10 of 34.108[3], and the following exceptions:

Content of CELL UPDATE CONFIRM message for CELL_FACH (Step 14 or 15)

| Information Element | Value/remark |
|----------------------------|--------------------|
| RRC transaction identifier | 0 |
| Activation time | Not Present |
| New C-RNTI | 1010101010101010 B |
| RRC State indicator | CELL_FACH |

Contents of System Information Block type 5 (FDD)

| | | | |
|--|--|---------------------------|--|
| - FACH/PCH information | | (FACH) | |
| - TFS | | Common transport channels | |
| - CHOICE Transport channel type | | | |
| - Dynamic Transport format information | | | |
| - RLC Size | | 168 | |
| - Number of TB and TTI List | | | |
| - Number of Transport blocks | | 0 | |
| - Number of Transport blocks | | 1 | |
| - Number of Transport blocks | | 2 | |
| - CHOICE Logical channel List | | ALL | |
| - Semi-static Transport Format information | | | |
| - Transmission time interval | | 20 ms | |
| - Type of channel coding | | Convolutional | |
| - Coding Rate | | 1/2 | |
| - Rate matching attribute | | 220 | |
| - CRC size | | 16 bit | |
| - Transport channel Identity | | 13 (for FACH) | |
| - CTCH indicator | | FALSE | |

8.3.5.4.5 Test requirements

Table 8.3.5.4.5: Cell specific test requirements for Cell re-selection in CELL_FACH state

| Parameter | Unit | Cell 1 | | | Cell 2 | | |
|---|------------------|--------------------------------------|-------|-------|--------------------------------------|-------|-------|
| | | T1 | T2 | T3 | T1 | T2 | T3 |
| UTRA RF Channel Number | | Channel 1 | | | Channel 2 | | |
| CPICH_Ec/Ior | dB | -9 | | | -9 | | |
| PCCPCH_Ec/Ior | dB | -11 | | | -11 | | |
| SCH_Ec/Ior | dB | -11 | | | -11 | | |
| PICH_Ec/Ior | dB | -14 | | | -14 | | |
| S-CCPCH_1_Ec/Ior | dB | -11 | | | -11 | | |
| S-CCPCH_2_Ec/Ior | dB | n.a. | | | -5 | | |
| OCNS_Ec/Ior | dB | Note 1 | | | Note 1 | | |
| \hat{I}_{or}/I_{oc} (Note2) | dB | -infinity | -3.35 | 2.66 | 0 | 2.44 | -5 |
| I_{oc} | dBm/3.8 4 MHz | -70.0 | -70.0 | -71.5 | -70.0 | -71.4 | -70.0 |
| CPICH_Ec/Io (Note2) | dB | -infinity | -14.0 | -10.9 | -12.0 | -11.0 | -15.2 |
| Propagation Condition | | AWGN | | | | | |
| Cell_selection_and_reselection_quality_measure | | CPICH E _c /N ₀ | | | CPICH E _c /N ₀ | | |
| Qqualmin | dB | -20 | | | -20 | | |
| Qrxlevmin | dBm | -115 | | | -115 | | |
| UE_TXPWR_MAX_RACH | dBm | 21 | | | 21 | | |
| Qoffset _{2s, n} | dB | C1, C2: 0 | | | C2, C1: 0 | | |
| Qhyst2 | dB | 0 | | | 0 | | |
| Treselection | S | 0 | | | 0 | | |
| Sintrasearch | dB | not sent | | | not sent | | |
| Sintersearch | dB | not sent | | | not sent | | |
| IE "FACH Measurement occasion info" | | Sent | | | Sent | | |
| FACH Measurement occasion cycle length coefficient | | 2 | | | 2 | | |
| Inter-frequency FDD measurement indicator | | TRUE | | | TRUE | | |
| Inter-frequency TDD measurement indicator | | FALSE | | | FALSE | | |
| NOTE 1: The power of the OCNS channel that is added shall make the total power from the cell to be equal to I _{or} . | | | | | | | |
| NOTE 2: These parameters are not directly settable, but are derived by calculation from the settable parameters. | | | | | | | |

NOTE: If the above Test Requirement differs from the Minimum Requirement then the Test Tolerance applied for this test is non-zero. The Test Tolerance for this test is defined in clause F.2 and the explanation of how the Minimum Requirement has been relaxed by the Test Tolerance is given in clause F.4.

The cell re-selection delay defined as the time from the beginning of time period T3, to the moment when the UE camps on Cell 1, and starts to send preambles on the PRACH for sending the CELL UPDATE message with cause value "cell reselection" in Cell 1.

For the test to pass, the following need to be fulfilled:

- the SDU error rate during T1 and T2 (SDU_ER_ACC) shall not exceed 4.0 %,
- the total number of successful tests of the cell re-selection delay requirement shall be more than 90% of the cases with a confidence level of 95 %.

8.3.6 Cell Re-selection in CELL_PCH

8.3.6.1 One frequency present in the neighbour list

8.3.6.1.1 Definition and applicability

The cell re-selection delay is defined as the time from a change of cell levels to the moment when this change makes the UE camp on a new cell, and starts to send preambles on the PRACH for the CELL UPDATE message with cause value "cell reselection" in the new cell.

The requirements and this test apply to the FDD UE.

8.3.6.1.2 Minimum requirements

The cell re-selection delay shall be less than 8 s with a DRX cycle length of 1.28 s.

The rate of correct cell reselections observed during repeated tests shall be at least 90% with a confidence level of 95 %.

NOTE: The cell re-selection delay can be expressed as: $T_{\text{evaluateFDD}} + T_{\text{SI}}$, where:

| | |
|--------------------------|---|
| $T_{\text{evaluateFDD}}$ | See table 4.1 in TS 25.133 [2] clause 4.2.2. |
| T_{SI} | Maximum repetition period of relevant system info blocks that needs to be received by the UE to camp on a cell. 1280 ms is assumed in this test case. |

This gives a total of 7.68 s, allow 8s in the test case.

The normative reference for this requirement is TS 25.133 [2] clauses 5.6.2 and A.5.6.1.

8.3.6.1.3 Test purpose

To verify that the UE meets the minimum requirements and is capable of camping on to a new cell, within the required time, when the preferred cell conditions change.

8.3.6.1.4 Method of test

8.3.6.1.4.1 Initial conditions

Test environment: normal; see clauses G.2.1 and G.2.2.

Frequencies to be tested: mid range; see clause G.2.4.

This scenario implies the presence of 1 carrier and 6 cells as given in tables 8.3.6.1.1 to 8.3.6.1.3. The UE is requested to monitor neighbouring cells on 1 carrier. The maximum repetition period of the relevant system info blocks that needs to be received by the UE to camp on a cell shall be 1280 ms.

Table 8.3.6.1.1: General test parameters for Cell Re-selection in CELL_PCH, one freq. in neighbour list

| Parameter | | Unit | Value | Comment |
|--|-----------------|------|-----------------------------------|---|
| initial condition | Active cell | | Cell2 | |
| | Neighbour cells | | Cell1, Cell3, Cell4, Cell5, Cell6 | |
| final condition | Active cell | | Cell1 | |
| Access Service Class (ASC#0) - Persistence value | | - | 1 | Selected so that no additional delay is caused by the random access procedure. The value shall be used for all cells in the test. |
| HCS | | | | Not used |
| T_{SI} | | ms | 1280 | See Annex I for the SIB repetition period of system information blocks. |
| DRX cycle length | | s | 1.28 | The value shall be used for all cells in the test. |
| T1 | | s | 15 | T1 need to be defined so that cell re-selection reaction time is taken into account. |
| T2 | | s | 15 | T2 need to be defined so that cell re-selection reaction time is taken into account. |

Table 8.3.6.1.2: Cell specific test parameters for Cell re-selection in CELL_PCH state, one freq. in neighbour list

| Parameter | Unit | Cell 1 | | Cell 2 | | Cell 3 | | Cell 4 | | Cell 5 | | Cell 6 | |
|--|----------------|---|---|---|---|---|---|--------------------------------------|--------|--------------------------------------|--------|--------------------------------------|--------|
| | | T1 | T2 | T1 | T2 | T1 | T2 | T1 | T2 | T1 | T2 | T1 | T2 |
| UTRA RF Channel Number | | Channel 1 | | Channel 1 | | Channel 1 | | Channel 1 | | Channel 1 | | Channel 1 | |
| CPICH_Ec/Ior | dB | -10 | | -10 | | -10 | | -10 | | -10 | | -10 | |
| PCCPCH_Ec/Ior | dB | -12 | | -12 | | -12 | | -12 | | -12 | | -12 | |
| SCH_Ec/Ior | dB | -12 | | -12 | | -12 | | -12 | | -12 | | -12 | |
| PICH_Ec/Ior | dB | -15 | | -15 | | -15 | | -15 | | -15 | | -15 | |
| OCNS_Ec/Ior | dB | -0.941 | | -0.941 | | -0.941 | | -0.941 | | -0.941 | | -0.941 | |
| \hat{I}_{or}/I_{oc} | dB | 7.3 | 10.27 | 10.27 | 7.3 | 0.27 | 0.27 | 0.27 | 0.27 | -4.8 | -7.4 | -4.8 | -7.4 |
| \hat{I}_{or} (Note 1) | dBm | -62.73 | -59.73 | -59.73 | -62.73 | -69.73 | -69.73 | -69.73 | -69.73 | -74.75 | -77.39 | -74.75 | -77.39 |
| I_{oc} | dBm / 3.84 MHz | -70 | | | | | | | | | | | |
| CPICH_Ec/Io | dB | -16 | -13 | -13 | -16 | -23 | | -23 | | -23 | | -23 | |
| Propagation Condition | | AWGN | | | | | | | | | | | |
| Cell_selection_and_reselection_quality_measure | | CPICH E _c /N ₀ | | CPICH E _c /N ₀ | | CPICH E _c /N ₀ | | CPICH E _c /N ₀ | | CPICH E _c /N ₀ | | CPICH E _c /N ₀ | |
| Qqualmin | dB | -20 | | -20 | | -20 | | -20 | | -20 | | -20 | |
| Qrxlevmin | dBm | -115 | | -115 | | -115 | | -115 | | -115 | | -115 | |
| UE_TXPWR_MAX_RACH | dBm | 21 | | 21 | | 21 | | 21 | | 21 | | 21 | |
| Qoffset2 _{s, n} | dB | C1, C2: 0 C1, C3: 0 C1, C4: 0 C1, C5: 0 C1, C6: 0 | C2, C1: 0 C2, C3: 0 C2, C4: 0 C2, C5: 0 C2, C6: 0 | C3, C1: 0 C3, C2: 0 C3, C4: 0 C3, C5: 0 C3, C6: 0 | C4, C1: 0 C4, C2: 0 C4, C3: 0 C4, C5: 0 C4, C6: 0 | C5, C1: 0 C5, C2: 0 C5, C3: 0 C5, C4: 0 C5, C6: 0 | C6, C1: 0 C6, C2: 0 C6, C3: 0 C6, C4: 0 C6, C5: 0 | | | | | | |
| Qhyst2 | dB | 0 | | 0 | | 0 | | 0 | | 0 | | 0 | |
| Treselection | s | 0 | | 0 | | 0 | | 0 | | 0 | | 0 | |
| Sintrasearch | dB | not sent | | not sent | | not sent | | not sent | | not sent | | not sent | |

NOTE 1: The nominal \hat{I}_{or} values, although not explicitly defined in 25.133 [2] are added here since they are implied and need to be identified so that the test equipment can be configured.

8.3.6.1.4.2 Procedure

- 1) The SS activates cell 1-6 with T1 defined parameters in table 8.3.6.1.3 and monitors cell 1 and 2 for random access requests from the UE.
- 2) The UE is switched on.
- 3) An RRC connection is set up according to the generic set-up procedure specified in TS 34.108 [3] subclause 7.3.3 to place the UE in the CELL_PCH state on Cell 2 and then the SS waits for this process to complete.
- 4) After 15 s from the completion of step 3 or the beginning of T1, the parameters are changed to those defined for T2 in table 8.3.6.1.3.
- 5) If the UE responds on Cell 1 with a PRACH (CELL UPDATE message cause "cell reselection") within 8s, then a success is recorded, the SS shall transmit a CELL UPDATE CONFIRM message and then the procedure moves to step 7.
- 6) Since the UE has failed to respond with the correct message within the allowed time, a failure is recorded. The SS shall then wait for a total of 15s from the beginning of T2 and if no response is received, the UE shall be switched off and the procedure returns to step 1. Otherwise the SS shall transmit a CELL UPDATE CONFIRM message and then the procedure continues with step 7.
- 7) After a total of 15 s from the beginning of T2, the parameters are changed to those defined for T1 in table 8.3.6.1.3.
- 8) If the UE responds on Cell 2 with a PRACH (CELL UPDATE message cause "cell reselection") within 8s, then a success is recorded and the procedure moves to step 10.
- 9) Since the UE has failed to respond with the correct message within the allowed time, a failure is recorded. The SS shall then wait for a total of 15s from the beginning of T1 and if no response is received the UE shall be switched off and the procedure returns to step 1. Otherwise the SS shall transmit a CELL UPDATE CONFIRM message and then the procedure continues with step 10.
- 10) Steps 4 to 10 are repeated until the confidence level according to annex F.6.2 is achieved.

NOTE 1: The time required for receiving all the relevant system information data according to the reception procedure and the RRC procedure delay of system information blocks defined in 25.331 for a UTRAN cell. Since the maximum time to read the relevant system info blocks that needs to be received by the UE to camp on a cell is 1420ms (see note 2) and the maximum RRC procedure delay for reception system information block is 100ms, 1520 ms is assumed in this test case. Therefore this gives a total of 7.92s (Minimum requirement + 240ms), allow 8s in the test case.

NOTE 2: The maximum repetition period of the relevant system info blocks that needs to be received by the UE to camp on a cell is 1280ms. The Master Information Block (MIB) is repeated every 8 frame and SIB5 (and SIB11) is segmented into 4 segments where the first segment is scheduled adjacent to the MIB at SIB_POS=40 and the other three segments are scheduled after the MIB (SIB_POS=42, 44 and 46). The maximum time for a UE to read SIB5 will occur if the UE start reading the BCH at the SFN after the MIB located prior to the first segment of SIB5 (SIB_POS 32). Then the UE will not be able to read SIB5 until the second occurrence of SIB5, which will happen at SIB_POS 46 + 1280ms. This gives that the maximum time for the UE to read the relevant system info will be 1420ms ((SIB_POS 46 – SIB_POS 32)*10ms +1280ms).

Specific Message Contents

All messages indicated above shall use the same content as described in the default message content in clause 9 of 34.108 [3], with the following exceptions:

PHYSICAL CHANNEL RECONFIGURATION (Step 3)

| Information Element | Value/remark |
|---|--|
| RRC State Indicator | CELL_PCH |
| UTRAN DRX cycle length coefficient | 7 |
| Downlink information for each radio link - Primary CPICH info - Primary scrambling code | Reference to TS 34.108 [3] clause 6.1 "Default settings (FDD)" |

Contents of CELL UPDATE CONFIRM message for CELL_PCH

| Information Element | Value/remark |
|------------------------------------|--------------|
| RRC transaction identifier | 0 |
| Activation time | Not Present |
| RRC State indicator | CELL_PCH |
| UTRAN DRX cycle length coefficient | 7 |

8.3.6.1.5 Test requirements

For the test to pass, the total number of successful attempts shall be more than 90% of the cases with a confidence level of 95 %.

Table 8.3.6.1.3: Cell specific test requirements for Cell re-selection in CELL_PCH state, one freq. in neighbour list

| Parameter | Unit | Cell 1 | | Cell 2 | | Cell 3 | | Cell 4 | | Cell 5 | | Cell 6 | |
|------------------------------|----------------------|-----------|-------|-----------|-------|-----------|----|-----------|----|-----------|----|-----------|----|
| | | T1 | T2 | T1 | T2 | T1 | T2 | T1 | T2 | T1 | T2 | T1 | T2 |
| UTRA RF Channel Number | | Channel 1 | | Channel 1 | | Channel 1 | | Channel 1 | | Channel 1 | | Channel 1 | |
| CPICH_Ec/Ior | dB | -9.4 | | -9.4 | | -10.5 | | -10.5 | | -10.5 | | -10.5 | |
| PCCPCH_Ec/Ior | dB | -11.4 | | -11.4 | | -12.5 | | -12.5 | | -12.5 | | -12.5 | |
| SCH_Ec/Ior | dB | -11.4 | | -11.4 | | -12.5 | | -12.5 | | -12.5 | | -12.5 | |
| PICH_Ec/Ior | dB | -14.4 | | -14.4 | | -15.5 | | -15.5 | | -15.5 | | -15.5 | |
| OCNS_Ec/Ior | dB | -1.10 | | -1.10 | | -0.83 | | -0.83 | | -0.83 | | -0.83 | |
| \hat{I}_{or}/I_{oc} Note 1 | dB | 7.00 | 10.40 | 10.40 | 7.00 | 0.30 | | 0.30 | | 0.30 | | 0.30 | |
| \hat{I}_{or} | dBm | -63.0 | -59.6 | -59.6 | -63.0 | -69.7 | | -69.7 | | -69.7 | | -69.7 | |
| I_{oc} | dBm / 3.84 MHz | -70 | | | | | | | | | | | |
| CPICH_Ec/Io Note 1 | dB | -15.7 | -12.3 | -12.3 | -15.7 | -23.5 | | -23.5 | | -23.5 | | -23.5 | |

All other parameters and conditions specified in table 8.3.6.1.2 are unchanged.

NOTE 1: These parameters are not directly settable, but are derived by calculation from the settable parameters.

NOTE 2: If the above Test Requirement differs from the Minimum Requirement then the Test Tolerance applied for this test is non-zero. The Test Tolerance for this test is defined in clause F.2 and the explanation of how the Minimum Requirement has been relaxed by the Test Tolerance is given in clause F.4.

8.3.6.2 Two frequencies present in the neighbour list

8.3.6.2.1 Definition and applicability

The cell re-selection delay is defined as the time from a change of cell levels to the moment when this change makes the UE camp on a new cell, and starts to send preambles on the PRACH for the CELL UPDATE message with cause value "cell reselection" in the new cell.

The requirements and this test apply to the FDD UE.

8.3.6.2.2 Minimum requirement

The cell re-selection delay shall be less than 8 s with a DRX cycle length of 1.28 s.

The rate of correct cell reselections observed during repeated tests shall be at least 90% with a confidence level of 95 %.

NOTE: The cell re-selection delay can be expressed as: $T_{\text{evaluateFDD}} + T_{\text{SI}}$, where:

| | |
|--------------------------|---|
| $T_{\text{evaluateFDD}}$ | See table 4.1 in TS 25.133 [2] clause 4.2.2. |
| T_{SI} | Maximum repetition period of relevant system info blocks that needs to be received by the UE to camp on a cell. 1280 ms is assumed in this test case. |

This gives a total of 7.68 s, allow 8s in the test case.

The normative reference for this requirement is TS 25.133 [2] clauses 5.6.2 and A.5.6.2.

8.3.6.2.3 Test purpose

To verify that the UE meets the minimum requirement and is capable of camping on to a new cell, within the required time, when the preferred cell conditions change.

8.3.6.2.4 Method of test

8.3.6.2.4.1 Initial conditions

Test environment: normal; see clauses G.2.1 and G.2.2.

Frequencies to be tested: mid range; see clause G.2.4.

This scenario implies the presence of 2 carriers and 6 cells as given in tables 8.3.6.2.1 to 8.3.6.2.3. The UE is requested to monitor neighbouring cells on 2 carriers. The maximum repetition period of the relevant system info blocks that needs to be received by the UE to camp on a cell shall be 1 280 ms.

Table 8.3.6.2.1: General test parameters for Cell Re-selection in CELL_PCH, two freqs. in neighbour list

| Parameter | | Unit | Value | Comment |
|---|-----------------|------|-----------------------------------|---|
| initial condition | Active cell | | Cell2 | |
| | Neighbour cells | | Cell1, Cell3, Cell4, Cell5, Cell6 | |
| final condition | Active cell | | Cell1 | |
| Access Service Class (ASC#0) - Persistence value | | - | 1 | Selected so that no additional delay is caused by the random access procedure. The value shall be used for all cells in the test. |
| HCS | | | | Not used |
| T _{SI} | | ms | 1280 | See Annex I for the SIB repetition period of system information blocks. |
| DRX cycle length | | s | 1.28 | The value shall be used for all cells in the test. |
| T1 | | s | 30 | T1 need to be defined so that cell re-selection reaction time is taken into account. |
| T2 | | s | 15 | T2 need to be defined so that cell re-selection reaction time is taken into account. |
| NOTE: Monitored cell list size has 6 cells on 2 carriers. See Annex I for the cell information. | | | | |

Table 8.3.6.2.2: Cell specific test parameters for Cell re-selection in CELL_PCH state, two freqs. in neighbour list

| Parameter | Unit | Cell 1 | | Cell 2 | | Cell 3 | | Cell 4 | | Cell 5 | | Cell 6 | |
|--|--------------|---|--------|---|--------|---|--------|---|--------|---|--------|---|--------|
| | | T1 | T2 | T1 | T2 | T1 | T2 | T1 | T2 | T1 | T2 | T1 | T2 |
| UTRA RF Channel Number | | Channel 1 | | Channel 2 | | Channel 1 | | Channel 1 | | Channel 2 | | Channel 2 | |
| CPICH_Ec/Ior | dB | -10 | | -10 | | -10 | | -10 | | -10 | | -10 | |
| PCCPCH_Ec/Ior | dB | -12 | | -12 | | -12 | | -12 | | -12 | | -12 | |
| SCH_Ec/Ior | dB | -12 | | -12 | | -12 | | -12 | | -12 | | -12 | |
| PICH_Ec/Ior | dB | -15 | | -15 | | -15 | | -15 | | -15 | | -15 | |
| OCNS_Ec/Ior | dB | -0.941 | | -0.941 | | -0.941 | | -0.941 | | -0.941 | | -0.941 | |
| \hat{I}_{or}/I_{oc} | dB | -3.4 | 2.2 | 2.2 | -3.4 | -7.4 | -4.8 | -7.4 | -4.8 | -4.8 | -7.4 | -4.8 | -7.4 |
| \hat{I}_{or} (Note 1) | dBm | -73.39 | -67.75 | -67.75 | -73.39 | -77.39 | -74.75 | -77.39 | -74.75 | -74.75 | -77.39 | -74.75 | -77.39 |
| I_{oc} | dBm/3.84 MHz | -70 | | | | | | | | | | | |
| CPICH_Ec/Io | dB | -16 | -13 | -13 | -16 | -20 | | -20 | | -20 | | -20 | |
| Propagation Condition | | AWGN | | | | | | | | | | | |
| Cell_selection_and_reselection_quality_measure | | CPICH E _c /N ₀ | | CPICH E _c /N ₀ | | CPICH E _c /N ₀ | | CPICH E _c /N ₀ | | CPICH E _c /N ₀ | | CPICH E _c /N ₀ | |
| Qqualmin | dB | -20 | | -20 | | -20 | | -20 | | -20 | | -20 | |
| Qrxlevmin | dBm | -115 | | -115 | | -115 | | -115 | | -115 | | -115 | |
| UE_TXPWR_MAX_RACH | dBm | 21 | | 21 | | 21 | | 21 | | 21 | | 21 | |
| Qoffset2 _{s, n} | dB | C1, C2: 0 C1, C3: 0 C1, C4: 0 C1, C5: 0 C1, C6: 0 | | C2, C1: 0 C2, C3: 0 C2, C4: 0 C2, C5: 0 C2, C6: 0 | | C3, C1: 0 C3, C2: 0 C3, C4: 0 C3, C5: 0 C3, C6: 0 | | C4, C1: 0 C4, C2: 0 C4, C3: 0 C4, C5: 0 C4, C6: 0 | | C5, C1: 0 C5, C2: 0 C5, C3: 0 C5, C4: 0 C5, C6: 0 | | C6, C1: 0 C6, C2: 0 C6, C3: 0 C6, C4: 0 C6, C5: 0 | |
| Qhyst2 | dB | 0 | | 0 | | 0 | | 0 | | 0 | | 0 | |
| Treselection | s | 0 | | 0 | | 0 | | 0 | | 0 | | 0 | |
| Sintrasearch | dB | not sent | | not sent | | not sent | | not sent | | not sent | | not sent | |
| Sintersearch | dB | not sent | | not sent | | not sent | | not sent | | not sent | | not sent | |

NOTE 1: The nominal \hat{I}_{or} values, although not explicitly defined in 25.133 [2] are added here since they are implied and need to be identified so that the test equipment can be configured.

8.3.6.2.4.2 Procedure

- 1) The SS activates cell 1-6 with T1 defined parameters in table 8.3.6.2.3 and monitors cell 1 and 2 for random access requests from the UE.
- 2) The UE is switched on.
- 3) A RRC connection is set up according the generic set-up procedure specified in TS 34.108 [3] subclause 7.3.3 to place the UE in CELL_PCH state on cell 2. The SS waits for this process to complete.
- 4) After 30 s from the completion of step 3 or the beginning of T1, the parameters are changed to those defined for T2 in table 8.3.6.2.3.
- 5) If the UE responds on Cell 1 with a PRACH (CELL UPDATE message cause "cell reselection") within 8s, then a success is recorded, the SS shall transmit a CELL UPDATE CONFIRM message and then the procedure moves to step 7.
- 6) Since the UE has failed to respond with the correct message within the allowed time, a failure is recorded. The SS shall then wait for a total of 15s from the beginning of T2 and if no response is received the UE shall be switched off and the procedure returns to step 1. Otherwise the SS shall transmit a CELL UPDATE CONFIRM message and then the procedure continues with step 7.
- 7) After a total of 15 s from the beginning of T2, the parameters are changed to those defined for T1 in table 8.3.6.2.3.
- 8) If the UE responds on Cell 2 with a PRACH (CELL UPDATE message cause "cell reselection") within 8s, then a success is recorded and the procedure moves to step 10.
- 9) Since the UE has failed to respond with the correct message within the allowed time, a failure is recorded. The SS shall then wait for a total of 15s from the beginning of T1 and if no response is received the UE shall be switched off and the procedure returns to step 1. Otherwise the SS shall transmit a CELL UPDATE CONFIRM message and then the procedure continues with step 10.
- 10) After a total of 15 s from the beginning of T1, the parameters are changed to those defined for T2 in table 8.3.6.2.3.
- 11) Steps 5 to 10 are repeated until the confidence level according to annex F.6.2 is achieved.

NOTE 1: T1 is initially 30 s to allow enough time for the UE to search for cells as it has no prior knowledge of these.

NOTE 2: The time required for receiving all the relevant system information data according to the reception procedure and the RRC procedure delay of system information blocks defined in 25.331 for a UTRAN cell. Since the maximum repetition period of the relevant system info blocks that needs to be received by the UE to camp on a cell is 1420ms (see note 3) and the maximum RRC procedure delay for reception system information block is 100ms, 1520 ms is assumed in this test case. Therefore this gives a total of 7.82s (Minimum requirement + 240ms), allow 8s in the test case.

NOTE 3: The maximum repetition period of the relevant system info blocks that needs to be received by the UE to camp on a cell is 1280ms. The Master Information Block (MIB) is repeated every 8 frame and SIB5 (and SIB11) is segmented into 4 segments where the first segment is scheduled adjacent to the MIB at SIB_POS=40 and the other three segments are scheduled after the MIB (SIB_POS=42, 44 and 46). The maximum time for a UE to read SIB5 will occur if the UE start reading the BCH at the SFN after the MIB located prior to the first segment of SIB5 (SIB_POS 32). Then the UE will not be able to read SIB5 until the second occurrence of SIB5, which will happen at SIB_POS 46 + 1280ms. This gives that the maximum time for the UE to read the relevant system info will be 1420ms ((SIB_POS 46 – SIB_POS 32)*10ms + 1280ms).

Specific Message Contents

All messages indicated above shall use the same content as described in the default message content in clause 9 of 34.108 [3], with the following exceptions:

PHYSICAL CHANNEL RECONFIGURATION (Step 3)

| Information Element | Value/remark |
|---|--|
| RRC State Indicator | CELL_PCH |
| UTRAN DRX cycle length coefficient | 7 |
| Downlink information for each radio link - Primary CPICH info - Primary scrambling code | Reference to TS 34.108 [3] clause 6.1 "Default settings (FDD)" |

Contents of CELL UPDATE CONFIRM message for CELL_PCH

| Information Element | Value/remark |
|------------------------------------|--------------|
| RRC transaction identifier | 0 |
| Activation time | Not Present |
| RRC State indicator | CELL_PCH |
| UTRAN DRX cycle length coefficient | 7 |

8.3.6.2.5 Test requirements

For the test to pass, the total number of successful tests shall be more than 90% of the cases with a confidence level of 95 %.

Table 8.3.6.2.3: Cell specific test requirements for Cell re-selection in CELL_PCH state, two freqs. in neighbour list

| Parameter | Unit | Cell 1 | | Cell 2 | | Cell 3 | | Cell 4 | | Cell 5 | | Cell 6 | |
|--------------------------------|--------------|-----------|-------|-----------|-------|-----------|-------|-----------|-------|-----------|-------|-----------|-------|
| | | T1 | T2 | T1 | T2 | T1 | T2 | T1 | T2 | T1 | T2 | T1 | T2 |
| UTRA RF Channel Number | | Channel 1 | | Channel 2 | | Channel 1 | | Channel 1 | | Channel 2 | | Channel 2 | |
| CPICH_Ec/I _{or} | dB | -9.3 | | -9.3 | | -10.8 | | -10.8 | | -10.8 | | -10.8 | |
| PCCPCH_Ec/I _{or} | dB | -11.3 | | -11.3 | | -12.8 | | -12.8 | | -12.8 | | -12.8 | |
| SCH_Ec/I _{or} | dB | -11.3 | | -11.3 | | -12.8 | | -12.8 | | -12.8 | | -12.8 | |
| PICH_Ec/I _{or} | dB | -14.3 | | -14.3 | | -15.8 | | -15.8 | | -15.8 | | -15.8 | |
| OCNS_Ec/I _{or} | dB | -1.13 | | -1.13 | | -0.77 | | -0.77 | | -0.77 | | -0.77 | |
| \hat{I}_{or}/I_{oc} Note 1 | dB | -3.40 | +4.80 | +4.80 | -3.40 | -7.40 | -3.00 | -7.40 | -3.00 | -3.00 | -7.40 | -3.00 | -7.40 |
| \hat{I}_{or} | dBm | -73.4 | -67.0 | -67.0 | -73.4 | -77.4 | -74.8 | -77.4 | -74.8 | -74.8 | -77.4 | -74.8 | -77.4 |
| I_{oc} | dBm/3.84 MHz | -70.0 | -71.8 | -71.8 | -70.0 | -70.0 | -71.8 | -70.0 | -71.8 | -71.8 | -70.0 | -71.8 | -70.0 |
| CPICH_Ec/I _o Note 1 | dB | -15.3 | -11.5 | -11.5 | -15.3 | -20.8 | -20.8 | -20.8 | -20.8 | -20.8 | -20.8 | -20.8 | -20.8 |

All other parameters and conditions specified in table 8.3.6.2.2 are unchanged.

NOTE 1: These parameters are not directly settable, but are derived by calculation from the settable parameters.

NOTE 2: If the above Test Requirement differs from the Minimum Requirement then the Test Tolerance applied for this test is non-zero. The Test Tolerance for this test is defined in clause F.2 and the explanation of how the Minimum Requirement has been relaxed by the Test Tolerance is given in clause F.4.

8.3.6.3 Cell re-selection during an MBMS session, one UTRAN inter-frequency and 2 GSM cells present in the neighbour list

8.3.6.3.1 Definition and applicability

The cell re-selection delay is defined as the time from a change of cell levels to the moment when this change makes the UE camp on a new cell, and starts to send preambles on the PRACH for the CELL UPDATE message with cause value "cell reselection" in the new cell.

The requirements and this test apply to a Release 6 and later releases for UE supporting GSM and MBMS.

8.3.6.3.2 Minimum requirement

The cell re-selection delay is defined as the time from the beginning of time period T3, to the moment when the UE camps on Cell 3, and starts to send the RR Channel Request message for location update to Cell 3.

The cell re-selection delay shall be less than $2.75 \text{ s} + T_{\text{BCCH}}$, where T_{BCCH} is the maximum time allowed to read BCCH data from GSM cell, see TS 45.008 [30].

During T1 and T2 the MTCH SDU ER shall not exceed 4.0%.

The rate of correct cell reselections observed during repeated tests shall be at least 90%.

NOTE: The cell re-selection delay can be expressed as: $\text{Max}(3 * T_{\text{measureFDD}}, T_{\text{measureGSM}} + \text{DRX cycle length}) + T_{\text{BCCH}}$, where:

$T_{\text{measureFDD}}$ See table 4.1 in TS 25.133 [2] clause 4.2.2.

$T_{\text{measureGSM}}$ See table 4.1 in TS 25.133 [2] clause 4.2.2.

DRX cycle length 160ms see Table A.4.7.A

T_{BCCH} Maximum time allowed to read BCCH data from GSM cell, see TS 45.008 [30]. According to [20] and [30], the maximum time allowed to read the BCCH data, when being synchronized to a BCCH carrier, is 1.9 s.

This gives a total of $2.72 \text{ s} + T_{\text{BCCH}}$, allow $2.75 \text{ s} + T_{\text{BCCH}}$ in the test case.

The normative reference for this requirement is TS 25.133 [2] clauses 4.2.2 and A.5.6.3.

8.3.6.3.3 Test purpose

To verify that the UE meets the minimum requirement and is capable of camping on to a new cell, within the required time, when the preferred cell conditions change.

8.3.6.3.4 Method of test

8.3.6.3.4.1 Initial conditions

Test environment: normal; see clauses G.2.1 and G.2.2.

Frequencies to be tested: mid range; see clause G.2.4.

This scenario implies the presence of 1 UTRAN serving cell, 1 UTRAN inter-frequency cell and 2 GSM cells of which one is to be re-selected. The UE is requested to monitor neighbour cells on 2 UMTS carriers (Channel 1, Channel 2) and 12 GSM cells. Test parameters are given in Tables 8.3.6.3.1 to 8.3.6.3.5.

Table 8.3.6.3.1: General test parameters for Cell Re-selection

| Parameter | | Unit | Value | Comment |
|--------------------------------|-----------------|------|---|--|
| Initial condition | Active cell | | Cell2 | UMTS cell providing the MBMS session |
| | Neighbour cells | | Cell1 | UMTS inter-frequency neighbour cell |
| | | | Cell3, Cell4 | GSM cells |
| Final condition | Active cell | | Cell3 | |
| DRX cycle length | | ms | 160 | |
| HCS | | | | Not used |
| MBMS preferred frequency layer | | | | Not used |
| Monitored cell list size | | | 2 UMTS cells and 12 GSM cells, including the UARFCN of UMTS cells 1, 2 and the ARFCN of the GSM cells 3,4 | NOTE: See Annex I for cell information |
| T1 | | s | 15 (initial), 5 repeated | |
| T2 | | s | 45 | |
| T3 | | s | 7 | |

The transport and physical channel parameters of the S-CCPCH_2 carrying the MTCH are defined in Tables 8.3.6.3.2 and 8.3.6.3.3.

The transport and physical parameters of the S-CCPCH_1 carrying the PCH/FACH/MCCH are defined in TS 34.108 [3] clause 6.1.0b (Contents of System Information Block type 5 (FDD)) with M2 condition.

Table 8.3.6.3.2: Physical channel parameters for S-CCPCH_2 carrying the MTCH.

| Parameter | Unit | Level |
|---|------|-------|
| Channel bit rate | kbps | 960 |
| Channel symbol rate | ksps | 480 |
| Slot Format #1 | - | 14 |
| TFCI | - | ON |
| Power offsets of TFCI and Pilot fields relative to data field | dB | 0 |

Table 8.3.6.3.3: Transport channel parameters for S-CCPCH_2

| Parameter | FACH |
|---------------------------------|--------------|
| Transport Channel Number | 1 |
| Transport Block Size | 2536 |
| Transport Block Set Size | 10144 |
| Transmission Time Interval | 40ms |
| Type of Error Protection | Turbo Coding |
| Coding Rate | 1/3 |
| Rate Matching attribute | 256 |
| Size of CRC | 16 |
| Position of TrCH in radio frame | Flexible |

Table 8.3.6.3.4: Cell specific test parameters for serving Cell2 and inter-frequency neighbour Cell1

| Parameter | Unit | Cell 1 | | | Cell 2 | | |
|--|------------------|--------------------------------------|--------|------------|--------------------------------------|-----|--------|
| | | T1 | T2 | T3 | T1 | T2 | T3 |
| UTRA RF Channel Number | | Channel 1 | | | Channel 2 | | |
| CPICH_Ec/Ior | dB | -10 | | | -10 | | |
| PCCPCH_Ec/Ior | dB | -12 | | | -12 | | |
| SCH_Ec/Ior | dB | -12 | | | -12 | | |
| PICH_Ec/Ior | dB | -15 | | | -15 | | |
| S-CCPCH_1_Ec/Ior | dB | -12 | | | -12 | | |
| S-CCPCH_2_Ec/Ior | dB | n.a. | | | -6,8 | | |
| OCNS_Ec/Ior | dB | Note 1 | | | Note 1 | | |
| \hat{I}_{or}/I_{oc} | dB | -infinity | -4.75 | -infinity | 0 | 0 | -15 |
| I_{oc} | dBm/3.8 4 MHz | -70 | | | | | |
| CPICH_Ec/Io | dB | - infinity | -16 | - infinity | -13 | -13 | -25.14 |
| CPICH_RSCP | | - infinity | -84,75 | - infinity | -80 | -80 | -95 |
| Propagation Condition | | AWGN | | | | | |
| Cell_selection_and_reselection_quality_measure | | CPICH E _c /N ₀ | | | CPICH E _c /N ₀ | | |
| Qqualmin | dB | -20 | | | -20 | | |
| Qrxlevmin | dBm | -115 | | | -115 | | |
| UE_TXPWR_MAX_RACH | dBm | 21 | | | 21 | | |
| Qoffset2 _{s,n} | dB | C1, C2: 0 | | | C2, C1: 0 | | |
| Qhyst2 | dB | 0 | | | 0 | | |
| Qoffset1 _{s,n} | dB | | | | C2, C3: 0; C2, C4: 0 | | |
| Qhyst1 | dB | 0 | | | 0 | | |
| Treselection | s | 0 | | | 0 | | |
| Sintrasearch | dB | not sent | | | not sent | | |
| Sintersearch | dB | not sent | | | not sent | | |
| SsearchRAT | dB | not sent | | | not sent | | |

NOTE 1: The power of the OCNS channel that is added shall make the total power from the cell to be equal to I_{or}.

Table 8.3.6.3.5: Cell re-selection parameters for GSM cells case (cell 3 and cell4)

| Parameter | Unit | Cell 3 (GSM) | | | Cell 4 (GSM) | | |
|----------------------------|------|--------------|-----|-----|--------------|-----|-----------|
| | | T1 | T2 | T3 | T1 | T2 | T3 |
| Absolute RF Channel Number | | ARFCN 2 | | | ARFCN 1 | | |
| RXLEV | dBm | -infinity | -85 | -85 | -infinity | -85 | -infinity |
| RXLEV_ACCESS_MIN | dBm | -104 | | | -104 | | |
| MS_TXPWR_MAX_CCH | dBm | 33 | | | 33 | | |
| FDD_Qmin | dB | -14 | | | -14 | | |
| Qsearch_I | - | always | | | always | | |

Specific 2 quarter Message Contents

All messages indicated shall use the same content as described in the default message content in TS45.008 [30] clause 9, with the above exceptions.

8.3.6.3.4.2 Procedure

Initiation

- 1) Initiate the variables N_UEOK, N_UEOK_ACC, N_SS_ACC to 0.
- 2) The SS activates cell 1 to 4 with T1 defined parameters in tables 8.3.6.3.6 and 8.3.6.3.7 and monitors cell 2 and 3 for random access requests from the UE. The SS broadcast the cell reselection parameters according to tables 8.3.6.3.6 and 8.3.6.3.7.

- 3) The UE is switched on. The UE has selected the broadcast service provided by the SS (included in the MBMS_ACTIVATED_SERVICES VARIABLE).
- 4) Set up a call according to the generic call setup procedure TS34.108 [3] clause 7.3.10 to configure and activate an MBMS broadcast session, and transition to CELL_PCH state. The SS waits for this procedure to be completed.

T1

- 5) Start T1, and simultaneously start transmitting valid MAC headers on MTCH
- 6) After 5 s (15 s in the first iteration) from the start of T1, start transmitting invalid MAC headers on MTCH.

T2

- 7) The parameters are changed as described for T2 in tables 8.3.6.3.6 and 8.3.6.3.7 and the SS start sending valid MAC headers on MTCH.
- 8) After 45 s from the start of T2, start transmitting invalid MAC headers on MTCH and store N_SS.

Go to CELL_FACH and read out UE counter

NOTE: Steps 9 to 16 below implies that the duration of T2 is longer than specified in the core requirement. The active measurement period is however correct.

- 9) The SS transmits a PAGING TYPE 1 message specified in TS 34.108 [3] clause 7.3.10.4 to the UE on the PCH and the UE moves to CELL_FACH state, sending a CELL UPDATE message. The SS replies with a CELL UPDATE CONFIRM message.
- 10) UE confirms the received C-RNTI to be used in CELL_FACH state by transmitting a UTRAN MOBILITY INFORMATION CONFIRM message on the uplink DCCH.
- 11) The SS sends a "UE TEST LOOP MODE 3 RLC SDU COUNTER REQUEST" message.
- 12) The UE to respond by a "UE TEST LOOP MODE 3 RLC SDU COUNTER RESPONSE" message reporting the number of received RLC SDUs on MTCH. Store this in the variable N_UEOK.
- 13) The SS calculate the following:

N_SS: Number of SS transmitted RLC SDUs with valid MAC headers during T1 and T2

N_UEOK: UE received RLC SDUs as reported in the "UE TEST LOOP MODE 3 RLC SDU COUNTER RESPONSE" message in step 12

N_UEOK_ACC: Accumulated sum of N_UEOK during T1 and T2 periods tested so far.

N_SS_ACC: Accumulated sum of N_SS during T1 and T2 periods tested so far.

Go back to CELL_PCH

- 14) The SS orders the UE to move to CELL_PCH state by transmitting a PHYSICAL CHANNEL RECONFIGURATION message with the RRC state indicator set to "CELL_PCH".
- 15) The UE send a PHYSICAL CHANNEL RECONFIGURATION COMPLETE message

T3

- 16) The parameters are changed as described for T3 in tables 8.3.6.3.6 and 8.3.6.3.7.
- 17) The SS waits for a location registration procedure from the UE. If the UE begins transmitting on cell 3 (GSM cell) within 4.65 s then a success is recorded for the delay requirement, the SS completes the location update procedure in GSM and the procedure continues with step 19.
- 18) Since the UE has failed to respond with the correct message within the allowed time, a failure for the delay requirement is recorded. The SS shall then wait for a total of 7s from the beginning of T3 and if no response is received, the UE shall be switched off and the procedure returns to step 2. Otherwise the SS completes the location update procedure in GSM and the procedure continues with step 19.

19) After the location update procedure in GSM, the parameters are changed to those defined for T1 in tables 8.3.6.3.6 and 8.3.6.3.7.

20) The SS waits for random access requests from the UE on cell 2. The SS completes the routing area update procedure in UTRA.

Repeat step 4) to 20) until the confidence level for the delay requirement according to annex F.6.2 are achieved. This includes the confidence level for the RLC SDU error ratio. Refer Annex F.6.1 Table F.6.1.8-3

SDU error rate is measured during T1 and T2, as follows:

$$SDU_ER_ACC = (N_SS_ACC - N_UEOK_ACC) / N_SS_ACC$$

Specific Message Contents

All messages indicated above shall use the same content as described in the default message content in clause 9 of 34.108 [3], with the exceptions stated in clause 7.3.10 of 34.108 [3].

Contents of PHYSICAL CHANNEL RECONFIGURATION message: AM (Step 4 and 14)

| Information Element | Value/remark |
|------------------------------------|--------------|
| UTRAN DRX cycle length coefficient | 4 |

Content of CELL UPDATE CONFIRM message for CELL_FACH (Step 9)

| Information Element | Value/remark |
|----------------------------|--------------------|
| RRC transaction identifier | 0 |
| Activation time | Not Present |
| New C-RNTI | 0000000000000001 B |
| RRC State indicator | CELL_FACH |

8.3.6.3.5 Test requirements

For the test to pass, the following need to be fulfilled:

- the SDU error rate during T1 and T2 (SDU_ER_ACC) shall not exceed 4.0 %,
- the total number of successful tests of the cell re-selection delay requirement shall be more than 90% of the cases with a confidence level of 95 %.

Table 8.3.6.3.6: Cell specific test requirements for serving Cell2 and inter-frequency neighbour Cell1

| Parameter | Unit | Cell 1 | | | Cell 2 | | |
|--|------------------|--------------------------------------|--------|-----------|--------------------------------------|-------|--------|
| | | T1 | T2 | T3 | T1 | T2 | T3 |
| UTRA RF Channel Number | | Channel 1 | | | Channel 2 | | |
| CPICH_Ec/lor | dB | -9 | | | -9 | | -10.1 |
| PCCPCH_Ec/lor | dB | -11 | | | -11 | | -12 |
| SCH_Ec/lor | dB | -11 | | | -11 | | -12 |
| PICH_Ec/lor | dB | -14 | | | -14 | | -15 |
| S-CCPCH_1_Ec/lor | dB | -11 | | | -11 | | -12 |
| S-CCPCH_2_Ec/lor | dB | n.a. | | | -5,8 | | -6.8 |
| OCNS_Ec/lor | dB | Note 1 | | | Note 1 | | |
| \hat{I}_{or}/I_{oc} (Note2) | dB | -infinity | -4.74 | -infinity | 0 | 2.63 | -15.3 |
| I_{oc} | dBm/3.8 4 MHz | -70.0 | | | -70.0 | -71.5 | -70 |
| CPICH_Ec/lo (Note2) | dB | -infinity | -15 | -infinity | -12 | -10.9 | -25.54 |
| CPICH_RSCP (Note2) | | -infinity | -83.75 | -infinity | -79 | -77.9 | -95.4 |
| Propagation Condition | | AWGN | | | | | |
| Cell_selection_and_reselection_quality_measure | | CPICH E _c /N ₀ | | | CPICH E _c /N ₀ | | |
| Qqualmin | dB | -20 | | | -20 | | |
| Qrxlevmin | dBm | -115 | | | -115 | | |

| Parameter | Unit | Cell 1 | | | Cell 2 | | |
|--|------|-----------|----|----|----------------------|----|----|
| | | T1 | T2 | T3 | T1 | T2 | T3 |
| UE_TXPWR_MAX_RACH | dBm | 21 | | | 21 | | |
| Qoffset2 _{s,n} | dB | C1, C2: 0 | | | C2, C1: 0 | | |
| Qhyst2 | dB | 0 | | | 0 | | |
| Qoffset1 _{s,n} | dB | | | | C2, C3: 0; C2, C4: 0 | | |
| Qhyst1 | dB | 0 | | | 0 | | |
| Treselection | s | 0 | | | 0 | | |
| Sintrasearch | dB | not sent | | | not sent | | |
| Sintersearch | dB | not sent | | | not sent | | |
| SsearchRAT | dB | not sent | | | not sent | | |
| NOTE 1: The power of the OCNS channel that is added shall make the total power from the cell to be equal to Ior. | | | | | | | |
| NOTE 2: These parameters are not directly settable, but are derived by calculation from the settable parameters. | | | | | | | |

Table 8.3.6.3.7: Cell re-selection requirements for GSM cells case (cell 3 and cell4) Test Requirements

| Parameter | Unit | Cell 3 (GSM) | | | Cell 4 (GSM) | | |
|----------------------------|------|--|-----|-----|--|-----|-----------|
| | | T1 | T2 | T3 | T1 | T2 | T3 |
| Absolute RF Channel Number | | BCCH ARFCN 2 of cell B as defined in the initial conditions in clause 26.6.5.1 of TS 51.010-1 [25] for the GSM band under test. BCCH ARFCN 2 is 805 for FDD Band II and PCS1900 under test. BCCH ARFCN 2 is 251 for FDD Band V, VI or XIX and GSM850 under test. BCCH ARFCN 2 is 124 for FDD Band VIII and GSM900 under test. BCCH ARFCN 2 is 512 for FDD Band III or IX and DCS1800 under test. | | | BCCH ARFCN 1 of cell A as defined in the initial conditions in clause 26.6.5.1 of TS 51.010-1 [25] for the GSM band under test. BCCH ARFCN 1 is 744 for FDD Band II and PCS1900 under test. BCCH ARFCN 1 is 241 for FDD Band V, VI or XIX and GSM850 under test. BCCH ARFCN 1 is 114 for FDD Band VIII and GSM900 under test. BCCH ARFCN 1 is 885 for FDD Band III or IX and DCS1800 under test. | | |
| RXLEV | dBm | -infinity | -86 | -84 | -infinity | -86 | -infinity |
| RXLEV_ACCESS_MIN | dBm | -104 | | | -104 | | |
| MS_TXPWR_MAX_CCH | dBm | 33 | | | 33 | | |
| FDD_Qmin | dB | -14 | | | -14 | | |
| Qsearch_I | - | always | | | always | | |

NOTE: If the above Test Requirement differs from the Minimum Requirement then the Test Tolerance applied for this test is non-zero. The Test Tolerance for this test is defined in clause F.2 and the explanation of how the Minimum Requirement has been relaxed by the Test Tolerance is given in clause F.4.

8.3.7 Cell Re-selection in URA_PCH

8.3.7.1 One frequency present in the neighbour list

8.3.7.1.1 Definition and applicability

The cell re-selection delay is defined as the time from a change of cell levels to the moment when this change makes the UE camp on a new cell, and starts to send preambles on the PRACH for the URA UPDATE message with cause value "URA reselection" in the new cell.

The requirements and this test apply to the FDD UE.

8.3.7.1.2 Minimum requirement

The cell re-selection delay shall be less than 8 s with a DRX cycle length of 1.28 s.

The rate of correct cell reselections observed during repeated tests shall be at least 90% with a confidence level of 95 %.

NOTE: The cell re-selection delay can be expressed as: $T_{\text{evaluateFDD}} + T_{\text{SI}}$, where:

| | |
|--------------------------|---|
| $T_{\text{evaluateFDD}}$ | See table 4.1 in TS 25.133 [2] clause 4.2.2. |
| T_{SI} | Maximum repetition period of relevant system info blocks that needs to be received by the UE to camp on a cell. 1280 ms is assumed in this test case. |

This gives a total of 7.68 s, allow 8s in the test case.

The normative reference for this requirement is TS 25.133 [2] clauses 5.7.2 and A.5.7.1.

8.3.7.1.3 Test purpose

To verify that the UE meets the minimum requirement and is capable of camping on to a new cell, within the required time, when the preferred cell conditions change.

8.3.7.1.4 Method of test

8.3.7.1.4.1 Initial conditions

Test environment: normal; see clauses G.2.1 and G.2.2.

Frequencies to be tested: mid range; see clause G.2.4.

This scenario implies the presence of 1 carrier and 6 cells as given in tables 8.3.7.1.1 to 8.3.7.1.3. The UE is requested to monitor neighbouring cells on 1 carrier. The maximum repetition period of the relevant system info blocks that needs to be received by the UE to camp on a cell shall be 1 280 ms. In System Information Block Type 2 cell1 and cell 2 URA identity is set to a different value.

Table 8.3.7.1.1: General test parameters for Cell Re-selection in URA_PCH, one freq. in neighbour list

| Parameter | | Unit | Value | Comment |
|--|-----------------|------|--|---|
| Initial condition | Active cell | | Cell2 | |
| | Neighbour cells | | Cell1, Cell3, Cell4, Cell5, Cell6 | |
| Final condition | Active cell | | Cell1 | |
| SYSTEM INFORMATION BLOCK TYPE 2 - URA identity list - URA identity | | - | 0000 0000 0000 0001(B) (Cell 1) 0000 0000 0000 0010(B) (Cell 2) | |
| Access Service Class (ASC#0) - Persistence value | | - | 1 | Selected so that no additional delay is caused by the random access procedure. The value shall be used for all cells in the test. |
| HCS | | | | Not used |
| T_{SI} | | ms | 1280 | See Annex I for the SIB repetition period of system information blocks. |
| DRX cycle length | | s | 1,28 | The value shall be used for all cells in the test. |
| T1 | | s | 15 | T1 need to be defined so that cell re-selection reaction time is taken into account. |
| T2 | | s | 15 | T2 need to be defined so that cell re-selection reaction time is taken into account. |

Table 8.3.7.1.2: Cell specific test parameters for Cell re-selection in URA_PCH state, one freq. in neighbour list

| Parameter | Unit | Cell 1 | | Cell 2 | | Cell 3 | | Cell 4 | | Cell 5 | | Cell 6 | |
|--|----------------|---|---|---|---|---|---|--------------------------------------|--------|--------------------------------------|--------|--------------------------------------|--------|
| | | T1 | T2 | T1 | T2 | T1 | T2 | T1 | T2 | T1 | T2 | T1 | T2 |
| UTRA RF Channel Number | | Channel 1 | | Channel 1 | | Channel 1 | | Channel 1 | | Channel 1 | | Channel 1 | |
| CPICH_Ec/Ior | dB | -10 | | -10 | | -10 | | -10 | | -10 | | -10 | |
| PCCPCH_Ec/Ior | dB | -12 | | -12 | | -12 | | -12 | | -12 | | -12 | |
| SCH_Ec/Ior | dB | -12 | | -12 | | -12 | | -12 | | -12 | | -12 | |
| PICH_Ec/Ior | dB | -15 | | -15 | | -15 | | -15 | | -15 | | -15 | |
| OCNS_Ec/Ior | dB | -0,941 | | -0,941 | | -0,941 | | -0,941 | | -0,941 | | -0,941 | |
| \hat{I}_{or}/I_{oc} | dB | 7,3 | 10,27 | 10,27 | 7,3 | 0,27 | 0,27 | 0,27 | 0,27 | -4.8 | -7.4 | -4.8 | -7.4 |
| \hat{I}_{or} (Note 1) | dBm | -62.73 | -59.73 | -59.73 | -62.73 | -69.73 | -69.73 | -69.73 | -69.73 | -74.75 | -77.39 | -74.75 | -77.39 |
| I_{oc} | dBm / 3,84 MHz | -70 | | | | | | | | | | | |
| CPICH_Ec/Io | dB | -16 | -13 | -13 | -16 | -23 | | -23 | | -23 | | -23 | |
| Propagation Condition | | AWGN | | | | | | | | | | | |
| Cell_selection_and_reselection_quality_measure | | CPICH E _c /N ₀ | | CPICH E _c /N ₀ | | CPICH E _c /N ₀ | | CPICH E _c /N ₀ | | CPICH E _c /N ₀ | | CPICH E _c /N ₀ | |
| Qqualmin | dB | -20 | | -20 | | -20 | | -20 | | -20 | | -20 | |
| Qrxlevmin | dBm | -115 | | -115 | | -115 | | -115 | | -115 | | -115 | |
| UE_TXPWR_MAX_RACH | dB | 21 | | 21 | | 21 | | 21 | | 21 | | 21 | |
| Qoffset2 _{s, n} | dB | C1, C2: 0 C1, C3: 0 C1, C4: 0 C1, C5: 0 C1, C6: 0 | C2, C1: 0 C2, C3: 0 C2, C4: 0 C2, C5: 0 C2, C6: 0 | C3, C1: 0 C3, C2: 0 C3, C4: 0 C3, C5: 0 C3, C6: 0 | C4, C1: 0 C4, C2: 0 C4, C3: 0 C4, C5: 0 C4, C6: 0 | C5, C1: 0 C5, C2: 0 C5, C3: 0 C5, C4: 0 C5, C6: 0 | C6, C1: 0 C6, C2: 0 C6, C3: 0 C6, C4: 0 C6, C5: 0 | | | | | | |
| Qhyst2 | dB | 0 | | 0 | | 0 | | 0 | | 0 | | 0 | |
| Treselection | S | 0 | | 0 | | 0 | | 0 | | 0 | | 0 | |
| Sintrasearch | dB | not sent | | not sent | | not sent | | not sent | | not sent | | not sent | |

NOTE 1: The nominal \hat{I}_{or} values, although not explicitly defined in 25.133 [2] are added here since they are implied and need to be identified so that the test equipment can be configured.

8.3.7.1.4.2 Procedure

- 1) The SS activates cell 1-6 with T1 defined parameters in table 8.3.7.1.3 and monitors cell 1 and 2 for random access requests from the UE.
- 2) The UE is switched on.
- 3) An RRC connection is set up according to the generic set-up procedure specified in TS 34.108 [3] subclause 7.3.3 to place the UE in the URA_PCH state on Cell 2 and then the SS waits for this process to complete.
- 4) After 15 s from the completion of step 3 or the beginning of T1, the parameters are changed to those defined for T2 in table 8.3.7.1.3.
- 5) If the UE responds on Cell 1 with a PRACH (URA UPDATE message cause "URA reselection") within 8s, then a success is recorded, the SS shall transmit a URA UPDATE CONFIRM message and then the procedure moves to step 7.
- 6) Since the UE has failed to respond with the correct message within the allowed time, a failure is recorded. The SS shall then wait for a total of 15s from the beginning of T2 and if no response is received, the UE shall be switched off and the procedure returns to step 1. Otherwise the SS shall transmit a URA UPDATE CONFIRM message and then the procedure continues with step 7.
- 7) After a total of another 15 s from the beginning of T2, the parameters are changed to those defined for T1 in table 8.3.7.1.3.
- 8) If the UE responds on Cell 2 with a PRACH (URA UPDATE message cause "URA reselection") within 8s, then a success is recorded and the procedure moves to step 10.
- 9) Since the UE has failed to respond with the correct message within the allowed time, a failure is recorded. The SS shall then wait for a total of 15s from the beginning of T1 and if no response is received the UE shall be switched off and the procedure returns to step 1. Otherwise the SS shall transmit a URA UPDATE CONFIRM message and then the procedure continues with step 10.
- 10) Steps 4 to 10 are repeated until the confidence level according to annex F.6.2 is achieved.

NOTE 1: The time required for receiving all the relevant system information data according to the reception procedure and the RRC procedure delay of system information blocks defined in 25.331 for a UTRAN cell. Since the maximum time to read the relevant system info blocks that needs to be received by the UE to camp on a cell is 1420ms and the maximum RRC procedure delay for reception system information block is 100ms, 1520 ms is assumed in this test case. Therefore this gives a total of 7.92s (Minimum requirement + 240ms), allow 8s in the test case.

NOTE 2: The maximum repetition period of the relevant system info blocks that needs to be received by the UE to camp on a cell is 1280ms. The Master Information Block (MIB) is repeated every 8 frame and SIB5 (and SIB11) is segmented into 4 segments where the first segment is scheduled adjacent to the MIB at SIB_POS=40 and the other three segments are scheduled after the MIB (SIB_POS=42, 44 and 46). The maximum time for a UE to read SIB5 will occur if the UE start reading the BCH at the SFN after the MIB located prior to the first segment of SIB5 (SIB_POS 32). Then the UE will not be able to read SIB5 until the second occurrence of SIB5, which will happen at SIB_POS 46 + 1280ms. This gives that the maximum time for the UE to read the relevant system info will be 1420ms ((SIB_POS 46 – SIB_POS 32)*10ms +1280ms).

Specific Message Contents

All messages indicated above shall use the same content as described in the default message content in clause 9 of 34.108 [3], with the following exceptions:

PHYSICAL CHANNEL RECONFIGURATION (Step 3)

| Information Element | Value/remark |
|------------------------------------|--------------|
| RRC State Indicator | URA PCH |
| UTRAN DRX cycle length coefficient | 7 |

Contents of URA UPDATE CONFIRM message for URA_PCH

| Information Element | Value/remark |
|------------------------------------|---------------------------------|
| RRC transaction identifier | 0 |
| RRC state indicator | URA_PCH |
| UTRAN DRX cycle length coefficient | 7 |
| URA identity | As specified in Table 8.3.7.1.1 |

8.3.7.1.5 Test requirements

For the test to pass, the total number of successful attempts shall be more than 90% with a confidence level of 95 % of the cases.

Table 8.3.7.1.3: Cell specific test requirements for Cell re-selection in URA_PCH state, one freq. in neighbour list

| Parameter | Unit | Cell 1 | | Cell 2 | | Cell 3 | | Cell 4 | | Cell 5 | | Cell 6 | |
|--------------------------------|----------------|-----------|-------|-----------|-------|-----------|----|-----------|----|-----------|----|-----------|----|
| | | T1 | T2 | T1 | T2 | T1 | T2 | T1 | T2 | T1 | T2 | T1 | T2 |
| UTRA RF Channel Number | | Channel 1 | | Channel 1 | | Channel 1 | | Channel 1 | | Channel 1 | | Channel 1 | |
| CPICH_Ec/I _{or} | dB | -9.4 | | -9.4 | | -10.5 | | -10.5 | | -10.5 | | -10.5 | |
| PCCPCH_Ec/I _{or} | dB | -11.4 | | -11.4 | | -12.5 | | -12.5 | | -12.5 | | -12.5 | |
| SCH_Ec/I _{or} | dB | -11.4 | | -11.4 | | -12.5 | | -12.5 | | -12.5 | | -12.5 | |
| PICH_Ec/I _{or} | dB | -14.4 | | -14.4 | | -15.5 | | -15.5 | | -15.5 | | -15.5 | |
| OCNS_Ec/I _{or} | dB | -1.10 | | -1.10 | | -0.83 | | -0.83 | | -0.83 | | -0.83 | |
| \hat{I}_{or}/I_{oc} Note 1 | dB | 7.00 | 10.40 | 10.40 | 7.00 | 0.30 | | 0.30 | | 0.30 | | 0.30 | |
| \hat{I}_{or} | dBm | -63.0 | -59.6 | -59.6 | -63.0 | -69.7 | | -69.7 | | -69.7 | | -69.7 | |
| I_{oc} | dBm / 3,84 MHz | -70 | | | | | | | | | | | |
| CPICH_Ec/I _o Note 1 | dB | -15.7 | -12.3 | -12.3 | -15.7 | -23.5 | | -23.5 | | -23.5 | | -23.5 | |

All other parameters and conditions specified in table 8.3.7.1.2 are unchanged.

NOTE 1: These parameters are not directly settable, but are derived by calculation from the settable parameters.

NOTE 2: If the above Test Requirement differs from the Minimum Requirement then the Test Tolerance applied for this test is non-zero. The Test Tolerance for this test is defined in clause F.2 and the explanation of how the Minimum Requirement has been relaxed by the Test Tolerance is given in clause F.4.

8.3.7.2 Two frequencies present in the neighbour list

8.3.7.2.1 Definition and applicability

The cell re-selection delay is defined as the time from a change of cell levels to the moment when this change makes the UE camp on a new cell, and starts to send preambles on the PRACH for the URA UPDATE message with cause value "URA reselection" in the new cell.

The requirements and this test apply to the FDD UE.

8.3.7.2.2 Minimum requirement

The cell re-selection delay shall be less than 8 s with a DRX cycle length of 1.28 s.

The rate of correct cell reselections observed during repeated tests shall be at least 90% with a confidence level of 95 %.

NOTE: The cell re-selection delay can be expressed as: $T_{\text{evaluateFDD}} + T_{\text{SI}}$, where:

| | |
|--------------------------|---|
| $T_{\text{evaluateFDD}}$ | See table 4.1 in TS 25.133 [2] clause 4.2.2. |
| T_{SI} | Maximum repetition period of relevant system info blocks that needs to be received by the UE to camp on a cell. 1280 ms is assumed in this test case. |

This gives a total of 7.68 s, allow 8s in the test case.

The normative reference for this requirement is TS 25.133 [2] clauses 5.7.2 and A.5.7.2.

8.3.7.2.3 Test purpose

To verify that the UE meets the minimum requirement and is capable of camping on to a new cell, within the required time, when the preferred cell conditions change.

8.3.7.2.4 Method of test

8.3.7.2.4.1 Initial conditions

Test environment: normal; see clauses G.2.1 and G.2.2.

Frequencies to be tested: mid range; see clause G.2.4.

This scenario implies the presence of 2 carriers and 6 cells as given in tables 8.3.7.2.1 to 8.3.7.2.3. The UE is requested to monitor neighbouring cells on 2 carriers. The maximum repetition period of the relevant system info blocks that needs to be received by the UE to camp on a cell shall be 1 280 ms. In System Information Block Type 2 in cell 1 and cell 2 URA identity is set to different value.

Table 8.3.7.2.1: General test parameters for Cell Re-selection in URA_PCH, two freqs. in neighbour list

| Parameter | | Unit | Value | Comment |
|--|-----------------|------|--|---|
| Initial condition | Active cell | | Cell2 | |
| | Neighbour cells | | Cell1, Cell3,Cell4, Cell5, Cell6 | |
| Final condition | Active cell | | Cell1 | |
| SYSTEM INFORMATION BLOCK TYPE 2 - URA identity list - URA identity | | | 0000 0000 0000 0001(B) (Cell 1) 0000 0000 0000 0010(B) (Cell 2) | |
| Access Service Class (ASC#0) - Persistence value | | - | 1 | Selected so that no additional delay is caused by the random access procedure. The value shall be used for all cells in the test. |
| HCS | | | | Not used |
| T _{SI} | | ms | 1280 | See Annex I for the SIB repetition period of system information blocks. |
| DRX cycle length | | s | 1,28 | The value shall be used for all cells in the test. |
| T1 | | s | 30 | T1 need to be defined so that cell re-selection reaction time is taken into account. |
| T2 | | s | 15 | T2 need to be defined so that cell re-selection reaction time is taken into account. |

Table 8.3.7.2.2: Cell specific test parameters for Cell Re-selection in URA_PCH state, two freqs. in neighbour list

| Parameter | Unit | Cell 1 | | Cell 2 | | Cell 3 | | Cell 4 | | Cell 5 | | Cell 6 | |
|--|----------------|---|--------|---|--------|---|--------|---|--------|---|--------|---|--------|
| | | T1 | T2 | T1 | T2 | T1 | T2 | T1 | T2 | T1 | T2 | T1 | T2 |
| UTRA RF Channel Number | | Channel 1 | | Channel 2 | | Channel 1 | | Channel 1 | | Channel 2 | | Channel 2 | |
| CPICH_Ec/Ior | dB | -10 | | -10 | | -10 | | -10 | | -10 | | -10 | |
| PCCPCH_Ec/Ior | dB | -12 | | -12 | | -12 | | -12 | | -12 | | -12 | |
| SCH_Ec/Ior | dB | -12 | | -12 | | -12 | | -12 | | -12 | | -12 | |
| PICH_Ec/Ior | dB | -15 | | -15 | | -15 | | -15 | | -15 | | -15 | |
| OCNS_Ec/Ior | dB | -0.941 | | -0.941 | | -0.941 | | -0.941 | | -0.941 | | -0.941 | |
| \hat{I}_{or}/I_{oc} | dB | -3.4 | 2.2 | 2.2 | -3.4 | -7.4 | -4.8 | -7.4 | -4.8 | -4.8 | -7.4 | -4.8 | -7.4 |
| \hat{I}_{or} (Note 1) | dBm | -73.39 | -67.75 | -67.75 | -73.39 | -77.39 | -74.75 | -77.39 | -74.75 | -74.75 | -77.39 | -74.75 | -77.39 |
| I_{oc} | dBm / 3.84 MHz | -70 | | | | | | | | | | | |
| CPICH_Ec/Io | dB | -16 | -13 | -13 | -16 | -20 | | -20 | | -20 | | -20 | |
| Propagation Condition | | AWGN | | | | | | | | | | | |
| Cell_selection_and_reselection_quality_measure | | CPICH E _c /N ₀ | | CPICH E _c /N ₀ | | CPICH E _c /N ₀ | | CPICH E _c /N ₀ | | CPICH E _c /N ₀ | | CPICH E _c /N ₀ | |
| Qqualmin | dB | -20 | | -20 | | -20 | | -20 | | -20 | | -20 | |
| Qrxlevmin | dBm | -115 | | -115 | | -115 | | -115 | | -115 | | -115 | |
| UE_TXPWR_MAX_RACH | dB | 21 | | 21 | | 21 | | 21 | | 21 | | 21 | |
| Qoffset2 _{s, n} | dB | C1, C2: 0 C1, C3: 0 C1, C4: 0 C1, C5: 0 C1, C6: 0 | | C2, C1: 0 C2, C3: 0 C2, C4: 0 C2, C5: 0 C2, C6: 0 | | C3, C1: 0 C3, C2: 0 C3, C4: 0 C3, C5: 0 C3, C6: 0 | | C4, C1: 0 C4, C2: 0 C4, C3: 0 C4, C5: 0 C4, C6: 0 | | C5, C1: 0 C5, C2: 0 C5, C3: 0 C5, C4: 0 C5, C6: 0 | | C6, C1: 0 C6, C2: 0 C6, C3: 0 C6, C4: 0 C6, C5: 0 | |
| Qhyst2 | dB | 0 | | 0 | | 0 | | 0 | | 0 | | 0 | |
| Treselection | s | 0 | | 0 | | 0 | | 0 | | 0 | | 0 | |
| Sintrasearch | dB | not sent | | not sent | | not sent | | not sent | | not sent | | not sent | |
| Sintrasearch | dB | not sent | | not sent | | not sent | | not sent | | not sent | | not sent | |

NOTE 1: The nominal \hat{I}_{or} values, although not explicitly defined in 25.133 [2] are added here since they are implied and need to be identified so that the test equipment can be configured.

8.3.7.2.4.2 Procedures

- 1) The SS activates cell 1-6 with T1 defined parameters in table 8.3.7.2.3 and monitors cell 1 and 2 for random access requests from the UE.
- 2) The UE is switched on.
- 3) An RRC connection is set up according the generic set-up procedure specified in TS 34.108 [3] subclause 7.3.3 to place the UE in URA_PCH state on cell 2. The SS waits for this process to complete.
- 4) After 30 s from the completion of step 3 or the beginning of T1, the parameters are changed to those defined for T2 in table 8.3.7.2.3.
- 5) If the UE responds on Cell 1 with a PRACH (URA UPDATE message cause "URA reselection") within 8s, then a success is recorded, the SS shall transmit a URA UPDATE CONFIRM message and then the procedure moves to step 7.
- 6) Since the UE has failed to respond with the correct message within the allowed time, a failure is recorded. The SS shall then wait for a total of 15s from the beginning of T2 and if no response is received the UE shall be switched off and the procedure returns to step 1. Otherwise the SS shall transmit a URA UPDATE CONFIRM message and then the procedure continues with step 7.
- 7) After a total of 15 s from the beginning of T2, the parameters are changed to those defined for T1 in table 8.3.7.2.3.
- 8) If the UE responds on Cell 2 with a PRACH (URA UPDATE message cause "URA reselection") within 8s, then a success is recorded and the procedure moves to step 10.
- 9) Since the UE has failed to respond with the correct message within the allowed time, a failure is recorded. The SS shall then wait for a total of 15s from the beginning of T1 and if no response is received the UE shall be switched off and the procedure returns to step 1. Otherwise the SS shall transmit a URA UPDATE CONFIRM message and then the procedure continues with step 10.
- 10) After a total of 15 s from the beginning of T1, the parameters are changed to those defined for T2 in table 8.3.7.2.3.
- 11) Steps 5 to 10 are repeated until the confidence level according to annex F.6.2 is achieved.

NOTE 1: T1 is initially 30 s to allow enough time for the UE to search for cells as it has no prior knowledge of these.

NOTE 2: The time required for receiving all the relevant system information data according to the reception procedure and the RRC procedure delay of system information blocks defined in 25.331 for a UTRAN cell. Since the maximum time to read the relevant system info blocks that needs to be received by the UE to camp on a cell is 1420ms (see note 3) and the maximum RRC procedure delay for reception system information block is 100ms, 1520 ms is assumed in this test case. Therefore this gives a total of 7.82s (Minimum requirement + 240ms), allow 8s in the test case.

NOTE 3: The maximum repetition period of the relevant system info blocks that needs to be received by the UE to camp on a cell is 1280ms. The Master Information Block (MIB) is repeated every 8 frame and SIB5 (and SIB11) is segmented into 4 segments where the first segment is scheduled adjacent to the MIB at SIB_POS=40 and the other three segments are scheduled after the MIB (SIB_POS=42, 44 and 46). The maximum time for a UE to read SIB5 will occur if the UE start reading the BCH at the SFN after the MIB located prior to the first segment of SIB5 (SIB_POS 32). Then the UE will not be able to read SIB5 until the second occurrence of SIB5, which will happen at SIB_POS 46 + 1280ms. This gives that the maximum time for the UE to read the relevant system info will be 1420ms ((SIB_POS 46 – SIB_POS 32)*10ms + 1280ms).

Specific Message Contents

All messages indicated above shall use the same content as described in the default message content in clause 9 of 34.108 [3], with the following exceptions:

PHYSICAL CHANNEL RECONFIGURATION (Step 3)

| Information Element | Value/remark |
|------------------------------------|--------------|
| RRC State Indicator | URA_PCH |
| UTRAN DRX cycle length coefficient | 7 |

Contents of URA UPDATE CONFIRM message for URA_PCH

| Information Element | Value/remark |
|------------------------------------|---------------------------------|
| RRC transaction identifier | 0 |
| RRC state indicator | URA_PCH |
| UTRAN DRX cycle length coefficient | 7 |
| URA identity | As specified in Table 8.3.7.2.1 |

8.3.7.2.5 Test requirements

For the test to pass, the total number of successful tests shall be more than 90% of the cases with a confidence level of 95%.

Table 8.3.7.2.3: Cell specific test requirements for Cell re-selection in URA_PCH state, two freqs. in neighbour list

| Parameter | Unit | Cell 1 | | Cell 2 | | Cell 3 | | Cell 4 | | Cell 5 | | Cell 6 | |
|------------------------------|---------------------|-----------|-------|-----------|-------|-----------|-------|-----------|-------|-----------|-------|-----------|-------|
| | | T1 | T2 | T1 | T2 | T1 | T2 | T1 | T2 | T1 | T2 | T1 | T2 |
| UTRA RF Channel Number | | Channel 1 | | Channel 2 | | Channel 1 | | Channel 1 | | Channel 2 | | Channel 2 | |
| CPICH_Ec/lor | dB | -9.3 | | -9.3 | | -10.8 | | -10.8 | | -10.8 | | -10.8 | |
| PCCPCH_Ec/lor | dB | -11.3 | | -11.3 | | -12.8 | | -12.8 | | -12.8 | | -12.8 | |
| SCH_Ec/lor | dB | -11.3 | | -11.3 | | -12.8 | | -12.8 | | -12.8 | | -12.8 | |
| PICH_Ec/lor | dB | -14.3 | | -14.3 | | -15.8 | | -15.8 | | -15.8 | | -15.8 | |
| OCNS_Ec/lor | dB | -1.13 | | -1.13 | | -0.77 | | -0.77 | | -0.77 | | -0.77 | |
| \hat{I}_{or}/I_{oc} Note 1 | dB | -3.40 | +4.80 | +4.80 | -3.40 | -7.40 | -3.00 | -7.40 | -3.00 | -3.00 | -7.40 | -3.00 | -7.40 |
| \hat{I}_{or} | dBm | -73.4 | -67.0 | -67.0 | -73.4 | -77.4 | -74.8 | -77.4 | -74.8 | -74.8 | -77.4 | -74.8 | -77.4 |
| I_{oc} | dBm/ 3.84 MHz | -70.0 | -71.8 | -71.8 | -70.0 | -70.0 | -71.8 | -70.0 | -71.8 | -71.8 | -70.0 | -71.8 | -70.0 |
| CPICH_Ec/lor Note 1 | dB | -15.3 | -11.5 | -11.5 | -15.3 | -20.8 | -20.8 | -20.8 | -20.8 | -20.8 | -20.8 | -20.8 | -20.8 |

All other parameters and conditions specified in table 8.3.7.2.2 are unchanged.

NOTE 1: These parameters are not directly settable, but are derived by calculation from the settable parameters.

NOTE 2: If the above Test Requirement differs from the Minimum Requirement then the Test Tolerance applied for this test is non-zero. The Test Tolerance for this test is defined in clause F.2 and the explanation of how the Minimum Requirement has been relaxed by the Test Tolerance is given in clause F.4.

8.3.8 Serving HS-DSCH cell change

8.3.8.1 Definition and applicability

When the UE receives a RRC message implying HS-DSCH cell change with the activation time "now" or earlier than RRC procedure delay seconds from the end of the last TTI containing the RRC command, the UE shall be ready to receive the HS-SCCH channel from the new cell within $D_{\text{cell_change}}$ seconds from the end of the last TTI containing the RRC command.

The requirements and this test apply to Release 6 and later releases for all types of UTRA for the FDD UE that support HSDPA (all categories).

8.3.8.2 Minimum requirement

The UE shall start to transmit the CQI to cell 2 based on the quality of cell 2 less than 74 ms from the beginning of time period T4.

The UE shall also be able to start to receive the first HS-SCCH message from cell 2 less than 74 ms from the beginning of time period T4 and transmit the ACK or NAK which corresponds to the HS-SCCH message.

NOTE: The delay $D_{\text{cell_change}}$ equals the RRC procedure delay defined in TS25.331 Section 13.5.2 plus the interruption time of receiving HS-DSCH data stated in section 5.10.2.2 of TS 25.133.
The RRC procedure delay is 50 ms and the interruption time is given by $T_{\text{interrupt1}} = T_{\text{IU}} + 22 \text{ ms} = 24 \text{ ms}$.

The total delay $D_{\text{cell_change}} = 50 + 24 \text{ ms} = 74 \text{ ms}$

The reference for this requirement is TS 25.133 [2] clauses 5.10.2 and A.5.8.

8.3.8.3 Test purpose

The purpose of this test is to verify the requirement for the delay when performing the serving HS-DSCH cell change in CELL_DCH state specified in section 8.3.8.2.

8.3.8.4 Method of test

The test parameters are given in Table 8.3.8.1, 8.3.8.1a, and 8.3.8.2 below. The test consists of 4 successive time periods, with a time duration of T1, T2, T3 and T4 respectively. At the start of time duration T1 the UE have cell 1 and cell 2 in active set and cell 1 as the serving HS-DSCH cell.

Data shall be transmitted continuously to the UE on the HS-DSCH channel.

Table 8.3.8.1: General test parameters for serving HS-DSCH cell change

| Parameter | | Unit | Value | Comment |
|----------------------------------|----------------------|----------|---|---------------------------------|
| DCH parameters | | | DL Reference Measurement Channel 12.2 kbps | As specified in section C.3.1 |
| Power Control | | | On | |
| Target quality value on DTCH | | BLER | 0.001 | |
| HSDPA parameters | | | Fixed Reference Channel Definition H-Set 1, with QPSK modulation only. | As specified in section C.8.1.1 |
| Initial conditions | Active cells | | Cell 1 and Cell 2 | |
| | Serving HS-DSCH cell | | Cell 1 | |
| Final condition | Active cell | | Cell 1 and Cell 2 | |
| | Serving HS-DSCH cell | | Cell 2 | |
| Hysteresis | | dB | 0 | |
| Time to Trigger | | ms | 0 | |
| Filter coefficient | | | 0 | |
| CQI Feedback cycle, k | | ms | 2 (0 for cell 1) | |
| CQI repetition factor | | | 1 | |
| HS-SCCH-1 signalling pattern | | - | The six sub-frame HS-SCCH-1 signalling pattern shall be "...XOOXOO...", where "X" indicates TTI in which the HS-SCCH-1 uses the identity of the UE under test, and "O" indicates TTI in which the HS-SCCH-1 uses a different UE identity. | |
| DPCH Frame offset | | 256*chip | 0 | |
| Default DPCH Offset Value (DOFF) | | 512*chip | 0 | |
| T1 | | s | 5 | |
| T2 | | s | 3 | |
| T3 | | s | 0.5 | |
| T4 | | ms | 100 | |

Table 8.3.8.1a: Cell specific test parameters for serving HS-DSCH cell change, initial conditions

| Parameter | Unit | Cell 1 | Cell 2 |
|--|--------------|-----------|-----------|
| | | T0 | T0 |
| UTRA RF Channel Number | | Channel 1 | Channel 1 |
| CPICH_Ec/Ior | dB | -10 | -10 |
| PCCPCH_Ec/Ior | dB | -12 | -12 |
| SCH_Ec/Ior | dB | -12 | -12 |
| PICH_Ec/Ior | dB | -15 | -15 |
| DPCH_Ec/Ior | dB | (Note 1) | N/A |
| HS-PDSCH_Ec/Ior(Note 3) | dB | -10 | -inf |
| HS-SCCH-1_Ec/Ior(Note 4) | dB | -13 | -inf |
| OCNS_Ec/Ior | dB | (Note 2) | -0.94 |
| \hat{I}_{or} / I_{oc} | dB | 3.64 | -inf |
| I_{oc} | dBm/3.84 MHz | -70 | |
| CPICH_Ec/Io | dB | -13 | -inf |
| Propagation Condition | | AWGN | |
| NOTE 1: The DPCH level is controlled by the power control loop. | | | |
| NOTE 2: The power of the OCNS channel that is added shall make the total power from the cell to be equal to Ior. | | | |
| NOTE 3: E_c / I_{or} value represent the per code power for HS-PDSCH channel. | | | |
| NOTE 4: HS-SCCH-2, HS-SCCH-3, and HS-SCCH-4 are DTX. | | | |

Table 8.3.8.2: Cell specific test parameters for serving HS-DSCH cell change

| Parameter | Unit | Cell 1 | | | | Cell 2 | | | |
|---|--------------|--------------------------|-------|-------|-------|-----------|-------|-------|-------|
| | | T1 | T2 | T3 | T4 | T1 | T2 | T3 | T4 |
| UTRA RF Channel Number | | Channel 1 | | | | Channel 1 | | | |
| CPICH_Ec/I _{or} | dB | -10 | | | | -10 | | | |
| PCCPCH_Ec/I _{or} | dB | -12 | | | | -12 | | | |
| SCH_Ec/I _{or} | dB | -12 | | | | -12 | | | |
| PICH_Ec/I _{or} | dB | -15 | | | | -15 | | | |
| DPCH_Ec/I _{or} | dB | Note1 | Note1 | Note1 | N/A | N/A | N/A | Note3 | Note1 |
| HS-PDSCH_Ec/I _{or} | dB | -10 | | | -inf | -inf | | | -10 |
| HS-SCCH-1_Ec/I _{or} | dB | -13 | | | -inf | -inf | | | -13 |
| OCNS | | Note2 | Note2 | Note2 | Note2 | Note2 | Note2 | Note2 | Note2 |
| \hat{I}_{or}/I_{oc} | dB | 3.64 | 1.14 | | | 1.14 | 3.64 | | |
| I_{oc} | dBm/3.84 MHz | -70 | | | | | | | |
| CPICH_Ec/I _o | dB | -13 | -15.5 | | | -15.5 | -13 | | |
| Propagation Condition | | AWGN | | | | | | | |
| Relative delay of paths received from cell 2 with respect to cell 1 | Chips | {-148 ... 148} Note 4 | | | | | | | |
| NOTE 1: The DPCH level is controlled by the power control loop. | | | | | | | | | |
| NOTE 2: The power of the OCNS channel that is added shall make the total power from the cell to be equal to I _{or} . | | | | | | | | | |
| NOTE 3: The DPCH level is controlled by the power control loop. The initial power shall be set equal to the DPCH_Ec/I _{or} of Cell 1 at the end of T2. | | | | | | | | | |
| NOTE 4: The relative delay of the path from cell 2 with respect to cell 1 shall always be within ±148 chip. | | | | | | | | | |

8.3.8.4.1 Initial conditions

Test environment: normal; see clauses G.2.1 and G.2.2.

Frequencies to be tested: mid range; see clause G.2.4.

- 1) Connect the SS (node B emulator) and fader and AWGN noise source to the UE antenna connector as shown in figure A.14.
- 2) Set up an HSDPA call according to TS 34.108 [3] clause 7.3.6 with levels according to T0 in table 8.3.8.1a with cell 1 as serving HS-DSCH cell.
- 3) The information bit data shall be pseudo random and not repeated before 10 different information bit payload blocks are processed. (e.g. Fixed reference Channel Definition H-set 1 (QPSK): The information bit payload block is 9377 bits long. Hence the PRBSequence must be at least $9377 * 10$ bits long.) Use a PRBS from ITU-T O.153 Ref [27]
- 4) Once the HSDPA connection is setup, start transmitting HSDPA Data.

8.3.8.4.2 Procedure

- 1) Turn on cell 2 and set the levels for both cells according to T1 in table 8.3.8.3.
- 2) SS shall send a MEASUREMENT CONTROL message (event 1A, 1B)
- 3) SS shall send a MEASUREMENT CONTROL message (event 1D)
- 4) UE shall send a MEASUREMENT REPORT message triggered by event 1A containing the CFN-SFN observed time difference between cell1 and cell2.
- 5) SS shall send an ACTIVE SET UPDATE message with activation time "now ", adding cell 2 to the active set
- 6) UE shall send a ACTIVE SET UPDATE COMPLETE message
- 7) After 5 seconds from the beginning of T1, the SS shall switch the power settings from T1 to T2 according to the parameters defined in table 8.3.8.3.
- 8) During time period T2, UE shall transmit a MEASUREMENT REPORT message (intra frequency) triggered by event 1D for cell 2.
- 9) After 3 seconds from the beginning of T2, the SS shall switch the power settings from T2 to T3 according to the parameters defined in table 8.3.8.3.
- 10) During T3, no CQI measurements shall be reported by the UE.
- 11) SS shall transmit a PHYSICAL CHANNEL RECONFIGURATION message (cell 2 HS-DSCH serving cell) with activation time set to "now" changing serving HS-DSCH from cell 1 to cell 2. The start of T4 is defined as the end of the last TTI containing the physical channel reconfiguration message.
- 12) The SS shall switch the power settings from T3 to T4 in table 8.3.8.3 and immediately start transmitting HSDPA Data on cell 2. The SS shall not send any HSDPA data on cell 1 after the start of T4.
- 13) The SS shall measure the time from start of T4 until the start of the HS-DPCCH subframe where the UE starts transmitting CQI measurements on cell 2
- 14) The SS shall measure the time from start of T4 until the start of the HS-DPCCH subframe where the UE starts transmitting ACK/NAK. The SS shall not start to monitor the HS-DPCCH for ACK/NAK until one frame after the start of T4 to eliminate the risk of detecting the ACK/NAK for cell 1.
- 15) If steps 10, 13 and 14 fulfil the test requirements, then the number of successful tests is increased by one.
- 16) The UE shall transmit a PHYSICAL CHANNEL RECONFIGURATION COMPLETE message on the UL DCCH of cell 2.
- 17) SS shall transmit a PHYSICAL CHANNEL RECONFIGURATION message (cell 1 HS-DSCH serving cell) with activation time set to "now" changing serving HS-DSCH back to cell 1.

- 18) The SS shall switch the power settings from T4 to T1 in table 8.3.8.3. The start of T1 is defined as the end of the last TTI containing the physical channel reconfiguration message.
- 19) The SS shall start transmitting HSDPA Data on cell 1 and shall not send any HSDPA data on cell 2.
- 20) During T1, the UE may transmit a MEASUREMENT REPORT message (intra frequency) triggered by event 1D for cell 1 and may also transmit a MEASUREMENT REPORT message (intra frequency) triggered by event 1B for cell 2.
- 21) During T2, T3 and T4, the UE may transmit MEASUREMENT REPORT messages (intra frequency) triggered by event 1B for cell 1.
- 22) Repeat step 7-21 until the confidence level according to annex F.6.2 is achieved

Specific Message Contents

The default messages for SIB11 and SIB12 as specified for Cell 1 and Cell 2 in clause 6.1.4 of 34.108 [3] are used.

Default parameters according to Cell 1 and Cell 2 in clause 6.1.4.

All messages indicated above shall use the same content as described in the default message content in clause 9 of 34.108 [3], with the following exceptions:

MEASUREMENT CONTROL message (event 1A, 1B)

| Information Element/Group name | Value/Remark |
|--|---|
| Message Type (10.2.17) | |
| UE information elements -RRC transaction identifier -Integrity check info -message authentication code -RRC message sequence number | 0 SS calculates the value of MAC-I for this message and writes to this IE. The first/ leftmost bit of the bit string contains the most significant bit of the MAC-I. SS provides the value of this IE, from its internal counter. |
| Measurement Information elements -Measurement Identity -Measurement Command (10.3.7.46) -Measurement Reporting Mode (10.3.7.49) -Measurement Report Transfer Mode -Periodical Reporting / Event Trigger Reporting Mode -Additional measurements list (10.3.7.1) | 1 Modify AM RLC Event trigger Not Present |
| -CHOICE Measurement type -Intra-frequency measurement (10.3.7.36) -Intra-frequency measurement objects list (10.3.7.33) -Intra-frequency measurement quantity (10.3.7.38) -Filter coefficient (10.3.7.9) -CHOICE mode -Measurement quantity -Intra-frequency reporting quantity (10.3.7.41) | Intra-frequency measurement Not Present 0 FDD CPICH_Ec/N0 |
| -Reporting quantities for active set cells (10.3.7.5) -Cell synchronisation information reporting indicator -Cell Identity reporting indicator -CHOICE mode -CPICH Ec/N0 reporting indicator -CPICH RSCP reporting indicator -Pathloss reporting indicator | TRUE (Note 1) TRUE FDD TRUE TRUE FALSE |
| -Reporting quantities for monitored set cells (10.3.7.5) -Cell synchronisation information reporting indicator -Cell Identity reporting indicator -CHOICE mode -CPICH Ec/N0 reporting indicator -CPICH RSCP reporting indicator -Pathloss reporting indicator | TRUE (Note 1) TRUE FDD TRUE TRUE FALSE |
| -Reporting quantities for detected set cells (10.3.7.5) | Not Present |

| Information Element/Group name | Value/Remark |
|--|--|
| -Reporting cell status (10.3.7.61) -Measurement validity (10.3.7.51) -CHOICE report criteria -Intra-frequency measurement reporting criteria (10.3.7.39) -Parameters required for each event | Not Present Not Present Intra-frequency measurement reporting criteria 2 |
| -Intra-frequency event identity -Triggering condition 2 -Reporting Range Constant -Cells forbidden to affect Reporting Range -W -Hysteresis -Threshold used frequency -Reporting deactivation threshold -Replacement activation threshold -Time to trigger -Amount of reporting -Reporting interval -Reporting cell status | Event 1A Monitored set cells 3 dB Not Present 1.0 0 dB Not Present 0 Not Present 0 ms Infinity 0 ms (Note 2) |
| - CHOICE reported cell - Maximum number of reported cells | Report cell within active set and/or monitored set cells on used frequency 3 |
| -Intra-frequency event identity -Triggering condition 1 -Reporting Range Constant -Cells forbidden to affect Reporting Range -W -Hysteresis -Threshold used frequency -Reporting deactivation threshold -Replacement activation threshold -Time to trigger -Amount of reporting -Reporting interval -Reporting cell status - CHOICE reported cell - Maximum number of reported cells | Event 1B Active set cells 3 dB Not Present 1.0 0 dB Not Present Not Present Not Present 0 ms Not Present Not Present Report cell within active set and/or monitored set cells on used frequency 3 |
| Physical channel information elements -DPCH compressed mode status info (10.3.6.34) | Not Present |
| NOTE 1: The SFN-CFN observed time difference is calculated from the OFF and Tm parameters contained in the IE "Cell synchronisation information", TS 25.331, clause 10.3.7.6. According to TS 25.331, 8.6.7.7, this IE is included in MEASUREMENT REPORT if IE "Cell synchronisation information reporting indicator" in IE "Cell reporting quantities" TS 25.331, clause 10.3.7.5 is set to TRUE in MEASUREMENT CONTROL. | |
| NOTE 2: Reporting interval = 0 ms means no periodical reporting | |

MEASUREMENT CONTROL (event 1D):

Use the same message as specified in 34.108 except for the following:

| Information Element | Value/remark |
|---|--|
| Measurement identity | 2 |
| Measurement command | Setup |
| - CHOICE measurement type | Intra-frequency measurement |
| - Intra-frequency measurement objects list | Not present |
| - Intra-frequency measurement quantity | |
| - Filter coefficient | 0 |
| - CHOICE mode | FDD |
| - Measurement quantity | CPICH RSCP |
| - Intra-frequency reporting quantity | |
| - Reporting quantities for active set cells | |
| - Cell synchronisation information reporting | FALSE |
| indicator | |
| - Cell Identity reporting indicator | FALSE |
| - CPICH Ec/NO reporting indicator | TRUE |
| - CPICH RSCP reporting indicator | TRUE |
| - Pathloss reporting indicator | FALSE |
| - Reporting quantities for monitored set cells | |
| - Cell synchronisation information reporting | FALSE |
| indicator | |
| - Cell Identity reporting indicator | FALSE |
| - CPICH Ec/NO reporting indicator | FALSE |
| - CPICH RSCP reporting indicator | FALSE |
| - Pathloss reporting indicator | FALSE |
| - Reporting quantities for detected set cells | Not Present |
| - Reporting cell status | Not present |
| - Measurement validity | Not present |
| - CHOICE report criteria | Intra-frequency measurement reporting criteria |
| - Parameters required for each event | |
| - Intra-frequency event identity | 1D |
| - Triggering condition 2 | Active set cells |
| - Hysteresis | 0 |
| - Time to trigger | 0 |
| - Reporting cell status | |
| - CHOICE reported cell | Report cells within active set |
| - Maximum number of reported cells | 3 |
| - Use CIO | FALSE |
| Measurement reporting mode | |
| - Measurement reporting transfer mode | Acknowledged mode RLC |
| - Periodic reporting / Event trigger reporting mode | Event trigger |
| Additional measurement list | Not present |
| DPCH compressed mode status info | Not present |

ACTIVE SET UPDATE message:

| Information Element/Group name | Type and reference | Value/Remark | Release |
|---------------------------------|---|---|---------|
| Message Type | Message Type | | |
| UE information elements | | | |
| -RRC transaction identifier | RRC transaction identifier 10.3.3.36 | 0 | |
| -Integrity check info | Integrity check info 10.3.3.16 | | |
| -message authentication code | | SS calculates the value of MAC-I for this message and writes to this IE. The first/leftmost bit of the bit string contains the most significant bit of the MAC-I. | |
| -RRC message sequence number | | SS provides the value of this IE, from its internal counter. | |
| -Integrity protection mode info | Integrity protection mode info 10.3.3.19 | Not Present | |
| -Ciphering mode info | Ciphering mode info | Not Present | |

| Information Element/Group name | Type and reference | Value/Remark | Release |
|---|--|--|-------------------|
| | 10.3.3.5 | | |
| -Activation time | Activation time 10.3.3.1 | "now". | |
| -New U-RNTI | U-RNTI 10.3.3.47 | Not Present | |
| CN information elements | | | |
| -CN Information info | CN Information info 10.3.1.3 | Not Present | |
| Phy CH information elements | | | |
| Uplink radio resources | | | |
| -Maximum allowed UL TX power | Maximum allowed UL TX power 10.3.6.39 | 33 dBm | |
| Downlink radio resources | | | |
| -Radio link addition information | Radio link addition information 10.3.6.68 | Radio link addition information required for each RL to add | |
| -Primary CPICH info | Primary CPICH info 10.3.6.60 | Same as defined in cell2 | |
| -D7ownlink DPCH info for each RL -CHOICE mode -FDD -Primary CPICH usage for channel estimation -DPCH frame offset -Secondary CPICH info -DL channelisation code -Secondary scrambling code -Spreading factor -Code number -Scrambling code change -TPC combination index -Closed loop timing adjustment mode -TFCl combining indicator -SCCPCH Information for FACH | Downlink DPCH info for each RL 10.3.6.21 Primary CPICH usage for channel estimation 10.3.6.62 Integer(0..38144 by step of 256) Secondary CPICH info 10.3.6.73 Secondary scrambling code 10.3.6.74 Integer(4, 8, 16, 32, 64, 128, 256, 512) Integer(0..Spreading factor - 1) Enumerated (code change, no code change) TPC combination index 10.3.6.85 Integer(1, 2) TFCl combining indicator 10.3.6.81 SCCPCH Information for FACH 10.3.6.70 | Primary CPICH may be used This should be reflected by the IE" Cell synchronisation information" in received MEASUREMENT REPORT message Not Present Not Present 128 96 No code change 0 Not Present FALSE Not Present | R99 and Rel4 only |
| Radio link removal information | | Radio link removal information required for each RL to remove | |
| -Radio link removal information | Radio link removal information 10.3.6.69 | Not Present | |
| -TX Diversity Mode | TX Diversity Mode 10.3.6.86 | None | |

Contents of PHYSICAL CHANNEL RECONFIGURATION message (cell 2 HS-DSCH serving cell):

| Information Element | Value/remark |
|--|---|
| Message Type | |
| RRC transaction identifier | Arbitrarily selects an integer between 0 and 3 |
| Integrity check info - message authentication code - RRC message sequence number | SS calculates the value of MAC-I for this message and writes to this IE. The first/ leftmost bit of the bit string contains the most significant bit of the MAC-I. SS provides the value of this IE, from its internal counter. |
| Integrity protection mode info | Not Present |
| Ciphering mode info | Not Present |
| Activation time | Not Present |

| Information Element | Value/remark |
|---|---|
| Delay restriction flag | Not Present |
| New U-RNTI | Not Present |
| New C-RNTI | Not Present |
| New H-RNTI | '0101 0101 0101 0101' |
| New Primary E-RNTI | Not Present |
| New Secondary E-RNTI | Not Present |
| RRC State indicator | CELL_DCH |
| UTRAN DRX cycle length coefficient | Not Present |
| CN information info | Not Present |
| URA identity | Not Present |
| Downlink counter synchronization info | Not Present |
| Frequency info | Not present |
| Maximum allowed UL TX power | Not present |
| CHOICE channel requirement | Uplink DPCH info |
| - Uplink DPCH power control info | |
| - DPCCH power offset | -40 (-80dB) |
| - PC Preamble | 1 frame |
| - SRB delay | 7 frames |
| - Power Control Algorithm | Algorithm1 |
| - TPC step size | 0 (1dB) |
| - Δ_{ACK} | 3 |
| - Δ_{NACK} | 3 |
| - Ack-Nack repetition factor | 1 |
| - Scrambling code type | Long |
| - Scrambling code number | 0 (0 to 16777215) |
| - Number of DPDCH | Not Present(1) |
| - spreading factor | 64 |
| - TFCI existence | TRUE |
| - Number of FBI bit | Not Present(0) |
| - Puncturing Limit | 1 |
| E-DCH Info | Not Present |
| CHOICE Mode | FDD |
| Downlink HS-PDSCH Information | |
| - HS-SCCH Info | |
| - CHOICE mode | FDD |
| - DL Scrambling Code | Not present |
| - HS-SCCH Channelisation Code Information | |
| - HS-SCCH Channelisation Code | 2 |
| - HS-SCCH Channelisation Code | 3 |
| - HS-SCCH Channelisation Code | 6 |
| - HS-SCCH Channelisation Code | 7 |
| - Measurement Feedback Info | |
| - CHOICE mode | FDD |
| - Measurement Power Offset | 12 (6 dB) |
| - CQI Feedback cycle, k | 2 ms |
| - CQI repetition factor | 1 |
| - Δ_{CQI} | 5 (corresponds to 0dB in relative power offset) |
| - CHOICE mode | FDD (no data) |
| Downlink information common for all radio links | |
| - Downlink DPCH info common for all RL | |
| - Timing indicator | Maintain |
| - CFN-targetSFN frame offset | Not Present |
| - Downlink DPCH power control information | |
| - DPC mode | 0 (single) |
| - CHOICE mode | FDD |
| - Power offset $P_{Pilot-DPCH}$ | 0 |
| - DL rate matching restriction information | Not Present |
| - Spreading factor | Reference to clause 6.10 Parameter Set |
| - Fixed or Flexible Position | Reference to clause 6.10 Parameter Set |
| - TFCI existence | Reference to clause 6.10 Parameter Set |
| - CHOICE SF | Reference to clause 6.10 Parameter Set |
| - DPCH compressed mode info | Not Present |
| - TX Diversity mode | None |
| - Default DPCH Offset Value | Not Present |
| - MAC-hs reset indicator | Not Present |

| Information Element | Value/remark |
|---|--|
| - Downlink information for each radio link - Choice mode - Primary CPICH info - Primary scrambling code - Cell ID - Serving HS-DSCH radio link indicator - Downlink DPCH info for each RL | (for cell 1) FDD Same as defined in cell1 Not Present FALSE Not present |
| - Downlink information for each radio link - Choice mode - Primary CPICH info - Primary scrambling code - Serving HS-DSCH radio link indicator - Downlink DPCH info for each RL - CHOICE mode - Primary CPICH usage for channel estimation - DPCH frame offset - Secondary CPICH info - DL channelisation code - Secondary scrambling code - Spreading factor - Code number - Scrambling code change - TPC combination index - Closed loop timing adjustment mode | (for cell 2) FDD Same as defined in cell2 TRUE FDD Primary CPICH may be used Set to value Default DPCH Offset Value (as currently stored in SS) mod 38 400 Not Present Not present 128 96 No change 0 Not Present |
| MBMS PL Service Restriction Information | Not Present |

Contents of PHYSICAL CHANNEL RECONFIGURATION message (cell 1 HS-DSCH serving cell):

| Information Element | Value/remark |
|---------------------------------------|--|
| Message Type | |
| RRC transaction identifier | Arbitrarily selects an integer between 0 and 3 |
| Integrity check info | |
| - message authentication code | SS calculates the value of MAC-I for this message and writes to this IE. The first/ leftmost bit of the bit string contains the most significant bit of the MAC-I. |
| - RRC message sequence number | SS provides the value of this IE, from its internal counter. |
| Integrity protection mode info | Not Present |
| Ciphering mode info | Not Present |
| Activation time | Not Present |
| Delay restriction flag | Not Present |
| New U-RNTI | Not Present |
| New C-RNTI | Not Present |
| New H-RNTI | '0101 0101 0101 0101' |
| New Primary E-RNTI | Not Present |
| New Secondary E-RNTI | Not Present |
| RRC State indicator | CELL_DCH |
| UTRAN DRX cycle length coefficient | Not Present |
| CN information info | Not Present |
| URA identity | Not Present |
| Downlink counter synchronization info | Not Present |
| Frequency info | Not present |
| Maximum allowed UL TX power | Not present |
| CHOICE channel requirement | Uplink DPCH info |
| - Uplink DPCH power control info | |
| - DPCCH power offset | -40 (-80dB) |
| - PC Preamble | 1 frame |
| - SRB delay | 7 frames |
| - Power Control Algorithm | Algorithm1 |
| - TPC step size | 0 (1dB) |
| - Δ_{ACK} | 3 |
| - Δ_{NACK} | 3 |
| - Ack-Nack repetition factor | 1 |
| - Scrambling code type | Long |

| Information Element | Value/remark |
|---|---|
| - Scrambling code number | 0 (0 to 16777215) |
| - Number of DPDCH | Not Present(1) |
| - spreading factor | 64 |
| - TFCI existence | TRUE |
| - Number of FBI bit | Not Present(0) |
| - Puncturing Limit | 1 |
| E-DCH Info | Not Present |
| CHOICE Mode | FDD |
| Downlink HS-PDSCH Information | |
| - HS-SCCH Info | |
| - CHOICE mode | FDD |
| - DL Scrambling Code | Not present |
| - HS-SCCH Channelisation Code Information | |
| - HS-SCCH Channelisation Code | 2 |
| - HS-SCCH Channelisation Code | 3 |
| - HS-SCCH Channelisation Code | 6 |
| - HS-SCCH Channelisation Code | 7 |
| - Measurement Feedback Info | |
| - CHOICE mode | FDD |
| - Measurement Power Offset | 12 (6 dB) |
| - CQI Feedback cycle, k | 0 |
| - CQI repetition factor | 1 |
| - Δ_{CQI} | 5 (corresponds to 0dB in relative power offset) |
| - CHOICE mode | FDD (no data) |
| Downlink information common for all radio links | |
| - Downlink DPCH info common for all RL | |
| - Timing indicator | Maintain |
| - CFN-targetSFN frame offset | Not Present |
| - Downlink DPCH power control information | |
| - DPC mode | 0 (single) |
| - CHOICE mode | FDD |
| - Power offset $P_{Pilot-DPCH}$ | 0 |
| - DL rate matching restriction information | Not Present |
| - Spreading factor | Reference to clause 6.10 Parameter Set |
| - Fixed or Flexible Position | Reference to clause 6.10 Parameter Set |
| - TFCI existence | Reference to clause 6.10 Parameter Set |
| - CHOICE SF | Reference to clause 6.10 Parameter Set |
| - DPCH compressed mode info | Not Present |
| - TX Diversity mode | None |
| - Default DPCH Offset Value | Not Present |
| - MAC-hs reset indicator | Not Present |
| - Downlink information for each radio link | (for cell 2) |
| - Choice mode | FDD |
| - Primary CPICH info | |
| - Primary scrambling code | Same as defined in cell 2 |
| - Cell ID | Not Present |
| - Serving HS-DSCH radio link indicator | FALSE |
| - Downlink DPCH info for each RL | Not present |
| - Downlink information for each radio link | (for cell 1) |
| - Choice mode | FDD |
| - Primary CPICH info | |
| - Primary scrambling code | Same as defined in cell 1 |
| - Serving HS-DSCH radio link indicator | TRUE |
| - Downlink DPCH info for each RL | |
| - CHOICE mode | FDD |
| - Primary CPICH usage for channel estimation | Primary CPICH may be used |
| - DPCH frame offset | Set to value Default DPCH Offset Value (as currently stored in SS) mod 38 400 |
| - Secondary CPICH info | Not Present |
| - DL channelisation code | |
| - Secondary scrambling code | Not present |
| - Spreading factor | 128 |
| - Code number | 96 |
| - Scrambling code change | No change |
| - TPC combination index | 0 |
| - Closed loop timing adjustment mode | Not Present |
| MBMS PL Service Restriction Information | Not Present |

MEASUREMENT REPORT message for Intra frequency event 1A,1B

This message is common for all intra-frequency test cases and are described in Annex I.

MEASUREMENT REPORT message for Intra frequency, event 1D test cases

| Information Element | Value/remark |
|---|---|
| <p style="text-align: center;">Message Type Integrity check info</p> <ul style="list-style-type: none"> - Message authentication code - RRC Message sequence number | <p>The presence of this IE is dependent on IXIT statements in TS 34.123-2. If integrity protection is indicated to be active, this IE shall be present with the values of the sub IEs as stated below. Else, this IE and the sub-IEs shall be absent.</p> <p>This IE is checked to see if it is present. The value is compared against the XMAC-I value computed by SS.</p> <p>This IE is checked to see if it is present. The value is used by SS to compute the XMAC-I value.</p> |
| Measurement identity | 2 |

8.3.8.5 Test requirements

For the test to pass, the total number of successful tests shall be more than 90% of the cases with a confidence level of 95 %.

Table 8.3.8.2a: Cell specific test parameters for serving HS-DSCH cell change, initial conditions

| Parameter | Unit | Cell 1 | Cell 2 |
|---|--------------|-----------|-----------|
| | | T0 | T0 |
| UTRA RF Channel Number | | Channel 1 | Channel 1 |
| CPICH_Ec/I _{or} | dB | -9.3 | -9.3 |
| PCCPCH_Ec/I _{or} | dB | -11.3 | -11.3 |
| SCH_Ec/I _{or} | dB | -11.3 | -11.3 |
| PICH_Ec/I _{or} | dB | -14.3 | -14.3 |
| DPCH_Ec/I _{or} | dB | (Note 1) | N/A |
| HS-PDSCH_Ec/I _{or} (Note 3) | dB | -9.3 | -inf |
| HS-SCCH-1_Ec/I _{or} (Note 4) | dB | -12.3 | -inf |
| OCNS_Ec/I _{or} | dB | (Note 2) | -1.13 |
| \hat{I}_{or}/I_{oc} | dB | 3.64 | -inf |
| I_{oc} | dBm/3.84 MHz | -70 | |
| CPICH_Ec/I _o | dB | -12.3 | -inf |
| Propagation Condition | | AWGN | |
| NOTE 1: The DPCH level is controlled by the power control loop. | | | |
| NOTE 2: The power of the OCNS channel that is added shall make the total power from the cell to be equal to I _{or} . | | | |
| NOTE 3: E_c/I_{or} value represent the per code power for HS-PDSCH channel. | | | |
| NOTE 4: HS-SCCH-2, HS-SCCH-3, and HS-SCCH-4 are DTX. | | | |

Table 8.3.8.3: Cell specific test parameters for serving HS-DSCH cell change

| Parameter | Unit | Cell 1 | | | | Cell 2 | | | |
|---|--------------|------------------------------|-------|-------|-------|-----------|-------|-------|-------|
| | | T1 | T2 | T3 | T4 | T1 | T2 | T3 | T4 |
| UTRA RF Channel Number | | Channel 1 | | | | Channel 1 | | | |
| CPICH_Ec/I _{or} | dB | -9.3 | | | | -9.3 | | | |
| PCCPCH_Ec/I _{or} | dB | -11.3 | | | | -11.3 | | | |
| SCH_Ec/I _{or} | dB | -11.3 | | | | -11.3 | | | |
| PICH_Ec/I _{or} | dB | -14.3 | | | | -14.3 | | | |
| DPCH_Ec/I _{or} | dB | Note1 | Note1 | Note1 | N/A | N/A | N/A | Note3 | Note1 |
| HS-PDSCH_Ec/I _{or} Note 5 | dB | -9.3 | | | -inf | -inf | | | -9.3 |
| HS-SCCH-1_Ec/I _{or} Note 6 | dB | -12.3 | | | -inf | -inf | | | -12.3 |
| OCNS | | Note2 | Note2 | Note2 | Note2 | Note2 | Note2 | Note2 | Note2 |
| \hat{I}_{or}/I_{oc} | dB | 3.64 | 1.14 | | | 1.14 | 3.64 | | |
| I_{oc} | dBm/3.84 MHz | -70 | | | | | | | |
| CPICH_Ec/I _o | dB | -12.3 | -14.8 | | | -14.8 | -12.3 | | |
| Propagation Condition | | AWGN | | | | | | | |
| Relative delay of paths received from cell 2 with respect to cell 1 | Chips | {-147.5 ... 147.5} Note 4 | | | | | | | |
| NOTE 1: The DPCH level is controlled by the power control loop | | | | | | | | | |
| NOTE 2: The power of the OCNS channel that is added shall make the total power from the cell to be equal to I _{or} | | | | | | | | | |
| NOTE 3: The DPCH level is controlled by the power control loop. The initial power shall be set equal to the DPCH_Ec/I _{or} of Cell 1 at the end of T2. | | | | | | | | | |
| NOTE 4: The relative delay of the path from cell 2 with respect to cell 1 shall always be within ±147.5 chip. | | | | | | | | | |
| NOTE 5: E_c/I_{or} value represent the per code power for HS-PDSCH channel. | | | | | | | | | |
| NOTE 6: HS-SCCH-2, HS-SCCH-3, and HS-SCCH-4 are DTX. | | | | | | | | | |

The delay from the start of the HS-DSCH sub frame until the start of the corresponding UL HS-DPCCH is 5.3 ms. The test requirement for ACK/NAK shall be increased by this delay. This delay is not relevant for CQI reporting.

The maximum uncertainty of delay due to not scheduling any data to the UE is 2 HS-SCCH sub frames for HS-SCCH signalling pattern used (up to 2 consecutive sub frames not allocated to the UE), the test requirement for ACK/NAK shall be increased by this delay. This delay is not relevant for CQI reporting.

Step 10: No CQI reports shall be sent prior to serving cell change. The reason is that the source of the CQI reports (which cell it is calculated from) can not be determined, and the test must therefore verify that no CQI reports are transmitted based on cell 1 measurements.

Step 13: Time from end of last frame of the serving cell change command to the sub frame of HS-DPCCH where CQI is starting shall be less than $74 \text{ ms} + T_0 * T_{\text{chip}} = 74.3 \text{ ms}$. Allow 75 ms in the test.

Step 14: Time from end of last frame of the serving cell change command to the sub frame of HS-DPCCH where ACK/NAK is starting shall be less than $74 \text{ ms} + 7.5 * T_{\text{slot}} + T_0 * T_{\text{chip}} + 2 * T_{\text{subframe}} = 74 + 9.3 = 83.3 \text{ ms}$. Allow 85 ms in the test.

NOTE: If the above Test Requirement differs from the Minimum Requirement then the Test Tolerance applied for this test is non-zero. The Test Tolerance for this test is defined in clause F.2 and the explanation of how the Minimum Requirement has been relaxed by the Test Tolerance is given in clause F.4.

8.3.9 Enhanced Serving HS-DSCH cell change

8.3.9.1 Definition and applicability

The enhanced serving HS-DSCH cell change procedure is initiated from UTRAN either with a RRC message that implies a change of the serving HS-DSCH cell or through an HS-SCCH order sent on the target cell (target cell is the cell which becomes the serving cell after the enhanced serving HS-DSCH cell change procedure).

The requirements and this test apply to Release 8 and later releases for all types of UTRA for the FDD UE that indicate support for HSDPA and Target Cell Pre-Configuration (all HSDPA categories).

8.3.9.2 Minimum requirement

When the UE receives an HS-SCCH order from the target cell that implies enhanced HS-DSCH serving cell change:

- if the activation time is not equal to "now", the UE shall be ready to receive the full configured HS-SCCH set from the target cell within $\text{MAX}\{40 \text{ ms}, \text{activation time} - \text{the end of the TTI containing the HS-SCCH order}\}$ from the end of the TTI containing the HS-SCCH order.
- if the activation time is set to "now", the UE shall be ready to receive the full configured HS-SCCH set within 40 ms from the end of the TTI containing the HS-SCCH order.

The UE shall start to receive the first HS-SCCH message on HS-SCCH-2 from cell 2 within no more than 40 ms from the beginning of time period T4 and transmit the ACK or NACK which corresponds to the HS-SCCH message.

Note: Since HS-SCCH-2 on cell 2 is the only HS-SCCH which is being transmitted from the start of T4, either ACK or NACK transmission from the UE after the start of T4 implies that the enhanced serving cell change has been completed.

The rate of correct serving cell changes observed during repeated tests shall be at least 90%.

The reference for this requirement is TS 25.133 [2] clauses 5.1.1.2 and A.5.9.

8.3.9.3 Test purpose

The purpose of this test is to verify the requirement for the delay when performing the enhanced serving HS-DSCH cell change in CELL_DCH state specified in section 8.3.9.2.

8.3.9.4 Method of test

The test parameters are given in Table 8.3.9.1 and 8.3.9.2 below. The test consists of 4 successive time periods, with time durations of T1, T2, T3 and T4 respectively. At the start of time duration T1 the UE has cell 1 and cell 2 in the active set and cell 1 as the serving HS-DSCH cell. Target cell preconfiguration is provided for cell 2 in the active set update. The target cell preconfiguration shall not contain the optional IE "Activation time offset". After sending event 1D during time period T2, the UE should start to monitor HS-SCCH-1 from cell 2. A single HS-SCCH order implying serving cell change starts to be transmitted from cell 2 during T3. By the start of T4, the single HS-SCCH order implying serving cell change completes transmission, and within the time specified in section 8.3.9.2 the UE shall also be monitoring the HS-SCCH-2 on target cell 2.

Data shall be transmitted continuously to the UE on the HS-DSCH channel of cell 1 during T1 and T2, and on the HS-DSCH channel of cell2 during T4.

Table 8.3.9.1: General test parameters for enhanced serving HS-DSCH cell change

| Parameter | | Unit | Value | Comment |
|--------------------------------|-------------------------|------------|---|--|
| F-DPCH slot format | | | 0 | |
| Power Control | | | On | |
| Target quality value on F-DPCH | | TPC BER | 0.05 | 5% |
| HSDPA parameters | | | Fixed Reference Channel Definition H-Set 1, with QPSK modulation only | As specified in TS 34.121-1 section C.8.1.1 |
| Initial conditions | Active cells | | Cell 1 and Cell 2 | |
| | Serving HS-DSCH cell | | Cell 1 | |
| Final condition | Active cell | | Cell 1 and Cell 2 | |
| | Serving HS-DSCH cell | | Cell 2 | |
| Hysteresis | | dB | 0 | |
| Time to Trigger | | ms | 0 | |
| Filter coefficient | | | 0 | |
| T1 | | s | 5 | |
| T2 | | s | 1 | |
| T3 | | ms | 100 | |
| T4 | | ms | 100 | |

Table 8.3.9.2: Cell specific test parameters for enhanced serving HS-DSCH cell change

| Parameter | Unit | Cell 1 | | | | Cell 2 | | | |
|--|---------------------|--------------------------|--------|--------|--------|-----------|--------|--------|--------|
| | | T1 | T2 | T3 | T4 | T1 | T2 | T3 | T4 |
| UTRA RF Channel Number | | Channel 1 | | | | Channel 1 | | | |
| CPICH_Ec/I _{or} | dB | -10 | | | | -10 | | | |
| PCCPCH_Ec/I _{or} | dB | -12 | | | | -12 | | | |
| SCH_Ec/I _{or} | dB | -12 | | | | -12 | | | |
| PICH_Ec/I _{or} | dB | -15 | | | | -15 | | | |
| F-DPCH_Ec/I _{or} | dB | Note 1 | Note 1 | Note 1 | Note 1 | Note 1 | Note 1 | Note 1 | Note 1 |
| HS-PDSCH_Ec/I _{or} | dB | -10 | | -inf | | -inf | | -10 | |
| HS-SCCH-1_Ec/I _{or} | dB | -13 | | -inf | | -inf | | -13 | -inf |
| HS-SCCH-2_Ec/I _{or} | dB | -inf | | | | -inf | | | -13 |
| OCNS | | Note 2 | Note 2 | Note 2 | Note 2 | Note 2 | Note 2 | Note 2 | Note 2 |
| \hat{I}_{or}/I_{oc} | dB | 3.64 | 1.14 | | | 1.14 | 3.64 | | |
| I_{oc} | dBm/ 3,84 MHz | -70 | | | | | | | |
| CPICH_Ec/I _o | dB | -13 | -15.5 | | | -15.5 | -13 | | |
| Propagation Condition | | AWGN | | | | | | | |
| Relative delay of paths received from cell 2 with respect to cell 1 | Chips | {-148 ... 148} Note 3 | | | | | | | |
| NOTE 1: The F-DPCH level is controlled by the power control loop | | | | | | | | | |
| NOTE 2: The power of the OCNS channel that is added shall make the total power from the cell to be equal to I_{or} . | | | | | | | | | |
| NOTE 3: The relative delay of the path from cell 2 with respect to cell 1 shall always be within ± 148 chip. | | | | | | | | | |

8.3.9.4.1 Initial conditions

Test environment: normal; see clauses G.2.1 and G.2.2.

Frequencies to be tested: mid range; see clause G.2.4.

- 1) Connect the SS (node B emulator) and fader and AWGN noise source to the UE antenna connector as shown in figure A.14.
- 2) Set up an HSDPA call according to TS 34.108 [3] clause 7.3.6 with levels according to T1 in table 8.3.9.3 with cell 1 as serving HS-DSCH cell.
- 3) Once the HSDPA connection is setup, start transmitting HSDPA Data on cell 1.
- 4) The information bit data shall be pseudo random and not repeated before 10 different information bit payload blocks are processed. (e.g. Fixed reference Channel Definition H-set 1 (QPSK): The information bit payload block is 9377 bits long. Hence the PRBS sequence must be at least $9377 * 10$ bits long.) Use a PRBS from ITU-T O.153 Ref [27]
- 5) SS shall send a MEASUREMENT CONTROL message (event 1A)
- 6) UE shall send a MEASUREMENT REPORT message triggered by event 1A containing the CFN-SFN observed time difference between cell1 and cell2.
- 7) SS shall send an ACTIVE SET UPDATE message with activation time "now", adding cell 2 to the active set
- 8) UE shall send a ACTIVE SET UPDATE COMPLETE message

8.3.9.4.2 Procedure

- 1) T1 starts
- 2) SS shall send a MEASUREMENT CONTROL message (event 1D)
- 3) After 5 seconds from the beginning of T1, the SS shall switch the power settings from T1 to T2 according to the parameters defined in table 8.3.9.3.

- 4) During time period T2, UE shall transmit a MEASUREMENT REPORT message (intra frequency) triggered by event 1D for cell 2.
- 5) After 1 second from the beginning of T2, the SS shall switch the power settings from T2 to T3 according to the parameters defined in table 8.3.9.3. The SS shall not send any HSDPA data on cell 1 after the start of T3.
- 6) During time period T3 UTRAN shall send an HS-SCCH order on HS-SCCH-1 from cell 2 implying enhanced serving HS-DSCH from cell 1 to cell 2. The HS-SCCH order message shall be sent to the UE so that the end of the TTI containing the HS-SCCH order corresponds to the beginning of T4.
- 7) At the start of T4 the SS shall switch the power settings from T3 to T4 according to the parameters defined in table 8.3.9.3 and the SS shall transmit data to the UE using HS-SCCH-2 and HS-PDSCH on cell 2.
- 8) The SS shall measure the time from start of T4 until the start of the HS-DPCCH subframe where the UE starts transmitting ACK/NAK. The first ACK corresponds to HS-SCCH order on HS-SCCH-1. Then any following ACK/NAK received from the UE indicates that the UE is monitoring HS-SCCH-2.
- 9) If step 8 fulfils the test requirements, then the number of successful tests is increased by one.
- 10) SS shall transmit a PHYSICAL CHANNEL RECONFIGURATION message (cell 1 HS-DSCH serving cell) with activation time set to "now" changing serving HS-DSCH back to cell 1.
- 11) The UE shall transmit a PHYSICAL CHANNEL RECONFIGURATION COMPLETE message
- 12) The SS shall switch the power settings from T4 to T1 in table 8.3.9.3. The start of T1 is defined as the end of the last TTI containing the physical channel reconfiguration message.
- 13) The SS shall start transmitting HSDPA Data on cell 1 and shall not send any HSDPA data on cell 2.
- 14) Repeat step 3-13 until the confidence level according to annex F.6.2 is achieved

Specific Message Contents

The default messages for SIB11 and SIB12 as specified for Cell 1 and Cell 2 in clause 6.1.4 of 34.108 [3] are used.

Default parameters according to Cell 1 and Cell 2 in clause 6.1.4.

All messages indicated above shall use the same content as described in the default message content in clause 9 of 34.108 [3], with the following exceptions:

MEASUREMENT CONTROL message (event 1A)

| Information Element/Group name | Value/Remark |
|---|---|
| Message Type (10.2.17) | |
| UE information elements | |
| -RRC transaction identifier | 0 |
| -Integrity check info | |
| -message authentication code | SS calculates the value of MAC-I for this message and writes to this IE. The first/leftmost bit of the bit string contains the most significant bit of the MAC-I. |
| -RRC message sequence number | SS provides the value of this IE, from its internal counter. |
| Measurement Information elements | |
| -Measurement Identity | 1 |
| -Measurement Command (10.3.7.46) | Modify |
| -Measurement Reporting Mode (10.3.7.49) | |
| -Measurement Report Transfer Mode | AM RLC |
| -Periodical Reporting / Event Trigger Reporting Mode | Event trigger |
| -Additional measurements list (10.3.7.1) | Not Present |
| -CHOICE Measurement type | Intra-frequency measurement |
| -Intra-frequency measurement (10.3.7.36) | |
| -Intra-frequency measurement objects list (10.3.7.33) | Not Present |
| -Intra-frequency measurement quantity (10.3.7.38) | |
| -Filter coefficient (10.3.7.9) | 0 |
| -CHOICE mode | FDD |
| -Measurement quantity | CPICH_Ec/N0 |

| Information Element/Group name | Value/Remark |
|--|---|
| -Intra-frequency reporting quantity (10.3.7.41) | |
| -Reporting quantities for active set cells (10.3.7.5) -Cell synchronisation information reporting indicator -Cell Identity reporting indicator -CHOICE mode -CPICH Ec/N0 reporting indicator -CPICH RSCP reporting indicator -Pathloss reporting indicator | TRUE (Note 1) TRUE FDD TRUE TRUE FALSE |
| -Reporting quantities for monitored set cells (10.3.7.5) -Cell synchronisation information reporting indicator -Cell Identity reporting indicator -CHOICE mode -CPICH Ec/N0 reporting indicator -CPICH RSCP reporting indicator -Pathloss reporting indicator | TRUE (Note 1) TRUE FDD TRUE TRUE FALSE |
| -Reporting quantities for detected set cells (10.3.7.5) | Not Present |
| -Reporting cell status (10.3.7.61) -Measurement validity (10.3.7.51) -CHOICE report criteria -Intra-frequency measurement reporting criteria (10.3.7.39) -Parameters required for each event | Not Present Not Present Intra-frequency measurement reporting criteria 2 |
| -Intra-frequency event identity -Triggering condition 2 -Reporting Range Constant -Cells forbidden to affect Reporting Range -W -Hysteresis -Threshold used frequency -Reporting deactivation threshold -Replacement activation threshold -Time to trigger -Amount of reporting -Reporting interval -Reporting cell status | Event 1A Monitored set cells 3 dB Not Present 1.0 0 dB Not Present 0 Not Present 0 ms Infinity 0 ms (Note 2) |
| - CHOICE reported cell - Maximum number of reported cells | Report cell within active set and/or monitored set cells on used frequency 3 |
| Physical channel information elements -DPCH compressed mode status info (10.3.6.34) | Not Present |
| NOTE 1: The SFN-CFN observed time difference is calculated from the OFF and Tm parameters contained in the IE "Cell synchronisation information ", TS 25.331, clause 10.3.7.6. According to TS 25.331, 8.6.7.7, this IE is included in MEASUREMENT REPORT if IE "Cell synchronisation information reporting indicator" in IE "Cell reporting quantities" TS 25.331, clause 10.3.7.5 is set to TRUE in MEASUREMENT CONTROL. | |
| NOTE 2: Reporting interval = 0 ms means no periodical reporting | |

ACTIVE SET UPDATE message:

| Information Element/Group name | Type and reference | Value/Remark | Release |
|---------------------------------|---|---|---------|
| Message Type | Message Type | | |
| UE information elements | | | |
| -RRC transaction identifier | RRC transaction identifier 10.3.3.36 | 0 | |
| -Integrity check info | Integrity check info 10.3.3.16 | | |
| -message authentication code | | SS calculates the value of MAC-I for this message and writes to this IE. The first/leftmost bit of the bit string contains the most significant bit of the MAC-I. | |
| -RRC message sequence number | | SS provides the value of this IE, from its internal counter. | |
| -Integrity protection mode info | Integrity protection mode info 10.3.3.19 | Not Present | |

| Information Element/Group name | Type and reference | Value/Remark | Release |
|---|--|--|-------------------|
| -Ciphering mode info | Ciphering mode info 10.3.3.5 | Not Present | |
| -Activation time | Activation time 10.3.3.1 | "now". | |
| -New U-RNTI | U-RNTI 10.3.3.47 | Not Present | |
| CN information elements | | | |
| -CN Information info | CN Information info 10.3.1.3 | Not Present | |
| Phy CH information elements | | | |
| Uplink radio resources | | | |
| -Maximum allowed UL TX power | Maximum allowed UL TX power 10.3.6.39 | 33 dBm | |
| Downlink radio resources | | | |
| -Radio link addition information | Radio link addition information 10.3.6.68 | Radio link addition information required for each RL to add | |
| -Primary CPICH info | Primary CPICH info 10.3.6.60 | Same as defined in cell2 | |
| -Downlink DPCH info for each RL -CHOICE <i>mode</i> -FDD -Primary CPICH usage for channel estimation -DPCH frame offset -Secondary CPICH info -DL channelisation code -Secondary scrambling code -Spreading factor -Code number -Scrambling code change -TPC combination index -Closed loop timing adjustment mode -TFCl combining indicator -SCCPCH Information for FACH | Downlink DPCH info for each RL 10.3.6.21 Primary CPICH usage for channel estimation 10.3.6.62 Integer(0..38144 by step of 256) Secondary CPICH info 10.3.6.73 Secondary scrambling code 10.3.6.74 Integer(4, 8, 16, 32, 64, 128, 256, 512) Integer(0..Spreading factor - 1) Enumerated (code change, no code change) TPC combination index 10.3.6.85 Integer(1, 2) TFCl combining indicator 10.3.6.81 SCCPCH Information for FACH 10.3.6.70 | Primary CPICH may be used This should be reflected by the IE" Cell synchronisation information" in received MEASUREMENT REPORT message Not Present Not Present 128 96 No code change 0 Not Present FALSE Not Present | R99 and Rel4 only |
| -Target cell preconfiguration information | Target cell preconfiguration information 10.3.6.79a | Target cell preconfiguration information required | |
| -Activation Time offset | Activation Time offset 10.3.6.79a | Not Present | Rel-8 |
| -New H-RNTI | H-RNTI 10.3.3.14a | '0101 0101 0101 0101' | Rel-8 |
| -New Primary E_RNTI | E-RNTI 10.3.3.10a | Not Present | Rel-8 |
| -New Secondary E-RNTI | E-RNTI 10.3.3.10a | Not Present | Rel-8 |
| -Serving HS-DSCH cell information | Serving HS-DSCH cell information 10.3.6.74a | | Rel-8 |
| - Δ_{ACK} | | 3 | |
| - Δ_{NACK} | | 3 | |
| -HARQ_preamble_mode | | 0 | |
| -Primary CPICH info | | 0 | |
| -Downlink HS-PDSCH Information | | | |
| - HS-SCCH Info | | | |

| Information Element/Group name | Type and reference | Value/Remark | Release |
|-------------------------------------|--|---|---------|
| - Measurement Feedback Info | | | |
| - CHOICE mode | | | |
| FDD | | | |
| - Downlink 64QAM configured | | FALSE | |
| - HS-DSCH TB size table | | FALSE | |
| - HARQ Info | | | |
| - Number of Processes | | 6 | |
| - CHOICE <i>Memory Partitioning</i> | | Implicit | |
| - MAC-hs reset indicator | | FALSE | |
| -E-DCH reconfiguration information | E-DCH reconfiguration information 10.3.6.69a | | Rel-8 |
| - E-DCH RL Info new serving cell | | | |
| - Primary CPICH info | | | |
| - Primary Scrambling Code | | Set to the primary scrambling code of cell 2 | |
| - E-AGCH Info | | | |
| - E-AGCH Channelisation Code | | 10 | |
| - Serving Grant | | Not Present | |
| - E-DPCCH/DPCCH power offset | | Not Present | |
| - Reference E-TFCIs | | Not present | |
| - Power Offset for Scheduling Info | | Not Present | |
| - 3-Index-Step Threshold | | Not Present | |
| - 2-Index-Step Threshold | | Not Present | |
| - E-HICH Information | | Not Present | |
| - CHOICE E-RGCH Information | | Not Present | |
| - E-DCH RL Info other cells | | Not Present | |
| -DTX-DRX timing information | DTX-DRX timing information 10.3.6.34b | Not Present | Rel-8 |
| -DTX-DRX Information | DTX-DRX Information 10.3.6.34a | Not Present | Rel-8 |
| -HS-SCCH less Information | HS-SCCH less Information 10.3.6.36ab | Not Present | Rel-8 |
| -MIMO parameters | MIMO parameters 10.3.6.41a | Not Present | Rel-8 |
| - Downlink secondary cell info FDD | Downlink secondary cell info FDD 10.3.6.31a | Not Present | Rel-8 |
| Radio link removal information | | Radio link removal information required for each RL to remove | |
| -Radio link removal information | Radio link removal information 10.3.6.69 | Not Present | |
| -TX Diversity Mode | TX Diversity Mode 10.3.6.86 | None | |

MEASUREMENT CONTROL (event 1D):

Use the same message as specified in 34.108 except for the following:

| Information Element | Value/remark |
|---|--|
| Measurement identity | 2 |
| Measurement command | Setup |
| - CHOICE measurement type | Intra-frequency measurement |
| - Intra-frequency measurement objects list | Not present |
| - Intra-frequency measurement quantity | |
| - Filter coefficient | 0 |
| - CHOICE mode | FDD |
| - Measurement quantity | CPICH RSCP |
| - Intra-frequency reporting quantity | |
| - Reporting quantities for active set cells | |
| - Cell synchronisation information reporting | FALSE |
| indicator | |
| - Cell Identity reporting indicator | FALSE |
| - CPICH Ec/NO reporting indicator | TRUE |
| - CPICH RSCP reporting indicator | TRUE |
| - Pathloss reporting indicator | FALSE |
| - Reporting quantities for monitored set cells | |
| - Cell synchronisation information reporting | FALSE |
| indicator | |
| - Cell Identity reporting indicator | FALSE |
| - CPICH Ec/NO reporting indicator | FALSE |
| - CPICH RSCP reporting indicator | FALSE |
| - Pathloss reporting indicator | FALSE |
| - Reporting quantities for detected set cells | Not Present |
| - Reporting cell status | Not present |
| - Measurement validity | Not present |
| - CHOICE report criteria | Intra-frequency measurement reporting criteria |
| - Parameters required for each event | |
| - Intra-frequency event identity | 1D |
| - Triggering condition 2 | Active set cells |
| - Hysteresis | 0 |
| - Time to trigger | 0 |
| - Reporting cell status | |
| - CHOICE reported cell | Report cells within active set |
| - Maximum number of reported cells | 3 |
| - Use CIO | FALSE |
| Measurement reporting mode | |
| - Measurement reporting transfer mode | Acknowledged mode RLC |
| - Periodic reporting / Event trigger reporting mode | Event trigger |
| Additional measurement list | Not present |
| DPCH compressed mode status info | Not present |

Contents of PHYSICAL CHANNEL RECONFIGURATION message (cell 1 HS-DSCH serving cell):

| Information Element | Value/remark |
|--------------------------------|--|
| Message Type | |
| RRC transaction identifier | Arbitrarily selects an integer between 0 and 3 |
| Integrity check info | |
| - message authentication code | SS calculates the value of MAC-I for this message and writes to this IE. The first/ leftmost bit of the bit string contains the most significant bit of the MAC-I. |
| - RRC message sequence number | SS provides the value of this IE, from its internal counter. |
| Integrity protection mode info | Not Present |
| Ciphering mode info | Not Present |
| Activation time | Not Present |
| Delay restriction flag | Not Present |
| New U-RNTI | Not Present |
| New C-RNTI | Not Present |
| New H-RNTI | '0101 0101 0101 0101' |
| New Primary E-RNTI | Not Present |
| New Secondary E-RNTI | Not Present |

| Information Element | Value/remark |
|---|---|
| RRC State indicator | CELL_DCH |
| UTRAN DRX cycle length coefficient | Not Present |
| CN information info | Not Present |
| URA identity | Not Present |
| Downlink counter synchronization info | Not Present |
| Frequency info | Not present |
| Maximum allowed UL TX power | Not present |
| CHOICE channel requirement | Uplink DPCH info |
| - Uplink DPCH power control info | |
| - DPCCH power offset | -40 (-80dB) |
| - PC Preamble | 1 frame |
| - SRB delay | 7 frames |
| - Power Control Algorithm | Algorithm1 |
| - TPC step size | 0 (1dB) |
| - Δ_{ACK} | 3 |
| - Δ_{NACK} | 3 |
| - Ack-Nack repetition factor | 1 |
| - Scrambling code type | Long |
| - Scrambling code number | 0 (0 to 16777215) |
| - Number of DPDCH | Not Present(1) |
| - spreading factor | 64 |
| - TFCI existence | TRUE |
| - Number of FBI bit | Not Present(0) |
| - Puncturing Limit | 1 |
| E-DCH Info | Not Present |
| CHOICE Mode | FDD |
| Downlink HS-PDSCH Information | |
| - HS-SCCH Info | |
| - CHOICE mode | FDD |
| - DL Scrambling Code | Not present |
| - HS-SCCH Channelisation Code Information | |
| - HS-SCCH Channelisation Code | 2 |
| - HS-SCCH Channelisation Code | 3 |
| - HS-SCCH Channelisation Code | 6 |
| - HS-SCCH Channelisation Code | 7 |
| - Measurement Feedback Info | |
| - CHOICE mode | FDD |
| - Measurement Power Offset | 12 (6 dB) |
| - CQI Feedback cycle, k | 0 |
| - CQI repetition factor | 1 |
| - Δ_{CQI} | 5 (corresponds to 0dB in relative power offset) |
| - CHOICE mode | FDD (no data) |
| Downlink information common for all radio links | |
| - Downlink DPCH info common for all RL | |
| - Timing indicator | Maintain |
| - CFN-targetSFN frame offset | Not Present |
| - Downlink DPCH power control information | |
| - DPC mode | 0 (single) |
| - CHOICE mode | FDD |
| - Power offset $P_{Pilot-DPCH}$ | 0 |
| - DL rate matching restriction information | Not Present |
| - Spreading factor | Reference to clause 6.10 Parameter Set |
| - Fixed or Flexible Position | Reference to clause 6.10 Parameter Set |
| - TFCI existence | Reference to clause 6.10 Parameter Set |
| - CHOICE SF | Reference to clause 6.10 Parameter Set |
| - DPCH compressed mode info | Not Present |
| - TX Diversity mode | None |
| - Default DPCH Offset Value | Not Present |
| - MAC-hs reset indicator | Not Present |

| Information Element | Value/remark |
|---|---|
| - Downlink information for each radio link - Choice mode - Primary CPICH info - Primary scrambling code - Cell ID - Serving HS-DSCH radio link indicator - Downlink DPCH info for each RL | (for cell 2) FDD Same as defined in cell 2 Not Present FALSE Not present |
| - Downlink information for each radio link - Choice mode - Primary CPICH info - Primary scrambling code - Serving HS-DSCH radio link indicator - Downlink DPCH info for each RL - CHOICE mode - Primary CPICH usage for channel estimation - DPCH frame offset - Secondary CPICH info - DL channelisation code - Secondary scrambling code - Spreading factor - Code number - Scrambling code change - TPC combination index - Closed loop timing adjustment mode | (for cell 1) FDD Same as defined in cell 1 TRUE FDD Primary CPICH may be used Set to value Default DPCH Offset Value (as currently stored in SS) mod 38 400 Not Present Not present 128 96 No change 0 Not Present |
| MBMS PL Service Restriction Information | Not Present |

MEASUREMENT REPORT message for Intra frequency event 1A

This message is common for all intra-frequency test cases and are described in Annex I.

MEASUREMENT REPORT message for Intra frequency, event 1D test cases

| Information Element | Value/remark |
|--|--|
| Message Type Integrity check info | The presence of this IE is dependent on IXIT statements in TS 34.123-2. If integrity protection is indicated to be active, this IE shall be present with the values of the sub IEs as stated below. Else, this IE and the sub-IEs shall be absent. |
| - Message authentication code | This IE is checked to see if it is present. The value is compared against the XMAC-I value computed by SS. |
| - RRC Message sequence number | This IE is checked to see if it is present. The value is used by SS to compute the XMAC-I value. |
| Measurement identity | 2 |

8.3.9.5 Test requirements

For the test to pass, the total number of successful tests shall be more than 90% of the cases with a confidence level of 95 %.

Table 8.3.9.3: Cell specific test parameters for enhanced serving HS-DSCH cell change

| Parameter | Unit | Cell 1 | | | | Cell 2 | | | |
|--|---------------------|------------------------------|--------|--------|--------|-----------|--------|--------|--------|
| | | T1 | T2 | T3 | T4 | T1 | T2 | T3 | T4 |
| UTRA RF Channel Number | | Channel 1 | | | | Channel 1 | | | |
| CPICH_Ec/I _{or} | dB | -9.3 | | | | -9.3 | | | |
| PCCPCH_Ec/I _{or} | dB | -11.3 | | | | -9.3 | | | |
| SCH_Ec/I _{or} | dB | -11.3 | | | | -11.3 | | | |
| PICH_Ec/I _{or} | dB | -14.3 | | | | -14.3 | | | |
| F-DPCH_Ec/I _{or} | dB | Note 1 | Note 1 | Note 1 | Note 1 | Note 1 | Note 1 | Note 1 | Note 1 |
| HS-PDSCH_Ec/I _{or} Note 4 | dB | -9.3 | | -inf | | -inf | | -9.3 | |
| HS-SCCH-1_Ec/I _{or} | dB | -12.3 | | -inf | | -inf | | -12.3 | -inf |
| HS-SCCH-2_Ec/I _{or} | dB | -inf | | -inf | | -inf | | -12.3 | |
| OCNS | | Note 2 | Note 2 | Note 2 | Note 2 | Note 2 | Note 2 | Note 2 | Note 2 |
| \hat{I}_{or}/I_{oc} | dB | 3.64 | 1.14 | | | 1.14 | 3.64 | | |
| I_{oc} | dBm/ 3,84 MHz | -70 | | | | | | | |
| CPICH_Ec/I _o | dB | -12.3 | -14.8 | | -14.8 | | -12.3 | | |
| Propagation Condition | | AWGN | | | | | | | |
| Relative delay of paths received from cell 2 with respect to cell 1 | Chips | {-147.5 ... 147.5} Note 3 | | | | | | | |
| NOTE 1: The F-DPCH level is controlled by the power control loop | | | | | | | | | |
| NOTE 2: The power of the OCNS channel that is added shall make the total power from the cell to be equal to I_{or} . | | | | | | | | | |
| NOTE 3: The relative delay of the path from cell 2 with respect to cell 1 shall always be within ± 147.5 chip. | | | | | | | | | |
| NOTE 4: E_c/I_{or} value represent the per code power for HS-PDSCH channel. | | | | | | | | | |

Step 8: Time from the start of T4 to the sub frame of HS-DPCCH where ACK/NAK corresponding to HS-SCCH-2 is starting shall be less than $40 \text{ ms} + 7.5 * T_{\text{slot}} + T_0 * T_{\text{chip}} + 2 * T_{\text{subframe}} = 40 + 9.3 = 49.3 \text{ ms}$. Allow 50 ms in the test.

NOTE 1: The first ACK that UE sends after the start of T4 corresponds to HS-SCCH order on HS-SCCH-1. After that either ACK or NACK transmission from the UE implies that the enhanced serving cell change has been completed and UE is monitoring HS-SCCH-2.

NOTE 2: If the above Test Requirement differs from the Minimum Requirement then the Test Tolerance applied for this test is non-zero. The Test Tolerance for this test is defined in clause F.2 and the explanation of how the Minimum Requirement has been relaxed by the Test Tolerance is given in clause F.4.

8.3.10 System information acquisition for CSG cell

8.3.10.1 Intrafrequency System information acquisition for CSG cell

8.3.10.1.1 Definition and applicability

For intra frequency CSG cells, CSG SI decoding is typically triggered when a cell with primary scrambling code in a preconfigured range meets the criteria for measurement reporting. For intra frequency system information acquisition, interruption in downlink reception or uplink transmission shall not be performed to acquire system information.

The requirements in this section apply to a FDD UE release 9 and forward which supports CSG and intra-frequency system information acquisition of a CSG cell in preparation for handover.

8.3.10.1.2 Minimum requirement

The CSG SI reporting delay shall not be more than $T_{\text{CSG-SI-Report}}$ where $T_{\text{CSG-SI-Report}}$ in ms is given by

$$T_{\text{CSG-SI-Report}} = [630] + 40 * \text{SIB3_REP}$$

SIB3_REP is the repetition period at which the CSG cell schedules SIB3 blocks in units of frames

This requirement is applicable for CSG target cell configurations where the information required to make the SI report can be determined from the MIB and SIB3 alone, and SIB3 is not segmented into multiple TTI. Additionally, for the requirement to be applicable, the reception conditions shall be [TBD] such that the system frame number of the target CSG cell, the MIB and SIB3 can each be successfully decoded in no more than four attempts.

Reporting delay results from delay uncertainty when inserting the measurement report to the TTI of the uplink DCCH. The delay uncertainty is twice the TTI of the uplink DCCH.

The UE shall transmit an Event 1A-triggered measurement report containing the cell identity and CSG identity of cell 2 and membership indication set to false within [2.71] seconds from the start of T2

$$\begin{aligned} \text{Test requirement} &= T_{\text{identify intra}} + T_{\text{CSG-SI-Report}} \\ &= 800 + [630] + 40 * 32 \text{ from the start of T2} \\ &= [2.71] \text{ seconds.} \end{aligned}$$

The UE shall not send event triggered measurement reports, as long as the reporting criteria are not fulfilled..

The rate of correct events observed during repeated tests shall be at least 90%.

NOTE: The actual overall delays measured in the test may be up to $2 \times TTI_{\text{UL DCCH}}$ higher than the measurement reporting delays above because of TTI insertion uncertainty of the measurement report in the UL DCCH.

The measured quality on the DTCH of the UE downlink during T2 shall not exceed $\text{BLER} = 0.01 \pm 30\% = 0.013$

The reference for this requirement is TS 25.133 [2] clauses 5.13 and A.5.10.

8.3.10.1.3 Test purpose

The purpose of this test is to verify the requirement for intra frequency CSG SI acquisition in section 8.3.10.1.2.

8.3.10.1.4 Method of test

8.3.10.1.4.1 Initial conditions

Test environment: normal; see clauses G.2.1 and G.2.2.

Frequencies to be tested: mid range; see clause G.2.4.

The test parameters are given in Table 8.3.10.1.1 and 8.3.10.1.2 below. In the measurement control information cell 2 shall be included in the "Intra-frequency SI Acquisition" IE. The test consists of two successive time periods, with time duration of T1 and T2 respectively. At the start of time duration T1, the UE may not have any timing information of cell 2.

Table 8.3.10.1.1: General test parameters for intra frequency CSG SI acquisition

| Parameter | | Unit | Value | Comment |
|----------------------------------|-------------------|--------|---|---|
| DCH parameters | | | DL and UL Reference Measurement Channel 12.2 kbps | As specified in TS 25.101 section A.3.1 and A.2.1 |
| Power Control | | | On | |
| Target quality value on DTCH | | BLER | 0.01 | |
| Initial conditions | Active cell | | Cell 1 | |
| | Neighbouring cell | | Cell 2 | |
| Final condition | Active cell | | Cell 1 | Handover to cell 2 is not requested |
| Reporting range | | dB | 3 | Applicable for event 1A |
| Hysteresis | | dB | 0 | |
| W | | | 1 | Applicable for event 1A |
| Reporting deactivation threshold | | | 0 | Applicable for event 1A |
| Time to Trigger | | Ms | 0 | |
| SIB3_REP | | Frames | 32 | Applicable for cell 2 SIB3 scheduling |
| SIB3_SEG_COUNT | | | 1 | Applicable for cell 2 SIB3 scheduling |
| UE whitelist | | | Empty | |
| Monitored cell list size | | | 24 on channel 1 | Measurement control information is sent before the start of the test |
| CSG id (of cell 2) | | | Set to any non-empty value (In this test case, it is set to 2) | |
| Filter coefficient | | | 0 | |
| T1 | | S | 5 | |
| T2 | | S | 5 | |

Table 8.3.10.1.2: Cell specific test parameters for intra frequency CSG SI acquisition

| Parameter | Unit | Cell 1 | | Cell 2 | |
|--|------------------|--------|--------|-----------|--------|
| | | T1 | T2 | T1 | T2 |
| CPICH_Ec/lor | dB | | -10 | | -10 |
| PCCPCH_Ec/lor | dB | | -12 | | -12 |
| SCH_Ec/lor | dB | | -12 | | -12 |
| PICH_Ec/lor | dB | | -15 | | -15 |
| DPCH_Ec/lor | dB | | Note 1 | | N/A |
| OCNS | | | Note 2 | | -0.941 |
| \hat{I}_{or}/I_{oc} | dB | 0 | 6.97 | -Infinity | 5.97 |
| I_{oc} | dBm/ 3,84 MHz | -63.01 | -70 | Note 3 | Note 3 |
| CPICH_Ec/lo | dB | -13 | | -Infinity | -14 |
| Propagation Condition | | AWGN | | | |
| NOTE 1: The DPCH level is controlled by the power control loop | | | | | |
| NOTE 2: The power of the OCNS channel that is added shall make the total power from the cell to be equal to I_{or} . | | | | | |
| NOTE 3: The I_{oc} level is common for cell 1 and cell 2 | | | | | |

8.3.10.1.4.2 Procedure

- 1) The RF parameters are set up according to T1 in Table 8.3.10.1.3.
- 2) The UE is switched on.
- 3) A call is set up according to the test procedure specified in TS 34.108 [3] subclause 7.3.4.
- 4) SS shall send a MEASUREMENT CONTROL message (event 1A) on Cell 1. Cell 2 is included in the "Intra-frequency SI Acquisition" IE. T1 starts.
- 5) After 5 seconds from the beginning of T1, the SS shall switch the power settings from T1 to T2 according to the parameters defined in table 8.3.10.1.3.
- 6) SS shall measure the time and the UE downlink BLER from the start of T2 until receiving the MEASUREMENT REPORT message.

- 7) If the MEASUREMENT REPORT message containing the cell identity, CSG identity of cell 2 and not containing membership indication within 2.71 seconds from the start of T2 and BLER shall not exceed 0.013, then the number of successful tests is increased by one.
- 8) After 5 seconds from the beginning of time period T2, the UE is switched off. Any timing information of cell 2 is deleted in the UE.
- 9) Repeat step 1-8 until the confidence level according to annex F.6.2 is achieved

Specific Message Contents

The default messages for SIB11 and SIB12 as specified for Cell 1 and Cell 2 in clause 6.1.4 of 34.108 [3] are used.

Default parameters according to Cell 1 and Cell 2 in clause 6.1.4, with the following exceptions:

The "CSG Indicator" in MIB of the Cell 2 is set to TRUE.

The "CSG Identity" in SIB3 of the Cell 2 is 2. "CSG PSC Split Information" is also included in SIB3 with "Start PSC" set to 144 and "Number of PSCs" set to 10.

All messages indicated above shall use the same content as described in the default message content in clause 9 of 34.108 [3], with the following exceptions:

MEASUREMENT CONTROL message, event 1A (step 4):

| Information Element/Group name | Value/Remark |
|--|--|
| Message Type (10.2.17) | |
| UE information elements -RRC transaction identifier -Integrity check info -message authentication code -RRC message sequence number | 0 SS calculates the value of MAC-I for this message and writes to this IE. The first/leftmost bit of the bit string contains the most significant bit of the MAC-I. SS provides the value of this IE, from its internal counter. |
| Measurement Information elements -Measurement Identity -Measurement Command (10.3.7.46) -Measurement Reporting Mode (10.3.7.49) -Measurement Report Transfer Mode -Periodical Reporting / Event Trigger Reporting Mode -Additional measurements list (10.3.7.1) | 1 Setup AM RLC Event trigger Not Present |
| -CHOICE Measurement type -Intra-frequency measurement (10.3.7.36) -Intra-frequency measurement objects list (10.3.7.33) - Intra-frequency SI Acquisition - CHOICE mode - Intra-frequency SI Acquisition info - Primary Scrambling code - Primary CPICH info - Primary Scrambling code -Intra-frequency measurement quantity (10.3.7.38) -Filter coefficient (10.3.7.9) -CHOICE mode -Measurement quantity -Intra-frequency reporting quantity (10.3.7.41) | Intra-frequency measurement FDD Set to same code as used for cell 2(150) 0 FDD CPICH_Ec/N0 |
| -Reporting quantities for monitored set cells (10.3.7.5) -Cell synchronisation information reporting indicator -Cell Identity reporting indicator -CHOICE mode -CPICH Ec/N0 reporting indicator -CPICH RSCP reporting indicator -Pathloss reporting indicator | FALSE TRUE FDD TRUE TRUE FALSE |
| -Reporting quantities for detected set cells (10.3.7.5) | Not Present |

| Information Element/Group name | Value/Remark |
|--|--|
| -Reporting cell status (10.3.7.61) -Measurement validity (10.3.7.51) -CHOICE report criteria | Not Present Not Present Intra-frequency measurement reporting criteria |
| -Intra-frequency measurement reporting criteria (10.3.7.39) -Parameters required for each event | 2 |
| -Intra-frequency event identity -Triggering condition 2 -Reporting Range Constant -Cells forbidden to affect Reporting Range -W -Hysteresis -Threshold used frequency -Reporting deactivation threshold -Replacement activation threshold -Time to trigger -Amount of reporting -Reporting interval -Reporting cell status | Event 1A Monitored set cells 3 dB Not Present 1 0 dB Not Present 0 Not Present 0 ms Infinity 0 ms |
| - CHOICE reported cell - Maximum number of reported cells | Report cell within active set and/or monitored set cells on used frequency 3 |
| Physical channel information elements -DPCH compressed mode status info (10.3.6.34) | Not Present |

MEASUREMENT REPORT message (step 7):

| Information Element/Group name | Value/Remark |
|---|--|
| Message Type (10.2.17) | |
| Integrity check info - Message authentication code | This IE is checked to see if it is present. The value is compared against the XMAC-I value computed by SS. The first/ leftmost bit of the bit string contains the most significant bit of the MAC-I. |
| - RRC Message sequence number | This IE is checked to see if it is present. The value is used by SS to compute the XMAC-I value. |
| Measurement identity | 1 |
| Measured Results - CHOICE <i>Measurement</i> | |
| -Intra-frequency measured results list | |
| -Intra-frequency measurement results | |
| - Cell measured results | |
| - Cell Identity | 2 (The same as the Cell 2) |
| - CSG Identity | 2 |
| - CSG Member indication | Not present indicates that the UE is the non-member UE. |
| - CHOICE <i>mode</i> | |
| -FDD | |
| - Primary CPICH info | |
| - Primary scrambling code | 150(The same as the cell2) |
| - CPICH E_c/N_0 | Check that this IE is present |
| - CPICH RSCP | Check that this IE is present |
| - Pathloss | Check that this IE is absent |
| Measured results on RACH | Check that this IE is absent |
| Additional measured results | Check that this IE is absent |
| Event results | |
| - CHOICE <i>event result</i> | Intra-frequency measurement event results |
| - Intra-frequency event identity | 1a |
| - Cell measurement event results | |
| - CHOICE <i>mode</i> | FDD |
| - Primary CPICH info | 150 |

8.3.10.1.5 Test requirements

For the test to pass, the total number of successful tests shall be at least 90% of the cases with a confidence level of 95 %.

Table 8.3.10.1.3: Cell specific test parameters for intra frequency CSG SI acquisition

| Parameter | Unit | Cell 1 | | Cell 2 | |
|--|---------------|--------|-----|-----------|--------|
| | | T1 | T2 | T1 | T2 |
| CPICH_Ec/lor | dB | -9.3 | | -9.3 | |
| PCCPCH_Ec/lor | dB | -11.3 | | -11.3 | |
| SCH_Ec/lor | dB | -11.3 | | -11.3 | |
| PICH_Ec/lor | dB | -14.3 | | -14.3 | |
| DPCH_Ec/lor | dB | Note 1 | | N/A | |
| OCNS | | Note 2 | | -1.13 | |
| \hat{I}_{or}/I_{oc} | dB | 0 | 7.0 | -Infinity | 6.0 |
| I_{oc} | dBm/ 3,84 MHz | -63.01 | -70 | Note 3 | Note 3 |
| CPICH_Ec/lo | dB | -12.3 | | -Infinity | -13.3 |
| Propagation Condition | | AWGN | | | |
| NOTE 1: The DPCH level is controlled by the power control loop | | | | | |
| NOTE 2: The power of the OCNS channel that is added shall make the total power from the cell to be equal to I_{or} . | | | | | |
| NOTE 3: The I_{oc} level is common for cell 1 and cell 2 | | | | | |

Step 7: Time from the start of T2 to the time UE sending measurement report shall be less than 2.71 seconds and BLER shall not exceed 0.013.

NOTE: If the above Test Requirement differs from the Minimum Requirement then the Test Tolerance applied for this test is non-zero. The Test Tolerance for this test is defined in clause F.2 and the explanation of how the Minimum Requirement has been relaxed by the Test Tolerance is given in clause F.4.

8.3.10.2 Inter frequency System information acquisition for CSG cell

8.3.10.2.1 Definition and applicability

For inter frequency CSG cells, CSG SI decoding is explicitly requested by RRC signalling. For the inter frequency case the UE may make autonomous gaps in both downlink reception and uplink transmission.

The requirements in this section apply to a FDD UE release 9 and forward which supports CSG and inter-frequency system information acquisition of a CSG cell in preparation for handover.

8.3.10.2.2 Minimum requirement

When inter frequency CSG SI decoding of a neighbour cell is requested by UTRAN, the UE may interrupt ongoing downlink reception, and uplink transmission to perform the decoding on another frequency. The total of the gaps in reception and the total of the gaps in transmission during the period $T_{\text{CSG-SI-Report}}$ shall not exceed $T_{\text{CSG-SI-Interruption}}$ where $T_{\text{CSG-SI-Interruption}} = [600\text{ms}]$. This requirement is applicable for CSG target cell configurations where the information required to make the SI report can be determined from the MIB and SIB3 alone, and SIB3 is not segmented into multiple TTI. Additionally, for the requirement to be applicable, the reception conditions shall be [TBD] such that the system frame number of the target CSG cell, the MIB and SIB3 can each be successfully decoded in no more than four attempts

The UE shall transmit a measurement report containing the cell identity, CSG identity of cell 2 and membership indication set to FALSE within [1.96] seconds from the start of T3.

Test requirement = RRC Procedure delay + $T_{\text{CSG-SI-Report}}$

$$= 50 + [630] + 40 * 32 \text{ from the start of T3}$$

$$= [1.96] \text{ seconds.}$$

The UE shall not send event triggered measurement reports, as long as the reporting criteria are not fulfilled..

The rate of correct events observed during repeated tests shall be at least 90%.

NOTE 1: The actual overall delays measured in the test may be up to $2 \times TTI_{UL_DCCH}$ higher than the measurement reporting delays above because of TTI insertion uncertainty of the measurement report in the UL DCCH.

The measured quality on the DTCH of the UE downlink measured from the start of T3 until 1.96 seconds after the start of T3 using loopback shall not exceed BLER= 0.612

NOTE 2: The test BLER is defined from the requirements as follows:

- 600ms of downlink interruption and 600ms of uplink interruption may occur = 30 DTCH TTI
- Due to loopback delay (up to 10 TTI), this means that $30 + 30 = 60$ TTI loopback throughput may be lost due to gaps in uplink and downlink
- There are 98 TTI in the test interval (1.96 seconds)
- The remaining $98-60 = 38$ TTI should have a BLER not exceeding $0.001+30\% = 0.0013$

Overall maximum allowed BLER is $(38/98)*0.0013 + (60/98)*1 = 0.612$

The reference for this requirement is TS 25.133 [2] clauses 5.13 and A.5.11.

8.3.10.2.3 Test purpose

The purpose of this test is to verify the requirement for inter frequency CSG SI acquisition in section 8.3.10.2.2.

8.3.10.2.4 Method of test

8.3.10.2.4.1 Initial conditions

Test environment: normal; see clauses G.2.1 and G.2.2.

Frequencies to be tested: mid range; see clause G.2.4.

The test parameters are given in Table 8.3.10.2.1 and 8.3.10.2.2 below. The test consists of three successive time periods, with a time duration T1, T2 and T3. In the measurement control information it is indicated to the UE that event-triggered reporting with Event 2C shall be used. The CPICH E_c/I_0 of the best cell on the unused frequency shall be reported together with Event 2C reporting. At the start of time duration T1, the UE may not have any timing information of cell 2.

During T2, the UE shall transmit a measurement report with event 2C, and UTRAN shall respond with a measurement control message which reconfigures inter frequency measurements with the Inter-frequency SI Acquisition IE containing the PSC of cell 2. The start of T3 is defined as the end of the last TTI containing this measurement control message

Table 8.3.10.2.1: General test parameters for Handover to inter-frequency cell

| Parameter | Unit | Value | Comment |
|------------------------------|----------------|--|---|
| DCH parameters | | DL and UL Reference Measurement Channel 12.2 kbps | As specified in TS 25.101 section A.3.1 and A.2.1 |
| Power Control | | On | |
| Target quality value on DTCH | BLER | 0.001 | |
| Compressed mode | | A.22 set 1 | As specified in TS 25.101 section A.5. |
| Initial conditions | Active cell | Cell 1 | |
| | Neighbour cell | Cell 2 | |
| Final conditions | Active cell | Cell 1 | Handover to cell 2 is not requested |
| Threshold non used frequency | dB | -18 | Absolute E_c/I_0 threshold for event 2C |
| Hysteresis | dB | 0 | |
| W non-used frequency | | 1 | Applicable for event 2C |
| Time to Trigger | Ms | 0 | |
| Filter coefficient | | 0 | |
| SIB3_REP | Frames | 32 | Applicable for cell 2 SIB3 scheduling |
| SIB3_SEG_COUNT | | 1 | Applicable for cell 2 SIB3 scheduling |
| CSG id (of cell 2) | | Set to any non-empty value (In this test case ,it is set to 2) | |

| Parameter | Unit | Value | Comment |
|---------------------------|------|------------------------------------|--|
| CSG Indicator (of cell 2) | | Set to TRUE | |
| UE whitelist | | Empty | |
| Monitored cell list size | | 24 on channel 1 16 on channel 2 | Measurement control information is sent before the compressed mode pattern starts. |
| T1 | S | 5 | |
| T2 | S | ≤5 | |
| T3 | S | 5 | |

Table 8.3.10.2.2: Cell Specific parameters for Handover to inter-frequency cell

| Parameter | Unit | Cell 1 | | | Cell 2 | | |
|--|--------------|-----------|----|----|-----------|------|------|
| | | T1 | T2 | T3 | T1 | T2 | T3 |
| UTRA RF Channel Number | | Channel 1 | | | Channel 2 | | |
| CPICH_Ec/lor | dB | -10 | | | -10 | | |
| PCCPCH_Ec/lor | dB | -12 | | | -12 | | |
| SCH_Ec/lor | dB | -12 | | | -12 | | |
| PICH_Ec/lor | dB | -15 | | | -15 | | |
| DPCH_Ec/lor | dB | Note 1 | | | N/A | | |
| OCNS | | Note 2 | | | -0.941 | | |
| \hat{I}_{or}/I_{oc} | dB | 0 | | | -Infinity | -1.8 | -1.8 |
| I_{oc} | dBm/3,84 MHz | -70 | | | | | |
| CPICH_Ec/lo | dB | -13 | | | -Infinity | -14 | -14 |
| Propagation Condition | | AWGN | | | | | |
| NOTE 1: The DPCH level is controlled by the power control loop | | | | | | | |
| NOTE 2: The power of the OCNS channel that is added shall make the total power from the cell to be equal to I_{or} . | | | | | | | |

8.3.10.2.4.2 Procedure

- 1) The RF parameters are set up according to T1 in Table 8.3.10.2.3.
- 2) The UE is switched on.
- 3) A call is set up according to the test procedure specified in TS 34.108 [3] subclause 7.3.4 with Compressed mode parameters as in Table 8.3.10.2.1. The compressed mode shall remain inactive. Data shall be sent on the DTCH throughout the call.
- 4) SS shall send a MEASUREMENT CONTROL message (event 2C) on Cell 1. T1 starts.
- 5) 5 seconds after step 4 has completed, the SS shall switch the power settings from T1 to T2 according to the parameters defined in table 8.3.10.2.3.
- 6) SS shall transmit PHYSICAL CHANNEL RECONFIGURATION message to active the compressed mode.
- 7) UE shall transmit PHYSICAL CHANNEL RECONFIGURATION COMPLETE message.
- 8) UE shall transmit a MEASUREMENT REPORT message triggered by event 2C during T2.
- 9) SS shall transmit a MEASUREMENT CONTROL message with the Inter-frequency SI Acquisition IE containing the PSC of Cell 2. The start of T3 is defined as the end of the last TTI containing this measurement control message.
- 10) SS shall measure the time and the BLER from the start of T3 until receiving the MEASUREMENT REPORT message.
- 11) If the MEASUREMENT REPORT message containing the cell identity, CSG identity of Cell 2 and not containing membership indication within 1.96 seconds from the start of T3 and BLER is less than 0.612, then the number of successful tests is increased by one.

12) After 5 seconds from the beginning of time period T3, the UE is switched off. Any timing information of Cell 2 is deleted in the UE.

13) Repeat step 1-12 until the confidence level according to annex F.6.2 is achieved

Specific Message Contents

The default messages for SIB11 and SIB12 as specified for Cell 1 and Cell 2 in clause 6.1.4 of 34.108 [3] are used.

Default parameters according to Cell 1 and Cell 2 in clause 6.1.4, with the following exceptions:

The "CSG Identity" in SIB3 of the Cell 2 is 2. "CSG PSC Split Information" is also included in SIB3 with "Start PSC" set to 248 and "Number of PSCs" set to 10.

All messages indicated above shall use the same content as described in the default message content in clause 9 of 34.108 [3], with the following exceptions:

MEASUREMENT CONTROL message, event 2C (step 4)

| Information Element/Group name | Value/Remark |
|---|--|
| Message Type (10.2.17) | |
| UE information elements -RRC transaction identifier -Integrity check info -message authentication code -RRC message sequence number | 0 SS calculates the value of MAC-I for this message and writes to this IE. The first/leftmost bit of the bit string contains the most significant bit of the MAC-I. SS provides the value of this IE, from its internal counter. |
| Measurement Information elements -Measurement Identity -Measurement Command (10.3.7.46) -Measurement Reporting Mode (10.3.7.49) -Measurement Report Transfer Mode -Periodical Reporting / Event Trigger Reporting Mode -Additional measurements list (10.3.7.1) | 1 Setup AM RLC Event trigger Not Present |
| -CHOICE Measurement type -Inter-frequency measurement (10.3.7.16) -Inter-frequency measurement objects list (10.3.7.13) - CHOICE Inter-frequency cell removal - New Inter frequency cells - Inter frequency cell id - Frequency info - CHOICE mode - UARFCN uplink(Nu) - UARFCN downlink(Nd) | Inter-frequency measurement Not Present 4 FDD Not Present Same frequency as "Channel2" in Table 8.3.10.2.2 |
| - Cell info - Cell individual offset - Reference time difference to cell - Read SFN indicator - CHOICE mode - Primary CPICH info - Primary scrambling code | Not Present Not Present FALSE FDD Set to Primary scrambling code of Cell2 (250) |
| - Primary CPICH Tx Power - Tx Diversity Indicator - Cell for measurement -Inter-frequency measurement quantity (10.3.7.18) -CHOICE reporting criteria -Inter-frequency reporting criteria -Filter coefficient -CHOICE mode -Measurement quantity for frequency quality estimate | Not Present FALSE Not Present Inter-frequency reporting criteria 0 FDD CPICH Ec/N0 |
| -Inter-frequency reporting quantity (10.3.7.21) | |

| Information Element/Group name | Value/Remark |
|--|---|
| -UTRA Carrier RSSI -Frequency quality estimate -Non frequency related cell reporting quantities (10.3.7.5) -Cell synchronisation information reporting indicator -Cell Identity reporting indicator -CHOICE mode -CPICH Ec/N0 reporting indicator -CPICH RSCP reporting indicator -Pathloss reporting indicator | FALSE FALSE TRUE FALSE FDD TRUE TRUE FALSE |
| -Reporting cell status (10.3.7.61) -Measurement validity (10.3.7.51) -Inter-frequency set update (10.3.7.22) -UE autonomous update mode | Not Present Not Present On with no reporting |
| -CHOICE report criteria | Inter-frequency measurement reporting criteria |
| -Inter-frequency measurement reporting criteria (10.3.7.19) -Parameters required for each event -Inter-frequency event identity (10.3.7.14) -Threshold used frequency -W used frequency -Hysteresis -Time to trigger -Reporting cell status (10.3.7.61) -CHOICE reported cell -Maximum number of reported cells per reported non-used frequency -Parameters required for each non-used frequency -Threshold non-used frequency -W non-used frequency | 1 Event 2C Not Present Not Present 0 dB 0 ms Report cells within monitored and/or virtual active set on non-used frequency 1 1 -18 dB 1 |
| Physical channel information elements -DPCH compressed mode status info (10.3.6.34) | Not Present |

PHYSICAL CHANNEL RECONFIGURATION (Step 6)

| Information Element | Value/remark | Version |
|---|--|--------------------|
| RRC State Indicator | CELL_DCH | |
| Downlink information common for all radio links - Downlink DPCH info common for all RL (10.3.6.18) - CHOICE mode - DPCH compressed mode info (10.3.6.33) - TGPSI - TGPS Status Flag - TGCFN - Transmission gap pattern sequence configuration parameters - TGMP - TGPRC - TGSN - TGL1 - TGL2 - TGD - TGPL1 - TGPL2 - RPP - ITP - CHOICE UL/DL Mode - Downlink compressed mode method - Uplink compressed mode method - Downlink frame type | Not Present FDD 1 activate (Current CFN+(256 – TTI/10msec)) mod256 FDD Measurement Infinity 4 7 Not Present Undefined 3 Not Present mode 0 mode 0 UL and DL, UL only, or DL only, depending on UE capability SF/2 or Not present depending on UE capability SF/2 or Not present depending on UE capability B | R99 and REL-4 only |

| Information Element | Value/remark | Version |
|-----------------------------|--------------|--------------------|
| RRC State Indicator | CELL_DCH | |
| - DeltaSIR1 | 20 (2.0) | |
| - DeltaSIRAfter1 | 10 (1.0) | |
| - DeltaSIR2 | Not Present | |
| - DeltaSIRAfter2 | Not Present | |
| - N identify abort | Not Present | |
| - T Reconfirm abort | Not Present | |
| - TX Diversity Mode | Not Present | |
| - SSDT information | Not Present | R99 and Rel-4 only |
| - Default DPCH Offset Value | Not Present | |

MEASUREMENT REPORT message (step 8)

| Information Element/Group name | Value/Remark |
|--|--|
| Message Type (10.2.17) | |
| Integrity check info | |
| - Message authentication code | This IE is checked to see if it is present. The value is compared against the XMAC-I value computed by SS. The first/ leftmost bit of the bit string contains the most significant bit of the MAC-I. |
| - RRC Message sequence number | This IE is checked to see if it is present. The value is used by SS to compute the XMAC-I value. |
| Measurement identity | 1 |
| Measured Results | Check that this IE is absent |
| Measured results on RACH | Check that this IE is absent |
| Additional measured results | Check that this IE is absent |
| Measured Results (10.3.7.44) | |
| - CHOICE <i>Measurement</i> | |
| - Inter-frequency measured results list (10.3.7.15) | |
| - Frequency info | Same frequency as "Channel2" in Table 8.3.10.2.2 |
| - Inter-frequency measurement results | |
| - Cell measured results (10.3.7.3) | |
| - Cell Identity | Not present |
| - CSG Identity | Not present |
| - CSG Member indication | Not present |
| - Cell synchronisation information | |
| - Tm | Checked that this IE is present |
| - CHOICE <i>mode</i> | |
| -FDD | |
| - Primary CPICH info | |
| - Primary scrambling code | 250 (The same as the cell2) |
| - CPICH Ec/N0 | Check that this IE is present |
| - CPICH RSCP | Check that this IE is present |
| - Pathloss | Check that this IE is absent |
| Event results (10.3.7.7) | |
| - CHOICE <i>event result</i> | |
| - Inter-frequency measurement event results (10.3.7.17) | |
| - Inter-frequency event identity | 2c |
| - Inter-frequency cells | |
| - Frequency info | Same frequency as "Channel2" in Table 8.3.10.2.2 |
| - Non frequency related measurement event results (10.3.7.4) | |
| - CHOICE <i>mode</i> | |
| - FDD | |
| - Primary CPICH info | |
| - Primary scrambling code | 250 (The same as the cell2) |

MEASUREMENT CONTROL message (step 9)

| Information Element/Group name | Value/Remark |
|--|---|
| Message Type (10.2.17) | |
| UE information elements -RRC transaction identifier -Integrity check info -message authentication code -RRC message sequence number | 2 SS calculates the value of MAC-I for this message and writes to this IE. The first/ leftmost bit of the bit string contains the most significant bit of the MAC-I. SS provides the value of this IE, from its internal counter. |
| Measurement Information elements -Measurement Identity -Measurement Command (10.3.7.46) -Measurement Reporting Mode (10.3.7.49) -Measurement Report Transfer Mode -Periodical Reporting / Event Trigger Reporting Mode -Additional measurements list (10.3.7.1) | 2 Setup AM RLC Periodical reporting Not Present |
| -CHOICE Measurement type -Inter-frequency measurement (10.3.7.16) -Inter-frequency measurement objects list (10.3.7.13) - CHOICE Inter-frequency cell removal - New Inter frequency cells - Inter-frequency SI Acquisition - Frequency Info - CHOICE mode - UARFCN uplink(Nu) - UARFCN downlink(Nd) - CHOICE <i>mode</i> - Primary Scrambling Code -Inter-frequency measurement quantity (10.3.7.18) -CHOICE reporting criteria -Inter-frequency reporting criteria -Filter coefficient -CHOICE mode -Measurement quantity for frequency quality estimate | Inter-frequency measurement Not Present Not Present FDD Not Present Same frequency as "Channel2" in Table 8.3.10.2.2 FDD The same as Cell 2 (250) Inter-frequency reporting criteria 0 FDD CPICH Ec/N0 |
| -Inter-frequency reporting quantity (10.3.7.21) | |
| -UTRA Carrier RSSI -Frequency quality estimate -Non frequency related cell reporting quantities (10.3.7.5) -Cell synchronisation information reporting indicator -Cell Identity reporting indicator -CHOICE mode -CPICH Ec/N0 reporting indicator -CPICH RSCP reporting indicator -Pathloss reporting indicator | FALSE FALSE FALSE TRUE FDD TRUE TRUE FALSE |
| -Reporting cell status (10.3.7.61) -Measurement validity (10.3.7.51) -Inter-frequency set update (10.3.7.22) -CHOICE report criteria | Not Present Not Present Not Present Periodical reporting criteria |
| - Periodical reporting criteria (10.3.7.53) - Amount of reporting - Reporting interval | 1 2000 ms |
| Physical channel information elements -DPCH compressed mode status info (10.3.6.34) | Not Present |

MEASUREMENT REPORT message (step 10)

| Information Element/Group name | Value/Remark |
|--|---|
| Message Type (10.2.17) | |
| Integrity check info - Message authentication code - RRC Message sequence number | This IE is checked to see if it is present. The value is compared against the XMAC-I value computed by SS. The first/ leftmost bit of the bit string contains the most significant bit of the MAC-I. This IE is checked to see if it is present. The value is used by SS to compute the XMAC-I value. 2 |
| Measurement identity Measured Results - CHOICE <i>Measurement</i> | |
| - Inter-frequency measured results list (10.3.7.15) | |
| - Frequency info | Same frequency as "Channel2" in Table 8.3.10.2.2 |
| - Inter-frequency measurement results | |
| - Cell measured results (10.3.7.3) | |
| - Cell Identity | 4 (The same as the Cell 2) |
| - CSG Identity | 2 |
| - CSG Member indication | Not present indicates that the UE is the non-member UE. |
| - CHOICE <i>mode</i> | |
| -FDD | |
| - Primary CPICH info | |
| - Primary scrambling code | 250 (The same as the cell2) |
| - CPICH Ec/N0 | Check that this IE is present |
| - CPICH RSCP | Check that this IE is present |
| - Pathloss | Check that this IE is absent |
| Measured results on RACH | Check that this IE is absent |
| Additional measured results | Check that this IE is absent |
| Event results | Check that this IE is absent |

8.3.10.2.5 Test requirements

For the test to pass, the total number of successful tests shall be at least 90% of the cases with a confidence level of 95 %.

Table 8.3.10.2.3: Cell Specific parameters for Handover to inter-frequency cell

| Parameter | Unit | Cell 1 | | | Cell 2 | | |
|--|--------------|-----------|----|----|-----------|-------|-------|
| | | T1 | T2 | T3 | T1 | T2 | T3 |
| UTRA RF Channel Number | | Channel 1 | | | Channel 2 | | |
| CPICH_Ec/I _{or} | dB | -9.2 | | | -9.2 | | |
| PCCPCH_Ec/I _{or} | dB | -11.2 | | | -11.2 | | |
| SCH_Ec/I _{or} | dB | -11.2 | | | -11.2 | | |
| PICH_Ec/I _{or} | dB | -14.2 | | | -14.2 | | |
| DPCH_Ec/I _{or} | dB | Note 1 | | | N/A | | |
| OCNS | | Note 2 | | | -1.16 | | |
| \hat{I}_{or}/I_{oc} | dB | 0 | | | -Infinity | -1.8 | -1.8 |
| I_{oc} | dBm/3,84 MHz | -70 | | | | | |
| CPICH_Ec/I _o | dB | -12.2 | | | -Infinity | -13.2 | -13.2 |
| Propagation Condition | | AWGN | | | | | |
| NOTE 1: The DPCH level is controlled by the power control loop | | | | | | | |
| NOTE 2: The power of the OCNS channel that is added shall make the total power from the cell to be equal to I_{or} . | | | | | | | |

Step 11: Time from the start of T3 to the time UE sending measurement report shall be less than 1.96 seconds and the BLER during this time shall be less than 0.612.

NOTE: If the above Test Requirement differs from the Minimum Requirement then the Test Tolerance applied for this test is non-zero. The Test Tolerance for this test is defined in clause F.2 and the explanation of how the Minimum Requirement has been relaxed by the Test Tolerance is given in clause F.4.

8.4 RRC Connection Control

8.4.1 RRC Re-establishment delay

8.4.1.1 Test 1

8.4.1.1.1 Definition and applicability

The UE Re-establishment delay requirement ($T_{UE-RE-ESTABLISH-REQ}$) is defined as the time between the moment when radio link failure is considered by the UE, to when the UE starts to send preambles on the PRACH.

$T_{UE-RE-ESTABLISH-REQ}$ is depending on whether the target cell is known by the UE or not. A cell is known if either or both of the following conditions are true:

- the UE has had radio links connected to the cell in the previous (old) active set.
- the cell has been measured by the UE during the last 5 seconds.

The phase reference is the primary CPICH.

The requirements of this test apply to the FDD UE.

8.4.1.1.2 Minimum requirement

The Re-establishment delay $T_{RE-ESTABLISH}$ to a known cell shall be less than 1.9 s.

The rate of correct RRC re-establishments observed during repeated tests shall be at least 90%.

NOTE: The Re-establishment delay in this case can be expressed as

$$T_{RE-ESTABLISH} = T_{RRC-RE-ESTABLISH} + T_{UE-RE-ESTABLISH-REQ-KNOWN}$$

where

$$T_{RRC-RE-ESTABLISH} = 160\text{ms} + (N_{313} - 1) * 10\text{ms} + T_{313}$$

$$T_{UE-RE-ESTABLISH-REQ-KNOWN} = 50\text{ms} + T_{\text{search}} + T_{SI} + T_{RA}$$

$$N_{313} = 20$$

$$T_{313} = 0\text{s}$$

$$T_{\text{search}} = 100\text{ms}$$

$$T_{RA} = \text{The additional delay caused by the random access procedure. 40 ms is assumed in this test case.}$$

$$T_{SI} \text{ is the time required for receiving all the relevant system information data according to the reception procedure and the RRC procedure delay of system information blocks defined in 25.331 for a UTRAN cell (ms). 1280 ms is assumed in this test case.}$$

This gives a total of 1820ms, allow 1.9s in the test case.

8.4.1.1.3 Test purpose

To verify that the UE meets the minimum requirement.

8.4.1.1.4 Method of test

8.4.1.1.4.1 Initial conditions

Test environment: normal; see clauses G.2.1 and G.2.2.

Frequencies to be tested: mid range; see clause G.2.4.

The test parameters are given in table 8.4.1.1, table 8.4.1.1.A, and table 8.4.1.2 below. The maximum repetition period of the relevant system info blocks that needs to be received by the UE to camp on a cell shall be 1280 ms. And DRX cycle length shall be 1280ms. In the measurement control information it is indicated to the UE that periodic reporting shall be used. The test consist of 2 successive time periods, with a time duration of T1 and T2 respectively. At the start of time period T2, the dedicated channel is removed.

Table 8.4.1.1 General test parameters for RRC re-establishment delay, Test 1

| Parameter | Unit | Value | Comment |
|--------------------------------|---------|--|--|
| DCH Parameters | | DL and UL Reference measurement channel 12.2 kbps | As specified in clause C.3.1 and C.2.1 |
| Power Control | | On | |
| Active cell, Initial condition | | Cell 1 | |
| Active cell, Final condition | | Cell 2 | |
| N313 | | 20 | |
| N315 | | 1 | |
| T313 | Seconds | 0 | |
| Monitored cell list size | | 24 | Monitored set shall only include intra frequency neighbours. NOTE: See Annex I for cell information. |
| Cell 2 | | | Included in the monitored set |
| T _{SI} | ms | 1280 | See Annex I for the SIB repetition period of system information blocks. |
| Reporting frequency | Seconds | 4 | |
| T1 | s | 10 | |
| T2 | s | 6 | |

Table 8.4.1.1.A Cell specific parameters for RRC re-establishment delay test, Test 1

| Parameter | Unit | Cell 1 | Cell 2 |
|-----------------------|---------------|--------|-----------|
| | | T0 | T0 |
| Cell Frequency | ChNr | 1 | 1 |
| CPICH_Ec/lor | dB | -10 | -10 |
| PCCPCH_Ec/lor | dB | -12 | -12 |
| SCH_Ec/lor | dB | -12 | -12 |
| PICH_Ec/lor | dB | -15 | -15 |
| DCH_Ec/lor | dB | Note 1 | -infinity |
| OCNS_Ec/lor | dB | Note 2 | -0.941 |
| \hat{I}_{or}/I_{oc} | dB | 2.39 | -infinity |
| I_{oc} | dBm/ 3.84 MHz | -70 | |
| CPICH_Ec/lo | dB | -12 | -infinity |
| Propagation Condition | | AWGN | |

NOTE 1: The DPCH level is controlled by the power control loop.
NOTE 2: The power of the OCNS channel that is added shall make the total power from the cell to be equal to I_{or} .

Table 8.4.1.2 Cell specific parameters for RRC re-establishment delay test, Test 1

| Parameter | Unit | Cell 1 | | Cell 2 | |
|--|---------------|--------|-----------|----------------|------|
| | | T1 | T2 | T1 | T2 |
| Cell Frequency | ChNr | 1 | | 1 | |
| CPICH_Ec/I _{or} | dB | -10 | | -10 | |
| PCCPCH_Ec/I _{or} | dB | -12 | | -12 | |
| SCH_Ec/I _{or} | dB | -12 | | -12 | |
| PICH_Ec/I _{or} | dB | -15 | | -15 | |
| DCH_Ec/I _{or} | dB | Note 1 | -Infinity | Not applicable | |
| OCNS_Ec/I _{or} | dB | Note 2 | -0.941 | -0.941 | |
| \hat{I}_{or}/I_{oc} | dB | 2,39 | -Infinity | 4,39 | 0,02 |
| I_{oc} | dBm/ 3.84 MHz | -70 | | | |
| CPICH_Ec/I _o | dB | -15 | -Infinity | -13 | |
| Propagation Condition | | AWGN | | | |
| NOTE 1: The DPCH level is controlled by the power control loop. | | | | | |
| NOTE 2: The power of the OCNS channel that is added shall make the total power from the cell to be equal to I_{or} . | | | | | |

8.4.1.1.4.2 Procedure

- 1) The RF parameters are set up according to T0.
- 2) The UE is switched on.
- 3) A call is set up according to the test procedure specified in TS 34.108 [3] subclause 7.3.4 without Compressed mode parameters.
- 4) The RF parameters are setup according to T1.
- 5) 10 s after step4 has completed, the parameters are changed to that as described for T2.
- 6) If the UE responds on cell 2 within 2.1 s from the beginning of time period T2 with a CELL_UPDATE command then the number of successful tests is increased by one.
- 7) SS shall transmit a RRC CONNECTION RELEASE message to make the UE transit to idle mode.
- 8) After 6 seconds from the beginning of time period T2, the RF parameters are set up according to T0.
- 9) The SS shall wait for 30s to make the UE complete cell reselection to cell1.
- 10) Repeat step 3-9 until the confidence level according to annex F.6.2 is achieved.

NOTE 1: The time required for receiving all the relevant system information data according to the reception procedure and the RRC procedure delay of system information blocks is defined in 25.331 for a UTRAN cell. Since the maximum time to read the relevant system info blocks that needs to be received by the UE to camp on a cell is 1420ms (see note 2) and the maximum RRC procedure delay for reception system information block is 100ms, 1520ms is assumed in this test case. Therefore this gives a total of 2060ms (Minimum requirement + 240ms), allow 2.1s in the test case.

NOTE 2: The maximum repetition period of the relevant system info blocks that needs to be received by the UE to camp on a cell is 1280ms. The Master Information Block (MIB) is repeated every 8 frame and SIB5 (and SIB11) is segmented into 4 segments where the first segment is scheduled adjacent to the MIB at SIB_POS=40 and the other three segments are scheduled after the MIB (SIB_POS=42, 44 and 46). The maximum time for a UE to read SIB5 will occur if the UE start reading the BCH at the SFN after the MIB located prior to the first segment of SIB5 (SIB_POS 32). Then the UE will not be able to read SIB5 until the second occurrence of SIB5, which will happen at SIB_POS 46 + 1280ms. This gives that the maximum time for the UE to read the relevant system info will be 1420ms ((SIB_POS 46 – SIB_POS 32)*10ms +1280ms).

All messages indicated above shall use the same content as described in the default message content in clause 9 of 34.108 [3], with the following exceptions:

Contents of RRC CONNECTION RELEASE message UM (Step 7):

| Information Element | Value/remark | Version |
|---------------------|-------------------------|---------|
| Release cause | Re-establishment Reject | |

8.4.1.1.5 Test requirements

For the test to pass, the total number of successful tests shall be more than 90% of the cases with a confidence level of 95%.

Note: If the above Test Requirement differs from the Minimum Requirement then the Test Tolerance applied for this test is non-zero. The Test Tolerance for this test is defined in clause F.2 and the explanation of how the Minimum Requirement has been relaxed by the Test Tolerance is given in clause F.4.

8.4.1.2 Test 2

8.4.1.2.1 Definition and applicability

The UE Re-establishment delay requirement ($T_{UE-E-ESTABLISH-REQ}$) is defined as the time between the moment when radio link failure is considered by the UE, to when the UE starts to send preambles on the PRACH.

$T_{UE-RE-ESTABLISH-REQ}$ is depending on whether the target cell is known by the UE or not. A cell is known if either or both of the following conditions are true:

- the UE has had radio links connected to the cell in the previous (old) active set.
- the cell has been measured by the UE during the last 5 seconds.

The phase reference is the primary CPICH.

The requirements of this test apply to the FDD UE.

8.4.1.2.2 Minimum requirement

The rate of correct RRC re-establishments observed during repeated tests shall be at least 90%.

NOTE: The Re-establishment delay in this case can be expressed as

$$T_{RE-ESTABLISH} = T_{RRC-RE-ESTABLISH} + T_{UE-RE-ESTABLISH-REQ-UNKNOWN}$$

where

$$T_{RRC-RE-ESTABLISH} = 160\text{ms} + (N_{313} - 1) * 10\text{ms} + T_{313}$$

$$T_{UE-RE-ESTABLISH-REQ-UNKNOWN} = 50\text{ms} + T_{\text{search}} * NF + T_{SI} + T_{RA}$$

$$N_{313} = 20$$

$$T_{313} = 0\text{s}$$

$$T_{\text{search}} = 800\text{ms}$$

NF is the number of different frequencies in the monitored set. 3 frequencies are assumed in this test case.

T_{RA} = The additional delay caused by the random access procedure. 40 ms is assumed in this test case.

T_{SI} is the time required for receiving all the relevant system information data according to the reception procedure and the RRC procedure delay of system information blocks defined in 25.331 for a UTRAN cell (ms). 1280 ms is assumed in this test case.

This gives a total of 4120ms, allow 4.2s in the test case.

8.4.1.2.3 Test purpose

To verify that the UE meets the minimum requirement.

8.4.1.2.4 Method of test

8.4.1.2.4.1 Initial conditions

Test environment: normal; see clauses G.2.1 and G.2.2.

Frequencies to be tested: mid range; see clause G.2.4.

The test parameters are given in table 8.4.1.3 and table 8.4.1.4 below. The maximum repetition period of the relevant system info blocks that needs to be received by the UE to camp on a cell shall be 1280 ms. And DRX cycle length shall be 1280ms. In the measurement control information it is indicated to the UE that periodic reporting shall be used. The test consists of 2 successive time periods, with a time duration of T1 and T2 respectively. At the start of time period T2, the dedicated channel is removed.

Table 8.4.1.3 General test parameters for RRC re-establishment delay, Test 2

| Parameter | Unit | Value | Comment |
|--------------------------------|---------|---|--|
| DCH Parameters | | DL and UL Reference measurement channel 12.2 kbps | As specified in clause C.3.1 and C.2.1 |
| Power Control | | On | |
| Active cell, initial condition | | Cell 1 | |
| Active cell, final condition | | Cell 2 | |
| N313 | | 20 | |
| N315 | | 1 | |
| T313 | Seconds | 0 | |
| Monitored cell list size | | 24 | Monitored set shall include 2 additional frequencies. NOTE: See Annex I for cell information. |
| Cell 2 | | | Cell 2 is not included in the monitored set. Cell 2 is located on one of the 2 additional frequencies of the monitored set. NOTE: Cell 2 is included in the monitored cell list (SIB 11), but not known by the UE. |
| T _{SI} | ms | 1280 | See Annex I for the SIB repetition period of system information blocks. |
| Reporting frequency | Seconds | 4 | |
| T1 | s | 10 | |
| T2 | s | 6 | |

Table 8.4.1.4 Cell specific parameters for RRC re-establishment delay test, Test 2

| Parameter | Unit | Cell 1 | | Cell 2 | |
|---------------------------|---------------|--------|-----------|----------------|------|
| | | T1 | T2 | T1 | T2 |
| Cell Frequency | ChNr | 1 | | 2 | |
| CPICH_Ec/I _{or} | dB | -10 | | -10 | |
| PCCPCH_Ec/I _{or} | dB | -12 | | -12 | |
| SCH_Ec/I _{or} | dB | -12 | | -12 | |
| PICH_Ec/I _{or} | dB | -15 | | -15 | |
| DCH_Ec/I _{or} | dB | Note 1 | -Infinity | Not applicable | |
| OCNS_Ec/I _{or} | dB | Note 2 | -0.941 | -0.941 | |
| \hat{I}_{or}/I_{oc} | dB | -3,35 | -Infinity | -Infinity | 0,02 |
| I_{oc} | dBm/ 3.84 MHz | -70 | | | |
| CPICH_Ec/I _o | dB | -15 | -Infinity | -Infinity | -13 |
| Propagation Condition | | AWGN | | | |

NOTE 1: The DPCH level is controlled by the power control loop.
NOTE 2: The power of the OCNS channel that is added shall make the total power from the cell to be equal to I_{or} .

8.4.1.2.4.2 Procedure

- 1) The RF parameters are set up according to T1.
- 2) The UE is switched on.
- 3) A call is set up according to the test procedure specified in TS 34.108 [3] subclause 7.3.4 without Compressed mode parameters.
- 4) 10 s after step3 has completed, the parameters are changed to that as described for T2.
- 5) If the UE responds on cell 2 within 4.4 s from the beginning of time period T2 with a CELL_UPDATE command then the number of successful tests is increased by one.
- 6) SS shall transmit a RRC CONNECTION RELEASE message to make the UE transit to idle mode.
- 7) After 6 seconds the RF parameters are set up according to T1.
- 8) The SS shall wait for 30s to make the UE complete cell reselection to cell1.
- 9) Repeat step 3-8 until the confidence level according to annex F.6.2 is achieved.

NOTE 1: The time required for receiving all the relevant system information data according to the reception procedure and the RRC procedure delay of system information blocks is defined in 25.331 for a UTRAN cell. Since the maximum time to read the relevant system info blocks that needs to be received by the UE to camp on a cell is 1420ms (see note 2) and the maximum RRC procedure delay for reception system information block is 100ms, 1520ms is assumed in this test case. Therefore this gives a total of 4360ms (Minimum requirement + 240ms), allow 4.4s in the test case.

NOTE 2: The maximum repetition period of the relevant system info blocks that needs to be received by the UE to camp on a cell is 1280ms. The Master Information Block (MIB) is repeated every 8 frame and SIB5 (and SIB11) is segmented into 4 segments where the first segment is scheduled adjacent to the MIB at SIB_POS=40 and the other three segments are scheduled after the MIB (SIB_POS=42, 44 and 46). The maximum time for a UE to read SIB5 will occur if the UE start reading the BCH at the SFN after the MIB located prior to the first segment of SIB5 (SIB_POS 32). Then the UE will not be able to read SIB5 until the second occurrence of SIB5, which will happen at SIB_POS 46 + 1280ms. This gives that the maximum time for the UE to read the relevant system info will be 1420ms ((SIB_POS 46 – SIB_POS 32)*10ms +1280ms).

All messages indicated above shall use the same content as described in the default message content in clause 9 of 34.108 [3], with the following exceptions:

Contents of RRC CONNECTION RELEASE message UM (Step 6):

| Information Element | Value/remark | Version |
|---------------------|-------------------------|---------|
| Release cause | Re-establishment Reject | |

8.4.1.2.5 Test requirements

For the test to pass, the total number of successful tests shall be more than 90% of the cases with a confidence level of 95%.

Note: If the above Test Requirement differs from the Minimum Requirement then the Test Tolerance applied for this test is non-zero. The Test Tolerance for this test is defined in clause F.2 and the explanation of how the Minimum Requirement has been relaxed by the Test Tolerance is given in clause F.4.

8.4.2 Random Access

8.4.2.1 Correct behaviour when receiving an ACK (Release 5 and earlier)

8.4.2.1.1 Definition and applicability

The random access procedure is used when establishing the layer 1 communication between the UE and UTRAN. The random access shall provide a fast access but without disturbing ongoing connections. The random access is specified in clause 6 of TS 25.214 [5] and the control of the RACH transmission is specified in clause 11.2 of TS 25.321. A random access transmit sequence is described in clause 6.7.2 of TS 25.303.

This test is applicable for Release 5 and earlier releases only. See subclause 8.4.2.1A for later releases.

8.4.2.1.2 Minimum Requirements

The UE shall have capability to calculate initial power according to the open loop algorithm and apply this power level at the first preamble and increase the power on additional preambles. The absolute power applied to the first preamble shall have an accuracy as specified in table 6.3 of TS 25.101 [1]. The relative power applied to additional preambles shall have an accuracy as specified in clause 6.5.2.1 of 25.101 [1].

The absolute power applied to the first preamble shall be -30 dBm with an accuracy as specified in clause 6.4.1.1 of TS 25.101 [1]. The accuracy is ± 9 dB in the case of normal condition or ± 12 dB in the case of extreme condition.

There are two relative powers, one is the power difference for preamble ramping and another is the power difference between last preamble part and message part. From the test parameter in the table 8.4.2.1.2, the test requirement of the power difference for all preamble ramping is 3dB (Power offset P₀). The accuracy is ± 2 dB as specified in clause 6.5.2.1 of 25.101 [1]. The test requirement of the power difference between 10th preamble PRACH and message part is 3 dB (note). The accuracy is ± 2 dB as specified in clause 6.5.2.1 of 25.101 [1].

NOTE: In order to calculate the power difference between 10th preamble PRACH and message part by using Power offset P_{p-m} in the table 8.4.2.1.2, the gain factors of PRACH message part are needed. The gain factor β_d is set to 15. The temporary gain factor β_c is set to 15.

The UE shall stop transmitting preambles upon a ACK on the AICH has been received and then transmit a message. The UE shall transmit 10 preambles and 1 message.

The normative reference for this requirements is TS 25.133 [2] clauses 6.3.2 and A.6.2.2.1.

8.4.2.1.3 Test purpose

The purpose of this test is to verify that the behaviour of the random access procedure is according to the requirements and that the PRACH power settings are within specified limits.

8.4.2.1.4 Method of test

8.4.2.1.4.1 Initial conditions

Test environment: normal, TL/VL, TL/VH, TH/VL, TH/VH; see clauses G.2.1 and G.2.2.

Frequencies to be tested: mid range; see clause G.2.4.

- 1) Connect the SS to the UE antenna connector as shown in figure A.1 in the case of the PRACH power measurement. And in the case of the function test of the random access procedure, connect the SS to the UE antenna connector as shown in figure A.8. A spectrum analyzer is set to 0 span mode.

See TS 34.108 [3] for details regarding generic call setup procedure.

Table 8.4.2.1.1: RF Parameters for Random Access test

| Parameter | Unit | Cell 1 |
|--|--------------|-----------|
| UTRA RF Channel Number | | Channel 1 |
| CPICH_Ec/Ior | dB | -10 |
| PCCPCH_Ec/Ior | dB | -12 |
| SCH_Ec/Ior | dB | -12 |
| Number of other transmitted Acquisition Indicators | - | 0 |
| AICH_Ec/Ior | dB | -10 |
| PICH_Ec/Ior | dB | -15 |
| OCNS_Ec/Ior when an AI is not transmitted | dB | -0,941 |
| OCNS_Ec/Ior when an AI is transmitted | dB | -1,516 |
| \hat{I}_{or}/I_{oc} | dB | 0 |
| I_{oc} | dBm/3.84 MHz | -70 |
| CPICH_Ec/Io | dB | -13 |
| Propagation Condition | | AWGN |

The test parameters "System Information Block (SIB) type 5 (ASC #0)" defined in clause 6.1 of TS 34.108 [3], shall be used in all random access tests (see note). Crucial parameters for the test requirements are repeated in tables 8.4.2.1.2 and 8.4.2.1.3 and these overrule the parameters defined in SIB type 5.

NOTE: A parameter of AC-to-ASC mapping(AC0-9) in SIB5 of clause 6.1 of TS 34.108 [3] shall be set to 0 in the case of all random access tests. The EFACC of Type A, which is specified in clause 8.3.2.15 of TS 34.108 [3], shall be selected.

Table 8.4.2.1.2: UE parameters for Random Access test

| Parameter | Unit | Value |
|--|------------|-----------|
| Access Service Class (ASC#0) | | |
| - Persistence value | 0..1 | 1 |
| Maximum number of preamble ramping cycles (M_{max}). | | 2 |
| Maximum number of preambles in one preamble ramping cycle (Preamble Retrans Max) | | 12 |
| The backoff time T_{B01} $N_{B01min}=N_{B01max}$ | ms #TTI | N/A 10 |
| Power step when no acquisition indicator is received (Power offset P_0) | dB | 3 |
| Power offset between the last transmitted preamble and the control part of the message (Power offset P_{p-m}) | dB | 0 |
| Maximum allowed UL TX power | DBm | 21 |

Table 8.4.2.1.3: SS parameters for Random Access test

| Parameter | Unit | Value |
|---|------|-------|
| Primary CPICH DL TX power | dBm | -8 |
| UL interference | dBm | -92 |
| SIR in open loop power control (Constant value) | dB | -10 |
| AICH Power Offset | dB | 0 |

8.4.2.1.4.2 Procedure

- 1) A call is set up according to the Generic call setup procedure. The test parameters are set up according to table 8.4.2.1.1, table 8.4.2.1.2 and table 8.4.2.1.3. The PRACH procedure within the call setup is used for the test. It is necessary that an ACK on the AICH shall be transmitted after 10 preambles have been received by the SS
- 2) Measure the first PRACH preamble output power, the each power difference for preamble ramping and the power difference between 10th preamble PRACH and message part of the UE according to annex B.
- 3) Measure the number of the preamble part and the message part by using a spectrum analyzer.

8.4.2.1.5 Test requirements

The accuracy of the first preamble as specified in clause 6.4.1.1 of TS 25.101 [1] shall not be verified in this test. It is verified under the section 5.4.1, Open loop power control.

There are two relative powers, one is the power difference for preamble ramping and another is the power difference between last preamble part and message part. From the test parameter in the table 8.4.2.1.2, the test requirement of the power difference for all preamble ramping is 3dB (Power offset P₀). The accuracy is ± 3 dB. The test requirement of the power difference between 10th preamble PRACH and message part (control + data) is 3 dB (note). The accuracy is ± 3 dB

**Table 8.4.2.1.4:
Test requirement for power difference**

| | Power difference for all preambles | | Power difference between 10th preamble PRACH and message part (control+data) | |
|------------------|------------------------------------|------------|--|------------|
| Test requirement | 3dB | ± 3 dB | 3dB | ± 3 dB |

NOTE: In order to calculate the power difference between 10th preamble PRACH and message part by using Power offset P_{p-m} in the table 8.4.2.1.2, the gain factors of PRACH message part are needed. The gain factor β_d is set to 15. The temporary gain factor β_c is set to 15.

The UE shall stop transmitting preambles upon a ACK on the AICH has been received and then transmit a message. The UE shall transmit 10 preambles and 1 message.

Table 8.4.2.1.5: RF Parameters for Random Access test

| Parameter | Unit | Cell 1 |
|--|--------------|-----------|
| UTRA RF Channel Number | | Channel 1 |
| CPICH_Ec/lor | dB | -10 |
| PCCPCH_Ec/lor | dB | -12 |
| SCH_Ec/lor | dB | -12 |
| Number of other transmitted Acquisition Indicators | - | 0 |
| AICH_Ec/lor | dB | -10 |
| PICH_Ec/lor | dB | -15 |
| OCNS_Ec/lor when an AI is not transmitted | dB | -0,941 |
| OCNS_Ec/lor when an AI is transmitted | dB | -1,516 |
| \hat{I}_{or}/I_{oc} | dB | 0 |
| I_{oc} | dBm/3.84 MHz | -70 |
| CPICH_Ec/lo | dB | -13 |
| Propagation Condition | | AWGN |

NOTE: If the above Test Requirement differs from the Minimum Requirement then the Test Tolerance applied for this test is non-zero. The Test Tolerance for this test is defined in clause F.2 and the explanation of how the Minimum Requirement has been relaxed by the Test Tolerance is given in clause F.4.

8.4.2.1A Correct behaviour when receiving an ACK (Release 6 and later)

8.4.2.1A.1 Definition and applicability

The random access procedure is used when establishing the layer 1 communication between the UE and UTRAN. The random access shall provide a fast access but without disturbing ongoing connections. The random access is specified in clause 6 of TS 25.214 [5] and the control of the RACH transmission is specified in clause 11.2 of TS 25.321. A random access transmit sequence is described in clause 6.7.2 of TS 25.303.

This test is applicable for Release 6 and later releases only. This test includes measurement of PRACH timing. See subclause 8.4.2.1 for the PRACH test for earlier releases that does not include PRACH timing.

8.4.2.1A.2 Minimum Requirements

The UE shall have capability to calculate initial power according to the open loop algorithm and apply this power level at the first preamble and increase the power on additional preambles. The absolute power applied to the first preamble shall have an accuracy as specified in table 6.3 of TS 25.101 [1]. The relative power applied to additional preambles shall have an accuracy as specified in clause 6.5.2.1 of 25.101 [1].

The absolute power applied to the first preamble shall be -30 dBm with an accuracy as specified in clause 6.4.1.1 of TS 25.101 [1]. The accuracy is ± 9 dB in the case of normal condition or ± 12 dB in the case of extreme condition.

There are two relative powers, one is the power difference for preamble ramping and another is the power difference between last preamble part and message part. From the test parameter in the table 8.4.2.1A.2, the test requirement of the power difference for all preamble ramping is 3dB (Power offset P₀). The accuracy is ± 2 dB as specified in clause 6.5.2.1 of 25.101 [1]. The test requirement of the power difference between 10th preamble PRACH and message part is 3 dB (note). The accuracy is ± 2 dB as specified in clause 6.5.2.1 of 25.101 [1].

NOTE: In order to calculate the power difference between 10th preamble PRACH and message part by using Power offset P_{p-m} in the table 8.4.2.1A.2, the gain factors of PRACH message part are needed. The gain factor β_d is set to 15. The temporary gain factor β_c is set to 15.

The UE shall stop transmitting preambles upon an ACK on the AICH has been received and then transmit a message. The UE shall transmit 10 preambles and 1 message.

The UE PRACH burst timing error shall be less than or equal to ± 3.5 Chips. The reference point shall be the expected timing calculated from the UE's reference detected path of the P-CCPCH.

The normative reference for this requirement is TS 25.133 [2] clauses 6.3.2, 7.4.2 and A.6.2.2.1.

8.4.2.1A.3 Test purpose

The purpose of this test is to verify that the behaviour of the random access procedure is according to the requirements and that the PRACH power settings and timing are within specified limits.

8.4.2.1A.4 Method of test

8.4.2.1A.4.1 Initial conditions

Test environment: normal, TL/VL, TL/VH, TH/VL, TH/VH; see clauses G.2.1 and G.2.2.

Frequencies to be tested: mid range; see clause G.2.4.

- 1) Connect the SS to the UE antenna connector as shown in figure A.1 in the case of the PRACH power measurement. And in the case of the function test of the random access procedure, connect the SS to the UE antenna connector as shown in figure A.8.

See TS 34.108 [3] for details regarding generic call setup procedure.

Table 8.4.2.1A.1: RF Parameters for Random Access test

| Parameter | Unit | Cell 1 |
|--|--------------|-----------|
| UTRA RF Channel Number | | Channel 1 |
| CPICH_Ec/lor | dB | -10 |
| PCCPCH_Ec/lor | dB | -12 |
| SCH_Ec/lor | dB | -12 |
| Number of other transmitted Acquisition Indicators | - | 0 |
| AICH_Ec/lor | dB | -10 |
| PICH_Ec/lor | dB | -15 |
| OCNS_Ec/lor when an AI is not transmitted | dB | -0,941 |
| OCNS_Ec/lor when an AI is transmitted | dB | -1,516 |
| \hat{I}_{or}/I_{oc} | dB | 0 |
| I_{oc} | dBm/3.84 MHz | -70 |
| CPICH_Ec/lo | dB | -13 |
| Propagation Condition | | AWGN |

The test parameters "System Information Block (SIB) type 5 (ASC #0)" defined in clause 6.1 of TS 34.108 [3], shall be used in all random access tests (see note). Crucial parameters for the test requirements are repeated in tables 8.4.2.1A.2 and 8.4.2.1A.3 and these overrule the parameters defined in SIB type 5.

NOTE: A parameter of AC-to-ASC mapping (AC0-9) in SIB5 of clause 6.1 of TS 34.108 [3] shall be set to 0 in the case of all random access tests. The EFACC of Type A, which is specified in clause 8.3.2.15 of TS 34.108 [3], shall be selected.

Table 8.4.2.1A.2: UE parameters for Random Access test

| Parameter | Unit | Value |
|--|------------|-----------|
| Access Service Class (ASC#0) | | |
| - Persistence value | 0..1 | 1 |
| Maximum number of preamble ramping cycles (M_{max}). | | 2 |
| Maximum number of preambles in one preamble ramping cycle (Preamble Retrans Max) | | 12 |
| The backoff time T_{B01} $N_{B01min}=N_{B01max}$ | ms #TTI | N/A 10 |
| Power step when no acquisition indicator is received (Power offset P_0) | dB | 3 |
| Power offset between the last transmitted preamble and the control part of the message (Power offset P_{p-m}) | dB | 0 |
| Maximum allowed UL TX power | DBm | 21 |

Table 8.4.2.1A.3: SS parameters for Random Access test

| Parameter | Unit | Value |
|---|------|-------|
| Primary CPICH DL TX power | dBm | -8 |
| UL interference | dBm | -92 |
| SIR in open loop power control (Constant value) | dB | -10 |
| AICH Power Offset | dB | 0 |

8.4.2.1A.4.2 Procedure

- 1) A call is set up according to the Generic call setup procedure. The test parameters are set up according to table 8.4.2.1A.1, table 8.4.2.1A.2 and table 8.4.2.1A.3. The PRACH procedure within the call setup is used for the test. It is necessary that an ACK on the AICH shall be transmitted after 10 preambles have been received by the SS
- 2) Measure the first PRACH preamble output power and timing, the each power difference for preamble ramping and the power difference between 10th preamble PRACH and message part of the UE according to annex B.
- 3) Measure the number and timing of the preamble part and the message part by using a spectrum analyzer.

8.4.2.1A.5 Test requirements

The power accuracy of the first preamble as specified in clause 6.4.1.1 of TS 25.101 [1] shall not be verified in this test. It is verified under the section 5.4.1, Open loop power control.

The timing accuracy of all measured PRACH preamble and PRACH message bursts shall be within ± 4 chips of the reference timing for the used access slot for PRACH preambles or slot for PRACH messages. The reference timing shall be the expected timing calculated from the UE's reference detected path of the P-CCPCH.

There are two relative powers, one is the power difference for preamble ramping and another is the power difference between last preamble part and message part. From the test parameter in the table 8.4.2.1A.2, the test requirement of the power difference for all preamble ramping is 3dB (Power offset P₀). The accuracy is ± 3 dB. The test requirement of the power difference between 10th preamble PRACH and message part (control + data) is 3 dB (note). The accuracy is ± 3 dB

**Table 8.4.2.1A.4:
Test requirement for power difference**

| | Power difference for all preambles | | Power difference between 10th preamble PRACH and message part (control+data) | |
|------------------|------------------------------------|------------|--|------------|
| Test requirement | 3dB | ± 3 dB | 3dB | ± 3 dB |

NOTE: In order to calculate the power difference between 10th preamble PRACH and message part by using Power offset P_{p-m} in the table 8.4.2.1A.2, the gain factors of PRACH message part are needed. The gain factor β_d is set to 15. The temporary gain factor β_c is set to 15.

The UE shall stop transmitting preambles upon an ACK on the AICH has been received and then transmit a message. The UE shall transmit 10 preambles and 1 message.

Table 8.4.2.1A.5: RF Parameters for Random Access test

| Parameter | Unit | Cell 1 |
|---|------------------|-----------|
| UTRA RF Channel Number | | Channel 1 |
| CPICH_Ec/I _{or} | dB | -10 |
| PCCPCH_Ec/I _{or} | dB | -12 |
| SCH_Ec/I _{or} | dB | -12 |
| Number of other transmitted Acquisition Indicators | - | 0 |
| AICH_Ec/I _{or} | dB | -10 |
| PICH_Ec/I _{or} | dB | -15 |
| OCNS_Ec/I _{or} when an AI is not transmitted | dB | -0,941 |
| OCNS_Ec/I _{or} when an AI is transmitted | dB | -1,516 |
| \hat{I}_{or}/I_{oc} | dB | 0 |
| I_{oc} | dBm/3.8 4 MHz | -70 |
| CPICH_Ec/I _o | dB | -13 |
| Propagation Condition | | AWGN |

NOTE: If the above Test Requirement differs from the Minimum Requirement then the Test Tolerance applied for this test is non-zero. The Test Tolerance for this test is defined in clause F.2 and the explanation of how the Minimum Requirement has been relaxed by the Test Tolerance is given in clause F.4.

8.4.2.2 Correct behaviour when receiving an NACK

8.4.2.2.1 Definition and applicability

The random access procedure is used when establishing the layer 1 communication between the UE and UTRAN. The random access shall provide a fast access but without disturbing ongoing connections. The random access is specified in clause 6 of TS 25.214 and the control of the RACH transmission is specified in clause 11.2 of TS 25.321. A random access transmit sequence is described in clause 6.7.2 of TS 25.303.

8.4.2.2.2 Minimum Requirements

The UE shall stop transmitting preambles upon a NACK on the AICH has been received and then repeat the ramping procedure when the back off timer T_{B01} expires.

The UE shall transmit 10 preambles in the first ramping cycle and no transmission shall be done by the UE within 100 ms after the NACK has been transmitted by the SS. Then the UE shall start the second preamble ramping cycle.

The normative reference for this requirements is TS 25.133 [2] clauses 6.3.2 and A.6.2.2.2.

8.4.2.2.3 Test purpose

The purpose of this test is to verify that the behaviour of the random access procedure is according to the requirements.

8.4.2.2.4 Method of test

8.4.2.2.4.1 Initial conditions

Test environment: normal, TL/VL, TL/VH, TH/VL, TH/VH; see clauses G.2.1 and G.2.2.

Frequencies to be tested: mid range; see clause G.2.4.

- 1) Connect the SS to the UE antenna connector as shown in figure A.8. A spectrum analyzer is set to 0 span mode.

See TS 34.108 [3] for details regarding generic call setup procedure.

8.4.2.2.4.2 Procedure

- 1) A call is set up according to the Generic call setup procedure. The test parameters are set up according to table 8.4.2.1.1, table 8.4.2.1.2 and table 8.4.2.1.3. The PRACH procedure within the call setup is used for the test. It is necessary that a NACK on the AICH shall be transmitted after 10 preambles have been received by the SS
- 2) Measure the number of the preamble part and the time delay between 10th preamble in the first ramping cycle and first preamble in the second ramping cycle by using a spectrum analyzer.

8.4.2.2.5 Test requirements

The UE shall stop transmitting preambles upon a NACK on the AICH has been received and then repeat the ramping procedure when the back off timer T_{B01} expires.

The UE shall transmit 10 preambles in the first ramping cycle and no transmission shall be done by the UE within 100 ms after the NACK has been transmitted by the SS. Then the UE shall start the second preamble ramping cycle.

NOTE: If the above Test Requirement differs from the Minimum Requirement then the Test Tolerance applied for this test is non-zero. The Test Tolerance for this test is defined in clause F.2 and the explanation of how the Minimum Requirement has been relaxed by the Test Tolerance is given in clause F.4.

8.4.2.3 Correct behaviour at Time-out

8.4.2.3.1 Definition and applicability

The random access procedure is used when establishing the layer 1 communication between the UE and UTRAN. The random access shall provide a fast access but without disturbing ongoing connections. The random access is specified in clause 6 of TS 25.214 and the control of the RACH transmission is specified in clause 11.2 of TS 25.321. A random access transmit sequence is described in clause 6.7.2 of TS 25.303.

8.4.2.3.2 Minimum Requirements

The UE shall stop transmit preambles when reaching the maximum number of preambles allowed in a cycle. The UE shall then repeat the ramping procedure until the maximum number of preamble ramping cycles are reached. No ACK/NACK shall be sent by SS during this test.

The UE shall transmit 2 preambles cycles, consisting of 12 preambles in each preamble cycle.

The normative reference for this requirements is TS 25.133 [2] clauses 6.3.2 and A.6.2.2.3.

8.4.2.3.3 Test purpose

The purpose of this test is to verify that the behaviour of the random access procedure is according to the requirements.

8.4.2.3.4 Method of test

8.4.2.3.4.1 Initial conditions

Test environment: normal, TL/VL, TL/VH, TH/VL, TH/VH; see clauses G.2.1 and G.2.2.

Frequencies to be tested: mid range; see clause G.2.4.

- 1) Connect the SS to the UE antenna connector as shown in figure A.8. A spectrum analyzer is set to 0 span mode.

See TS 34.108 [3] for details regarding generic call setup procedure.

8.4.2.3.4.2 Procedure

- 1) A call is set up according to the Generic call setup procedure. The test parameters are set up according to table 8.4.2.1.1, table 8.4.2.1.2, and table 8.4.2.1.3. The PRACH procedure within the call setup is used for the test. It is necessary that SS shall transmit no AICH.
- 2) Measure the number of the preamble part by using a spectrum analyzer.

8.4.2.3.5 Test requirements

The UE shall stop transmit preambles when reaching the maximum number of preambles allowed in a cycle. The UE shall then repeat the ramping procedure until the maximum number of preamble ramping cycles are reached. No ACK/NACK shall be sent by SS during this test.

The UE shall transmit 2 preambles cycles, consisting of 12 preambles in each preamble cycle.

NOTE: If the above Test Requirement differs from the Minimum Requirement then the Test Tolerance applied for this test is non-zero. The Test Tolerance for this test is defined in clause F.2 and the explanation of how the Minimum Requirement has been relaxed by the Test Tolerance is given in clause F.4.

8.4.2.4 Correct behaviour when reaching maximum transmit power

8.4.2.4.1 Definition and applicability

The random access procedure is used when establishing the layer 1 communication between the UE and UTRAN. The random access shall provide a fast access but without disturbing ongoing connections. The random access is specified in clause 6 of TS 25.214 [5] and the control of the RACH transmission is specified in clause 11.2 of TS 25.321 [13]. A random access transmit sequence is described in clause 6.7.2 of TS 25.303 [12].

8.4.2.4.2 Minimum Requirements

The UE shall not exceed the maximum allowed UL TX power, which is specified in Table 8.4.2.4.1 and configured by the SS, with more than the accuracy tolerances as defined in section 6.5 of TS 25.133 [2].

Section 6.5 of TS25.133 [2] states that for UE output powers that are outside the range covered by the UE transmitted power measurement the UE output power shall not exceed the Maximum allowed UL TX Power with more than the tolerances specified for the Open loop power control in TS 25.101 [1] section 6.4.1.

No ACK/NACK shall be sent by SS during this test.

8.4.2.4.3 Test purpose

The purpose of this test is to verify that the PRACH power behaviour when reaching Maximum allowed UL TX power is correct.

8.4.2.4.4 Method of test

8.4.2.4.4.1 Initial condition

Test environment: normal, TL/VL, TL/VH, TH/VL, TH/VH; see clauses G.2.1 and G.2.2.

Frequencies to be tested: mid range; see clause G.2.4.

- 1) Connect the SS to the UE antenna connector as shown in figure A.1.

See TS 34.108 [3] for details regarding generic call setup procedure.

Table 8.4.2.4.1: UE parameters for correct behaviour when reaching maximum transmit power

| Parameter | Unit | Value |
|---|------------|-----------|
| Access Service Class (ASC#0) | | |
| - Persistence value | 0..1 | 1 |
| Maximum number of preamble ramping cycles (M_{max}). | | 2 |
| Maximum number of preambles in one preamble ramping cycle (Preamble Retrans Max) | | 12 |
| The backoff time T_{B01} $N_{B01min}=N_{B01max}$ | ms #TTI | N/A 10 |
| Power step when no acquisition indicator is received (Power offset P0) | dB | 6 |
| Power offset between the last transmitted preamble and the control part of the message (Power offset P _{p-m}) | dB | 0 |
| Maximum allowed UL TX power | dBm | 0 |

8.4.2.4.4.2 Procedure

- 1) A call is set up according to the Generic call setup procedure. The test parameters are set up according to table 8.4.2.1.1, table 8.4.2.4.1 and table 8.4.2.1.3. The PRACH procedure within the call setup is used for the test. It is necessary that SS shall transmit no AICH.
- 2) Set the TX output level of the SS to obtain \hat{I}_{or} at the UE antenna connector. \hat{I}_{or} shall be according to table 8.4.2.1.4.
- 3) Measure all PRACH preamble output power of the UE according to annex B.

8.4.2.4.5 Test requirements

The UE shall not exceed the Maximum allowed UL TX power configured by the SS with more than the tolerance specified in Table 8.4.2.4.2.

Table 8.4.2.4.2: Test requirement for maximum preamble power

| | Maximum preamble power | |
|---------------------------|------------------------|--------|
| Test requirement(normal) | 0dBm | ±10 dB |
| Test requirement(extreme) | 0dBm | ±13 dB |

NOTE: If the above Test Requirement differs from the Minimum Requirement then the Test Tolerance applied for this test is non-zero. The Test Tolerance for this test is defined in clause F.2 and the explanation of how the Minimum Requirement has been relaxed by the Test Tolerance is given in clause F.4.

8.4.3 Transport format combination selection in UE

8.4.3.1 Interactive or Background, PS, UL: 64 kbps

8.4.3.1.1 Definition and applicability

When the UE estimates that a certain TFC would require more power than the maximum transmit power, it shall limit the usage of transport format combinations for the assigned transport format set, according to the functionality specified in section 11.4 in TS25.321 [13]. This in order to make it possible for the network operator to maximise the coverage. Transport format combination selection is described in section 11.4 of TS 25.321 [13].

The requirements and this test apply to all types of UTRA for the FDD UE for Release 99, Release 4, Release 5 and later releases.

8.4.3.1.2 Minimum requirements

The UE shall continuously evaluate based on the *Elimination*, *Recovery* and *Blocking* criteria defined below, how TFCs on an uplink DPDCH can be used for the purpose of TFC selection. The evaluation shall be performed for every TFC in the TFCS using the estimated UE transmit power of a given TFC. The UE transmit power estimation for a given TFC shall be made using the UE transmitted power measured over the measurement period, defined in 9.1.6.1 of TS 25.133 [2] as one slot, and the gain factors of the corresponding TFC.

The UE shall consider the *Elimination* criterion for a given TFC to be detected if the estimated UE transmit power needed for this TFC is greater than the Maximum UE transmitter power for at least X out of the last Y successive measurement periods immediately preceding evaluation. The MAC in the UE shall consider that the TFC is in Excess-Power state for the purpose of TFC selection.

MAC in the UE shall indicate the available bit rate for each logical channel to upper layers within T_{notify} from the moment the *Elimination* criterion was detected.

The UE shall consider the *Recovery* criterion for a given TFC to be detected if the estimated UE transmit power needed for this TFC has not been greater than the Maximum UE transmitter power for the last Z successive measurement periods immediately preceding evaluation. The MAC in the UE shall consider that the TFC is in Supported state for the purpose of TFC selection.

MAC in the UE shall indicate the available bit rate for each logical channel to upper layers within T_{notify} from the moment the *Recovery* criterion was detected.

The evaluation of the *Elimination* criterion and the *Recovery* criterion shall be performed at least once per radio frame.

The definitions of the parameters X,Y and Z which shall be used when evaluating the *Elimination* and the *Recovery* criteria when no compressed mode patterns are activated are given in Table 8.4.3.1.1.

Table 8.4.3.1.1: X, Y, Z parameters for TFC selection

| X | Y | Z |
|----|----|----|
| 15 | 30 | 30 |

The UE shall consider the *Blocking* criterion for a given TFC to be fulfilled at the latest at the start of the longest uplink TTI after the moment at which the TFC will have been in Excess-Power state for a duration of:

$$(T_{\text{notify}} + T_{\text{modify}} + T_{\text{L1_proc}})$$

where:

T_{notify} equals 15 ms

T_{modify} equals $\text{MAX}(T_{\text{adapt_max}}, T_{\text{TTI}})$

$T_{\text{L1_proc}}$ equals 15 ms

$T_{\text{adapt_max}}$ equals $\text{MAX}(T_{\text{adapt_1}}, T_{\text{adapt_2}}, \dots, T_{\text{adapt_N}})$

N equals the number of logical channels that need to change rate

For Release 99 and Release 4, $T_{\text{adapt_n}}$ equals the time it takes for higher layers to provide data to MAC in a new supported bit rate, for logical channel n. Table 8.4.3.1.2 defines T_{adapt} times for different services. For services where no codec is used T_{adapt} shall be considered to be equal to 0 ms.

Table 8.4.3.1.2: T_{adapt}

| Service | T_{adapt} [ms] |
|-----------|-------------------------|
| UMTS AMR | 40 |
| UMTS AMR2 | 60 |

For Release 5 and later releases $T_{\text{adapt_n}}$ equals the time it takes for higher layers to provide data to MAC in a new supported bit rate, for logical channel n. For services where no codec is used T_{adapt} shall be considered to be equal to 0 ms. For services where either UMTS_AMR2 or UMTS_AMR_WB is used, T_{adapt} shall be considered to be equal to the time required to switch from the current codec mode to a new supported codec mode. In that case T_{adapt} equals 20 ms + 40 ms per codec mode switch. E.g. T_{adapt} equals 60ms if one codec mode switch is necessary and T_{adapt} equals 140ms if 3 codec mode switches are necessary.

T_{TTI} equals the longest uplink TTI of the selected TFC (ms).

The Maximum UE transmitter power is defined as follows

Maximum UE transmitter power = $\text{MIN}(\text{Maximum allowed UL TX Power}, \text{UE maximum transmit power})$

where

Maximum allowed UL TX Power is set by SS and defined in TS 25.331 [8], and

UE maximum transmit power is defined by the UE power class, and specified in TS 25.101 [1].

The normative reference for these requirements is TS 25.133 [2] clauses 6.4.2 and A.6.4.1.

8.4.3.1.3 Test purpose

The purpose is to verify the UE blocks (stops using) a currently used TFC when the UE output power is not sufficient to support that TFC. The test will verify the general requirement on TFC selection in section 8.4.3.1.2 for a RAB intended for packet data services, i.e. Interactive or Background, PS, UL: 64kbps as defined in TS 34.108 [3].

8.4.3.1.4 Method of test

8.4.3.1.4.1 Initial conditions

Test environment: normal, TL/VL, TL/VH, TH/VL, TH/VH; see clauses G.2.1 and G.2.2.

Frequencies to be tested: mid range; see clause G.2.4.

The test parameters are given in Tables 8.4.3.1.3, 8.4.3.1.4, 8.4.3.1.5 and 8.4.3.1.6 below. The test consists of 2 successive time periods, with a time duration of T1 and T2 respectively.

Details on the UL reference RAB in table 8.4.3.1.3 and 8.4.3.1.4 can be found in TS 34.108 [3] section "Interactive or background / UL:64 DL: 64 kbps / PS RAB + UL:3.4 DL:3.4 kbps SRBs for DCCH".

Table 8.4.3.1.3: UL reference RAB, Interactive or Background

| | TFI | 64 kbps RAB (20ms TTI) | DCCH 3.4kbps (40ms TTI) |
|-----|-----------|------------------------|-------------------------|
| TFS | TF0, bits | 0x336 | 0x148 |
| | TF1, bits | 1x336 | 1x148 |
| | TF2, bits | 2x336 | N/A |
| | TF3, bits | 3x336 | N/A |
| | TF4, bits | 4x336 | N/A |

Table 8.4.3.1.4: UL TFCI

| TFCI | (64 kbps RAB, DCCH) |
|---------|---------------------|
| UL_TFC0 | (TF0, TF0) |
| UL_TFC1 | (TF0, TF1) |
| UL_TFC2 | (TF1, TF0) |
| UL_TFC3 | (TF1, TF1) |
| UL_TFC4 | (TF2, TF0) |
| UL_TFC5 | (TF2, TF1) |
| UL_TFC6 | (TF3, TF0) |
| UL_TFC7 | (TF3, TF1) |
| UL_TFC8 | (TF4, TF0) |
| UL_TFC9 | (TF4, TF1) |

Table 8.4.3.1.5: General test parameters

| Parameter | Unit | Value | Comment |
|-----------------------------|------|--|---------|
| TFCS size | | 10 | |
| TFCS | | UL_TFC0, UL_TFC1, UL_TFC2, UL_TFC3, UL_TFC4, UL_TFC5, UL_TFC6, UL_TFC7, UL_TFC8, UL_TFC9 | |
| Power Control | | On | |
| Active cell | | Cell 1 | |
| Maximum allowed UL TX power | dBm | 21 | |
| T0 | s | 10 | |
| T1 | s | 30 | |
| T2 | s | 2 | |
| Propagation condition | | AWGN | |

Table 8.4.3.1.6: Cell specific test parameters

| Parameter | Unit | Cell 1 | | |
|---|--------------|-----------|----|----|
| | | T0 | T1 | T2 |
| UTRA RF Channel Number | | Channel 1 | | |
| CPICH_Ec/lor | dB | -10 | | |
| PCCPCH_Ec/lor | dB | -12 | | |
| SCH_Ec/lor | dB | -12 | | |
| PICH_Ec/lor | dB | -15 | | |
| DPCH_Ec/lor | dB | Note 1 | | |
| OCNS_Ec/lor | dB | Note 2 | | |
| \hat{I}_{or}/I_{oc} | dB | 0 | | |
| I_{oc} | dBm/3.84 MHz | -70 | | |
| CPICH_Ec/Io | dB | -13 | | |
| Propagation Condition | | AWGN | | |
| NOTE 1: The DPCH level is controlled by the power control loop | | | | |
| NOTE 2: The power of the OCNS channel that is added shall make the total power from the cell to be equal to lor . | | | | |

The amount of available user data shall be sufficient to allow uplink transmission at the highest bit rate (UL_TFC8 or UL_TFC9) during the entire test and it shall be ensured that the UE is using UL_TFC8 or UL_TFC9 at the end of T1.

8.4.3.1.4.2 Procedure

- 1) The SS activates cell 1 with T0 parameters defined in table 8.4.3.1.6.
- 2) The UE is switched on.
- 3) An RRC connection is set up according to the generic set-up procedure specified in TS 34.108 [3] subclause 7.3.2, using the test procedure to setup a PS call using the parameters defined in tables 8.4.3.1.3, 8.4.3.1.4 and 8.4.3.1.5.
- 4) SS shall transmit a MEASUREMENT CONTROL message.
- 5) For T1=30 secs the SS shall command the UE output power to be between 14 and 15 dB below the UE Maximum allowed UL Tx power (table 8.4.3.1.5).
- 6) The SS shall start sending continuously TPC_cmd=1 to the UE for T2=2 secs (see NOTE).
- 7) The time from the beginning of T2 until the UE blocks (stops using) UL_TFC8 and UL_TFC9 shall be measured by the SS. The UE shall stop using UL_TFC8 and UL_TFC9 within 140 ms from beginning of time period T2. A success is counted, if the UE stops within 140ms. An error is counted otherwise.
- 8) Repeat steps 5-7 until the confidence level according to annex F.6.2 is achieved.

NOTE: This will emulate that UL_TFC8 to UL_TFC9 can not be supported because the UE reaches the maximum UL Tx power and still SS is sending power-up commands. .

Specific Message Contents

All messages indicated above shall use the same content as described in the default message content in clause 9 of 34.108 [3], with the following exceptions:

RRC CONNECTION SETUP message is defined in clause 9.1.1, "Contents of RRC CONNECTION SETUP message: UM (Transition to CELL_DCH)" using condition A1.

RADIO BEARER SETUP message is defined in clause 9.1.1, "Contents of RADIO BEARER SETUP message: AM or UM " using condition A3.

MEASUREMENT CONTROL message:

| Information Element | Value/Remark |
|---|---|
| Message Type | |
| UE information elements | |
| -RRC transaction identifier | 0 |
| -Integrity check info | |
| -message authentication code | SS calculates the value of MAC-I for this message and writes to this IE. The first/leftmost bit of the bit string contains the most significant bit of the MAC-I. |
| -RRC message sequence number | SS provides the value of this IE, from its internal counter. |
| Measurement Information elements | |
| -Measurement Identity | 1 |
| -Measurement Command | Modify |
| -Measurement Reporting Mode | |
| - Measurement Report Transfer Mode | Acknowledged mode RLC |
| - Periodical Reporting / Event Trigger Reporting Mode | Periodical reporting |
| -Additional measurement list | Not Present |
| -CHOICE Measurement Type | Intra-frequency measurement |
| -Intra-frequency measurement | |
| - Intra-frequency measurement objects list | Not Present |
| -Intra-frequency measurement quantity | |
| -Filter coefficient | 0 |
| -CHOICE mode | FDD |

| Information Element | Value/Remark |
|---|--|
| -Measurement quantity | CPICH RSCP |
| -Intra-frequency reporting quantity | |
| -Reporting quantities for active set cells | |
| -Cell synchronisation information reporting indicator | TRUE |
| -Cell Identity reporting indicator | TRUE |
| -CHOICE mode | FDD |
| -CPICH Ec/N0 reporting indicator | TRUE |
| -CPICH RSCP reporting indicator | TRUE |
| -Pathloss reporting indicator | FALSE |
| -Reporting quantities for monitored set cells | |
| -Cell synchronisation information reporting indicator | FALSE |
| -Cell Identity reporting indicator | TRUE |
| -CHOICE mode | FDD |
| -CPICH Ec/N0 reporting indicator | TRUE |
| -CPICH RSCP reporting indicator | TRUE |
| -Pathloss reporting indicator | FALSE |
| -Reporting quantities for detected set cells | Not Present |
| -Reporting cell status | |
| -CHOICE reported cell | Report all active set cells + cells within monitored set on used frequency |
| -Maximum number of reported cells | Virtual/active set cells + 2 |
| -Measurement validity | Not Present |
| -CHOICE report criteria | Periodical reporting criteria |
| -Amount of reporting | Infinity |
| -Reporting interval | 250 ms |
| Physical channel information elements | |
| -DPCH compressed mode status info | Not Present |

8.4.3.1.5 Test requirements

For the test to pass, the total number of successful tests shall be more than 90% of the cases with a confidence level of 95%.

NOTE: If the above Test Requirement differs from the Minimum Requirement then the Test Tolerance applied for this test is non-zero. The Test Tolerance for this test is defined in clause F.2 and the explanation of how the Minimum Requirement has been relaxed by the Test Tolerance is given in clause F.4.

8.4.3.1A Interactive or Background, PS, UL: 64 kbps + Conversational / speech, CS, UL: 12.2kbps

8.4.3.1A.1 Definition and applicability

When the UE estimates that a certain TFC would require more power than the maximum transmit power, it shall limit the usage of transport format combinations for the assigned transport format set, according to the functionality specified in section 11.4 in TS25.321 [13]. This in order to make it possible for the network operator to maximise the coverage. Transport format combination selection is described in section 11.4 of TS 25.321 [13].

The requirements and this test apply to all types of UTRA for the FDD UE for Release 10 and later releases.

8.4.3.1A.2 Minimum requirements

The UE shall continuously evaluate based on the *Elimination*, *Recovery* and *Blocking* criteria defined below, how TFCs on an uplink DPDCH can be used for the purpose of TFC selection. The evaluation shall be performed for every TFC in the TFCS using the estimated UE transmit power of a given TFC. The UE transmit power estimation for a given TFC shall be made using the UE transmitted power measured over the measurement period, defined in 9.1.6.1 of TS 25.133 [2] as one slot, and the gain factors of the corresponding TFC.

The UE shall consider the *Elimination* criterion for a given TFC to be detected if the estimated UE transmit power needed for this TFC is greater than the Maximum UE transmitter power for at least X out of the last Y successive measurement periods immediately preceding evaluation. The MAC in the UE shall consider that the TFC is in Excess-Power state for the purpose of TFC selection.

MAC in the UE shall indicate the available bit rate for each logical channel to upper layers within T_{notify} from the moment the *Elimination* criterion was detected.

The UE shall consider the *Recovery* criterion for a given TFC to be detected if the estimated UE transmit power needed for this TFC has not been greater than the Maximum UE transmitter power for the last Z successive measurement periods immediately preceding evaluation. The MAC in the UE shall consider that the TFC is in Supported state for the purpose of TFC selection.

MAC in the UE shall indicate the available bit rate for each logical channel to upper layers within T_{notify} from the moment the *Recovery* criterion was detected.

The evaluation of the *Elimination* criterion and the *Recovery* criterion shall be performed at least once per radio frame.

The definitions of the parameters X, Y and Z which shall be used when evaluating the *Elimination* and the *Recovery* criteria when no compressed mode patterns are activated are given in Table 8.4.3.1A.1.

Table 8.4.3.1A.1: X, Y, Z parameters for TFC selection

| X | Y | Z |
|----|----|----|
| 15 | 30 | 30 |

The UE shall consider the *Blocking* criterion for a given TFC to be fulfilled at the latest at the start of the longest uplink TTI after the moment at which the TFC will have been in Excess-Power state for a duration of:

$$(T_{\text{notify}} + T_{\text{modify}} + T_{\text{L1_proc}})$$

where:

T_{notify} equals 15 ms

T_{modify} equals $\text{MAX}(T_{\text{adapt_max}}, T_{\text{TTI}})$

$T_{\text{L1_proc}}$ equals 15 ms

$T_{\text{adapt_max}}$ equals $\text{MAX}(T_{\text{adapt_1}}, T_{\text{adapt_2}}, \dots, T_{\text{adapt_N}})$

N equals the number of logical channels that need to change rate

For Release 99 and Release 4, $T_{\text{adapt_n}}$ equals the time it takes for higher layers to provide data to MAC in a new supported bit rate, for logical channel n . Table 8.4.3.1A.2 defines T_{adapt} times for different services. For services where no codec is used T_{adapt} shall be considered to be equal to 0 ms.

Table 8.4.3.1A.2: T_{adapt}

| Service | T_{adapt} [ms] |
|-----------|-------------------------|
| UMTS AMR | 40 |
| UMTS AMR2 | 60 |

For Release 5 and later releases $T_{\text{adapt_n}}$ equals the time it takes for higher layers to provide data to MAC in a new supported bit rate, for logical channel n . For services where no codec is used T_{adapt} shall be considered to be equal to 0 ms. For services where either UMTS_AMR2 or UMTS_AMR_WB is used, T_{adapt} shall be considered to be equal to the time required to switch from the current codec mode to a new supported codec mode. In that case T_{adapt} equals 20 ms + 40 ms per codec mode switch. E.g. T_{adapt} equals 60ms if one codec mode switch is necessary and T_{adapt} equals 140ms if 3 codec mode switches are necessary.

T_{TTI} equals the longest uplink TTI of the selected TFC (ms).

The Maximum UE transmitter power is defined as follows

Maximum UE transmitter power = $\text{MIN}(\text{Maximum allowed UL TX Power}, \text{UE maximum transmit power})$

where

Maximum allowed UL TX Power is set by SS and defined in TS 25.331 [8], and

UE maximum transmit power is defined by the UE power class, and specified in TS 25.101 [1].

The normative reference for these requirements is TS 25.133 [2] clauses 6.4.2 and A.6.4.1.

8.4.3.1A.3 Test purpose

The purpose is to verify the UE blocks (stops using) a currently used TFC when the UE output power is not sufficient to support that TFC. The test will verify the general requirement on TFC selection in section 8.4.3.1A.2 for a RAB intended for circuit switched and packet data services, i.e. Interactive or Background, PS, UL: 64kbps + Conversational / speech / CS UL:12.2kbps as defined in TS 34.108 [3].

8.4.3.1A.4 Method of test

8.4.3.1A.4.1 Initial conditions

Test environment: normal, TL/VL, TL/VH, TH/VL, TH/VH; see clauses G.2.1 and G.2.2.

Frequencies to be tested: mid range; see clause G.2.4.

The test parameters are given in Tables 8.4.3.1A.3, 8.4.3.1A.4, 8.4.3.1A.5 and 8.4.3.1A.6 below. The test consists of 2 successive time periods, with a time duration of T1 and T2 respectively.

Details on the UL reference RAB in table 8.4.3.1A.3 and 8.4.3.1A.4 can be found in TS 34.108 [3] section “Conversational / speech / UL:12.2 DL:12.2 kbps / CS RAB + Interactive or background / UL:64 DL:64 kbps / PS RAB+ UL:3.4 DL: 3.4 kbps SRBs for DCCH”.

Table 8.4.3.1A.3: UL reference RAB, Interactive or Background + Conversational/ Speech

| | TFI | 12.2kbps RAB subflow#1 (20ms TTI) | 12.2kbps RAB subflow#2 (20ms TTI) | 12.2kbps RAB subflow#3 (20ms TTI) | 64 kbps RAB (20ms TTI) | DCCH 3.4kbps (40ms TTI) |
|-----|-----------|---|---|---|---------------------------|-------------------------------|
| TFS | TF0, bits | 0x81 | 0x103 | 0x60 | 0x340 | 0x148 |
| | TF1, bits | 1x39 | 1x103 | 1x60 | 1x340 | 1x148 |
| | TF2, bits | 1x81 | N/A | N/A | 2x340 | N/A |
| | TF3, bits | N/A | N/A | N/A | 3x340 | N/A |
| | TF4, bits | N/A | N/A | N/A | 4x340 | N/A |

Table 8.4.3.1A.4: UL TFCI

| TFCI | (12.2kbps RAB subflow#1, 12.2kbps RAB subflow#2, 12.2kbps RAB subflow#3, 64 kbps RAB, DCCH) |
|----------|---|
| UL_TFC0 | (TF0,TF0,TF0,TF0,TF0) |
| UL_TFC1 | (TF1,TF0,TF0,TF0,TF0) |
| UL_TFC2 | (TF2,TF1,TF1,TF0,TF0) |
| UL_TFC3 | (TF0,TF0,TF0,TF1,TF0) |
| UL_TFC4 | (TF1,TF0,TF0,TF1,TF0) |
| UL_TFC5 | (TF2,TF1,TF1,TF1,TF0) |
| UL_TFC6 | (TF0,TF0,TF0,TF2,TF0) |
| UL_TFC7 | (TF1,TF0,TF0,TF2,TF0) |
| UL_TFC8 | (TF2,TF1,TF1,TF2,TF0) |
| UL_TFC9 | (TF0,TF0,TF0,TF3,TF0) |
| UL_TFC10 | (TF1,TF0,TF0,TF3,TF0) |
| UL_TFC11 | (TF2,TF1,TF1,TF3,TF0) |
| UL_TFC12 | (TF0,TF0,TF0,TF4,TF0) |
| UL_TFC13 | (TF1,TF0,TF0,TF4,TF0) |
| UL_TFC14 | (TF2,TF1,TF1,TF4,TF0) |
| UL_TFC15 | (TF0,TF0,TF0,TF0,TF1) |
| UL_TFC16 | (TF1,TF0,TF0,TF0,TF1) |
| UL_TFC17 | (TF2,TF1,TF1,TF0,TF1) |
| UL_TFC18 | (TF0,TF0,TF0,TF1,TF1) |
| UL_TFC19 | (TF1,TF0,TF0,TF1,TF1) |
| UL_TFC20 | (TF2,TF1,TF1,TF1,TF1) |
| UL_TFC21 | (TF0,TF0,TF0,TF2,TF1) |
| UL_TFC22 | (TF1,TF0,TF0,TF2,TF1) |
| UL_TFC23 | (TF2,TF1,TF1,TF2,TF1) |
| UL_TFC24 | (TF0,TF0,TF0,TF3,TF1) |
| UL_TFC25 | (TF1,TF0,TF0,TF3,TF1) |
| UL_TFC26 | (TF2,TF1,TF1,TF3,TF1) |
| UL_TFC27 | (TF0,TF0,TF0,TF4,TF1) |
| UL_TFC28 | (TF1,TF0,TF0,TF4,TF1) |
| UL_TFC29 | (TF2,TF1,TF1,TF4,TF1) |

Table 8.4.3.1A.5: General test parameters

| Parameter | Unit | Value | Comment |
|-----------------------------|------|--|---------|
| TFCS size | | 30 | |
| TFCS | | UL_TFC0, UL_TFC1, UL_TFC2, UL_TFC3, UL_TFC4, UL_TFC5, UL_TFC6, UL_TFC7, UL_TFC8, UL_TFC9, UL_TFC10, UL_TFC11, UL_TFC12, UL_TFC13, UL_TFC14, UL_TFC15, UL_TFC16, UL_TFC17, UL_TFC18, UL_TFC19, UL_TFC20, UL_TFC21, UL_TFC22, UL_TFC23, UL_TFC24, UL_TFC25, UL_TFC26, UL_TFC27, UL_TFC28, UL_TFC29 | |
| Power Control | | On | |
| Active cell | | Cell 1 | |
| Maximum allowed UL TX power | dBm | 21 | |
| T0 | S | 10 | |
| T1 | S | 30 | |
| T2 | S | 2 | |
| Propagation condition | | AWGN | |

Table 8.4.3.1A.6: Cell specific test parameters

| Parameter | Unit | Cell 1 | | |
|------------------------|--|-----------|----|----|
| | | T0 | T1 | T2 |
| UTRA RF Channel Number | | Channel 1 | | |
| CPICH_Ec/lor | dB | -10 | | |
| PCCPCH_Ec/lor | dB | -12 | | |
| SCH_Ec/lor | dB | -12 | | |
| PICH_Ec/lor | dB | -15 | | |
| DPCH_Ec/lor | dB | Note 1 | | |
| OCNS_Ec/lor | dB | Note 2 | | |
| \hat{I}_{or}/I_{oc} | dB | 0 | | |
| I_{oc} | dBm/3.84 MHz | -70 | | |
| CPICH_Ec/lo | dB | -13 | | |
| Propagation Condition | | AWGN | | |
| Note 1: | The DPCH level is controlled by the power control loop | | | |
| Note 2: | The power of the OCNS channel that is added shall make the total power from the cell to be equal to lor. | | | |

The amount of available user data shall be sufficient to allow uplink transmission at the highest bit rate (UL_TFC28 or UL_TFC29) during the entire test and it shall be ensured that the UE is using UL_TFC28 or UL_TFC29 at the end of T1.

8.4.3.1A.4.2 Procedure

- 1) The SS activates cell 1 with T0 parameters defined in table 8.4.3.1A.6.
- 2) The UE is switched on.
- 3) An RRC connection is set up according to the generic set-up procedure specified in TS 34.108 [3] subclause 7.3.2 using the test procedure to setup a CS+PS multi RAB combination call using the parameters defined in tables 8.4.3.1A.3, 8.4.3.1A.4 and 8.4.3.1A.5.
- 4) SS shall transmit a MEASUREMENT CONTROL message.
- 5) For T1=30 secs the SS shall command the UE output power to be between 14 and 15 dB below the UE Maximum allowed UL Tx power (table 8.4.3.1A.5).
- 6) The SS shall start sending continuously TPC_cmd=1 to the UE for T2=2 secs (see NOTE).
- 7) The time from the beginning of T2 until the UE blocks (stops using) UL_TFC28 and UL_TFC29 shall be measured by the SS. The UE shall stop using UL_TFC28 and UL_TFC29 within 140 ms from beginning of time period T2. A success is counted, if the UE stops within 140ms. An error is counted otherwise
- 8) Repeat steps 5-7 until the confidence level according to annex F.6.2 is achieved.

NOTE: This will emulate that UL_TFC28 to UL_TFC29 can not be supported because the UE reaches the maximum UL Tx power and still SS is sending power-up commands.

Specific Message Contents

All messages indicated above shall use the same content as described in the default message content in clause 9 of 34.108 [3], with the following exceptions:

The SS establish the reference radio bearer configuration as specified in TS 34.108 [3] section “Conversational / speech / UL:12.2 DL:12.2 kbps / CS RAB + Interactive or background / UL:64 DL:64 kbps / PS RAB+ UL:3.4 DL: 3.4 kbps SRBs for DCCH”.

MEASUREMENT CONTROL message:

| Information Element | Value/Remark |
|---|---|
| Message Type | |
| UE information elements -RRC transaction identifier -Integrity check info -message authentication code -RRC message sequence number | 0 SS calculates the value of MAC-I for this message and writes to this IE. The first/leftmost bit of the bit string contains the most significant bit of the MAC-I. SS provides the value of this IE, from its internal counter. |
| Measurement Information elements -Measurement Identity -Measurement Command -Measurement Reporting Mode - Measurement Report Transfer Mode - Periodical Reporting / Event Trigger Reporting Mode -Additional measurement list -CHOICE Measurement Type -Intra-frequency measurement - Intra-frequency measurement objects list -Intra-frequency measurement quantity -Filter coefficient -CHOICE mode -Measurement quantity -Intra-frequency reporting quantity -Reporting quantities for active set cells -Cell synchronisation information reporting indicator -Cell Identity reporting indicator -CHOICE mode -CPICH Ec/N0 reporting indicator -CPICH RSCP reporting indicator -Pathloss reporting indicator -Reporting quantities for monitored set cells -Cell synchronisation information reporting indicator -Cell Identity reporting indicator -CHOICE mode -CPICH Ec/N0 reporting indicator -CPICH RSCP reporting indicator -Pathloss reporting indicator -Reporting quantities for detected set cells -Reporting cell status -CHOICE reported cell -Maximum number of reported cells -Measurement validity -CHOICE report criteria -Amount of reporting -Reporting interval | 1 Modify Acknowledged mode RLC Periodical reporting Not Present Intra-frequency measurement Not Present 0 FDD CPICH RSCP TRUE TRUE FDD TRUE TRUE FALSE FALSE TRUE FDD TRUE TRUE FALSE Not Present Report all active set cells + cells within monitored set on used frequency Virtual/active set cells + 2 Not Present Periodical reporting criteria Infinity 250 ms |
| Physical channel information elements -DPCH compressed mode status info | Not Present |

8.4.3.1A.5 Test requirements

For the test to pass, the total number of successful tests shall be more than 90% of the cases with a confidence level of 95%.

NOTE: If the above Test Requirement differs from the Minimum Requirement then the Test Tolerance applied for this test is non-zero. The Test Tolerance for this test is defined in clause F.2 and the explanation of how the Minimum Requirement has been relaxed by the Test Tolerance is given in clause F.4.

8.4.4 E-TFC restriction in UE

8.4.4.1 10ms TTI E-DCH E-TFC restriction

8.4.4.1.1 Definition and applicability

When the UE estimates that a certain TFC and E-TFC would require more power than the maximum transmit power, it shall limit the usage of transport format combinations for the assigned transport format set, according to the functionality specified in section 11.8.1.4 in TS25.321 [13]. This is in order to make it possible for the network operator to maximise the coverage. E-TFC selection is described in section 11.8.1.4 of TS25.321 [13].

The requirements of this test apply to Release 6 and later releases for all types of UTRA for the FDD UE that support E-DCH and HSDPA.

8.4.4.1.2 Minimum requirements

The UE shall continuously evaluate based on the *Elimination*, *Recovery* and *Blocking* criteria defined below, how TFCs on an uplink DPDCH can be used for the purpose of TFC selection. The evaluation shall be performed for every TFC in the TFCS using the estimated UE transmit power.

The UE transmit power estimation for a given TFC, when HS-DPCCH is not transmitted during the measurement period, shall be calculated using the DPDCH and DPCCH gain factors of the corresponding TFC and reference transmit power. The reference transmit power is the transmit power of DPCCH and DPDCH of a given TFC during the measurement period for which UE transmit power estimation is made. If HS-DPCCH is transmitted either partially or totally within the given measurement period the UE transmit power estimation for a given TFC shall be calculated using DPDCH and DPCCH gain factors, the maximum value of the HS-DPCCH gain factor that is used during the measurement period, and the reference transmit power. The timing of the measurement period, which is defined in 9.1.6.1 of TS 25.133 [2] as one slot, is the same as the timing of the DPCH slot.

E-TFC selection is allowed only in the CELL_DCH state. E-TFC selection is based on the estimated power leftover from TFC selection if the DPDCH is present and from the HS-DPCCH.

The UE shall estimate the normalised remaining power margin available for E-TFC selection based on the following equation for E-TFC candidate j

$$NRPM_j = (P_{Max_j} - P_{DPCCCH,target} - P_{DPDCH} - P_{HS-DPCCH} - P_{E-DPCCH}) / P_{DPCCCH,target}$$

where

P_{Max_j} = Maximum UE transmitter power for E-TFC- j as defined in section 6.5 of TS25.133 [2].

$P_{DPCCCH}(t)$ represents a slotwise estimate of the current UE DPCCH power at time t . If at time t , the UE is transmitting a compressed mode frame then $P_{DPCCCH,comp}(t) = P_{DPCCCH}(t) \times (N_{pilot,C} / N_{pilot,N})$ else $P_{DPCCCH,comp}(t) = P_{DPCCCH}(t)$. If the UE is not transmitting uplink DPCCH during the slot at time t , either due to compressed mode gaps or when discontinuous uplink DPCCH transmission operation is enabled then the power shall not contribute to the filtered result. Samples of $P_{DPCCCH,comp}(t)$ shall be filtered using a filter period of 3 slotwise estimates of $P_{DPCCCH,comp}(t)$ when the E-DCH TTI is 2ms or 15 slotwise estimates of $P_{DPCCCH,comp}$ when the E-DCH TTI is 10ms to give $P_{DPCCCH,filtered}$. The accuracy of the P_{DPCCCH} estimate shall be at least that specified in table 8.4.4.1.1.2.

If the target E-DCH TTI for which $NRPM_j$ evaluated does not correspond to a compressed mode frame then $P_{DPCCCH,target} = P_{DPCCCH,filtered}$.

If the target E-DCH TTI for which $NRPM_j$ is being evaluated corresponds to a compressed mode frame then $P_{DPCCCH,target} = P_{DPCCCH,filtered} \times (N_{pilot,N} / N_{pilot,C})$. $N_{pilot,N}$ and $N_{pilot,C}$ are numbers of pilot symbols as defined in [5].

P_{DPDCH} = estimated DPDCH transmit power, based on $P_{DPCCCH,target}$ and the gain factors from the TFC selection that has already been made. If the target E-DCH TTI for which $NRPM_j$ is being evaluated corresponds to a compressed mode frame then the modification to the gain factors which occur due to compressed mode shall be included in the estimate of P_{DPDCH}

$P_{HS-DPCCH}$ = estimated HS-DPCCH transmit power based on the maximum HS-DPCCH gain factor based on $P_{DPCCCH,target}$ and the most recent signalled values of Δ_{ACK} , Δ_{NACK} and Δ_{CQI} . If the target E-DCH TTI for which $NRPM_j$ is being evaluated corresponds to a compressed mode frame then the modification to the gain factors which occur due to compressed mode shall be included in the estimate of $P_{HS-DPCCH}$

$P_{E-DPCCH}$ = estimated E-DPCCH transmit power, based on $P_{DPCCCH,target}$ and the E-DPCCH gain factor calculated using the most recent signalled value of $\Delta_{E-DPCCH}$. If the target E-DCH TTI for which $NRPM_j$ is being evaluated

corresponds to a compressed mode frame then the modification to the gain factors which occur due to compressed mode shall be included in the estimate of $P_{E-DPCCH}$

NOTE: $P_{DPCCH}(t)$, P_{Max_j} , $P_{DPCCH,fil,t,target}$, P_{DPDCH} , $P_{HS-DPCCH}$, and $P_{E-DPCCH}$ are expressed in linear power units

The UE shall consider the *Elimination* criterion for a given TFC to be detected if the estimated UE transmit power needed for this TFC is greater than the Maximum UE transmitter power for at least X out of the last Y successive measurement periods immediately preceding evaluation. The MAC in the UE shall consider that the TFC is in Excess-Power state for the purpose of TFC selection.

MAC in the UE shall indicate the available bit rate for each logical channel to upper layers within T_{notify} from the moment the *Elimination* criterion was detected.

The UE shall consider the *Recovery* criterion for a given TFC to be detected if the estimated UE transmit power needed for this TFC has not been greater than the Maximum UE transmitter power for the last Z successive measurement periods immediately preceding evaluation. The MAC in the UE shall consider that the TFC is in Supported state for the purpose of TFC selection.

MAC in the UE shall indicate the available bitrates for each logical channel to upper layers within T_{notify} from the moment the *Recovery* criterion was detected.

The evaluation of the *Elimination* criterion and the *Recovery* criterion shall be performed at least once per radio frame.

The definitions of the parameters X, Y and Z which shall be used when evaluating the *Elimination* and the *Recovery* criteria when no compressed mode patterns are activated are given in Table 8.4.4.1.1.1.

Table 8.4.4.1.1.1: X, Y, Z parameters for TFC selection

| X | Y | Z |
|----|----|----|
| 15 | 30 | 30 |

The UE shall consider the *Blocking* criterion for a given TFC to be fulfilled at the latest at the start of the longest uplink TTI after the moment at which the TFC will have been in Excess-Power state for a duration of:

$$(T_{notify} + T_{modify} + T_{L1_proc})$$

where:

T_{notify} equals 15 ms, and

T_{modify} equals $\text{MAX}(T_{adapt_max}, T_{TTI})$, and

T_{L1_proc} equals 15 ms, and

T_{adapt_max} equals $\text{MAX}(T_{adapt_1}, T_{adapt_2}, \dots, T_{adapt_N})$, and

N equals the number of logical channels that need to change rate, and

T_{adapt_n} equals the time it takes for higher layers to provide data to MAC in a new supported bit rate, for logical channel n. For services where no codec is used T_{adapt} shall be considered to be equal to 0 ms. For services where either UMTS_AMR2 or UMTS_AMR_WB is used, T_{adapt} shall be considered to be equal to the time required to switch from the current codec mode to a new supported codec mode. In that case T_{adapt} equals 20 ms + 40 ms per codec mode switch. E.g. T_{adapt} equals 60ms if one codec mode switch is necessary and T_{adapt} equals 140ms if 3 codec mode switches are necessary.

T_{TTI} equals the longest uplink TTI of the selected TFC (ms).

The UE shall be able to update the normalised remaining power estimate of each E-TFC at least every E-DCH TTI. The UE shall use the latest available estimate of $NRPM_j$ at the time when all absolute and relative grants relating to the E-DCH TTI under consideration have been received. Using the estimates of $NRPM_j$, the UE shall evaluate for each E-TFC which configured MAC-d flows are supported and which are unsupported as follows:

In the case that the target E-DCH TTI for which E-TFC restriction is being considered does not belong to a compressed mode frame then if $NRPM_j \geq \sum(\beta_{cd,j}/\beta_c)^2$ then E-TFC_j can be supported, otherwise it cannot be supported

In the case that the target E-DCH TTI for which E-TFC restriction is being considered belongs to a compressed mode frame then if $NRPM_j \geq \sum (\beta_{ed,c,j} / \beta_{c,c})^2$ then E-TFC_j can be supported, otherwise it cannot be supported

$\beta_{ed,j} / \beta_c$ and $\beta_{ed,c,j} / \beta_{c,c}$ is the quantized amplitude ratio.

If the UE is allowed to reduce its maximum transmit power for certain TFCs and E-TFCs, the UE shall use the reduced maximum transmit power in the evaluation of the TFC and E-TFC selection criteria for those TFCs.

Table 8.4.4.1.2: Accuracy requirements for the estimate of P_{DPCCH} used in E-TFC restriction

| Total UE output power value (dBm) | P_{DPCCH} accuracy(dB) (note 1) |
|---|--|
| 25<= total output power <34 | note 2 |
| 24<= total output power <25 | ±2.0 |
| 23<= total output power <24 | ±2.0 |
| 22<= total output power <23 | ±2.0 |
| 21<= total output power <22 | ±2.0 |
| 20<= total output power < 21 | ±2.5 |
| 19<= total output power <20 | ±3.0 |
| 18<= total output power <19 | ±3.5 |
| 17<= total output power <18 | ±4.0 |
| 16<= total output power <17 | ±4.0 |
| 15<= total output power <16 | ±4.0 |
| 14<= total output power <15 | ±4.0 |
| 13<= total output power <14 | ±4.0 (power class 4) ±6.0 (power class 3) |
| 12<= total output power <13 | ±4.0 (power class 4) ±6.0 (power class 3) |
| 11<= total output power <12 | ±4.0 (power class 4) ±6.0 (power class 3) |
| -50<= total output power <11 | ±6.0 |
| NOTE 1: P_{DPCCH} accuracy is the difference between the estimate of P_{DPCCH} used by the UE for the purposes of E-TFC selection and the actual power of the DPCCH being transmitted | |
| NOTE 2: No tolerance is specified. | |

The normative reference for these requirements is TS 25.133 [2] clauses 6.4.2 and A.6.6.1.1.

8.4.4.1.3 Test Purpose

The purpose is to verify the UE stops using a currently used E-TFC when its remaining power margin is not sufficient to support that E-TFC, and resumes using that E-TFC when its remaining power margin is sufficient to support it. This test will verify the general requirement on E-TFC selection in section 8.4.4.1.2 for a 10 ms TTI E-DCH Transport Block Size Table 0 as defined in TS 25.321 [13].

The test will verify the general requirement on E-TFC restriction and recovery in section 6.4 of TS25.133 [2] for a 10ms TTI E-DCH Transport Block Size Table 0.

NOTE: The test case covers only the continuous uplink DPCCH transmission scenario.

8.4.4.1.4 Method of test

8.4.4.1.4.1 Initial conditions

Test environment: normal, TL/VL, TL/VH, TH/VL, TH/VH; see clauses G.2.1 and G.2.2.

Frequencies to be tested: mid range; see clause G.2.4.

- 1) Connect the SS (node B emulator) to the UE antenna connector as shown in figure A.1.
- 2) The UL Reference Measurement Channel and the Fixed Reference Channels (FRC H-Set 1, QPSK) are specified in Annex C.11.1 and C.8.1.1.

The test parameters are given in Table 8.4.4.1.3 and 8.4.4.1.6 below. The test consists of 2time periods, with a time duration of T1 and T2 respectively.

The UE shall be configured to transmit UL DTCH data continuously on the DPCH. An HSDPA radio bearer shall be configured so that the UE transmits ACK on the UL HS-DPCCH. An E-DCH radio bearer shall be configured, so that UE is transmitting E-DPCCH and E-DPDCH in the initial condition before the time T1, defined as T0.

Table 8.4.4.1.3: General test parameters

| Parameter | Unit | Value | Comment |
|--|------|---|--|
| UL DPCH configuration | | 12.2kbps reference measurement channel | |
| E-DCH Transport Block Size Table | | 10ms TTI E-DCH Transport Block Size Table 0 according to TS 25.321 [13] annex B.3 | |
| UL Power Control | | On | |
| Active cell | | Cell 1 | |
| Maximum allowed UL TX power | dBm | 24 | For a class 4 UE maximum allowed TX power can still be signalled as 24dBm however the UE only has capability to transmit 21dBm |
| Propagation condition | | AWGN | |
| β_d/β_c | | 9/15 | Care needs to be taken to ensure that TFCS with $\beta_d/\beta_c = 9/15$ is always used even during power limited part of the test in T2 |
| A_{hs} | | 2 | $\Delta_{ACK}=\Delta_{NACK}=\Delta_{CQI}$ |
| A_{ec} | | 2 | |
| $\beta_{ed,ref}/\beta_c$ | | 5/15 | |
| L_{ref} | | 1 | |
| K_{ref} | | 18 | |
| Δ_{harq} | dB | 0 | |
| $PL_{non-max}$ | | 0.52 | |
| Periodicity for Scheduling Info | | Every TTI | |
| E-DCH MAC-D flow maximum number of retransmissions | | 0 | |
| T1 | S | 2 | |
| T2 | S | 2 | |

Table 8.4.4.1.4: Additional cell specific parameters

| Parameter | Unit | Cell 1 | | |
|------------------------|------|-----------|----|----|
| | | T0 | T1 | T2 |
| UTRA RF Channel Number | | Channel 1 | | |
| P-CPICH E_c/I_{or} | | -10 | | |
| PCCPCH E_c/I_{or} | dB | -12 | | |
| SCH E_c/I_{or} | dB | -12 | | |
| PICH E_c/I_{or} | dB | -15 | | |
| DPCH E_c/I_{or} | dB | -7.5 | | |
| HS-SCCH E_c/I_{or} | dB | -7.5 | | |
| HS-PDSCH E_c/I_{or} | dB | -3.67 | | |
| E-RGCH E_c/I_{or} | dB | DTX'd | | |
| E-AGCH E_c/I_{or} | dB | -20 | | |
| E-HICH E_c/I_{or} | dB | -20 | | |
| OCNS E_c/I_{or} | dB | Note 1 | | |

| | | |
|--|--------------|-----|
| \hat{I}_{or} | dBm/3.84 MHz | -70 |
| NOTE 1: The power of the OCNS channel that is added shall make the total power from the cell to be equal to I_{or} . | | |

The amount of available user data shall be sufficient to allow E-DCH uplink transmission at the highest possible bit rate with E-DCH TB index 127. It shall also be ensured that sufficient data is made available on the DTCH so that the UE is continuously transmitting on the DPCH.

8.4.4.1.4.2 Procedure

- 1) The SS activates cell 1 with T0 parameters defined in table 8.4.4.1.4.
- 2) The UE is switched on.
- 3) An E-DCH call is set up according to TS 34.108 [3] 7.3.9 with the following exceptions in the RADIO BEARER SETUP messages. These exceptions are derived from Table 8.4.4.1.3, and in addition allow the beta values to be set and each UL physical channel to be at constant power during the measurement.
- 4) Enter the UE into loopback mode 1 looping back both the 12.2kbps RMC and HSDPA to E-DCH and start the loopback test. See TS 34.109 [4] clauses 5.3.2.3 and 5.3.2.6. This way the UE is configured to transmit a data stream on the E-DPDCH with E-DPCCH.

Table 8.4.4.1.4A Contents of RADIO BEARER SETUP message: AM or UM (Test Loop Mode1)

| Information Element | Value/Remark |
|--|------------------------|
| UL Transport channel information for all transport channels | |
| - 2bit CTFC | 3 |
| - Power offset Information | Signalled Gain Factors |
| - CHOICE Gain Factors | FDD |
| - CHOICE mode | 15/15 |
| - Gain factor β_c | 9/15 |
| - Gain factor β_d | |
| Maximum allowed UL TX power | 24dBm |
| NOTE: All other 2 bit CTFC values use computed gain factors as in the default message. | |

Table 8.4.4.1.4B Contents of RADIO BEARER SETUP message: AM or UM (E-DCH and HSDPA)

| Information Element | Value/Remark |
|--|---|
| - Added or reconfigured E-DCH MAC-d flow | |
| - E-DCH MAC-d flow maximum number of retransmissions | 0 |
| Uplink DPCH info | |
| - Δ_{ACK} | 8, giving $A_{hs} = 30/15$ |
| - Δ_{NACK} | 8, giving $A_{hs} = 30/15$ |
| - Ack-Nack repetition factor | 3 (required for continuous HS-DPCCH signal) |
| E-DCH info | Uplink DPCH info |
| - E-DPCCH info | |
| - E-DPCCH/DPCCH power offset | 8, giving $A_{ec} = 30/15$ |
| - E-DPDCH info | |
| - Reference E-TFCIs | 1 E-TFCI |
| - Reference E-TFCI | 0 |
| - Reference E-TFCI PO | 0, giving $A_{ed} = 5/15$ |
| - Maximum channelisation codes | sf4, for E-DPDCH Categories 1 2sf4, for E-DPDCH Categories 2 and 3 2sf2, for E-DPDCH Categories 4, 5, 6 and 7 |
| - PLnon-max | 0.52 |
| - Scheduling Information Configuration | |
| - Periodicity for Scheduling Info – grant | Every TTI |
| Downlink HS-PDSCH Information | |
| - Measurement Feedback Info | |
| - CQI Feedback cycle, k | 4 ms |
| - CQI repetition factor | 2 (required for continuous HS-DPCCH signal) |

| Information Element | Value/Remark |
|---------------------|----------------------------|
| $-\Delta_{CQI}$ | 8, giving $A_{hs} = 30/15$ |

- 5) The Nominal Avg. Information Bit Rate in the DL is set to 534 kbps according to QPSK H-Set 1. The UL RLC PDU size shall be 336 bits. The SS signals AG value = 31 and AG scope = 0 on the E-AGCH continuously to give UE grants to make use of the maximum possible data rate.
- 6) Before T1, the SS shall send continuously TPC_cmd = +1 to the UE. The UE shall be transmitting at its maximum DPCCH power and the UE uplink E-DPCCH shall either be not transmitted or indicate E-TFCI with index 0.
- 7) From the start of T1 the system simulator shall send sufficient consecutive TPC_cmd = -1 to the UE until the DPCCH power is between -2.3dBm and +1dBm for a power class 3 UE, or between -6.3dBm and -3dBm for a power class 4 UE.
- 8) From the start of T1 the E-TFC indicated on the UE uplink E-DPCCH shall be measured by the SS. An "ETFCI recovery success" is counted, if the UE is using the E-TFC index which represents the maximum of the UE's capabilities as shown in Table 8.4.4.1.5, within 50ms from the start of T1. An ETFCI recovery error is counted otherwise.

Table 8.4.4.1.5: UE's 10 ms TTI FDD E-DCH

| E-DPDCH Category | E-TFCI Index |
|------------------|--------------|
| Category 1 | 101 |
| Category 2 - 3 | 119 |
| Category 4 - 7 | 127 |

- 9) Before T2, UE P_{DPCCH} power shall be between -2.3dBm and +1dBm for a power class 3 UE, or between -6.3dBm and -3dBm for a power class 4 UE. The UE uplink E-DPCCH shall indicate use of the E-TFCI which represents the maximum of the UE's capabilities.
- 10) From the start of T2 the system simulator shall send continuously TPC_cmd = +1 to the UE.
- 11) From the start of T2 the E-TFC indicated on the UE uplink E-DPCCH or the absence of E-DPCCH shall be measured by the SS. An "ETFCI restriction success" is counted, if the E-DPCCH isn't transmitted or if the UE is using E-TFC with index 0, within 50 ms from the start of T2. An ETFCI restriction error is counted otherwise. During this phase the UE may perform DTX of the E-DPDCH in accordance with [5] clause 5.1.2.6, and the SS shall transmit an ACK on the E-HICH whenever a UE transmission is detected via E-DPCCH, regardless of whether the E-DPDCH is correctly decoded.
- 12) Repeat steps 6-11 until the confidence level according to Annex F.6.2 is achieved.

NOTE: The required headroom to support E-TFC 127 can be calculated using the parameters $L_{ref}=1$, $K_{ref}=18$ and $K_{127}=20000$. This requires $\{(5006) * 3+12\} * 4 = 60120$ bits before rate matching/ARQ based on section 4 of [31]. This can be transmitted on $2xSF/2$ codes, so needs equivalent of $4xSF/4$ codes, giving $L_{127}=4$.

8.4.4.1.5 Test Requirements

For the test to pass, the ETFCI recovery success ratio shall be more than 90%, and also the ETFCI restriction success ratio shall be more than 90%, each with a confidence level of 95%.

Table 8.4.4.1.6: Cell specific test parameters

| Parameter | Unit | Cell 1 | | |
|--|--------------|-----------|----|----|
| | | T0 | T1 | T2 |
| UTRA RF Channel Number | | Channel 1 | | |
| P-CPICH E_c/I_{or} | | -9.9 | | |
| PCCPCH E_c/I_{or} | dB | -12 | | |
| SCH E_c/I_{or} | dB | -12 | | |
| PICH E_c/I_{or} | dB | -15 | | |
| DPCH E_c/I_{or} | dB | -7.5 | | |
| HS-SCCH E_c/I_{or} | dB | -7.5 | | |
| HS-DSCH E_c/I_{or} (Note 2) | dB | -3.7 | | |
| E-RGCH E_c/I_{or} | dB | DTX'd | | |
| E-AGCH E_c/I_{or} | dB | -20 | | |
| E-HICH E_c/I_{or} | dB | -20 | | |
| OCNS E_c/I_{or} | dB | Note 1 | | |
| \hat{I}_{or} | dBm/3.84 MHz | -69.3 | | |
| NOTE 1: The power of the OCNS channel that is added shall make the total power from the cell to be equal to I_{or} . | | | | |
| NOTE 2: E_c/I_{or} value represent the total power of the HS-DSCH channel (which include five codes as required by H-Set 1). | | | | |

NOTE: If the above Test Requirement differs from the Minimum Requirement then the Test Tolerance applied for this test is non-zero. The Test Tolerance for this test is defined in clause F.2 and the explanation of how the Minimum Requirement has been relaxed by the Test Tolerance is given in clause F.4.

8.4.4.2 2ms TTI E-DCH E-TFC restriction

8.4.4.2.1 Definition and applicability

When the UE estimates that a certain TFC and E-TFC would require more power than the maximum transmit power, it shall limit the usage of transport format combinations for the assigned transport format set, according to the functionality specified in section 11.8.1.4 in TS25.321 [13]. This is in order to make it possible for the network operator to maximise the coverage. E-TFC selection is described in section 11.8.1.4 of TS25.321 [13].

The requirements of this test apply to Release 6 and later releases for all types of UTRA for the FDD UE that support E-DCH with 2ms and HSDPA.

The feature of 16QAM is supported by E-DCH Category 7, but it is not used in this test. E-DCH Category 7 is tested as same as E-DCH Category 6.

8.4.4.2.2 Minimum requirements

The UE shall continuously evaluate based on the *Elimination*, *Recovery* and *Blocking* criteria defined below, how TFCs on an uplink DPDCH can be used for the purpose of TFC selection. The evaluation shall be performed for every TFC in the TFCS using the estimated UE transmit power.

The UE transmit power estimation for a given TFC, when HS-DPCCH is not transmitted during the measurement period, shall be calculated using the DPDCH and DPCCH gain factors of the corresponding TFC and reference transmit power. The reference transmit power is the transmit power of DPCCH and DPDCH of a given TFC during the measurement period for which UE transmit power estimation is made. If HS-DPCCH is transmitted either partially or totally within the given measurement period the UE transmit power estimation for a given TFC shall be calculated using DPDCH and DPCCH gain factors, the maximum value of the HS-DPCCH gain factor that is used during the measurement period, and the reference transmit power. The timing of the measurement period, which is defined in 9.1.6.1 of TS 25.133 [2] as one slot, is the same as the timing of the DPCH slot.

E-TFC selection is allowed only in the CELL_DCH state. E-TFC selection is based on the estimated power leftover from TFC selection if the DPDCH is present and from the HS-DPCCH.

The UE shall estimate the normalised remaining power margin available for E-TFC selection based on the following equation for E-TFC candidate j

$$NRPM_j = (P_{Max_j} - P_{DPCCH, target} - P_{DPDCH} - P_{HS-DPCCH} - P_{E-DPCCH}) / P_{DPCCH, target}$$

where

P_{Max_j} = Maximum UE transmitter power for E-TFC- j as defined in section 6.5 of TS25.133 [2].

$P_{DPCCH}(t)$ represents a slotwise estimate of the current UE DPCCH power at time t . If at time t , the UE is transmitting a compressed mode frame then $P_{DPCCH,comp}(t) = P_{DPCCH}(t) \times (N_{pilot,C} / N_{pilot,N})$ else $P_{DPCCH,comp}(t) = P_{DPCCH}(t)$. If the UE is not transmitting uplink DPCCH during the slot at time t , either due to compressed mode gaps or when discontinuous uplink DPCCH transmission operation is enabled then the power shall not contribute to the filtered result. Samples of $P_{DPCCH,comp}(t)$ shall be filtered using a filter period of 3 slotwise estimates of $P_{DPCCH,comp}(t)$ when the E-DCH TTI is 2ms or 15 slotwise estimates of $P_{DPCCH,comp}$ when the E-DCH TTI is 10ms to give $P_{DPCCH,filtered}$. The accuracy of the P_{DPCCH} estimate shall be at least that specified in table 8.4.4.1.1.2.

If the target E-DCH TTI for which $NRPM_j$ evaluated does not correspond to a compressed mode frame then $P_{DPCCH,target} = P_{DPCCH,filtered}$.

If the target E-DCH TTI for which $NRPM_j$ is being evaluated corresponds to a compressed mode frame then $P_{DPCCH,target} = P_{DPCCH,filtered} \times (N_{pilot,N} / N_{pilot,C})$. $N_{pilot,N}$ and $N_{pilot,C}$ are numbers of pilot symbols as defined in [5].

P_{DPDCH} = estimated DPDCH transmit power, based on $P_{DPCCH,target}$ and the gain factors from the TFC selection that has already been made. If the target E-DCH TTI for which $NRPM_j$ is being evaluated corresponds to a compressed mode frame then the modification to the gain factors which occur due to compressed mode shall be included in the estimate of P_{DPDCH}

$P_{HS-DPCCH}$ = estimated HS-DPCCH transmit power based on the maximum HS-DPCCH gain factor based on $P_{DPCCH,target}$ and the most recent signalled values of Δ_{ACK} , Δ_{NACK} and Δ_{CQI} . If the target E-DCH TTI for which $NRPM_j$ is being evaluated corresponds to a compressed mode frame then the modification to the gain factors which occur due to compressed mode shall be included in the estimate of $P_{HS-DPCCH}$

$P_{E-DPCCH}$ = estimated E-DPCCH transmit power, based on $P_{DPCCH,target}$ and the E-DPCCH gain factor calculated using the most recent signalled value of $\Delta_{E-DPCCH}$. If the target E-DCH TTI for which $NRPM_j$ is being evaluated corresponds to a compressed mode frame then the modification to the gain factors which occur due to compressed mode shall be included in the estimate of $P_{E-DPCCH}$

NOTE: $P_{DPCCH}(t)$, P_{Max_j} , $P_{DPCCH,fil,target}$, P_{DPDCH} , $P_{HS-DPCCH}$, and $P_{E-DPCCH}$ are expressed in linear power units

The UE shall consider the *Elimination* criterion for a given TFC to be detected if the estimated UE transmit power needed for this TFC is greater than the Maximum UE transmitter power for at least X out of the last Y successive measurement periods immediately preceding evaluation. The MAC in the UE shall consider that the TFC is in Excess-Power state for the purpose of TFC selection.

MAC in the UE shall indicate the available bit rate for each logical channel to upper layers within T_{notify} from the moment the *Elimination* criterion was detected.

The UE shall consider the *Recovery* criterion for a given TFC to be detected if the estimated UE transmit power needed for this TFC has not been greater than the Maximum UE transmitter power for the last Z successive measurement periods immediately preceding evaluation. The MAC in the UE shall consider that the TFC is in Supported state for the purpose of TFC selection.

MAC in the UE shall indicate the available bit rate for each logical channel to upper layers within T_{notify} from the moment the *Recovery* criterion was detected.

The evaluation of the *Elimination* criterion and the *Recovery* criterion shall be performed at least once per radio frame.

The definitions of the parameters X, Y and Z which shall be used when evaluating the *Elimination* and the *Recovery* criteria when no compressed mode patterns are activated are given in Table 8.4.4.2.2.1.

Table 8.4.4.2.2.1: X, Y, Z parameters for TFC selection

| X | Y | Z |
|----|----|----|
| 15 | 30 | 30 |

The UE shall consider the *Blocking* criterion for a given TFC to be fulfilled at the latest at the start of the longest uplink TTI after the moment at which the TFC will have been in Excess-Power state for a duration of:

$$(T_{\text{notify}} + T_{\text{modify}} + T_{\text{LI_proc}})$$

where:

T_{notify} equals 15 ms, and

T_{modify} equals $\text{MAX}(T_{\text{adapt_max}}, T_{\text{TTI}})$, and

$T_{\text{LI_proc}}$ equals 15 ms, and

$T_{\text{adapt_max}}$ equals $\text{MAX}(T_{\text{adapt_1}}, T_{\text{adapt_2}}, \dots, T_{\text{adapt_N}})$, and

N equals the number of logical channels that need to change rate, and

$T_{\text{adapt_n}}$ equals the time it takes for higher layers to provide data to MAC in a new supported bit rate, for logical channel n. For services where no codec is used T_{adapt} shall be considered to be equal to 0 ms. For services where either UMTS_AMR2 or UMTS_AMR_WB is used, T_{adapt} shall be considered to be equal to the time required to switch from the current codec mode to a new supported codec mode. In that case T_{adapt} equals 20 ms + 40 ms per codec mode switch. E.g. T_{adapt} equals 60ms if one codec mode switch is necessary and T_{adapt} equals 140ms if 3 codec mode switches are necessary.

T_{TTI} equals the longest uplink TTI of the selected TFC (ms).

The UE shall be able to update the normalised remaining power estimate of each E-TFC at least every E-DCH TTI. The UE shall use the latest available estimate of NRPM_j at the time when all absolute and relative grants relating to the E-DCH TTI under consideration have been received. Using the estimates of NRPM_j the UE shall evaluate for each E-TFC which configured MAC-d flows are supported and which are unsupported as follows:

In the case that the target E-DCH TTI for which E-TFC restriction is being considered does not belong to a compressed mode frame then if $\text{NRPM}_j \geq \sum (\beta_{\text{ed},j} / \beta_c)^2$ then E-TFC_j can be supported, otherwise it cannot be supported

In the case that the target E-DCH TTI for which E-TFC restriction is being considered belongs to a compressed mode frame then if $\text{NRPM}_j \geq \sum (\beta_{\text{ed},C,j} / \beta_{c,C})^2$ then E-TFC_j can be supported, otherwise it cannot be supported

$\beta_{\text{ed},j} / \beta_c$ and $\beta_{\text{ed},C,j} / \beta_{c,C}$ is the quantized amplitude ratio.

If the UE is allowed to reduce its maximum transmit power for certain TFCs and E-TFCs, the UE shall use the reduced maximum transmit power in the evaluation of the TFC and E-TFC selection criteria for those TFCs.

Table 8.4.4.2.2: Accuracy requirements for the estimate of P_{DPCCH} used in E-TFC restriction

| Total UE output power value (dBm) | P_{DPCCH} accuracy(dB) (note 1) |
|---|--|
| 25<= total output power <34 | Note 2 |
| 24<= total output power <25 | ±2.0 |
| 23<= total output power <24 | ±2.0 |
| 22<= total output power <23 | ±2.0 |
| 21<= total output power <22 | ±2.0 |
| 20<= total output power < 21 | ±2.5 |
| 19<= total output power <20 | ±3.0 |
| 18<= total output power <19 | ±3.5 |
| 17<= total output power <18 | ±4.0 |
| 16<= total output power <17 | ±4.0 |
| 15<= total output power <16 | ±4.0 |
| 14<= total output power <15 | ±4.0 |
| 13<= total output power <14 | ±4.0 (power class 4) ±6.0 (power class 3) |
| 12<= total output power <13 | ±4.0 (power class 4) ±6.0 (power class 3) |
| 11<= total output power <12 | ±4.0 (power class 4) ±6.0 (power class 3) |
| -50<= total output power <11 | ±6.0 |
| NOTE 1: P_{DPCCH} accuracy is the difference between the estimate of P_{DPCCH} used by the UE for the purposes of E-TFC selection and the actual power of the DPCCH being transmitted | |
| NOTE 2: No tolerance is specified. | |

The normative reference for these requirements is TS 25.133 [2] clauses 6.4.2 and A.6.6.1.2.

8.4.4.2.3 Test Purpose

The purpose is to verify the UE stops using a currently used E-TFC when its remaining power margin is not sufficient to support that E-TFC, and resumes using that E-TFC when its remaining power margin is sufficient to support it. This test will verify the general requirement on E-TFC selection in section 8.4.4.2.2 for a 2 ms TTI E-DCH Transport Block Size Table 0 as defined in TS 25.321 [13].

The test will verify the general requirement on E-TFC restriction and recovery in section 6.4 of TS25.133 [2] for a 2 ms TTI E-DCH Transport Block Size Table 0.

NOTE: The test case covers only the continuous uplink DPCCH transmission scenario.

8.4.4.2.4 Method of test

8.4.4.2.4.1 Initial conditions

Test environment: normal, TL/VL, TL/VH, TH/VL, TH/VH; see clauses G.2.1 and G.2.2.

Frequencies to be tested: mid range; see clause G.2.4.

- 1) Connect the SS (node B emulator) to the UE antenna connector as shown in figure A.1.
- 2) The UL Reference Measurement Channel and the Fixed Reference Channels (FRC H-Set 1, QPSK) are specified in Annex C.11.1 and C.8.1.1.

The test parameters are given in Table 8.4.4.2.3 and 8.4.4.2.6 below. The test consists of 2 time periods, with a time duration of T1 and T2 respectively.

The UE shall be configured to transmit UL DTCH data continuously on the DPCH. An HSDPA radio bearer shall be configured so that the UE transmits ACK on the UL HS-DPCCH. An E-DCH radio bearer shall be configured, so that UE is transmitting E-DPCCH and E-DPDCH in the initial condition before the time T1, defined as T0.

Table 8.4.4.2.3: General test parameters

| Parameter | Unit | Value | Comment |
|--|------|--|--|
| UL DPCH configuration | | 12.2kbps reference measurement channel | |
| E-DCH Transport Block Size Table | | 2ms TTI E-DCH Transport Block Size Table 0 according to 25.321 annex B.1 | |
| UL Power Control | | On | |
| Active cell | | Cell 1 | |
| Maximum allowed UL TX power | dBm | 24 | For a class 4 UE maximum allowed TX power can still be signalled as 24dBm however the UE only has capability to transmit 21dBm |
| Propagation condition | | AWGN | |
| β_d/β_c | | 9/15 | Care needs to be taken to ensure that TFCS with $\beta_d/\beta_c = 9/15$ is always used even during power limited part of the test in T2 |
| A_{hs} | | 2 | $\Delta_{ACK}=\Delta_{NACK}=\Delta_{CQI}$ |
| A_{ec} | | 2 | |
| $\beta_{ed,ref}/\beta_c$ | | 5/15 | |
| L_{ref} | | 1 | |
| K_{ref} | | 18 | |
| Δ_{harq} | dB | 0 | |
| $PL_{non-max}$ | | 0.52 | |
| Periodicity for Scheduling Info | | Every TTI | |
| E-DCH MAC-d flow maximum number of retransmissions | | 0 | |
| T1 | S | 2 | |
| T2 | S | 2 | |

Table 8.4.4.2.4: Additional cell specific parameters

| Parameter | Unit | Cell 1 | | |
|--|--------------|-----------|----|----|
| | | T0 | T1 | T2 |
| UTRA RF Channel Number | | Channel 1 | | |
| P-CPICH E_c/I_{or} | | -10 | | |
| PCCPCH E_c/I_{or} | dB | -12 | | |
| SCH E_c/I_{or} | dB | -12 | | |
| PICH E_c/I_{or} | dB | -15 | | |
| DPCH E_c/I_{or} | dB | -7.5 | | |
| HS-SCCH E_c/I_{or} | dB | -7.5 | | |
| HS-DSCH E_c/I_{or} | dB | -3.67 | | |
| E-RGCH E_c/I_{or} | dB | -DTX'd | | |
| E-AGCH E_c/I_{or} | dB | -20 | | |
| E-HICH E_c/I_{or} | dB | -20 | | |
| OCNS E_c/I_{or} | dB | Note 1 | | |
| \hat{I}_{or} | dBm/3.84 MHz | -70 | | |
| NOTE 1: The power of the OCNS channel that is added shall make the total power from the cell to be equal to I_{or} . | | | | |

The amount of available user data shall be sufficient to allow E-DCH uplink transmission at the highest possible bit rate with E-DCH TB index 127. It shall also be ensured that sufficient data is made available on the DTCH so that the UE is continuously transmitting on the DPCH.

8.4.4.2.4.2 Procedure

- 1) The SS activates cell 1 with T0 parameters defined in table 8.4.4.2.4.
- 2) The UE is switched on.
- 3) An E-DCH call is set up according to TS 34.108 [3] 7.3.9 with the following exceptions in the RADIO BEARER SETUP messages. These exceptions are derived from Table 8.4.4.2.3, and in addition allow the beta values to be set and each UL physical channel to be at constant power during the measurement.
- 4) Enter the UE into loopback mode 1 looping back both the 12.2kbps RMC and HSDPA to E-DCH with Category 2 and 4, or enter the UE into loopback test mode 1 looping back HSDPA to E-DCH by uplink SRB for DCCH mapped on E-DCH and downlink SRB for DCCH on DCH for E-DCH Category 6 and 7, and start the loopback test. See TS 34.109 [4] clauses 5.3.2.3 and 5.3.2.6. This way the UE is configured to transmit a data stream on the E-DPDCH with E-DPCCH.

Table 8.4.4.2.4A Contents of RADIO BEARER SETUP message: AM or UM (Test Loop Mode1)

| Information Element | Value/Remark |
|--|---|
| UL Transport channel information for all transport channels | 3 Signalled Gain Factors FDD 15/15 9/15 |
| - 2bit CTFC | |
| - Power offset Information | |
| - CHOICE Gain Factors | |
| - CHOICE mode | |
| - Gain factor β_c - Gain factor β_d | |
| Maximum allowed UL TX power | 24dBm |
| NOTE: All other 2 bit CTFC values use computed gain factors as in the default message. | |

Table 8.4.4.2.4B Contents of RADIO BEARER SETUP message: AM or UM (E-DCH and HSDPA)

| Information Element | Value/Remark |
|--|--|
| Added or Reconfigured TrCH information list - Added or Reconfigured UL TrCH information - CHOICE UL parameters - E-DCH Transmission Time Interval | 2 ms |
| - Added or reconfigured E-DCH MAC-d flow - E-DCH MAC-d flow maximum number of retransmissions | 0 |
| Uplink DPCH info - Δ_{ACK} - Δ_{NACK} - Ack-Nack repetition factor | 8, giving $A_{hs} = 30/15$ 8, giving $A_{hs} = 30/15$ 3 (required for continuous HS-DPCCH signal) |
| E-DCH info - E-DPCCH info - E-DPCCH/DPCCH power offset - E-DPDCH info - Reference E-TFCIs - Reference E-TFCI - Reference E-TFCI PO - Maximum channelisation codes - PLnon-max - Scheduling Information Configuration - Periodicity for Scheduling Info – grant | Uplink DPCH info 8, giving $A_{ec} = 30/15$ 1 E-TFCI 0 0, giving $A_{ed} = 5/15$ 2sf4, for E-DPDCH Category 2 2sf2, for E-DPDCH Category 4 sf4x2_and_sf2x2, for E-DPDCH Category 6 and 7 0.52 [Every TTI] Ensures that some data is sent on every TTI even in the power limited phase |
| Downlink HS-PDSCH Information - Measurement Feedback Info - CQI Feedback cycle, k - CQI repetition factor - Δ_{CQI} | 4 ms 2 (required for continuous HS-DPCCH signal) 8, giving $A_{hs} = 30/15$ |

- 5) The Nominal Avg. Information Bit Rate in the DL is set to 534 kbps according to QPSK H-Set 1. The UL RLC PDU size = 336 bits. The SS signals AG value = 31 and AG scope = 0 on the E-AGCH continuously to give UE grants to make use of the maximum possible data rate.
- 6) Before T1, the SS shall send continuously $TPC_cmd = +1$ to the UE. The UE shall be transmitting at its maximum DPCCH power and the UE uplink E-DPCCH either be not transmitted or indicate use of E-TFCI with index 0.
- 7) From the start of T1 the system simulator shall send sufficient consecutive $TPC_cmd = -1$ to the UE until the DPCCH power is between -1.3 dBm and 2.0 dBm for a power class 3 UE, or between -4.3 dBm and -1 dBm for a power class 4 UE.
- 8) From the start of T1 the E-TFC indicated on the UE uplink E-DPCCH shall be measured by the SS. An "ETFCI recovery success" is counted, if the UE is using the E-TFC index which represents the maximum of the UE's capabilities as shown in Table 8.4.4.2.5, within 31 ms from the start of T1. An ETFCI recovery error is counted otherwise.

Table 8.4.4.2.5: UE's 2 ms TTI FDD E-DCH

| E-DPDCH Category | E-TFCI Index |
|-----------------------|--------------|
| Category 2 | 88 |
| Category 4 | 108 |
| Category 6 - 7 | 127 |

- 9) Before T2, UE P_{DPCCH} power shall be between -1.3dBm and +2dBm for a power class 3 UE, or between -4.3dBm and -10dBm for a power class 4 UE. The UE uplink E-DPCCH shall indicate use of the E-TFCI which represents the maximum of the UE's capabilities.
- 10) From the start of T2 the system simulator shall send continuously $TPC_cmd = +1$ to the UE.

11) From the start of T2 the E-TFC indicated on the UE uplink E-DPCCH or the absence of E-DPCCH shall be measured by the SS. An "ETFCI restriction success" is counted, if the E-DPCCH isn't transmitted or if the UE is using E-TFC with index 0, within 31 ms from the start of T2. An ETFCI restriction error is counted otherwise. During this phase the UE may perform DTX of the E-DPDCH in accordance with [5] clause 5.1.2.6, and the SS shall transmit an ACK on the E-HICH whenever a UE transmission is detected via E-DPCCH, regardless of whether the E-DPDCH is correctly decoded.

12) Repeat steps 6-11 until the confidence level according to Annex F.6.2 is achieved.

NOTE: The required headroom to support E-TFC 127 can be calculated using the parameters $L_{ref}=1$, $K_{ref}=18$ and $K_{127}=11484$. This requires $\{(3836) * 3+12\} * 4 = 34560$ bits before rate matching/ARQ based on section 4 of [31]. This can be transmitted on $2xSF/2$ codes, so needs equivalent of $4xSF/4$ codes, giving $L_{127}=4$.

8.4.4.2.5 Test Requirements

For the test to pass, the ETFCI recovery success ratio shall be more than 90%, and also the ETFCI restriction success ratio shall be more than 90%, each with a confidence level of 95%.

Table 8.4.4.2.6: Additional cell specific test parameters

| Parameter | Unit | Cell 1 | | |
|---|--------------|-----------|----|----|
| | | T0 | T1 | T2 |
| UTRA RF Channel Number | | Channel 1 | | |
| P-CPICH E_c/I_{or} | | -9.9 | | |
| PCCPCH E_c/I_{or} | dB | -12 | | |
| SCH E_c/I_{or} | dB | -12 | | |
| PICH E_c/I_{or} | dB | -15 | | |
| DPCH E_c/I_{or} | dB | -7.5 | | |
| HS-SCCH E_c/I_{or} | dB | -7.5 | | |
| HS-DSCH E_c/I_{or} (Note 2) | dB | -3.7 | | |
| E-RGCH E_c/I_{or} | dB | -DTX'd | | |
| E-AGCH E_c/I_{or} | dB | -20 | | |
| E-HICH E_c/I_{or} | dB | -20 | | |
| OCNS E_c/I_{or} | dB | Note 1 | | |
| \hat{I}_{or} | dBm/3.84 MHz | -69.3 | | |
| NOTE 1: The power of the OCNS channel that is added shall make the total power from the cell to be equal to I_{or} . | | | | |
| NOTE 2: E_c/I_{or} value represent the total power of the HS-DSCH channel (which include five codes as required by H-Set 1) | | | | |

NOTE: If the above Test Requirement differs from the Minimum Requirement then the Test Tolerance applied for this test is non-zero. The Test Tolerance for this test is defined in clause F.2 and the explanation of how the Minimum Requirement has been relaxed by the Test Tolerance is given in clause F.4.

8.5 Timing and Signalling Characteristics

8.5.1 UE Transmit Timing

8.5.1.1 Definition and applicability

The UE transmit timing is defined as the timing of the uplink DPCCH/DPDCH frame relative to the first detected path (in time) of the corresponding downlink DPCCH/DPDCH frame from the reference cell. The reference point is the antenna connector of the UE.

The requirements and this test apply to all types of UTRA of the FDD UE.

8.5.1.2 Minimum requirements

The UE initial transmission timing error shall be less than or equal to ± 1.5 chips. This requirement applies at the first transmission on the DPCCH/DPDCH. The reference point for the UE initial transmit timing control requirement shall be the time when the first detected path (in time) of the corresponding downlink DPCCH/DPDCH or F-DPCH frame is received from the reference cell plus T_0 chips. T_0 is defined in TS25.211 [19].

When the UE is not in soft handover, the reference cell shall be the one the UE has in the active set. In case the UE is initially allocated in soft handover, the reference cell shall be the same cell as used for calculating the initial CFN as defined in 25.331 [8].

The cell, which is selected as a reference cell, shall remain as a reference cell even if other cells are added to the active set. In case that the reference cell is removed from the active set the UE shall start adjusting its transmit timing no later than the time when the whole active set update message is available at the UE taking the RRC procedure delay into account.

When the UE has performed a timing-maintained intra- or inter-frequency hard handover and higher layers has indicated that the UE shall not perform any synchronisation procedure for timing maintained intra- or inter-frequency hard handover, or when the UE attempts to re establish all dedicated physical channel(s) after an inter-RAT, intra- or inter-frequency hard-handover failure [18], it shall resume UL transmission with the same transmit timing as used immediately before the handover attempt. After resuming transmission, transmit timing adjustment requirements defined in the remainder of this clause apply.

The UE shall be capable of changing the transmission timing according to the received downlink DPCCH/DPDCH or F-DPCH frame. When the transmission timing error between the UE and the reference cell exceeds ± 1.5 chips the UE is required to adjust its timing to within ± 1.5 chips.

All adjustments made to the UE timing shall follow these rules:

- 1) The maximum amount of the timing change in one adjustment shall be $\frac{1}{4}$ chip.
- 2) The minimum adjustment rate shall be 233ns per second.
- 3) The maximum adjustment rate shall be $\frac{1}{4}$ chip per 200 ms.

In particular, within any given $800 \cdot d$ ms period, the UE transmit timing shall not change in excess of $\pm d$ chip from the timing at the beginning of this $800 \cdot d$ ms period, where $0 \leq d \leq 1/4$.

The normative reference for this requirement is TS 25.133 [2] clause 7.1.2.

NOTE 1: The requirement to test that the start of adjustment occurs no later than the RRC procedure delay after the cell update message is not to be tested.

NOTE 2: The understanding of the period $800 \cdot d$ is that this is the period between any two timing adjustments. Since d is not defined it is only possible to test against this requirement using the maximum value of $d = \frac{1}{4}$. This defines a minimum period of 200ms over which the maximum adjustment rate of $\frac{1}{4}$ chip per 200ms can fairly be evaluated.

NOTE 3: Due to the fact that the UE can update its timing at any interval, including just less than 200ms, when evaluating the maximum adjustment rate in any 200ms period an additional $\frac{1}{4}$ chip quantization uncertainty must be allowed for since there exists the possibility of two timing adjustments during the evaluation period.

NOTE 4: The minimum adjustment rate of 233ns/s is only to be evaluated from the end of the RRC procedure delay until the UE has converged on the new reference cell.

NOTE 5: In addition to the minimum requirements above, an additional allowance is made to the maximum and minimum adjustment rates of 0.384 chips / s and -0.384 chips/s respectively for the possibility of up to a 0.1 PPM frequency error between the UE and the test system.

8.5.1.3 Test purpose

The purpose of this test is to:

- 1) Verify that the UE initial transmit timing accuracy is within the limits specified in 8.5.1.5.
- 2) Verify that the UE transmit timing accuracy remains within the limits specified in 8.5.1.5 when the timing of a cell in the active set not used as the reference cell changes its timing.
- 3) After receipt of the ACTIVESET UPDATE message, verify that the maximum amount of timing change in one adjustment, and the minimum and maximum adjustment rate are within the limits specified in 8.5.1.5.
- 4) Verify that after convergence on the new reference cell the UE is within the limits specified in 8.5.1.5.

8.5.1.4 Method of test

8.5.1.4.1 Initial conditions

Test environment: normal; see clauses G.2.1 and G.2.2.

Frequencies to be tested: mid range; see clause G.2.4.

For this test, two cells on the same frequency are used.

The reporting of event 1A and event 1B is configured with SIB 11.

- 1) Connect the test system to the UE antenna connector as shown in figure A.14.

Table 8.5.1.1: Test parameters for UE Transmit Timing requirements

| Parameter | Unit | Level |
|--|--------------|-------|
| DPCH_Ec/lor, Cell 1 and Cell 2 | dB | -13.5 |
| CPICH_Ec/lor, Cell 1 and Cell 2 | dB | -10 |
| PCCPH_Ec/lor, Cell 1 and Cell 2 | dB | -12 |
| SCH_Ec/lor, Cell 1 and Cell 2 | dB | -12 |
| PICH_Ec/lor, Cell 1 and Cell 2 | dB | -15 |
| OCNS_Ec/lor, Cell 1 and Cell 2 | dB | -1.2 |
| I _{or} , Cell 1 | dBm/3.84 MHz | -96 |
| I _{or} , Cell 2 | dBm/3.84 MHz | -99 |
| Information data rate | kbps | 12.2 |
| Relative delay of path received from cell 2 with respect to cell 1 | μs | +/-2 |
| Propagation condition | AWGN | |

8.5.1.4.2 Procedure

1. A call is set up with Cell 1 according to the Generic call setup procedure specified in TS 34.108 [3] subclause 7.3.4 without Compressed mode. The test parameters are set up according to table 8.5.1.2.
2. After a connection is set up with cell 1, the test system shall measure the UE transmit timing offset with respect to the first detected path (in time) of the downlink DPCCCH/DPDCH of cell 1.
3. Cell 2 is introduced into the test system at a delay of +2 μs (7.68 chips) from cell 1. The UE shall transmit a Measurement report message triggered by event 1A. The test system transmits an ACTIVESET UPDATE message (Radio link addition information).
4. The test system transmits a Measurement Control message. The test system verifies that cell 2 is added to the active set.
5. The test system shall measure the UE transmit timing error with respect to the first detected path (in time) of the downlink DPCCCH/DPDCH of cell 1.
6. The test system switches the Tx timing of cell 2 to a delay of -2 μs with respect to cell 1. During this step the UE may lose the knowledge of the timing of cell 2. It is assumed that the UE regains knowledge of cell 2 timing prior to step 11.

7. After 2 seconds the test system verifies that cell 2 remains in the active set. The SS then sends a Measurement Control message (measurement release for measurement ID 2).
8. The test system shall measure the UE transmit timing error with respect to the first detected path (in time) of the downlink DPCCH/DPDCH of cell 1.
9. The test system switches off cell 1.
10. Void
11. The UE shall transmit a Measurement report message triggered by event 1B, and the test system shall transmit an ACTIVESET UPDATE message (Radio link removal information). The test system samples the UE Transmit Timing once per frame, beginning immediately after the last TTI, containing the ACTIVESET UPDATE. The samples are named TrTm(t) **Transmit Timing** (discrete time) starting at t=0. This instant shall be designated t=RRC_start. The instant taken 60 ms later (the maximum allowed RRC procedure delay) shall be designated t=RRC_end. The sampling of timing shall continue until t > RRC_end + 1800. (The furthest the UE has to adjust is 8.68 chips @ (1/4/0.28 - 0.384) chips / s = 17.1 seconds.)
12. After step 11 has completed, the test system shall, after a delay of 2 seconds, measure the UE transmit timing offset with respect to the first detected path (in time) of the downlink DPCCH/DPDCH of the new reference cell.
13. The test system turns on cell 1 again with the same timing as used in step 1 of the procedure. The UE shall transmit a Measurement report message triggered by event 1A. The test system shall transmit an ACTIVESET UPDATE message (Radio link addition information).
14. The test system transmits a Measurement Control message. The test system verifies that cell 1 is added to the active set. SS then sends a Measurement Control message (measurement release for measurement ID 2).
15. Test system measures the UE transmit timing with respect to the first detected path (in time) of the downlink DPCCH/DPDCH of cell 2.
16. Test system switches off cell 2 and starts sampling the UE Transmit Timing error relative to cell 2 at a rate of once per frame. starting at t=0.
17. Void.
18. Step 11 is repeated.
19. Step 12 is repeated.

MEASUREMENT CONTROL message

| Information Element | Value/Remark |
|---|--|
| Message Type | |
| UE information elements | |
| -RRC transaction identifier | 0 |
| -Integrity check info | |
| -message authentication code | SS calculates the value of MAC-I for this message and writes to this IE. The first/ leftmost bit of the bit string contains the most significant bit of the MAC-I. |
| -RRC message sequence number | SS provides the value of this IE, from its internal counter. |
| Measurement Information elements | |
| -Measurement Identity | 2 |
| -Measurement Command | Setup |
| -Measurement Reporting Mode | |
| - Measurement Report Transfer Mode | Acknowledged mode RLC |
| - Periodical Reporting / Event Trigger Reporting Mode | Periodical reporting |
| -Additional measurement list | Not Present |
| -CHOICE Measurement Type | Intra-frequency measurement |
| -Intra-frequency measurement | |
| - Intra-frequency measurement objects list | |
| -Intra-frequency cell info list | Not Present |
| -Intra-frequency measurement quantity | 0 |
| -Filter coefficient | FDD |
| -CHOICE mode | CPICH RSCP |
| -Measurement quantity | |

| Information Element | Value/Remark |
|--|--|
| -Intra-frequency reporting quantity -Reporting quantities for active set cells -Cell synchronisation information reporting indicator | TRUE |
| -Cell Identity reporting indicator | TRUE |
| -CHOICE mode | FDD |
| -CPICH Ec/N0 reporting indicator | TRUE |
| -CPICH RSCP reporting indicator | TRUE |
| -Pathloss reporting indicator | FALSE |
| -Reporting quantities for monitored set cells -Cell synchronisation information reporting indicator | FALSE |
| -Cell Identity reporting indicator | FALSE |
| -CHOICE mode | FDD |
| -CPICH Ec/N0 reporting indicator | FALSE |
| -CPICH RSCP reporting indicator | FALSE |
| -Pathloss reporting indicator | FALSE |
| -Reporting quantities for detected set cells | Not Present |
| -Reporting cell status | |
| -CHOICE reported cell | Report all active set cells + cells within monitored set on used frequency |
| -Maximum number of reported cells | Virtual/active set cells + 2 |
| -Measurement validity | Not Present |
| -CHOICE report criteria | Periodical reporting criteria |
| -Amount of reporting | Infinity |
| -Reporting interval | 250 ms |
| Physical channel information elements -DPCH compressed mode status info | Not Present |

ACTIVESET UPDATE message (Radio link addition information)

| Information Element/Group name | Value/Remark | Version |
|--|--|---------|
| Message Type (10.2.17) | | |
| UE information elements - RRC transaction identifier - Integrity check info -message authentication code -RRC message sequence number - Activation time - New U-RNTI | 0 SS calculates the value of MAC-I for this message and writes to this IE. The first/ leftmost bit of the bit string contains the most significant bit of the MAC-I. SS provides the value of this IE, from its internal counter. "now". Not Present | |
| CN information elements - CN Information info | Not Present | |
| Phy CH information elements Uplink radio resources - Maximum allowed UL TX power | 33 dBm | |
| Downlink radio resources - Radio link addition information - Radio link addition information - Primary CPICH info - Primary scrambling code - Downlink DPCH info for each RL | 1 Same as adding cell | |
| - CHOICE mode - Primary CPICH usage for channel estimation - DPCH frame offset - Secondary CPICH info | FDD Primary CPICH may be used This should be reflected by the IE" Cell synchronisation information" in received MEASUREMENT REPORT message Not Present | |

| Information Element/Group name | Value/Remark | Version |
|--------------------------------------|----------------|--------------------|
| - DL channelisation code | Not Present | |
| - Secondary scrambling code | 128 | |
| - Spreading factor | 96 | |
| - Code number | No code change | |
| - Scrambling code change | 0 | |
| - TPC combination index | Not Present | R99 and Rel-4 only |
| - SSdT Cell Identity | | |
| - Closed loop timing adjustment mode | Not Present | |
| - TFCI combining indicator | FALSE | R99 and Rel-4 only |
| - SCCPCH Information for FACH | Not Present | |
| - Radio link removal information | Not Present | |
| - TX Diversity Mode | Not Present | |
| - SSdT information | Not Present | R99 and Rel-4 only |

ACTIVESET UPDATE message (Radio link removal information)

| Information Element/Group name | Value/Remark | Version |
|-----------------------------------|--|--------------------|
| Message Type (10.2.17) | | |
| UE information elements | | |
| - RRC transaction identifier | 0 | |
| - Integrity check info | | |
| -message authentication code | SS calculates the value of MAC-I for this message and writes to this IE. The first/ leftmost bit of the bit string contains the most significant bit of the MAC-I. | |
| -RRC message sequence number | SS provides the value of this IE, from its internal counter. | |
| - Activation time | "now". | |
| - New U-RNTI | Not Present | |
| CN information elements | | |
| - CN Information info | Not Present | |
| Phy CH information elements | | |
| Uplink radio resources | | |
| - Maximum allowed UL TX power | 33 dBm | |
| Downlink radio resources | | |
| - Radio link addition information | Not Present | |
| - Radio link removal information | 1 | |
| - Primary CPICH info | | |
| - Primary scrambling code | Same as removing cell | |
| - TX Diversity Mode | Not Present | |
| - SSdT information | Not Present | R99 and Rel-4 only |

Measurement Control message (measurement release)

| Information Element/Group name | Value/Remark |
|----------------------------------|--|
| Message Type (10.2.17) | |
| UE information elements | |
| - RRC transaction identifier | 0 |
| - Integrity check info | |
| -message authentication code | SS calculates the value of MAC-I for this message and writes to this IE. The first/ leftmost bit of the bit string contains the most significant bit of the MAC-I. |
| -RRC message sequence number | SS provides the value of this IE, from its internal counter. |
| Measurement Information elements | |
| -Measurement Identity | 2 |
| -Measurement Command | release |

8.5.1.5 Test requirements

Table 8.5.1.2: Test parameters for UE Transmit Timing requirements

| Parameter | Unit | Level |
|--|--------------|-------|
| DPCH_Ec/ Ior, Cell 1 and Cell 2 | dB | -13.4 |
| CPICH_Ec/ Ior, Cell 1 and Cell 2 | dB | -9.9 |
| PCCPH_Ec/ Ior, Cell 1 and Cell 2 | dB | -12 |
| SCH_Ec/ Ior, Cell 1 and Cell 2 | dB | -12 |
| PICH_Ec/ Ior, Cell 1 and Cell 2 | dB | -15 |
| OCNS_Ec/ Ior, Cell 1 and Cell 2 | dB | -1.21 |
| I _{or} , Cell 1 | dBm/3.84 MHz | -95 |
| I _{or} , Cell 2 | dBm/3.84 MHz | -97.7 |
| Information data rate | kbps | 12.2 |
| Relative delay of path received from cell 2 with respect to cell 1 | μs | +/-2 |
| Propagation condition | AWGN | |

The following measurement uncertainties have been taken into account in the test requirements below:

The accuracy of transmit timing measurements relative to the reference cell = ± 0.5 chips

The accuracy of the difference between two transmit timing measurements = ± 0.25 chips
 1) In steps 2, 5 and 8, the UE transmit timing offset shall be within $T_0 \pm 2.0$ chips with respect to the first detected path (in time) of the downlink DPCCH/DPDCH of cell 1.

- 2) In step 11, check for all adjacent samples that the maximum adjustment step of $\frac{1}{4}$ chip adjusted for measurement uncertainty is met:

From $t=1$ until the end of the measurement record, $|\text{TrTm}(t) - \text{TrTm}(t-1)|$ shall be $\leq (\frac{1}{4} + 0.25)$ chips.

Check for the short term maximum allowed adjustment rate of $\frac{1}{4}$ chip in 200 ms adjusted for quantization uncertainty, frequency drift and measurement uncertainty, using a sliding window of step size 10ms:

From $t=20$ until the end of the measurement record, $|\text{TrTm}(t) - \text{TrTm}(t-20)|$ shall be $\leq (\frac{1}{4} + \frac{1}{4} + 0.384/5 + 0.25)$ chips.

Check for the long term maximum allowed adjustment rate of $\frac{1}{4}$ chip in 200 ms adjusted for frequency drift, quantization uncertainty and measurement uncertainty:

From $t=\text{RRC_end}+21$ until the end of the measurement record, $|\text{TrTm}(t) - \text{TrTm}(\text{RRC_end})|$ shall be $\leq ((t-\text{RRC_end})/20 * (\frac{1}{4} + 0.384/5) + \frac{1}{4} + 0.25)$ chips.

Check for convergence then for the long term minimum allowed adjustment rate of 233 ns/s ($\frac{1}{4}$ chip in 280 ms) adjusted for frequency drift, quantization uncertainty and measurement uncertainty:

For $|\text{TrTm}(t)| < 5.68$ chips, the UE is regarded as still adjusting.

For $|\text{TrTm}(t)| \geq 5.68$ chips, the UE is regarded as converged.

For the last transition from adjusting to converged:

$|\text{TrTm}(t) - \text{TrTm}(\text{RRC_end})|$ shall be $\geq ((t-\text{RRC_end})/28 * (\frac{1}{4} - 0.384*0.28) - \frac{1}{4} - 0.25)$ chips.

Check that final timing is within ±1.5 chips ±0.5 chip measurement uncertainty of the timing of the new reference cell

For $t=1750$ to $t=1800$, $5.68 < |\text{TrTm}(t)| < 9.68$

- 3) In step 12. and 15, the UE transmit timing error shall be within $T_0 \pm 2.0$ chips with respect to the first detected path (in time) of the downlink DPCCH/DPDCH of cell 2.
- 4) In step 18, Repeat test requirement step 2 for the second set of TrTm (t) data.

5) In step 19., UE transmit timing offset shall be within $T_0 \pm 2.0$ chips with respect to the first detected path (in time) of the downlink DPCCH/DPDCH of cell 1.

NOTE 1: The above Test Requirement differs from the Test Requirement of TS 25.133 [2] clause A7.1.2, from which the requirements for the test system are subtracted to give the above Test Requirement.

NOTE 2: If the above Test Requirement differs from the Minimum Requirement then the Test Tolerance applied for this test is non-zero. The Test Tolerance for this test is defined in clause F.2 and the explanation of how the Minimum Requirement has been relaxed by the Test Tolerance is given in clause F.4.

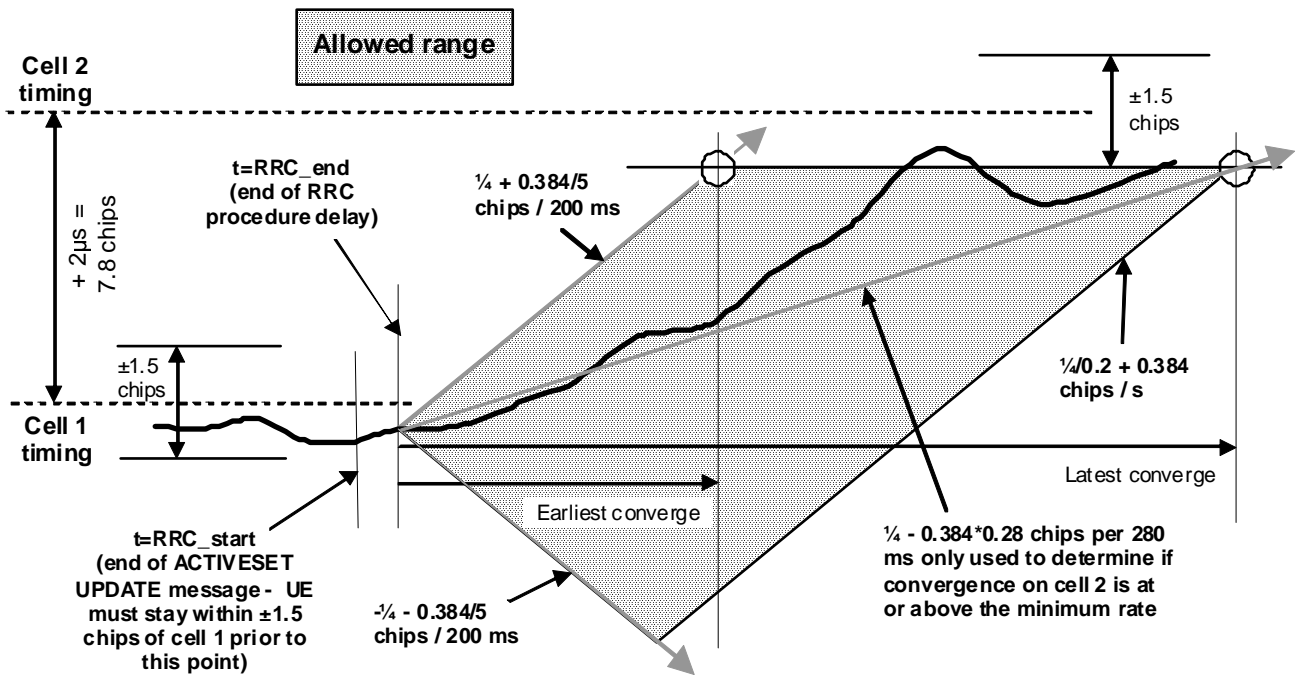


Figure 8.5.1.5 Illustration of measurement principle (excluding measurement uncertainty)

8.6 UE Measurements Procedures

8.6.1 FDD intra frequency measurements

8.6.1.1 Event triggered reporting in AWGN propagation conditions (R99)

8.6.1.1.1 Definition and applicability

In the event triggered reporting period the measurement reporting delay is defined as the time between any event that will trigger a measurement report until the UE starts to transmit over the Uu interface. This requirement assumes that the measurement report is not delayed by other RRC signalling on the DCCH. This measurement reporting delay excludes a delay uncertainty resulted when inserting the measurement report to the TTI of the uplink DCCH. The delay uncertainty is twice the TTI of the uplink DCCH.

The requirements and this test apply to the Release 99 FDD UE.

8.6.1.1.2 Minimum requirements

The UE shall be able to identify and decode the SFN of a new detectable cell belonging to the monitored set within

$$T_{\text{identify intra}} = \text{Max} \left\{ 800, T_{\text{basic identify FDD, intra}} \cdot \frac{T_{\text{Measurement Period, Intra}}}{T_{\text{Intra}}} \right\} \text{ms}$$

A cell shall be considered detectable when CPICH Ec/Io \geq -20 dB, SCH_Ec/Io \geq -20 dB for at least one channel tap and SCH_Ec/Ior is equally divided between primary synchronisation code and secondary synchronisation code. When L3 filtering is used an additional delay can be expected.

In case of conflict when a compressed gap sequence is activated the UE may choose to prioritise the SFN decoding. In the CELL_DCH state the measurement period for intra frequency measurements is 200 ms. When no transmission gap pattern sequence is activated, the UE shall be capable of performing CPICH measurements for 8 identified intra-frequency cells of the monitored set and/or the active set, and the UE physical layer shall be capable of reporting measurements to higher layers with the measurement period of 200 ms. When one or more transmission gap pattern sequences are activated, the UE shall be capable of performing CPICH measurements for at least $Y_{\text{measurement intra}}$ cells, where $Y_{\text{measurement intra}}$ is defined in the following equation. The measurement accuracy for all measured cells shall be as specified in the sub-clause 9.1.1 and 9.1.2 of TS 25.133 [2]. If the UE has identified more than $Y_{\text{measurement intra}}$ cells, the UE shall perform measurements of all identified cells but the reporting rate of CPICH measurements of cells from UE physical layer to higher layers may be decreased.

$$Y_{\text{measurement intra}} = \text{Floor} \left\{ X_{\text{basic measurement FDD}} \cdot \frac{T_{\text{Intra}}}{T_{\text{Measurement Period, Intra}}} \right\} \text{ cells}$$

where

$$X_{\text{basic measurement FDD}} = 8 \text{ (cells)}$$

$$T_{\text{Measurement_Period Intra}} = 200 \text{ ms. The measurement period for Intra frequency CPICH measurements.}$$

T_{Intra} : This is the minimum time that is available for intra frequency measurements, during the measurement period with an arbitrarily chosen timing.

$T_{\text{basic_identify_FDD, intra}} = 800 \text{ ms. This is the time period used in the intra frequency equation where the maximum allowed time for the UE to identify a new FDD cell is defined.}$

Reported measurements contained in event triggered measurement reports shall meet the requirements in section 9 of TS 25.133 [2].

The UE shall not send event triggered measurement reports, as long as the reporting criteria are not fulfilled.

The measurement reporting delay is defined as the time between any event that will trigger a measurement report until the UE starts to transmit over the Uu interface. This requirement assumes that the measurement report is not delayed by other RRC signalling on the DCCH. This measurement reporting delay excludes a delay uncertainty resulted when inserting the measurement report to the TTI of the uplink DCCH. The delay uncertainty is twice the TTI of the uplink DCCH.

The event triggered measurement reporting delay, on cells belonging to monitored set, measured without L3 filtering, shall be less than the above defined $T_{\text{identify intra}}$ defined above.

If a cell, belonging to monitored set, which the UE has identified and measured at least once over the measurement period, becomes undetectable for a period < 5 seconds and then the cell becomes detectable again and triggers an event, the measurement reporting delay shall be less than $T_{\text{Measurement_Period Intra}}$ ms provided the timing to that cell has not changed more than ± 32 chips, the UE CPICH measurement capabilities defined above are valid and L3 filtering has not been used. When L3 filtering is used an additional delay can be expected.

If a cell belonging to monitored set has been detectable at least for the time period $T_{\text{identify intra}}$ and then enters or leaves the reporting range, the event triggered measurement reporting delay shall be less than $T_{\text{Measurement_Period Intra}}$ when the L3 filter has not been used and the UE CPICH measurement capabilities defined above are valid.

The normative reference for these requirements is TS 25.133 [2] clauses 8.1.2.2 and A.8.1.1.

8.6.1.1.3 Test purpose

To verify that the UE meets the minimum requirements.

8.6.1.1.4 Method of test

8.6.1.1.4.1 Initial conditions

Test environment: normal; see clauses G.2.1 and G.2.2.

Frequencies to be tested: mid range; see clause G.2.4.

The test parameters are given in tables 8.6.1.1.1 to 8.6.1.1.3 below. In the measurement control information it is indicated to the UE that event-triggered reporting with Event 1A and 1B shall be used and that CPICH Ec/Io and SFN-CFN observed time difference shall be reported together with Event 1A.. The test consists of four successive time periods, with a time duration of T1, T2, T3 and T4 respectively. During time duration T1, the UE shall not have any timing information of cell 2.

Table 8.6.1.1.1: General test parameters for Event triggered reporting in AWGN propagation conditions

| Parameter | Unit | Value | Comment |
|----------------------------------|------|---|---|
| DCH parameters | | DL and UL Reference Measurement Channel 12.2 kbps | As specified in C.3.1 and C.2.1 |
| Power Control | | On | |
| Active cell | | Cell 1 | |
| Reporting range | dB | 3 | Applicable for event 1A and 1B |
| Hysteresis | dB | 0 | |
| W | | 0 | Applicable for event 1A and 1B |
| Reporting deactivation threshold | | 0 | Applicable for event 1A |
| Time to Trigger | ms | 0 | |
| Filter coefficient | | 0 | |
| Monitored cell list size | | 24 | NOTE: See Annex I for cell information. |
| T1 | s | 5 | |
| T2 | s | 5 | |
| T3 | s | 1 | |
| T4 | s | 5 | |

Table 8.6.1.1.2: Cell specific test parameters for Event triggered reporting in AWGN propagation conditions

| Parameter | Unit | Cell 1 | | | | Cell 2 | | | |
|--|--------------|--------|--------|--------|-----|-----------|--------|--------|-----------|
| | | T1 | T2 | T3 | T4 | T1 | T2 | T3 | T4 |
| CPICH_Ec/Ior | dB | -10 | | | | -10 | | | |
| PCCPCH_Ec/Ior | dB | -12 | | | | -12 | | | |
| SCH_Ec/Ior | dB | -12 | | | | -12 | | | |
| PICH_Ec/Ior | dB | -15 | | | | -15 | | | |
| DPCH_Ec/Ior | dB | Note 1 | | | | N/A | | Note 1 | |
| OCNS | | Note 2 | | | | -0.941 | | Note 2 | |
| \hat{I}_{or}/I_{oc} | dB | 0 | 6.97 | 6.97 | 0 | -Infinity | 5.97 | 5.97 | -Infinity |
| \hat{I}_{or} (Note 3) | dBm | -70 | -63.03 | -63.03 | -70 | -Infinity | -64.03 | -64.03 | -Infinity |
| I_{oc} | dBm/3.84 MHz | -70 | | | | | | | |
| CPICH_Ec/Io | dB | -13 | -13 | -13 | -13 | -Infinity | -14 | -14 | -Infinity |
| Propagation Condition | | AWGN | | | | | | | |
| NOTE 1: The DPCH level is controlled by the power control loop | | | | | | | | | |
| NOTE 2: The power of the OCNS channel that is added shall make the total power from the cell to be equal to I_{or} . | | | | | | | | | |
| NOTE 3: The nominal \hat{I}_{or} values, although not explicitly defined in 25.133 [2] are added here since they are implied and need to be identified so that the test equipment can be configured. | | | | | | | | | |

8.6.1.1.4.2 Procedure

1. The RF parameters are set up according to T1 in table 8.6.1.1.3, with cell 1 active.
2. The UE is switched on.
3. A call is set up according to the test procedure specified in TS 34.108 [3] sub clause 7.3.2. The scrambling code is set to Cell2.
4. SS shall transmit a MEASUREMENT CONTROL message. T1 starts.
5. After 5 seconds from the beginning of T1, the SS shall switch the power settings from T1 to T2 in table 8.6.1.1.3.
6. UE shall transmit a MEASUREMENT REPORT message triggered by event 1A. The measurement reporting delay from the beginning of T2 shall be less than 880 ms. If the UE fails to report the event within the required delay, then the counter event1A_failure is increased by one. If the reporting delay for this event is within the required limit, the counter event1A_success is increased by one.
7. During the time period T2 the SS shall after the Event 1A triggered measurement is reported send an Active Set Update command with activation time "start of T3" adding cell 2 to the active set. The Active Set Update message shall be sent to the UE so that the whole message is available at the UE the RRC procedure delay prior to the beginning of T3.
8. After 6 seconds from the beginning of T2, the SS shall switch the power settings from T2 to T4 in table 8.6.1.1.3.
9. UE shall transmit a MEASUREMENT REPORT message triggered by event 1B. The measurement reporting delay from the beginning of T4 shall be less than 280 ms. If the UE fails to report the event within the required delay, then the counter event1B_failure is increased by one. If the reporting delay for this event is within the required limit, the counter event1B_success is increased by one.
10. After the SS receive the MEASUREMENT REPORT message in step 9) or 5 seconds after the beginning of T4, the SS shall transmits a RRC Connection Release message to make the UE to transit to idle mode.
11. SS shall sets the new primary code groups and primary codes on Cell2. Three different primary code groups and primary codes according to Annex I are used to turn on Cell2. Previous timing information of cell 2 is invalid in the UE. The RF parameters are set up according to T1.
12. Repeat steps 3-11 according to Annex F.6.2 Table 6.2.8. If one counter reaches the pass criterion, this counter is stopped and the remaining counters are continued. For the overall outcome of the test to be considered a pass, the counters for 1A events and for 1B events shall independently indicate a pass result. The test is stopped immediately and the test is considered to be a fail, if any counter reaches an early fail criterion.

Specific Message Contents

All messages indicated above shall use the same content as described in the default message content in clause 9 of 34.108 [3], with the following exceptions:

MEASUREMENT CONTROL message:

| Information Element/Group name | Value/Remark |
|---|--|
| Message Type (10.2.17) | |
| UE information elements -RRC transaction identifier -Integrity check info -message authentication code -RRC message sequence number | 0 SS calculates the value of MAC-I for this message and writes to this IE. The first/leftmost bit of the bit string contains the most significant bit of the MAC-I. SS provides the value of this IE, from its internal counter. |
| Measurement Information elements -Measurement Identity -Measurement Command (10.3.7.46) -Measurement Reporting Mode (10.3.7.49) | 1 Modify |

| Information Element/Group name | Value/Remark |
|--|--|
| -Measurement Report Transfer Mode -Periodical Reporting / Event Trigger Reporting Mode -Additional measurements list (10.3.7.1) | AM RLC Event trigger Not Present |
| -CHOICE Measurement type -Intra-frequency measurement (10.3.7.36) -Intra-frequency measurement objects list (10.3.7.33) -Intra-frequency measurement quantity (10.3.7.38) -Filter coefficient (10.3.7.9) -CHOICE mode -Measurement quantity -Intra-frequency reporting quantity (10.3.7.41) | Intra-frequency measurement Not Present 0 FDD CPICH_Ec/N0 |
| -Reporting quantities for active set cells (10.3.7.5) -Cell synchronisation information reporting indicator -Cell Identity reporting indicator -CHOICE mode -CPICH Ec/N0 reporting indicator -CPICH RSCP reporting indicator -Pathloss reporting indicator | TRUE (Note 1) TRUE FDD TRUE TRUE FALSE |
| -Reporting quantities for monitored set cells (10.3.7.5) -Cell synchronisation information reporting indicator -Cell Identity reporting indicator -CHOICE mode -CPICH Ec/N0 reporting indicator -CPICH RSCP reporting indicator -Pathloss reporting indicator | TRUE (Note 1) TRUE FDD TRUE TRUE FALSE |
| -Reporting quantities for detected set cells (10.3.7.5) | Not Present |
| -Reporting cell status (10.3.7.61) -Measurement validity (10.3.7.51) -CHOICE report criteria -Intra-frequency measurement reporting criteria (10.3.7.39) -Parameters required for each event | Not Present Not Present Intra-frequency measurement reporting criteria 2 |
| -Intra-frequency event identity -Triggering condition 2 -Reporting Range Constant -Cells forbidden to affect Reporting Range -W -Hysteresis -Threshold used frequency -Reporting deactivation threshold -Replacement activation threshold -Time to trigger -Amount of reporting -Reporting interval -Reporting cell status - CHOICE reported cell - Maximum number of reported cells | Event 1A Monitored set cells 3 dB Not Present 0 0 dB Not Present 0 Not Present 0 ms 1 0 ms (Note 2) Report cell within active set and/or monitored set cells on used frequency 3 |
| -Intra-frequency event identity -Triggering condition 1 -Reporting Range Constant -Cells forbidden to affect Reporting Range -W -Hysteresis -Threshold used frequency -Reporting deactivation threshold -Replacement activation threshold -Time to trigger -Amount of reporting -Reporting interval -Reporting cell status - CHOICE reported cell - Maximum number of reported cells | Event 1B Active set cells 3 dB Not Present 0 0 dB Not Present Not Present Not Present 0 ms Not Present Not Present Report cell within active set and/or monitored set cells on used frequency 3 |

| Information Element/Group name | Value/Remark |
|---|--------------|
| Physical channel information elements -DPCH compressed mode status info (10.3.6.34) | Not Present |
| NOTE 1: The SFN-CFN observed time difference is calculated from the OFF and Tm parameters contained in the IE "Cell synchronisation information", TS 25.331, clause 10.3.7.6. According to TS 25.331, 8.6.7.7, this IE is included in MEASUREMENT REPORT if IE "Cell synchronisation information reporting indicator" in IE "Cell reporting quantities" TS 25.331, clause 10.3.7.5 is set to TRUE in MEASUREMENT CONTROL. | |
| NOTE 2: Reporting interval = 0 ms means no periodical reporting | |

MEASUREMENT REPORT message for Intra frequency test cases

This message is common for all intra frequency test cases is described in Annex I.

8.6.1.1.5 Test requirements

For the test to pass, the total number of successful tests shall be at least 90%, of the cases with a confidence level of 95%. For the overall outcome of the test to be considered a pass, the counters for 1A events and for 1B events shall independently indicate a pass result.

Table 8.6.1.1.3: Test requirements for Event triggered reporting in AWGN propagation conditions

| Parameter | Unit | Cell 1 | | | | Cell 2 | | | |
|--|--------------|--------|-------|-------|-------|-----------|-------|--------|-----------|
| | | T1 | T2 | T3 | T4 | T1 | T2 | T3 | T4 |
| CPICH_Ec/lor | dB | -9.3 | | | | -9.3 | | | |
| PCCPCH_Ec/lor | dB | -11.3 | | | | -11.3 | | | |
| SCH_Ec/lor | dB | -11.3 | | | | -11.3 | | | |
| PICH_Ec/lor | dB | -14.3 | | | | -14.3 | | | |
| DPCH_Ec/lor | dB | Note 1 | | | | N/A | | Note 1 | |
| OCNS | | Note 2 | | | | -1.13 | | Note 2 | |
| \hat{I}_{or}/I_{oc} (Note 3) | dB | 0 | 7.0 | 7.0 | 0 | -Infinity | 6.0 | 6.0 | -Infinity |
| \hat{I}_{or} | dBm | -70 | -63.0 | -63.0 | -70 | -Infinity | -64.0 | -64.0 | -Infinity |
| I_{oc} | dBm/3.84 MHz | -70 | | | | | | | |
| CPICH_Ec/lo (Note 3) | dB | -12.3 | -12.3 | -12.3 | -12.3 | -Infinity | -13.3 | -13.3 | -Infinity |
| Propagation Condition | | AWGN | | | | | | | |
| NOTE 1: The DPCH level is controlled by the power control loop | | | | | | | | | |
| NOTE 2: The power of the OCNS channel that is added shall make the total power from the cell to be equal to I_{or} . | | | | | | | | | |
| NOTE 3: These parameters are not directly settable, but are derived by calculation from the settable parameters.. | | | | | | | | | |

NOTE: If the above Test Requirement differs from the Minimum Requirement then the Test Tolerance applied for this test is non-zero. The Test Tolerance for this test is defined in clause F.2 and the explanation of how the Minimum Requirement has been relaxed by the Test Tolerance is given in clause F.4.

8.6.1.1A Event triggered reporting in AWGN propagation conditions (Rel-4 and later)

8.6.1.1A.1 Definition and applicability

In the event triggered reporting period the measurement reporting delay is defined as the time between any event that will trigger a measurement report until the UE starts to transmit over the Uu interface. This requirement assumes that the measurement report is not delayed by other RRC signalling on the DCCH. This measurement reporting delay excludes a delay uncertainty resulted when inserting the measurement report to the TTI of the uplink DCCH. The delay uncertainty is twice the TTI of the uplink DCCH.

The requirements of this test apply to the Rel-4 and later FDD UE.

8.6.1.1A.2 Minimum requirements

The UE shall be able to identify and decode the SFN of a new detectable cell belonging to the monitored set within

$$T_{\text{identify intra}} = \text{Max} \left\{ 800, T_{\text{basic identify FDD, intra}} \cdot \frac{T_{\text{Measurement Period, Intra}}}{T_{\text{Intra}}} \right\} \text{ms}$$

A cell shall be considered detectable when

CPICH Ec/Io \geq -20 dB if DL_DRX_Active = 0, or CPICH Ec/Io \geq -17dB if DL_DRX_Active=1,

SCH Ec/Io \geq -20 dB if DL_DRX_Active = 0, or SCH Ec/Io \geq -17dB if DL_DRX_Active=1, for at least one channel tap and SCH Ec/Ior is equally divided between primary synchronisation code and secondary synchronisation code. When L3 filtering is used an additional delay can be expected.

In case of conflict when a compressed gap sequence is activated the UE may choose to prioritise the SFN decoding.

The UE shall be able to identify a new detectable cell not belonging to the monitored set within

$$T_{\text{identify detected set}} = 30\text{s}$$

when CPICH Ec/Io \geq -20 dB, SCH Ec/Io \geq -17 dB and SCH Ec/Ior is equally divided between primary synchronisation code and secondary synchronisation code. When L3 filtering is used an additional delay can be expected.

In the CELL_DCH state the measurement period for intra frequency measurements is 200 ms. When no transmission gap pattern sequence is activated and DL_DRX_Active=0, the UE shall be capable of performing CPICH measurements for 8 identified intra-frequency cells of the monitored set and/or the active set, and the UE physical layer shall be capable of reporting measurements to higher layers with the measurement period of 200 ms. When one or more transmission gap pattern sequences are activated, and/or DL_DRX_Active=1, the UE shall be capable of performing CPICH measurements for at least $Y_{\text{measurement intra}}$ cells, where $Y_{\text{measurement intra}}$ is defined in the following equation. The measurement accuracy for all measured cells shall be as specified in the sub-clause 9.1.1 and 9.1.2 of TS 25.133 [2]. If the UE has identified more than $Y_{\text{measurement intra}}$ cells, the UE shall perform measurements of all identified cells but the reporting rate of CPICH measurements of cells from UE physical layer to higher layers may be decreased.

$$Y_{\text{measurement intra}} = \text{Floor} \left\{ X_{\text{basic measurement FDD}} \cdot \frac{T_{\text{Intra}}}{T_{\text{Measurement Period, Intra}}} \right\} \text{ cells}$$

where

$X_{\text{basic measurement FDD}} = 8$ (cells)

$T_{\text{Measurement_Period Intra}} = 200$ ms. The measurement period for Intra frequency CPICH measurements.

T_{Intra} : This is the minimum time that is available for intra frequency measurements, during the measurement period with an arbitrarily chosen timing. If DL_DRX_Active=1, and the UE is performing DRX, intra frequency measurements are assumed only to be performed when the receiver is guaranteed to be active, and simultaneously to data reception from the active set cell/s.

If DL_DRX_Active = 0 then $T_{\text{basic_identify_FDD, intra}} = 800$ ms, or if DL_DRX_Active = 1 then $T_{\text{basic_identify_FDD, intra}} = 300$ ms. This is the time period used in the intra frequency equation where the maximum allowed time for the UE to identify a new FDD cell is defined.

The UE shall furthermore be capable of performing CPICH measurements for at least 1 detected intra-frequency cell, in the detected set, and the UE physical layer shall be capable of reporting measurements to higher layers with the measurement period of 10 s. The measurement accuracy for all measured cells shall be as specified in the sub-clause 9.1.1 and 9.1.2 of TS 25.133 [2].

Reported measurements contained in event triggered measurement reports shall meet the requirements in section 9 of TS 25.133 [2].

The UE shall not send event triggered measurement reports, as long as the reporting criteria are not fulfilled.

The measurement reporting delay is defined as the time between any event that will trigger a measurement report until the UE starts to transmit over the Uu interface. This requirement assumes that the measurement report is not delayed by other RRC signalling on the DCCH. This measurement reporting delay excludes a delay uncertainty resulted when inserting the measurement report to the TTI of the uplink DCCH. The delay uncertainty is twice the TTI of the uplink DCCH.

The event triggered measurement reporting delay, on cells belonging to monitored set, measured without L3 filtering, shall be less than the above defined $T_{\text{identify_intra}}$ defined above.

If a cell, belonging to monitored set, which the UE has identified and measured at least once over the measurement period, becomes undetectable for a period < 5 seconds and then the cell becomes detectable again and triggers an event, the measurement reporting delay shall be less than $T_{\text{Measurement_Period Intra}}$ ms provided the timing to that cell has not changed more than ± 32 chips, the UE CPICH measurement capabilities defined above are valid and L3 filtering has not been used. When L3 filtering is used an additional delay can be expected.

If a cell belonging to monitored set has been detectable at least for the time period $T_{\text{identify_intra}}$ and then enters or leaves the reporting range, the event triggered measurement reporting delay shall be less than $T_{\text{Measurement_Period Intra}}$ when the L3 filter has not been used and the UE CPICH measurement capabilities defined above are valid.

The event triggered measurement reporting delay on cells not belonging to monitored set, measured without L3 filtering, and shall be less than the above defined $T_{\text{identify_detected set}}$ defined above.

The normative reference for these requirements is TS 25.133 [2] clauses 8.1.2.2 and A.8.1.1.

NOTE 1: The DL_DRX_Active parameter is only valid for a Rel-7 UE supporting discontinuous uplink DPCCH transmission (CPC) and it shall be disregarded for Rel-6 or earlier UEs.

NOTE 2: The minimum requirements for Rel-6 and earlier UEs are the same as for Rel-7 UE with DL_DRX_Active parameter set to 0.

8.6.1.1A.3 Test purpose

To verify that the UE meets the minimum requirements.

NOTE: The test case covers only the continuous uplink DPCCH transmission scenario. Hence the test case is effectively the same for all UE releases.

8.6.1.1A.4 Method of test

8.6.1.1A.4.1 Initial conditions

Test environment: normal; see clauses G.2.1 and G.2.2.

Frequencies to be tested: mid range; see clause G.2.4.

The test parameters are given in tables 8.6.1.1A.1 to 8.6.1.1A.3 below. In the measurement control information it is indicated to the UE that event-triggered reporting with Event 1A and 1B shall be used. The test consists of three successive time periods, with a time duration of T1, T2 and T3 respectively. During time duration T1, the UE shall not have any timing information of cell 2.

Table 8.6.1.1A.1: General test parameters for Event triggered reporting in AWGN propagation conditions

| Parameter | Unit | Value | Comment |
|----------------------------------|------|---|--|
| DCH parameters | | DL and UL Reference Measurement Channel 12.2 kbps | As specified in C.3.1 and C.2.1 |
| Power Control | | On | |
| Active cell | | Cell 1 | |
| Reporting range | dB | 3 | Applicable for event 1A and 1B |
| Hysteresis | dB | 0 | |
| W | | 1 | Applicable for event 1A and 1B |
| Reporting deactivation threshold | | 0 | Applicable for event 1A |
| Time to Trigger | ms | 0 | |
| Filter coefficient | | 0 | |
| Monitored cell list size | | 24 | NOTE: See Annex I for cell information |

| Parameter | Unit | Value | Comment |
|-----------|------|-------|---------|
| T1 | s | 5 | |
| T2 | s | 5 | |
| T3 | s | 5 | |

Table 8.6.1.1A.2: Cell specific test parameters for Event triggered reporting in AWGN propagation conditions

| Parameter | Unit | Cell 1 | | | Cell 2 | | |
|--|--------------|--------|--------|-----|-----------|--------|-----------|
| | | T1 | T2 | T3 | T1 | T2 | T3 |
| CPICH_Ec/I _{or} | dB | -10 | | | -10 | | |
| PCCPCH_Ec/I _{or} | dB | -12 | | | -12 | | |
| SCH_Ec/I _{or} | dB | -12 | | | -12 | | |
| PICH_Ec/I _{or} | dB | -15 | | | -15 | | |
| DPCH_Ec/I _{or} | dB | Note 1 | | | N/A | | |
| OCNS_Ec/I _{or} | dB | Note 2 | | | -0.941 | | |
| \hat{I}_{or}/I_{oc} | dB | 0 | 6.97 | 0 | -Infinity | 5.97 | -Infinity |
| \hat{I}_{or} (Note 3) | dBm | -70 | -63.03 | -70 | -Infinity | -64.03 | -Infinity |
| I_{oc} | dBm/3.84 MHz | -70 | | | | | |
| CPICH_Ec/I _o | dB | -13 | -13 | -13 | -Infinity | -14 | -Infinity |
| Propagation Condition | | AWGN | | | | | |
| NOTE 1: The DPCH level is controlled by the power control loop | | | | | | | |
| NOTE 2: The power of the OCNS channel that is added shall make the total power from the cell to be equal to I_{or} . | | | | | | | |
| NOTE 3: The nominal \hat{I}_{or} values, although not explicitly defined in 25.133 [2] are added here since they are implied and need to be identified so that the test equipment can be configured. | | | | | | | |

8.6.1.1A.4.2 Procedure

1. The RF parameters are set up according to T1 in table 8.6.1.1A.3.
2. The UE is switched on.
3. A call is set up according to the test procedure specified in TS 34.108 [3] sub clause 7.3.2. The scrambling code is set to Cell2.
4. SS shall transmit a MEASUREMENT CONTROL message. T1 starts.
5. After 5 seconds from the beginning of T1, the SS shall switch the power settings from T1 to T2 in table 8.6.1.1A.3.
6. UE shall transmit a MEASUREMENT REPORT message triggered by event 1A. The measurement reporting delay from the beginning of T2 shall be less than 880 ms. If the UE fails to report the event within the required delay, then the counter event1A_failure is increased by one. If the reporting delay for this event is within the required limit, the counter event1A_success is increased by one.
7. After 5 seconds from the beginning of T2, the SS shall switch the power settings from T2 to T3 in table 8.6.1.1A.3.
8. UE shall transmit a MEASUREMENT REPORT message triggered by event 1B. The measurement reporting delay from the beginning of T3 shall be less than 280 ms. If the UE fails to report the event within the required delay, then the counter event1B_failure is increased by one. If the reporting delay for this event is within the required limit, the counter event1B_success is increased by one.
9. After the SS receives the MEASUREMENT REPORT message in step 8) or 5 seconds after the beginning of T3, the SS shall transmits a RRC Connection Release message to make the UE to transit to idle mode.
10. SS shall sets the new primary code group and primary code on Cell2. Three different primary code groups and primary codes according to Annex I are used to turn on Cell2. Previous timing information of cell 2 is invalid in the UE. The RF parameters are set up according to T1 in table 8.6.1.1A.3.

11. Repeat steps 3-10 according to Annex F.6.2 Table 6.2.8. If one counter reaches the pass criterion, this counter is stopped and the remaining counters are continued. For the overall outcome of the test to be considered a pass, the counters for 1A events and for 1B events shall independently indicate a pass result. The test is stopped immediately and the test is considered to be a fail, if any counter reaches an early fail criterion.

Specific Message Contents

All messages indicated above shall use the same content as described in the default message content in clause 9 of 34.108 [3], with the following exceptions:

MEASUREMENT CONTROL message:

| Information Element/Group name | Value/Remark |
|---|---|
| Message Type (10.2.17) | |
| UE information elements | |
| -RRC transaction identifier | 0 |
| -Integrity check info | |
| -message authentication code | SS calculates the value of MAC-I for this message and writes to this IE. The first/leftmost bit of the bit string contains the most significant bit of the MAC-I. |
| -RRC message sequence number | SS provides the value of this IE, from its internal counter. |
| Measurement Information elements | |
| -Measurement Identity | 1 |
| -Measurement Command (10.3.7.46) | Modify |
| -Measurement Reporting Mode (10.3.7.49) | |
| -Measurement Report Transfer Mode | AM RLC |
| -Periodical Reporting / Event Trigger Reporting Mode | Event trigger |
| -Additional measurements list (10.3.7.1) | Not Present |
| -CHOICE Measurement type | Intra-frequency measurement |
| -Intra-frequency measurement (10.3.7.36) | |
| -Intra-frequency measurement objects list (10.3.7.33) | Not Present |
| -Intra-frequency measurement quantity (10.3.7.38) | |
| -Filter coefficient (10.3.7.9) | 0 |
| -CHOICE mode | FDD |
| -Measurement quantity | CPICH_Ec/N0 |
| -Intra-frequency reporting quantity (10.3.7.41) | |
| -Reporting quantities for active set cells (10.3.7.5) | |
| -Cell synchronisation information reporting indicator | TRUE (Note 1) |
| -Cell Identity reporting indicator | TRUE |
| -CHOICE mode | FDD |
| -CPICH Ec/N0 reporting indicator | TRUE |
| -CPICH RSCP reporting indicator | TRUE |
| -Pathloss reporting indicator | FALSE |
| -Reporting quantities for monitored set cells (10.3.7.5) | |
| -Cell synchronisation information reporting indicator | TRUE (Note 1) |
| -Cell Identity reporting indicator | TRUE |
| -CHOICE mode | FDD |
| -CPICH Ec/N0 reporting indicator | TRUE |
| -CPICH RSCP reporting indicator | TRUE |
| -Pathloss reporting indicator | FALSE |
| -Reporting quantities for detected set cells (10.3.7.5) | Not Present |
| -Reporting cell status (10.3.7.61) | Not Present |
| -Measurement validity (10.3.7.51) | Not Present |
| -CHOICE report criteria | Intra-frequency measurement reporting criteria |
| -Intra-frequency measurement reporting criteria (10.3.7.39) | |
| -Parameters required for each event | 2 |

| Information Element/Group name | Value/Remark |
|--|--|
| -Intra-frequency event identity -Triggering condition 2 -Reporting Range Constant -Cells forbidden to affect Reporting Range -W -Hysteresis -Threshold used frequency -Reporting deactivation threshold -Replacement activation threshold -Time to trigger -Amount of reporting -Reporting interval -Reporting cell status | Event 1A Monitored set cells 3 dB Not Present 1.0 0 dB Not Present 0 Not Present 0 ms Infinity 0 ms (Note 2) |
| - CHOICE reported cell - Maximum number of reported cells | Report cell within active set and/or monitored set cells on used frequency 3 |
| -Intra-frequency event identity -Triggering condition 1 -Reporting Range Constant -Cells forbidden to affect Reporting Range -W -Hysteresis -Threshold used frequency -Reporting deactivation threshold -Replacement activation threshold -Time to trigger -Amount of reporting -Reporting interval -Reporting cell status - CHOICE reported cell - Maximum number of reported cells | Event 1B Active set cells and monitored set cells 3 dB Not Present 1.0 0 dB Not Present Not Present Not Present 0 ms Not Present Not Present Report cell within active set and/or monitored set cells on used frequency 3 |
| Physical channel information elements -DPCH compressed mode status info (10.3.6.34) | Not Present |
| NOTE 1: The SFN-CFN observed time difference is calculated from the OFF and Tm parameters contained in the IE "Cell synchronisation information", TS 25.331, clause 10.3.7.6. According to TS 25.331, 8.6.7.7, this IE is included in MEASUREMENT REPORT if IE "Cell synchronisation information reporting indicator" in IE "Cell reporting quantities" TS 25.331, clause 10.3.7.5 is set to TRUE in MEASUREMENT CONTROL. | |
| NOTE 2: Reporting interval = 0 ms means no periodical reporting | |

MEASUREMENT REPORT message for Intra frequency test cases

This message is common for all intra frequency test cases is described in Annex I.

8.6.1.1A.5 Test requirements

For the test to pass, the total number of successful tests shall be at least 90%, of the cases with a confidence level of 95%. For the overall outcome of the test to be considered a pass, the counters for 1A events and for 1B events shall independently indicate a pass result.

Table 8.6.1.1A.3: Test requirements for Event triggered reporting in AWGN propagation conditions

| Parameter | Unit | Cell 1 | | | Cell 2 | | |
|--|--------------|--------|-------|-------|-----------|-------|-----------|
| | | T1 | T2 | T3 | T1 | T2 | T3 |
| CPICH_Ec/I _{or} | dB | -9.3 | | | -9.3 | | |
| PCCPCH_Ec/I _{or} | dB | -11.3 | | | -11.3 | | |
| SCH_Ec/I _{or} | dB | -11.3 | | | -11.3 | | |
| PICH_Ec/I _{or} | dB | -14.3 | | | -14.3 | | |
| DPCH_Ec/I _{or} | dB | Note 1 | | | N/A | | |
| OCNS | | Note 2 | | | -1.13 | | |
| \hat{I}_{or}/I_{oc} (Note 3) | dB | 0 | 7.0 | 0 | -Infinity | 6.0 | -Infinity |
| \hat{I}_{or} | dBm | -70 | -63.0 | -70 | -Infinity | -64.0 | -Infinity |
| I_{oc} | dBm/3.84 MHz | -70 | | | | | |
| CPICH_Ec/I _o (Note 3) | dB | -12.3 | -12.3 | -12.3 | -Infinity | -13.3 | -Infinity |
| Propagation Condition | | AWGN | | | | | |
| NOTE 1: The DPCH level is controlled by the power control loop. | | | | | | | |
| NOTE 2: The power of the OCNS channel that is added shall make the total power from the cell to be equal to I_{or} . | | | | | | | |
| NOTE 3: These parameters are not directly settable, but are derived by calculation from the settable parameters. | | | | | | | |

NOTE: If the above Test Requirement differs from the Minimum Requirement then the Test Tolerance applied for this test is non-zero. The Test Tolerance for this test is defined in clause F.2 and the explanation of how the Minimum Requirement has been relaxed by the Test Tolerance is given in clause F.4.

8.6.1.2 Event triggered reporting of multiple neighbours in AWGN propagation condition (R99)

8.6.1.2.1 Definition and applicability

In the event triggered reporting period the measurement reporting delay is defined as the time between any event that will trigger a measurement report until the UE starts to transmit over the Uu interface. This requirement assumes that the measurement report is not delayed by other RRC signalling on the DCCH. This measurement reporting delay excludes a delay uncertainty resulted when inserting the measurement report to the TTI of the uplink DCCH. The delay uncertainty is twice the TTI of the uplink DCCH.

The requirements and this test apply to the Release 99 FDD UE.

8.6.1.2.2 Minimum requirements

The requirements are the same as in sub clause 8.6.1.1.2.

The normative reference for these requirements is TS 25.133 [2] clauses 8.1.2.2 and A.8.1.2.

8.6.1.2.3 Test purpose

To verify that the UE meets the minimum requirements.

8.6.1.2.4 Method of test

8.6.1.2.4.1 Initial conditions

Test environment: normal; see clauses G.2.1 and G.2.2.

Frequencies to be tested: mid range; see clause G.2.4.

The initial test parameters are given in table 8.6.1.2.4.

Table 8.6.1.2.1: Cell specific initial test parameters for Event triggered reporting of multiple neighbours in AWGN propagation conditions

| Parameter | Unit | Cell 1 | Cell 2 | Cell3 |
|---|--------------|--------|--------|--------|
| | | T0 | T0 | T0 |
| CPICH_Ec/Ior | dB | -10 | -10 | -10 |
| PCCPCH_Ec/Ior | dB | -12 | -12 | -12 |
| SCH_Ec/Ior | dB | -12 | -12 | -12 |
| PICH_Ec/Ior | dB | -15 | -15 | -15 |
| DPCH_Ec/Ior | dB | Note 1 | N/A | N/A |
| OCNS_Ec/Ior | dB | Note 2 | -0.941 | -0.941 |
| \hat{I}_{or}/I_{oc} | dB | 0 | -Inf | -Inf |
| \hat{I}_{or} (Note 3) | dBm | -85 | -Inf | -Inf |
| I_{oc} | dBm/3.84 MHz | | -85 | |
| CPICH_Ec/Io | dB | -13 | -Inf | -Inf |
| Propagation Condition | | AWGN | | |
| NOTE 1: The DPCH level is controlled by the power control loop. | | | | |
| NOTE 2: The power of the OCNS channel that is added shall make the total power from the cell to be equal to I_{or} . | | | | |
| NOTE 3: The nominal for values, although not explicitly defined in 25.133 [2] are added here since they are implied and need to be identified so that the test equipment can be configured. | | | | |

The test parameters are given in table 8.6.1.2.2 and 8.6.1.2.5. In the measurement control information it is indicated to the UE that event-triggered reporting with Event 1A, 1C and 1B shall be used and the periodical reporting of the events is not applied. The CPICH Ec/Io and SFN-CFN observed time difference shall be reported together with Event 1A. The test consists of six successive time periods, with a time duration of T1, T2, T3, T4, T5 and T6 respectively. In the initial condition before the time T1, defined as T0, only Cell 1 is active.

Table 8.6.1.2.2: General test parameters for Event triggered reporting of multiple neighbours in AWGN propagation conditions

| Parameter | Unit | Value | Comment |
|----------------------------------|------|---|---|
| DCH parameters | | DL and UL Reference Measurement Channel 12.2 kbps | As specified in C.3.1 and C.2.1 |
| Power Control | | On | |
| Active cell | | Cell 1 | |
| Reporting range | dB | 3 | Applicable for event 1A and 1B |
| Hysteresis | dB | 0 | |
| W | | 0 | Applicable for event 1A and 1B |
| Replacement activation threshold | | 0 | Applicable for event 1C |
| Reporting deactivation threshold | | 0 | Applicable for event 1A |
| Time to Trigger | ms | 0 | |
| Filter coefficient | | 0 | |
| Monitored cell list size | | 32 | NOTE: See Annex I for cell information. |
| T1 | s | 10 | |
| T2 | s | 1 | |
| T3 | s | 10 | |
| T4 | s | 4 | |
| T5 | s | 1 | |
| T6 | s | 10 | |

Table 8.6.1.2.3: Cell specific test parameters for Event triggered reporting of multiple neighbours in AWGN propagation condition

| Parameter | Unit | Cell 1 | | | | | | Cell 2 | | | | | | Cell3 | | | | | | |
|--|---------------|--------|------|--------|-------|------|-------|--------|------|--------|------|------|------|--------|--------|----|----|--------|----|--|
| | | T1 | T2 | T3 | T4 | T5 | T6 | T1 | T2 | T3 | T4 | T5 | T6 | T1 | T2 | T3 | T4 | T5 | T6 | |
| CPICH_Ec/I _{or} | dB | -10 | | | | | | -10 | | | | | | -10 | | | | | | |
| PCCPCH_Ec/I _{or} | dB | -12 | | | | | | -12 | | | | | | -12 | | | | | | |
| SCH_Ec/I _{or} | dB | -12 | | | | | | -12 | | | | | | -12 | | | | | | |
| PICH_Ec/I _{or} | dB | -15 | | | | | | -15 | | | | | | -15 | | | | | | |
| DPCH_Ec/I _{or} | dB | Note 1 | | | | | | N/A | | | | | | N/A | Note 1 | | | N/A | | |
| OCNS_Ec/I _{or} | dB | Note 2 | | | | | | -0.941 | | | | | | - | Note 2 | | | -0.941 | | |
| \hat{I}_{or}/I_{oc} | dB | 6.97 | 6.93 | 5.97 | 6.12 | -Inf | 9.43 | 6.97 | 7.62 | 5.97 | 6.93 | -Inf | 5.62 | | | | | | | |
| \hat{I}_{or} (Note 3) | dBm | -78.03 | - | -79.03 | - | -Inf | - | -78.03 | - | -79.03 | - | - | - | -79.03 | - | - | - | - | - | |
| I_{oc} | dBm/ 3.84 MHz | -85 | | | | | | | | | | | | | | | | | | |
| CPICH_Ec/I _o | dB | -13 | -16 | -14 | -15.5 | -Inf | -13.5 | -13 | -14 | -14 | -16 | -Inf | -16 | | | | | | | |
| Propagation Condition | | AWGN | | | | | | | | | | | | | | | | | | |
| NOTE 1: The DPCH level is controlled by the power control loop | | | | | | | | | | | | | | | | | | | | |
| NOTE 2: The power of the OCNS channel that is added shall make the total power from the cell to be equal to I _{or} | | | | | | | | | | | | | | | | | | | | |
| NOTE 3: The nominal \hat{I}_{or} values, although not explicitly defined in 25.133 [2] are added here since they are implied and need to be identified so that the test equipment can be configured. | | | | | | | | | | | | | | | | | | | | |

8.6.1.2.4.2 Procedure

- 1) The RF parameters are set up according to T0 in table 8.6.1.2.4.
- 2) The UE is switched on.
- 3) A call is set up according to the test procedure specified in TS 34.108 [3] sub clause 7.3.2. The scrambling code is set to Cell2 and Cell3.
- 4) SS shall transmit the initial MEASUREMENT CONTROL message.
- 5) 5 seconds after step4 has completed, the SS shall switch the power settings for T0 to T1 in table 8.6.1.2.5.
- 6) UE shall transmit a MEASUREMENT REPORT message for Cell 3 triggered by event 1A. The measurement reporting delay from the beginning of T1 shall be less than 880 ms. If the UE fails to report the event within the required delay, then the counter event1A_failure is increased by one. If the reporting delay for this event is within the required limit, the counter event1A_success is increased by one.
- 7) During the time period T1, the SS shall after the Event 1A triggered measurement is reported send an Active Set Update command with activation time "start of T2" adding cell 3 to the active set. The Active Set Update message shall be sent to the UE so that the whole message is available at the UE at least the RRC procedure delay prior to the beginning of T2.
- 8) UE may transmit a MEASUREMENT REPORT message for Cell 3 triggered by event 1C. In case it doesn't this shall not be considered as a failure.
- 9) After 11 seconds from the beginning of T1, the SS shall switch the power settings from T1 to T3 in table 8.6.1.2.5.
- 10) UE shall transmit a MEASUREMENT REPORT message for Cell 2 triggered by event 1C. The measurement reporting delay from the beginning of T3 shall be less than 880 ms. If the UE fails to report the event within the required delay, then the counter event1C_failure is increased by one. If the reporting delay for this event is within the required limit, the counter event1C_success is increased by one.
- 11) UE shall transmit a MEASUREMENT REPORT message for Cell 2 triggered by event 1A. The measurement reporting delay from the beginning of T3 shall be less than 880 ms. If the UE fails to report the event within the required delay, then the counter event1A_failure is increased by one. If the reporting delay for this event is within the required limit, the counter event1A_success is increased by one.
- 12) SS shall transmit the measurement control message to disable event 1C reporting.
- 13) After 10 seconds from the beginning of T3, the SS shall switch the power settings from T3 to T4 in table 8.6.1.2.5.
- 14) UE shall transmit a MEASUREMENT REPORT message for Cell 3 triggered by event 1B. The measurement reporting delay from the beginning of T4 shall be less than 280 ms. If the UE fails to report the event within the required delay, then the counter event1B_failure is increased by one. If the reporting delay for this event is within the required limit, the counter event1B_success is increased by one.
- 15) During the time period T4, SS shall after the Event 1B triggered measurement is reported send an Active Set Update command with activation time "start of T5" removing cell 3 from the active set. The Active Set Update message shall be sent to the UE so that the whole message is available at the UE at least the RRC procedure delay prior to the beginning of T5.
- 16) Void.
- 17) After 5 seconds from the beginning of T4, the SS shall switch the power settings from T5 to T6 in table 8.6.1.2.5.
- 18) UE shall transmit a MEASUREMENT REPORT message for Cell 3 triggered by event 1A. The measurement reporting delay from the beginning of T6 shall be less than 280 ms. If the UE fails to report the event within the required delay, then the counter event1A_failure is increased by one. If the reporting delay for this event is within the required limit, the counter event1A_success is increased by one.
- 19) Void.

- 20) Void.
- 21) After the SS receive the MEASUREMENT REPORT message in step 18) or 10 seconds after the beginning of T6, the SS shall transmits a RRC Connection Release message to make the UE to transit to idle mode.
- 22) SS shall sets the new primary code group and primary code on Cell2 and Cell3. Three different primary code groups and primary codes according to Annex I are used to turn on Cell2 and Cell3. Previous timing information of Cell 2 and Cell3 are invalid in the UE. The RF parameters are set up according to T0 in table 8.6.1.2.4.
- 23) Repeat steps 3-22 used with three different primary code groups and primary codes on Cell2 and Cell3 until the confidence level according to annex F.6.2 is achieved. If one counter reaches the pass criterion, this counter is stopped and the remaining counters are continued. For the overall outcome of the test to be considered a pass, the counters for 1A events and for 1B events and for 1C events shall independently indicate a pass result. The test is stopped immediately and the test is considered to be a fail, if any counter reaches an early fail criterion.

Specific Message Contents

All messages indicated above shall use the same content as described in the default message content in clause 9 of 34.108 [3], with the following exceptions:

Initial MEASUREMENT CONTROL message:

| Information Element/Group name | Value/Remark |
|--|--|
| Message Type (10.2.17) | |
| UE information elements -RRC transaction identifier -Integrity check info | 0 |
| -message authentication code -RRC message sequence number | SS calculates the value of MAC-I for this message and writes to this IE. The first/ leftmost bit of the bit string contains the most significant bit of the MAC-I. SS provides the value of this IE, from its internal counter. |
| Measurement Information elements -Measurement Identity -Measurement Command (10.3.7.46) -Measurement Reporting Mode (10.3.7.49) -Measurement Report Transfer Mode -Periodical Reporting / Event Trigger Reporting Mode -Additional measurements list (10.3.7.1) | 1 Modify AM RLC Event trigger Not Present |
| -CHOICE Measurement type -Intra-frequency measurement (10.3.7.36) -Intra-frequency measurement objects list (10.3.7.33) -Intra-frequency measurement quantity (10.3.7.38) -Filter coefficient (10.3.7.9) -CHOICE mode -Measurement quantity -Intra-frequency reporting quantity (10.3.7.41) | Intra-frequency measurement Not Present 0 FDD CPICH_Ec/N0 |
| -Reporting quantities for active set cells (10.3.7.5) -Cell synchronisation information reporting indicator -Cell Identity reporting indicator -CHOICE mode -CPICH Ec/N0 reporting indicator -CPICH RSCP reporting indicator -Pathloss reporting indicator | TRUE (Note 1) TRUE FDD TRUE TRUE FALSE |
| -Reporting quantities for monitored set cells (10.3.7.5) -Cell synchronisation information reporting indicator -Cell Identity reporting indicator -CHOICE mode -CPICH Ec/N0 reporting indicator -CPICH RSCP reporting indicator -Pathloss reporting indicator | TRUE (Note 1) TRUE FDD TRUE TRUE FALSE |
| -Reporting quantities for detected set cells (10.3.7.5) | Not Present |

| Information Element/Group name | Value/Remark |
|--|--|
| -Reporting cell status (10.3.7.61) -Measurement validity (10.3.7.51) -CHOICE report criteria -Intra-frequency measurement reporting criteria (10.3.7.39) -Parameters required for each event | Not Present Not Present Intra-frequency measurement reporting criteria 3 |
| -Intra-frequency event identity -Triggering condition 2 -Reporting Range Constant -Cells forbidden to affect Reporting Range -W -Hysteresis -Threshold used frequency -Reporting deactivation threshold -Replacement activation threshold -Time to trigger -Amount of reporting -Reporting interval -Reporting cell status - CHOICE reported cell - Maximum number of reported cells | Event 1A Monitored set cells 3 dB Not Present 0 0 dB Not Present 0 Not Present 0 ms 1 0 ms (Note 2) Report cell within active set and/or monitored set cells on used frequency 3 |
| -Intra-frequency event identity -Triggering condition 1 -Reporting Range Constant -Cells forbidden to affect Reporting Range -W -Hysteresis -Threshold used frequency -Reporting deactivation threshold -Replacement activation threshold -Time to trigger -Amount of reporting -Reporting interval -Reporting cell status - CHOICE reported cell - Maximum number of reported cells | Event 1B Active set cells 3 dB Not Present 0 0 dB Not Present Not Present Not Present 0 ms Not Present Not Present Report cell within active set and/or monitored set cells on used frequency 3 |
| -Intra-frequency event identity -Reporting Range Constant -Cells forbidden to affect Reporting Range -W -Hysteresis -Threshold used frequency -Reporting deactivation threshold -Replacement activation threshold -Time to trigger -Amount of reporting -Reporting interval -Reporting cell status - CHOICE reported cell - Maximum number of reported cells | Event 1C Not present Not Present Not present 0 dB Not Present Not present 0 0 ms 1 0 ms (Note 2) Report cell within active set and/or monitored set cells on used frequency 3 |
| Physical channel information elements -DPCH compressed mode status info (10.3.6.34) | Not Present |
| NOTE 1: The SFN-CFN observed time difference is calculated from the OFF and Tm parameters contained in the IE "Cell synchronisation information", TS 25.331, clause 10.3.7.6. According to TS 25.331, 8.6.7.7, this IE is included in MEASUREMENT REPORT if IE "Cell synchronisation information reporting indicator" in IE "Cell reporting quantities" TS 25.331, clause 10.3.7.5 is set to TRUE in MEASUREMENT CONTROL. | |
| NOTE 2: Reporting interval = 0 ms means no periodical reporting. | |

MEASUREMENT CONTROL message to disable event 1C reporting:

| Information Element/Group name | Value/Remark |
|--|--|
| Message Type (10.2.17) | |
| UE information elements -RRC transaction identifier -Integrity check info | 0 |
| -message authentication code -RRC message sequence number | SS calculates the value of MAC-I for this message and writes to this IE. The first/ leftmost bit of the bit string contains the most significant bit of the MAC-I. SS provides the value of this IE, from its internal counter. |
| Measurement Information elements -Measurement Identity -Measurement Command (10.3.7.46) -Measurement Reporting Mode (10.3.7.49) -Measurement Report Transfer Mode -Periodical Reporting / Event Trigger Reporting Mode -Additional measurements list (10.3.7.1) | 1 Modify AM RLC Event trigger Not Present |
| -CHOICE Measurement type -Intra-frequency measurement (10.3.7.36) -Intra-frequency measurement objects list (10.3.7.33) -Intra-frequency measurement quantity (10.3.7.38) -Filter coefficient (10.3.7.9) -CHOICE mode -Measurement quantity -Intra-frequency reporting quantity (10.3.7.41) | Intra-frequency measurement Not Present 0 FDD CPICH_Ec/N0 Not Present |
| -Reporting cell status (10.3.7.61) -Measurement validity (10.3.7.51) -CHOICE report criteria -Intra-frequency measurement reporting criteria (10.3.7.39) -Parameters required for each event | Not Present Not Present Intra-frequency measurement reporting criteria 2 |
| -Intra-frequency event identity -Triggering condition 2 -Reporting Range Constant -Cells forbidden to affect Reporting Range -W -Hysteresis -Threshold used frequency -Reporting deactivation threshold -Replacement activation threshold -Time to trigger -Amount of reporting -Reporting interval -Reporting cell status - CHOICE reported cell - Maximum number of reported cells | Event 1A Monitored set cells 3 dB Not Present 0 0 dB Not Present 0 Not Present 0 ms 1 0 ms (Note 1) Report cell within active set and/or monitored set cells on used frequency 3 |
| -Intra-frequency event identity -Triggering condition 1 -Reporting Range Constant -Cells forbidden to affect Reporting Range -W -Hysteresis -Threshold used frequency -Reporting deactivation threshold -Replacement activation threshold -Time to trigger -Amount of reporting -Reporting interval -Reporting cell status - CHOICE reported cell - Maximum number of reported cells | Event 1B Active set cells 3 dB Not Present 0 0 dB Not Present Not Present Not Present 0 ms Not Present Not Present Report cell within active set and/or monitored set cells on used frequency 3 |

| Information Element/Group name | Value/Remark |
|--|--------------|
| Physical channel information elements -DPCH compressed mode status info (10.3.6.34) | Not Present |
| NOTE 1: Reporting interval = 0 ms means no periodical reporting. | |

MEASUREMENT REPORT message for Intra frequency test cases

This message is common for all intra frequency test cases is described in Annex I.

8.6.1.2.5 Test requirements

For the test to pass, the total number of successful tests shall be at least 90%, of the cases with a confidence level of 95%. For the overall outcome of the test to be considered a pass, the counters for 1A events and for 1B events and for 1C events shall independently indicate a pass result.

Table 8.6.1.2.4: Initial test requirements for Event triggered reporting of multiple neighbours in AWGN propagation conditions

| Parameter | Unit | Cell 1 | Cell 2 | Cell3 |
|--|--------------|--------|--------|-------|
| | | T0 | T0 | T0 |
| CPICH_Ec/Ior | dB | -9.3 | -9.3 | -9.3 |
| PCCPCH_Ec/Ior | dB | -11.3 | -11.3 | -11.3 |
| SCH_Ec/Ior | dB | -11.3 | -11.3 | -11.3 |
| PICH_Ec/Ior | dB | -14.3 | -14.3 | -14.3 |
| DPCH_Ec/Ior | dB | Note 1 | N/A | N/A |
| OCNS_Ec/Ior | dB | Note 2 | -1.13 | -1.13 |
| \hat{I}_{or}/I_{oc} (Note 3) | dB | 0 | -Inf | -Inf |
| I_{or} | dBm | -85 | -Inf | -Inf |
| I_{oc} | dBm/3.84 MHz | -85 | | |
| CPICH_Ec/Io(Note 3) | dB | -12.3 | -Inf | -Inf |
| Propagation Condition | | AWGN | | |
| NOTE 1: The DPCH level is controlled by the power control loop. | | | | |
| NOTE 2: The power of the OCNS channel that is added shall make the total power from the cell to be equal to I_{or} . | | | | |
| NOTE 1: These parameters are not directly settable, but are derived by calculation from the settable parameters. | | | | |

Table 8.6.1.2.5: Test requirements for Event triggered reporting of multiple neighbours in AWGN propagation condition

| Parameter | Unit | Cell 1 | | | | | | Cell 2 | | | | | | Cell3 | | | | | | |
|---|---------------|--------|-------|-------|-------|----|----|--------|-------|-------|-------|----|----|-------|--------|------|-------|-------|----|--|
| | | T1 | T2 | T3 | T4 | T5 | T6 | T1 | T2 | T3 | T4 | T5 | T6 | T1 | T2 | T3 | T4 | T5 | T6 | |
| CPICH_Ec/I _{or} | dB | -9.3 | | | | | | -9.3 | | | | | | -9.3 | | | | | | |
| PCCPCH_Ec/I _{or} | dB | -11.3 | | | | | | -11.3 | | | | | | -11.3 | | | | | | |
| SCH_Ec/I _{or} | dB | -11.3 | | | | | | -11.3 | | | | | | -11.3 | | | | | | |
| PICH_Ec/I _{or} | dB | -14.3 | | | | | | -14.3 | | | | | | -14.3 | | | | | | |
| DPCH_Ec/I _{or} | dB | Note 1 | | | | | | N/A | | | | | | N/A | Note 1 | | | N/A | | |
| OCNS_Ec/I _{or} | dB | Note 2 | | | | | | -1.13 | | | | | | -1.13 | Note 2 | | | -1.13 | | |
| \hat{I}_{or}/I_{oc} (Note 3) | dB | 7.0 | 6.9 | 6.0 | 6.1 | | | -Inf | 9.4 | 7.0 | 7.6 | | | 6.0 | 6.9 | -Inf | 5.6 | | | |
| \hat{I}_{or} | dBm | -78.0 | -78.1 | -79.0 | -78.9 | | | -Inf | -75.6 | -78.0 | -77.4 | | | -79.0 | -78.1 | -Inf | -79.4 | | | |
| I_{oc} | dBm/ 3.84 MHz | -85 | | | | | | | | | | | | | | | | | | |
| CPICH_Ec/I _o (Note 3) | dB | -12.3 | -15.3 | -13.3 | -14.8 | | | -Inf | -12.8 | -12.3 | -13.3 | | | -13.3 | -15.3 | -Inf | -15.3 | | | |
| Propagation Condition | | AWGN | | | | | | | | | | | | | | | | | | |
| NOTE 1: The DPCH level is controlled by the power control loop | | | | | | | | | | | | | | | | | | | | |
| NOTE 2: The power of the OCNS channel that is added shall make the total power from the cell to be equal to I _{or} | | | | | | | | | | | | | | | | | | | | |
| NOTE 3: These parameters are not directly settable, but are derived by calculation from the settable parameters. | | | | | | | | | | | | | | | | | | | | |

NOTE: If the above Test Requirement differs from the Minimum Requirement then the Test Tolerance applied for this test is non-zero. The Test Tolerance for this test is defined in clause F.2 and the explanation of how the Minimum Requirement has been relaxed by the Test Tolerance is given in clause F.4.

8.6.1.2A Event triggered reporting of multiple neighbours in AWGN propagation condition (Rel-4 and later)

8.6.1.2A.1 Definition and applicability

In the event triggered reporting period the measurement reporting delay is defined as the time between any event that will trigger a measurement report until the UE starts to transmit over the Uu interface. This requirement assumes that the measurement report is not delayed by other RRC signalling on the DCCH. This measurement reporting delay excludes a delay uncertainty resulted when inserting the measurement report to the TTI of the uplink DCCH. The delay uncertainty is twice the TTI of the uplink DCCH.

The requirements of this test apply to the Rel-4 and later FDD UE.

8.6.1.2A.2 Minimum requirements

The requirements are the same as in sub clause 8.6.1.1A.2.

The normative reference for these requirements is TS 25.133 [2] clauses 8.1.2.2 and A.8.1.2.

8.6.1.2A.3 Test purpose

To verify that the UE meets the minimum requirements.

NOTE : The test case covers only the continuous uplink DPCCCH transmission scenario. Hence the test case is effectively the same for all UE releases.

8.6.1.2A.4 Method of test

8.6.1.2A.4.1 Initial conditions

Test environment: normal; see clauses G.2.1 and G.2.2.

Frequencies to be tested: mid range; see clause G.2.4.

The initial test parameters are given in table 8.6.1.2A.4.

Table 8.6.1.2A.1: Cell specific initial test parameters for Event triggered reporting of multiple neighbours in AWGN propagation conditions

| Parameter | Unit | Cell 1 | Cell 2 | Cell3 |
|--|--------------|--------|--------|--------|
| | | T0 | T0 | T0 |
| CPICH_Ec/I _{or} | dB | -10 | -10 | -10 |
| PCCPCH_Ec/I _{or} | dB | -12 | -12 | -12 |
| SCH_Ec/I _{or} | dB | -12 | -12 | -12 |
| PICH_Ec/I _{or} | dB | -15 | -15 | -15 |
| DPCH_Ec/I _{or} | dB | Note 1 | N/A | N/A |
| OCNS_Ec/I _{or} | dB | Note 2 | -0.941 | -0.941 |
| \hat{I}_{or}/I_{oc} | dB | 0 | -Inf | -Inf |
| \hat{I}_{or} (Note 3) | dBm | -85 | -Inf | -Inf |
| I_{oc} | dBm/3.84 MHz | -85 | | |
| CPICH_Ec/I _o | dB | -13 | -Inf | -Inf |
| Propagation Condition | | AWGN | | |
| NOTE 1: The DPCH level is controlled by the power control loop. | | | | |
| NOTE 2: The power of the OCNS channel that is added shall make the total power from the cell to be equal to I_{or} . | | | | |
| NOTE 3: The nominal \hat{I}_{or} values, although not explicitly defined in 25.133 [2] are added here since they are implied and need to be identified so that the test equipment can be configured. | | | | |

The test parameters are given in table 8.6.1.2A.2 and 8.6.1.2A.3. In the measurement control information it is indicated to the UE that event-triggered reporting with Event 1A, 1C and 1B shall be used and the periodical reporting of the events is not applied. The test consists of four successive time periods, with a time duration of T1, T2, T3 and T4 respectively. In the initial condition before the time T1 only Cell1 is active.

Table 8.6.1.2A.2: General test parameters for Event triggered reporting of multiple neighbours in AWGN propagation conditions

| Parameter | Unit | Value | Comment |
|----------------------------------|------|---|--|
| DCH parameters | | DL and UL Reference Measurement Channel 12.2 kbps | As specified in C.3.1 and C.2.1 |
| Power Control | | On | |
| Active cell | | Cell 1 | |
| Reporting range | dB | 3 | Applicable for event 1A and 1B |
| Hysteresis | dB | 0 | |
| W | | 1 | Applicable for event 1A and 1B |
| Replacement activation threshold | | 0 | Applicable for event 1C |
| Reporting deactivation threshold | | 0 | Applicable for event 1A |
| Time to Trigger | ms | 0 | |
| Filter coefficient | | 0 | |
| Monitored cell list size | | 32 | NOTE: See Annex I for cell information |
| T1 | S | 10 | |
| T2 | S | 10 | |
| T3 | S | 5 | |
| T4 | S | 10 | |

Table 8.6.1.2A.3: Cell specific test parameters for Event triggered reporting of multiple neighbours in AWGN propagation condition

| Parameter | Unit | Cell 1 | | | | Cell 2 | | | | Cell3 | | | |
|--|--------------|--------|-------|-------|-------|--------|-------|-------|-------|--------|-------|------|-------|
| | | T1 | T2 | T3 | T4 | T1 | T2 | T3 | T4 | T1 | T2 | T3 | T4 |
| CPICH_Ec/I _{or} | dB | -10 | | | | -10 | | | | -10 | | | |
| PCCPCH_Ec/I _{or} | dB | -12 | | | | -12 | | | | -12 | | | |
| SCH_Ec/I _{or} | dB | -12 | | | | -12 | | | | -12 | | | |
| PICH_Ec/I _{or} | dB | -15 | | | | -15 | | | | -15 | | | |
| DPCH_Ec/I _{or} | dB | Note 1 | | | | N/A | | | | N/A | | | |
| OCNS_Ec/I _{or} | dB | Note 2 | | | | -0.941 | | | | -0.941 | | | |
| \hat{I}_{or}/I_{oc} | dB | 6.97 | 6.93 | 5.97 | 6.12 | -Inf | 9.43 | 6.97 | 7.62 | 5.97 | 6.93 | -Inf | 5.62 |
| \hat{I}_{or} (Note 3) | dBm | 78.03 | 78.07 | 79.03 | 78.88 | -Inf | 75.57 | 78.03 | 77.38 | 79.03 | 78.07 | -Inf | 79.38 |
| I_{oc} | dBm/3.84 MHz | -85 | | | | | | | | | | | |
| CPICH_Ec/I _o | dB | -13 | -16 | -14 | -15.5 | -Inf | -13.5 | -13 | -14 | -14 | -16 | -Inf | -16 |
| Propagation Condition | | AWGN | | | | | | | | | | | |
| NOTE 1: The DPCH level is controlled by the power control loop. | | | | | | | | | | | | | |
| NOTE 2: The power of the OCNS channel that is added shall make the total power from the cell to be equal to I_{or} . | | | | | | | | | | | | | |
| NOTE 3: The nominal \hat{I}_{or} values, although not explicitly defined in 25.133 [2] are added here since they are implied and need to be identified so that the test equipment can be configured. | | | | | | | | | | | | | |

8.6.1.2A.4.2 Procedure

- 1) The RF parameters are set up according to T0 in table 8.6.1.2A.4.
- 2) The UE is switched on.
- 3) A call is set up according to the test procedure specified in TS 34.108 [3] sub clause 7.3.2. The scrambling code is set to Cell2 and Cell3.
- 4) SS shall transmit the initial MEASUREMENT CONTROL message.
- 5) 5 seconds after step4 has completed, the SS shall switch the power settings for T0 to T1 in table 8.6.1.2A.5.
- 6) UE shall transmit a MEASUREMENT REPORT message for Cell 3 triggered by event 1A. The measurement reporting delay from the beginning of T1 shall be less than 880 ms. If the UE fails to report the event within the required delay, then the counter event1A_failure is increased by one. If the reporting delay for this event is within the required limit, the counter event1A_success is increased by one.

- 7) UE may transmit a MEASUREMENT REPORT message for Cell 3 triggered by event 1C. In case it doesn't this shall not be considered as a failure.
- 8) After 10 seconds from the beginning of T1, the SS shall switch the power settings from T1 to T2 in table 8.6.1.2A.5.
- 9) UE shall transmit a MEASUREMENT REPORT message for Cell 2 triggered by event 1C. The measurement reporting delay from the beginning of T2 shall be less than 880 ms. If the UE fails to report the event within the required delay, then the counter event1C_failure is increased by one. If the reporting delay for this event is within the required limit, the counter event1C_success is increased by one.
- 10) UE shall transmit a MEASUREMENT REPORT message for Cell 2 triggered by event 1A. The measurement reporting delay from the beginning of T2 shall be less than 880 ms. If the UE fails to report the event within the required delay, then the counter event1A_failure is increased by one. If the reporting delay for this event is within the required limit, the counter event1A_success is increased by one.
- 11) UE may transmit a MEASUREMENT REPORT message for Cell 3 triggered by event 1C. In case it doesn't this shall not be considered as a failure.
- 12) SS shall transmit the measurement control message to disable event 1C reporting
- 13) After 10 seconds from the beginning of T2, the SS shall switch the power settings from T2 to T3 in table 8.6.1.2A.5.
- 14) UE shall transmit a MEASUREMENT REPORT message for Cell 3 triggered by event 1B. The measurement reporting delay from the beginning of T3 shall be less than 280 ms. If the UE fails to report the event within the required delay, then the counter event1B_failure is increased by one. If the reporting delay for this event is within the required limit, the counter event1B_success is increased by one.
- 15) After 5 seconds from the beginning of T3, the SS shall switch the power settings from T3 to T4 in table 8.6.1.2A.5.
- 16) UE shall transmit a MEASUREMENT REPORT message for Cell 3 triggered by event 1A. The measurement reporting delay from the beginning of T4 shall be less than 280 ms. If the UE fails to report the event within the required delay, then the counter event1A_failure is increased by one. If the reporting delay for this event is within the required limit, the counter event1A_success is increased by one.
- 17) Void
- 18) Void
- 19) After the SS receive the MEASUREMENT REPORT message in step 16) or 10 seconds after the beginning of T4, the SS shall transmit a RRC Connection Release message to make the UE to transit to idle mode.
- 20) SS shall set the new primary code group and primary code on Cell2 and Cell3. Three different primary code groups and primary codes according to Annex I are used to turn on Cell2 and Cell3. Previous timing information of Cell 2 and Cell3 are invalid in the UE. The RF parameters are set up according to T0 in table 8.6.1.2A.4.
- 21) Repeat steps 3-20 until the confidence level according to annex F.6.2 is achieved. If one counter reaches the pass criterion, this counter is stopped and the remaining counters are continued. For the overall outcome of the test to be considered a pass, the counters for 1A events and for 1B and for 1C events shall independently indicate a pass result. The test is stopped immediately and the test is considered to be a fail, if any counter reaches an early fail criterion.

Specific Message Contents

All messages indicated above shall use the same content as described in the default message content in clause 9 of 34.108 [3], with the following exceptions:

Initial MEASUREMENT CONTROL message:

| Information Element/Group name | Value/Remark |
|--|--|
| Message Type (10.2.17) | |
| UE information elements -RRC transaction identifier -Integrity check info -message authentication code -RRC message sequence number | 0 SS calculates the value of MAC-I for this message and writes to this IE. The first/leftmost bit of the bit string contains the most significant bit of the MAC-I. SS provides the value of this IE, from its internal counter. |
| Measurement Information elements -Measurement Identity -Measurement Command (10.3.7.46) -Measurement Reporting Mode (10.3.7.49) -Measurement Report Transfer Mode -Periodical Reporting / Event Trigger Reporting Mode -Additional measurements list (10.3.7.1) | 1 Modify AM RLC Event trigger Not Present |
| -CHOICE Measurement type -Intra-frequency measurement (10.3.7.36) -Intra-frequency measurement objects list (10.3.7.33) -Intra-frequency measurement quantity (10.3.7.38) -Filter coefficient (10.3.7.9) -CHOICE mode -Measurement quantity -Intra-frequency reporting quantity (10.3.7.41) | Intra-frequency measurement Not Present 0 FDD CPICH_Ec/N0 |
| -Reporting quantities for active set cells (10.3.7.5) -Cell synchronisation information reporting indicator -Cell Identity reporting indicator -CHOICE mode -CPICH Ec/N0 reporting indicator -CPICH RSCP reporting indicator -Pathloss reporting indicator | TRUE (Note 1) TRUE FDD TRUE TRUE FALSE |
| -Reporting quantities for monitored set cells (10.3.7.5) -Cell synchronisation information reporting indicator -Cell Identity reporting indicator -CHOICE mode -CPICH Ec/N0 reporting indicator -CPICH RSCP reporting indicator -Pathloss reporting indicator | TRUE (Note 1) TRUE FDD TRUE TRUE FALSE |
| -Reporting quantities for detected set cells (10.3.7.5) | Not Present |
| -Reporting cell status (10.3.7.61) -Measurement validity (10.3.7.51) -CHOICE report criteria -Intra-frequency measurement reporting criteria (10.3.7.39) -Parameters required for each event | Not Present Not Present Intra-frequency measurement reporting criteria 3 |

| Information Element/Group name | Value/Remark |
|--|--|
| -Intra-frequency event identity -Triggering condition 2 -Reporting Range Constant -Cells forbidden to affect Reporting Range -W -Hysteresis -Threshold used frequency -Reporting deactivation threshold -Replacement activation threshold -Time to trigger -Amount of reporting -Reporting interval -Reporting cell status - CHOICE reported cell - Maximum number of reported cells | Event 1A Monitored set cells 3 dB Not Present 1.0 0 dB Not Present 0 Not Present 0 ms Infinity 0 ms (Note 2) Report cell within active set and/or monitored set cells on used frequency 3 |
| -Intra-frequency event identity -Triggering condition 1 -Reporting Range Constant -Cells forbidden to affect Reporting Range -W -Hysteresis -Threshold used frequency -Reporting deactivation threshold -Replacement activation threshold -Time to trigger -Amount of reporting -Reporting interval -Reporting cell status - CHOICE reported cell - Maximum number of reported cells | Event 1B Active set cells and monitored set cells 3 dB Not Present 1.0 0 dB Not Present Not Present Not Present 0 ms Not Present Not Present Report cell within active set and/or monitored set cells on used frequency 3 |
| -Intra-frequency event identity -Reporting Range Constant -Cells forbidden to affect Reporting Range -W -Hysteresis -Threshold used frequency -Reporting deactivation threshold -Replacement activation threshold -Time to trigger -Amount of reporting -Reporting interval -Reporting cell status - CHOICE reported cell - Maximum number of reported cells | Event 1C Not present Not Present Not present 0 dB Not Present Not present 0 0 ms Infinity 0 ms (Note 2) Report cell within active set and/or monitored set cells on used frequency 3 |
| Physical channel information elements -DPCH compressed mode status info (10.3.6.34) | Not Present |
| NOTE 1: The SFN-CFN observed time difference is calculated from the OFF and Tm parameters contained in the IE "Cell synchronisation information", TS 25.331, clause 10.3.7.6. According to TS 25.331, 8.6.7.7, this IE is included in MEASUREMENT REPORT if IE "Cell synchronisation information reporting indicator" in IE "Cell reporting quantities" TS 25.331, clause 10.3.7.5 is set to TRUE in MEASUREMENT CONTROL. | |
| NOTE 2: Reporting interval = 0 ms means no periodical reporting. | |

MEASUREMENT CONTROL message to disable event 1C reporting:

| Information Element/Group name | Value/Remark |
|--|--|
| Message Type (10.2.17) | |
| UE information elements -RRC transaction identifier -Integrity check info | 0 |
| -message authentication code -RRC message sequence number | SS calculates the value of MAC-I for this message and writes to this IE. The first/ leftmost bit of the bit string contains the most significant bit of the MAC-I. SS provides the value of this IE, from its internal counter. |
| Measurement Information elements -Measurement Identity -Measurement Command (10.3.7.46) -Measurement Reporting Mode (10.3.7.49) -Measurement Report Transfer Mode -Periodical Reporting / Event Trigger Reporting Mode -Additional measurements list (10.3.7.1) | 1 Modify AM RLC Event trigger Not Present |
| -CHOICE Measurement type -Intra-frequency measurement (10.3.7.36) -Intra-frequency measurement objects list (10.3.7.33) -Intra-frequency measurement quantity (10.3.7.38) -Filter coefficient (10.3.7.9) -CHOICE mode -Measurement quantity -Intra-frequency reporting quantity (10.3.7.41) | Intra-frequency measurement Not Present 0 FDD CPICH_Ec/NO Not Present |
| -Reporting cell status (10.3.7.61) -Measurement validity (10.3.7.51) -CHOICE report criteria -Intra-frequency measurement reporting criteria (10.3.7.39) -Parameters required for each event | Not Present Not Present Intra-frequency measurement reporting criteria 2 |
| -Intra-frequency event identity -Triggering condition 2 -Reporting Range Constant -Cells forbidden to affect Reporting Range -W -Hysteresis -Threshold used frequency -Reporting deactivation threshold -Replacement activation threshold -Time to trigger -Amount of reporting -Reporting interval -Reporting cell status - CHOICE reported cell - Maximum number of reported cells | Event 1A Monitored set cells 3 dB Not Present 1.0 0 dB Not Present 0 Not Present 0 ms Infinity 0 ms (Note 1) Report cell within active set and/or monitored set cells on used frequency 3 |
| -Intra-frequency event identity -Triggering condition 1 -Reporting Range Constant -Cells forbidden to affect Reporting Range -W -Hysteresis -Threshold used frequency -Reporting deactivation threshold -Replacement activation threshold -Time to trigger -Amount of reporting -Reporting interval -Reporting cell status - CHOICE reported cell - Maximum number of reported cells | Event 1B Active set cells and monitored set cells 3 dB Not Present 1.0 0 dB Not Present Not Present Not Present 0 ms Not Present Not Present Report cell within active set and/or monitored set cells on used frequency 3 |

| Information Element/Group name | Value/Remark |
|--|--------------|
| Physical channel information elements -DPCH compressed mode status info (10.3.6.34) | Not Present |
| NOTE 1: Reporting interval = 0 ms means no periodical reporting. | |

MEASUREMENT REPORT message for Intra frequency test cases

This message is common for all intra frequency test cases is described in Annex I.

8.6.1.2A.5 Test requirements

For the test to pass, the total number of successful tests shall be at least 90%, of the cases with a confidence level of 95%. For the overall outcome of the test to be considered a pass, the counters for 1A events and for 1B events and for 1C events shall independently indicate a pass result.

Table 8.6.1.2A.4: Initial test requirements for Event triggered reporting of multiple neighbours in AWGN propagation conditions

| Parameter | Unit | Cell 1 | Cell 2 | Cell3 |
|--|--------------|--------|--------|-------|
| | | T0 | T0 | T0 |
| CPICH_Ec/Ior | dB | -9.3 | -9.3 | -9.3 |
| PCCPCH_Ec/Ior | dB | -11.3 | -11.3 | -11.3 |
| SCH_Ec/Ior | dB | -11.3 | -11.3 | -11.3 |
| PICH_Ec/Ior | dB | -14.3 | -14.3 | -14.3 |
| DPCH_Ec/Ior | dB | Note 1 | N/A | N/A |
| OCNS_Ec/Ior | dB | Note 2 | -1.13 | -1.13 |
| \hat{I}_{or}/I_{oc} | dB | 0 | -Inf | -Inf |
| \hat{I}_{or} | dBm | -85 | -Inf | -Inf |
| I_{oc} | dBm/3.84 MHz | -85 | | |
| CPICH_Ec/Io (Note 3) | dB | -12.3 | -Inf | -Inf |
| Propagation Condition | | AWGN | | |
| NOTE 1: The DPCH level is controlled by the power control loop. | | | | |
| NOTE 2: The power of the OCNS channel that is added shall make the total power from the cell to be equal to I_{or} . | | | | |
| NOTE 3: These parameters are not directly settable, but are derived by calculation from the settable parameters. | | | | |

Table 8.6.1.2A.5: Test requirements for Event triggered reporting of multiple neighbours in AWGN propagation condition

| Parameter | Unit | Cell 1 | | | | Cell 2 | | | | Cell3 | | | |
|--|--------------|--------|-------|-------|-------|--------|-------|-------|-------|-------|-------|------|-------|
| | | T1 | T2 | T3 | T4 | T1 | T2 | T3 | T4 | T1 | T2 | T3 | T4 |
| CPICH_Ec/Ior | dB | -9.3 | | | | -9.3 | | | | -9.3 | | | |
| PCCPCH_Ec/Ior | dB | -11.3 | | | | -11.3 | | | | -11.3 | | | |
| SCH_Ec/Ior | dB | -11.3 | | | | -11.3 | | | | -11.3 | | | |
| PICH_Ec/Ior | dB | -14.3 | | | | -14.3 | | | | -14.3 | | | |
| DPCH_Ec/Ior | dB | Note 1 | | | | N/A | | | | N/A | | | |
| OCNS_Ec/Ior | dB | Note 2 | | | | -1.13 | | | | -1.13 | | | |
| \hat{I}_{or}/I_{oc} (Note 3) | dB | 7.0 | 6.9 | 6.0 | 6.1 | -Inf | 9.4 | 7.0 | 7.6 | 6.0 | 6.9 | -Inf | 5.6 |
| \hat{I}_{or} | dBm | -78.0 | -78.1 | -79.0 | -78.9 | -Inf | -75.6 | -78.0 | -77.4 | -79.0 | -78.1 | -Inf | -79.4 |
| I_{oc} | dBm/3.84 MHz | -85 | | | | | | | | | | | |
| CPICH_Ec/Io (Note 3) | dB | -12.3 | -15.3 | -13.3 | -14.8 | -Inf | -12.8 | -12.3 | -13.3 | -13.3 | -15.3 | -Inf | -15.3 |
| Propagation Condition | | AWGN | | | | | | | | | | | |
| NOTE 1: The DPCH level is controlled by the power control loop. | | | | | | | | | | | | | |
| NOTE 2: The power of the OCNS channel that is added shall make the total power from the cell to be equal to I_{or} . | | | | | | | | | | | | | |
| NOTE 3: These parameters are not directly settable, but are derived by calculation from the settable parameters. | | | | | | | | | | | | | |

NOTE: If the above Test Requirement differs from the Minimum Requirement then the Test Tolerance applied for this test is non-zero. The Test Tolerance for this test is defined in clause F.2 and the explanation of how the Minimum Requirement has been relaxed by the Test Tolerance is given in clause F.4.

8.6.1.3 Event triggered reporting of two detectable neighbours in AWGN propagation condition (R99)

8.6.1.3.1 Definition and applicability

In the event triggered reporting period the measurement reporting delay is defined as the time between any event that will trigger a measurement report until the UE starts to transmit over the Uu interface. This requirement assumes that the measurement report is not delayed by other RRC signalling on the DCCH. This measurement reporting delay excludes a delay uncertainty resulted when inserting the measurement report to the TTI of the uplink DCCH. The delay uncertainty is twice the TTI of the uplink DCCH.

The requirements and this test apply to the Release 99 FDD UE.

8.6.1.3.2 Minimum requirements

The requirements are the same as in sub clause 8.6.1.1.2.

The normative reference for these requirements is TS 25.133 [2] clauses 8.1.2.2 and A.8.1.3.

8.6.1.3.3 Test purpose

To verify that the UE meets the minimum requirements.

8.6.1.3.4 Method of test

8.6.1.3.4.1 Initial conditions

Test environment: normal; see clauses G.2.1 and G.2.2.

Frequencies to be tested: mid range; see clause G.2.4.

The initial test parameters are given in table 8.6.1.3.1.

Table 8.6.1.3.1: Cell specific initial test parameters for Event triggered reporting of two detectable neighbours in AWGN propagation condition

| Parameter | Unit | Cell 1 | Cell 2 | Cell3 |
|-------------------------|--------------|--------|--------|--------|
| | | T0 | T0 | T0 |
| CPICH_Ec/Ior | dB | -10 | -10 | -10 |
| PCCPCH_Ec/Ior | dB | -12 | -12 | -12 |
| SCH_Ec/Ior | dB | -12 | -12 | -12 |
| PICH_Ec/Ior | dB | -15 | -15 | -15 |
| DPCH_Ec/Ior | dB | -17 | N/A | N/A |
| OCNS_Ec/Ior | dB | Note 1 | -0.941 | -0.941 |
| \hat{I}_{or}/I_{oc} | dB | Note 2 | -Inf | -Inf |
| \hat{I}_{or} (Note 3) | dBm | -79.13 | -Inf | -Inf |
| I_{oc} | dBm/3.84 MHz | -85 | | |
| CPICH_Ec/Io | dB | -11 | -Inf | -Inf |
| Propagation Condition | | AWGN | | |

NOTE 1: The DPCH level is controlled by the power control loop.
NOTE 2: The power of the OCNS channel that is added shall make the total power from the cell to be equal to Ior.
NOTE 3: The nominal \hat{I}_{or} values, although not explicitly defined in 25.133 [2] are added here since they are implied and need to be identified so that the test equipment can be configured.

The test parameters are given in table 8.6.1.3.2 and 8.6.1.3.5. In the measurement control information it is indicated to the UE that event-triggered reporting with Event 1A and 1B shall be used and the periodical reporting of the events is not applied. CPICH Ec/Io and SFN-CFN observed time difference shall be reported together with Event 1A. The test consists of five successive time periods, with a time duration of T1, T2, T3, T4 and T5 respectively. In the initial condition before the time T1, defined as T0, only Cell1 is active.

Table 8.6.1.3.2: General test parameters for Event triggered reporting of two detectable neighbours in AWGN propagation condition

| Parameter | Unit | Value | Comment |
|----------------------------------|------|--|---|
| DCH parameters | | DL and UL Reference Measurement Channel 12.2 kbps | As specified in C.3.1 and C.2.1 |
| Power Control | | On | |
| Active cell | | Cell 1 | |
| Reporting range | dB | 3 | Applicable for event 1A and 1B |
| Hysteresis | dB | 0 | |
| W | | 0 | Applicable for event 1A and 1B |
| Reporting deactivation threshold | | 0 | Applicable for event 1A |
| Time to Trigger | ms | 0 | |
| Filter coefficient | | 0 | |
| Monitored cell list size | | 32 | NOTE: See Annex I for cell information. |
| T1 | s | 10 | |
| T2 | s | 10 | |
| T3 | s | 1 | |
| T4 | s | 10 | |
| T5 | s | 10 | |

Table 8.6.1.3.3: Cell specific test parameters for Event triggered reporting of two detectable neighbours in AWGN propagation condition

| Parameter | Unit | Cell 1 | | | | | Cell 2 | | | | | Cell3 | | | | |
|--|--------------|--------|-------|-------|-------|------|--------|----|--------|--------|--------|--------|----|--------|--------|----|
| | | T1 | T2 | T3 | T4 | T5 | T1 | T2 | T3 | T4 | T5 | T1 | T2 | T3 | T4 | T5 |
| CPICH_Ec/I _{or} | dB | -10 | | | | | -10 | | | | | -10 | | | | |
| PCCPCH_Ec/I _{or} | dB | -12 | | | | | -12 | | | | | -12 | | | | |
| SCH_Ec/I _{or} | dB | -12 | | | | | -12 | | | | | -12 | | | | |
| PICH_Ec/I _{or} | dB | -15 | | | | | -15 | | | | | -15 | | | | |
| DPCH_Ec/I _{or} | dB | Note 1 | | | | | N/A | | Note 1 | | | N/A | | | | |
| OCNS_Ec/I _{or} | dB | Note 2 | | | | | -0.941 | | Note 2 | | | -0.941 | | | | |
| \hat{I}_{or}/I_{oc} | dB | 14.55 | 28.51 | 14.45 | 28.51 | -Inf | 27.51 | | 13.95 | 21.51 | 8.05 | 21.51 | | 13.95 | 27.5 | |
| \hat{I}_{or} (Note 3) | dBm | 70.45 | 56.49 | 70.55 | 56.49 | -Inf | -57.49 | | -71.05 | -63.49 | -76.95 | -63.49 | | -71.05 | -57.49 | |
| I_{oc} | dBm/3.84 MHz | -85 | | | | | | | | | | | | | | |
| CPICH_Ec/I _o | dB | -11 | -13 | -14.5 | -13 | -Inf | -14.0 | | -15 | -20 | -17.5 | -20 | | -15 | -14 | |
| Propagation Condition | | AWGN | | | | | | | | | | | | | | |
| NOTE 1: The DPCH level is controlled by the power control loop | | | | | | | | | | | | | | | | |
| NOTE 2: The power of the OCNS channel that is added shall make the total power from the cell to be equal to I _{or} | | | | | | | | | | | | | | | | |
| NOTE 3: The nominal \hat{I}_{or} values, although not explicitly defined in 25.133 [2] are added here since they are implied and need to be identified so that the test equipment can be configured. | | | | | | | | | | | | | | | | |

8.6.1.3.4.2 Procedure

- 1) The RF parameters are set up according to T0 in table 8.6.1.3.4.
- 2) The UE is switched on.
- 3) A call is set up according to the test procedure specified in TS 34.108 [3] sub clause 7.3.2. The scrambling code is set to Cell2 and Cell3.
- 4) SS shall transmit a MEASUREMENT CONTROL message. T0 starts.
- 5) After 10 seconds from the beginning T0, the SS shall switch the power settings from T0 to T1 in table 8.6.1.3.5.
- 6) After a total of 10 seconds from the beginning of T1, the SS shall switch the power settings from T1 to T2.
- 7) UE shall transmit a MEASUREMENT REPORT message for Cell 2 triggered by event 1A. The measurement reporting delay from the beginning of T2 shall be less than 880 ms. If the UE fails to report the event within the required delay, then the counter event1A_failure is increased by one. If the reporting delay for this event is within the required limit, the counter event1A_success is increased by one.
- 8) During the time period T2, the SS shall, after the Event 1A triggered measurement is reported, send an Active Set Update command with activation time "start of T3" adding cell 2 to the active set. The Active Set Update message shall be sent to the UE so that the whole message is available at the UE at least the RRC procedure delay prior to the beginning of T3.
- 9) After 11 seconds from the beginning T2, the SS shall switch the power settings from T2 to T4.
- 10) UE shall transmit a MEASUREMENT REPORT message for Cell 3 triggered by event 1A. The measurement reporting delay from the beginning of T4 shall be less than 280 ms. If the UE fails to report the event within the required delay, then the counter event1A_failure is increased by one. If the reporting delay for this event is within the required limit, the counter event1A_success is increased by one.
- 11) After 10 seconds from the beginning T4, the SS shall switch the power settings from T4 to T5.
- 12) UE shall transmit a MEASUREMENT REPORT message for Cell 2 triggered by event 1B. The measurement reporting delay from the beginning of T5 shall be less than 280 ms. If the UE fails to report the event within the required delay, then the counter event1B_failure is increased by one. If the reporting delay for this event is within the required limit, the counter event1B_success is increased by one.
- 13) After the SS receive the MEASUREMENT REPORT message in step 12) or 10 seconds after the beginning of T5, the SS shall transmit a RRC Connection Release message to make the UE to transit to idle mode.
- 14) SS shall set the new primary code group and primary code on Cell2 and Cell3. Three different primary code groups and primary codes according to Annex I are used to turn on Cell2 and Cell3. Previous timing information of Cell 2 and Cell3 are invalid in the UE. The RF parameters are set up according to T0 in table 8.6.1.3.4.
- 15) Repeat steps 3-14 until the confidence level according to annex F.6.2 is achieved. If one counter reaches the pass criterion, this counter is stopped and the remaining counters are continued. For the overall outcome of the test to be considered a pass, the counters for 1A events and for 1B events shall independently indicate a pass result. The test is stopped immediately and the test is considered to be a fail, if any counter reaches an early fail criterion.

Specific Message Contents

All messages indicated above shall use the same content as described in the default message content in clause 9 of 34.108 [3], with the following exceptions:

MEASUREMENT CONTROL message:

| Information Element/Group name | Value/Remark |
|--|--|
| Message Type (10.2.17) | |
| UE information elements -RRC transaction identifier -Integrity check info | 0 |
| -message authentication code -RRC message sequence number | SS calculates the value of MAC-I for this message and writes to this IE. The first/ leftmost bit of the bit string contains the most significant bit of the MAC-I. SS provides the value of this IE, from its internal counter. |
| Measurement Information elements -Measurement Identity -Measurement Command (10.3.7.46) -Measurement Reporting Mode (10.3.7.49) -Measurement Report Transfer Mode -Periodical Reporting / Event Trigger Reporting Mode -Additional measurements list (10.3.7.1) | 1 Modify AM RLC Event trigger Not Present |
| -CHOICE Measurement type -Intra-frequency measurement (10.3.7.36) -Intra-frequency measurement objects list (10.3.7.33) -Intra-frequency measurement quantity (10.3.7.38) -Filter coefficient (10.3.7.9) -CHOICE mode -Measurement quantity -Intra-frequency reporting quantity (10.3.7.41) | Intra-frequency measurement Not Present 0 FDD CPICH_Ec/N0 |
| -Reporting quantities for active set cells (10.3.7.5) -Cell synchronisation information reporting indicator -Cell Identity reporting indicator -CHOICE mode -CPICH Ec/N0 reporting indicator -CPICH RSCP reporting indicator -Pathloss reporting indicator | TRUE (Note 1) TRUE FDD TRUE TRUE FALSE |
| -Reporting quantities for monitored set cells (10.3.7.5) -Cell synchronisation information reporting indicator -Cell Identity reporting indicator -CHOICE mode -CPICH Ec/N0 reporting indicator -CPICH RSCP reporting indicator -Pathloss reporting indicator | TRUE (Note 1) TRUE FDD TRUE TRUE FALSE |
| -Reporting quantities for detected set cells (10.3.7.5) | Not Present |
| -Reporting cell status (10.3.7.61) -Measurement validity (10.3.7.51) -CHOICE report criteria -Intra-frequency measurement reporting criteria (10.3.7.39) -Parameters required for each event | Not Present Not Present Intra-frequency measurement reporting criteria 2 |

| Information Element/Group name | Value/Remark |
|--|---|
| -Intra-frequency event identity -Triggering condition 2 -Reporting Range Constant -Cells forbidden to affect Reporting Range -W -Hysteresis -Threshold used frequency -Reporting deactivation threshold -Replacement activation threshold -Time to trigger -Amount of reporting -Reporting interval -Reporting cell status - CHOICE reported cell - Maximum number of reported cells | Event 1A Monitored set cells 3 dB Not Present 0 0 dB Not Present 0 Not Present 0 ms Infinity 0 ms (Note 2) Report cell within active set and/or monitored set cells on used frequency 3 |
| -Intra-frequency event identity -Triggering condition 1 -Reporting Range Constant -Cells forbidden to affect Reporting Range -W -Hysteresis -Threshold used frequency -Reporting deactivation threshold -Replacement activation threshold -Time to trigger -Amount of reporting -Reporting interval -Reporting cell status - CHOICE reported cell - Maximum number of reported cells | Event 1B Active set cells 3 dB Not Present 0 0 dB Not Present Not Present Not Present 0 ms Not Present Not Present Report cell within active set and/or monitored set cells on used frequency 3 |
| Physical channel information elements -DPCH compressed mode status info (10.3.6.34) | Not Present |
| NOTE 1: The SFN-CFN observed time difference is calculated from the OFF and Tm parameters contained in the IE "Cell synchronisation information", TS 25.331, clause 10.3.7.6. According to TS 25.331, 8.6.7.7, this IE is included in MEASUREMENT REPORT if IE "Cell synchronisation information reporting indicator" in IE "Cell reporting quantities" TS 25.331, clause 10.3.7.5 is set to TRUE in MEASUREMENT CONTROL. | |
| NOTE 2: Reporting interval = 0 ms means no periodical reporting. | |

MEASUREMENT REPORT message for Intra frequency test cases

This message is common for all intra frequency test cases is described in Annex I.

8.6.1.3.5 Test requirements

For the test to pass, the total number of successful tests shall be at least 90% of the cases with a confidence level of 95%. For the overall outcome of the test to be considered a pass, the counters for 1A events and for 1B events shall independently indicate a pass result.

Table 8.6.1.3.4: Initial test parameters for Event triggered reporting of two detectable neighbours in AWGN propagation condition

| Parameter | Unit | Cell 1 | Cell 2 | Cell3 |
|----------------------------------|--------------|--------|--------|--------|
| | | T0 | T0 | T0 |
| CPICH_Ec/I _{or} | dB | -9.60 | -9.60 | -9.60 |
| PCCPCH_Ec/I _{or} | dB | -11.60 | -11.60 | -11.60 |
| SCH_Ec/I _{or} | dB | -11.60 | -11.60 | -11.60 |
| PICH_Ec/I _{or} | dB | -14.60 | -14.60 | -14.60 |
| DPCH_Ec/I _{or} | dB | Note 1 | N/A | N/A |
| OCNS_Ec/I _{or} | dB | Note 2 | -1.04 | -1.04 |
| \hat{I}_{or}/I_{oc} (Note 3) | dB | 5.90 | -Inf | -Inf |
| I _{or} | dBm | -79.10 | -Inf | -Inf |
| I _{oc} | dBm/3.84 MHz | | -85 | |
| CPICH_Ec/I _o (Note 3) | dB | -10.49 | -Inf | -Inf |
| Propagation Condition | | AWGN | | |

NOTE 1: The DPCH level is controlled by the power control loop.
NOTE 2: The power of the OCNS channel that is added shall make the total power from the cell to be equal to I_{or}.
NOTE 3: These parameters are not directly settable, but are derived by calculation from the settable parameters.

Table 8.6.1.3.5: Test parameters for Event triggered reporting of two detectable neighbours in AWGN propagation condition

| Parameter | Unit | Cell 1 | | | | | Cell 2 | | | | | Cell3 | | | | |
|--|--------------|--------|--------|--------|--------|------|--------|--------|--------|--------|--------|--------|--------|----|----|----|
| | | T1 | T2 | T3 | T4 | T5 | T1 | T2 | T3 | T4 | T5 | T1 | T2 | T3 | T4 | T5 |
| CPICH_Ec/Ior | dB | -9.60 | | | | | -9.60 | | | | | -9.60 | | | | |
| PCCPCH_Ec/Ior | dB | -11.60 | | | | | -11.60 | | | | | -11.60 | | | | |
| SCH_Ec/Ior | dB | -11.60 | | | | | -11.60 | | | | | -11.60 | | | | |
| PICH_Ec/Ior | dB | -14.60 | | | | | -14.60 | | | | | -14.60 | | | | |
| DPCH_Ec/Ior | dB | Note 1 | | | | | N/A | | Note 1 | | | N/A | | | | |
| OCNS_Ec/Ior | dB | Note 2 | | | | | -1.04 | | Note 2 | | | -1.04 | | | | |
| \hat{I}_{or}/I_{oc} (Note 3) | dB | 14.6 | 28.50 | 14.5 | 28.5 | -Inf | 27.50 | 14.0 | 21.50 | 8.1 | 21.50 | 14.0 | 27.5 | | | |
| \hat{I}_{or} | dBm | -70.40 | -56.50 | -70.50 | -56.50 | -Inf | -57.50 | -71.00 | -63.50 | -76.90 | -63.50 | -71.00 | -57.50 | | | |
| I_{oc} | dBm/3.84 MHz | -85 | | | | | | | | | | | | | | |
| CPICH_Ec/Io (Note 3) | dB | -10.60 | -12.60 | -14.1 | -12.60 | -Inf | -13.60 | -14.60 | -19.60 | -17.1 | -19.60 | -14.60 | -13.60 | | | |
| Propagation Condition | | AWGN | | | | | | | | | | | | | | |
| NOTE 1: The DPCH level is controlled by the power control loop | | | | | | | | | | | | | | | | |
| NOTE 2: The power of the OCNS channel that is added shall make the total power from the cell to be equal to Ior | | | | | | | | | | | | | | | | |
| NOTE 3: These parameters are not directly settable, but are derived by calculation from the settable parameters. | | | | | | | | | | | | | | | | |

NOTE: If the above Test Requirement differs from the Minimum Requirement then the Test Tolerance applied for this test is non-zero. The Test Tolerance for this test is defined in clause F.2 and the explanation of how the Minimum Requirement has been relaxed by the Test Tolerance is given in clause F.4.

8.6.1.3A Event triggered reporting of two detectable neighbours in AWGN propagation condition (Rel-4 and later)

8.6.1.3A.1 Definition and applicability

In the event triggered reporting period the measurement reporting delay is defined as the time between any event that will trigger a measurement report until the UE starts to transmit over the Uu interface. This requirement assumes that the measurement report is not delayed by other RRC signalling on the DCCH. This measurement reporting delay excludes a delay uncertainty resulted when inserting the measurement report to the TTI of the uplink DCCH. The delay uncertainty is twice the TTI of the uplink DCCH.

The requirements of this test apply to the Rel-4 and later FDD UE.

8.6.1.3A.2 Minimum requirements

The requirements are the same as in sub clause 8.6.1.1A.2.

The normative reference for these requirements is TS 25.133 [2] clauses 8.1.2.2 and A.8.1.3.

8.6.1.3A.3 Test purpose

To verify that the UE meets the minimum requirements.

NOTE : The test case covers only the continuous uplink DPCCCH transmission scenario. Hence the test case is effectively the same for all UE releases.

8.6.1.3A.4 Method of test

8.6.1.3A.4.1 Initial conditions

Test environment: normal; see clauses G.2.1 and G.2.2.

Frequencies to be tested: mid range; see clause G.2.4.

The initial test parameters are given in table 8.6.1.3A.4.

Table 8.6.1.3A.1: Cell specific initial test parameters for Event triggered reporting of two detectable neighbours in AWGN propagation condition

| Parameter | Unit | Cell 1 | Cell 2 | Cell3 |
|-------------------------|--------------|--------|--------|--------|
| | | T0 | T0 | T0 |
| CPICH_Ec/Ior | dB | -10 | -10 | -10 |
| PCCPCH_Ec/Ior | dB | -12 | -12 | -12 |
| SCH_Ec/Ior | dB | -12 | -12 | -12 |
| PICH_Ec/Ior | dB | -15 | -15 | -15 |
| DPCH_Ec/Ior | dB | Note 1 | N/A | N/A |
| OCNS_Ec/Ior | dB | Note 2 | -0.941 | -0.941 |
| \hat{I}_{or}/I_{oc} | dB | 5.87 | -Inf | -Inf |
| \hat{I}_{or} (Note 3) | dBm | -79.13 | -Inf | -Inf |
| I_{oc} | dBm/3.84 MHz | -85 | | |
| CPICH_Ec/Io | dB | -11 | -Inf | -Inf |
| Propagation Condition | | AWGN | | |

NOTE 1: The DPCH level is controlled by the power control loop.
NOTE 2: The power of the OCNS channel that is added shall make the total power from the cell to be equal to I_{or} .
NOTE 3: The nominal \hat{I}_{or} values, although not explicitly defined in 25.133 [2] are added here since they are implied and need to be identified so that the test equipment can be configured.

The test parameters are given in table 8.6.1.3A.2 and 8.6.1.3A.5. In the measurement control information it is indicated to the UE that event-triggered reporting with Event 1A and 1B shall be used and the periodical reporting of the events is not applied. The test consists of four successive time periods, with a time duration of T1, T2, T3 and T4 respectively. In the initial condition before the time T1 only Cell1 is active.

Table 8.6.1.3A.2: General test parameters for Event triggered reporting of two detectable neighbours in AWGN propagation condition

| Parameter | Unit | Value | Comment |
|----------------------------------|------|--|---|
| DCH parameters | | DL and UL Reference Measurement Channel 12.2 kbps | As specified in C.3.1 and C.2.1 |
| Power Control | | On | |
| Active cell | | Cell 1 | |
| Reporting range | dB | 3 | Applicable for event 1A and 1B |
| Hysteresis | dB | 0 | |
| W | | 1 | Applicable for event 1A and 1B |
| Reporting deactivation threshold | | 0 | Applicable for event 1A |
| Time to Trigger | Ms | 0 | |
| Filter coefficient | | 0 | |
| Monitored cell list size | | 32 | NOTE: See Annex I for cell information. |
| T1 | S | 10 | |
| T2 | S | 10 | |
| T3 | S | 10 | |
| T4 | S | 10 | |

Table 8.6.1.3A.3: Cell specific test parameters for Event triggered reporting of two detectable neighbours in AWGN propagation condition

| Parameter | Unit | Cell 1 | | | | Cell 2 | | | | Cell3 | | | |
|--|------------------|--------|-------|-------|-------|--------|-------|-------|-------|--------|-------|-------|-------|
| | | T1 | T2 | T3 | T4 | T1 | T2 | T3 | T4 | T1 | T2 | T3 | T4 |
| CPICH_Ec/lor | dB | | -10 | | | | -10 | | | | -10 | | |
| PCCPCH_Ec/lor | dB | | -12 | | | | -12 | | | | -12 | | |
| SCH_Ec/lor | dB | | -12 | | | | -12 | | | | -12 | | |
| PICH_Ec/lor | dB | | -15 | | | | -15 | | | | -15 | | |
| DPCH_Ec/lor | dB | Note 1 | | | | N/A | | | | N/A | | | |
| OCNS_Ec/lor | dB | Note 2 | | | | -0.941 | | | | -0.941 | | | |
| \hat{I}_{or}/I_{oc} | dB | 14.55 | 28.51 | 14.45 | 28.51 | -Inf | 27.51 | 13.95 | 21.51 | 8.05 | 21.51 | 13.95 | 27.51 |
| \hat{I}_{or} (Note 3) | dBm | - | - | - | - | -Inf | - | - | - | - | - | - | - |
| | | 70.45 | 56.49 | 70.55 | 56.49 | -Inf | 57.49 | 71.05 | 63.49 | 76.95 | 63.49 | 71.05 | 57.49 |
| I_{oc} | dBm/3.8 4 MHz | -85 | | | | | | | | | | | |
| CPICH_Ec/lo | dB | -11 | -13 | -14.5 | -13 | -Inf | -14.0 | -15 | -20 | -17.5 | -20 | -15 | -14 |
| Propagation Condition | | AWGN | | | | | | | | | | | |
| NOTE 1: The DPCH level is controlled by the power control loop | | | | | | | | | | | | | |
| NOTE 2: The power of the OCNS channel that is added shall make the total power from the cell to be equal to I_{or} . | | | | | | | | | | | | | |
| NOTE 3: The nominal I_{or} values, although not explicitly defined in 25.133 [2] are added here since they are implied and need to be identified so that the test equipment can be configured. | | | | | | | | | | | | | |

8.6.1.3A.4.2 Procedure

- 1) The RF parameters are set up according to T0 in table 8.6.1.3A.4.
- 2) The UE is switched on.
- 3) A call is set up according to the test procedure specified in TS 34.108 [3] sub clause 7.3.2. The scrambling code is set to Cell2 and Cell3.
- 4) SS shall transmit a MEASUREMENT CONTROL message. T0 starts.
- 5) After 10 seconds from the beginning T0, the SS shall switch the power settings from T0 to T1 in 8.6.1.3A.5.
- 6) After a total of 10 seconds from the beginning of T1, the SS shall switch the power settings from T1 to T2.
- 7) UE shall transmit a MEASUREMENT REPORT message for Cell 2 triggered by event 1A. The measurement reporting delay from the beginning of T2 shall be less than 880 ms. If the UE fails to report the event within the required delay, then the counter event1A_failure is increased by one. If the reporting delay for this event is within the required limit, the counter event1A_success is increased by one.

- 8) After 10 seconds from the beginning T2, the SS shall switch the power settings from T2 to T3.
- 9) UE shall transmit a MEASUREMENT REPORT message for Cell 3 triggered by event 1A. The measurement reporting delay from the beginning of T3 shall be less than 280 ms. If the UE fails to report the event within the required delay, then the counter event1A_failure is increased by one. If the reporting delay for this event is within the required limit, counter event1A_success is increased by one.
- 10) After 10 seconds from the beginning T3, the SS shall switch the power settings from T3 to T4.
- 11) UE shall transmit a MEASUREMENT REPORT message for Cell 2 triggered by event 1B. The measurement reporting delay from the beginning of T4 shall be less than 280 ms. If the UE fails to report the event within the required delay, then the counter event1B_failure is increased by one. If the reporting delay for this event is within the required limit, the counter event1B_success is increased by one.
- 12) After the SS receive the MEASUREMENT REPORT message in step 11) or 10 seconds after the beginning of T4, the SS shall transmit a RRC Connection Release message to make the UE to transit to idle mode.
- 13) SS shall set the new primary code group and primary code on Cell2 and Cell3. Three different primary code groups and primary codes according to Annex I are used to turn on Cell2 and Cell3. Previous timing information of Cell 2 and Cell3 are invalid in the UE. The RF parameters are set up according to T0.
- 14) Repeat steps 3-13 used with three different primary code groups and primary codes on Cell2 and Cell3 until the confidence level according to annex F.6.2 is achieved. If one counter reaches the pass criterion, this counter is stopped and the remaining counters are continued. For the overall outcome of the test to be considered a pass, the counters for 1A events and for 1B events shall independently indicate a pass result. The test is stopped immediately and the test is considered to be a fail, if any counter reaches an early fail criterion.

Specific Message Contents

All messages indicated above shall use the same content as described in the default message content in clause 9 of 34.108 [3], with the following exceptions:

MEASUREMENT CONTROL message:

| Information Element/Group name | Value/Remark |
|---|---|
| Message Type (10.2.17) | |
| UE information elements | |
| -RRC transaction identifier | 0 |
| -Integrity check info | |
| -message authentication code | SS calculates the value of MAC-I for this message and writes to this IE. The first/leftmost bit of the bit string contains the most significant bit of the MAC-I. |
| -RRC message sequence number | SS provides the value of this IE, from its internal counter. |
| Measurement Information elements | |
| -Measurement Identity | 1 |
| -Measurement Command (10.3.7.46) | Modify |
| -Measurement Reporting Mode (10.3.7.49) | AM RLC |
| -Measurement Report Transfer Mode | Event trigger |
| -Periodical Reporting / Event Trigger Reporting Mode | Not Present |
| -Additional measurements list (10.3.7.1) | |
| -CHOICE Measurement type | Intra-frequency measurement |
| -Intra-frequency measurement (10.3.7.36) | |
| -Intra-frequency measurement objects list (10.3.7.33) | Not Present |
| -Intra-frequency measurement quantity (10.3.7.38) | |
| -Filter coefficient (10.3.7.9) | 0 |
| -CHOICE mode | FDD |
| -Measurement quantity | CPICH_Ec/N0 |
| -Intra-frequency reporting quantity (10.3.7.41) | |
| -Reporting quantities for active set cells (10.3.7.5) | TRUE (Note 1) |
| -Cell synchronisation information reporting indicator | TRUE |
| -Cell Identity reporting indicator | FDD |
| -CHOICE mode | TRUE |
| -CPICH Ec/N0 reporting indicator | TRUE |
| -CPICH RSCP reporting indicator | TRUE |
| -Pathloss reporting indicator | FALSE |

| Information Element/Group name | Value/Remark |
|--|--|
| -Reporting quantities for monitored set cells (10.3.7.5) -Cell synchronisation information reporting indicator -Cell Identity reporting indicator -CHOICE mode -CPICH Ec/N0 reporting indicator -CPICH RSCP reporting indicator -Pathloss reporting indicator | TRUE (Note 1) TRUE FDD TRUE TRUE FALSE |
| -Reporting quantities for detected set cells (10.3.7.5) | Not Present |
| -Reporting cell status (10.3.7.61) -Measurement validity (10.3.7.51) -CHOICE report criteria -Intra-frequency measurement reporting criteria (10.3.7.39) -Parameters required for each event | Not Present Not Present Intra-frequency measurement reporting criteria 2 |
| -Intra-frequency event identity -Triggering condition 2 -Reporting Range Constant -Cells forbidden to affect Reporting Range -W -Hysteresis -Threshold used frequency -Reporting deactivation threshold -Replacement activation threshold -Time to trigger -Amount of reporting -Reporting interval -Reporting cell status - CHOICE reported cell - Maximum number of reported cells | Event 1A Monitored set cells 3 dB Not Present 1.0 0 dB Not Present 0 Not Present 0 ms Infinity 0 ms (Note 2) Report cell within active set and/or monitored set cells on used frequency 3 |
| -Intra-frequency event identity -Triggering condition 1 -Reporting Range Constant -Cells forbidden to affect Reporting Range -W -Hysteresis -Threshold used frequency -Reporting deactivation threshold -Replacement activation threshold -Time to trigger -Amount of reporting -Reporting interval -Reporting cell status - CHOICE reported cell - Maximum number of reported cells | Event 1B Active set cells and monitored set cells 3 dB Not Present 1.0 0 dB Not Present Not Present Not Present 0 ms Not Present Not Present Report cell within active set and/or monitored set cells on used frequency 3 |
| Physical channel information elements -DPCH compressed mode status info (10.3.6.34) | Not Present |
| NOTE 1: The SFN-CFN observed time difference is calculated from the OFF and Tm parameters contained in the IE "Cell synchronisation information", TS 25.331, clause 10.3.7.6. According to TS 25.331, 8.6.7.7, this IE is included in MEASUREMENT REPORT if IE "Cell synchronisation information reporting indicator" in IE "Cell reporting quantities" TS 25.331, clause 10.3.7.5 is set to TRUE in MEASUREMENT CONTROL. | |
| NOTE 2: Reporting interval = 0 ms means no periodical reporting. | |

MEASUREMENT REPORT message for Intra frequency test cases

This message is common for all intra frequency test cases is described in Annex I.

8.6.1.3A.5 Test requirements

For the test to pass, the total number of successful tests shall be at least 90% of the cases with a confidence level of 95%. For the overall outcome of the test to be considered a pass, the counters for 1A events and for 1B events shall independently indicate a pass result.

Table 8.6.1.3A.4: Initial test parameters for Event triggered reporting of two detectable neighbours in AWGN propagation condition

| Parameter | Unit | Cell 1 | Cell 2 | Cell3 |
|--------------------------------|--------------|--------|--------|--------|
| | | T0 | T0 | T0 |
| CPICH_Ec/lor | dB | -9.60 | -9.60 | -9.60 |
| PCCPCH_Ec/lor | dB | -11.60 | -11.60 | -11.60 |
| SCH_Ec/lor | dB | -11.60 | -11.60 | -11.60 |
| PICH_Ec/lor | dB | -14.60 | -14.60 | -14.60 |
| DPCH_Ec/lor | dB | Note 1 | N/A | N/A |
| OCNS_Ec/lor | dB | Note 2 | -1.04 | -1.04 |
| \hat{I}_{or}/I_{oc} (Note 3) | dB | 5.90 | -Inf | -Inf |
| \hat{I}_{or} | dBm | -79.10 | -Inf | -Inf |
| I_{oc} | dBm/3.84 MHz | -85 | | |
| CPICH_Ec/lo (Note 3) | dB | -10.59 | -Inf | -Inf |
| Propagation Condition | | AWGN | | |

NOTE 1: The DPCH level is controlled by the power control loop
NOTE 2: The power of the OCNS channel that is added shall make the total power from the cell to be equal to I_{or} .
NOTE 3: These parameters are not directly settable, but are derived by calculation from the settable parameters.

Table 8.6.1.3A.5: Test parameters for Event triggered reporting of two detectable neighbours in AWGN propagation condition

| Parameter | Unit | Cell 1 | | | | Cell 2 | | | | Cell3 | | | |
|--------------------------------|--------------|--------|-------|-------|-------|--------|-------|-------|-------|--------|-------|-------|-------|
| | | T1 | T2 | T3 | T4 | T1 | T2 | T3 | T4 | T1 | T2 | T3 | T4 |
| CPICH_Ec/lor | dB | -9.60 | | | | -9.60 | | | | -9.60 | | | |
| PCCPCH_Ec/lor | dB | -11.60 | | | | -11.60 | | | | -11.60 | | | |
| SCH_Ec/lor | dB | -11.60 | | | | -11.60 | | | | -11.60 | | | |
| PICH_Ec/lor | dB | -14.60 | | | | -14.60 | | | | -14.60 | | | |
| DPCH_Ec/lor | dB | Note 1 | | | | N/A | | | | N/A | | | |
| OCNS_Ec/lor | dB | Note 2 | | | | -1.04 | | | | -1.04 | | | |
| \hat{I}_{or}/I_{oc} (Note 3) | dB | 14.60 | 28.50 | 14.50 | 28.50 | -Inf | 27.50 | 14.0 | 21.50 | 8.10 | 21.50 | 14.0 | 27.50 |
| \hat{I}_{or} | dBm | - | - | - | - | -Inf | - | - | - | - | - | - | - |
| I_{oc} | dBm/3.84 MHz | -85 | | | | | | | | | | | |
| CPICH_Ec/lo (Note 3) | dB | - | - | - | - | -Inf | - | - | - | - | - | - | - |
| | | 10.60 | 12.60 | 14.10 | 12.60 | -Inf | 13.60 | 14.60 | 19.60 | 17.10 | 19.60 | 14.60 | 13.60 |
| Propagation Condition | | AWGN | | | | | | | | | | | |

NOTE 1: The DPCH level is controlled by the power control loop.
NOTE 2: The power of the OCNS channel that is added shall make the total power from the cell to be equal to I_{or} .
NOTE 3: These parameters are not directly settable, but are derived by calculation from the settable parameters.

NOTE: If the above Test Requirement differs from the Minimum Requirement then the Test Tolerance applied for this test is non-zero. The Test Tolerance for this test is defined in clause F.2 and the explanation of how the Minimum Requirement has been relaxed by the Test Tolerance is given in clause F.4.

8.6.1.4 Void

8.6.1.4A Correct reporting of neighbours in fading propagation condition (Rel-4 and later)

8.6.1.4A.1 Definition and applicability

In the event triggered reporting period the measurement reporting delay is defined as the time between any event that will trigger a measurement report until the UE starts to transmit over the Uu interface. This requirement assumes that the measurement report is not delayed by other RRC signalling on the DCCH. This measurement reporting delay excludes a delay uncertainty resulted when inserting the measurement report to the TTI of the uplink DCCH. The delay uncertainty is twice the TTI of the uplink DCCH.

The requirements of this test apply to the Release 4 and later FDD UE.

8.6.1.4A.2 Minimum requirements

The requirements are the same as in sub clause 8.6.1.1A.2.

The normative reference for these requirements is TS 25.133 [2] clauses 8.1.2.2 and A.8.1.4.

8.6.1.4A.3 Test purpose

To verify that the UE meets the minimum requirements and also verify that the UE performs sufficient layer 1 filtering of the measurements. The test is performed in fading propagation conditions.

NOTE : The test case covers only the continuous uplink DPCCH transmission scenario. Hence the test case is effectively the same for all UE releases.

8.6.1.4A.4 Method of test

8.6.1.4A.4.1 Initial conditions

Test environment: normal; see clauses G.2.1 and G.2.2.

Frequencies to be tested: mid range; see clause G.2.4.

The test parameters are given in table 8.6.1.4A.1 and 8.6.1.4A.2. In the measurement control information it is indicated to the UE that event-triggered reporting with Event 1A and Event 1B shall be used. The test consists of two successive time periods, each with time duration of T1 and T2 respectively.

The TTI of the uplink DCCCH shall be 20ms.

Table 8.6.1.4A.1: General test parameters for correct reporting of neighbours in fading propagation condition

| Parameter | Unit | Value | Comment |
|----------------------------------|------|---|--|
| DCH parameters | | DL and UL Reference Measurement Channel 12.2 kbps | As specified in C.3.1 and C.2.1 |
| Power Control | | On | |
| Active cell | | Cell 1 | |
| Reporting range | dB | 0 | Applicable for event 1A and 1B |
| Hysteresis | dB | 0 | |
| W | | 1 | Applicable for event 1A and 1B |
| Reporting deactivation threshold | | 0 | Applicable for event 1A |
| Time to Trigger | ms | 120 | |
| Filter coefficient | | 0 | |
| Monitored cell list size | | 24 | Signalled before time T1. NOTE: See Annex I for cell information. |
| T1 | s | 200 | |
| T2 | s | 201 | |

Table 8.6.1.4A.2: Cell specific test parameters for correct reporting of neighbours in fading propagation condition

| Parameter | Unit | Cell 1 | | Cell 2 | |
|---|--------------------------------------|--------|--------|--------|--------|
| | | T1 | T2 | T1 | T2 |
| CPICH_Ec/Ior | dB | -10 | | -10 | |
| PCCPCH_Ec/Ior | dB | -12 | | -12 | |
| SCH_Ec/Ior | dB | -12 | | -12 | |
| PICH_Ec/Ior | dB | -15 | | -15 | |
| DPCH_Ec/Ior | dB | Note 1 | | N/A | |
| OCNS_Ec/Ior | dB | Note 2 | | -0.941 | |
| \hat{I}_{or}/I_{oc} | dB | 7.29 | 3.29 | 3.29 | 7.29 |
| \hat{I}_{or} (Note 3) | dBm | -62.71 | -66.71 | -66.71 | -62.71 |
| I_{oc} | dBm/3.84 MHz | -70 | | | |
| CPICH_Ec/Io | dB | -12 | -16 | -16 | -12 |
| Propagation Condition | Case 5 as specified in table D.2.2.1 | | | | |
| NOTE 1: The DPCH level is controlled by the power control loop. | | | | | |
| NOTE 2: The power of the OCNS channel that is added shall make the total power from the cell to be equal to I_{or} . | | | | | |
| NOTE 3: The nominal Ior values, although not explicitly defined in 25.133 [2] are added here since they are implied and need to be identified so that the test equipment can be configured. | | | | | |

8.6.1.4A.4.2 Procedure

- 1) The RF parameters are set up according to T1.
- 2) The UE is switched on.
- 3) A call is set up in AWGN conditions, according to the test procedure specified in TS 34.108 [3] sub clause 7.3.2. The scrambling code is set to Cell2.
- 4) SS shall transmit a MEASUREMENT CONTROL message.
- 5) 5 seconds after step4 has completed, the fading simulator is switched on, configured with the settings in table 8.6.1.4A.3 at the beginning of T1.
- 6) UE may start to transmit MEASUREMENT REPORT messages triggered by event 1A.
- 7) SS shall count the reports. The number of received event 1A reports shall be less than 60. If the SS receives 60 or greater event 1A reports, then a failure is recorded. If the SS receives number of event 1A reports within the required limit, the number of successful tests is increased by one.
- 8) After 200 seconds from the beginning of T1, the SS shall switch the power settings from T1 to T2.
- 9) UE may start to transmit MEASUREMENT REPORT messages triggered by event 1B.
- 10) During the first 1s of time period T2 no event reports shall be counted.
- 11) After the first 1s SS shall start counting the reports. The number of received event 1B reports shall be less than 60. If the SS receives number of event 1B reports within the required limit, the number of successful tests is increased by one.
- 12) After 201 seconds from the beginning of T2, the SS shall transmits a RRC Connection Release message to make the UE to transit to idle mode.
- 13) SS shall sets the different previous primary code group and primary code on Cell2. Three different primary code groups and primary codes according to Annex I are used to turn on Cell2. Previous timing information of cell 2 is invalid in the UE. The RF parameters are set up according to T1.
- 14) Repeat steps 3-13 until the confidence level according to annex F.6.2 is achieved.

Specific Message Contents

All messages indicated above shall use the same content as described in the default message content in clause 9 of 34.108 [3], with the following exceptions:

MEASUREMENT CONTROL message:

| Information Element/Group name | Value/Remark |
|--|---|
| Message Type (10.2.17) | |
| UE information elements -RRC transaction identifier -Integrity check info | 0 |
| -message authentication code -RRC message sequence number | SS calculates the value of MAC-I for this message and writes to this IE. The first/leftmost bit of the bit string contains the most significant bit of the MAC-I. SS provides the value of this IE, from its internal counter. |
| Measurement Information elements -Measurement Identity -Measurement Command (10.3.7.46) -Measurement Reporting Mode (10.3.7.49) -Measurement Report Transfer Mode -Periodical Reporting / Event Trigger Reporting Mode -Additional measurements list (10.3.7.1) | 1 Modify AM RLC Event trigger Not Present |
| -CHOICE Measurement type -Intra-frequency measurement (10.3.7.36) -Intra-frequency measurement objects list (10.3.7.33) -Intra-frequency measurement quantity (10.3.7.38) -Filter coefficient (10.3.7.9) -CHOICE mode -Measurement quantity -Intra-frequency reporting quantity (10.3.7.41) | Intra-frequency measurement Not Present 0 FDD CPICH_Ec/N0 |
| -Reporting quantities for active set cells (10.3.7.5) -Cell synchronisation information reporting indicator -Cell Identity reporting indicator -CHOICE mode -CPICH Ec/N0 reporting indicator -CPICH RSCP reporting indicator -Pathloss reporting indicator | TRUE (Note 1) TRUE FDD TRUE TRUE FALSE |
| -Reporting quantities for monitored set cells (10.3.7.5) -Cell synchronisation information reporting indicator -Cell Identity reporting indicator -CHOICE mode -CPICH Ec/N0 reporting indicator -CPICH RSCP reporting indicator -Pathloss reporting indicator | TRUE (Note 1) TRUE FDD TRUE TRUE FALSE |
| -Reporting quantities for detected set cells (10.3.7.5) | Not Present |
| -Reporting cell status (10.3.7.61) -Measurement validity (10.3.7.51) -CHOICE report criteria -Intra-frequency measurement reporting criteria (10.3.7.39) -Parameters required for each event | Not Present Not Present Intra-frequency measurement reporting criteria 2 |

| Information Element/Group name | Value/Remark |
|--|--|
| -Intra-frequency event identity -Triggering condition 2 -Reporting Range Constant -Cells forbidden to affect Reporting Range -W -Hysteresis -Threshold used frequency -Reporting deactivation threshold -Replacement activation threshold -Time to trigger -Amount of reporting -Reporting interval -Reporting cell status - CHOICE reported cell - Maximum number of reported cells | Event 1A Active set cells and monitored set cells 0 dB Not Present 1.0 0 dB Not Present 0 Not Present 120 ms Infinity 0 ms (Note 2) Report cell within active set and/or monitored set cells on used frequency 3 |
| -Intra-frequency event identity -Triggering condition 1 -Reporting Range Constant -Cells forbidden to affect Reporting Range -W -Hysteresis -Threshold used frequency -Reporting deactivation threshold -Replacement activation threshold -Time to trigger -Amount of reporting -Reporting interval -Reporting cell status - CHOICE reported cell - Maximum number of reported cells | Event 1B Active set cells and monitored set cells 0 dB Not Present 1.0 0 dB Not Present Not Present Not Present 120 ms Not Present Not Present Report cell within active set and/or monitored set cells on used frequency 3 |
| Physical channel information elements -DPCH compressed mode status info (10.3.6.34) | Not Present |
| NOTE 1: The SFN-CFN observed time difference is calculated from the OFF and Tm parameters contained in the IE "Cell synchronisation information", TS 25.331, clause 10.3.7.6. According to TS 25.331, 8.6.7.7, this IE is included in MEASUREMENT REPORT if IE "Cell synchronisation information reporting indicator" in IE "Cell reporting quantities" TS 25.331, clause 10.3.7.5 is set to TRUE in MEASUREMENT CONTROL. | |
| NOTE 2: Reporting interval = 0 ms means no periodical reporting | |

MEASUREMENT REPORT message for Intra frequency test cases

This message is common for all intra frequency test cases is described in Annex I.

8.6.1.4A.5 Test requirements

For the test to pass, the total number of successful tests shall be at least 90% of the cases with a confidence level of 95%. The number of successful tests shall be on an event level, i.e. the SS shall check every time first if the number of the event 1A events is within the required limit, and then, check if the number of the event 1B events is within the required limit.

Table 8.6.1.4A.3: Test requirements for correct reporting of neighbours in fading propagation condition

| Parameter | Unit | Cell 1 | | Cell 2 | |
|--|--------------------------------------|--------|--------|--------|--------|
| | | T1 | T2 | T1 | T2 |
| CPICH_Ec/I _{or} | dB | -9.30 | -9.70 | -9.70 | -9.30 |
| PCCPCH_Ec/I _{or} | dB | -11.30 | -11.70 | -11.70 | -11.30 |
| SCH_Ec/I _{or} | dB | -11.30 | -11.70 | -11.70 | -11.30 |
| PICH_Ec/I _{or} | dB | -14.30 | -14.70 | -14.70 | -14.30 |
| DPCH_Ec/I _{or} | dB | Note 1 | Note 1 | N/A | |
| OCNS_Ec/I _{or} | dB | Note 2 | Note 2 | -1.02 | -1.13 |
| \hat{I}_{or}/I_{oc} (Note 3) | dB | 7.30 | 3.30 | 3.30 | 7.30 |
| \hat{I}_{or} | dBm | -62.70 | -66.70 | -66.70 | -62.70 |
| I_{oc} | dBm/3.84 MHz | -70 | | | |
| CPICH_Ec/I _o (Note 3) | dB | -11.30 | -15.70 | -15.70 | -11.30 |
| Propagation Condition | Case 5 as specified in table D.2.2.1 | | | | |
| NOTE 1: The DPCH level is controlled by the power control loop. | | | | | |
| NOTE 2: The power of the OCNS channel that is added shall make the total power from the cell to be equal to \hat{I}_{or} . | | | | | |
| NOTE 3: These parameters are not directly settable, but are derived by calculation from the settable parameters. | | | | | |

NOTE: If the above Test Requirement differs from the Minimum Requirement then the Test Tolerance applied for this test is non-zero. The Test Tolerance for this test is defined in clause F.2 and the explanation of how the Minimum Requirement has been relaxed by the Test Tolerance is given in clause F.4.

8.6.1.5 Event triggered reporting of multiple neighbour cells in Case 1 fading condition

8.6.1.5.1 Definition and applicability

In the event triggered reporting period the measurement reporting delay is defined as the time between any event that will trigger a measurement report until the UE starts to transmit over the Uu interface. This requirement assumes that the measurement report is not delayed by other RRC signalling on the DCCH. This measurement reporting delay excludes a delay uncertainty resulted when inserting the measurement report to the TTI of the uplink DCCH. The delay uncertainty is twice the TTI of the uplink DCCH.

The requirements of this test apply to the Release 5 and later FDD UE.

8.6.1.5.2 Minimum requirements

The requirements are the same as in sub clause 8.6.1.1A.2.

The normative reference for these requirements is TS 25.133 [2] clauses 8.1.2.2 and A.8.1.5.

8.6.1.5.3 Test purpose

To verify that the UE meets the minimum requirements. The test is performed in Case 1 fading propagation conditions.

NOTE : The test case covers only the continuous uplink DPCCCH transmission scenario. Hence the test case is effectively the same for all UE releases.

8.6.1.5.4 Method of test

8.6.1.5.4.1 Initial conditions

Test environment: normal; see clauses G.2.1 and G.2.2.

Frequencies to be tested: mid range; see clause G.2.4.

The test parameters are given in table 8.6.1.5.1 and 8.6.1.5.2. In the measurement control information it is indicated to the UE that event-triggered reporting with Event 1A shall be used and "CFN-SFN-Observed Time Difference" shall be reported. The test consists of two successive time periods, each with time duration of T1 and T2 respectively. During time duration T1, the UE shall not have any timing information of invisible cells.

Table 8.6.1.5.1: General test parameters for event triggered reporting in multi-cell pedestrian fading propagation condition

| Parameter | Unit | Value | Comment |
|--------------------------|------|--|---|
| DCH parameters | | DL Reference Measurement Channel 12.2 kbps | As specified in TS 25.101 section A.3.1 |
| Power Control | | On | |
| Active cells | | Cell2, Cell3, Cell4 | |
| Hysteresis | dB | 0 | Applicable for event 1A |
| Time to Trigger | ms | 0 | Applicable for event 1A |
| Filter coefficient | | 0 | Applicable for event 1A |
| Reporting range R_{1a} | dB | 9 | Applicable for event 1A |
| W | | 0 | Applicable for event 1A |
| TriggeringCondition | | activeSetAndMonitoredSetCells | Applicable for event 1A |
| Monitored cell list size | | 32 | |
| T1 | s | 5 | |
| T2 | s | 5 | |

Table 8.6.1.5.2: Cell specific test parameters for event triggered reporting in multi-cell pedestrian fading propagation condition

| Parameter | Unit | Cell 1 | | Cell 2 | | Cell 3 | | Cell 4 | |
|---|--------------|--|-------|-----------|-------|-----------|-------|-----------|-------|
| | | T1 | T2 | T1 | T2 | T1 | T2 | T1 | T2 |
| UTRA RF Channel Number | | Channel 1 | | Channel 1 | | Channel 1 | | Channel 1 | |
| CPICH_Ec/lor | dB | -10 | | -10 | | -10 | | -10 | |
| PCCPCH_Ec/lor | dB | -12 | | -12 | | -12 | | -12 | |
| SCH_Ec/lor | dB | -12 | | -12 | | -12 | | -12 | |
| PICH_Ec/lor | dB | -15 | | -15 | | -15 | | -15 | |
| DPCH_Ec/lor | dB | n.a. | | Note 1 | | Note 1 | | Note 1 | |
| OCNS_Ec/lor | dB | -0.941 | | Note 2 | | Note 2 | | Note 2 | |
| \hat{I}_{or}/I_{oc} | dB | $-\infty$ | 1.3 | 4.3 | 1.3 | 4.3 | 1.3 | 1.3 | 4.3 |
| I_{oc} | dBm/3.84 MHz | -70 | | | | | | | |
| Propagation Condition | | Case 1 (3km/h) as specified in table D.2.2.1 | | | | | | | |
| CPICH_Ec/lo | dB | $-\infty$ | -17.6 | -14.6 | -17.6 | -14.6 | -17.6 | -17.6 | -14.6 |
| $\frac{SCH - \hat{E}_{c,maxpath}}{I_o}$ | dB | $-\infty$ | -20.0 | -17.0 | -20.0 | -17.0 | -20.0 | -20.0 | -17.0 |
| NOTE 1: The DPCH level is controlled by the power control loop. | | | | | | | | | |
| NOTE 2: The power of the OCNS channel that is added shall make the total power equal to I_{or} . | | | | | | | | | |
| NOTE 3: CPICH_Ec/lo and SCH_Ec_maxpath/lo levels have been calculated from other parameters for information purposes. They are not settable themselves. | | | | | | | | | |

8.6.1.5.4.2 Procedure

- 1) The RF parameters are set up according to T1 in table 8.6.1.5.1.
- 2) The UE is switched on.
- 3) A call is set up with Cell 2 in AWGN conditions, according to the test procedure specified in TS 34.108 [3] sub clause 7.3.2. The scrambling codes are set to Cell1.
- 4) SS shall transmit a MEASUREMENT CONTROL message.
- 5) The fading simulator is switched on, configured with the settings in table 8.6.1.5.3.

- 6) The SS shall send an Active Set Update command with activation time "start of T1" adding cell 3 to the active set. The Active Set Update message shall be sent to the UE so that the whole message is available at the UE at least the RRC procedure delay prior to the beginning of T1.
- 7) The SS shall send an Active Set Update command with activation time "start of T1" adding cell 4 to the active set. The Active Set Update message shall be sent to the UE so that the whole message is available at the UE at least the RRC procedure delay prior to the beginning of T1. T1 starts.
- 8) After 5 seconds from the beginning of T1, the SS shall switch the power settings from T1 to T2 according to the parameters defined in table 8.6.1.5.3.
- 9) UE shall transmit a MEASUREMENT REPORT message for Cell 1 triggered by event 1A containing the CFN-SFN observe time difference between cell 1 and cell 2. The measurement reporting delay from the beginning of T2 shall be less than 880 ms. If the UE fails to report the event within the required delay, then the counter event1A_failure is increased by one. If the reporting delay for this event is within the required limit, the counter event1A_success is increased by one.
- 10) After the SS receives the MEASUREMENT REPORT message in step 9) or 5 seconds after the beginning of T2, the SS shall transmit a RRC Connection Release message to make the UE to transit to idle mode.
- 11) SS shall set the new primary code group and primary code on Cell 1. Three different primary code groups and primary codes according to Annex I are used to turn on Cell 1. Previous timing information of cell 1 is invalid in the UE. The RF parameters are set up according to T1 in table 8.6.1.5.3.
- 12) Repeat steps 3-11 according to Annex F.6.2 is achieved. If one counter reaches the pass criterion, this counter is stopped and the remaining counters are continued. For the overall outcome of the test to be considered a pass, the counters for 1A events shall independently indicate a pass result. The test is stopped immediately and the test is considered to be a fail, if any counter reaches an early fail criterion.

Specific Message Contents

All messages indicated above shall use the same content as described in the default message content in clause 9 of 34.108 [3], with the following exceptions:

MEASUREMENT CONTROL message:

| Information Element/Group name | Value/Remark |
|---|---|
| Message Type (10.2.17) | |
| UE information elements | |
| -RRC transaction identifier | 0 |
| -Integrity check info | |
| -message authentication code | SS calculates the value of MAC-I for this message and writes to this IE. The first/leftmost bit of the bit string contains the most significant bit of the MAC-I. |
| -RRC message sequence number | SS provides the value of this IE, from its internal counter. |
| Measurement Information elements | |
| -Measurement Identity | 1 |
| -Measurement Command (10.3.7.46) | Modify |
| -Measurement Reporting Mode (10.3.7.49) | AM RLC |
| -Measurement Report Transfer Mode | Event trigger |
| -Periodical Reporting / Event Trigger Reporting Mode | Not Present |
| -Additional measurements list (10.3.7.1) | |
| -CHOICE Measurement type | Intra-frequency measurement |
| -Intra-frequency measurement (10.3.7.36) | |
| -Intra-frequency measurement objects list (10.3.7.33) | Not Present |
| -Intra-frequency measurement quantity (10.3.7.38) | |
| -Filter coefficient (10.3.7.9) | 0 |
| -CHOICE mode | FDD |
| -Measurement quantity | CPICH_Ec/N0 |
| -Intra-frequency reporting quantity (10.3.7.41) | |

| Information Element/Group name | Value/Remark |
|--|--|
| -Reporting quantities for active set cells (10.3.7.5) -Cell synchronisation information reporting indicator -Cell Identity reporting indicator -CHOICE mode -CPICH Ec/N0 reporting indicator -CPICH RSCP reporting indicator -Pathloss reporting indicator | TRUE (Note 1) TRUE FDD TRUE TRUE FALSE |
| -Reporting quantities for monitored set cells (10.3.7.5) -Cell synchronisation information reporting indicator -Cell Identity reporting indicator -CHOICE mode -CPICH Ec/N0 reporting indicator -CPICH RSCP reporting indicator -Pathloss reporting indicator | TRUE (Note 1) TRUE FDD TRUE TRUE FALSE |
| -Reporting quantities for detected set cells (10.3.7.5) | Not Present |
| -Reporting cell status (10.3.7.61) -Measurement validity (10.3.7.51) -CHOICE report criteria -Intra-frequency measurement reporting criteria (10.3.7.39) -Parameters required for each event | Not Present Not Present Intra-frequency measurement reporting criteria 1 |
| -Intra-frequency event identity -Triggering condition 1 -Reporting Range Constant -Cells forbidden to affect Reporting Range -W -Hysteresis -Threshold used frequency -Reporting deactivation threshold -Replacement activation threshold -Time to trigger -Amount of reporting -Reporting interval -Reporting cell status - CHOICE reported cell - Maximum number of reported cells | Event 1A Active set cells and monitored set cells 9 dB Not Present 0 0 dB Not Present Not Present Not Present 0 ms Infinity 0 ms (Note 2) Report cell within active set and/or monitored set cells on used frequency 3 |
| Physical channel information elements -DPCH compressed mode status info (10.3.6.34) | Not Present |
| NOTE 1: The SFN-CFN observed time difference is calculated from the OFF and Tm parameters contained in the IE "Cell synchronisation information", TS 25.331, clause 10.3.7.6. According to TS 25.331, 8.6.7.7, this IE is included in MEASUREMENT REPORT if IE "Cell synchronisation information reporting indicator" in IE "Cell reporting quantities" TS 25.331, clause 10.3.7.5 is set to TRUE in MEASUREMENT CONTROL. | |
| NOTE 2: Reporting interval = 0 ms means no periodical reporting | |

MEASUREMENT REPORT message for Intra frequency test cases

This message is common for all intra frequency test cases is described in Annex I.

8.6.1.5.5 Test requirements

For the test to pass, the total number of successful tests shall be at least 90% of the cases with a confidence level of 95%. For the overall outcome of the test to be considered a pass, the counters for Event 1A shall independently indicate a pass result.

Table 8.6.1.5.3: Test requirements for Cell specific test parameters for event triggered reporting in multi-cell pedestrian fading propagation condition

| Parameter | Unit | Cell 1 | | Cell 2 | | Cell 3 | | Cell 4 | |
|---|--------------|--|-------|-----------|-------|-----------|-------|-----------|-------|
| | | T1 | T2 | T1 | T2 | T1 | T2 | T1 | T2 |
| UTRA RF Channel Number | | Channel 1 | | Channel 1 | | Channel 1 | | Channel 1 | |
| CPICH_Ec/Ior | dB | -9.3 | | -9.3 | | -9.3 | | -9.3 | |
| PCCPCH_Ec/Ior | dB | -11.3 | | -11.3 | | -11.3 | | -11.3 | |
| SCH_Ec/Ior | dB | -11.3 | | -11.3 | | -11.3 | | -11.3 | |
| PICH_Ec/Ior | dB | -14.3 | | -14.3 | | -14.3 | | -14.3 | |
| DPCH_Ec/Ior | dB | n.a. | | Note 1 | | Note 1 | | Note 1 | |
| OCNS_Ec/Ior | dB | -1.13 | -1.19 | Note 2 | | Note 2 | | Note 2 | |
| \hat{I}_{or}/I_{oc} | dB | $-\infty$ | 1.2 | 4.2 | 1.2 | 4.2 | 1.2 | 1.2 | 4.2 |
| I_{oc} | dBm/3.84 MHz | -70 | | | | | | | |
| Propagation Condition | | Case 1 (3km/h) as specified in table D.2.2.1 | | | | | | | |
| CPICH_Ec/Io | dB | $-\infty$ | -16.9 | -13.9 | -16.9 | -13.9 | -16.9 | -16.9 | -13.9 |
| | dB | $-\infty$ | -19.3 | -16.3 | -19.3 | -16.3 | -19.3 | -19.3 | -16.3 |
| NOTE 1: The DPCH level is controlled by the power control loop. | | | | | | | | | |
| NOTE 2: The power of the OCNS channel that is added shall make the total power equal to I_{or} . | | | | | | | | | |
| NOTE 3: CPICH_Ec/Io and SCH_Ec_maxpath/Io levels have been calculated from other parameters for information purposes. They are not settable themselves. | | | | | | | | | |

NOTE: If the above Test Requirement differs from the Minimum Requirement then the Test Tolerance applied for this test is non-zero. The Test Tolerance for this test is defined in clause F.2 and the explanation of how the Minimum Requirement has been relaxed by the Test Tolerance is given in clause F.4.

8.6.1.6 Event triggered reporting of multiple neighbour cells in Case 3 fading condition

8.6.1.6.1 Definition and applicability

In the event triggered reporting period the measurement reporting delay is defined as the time between any event that will trigger a measurement report until the UE starts to transmit over the Uu interface. This requirement assumes that the measurement report is not delayed by other RRC signalling on the DCCH. This measurement reporting delay excludes a delay uncertainty resulted when inserting the measurement report to the TTI of the uplink DCCH. The delay uncertainty is twice the TTI of the uplink DCCH.

The requirements of this test apply to the Release 5 and later FDD UE.

8.6.1.6.2 Minimum requirements

The requirements are the same as in sub clause 8.6.1.1A.2.

The normative reference for these requirements is TS 25.133 [2] clauses 8.1.2.2 and A.8.1.6.

8.6.1.6.3 Test purpose

To verify that the UE meets the minimum requirements. The test is performed in Case 3 fading propagation conditions.

NOTE : The test case covers only the continuous uplink DPCH transmission scenario. Hence the test case is effectively the same for all UE releases.

8.6.1.6.4 Method of test

8.6.1.6.4.1 Initial conditions

Test environment: normal; see clauses G.2.1 and G.2.2.

Frequencies to be tested: mid range; see clause G.2.4.

The test parameters are given in table 8.6.1.5.1 and 8.6.1.5.2. In the measurement control information it is indicated to the UE that event-triggered reporting with Event 1A and Event 1F shall be used and "CFN-SFN-Observed Time Difference" shall be reported. The test consists of two successive time periods, each with time duration of T1 and T2 respectively. During time duration T1, the UE shall not have any timing information of invisible cells.

Table 8.6.1.6.1: General test parameters for event triggered reporting in multi-cell pedestrian fading propagation condition

| Parameter | Unit | Value | Comment |
|-----------------------------|------|--|---|
| DCH parameters | | DL Reference Measurement Channel 12.2 kbps | As specified in TS 25.101 section A.3.1 |
| Power Control | | On | |
| Active cells | | Cell2, Cell3, Cell4 | |
| Hysteresis | dB | 0 | Applicable for event 1A |
| Time to Trigger | ms | 0 | Applicable for event 1A |
| Filter coefficient | | 0 | Applicable for event 1A and event 1F |
| Reporting range R_{1a} | dB | 8 | Applicable for event 1A |
| W | | 0 | Applicable for event 1A |
| TriggeringCondition | | activeSetAndMonitoredSetCells | Applicable for event 1A |
| Absolute threshold T_{1f} | dB | -20 | Applicable for event 1F |
| Time to Trigger | ms | 0 | Applicable for event 1F |
| TriggeringCondition | | activeSet | Applicable for event 1F |
| Monitored cell list size | | 32 | |
| T1 | s | 5 | |
| T2 | s | 5 | |

Table 8.6.1.6.2: Cell specific test parameters for event triggered reporting in multi-cell pedestrian fading propagation condition

| Parameter | Unit | Cell 1 | | Cell 2 | | Cell 3 | | Cell 4 | |
|--|--------------|------------------|-------|-----------|-------|-----------|-------|-----------|----|
| | | T1 | T2 | T1 | T2 | T1 | T2 | T1 | T2 |
| UTRA RF Channel Number | | Channel 1 | | Channel 1 | | Channel 1 | | Channel 1 | |
| CPICH_Ec/lor | dB | -10 | | -10 | | -10 | | -10 | |
| PCCPCH_Ec/lor | dB | -12 | | -12 | | -12 | | -12 | |
| SCH_Ec/lor | dB | -9.3 | | -9.3 | | -9.3 | | -9.3 | |
| PICH_Ec/lor | dB | -15 | | -15 | | -15 | | -15 | |
| DPCH_Ec/lor | dB | n.a. | | Note 1 | | Note 1 | | Note 1 | |
| OCNS_Ec/lor | dB | Note 2 | | Note 2 | | Note 2 | | Note 2 | |
| \hat{I}_{or}/I_{oc} | dB | -∞ | 1.1 | 3.6 | 4.6 | 3.6 | 4.6 | 6.6 | -∞ |
| I_{oc} | dBm/3.84 MHz | -70 | | | | | | | |
| Propagation Condition | | Case 3 (120km/h) | | | | | | | |
| CPICH_Ec/lo | dB | -∞ | -18.0 | -16.5 | -14.5 | -16.5 | -14.5 | -13.5 | -∞ |
| $\frac{SCH_E_{c,maxpath}}{I_o}$ | dB | -∞ | -20.0 | -18.5 | -16.5 | 18.5 | -16.5 | -15.5 | -∞ |
| NOTE 1: The DPCH level is controlled by the power control loop. NOTE 2: The power of the OCNS channel that is added shall make the total power equal to I_{or} . NOTE 3: CPICH_Ec/lo, SCH_Ec_maxpath/lo, and I_o levels have been calculated from other parameters for information purposes. They are not settable themselves. | | | | | | | | | |

8.6.1.6.4.2 Procedure

- 1) The RF parameters are set up according to T1 in table 8.6.1.6.1.
- 2) The UE is switched on.
- 3) A call is set up with Cell 2 in AWGN conditions, according to the test procedure specified in TS 34.108 [3] sub clause 7.3.2. The scrambling code is set to Cell1.

- 4) SS shall transmit a MEASUREMENT CONTROL message.
- 5) The fading simulator is switched on, configured with the settings in table 8.6.1.6.3.
- 6) The SS shall send an Active Set Update command with activation time "start of T1" adding cell 3 to the active set. The Active Set Update message shall be sent to the UE so that the whole message is available at the UE at least the RRC procedure delay prior to the beginning of T1.
- 7) The SS shall send an Active Set Update command with activation time "start of T1" adding cell 4 to the active set. The Active Set Update message shall be sent to the UE so that the whole message is available at the UE at least the RRC procedure delay prior to the beginning of T1. T1 starts.
- 8) After 5 seconds from the beginning of T1, the SS shall switch the power settings from T1 to T2 according to the parameters defined in table 8.6.1.6.3.
- 9) UE shall transmit a MEASUREMENT REPORT message for Cell 1 triggered by event 1A containing the CFN-SFN observe time difference between cell 1 and cell 2. The measurement reporting delay from the beginning of T2 shall be less than 880 ms. If the UE fails to report the event within the required delay, then the counter event1A_failure is increased by one. If the reporting delay for this event is within the required limit, the counter event1A_success is increased by one.
- 10) During the time period T2, SS shall after the Event 1A triggered measurement is reported send an Active Set Update command with activation time "start of T2" removing cell 4 from the active set. The Active Set Update message shall be sent to the UE so that the whole message is available at the UE at least the RRC procedure delay prior to the beginning of T2.
- 11) UE shall transmit a MEASUREMENT REPORT message for Cell 1 triggered by event 1F containing the CFN-SFN observe time difference between cell 1 and cell 2. The measurement reporting delay from the beginning of T2 shall be less than 880 ms. If the UE fails to report the event within the required delay, then the counter event1F_failure is increased by one. If the reporting delay for this event is within the required limit, the counter event1F_success is increased by one.
- 12) After the SS receives the MEASUREMENT REPORT message in step 11) or 5 seconds after the beginning of T2, the SS shall transmit a RRC Connection Release message to make the UE to transit to idle mode.
- 13) SS shall set the new primary code group and primary code on Cell 1. Three different primary code groups and primary codes according to Annex I are used to turn on Cell 1. Previous timing information of cell 1 is invalid in the UE. The RF parameters are set up according to T1 in table 8.6.1.6.3.
- 14) Repeat steps 3-13 according to Annex F.6.2 is achieved. If one counter reaches the pass criterion, this counter is stopped and the remaining counters are continued. For the overall outcome of the test to be considered a pass, the counters for 1A events and for 1F events shall independently indicate a pass result. The test is stopped immediately and the test is considered to be a fail, if any counter reaches an early fail criterion.

Specific Message Contents

All messages indicated above shall use the same content as described in the default message content in clause 9 of 34.108 [3], with the following exceptions:

MEASUREMENT CONTROL message:

| Information Element/Group name | Value/Remark |
|--|---|
| Message Type (10.2.17) | |
| UE information elements -RRC transaction identifier -Integrity check info | 0 |
| -message authentication code -RRC message sequence number | SS calculates the value of MAC-I for this message and writes to this IE. The first/leftmost bit of the bit string contains the most significant bit of the MAC-I. SS provides the value of this IE, from its internal counter. |
| Measurement Information elements -Measurement Identity -Measurement Command (10.3.7.46) -Measurement Reporting Mode (10.3.7.49) | 1 Modify |

| Information Element/Group name | Value/Remark |
|--|---|
| -Measurement Report Transfer Mode -Periodical Reporting / Event Trigger Reporting Mode -Additional measurements list (10.3.7.1) | AM RLC Event trigger Not Present |
| -CHOICE Measurement type -Intra-frequency measurement (10.3.7.36) -Intra-frequency measurement objects list (10.3.7.33) -Intra-frequency measurement quantity (10.3.7.38) -Filter coefficient (10.3.7.9) -CHOICE mode -Measurement quantity -Intra-frequency reporting quantity (10.3.7.41) | Intra-frequency measurement Not Present 0 FDD CPICH_Ec/N0 |
| -Reporting quantities for active set cells (10.3.7.5) -Cell synchronisation information reporting indicator -Cell Identity reporting indicator -CHOICE mode -CPICH Ec/N0 reporting indicator -CPICH RSCP reporting indicator -Pathloss reporting indicator | TRUE (Note 1) TRUE FDD TRUE TRUE FALSE |
| -Reporting quantities for monitored set cells (10.3.7.5) -Cell synchronisation information reporting indicator -Cell Identity reporting indicator -CHOICE mode -CPICH Ec/N0 reporting indicator -CPICH RSCP reporting indicator -Pathloss reporting indicator | TRUE (Note 1) TRUE FDD TRUE TRUE FALSE |
| -Reporting quantities for detected set cells (10.3.7.5) | Not Present |
| -Reporting cell status (10.3.7.61) -Measurement validity (10.3.7.51) -CHOICE report criteria -Intra-frequency measurement reporting criteria (10.3.7.39) -Parameters required for each event | Not Present Not Present Intra-frequency measurement reporting criteria 2 |
| -Intra-frequency event identity -Triggering condition 2 -Reporting Range Constant -Cells forbidden to affect Reporting Range -W -Hysteresis -Threshold used frequency -Reporting deactivation threshold -Replacement activation threshold -Time to trigger -Amount of reporting -Reporting interval -Reporting cell status - CHOICE reported cell - Maximum number of reported cells | Event 1A Active set cells and monitored set cells 8 dB Not Present 0 0 dB Not Present Not Present Not Present 0 ms Infinity 0 ms (Note 2) Report cell within active set and/or monitored set cells on used frequency 3 |
| -Intra-frequency event identity -Triggering condition 1 -Reporting Range Constant -Cells forbidden to affect Reporting Range -W -Hysteresis -Threshold used frequency -Reporting deactivation threshold -Replacement activation threshold -Time to trigger -Amount of reporting -Reporting interval -Reporting cell status - CHOICE reported cell - Maximum number of reported cells | Event 1F Active set cells Not Present Not Present Not Present Not Present -20 dB Not Present Not Present 0 ms Not Present 0 ms (Note 2) Report cell within active set and/or monitored set cells on used frequency 3 |

| Information Element/Group name | Value/Remark |
|---|--------------|
| Physical channel information elements -DPCH compressed mode status info (10.3.6.34) | Not Present |
| NOTE 1: The SFN-CFN observed time difference is calculated from the OFF and Tm parameters contained in the IE "Cell synchronisation information", TS 25.331, clause 10.3.7.6. According to TS 25.331, 8.6.7.7, this IE is included in MEASUREMENT REPORT if IE "Cell synchronisation information reporting indicator" in IE "Cell reporting quantities" TS 25.331, clause 10.3.7.5 is set to TRUE in MEASUREMENT CONTROL. | |
| NOTE 2: Reporting interval = 0 ms means no periodical reporting | |

MEASUREMENT REPORT message for Intra frequency test cases

This message is common for all intra frequency test cases is described in Annex I.

8.6.1.6.5 Test requirements

For the test to pass, the total number of successful tests shall be at least 90% of the cases with a confidence level of 95%. For the overall outcome of the test to be considered a pass, the counters for Event 1A and for Event 1F shall independently indicate a pass result.

Table 8.6.1.6.3: Test requirements for Cell specific test parameters for event triggered reporting in multi-cell pedestrian fading propagation condition

| Parameter | Unit | Cell 1 | | Cell 2 | | Cell 3 | | Cell 4 | |
|---|--------------|------------------|-------|-----------|-------|-----------|-------|-----------|----|
| | | T1 | T2 | T1 | T2 | T1 | T2 | T1 | T2 |
| UTRA RF Channel Number | | Channel 1 | | Channel 1 | | Channel 1 | | Channel 1 | |
| CPICH_Ec/Ior | dB | -9.3 | | -9.3 | | -9.3 | | -9.3 | |
| PCCPCH_Ec/Ior | dB | -11.3 | | -11.3 | | -11.3 | | -11.3 | |
| SCH_Ec/Ior | dB | -8.6 | | -8.6 | | -8.6 | | -8.6 | |
| PICH_Ec/Ior | dB | -14.3 | | -14.3 | | -14.3 | | -14.3 | |
| DPCH_Ec/Ior | dB | n.a. | | Note 1 | | Note 1 | | Note 1 | |
| OCNS_Ec/Ior | dB | Note 2 | | Note 2 | | Note 2 | | Note 2 | |
| \hat{I}_{or}/I_{oc} | dB | -∞ | 0.80 | 3.3 | 4.3 | 3.3 | 4.3 | 6.3 | -∞ |
| I_{oc} | dBm/3.84 MHz | -70 | | | | | | | |
| Propagation Condition | | Case 3 (120km/h) | | | | | | | |
| CPICH_Ec/Io | dB | -∞ | -17.3 | -15.8 | -13.8 | -15.8 | -13.8 | -12.8 | -∞ |
| $\frac{SCH_E_{c,maxpath}}{I_o}$ | dB | -∞ | -19.3 | -17.8 | -15.8 | -17.8 | -15.8 | -14.8 | -∞ |
| NOTE 1: The DPCH level is controlled by the power control loop. | | | | | | | | | |
| NOTE 2: The power of the OCNS channel that is added shall make the total power equal to I_{or} . | | | | | | | | | |
| NOTE 3: CPICH_Ec/Io, SCH_Ec_maxpath/Io, and I_o levels have been calculated from other parameters for information purposes. They are not settable themselves. | | | | | | | | | |

NOTE: If the above Test Requirement differs from the Minimum Requirement then the Test Tolerance applied for this test is non-zero. The Test Tolerance for this test is defined in clause F.2 and the explanation of how the Minimum Requirement has been relaxed by the Test Tolerance is given in clause F.4.

8.6.2 FDD inter frequency measurements

8.6.2.1 Correct reporting of neighbours in AWGN propagation condition (Release 5 and earlier)

8.6.2.1.1 Definition and applicability

In the event triggered reporting period the measurement reporting delay is defined as the time between any event that will trigger a measurement report until the UE starts to transmit the measurement report over the Uu interface. This requirement assumes that the measurement report is not delayed by other RRC signalling on the DCCH. This measurement reporting delay excludes a delay uncertainty resulted when inserting the measurement report to the TTI of the uplink DCCH. The delay uncertainty is twice the TTI of the uplink DCCH.

The requirements and this test apply to all types of UTRA for the FDD UE for Release 5 and earlier releases.

8.6.2.1.2 Minimum requirements

The UE shall be able to identify a new detectable cell belonging to the monitored set within

$$T_{\text{identify_inter}} = \text{Max} \left\{ 5000, T_{\text{basic_identify_FDD,inter}} \cdot \frac{T_{\text{Measurement_Period,Inter}}}{T_{\text{Inter}}} \cdot N_{\text{Freq}} \right\} \text{ms}$$

A cell shall be considered detectable when CPICH Ec/Io \geq -20 dB, SCH_Ec/Io \geq -17 dB for at least one channel tap and SCH_Ec/Ior is equally divided between primary synchronisation code and secondary synchronisation code. When L3 filtering is used an additional delay can be expected.

When transmission gaps are scheduled for FDD inter frequency measurements the UE physical layer shall be capable of reporting measurements to higher layers with measurement accuracy as specified in sub-clause 9.1.1 and 9.1.2 of 25.133 [2] with measurement period given by

$$T_{\text{measurement_inter}} = \text{Max} \left\{ T_{\text{Measurement_Period_Inter}}, T_{\text{basic_measurement_FDD_inter}} \cdot \frac{T_{\text{Measurement_Period_Inter}}}{T_{\text{Inter}}} \cdot N_{\text{Freq}} \right\} \text{ms}$$

If the UE does not need compressed mode to perform inter-frequency measurements, the measurement period for inter frequency measurements is 480 ms.

The UE shall be capable of performing CPICH measurements for $X_{\text{basic_measurement_FDD_inter}}$ inter-frequency cells per FDD frequency of the monitored set or the virtual active set, and the UE physical layer shall be capable of reporting measurements to higher layers with the measurement period of $T_{\text{Measurement_Inter}}$.

$$X_{\text{basic_measurement_FDDinter}} = 6$$

$T_{\text{Measurement_Period_Inter}} = 480$ ms. The period used for calculating the measurement period $T_{\text{measurement_inter}}$ for inter frequency CPICH measurements.

T_{Inter} : This is the minimum time that is available for inter frequency measurements, during the period $T_{\text{Measurement_Period_inter}}$ with an arbitrarily chosen timing. The minimum time per transmission gap is calculated by using the actual idle length within the transmission gap as given in the table 11 of Annex B in TS 25.212 [31] and by assuming 2*0.5 ms for implementation margin and after that taking only full slots into account in the calculation.

$T_{\text{basic_identify_FDD,inter}} = 800$ ms. This is the time period used in the inter frequency equation where the maximum allowed time for the UE to identify a new FDD cell is defined.

$T_{\text{basic_measurement_FDD_inter}} = 50$ ms. This is the time period used in the equation for defining the measurement period for inter frequency CPICH measurements.

N_{Freq} : Number of FDD frequencies indicated in the inter frequency measurement control information.

The event triggered measurement reporting delay, measured without L3 filtering shall be less than $T_{\text{identify_inter}}$ defined in Clause 8.1.2.3.1 of 25.133 [2] When L3 filtering is used an additional delay can be expected.

If a cell has been detectable at least for the time period $T_{\text{identify_inter}}$ and then enters or leaves the reporting range, the event triggered measurement reporting delay shall be less than $T_{\text{Measurement_Period Inter}}$ provided the timing to that cell has not changed more than +/-32 chips while transmission gap has not been available and the L3 filter has not been used.

The normative reference for these requirements is TS 25.133 [2] clauses 8.1.2.3 and A.8.2.1.

8.6.2.1.3 Test purpose

To verify that the UE meets the minimum requirements.

8.6.2.1.4 Method of test

8.6.2.1.4.1 Initial conditions

Test environment: normal; see clauses G.2.1 and G.2.2.

Frequencies to be tested: mid range; see clause G.2.4.

The initial test parameters are given in table 8.6.2.1.1

Table 8.6.2.1.1: Cell specific initial test parameters for Correct reporting of neighbours in AWGN propagation condition

| Parameter | Unit | Cell 1 | Cell 2 | Cell3 |
|---|--------------|--------|--------|--------|
| | | T0 | T0 | T0 |
| CPICH_Ec/I _{or} | dB | -10 | -10 | -10 |
| PCCPCH_Ec/I _{or} | dB | -12 | -12 | -12 |
| SCH_Ec/I _{or} | dB | -12 | -12 | -12 |
| PICH_Ec/I _{or} | dB | -15 | -15 | -15 |
| DPCH_Ec/I _{or} | dB | Note 1 | N/A | N/A |
| OCNS_Ec/I _{or} | dB | Note 2 | -0.941 | -0.941 |
| \hat{I}_{or}/I_{oc} | dB | 0 | -Inf | -Inf |
| I _{or} (Note 3) | dBm | -70 | -Inf | -Inf |
| I _{oc} | dBm/3.84 MHz | -70 | | |
| CPICH_Ec/I _o | dB | -13 | -Inf | -Inf |
| Propagation Condition | | AWGN | | |
| NOTE 1: The DPCH level is controlled by the power control loop. | | | | |
| NOTE 2: The power of the OCNS channel that is added shall make the total power from the cell to be equal to I _{or} . | | | | |
| NOTE 3: The nominal I _{or} values, although not explicitly defined in 25.133 [2] are added here since they are implied and need to be identified so that the test equipment can be configured. | | | | |

The test consists of two successive time periods, with a time duration T1 and T2. The test parameters are given in tables 8.6.2.1.2 and 8.6.2.1.3 below. In the measurement control information it is indicated to the UE that event-triggered reporting with Event 1A and 2C shall be used. The CPICH Ec/I_o of the best cell on the unused frequency shall be reported together with Event 2C reporting.

Table 8.6.2.1.2: General test parameters for Correct reporting of neighbours in AWGN propagation condition

| Parameter | Unit | Value | Comment |
|----------------------------------|------|---|--|
| DCH parameters | | DL and UL Reference Measurement Channel 12.2 kbps | As specified in C.3.1 and C.2.1 |
| Power Control | | On | |
| Compressed mode | | C.5.2 set 1 | If required, as specified in C.5. |
| Active cell | | Cell 1 | |
| Threshold non used frequency | dB | -18 | Absolute E_c/I_0 threshold for event 2C |
| Reporting range | dB | 4 | Applicable for event 1A |
| Hysteresis | dB | 0 | |
| W | | 1 | Applicable for event 1A |
| W non-used frequency | | 1 | Applicable for event 2C |
| Reporting deactivation threshold | | 0 | Applicable for event 1A |
| Time to Trigger | ms | 0 | |
| Filter coefficient | | 0 | |
| Monitored cell list size | | 24 on channel 1 16 on channel 2 | NOTE: See Annex I for cell information. The information is sent before the compressed mode pattern starts. |
| T1 | s | 10 | |
| T2 | s | 5 | |

Table 8.6.2.1.3: Cell Specific parameters for Correct reporting of neighbours in AWGN propagation condition

| Parameter | Unit | Cell 1 | | Cell 2 | | Cell 3 | |
|--|--------------|-----------|--------|-----------|--------|-----------|--------|
| | | T1 | T2 | T1 | T2 | T1 | T2 |
| UTRA RF Channel Number | | Channel 1 | | Channel 1 | | Channel 2 | |
| CPICH E_c/I_{or} | dB | -10 | | -10 | | -10 | |
| PCCPCH E_c/I_{or} | dB | -12 | | -12 | | -12 | |
| SCH E_c/I_{or} | dB | -12 | | -12 | | -12 | |
| PICH E_c/I_{or} | dB | -15 | | -15 | | -15 | |
| DPCH E_c/I_{or} | dB | Note 1 | | N/A | | N/A | |
| OCNS E_c/I_{or} | dB | Note 2 | | -0.941 | | -0.941 | |
| \hat{I}_{or}/I_{oc} | dB | 0 | 5.42 | -Infinity | 3.92 | -1.8 | -1.8 |
| \hat{I}_{or} (Note 3) | dBm | -70 | -64.58 | -Infinity | -66.08 | -71.80 | -71.80 |
| I_{oc} | dBm/3.84 MHz | -70 | | | | -70 | |
| CPICH E_c/I_0 | dB | -13 | -13 | -Infinity | -14.5 | -14 | -14 |
| Propagation Condition | AWGN | | | | | | |
| NOTE 1: The DPCH level is controlled by the power control loop. | | | | | | | |
| NOTE 2: The power of the OCNS channel that is added shall make the total power from the cell to be equal to I_{or} . | | | | | | | |
| NOTE 3: The nominal \hat{I}_{or} values, although not explicitly defined in 25.133 [2] are added here since they are implied and need to be identified so that the test equipment can be configured. | | | | | | | |

8.6.2.1.4.2 Procedure

- 1) The parameters are set up according to table 8.6.2.1.2 and table 8.6.2.1.4.
- 2) The UE is switched on.
- 3) A call is set up according to the test procedure specified in TS 34.108 [3] sub clause 7.3.2. The scrambling code is set to Cell2 and Cell3.
- 4) SS shall transmit a MEASUREMENT CONTROL message (inter frequency).
- 5) SS shall transmit a MEASUREMENT CONTROL message (intra frequency).

- 6) If compressed mode is required, SS shall transmit PHYSICAL CHANNEL RECONFIGURATION message. Otherwise go to step 8.
- 7) UE shall transmit PHYSICAL CHANNEL RECONFIGURATION COMPLETE message.
- 8) 5 seconds after the previous step has completed, the SS shall switch the power settings from T0 to T1 according to the parameters defined in table 8.6.2.1.5.
- 9) UE shall transmit a MEASUREMENT REPORT message (inter frequency) triggered by event 2C. The measurement reporting delay from the beginning of T1 shall be less than 9.08 seconds. If the UE fails to report the event within the required delay, then the counter event2C_failure is increased by one. If the reporting delay for this event is within the required limit, the counter event2C_success is increased by one.
- 10) After 10 seconds from the beginning of T1, the SS shall switch the power settings from T1 to T2 according to the parameters defined in table 8.6.2.1.5.
- 11) UE shall transmit a MEASUREMENT REPORT message (intra frequency) triggered by event 1A. The measurement reporting delay from the beginning of T2 shall be less than 1040 ms. If the UE fails to report the event within the required delay, then the counter event1A_failure is increased by one. If the reporting delay for this event is within the required limit, the counter event1A_success is increased by one.
- 12) After the SS receive the MEASUREMENT REPORT message in step 11) or 5 seconds after the beginning of T2, the SS shall transmit a RRC Connection Release message to make the UE to transit to idle mode.
- 13) SS shall set the new primary code groups and primary codes on Cell2 and Cell3. Three different primary code groups and primary codes according to Annex I are used to turn on Cell2 and Cell3. Previous timing information of Cell 2 and Cell3 are invalid in the UE. The RF parameters are set up according to T0.
- 14) Repeat steps 3-13 used with three different primary code groups and primary codes on Cell2 and Cell3 until the confidence level according to annex F.6.2 is achieved. If one counter reaches the pass criterion, this counter is stopped and the remaining counters are continued. For the overall outcome of the test to be considered a pass, the counters for 2C events and for 1A events shall independently indicate a pass result. The test is stopped immediately and the test is considered to be a fail, if any counter reaches an early fail criterion.

NOTE: The measurement reporting delay is 956.2 ms plus 80 ms delay uncertainty (twice the TTI). This gives a total of 1036.2 ms and rounded off to 1040 ms.

Specific Message Contents

All messages indicated above shall use the same content as described in the default message content in clause 9 of 34.108 [3], with the following exceptions:

PHYSICAL CHANNEL RECONFIGURATION message for Inter frequency measurement:

| Information Element | Value/Remark | Version |
|-------------------------------------|---|---------|
| Message Type | | |
| UE Information Elements | | |
| -RRC transaction identifier | 0 | |
| -Integrity check info | | |
| -message authentication code | SS calculates the value of MAC-I for this message and writes to this IE. The first/leftmost bit of the bit string contains the most significant bit of the MAC-I. | |
| -RRC message sequence number | SS provides the value of this IE, from its internal counter. | |
| -Integrity protection mode info | Not Present | |
| -Ciphering mode info | Not Present | |
| -Activation time | Not Present | |
| -New U-RNTI | Not Present | |
| -New C-RNTI | Not Present | |
| -RRC State Indicator | CELL_DCH | |
| -UTRAN DRX cycle length coefficient | Not Present | |
| CN Information Elements | | |
| -CN Information info | Not Present | |
| UTRAN mobility information elements | | |
| -URA identity | Not Present | |

| Information Element | Value/Remark | Version |
|---|---|--------------------|
| RB information elements | | |
| -Downlink counter synchronisation info | Not Present | |
| PhyCH information elements | | |
| -Frequency info | Not Present | |
| Uplink radio resources | | |
| -Maximum allowed UL TX power | Not Present | |
| Downlink radio resources | | |
| -CHOICE mode | FDD | R99 and Rel-4 only |
| -Downlink PDSCH information | Not Present | |
| -Downlink information common for all radio links | | |
| -Downlink DPCH info common for all RL | Not Present | |
| -CHOICE mode | FDD | |
| -DPCH compressed mode info | | |
| -Transmission gap pattern sequence | | |
| -TGPSI | 1 | |
| -TGPS Status Flag | Activate | |
| -TGCFN | (Current CFN + (256 – TTI/10msec))mod 256 | |
| -Transmission gap pattern sequence configuration parameters | | |
| -TGMP | FDD measurement | |
| -TGPRC | Infinity | |
| -TGSN | 4 | |
| -TGL1 | 7 | |
| -TGL2 | Not Present | |
| -TGD | UNDEFINED | |
| -TGPL1 | 3 | |
| -TGPL2 | Not Present | R99 and Rel-4 only |
| -RPP | Mode 0 | |
| -ITP | Mode 0 | |
| -CHOICE UL/DL mode | UL and DL | |
| -Downlink compressed mode method | SF/2 | |
| -Uplink compressed mode method | SF/2 | |
| -Downlink frame type | B | |
| -DeltaSIR1 | 3.0 | |
| -DeltaSIRafter1 | 3.0 | |
| -DeltaSIR2 | Not Present | |
| -DeltaSIRafter2 | Not Present | |
| -N Identify abort | Not Present | |
| -T Reconfirm abort | Not Present | |
| -TX Diversity Mode | Not Present | |
| -SSDT information | Not Present | R99 and Rel-4 only |
| -Default DPCH Offset Value | Not Present | |
| -Downlink information per radio link list | | |
| - Downlink information for each radio link | | |
| -Choice mode | FDD | |
| -Primary CPICH info | | |
| -Primary scrambling code | 100 | |
| -PDSCH with SHO DCH Info | Not Present | R99 and Rel-4 only |
| -PDSCH code mapping | Not Present | R99 and Rel-4 only |
| -Downlink DPCH info for each RL | | |
| -CHOICE mode | FDD | |
| -Primary CPICH usage for channel estimation | Primary CPICH may be used | |
| -DPCH frame offset | Set to value Default DPCH Offset Value (as currently stored in SS) mod 38400 | |
| -Secondary CPICH info | Not Present | |
| -DL channelisation code | | |
| -Secondary scrambling code | Not Present | |
| -Spreading factor | 128 | |
| -Code number | 96 | |
| -Scrambling code change | No code change | |
| -TPC combination index | 0 | |
| -SSDT Cell Identity | Not Present | R99 and |

| Information Element | Value/Remark | Version |
|---|----------------------------|------------|
| -Closed loop timing adjustment mode -SCCPCH Information for FACH | Not Present Not Present | Rel-4 only |

MEASUREMENT CONTROL message (inter frequency):

| Information Element/Group name | Value/Remark |
|--|--|
| Message Type (10.2.17) | |
| UE information elements -RRC transaction identifier -Integrity check info | 0 |
| -message authentication code -RRC message sequence number | SS calculates the value of MAC-I for this message and writes to this IE. The first/leftmost bit of the bit string contains the most significant bit of the MAC-I. SS provides the value of this IE, from its internal counter. |
| Measurement Information elements -Measurement Identity -Measurement Command (10.3.7.46) -Measurement Reporting Mode (10.3.7.49) -Measurement Report Transfer Mode -Periodical Reporting / Event Trigger Reporting Mode -Additional measurements list (10.3.7.1) | 2 Setup AM RLC Event trigger Not Present |
| -CHOICE Measurement type -Inter-frequency measurement (10.3.7.16) -Inter-frequency measurement objects list (10.3.7.13) - CHOICE Inter-frequency cell removal - New Inter frequency cells - Inter frequency cell id - Frequency info - CHOICE mode - UARFCN uplink(Nu) - UARFCN downlink(Nd) - Cell info - Cell individual offset - Reference time difference to cell - Read SFN indicator - CHOICE mode - Primary CPICH info - Primary scrambling code - Primary CPICH Tx Power - Tx Diversity Indicator - Cell for measurement -Inter-frequency measurement quantity (10.3.7.18) -CHOICE reporting criteria -Filter coefficient (10.3.7.9) -CHOICE mode -Measurement quantity for frequency quality estimate -Inter-frequency reporting quantity (10.3.7.21) -UTRA Carrier RSSI -Frequency quality estimate -Non frequency related cell reporting quantities (10.3.7.5) -Cell synchronisation information reporting indicator -Cell Identity reporting indicator -CHOICE mode -CPICH Ec/N0 reporting indicator -CPICH RSCP reporting indicator -Pathloss reporting indicator | Inter-frequency measurement Not Present 4 FDD Not Present Same frequency as "Channel2" in Table 8.6.2.1.5 Not Present Not Present FALSE FDD Set to Primary scrambling code of Cell3 Not Present FALSE Not Present Inter-frequency reporting criteria 0 FDD CPICH_Ec/N0 FALSE FALSE TRUE (Note 1) TRUE FDD TRUE TRUE FALSE |

| Information Element/Group name | Value/Remark |
|--|--|
| -Reporting cell status (10.3.7.61) -Measurement validity (10.3.7.51) - Inter-frequency set update (10.3.7.22) -UE autonomous update mode -CHOICE report criteria | Not Present Not Present On with no reporting Inter-frequency measurement reporting criteria |
| -Inter-frequency measurement reporting criteria (10.3.7.19) -Parameters required for each event | 1 |
| -Inter-frequency event identity -Threshold used frequency -W used frequency -Hysteresis -Time to trigger -Reporting cell status -CHOICE reported cell | Event 2C Not present Not present 0 dB 0 ms |
| -Maximum number of reported cells -Parameters required for each non-used frequency -Threshold non used frequency -W non-used frequency | Report cells within monitored and/or virtual active set on non-used frequency 3 -18 dB 1 |
| Physical channel information elements -DPCH compressed mode status info (10.3.6.34) | Not Present |
| NOTE 1: The SFN-CFN observed time difference is calculated from the OFF and Tm parameters contained in the IE "Cell synchronisation information ", TS 25.331, clause 10.3.7.6. According to TS 25.331, 8.6.7.7, this IE is included in MEASUREMENT REPORT if IE "Cell synchronisation information reporting indicator" in IE "Cell reporting quantities" TS 25.331, clause 10.3.7.5 is set to TRUE in MEASUREMENT CONTROL. | |

MEASUREMENT CONTROL message (intra frequency):

| Information Element/Group name | Value/Remark |
|--|--|
| Message Type (10.2.17) | |
| UE information elements -RRC transaction identifier -Integrity check info | 0 |
| -message authentication code -RRC message sequence number | SS calculates the value of MAC-I for this message and writes to this IE. The first/ leftmost bit of the bit string contains the most significant bit of the MAC-I. SS provides the value of this IE, from its internal counter. |
| Measurement Information elements -Measurement Identity -Measurement Command (10.3.7.46) -Measurement Reporting Mode (10.3.7.49) -Measurement Report Transfer Mode -Periodical Reporting / Event Trigger Reporting Mode -Additional measurements list (10.3.7.1) | 1 Modify AM RLC Event trigger Not Present |
| -CHOICE Measurement type -Intra-frequency measurement (10.3.7.36) -Intra-frequency measurement objects list (10.3.7.33) -Intra-frequency measurement quantity (10.3.7.38) -Filter coefficient (10.3.7.9) -CHOICE mode -Measurement quantity -Intra-frequency reporting quantity (10.3.7.41) | Intra-frequency measurement Not Present 0 FDD CPICH_Ec/N0 |
| -Reporting quantities for active set cells (10.3.7.5) -Cell synchronisation information reporting indicator -Cell Identity reporting indicator -CHOICE mode -CPICH Ec/N0 reporting indicator -CPICH RSCP reporting indicator -Pathloss reporting indicator | TRUE (Note 1) TRUE FDD TRUE TRUE FALSE |

| Information Element/Group name | Value/Remark |
|---|---|
| -Reporting quantities for monitored set cells (10.3.7.5) -Cell synchronisation information reporting indicator -Cell Identity reporting indicator -CHOICE mode -CPICH Ec/N0 reporting indicator -CPICH RSCP reporting indicator -Pathloss reporting indicator | TRUE (Note 1) TRUE FDD TRUE TRUE FALSE |
| -Reporting quantities for detected set cells (10.3.7.5) | Not Present |
| -Reporting cell status (10.3.7.61) -Measurement validity (10.3.7.51) -CHOICE report criteria -Intra-frequency measurement reporting criteria (10.3.7.39) -Parameters required for each event | Not Present Not Present Intra-frequency measurement reporting criteria 1 |
| -Intra-frequency event identity -Triggering condition 2 -Reporting Range Constant -Cells forbidden to affect Reporting Range -CHOICE mode -Primary CPICH info (10.3.6.60) -W -Hysteresis -Threshold used frequency -Reporting deactivation threshold -Replacement activation threshold -Time to trigger -Amount of reporting -Reporting interval -Reporting cell status -CHOICE reported cell -Maximum number of reported cells | Event 1A Monitored set cells 4 dB Not Present FDD 1.0 0 dB Not Present 0 Not Present 0 ms Infinity 0 ms (Note 2) Report cell within active set and/or monitored set cells on used frequency 3 |
| Physical channel information elements -DPCH compressed mode status info (10.3.6.34) | Not Present |
| NOTE 1: The SFN-CFN observed time difference is calculated from the OFF and Tm parameters contained in the IE "Cell synchronisation information", TS 25.331, clause 10.3.7.6. According to TS 25.331, 8.6.7.7, this IE is included in MEASUREMENT REPORT if IE "Cell synchronisation information reporting indicator" in IE "Cell reporting quantities" TS 25.331, clause 10.3.7.5 is set to TRUE in MEASUREMENT CONTROL. | |
| NOTE 2: Reporting interval = 0 ms means no periodical reporting | |

MEASUREMENT REPORT message for Inter frequency test cases

MEASUREMENT REPORT message for Intra frequency test cases

These messages are common for all inter and intra frequency test cases and are described in Annex I.

8.6.2.1.5 Test requirements

For the test to pass, the total number of successful tests shall be at least 90% of the cases with a confidence level of 95%. For the overall outcome of the test to be considered a pass, the counters for 2C events and for 1A events shall independently indicate a pass result.

**Table 8.6.2.1.4: Test requirements for initial test parameters
for Correct reporting of neighbours in AWGN propagation condition**

| Parameter | Unit | Cell 1 | Cell 2 | Cell3 |
|--------------------------------|--------------|--------|--------|-------|
| | | T0 | T0 | T0 |
| CPICH_Ec/Ior | dB | -9.2 | -9.2 | -9.2 |
| PCCPCH_Ec/Ior | dB | -11.2 | -11.2 | -11.2 |
| SCH_Ec/Ior | dB | -11.2 | -11.2 | -11.2 |
| PICH_Ec/Ior | dB | -14.2 | -14.2 | -14.2 |
| DPCH_Ec/Ior | dB | Note 1 | N/A | N/A |
| OCNS_Ec/Ior | dB | Note 2 | -1.16 | -1.16 |
| \hat{I}_{or}/I_{oc} (Note 3) | dB | 0 | -Inf | -Inf |
| \hat{I}_{or} | dBm | -70 | -Inf | -Inf |
| I_{oc} | dBm/3.84 MHz | -70 | | |
| CPICH_Ec/Io (Note 3) | dB | -12.21 | -Inf | -Inf |
| Propagation Condition | AWGN | | | |

NOTE 1: The DPCH level is controlled by the power control loop.
NOTE 2: The power of the OCNS channel that is added shall make the total power from the cell to be equal to I_{or} .
NOTE 3: These parameters are not directly settable, but are derived by calculation from the settable parameters.

**Table 8.6.2.1.5: Test requirements for Correct reporting
of neighbours in AWGN propagation condition**

| Parameter | Unit | Cell 1 | | Cell 2 | | Cell 3 | |
|--------------------------------|--------------|-----------|--------|-----------|--------|-----------|--------|
| | | T1 | T2 | T1 | T2 | T1 | T2 |
| UTRA RF Channel Number | | Channel 1 | | Channel 1 | | Channel 2 | |
| CPICH_Ec/Ior | dB | -9.2 | | -9.2 | | -9.2 | |
| PCCPCH_Ec/Ior | dB | -11.2 | | -11.2 | | -11.2 | |
| SCH_Ec/Ior | dB | -11.2 | | -11.2 | | -11.2 | |
| PICH_Ec/Ior | dB | -14.2 | | -14.2 | | -14.2 | |
| DPCH_Ec/Ior | dB | Note 1 | | N/A | | N/A | |
| OCNS_Ec/Ior | dB | Note 2 | | -1.16 | | -1.16 | |
| \hat{I}_{or}/I_{oc} (Note 3) | dB | 0 | 5.42 | -Infinity | 3.9 | -1.8 | -1.8 |
| \hat{I}_{or} | dBm | -70 | -64.6 | -Infinity | -66.10 | -71.8 | -71.8 |
| I_{oc} | dBm/3.84 MHz | -70 | | | | | |
| CPICH_Ec/Io (Note 3) | dB | -12.21 | -12.20 | -Infinity | -13.70 | -13.20 | -13.20 |
| Propagation Condition | AWGN | | | | | | |

NOTE 1: The DPCH level is controlled by the power control loop.
NOTE 2: The power of the OCNS channel that is added shall make the total power from the cell to be equal to I_{or} .
NOTE 3: These parameters are not directly settable, but are derived by calculation from the settable parameters.

NOTE: If the above Test Requirement differs from the Minimum Requirement then the Test Tolerance applied for this test is non-zero. The Test Tolerance for this test is defined in clause F.2 and the explanation of how the Minimum Requirement has been relaxed by the Test Tolerance is given in clause F.4.

8.6.2.1A Correct reporting of neighbours in AWGN propagation condition (Release 6 and later)

8.6.2.1A.1 Definition and applicability

In the event triggered reporting period the measurement reporting delay is defined as the time between any event that will trigger a measurement report until the UE starts to transmit the measurement report over the Uu interface. This requirement assumes that the measurement report is not delayed by other RRC signalling on the DCCH. This measurement reporting delay excludes a delay uncertainty resulted when inserting the measurement report to the TTI of the uplink DCCH. The delay uncertainty is twice the TTI of the uplink DCCH.

The requirements and this test apply to Release 6 and later release for all types of UTRA for the FDD UE.

8.6.2.1A.2 Minimum requirements

The UE shall be able to identify a new detectable cell belonging to the monitored set within

$$T_{\text{identify_inter}} = T_{\text{basic_identify_FDD,inter}} \cdot \frac{T_{\text{Measurement_Period_Inter}}}{T_{\text{Inter}}} \cdot N_{\text{Freq}} \quad \text{ms}$$

A cell shall be considered detectable when CPICH Ec/Io \geq -20 dB, SCH_Ec/Io \geq -17 dB for at least one channel tap and SCH_Ec/Ior is equally divided between primary synchronisation code and secondary synchronisation code. When L3 filtering is used an additional delay can be expected.

When transmission gaps are scheduled for FDD inter frequency measurements the UE physical layer shall be capable of reporting measurements to higher layers with measurement accuracy as specified in sub-clause 9.1.1 and 9.1.2 of 25.133 [2] with measurement period given by

$$T_{\text{measurement_inter}} = \text{Max} \left\{ T_{\text{Measurement_Period_Inter}}, T_{\text{basic_measurement_FDD_inter}} \cdot \frac{T_{\text{Measurement_Period_Inter}}}{T_{\text{Inter}}} \cdot N_{\text{Freq}} \right\} \text{ms}$$

If the UE does not need compressed mode to perform inter-frequency measurements, the measurement period for inter frequency measurements is 480 ms.

The UE shall be capable of performing CPICH measurements for $X_{\text{basic_measurement_FDD_inter}}$ inter-frequency cells per FDD frequency of the monitored set or the virtual active set, and the UE physical layer shall be capable of reporting measurements to higher layers with the measurement period of $T_{\text{Measurement_Inter}}$.

$$X_{\text{basic_measurement_FDDinter}} = 6$$

$T_{\text{Measurement_Period_Inter}} = 480$ ms. The period used for calculating the measurement period $T_{\text{measurement_inter}}$ for inter frequency CPICH measurements.

T_{Inter} : This is the minimum time that is available for inter frequency measurements, during the period $T_{\text{Measurement_Period_inter}}$ with an arbitrarily chosen timing. The minimum time per transmission gap is calculated by using the actual idle length within the transmission gap as given in the table 11 of Annex B in TS 25.212 [31] and by assuming 2*0.5 ms for implementation margin and after that taking only full slots into account in the calculation.

$T_{\text{basic_identify_FDD,inter}} = 300$ ms. This is the time period used in the inter frequency equation where the maximum allowed time for the UE to identify a new FDD cell is defined.

$T_{\text{basic_measurement_FDD_inter}} = 50$ ms. This is the time period used in the equation for defining the measurement period for inter frequency CPICH measurements.

N_{Freq} : Number of FDD frequencies indicated in the inter frequency measurement control information.

The event triggered measurement reporting delay, measured without L3 filtering shall be less than $T_{\text{identify_inter}}$ defined in Clause 8.1.2.3.1 of 25.133 [2] When L3 filtering is used an additional delay can be expected.

If a cell has been detectable at least for the time period $T_{\text{identify_inter}}$ and then enters or leaves the reporting range, the event triggered measurement reporting delay shall be less than $T_{\text{Measurement_Period_Inter}}$ provided the timing to that cell has not changed more than +/-32 chips while transmission gap has not been available and the L3 filter has not been used.

The normative reference for these requirements is TS 25.133 [2] clauses 8.1.2.3 and A.8.2.1.

8.6.2.1A.3 Test purpose

To verify that the UE meets the minimum requirements.

8.6.2.1A.4 Method of test

8.6.2.1A.4.1 Initial conditions

Test environment: normal; see clauses G.2.1 and G.2.2.

Frequencies to be tested: mid range; see clause G.2.4.

The initial test parameters are given in table 8.6.2.1A.1

Table 8.6.2.1A.1: Cell specific initial test parameters for Correct reporting of neighbours in AWGN propagation condition

| Parameter | Unit | Cell 1 | Cell 2 | Cell3 |
|---------------------------|--------------|--------|--------|--------|
| | | T0 | T0 | T0 |
| CPICH_Ec/I _{or} | dB | -10 | -10 | -10 |
| PCCPCH_Ec/I _{or} | dB | -12 | -12 | -12 |
| SCH_Ec/I _{or} | dB | -12 | -12 | -12 |
| PICH_Ec/I _{or} | dB | -15 | -15 | -15 |
| DPCH_Ec/I _{or} | dB | Note 1 | N/A | N/A |
| OCNS_Ec/I _{or} | dB | Note 2 | -0.941 | -0.941 |
| \hat{I}_{or}/I_{oc} | dB | 0 | -Inf | -Inf |
| \hat{I}_{or} (Note 3) | dBm | -70 | -Inf | -Inf |
| I_{oc} | dBm/3.84 MHz | -70 | | |
| CPICH_Ec/I _o | dB | -13 | -Inf | -Inf |
| Propagation Condition | | AWGN | | |

NOTE 1: The DPCH level is controlled by the power control loop.
NOTE 2: The power of the OCNS channel that is added shall make the total power from the cell to be equal to I_{or} .
NOTE 3: The nominal \hat{I}_{or} values, although not explicitly defined in 25.133 [2] are added here since they are implied and need to be identified so that the test equipment can be configured.

The test consists of two successive time periods, with a time duration T1 and T2. The test parameters are given in tables 8.6.2.1A.2 and 8.6.2.1A.3 below. In the measurement control information it is indicated to the UE that event-triggered reporting with Event 1A and 2C shall be used. The CPICH Ec/I_o of the best cell on the unused frequency shall be reported together with Event 2C reporting.

Table 8.6.2.1A.2: General test parameters for Correct reporting of neighbours in AWGN propagation condition

| Parameter | Unit | Value | Comment |
|----------------------------------|------|---|--|
| DCH parameters | | DL and UL Reference Measurement Channel 12.2 kbps | As specified in C.3.1 and C.2.1 |
| Power Control | | On | |
| Compressed mode | | C.5.2 set 1 | If required, as specified in C.5. |
| Active cell | | Cell 1 | |
| Threshold non used frequency | dB | -18 | Absolute Ec/I _o threshold for event 2C |
| Reporting range | dB | 4 | Applicable for event 1A |
| Hysteresis | dB | 0 | |
| W | | 1 | Applicable for event 1A |
| W non-used frequency | | 1 | Applicable for event 2C |
| Reporting deactivation threshold | | 0 | Applicable for event 1A |
| Time to Trigger | ms | 0 | |
| Filter coefficient | | 0 | |
| Monitored cell list size | | 24 on channel 1 16 on channel 2 | NOTE: See Annex I for cell information. The information is sent before the compressed mode pattern starts. |
| T1 | s | 5 | |
| T2 | s | 5 | |

Table 8.6.2.1A.3: Cell Specific parameters for Correct reporting of neighbours in AWGN propagation condition

| Parameter | Unit | Cell 1 | | Cell 2 | | Cell 3 | |
|--|--------------|-----------|--------|-----------|--------|-----------|--------|
| | | T1 | T2 | T1 | T2 | T1 | T2 |
| UTRA RF Channel Number | | Channel 1 | | Channel 1 | | Channel 2 | |
| CPICH_Ec/Ior | dB | -10 | | -10 | | -10 | |
| PCCPCH_Ec/Ior | dB | -12 | | -12 | | -12 | |
| SCH_Ec/Ior | dB | -12 | | -12 | | -12 | |
| PICH_Ec/Ior | dB | -15 | | -15 | | -15 | |
| DPCH_Ec/Ior | dB | Note 1 | | N/A | | N/A | |
| OCNS_Ec/Ior | dB | Note 2 | | -0.941 | | -0.941 | |
| \hat{I}_{or}/I_{oc} | dB | 0 | 5.42 | -Infinity | 3.92 | -1.8 | -1.8 |
| \hat{I}_{or} (Note 3) | dBm | -70 | -64.58 | -Infinity | -66.08 | -71.80 | -71.80 |
| I_{oc} | dBm/3.84 MHz | -70 | | | | -70 | |
| CPICH_Ec/Io | dB | -13 | -13 | -Infinity | -14.5 | -14 | -14 |
| Propagation Condition | AWGN | | | | | | |
| NOTE 1: The DPCH level is controlled by the power control loop. | | | | | | | |
| NOTE 2: The power of the OCNS channel that is added shall make the total power from the cell to be equal to I_{or} . | | | | | | | |
| NOTE 3: The nominal \hat{I}_{or} values, although not explicitly defined in 25.133 [2] are added here since they are implied and need to be identified so that the test equipment can be configured. | | | | | | | |

8.6.2.1A.4.2 Procedure

- 1) The parameters are set up according to table 8.6.2.1A.2 and table 8.6.2.1A.4.
- 2) The UE is switched on.
- 3) A call is set up according to the test procedure specified in TS 34.108 [3] sub clause 7.3.2. The scrambling code is set to Cell2 and Cell3.
- 4) SS shall transmit a MEASUREMENT CONTROL message (inter frequency).
- 5) SS shall transmit a MEASUREMENT CONTROL message (intra frequency).
- 6) If compressed mode is required, SS shall transmit PHYSICAL CHANNEL RECONFIGURATION message. Otherwise, go to step 8.
- 7) UE shall transmit PHYSICAL CHANNEL RECONFIGURATION COMPLETE message.
- 8) 5 seconds after the previous step has completed, the SS shall switch the power settings from T0 to T1 according to the parameters defined in table 8.6.2.1A.5.
- 9) UE shall transmit a MEASUREMENT REPORT message (inter frequency) triggered by event 2C. The measurement reporting delay from the beginning of T1 shall be less than [3.48] seconds. If the UE fails to report the event within the required delay, then the counter event2C_failure is increased by one. If the reporting delay for this event is within the required limit, the counter event2C_success is increased by one.
- 10) After 5 seconds from the beginning of T1, the SS shall switch the power settings from T1 to T2 according to the parameters defined in table 8.6.2.1A.5.
- 11) UE shall transmit a MEASUREMENT REPORT message (intra frequency) triggered by event 1A. The measurement reporting delay from the beginning of T2 shall be less than 1040 ms. If the UE fails to report the event within the required delay, then the counter event1A_failure is increased by one. If the reporting delay for this event is within the required limit, the counter event1A_success is increased by one.
- 12) After the SS receive the MEASUREMENT REPORT message in step 11) or 5 seconds after the beginning of T2, the SS shall transmits a RRC Connection Release message to make the UE to transit to idle mode.

13)SS shall sets the new primary code groups and primary codes on Cell2 and Cell3. Three different primary code groups and primary codes according to Annex I are used to turn on Cell2 and Cell3. Previous timing information of Cell 2 and Cell3 are invalid in the UE. The RF parameters are set up according to T0.

14)Repeat steps 3-13 used with three different primary code groups and primary codes on Cell2 and Cell3 until the confidence level according to annex F.6.2 is achieved. If one counter reaches the pass criterion, this counter is stopped and the remaining counters are continued. For the overall outcome of the test to be considered a pass, the counters for 2C events and for 1A events shall independently indicate a pass result. The test is stopped immediately and the test is considered to be a fail, if any counter reaches an early fail criterion.

NOTE: The measurement reporting delay is 956.2 ms plus 80 ms delay uncertainty (twice the TTI). This gives a total of 1036.2 ms and rounded off to 1040 ms.

Specific Message Contents

All messages indicated above shall use the same content as described in the default message content in clause 9 of 34.108 [3], with the following exceptions:

PHYSICAL CHANNEL RECONFIGURATION message for Inter frequency measurement:

| Information Element | Value/Remark | Version |
|---|---|--------------------|
| Message Type | | |
| UE Information Elements | | |
| -RRC transaction identifier | 0 | |
| -Integrity check info | | |
| -message authentication code | SS calculates the value of MAC-I for this message and writes to this IE. The first/leftmost bit of the bit string contains the most significant bit of the MAC-I. | |
| -RRC message sequence number | SS provides the value of this IE, from its internal counter. | |
| -Integrity protection mode info | Not Present | |
| -Ciphering mode info | Not Present | |
| -Activation time | Not Present | |
| -New U-RNTI | Not Present | |
| -New C-RNTI | Not Present | |
| -RRC State Indicator | CELL_DCH | |
| -UTRAN DRX cycle length coefficient | Not Present | |
| CN Information Elements | | |
| -CN Information info | Not Present | |
| UTRAN mobility information elements | | |
| -URA identity | Not Present | |
| RB information elements | | |
| -Downlink counter synchronisation info | Not Present | |
| PhyCH information elements | | |
| -Frequency info | Not Present | |
| Uplink radio resources | | |
| -Maximum allowed UL TX power | Not Present | |
| Downlink radio resources | | |
| -CHOICE mode | FDD | R99 and Rel-4 only |
| -Downlink PDSCH information | Not Present | |
| -Downlink information common for all radio links | | |
| -Downlink DPCH info common for all RL | Not Present | |
| -CHOICE mode | FDD | |
| -DPCH compressed mode info | | |
| -Transmission gap pattern sequence | | |
| -TGPSI | 1 | |
| -TGPS Status Flag | Activate | |
| -TGCFN | (Current CFN + (256 – TTI/10msec))mod 256 | |
| -Transmission gap pattern sequence configuration parameters | | |
| -TGMP | FDD measurement | |
| -TGPRC | Infinity | |
| -TGSN | 4 | |
| -TGL1 | 7 | |
| -TGL2 | Not Present | |

| Information Element | Value/Remark | Version |
|---|---|--------------------|
| -TGD | UNDEFINED | |
| -TGPL1 | 3 | |
| -TGPL2 | Not Present | R99 and Rel-4 only |
| -RPP | Mode 0 | |
| -ITP | Mode 0 | |
| -CHOICE UL/DL mode | UL and DL | |
| -Downlink compressed mode method | SF/2 | |
| -Uplink compressed mode method | SF/2 | |
| -Downlink frame type | B | |
| -DeltaSIR1 | 3.0 | |
| -DeltaSIRafter1 | 3.0 | |
| -DeltaSIR2 | Not Present | |
| -DeltaSIRafter2 | Not Present | |
| -N Identify abort | Not Present | |
| -T Reconfirm abort | Not Present | |
| -TX Diversity Mode | Not Present | |
| -SSDT information | Not Present | R99 and Rel-4 only |
| -Default DPCH Offset Value | Not Present | |
| -Downlink information per radio link list | | |
| - Downlink information for each radio link | | |
| -Choice mode | FDD | |
| -Primary CPICH info | | |
| -Primary scrambling code | 100 | |
| -PDSCH with SHO DCH Info | Not Present | R99 and Rel-4 only |
| -PDSCH code mapping | Not Present | R99 and Rel-4 only |
| -Downlink DPCH info for each RL | | |
| -CHOICE mode | FDD | |
| -Primary CPICH usage for channel estimation | Primary CPICH may be used | |
| -DPCH frame offset | Set to value Default DPCH Offset Value (as currently stored in SS) mod 38400 | |
| -Secondary CPICH info | Not Present | |
| -DL channelisation code | | |
| -Secondary scrambling code | Not Present | |
| -Spreading factor | 128 | |
| -Code number | 96 | |
| -Scrambling code change | No code change | |
| -TPC combination index | 0 | |
| -SSDT Cell Identity | Not Present | R99 and Rel-4 only |
| -Closed loop timing adjustment mode | Not Present | |
| -SCCPCH Information for FACH | Not Present | |

MEASUREMENT CONTROL message (inter frequency):

| Information Element/Group name | Value/Remark |
|--|--|
| Message Type (10.2.17) | |
| UE information elements | |
| -RRC transaction identifier | 0 |
| -Integrity check info | |
| -message authentication code | SS calculates the value of MAC-I for this message and writes to this IE. The first/ leftmost bit of the bit string contains the most significant bit of the MAC-I. |
| -RRC message sequence number | SS provides the value of this IE, from its internal counter. |
| Measurement Information elements | |
| -Measurement Identity | 2 |
| -Measurement Command (10.3.7.46) | Setup |
| -Measurement Reporting Mode (10.3.7.49) | |
| -Measurement Report Transfer Mode | AM RLC |
| -Periodical Reporting / Event Trigger Reporting Mode | Event trigger |
| -Additional measurements list (10.3.7.1) | Not Present |

| Information Element/Group name | Value/Remark |
|--|---|
| -CHOICE Measurement type | Inter-frequency measurement |
| -Inter-frequency measurement (10.3.7.16) | |
| -Inter-frequency measurement objects list (10.3.7.13) | |
| - CHOICE Inter-frequency cell removal | Not Present |
| - New Inter frequency cells | |
| - Inter frequency cell id | 4 |
| - Frequency info | |
| - CHOICE mode | FDD |
| - UARFCN uplink(Nu) | Not Present |
| - UARFCN downlink(Nd) | Same frequency as "Channel2" in Table 8.6.2.1.5 |
| - Cell info | |
| - Cell individual offset | Not Present |
| - Reference time difference to cell | Not Present |
| - Read SFN indicator | FALSE |
| - CHOICE mode | FDD |
| - Primary CPICH info | |
| - Primary scrambling code | Set to Primary scrambling code of Cell3 |
| - Primary CPICH Tx Power | Not Present |
| - Tx Diversity Indicator | FALSE |
| - Cell for measurement | Not Present |
| -Inter-frequency measurement quantity (10.3.7.18) | |
| -CHOICE reporting criteria | Inter-frequency reporting criteria |
| -Filter coefficient (10.3.7.9) | 0 |
| -CHOICE mode | FDD |
| -Measurement quantity for frequency quality estimate | CPICH_Ec/N0 |
| -Inter-frequency reporting quantity (10.3.7.21) | |
| -UTRA Carrier RSSI | FALSE |
| -Frequency quality estimate | FALSE |
| -Non frequency related cell reporting quantities (10.3.7.5) | |
| -Cell synchronisation information reporting indicator | TRUE (Note 1) |
| -Cell Identity reporting indicator | TRUE |
| -CHOICE mode | FDD |
| -CPICH Ec/N0 reporting indicator | TRUE |
| -CPICH RSCP reporting indicator | TRUE |
| -Pathloss reporting indicator | FALSE |
| -Reporting cell status (10.3.7.61) | Not Present |
| -Measurement validity (10.3.7.51) | Not Present |
| - Inter-frequency set update (10.3.7.22) | |
| -UE autonomous update mode | On with no reporting |
| -CHOICE report criteria | Inter-frequency measurement reporting criteria |
| -Inter-frequency measurement reporting criteria (10.3.7.19) | |
| -Parameters required for each event | 1 |
| -Inter-frequency event identity | Event 2C |
| -Threshold used frequency | Not present |
| -W used frequency | Not present |
| -Hysteresis | 0 dB |
| -Time to trigger | 0 ms |
| -Reporting cell status | |
| -CHOICE reported cell | Report cells within monitored and/or virtual active set on non-used frequency |
| -Maximum number of reported cells | 3 |
| -Parameters required for each non-used frequency | |
| -Threshold non used frequency | -18 dB |
| -W non-used frequency | 1 |
| Physical channel information elements | |
| -DPCH compressed mode status info (10.3.6.34) | Not Present |
| NOTE 1: The SFN-CFN observed time difference is calculated from the OFF and Tm parameters contained in the IE "Cell synchronisation information ", TS 25.331, clause 10.3.7.6. According to TS 25.331, 8.6.7.7, this IE is included in MEASUREMENT REPORT if IE "Cell synchronisation information reporting indicator" in IE "Cell reporting quantities" TS 25.331, clause 10.3.7.5 is set to TRUE in MEASUREMENT CONTROL. | |

MEASUREMENT CONTROL message (intra frequency):

| Information Element/Group name | Value/Remark |
|---|---|
| Message Type (10.2.17) | |
| UE information elements -RRC transaction identifier -Integrity check info | 0 |
| -message authentication code -RRC message sequence number | SS calculates the value of MAC-I for this message and writes to this IE. The first/ leftmost bit of the bit string contains the most significant bit of the MAC-I. SS provides the value of this IE, from its internal counter. |
| Measurement Information elements -Measurement Identity -Measurement Command (10.3.7.46) -Measurement Reporting Mode (10.3.7.49) -Measurement Report Transfer Mode -Periodical Reporting / Event Trigger Reporting Mode -Additional measurements list (10.3.7.1) | 1 Modify AM RLC Event trigger Not Present |
| -CHOICE Measurement type -Intra-frequency measurement (10.3.7.36) -Intra-frequency measurement objects list (10.3.7.33) -Intra-frequency measurement quantity (10.3.7.38) -Filter coefficient (10.3.7.9) -CHOICE mode -Measurement quantity -Intra-frequency reporting quantity (10.3.7.41) | Intra-frequency measurement Not Present 0 FDD CPICH_Ec/N0 |
| -Reporting quantities for active set cells (10.3.7.5) -Cell synchronisation information reporting indicator -Cell Identity reporting indicator -CHOICE mode -CPICH Ec/N0 reporting indicator -CPICH RSCP reporting indicator -Pathloss reporting indicator | TRUE (Note 1) TRUE FDD TRUE TRUE FALSE |
| -Reporting quantities for monitored set cells (10.3.7.5) -Cell synchronisation information reporting indicator -Cell Identity reporting indicator -CHOICE mode -CPICH Ec/N0 reporting indicator -CPICH RSCP reporting indicator -Pathloss reporting indicator | TRUE (Note 1) TRUE FDD TRUE TRUE FALSE |
| -Reporting quantities for detected set cells (10.3.7.5) | Not Present |
| -Reporting cell status (10.3.7.61) -Measurement validity (10.3.7.51) -CHOICE report criteria -Intra-frequency measurement reporting criteria (10.3.7.39) -Parameters required for each event | Not Present Not Present Intra-frequency measurement reporting criteria 1 |
| -Intra-frequency event identity -Triggering condition 2 -Reporting Range Constant -Cells forbidden to affect Reporting Range -CHOICE mode -Primary CPICH info (10.3.6.60) -W -Hysteresis -Threshold used frequency -Reporting deactivation threshold -Replacement activation threshold -Time to trigger -Amount of reporting -Reporting interval -Reporting cell status -CHOICE reported cell -Maximum number of reported cells | Event 1A Monitored set cells 4 dB Not Present FDD 1.0 0 dB Not Present 0 Not Present 0 ms Infinity 0 ms (Note 2) Report cell within active set and/or monitored set cells on used frequency 3 |

| Information Element/Group name | Value/Remark |
|---|--------------|
| Physical channel information elements -DPCH compressed mode status info (10.3.6.34) | Not Present |
| NOTE 1: The SFN-CFN observed time difference is calculated from the OFF and Tm parameters contained in the IE "Cell synchronisation information", TS 25.331, clause 10.3.7.6. According to TS 25.331, 8.6.7.7, this IE is included in MEASUREMENT REPORT if IE "Cell synchronisation information reporting indicator" in IE "Cell reporting quantities" TS 25.331, clause 10.3.7.5 is set to TRUE in MEASUREMENT CONTROL. | |
| NOTE 2: Reporting interval = 0 ms means no periodical reporting | |

MEASUREMENT REPORT message for Inter frequency test cases

MEASUREMENT REPORT message for Intra frequency test cases

These messages are common for all inter and intra frequency test cases and are described in Annex I.

8.6.2.1A.5 Test requirements

For the test to pass, the total number of successful tests shall be at least 90% of the cases with a confidence level of 95%. For the overall outcome of the test to be considered a pass, the counters for 2C events and for 1A events shall independently indicate a pass result.

Table 8.6.2.1A.4: Test requirements for initial test parameters for Correct reporting of neighbours in AWGN propagation condition

| Parameter | Unit | Cell 1 | Cell 2 | Cell3 |
|--|--------------|--------|--------|-------|
| | | T0 | T0 | T0 |
| CPICH_Ec/Ior | dB | -9.2 | -9.2 | -9.2 |
| PCCPCH_Ec/Ior | dB | -11.2 | -11.2 | -11.2 |
| SCH_Ec/Ior | dB | -11.2 | -11.2 | -11.2 |
| PICH_Ec/Ior | dB | -14.2 | -14.2 | -14.2 |
| DPCH_Ec/Ior | dB | Note 1 | N/A | N/A |
| OCNS_Ec/Ior | dB | Note 2 | -1.16 | -1.16 |
| \hat{I}_{or}/I_{oc} (Note 3) | dB | 0 | -Inf | -Inf |
| I_{or} | dBm | -70 | -Inf | -Inf |
| I_{oc} | dBm/3.84 MHz | -70 | | |
| CPICH_Ec/Io (Note 3) | dB | -12.21 | -Inf | -Inf |
| Propagation Condition | | AWGN | | |
| NOTE 1: The DPCH level is controlled by the power control loop. | | | | |
| NOTE 2: The power of the OCNS channel that is added shall make the total power from the cell to be equal to I_{or} . | | | | |
| NOTE 3: These parameters are not directly settable, but are derived by calculation from the settable parameters. | | | | |

Table 8.6.2.1A.5: Test requirements for Correct reporting of neighbours in AWGN propagation condition

| Parameter | Unit | Cell 1 | | Cell 2 | | Cell 3 | |
|--|--------------|-----------|--------|-----------|--------|-----------|--------|
| | | T1 | T2 | T1 | T2 | T1 | T2 |
| UTRA RF Channel Number | | Channel 1 | | Channel 1 | | Channel 2 | |
| CPICH_Ec/I _{or} | dB | -9.2 | | -9.2 | | -9.2 | |
| PCCPCH_Ec/I _{or} | dB | -11.2 | | -11.2 | | -11.2 | |
| SCH_Ec/I _{or} | dB | -11.2 | | -11.2 | | -11.2 | |
| PICH_Ec/I _{or} | dB | -14.2 | | -14.2 | | -14.2 | |
| DPCH_Ec/I _{or} | dB | Note 1 | | N/A | | N/A | |
| OCNS_Ec/I _{or} | dB | Note 2 | | -1.16 | | -1.16 | |
| \hat{I}_{or}/I_{oc} (Note 3) | dB | 0 | 5.42 | -Infinity | 3.9 | -1.8 | -1.8 |
| \hat{I}_{or} | dBm | -70 | -64.6 | -Infinity | -66.10 | -71.8 | -71.8 |
| I_{oc} | dBm/3.84 MHz | -70 | | | | | |
| CPICH_Ec/I _o (Note 3) | dB | -12.21 | -12.20 | -Infinity | -13.70 | -13.20 | -13.20 |
| Propagation Condition | AWGN | | | | | | |
| NOTE 1: The DPCH level is controlled by the power control loop. | | | | | | | |
| NOTE 2: The power of the OCNS channel that is added shall make the total power from the cell to be equal to I_{or} . | | | | | | | |
| NOTE 3: These parameters are not directly settable, but are derived by calculation from the settable parameters. | | | | | | | |

NOTE: If the above Test Requirement differs from the Minimum Requirement then the Test Tolerance applied for this test is non-zero. The Test Tolerance for this test is defined in clause F.2 and the explanation of how the Minimum Requirement has been relaxed by the Test Tolerance is given in clause F.4.

8.6.2.2 Correct reporting of neighbours in fading propagation condition (Release 5 only)

8.6.2.2.1 Definition and applicability

In the event triggered reporting period the measurement reporting delay is defined as the time between any event that will trigger a measurement report until the UE starts to transmit the measurement report over the Uu interface. This requirement assumes that the measurement report is not delayed by other RRC signalling on the DCCH. This measurement reporting delay excludes a delay uncertainty resulted when inserting the measurement report to the TTI of the uplink DCCH. The delay uncertainty is twice the TTI of the uplink DCCH.

The requirements and this test apply for Release 5 only to all types of UTRA for the FDD UE.

8.6.2.2.2 Minimum requirements

The requirements are the same as in sub clause 8.6.2.1.2.

The normative reference for these requirements is TS 25.133 [2] clauses 8.1.2.3 and A.8.2.2.

8.6.2.2.3 Test purpose

To verify that the UE meets the minimum requirements. The test is performed in fading propagation conditions.

8.6.2.2.4 Method of test

8.6.2.2.4.1 Initial conditions

Test environment: normal; see clauses G.2.1 and G.2.2.

Frequencies to be tested: mid range; see clause G.2.4.

The test parameters are given in table 8.6.2.2.4.1 and 8.6.2.2.4.2. In the measurement control information it is indicated to the UE that event-triggered reporting 2C shall be used. The test consists of two successive time periods, each with time duration of T1 and T2 respectively.

Table 8.6.2.2.4.1: General test parameters for correct reporting of neighbours in fading propagation condition

| Parameter | Unit | Value | Comment |
|---|------|---|--|
| DCH parameters | | DL Reference Measurement Channel 12.2 kbps | As specified in C.3.1 and C.2.1 |
| Power Control | | On | |
| Compressed mode | | C.5.2 set 2 (TGPL1=12) | If required, as specified in C.5 |
| Active cell | | Cell 1 | |
| Absolute Threshold (Ec/NO) for Event 2C | dB | -18 | |
| Hysteresis | dB | 0 | |
| Time to Trigger | ms | 0 | |
| Filter coefficient | | 0 | |
| Monitored cell list size | | Total 24 8 on frequency Channel 2 | NOTE: See Annex I for cell information. The information is sent before the compressed mode pattern starts. |
| Propagation Condition | | Case 5 | As specified in Annex D |
| Frequency offset | ppm | +/- 0.1 | Frequency offset between Cell 1 and Cell 2. |
| T1 | s | 2 | |
| T2 | s | 40 | |

Table 8.6.2.2.4.2: Cell specific test parameters for correct reporting of neighbours in fading propagation condition

| Parameter | Unit | Cell 1 | | Cell 2 | |
|--|--------------|--------------------------------|----|-----------|-------|
| | | T1 | T2 | T1 | T2 |
| UTRA RF Channel Number | | Channel 1 | | Channel 2 | |
| CPICH_Ec/I _{or} | dB | -10 | | -10 | |
| PCCPCH_Ec/I _{or} | dB | -12 | | -12 | |
| SCH_Ec/I _{or} | dB | -12 | | -12 | |
| PICH_Ec/I _{or} | dB | -15 | | -15 | |
| DPCH_Ec/I _{or} | dB | Note 1 | | N/A | |
| OCNS_Ec/I _{or} | dB | Note 2 | | -0.941 | |
| \hat{I}_{or}/I_{oc} | dB | 0 | | -Infinity | -1.8 |
| \hat{I}_{or} (Note 3) | dBm | -70 | | -Infinity | -71.8 |
| I_{oc} | dBm/3.84 MHz | -70 | | -70 | |
| CPICH_Ec/I _o | dB | -13 | | -Infinity | -14 |
| Propagation Condition | | Case 5 as specified in Annex D | | | |
| NOTE 1: The DPCH level is controlled by the power control loop. | | | | | |
| NOTE 2: The power of the OCNS channel that is added shall make the total power from the cell to be equal to I_{or} . | | | | | |
| NOTE 3: The nominal \hat{I}_{or} values, although not explicitly defined in 25.133 [2] are added here since they are implied and need to be identified so that the test equipment can be configured. | | | | | |

8.6.2.2.4.2 Procedure

- 1) The RF parameters are set up according to T1 in table 8.6.2.2.4.3.
- 2) The UE is switched on.
- 3) A call is set up in AWGN conditions, according to the test procedure specified in TS 34.108 [3] sub clause 7.3.2. The scrambling code is set to Cell2.
- 4) SS shall transmit a MEASUREMENT CONTROL message.
- 5) If compressed mode is required, SS shall transmit PHYSICAL CHANNEL RECONFIGURATION message. Otherwise go to step 6.

- 6) The fading simulator is switched on, configured with settings in table 8.6.2.2.4.3. T1 starts.
- 7) After 2 seconds from the beginning of T1, the SS shall switch the power settings from T1 to T2 according to the parameters defined in table 8.6.2.2.4.3.
- 8) UE shall transmit a MEASUREMENT REPORT message triggered by event 2C. The measurement reporting delay from the beginning of T2 shall be less than 36.4 s. If the UE fails to report the event within the required delay, then a failure is recorded. If the reporting delay for this event is within the required limit, the number of successful tests is increased by one.
- 9) After the SS receive the MEASUREMENT REPORT message in step 8) or 40 seconds after the beginning of T2, the SS shall transmits a RRC Connection Release message to make the UE to transit to idle mode.
- 10) SS shall sets the new primary code group and primary code on Cell2. Three different primary code groups and primary codes according to Annex I are used to turn on Cell2. Previous timing information of Cell 2 is invalid in the UE. The RF parameters are set up according to T1.
- 11) Repeat steps 3-10 until the confidence level is achieved according to Annex F.6.2 Table F.6.2.8.

Specific Message Contents

All messages indicated above shall use the same content as described in the default message content in clause 9 of 34.108 [3], with the following exceptions:

MEASUREMENT CONTROL message:

| Information Element/Group name | Value/Remark |
|---|---|
| Message Type (10.2.17) | |
| UE information elements | |
| -RRC transaction identifier | 0 |
| -Integrity check info | |
| -message authentication code | SS calculates the value of MAC-I for this message and writes to this IE. The first/leftmost bit of the bit string contains the most significant bit of the MAC-I. |
| -RRC message sequence number | SS provides the value of this IE, from its internal counter. |
| Measurement Information elements | |
| -Measurement Identity | 2 |
| -Measurement Command (10.3.7.46) | Setup |
| -Measurement Reporting Mode (10.3.7.49) | |
| -Measurement Report Transfer Mode | AM RLC |
| -Periodical Reporting / Event Trigger Reporting Mode | Event trigger |
| -Additional measurements list (10.3.7.1) | Not Present |
| -CHOICE Measurement type | Inter-frequency measurement |
| -Inter-frequency measurement (10.3.7.16) | |
| -Inter-frequency measurement objects list (10.3.7.13) | |
| - CHOICE Inter-frequency cell removal | Not Present |
| - New Inter frequency cells | |
| - Inter frequency cell id | 4 |
| - Frequency info | |
| - CHOICE mode | FDD |
| - UARFCN uplink(Nu) | Not Present |
| - UARFCN downlink(Nd) | Same frequency as "Channel2" in Table 8.6.2.2.4.3 |
| - Cell info | |
| - Cell individual offset | Not Present |
| - Reference time difference to cell | Not Present |
| - Read SFN indicator | FALSE |
| - CHOICE mode | FDD |
| - Primary CPICH info | |
| - Primary scrambling code | Set to Primary scrambling code of Cell2 |
| - Primary CPICH Tx Power | Not Present |
| - Tx Diversity Indicator | FALSE |
| - Cell for measurement | Not Present |
| -Inter-frequency measurement quantity (10.3.7.18) | |
| -CHOICE reporting criteria | Inter-frequency reporting criteria |

| Information Element/Group name | Value/Remark |
|--|---|
| -Filter coefficient (10.3.7.9) -CHOICE mode -Measurement quantity for frequency quality estimate -Inter-frequency reporting quantity (10.3.7.21) -UTRA Carrier RSSI -Frequency quality estimate -Non frequency related cell reporting quantities (10.3.7.5) -Cell synchronisation information reporting indicator -Cell Identity reporting indicator -CHOICE mode -CPICH Ec/N0 reporting indicator -CPICH RSCP reporting indicator -Pathloss reporting indicator | 0 FDD CPICH_Ec/N0 FALSE FALSE TRUE (Note 1) TRUE FDD TRUE TRUE FALSE |
| -Reporting cell status (10.3.7.61) -Measurement validity (10.3.7.51) - Inter-frequency set update (10.3.7.22) -UE autonomous update mode -CHOICE report criteria -Inter-frequency measurement reporting criteria (10.3.7.19) -Parameters required for each event | Not Present Not Present On with no reporting Inter-frequency measurement reporting criteria 1 |
| -Inter-frequency event identity -Threshold used frequency -W used frequency -Hysteresis -Time to trigger -Reporting cell status -CHOICE reported cell -Maximum number of reported cells -Parameters required for each non-used frequency -Threshold non used frequency -W non-used frequency | Event 2C Not present Not present 0 dB 0 ms Report cells within monitored and/or virtual active set on non-used frequency 3 -18 dB 1 |
| Physical channel information elements -DPCH compressed mode status info (10.3.6.34) | Not Present |
| NOTE 1: The SFN-CFN observed time difference is calculated from the OFF and Tm parameters contained in the IE "Cell synchronisation information", TS 25.331, clause 10.3.7.6. According to TS 25.331, 8.6.7.7, this IE is included in MEASUREMENT REPORT if IE "Cell synchronisation information reporting indicator" in IE "Cell reporting quantities" TS 25.331, clause 10.3.7.5 is set to TRUE in MEASUREMENT CONTROL. | |

PHYSICAL CHANNEL RECONFIGURATION message for Inter frequency measurement:

| Information Element | Value/Remark | Version |
|--|--|---------|
| Message Type | | |
| UE Information Elements -RRC transaction identifier -Integrity check info -message authentication code -RRC message sequence number -Integrity protection mode info -Cipherng mode info -Activation time -New U-RNTI -New C-RNTI -RRC State Indicator -UTRAN DRX cycle length coefficient | 0 SS calculates the value of MAC-I for this message and writes to this IE. The first/leftmost bit of the bit string contains the most significant bit of the MAC-I. SS provides the value of this IE, from its internal counter. Not Present Not Present Not Present Not Present Not Present CELL_DCH Not Present | |
| CN Information Elements -CN Information info | Not Present | |
| UTRAN mobility information elements -URA identity | Not Present | |

| Information Element | Value/Remark | Version |
|--|---|--------------------|
| RB information elements | | |
| -Downlink counter synchronisation info | Not Present | |
| PhyCH information elements | | |
| -Frequency info | Not Present | |
| Uplink radio resources | | |
| -Maximum allowed UL TX power | 33 dBm | |
| Downlink radio resources | | |
| -CHOICE mode | FDD | R99 and Rel-4 only |
| -Downlink PDSCH information | Not Present | |
| -Downlink information common for all radio links (10.3.6.24) | | |
| -Downlink DPCH info common for all RL (10.3.6.18) | Not Present | |
| -CHOICE mode | FDD | |
| -DPCH compressed mode info (10.3.6.33) | | |
| -Transmission gap pattern sequence | | |
| -TGPSI | 1 | |
| -TGPS Status Flag | Activate | |
| -TGCFN | (Current CFN + (256 – TTI/10msec))mod 256 | |
| -Transmission gap pattern sequence configuration parameters | | |
| -TGMP | FDD measurement | |
| -TGPRC | Infinity | |
| -TGSN | 4 | |
| -TGL1 | 7 | |
| -TGL2 | Not Present | |
| -TGD | UNDEFINED | |
| -TGPL1 | 12 | |
| -TGPL2 | Not Present | R99 and Rel-4 only |
| -RPP | Mode 0 | |
| -ITP | Mode 0 | |
| -CHOICE UL/DL mode | UL and DL | |
| -Downlink compressed mode method | SF/2 | |
| -Uplink compressed mode method | SF/2 | |
| -Downlink frame type | B | |
| -DeltaSIR1 | 3.0 | |
| -DeltaSIRafter1 | 3.0 | |
| -DeltaSIR2 | Not Present | |
| -DeltaSIRafter2 | Not Present | |
| -N Identify abort | Not Present | |
| -T Reconfirm abort | Not Present | |
| -TX Diversity mode (10.3.6.86) | Not Present | |
| -SSDT information (10.3.6.77) | Not Present | R99 and Rel-4 only |
| -Default DPCH Offset Value (10.3.6.16) | Not Present | |
| -Downlink information per radio link list | | |
| -Downlink information for each radio link (10.3.6.27) | | |
| -CHOICE mode | FDD | |
| -Primary CPICH info (10.3.6.60) | | |
| -Primary scrambling code | 100 | |
| -PDSCH with SHO DCH info (10.3.6.47) | Not Present | R99 and Rel-4 only |
| -PDSCH code mapping (10.3.6.43) | Not Present | R99 and Rel-4 only |
| -Downlink DPCH info for each RL (10.3.6.21) | | |
| -CHOICE mode | FDD | |
| -Primary CPICH usage for channel estimation | Primary CPICH may be used | |
| -DPCH frame offset | Set to value Default DPCH Offset Value (as currently stored in SS) mod 38400 | |
| -Secondary CPICH info | Not Present | |
| -DL channelisation code | | |
| -Secondary scrambling code | Not Present | |
| -Spreading factor | 128 | |
| -Code number | 96 | |
| -Scrambling code change | No code change | |
| -TPC combination index | 0 | |
| -SSDT Cell Identity | Not Present | R99 and Rel-4 only |
| - Closed loop timing adjustment mode | Not Present | |
| - SCCPCH information for FACH (10.3.6.70) | Not Present | |

MEASUREMENT REPORT message for Inter frequency test cases

These messages are common for all inter frequency test cases and are described in Annex I.

8.6.2.2.5 Test requirements

For the test to pass, the total number of successful tests shall be at least 90% of the cases with a confidence level of 95% According to annex F.6.2. The number of successful tests shall be on an event level, i.e. the SS shall check how many events are reported successfully out of the total number of events checked.

Table 8.6.2.2.4.3: Test requirements for correct reporting of neighbours in fading propagation condition

| Parameter | Unit | Cell 1 | | Cell 2 | |
|--|--------------------------------|-----------|----|-----------|-------|
| | | T1 | T2 | T1 | T2 |
| UTRA RF Channel Number | | Channel 1 | | Channel 2 | |
| CPICH_Ec/I _{or} | dB | -9.2 | | -9.2 | |
| PCCPCH_Ec/I _{or} | dB | -11.2 | | -11.2 | |
| SCH_Ec/I _{or} | dB | -11.2 | | -11.2 | |
| PICH_Ec/I _{or} | dB | -14.2 | | -14.2 | |
| DPCH_Ec/I _{or} | dB | Note 1 | | N/A | |
| OCNS_Ec/I _{or} | dB | Note 2 | | -1.16 | |
| \hat{I}_{or}/I_{oc} (Note 3) | dB | 0 | | -Infinity | -1.8 |
| \hat{I}_{or} | dBm | -70 | | -Infinity | -71.8 |
| I_{oc} | dBm/3.84 MHz | -70 | | | |
| CPICH_Ec/I _o (Note 3) | dB | -12.21 | | -Infinity | -13.2 |
| Propagation Condition | Case 5 as specified in Annex D | | | | |
| NOTE 1: The DPCH level is controlled by the power control loop. | | | | | |
| NOTE 2: The power of the OCNS channel that is added shall make the total power from the cell to be equal to I_{or} . | | | | | |
| NOTE 3: These parameters are not directly settable, but are derived by calculation from the settable parameters. | | | | | |

NOTE: If the above Test Requirement differs from the Minimum Requirement then the Test Tolerance applied for this test is non-zero. The Test Tolerance for this test is defined in clause F.2 and the explanation of how the Minimum Requirement has been relaxed by the Test Tolerance is given in clause F.4.

8.6.2.2A Correct reporting of neighbours in fading propagation condition (Release 6 and later)

8.6.2.2A.1 Definition and applicability

In the event triggered reporting period the measurement reporting delay is defined as the time between any event that will trigger a measurement report until the UE starts to transmit the measurement report over the Uu interface. This requirement assumes that the measurement report is not delayed by other RRC signalling on the DCCH. This measurement reporting delay excludes a delay uncertainty resulted when inserting the measurement report to the TTI of the uplink DCCH. The delay uncertainty is twice the TTI of the uplink DCCH.

The requirements and this test apply for Release 6 and later releases to all types of UTRA for the FDD UE.

8.6.2.2A.2 Minimum requirements

The requirements are the same as in sub clause 8.6.2.1A.2.

The normative reference for these requirements is TS 25.133 [2] clauses 8.1.2.3 and A.8.2.2.

8.6.2.2A.3 Test purpose

To verify that the UE meets the minimum requirements. The test is performed in fading propagation conditions.

8.6.2.2A.4 Method of test

8.6.2.2A.4.1 Initial conditions

Test environment: normal; see clauses G.2.1 and G.2.2.

Frequencies to be tested: mid range; see clause G.2.4.

The test parameters are given in table 8.6.2.2A.4.1 and 8.6.2.2A.4.2. In the measurement control information it is indicated to the UE that event-triggered reporting 2C shall be used. The test consists of two successive time periods, each with time duration of T1 and T2 respectively.

Table 8.6.2.2A.4.1: General test parameters for correct reporting of neighbours in fading propagation condition

| Parameter | Unit | Value | Comment |
|---|------|---|--|
| DCH parameters | | DL Reference Measurement Channel 12.2 kbps | As specified in C.3.1 and C.2.1 |
| Power Control | | On | |
| Compressed mode | | C.5.2 set 2 (TGPL1=12) | If required, as specified in C.5 |
| Active cell | | Cell 1 | |
| Absolute Threshold (Ec/NO) for Event 2C | dB | -18 | |
| Hysteresis | dB | 0 | |
| Time to Trigger | ms | 0 | |
| Filter coefficient | | 0 | |
| Monitored cell list size | | Total 24 8 on frequency Channel 2 | NOTE: See Annex I for cell information. The information is sent before the compressed mode pattern starts. |
| Propagation Condition | | Case 5 | As specified in Annex D |
| Frequency offset | ppm | +/- 0.1 | Frequency offset between Cell 1 and Cell 2. |
| T1 | s | 2 | |
| T2 | s | 15 | |

Table 8.6.2.2A.4.2: Cell specific test parameters for correct reporting of neighbours in fading propagation condition

| Parameter | Unit | Cell 1 | | Cell 2 | |
|--|--------------|--------------------------------|----|-----------|-------|
| | | T1 | T2 | T1 | T2 |
| UTRA RF Channel Number | | Channel 1 | | Channel 2 | |
| CPICH_Ec/Ior | dB | -10 | | -10 | |
| PCCPCH_Ec/Ior | dB | -12 | | -12 | |
| SCH_Ec/Ior | dB | -12 | | -12 | |
| PICH_Ec/Ior | dB | -15 | | -15 | |
| DPCH_Ec/Ior | dB | Note 1 | | N/A | |
| OCNS_Ec/Ior | dB | Note 2 | | -0.941 | |
| \hat{I}_{or}/I_{oc} | dB | 0 | | -Infinity | -1.8 |
| \hat{I}_{or} (Note 3) | dBm | -70 | | -Infinity | -71.8 |
| I_{oc} | dBm/3.84 MHz | -70 | | -70 | |
| CPICH_Ec/Io | dB | -13 | | -Infinity | -14 |
| Propagation Condition | | Case 5 as specified in Annex D | | | |
| NOTE 1: The DPCH level is controlled by the power control loop. | | | | | |
| NOTE 2: The power of the OCNS channel that is added shall make the total power from the cell to be equal to I_{or} . | | | | | |
| NOTE 3: The nominal \hat{I}_{or} values, although not explicitly defined in 25.133 [2] are added here since they are implied and need to be identified so that the test equipment can be configured. | | | | | |

8.6.2.2A.4.2 Procedure

- 1) The RF parameters are set up according to T1 in table 8.6.2.2A.4.3.
- 2) The UE is switched on.

- 3) A call is set up in AWGN conditions, according to the test procedure specified in TS 34.108 [3] sub clause 7.3.2. The scrambling code is set to Cell2.
- 4) SS shall transmit a MEASUREMENT CONTROL message.
- 5) If compressed mode is required, SS shall transmit PHYSICAL CHANNEL RECONFIGURATION message. Otherwise, go to step 6.
- 6) The fading simulator is switched on, configured with settings in table 8.6.2.2A.4.3. T1 starts.
- 7) After 2 seconds from the beginning of T1, the SS shall switch the power settings from T1 to T2 according to the parameters defined in table 8.6.2.2A.4.3.
- 8) UE shall transmit a MEASUREMENT REPORT message triggered by event 2C. The measurement reporting delay from the beginning of T2 shall be less than [13.9] seconds. If the UE fails to report the event within the required delay, then a failure is recorded. If the reporting delay for this event is within the required limit, the number of successful tests is increased by one.
- 9) After the SS receive the MEASUREMENT REPORT message in step 8) or 15 seconds after the beginning of T2, the SS shall transmits a RRC Connection Release message to make the UE to transit to idle mode.
- 10) SS shall sets the new primary code group and primary code on Cell2. Three different primary code groups and primary codes according to Annex I are used to turn on Cell2. Previous timing information of Cell 2 is invalid in the UE. The RF parameters are set up according to T1.
- 11) Repeat steps 3-10 until the confidence level is achieved according to Annex F.6.2 Table F.6.2.8.

Specific Message Contents

All messages indicated above shall use the same content as described in the default message content in clause 9 of 34.108 [3], with the following exceptions:

MEASUREMENT CONTROL message:

| Information Element/Group name | Value/Remark |
|---|---|
| Message Type (10.2.17) | |
| UE information elements | |
| -RRC transaction identifier | 0 |
| -Integrity check info | |
| -message authentication code | SS calculates the value of MAC-I for this message and writes to this IE. The first/leftmost bit of the bit string contains the most significant bit of the MAC-I. |
| -RRC message sequence number | SS provides the value of this IE, from its internal counter. |
| Measurement Information elements | |
| -Measurement Identity | 2 |
| -Measurement Command (10.3.7.46) | Setup |
| -Measurement Reporting Mode (10.3.7.49) | AM RLC |
| -Measurement Report Transfer Mode | Event trigger |
| -Periodical Reporting / Event Trigger Reporting Mode | Not Present |
| -Additional measurements list (10.3.7.1) | |
| -CHOICE Measurement type | Inter-frequency measurement |
| -Inter-frequency measurement (10.3.7.16) | |
| -Inter-frequency measurement objects list (10.3.7.13) | |
| - CHOICE Inter-frequency cell removal | Not Present |
| - New Inter frequency cells | |
| - Inter frequency cell id | 4 |
| - Frequency info | |
| - CHOICE mode | FDD |
| - UARFCN uplink(Nu) | Not Present |
| - UARFCN downlink(Nd) | Same frequency as "Channel2" in Table 8.6.2.2.4.3 |
| - Cell info | |
| - Cell individual offset | Not Present |
| - Reference time difference to cell | Not Present |
| - Read SFN indicator | FALSE |

| Information Element/Group name | Value/Remark |
|---|---|
| - CHOICE mode - Primary CPICH info - Primary scrambling code - Primary CPICH Tx Power - Tx Diversity Indicator - Cell for measurement -Inter-frequency measurement quantity (10.3.7.18) -CHOICE reporting criteria -Filter coefficient (10.3.7.9) -CHOICE mode -Measurement quantity for frequency quality estimate -Inter-frequency reporting quantity (10.3.7.21) -UTRA Carrier RSSI -Frequency quality estimate -Non frequency related cell reporting quantities (10.3.7.5) -Cell synchronisation information reporting indicator -Cell Identity reporting indicator -CHOICE mode -CPICH Ec/N0 reporting indicator -CPICH RSCP reporting indicator -Pathloss reporting indicator | FDD Set to Primary scrambling code of Cell2 Not Present FALSE Not Present Inter-frequency reporting criteria 0 FDD CPICH_Ec/N0 FALSE FALSE TRUE (Note 1) TRUE FDD TRUE TRUE FALSE |
| -Reporting cell status (10.3.7.61) -Measurement validity (10.3.7.51) - Inter-frequency set update (10.3.7.22) -UE autonomous update mode -CHOICE report criteria -Inter-frequency measurement reporting criteria (10.3.7.19) -Parameters required for each event | Not Present Not Present On with no reporting Inter-frequency measurement reporting criteria 1 |
| -Inter-frequency event identity -Threshold used frequency -W used frequency -Hysteresis -Time to trigger -Reporting cell status -CHOICE reported cell -Maximum number of reported cells -Parameters required for each non-used frequency -Threshold non used frequency -W non-used frequency | Event 2C Not present Not present 0 dB 0 ms Report cells within monitored and/or virtual active set on non-used frequency 3 -18 dB 1 |
| Physical channel information elements -DPCH compressed mode status info (10.3.6.34) | Not Present |
| NOTE 1: The SFN-CFN observed time difference is calculated from the OFF and Tm parameters contained in the IE "Cell synchronisation information", TS 25.331, clause 10.3.7.6. According to TS 25.331, 8.6.7.7, this IE is included in MEASUREMENT REPORT if IE "Cell synchronisation information reporting indicator" in IE "Cell reporting quantities" TS 25.331, clause 10.3.7.5 is set to TRUE in MEASUREMENT CONTROL. | |

PHYSICAL CHANNEL RECONFIGURATION message for Inter frequency measurement:

| Information Element | Value/Remark | Version |
|---------------------------------|---|---------|
| Message Type | | |
| UE Information Elements | | |
| -RRC transaction identifier | 0 | |
| -Integrity check info | | |
| -message authentication code | SS calculates the value of MAC-I for this message and writes to this IE. The first/leftmost bit of the bit string contains the most significant bit of the MAC-I. | |
| -RRC message sequence number | SS provides the value of this IE, from its internal counter. | |
| -Integrity protection mode info | Not Present | |
| -Ciphering mode info | Not Present | |
| -Activation time | Not Present | |
| -New U-RNTI | Not Present | |

| Information Element | Value/Remark | Version |
|--|---|--------------------|
| -New C-RNTI | Not Present | |
| -RRC State Indicator | CELL_DCH | |
| -UTRAN DRX cycle length coefficient | Not Present | |
| CN Information Elements | | |
| -CN Information info | Not Present | |
| UTRAN mobility information elements | | |
| -URA identity | Not Present | |
| RB information elements | | |
| -Downlink counter synchronisation info | Not Present | |
| PhyCH information elements | | |
| -Frequency info | Not Present | |
| Uplink radio resources | | |
| -Maximum allowed UL TX power | 33 dBm | |
| Downlink radio resources | | |
| -CHOICE mode | FDD | R99 and Rel-4 only |
| -Downlink PDSCH information | Not Present | |
| -Downlink information common for all radio links (10.3.6.24) | | |
| -Downlink DPCH info common for all RL (10.3.6.18) | Not Present | |
| -CHOICE mode | FDD | |
| -DPCH compressed mode info (10.3.6.33) | | |
| -Transmission gap pattern sequence | | |
| -TGPSI | 1 | |
| -TGPS Status Flag | Activate | |
| -TGCFN | (Current CFN + (256 – TTI/10msec))mod 256 | |
| -Transmission gap pattern sequence configuration parameters | | |
| -TGMP | FDD measurement | |
| -TGPRC | Infinity | |
| -TGSN | 4 | |
| -TGL1 | 7 | |
| -TGL2 | Not Present | |
| -TGD | UNDEFINED | |
| -TGPL1 | 12 | |
| -TGPL2 | Not Present | R99 and Rel-4 only |
| -RPP | Mode 0 | |
| -ITP | Mode 0 | |
| -CHOICE UL/DL mode | UL and DL | |
| -Downlink compressed mode method | SF/2 | |
| -Uplink compressed mode method | SF/2 | |
| -Downlink frame type | B | |
| -DeltaSIR1 | 3.0 | |
| -DeltaSIRafter1 | 3.0 | |
| -DeltaSIR2 | Not Present | |
| -DeltaSIRafter2 | Not Present | |
| -N Identify abort | Not Present | |
| -T Reconfirm abort | Not Present | |
| -TX Diversity mode (10.3.6.86) | Not Present | |
| -SSDT information (10.3.6.77) | Not Present | R99 and Rel-4 only |
| -Default DPCH Offset Value (10.3.6.16) | Not Present | |
| -Downlink information per radio link list | | |
| -Downlink information for each radio link (10.3.6.27) | | |
| -CHOICE mode | FDD | |
| -Primary CPICH info (10.3.6.60) | | |
| -Primary scrambling code | 100 | |
| -PDSCH with SHO DCH info (10.3.6.47) | Not Present | R99 and Rel-4 only |
| -PDSCH code mapping (10.3.6.43) | Not Present | R99 and Rel-4 only |
| -Downlink DPCH info for each RL (10.3.6.21) | | |
| -CHOICE mode | FDD | |
| -Primary CPICH usage for channel estimation | Primary CPICH may be used | |
| -DPCH frame offset | Set to value Default DPCH Offset Value (as currently stored in SS) mod 38400 | |
| -Secondary CPICH info | Not Present | |
| -DL channelisation code | | |
| -Secondary scrambling code | Not Present | |
| -Spreading factor | 128 | |

| Information Element | Value/Remark | Version |
|---|----------------|--------------------|
| -Code number | 96 | R99 and Rel-4 only |
| -Scrambling code change | No code change | |
| -TPC combination index | 0 | |
| -SSDT Cell Identity | Not Present | |
| - Closed loop timing adjustment mode | Not Present | |
| - SCCPCH information for FACH (10.3.6.70) | Not Present | |

MEASUREMENT REPORT message for Inter frequency test cases

These messages are common for all inter frequency test cases and are described in Annex I.

8.6.2.2A.5 Test requirements

For the test to pass, the total number of successful tests shall be at least 90% of the cases with a confidence level of 95% According to annex F.6.2. The number of successful tests shall be on an event level, i.e. the SS shall check how many events are reported successfully out of the total number of events checked.

Table 8.6.2.2A.4.3: Test requirements for correct reporting of neighbours in fading propagation condition

| Parameter | Unit | Cell 1 | | Cell 2 | |
|--|--------------------------------|-----------|----|-----------|-------|
| | | T1 | T2 | T1 | T2 |
| UTRA RF Channel Number | | Channel 1 | | Channel 2 | |
| CPICH_Ec/I _{or} | dB | -9.2 | | -9.2 | |
| PCCPCH_Ec/I _{or} | dB | -11.2 | | -11.2 | |
| SCH_Ec/I _{or} | dB | -11.2 | | -11.2 | |
| PICH_Ec/I _{or} | dB | -14.2 | | -14.2 | |
| DPCH_Ec/I _{or} | dB | Note 1 | | N/A | |
| OCNS_Ec/I _{or} | dB | Note 2 | | -1.16 | |
| \hat{I}_{or}/I_{oc} (Note 3) | dB | 0 | | -Infinity | -1.8 |
| I_{or} | dBm | -70 | | -Infinity | -71.8 |
| I_{oc} | dBm/3.84 MHz | -70 | | | |
| CPICH_Ec/I _o (Note 3) | dB | -12.21 | | -Infinity | -13.2 |
| Propagation Condition | Case 5 as specified in Annex D | | | | |
| NOTE 1: The DPCH level is controlled by the power control loop. | | | | | |
| NOTE 2: The power of the OCNS channel that is added shall make the total power from the cell to be equal to I_{or} . | | | | | |
| NOTE 3: These parameters are not directly settable, but are derived by calculation from the settable parameters. | | | | | |

NOTE: If the above Test Requirement differs from the Minimum Requirement then the Test Tolerance applied for this test is non-zero. The Test Tolerance for this test is defined in clause F.2 and the explanation of how the Minimum Requirement has been relaxed by the Test Tolerance is given in clause F.4.

8.6.2.3 Correct reporting of neighbours in fading propagation condition using TGL1=14

8.6.2.3.1 Definition and applicability

In the event triggered reporting period the measurement reporting delay is defined as the time between any event that will trigger a measurement report until the UE starts to transmit the measurement report over the Uu interface. This requirement assumes that the measurement report is not delayed by other RRC signalling on the DCCH. This measurement reporting delay excludes a delay uncertainty resulted when inserting the measurement report to the TTI of the uplink DCCH. The delay uncertainty is twice the TTI of the uplink DCCH.

The requirements and this test apply for Release 6 and later releases to all types of UTRA for the FDD UE.

8.6.2.3.2 Minimum requirements

The requirements are the same as in sub clause 8.6.2.1.2.

The normative reference for these requirements is TS 25.133 [2] clauses 8.1.2.3 and A.8.2.3.

8.6.2.3.3 Test purpose

To verify that the UE meets the minimum requirements. The test is performed in fading propagation conditions using TGL1=14.

8.6.2.3.4 Method of test

8.6.2.3.4.1 Initial conditions

Test environment: normal; see clauses G.2.1 and G.2.2.

Frequencies to be tested: mid range; see clause G.2.4.

The test parameters are given in table 8.6.2.3.4.1 and 8.6.2.3.4.2. In the measurement control information it is indicated to the UE that event-triggered reporting 2C shall be used. The test consists of two successive time periods, each with time duration of T1 and T2 respectively.

Table 8.6.2.3.4.1: General test parameters for correct reporting of neighbours in fading propagation condition using TGL1=14

| Parameter | Unit | Value | Comment |
|---|------|---|--|
| DCH parameters | | DL Reference Measurement Channel 12.2 kbps | As specified in C.3.1 and C.2.1 |
| Power Control | | On | |
| Compressed mode | | C.5.2 set 4 (TGPL1=4) | As specified in C.5 |
| Active cell | | Cell 1 | |
| Absolute Threshold (Ec/NO) for Event 2C | dB | -18 | |
| Hysteresis | dB | 0 | |
| Time to Trigger | ms | 0 | |
| Filter coefficient | | 0 | |
| Monitored cell list size | | Total 24 8 on frequency Channel 2 | NOTE: See Annex I for cell information. The information is sent before the compressed mode pattern starts. |
| Propagation Condition | | Case 5 | As specified in Annex D |
| Frequency offset | ppm | +/- 0.1 | Frequency offset between Cell 1 and Cell 2. |
| T1 | s | 2 | |
| T2 | s | 2 | |

Table 8.6.2.3.4.2: Cell specific test parameters for correct reporting of neighbours in fading propagation condition using TGL1=14

| Parameter | Unit | Cell 1 | | Cell 2 | |
|--|--------------------------------|-----------|----|-----------|-------|
| | | T1 | T2 | T1 | T2 |
| UTRA RF Channel Number | | Channel 1 | | Channel 2 | |
| CPICH_Ec/I _{or} | dB | -10 | | -10 | |
| PCCPCH_Ec/I _{or} | dB | -12 | | -12 | |
| SCH_Ec/I _{or} | dB | -12 | | -12 | |
| PICH_Ec/I _{or} | dB | -15 | | -15 | |
| DPCH_Ec/I _{or} | dB | Note 1 | | N/A | |
| OCNS | | Note 2 | | -0.941 | |
| \hat{I}_{or}/I_{oc} | dB | 0 | | -Infinity | -1.8 |
| \hat{I}_{or} (Note 3) | dB | -70 | | -Infinity | -71.8 |
| I_{oc} | dBm/3.84 MHz | -70 | | -70 | |
| CPICH_Ec/I _o | dB | -13 | | -Infinity | -14 |
| Propagation Condition | Case 5 as specified in Annex D | | | | |
| NOTE 1: The DPCH level is controlled by the power control loop | | | | | |
| NOTE 2: The power of the OCNS channel that is added shall make the total power from the cell to be equal to I_{or} . | | | | | |
| NOTE 3: The nominal \hat{I}_{or} values, although not explicitly defined in 25.133 [2] are added here since they are implied and need to be identified so that the test equipment can be configured. | | | | | |

8.6.2.3.4.2 Procedure

- 1) The RF parameters are set up according to T1 in table 8.6.2.3.4.3.
- 2) The UE is switched on.
- 3) A call is set up in AWGN conditions, according to the test procedure specified in TS 34.108 [3] sub clause 7.3.2. The scrambling code is set to Cell2.
- 4) SS shall transmit a MEASUREMENT CONTROL message.
- 5) SS shall transmit PHYSICAL CHANNEL RECONFIGURATION message.
- 6) The fading simulator is switched on, configured with settings in table 8.6.2.3.4.3. T1 starts.
- 7) After 2 seconds from the beginning of T1, the SS shall switch the power settings from T1 to T2 according to the parameters defined in table 8.6.2.3.4.3.
- 8) UE shall transmit a MEASUREMENT REPORT message triggered by event 2C. The measurement reporting delay from the beginning of T2 shall be less than [1.78] seconds. If the UE fails to report the event within the required delay, then a failure is recorded. If the reporting delay for this event is within the required limit, the number of successful tests is increased by one.
- 9) After the SS receive the MEASUREMENT REPORT message in step 8) or 2 seconds after the beginning of T2, the SS shall transmits a RRC Connection Release message to make the UE to transit to idle mode.
- 10) SS shall sets the new primary code group and primary code on Cell2. Three different primary code groups and primary codes according to Annex I are used to turn on Cell2. Previous timing information of Cell 2 is invalid in the UE. The RF parameters are set up according to T1.
- 11) Repeat steps 3-10 until the confidence level is achieved according to Annex F.6.2 Table F.6.2.8.

Specific Message Contents

All messages indicated above shall use the same content as described in the default message content in clause 9 of 34.108 [3], with the following exceptions:

MEASUREMENT CONTROL message:

| Information Element/Group name | Value/Remark |
|--|---|
| Message Type (10.2.17) | |
| UE information elements -RRC transaction identifier -Integrity check info | 0 |
| -message authentication code | SS calculates the value of MAC-I for this message and writes to this IE. The first/leftmost bit of the bit string contains the most significant bit of the MAC-I. |
| -RRC message sequence number | SS provides the value of this IE, from its internal counter. |
| Measurement Information elements -Measurement Identity -Measurement Command (10.3.7.46) -Measurement Reporting Mode (10.3.7.49) -Measurement Report Transfer Mode -Periodical Reporting / Event Trigger Reporting Mode -Additional measurements list (10.3.7.1) | 2 Setup AM RLC Event trigger Not Present |
| -CHOICE Measurement type -Inter-frequency measurement (10.3.7.16) -Inter-frequency measurement objects list (10.3.7.13) - CHOICE Inter-frequency cell removal - New Inter frequency cells - Inter frequency cell id - Frequency info - CHOICE mode - UARFCN uplink(Nu) - UARFCN downlink(Nd) | Inter-frequency measurement Not Present 4 FDD Not Present Same frequency as "Channel2" in Table 8.6.2.3.4.3 |
| - Cell info - Cell individual offset - Reference time difference to cell - Read SFN indicator - CHOICE mode - Primary CPICH info - Primary scrambling code - Primary CPICH Tx Power - Tx Diversity Indicator - Cell for measurement | Not Present Not Present FALSE FDD Set to Primary scrambling code of Cell2 Not Present FALSE Not Present |
| -Inter-frequency measurement quantity (10.3.7.18) -CHOICE reporting criteria -Filter coefficient (10.3.7.9) -CHOICE mode -Measurement quantity for frequency quality estimate | Inter-frequency reporting criteria 0 FDD CPICH_Ec/N0 |
| -Inter-frequency reporting quantity (10.3.7.21) -UTRA Carrier RSSI -Frequency quality estimate -Non frequency related cell reporting quantities (10.3.7.5) -Cell synchronisation information reporting indicator -Cell Identity reporting indicator -CHOICE mode -CPICH Ec/N0 reporting indicator -CPICH RSCP reporting indicator -Pathloss reporting indicator | FALSE FALSE TRUE (Note 1) TRUE FDD TRUE TRUE FALSE |
| -Reporting cell status (10.3.7.61) -Measurement validity (10.3.7.51) - Inter-frequency set update (10.3.7.22) -UE autonomous update mode -CHOICE report criteria | Not Present Not Present On with no reporting Inter-frequency measurement reporting criteria |
| -Inter-frequency measurement reporting criteria (10.3.7.19) -Parameters required for each event | 1 |

| Information Element/Group name | Value/Remark |
|---|---|
| -Inter-frequency event identity | Event 2C |
| -Threshold used frequency | Not present |
| -W used frequency | Not present |
| -Hysteresis | 0 dB |
| -Time to trigger | 0 ms |
| -Reporting cell status | Report cells within monitored and/or virtual active set on non-used frequency |
| -CHOICE reported cell | 3 |
| -Maximum number of reported cells | 3 |
| -Parameters required for each non-used frequency | |
| -Threshold non used frequency | -18 dB |
| -W non-used frequency | 1 |
| Physical channel information elements | |
| -DPCH compressed mode status info (10.3.6.34) | Not Present |
| NOTE 1: The SFN-CFN observed time difference is calculated from the OFF and Tm parameters contained in the IE "Cell synchronisation information", TS 25.331, clause 10.3.7.6. According to TS 25.331, 8.6.7.7, this IE is included in MEASUREMENT REPORT if IE "Cell synchronisation information reporting indicator" in IE "Cell reporting quantities" TS 25.331, clause 10.3.7.5 is set to TRUE in MEASUREMENT CONTROL. | |

PHYSICAL CHANNEL RECONFIGURATION message for Inter frequency measurement:

| Information Element | Value/Remark | Version |
|--|---|--------------------|
| Message Type | | |
| UE Information Elements | | |
| -RRC transaction identifier | 0 | |
| -Integrity check info | | |
| -message authentication code | SS calculates the value of MAC-I for this message and writes to this IE. The first/leftmost bit of the bit string contains the most significant bit of the MAC-I. | |
| -RRC message sequence number | SS provides the value of this IE, from its internal counter. | |
| -Integrity protection mode info | Not Present | |
| -Ciphering mode info | Not Present | |
| -Activation time | Not Present | |
| -New U-RNTI | Not Present | |
| -New C-RNTI | Not Present | |
| -RRC State Indicator | CELL_DCH | |
| -UTRAN DRX cycle length coefficient | Not Present | |
| CN Information Elements | | |
| -CN Information info | Not Present | |
| UTRAN mobility information elements | | |
| -URA identity | Not Present | |
| RB information elements | | |
| -Downlink counter synchronisation info | Not Present | |
| PhyCH information elements | | |
| -Frequency info | Not Present | |
| Uplink radio resources | | |
| -Maximum allowed UL TX power | 33 dBm | |
| Downlink radio resources | | |
| -CHOICE mode | FDD | R99 and Rel-4 only |
| -Downlink PDSCH information | Not Present | |
| -Downlink information common for all radio links (10.3.6.24) | | |
| -Downlink DPCH info common for all RL (10.3.6.18) | Not Present | |
| -CHOICE mode | FDD | |
| -DPCH compressed mode info (10.3.6.33) | | |
| -Transmission gap pattern sequence | | |
| -TGPSI | 1 | |
| -TGPS Status Flag | Activate | |
| -TGCFN | (Current CFN + (256 – TTI/10msec))mod 256 | |
| -Transmission gap pattern sequence configuration parameters | | |
| -TGMP | FDD measurement | |

| Information Element | Value/Remark | Version |
|---|---|--------------------|
| -TGPRC | Infinity | |
| -TGSN | 8 | |
| -TGL1 | 14 | |
| -TGL2 | Not Present | |
| -TGD | UNDEFINED | |
| -TGPL1 | 4 | |
| -TGPL2 | Not Present | R99 and Rel-4 only |
| -RPP | Mode 0 | |
| -ITP | Mode 0 | |
| -CHOICE UL/DL mode | UL and DL | |
| -Downlink compressed mode method | SF/2 | |
| -Uplink compressed mode method | SF/2 | |
| -Downlink frame type | B | |
| -DeltaSIR1 | 3.0 | |
| -DeltaSIRafter1 | 3.0 | |
| -DeltaSIR2 | Not Present | |
| -DeltaSIRafter2 | Not Present | |
| -N Identify abort | Not Present | |
| -T Reconfirm abort | Not Present | |
| -TX Diversity mode (10.3.6.86) | Not Present | |
| -SSDT information (10.3.6.77) | Not Present | R99 and Rel-4 only |
| -Default DPCH Offset Value (10.3.6.16) | Not Present | |
| -Downlink information per radio link list | | |
| -Downlink information for each radio link (10.3.6.27) | | |
| -CHOICE mode | FDD | |
| -Primary CPICH info (10.3.6.60) | | |
| -Primary scrambling code | 100 | |
| -PDSCH with SHO DCH info (10.3.6.47) | Not Present | R99 and Rel-4 only |
| -PDSCH code mapping (10.3.6.43) | Not Present | R99 and Rel-4 only |
| -Downlink DPCH info for each RL (10.3.6.21) | | |
| -CHOICE mode | FDD | |
| -Primary CPICH usage for channel estimation | Primary CPICH may be used | |
| -DPCH frame offset | Set to value Default DPCH Offset Value (as currently stored in SS) mod 38400 | |
| -Secondary CPICH info | Not Present | |
| -DL channelisation code | | |
| -Secondary scrambling code | Not Present | |
| -Spreading factor | 128 | |
| -Code number | 96 | |
| -Scrambling code change | No code change | |
| -TPC combination index | 0 | |
| -SSDT Cell Identity | Not Present | R99 and Rel-4 only |
| - Closed loop timing adjustment mode | Not Present | |
| -SCCPCH information for FACH (10.3.6.70) | Not Present | |

MEASUREMENT REPORT message for Inter frequency test cases

These messages are common for all inter frequency test cases and are described in Annex I.

8.6.2.3.5 Test requirements

For the test to pass, the total number of successful tests shall be at least 90% of the cases with a confidence level of 95% According to annex F.6.2. The number of successful tests shall be on an event level, i.e. the SS shall check how many events are reported successfully out of the total number of events checked.

Table 8.6.2.3.4.3: Test requirements for correct reporting of neighbours in fading propagation condition

| Parameter | Unit | Cell 1 | | Cell 2 | |
|--|--------------------------------|-----------|----|-----------|-------|
| | | T1 | T2 | T1 | T2 |
| UTRA RF Channel Number | | Channel 1 | | Channel 2 | |
| CPICH_Ec/Ior | dB | -9.2 | | -9.2 | |
| PCCPCH_Ec/Ior | dB | -11.2 | | -11.2 | |
| SCH_Ec/Ior | dB | -11.2 | | -11.2 | |
| PICH_Ec/Ior | dB | -14.2 | | -14.2 | |
| DPCH_Ec/Ior | dB | Note 1 | | N/A | |
| OCNS_Ec/Ior | dB | Note 2 | | -1.16 | |
| \hat{I}_{or}/I_{oc} (Note 3) | dB | 0 | | -Infinity | -1.8 |
| I_{or} | dBm | -70 | | -Infinity | -71.8 |
| I_{oc} | dBm/3.84 MHz | -70 | | | |
| CPICH_Ec/Io (Note 3) | dB | -12.21 | | -Infinity | -13.2 |
| Propagation Condition | Case 5 as specified in Annex D | | | | |
| NOTE 1: The DPCH level is controlled by the power control loop. | | | | | |
| NOTE 2: The power of the OCNS channel that is added shall make the total power from the cell to be equal to I_{or} . | | | | | |
| NOTE 3: These parameters are not directly settable, but are derived by calculation from the settable parameters. | | | | | |

NOTE: If the above Test Requirement differs from the Minimum Requirement then the Test Tolerance applied for this test is non-zero. The Test Tolerance for this test is defined in clause F.2 and the explanation of how the Minimum Requirement has been relaxed by the Test Tolerance is given in clause F.4.

8.6.3 TDD measurements

8.6.3.1 Correct reporting of TDD neighbours in AWGN propagation condition

8.6.3.1.1 Definition and applicability

In the event triggered reporting period the measurement reporting delay is defined as the time between any event that will trigger a measurement report until the UE starts to transmit over the Uu interface. This requirement assumes that the measurement report is not delayed by other RRC signalling on the DCCH. This measurement reporting delay excludes a delay uncertainty resulted when inserting the measurement report to the TTI of the uplink DCCH. The delay uncertainty is twice the TTI of the uplink DCCH.

The requirements and this test apply to the combined FDD and TDD UE for Release 99 and Release 4 only.

8.6.3.1.2 Minimum requirement

8.6.3.1.2.1 3.84Mcps TDD option

When transmission gaps are scheduled for inter-frequency TDD measurements, the UE shall be able to identify a new detectable inter-frequency TDD cell belonging to the monitored set within

$$T_{\text{identify TDD inter}} = \text{Max} \left\{ 5000, N_{\text{basic identify TDD inter}} \cdot \frac{T_{\text{Measurement Period TDD inter}} \cdot N_{\text{Freq}}}{N_{\text{TDD inter}}} \right\} \text{ms}$$

If the UE does not need compressed mode to perform inter-frequency TDD measurements, the UE shall be able to identify a new detectable inter-frequency TDD cell belonging to the monitored set within 5000 ms.

An inter-frequency TDD cell shall be considered detectable when P-CCPCH Ec/Io \geq -8 dB and SCH_Ec/Io \geq -13 dB. When L3 filtering is used an additional delay can be expected.

When transmission gaps are scheduled for inter frequency TDD measurements the UE physical layer shall be capable of reporting measurements to higher layers with a measurement period as given by

$$T_{\text{measurement TDD inter}} = \text{Max} \left\{ T_{\text{Measurement Period TDD inter}}, N_{\text{basic measurement TDD inter}} \cdot \frac{T_{\text{Measurement Period TDD inter}}}{N_{\text{TDD inter}}} \cdot N_{\text{Freq}} \right\} \text{ms}$$

If the UE does not need compressed mode to perform inter-frequency TDD measurements, the measurement period for inter-frequency TDD measurements shall be 480 ms.

The UE shall be capable of performing P-CCPCH RSCP measurements for $X_{\text{basic measurement TDD inter}}$ inter-frequency TDD cells per TDD frequency of the monitored set and the UE physical layer shall be capable of reporting measurements to higher layers with the measurement period of $T_{\text{measurement TDD inter}}$.

where

$$X_{\text{basic measurement TDD inter}} = 6 \text{ (cells)}$$

$T_{\text{Measurement_Period TDD inter}} = 480$ ms. The time period used for calculating the measurement period $T_{\text{measurement_TDD inter}}$ for inter frequency P-CCPCH RSCP measurements.

$N_{\text{TDD inter}}$: This is the smallest resulting integer number of transmission gap patterns in a transmission gap pattern sequence assigned to UE by UTRAN for inter frequency TDD measurements during the time period $T_{\text{Measurement_Period TDD inter}}$ with an arbitrarily chosen timing.

$N_{\text{basic_identify_TDD inter}} = 80$. This is the number of transmission gap patterns in a transmission gap pattern sequence for inter-frequency TDD measurements during the time period used in the inter frequency TDD equation where the maximum allowed time for the UE to identify a new inter frequency TDD cell is defined.

$N_{\text{basic_measurement_TDD inter}} = 5$. This is the number of transmission gap patterns in a transmission gap pattern sequence for inter-frequency TDD measurements during the time period $T_{\text{Measurement_Period TDD inter}}$ with an arbitrarily chosen timing that is used in the inter-frequency TDD equation for defining where the measurement period for inter frequency P-CCPCH RSCP measurements is defined.

N_{Freq} : This is the number of TDD frequencies indicated in the inter frequency measurement control information.

8.6.3.1.2.2 1.28Mcps TDD option

When transmission gaps are scheduled for inter-frequency TDD measurements, the UE shall be able to identify a new detectable inter-frequency TDD cell belonging to the monitored set within

$$T_{\text{identify TDD inter}} = \text{Max} \left\{ 5000, N_{\text{basic identify TDD inter}} \cdot \frac{T_{\text{Measurement Period TDD inter}}}{N_{\text{TDD inter}}} \cdot N_{\text{Freq}} \right\} \text{ms}$$

If the UE does not need compressed mode to perform inter-frequency TDD measurements, the UE shall be able to identify a new detectable inter-frequency TDD cell belonging to the monitored set within 5000 ms.

An inter-frequency TDD cell shall be considered detectable when P-CCPCH $E_c/I_o \geq -8$ dB and DwPCH $E_c/I_o \geq -5$ dB. When L3 filtering is used an additional delay can be expected.

When transmission gaps are scheduled for inter frequency TDD measurements the UE physical layer shall be capable of reporting measurements to higher layers with a measurement period as given by

$$T_{\text{measurement TDD inter}} = \text{Max} \left\{ T_{\text{Measurement Period TDD inter}}, N_{\text{basic measurement TDD inter}} \cdot \frac{T_{\text{Measurement Period TDD inter}}}{N_{\text{TDD inter}}} \cdot N_{\text{Freq}} \right\} \text{ms}$$

If the UE does not need compressed mode to perform inter-frequency TDD measurements, the measurement period for inter-frequency TDD measurements shall be 480 ms.

The UE shall be capable of performing P-CCPCH RSCP measurements for $X_{\text{basic measurement TDD inter}}$ inter-frequency TDD cells per TDD frequency of the monitored set and the UE physical layer shall be capable of reporting measurements to higher layers with the measurement period of $T_{\text{measurement TDD inter}}$.

where

$X_{\text{basic measurement TDD inter}} = 6$ (cells)

$T_{\text{Measurement_Period TDD inter}} = 480$ ms. The time period used for calculating the measurement period $T_{\text{measurement_TDD inter}}$ for inter frequency P-CCPCH RSCP measurements.

$N_{\text{TDD inter}}$: This is the smallest resulting integer number of transmission gap patterns in a transmission gap pattern sequence assigned to UE by UTRAN for inter frequency TDD measurements during the time period $T_{\text{Measurement_Period TDD inter}}$ with an arbitrarily chosen timing.

$N_{\text{basic_identify_TDD inter}} = 80$. This is the number of transmission gap patterns in a transmission gap pattern sequence for inter-frequency TDD measurements during the time period used in the inter frequency TDD equation where the maximum allowed time for the UE to identify a new inter frequency TDD cell is defined.

$N_{\text{basic_measurement_TDD inter}} = 5$. This is the number of transmission gap patterns in a transmission gap pattern sequence for inter-frequency TDD measurements during the time period $T_{\text{Measurement_Period TDD inter}}$ with an arbitrarily chosen timing that is used in the inter-frequency TDD equation for defining where the measurement period for inter frequency P-CCPCH RSCP measurements is defined.

N_{Freq} : This is the number of TDD frequencies indicated in the inter frequency measurement control information.

The normative reference for this requirement is TS 25.133 [2] clauses 8.1.2.4 and A.8.3.1

8.6.3.1.3 Test purpose

To verify that the UE meets the minimum requirement.

8.6.3.1.4 Method of test

8.6.3.1.4.1 Initial conditions

8.6.3.1.4.1.1 3.84Mcps TDD option

Test environment: normal; see clauses G.2.1 and G.2.2.

Frequencies to be tested: mid range; see clause G.2.4.

The test parameters are given in Table 8.6.3.1.1, 8.6.3.1.2 and 8.6.3.1.3. The test consists of 2 successive time periods, with a time duration T1 and T2. Two cells shall be present in the test, cell 1 being the UTRA FDD serving cell and cell 2 being a 3.84Mcps TDD neighbour cell on the unused frequency. All cells shall be synchronised, i.e. share the same frame and timeslot timing.

In the measurement control information it is indicated to the UE that event-triggered reporting with Event 2C shall be used. P-CCPCH RSCP of the best cell on the unused frequency shall be reported together with Event 2C reporting. The Measurement control message shall be sent to the UE such that the delay between the end of the last received TTI containing the message and the beginning of T1 is at least equal to the RRC procedure delay as defined in [9].

The TTI of the uplink DCCH shall be 20 ms.

Table 8.6.3.1.1: General test parameters for Correct reporting of TDD inter-frequency neighbours in AWGN propagation condition

| Parameter | | Unit | Value | Comment |
|------------------------------|----------------|------|--|---|
| DCH parameters | | | DL Reference Measurement Channel 12.2 kbps | As specified in TS 34.121 Annex C |
| Power Control | | | On | |
| Target quality value on DTCH | | BLER | 0.01 | |
| Compressed mode | | | A.22 set 3 | As specified in TS 34.121 Annex C |
| Initial conditions | Active cell | | Cell 1 | FDD cell |
| | Neighbour cell | | Cell 2 | TDD cell |
| Final condition | Active cell | | Cell 1 | FDD cell |
| O | | dB | 0 | Cell individual offset. This value shall be used for all cells in the test. |
| Hysteresis | | dB | 0 | Hysteresis parameter for event 2C |
| Time to Trigger | | ms | 0 | |
| Threshold non-used frequency | | dBm | -71 | Applicable for Event 2C |
| Filter coefficient | | | 0 | |
| Monitored cell list size | | | 6 FDD neighbours on Channel 1 6 TDD neighbours on Channel 2 | |
| T1 | | S | 15 | |
| T2 | | S | 10 | |

Table 8.6.3.1.2: Cell 1 specific parameters for Correct reporting of TDD inter-frequency neighbours in AWGN propagation condition

| Parameter | Unit | Cell 1 | |
|---|--------------|-----------|-----|
| | | T1, T2 | |
| UTRA RF Channel Number | | Channel 1 | |
| CPICH_Ec/I _{or} | dB | | -10 |
| P-CCPCH_Ec/I _{or} | dB | -12 | |
| SCH_Ec/I _{or} | dB | -12 | |
| PICH_Ec/I _{or} | dB | -15 | |
| DPCH_Ec/I _{or} | dB | Note 1 | |
| OCNS_Ec/I _{or} | dB | Note 2 | |
| \hat{I}_{or}/I_{oc} | dB | 0 | |
| I_{oc} | dBm/3.84 MHz | -70 | |
| CPICH_Ec/I _o | dB | -13 | |
| Propagation Condition | | AWGN | |
| NOTE 1: The DPCH level is controlled by the power control loop | | | |
| NOTE 2: The power of the OCNS channel that is added shall make the total power from the cell to be equal to I _{or} . | | | |

Table 8.6.3.1.3: Cell 2 specific parameters for Correct reporting of TDD inter-frequency neighbours in AWGN propagation condition

| Parameter | Unit | Cell 2 | | | |
|--|--------------|-----------|-----|------|------|
| | | 0 | | 8 | |
| DL timeslot number | | T1 | T2 | T1 | T2 |
| UTRA RF Channel Number | | Channel 2 | | | |
| P-CCPCH_Ec/lor | dB | -3 | | n.a. | |
| PICH_Ec/lor | dB | n.a. | | -3 | |
| SCH_Ec/lor | dB | -9 | | | |
| SCH_t _{offset} | dB | 10 | | | |
| OCNS_Ec/lor | dB | -3.12 | | | |
| P-CCPCH RSCP | dBm | -75 | -67 | n.a. | n.a. |
| \hat{I}_{or}/I_{oc} | dB | -2 | 6 | -2 | 6 |
| I_{oc} | dBm/3,84 MHz | -70 | | | |
| Propagation Condition | | AWGN | | | |
| NOTE: The transmit energy per PN chip for the SCH is averaged over the 256 chip duration when the SCH is present in the time slot. | | | | | |

8.6.3.1.4.1.2 1.28Mcps TDD option

Test environment: normal; see clauses G.2.1 and G.2.2.

Frequencies to be tested: mid range; see clause G.2.4.

The test parameters are given in Table 8.6.3.1.1A, 8.6.3.1.2A and 8.6.3.1.3A. The test consists of 2 successive time periods, with a time duration T1 and T2. Two cells shall be present in the test, cell 1 being the UTRA FDD serving cell and cell 2 being a 1.28Mcps TDD neighbour cell on the unused frequency. All cells shall be synchronised, i.e. share the same frame and timeslot timing.

In the measurement control information it is indicated to the UE that event-triggered reporting with Event 2C shall be used. P-CCPCH RSCP of the best cell on the unused frequency shall be reported together with Event 2C reporting. The Measurement control message shall be sent to the UE such that the delay between the end of the last received TTI containing the message and the beginning of T1 is at least equal to the RRC procedure delay as defined in [9].

The TTI of the uplink DCCH shall be 20 ms.

Table 8.6.3.1.1A: General test parameters for Correct reporting of TDD inter-frequency neighbours in AWGN propagation condition

| Parameter | | Unit | Value | Comment |
|------------------------------|----------------|------|--|---|
| DCH parameters | | | DL Reference Measurement Channel 12.2 kbps | As specified in TS 25.101 section A.3.1 |
| Power Control | | | On | |
| Target quality value on DTCH | | BLER | 0.01 | |
| Compressed mode | | | A.22 set 3 | As specified in TS25.101 section A.5 |
| Initial conditions | Active cell | | Cell 1 | FDD cell |
| | Neighbour cell | | Cell 2 | TDD cell |
| Final condition | Active cell | | Cell 1 | FDD cell |
| O | | dB | 0 | Cell individual offset. This value shall be used for all cells in the test. |
| Hysteresis | | dB | 0 | Hysteresis parameter for event 2C |
| Time to Trigger | | ms | 0 | |
| Threshold non-used frequency | | dBm | -71 | Applicable for Event 2C |
| Filter coefficient | | | 0 | |
| Monitored cell list size | | | 6 FDD neighbours on Channel 1 6 TDD neighbours on Channel 2 | |
| T1 | | s | 15 | |
| T2 | | s | 10 | |

Table 8.6.3.1.2A: Cell 1 specific parameters for Correct reporting of TDD inter-frequency neighbours in AWGN propagation condition

| Parameter | Unit | Cell 1 | |
|--|--------------|-----------|--|
| | | T1, T2 | |
| UTRA RF Channel Number | | Channel 1 | |
| CPICH_Ec/lor | dB | -10 | |
| P-CCPCH_Ec/lor | dB | -12 | |
| SCH_Ec/lor | dB | -12 | |
| PICH_Ec/lor | dB | -15 | |
| DPCH_Ec/lor | dB | Note 1 | |
| OCNS_Ec/lor | dB | Note 2 | |
| \hat{I}_{or}/I_{oc} | dB | 0 | |
| I_{oc} | dBm/3.84 MHz | -70 | |
| CPICH_Ec/lo | dB | -13 | |
| Propagation Condition | | AWGN | |
| NOTE 1: The DPCH level is controlled by the power control loop | | | |
| NOTE 2: The power of the OCNS channel that is added shall make the total power from the cell to be equal to I_{or} . | | | |

Table 8.6.3.1.3A: Cell 2 specific parameters for Correct reporting of TDD inter-frequency neighbours in AWGN propagation condition

| Parameter | Unit | Cell 2 | | | |
|------------------------|--------------|-----------|-----|-------|----|
| | | 0 | | DwPTs | |
| DL timeslot number | | T1 | T2 | T1 | T2 |
| UTRA RF Channel Number | | Channel 2 | | | |
| P-CCPCH_Ec/lor | dB | -3 | | | |
| DwPCH_Ec/lor | dB | | | 0 | |
| OCNS_Ec/lor | dB | -3 | | | |
| P-CCPCH RSCP | dBm | -75 | -67 | | |
| \hat{I}_{or}/I_{oc} | dB | -2 | 6 | -2 | 6 |
| I_{oc} | dBm/1.28 MHz | -70 | | | |
| Propagation Condition | | AWGN | | | |

8.6.3.1.4.2 Procedure

- 1) The RF parameters are set up according to T1.
- 2) The UE is switched on.
- 3) A call is set up according to the generic set-up procedure specified in TS 34.108 [3] subclause 7.3.2.
- 4) SS shall transmit a MEASUREMENT CONTROL message.
- 5) SS shall transmit a PHYSICAL CHANNEL RECONFIGURATION message.
- 6) UE shall transmit a PHYSICAL CHANNEL RECONFIGURATION COMPLETE message
- 7) After 10 seconds from the beginning of T1, the SS shall switch the power settings from T1 to T2.
- 8) UE shall transmit a MEASUREMENT REPORT message triggered by event 2c for cell 2. The measurement reporting delay from the beginning of T2 shall be less than 9.2 s. If the UE fails to report the event within the required delay, then a failure is recorded. If the reporting delay for this event is within the required limit, the number of successful tests is increased by one.
- 9) After 10 seconds from the beginning of T3, the UE is switched off. Any timing information of cell 2 is deleted in the UE.

10) Repeat steps 1-9 until the confidence level according to annex F.6.2 is achieved.

Specific Message Contents

All messages indicated above shall use the same content as described in the default message content in clause 9 of 34.108 [3], with the following exceptions:

MEASUREMENT CONTROL message (step 4):

| Information Element/Group name | Value/Remark |
|---|---|
| Message Type (10.2.17) | |
| UE information elements | |
| -RRC transaction identifier | 0 |
| -Integrity check info | |
| -message authentication code | SS calculates the value of MAC-I for this message and writes to this IE. The first/leftmost bit of the bit string contains the most significant bit of the MAC-I. |
| -RRC message sequence number | SS provides the value of this IE, from its internal counter. |
| Measurement Information elements | |
| -Measurement Identity | 1 |
| -Measurement Command (10.3.7.46) | Modify |
| -Measurement Reporting Mode (10.3.7.49) | |
| -Measurement Report Transfer Mode | AM RLC |
| -Periodical Reporting / Event Trigger Reporting Mode | Event trigger |
| -Additional measurements list (10.3.7.1) | Not Present |
| -CHOICE Measurement type | Inter-frequency measurement |
| -Inter-frequency measurement (10.3.7.16) | |
| -Inter-frequency measurement objects list (10.3.7.13) | |
| -CHOICE inter-frequency cell removal | No inter-frequency cells removed |
| -New inter-frequency cells | 1 |
| -Inter-frequency cell id | 1 |
| -Frequency info (10.3.6.36) | |
| -CHOICE mode | TDD |
| -UARFCN(Nt) | Same frequency as channel 2 in Table 8.6.2.4.1.2 |
| -Cell info (10.3.7.2) | |
| -Cell individual offset | Not Present |
| -Reference time difference to cell | Not Present |
| -Read SFN indicator | False |
| -CHOICE mode | TDD |
| -Primary CCPCH info (10.3.6.57) | |
| -CHOICE mode | TDD |
| -3.84Mcps | |
| -CHOICE Sync case | 2 |
| -Timeslot | 0 |
| -1.28 Mcps | |
| - TSTD indicator | True |
| -cell parameters ID | Set to cell parameters ID of cell 2 |
| -SCTD indicator | FALSE |
| -Primary CCPCH Tx power | Set to Primary CCPCH Tx power of cell 2 as described in Table 8.6.2.4.1.2 |
| -Timeslot list | Not Present |
| -Cell selection and re-selection info | Not Present |
| -Cell for measurement | Not Present |
| -Inter-frequency measurement quantity (10.3.7.18) | |
| -CHOICE reporting criteria | Inter-frequency reporting criteria |
| -Filter coefficient (10.3.7.9) | 0 |
| -CHOICE mode | TDD |
| -Measurement quantity for frequency quality estimate | Primary CCPCH RSCP |
| -Inter-frequency reporting quantity (10.3.7.21) | |
| -UTRA carrier RSSI | |
| -Frequency quality estimate | |
| -Non frequency related cell reporting quantities (10.3.7.5) | |
| -Cell synchronisation information reporting indicator | FALSE |
| -Cell identity reporting indicator | FALSE |

| Information Element/Group name | Value/Remark |
|---|--|
| -CHOICE mode -Timeslot ISCP reporting indicator -Proposed TGSN Reporting required -Primary CCPCCH RSCP reporting indicator -Pathloss reporting indicator | TDD FALSE FALSE TRUE FALSE |
| -Reporting cell status (10.3.7.61) -Measurement validity (10.3.7.51) -CHOICE report criteria -Inter-frequency measurement reporting criteria (10.3.7.19) -Parameters required for each event | Not Present Not Present Inter-frequency measurement reporting criteria 1 |
| -Intra-frequency event identity -Threshold used frequency -W Used frequency -Hysteresis -Time to trigger -Reporting Cell Status (10.3..61) -CHOICE reported cell -Maximum number of reported cells -Parameters required for each non-used frequency - Threshold non-used frequency - W non-used frequency | Event 2C Not Present Not Present 0 dB 0 ms Report cells within active and/or monitored set on used frequency or within virtual active and/or monitored set on non-used frequency 3 -71 1 |
| Physical channel information elements -DPCH compressed mode status info (10.3.6.34) | Not Present |

PHYSICAL CHANNEL RECONFIGURATION message (Step 6)

| Information Element | Value/Remark | Version |
|---|--|--------------------|
| Message Type | | |
| UE Information Elements -RRC transaction identifier -Integrity check info -message authentication code -RRC message sequence number -Integrity protection mode info -Ciphering mode info -Activation time -New U-RNTI -New C-RNTI -RRC State Indicator -UTRAN DRX cycle length coefficient | 0 SS calculates the value of MAC-I for this message and writes to this IE. The first/ leftmost bit of the bit string contains the most significant bit of the MAC-I. SS provides the value of this IE, from its internal counter. Not Present Not Present Not Present Not Present Not Present CELL_DCH Not Present | |
| CN Information Elements -CN Information info | Not Present | |
| UTRAN mobility information elements -URA identity | Not Present | |
| RB information elements -Downlink counter synchronisation info | Not Present | |
| PhyCH information elements -Frequency info | Not Present | |
| Uplink radio resources -Maximum allowed UL TX power | Not Present | |
| Downlink radio resources -CHOICE mode -Downlink PDSCH information -Downlink information common for all radio links -Downlink DPCH info common for all RL -CHOICE mode -DPCH compressed mode info -Transmission gap pattern sequence | FDD Not Present Not Present FDD | R99 and Rel-4 only |

| Information Element | Value/Remark | Version |
|---|--|--------------------|
| -TGPSI | 1 | |
| -TGPS Status Flag | Activate | |
| -TGCFN | (Current CFN + (256 – TTI/10msec))mod 256 | |
| -Transmission gap pattern sequence configuration parameters | | |
| -TGMP | TDD measurement | |
| -TGPRC | Not present | |
| -TGSN | 10 | |
| -TGL1 | 10 | |
| -TGL2 | Not Present | |
| -TGD | UNDEFINED | |
| -TGPL1 | 11 | |
| -TGPL2 | Not Present | R99 and Rel-4 only |
| -RPP | Mode 0 | |
| -ITP | Mode 0 | |
| -CHOICE UL/DL mode | UL and DL | |
| -Downlink compressed mode method | SF/2 | |
| -Uplink compressed mode method | puncturing | |
| -Downlink frame type | A | |
| -DeltaSIR1 | 3.0 | |
| -DeltaSIRafter1 | 3.0 | |
| -DeltaSIR2 | Not Present | |
| -DeltaSIRafter2 | Not Present | |
| -N Identify abort | Not Present | |
| -T Reconfirm abort | Not Present | |
| -TX Diversity Mode | Not Present | |
| -SSDT information | Not Present | R99 and Rel-4 only |
| -Default DPCH Offset Value | Not Present | |
| -Downlink information per radio link list | | |
| - Downlink information for each radio link | | |
| -Choice mode | FDD | |
| -Primary CPICH info | | |
| -Primary scrambling code | 100 | |
| -PDSCH with SHO DCH Info | Not Present | R99 and Rel-4 only |
| -PDSCH code mapping | Not Present | R99 and Rel-4 only |
| -Downlink DPCH info for each RL | | |
| -CHOICE mode | FDD | |
| -Primary CPICH usage for channel estimation | Primary CPICH may be used | |
| -DPCH frame offset | Set to value Default DPCH Offset Value (as currently stored in SS) mod 38400 | |
| -Secondary CPICH info | Not Present | |
| -DL channelisation code | | |
| -Secondary scrambling code | Not Present | |
| -Spreading factor | 128 | |
| -Code number | 96 | |
| -Scrambling code change | No code change | |
| -TPC combination index | 0 | |
| -SSDT Cell Identity | Not Present | R99 and Rel-4 only |
| -Closed loop timing adjustment mode | Not Present | |
| -SCCPCH Information for FACH | Not Present | |

MEASUREMENT REPORT message (step 8)

| Information Element | Value/remark |
|--|--|
| Message Type (10.2.17) | |
| Integrity check info | |
| -message authentication code | SS calculates the value of MAC-I for this message and writes to this IE. The first/ leftmost bit of the bit string contains the most significant bit of the MAC-I. |
| -RRC message sequence number | SS provides the value of this IE, from its internal counter. |
| Measurement identity | 1 |
| Measured Results (10.3.7.44) | |
| -CHOICE Measurement | Inter-frequency Measured results list |
| -Inter-frequency measured results | 1 |
| -Frequency info | TDD |
| -CHOICE mode | Same frequency as channel 2 |
| -UARFCN(Nt) | Not Present |
| -UTRA carrier RSSI | 1 |
| -Inter-frequency cell measured results | 1 |
| -Cell measured results (10.3.7.3) | |
| -Cell identity | Not Present |
| -Cell synchronisation info | Not Present |
| -CHOICE mode | TDD |
| -Cell parameters ID | Set to cell parameters ID of Cell 2 |
| -Proposed TGSN | Not Present |
| -Primary CCPCH RSCP | Checked that this IE is present |
| -Pathloss | Not Present |
| -Timeslot list | Not Present |
| Measured results on RACH | Not Present |
| Additional measured results | Not Present |
| Event results (10.3.7.7) | |
| -CHOICE event result | Inter-frequency measurement event results |
| -Inter-frequency event identity | 2C |
| -Inter-frequency cells | 1 |
| -Frequency Info | TDD |
| -CHOICE mode | Same frequency as channel 2 |
| -UARFCN(Nt) | TDD |
| -CHOICE mode | TDD |
| -Primary CCPCH Info | TDD |
| -CHOICE mode | TDD |
| -CHOICE Sync Case | Not Present |
| -Cell Parameters ID | Set to cell parameters ID of Cell 2 |
| -SCTD Indicator | FALSE |

8.6.3.1.5 Test requirements

The UE shall send one Event 2C triggered measurement report for Cell 2 with a measurement reporting delay less than 9.2 s from the beginning of time period T2.

The UE shall not send event triggered measurement reports, as long as the reporting criteria are not fulfilled.

For the test to pass, the total number of successful tests shall be more than 90% of the cases with a confidence level of 95%.

8.6.4 GSM measurements

8.6.4.1 Correct reporting of GSM neighbours in AWGN propagation condition

8.6.4.1.1 Definition and applicability

In the event triggered reporting period the measurement reporting delay is defined as the time between any event that will trigger a measurement report until the UE starts to transmit the measurement report over the Uu interface. This requirement assumes that the measurement report is not delayed by other RRC signalling on the DCCH. This measurement reporting delay excludes a delay uncertainty resulted when inserting the measurement report to the TTI of the uplink DCCH. The delay uncertainty is twice the TTI of the uplink DCCH.

The requirements in this section apply only to UE supporting FDD and GSM for Release 99 and later releases.

8.6.4.1.2 Minimum requirements

Measurements on GSM cells can be requested with BSIC verified or BSIC non-verified.

- 1) In CELL_DCH state when a transmission gap pattern sequence is provided by the UTRAN the UE shall continuously measure GSM cells and search for new GSM cells given in the monitored set.
- 2) If the UE does not need compressed mode to perform GSM measurements:
 - the UE shall measure all GSM cells present in the monitored set
 - the relevant requirements for GSM dedicated mode when a TCH channel is assigned in TS 45.008 shall apply.

The normative reference for these requirements is TS 25.133 [2] clauses 8.1.2.5 and A.8.4.1.

8.6.4.1.3 Test purpose

To verify that the UE meets the minimum requirements.

8.6.4.1.4 Method of test

8.6.4.1.4.1 Test 1 initial conditions

Test 1 with BSIC verification required case:

Test environment: normal; see clauses G.2.1 and G.2.2.

Frequencies to be tested: mid range; see clause G.2.4.

The test parameters are given in table 8.6.4.1, 8.6.4.2 and 8.6.4.3 below. In the measurement control information it is indicated to the UE that event-triggered reporting with Event 3B and 3C shall be used. The test consists of three successive time periods, with a time duration of T1, T2 and T3 respectively.

Table 8.6.4.1: General test parameters for Correct reporting of GSM neighbours in AWGN propagation condition, Test 1

| Parameter | Unit | Value | Comment |
|-----------------------------------|------|--|---|
| DCH parameters | | DL Reference Measurement Channel 12.2 kbps | As specified in TS 25.101 section A.3.1 |
| Power Control | | On | |
| Target quality value on DTCH | BLER | 0.01 | |
| Compressed mode patterns | | | Only applicable for UE requiring compressed mode patterns |
| - GSM carrier RSSI measurement | | DL Compressed mode reference pattern 2 in Set 2 | As specified in table A.22 TS 25.101 section A.5 |
| - GSM Initial BSIC identification | | Pattern 2 | As specified in section 8.1.2.5.2.1 TS 25.133 [2] table 8.7. |
| Active cell | | Cell 1 | |
| Inter-RAT measurement quantity | | GSM Carrier RSSI | |
| BSIC verification required | | Required | |
| Threshold other system | dBm | -80 | Absolute GSM carrier RSSI threshold for event 3B and 3C. |
| Hysteresis | dB | 0 | |
| Time to Trigger | ms | 0 | |
| Filter coefficient | | 0 | |
| Monitored cell list size | | 24 FDD neighbours on Channel 1 6 GSM neighbours including the ARFCN of cell 2 | See Annex I for cell information. Measurement control information is sent before the compressed mode patterns starts. |
| N Identify abort | | 66 | Taken from table 8.7 in TS 25.133 [2]. |
| T1 | s | 5 | |
| T2 | s | 7 | |
| T3 | s | 5 | |

Table 8.6.4.2: Cell specific test parameters for Correct reporting of GSM neighbours in AWGN propagation condition (cell 1)

| Parameter | Unit | Cell 1 | |
|--|---------------|----------------|--|
| | | T0, T1, T2, T3 | |
| UTRA RF Channel Number | | Channel 1 | |
| CPICH_Ec/lor | dB | -10 | |
| PCCPCH_Ec/lor | dB | -12 | |
| SCH_Ec/lor | dB | -12 | |
| PICH_Ec/lor | dB | -15 | |
| DPCH_Ec/lor | dB | Note 1 | |
| OCNS_Ec/lor | dB | Note 2 | |
| \hat{I}_{or}/I_{oc} | dB | 0 | |
| I_{oc} | dBm/ 3.84 MHz | -85 | |
| CPICH_Ec/lo | dB | -13 | |
| Propagation Condition | | AWGN | |
| NOTE 1: The DPCH level is controlled by the power control loop. | | | |
| NOTE 2: The power of the OCNS channel that is added shall make the total power from the cell to be equal to I_{or} . | | | |

Table 8.6.4.3: Cell specific test parameters for Correct reporting of GSM neighbours in AWGN propagation condition (cell 2)

| Parameter | Unit | Cell 2 | | | |
|----------------------------|------|-----------|-----------|-----|-----|
| | | T0 | T1 | T2 | T3 |
| Absolute RF Channel Number | | ARFCN 1 | | | |
| RXLEV | dBm | -Infinity | -Infinity | -75 | -85 |

8.6.4.1.4.2 Test 1 Procedure

- 1) The RF parameters are set up according to T0 in Table 8.6.4.2 and 8.6.4.7.
- 2) The UE is switched on.
- 3) A call is set up according to the test procedure specified in TS 34.108 [3] sub clause 7.3.2. The RF parameters are set up according to T1 in Table 8.6.4.2 and 8.6.4.7.
- 4) If compressed mode is required, SS shall transmit PHYSICAL CHANNEL RECONFIGURATION message. Otherwise go to step 6.
- 5) UE shall transmit PHYSICAL CHANNEL RECONFIGURATION COMPLETE message.
- 6) SS shall transmit a MEASUREMENT CONTROL message.
- 7) After 5 seconds from the beginning of T1, the SS shall switch the power settings from T1 to T2 in Table 8.6.4.2 and 8.6.4.7.
- 8) UE shall transmit a MEASUREMENT REPORT message triggered by event 3C. The measurement reporting delay from the beginning of T2 shall be less than 6.32s. If the UE fails to report the event within the required delay, then the counter event3C_failure is increased by one. If the reporting delay for this event is within the required limit, the counter event3C_success is increased by one.
- 9) After 7 seconds from the beginning of T2, the SS shall switch the power settings from T2 to T3 in Table 8.6.4.2 and 8.6.4.7.
- 10) UE shall transmit a MEASUREMENT REPORT message triggered by event 3B. The measurement reporting delay from the beginning of T3 shall be less than 1040 ms. If the UE fails to report the event within the required delay, then the counter event3B_failure is increased by one. If the reporting delay for this event is within the required limit, the counter event3B_success is increased by one.

- 11) After the SS receive the MEASUREMENT REPORT message in step 10) or 5 seconds after the beginning of T3, the UE is switched off.
- 12) Repeat steps 1-11 according to Annex F.6.2 Table F.6.2.8. If one counter reaches the pass criterion, this counter is stopped and the remaining counters are continued. For the overall outcome of the test to be considered a pass, the counters for 3C events and for 3B events shall independently indicate a pass result. The test is stopped immediately and the test is considered to be a fail, if any counter reaches an early fail criterion.

Specific Message Contents

All messages indicated above shall use the same content as described in the default message content in clause 9 of 34.108 [3], with the following exceptions:

PHYSICAL CHANNEL RECONFIGURATION message for Inter Rat measurement (step 4):

| Information Element | Value/Remark | Version |
|--|--|--------------------|
| Message Type (10.2.22) | | |
| UE Information Elements | | |
| -RRC transaction identifier | 0 | |
| -Integrity check info | | |
| -message authentication code | SS calculates the value of MAC-I for this message and writes to this IE. The first/ leftmost bit of the bit string contains the most significant bit of the MAC-I. | |
| -RRC message sequence number | SS provides the value of this IE, from its internal counter. | |
| -Integrity protection mode info | Not Present | |
| -Ciphering mode info | Not Present | |
| -Activation time | Not Present | |
| -New U-RNTI | Not Present | |
| -New C-RNTI | Not Present | |
| -RRC State Indicator | CELL_DCH | |
| -UTRAN DRX cycle length coefficient | Not Present | |
| CN Information Elements | | |
| -CN Information info | Not Present | |
| UTRAN mobility information elements | | |
| -URA identity | Not Present | |
| RB information elements | | |
| -Downlink counter synchronisation info | Not Present | |
| PhyCH information elements | | |
| -Frequency info (10.3.6.36) | Not Present | |
| Uplink radio resources | | |
| -Maximum allowed UL TX power | 33 dBm | |
| -CHOICE channel requirement | Not Present | |
| Downlink radio resources | | |
| -CHOICE mode | FDD | R99 and Rel-4 only |
| -Downlink PDSCH information | Not Present | |
| -Downlink information common for all radio links (10.3.6.24) | | |
| -Downlink DPCH info common for all RL (10.3.6.18) | Not Present | |
| -CHOICE mode | FDD | |
| -DPCH compressed mode info (10.3.6.33) | | |
| - Transmission gap pattern sequence | (1/2 TGPS) | |
| - TGPSI | 1 | |
| - TGPS Status Flag | deactivate | |
| - Transmission gap pattern sequence | | |
| configuration parameters | | |
| -TGMP | GSM carrier RSSI measurement | |
| -TGPRC | Infinity | |
| -TGSN | 4 | |
| -TGL1 | 7 | |
| -TGL2 | Not Present | |
| -TGD | UNDEFINED | |
| -TGPL1 | 12 | |
| -TGPL2 | Not Present | R99 and Rel-4 only |
| -RPP | mode 0 | |
| -ITP | mode 0 | |

| Information Element | Value/Remark | Version |
|--|---|--------------------|
| -CHOICE UL/DL mode | UL and DL | |
| -Downlink compressed mode method | SF/2 | |
| -Uplink compressed mode method | SF/2 | |
| -Downlink frame type | B | |
| -DeltaSIR1 | 3.0 | |
| -DeltaSIRafter1 | 3.0 | |
| -DeltaSIR2 | Not Present | |
| -DeltaSIRafter2 | Not Present | |
| -N Identify abort | Not Present | |
| -T Reconfirm abort | Not Present | |
| - Transmission gap pattern sequence | (2/2 TGPS) | |
| - TGPSI | 2 | |
| - TGPS Status Flag | deactivate | |
| - Transmission gap pattern sequence configuration parameters | | |
| -TGMP | gsm-initialBSICIdentification | |
| -TGPRC | Infinity | |
| -TGSN | 4 | |
| -TGL1 | 7 | |
| -TGL2 | Not Present | |
| -TGD | UNDEFINED | |
| -TGPL1 | 8 | |
| -TGPL2 | Not Present | |
| -RPP | mode 0 | |
| -ITP | mode 0 | |
| -CHOICE UL/DL mode | UL and DL | |
| -Downlink compressed mode method | SF/2 | |
| -Uplink compressed mode method | SF/2 | |
| -Downlink frame type | B | |
| -DeltaSIR1 | 3.0 | |
| -DeltaSIRafter1 | 3.0 | |
| -DeltaSIR2 | Not Present | |
| -DeltaSIRafter2 | Not Present | |
| -N Identify abort | 66 | |
| -T Reconfirm abort | Not Present | |
| -SSDT information (10.3.6.77) | Not Present | R99 and Rel-4 only |
| -Default DPCH Offset Value (10.3.6.16) | Not Present | |
| -Downlink information per radio link list | 1 | |
| -Downlink information for each radio link (10.3.6.27) | | |
| -CHOICE mode | FDD | |
| -Primary CPICH info (10.3.6.60) | 100 | |
| -Primary scrambling code | 100 | |
| -PDSCH with SHO DCH info (10.3.6.47) | Not Present | R99 and Rel-4 only |
| -PDSCH code mapping (10.3.6.43) | Not Present | R99 and Rel-4 only |
| -Downlink DPCH info for each RL (10.3.6.21) | | |
| -CHOICE mode | FDD | |
| -Primary CPICH usage for channel estimation | Primary CPICH may be used | |
| -DPCH frame offset | Set to value Default DPCH Offset Value (as currently stored in SS) mod 38400 | |
| -Secondary CPICH info | Not Present | |
| -DL channelisation code | Not Present | |
| -Secondary scrambling code | Not Present | |
| -Spreading factor | 128 | |
| -Code number | 96 | |
| -Scrambling code change | No change | |
| -TPC combination index | 0 | |
| - SSDT Cell Identity | Not Present | R99 and Rel-4 only |
| - Closed loop timing adjustment mode | Not Present | |
| - SCCPCH information for FACH (10.3.6.70) | Not Present | |

MEASUREMENT CONTROL message:

| Information Element/Group name | Value/Remark |
|--|--|
| Message Type (10.2.17) | |
| UE information elements | |
| -RRC transaction identifier | 0 |
| -Integrity check info | |
| -message authentication code | SS calculates the value of MAC-I for this message and writes to this IE. The first/ leftmost bit of the bit string contains the most significant bit of the MAC-I. |
| -RRC message sequence number | SS provides the value of this IE, from its internal counter. |
| Measurement Information elements | |
| -Measurement Identity | 2 |
| -Measurement Command (10.3.7.46) | Setup |
| -Measurement Reporting Mode (10.3.7.49) | |
| -Measurement Report Transfer Mode | AM RLC |
| -Periodical Reporting / Event Trigger Reporting Mode | Event trigger |
| -Additional measurements list (10.3.7.1) | Not Present |
| -CHOICE Measurement type | Inter-RAT measurement |
| -Inter-RAT measurement (10.3.7.27) | |
| -Inter-RAT measurement objects list (10.3.7.23) | Not Present |
| -Inter-RAT measurement quantity (10.3.7.29) | |
| -Measurement quantity for UTRAN quality estimate (10.3.7.38) | |
| -Filter coefficient | 0 |
| -CHOICE mode | FDD |
| -Measurement quantity | CPICH Ec/N0 |
| -CHOICE system | GSM |
| -Measurement quantity | GSM Carrier RSSI |
| -Filter coefficient | 0 |
| -BSIC verification required | Required |
| -Inter-RAT reporting quantity (10.3.7.32) | |
| - UTRAN estimated quality | FALSE |
| - CHOICE system | GSM |
| - Observed time difference to GSM cell reporting indicator | FALSE |
| - GSM Carrier RSSI reporting indicator | FALSE |
| -Reporting cell status (10.3.7.61) | Not Present |
| -CHOICE report criteria | Inter-RAT measurement reporting criteria |
| -Inter-RAT measurement reporting criteria (10.3.7.30) | |
| -Parameters required for each event | 2 |
| -Inter-RAT event identity (10.3.7.24) | Event 3B |
| -Threshold own system | Not Present |
| -W | Not Present |
| -Threshold other system | -80 dBm |
| -Hysteresis | 0 dB |
| -Time to trigger | 0 ms |
| -Reporting cell status (10.3.7.61) | |
| -CHOICE reported cell | Report cells within active set or within virtual active set or of the other RAT |
| -Maximum number of reported cells | 2 |
| -Inter-RAT event identity (10.3.7.24) | Event 3C |
| -Threshold own system | Not Present |
| -W | Not Present |
| -Threshold other system | -80 dBm |
| -Hysteresis | 0 dB |
| -Time to trigger | 0 ms |
| -Reporting cell status (10.3.7.61) | |
| -CHOICE reported cell | Report cells within active set or within virtual active set or of the other RAT |
| -Maximum number of reported cells | 2 |
| Physical channel information elements | |
| -DPCH compressed mode status info (10.3.6.34) | If compressed mode is required, Active (for two patterns specified in table 8.6.4.1). Otherwise, this should be Not Present. |

8.6.4.1.4.3 Test 2 initial conditions

Test 2 without BSIC verification required case:

Test environment: normal; see clauses G.2.1 and G.2.2.

Frequencies to be tested: mid range; see clause G.2.4.

The test parameters are given in table 8.6.4.4, 8.6.4.5 and 8.6.4.6 below. In the measurement control information it is indicated to the UE that event-triggered reporting with Event 3B and 3C shall be used. The test consists of three successive time periods, with a time duration of T1, T2 and T3 respectively.

Table 8.6.4.4: General test parameters for Correct reporting of GSM neighbours in AWGN propagation condition, Test 2

| Parameter | Unit | Value | Comment |
|--|------|--|---|
| DCH parameters | | DL Reference Measurement Channel 12.2 kbps | As specified in TS 25.101 section A.3.1 |
| Power Control | | On | |
| Target quality value on DTCH | BLER | 0.01 | |
| Compressed mode patterns - GSM carrier RSSI measurement | | DL Compressed mode reference pattern 2 in Set 2 | Only applicable for UE requiring compressed mode patterns As specified in table A.22 TS 25.101 section A.5 |
| Active cell | | Cell 1 | |
| Inter-RAT measurement quantity | | GSM Carrier RSSI | |
| BSIC verification required | | not required | |
| Threshold other system | dBm | -80 | Absolute GSM carrier RSSI threshold for event 3B and 3C. |
| Hysteresis | dB | 0 | |
| Time to Trigger | Ms | 0 | |
| Filter coefficient | | 0 | |
| Monitored cell list size | | 24 FDD neighbours on Channel 1 6 GSM neighbours including the ARFCN of cell 2 | See Annex I for cell information. Measurement control information is sent before the compressed mode patterns starts. |
| T1 | s | 5 | |
| T2 | s | 2 | |
| T3 | s | 5 | |

Table 8.6.4.5: Cell specific test parameters for Correct reporting of GSM neighbours in AWGN propagation condition (cell 1)

| Parameter | Unit | Cell 1 |
|--|---------------|----------------|
| | | T0, T1, T2, T3 |
| UTRA RF Channel Number | | Channel 1 |
| CPICH_Ec/lor | dB | -10 |
| PCCPCH_Ec/lor | dB | -12 |
| SCH_Ec/lor | dB | -12 |
| PICH_Ec/lor | dB | -15 |
| DPCH_Ec/lor | dB | Note 1 |
| OCNS_Ec/lor | dB | Note 2 |
| \hat{I}_{or}/I_{oc} | dB | 0 |
| I_{oc} | dBm/ 3.84 MHz | -85 |
| CPICH_Ec/lo | dB | -13 |
| Propagation Condition | | AWGN |
| NOTE 1: The DPCH level is controlled by the power control loop. | | |
| NOTE 2: The power of the OCNS channel that is added shall make the total power from the cell to be equal to I_{or} . | | |

Table 8.6.4.6: Cell specific test parameters for Correct reporting of GSM neighbours in AWGN propagation condition (cell 2)

| Parameter | Unit | Cell 2 | | | |
|----------------------------|------|-----------|-----------|-----|-----|
| | | T0 | T1 | T2 | T3 |
| Absolute RF Channel Number | | ARFCN 1 | | | |
| RXLEV | dBm | -Infinity | -Infinity | -75 | -85 |

8.6.4.1.4.4 Test 2 Procedure

- 1) The RF parameters are set up according to T0 in Table 8.6.4.5 and 8.6.4.8.
- 2) The UE is switched on.
- 3) A call is set up according to the test procedure specified in TS 34.108 [3] sub clause 7.3.2. The RF parameters are set up according to T1 in Table 8.6.4.5 and 8.6.4.8.
- 4) If compressed mode is required, SS shall transmit PHYSICAL CHANNEL RECONFIGURATION message. Otherwise, go to step 6.
- 5) UE shall transmit PHYSICAL CHANNEL RECONFIGURATION COMPLETE message
- 6) SS shall transmit a MEASUREMENT CONTROL message.
- 7) After 5 seconds from the beginning of T1, the SS shall switch the power settings from T1 to T2 in Table 8.6.4.5 and 8.6.4.8.
- 8) UE shall transmit a MEASUREMENT REPORT message triggered by event 3C. The measurement reporting delay from the beginning of T2 shall be less than 1040 ms. If the UE fails to report the event within the required delay, then the counter event3C_failure is increased by one. If the reporting delay for this event is within the required limit, the counter event3C_success is increased by one.
- 9) After 2 seconds from the beginning of T2, the SS shall switch the power settings from T2 to T3 in Table 8.6.4.5 and 8.6.4.8.
- 10) UE shall transmit a MEASUREMENT REPORT message triggered by event 3B. The measurement reporting delay from the beginning of T3 shall be less than 1040 ms. If the UE fails to report the event within the required delay, then the counter event3B_failure is increased by one. If the reporting delay for this event is within the required limit, the counter event3B_success is increased by one.
- 11) After the SS receive the MEASUREMENT REPORT message in step 10) or 5 seconds after the beginning of T3, the UE is switched off.
- 12) Repeat steps 1-11 according to Annex F.6.2 Table F.6.2.8. If one counter reaches the pass criterion, this counter is stopped and the remaining counters are continued. For the overall outcome of the test to be considered a pass, the counters for 3C events and for 3B events shall independently indicate a pass result. The test is stopped immediately and the test is considered to be a fail, if any counter reaches an early fail criterion.

Specific Message Contents

All messages indicated above shall use the same content as described in the default message content in clause 9 of 34.108 [3], with the following exceptions:

PHYSICAL CHANNEL RECONFIGURATION message for Inter Rat measurement (step 4):

| Information Element | Value/Remark | Version |
|------------------------------|--|---------|
| Message Type (10.2.22) | | |
| UE Information Elements | | |
| -RRC transaction identifier | 0 | |
| -Integrity check info | | |
| -message authentication code | SS calculates the value of MAC-I for this message and writes to this IE. The first/ leftmost bit of the bit string contains the most significant bit of the MAC-I. | |
| -RRC message sequence number | SS provides the value of this IE, from its internal counter. | |

| Information Element | Value/Remark | Version |
|--|---|--------------------|
| -Integrity protection mode info | Not Present | |
| -Ciphering mode info | Not Present | |
| -Activation time | Not Present | |
| -New U-RNTI | Not Present | |
| -New C-RNTI | Not Present | |
| -RRC State Indicator | CELL_DCH | |
| -UTRAN DRX cycle length coefficient | Not Present | |
| CN Information Elements | | |
| -CN Information info | Not Present | |
| UTRAN mobility information elements | | |
| -URA identity | Not Present | |
| RB information elements | | |
| -Downlink counter synchronisation info | Not Present | |
| PhyCH information elements | | |
| -Frequency info (10.3.6.36) | Not Present | |
| Uplink radio resources | | |
| -Maximum allowed UL TX power | 33 dBm | |
| -CHOICE channel requirement | Not Present | |
| Downlink radio resources | | |
| -CHOICE mode | FDD | R99 and Rel-4 only |
| -Downlink PDSCH information | Not Present | |
| -Downlink information common for all radio links (10.3.6.24) | | |
| -Downlink DPCH info common for all RL (10.3.6.18) | Not Present | |
| -CHOICE mode | FDD | |
| -DPCH compressed mode info (10.3.6.33) | | |
| - Transmission gap pattern sequence | 1 | |
| - TGPSI | 1 | |
| - TGPS Status Flag | deactivate | |
| - Transmission gap pattern sequence | | |
| configuration parameters | | |
| -TGMP | GSM carrier RSSI measurement | |
| -TGPRC | Infinity | |
| -TGSN | 4 | |
| -TGL1 | 7 | |
| -TGL2 | Not Present | |
| -TGD | UNDEFINED | |
| -TGPL1 | 12 | R99 and Rel-4 only |
| -TGPL2 | Not Present | |
| -RPP | mode 0 | |
| -ITP | mode 0 | |
| -CHOICE UL/DL mode | UL and DL | |
| -Downlink compressed mode method | SF/2 | |
| -Uplink compressed mode method | SF/2 | |
| -Downlink frame type | B | |
| -DeltaSIR1 | 3.0 | |
| -DeltaSIRafter1 | 3.0 | |
| -DeltaSIR2 | Not Present | |
| -DeltaSIRafter2 | Not Present | |
| -N Identify abort | Not Present | |
| -T Reconfirm abort | Not Present | |
| -TX Diversity mode (10.3.6.86) | None | |
| -SSDT information (10.3.6.77) | Not Present | R99 and Rel-4 only |
| -Default DPCH Offset Value (10.3.6.16) | Not Present | |
| -Downlink information per radio link list | 1 | |
| -Downlink information for each radio link (10.3.6.27) | | |
| -CHOICE mode | FDD | |
| -Primary CPICH info (10.3.6.60) | | |
| -Primary scrambling code | 100 | |
| -PDSCH with SHO DCH info (10.3.6.47) | Not Present | R99 and Rel-4 only |
| -PDSCH code mapping (10.3.6.43) | Not Present | R99 and Rel-4 only |
| -Downlink DPCH info for each RL (10.3.6.21) | | |
| -CHOICE mode | FDD | |
| -Primary CPICH usage for channel estimation | Primary CPICH may be used | |
| -DPCH frame offset | Set to value Default DPCH Offset Value (as | |

| Information Element | Value/Remark | Version |
|---|-----------------------------------|--------------------|
| -Secondary CPICH info | currently stored in SS) mod 38400 | R99 and Rel-4 only |
| -DL channelisation code | Not Present | |
| -Secondary scrambling code | Not Present | |
| -Spreading factor | 128 | |
| -Code number | 96 | |
| -Scrambling code change | No change | |
| -TPC combination index | 0 | |
| -SSDT Cell Identity | Not Present | |
| - Closed loop timing adjustment mode | Not Present | |
| - SCCPCH information for FACH (10.3.6.70) | Not Present | |

MEASUREMENT CONTROL message:

| Information Element/Group name | Value/Remark |
|--|--|
| Message Type (10.2.17) | |
| UE information elements | |
| -RRC transaction identifier | 0 |
| -Integrity check info | |
| -message authentication code | SS calculates the value of MAC-I for this message and writes to this IE. The first/ leftmost bit of the bit string contains the most significant bit of the MAC-I. |
| -RRC message sequence number | SS provides the value of this IE, from its internal counter. |
| Measurement Information elements | |
| -Measurement Identity | 2 |
| -Measurement Command (10.3.7.46) | Setup |
| -Measurement Reporting Mode (10.3.7.49) | |
| -Measurement Report Transfer Mode | AM RLC |
| -Periodical Reporting / Event Trigger Reporting Mode | Event trigger |
| -Additional measurements list (10.3.7.1) | Not Present |
| -CHOICE Measurement type | Inter-RAT measurement |
| -Inter-RAT measurement (10.3.7.27) | |
| -Inter-RAT measurement objects list (10.3.7.23) | Not Present |
| -Inter-RAT measurement quantity (10.3.7.29) | |
| -Measurement quantity for UTRAN quality estimate (10.3.7.38) | |
| -Filter coefficient | 0 |
| -CHOICE mode | FDD |
| -Measurement quantity | CPICH Ec/N0 |
| -CHOICE system | GSM |
| -Measurement quantity | GSM Carrier RSSI |
| -Filter coefficient | 0 |
| -BSIC verification required | Not Required |
| -Inter-RAT reporting quantity (10.3.7.32) | |
| - UTRAN estimated quality | FALSE |
| - CHOICE system | GSM |
| - Observed time difference to GSM cell reporting indicator | FALSE |
| - GSM Carrier RSSI reporting indicator | FALSE |
| -Reporting cell status (10.3.7.61) | Not Present |
| -CHOICE report criteria | Inter-RAT measurement reporting criteria |
| -Inter-RAT measurement reporting criteria (10.3.7.30) | |
| -Parameters required for each event | 2 |
| -Inter-RAT event identity (10.3.7.24) | Event 3B |
| -Threshold own system | Not Present |
| -W | Not Present |
| -Threshold other system | -80 dBm |
| -Hysteresis | 0 dB |
| -Time to trigger | 0 ms |
| -Reporting cell status (10.3.7.61) | |
| -CHOICE reported cell | Report cells within active set or within virtual active set or of the other RAT |
| -Maximum number of reported cells | 2 |
| -Inter-RAT event identity (10.3.7.24) | Event 3C |
| -Threshold own system | Not Present |

| Information Element/Group name | Value/Remark |
|--|--|
| -W -Threshold other system -Hysteresis -Time to trigger -Reporting cell status (10.3.7.61) -CHOICE reported cell -Maximum number of reported cells | Not Present -80 dBm 0 dB 0 ms Report cells within active set or within virtual active set or of the other RAT 2 |
| Physical channel information elements -DPCH compressed mode status info (10.3.6.34) | If compressed mode is required, Active (for the pattern specified in table 8.6.4.4). Otherwise, this should be Not Present. |

MEASUREMENT REPORT message for inter – RAT test cases

These messages are common for all inter-RAT test cases and are described in Annex I.

8.6.4.1.5 Test requirements

8.6.4.1.5.1 TEST 1 With BSIC verification required

Table 8.6.4.7: Cell specific test parameters for Correct reporting of GSM neighbours in AWGN propagation condition (cell 2), test requirements

| Parameter | Unit | Cell 2 | | | |
|----------------------------|------|--|-----------|-----|-----|
| | | T0 | T1 | T2 | T3 |
| Absolute RF Channel Number | | BCCH ARFCN of cell A as defined in the initial conditions in clause 26.6.5.1 of TS 51.010-1 [25] for the GSM band under test. BCCH ARFCN is 744 for FDD Band II and PCS1900 under test. BCCH ARFCN is 241 for FDD Band V, VI or XIX and GSM850 under test. BCCH ARFCN is 114 for FDD Band VIII and GSM900 under test. | | | |
| RXLEV | dBm | -Infinity | -Infinity | -75 | -85 |

For the test to pass, the total number of successful tests shall be at least 90% of the cases, with a confidence level of 95%. For the overall outcome of the test to be considered a pass, the counters for 3C events and for 3B events shall independently indicate a pass result.

NOTE: If the above Test Requirement differs from the Minimum Requirement then the Test Tolerance applied for this test is non-zero. The Test Tolerance for this test is defined in clause F.2 and the explanation of how the Minimum Requirement has been relaxed by the Test Tolerance is given in clause F.4.

8.6.4.1.5.2 TEST 2 Without BSIC verification required

Table 8.6.4.8: Cell specific test parameters for Correct reporting of GSM neighbours in AWGN propagation condition (cell 2), test requirements

| Parameter | Unit | Cell 2 | | | |
|----------------------------|------|--|-----------|-----|-----|
| | | T0 | T1 | T2 | T3 |
| Absolute RF Channel Number | | BCCH ARFCN of cell A as defined in the initial conditions in clause 26.6.5.1 of TS 51.010-1 [25] for the GSM band under test. BCCH ARFCN is 744 for FDD Band II and PCS1900 under test. BCCH ARFCN is 241 for FDD Band V, VI or XIX and GSM850 under test. BCCH ARFCN is 114 for FDD Band VIII and GSM900 under test. | | | |
| RXLEV | dBm | -Infinity | -Infinity | -75 | -85 |

For the test to pass, the total number of successful tests shall be at least 90% of the cases, with a confidence level of 95%. For the overall outcome of the test to be considered a pass, the counters for 3C events and for 3B events shall independently indicate a pass result.

NOTE: If the above Test Requirement differs from the Minimum Requirement then the Test Tolerance applied for this test is non-zero. The Test Tolerance for this test is defined in clause F.2 and the explanation of how the Minimum Requirement has been relaxed by the Test Tolerance is given in clause F.4.

8.6.5 Combined inter frequency and GSM measurements

8.6.5.1 Correct reporting of neighbours in AWGN propagation condition

8.6.5.1.1 Definition and applicability

In the event triggered reporting period the measurement reporting delay is defined as the time between any event that will trigger a measurement report until the UE starts to transmit the measurement report over the Uu interface. This requirement assumes that the measurement report is not delayed by other RRC signalling on the DCCH. This measurement reporting delay excludes a delay uncertainty resulted when inserting the measurement report to the TTI of the uplink DCCH. The delay uncertainty is twice the TTI of the uplink DCCH.

The requirements in this section apply only to UE supporting FDD and GSM for Release 6 and later releases.

8.6.5.1.2 Minimum requirement

When transmission gaps are scheduled for FDD inter frequency measurements the UE shall be able to identify a new detectable cell belonging to the monitored set within

$$T_{\text{identify, inter}} = T_{\text{basic identify FDD,inter}} \cdot \frac{T_{\text{Measurement Period, Inter}}}{T_{\text{Inter}}} \cdot N_{\text{Freq}} \text{ ms}$$

The UE physical layer shall when transmission gaps are scheduled for FDD inter frequency measurements also be capable of reporting measurements to higher layers with measurement accuracy as specified in sub-clause 9.1.1 and 9.1.2 of 25.133 [2] with measurement period given by

$$T_{\text{measurement inter}} = \text{Max} \left\{ T_{\text{Measurement_Period Inter}}, T_{\text{basic measurement FDD inter}} \cdot \frac{T_{\text{Measurement_Period Inter}}}{T_{\text{Inter}}} \cdot N_{\text{Freq}} \right\} \text{ms}$$

If the UE does not need compressed mode to perform inter-frequency measurements, the measurement period for inter frequency measurements is 480 ms.

The UE shall be capable of performing CPICH measurements for $X_{\text{basic measurement FDD inter}}$ inter-frequency cells per FDD frequency of the monitored set or the virtual active set, and the UE physical layer shall be capable of reporting measurements to higher layers with the measurement period of $T_{\text{Measurement_ Inter}}$.

$$X_{\text{basic measurement FDDinter}} = 6$$

$$T_{\text{identify, inter}} = 3.3 \text{ s}$$

$T_{\text{Measurement_Period Inter}} = 480 \text{ ms}$. The period used for calculating the measurement period $T_{\text{measurement inter}}$ for inter frequency CPICH measurements.

$T_{\text{Inter}} = 44 \text{ ms}$. This is the minimum time that is available for inter frequency measurements, during the period $T_{\text{Measurement_Period inter}}$ with an arbitrarily chosen timing. The minimum time per transmission gap is calculated by using 6 gaps of length 11 slots each.

$T_{\text{basic identify_FDD,inter}} = 300 \text{ ms}$. This is the time period used in the inter frequency equation where the maximum allowed time for the UE to identify a new FDD cell is defined.

$T_{\text{basic_measurement_FDD inter}} = 50 \text{ ms}$. This is the time period used in the equation for defining the measurement period for inter frequency CPICH measurements.

N_{Freq} : Number of FDD frequencies indicated in the inter frequency measurement control information.

A cell shall be considered detectable when $CPICH\ Ec/Io \geq -20$ dB, $SCH_Ec/Io \geq -17$ dB for at least one channel tap and SCH_Ec/Io is equally divided between primary synchronisation code and secondary synchronisation code. When L3 filtering is used an additional delay can be expected.

The event triggered measurement reporting delay, measured without L3 filtering shall be less than $T_{identify_inter}$ defined in Clause 8.1.2.3.1 of 25.133 [2] When L3 filtering is used an additional delay can be expected.

The event triggered measurement reporting delay for a GSM cell with verified BSIC, measured without L3 filtering shall be less than $2 * T_{Measurement_Period, GSM} = 2 * 480$ ms = 960 ms.

If a cell has been detectable at least for the time period $T_{identify_inter}$ and then enters or leaves the reporting range, the event triggered measurement reporting delay shall be less than $T_{Measurement_Period_Inter}$ provided the timing to that cell has not changed more than ± 32 chips while transmission gap has not been available and the L3 filter has not been used.

Measurements on GSM cells can be requested with BSIC verified or BSIC non-verified.

1) In CELL_DCH state when a transmission gap pattern sequence is provided by the UTRAN the UE shall continuously measure GSM cells and search for new GSM cells given in the monitored set.

2) If the UE does not need compressed mode to perform GSM measurements:

- the UE shall measure all GSM cells present in the monitored set
- the relevant requirements for GSM dedicated mode when a TCH channel is assigned in TS 45.008 shall apply.

The normative reference for these requirements is TS 25.133 [2] clauses 8.1.2.3, 8.1.2.5 and A.8.54.1.

8.6.5.1.3 Test purpose

To verify that the UE makes correct reporting of an event when doing combined inter frequency and GSM measurements.

8.6.5.1.4 Method of test

8.6.5.1.4.1 Initial conditions

Test environment: normal; see clauses G.2.1 and G.2.2.

Frequencies to be tested: mid range; see clause G.2.4.

The test parameters are given in tables 8.6.5.1.4.1, 8.6.5.1.4.2 and 8.6.5.1.4.3. In the measurement control information it is indicated to the UE that event-triggered reporting with Event 2B and 3A shall be used as well as periodic reporting with period 4s. The test consists of five successive time periods, with a time duration T1, T2, T3, T4 and T5 respectively.

Table 8.6.5.1.4.1: General test parameters for Correct reporting of neighbours in AWGN propagation condition

| Parameter | Unit | Value | Comment |
|-----------------------------------|------|--|--|
| DCH parameters | | DL Reference Measurement Channel 12.2 kbps | As specified in C.3.1 |
| Power Control | | On | |
| Compressed mode | | | Only applicable for UE requiring compressed mode patterns. |
| Inter frequency measurements | | DL compressed mode reference pattern 3, set 1 | As specified in table C.5.3 |
| - GSM carrier RSSI measurement | | DL compressed mode reference pattern 3, set 2 | As specified in table C.5.3 |
| - GSM Initial BSIC identification | | DL compressed mode reference pattern 3, set 3 | As specified in table C.5.3 |
| - GSM BSIC reconfirmation | | DL compressed mode reference pattern 3, set 4 | As specified in table C.5.3 |
| Active cell | | Cell 1 | |

| Parameter | Unit | Value | Comment |
|--|------|---|--|
| Inter-RAT measurement quantity | | GSM Carrier RSSI | |
| BSIC verification required | | required | |
| Absolute Threshold (Ec/NO) used frequency | dB | -15 | Ec/Io threshold for Event 2B and 3A |
| Absolute Threshold (Ec/NO) used for a not used frequency | dB | -15 | Ec/Io threshold for Event 2B |
| Threshold other system | dBm | -80 | Absolute GSM carrier RSSI threshold for event 3A. |
| Time to Trigger | ms | 0 | |
| Filter coefficient | | 0 | |
| Monitored cell list size | | Total 24 FDD neighbours 8 on frequency Channel 2 6 GSM neighbours including ARFCN 1 | See annex I for cell information. Measurement control information is sent before the compressed mode pattern starts. |
| Propagation Condition | | AWGN | |
| T1 | s | 1 | |
| T2 | s | 4 | |
| T3 | s | 1 | |
| T4 | s | 8 | |
| T5 | s | 15 | |

Table 8.6.5.1.4.2: Cell Specific parameters for Correct reporting of neighbours in AWGN propagation condition

| Parameter | Unit | Cell 1 | | | | | Cell 2 | | | | |
|--|--------------|-----------|----|-------|--------|----|-----------|----|-----|--------|-------|
| | | T0 | T1 | T2 | T3 | T4 | T5 | T0 | T1 | T2 | T3 |
| UTRA RF Channel Number | | Channel 1 | | | | | Channel 2 | | | | |
| CPICH_Ec/Ior | dB | -10 | | | | | -10 | | | | |
| PCCPCH_Ec/Ior | dB | -12 | | | | | -12 | | | | |
| SCH_Ec/Ior | dB | -12 | | | | | -12 | | | | |
| PICH_Ec/Ior | dB | -15 | | | | | -15 | | | | |
| DPCH_Ec/Ior | dB | Note 1 | | | N/A | | N/A | | | Note 1 | |
| OCNS | | Note 2 | | | -0.941 | | -0.941 | | | Note 2 | |
| \hat{I}_{or}/I_{oc} | dB | 0 | | -8 | | | -Infinity | | 0 | 0 | -8 |
| I_{oc} | dBm/3.84 MHz | -60 | | | | | | | | | |
| CPICH_Ec/Io | dB | -13 | | -18.6 | | | -Infinity | | -13 | -13 | -18.6 |
| NOTE 1: The DPCH level is controlled by the power control loop | | | | | | | | | | | |
| NOTE 2: The power of the OCNS channel that is added shall make the total power from the cell to be equal to I_{or} | | | | | | | | | | | |

Table 8.6.5.1.4.3: Cell specific test parameters for Correct reporting of GSM neighbours in AWGN propagation condition (cell 3)

| Parameter | Unit | Cell 3 | | | | |
|----------------------------|------|-----------|----|----|-------|-----------|
| | | T0 | T1 | T2 | T3 | T4 |
| Absolute RF Channel Number | | ARFCN 1 | | | | |
| RXLEV | dBm | -Infinity | | | -75 | |
| GSM BSIC | | N/A | | | Valid | Not valid |

8.6.5.1.4.2 Procedure

- 1) The RF parameters are set up according to T0 in Table 8.6.5.1.4.4 and 8.6.5.1.4.5.
- 2) The UE is switched on.
- 3) A call is set up according to the test procedure specified in TS 34.108 [3] sub clause 7.3.2.

- 4) If Compressed mode is required, SS shall transmit PHYSICAL CHANNEL RECONFIGURATION message (compressed gaps). Otherwise, Go to Step6.
- 5) UE shall transmit PHYSICAL CHANNEL RECONFIGURATION COMPLETE message (compressed gaps).
- 6) SS shall transmit a MEASUREMENT CONTROL message (inter frequency)
- 7) SS shall transmit a MEASUREMENT CONTROL message (periodic inter RAT)
- 8) SS shall transmit a MEASUREMENT CONTROL message (event triggered inter RAT, activation of TGPSI 1-4)
- 9) 3 seconds after step8 has completed, the SS shall switch the power settings from T0 to T1 according to the parameters defined in table 8.6.5.1.4.4 and 8.6.5.1.4.5.
- 10) 1 seconds after step9 has completed, the SS shall switch the power settings from T1 to T2 according to the parameters defined in tables 8.6.5.1.4.4 and 8.6.5.1.4.5.
- 11) UE shall transmit a MEASUREMENT REPORT message (inter frequency) triggered by event 2B for cell 2. The measurement reporting delay from the beginning of T2 shall be less than 3.5 seconds. If the UE fails to report the event within the required delay, then the counter event2B_failure is increased by one. If the reporting delay for this event is within the required limit, the counter event2B_success is increased by one.
- 12) After 4 seconds from the beginning of T2, the SS shall switch the power settings from T2 to T3 according to the parameters defined in tables 8.6.5.1.4.4 and 8.6.5.1.4.5
- 13) The UE shall receive a PHYSICAL CHANNEL RECONFIGURATION so that a timing maintained hard handover is completed to cell 2 within 1 s since the beginning of T3.
- 14) UE shall transmit PHYSICAL CHANNEL RECONFIGURATION COMPLETE message
- 15) SS shall transmit a MEASUREMENT CONTROL message (Intra Frequency)
- 16) After 1 seconds from the beginning of T3, the SS shall switch the power settings from T3 to T4 according to the parameters defined in tables 8.6.5.1.4.4 and 8.6.5.1.4.5.
- 17) UE shall transmit a MEASUREMENT REPORT message (inter RAT) triggered by event 3A for cell 3. The measurement reporting delay from the beginning of T4 shall be less than 6.24 s. If the UE fails to report the event within the required delay, then the counter event3A_failure is increased by one. If the reporting delay for this event is within the required limit, the counter event3A_success is increased by one.
- 18) After 8 seconds from the beginning of T4, the SS shall switch the power settings from T4 to T5 according to the parameters defined in tables 8.6.5.1.4.4 and 8.6.5.1.4.5.
- 19) UE shall in a periodic MEASUREMENT REPORT message (inter RAT) indicate that the BSIC of the GSM carrier is not verified. The measurement reporting delay from the beginning of T5 until this message shall be less than 9.04 s. If the UE fails to report the event within the required delay, then the counter BSIC_failure is increased by one. If the reporting delay for this event is within the required limit, the counter BSIC_success is increased by one.
- 20) After the SS receive the MEASUREMENT REPORT message in step 19) or 15 seconds after the beginning of T5, the UE is switched off.
- 21) Repeat steps 1-19 according to Annex F.6.2 Table F.6.2.8. If one counter reaches the pass criterion, this counter is stopped and the remaining counters are continued. For the overall outcome of the test to be considered a pass, the counters for 2B events, 3A events and for BSIC events shall independently indicate a pass result. The test is stopped immediately and the test is considered to be a fail, if any counter reaches an early fail criterion.

Specific Message Contents

All messages indicated above shall use the same content as described in the default message content in clause 9 of 34.108 [3], with the following exceptions:

MEASUREMENT CONTROL message (inter frequency)

| Information Element/Group name | Value/Remark |
|--|--|
| Message Type (10.2.17) | |
| UE information elements -RRC transaction identifier -Integrity check info -message authentication code -RRC message sequence number | 0 SS calculates the value of MAC-I for this message and writes to this IE. The first/ leftmost bit of the bit string contains the most significant bit of the MAC-I. SS provides the value of this IE, from its internal counter. |
| Measurement Information elements -Measurement Identity -Measurement Command (10.3.7.46) -Measurement Reporting Mode (10.3.7.49) -Measurement Report Transfer Mode -Periodical Reporting / Event Trigger Reporting Mode -Additional measurements list (10.3.7.1) | 1 Setup AM RLC Event trigger Not Present |
| -CHOICE Measurement type -Inter-frequency measurement (10.3.7.16) -Inter-frequency measurement objects list (10.3.7.13) - CHOICE Inter-frequency cell removal - New Inter frequency cells - Inter frequency cell id - Frequency info - CHOICE mode - UARFCN uplink(Nu) - UARFCN downlink(Nd) - Cell info - Cell individual offset - Reference time difference to cell - Read SFN indicator - CHOICE mode - Primary CPICH info - Primary scrambling code - Primary CPICH Tx Power - Tx Diversity Indicator - Cell for measurement -Inter-frequency measurement quantity (10.3.7.18) -CHOICE reporting criteria -Inter-frequency reporting criteria -Filter coefficient -CHOICE mode -Measurement quantity for frequency quality estimate | Inter-frequency measurement Not Present Refer to table K.1 FDD Not Present Same frequency as "Channel2" in Table 8.6.5.1.4.2 Not Present Not Present FALSE FDD Set to Primary scrambling code of Cell2 Not present FALSE Not Present Inter-frequency reporting criteria 0 FDD CPICH Ec/N0 |
| -Inter-frequency reporting quantity (10.3.7.21) -UTRA Carrier RSSI -Frequency quality estimate -Non frequency related cell reporting quantities (10.3.7.5) -Cell synchronisation information reporting indicator -Cell Identity reporting indicator -CHOICE mode -CPICH Ec/N0 reporting indicator -CPICH RSCP reporting indicator -Pathloss reporting indicator | FALSE FALSE FALSE FALSE FDD TRUE FALSE FALSE |
| -Reporting cell status (10.3.7.61) -Measurement validity (10.3.7.51) -Inter-frequency set update (10.3.7.22) -UE autonomous update mode | Not Present Not Present On with no reporting |
| -CHOICE report criteria | Inter-frequency measurement reporting criteria |

| Information Element/Group name | Value/Remark |
|--|--|
| -Inter-frequency measurement reporting criteria (10.3.7.19) - Parameters required for each events - Inter-frequency event identity - Threshold used frequency - W used frequency - Hysteresis - Time to trigger - Reporting cell status - Maximum number of reporting cells - Non used frequency parameter list - Threshold non used frequency - W non-used frequency | 2b -15 dB 0 0 dB 0 ms Within active set or within virtual active set or of the other RAT 1 -15 dB 0 |
| Physical channel information elements -DPCH compressed mode status info (10.3.6.34) | Not present |

MEASUREMENT CONTROL message (event triggered inter RAT, activation of TGPSI 1-4)

| Information Element/Group name | Value/Remark |
|---|--|
| Message Type (10.2.17) | |
| UE information elements -RRC transaction identifier -Integrity check info | 0 |
| -message authentication code | SS calculates the value of MAC-I for this message and writes to this IE. The first/leftmost bit of the bit string contains the most significant bit of the MAC-I. |
| -RRC message sequence number | SS provides the value of this IE, from its internal counter. |
| Measurement Information elements -Measurement Identity -Measurement Command (10.3.7.46) -Measurement Reporting Mode (10.3.7.49) -Measurement Report Transfer Mode -Periodical Reporting / Event Trigger Reporting Mode -Additional measurements list (10.3.7.1) | 2 Setup AM RLC Event trigger Not Present |
| -CHOICE Measurement type -Inter-RAT measurement (10.3.7.27) -Inter-RAT measurement objects list (10.3.7.23) -Inter-RAT measurement quantity (10.3.7.29) -Measurement quantity for UTRAN quality estimate (10.3.7.38) -Filter coefficient -CHOICE mode -Measurement quantity -CHOICE system -Measurement quantity -Filter coefficient -BSIC verification required -Inter-RAT reporting quantity (10.3.7.32) - UTRAN estimated quality - CHOICE system - Observed time difference to GSM cell reporting indicator - GSM Carrier RSSI reporting indicator -Reporting cell status (10.3.7.61) -CHOICE report criteria -Inter-RAT measurement reporting criteria (10.3.7.30) -Inter-RAT event identity (10.3.7.24) -Threshold own system -W -Threshold other system -Hysteresis -Time to trigger -Reporting cell status (10.3.7.61) -CHOICE reported cell | Inter-RAT measurement Not Present 0 FDD CPICH EcNo GSM GSM Carrier RSSI 0 Required FALSE GSM FALSE TRUE Not Present Inter-RAT measurement reporting criteria Event 3A -15 0 -80 0 dB 0 ms Report cells within active set or within virtual active set or of the other RAT |

| Information Element/Group name | Value/Remark |
|--|---|
| -Maximum number of reported cells | 2 |
| Physical channel information elements -DPCH compressed mode status info (10.3.6.34) - TGPS reconfiguration CFN | If Compressed mode is required, Active . Otherwise , Not present. (Current CFN + (230 – TTI/10msec))mod 256 |
| -Transmission gap pattern sequence (1 to <MaxTGPS>) | |
| - TGPSI | 1 |
| - TGPS Status Flag | activate |
| - TGCFN | (TGPS reconfiguration CFN +6)mod 256 |
| - TGPSI | 2 |
| - TGPS Status Flag | activate |
| - TGCFN | (TGPS reconfiguration CFN +10)mod 256 |
| - TGPSI | 3 |
| - TGPS Status Flag | activate |
| - TGCFN | (TGPS reconfiguration CFN +18)mod 256 |
| - TGPSI | 4 |
| - TGPS Status Flag | activate |
| - TGCFN | (TGPS reconfiguration CFN +26)mod 256 |

MEASUREMENT CONTROL message (periodic inter RAT)

| Information Element/Group name | Value/Remark | Version |
|--|--|---------|
| Message Type (10.2.17) | | |
| UE information elements | | |
| -RRC transaction identifier | 0 | |
| -Integrity check info | | |
| -message authentication code | SS calculates the value of MAC-I for this message and writes to this IE. The first/ leftmost bit of the bit string contains the most significant bit of the MAC-I. | |
| -RRC message sequence number | SS provides the value of this IE, from its internal counter. | |
| Measurement Information elements | | |
| -Measurement Identity | 3 | |
| -Measurement Command (10.3.7.46) | Setup | |
| -Measurement Reporting Mode (10.3.7.49) | AM RLC | |
| -Measurement Report Transfer Mode | Periodical reporting | |
| -Periodical Reporting / Event Trigger Reporting Mode | | |
| -Additional measurements list (10.3.7.1) | Not Present | |
| -CHOICE Measurement type | Inter-RAT measurement | |
| -Inter-RAT measurement (10.3.7.27) | | |
| -Inter-RAT measurement objects list (10.3.7.23) | Not Present | |
| -Inter-RAT measurement quantity (10.3.7.29) | | |
| -Measurement quantity for UTRAN quality estimate (10.3.7.38) | Not Present | |
| -CHOICE system | GSM | |
| -Measurement quantity | GSM Carrier RSSI | |
| -Filter coefficient | 0 | |
| -BSIC verification required | not required | |
| -Inter-RAT reporting quantity (10.3.7.32) | | |
| -UTRAN estimated quality | FALSE | |
| -CHOICE system | GSM | |
| -GSM carrier RSSI reporting indicator | TRUE | |
| -Reporting cell status (10.3.7.61) | | |
| -CHOICE reported cell | Report cells within active set or within virtual active set or of the other RAT | |
| -Maximum number of reported cells | 6 | |
| -CHOICE report criteria | Periodical reporting criteria | |
| -Periodical reporting criteria (10.3.7.53) | | |
| -Amount of reporting | Infinity | |
| -Reporting interval | 4000 ms | |

| | | |
|--|-------------|--|
| Physical channel information elements -DPCH compressed mode status info (10.3.6.34) | Not Present | |
|--|-------------|--|

MEASUREMENT CONTROL message (Intra Frequency)

| Information Element/Group name | Value/Remark |
|--|---|
| Message Type (10.2.17) | |
| UE information elements -RRC transaction identifier -Integrity check info -message authentication code -RRC message sequence number | 0 SS calculates the value of MAC-I for this message and writes to this IE. The first/ leftmost bit of the bit string contains the most significant bit of the MAC-I. SS provides the value of this IE, from its internal counter. |
| Measurement Information elements -Measurement Identity -Measurement Command (10.3.7.46) -Measurement Reporting Mode (10.3.7.49) -Measurement Report Transfer Mode -Periodical Reporting / Event Trigger Reporting Mode -Additional measurements list (10.3.7.1) | 4 Setup AM RLC Event trigger Not Present |
| -CHOICE Measurement type -Intra-frequency measurement (10.3.7.36) -Intra-frequency measurement objects list (10.3.7.33) - CHOICE Intra-frequency cell removal - New intra-frequency cells - Intra-frequency cell id - Cell info - Cell individual offset - Reference time difference to cell - Read SFN indicator - CHOICE mode - Primary CPICH info - Primary scrambling code - Primary CPICH Tx Power - Tx Diversity Indicator - Cells for measurement -Intra-frequency measurement quantity (10.3.7.38) -Filter coefficient (10.3.7.9) -CHOICE mode -Measurement quantity -Intra-frequency reporting quantity (10.3.7.41) | Intra-frequency measurement Not Present Refer to table K.1 Not Present Not Present FALSE FDD Set to Primary scrambling code of Cell2 Not present FALSE Not Present 0 FDD CPICH_Ec/N0 |
| -Reporting quantities for active set cells (10.3.7.5) -Cell synchronisation information reporting indicator -Cell Identity reporting indicator -CHOICE mode -CPICH Ec/N0 reporting indicator -CPICH RSCP reporting indicator -Pathloss reporting indicator | FALSE TRUE FDD TRUE TRUE FALSE |
| -Reporting quantities for monitored set cells (10.3.7.5) -Cell synchronisation information reporting indicator -Cell Identity reporting indicator -CHOICE mode -CPICH Ec/N0 reporting indicator -CPICH RSCP reporting indicator -Pathloss reporting indicator | FALSE TRUE FDD TRUE TRUE FALSE |
| -Reporting quantities for detected set cells (10.3.7.5) | Not Present |
| -Reporting cell status (10.3.7.61) -Measurement validity (10.3.7.51) -CHOICE report criteria -Intra-frequency measurement reporting criteria (10.3.7.39) -Parameters required for each event | Not Present Not Present Intra-frequency measurement reporting criteria 1 |

| Information Element/Group name | Value/Remark |
|---|---|
| -Intra-frequency event identity | Event 1A |
| -Triggering condition 2 | Monitored set cells |
| -Reporting Range Constant | 3 dB |
| -Cells forbidden to affect Reporting Range | Not Present |
| -W | 1.0 |
| -Hysteresis | 0 dB |
| -Threshold used frequency | Not Present |
| -Reporting deactivation threshold | 0 |
| -Replacement activation threshold | Not Present |
| -Time to trigger | 0 ms |
| -Amount of reporting | Infinity |
| -Reporting interval | 0 ms (Note 1) |
| -Reporting cell status (10.3.7.61) | |
| -CHOICE reported cell | Report cells within active set and/or monitored set cells on used frequency |
| -Maximum number of reported cells | 2 |
| Physical channel information elements | |
| -DPCH compressed mode status info (10.3.6.34) | Not Present |
| NOTE 1: Reporting interval = 0 ms means no periodical reporting | |

PHYSICAL CHANNEL RECONFIGURATION (compressed gaps):

| Information Element | Value/Remark | Version |
|--|---|---------|
| Message Type (10.2.22) | | |
| UE Information Elements | | |
| -RRC transaction identifier | 0 | |
| -Integrity check info | | |
| -message authentication code | SS calculates the value of MAC-I for this message and writes to this IE. The first/leftmost bit of the bit string contains the most significant bit of the MAC-I. | |
| -RRC message sequence number | SS provides the value of this IE, from its internal counter. | |
| -Integrity protection mode info | Not Present | |
| -Ciphering mode info | Not Present | |
| -Activation time | Not Present | |
| -New U-RNTI | Not Present | |
| -New C-RNTI | Not Present | |
| -RRC State Indicator | CELL_DCH | |
| -UTRAN DRX cycle length coefficient | Not Present | |
| CN Information Elements | | |
| -CN Information info | Not Present | |
| UTRAN mobility information elements | | |
| -URA identity | Not Present | |
| RB information elements | | |
| -Downlink counter synchronisation info | Not Present | |
| PhyCH information elements | | |
| -Frequency info (10.3.6.36) | Not Present | |
| Uplink radio resources | | |
| -Maximum allowed UL TX power | 33 dBm | |
| -CHOICE channel requirement | Not Present | |
| Downlink radio resources | | |
| -CHOICE <i>mode</i> | FDD | |
| -Downlink information common for all radio links (10.3.6.24) | | |
| -Downlink DPCH info common for all RL (10.3.6.18) | Not Present | |
| -CHOICE <i>mode</i> | FDD | |
| -DPCH compressed mode info (10.3.6.33) | | |
| - Transmission gap pattern sequence | (1/3 TGPS) | |
| - TGPSI | 1 | |
| - TGPS Status Flag | deactivate | |
| - Transmission gap pattern sequence | | |
| configuration parameters | | |
| -TGMP | FDD measurement | |
| -TGPRC | Infinity | |

| Information Element | Value/Remark | Version |
|-------------------------------------|---------------------------------|---------|
| -TGSN | 8 | |
| -TGL1 | 14 | |
| -TGL2 | Not Present | |
| -TGD | UNDEFINED | |
| -TGPL1 | 8 | |
| -RPP | mode 0 | |
| -ITP | mode 0 | |
| -CHOICE UL/DL mode | UL and DL | |
| -Downlink compressed mode method | SF/2 | |
| -Uplink compressed mode method | SF/2 | |
| -Downlink frame type | B | |
| -DeltaSIR1 | 3.0 | |
| -DeltaSIRafter1 | 3.0 | |
| -DeltaSIR2 | Not Present | |
| -DeltaSIRafter2 | Not Present | |
| -N Identify abort | Not Present | |
| -T Reconfirm abort | Not Present | |
| - Transmission gap pattern sequence | (2/3 TGPS) | |
| - TGPSI | 2 | |
| - TGPS Status Flag | deactivate | |
| - Transmission gap pattern sequence | | |
| configuration parameters | | |
| -TGMP | GSM carrier RSSI measurement | |
| -TGPRC | Infinity | |
| -TGSN | 8 | |
| -TGL1 | 14 | |
| -TGL2 | Not Present | |
| -TGD | UNDEFINED | |
| -TGPL1 | 24 | |
| -RPP | mode 0 | |
| -ITP | mode 0 | |
| -CHOICE UL/DL mode | UL and DL | |
| -Downlink compressed mode method | SF/2 | |
| -Uplink compressed mode method | SF/2 | |
| -Downlink frame type | B | |
| -DeltaSIR1 | 3.0 | |
| -DeltaSIRafter1 | 3.0 | |
| -DeltaSIR2 | Not Present | |
| -DeltaSIRafter2 | Not Present | |
| -N Identify abort | Not Present | |
| -T Reconfirm abort | Not Present | |
| - Transmission gap pattern sequence | (3/3 TGPS) | |
| - TGPSI | 3 | |
| - TGPS Status Flag | deactivate | |
| - Transmission gap pattern sequence | | |
| configuration parameters | | |
| -TGMP | GSM Initial BSIC identification | |
| -TGPRC | Infinity | |
| -TGSN | 8 | |
| -TGL1 | 14 | |
| -TGL2 | Not Present | |
| -TGD | UNDEFINED | |
| -TGPL1 | 24 | |
| -RPP | mode 0 | |
| -ITP | mode 0 | |
| -CHOICE UL/DL mode | UL and DL | |
| -Downlink compressed mode method | SF/2 | |
| -Uplink compressed mode method | SF/2 | |
| -Downlink frame type | B | |
| -DeltaSIR1 | 3.0 | |
| -DeltaSIRafter1 | 3.0 | |
| -DeltaSIR2 | Not Present | |
| -DeltaSIRafter2 | Not Present | |
| -N Identify abort | 22 | |
| -T Reconfirm abort | Not Present | |
| - Transmission gap pattern sequence | 4 | |
| - TGPSI | 4 | |

| Information Element | Value/Remark | Version |
|--|---|---------|
| - TGPS Status Flag | deactivate | |
| - Transmission gap pattern sequence configuration parameters | | |
| -TGMP | GSM BSIC re-confirmation | |
| -TGPRC | Infinity | |
| -TGSN | 8 | |
| -TGL1 | 14 | |
| -TGL2 | Not Present | |
| -TGD | UNDEFINED | |
| -TGPL1 | 24 | |
| -RPP | mode 0 | |
| -ITP | mode 0 | |
| -CHOICE UL/DL mode | UL and DL | |
| -Downlink compressed mode method | SF/2 | |
| -Uplink compressed mode method | SF/2 | |
| -Downlink frame type | B | |
| -DeltaSIR1 | 3.0 | |
| -DeltaSIRafter1 | 3.0 | |
| -DeltaSIR2 | Not Present | |
| -DeltaSIRafter2 | Not Present | |
| -N Identify abort | Not Present | |
| -T Reconfirm abort | 5.5 | |
| -TX Diversity mode (10.3.6.86) | None | |
| -Default DPCH Offset Value (10.3.6.16) | Not Present | |
| -Downlink information per radio link list | 1 | |
| -Downlink information for each radio link (10.3.6.27) | | |
| -CHOICE mode | FDD | |
| -Primary CPICH info (10.3.6.60) | | |
| -Primary scrambling code | Set to Primary scrambling code of Cell1 | |
| -Downlink DPCH info for each RL (10.3.6.21) | | |
| -CHOICE mode | FDD | |
| -Primary CPICH usage for channel estimation | Primary CPICH may be used | |
| -DPCH frame offset | Set to value Default DPCH Offset Value (as currently stored in SS) mod 38400 | |
| -Secondary CPICH info | Not Present | |
| -DL channelisation code | | |
| -Secondary scrambling code | Not Present | |
| -Spreading factor | 128 | |
| -Code number | 96 | |
| -Scrambling code change | No change | |
| -TPC combination index | 0 | |
| - Closed loop timing adjustment mode | Not Present | |
| - SCCPCH information for FACH (10.3.6.70) | Not Present | |

PHYSICAL CHANNEL RECONFIGURATION message for Hard Handover:

| Information Element | Value/Remark | Version |
|-------------------------------------|--|---------|
| Message Type | | |
| UE Information Elements | | |
| -RRC transaction identifier | 0 | |
| -Integrity check info | | |
| -message authentication code | SS calculates the value of MAC-I for this message and writes to this IE. The first/ leftmost bit of the bit string contains the most significant bit of the MAC-I. | |
| -RRC message sequence number | SS provides the value of this IE, from its internal counter. | |
| -Integrity protection mode info | Not Present | |
| -Ciphering mode info | Not Present | |
| -Activation time | "now" | |
| -New U-RNTI | Not Present | |
| -New C-RNTI | Not Present | |
| -RRC State Indicator | CELL_DCH | |
| -UTRAN DRX cycle length coefficient | Not Present | |

| Information Element | Value/Remark | Version |
|---|--|---------|
| CN Information Elements -CN Information info | Not Present | |
| UTRAN mobility information elements -URA identity | Not Present | |
| RB information elements -Downlink counter synchronisation info >RB with PDCP information list >>RB with PDCP information | Not Present Not Present Not Present | |
| PhyCH information elements -Frequency info (10.3.6.36) -CHOICE mode -UARFCN uplink(Nu) -UARFCN downlink(Nd) | FDD Same uplink UARFCN as used for cell 2 Same downlink UARFCN as used for cell 2 | |
| Uplink radio resources -Maximum allowed UL TX power -CHOICE channel requirement -Uplink DPCH info (10.3.6.88) -Uplink DPCH power control info (10.3.6.91) -CHOICE mode -DPCCH power offset - PC Preamble - SRB delay - Power Control Algorithm - TPC step size -CHOICE mode -Scrambling code type -Scrambling code number -Number of DPDCH -Spreading factor -TFCI existence -Number of FBI bit -Puncturing Limit | 33 dBm Uplink DPCH info FDD -40 (-80dB) 1 frame 7 frames Algorithm1 1dB FDD Long 0 (0 to 16777215) Not Present(1) 64 TRUE Not Present(0) 1 | |
| Downlink radio resources -CHOICE mode -Downlink information common for all radio links (10.3.6.24) -Downlink DPCH info common for all RL (10.3.6.18) -Timing indicator -CFN-targetSFN frame offset -Downlink DPCH power control information (10.3.6.23) -DPC mode -CHOICE mode -Power offset $P_{Pilot-DPDC}$ -DL rate matching restriction information -Spreading factor -Fixed or Flexible Position -TFCI existence -CHOICE SF -Number of bits for Pilot bits(SF=128,256) -CHOICE mode -DPCH compressed mode info (10.3.6.33) -Default DPCH Offset Value (10.3.6.16) -Downlink information per radio link list -Downlink information for each radio link (10.3.6.27) -CHOICE mode -Primary CPICH info (10.3.6.60) -Primary scrambling code -Downlink DPCH info for each RL (10.3.6.21) -CHOICE mode -Primary CPICH usage for channel estimation -DPCH frame offset -Secondary CPICH info -DL channelisation code -Secondary scrambling code | FDD Maintain Not Present 0 (single) FDD 0 Not Present 128 Fixed TRUE 128 8 FDD Not Present 0 1 FDD Set to Primary scrambling code of Cell2 FDD Primary CPICH may be used 0 chips Not Present Not Present | |

| Information Element | Value/Remark | Version |
|---|--------------|---------|
| -Spreading factor | 128 | |
| -Code number | 96 | |
| -Scrambling code change | No change | |
| -TPC combination index | 0 | |
| - Closed loop timing adjustment mode | Not Present | |
| - SCCPCH information for FACH (10.3.6.70) | Not Present | |

MEASUREMENT REPORT message for inter-frequency

This message shall use the same content as described in Annex I "Contents of MEASUREMENT REPORT message for Inter frequency test cases" with the following exceptions:

| Information Element | Value/remark |
|-------------------------------|--|
| Message Type | |
| Integrity check info | The presence of this IE is dependent on IXIT statements in TS 34.123-2. If integrity protection is indicated to be active, this IE shall be present with the values of the sub IEs as stated below. Else, this IE and the sub-IEs shall be absent. |
| - Message authentication code | This IE is checked to see if it is present. The value is compared against the XMAC-I value computed by SS. |
| - RRC Message sequence number | This IE is checked to see if it is present. The value is used by SS to compute the XMAC-I value. |
| Measurement identity | 1 |

MEASUREMENT REPORT message for inter-RAT, Event triggered

This message shall use the same content as described in Annex I "Contents of MEASUREMENT REPORT message for inter – RAT test cases" with the following exceptions:

| Information Element | Value/remark |
|-------------------------------|--|
| Message Type | |
| Integrity check info | The presence of this IE is dependent on IXIT statements in TS 34.123-2. If integrity protection is indicated to be active, this IE shall be present with the values of the sub IEs as stated below. Else, this IE and the sub-IEs shall be absent. |
| - Message authentication code | This IE is checked to see if it is present. The value is compared against the XMAC-I value computed by SS. |
| - RRC Message sequence number | This IE is checked to see if it is present. The value is used by SS to compute the XMAC-I value. |
| Measurement identity | 2 |

MEASUREMENT REPORT message for inter-RAT, periodic reporting

This message shall use the same content as described in Annex I "Contents of MEASUREMENT REPORT message for inter – RAT test cases" with the following exceptions:

| Information Element | Value/remark |
|-------------------------------|--|
| Message Type | |
| Integrity check info | The presence of this IE is dependent on IXIT statements in TS 34.123-2. If integrity protection is indicated to be active, this IE shall be present with the values of the sub IEs as stated below. Else, this IE and the sub-IEs shall be absent. |
| - Message authentication code | This IE is checked to see if it is present. The value is compared against the XMAC-I value computed by SS. |
| - RRC Message sequence number | This IE is checked to see if it is present. The value is used by SS to compute the XMAC-I value. |
| Measurement identity | 3 |

8.6.5.1.5 Test requirements

Table 8.6.5.1.4.4: Cell Specific parameters for Correct reporting of neighbours in AWGN propagation condition

| Parameter | Unit | Cell 1 | | | | | | Cell 2 | | | | | |
|------------------------|------------------|-----------|----|-------|----|---------|----|-----------|----|-------|-------|--------|----|
| | | T0 | T1 | T2 | T3 | T4 | T5 | T0 | T1 | T2 | T3 | T4 | T5 |
| UTRA RF Channel Number | | Channel 1 | | | | | | Channel 2 | | | | | |
| CPICH_Ec/lor | dB | -9.2 | | | | | | -9.2 | | | | | |
| PCCPCH_Ec/lor | dB | -11.2 | | | | | | -11.2 | | | | | |
| SCH_Ec/lor | dB | -11.2 | | | | | | -11.2 | | | | | |
| PICH_Ec/lor | dB | -14.2 | | | | | | -14.2 | | | | | |
| DPCH_Ec/lor | dB | Note 1 | | | | N/A | | N/A | | | | Note 1 | |
| OCNS | | Note 2 | | | | - 0.941 | | -0.941 | | | | Note 2 | |
| \hat{I}_{or}/I_{oc} | dB | 0 | | -8 | | | | -Infinity | | 0 | 0 | -8 | |
| I_{oc} | dBm/3.8 4 MHz | -60 | | | | | | | | | | | |
| CPICH_Ec/lo (Note 3) | dB | -12.2 | | -17.8 | | | | -Infinity | | -12.2 | -12.2 | -17.8 | |

NOTE 1: The DPCH level is controlled by the power control loop
 NOTE 2: The power of the OCNS channel that is added shall make the total power from the cell to be equal to I_{or}
 NOTE 3: These parameters are not directly settable, but are derived by calculation from the settable parameters.

Table 8.6.5.1.4.5: Cell specific test parameters for Correct reporting of GSM neighbours in AWGN propagation condition (cell 3)

| Parameter | Unit | Cell 3 | | | | | |
|----------------------------|------|--|----|----|----|-------|-----------|
| | | T0 | T1 | T2 | T3 | T4 | T5 |
| Absolute RF Channel Number | | BCCH ARFCN of cell A as defined in the initial conditions in clause 26.6.5.1 of TS 51.010-1 [25] for the GSM band under test. BCCH ARFCN is 744 for FDD Band II and PCS1900 under test. BCCH ARFCN is 241 for FDD Band V, VI or XIX and GSM850 under test. BCCH ARFCN is 114 for FDD Band VIII and GSM900 under test. BCCH ARFCN is 885 for FDD Band III or IX and DCS1800 under test. | | | | | |
| RXLEV | dBm | -Infinity | | | | -74 | |
| GSM BSIC | | N/A | | | | Valid | Not valid |

For the test to pass, the total number of successful tests shall be at least 90% of the cases, with a confidence level of 95%. For the overall outcome of the test to be considered a pass, the counters for 2B events, 3A events and for BSIC events shall independently indicate a pass result.

NOTE: If the above Test Requirement differs from the Minimum Requirement then the Test Tolerance applied for this test is non-zero. The Test Tolerance for this test is defined in clause F.2 and the explanation of how the Minimum Requirement has been relaxed by the Test Tolerance is given in clause F.4.

8.6.6 E-UTRAN Measurement

8.6.6.1 Correct reporting of E-UTRAN FDD neighbour in fading propagation condition

Editor’s note: This Test case is incomplete for frequencies above 3GHz

- The Test system uncertainties applicable above 3GHz are undefined
- The Test Tolerances and Test Requirements applicable above 3GHz are undefined

8.6.6.1.1 Definition and applicability

In the event triggered reporting period the measurement reporting delay is defined as the time between any event that will trigger a measurement report until the UE starts to transmit the measurement report over the Uu interface. This requirement assumes that the measurement report is not delayed by other RRC signalling on the DCCH. This measurement reporting delay excludes a delay uncertainty resulted when inserting the measurement report to the TTI of the uplink DCCH. The delay uncertainty is twice the TTI of the uplink DCCH.

The requirements and this test apply to Release 8 and later releases UTRA FDD UE that support E-UTRA FDD. Applicability requires support for EUTRA FGI bit 2.

8.6.6.1.2 Minimum requirement

When compressed mode gaps are used for E-UTRAN measurements, the UE shall be able to identify a new detectable E-UTRAN cell within

$$T_{\text{Identify,E-UTRAN}} = N_{\text{freq,E-UTRA}} \cdot T_{\text{Basic_Identify_E-UTRAN}} \cdot \frac{480}{T_{\text{E-UTRAN}}} \text{ ms};$$

If the UE does not need compressed mode to perform E-UTRAN measurements, the UE shall be able to identify a new detectable E-UTRAN cell within $T_{\text{Basic_Identify_E-UTRAN}}$ ms.

Where:

$T_{\text{E-UTRAN}}$: This is the minimum time that is available for E-UTRAN measurements during a 480ms period with an arbitrarily chosen timing. The minimum time per compressed mode gap is calculated by subtracting $2 \cdot 0.5$ ms from the length of the gap.

$N_{\text{freq,E-UTRAN}}$: This is the number of E-UTRAN carriers being monitored

$$T_{\text{Basic_Identify_E-UTRAN}} = 480\text{ms}$$

When L3 filtering is used an additional delay can be expected.

An E-UTRAN cell shall be considered detectable when

- $\text{RSRP}_{\text{dBm}} \geq -125$ dBm for Bands 1, 4, 6, 10, 11, 18, 19, 21, 33, 34, 35, 36, 37, 38, 39, 40 and $\text{RSRP } \hat{E}_s/\text{Iot} \geq -4$ dB,
- $\text{RSRP}_{\text{dBm}} \geq -124$ dBm for Bands 9 and $\text{RSRP } \hat{E}_s/\text{Iot} \geq -4$ dB,
- $\text{RSRP}_{\text{dBm}} \geq -123$ dBm for Bands 2, 5, 7, 17 and $\text{RSRP } \hat{E}_s/\text{Iot} \geq -4$ dB,
- $\text{RSRP}_{\text{dBm}} \geq -122$ dBm for Bands 3, 8, 12, 13, 14, 20 and $\text{RSRP } \hat{E}_s/\text{Iot} \geq -4$ dB,
- $\text{RSRP}_{\text{dBm}} \geq -121.5$ dBm for Band 25 and $\text{RSRP } \hat{E}_s/\text{Iot} \geq -4$ dB,
- $\text{RSRP}_{\text{dBm}} \geq -122.5$ dBm for Band 26 and $\text{RSRP } \hat{E}_s/\text{Iot} \geq -4$ dB, (Note1)
- other RSRP related side condition given in Section 9.1 of [24] are fulfilled,
- $\text{SCH_RP}_{\text{dBm}} \geq -125$ dBm for Bands 1, 4, 6, 10, 11, 18, 19, 21, 33, 34, 35, 36, 37, 38, 39, 40 and $\text{SCH_RP}/\text{Iot} \geq -4$ dB,
- $\text{SCH_RP}_{\text{dBm}} \geq -124$ dBm for Band 9 and $\text{SCH_RP}/\text{Iot} \geq -4$ dB,
- $\text{SCH_RP}_{\text{dBm}} \geq -123$ dBm for Bands 2, 5, 7, 17 and $\text{SCH_RP}/\text{Iot} \geq -4$ dB,
- $\text{SCH_RP}_{\text{dBm}} \geq -122$ dBm for Bands 3, 8, 12, 13, 14, 20 and $\text{SCH_RP}/\text{Iot} \geq -4$ dB,
- $\text{SCH_RP}_{\text{dBm}} \geq -121.5$ dBm for Band 25 and $\text{SCH_RP}/\text{Iot} \geq -4$ dB
- $\text{SCH_RP}_{\text{dBm}} \geq -122.5$ dBm for Band 26 and $\text{SCH_RP}/\text{Iot} \geq -4$ dB (NOTE 1)

NOTE 1: The condition is -123 dBm when the carrier frequency of the assigned E-UTRA channel bandwidth is within 865-894 MHz

When compressed mode gaps are scheduled for E-UTRAN measurements the UE physical layer shall be capable of reporting measurements to higher layers with measurement accuracy as specified in TS 25.133 [2] sub-clause 9.1.4a and 9.1.4b with measurement period of $T_{\text{Measurement_Period_E-UTRAN}} = 480 \times N_{\text{Freq}}$ ms where N_{Freq} is the number of E-UTRAN frequencies indicated in the inter-RAT measurement control information.

The UE shall be capable of performing RSRP and RSRQ measurements of at least 4 E-UTRAN cells per E-UTRAN frequency for up to 4 E-UTRAN FDD and 4 E-UTRAN TDD frequencies, according to its supported UE capabilities. Additionally, for a UE supporting E-UTRA measurements in Cell-DCH state, the UE shall be capable of monitoring a minimum total of at least 8 carrier frequency layers, including the intra-frequency serving layer and comprising of any allowed combination of E-UTRA FDD, E-UTRA TDD, UTRA FDD, UTRA TDD and GSM layers (one GSM layer corresponds to 32 cells).

Reported measurements in event triggered measurement reports shall meet the requirements in TS 25.133 [2] section 9.

The UE shall not send any event triggered measurement reports, as long as the reporting criteria are not fulfilled.

The event triggered measurement reporting delay, measured without L3 filtering shall be less than $T_{\text{identify_E-UTRAN}}$ defined in TS 25.133 [2] section 8.1.2.6.1. When L3 filtering is used an additional delay can be expected.

If a cell has been detectable at least for the time period than $T_{\text{identify_E-UTRAN}}$ and then enters or leaves the reporting range, the event triggered measurement reporting delay shall be less than $T_{\text{Measurement_Period_E-UTRAN}}$ provided the timing to that cell has not changed more than [FFS] while transmission gap has not been available and the L3 filter has not been used.

The normative reference for this requirement is TS 25.133 [2] clauses 8.1.2.6 and A.8.6.1.

8.6.6.1.3 Test purpose

To verify that the UE meets the minimum requirement. The test is performed in fading propagation conditions.

8.6.6.1.4 Method of test

8.6.6.1.4.1 Initial conditions

Test environment: normal; see clauses G.2.1 and G.2.2.

Frequencies to be tested: see table K.2 in Annex K.

The test consists of three successive time periods, with time duration T1, T2 and T3. The test parameters are given in tables 8.6.6.1.4.1, 8.6.6.1.4.2 and 8.6.6.1.4.3. In the measurement control information it is indicated to the UE that event-triggered reporting with Events 3B and 3C shall be used.

Table 8.6.6.1.4.1: General test parameters for correct reporting of E-UTRAN FDD neighbours in fading propagation condition

| Parameter | Unit | Value | Comment |
|--|------|---|---|
| DCH parameters | | DL Reference Measurement Channel 12.2 kbps | As specified in TS 25.101 [1] section A.3.1. This is for UTRAN FDD |
| Power Control | | On | This is relevant for UTRAN FDD |
| Compressed mode pattern | | Pattern 2; Set 4 | As specified in table A.22 in section A.5 in TS 25.101 [1]. |
| Inter-RAT (E-UTRAN FDD) measurement quantity | | RSRP | |
| Active cell | | Cell 1 | Cell 1 is on UTRA RF channel number 1 |
| Neighbour cell | | Cell 2 | Cell 2 is on E-UTRA RF channel number 1 |
| Threshold other system (E-UTRAN FDD) | dBm | -95 | Absolute threshold for triggering events 3b and 3c |
| Hysteresis | dB | 0 | |
| Time to Trigger | ms | 0 | |
| Filter coefficient | | 0 | |
| UTRA RF Channel Number | | 1 | One UTRA FDD carrier frequency is used |
| E-UTRA RF Channel Number | | 1 | One E-UTRA FDD carrier frequency is used |
| E-UTRA Channel Bandwidth ($BW_{channel}$) | MHz | 10 | |
| Monitored UTRA FDD cell list size | | 24 | UTRA cells on UTRA RF channel 1 provided in the cell list. Measurement control information is sent before the compressed mode pattern starts. |
| T1 | s | 5 | |
| T2 | s | 4 | |
| T3 | s | 4 | |

Table 8.6.6.1.4.2: Cell Specific parameters for correct reporting of E-UTRAN FDD neighbours in fading propagation condition (cell # 1)

| Parameter | Unit | Cell 1 | | |
|--|--------------|-----------------|-----|-----|
| | | T1 | T2 | T3 |
| UTRA RF Channel Number | | Channel 1 | | |
| CPICH_Ec/Ior | dB | -10 | | |
| PCCPCH_Ec/Ior | dB | -12 | | |
| SCH_Ec/Ior | dB | -12 | | |
| PICH_Ec/Ior | dB | -15 | | |
| DPCH_Ec/Ior | dB | Note 1 | | |
| OCNS | | Note 2 | | |
| \hat{I}_{or}/I_{oc} | dB | 0 | 0 | 0 |
| I_{oc} | dBm/3.84 MHz | -70 | | |
| CPICH_Ec/Io | dB | -13 | -13 | -13 |
| Propagation Condition | | Case 5 (Note 3) | | |
| NOTE 1: The DPCH level is controlled by the power control loop. | | | | |
| NOTE 2: The power of the OCNS channel that is added shall make the total power from the cell to be equal to I_{or} . | | | | |
| NOTE 3: Case 5 propagation conditions are defined in Annex A of 3GPP TS 25.101 [1]. | | | | |

Table 8.6.6.1.4.3: Cell Specific parameters for correct reporting of E-UTRAN FDD neighbours in fading propagation condition (cell # 2)

| Parameter | Unit | Cell 2 | | |
|---|------------|----------------|----------|--------|
| | | T1 | T2 | T3 |
| E-UTRA RF Channel Number | | | 1 | |
| BW _{channel} | MHz | | 10 | |
| OCNG Pattern defined in D.1.2 in 3GPP TS 36. 521-3 [38] (OP.2 FDD) | | | OP.2 FDD | |
| PBCH_RA | dB | | 0 | |
| PBCH_RB | dB | | | |
| PSS_RA | dB | | | |
| SSS_RA | dB | | | |
| PCFICH_RB | dB | | | |
| PHICH_RA | dB | | | |
| PHICH_RB | dB | | | |
| PDCCH_RA | dB | | | |
| PDCCH_RB | dB | | | |
| PDSCH_RA | dB | | | |
| PDSCH_RB | dB | | | |
| OCNG_RA ^{Note 1} | dB | | | |
| OCNG_RB ^{Note 1} | dB | | | |
| N_{oc} ^{Note 2} | dBm/15 kHz | | | |
| \hat{E}_s/N_{oc} | dB | -Infinity | 16 | -4 |
| \hat{E}_s/I_{ot} | dB | -Infinity | 16 | -4 |
| RSRP ^{Note 3} | dBm/15 kHz | -Infinity | -84 | -104 |
| SCH_RP ^{Note 3} | dBm/15 kHz | -Infinity | -84 | -104 |
| I_o ^{Note 3} | dBm/9 MHz | -72.22 | -56.11 | -70.76 |
| Propagation Condition | | ETU70 (Note 4) | | |
| NOTE 1: OCNG shall be used such that both cells are fully allocated and a constant total transmitted power spectral density is achieved for all OFDM symbols. OCNG patterns are specified in annex D of 3GPP TS 36. 521-3 [38]. | | | | |
| NOTE 2: Interference from other cells and noise sources not specified in the test is assumed to be constant over subcarriers and time and shall be modelled as AWGN of appropriate power for N_{oc} to be fulfilled. | | | | |
| NOTE 3: RSRP, SCH_RP and I_o levels have been derived from other parameters for information purposes. They are not settable parameters themselves. | | | | |
| NOTE 4: ETU70 propagation conditions are specified in Annex B.2 of 3GPP TS 36.101 [37]. | | | | |

8.6.6.1.4.2 Procedure

- 1) The RF parameters for cell 1 are set up according to T0 in Table 8.6.6.1.5.1.
- 2) The UE is switched on.
- 3) A call is set up according to the test procedure specified in TS 34.108 [3] sub clause 7.3.2. The SS shall switch the power settings from T0 to T1 according to the parameters defined in 8.6.6.1.5.2 and 8.6.6.1.5.3.
- 4) If compressed mode is required, SS shall transmit PHYSICAL CHANNEL RECONFIGURATION message. Otherwise go to step 6.
- 5) UE shall transmit PHYSICAL CHANNEL RECONFIGURATION COMPLETE message.
- 6) SS shall transmit a MEASUREMENT CONTROL message.
- 7) After 5 seconds from the beginning of T1, the SS shall switch the power settings from T1 to T2 in Table 8.6.6.1.5.1 and 8.6.6.1.5.2.
- 8) UE shall transmit a MEASUREMENT REPORT message triggered by event 3C. If the UE needs compressed mode to perform E-UTRAN measurements, the measurement reporting delay from the beginning of T2 shall be less than 2.65 s, otherwise the measurement reporting delay from the beginning of T2 shall be less than 480 ms.

If the UE fails to report the event within the required delay, then the counter event3C failure is increased by one.
If the reporting delay for this event is within the required limit, the counter event3C success is increased by one.

- 9) After 4 seconds from the beginning of T2, the SS shall switch the power settings from T2 to T3 in Table 8.6.6.1.5.1 and 8.6.6.1.5.2.
- 10) UE shall transmit a MEASUREMENT REPORT message triggered by event 3B. The measurement reporting delay from the beginning of T3 shall be less than 480 ms. If the UE fails to report the event within the required delay, then the counter event3B failure is increased by one. If the reporting delay for this event is within the required limit, the counter event3B success is increased by one.
- 11) After the SS receive the MEASUREMENT REPORT message in step 10) or 4 seconds after the beginning of T3, the UE is switched off.
- 12) Repeat steps 1-11 according to Tables G.2.3-1 in TS36.521-3 [38]. If one counter reaches the pass criterion, this counter is stopped and the remaining counters are continued. For the overall outcome of the test to be considered a pass, the counters for 3C events and for 3B events shall independently indicate a pass result. The test is stopped immediately and the test is considered to be a fail, if any counter reaches an early fail criterion.

Specific Message Contents

All messages indicated above shall use the same content as described in the default message content in clause 4.7B.1 of TS 36.508 [33], with the following exceptions:

PHYSICAL CHANNEL RECONFIGURATION message:

| Derivation Path: TS 36.508 [33], clause 4.7B.1 Table 4.7B.1-5: PHYSICAL CHANNEL RECONFIGURATION | | | |
|---|--------------------|---------|-----------|
| Information Element | Value/remark | Comment | Condition |
| Message Type | | | |
| RRC transaction identifier | 0 | | |
| Downlink information common for all radio links | | | |
| - Downlink DPCH info common for all RL | Not Present | | |
| - DPCH compressed mode info | | | |
| - TGPSI | 1 | | |
| - TGPS Status Flag | Deactivate | | |
| - TGCFN | Not Present | | |
| - Transmission gap pattern sequence configuration parameters | | | |
| - TGMP | E-UTRA measurement | | |
| - TGPRC | Infinity | | |
| - TGSN | 8 | | |
| - TGL1 | 14 | | |
| - TGL2 | Not Present | | |
| - TGD | 0 | | |
| - TGPL1 | 4 | | |
| - TGPL2 | Not Present | | |
| - RPP | mode 0 | | |
| - ITP | mode 0 | | |
| - CHOICE UL/DL Mode | UL and DL | | |
| - Downlink compressed mode method | SF/2 | | |
| - Uplink compressed mode method | SF/2 | | |
| - Downlink frame type | B | | |
| - DeltaSIR1 | 3.0 | | |
| - DeltaSIRAfter1 | 3.0 | | |
| - DeltaSIR2 | Not Present | | |
| - DeltaSIRAfter2 | Not Present | | |
| - N identify abort | Not Present | | |
| - T Reconfirm abort | Not Present | | |
| - TX Diversity mode | Not Present | | |
| - SSDT information | Not Present | | |
| - Default DPCH Offset Value | Not Present | | |
| Downlink information for each radio link | Not Present | | |
| MBMS PL Service Restriction Information | Not Present | | |

MEASUREMENT CONTROL message:

| Derivation Path: TS 36.508 [33], clause 4.7B.1 Table 4.7B.1-3: MEASUREMENT CONTROL | | | |
|--|---|--|-----------|
| Information Element | Value/remark | Comment | Condition |
| Message Type | | | |
| RRC transaction identifier | 0 | | |
| Measurement Identity | 2 | | |
| CHOICE Measurement type | Inter-RAT measurement | | |
| - CHOICE report criteria | Inter-RAT measurement reporting criteria | | |
| - Parameters required for each event | 2 entry | | |
| - Inter-RAT event identity | 3b | | |
| - Threshold own system | Not Present | | |
| - W | Not Present | | |
| - Threshold other system | -70 (-95 dBm) | When measurement quantity is RSRP, range should be (-115..-19), the actual value = Threshold other system - 25 [dBm] | |
| - Hysteresis | 0 dB | | |
| - Time to trigger | 0 ms | | |
| - Reporting cell status | | | |
| - CHOICE reported cell | Report cells within active set or within virtual active set or of the other RAT | | |
| - Maximum number of reported cells | 2 | | |
| - Inter-RAT event identity | 3c | | |
| - Threshold own system | Not Present | | |
| - W | Not Present | | |
| - Threshold other system | -70 (-95 dBm) | When measurement quantity is RSRP, range should be (-115..-19), the actual value = Threshold other system - 25 [dBm] | |
| - Hysteresis | 0 dB | | |
| - Time to trigger | 0 ms | | |
| - Reporting cell status | | | |
| - CHOICE reported cell | Report cells within active set or within virtual active set or of the other RAT | | |
| - Maximum number of reported cells | 2 | | |
| Physical channel information elements | | | |
| - DPCH compressed mode status info (10.3.6.34) | If compressed mode is required, Active (for the pattern specified in table 8.6.6.1.4.1). Otherwise, this should be Not Present. | | |

MEASUREMENT REPORT message

| Derivation Path: TS 36.508 [33], clause 4.7B.1 Table 4.7B.1-4: MEASUREMENT REPORT | | | |
|---|-------------------------------------|--------------------------------|-----------|
| Information Element | Value/remark | Comment | Condition |
| Message Type | | | |
| Measurement identity | 2 | | |
| E-UTRA Measured Results | | | |
| - E-UTRA measured results list | 1 entry | | |
| - E-UTRA Carrier Frequency | Checked that this IE is present | | |
| - Measured E-UTRA cells | 1 entry | | |
| - Physical Cell Identity | Checked that this IE is present | PhysicalCellIdentity of Cell 2 | |
| - RSRP | Checked that this IE is present | | |
| - RSRQ | This IE does not need to be checked | | |
| E-UTRA Event Results | | | |
| - Inter-RAT event identity | 3b or 3c | | |
| - E-UTRA events results list | 1 entry | | |
| - E-UTRA Carrier Frequency | Checked that this IE is present | Downlink EARFCN of Cell 2 | |
| - Reported cells | 1 entry | | |
| - Physical Cell Identity | Checked that this IE is present | PhysicalCellIdentity of Cell 2 | |

8.6.6.1.5 Test requirements

If the UE needs compressed mode to perform E-UTRAN measurements:

- The UE shall send one Event 3C triggered measurement report for cell 2, with a measurement reporting delay less than 2.65 seconds from the beginning of time period T2.
- The UE shall send one Event 3B triggered measurement report for cell 2, with a measurement reporting delay less than 480 ms from the beginning of time period T3.

If the UE does not need compressed mode to perform E-UTRAN measurements:

- The UE shall send one Event 3C triggered measurement report for cell 2, with a measurement reporting delay less than 480 ms from the beginning of time period T2.
- The UE shall send one Event 3B triggered measurement report for cell 2, with a measurement reporting delay less than 480 ms from the beginning of time period T3.

The UE shall not send event triggered measurement reports, as long as the reporting criteria are not fulfilled.

Table 8.6.6.1.5.1: Test requirement for correct reporting of E-UTRAN FDD neighbours in fading propagation condition (cell #1) for T0

| Parameter | Unit | Cell 1 |
|--|--------------|-----------|
| | | T0 |
| UTRA RF Channel Number | | Channel 1 |
| CPICH_Ec/Ior | dB | -10 |
| PCCPCH_Ec/Ior | dB | -12 |
| SCH_Ec/Ior | dB | -12 |
| PICH_Ec/Ior | dB | -15 |
| DPCH_Ec/Ior | dB | Note 1 |
| OCNS | | Note 2 |
| \hat{I}_{or}/I_{oc} | dB | 0 |
| I_{oc} | dBm/3.84 MHz | -70 |
| CPICH_Ec/Io | dB | -13 |
| Propagation Condition | | AWGN |
| NOTE 1: The DPCH level is controlled by the power control loop. | | |
| NOTE 2: The power of the OCNS channel that is added shall make the total power from the cell to be equal to I_{or} . | | |

Table 8.6.6.1.5.2: Test requirement for correct reporting of E-UTRAN FDD neighbours in fading propagation condition (cell #1)

| Parameter | Unit | Cell 1 | | |
|--|--------------|-----------------|-----|-----|
| | | T1 | T2 | T3 |
| UTRA RF Channel Number | | Channel 1 | | |
| CPICH_Ec/Ior | dB | -10 | | |
| PCCPCH_Ec/Ior | dB | -12 | | |
| SCH_Ec/Ior | dB | -12 | | |
| PICH_Ec/Ior | dB | -15 | | |
| DPCH_Ec/Ior | dB | Note 1 | | |
| OCNS | | Note 2 | | |
| \hat{I}_{or}/I_{oc} | dB | 0 | 0 | 0 |
| I_{oc} | dBm/3.84 MHz | -70 | | |
| CPICH_Ec/Io | dB | -13 | -13 | -13 |
| Propagation Condition | | Case 5 (Note 3) | | |
| NOTE 1: The DPCH level is controlled by the power control loop. | | | | |
| NOTE 2: The power of the OCNS channel that is added shall make the total power from the cell to be equal to I_{or} . | | | | |
| NOTE 3: Case 5 propagation conditions are defined in Annex A of 3GPP TS 25.101 [1]. | | | | |

Table 8.6.6.1.5.3: Test requirement for correct reporting of E-UTRAN FDD neighbours in fading propagation condition (cell #2)

| Parameter | Unit | Cell 2 | | |
|---|------------|----------------|----------|--------|
| | | T1 | T2 | T3 |
| E-UTRA RF Channel Number | | | 1 | |
| BW _{channel} | MHz | | 10 | |
| OCNG Pattern defined in D.1.2 in 3GPP TS 36. 521-3 [38] (OP.2 FDD) | | | OP.2 FDD | |
| PBCH_RA | dB | | 0 | |
| PBCH_RB | dB | | | |
| PSS_RA | dB | | | |
| SSS_RA | dB | | | |
| PCFICH_RB | dB | | | |
| PHICH_RA | dB | | | |
| PHICH_RB | dB | | | |
| PDCCH_RA | dB | | | |
| PDCCH_RB | dB | | | |
| PDSCH_RA | dB | | | |
| PDSCH_RB | dB | | | |
| OCNG_RA ^{Note 1} | dB | | | |
| OCNG_RB ^{Note 1} | dB | | | |
| N_{oc} ^{Note 2} | dBm/15 kHz | | | |
| \hat{E}_s/N_{oc} | dB | -Infinity | 16.6 | -3.4 |
| \hat{E}_s/I_{ot} | dB | -Infinity | 16.6 | -3.4 |
| RSRP ^{Note 3} | dBm/15 kHz | -Infinity | -84 | -104 |
| SCH_RP ^{Note 3} | dBm/15 kHz | -Infinity | -84 | -104 |
| Io ^{Note 3} | dBm/9 MHz | -72.82 | -56.12 | -71.18 |
| Propagation Condition | | ETU70 (Note 4) | | |
| NOTE 1: OCNG shall be used such that both cells are fully allocated and a constant total transmitted power spectral density is achieved for all OFDM symbols. OCNG patterns are specified in annex D of 3GPP TS 36. 521-3 [38]. | | | | |
| NOTE 2: Interference from other cells and noise sources not specified in the test is assumed to be constant over subcarriers and time and shall be modelled as AWGN of appropriate power for N_{oc} to be fulfilled. | | | | |
| NOTE 3: RSRP, SCH_RP and Io levels have been derived from other parameters for information purposes. They are not settable parameters themselves. | | | | |
| NOTE 4: ETU70 propagation conditions are specified in Annex B.2 of 3GPP TS 36.101 [37]. | | | | |

For the test to pass, the total number of successful tests shall be at least 90% of the cases with a confidence level of 95 %.

NOTE: If the above Test Requirement differs from the Minimum Requirement then the Test Tolerance applied for this test is non-zero. The Test Tolerance for this test is defined in clause F.2 and the explanation of how the Minimum Requirement has been relaxed by the Test Tolerance is given in clause F.4.

8.6.6.2 Correct reporting of E-UTRAN TDD neighbour in fading propagation condition

Editor's note: This Test case is incomplete for frequencies above 3GHz

- The Test system uncertainties applicable above 3GHz are undefined
- The Test Tolerances and Test Requirements applicable above 3GHz are undefined

8.6.6.2.1 Definition and applicability

In the event triggered reporting period the measurement reporting delay is defined as the time between any events that will trigger a measurement report until the UE starts to transmit the measurement report over the Uu interface. This requirement assumes that the measurement report is not delay by other RRC signalling on the DCCH. This

measurement reporting delay exclude a delay uncertainty resulted when inserting the measurement report to the TTI of the uplink DCCH. The delay uncertainty is twice the TTI of uplink DCCH,

The requirement in this section will apply only to UE supporting UTRAN FDD and E-UTRAN TDD. Applicability requires support for EUTRA FGI bit 2.

8.6.6.2.2 Minimum requirement

- 1) In CELL_DCH state when a transmission gap pattern sequence is provided by the UTRAN the UE shall continuously measure previously detected E-UTRAN cells and search for new E-UTRAN cells.
- In order for the requirements in the following subsections to apply the UTRAN must provide a transmission gap pattern sequence with measurement purpose "E-UTRAN measurement" using the following combinations for TGL1, TGL2, TGD and Max TGPL:

Table 8.6.6.2.1

| TGL1 [slots] | TGL2 [slots] | TGD [slots] | Max TGPL [frames] |
|--------------|--------------|-------------|-------------------|
| ≥ 10 | - | undefined | 12 |

- 2) If the UE does not need compressed mode to perform E-UTRAN measurements:
 - the UE shall measure either all E-UTRAN cells present in the monitored set or, if only frequencies are provided in the neighbour cell list, the strongest cells present in the detected set, up to the monitoring capabilities of the UE.
 - the relevant requirements for E-UTRAN dedicated mode when a [TBD] channel is assigned in 3GPP TS 36.133 shall apply.

The normative reference for these requirements is TS 25.133 [2] clauses 8.1.2.6 and A.8.6.1.

8.6.6.2.3 Test purpose

To verify that the UE meets the minimum requirement.

8.6.6.2.4 Method of test

8.6.6.2.4.1 Initial conditions

Test environment: normal; see clauses G.2.1 and G.2.2.

Frequencies to be tested: see table K.2 in Annex K.

The test parameters are given in table 8.6.6.2.2, 8.6.6.2.3 and 8.6.6.2.4 below. In the measurement control information it is indicated to the UE that event-triggered reporting with Event 3B and 3C shall be used. The test consists of three successive time periods, with a time duration of T1, T2 and T3 respectively.

Table 8.6.6.2.4.1: General test parameters for correct reporting of E-UTRAN TDD neighbours in fading propagation condition

| Parameter | Unit | Value | Comment |
|---|------|--|---|
| DCH parameters | | DL Reference Measurement Channel 12.2 kbps | As specified in TS 25.101 section A.3.1. This is for UTRAN FDD |
| Power Control | | On | This is relevant for UTRAN FDD |
| Compressed mode pattern | | Pattern 2; Set 4 | As specified in table A.22 in section A.5 in TS 25.101. |
| Inter-RAT (E-UTRAN TDD) measurement quantity | | RSRP | |
| Active cell | | Cell 1 | Cell 1 is on UTRA RF channel number 1 |
| Neighbour cell | | Cell 2 | Cell 2 is on E-UTRA RF channel number 1 |
| Threshold other system (E-UTRAN TDD) | dBm | -95 | Absolute threshold for triggering events 3b and 3c |
| Hysteresis | dB | 0 | |
| Time to Trigger | ms | 0 | |
| Filter coefficient | | 0 | |
| UTRA RF Channel Number | | 1 | One UTRA FDD carrier frequency is used |
| E-UTRA RF Channel Number | | 1 | One E-UTRA TDD carrier frequency is used |
| E-UTRA Channel Bandwidth (BW _{channel}) | MHz | 10 | |
| Special subframe configuration | | 6 | As specified in table 4.2-1 in 3GPP TS 36.211. This is for E-UTRAN TDD |
| Uplink-downlink configuration | | 1 | As specified in table 4.2-2 in 3GPP TS 36.211. This is for E-UTRAN TDD |
| Monitored UTRA FDD cell list size | | 24 | UTRA cells on UTRA RF channel 1 provided in the cell list. Measurement control information is sent before the compressed mode pattern starts. |
| T1 | s | 5 | At the end of T3, cell 2 shall be powered off, and during the off time the physical cell identity shall be changed, The intention is to ensure that cell 2 has not been detected by the UE prior to the start of period T2. |
| T2 | s | 4 | |
| T3 | s | 4 | |

Table 8.6.6.2.4.2: Cell Specific parameters for correct reporting of E-UTRAN TDD neighbours in fading propagation condition (cell # 1)

| Parameter | Unit | Cell 1 | | |
|---|--------------|-----------------|-----------|-----|
| | | T1 | T2 | T3 |
| UTRA RF Channel Number | | | Channel 1 | |
| CPICH_Ec/I _{or} | dB | | -10 | |
| PCCPCH_Ec/I _{or} | dB | | -12 | |
| SCH_Ec/I _{or} | dB | | -12 | |
| PICH_Ec/I _{or} | dB | | -15 | |
| DPCH_Ec/I _{or} | dB | | Note 1 | |
| OCNS | | | Note 2 | |
| \hat{I}_{or}/I_{oc} | dB | 0 | 0 | 0 |
| I_{oc} | dBm/3.84 MHz | | -70 | |
| CPICH_Ec/I _o | dB | -13 | -13 | -13 |
| Propagation Condition | | Case 5 (Note 3) | | |
| NOTE 1: The DPCH level is controlled by the power control loop. | | | | |
| NOTE 2: The power of the OCNS channel that is added shall make the total power from the cell to be equal to I _{or} . | | | | |
| NOTE 3: Case 5 propagation conditions are defined in Annex A of 3GPP TS 25.101. | | | | |

Table 8.6.6.2.4.3: Cell Specific parameters for correct reporting of E-UTRAN TDD neighbours in fading propagation condition (cell # 2)

| Parameter | Unit | Cell 2 | | |
|---|------------|----------------|----------|--------|
| | | T1 | T2 | T3 |
| E-UTRA RF Channel Number | | | 1 | |
| BW _{channel} | MHz | | 10 | |
| OCNG Pattern defined in A.3.2.2.2 in 3GPP TS 36.133 (OP.2 TDD) | | | OP.2 TDD | |
| PBCH_RA | dB | | 0 | |
| PBCH_RB | dB | | | |
| PSS_RA | dB | | | |
| SSS_RA | dB | | | |
| PCFICH_RB | dB | | | |
| PHICH_RA | dB | | | |
| PHICH_RB | dB | | | |
| PDCCH_RA | dB | | | |
| PDCCH_RB | dB | | | |
| PDSCH_RA | dB | | | |
| PDSCH_RB | dB | | | |
| OCNG_RA ^{Note 1} | dB | | | |
| OCNG_RB ^{Note 1} | dB | | | |
| N_{oc} ^{Note 2} | dBm/15 kHz | | | |
| \hat{E}_s/N_{oc} | dB | -Infinity | 16 | -4 |
| \hat{E}_s/I_{ot} | dB | -Infinity | 16 | -4 |
| RSRP ^{Note 3} | dBm/15 kHz | -Infinity | -84 | -104 |
| SCH_RP ^{Note 3} | dBm/15 kHz | -Infinity | -84 | -104 |
| I_o ^{Note 3} | dBm/9 MHz | -72.22 | -56.11 | -70.76 |
| Propagation Condition | | ETU70 (Note 4) | | |
| NOTE 1: OCNG shall be used such that both cells are fully allocated and a constant total transmitted power spectral density is achieved for all OFDM symbols. OCNG patterns are specified in annex A 3.2 of 3GPP TS 36.133. | | | | |
| NOTE 2: Interference from other cells and noise sources not specified in the test is assumed to be constant over subcarriers and time and shall be modelled as AWGN of appropriate power for N_{oc} to be fulfilled. | | | | |
| NOTE 3: RSRP, SCH_RP and I_o levels have been derived from other parameters for information purposes. They are not settable parameters themselves. | | | | |
| NOTE 4: ETU70 propagation conditions are specified in Annex B.2 of 3GPP TS 36.101. | | | | |

8.6.6.2.4.2 Procedure

- 1) The UE is switched on.
- 2) The RF parameters for cell 1 are set up according to T1 in Table 8.6.6.2.5.1 and 8.6.6.2.5.2.
- 3) A call is set up according to the test procedure specified in TS 34.108 [3] subclause 7.3.2.
- 4) If Compressed mode is required, SS shall transmit PHYSICAL CHANNEL RECONFIGURATION message. Otherwise , Go to Step6.
- 5) UE shall transmit PHYSICAL CHANNEL RECONFIGURATION COMPLETE message.
- 6) The SS shall transmit a MEASUREMENT CONTROL message on cell 1.
- 7) After 5 seconds from the beginning of T1 , the SS shall switch the power from T1 to T2 as in Table 8.6.6.2.5.1 and 8.6.6.2.5.2.(Make sure that the step 2-6 are finished before the end of T1.)

- 8) The UE shall transmit a MEASUREMENT REPORT message triggered by event 3C. The measurement reporting delay from the beginning of T2 shall be less than 2.65 seconds for UE which needs compressed mode to perform E-UTRAN measurement. If the UE does not need compressed mode to perform E-UTRAN measurement the UE shall send one Event 3C triggered measurement report for cell 2, with a measurement reporting delay less than 480 ms from the beginning of time period T2. If the UE fails to report the event within the required delay, then the counter event3C_failure is increased by one. If the reporting delay for this event is within the required time, the counter event3C_success is increased by one.
- 9) After 4 seconds from the beginning of T2, the SS shall switch the power setting from T2 to T3 as in table 8.6.6.2.5.1 and 8.6.6.2.5.2.
- 10) The UE shall transmit a MEASUREMENT REPORT message triggered by event 3B. The measurement reporting delay from the beginning of T3 shall be less than 480 ms. If the UE fails to report the event within the required delay, then the counter event3B_failure is increased by one. If the reporting delay for this event is within the required time, the counter event3B_success is increased by one.
- 11) After the SS receive the MEASUREMENT REPORT message in step 10) or 4 seconds after the beginning of T3, Cell2 is powered off, and during the off time the physical cell identity shall be changed. The RF parameters for cell 1 are set up according to T1 in Table 8.6.6.2.5.1 and 8.6.6.2.5.2.
- 12) Repeat step 7)~11) until the confidence level according to Tables G.2.3-1 in TS36.521-3 [38] is achieved. If one counter reaches the pass criterion, this counter is stopped and the remaining counters are continued. For the overall outcome of the test to be considered a pass, the counters for 3C events and for 3B events shall independently indicate a pass result. The test is stopped immediately and the test is considered to be a fail, if any counter reaches an early fail criterion.

Specific Message Contents

All messages indicated above shall use the same content as described in the default message content in clause 9 of 34.108 [3], with the following exceptions:

PHYSICAL CHANNEL RECONFIGURATION message for Inter Rat measurement (step 6):

FFS

MEASUREMENT CONTROL message:

| Information Element/Group name | Value/Remark |
|--|---|
| Message Type (10.2.17 in TS25.331) | |
| UE information elements | |
| -RRC transaction identifier | 0 |
| -Integrity check info | |
| -message authentication code | SS calculates the value of MAC-I for this message and writes to this IE. The first/leftmost bit of the bit string contains the most significant bit of the MAC-I. |
| -RRC message sequence number | SS provides the value of this IE, from its internal counter. |
| Measurement Information elements | |
| -Measurement Identity | 2 |
| -Measurement Command (10.3.7.46) | Setup |
| -Measurement Reporting Mode (10.3.7.49) | |
| -Measurement Report Transfer Mode | AM RLC |
| -Periodical Reporting / Event Trigger Reporting Mode | Event trigger |
| -Additional measurements list (10.3.7.1) | Not Present |
| -CHOICE <i>Measurement type</i> | Inter-RAT measurement |
| -Inter-RAT measurement (10.3.7.27) | |
| -Inter-RAT measurement objects list (10.3.7.23) | |
| -Inter-RAT measurement quantity (10.3.7.29) | Not Present |
| -Measurement quantity for UTRAN quality estimate (10.3.7.38) | |
| -Filter coefficient | 0 |
| -CHOICE mode | FDD |
| -Measurement quantity | CPICH Ec/N0 |
| -CHOICE system | E-UTRA |
| -Measurement quantity | RSRP |

| Information Element/Group name | Value/Remark |
|---|---|
| -Filter coefficient | 0 |
| -Inter-RAT reporting quantity (10.3.7.32) | |
| - UTRAN estimated quality | FALSE |
| - CHOICE system | E-UTRA |
| -E-UTRA | |
| - Reporting indicator | Measurement quantity |
| -Reporting cell status (10.3.7.61) | Not Present |
| -CHOICE report criteria | Inter-RAT measurement reporting criteria |
| -Inter-RAT measurement reporting criteria (10.3.7.30) | |
| -Parameters required for each event | 2 |
| -Inter-RAT event identity (10.3.7.24) | Event 3B |
| -Threshold own system | Not Present |
| -W | Not Present |
| -Threshold other system | -70 (-95 dBm) When measurement quantity is RSRP, range should be (-115..-19), the actual value = Threshold other system - 25 [dBm] |
| -Hysteresis | 0 dB |
| -Time to trigger | 0 ms |
| -Reporting cell status (10.3.7.61) | |
| -CHOICE reported cell | Report cells within active set or within virtual active set or of the other RAT |
| -Maximum number of reported cells | 2 |
| -Inter-RAT event identity (10.3.7.24) | Event 3C |
| -Threshold own system | Not Present |
| -W | Not Present |
| -Threshold other system | -70 (-95 dBm) When measurement quantity is RSRP, range should be (-115..-19), the actual value = Threshold other system - 25 [dBm] |
| -Hysteresis | 0 dB |
| -Time to trigger | 0 ms |
| -Reporting cell status (10.3.7.61) | |
| -CHOICE reported cell | Report cells within active set or within virtual active set or of the other RAT |
| -Maximum number of reported cells | 2 |
| -Idle Interval Information | Not Present |
| Physical channel information elements | |
| -DPCH compressed mode status info (10.3.6.34) | If compressed mode is required, Active (for two patterns specified in table 8.6.6.6). Otherwise, this should be Not Present. |

MEASUREMENT REPORT message for Inter-RAT test cases

| Information Element | Value/remark |
|-----------------------------------|--|
| Message Type(10.2.19 in TS25.331) | |
| Integrity check info | The presence of this IE is dependent on IXIT statements in TS 34.123-2. If integrity protection is indicated to be active, this IE shall be present with the values of the sub IEs as stated below. Else, this IE and the sub-IEs shall be absent. |
| - Message authentication code | This IE is checked to see if it is present. The value is compared against the XMAC-I value computed by SS. |
| - RRC Message sequence number | This IE is checked to see if it is present. The value is used by SS to compute the XMAC-I value. |
| Activation time | Integer (0..255) |
| Measurement identity | 2 |
| E-UTRA Measured Results | |
| - E-UTRA measured results list | |
| - E-UTRA Carrier Frequency | Checked that this IE is present |
| - Measured E-UTRA cells | Checked that this IE is present |
| - Physical Cell Identity | Checked that this IE is present |

| Information Element | Value/remark |
|------------------------------|--------------------------------------|
| - RSRP | Checked that this IE is present |
| - RSRQ | Checked that this IE is absent |
| E-UTRA event results | |
| - Inter-RAT event identity | 3b or 3c |
| - E-UTRA events results list | |
| - E-UTRA Carrier Frequency | Checked that this IE is present |
| - Reported cells | Checked that this IE is present |
| - Physical Cell Identity | Checked that this IE is present |
| Measured results on RACH | This IE does not need to be checked. |
| Event results | This IE does not need to be checked. |
| Additional measured results | This IE does not need to be checked. |
| Additional measured results | This IE does not need to be checked. |

8.6.6.2.5 Test requirements

For the test to pass, the total number of successful tests shall be more than 90% of the cases with a confidence level of 95 %.

NOTE: If the above Test Requirement differs from the Minimum Requirement then the Test Tolerance applied for this test is non-zero. The Test Tolerance for this test is defined in clause F.2 and the explanation of how the Minimum Requirement has been relaxed by the Test Tolerance is given in clause F.4.

Table 8.6.6.2.5.1: Cell Specific parameters for correct reporting of E-UTRAN TDD neighbours in fading propagation condition (cell # 1)

| Parameter | Unit | Cell 1 | | |
|--|--------------|-----------------|-----|-----|
| | | T1 | T2 | T3 |
| UTRA RF Channel Number | | Channel 1 | | |
| CPICH_Ec/Ior | dB | -10 | | |
| PCCPCH_Ec/Ior | dB | -12 | | |
| SCH_Ec/Ior | dB | -12 | | |
| PICH_Ec/Ior | dB | -15 | | |
| DPCH_Ec/Ior | dB | Note 1 | | |
| OCNS | | Note 2 | | |
| \hat{I}_{or}/I_{oc} | dB | 0 | 0 | 0 |
| I_{oc} | dBm/3.84 MHz | -70 | | |
| CPICH_Ec/Io | dB | -13 | -13 | -13 |
| Propagation Condition | | Case 5 (Note 3) | | |
| NOTE 1: The DPCH level is controlled by the power control loop. | | | | |
| NOTE 2: The power of the OCNS channel that is added shall make the total power from the cell to be equal to I_{or} | | | | |
| NOTE 3: Case 5 propagation conditions are defined in Annex A of 3GPP TS 25.101. | | | | |

Table 8.6.6.2.5.2: Cell Specific parameters for correct reporting of E-UTRAN TDD neighbours in fading propagation condition (cell # 2)

| Parameter | Unit | Cell 2 | | |
|---|------------|----------------|----------|--------|
| | | T1 | T2 | T3 |
| E-UTRA RF Channel Number | | | 1 | |
| BW _{channel} | MHz | | 10 | |
| OCNG Pattern defined in A.3.2.2.2 in 3GPP TS 36.133 (OP.2 TDD) | | | OP.2 TDD | |
| PBCH_RA | dB | | 0 | |
| PBCH_RB | dB | | | |
| PSS_RA | dB | | | |
| SSS_RA | dB | | | |
| PCFICH_RB | dB | | | |
| PHICH_RA | dB | | | |
| PHICH_RB | dB | | | |
| PDCCH_RA | dB | | | |
| PDCCH_RB | dB | | | |
| PDSCH_RA | dB | | | |
| PDSCH_RB | dB | | | |
| OCNG_RA ^{Note 1} | dB | | | |
| OCNG_RB ^{Note 1} | dB | | | |
| N_{oc} ^{Note 2} | dBm/15 kHz | | | |
| \hat{E}_s/N_{oc} | dB | -Infinity | 16.6 | -3.4 |
| \hat{E}_s/I_{ot} | dB | -Infinity | 16.6 | -3.4 |
| RSRP ^{Note 3} | dBm/15 kHz | -Infinity | -84 | -104 |
| SCH_RP ^{Note 3} | dBm/15 kHz | -Infinity | -84 | -104 |
| I_o ^{Note 3} | dBm/9 MHz | -72.82 | -56.12 | -71.18 |
| Propagation Condition | | ETU70 (Note 4) | | |
| NOTE 1: OCNG shall be used such that both cells are fully allocated and a constant total transmitted power spectral density is achieved for all OFDM symbols. OCNG patterns are specified in annex A 3.2 of 3GPP TS 36.133. | | | | |
| NOTE 2: Interference from other cells and noise sources not specified in the test is assumed to be constant over subcarriers and time and shall be modelled as AWGN of appropriate power for N_{oc} to be fulfilled. | | | | |
| NOTE 3: RSRP, SCH_RP and I_o levels have been derived from other parameters for information purposes. They are not settable parameters themselves. | | | | |
| NOTE 4: ETU70 propagation conditions are specified in Annex B.2 of 3GPP TS 36.101. | | | | |

8.6.7 Combined Inter-frequency and E-UTRAN measurements

8.6.7.1 Correct reporting of E-UTRA FDD neighbours in fading propagation condition

Editor's note: This Test case is incomplete for frequencies above 3GHz

- The Test system uncertainties applicable above 3GHz are undefined
- The Test Tolerances and Test Requirements applicable above 3GHz are undefined

8.6.7.1.1 Definition and applicability

In the event triggered reporting period the measurement reporting delay is defined as the time between any event that will trigger a measurement report until the UE starts to transmit the measurement report over the Uu interface. This requirement assumes that the measurement report is not delayed by other RRC signalling on the DCCH. This measurement reporting delay excludes a delay uncertainty resulted when inserting the measurement report to the TTI of the uplink DCCH. The delay uncertainty is twice the TTI of the uplink DCCH.

The requirements in this test apply to Release 8 and later releases UTRA FDD UE that support E-UTRA FDD. Applicability requires support for EUTRA FGI bit 2.

The requirements are also applicable for a UE not requiring compressed mode for inter-frequency or inter-RAT E-UTRAN FDD measurements. In case a UE is not requiring compressed mode for inter-frequency measurements no compressed mode pattern with measurement purpose "FDD measurement" should be sent and in case a UE is not requiring compressed mode for inter-RAT E-UTRAN measurements no compressed mode pattern with measurement purpose "E-UTRAN measurements" should be sent for the parameters specified in table A.8.30 of TS 25.133 [2].

8.6.7.1.2 Minimum requirement

The UE shall be able to identify a new detectable cell belonging to the monitored set within

$$T_{\text{identify_inter}} = T_{\text{basic identify FDD,inter}} \cdot \frac{T_{\text{Measurement_Period_Inter}}}{T_{\text{Inter}}} \cdot N_{\text{Freq}} \text{ ms}$$

A cell shall be considered detectable when CPICH Ec/Io \geq -20 dB, SCH_Ec/Io \geq -17 dB for at least one channel tap and SCH_Ec/Ior is equally divided between primary synchronisation code and secondary synchronisation code. When L3 filtering is used an additional delay can be expected.

When transmission gaps are scheduled for FDD inter frequency measurements the UE physical layer shall be capable of reporting measurements to higher layers with measurement accuracy as specified in sub-clause 9.1.1 and 9.1.2 of TS 25.133 [2] with measurement period given by:

$$T_{\text{measurement_inter}} = \text{Max} \left\{ T_{\text{Measurement_Period_Inter}} , T_{\text{basic measurement FDD inter}} \cdot \frac{T_{\text{Measurement_Period_Inter}}}{T_{\text{Inter}}} \cdot N_{\text{Freq}} \right\} \text{ms}$$

If the UE does not need compressed mode to perform inter-frequency measurements, the measurement period for inter frequency measurements is 480 ms.

The UE shall be capable of performing CPICH measurements for $X_{\text{basic measurement FDD inter}}$ inter-frequency cells per FDD frequency of the monitored set or the virtual active set, and the UE physical layer shall be capable of reporting measurements to higher layers with the measurement period of $T_{\text{Measurement_Inter}}$.

$$X_{\text{basic measurement FDD inter}} = 6$$

$$T_{\text{identify_inter}} = 3.3 \text{ s}$$

$T_{\text{Measurement_Period_Inter}} = 480$ ms. The period used for calculating the measurement period $T_{\text{measurement_inter}}$ for inter frequency CPICH measurements.

$T_{\text{Inter}} = 44$ ms. This is the minimum time that is available for inter frequency measurements, during the period $T_{\text{Measurement_Period_inter}}$ with an arbitrarily chosen timing. The minimum time per transmission gap is calculated by using 6 gaps of length 11 slots each.

$T_{\text{basic_identify_FDD,inter}} = 300$ ms. This is the time period used in the inter frequency equation where the maximum allowed time for the UE to identify a new FDD cell is defined.

$T_{\text{basic_measurement_FDD inter}} = 50$ ms. This is the time period used in the equation for defining the measurement period for inter frequency CPICH measurements.

N_{Freq} : Number of FDD frequencies indicated in the inter frequency measurement control information.

The event triggered measurement reporting delay, measured without L3 filtering shall be less than $T_{\text{identify_inter}}$ defined in Clause 8.1.2.3.1 of TS 25.133 [2] When L3 filtering is used an additional delay can be expected.

If a cell has been detectable at least for the time period $T_{\text{identify_inter}}$ and then enters or leaves the reporting range, the event triggered measurement reporting delay shall be less than $T_{\text{Measurement_Period_Inter}}$ provided the timing to that cell has not changed more than +/-32 chips while transmission gap has not been available and the L3 filter has not been used.

When compressed mode gaps are used for E-UTRAN measurements, the UE shall be able to identify a new detectable E-UTRAN cell within

$$T_{\text{Identify,E-UTRAN}} = N_{\text{freq,E-UTRA}} \cdot T_{\text{Basic_Identify_E-UTRAN}} \cdot \frac{480}{T_{\text{E-UTRAN}}} \text{ ms} ;$$

If the UE does not need compressed mode to perform E-UTRAN measurements, the UE shall be able to identify a new detectable E-UTRAN cell within $T_{\text{Basic_Identify_E-UTRAN}}$ ms.

Where:

$T_{\text{E-UTRAN}}$: This is the minimum time that is available for E-UTRAN measurements during a 480ms period with an arbitrarily chosen timing. The minimum time per compressed mode gap is calculated by subtracting 2×0.5 ms from the length of the gap.

$N_{\text{freq,E-UTRAN}}$: This is the number of E-UTRAN carriers being monitored

$$T_{\text{Basic_Identify_E-UTRAN}} = 480\text{ms}$$

When L3 filtering is used an additional delay can be expected.

An E-UTRAN cell shall be considered detectable when:

- $\text{RSRP}_{\text{dBm}} \geq -125$ dBm for Bands 1, 4, 6, 10, 11, 18, 19, 21, 23, 24, 33, 34, 35, 36, 37, 38, 39, 40 and $\text{RSRP } \hat{E}_s/\text{Iot} \geq -4$ dB,
- $\text{RSRP}_{\text{dBm}} \geq -124$ dBm for Bands 9 and $\text{RSRP } \hat{E}_s/\text{Iot} \geq -4$ dB,
- $\text{RSRP}_{\text{dBm}} \geq -123$ dBm for Bands 2, 5, 7, 27 and $\text{SCH RSRP } \hat{E}_s/\text{Iot} \geq -4$ dB,
- $\text{RSRP}_{\text{dBm}} \geq -122$ dBm for Bands 3, 8, 12, 13, 14, 17, 20, 22 and $\text{RSRP } \hat{E}_s/\text{Iot} \geq -4$ dB,
- $\text{RSRP}_{\text{dBm}} \geq -121.5$ dBm for Band 25 and $\text{RSRP } \hat{E}_s/\text{Iot} \geq -4$ dB,
- $\text{RSRP}_{\text{dBm}} \geq -122.5$ dBm for Band 26 and $\text{RSRP } \hat{E}_s/\text{Iot} \geq -4$ dB, (Note1)
- other RSRP related side condition given in Section 9.1 of [24] are fulfilled,
- $\text{SCH_RP}_{\text{dBm}} \geq -125$ dBm for Bands 1, 4, 6, 10, 11, 18, 19, 21, 23, 24, 33, 34, 35, 36, 37, 38, 39, 40 and $\text{SCH_RP}/\text{Iot} \geq -4$ dB,
- $\text{SCH_RP}_{\text{dBm}} \geq -124$ dBm for Band 9 and $\text{SCH_RP}/\text{Iot} \geq -4$ dB,
- $\text{SCH_RP}_{\text{dBm}} \geq -123$ dBm for Bands 2, 5, 7, 27 and $\text{SCH_RP}/\text{Iot} \geq -4$ dB,
- $\text{SCH_RP}_{\text{dBm}} \geq -122$ dBm for Bands 3, 8, 12, 13, 14, 17, 20, 22 and $\text{SCH_RP}/\text{Iot} \geq -4$ dB,
- $\text{SCH_RP}_{\text{dBm}} \geq -121.5$ dBm for Band 25 and $\text{SCH_RP}/\text{Iot} \geq -4$ dB.
- $\text{SCH_RP}_{\text{dBm}} \geq -122.5$ dBm for Band 26 and $\text{SCH_RP}/\text{Iot} \geq -4$ dB (NOTE 1)

NOTE 1: The condition is -123 dBm when the carrier frequency of the assigned E-UTRA channel bandwidth is within 865-894 MHz

When compressed mode gaps are scheduled for E-UTRAN measurements the UE physical layer shall be capable of reporting measurements to higher layers with measurement accuracy as specified in TS 25.133 [2] sub-clause 9.1.4a and 9.1.4b with measurement period of $T_{\text{Measurement_Period_E-UTRAN}} = 480 \times N_{\text{Freq}}$ ms where N_{Freq} is the number of E-UTRAN frequencies indicated in the inter-RAT measurement control information.

The UE shall be capable of performing RSRP and RSRQ measurements of at least 4 E-UTRAN cells per E-UTRAN frequency for up to 4 E-UTRAN FDD and 4 E-UTRAN TDD frequencies, according to its supported UE capabilities. Additionally, for a UE supporting E-UTRA measurements in Cell-DCH state, the UE shall be capable of monitoring a minimum total of at least 8 carrier frequency layers, including the intra-frequency serving layer and comprising of any allowed combination of E-UTRA FDD, E-UTRA TDD, UTRA FDD, UTRA TDD and GSM layers (one GSM layer corresponds to 32 cells).

Reported measurements in event triggered measurement reports shall meet the requirements in TS 25.133 [2] section 9.

The UE shall not send any event triggered measurement reports, as long as the reporting criteria are not fulfilled.

The event triggered measurement reporting delay, measured without L3 filtering shall be less than $T_{\text{identify_E-UTRAN}}$ defined in TS 25.133 [2] section 8.1.2.6.1. When L3 filtering is used an additional delay can be expected.

If a cell has been detectable at least for the time period than $T_{\text{identify_E-UTRAN}}$ and then enters or leaves the reporting range, the event triggered measurement reporting delay shall be less than $T_{\text{Measurement_Period_E-UTRAN}}$ provided the timing to that cell has not changed more than [FFS] while transmission gap has not been available and the L3 filter has not been used.

The normative reference for these requirements is TS 25.133 [2] clauses 8.1.2.3, 8.1.2.6 and A.8.7.1.

8.6.7.1.3 Test purpose

To verify that the UE makes correct reporting of an event when doing inter frequency and E-UTRAN FDD measurements. The test will partly verify the requirements in TS 25.133 [2] clauses 8.1.2.3 and 8.1.2.6.

8.6.7.1.4 Method of test

8.6.7.1.4.1 Initial conditions

Test environment: normal; see clauses G.2.1 and G.2.2.

Frequencies to be tested: see table K.2 in Annex K.

The test consists of two successive time periods, with time durations T1 and T2. The test parameters are given in tables 8.6.7.1.4.1, 8.6.7.1.4.2 and 8.6.7.1.4.3 below. In the measurement control information it is indicated to the UE that event-triggered reporting with Event 2B and 3A shall be used.

Table 8.6.7.1.4.1: General test parameters for Correct reporting of neighbours in Fading propagation condition

| Parameter | Unit | Value | Comment |
|--|------|---|--|
| DCH parameters | | DL Reference Measurement Channel 12.2 kbps | As specified in TS 25.101 [1] section A.3.1 |
| Power Control | | On | |
| Compressed mode | | | Only applicable for UE requiring compressed mode patterns. |
| Inter frequency measurements | | DL compressed mode reference pattern 2, set 5 | As specified in table A.22 TS 25.101 [1] section A.5 |
| E-UTRAN measurement | | DL compressed mode reference pattern 2, set 5 | As specified in table A.22 TS 25.101 [1] section A.5 |
| Active cell | | Cell 1 | |
| Inter-RAT measurement quantity | | E-UTRAN RSRP | |
| Absolute Threshold (Ec/N0) used frequency | dB | -9 | Ec/N0 threshold for Event 2b and 3a |
| Absolute Threshold (Ec/N0) used for a not used frequency | dB | -18 | Ec/IN0 threshold for Event 2b |
| Threshold other system | dBm | -96 | Absolute E-UTRA RSRP threshold for event 3a. |
| Time to Trigger | ms | 0 | |
| Filter coefficient | | 0 | |
| Monitored cell list size | | Total 24 FDD neighbours 8 on frequency Channel 2 | Measurement control information is sent before the compressed mode pattern starts. |
| T1 | s | ≥1 | |
| T2 | s | 10 | |

Table 8.6.7.1.4.2: Cell Specific parameters for Correct reporting of neighbours in Fading propagation condition

| Parameter | Unit | Cell 1 | | Cell 2 | |
|------------------------|--------------|-----------|----|--|------|
| | | T1 | T2 | T1 | T2 |
| UTRA RF Channel Number | | Channel 1 | | Channel 2 | |
| CPICH_Ec/lor | dB | -10 | | -10 | |
| PCCPCH_Ec/lor | dB | -12 | | -12 | |
| SCH_Ec/lor | dB | -12 | | -12 | |
| PICH_Ec/lor | dB | -15 | | -15 | |
| DPCH_Ec/lor | dB | Note 1 | | N/A | |
| OCNS | | Note 2 | | -0.941 | |
| \hat{I}_{or}/I_{oc} | dB | 0 | | -Infinity | -1.8 |
| I_{oc} | dBm/3,84 MHz | -70 | | -70 | |
| CPICH_Ec/lo | dB | -13 | | -Infinity | -14 |
| Propagation Condition | | AWGN | | Case 5 as specified in Annex B of TS25.101 [1] | |

NOTE 1: The DPCH level is controlled by the power control loop
 NOTE 2: The power of the OCNS channel that is added shall make the total power from the cell to be equal to lor

Table 8.6.7.1.4.3: Cell specific test parameters for Correct reporting of E-UTRAN FDD neighbours in fading propagation condition (cell 3)

| Parameter | Unit | Cell 3 | |
|--|------------|----------------|--------|
| | | T1 | T2 |
| E-UTRA RF Channel Number | | 1 | |
| $BW_{channel}$ | MHz | 10 | |
| OCNG Pattern defined in D.1.2 in 3GPP TS 36. 521-3 [38] (OP.2 FDD) | | OP.2 FDD | |
| PBCH_RA | dB | 0 | |
| PBCH_RB | dB | | |
| PSS_RA | dB | | |
| SSS_RA | dB | | |
| PCFICH_RB | dB | | |
| PHICH_RA | dB | | |
| PHICH_RB | dB | | |
| PDCCH_RA | dB | | |
| PDCCH_RB | dB | | |
| PDSCH_RA | dB | | |
| PDSCH_RB | dB | | |
| OCNG_RA ^{Note 1} | dB | | |
| OCNG_RB ^{Note 1} | dB | | |
| N_{oc} ^{Note 2} | dBm/15 kHz | -98 | |
| \hat{E}_s/N_{oc} | dB | -Infinity | 13 |
| \hat{E}_s/I_{ot} | dB | -Infinity | 13 |
| RSRP ^{Note 3} | dBm/15 kHz | -Infinity | -85 |
| SCH_RP ^{Note 3} | dBm/15 kHz | -Infinity | -85 |
| Io ^{Note 3} | dBm/9 MHz | -70.22 | -57.01 |
| Propagation Condition | | ETU70 (Note 4) | |

NOTE 1: OCNG shall be used such that both cells are fully allocated and a constant total transmitted power spectral density is achieved for all OFDM symbols. OCNG patterns are specified in annex D of 3GPP TS 36. 521-3 [38].
 NOTE 2: Interference from other cells and noise sources not specified in the test is assumed to be constant over subcarriers and time and shall be modelled as AWGN of appropriate power for N_{oc} to be fulfilled.
 NOTE 3: RSRP , SCH_RP and Io levels have been derived from other parameters for information purposes. They are not settable parameters themselves.
 NOTE 4: ETU70 propagation conditions are specified in Annex B.2 of 3GPP TS 36.101 [37].

8.6.7.1.4.2 Procedure

- 1) The RF parameters are set up according to T1 in Table 8.6.7.1.4.4 and 8.6.7.1.4.5.
- 2) The UE is switched on.
- 3) A call is set up according to the test procedure specified in TS 34.108 [3] sub clause 7.3.2. T1 starts.
- 4) If Compressed mode is required, SS shall transmit PHYSICAL CHANNEL RECONFIGURATION message (compressed gaps). Otherwise, Go to Step6.
- 5) UE shall transmit PHYSICAL CHANNEL RECONFIGURATION COMPLETE message (compressed gaps).
- 6) SS shall transmit a MEASUREMENT CONTROL message (inter frequency).
- 7) SS shall transmit a MEASUREMENT CONTROL message (inter RAT).8) 5 seconds from the beginning of T1, the SS shall switch the power settings from T1 to T2 according to the parameters defined in tables 8.6.7.1.4.4 and 8.6.7.1.4.5.
- 9) UE shall transmit a MEASUREMENT REPORT message (inter frequency) triggered by event 2B for cell 2. The measurement reporting delay for cell 2 from the beginning of T2 shall be less than 5.14 seconds. If the UE fails to report the events within the required delay, then the counter event2B failure is increased by one. If the reporting delays for this event is within the required limit, the counter event2B success is increased by one.
- 10) UE shall transmit a MEASUREMENT REPORT message (inter RAT) triggered by event 3A for cell 3. The measurement reporting delay for cell 3 from the beginning of T2 shall be less than 8.23 s. If the UE fails to report the event within the required delay, then the counter event3A failure is increased by one. If the reporting delay for this event is within the required limit, the counter event3A success is increased by one.
- 11) After the SS receive the MEASUREMENT REPORT messages in step 10) or 10 seconds after the beginning of T2, the UE is switched off.
- 12) Repeat steps 1-11 according to Tables G.2.3-1 in TS36.521-3 [38]. If one counter reaches the pass criterion, this counter is stopped and the remaining counters are continued. For the overall outcome of the test to be considered a pass, the counters for 2B events and for 3A events shall independently indicate a pass result. The test is stopped immediately and the test is considered to be a fail, if any counter reaches an early fail criterion.

Specific Message Contents

All messages indicated above shall use the same content as described in the default message content in clause 4.7B.1 of TS 36.508 [33], with the following exceptions:

PHYSICAL CHANNEL RECONFIGURATION message:

| Derivation Path: TS 36.508 [33], clause 4.7B.1 Table 4.7B.1-5: PHYSICAL CHANNEL RECONFIGURATION | | | |
|---|---|---------|-----------|
| Information Element | Value/remark | Comment | Condition |
| Message Type | | | |
| RRC transaction identifier | 0 | | |
| Downlink information common for all radio links | | | |
| - Downlink DPCH info common for all RL | Not Present | | |
| - DPCH compressed mode info | | | |
| - Transmission gap pattern sequence | (1/2 TGPS) | | |
| - TGPSI | 1 | | |
| - TGPS Status Flag | activate | | |
| - TGCFN | $((\text{Current CFN} + (230 - \text{TTI}/10\text{msec})) \bmod 256) + 6 \bmod 256$ | | |
| - Transmission gap pattern sequence configuration parameters | 1 | | |
| - TGMP | FDD Measurement | | |
| - TGPRC | Infinity | | |
| - TGSN | 10 | | |
| - TGL1 | 10 | | |
| - TGL2 | Not Present | | |
| - TGD | 0 | | |

| | | | |
|--|--|--|--|
| - TGPL1 | 8 | | |
| - TGPL2 | Not Present | | |
| - RPP | mode 0 | | |
| - ITP | mode 0 | | |
| - CHOICE UL/DL Mode | UL and DL | | |
| - Downlink compressed mode method | SF/2 | | |
| - Uplink compressed mode method | SF/2 | | |
| - Downlink frame type | B | | |
| - DeltaSIR1 | 3.0 | | |
| - DeltaSIRAfter1 | 3.0 | | |
| - DeltaSIR2 | Not Present | | |
| - DeltaSIRAfter2 | Not Present | | |
| - N identify abort | Not Present | | |
| - T Reconfirm abort | Not Present | | |
| - Transmission gap pattern sequence | (2/2 TGPS) | | |
| - TGPSI | 2 | | |
| - TGPS Status Flag | activate | | |
| - TGCFN | $((\text{Current CFN} + (230 - \text{TTI}/10\text{msec})) \bmod 256) + 10 \bmod 256$ | | |
| - Transmission gap pattern sequence configuration parameters | 2 | | |
| - TGMP | E-UTRA measurement | | |
| - TGPRC | Infinity | | |
| - TGSN | 10 | | |
| - TGL1 | 10 | | |
| - TGL2 | Not Present | | |
| - TGD | 0 | | |
| - TGPL1 | 8 | | |
| - TGPL2 | Not Present | | |
| - RPP | mode 0 | | |
| - ITP | mode 0 | | |
| - CHOICE UL/DL Mode | UL and DL | | |
| - Downlink compressed mode method | SF/2 | | |
| - Uplink compressed mode method | SF/2 | | |
| - Downlink frame type | B | | |
| - DeltaSIR1 | 3.0 | | |
| - DeltaSIRAfter1 | 3.0 | | |
| - DeltaSIR2 | Not Present | | |
| - DeltaSIRAfter2 | Not Present | | |
| - N identify abort | Not Present | | |
| - T Reconfirm abort | Not Present | | |
| - TX Diversity mode | Not Present | | |
| - SSDT information | Not Present | | |
| - Default DPCH Offset Value | Not Present | | |
| Downlink information for each radio link | Not Present | | |
| MBMS PL Service Restriction Information | Not Present | | |

MEASUREMENT CONTROL message(inter frequency):

| Derivation Path: TS 36.508 [33], clause 4.7B.1 Table 4.7B.1-3: MEASUREMENT CONTROL | | | |
|--|-----------------------------|---------|-----------|
| Information Element | Value/remark | Comment | Condition |
| Message Type | | | |
| RRC transaction identifier | 0 | | |
| Measurement Identity | 1 | | |
| CHOICE Measurement type | Inter-frequency measurement | | |
| -Inter-frequency measurement | | | |
| -Inter-frequency measurement objects list | | | |
| - CHOICE Inter-frequency cell removal | Not Present | | |
| - New Inter frequency cells | | | |
| - Inter frequency cell id | Refer to table K.1 | | |
| - Frequency info | | | |
| - CHOICE mode | FDD | | |
| - UARFCN uplink(Nu) | Not Present | | |

| | | | |
|---|---|--|--|
| - UARFCN downlink(Nd) | Same frequency as "Channel2" in Table 8.6.7.1.4.2 | | |
| - Cell info | | | |
| - Cell individual offset | Not Present | | |
| - Reference time difference to cell | Not Present | | |
| - CHOICE mode | FDD | | |
| - Primary CPICH info | | | |
| - Primary scrambling code | Set to Primary scrambling code of Cell2 | | |
| - Primary CPICH Tx Power | Not present | | |
| - Read SFN indicator | FALSE | | |
| - Tx Diversity Indicator | FALSE | | |
| - Cell for measurement | Not Present | | |
| - Inter-frequency measurement quantity | | | |
| - CHOICE reporting criteria | Inter-frequency reporting criteria | | |
| - Filter coefficient | 0 | | |
| - CHOICE mode | FDD | | |
| - Measurement quantity for frequency quality estimate | CPICH Ec/N0 | | |
| - I Inter-frequency reporting quantity | | | |
| - UTRA Carrier RSSI | FALSE | | |
| - Frequency quality estimate | FALSE | | |
| - Non frequency related cell reporting quantities | | | |
| -Cell synchronisation information reporting indicator | TRUE | | |
| -Cell Identity reporting indicator | TRUE | | |
| -CHOICE mode | FDD | | |
| -CPICH Ec/N0 reporting indicator | TRUE | | |
| -CPICH RSCP reporting indicator | TRUE | | |
| -Pathloss reporting indicator | FALSE | | |
| - Reporting cell status | Not present | | |
| -Measurement validity | Not Present | | |
| - Inter-frequency set update | | | |
| -UE autonomous update mode | On with no reporting | | |
| - CHOICE report criteria | Inter-frequency measurement reporting criteria | | |
| - Parameters required for each event | 1 entry | | |
| - Inter-frequency event identity | 2b | | |
| - Threshold used frequency | -9 dB | | |
| - W used frequency | 0 | | |
| - Hysteresis | 0 | | |
| - Time to trigger | 0 ms | | |
| - Reporting cell status | | | |
| - CHOICE reported cell | Report cells within monitored and/or virtual active set on non-used frequency | | |
| - Maximum number of reported cells | 3 | | |
| - Parameters required for each non-used frequency | | | |
| -Threshold non used frequency | -18 dB | | |
| -W non-used frequency | 1 | | |
| DPCH Compressed mode status info | Not present | | |

MEASUREMENT CONTROL message(event triggered inter RAT):

| Derivation Path: TS 36.508 [33], clause 4.7B.1 Table 4.7B.1-3: MEASUREMENT CONTROL | | | |
|--|--------------|---------|-----------|
| Information Element | Value/remark | Comment | Condition |
| Message Type | | | |
| RRC transaction identifier | 0 | | |
| Measurement Identity | 2 | | |

| | | | |
|--------------------------------------|---|--|--|
| CHOICE Measurement type | Inter-RAT measurement | | |
| -Inter-RAT measurement | | | |
| - Inter-RAT measurement quantity | | | |
| - CHOICE system | E-UTRA | | |
| - Measurement quantity | RSRP | | |
| - Filter coefficient | 0 | | |
| - Inter-RAT reporting quantity | | | |
| - UTRAN estimated quality | FALSE | | |
| - CHOICE system | E-UTRA | | |
| - Reporting quantity | both | | |
| - CHOICE report criteria | Inter-RAT measurement reporting criteria | | |
| - Parameters required for each event | 1 entry | | |
| - Inter-RAT event identity | 3a | | |
| - Threshold own system | -9 dB | | |
| - W | 0 | | |
| - Threshold other system | -71 (-96 dBm) | When measurement quantity is RSRP, range should be (-115..-19), the actual value = Threshold other system - 25 [dBm] | |
| - Hysteresis | 0 | | |
| - Time to trigger | 0 ms | | |
| - Reporting cell status | | | |
| - CHOICE reported cell | Report cells within active set or within virtual active set or of the other RAT | | |
| - Maximum number of reported cells | 3 | | |
| DPCH Compressed mode status info | Not present | | |

MEASUREMENT REPORT message for inter-frequency

| Derivation Path: TS 36.508 [33], clause 4.7B.1 Table 4.7B.1-4: MEASUREMENT REPORT | | | |
|---|---|---------|-----------|
| Information Element | Value/remark | Comment | Condition |
| Message Type | | | |
| Measurement identity | 1 | | |
| Measured Results | | | |
| - Inter-frequency measured results list | 1 entry | | |
| - UTRA Carrier RSSI | This IE does not need to be checked | | |
| - Inter-frequency cell measurement results | | | |
| - Cell measured results | | | |
| - Cell Identity | Not present | | |
| - Cell synchronisation information | | | |
| - Tm | This IE does not need to be checked | | |
| - OFF | This IE does not need to be checked | | |
| - CHOICE mode | FDD | | |
| - Primary CPICH info | Checked that this IE is present | | |
| - Primary scrambling code | See Annex K and TS 34.108 [3] section 6.1.4 | | |
| - CPICH Ec/N0 | Checked that this IE is present | | |
| - CPICH RSCP | Checked that this IE is present | | |
| - Pathloss | Not present | | |
| Event Results | interFreqEventResults | | |
| -eventID | e2b | | |
| E-UTRA Measured Results | Not present | | |
| E-UTRA Event Results | Not present | | |

MEASUREMENT REPORT message for inter-RAT, Event triggered

| Derivation Path: TS 36.508 [33], clause 4.7B.1 Table 4.7B.1-4: MEASUREMENT REPORT | | | |
|---|-------------------------------------|----------------------------------|-----------|
| Information Element | Value/remark | Comment | Condition |
| Message Type | | | |
| Measurement identity | 2 | | |
| E-UTRA Measured Results | | | |
| - E-UTRA measured results list | 1 entry | | |
| - E-UTRA Carrier Frequency | Checked that this IE is present | | |
| - Measured E-UTRA cells | 1 entry | | |
| - Physical Cell Identity | Checked that this IE is present | Physical Cell Identity of Cell 3 | |
| - RSRP | Checked that this IE is present | | |
| - RSRQ | This IE does not need to be checked | | |
| E-UTRA Event Results | | | |
| - Inter-RAT event identity | 3a | | |
| - E-UTRA events results list | 1 entry | | |
| - E-UTRA Carrier Frequency | Checked that this IE is present | Downlink EARFCN of Cell 3 | |
| - Reported cells | 1 entry | | |
| - Physical Cell Identity | Checked that this IE is present | Physical Cell Identity of Cell 3 | |

8.6.7.1.5 Test requirements

The UE shall send one Event 2B triggered measurement report for Cell2, with a measurement reporting delay less than 5.14 s from the beginning of time period T2.

The UE shall send one Event 3A triggered measurement report for Cell3, with a measurement reporting delay less than 8.23 s from the beginning of time period T2.

NOTE: The delay for inter frequency cell detection is equal to:

$$T_{\text{identify, inter}} = T_{\text{basic identify FDD,inter}} \cdot \frac{T_{\text{Measurement Period, Inter}}}{T_{\text{Inter}}} \cdot N_{\text{Freq}} \text{ ms} = 5143 \text{ ms}$$

where:

$T_{\text{basic identify FDD,inter}}$ is specified in TS 25.133 [2] clause 8.1.2.3.2 as 300 ms

$T_{\text{Measurement Period, Inter}}$ is specified in TS 25.133 [2] clause 8.1.2.3.2 as 480 ms

and

T_{Inter} is specified in TS 25.133 [2] clause 8.1.2.3.2 as 6 gaps of length 7 slots each, 28 ms

NOTE: The delay for interRAT cell detection is equal to:

$$T_{\text{Identify,E-UTRAN}} = N_{\text{freq,E-UTRA}} \cdot T_{\text{Basic_Identify_E-UTRAN}} \cdot \frac{480}{T_{\text{E-UTRAN}}} \text{ ms} = 8229 \text{ ms}$$

where:

$T_{\text{Basic_Identify_E-UTRAN}}$ is specified in TS 25.133 [2] clause 8.1.2.6 as 480 ms

and

$T_{E-UTRAN}$ is specified in TS 25.133 [2] clause 8.1.2.6 as 6 gaps of length 7 slots each, 28 ms

Table 8.6.7.1.4.4: Cell Specific parameters for Correct reporting of neighbours in Fading propagation condition

| Parameter | Unit | Cell 1 | | Cell 2 | |
|------------------------|--------------|-----------|----|--|-------|
| | | T1 | T2 | T1 | T2 |
| UTRA RF Channel Number | | Channel 1 | | Channel 2 | |
| CPICH_Ec/Ior | dB | -10 | | -10 | |
| PCCPCH_Ec/Ior | dB | -12 | | -12 | |
| SCH_Ec/Ior | dB | -12 | | -12 | |
| PICH_Ec/Ior | dB | -15 | | -15 | |
| DPCH_Ec/Ior | dB | Note 1 | | N/A | |
| OCNS | | Note 2 | | -0.941 | |
| \hat{I}_{or}/I_{oc} | dB | 0 | | -Infinity | -1.1 |
| I_{oc} | dBm/3,84 MHz | -70 | | -70 | |
| CPICH_Ec/Io | dB | -13 | | -Infinity | -13.6 |
| Propagation Condition | | AWGN | | Case 5 as specified in Annex B of TS25.101 [1] | |

NOTE 1: The DPCH level is controlled by the power control loop
 NOTE 2: The power of the OCNS channel that is added shall make the total power from the cell to be equal to Ior

Table 8.6.7.1.4.5: Cell specific test parameters for Correct reporting of E-UTRAN FDD neighbours in fading propagation condition (cell 3)

| Parameter | Unit | Cell 3 | |
|--|------------|----------------|--------|
| | | T1 | T2 |
| E-UTRA RF Channel Number | | 1 | |
| BW _{channel} | MHz | 10 | |
| OCNG Pattern defined in D.1.2 in 3GPP TS 36. 521-3 [38] (OP.2 FDD) | | OP.2 FDD | |
| PBCH_RA | dB | 0 | |
| PBCH_RB | dB | | |
| PSS_RA | dB | | |
| SSS_RA | dB | | |
| PCFICH_RB | dB | | |
| PHICH_RA | dB | | |
| PHICH_RB | dB | | |
| PDCCH_RA | dB | | |
| PDCCH_RB | dB | | |
| PDSCH_RA | dB | | |
| PDSCH_RB | dB | | |
| OCNG_RA ^{Note 1} | dB | | |
| OCNG_RB ^{Note 1} | dB | | |
| N_{oc} ^{Note 2} | dBm/15 kHz | | |
| \hat{E}_s/N_{oc} | dB | -Infinity | 13 |
| \hat{E}_s/I_{ot} | dB | -Infinity | 13 |
| RSRP ^{Note 3} | dBm/15 kHz | -Infinity | -85 |
| SCH_RP ^{Note 3} | dBm/15 kHz | -Infinity | -85 |
| I_o ^{Note 3} | dBm/9 MHz | -70.22 | -57.01 |
| Propagation Condition | | ETU70 (Note 4) | |

NOTE 1: OCNG shall be used such that both cells are fully allocated and a constant total transmitted power spectral density is achieved for all OFDM symbols. OCNG patterns are specified in annex D of 3GPP TS 36. 521-3 [38].
 NOTE 2: Interference from other cells and noise sources not specified in the test is assumed to be constant over subcarriers and time and shall be modelled as AWGN of appropriate power for N_{oc} to be fulfilled.
 NOTE 3: RSRP, SCH_RP and I_o levels have been derived from other parameters for information purposes. They are not settable parameters themselves.
 NOTE 4: ETU70 propagation conditions are specified in Annex B.2 of 3GPP TS 36.101 [37].

For the test to pass, the total number of successful tests shall be at least 90% of the cases, with a confidence level of 95%. For the overall outcome of the test to be considered a pass, the counters for 2B events and 3A events shall independently indicate a pass result.

NOTE: If the above Test Requirement differs from the Minimum Requirement then the Test Tolerance applied for this test is non-zero. The Test Tolerance for this test is defined in clause F.2 and the explanation of how the Minimum Requirement has been relaxed by the Test Tolerance is given in clause F.4.

8.6.7.2 Correct reporting of E-UTRA TDD neighbours in Fading propagation condition

Editor's note: This section is incomplete. The following aspects are either missing or not yet determined:

- The cell mapping is undefined
- The Test system uncertainties applicable above 3GHz are undefined
- The Test Tolerances and Test Requirements applicable above 3GHz are undefined

8.6.7.2.1 Definition and applicability

In the event triggered reporting period the measurement reporting delay is defined as the time between any event that will trigger a measurement report until the UE starts to transmit the measurement report over the Uu interface. This requirement assumes that the measurement report is not delayed by other RRC signalling on the DCCH. This measurement reporting delay excludes a delay uncertainty resulted when inserting the measurement report to the TTI of the uplink DCCH. The delay uncertainty is twice the TTI of the uplink DCCH.

The requirements in this section apply only to UE supporting UTRA FDD and E-UTRA TDD for Release 8 and later releases. Applicability requires support for EUTRA FGI bit 2.

8.6.7.2.2 Minimum requirement

When transmission gaps are scheduled for FDD inter frequency measurements the UE shall be able to identify a new detectable cell belonging to the monitored set within

$$T_{\text{identify_inter}} = T_{\text{basic_identify_FDD,inter}} \cdot \frac{T_{\text{Measurement_Period,Inter}}}{T_{\text{Inter}}} \cdot N_{\text{Freq}} \text{ ms}$$

The UE physical layer shall when transmission gaps are scheduled for FDD inter frequency measurements also be capable of reporting measurements to higher layers with measurement accuracy as specified in sub-clause 9.1.1 and 9.1.2 of 25.133 [2] with measurement period given by

$$T_{\text{measurement_inter}} = \text{Max} \left\{ T_{\text{Measurement_Period Inter}}, T_{\text{basic_measurement_FDD inter}} \cdot \frac{T_{\text{Measurement_Period Inter}}}{T_{\text{Inter}}} \cdot N_{\text{Freq}} \right\} \text{ms}$$

If the UE does not need compressed mode to perform inter-frequency measurements, the measurement period for inter frequency measurements is 480 ms.

$T_{\text{Measurement_Period Inter}} = 480$ ms. The period used for calculating the measurement period $T_{\text{measurement_inter}}$ for inter frequency CPICH measurements.

$T_{\text{basic_identify_FDD,inter}} = 300$ ms. This is the time period used in the inter frequency equation where the maximum allowed time for the UE to identify a new FDD cell is defined.

$T_{\text{Inter}} = 28$ ms. This is the minimum time that is available for inter frequency measurements, during the period $T_{\text{Measurement_Period inter}}$ with an arbitrarily chosen timing. The minimum time per transmission gap is calculated by using 6 gaps of length 7 slots each.

N_{Freq} : Number of FDD frequencies indicated in the inter frequency measurement control information.

Thus the delay for inter frequency cell detection is equal to 5143 ms.

In CELL_DCH state when a transmission gap pattern sequence is provided by the UTRAN the UE shall continuously measure previously detected E-UTRAN cells and search for new E-UTRAN cells.

When compressed mode gaps are used for E-UTRAN measurements, the UE shall be able to identify a new detectable E-UTRAN cell within

$$T_{\text{Identify,E-UTRAN}} = N_{\text{freq,E-UTRA}} \cdot T_{\text{Basic_Identify_E-UTRAN}} \cdot \frac{480}{T_{\text{E-UTRAN}}} \text{ ms};$$

If the UE does not need compressed mode to perform E-UTRAN measurements, the UE shall be able to identify a new detectable E-UTRAN cell within $T_{\text{Basic_Identify_E-UTRAN}}$ ms.

Where:

$T_{\text{E-UTRAN}}$: 28 ms. This is the minimum time that is available for E-UTRAN measurements during a 480ms period with an arbitrarily chosen timing. . The minimum time per transmission gap is calculated by using 6 gaps of length 7 slots each.

$N_{\text{freq,E-UTRAN}}$: This is the number of E-UTRAN carriers being monitored

$T_{\text{Basic_Identify_E-UTRAN}} = 480\text{ms}$

Thus the delay for interRAT cell detection is equal to 8229 ms.

The normative reference for these requirements is TS 25.133 [2] clauses 8.1.2.3, 8.1.2.6 and A.8.7.2.

8.6.7.2.3 Test purpose

To verify that the UE makes correct reporting of an event when doing combined inter frequency and EUTRAN TDD measurements.

8.6.7.2.4 Method of test

8.6.7.2.4.1 Initial conditions

Test environment: normal; see clauses G.2.1 and G.2.2.

Frequencies to be tested: see table K.2 in Annex K.

The test parameters are given in tables 8.6.7.2.4.1, 8.6.7.2.4.2 and 8.6.7.2.4.3. In the measurement control information it is indicated to the UE that event-triggered reporting with Event 2B and 3A shall be used. The test consists of two successive time periods, with time duration T1 and T2.

Table 8.6.7.2.4.1: General test parameters for Correct reporting of neighbours in Fading propagation condition

| Parameter | Unit | Value | Comment |
|--|------|---|--|
| DCH parameters | | DL Reference Measurement Channel 12.2 kbps | As specified in TS 25.101 [1] section A.3.1 |
| Power Control | | On | |
| Compressed mode | | | Only applicable for UE requiring compressed mode patterns. |
| Inter frequency measurements | | DL compressed mode reference pattern 2, set 5 | As specified in table A.22 TS 25.101 [1] section A.5 |
| E-UTRAN measurement | | DL compressed mode reference pattern 2, set 5 | As specified in table A.22 TS 25.101 [1] section A.5 |
| Active cell | | Cell 1 | |
| Inter-RAT measurement quantity | | E-UTRAN RSRP | |
| Absolute Threshold (Ec/N0) used frequency | dB | -9 | Ec/N0 threshold for Event 2b and 3a |
| Absolute Threshold (Ec/N0) used for a not used frequency | dB | -18 | Ec/IN0 threshold for Event 2b |
| Threshold other system | dBm | -96 | Absolute E-UTRA RSRP threshold for event 3a. |
| Time to Trigger | ms | 0 | |
| Filter coefficient | | 0 | |
| Monitored cell list size | | Total 24 FDD neighbours 8 on frequency Channel 2 | Measurement control information is sent before the compressed mode pattern starts. |
| T1 | s | ≥1 | |
| T2 | s | 10 | |

Table 8.6.7.2.4.2: Cell Specific parameters for Correct reporting of neighbours in Fading propagation condition

| Parameter | Unit | Cell 1 | | Cell 2 | |
|---|--------------|-----------|----|---|------|
| | | T1 | T2 | T1 | T2 |
| UTRA RF Channel Number | | Channel 1 | | Channel 2 | |
| CPICH_Ec/I _{or} | dB | -10 | | -10 | |
| PCCPCH_Ec/I _{or} | dB | -12 | | -12 | |
| SCH_Ec/I _{or} | dB | -12 | | -12 | |
| PICH_Ec/I _{or} | dB | -15 | | -15 | |
| DPCH_Ec/I _{or} | dB | Note 1 | | N/A | |
| OCNS | | Note 2 | | -0.941 | |
| \hat{I}_{or}/I_{oc} | dB | 0 | | -Infinity | -1.8 |
| I_{oc} | dBm/3,84 MHz | -70 | | -70 | |
| CPICH_Ec/I _o | dB | -13 | | -Infinity | -14 |
| Propagation Condition | | AWGN | | Case 5 as specified in Annex B of TS 25.101 [1] | |
| NOTE 1: The DPCH level is controlled by the power control loop | | | | | |
| NOTE 2: The power of the OCNS channel that is added shall make the total power from the cell to be equal to I _{or} | | | | | |

Table 8.6.7.2.4.3: Cell specific test parameters for Correct reporting of E-UTRAN TDD neighbours in fading propagation condition (cell 3)

| Parameter | Unit | Cell 3 | |
|--|------------|----------------|--------|
| | | T1 | T2 |
| E-UTRA RF Channel Number | | 1 | |
| $BW_{channel}$ | MHz | 10 | |
| OCNG Pattern defined in D.2.1 in 3GPP TS 36.521-3 [38] (OP.2 TDD) | | OP.2 TDD | |
| PBCH_RA | dB | 0 | |
| PBCH_RB | dB | | |
| PSS_RA | dB | | |
| SSS_RA | dB | | |
| PCFICH_RB | dB | | |
| PHICH_RA | dB | | |
| PHICH_RB | dB | | |
| PDCCH_RA | dB | | |
| PDCCH_RB | dB | | |
| PDSCH_RA | dB | | |
| PDSCH_RB | dB | | |
| OCNG_RA ^{Note 1} | dB | | |
| OCNG_RB ^{Note 1} | dB | | |
| N_{oc} ^{Note 2} | dBm/15 kHz | | |
| \hat{E}_s/N_{oc} | dB | -Infinity | 13 |
| \hat{E}_s/I_{ot} | dB | -Infinity | 13 |
| RSRP ^{Note 3} | dBm/15 kHz | -Infinity | -85 |
| SCH_RP ^{Note 3} | dBm/15 kHz | -Infinity | -85 |
| I_o ^{Note 3} | dBm/9 MHz | -70.22 | -57.01 |
| Propagation Condition | | ETU70 (Note 4) | |
| NOTE 1: OCNG shall be used such that both cells are fully allocated and a constant total transmitted power spectral density is achieved for all OFDM symbols. OCNG patterns are specified in annex D of 3GPP TS 36.521-3 [38]. | | | |
| NOTE 2: Interference from other cells and noise sources not specified in the test is assumed to be constant over subcarriers and time and shall be modelled as AWGN of appropriate power for N_{oc} to be fulfilled. | | | |
| NOTE 3: RSRP, SCH_RP and I_o levels have been derived from other parameters for information purposes. They are not settable parameters themselves. | | | |
| NOTE 4: ETU70 propagation conditions are specified in Annex B.2 of 3GPP TS 36.101 [37]. | | | |

8.6.7.2.4.2 Procedure

- 1) The RF parameters are set up according to T1 in Table 8.6.7.2.4.4 and 8.6.7.2.4.5.
- 2) The UE is switched on.
- 3) A call is set up according to the test procedure specified in TS 34.108 [3] sub clause 7.3.2 T1 starts.
- 4) If Compressed mode is required, SS shall transmit PHYSICAL CHANNEL RECONFIGURATION message (compressed gaps). Otherwise, Go to Step6.
- 5) UE shall transmit PHYSICAL CHANNEL RECONFIGURATION COMPLETE message (compressed gaps).
- 6) SS shall transmit a MEASUREMENT CONTROL message (inter frequency)
- 7) SS shall transmit a MEASUREMENT CONTROL message (event triggered inter RAT, activation of TGPSI 1-2)
- 8) 5 second from the beginning of T1, the SS shall switch the power settings from T1 to T2 according to the parameters defined in tables 8.6.7.2.4.4 and 8.6.7.2.4.5.
- 9) UE shall transmit a MEASUREMENT REPORT message (inter frequency) triggered by event 2B for cell 2. The measurement reporting delay from the beginning of T2 shall be less than 5.14 seconds. If the UE fails to report the event within the required delay, then the counter event2B_failure is increased by one. If the reporting delay for this event is within the required limit, the counter event2B_success is increased by one.

- 10) UE shall transmit a MEASUREMENT REPORT message (inter RAT) triggered by event 3A for cell 3. The measurement reporting delay from the beginning of T2 shall be less than 8.229 s. If the UE fails to report the event within the required delay, then the counter event3A_failure is increased by one. If the reporting delay for this event is within the required limit, the counter event3A_success is increased by one.
- 11) After 10 seconds after the beginning of T2, the UE is switched off.
- 12) Repeat steps 1-11 according to Tables G.2.3-1 in TS36.521-3 [38]. If one counter reaches the pass criterion, this counter is stopped and the remaining counters are continued. For the overall outcome of the test to be considered a pass, the counters for 2B events, 3A events shall independently indicate a pass result. The test is stopped immediately and the test is considered to be a fail, if any counter reaches an early fail criterion.

Specific Message Contents

All messages indicated above shall use the same content as described in the default message content in clause 9 of 34.108 [3], with the following exceptions:

MEASUREMENT CONTROL message (inter frequency)

| Information Element/Group name | Value/Remark |
|---|---|
| Message Type (10.2.17) | |
| UE information elements | |
| -RRC transaction identifier | 0 |
| -Integrity check info | |
| -message authentication code | SS calculates the value of MAC-I for this message and writes to this IE. The first/leftmost bit of the bit string contains the most significant bit of the MAC-I. |
| -RRC message sequence number | SS provides the value of this IE, from its internal counter. |
| Measurement Information elements | |
| -Measurement Identity | 1 |
| -Measurement Command (10.3.7.46) | Setup |
| -Measurement Reporting Mode (10.3.7.49) | |
| -Measurement Report Transfer Mode | AM RLC |
| -Periodical Reporting / Event Trigger Reporting Mode | Event trigger |
| -Additional measurements list (10.3.7.1) | Not Present |
| -CHOICE Measurement type | Inter-frequency measurement |
| -Inter-frequency measurement (10.3.7.16) | |
| -Inter-frequency measurement objects list (10.3.7.13) | |
| - CHOICE Inter-frequency cell removal | Not Present |
| - New Inter frequency cells | |
| - Inter frequency cell id | Refer to table K.1 |
| - Frequency info | |
| - CHOICE mode | FDD |
| - UARFCN uplink(Nu) | Not Present |
| - UARFCN downlink(Nd) | Same frequency as "Channel2" in Table 8.6.5.1.4.2 |
| - Cell info | |
| - Cell individual offset | Not Present |
| - Reference time difference to cell | Not Present |
| - Read SFN indicator | FALSE |
| - CHOICE mode | FDD |
| - Primary CPICH info | |
| - Primary scrambling code | Set to Primary scrambling code of Cell2 |
| - Primary CPICH Tx Power | Not present |
| - Tx Diversity Indicator | FALSE |
| - Cell for measurement | Not Present |
| -Inter-frequency measurement quantity (10.3.7.18) | |
| -CHOICE reporting criteria | Inter-frequency reporting criteria |
| -Inter-frequency reporting criteria | |
| -Filter coefficient | 0 |
| -CHOICE mode | FDD |
| -Measurement quantity for frequency quality estimate | CPICH Ec/N0 |
| -Inter-frequency reporting quantity (10.3.7.21) | |
| -UTRA Carrier RSSI | FALSE |

| Information Element/Group name | Value/Remark |
|---|--|
| -Frequency quality estimate | FALSE |
| -Non frequency related cell reporting quantities (10.3.7.5) | |
| -Cell synchronisation information reporting indicator | FALSE |
| -Cell Identity reporting indicator | FALSE |
| -CHOICE mode | FDD |
| -CPICH Ec/N0 reporting indicator | TRUE |
| -CPICH RSCP reporting indicator | FALSE |
| -Pathloss reporting indicator | FALSE |
| -Reporting cell status (10.3.7.61) | Not Present |
| -Measurement validity (10.3.7.51) | Not Present |
| -Inter-frequency set update (10.3.7.22) | |
| -UE autonomous update mode | On with no reporting |
| -CHOICE report criteria | Inter-frequency measurement reporting criteria |
| -Inter-frequency measurement reporting criteria (10.3.7.19) | |
| - Parameters required for each events | |
| - Inter-frequency event identity | 2b |
| - Threshold used frequency | -15 dB |
| - W used frequency | 0 |
| - Hysteresis | 0 dB |
| - Time to trigger | 0 ms |
| - Reporting cell status | Within active set or within virtual active set or of the other RAT |
| - Maximum number of reporting cells | 1 |
| - Non used frequency parameter list | |
| - Threshold non used frequency | -15 dB |
| - W non-used frequency | 0 |
| Physical channel information elements | |
| -DPCH compressed mode status info (10.3.6.34) | Not present |

MEASUREMENT CONTROL message (event triggered inter RAT, activation of TGPSI 1-2)

| Information Element/Group name | Value/Remark |
|--|---|
| Message Type (10.2.17) | |
| UE information elements | |
| -RRC transaction identifier | 0 |
| -Integrity check info | |
| -message authentication code | SS calculates the value of MAC-I for this message and writes to this IE. The first/leftmost bit of the bit string contains the most significant bit of the MAC-I. |
| -RRC message sequence number | SS provides the value of this IE, from its internal counter. |
| Measurement Information elements | |
| -Measurement Identity | 2 |
| -Measurement Command (10.3.7.46) | Setup |
| -Measurement Reporting Mode (10.3.7.49) | |
| -Measurement Report Transfer Mode | AM RLC |
| -Periodical Reporting / Event Trigger Reporting Mode | Event trigger |
| -Additional measurements list (10.3.7.1) | Not Present |
| -CHOICE Measurement type | Inter-RAT measurement |
| -Inter-RAT measurement (10.3.7.27) | |
| -Inter-RAT measurement objects list (10.3.7.23) | Not Present |
| -Inter-RAT measurement quantity (10.3.7.29) | |
| -Measurement quantity for UTRAN quality estimate (10.3.7.38) | |
| -Filter coefficient | 0 |
| -CHOICE mode | FDD |
| -Measurement quantity | CPICH EcNo |
| -CHOICE system | E-UTRA |
| -Measurement quantity | RSRP |
| -Filter coefficient | 0 |
| -Inter-RAT reporting quantity (10.3.7.32) | |
| - UTRAN estimated quality | FALSE |

| Information Element/Group name | Value/Remark |
|---|---|
| - CHOICE system | E-UTRA |
| - Reporting quantity | Measurement quantity |
| -Reporting cell status (10.3.7.61) | |
| -CHOICE report criteria | Inter-RAT measurement reporting criteria |
| -Inter-RAT measurement reporting criteria (10.3.7.30) | |
| -Parameters required for each event | 1 |
| -Inter-RAT event identity (10.3.7.24) | Event 3A |
| -Threshold own system | -9 dB |
| -W | 0 |
| -Threshold other system | -71 (-96 dBm) When measurement quantity is RSRP, range should be (-115..-19), the actual value = Threshold other system - 25 [dBm] |
| -Hysteresis | 0 dB |
| -Time to trigger | 0 ms |
| -Reporting cell status (10.3.7.61) | |
| -CHOICE reported cell | Report cells within active set or within virtual active set or of the other RAT |
| -Maximum number of reported cells | 2 |
| Physical channel information elements | |
| -DPCH compressed mode status info (10.3.6.34) | If Compressed mode is required, Active . Otherwise , Not present. |
| - TGPS reconfiguration CFN | (Current CFN + (230 – TTI/10msec))mod 256 |
| -Transmission gap pattern sequence (1 to <MaxTGPS>) | |
| - TGPSI | 1 |
| - TGPS Status Flag | activate |
| - TGCFN | (TGPS reconfiguration CFN +6)mod 256 |
| - TGPSI | 2 |
| - TGPS Status Flag | activate |
| - TGCFN | (TGPS reconfiguration CFN +10)mod 256 |

PHYSICAL CHANNEL RECONFIGURATION (compressed gaps):

| Information Element | Value/Remark | Version |
|--|--|---------|
| Message Type (10.2.22) | | |
| UE Information Elements | | |
| -RRC transaction identifier | 0 | |
| -Integrity check info | | |
| -message authentication code | SS calculates the value of MAC-I for this message and writes to this IE. The first/ leftmost bit of the bit string contains the most significant bit of the MAC-I. | |
| -RRC message sequence number | SS provides the value of this IE, from its internal counter. | |
| -Integrity protection mode info | Not Present | |
| -Ciphering mode info | Not Present | |
| -Activation time | Not Present | |
| -New U-RNTI | Not Present | |
| -New C-RNTI | Not Present | |
| -RRC State Indicator | CELL_DCH | |
| -UTRAN DRX cycle length coefficient | Not Present | |
| CN Information Elements | | |
| -CN Information info | Not Present | |
| UTRAN mobility information elements | | |
| -URA identity | Not Present | |
| RB information elements | | |
| -Downlink counter synchronisation info | Not Present | |
| PhyCH information elements | | |
| -Frequency info (10.3.6.36) | Not Present | |
| Uplink radio resources | | |
| -Maximum allowed UL TX power | 33 dBm | |
| -CHOICE channel requirement | Not Present | |
| Downlink radio resources | | |

| Information Element | Value/Remark | Version |
|--|---|---------|
| -CHOICE mode | FDD | |
| -Downlink information common for all radio links (10.3.6.24) | | |
| -Downlink DPCH info common for all RL (10.3.6.18) | Not Present | |
| -CHOICE mode | FDD | |
| -DPCH compressed mode info (10.3.6.33) | | |
| - Transmission gap pattern sequence | (1/2 TGPS) | |
| - TGPSI | 1 | |
| - TGPS Status Flag | Deactivate | |
| - Transmission gap pattern sequence configuration parameters | | |
| -TGMP | FDD measurement | |
| -TGPRC | Infinity | |
| -TGSN | 10 | |
| -TGL1 | 10 | |
| -TGL2 | Not Present | |
| -TGD | UNDEFINED | |
| -TGPL1 | 8 | |
| -RPP | mode 0 | |
| -ITP | mode 0 | |
| -CHOICE UL/DL mode | UL and DL | |
| -Downlink compressed mode method | SF/2 | |
| -Uplink compressed mode method | SF/2 | |
| -Downlink frame type | B | |
| -DeltaSIR1 | 3.0 | |
| -DeltaSIRafter1 | 3.0 | |
| -DeltaSIR2 | Not Present | |
| -DeltaSIRafter2 | Not Present | |
| -N Identify abort | Not Present | |
| -T Reconfirm abort | Not Present | |
| - Transmission gap pattern sequence | (2/2 TGPS) | |
| - TGPSI | 2 | |
| - TGPS Status Flag | Deactivate | |
| - Transmission gap pattern sequence configuration parameters | | |
| -TGMP | E-UTRA Measurement | |
| -TGPRC | Infinity | |
| -TGSN | 10 | |
| -TGL1 | 10 | |
| -TGL2 | Not Present | |
| -TGD | UNDEFINED | |
| -TGPL1 | 8 | |
| -RPP | mode 0 | |
| -ITP | mode 0 | |
| -CHOICE UL/DL mode | UL and DL | |
| -Downlink compressed mode method | SF/2 | |
| -Uplink compressed mode method | SF/2 | |
| -Downlink frame type | B | |
| -DeltaSIR1 | 3.0 | |
| -DeltaSIRafter1 | 3.0 | |
| -DeltaSIR2 | Not Present | |
| -DeltaSIRafter2 | Not Present | |
| -N Identify abort | Not Present | |
| -T Reconfirm abort | Not Present | |
| -TX Diversity mode (10.3.6.86) | None | |
| -Default DPCH Offset Value (10.3.6.16) | Not Present | |
| -Downlink information per radio link list | 1 | |
| -Downlink information for each radio link (10.3.6.27) | | |
| -CHOICE mode | FDD | |
| -Primary CPICH info (10.3.6.60) | | |
| -Primary scrambling code | Set to Primary scrambling code of Cell1 | |
| -Downlink DPCH info for each RL (10.3.6.21) | | |
| -CHOICE mode | FDD | |

| Information Element | Value/Remark | Version |
|---|---|---------|
| -Primary CPICH usage for channel estimation | Primary CPICH may be used | |
| -DPCH frame offset | Set to value Default DPCH Offset Value (as currently stored in SS) mod 38400 | |
| -Secondary CPICH info | Not Present | |
| -DL channelisation code | | |
| -Secondary scrambling code | Not Present | |
| -Spreading factor | 128 | |
| -Code number | 96 | |
| -Scrambling code change | No change | |
| -TPC combination index | 0 | |
| - Closed loop timing adjustment mode | Not Present | |
| - SCCPCH information for FACH (10.3.6.70) | Not Present | |

MEASUREMENT REPORT message for inter-frequency

This message shall use the same content as described in Annex I "Contents of MEASUREMENT REPORT message for Inter frequency test cases" with the following exceptions:

| Information Element | Value/remark |
|-------------------------------|--|
| Message Type | |
| Integrity check info | The presence of this IE is dependent on IXIT statements in TS 34.123-2. If integrity protection is indicated to be active, this IE shall be present with the values of the sub IEs as stated below. Else, this IE and the sub-IEs shall be absent. |
| - Message authentication code | This IE is checked to see if it is present. The value is compared against the XMAC-I value computed by SS. |
| - RRC Message sequence number | This IE is checked to see if it is present. The value is used by SS to compute the XMAC-I value. |
| Measurement identity | 1 |

MEASUREMENT REPORT message for inter-RAT, Event triggered

This message shall use the same content as described in Annex I "Contents of MEASUREMENT REPORT message for inter – RAT test cases" with the following exceptions:

| Information Element | Value/remark |
|-------------------------------|--|
| Message Type | |
| Integrity check info | The presence of this IE is dependent on IXIT statements in TS 34.123-2. If integrity protection is indicated to be active, this IE shall be present with the values of the sub IEs as stated below. Else, this IE and the sub-IEs shall be absent. |
| - Message authentication code | This IE is checked to see if it is present. The value is compared against the XMAC-I value computed by SS. |
| - RRC Message sequence number | This IE is checked to see if it is present. The value is used by SS to compute the XMAC-I value. |
| Measurement identity | 2 |

8.6.7.2.5 Test requirements

Table 8.6.7.2.4.4: Cell Specific parameters for correct reporting of neighbours in fading propagation condition

| Parameter | Unit | Cell 1 | | Cell 2 | |
|------------------------|--------------|-----------|----|--|-------|
| | | T1 | T2 | T1 | T2 |
| UTRA RF Channel Number | | Channel 1 | | Channel 2 | |
| CPICH_Ec/Ior | dB | -10 | | -10 | |
| PCCPCH_Ec/Ior | dB | -12 | | -12 | |
| SCH_Ec/Ior | dB | -12 | | -12 | |
| PICH_Ec/Ior | dB | -15 | | -15 | |
| DPCH_Ec/Ior | dB | Note 1 | | N/A | |
| OCNS | | Note 2 | | -0.941 | |
| \hat{I}_{or}/I_{oc} | dB | 0 | | -Infinity | -1.1 |
| I_{oc} | dBm/3,84 MHz | -70 | | -70 | |
| CPICH_Ec/Io | dB | -13 | | -Infinity | -13.6 |
| Propagation Condition | | AWGN | | Case 5 as specified in Annex B of TS25.101 [1] | |

NOTE 1: The DPCH level is controlled by the power control loop
 NOTE 2: The power of the OCNS channel that is added shall make the total power from the cell to be equal to Ior

Table 8.6.7.2.4.5: Cell specific test parameters for Correct reporting of E-UTRAN TDD neighbours in fading propagation condition (cell 3)

| Parameter | Unit | Cell 3 | |
|---|------------|----------------|--------|
| | | T1 | T2 |
| E-UTRA RF Channel Number | | 1 | |
| BW _{channel} | MHz | 10 | |
| OCNG Pattern defined in D.2.1 in 3GPP TS 36.521-3 [38] (OP.2 TDD) | | OP.2 TDD | |
| PBCH_RA | dB | 0 | |
| PBCH_RB | dB | | |
| PSS_RA | dB | | |
| SSS_RA | dB | | |
| PCFICH_RB | dB | | |
| PHICH_RA | dB | | |
| PHICH_RB | dB | | |
| PDCCH_RA | dB | | |
| PDCCH_RB | dB | | |
| PDSCH_RA | dB | | |
| PDSCH_RB | dB | | |
| OCNG_RA ^{Note 1} | dB | | |
| OCNG_RB ^{Note 1} | dB | | |
| N_{oc} ^{Note 2} | dBm/15 kHz | | |
| \hat{E}_s/N_{oc} | dB | -Infinity | 13 |
| \hat{E}_s/I_{ot} | dB | -Infinity | 13 |
| RSRP ^{Note 3} | dBm/15 kHz | -Infinity | -85 |
| SCH_RP ^{Note 3} | dBm/15 kHz | -Infinity | -85 |
| I_o ^{Note 3} | dBm/9 MHz | -70.22 | -57.01 |
| Propagation Condition | | ETU70 (Note 4) | |

NOTE 1: OCNG shall be used such that both cells are fully allocated and a constant total transmitted power spectral density is achieved for all OFDM symbols. OCNG patterns are specified in annex D of 3GPP TS 36.521-3 [38].
 NOTE 2: Interference from other cells and noise sources not specified in the test is assumed to be constant over subcarriers and time and shall be modelled as AWGN of appropriate power for N_{oc} to be fulfilled.
 NOTE 3: RSRP, SCH_RP and I_o levels have been derived from other parameters for information purposes. They are not settable parameters themselves.
 NOTE 4: ETU70 propagation conditions are specified in Annex B.2 of 3GPP TS 36.101 [37].

For the test to pass, the total number of successful tests shall be at least 90% of the cases, with a confidence level of 95%. For the overall outcome of the test to be considered a pass, the counters for 2B events and 3A events shall independently indicate a pass result.

NOTE: If the above Test Requirement differs from the Minimum Requirement then the Test Tolerance applied for this test is non-zero. The Test Tolerance for this test is defined in clause F.2 and the explanation of how the Minimum Requirement has been relaxed by the Test Tolerance is given in clause F.4.

8.7 Measurements Performance Requirements

Unless explicitly stated:

- Reported measurements shall be within defined range in 90 % of the cases.
- Measurement channel is 12.2 kbps as defined in Annex C, sub-clause C.3.1. This measurement channel is used both in active cell and cells to be measured.
- Physical channels used as defined in Annex E.
- Cell 1 is the active cell.
- Single task reporting.
- Power control is active.

Note: For the UE which supports both Band III and Band IX operating frequencies, the measurement performance requirements for Band III shall apply to the multi-band UE.

8.7.1 CPICH RSCP

8.7.1.1 Intra frequency measurements accuracy

8.7.1.1.1 Absolute accuracy requirement

8.7.1.1.1.1 Definition and applicability

The absolute accuracy of CPICH RSCP is defined as the CPICH RSCP measured from one cell compared to the actual CPICH RSCP power from same cell.

The requirements and this test apply to all types of UTRA for the FDD UE.

8.7.1.1.1.2 Minimum Requirements

The accuracy requirements in table 8.7.1.1.1 are valid under the following conditions:

$CPICH_RSCP1|_{dBm} \geq -114$ dBm for Bands I, IV, VI, X, XI, XIX and XXI,

$CPICH_RSCP1|_{dBm} \geq -113$ dBm for Band IX,

$CPICH_RSCP1|_{dBm} \geq -112$ dBm for Bands II, V and VII,

$CPICH_RSCP1|_{dBm} \geq -111$ dBm for Band III, VIII, XII, XIII, XIV, XX and XXII.

$CPICH_RSCP1|_{dBm} \geq -110.5$ dBm for Band XXV and XXVI (NOTE 1).

NOTE 1: The condition is -112 dBm when the carrier frequency of the assigned UTRA channel is within 869-894 MHz for the UE which supports both Band V and Band XXVI operating frequencies.

$$\left| \frac{I_o}{\hat{I}_{or}} \right|_{in\ dB} - \left(\frac{CPICH - E_c}{I_{or}} \right)_{in\ dB} \leq 20dB$$

Table 8.7.1.1.1.1: CPICH_RSCP Intra frequency absolute accuracy

| Parameter | Unit | Accuracy [dB] | | Conditions | | | | |
|------------|------|------------------|-------------------|------------------------------------|-------------------|--------------------|----------------------|---|
| | | Normal condition | Extreme condition | Band I, IV, VI, X, XI, XIX and XXI | Band IX | Band II, V and VII | Band XXV and XXVI | Band III, VIII, XII, XIII, XIV, XX and XXII |
| | | | | Io [dBm/3.84 MHz] | Io [dBm/3.84 MHz] | Io [dBm/3.84 MHz] | Io [dBm/3.84 MHz] | Io [dBm/3.84 MHz] |
| CPICH_RSCP | dBm | ± 6 | ± 9 | -94...-70 | -93...-70 | -92...-70 | -90.5...-70 (Note 1) | -91...-70 |

| | | | | | | | | |
|--|-----|-----|------|-----------|-----------|-----------|-----------|-----------|
| | dBm | ± 8 | ± 11 | -70...-50 | -70...-50 | -70...-50 | -70...-50 | -70...-50 |
| NOTE 1: The condition is -92...-70 dBm/3.84 MHz when the carrier frequency of the assigned UTRA channel is within 869-894 MHz for the UE which supports both Band V and Band XXVI operating frequencies. | | | | | | | | |

The normative reference for this requirement is TS 25.133 [2] clauses 9.1.1.1.1 and A.9.1.1.2.

8.7.1.1.1.3 Test purpose

The purpose of this test is to verify that the CPICH RSCP absolute measurement accuracy is within the specified limits in clause 8.7.1.1.2. This measurement is for handover evaluation, DL open loop power control, UL open loop control and for the calculation of pathloss.

8.7.1.1.1.4 Method of test

8.7.1.1.1.4.1 Initial conditions

Test environment: normal, TL/VL, TL/VH, TH/VL, TH/VH; see clauses G.2.1 and G.2.2.

Frequencies to be tested: mid range; see clause G.2.4.

In this case all cells are on the same frequency. CPICH RSCP intra frequency absolute accuracy requirements are tested by using test parameters in table 8.7.1.1.2.

Table 8.7.1.1.2: CPICH RSCP Intra frequency parameters

| Parameter | | Unit | Test 1 | | Test 2 | | Test 3 | |
|------------------------|--|---------------|-----------|--------|-----------|------------------|-----------------|--------|
| | | | Cell 1 | Cell 2 | Cell 1 | Cell 2 | Cell 1 | Cell 2 |
| UTRA RF Channel number | | | Channel 1 | | Channel 1 | | Channel 1 | |
| CPICH_Ec/lor | | dB | -10 | | -10 | | -10 | |
| PCCPCH_Ec/lor | | dB | -12 | | -12 | | -12 | |
| SCH_Ec/lor | | dB | -12 | | -12 | | -12 | |
| PICH_Ec/lor | | dB | -15 | | -15 | | -15 | |
| DPCH_Ec/lor | | dB | -15 | - | -15 | - | -15 | - |
| OCNS_Ec/lor | | dB | -1.11 | -0.94 | -1.11 | -0.94 | -1.11 | -0.94 |
| lor | Band I, IV, VI, X, XI, XIX, XXI | dBm/ 3.84 MHz | -77.54 | | -59.98 | | -97.47 | |
| | Band IX* | | | | | | -96.47 | |
| | Band II, V, VII | | | | | | -95.47 | |
| | Band XXV, XXVI | | | | | | -93.97 (Note 2) | |
| | Band III, VIII, XII, XIII, XIV, XX, XXII | | | | | | -94.47 | |
| lor/lor | | dB | 4 | 0 | 9 | 0 | 0 | -6.53 |
| CPICH RSCP, Note 1 | Band I, IV, VI, X, XI, XIX, XXI | dBm | -83.5 | -87.5 | -60.98 | -69.88 | -107.47 | |
| | Band IX* | | | | | | -114.0 | |
| | Band II, V, VII | | | | | | -106.47 | |
| | Band XXV, XXVI | | | | | | -113.0 | |
| | Band III, VIII, XII, XIII, XIV, XX, XXII | | | | | | -105.47 | |
| | | | | | | -103.97 (Note 2) | -110.5 (Note 2) | |
| | | | | | | -104.47 | -111.0 | |
| lor, Note 1 | Band I, IV, VI, X, XI, XIX, XXI | dBm/3.84 MHz | -71 | | -50 | | -94 | |
| | Band IX* | | | | | | -93 | |
| | Band II, V, VII | | | | | | -92 | |
| | Band XXV, XXVI | | | | | | -90.5 (Note 2) | |
| | Band III, VIII, XII, XIII, XIV, XX, XXII | | | | | | -91 | |
| Propagation condition | | - | AWGN | | AWGN | | AWGN | |

NOTE 1: CPICH RSCP and Io levels have been calculated from other parameters for information purposes. They are not settable parameters themselves.

*) For the UE which supports both Band III and Band IX operating frequencies, the measurement performance requirements for Band III shall apply to the multi-band UE.

NOTE 2: The test parameter is modified by -1.5 dB when the carrier frequency of the assigned UTRA channel is within 869-894 MHz for the UE which supports both Band V and Band XXVI operating frequencies.

Tests shall be done sequentially. Test 1 shall be done first. After test 1 has been executed test parameters for tests 2 and 3 shall be set within 5 seconds so that UE does not loose the Cell 2 in between the tests.

8.7.1.1.1.4.2 Procedure

- 1) A call is set up according to the test procedure specified in TS 34.108 [3] clause 7.3.2. The RF parameters for Test 1 are set up according to table 8.7.1.1.1.4.
- 2) SS shall transmit MEASUREMENT CONTROL message.
- 3) UE shall transmit periodically MEASUREMENT REPORT messages.
- 4) SS shall check CPICH_RSCP value in MEASUREMENT REPORT messages. CPICH RSCP power of Cell 1 and Cell 2 reported by UE is compared to actual CPICH RSCP power for each MEASUREMENT REPORT message.
- 5) SS shall check MEASUREMENT REPORT messages transmitted by UE until statistical significance according to Annex F.6.2.8 is achieved.
- 6) The RF parameters are set up according to table 8.7.1.1.1.4 for Test 2. While RF parameters are being set up, MEASUREMENT REPORT messages from UE are ignored. SS shall wait for additional 1s and ignore the MEASUREMENT REPORT messages during this period. Then, step 4) and 5) above are repeated.
- 7) The RF parameters are set up according to table 8.7.1.1.1.4 for Test 3. While RF parameters are being set up, MEASUREMENT REPORT messages from UE are ignored. SS shall wait for additional 1s and ignore the MEASUREMENT REPORT messages during this period. Then, step 4) and 5) above are repeated.
- 8) The SS shall transmit RRC CONNECTION RELEASE message.
- 9) UE shall transmit RRC CONNECTION RELEASE COMPLETE message.

Specific Message Contents

All messages indicated above shall use the same content as described in the default message content in clause 9 of 34.108 [3], with the following exceptions:

MEASUREMENT CONTROL message for Intra frequency measurement (Step 2):

| Information Element | Value/Remark |
|---|---|
| Message Type | |
| UE information elements | |
| -RRC transaction identifier | 0 |
| -Integrity check info | |
| -message authentication code | SS calculates the value of MAC-I for this message and writes to this IE. The first/leftmost bit of the bit string contains the most significant bit of the MAC-I. |
| -RRC message sequence number | SS provides the value of this IE, from its internal counter. |
| Measurement Information elements | |
| -Measurement Identity | 1 |
| -Measurement Command | Modify |
| -Measurement Reporting Mode | |
| - Measurement Report Transfer Mode | Acknowledged mode RLC |
| - Periodical Reporting / Event Trigger Reporting Mode | Periodical reporting |
| -Additional measurement list | Not Present |
| -CHOICE Measurement Type | Intra-frequency measurement |
| -Intra-frequency measurement | |
| - Intra-frequency measurement objects list | Not Present |

| Information Element | Value/Remark |
|---|--|
| -Intra-frequency measurement quantity | 0 |
| -Filter coefficient | FDD |
| -CHOICE mode | CPICH RSCP |
| -Measurement quantity | |
| -Intra-frequency reporting quantity | |
| -Reporting quantities for active set cells | |
| -Cell synchronisation information reporting indicator | TRUE |
| -Cell Identity reporting indicator | TRUE |
| -CHOICE mode | FDD |
| -CPICH Ec/N0 reporting indicator | TRUE |
| -CPICH RSCP reporting indicator | TRUE |
| -Pathloss reporting indicator | FALSE |
| -Reporting quantities for monitored set cells | |
| -Cell synchronisation information reporting indicator | FALSE |
| -Cell Identity reporting indicator | TRUE |
| -CHOICE mode | FDD |
| -CPICH Ec/N0 reporting indicator | TRUE |
| -CPICH RSCP reporting indicator | TRUE |
| -Pathloss reporting indicator | FALSE |
| -Reporting quantities for detected set cells | Not Present |
| -Reporting cell status | |
| -CHOICE reported cell | Report all active set cells + cells within monitored set on used frequency |
| -Maximum number of reported cells | Virtual/active set cells + 2 |
| -Measurement validity | Not Present |
| -CHOICE report criteria | Periodical reporting criteria |
| -Amount of reporting | Infinity |
| -Reporting interval | 250 ms |
| Physical channel information elements | |
| -DPCH compressed mode status info | Not Present |

MEASUREMENT REPORT message for Intra frequency test cases

This message is common for all intra frequency test cases in clause 8.7 and is described in Annex I.

8.7.1.1.1.5 Test requirements

Table 8.7.1.1.1.3: CPICH_RSCP Intra frequency absolute accuracy, test requirement

| Parameter | Unit | Accuracy [dB] | | Conditions | | | | |
|------------|------|------------------|-------------------|------------------------------------|-----------|--------------------|----------------------------|---|
| | | Normal condition | Extreme condition | Io [dBm/3.84 MHz] | | | | |
| | | | | Band I, IV, VI, X, XI, XIX and XXI | Band IX | Band II, V and VII | Band XXV and XXVI (Note 1) | Band III, VIII, XII, XIII, XIV, XX and XXII |
| CPICH_RSCP | dBm | ±7.4 | ±10.4 | -94...-70 | -93...-70 | -92...-70 | -90.5...-70 | -91...-70 |
| | dBm | ±9.4 | ±12.4 | -70...-50 | -70...-50 | -70...-50 | -70...-50 | -70...-50 |

NOTE 1: The condition is -92...-70 dBm/3.84 MHz when the carrier frequency of the assigned UTRA channel is within 869-894 MHz for the UE which supports both Band V and Band XXVI operating frequencies.

Table 8.7.1.1.1.4: CPICH RSCP Intra frequency test parameters

| Parameter | Unit | Test 1 | | Test 2 | | Test 3 | |
|------------------------|--|-----------|--------|-----------|--------|-----------|--------|
| | | Cell 1 | Cell 2 | Cell 1 | Cell 2 | Cell 1 | Cell 2 |
| UTRA RF Channel number | | Channel 1 | | Channel 1 | | Channel 1 | |
| CPICH_Ec/Ior | dB | -10 | - | -10 | - | -10 | - |
| PCCPCH_Ec/Ior | dB | -12 | - | -12 | - | -12 | - |
| SCH_Ec/Ior | dB | -12 | - | -12 | - | -12 | - |
| PICH_Ec/Ior | dB | -15 | - | -15 | - | -15 | - |
| DPCH_Ec/Ior | dB | -15 | - | -15 | - | -15 | - |
| OCNS_Ec/Ior | dB | -1.11 | -0.94 | -1.11 | -0.94 | -1.11 | -0.94 |
| loc | Band I, IV, VI, X, XI, XIX, XXI dBm/ 3.84 MHz | -79.16 | | -61,6 | | -96.47 | |

| Parameter | | Unit | Test 1 | | Test 2 | | Test 3 | |
|---|--|----------------|--------|--------|--------|--------|-----------------|------------------|
| | | | Cell 1 | Cell 2 | Cell 1 | Cell 2 | Cell 1 | Cell 2 |
| Band IX* | | | | | | | | -95.47 |
| Band II, V, VII | | | | | | | | -94.47 |
| Band XXV, XXVI | | | | | | | | -92.97 (Note 2) |
| Band III, VIII, XII, XIII, XIV, XX, XXII | | | | | | | | -93.47 |
| Ior/loc | | dB | 4.3 | 0.3 | 9.3 | 0.3 | 0.3 | -6.23 |
| CPICH RSCP, Note 1 | Band I, IV, VI, X, XI, XIX, XXI | dBm | -84.86 | -88.86 | -62.3 | -71.3 | | -106.17 |
| | Band IX* | | | | | | | -105.17 |
| | Band II, V, VII | | | | | | | -104.17 |
| | Band XXV, XXVI | | | | | | | -102.67 (Note 2) |
| | Band III, VIII, XII, XIII, XIV, XX, XXII | | | | | | -109.2 (Note 2) | |
| | | | | | | | -103.17 | |
| Io, Note 1 | Band I, IV, VI, X, XI, XIX, XXI | dBm / 3.84 MHz | -72.4 | | -51,4 | | | -92,8 |
| | Band IX* | | | | | | | -91.8 |
| | Band II, V, VII | | | | | | | -90.8 |
| | Band XXV, XXVI | | | | | | | -89.3 (Note 2) |
| | Band III, VIII, XII, XIII, XIV, XX, XXII | | | | | | -89.8 | |
| Propagation condition | | - | AWGN | | AWGN | | AWGN | |
| <p>NOTE 1: CPICH RSCP and Io levels have been calculated from other parameters for information purposes. They are not settable parameters themselves.</p> <p>*) For the UE which supports both Band III and Band IX operating frequencies, the measurement performance requirements for Band III shall apply to the multi-band UE.</p> <p>NOTE 2: The test parameter is modified by -1.5 dB when the carrier frequency of the assigned UTRA channel is within 869-894 MHz for the UE which supports both Band V and Band XXVI operating frequencies.</p> <p>Tests shall be done sequentially. Test 1 shall be done first. After test 1 has been executed test parameters for tests 2 and 3 shall be set within 5 seconds so that UE does not loose the Cell 2 in between the tests.</p> | | | | | | | | |

The reported values for the absolute intra frequency CPICH RSCP measurement shall meet the requirements in table 8.7.1.1.1.5.

Table 8.7.1.1.1.5: CPICH_RSCP Intra frequency absolute accuracy requirements for the reported values

| | Test 1 | Test 2 | Test 3 (Band I, IV, VI, X, XI, XIX, XXI) | Test 3 (Band IX) | Test 3 (Band II, V and VII) | Test 3 (Band III, VIII, XII, XIII, XIV, XX and XXII) |
|---------------------------------|---------------|---------------|--|------------------|-----------------------------|--|
| Normal Conditions | | | | | | |
| Lowest reported value (Cell 1) | CPICH_RSCP_23 | CPICH_RSCP_44 | CPICH_RSCP_2 | CPICH_RSCP_3 | CPICH_RSCP_4 | CPICH_RSCP_5 |
| Highest reported value (Cell 1) | CPICH_RSCP_38 | CPICH_RSCP_63 | CPICH_RSCP_17 | CPICH_RSCP_18 | CPICH_RSCP_19 | CPICH_RSCP_20 |
| Lowest reported value (Cell 2) | CPICH_RSCP_19 | CPICH_RSCP_35 | -5 (NOTE 2) | -4 (NOTE 2) | -3 (NOTE 2) | -2 (NOTE 2) |
| Highest reported value (Cell 2) | CPICH_RSCP_34 | CPICH_RSCP_54 | CPICH_RSCP_10 | CPICH_RSCP_11 | CPICH_RSCP_12 | CPICH_RSCP_13 |
| Extreme Conditions | | | | | | |
| Lowest reported value (Cell 1) | CPICH_RSCP_20 | CPICH_RSCP_41 | -1 (NOTE 2) | CPICH_RSCP_0 | CPICH_RSCP_1 | CPICH_RSCP_2 |
| Highest reported value (Cell 1) | CPICH_RSCP_41 | CPICH_RSCP_66 | CPICH_RSCP_20 | CPICH_RSCP_21 | CPICH_RSCP_22 | CPICH_RSCP_23 |
| Lowest reported value (Cell 2) | CPICH_RSCP_16 | CPICH_RSCP_32 | -5 (NOTE 2) | -5 (NOTE 2) | -5 (NOTE 2) | -5 (NOTE 2) |
| Highest reported | CPICH_RSCP | CPICH_RSCP | CPICH_RSCP | CPICH_RSCP | CPICH_RSCP | CPICH_RSCP |

| | | | | | | |
|----------------|-----|-----|-----|-----|-----|-----|
| value (Cell 2) | _37 | _57 | _13 | _14 | _15 | _16 |
|----------------|-----|-----|-----|-----|-----|-----|

NOTE 1: If the above Test Requirement differs from the Minimum Requirement then the Test Tolerance applied for this test is non-zero. The Test Tolerance for this test is defined in clause F.2 and the explanation of how the Minimum Requirement has been relaxed by the Test Tolerance is given in clause F.4.

NOTE 2: This value applies for a UE complying to release 5 or later. The corresponding value for a pre-release 5 UE is CPICH_RSCP_0.

8.7.1.1.2 Relative accuracy requirement

8.7.1.1.2.1 Definition and applicability

The relative accuracy of CPICH RSCP is defined as the CPICH RSCP measured from one cell compared to the CPICH RSCP measured from another cell on the same frequency.

The requirements and this test apply to all types of UTRA for the FDD UE.

8.7.1.1.2.2 Minimum Requirements

The accuracy requirements in table 8.7.1.1.2.1 are valid under the following conditions:

CPICH_RSCP1,2_{dBm} ≥ -114 dBm for Bands I, IV, VI, X, XI XIX and XXI

CPICH_RSCP1,2_{dBm} ≥ -113 dBm for Band IX,

CPICH_RSCP1,2_{dBm} ≥ -112 dBm for Bands II, V, VII,

CPICH_RSCP1,2_{dBm} ≥ -111 dBm for Band III, VIII, XII, XIII, XIV, XX and XXII,

CPICH_RSCP1,2_{dBm} ≥ -110.5 dBm for Band XXV and XXVI (NOTE 1)

NOTE 1: The condition is -112 dBm when the carrier frequency of the assigned UTRA channel is within 869-894 MHz for the UE which supports both Band V and Band XXVI operating frequencies.

$$\left| CPICH_RSCP1 \Big|_{in\ dBm} - CPICH_RSCP2 \Big|_{in\ dBm} \right| \leq 20dB$$

$$\left(\frac{I_o}{\hat{I}_{or}} \right) \Big|_{in\ dB} - \left(\frac{CPICH - E_c}{I_{or}} \right) \Big|_{in\ dB} \leq 20dB$$

Table 8.7.1.1.2.1: CPICH_RSCP Intra frequency relative accuracy

| Parameter | Unit | Accuracy [dB] | | Conditions | | | | |
|------------|------|------------------|-------------------|------------------------------------|-------------------|-------------------|----------------------|---|
| | | Normal condition | Extreme condition | Band I, IV, VI, X, XI, XIX and XXI | Band IX | Band II,V and VII | Band XXV and XXVI | Band III, VIII, XII, XIII, XIV, XX and XXII |
| | | | | Io [dBm/3.84 MHz] | Io [dBm/3.84 MHz] | Io [dBm/3.84 MHz] | Io [dBm/3,84 MHz] | Io [dBm/3.84 MHz] |
| CPICH_RSCP | dBm | ± 3 | ± 3 | -94...-50 | -93...-50 | -92...-50 | -90.5...-50 (Note 1) | -91...-50 |

NOTE 1: The condition is -90.5...-50 dBm/3.84 MHz when the carrier frequency of the assigned UTRA channel is within 869-894 MHz for the UE which supports both Band V and Band XXVI operating frequencies.

The normative reference for this requirement is TS 25.133 [2] clauses 9.1.1.1.2 and A.9.1.1.2.

8.7.1.1.2.3 Test purpose

The purpose of this test is to verify that the CPICH RSCP relative measurement accuracy is within the specified limits in clause 8.7.1.1.2.2. This measurement is for handover evaluation, DL open loop power control, UL open loop control and for the calculation of pathloss.

8.7.1.1.2.4 Method of test

8.7.1.1.2.4.1 Initial conditions

Test environment: normal, TL/VL, TL/VH, TH/VL, TH/VH; see clauses G.2.1 and G.2.2.

Frequencies to be tested: mid range; see clause G.2.4.

In this case all cells are on the same frequency. CPICH RSCP intra frequency relative accuracy requirements are tested by using test parameters in table 8.7.1.1.1.2.

8.7.1.1.2.4.2 Procedure

- 1) A call is set up according to the test procedure specified in TS 34.108 [3] clause 7.3.2. The RF parameters for Test 1 are set up according to table 8.7.1.1.2.3.
- 2) SS shall transmit MEASUREMENT CONTROL message.
- 3) UE shall transmit periodically MEASUREMENT REPORT messages.
- 4) SS shall check CPICH_RSCP value of Cell 1 and Cell 2 in MEASUREMENT REPORT messages. CPICH RSCP power value measured from Cell 1 is compared to CPICH RSCP power value measured from Cell 2 for each MEASUREMENT REPORT message.
- 5) The result of step 4) is compared to actual power level difference of CPICH RSCP of Cell 1 and Cell 2.
- 6) SS shall check MEASUREMENT REPORT messages transmitted by UE until statistical significance according to Annex F.6.2.8 is achieved.
- 7) The RF parameters are set up according to table 8.7.1.1.2.3 for Test 2. While RF parameters are being set up, MEASUREMENT REPORT messages from UE are ignored. SS shall wait for additional 1s and ignore the MEASUREMENT REPORT messages during this period. Then, steps 4), 5) and 6) above are repeated.
- 8) The RF parameters are set up according to table 8.7.1.1.2.3 for Test 3. While RF parameters are being set up, MEASUREMENT REPORT messages from UE are ignored. SS shall wait for additional 1s and ignore the MEASUREMENT REPORT messages during this period. Then, steps 4), 5) and 6) above are repeated.
- 9) The SS shall transmit RRC CONNECTION RELEASE message.
- 10) UE shall transmit RRC CONNECTION RELEASE COMPLETE message.

Specific Message Contents

All messages indicated above shall use the same content as described in the default message content in clause 9 of 34.108 [3], with the following exceptions:

MEASUREMENT CONTROL message for Intra frequency measurement in clause 8.7.1.1.4.2 is used.

MEASUREMENT REPORT message for Intra frequency test cases

This message is common for all intra frequency test cases in clause 8.7 and is described in Annex I.

8.7.1.1.2.5 Test requirements

Table 8.7.1.1.2.2: CPICH_RSCP Intra frequency relative accuracy, test requirements

| Parameter | Unit | Accuracy [dB] | | Conditions | | | | |
|------------|------|------------------|-------------------|------------------------------------|-----------|--------------------|----------------------|---|
| | | Normal condition | Extreme condition | Io [dBm/3.84 MHz] | | | | |
| | | | | Band I, IV, VI, X, XI, XIX and XXI | Band IX | Band II, V and VII | Band XXV and XXVI | Band III, VIII, XII, XIII, XIV, XX and XXII |
| CPICH_RSCP | dBm | ±3.8 | ±3.8 | -94...-50 | -93...-50 | -92...-50 | -90.5...-50 (Note 1) | -91...-50 |

NOTE 1: The condition is -90.5...-50 dBm/3.84 MHz when the carrier frequency of the assigned UTRA channel is within 869-894 MHz for the UE which supports both Band V and Band XXVI operating frequencies.

Table 8.7.1.1.2.3: CPICH RSCP Intra frequency test parameters

| Parameter | | Unit | Test 1 | | Test 2 | | Test 3 | |
|---|---|---------------|-----------|--------|-----------|--------|------------------|--------|
| | | | Cell 1 | Cell 2 | Cell 1 | Cell 2 | Cell 1 | Cell 2 |
| UTRA RF Channel number | | | Channel 1 | | Channel 1 | | Channel 1 | |
| CPICH_Ec/lor | | dB | -10 | | -10 | | -10 | |
| PCCPCH_Ec/lor | | dB | -12 | | -12 | | -12 | |
| SCH_Ec/lor | | dB | -12 | | -12 | | -12 | |
| PICH_Ec/lor | | dB | -15 | | -15 | | -15 | |
| DPCH_Ec/lor | | dB | -15 | - | -15 | - | -15 | - |
| OCNS_Ec/lor | | dB | -1.11 | -0.94 | -1.11 | -0.94 | -1.11 | -0.94 |
| loc | Band I, IV, VI, X, XI, XIX, XXI | dBm/ 3.84 MHz | -74.54 | | -61,6 | | -96.47 | |
| | Band IX* | | | | | | -95.47 | |
| | Band II, V, VII | | | | | | -94.47 | |
| | Band XXV, XXVI | | | | | | -92.97 (Note 2) | |
| | Band III, VIII, XII, XIII, XIV,XX, XXII | | | | | | -93.47 | |
| lor/loc | dB | 4.3 | 0.3 | 9.3 | 0.3 | 0.3 | -6.23 | |
| CPICH RSCP, Note 1 | Band I, IV, VI, X, XI, XIX, XXI | dBm | -80.2 | -84.2 | -62.3 | -71.3 | -106.17 | |
| | Band IX* | | | | | | -112.7 | |
| | Band II, V, VII | | | | | | -105.17 | |
| | Band XXV, XXVI | | | | | | -110.7 | |
| | Band III, VIII, XII, XIII, XIV,XX, XXII | | | | | | -104.17 | |
| lo, Note 1 | Band I, IV, VI, X, XI, XIX, XXI | dBm/ 3.84 MHz | -67.8 | | -51,4 | | -102.67 (Note 2) | |
| | Band IX* | | | | | | -109.2 (Note 2) | |
| | Band II, V, VII | | | | | | -109.7 | |
| | Band XXV, XXVI | | | | | | -92,8 | |
| | Band III, VIII, XII, XIII, XIV,XX, XXII | | | | | | -91.8 | |
| Propagation condition | | - | AWGN | | AWGN | | AWGN | |
| NOTE 1: CPICH RSCP and lo levels have been calculated from other parameters for information purposes. They are not settable parameters themselves. *) For the UE which supports both Band III and Band IX operating frequencies, the measurement performance requirements for Band III shall apply to the multi-band UE. NOTE 2 The test parameter is modified by -1.5 dB when the carrier frequency of the assigned UTRA channel is within 869-894 MHz for the UE which supports both Band V and Band XXVI operating frequencies. Tests shall be done sequentially. Test 1 shall be done first. After test 1 has been executed test parameters for tests 2 and 3 shall be set within 5 seconds so that UE does not loose the Cell 2 in between the tests. | | | | | | | | |

The reported values for the relative intra frequency CPICH RSCP measurement shall meet the requirements in table 8.7.1.1.2.4.

Table 8.7.1.1.2.4: CPICH_RSCP Intra frequency relative accuracy requirements for the reported values

| | Test 1 | Test 2 | Test 3 |
|--|--------------------|---------------------|---------------------|
| Normal Conditions | | | |
| Lowest reported value cell 2 | CPICH_RSCP_(x - 8) | CPICH_RSCP_(x - 13) | CPICH_RSCP_(x - 11) |
| Highest reported value cell 2 | CPICH_RSCP_x | CPICH_RSCP_(x - 5) | CPICH_RSCP_(x - 3) |
| Extreme Conditions | | | |
| Lowest reported value cell2 | CPICH_RSCP_(x - 8) | CPICH_RSCP_(x - 13) | CPICH_RSCP_(x - 11) |
| Highest reported value cell2 | CPICH_RSCP_x | CPICH_RSCP_(x - 5) | CPICH_RSCP_(x - 3) |
| CPICH_RSCP_x is the reported value of cell 1 | | | |

NOTE: If the above Test Requirement differs from the Minimum Requirement then the Test Tolerance applied for this test is non-zero. The Test Tolerance for this test is defined in clause F.2 and the explanation of how the Minimum Requirement has been relaxed by the Test Tolerance is given in clause F.4.

8.7.1.2 Inter frequency measurement accuracy

8.7.1.2.1 Relative accuracy requirement

8.7.1.2.1.1 Definition and applicability

The relative accuracy of CPICH RSCP in inter frequency case is defined as the CPICH RSCP measured from one cell compared to the CPICH RSCP measured from another cell on a different frequency.

The requirements and this test apply to all types of UTRA for the FDD UE.

8.7.1.2.1.2 Minimum Requirements

The accuracy requirements in table 8.7.1.2.1.1 are valid under the following conditions:

CPICH_RSCP1,2_{dBm} ≥ -114 dBm for Bands I, IV, VI X, XI XIX and XXI,

CPICH_RSCP1,2_{dBm} ≥ -113 dBm for Band IX,

CPICH_RSCP1,2_{dBm} ≥ -112 dBm for Bands II, V and VII,

CPICH_RSCP1,2_{dBm} ≥ -111 dBm for Band III, VIII, XII, XIII, XIV, XX and XXII,

CPICH_RSCP1,2_{dBm} ≥ -110.5 dBm for Band XXV and XXVI (NOTE 1)

NOTE 1: The condition is -112 dBm when the carrier frequency of the assigned UTRA channel is within 869-894 MHz for the UE which supports both Band V and Band XXVI operating frequencies.

$$\left| CPICH_RSCP1_{in\ dBm} - CPICH_RSCP2_{in\ dBm} \right| \leq 20dB$$

$$\left| Channel\ 1_Io_{dBm/3.84\ MHz} - Channel\ 2_Io_{dBm/3.84\ MHz} \right| \leq 20\ dB.$$

$$\left(\frac{I_o}{\hat{I}_{or}} \right)_{in\ dB} - \left(\frac{CPICH_E_c}{I_{or}} \right)_{in\ dB} \leq 20dB$$

Table 8.7.1.2.1.1: CPICH_RSCP Inter frequency relative accuracy

| Parameter | Unit | Accuracy [dB] | | Conditions | | | | |
|------------|------|------------------|-------------------|------------------------------------|-------------------|--------------------|----------------------|---|
| | | Normal condition | Extreme condition | Band I, IV, VI, X, XI, XIX and XXI | Band IX | Band II, V and VII | Band XXV and XXVI | Band III, VIII, XII, XIII, XIV, XX and XXII |
| | | | | Io [dBm/3.84 MHz] | Io [dBm/3.84 MHz] | Io [dBm/3.84 MHz] | Io [dBm/3.84 MHz] | Io [dBm/3.84 MHz] |
| CPICH_RSCP | dBm | ± 6 | ± 6 | -94...-50 | -93...-50 | -92...-50 | -90.5...-50 (Note 1) | -91...-50 |

NOTE 1: The condition is -92...-50 dBm/3.84 MHz when the carrier frequency of the assigned UTRA channel is within 869-894 MHz for the UE which supports both Band V and Band XXVI operating frequencies.

The normative reference for this requirement is TS 25.133 [2] clauses 9.1.1.2.1 and A.9.1.1.2.

8.7.1.2.1.3 Test purpose

The purpose of this test is to verify that the CPICH RSCP relative measurement accuracy is within the specified limits in clause 8.7.1.2.1.2. This measurement is for handover evaluation, DL open loop power control, UL open loop control and for the calculation of pathloss.

8.7.1.2.1.4 Method of test

8.7.1.2.1.4.1 Initial conditions

Test environment: normal, TL/VL, TL/VH, TH/VL, TH/VH; see clauses G.2.1 and G.2.2.

Frequencies to be tested: mid range; see clause G.2.4.

In this case both cells are on different frequencies.

For UEs that require compressed mode, compressed mode is applied. The gap length is 7, detailed definition is in clause C.5, set 1 of table C.5.2 except for TGRRC and TGCFN. TGPRC and TGCFN shall set to "Infinity" and "(Current CFN + (256 – TTI/10msec))mod 256".

For UEs that do not require compressed mode, compressed mode is not applied and therefore no Physical Channel Reconfiguration message will be sent.

CPICH RSCP inter frequency relative accuracy requirements are tested by using test parameters in table 8.7.1.2.1.2.

Table 8.7.1.2.1.2: CPICH RSCP Inter frequency parameters

| Parameter | | Unit | Test 1 | | Test 2 | |
|--|--|---------------|-----------|-----------|----------------|-----------------|
| | | | Cell 1 | Cell 2 | Cell 1 | Cell 2 |
| UTRA RF Channel number | | | Channel 1 | Channel 2 | Channel 1 | Channel 2 |
| CPICH_Ec/lor | | dB | -10 | | -10 | |
| PCCPCH_Ec/lor | | dB | -12 | | -12 | |
| SCH_Ec/lor | | dB | -12 | | -12 | |
| PICH_Ec/lor | | dB | -15 | | -15 | |
| DPCH_Ec/lor | | dB | -15 | - | -15 | - |
| OCNS_Ec/lor | | dB | -1.11 | -0.94 | -1.11 | -0.94 |
| I _{oc} | Band I, IV, VI, X, XX, XIX, XXI | dBm/ 3.84 MHz | -60.00 | -60.00 | -84.00 | -94.46 |
| | Band IX* | | | | -83.00 | -93.46 |
| | Band II, V, VII | | | | -82.00 | -92.46 |
| | Band XXV, XXVI | | | | -80.5 (Note 2) | -90.96 (Note 2) |
| | Band III, VIII, XII, XIII, XIV, XX, XXII | | | | -81.00 | -91.46 |
| I _{or/lor} | | dB | 9.54 | 9.54 | 0 | -9.54 |
| CPICH RSCP, Note 1 | Band I, IV, VI, X, XI, XIX, XXI | dBm | -60.46 | -60.46 | -94.0 | -114.0 |
| | Band IX* | | | | -93.0 | -113.0 |
| | Band II, V, VII | | | | -92.0 | -112.0 |
| | Band XXV, XXVI | | | | -90.5 (Note 2) | -110.5 (Note 2) |
| | Band III, VIII, XII, XIII, XIV, XX, XXII | | | | -91.0 | -111.0 |
| I _o , Note 1 | Band I, IV, VI, X, XI, XIX, XXI | dBm/3.84 MHz | -50.00 | -50.00 | -81.0 | -94.0 |
| | Band IX* | | | | -80.0 | -93.0 |
| | Band II, V, VII | | | | -79.0 | -92.0 |
| | Band XXV, XXVI | | | | -77.5 (Note 2) | -90.5 (Note 2) |
| | Band III, VIII, XII, XIII, XIV, XX, XXII | | | | -78.0 | -91.0 |
| Propagation condition | | - | AWGN | | AWGN | |
| NOTE 1: CPICH RSCP and I _o levels have been calculated from other parameters for information purposes. They are not settable parameters themselves. | | | | | | |
| *) For the UE which supports both Band III and Band IX operating frequencies, the measurement performance requirements for Band III shall apply to the multi-band UE. | | | | | | |
| NOTE 2: The test parameter is modified by -1.5 dB when the carrier frequency of the assigned UTRA channel is within 869-894 MHz for the UE which supports both Band V and Band XXVI operating frequencies. | | | | | | |
| Tests shall be done sequentially. Test 1 shall be done first. After test 1 has been executed test parameters for test 2 shall be set within 5 seconds so that UE does not loose the Cell 2 in between the tests. | | | | | | |

8.7.1.2.1.4.2 Procedure

- 1) A call is set up according to the test procedure specified in TS 34.108 [3] clause 7.3.2. The RF parameters for Test 1 are set up according to table 8.7.1.2.1.4.
- 2) If compressed mode is required, SS shall transmit PHYSICAL CHANNEL RECONFIGURATION message. Otherwise, go to step 4.
- 3) UE shall transmit PHYSICAL CHANNEL RECONFIGURATION COMPLETE message.
- 4) SS shall transmit MEASUREMENT CONTROL message for intra frequency measurement and transmit MEASUREMENT CONTROL message for inter frequency measurement.
- 5) UE shall transmit periodically MEASUREMENT REPORT messages.
- 6) SS shall check CPICH_RSCP value of Cell 1 and Cell 2 in MEASUREMENT REPORT messages. CPICH RSCP power value measured from Cell 1 is compared to CPICH RSCP power value measured from Cell 2 for each MEASUREMENT REPORT message.
- 7) The result of step 6) is compared to actual power level difference of CPICH RSCP of Cell 1 and Cell 2.
- 8) SS shall check MEASUREMENT REPORT messages transmitted by UE until statistical significance according to Annex F.6.2.8 is achieved.
- 9) The RF parameters are set up according to table 8.7.1.2.1.4 for Test 2. While RF parameters are being set up, MEASUREMENT REPORT messages from UE are ignored. SS shall wait for additional 1s and ignore the MEASUREMENT REPORT messages during this period. Then, steps 6), 7) and 8) above are repeated.
- 10) The SS shall transmit RRC CONNECTION RELEASE message.
- 11) UE shall transmit RRC CONNECTION RELEASE COMPLETE message.

Specific Message Contents

All messages indicated above shall use the same content as described in the default message content in clause 9 of 34.108 [3], with the following exceptions:

PHYSICAL CHANNEL RECONFIGURATION message for Inter frequency measurement (step 1):

| Information Element | Value/Remark | Version |
|--|--|---------|
| Message Type | | |
| UE Information Elements | | |
| -RRC transaction identifier | 0 | |
| -Integrity check info | | |
| -message authentication code | SS calculates the value of MAC-I for this message and writes to this IE. The first/ leftmost bit of the bit string contains the most significant bit of the MAC-I. | |
| -RRC message sequence number | SS provides the value of this IE, from its internal counter. | |
| -Integrity protection mode info | Not Present | |
| -Ciphering mode info | Not Present | |
| -Activation time | Not Present | |
| -New U-RNTI | Not Present | |
| -New C-RNTI | Not Present | |
| -RRC State Indicator | CELL_DCH | |
| -UTRAN DRX cycle length coefficient | Not Present | |
| CN Information Elements | | |
| -CN Information info | Not Present | |
| UTRAN mobility information elements | | |
| -URA identity | Not Present | |
| RB information elements | | |
| -Downlink counter synchronisation info | Not Present | |
| PhyCH information elements | | |
| -Frequency info | Not Present | |

First MEASUREMENT CONTROL message for Intra frequency measurement (Step 3):

| Information Element | Value/Remark |
|--|---|
| Message Type | |
| UE information elements -RRC transaction identifier -Integrity check info -message authentication code -RRC message sequence number | 0 SS calculates the value of MAC-I for this message and writes to this IE. The first/leftmost bit of the bit string contains the most significant bit of the MAC-I. SS provides the value of this IE, from its internal counter. |
| Measurement Information elements -Measurement Identity -Measurement Command -Measurement Reporting Mode - Measurement Report Transfer Mode - Periodical Reporting / Event Trigger Reporting Mode -Additional measurement list -CHOICE Measurement Type -Intra-frequency measurement - Intra-frequency measurement objects list -Intra-frequency cell info list -Intra-frequency measurement quantity -Filter coefficient -CHOICE mode -Measurement quantity -Intra-frequency reporting quantity -Reporting quantities for active set cells -Cell synchronisation information reporting indicator -Cell Identity reporting indicator -CHOICE mode -CPICH Ec/N0 reporting indicator -CPICH RSCP reporting indicator -Pathloss reporting indicator -Reporting quantities for monitored set cells -Cell synchronisation information reporting indicator -Cell Identity reporting indicator -CHOICE mode -CPICH Ec/N0 reporting indicator -CPICH RSCP reporting indicator -Pathloss reporting indicator -Reporting quantities for detected set cells -Reporting cell status -CHOICE reported cell -Maximum number of reported cells -Measurement validity -CHOICE report criteria -Amount of reporting -Reporting interval | 1 Modify Acknowledged mode RLC Periodical reporting Not Present Intra-frequency measurement Not Present 0 FDD CPICH RSCP TRUE TRUE FDD TRUE TRUE FALSE FALSE TRUE FDD TRUE TRUE FALSE Not Present Report all active set cells + cells within monitored set on used frequency Virtual/active set cells + 2 Not Present Periodical reporting criteria Infinity 250 ms |
| Physical channel information elements -DPCH compressed mode status info | Not Present |

Second MEASUREMENT CONTROL message for Inter frequency measurement (step 3):

| Information Element | Value/Remark |
|---|---|
| Message Type | |
| UE information elements | |
| -RRC transaction identifier | 0 |
| -Integrity check info | |
| -message authentication code | SS calculates the value of MAC-I for this message and writes to this IE. The first/leftmost bit of the bit string contains the most significant bit of the MAC-I. |
| -RRC message sequence number | SS provides the value of this IE, from its internal counter. |
| Measurement Information elements | |
| -Measurement Identity | 2 |
| -Measurement Command | Setup |
| -Measurement Reporting Mode | |
| - Measurement Report Transfer Mode | Acknowledged mode RLC |
| - Periodical Reporting / Event Trigger Reporting Mode | Periodical reporting |
| -Additional measurement list | Not Present |
| -CHOICE Measurement Type | Inter-frequency measurement |
| -Inter-frequency measurement object list | |
| -CHOICE Inter-frequency cell removal | Not Present |
| -New inter-frequency cells | Cell 2 information is included |
| -Cell for measurement | Not Present |
| -Inter-frequency measurement quantity | |
| -CHOICE reporting criteria | Inter-frequency reporting criteria |
| -Filter coefficient | 0 |
| -CHOICE mode | FDD |
| -Measurement quantity for frequency quality estimate | CPICH RSCP |
| -Inter-frequency reporting quantity | |
| -UTRA Carrier RSSI | TRUE |
| -Frequency quality estimate | TRUE |
| -Non frequency related cell reporting quantities | |
| -Cell synchronisation information reporting indicator | TRUE |
| -Cell Identity reporting indicator | TRUE |
| -CHOICE mode | FDD |
| -CPICH Ec/N0 reporting indicator | TRUE |
| -CPICH RSCP reporting indicator | TRUE |
| -Pathloss reporting indicator | FALSE |
| -Reporting cell status | |
| -CHOICE reported cell | Report cells within monitored set on non-used frequency |
| -Maximum number of reported cells | 2 |
| -Measurement validity | Not Present |
| -Inter-frequency set update | Not Present |
| -CHOICE report criteria | Periodical reporting criteria |
| -Amount of reporting | Infinity |
| -Reporting interval | 500 ms |
| Physical channel information elements | |
| -DPCH compressed mode status info | Not Present |

MEASUREMENT REPORT message for Inter frequency test cases

This message is common for all inter frequency test cases in clause 8.7 and is described in Annex I.

8.7.1.2.1.5 Test requirements

Table 8.7.1.2.1.3: CPICH_RSCP Inter frequency relative accuracy, test requirements

| Parameter | Unit | Accuracy [dB] | | Conditions | | | | |
|------------|------|------------------|-------------------|---|-----------|-----------------------|-------------------------|---|
| | | Normal condition | Extreme condition | Io [dBm/3.84 MHz] | | | | |
| | | | | Band I, IV, VI X, XI, XIX and XXI | Band IX | Band II, V and VII | Band XXV and XXVI | Band III, VIII, XII, XIII, XIV, XX and XXII |
| CPICH_RSCP | dBm | ±7.1 | ±7.1 | -94...-50 | -93...-50 | -92...-50 | -90.5...-50 (Note 1) | -91...-50 |

NOTE 1: The condition is -92...-50 dBm/3.84 MHz when the carrier frequency of the assigned UTRA channel is within 869-894 MHz for the UE which supports both Band V and Band XXVI operating frequencies.

Table 8.7.1.2.1.4: CPICH RSCP Inter frequency tests parameters

| Parameter | | Unit | Test 1 | | Test 2 | |
|--|---|------------------|-----------|-----------|--------------------|--------------------|
| | | | Cell 1 | Cell 2 | Cell 1 | Cell 2 |
| UTRA RF Channel number | | | Channel 1 | Channel 2 | Channel 1 | Channel 2 |
| CPICH_Ec/Ior | | dB | -10 | | -10 | |
| PCCPCH_Ec/Ior | | dB | -12 | | -12 | |
| SCH_Ec/Ior | | dB | -12 | | -12 | |
| PICH_Ec/Ior | | dB | -15 | | -15 | |
| DPCH_Ec/Ior | | dB | -15 | - | -15 | - |
| OCNS_Ec/Ior | | dB | -1.11 | -0.94 | -1.11 | -0.94 |
| Ior | Band I, IV, VI, X, XI, XIX, XXI | dBm/ 3.84 MHz | -61.6 | -61.6 | -83.00 | -93.46 |
| | Band IX* | | | | -82.00 | -92.46 |
| | Band II, V, VII | | | | -81.00 | -91.46 |
| | Band XXV, XXVI | | | | -79.50 (Note 2) | -89.96 (Note 2) |
| | Band III, VIII, XII, XIII, XIV, XX, XXII | | | | -80.00 | -90.46 |
| Ior/Ioc | | dB | 9.84 | 9.84 | 0.3 | -9.24 |
| CPICH RSCP, Note 1 | Band I, IV, VI, X, XI, XIX, XXI | dBm | -61.8 | -61.8 | -92.7 | -112.7 |
| | Band IX* | | | | -91.7 | -111.7 |
| | Band II, V, VII | | | | -90.7 | -110.7 |
| | Band XXV, XXVI | | | | -89.2 (Note 2) | -109.2 (Note 2) |
| | Band III, VIII, XII, XIII, XIV, XX, XXII | | | | -89.7 | -109.7 |
| Io, Note 1 | Band I, IV, VI, X, XI, XIX, XXI | dBm/3.84 MHz | -51.3 | -51.3 | -79.8 | -93.0 |
| | Band IX* | | | | -78.8 | -92.0 |
| | Band II, V, VII | | | | -77.8 | -91.0 |
| | Band XXV, XXVI | | | | -76.3 (Note 2) | -89.5 (Note 2) |
| | Band III, VIII, XII, XIII, XIV, XX, XXII | | | | -76.8 | -90.0 |
| Propagation condition | | - | AWGN | | AWGN | |
| NOTE 1: CPICH RSCP and Io levels have been calculated from other parameters for information purposes. They are not settable parameters themselves. | | | | | | |
| *) For the UE which supports both Band III and Band IX operating frequencies, the measurement performance requirements for Band III shall apply to the multi-band UE. | | | | | | |
| NOTE 2: The test parameter is modified by -1.5 dB when the carrier frequency of the assigned UTRA channel is within 869-894 MHz for the UE which supports both Band V and Band XXVI operating frequencies. | | | | | | |
| Tests shall be done sequentially. Test 1 shall be done first. After test 1 has been executed test parameters for test 2 shall be set within 5 seconds so that UE does not loose the Cell 2 in between the tests. | | | | | | |

The reported values for the relative inter frequency CPICH RSCP measurement shall meet the requirements in table 8.7.1.2.1.5.

Table 8.7.1.2.1.5: CPICH_RSCP Inter frequency relative accuracy requirements for the reported values

| | Test 1 | Test 2 |
|--|--------------------|---------------------|
| Normal Conditions | | |
| Lowest reported value cell 2 | CPICH_RSCP_(x - 8) | CPICH_RSCP_(x - 28) |
| Highest reported value cell 2 | CPICH_RSCP_(x + 8) | CPICH_RSCP_(x - 12) |
| Extreme Conditions | | |
| Lowest reported value cell2 | CPICH_RSCP_(x - 8) | CPICH_RSCP_(x - 28) |
| Highest reported value cell2 | CPICH_RSCP_(x + 8) | CPICH_RSCP_(x - 12) |
| CPICH_RSCP_x is the reported value of cell 1 | | |

NOTE: If the above Test Requirement differs from the Minimum Requirement then the Test Tolerance applied for this test is non-zero. The Test Tolerance for this test is defined in clause F.2 and the explanation of how the Minimum Requirement has been relaxed by the Test Tolerance is given in clause F.4.

8.7.2 CPICH Ec/Io

8.7.2.1 Intra frequency measurements accuracy

8.7.2.1.1 Absolute accuracy requirement

8.7.2.1.1.1 Definition and applicability

The absolute accuracy of CPICH Ec/Io is defined as the CPICH Ec/Io measured from one cell compared to the actual CPICH_Ec/Io power ratio from same cell.

The requirements and this test apply to all types of UTRA for the FDD UE.

8.7.2.1.1.2 Minimum Requirements

The accuracy requirements in table 8.7.2.1.1.1 are valid under the following conditions:

CPICH_RSCP1_{dBm} ≥ -114 dBm for Bands I, IV, VI, X, XI XIX and XXI,

CPICH_RSCP1_{dBm} ≥ -113 dBm for Band IX,

CPICH_RSCP1_{dBm} ≥ -112 dBm for Bands II, V and VII,

CPICH_RSCP1_{dBm} ≥ -111 dBm for Band III, VIII, XII, XIII, XIV, XX and XXII,

CPICH_RSCP1_{dBm} ≥ -110.5 dBm for Band XXV and XXVI. (NOTE 1)

NOTE 1: The condition is -112 dBm when the carrier frequency of the assigned UTRA channel is within 869-894 MHz for the UE which supports both Band V and Band XXVI operating frequencies.

$$\left(\frac{I_o}{\hat{I}_{or}} \right)_{in \text{ dB}} - \left(\frac{CPICH - E_c}{I_{or}} \right)_{in \text{ dB}} \leq 20dB$$

Table 8.7.2.1.1.1: CPICH_Ec/Io Intra frequency absolute accuracy, minimum requirements

| Parameter | Unit | Accuracy [dB] | | Conditions | | | | |
|-------------|------|---|-------------------|------------------------------------|-------------------|--------------------|----------------------|---|
| | | Normal condition | Extreme condition | Band I, IV, VI, X, XI, XIX and XXI | Band IX | Band II, V and VII | Band XXV and XXVI | Band III, VIII, XII, XIII, XIV, XX and XXII |
| | | | | Io [dBm/3.84 MHz] | Io [dBm/3.84 MHz] | Io [dBm/3.84 MHz] | Io [dBm/3.84 MHz] | Io [dBm/3.84 MHz] |
| CPICH_Ec/Io | dB | ± 1.5 for $-14 \leq \text{CPICH Ec/Io}$ ± 2 for $-16 \leq \text{CPICH Ec/Io} < -14$ ± 3 for $-20 \leq \text{CPICH Ec/Io} < -16$ | ± 3 | -94...-50 | -93...-50 | -92...-50 | -90.5...-50 (Note 1) | -91...-50 |

NOTE 1: The condition is -92...-50 dBm/3.84 MHz when the carrier frequency of the assigned UTRA channel is within 869-894 MHz for the UE which supports both Band V and Band XXVI operating frequencies.

The normative reference for this requirement is TS 25.133 [2] clause 9.1.2.1.1.

8.7.2.1.1.3 Test purpose

The purpose of this test is to verify that the CPICH Ec/Io absolute measurement accuracy is within the specified limits in clause 8.7.2.1.1.2. This measurement is for Cell selection/re-selection and for handover evaluation.

8.7.2.1.1.4 Method of test

8.7.2.1.1.4.1 Initial conditions

Test environment: normal, TL/VL, TL/VH, TH/VL, TH/VH; see clauses G.2.1 and G.2.2.

Frequencies to be tested: mid range; see clause G.2.4.

In this case all cells are on the same frequency. CPICH Ec/Io intra frequency absolute accuracy requirements are tested by using the test parameters in table 8.7.2.1.1.2.

Table 8.7.2.1.1.2: CPICH_Ec/Io Intra frequency parameters

| Parameter | | Unit | Test 1 | | Test 2 | | Test 3 | |
|---|--|---------------|-----------|--------|-----------|--------|-----------------|--------|
| | | | Cell 1 | Cell 2 | Cell 1 | Cell 2 | Cell 1 | Cell 2 |
| UTRA RF Channel number | | | Channel 1 | | Channel 1 | | Channel 1 | |
| CPICH_Ec/Io | | dB | -10 | | -10 | | -10 | |
| PCCPCH_Ec/Io | | dB | -12 | | -12 | | -12 | |
| SCH_Ec/Io | | dB | -12 | | -12 | | -12 | |
| PICH_Ec/Io | | dB | -15 | | -15 | | -15 | |
| DPCH_Ec/Io | | dB | -15 | - | -15 | - | -6 | - |
| OCNS_Ec/Io | | dB | -1.11 | -0.94 | -1.11 | -0.94 | -2.56 | -0.94 |
| I _o | Band I, IV, VI, X, XI, XIX, XXI | dBm/ 3.84 MHz | -56.98 | | -89.07 | | -94.98 | |
| | Band IX* | | | | -88.07 | | -93.98 | |
| | Band II, V, VII | | | | -87.07 | | -92.98 | |
| | Band XXV, XXVI | | | | -85.57 | | -91.48 (Note 2) | |
| | Band III, VIII, XII, XIII, XIV, XX, XXII | | | | -86.07 | | -91.98 | |
| I _o /I _o | dB | 3.0 | 3.0 | -2.9 | -2.9 | -9.0 | -9.0 | |
| CPICH Ec/I _o , Note 1 | | dBm | -14.0 | -14.0 | -16.0 | -16.0 | -20.0 | -20.0 |
| I _o , Note 1 | Band I, IV, VI, X, XI, XIX, XXI | dBm/3.84 MHz | -50 | | -86 | | -94 | |
| | Band IX* | | | | -85 | | -93 | |
| | Band II, V, VII | | | | -84 | | -92 | |
| | Band XXV, XXVI | | | | -82.5 | | -90.5 (Note 2) | |
| | Band III, VIII, XII, XIII, XIV, XX, XXII | | | | -83 | | -91 | |
| Propagation condition | | - | AWGN | | AWGN | | AWGN | |
| NOTE 1: CPICH Ec/I _o and I _o levels have been calculated from other parameters for information purposes. They are not settable parameters themselves. | | | | | | | | |
| *) For the UE which supports both Band III and Band IX operating frequencies, the measurement performance requirements for Band III shall apply to the multi-band UE. | | | | | | | | |
| NOTE 2: The test parameter is modified by -1.5 dB when the carrier frequency of the assigned UTRA channel is within 869-894 MHz for the UE which supports both Band V and Band XXVI operating frequencies. | | | | | | | | |
| Tests shall be done sequentially. Test 1 shall be done first. After test 1 has been executed test parameters for tests 2 and 3 shall be set within 5 seconds so that UE does not loose the Cell 2 in between the tests. | | | | | | | | |

8.7.2.1.1.4.2 Procedure

- 1) A call is set up according to the test procedure specified in TS 34.108 [3] subclause 7.3.2. The RF parameters for Test 1 are set up according to table 8.7.2.1.1.5.
- 2) SS shall transmit MEASUREMENT CONTROL message.
- 3) UE shall transmit periodically MEASUREMENT REPORT messages.
- 4) SS shall check CPICH_Ec/I_o value in MEASUREMENT REPORT messages. According to table 8.7.2.1.1.3 the SS calculates CPICH_Ec/I_o power ratio of Cell 1, which is compared to the actual CPICH Ec/I_o power ratio from the same cell for each MEASUREMENT REPORT message.
- 5) SS shall check MEASUREMENT REPORT messages transmitted by UE until statistical significance according to Annex F.6.2.8 is achieved.
- 6) The RF parameters are set up according to table 8.7.2.1.1.5 for Test 2. While RF parameters are being set up, MEASUREMENT REPORT messages from UE are ignored. SS shall wait for additional 1s and ignore the MEASUREMENT REPORT messages during this period. Then, step 4) and 5) above are repeated.
- 7) The RF parameters are set up according to table 8.7.2.1.1.5 for Test 3. While RF parameters are being set up, MEASUREMENT REPORT messages from UE are ignored. SS shall wait for additional 1s and ignore the MEASUREMENT REPORT messages during this period. Then, step 4) and 5) above are repeated.
- 8) The SS shall transmit RRC CONNECTION RELEASE message.
- 9) UE shall transmit RRC CONNECTION RELEASE COMPLETE message.

Table 8.7.2.1.1.3: CPICH Ec/Io measurement report mapping

| Reported value | Measured quantity value | Unit |
|----------------|---------------------------|------|
| CPICH_Ec/No_00 | CPICH Ec/Io < -24 | dB |
| CPICH_Ec/No_01 | -24 ≤ CPICH Ec/Io < -23.5 | dB |
| CPICH_Ec/No_02 | -23.5 ≤ CPICH Ec/Io < -23 | dB |
| ... | ... | ... |
| CPICH_Ec/No_47 | -1 ≤ CPICH Ec/Io < -0.5 | dB |
| CPICH_Ec/No_48 | -0.5 ≤ CPICH Ec/Io < 0 | dB |
| CPICH_Ec/No_49 | 0 ≤ CPICH Ec/Io | dB |

Specific Message Contents

All messages indicated above shall use the same content as described in default message content in clause 9 of 34.108 [3], with the following exceptions:

MEASUREMENT CONTROL message for Intra frequency measurement (Step 1):

| Information Element | Value/Remark |
|---|---|
| Message Type | |
| UE information elements -RRC transaction identifier -Integrity check info -message authentication code -RRC message sequence number | 0 SS calculates the value of MAC-I for this message and writes to this IE. The first/leftmost bit of the bit string contains the most significant bit of the MAC-I. SS provides the value of this IE, from its internal counter. |
| Measurement Information elements -Measurement Identity -Measurement Command -Measurement Reporting Mode - Measurement Report Transfer Mode - Periodical Reporting / Event Trigger Reporting Mode -Additional measurement list -CHOICE Measurement Type -Intra-frequency measurement - Intra-frequency measurement objects list -Intra-frequency measurement quantity -Filter coefficient -CHOICE mode -Measurement quantity -Intra-frequency reporting quantity -Reporting quantities for active set cells -Cell synchronisation information reporting indicator -Cell Identity reporting indicator -CHOICE mode -CPICH Ec/N0 reporting indicator -CPICH RSCP reporting indicator -Pathloss reporting indicator -Reporting quantities for monitored set cells -Cell synchronisation information reporting indicator -Cell Identity reporting indicator -CHOICE mode -CPICH Ec/N0 reporting indicator -CPICH RSCP reporting indicator -Pathloss reporting indicator -Reporting quantities for detected set cells -Reporting cell status -CHOICE reported cell -Maximum number of reported cells -Measurement validity | 1 Modify Acknowledged mode RLC Periodical reporting Not Present Intra-frequency measurement Not Present 0 FDD CPICH RSCP TRUE TRUE FDD TRUE TRUE FALSE FALSE FALSE FDD TRUE TRUE FALSE Not Present Report all active set cells + cells within monitored set on used frequency Virtual/active set cells + 2 Not Present |

| Information Element | Value/Remark |
|--|---|
| -CHOICE report criteria -Amount of reporting -Reporting interval | Periodical reporting criteria Infinity 250 ms |
| Physical channel information elements -DPCH compressed mode status info | Not Present |

MEASUREMENT REPORT message for Intra frequency test cases

This message is common for all intra frequency test cases in clause 8.7 and is described in Annex I.

8.7.2.1.1.5 Test requirements

The CPICH E_c/I_o measurement accuracy shall meet the requirements in clause 8.7.2.1.1.2. The effect of assumed thermal noise and noise generated in the receiver (-99 dBm for Band I, IV, VI, X, XI, XIX and XXI, -98dBm for Band IX, -97 dBm for Band II, V and VII, -96 dBm for Band III, VIII, XII, XIII, XIV, XX and XXII, -95.5 for Band XXV and XXVI) shall be added into the required accuracy defined in subclause 8.7.2.1.1.2 as shown in table 8.7.2.1.1.4.

Table 8.7.2.1.1.4: CPICH_ E_c/I_o Intra frequency absolute accuracy, test requirements

| Parameter | Unit | Accuracy [dB] | | Conditions | | | | |
|------------------|------|---|-------------------|------------------------------------|-----------|--------------------|------------------------|---------------------------------------|
| | | Normal condition | Extreme condition | I _o [dBm/3.84 MHz] | | | | |
| | | | | Band I, IV, VI, X, XI, XIX and XXI | Band IX | Band II, V and VII | Band XXV and XXVI | Band III, VIII, XII, XIII, XIV and XX |
| CPICH_ E_c/I_o | dB | -3.1...1.9 for $-14 \leq \text{CPICH } E_c/I_o$ -3.6...2.4 for $-16 \leq \text{CPICH } E_c/I_o < -14$ -4.6...3.4 for $-20 \leq \text{CPICH } E_c/I_o < -16$ | -4.6...3.4 | -94...-87 | -93...-86 | -92...-85 | -90.5...-83.5 (Note 1) | -91...-84 |
| | | ± 1.95 for $-14 \leq \text{CPICH } E_c/I_o$ ± 2.4 for $-16 \leq \text{CPICH } E_c/I_o < -14$ ± 3.4 for $-20 \leq \text{CPICH } E_c/I_o < -16$ | ± 3.4 | -87...-50 | -86...-50 | -85...-50 | -83.5...-50 (Note 1) | -84...-50 |

NOTE 1: The test parameter is modified by -1.5 dB when the carrier frequency of the assigned UTRA channel is within 869-894 MHz for the UE which supports both Band V and Band XXVI operating frequencies..

The normative reference for this requirement is TS 25.133 [2] clause A.9.1.2.2.

Table 8.7.2.1.1.5: CPICH_Ec/Io Intra frequency tests parameters

| Parameter | | Unit | Test 1 | | Test 2 | | Test 3 | |
|---|--|----------------|-----------|--------|-----------------|--------|-----------------|--------|
| | | | Cell 1 | Cell 2 | Cell 1 | Cell 2 | Cell 1 | Cell 2 |
| UTRA RF Channel number | | | Channel 1 | | Channel 1 | | Channel 1 | |
| CPICH_Ec/Ior | | dB | -9.7 | | -9.8 | | -9.9 | |
| PCCPCH_Ec/Ior | | dB | -11.7 | | -11.8 | | -11.9 | |
| SCH_Ec/Ior | | dB | -11.7 | | -11.8 | | -11.9 | |
| PICH_Ec/Ior | | dB | -14.7 | | -14.8 | | -14.9 | |
| DPCH_Ec/Ior | | dB | -14.7 | - | -14.8 | - | -5.9 | - |
| OCNS_Ec/Ior | | dB | -1.2 | -1.02 | -1.17 | -0.99 | -2.64 | -0.97 |
| Ior | Band I, IV, VI, X, XI, XIX, XXI | dBm/ 3.84 MHz | -58.5 | | -89.07 | | -93.98 | |
| | Band IX* | | | | -88.07 | | -92.98 | |
| | Band II, V, VII | | | | -87.07 | | -91.98 | |
| | Band XXV, XXVI | | | | -85.57 (Note 2) | | -90.48 (Note 2) | |
| | Band III, VIII, XII, XIII, XIV, XX, XXII | | | | -86.07 | | -90.98 | |
| Ior/Ioc | dB | 3.3 | 3.3 | -2.6 | -2.6 | -8.7 | -8.7 | |
| CPICH Ec/Io, Note 1 | | dBm | -13.6 | -13.6 | -15.6 | -15.6 | -19.6 | -19.6 |
| Io, Note 1 | Band I, IV, VI, X, XI, XIX, XXI | dBm / 3.84 MHz | -51.3 | | -85.85 | | -92.9 | |
| | Band IX* | | | | -84.85 | | -91.9 | |
| | Band II, V, VII | | | | -83.85 | | -90.9 | |
| | Band XXV, XXVI | | | | -82.35 (Note 2) | | -89.4 (Note 2) | |
| | Band III, VIII, XII, XIII, XIV, XX, XXII | | | | -82.85 | | -89.9 | |
| Propagation condition | | - | AWGN | | AWGN | | AWGN | |
| NOTE 1: CPICH Ec/Io and Io levels have been calculated from other parameters for information purposes. They are not settable parameters themselves. | | | | | | | | |
| *) For the UE which supports both Band III and Band IX operating frequencies, the measurement performance requirements for Band III shall apply to the multi-band UE. | | | | | | | | |
| NOTE 2: The test parameter is modified by -1.5 dB when the carrier frequency of the assigned UTRA channel is within 869-894 MHz for the UE which supports both Band V and Band XXVI operating frequencies. | | | | | | | | |
| Tests shall be done sequentially. Test 1 shall be done first. After test 1 has been executed test parameters for tests 2 and 3 shall be set within 5 seconds so that UE does not loose the Cell 2 in between the tests. | | | | | | | | |

The reported values for the absolute intra frequency CPICH Ec/Io measurement shall meet the requirements in table 8.7.2.1.1.6.

Table 8.7.2.1.1.6: CPICH_Ec/Io Intra frequency absolute accuracy requirements for the reported values

| | Test 1 | Test 2 | Test 3 |
|------------------------|----------------|----------------|----------------|
| Normal Conditions | | | |
| Lowest reported value | CPICH_Ec/No_17 | CPICH_Ec/No_12 | CPICH_Ec/No_0 |
| Highest reported value | CPICH_Ec/No_25 | CPICH_Ec/No_22 | CPICH_Ec/No_16 |
| Extreme Conditions | | | |
| Lowest reported value | CPICH_Ec/No_14 | CPICH_Ec/No_10 | CPICH_Ec/No_0 |
| Highest reported value | CPICH_Ec/No_28 | CPICH_Ec/No_24 | CPICH_Ec/No_16 |

NOTE: If the above Test Requirement differs from the Minimum Requirement then the Test Tolerance applied for this test is non-zero. The Test Tolerance for this test is defined in clause F.2 and the explanation of how the Minimum Requirement has been relaxed by the Test Tolerance is given in clause F.4.

8.7.2.1.2 Relative accuracy requirement

8.7.2.1.2.1 Definition and applicability

The relative accuracy of CPICH Ec/Io is defined as the CPICH Ec/Io measured from one cell compared to the CPICH Ec/Io measured from another cell on the same frequency.

The requirements and this test apply to all types of UTRA for the FDD UE.

8.7.2.1.2.2 Minimum Requirements

The accuracy requirements in table 8.7.2.1.2.1 are valid under the following conditions:

$CPICH_RSCP1,2|_{dBm} \geq -114$ dBm for Bands I, IV, VI, X, XI XIX and XXI,

$CPICH_RSCP1,2|_{dBm} \geq -113$ dBm for Band IX,

$CPICH_RSCP1,2|_{dBm} \geq -112$ dBm for Bands II, V and VII,

$CPICH_RSCP1,2|_{dBm} \geq -111$ dBm for Band III, VIII, XII, XIII, XIV, XX and XXII,

$CPICH_RSCP1,2|_{dBm} \geq -110.5$ dBm for Band XXV and XXVI. (NOTE 1)

NOTE 1: The condition is -112 dBm when the carrier frequency of the assigned UTRA channel is within 869-894 MHz for the UE which supports both Band V and Band XXVI operating frequencies.

$$\left| CPICH_RSCP1|_{in\ dBm} - CPICH_RSCP2|_{in\ dBm} \right| \leq 20dB$$

$$\left(\frac{I_o}{\hat{I}_{or}} \right)_{in\ dB} - \left(\frac{CPICH_E_c}{I_{or}} \right)_{in\ dB} \leq 20dB$$

Table 8.7.2.1.2.1: CPICH_Ec/Io Intra frequency relative accuracy

| Parameter | Unit | Accuracy [dB] | | Conditions | | | | |
|---|------|---|-------------------|-----------------------------------|-------------------|--------------------|----------------------|---|
| | | Normal condition | Extreme condition | Band I, IV, VI, X, XI XIX and XXI | Band IX | Band II, V and VII | Band XXV and XXVI | Band III, VIII, XII, XIII, XIV, XX and XXII |
| | | | | Io [dBm/3.84 MHz] | Io [dBm/3.84 MHz] | Io [dBm/3.84 MHz] | Io [dBm/3.84 MHz] | Io [dBm/3.84 MHz] |
| The lower of the CPICH_Ec/Io from cell1 and cell2 | dB | ± 1.5 for -14 ≤ CPICH Ec/Io ± 2 for -16 ≤ CPICH Ec/Io < -14 ± 3 for -20 ≤ CPICH Ec/Io < -16 | ± 3 | -94...-50 | -93...-50 | -92...-50 | -90.5...-50 (Note 1) | -91...-50 |

NOTE 1: The condition is -92...-50 dBm/3.84 MHz when the carrier frequency of the assigned UTRA channel is within 869-894 MHz for the UE which supports both Band V and Band XXVI operating frequencies.

The normative reference for this requirement is TS 25.133 [2] clauses 9.1.2.1.2 and A.9.1.2.2.

8.7.2.1.2.3 Test purpose

The purpose of this test is to verify that the CPICH Ec/Io relative measurement accuracy is within the specified limits in clause 8.7.2.1.2.2. This measurement is for Cell selection/re-selection and for handover evaluation.

8.7.2.1.2.4 Method of test

8.7.2.1.2.4.1 Initial conditions

Test environment: normal, TL/VL, TL/VH, TH/VL, TH/VH; see clauses G.2.1 and G.2.2.

Frequencies to be tested: mid range; see clause G.2.4.

In this case all cells are in the same frequency. CPICH Ec/Io intra frequency relative accuracy requirements are tested by using test parameters in table 8.7.2.1.1.2.

8.7.2.1.2.4.2 Procedure

- 1) A call is set up according to the test procedure specified in TS 34.108 [3] subclause 7.3.2. The RF parameters for Test 1 are set up according to table 8.7.2.1.2.3.
- 2) SS shall transmit MEASUREMENT CONTROL message.
- 3) UE shall transmit periodically MEASUREMENT REPORT messages.
- 4) SS shall check CPICH_Ec/No value of Cell 1 and Cell 2 in MEASUREMENT REPORT messages. According to table 8.7.2.1.1.3 the SS calculates CPICH_Ec/Io power ratio of Cell 1 and Cell 2. CPICH_Ec/Io power ratio value measured from Cell 1 is compared to CPICH_Ec/Io power ratio value measured from Cell 2 for each MEASUREMENT REPORT message.
- 5) The result of step 4) is compared to actual power level difference of CPICH_Ec/Io of Cell 1 and Cell 2.
- 6) SS shall check MEASUREMENT REPORT messages transmitted by UE until statistical significance according to Annex F.6.2.8 is achieved.
- 7) The RF parameters are set up according to table 8.7.2.1.2.3 for Test 2. While RF parameters are being set up, MEASUREMENT REPORT messages from UE are ignored. SS shall wait for additional 1s and ignore the MEASUREMENT REPORT messages during this period. Then, steps 4), 5) and 6) above are repeated.
- 8) The RF parameters are set up according to table 8.7.2.1.2.3 for Test 3. While RF parameters are being set up, MEASUREMENT REPORT messages from UE are ignored. SS shall wait for additional 1s and ignore the MEASUREMENT REPORT messages during this period. Then, steps 4), 5) and 6) above are repeated.
- 9) The SS shall transmit RRC CONNECTION RELEASE message.
- 10) UE shall transmit RRC CONNECTION RELEASE COMPLETE message.

Specific Message Contents

All messages indicated above shall use the same content as described in the default message content in clause 9 of 34.108 [3], with the following exceptions:

MEASUREMENT CONTROL message for Intra frequency measurement in clause 8.7.2.1.1.4.2 is used.

MEASUREMENT REPORT message for Intra frequency test cases

This message is common for all intra frequency test cases in clause 8.7 and is described in Annex I.

8.7.2.1.2.5 Test requirements

Table 8.7.2.1.2.2: CPICH_Ec/Io Intra frequency relative accuracy

| Parameter | Unit | Accuracy [dB] | | Conditions | | | | |
|-------------|------|--|-------------------|------------------------------------|-----------|--------------------|----------------------|---------------------------------------|
| | | Normal condition | Extreme condition | Band I, IV, VI, X, XI, XIX and XXI | Band IX | Band II, V and VII | Band XXV and XXVI | Band III, VIII, XII, XIII, XIV and XX |
| CPICH_Ec/Io | dB | ±2.3 for $-14 \leq \text{CPICH Ec/Io}$ ±2.8 for $-16 \leq \text{CPICH Ec/Io} < -14$ ±3.8 for $-20 \leq \text{CPICH Ec/Io} < -16$ | ±3.8 | -94...-50 | -93...-50 | -92...-50 | -90.5...-50 (Note 1) | -91...-50 |

NOTE 1: The condition is -92...-50 dBm/3.84 MHz when the carrier frequency of the assigned UTRA channel is within 869-894 MHz for the UE which supports both Band V and Band XXVI operating frequencies.

Table 8.7.2.1.2.3: CPICH_Ec/Io Intra frequency tests parameters

| Parameter | | Unit | Test 1 | | Test 2 | | Test 3 | |
|---|--|----------------|-----------|--------|-----------|--------|-----------------|--------|
| | | | Cell 1 | Cell 2 | Cell 1 | Cell 2 | Cell 1 | Cell 2 |
| UTRA RF Channel number | | | Channel 1 | | Channel 1 | | Channel 1 | |
| CPICH_Ec/Ior | | dB | -9.7 | | -9.8 | | -9.9 | |
| PCCPCH_Ec/Ior | | dB | -11.7 | | -11.8 | | -11.9 | |
| SCH_Ec/Ior | | dB | -11.7 | | -11.8 | | -11.9 | |
| PICH_Ec/Ior | | dB | -14.7 | | -14.8 | | -14.9 | |
| DPCH_Ec/Ior | | dB | -14.7 | - | -14.8 | - | -5.9 | - |
| OCNS_Ec/Ior | | dB | -1.2 | -1.02 | -1.17 | -0.99 | -2.64 | -0.97 |
| Ior | Band I, IV, VI, X, XI, XIX, XXI | dBm/ 3.84 MHz | -58.5 | | -89.07 | | -93.98 | |
| | Band IX* | | | | -88.07 | | -92.98 | |
| | Band II, V, VII | | | | -87.07 | | -91.98 | |
| | Band XXV, XXVI | | | | -85.57 | | -90.48 (Note 2) | |
| | Band III, VIII, XII, XIII, XIV, XX, XXII | | | | -86.07 | | -90.98 | |
| Ior/Ioc | | dB | 3.3 | 3.3 | -2.6 | -2.6 | -8.7 | -8.7 |
| CPICH Ec/Io, Note 1 | | dBm | -13.6 | -13.6 | -15.6 | -15.6 | -19.6 | -19.6 |
| Io, Note 1 | Band I, IV, VI, X, XI, XIX, XXI | dBm / 3.84 MHz | -51,3 | | -85.85 | | -92.9 | |
| | Band IX* | | | | -84.85 | | -91.9 | |
| | Band II, V, VII | | | | -83.85 | | -90.9 | |
| | Band XXV, XXVI | | | | -82.35 | | -89.4 (Note 2) | |
| | Band III, VIII, XII, XIII, XIV, XX, XXII | | | | -82.85 | | -89.9 | |
| Propagation condition | | - | AWGN | | AWGN | | AWGN | |
| NOTE 1: CPICH Ec/Io and Io levels have been calculated from other parameters for information purposes. They are not settable parameters themselves. | | | | | | | | |
| *) For the UE which supports both Band III and Band IX operating frequencies, the measurement performance requirements for Band III shall apply to the multi-band UE. | | | | | | | | |
| NOTE 2: The test parameter is modified by -1.5 dB when the carrier frequency of the assigned UTRA channel is within 869-894 MHz for the UE which supports both Band V and Band XXVI operating frequencies. | | | | | | | | |
| Tests shall be done sequentially. Test 1 shall be done first. After test 1 has been executed test parameters for tests 2 and 3 shall be set within 5 seconds so that UE does not loose the Cell 2 in between the tests. | | | | | | | | |

The reported values for the relative intra frequency CPICH Ec/Io measurement shall meet the requirements in table 8.7.2.1.2.4.

Table 8.7.2.1.2.4: CPICH_Ec/Io Intra frequency relative accuracy requirements for the reported values

| | Test 1 | Test 2 | Test 3 |
|---|---------------------|---------------------|---------------------|
| Normal Conditions | | | |
| Lowest reported value cell 2 | CPICH_Ec/No_(x - 5) | CPICH_Ec/No_(x - 6) | CPICH_Ec/No_(x - 8) |
| Highest reported value cell 2 | CPICH_Ec/No_(x+ 5) | CPICH_Ec/No_(x + 6) | CPICH_Ec/No_(x+ 8) |
| Extreme Conditions | | | |
| Lowest reported value cell2 | CPICH_Ec/No_(x - 8) | CPICH_Ec/No_(x - 8) | CPICH_Ec/No_(x - 8) |
| Highest reported value cell2 | CPICH_Ec/No_(x + 8) | CPICH_Ec/No_(x+ 8) | CPICH_Ec/No_(x+ 8) |
| CPICH_Ec/No_x is the reported value of cell 1 | | | |

NOTE: If the above Test Requirement differs from the Minimum Requirement then the Test Tolerance applied for this test is non-zero. The Test Tolerance for this test is defined in clause F.2 and the explanation of how the Minimum Requirement has been relaxed by the Test Tolerance is given in clause F.4.

8.7.2.2 Inter frequency measurement accuracy

8.7.2.2.1 Absolute accuracy requirement

Void

8.7.2.2.2 Relative accuracy requirement

8.7.2.2.2.1 Definition and applicability

The relative accuracy of CPICH Ec/Io in the inter frequency case is defined as the CPICH Ec/Io measured from one cell compared to the CPICH Ec/Io measured from another cell on a different frequency.

The requirements and this test apply to all types of UTRA for the FDD UE.

8.7.2.2.2.2 Minimum Requirements

The accuracy requirements in table 8.7.2.2.2.1 are valid under the following conditions:

CPICH_RSCP1,2|dBm ≥ -114 dBm for Bands I, IV, VI, X, XI XIX and XXI,

CPICH_RSCP1,2|dBm ≥ -113 dBm for Band IX,

CPICH_RSCP1,2|dBm ≥ -112 dBm for Bands II, V and VII,

CPICH_RSCP1,2|dBm ≥ -111 dBm for Band III, VIII, XII, XIII, XIV, XX and XXII,

CPICH_RSCP1,2|dBm ≥ -110.5 dBm for Band XXV and XXVI. (NOTE 1)

NOTE 1: The condition is -112 dBm when the carrier frequency of the assigned UTRA channel is within 869-894 MHz for the UE which supports both Band V and Band XXVI operating frequencies.

$$\left| CPICH_RSCP1 \Big|_{in\ dBm} - CPICH_RSCP2 \Big|_{in\ dBm} \right| \leq 20\ dB$$

$$\left| Channel\ 1_Io \Big|_{dBm/3.84\ MHz} - Channel\ 2_Io \Big|_{dBm/3.84\ MHz} \right| \leq 20\ dB.$$

$$\left(\frac{I_o}{\hat{I}_{or}} \right) \Big|_{in\ dB} - \left(\frac{CPICH_E_c}{I_{or}} \right) \Big|_{in\ dB} \leq 20\ dB$$

Table 8.7.2.2.2.1: CPICH_Ec/Io Inter frequency relative accuracy, minimum requirements

| Parameter | Unit | Accuracy [dB] | | Conditions | | | | |
|---|------|---|-------------------|-----------------------------------|-------------------|--------------------|----------------------|---|
| | | Normal condition | Extreme condition | Band I, IV, VI, X, XI XIX and XXI | Band IX | Band II, V and VII | Band XXV and XXVI | Band III, VIII, XII, XIII, XIV, XX and XXII |
| | | | | Io [dBm/3.84 MHz] | Io [dBm/3.84 MHz] | Io [dBm/3.84 MHz] | Io [dBm/3.84 MHz] | Io [dBm/3.84 MHz] |
| The lower of the CPICH_Ec/Io from cell1 and cell2 | dB | ± 1.5 for -14 ≤ CPICH Ec/Io ± 2 for -16 ≤ CPICH Ec/Io < -14 ± 3 for -20 ≤ CPICH Ec/Io < -16 | ± 3 | -94...-50 | -93...-50 | -92...-50 | -90.5...-50 (Note 1) | -91...-50 |

NOTE 1: The condition is -92...-50 dBm/3.84 MHz when the carrier frequency of the assigned UTRA channel is within 869-894 MHz for the UE which supports both Band V and Band XXVI operating frequencies.

The normative reference for this requirement is TS 25.133 [2] clauses 9.1.2.2.2 and A.9.1.2.2.

8.7.2.2.2.3 Test purpose

The purpose of this test is to verify that the CPICH Ec/Io relative measurement accuracy is within the specified limits in clause 8.7.2.2.2.2. This measurement is for Cell selection/re-selection and for handover evaluation.

8.7.2.2.2.4 Method of test

8.7.2.2.2.4.1 Initial conditions

Test environment: normal, TL/VL, TL/VH, TH/VL, TH/VH; see clauses G.2.1 and G.2.2.

Frequencies to be tested: mid range; see clause G.2.4.

In this case both cells are on different frequencies.

For UEs that require compressed mode, compressed mode is applied. The gap length is 7, detailed definition is in clause C.5, set 1 of table C.5.2 except for TGRRC and TGCFN. TGPRC and TGCFN shall set to "Infinity" and "(Current CFN + (256 – TTI/10msec))mod 256".

For UEs that do not require compressed mode, compressed mode is not applied and therefore no Physical Channel Reconfiguration message will be sent.

CPICH Ec/Io inter frequency relative accuracy requirements are tested by using test parameters in table 8.7.2.2.2.2.

Table 8.7.2.2.2.2: CPICH Ec/Io Inter frequency parameters

| Parameter | | Unit | Test 1 | | Test 2 | | Test 3 | |
|---|--|---------------|-----------|-----------|-----------|-----------|-------------------|-------------------|
| | | | Cell 1 | Cell 2 | Cell 1 | Cell 2 | Cell 1 | Cell 2 |
| UTRA RF Channel number | | | Channel 1 | Channel 2 | Channel 1 | Channel 2 | Channel 1 | Channel 2 |
| CPICH_Ec/Ior | | dB | -10 | | -10 | | -10 | |
| PCCPCH_Ec/Ior | | dB | -12 | | -12 | | -12 | |
| SCH_Ec/Ior | | dB | -12 | | -12 | | -12 | |
| PICH_Ec/Ior | | dB | -15 | | -15 | | -15 | |
| DPCH_Ec/Ior | | dB | -15 | - | -6 | - | -6 | - |
| OCNS_Ec/Ior | | dB | -1.11 | -0.94 | -2.56 | -0.94 | -2.56 | -0.94 |
| Ior | Band I, IV, VI, X, XI, XIX, XXI | dBm/ 3.84 MHz | -52.22 | -52.22 | -87.27 | -87.27 | -94.46 | -94.46 |
| | Band IX* | | | | -86.27 | -86.27 | -93.46 | -93.46 |
| | Band II, V, VII | | | | -85.27 | -85.27 | -92.46 | -92.46 |
| | Band XXV, XXVI | | | | 83.77 | 83.77 | 90.96 (Note 2) | 90.96 (Note 2) |
| | Band III, VIII, XII, XIII, XIV, XX, XXII | | | | -84.27 | -84.27 | -91.46 | -91.46 |
| Ior/Ioc | | dB | -1.75 | -1.75 | -4.7 | -4.7 | -9.54 | -9.54 |
| CPICH Ec/Io, Note 1 | | dBm | -14.0 | -14.0 | -16.0 | -16.0 | -20.0 | -20.0 |
| Ioc, Note 1 | Band I, IV, VI, X, XI, XIX, XXI | dBm/3.84 MHz | -50 | -50 | -86 | -86 | -94 | -94 |
| | Band IX* | | | | -85 | -85 | -93 | -93 |
| | Band II, V, VII | | | | -84 | -84 | -92 | -92 |
| | Band XXV, XXVI | | | | 82.4 | 82.4 | 90.5 (Note 2) | 90.5 (Note 2) |
| | Band III, VIII, XII, XIII, XIV, XX, XXII | | | | -83 | -83 | -91 | -91 |
| Propagation condition | | - | AWGN | | AWGN | | AWGN | |
| NOTE 1: CPICH Ec/Io and Ioc levels have been calculated from other parameters for information purposes. They are not settable parameters themselves. | | | | | | | | |
| *) For the UE which supports both Band III and Band IX operating frequencies, the measurement performance requirements for Band III shall apply to the multi-band UE. | | | | | | | | |
| NOTE 2: The test parameter is modified by -1.5 dB when the carrier frequency of the assigned UTRA channel is within 869-894 MHz for the UE which supports both Band V and Band XXVI operating frequencies. | | | | | | | | |
| Tests shall be done sequentially. Test 1 shall be done first. After test 1 has been executed test parameters for tests 2 and 3 shall be set within 5 seconds so that UE does not loose the Cell 2 in between the tests. | | | | | | | | |

8.7.2.2.4.2 Procedure

- 1) A call is set up according to the test procedure specified in TS 34.108 [3] subclause 7.3.2. The RF parameters for Test 1 are set up according to table 8.7.2.2.4.
- 2) If compressed mode is required, SS shall transmit PHYSICAL CHANNEL RECONFIGURATION message. Otherwise, go to step 4.
- 3) UE shall transmit PHYSICAL CHANNEL RECONFIGURATION COMPLETE message.
- 4) SS shall transmit a MEASUREMENT CONTROL message for intra frequency measurement and transmit another MEASUREMENT CONTROL message for inter frequency measurement.
- 5) UE shall transmit periodically MEASUREMENT REPORT messages.
- 6) SS shall check CPICH_Ec/No value of Cell 1 and Cell 2 in MEASUREMENT REPORT messages. According to table 8.7.2.1.1.3 the SS calculates CPICH_Ec/Io power ratio of Cell 1 and Cell 2. CPICH_Ec/Io power ratio measured from Cell 1 is compared to CPICH_Ec/Io power value measured from Cell 2 for each MEASUREMENT REPORT message.
- 7) The result of step 6) is compared to actual power level difference of CPICH_Ec/Io of Cell 1 and Cell 2.
- 8) SS shall check MEASUREMENT REPORT messages transmitted by UE until statistical significance according to Annex F.6.2.8 is achieved.
- 9) The RF parameters are set up according to table 8.7.2.2.4 for Test 2. While RF parameters are being set up, MEASUREMENT REPORT messages from UE are ignored. SS shall wait for additional 1s and ignore the MEASUREMENT REPORT messages during this period. Then, steps 6), 7) and 8) above are repeated.
- 10) The RF parameters are set up according to table 8.7.2.2.4 for Test 3. While RF parameters are being set up, MEASUREMENT REPORT messages from UE are ignored. SS shall wait for additional 1s and ignore the MEASUREMENT REPORT messages during this period. Then, steps 6), 7) and 8) above are repeated.
- 11) The SS shall transmit RRC CONNECTION RELEASE message.
- 12) UE shall transmit RRC CONNECTION RELEASE COMPLETE message.

Specific Message Contents

All messages indicated above shall use the same content as described in default message content in clause 9 of 34.108 [3], with the following exceptions:

PHYSICAL CHANNEL RECONFIGURATION message for Inter frequency measurement (step 2):

| Information Element | Value/Remark | Version |
|-------------------------------------|--|---------|
| Message Type | | |
| UE Information Elements | | |
| -RRC transaction identifier | 0 | |
| -Integrity check info | | |
| -message authentication code | SS calculates the value of MAC-I for this message and writes to this IE. The first/ leftmost bit of the bit string contains the most significant bit of the MAC-I. | |
| -RRC message sequence number | SS provides the value of this IE, from its internal counter. | |
| -Integrity protection mode info | Not Present | |
| -Ciphering mode info | Not Present | |
| -Activation time | Not Present | |
| -New U-RNTI | Not Present | |
| -New C-RNTI | Not Present | |
| -RRC State Indicator | CELL_DCH | |
| -UTRAN DRX cycle length coefficient | Not Present | |
| CN Information Elements | | |
| -CN Information info | Not Present | |
| UTRAN mobility information elements | | |
| -URA identity | Not Present | |

| Information Element | Value/Remark | Version |
|--|---|--------------------|
| RB information elements | | |
| -Downlink counter synchronisation info | Not Present | |
| PhyCH information elements | | |
| -Frequency info | Not Present | |
| Uplink radio resources | | |
| -Maximum allowed UL TX power | Not Present | |
| - CHOICE channel requirement | Not Present | |
| Downlink radio resources | | |
| -CHOICE mode | FDD | |
| -Downlink PDSCH information | Not Present | R99 and Rel-4 only |
| -Downlink information common for all radio links | | |
| -Downlink DPCH info common for all RL | Not Present | |
| -CHOICE mode | FDD | |
| -DPCH compressed mode info | | |
| -Transmission gap pattern sequence | | |
| -TGPSI | 1 | |
| -TGPS Status Flag | Activate | |
| -TGCFN | (Current CFN + (256 – TTI/10msec))mod 256 | |
| -Transmission gap pattern sequence | | |
| configuration parameters | | |
| -TGMP | FDD measurement | |
| -TGPRC | Infinity | |
| -TGSN | 4 | |
| -TGL1 | 7 | |
| -TGL2 | Not Present | |
| -TGD | UNDEFINED | |
| -TGPL1 | 3 | |
| -TGPL2 | Not Present | R99 and Rel-4 only |
| -RPP | Mode 0 | |
| -ITP | Mode 0 | |
| -CHOICE UL/DL mode | UL and DL | |
| -Downlink compressed mode method | SF/2 | |
| -Uplink compressed mode method | SF/2 | |
| -Downlink frame type | B | |
| -DeltaSIR1 | 3.0 | |
| -DeltaSIRafter1 | 3.0 | |
| -DeltaSIR2 | Not Present | |
| -DeltaSIRafter2 | Not Present | |
| -N Identify abort | Not Present | |
| -T Reconfirm abort | Not Present | |
| -TX Diversity Mode | Not Present | |
| -SSDT information | Not Present | R99 and Rel-4 only |
| -Default DPCH Offset Value | Not Present | |
| -Downlink information per radio link list | | |
| -Downlink information for each radio link | | |
| -Choice mode | FDD | |
| -Primary CPICH info | | |
| -Primary scrambling code | 100 | |
| -PDSCH with SHO DCH Info | Not Present | R99 and Rel-4 only |
| -PDSCH code mapping | Not Present | R99 and Rel-4 only |
| -Downlink DPCH info for each RL | | |
| -CHOICE mode | FDD | |
| -Primary CPICH usage for channel estimation | Primary CPICH may be used | |
| -DPCH frame offset | Set to value Default DPCH Offset Value (as currently stored in SS) mod 38400 | |
| -Secondary CPICH info | Not Present | |
| -DL channelisation code | | |
| -Secondary scrambling code | Not Present | |
| -Spreading factor | 128 | |
| -Code number | 96 | |
| -Scrambling code change | No code change | |
| -TPC combination index | 0 | |

| Information Element | Value/Remark | Version |
|-------------------------------------|--------------|--------------------|
| -SSDT Cell Identity | Not Present | R99 and Rel-4 only |
| -Closed loop timing adjustment mode | Not Present | |
| -SCCPCH Information for FACH | Not Present | |

First MEASUREMENT CONTROL message for Intra frequency measurement (Step 4):

| Information Element | Value/Remark |
|---|---|
| Message Type | |
| UE information elements | |
| -RRC transaction identifier | 0 |
| -Integrity check info | |
| -message authentication code | SS calculates the value of MAC-I for this message and writes to this IE. The first/leftmost bit of the bit string contains the most significant bit of the MAC-I. |
| -RRC message sequence number | SS provides the value of this IE, from its internal counter. |
| Measurement Information elements | |
| -Measurement Identity | 1 |
| -Measurement Command | Modify |
| -Measurement Reporting Mode | |
| - Measurement Report Transfer Mode | Acknowledged mode RLC |
| - Periodical Reporting / Event Trigger Reporting Mode | Periodical reporting |
| -Additional measurement list | Not Present |
| -CHOICE Measurement Type | Intra-frequency measurement |
| -Intra-frequency measurement | |
| - Intra-frequency measurement objects list | |
| -Intra-frequency cell info list | Not Present |
| -Intra-frequency measurement quantity | |
| -Filter coefficient | 0 |
| -CHOICE mode | FDD |
| -Measurement quantity | CPICH RSCP |
| -Intra-frequency reporting quantity | |
| -Reporting quantities for active set cells | |
| -Cell synchronisation information reporting indicator | TRUE |
| -Cell Identity reporting indicator | TRUE |
| -CHOICE mode | FDD |
| -CPICH Ec/N0 reporting indicator | TRUE |
| -CPICH RSCP reporting indicator | TRUE |
| -Pathloss reporting indicator | FALSE |
| -Reporting quantities for monitored set cells | |
| -Cell synchronisation information reporting indicator | FALSE |
| -Cell Identity reporting indicator | TRUE |
| -CHOICE mode | FDD |
| -CPICH Ec/N0 reporting indicator | TRUE |
| -CPICH RSCP reporting indicator | TRUE |
| -Pathloss reporting indicator | FALSE |
| -Reporting quantities for detected set cells | Not Present |
| -Reporting cell status | |
| -CHOICE reported cell | Report all active set cells + cells within monitored set on used frequency |
| -Maximum number of reported cells | Virtual/active set cells + 2 |
| -Measurement validity | Not Present |
| -CHOICE report criteria | Periodical reporting criteria |
| -Amount of reporting | Infinity |
| -Reporting interval | 250 ms |
| Physical channel information elements | |
| -DPCH compressed mode status info | Not Present |

Second MEASUREMENT CONTROL message for Inter frequency measurement (step 4):

| Information Element | Value/Remark |
|---|---|
| Message Type | |
| UE information elements | |
| -RRC transaction identifier | 0 |
| -Integrity check info | |
| -message authentication code | SS calculates the value of MAC-I for this message and writes to this IE. The first/leftmost bit of the bit string contains the most significant bit of the MAC-I. |
| -RRC message sequence number | SS provides the value of this IE, from its internal counter. |
| Measurement Information elements | |
| -Measurement Identity | 2 |
| -Measurement Command | Setup |
| -Measurement Reporting Mode | |
| - Measurement Report Transfer Mode | Acknowledged mode RLC |
| - Periodical Reporting / Event Trigger Reporting Mode | Periodical reporting |
| -Additional measurement list | Not Present |
| -CHOICE Measurement Type | Inter-frequency measurement |
| -Inter-frequency measurement | |
| -Inter-frequency cell info list | |
| -CHOICE Inter-frequency cell removal | Not Present |
| -New inter-frequency cells | Cell 2 information is included |
| -Cell for measurement | Not Present |
| -Inter-frequency measurement quantity | |
| -CHOICE reporting criteria | Inter-frequency reporting criteria |
| -Filter coefficient | 0 |
| -CHOICE mode | FDD |
| -Measurement quantity for frequency quality estimate | CPICH RSCP |
| -Inter-frequency reporting quantity | |
| -UTRA Carrier RSSI | TRUE |
| -Frequency quality estimate | TRUE |
| -Non frequency related cell reporting quantities | |
| -Cell synchronisation information reporting indicator | TRUE |
| -Cell Identity reporting indicator | TRUE |
| -CHOICE mode | FDD |
| -CPICH Ec/N0 reporting indicator | TRUE |
| -CPICH RSCP reporting indicator | TRUE |
| -Pathloss reporting indicator | FALSE |
| -Reporting cell status | |
| -CHOICE reported cell | Report cells within monitored set on non-used frequency |
| -Maximum number of reported cells | 2 |
| -Measurement validity | Not Present |
| -Inter-frequency set update | Not Present |
| -CHOICE report criteria | Periodical reporting criteria |
| -Amount of reporting | Infinity |
| -Reporting interval | 500 ms |
| Physical channel information elements | |
| -DPCH compressed mode status info | Not Present |

MEASUREMENT REPORT message for Intra frequency test cases

This message is common for all inter frequency test cases in clause 8.7 and is described in Annex I.

8.7.2.2.2.5 Test requirements

The effect of assumed thermal noise and noise generated in the receiver (-99 dBm for Band I, IV, VI, X, XI, XIX and XXI, -98dBm for Band IX, -97 dBm for Band II, V and VII, -96 dBm for Band III, VIII, XII, XIII, XIV, XX and XXII, -95.5 dBm for Band XXV and XXVI) shall be added into the required accuracy defined in clause 8.7.2.2.2.2 as shown in table 8.7.2.2.2.3.

Table 8.7.2.2.3: CPICH_Ec/lo Inter frequency relative accuracy, test requirements

| Parameter | Unit | Normal condition | Extreme condition | Io [dBm/3.84 MHz] | | | | |
|-------------|------|---|-------------------|-----------------------------------|-----------|--------------------|------------------------|---|
| | | | | Band I, IV, VI, X, XI XIX and XXI | Band IX | Band II, V and VII | Band XXV and XXVI | Band III, VIII, XII, XIII, XIV, XX and XXII |
| CPICH_Ec/lo | dB | ± 3.5 for $-14 \leq \text{CPICH Ec/lo}$ ± 4 for $-16 \leq \text{CPICH Ec/lo} < -14$ ± 5 for $-20 \leq \text{CPICH Ec/lo} < -16$ | ± 5 | -94...-87 | -93...-86 | -92...-85 | -90.5...-84.5 (Note 1) | -91...-84 |
| | | ± 2.3 for $-14 \leq \text{CPICH Ec/lo}$ ± 2.8 for $-16 \leq \text{CPICH Ec/lo} < -14$ ± 3.8 for $-20 \leq \text{CPICH Ec/lo} < -16$ | ± 3.8 | -87...-50 | -86...-50 | -85...-50 | -83.5...-50 (Note 1) | -84...-50 |

NOTE 1: The test parameter is modified by -1.5 dB when the carrier frequency of the assigned UTRA channel is within 869-894 MHz for the UE which supports both Band V and Band XXVI operating frequencies.

The normative reference for this requirement is TS 25.133 [2] clause A.9.1.2.2.

Table 8.7.2.2.4: CPICH Ec/lo Inter frequency tests parameters

| Parameter | | Unit | Test 1 | | Test 2 | | Test 3 | |
|------------------------|--|---------------|-----------|-----------|-----------|-----------|-----------------|-----------------|
| | | | Cell 1 | Cell 2 | Cell 1 | Cell 2 | Cell 1 | Cell 2 |
| UTRA RF Channel number | | | Channel 1 | Channel 2 | Channel 1 | Channel 2 | Channel 1 | Channel 2 |
| CPICH_Ec/lor | | dB | -10 | | -10 | | -10 | |
| PCCPCH_Ec/lor | | dB | -12 | | -12 | | -12 | |
| SCH_Ec/lor | | dB | -12 | | -12 | | -12 | |
| PICH_Ec/lor | | dB | -15 | | -15 | | -15 | |
| DPCH_Ec/lor | | dB | -15 | - | -6 | - | -6 | - |
| OCNS_Ec/lor | | dB | -1.11 | -0.94 | -2.56 | -0.94 | -2.56 | -0.94 |
| Ioc | Band I, IV, VI, X, XI, XIX, XXI | dBm/ 3.84 MHz | -53.5 | -53.5 | -86.27 | -86.27 | -93.46 | -93.46 |
| | Band IX* | | | | -85.27 | -85.27 | -92.46 | -92.46 |
| | Band II, V, VII | | | | -84.27 | -84.27 | -91.46 | -91.46 |
| | Band XXV, XXVI | | | | -82.77 | -82.77 | -89.96 (Note 2) | -89.96 (Note 2) |
| | Band III, VIII, XII, XIII, XIV, XX, XXII | | | | -83.27 | -83.27 | -90.46 | -90.46 |
| Ior/Ioc | | dB | -1.45 | -1.45 | -4.4 | -4.4 | -9.24 | -9.24 |
| CPICH Ec/lo, Note 1 | | dBm | -13.8 | -13.8 | -15.7 | -15.7 | -19.7 | -19.7 |
| Io, Note 1 | Band I, IV, VI, X, XI, XIX, XXI | dBm /3.84 MHz | -51.15 | -51.15 | -84.9 | -84.9 | -93 | -93 |
| | Band IX* | | | | -83.9 | -83.9 | -92 | -92 |
| | Band II, V, VII | | | | -82.9 | -82.9 | -91 | -91 |
| | Band XXV, XXVI | | | | -81.4 | -81.4 | -89.5 (Note 2) | -89.5 (Note 2) |
| | Band III, VIII, XII, XIII, XIV, XX, XXII | | | | -81.9 | -81.9 | -90 | -90 |
| Propagation condition | | - | AWGN | | AWGN | | AWGN | |

NOTE 1: CPICH Ec/lo and Io levels have been calculated from other parameters for information purposes. They are not settable parameters themselves.

*) For the UE which supports both Band III and Band IX operating frequencies, the measurement performance requirements for Band III shall apply to the multi-band UE.

NOTE 2: The test parameter is modified by -1.5 dB when the carrier frequency of the assigned UTRA channel is within 869-894 MHz for the UE which supports both Band V and Band XXVI operating frequencies.

Tests shall be done sequentially. Test 1 shall be done first. After test 1 has been executed test parameters for tests 2 and 3 shall be set within 5 seconds so that UE does not loose the Cell 2 in between the tests.

NOTE: If the above Test Requirement differs from the Minimum Requirement then the Test Tolerance applied for this test is non-zero. The Test Tolerance for this test is defined in clause F.2 and the explanation of how the Minimum Requirement has been relaxed by the Test Tolerance is given in clause F.4.

The reported values for the relative inter frequency CPICH Ec/Io measurement shall meet the requirements in table 8.7.2.2.5.

Table 8.7.2.2.5: CPICH_Ec/Io Inter frequency relative accuracy requirements for the reported values

| | Test 1 | Test 2 | Test 3 |
|---|---------------------|---------------------|----------------------|
| Normal Conditions | | | |
| Lowest reported value cell 2 | CPICH_Ec/No_(x - 5) | CPICH_Ec/No_(x - 6) | CPICH_Ec/No_(x - 10) |
| Highest reported value cell 2 | CPICH_Ec/No_(x+5) | CPICH_Ec/No_(x + 6) | CPICH_Ec/No_(x +10) |
| Extreme Conditions | | | |
| Lowest reported value cell2 | CPICH_Ec/No_(x - 8) | CPICH_Ec/No_(x - 8) | CPICH_Ec/No_(x - 10) |
| Highest reported value cell2 | CPICH_Ec/No_(x + 8) | CPICH_Ec/No_(x + 8) | CPICH_Ec/No_(x + 10) |
| CPICH_Ec/No_x is the reported value of cell 1 | | | |

8.7.3 UTRA Carrier RSSI

NOTE: This measurement is for Inter-frequency handover evaluation.

8.7.3.1 Absolute measurement accuracy requirement

8.7.3.1.1 Definition and applicability

The absolute accuracy of UTRA Carrier RSSI is defined as the UTRA Carrier RSSI measured from one frequency compared to the actual UTRA Carrier RSSI power of that same frequency.

The requirements and this test apply to all types of UTRA for the FDD UE.

8.7.3.1.2 Minimum Requirements

Table 8.7.3.1.1: UTRA Carrier RSSI Inter frequency absolute accuracy

| Parameter | Unit | Accuracy [dB] | | Conditions | | | | |
|-------------------|------|------------------|-------------------|-------------------------------------|-------------------|--------------------|----------------------|---|
| | | Normal condition | Extreme condition | Band I, IV, VI, X, XI, XIX, and XXI | Band IX | Band II, V and VII | Band XXV and XXVI | Band III, VIII, XII, XIII, XIV, XX and XXII |
| | | | | Io [dBm/3.84 MHz] | Io [dBm/3.84 MHz] | Io [dBm/3.84 MHz] | Io [dBm/3.84 MHz] | Io [dBm/3.84 MHz] |
| UTRA Carrier RSSI | dBm | ± 4 | ± 7 | -94...-70 | -93...-70 | -92...-70 | -90.5...-70 (Note 1) | -91...-70 |
| | dBm | ± 6 | ± 9 | -70...-50 | -70...-50 | -70...-50 | -70...-50 | -70...-50 |

NOTE 1: The condition is -92...-70 dBm/3.84 MHz when the carrier frequency of the assigned UTRA channel is within 869-894 MHz for the UE which supports both Band V and Band XXVI operating frequencies.

The normative reference for this requirement is TS 25.133 [2] clause 9.1.3.1.

8.7.3.1.3 Test purpose

The purpose of this test is to verify that the UTRA Carrier RSSI measurement is within the specified limits. This measurement is for inter-frequency handover evaluation.

8.7.3.1.4 Method of test

8.7.3.1.4.1 Initial conditions

Test environment: normal, TL/VL, TL/VH, TH/VL, TH/VH; see clauses G.2.1 and G.2.2.

Frequencies to be tested: mid range; see clause G.2.4.

In this case both cells are on different frequencies.

For UEs that require compressed mode, compressed mode is applied. The gap length is 7, detailed definition is in clause C.5, Set 1 of table C.5.2 except for TGRRC and TGCFN. TGPRC and TGCFN shall set to "Infinity" and "(Current CFN + (256 - TTI/10msec))mod 256".

For UEs that do not require compressed mode, compressed mode is not applied and therefore no Physical Channel Reconfiguration message will be sent.

UTRA Carrier RSSI absolute accuracy requirements are tested by using test parameters in table 8.7.3.1.2.

Table 8.7.3.1.2: UTRA Carrier RSSI Inter frequency absolute accuracy parameters

| Parameter | | Unit | Test 1 | | Test 2 | | Test 3 | |
|---|--|---------------|-----------|-----------|-----------|-----------|-----------------|-----------------|
| | | | Cell 1 | Cell 2 | Cell 1 | Cell 2 | Cell 1 | Cell 2 |
| UTRA RF Channel number | | | Channel 1 | Channel 2 | Channel 1 | Channel 2 | Channel 1 | Channel 2 |
| CPICH_Ec/lor | | dB | -10 | -10 | -10 | -10 | -10 | -10 |
| PCCPCH_Ec/lor | | dB | -12 | -12 | -12 | -12 | -12 | -12 |
| SCH_Ec/lor | | dB | -12 | -12 | -12 | -12 | -12 | -12 |
| PICH_Ec/lor | | dB | -15 | -15 | -15 | -15 | -15 | -15 |
| DPCH_Ec/lor | | dB | -15 | - | -6 | - | -6 | - |
| OCNS_Ec/lor | | dB | -1.11 | -0.94 | -2.56 | -0.94 | -2.56 | -0.94 |
| loc | Band I, IV, VI, X, XI, XIX, XXI | dBm/ 3.84 MHz | -52.22 | -52.22 | -70.27 | -70.27 | -94.46 | -94.46 |
| | Band IX* | | | | | | -93.46 | -93.46 |
| | Band II, V, VII | | | | | | -92.46 | -92.46 |
| | Band XXV, XXVI | | | | | | -90.96 (Note 2) | -90.96 (Note 2) |
| | Band III, VIII, XII, XIII, XIV, XX, XXII | | | | | | -91.46 | -91.46 |
| lor/loc | | dB | -1.75 | -1.75 | -4.7 | -4.7 | -9.54 | -9.54 |
| CPICH Ec/lo, Note 1 | | dBm | -14.0 | -14.0 | -16.0 | -16.0 | -20.0 | -20.0 |
| lo, Note 1 | Band I, IV, VI, X, XI, XIX, XXI | dBm/3.84 MHz | -50 | -50 | -69 | -69 | -94 | -94 |
| | Band IX* | | | | | | -93 | -93 |
| | Band II, V, VII | | | | | | -92 | -92 |
| | Band XXV, XXVI | | | | | | -90.5 (Note 2) | -90.5 (Note 2) |
| | Band III, VIII, XII, XIII, XIV, XX, XXII | | | | | | -91 | -91 |
| Propagation condition | | - | AWGN | | AWGN | | AWGN | |
| NOTE 1: CPICH Ec/lo and lo levels have been calculated from other parameters for information purposes. They are not settable parameters themselves. | | | | | | | | |
| *) For the UE which supports both Band III and Band IX operating frequencies, the measurement performance requirements for Band III shall apply to the multi-band UE. | | | | | | | | |
| NOTE 2: The test parameter is modified by -1.5 dB when the carrier frequency of the assigned UTRA channel is within 869-894 MHz for the UE which supports both Band V and Band XXVI operating frequencies. | | | | | | | | |
| Tests shall be done sequentially. Test 1 shall be done first. After test 1 has been executed test parameters for tests 2 and 3 shall be set within 5 seconds so that UE does not loose the Cell 2 in between the tests. | | | | | | | | |

8.7.3.1.4.2 Procedure

- 1) A call is set up according to the test procedure specified in TS 34.108 [3] subclause 7.3.2. The RF parameters for Test 1 are set up according to table 8.7.3.1.2.
- 2) If compressed mode is required, SS shall transmit PHYSICAL CHANNEL RECONFIGURATION message. Otherwise, go to step 4.
- 3) UE shall transmit PHYSICAL CHANNEL RECONFIGURATION COMPLETE message.
- 4) SS shall transmit MEASUREMENT CONTROL message.
- 5) UE shall transmit periodically MEASUREMENT REPORT messages.
- 6) SS shall check UTRA carrier RSSI value of Channel 2 in MEASUREMENT REPORT messages. UTRA carrier RSSI power of Channel 2 reported by UE is compared to actual UTRA Carrier RSSI value of Channel 2 for each MEASUREMENT REPORT message.
- 7) SS shall check MEASUREMENT REPORT messages transmitted by UE until statistical significance according to Annex F.6.2.8 is achieved.

- 8) The RF parameters are set up according to table 8.7.3.1.2 for Test 2. While RF parameters are being set up, MEASUREMENT REPORT messages from UE are ignored. SS shall wait for additional 1s and ignore the MEASUREMENT REPORT messages during this period. Then, step 6) and 7) above are repeated.
- 9) The RF parameters are set up according to table 8.7.3.1.2 for Test 3. While RF parameters are being set up, MEASUREMENT REPORT messages from UE are ignored. SS shall wait for additional 1s and ignore the MEASUREMENT REPORT messages during this period. Then, step 6) and 7) above are repeated.
- 10) The SS shall transmit RRC CONNECTION RELEASE message.
- 11) UE shall transmit RRC CONNECTION RELEASE COMPLETE message.

Specific Message Contents

All messages indicated above shall use the same content as described in default message content in clause 9 of 34.108 [3], with the following exceptions:

PHYSICAL CHANNEL RECONFIGURATION message for Inter frequency measurement (step 2):

| Information Element | Value/Remark | Version |
|---|--|--------------------|
| Message Type | | |
| UE Information Elements -RRC transaction identifier -Integrity check info -message authentication code -RRC message sequence number -Integrity protection mode info -Ciphering mode info -Activation time -New U-RNTI -New C-RNTI -RRC State Indicator -UTRAN DRX cycle length coefficient | 0 SS calculates the value of MAC-I for this message and writes to this IE. The first/ leftmost bit of the bit string contains the most significant bit of the MAC-I. SS provides the value of this IE, from its internal counter. Not Present Not Present Not Present Not Present Not Present CELL_DCH Not Present | |
| CN Information Elements -CN Information info | Not Present | |
| UTRAN mobility information elements -URA identity | Not Present | |
| RB information elements -Downlink counter synchronisation info | Not Present | |
| PhyCH information elements -Frequency info | Not Present | |
| Uplink radio resources -Maximum allowed UL TX power - CHOICE channel requirement | Not Present Not Present | |
| Downlink radio resources -CHOICE mode -Downlink PDSCH information -Downlink information common for all radio links -Downlink DPCH info common for all RL -CHOICE mode -DPCH compressed mode info -Transmission gap pattern sequence -TGPSI -TGPS Status Flag -TGCFN -Transmission gap pattern sequence configuration parameters -TGMP -TGPRC -TGSN -TGL1 -TGL2 -TGD -TGPL1 | FDD Not Present Not Present FDD 1 Activate (Current CFN + (256 – TTI/10msec))mod 256 FDD measurement Infinity 4 7 Not Present UNDEFINED 3 | R99 and Rel-4 only |

| Information Element | Value/Remark | Version |
|---|---|--------------------|
| -TGPL2 | Not Present | R99 and Rel-4 only |
| -RPP | Mode 0 | |
| -ITP | Mode 0 | |
| -CHOICE UL/DL mode | UL and DL | |
| -Downlink compressed mode method | SF/2 | |
| -Uplink compressed mode method | SF/2 | |
| -Downlink frame type | B | |
| -DeltaSIR1 | 3.0 | |
| -DeltaSIRafter1 | 3.0 | |
| -DeltaSIR2 | Not Present | |
| -DeltaSIRafter2 | Not Present | |
| -N Identify abort | Not Present | |
| -T Reconfirm abort | Not Present | |
| -TX Diversity Mode | Not Present | |
| -SSDT information | Not Present | R99 and Rel-4 only |
| -Default DPCH Offset Value | Not Present | |
| -Downlink information per radio link list | | |
| -Downlink information for each radio link | | |
| -Choice mode | FDD | |
| -Primary CPICH info | | |
| -Primary scrambling code | 100 | |
| -PDSCH with SHO DCH Info | Not Present | R99 and Rel-4 only |
| -PDSCH code mapping | Not Present | R99 and Rel-4 only |
| -Downlink DPCH info for each RL | | |
| -CHOICE mode | FDD | |
| -Primary CPICH usage for channel estimation | Primary CPICH may be used | |
| -DPCH frame offset | Set to value Default DPCH Offset Value (as currently stored in SS) mod 38400 | |
| -Secondary CPICH info | Not Present | |
| -DL channelisation code | | |
| -Secondary scrambling code | Not Present | |
| -Spreading factor | 128 | |
| -Code number | 96 | |
| -Scrambling code change | No code change | |
| -TPC combination index | 0 | |
| -SSDT Cell Identity | Not Present | R99 and Rel-4 only |
| -Closed loop timing adjustment mode | Not Present | |
| -SCCPCH Information for FACH | Not Present | |

MEASUREMENT CONTROL message for Inter frequency measurement (step 4):

| Information Element | Value/Remark |
|---|---|
| Message Type | |
| UE information elements | |
| -RRC transaction identifier | 0 |
| -Integrity check info | |
| -message authentication code | SS calculates the value of MAC-I for this message and writes to this IE. The first/leftmost bit of the bit string contains the most significant bit of the MAC-I. |
| -RRC message sequence number | SS provides the value of this IE, from its internal counter. |
| Measurement Information elements | |
| -Measurement Identity | 2 |
| -Measurement Command | Setup |
| -Measurement Reporting Mode | |
| - Measurement Report Transfer Mode | Acknowledged mode RLC |
| - Periodical Reporting / Event Trigger Reporting Mode | Periodical reporting |
| -Additional measurement list | Not Present |
| -CHOICE Measurement Type | Inter-frequency measurement |

| Information Element | Value/Remark |
|---|---|
| -Inter-frequency measurement | |
| -Inter-frequency cell info list | |
| -CHOICE Inter-frequency cell removal | Not Present |
| -New inter-frequency cells | Cell 2 information is included. |
| -Cell for measurement | Not Present |
| -Inter-frequency measurement quantity | |
| -CHOICE reporting criteria | Inter-frequency reporting criteria |
| -Filter coefficient | 0 |
| -CHOICE mode | FDD |
| -Measurement quantity for frequency quality estimate | CPICH RSCP |
| -Inter-frequency reporting quantity | |
| -UTRA Carrier RSSI | TRUE |
| -Frequency quality estimate | TRUE |
| -Non frequency related cell reporting quantities | |
| -Cell synchronisation information reporting indicator | TRUE |
| -Cell Identity reporting indicator | TRUE |
| -CHOICE mode | FDD |
| -CPICH Ec/N0 reporting indicator | TRUE |
| -CPICH RSCP reporting indicator | TRUE |
| -Pathloss reporting indicator | FALSE |
| -Reporting cell status | |
| -CHOICE reported cell | Report cells within monitored set on non-used frequency |
| -Maximum number of reported cells | 2 |
| -Measurement validity | Not Present |
| -Inter-frequency set update | Not Present |
| -CHOICE report criteria | Periodical reporting criteria |
| -Amount of reporting | Infinity |
| -Reporting interval | 500 ms |
| Physical channel information elements | |
| -DPCH compressed mode status info | Not Present |

MEASUREMENT REPORT message for Inter frequency test cases

This message is common for all inter frequency test cases in clause 8.7 and is described in Annex I.

8.7.3.1.5 Test requirements

The UTRA Carrier RSSI absolute measurement accuracy shall meet the requirements in clause 8.7.3.1.2. The effect of assumed thermal noise and noise generated in the receiver (-99 dBm for Band I, IV, VI, X, XI, XIX and XXI, -98dBm for Band IX, -97 dBm for Band II, V and VII, -96 dBm for Band III, VIII, XII, XIII, XIV, XX and XXII, -95.5 dBm for Band XXV and XXVI) shall be added into the required accuracy defined in subclause 8.7.3.1.2 as shown in table 8.7.3.1.3.

Table 8.7.3.1.3: UTRA Carrier RSSI absolute accuracy, test requirements

| Parameter | Unit | Accuracy [dB] | | | | | |
|-------------------|------|------------------|--------|----------|-------------------|--------|----------|
| | | Normal condition | | | Extreme condition | | |
| | | Test 1 | Test 2 | Test 3 | Test 1 | Test 2 | Test 3 |
| UTRA Carrier RSSI | dBm | ± 7.15 | ± 5.1 | -5...5.8 | ± 10.15 | ± 8.1 | -8...8.8 |

The normative reference for this requirement is TS 25.133 [2] clause A.9.1.3.2.

Table 8.7.3.1.4: UTRA Carrier RSSI Inter frequency absolute accuracy test parameters

| Parameter | Unit | Test 1 | | Test 2 | | Test 3 | | |
|---|--|---------------|-----------|-----------|-----------|-----------|-----------------|-----------------|
| | | Cell 1 | Cell 2 | Cell 1 | Cell 2 | Cell 1 | Cell 2 | |
| UTRA RF Channel number | | Channel 1 | Channel 2 | Channel 1 | Channel 2 | Channel 1 | Channel 2 | |
| CPICH_Ec/Ior | dB | -10 | | -10 | | -10 | | |
| PCCPCH_Ec/Ior | dB | -12 | | -12 | | -12 | | |
| SCH_Ec/Ior | dB | -12 | | -12 | | -12 | | |
| PICH_Ec/Ior | dB | -15 | | -15 | | -15 | | |
| DPCH_Ec/Ior | dB | -15 | - | -6 | - | -6 | - | |
| OCNS_Ec/Ior | dB | -1.11 | -0.94 | -2.56 | -0.94 | -2.56 | -0.94 | |
| Ior | Band I, IV, VI, X, XI, XIX, XXI | dBm/ 3.84 MHz | -53.5 | -53.5 | -69.27 | -69.27 | -93.46 | -93.46 |
| | Band IX* | | | | | | -92.46 | -92.46 |
| | Band II, V, VII | | | | | | -91.46 | -91.46 |
| | Band XXV, XXVI | | | | | | -89.96 (Note 2) | -89.96 (Note 2) |
| | Band III, VIII, XII, XIII, XIV, XX, XXII | | | | | | -90.46 | -90.46 |
| Ior/Ioc | dB | -1.45 | -1.45 | -4.4 | -4.4 | -9.24 | -9.24 | |
| CPICH Ec/Io, Note 1 | dBm | -13.8 | -13.8 | -15.7 | -15.7 | -19.7 | -19.7 | |
| Io, Note 1 | Band I, IV, VI, X, XI, XIX, XXI | dBm/3.84 MHz | -51.15 | -51.15 | -67.9 | -67.9 | -93 | -93 |
| | Band IX* | | | | | | -92 | -92 |
| | Band II, V, VII | | | | | | -91 | -91 |
| | Band XXV, XXVI | | | | | | -89.5 (Note 2) | -89.5 (Note 2) |
| | Band III, VIII, XII, XIII, XIV, XX, XXII | | | | | | -90 | -90 |
| Propagation condition | - | AWGN | | AWGN | | AWGN | | |
| NOTE 1: CPICH Ec/Io and Io levels have been calculated from other parameters for information purposes. They are not settable parameters themselves. | | | | | | | | |
| *) For the UE which supports both Band III and Band IX operating frequencies, the measurement performance requirements for Band III shall apply to the multi-band UE. | | | | | | | | |
| NOTE 2: The test parameter is modified by -1.5 dB when the carrier frequency of the assigned UTRA channel is within 869-894 MHz for the UE which supports both Band V and Band XXVI operating frequencies. | | | | | | | | |
| Tests shall be done sequentially. Test 1 shall be done first. After test 1 has been executed test parameters for tests 2 and 3 shall be set within 5 seconds so that UE does not loose the Cell 2 in between the tests. | | | | | | | | |

The reported values for the UTRA Carrier RSSI absolute measurement shall meet the requirements in table 8.7.3.1.5.

Table 8.7.3.1.5: UTRA Carrier RSSI absolute accuracy requirements for the reported values

| | Test 1 | Test 2 | Test 3 |
|---------------------------------|------------------------------|------------------------------|------------------------------|
| Normal Conditions | | | |
| Lowest reported value (Cell 2) | UTRA_carrier_RSSI_LEV_4 2 | UTRA_carrier_RSSI_LEV_2 7 | UTRA_carrier_RSSI_LEV_0 2 |
| Highest reported value (Cell 2) | UTRA_carrier_RSSI_LEV_5 7 | UTRA_carrier_RSSI_LEV_3 8 | UTRA_carrier_RSSI_LEV_1 3 |
| Extreme Conditions | | | |
| Lowest reported value (Cell 2) | UTRA_carrier_RSSI_LEV_3 9 | UTRA_carrier_RSSI_LEV_2 4 | UTRA_carrier_RSSI_LEV_0 0 |
| Highest reported value (Cell 2) | UTRA_carrier_RSSI_LEV_6 0 | UTRA_carrier_RSSI_LEV_4 1 | UTRA_carrier_RSSI_LEV_1 6 |

NOTE: If the above Test Requirement differs from the Minimum Requirement then the Test Tolerance applied for this test is non-zero. The Test Tolerance for this test is defined in clause F.2 and the explanation of how the Minimum Requirement has been relaxed by the Test Tolerance is given in clause F.4.

8.7.3.2 Relative measurement accuracy requirement

8.7.3.2.1 Definition and applicability

The relative accuracy requirement is defined as the UTRA Carrier RSSI measured from one frequency compared to the UTRA Carrier RSSI measured from another frequency.

The requirements and this test apply for Release 6 and later releases to all types of UTRA for the FDD UE.

8.7.3.2.2 Minimum Requirements

The accuracy requirements in table 8.7.3.2.1 are valid under the following condition:

$$|\text{Channel 1}_{\text{Io}}|_{\text{dBm}/3.84 \text{ MHz}} - |\text{Channel 2}_{\text{Io}}|_{\text{dBm}/3.84 \text{ MHz}} < 20 \text{ dB.}$$

Table 8.7.3.2.1: UTRA Carrier RSSI Inter frequency relative accuracy

| Parameter | Unit | Accuracy [dB] | | Conditions | | | | |
|-------------------|------|------------------|-------------------|------------------------------------|-------------------|--------------------|----------------------|---|
| | | Normal condition | Extreme condition | Band I, IV, VI, X, X,I XIX and XXI | Band IX | Band II, V and VII | Band XXV and XXVI | Band III, VIII, XII, XIII, XIV, XX and XXII |
| | | | | Io [dBm/3.84 MHz] | Io [dBm/3.84 MHz] | Io [dBm/3.84 MHz] | Io [dBm/3.84 MHz] | Io [dBm/3.84 MHz] |
| UTRA Carrier RSSI | dBm | ± 7 | ± 11 | -94...-50 | -93...-50 | -92...-50 | -90.5...-50 (Note 1) | -91...-50 |

NOTE 1: The condition is -92...-50 dBm/3.84 MHz when the carrier frequency of the assigned UTRA channel is within 869-894 MHz for the UE which supports both Band V and Band XXVI operating frequencies.

The normative reference for this requirement is TS 25.133 [2] clause 9.1.3.2.

8.7.3.2.3 Test purpose

The purpose of this test is to verify that the UTRA Carrier RSSI measurement is within the specified limits. This measurement is for inter-frequency handover evaluation.

8.7.3.2.4 Method of test

8.7.3.2.4.1 Initial conditions

Test environment: normal, TL/VL, TL/VH, TH/VL, TH/VH; see clauses G.2.1 and G.2.2.

Frequencies to be tested: mid range; see clause G.2.4.

In this case all cells are on different frequencies and compressed mode is applied. The gap length is 7, detailed definition is in clause C.5, Set 1 of table C.5.2 except for TGRRC and TGCFN. TGPRC and TGCFN shall set to "Infinity" and "(Current CFN + (256 – TTI/10msec)mod 256". UTRA Carrier RSSI relative accuracy requirements are tested by using test parameters in table 8.7.3.2.1A. UTRA carrier RSSI measurements of neighbour cell 2 and neighbour cell 3 are reported to serving cell 1.

Table 8.7.3.2.1A: UTRA Carrier RSSI Inter frequency relative accuracy test parameters

| Parameter | Unit | Test 1 | | | Test 2 | | | Test 3 | | | |
|---|--|---------------------|--------------|-----------|-----------|--------------|-----------|-----------|-----------------|-----------------|-----------------|
| | | Cell 1 | Cell 2 | Cell 3 | Cell 1 | Cell 2 | Cell 3 | Cell 1 | Cell 2 | Cell 3 | |
| UTRA RF Channel number | | Channel 1 | Channel 2 | Channel 3 | Channel 1 | Channel 2 | Channel 3 | Channel 1 | Channel 2 | Channel 3 | |
| CPICH_Ec/lor | dB | -10 | | | -10 | | | -10 | | | |
| PCCPCH_Ec/lor | dB | -12 | | | -12 | | | -12 | | | |
| SCH_Ec/lor | dB | -12 | | | -12 | | | -12 | | | |
| PICH_Ec/lor | dB | -15 | | | -15 | | | -15 | | | |
| DPCH_Ec/lor | dB | -15 | - | - | -6 | - | - | -6 | - | - | |
| OCNS_Ec/lor | dB | -1.11 | -0.94 | -0.94 | -2.56 | -0.94 | -0.94 | -2.56 | -0.94 | -0.94 | |
| lor | Band I, IV, VI, X, XI, XIX, XXI | dBm/ 3.84 MHz | -52.23 | -52.23 | -71.23 | -91.27 | -91.27 | -81.27 | -94.45 | -94.45 | -75.45 |
| | Band IX* | | | | | | | | -93.45 | -93.45 | -74.45 |
| | Band II, V, VII | | | | | | | | -92.45 | -92.45 | -73.45 |
| | Band XXV, XXVI | | | | | | | | -90.95 (Note 3) | -90.95 (Note 3) | -71.95 (Note 3) |
| | Band III, VIII, XII, XIII, XIV, XX, XXII | | | | | | | | -91.45 | -91.45 | -72.45 |
| lor/loc | dB | -1.75 | -1.75 | -1.75 | -4.7 | -4.7 | -4.7 | -9.54 | -9.54 | -9.54 | |
| CPICH Ec/lo, Note 1 | dBm | -14.0 | -14.0 | -14.0 | -16.0 | -16.0 | -16.0 | -20.0 | -20.0 | -20.0 | |
| lo, Note 1 | Band I, IV, VI, X, XI, XIX, XXI | dBm/ 3.84 MHz | -50 (Note 2) | -50 | -69 | -90 (Note 2) | -90 | -80 | -94 (Note 2) | -94 | -75 |
| | Band IX* | | | | | | | | -93 (Note 2) | -93 | -74 |
| | Band II, V, VII | | | | | | | | -92 (Note 2) | -92 | -73 |
| | Band XXV, XXVI | | | | | | | | -90.5 (Note 3) | -90.5 (Note 3) | -71.5 (Note 3) |
| | Band III, VIII, XII, XIII, XIV, XX, XXII | | | | | | | | -91 (Note 2) | -91 | -72 |
| Propagation condition | - | AWGN | | | AWGN | | | AWGN | | | |
| NOTE 1: CPICH Ec/lo and lo levels have been calculated from other parameters for information purposes. They are not settable parameters themselves. | | | | | | | | | | | |
| NOTE 2: lo levels are not reported by the UE on cell 1. | | | | | | | | | | | |
| *) For the UE which supports both Band III and Band IX operating frequencies, the measurement performance requirements for Band III shall apply to the multi-band UE. | | | | | | | | | | | |
| NOTE 3: The test parameter is modified by -1.5 dB when the carrier frequency of the assigned UTRA channel is within 869-894 MHz for the UE which supports both Band V and Band XXVI operating frequencies. | | | | | | | | | | | |
| Tests shall be done sequentially. Test 1 shall be done first. After test 1 has been executed test parameters for tests 2 and 3 shall be set within 5 seconds so that UE does not loose Cell 2 or Cell 3 in between the tests. | | | | | | | | | | | |

The normative reference for this requirement is TS 25.133 [2] clause A.9.1.3.2.

8.7.3.2.4.2 Procedure

- 1) A call is set up according to the test procedure specified in TS 34.108 [3] clause 7.3.2. The RF parameters for Test 1 are set up according to table 8.7.3.2.3.
- 2) SS shall transmit PHYSICAL CHANNEL RECONFIGURATION message.

- 3) UE shall transmit PHYSICAL CHANNEL RECONFIGURATION COMPLETE message.
- 4) SS shall transmit MEASUREMENT CONTROL message. The SS shall wait 6.8 seconds to allow UE to be ready for inter frequency measurements.
- 5) UE shall transmit periodically MEASUREMENT REPORT messages.
- 6) SS shall check UTRA carrier RSSI value of Channel 2 and Channel 3 in MEASUREMENT REPORT messages. UTRA carrier RSSI power value measured from Channel 3 is compared to UTRA carrier RSSI power value measured from Channel 2 for each MEASUREMENT REPORT message.
- 7) The result of step 6) is compared to actual power level difference of UTRA Carrier RSSI of Channel 3 and Channel 2.
- 8) SS shall check MEASUREMENT REPORT messages transmitted by UE until statistical significance according to Annex F.6.2.8 is achieved.
- 9) The RF parameters are set up according to table 8.7.3.2.3 for Test 2. While RF parameters are being set up, MEASUREMENT REPORT messages from UE are ignored. SS shall wait for additional 1s and ignore the MEASUREMENT REPORT messages during this period. Then, steps 6), 7) and 8) above are repeated.
- 10) The RF parameters are set up according to table 8.7.3.2.3 for Test 3. While RF parameters are being set up, MEASUREMENT REPORT messages from UE are ignored. SS shall wait for additional 1s and ignore the MEASUREMENT REPORT messages during this period. Then, steps 6), 7) and 8) above are repeated.
- 11) The SS shall transmit RRC CONNECTION RELEASE message.
- 12) UE shall transmit RRC CONNECTION RELEASE COMPLETE message.

Specific Message Contents

All messages indicated above shall use the same content as described in default message content in clause 9 of 34.108 [3], with the following exceptions:

PHYSICAL CHANNEL RECONFIGURATION message for Inter frequency measurement (step 2):

| Information Element | Value/Remark | Version |
|--|--|---------|
| Message Type | | |
| UE Information Elements | | |
| -RRC transaction identifier | 0 | |
| -Integrity check info | | |
| -message authentication code | SS calculates the value of MAC-I for this message and writes to this IE. The first/ leftmost bit of the bit string contains the most significant bit of the MAC-I. | |
| -RRC message sequence number | SS provides the value of this IE, from its internal counter. | |
| -Integrity protection mode info | Not Present | |
| -Ciphering mode info | Not Present | |
| -Activation time | Not Present | |
| -New U-RNTI | Not Present | |
| -New C-RNTI | Not Present | |
| -RRC State Indicator | CELL_DCH | |
| -UTRAN DRX cycle length coefficient | Not Present | |
| CN Information Elements | | |
| -CN Information info | Not Present | |
| UTRAN mobility information elements | | |
| -URA identity | Not Present | |
| RB information elements | | |
| -Downlink counter synchronisation info | Not Present | |
| PhyCH information elements | | |
| -Frequency info | Not Present | |
| Uplink radio resources | | |
| -Maximum allowed UL TX power | Not Present | |
| - CHOICE channel requirement | Not Present | |

| Information Element | Value/Remark | Version |
|--|---|--------------------|
| Downlink radio resources | | |
| -CHOICE mode | FDD | |
| -Downlink PDSCH information | Not Present | R99 and Rel-4 only |
| -Downlink information common for all radio links | | |
| -Downlink DPCH info common for all RL | Not Present | |
| -CHOICE mode | FDD | |
| -DPCH compressed mode info | | |
| -Transmission gap pattern sequence | | |
| -TGPSI | 1 | |
| -TGPS Status Flag | Activate | |
| -TGCFN | (Current CFN + (256 – TTI/10msec))mod 256 | |
| -Transmission gap pattern sequence | | |
| configuration parameters | | |
| -TGMP | FDD measurement | |
| -TGPRC | Infinity | |
| -TGSN | 4 | |
| -TGL1 | 7 | |
| -TGL2 | Not Present | |
| -TGD | UNDEFINED | |
| -TGPL1 | 3 | |
| -TGPL2 | Not Present | R99 and Rel-4 only |
| -RPP | Mode 0 | |
| -ITP | Mode 0 | |
| -CHOICE UL/DL mode | UL and DL | |
| -Downlink compressed mode method | SF/2 | |
| -Uplink compressed mode method | SF/2 | |
| -Downlink frame type | B | |
| -DeltaSIR1 | 3.0 | |
| -DeltaSIRafter1 | 3.0 | |
| -DeltaSIR2 | Not Present | |
| -DeltaSIRafter2 | Not Present | |
| -N Identify abort | Not Present | |
| -T Reconfirm abort | Not Present | |
| -TX Diversity Mode | Not Present | |
| -SSDT information | Not Present | R99 and Rel-4 only |
| -Default DPCH Offset Value | Not Present | |
| -Downlink information per radio link list | | |
| -Downlink information for each radio link | | |
| -Choice mode | FDD | |
| -Primary CPICH info | | |
| -Primary scrambling code | 100 | |
| -PDSCH with SHO DCH Info | Not Present | R99 and Rel-4 only |
| -PDSCH code mapping | Not Present | R99 and Rel-4 only |
| -Downlink DPCH info for each RL | | |
| -CHOICE mode | FDD | |
| -Primary CPICH usage for channel estimation | Primary CPICH may be used | |
| -DPCH frame offset | Set to value Default DPCH Offset Value (as currently stored in SS) mod 38400 | |
| -Secondary CPICH info | Not Present | |
| -DL channelisation code | | |
| -Secondary scrambling code | Not Present | |
| -Spreading factor | 128 | |
| -Code number | 96 | |
| -Scrambling code change | No code change | |
| -TPC combination index | 0 | |
| -SSDT Cell Identity | Not Present | R99 and Rel-4 only |
| -Closed loop timing adjustment mode | Not Present | |
| -SCCPCH Information for FACH | Not Present | |

MEASUREMENT CONTROL message for Inter frequency measurement (step 4):

| Information Element | Value/Remark |
|---|---|
| Message Type | |
| UE information elements | |
| -RRC transaction identifier | 0 |
| -Integrity check info | |
| -message authentication code | SS calculates the value of MAC-I for this message and writes to this IE. The first/leftmost bit of the bit string contains the most significant bit of the MAC-I. |
| -RRC message sequence number | SS provides the value of this IE, from its internal counter. |
| Measurement Information elements | |
| -Measurement Identity | 2 |
| -Measurement Command | Setup |
| -Measurement Reporting Mode | |
| - Measurement Report Transfer Mode | Acknowledged mode RLC |
| - Periodical Reporting / Event Trigger Reporting Mode | Periodical reporting |
| -Additional measurement list | Not Present |
| -CHOICE Measurement Type | Inter-frequency measurement |
| -Inter-frequency measurement | |
| -Inter-frequency cell info list | |
| -CHOICE Inter-frequency cell removal | Not Present |
| -New inter-frequency cells | Cell 2 and Cell 3 information are included. |
| -Cell for measurement | Not Present |
| -Inter-frequency measurement quantity | |
| -CHOICE reporting criteria | Inter-frequency reporting criteria |
| -Filter coefficient | 0 |
| -CHOICE mode | FDD |
| -Measurement quantity for frequency quality estimate | CPICH RSCP |
| -Inter-frequency reporting quantity | |
| -UTRA Carrier RSSI | TRUE |
| -Frequency quality estimate | TRUE |
| -Non frequency related cell reporting quantities | |
| -Cell synchronisation information reporting indicator | TRUE |
| -Cell Identity reporting indicator | TRUE |
| -CHOICE mode | FDD |
| -CPICH Ec/N0 reporting indicator | TRUE |
| -CPICH RSCP reporting indicator | TRUE |
| -Pathloss reporting indicator | |
| -Reporting cell status | |
| -CHOICE reported cell | Report cells within monitored set on non-used frequency |
| -Maximum number of reported cells | 3 |
| -Measurement validity | Not Present |
| -Inter-frequency set update | Not Present |
| -CHOICE report criteria | Periodical reporting criteria |
| -Amount of reporting | Infinity |
| -Reporting interval | 500 ms |
| Physical channel information elements | |
| -DPCH compressed mode status info | Not Present |

MEASUREMENT REPORT message for inter frequency test cases

This message is common for all inter frequency test cases in clause 8.7 and is described in Annex I.

8.7.3.2.5 Test requirements

The UTRA Carrier RSSI relative measurement accuracy shall meet the requirements in clause 8.7.3.2.2. The effect of assumed thermal noise and noise generated in the receiver (-99 dBm for Band I, IV, VI, X, XI, XIX and XXI, -98dBm for Band IX, -97 dBm for Band II, V and VII, -96 dBm for Band III, VIII, XII, XIII, XIV, XX and XXII, -95.5 dBm for Band XXV, XXVI) shall be added into the required accuracy defined in clause 8.7.3.2.2 as shown in table 8.7.3.2.2.

Table 8.7.3.2.2: UTRA Carrier RSSI relative accuracy, test requirements

| Parameter | Unit | Accuracy [dB] | | | | | |
|-------------------|------|------------------|--------|--------|-------------------|--------|--------|
| | | Normal condition | | | Extreme condition | | |
| | | Test 1 | Test 2 | Test 3 | Test 1 | Test 2 | Test 3 |
| UTRA Carrier RSSI | dBm | ± 7.9 | ± 8.8 | ± 8.9 | ± 11.9 | ± 12.8 | ± 12.9 |

Table 8.7.3.2.3: UTRA Carrier RSSI Inter frequency relative accuracy test parameters

| Parameter | Unit | Test 1 | | | Test 2 | | | Test 3 | | | |
|---|------------------------------------|--------------|-----------------|-----------|-----------|--------------|-----------|-----------|-----------------|-----------------|-----------------|
| | | Cell 1 | Cell 2 | Cell 3 | Cell 1 | Cell 2 | Cell 3 | Cell 1 | Cell 2 | Cell 3 | |
| UTRA RF Channel number | | Channel 1 | Channel 2 | Channel 3 | Channel 1 | Channel 2 | Channel 3 | Channel 1 | Channel 2 | Channel 3 | |
| CPICH_Ec/lor | dB | -10 | | | -10 | | | -10 | | | |
| PCCPCH_Ec/lor | dB | -12 | | | -12 | | | -12 | | | |
| SCH_Ec/lor | dB | -12 | | | -12 | | | -12 | | | |
| PICH_Ec/lor | dB | -15 | | | -15 | | | -15 | | | |
| DPCH_Ec/lor | dB | -15 | - | - | -6 | - | - | -6 | - | - | |
| OCNS_Ec/lor | dB | -1.11 | -0.94 | -0.94 | -2.56 | -0.94 | -0.94 | -2.56 | -0.94 | -0.94 | |
| lor | Band I, IV, VI, X, XI, XIX, XXI | dBm/3.84 MHz | -53.50 | -53.50 | -71.23 | -91.27 | -91.27 | -81.27 | -93.45 | -93.45 | -74.45 |
| | Band IX* | | | | | | | | -92.45 | -92.45 | -73.45 |
| | Band II, V, VII | | | | | | | | -91.45 | -91.45 | -72.45 |
| | Band XXV, XXVI | | | | | | | | -89.95 (Note 3) | -89.95 (Note 3) | -70.95 (Note 3) |
| | Band III, VIII, XII, XIII, XIV, XX | | | | | | | | -90.45 | -90.45 | -71.45 |
| lor/loc | dB | -1.45 | -1.45 | -1.45 | -4.4 | -4.4 | -4.4 | -9.24 | -9.24 | -9.24 | |
| CPICH Ec/lo, Note 1 | dBm | -13.7 | -13.7 | -13.7 | -15.7 | -15.7 | -15.7 | -19.7 | -19.7 | -19.7 | |
| lo, Note 1 | Band I, IV, VI, X, XI, XIX, XXI | dBm/3.84 MHz | -51.15 (Note 2) | -51.15 | -69 | -90 (Note 2) | -90 | -80 | -93 (Note 2) | -93 | -74 |
| | Band IX* | | | | | | | | -92 (Note 2) | -92 | -73 |
| | Band II, V, VII | | | | | | | | -91 (Note 2) | -91 | -72 |
| | Band XXV, XXVI | | | | | | | | -89.5 (Note 3) | -89.5 (Note 3) | -70.5 (Note 3) |
| | Band III, VIII, XII, XIII, XIV, XX | | | | | | | | -90 (Note 2) | -90 | -71 |
| Propagation condition | - | AWGN | | | AWGN | | | AWGN | | | |
| NOTE 1: CPICH Ec/lo and lo levels have been calculated from other parameters for information purposes. They are not settable parameters themselves. | | | | | | | | | | | |
| NOTE 2: lo levels are not reported by the UE on cell 1. | | | | | | | | | | | |
| *) For the UE which supports both Band III and Band IX operating frequencies, the measurement performance requirements for Band III shall apply to the multi-band UE. | | | | | | | | | | | |
| NOTE 3: The test parameter is modified by -1.5 dB when the carrier frequency of the assigned UTRA channel is within 869-894 MHz for the UE which supports both Band V and Band XXVI operating frequencies. | | | | | | | | | | | |
| Tests shall be done sequentially. Test 1 shall be done first. After test 1 has been executed test parameters for tests 2 and 3 shall be set within 5 seconds so that UE does not loose Cell 2 or Cell 3 in between the tests. | | | | | | | | | | | |
| The frequency separation among 3 cells shall be at least 10 MHz to avoid overlapping the AWGN interference coming from different loc sources. | | | | | | | | | | | |

The reported values for the UTRA Carrier RSSI relative measurement shall meet the requirements in table 8.7.3.2.4.

Table 8.7.3.2.4: UTRA Carrier RSSI relative accuracy requirements for the reported values

| | Test 1 | Test 3 | Test 3 |
|---|------------------------------------|------------------------------------|------------------------------------|
| Normal Conditions | | | |
| Lowest reported value (Cell 3) | UTRA_carrier_RSSI_LEV_(x - 26) | UTRA_carrier_RSSI_LEV_(x + 1) | UTRA_carrier_RSSI_LEV_(x + 10) |
| Highest reported value (Cell 3) | UTRA_carrier_RSSI_LEV_(x - 10) | UTRA_carrier_RSSI_LEV_(x + 19) | UTRA_carrier_RSSI_LEV_(x + 28) |
| Extreme Conditions | | | |
| Lowest reported value (Cell 3) | UTRA_carrier_RSSI_LEV_(x - 30) | UTRA_carrier_RSSI_LEV_(x - 3) | UTRA_carrier_RSSI_LEV_(x + 6) |
| Highest reported value (Cell 3) | UTRA_carrier_RSSI_LEV_(x - 6) | UTRA_carrier_RSSI_LEV_(x + 23) | UTRA_carrier_RSSI_LEV_(x + 32) |
| UTRA_carrier_RSSI_LEV_x is the reported value of cell 2 | | | |

NOTE: If the above Test Requirement differs from the Minimum Requirement then the Test Tolerance applied for this test is non-zero. The Test Tolerance for this test is defined in clause F.2 and the explanation of how the Minimum Requirement has been relaxed by the Test Tolerance is given in clause F.4.

8.7.3A GSM Carrier RSSI

8.7.3A.1 Definition and applicability

The GSM carrier RSSI measurement is used for handover between UTRAN and GSM.

The requirements and this test apply to the combined FDD and GSM UE.

8.7.3A.2 Minimum Requirements

The UE shall meet the measurement accuracy requirements stated for RXLEV below, when the given measurement time allows the UE to take at least 3 GSM carrier RSSI samples per GSM carrier in the monitored set during the measurement period.

The absolute accuracy shall be as follows:

The R.M.S received signal level at the receiver input shall be measured by the UE and the BSS over the full range of -110 dBm to -48 dBm with an absolute accuracy of ± 4 dB from -110 dBm to -70 dBm under normal conditions and ± 6 dB over the full range under both normal and extreme conditions. The R.M.S received signal level at the receiver input shall be measured by the UE above -48 dBm up to -38 dBm with an absolute accuracy of ± 9 dB under both normal and extreme conditions.

If the received signal level falls below the reference sensitivity level for the type of UE or BSS, then the measured level shall be within the range allowing for the absolute accuracy specified above. In case the upper limit of this range is below the reference sensitivity level for the type of UE or BSS, then the upper limit shall be considered as equal to the reference sensitivity level.

The relative accuracy shall be as follows:

If signals of level x_1 and x_2 dBm are received (where $x_1 \leq x_2$) and levels y_1 and y_2 dBm respectively are measured, if $x_2 - x_1 < 20$ dB and x_1 is not below the reference sensitivity level, then y_1 and y_2 shall be such that:

$(x_2 - x_1) - a \leq y_2 - y_1 \leq (x_2 - x_1 + b)$ if the measurements are on the same or on different RF channel within the same frequency band;

and

$(x_2 - x_1) - c \leq y_2 - y_1 \leq (x_2 - x_1 + d)$ if the measurements are on different frequency bands:

a, b, c and d are in dB and depend on the value of x_1 as follows:

| | a | b | c | d |
|--------------------------------|---|---|---|---|
| $x_1 \geq s+14, x_2 < -48$ dBm | 2 | 2 | 4 | 4 |
| $s+14 > x_1 \geq s+1$ | 3 | 2 | 5 | 4 |
| $s+1 > x_1$ | 4 | 2 | 6 | 4 |
| | | | | |

For single band MS or BTS and measurements between ARFCN in the same band for a multiband MS or BTS;

s = reference sensitivity level as specified in 3GPP TS 05.05 [28] for R99 and in 3GPP TS 45.005 [29] for Rel-4 and later releases.

For measurements between ARFCN in different bands;

s = the reference sensitivity level as specified in [28] and [29] for the band including x_1 .

At extreme temperature conditions an extra 2 dB shall be added to c and d in above table.

The selectivity of the received signal level measurement shall be as follows:

- for adjacent (200 kHz) channel ≥ 16 dB;
- for adjacent (400 kHz) channel ≥ 48 dB;
- for adjacent (600 kHz) channel ≥ 56 dB.

The selectivity shall be met using random, continuous, GSM-modulated signals with the wanted signal at the level 20 dB above the reference sensitivity level.

The reporting range and mapping specified for RXLEV in TS 05.08[20] for R99 and in TS 45.008 [30] for Rel-4 and later releases shall apply.

The rate of correct measurements observed during repeated tests shall be at least 90%.

The normative reference for this requirement is:

For R99: TS 25.133 [2] clause 8.1.2.5 and 9.1.4 and TS 05.08 [20] clause 8.1.2.

For Rel-4 and later releases: TS 25.133 [2] clause 8.1.2.5 and 9.1.4 and TS 45.008 [30] clause 8.1.2.

8.7.3A.3 Test purpose

The purpose of this test is to verify that the GSM Carrier RSSI measurement accuracy in CELL_DCH state, for UE that needs compressed mode to perform GSM measurements, is within the specified limits. This measurement is for UTRAN to GSM handover evaluation.

8.7.3A.4 Method of test

8.7.3A.4.1 Initial conditions

Test environment: normal, TL/VL, TH/VH; see clauses G.2.1 and G.2.2.

Frequencies to be tested: mid range; see clause G.2.4.

In the test in Cell_DCH state compressed mode with purpose "GSM Carrier RSSI Measurement" is applied to measure on GSM. The gap length is 7, detailed definition is in clause C.5, Set 2 of table C.5.2 except for TGPRC and TGCFN. TGPRC and TGCFN shall set to "Infinity" and "(Current CFN + (256 - TTI/10msec))mod 256". Table 8.7.3A.1 defines the limits of signal strengths and code powers on the UMTS FDD cell, where the requirement is applicable. In the measurement control information it is indicated to the UE that periodic reporting of the GSM RSSI measurement.

The requirements are also applicable for a UE not requiring compressed mode, in which case no compressed mode pattern should be sent for the parameters specified in table 8.7.3A.1.

Table 8.7.3A.1: General GSM Carrier RSSI test parameters

| Parameter | Unit | Value | Comment |
|--|-------------|---|---|
| DCH parameters | | DL Reference Measurement Channel 12.2 kbps | As specified in section C.3.1 |
| Power Control | | On | |
| Target quality value on DTCH | BLER | 0.01 | |
| Compressed mode patterns - GSM carrier RSSI measurement | | Compressed mode reference pattern 2 Set 2 | As specified in table C.5.2 section C.5 |
| Inter-RAT measurement quantity | | GSM Carrier RSSI | |
| BSIC verification required | | Not required | |
| Monitored cell list size | | 6 GSM neighbours | See Annex I for cell information Measurement control information is sent before the compressed mode patterns starts. |

Table 8.7.3A.2: Cell specific GSM Carrier RSSI test parameters

| Parameter | Unit | Cell 1 |
|------------------------|---------------|-----------|
| UTRA RF Channel number | - | Channel 1 |
| lor/loc | dB | -1 |
| loc | dBm/ 3.84 MHz | -70 |
| Propagation condition | - | AWGN |

Table 8.7.3A.3: Signal levels at receiver input in dBm

| Step | BCCH1 | BCCH2 | BCCH3 | BCCH4 | BCCH5 | BCCH6 |
|------|--------|--------|-------|-------|-------|-------|
| 1 | -38.5 | -38.5 | NA | NA | NA | NA |
| 2 | -48.5 | -48.5 | NA | NA | NA | NA |
| 3 | -70.5 | -70.5 | NA | NA | NA | NA |
| 4 | -109.5 | -109.5 | NA | NA | NA | NA |
| 5 | -57.5 | NA | -54.5 | NA | NA | NA |
| 6 | -64.5 | NA | -59.5 | NA | NA | NA |
| 7 | -71.5 | NA | NA | -64.5 | NA | NA |
| 8 | -78.5 | NA | NA | -69.5 | NA | NA |
| 9 | -85.5 | NA | NA | NA | -74.5 | NA |
| 10 | -92.5 | NA | NA | NA | -79.5 | NA |
| 11 | -99.5 | NA | NA | NA | NA | -84.5 |
| 12 | -106.5 | NA | NA | NA | NA | -89.5 |

Table 8.7.3A.4: ARFCN numbers for GSM cells

| GSM band | BCCH1 | BCCH2 | BCCH3 | BCCH4 | BCCH5 | BCCH6 |
|--|-------|-------|-------|-------|-------|-------|
| GSM 450 | 276 | 293 | 264 | 269 | 281 | 288 |
| GSM 480 | 323 | 340 | 311 | 316 | 328 | 335 |
| GSM 900 for FDD Band VIII(note1) | 110 | 124 | 1 | 90 | 80 | 100 |
| GSM 900 for FDD bands ≠ FDD Band VIII | 62 | 124 | 20 | 40 | 80 | 100 |
| DCS 1800 for FDD Band III and IX(Note2) | 747 | 885 | 585 | 660 | 855 | 835 |
| DCS 1800 for FDD bands ≠ FDD Band III and IX | 700 | 885 | 585 | 660 | 790 | 835 |
| PCS 1900 for FDD Band II(note3) | 700 | 805 | 585 | 615 | 790 | 550 |
| PCS 1900 for FDD bands ≠ FDD Band II | 700 | 805 | 585 | 660 | 790 | 550 |
| 450/900 | 124 | 276 | 293 | 269 | 288 | 1 |
| 480/900 | 124 | 323 | 340 | 316 | 335 | 1 |
| 450/1800 | 885 | 276 | 293 | 269 | 288 | 512 |
| 480/1800 | 885 | 323 | 340 | 316 | 335 | 512 |
| 900/1800 for FDD Band VIII(Note1) | 885 | 1 | 124 | 90 | 100 | 512 |
| 900/1800 for FDD bands ≠ FDD Band VIII | 885 | 62 | 124 | 40 | 100 | 512 |
| 450/900/1800 | 124 | 276 | 885 | 293 | 1 | 512 |
| 480/900/1800 | 124 | 323 | 885 | 340 | 1 | 512 |
| GSM 850 for FDD Band V, VI and XIX (Note4) | 220 | 251 | 130 | 140 | 240 | 230 |
| GSM 850 for FDD bands ≠ FDD Band V, VI and XIX | 189 | 251 | 150 | 170 | 210 | 230 |
| GSM 750 | 475 | 511 | 440 | 455 | 485 | 500 |
| 750/850 | 251 | 475 | 511 | 455 | 485 | 128 |

NOTE 1: The following BCCH ARFCN's specified for FDD Band VIII provide enough gap for a UMTS cell and its AWGN to be setup with centre frequency at UARFCN number 3013.

NOTE 2: The following BCCH ARFCN's specified for FDD Band III and IX provide enough gap for a UMTS cell and its AWGN to be setup with centre frequency at UARFCN number 1375 and 9312.

NOTE 3: The following BCCH ARFCN's specified for FDD Band II provide enough gap for a UMTS cell and its AWGN to be setup with centre frequency at UARFCN number 9800.

NOTE 4: The following BCCH ARFCN's specified for FDD Band V, VI and XIX provide enough gap for a UMTS cell and its AWGN to be setup with centre frequency at UARFCN number 4400.

8.7.3A.4.2 Procedure

- 1) A call is set up according to the test procedure specified in TS 34.108 [3] clause 7.3.2. The RF parameters for cell 1 are set up according to table 8.7.3A.1 and 8.7.3A.2.
- 2) The RF parameters for two GSM cells are set up according to the step 1 in table 8.7.3A.5. The fading profile for the BCCHs will be set to static, see 51.010-1 [25]. The ARFCN numbers for GSM cells are set up according to table 8.7.3A.4.
- 3) If compressed mode is required, SS shall transmit PHYSICAL CHANNEL RECONFIGURATION message. Otherwise go to step 5.
- 4) UE shall transmit PHYSICAL CHANNEL RECONFIGURATION COMPLETE message.
- 5) SS shall transmit MEASUREMENT CONTROL message.
- 6) UE shall transmit periodically MEASUREMENT REPORT messages.
- 7) SS shall check GSM carrier RSSI value of the two GSM cells in MEASUREMENT REPORT messages. The GSM CARRIER RSSI values reported in the first measurement report are discarded. The SS records repeatedly GSM CARRIER RSSI values reported for the two BCCHs in each step. One report produces more than one mapped level or level difference. If the UE reports a value compliant with the applicable Table 8.7.3A.6 or 8.7.3A.7 or 8.7.3A.8 or 8.7.3A.9 then a success is recorded. Otherwise a failure is recorded. The successes and failures are assigned to the individual mapped levels or level differences. Repeat steps 7 according to Annex F.6.2 table 6.2.8. The repetition shall be continued, until the last mapped level or level difference experiences an early decision according to Annex F.6.2.
- 8) The RF parameters for two GSM cells are set up according to the next test step in table 8.7.3A.5.
- 9) Repeat procedure steps 7 and 8 until MEASUREMENT REPORT messages from the test step 12 of Table 8.7.3A.5 have been recorded.

Specific Message Contents

All messages indicated above shall use the same content as described in the system information in clause 6.1.0b of 34.108 [3] and in default message content in clause 9 of 34.108 [3], with the following exceptions:

PHYSICAL CHANNEL RECONFIGURATION message for Inter-RAT measurement (step 3):

| Information Element | Value/Remark | Version |
|--|---|---------|
| Message Type (10.2.22) | | |
| UE Information Elements | | |
| -RRC transaction identifier | 0 | |
| -Integrity check info | | |
| -message authentication code | SS calculates the value of MAC-I for this message and writes to this IE. The first/leftmost bit of the bit string contains the most significant bit of the MAC-I. | |
| -RRC message sequence number | SS provides the value of this IE, from its internal counter. | |
| -Integrity protection mode info | Not Present | |
| -Ciphering mode info | Not Present | |
| -Activation time | Not Present | |
| -New U-RNTI | Not Present | |
| -New C-RNTI | Not Present | |
| -RRC State Indicator | CELL_DCH | |
| -UTRAN DRX cycle length coefficient | Not Present | |
| CN Information Elements | | |
| -CN Information info | Not Present | |
| UTRAN mobility information elements | | |
| -URA identity | Not Present | |
| RB information elements | | |
| -Downlink counter synchronisation info | Not Present | |
| PhyCH information elements | | |
| -Frequency info (10.3.6.36) | Not Present | |
| Uplink radio resources | | |
| -Maximum allowed UL TX power | 33 dBm | |

| Information Element | Value/Remark | Version |
|--|---|--------------------|
| -CHOICE channel requirement | Not Present | |
| Downlink radio resources | | |
| -CHOICE mode | FDD | |
| -Downlink PDSCH information | Not Present | R99 and Rel-4 only |
| -Downlink PDSCH information common for all radio links (10.3.6.24) | | |
| -Downlink DPCH info common for all RL (10.3.6.18) | Not Present | |
| -CHOICE mode | FDD | |
| -DPCH compressed mode info (10.3.6.33) | | |
| - Transmission gap pattern sequence | 1 | |
| - TGPSI | 1 | |
| - TGPS Status Flag | activate | |
| - TGCFN | (Current CFN + (256 – TTI/10msec))mod 256 | |
| - Transmission gap pattern sequence | | |
| configuration parameters | | |
| -TGMP | GSM carrier RSSI measurement | |
| -TGPRC | Infinity | |
| -TGSN | 4 | |
| -TGL1 | 7 | |
| -TGL2 | Not Present | |
| -TGD | UNDEFINED | |
| -TGPL1 | 12 | |
| -TGPL2 | Not Present | R99 and Rel-4 only |
| -RPP | mode 0 | |
| -ITP | mode 0 | |
| -CHOICE UL/DL mode | UL and DL | |
| -Downlink compressed mode method | SF/2 | |
| -Uplink compressed mode method | SF/2 | |
| -Downlink frame type | B | |
| -DeltaSIR1 | 3.0 | |
| -DeltaSIRafter1 | 3.0 | |
| -DeltaSIR2 | Not Present | |
| -DeltaSIRafter2 | Not Present | |
| -N Identify abort | Not Present | |
| -T Reconfirm abort | Not Present | |
| -TX Diversity mode (10.3.6.86) | None | |
| -SSDT information (10.3.6.77) | Not Present | R99 and Rel-4 only |
| -Default DPCH Offset Value (10.3.6.16) | Not Present | |
| -Downlink information per radio link list | 1 | |
| -Downlink information for each radio link (10.3.6.27) | | |
| -CHOICE mode | FDD | |
| -Primary CPICH info (10.3.6.60) | | |
| -Primary scrambling code | 100 | |
| -PDSCH with SHO DCH info (10.3.6.47) | Not Present | R99 and Rel-4 only |
| -PDSCH code mapping (10.3.6.43) | Not Present | R99 and Rel-4 only |
| -Downlink DPCH info for each RL (10.3.6.21) | | |
| -CHOICE mode | FDD | |
| -Primary CPICH usage for channel estimation | Primary CPICH may be used | |
| -DPCH frame offset | Set to value Default DPCH Offset Value (as currently stored in SS) mod 38400 | |
| -Secondary CPICH info | Not Present | |
| -DL channelisation code | | |
| -Secondary scrambling code | Not Present | |
| -Spreading factor | 128 | |
| -Code number | 96 | |
| -Scrambling code change | No change | |
| -TPC combination index | 0 | |
| - SSDT Cell Identity | Not Present | R99 and Rel-4 only |
| - Closed loop timing adjustment mode | Not Present | |
| - SCCPCH information for FACH (10.3.6.70) | Not Present | |

MEASUREMENT CONTROL message for Inter-RAT measurement (step 5):

| Information Element/Group name | Value/Remark | Version |
|--|---|--------------------|
| Message Type (10.2.17) | | |
| UE information elements | | |
| -RRC transaction identifier | 0 | |
| -Integrity check info | | |
| -message authentication code | SS calculates the value of MAC-I for this message and writes to this IE. The first/leftmost bit of the bit string contains the most significant bit of the MAC-I. | |
| -RRC message sequence number | SS provides the value of this IE, from its internal counter. | |
| Measurement Information elements | | |
| -Measurement Identity | 2 | |
| -Measurement Command (10.3.7.46) | Setup | |
| -Measurement Reporting Mode (10.3.7.49) | | |
| -Measurement Report Transfer Mode | AM RLC | |
| -Periodical Reporting / Event Trigger Reporting Mode | Periodical reporting | |
| -Additional measurements list (10.3.7.1) | Not Present | |
| -CHOICE Measurement type | Inter-RAT measurement | |
| -Inter-RAT measurement (10.3.7.27) | | |
| -Inter-RAT measurement objects list (10.3.7.23) | | |
| -CHOICE Inter-RAT cell removal | Remove no inter-RAT cells | |
| -New inter-RAT cells | 6 | |
| -Inter-RAT cell id | 9+n (n=0 to 5) | |
| -CHOICE Radio Access Technology | GSM | |
| -Cell individual offset | 0 | |
| -Cell selection and re-selection info (10.3.2.4) | Not Present | |
| -BSIC (10.3.8.2) | | |
| -Base transceiver Station Identity Code (BSIC) | BSIC(1+n) for n=0, 1 according to 34.108 [3] Table 6.1.10; for n=2 to 5 chosen arbitrarily by the test house such that it does not collide with BSICs of other Inter-RAT cell ids According to PICS/PIXIT | |
| -Band indicator | BCCH(1+n) according to Table 8.7.3A.4 | |
| -BCCH ARFCN | Not Present | |
| -Cell for measurement | | |
| -Inter-RAT measurement quantity (10.3.7.29) | Not Present | |
| -Measurement quantity for UTRAN quality estimate (10.3.7.38) | | |
| -CHOICE system | GSM | |
| -Measurement quantity | GSM Carrier RSSI | |
| -Filter coefficient | 0 | |
| -BSIC verification required | not required | |
| -Inter-RAT reporting quantity (10.3.7.32) | | |
| -UTRAN estimated quality | FALSE | |
| -CHOICE system | GSM | |
| -Observed time difference to GSM cell | FALSE | R99 and Rel-4 only |
| Reporting indicator | | |
| -GSM carrier RSSI reporting indicator | TRUE | |
| -Reporting cell status (10.3.7.61) | | |
| -CHOICE reported cell | Report cells within active set or within virtual active set or of the other RAT | |
| -Maximum number of reported cells | 6 | |
| -CHOICE report criteria | Periodical reporting criteria | |
| -Periodical reporting criteria (10.3.7.53) | | |
| -Amount of reporting | Infinity | |
| -Reporting interval | 500 ms | |
| Physical channel information elements | | |
| -DPCH compressed mode status info (10.3.6.34) | Not Present | |

MEASUREMENT REPORT message for inter-RAT test cases

This message is common for all inter-RAT test cases in clause 8.7 and is described in Annex I.

8.7.3A.5 Test requirements

Table 8.7.3A.5: Signal levels at receiver input in dBm, test parameters for test requirements

| Step | BCCH1 | BCCH2 | BCCH3 | BCCH4 | BCCH5 | BCCH6 |
|------|--------|--------|-------|-------|-------|-------|
| 1 | -39.5 | -39.5 | NA | NA | NA | NA |
| 2 | -49.5 | -49.5 | NA | NA | NA | NA |
| 3 | -71.5 | -71.5 | NA | NA | NA | NA |
| 4 | -108.5 | -108.5 | NA | NA | NA | NA |
| 5 | -57.5 | NA | -54.5 | NA | NA | NA |
| 6 | -64.5 | NA | -59.5 | NA | NA | NA |
| 7 | -71.5 | NA | NA | -64.5 | NA | NA |
| 8 | -78.5 | NA | NA | -69.5 | NA | NA |
| 9 | -85.5 | NA | NA | NA | -74.5 | NA |
| 10 | -92.5 | NA | NA | NA | -79.5 | NA |
| 11 | -99.5 | NA | NA | NA | NA | -84.5 |
| 12 | -106.5 | NA | NA | NA | NA | -89.5 |

For the UE preliminarily to pass the absolute requirements of GSM Carrier RSSI measurement, at least 90% of the reported GSM Carrier RSSI measurements shall fulfil the following test requirements for each step and each test environment with a confidence level of 95%.

Table 8.7.3A.6: GSM Carrier RSSI absolute accuracy requirements for the reported values

| Step | Normal | | TL/VL & TH/VH | |
|------|---------------------------------|----------------------------------|---------------------------------|----------------------------------|
| | Lowest reported value for BCCH1 | Highest reported value for BCCH1 | Lowest reported value for BCCH1 | Highest reported value for BCCH1 |
| 1 | RXLEV = 61 | RXLEV = 63 | RXLEV = 61 | RXLEV = 63 |
| 2 | RXLEV = 54 | RXLEV = 63 | RXLEV = 54 | RXLEV = 63 |
| 3 | RXLEV = 34 | RXLEV = 44 | RXLEV = 32 | RXLEV = 46 |
| 4 | RXLEV = 00 | RXLEV = 09 | RXLEV = 00 | RXLEV = 09 |
| 5 | RXLEV = 46 | RXLEV = 60 | RXLEV = 46 | RXLEV = 60 |
| 6 | RXLEV = 39 | RXLEV = 53 | RXLEV = 39 | RXLEV = 53 |
| 7 | RXLEV = 34 | RXLEV = 44 | RXLEV = 32 | RXLEV = 46 |
| 8 | RXLEV = 27 | RXLEV = 37 | RXLEV = 25 | RXLEV = 39 |
| 9 | RXLEV = 20 | RXLEV = 30 | RXLEV = 18 | RXLEV = 32 |
| 10 | RXLEV = 13 | RXLEV = 23 | RXLEV = 11 | RXLEV = 25 |
| 11 | RXLEV = 06 | RXLEV = 16 | RXLEV = 04 | RXLEV = 18 |
| 12 | RXLEV = 00 | RXLEV = 09 | RXLEV = 00 | RXLEV = 11 |

NOTE: It is not mandatory for the UE to report BCCH1 in step 12.

For the UE preliminarily to pass the relative requirements of GSM Carrier RSSI measurement, at least 90% of the reported GSM Carrier RSSI measurements shall fulfil the following test requirements for each step and each test environment with a confidence level of 95%.

Table 8.7.3A.7: GSM Carrier RSSI Relative accuracy requirements for the reported values, measurements on different ARFCN within the same frequency band

| Step | Normal & TL/VL & TH/VH | |
|--|---------------------------------|----------------------------------|
| | Lowest reported value for BCCH2 | Highest reported value for BCCH2 |
| 1 | No requirements | No requirements |
| 2 | $RXLEV = x-4$ | $RXLEV = x+4$ |
| 3 | $RXLEV = x-4$ | $RXLEV = x+4$ |
| 4 | $RXLEV = x-6$ | $RXLEV = x+4$ |
| | Lowest reported value for BCCH3 | Highest reported value for BCCH3 |
| 5 | $RXLEV = x-1$ | $RXLEV = x+7$ |
| 6 | $RXLEV = x+1$ | $RXLEV = x+9$ |
| | Lowest reported value for BCCH4 | Highest reported value for BCCH4 |
| 7 | $RXLEV = x+3$ | $RXLEV = x+11$ |
| 8 | $RXLEV = x+5$ | $RXLEV = x+13$ |
| | Lowest reported value for BCCH5 | Highest reported value for BCCH5 |
| 9 | $RXLEV = x+7$ | $RXLEV = x+15$ |
| 10 | $RXLEV = x+8$ | $RXLEV = x+17$ |
| | Lowest reported value for BCCH6 | Highest reported value for BCCH6 |
| 11 | $RXLEV = x+10$ | $RXLEV = x+19$ |
| 12 | $RXLEV = x+11$ | $RXLEV = x+21$ |
| x is the reported value RXLEV for BCCH1 | | |
| NOTE: It is not mandatory for the UE to report BCCH1 in step 12. | | |

For the UE preliminarily to pass the relative requirements of GSM Carrier RSSI measurement, at least 90% of the reported GSM Carrier RSSI measurements shall fulfil the following test requirements for each step and each test environment with a confidence level of 95%.

Table 8.7.3A.8: GSM Carrier RSSI Relative accuracy requirements for the reported values, measurements on different frequency bands

| Step | Normal | | TL/VL & TH/VH | |
|--|---------------------------------|----------------------------------|---------------------------------|----------------------------------|
| | Lowest reported value for BCCH2 | Highest reported value for BCCH2 | Lowest reported value for BCCH2 | Highest reported value for BCCH2 |
| 1 | No requirements | No requirements | No requirements | No requirements |
| 2 | $RXLEV = x-6$ | $RXLEV = x+6$ | $RXLEV = x-8$ | $RXLEV = x+8$ |
| 3 | $RXLEV = x-6$ | $RXLEV = x+6$ | $RXLEV = x-8$ | $RXLEV = x+8$ |
| 4 | $RXLEV = x-8$ | $RXLEV = x+6$ | $RXLEV = x-10$ | $RXLEV = x+8$ |
| | Lowest reported value for BCCH3 | Highest reported value for BCCH3 | Lowest reported value for BCCH3 | Highest reported value for BCCH3 |
| 5 | $RXLEV = x-3$ | $RXLEV = x+9$ | $RXLEV = x-5$ | $RXLEV = x+11$ |
| 6 | $RXLEV = x-1$ | $RXLEV = x+11$ | $RXLEV = x-3$ | $RXLEV = x+13$ |
| | Lowest reported value for BCCH4 | Highest reported value for BCCH4 | Lowest reported value for BCCH4 | Highest reported value for BCCH4 |
| 7 | $RXLEV = x+1$ | $RXLEV = x+13$ | $RXLEV = x-1$ | $RXLEV = x+15$ |
| 8 | $RXLEV = x+3$ | $RXLEV = x+15$ | $RXLEV = x+1$ | $RXLEV = x+17$ |
| | Lowest reported value for BCCH5 | Highest reported value for BCCH5 | Lowest reported value for BCCH5 | Highest reported value for BCCH5 |
| 9 | $RXLEV = x+5$ | $RXLEV = x+17$ | $RXLEV = x+3$ | $RXLEV = x+19$ |
| 10 | $RXLEV = x+6$ | $RXLEV = x+19$ | $RXLEV = x+4$ | $RXLEV = x+21$ |
| | Lowest reported value for BCCH6 | Highest reported value for BCCH6 | Lowest reported value for BCCH6 | Highest reported value for BCCH6 |
| 11 | $RXLEV = x+8$ | $RXLEV = x+21$ | $RXLEV = x+6$ | $RXLEV = x+23$ |
| 12 | $RXLEV = x+9$ | $RXLEV = x+23$ | $RXLEV = x+7$ | $RXLEV = x+25$ |
| x is the reported value RXLEV for BCCH1 | | | | |
| NOTE: It is not mandatory for the UE to report BCCH1 in step 12. | | | | |

For the UE preliminarily to pass the relative requirements of GSM Carrier RSSI measurement, at least 90% of the reported GSM Carrier RSSI measurements shall fulfil the following test requirements for each step and each test environment with a confidence level of 95%.

Table 8.7.3A.9: GSM Carrier RSSI Relative accuracy requirements for the reported values, measurements at single frequency (BCCH1)

| Step n | Step m | Normal & TL/VL & TH/VH | |
|--|--------|---|--|
| | | Lowest reported value for BCCH1 at step n | Highest reported value for BCCH1 at step n |
| 5 | 6 | RXLEV = x+3 | RXLEV = x+11 |
| 5 | 7 | RXLEV = x+10 | RXLEV = x+18 |
| 6 | 7 | RXLEV = x+3 | RXLEV = x+11 |
| 6 | 8 | RXLEV = x+10 | RXLEV = x+18 |
| 7 | 8 | RXLEV = x+3 | RXLEV = x+11 |
| 7 | 9 | RXLEV = x+10 | RXLEV = x+18 |
| 8 | 9 | RXLEV = x+3 | RXLEV = x+11 |
| 8 | 10 | RXLEV = x+9 | RXLEV = x+18 |
| 9 | 10 | RXLEV = x+2 | RXLEV = x+11 |
| 9 | 11 | RXLEV = x+9 | RXLEV = x+18 |
| 10 | 11 | RXLEV = x+2 | RXLEV = x+11 |
| 10 | 12 | RXLEV = x+8 | RXLEV = x+18 |
| 11 | 12 | RXLEV = x+1 | RXLEV = x+11 |
| x is the reported value of BCCH1 at step m | | | |
| NOTE: It is not mandatory for the UE to report BCCH1 in step 12. | | | |

For the UE finally to pass, all preliminary decisions must be decided pass.

FFS: 3 test-environments * 12 reporting periods * 3 levels per report = 108 individual pass fail decisions

An individual pass/fail decision has a wrong decision risk of 5%. All individual decisions must pass, to pass the entire test. As a consequence a UE with marginal performance for each individual level will pass each individual test with a probability of 95%, but will fail the entire test with high probability. It is for further study whether to:

- Accept this situation.
- Decrease the wrong decision risk for each individual test at the expense of additional test time, to increase the pass probability for the entire test.
- Introduce allowance to fail a limited number of individual tests.

8.7.3B Transport channel BLER

Void.

8.7.3C UE transmitted power (R99 and Rel-4 only)

8.7.3C.1 Definition and applicability

The UE transmitted power absolute accuracy is defined as difference between the UE reported value and the UE transmitted power measured by test system. The reference point for the UE transmitted power shall be the antenna connector of the UE.

The requirements and this test apply to the R99 and Rel-4 only FDD UE.

8.7.3C.2 Minimum requirements

The measurement period in CELL_DCH state is 1 slot.

Table 8.7.3C.2.1: UE transmitted power absolute accuracy

| Parameter | Unit | Accuracy [dB] | |
|---|------|-----------------|-----------------|
| | | PUEMAX 24dBm | PUEMAX 21dBm |
| UE reported power \geq PUEMAX | dBm | +1/-3 | ± 2 |
| PUEMAX > UE reported power \geq PUEMAX-1 | dBm | +1.5/-3.5 | ± 2.5 |
| PUEMAX-1 > UE reported power \geq PUEMAX-2 | dBm | +2/-4 | ± 3 |
| PUEMAX-2 > UE reported power \geq PUEMAX-3 | dBm | +2.5/-4.5 | ± 3.5 |
| PUEMAX-3 > UE reported power \geq PUEMAX-10 | dBm | +3/-5 | ± 4 |

NOTE 1: User equipment maximum output power, PUEMAX, is the maximum output power level without tolerance defined for the power class of the UE in TS 25.101 [1] section 6.2.1.

NOTE 2: UE transmitted power is the reported value.

For each empty slot created by compressed mode, no value shall be reported by the UE L1 for those slots.

The normative reference for this requirement is TS 25.133 [2] clause 9.1.6.

8.7.3C.3 Test purpose

The purpose of this test is to verify that for any reported value of UE Transmitted Power in the range PUEMAX to PUEMAX-10 that the actual UE mean power lies within the range specified in clause 8.7.3C.2.

8.7.3C.4 Method of test

8.7.3C.4.1 Initial conditions

Test environment: normal, TL/VL, TL/VH, TH/VL, TH/VH; see clauses G.2.1 and G.2.2.

Frequencies to be tested: mid range; see clause G.2.4.

- 1) Connect SS to the UE antenna connector as shown in figure A.1.

The test parameters are given in Table 8.7.3C.4.1 and 8.7.3C.4.2 below. In the measurement control information it shall be indicated to the UE that periodic reporting of the UE transmitted power measurement shall be used.

Table 8.7.3C.4.1: General test parameters for UE transmitted power

| Parameter | Unit | Value | Comment |
|------------------|------|--|------------------------------|
| DCH parameters | | DL Reference Measurement Channel 12.2 kbps | As specified in clause C.3.1 |
| DL-Power Control | | Off | |

Table 8.7.3C.4.2: Cell Specific parameters for UE transmitted power

| Parameter | Unit | Cell 1 |
|-----------------------|--------------|--------|
| CPICH_Ec/lor | dB | -10 |
| PCCPCH_Ec/lor | dB | -12 |
| SCH_Ec/lor | dB | -12 |
| PICH_Ec/lor | dB | -15 |
| DPCH_Ec/lor | dB | -3 |
| OCNS_Ec/lor | dB | -5.2 |
| \hat{I}_{or}/I_{oc} | dB | 0 |
| I_{oc} | dBm/3.84 MHz | -70 |
| CPICH_Ec/lo | dB | -13 |
| Propagation Condition | | AWGN |

8.7.3C.4.2 Procedure

- 1) A call is set up according to the test procedure specified in TS 34.108 [3] subclause 7.3.2. The RF parameters are set up according to table 8.7.3C.4.1 and 8.7.3C.4.2. Set the UE power and Maximum allowed UL TX power to the maximum power for the UE power class.
- 2) SS shall send continuously during the entire test Up power control commands to the UE.
- 3) SS shall transmit the MEASUREMENT CONTROL message as defined in the specific message contents below.
- 4) Decode the UE Transmitted power reported by the UE in the next available MEASUREMENT REPORT message.
- 5) Measure the mean power of the UE over a period of one timeslot.
- 6) Steps 4 and 5 shall be repeated until statistical significance according to Annex F.6.2.8 is achieved.
- 7) Decrease the Maximum allowed UL TX power by 1 dB. The SS shall transmit the PHYSICAL CHANNEL RECONFIGURATION message, as defined in the specific message contents below.
- 8) SS shall wait for the PHYSICAL CHANNEL RECONFIGURATION COMPLETE message from the UE.
- 9) Repeat from step 4) until the Maximum allowed UL TX Power reaches PUEMAX-10.

Specific Message Contents

All messages indicated above shall use the same content as described in default message content in clause 9 of 34.108 [3], with the following exceptions:

MEASUREMENT CONTROL message:

| Information Element | Value/Remark |
|--|---|
| Message Type | |
| UE information elements | |
| -RRC transaction identifier | 0 |
| -Integrity check info | |
| -message authentication code | SS calculates the value of MAC-I for this message and writes to this IE. The first/leftmost bit of the bit string contains the most significant bit of the MAC-I. |
| -RRC message sequence number | SS provides the value of this IE, from its internal counter. |
| Measurement Information elements | |
| -Measurement Identity | 5 |
| -Measurement Command | SETUP |
| -CHOICE Measurement type | UE Internal measurement |
| -UE Internal measurement quantity | |
| -Measurement quantity | UE Transmitted power |
| -Filter coefficient | 0 |
| -UE Internal reporting quantity | |
| -UE Transmitted power | TRUE |
| -CHOICE mode | FDD |
| -UE Rx-Tx time difference | FALSE |
| -CHOICE report criteria | Periodical reporting criteria |
| -Amount of reporting | Infinity |
| -Reporting interval | 250 |
| -Measurement Reporting Mode | |
| -Measurement Report Transfer Mode | AM RLC |
| -Periodical Reporting / Event Trigger Reporting Mode | Periodical reporting |
| -AdditionalMeasurementList | Not Present |
| Physical channel information elements | |
| -DPCH compressed mode status info | Not Present |

MEASUREMENT REPORT message:

| Information Element | Value/remark |
|-------------------------------|---|
| Message Type | |
| Integrity check info | The presence of this IE is dependent on PIXIT statements in TS 34.123-2. If integrity protection is indicated to be active, this IE shall be present with the values of the sub IEs as stated below. Else, this IE and the sub-IEs shall be absent. |
| - Message authentication code | This IE is checked to see if it is present. The value is compared against the XMAC-I value computed by SS. |
| - RRC Message sequence number | This IE is checked to see if it is present. The value is used by SS to compute the XMAC-I value. |
| Measurement identity | 5 |
| Measured Results | UE Internal measured results |
| - CHOICE Measurement | FDD |
| - Choice mode | Checked that this IE is present |
| - UE Transmitted power | Checked that this IE is absent |
| - UE Rx-Tx report entries | Checked that this IE is absent |
| Measured results on RACH | Checked that this IE is absent |
| Additional measured results | Checked that this IE is absent |
| Event results | Checked that this IE is absent |

PHYSICAL CHANNEL RECONFIGURATION message:

| Information Element | Value/Remark | Version |
|--|---|-----------------|
| Message Type | | |
| UE Information Elements | | |
| -RRC transaction identifier | 0 | |
| -Integrity check info | | |
| -message authentication code | SS calculates the value of MAC-I for this message and writes to this IE. The first/leftmost bit of the bit string contains the most significant bit of the MAC-I. | |
| -RRC message sequence number | SS provides the value of this IE, from its internal counter. | |
| -Integrity protection mode info | Not Present | |
| -Ciphering mode info | Not Present | |
| -Activation time | Not Present | |
| -New U-RNTI | Not Present | |
| -New C-RNTI | Not Present | |
| -RRC State Indicator | CELL_DCH | |
| -UTRAN DRX cycle length coefficient | Not Present | |
| CN Information Elements | | |
| -CN Information info | Not Present | |
| UTRAN mobility information elements | | |
| -URA identity | Not Present | |
| RB information elements | | |
| -Downlink counter synchronisation info | Not Present | |
| PhyCH information elements | | |
| -Frequency info | Not Present | |
| Uplink radio resources | | |
| -Maximum allowed UL TX power | At the first time this value is set to PUEMAX-1. After the second time this value is decreased with 1 dB from previous value. | |
| Downlink radio resources | | |
| -CHOICE mode | FDD | |
| -Downlink PDSCH information | Not Present | |
| -Downlink information common for all radio links | Not Present | |
| -Downlink information per radio link list | Not Present | R99 and R4 only |

8.7.3C.5 Test requirements

Compare each of the UE transmitted power reports against the following mean power measurement. At least 90% of the mean power measurements for any one value of reported UE transmitted power shall be within the range specified in table 8.7.3C.5.

Table 8.7.3C.5: UE transmitted power test requirements

| UE reported value | SS measured mean power (X) range [dBm] | |
|-------------------|--|----------------------------|
| | PUEMAX 24dBm | PUEMAX 21dBm |
| UE_TX_POWER_104 | $33-3.7 \leq X < 34+1.7$ | $33-2.7 \leq X < 34+2.7$ |
| UE_TX_POWER_103 | $32-3.7 \leq X < 33+1.7$ | $32-2.7 \leq X < 33+2.7$ |
| • | • | • |
| • | • | • |
| • | • | • |
| UE_TX_POWER_097 | $26-3.7 \leq X < 27+1.7$ | • |
| UE_TX_POWER_096 | $25-3.7 \leq X < 26+1.7$ | • |
| UE_TX_POWER_095 | $24-3.7 \leq X < 25+1.7$ | • |
| UE_TX_POWER_094 | $23-4.2 \leq X < 24+2.2$ | $23-2.7 \leq X < 24+2.7$ |
| UE_TX_POWER_093 | $22-4.7 \leq X < 23+2.7$ | $22-2.7 \leq X < 23+2.7$ |
| UE_TX_POWER_092 | $21-5.2 \leq X < 22+3.2$ | $21-2.7 \leq X < 22+2.7$ |
| UE_TX_POWER_091 | $20-5.7 \leq X < 21+3.7$ | $20-3.2 \leq X < 21+3.2$ |
| UE_TX_POWER_090 | $19-5.7 \leq X < 20+3.7$ | $19-3.7 \leq X < 20+3.7$ |
| UE_TX_POWER_089 | $18-5.7 \leq X < 19+3.7$ | $18-4.2 \leq X < 19+4.2$ |
| UE_TX_POWER_088 | • | $17-4.7 \leq X < 18+4.7$ |
| UE_TX_POWER_087 | • | $16-4.7 \leq X < 17+4.7$ |
| UE_TX_POWER_086 | • | $15-4.7 \leq X < 15+4.7$ |
| • | • | • |
| • | • | • |
| • | • | • |
| UE_TX_POWER_022 | $-49-5.7 \leq X < -48+3.7$ | $-49-4.7 \leq X < -48+4.7$ |
| UE_TX_POWER_021 | $-50-5.7 \leq X < -49+3.7$ | $-50-4.7 \leq X < -49+4.7$ |

NOTE 1: Although test requirements are given for all UE reported values, a good UE will likely report values between PUEMAX and PUEMAX - 10 dB. However, even a good UE may report also wider range of values due to errors in TPC command reception and allowed range specified for UE transmit power setting accuracy when Maximum Allowed UL TX Power has been signalled. On the other hand, a faulty UE may report any power value but then it does not fulfil the Table 8.7.3C.5 requirements for mean power or then it will not pass some other tests e.g. TC 5.2 of this specification.

NOTE 2: If the above Test Requirement differs from the Minimum Requirement then the Test Tolerance applied for this test is non-zero. The Test Tolerance for this test is defined in clause F.2 and the explanation of how the Minimum Requirement has been relaxed by the Test Tolerance is given in clause F.4.

8.7.3D UE transmitted power (Rel-5 and later)

8.7.3D.1 Definition and applicability

The UE transmitted power absolute accuracy is defined as difference between the UE reported value and the UE transmitted power measured by test system. The reference point for the UE transmitted power shall be the antenna connector of the UE.

The requirements and this test apply to Release 5 and later releases for the FDD UE.

8.7.3D.2 Minimum requirements

This requirement is applicable in CELL_DCH state. The measured quantity is the transmitted power averaged over the longest period (excluding a 25 μ s period either side of any expected composite power change) during which the nominal composite symbol power reaches the maximum during 1 DPCH slot interval.

The normative reference for this requirement is TS 25.133 [2] clause 9.1.6.

8.7.3D.3 Test purpose

The purpose of this test is to verify that for any reported value of UE Transmitted Power in the range specified in table 8.7.3D.5 that the actual UE mean power lies within the range specified in clause 8.7.3D.5.

8.7.3D.4 Method of test

8.7.3D.4.1 Initial conditions

Test environment: normal, TL/VL, TL/VH, TH/VL, TH/VH; see clauses G.2.1 and G.2.2.

Frequencies to be tested: mid range; see clause G.2.4.

- 1) Connect SS to the UE antenna connector as shown in figure A.1.

The test parameters are given in Table 8.7.3D.4.1 and 8.7.3D.4.2 below. In the measurement control information it shall be indicated to the UE that periodic reporting of the UE transmitted power measurement shall be used. The UE measured quantity absolute accuracy is defined in Table 8.7.3D.4.3.

Table 8.7.3D.4.1: General test parameters for UE transmitted power

| Parameter | Unit | Value | Comment |
|------------------|------|--|------------------------------|
| DCH parameters | | DL Reference Measurement Channel 12.2 kbps | As specified in clause C.3.1 |
| DL-Power Control | | Off | |

Table 8.7.3D.4.2: Cell Specific parameters for UE transmitted power

| Parameter | Unit | Cell 1 |
|-----------------------|--------------|--------|
| CPICH_Ec/lor | dB | -10 |
| PCCPCH_Ec/lor | dB | -12 |
| SCH_Ec/lor | dB | -12 |
| PICH_Ec/lor | dB | -15 |
| DPCH_Ec/lor | dB | -3 |
| OCNS_Ec/lor | dB | -5.2 |
| \hat{I}_{or}/I_{oc} | dB | 0 |
| I_{oc} | dBm/3.84 MHz | -70 |
| CPICH_Ec/lo | dB | -13 |
| Propagation Condition | | AWGN |

Table 8.7.3D.4.3: UE transmitted power requirements

| Reported value | Measured quantity value (dBm) | Accuracy (dB) note 1 | |
|--|-------------------------------|----------------------|---------------|
| UE_TX_POWER_104 | 33 ≤ to < 34 | note 2 | |
| UE_TX_POWER_103 | 32 ≤ to < 33 | note 2 | |
| UE_TX_POWER_102 | 31 ≤ to < 32 | note 2 | |
| ... | ... | | |
| UE_TX_POWER_096 | 25 ≤ to < 26 | note 2 | |
| UE_TX_POWER_095 | 24 ≤ to < 25 | 2.0 | -2.0 |
| UE_TX_POWER_094 | 23 ≤ to < 24 | 2.0 | -2.0 |
| UE_TX_POWER_093 | 22 ≤ to < 23 | 2.0 | -2.0 |
| UE_TX_POWER_092 | 21 ≤ to < 22 | 2.0 | -2.0 |
| UE_TX_POWER_091 | 20 ≤ to < 21 | 2.5 | -2.5 |
| UE_TX_POWER_090 | 19 ≤ to < 20 | 3.0 | -3.0 |
| UE_TX_POWER_089 | 18 ≤ to < 19 | 3.5 | -3.5 |
| UE_TX_POWER_088 | 17 ≤ to < 18 | 4.0 | -4.0 |
| UE_TX_POWER_087 | 16 ≤ to < 17 | 4.0 | -4.0 |
| UE_TX_POWER_086 | 15 ≤ to < 16 | 4.0 | -4.0 |
| UE_TX_POWER_085 | 14 ≤ to < 15 | 4.0 | -4.0 |
| UE_TX_POWER_084 | 13 ≤ to < 14 | 4.0* | -4.0 (note 3) |
| UE_TX_POWER_083 | 12 ≤ to < 13 | 4.0* | -4.0 (note 3) |
| UE_TX_POWER_082 | 11 ≤ to < 12 | 4.0* | -4.0 (note 3) |
| UE_TX_POWER_081 | 10 ≤ to < 11 | note 2 | |
| ... | ... | | |
| UE_TX_POWER_023 | -48 ≤ to < -47 | note 2 | |
| UE_TX_POWER_022 | -49 ≤ to < -48 | note 2 | |
| UE_TX_POWER_021 | -50 ≤ to < -49 | note 2 | |
| NOTE 1: The tolerance is specified for the maximum and minimum measured quantity value (dBm), i.e. MIN(Measured quantity value) + MIN(Accuracy) ≤ UE transmitted Power < Max (Measured quantity value) + MAX(Accuracy) | | | |
| NOTE 2: No tolerance is specified. | | | |
| NOTE 3: Applicable to power class 4 | | | |

8.7.3D.4.2 Procedure

- 1) A call is set up according to the test procedure specified in TS 34.108 [3] subclause 7.3.2. The RF parameters are set up according to table 8.7.3D.4.1 and 8.7.3D.4.2. Set the UE power and Maximum allowed UL TX power to the maximum power for the UE power class.
- 2) SS shall send continuously during the entire test Up power control commands to the UE.
- 3) SS shall transmit the MEASUREMENT CONTROL message as defined in the specific message contents below.
- 4) Decode the UE Transmitted power reported by the UE in the next available MEASUREMENT REPORT message.
- 5) Measure the mean power of the UE over the longest period (excluding a 25 μs period either side of any expected composite power change) during which the nominal composite symbol power reaches the maximum during one DPCH slot interval.
- 6) Steps 4 and 5 shall be repeated until statistical significance according to Annex F.6.2.8 is achieved.
- 7) Decrease the Maximum allowed UL TX power by 1 dB. The SS shall transmit the PHYSICAL CHANNEL RECONFIGURATION message, as defined in the specific message contents below.
- 8) SS shall wait for the PHYSICAL CHANNEL RECONFIGURATION COMPLETE message from the UE.
- 9) Repeat from step 4) until the Maximum allowed UL TX Power reaches PUEMAX-10.

Specific Message Contents

All messages indicated above shall use the same content as described in default message content in clause 9 of 34.108 [3], with the following exceptions:

MEASUREMENT CONTROL message:

| Information Element | Value/Remark |
|--|---|
| Message Type | |
| UE information elements | |
| -RRC transaction identifier | 0 |
| -Integrity check info | |
| -message authentication code | SS calculates the value of MAC-I for this message and writes to this IE. The first/leftmost bit of the bit string contains the most significant bit of the MAC-I. |
| -RRC message sequence number | SS provides the value of this IE, from its internal counter. |
| Measurement Information elements | |
| -Measurement Identity | 5 |
| -Measurement Command | SETUP |
| -CHOICE Measurement type | UE Internal measurement |
| -UE Internal measurement quantity | |
| -Measurement quantity | UE Transmitted power |
| -Filter coefficient | 0 |
| -UE Internal reporting quantity | |
| -UE Transmitted power | TRUE |
| -CHOICE mode | FDD |
| -UE Rx-Tx time difference | FALSE |
| -CHOICE report criteria | Periodical reporting criteria |
| -Amount of reporting | Infinity |
| -Reporting interval | 250 |
| -Measurement Reporting Mode | |
| -Measurement Report Transfer Mode | AM RLC |
| -Periodical Reporting / Event Trigger Reporting Mode | Periodical reporting |
| -AdditionalMeasurementList | Not Present |
| Physical channel information elements | |
| -DPCH compressed mode status info | Not Present |

MEASUREMENT REPORT message:

| Information Element | Value/remark |
|-------------------------------|---|
| Message Type | |
| Integrity check info | The presence of this IE is dependent on PIXIT statements in TS 34.123-2. If integrity protection is indicated to be active, this IE shall be present with the values of the sub IEs as stated below. Else, this IE and the sub-IEs shall be absent. |
| - Message authentication code | This IE is checked to see if it is present. The value is compared against the XMAC-I value computed by SS. |
| - RRC Message sequence number | This IE is checked to see if it is present. The value is used by SS to compute the XMAC-I value. |
| Measurement identity | 5 |
| Measured Results | |
| - CHOICE Measurement | UE Internal measured results |
| - Choice mode | FDD |
| - UE Transmitted power | Checked that this IE is present |
| - UE Rx-Tx report entries | Checked that this IE is absent |
| Measured results on RACH | Checked that this IE is absent |
| Additional measured results | Checked that this IE is absent |
| Event results | Checked that this IE is absent |

PHYSICAL CHANNEL RECONFIGURATION message:

| Information Element | Value/Remark | Version |
|---|--|-----------------|
| Message Type | | |
| UE Information Elements -RRC transaction identifier -Integrity check info -message authentication code -RRC message sequence number -Integrity protection mode info -Ciphering mode info -Activation time -New U-RNTI -New C-RNTI -RRC State Indicator -UTRAN DRX cycle length coefficient | 0 SS calculates the value of MAC-I for this message and writes to this IE. The first/leftmost bit of the bit string contains the most significant bit of the MAC-I. SS provides the value of this IE, from its internal counter. Not Present Not Present Not Present Not Present Not Present CELL_DCH Not Present | |
| CN Information Elements -CN Information info | Not Present | |
| UTRAN mobility information elements -URA identity | Not Present | |
| RB information elements -Downlink counter synchronisation info | Not Present | |
| PhyCH information elements -Frequency info | Not Present | |
| Uplink radio resources -Maximum allowed UL TX power | At the first time this value is set to PUEMAX-1. After the second time this value is decreased with 1 dB from previous value. | |
| Downlink radio resources -CHOICE mode -Downlink PDSCH information -Downlink information common for all radio links -Downlink information per radio link list | FDD Not Present Not Present Not Present | R99 and R4 only |

8.7.3D.5 Test requirements

Compare each of the UE transmitted power reports against the following mean power measurement. At least 90% of the mean power measurements for any one value of reported UE transmitted power shall be within the range specified in table 8.7.3D.5.

Table 8.7.3D.5: UE transmitted power test requirements

| Reported value | Measured quantity value (dBm) | Accuracy (dB) note 1 | |
|---|-------------------------------|-------------------------|---------------|
| UE_TX_POWER_104 | $33 \leq \text{to} < 34$ | note 2 | |
| UE_TX_POWER_103 | $32 \leq \text{to} < 33$ | note 2 | |
| UE_TX_POWER_102 | $31 \leq \text{to} < 32$ | note 2 | |
| ... | ... | | |
| UE_TX_POWER_096 | $25 \leq \text{to} < 26$ | note 2 | |
| UE_TX_POWER_095 | $24 \leq \text{to} < 25$ | 2.7 | -2.7 |
| UE_TX_POWER_094 | $23 \leq \text{to} < 24$ | 2.7 | -2.7 |
| UE_TX_POWER_093 | $22 \leq \text{to} < 23$ | 2.7 | -2.7 |
| UE_TX_POWER_092 | $21 \leq \text{to} < 22$ | 2.7 | -2.7 |
| UE_TX_POWER_091 | $20 \leq \text{to} < 21$ | 3.2 | -3.2 |
| UE_TX_POWER_090 | $19 \leq \text{to} < 20$ | 3.7 | -3.7 |
| UE_TX_POWER_089 | $18 \leq \text{to} < 19$ | 4.2 | -4.2 |
| UE_TX_POWER_088 | $17 \leq \text{to} < 18$ | 4.7 | -4.7 |
| UE_TX_POWER_087 | $16 \leq \text{to} < 17$ | 4.7 | -4.7 |
| UE_TX_POWER_086 | $15 \leq \text{to} < 16$ | 4.7 | -4.7 |
| UE_TX_POWER_085 | $14 \leq \text{to} < 15$ | 4.7 | -4.7 |
| UE_TX_POWER_084 | $13 \leq \text{to} < 14$ | 4.7* | -4.7 (note 3) |
| UE_TX_POWER_083 | $12 \leq \text{to} < 13$ | 4.7* | -4.7 (note 3) |
| UE_TX_POWER_082 | $11 \leq \text{to} < 12$ | 4.7* | -4.7 (note 3) |
| UE_TX_POWER_081 | $10 \leq \text{to} < 11$ | note 2 | |
| ... | ... | | |
| UE_TX_POWER_023 | $-48 \leq \text{to} < -47$ | note 2 | |
| UE_TX_POWER_022 | $-49 \leq \text{to} < -48$ | note 2 | |
| UE_TX_POWER_021 | $-50 \leq \text{to} < -49$ | note 2 | |
| NOTE 1: The tolerance is specified for the maximum and minimum measured quantity value (dBm), i.e. $\text{MIN}(\text{Measured quantity value}) + \text{MIN}(\text{Accuracy})$ $\leq \text{UE transmitted Power} < \text{Max}(\text{Measured quantity value}) + \text{MAX}(\text{Accuracy})$ | | | |
| NOTE 2: No tolerance is specified. | | | |
| NOTE 3: Applicable to power class 4 | | | |

NOTE 1: If the above Test Requirement differs from the Minimum Requirement then the Test Tolerance applied for this test is non-zero. The Test Tolerance for this test is defined in clause F.2 and the explanation of how the Minimum Requirement has been relaxed by the Test Tolerance is given in clause F.4.

8.7.4 SFN-CFN observed time difference

8.7.4.1 Intra frequency measurement requirement

8.7.4.1.1 Definition and applicability

The intra frequency SFN-CFN observed time difference is defined as the SFN-CFN observed time difference from the active cell to a neighbour cell that is in the same frequency. This measurement is specified in clause 5.1.8 of TS 25.215 [22].

The reference point for the SFN-CFN observed time difference shall be the antenna connector of the UE.

The requirements and this test apply to all types of UTRA for the FDD UE.

8.7.4.1.2 Minimum requirements

The accuracy requirement in table 8.7.4.1.1 is valid under the following conditions:

$CPICH_RSCP1,2|_{dBm} \geq -114$ dBm for Bands I, IV, VI, X, XI XIX and XXI,

$CPICH_RSCP1,2|_{dBm} \geq -113$ dBm for Band IX,

$CPICH_RSCP1,2|_{dBm} \geq -112$ dBm for Bands II,V and VII,

$CPICH_RSCP1,2|_{dBm} \geq -111$ dBm for Band III, VIII, XII, XIII, XIV, XX and XXII,

$CPICH_RSCP1,2|_{dBm} \geq -110.5$ dBm for Band XXV and XXVI. (NOTE 1)

NOTE 1: The condition is -112 dBm when the carrier frequency of the assigned UTRA channel is within 869-894 MHz for the UE which supports both Band V and Band XXVI operating frequencies.

$$\left| CPICH_RSCP1|_{in\ dBm} - CPICH_RSCP2|_{in\ dBm} \right| \leq 20\text{dB}$$

$$\left(\frac{I_o}{\hat{I}_{or}} \right)_{in\ dB} - \left(\frac{CPICH_E_c}{I_{or}} \right)_{in\ dB} \leq 20\text{dB}$$

$$\left(\frac{I_o}{\hat{I}_{or}} \right)_{in\ dB} - \left(\frac{P - CCPCH_E_c}{I_{or}} \right)_{in\ dB} \text{ is low enough to ensure successful SFN decoding.}$$

Table 8.7.4.1.1: SFN-CFN observed time difference intra frequency accuracy

| Parameter | Unit | Accuracy [chip] | Conditions | | | | |
|----------------------------------|------|-----------------|------------------------------------|-----------|--------------------|----------------------|---|
| | | | Io [dBm/3.84 MHz] | | | | |
| | | | Band I, IV, VI, X, XI, XIX and XXI | Band IX | Band II, V and VII | Band XXV and XXVI | Band III, and VIII, XII, XIII, XIV, XX and XXII |
| SFN-CFN observed time difference | chip | ± 1 | -94...-50 | -93...-50 | -92...-50 | -90.5...-50 (Note 1) | -91...-50 |

NOTE 1: The condition is -92...-50 dBm/3.84 MHz when the carrier frequency of the assigned UTRA channel is within 869-894 MHz for the UE which supports both Band V and Band XXVI operating frequencies.

The normative reference for this requirement is TS 25.133 [2] clauses 9.1.7.1 and A.9.1.4.2.

8.7.4.1.3 Test Purpose

The purpose of this test is to verify that the SFN-CFN observed time difference measurement accuracy is within the specified limits in the clause 8.7.4.1.2. This measurement is for handover timing purposes to identify active cell and neighbour cell time difference.

8.7.4.1.4 Method of test

8.7.4.1.4.1 Initial conditions

Test environment: normal, TL/VL, TL/VH, TH/VL, TH/VH; see clauses G.2.1 and G.2.2.

Frequencies to be tested: mid range; see clause G.2.4.

During the test the timing difference between Cell 1 and 2 can be set to value from 0...9830399 chips.

In this case all cells are in the same frequency. Table 8.7.4.1.2 defines the limits of signal strengths and code powers, where the requirements are applicable.

Table 8.7.4.1.2: SFN-CFN observed time difference Intra frequency test parameters

| Parameter | | Unit | Test 1 | | Test 2 | | Test 3 | |
|---|---|---------------|------------------------------|--------|------------------------------|--------|------------------------------|--------|
| | | | Cell 1 | Cell 2 | Cell 1 | Cell 2 | Cell 1 | Cell 2 |
| UTRA RF Channel number | | | Channel 1 | | Channel 1 | | Channel 1 | |
| CPICH_Ec/lor | | dB | -10 | | -10 | | -10 | |
| PCCPCH_Ec/lor | | dB | -12 | | -12 | | -12 | |
| SCH_Ec/lor | | dB | -12 | | -12 | | -12 | |
| PICH_Ec/lor | | dB | -15 | | -15 | | -15 | |
| DPCH_Ec/lor | | dB | -15 | | -15 | | -15 | |
| OCNS_Ec/lor | | dB | -1.11 | | -1.11 | | -1.11 | |
| $\dot{I}or/loc$ | | dB | 10.5 | | 10.5 | | 10.5 | |
| loc | | dBm/ 3.84 MHz | lo -13.7 dB = loc, Note 1 | | lo -13.7 dB = loc, Note 1 | | lo -13.7 dB = loc, Note 1 | |
| lo | Band I, IV, VI, X, XI, XIX, XXI | dBm/3.84 MHz | -50 | | -72 | | -94 | |
| | Band IX* | | | | | | -93 | |
| | Band II, V, VII | | | | | | -92 | |
| | Band XXV, XXVI | | | | | | -90.5 (Note 2,3) | |
| | Band III, VIII, XII, XIII, XIV, XX, XXII | | | | | | -91 | |
| SFN-CFN observed time difference as specified in TS 25.215 [22] | | chip | x Note 4 | | | | | |
| Propagation condition | | - | AWGN | | AWGN | | AWGN | |
| NOTE 1: loc level shall be adjusted according the total signal power lo at receiver input and the geometry factor $\dot{I}or/loc$. | | | | | | | | |
| *) For the UE which supports both Band III and Band IX operating frequencies, the measurement performance requirements for Band III shall apply to the multi-band UE. | | | | | | | | |
| NOTE 2: The condition is -92...-70 dBm/3.84 MHz when the carrier frequency of the assigned UTRA channel is within 869-894 MHz for the UE which supports both Band V and Band XXVI operating frequencies. | | | | | | | | |
| NOTE 3: The condition is -92...-50 dBm/3.84 MHz when the carrier frequency of the assigned UTRA channel is within 869-894 MHz for the UE which supports both Band V and Band XXVI operating frequencies. | | | | | | | | |
| NOTE4: For example, x= 491520 or 9830399. This is a calculated value using parameters "OFF" and "Tm" as specified in TS 25.215 [22]. | | | | | | | | |
| Tests shall be done sequentially. Test 1 shall be done first. After test 1 has been executed test parameters for tests 2 and 3 shall be set within 5 seconds so that UE does not loose the Cell 2 in between the tests. | | | | | | | | |

8.7.4.1.4.2 Procedure

- 1) A call is set up according to the test procedure specified in TS 34.108 [3] subclause 7.3.2. The RF parameters for Test 1 are set up according to table 8.7.4.1.4.
- 2) SS shall transmit MEASUREMENT CONTROL message.
- 3) UE shall transmit periodically MEASUREMENT REPORT message.
- 4) SS shall check "OFF" and "Tm" values in MEASUREMENT REPORT message and calculate SFN-CFN observed time difference value according to the definition in clause 5.1.8 of TS 25.215 [22]. This value shall be compared to the actual SFN-CFN observed time difference value for each MEASUREMENT REPORT message.
- 5) SS shall check MEASUREMENT REPORT messages transmitted by UE until statistical significance according to Annex F.6.2.8 is achieved
- 6) The RF parameters are set up according to table 8.7.4.1.4 for Test 2. While RF parameters are being set up, MEASUREMENT REPORT messages from UE are ignored. SS shall wait for additional 1s and ignore the MEASUREMENT REPORT messages during this period. Then, step 4) and 5) above are repeated.
- 7) The RF parameters are set up according to table 8.7.4.1.4 for Test 3. While RF parameters are being set up, MEASUREMENT REPORT messages from UE are ignored. SS shall wait for additional 1s and ignore the MEASUREMENT REPORT messages during this period. Then, step 4) and 5) above are repeated.
- 8) The SS shall transmit RRC CONNECTION RELEASE message.
- 9) UE shall transmit RRC CONNECTION RELEASE COMPLETE message.

Specific Message Contents

All messages indicated above shall use the same content as described in the default message content in clause 9 of 34.108 [3], with the following exceptions:

MEASUREMENT CONTROL message for intra frequency measurement

| Information Element | Value/Remark |
|---|--|
| Message Type | |
| UE information elements -RRC transaction identifier -Integrity check info -message authentication code -RRC message sequence number | 0 SS calculates the value of MAC-I for this message and writes to this IE. The first/leftmost bit of the bit string contains the most significant bit of the MAC-I. SS provides the value of this IE, from its internal counter. |
| Measurement Information elements -Measurement Identity -Measurement Command -Measurement Reporting Mode - Measurement Report Transfer Mode - Periodical Reporting / Event Trigger Reporting Mode -Additional measurement list -CHOICE Measurement Type -Intra-frequency measurement - Intra-frequency measurement objects list -Intra-frequency measurement quantity -Filter coefficient -CHOICE mode -Measurement quantity -Intra-frequency reporting quantity -Reporting quantities for active set cells -Cell synchronisation information reporting indicator -Cell Identity reporting indicator -CHOICE mode -CPICH Ec/N0 reporting indicator -CPICH RSCP reporting indicator -Pathloss reporting indicator -Reporting quantities for monitored set cells -Cell synchronisation information reporting indicator -Cell Identity reporting indicator -CHOICE mode -CPICH Ec/N0 reporting indicator -CPICH RSCP reporting indicator -Pathloss reporting indicator -Reporting quantities for detected set cells -Reporting cell status -CHOICE reported cell -Maximum number of reported cells -Measurement validity -CHOICE report criteria -Amount of reporting -Reporting interval | 1 Modify Acknowledged mode RLC Periodical reporting Not Present Intra-frequency measurement Not Present 0 FDD CPICH RSCP TRUE TRUE FDD TRUE TRUE FALSE TRUE TRUE FDD TRUE TRUE FALSE Not Present Report all active set cells + cells within monitored set on used frequency Virtual/active set cells + 2 Not Present Periodical reporting criteria Infinity 250 ms |
| Physical channel information elements -DPCH compressed mode status info | Not Present |

MEASUREMENT REPORT message for Intra frequency test cases

This message is common for all intra frequency test cases in clause 8.7 and is described in Annex I.

8.7.4.1.5 Test requirements

Table 8.7.4.1.3: SFN-CFN observed time difference intra frequency accuracy

| Parameter | Unit | Accuracy [chip] | Conditions | | | | |
|----------------------------------|------|-----------------|------------------------------------|-----------|--------------------|-------------------|---|
| | | | Io [dBm/3.84 MHz] | | | | |
| | | | Band I, IV, VI, X, XI, XIX and XXI | Band IX | Band II, V and VII | Band XXV and XXVI | Band III, VIII, XII, XIII, XIV, XX and XXII |
| SFN-CFN observed time difference | chip | ± 1.5 | -94...-50 | -93...-50 | -92...-50 | -90.5...-50 | -91...-50 |

NOTE 1: The condition is -92...-50 dBm/3.84 MHz when the carrier frequency of the assigned UTRA channel is within 869-894 MHz for the UE which supports both Band V and Band XXVI operating frequencies.

Table 8.7.4.1.4: SFN-CFN observed time difference Intra frequency test parameters

| Parameter | | Unit | Test 1 | | Test 2 | | Test 3 | |
|---|--|---------------|-------------|--------|-----------|--------|-------------------|--------|
| | | | Cell 1 | Cell 2 | Cell 1 | Cell 2 | Cell 1 | Cell 2 |
| UTRA RF Channel number | | | Channel 1 | | Channel 1 | | Channel 1 | |
| CPICH_Ec/lor | | dB | -10 | | -10 | | -10 | |
| PCCPCH_Ec/lor | | dB | -12 | | -12 | | -12 | |
| SCH_Ec/lor | | dB | -12 | | -12 | | -12 | |
| PICH_Ec/lor | | dB | -15 | | -15 | | -15 | |
| DPCH_Ec/lor | | dB | -15 | | -15 | | -15 | |
| OCNS_Ec/lor | | dB | -1.11 | | -1.11 | | -1.11 | |
| lor/loc | | dB | 10.8 | | 10.8 | | 10.8 | |
| loc | Band I, IV, VI, X, XI, XIX, XXI | dBm/ 3.84 MHz | -65.3 | | -85.7 | | -106.7 | |
| | Band IX* | | | | | | -105.7 | |
| | Band II, V, VII | | | | | | -104.7 | |
| | Band XXV, XXVI | | | | | | -103.2 (Note 2,3) | |
| | Band III, VIII, XII, XIII, XIV, XX, XXII | | | | | | -103.7 | |
| Io, Note 1 | Band I, IV, VI, X, XI, XIX, XXI | dBm/3.84 MHz | -51.3 | | -71.7 | | -92.7 | |
| | Band IX* | | | | | | -91.7 | |
| | Band II, V, VII | | | | | | -90.7 | |
| | Band XXV, XXVI | | | | | | -89.2 (Note 2,3) | |
| | Band III, VIII, XII, XIII, XIV, XX, XXII | | | | | | -89.7 | |
| SFN-CFN observed time difference as specified in TS 25.215 [22] | | chip | x Note 4 | | | | | |
| Propagation condition | | - | AWGN | | AWGN | | AWGN | |
| NOTE 1: Io level has been calculated from other parameters for information purposes. It is not a settable parameter itself. | | | | | | | | |
| *) For the UE which supports both Band III and Band IX operating frequencies, the measurement performance requirements for Band III shall apply to the multi-band UE. | | | | | | | | |
| NOTE 2: The condition is -92...-70 dBm/3.84 MHz when the carrier frequency of the assigned UTRA channel is within 869-894 MHz for the UE which supports both Band V and Band XXVI operating frequencies. | | | | | | | | |
| NOTE 3: The condition is -92...-50 dBm/3.84 MHz when the carrier frequency of the assigned UTRA channel is within 869-894 MHz for the UE which supports both Band V and Band XXVI operating frequencies. | | | | | | | | |
| NOTE4: For example, x= 491520 or 9830399. This is a calculated value using parameters "OFF" and "Tm" as specified in TS 25.215 [22]. | | | | | | | | |
| Tests shall be done sequentially. Test 1 shall be done first. After test 1 has been executed test parameters for tests 2 and 3 shall be set within 5 seconds so that UE does not loose the Cell 2 in between the tests. | | | | | | | | |

The accuracy of the SFN-CFN observed time difference measurement value calculated from the reported "OFF" and "Tm" values shall meet the requirements in table 8.7.4.1.5.

Table 8.7.4.1.5: SFN-CFN observed time difference measurement accuracy requirements for the reported values

| | Test 1 | Test 2 | Test 3 |
|--|----------------------|----------------------|----------------------|
| Lowest reported value | SFN_CFN_TIME (X - 2) | SFN_CFN_TIME (X - 2) | SFN_CFN_TIME (X - 2) |
| Highest reported value | SFN_CFN_TIME (X + 2) | SFN_CFN_TIME (X + 2) | SFN_CFN_TIME (X + 2) |
| SFN-CFN_TIME (X) is the reported value for the actual SFN-CFN observed time difference value as defined in table 8.7.4.1.4 | | | |

NOTE: If the above Test Requirement differs from the Minimum Requirement then the Test Tolerance applied for this test is non-zero. The Test Tolerance for this test is defined in clause F.2 and the explanation of how the Minimum Requirement has been relaxed by the Test Tolerance is given in clause F.4.

8.7.4.2 Inter frequency measurement requirement

8.7.4.2.1 Definition and applicability

The inter frequency SFN-CFN observed time difference is defined as the SFN-CFN time difference from the active cell to a neighbour cell that is in a different frequency. This measurement is specified in clause 5.1.8 of TS 25.215 [22].

The reference point for the SFN-CFN observed time difference shall be the antenna connector of the UE.

The requirements and this test apply to all types of UTRA for the FDD UE.

8.7.4.2.2 Minimum requirements

The accuracy requirement in table 8.7.4.2.1 is valid under the following conditions:

CPICH_RSCP1,2_{dBm} ≥ -114 dBm for Bands I, IV, VI, X, XI XIX and XXI,

CPICH_RSCP1,2_{dBm} ≥ -113 dBm for Band IX,

CPICH_RSCP1,2_{dBm} ≥ -112 dBm for Bands II, V and VII,

CPICH_RSCP1,2_{dBm} ≥ -111 dBm for Band III, VIII, XII, XIII, XIV, XX and XXII,

CPICH_RSCP1,2_{dBm} ≥ -110.5 dBm for Band XXV and XXVI. (NOTE 1)

NOTE 1: The condition is -112 dBm when the carrier frequency of the assigned UTRA channel is within 869-894 MHz for the UE which supports both Band V and Band XXVI operating frequencies.

$$\left| CPICH_RSCP1_{in\ dBm} - CPICH_RSCP2_{in\ dBm} \right| \leq 20\ dB$$

$$| Channel\ 1_Io_{dBm/3.84\ MHz} - Channel\ 2_Io_{dBm/3.84\ MHz} | \leq 20\ dB.$$

$$\left(\frac{I_o}{\hat{I}_{or}} \right)_{in\ dB} - \left(\frac{CPICH - E_c}{I_{or}} \right)_{in\ dB} \leq 20\ dB$$

Table 8.7.4.2.1: SFN-CFN observed time difference inter frequency accuracy

| Parameter | Unit | Accuracy [chip] | Conditions | | | | |
|----------------------------------|------|-----------------|------------------------------------|-----------|--------------------|----------------------|---|
| | | | Io [dBm/3.84 MHz] | | | | |
| | | | Band I, IV, VI, X, XI, XIX and XXI | Band IX | Band II, V and VII | Band XXV and XXVI | Band III, VIII, XII, XIII, XIV, XX and XXII |
| SFN-CFN observed time difference | chip | ± 1 | -94...-50 | -93...-50 | -92...-50 | -90.5...-50 (Note 1) | -91...-50 |

NOTE 1: The condition is -92...-50 dBm/3.84 MHz when the carrier frequency of the assigned UTRA channel is within 869-894 MHz for the UE which supports both Band V and Band XXVI operating frequencies.

The normative reference for this requirement is TS 25.133 [2] clauses 9.1.7.2 and A.9.1.4.2.

8.7.4.2.3 Test purpose

The purpose of this test is to verify that the SFN-CFN observed time difference measurement accuracy is within the specified limits in the clause 8.7.4.2.2. This measurement is for handover timing purposes to identify active cell and neighbour cell time difference.

8.7.4.2.4 Method of test

8.7.4.2.4.1 Initial conditions

Test environment: normal, TL/VL, TL/VH, TH/VL, TH/VH; see clauses G.2.1 and G.2.2.

Frequencies to be tested: mid range; see clause G.2.4.

During the test the timing difference between Cell 1 and 2 can be set to value from 0...9830399 chips.

In this test case both cells are on different frequencies.

For UEs that require compressed mode, compressed mode is applied. The gap length is 7, detailed definition is in clause C.5, set 1 of table C.5.2 except for TGRRC and TGCFN. TGPRC and TGCFN shall set to "Infinity" and "(Current CFN + (256 – TTI/10msec))mod 256". When compressed mode is in use, the OFF parameter will always be set to 0 as described in TS 25.215 clause 5.1.8

For UEs that do not require compressed mode, compressed mode is not applied and therefore no Physical Channel Reconfiguration message will be sent. In this case, the OFF parameter will be a measured value.

Table 8.7.4.2.2 defines the limits of signal strengths and code powers, where the requirement is applicable.

Table 8.7.4.2.2: SFN-CFN observed time difference Inter frequency tests parameters

| Parameter | | Unit | Test 1 | | Test 2 | | Test 3 | |
|---|--|---------------|---------------------------|-----------|---------------------------|-----------|---------------------------|-----------|
| | | | Cell 1 | Cell 2 | Cell 1 | Cell 2 | Cell 1 | Cell 2 |
| UTRA RF Channel number | | | Channel 1 | Channel 2 | Channel 1 | Channel 2 | Channel 1 | Channel 2 |
| CPICH_Ec/lor | | dB | -10 | | -10 | | -10 | |
| PCCPCH_Ec/lor | | dB | -12 | | -12 | | -12 | |
| SCH_Ec/lor | | dB | -12 | | -12 | | -12 | |
| PICH_Ec/lor | | dB | -15 | | -15 | | -15 | |
| DPCH_Ec/lor | | dB | -15 | | -15 | | -15 | |
| OCNS_Ec/lor | | dB | -1.11 | | -1.11 | | -1.11 | |
| \hat{I}_{or}/loc | | dB | 10.1 | | 10.1 | | 10.1 | |
| loc | | dBm/ 3.84 MHz | lo -10.6 dB = loc, Note 1 | | lo -10.6 dB = loc, Note 1 | | lo -10.6 dB = loc, Note 1 | |
| lo | Band I, IV, VI, X, XI, XIX, XXI | dBm/3.84 MHz | -50 | | -72 | | -94 | |
| | Band IX* | | | | | | -93 | |
| | Band II, V, VII | | | | | | -92 | |
| | Band XXV, XXVI | | | | | | -90.5 (Note 2,3) | |
| | Band III, VIII, XII, XIII, XIV, XX, XXII | | | | | | -91 | |
| S FN-CFN observed time difference as specified in TS 25.215 [22] | | chip | x Note 4 | | | | | |
| Propagation condition | | - | AWGN | | AWGN | | AWGN | |
| NOTE 1: <i>loc</i> level shall be adjusted in each carrier frequency according the total signal power <i>lo</i> at receiver input and the geometry factor \hat{I}_{or}/loc . | | | | | | | | |
| *) For the UE which supports both Band III and Band IX operating frequencies, the measurement performance requirements for Band III shall apply to the multi-band UE. | | | | | | | | |
| NOTE 2: The condition is -92...-70 dBm/3.84 MHz when the carrier frequency of the assigned UTRA channel is within 869-894 MHz for the UE which supports both Band V and Band XXVI operating frequencies. | | | | | | | | |
| NOTE 3: The condition is -92...-50 dBm/3.84 MHz when the carrier frequency of the assigned UTRA channel is within 869-894 MHz for the UE which supports both Band V and Band XXVI operating frequencies. | | | | | | | | |
| NOTE4: For example, x= 491520 or 9830399. This is a calculated value using parameters "OFF" and "Tm" as specified in TS 25.215 [22]. | | | | | | | | |
| Tests shall be done sequentially. Test 1 shall be done first. After test 1 has been executed test parameters for tests 2 and 3 shall be set within 5 seconds so that UE does not loose the Cell 2 in between the tests. | | | | | | | | |

8.7.4.2.4.2 Procedure

- 1) A call is set up according to the test procedure specified in TS 34.108 [3] subclause 7.3.2. The RF parameters for Test 1 are set up according to table 8.7.4.2.4.
- 2) If compressed mode is required, SS shall transmit PHYSICAL CHANNEL RECONFIGURATION message. Otherwise go to step 4.
- 3) UE shall transmit PHYSICAL CHANNEL RECONFIGURATION COMPLETE message.
- 4) SS shall transmit MEASUREMENT CONTROL message.
- 5) UE shall transmit periodically MEASUREMENT REPORT messages.
- 6) SS shall check "OFF" and "Tm" values in MEASUREMENT REPORT message and calculate SFN-CFN observed time difference value according to the definition in clause 5.1.8 of TS 25.215 [22]. Note that according to TS 25.215 [22] UE will always report the "OFF" parameter as zero in the specific case where compressed mode is in use. In other cases, the "OFF" parameter will be a measured value. This should be taken into account when calculating the SFN-CFN observed time difference value. This calculated value shall be compared to the actual SFN-CFN observed time difference value for each MEASUREMENT REPORT message.
- 7) SS shall check MEASUREMENT REPORT messages transmitted by UE until statistical significance according to Annex F.6.2.8 is achieved.

- 8) The RF parameters are set up according to table 8.7.4.2.4 for Test 2. While RF parameters are being set up, MEASUREMENT REPORT messages from UE are ignored. SS shall wait for additional 1s and ignore the MEASUREMENT REPORT messages during this period. Then, steps 5), 6) and 7) above are repeated.
- 9) The RF parameters are set up according to table 8.7.4.2.4 for Test 3. While RF parameters are being set up, MEASUREMENT REPORT messages from UE are ignored. SS shall wait for additional 1s and ignore the MEASUREMENT REPORT messages during this period. Then, steps 5), 6) and 7) above are repeated.
- 10) The SS shall transmit RRC CONNECTION RELEASE message.
- 11) UE shall transmit RRC CONNECTION RELEASE COMPLETE message.

Specific Message Contents

All messages indicated above shall use the same content as described in the default message content in clause 9 of 34.108 [3], with the following exceptions:

PHYSICAL CHANNEL RECONFIGURATION message for inter frequency measurement

| Information Element | Value/Remark | Version |
|--|--|--------------------|
| Message Type | | |
| UE Information Elements | | |
| -RRC transaction identifier | 0 | |
| -Integrity check info | | |
| -message authentication code | SS calculates the value of MAC-I for this message and writes to this IE. The first/ leftmost bit of the bit string contains the most significant bit of the MAC-I. | |
| -RRC message sequence number | SS provides the value of this IE, from its internal counter. | |
| -Integrity protection mode info | Not Present | |
| -Ciphering mode info | Not Present | |
| -Activation time | Not Present | |
| -New U-RNTI | Not Present | |
| -New C-RNTI | Not Present | |
| -RRC State Indicator | CELL_DCH | |
| -UTRAN DRX cycle length coefficient | Not Present | |
| CN Information Elements | | |
| -CN Information info | Not Present | |
| UTRAN mobility information elements | | |
| -URA identity | Not Present | |
| RB information elements | | |
| -Downlink counter synchronisation info | Not Present | |
| PhyCH information elements | | |
| -Frequency info | Not Present | |
| Uplink radio resources | | |
| -Maximum allowed UL TX power | Not Present | |
| - CHOICE channel requirement | Not Present | |
| Downlink radio resources | | |
| -CHOICE mode | FDD | |
| -Downlink PDSCH information | Not Present | R99 and Rel-4 only |
| -Downlink information common for all radio links | | |
| -Downlink DPCH info common for all RL | Not Present | |
| -CHOICE mode | FDD | |
| -DPCH compressed mode info | | |
| -Transmission gap pattern sequence | | |
| -TGPSI | 1 | |
| -TGPS Status Flag | Activate | |
| -TGCFN | (Current CFN + (256 – TTI/10msec))mod 256 | |
| -Transmission gap pattern sequence | | |
| configuration parameters | | |
| -TGMP | FDD measurement | |
| -TGPRC | Infinity | |
| -TGSN | 4 | |
| -TGL1 | 7 | |
| -TGL2 | Not Present | |
| -TGD | UNDEFINED | |

| Information Element | Value/Remark | Version |
|---|---|--------------------|
| -TGPL1 | 3 | R99 and Rel-4 only |
| -TGPL2 | Not Present | |
| -RPP | Mode 0 | |
| -ITP | Mode 0 | |
| -CHOICE UL/DL mode | UL and DL | |
| -Downlink compressed mode method | SF/2 | |
| -Uplink compressed mode method | SF/2 | |
| -Downlink frame type | B | |
| -DeltaSIR1 | 3.0 | |
| -DeltaSIRafter1 | 3.0 | |
| -DeltaSIR2 | Not Present | R99 and Rel-4 only |
| -DeltaSIRafter2 | Not Present | |
| -N Identify abort | Not Present | |
| -T Reconfirm abort | Not Present | |
| -TX Diversity Mode | Not Present | |
| -SSDT information | Not Present | |
| -Default DPCH Offset Value | Not Present | |
| -Downlink information per radio link list | | |
| -Downlink information for each radio link | | |
| -Choice mode | FDD | |
| -Primary CPICH info | | R99 and Rel-4 only |
| -Primary scrambling code | 100 | |
| -PDSCH with SHO DCH Info | Not Present | |
| -PDSCH code mapping | Not Present | |
| -Downlink DPCH info for each RL | | |
| -CHOICE mode | FDD | |
| -Primary CPICH usage for channel estimation | Primary CPICH may be used | |
| -DPCH frame offset | Set to value Default DPCH Offset Value (as currently stored in SS) mod 38400 | |
| -Secondary CPICH info | Not Present | |
| -DL channelisation code | | |
| -Secondary scrambling code | Not Present | R99 and Rel-4 only |
| -Spreading factor | 128 | |
| -Code number | 96 | |
| -Scrambling code change | No code change | |
| -TPC combination index | 0 | |
| -SSDT Cell Identity | Not Present | |
| -Closed loop timing adjustment mode | Not Present | |
| -SCCPCH Information for FACH | Not Present | |

MEASUREMENT CONTROL message for Inter frequency measurement

| Information Element | Value/Remark |
|---|---|
| Message Type | |
| UE information elements | |
| -RRC transaction identifier | 0 |
| -Integrity check info | |
| -message authentication code | SS calculates the value of MAC-I for this message and writes to this IE. The first/leftmost bit of the bit string contains the most significant bit of the MAC-I. |
| -RRC message sequence number | SS provides the value of this IE, from its internal counter. |
| Measurement Information elements | |
| -Measurement Identity | 2 |
| -Measurement Command | Setup |
| -Measurement Reporting Mode | |
| - Measurement Report Transfer Mode | Acknowledged mode RLC |
| - Periodical Reporting / Event Trigger Reporting Mode | Periodical reporting |

| Information Element | Value/Remark |
|---|---|
| -Additional measurement list | Not Present |
| -CHOICE Measurement Type | Inter-frequency measurement |
| -Inter-frequency measurement | |
| -Inter-frequency cell info list | |
| -CHOICE Inter-frequency cell removal | Not Present |
| -New inter-frequency cells | Cell 2 information is included |
| -Cell for measurement | |
| -Inter-frequency measurement quantity | Inter-frequency reporting criteria |
| -CHOICE reporting criteria | |
| -Filter coefficient | 0 |
| -CHOICE mode | FDD |
| -Measurement quantity for frequency quality estimate | CPICH RSCP |
| -Inter-frequency reporting quantity | |
| -UTRA Carrier RSSI | TRUE |
| -Frequency quality estimate | TRUE |
| -Non frequency related cell reporting quantities | |
| -Cell synchronisation information reporting indicator | TRUE |
| -Cell Identity reporting indicator | TRUE |
| -CHOICE mode | FDD |
| -CPICH Ec/N0 reporting indicator | TRUE |
| -CPICH RSCP reporting indicator | TRUE |
| -Pathloss reporting indicator | FALSE |
| -Reporting cell status | |
| -CHOICE reported cell | Report cells within monitored set on non-used frequency |
| -Maximum number of reported cells | 2 |
| -Measurement validity | Not Present |
| -Inter-frequency set update | Not Present |
| -CHOICE report criteria | Periodical reporting criteria |
| -Amount of reporting | Infinity |
| -Reporting interval | 500 ms |
| Physical channel information elements | |
| -DPCH compressed mode status info | Not Present |

MEASUREMENT REPORT message for Inter frequency test cases

This message is common for all inter frequency test cases in clause 8.7 and is described in Annex I.

8.7.4.2.5 Test requirements

Table 8.7.4.2.3: SFN-CFN observed time difference inter frequency accuracy

| Parameter | Unit | Accuracy [chip] | Conditions | | | | |
|----------------------------------|------|-----------------|------------------------------------|-----------|--------------------|----------------------|---|
| | | | I _o [dBm/3.84 MHz] | | | | |
| | | | Band I, IV, VI, X, XI, XIX and XXI | Band IX | Band II, V and VII | Band XXV and XXVI | Band III, VIII, XII, XIII, XIV, XX and XXII |
| SFN-CFN observed time difference | chip | ± 1.5 | -94...-50 | -93...-50 | -92...-50 | -90.5...-50 (Note 1) | -91...-50 |

NOTE 1: The condition is -92...-50 dBm/3.84 MHz when the carrier frequency of the assigned UTRA channel is within 869-894 MHz for the UE which supports both Band V and Band XXVI operating frequencies.

Table 8.7.4.2.4: SFN-CFN observed time difference Inter frequency tests parameters

| Parameter | | Unit | Test 1 | | Test 2 | | Test 3 | |
|---|--|---------------|-------------|-----------|-----------|-----------|-------------------|-----------|
| | | | Cell 1 | Cell 2 | Cell 1 | Cell 2 | Cell 1 | Cell 2 |
| UTRA RF Channel number | | | Channel 1 | Channel 2 | Channel 1 | Channel 2 | Channel 1 | Channel 2 |
| CPICH_Ec/lor | | dB | -10 | | -10 | | -10 | |
| PCCPCH_Ec/lor | | dB | -12 | | -12 | | -12 | |
| SCH_Ec/lor | | dB | -12 | | -12 | | -12 | |
| PICH_Ec/lor | | dB | -15 | | -15 | | -15 | |
| DPCH_Ec/lor | | dB | -15 | | -15 | | -15 | |
| OCNS_Ec/lor | | dB | -1.11 | | -1.11 | | -1.11 | |
| lor/loc | | dB | 10.4 | | 10.4 | | 10.4 | |
| loc | Band I, IV, VI, X, XI, XIX, XXI | dBm/ 3.84 MHz | -62.1 | | -82.6 | | -103.5 | |
| | Band IX* | | | | | | -102.5 | |
| | Band II, V, VII | | | | | | -101.5 | |
| | Band XXV, XXVI | | | | | | -100.0 (Note 2,3) | |
| | Band III, VIII, XII, XIII, XIV, XX, XXII | | | | | | -100.5 | |
| lo, Note 1 | Band I, IV, VI, X, XI, XIX, XXI | dBm/3.84 MHz | -51.3 | | -71.8 | | -92.7 | |
| | Band IX* | | | | | | -91.7 | |
| | Band II, V, VII | | | | | | -90.7 | |
| | Band XXV, XXVI | | | | | | -89.2 (Note 2,3) | |
| | Band III, VIII, XII, XIII, XIV, XX, XXII | | | | | | -89.7 | |
| SFN-CFN observed time difference as specified in TS 25.215 [22] | | chip | x Note 4 | | | | | |
| Propagation condition | | - | AWGN | | AWGN | | AWGN | |
| NOTE 1: lo level has been calculated from other parameters for information purposes. It is not a settable parameter itself. | | | | | | | | |
| *) For the UE which supports both Band III and Band IX operating frequencies, the measurement performance requirements for Band III shall apply to the multi-band UE. | | | | | | | | |
| NOTE 2: The condition is -92...-70 dBm/3.84 MHz when the carrier frequency of the assigned UTRA channel is within 869-894 MHz for the UE which supports both Band V and Band XXVI operating frequencies. | | | | | | | | |
| NOTE 3: The condition is -92...-50 dBm/3.84 MHz when the carrier frequency of the assigned UTRA channel is within 869-894 MHz for the UE which supports both Band V and Band XXVI operating frequencies. | | | | | | | | |
| NOTE4: For example, x= 491520 or 9830399. This is a calculated value using parameters "OFF" and "Tm" as specified in TS 25.215 [22]. | | | | | | | | |
| Tests shall be done sequentially. Test 1 shall be done first. After test 1 has been executed test parameters for tests 2 and 3 shall be set within 5 seconds so that UE does not loose the Cell 2 in between the tests. | | | | | | | | |

The accuracy of the SFN-CFN observed time difference measurement value calculated from the reported "OFF" and "Tm" values shall meet the requirements in table 8.7.4.2.5.

Table 8.7.4.2.5: SFN-CFN observed time difference measurement accuracy requirements for the reported values

| | Test 1 | Test 2 | Test 3 |
|---|----------------------|----------------------|----------------------|
| Lowest reported value | SFN_CFN_TIME (X - 2) | SFN_CFN_TIME (X - 2) | SFN_CFN_TIME (X - 2) |
| Highest reported value | SFN_CFN_TIME (X + 2) | SFN_CFN_TIME (X + 2) | SFN_CFN_TIME (X + 2) |
| SFN-CFN_TIME (X) is the reported value for the actual SFN-CFN observed time difference value as defined in table 8.7.4.2.4. Note that the "OFF" parameter is always set to zero in the specific case where compressed mode is in use. | | | |

NOTE: If the above Test Requirement differs from the Minimum Requirement then the Test Tolerance applied for this test is non-zero. The Test Tolerance for this test is defined in clause F.2 and the explanation of how the Minimum Requirement has been relaxed by the Test Tolerance is given in clause F.4.

8.7.5 SFN-SFN observed time difference

8.7.5.1 SFN-SFN observed time difference type 1

8.7.5.1.1 Definition and applicability

This measurement is specified in clause 5.1.9 of TS 25.215 [22]. The reference point for the SFN-SFN observed time difference type 1 shall be the antenna connector of the UE.

The requirements and this test apply to all types of UTRA for the FDD UE.

8.7.5.1.2 Minimum requirements

The accuracy requirement in table 8.7.5.1.1 is valid under the following conditions:

$CPICH_RSCP_{1,2}|_{dBm} \geq -114$ dBm for Bands I, IV, VI, X, XI XIX and XXI,

$CPICH_RSCP_{1,2}|_{dBm} \geq -113$ dBm for Band IX,

$CPICH_RSCP_{1,2}|_{dBm} \geq -112$ dBm for Bands II, V and VII,

$CPICH_RSCP_{1,2}|_{dBm} \geq -111$ dBm for Band III, VIII, XII, XIII, XIV, XX and XXII,

$CPICH_RSCP_{1,2}|_{dBm} \geq -110.5$ dBm for Band XXV, and XXVI. (NOTE 1)

NOTE 1: The condition is -112 dBm when the carrier frequency of the assigned UTRA channel is within 869-894 MHz for the UE which supports both Band V and Band XXVI operating frequencies.

$$\left| CPICH_RSCP_{1}|_{in\ dBm} - CPICH_RSCP_{2}|_{in\ dBm} \right| \leq 20dB$$

$$\left(\frac{I_o}{\hat{I}_{or}} \right)_{in\ dB} - \left(\frac{CPICH - E_c}{I_{or}} \right)_{in\ dB} \leq 20dB$$

$$\left(\frac{I_o}{\hat{I}_{or}} \right)_{in\ dB} - \left(\frac{P - CCPCH - E_c}{I_{or}} \right)_{in\ dB} \text{ is low enough to ensure successful SFN decoding.}$$

Table 8.7.5.1.1: SFN-SFN observed time difference type 1 measurement accuracy

| Parameter | Unit | Accuracy [chip] | Conditions | | | | |
|--|------|-----------------|------------------------------------|-----------|--------------------|----------------------|---|
| | | | Io [dBm/3.84 MHz] | | | | |
| | | | Band I, IV, VI, X, XI, XIX and XXI | Band IX | Band II, V and VII | Band XXV and XXVI | Band III, VIII, XII, XIII, XIV, XX and XXII |
| SFN-SFN observed time difference type1 | chip | ± 1 | -94...-50 | -93...-50 | -92...-50 | -90.5...-50 (Note 1) | -91...-50 |
| NOTE 1: The condition is -92...-50 dBm/3.84 MHz when the carrier frequency of the assigned UTRA channel is within 869-894 MHz for the UE which supports both Band V and Band XXVI operating frequencies. | | | | | | | |

The normative reference for this requirement is TS 25.133 [2] clause 9.1.8.1.1 and A.9.1.5.1.2.

8.7.5.1.3 Test purpose

The purpose of this test is to verify that the measurement accuracy of SFN-SFN observed time difference type 1 is within the limit specified in clause 8.7.5.1.2. This measurement is for identifying time difference between two cells.

8.7.5.1.4 Method of test

8.7.5.1.4.1 Initial conditions

Test environment: normal; see clauses G.2.1 and G.2.2.

Frequencies to be tested: mid range; see clause G.2.4.

During the test the timing difference between Cell 1 and 2 can be set to value from 0...9830399 chips.

- 1) Connect SS to the UE antenna connector as shown in figure A.14.

In this case all cells are in the same frequency. Table 8.7.5.1.2 defines the limits of signal strengths and code powers, where the requirements are applicable.

Table 8.7.5.1.2: SFN-SFN observed time difference type 1 Intra frequency test parameters

| Parameter | | Unit | Test 1 | | Test 2 | | Test 3 | |
|---|---|---------------|------------------------------|--------|------------------------------|--------|------------------------------|--------|
| | | | Cell 1 | Cell 2 | Cell 1 | Cell 2 | Cell 1 | Cell 2 |
| UTRA RF Channel number | | | Channel 1 | | Channel 1 | | Channel 1 | |
| CPICH_Ec/lor | | dB | -10 | | -10 | | -10 | |
| PCCPCH_Ec/lor | | dB | -12 | | -12 | | -12 | |
| SCH_Ec/lor | | dB | -12 | | -12 | | -12 | |
| PICH_Ec/lor | | dB | -15 | | -15 | | -15 | |
| S-CCPCH_Ec/lor | | dB | -12 | | -12 | | -12 | |
| OCNS_Ec/lor | | dB | -1.29 | | -1.29 | | -1.29 | |
| lor/loc | | dB | 10.5 | | 10.5 | | 10.5 | |
| loc | | dBm/ 3.84 MHz | lo -13.7 dB = loc, Note 1 | | lo -13.7 dB = loc, Note 1 | | lo -13.7 dB = loc, Note 1 | |
| lo | Band I, IV, VI, X, XI, XIX, XXI | dBm/3.84 MHz | -50 | | -72 | | -94 | |
| | Band IX* | | | | | | -93 | |
| | Band II, V, VII | | | | | | -92 | |
| | Band XXV, XXVI | | | | | | -90.5 (Note 2,3) | |
| | Band III, VIII, XII, XIII, XIV, XX, XXII | | | | | | -91 | |
| SFN-SFN observed time difference type 1 as specified in TS 25.215 [22] | | chip | x Note 4 | | | | | |
| Propagation condition | | - | AWGN | | AWGN | | AWGN | |
| NOTE 1: <i>loc</i> level shall be adjusted according the total signal power <i>lo</i> at receiver input and the geometry factor <i>lor/loc</i> . | | | | | | | | |
| *) For the UE which supports both Band III and Band IX operating frequencies, the measurement performance requirements for Band III shall apply to the multi-band UE. | | | | | | | | |
| NOTE 2: The condition is -92...-70 dBm/3.84 MHz when the carrier frequency of the assigned UTRA channel is within 869-894 MHz for the UE which supports both Band V and Band XXVI operating frequencies. | | | | | | | | |
| NOTE 3: The condition is -92...-50 dBm/3.84 MHz when the carrier frequency of the assigned UTRA channel is within 869-894 MHz for the UE which supports both Band V and Band XXVI operating frequencies. | | | | | | | | |
| NOTE4: For example, x= 491520 or 9830399. This is a calculated value using the parameters "OFF" and "Tm" as specified in TS 25.215 [22]. | | | | | | | | |
| Tests shall be done sequentially. Test 1 shall be done first. After test 1 has been executed test parameters for tests 2 and 3 shall be set within 5 seconds so that UE does not loose the Cell 2 in between the tests. | | | | | | | | |

8.7.5.1.4.2 Procedure

- 1) A call is set up according to the test procedure specified in TS 34.108 [3] subclause 7.3.5. The RF parameters for Test 1 are set up according to table 8.7.5.1.4.
- 2) SS shall transmit MEASUREMENT CONTROL message.
- 3) UE shall transmit periodically MEASUREMENT REPORT messages.
- 4) SS shall check "SFN-SFN observed time difference type 1" value in MEASUREMENT REPORT message. The reported value shall be compared to actual SFN-SFN observed time difference type 1 value for each MEASUREMENT REPORT message.

- 5) SS shall check MEASUREMENT REPORT messages transmitted by UE until statistical significance according to Annex F.6.2.8 is achieved.
- 6) The RF parameters are set up according to table 8.7.5.1.4 for Test 2. While RF parameters are being set up, MEASUREMENT REPORT messages from UE are ignored. SS shall wait for additional 1s and ignore the MEASUREMENT REPORT messages during this period. Then, step 4) and 5) above are repeated
- 7) The RF parameters are set up according to table 8.7.5.1.4 for Test 3. While RF parameters are being set up, MEASUREMENT REPORT messages from UE are ignored. SS shall wait for additional 1s and ignore the MEASUREMENT REPORT messages during this period. Then, step 4) and 5) above are repeated.
- 8) The SS shall transmit RRC CONNECTION RELEASE message.
- 9) UE shall transmit RRC CONNECTION RELEASE COMPLETE message.

Specific Message Contents

All messages indicated above shall use the same content as described in the default message content in clause 6.1.0b of 34.108 [3] and clause 9 of 34.108 [3], with the following exceptions:

Contents of System Information Block type 11 (FDD) (Step 1):

| Information Element | Value/Remark |
|--|--|
| - Intra-frequency measurement system information - Intra-frequency reporting quantity for RACH Reporting - SFN-SFN observed time difference reporting indicator - CHOICE mode - Reporting quantity - Maximum number of reported cells on RACH | type 1 FDD CPICH RSCP current cell + best neighbour |

MEASUREMENT CONTROL message for Traffic Volume measurement (Step 2):

| Information Element/Group name | Value/Remark | |
|--|--|-----------------------------|
| Message Type (10.2.17) | | |
| UE information elements - RRC transaction identifier - Integrity check info - message authentication code - RRC message sequence number | 0 SS calculates the value of MAC-I for this message and writes to this IE. The first/leftmost bit of the bit string contains the most significant bit of the MAC-I. SS provides the value of this IE, from its internal counter. | |
| Measurement Information elements - Measurement Identity - Measurement Command (10.3.7.46) - Measurement Reporting Mode (10.3.7.49) - Measurement Report Transfer Mode - Periodical Reporting / Event Trigger Reporting Mode - Additional measurements list (10.3.7.1) | 4 Setup AM RLC Periodical reporting Not Present | |
| - CHOICE Measurement type (10.3.7.68) - Traffic volume measurement Object (10.3.7.70) - Traffic volume measurement objects - Uplink transport channel type - Uplink transport channel type - UL Target Transport Channel ID - Traffic volume measurement quantity (10.3.7.71) - Measurement quantity - Time Interval to take an average or a variance - Traffic volume reporting quantity (10.3.7.74) - RLC Buffer Payload for each RB - Average of RLC Buffer Payload for each RB - Variance of RLC Buffer Payload for each RB | Traffic Volume measurement 1 RACHorCPCH RACH Not Present RLC Buffer Payload Not Present FALSE FALSE FALSE | R99 and Rel-4 only Rel-5 |

| Information Element/Group name | Value/Remark | |
|---|--|--|
| - Measurement validity (10.3.7.51) - CHOICE report criteria (10.3.7.53) - Amount of reporting - Reporting interval | Not Present Periodical reporting criteria Infinity 250 ms | |
| Physical channel information elements -DPCH compressed mode status info (10.3.6.34) | Not Present | |

MEASUREMENT REPORT message for SFN-SFN observed time difference type 1 test case (Step 3)

| Information Element | Value/remark |
|---|--|
| Message Type | |
| Integrity check info | The presence of this IE is dependent on IXIT statements in TS 34.123-2. If integrity protection is indicated to be active, this IE shall be present with the values of the sub IEs as stated below. Else, this IE and the sub-IEs shall be absent. |
| - Message authentication code | This IE is checked to see if it is present. The value is compared against the XMAC-I value computed by SS. |
| - RRC Message sequence number | This IE is checked to see if it is present. The value is used by SS to compute the XMAC-I value. |
| Measurement identity | 4 |
| Measured Results | Checked that this IE is absent |
| Measured results on RACH | Checked that this IE is present |
| - Measurement result for current cell | Checked that this IE is present |
| - CHOICE mode | FDD |
| - CHOICE measurement quantity | Checked that this IE is present |
| - Measurement results for monitored cells | 1 |
| - SFN-SFN observed time difference | Checked that this IE is present |
| - CHOICE Type | Type 1 |
| - CHOICE mode | FDD |
| - Primary CPICH info | Checked that this IE is present |
| - Primary scrambling code | 150 |
| Additional measured results | Checked that this IE is absent |
| Event results | Checked that this IE is absent |

8.7.5.1.5 Test requirements

Table 8.7.5.1.3: SFN-SFN observed time difference type 1 measurement accuracy

| Parameter | Unit | Accuracy [chip] | Conditions | | | | |
|--|------|-----------------|------------------------------------|-----------|--------------------|----------------------|---|
| | | | I _o [dBm/3.84 MHz] | | | | |
| | | | Band I, IV, VI, X, XI, XIX and XXI | Band IX | Band II, V and VII | Band XXV and XXVI | Band III, VIII, XII, XIII, XIV, XX and XXII |
| SFN-SFN observed time difference type1 | chip | ± 1.5 | -94...-50 | -93...-50 | -92...-50 | -90.5...-50 (Note 1) | -91...-50 |
| NOTE 1: The condition is -92...-50 dBm/3.84 MHz when the carrier frequency of the assigned UTRA channel is within 869-894 MHz for the UE which supports both Band V and Band XXVI operating frequencies. | | | | | | | |

Table 8.7.5.1.4: SFN-SFN observed time difference type 1 Intra frequency test parameters

| Parameter | | Unit | Test 1 | | Test 2 | | Test 3 | |
|---|--|---------------|-------------|--------|-------------------|--------|-----------|--------|
| | | | Cell 1 | Cell 2 | Cell 1 | Cell 2 | Cell 1 | Cell 2 |
| UTRA RF Channel number | | | Channel 1 | | Channel 1 | | Channel 1 | |
| CPICH_Ec/lor | | dB | -10 | | -10 | | -10 | |
| PCCPCH_Ec/lor | | dB | -12 | | -12 | | -12 | |
| SCH_Ec/lor | | dB | -12 | | -12 | | -12 | |
| PICH_Ec/lor | | dB | -15 | | -15 | | -15 | |
| S-CCPCH_Ec/lor | | dB | -12 | | -12 | | -12 | |
| OCNS_Ec/lor | | dB | -1.29 | | -1.29 | | -1.29 | |
| lor/loc | | dB | 10.8 | | 10.8 | | 10.8 | |
| loc | Band I, IV, VI, X, XI, XIX, XXI | dBm/ 3.84 MHz | -65.3 dB | -85.7 | -106.7 | | | |
| | Band IX* | | | | -105.7 | | | |
| | Band II, V, VII | | | | -104.7 | | | |
| | Band XXV, XXVI | | | | -103.2 (Note 2,3) | | | |
| | Band III, VIII, XII, XIII, XIV, XX, XXII | | | | -103.7 | | | |
| lo, Note 1 | Band I, IV, VI, X, XI, XIX, XXI | dBm/3.84 MHz | -51.3 | -71.7 | -92.7 | | | |
| | Band IX* | | | | -91.7 | | | |
| | Band II, V, VII | | | | -90.7 | | | |
| | Band XXV, XXVI | | | | -89.2 (Note 2,3) | | | |
| | Band III, VIII, XII, XIII, XIV, XX, XXII | | | | -89.7 | | | |
| SFN-SFN observed time difference type 1 as specified in TS 25.215 [22] | | chip | x Note 4 | | | | | |
| Propagation condition | | - | AWGN | | AWGN | | AWGN | |
| NOTE 1: lo level has been calculated from other parameters for information purposes. It is not a settable parameter itself. | | | | | | | | |
| *) For the UE which supports both Band III and Band IX operating frequencies, the measurement performance requirements for Band III shall apply to the multi-band UE. | | | | | | | | |
| NOTE 2: The condition is -92...-70 dBm/3.84 MHz when the carrier frequency of the assigned UTRA channel is within 869-894 MHz for the UE which supports both Band V and Band XXVI operating frequencies. | | | | | | | | |
| NOTE 3: The condition is -92...-50 dBm/3.84 MHz when the carrier frequency of the assigned UTRA channel is within 869-894 MHz for the UE which supports both Band V and Band XXVI operating frequencies. | | | | | | | | |
| NOTE4: For example, x= 491520 or 9830399. This is a calculated value using the parameters "OFF" and "Tm" as specified in TS 25.215 [22]. | | | | | | | | |
| Tests shall be done sequentially. Test 1 shall be done first. After test 1 has been executed test parameters for tests 2 and 3 shall be set within 5 seconds so that UE does not loose the Cell 2 in between the tests. | | | | | | | | |

The reported values for SFN-SFN observed time difference type 1 accuracy shall meet the requirements in table 8.7.5.1.5.

Table 8.7.5.1.5: SFN-SFN observed time difference type 1 measurement accuracy requirements for the reported values

| | Test 1 | Test 2 | Test 3 |
|--|-------------------------|-------------------------|-------------------------|
| Lowest reported value | T1_SFN-SFN_TIME_(X - 2) | T1_SFN-SFN_TIME_(X - 2) | T1_SFN-SFN_TIME_(X - 2) |
| Highest reported value | T1_SFN-SFN_TIME_(X + 2) | T1_SFN-SFN_TIME_(X + 2) | T1_SFN-SFN_TIME_(X + 2) |
| T1_SFN-SFN_TIME_(X) is the reporting value corresponding to SFN-SFN observed time difference type 1 measured by system simulator | | | |

NOTE: If the above Test Requirement differs from the Minimum Requirement then the Test Tolerance applied for this test is non-zero. The Test Tolerance for this test is defined in clause F.2 and the explanation of how the Minimum Requirement has been relaxed by the Test Tolerance is given in clause F.4.

8.7.5.2 SFN-SFN observed time difference type 2 without IPDL period active

NOTE: This test case is not complete and there are currently no plans to complete it.

8.7.5.2.1 Definition and applicability

This measurement is specified in clause 5.1.9 of TS 25.215 [22]. The reference point for the SFN-SFN observed time difference type 2 shall be the antenna connector of the UE.

The requirements and this test apply to all types of UTRA for the FDD UE supporting this measurement.

8.7.5.2.2 Minimum requirements

The accuracy requirement in table 8.7.5.2.1 is valid under the following conditions:

$CPICH_RSCP_{1,2}|_{dBm} \geq -114$ dBm for Bands I, IV, VI, X, XI XIX and XXI,

$CPICH_RSCP_{1,2}|_{dBm} \geq -113$ dBm for Band IX,

$CPICH_RSCP_{1,2}|_{dBm} \geq -112$ dBm for Bands II, V and VII,

$CPICH_RSCP_{1,2}|_{dBm} \geq -111$ dBm for Band III, VIII, XII, XIII, XIV, XX and XXII,

$CPICH_RSCP_{1,2}|_{dBm} \geq -110.5$ dBm for Band XXV and XXVI. (NOTE 1)

NOTE 1: The condition is -112 dBm when the carrier frequency of the assigned UTRA channel is within 869-894 MHz for the UE which supports both Band V and Band XXVI operating frequencies.

$$\left(\frac{I_o}{\hat{I}_{or}} \right) \Big|_{in \text{ dB}} - \left(\frac{CPICH - E_c}{I_{or}} \right) \Big|_{in \text{ dB}} \leq 20dB$$

Table 8.7.5.2.1: SFN-SFN observed time difference type 2 measurement accuracy

| Parameter | Unit | Accuracy [chip] | Conditions | | | | |
|--|------|-----------------|------------------------------------|-----------|--------------------|-------------|---|
| | | | Io [dBm/3.84 MHz] | | | | |
| | | | Band I, IV, VI, X, XI, XIX and XXI | Band IX | Band II, V and VII | Band XXV | Band III, VIII, XII, XIII, XIV, XX and XXII |
| SFN-SFN observed time difference type1 | chip | ± 0.5 | -94...-50 | -93...-50 | -92...-50 | -90.5...-50 | -91...-50 |
| NOTE 1: The condition is -92...-50 dBm/3.84 MHz when the carrier frequency of the assigned UTRA channel is within 869-894 MHz for the UE which supports both Band V and Band XXVI operating frequencies. | | | | | | | |

The normative reference for this requirement is TS 25.133 [2] clause 9.1.8.2.1.

8.7.5.2.3 Test purpose and Environment

The purpose of this test is to verify that the SFN-SFN observed time difference type 2 measurement accuracy without IPDL period active is within the limits specified in clause 8.7.5.2.2.

During the test the time difference between Cell 1 and 2 can be set to value from -1279.75 to 1280 chips.

In this case all cells are in the same frequency. Table 8.7.5.2.2 defines the limits of signal strengths and code powers, where the requirements are applicable.

Table 8.7.5.2.2: SFN-SFN observed time difference type 2 Intra frequency test parameters

| Parameter | | Unit | Cell 1 | Cell 2 |
|--|----|---------------|--|---|
| UTRA RF Channel number | | | Channel 1 | Channel 1 |
| CPICH_Ec/Ior | | dB | -10 | -10 |
| PCCPCH_Ec/Ior | | dB | -12 | -12 |
| SCH_Ec/Ior | | dB | -12 | -12 |
| PICH_Ec/Ior | | dB | -15 | -15 |
| DPCH_Ec/Ior | | dB | -15 | -15 |
| OCNS | | dB | -1.11 | -1.11 |
| Ior/Ioc | | dB | 10.5 | 10.5 |
| Ioc | | dBm/ 3.84 MHz | Io -13.7 dB = Ioc, Note 1 | Io -13.7 dB = Ioc, Note 1 |
| CPICH_Ec/Io, Note 4 | | dB | -13.2 | -13.2 |
| Range 1 | Io | dBm/3.84 MHz | -94...-70 (Band I, IV, VI, X, XI, XIX, XXI) -93...-70 (Band IX*) -92...-70 (Band II, V, VII) -90.5...-70 (Band XXV, XXVI (Note 2)) -91...-70 (Band III, VIII, XII, XIII, XIV, XX, XXII) | 94...-70 (Band I, IV, VI, X, XI, XIX, XXI) -93...-70 (Band IX*) -92...-70 (Band II, V, VII) -90.5...-70 (Band XXV, XXVI (Note 2)) -91...-70 (Band III, VIII, XII, XIII, XIV, XX, XXII) |
| Range 2 | | | -94...-50 (Band I, IV, VI, X, XI, XIX, XXI) -93...-50 (Band IX*) -92...-50 (Band II, V, VII,) -90.5...-50 (Band XXV, XXVI (Note 3)) -91...-50 (Band III, VIII, XII, XIII, XIV, XX, XXII) | -94...-50 (Band I, IV, VI, X, XI, XIX, XXI) -93...-50 (Band IX*) -92...-50 (Band II, V, VII) -90.5...-50 (Band XXV, XXVI (Note 3)) -91...-50 (Band III, VIII, XII, XIII, XIV, XX, XXII) |
| Propagation condition | | - | AWGN | |
| NOTE 1: Ioc level shall be adjusted according the total signal power spectral density Io at receiver input and the geometry factor Ior/Ioc. | | | | |
| *) For the UE which supports both Band III and Band IX operating frequencies, the measurement performance requirements for Band III shall apply to the multi-band UE. | | | | |
| NOTE 2: The condition is -92...-70 dBm/3.84 MHz when the carrier frequency of the assigned UTRA channel is within 869-894 MHz for the UE which supports both Band V and Band XXVI operating frequencies. | | | | |
| NOTE 3: The condition is -92...-50 dBm/3.84 MHz when the carrier frequency of the assigned UTRA channel is within 869-894 MHz for the UE which supports both Band V and Band XXVI operating frequencies. | | | | |
| NOTE 4: Io and CPICH Ec/Io levels have been calculated from other parameters for information purposes. They are not settable parameters themselves. | | | | |

8.7.5.3 SFN-SFN observed time difference type 2 with IPDL period active

Note: This test case is not complete and there are currently no plans to complete it.

8.7.5.3.1 Definition and applicability

This measurement is specified in clause 5.1.9 of TS 25.215 [22]. The reference point for the SFN-SFN observed time difference type 2 shall be the antenna connector of the UE.

The requirements and this test apply to all types of UTRA for the FDD UE supporting IPDL measurements.

8.7.5.3.2 Minimum requirements

The accuracy requirement in table 8.7.5.3.1 is valid under the following conditions:

CPICH_RSCP1,2|dBm ≥ -114 dBm for Bands I, IV, VI, X, XI XIX and XXI,

CPICH_RSCP1,2|dBm ≥ -113 dBm for Band IX,

CPICH_RSCP1,2|dBm ≥ -112 dBm for Bands II, V and VII,

CPICH_RSCP1,2|dBm ≥ -111 dBm for Band III, VIII, XII, XIII, XIV, XX and XXII,

CPICH_RSCP1,2|_{dBm} ≥ -110.5 dBm for Band XXV and XXVI. (NOTE 1)

NOTE 1: The condition is -112 dBm when the carrier frequency of the assigned UTRA channel is within 869-894 MHz for the UE which supports both Band V and Band XXVI operating frequencies.

$$\left. \frac{I_o}{\hat{I}_{or}} \right|_{in \text{ dB}} - \left(\frac{CPICH - E_c}{I_{or}} \right) \Big|_{in \text{ dB}} \leq 20dB$$

Additionally the accuracy requirement in table 8.7.5.3.1 is also valid for neighbour cells for which the following conditions apply to during idle periods provided idle periods have a length of 1 slot:

CPICH_RSCP_{x,y}|_{dBm} ≥ -114 dBm.

$$\left. \frac{I_{o_idle_period}}{\hat{I}_{or}} \right|_{in \text{ dB}} - \left(\frac{CPICH - E_c}{I_{or}} \right) \Big|_{in \text{ dB}} \leq 20dB,$$

where *x* and *y* represent cells measured using idle periods and $I_{o_idle_period}$ is the total received power during the idle period.

NOTE: Additional general conditions are needed for the requirements in table 8.7.5.3.1 to be valid.

Table 8.7.5.3.1: SFN-SFN observed time difference type 2 measurement accuracy

| Parameter | Unit | Accuracy [chip] | Conditions | | | | |
|--|------|-----------------|------------------------------------|-----------|--------------------|----------------------|---|
| | | | I _o [dBm/3.84 MHz] | | | | |
| | | | Band I, IV, VI, X, XI, XIX and XXI | Band IX | Band II, V and VII | Band XXV and XXVI | Band III, VIII, XII, XIII, XIV, XX and XXII |
| SFN-SFN observed time difference type1 | chip | ± 0.5 | -94...-50 | -93...-50 | -92...-50 | -90.5...-50 (Note 1) | -91...-50 |

NOTE 1: The condition is -92...-50 dBm/3.84 MHz when the carrier frequency of the assigned UTRA channel is within 869-894 MHz for the UE which supports both Band V and Band XXVI operating frequencies.

The normative reference for this requirement is TS 25.133 [2] clause 9.1.8.2.2.

8.7.5.3.3 Test purpose and Environment

The purpose of this test is to verify that the SFN-SFN observed time difference type 2 measurement accuracy without IPDL period active is within the limits specified in clause 8.7.5.2.2.

During the test the time difference between Cell 1 and 2 shall be set according to the assistance data defined in table 8.7.5.3.3.

In this case all cells are in the same frequency. Table 8.7.5.3.2 defines the limits of signal strengths and code powers, where the requirements are applicable.

Table 8.7.5.3.2: SFN-SFN observed time difference type 2 Intra frequency test parameters

| Parameter | Unit | Cell 1 | | Cell 2 | |
|----------------------------------|---------------|----------------|-----------------------|----------------|-----------------------|
| | | No idle period | Idle period in Cell 1 | No idle period | Idle period in Cell 1 |
| UTRA RF Channel number | | Channel 1 | Channel 1 | Channel 1 | Channel 1 |
| CPICH_Ec/I _{or} | dB | -10 | -10 | -10 | -10 |
| PCCPCH_Ec/I _{or} | dB | -12 | -12 | -12 | -12 |
| SCH_Ec/I _{or} | dB | -12 | -12 | -12 | -12 |
| PICH_Ec/I _{or} | dB | -15 | -15 | -15 | -15 |
| DPCH_Ec/I _{or} | dB | -15 | -15 | - | - |
| OCNS | dB | -1.11 | -1.11 | -0.94 | -0.94 |
| I _{or} /I _{oc} | dB | 10.5 | -24.5 | -6 | -6 |
| I _{oc} | dBm/ 3.84 MHz | -80 | | | |
| I _o , Note 1 | dBm/3.84 MHz | -69.04 | -79.01 | -69.04 | -79.01 |
| CPICH_Ec/I _o , Note 1 | dB | -10.46 | -35.49 | -26.96 | -16.99 |

| Parameter | Unit | Cell 1 | Cell 2 |
|--|------|--------|--------|
| Propagation condition | - | AWGN | |
| NOTE 1: I_0 and CPICH E_c/I_0 levels have been calculated from other parameters for information purposes. They are not settable parameters themselves. | | | |

When verifying the SFN-SFN observed time difference type 2 intra frequency measurement accuracy with IPDL period active the idle period parameters in table 8.7.5.3.3 shall be used.

Table 8.7.5.3.3: SFN-SFN observed time difference type 2 Intra frequency test parameters

| Parameter | Unit | Cell 1 |
|--------------------|---------|------------|
| Search Window Size | Chips | 80 |
| IP_Status | - | Continuous |
| IP_Spacing | Frames | 10 |
| IP_Length | Symbols | 10 |
| IP_Offset | frame | NA |
| Seed | integer | 13 |
| Burst_Start | | NA |
| Burst_Length | | NA |
| Burst_Freq | | NA |

8.7.6 UE Rx-Tx time difference

8.7.6.1 UE Rx-Tx time difference type 1 (Release 5 and earlier)

8.7.6.1.1 Definition and applicability

The UE Rx-Tx time difference is defined as the time difference between the UE uplink DPCCCH/DPDCH frame transmission and the first detected path (in time) of the downlink DPCH frame from the measured radio link. The reference point of the UE Rx-Tx time difference shall be the antenna connector of the UE. This measurement is specified in clause 5.1.10 of TS 25.215.

The requirements and this test apply to all types of UTRA for the FDD UE for Release 5 and earlier releases.

8.7.6.1.2 Minimum requirements

Table 8.7.6.1.1: UE Rx-Tx time difference type 1 measurement accuracy

| Parameter | Unit | Accuracy [chip] | Conditions | | | | |
|--|------|-----------------|------------------------------------|-----------|--------------------|----------------------|---|
| | | | I_0 [dBm/3.84MHz] | | | | |
| | | | Band I, IV, VI, X, XI, XIX and XXI | Band IX | Band II, V and VII | Band XXV and XXVI | Band III, VIII, XII, XIII, XIV, XX and XXII |
| UE RX-TX time difference | chip | ± 1.5 | -94...-50 | -93...-50 | -92...-50 | -90.5...-50 (Note 1) | -91...-50 |
| NOTE 1: The condition is -92...-50 dBm/3.84 MHz when the carrier frequency of the assigned UTRA channel is within 869-894 MHz for the UE which supports both Band V and Band XXVI operating frequencies. | | | | | | | |

The normative reference for this requirement is TS 25.133 [2] clause 9.1.9.1.1 and A.9.1.6.1.2.

8.7.6.1.3 Test purpose

The purpose of this test is to verify that the measurement accuracy of Rx-Tx time difference is within the limit specified in clause 8.7.6.1.2. This measurement is used for call setup purposes to compensate propagation delay of DL and UL.

8.7.6.1.4 Method of test

8.7.6.1.4.1 Initial conditions

Test environment: normal; see clauses G.2.1 and G.2.2.

Frequencies to be tested: mid range; see clause G.2.4.

- 1) Connect SS to the UE antenna connector as shown in figure A.1

Table 8.7.6.1.2: UE Rx-Tx time difference type 1 intra frequency test parameters

| Parameter | | Unit | Test 1 | Test 2 | Test 3 |
|--|--|---------------|------------------------------|------------------------------|------------------------------|
| | | | Cell 1 | Cell 1 | Cell 1 |
| UTRA RF Channel number | | | Channel 1 | Channel 1 | Channel 1 |
| CPICH_Ec/lor | | dB | -10 | -10 | -10 |
| PCCPCH_Ec/lor | | dB | -12 | -12 | -12 |
| SCH_Ec/lor | | dB | -12 | -12 | -12 |
| PICH_Ec/lor | | dB | -15 | -15 | -15 |
| DPCH_Ec/lor | | dB | -15 | -15 | -15 |
| OCNS_Ec/lor | | dB | -1.11 | -1.11 | -1.11 |
| lor/loc | | dB | 10.5 | 10.5 | 10.5 |
| loc | | dBm/ 3.84 MHz | lo -10.9 dB = loc, Note 1 | lo -10.9 dB = loc, Note 1 | lo -10.9 dB = loc, Note 1 |
| lo | Band I, IV, VI, X, XI, XIX, XXI | dBm/3.84 MHz | -94 | -72 | -50 |
| | Band IX* | | -93 | | |
| | Band II, V, VII | | -92 | | |
| | Band XXV, XXVI | | -90.5 (Note 2) | | |
| | Band III, VIII, XII, XIII, XIV, XX, XXII | | -91 | | |
| Propagation condition | | - | AWGN | AWGN | AWGN |
| NOTE 1: <i>loc</i> level shall be adjusted according the total signal power spectral density <i>lo</i> at receiver input and the geometry factor <i>lor/loc</i> . | | | | | |
| *) For the UE which supports both Band III and Band IX operating frequencies, the measurement performance requirements for Band III shall apply to the multi-band UE. | | | | | |
| NOTE 2: The condition is -92...-50 dBm/3.84 MHz when the carrier frequency of the assigned UTRA channel is within 869-894 MHz for the UE which supports both Band V and Band XXVI operating frequencies. | | | | | |

8.7.6.1.4.2 Procedure

- 1) A call is set up according to the test procedure specified in TS 34.108 [3] subclause 7.3.2. The RF parameters are set up according to table 8.7.6.1.4 for Test 1.
- 2) SS shall transmit MEASUREMENT CONTROL message.
- 3) UE shall transmit periodically MEASUREMENT REPORT message.
- 4) SS shall check "UE Rx-Tx time difference type 1" value in MEASUREMENT REPORT message. The reported value shall be compared to actual UE Rx-Tx time difference value for each MEASUREMENT REPORT message. The comparison should be repeated until statistical significance according to Annex F.6.2.8 is achieved.
- 5) The RF parameters are set up according table 8.7.6.1.4 for Test 2. While RF parameters are being set up, MEASUREMENT REPORT messages from UE are ignored. SS shall wait for additional 1s and ignore the MEASUREMENT REPORT messages during this period.
- 6) SS shall check "UE Rx-Tx time difference type 1" value in MEASUREMENT REPORT message. The reported value shall be compared to actual UE Rx-Tx time difference value for each MEASUREMENT REPORT message. The comparison should be repeated until statistical significance according to Annex F.6.2.8 is achieved.

- 7) The RF parameters are set up according table 8.7.6.1.4 for Test 3. While RF parameters are being set up, MEASUREMENT REPORT messages from UE are ignored. SS shall wait for additional 1s and ignore the MEASUREMENT REPORT messages during this period.
- 8) SS shall check "UE Rx-Tx time difference type 1" value in MEASUREMENT REPORT message. The reported value shall be compared to actual UE Rx-Tx time difference value for each MEASUREMENT REPORT message. The comparison should be repeated until statistical significance according to Annex F.6.2.8 is achieved.
- 9) SS shall transmit RRC CONNECTION RELEASE message.

Specific Message Contents

All messages indicated above shall use the same content as described in default message content in clause 9 of 34.108 [3], with the following exceptions:

MEASUREMENT CONTROL message for Intra frequency measurement (Step 2):

| Information Element | Value/Remark |
|---|---|
| Message Type | |
| UE information elements -RRC transaction identifier -Integrity check info -message authentication code -RRC message sequence number | 0 SS calculates the value of MAC-I for this message and writes to this IE. The first/ leftmost bit of the bit string contains the most significant bit of the MAC-I. SS provides the value of this IE, from its internal counter. |
| Measurement Information elements -Measurement Identity -Measurement Command - Additional measurements list -Measurement Reporting Mode -Measurement Report Transfer Mode -Periodical Reporting / Event Trigger Reporting Mode -CHOICE Measurement type -UE Internal measurement quantity -CHOICE mode -Measurement quantity -Filter coefficient -UE Internal reporting quantity -UE Transmitted power -CHOICE mode -UE Rx-Tx time difference -CHOICE report criteria -Amount of reporting -Reporting interval | 5 SETUP Not Present AM RLC Periodical reporting UE Internal measurement FDD UE Rx-Tx time difference 0 FALSE FDD TRUE Periodical reporting criteria Infinity 250 |
| Physical channel information elements -DPCH compressed mode status info | Not Present |

MEASUREMENT REPORT message

| Information Element | Value/remark |
|-----------------------------------|--|
| Message Type | The presence of this IE is dependent on IXIT statements in TS 34.123-2. If integrity protection is indicated to be active, this IE shall be present with the values of the sub IEs as stated below. Else, this IE and the sub-IEs shall be absent. |
| Integrity check info | |
| - Message authentication code | This IE is checked to see if it is present. The value is compared against the XMAC-I value computed by SS. |
| - RRC Message sequence number | This IE is checked to see if it is present. The value is used by SS to compute the XMAC-I value. |
| Measurement identity | 5 |
| Measured Results | UE Internal measured results |
| - CHOICE Measurement | FDD |
| - Choice mode | Checked that this IE is absent |
| - UE Transmitted power | Checked that this IE is present |
| - UE Rx-Tx report entries | 100 |
| - Primary CPICH info | Checked that this IE is present |
| - Primary scrambling code | Checked that this IE is absent |
| - UE Rx-Tx time difference type 1 | Checked that this IE is absent |
| Measured results on RACH | Checked that this IE is absent |
| Additional measured results | Checked that this IE is absent |
| Event results | Checked that this IE is absent |

8.7.6.1.5 Test requirements

Table 8.7.6.1.3 UE Rx-Tx time difference type 1 measurement accuracy

| Parameter | Unit | Accuracy [chip] | Conditions Io [dBm/3.84MHz] | | | | |
|--------------------------|------|-----------------|------------------------------------|-----------|--------------------|----------------------|---|
| | | | Band I, IV, VI, X, XI, XIX and XXI | Band IX | Band II, V and VII | Band XXV and XXVI | Band III, VIII, XII, XIII, XIV, XX and XXII |
| UE RX-TX time difference | chip | ± 2.0 | -94...-50 | -93...-50 | -92...-50 | -90.5...-50 (Note 1) | -91...-50 |

NOTE 1: The condition is -92...-50 dBm/3.84 MHz when the carrier frequency of the assigned UTRA channel is within 869-894 MHz for the UE which supports both Band V and Band XXVI operating frequencies.

Table 8.7.6.1.4: UE Rx-Tx time difference type 1 intra frequency test parameters

| Parameter | Unit | Test 1 | Test 2 | Test 3 |
|------------------------|--|-----------------|-----------|-----------|
| | | Cell 1 | Cell 1 | Cell 1 |
| UTRA RF Channel number | | Channel 1 | Channel 1 | Channel 1 |
| CPICH_Ec/lor | dB | -10 | -10 | -10 |
| PCCPCH_Ec/lor | dB | -12 | -12 | -12 |
| SCH_Ec/lor | dB | -12 | -12 | -12 |
| PICH_Ec/lor | dB | -15 | -15 | -15 |
| DPCH_Ec/lor | dB | -15 | -15 | -15 |
| OCNS_Ec/lor | dB | -1.11 | -1.11 | -1.11 |
| lor/loc | dB | 10.5 | 10.5 | 10.5 |
| loc | Band I, IV, VI, X, XI, XIX, XXI | -103.6 | -82.9 | -62.2 |
| | Band IX* | -102.6 | | |
| | Band II, V, VII | -101.6 | | |
| | Band XXV, XXVI | -100.1 (Note 2) | | |
| | Band III, VIII, XII, XIII, XIV, XX, XXII | -100.6 | | |

| Parameter | | Unit | Test 1 | Test 2 | Test 3 |
|--|--|--------------|----------------|--------|--------|
| | | | Cell 1 | Cell 1 | Cell 1 |
| I _o | Band I, IV, VI, X, XI, XIX, XXI | dBm/3.84 MHz | -92.7 | -72 | -51.3 |
| | Band IX* | | -91.7 | | |
| | Band II, V, VII | | -90.7 | | |
| | Band XXV, XXVI | | -89.2 (Note 2) | | |
| | Band III, VIII, XII, XIII, XIV, XX, XXII | | -89.7 | | |
| Propagation condition | | - | AWGN | AWGN | AWGN |
| NOTE 1: I _{oc} level shall be adjusted according the total signal power spectral density I _o at receiver input and the geometry factor I _{or} /I _{oc} . | | | | | |
| *) For the UE which supports both Band III and Band IX operating frequencies, the measurement performance requirements for Band III shall apply to the multi-band UE. | | | | | |
| NOTE 2: The condition is -92...-50 dBm/3.84 MHz when the carrier frequency of the assigned UTRA channel is within 869-894 MHz for the UE which supports both Band V and Band XXVI operating frequencies. | | | | | |

The reported values for UE Rx-Tx time difference accuracy shall meet the requirements in table 8.7.6.1.5.

Table 8.7.6.1.5: UE Tx-Rx time difference type 1 measurement accuracy requirements for the reported values

| | Test 1 | Test 2 | Test 3 |
|--|--------------------|--------------------|--------------------|
| Lowest reported value | RX-TX_TIME_(X - 2) | RX-TX_TIME_(X - 2) | RX-TX_TIME_(X - 2) |
| Highest reported value | RX-TX_TIME_(X + 2) | RX-TX_TIME_(X + 2) | RX-TX_TIME_(X + 2) |
| RX-TX_TIME_(X) is the reporting value corresponding to UE Rx-Tx time difference measured by system simulator | | | |

NOTE: If the above Test Requirement differs from the Minimum Requirement then the Test Tolerance applied for this test is non-zero. The Test Tolerance for this test is defined in clause F.2 and the explanation of how the Minimum Requirement has been relaxed by the Test Tolerance is given in clause F.4.

8.7.6.1A UE Rx-Tx time difference type 1 (Release 6 and later)

8.7.6.1A.1 Definition and applicability

The UE Rx-Tx time difference is defined as the time difference between the UE uplink DPCCCH/DPDCH frame transmission and the first detected path (in time) of the downlink DPCH frame from the measured radio link. The reference point of the UE Rx-Tx time difference shall be the antenna connector of the UE. This measurement is specified in clause 5.1.10 of TS 25.215.

The connection is started using Cell 1, and then Cell 2 is added to the active set so that Cell 1 is the timing reference. During the test the downlink DPCH time difference between Cell 1 and Cell 2 can be set to any value from -148 to +148 chips.

The requirements and this test apply to all types of UTRA for the FDD UE for Release 6 and later releases.

8.7.6.1A.2 Minimum requirements

Table 8.7.6.1A.1: UE Rx-Tx time difference type 1 measurement accuracy

| Parameter | Unit | Accuracy [chip] | Conditions | | | | |
|--|------|-----------------|------------------------------------|-----------|--------------------|----------------------|---|
| | | | I _o [dBm/3.84MHz] | | | | |
| | | | Band I, IV, VI, X, XI, XIX and XXI | Band IX | Band II, V and VII | Band XXV and XXVI | Band III, VIII, XII, XIII, XIV, XX and XXII |
| UE RX-TX time difference | chip | ± 1.5 | -94...-50 | -93...-50 | -92...-50 | -90.5...-50 (Note 1) | -91...-50 |
| NOTE 1: The condition is -92...-50 dBm/3.84 MHz when the carrier frequency of the assigned UTRA channel is within 869-894 MHz for the UE which supports both Band V and Band XXVI operating frequencies. | | | | | | | |

The normative reference for this requirement is TS 25.133 [2] clause 9.1.9.1.1 and A.9.1.6.1.2.

8.7.6.1A.3 Test purpose

The purpose of this test is to verify that the measurement accuracy measured for Cell 2 of Rx-Tx time difference is within the limit specified in clause 8.7.6.1A.2. This measurement is used for call setup purposes to compensate propagation delay of DL and UL.

8.7.6.1A.4 Method of test

8.7.6.1A.4.1 Initial conditions

Test environment: normal; see clauses G.2.1 and G.2.2.

Frequencies to be tested: mid range; see clause G.2.4.

- 1) Connect SS to the UE antenna connector as shown in figure A.1

Table 8.7.6.1A.2: UE Rx-Tx time difference type 1 intra frequency test parameters

| Parameter | | Unit | Test 1 | | Test 2 | | Test 3 | |
|---|--|---------------|---------------------------|--------|---------------------------|--------|---------------------------|--------|
| | | | Cell 1 | Cell 2 | Cell 1 | Cell 2 | Cell 1 | Cell 2 |
| UTRA RF Channel number | | | Channel 1 | | Channel 1 | | Channel 1 | |
| Downlink DPCH timing | | Chips | Timing Reference | Note 2 | Timing Reference | Note 2 | Timing Reference | Note 2 |
| CPICH_Ec/lor | | dB | -10 | | -10 | | -10 | |
| PCCPCH_Ec/lor | | dB | -12 | | -12 | | -12 | |
| SCH_Ec/lor | | dB | -12 | | -12 | | -12 | |
| PICH_Ec/lor | | dB | -15 | | -15 | | -15 | |
| DPCH_Ec/lor | | dB | -15 | | -15 | | -15 | |
| OCNS_Ec/lor | | dB | -1.11 | | -1.11 | | -1.11 | |
| lor/loc | | dB | 10.5 | | 10.5 | | 10.5 | |
| loc | | dBm/ 3.84 MHz | lo -13.7 dB = loc, Note 1 | | lo -13.7 dB = loc, Note 1 | | lo -13.7 dB = loc, Note 1 | |
| lo | Band I, IV, VI, X, XI, XIX, XXI | dBm/3.84 MHz | -94 | | -72 | -50 | | |
| | Band IX* | | -93 | | | | | |
| | Band II, V, VII | | -92 | | | | | |
| | Band XXV, XXVI | | -90.5 (Note 3) | | | | | |
| | Band III, VIII, XII, XIII, XIV, XX, XXII | | -91 | | | | | |
| Propagation condition | | - | AWGN | | AWGN | | AWGN | |
| NOTE 1: <i>loc</i> level shall be adjusted according the total signal power spectral density <i>lo</i> at receiver input and the geometry factor <i>lor/loc</i> . *) For the UE which supports both Band III and Band IX operating frequencies, the measurement performance requirements for Band III shall apply to the multi-band UE. NOTE 2: From reference timing -148 to reference timing +148 NOTE 3: The condition is -92...-50 dBm/3.84 MHz when the carrier frequency of the assigned UTRA channel is within 869-894 MHz for the UE which supports both Band V and Band XXVI operating frequencies. | | | | | | | | |

8.7.6.1A.4.2 Procedure

- 1) A call is set up according to the test procedure specified in TS 34.108 [3] subclause 7.3.2. The RF parameters are set up according to table 8.7.6.1A.4 for Test 1.
- 2) SS shall send an ACTIVE SET UPDATE message with activation time "now ", adding cell 2 to the active set.
- 3) SS shall transmit MEASUREMENT CONTROL message.
- 4) UE shall transmit periodically MEASUREMENT REPORT message.
- 5) SS shall check "UE Rx-Tx time difference type 1" value in MEASUREMENT REPORT message. The reported value shall be compared to actual UE Rx-Tx time difference value for each MEASUREMENT REPORT message. The "UE Rx-Tx time difference type 1" measurement is measured for Cell 2. The comparison should be repeated until statistical significance according to Annex F.6.2.8 is achieved.

- 6) The RF parameters are set up according table 8.7.6.1A.4 for Test 2. While RF parameters are being set up, MEASUREMENT REPORT messages from UE are ignored. SS shall wait for additional 1s and ignore the MEASUREMENT REPORT messages during this period.
- 7) SS shall check "UE Rx-Tx time difference type 1" value in MEASUREMENT REPORT message. The reported value shall be compared to actual UE Rx-Tx time difference value for each MEASUREMENT REPORT message. The "UE Rx-Tx time difference type 1" measurement is measured for Cell 2. The comparison should be repeated until statistical significance according to Annex F.6.2.8 is achieved.
- 8) The RF parameters are set up according table 8.7.6.1A.4 for Test 3. While RF parameters are being set up, MEASUREMENT REPORT messages from UE are ignored. SS shall wait for additional 1s and ignore the MEASUREMENT REPORT messages during this period.
- 9) SS shall check "UE Rx-Tx time difference type 1" value in MEASUREMENT REPORT message. The reported value shall be compared to actual UE Rx-Tx time difference value for each MEASUREMENT REPORT message. The "UE Rx-Tx time difference type 1" measurement is measured for Cell 2. The comparison should be repeated until statistical significance according to Annex F.6.2.8 is achieved .
- 10) SS shall transmit RRC CONNECTION RELEASE message.
- 11) UE shall transmit RRC CONNECTION RELEASE COMPLETE message.

NOTE 1: Only one value from -148 to +148 chips need to be set during the test for the downlink DPCH time difference between Cell 1 and Cell 2.

Specific Message Contents

All messages indicated above shall use the same content as described in default message content in clause 9 of 34.108 [3], with the following exceptions:

MEASUREMENT CONTROL message for Intra frequency measurement (Step 2):

| Information Element | Value/Remark |
|--|--|
| Message Type | |
| UE information elements | |
| -RRC transaction identifier | 0 |
| -Integrity check info | |
| -message authentication code | SS calculates the value of MAC-I for this message and writes to this IE. The first/ leftmost bit of the bit string contains the most significant bit of the MAC-I. |
| -RRC message sequence number | SS provides the value of this IE, from its internal counter. |
| Measurement Information elements | |
| -Measurement Identity | 5 |
| -Measurement Command | SETUP |
| - Additional measurements list | Not Present |
| -Measurement Reporting Mode | |
| -Measurement Report Transfer Mode | AM RLC |
| -Periodical Reporting / Event Trigger Reporting Mode | Periodical reporting |
| -CHOICE Measurement type | UE Internal measurement |
| -UE Internal measurement quantity | |
| -CHOICE mode | FDD |
| -Measurement quantity | UE Rx-Tx time difference |
| -Filter coefficient | 0 |
| -UE Internal reporting quantity | |
| -UE Transmitted power | FALSE |
| -CHOICE mode | FDD |
| -UE Rx-Tx time difference | TRUE |
| -CHOICE report criteria | Periodical reporting criteria |
| -Amount of reporting | Infinity |
| -Reporting interval | 250 |
| Physical channel information elements | |
| -DPCH compressed mode status info | Not Present |

MEASUREMENT REPORT message

| Information Element | Value/remark |
|-----------------------------------|--|
| Message Type | The presence of this IE is dependent on IXIT statements in TS 34.123-2. If integrity protection is indicated to be active, this IE shall be present with the values of the sub IEs as stated below. Else, this IE and the sub-IEs shall be absent. |
| Integrity check info | |
| - Message authentication code | This IE is checked to see if it is present. The value is compared against the XMAC-I value computed by SS. |
| - RRC Message sequence number | This IE is checked to see if it is present. The value is used by SS to compute the XMAC-I value. |
| Measurement identity | 5 |
| Measured Results | UE Internal measured results |
| - CHOICE Measurement | FDD |
| - Choice mode | Checked that this IE is absent |
| - UE Transmitted power | Checked that this IE is present |
| - UE Rx-Tx report entries | 100 |
| - Primary CPICH info | Checked that this IE is present |
| - Primary scrambling code | 150 |
| - UE Rx-Tx time difference type 1 | Checked that this IE is present |
| - UE Rx-Tx report entries | Checked that this IE is present |
| - Primary CPICH info | 150 |
| - Primary scrambling code | Checked that this IE is present |
| - UE Rx-Tx time difference type 1 | Checked that this IE is present |
| Measured results on RACH | Checked that this IE is absent |
| Additional measured results | Checked that this IE is absent |
| Event results | Checked that this IE is absent |

8.7.6.1A.5 Test requirements

Table 8.7.6.1A.3: UE Rx-Tx time difference type 1 measurement accuracy

| Parameter | Unit | Accuracy [chip] | Conditions | | | | |
|--------------------------|------|-----------------|------------------------------------|-----------|--------------------|----------------------|---|
| | | | Io [dBm/3.84MHz] | | | | |
| | | | Band I, IV, VI, X, XI, XIX and XXI | Band IX | Band II, V and VII | Band XXV and XXVI | Band III, VIII, XII, XIII, XIV, XX and XXII |
| UE RX-TX time difference | chip | ± 2.0 | -94...-50 | -93...-50 | -92...-50 | -90.5...-50 (Note 1) | -91...-50 |

NOTE 1: The condition is -92...-50 dBm/3.84 MHz when the carrier frequency of the assigned UTRA channel is within 869-894 MHz for the UE which supports both Band V and Band XXVI operating frequencies.

Table 8.7.6.1A.4: UE Rx-Tx time difference type 1 intra frequency test parameters

| Parameter | Unit | Test 1 | | Test 2 | | Test 3 | |
|------------------------|-------|------------------|--------|------------------|--------|------------------|--------|
| | | Cell 1 | Cell 2 | Cell 1 | Cell 2 | Cell 1 | Cell 2 |
| UTRA RF Channel number | | Channel 1 | | Channel 1 | | Channel 1 | |
| Downlink DPCH timing | Chips | Timing Reference | Note 2 | Timing Reference | Note 2 | Timing Reference | Note 2 |
| CPICH_Ec/lor | dB | -10 | | -10 | | -10 | |
| PCCPCH_Ec/lor | dB | -12 | | -12 | | -12 | |
| SCH_Ec/lor | dB | -12 | | -12 | | -12 | |
| PICH_Ec/lor | dB | -15 | | -15 | | -15 | |
| DPCH_Ec/lor | dB | -15 | | -15 | | -15 | |
| OCNS_Ec/lor | dB | -1.11 | | -1.11 | | -1.11 | |
| lor/loc | dB | 10.8 | | 10.8 | | 10.8 | |

| Parameter | | Unit | Test 1 | | Test 2 | | Test 3 | |
|---|--|---------------|-----------------|--------|--------|--------|--------|--------|
| | | | Cell 1 | Cell 2 | Cell 1 | Cell 2 | Cell 1 | Cell 2 |
| loc | Band I, IV, VI, X, XI, XIX, XXI | dBm/ 3.84 MHz | -106.7 | | -85.7 | -65.3 | | |
| | Band IX* | | -105.7 | | | | | |
| | Band II, V, VII | | -104.7 | | | | | |
| | Band XXV, XXVI | | -103.2 (Note 3) | | | | | |
| | Band III, VIII, XII, XIII, XIV, XX, XXII | | -103.7 | | | | | |
| lo | Band I, IV, VI, X, XI, XIX, XXI | dBm/3.84 MHz | -92.7 | | -71.7 | -51.3 | | |
| | Band IX* | | -91.7 | | | | | |
| | Band II, V, VII | | -90.7 | | | | | |
| | Band XXV, XXVI | | -89.2 (Note 3) | | | | | |
| | Band III, VIII, XII, XIII, XIV, XX, XXII | | -89.7 | | | | | |
| Propagation condition | | - | AWGN | | AWGN | | AWGN | |
| NOTE 1: <i>loc</i> level shall be adjusted according the total signal power spectral density <i>lo</i> at receiver input and the geometry factor \hat{lor}/loc . *) For the UE which supports both Band III and Band IX operating frequencies, the measurement performance requirements for Band III shall apply to the multi-band UE. NOTE 2: From reference timing -148 to reference timing +148. NOTE 3: The condition is -92...-50 dBm/3.84 MHz when the carrier frequency of the assigned UTRA channel is within 869-894 MHz for the UE which supports both Band V and Band XXVI operating frequencies. | | | | | | | | |

The reported values for UE Rx-Tx time difference accuracy shall meet the requirements in table 8.7.6.1A.5.

Table 8.7.6.1A.5: UE Tx-Rx time difference type 1 measurement accuracy requirements for the reported values

| | Test 1 | Test 2 | Test 3 |
|--|--------------------|--------------------|--------------------|
| Lowest reported value | RX-TX_TIME_(X - 2) | RX-TX_TIME_(X - 2) | RX-TX_TIME_(X - 2) |
| Highest reported value | RX-TX_TIME_(X + 2) | RX-TX_TIME_(X + 2) | RX-TX_TIME_(X + 2) |
| RX-TX_TIME_(X) is the reporting value corresponding to UE Rx-Tx time difference measured by system simulator | | | |

NOTE: If the above Test Requirement differs from the Minimum Requirement then the Test Tolerance applied for this test is non-zero. The Test Tolerance for this test is defined in clause F.2 and the explanation of how the Minimum Requirement has been relaxed by the Test Tolerance is given in clause F.4.

8.7.6.2 UE Rx-Tx time difference type 2

NOTE: This test case is not complete and there are currently no plans to complete it.

8.7.6.2.1 Definition and applicability

The UE Rx-Tx time difference is defined as the time difference between the UE uplink DPCCCH/DPDCH frame transmission and the first detected path (in time) of the downlink DPCH frame from the measured radio link. The reference point of the UE Rx-Tx time difference shall be the antenna connector of the UE. This measurement is specified in clause 5.1.10 of TS 25.215.

The requirements and this test apply to all types of UTRA for the FDD UE supporting this measurement.

8.7.6.2.2 Minimum requirements

Table 8.7.6.2.1: UE Rx-Tx time difference type 2 measurement accuracy

| Parameter | Unit | Accuracy [chip] | Conditions | | | | |
|--------------------------|------|-----------------|------------------------------------|-----------|--------------------|----------------------|---|
| | | | Io [dBm/3.84MHz] | | | | |
| | | | Band I, IV, VI, X, XI, XIX and XXI | Band IX | Band II, V and VII | Band XXV and XXVI | Band III, VIII, XII, XIII, XIV, XX and XXII |
| UE RX-TX time difference | chip | ± 1.0 | -94...-50 | -93...-50 | -92...-50 | -90.5...-50 (Note 1) | -91...-50 |

NOTE 1: The condition is -92...-50 dBm/3.84 MHz when the carrier frequency of the assigned UTRA channel is within 869-894 MHz for the UE which supports both Band V and Band XXVI operating frequencies.

The normative reference for this requirement is TS 25.133 [2] clause 9.1.9.2.1.

8.7.6.2.3 Test purpose

The purpose of this test is to verify that the measurement accuracy of Rx-Tx time difference type 2 is within the limit specified in clause 8.7.6.2.2.

The connection is started using cell 1, then cell 2 is added to the active set so that cell 1 is the timing reference. During the test the downlink DPCH time difference between Cell 1 and 2 can be set to any value from -148 to 148 chips.

Table 8.7.6.2.2 defines the limits of signal strengths and code powers, where the requirements are applicable.

Table 8.7.6.2.2: UE Rx-Tx time difference type 2 measurement parameters

| Parameter | Unit | Cell 1 | Cell 2 |
|--|---------------|---|---|
| UTRA RF Channel number | | Channel 1 | Channel 1 |
| Downlink DPCH timing | Chips | Timing reference | From reference timing -148 to reference timing+148 |
| CPICH_Ec/Ior | dB | -10 | -10 |
| PCCPCH_Ec/Ior | dB | -12 | -12 |
| SCH_Ec/Ior | dB | -12 | -12 |
| PICH_Ec/Ior | dB | -15 | -15 |
| DPCH_Ec/Ior | dB | -15 | -15 |
| OCNS | dB | -1.11 | -1.11 |
| Ior/Ioc | dB | 10.5 | 10.5 |
| Ioc | dBm/ 3.84 MHz | Io -10.9 dB = Ioc, Note 1 | Io-13.7 dB = Ioc, Note 1 |
| Io | dBm/ 3.84 MHz | -94...-50 (Band I, IV, VI, X, XI, XIX, XXI) -93...-50 (Band IX*) -92...-50 (Band II, V, VII) -90.5...-50 (Band XXV, XXVI (Note 2)) -91...-50 (Band III, VIII, XII, XIII, XIV, XX, XXII) | -94...-50 (Band I, IV, VI, X, XI, XIX, XXI) -93...-50 (Band IX*) -92...-50 (Band II, V, VII) -90.5...-50 (Band XXV, XXVI (Note 2)) -91...-50 (Band III, VIII, XII, XIII, XIV, XX, XXII) |
| Propagation condition | - | AWGN | |
| NOTE 1: Ioc level shall be adjusted according the total signal power spectral density Io at receiver input and the geometry factor Ior/Ioc. | | | |
| *) For the UE which supports both Band III and Band IX operating frequencies, the measurement performance requirements for Band III shall apply to the multi-band UE. | | | |
| NOTE 2: The condition is -92...-50 dBm/3.84 MHz when the carrier frequency of the assigned UTRA channel is within 869-894 MHz for the UE which supports both Band V and Band XXVI operating frequencies. | | | |

8.7.7 Observed time difference to GSM cell (R99 and Rel-4 only)

Void

8.7.8 P-CCPCH RSCP

8.7.8.1 Absolute measurement accuracy

8.7.8.1.1 Definition and applicability

The absolute accuracy of P-CCPCH RSCP is defined as the P-CCPCH RSCP measured in an UTRA TDD cell on one frequency compared to the actual P-CCPCH RSCP power of that cell on the same frequency.

The requirements and this test apply only to UE supporting both UTRA FDD and UTRA TDD for Release 99 and Release 4 only.

8.7.8.1.2 Minimum Requirements

8.7.8.1.2.1 3.84Mcps TDD option

The accuracy requirement in table 8.7.8.1.1 is valid under the following conditions:

$$P\text{-CCPCH_RSCP} \geq -102 \text{ dBm},$$

$$\left(\frac{I_o}{\hat{I}_{or}} \right)_{in \text{ dB}} - \left(\frac{P\text{-CCPCH_}E_c}{I_{or}} \right)_{in \text{ dB}} \leq 8 \text{ dB}$$

Table 8.7.8.1.1: P-CCPCH RSCP inter frequency absolute accuracy

| Parameter | Unit | Accuracy [dB] | | Conditions |
|--------------|------|-------------------|--------------------|-------------------|
| | | Normal conditions | Extreme conditions | Io [dBm/3.84 MHz] |
| P-CCPCH_RSCP | dBm | ± 6 | ± 9 | -94...-70 |
| | dBm | ± 8 | ± 11 | -70...-50 |

8.7.8.1.2.2 1.28Mcps TDD option

The accuracy requirement in table 9.31A is valid under the following conditions:

$$P\text{-CCPCH RSCP} \geq -102 \text{ dBm}$$

$$P\text{-CCPCH } E_c/I_o \geq -8 \text{ dB}$$

Table 8.7.8.1.1A: P-CCPCH RSCP inter frequency absolute accuracy

| Parameter | Unit | Accuracy [dB] | | Conditions |
|--------------|------|-------------------|--------------------|-------------------|
| | | Normal conditions | Extreme conditions | Io [dBm/1.28 MHz] |
| P-CCPCH_RSCP | dBm | ± 6 | ± 9 | -94...-70 |
| | dBm | ± 8 | ± 11 | -70...-50 |

The normative reference for this requirement is TS 25.133 [2] clauses 9.1.11.1 and A.9.1.8.

8.7.8.1.3 Test purpose

The purpose of this test is to verify that the P-CCPCH RSCP absolute measurement accuracy is within the specified limits.

8.7.8.1.4 Method of test

8.7.8.1.4.1 Initial conditions

8.7.8.1.4.1.1 3.84Mcps TDD option

Test environment: normal, TL/VL, TL/VH, TH/VL, TH/VH; see clauses G.2.1 and G.2.2.

Frequencies to be tested: mid range; see clause G.2.4.

In this case both cells are on different frequencies. Cell 1 is a UTRA FDD cell and cell 2 is a 3.84Mcps TDD cell. The second Beacon timeslot shall be provided for cell 2 in timeslot 8. Compressed mode as specified in TS 25.101 [1] section A.5, set 3 of table A.22, is applied. TGPRC and TGCFN shall be set to "Infinity" and "(Current CFN + (256 – TTI/10msec)) mod 256". P-CCPCH RSCP inter frequency absolute accuracy requirements are tested by using test parameters in Table 8.7.8.1.2.

Table 8.7.8.1.2: P-CCPCH RSCP inter frequency tests parameters

| Parameter | Unit | Test 1 | | Test 2 | |
|---|---------------|-----------|--------------|-----------|--------------|
| | | Cell 1 | Cell 2 | Cell 1 | Cell 2 |
| DL timeslot number | | n.a. | 0 8 | n.a. | 0 8 |
| UTRA RF Channel number | | Channel 2 | Channel 1 | Channel 2 | Channel 1 |
| CPICH_Ec/lor | dB | -10 | n.a. | -10 | n.a. |
| P-CCPCH_Ec/lor | dB | -12 | -3 n.a. | -12 | -3 n.a. |
| SCH_Ec/lor | dB | -12 | -9 | -12 | -9 |
| SCH_toffset | | n.a. | 5 | n.a. | 5 |
| PICH_Ec/lor | dB | -15 | n.a. -3 | -15 | n.a. -3 |
| DPCH_Ec/lor | dB | -15 | n.a. | -15 | n.a. |
| OCNS_Ec/lor | dB | -1.11 | -3.12 | -1.11 | -3.12 |
| loc | dBm/ 3.84 MHz | -60 | -57.7 | -84 | -84.7 |
| lor/loc | dB | 9.54 | 7 | 0 | 3 |
| P-CCPCH RSCP, Note 1 | dBm | n.a. | -53.7 n.a. | n.a. | -84.7 n.a. |
| CPICH RSCP, Note 1 | dBm | -60.46 | n.a. | -94 | n.a. |
| lo, Note 1 | dBm/3.84 MHz | -50 | -50 | -81 | -80 |
| Propagation condition | - | AWGN | | AWGN | |
| NOTE 1: P-CCPCH RSCP, CPICH RSCP and lo levels have been calculated from other parameters for information purposes. They are not settable parameters themselves. | | | | | |
| Note that the transmit energy per PN chip for the SCH is averaged over the 256 chip duration when the SCH is present in the time slot. | | | | | |
| Tests shall be done sequentially. Test 1 shall be done first. After test 1 has been executed, test parameters for test 2 shall be set within 5 seconds so that the UE does not lose the Cell 2 in between the test. | | | | | |

8.7.8.1.4.1.2 1.28Mcps TDD option

Test environment: normal, TL/VL, TL/VH, TH/VL, TH/VH; see clauses G.2.1 and G.2.2.

Frequencies to be tested: mid range; see clause G.2.4.

In this case both cells are on different frequencies. Cell 1 is a UTRA FDD cell and cell 2 is a 1.28McpsTDD cell. The second Beacon timeslot shall be provided for cell 2 in timeslot 2. Compressed mode as specified in TS 25.101 [1] section A.5, set 3 of table A.22, is applied. TGPRC and TGCFN shall be set to "Infinity" and "(Current CFN + (256 – TTI/10msec)) mod 256". P-CCPCH RSCP inter frequency absolute accuracy requirements are tested by using test parameters in Table 8.7.8.1.2A.

Table 8.7.8.1.2A: P-CCPCH RSCP inter frequency tests parameters

| Parameter | Unit | Test 1 | | | Test 2 | | |
|---|------|-------------------|--------------------|-------|-------------------|--------------------|-------|
| | | Cell 1 | Cell 2 | | Cell 1 | Cell 2 | |
| DL timeslot number | | n.a. | 0 | DwPTS | n.a. | 0 | DwPTS |
| UTRA RF Channel number | | Channel 2 | Channel 1 | | Channel 2 | Channel 1 | |
| CPICH_Ec/lor | dB | -10 | n.a. | | -10 | n.a. | |
| P-CCPCH_Ec/lor | dB | -12 | -3 | | -12 | -3 | |
| DwPCH_Ec/lor | dB | n.a. | | 0 | n.a. | | 0 |
| PICH_Ec/lor | dB | -15 | n.a. | n.a. | -15 | n.a. | n.a. |
| DPCH_Ec/lor | dB | -15 | n.a. | n.a. | -15 | n.a. | n.a. |
| OCNS_Ec/lor | dB | -1.11 | -3 | | -1.11 | -3 | |
| loc | | -60 dBm/ 3.84 MHz | -57.7 dBm/1.28 MHz | | -84 dBm/ 3.84 MHz | -84.7 dBm/1.28 MHz | |
| lor/loc | dB | 9.54 | 7 | | 0 | 3 | |
| P-CCPCH RSCP, Note 1 | dBm | n.a. | -53.7 | | n.a. | -84.7 | |
| CPICH RSCP, Note 1 | dBm | -60.46 | n.a. | | -94 | n.a. | |
| Io, Note 1 | | -50 dBm/ 3.84 MHz | -50 dBm/1.28 MHz | | -81 dBm/ 3.84 MHz | -80 dBm/1.28 MHz | |
| Propagation condition | - | AWGN | | | AWGN | | |
| NOTE 1: P-CCPCH RSCP, CPICH RSCP and Io levels have been calculated from other parameters for information purposes. They are not settable parameters themselves. | | | | | | | |
| Tests shall be done sequentially. Test 1 shall be done first. After test 1 has been executed, test parameters for test 2 shall be set within 5 seconds so that the UE does not lose the Cell 2 in between the test. | | | | | | | |

1) A call is set up according to the test procedure specified in TS 34.108 [3] clause 7.3.2. The RF parameters for Test 1 are set up according to table 8.7.8.1.2.

8.7.8.1.4.2 Procedure

- 1) SS shall transmit the PHYSICAL CHANNEL RECONFIGURATION message.
- 2) UE shall transmit the PHYSICAL CHANNEL RECONFIGURATION COMPLETE message.
- 3) SS shall transmit the MEASUREMENT CONTROL message.
- 4) UE shall transmit periodically MEASUREMENT REPORT messages.
- 5) SS shall check P-CCPCH RSCP values of Cell 2 in the MEASUREMENT REPORT messages. P-CCPCH RSCP power level of Cell 2 reported by the UE shall be compared to the actually set P-CCPCH RSCP value of Cell 2 for each MEASUREMENT REPORT message.
- 6) SS shall check MEASUREMENT REPORT messages transmitted by UE until statistical significance according to Annex F.6.2.8 is achieved.
- 7) The RF parameters are set up according to table 8.7.8.1.2 for Test 2. While RF parameters are being set up, MEASUREMENT REPORT messages from UE are ignored. SS shall wait for additional 1s and ignore the MEASUREMENT REPORT messages during this period. Then, steps 4), 5) and 6) above are repeated.
- 8) The SS shall transmit RRC CONNECTION RELEASE message.
- 9) UE shall transmit RRC CONNECTION RELEASE COMPLETE message.

Specific Message Contents

All messages indicated above shall use the same content as described in the default message content in clause 9 of 34.108 [3] and in Annex I, with the following exceptions:

PHYSICAL CHANNEL RECONFIGURATION message for inter frequency measurement (Step 1):

| Information Element | Value/Remark | Revision |
|--|--|--------------------|
| Message Type | | |
| UE Information Elements | | |
| -RRC transaction identifier | 0 | |
| -Integrity check info | | |
| -message authentication code | SS calculates the value of MAC-I for this message and writes to this IE. The first/ leftmost bit of the bit string contains the most significant bit of the MAC-I. | |
| -RRC message sequence number | SS provides the value of this IE, from its internal counter. | |
| -Integrity protection mode info | Not Present | |
| -Ciphering mode info | Not Present | |
| -Activation time | Not Present | |
| -New U-RNTI | Not Present | |
| -New C-RNTI | Not Present | |
| -RRC State Indicator | CELL_DCH | |
| -UTRAN DRX cycle length coefficient | Not Present | |
| CN Information Elements | | |
| -CN Information info | Not Present | |
| UTRAN mobility information elements | | |
| -URA identity | Not Present | |
| RB information elements | | |
| -Downlink counter synchronisation info | Not Present | |
| PhyCH information elements | | |
| -Frequency info | Not Present | |
| Uplink radio resources | | |
| -Maximum allowed UL TX power | Not Present | |
| - CHOICE channel requirement | Not Present | |
| Downlink radio resources | | |
| -CHOICE mode | FDD | |
| -Downlink PDSCH information | Not Present | R99 and Rel-4 only |
| -Downlink information common for all radio links | | |
| -Downlink DPCH info common for all RL | Not Present | |
| -CHOICE mode | FDD | |
| -DPCH compressed mode info | | |
| -Transmission gap pattern sequence | | |
| -TGPSI | 1 | |
| -TGPS Status Flag | Activate | |
| -TGCFN | (Current CFN + (256 – TTI/10msec))mod 256 | |
| -Transmission gap pattern sequence | | |
| configuration parameters | | |
| -TGMP | TDD measurement | |
| -TGPRC | Infinity | |
| -TGSN | 10 | |
| -TGL1 | 10 | |
| -TGL2 | Not Present | |
| -TGD | UNDEFINED | |
| -TGPL1 | 11 | |
| -TGPL2 | Not Present | R99 and Rel-4 only |
| -RPP | Mode 0 | |
| -ITP | Mode 0 | |
| -CHOICE UL/DL mode | UL and DL | |
| -Downlink compressed mode method | Puncturing | |
| -Uplink compressed mode method | SF/2 | |
| -Downlink frame type | A | |
| -DeltaSIR1 | 3.0 | |
| -DeltaSIRafter1 | 3.0 | |
| -DeltaSIR2 | Not Present | |
| -DeltaSIRafter2 | Not Present | |
| -N Identify abort | Not Present | |
| -T Reconfirm abort | Not Present | |
| -TX Diversity Mode | Not Present | |
| -SSDT information | Not Present | R99 and Rel-4 |

| Information Element | Value/Remark | Revision |
|---|---|--------------------|
| -Default DPCH Offset Value | Not Present | only |
| -Downlink information per radio link list | | |
| -Downlink information for each radio link | | |
| -Choice mode | FDD | |
| -Primary CPICH info | | |
| -Primary scrambling code | 100 | |
| -PDSCH with SHO DCH Info | Not Present | R99 and Rel-4 only |
| -PDSCH code mapping | Not Present | R99 and Rel-4 only |
| -Downlink DPCH info for each RL | | |
| -CHOICE mode | FDD | |
| -Primary CPICH usage for channel estimation | Primary CPICH may be used | |
| -DPCH frame offset | Set to value Default DPCH Offset Value (as currently stored in SS) mod 38400 | |
| -Secondary CPICH info | Not Present | |
| -DL channelisation code | | |
| -Secondary scrambling code | Not Present | |
| -Spreading factor | 128 | |
| -Code number | 96 | |
| -Scrambling code change | No code change | |
| -TPC combination index | 0 | |
| -SSDT Cell Identity | Not Present | R99 and Rel-4 only |
| -Closed loop timing adjustment mode | Not Present | |
| -SCCPCH Information for FACH | Not Present | |

MEASUREMENT CONTROL message for inter frequency measurement (Step 3):

| Information Element | Value/Remark |
|---|---|
| Message Type | |
| UE information elements | |
| -RRC transaction identifier | 0 |
| -Integrity check info | |
| -message authentication code | SS calculates the value of MAC-I for this message and writes to this IE. The first/leftmost bit of the bit string contains the most significant bit of the MAC-I. |
| -RRC message sequence number | SS provides the value of this IE, from its internal counter. |
| Measurement Information elements | |
| -Measurement Identity | 2 |
| -Measurement Command | Setup |
| -Measurement Reporting Mode | |
| - Measurement Report Transfer Mode | Acknowledged mode RLC |
| - Periodical Reporting / Event Trigger Reporting Mode | Periodical reporting |
| -Additional measurement list | Not Present |
| -CHOICE Measurement Type | Inter-frequency measurement |
| -Inter-frequency measurement | |
| -Inter-frequency cell info list | |
| -CHOICE Inter-frequency cell removal | Not Present |
| -New inter-frequency cells | Cell 2 information is included. |
| -Cell for measurement | Not Present |
| -Inter-frequency measurement quantity | |
| -CHOICE reporting criteria | Inter-frequency reporting criteria |
| -Filter coefficient | 0 |
| -CHOICE mode | TDD |
| -Measurement quantity for frequency quality estimate | Primary CCPCH RSCP |
| -Inter-frequency reporting quantity | |
| -UTRA Carrier RSSI | FALSE |
| -Frequency quality estimate | TRUE |
| -Non frequency related cell reporting quantities | |

| Information Element | Value/Remark |
|---|---|
| -Cell synchronisation information reporting indicator | FALSE |
| -Cell Identity reporting indicator | FALSE |
| -CHOICE mode | FALSE |
| -Timeslot ISCP reporting indicator | TDD |
| -Proposed TGSN Reporting required | FALSE |
| -Primary CCPCH RSCP reporting indicator | FALSE |
| -Pathloss reporting indicator | TRUE |
| -Reporting cell status | FALSE |
| -CHOICE reported cell | Report cells within monitored set on non-used frequency |
| -Maximum number of reported cells | 2 |
| -Measurement validity | Not Present |
| -Inter-frequency set update | Not Present |
| -CHOICE report criteria | Periodical reporting criteria |
| -Amount of reporting | Infinity |
| -Reporting interval | 500 ms |
| Physical channel information elements | |
| -DPCH compressed mode status info | Not Present |

8.7.8.1.5 Test requirements

The PCCPCH RSCP measurement accuracy shall meet the requirements in clause 8.7.8.1.2.

NOTE: If the above Test Requirement differs from the Minimum Requirement then the Test Tolerance applied for this test is non-zero. The Test Tolerance for this test is defined in clause F.2 and the explanation of how the Minimum Requirement has been relaxed by the Test Tolerance is given in clause F.4.

8.7.9 UE Transmission Power Headroom

8.7.9.1 Definition and applicability

The accuracy requirements for the UE transmission power headroom depends on the total power transmitted by the UE as defined in the functionality in section 9.2.5.3.2 of TS 25.321 [13], section 9.1.13.4 of TS 25.133 [2] and section 5.1.14 of TS 25.215 [22]. The requirements and this test apply to Release 6 and later releases for all types of UTRA for the FDD UE that support E-DCH and HSDPA.

8.7.9.2 Minimum Requirements

The UE transmission power headroom (UPH) is defined in section 5.1.14 of TS 25.215 [22] as the ratio of the maximum UE transmission power and the corresponding DPCCCH code power, and shall be calculated as following:

$$UPH = P_{\max,tx} / P_{DPCCCH}$$

where:

$P_{\max,tx}$ = min {Maximum allowed UL TX Power, P_{\max} } is the UE maximum transmission power;

Maximum allowed UL TX Power is set by UTRAN and defined in [8];

P_{\max} is the UE nominal maximum output power according to the UE power class and specified in [1] table 6.1;

P_{DPCCCH} is the transmitted code power on DPCCCH.

The accuracy requirements for UE transmission power headroom depends on the total power transmitted by the UE. Table 8.7.9.1 defines the accuracy of the measured quantity as defined in section 9.1.13.4 of TS 25.133 [2].

Table 8.7.9.1: UPH reporting accuracy

| Total UE output power value (dBm) | UPH reporting accuracy(dB) (note 1) |
|---|--|
| 25<= total output power <34 | note 2 |
| 24<= total output power <25 | ±2.0 |
| 23<= total output power <24 | ±2.0 |
| 22<= total output power <23 | ±2.0 |
| 21<= total output power <22 | ±2.0 |
| 20<= total output power < 21 | ±2.5 |
| 19<= total output power <20 | ±3.0 |
| 18<= total output power <19 | ±3.5 |
| 17<= total output power <18 | ±4.0 |
| 16<= total output power <17 | ±4.0 |
| 15<= total output power <16 | ±4.0 |
| 14<= total output power <15 | ±4.0 |
| 13<= total output power <14 | ±4.0 (power class 4) ±6.0 (power class 3) |
| 12<= total output power <13 | ±4.0 (power class 4) ±6.0 (power class 3) |
| 11<= total output power <12 | ±4.0 (power class 4) ±6.0 (power class 3) |
| -50<= total output power <11 | ±6.0 |
| Note 1 : UPH reporting accuracy is the difference between the UPH reported by the UE and the actual uplink power headroom | |
| Note 2 : No tolerance is specified. | |

8.7.9.3 Test purpose

The purpose of this test case is to verify that the UE transmission power headroom measurement report accuracy is within the specified limits defined in section 9.1.13.4 of 25.133 [2] shown in table 8.7.9.1.

8.7.9.4 Method of test

8.7.9.4.1 Initial conditions

Test environment: normal, TL/VL, TL/VH, TH/VL, TH/VH; see clauses G.2.1 and G.2.2.

Frequencies to be tested: mid range; see clause G.2.4.

- 1) Connect the SS (node B emulator) to the UE antenna connector as shown in figure A.1.
- 2) The beta factors for E-DPCCH & HS-DPCCH, Reference E-TFCI index, and E-DCH configurations are set as in table 8.7.9.2.

Table 8.7.9.2: General test parameters for UE transmission power headroom

| Parameter | Unit | Value | Comment |
|---------------------------|------|---|---|
| DL DCH configuration | | DL Reference Measurement Channel 12.2 kbps | As specified in Annex C.3.1 of the present document |
| DL configuration | | DL Fixed Reference Channel (FRC H-Set 1, QPSK version) | As specified in Annex C.8.1.1 of the present document |
| E-DCH TTI | ms | 10 | |
| E-DCH configuration | | 10 ms TTI E-DCH Transport Block Size Table 0 according to TS 25.321 [13] annex B.3. | |
| DL Power Control | | Off | |
| Active cell | | Cell 1 | |
| β_c | | 8 | As specified in 34.108 section 9.2.1 RADIO BEARER SETUP message: AM or UM (Test Loop Mode1) |
| β_d | | 15 | As specified in 34.108 section 9.2.1 RADIO BEARER SETUP message: AM or UM (Test Loop Mode1) |
| β_{ec}/β_c | | 5/15 | |
| β_{ed_ref}/β_c | | 5/15 | |
| A _{hs} | | 5/15 | $\Delta\text{ACK} = \Delta\text{NACK} = \Delta\text{CQI}$ |
| Reference E-TFCI index | | 0 as per Table 0 according to TS 25.321 [13] annex B.3. | |

- 3) The power levels and cell specific parameters are set as in table 8.7.9.3.

Table 8.7.9.3: Cell Specific parameters for UE transmission power headroom

| Parameter | Unit | Cell 1 |
|--|-----------------|--------|
| CPICH_Ec/I _{or} | dB | -10 |
| PCCPCH_Ec/I _{or} | dB | -12 |
| SCH_Ec/I _{or} | dB | -12 |
| PICH_Ec/I _{or} | dB | -15 |
| DPCH_Ec/I _{or} | dB | -10 |
| HS-SCCH_Ec/I_{or} | dB | -8 |
| HS-PDSCH_Ec/I_{or} | dB | -3 |
| E-AGCH_Ec/I_{or} | dB | DTX'd |
| E-HICH_Ec/I_{or} | dB | DTX'd |
| E-RGCH_Ec/I_{or} | dB | DTX'd |
| OCNS | dB | Note 1 |
| \hat{I}_{or} | dBm/3.84 MHz | -70 |
| NOTE 1: The power of the OCNS channel that is added shall make the total power from the cell to be equal to I_{or} . | | |

- 4) The UE is switched on.
- 5) An E-DCH call is set up according to TS 34.108 [3] 7.3.9 with the following exceptions in the RADIO BEARER SETUP message. These exceptions are derived from Table 8.7.9.2, and in addition allow the beta values to be set and each UL physical channel to be at constant power during the measurement.

Table 8.7.9.4: Contents of RADIO BEARER SETUP message: AM or UM (E-DCH and HSDPA)

| Information Element | Value/Remark |
|---|---|
| Uplink DPCH info <ul style="list-style-type: none"> - Power Control Algorithm - Δ_{ACK} - Δ_{NACK} - Ack-Nack repetition factor | Algorithm 2 0, giving $A_{hs} = 5/15$ 0, giving $A_{hs} = 5/15$ 3 (required for continuous HS-DPCCH signal) |
| E-DCH info <ul style="list-style-type: none"> - E-DPCCH info - E-DPCCH/DPCCH power offset - E-DPDCH info - Reference E-TFCIs - Reference E-TFCI - Reference E-TFCI PO - Scheduling Information Configuration - Periodicity for Scheduling Info – no grant | Uplink DPCH info 0, giving $A_{ec} = 5/15$ 1 E-TFCI 0 0, giving $A_{ed_ref} = 5/15$ 10 ms |
| Downlink HS-PDSCH Information <ul style="list-style-type: none"> - Measurement Feedback Info <ul style="list-style-type: none"> - CQI Feedback cycle, k - CQI repetition factor - Δ_{CQI} | 4 ms 2 (required for continuous HS-DPCCH signal) 0, giving $A_{hs} = 5/15$ |

8.7.9.4.2 Test procedure

- 1) The Scheduling Information configuration for the E-DCH indicates to the UE that it shall periodically report Scheduling Information, which contains UPH measurement every E-DCH TTI. During the test the system simulator shall not send any scheduling grant to the UE, and therefore the UE will not send any payload data on the E-DCH.
- 2) The SS shall set the UE DPCCH power to be between -11.1 dBm and -8 dBm for a power class 3 UE, or between -14.1 dBm and -11dBm for a power class 4 UE by using uplink power control.
- 3) The SS measures both the power transmitted by the UE on DPCCH and the total output power of the UE every time slot. The SS averages both the DPCCH output power and total output power of the UE over 100 ms.
- 4) The SS estimates the UE transmission power headroom as the difference between the maximum allowed uplink transmit power (P_{max}) and the average DPCCH power measured in step 3.
- 5) The SS notes the UE transmission power headroom value reported in the Scheduling Information.
- 6) The SS calculates the difference between the UE transmission power headroom value estimated in step 4 and the reported UE transmission power headroom noted in step 5. The SS notes this as the UE transmission power headroom accuracy, and compares it to the applicable limit according to the total output power measured in step 3.
- 7) If the UE transmission power headroom accuracy exceeds the value in Table 8.7.9.5 count a bad result, otherwise a good result with respect to the actually set TX power (DTX on E-DPDCH is not considered a bad result).
- 8) Repeat steps 3 to 7 in order to collect more good or bad results for the currently set power level. Continue the repetition, until statistical significance according to Annex F.6.2.8 is achieved.
- 9) The SS sends 5 up TPC commands at the frame boundary to bring the Tx power of the UE up by a nominal 1 dB step, then alternate UP/DOWN to maintain constant Tx power.
- 10) Repeat steps 3 through 9 and note the UE transmission power headroom accuracy for each UE total power value until the UE stops reporting UPH or does not give lower UPH values for 8 consecutive repetitions of steps 3 through 9. If the lowest reported UPH is UE_POWER_HEADROOM_13 or higher for a power class 3 UE, or UE_POWER_HEADROOM_14 or higher for a power class 4 UE, then count a bad result (DTX on E-DPDCH is not considered a bad result).

8.7.9.5 Test requirements

The UE transmission power headroom measurement report accuracy recorded in steps 6, 9 and 10 above shall meet the requirements in table 8.7.9.5. The rate of correct measurements observed during repeated tests shall be at least 90%. To pass the test, the UE transmission power headroom accuracy for each power level in the reporting range must pass. Once a power level is passed, no more results need be collected on this power level.

Table 8.7.9.5: Test requirement for UPH reporting accuracy

| Total UE output power value (dBm) | UPH reporting accuracy(dB) (note 1) |
|--|--|
| 25<= total output power <34 | note 2 |
| 24<= total output power <25 | ±2.8 |
| 23<= total output power <24 | ±2.8 |
| 22<= total output power <23 | ±2.8 |
| 21<= total output power <22 | ±2.8 |
| 20<= total output power < 21 | ±3.3 |
| 19<= total output power <20 | ±3.8 |
| 18<= total output power <19 | ±4.3 |
| 17<= total output power <18 | ±4.8 |
| 16<= total output power <17 | ±4.8 |
| 15<= total output power <16 | ±4.8 |
| 14<= total output power <15 | ±4.8 |
| 13<= total output power <14 | ±4.8 (power class 4) ±6.8 (power class 3) |
| 12<= total output power <13 | ±4.8 (power class 4) ±6.8 (power class 3) |
| 11<= total output power <12 | ±4.8 (power class 4) ±6.8 (power class 3) |
| -50<= total output power <11 | ±6.8 |
| NOTE 1: UPH reporting accuracy is the difference between the UPH reported by the UE and the actual uplink power headroom | |
| NOTE 2: No tolerance is specified. | |

NOTE1: If the above Test Requirement differs from the Minimum Requirement then the Test Tolerance applied for this test is non-zero. The Test Tolerance for this test is defined in clause F.2 and the explanation of how the Minimum Requirement has been relaxed by the Test Tolerance is given in clause F.4.

8.7.10 E-UTRAN FDD RSRP absolute accuracy

Editor's note: This Test case is incomplete for frequencies above 3GHz

- The Test system uncertainties applicable above 3GHz are undefined
- The Test Tolerances and Test Requirements applicable above 3GHz are undefined

8.7.10.1 Definition and applicability

The absolute accuracy of RSRP is defined as the RSRP measured from a cell that has different carrier frequency from the serving cell.

The E-UTRAN FDD RSRP absolute accuracy measurement is used for handover between UTRAN FDD and E-UTRAN FDD.

The requirements and this test apply to the combined UTRAN FDD and E-UTRAN FDD UE for Rel.9 and later.

8.7.10.2 Minimum Requirements

The accuracy requirements for E-UTRA RSRP measurements in CELL_DCH state shall be the same as the inter-frequency RSRP accuracy requirements in 3GPP TS36.133[34], as follows:

Cell specific reference signals are transmitted either from one, two or four antenna ports.

Conditions defined in TS 36.101 [37] clause 7.3 for reference sensitivity are fulfilled.

RSRP[dBm according to TS 36.133 [34] Annex B.3.3 for a corresponding Band

Table 8.7.10.2.1: E-UTRAN FDD RSRP absolute accuracy

| Parameter | Unit | Accuracy [dB] | | Conditions ¹ | | | | |
|---|------|------------------|-------------------|---|---|---|---|---|
| | | Normal condition | Extreme condition | Bands 1, 4, 6, 10, 11, 18, 19, 21, 23, 24, 33, 34, 35, 36, 37, 38, 39, 40 | Bands 2, 5, 7, 41, 26 | Band 25 | Bands 3, 8, 12, 13, 14, 17, 20, 22 | Band 9, 42, 43 |
| | | | | lo | lo | lo | lo | lo |
| RSRP for $\hat{E}_s/\text{lot} \geq -6$ dB | dBm | ± 6 | ± 9 | - 121dBm/15kHz ... -70dBm/ BW _{Channel} | - 119dBm/15kHz ... -70dBm/ BW _{Channel} | - 117.5dBm/15k Hz ... -70dBm/ BW _{Channel} | - 118dBm/15kHz ... -70dBm/ BW _{Channel} | - 120dBm/15kHz ... -70dBm/ BW _{Channel} |
| RSRP for $\hat{E}_s/\text{lot} \geq -6$ dB | dBm | ± 8 | ± 11 | -70dBm/ BW _{Channel} ... - 50dBm/ BW _{Channel} | -70dBm/ BW _{Channel} ... - 50dBm/ BW _{Channel} | -70dBm/ BW _{Channel} ... - 50dBm/ BW _{Channel} | -70dBm/ BW _{Channel} ... - 50dBm/ BW _{Channel} | -70dBm/ BW _{Channel} ... - 50dBm/ BW _{Channel} |
| NOTE 1: lo is assumed to have constant EPRE across the bandwidth. | | | | | | | | |

The normative reference for this requirement is TS 25.133 [2] clause 9.1.4a and A.9.1.10

8.7.10.3 Test purpose

The purpose of this test is to verify that the E-UTRAN FDD RSRP measurement accuracy in CELL_DCH state, for UE that needs compressed mode to perform E-UTRAN FDD measurements, is within the specified limits. This measurement is for UTRAN FDD to E-UTRAN FDD handover evaluation.

8.7.10.4 Method of test

8.7.10.4.1 Initial conditions

Test environment: normal, TL/VL, TL/VH, TH/VL, TH/VH; see clauses G.2.1 and G.2.2.

Frequencies to be tested: see table K.2 in Annex K.

In the test in Cell_DCH state compressed mode with purpose "E-UTRAN FDD RSRP Measurement" is applied to measure on E-UTRAN FDD. The compressed mode pattern repeats every 80 ms and uses a gap length of 10 slots. Further details are found in TS 25.101 annex A.5.

Tables 8.7.10.4.1.1 and 8.7.10.4.1.2 define the limits of signal strengths and code powers on the UTRA FDD cell where requirements are applicable. In the measurement control information periodic reporting of E-UTRAN FDD RSRP is indicated to the UE. The E-UTRAN FDD test parameters are given in Table 8.7.10.4.1.3.

Table 8.7.10.4.1.1: General test parameters for E-UTRAN FDD RSRP absolute accuracy tests

| Parameter | Unit | Value | Comment |
|---|------|---|--|
| DCH parameters | | DL Reference Measurement Channel 12.2 kbps | As specified in TS 25.101 section A.3.1 |
| Power Control | | On | |
| Target quality value on DTCH | BLER | 0.01 | |
| Active cell | | Cell 1 | UTRA FDD cell |
| Neighbour cell | | Cell 2 | E-UTRA FDD cell |
| CP length of cell 2 | | normal | |
| Filter coefficient | | 0 | L3 filtering is not used |
| Compressed mode patterns - E-UTRAN measurement | | Compressed mode reference pattern 2 Set 5 | As specified in table A.22 TS 25.101 section A.5 |
| Inter-RAT measurement quantity | | E-UTRAN FDD RSRP | |
| Monitored cell list size | | 1 E-UTRAN FDD neighbour cell | Measurement control information is sent before the compressed mode pattern starts. |

**Table 8.7.10.4.1.2: UTRAN FDD cell specific test parameters
for E-UTRAN FDD RSRP absolute accuracy tests**

| Parameter | Unit | Cell 1 |
|--|---------------|-----------|
| UTRA RF Channel number | - | Channel 1 |
| CPICH_Ec/Ior | dB | -10 |
| PCCPCH_Ec/Ior | dB | -12 |
| SCH_Ec/Ior | dB | -12 |
| PICH_Ec/Ior | dB | -15 |
| DCH_Ec/Ior | dB | Note 1 |
| OCNS_Ec/Ior | dB | Note 2 |
| Ior/Ioc | dB | -1 |
| Ioc | dBm/ 3.84 MHz | -70 |
| CPICH_Ec/Io | dB | -13.54 |
| Propagation condition | - | AWGN |
| NOTE 1: The DPCH level is controlled by the power control loop | | |
| NOTE 2: The power of the OCNS channel that is added shall make the total power from the cell to be equal to Ior. | | |

Table 8.7.10.4.1.3: E-UTRAN FDD cell specific test parameters for E-UTRAN FDD RSRP absolute accuracy tests

| Parameter | | Unit | Test 1 | Test 2 |
|--|---|------------|----------|----------|
| BW _{channel} | | MHz | 10 | 10 |
| Measurement bandwidth | | n_{PRB} | 22–27 | 22–27 |
| PDCCH/PCFICH/PHICH Reference measurement channel as defined in TS 36.133 A.3.1.2.1 | | | R.6 FDD | R.6 FDD |
| OCNG Pattern as defined in TS 36.133 A.3.2.1.2 | | | OP.2 FDD | OP.2 FDD |
| PBCH_RA | | dB | 0 | 0 |
| PBCH_RB | | | | |
| PSS_RA | | | | |
| SSS_RA | | | | |
| PCFICH_RB | | | | |
| PHICH_RA | | | | |
| PHICH_RB | | | | |
| PDCCH_RA | | | | |
| PDCCH_RB | | | | |
| PDSCH_RA | | | | |
| PDSCH_RB | | | | |
| OCNG_RA ^{Note1} | | | | |
| OCNG_RB ^{Note1} | | | | |
| N_{oc} ^{Note2} | Bands 1, 4, 6, 10, 11, 18, 19, 21, 23 and 24 | | | |
| | Bands 2, 5, 7 and 26 (Note 5) | -115 | | |
| | Band 25 | -113.5 | | |
| | Bands 3, 8, 12, 13, 14, 20 and 22 | -114 | | |
| | Band 9 | -116 | | |
| \hat{E}_s / I_{ot} | | dB | 10 | -4 |
| RSRP ^{Note3} | Bands 1, 4, 6, 10, 11, 18, 19, 21, 23 and 24 | dBm/15 kHz | -78.65 | -121 |
| | Bands 2, 5, 7, and 26 (Note 5) | | | -119 |
| | Band 25 | | | -117.5 |
| | Bands 3, 8, 12, 13, 14, 20 and 22 | | | -118 |
| | Band 9 | | | -120 |
| I_o ^{Note3} | Bands 1, 4, 6, 10, 11, 18, 19, 21, 23 and 24. | dBm/9 MHz | -50.45 | -87.76 |
| | Bands 2, 5, 7 and 26 (Note 5) | | | -85.76 |
| | Band 25 | | | -84.26 |
| | Bands 3, 8, 12, 13, 14, 20 and 22 | | | -84.76 |
| | Band 9 | | | -86.76 |
| \hat{E}_s / N_{oc} | | dB | 10 | -4 |
| Propagation condition | | - | AWGN | AWGN |
| NOTE 1: OCNG shall be used such that both cells are fully allocated and a constant total transmitted power spectral density is achieved for all OFDM symbols. | | | | |
| NOTE 2: Interference from other cells and noise sources not specified in the test is assumed to be constant over subcarriers and time and shall be modelled as AWGN of appropriate power for N_{oc} to be fulfilled. | | | | |
| NOTE 3: RSRP and I_o levels have been derived from other parameters for information purposes. They are not settable parameters themselves. | | | | |
| NOTE 4: RSRP minimum requirements are specified assuming independent interference and noise at each receiver antenna port. | | | | |
| NOTE 5: For Band 26, the tests shall be performed with the assigned E-UTRA channel bandwidth within 865-894 | | | | |

8.7.10.4.2 Test Procedure

- 1) A call is set up according to the test procedure specified in TS 34.108 [3] subclause 7.3.2. The RF parameters for Test 1 are set up according to table 8.7.10.5.2 and table 8.7.10.5.3.
- 2) If compressed mode is required, SS shall transmit PHYSICAL CHANNEL RECONFIGURATION message (compressed gaps). Otherwise, Go to Step4.
- 3) UE shall transmit PHYSICAL CHANNEL RECONFIGURATION COMPLETE message (compressed gaps).
- 4) SS shall transmit MEASUREMENT CONTROL message for inter RAT measurement. In the measurement control information periodic reporting of the E-UTRAN FDD RSRP is requested to the UE.
- 5) UE shall transmit periodically MEASUREMENT REPORT messages.
- 6) SS shall check E-UTRAN FDD RSRP value of Cell 2 in MEASUREMENT REPORT messages. E-UTRAN FDD RSRP power of Cell 2 reported by UE is compared to actual E-UTRAN FDD RSRP value of Cell 2 for each MEASUREMENT REPORT message.
- 7) SS shall check MEASUREMENT REPORT messages transmitted by UE until statistical significance according to Tables G.2.3-1 in TS36.521-3 [38] is achieved.
- 8) The RF parameters are set up according to table 8.7.10.5.3 for Test 2. While RF parameters are being set up, MEASUREMENT REPORT messages from UE are ignored. SS shall wait for additional [1s] and ignore the MEASUREMENT REPORT messages during this period. Then, step 6) and 7) above are repeated.
- 9) The SS shall transmit RRC CONNECTION RELEASE message.
- 10) UE shall transmit RRC CONNECTION RELEASE COMPLETE message.

Specific Message Contents

All messages indicated above shall use the same content as described in default message content in clause 9 of TS 34.108 [3] and clause 4.4 and 4.7B.1 of TS 36.508 [33], with the following exceptions:

PHYSICAL CHANNEL RECONFIGURATION message for Inter-RAT measurement (step 2):

| | | |
|--|--|--|
| | | |
| | | |
| | | |
| | | |
| | | |
| | | |
| | | |
| | | |
| | | |
| | | |

| | | |
|--|--|--|
| | | |
|--|--|--|

Derivation Path: TS 36.508 [33], clause 4.7B.1 Table 4.7B.1-5: PHYSICAL CHANNEL RECONFIGURATION

| Information Element | Value/remark | Comment | Condition |
|--|---|---------|-----------|
| Message Type | | | |
| RRC transaction identifier | 0 | | |
| Downlink information common for all radio links | | | |
| - Downlink DPCH info common for all RL | Not Present | | |
| - DPCH compressed mode info | | | |
| - TGPSI | 1 | | |
| - TGPS Status Flag | Activate | | |
| - TGCFN | (Current CFN + (256 – TTI/10msec))mod 256 | | |
| - Transmission gap pattern sequence configuration parameters | 1 | | |
| - TGMP | E-UTRA measurement | | |
| - TGPRC | Infinity | | |
| - TGSN | 10 | | |
| - TGL1 | 10 | | |

| | | | |
|--|-------------|--|--|
| - TGL2 | Not Present | | |
| - TGD | 0 | | |
| - TGPL1 | 8 | | |
| - TGPL2 | Not Present | | |
| - RPP | mode 0 | | |
| - ITP | mode 0 | | |
| - CHOICE UL/DL Mode | UL and DL | | |
| - Downlink compressed mode method | SF/2 | | |
| - Uplink compressed mode method | SF/2 | | |
| - Downlink frame type | B | | |
| - DeltaSIR1 | 3.0 | | |
| - DeltaSIRAfter1 | 3.0 | | |
| - DeltaSIR2 | Not Present | | |
| - DeltaSIRAfter2 | Not Present | | |
| - N identify abort | Not Present | | |
| - T Reconfirm abort | Not Present | | |
| - TX Diversity mode | Not Present | | |
| - SSDT information | Not Present | | |
| - Default DPCH Offset Value | Not Present | | |
| Downlink information for each radio link | Not Present | | |
| MBMS PL Service Restriction Information | Not Present | | |

MEASUREMENT CONTROL message for Inter-RAT measurement (step 4):

| | | |
|--|--|--|
| | | |
| | | |
| | | |
| | | |
| | | |
| | | |
| | | |
| | | |
| | | |
| | | |

Derivation Path: TS 36.508 [33], clause 4.7B.1 Table 4.7B.1-3: MEASUREMENT CONTROL

| Information Element | Value/remark | Comment | Condition |
|---|-----------------------|---------|-----------|
| Message Type | | | |
| RRC transaction identifier | 0 | | |
| Measurement Identity | 2 | | |
| Measurement Reporting Mode | | | |
| - Periodical Reporting/Event Trigger Reporting Mode | Periodical reporting | | |
| CHOICE Measurement type | Inter-RAT measurement | | |

| | | | |
|--|---|--|--|
| - CHOICE Inter-RAT measurement objects | E-UTRA frequency list | | |
| - New frequencies | | | |
| - E-UTRA carrier frequency | Downlink EARFCN of E-UTRA Cell | | |
| - Measurement bandwidth | 6 | | |
| - Inter-RAT reporting quantity | | | |
| - CHOICE system | E-UTRA | | |
| - Reporting quantity | Measurement quantity | | |
| - CHOICE report criteria | Periodical reporting criteria | | |
| - Reporting amount | Infinity | | |
| - Reporting interval | 500 ms | | |
| - Reporting cell status | | | |
| - CHOICE reported cell | Report cells within active set or within virtual active set or of the other RAT | | |
| - Maximum number of reported cells | 1 | | |
| DPCH Compressed mode status info | Not present | | |

MEASUREMENT REPORT message for inter-RAT test cases

| Derivation Path: TS 36.508 [33], clause 4.7B.1 Table 4.7B.1-4: MEASUREMENT REPORT | | | |
|---|-------------------------------------|--------------------------------|-----------|
| Information Element | Value/remark | Comment | Condition |
| Message Type | | | |
| Measurement identity | 2 | | |
| E-UTRA Measured Results | | | |
| - E-UTRA measured results list | 1 entry | | |
| - E-UTRA Carrier Frequency | Checked that this IE is present | | |
| - Measured E-UTRA cells | 1 entry | | |
| - Physical Cell Identity | Checked that this IE is present | PhysicalCellIdentity of Cell 2 | |
| - RSRP | Checked that this IE is present | | |
| - RSRQ | This IE does not need to be checked | | |
| E-UTRA Event Results | Not present | | |

8.7.10.5 Test requirements

Table 8.7.10.5.2 and table 8.7.10.5.3 defines the primary level settings including test tolerances for all tests.

For the test to pass, the ratio of successful reported values according to table 8.7.10.5.4 in each test shall be more than 90% with a confidence level of 95%.

Table 8.7.10.5.1: Void

Table 8.7.10.5.2: UTRAN FDD cell specific test parameters for E-UTRAN FDD RSRP absolute accuracy tests

| Parameter | Unit | Cell 1 |
|------------------------|---------------|-----------|
| UTRA RF Channel number | - | Channel 1 |
| CPICH_Ec/Ior | dB | -10 |
| PCCPCH_Ec/Ior | dB | -12 |
| SCH_Ec/Ior | dB | -12 |
| PICH_Ec/Ior | dB | -15 |
| DCH_Ec/Ior | dB | Note 1 |
| OCNS_Ec/Ior | dB | Note 2 |
| Ior/Ioc | dB | -1 |
| Ioc | dBm/ 3.84 MHz | -70 |
| CPICH_Ec/Io | dB | -13.54 |
| Propagation condition | - | AWGN |

NOTE 1: The DPCH level is controlled by the power control loop
 NOTE 2: The power of the OCNS channel that is added shall make the total power from the cell to be equal to I_{ot} .

Table 8.7.10.5.3: E-UTRAN FDD cell specific test parameters for E-UTRAN FDD RSRP absolute accuracy tests

| Parameter | Unit | Test 1 | Test 2 | |
|---|--|------------|----------|--|
| $BW_{channel}$ | MHz | 10 | 10 | |
| Measurement bandwidth | n_{PRB} | 22—27 | 22—27 | |
| PDCCH/PCFICH/PHICH Reference measurement channel as defined in TS 36.133 A.3.1.2.1 | | R.6 FDD | R.6 FDD | |
| OCNG Pattern as defined in TS 36.133 A.3.2.1.2 | | OP.2 FDD | OP.2 FDD | |
| PBCH_RA | dB | 0 | 0 | |
| PBCH_RB | | | | |
| PSS_RA | | | | |
| SSS_RA | | | | |
| PCFICH_RB | | | | |
| PHICH_RA | | | | |
| PHICH_RB | | | | |
| PDCCH_RA | | | | |
| PDCCH_RB | | | | |
| PDSCH_RA | | | | |
| PDSCH_RB | | | | |
| OCNG_RA ^{Note1} | | | | |
| OCNG_RB ^{Note1} | | | | |
| N_{oc} ^{Note2} | | | | Bands 1, 4, 6, 10, 11, 18, 19, 21, 23 and 24 |
| | Bands 2, 5, 7 and 26 (Note 5) | -115.00 | | |
| | Band 25 | -113.50 | | |
| | Bands 3, 8, 12, 13, 14, 17, 20 and 22 | -114.00 | | |
| | Band 9 | -116.00 | | |
| \hat{E}_s / I_{ot} | dB | 10.00 | -3.20 | |
| RSRP ^{Note3} | Bands 1, 4, 6, 10, 11, 18, 19, 21, 23 and 24 | dBm/15 kHz | -78.95 | -120.20 |
| | Bands 2, 5, 7 and 26 (Note 5) | | | -118.20 |
| | Band 25 | | | -116.70 |
| | Bands 3, 8, 12, 13, 14, 17, 20 and 22 | | | -117.20 |
| | Band 9 | | | -119.20 |
| I_o ^{Note3} | Bands 1, 4, 6, 10, 11, 18, 19, 21, 23 and 24 | dBm/9 MHz | -50.75 | -87.52 |
| | Bands 2, 5, 7 and 26 (Note 5) | | | -85.52 |
| | Band 25 | | | -84.02 |
| | Bands 3, 8, 12, 13, 14, 17, 20 and 22 | | | -84.52 |
| | Band 9 | | | -86.52 |
| \hat{E}_s / N_{oc} | dB | 10.00 | -3.20 | |
| Propagation condition | - | AWGN | AWGN | |
| NOTE 1: OCNG shall be used such that both cells are fully allocated and a constant total transmitted power spectral density is achieved for all OFDM symbols. | | | | |

| Parameter | Unit | Test 1 | Test 2 |
|--|------|--------|--------|
| NOTE 2: Interference from other cells and noise sources not specified in the test is assumed to be constant over subcarriers and time and shall be modelled as AWGN of appropriate power for N_{oc} to be fulfilled. | | | |
| NOTE 3: RSRP and I_0 levels have been derived from other parameters for information purposes. They are not settable parameters themselves. | | | |
| NOTE 4: RSRP minimum requirements are specified assuming independent interference and noise at each receiver antenna port. | | | |
| NOTE 5: For Band 26, the tests shall be performed with the assigned E-UTRA channel bandwidth within 865-894 | | | |

Table 8.7.10.5.4: E-UTRAN FDD RSRP absolute accuracy requirements for the reported values

| | Test 1 | Test 2 | | | | |
|---------------------------------|-----------|---|-------------------|---------|------------------------------------|---------|
| | All bands | Bands 1, 4, 6, 10, 11, 18, 19, 21, 23, 24 | Bands 2, 5, 7, 26 | Band 25 | Bands 3, 8, 12, 13, 14, 17, 20, 22 | Band 9 |
| Normal Conditions | | | | | | |
| Lowest reported value (Cell 2) | RSRP_52 | RSRP_13 | RSRP_15 | RSRP_17 | RSRP_16 | RSRP_14 |
| Highest reported value (Cell 2) | RSRP_71 | RSRP_28 | RSRP_30 | RSRP_31 | RSRP_31 | RSRP_29 |
| Extreme Conditions | | | | | | |
| Lowest reported value (Cell 2) | RSRP_49 | RSRP_10 | RSRP_12 | RSRP_14 | RSRP_13 | RSRP_11 |
| Highest reported value (Cell 2) | RSRP_74 | RSRP_31 | RSRP_33 | RSRP_34 | RSRP_34 | RSRP_32 |

NOTE: If the above Test Requirement differs from the Minimum Requirement then the Test Tolerance applied for this test is non-zero. The Test Tolerance for this test is defined in clause F.2 and the explanation of how the Minimum Requirement has been relaxed by the Test Tolerance is given in clause F.4.

8.7.11 E-UTRAN TDD RSRP absolute accuracy

Editor’s note: This Test case is incomplete for frequencies above 3GHz

- The Test system uncertainties applicable above 3GHz are undefined
- The Test Tolerances and Test Requirements applicable above 3GHz are undefined

8.7.11.1 Definition and applicability

The absolute accuracy of RSRP is defined as the RSRP measured from a cell that has different carrier frequency from the serving cell.

The E-UTRAN TDD RSRP absolute accuracy measurement is used for handover between UTRAN FDD and E-UTRAN TDD.

The requirements and this test apply to the combined UTRAN FDD and E-UTRAN TDD UE Release 9 and later.

8.7.11.2 Minimum Requirements

The accuracy requirements for E-UTRA RSRP measurements in CELL_DCH state shall be the same as the inter-frequency RSRP accuracy requirements in 3GPP TS36.133[34], as follows:

- Cell specific reference signals are transmitted either from one, two or four antenna ports.
- Conditions defined in 36.101 Section 7.3 for reference sensitivity are fulfilled.
- RSRP[dBm] according to 36.133 Annex B.3.3 for a corresponding Band

Table 8.7.11.2.1: E-UTRAN TDD RSRP absolute accuracy

| Parameter | Unit | Accuracy [dB] | Conditions ¹ |
|-----------|------|---------------|-------------------------|
|-----------|------|---------------|-------------------------|

| | | Normal condition | Extreme condition | Bands 1, 4, 6, 10, 11, 18, 19, 21, 23, 24, 33, 34, 35, 36, 37, 38, 39, 40 | Bands 2, 5, 7, 41 | Band 25 | Bands 3, 8, 12, 13, 14, 17, 20, 22 | Band 9, 42, 43 |
|--|-----|------------------|-------------------|---|---|---|---|---|
| | | | | lo | lo | lo | lo | lo |
| RSRP for $\hat{E}_s/\text{lot} \geq -6$ dB | dBm | ± 6 | ± 9 | - 121dBm/15kHz ... -70dBm/ BW _{Channel} | - 119dBm/15kHz ... -70dBm/ BW _{Channel} | - 117.5dBm/15k Hz ... -70dBm/ BW _{Channel} | - 118dBm/15kHz ... -70dBm/ BW _{Channel} | - 120dBm/15kHz ... -70dBm/ BW _{Channel} |
| RSRP for $\hat{E}_s/\text{lot} \geq -6$ dB | dBm | ± 8 | ± 11 | -70dBm/ BW _{Channel} ... - 50dBm/ BW _{Channel} | -70dBm/ BW _{Channel} ... - 50dBm/ BW _{Channel} | -70dBm/ BW _{Channel} ... - 50dBm/ BW _{Channel} | -70dBm/ BW _{Channel} ... - 50dBm/ BW _{Channel} | -70dBm/ BW _{Channel} ... - 50dBm/ BW _{Channel} |

NOTE 1: lo is assumed to have constant EPRE across the bandwidth.

The normative reference for this requirement is TS 36.133 [34] clause 9.1.3.1.

8.7.11.3 Test purpose

The purpose of this test is to verify that the E-UTRAN TDD RSRP measurement accuracy in CELL_DCH state, for UE that needs compressed mode to perform E-UTRAN TDD measurements, is within the specified limits. This measurement is for UTRAN FDD to E-UTRAN TDD handover evaluation.

8.7.11.4 Method of test

8.7.11.4.1 Initial conditions

Test environment: normal, TL/VL, TL/VH, TH/VL, TH/VH; see clauses G.2.1 and G.2.2.

Frequencies to be tested: see table K.2 in Annex K.

In the test in Cell_DCH state compressed mode with purpose "E-UTRAN TDD RSRP Measurement" is applied to measure on E-UTRAN TDD. The compressed mode pattern repeats every 80 ms and uses a gap length of 10 slots. Further details are found in table A.22 in annex A.5 of 3GPP TS 25.101.

Tables 8.7.11.4.1.1 and 8.7.11.4.1.2 define the limits of signal strengths and code powers on the UTRA FDD cell where requirements are applicable. In the measurement control information periodic reporting of E-UTRAN TDD RSRP is indicated to the UE. The E-UTRAN TDD test parameters are given in Table 8.7.11.4.1.3.

Table 8.7.11.4.1.1: General test parameters for E-UTRAN TDD RSRP absolute accuracy tests

| Parameter | Unit | Value | Comment |
|--|------|---|--|
| DCH parameters | | DL Reference Measurement Channel 12.2 kbps | As specified in 3GPP TS 25.101 section A.3.1 |
| Power Control | | On | |
| Target quality value on DTCH | BLER | 0.01 | |
| Active cell | | Cell 1 | UTRA FDD cell |
| Neighbour cell | | Cell 2 | E-UTRA TDD cell |
| CP length of cell 2 | | normal | |
| Filter coefficient | | 0 | L3 filtering is not used |
| Compressed mode patterns - E-UTRAN measurement | | Compressed mode reference pattern 2 Set 5 | As specified in table A.22 3GPP TS 25.101 section A.5 |
| Inter-RAT measurement quantity | | E-UTRAN TDD RSRP | |
| Monitored cell list size | | 1 E-UTRAN TDD neighbour cell | Measurement control information is sent before the compressed mode pattern starts. |

Table 8.7.11.4.1.2: UTRAN FDD cell specific test parameters for E-UTRAN TDD RSRP absolute accuracy tests

| Parameter | Unit | Cell 1 |
|-----------|------|--------|
|-----------|------|--------|

| | | |
|--|---------------|-----------|
| UTRA RF Channel number | - | Channel 1 |
| CPICH_Ec/lor | dB | -10 |
| PCCPCH_Ec/lor | dB | -12 |
| SCH_Ec/lor | dB | -12 |
| PICH_Ec/lor | dB | -15 |
| DCH_Ec/lor | dB | Note 1 |
| OCNS_Ec/lor | dB | Note 2 |
| lor/loc | dB | -1 |
| loc | dBm/ 3.84 MHz | -70 |
| CPICH_Ec/lo | dB | -13.54 |
| Propagation condition | - | AWGN |
| NOTE 1: The DPCH level is controlled by the power control loop | | |
| NOTE 2: The power of the OCNS channel that is added shall make the total power from the cell to be equal to lor. | | |

Table 8.7.11.4.1.3: E-UTRAN TDD cell specific test parameters for E-UTRAN TDD RSRP absolute accuracy tests

| Parameter | Unit | Test 1 | Test 2 |
|--|-----------------|----------|----------|
| E-UTRA RF Channel Number | | 1 | 1 |
| BW _{channel} | MHz | 10 | 10 |
| Special subframe configuration ^{Note1} | | 6 | 6 |
| Uplink-downlink configuration ^{Note1} | | 1 | 1 |
| Measurement bandwidth | n_{PRB} | 22—27 | 22—27 |
| PDCCH/PCFICH/PHICH Reference measurement channel as defined in TS 36.133 A.3.1.2.2 | | R.6 TDD | R.6 TDD |
| OCNG Pattern as defined in TS 36.133 A.3.2.2.2 | | OP.2 TDD | OP.2 TDD |
| PBCH_RA | dB | 0 | 0 |
| PBCH_RB | | | |
| PSS_RA | | | |
| SSS_RA | | | |
| PCFICH_RB | | | |
| PHICH_RA | | | |
| PHICH_RB | | | |
| PDCCH_RA | | | |
| PDCCH_RB | | | |
| PDSCH_RA | | | |
| PDSCH_RB | | | |
| OCNG_RA ^{Note2} | | | |
| OCNG_RB ^{Note2} | | | |
| N_{oc} ^{Note3} | | | |
| | Bands 42 and 43 | -116.00 | |
| | Band 41 | -115.00 | |
| \hat{E}_s / I_{ot} | dB | 10 | -4 |
| RSRP ^{Note4} | Bands 33 ~ 40 | -78.65 | -121.00 |
| | Bands 42 and 43 | | -120.00 |
| | Band 41 | | -119.00 |
| I _o ^{Note4} | Bands 33 ~ 40 | -50.45 | -87.76 |
| | Bands 42 and 43 | | -86.76 |
| | Band 41 | | -85.76 |
| \hat{E}_s / N_{oc} | dB | 10.0 | -4.0 |
| Propagation condition | - | AWGN | AWGN |
| NOTE 1: For special subframe and uplink-downlink configurations see Tables 4.2-1 and 4.2-2 in 3GPP TS 36.211. | | | |
| NOTE 2: OCNG shall be used such that both cells are fully allocated and a constant total transmitted power spectral density is achieved for all OFDM symbols. | | | |
| NOTE 3: Interference from other cells and noise sources not specified in the test is assumed to be constant over subcarriers and time and shall be modelled as AWGN of appropriate power for N_{oc} to be fulfilled. | | | |
| NOTE 4: RSRP and I _o levels have been derived from other parameters for information | | | |

purposes. They are not settable parameters themselves.
 NOTE 5: RSRP minimum requirements are specified assuming independent interference and noise at each receiver antenna port.

8.7.11.4.2 Procedure

- 1) A call is set up according to the test procedure specified in TS 34.108 [3] subclause 7.3.2. The RF parameters for Test 1 are set up according to table 8.7.11.5.2 and table 8.7.11. 5.3.
- 2) SS shall transmit PHYSICAL CHANNEL RECONFIGURATION message.
- 3) UE shall transmit PHYSICAL CHANNEL RECONFIGURATION COMPLETE message.
- 4) SS shall transmit MEASUREMENT CONTROL message for inter RAT measurement. In the measurement control information periodic reporting of the E-UTRAN TDD RSRP is requested to the UE.
- 5) UE shall transmit periodically MEASUREMENT REPORT messages.
- 6) SS shall check E-UTRAN TDD RSRP value of Cell 2 in MEASUREMENT REPORT messages. E-UTRAN TDD RSRP power of Cell 2 reported by UE is compared to actual E-UTRAN TDD RSRP value of Cell 2 for each MEASUREMENT REPORT message.
- 7) SS shall check MEASUREMENT REPORT messages transmitted by UE until statistical significance according to Tables G.2.3-1 in TS36.521-3 [38] is achieved.
- 8) The RF parameters are set up according to table 8.7.11.5.3 for Test 2. While RF parameters are being set up, MEASUREMENT REPORT messages from UE are ignored. SS shall wait for additional [1s] and ignore the MEASUREMENT REPORT messages during this period. Then, step 6) and 7) above are repeated.
- 9) The SS shall transmit RRC CONNECTION RELEASE message.
- 10) UE shall transmit RRC CONNECTION RELEASE COMPLETE message.

Specific Message Contents

All messages indicated above shall use the same content as described in default message content in clause 9 of 34.108 [3] and clause 4.4 and 4.7B.1 of TS 36.508 [33], with the following exceptions:

PHYSICAL CHANNEL RECONFIGURATION message for Inter-RAT measurement (step 2):

| Information Element | Value/Remark | Version |
|--|---|---------|
| Message Type (10.2.22) | | |
| UE Information Elements | | |
| -RRC transaction identifier | 0 | |
| -Integrity check info | | |
| -message authentication code | SS calculates the value of MAC-I for this message and writes to this IE. The first/leftmost bit of the bit string contains the most significant bit of the MAC-I. | |
| -RRC message sequence number | SS provides the value of this IE, from its internal counter. | |
| -Integrity protection mode info | Not Present | |
| -Ciphering mode info | Not Present | |
| -Activation time | Not Present | |
| -New U-RNTI | Not Present | |
| -New C-RNTI | Not Present | |
| -RRC State Indicator | CELL_DCH | |
| -UTRAN DRX cycle length coefficient | Not Present | |
| CN Information Elements | | |
| -CN Information info | Not Present | |
| UTRAN mobility information elements | | |
| -URA identity | Not Present | |
| RB information elements | | |
| -Downlink counter synchronisation info | Not Present | |
| PhyCH information elements | | |
| -Frequency info (10.3.6.36) | Not Present | |

| Information Element | Value/Remark | Version |
|--|---|--------------------|
| Uplink radio resources | | |
| -Maximum allowed UL TX power | 33 dBm | |
| -CHOICE channel requirement | Not Present | |
| Downlink radio resources | | |
| -CHOICE mode | FDD | |
| -Downlink PDSCH information | Not Present | R99 and Rel-4 only |
| -Downlink information common for all radio links (10.3.6.24) | | |
| -Downlink DPCH info common for all RL (10.3.6.18) | Not Present | |
| -CHOICE mode | FDD | |
| -DPCH compressed mode info (10.3.6.33) | | |
| - Transmission gap pattern sequence | 1 | |
| - TGPSI | 1 | |
| - TGPS Status Flag | activate | |
| - TGCFN | (Current CFN + (256 – TTI/10msec))mod 256 | |
| - Transmission gap pattern sequence configuration parameters | | |
| -TGMP | E-UTRA measurement | REL-8 |
| -TGPRC | NA | |
| -TGSN | 10 | |
| -TGL1 | 10 | |
| -TGL2 | Not Present | |
| -TGD | 0 | |
| -TGPL1 | 8 | |
| -TGPL2 | Not Present | R99 and Rel-4 only |
| -RPP | mode 0 | |
| -ITP | mode 0 | |
| -CHOICE UL/DL mode | UL and DL | |
| -Downlink compressed mode method | SF/2 | |
| -Uplink compressed mode method | SF/2 | |
| -Downlink frame type | B | |
| -DeltaSIR1 | 3.0 | |
| -DeltaSIRafter1 | 3.0 | |
| -DeltaSIR2 | Not Present | |
| -DeltaSIRafter2 | Not Present | |
| -N Identify abort | Not Present | |
| -T Reconfirm abort | Not Present | |
| -TX Diversity mode (10.3.6.86) | None | |
| -SSDT information (10.3.6.77) | Not Present | R99 and Rel-4 only |
| -Default DPCH Offset Value (10.3.6.16) | Not Present | |
| -Downlink information per radio link list | 1 | |
| -Downlink information for each radio link (10.3.6.27) | | |
| -CHOICE mode | FDD | |
| -Primary CPICH info (10.3.6.60) | | |
| -Primary scrambling code | 100 | |
| -PDSCH with SHO DCH info (10.3.6.47) | Not Present | R99 and Rel-4 only |
| -PDSCH code mapping (10.3.6.43) | Not Present | R99 and Rel-4 only |
| -Downlink DPCH info for each RL (10.3.6.21) | | |
| -CHOICE mode | FDD | |
| -Primary CPICH usage for channel estimation | Primary CPICH may be used | |
| -DPCH frame offset | Set to value Default DPCH Offset Value (as currently stored in SS) mod 38400 | |
| -Secondary CPICH info | Not Present | |
| -DL channelisation code | | |
| -Secondary scrambling code | Not Present | |
| -Spreading factor | 128 | |
| -Code number | 96 | |
| -Scrambling code change | No change | |
| -TPC combination index | 0 | |
| - SSDT Cell Identity | Not Present | R99 and Rel-4 only |
| - Closed loop timing adjustment mode | Not Present | |
| - SCCPCH information for FACH (10.3.6.70) | Not Present | |

MEASUREMENT CONTROL message for Inter-RAT measurement (step 4):

| Information Element/Group name | Value/Remark | Version |
|--|--|---------|
| Message Type (10.2.17) | | |
| UE information elements | | |
| -RRC transaction identifier | 0 | |
| -Integrity check info | | |
| -message authentication code | SS calculates the value of MAC-I for this message and writes to this IE. The first/ leftmost bit of the bit string contains the most significant bit of the MAC-I. | |
| -RRC message sequence number | SS provides the value of this IE, from its internal counter. | |
| Measurement Information elements | | |
| -Measurement Identity | 2 | |
| -Measurement Command (10.3.7.46) | Setup | |
| -Measurement Reporting Mode (10.3.7.49) | | |
| -Measurement Report Transfer Mode | AM RLC | |
| -Periodical Reporting / Event Trigger Reporting Mode | Periodical reporting | |
| -Additional measurements list (10.3.7.1) | Not Present | |
| -CHOICE Measurement type | Inter-RAT measurement | |
| -Inter-RAT measurement (10.3.7.27) | | |
| -Inter-RAT cell info list (10.3.7.23) | | |
| -CHOICE Inter-RAT cell removal | Remove no inter-RAT cells | |
| -New inter-RAT cells | 1 | |
| -Inter-RAT cell id | 9 | |
| -CHOICE Radio Access Technology | | |
| -Cell for measurement | 1 | |
|-E-UTRA frequency list (10.3.7.6b) | | |
|-CHOICE E-UTRA frequency removal | Remove no frequencies | |
| -New frequencies | | |
| -E-UTRA carrier frequency | Integer(0..65535), according to TS 36.508 section 4.3.1.2 | |
| -Measurement Bandwidth | 50 | |
| -Inter-RAT measurement quantity (10.3.7.29) | | |
| -Measurement quantity for UTRAN quality estimate (10.3.7.38) | Not Present | |
| -CHOICE system | E-UTRA | REL-8 |
| -Measurement quantity | RSRP | REL-8 |
| -Filter coefficient | 0 | REL-8 |
| -Inter-RAT reporting quantity (10.3.7.32) | | |
| -UTRAN estimated quality | FALSE | |
| -CHOICE system | E-UTRA | REL-8 |
|Reporting quantity | measurement quantity | REL-8 |
| -Reporting cell status (10.3.7.61) | | |
| -CHOICE reported cell | Report cells within active set or within virtual active set or of the other RAT | |
| -Maximum number of reported cells | 1 | |
| -CHOICE report criteria | Periodical reporting criteria | |
| -Periodical reporting criteria (10.3.7.53) | | |
| -Amount of reporting | Infinity | |
| -Reporting interval | 500 ms | |
| Physical channel information elements | | |
| -DPCH compressed mode status info (10.3.6.34) | Not Present | |

MEASUREMENT REPORT message for inter-RAT test cases

This message is common for all inter-RAT test cases in clause 8.7 and is described in Annex I.

8.7.11.5 Test requirements

Table 8.7.11.5.2 and table 8.7.11.5.3 define the primary level settings including test tolerances for all tests.

For the test to pass, the ratio of successful reported values according to table 8.7.10.5.4 in each test shall be more than 90% with a confidence level of 95%.

Table 8.7.11.5.1: Void

Table 8.7.11.5.2: UTRAN FDD cell specific test parameters for E-UTRAN TDD RSRP absolute accuracy tests

| Parameter | Unit | Cell 1 |
|--|---------------|-----------|
| UTRA RF Channel number | - | Channel 1 |
| CPICH_Ec/lor | dB | -10 |
| PCCPCH_Ec/lor | dB | -12 |
| SCH_Ec/lor | dB | -12 |
| PICH_Ec/lor | dB | -15 |
| DCH_Ec/lor | dB | Note 1 |
| OCNS_Ec/lor | dB | Note 2 |
| lor/loc | dB | -1 |
| loc | dBm/ 3.84 MHz | -70 |
| CPICH_Ec/lo | dB | -13.54 |
| Propagation condition | - | AWGN |
| NOTE 1: The DPCH level is controlled by the power control loop | | |
| NOTE 2: The power of the OCNS channel that is added shall make the total power from the cell to be equal to lor. | | |

Table 8.7.11.5.3: E-UTRAN TDD cell specific test parameters for E-UTRAN TDD RSRP absolute accuracy tests

| Parameter | Unit | Test 1 | Test 2 |
|--|-----------------|----------|----------|
| E-UTRA RF Channel Number | | 1 | 1 |
| BW _{channel} | MHz | 10 | 10 |
| Special subframe configuration ^{Note1} | | 6 | 6 |
| Uplink-downlink configuration ^{Note1} | | 1 | 1 |
| Measurement bandwidth | n_{PRB} | 22—27 | 22—27 |
| PDCCH/PCFICH/PHICH Reference measurement channel as defined in TS 36.133 A.3.1.2.2 | | R.6 TDD | R.6 TDD |
| OCNG Pattern as defined in TS 36.133 A.3.2.2.2 | | OP.2 TDD | OP.2 TDD |
| PBCH_RA | dB | 0 | 0 |
| PBCH_RB | | | |
| PSS_RA | | | |
| SSS_RA | | | |
| PCFICH_RB | | | |
| PHICH_RA | | | |
| PHICH_RB | | | |
| PDCCH_RA | | | |
| PDCCH_RB | | | |
| PDSCH_RA | | | |
| PDSCH_RB | | | |
| OCNG_RA ^{Note2} | | | |
| OCNG_RB ^{Note2} | | | |
| N_{oc} ^{Note3} | | | |
| | Bands 42 and 43 | -116.00 | |
| | Band 41 | -115.00 | |
| \hat{E}_s / I_{ot} | dB | 10.00 | -3.20 |
| RSRP ^{Note4} | Bands 33 ~ 40. | -78.95 | -120.20 |
| | Bands 42 and 43 | | -119.20 |
| | Band 41 | | -118.20 |
| I _o ^{Note4} | Bands 33 ~ 40 | -50.75 | -87.52 |
| | Bands 42 and 43 | | -86.52 |
| | Band 41 | | -85.52 |
| \hat{E}_s / N_{oc} | dB | 10.00 | -3.20 |
| Propagation condition | - | AWGN | AWGN |

| |
|--|
| NOTE 1: For special subframe and uplink-downlink configurations see Tables 4.2-1 and 4.2-2 in 3GPP TS 36.211 |
| NOTE 2: OCNG shall be used such that both cells are fully allocated and a constant total transmitted power spectral density is achieved for all OFDM symbols. |
| NOTE 3: Interference from other cells and noise sources not specified in the test is assumed to be constant over subcarriers and time and shall be modelled as AWGN of appropriate power for N_{oc} to be fulfilled. |
| NOTE 4: RSRP and I_0 levels have been derived from other parameters for information purposes. They are not settable parameters themselves. |
| NOTE 5: RSRP minimum requirements are specified assuming independent interference and noise at each receiver antenna port. |

Table 8.7.11.5.4: E-UTRAN TDD RSRP absolute accuracy requirements for the reported values

| | Test 1 | Test 2 | | |
|---------------------------------|-----------|---------------|-----------------|---------|
| | All bands | Bands 33 ~ 40 | Bands 42 and 43 | Band 41 |
| Normal Conditions | | | | |
| Lowest reported value (Cell 2) | RSRP_52 | RSRP_13 | RSRP_14 | RSRP_15 |
| Highest reported value (Cell 2) | RSRP_71 | RSRP_28 | RSRP_29 | RSRP_30 |
| Extreme Conditions | | | | |
| Lowest reported value (Cell 2) | RSRP_49 | RSRP_10 | RSRP_11 | RSRP_12 |
| Highest reported value (Cell 2) | RSRP_74 | RSRP_31 | RSRP_32 | RSRP_33 |

NOTE: If the above Test Requirement differs from the Minimum Requirement then the Test Tolerance applied for this test is non-zero. The Test Tolerance for this test is defined in clause F.2 and the explanation of how the Minimum Requirement has been relaxed by the Test Tolerance is given in clause F.4.

8.7.12 E-UTRAN FDD RSRQ absolute accuracy

Editor's note: This Test case is incomplete for frequencies above 3GHz

- The Test system uncertainties applicable above 3GHz are undefined
- The Test Tolerances and Test Requirements applicable above 3GHz are undefined

8.7.12.1 Definition and applicability

The absolute accuracy of RSRQ is defined as the RSRQ measured from a cell that has different carrier frequency from the serving cell.

The E-UTRAN FDD RSRQ absolute accuracy measurement is used for handover between UTRAN FDD and E-UTRAN FDD.

The requirements and this test apply to the combined UTRAN FDD and E-UTRAN FDD UE for Rel.9 and later.

8.7.12.2 Minimum Requirements

The accuracy requirements for E-UTRA RSRQ measurements in CELL_DCH state shall be the same as the inter-frequency RSRQ accuracy requirements in 3GPP TS 36.133 [34], as follows:

- Cell specific reference signals are transmitted either from one, two or four antenna ports.
- Conditions defined in TS 36.101 [37] clause 7.3 for reference sensitivity are fulfilled.
- RSRP[dBm] according to TS 36.133 Annex B.3.3 [34] for a corresponding Band.

Table 8.7.12.2.1: E-UTRAN FDD RSRQ absolute accuracy

| Parameter | Unit | Accuracy [dB] | | Conditions ¹ | | | | |
|--|------|------------------|-------------------|---|---|--|---|---|
| | | Normal condition | Extreme condition | Bands 1, 4, 6, 10, 11, 18, 19, 21, 23, 24, 33, 34, 35, 36, 37, 38, 39, 40 | Bands 2, 5, 7, 41, 26 | Band 25 | Bands 3, 8, 12, 13, 14, 17, 20, 22 | Bands 9, 42, 43 |
| | | | | Io | Io | Io | Io | Io |
| RSRQ when RSRP $\hat{E}_s/\text{lot} > -3$ dB | dBm | ± 2.5 | ± 4 | - 121dBm/15kHz ... -50dBm/ BW _{Channel} | - 119dBm/15kHz ... -50dBm/ BW _{Channel} | - 117.5dBm/15k Hz ... -50dBm/ BW _{Channel} | - 118dBm/15kHz ... -50dBm/ BW _{Channel} | - 120dBm/15kHz ... -50dBm/ BW _{Channel} |
| RSRQ when RSRP $\hat{E}_s/\text{lot} \geq -6$ dB | dBm | ± 3.5 | ± 4 | - 121dBm/15kHz ... -50dBm/ BW _{Channel} | - 119dBm/15kHz ... -50dBm/ BW _{Channel} | - 117.5dBm/15k Hz ... -50dBm/ BW _{Channel} | - 118dBm/15kHz ... -50dBm/ BW _{Channel} | - 120dBm/15kHz ... -50dBm/ BW _{Channel} |

NOTE: Io is assumed to have constant EPRE across the bandwidth.

The normative reference for this requirement is TS 25.133 [2] clause 9.1.4b and A.9.1.12.

8.7.12.3 Test purpose

The purpose of this test is to verify that the E-UTRAN FDD RSRQ measurement accuracy in CELL_DCH state, for UE that needs compressed mode to perform E-UTRAN FDD measurements, is within the specified limits. This measurement is for UTRAN FDD to E-UTRAN FDD handover evaluation.

8.7.12.4 Method of test

8.7.12.4.1 Initial conditions

Test environment: normal, TL/VL, TL/VH, TH/VL, TH/VH; see clauses G.2.1 and G.2.2.

Frequencies to be tested: see table K.2 in Annex K

In the test in Cell_DCH state compressed mode with purpose "E-UTRAN FDD RSRQ Measurement" is applied to measure on E-UTRAN FDD. The compressed mode pattern repeats every 80 ms and uses a gap length of 10 slots. Further details are found in TS 25.101 annex A.5.

Tables 8.7.12.4.1.1 and 8.7.12.4.1.2 define the limits of signal strengths and code powers on the UTRA FDD cell where the UTRA Carrier RSSI absolute accuracy requirements are applicable. In the measurement control information periodic reporting of E-UTRAN FDD RSRQ is indicated to the UE. The E-UTRAN FDD test parameters are given in Table 8.7.12.4.1.3.

Table 8.7.12.4.1.1: General test parameters for E-UTRAN FDD RSRQ absolute accuracy tests

| Parameter | Unit | Value | Comment |
|--|------|---|--|
| DCH parameters | | DL Reference Measurement Channel 12.2 kbps | As specified in TS 25.101 section A.3.1 |
| Power Control | | On | |
| Target quality value on DTCH | BLER | 0.01 | |
| Active cell | | Cell 1 | UTRA FDD cell |
| Neighbour cell | | Cell 2 | E-UTRA FDD cell |
| CP length of cell 2 | | normal | |
| Filter coefficient | | 0 | L3 filtering is not used |
| Compressed mode patterns - E-UTRAN measurement | | Compressed mode reference pattern 2 Set 5 | As specified in table A.22 TS 25.101 section A.5 |
| Inter-RAT measurement quantity | | E-UTRAN FDD RSRQ | |
| Monitored cell list size | | 1 E-UTRAN FDD neighbour cell | Measurement control information is sent before the compressed mode pattern starts. |

Table 8.7.12.4.1.2: UTRAN FDD cell specific test parameters for E-UTRAN FDD RSRQ absolute accuracy tests

| Parameter | Unit | Cell 1 |
|--|---------------|-----------|
| UTRA RF Channel number | - | Channel 1 |
| CPICH_Ec/lor | dB | -10 |
| PCCPCH_Ec/lor | dB | -12 |
| SCH_Ec/lor | dB | -12 |
| PICH_Ec/lor | dB | -15 |
| DCH_Ec/lor | dB | Note 1 |
| OCNS_Ec/lor | dB | Note 2 |
| lor/loc | dB | -1 |
| loc | dBm/ 3.84 MHz | -70 |
| CPICH_Ec/lo | dB | -13.54 |
| Propagation condition | - | AWGN |
| NOTE 1: The DPCH level is controlled by the power control loop | | |
| NOTE 2: The power of the OCNS channel that is added shall make the total power from the cell to be equal to lor. | | |

Table 8.7.12.4.1.3: E-UTRAN FDD cell specific test parameters for E-UTRAN FDD RSRQ absolute accuracy tests

| Parameter | Unit | Test 1 | Test 2 | Test 3 |
|--|--|----------|----------|----------|
| BW _{channel} | MHz | 10 | 10 | 10 |
| Measurement bandwidth | n_{PRB} | 22—27 | 22—27 | 22—27 |
| PDCCH/PCFICH/PHICH Reference measurement channel as defined in TS 36.133[34] A.3.1.2.1 | | R.6 FDD | R.6 FDD | R.6 FDD |
| OCNG Pattern as defined in TS 36.133[34] A.3.2.1.2 | | OP.2 FDD | OP.2 FDD | OP.2 FDD |
| PBCH_RA | dB | 0 | 0 | 0 |
| PBCH_RB | | | | |
| PSS_RA | | | | |
| SSS_RA | | | | |
| PCFICH_RB | | | | |
| PHICH_RA | | | | |
| PHICH_RB | | | | |
| PDCCH_RA | | | | |
| PDCCH_RB | | | | |
| PDSCH_RA | | | | |
| PDSCH_RB | | | | |
| OCNG_RA ^{Note1} | | | | |
| OCNG_RB ^{Note1} | | | | |
| N_{oc} ^{Note2} | | | | |
| | Bands 2, 5, 7 and 26 (Note 5) | -117.50 | | |
| | Band 25 | -116.00 | | |
| | Bands 3, 8, 12, 13, 14, 17, 20 and 22 | -116.50 | | |
| | Band 9 | -118.50 | | |
| \hat{E}_s / I_{ot} | dB | -1.75 | -4.0 | -4.0 |
| RSRP ^{Note3} | Bands 1, 4, 6, 10, 11, 18, 19, 21, 23 and 24 | -81.75 | -108.70 | -123.50 |
| | Bands 2, 5, 7 and 26 (Note 5) | | | -121.50 |
| | Band 25 | | | -120 |
| | Bands 3, 8, 12, 13, 14, 17, 2 and 0 22 | | | -120.50 |
| | Band 9 | | | -122.50 |

| Parameter | | Unit | Test 1 | Test 2 | Test 3 |
|--|--|-----------|--------|--------|--------|
| RSRQ ^{Note3} | Bands 1, 4, 6, 10, 11, 18, 19, 21, 23 and 24 | dB | -14.76 | -16.25 | -16.25 |
| | Bands 2, 5, 7 and 26 (Note 5) | | | | |
| | Band 25 | | | | |
| | Bands 3, 8, 12, 13, 14, 17, 20 and 22 | | | | |
| | Band 9 | | | | |
| I _o ^{Note3} | Bands 1, 4, 6, 10, 11, 18, 19, 21, 23 and 24 | dBm/9 MHz | -50 | -75.46 | -90.26 |
| | Bands 2, 5, 7 and 26 (Note 5) | | | | -88.26 |
| | Band 25 | | | | -86.76 |
| | Bands 3, 8, 12, 13, 14, 17, 20 and 22 | | | | -87.26 |
| | Band 9 | | | | -89.26 |
| \hat{E}_s / N_{oc} | | dB | -1.75 | -4.0 | -4.0 |
| Propagation condition | | - | AWGN | AWGN | AWGN |
| NOTE 1: OCNG shall be used such that both cells are fully allocated and a constant total transmitted power spectral density is achieved for all OFDM symbols. | | | | | |
| NOTE 2: Interference from other cells and noise sources not specified in the test is assumed to be constant over subcarriers and time and shall be modelled as AWGN of appropriate power for N_{oc} to be fulfilled. | | | | | |
| NOTE 3: RSRQ, RSRP and I _o levels have been derived from other parameters for information purposes. They are not settable parameters themselves. | | | | | |
| NOTE 4: RSRP and RSRQ minimum requirements are specified assuming independent interference and noise at each receiver antenna port. | | | | | |
| NOTE 5: For Band 26, the tests shall be performed with the assigned E-UTRA channel bandwidth within 865-894 | | | | | |

8.7.12.4.2 Test Procedure

- 1) A call is set up according to the test procedure specified in TS 34.108 [3] subclause 7.3.2. The RF parameters for Test 1 are set up according to tables 8.7.12.5.2 and 8.7.12. 5.3.
- 2) If compressed mode is required, SS shall transmit PHYSICAL CHANNEL RECONFIGURATION message (compressed gaps). Otherwise, Go to Step4.
- 3) UE shall transmit PHYSICAL CHANNEL RECONFIGURATION COMPLETE message (compressed gaps).
- 4) SS shall transmit MEASUREMENT CONTROL message for inter RAT measurement. In the measurement control information periodic reporting of the E-UTRAN FDD RSRQ is requested to the UE.
- 5) UE shall transmit periodically MEASUREMENT REPORT messages.
- 6) SS shall check E-UTRAN FDD RSRQ value of Cell 2 in MEASUREMENT REPORT messages. The E-UTRAN FDD RSRQ value of Cell 2 reported by UE is compared to actual E-UTRAN FDD RSRQ value of Cell 2 for each MEASUREMENT REPORT message.
- 7) SS shall check MEASUREMENT REPORT messages transmitted by UE until statistical significance according to Tables G.2.3-1 in TS36.521-3 [38] is achieved.
- 8) The RF parameters are set up according to table 8.7.12. 5.3 for Test 2. While RF parameters are being set up, MEASUREMENT REPORT messages from UE are ignored. SS shall wait for additional [1s] and ignore the MEASUREMENT REPORT messages during this period. Then, step 6) and 7) above are repeated.
- 9) The RF parameters are set up according to table 8.7.12. 5.3 for Test 3. While RF parameters are being set up, MEASUREMENT REPORT messages from UE are ignored. SS shall wait for additional [1s] and ignore the MEASUREMENT REPORT messages during this period. Then, step 6) and 7) above are repeated.
- 10) The SS shall transmit RRC CONNECTION RELEASE message.
- 11) UE shall transmit RRC CONNECTION RELEASE COMPLETE message.

Specific Message Contents

All messages indicated above shall use the same content as described in default message content in clause 9 of TS 34.108 [3] and clause 4.4 and 4.7B.1 of TS 36.508 [33], with the following exceptions:

PHYSICAL CHANNEL RECONFIGURATION message for Inter-RAT measurement (step 2):

| Derivation Path: TS 36.508 [33], clause 4.7B.1 Table 4.7B.1-5: PHYSICAL CHANNEL RECONFIGURATION | | | |
|---|---|---------|-----------|
| Information Element | Value/remark | Comment | Condition |
| Message Type | | | |
| RRC transaction identifier | 0 | | |
| Downlink information common for all radio links | | | |
| - Downlink DPCH info common for all RL | Not Present | | |
| - DPCH compressed mode info | | | |
| - TGPSI | 1 | | |
| - TGPS Status Flag | Activate | | |
| - TGCFN | (Current CFN + (256 – TTI/10msec))mod 256 | | |
| - Transmission gap pattern sequence configuration parameters | 1 | | |
| - TGMP | E-UTRA measurement | | |
| - TGPRC | Infinity | | |
| - TGSN | 10 | | |
| - TGL1 | 10 | | |
| - TGL2 | Not Present | | |
| - TGD | 0 | | |
| - TGPL1 | 8 | | |
| - TGPL2 | Not Present | | |
| - RPP | mode 0 | | |
| - ITP | mode 0 | | |
| - CHOICE UL/DL Mode | UL and DL | | |
| - Downlink compressed mode method | SF/2 | | |
| - Uplink compressed mode method | SF/2 | | |
| - Downlink frame type | B | | |
| - DeltaSIR1 | 3.0 | | |
| - DeltaSIRAfter1 | 3.0 | | |
| - DeltaSIR2 | Not Present | | |
| - DeltaSIRAfter2 | Not Present | | |
| - N identify abort | Not Present | | |
| - T Reconfirm abort | Not Present | | |
| - TX Diversity mode | Not Present | | |
| - SSDT information | Not Present | | |
| - Default DPCH Offset Value | Not Present | | |
| Downlink information for each radio link | Not Present | | |
| MBMS PL Service Restriction Information | Not Present | | |

MEASUREMENT CONTROL message for Inter-RAT measurement (step 4):

| Derivation Path: TS 36.508 [33], clause 4.7B.1 Table 4.7B.1-3: MEASUREMENT CONTROL | | | |
|--|--------------------------------|---------|-----------|
| Information Element | Value/remark | Comment | Condition |
| Message Type | | | |
| RRC transaction identifier | 0 | | |
| Measurement Identity | 2 | | |
| Measurement Reporting Mode | | | |
| - Periodical Reporting/Event Trigger Reporting Mode | Periodical reporting | | |
| CHOICE Measurement type | Inter-RAT measurement | | |
| - CHOICE Inter-RAT measurement objects | E-UTRA frequency list | | |
| - New frequencies | | | |
| - E-UTRA carrier frequency | Downlink EARFCN of E-UTRA Cell | | |
| - Measurement bandwidth | 6 | | |
| - Inter-RAT measurement quantity | | | |
| - CHOICE system | E-UTRA | | |
| - Measurement quantity | RSRQ | | |

| | | | |
|------------------------------------|---|--|--|
| - Inter-RAT reporting quantity | | | |
| - CHOICE system | E-UTRA | | |
| - Reporting quantity | Measurement quantity | | |
| - CHOICE report criteria | Periodical reporting criteria | | |
| - Reporting amount | Infinity | | |
| - Reporting interval | 500 ms | | |
| - Reporting cell status | | | |
| - CHOICE reported cell | Report cells within active set or within virtual active set or of the other RAT | | |
| - Maximum number of reported cells | 1 | | |
| DPCH Compressed mode status info | Not present | | |

MEASUREMENT REPORT message for inter-RAT test cases

| Derivation Path: TS 36.508 [33], clause 4.7B.1 Table 4.7B.1-4: MEASUREMENT REPORT | | | |
|---|-------------------------------------|--------------------------------|-----------|
| Information Element | Value/remark | Comment | Condition |
| Message Type | | | |
| Measurement identity | 2 | | |
| E-UTRA Measured Results | | | |
| - E-UTRA measured results list | 1 entry | | |
| - E-UTRA Carrier Frequency | Checked that this IE is present | | |
| - Measured E-UTRA cells | 1 entry | | |
| - Physical Cell Identity | Checked that this IE is present | PhysicalCellIdentity of Cell 2 | |
| - RSRP | This IE does not need to be checked | | |
| - RSRQ | Checked that this IE is present | | |
| E-UTRA Event Results | Not present | | |

8.7.12.5 Test requirements

Table 8.7.12.5.2 and table 8.7.12.5.3 define the primary level settings including test tolerances for all tests.

For the test to pass, the ratio of successful reported values according to table 8.7.12.5.4 in each test shall be more than 90% with a confidence level of 95%.

Table 8.7.12.5.1: Void

Table 8.7.12.5.2: UTRAN FDD cell specific test parameters for E-UTRAN FDD RSRQ absolute accuracy tests

| Parameter | Unit | Cell 1 |
|--|---------------|-----------|
| UTRA RF Channel number | - | Channel 1 |
| CPICH_Ec/Ior | dB | -10 |
| PCCPCH_Ec/Ior | dB | -12 |
| SCH_Ec/Ior | dB | -12 |
| PICH_Ec/Ior | dB | -15 |
| DCH_Ec/Ior | dB | Note 1 |
| OCNS_Ec/Ior | dB | Note 2 |
| Ior/Ioc | dB | -1 |
| Ioc | dBm/ 3.84 MHz | -70 |
| CPICH_Ec/Io | dB | -13.54 |
| Propagation condition | - | AWGN |
| NOTE 1: The DPCH level is controlled by the power control loop | | |
| NOTE 2: The power of the OCNS channel that is added shall make the total power from the cell to be equal to Ior. | | |

Table 8.7.12.5.3: E-UTRAN FDD cell specific test parameters for E-UTRAN FDD RSRQ absolute accuracy tests

| Parameter | | Unit | Test 1 | Test 2 | Test 3 |
|--|--|------------|------------|----------|----------|
| BW _{channel} | | MHz | 10 | 10 | 10 |
| Measurement bandwidth | | n_{PRB} | 22—27 | 22—27 | 22—27 |
| PDCCH/PCFICH/PHICH Reference measurement channel as defined in TS 36.133 A.3.1.2.1 | | | R.6 FDD | R.6 FDD | R.6 FDD |
| OCNG Pattern as defined in TS 36.133 A.3.2.1.2 | | | OP.2 FDD | OP.2 FDD | OP.2 FDD |
| PBCH_RA | | dB | 0 | 0 | 0 |
| PBCH_RB | | | | | |
| PSS_RA | | | | | |
| SSS_RA | | | | | |
| PCFICH_RB | | | | | |
| PHICH_RA | | | | | |
| PHICH_RB | | | | | |
| PDCCH_RA | | | | | |
| PDCCH_RB | | | | | |
| PDSCH_RA | | | | | |
| PDSCH_RB | | | | | |
| OCNG_RA ^{Note1} | | | | | |
| OCNG_RB ^{Note1} | | | | | |
| N_{oc} ^{Note2} | Bands 1, 4, 6, 10, 11, 18, 19, 21, 23 and 24 | | | | |
| | Bands 2, 5, 7 and 26 (Note 5) | -117.50 | | | |
| | Band 25 | -116.00 | | | |
| | Bands 3, 8, 12, 13, 14, 17, 20 and 22 | -116.50 | | | |
| | Band 9 | -118.50 | | | |
| \hat{E}_s / I_{ot} | | dB | -1.75 | -3.20 | -3.20 |
| RSRP ^{Note3} | Bands 1, 4, 6, 10, 11, 18, 19, 21, 23 and 24 | dBm/15 kHz | -82.55 | -107.90 | -122.70 |
| | Bands 2, 5, 7 and 26 (Note 5) | | | | -120.70 |
| | Band 25 | | | | -119.20 |
| | Bands 3, 8, 12, 13, 14, 17, 20 and 22 | | | | -119.70 |
| | Band 9 | | | | -121.70 |
| RSRQ ^{Note3} | Bands 1, 4, 6, 10, 11, 18, 19, 21, 23 and 24 | dB | -14.76 | -15.69 | -15.69 |
| | Bands 2, 5 and 7, and 26 (Note 5) | | | | |
| | Band 25 | | | | |
| | Bands 3, 8, 12, 13, 14, 17, 20 and 22 | | | | |
| | Band 9 | | | | |
| I_o ^{Note3} | Bands 1, 4, 6, 10, 11, 18, 19, 21, 23 and 24 | dBm/9 MHz | -50.80 | -75.22 | -90.02 |
| | Bands 2, 5, 7 and 26 (Note 5) | | | | -88.02 |
| | Band 25 | | | | -86.52 |
| | Bands 3, 8, 12, 13, 14, 17, 20 and 22 | | | | -87.02 |
| | Band 9 | | | | -89.02 |
| \hat{E}_s / N_{oc} | | dB | -1.75-3.20 | -3.20 | |
| Propagation condition | | - | AWGN | AWGN | AWGN |

| |
|--|
| NOTE 1: OCNG shall be used such that both cells are fully allocated and a constant total transmitted power spectral density is achieved for all OFDM symbols. |
| NOTE 2: Interference from other cells and noise sources not specified in the test is assumed to be constant over subcarriers and time and shall be modelled as AWGN of appropriate power for N_{oc} to be fulfilled. |
| NOTE 3: RSRQ, RSRP and I_o levels have been derived from other parameters for information purposes. They are not settable parameters themselves. |
| NOTE 4: RSRP and RSRQ minimum requirements are specified assuming independent interference and noise at each receiver antenna port. |
| NOTE 5: For Band 26, the tests shall be performed with the assigned E-UTRA channel bandwidth within 865-894 |

Table 8.7.12.5.4: E-UTRAN FDD RSRQ absolute accuracy requirements for the reported values

| | Test 1 | Test 2 | Test 3 | | | | |
|---------------------------------|-----------|-----------|---|-------------------|---------|------------------------------------|---------|
| | All bands | All bands | Bands 1, 4, 6, 10, 11, 18, 19, 21, 23, 24 | Bands 2, 5, 7, 26 | Band 25 | Bands 3, 8, 12, 13, 14, 17, 20, 22 | Band 9 |
| Normal Conditions | | | | | | | |
| Lowest reported value (Cell 2) | RSRQ_04 | RSRQ_00 | RSRQ_00 | RSRQ_00 | RSRQ_00 | RSRQ_00 | RSRQ_00 |
| Highest reported value (Cell 2) | RSRQ_16 | RSRQ_16 | RSRQ_16 | RSRQ_16 | RSRQ_16 | RSRQ_16 | RSRQ_16 |
| Extreme Conditions | | | | | | | |
| Lowest reported value (Cell 2) | RSRQ_01 | RSRQ_00 | RSRQ_00 | RSRQ_00 | RSRQ_00 | RSRQ_00 | RSRQ_00 |
| Highest reported value (Cell 2) | RSRQ_19 | RSRQ_17 | RSRQ_17 | RSRQ_17 | RSRQ_17 | RSRQ_17 | RSRQ_17 |

NOTE: If the above Test Requirement differs from the Minimum Requirement then the Test Tolerance applied for this test is non-zero. The Test Tolerance for this test is defined in clause F.2 and the explanation of how the Minimum Requirement has been relaxed by the Test Tolerance is given in clause F.4.

8.7.13 E-UTRAN TDD RSRQ absolute accuracy

Editor's note: This Test case is incomplete for frequencies above 3GHz

- The Test system uncertainties applicable above 3GHz are undefined
- The Test Tolerances and Test Requirements applicable above 3GHz are undefined

8.7.13.1 Definition and applicability

The absolute accuracy of RSRQ is defined as the RSRQ measured from a cell that has different carrier frequency from the serving cell.

The E-UTRAN TDD RSRQ absolute accuracy measurement is used for handover between UTRAN FDD and E-UTRAN TDD.

The requirements and this test apply to the combined UTRAN FDD and E-UTRAN TDD UE for Rel.9 and later.

8.7.13.2 Minimum Requirements

The accuracy requirements for E-UTRA RSRQ measurements in CELL_DCH state shall be the same as the inter-frequency RSRQ accuracy requirements in 3GPP TS36.133[34], as follows:

- Cell specific reference signals are transmitted either from one, two or four antenna ports.
- Conditions defined in TS 36.101 [2] clause 7.3 for reference sensitivity are fulfilled.
- RSRP[dBm] according to 36.133 Annex B.3.3 for a corresponding Band.

Table 8.7.13.2.1: E-UTRAN TDD RSRQ absolute accuracy

| Parameter | Unit | Accuracy [dB] | | Conditions ¹ | | | | |
|---|------|------------------|-------------------|---|---|--|---|---|
| | | Normal condition | Extreme condition | Bands 1, 4, 6, 10, 11, 18, 19, 21, 23, 24, 33, 34, 35, 36, 37, 38, 39, 40 | Bands 2, 5, 7, 41 | Band 25 | Bands 3, 8, 12, 13, 14, 17, 20, 22 | Bands 9, 42, 43 |
| | | | | lo | lo | lo | lo | lo |
| RSRQ when RSRP $\hat{E}_s/\text{lot} > -3$ dB | dBm | ± 2.5 | ± 4 | - 121dBm/15kHz ... -50dBm/ BW _{Channel} | - 119dBm/15kHz ... -50dBm/ BW _{Channel} | - 117.5dBm/15k Hz ... -50dBm/ BW _{Channel} | - 118dBm/15kHz ... -50dBm/ BW _{Channel} | - 120dBm/15kHz ... -50dBm/ BW _{Channel} |
| RSRQ when RSRP $\hat{E}_s/\text{lot} \geq -6$ dB | dBm | ± 3.5 | ± 4 | - 121dBm/15kHz ... -50dBm/ BW _{Channel} | - 119dBm/15kHz ... -50dBm/ BW _{Channel} | - 117.5dBm/15k Hz ... -50dBm/ BW _{Channel} | - 118dBm/15kHz ... -50dBm/ BW _{Channel} | - 120dBm/15kHz ... -50dBm/ BW _{Channel} |
| Note: lo is assumed to have constant EPRE across the bandwidth. | | | | | | | | |

The normative reference for this requirement is TS 36.133 [34] clause 9.1.3.1.

8.7.13.3 Test purpose

The purpose of this test is to verify that the E-UTRAN TDD RSRQ measurement accuracy in CELL_DCH state, for UE that needs compressed mode to perform E-UTRAN TDD measurements, is within the specified limits. This measurement is for UTRAN FDD to E-UTRAN TDD handover evaluation.

8.7.13.4 Method of test

8.7.13.4.1 Initial conditions

Test environment: normal, TL/VL, TL/VH, TH/VL, TH/VH; see clauses G.2.1 and G.2.2.

Frequencies to be tested: see table K.2 in Annex K.

In the test in Cell_DCH state compressed mode with purpose "E-UTRAN TDD RSRQ Measurement" is applied to measure on E-UTRAN TDD. The compressed mode pattern repeats every 80 ms and uses a gap length of 10 slots. Further details are found in table A.22 in annex A.5 of 3GPP TS 25.101.

Tables 8.7.13.4.1,1 and 8.7.13.4.1,2 define the limits of signal strengths and code powers on the UTRA FDD cell where the UTRA Carrier RSSI absolute accuracy requirements are applicable. In the measurement control information periodic reporting of E-UTRAN TDD RSRQ is indicated to the UE. The E-UTRAN TDD test parameters are given in Table 8.7.13.4.1,3.

Table 8.7.13.4.1.1: General test parameters for E-UTRAN TDD RSRQ absolute accuracy tests

| Parameter | Unit | Value | Comment |
|--|------|---|--|
| DCH parameters | | DL Reference Measurement Channel 12.2 kbps | As specified in 3GPP TS 25.101 section A.3.1 |
| Power Control | | On | |
| Target quality value on DTCH | BLER | 0.01 | |
| Active cell | | Cell 1 | 1.28Mcps UTRA TDD cell |
| Neighbour cell | | Cell 2 | E-UTRA TDD cell |
| CP length of cell 2 | | Normal | |
| Uplink-downlink configuration of cell 2 | | 1 | As specified in table 4.2.2 in TS 36.211 [35] |
| Special subframe configuration of cell 2 | | 6 | As specified in table 4.2.1 in TS 36.211 [35] |
| Filter coefficient | | 0 | L3 filtering is not used |
| Compressed mode patterns - E-UTRAN measurement | | Compressed mode reference pattern 2 Set 5 | As specified in table A.22 3GPP TS 25.101 section A.5 |
| Inter-RAT measurement quantity | | E-UTRAN TDD RSRQ | |
| Monitored cell list size | | 1 E-UTRAN TDD neighbour cell | Measurement control information is sent before the compressed mode pattern starts. |

Table 8.7.13.4.1.2: UTRAN FDD cell specific test parameters for E-UTRAN TDD RSRQ absolute accuracy tests

| Parameter | Unit | Cell 1 |
|--|---------------|-----------|
| UTRA RF Channel number | - | Channel 1 |
| CPICH_Ec/lor | dB | -10 |
| PCCPCH_Ec/lor | dB | -12 |
| SCH_Ec/lor | dB | -12 |
| PICH_Ec/lor | dB | -15 |
| DCH_Ec/lor | dB | Note 1 |
| OCNS_Ec/lor | dB | Note 2 |
| Ior/Ioc | dB | -1 |
| Ioc | dBm/ 3.84 MHz | -70 |
| CPICH_Ec/Io | dB | -13.54 |
| Propagation condition | - | AWGN |
| NOTE 1: The DPCH level is controlled by the power control loop | | |
| NOTE 2: The power of the OCNS channel that is added shall make the total power from the cell to be equal to Ior. | | |

Table 8.7.13.4.1.3: E-UTRA TDD RSRQ measurement tests parameters

| Parameter | Unit | Test 1 | Test 2 | Test 3 | |
|--|-----------------|------------|----------|----------|---------------|
| E-UTRA RF Channel Number | | 2 | 2 | 2 | |
| BWchannel | MHz | 10 | 10 | 10 | |
| Measurement bandwidth | n_{PRB} | 22—27 | 22—27 | 22—27 | |
| PDCCH/PCFICH/PHICH Reference measurement channel defined in A.2.2 in TS 36.521-3 [38] | | R.6 TDD | R.6 TDD | R.6 TDD | |
| OCNG Patterns defined in D.2.2 (OP.2 TDD) in TS 36.521-3 [38] | | OP.2 TDD | OP.2 TDD | OP.2 TDD | |
| PBCH_RA | dB | 0 | 0 | 0 | |
| PBCH_RB | | | | | |
| PSS_RA | | | | | |
| SSS_RA | | | | | |
| PCFICH_RB | | | | | |
| PHICH_RA | | | | | |
| PHICH_RB | | | | | |
| PDCCH_RA | | | | | |
| PDCCH_RB | | | | | |
| PDSCH_RA | | | | | |
| PDSCH_RB | | | | | |
| OCNG_RA ^{Note1} | | | | | |
| OCNG_RB ^{Note1} | | | | | |
| N_{oc} ^{Note2} | | | | | Bands 33 – 40 |
| | Band 42 and 43 | -118.50 | | | |
| | Band 41 | -117.50 | | | |
| \hat{E}_s / I_{ot} | dB | -1.75 | -4.0 | -4.0 | |
| RSRP ^{Note3} | Bands 33 – 40 | dBm/15 kHz | -81.75 | -108.70 | -123.50 |
| | Band 42 and 43 | | | | -122.50 |
| | Band 41 | | | | -121.50 |
| RSRQ ^{Note3} | Bands 33 – 43 | dB | -14.76 | -16.25 | -16.25 |
| I_o ^{Note3} | Bands 33 – 40 | dBm/9 MHz | -50 | -75.46 | -90.26 |
| | Bands 42 and 43 | | | | -89.26 |
| | Bands 41 | | | | -88.26 |
| \hat{E}_s / N_{oc} | dB | -1.75 | -4.0 | -4.0 | |
| Propagation condition | - | AWGN | AWGN | AWGN | |
| NOTE 1: OCNG shall be used such that both cells are fully allocated and a constant total transmitted power spectral density is achieved for all OFDM symbols. | | | | | |
| NOTE 2: Interference from other cells and noise sources not specified in the test is assumed to be constant over subcarriers and time and shall be modelled as AWGN of appropriate power for N_{oc} to be fulfilled. | | | | | |
| NOTE 3: RSRP, RSRQ and I_o levels have been derived from other parameters for information purposes. They are not settable parameters themselves. | | | | | |
| NOTE 4: RSRP and RSRQ minimum requirements are specified assuming independent interference and noise at each receiver antenna port. | | | | | |

8.7.13.4.2 Test Procedure

- 1) A call is set up according to the test procedure specified in TS 34.108 [3] subclause 7.3.2. The RF parameters for Test 1 are set up according to tables 8.7.13.5.2 and 8.7.13.5.3.
- 2) SS shall transmit PHYSICAL CHANNEL RECONFIGURATION message.
- 3) UE shall transmit PHYSICAL CHANNEL RECONFIGURATION COMPLETE message.
- 4) SS shall transmit MEASUREMENT CONTROL message for inter RAT measurement. In the measurement control information periodic reporting of the E-UTRAN TDD RSRQ is requested to the UE.
- 5) UE shall transmit periodically MEASUREMENT REPORT messages.

- 6) SS shall check E-UTRAN TDD RSRQ value of Cell 2 in MEASUREMENT REPORT messages. The E-UTRAN TDD RSRQ value of Cell 2 reported by UE is compared to actual E-UTRAN TDD RSRQ value of Cell 2 for each MEASUREMENT REPORT message.
- 7) SS shall check MEASUREMENT REPORT messages transmitted by UE until statistical significance according to Tables G.2.3-1 in TS36.521-3 [38] is achieved.
- 8) The RF parameters are set up according to table 8.7.13.5.3 for Test 2. While RF parameters are being set up, MEASUREMENT REPORT messages from UE are ignored. SS shall wait for additional [1s] and ignore the MEASUREMENT REPORT messages during this period. Then, step 6) and 7) above are repeated.
- 9) The RF parameters are set up according to table 8.7.13.5.3 for Test 3. While RF parameters are being set up, MEASUREMENT REPORT messages from UE are ignored. SS shall wait for additional [1s] and ignore the MEASUREMENT REPORT messages during this period. Then, step 6) and 7) above are repeated.
- 10) The SS shall transmit RRC CONNECTION RELEASE message.
- 11) UE shall transmit RRC CONNECTION RELEASE COMPLETE message.

Specific Message Contents

All messages indicated above shall use the same content as described in default message content in clause 9 of TS 34.108 [3] and clause 4.4 and 4.7B.1 of TS 36.508 [33], with the following exceptions:

PHYSICAL CHANNEL RECONFIGURATION message for Inter-RAT measurement (step 2):

| Information Element | Value/Remark | Version |
|--|---|--------------------|
| Message Type (10.2.22) | | |
| UE Information Elements | | |
| -RRC transaction identifier | 0 | |
| -Integrity check info | | |
| -message authentication code | SS calculates the value of MAC-I for this message and writes to this IE. The first/leftmost bit of the bit string contains the most significant bit of the MAC-I. | |
| -RRC message sequence number | SS provides the value of this IE, from its internal counter. | |
| -Integrity protection mode info | Not Present | |
| -Ciphering mode info | Not Present | |
| -Activation time | Not Present | |
| -New U-RNTI | Not Present | |
| -New C-RNTI | Not Present | |
| -RRC State Indicator | CELL_DCH | |
| -UTRAN DRX cycle length coefficient | Not Present | |
| CN Information Elements | | |
| -CN Information info | Not Present | |
| UTRAN mobility information elements | | |
| -URA identity | Not Present | |
| RB information elements | | |
| -Downlink counter synchronisation info | Not Present | |
| PhyCH information elements | | |
| -Frequency info (10.3.6.36) | Not Present | |
| Uplink radio resources | | |
| -Maximum allowed UL TX power | 33 dBm | |
| -CHOICE channel requirement | Not Present | |
| Downlink radio resources | | |
| -CHOICE mode | FDD | |
| -Downlink PDSCH information | Not Present | R99 and Rel-4 only |
| -Downlink information common for all radio links (10.3.6.24) | | |
| -Downlink DPCH info common for all RL (10.3.6.18) | Not Present | |
| -CHOICE mode | FDD | |
| -DPCH compressed mode info (10.3.6.33) | | |
| - Transmission gap pattern sequence | 1 | |
| - TGPSI | 1 | |

| Information Element | Value/Remark | Version |
|--|---|--------------------|
| - TGPS Status Flag | activate | |
| - TGCFN | (Current CFN + (256 – TTI/10msec))mod 256 | |
| - Transmission gap pattern sequence configuration parameters | | |
| -TGMP | E-UTRA measurement | REL-8 |
| -TGPRC | NA | |
| -TGSN | 10 | |
| -TGL1 | 10 | |
| -TGL2 | Not Present | |
| -TGD | 0 | |
| -TGPL1 | 8 | |
| -TGPL2 | Not Present | R99 and Rel-4 only |
| -RPP | mode 0 | |
| -ITP | mode 0 | |
| -CHOICE UL/DL mode | UL and DL | |
| -Downlink compressed mode method | SF/2 | |
| -Uplink compressed mode method | SF/2 | |
| -Downlink frame type | B | |
| -DeltaSIR1 | 3.0 | |
| -DeltaSIRafter1 | 3.0 | |
| -DeltaSIR2 | Not Present | |
| -DeltaSIRafter2 | Not Present | |
| -N Identify abort | Not Present | |
| -T Reconfirm abort | Not Present | |
| -TX Diversity mode (10.3.6.86) | None | |
| -SSDT information (10.3.6.77) | Not Present | R99 and Rel-4 only |
| -Default DPCH Offset Value (10.3.6.16) | Not Present | |
| -Downlink information per radio link list | 1 | |
| -Downlink information for each radio link (10.3.6.27) | | |
| -CHOICE mode | FDD | |
| -Primary CPICH info (10.3.6.60) | | |
| -Primary scrambling code | 100 | |
| -PDSCH with SHO DCH info (10.3.6.47) | Not Present | R99 and Rel-4 only |
| -PDSCH code mapping (10.3.6.43) | Not Present | R99 and Rel-4 only |
| -Downlink DPCH info for each RL (10.3.6.21) | | |
| -CHOICE mode | FDD | |
| -Primary CPICH usage for channel estimation | Primary CPICH may be used | |
| -DPCH frame offset | Set to value Default DPCH Offset Value (as currently stored in SS) mod 38400 | |
| -Secondary CPICH info | Not Present | |
| -DL channelisation code | | |
| -Secondary scrambling code | Not Present | |
| -Spreading factor | 128 | |
| -Code number | 96 | |
| -Scrambling code change | No change | |
| -TPC combination index | 0 | |
| - SSDT Cell Identity | Not Present | R99 and Rel-4 only |
| - Closed loop timing adjustment mode | Not Present | |
| - SCCPCH information for FACH (10.3.6.70) | Not Present | |

MEASUREMENT CONTROL message for Inter-RAT measurement (step 4):

| Information Element/Group name | Value/Remark | Version |
|--|--|---------|
| Message Type (10.2.17) | | |
| UE information elements | | |
| -RRC transaction identifier | 0 | |
| -Integrity check info | | |
| -message authentication code | SS calculates the value of MAC-I for this message and writes to this IE. The first/leftmost bit of the bit string contains the most significant bit of the MAC-I. | |
| -RRC message sequence number | SS provides the value of this IE, from its internal counter. | |
| Measurement Information elements | | |
| -Measurement Identity | 2 | |
| -Measurement Command (10.3.7.46) | Setup | |
| -Measurement Reporting Mode (10.3.7.49) | | |
| -Measurement Report Transfer Mode | AM RLC | |
| -Periodical Reporting / Event Trigger Reporting Mode | Periodical reporting | |
| -Additional measurements list (10.3.7.1) | Not Present | |
| -CHOICE Measurement type | Inter-RAT measurement | |
| -Inter-RAT measurement (10.3.7.27) | | |
| -Inter-RAT cell info list(10.3.7.23) | | |
| -CHOICE inter-RAT cell removal | Remove no inter-RAT cells | |
| -New inter-RAT cells | 1 | |
| -inter-RAT cell id | 9 | |
| -CHOICE Radio Access Technology | E-UTRA | |
| -Cell for measurement | Not present | |
| -Inter-RAT cell info indication | CV-Message | |
| -CHOICE <i>Inter-RAT measurement objects</i> | E-UTRA frequency list | REL-8 |
| -E-UTRA frequency list(10.3.7.6b) | | REL-8 |
| -CHOICE E-UTRA frequency removal | Remove no frequencies | |
| -New frequencies | | REL-8 |
| -E-UTRA carrier frequency | Integer(0..65535).EARFCN of the downlink carrier frequency[64] | REL-8 |
| Enumerated (6, 15, 25, 50, 75, 100). Measurement bandwidth information common for all neighbouring cells on the carrier frequency. It is defined by the parameter Transmission Bandwidth Configuration, N_{RB} [36.104]. The values indicate the number of resource blocks over which the UE could measure. Default value is 6. | Enumerated (6, 15, 25, 50, 75, 100). Measurement bandwidth information common for all neighbouring cells on the carrier frequency. It is defined by the parameter Transmission Bandwidth Configuration, N_{RB} [36.104]. The values indicate the number of resource blocks over which the UE could measure. Default value is 6. | REL-8 |
| -Inter-RAT measurement quantity (10.3.7.29) | | |
| -CHOICE <i>system</i> | E-UTRA | REL-8 |
| -Measurement quantity | RSRQ | REL-8 |
| -Filter coefficient | 0 | REL-8 |
| -Inter-RAT reporting quantity(10.3.7.32) | | |
| -UTRAN estimated quality | FALSE | |
| -CHOICE <i>system</i> | E-UTRA | REL-8 |
| -Reporting quantity | measurement quantity | REL-8 |
| -Reporting cell status (10.3.7.61) | | |
| -CHOICE reported cell | Report cells within active set or within virtual active set or of the other RAT | |
| -Maximum number of reported cells | 1 | |
| -CHOICE report criteria | Periodical reporting criteria | |
| -Periodical reporting criteria (10.3.7.53) | | |
| -Amount of reporting | Infinity | |
| -Reporting interval | 500 ms | |
| Physical channel information elements | | |
| -DPCH compressed mode status info (10.3.6.34) | Not Present | |

MEASUREMENT REPORT message for inter-RAT test cases

This message is common for all inter-RAT test cases in clause 8.7 and is described in Annex I.

8.7.13.5 Test requirements

Table 8.7.13.5.2 and table 8.7.13.5.3 define the primary level settings including test tolerances for all tests.

For the test to pass, the ratio of successful reported values according to table 8.7.13.5.4 in each test shall be more than 90% with a confidence level of 95%.

Table 8.7.13.5.1: Void

**Table 8.7.13.5.2: UTRAN FDD cell specific test parameters
for E-UTRAN TDD RSRQ absolute accuracy tests**

| Parameter | Unit | Cell 1 |
|--|---------------|-----------|
| UTRA RF Channel number | - | Channel 1 |
| CPICH_Ec/Ior | dB | -10 |
| PCCPCH_Ec/Ior | dB | -12 |
| SCH_Ec/Ior | dB | -12 |
| PICH_Ec/Ior | dB | -15 |
| DCH_Ec/Ior | dB | Note 1 |
| OCNS_Ec/Ior | dB | Note 2 |
| Ior/Ioc | dB | -1 |
| Ioc | dBm/ 3.84 MHz | -70 |
| CPICH_Ec/Io | dB | -13.54 |
| Propagation condition | - | AWGN |
| NOTE 1: The DPCH level is controlled by the power control loop | | |
| NOTE 2: The power of the OCNS channel that is added shall make the total power from the cell to be equal to Ior. | | |

Table 8.7.13.5.3: E-UTRAN TDD cell specific test parameters for E-UTRAN TDD RSRQ absolute accuracy tests

| Parameter | Unit | Test 1 | Test 2 | Test 3 | |
|--|-----------------|----------|----------|-----------------|------------|
| $BW_{channel}$ | MHz | 10 | 10 | 10 | |
| Measurement bandwidth | n_{PRB} | 22—27 | 22—27 | 22—27 | |
| PDCCH/PCFICH/PHICH Reference measurement channel as defined in A.2.2 in TS 36.521-3 [38] | | R.6 TDD | R.6 TDD | R.6 TDD | |
| OCNG Patterns defined in D.2.2 (OP.2 TDD) in TS 36.521-3 [38] | | OP.2 TDD | OP.2 TDD | OP.2 TDD | |
| PBCH_RA | dB | 0 | 0 | 0 | |
| PBCH_RB | | | | | |
| PSS_RA | | | | | |
| SSS_RA | | | | | |
| PCFICH_RB | | | | | |
| PHICH_RA | | | | | |
| PHICH_RB | | | | | |
| PDCCH_RA | | | | | |
| PDCCH_RB | | | | | |
| PDSCH_RA | | | | | |
| PDSCH_RB | | | | | |
| OCNG_RA ^{Note1} | | | | | |
| OCNG_RB ^{Note1} | | | | | |
| N_{oc} ^{Note2} | | | | | dBm/15 kHz |
| | Bands 42 and 43 | -118.50 | | | |
| | Band 41 | -117.50 | | | |
| \hat{E}_s / I_{ot} | dB | -1.75 | -3.20 | -3.20 | |
| RSRP ^{Note3} | dBm/15 kHz | -82.55 | -107.90 | Bands 33- 40 | -122.70 |
| | | | | Bands 42 and 43 | -121.70 |
| | | | | Band 41 | -120.70 |
| RSRQ ^{Note3} | dB | -14.76 | -15.69 | Bands 33-40 | -15.69 |
| | | | | Bands 42 and 43 | -15.69 |
| | | | | Band 41 | -15.69 |
| I_o ^{Note3} | dBm/9 MHz | -50.80 | -75.22 | Bands 33-40 | -90.02 |
| | | | | Bands 42 and 43 | -89.02 |
| | | | | Band 41 | -88.02 |
| \hat{E}_s / N_{oc} | dB | -1.75 | -3.20 | -3.20 | |
| Propagation condition | - | AWGN | AWGN | AWGN | |

NOTE 1: OCNG shall be used such that both cells are fully allocated and a constant total transmitted power spectral density is achieved for all OFDM symbols.

NOTE 2: Interference from other cells and noise sources not specified in the test is assumed to be constant over subcarriers and time and shall be modelled as AWGN of appropriate power for N_{oc} to be fulfilled.

NOTE 3: RSRQ, RSRP and I_o levels have been derived from other parameters for information purposes. They are not settable parameters themselves.

NOTE 4: RSRP and RSRQ minimum requirements are specified assuming independent interference and noise at each receiver antenna port.

Table 8.7.13.5.4: E-UTRAN TDD RSRQ absolute accuracy requirements for the reported values

| | Test 1 | Test 2 | Test 3 | | |
|---------------------------------|-----------|-----------|---------------|--------------|---------|
| | All bands | All bands | Bands 33 ~ 40 | Bands 42, 43 | Band 41 |
| Normal Conditions | | | | | |
| Lowest reported value (Cell 2) | RSRQ_04 | RSRQ_00 | RSRQ_00 | RSRQ_00 | RSRQ_00 |
| Highest reported value (Cell 2) | RSRQ_16 | RSRQ_16 | RSRQ_16 | RSRQ_16 | RSRQ_16 |
| Extreme Conditions | | | | | |
| Lowest reported value (Cell 2) | RSRQ_01 | RSRQ_00 | RSRQ_00 | RSRQ_00 | RSRQ_00 |
| Highest reported value (Cell 2) | RSRQ_19 | RSRQ_17 | RSRQ_17 | RSRQ_17 | RSRQ_17 |

NOTE: If the above Test Requirement differs from the Minimum Requirement then the Test Tolerance applied for this test is non-zero. The Test Tolerance for this test is defined in clause F.2 and the explanation of how the Minimum Requirement has been relaxed by the Test Tolerance is given in clause F.4.

9 Performance requirements for HSDPA

9.1 General

The performance requirements for the UE in this clause are specified for the measurement channels specified in Annex C, the propagation conditions specified in Annex D and the Down link Physical channels specified in Annex E. Unless stated otherwise, DL power control is OFF.

Unless otherwise stated the performance requirements are specified at the antenna connector of the UE. For UE(s) with more than one receive antenna connector the fading of the signals and the AWGN signals applied to each receiver antenna connector shall be uncorrelated. The levels of the test signal applied to each of the antenna connectors shall be as defined in the respective sections below.

A UE with one antenna connector may also fulfil the enhanced performance requirements Type 1 and Type 3. The levels of the test signal are applied to the single antenna connector as defined in the respective sections below.

When DCCH has been configured on downlink DCH then DCCH Data shall be continuously transmitted on downlink DCH during the measurement period. When there is no signalling to transmit on downlink DCCH then dummy DCCH transmission as described in Annex C.9 shall be used.

When DTCH has been configured on downlink DCH then DTCH Data shall be continuously transmitted on downlink DCH during the measurement period.

The MAC headers on HS-DSCH shall be according to Annex C.9A.

The common RF test conditions of Performance requirements are defined in clause E.5, and each test conditions in clause 9 should refer to clause E.5. Individual test conditions are defined in the paragraph of each test.

All throughput measurements in clause 9 shall be performed according to the general rules for statistical testing in Annex F.6.3.

Unless otherwise stated, the UE output power for the tests shall be greater than -10 dBm.

The requirement for a FDD UE that support HSDPA shall be tested according to the declared UE HS-DSCH category. For Release 6 and later UEs that support either the optional Type 1 or the Type 2 enhanced performance requirement, the UE shall be tested according to this enhanced performance requirement as well. For Release 7 and later UEs that support optional Type 3 enhanced performance requirement, the UE shall be tested according to this enhanced performance requirement as well. For Release 8 and later UEs that support optional Type 3i enhanced performance requirement, the UE shall be tested according to both type3 and type 3i enhanced performance requirement as well.

For the requirements for UEs supporting HS-DSCH categories 21, 22, 23, 24, 25, 26, 27, 28, 19, 30, 31 or 32, when the carriers are located in the same frequency band, the spacing of the carrier frequencies of the two cells shall be 5 MHz.9.1.1 Definition of Additive White Gaussian Noise (AWGN) Interferer

See clause D.1.1.

9.2 Demodulation of HS-DSCH (Fixed Reference Channel)

The minimum performance requirement for a particular UE belonging to one of the HS-DSCH categories 1, 2, 3, 4, 5, 6, 7, 8, 9, 10, 11 or 12 are determined according to Table 9.2.1.

The performance requirements for a particular UE belonging to one of the HS-DSCH categories 1, 2, 3, 4, 5, 6, 7, 8, 9 or 10 and supporting the optional enhanced performance requirements type 1 are determined according to Table 9.2.2.

The performance requirements for a particular UE belonging to one of the HS-DSCH categories 7, 8, 9 or 10, and supporting the optional enhanced performance requirements type 2 are determined according to Table 9.2.3.

The minimum performance requirements for a particular UE belonging to HS-DSCH category 13 or 14 are determined according to Table 9.2.3.

The performance requirements for a particular UE belonging to either of HS-DSCH categories 7, 8, 9, 10, 13 or 14, and supporting the optional enhanced performance requirements type 3 are determined according to Table 9.2.3A.

The minimum performance requirements for a particular UE belonging to one of the HS-DSCH categories 15, 16, 17, 18, 19 and 20 are determined according to Table 9.2.3A.

The minimum performance requirements for a particular UE supporting one of the HS-DSCH categories 7, 8, 9, 10, 13, 14, 15, 16, 17, 18, 19 or 20 and supporting the optional enhanced performance requirements type 3i are determined according to Table 9.2.3B.

The minimum performance requirements for a particular UE supporting one of the HS-DSCH categories 21, 22, 23 and 24 are determined according to Table 9.2.3C.

The minimum performance requirements for a particular UE supporting one of the HS-DSCH categories 21, 22, 23, 24, 25, 26, 27 and 28 and supporting the optional enhanced performance requirements type 3 are determined according to Table 9.2.3D.

The minimum performance requirements for a particular UE supporting one of the HS-DSCH categories 21, 22, 23, 24, 25, 26, 27 or 28 and supporting the optional enhanced performance requirements type 3i are determined according to Table 9.2.3E.

The minimum performance requirements for a particular UE supporting one of the HS-DSCH categories 29 and 31 are determined according to Table 9.2.3F.

The minimum performance requirements for a particular UE supporting one of the HS-DSCH categories 29, 30, 31 and 32 and supporting the optional enhanced performance requirements type 3 are determined according to Table 9.2.3H.

The minimum performance requirements for a particular UE supporting one of the HS-DSCH categories 29, 30, 31 and 32 and supporting the optional enhanced performance requirements type 3i are determined according to Table 9.2.3G.

A UE supporting one of categories 21, 22, 23, 24, 29 or 31 shall support either enhanced receiver type 2 requirements, or enhanced receiver type 3 requirements, or enhanced receiver type 3i requirements applicable for the other categories supported by this UE.

A UE supporting one of categories 21, 22, 23, 24, 29 or 31 supporting enhanced receiver type 3 requirements shall support either enhanced receiver type 3 requirements, or enhanced receiver type 3i requirements applicable for the other categories supported by this UE.

A UE supporting one of categories 21, 22, 23, 24, 29 or 31 supporting enhanced receiver type 3i requirements shall support enhanced receiver type 3i requirements applicable for the other categories supported by this UE.

Table 9.2.1: FRC for minimum performance requirements for different HS-DSCH categories

| HS-DSCH category | Corresponding requirement | | |
|------------------|---------------------------|---------------------|-----------------------|
| | Single Link (Note 1) | Open Loop Diversity | Closed Loop Diversity |
| Category 1 | H-Set 1 | H-Set 1 | H-Set 1 |
| Category 2 | H-Set 1 | H-Set 1 | H-Set 1 |
| Category 3 | H-Set 2 | H-Set 2 | H-Set 2 |
| Category 4 | H-Set 2 | H-Set 2 | H-Set 2 |
| Category 5 | H-Set 3 | H-Set 3 | H-Set 3 |
| Category 6 | H-Set 3 | H-Set 3 | H-Set 3 |
| Category 7 | H-Set 6, H-Set 3 | H-Set 3 | H-Set 3 |
| Category 8 | H-Set 6, H-Set 3 | H-Set 3 | H-Set 3 |
| Category 9 | H-Set 6, H-Set 3 | H-Set 3 | H-Set 3 |
| Category 10 | H-Set 6, H-Set 3 | H-Set 3 | H-Set 3 |
| Category 11 | H-Set 4 | H-Set 4 | H-Set 4 |
| Category 12 | H-Set 5 | H-Set 5 | H-Set 5 |

NOTE 1: Single link minimum performance requirements for Categories 7-10 in Pedestrian A with $\hat{I}_{or}/I_{oc}=10\text{dB}$ are set according to H-Set 6. Requirements in other conditions are according to H-Set 3.

NOTE 2: For UE supporting the minimum performance requirements for HS-DSCH the minimum requirements for HS-SCCH detection for single link are determined in Table 9.4.1.2 and for open loop transmit diversity in Table 9.4.2.2.

Table 9.2.2: FRC for enhanced performance requirements type 1 for different HS-DSCH categories

| HS-DSCH category | Corresponding requirement | | |
|------------------|---------------------------|---------------------|-----------------------|
| | Single Link (Note 1) | Open Loop Diversity | Closed Loop Diversity |
| Category 1 | H-Set 1 | H-Set 1 | H-Set 1 |
| Category 2 | H-Set 1 | H-Set 1 | H-Set 1 |
| Category 3 | H-Set 2 | H-Set 2 | H-Set 2 |
| Category 4 | H-Set 2 | H-Set 2 | H-Set 2 |
| Category 5 | H-Set 3 | H-Set 3 | H-Set 3 |
| Category 6 | H-Set 3 | H-Set 3 | H-Set 3 |
| Category 7 | H-Set 6, H-Set 3 | H-Set 3 | H-Set 3 |
| Category 8 | H-Set 6, H-Set 3 | H-Set 3 | H-Set 3 |
| Category 9 | H-Set 6, H-Set 3 | H-Set 3 | H-Set 3 |
| Category 10 | H-Set 6, H-Set 3 | H-Set 3 | H-Set 3 |

NOTE 1: Single link enhanced performance requirements type 1 for Categories 7-10 in Pedestrian A with $\hat{I}_{or}/I_{oc}=10\text{dB}$ are set according to H-Set 6. Requirements in other conditions are according to H-Set 3.

NOTE 2: For UE supporting the enhanced performance requirements type 1 for HS-DSCH the requirements for HS-SCCH detection for single link are determined in Table 9.4.1A.2 and for open loop transmit diversity in Table 9.4.2A.2.

Table 9.2.3: FRC for enhanced performance requirements type 2 for different HS-DSCH categories

| HS-DSCH category | Corresponding requirement | | |
|------------------|-------------------------------------|------------------------------|--------------------------------|
| | Single Link (Note 1) | Open Loop Diversity (Note 2) | Closed Loop Diversity (Note 3) |
| Category 7 | H-Set 6, H-Set 3 | H-Set 3 | H-Set 6, H-Set 3 |
| Category 8 | H-Set 6, H-Set 3 | H-Set 3 | H-Set 6, H-Set 3 |
| Category 9 | H-Set 10, H-Set 6, H-Set 3 | H-Set 3 | H-Set 6, H-Set 3 |
| Category 10 | H-Set 10, H-Set 6, H-Set 3 | H-Set 3 | H-Set 6, H-Set 3 |
| Category 13 | H-Set 10, H-Set 8, H-Set 6, H-Set 3 | H-Set 3 | H-Set 6, H-Set 3 |
| Category 14 | H-Set 10, H-Set 8, H-Set 6, H-Set 3 | H-Set 3 | H-Set 6, H-Set 3 |

NOTE 1: Single link enhanced performance requirements type 2 for Categories 9, 10, 13 and 14 with $\hat{I}_{or}/I_{oc} = 4$ dB and 8 dB are set according to H-Set 10.

Single link enhanced performance requirements type 2 for Categories 13 and 14 with $\hat{I}_{or}/I_{oc} = 15$ and 18 dB is set according to H-Set 8.

Single link enhanced performance requirements type 2 for Categories 7, 8, 9, 10, 13 and 14 with $\hat{I}_{or}/I_{oc}=10\text{dB}$ are set according to H-Set 6. Requirements in other conditions are according to H-Set 3 minimum performance requirements.

NOTE 2: Open loop transmit diversity requirements are set according to H-Set 3 minimum performance requirements.

NOTE 3: Closed loop transmit diversity enhanced performance requirements type 2 for Categories 7, 8, 9, 10, 13 and 14 in Pedestrian B 3km/h with $\hat{I}_{or}/I_{oc}=10\text{dB}$ and $E_c/I_{or}=-3\text{dB}$ are set according to H-Set 6. Requirements in other conditions are set according to H-Set 3 minimum performance requirements.

NOTE 4: For UE supporting the enhanced performance requirements type 2 for HS-DSCH the minimum requirements for HS-SCCH detection for single link are determined in Table 9.4.1.2 and for open loop transmit diversity in Table 9.4.2.2.

Table 9.2.3A: FRC for enhanced performance requirements type 3 for different HS-DSCH categories

| HS-DSCH category | Corresponding requirement | | | |
|------------------|---|------------------------------|--------------------------------|-------------------|
| | Single Link (Note 1) | Open Loop Diversity (Note 2) | Closed Loop Diversity (Note 3) | MIMO (Note 4) |
| Category 7 | H-Set 6, H-Set 3 | H-Set 3 | H-Set 3 | N/A |
| Category 8 | H-Set 6, H-Set 3 | H-Set 3 | H-Set 3 | N/A |
| Category 9 | H-Set 10, H-Set 6, H-Set 3 | H-Set 3 | H-Set 3 | N/A |
| Category 10 | H-Set 10, H-Set 6, H-Set 3 | H-Set 3 | H-Set 3 | N/A |
| Category 13 | H-Set 10, H-Set 8, H-Set 6, H-Set 3 | H-Set 3 | H-Set 3 | N/A |
| Category 14 | H-Set 10, H-Set 8, H-Set 6, H-Set 3 | H-Set 3 | H-Set 3 | N/A |
| Category 15 | H-Set 10, H-Set 6, H-Set 3 | H-Set 3 | H-Set 3 | H-Set 9 |
| Category 16 | H-Set 10, H-Set 6, H-Set 3 | H-Set 3 | H-Set 3 | H-Set 9 |
| Category 17 | H-Set 10, H-Set 8, H-Set 6, H-Set 3 | H-Set 3 | H-Set 3 | H-Set 9 |
| Category 18 | H-Set 10, H-Set 8, H-Set 6, H-Set 3 | H-Set 3 | H-Set 3 | H-Set 9 |
| Category 19 | H-Set 11, H-Set 10, H-Set 8, H-Set 6, H-Set 3 | H-Set 3 | H-Set 3 | H-Set 11, H-Set 9 |
| Category 20 | H-Set 11, H-Set 10, H-Set 8, H-Set 6, H-Set 3 | H-Set 3 | H-Set 3 | H-Set 11, H-Set 9 |

NOTE 1: Single link enhanced performance requirements type 3 for Categories 9, 10, 13 - 20 with $\hat{I}_{or}/I_{oc} = 4$ dB and 8 dB are set according to H-Set 10.

Single link enhanced performance requirements type 3 for Categories 13, 14, 17 - 20 with $\hat{I}_{or}/I_{oc} = 15$ dB and 18 dB are set according to H-Set 8.

Single link enhanced performance requirements type 3 for Categories 7-10, 13-20 with $\hat{I}_{or}/I_{oc} = 10$ dB and $\hat{I}_{or}/I_{oc} = 5$ dB are set according to H-Set 6. Requirements in other conditions are according to H-Set 3 type1 enhanced performance requirements.

NOTE 2: Open loop transmit diversity requirements are set according to H-Set 3 type1 enhanced performance requirements.

NOTE 3: Closed loop transmit diversity requirements are set according to H-Set 3 type1 enhanced performance requirements.

NOTE 4: MIMO requirements for categories 15-20, with $\hat{I}_{or}/I_{oc} = 6$ and 10 dB are set according to H-Set 9. MIMO requirements for categories 19-20, with $\hat{I}_{or}/I_{oc} = 18$ dB are set according to H-Set 11.

NOTE 5: For UE supporting the enhanced performance requirements type 3 for HS-DSCH the requirements for HS-SCCH Type 1 detection for single link are determined in Table 9.4.1.2 and for open loop transmit diversity in Table 9.4.2A.2.

NOTE 6: For UEs supporting MIMO for HS-DSCH the requirements for HS-SCCH Type 3 detection are determined in Tables 9.4.3.2 and Table 9.4.3.3.

Table 9.2.3B: FRC for enhanced performance requirements type 3i for different HS-DSCH categories

| HS-DSCH category | Corresponding requirement | | | |
|------------------|---|------------------------------|--------------------------------|-------------------|
| | Single Link (Note 1) | Open Loop Diversity (Note 2) | Closed Loop Diversity (Note 3) | MIMO (Note 4) |
| Category 7 | H-Set 6, H-Set 3 | H-Set 3 | H-Set 3 | N/A |
| Category 8 | H-Set 6, H-Set 3 | H-Set 3 | H-Set 3 | N/A |
| Category 9 | H-Set10, H-Set 6, H-Set 3 | H-Set 3 | H-Set 3 | N/A |
| Category 10 | H-Set10, H-Set 6, H-Set 3 | H-Set 3 | H-Set 3 | N/A |
| Category 13 | H-Set10, H-Set 8, H-Set 6, H-Set 3 | H-Set 3 | H-Set 3 | N/A |
| Category 14 | H-Set10, H-Set 8, H-Set 6, H-Set 3 | H-Set 3 | H-Set 3 | N/A |
| Category 15 | H-Set10, H-Set 6, H-Set 3 | H-Set 3 | H-Set 3 | H-Set 9 |
| Category 16 | H-Set10, H-Set 6, H-Set 3 | H-Set 3 | H-Set 3 | H-Set 9 |
| Category 17 | H-Set10, H-Set 8, H-Set 6, H-Set 3 | H-Set 3 | H-Set 3 | H-Set 9 |
| Category 18 | H-Set10, H-Set 8, H-Set 6, H-Set 3 | H-Set 3 | H-Set 3 | H-Set 9 |
| Category 19 | H-Set 11, H-Set-10, H-Set 8, H-Set 6, H-Set 3 | H-Set 3 | H-Set 3 | H-Set 11, H-Set 9 |
| Category 20 | H-Set-11, H-Set-10, H-Set 8, H-Set 6, H-Set 3 | H-Set 3 | H-Set 3 | H-Set 11, H-Set 9 |

NOTE 1: Single link enhanced performance requirements type 3i for Categories 7-20 with $\hat{I}_{or}/I_{oc} = 0$ dB are set according to H-Set 6. Requirements in other conditions are according to type 3 enhanced performance requirements.

NOTE 2: Open loop transmit diversity requirements are set according to H-Set 3 type1 enhanced performance requirements.

NOTE 3: Closed loop transmit diversity requirements are set according to H-Set 3 type1 enhanced performance requirements.

NOTE 4: MIMO requirements for categories 15-20, with $\hat{I}_{or}/I_{oc} = 6$ and 10 dB are set according to H-Set 9. MIMO requirements for categories 19-20, with $\hat{I}_{or}/I_{oc} = 18$ dB are set according to H-Set 11.

NOTE 5: For UE supporting the enhanced performance requirements type 3i for HS-DSCH the requirements for HS-SCCH Type 1 detection for single link are determined in Table 9.4.1.2 and for open loop transmit diversity in Table 9.4.2A.2.

NOTE 6: For UE supporting MIMO for HS-DSCH the requirements for HS-SCCH Type 3 detection are determined in Tables 9.4.3.2 and Table 9.4.3.3.

Table 9.2.3C: FRC for enhanced performance requirements type 2 for different DC-HSDPA and DB-DC-HSDPA categories

| HS-DSCH category | Corresponding requirement | | |
|------------------|---|------------------------------|-----------------------|
| | Single Link (Note 1) | Open Loop Diversity (Note 2) | Closed Loop Diversity |
| Category 21 | H-Set-10A, H-Set 6A, H-Set 3A | H-Set 3A | N/A |
| Category 22 | H-Set-10A, H-Set 6A, H-Set 3A | H-Set 3A | N/A |
| Category 23 | H-Set-10A, H-Set 8A, H-Set 6A, H-Set 3A | H-Set 3A | N/A |
| Category 24 | H-Set-10A, H-Set 8A, H-Set 6A, H-Set 3A | H-Set 3A | N/A |

NOTE 1: Single link enhanced performance requirements type 2 for categories 21, 22, 23 and 24 with $\hat{I}_{or}/I_{oc} = 4$ dB and 8 dB are set according to H-Set 10A.
Single link enhanced performance requirements type 2 for categories 23 and 24 with $\hat{I}_{or}/I_{oc} = 15$ and 18 dB are set according to H-Set 8A.
Single link enhanced performance requirements type 2 for categories 21, 22, 23 and 24 with $\hat{I}_{or}/I_{oc} = 10$ dB are set according to H-Set 6A.
Single link requirements for categories 21, 22, 23 and 24 in other conditions are according to H-Set 3A minimum performance requirements.

NOTE 2: Open loop transmit diversity requirements are set according to H-Set 3A minimum performance requirements.

NOTE 3: For UE supporting the enhanced performance requirements type 2 for HS-DSCH the minimum requirements for HS-SCCH Type 1 detection for single link are determined in Table 9.4.1.2 and for open loop transmit diversity in Table 9.4.2.2.

NOTE 4: When the UE supports MIMO only with single-stream restriction the additional minimum requirements for HS-DSCH are given in Table TBD and TBD and for HS-SCCH type 3 in Table 9.4.3.2.

Table 9.2.3D: FRC for enhanced performance requirements type 3 for different DC-HSDPA and DB-DC-HSDPA categories

| HS-DSCH category | Corresponding requirement | | | |
|------------------|---|------------------------------|-----------------------|---------------------|
| | Single Link (Note 1) | Open Loop Diversity (Note 2) | Closed Loop Diversity | MIMO |
| Category 21 | H-Set-10A, H-Set 6A, H-Set 3A | H-Set 3A | N/A | N/A |
| Category 22 | H-Set-10A, H-Set 6A, H-Set 3A | H-Set 3A | N/A | N/A |
| Category 23 | H-Set-10A, H-Set 8A, H-Set 6A, H-Set 3A | H-Set 3A | N/A | N/A |
| Category 24 | H-Set-10A, H-Set 8A, H-Set 6A, H-Set 3A | H-Set 3A | N/A | N/A |
| Category 25 | H-Set-10A, H-Set 6A, H-Set 3A | H-Set 3A | N/A | H-Set 9A |
| Category 26 | H-Set-10A, H-Set 6A, H-Set 3A | H-Set 3A | N/A | H-Set 9A |
| Category 27 | H-Set-10A, H-Set 8A, H-Set 6A, H-Set 3A | H-Set 3A | N/A | H-Set 11A, H-Set 9A |
| Category 28 | H-Set-10A, H-Set 8A, H-Set 6A, H-Set 3A | H-Set 3A | N/A | H-Set 11A, H-Set 9A |

NOTE 1: Single link enhanced performance requirements type 3 for categories 21, 22, 23, 24, 25, 26, 27 and 28 with $\hat{I}_{or}/I_{oc} = 4$ dB and 8 dB are set according to H-Set 10A.

Single link enhanced performance requirements type 3 for categories 23, 24, 27 and 28 with $\hat{I}_{or}/I_{oc} = 15$ dB and 18 dB are set according to H-Set 8A.

Single link enhanced performance requirements type 3 for categories 21, 22, 23, 24, 25, 26, 27 and 28 with $\hat{I}_{or}/I_{oc} = 10$ dB and $\hat{I}_{or}/I_{oc} = 5$ dB are set according to H-Set 6A.

Single link minimum requirements for categories 21, 22, 23, 24, 25, 26, 27 and 28 in other conditions are according to H-Set 3A type 1 enhanced performance requirements.

NOTE 2: Open loop transmit diversity requirements are set according to H-Set 3A type 1 enhanced performance requirements.

NOTE 3: For UE supporting the enhanced performance requirements type 3 for HS-DSCH the requirements for HS-SCCH Type 1 detection for single link are determined in Table 9.4.1A.2 and for open loop transmit diversity in Table 9.4.2A.2.

NOTE 4: For UE supporting the enhanced performance requirements type 3 for HS-DSCH the requirements for HS-SCCH Type 1 detection for single link are determined in Table 9.4.1A.2 and for open loop transmit diversity in Table 9.4.2A.2.

NOTE 5: For UE supporting MIMO for HS-DSCH the requirements for HS-SCCH Type 3 detection are determined in Tables 9.4.3.2 and Table 9.4.3.3.

NOTE 6: For UE supporting the MIMO only with single-stream restriction the additional minimum requirements for HS-DSCH are given in Table TBD and TBD and for HS-SCCH type 3 in Table 9.4.3.2.

Table 9.2.3E: FRC for enhanced performance requirements type 3i for different DC-HSDPA and DB-DC-HSDPA categories

| HS-DSCH category | Corresponding requirement | | | |
|------------------|---|------------------------------|-----------------------|---------------------|
| | Single Link (Note 1) | Open Loop Diversity (Note 2) | Closed Loop Diversity | MIMO |
| Category 21 | H-Set-10A, H-Set 6A, H-Set 3A | H-Set 3A | N/A | N/A |
| Category 22 | H-Set-10A, H-Set 6A, H-Set 3A | H-Set 3A | N/A | N/A |
| Category 23 | H-Set-10A, H-Set 8A, H-Set 6A, H-Set 3A | H-Set 3A | N/A | N/A |
| Category 24 | H-Set-10A, H-Set 8A, H-Set 6A, H-Set 3A | H-Set 3A | N/A | N/A |
| Category 25 | H-Set-10A, H-Set 6A, H-Set 3A | H-Set 3A | N/A | H-Set 9A |
| Category 26 | H-Set-10A, H-Set 6A, H-Set 3A | H-Set 3A | N/A | H-Set 9A |
| Category 27 | H-Set-10A, H-Set 8A, H-Set 6A, H-Set 3A | H-Set 3A | N/A | H-Set 11A, H-Set 9A |
| Category 28 | H-Set-10A, H-Set 8A, H-Set 6A, H-Set 3A | H-Set 3A | N/A | H-Set 11A, H-Set 9A |

NOTE 1: Single link enhanced performance requirements type 3i for Categories 21, 22, 23, 24, 25, 26, 27 and 28 with $\hat{I}_{or}/I_{oc} = 0\text{dB}$ are set according to H-Set 6A. Requirements in other conditions are according to type 3 enhanced performance requirements.

NOTE 2: Open loop transmit diversity requirements are set according to H-Set 3 type1 enhanced performance requirements.

NOTE 3: For UE supporting the enhanced performance requirements type 3i for HS-DSCH the requirements for HS-SCCH Type 1 detection for single link are determined in Table 9.4.1A.2 and for open loop transmit diversity in Table 9.4.2A.2

NOTE 4: For UE supporting the MIMO only with single-stream restriction the additional minimum requirements for HS-DSCH are given in Table TBD and TBD and for HS-SCCH type 3 in Table 9.4.3.2.

Table 9.2.3F: FRC for enhanced performance requirements type 2 for different 4C-HSDPA categories

| HS-DSCH category | Corresponding requirement | | |
|------------------|---|------------------------------|-----------------------|
| | Single Link (Note 1) | Open Loop Diversity (Note 2) | Closed Loop Diversity |
| Category 29 | H-Set-10B, H-Set 8B, H-Set 6B, H-Set 3B | H-Set 3B | N/A |
| Category 31 | H-Set-10C, H-Set 8C, H-Set 6C, H-Set 3C | H-Set 3C | N/A |

NOTE 1: Single link enhanced performance requirements type 2 for categories 29 and 31 with $\hat{I}_{or}/I_{oc} = 4\text{ dB}$ and 8 dB are set according to H-Set 10B and H-Set 10C respectively.

Single link enhanced performance requirements type 2 for categories 29 and 31 with $\hat{I}_{or}/I_{oc} = 15\text{ dB}$ and 18 dB are set according to H-Set 8B and H-Set 8C respectively.

Single link enhanced performance requirements type 2 for categories 29 and 31 with $\hat{I}_{or}/I_{oc} = 10\text{dB}$ are set according to H-Set 6B and H-Set 6C respectively.

Single link requirements for categories 29 and 31 in other conditions are according to H-Set 3B minimum performance requirements and H-Set 3C minimum performance requirements respectively.

NOTE 2: Open loop transmit diversity requirements are set according to H-Set 3B minimum performance requirements and H-Set 3C minimum performance requirements.

NOTE 3: For UE supporting the enhanced performance requirements type 2 for HS-DSCH the minimum requirements for HS-SCCH Type 1 detection for single link are determined in Table TBD and for open loop transmit diversity in Table TBD.

NOTE 4: For UE supporting the MIMO only with single-stream restriction the additional minimum requirements for HS-DSCH are given in Table TBD and for HS-SCCH type 3 in Table TBD.

Table 9.2.3G: FRC for enhanced performance requirements type 3i for different 4C-HSDPA categories

| HS-DSCH category | Corresponding requirement | | | |
|------------------|---|------------------------------|-----------------------|---------------------|
| | Single Link (Note 1) | Open Loop Diversity (Note 2) | Closed Loop Diversity | MIMO |
| Category 29 | H-Set-10B, H-Set 6B, H-Set 8B, H-Set 3B | H-Set 3B | N/A | N/B |
| Category 30 | H-Set-10B, H-Set 6B, H-Set 8B, H-Set 3B | H-Set 3B | N/A | H-Set 11B, H-Set 9B |
| Category 31 | H-Set 10C, H-Set 8C, H-Set 6C, H-Set 3C | H-Set 3C | N/A | N/A |
| Category 32 | H-Set 10C, H-Set 8C, H-Set 6C, H-Set 3C | H-Set 3C | N/A | H-Set 11C, H-Set 9C |

NOTE 1: Single link enhanced performance requirements type 3i for Categories 29, 30 with $\hat{I}_{or}/I_{oc}' = 0\text{dB}$ are set according to H-Set 6B. Single link enhanced performance requirements type 3i for Categories 31, 32 with $\hat{I}_{or}/I_{oc}' = 0\text{dB}$ are set according to H-Set 6C. Requirements in other conditions are according to type 3 enhanced performance requirements.

NOTE 2: Open loop transmit diversity requirements are set according to H-Set 3 type1 enhanced performance requirements.

NOTE 3: For UE supporting the enhanced performance requirements type 3i for HS-DSCH the requirements for HS-SCCH Type 1 detection for single link are determined in Table 9.51A and for open loop transmit diversity in Table TBD.

NOTE 4: For UE supporting the MIMO only with single-stream restriction the additional minimum requirements for HS-DSCH are given in Table TBD and for HS-SCCH type 3 in Table TBD.

NOTE 5: For UE supporting MIMO for HS-DSCH the requirements for HS-SCCH Type 3 detection are determined in Tables TBD.

Table 9.2.3H: FRC for enhanced performance requirements type 3 for different 4C-HSDPA categories

| HS-DSCH category | Corresponding requirement | | | |
|------------------|---------------------------|------------------------------|-----------------------|------|
| | Single Link (NOTE 1) | Open Loop Diversity (NOTE 2) | Closed Loop Diversity | MIMO |

| | | | | |
|-------------|---|----------|-----|---------------------|
| Category 29 | H-Set 10B, H-Set 6B, H-Set 8B, H-Set 3B | H-Set 3B | N/A | N/B |
| Category 30 | H-Set-10B, H-Set 6B, H-Set 8B, H-Set 3B | H-Set 3B | N/A | H-Set 11B, H-Set 9B |
| Category 31 | H-Set 10C, H-Set 8C, H-Set 6C, H-Set 3C | H-Set 3C | N/A | N/A |
| Category 32 | H-Set 10C, H-Set 8C, H-Set 6C, H-Set 3C | H-Set 3C | N/A | H-Set 11C, H-Set 9C |

NOTE 1: Single link enhanced performance requirements type 3 for categories 29, 30 with $\hat{I}_{or}/I_{oc} = 4$ dB and 8 dB are set according to H-Set 10B.

Single link enhanced performance requirements type 3 for categories 31, 32 with $\hat{I}_{or}/I_{oc} = 4$ dB and 8 dB are set according to H-Set 10C.

Single link enhanced performance requirements type 3 for categories 29, 30 with $\hat{I}_{or}/I_{oc} = 15$ dB and 18 dB are set according to H-Set 8B.

Single link enhanced performance requirements type 3 for categories 31, 32 with $\hat{I}_{or}/I_{oc} = 15$ dB and 18 dB are set according to H-Set 8C.

Single link enhanced performance requirements type 3 for categories 29, 30 with $\hat{I}_{or}/I_{oc} = 10$ dB and $\hat{I}_{or}/I_{oc} = 5$ dB are set according to H-Set 6B.

Single link enhanced performance requirements type 3 for categories 31, 32 with $\hat{I}_{or}/I_{oc} = 10$ dB and $\hat{I}_{or}/I_{oc} = 5$ dB are set according to H-Set 6C.

Single link minimum requirements for categories 29, 30 in other conditions are according to H-Set 3B type 1 enhanced performance requirements.

Single link minimum requirements for categories 31, 32 in other conditions are according to H-Set 3C type 1 enhanced performance requirements.

NOTE 2: Open loop transmit diversity requirements are set according to H-Set 3B type 1 enhanced performance requirements and H-Set 3C type 1 enhanced performance requirements.

NOTE 3: MIMO requirements for categories 30 and 32, with $\hat{I}_{or}/I_{oc} = 6$ and 10 dB are set according to H-Set 9B and H-Set 9C respectively. MIMO requirements for categories 30 and 32, with $\hat{I}_{or}/I_{oc} = 18$ dB are set according to H-Set 11B and H-Set 11C respectively.

NOTE 4: For UE supporting the enhanced performance requirements type 3 for HS-DSCH the requirements for HS-SCCH Type 1 detection for single link are determined in Table TBD and for open loop transmit diversity in Table TBD.

NOTE 5: For UE supporting MIMO for HS-DSCH the requirements for HS-SCCH Type 3 detection are determined in Tables TBD.

NOTE 6: For UE supporting the MIMO only with single-stream restriction the additional minimum requirements for HS-DSCH are given in Table TBD and for HS-SCCH type 3 in Table TBD.

During the Fixed Reference Channel tests the behaviour of the Node-B emulator in response to the ACK/NACK signalling field of the HS-DPCCH is specified in Table 9.2.4:

Table 9.2.4: Node-B Emulator Behaviour in response to ACK/NACK/DTX

| HS-DPCCH ACK/NACK Field State | Node-B Emulator Behaviour |
|-------------------------------|---|
| ACK | ACK: new transmission using 1 st redundancy and constellation version (RV) |
| NACK | NACK: retransmission using the next RV (up to the maximum permitted number or RV's) |
| DTX | DTX: retransmission using the RV previously transmitted to the same H-ARQ process |

NOTE: Performance requirements in this section assume a sufficient power allocation to HS-SCCH_1 so that probability of reporting DTX is very low.

The reference for this requirement is TS 25.101 [1] clauses 9.2.

9.2.1 Single Link Performance

The test cases in the following sections 9.2.1A to 9.2.1I define the Single Link Performance tests for the different H-Sets for the different HS-DSCH Categories as defined in tables 9.2.1, 9.2.2, 9.2.3 and 9.2.3A.

9.2.1A Single Link Performance - QPSK/16QAM, Fixed Reference Channel (FRC) H-Set 1/2/3

9.2.1A.1 Definition and applicability

The receiver single link performance of the High Speed Physical Downlink Shared Channel (HS-DSCH) in different multi-path fading environments are determined by the information bit throughput R.

The requirements and this test apply to Release 5 and later releases for all types of UTRA for the FDD UE that support HSDPA UE capability categories 1 to 6.

9.2.1A.2 Minimum requirements

Requirements for a particular UE belonging to certain HS-DSCH category are determined according to the relevant part of Table 9.2.1.

The requirements are specified in terms of minimum information bit throughput R for the DL reference channels H-set 1/2/3 specified in Annex C.8.1.1, C.8.1.2 and C.8.1.3 respectively, with the addition of the relevant parameters in Tables 9.2.1A.1 and 9.2.1A.3 plus the downlink physical channel setup according to table E.5.1.

Using this configuration the throughput shall meet or exceed the minimum requirements specified in tables 9.2.1A.2 and 9.2.1A.4.

Table 9.2.1A.1: Test Parameters for Testing QPSK FRCs H-Set 1/H-Set 2/H-Set 3

| Parameter | Unit | Test 1 | Test 2 | Test 3 | Test 4 |
|---|--------------|-----------|--------|--------|--------|
| Phase reference | - | P-CPICH | | | |
| I_{oc} | dBm/3.84 MHz | -60 | | | |
| Redundancy and constellation version coding sequence | | {0,2,5,6} | | | |
| Maximum number of HARQ transmission | | 4 | | | |
| NOTE: The HS-SCCH-1 and HS-PDSCH shall be transmitted continuously with constant power. HS-SCCH-1 shall only use the identity of the UE under test for those TTI intended for the UE. | | | | | |

Table 9.2.1A.2: Minimum requirement QPSK, Fixed Reference Channel (FRC) H-Set 1/2/3

| Test Number | Propagation Conditions | Reference value | | |
|-------------|------------------------|---------------------------------|--|---|
| | | HS-PDSCH E_c / I_{or} (dB) | T-put R (kbps) * $\hat{I}_{or} / I_{oc} = 0$ dB | T-put R (kbps) * $\hat{I}_{or} / I_{oc} = 10$ dB |
| 1 | PA3 | -6 | 65 | 309 |
| | | -3 | N/A | 423 |
| 2 | PB3 | -6 | 23 | 181 |
| | | -3 | 138 | 287 |
| 3 | VA30 | -6 | 22 | 190 |
| | | -3 | 142 | 295 |
| 4 | VA120 | -6 | 13 | 181 |
| | | -3 | 140 | 275 |

| | |
|---------|--|
| * | |
| NOTE 1: | The reference value R is for the Fixed Reference Channel (FRC) H-Set 1 |
| NOTE 2: | For Fixed Reference Channel (FRC) H-Set 2 the reference values for R should be scaled (multiplied by 1.5 and rounding to the nearest integer t-put in kbps, where values of $i+1/2$ are rounded up to $i+1$, i integer) |
| NOTE 3: | For Fixed Reference Channel (FRC) H-Set 3 the reference values for R should be scaled (multiplied by 3 and rounding to the nearest integer t-put in kbps, where values of $i+1/2$ are rounded up to $i+1$, i integer) |

Table 9.2.1A.3: Test Parameters for Testing 16QAM FRCs H-Set 1/H-Set 2/H-Set 3

| Parameter | Unit | Test 1 | Test 2 | Test 3 | Test 4 |
|---|--------------|-----------|--------|--------|--------|
| Phase reference | - | P-CPICH | | | |
| I_{oc} | dBm/3.84 MHz | -60 | | | |
| Redundancy and constellation version coding sequence | | {6,2,1,5} | | | |
| Maximum number of HARQ transmission | | 4 | | | |
| NOTE: The HS-SCCH-1 and HS-PDSCH shall be transmitted continuously with constant power. HS-SCCH-1 shall only use the identity of the UE under test for those TTI intended for the UE. | | | | | |

Table 9.2.1A.4: Minimum requirement 16QAM, Fixed Reference Channel (FRC) H-Set 1/2/3

| Test Number | Propagation Conditions | Reference value | |
|---|------------------------|---------------------------------|---|
| | | HS-PDSCH E_c / I_{or} (dB) | T-put R (kbps) * $\hat{I}_{or} / I_{oc} = 10$ dB |
| 1 | PA3 | -6 | 198 |
| | | -3 | 368 |
| 2 | PB3 | -6 | 34 |
| | | -3 | 219 |
| 3 | VA30 | -6 | 47 |
| | | -3 | 214 |
| 4 | VA120 | -6 | 28 |
| | | -3 | 167 |
| *) NOTE 1: The reference value R is for the Fixed Reference Channel (FRC) H-Set 1. NOTE 2: For Fixed Reference Channel (FRC) H-Set 2 the reference values for R should be scaled (multiplied by 1.5 and rounding to the nearest integer t-put in kbps, where values of $i+1/2$ are rounded up to $i+1$, i integer). NOTE 3: For Fixed Reference Channel (FRC) H-Set 3 the reference values for R should be scaled (multiplied by 3 and rounding to the nearest integer t-put in kbps, where values of $i+1/2$ are rounded up to $i+1$, i integer). | | | |

The reference for this requirement is TS 25.101 [1] clauses 9.2.1.1 and 9.2.1.2.

9.2.1A.3 Test purpose

To verify the ability of the receiver to receive a predefined test signal, representing a multi-path fading channel with information bit throughput R not falling below a specified value. The test stresses the multicode reception and channel decoding with incremental redundancy.

9.2.1A.4 Method of test

9.2.1A.4.1 Initial conditions

Test environment: normal; see clauses G.2.1 and G.2.2.

Frequencies to be tested: mid range; see clause G.2.4.

- 1) Connect the SS (node B emulator) and fader and AWGN noise source to the UE antenna connector as shown in figure A.21 for UEs that support receive diversity or figure A.10 for UEs that do not support receive diversity. Note; For a transition period of two meeting cycles until RAN#60, figure A.21 does not need to be used.
- 2) Set up an HSDPA call with looping back 12.2kbps RMC according to TS 34.108 [3] clause 7.3.6 with levels according to table E.5.0.
- 3) Set the node B emulator behaviour according to table 9.2.4. Set the test parameters for tests 1-4 according to tables 9.2.1A.1 and 9.2.1A.3 and levels according to tables 9.2.1A.5 to 9.2.1A.8 as appropriate. The configuration of the downlink channels is defined in table E.5.1.
- 4) The information bit data shall be pseudo random and not repeated before 10 different information bit payload blocks are processed. (e.g. Fixed reference Channel Definition H-set 1 (16 QAM): The information bit payload block is 4664 bits long. Hence the PRBSequence must be at least $4664 * 10$ bits long.) Use a PRBS from ITU-T O.153 Ref [27]
- 5) The SS shall not time the transmission freely. It shall time the transmission strictly according to the reference measurement channels: i.e. Process number i is continued exactly after 6 TTIs.
- 6) Setup the fading simulator with fading conditions as described in table D.2.2.1.A

9.2.1A.4.2 Procedure

- 1) Once the HSDPA connection is setup, change levels according to Tables E.5.6 to E.5.8B as specified by table E.5.9 and start transmitting HSDPA Data.
- 2) For all relevant propagation conditions, for all relevant I_{oc} levels, for all relevant E_c/I_{or} , for all relevant \hat{I}_{or}/I_{oc} , for all relevant H-sets in tables 9.2.1A.5 to 9.2.1A.8 count the number of NACK, ACK and statDTX on the UL HS-DPCCH during the test interval and decide pass or fail according to Annex F.6.3 tables F.6.3.5.2.1 and F.6.3.5.2.2.

9.2.1A.5 Test Requirements

Tables 9.2.1A.5 to 9.2.1A.8 define the primary level settings including test tolerance for all relevant throughput tests. The pass / fail decision for throughput is done according to Annex F.6.3.

Tables E.5.6 to E.5.8B define the secondary and subsequently ranked level settings including test tolerance. As those level settings are not uniform for the throughput tests in this clause, Table E.5.9 indicates which levels are applied, when the primary level settings (E_c/I_{or} and I_{or}/I_{oc}) and propagation conditions (PA3,PB3, VA30, VA 120) vary.

Table 9.2.1A.5: Test Parameters for Testing QPSK FRCs H-Set 1/H-Set 2/H-Set 3

| Parameter | Unit | Test 1 | Test 2 | Test 3 | Test 4 |
|-----------------|--------------|---------------------------------|--------|--------|--------|
| Phase reference | | P-CPICH | | | |
| I_{oc} | dBm/3.84 MHz | -60 (no test tolerance applied) | | | |

Table 9.2.1A.6: Test requirement QPSK, Fixed Reference Channel (FRC) H-Set 1/2/3

| Test Number | Propagation Conditions | Reference value | | |
|-------------|------------------------|-------------------------------|--|---|
| | | HS-PDSCH E_c/I_{or} (dB) | T-put R (kbps) * $\hat{I}_{or}/I_{oc} = 0.6$ dB | T-put R (kbps) * $\hat{I}_{or}/I_{oc} = 10.6$ dB |
| 1 | PA3 | -5.9 | 65 | 309 |
| | | -2.9 | N/A | 423 |
| 2 | PB3 | -5.9 | 23 | 181 |
| | | -2.9 | 138 | 287 |
| 3 | VA30 | -5.9 | 22 | 190 |
| | | -2.9 | 142 | 295 |
| 4 | VA120 | -5.9 | 13 | 181 |
| | | -2.9 | 140 | 275 |

* NOTES: 1) The reference value R is for the Fixed Reference Channel (FRC) H-Set 1
2) For Fixed Reference Channel (FRC) H-Set 2 the reference values for R should be scaled (multiplied by 1.5 and rounding to the nearest integer t-put in kbps, where values of $i+1/2$ are rounded up to $i+1$, i integer)
3) For Fixed Reference Channel (FRC) H-Set 3 the reference values for R should be scaled (multiplied by 3 and rounding to the nearest integer t-put in kbps, where values of $i+1/2$ are rounded up to $i+1$, i integer)

Table 9.2.1A.7: Test Parameters for Testing 16QAM FRCs H-Set 1/H-Set 2/H-Set 3

| Parameter | Unit | Test 1 | Test 2 | Test 3 | Test 4 |
|-----------------|--------------|---------------------------------|--------|---------|--------|
| Phase reference | | | | P-CPICH | |
| I_{oc} | dBm/3.84 MHz | -60 (no test tolerance applied) | | | |

Table 9.2.1A.8: Test requirement 16QAM, Fixed Reference Channel (FRC) H-Set 1/2/3

| Test Number | Propagation Conditions | Reference value | |
|-------------|------------------------|-------------------------------|---|
| | | HS-PDSCH E_c/I_{or} (dB) | T-put R (kbps) * $\hat{I}_{or}/I_{oc} = 10.6$ dB |
| 1 | PA3 | -5.9 | 198 |
| | | -2.9 | 368 |
| 2 | PB3 | -5.9 | 34 |
| | | -2.9 | 219 |
| 3 | VA30 | -5.9 | 47 |
| | | -2.9 | 214 |
| 4 | VA120 | -5.9 | 28 |
| | | -2.9 | 167 |

* NOTES: 1) The reference value R is for the Fixed Reference Channel (FRC) H-Set 1
2) For Fixed Reference Channel (FRC) H-Set 2 the reference values for R should be scaled (multiplied by 1.5 and rounding to the nearest integer t-put in kbps, where values of $i+1/2$ are rounded up to $i+1$, i integer)
3) For Fixed Reference Channel (FRC) H-Set 3 the reference values for R should be scaled (multiplied by 3 and rounding to the nearest integer t-put in kbps, where values of $i+1/2$ are rounded up to $i+1$, i integer)

9.2.1B Single Link Performance - QPSK, Fixed Reference Channel (FRC) H-Set 4/5

9.2.1B.1 Definition and applicability

The receiver single link performance of the High Speed Physical Downlink Shared Channel (HS-DSCH) in different multi-path fading environments are determined by the information bit throughput R.

The requirements and this test apply to Release 5 and later releases for all types of UTRA for the FDD UE that support HSDPA UE capability categories 11 and 12.

9.2.1B.2 Minimum requirements

Requirements for a particular UE belonging to certain HS-DSCH category are determined according to the relevant part of Table 9.2.1.

The requirements are specified in terms of minimum information bit throughput R for the DL reference channels H-set 4/5 specified in Annex C.8.1.4 and C.8.1.5 respectively, with the addition of the relevant parameters in Table 9.2.1B.1 plus the downlink physical channel setup according to table E.5.1.

Using this configuration the throughput shall meet or exceed the minimum requirements specified in Tables 9.2.1B.2 and 9.2.1B.3.

Table 9.2.1B.1: Test Parameters for Testing QPSK FRCs H-Set 4/H-Set 5

| Parameter | Unit | Test 1 | Test 2 | Test 3 | Test 4 |
|--|--------------|--------|--------|-----------|--------|
| Phase reference | | | | P-CPICH | |
| I_{oc} | dBm/3.84 MHz | | | -60 | |
| Redundancy and constellation version coding sequence | | | | {0,2,5,6} | |
| Maximum number of HARQ transmission | | | | 4 | |

NOTE: The HS-SCCH-1 and HS-PDSCH shall be transmitted continuously with constant power. HS-SCCH-1 shall only use the identity of the UE under test for those TTI intended for the UE.

Table 9.2.1B.2: Minimum requirement QPSK, Fixed Reference Channel (FRC) H-Set 4

| Test Number | Propagation Conditions | Reference value | | |
|-------------|------------------------|-------------------------------|--|---|
| | | HS-PDSCH E_c/I_{or} (dB) | T-put R (kbps) * $\hat{I}_{or}/I_{oc} = 0$ dB | T-put R (kbps) * $\hat{I}_{or}/I_{oc} = 10$ dB |
| 1 | PA3 | -6 | 72 | 340 |
| | | -3 | N/A | 439 |
| 2 | PB3 | -6 | 24 | 186 |
| | | -3 | 142 | 299 |
| 3 | VA30 | -6 | 19 | 183 |
| | | -3 | 148 | 306 |
| 4 | VA120 | -6 | 11 | 170 |
| | | -3 | 144 | 284 |

* NOTE: The reference value R is for the Fixed Reference Channel (FRC) H-Set 4

Table 9.2.1B.3: Minimum requirement QPSK, Fixed Reference Channel (FRC) H-Set 5

| Test Number | Propagation Conditions | Reference value | | |
|-------------|------------------------|-------------------------------|--|---|
| | | HS-PDSCH E_c/I_{or} (dB) | T-put R (kbps) * $\hat{I}_{or}/I_{oc} = 0$ dB | T-put R (kbps) * $\hat{I}_{or}/I_{oc} = 10$ dB |
| 1 | PA3 | -6 | 98 | 464 |
| | | -3 | N/A | 635 |
| 2 | PB3 | -6 | 35 | 272 |
| | | -3 | 207 | 431 |
| 3 | VA30 | -6 | 33 | 285 |
| | | -3 | 213 | 443 |
| 4 | VA120 | -6 | 20 | 272 |
| | | -3 | 210 | 413 |

* NOTE: The reference value R is for the Fixed Reference Channel (FRC) H-Set 5

The reference for this requirement is TS 25.101 [1] clauses 9.2.1.3.

9.2.1B.3 Test purpose

To verify the ability of the receiver to receive a predefined test signal, representing a multi-path fading channel with information bit throughput R not falling below a specified value. The test stresses the multicode reception and channel decoding with incremental redundancy.

9.2.1B.4 Method of test

9.2.1B.4.1 Initial conditions

Test environment: normal; see clauses G.2.1 and G.2.2.

Frequencies to be tested: mid range; see clause G.2.4.

- 1) Connect the SS (node B emulator) and fader and AWGN noise source to the UE antenna connector as shown in figure A.21 for UEs that support receive diversity or figure A.10 for UEs that do not support receive diversity. Note; For a transition period of two meeting cycles until RAN#60, figure A.21 does not need to be used.
- 2) Set up an HSDPA call with looping back 12.2kbps RMC according to TS 34.108 [3] clause 7.3.6 with levels according to table E.5.0.
- 3) Set the node B emulator behaviour according to table 9.2.4. Set the test parameters for tests 1-4 according to table 9.2.1B.1 and levels according to tables 9.2.1B.4 to 9.2.1B.6 as appropriate. The configuration of the downlink channels is defined in table E.5.1.
- 4) The information bit data shall be pseudo random and not repeated before 10 different information bit payload blocks are processed. (e.g. Fixed reference Channel Definition H-set 5: The information bit payload block is 3202 bits long. Hence the PRBSequence must be at least $3202 * 10$ bits long.) Use a PRBS from ITU-T O.153 Ref [27]
- 5) The SS shall not time the transmission freely. It shall time the transmission strictly according to the reference measurement channels: i.e. Process number is continued exactly after 6 TTIs.
- 6) Setup the fading simulator with fading conditions as described in table D.2.2.1.A

9.2.1B.4.2 Procedure

- 1) Once the HSDPA connection is setup, change levels according to Tables E.5.6 to E.5.8B as specified by table E.5.9 and start transmitting HSDPA Data.
- 2) For all relevant propagation conditions, for all relevant I_{oc} levels, for all relevant E_c/I_{or} , for all relevant \hat{I}_{or}/I_{oc} , for all relevant H-sets in tables 9.2.1B.4 to 9.2.1B.6 count the number of NACK, ACK and statDTX on the UL HS-DPCCH during the test interval and decide pass or fail according to Annex F.6.3 tables F.6.3.5.2.3 and F.6.3.5.2.4.

9.2.1B.5 Test Requirements

Tables 9.2.1B.4 to 9.2.1B.6 define the primary level settings including test tolerance for all relevant throughput tests. The pass / fail decision for throughput is done according to Annex F.6.3.

Tables E.5.6 to E.5.8B define the secondary and subsequently ranked level settings including test tolerance. As those level settings are not uniform for the throughput tests in this clause, Table E.5.9 indicates which levels are applied, when the primary level settings (E_c/I_{or} and I_{or}/I_{oc}) and propagation conditions (PA3, PB3, VA30, VA 120) vary.

Table 9.2.1B.4: Test Parameters for Testing QPSK FRCs H-Set 4/H-Set 5

| Parameter | Unit | Test 1 | Test 2 | Test 3 | Test 4 |
|-----------------|--------------|---------------------------------|--------|--------|--------|
| Phase reference | | P-CPICH | | | |
| I_{oc} | dBm/3.84 MHz | -60 (no test tolerance applied) | | | |

Table 9.2.1B.5: Test requirement QPSK, Fixed Reference Channel (FRC) H-Set 4

| Test Number | Propagation Conditions | Reference value | | |
|-------------|------------------------|-------------------------------|--|---|
| | | HS-PDSCH E_c/I_{or} (dB) | T-put R (kbps) * $\hat{I}_{or}/I_{oc} = 0.6$ dB | T-put R (kbps) * $\hat{I}_{or}/I_{oc} = 10.6$ dB |
| 1 | PA3 | -5.9 | 72 | 340 |
| | | -2.9 | N/A | 439 |
| 2 | PB3 | -5.9 | 24 | 186 |
| | | -2.9 | 142 | 299 |
| 3 | VA30 | -5.9 | 19 | 183 |
| | | -2.9 | 148 | 306 |
| 4 | VA120 | -5.9 | 11 | 170 |
| | | -2.9 | 144 | 284 |

* NOTE: The reference value R is for the Fixed Reference Channel (FRC) H-Set 4

Table 9.2.1B.6: Test requirement QPSK, Fixed Reference Channel (FRC) H-Set 5

| Test Number | Propagation Conditions | Reference value | | |
|-------------|------------------------|-------------------------------|--|---|
| | | HS-PDSCH E_c/I_{or} (dB) | T-put R (kbps) * $\hat{I}_{or}/I_{oc} = 0.6$ dB | T-put R (kbps) * $\hat{I}_{or}/I_{oc} = 10.6$ dB |
| 1 | PA3 | -5.9 | 98 | 464 |
| | | -2.9 | N/A | 635 |
| 2 | PB3 | -5.9 | 35 | 272 |
| | | -2.9 | 207 | 431 |
| 3 | VA30 | -5.9 | 33 | 285 |
| | | -2.9 | 213 | 443 |
| 4 | VA120 | -5.9 | 20 | 272 |
| | | -2.9 | 210 | 413 |

* NOTES: The reference value R is for the Fixed Reference Channel (FRC) H-Set 5

9.2.1C Single Link Performance - QPSK/16QAM, Fixed Reference Channel (FRC) H-Set 6/3

9.2.1C.1 Definition and applicability

The receiver single link performance of the High Speed Physical Downlink Shared Channel (HS-DSCH) in different multi-path fading environments are determined by the information bit throughput R.

The requirements and this test apply to Release 6 and later releases for all types of UTRA for the FDD UE that support HSDPA UE capability categories 7 - 10 but not supporting the optional enhanced performance requirements types 1, 2, 3 or 3i.

9.2.1C.2 Minimum requirements

Requirements for a particular UE belonging to certain HS-DSCH category are determined according to the relevant part of Table 9.2.1.

The requirements are specified in terms of minimum information bit throughput R for the DL reference channels H-set 6/3 specified in Annex C.8.1.6 and C.8.1.3 respectively, with the addition of the relevant parameters in Tables 9.2.1C.1, 9.2.1C.3, 9.2.1C.5 and 9.2.1C.7 plus the downlink physical channel setup according to table E.5.1.

Using this configuration the throughput shall meet or exceed the minimum requirements specified in Tables 9.2.1C.2, 9.2.1C.4, 9.2.1C.6, and 9.2.1C.8.

Table 9.2.1C.1: Test Parameters for Testing QPSK FRCs H-Set 6

| Parameter | Unit | Test 1 |
|---|--------------|-----------|
| Phase reference | | P-CPICH |
| I_{oc} | dBm/3.84 MHz | -60 |
| Redundancy and constellation version coding sequence | | {0,2,5,6} |
| Maximum number of HARQ transmission | | 4 |
| NOTE: The HS-SCCH-1 and HS-PDSCH shall be transmitted continuously with constant power. HS-SCCH-1 shall only use the identity of the UE under test for those TTI intended for the UE. | | |

Table 9.2.1C.2: Minimum requirement QPSK, Fixed Reference Channel (FRC) H-Set 6

| Test Number | Propagation Conditions | Reference value | |
|-------------|------------------------|-------------------------------|---|
| | | HS-PDSCH E_c/I_{or} (dB) | T-put R (kbps) * $\hat{I}_{or}/I_{oc} = 10$ dB |
| 1 | PA3 | -6 | 1407 |
| | | -3 | 2090 |

Table 9.2.1C.3: Test Parameters for Testing 16QAM FRCs H-Set 6

| Parameter | Unit | Test 1 |
|---|--------------|-----------|
| Phase reference | | P-CPICH |
| I_{oc} | dBm/3.84 MHz | -60 |
| Redundancy and constellation version coding sequence | | {6,2,1,5} |
| Maximum number of HARQ transmission | | 4 |
| NOTE: The HS-SCCH-1 and HS-PDSCH shall be transmitted continuously with constant power. HS-SCCH-1 shall only use the identity of the UE under test for those TTI intended for the UE. | | |

Table 9.2.1C.4: Minimum requirement 16QAM, Fixed Reference Channel (FRC) H-Set 6

| Test Number | Propagation Conditions | Reference value | |
|-------------|------------------------|-------------------------------|---|
| | | HS-PDSCH E_c/I_{or} (dB) | T-put R (kbps) * $\hat{I}_{or}/I_{oc} = 10$ dB |
| 1 | PA3 | -6 | 887 |
| | | -3 | 1664 |

Table 9.2.1C.5: Test Parameters for Testing QPSK FRCs H-Set 3

| Parameter | Unit | Test 2 | Test 3 | Test 4 |
|---|--------------|-----------|--------|--------|
| Phase reference | - | P-CPICH | | |
| I_{oc} | dBm/3.84 MHz | -60 | | |
| Redundancy and constellation version coding sequence | | {0,2,5,6} | | |
| Maximum number of HARQ transmission | | 4 | | |
| NOTE: The HS-SCCH-1 and HS-PDSCH shall be transmitted continuously with constant power. HS-SCCH-1 shall only use the identity of the UE under test for those TTI intended for the UE. | | | | |

Table 9.2.1C.6: Minimum requirement QPSK, Fixed Reference Channel (FRC) H-Set 3

| Test Number | Propagation Conditions | Reference value | | |
|--|------------------------|-------------------------------|--|---|
| | | HS-PDSCH E_c/I_{or} (dB) | T-put R (kbps) * $\hat{I}_{or}/I_{oc} = 0$ dB | T-put R (kbps) * $\hat{I}_{or}/I_{oc} = 10$ dB |
| 2 | PB3 | -6 | 23 | 181 |
| | | -3 | 138 | 287 |
| 3 | VA30 | -6 | 22 | 190 |
| | | -3 | 142 | 295 |
| 4 | VA120 | -6 | 13 | 181 |
| | | -3 | 140 | 275 |
| * NOTES: 1) The reference value R is for the Fixed Reference Channel (FRC) H-Set 1, for Fixed Reference Channel (FRC) H-Set 3 the reference values for R should be scaled (multiplied by 3 and rounding to the nearest integer t-put in kbps, where values of $i+1/2$ are rounded up to $i+1$, i integer) | | | | |

Table 9.2.1C.7: Test Parameters for Testing 16QAM FRCs H-Set 3

| Parameter | Unit | Test 2 | Test 3 | Test 4 |
|---|--------------|-----------|--------|--------|
| Phase reference | - | P-CPICH | | |
| I_{oc} | dBm/3.84 MHz | -60 | | |
| Redundancy and constellation version coding sequence | | {6,2,1,5} | | |
| Maximum number of HARQ transmission | | 4 | | |
| NOTE: The HS-SCCH-1 and HS-PDSCH shall be transmitted continuously with constant power. HS-SCCH-1 shall only use the identity of the UE under test for those TTI intended for the UE. | | | | |

Table 9.2.1C.8: Minimum requirement 16QAM, Fixed Reference Channel (FRC) H-Set 3

| Test Number | Propagation Conditions | Reference value | |
|-------------|------------------------|-------------------------------|---|
| | | HS-PDSCH E_c/I_{or} (dB) | T-put R (kbps) * $\hat{I}_{or}/I_{oc} = 10$ dB |
| 2 | PB3 | -6 | 34 |
| | | -3 | 219 |
| 3 | VA30 | -6 | 47 |
| | | -3 | 214 |
| 4 | VA120 | -6 | 28 |
| | | -3 | 167 |

* NOTES: 1) The reference value R is for the Fixed Reference Channel (FRC) H-Set 1, for Fixed Reference Channel (FRC) H-Set 3 the reference values for R should be scaled (multiplied by 3 and rounding to the nearest integer t-put in kbps, where values of $i+1/2$ are rounded up to $i+1$, i integer)

The reference for this requirement is TS 25.101 [1] clauses 9.2.1.1, 9.2.1.2, 9.2.1.4 and 9.2.1.5.

9.2.1C.3 Test purpose

To verify the ability of the receiver to receive a predefined test signal, representing a multi-path fading channel with information bit throughput R not falling below a specified value. The test stresses the multicode reception and channel decoding with incremental redundancy.

9.2.1C.4 Method of test

9.2.1C.4.1 Initial conditions

Test environment: normal; see clauses G.2.1 and G.2.2.

Frequencies to be tested: mid range; see clause G.2.4.

- 1) Connect the SS (node B emulator) and fader and AWGN noise source to the UE antenna connector as shown in figure A.10.
- 2) Set up an HSDPA call with looping back 12.2kbps RMC according to TS 34.108 [3] clause 7.3.6 with levels according to table E.5.0.
- 3) Set the node B emulator behaviour according to table 9.2.4. Set the test parameters for tests 1-4 according to tables 9.2.1C.1, 9.2.1C.3, 9.2.1C.5 or 9.2.1C.7 and levels according to tables 9.2.1C.9 to 9.2.1C.16 respectively. The configuration of the downlink channels is defined in table E.5.1.
- 4) The information bit data shall be pseudo random and not repeated before 10 different information bit payload blocks are processed. (e.g. Fixed reference Channel Definition H-set 3 (16QAM): The information bit payload block is 4664 bits long. Hence the PRBS sequence must be at least $4664 * 10$ bits long.) Use a PRBS from ITU-T O.153 Ref [27]
- 5) The SS shall not time the transmission freely. It shall time the transmission strictly according to the reference measurement channels: i.e. Process number is continued exactly after 6 TTIs.
- 6) Setup the fading simulator with fading conditions as described in table D.2.2.1.A

9.2.1C.4.2 Procedure

- 1) Once the HSDPA connection is setup, change levels according to Tables E.5.6 to E.5.8B as specified by table E.5.9 and start transmitting HSDPA Data.
- 2) For all relevant propagation conditions, for all relevant I_{oc} levels, for all relevant E_c/I_{or} , for all relevant \hat{I}_{or}/I_{oc} , for all relevant H-sets in tables 9.2.1C.9 to 9.2.1C.16 count the number of NACK, ACK and statDTX on the UL HS-DPCCH during the test interval and decide pass or fail according to Annex F.6.3 tables F.6.3.5.2.1, F.6.3.5.2.2, F.6.3.5.2.5 and F.6.3.5.2.6.

9.2.1C.5 Test Requirements

Tables 9.2.1C.9 to 9.2.1C.16 define the primary level settings including test tolerance for all relevant throughput tests. The pass / fail decision for throughput is done according to Annex F.6.3.

Tables E.5.6 to E.5.8B define the secondary and subsequently ranked level settings including test tolerance. As those level settings are not uniform for the throughput tests in this clause, Table E.5.9 indicates which levels are applied, when the primary level settings (E_c/I_{or} and I_{or}/I_{oc}) and propagation conditions (PA3, PB3, VA30, VA 120) vary.

Table 9.2.1C.9: Test Parameters for Testing QPSK FRCs H-Set 6

| Parameter | Unit | Test 1 |
|-----------------|--------------|---------------------------------|
| Phase reference | | P-CPICH |
| I_{oc} | dBm/3.84 MHz | -60 (no test tolerance applied) |

Table 9.2.1C.10: Test requirement QPSK, Fixed Reference Channel (FRC) H-Set 6

| Test Number | Propagation Conditions | Reference value | |
|-------------|------------------------|---------------------------------|---|
| | | HS-PDSCH E_c / I_{or} (dB) | T-put R (kbps) * $\hat{I}_{or} / I_{oc} = 10.6$ dB |
| 1 | PA3 | -5.9 | 1407 |
| | | -2.9 | 2090 |

Table 9.2.1C.11: Test Parameters for Testing 16QAM FRCs H-Set 6

| Parameter | Unit | Test 1 |
|-----------------|--------------|---------------------------------|
| Phase reference | | P-CPICH |
| I_{oc} | dBm/3.84 MHz | -60 (no test tolerance applied) |

Table 9.2.1C.12: Test requirement 16QAM, Fixed Reference Channel (FRC) H-Set 6

| Test Number | Propagation Conditions | Reference value | |
|-------------|------------------------|---------------------------------|---|
| | | HS-PDSCH E_c / I_{or} (dB) | T-put R (kbps) * $\hat{I}_{or} / I_{oc} = 10.6$ dB |
| 1 | PA3 | -5.9 | 887 |
| | | -2.9 | 1664 |

Table 9.2.1C.13: Test Parameters for Testing QPSK FRCs H-Set 3

| Parameter | Unit | Test 2 | Test 3 | Test 4 |
|-----------------|--------------|---------------------------------|--------|--------|
| Phase reference | | P-CPICH | | |
| I_{oc} | dBm/3.84 MHz | -60 (no test tolerance applied) | | |

Table 9.2.1C.14: Test requirement QPSK, Fixed Reference Channel (FRC) H-Set 3

| Test Number | Propagation Conditions | Reference value | | |
|-------------|------------------------|-------------------------------|--|---|
| | | HS-PDSCH E_c/I_{or} (dB) | T-put R (kbps) * $\hat{I}_{or}/I_{oc} = 0.6$ dB | T-put R (kbps) * $\hat{I}_{or}/I_{oc} = 10.6$ dB |
| 2 | PB3 | -5.9 | 23 | 181 |
| | | -2.9 | 138 | 287 |
| 3 | VA30 | -5.9 | 22 | 190 |
| | | -2.9 | 142 | 295 |
| 4 | VA120 | -5.9 | 13 | 181 |
| | | -2.9 | 140 | 275 |

* NOTES: 1) The reference value R is for the Fixed Reference Channel (FRC) H-Set 1, for Fixed Reference Channel (FRC) H-Set 3 the reference values for R should be scaled (multiplied by 3 and rounding to the nearest integer t-put in kbps, where values of $i+1/2$ are rounded up to $i+1$, i integer)

Table 9.2.1C.15: Test Parameters for Testing 16QAM FRCs H-Set 3

| Parameter | Unit | Test 2 | Test 3 | Test 4 |
|-----------------|--------------|---------------------------------|--------|--------|
| Phase reference | | P-CPICH | | |
| I_{oc} | dBm/3.84 MHz | -60 (no test tolerance applied) | | |

Table 9.2.1C.16: Test requirement 16QAM, Fixed Reference Channel (FRC) H-Set 3

| Test Number | Propagation Conditions | Reference value | |
|-------------|------------------------|-------------------------------|---|
| | | HS-PDSCH E_c/I_{or} (dB) | T-put R (kbps) * $\hat{I}_{or}/I_{oc} = 10.6$ dB |
| 2 | PB3 | -5.9 | 34 |
| | | -2.9 | 219 |
| 3 | VA30 | -5.9 | 47 |
| | | -2.9 | 214 |
| 4 | VA120 | -5.9 | 28 |
| | | -2.9 | 167 |

* NOTES: 1) The reference value R is for the Fixed Reference Channel (FRC) H-Set 1, for Fixed Reference Channel (FRC) H-Set 3 the reference values for R should be scaled (multiplied by 3 and rounding to the nearest integer t-put in kbps, where values of $i+1/2$ are rounded up to $i+1$, i integer)

9.2.1D Single Link Performance - Enhanced Performance Requirements Type 1 - QPSK/16QAM, Fixed Reference Channel (FRC) H-Set 1/2/3

9.2.1D.1 Definition and applicability

The receiver single link performance of the High Speed Physical Downlink Shared Channel (HS-DSCH) in different multi-path fading environments are determined by the information bit throughput R.

The requirements and this test apply for Release 6 and later releases to all types of UTRA for the FDD UE that support: the HSDPA UE capability categories 1 to 6 and the optional enhanced performance requirements type 1.

9.2.1D.2 Minimum requirements

The performance requirements for a particular UE belonging to certain HS-DSCH category and supporting the optional enhanced performance requirements type 1 are determined according to the relevant part of Table 9.2.2.

During the Fixed Reference Channel (FRC) tests the behaviour of the Node-B emulator in response to the ACK/NACK signalling field of the HS-DPCCH is specified in Table 9.2.4.

The requirements are specified in terms of minimum information bit throughput R for the DL reference channels H-set 1/2/3 specified in Annex C.8.1.1, C.8.1.2 and C.8.1.3 respectively, with the addition of the relevant parameters in Tables 9.2.1D.1 and 9.2.1D.3 plus the downlink physical channel setup according to table E.5.1.

Using this configuration the throughput shall meet or exceed the minimum requirements specified in tables 9.2.1D.2 and 9.2.1D.4.

Table 9.2.1D.1: Test Parameters for Testing QPSK FRCs H-Set 1/H-Set 2/H-Set 3

| Parameter | Unit | Test 1 | Test 2 | Test 3 | Test 4 |
|---|--------------|-----------|--------|--------|--------|
| Phase reference | - | P-CPICH | | | |
| I_{oc} | dBm/3.84 MHz | -60 | | | |
| Redundancy and constellation version coding sequence | | {0,2,5,6} | | | |
| Maximum number of HARQ transmission | | 4 | | | |
| NOTE: The HS-SCCH-1 and HS-PDSCH shall be transmitted continuously with constant power. HS-SCCH-1 shall only use the identity of the UE under test for those TTI intended for the UE. | | | | | |

Table 9.2.1D.2: Minimum requirement Enhanced requirement type 1 QPSK, Fixed Reference Channel (FRC) H-Set 1/2/3

| Test Number | Propagation Conditions | Reference value | | |
|--|------------------------|-------------------------------|--|---|
| | | HS-PDSCH E_c/I_{or} (dB) | T-put R (kbps) * $\hat{I}_{or}/I_{oc} = 0$ dB | T-put R (kbps) * $\hat{I}_{or}/I_{oc} = 10$ dB |
| 1 | PA3 | -12 | N/A | 247 |
| | | -9 | N/A | 379 |
| | | -6 | 195 | N/A |
| | | -3 | 329 | N/A |
| 2 | PB3 | -9 | N/A | 195 |
| | | -6 | 156 | 316 |
| | | -3 | 263 | N/A |
| 3 | VA30 | -9 | N/A | 212 |
| | | -6 | 171 | 329 |
| | | -3 | 273 | N/A |
| 4 | VA120 | -9 | N/A | 191 |
| | | -6 | 168 | 293 |
| | | -3 | 263 | N/A |
| * NOTES: 1) The reference value R is for the Fixed Reference Channel (FRC) H-Set 1 2) For Fixed Reference Channel (FRC) H-Set 2 the reference values for R should be scaled (multiplied by 1.5 and rounding to the nearest integer t-put in kbps, where values of $i+1/2$ are rounded up to $i+1$, i integer) 3) For Fixed Reference Channel (FRC) H-Set 3 the reference values for R should be scaled (multiplied by 3 and rounding to the nearest integer t-put in kbps, where values of $i+1/2$ are rounded up to $i+1$, i integer) | | | | |

Table 9.2.1D.3: Test Parameters for Testing 16QAM FRCs H-Set 1/H-Set 2/H-Set 3

| Parameter | Unit | Test 1 | Test 2 | Test 3 | Test 4 |
|---|--------------|-----------|--------|--------|--------|
| Phase reference | - | P-CPICH | | | |
| I_{oc} | dBm/3.84 MHz | -60 | | | |
| Redundancy and constellation version coding sequence | | {6,2,1,5} | | | |
| Maximum number of HARQ transmission | | 4 | | | |
| NOTE: The HS-SCCH-1 and HS-PDSCH shall be transmitted continuously with constant power. HS-SCCH-1 shall only use the identity of the UE under test for those TTI intended for the UE. | | | | | |

Table 9.2.1D.4: Minimum requirement Enhanced requirement type 1 16QAM, Fixed Reference Channel (FRC) H-Set 1/2/3

| Test Number | Propagation Conditions | Reference value | |
|--|------------------------|-------------------------------|---|
| | | HS-PDSCH E_c/I_{or} (dB) | T-put R (kbps) * $\hat{I}_{or}/I_{oc} = 10$ dB |
| 1 | PA3 | -9 | 312 |
| | | -6 | 487 |
| 2 | PB3 | -6 | 275 |
| | | -3 | 408 |
| 3 | VA30 | -6 | 296 |
| | | -3 | 430 |
| 4 | VA120 | -6 | 271 |
| | | -3 | 392 |
| * NOTES: 1) The reference value R is for the Fixed Reference Channel (FRC) H-Set 1 2) For Fixed Reference Channel (FRC) H-Set 2 the reference values for R should be scaled (multiplied by 1.5 and rounding to the nearest integer t-put in kbps, where values of $i+1/2$ are rounded up to $i+1$, i integer) 3) For Fixed Reference Channel (FRC) H-Set 3 the reference values for R should be scaled (multiplied by 3 and rounding to the nearest integer t-put in kbps, where values of $i+1/2$ are rounded up to $i+1$, i integer) | | | |

The reference for this requirement is TS 25.101 [1] clauses 9.2.1.1 and 9.2.1.2.

9.2.1D.3 Test purpose

To verify the ability of the receiver to receive a predefined test signal, representing a multi-path fading channel with information bit throughput R not falling below a specified value. The test stresses the multicode reception and channel decoding with incremental redundancy.

9.2.1D.4 Method of test

9.2.1D.4.1 Initial conditions

Test environment: normal; see clauses G.2.1 and G.2.2.

Frequencies to be tested: mid range; see clause G.2.4.

- 1) Connect the SS (node B emulator) and faders and AWGN noise sources to the UE antenna connectors as shown in figure A.21 for UEs that support receive diversity or figure A.10 for UEs that do not support receive diversity.
- 2) Set up an HSDPA call with looping back 12.2kbps RMC according to TS 34.108 [3] clause 7.3.6 with levels according to table E.5.0.
- 3) Set the node B emulator behaviour according to table 9.2.4. Set the test parameters for tests 1-4 according to table 9.2.1D.1 or 9.2.1D.3 and the levels according to tables 9.2.1D.5 to 9.2.1D.8 as appropriate. The configuration of the downlink channels is defined in table E.5.1.

- 4) The information bit data shall be pseudo random and not repeated before 10 different information bit payload blocks are processed. (e.g. Fixed reference Channel Definition H-set 1 (16 QAM): The information bit payload block is 4664 bits long. Hence the PRBSequence must be at least $4664 * 10$ bits long.) Use a PRBS from ITU-T O.153 Ref [27]
- 5) The SS shall not time the transmission freely. It shall time the transmission strictly according to the reference measurement channels: i.e. Process number i is continued exactly after 6 TTIs.
- 6) Setup the fading simulators with fading conditions as described in table D.2.2.1.A and for UEs that support receive diversity as also described in clause D.2.5.

9.2.1D.4.2 Procedure

- 1) Once the HSDPA connection is setup, change levels according to Tables E.5.6 to E.5.8B as specified by table E.5.9 and start transmitting HSDPA Data.
- 2) For all relevant propagation conditions, for all relevant I_{oc} levels, for all relevant E_c/I_{or} , for all relevant \hat{I}_{or}/I_{oc} , for all relevant H-sets in tables 9.2.1D.5 to 9.2.1D.8 count the number of NACK, ACK and statDTX on the UL HS-DPCCH during the test interval and decide pass or fail according to Annex F.6.3 tables F.6.3.5.2.1A and F.6.3.5.2.2A.

9.2.1D.5 Test Requirements

Tables 9.2.1D.5 to 9.2.1D.8 define the primary level settings including test tolerance for all relevant throughput tests. The pass / fail decision for throughput is done according to Annex F.6.3.

Tables E.5.6 to E.5.8B define the secondary and subsequently ranked level settings including test tolerance. As those level settings are not uniform for the throughput tests in this clause, Table E.5.9 indicates which levels are applied, when the primary level settings (E_c/I_{or} and I_{or}/I_{oc}) and propagation conditions (PA3,PB3, VA30, VA 120) vary.

Table 9.2.1D.5: Test Parameters for Testing QPSK FRCs H-Set 1/H-Set 2/H-Set 3

| Parameter | Unit | Test 1 | Test 2 | Test 3 | Test 4 |
|-----------------|--------------|---------------------------------|--------|--------|--------|
| Phase reference | | P-CPICH | | | |
| I_{oc} | dBm/3.84 MHz | -60 (no test tolerance applied) | | | |

Table 9.2.1D.6: Test requirement enhanced requirement type 1 QPSK, Fixed Reference Channel (FRC) H-Set 1/2/3

| Test Number | Propagation Conditions | Reference value | | |
|-------------|------------------------|-------------------------------|--|---|
| | | HS-PDSCH E_c/I_{or} (dB) | T-put R (kbps) * $\hat{I}_{or}/I_{oc} = 0.6$ dB | T-put R (kbps) * $\hat{I}_{or}/I_{oc} = 10.6$ dB |
| 1 | PA3 | -11.9 | N/A | 247 |
| | | -8.9 | N/A | 379 |
| | | -5.9 | 195 | N/A |
| | | -2.9 | 329 | N/A |
| 2 | PB3 | -8.9 | N/A | 195 |
| | | -5.9 | 156 | 316 |
| | | -2.9 | 263 | N/A |
| 3 | VA30 | -8.9 | N/A | 212 |
| | | -5.9 | 171 | 329 |
| | | -2.9 | 273 | N/A |
| 4 | VA120 | -8.9 | N/A | 191 |
| | | -5.9 | 168 | 293 |
| | | -2.9 | 263 | N/A |

* NOTES: 1) The reference value R is for the Fixed Reference Channel (FRC) H-Set 1
 2) For Fixed Reference Channel (FRC) H-Set 2 the reference values for R should be scaled (multiplied by 1.5 and rounding to the nearest integer t-put in kbps, where values of $i+1/2$ are rounded up to $i+1$, i integer)
 3) For Fixed Reference Channel (FRC) H-Set 3 the reference values for R should be scaled (multiplied by 3 and rounding to the nearest integer t-put in kbps, where values of $i+1/2$ are rounded up to $i+1$, i integer)

Table 9.2.1D.7: Test Parameters for Testing 16QAM FRCs H-Set 1/H-Set 2/H-Set 3

| Parameter | Unit | Test 1 | Test 2 | Test 3 | Test 4 |
|-----------------|--------------|---------------------------------|--------|--------|--------|
| Phase reference | | P-CPICH | | | |
| I_{oc} | dBm/3.84 MHz | -60 (no test tolerance applied) | | | |

Table 9.2.1D.8: Test requirement enhanced requirement type 1 16QAM, Fixed Reference Channel (FRC) H-Set 1/2/3

| Test Number | Propagation Conditions | Reference value | |
|-------------|------------------------|-------------------------------|---|
| | | HS-PDSCH E_c/I_{or} (dB) | T-put R (kbps) * $\hat{I}_{or}/I_{oc} = 10.6$ dB |
| 1 | PA3 | -8.9 | 312 |
| | | -5.9 | 487 |
| 2 | PB3 | -5.9 | 275 |
| | | -2.9 | 408 |
| 3 | VA30 | -5.9 | 296 |
| | | -2.9 | 430 |
| 4 | VA120 | -5.9 | 271 |
| | | -2.9 | 392 |

* NOTES: 1) The reference value R is for the Fixed Reference Channel (FRC) H-Set 1
2) For Fixed Reference Channel (FRC) H-Set 2 the reference values for R should be scaled (multiplied by 1.5 and rounding to the nearest integer t-put in kbps, where values of $i+1/2$ are rounded up to $i+1$, i integer)
3) For Fixed Reference Channel (FRC) H-Set 3 the reference values for R should be scaled (multiplied by 3 and rounding to the nearest integer t-put in kbps, where values of $i+1/2$ are rounded up to $i+1$, i integer)

9.2.1E Single Link Performance - Enhanced Performance Requirements Type 1- QPSK/16QAM, Fixed Reference Channel (FRC) H-Set 6/3

9.2.1E.1 Definition and applicability

The receiver single link performance of the High Speed Physical Downlink Shared Channel (HS-DSCH) in different multi-path fading environments are determined by the information bit throughput R.

The requirements and this test apply for Release 6 and later releases to all types of UTRA for the FDD UE that support: HSDPA UE capability categories 7 - 10; and the optional enhanced performance requirements type 1.

9.2.1E.2 Minimum requirements

The performance requirements for a particular UE belonging to certain HS-DSCH category and supporting the optional enhanced performance requirements type 1 are determined according to the relevant part of Table 9.2.2.

During the Fixed Reference Channel (FRC) tests the behaviour of the Node-B emulator in response to the ACK/NACK signalling field of the HS-DPCCH is specified in Table 9.2.4.

The requirements are specified in terms of minimum information bit throughput R for the DL reference channels H-set 6/3 specified in Annex C.8.1.6 and C.8.1.3 respectively, with the addition of the relevant parameters in Tables 9.2.1E.1, 9.2.1E.3, 9.2.1E.5 and 9.2.1E.7 plus the downlink physical channel setup according to table E.5.1.

Using this configuration the throughput shall meet or exceed the minimum requirements specified in tables 9.2.1E.2, 9.2.1E.4, 9.2.1E.6 and 9.2.1E.8.

Table 9.2.1E.1: Test Parameters for Testing QPSK FRCs H-Set 6

| Parameter | Unit | Test 1 |
|---|--------------|-----------|
| Phase reference | | P-CPICH |
| I_{oc} | dBm/3.84 MHz | -60 |
| Redundancy and constellation version coding sequence | | {0,2,5,6} |
| Maximum number of HARQ transmission | | 4 |
| NOTE: The HS-SCCH-1 and HS-PDSCH shall be transmitted continuously with constant power. HS-SCCH-1 shall only use the identity of the UE under test for those TTI intended for the UE. | | |

Table 9.2.1E.2: Minimum requirement Enhanced requirements type 1 QPSK, Fixed Reference Channel (FRC) H-Set 6

| Test Number | Propagation Conditions | Reference value | |
|-------------|------------------------|-------------------------------|---|
| | | HS-PDSCH E_c/I_{or} (dB) | T-put R (kbps) * $\hat{I}_{or}/I_{oc} = 10$ dB |
| 1 | PA3 | -12 | 672 |
| | | -9 | 1305 |

Table 9.2.1E.3: Test Parameters for Testing 16QAM FRCs H-Set 6

| Parameter | Unit | Test 1 |
|---|--------------|-----------|
| Phase reference | | P-CPICH |
| I_{oc} | dBm/3.84 MHz | -60 |
| Redundancy and constellation version coding sequence | | {6,2,1,5} |
| Maximum number of HARQ transmission | | 4 |
| NOTE: The HS-SCCH-1 and HS-PDSCH shall be transmitted continuously with constant power. HS-SCCH-1 shall only use the identity of the UE under test for those TTI intended for the UE. | | |

Table 9.2.1E.4: Minimum requirement Enhanced requirements type 1 16QAM, Fixed Reference Channel (FRC) H-Set 6

| Test Number | Propagation Conditions | Reference value | |
|-------------|------------------------|-------------------------------|---|
| | | HS-PDSCH E_c/I_{or} (dB) | T-put R (kbps) * $\hat{I}_{or}/I_{oc} = 10$ dB |
| 1 | PA3 | -9 | 912 |
| | | -6 | 1730 |

Table 9.2.1E.5: Test Parameters for Testing QPSK FRCs H-Set 3

| Parameter | Unit | Test 2 | Test 3 | Test 4 |
|---|--------------|-----------|--------|--------|
| Phase reference | | P-CPICH | | |
| I_{oc} | dBm/3.84 MHz | -60 | | |
| Redundancy and constellation version coding sequence | | {0,2,5,6} | | |
| Maximum number of HARQ transmission | | 4 | | |
| NOTE: The HS-SCCH-1 and HS-PDSCH shall be transmitted continuously with constant power. HS-SCCH-1 shall only use the identity of the UE under test for those TTI intended for the UE. | | | | |

**Table 9.2.1E.6: Minimum requirement Enhanced requirement type 1 QPSK,
Fixed Reference Channel (FRC) H-Set 3**

| Test Number | Propagation Conditions | Reference value | | |
|-------------|------------------------|-------------------------------|--|---|
| | | HS-PDSCH E_c/I_{or} (dB) | T-put R (kbps) * $\hat{I}_{or}/I_{oc} = 0$ dB | T-put R (kbps) * $\hat{I}_{or}/I_{oc} = 10$ dB |
| 2 | PB3 | -9 | N/A | 195 |
| | | -6 | 156 | 316 |
| | | -3 | 263 | N/A |
| 3 | VA30 | -9 | N/A | 212 |
| | | -6 | 171 | 329 |
| | | -3 | 273 | N/A |
| 4 | VA120 | -9 | N/A | 191 |
| | | -6 | 168 | 293 |
| | | -3 | 263 | N/A |

* NOTES: 1) The reference value R is for the Fixed Reference Channel (FRC) H-Set 1, for Fixed Reference Channel (FRC) H-Set 3 the reference values for R should be scaled (multiplied by 3 and rounding to the nearest integer t-put in kbps, where values of $i+1/2$ are rounded up to $i+1$, i integer)

Table 9.2.1E.7: Test Parameters for Testing 16QAM FRCs H-Set 3

| Parameter | Unit | Test 2 | Test 3 | Test 4 |
|--|--------------|-----------|--------|--------|
| Phase reference | | P-CPICH | | |
| I_{oc} | dBm/3.84 MHz | -60 | | |
| Redundancy and constellation version coding sequence | | {6,2,1,5} | | |
| Maximum number of HARQ transmission | | 4 | | |

NOTE: The HS-SCCH-1 and HS-PDSCH shall be transmitted continuously with constant power. HS-SCCH-1 shall only use the identity of the UE under test for those TTI intended for the UE.

**Table 9.2.1E.8: Minimum requirement Enhanced requirement type 1 16QAM,
Fixed Reference Channel (FRC) H-Set 3**

| Test Number | Propagation Conditions | Reference value | |
|-------------|------------------------|-------------------------------|---|
| | | HS-PDSCH E_c/I_{or} (dB) | T-put R (kbps) * $\hat{I}_{or}/I_{oc} = 10$ dB |
| 2 | PB3 | -6 | 275 |
| | | -3 | 408 |
| 3 | VA30 | -6 | 296 |
| | | -3 | 430 |
| 4 | VA120 | -6 | 271 |
| | | -3 | 392 |

* NOTES: 1) The reference value R is for the Fixed Reference Channel (FRC) H-Set 1, for Fixed Reference Channel (FRC) H-Set 3 the reference values for R should be scaled (multiplied by 3 and rounding to the nearest integer t-put in kbps, where values of $i+1/2$ are rounded up to $i+1$, i integer)

The reference for this requirement is TS 25.101 [1] clauses 9.2.1.1, 9.2.1.2, 9.2.1.4, and 9.2.1.5.

9.2.1E.3 Test purpose

To verify the ability of the receiver to receive a predefined test signal, representing a multi-path fading channel with information bit throughput R not falling below a specified value. The test stresses the multicode reception and channel decoding with incremental redundancy.

9.2.1E.4 Method of test

9.2.1E.4.1 Initial conditions

Test environment: normal; see clauses G.2.1 and G.2.2.

Frequencies to be tested: mid range; see clause G.2.4.

- 1) The SS (node B emulator) and faders and AWGN noise sources to the UE antenna connectors as shown in figure A.21 for UEs that support receive diversity or figure A.10 for UEs that do not support receive diversity.
- 2) Set up an HSDPA call with looping back 12.2kbps RMC according to TS 34.108 [3] clause 7.3.6 with levels according to table E.5.0.
- 3) Set the node B emulator behaviour according to table 9.2.4. Set the test parameters for tests 1-4 according to table 9.2.1E.1, 9.2.1E.3 or 9.2.1E.5 and levels according to tables 9.2.1E.9 to 9.2.1E.16 as appropriate. The configuration of the downlink channels is defined in table E.5.1.
- 4) The information bit data shall be pseudo random and not repeated before 10 different information bit payload blocks are processed. (e.g. Fixed reference Channel Definition H-set 3 (16 QAM): The information bit payload block is 4664 bits long. Hence the PRBSequence must be at least $4664 * 10$ bits long.) Use a PRBS from ITU-T O.153 Ref [27]
- 5) The SS shall not time the transmission freely. It shall time the transmission strictly according to the reference measurement channels: i.e. Process number i is continued exactly after 6 TTIs.
- 6) Setup the fading simulators with fading conditions as described in table D.2.2.1.A and for UEs that support receive diversity as also described in clause D.2.5.

9.2.1E.4.2 Procedure

- 1) Once the HSDPA connection is setup, change levels according to Tables E.5.6 to E.5.8B as specified by table E.5.9 and start transmitting HSDPA Data.
- 2) For all relevant propagation conditions, for all relevant I_{oc} levels, for all relevant E_c/I_{or} , for all relevant \hat{I}_{or}/I_{oc} , for all relevant H-sets in tables 9.2.1E.9 to 9.2.1E.16 count the number of NACK, ACK and statDTX on the UL HS-DPCCH during the test interval and decide pass or fail according to Annex F.6.3 tables F.6.3.5.2.1A, F.6.3.5.2.2A, F.6.3.5.2.5A and F.6.3.5.2.6A.

9.2.1E.5 Test Requirements

Tables 9.2.1E.9 to 9.2.1E.16 define the primary level settings including test tolerance for all relevant throughput tests. The pass / fail decision for throughput is done according to Annex F.6.3.

Tables E.5.6 to E.5.8B define the secondary and subsequently ranked level settings including test tolerance. As those level settings are not uniform for the throughput tests in this clause, Table E.5.9 indicates which levels are applied, when the primary level settings (E_c/I_{or} and I_{or}/I_{oc}) and propagation conditions (PA3, PB3, VA30, VA 120) vary.

Table 9.2.1E.9: Test Parameters for Testing QPSK FRCs H-Set 6

| Parameter | Unit | Test 1 |
|-----------------|--------------|---------------------------------|
| Phase reference | | P-CPICH |
| I_{oc} | dBm/3.84 MHz | -60 (no test tolerance applied) |

Table 9.2.1E.10: Test requirement enhanced requirements type 1 QPSK, Fixed Reference Channel (FRC) H-Set 6

| Test Number | Propagation Conditions | Reference value | |
|-------------|------------------------|-------------------------------|---|
| | | HS-PDSCH E_c/I_{or} (dB) | T-put R (kbps) * $\hat{I}_{or}/I_{oc} = 10.6$ dB |
| 1 | PA3 | -11.9 | 672 |
| | | -8.9 | 1305 |

Table 9.2.1E.11: Test Parameters for Testing 16QAM FRCs H-Set 6

| Parameter | Unit | Test 1 |
|-----------------|--------------|---------------------------------|
| Phase reference | | P-CPICH |
| I_{oc} | dBm/3.84 MHz | -60 (no test tolerance applied) |

Table 9.2.1E.12: Test requirement enhanced requirements type 1 16QAM, Fixed Reference Channel (FRC) H-Set 6

| Test Number | Propagation Conditions | Reference value | |
|-------------|------------------------|-------------------------------|---|
| | | HS-PDSCH E_c/I_{or} (dB) | T-put R (kbps) * $\hat{I}_{or}/I_{oc} = 10.6$ dB |
| 1 | PA3 | -8.9 | 912 |
| | | -5.9 | 1730 |

Table 9.2.1E.13: Test Parameters for Testing QPSK FRCs H-Set 3

| Parameter | Unit | Test 2 | Test 3 | Test 4 |
|-----------------|--------------|---------------------------------|---------|--------|
| Phase reference | | | P-CPICH | |
| I_{oc} | dBm/3.84 MHz | -60 (no test tolerance applied) | | |

Table 9.2.1E.14: Test requirement enhanced requirement type 1 QPSK, Fixed Reference Channel (FRC) H-Set 3

| Test Number | Propagation Conditions | Reference value | | |
|-------------|------------------------|-------------------------------|--|---|
| | | HS-PDSCH E_c/I_{or} (dB) | T-put R (kbps) * $\hat{I}_{or}/I_{oc} = 0.6$ dB | T-put R (kbps) * $\hat{I}_{or}/I_{oc} = 10.6$ dB |
| 2 | PB3 | -8.9 | N/A | 195 |
| | | -5.9 | 156 | 316 |
| | | -2.9 | 263 | N/A |
| 3 | VA30 | -8.9 | N/A | 212 |
| | | -5.9 | 171 | 329 |
| | | -2.9 | 273 | N/A |
| 4 | VA120 | -8.9 | N/A | 191 |
| | | -5.9 | 168 | 293 |
| | | -2.9 | 263 | N/A |

* NOTES: 1) The reference value R is for the Fixed Reference Channel (FRC) H-Set 1, for Fixed Reference Channel (FRC) H-Set 3 the reference values for R should be scaled (multiplied by 3 and rounding to the nearest integer t-put in kbps, where values of $i+1/2$ are rounded up to $i+1$, i integer)

Table 9.2.1E.15: Test Parameters for Testing 16QAM FRCs H-Set 3

| Parameter | Unit | Test 2 | Test 3 | Test 4 |
|-----------------|--------------|---------------------------------|---------|--------|
| Phase reference | | | P-CPICH | |
| I_{oc} | dBm/3.84 MHz | -60 (no test tolerance applied) | | |

Table 9.2.1E.16: Test requirement enhanced requirement type 1 16QAM, Fixed Reference Channel (FRC) H-Set 3

| Test Number | Propagation Conditions | Reference value | |
|-------------|------------------------|-------------------------------|---|
| | | HS-PDSCH E_c/I_{or} (dB) | T-put R (kbps) * $\hat{I}_{or}/I_{oc} = 10.6$ dB |
| 2 | PB3 | -5.9 | 275 |
| | | -2.9 | 408 |
| 3 | VA30 | -5.9 | 296 |
| | | -2.9 | 430 |
| 4 | VA120 | -5.9 | 271 |
| | | -2.9 | 392 |

* NOTES: 1)The reference value R is for the Fixed Reference Channel (FRC) H-Set 1, for Fixed Reference Channel (FRC) H-Set 3 the reference values for R should be scaled (multiplied by 3 and rounding to the nearest integer t-put in kbps, where values of $i+1/2$ are rounded up to $i+1$, i integer)

9.2.1F Single Link Performance - Enhanced Performance Requirements Type 2 - QPSK/16QAM, Fixed Reference Channel (FRC) H-Set 6/3

9.2.1F.1 Definition and applicability

The receiver single link performance of the High Speed Physical Downlink Shared Channel (HS-DSCH) in different multi-path fading environments are determined by the information bit throughput R.

The requirements and this test apply for Release 6 and later releases to all types of UTRA for the FDD UE that support: HSDPA UE capability categories 7 - 10 and the optional enhanced performance requirements type 2 or type 3 or type 3i.

The requirements and this test apply also for Release 7 and later releases to all types of UTRA for the FDD UE that support: HSDPA UE capability categories 13-14.

9.2.1F.2 Minimum requirements

The performance requirements for a particular UE belonging to a certain HS-DSCH category and supporting the optional enhanced performance requirements type 2 are determined according to the relevant part of Table 9.2.3.

During the Fixed Reference Channel (FRC) tests the behaviour of the Node-B emulator in response to the ACK/NACK signalling field of the HS-DPCCH is specified in Table 9.2.4.

The requirements are specified in terms of minimum information bit throughput R for the DL reference channels H-set 6/3 specified in Annex C.8.1.6 and C.8.1.3 respectively, with the addition of the relevant parameters in Tables 9.2.1F.1, 9.2.1F.3 and 9.2.1F.5 plus the downlink physical channel setup according to table E.5.1.

Using this configuration the throughput shall meet or exceed the minimum requirements specified in tables 9.2.1F.2, 9.2.1F.4 and 9.2.1F.6.

Table 9.2.1F.1: Test Parameters for Testing QPSK FRCs H-Set 6

| Parameter | Unit | Test 1 | Test 2 | Test 3 | Test 4 |
|---|--------------|-----------|--------|--------|--------|
| Phase reference | | P-CPICH | | | |
| I_{oc} | dBm/3.84 MHz | -60 | | | |
| Redundancy and constellation version coding sequence | | {0,2,5,6} | | | |
| Maximum number of HARQ transmission | | 4 | | | |
| NOTE: The HS-SCCH-1 and HS-PDSCH shall be transmitted continuously with constant power. HS-SCCH-1 shall only use the identity of the UE under test for those TTI intended for the UE. | | | | | |

Table 9.2.1F.2: Minimum requirement Enhanced requirement type 2 QPSK, Fixed Reference Channel (FRC) H-Set 6

| Test Number | Propagation Conditions | Reference value | |
|-------------|------------------------|-------------------------------|---|
| | | HS-PDSCH E_c/I_{or} (dB) | T-put R (kbps) * $\hat{I}_{or}/I_{oc} = 10$ dB |
| 1 | PA3 | -6 | 1494 |
| | | -3 | 2153 |
| 2 | PB3 | -6 | 1038 |
| | | -3 | 1744 |
| 3 | VA30 | -6 | 1142 |
| | | -3 | 1782 |
| 4 | VA120 | -6 | 909 |
| | | -3 | 1467 |

Table 9.2.1F.3: Test Parameters for Testing 16QAM FRCs H-Set 6

| Parameter | Unit | Test 1 | Test 2 | Test 3 | Test 4 |
|---|--------------|-----------|--------|--------|--------|
| Phase reference | | P-CPICH | | | |
| I_{oc} | dBm/3.84 MHz | -60 | | | |
| Redundancy and constellation version coding sequence | | {6,2,1,5} | | | |
| Maximum number of HARQ transmission | | 4 | | | |
| NOTE: The HS-SCCH-1 and HS-PDSCH shall be transmitted continuously with constant power. HS-SCCH-1 shall only use the identity of the UE under test for those TTI intended for the UE. | | | | | |

Table 9.2.1F.4: Minimum requirement Enhanced requirement type 2 16QAM, Fixed Reference Channel (FRC) H-Set 6

| Test Number | Propagation Conditions | Reference value | |
|-------------|------------------------|-------------------------------|---|
| | | HS-PDSCH E_c/I_{or} (dB) | T-put R (kbps) * $\hat{I}_{or}/I_{oc} = 10$ dB |
| 1 | PA3 | -6 | 991 |
| | | -3 | 1808 |
| 2 | PB3 | -6 | 465 |
| | | -3 | 1370 |
| 3 | VA30 | -6 | 587 |
| | | -3 | 1488 |
| 4 | VA120 | -6 | 386 |
| | | -3 | 1291 |

Table 9.2.1F.5: Test Parameters for Testing QPSK FRCs H-Set 3

| Parameter | Unit | Test 1 | Test 2 | Test 3 | Test 4 |
|---|--------------|-----------|--------|--------|--------|
| Phase reference | | P-CPICH | | | |
| I_{oc} | dBm/3.84 MHz | -60 | | | |
| Redundancy and constellation version coding sequence | | {0,2,5,6} | | | |
| Maximum number of HARQ transmission | | 4 | | | |
| NOTE: The HS-SCCH-1 and HS-PDSCH shall be transmitted continuously with constant power. HS-SCCH-1 shall only use the identity of the UE under test for those TTI intended for the UE. | | | | | |

Table 9.2.1F.6: Minimum requirement Enhanced requirement type 2 QPSK, Fixed Reference Channel (FRC) H-Set 3

| Test Number | Propagation Conditions | Reference value | | |
|-------------|------------------------|-------------------------------|--|---|
| | | HS-PDSCH E_c/I_{or} (dB) | T-put R (kbps) * $\hat{I}_{or}/I_{oc} = 0$ dB | T-put R (kbps) * $\hat{I}_{or}/I_{oc} = 10$ dB |
| 1 | PA3 | -6 | 65 | N/A |
| | | -3 | N/A | N/A |
| 2 | PB3 | -6 | 23 | N/A |
| | | -3 | 138 | N/A |
| 3 | VA30 | -6 | 22 | N/A |
| | | -3 | 142 | N/A |
| 4 | VA120 | -6 | 13 | N/A |
| | | -3 | 140 | N/A |

* NOTES: 1) The reference value R is for the Fixed Reference Channel (FRC) H-Set 1, for Fixed Reference Channel (FRC) H-Set 3 the reference values for R should be scaled (multiplied by 3 and rounding to the nearest integer t-put in kbps, where values of $i+1/2$ are rounded up to $i+1$, i integer)
2) For UE supporting enhanced performance requirement type 2 and condition $\hat{I}_{or}/I_{oc} = 10$ dB this is tested using the Fixed Reference Channel (FRC) H-Set 6.

NOTE: Table 9.2.1F.6 is based on core requirements for minimum requirement as explained in Table 9.2.3.

The reference for this requirement is TS 25.101 [1] clauses 9.2.1.1, 9.2.1.2, 9.2.1.4, and 9.2.1.5.

9.2.1F.3 Test purpose

To verify the ability of the receiver to receive a predefined test signal, representing a multi-path fading channel with information bit throughput R not falling below a specified value. The test stresses the multicode reception and channel decoding with incremental redundancy.

9.2.1F.4 Method of test

9.2.1F.4.1 Initial conditions

Test environment: normal; see clauses G.2.1 and G.2.2.

Frequencies to be tested: mid range; see clause G.2.4.

- 1) Connect the SS (node B emulator) and fader and AWGN noise source to the UE antenna connector as shown in figure A.10 for UEs that do not support receive diversity and for UEs supporting Type 3 or 3i, or figure A.21 for non-Type3 or 3i UEs that support receive diversity.

NOTE: For a transition period of two meeting cycles until RAN#60, figure A.21 does not need to be used.

- 2) Set up an HSDPA call with looping back 12.2kbps RMC according to TS 34.108 [3] clause 7.3.6 with levels according to table E.5.0.
- 3) Set the node B emulator behaviour according to table 9.2.4. Set the test parameters for tests 1-4 according to table 9.2.1F.1, 9.2.1F.3 or 9.2.1F.5 and levels according to tables 9.2.1F.7 to 9.2.1F.12 as appropriate. The configuration of the downlink channels is defined in table E.5.1.
- 4) The information bit data shall be pseudo random and not repeated before 10 different information bit payload blocks are processed. (e.g. Fixed reference Channel Definition H-set 6 (16 QAM): The information bit payload block is 9377 bits long. Hence the PRBS sequence must be at least $9377 * 10$ bits long.) Use a PRBS from ITU-T O.153 Ref [27]
- 5) The SS shall not time the transmission freely. It shall time the transmission strictly according to the reference measurement channels: i.e. Process number is continued exactly after 6 TTIs.
- 6) Setup the fading simulator with fading conditions as described in table D.2.2.1.A.

9.2.1F.4.2 Procedure

- 1) Once the HSDPA connection is setup, change levels according to Tables E.5.6 to E.5.8B as specified by table E.5.9 and start transmitting HSDPA Data.
- 2) For all relevant propagation conditions, for all relevant I_{oc} levels, for all relevant E_c/I_{or} , for all relevant \hat{I}_{or}/I_{oc} , for all relevant H-sets in tables 9.2.1F.7 to 9.2.1F.12 count the number of NACK, ACK and statDTX on the UL HS-DPCCH during the test interval and decide pass or fail according to Annex F.6.3 tables F.6.3.5.2.1, F.6.3.5.2.5B and F.6.3.5.2.6B.

9.2.1F.5 Test Requirements

Tables 9.2.1F.7 to 9.2.1F.12 define the primary level settings including test tolerance for all relevant throughput tests. The pass / fail decision for throughput is done according to Annex F.6.3.

Tables E.5.6 to E.5.8B define the secondary and subsequently ranked level settings including test tolerance. As those level settings are not uniform for the throughput tests in this clause, Table E.5.9 indicates which levels are applied, when the primary level settings (E_c/I_{or} and I_{or}/I_{oc}) and propagation conditions (PA3,PB3, VA30, VA 120) vary.

Table 9.2.1F.7: Test Parameters for Testing QPSK FRCs H-Set 6

| Parameter | Unit | Test 1 | Test 2 | Test 3 | Test 4 |
|-----------------|--------------|---------------------------------|--------|--------|--------|
| Phase reference | | P-CPICH | | | |
| I_{oc} | dBm/3.84 MHz | -60 (no test tolerance applied) | | | |

Table 9.2.1F.8: Test requirement enhanced requirement type 2 QPSK, Fixed Reference Channel (FRC) H-Set 6

| Test Number | Propagation Conditions | Reference value | |
|-------------|------------------------|-------------------------------|---|
| | | HS-PDSCH E_c/I_{or} (dB) | T-put R (kbps) * $\hat{I}_{or}/I_{oc} = 10.6$ dB |
| 1 | PA3 | -5.9 | 1494 |
| | | -2.9 | 2153 |
| 2 | PB3 | -5.9 | 1038 |
| | | -2.9 | 1744 |
| 3 | VA30 | -5.9 | 1142 |
| | | -2.9 | 1782 |
| 4 | VA120 | -5.9 | 909 |
| | | -2.9 | 1467 |

Table 9.2.1F.9: Test Parameters for Testing 16QAM FRCs H-Set 6

| Parameter | Unit | Test 1 | Test 2 | Test 3 | Test 4 |
|-----------------|--------------|---------------------------------|--------|--------|--------|
| Phase reference | | P-CPICH | | | |
| I_{oc} | dBm/3.84 MHz | -60 (no test tolerance applied) | | | |

Table 9.2.1F.10: Test requirement enhanced requirement type 2 16QAM, Fixed Reference Channel (FRC) H-Set 6

| Test Number | Propagation Conditions | Reference value | |
|-------------|------------------------|-------------------------------|---|
| | | HS-PDSCH E_c/I_{or} (dB) | T-put R (kbps) * $\hat{I}_{or}/I_{oc} = 10.6$ dB |
| 1 | PA3 | -5.9 | 991 |
| | | -2.9 | 1808 |
| 2 | PB3 | -5.9 | 465 |
| | | -2.9 | 1370 |
| 3 | VA30 | -5.9 | 587 |
| | | -2.9 | 1488 |
| 4 | VA120 | -5.9 | 386 |
| | | -2.9 | 1291 |

Table 9.2.1F.11: Test Parameters for Testing QPSK FRCs H-Set 3

| Parameter | Unit | Test 1 | Test 2 | Test 3 | Test 4 |
|-----------------|--------------|---------------------------------|--------|--------|--------|
| Phase reference | | P-CPICH | | | |
| I_{oc} | dBm/3.84 MHz | -60 (no test tolerance applied) | | | |

Table 9.2.1F.12: Test requirement QPSK, Fixed Reference Channel (FRC) H-Set 3

| Test Number | Propagation Conditions | Reference value | | |
|-------------|------------------------|-------------------------------|--|---|
| | | HS-PDSCH E_c/I_{or} (dB) | T-put R (kbps) * $\hat{I}_{or}/I_{oc} = 0.6$ dB | T-put R (kbps) * $\hat{I}_{or}/I_{oc} = 10.6$ dB |
| 1 | PA3 | -5.9 | 65 | N/A |
| | | -2.9 | N/A | N/A |
| 2 | PB3 | -5.9 | 23 | N/A |
| | | -2.9 | 138 | N/A |
| 3 | VA30 | -5.9 | 22 | N/A |
| | | -2.9 | 142 | N/A |
| 4 | VA120 | -5.9 | 13 | N/A |
| | | -2.9 | 140 | N/A |

* NOTES: 1) The reference value R is for the Fixed Reference Channel (FRC) H-Set 1, for Fixed Reference Channel (FRC) H-Set 3 the reference values for R should be scaled (multiplied by 3 and rounding to the nearest integer t-put in kbps, where values of $i+1/2$ are rounded up to $i+1$, i integer)
2) For UE supporting enhanced performance requirement type 2 and condition $\hat{I}_{or}/I_{oc} = 10$ dB this is tested using the Fixed Reference Channel (FRC) H-Set 6.

9.2.1FA Single Link Performance - Enhanced Performance Requirements Type 2 - QPSK/16QAM, Fixed Reference Channel (FRC) H-Set 6A/3A

9.2.1FA.1 Definition and applicability

The receiver single link performance of the High Speed Physical Downlink Shared Channel (HS-DSCH) in different multi-path fading environments are determined by the information bit throughput R.

The requirements and this test apply for Release 8 and later releases to all types of UTRA for the FDD UE that support: HSDPA UE capability categories 21 - 24 but not supporting Dual band operation.

9.2.1FA.2 Minimum requirements

The performance requirements for a particular UE belonging to HS-DSCH categories 21- 24 are determined according to the relevant part of Table 9.2.3C.

During the Fixed Reference Channel (FRC) tests the behaviour of the Node-B emulator in response to the ACK/NACK signalling field of the HS-DPCCH is specified in Table 9.2.4.

The requirements are specified in terms of minimum information bit throughput R for the DL reference channels H-set 6A/3A specified in Annex C.8.1.6 and C.8.1.3 respectively, with the addition of the relevant parameters in Tables 9.2.1FA.1, 9.2.1FA.3 and 9.2.1FA.5 plus the downlink physical channel setup according to table E.5.1.

Using this configuration the throughput shall meet or exceed the minimum requirements specified in tables 9.2.1FA.2, 9.2.1FA.4 and 9.2.1FA.6.

Table 9.2.1FA.1: Test Parameters for Testing QPSK FRCs H-Set 6A

| Parameter | Unit | Test 1 | Test 2 | Test 3 | Test 4 |
|---|--------------|-----------|--------|--------|--------|
| Phase reference | | P-CPICH | | | |
| I_{oc} | dBm/3.84 MHz | -60 | | | |
| Redundancy and constellation version coding sequence | | {0,2,5,6} | | | |
| Maximum number of HARQ transmission | | 4 | | | |
| NOTE: The HS-SCCH-1 and HS-PDSCH shall be transmitted continuously with constant power. HS-SCCH-1 shall only use the identity of the UE under test for those TTI intended for the UE. | | | | | |

Table 9.2.1FA.2: Minimum requirement Enhanced requirement type 2 QPSK, Fixed Reference Channel (FRC) H-Set 6A

| Test Number | Propagation Conditions | Reference value | |
|---|------------------------|-------------------------------|---|
| | | HS-PDSCH E_c/I_{or} (dB) | T-put R (kbps) * $\hat{I}_{or}/I_{oc} = 10$ dB |
| 1 | PA3 | -6 | 1494 |
| | | -3 | 2153 |
| 2 | PB3 | -6 | 1038 |
| | | -3 | 1744 |
| 3 | VA30 | -6 | 1142 |
| | | -3 | 1782 |
| 4 | VA120 | -6 | 909 |
| | | -3 | 1467 |
| *NOTE 1: The reference value R is for the Fixed Reference Channel (FRC) H-Set 6 | | | |
| *NOTE 2: For Fixed Reference Channel (FRC) H-Set 6A the reference values for R should be scaled (multiplied by 2.0) | | | |

Table 9.2.1FA.3: Test Parameters for Testing 16QAM FRCs H-Set 6A

| Parameter | Unit | Test 1 | Test 2 | Test 3 | Test 4 |
|---|--------------|-----------|--------|--------|--------|
| Phase reference | | P-CPICH | | | |
| I_{oc} | dBm/3.84 MHz | -60 | | | |
| Redundancy and constellation version coding sequence | | {6,2,1,5} | | | |
| Maximum number of HARQ transmission | | 4 | | | |
| NOTE: The HS-SCCH-1 and HS-PDSCH shall be transmitted continuously with constant power. HS-SCCH-1 shall only use the identity of the UE under test for those TTI intended for the UE. | | | | | |

Table 9.2.1FA.4: Minimum requirement Enhanced requirement type 2 16QAM, Fixed Reference Channel (FRC) H-Set 6A

| Test Number | Propagation Conditions | Reference value | |
|---|------------------------|-------------------------------|---|
| | | HS-PDSCH E_c/I_{or} (dB) | T-put R (kbps) * $\hat{I}_{or}/I_{oc} = 10$ dB |
| 1 | PA3 | -6 | 991 |
| | | -3 | 1808 |
| 2 | PB3 | -6 | 465 |
| | | -3 | 1370 |
| 3 | VA30 | -6 | 587 |
| | | -3 | 1488 |
| 4 | VA120 | -6 | 386 |
| | | -3 | 1291 |
| *NOTE 1: The reference value R is for the Fixed Reference Channel (FRC) H-Set 6 | | | |
| *NOTE 2: For Fixed Reference Channel (FRC) H-Set 6A the reference values for R should be scaled (multiplied by 2.0) | | | |

Table 9.2.1FA.5: Test Parameters for Testing QPSK FRCs H-Set 3A

| Parameter | Unit | Test 1 | Test 2 | Test 3 | Test 4 |
|---|--------------|-----------|--------|--------|--------|
| Phase reference | | P-CPICH | | | |
| I_{oc} | dBm/3.84 MHz | -60 | | | |
| Redundancy and constellation version coding sequence | | {0,2,5,6} | | | |
| Maximum number of HARQ transmission | | 4 | | | |
| NOTE: The HS-SCCH-1 and HS-PDSCH shall be transmitted continuously with constant power. HS-SCCH-1 shall only use the identity of the UE under test for those TTI intended for the UE. | | | | | |

Table 9.2.1FA.6: Minimum requirement Enhanced requirement type 2 QPSK, Fixed Reference Channel (FRC) H-Set 3A

| Test Number | Propagation Conditions | Reference value | | |
|---|------------------------|-------------------------------|--|---|
| | | HS-PDSCH E_c/I_{or} (dB) | T-put R (kbps) * $\hat{I}_{or}/I_{oc} = 0$ dB | T-put R (kbps) * $\hat{I}_{or}/I_{oc} = 10$ dB |
| 1 | PA3 | -6 | 65 | N/A |
| | | -3 | N/A | N/A |
| 2 | PB3 | -6 | 23 | N/A |
| | | -3 | 138 | N/A |
| 3 | VA30 | -6 | 22 | N/A |
| | | -3 | 142 | N/A |
| 4 | VA120 | -6 | 13 | N/A |
| | | -3 | 140 | N/A |
| *NOTE 1: The reference value R is for the Fixed Reference Channel (FRC) H-Set 1, For Fixed Reference Channel (FRC) H-Set 3A the reference values for R should be scaled (multiplied by 6.0) | | | | |
| *NOTE 2: For UE supporting enhanced performance requirement type 2 and condition $\hat{I}_{or}/I_{oc} = 10$ dB this is tested using the Fixed Reference Channel (FRC) H-Set 6A. | | | | |

NOTE: Table 9.2.1FA.6 is based on core requirements for minimum requirement as explained in Table 9.2.3C.

The reference for this requirement is TS 25.101 [1] clauses 9.2.1.1, 9.2.1.2, 9.2.1.4, and 9.2.1.5.

9.2.1FA.3 Test purpose

To verify the ability of the receiver to receive a predefined test signal, representing a multi-path fading channel with information bit throughput R not falling below a specified value. The test stresses the multicode reception and channel decoding with incremental redundancy.

9.2.1FA.4 Method of test

9.2.1FA.4.1 Initial conditions

Test environment: normal; see clauses G.2.1 and G.2.2.

Frequencies to be tested: mid range; see clause G.2.4.

- 1) Connect the SS (node B emulator) and fader and AWGN noise source to the UE antenna connector as shown in figure A.35 for UEs that do not support receive diversity and for UEs supporting Type 3 or 3i, or figure A.37 for non-Type3 or 3i UEs that support receive diversity. Note; For a transition period of two meeting cycles until RAN#60, figure A.37 does not need to be used.
- 2) Set up an HSDPA call according to TS 34.108 [3] clause 7.3.13 with levels according to table E.5.0.
- 3) Set the node B emulator behaviour according to table 9.2.4. Set the test parameters for tests 1-4 according to table 9.2.1FA.1, 9.2.1FA.3 or 9.2.1FA.5 and levels according to tables 9.2.1FA.7 to 9.2.1FA.12 as appropriate for both the serving HS-DSCH cell and secondary serving HS-DSCH cell.. The configuration of the downlink channels is defined in table E.5.1 for the serving HS-DSCH cell, and for secondary serving HS-DSCH cell set up P-CPICH, HS-PDSCH and HS-SCCH channels only per table E.5.1.

- 4) The information bit data shall be pseudo random and not repeated before 10 different information bit payload blocks are processed. (e.g. Fixed reference Channel Definition H-set 6 (16 QAM): The information bit payload block is 9377 bits long. Hence the PRBSequence must be at least $9377 * 10$ bits long.) Use a PRBS from ITU-T O.153 Ref [27]
- 5) The SS shall not time the transmission freely. It shall time the transmission strictly according to the reference measurement channels: i.e. Process number is continued exactly after 6 TTIs.
- 6) Setup the fading simulator with fading conditions on each of the serving cells as described in table D.2.2.1.A.

9.2.1FA.4.2 Procedure

- 1) Once the HSDPA connection is setup, change levels according to Tables E.5.6 to E.5.8B as specified by table E.5.9 and start transmitting HSDPA Data on both the serving cells. For secondary serving HS-DSCH cell only P-CPICH, HS-PDSCH and HS-SCCH are configured.
- 2) For all relevant propagation conditions, for all relevant I_{oc} levels, for all relevant E_c/I_{or} , for all relevant \hat{I}_{or}/I_{oc} , for all relevant H-sets in tables 9.2.1FA.7 to 9.2.1FA.12 count the number of NACK, ACK and statDTX on the UL HS-DPCCH during the test interval on both the cells and decide pass or fail according to Annex F.6.3 tables F.6.3.5.2.1, F.6.3.5.2.5B and F.6.3.5.2.6B. Throughput shall be measured per cell and compared to requirements in these tables.

9.2.1FA.5 Test Requirements

Tables 9.2.1FA.7 to 9.2.1FA.12 define the primary level settings including test tolerance for all relevant throughput tests. The pass / fail decision for throughput is done according to Annex F.6.3.

Tables E.5.6 to E.5.8B define the secondary and subsequently ranked level settings including test tolerance to be applied on both the serving cells. As those level settings are not uniform for the throughput tests in this clause, Table E.5.9 indicates which levels are applied, when the primary level settings (E_c/I_{or} and I_{or}/I_{oc}) and propagation conditions (PA3,PB3, VA30, VA 120) vary.

Table 9.2.1FA.7: Test Parameters for Testing QPSK FRCs H-Set 6A

| Parameter | Unit | Test 1 | Test 2 | Test 3 | Test 4 |
|-----------------|--------------|---------------------------------|--------|--------|--------|
| Phase reference | | P-CPICH | | | |
| I_{oc} | dBm/3.84 MHz | -60 (no test tolerance applied) | | | |

Table 9.2.1FA.8: Test requirement enhanced requirement type 2 QPSK, Fixed Reference Channel (FRC) H-Set 6A

| Test Number | Propagation Conditions | Reference value | |
|-------------|------------------------|-------------------------------|---|
| | | HS-PDSCH E_c/I_{or} (dB) | T-put R (kbps) * $\hat{I}_{or}/I_{oc} = 10.6$ dB |
| 1 | PA3 | -5.9 | 1494 |
| | | -2.9 | 2153 |
| 2 | PB3 | -5.9 | 1038 |
| | | -2.9 | 1744 |
| 3 | VA30 | -5.9 | 1142 |
| | | -2.9 | 1782 |
| 4 | VA120 | -5.9 | 909 |
| | | -2.9 | 1467 |

*NOTE 1: The reference value R is for the Fixed Reference Channel (FRC) H-Set 6
*NOTE 2: For Fixed Reference Channel (FRC) H-Set 6A the reference values for R should be scaled (multiplied by 2.0). The throughput on each cell should be Reference value R.

Table 9.2.1FA.9: Test Parameters for Testing 16QAM FRCs H-Set 6A

| Parameter | Unit | Test 1 | Test 2 | Test 3 | Test 4 |
|-----------------|--------------|---------------------------------|--------|--------|--------|
| Phase reference | | P-CPICH | | | |
| I_{oc} | dBm/3.84 MHz | -60 (no test tolerance applied) | | | |

Table 9.2.1FA.10: Test requirement enhanced requirement type 2 16QAM, Fixed Reference Channel (FRC) H-Set 6A

| Test Number | Propagation Conditions | Reference value | |
|-------------|------------------------|-------------------------------|---|
| | | HS-PDSCH E_c/I_{or} (dB) | T-put R (kbps) * $\hat{I}_{or}/I_{oc} = 10.6$ dB |
| 1 | PA3 | -5.9 | 991 |
| | | -2.9 | 1808 |
| 2 | PB3 | -5.9 | 465 |
| | | -2.9 | 1370 |
| 3 | VA30 | -5.9 | 587 |
| | | -2.9 | 1488 |
| 4 | VA120 | -5.9 | 386 |
| | | -2.9 | 1291 |

*NOTE 1: The reference value R is for the Fixed Reference Channel (FRC) H-Set 6

*NOTE 2: For Fixed Reference Channel (FRC) H-Set 6A the reference values for R should be scaled (multiplied by 2.0). The throughput on each cell should be Reference value R.

Table 9.2.1FA.11: Test Parameters for Testing QPSK FRCs H-Set 3A

| Parameter | Unit | Test 1 | Test 2 | Test 3 | Test 4 |
|-----------------|--------------|---------------------------------|--------|--------|--------|
| Phase reference | | P-CPICH | | | |
| I_{oc} | dBm/3.84 MHz | -60 (no test tolerance applied) | | | |

Table 9.2.1FA.12: Test requirement QPSK, Fixed Reference Channel (FRC) H-Set 3A

| Test Number | Propagation Conditions | Reference value | | |
|-------------|------------------------|-------------------------------|--|---|
| | | HS-PDSCH E_c/I_{or} (dB) | T-put R (kbps) * $\hat{I}_{or}/I_{oc} = 0.6$ dB | T-put R (kbps) * $\hat{I}_{or}/I_{oc} = 10.6$ dB |
| 1 | PA3 | -5.9 | 65 | N/A |
| | | -2.9 | N/A | N/A |
| 2 | PB3 | -5.9 | 23 | N/A |
| | | -2.9 | 138 | N/A |
| 3 | VA30 | -5.9 | 22 | N/A |
| | | -2.9 | 142 | N/A |
| 4 | VA120 | -5.9 | 13 | N/A |
| | | -2.9 | 140 | N/A |

*NOTE 1: The reference value R is for the Fixed Reference Channel (FRC) H-Set 1, For Fixed Reference Channel (FRC) H-Set 3A the reference values for R should be scaled (multiplied by 6.0). The throughput on each cell should be Reference value R times 3.

*NOTE 2: For UE supporting enhanced performance requirement type 2 and condition $\hat{I}_{or}/I_{oc} = 10$ dB this is tested using the Fixed Reference Channel (FRC) H-Set 6A.

9.2.1FB Single Link Performance - Enhanced Performance Requirements Type 2 - QPSK/16QAM, Fixed Reference Channel (FRC) H-Set 6A/3A for DB-DC-HSDPA

9.2.1FB.1 Definition and applicability

The receiver single link performance of the High Speed Physical Downlink Shared Channel (HS-DSCH) in different multi-path fading environments are determined by the information bit throughput R.

The requirements and this test apply for Release 9 and later releases to all types of UTRA for the FDD UE that support DB-DC-HSDPA and HSDPA UE capability categories 21-24.

9.2.1FB.2 Minimum requirements

The performance requirements for a particular UE belonging to HS-DSCH categories 21- 24 are determined according to the relevant part of Table 9.2.3C.

During the Fixed Reference Channel (FRC) tests the behaviour of the Node-B emulator in response to the ACK/NACK signalling field of the HS-DPCCH is specified in Table 9.2.4.

The requirements are specified in terms of minimum information bit throughput R for the DL reference channels H-set 6A/3A specified in Annex C.8.1.6 and C.8.1.3 respectively, with the addition of the relevant parameters in Tables 9.2.1FB.1, 9.2.1FB.3 and 9.2.1FB.5 plus the downlink physical channel setup according to table E.5.1.

Using this configuration the throughput shall meet or exceed the minimum requirements specified in tables 9.2.1FB.2, 9.2.1FB.4 and 9.2.1FB.6.

Table 9.2.1FB.1: Test Parameters for Testing QPSK FRCs H-Set 6A

| Parameter | Unit | Test 1 | Test 2 | Test 3 | Test 4 |
|---|--------------|-----------|--------|--------|--------|
| Phase reference | | P-CPICH | | | |
| I_{oc} | dBm/3.84 MHz | -60 | | | |
| Redundancy and constellation version coding sequence | | {0,2,5,6} | | | |
| Maximum number of HARQ transmission | | 4 | | | |
| NOTE: The HS-SCCH-1 and HS-PDSCH shall be transmitted continuously with constant power. HS-SCCH-1 shall only use the identity of the UE under test for those TTI intended for the UE. | | | | | |

**Table 9.2.1FB.2: Minimum requirement Enhanced requirement type 2 QPSK,
Fixed Reference Channel (FRC) H-Set 6A**

| Test Number | Propagation Conditions | Reference value | |
|---|------------------------|----------------------------|---|
| | | HS-PDSCH E_c/I_{or} (dB) | T-put R (kbps) * $\hat{I}_{or}/I_{oc} = 10$ dB |
| 1 | PA3 | -6 | 1494 |
| | | -3 | 2153 |
| 2 | PB3 | -6 | 1038 |
| | | -3 | 1744 |
| 3 | VA30 | -6 | 1142 |
| | | -3 | 1782 |
| 4 | VA120 | -6 | 909 |
| | | -3 | 1467 |
| *NOTE 1: The reference value R is for the Fixed Reference Channel (FRC) H-Set 6 | | | |
| *NOTE 2: For Fixed Reference Channel (FRC) H-Set 6A the reference values for R should be scaled (multiplied by 2.0) | | | |

Table 9.2.1FB.3: Test Parameters for Testing 16QAM FRCs H-Set 6A

| Parameter | Unit | Test 1 | Test 2 | Test 3 | Test 4 |
|---|--------------|-----------|--------|--------|--------|
| Phase reference | | P-CPICH | | | |
| I_{oc} | dBm/3.84 MHz | -60 | | | |
| Redundancy and constellation version coding sequence | | {6,2,1,5} | | | |
| Maximum number of HARQ transmission | | 4 | | | |
| NOTE: The HS-SCCH-1 and HS-PDSCH shall be transmitted continuously with constant power. HS-SCCH-1 shall only use the identity of the UE under test for those TTI intended for the UE. | | | | | |

Table 9.2.1FB.4: Minimum requirement Enhanced requirement type 2 16QAM, Fixed Reference Channel (FRC) H-Set 6A

| Test Number | Propagation Conditions | Reference value | |
|---|------------------------|---------------------------------|---|
| | | HS-PDSCH E_c / I_{or} (dB) | T-put R (kbps) * $\hat{I}_{or} / I_{oc} = 10$ dB |
| 1 | PA3 | -6 | 991 |
| | | -3 | 1808 |
| 2 | PB3 | -6 | 465 |
| | | -3 | 1370 |
| 3 | VA30 | -6 | 587 |
| | | -3 | 1488 |
| 4 | VA120 | -6 | 386 |
| | | -3 | 1291 |
| *NOTE 1: The reference value R is for the Fixed Reference Channel (FRC) H-Set 6 | | | |
| *NOTE 2: For Fixed Reference Channel (FRC) H-Set 6A the reference values for R should be scaled (multiplied by 2.0) | | | |

Table 9.2.1FB.5: Test Parameters for Testing QPSK FRCs H-Set 3A

| Parameter | Unit | Test 1 | Test 2 | Test 3 | Test 4 |
|---|--------------|-----------|--------|--------|--------|
| Phase reference | | P-CPICH | | | |
| I_{oc} | dBm/3.84 MHz | -60 | | | |
| Redundancy and constellation version coding sequence | | {0,2,5,6} | | | |
| Maximum number of HARQ transmission | | 4 | | | |
| NOTE: The HS-SCCH-1 and HS-PDSCH shall be transmitted continuously with constant power. HS-SCCH-1 shall only use the identity of the UE under test for those TTI intended for the UE. | | | | | |

Table 9.2.1FB.6: Minimum requirement Enhanced requirement type 2 QPSK, Fixed Reference Channel (FRC) H-Set 3A

| Test Number | Propagation Conditions | Reference value | | |
|-------------|------------------------|-------------------------------|--|---|
| | | HS-PDSCH E_c/I_{or} (dB) | T-put R (kbps) * $\hat{I}_{or}/I_{oc} = 0$ dB | T-put R (kbps) * $\hat{I}_{or}/I_{oc} = 10$ dB |
| 1 | PA3 | -6 | 65 | N/A |
| | | -3 | N/A | N/A |
| 2 | PB3 | -6 | 23 | N/A |
| | | -3 | 138 | N/A |
| 3 | VA30 | -6 | 22 | N/A |
| | | -3 | 142 | N/A |
| 4 | VA120 | -6 | 13 | N/A |
| | | -3 | 140 | N/A |

*NOTE 1: The reference value R is for the Fixed Reference Channel (FRC) H-Set 1, For Fixed Reference Channel (FRC) H-Set 3A the reference values for R should be scaled (multiplied by 6.0)

*NOTE 2: For UE supporting enhanced performance requirement type 2 and condition $\hat{I}_{or}/I_{oc} = 10$ dB this is tested using the Fixed Reference Channel (FRC) H-Set 6A.

NOTE: Table 9.2.1FB.6 is based on core requirements for minimum requirement as explained in Table 9.2.3C.

The reference for this requirement is TS 25.101 [1] clauses 9.2.1.1, 9.2.1.2, 9.2.1.4, and 9.2.1.5.

9.2.1FB.3 Test purpose

To verify the ability of the receiver to receive a predefined test signal, representing a multi-path fading channel with information bit throughput R not falling below a specified value. The test stresses the multicode reception and channel decoding with incremental redundancy.

9.2.1FB.4 Method of test

9.2.1FB.4.1 Initial conditions

Test environment: normal; see clauses G.2.1 and G.2.2.

Frequencies to be tested: mid range; see clause G.2.4.

- 1) Connect the SS (node B emulator) and fader and AWGN noise source to the UE antenna connector as shown in figure A.35 for UEs that do not support receive diversity and for UEs supporting Type 3 or 3i, or figure A.37 for non-Type3 or 3i UEs that support receive diversity. Note; For a transition period of two meeting cycles until RAN#60, figure A.37 does not need to be used.
- 2) Set up an HSDPA call according to TS 34.108 [3] clause 7.3.13 with levels according to table E.5.0. 3) Set the node B emulator behaviour according to table 9.2.4. Set the test parameters for tests 1-4 according to table 9.2.1FB.1, 9.2.1FB.3 or 9.2.1FB.5 and levels according to tables 9.2.1FB.7 to 9.2.1FB.12 as appropriate for both the serving HS-DSCH cell and secondary serving HS-DSCH cell. The primary and secondary serving cells are set on different bands according to DB-DC-HSDPA configurations defined in Section 4.2. The configuration of the downlink channels is defined in table E.5.1 for the serving HS-DSCH cell, and for secondary serving HS-DSCH cell set up P-CPICH, HS-PDSCH and HS-SCCH channels only per table E.5.1.
- 4) The information bit data shall be pseudo random and not repeated before 10 different information bit payload blocks are processed. (e.g. Fixed reference Channel Definition H-set 6 (16 QAM): The information bit payload block is 9377 bits long. Hence the PRBS sequence must be at least $9377 * 10$ bits long.) Use a PRBS from ITU-T O.153 Ref [27].
- 5) The SS shall not time the transmission freely. It shall time the transmission strictly according to the reference measurement channels: i.e. Process number is continued exactly after 6 TTIs.
- 6) Setup the fading simulator with fading conditions on each of the serving cells as described in table D.2.2.1.A.

9.2.1FB.4.2 Procedure

- 1) Once the HSDPA connection is setup, change levels according to Tables E.5.6 to E.5.8B as specified by table E.5.9 and start transmitting HSDPA Data on both the serving cells. For secondary serving HS-DSCH cell only P-CPICH, HS-PDSCH and HS-SCCH are configured.
- 2) For all relevant propagation conditions, for all relevant I_{oc} levels, for all relevant E_c/I_{or} , for all relevant \hat{I}_{or}/I_{oc} , for all relevant H-sets in tables 9.2.1FB.7 to 9.2.1FB.12 count the number of NACK, ACK and statDTX on the UL HS-DPCCH during the test interval on both the cells and decide pass or fail according to Annex F.6.3 tables F.6.3.5.2.1, F.6.3.5.2.5B and F.6.3.5.2.6B. Throughput shall be measured per cell and compared to requirements in these tables.

9.2.1FB.5 Test Requirements

Tables 9.2.1FB.7 to 9.2.1FB.12 define the primary level settings including test tolerance for all relevant throughput tests. The pass / fail decision for throughput is done according to Annex F.6.3.

Tables E.5.6 to E.5.8B define the secondary and subsequently ranked level settings including test tolerance to be applied on both the serving cells. As those level settings are not uniform for the throughput tests in this clause, Table E.5.9 indicates which levels are applied, when the primary level settings (E_c/I_{or} and I_{or}/I_{oc}) and propagation conditions (PA3,PB3, VA30, VA 120) vary.

Table 9.2.1FB.7: Test Parameters for Testing QPSK FRCs H-Set 6A

| Parameter | Unit | Test 1 | Test 2 | Test 3 | Test 4 |
|-----------------|--------------|---------------------------------|--------|--------|--------|
| Phase reference | | P-CPICH | | | |
| I_{oc} | dBm/3.84 MHz | -60 (no test tolerance applied) | | | |

Table 9.2.1FB.8: Test requirement enhanced requirement type 2 QPSK, Fixed Reference Channel (FRC) H-Set 6A

| Test Number | Propagation Conditions | Reference value | |
|-------------|------------------------|-------------------------------|---|
| | | HS-PDSCH E_c/I_{or} (dB) | T-put R (kbps) * $\hat{I}_{or}/I_{oc} = 10.6$ dB |
| 1 | PA3 | -5.9 | 1494 |
| | | -2.9 | 2153 |
| 2 | PB3 | -5.9 | 1038 |
| | | -2.9 | 1744 |
| 3 | VA30 | -5.9 | 1142 |
| | | -2.9 | 1782 |
| 4 | VA120 | -5.9 | 909 |
| | | -2.9 | 1467 |

*NOTE 1: The reference value R is for the Fixed Reference Channel (FRC) H-Set 6

*NOTE 2: For Fixed Reference Channel (FRC) H-Set 6A the reference values for R should be scaled (multiplied by 2.0). The throughput on each cell should be Reference value R .

Table 9.2.1FB.9: Test Parameters for Testing 16QAM FRCs H-Set 6A

| Parameter | Unit | Test 1 | Test 2 | Test 3 | Test 4 |
|-----------------|--------------|---------------------------------|--------|--------|--------|
| Phase reference | | P-CPICH | | | |
| I_{oc} | dBm/3.84 MHz | -60 (no test tolerance applied) | | | |

Table 9.2.1FB.10: Test requirement enhanced requirement type 2 16QAM, Fixed Reference Channel (FRC) H-Set 6A

| Test Number | Propagation Conditions | Reference value | |
|-------------|------------------------|-------------------------------|---|
| | | HS-PDSCH E_c/I_{or} (dB) | T-put R (kbps) * $\hat{I}_{or}/I_{oc} = 10.6$ dB |
| 1 | PA3 | -5.9 | 991 |
| | | -2.9 | 1808 |
| 2 | PB3 | -5.9 | 465 |
| | | -2.9 | 1370 |
| 3 | VA30 | -5.9 | 587 |
| | | -2.9 | 1488 |
| 4 | VA120 | -5.9 | 386 |
| | | -2.9 | 1291 |

*NOTE 1: The reference value R is for the Fixed Reference Channel (FRC) H-Set 6
*NOTE 2: For Fixed Reference Channel (FRC) H-Set 6A the reference values for R should be scaled (multiplied by 2.0). The throughput on each cell should be Reference value R.

Table 9.2.1FB.11: Test Parameters for Testing QPSK FRCs H-Set 3A

| Parameter | Unit | Test 1 | Test 2 | Test 3 | Test 4 |
|-----------------|--------------|---------------------------------|--------|--------|--------|
| Phase reference | | P-CPICH | | | |
| I_{oc} | dBm/3.84 MHz | -60 (no test tolerance applied) | | | |

Table 9.2.1FB.12: Test requirement QPSK, Fixed Reference Channel (FRC) H-Set 3A

| Test Number | Propagation Conditions | Reference value | | |
|-------------|------------------------|-------------------------------|--|---|
| | | HS-PDSCH E_c/I_{or} (dB) | T-put R (kbps) * $\hat{I}_{or}/I_{oc} = 0.6$ dB | T-put R (kbps) * $\hat{I}_{or}/I_{oc} = 10.6$ dB |
| 1 | PA3 | -5.9 | 65 | N/A |
| | | -2.9 | N/A | N/A |
| 2 | PB3 | -5.9 | 23 | N/A |
| | | -2.9 | 138 | N/A |
| 3 | VA30 | -5.9 | 22 | N/A |
| | | -2.9 | 142 | N/A |
| 4 | VA120 | -5.9 | 13 | N/A |
| | | -2.9 | 140 | N/A |

*NOTE 1: The reference value R is for the Fixed Reference Channel (FRC) H-Set 1, For Fixed Reference Channel (FRC) H-Set 3A the reference values for R should be scaled (multiplied by 6.0). The throughput on each cell should be Reference value R times 3.
*NOTE 2: For UE supporting enhanced performance requirement type 2 and condition $\hat{I}_{or}/I_{oc} = 10$ dB this is tested using the Fixed Reference Channel (FRC) H-Set 6A.

9.2.1FC Single Link Performance - Enhanced Performance Requirements Type 2 - QPSK/16QAM, Fixed Reference Channel (FRC) H-Set 6B/3B

9.2.1FC.1 Definition and applicability

The receiver single link performance of the High Speed Physical Downlink Shared Channel (HS-DSCH) in different multi-path fading environments are determined by the information bit throughput R.

The requirements and this test apply for Release 10 and later releases to all types of UTRA for the FDD UE that support 4C-HSDPA and HSDPA UE capability category 29.

9.2.1FC.2 Minimum requirements

The performance requirements for a particular UE belonging to HS-DSCH category 29 are determined according to the relevant part of Table 9.2.3F.

During the Fixed Reference Channel (FRC) tests the behaviour of the Node-B emulator in response to the ACK/NACK signalling field of the HS-DPCCH is specified in Table 9.2.4.

The requirements are specified in terms of minimum information bit throughput R for the DL reference channels H-set 6B/3B specified in Annex C.8.1.6 and C.8.1.3 respectively, with the addition of the relevant parameters in Tables 9.2.1FC.1, 9.2.1FC.3 and 9.2.1FC.5 plus the downlink physical channel setup according to table E.5.1.

Using this configuration the throughput shall meet or exceed the minimum requirements specified in tables 9.2.1FC.2, 9.2.1FC.4 and 9.2.1FC.6.

Table 9.2.1FC.1: Test Parameters for Testing QPSK FRCs H-Set 6B

| Parameter | Unit | Test 1 | Test 2 | Test 3 | Test 4 |
|--|---|-----------|--------|--------|--------|
| Phase reference | | P-CPICH | | | |
| I_{oc} | dBm/3.84 MHz | -60 | | | |
| Redundancy and constellation version coding sequence | | {0,2,5,6} | | | |
| Maximum number of HARQ transmission | | 4 | | | |
| NOTE: | The HS-SCCH-1 and HS-PDSCH shall be transmitted continuously with constant power. HS-SCCH-1 shall only use the identity of the UE under test for those TTI intended for the UE. | | | | |

Table 9.2.1FC.2: Minimum requirement Enhanced requirement type 2 QPSK, Fixed Reference Channel (FRC) H-Set 6B

| Test Number | Propagation Conditions | Reference value | |
|---|------------------------|---------------------------------|---|
| | | HS-PDSCH E_c / I_{or} (dB) | T-put R (kbps) * $\hat{I}_{or} / I_{oc} = 10$ dB |
| 1 | PA3 | -6 | 1494 |
| | | -3 | 2153 |
| 2 | PB3 | -6 | 1038 |
| | | -3 | 1744 |
| 3 | VA30 | -6 | 1142 |
| | | -3 | 1782 |
| 4 | VA120 | -6 | 909 |
| | | -3 | 1467 |
| *NOTE 1: The reference value R is for the Fixed Reference Channel (FRC) H-Set 6 | | | |
| *NOTE 2: For Fixed Reference Channel (FRC) H-Set 6B the reference values for R should be scaled (multiplied by 3.0) | | | |

Table 9.2.1FC.3: Test Parameters for Testing 16QAM FRCs H-Set 6B

| Parameter | Unit | Test 1 | Test 2 | Test 3 | Test 4 |
|--|---|-----------|--------|--------|--------|
| Phase reference | | P-CPICH | | | |
| I_{oc} | dBm/3.84 MHz | -60 | | | |
| Redundancy and constellation version coding sequence | | {6,2,1,5} | | | |
| Maximum number of HARQ transmission | | 4 | | | |
| NOTE: | The HS-SCCH-1 and HS-PDSCH shall be transmitted continuously with constant power. HS-SCCH-1 shall only use the identity of the UE under test for those TTI intended for the UE. | | | | |

Table 9.2.1FC.4: Minimum requirement Enhanced requirement type 2 16QAM, Fixed Reference Channel (FRC) H-Set 6B

| Test Number | Propagation Conditions | Reference value | |
|-------------|------------------------|-------------------------------|---|
| | | HS-PDSCH E_c/I_{or} (dB) | T-put R (kbps) * $\hat{I}_{or}/I_{oc} = 10$ dB |
| 1 | PA3 | -6 | 991 |
| | | -3 | 1808 |
| 2 | PB3 | -6 | 465 |
| | | -3 | 1370 |
| 3 | VA30 | -6 | 587 |
| | | -3 | 1488 |
| 4 | VA120 | -6 | 386 |
| | | -3 | 1291 |

*NOTE 1: The reference value R is for the Fixed Reference Channel (FRC) H-Set 6
*NOTE 2: For Fixed Reference Channel (FRC) H-Set 6B the reference values for R should be scaled (multiplied by 3.0)

Table 9.2.1FC.5: Test Parameters for Testing QPSK FRCs H-Set 3B

| Parameter | Unit | Test 1 | Test 2 | Test 3 | Test 4 |
|--|--------------|-----------|--------|--------|--------|
| Phase reference | | P-CPICH | | | |
| I_{oc} | dBm/3.84 MHz | -60 | | | |
| Redundancy and constellation version coding sequence | | {0,2,5,6} | | | |
| Maximum number of HARQ transmission | | 4 | | | |

NOTE: The HS-SCCH-1 and HS-PDSCH shall be transmitted continuously with constant power. HS-SCCH-1 shall only use the identity of the UE under test for those TTI intended for the UE.

Table 9.2.1FC.6: Minimum requirement Enhanced requirement type 2 QPSK, Fixed Reference Channel (FRC) H-Set 3B

| Test Number | Propagation Conditions | Reference value | | |
|-------------|------------------------|-------------------------------|--|---|
| | | HS-PDSCH E_c/I_{or} (dB) | T-put R (kbps) * $\hat{I}_{or}/I_{oc} = 0$ dB | T-put R (kbps) * $\hat{I}_{or}/I_{oc} = 10$ dB |
| 1 | PA3 | -6 | 65 | N/A |
| | | -3 | N/A | N/A |
| 2 | PB3 | -6 | 23 | N/A |
| | | -3 | 138 | N/A |
| 3 | VA30 | -6 | 22 | N/A |
| | | -3 | 142 | N/A |
| 4 | VA120 | -6 | 13 | N/A |
| | | -3 | 140 | N/A |

*NOTE 1: For Fixed Reference Channel (FRC) H-Set 3B the reference values for R should be scaled (multiplied by 9)
*NOTE 2: For UE supporting enhanced performance requirement type 2 and condition $\hat{I}_{or}/I_{oc} = 10$ dB this is tested using the Fixed Reference Channel (FRC) H-Set 6B.

NOTE: Table 9.2.1FC.6 is based on core requirements for minimum requirement as explained in Table 9.2.3C.

The reference for this requirement is TS 25.101 [1] clauses 9.2.1.1, 9.2.1.4, and 9.2.1.5.

9.2.1FC.3 Test purpose

To verify the ability of the receiver to receive a predefined test signal, representing a multi-path fading channel with information bit throughput R not falling below a specified value. The test stresses the multicode reception and channel decoding with incremental redundancy.

9.2.1FC.4 Method of test

9.2.1FC.4.1 Initial conditions

Test environment: normal; see clauses G.2.1 and G.2.2.

Frequencies to be tested: mid range; see clause G.2.4.

- 1) Connect the SS (node B emulator) and fader and AWGN noise source to the UE antenna connector as shown in figure A.35 for UEs that do not support receive diversity and for UEs supporting Type 3 or 3i, or figure A.37 for non-Type3 or 3i UEs that support receive diversity.

NOTE: For a transition period of two meeting cycles until RAN#60, figure A.37 does not need to be used.

- 2) Set up an HSDPA call according to TS 34.108 [3] clause 7.3.16 with levels according to table E.5.0.
- 3) Set the node B emulator behaviour according to table 9.2.4. Set the test parameters for tests 1-4 according to table 9.2.1FC.1, 9.2.1FC.3 or 9.2.1FC.5 and levels according to tables 9.2.1FC.7 to 9.2.1FC.12 as appropriate for both the serving HS-DSCH cell and secondary serving HS-DSCH cell. The configuration of the downlink channels is defined in table E.5.1 for the serving HS-DSCH cell, and for secondary serving HS-DSCH cell set up P-CPICH, HS-PDSCH and HS-SCCH channels only per table E.5.1.
- 4) The information bit data shall be pseudo random and not repeated before 10 different information bit payload blocks are processed. (e.g. Fixed reference Channel Definition H-set 6 (16 QAM): The information bit payload block is 9377 bits long. Hence the PRBS sequence must be at least $9377 * 10$ bits long.) Use a PRBS from ITU-T O.153 Ref [27]
- 5) The SS shall not time the transmission freely. It shall time the transmission strictly according to the reference measurement channels: i.e. Process number is continued exactly after 6 TTIs.
- 6) Setup the fading simulator with fading conditions on each of the serving cells as described in table D.2.2.1.A.

9.2.1FC.4.2 Procedure

- 1) Once the HSDPA connection is setup, change levels according to Tables E.5.6 to E.5.8B as specified by table E.5.9 and start transmitting HSDPA Data on both the serving cells. For secondary serving HS-DSCH cell only P-CPICH, HS-PDSCH and HS-SCCH are configured.
- 2) For all relevant propagation conditions, for all relevant I_{oc} levels, for all relevant E_c/I_{or} , for all relevant I_{or}/I_{oc} , for all relevant H-sets in tables 9.2.1FC.7 to 9.2.1FC.12 count the number of NACK, ACK and statDTX on the UL HS-DPCCH during the test interval on both the cells and decide pass or fail according to Annex F.6.3 tables F.6.3.5.2.1, F.6.3.5.2.5B and F.6.3.5.2.6B. Throughput shall be measured per cell and compared to requirements in these tables.

9.2.1FC.5 Test Requirements

Tables 9.2.1FC.7 to 9.2.1FC.12 define the primary level settings including test tolerance for all relevant throughput tests. The pass / fail decision for throughput is done according to Annex F.6.3.

Tables E.5.6 to E.5.8B define the secondary and subsequently ranked level settings including test tolerance to be applied on both the serving cells. As those level settings are not uniform for the throughput tests in this clause, Table E.5.9 indicates which levels are applied, when the primary level settings (E_c/I_{or} and I_{or}/I_{oc}) and propagation conditions (PA3,PB3, VA30, VA 120) vary.

Table 9.2.1FC.7: Test Parameters for Testing QPSK FRCs H-Set 6B

| Parameter | Unit | Test 1 | Test 2 | Test 3 | Test 4 |
|-----------------|--------------|---------------------------------|--------|--------|--------|
| Phase reference | | P-CPICH | | | |
| I_{oc} | dBm/3.84 MHz | -60 (no test tolerance applied) | | | |

Table 9.2.1FC.8: Test requirement enhanced requirement type 2 QPSK, Fixed Reference Channel (FRC) H-Set 6B

| Test Number | Propagation Conditions | Reference value | |
|-------------|------------------------|-------------------------------|---|
| | | HS-PDSCH E_c/I_{or} (dB) | T-put R (kbps) * $\hat{I}_{or}/I_{oc} = 10.6$ dB |
| 1 | PA3 | -5.9 | 1494 |
| | | -2.9 | 2153 |
| 2 | PB3 | -5.9 | 1038 |
| | | -2.9 | 1744 |
| 3 | VA30 | -5.9 | 1142 |
| | | -2.9 | 1782 |
| 4 | VA120 | -5.9 | 909 |
| | | -2.9 | 1467 |

*NOTE 1: The reference value R is for the Fixed Reference Channel (FRC) H-Set 6
*NOTE 2: For Fixed Reference Channel (FRC) H-Set 6B the reference values for R should be scaled (multiplied by 3.0). The throughput on each cell should be Reference value R.

Table 9.2.1FC.9: Test Parameters for Testing 16QAM FRCs H-Set 6B

| Parameter | Unit | Test 1 | Test 2 | Test 3 | Test 4 |
|-----------------|--------------|---------------------------------|--------|--------|--------|
| Phase reference | | P-CPICH | | | |
| I_{oc} | dBm/3.84 MHz | -60 (no test tolerance applied) | | | |

Table 9.2.1FC.10: Test requirement enhanced requirement type 2 16QAM, Fixed Reference Channel (FRC) H-Set 6B

| Test Number | Propagation Conditions | Reference value | |
|-------------|------------------------|-------------------------------|---|
| | | HS-PDSCH E_c/I_{or} (dB) | T-put R (kbps) * $\hat{I}_{or}/I_{oc} = 10.6$ dB |
| 1 | PA3 | -5.9 | 991 |
| | | -2.9 | 1808 |
| 2 | PB3 | -5.9 | 465 |
| | | -2.9 | 1370 |
| 3 | VA30 | -5.9 | 587 |
| | | -2.9 | 1488 |
| 4 | VA120 | -5.9 | 386 |
| | | -2.9 | 1291 |

*NOTE 1: The reference value R is for the Fixed Reference Channel (FRC) H-Set 6
*NOTE 2: For Fixed Reference Channel (FRC) H-Set 6B the reference values for R should be scaled (multiplied by 3.0). The throughput on each cell should be Reference value R.

Table 9.2.1FC.11: Test Parameters for Testing QPSK FRCs H-Set 3B

| Parameter | Unit | Test 1 | Test 2 | Test 3 | Test 4 |
|-----------------|--------------|---------------------------------|--------|--------|--------|
| Phase reference | | P-CPICH | | | |
| I_{oc} | dBm/3.84 MHz | -60 (no test tolerance applied) | | | |

Table 9.2.1FC.12: Test requirement QPSK, Fixed Reference Channel (FRC) H-Set 3B

| Test Number | Propagation Conditions | Reference value | | |
|-------------|------------------------|-------------------------------|--|---|
| | | HS-PDSCH E_c/I_{or} (dB) | T-put R (kbps) * $\hat{I}_{or}/I_{oc} = 0.6$ dB | T-put R (kbps) * $\hat{I}_{or}/I_{oc} = 10.6$ dB |
| 1 | PA3 | -5.9 | 65 | N/A |
| | | -2.9 | N/A | N/A |
| 2 | PB3 | -5.9 | 23 | N/A |
| | | -2.9 | 138 | N/A |
| 3 | VA30 | -5.9 | 22 | N/A |
| | | -2.9 | 142 | N/A |
| 4 | VA120 | -5.9 | 13 | N/A |
| | | -2.9 | 140 | N/A |

*NOTE 1: The reference value R is for the Fixed Reference Channel (FRC) H-Set 1, For Fixed Reference Channel (FRC) H-Set 3B the reference values for R should be scaled (multiplied by 9.0). The throughput on each cell should be Reference value R times 9.

9.2.1FD Single Link Performance - Enhanced Performance Requirements Type 2 - QPSK/16QAM, Fixed Reference Channel (FRC) H-Set 6C/3C

9.2.1FD.1 Definition and applicability

The receiver single link performance of the High Speed Physical Downlink Shared Channel (HS-DSCH) in different multi-path fading environments are determined by the information bit throughput R.

The requirements and this test apply for Release 10 and later releases to all types of UTRA for the FDD UE that support 4C-HSDPA and HSDPA UE capability category 31.

9.2.1FD.2 Minimum requirements

The performance requirements for a particular UE belonging to HS-DSCH category 31 are determined according to the relevant part of Table 9.2.3F.

During the Fixed Reference Channel (FRC) tests the behaviour of the Node-B emulator in response to the ACK/NACK signalling field of the HS-DPCCH is specified in Table 9.2.4.

The requirements are specified in terms of minimum information bit throughput R for the DL reference channels H-set 6C/3C specified in Annex C.8.1.6 and C.8.1.3 respectively, with the addition of the relevant parameters in Tables 9.2.1FD.1, 9.2.1FD.3 and 9.2.1FD.5 plus the downlink physical channel setup according to table E.5.1.

Using this configuration the throughput shall meet or exceed the minimum requirements specified in tables 9.2.1FD.2, 9.2.1FD.4 and 9.2.1FD.6.

Table 9.2.1FD.1: Test Parameters for Testing QPSK FRCs H-Set 6C

| Parameter | Unit | Test 1 | Test 2 | Test 3 | Test 4 |
|--|--------------|-----------|--------|--------|--------|
| Phase reference | | P-CPICH | | | |
| I_{oc} | dBm/3.84 MHz | -60 | | | |
| Redundancy and constellation version coding sequence | | {0,2,5,6} | | | |
| Maximum number of HARQ transmission | | 4 | | | |

NOTE: The HS-SCCH-1 and HS-PDSCH shall be transmitted continuously with constant power. HS-SCCH-1 shall only use the identity of the UE under test for those TTI intended for the UE.

Table 9.2.1FD.2: Minimum requirement Enhanced requirement type 2 QPSK, Fixed Reference Channel (FRC) H-Set 6C

| Test Number | Propagation Conditions | Reference value | |
|-------------|------------------------|-------------------------------|---|
| | | HS-PDSCH E_c/I_{or} (dB) | T-put R (kbps) * $\hat{I}_{or}/I_{oc} = 10$ dB |
| 1 | PA3 | -6 | 1494 |
| | | -3 | 2153 |
| 2 | PB3 | -6 | 1038 |
| | | -3 | 1744 |
| 3 | VA30 | -6 | 1142 |
| | | -3 | 1782 |
| 4 | VA120 | -6 | 909 |
| | | -3 | 1467 |

*NOTE 1: The reference value R is for the Fixed Reference Channel (FRC) H-Set 6
*NOTE 2: For Fixed Reference Channel (FRC) H-Set 6C the reference values for R should be scaled (multiplied by 4.0)

Table 9.2.1FD.3: Test Parameters for Testing 16QAM FRCs H-Set 6C

| Parameter | Unit | Test 1 | Test 2 | Test 3 | Test 4 |
|--|--------------|-----------|--------|--------|--------|
| Phase reference | | P-CPICH | | | |
| I_{oc} | dBm/3.84 MHz | -60 | | | |
| Redundancy and constellation version coding sequence | | {6,2,1,5} | | | |
| Maximum number of HARQ transmission | | 4 | | | |

NOTE: The HS-SCCH-1 and HS-PDSCH shall be transmitted continuously with constant power. HS-SCCH-1 shall only use the identity of the UE under test for those TTI intended for the UE.

Table 9.2.1FD.4: Minimum requirement Enhanced requirement type 2 16QAM, Fixed Reference Channel (FRC) H-Set 6C

| Test Number | Propagation Conditions | Reference value | |
|-------------|------------------------|-------------------------------|---|
| | | HS-PDSCH E_c/I_{or} (dB) | T-put R (kbps) * $\hat{I}_{or}/I_{oc} = 10$ dB |
| 1 | PA3 | -6 | 991 |
| | | -3 | 1808 |
| 2 | PB3 | -6 | 465 |
| | | -3 | 1370 |
| 3 | VA30 | -6 | 587 |
| | | -3 | 1488 |
| 4 | VA120 | -6 | 386 |
| | | -3 | 1291 |

*NOTE 1: The reference value R is for the Fixed Reference Channel (FRC) H-Set 6
*NOTE 2: For Fixed Reference Channel (FRC) H-Set 6C the reference values for R should be scaled (multiplied by 4.0)

Table 9.2.1FD.5: Test Parameters for Testing QPSK FRCs H-Set 3C

| Parameter | Unit | Test 1 | Test 2 | Test 3 | Test 4 |
|---|--------------|-----------|--------|--------|--------|
| Phase reference | | P-CPICH | | | |
| I_{oc} | dBm/3.84 MHz | -60 | | | |
| Redundancy and constellation version coding sequence | | {0,2,5,6} | | | |
| Maximum number of HARQ transmission | | 4 | | | |
| NOTE: The HS-SCCH-1 and HS-PDSCH shall be transmitted continuously with constant power. HS-SCCH-1 shall only use the identity of the UE under test for those TTI intended for the UE. | | | | | |

Table 9.2.1FD.6: Minimum requirement Enhanced requirement type 2 QPSK, Fixed Reference Channel (FRC) H-Set 3C

| Test Number | Propagation Conditions | Reference value | | |
|---|------------------------|-------------------------------|--|---|
| | | HS-PDSCH E_c/I_{or} (dB) | T-put R (kbps) * $\hat{I}_{or}/I_{oc} = 0$ dB | T-put R (kbps) * $\hat{I}_{or}/I_{oc} = 10$ dB |
| 1 | PA3 | -6 | 65 | N/A |
| | | -3 | N/A | N/A |
| 2 | PB3 | -6 | 23 | N/A |
| | | -3 | 138 | N/A |
| 3 | VA30 | -6 | 22 | N/A |
| | | -3 | 142 | N/A |
| 4 | VA120 | -6 | 13 | N/A |
| | | -3 | 140 | N/A |
| *NOTE 1: For Fixed Reference Channel (FRC) H-Set 3C the reference values for R should be scaled (multiplied by 12). | | | | |
| *NOTE 2: For UE supporting enhanced performance requirement type 2 and condition $\hat{I}_{or}/I_{oc} = 10$ dB this is tested using the Fixed Reference Channel (FRC) H-Set 6C. | | | | |

NOTE: Table 9.2.1FD.6 is based on core requirements for minimum requirement as explained in Table 9.2.3C.

The reference for this requirement is TS 25.101 [1] clauses 9.2.1.1, 9.2.1.4, and 9.2.1.5.

9.2.1FD.3 Test purpose

To verify the ability of the receiver to receive a predefined test signal, representing a multi-path fading channel with information bit throughput R not falling below a specified value. The test stresses the multicode reception and channel decoding with incremental redundancy.

9.2.1FD.4 Method of test

9.2.1FD.4.1 Initial conditions

Test environment: normal; see clauses G.2.1 and G.2.2.

Frequencies to be tested: mid range; see clause G.2.4.

- 1) Connect the SS (node B emulator) and fader and AWGN noise source to the UE antenna connector as shown in figure A.35 for UEs that do not support receive diversity and for UEs supporting Type 3 or 3i, or figure A.37 for non-Type3 or 3i UEs that support receive diversity.

NOTE: For a transition period of two meeting cycles until RAN#60, figure A.37 does not need to be used.

- 2) Set up an HSDPA call according to TS 34.108 [3] clause 7.3.16 with levels according to table E.5.0.
- 3) Set the node B emulator behaviour according to table 9.2.4. Set the test parameters for tests 1-4 according to table 9.2.1FD.1, 9.2.1FD.3 or 9.2.1FD.5 and levels according to tables 9.2.1FD.7 to 9.2.1FD.12 as appropriate for both the serving HS-DSCH cell and secondary serving HS-DSCH cell. The configuration of the downlink

channels is defined in table E.5.1 for the serving HS-DSCH cell, and for secondary serving HS-DSCH cell set up P-CPICH, HS-PDSCH and HS-SCCH channels only per table E.5.1.

- 4) The information bit data shall be pseudo random and not repeated before 10 different information bit payload blocks are processed. (e.g. Fixed reference Channel Definition H-set 6 (16 QAM): The information bit payload block is 9377 bits long. Hence the PRBSequence must be at least $9377 * 10$ bits long.) Use a PRBS from ITU-T O.153 Ref [27].
- 5) The SS shall not time the transmission freely. It shall time the transmission strictly according to the reference measurement channels: i.e. Process number is continued exactly after 6 TTIs.
- 6) Setup the fading simulator with fading conditions on each of the serving cells as described in table D.2.2.1.A.

9.2.1FD.4.2 Procedure

- 1) Once the HSDPA connection is setup, change levels according to Tables E.5.6 to E.5.8B as specified by table E.5.9 and start transmitting HSDPA Data on both the serving cells. For secondary serving HS-DSCH cell only P-CPICH, HS-PDSCH and HS-SCCH are configured.
- 2) For all relevant propagation conditions, for all relevant I_{oc} levels, for all relevant E_c/I_{or} , for all relevant \hat{I}_{or}/I_{oc} , for all relevant H-sets in tables 9.2.1FD.7 to 9.2.1FD.12 count the number of NACK, ACK and statDTX on the UL HS-DPCCH during the test interval on both the cells and decide pass or fail according to Annex F.6.3 tables F.6.3.5.2.1, F.6.3.5.2.5B and F.6.3.5.2.6C. Throughput shall be measured per cell and compared to requirements in these tables.

9.2.1FD.5 Test Requirements

Tables 9.2.1FD.7 to 9.2.1FD.12 define the primary level settings including test tolerance for all relevant throughput tests. The pass / fail decision for throughput is done according to Annex F.6.3.

Tables E.5.6 to E.5.8B define the secondary and subsequently ranked level settings including test tolerance to be applied on both the serving cells. As those level settings are not uniform for the throughput tests in this clause, Table E.5.9 indicates which levels are applied, when the primary level settings (E_c/I_{or} and I_{or}/I_{oc}) and propagation conditions (PA3,PB3, VA30, VA 120) vary.

Table 9.2.1FD.7: Test Parameters for Testing QPSK FRCs H-Set 6C

| Parameter | Unit | Test 1 | Test 2 | Test 3 | Test 4 |
|-----------------|--------------|---------------------------------|--------|--------|--------|
| Phase reference | | P-CPICH | | | |
| I_{oc} | dBm/3.84 MHz | -60 (no test tolerance applied) | | | |

Table 9.2.1FD.8: Test requirement enhanced requirement type 2 QPSK, Fixed Reference Channel (FRC) H-Set 6C

| Test Number | Propagation Conditions | Reference value | |
|-------------|------------------------|-------------------------------|---|
| | | HS-PDSCH E_c/I_{or} (dB) | T-put R (kbps) * $\hat{I}_{or}/I_{oc} = 10.6$ dB |
| 1 | PA3 | -5.9 | 1494 |
| | | -2.9 | 2153 |
| 2 | PB3 | -5.9 | 1038 |
| | | -2.9 | 1744 |
| 3 | VA30 | -5.9 | 1142 |
| | | -2.9 | 1782 |
| 4 | VA120 | -5.9 | 909 |
| | | -2.9 | 1467 |

*NOTE 1: The reference value R is for the Fixed Reference Channel (FRC) H-Set 6
*NOTE 2: For Fixed Reference Channel (FRC) H-Set 6C the reference values for R should be scaled (multiplied by 4.0). The throughput on each cell should be Reference value R.

Table 9.2.1FD.9: Test Parameters for Testing 16QAM FRCs H-Set 6C

| Parameter | Unit | Test 1 | Test 2 | Test 3 | Test 4 |
|-----------------|--------------|---------------------------------|--------|--------|--------|
| Phase reference | | P-CPICH | | | |
| I_{oc} | dBm/3.84 MHz | -60 (no test tolerance applied) | | | |

Table 9.2.1FD.10: Test requirement enhanced requirement type 2 16QAM, Fixed Reference Channel (FRC) H-Set 6C

| Test Number | Propagation Conditions | Reference value | |
|-------------|------------------------|-------------------------------|---|
| | | HS-PDSCH E_c/I_{or} (dB) | T-put R (kbps) * $\hat{I}_{or}/I_{oc} = 10.6$ dB |
| 1 | PA3 | -5.9 | 991 |
| | | -2.9 | 1808 |
| 2 | PB3 | -5.9 | 465 |
| | | -2.9 | 1370 |
| 3 | VA30 | -5.9 | 587 |
| | | -2.9 | 1488 |
| 4 | VA120 | -5.9 | 386 |
| | | -2.9 | 1291 |

*NOTE 1: The reference value R is for the Fixed Reference Channel (FRC) H-Set 6
*NOTE 2: For Fixed Reference Channel (FRC) H-Set 6C the reference values for R should be scaled (multiplied by 4.0). The throughput on each cell should be Reference value R.

Table 9.2.1FD.11: Test Parameters for Testing QPSK FRCs H-Set 3C

| Parameter | Unit | Test 1 | Test 2 | Test 3 | Test 4 |
|-----------------|--------------|---------------------------------|--------|--------|--------|
| Phase reference | | P-CPICH | | | |
| I_{oc} | dBm/3.84 MHz | -60 (no test tolerance applied) | | | |

Table 9.2.1FD.12: Test requirement QPSK, Fixed Reference Channel (FRC) H-Set 3C

| Test Number | Propagation Conditions | Reference value | | |
|-------------|------------------------|-------------------------------|--|---|
| | | HS-PDSCH E_c/I_{or} (dB) | T-put R (kbps) * $\hat{I}_{or}/I_{oc} = 0.6$ dB | T-put R (kbps) * $\hat{I}_{or}/I_{oc} = 10.6$ dB |
| 1 | PA3 | -5.9 | 65 | N/A |
| | | -2.9 | N/A | N/A |
| 2 | PB3 | -5.9 | 23 | N/A |
| | | -2.9 | 138 | N/A |
| 3 | VA30 | -5.9 | 22 | N/A |
| | | -2.9 | 142 | N/A |
| 4 | VA120 | -5.9 | 13 | N/A |
| | | -2.9 | 140 | N/A |

*NOTE 1: The reference value R is for the Fixed Reference Channel (FRC) H-Set 1, For Fixed Reference Channel (FRC) H-Set 3C the reference values for R should be scaled (multiplied by 12.0). The throughput on each cell should be Reference value R times 12.

9.2.1G Single Link Performance - Enhanced Performance Requirements Type 3 - QPSK/16QAM, Fixed Reference Channel (FRC) H-Set 6/3

9.2.1G.1 Definition and applicability

The receiver single link performance of the High Speed Physical Downlink Shared Channel (HS-DSCH) in different multi-path fading environments are determined by the information bit throughput R.

The requirements and this test apply for Release 7 and later releases to all types of UTRA for the FDD UE that support HSDPA UE capability categories 7, 8, 9, 10, 13 or 14, and the optional enhanced performance requirements type 3.

The requirements and this test apply also for Release 7 and later releases to all types of UTRA for the FDD UE that support HSDPA UE capability categories 15 - 18.

The requirements and this test apply for Release 8 and later releases to all types of UTRA for the FDD UE that support HSDPA UE capability categories 7, 8, 9, 10, 13 or 14, and the optional enhanced performance requirements type 3i.

The requirements and this test apply also for Release 8 and later releases to all types of UTRA for the FDD UE that support HSDPA UE capability categories 19 - 20.

9.2.1G.2 Minimum requirements

The performance requirements for a particular UE belonging to a certain HS-DSCH category and supporting the optional enhanced performance requirements type 3 are determined according to the relevant part of Table 9.2.3A.

During the Fixed Reference Channel (FRC) tests the behaviour of the Node-B emulator in response to the ACK/NACK signalling field of the HS-DPCCH is specified in Table 9.2.4.

The requirements are specified in terms of minimum information bit throughput R for the DL reference channels H-set 6/3 specified in Annex C.8.1.6 and C.8.1.3 respectively, with the addition of the relevant parameters in Tables 9.2.1G.1, 9.2.1G.4 and 9.2.1G.7 plus the downlink physical channel setup according to table E.5.1.

Using this configuration the throughput shall meet or exceed the minimum requirements specified in tables 9.2.1G.2, 9.2.1G.3, 9.2.1G.5, 9.2.1G.6, and 9.2.1G.8.

Table 9.2.1G.1: Test Parameters for Testing QPSK FRCs H-Set 6

| Parameter | Unit | Test 1 | Test 2 | Test 3 | Test 4 | Test 5 |
|--|---|-----------|--------|--------|--------|--------|
| Phase reference | | P-CPICH | | | | |
| I_{oc} | dBm/3.84 MHz | -60 | | | | |
| Redundancy and constellation version coding sequence | | {0,2,5,6} | | | | |
| Maximum number of HARQ transmission | | 4 | | | | |
| NOTE: | The HS-SCCH-1 and HS-PDSCH shall be transmitted continuously with constant power. HS-SCCH-1 shall only use the identity of the UE under test for those TTI intended for the UE. | | | | | |

Table 9.2.1G.2: Minimum requirement Enhanced requirement type 3 QPSK at $\hat{I}_{or}/I_{oc} = 10$ dB, Fixed Reference Channel (FRC) H-Set 6

| Test Number | Propagation Conditions | Reference value | |
|-------------|------------------------|----------------------------|--|
| | | HS-PDSCH E_c/I_{or} (dB) | T-put R (kbps) * $\hat{I}_{or}/I_{oc} = 10$ dB |
| 1 | PA3 | -9 | 1554 |
| | | -6 | 2495 |
| 2 | PB3 | -9 | 1190 |
| | | -6 | 2098 |
| 3 | VA30 | -9 | 1229 |
| | | -6 | 2013 |
| 4 | VA120 | -9 | 1060 |
| | | -6 | 1674 |

Table 9.2.1G.3: Minimum requirement Enhanced requirement type 3 QPSK at $\hat{I}_{or}/I_{oc} = 5$ dB, Fixed Reference Channel (FRC) H-Set 6

| Test Number | Propagation Conditions | Reference value | |
|-------------|------------------------|-------------------------------|--|
| | | HS-PDSCH E_c/I_{or} (dB) | T-put R (kbps) * $\hat{I}_{or}/I_{oc} = 5$ dB |
| 5 | PB3 | -6 | 1248 |
| | | -3 | 2044 |

Table 9.2.1G.4: Test Parameters for Testing 16QAM FRCs H-Set 6

| Parameter | Unit | Test 1 | Test 2 | Test 3 | Test 4 | Test 5 |
|---|--------------|-----------|--------|--------|--------|--------|
| Phase reference | | P-CPICH | | | | |
| I_{oc} | dBm/3.84 MHz | -60 | | | | |
| Redundancy and constellation version coding sequence | | {6,2,1,5} | | | | |
| Maximum number of HARQ transmission | | 4 | | | | |
| NOTE: The HS-SCCH-1 and HS-PDSCH shall be transmitted continuously with constant power. HS-SCCH-1 shall only use the identity of the UE under test for those TTI intended for the UE. | | | | | | |

Table 9.2.1G.5: Minimum requirement Enhanced requirement type 3 16QAM at $\hat{I}_{or}/I_{oc} = 10$ dB, Fixed Reference Channel (FRC) H-Set 6

| Test Number | Propagation Conditions | Reference value | |
|-------------|------------------------|-------------------------------|---|
| | | HS-PDSCH E_c/I_{or} (dB) | T-put R (kbps) * $\hat{I}_{or}/I_{oc} = 10$ dB |
| 1 | PA3 | -6 | 1979 |
| | | -3 | 3032 |
| 2 | PB3 | -6 | 1619 |
| | | -3 | 2464 |
| 3 | VA30 | -6 | 1710 |
| | | -3 | 2490 |
| 4 | VA120 | -6 | 1437 |
| | | -3 | 2148 |

Table 9.2.1G.6: Minimum requirement Enhanced requirement type 3 16QAM at $\hat{I}_{or}/I_{oc} = 5$ dB, Fixed Reference Channel (FRC) H-Set 6

| Test Number | Propagation Conditions | Reference value | |
|-------------|------------------------|-------------------------------|--|
| | | HS-PDSCH E_c/I_{or} (dB) | T-put R (kbps) * $\hat{I}_{or}/I_{oc} = 5$ dB |
| 5 | PB3 | -6 | 779 |
| | | -3 | 1688 |

Table 9.2.1G.7: Test Parameters for Testing QPSK FRCs H-Set 3

| Parameter | Unit | Test 1 | Test 2 | Test 3 | Test 4 |
|---|--------------|-----------|--------|--------|--------|
| Phase reference | | P-CPICH | | | |
| I_{oc} | dBm/3.84 MHz | -60 | | | |
| Redundancy and constellation version coding sequence | | {0,2,5,6} | | | |
| Maximum number of HARQ transmission | | 4 | | | |
| NOTE: The HS-SCCH-1 and HS-PDSCH shall be transmitted continuously with constant power. HS-SCCH-1 shall only use the identity of the UE under test for those TTI intended for the UE. | | | | | |

Table 9.2.1G.8: Enhanced requirement type 3 QPSK, Fixed Reference Channel (FRC) H-Set 3

| Test Number | Propagation Conditions | Reference value | | |
|--|------------------------|-------------------------------|--|---|
| | | HS-PDSCH E_c/I_{or} (dB) | T-put R (kbps) * $\hat{I}_{or}/I_{oc} = 0$ dB | T-put R (kbps) * $\hat{I}_{or}/I_{oc} = 10$ dB |
| 1 | PA3 | -12 | N/A | N/A |
| | | -9 | N/A | N/A |
| | | -6 | 195 | N/A |
| | | -3 | 329 | N/A |
| 2 | PB3 | -9 | N/A | N/A |
| | | -6 | 156 | N/A |
| | | -3 | 263 | N/A |
| 3 | VA30 | -9 | N/A | N/A |
| | | -6 | 171 | N/A |
| | | -3 | 273 | N/A |
| 4 | VA120 | -9 | N/A | N/A |
| | | -6 | 168 | N/A |
| | | -3 | 263 | N/A |
| * NOTES: 1) The reference value R is for the Fixed Reference Channel (FRC) H-Set 1, for Fixed Reference Channel (FRC) H-Set 3 the reference values for R should be scaled (multiplied by 3 and rounding to the nearest integer t-put in kbps, where values of $i+1/2$ are rounded up to $i+1$, i integer) | | | | |

NOTE: Table 9.2.1G.8 is based on core requirements for enhanced requirements type 1 as explained in Table 9.2.3A.

The reference for this requirement is TS 25.101 [1] clauses 9.2.1.1, 9.2.1.2, 9.2.1.4, and 9.2.1.5.

9.2.1G.3 Test purpose

To verify the ability of the receiver to receive a predefined test signal, representing a multi-path fading channel with information bit throughput R not falling below a specified value. The test stresses the multicode reception and channel decoding with incremental redundancy.

9.2.1G.4 Method of test

9.2.1G.4.1 Initial conditions

Test environment: normal; see clauses G.2.1 and G.2.2.

Frequencies to be tested: mid range; see clause G.2.4.

- 1) Connect the SS (node B emulator) and fader and AWGN noise source to the UE antenna connector as shown in figure A.21 for UEs that support receive diversity or figure A.10 for UEs that do not support receive diversity.
- 2) Set up an HSDPA call with looping back 12.2kbps RMC according to TS 34.108 [3] clause 7.3.6 with levels according to table E.5.0.

- 3) Set the node B emulator behaviour according to table 9.2.4. Set the test parameters for tests 1-4 according to table 9.2.1G.1, 9.2.1G.4 and 9.2.1G.7 and levels according to tables 9.2.1G.9 to 9.2.1G.16 as appropriate. The configuration of the downlink channels is defined in table E.5.1.
- 4) The information bit data shall be pseudo random and not repeated before 10 different information bit payload blocks are processed. (e.g. Fixed reference Channel Definition H-set 6 (16 QAM): The information bit payload block is 9377 bits long. Hence the PRBSequence must be at least $9377 * 10$ bits long.) Use a PRBS from ITU-T O.153 Ref [27]
- 5) The SS shall not time the transmission freely. It shall time the transmission strictly according to the reference measurement channels: i.e. Process number is continued exactly after 6 TTIs.
- 6) Setup the fading simulator with fading conditions as described in table D.2.2.1.A and clause D.2.6.

9.2.1G.4.2 Procedure

- 1) Once the HSDPA connection is setup, change levels according to Tables E.5.6 to E.5.8B as specified by table E.5.9 and start transmitting HSDPA Data.
- 2) For all relevant propagation conditions, for all relevant I_{oc} levels, for all relevant E_c/I_{or} , for all relevant \hat{I}_{or}/I_{oc} , for all relevant H-sets in tables 9.2.1G.9 to 9.2.1G.16 count the number of NACK, ACK and statDTX on the UL HS-DPCCH during the test interval and decide pass or fail according to Annex F.6.3 tables F.6.3.5.2.1A, F.6.3.5.2.5C and F.6.3.5.2.6C.

9.2.1G.5 Test Requirements

Tables 9.2.1G.9 to 9.2.1G.16 define the primary level settings including test tolerance for all relevant throughput tests. The pass / fail decision for throughput is done according to Annex F.6.3.

Tables E.5.6 to E.5.8B define the secondary and subsequently ranked level settings including test tolerance. As those level settings are not uniform for the throughput tests in this clause, Table E.5.9 indicates which levels are applied, when the primary level settings (E_c/I_{or} and I_{or}/I_{oc}) and propagation conditions (PA3,PB3, VA30, VA 120) vary.

Table 9.2.1G.9: Test Parameters for Testing QPSK FRCs H-Set 6

| Parameter | Unit | Test 1 | Test 2 | Test 3 | Test 4 | Test 5 |
|-----------------|--------------|---------------------------------|--------|--------|--------|--------|
| Phase reference | | P-CPICH | | | | |
| I_{oc} | dBm/3.84 MHz | -60 (no test tolerance applied) | | | | |

Table 9.2.1G.10: Test requirement enhanced requirement type 3 QPSK at $\hat{I}_{or}/I_{oc} = 10$ dB, Fixed Reference Channel (FRC) H-Set 6

| Test Number | Propagation Conditions | Reference value | |
|-------------|------------------------|----------------------------|---|
| | | HS-PDSCH E_c/I_{or} (dB) | T-put R (kbps) * $\hat{I}_{or}/I_{oc} = 10.6$ dB |
| 1 | PA3 | -8.9 | 1554 |
| | | -5.9 | 2495 |
| 2 | PB3 | -8.9 | 1190 |
| | | -5.9 | 2098 |
| 3 | VA30 | -8.9 | 1229 |
| | | -5.9 | 2013 |
| 4 | VA120 | -8.9 | 1060 |
| | | -5.9 | 1674 |

Table 9.2.1G.11: Test requirement enhanced requirement type 3 QPSK at $\hat{I}_{or}/I_{oc} = 5$ dB, Fixed Reference Channel (FRC) H-Set 6

| Test Number | Propagation Conditions | Reference value | |
|-------------|------------------------|-------------------------------|--|
| | | HS-PDSCH E_c/I_{or} (dB) | T-put R (kbps) * $\hat{I}_{or}/I_{oc} = 5.6$ dB |
| 5 | PB3 | -5.9 | 1248 |
| | | -2.9 | 2044 |

Table 9.2.1G.12: Test Parameters for Testing 16QAM FRCs H-Set 6

| Parameter | Unit | Test 1 | Test 2 | Test 3 | Test 4 | Test 5 |
|-----------------|--------------|---------------------------------|--------|--------|--------|--------|
| Phase reference | | P-CPICH | | | | |
| I_{oc} | dBm/3.84 MHz | -60 (no test tolerance applied) | | | | |

Table 9.2.1G.13: Test requirement enhanced requirement type 3 16QAM at $\hat{I}_{or}/I_{oc} = 10$, Fixed Reference Channel (FRC) H-Set 6

| Test Number | Propagation Conditions | Reference value | |
|-------------|------------------------|-------------------------------|---|
| | | HS-PDSCH E_c/I_{or} (dB) | T-put R (kbps) * $\hat{I}_{or}/I_{oc} = 10.6$ dB |
| 1 | PA3 | -5.9 | 1979 |
| | | -2.9 | 3032 |
| 2 | PB3 | -5.9 | 1619 |
| | | -2.9 | 2464 |
| 3 | VA30 | -5.9 | 1710 |
| | | -2.9 | 2490 |
| 4 | VA120 | -5.9 | 1437 |
| | | -2.9 | 2148 |

Table 9.2.1G.14: Test requirement enhanced requirement type 3 16QAM at $\hat{I}_{or}/I_{oc} = 5$, Fixed Reference Channel (FRC) H-Set 6

| Test Number | Propagation Conditions | Reference value | |
|-------------|------------------------|-------------------------------|--|
| | | HS-PDSCH E_c/I_{or} (dB) | T-put R (kbps) * $\hat{I}_{or}/I_{oc} = 5.6$ dB |
| 5 | PB3 | -5.9 | 779 |
| | | -2.9 | 1688 |

Table 9.2.1G.15: Test Parameters for Testing QPSK FRCs H-Set 3

| Parameter | Unit | Test 1 | Test 2 | Test 3 | Test 4 |
|-----------------|--------------|---------------------------------|--------|--------|--------|
| Phase reference | | P-CPICH | | | |
| I_{oc} | dBm/3.84 MHz | -60 (no test tolerance applied) | | | |

Table 9.2.1G.16: Test requirement enhanced requirement type 3 QPSK, Fixed Reference Channel (FRC) H-Set 3

| Test Number | Propagation Conditions | Reference value | | |
|-------------|------------------------|-------------------------------|--|---|
| | | HS-PDSCH E_c/I_{or} (dB) | T-put R (kbps) * $\hat{I}_{or}/I_{oc} = 0.6$ dB | T-put R (kbps) * $\hat{I}_{or}/I_{oc} = 10.6$ dB |
| 1 | PA3 | -11.9 | N/A | N/A |
| | | -8.9 | N/A | N/A |
| | | -5.9 | 195 | N/A |
| | | -2.9 | 329 | N/A |
| 2 | PB3 | -8.9 | N/A | N/A |
| | | -5.9 | 156 | N/A |
| | | -2.9 | 263 | N/A |
| 3 | VA30 | -8.9 | N/A | N/A |
| | | -5.9 | 171 | N/A |
| | | -2.9 | 273 | N/A |
| 4 | VA120 | -8.9 | N/A | N/A |
| | | -5.9 | 168 | N/A |
| | | -2.9 | 263 | N/A |

* NOTES: 1) The reference value R is for the Fixed Reference Channel (FRC) H-Set 1, for Fixed Reference Channel (FRC) H-Set 3 the reference values for R should be scaled (multiplied by 3 and rounding to the nearest integer t-put in kbps, where values of $i+1/2$ are rounded up to $i+1$, i integer)

9.2.1GA Single Link Performance - Enhanced Performance Requirements Type 3 - QPSK/16QAM, Fixed Reference Channel (FRC) H-Set 6A/3A

9.2.1GA.1 Definition and applicability

The receiver single link performance of the High Speed Physical Downlink Shared Channel (HS-DSCH) in different multi-path fading environments are determined by the information bit throughput R.

The requirements and this test apply for Release 8 and later releases to all types of UTRA for the FDD UE that support: HSDPA UE capability categories 21-24 and support the optional enhanced performance requirements type 3 or 3i but not support DB-DC-HSDPA operation.

The requirements and this test apply for Release 9 and later releases to all types of UTRA for the FDD UE that support: HSDPA UE capability categories 25-28 and support the optional enhanced performance requirements type 3 or 3i but not support DB-DC-HSDPA operation.

9.2.1GA.2 Minimum requirements

The performance requirements for a particular UE belonging to HS-DSCH categories 21 -28 and supporting the optional enhanced performance requirements type 3 are determined according to the relevant part of Table 9.2.3D.

During the Fixed Reference Channel (FRC) tests the behaviour of the Node-B emulator in response to the ACK/NACK signalling field of the HS-DPCCH is specified in Table 9.2.4.

The requirements are specified in terms of minimum information bit throughput R for the DL reference channels H-set 6A/3A specified in Annex C.8.1.6 and C.8.1.3 respectively, with the addition of the relevant parameters in Tables 9.2.1GA.1, 9.2.1GA.4 and 9.2.1GA.7 plus the downlink physical channel setup according to table E.5.1.

Using this configuration the throughput shall meet or exceed the minimum requirements specified in tables 9.2.1GA.2, 9.2.1GA.3, 9.2.1GA.5, 9.2.1GA.6, and 9.2.1GA.8.

Table 9.2.1GA.1: Test Parameters for Testing QPSK FRCs H-Set 6A

| Parameter | Unit | Test 1 | Test 2 | Test 3 | Test 4 | Test 5 |
|---|--------------|-----------|--------|--------|--------|--------|
| Phase reference | | P-CPICH | | | | |
| I_{oc} | dBm/3.84 MHz | -60 | | | | |
| Redundancy and constellation version coding sequence | | {0,2,5,6} | | | | |
| Maximum number of HARQ transmission | | 4 | | | | |
| NOTE: The HS-SCCH-1 and HS-PDSCH shall be transmitted continuously with constant power. HS-SCCH-1 shall only use the identity of the UE under test for those TTI intended for the UE. | | | | | | |

Table 9.2.1GA.2: Minimum requirement Enhanced requirement type 3 QPSK at $\hat{I}_{or}/I_{oc} = 10$ dB, Fixed Reference Channel (FRC) H-Set 6A

| Test Number | Propagation Conditions | Reference value | |
|---|------------------------|-------------------------------|---|
| | | HS-PDSCH E_c/I_{or} (dB) | T-put R (kbps) * $\hat{I}_{or}/I_{oc} = 10$ dB |
| 1 | PA3 | -9 | 1554 |
| | | -6 | 2495 |
| 2 | PB3 | -9 | 1190 |
| | | -6 | 2098 |
| 3 | VA30 | -9 | 1229 |
| | | -6 | 2013 |
| 4 | VA120 | -9 | 1060 |
| | | -6 | 1674 |
| *NOTE 1: The reference value R is for the Fixed Reference Channel (FRC) H-Set 6 | | | |
| *NOTE 2: For Fixed Reference Channel (FRC) H-Set 6A the reference values for R should be scaled (multiplied by 2.0) | | | |

Table 9.2.1GA.3: Minimum requirement Enhanced requirement type 3 QPSK at $\hat{I}_{or}/I_{oc} = 5$ dB, Fixed Reference Channel (FRC) H-Set 6A

| Test Number | Propagation Conditions | Reference value | |
|---|------------------------|-------------------------------|--|
| | | HS-PDSCH E_c/I_{or} (dB) | T-put R (kbps) * $\hat{I}_{or}/I_{oc} = 5$ dB |
| 5 | PB3 | -6 | 1248 |
| | | -3 | 2044 |
| * NOTES: 1) The reference value R is for the Fixed Reference Channel (FRC) H-Set 6 | | | |
| 2) For Fixed Reference Channel (FRC) H-Set 6A the reference values for R should be scaled (multiplied by 2.0) | | | |

Table 9.2.1GA.4: Test Parameters for Testing 16QAM FRCs H-Set 6A

| Parameter | Unit | Test 1 | Test 2 | Test 3 | Test 4 | Test 5 |
|---|--------------|-----------|--------|--------|--------|--------|
| Phase reference | | P-CPICH | | | | |
| I_{oc} | dBm/3.84 MHz | -60 | | | | |
| Redundancy and constellation version coding sequence | | {6,2,1,5} | | | | |
| Maximum number of HARQ transmission | | 4 | | | | |
| NOTE: The HS-SCCH-1 and HS-PDSCH shall be transmitted continuously with constant power. HS-SCCH-1 shall only use the identity of the UE under test for those TTI intended for the UE. | | | | | | |

Table 9.2.1GA.5: Minimum requirement Enhanced requirement type 3 16QAM at $\hat{I}_{or}/I_{oc} = 10$ dB, Fixed Reference Channel (FRC) H-Set 6A

| Test Number | Propagation Conditions | Reference value | |
|-------------|------------------------|-------------------------------|---|
| | | HS-PDSCH E_c/I_{or} (dB) | T-put R (kbps) * $\hat{I}_{or}/I_{oc} = 10$ dB |
| 1 | PA3 | -6 | 1979 |
| | | -3 | 3032 |
| 2 | PB3 | -6 | 1619 |
| | | -3 | 2464 |
| 3 | VA30 | -6 | 1710 |
| | | -3 | 2490 |
| 4 | VA120 | -6 | 1437 |
| | | -3 | 2148 |

*NOTE 1: The reference value R is for the Fixed Reference Channel (FRC) H-Set 6
*NOTE 2: For Fixed Reference Channel (FRC) H-Set 6A the reference values for R should be scaled (multiplied by 2.0)

Table 9.2.1GA.6: Minimum requirement Enhanced requirement type 3 16QAM at $\hat{I}_{or}/I_{oc} = 5$ dB, Fixed Reference Channel (FRC) H-Set 6A

| Test Number | Propagation Conditions | Reference value | |
|-------------|------------------------|-------------------------------|--|
| | | HS-PDSCH E_c/I_{or} (dB) | T-put R (kbps) * $\hat{I}_{or}/I_{oc} = 5$ dB |
| 5 | PB3 | -6 | 779 |
| | | -3 | 1688 |

*NOTE 1: The reference value R is for the Fixed Reference Channel (FRC) H-Set 6
*NOTE 2: For Fixed Reference Channel (FRC) H-Set 6A the reference values for R should be scaled (multiplied by 2.0)

Table 9.2.1GA.7: Test Parameters for Testing QPSK FRCs H-Set 3A

| Parameter | Unit | Test 1 | Test 2 | Test 3 | Test 4 |
|--|--------------|-----------|--------|--------|--------|
| Phase reference | | P-CPICH | | | |
| I_{oc} | dBm/3.84 MHz | -60 | | | |
| Redundancy and constellation version coding sequence | | {0,2,5,6} | | | |
| Maximum number of HARQ transmission | | 4 | | | |

NOTE: The HS-SCCH-1 and HS-PDSCH shall be transmitted continuously with constant power. HS-SCCH-1 shall only use the identity of the UE under test for those TTI intended for the UE.

Table 9.2.1GA.8: Enhanced requirement type 3 QPSK, Fixed Reference Channel (FRC) H-Set 3A

| Test Number | Propagation Conditions | Reference value | | |
|-------------|------------------------|-------------------------------|--|---|
| | | HS-PDSCH E_c/I_{or} (dB) | T-put R (kbps) * $\hat{I}_{or}/I_{oc} = 0$ dB | T-put R (kbps) * $\hat{I}_{or}/I_{oc} = 10$ dB |
| 1 | PA3 | -12 | N/A | N/A |
| | | -9 | N/A | N/A |
| | | -6 | 195 | N/A |
| | | -3 | 329 | N/A |
| 2 | PB3 | -9 | N/A | N/A |
| | | -6 | 156 | N/A |
| | | -3 | 263 | N/A |
| 3 | VA30 | -9 | N/A | N/A |
| | | -6 | 171 | N/A |
| | | -3 | 273 | N/A |
| 4 | VA120 | -9 | N/A | N/A |
| | | -6 | 168 | N/A |
| | | -3 | 263 | N/A |

*NOTE 1: The reference value R is for the Fixed Reference Channel (FRC) H-Set 1.
*NOTE 2: For Fixed Reference Channel (FRC) H-Set 3A the reference values for R should be scaled (multiplied by 6.0)
*NOTE 3: For UE supporting enhanced performance requirement type 3 and condition $\hat{I}_{or}/I_{oc} = 10$ dB this is tested using the Fixed Reference Channel (FRC) H-Set 6A.

NOTE: Table 9.2.1GA.8 is based on core requirements for enhanced requirements type 1 as explained in Table 9.2.3D.

The reference for this requirement is TS 25.101 [1] clauses 9.2.1.1, 9.2.1.2, 9.2.1.4, and 9.2.1.5.

9.2.1GA.3 Test purpose

To verify the ability of the receiver to receive a predefined test signal, representing a multi-path fading channel with information bit throughput R not falling below a specified value. The test stresses the multicode reception and channel decoding with incremental redundancy.

9.2.1GA.4 Method of test

9.2.1GA.4.1 Initial conditions

Test environment: normal; see clauses G.2.1 and G.2.2.

Frequencies to be tested: mid range; see clause G.2.4.

- 1) Connect the SS (node B emulator) and fader and AWGN noise source to the UE antenna connector as shown in figure A.37 for UEs that support receive diversity or figure A.35 for UEs that do not support receive diversity.
- 2) Set up an HSDPA call with according to TS 34.108 [3] clause 7.3.13 with levels according to table E.5.0.
- 3) Set the node B emulator behaviour according to table 9.2.4. Set the test parameters for tests 1-4 according to table 9.2.1GA.1, 9.2.1GA.4 and 9.2.1GA.7 and levels according to tables 9.2.1GA.9 to 9.2.1GA.16 as appropriate for both serving HS-DSCH cell and secondary serving HS-DSCH cell. The configuration of the downlink channels is defined in table E.5.1 for the serving HS-DSCH cell. and for secondary serving HS-DSCH cell set up P-CPICH, HS-PDSCH and HS-SCCH channels only per table E.5.1
- 4) The information bit data shall be pseudo random and not repeated before 10 different information bit payload blocks are processed. (e.g. Fixed reference Channel Definition H-set 6 (16 QAM): The information bit payload block is 9377 bits long. Hence the PRBSequence must be at least $9377 * 10$ bits long.) Use a PRBS from ITU-T O.153 Ref [27]
- 5) The SS shall not time the transmission freely. It shall time the transmission strictly according to the reference measurement channels: i.e. Process number is continued exactly after 6 TTIs.
- 6) Setup the fading simulator with fading conditions as described in table D.2.2.1.A and clause D.2.6 on each of the serving cells..

9.2.1GA.4.2 Procedure

- 1) Once the HSDPA connection is setup, change levels according to Tables E.5.6 to E.5.8B as specified by table E.5.9 and start transmitting HSDPA Data on both the serving cells For secondary serving HS-DSCH cell only P-CPICH, HS-PDSCH and HS-SCCH are configured.
- 2) For all relevant propagation conditions, for all relevant I_{oc} levels, for all relevant E_c/I_{or} , for all relevant \hat{I}_{or}/I_{oc} , for all relevant H-sets in tables 9.2.1GA.9 to 9.2.1GA.16 count the number of NACK, ACK and statDTX on the UL HS-DPCCH during the test interval on both the cells and decide pass or fail according to Annex F.6.3 tables F.6.3.5.2.5C and F.6.3.5.2.6C. Throughput shall be measured per cell and compared to requirements in these tables.

9.2.1GA.5 Test Requirements

Tables 9.2.1GA.9 to 9.2.1GA.16 define the primary level settings including test tolerance for all relevant throughput tests. The pass / fail decision for throughput is done according to Annex F.6.3.

Tables E.5.6 to E.5.8B define the secondary and subsequently ranked level settings including test tolerance for both the serving cells. As those level settings are not uniform for the throughput tests in this clause, Table E.5.9 indicates which levels are applied, when the primary level settings (E_c/I_{or} and I_{or}/I_{oc}) and propagation conditions (PA3,PB3, VA30, VA 120) vary.

Table 9.2.1GA.9: Test Parameters for Testing QPSK FRCs H-Set 6A

| Parameter | Unit | Test 1 | Test 2 | Test 3 | Test 4 | Test 5 |
|-----------------|--------------|---------------------------------|--------|--------|--------|--------|
| Phase reference | | P-CPICH | | | | |
| I_{oc} | dBm/3.84 MHz | -60 (no test tolerance applied) | | | | |

Table 9.2.1GA.10: Test requirement enhanced requirement type 3 QPSK at $\hat{I}_{or}/I_{oc} = 10$ dB, Fixed Reference Channel (FRC) H-Set 6A

| Test Number | Propagation Conditions | Reference value | |
|-------------|------------------------|----------------------------|--|
| | | HS-PDSCH E_c/I_{or} (dB) | T-put R (kbps) * $\hat{I}_{or}/I_{oc} = 10.6$ dB |
| 1 | PA3 | -8.9 | 1554 |
| | | -5.9 | 2495 |
| 2 | PB3 | -8.9 | 1190 |
| | | -5.9 | 2098 |
| 3 | VA30 | -8.9 | 1229 |
| | | -5.9 | 2013 |
| 4 | VA120 | -8.9 | 1060 |
| | | -5.9 | 1674 |

*NOTE 1: The reference value R is for the Fixed Reference Channel (FRC) H-Set 6
 *NOTE 2: For Fixed Reference Channel (FRC) H-Set 6A the reference values for R should be scaled (multiplied by 2.0) The throughput on each cell should be Reference value R.

Table 9.2.1GA.11: Test requirement enhanced requirement type 3 QPSK at $\hat{I}_{or}/I_{oc} = 5$ dB, Fixed Reference Channel (FRC) H-Set 6A

| Test Number | Propagation Conditions | Reference value | |
|-------------|------------------------|----------------------------|---|
| | | HS-PDSCH E_c/I_{or} (dB) | T-put R (kbps) * $\hat{I}_{or}/I_{oc} = 5.6$ dB |
| 5 | PB3 | -5.9 | 1248 |
| | | -2.9 | 2044 |

*NOTE 1: The reference value R is for the Fixed Reference Channel (FRC) H-Set 6
 *NOTE 2: For Fixed Reference Channel (FRC) H-Set 6A the reference values for R should be scaled (multiplied by 2.0). The throughput on each cell should be Reference value R.

Table 9.2.1GA.12: Test Parameters for Testing 16QAM FRCs H-Set 6

| Parameter | Unit | Test 1 | Test 2 | Test 3 | Test 4 | Test 5 |
|-----------------|--------------|---------------------------------|--------|--------|--------|--------|
| Phase reference | | P-CPICH | | | | |
| I_{oc} | dBm/3.84 MHz | -60 (no test tolerance applied) | | | | |

Table 9.2.1GA.13: Test requirement enhanced requirement type 3 16QAM at $\hat{I}_{or}/I_{oc} = 10$, Fixed Reference Channel (FRC) H-Set 6A

| Test Number | Propagation Conditions | Reference value | |
|-------------|------------------------|-------------------------------|---|
| | | HS-PDSCH E_c/I_{or} (dB) | T-put R (kbps) * $\hat{I}_{or}/I_{oc} = 10.6$ dB |
| 1 | PA3 | -5.9 | 1979 |
| | | -2.9 | 3032 |
| 2 | PB3 | -5.9 | 1619 |
| | | -2.9 | 2464 |
| 3 | VA30 | -5.9 | 1710 |
| | | -2.9 | 2490 |
| 4 | VA120 | -5.9 | 1437 |
| | | -2.9 | 2148 |

*Note1: The reference value R is for the Fixed Reference Channel (FRC) H-Set 6
*NOTE 2: For Fixed Reference Channel (FRC) H-Set 6A the reference values for R should be scaled (multiplied by 2.0). The throughput on each cell should be Reference value R.

Table 9.2.1GA.14: Test requirement enhanced requirement type 3 16QAM at $\hat{I}_{or}/I_{oc} = 5$, Fixed Reference Channel (FRC) H-Set 6A

| Test Number | Propagation Conditions | Reference value | |
|-------------|------------------------|-------------------------------|--|
| | | HS-PDSCH E_c/I_{or} (dB) | T-put R (kbps) * $\hat{I}_{or}/I_{oc} = 5.6$ dB |
| 5 | PB3 | -5.9 | 779 |
| | | -2.9 | 1688 |

*NOTE 1: The reference value R is for the Fixed Reference Channel (FRC) H-Set 6
*NOTE 2: For Fixed Reference Channel (FRC) H-Set 6A the reference values for R should be scaled (multiplied by 2.0). The throughput on each cell should be Reference value R.

Table 9.2.1GA.15: Test Parameters for Testing QPSK FRCs H-Set 3

| Parameter | Unit | Test 1 | Test 2 | Test 3 | Test 4 |
|-----------------|--------------|---------------------------------|--------|--------|--------|
| Phase reference | | P-CPICH | | | |
| I_{oc} | dBm/3.84 MHz | -60 (no test tolerance applied) | | | |

**Table 9.2.1GA.16: Test requirement enhanced requirement type 3 QPSK,
Fixed Reference Channel (FRC) H-Set 3A**

| Test Number | Propagation Conditions | Reference value | | |
|-------------|------------------------|-------------------------------|--|---|
| | | HS-PDSCH E_c/I_{or} (dB) | T-put R (kbps) * $\hat{I}_{or}/I_{oc} = 0.6$ dB | T-put R (kbps) * $\hat{I}_{or}/I_{oc} = 10.6$ dB |
| 1 | PA3 | -11.9 | N/A | N/A |
| | | -8.9 | N/A | N/A |
| | | -5.9 | 195 | N/A |
| | | -2.9 | 329 | N/A |
| 2 | PB3 | -8.9 | N/A | N/A |
| | | -5.9 | 156 | N/A |
| | | -2.9 | 263 | N/A |
| 3 | VA30 | -8.9 | N/A | N/A |
| | | -5.9 | 171 | N/A |
| | | -2.9 | 273 | N/A |
| 4 | VA120 | -8.9 | N/A | N/A |
| | | -5.9 | 168 | N/A |
| | | -2.9 | 263 | N/A |

*NOTE 1: The reference value R is for the Fixed Reference Channel (FRC) H-Set 1.
*NOTE 2: For Fixed Reference Channel (FRC) H-Set 3A the reference values for R should be scaled (multiplied by 6.0). The throughput on each cell should be Reference value R times 3.
*NOTE 3: For UE supporting enhanced performance requirement type 3 and condition $\hat{I}_{or}/I_{oc} = 10$ dB this is tested using the Fixed Reference Channel (FRC) H-Set 6A.

9.2.1GB Single Link Performance - Enhanced Performance Requirements Type 3 - QPSK/16QAM, Fixed Reference Channel (FRC) H-Set 6A/3A for DB-DC-HSDPA

9.2.1GB.1 Definition and applicability

The receiver single link performance of the High Speed Physical Downlink Shared Channel (HS-DSCH) in different multi-path fading environments are determined by the information bit throughput R.

The requirements and this test apply for Release 9 and later releases to all types of UTRA for the FDD UE that support: DB-DC-HSDPA and HSDPA UE capability categories 21-28 and support the optional enhanced performance requirements type 3 or 3i.

DB-DC-HSDPA is designed to operate in configurations specified in clause 4.2.

9.2.1GB.2 Minimum requirements

The performance requirements for a particular UE belonging to HS-DSCH categories 21 -28 and supporting the optional enhanced performance requirements type 3 are determined according to the relevant part of Table 9.2.3D.

During the Fixed Reference Channel (FRC) tests the behaviour of the Node-B emulator in response to the ACK/NACK signalling field of the HS-DPCCH is specified in Table 9.2.4.

The requirements are specified in terms of minimum information bit throughput R for the DL reference channels H-set 6A/3A specified in Annex C.8.1.6 and C.8.1.3 respectively, with the addition of the relevant parameters in Tables 9.2.1GB.1, 9.2.1GB.4 and 9.2.1GB.7 plus the downlink physical channel setup according to table E.5.1.

Using this configuration the throughput shall meet or exceed the minimum requirements specified in tables 9.2.1GB.2, 9.2.1GB.3, 9.2.1GB.5, 9.2.1GB.6, and 9.2.1GB.8.

Table 9.2.1GB.1: Test Parameters for Testing QPSK FRCs H-Set 6A

| Parameter | Unit | Test 1 | Test 2 | Test 3 | Test 4 | Test 5 |
|---|--------------|-----------|--------|--------|--------|--------|
| Phase reference | | P-CPICH | | | | |
| I_{oc} | dBm/3.84 MHz | -60 | | | | |
| Redundancy and constellation version coding sequence | | {0,2,5,6} | | | | |
| Maximum number of HARQ transmission | | 4 | | | | |
| NOTE: The HS-SCCH-1 and HS-PDSCH shall be transmitted continuously with constant power. HS-SCCH-1 shall only use the identity of the UE under test for those TTI intended for the UE. | | | | | | |

Table 9.2.1GB.2: Minimum requirement Enhanced requirement type 3 QPSK at $\hat{I}_{or}/I_{oc} = 10$ dB, Fixed Reference Channel (FRC) H-Set 6A

| Test Number | Propagation Conditions | Reference value | |
|---|------------------------|-------------------------------|---|
| | | HS-PDSCH E_c/I_{or} (dB) | T-put R (kbps) * $\hat{I}_{or}/I_{oc} = 10$ dB |
| 1 | PA3 | -9 | 1554 |
| | | -6 | 2495 |
| 2 | PB3 | -9 | 1190 |
| | | -6 | 2098 |
| 3 | VA30 | -9 | 1229 |
| | | -6 | 2013 |
| 4 | VA120 | -9 | 1060 |
| | | -6 | 1674 |
| *NOTE 1: The reference value R is for the Fixed Reference Channel (FRC) H-Set 6 | | | |
| *NOTE 2: For Fixed Reference Channel (FRC) H-Set 6A the reference values for R should be scaled (multiplied by 2.0) | | | |

Table 9.2.1GB.3: Minimum requirement Enhanced requirement type 3 QPSK at $\hat{I}_{or}/I_{oc} = 5$ dB, Fixed Reference Channel (FRC) H-Set 6A

| Test Number | Propagation Conditions | Reference value | |
|--|------------------------|-------------------------------|--|
| | | HS-PDSCH E_c/I_{or} (dB) | T-put R (kbps) * $\hat{I}_{or}/I_{oc} = 5$ dB |
| 5 | PB3 | -6 | 1248 |
| | | -3 | 2044 |
| * NOTE 1: The reference value R is for the Fixed Reference Channel (FRC) H-Set 6 | | | |
| * NOTE 2: For Fixed Reference Channel (FRC) H-Set 6A the reference values for R should be scaled (multiplied by 2.0) | | | |

Table 9.2.1GB.4: Test Parameters for Testing 16QAM FRCs H-Set 6A

| Parameter | Unit | Test 1 | Test 2 | Test 3 | Test 4 | Test 5 |
|---|--------------|-----------|--------|--------|--------|--------|
| Phase reference | | P-CPICH | | | | |
| I_{oc} | dBm/3.84 MHz | -60 | | | | |
| Redundancy and constellation version coding sequence | | {6,2,1,5} | | | | |
| Maximum number of HARQ transmission | | 4 | | | | |
| NOTE: The HS-SCCH-1 and HS-PDSCH shall be transmitted continuously with constant power. HS-SCCH-1 shall only use the identity of the UE under test for those TTI intended for the UE. | | | | | | |

Table 9.2.1GB.5: Minimum requirement Enhanced requirement type 3 16QAM at $\hat{I}_{or}/I_{oc} = 10$ dB, Fixed Reference Channel (FRC) H-Set 6A

| Test Number | Propagation Conditions | Reference value | |
|-------------|------------------------|-------------------------------|---|
| | | HS-PDSCH E_c/I_{or} (dB) | T-put R (kbps) * $\hat{I}_{or}/I_{oc} = 10$ dB |
| 1 | PA3 | -6 | 1979 |
| | | -3 | 3032 |
| 2 | PB3 | -6 | 1619 |
| | | -3 | 2464 |
| 3 | VA30 | -6 | 1710 |
| | | -3 | 2490 |
| 4 | VA120 | -6 | 1437 |
| | | -3 | 2148 |

*NOTE 1: The reference value R is for the Fixed Reference Channel (FRC) H-Set 6
*NOTE 2: For Fixed Reference Channel (FRC) H-Set 6A the reference values for R should be scaled (multiplied by 2.0)

Table 9.2.1GB.6: Minimum requirement Enhanced requirement type 3 16QAM at $\hat{I}_{or}/I_{oc} = 5$ dB, Fixed Reference Channel (FRC) H-Set 6A

| Test Number | Propagation Conditions | Reference value | |
|-------------|------------------------|-------------------------------|--|
| | | HS-PDSCH E_c/I_{or} (dB) | T-put R (kbps) * $\hat{I}_{or}/I_{oc} = 5$ dB |
| 5 | PB3 | -6 | 779 |
| | | -3 | 1688 |

*NOTE 1: The reference value R is for the Fixed Reference Channel (FRC) H-Set 6
*NOTE 2: For Fixed Reference Channel (FRC) H-Set 6A the reference values for R should be scaled (multiplied by 2.0)

Table 9.2.1GB.7: Test Parameters for Testing QPSK FRCs H-Set 3A

| Parameter | Unit | Test 1 | Test 2 | Test 3 | Test 4 |
|--|--------------|-----------|--------|--------|--------|
| Phase reference | | P-CPICH | | | |
| I_{oc} | dBm/3.84 MHz | -60 | | | |
| Redundancy and constellation version coding sequence | | {0,2,5,6} | | | |
| Maximum number of HARQ transmission | | 4 | | | |

NOTE: The HS-SCCH-1 and HS-PDSCH shall be transmitted continuously with constant power. HS-SCCH-1 shall only use the identity of the UE under test for those TTI intended for the UE.

Table 9.2.1GB.8: Enhanced requirement type 3 QPSK, Fixed Reference Channel (FRC) H-Set 3A

| Test Number | Propagation Conditions | Reference value | | |
|-------------|------------------------|-------------------------------|--|---|
| | | HS-PDSCH E_c/I_{or} (dB) | T-put R (kbps) * $\hat{I}_{or}/I_{oc} = 0$ dB | T-put R (kbps) * $\hat{I}_{or}/I_{oc} = 10$ dB |
| 1 | PA3 | -12 | N/A | N/A |
| | | -9 | N/A | N/A |
| | | -6 | 195 | N/A |
| | | -3 | 329 | N/A |
| 2 | PB3 | -9 | N/A | N/A |
| | | -6 | 156 | N/A |
| | | -3 | 263 | N/A |
| 3 | VA30 | -9 | N/A | N/A |
| | | -6 | 171 | N/A |
| | | -3 | 273 | N/A |
| 4 | VA120 | -9 | N/A | N/A |
| | | -6 | 168 | N/A |
| | | -3 | 263 | N/A |

*NOTE 1: The reference value R is for the Fixed Reference Channel (FRC) H-Set 1.
*NOTE 2: For Fixed Reference Channel (FRC) H-Set 3A the reference R values for R should be scaled (multiplied by 6.0)
*NOTE 3: For UE supporting enhanced performance requirement type 3 and condition $\hat{I}_{or}/I_{oc} = 10$ dB this is tested using the Fixed Reference Channel (FRC) H-Set 6A.

NOTE: Table 9.2.1GB.8 is based on core requirements for enhanced requirements type 1 as explained in Table 9.2.3D.

The reference for this requirement is TS 25.101 [1] clauses 9.2.1.1, 9.2.1.2, 9.2.1.4, and 9.2.1.5.

9.2.1GB.3 Test purpose

To verify the ability of the receiver to receive a predefined test signal, representing a multi-path fading channel with information bit throughput R not falling below a specified value. The test stresses the multicode reception and channel decoding with incremental redundancy.

9.2.1GB.4 Method of test

9.2.1GB.4.1 Initial conditions

Test environment: normal; see clauses G.2.1 and G.2.2.

Frequencies to be tested: mid range; see clause G.2.4.

- 1) Connect the SS (node B emulator) and fader and AWGN noise source to the UE antenna connector as shown in figure A.37 for UEs that support receive diversity or figure A.35 for UEs that do not support receive diversity.
- 2) Set up an HSDPA call with according to TS 34.108 [3] clause 7.3.13 with levels according to table E.5.0.
- 3) Set the node B emulator behaviour according to table 9.2.4. Set the test parameters for tests 1-4 according to table 9.2.1GB.1, 9.2.1GB.4 and 9.2.1GB.7 and levels according to tables 9.2.1GB.9 to 9.2.1GB.16 as appropriate for both serving HS-DSCH cell and secondary serving HS-DSCH cell. The primary and secondary serving cells are set on different bands according to DB-DC-HSDPA configurations defined in Section 4.2. The configuration of the downlink channels is defined in table E.5.1 for the serving HS-DSCH cell. and for secondary serving HS-DSCH cell set up P-CPICH, HS-PDSCH and HS-SCCH channels only per table E.5.1
- 4) The information bit data shall be pseudo random and not repeated before 10 different information bit payload blocks are processed. (e.g. Fixed reference Channel Definition H-set 6 (16 QAM): The information bit payload block is 9377 bits long. Hence the PRBSequence must be at least $9377 * 10$ bits long.) Use a PRBS from ITU-T O.153 Ref [27]
- 5) The SS shall not time the transmission freely. It shall time the transmission strictly according to the reference measurement channels: i.e. Process number is continued exactly after 6 TTIs.

- 6) Setup the fading simulator with fading conditions as described in table D.2.2.1.A and clause D.2.6 on each of the serving cells..

9.2.1GB.4.2 Procedure

- 1) Once the HSDPA connection is setup, change levels according to Tables E.5.6 to E.5.8B as specified by table E.5.9 and start transmitting HSDPA Data on both the serving cells For secondary serving HS-DSCH cell only P-CPICH, HS-PDSCH and HS-SCCH are configured.
- 2) For all relevant propagation conditions, for all relevant I_{oc} levels, for all relevant E_c/I_{or} , for all relevant \hat{I}_{or}/I_{oc} , for all relevant H-sets in tables 9.2.1GB.9 to 9.2.1GB.16 count the number of NACK, ACK and statDTX on the UL HS-DPCCH during the test interval on both the cells and decide pass or fail according to Annex F.6.3 tables F.6.3.5.2.5C and F.6.3.5.2.6C. Throughput shall be measured per cell and compared to requirements in these tables.

9.2.1GB.5 Test Requirements

Tables 9.2.1GB.9 to 9.2.1GB.16 define the primary level settings including test tolerance for all relevant throughput tests. The pass / fail decision for throughput is done according to Annex F.6.3.

Tables E.5.6 to E.5.8B define the secondary and subsequently ranked level settings including test tolerance for both the serving cells. As those level settings are not uniform for the throughput tests in this clause, Table E.5.9 indicates which levels are applied, when the primary level settings (E_c/I_{or} and I_{or}/I_{oc}) and propagation conditions (PA3, PB3, VA30, VA120) vary.

Table 9.2.1GB.9: Test Parameters for Testing QPSK FRCs H-Set 6A

| Parameter | Unit | Test 1 | Test 2 | Test 3 | Test 4 | Test 5 |
|-----------------|--------------|---------------------------------|--------|--------|--------|--------|
| Phase reference | | P-CPICH | | | | |
| I_{oc} | dBm/3.84 MHz | -60 (no test tolerance applied) | | | | |

Table 9.2.1GB.10: Test requirement enhanced requirement type 3 QPSK at $\hat{I}_{or}/I_{oc} = 10$ dB, Fixed Reference Channel (FRC) H-Set 6A

| Test Number | Propagation Conditions | Reference value | |
|-------------|------------------------|-------------------------------|---|
| | | HS-PDSCH E_c/I_{or} (dB) | T-put R (kbps) * $\hat{I}_{or}/I_{oc} = 10.6$ dB |
| 1 | PA3 | -8.9 | 1554 |
| | | -5.9 | 2495 |
| 2 | PB3 | -8.9 | 1190 |
| | | -5.9 | 2098 |
| 3 | VA30 | -8.9 | 1229 |
| | | -5.9 | 2013 |
| 4 | VA120 | -8.9 | 1060 |
| | | -5.9 | 1674 |

*NOTE 1: The reference value R is for the Fixed Reference Channel (FRC) H-Set 6
*NOTE 2: For Fixed Reference Channel (FRC) H-Set 6A the reference values for R should be scaled (multiplied by 2.0) The throughput on each cell should be Reference value R.

Table 9.2.1GB.11: Test requirement enhanced requirement type 3 QPSK at $\hat{I}_{or}/I_{oc} = 5$ dB, Fixed Reference Channel (FRC) H-Set 6A

| Test Number | Propagation Conditions | Reference value | |
|---|------------------------|-------------------------------|--|
| | | HS-PDSCH E_c/I_{or} (dB) | T-put R (kbps) * $\hat{I}_{or}/I_{oc} = 5.6$ dB |
| 5 | PB3 | -5.9 | 1248 |
| | | -2.9 | 2044 |
| *NOTE 1: The reference value R is for the Fixed Reference Channel (FRC) H-Set 6 | | | |
| *NOTE 2: For Fixed Reference Channel (FRC) H-Set 6A the reference values for R should be scaled (multiplied by 2.0). The throughput on each cell should be Reference value R. | | | |

Table 9.2.1GB.12: Test Parameters for Testing 16QAM FRCs H-Set 6

| Parameter | Unit | Test 1 | Test 2 | Test 3 | Test 4 | Test 5 |
|-----------------|--------------|---------------------------------|--------|--------|--------|--------|
| Phase reference | | P-CPICH | | | | |
| I_{oc} | dBm/3.84 MHz | -60 (no test tolerance applied) | | | | |

Table 9.2.1GB.13: Test requirement enhanced requirement type 3 16QAM at $\hat{I}_{or}/I_{oc} = 10$, Fixed Reference Channel (FRC) H-Set 6A

| Test Number | Propagation Conditions | Reference value | |
|---|------------------------|-------------------------------|---|
| | | HS-PDSCH E_c/I_{or} (dB) | T-put R (kbps) * $\hat{I}_{or}/I_{oc} = 10.6$ dB |
| 1 | PA3 | -5.9 | 1979 |
| | | -2.9 | 3032 |
| 2 | PB3 | -5.9 | 1619 |
| | | -2.9 | 2464 |
| 3 | VA30 | -5.9 | 1710 |
| | | -2.9 | 2490 |
| 4 | VA120 | -5.9 | 1437 |
| | | -2.9 | 2148 |
| *Note1: The reference value R is for the Fixed Reference Channel (FRC) H-Set 6 | | | |
| *NOTE 2: For Fixed Reference Channel (FRC) H-Set 6A the reference values for R should be scaled (multiplied by 2.0). The throughput on each cell should be Reference value R. | | | |

Table 9.2.1GB.14: Test requirement enhanced requirement type 3 16QAM at $\hat{I}_{or}/I_{oc} = 5$, Fixed Reference Channel (FRC) H-Set 6A

| Test Number | Propagation Conditions | Reference value | |
|---|------------------------|-------------------------------|--|
| | | HS-PDSCH E_c/I_{or} (dB) | T-put R (kbps) * $\hat{I}_{or}/I_{oc} = 5.6$ dB |
| 5 | PB3 | -5.9 | 779 |
| | | -2.9 | 1688 |
| *NOTE 1: The reference value R is for the Fixed Reference Channel (FRC) H-Set 6 | | | |
| *NOTE 2: For Fixed Reference Channel (FRC) H-Set 6A the reference values for R should be scaled (multiplied by 2.0). The throughput on each cell should be Reference value R. | | | |

Table 9.2.1GB.15: Test Parameters for Testing QPSK FRCs H-Set 3

| Parameter | Unit | Test 1 | Test 2 | Test 3 | Test 4 |
|-----------------|--------------|---------------------------------|--------|--------|--------|
| Phase reference | | P-CPICH | | | |
| I_{oc} | dBm/3.84 MHz | -60 (no test tolerance applied) | | | |

**Table 9.2.1GB.16: Test requirement enhanced requirement type 3 QPSK,
Fixed Reference Channel (FRC) H-Set 3A**

| Test Number | Propagation Conditions | Reference value | | |
|-------------|------------------------|-------------------------------|--|---|
| | | HS-PDSCH E_c/I_{or} (dB) | T-put R (kbps) * $\hat{I}_{or}/I_{oc} = 0.6$ dB | T-put R (kbps) * $\hat{I}_{or}/I_{oc} = 10.6$ dB |
| 1 | PA3 | -11.9 | N/A | N/A |
| | | -8.9 | N/A | N/A |
| | | -5.9 | 195 | N/A |
| | | -2.9 | 329 | N/A |
| 2 | PB3 | -8.9 | N/A | N/A |
| | | -5.9 | 156 | N/A |
| | | -2.9 | 263 | N/A |
| 3 | VA30 | -8.9 | N/A | N/A |
| | | -5.9 | 171 | N/A |
| | | -2.9 | 273 | N/A |
| 4 | VA120 | -8.9 | N/A | N/A |
| | | -5.9 | 168 | N/A |
| | | -2.9 | 263 | N/A |

*NOTE 1: The reference value R is for the Fixed Reference Channel (FRC) H-Set 1.
*NOTE 2: For Fixed Reference Channel (FRC) H-Set 3A the reference values for R should be scaled (multiplied by 6.0). The throughput on each cell should be Reference value R times 3.
*NOTE 3: For UE supporting enhanced performance requirement type 3 and condition $\hat{I}_{or}/I_{oc} = 10$ dB this is tested using the Fixed Reference Channel (FRC) H-Set 6A.

9.2.1GC Single Link Performance - Enhanced Performance Requirements Type 3 - QPSK/16QAM, Fixed Reference Channel (FRC) H-Set 6B/3B

9.2.1GC.1 Definition and applicability

The receiver single link performance of the High Speed Physical Downlink Shared Channel (HS-DSCH) in different multi-path fading environments are determined by the information bit throughput R.

The requirements and this test apply for Release 10 and later releases to all types of UTRA for the FDD UE that support 4C-HSDPA and HSDPA UE capability categories 29 or 30 and support the optional enhanced performance requirements type 3 or 3i.

9.2.1GC.2 Minimum requirements

The performance requirements for a particular UE belonging to HS-DSCH categories 29-30 and supporting the optional enhanced performance requirements type 3 are determined according to the relevant part of Table 9.2.3H

During the Fixed Reference Channel (FRC) tests the behaviour of the Node-B emulator in response to the ACK/NACK signalling field of the HS-DPCCH is specified in Table 9.2.4.

The requirements are specified in terms of minimum information bit throughput R for the DL reference channels H-set 6B/3B specified in Annex C.8.1.6 and C.8.1.3 respectively, with the addition of the relevant parameters in Tables 9.2.1GC.1, 9.2.1GC.4 and 9.2.1GC.7 plus the downlink physical channel setup according to table E.5.1.

Using this configuration the throughput shall meet or exceed the minimum requirements specified in tables 9.2.1GC.2, 9.2.1GC.3, 9.2.1GC.5, 9.2.1GC.6, and 9.2.1GC.8.

Table 9.2.1GC.1: Test Parameters for Testing QPSK FRCs H-Set 6B

| Parameter | Unit | Test 1 | Test 2 | Test 3 | Test 4 | Test 5 |
|---|--------------|-----------|--------|--------|--------|--------|
| Phase reference | | P-CPICH | | | | |
| I_{oc} | dBm/3.84 MHz | -60 | | | | |
| Redundancy and constellation version coding sequence | | {0,2,5,6} | | | | |
| Maximum number of HARQ transmission | | 4 | | | | |
| NOTE: The HS-SCCH-1 and HS-PDSCH shall be transmitted continuously with constant power. HS-SCCH-1 shall only use the identity of the UE under test for those TTI intended for the UE. | | | | | | |

Table 9.2.1GC.2: Minimum requirement Enhanced requirement type 3 QPSK at $\hat{I}_{or}/I_{oc} = 10$ dB, Fixed Reference Channel (FRC) H-Set 6B

| Test Number | Propagation Conditions | Reference value | |
|--|------------------------|-------------------------------|---|
| | | HS-PDSCH E_c/I_{or} (dB) | T-put R (kbps) * $\hat{I}_{or}/I_{oc} = 10$ dB |
| 1 | PA3 | -9 | 1554 |
| | | -6 | 2495 |
| 2 | PB3 | -9 | 1190 |
| | | -6 | 2098 |
| 3 | VA30 | -9 | 1229 |
| | | -6 | 2013 |
| 4 | VA120 | -9 | 1060 |
| | | -6 | 1674 |
| *NOTE 1: The reference value R is for the Fixed Reference Channel (FRC) H-Set 6. | | | |
| *NOTE 2: For Fixed Reference Channel (FRC) H-Set 6B the reference values for R should be scaled (multiplied by 3.0). | | | |

Table 9.2.1GC.3: Minimum requirement Enhanced requirement type 3 QPSK at $\hat{I}_{or}/I_{oc} = 5$ dB, Fixed Reference Channel (FRC) H-Set 6B

| Test Number | Propagation Conditions | Reference value | |
|---|------------------------|-------------------------------|--|
| | | HS-PDSCH E_c/I_{or} (dB) | T-put R (kbps) * $\hat{I}_{or}/I_{oc} = 5$ dB |
| 5 | PB3 | -6 | 1248 |
| | | -3 | 2044 |
| * NOTE 1: The reference value R is for the Fixed Reference Channel (FRC) H-Set 6. | | | |
| * NOTE 2: For Fixed Reference Channel (FRC) H-Set 6B the reference values for R should be scaled (multiplied by 3.0). | | | |

Table 9.2.1GC.4: Test Parameters for Testing 16QAM FRCs H-Set 6B

| Parameter | Unit | Test 1 | Test 2 | Test 3 | Test 4 | Test 5 |
|---|--------------|-----------|--------|--------|--------|--------|
| Phase reference | | P-CPICH | | | | |
| I_{oc} | dBm/3.84 MHz | -60 | | | | |
| Redundancy and constellation version coding sequence | | {6,2,1,5} | | | | |
| Maximum number of HARQ transmission | | 4 | | | | |
| NOTE: The HS-SCCH-1 and HS-PDSCH shall be transmitted continuously with constant power. HS-SCCH-1 shall only use the identity of the UE under test for those TTI intended for the UE. | | | | | | |

Table 9.2.1GC.5: Minimum requirement Enhanced requirement type 3 16QAM at $\hat{I}_{or}/I_{oc} = 10$ dB, Fixed Reference Channel (FRC) H-Set 6B

| Test Number | Propagation Conditions | Reference value | |
|-------------|------------------------|-------------------------------|---|
| | | HS-PDSCH E_c/I_{or} (dB) | T-put R (kbps) * $\hat{I}_{or}/I_{oc} = 10$ dB |
| 1 | PA3 | -6 | 1979 |
| | | -3 | 3032 |
| 2 | PB3 | -6 | 1619 |
| | | -3 | 2464 |
| 3 | VA30 | -6 | 1710 |
| | | -3 | 2490 |
| 4 | VA120 | -6 | 1437 |
| | | -3 | 2148 |

*NOTE 1: The reference value R is for the Fixed Reference Channel (FRC) H-Set 6.
*NOTE 2: For Fixed Reference Channel (FRC) H-Set 6B the reference values for R should be scaled (multiplied by 3.0).

Table 9.2.1GC.6: Minimum requirement Enhanced requirement type 3 16QAM at $\hat{I}_{or}/I_{oc} = 5$ dB, Fixed Reference Channel (FRC) H-Set 6B

| Test Number | Propagation Conditions | Reference value | |
|-------------|------------------------|-------------------------------|--|
| | | HS-PDSCH E_c/I_{or} (dB) | T-put R (kbps) * $\hat{I}_{or}/I_{oc} = 5$ dB |
| 5 | PB3 | -6 | 779 |
| | | -3 | 1688 |

*NOTE 1: The reference value R is for the Fixed Reference Channel (FRC) H-Set 6.
*NOTE 2: For Fixed Reference Channel (FRC) H-Set 6B the reference values for R should be scaled (multiplied by 3.0).

Table 9.2.1GC.7: Test Parameters for Testing QPSK FRCs H-Set 3B

| Parameter | Unit | Test 1 | Test 2 | Test 3 | Test 4 |
|--|--------------|-----------|--------|--------|--------|
| Phase reference | | P-CPICH | | | |
| I_{oc} | dBm/3.84 MHz | -60 | | | |
| Redundancy and constellation version coding sequence | | {0,2,5,6} | | | |
| Maximum number of HARQ transmission | | 4 | | | |

NOTE: The HS-SCCH-1 and HS-PDSCH shall be transmitted continuously with constant power. HS-SCCH-1 shall only use the identity of the UE under test for those TTI intended for the UE.

Table 9.2.1GC.8: Enhanced requirement type 3 QPSK, Fixed Reference Channel (FRC) H-Set 3B

| Test Number | Propagation Conditions | Reference value | | |
|-------------|------------------------|-------------------------------|--|---|
| | | HS-PDSCH E_c/I_{or} (dB) | T-put R (kbps) * $\hat{I}_{or}/I_{oc} = 0$ dB | T-put R (kbps) * $\hat{I}_{or}/I_{oc} = 10$ dB |
| 1 | PA3 | -12 | N/A | N/A |
| | | -9 | N/A | N/A |
| | | -6 | 195 | N/A |
| | | -3 | 329 | N/A |
| 2 | PB3 | -9 | N/A | N/A |
| | | -6 | 156 | N/A |
| | | -3 | 263 | N/A |
| 3 | VA30 | -9 | N/A | N/A |
| | | -6 | 171 | N/A |
| | | -3 | 273 | N/A |
| 4 | VA120 | -9 | N/A | N/A |
| | | -6 | 168 | N/A |
| | | -3 | 263 | N/A |

*NOTE 1: The reference value R is for the Fixed Reference Channel (FRC) H-Set 1.
*NOTE 2: For Fixed Reference Channel (FRC) H-Set 3B the reference values for R should be scaled (multiplied by 9.0).
*NOTE 3: For UE supporting enhanced performance requirement type 3 and condition $\hat{I}_{or}/I_{oc} = 10$ dB this is tested using the Fixed Reference Channel (FRC) H-Set 6B.

NOTE: Table 9.2.1GC.8 is based on core requirements for enhanced requirements type 3 as explained in Table 9.2.3H.

The reference for this requirement is TS 25.101 [1] clauses 9.2.1.1, 9.2.1.4, and 9.2.1.5.

9.2.1GC.3 Test purpose

To verify the ability of the receiver to receive a predefined test signal, representing a multi-path fading channel with information bit throughput R not falling below a specified value. The test stresses the multicode reception and channel decoding with incremental redundancy.

9.2.1GC.4 Method of test

9.2.1GC.4.1 Initial conditions

Test environment: normal; see clauses G.2.1 and G.2.2.

Frequencies to be tested: mid range; see clause G.2.4.

- 1) Connect the SS (node B emulator) and fader and AWGN noise source to the UE antenna connector as shown in figure 47 for UEs that support receive diversity or figure 46 for UEs that do not support receive diversity.
- 2) Set up an HSDPA call with according to TS 34.108 [3] clause 7.3.16 with levels according to table E.5.0.
- 3) Set the node B emulator behaviour according to table 9.2.4. Set the test parameters for tests 1-4 according to table 9.2.1GC.1, 9.2.1GC.4 and 9.2.1GC.7 and levels according to tables 9.2.1GC.9 to 9.2.1GC.16 as appropriate for serving HS-DSCH cell and secondary HS-DSCH cells. The configuration of the downlink channels is defined in table E.5.1A and is to be applied to serving HS-DSCH cell and for secondary serving HS-DSCH cells set up P-CPICH, HS-PDSCH and HS-SCCH channels only per table E.5.1.
- 4) The information bit data shall be pseudo random and not repeated before 10 different information bit payload blocks are processed. (e.g. Fixed reference Channel Definition H-set 6 (16 QAM): The information bit payload block is 9377 bits long. Hence the PRBSequence must be at least $9377 * 10$ bits long.) Use a PRBS from ITU-T O.153 Ref [27].
- 5) The SS shall not time the transmission freely. It shall time the transmission strictly according to the reference measurement channels: i.e. Process number is continued exactly after 6 TTIs.
- 6) Setup the fading simulator with fading conditions as described in table D.2.2.1.A and clause D.2.6 on each of the serving cells.

9.2.1GC.4.2 Procedure

- 1) Once the HSDPA connection is setup, change levels according to Tables E.5.6 to E.5.8B as specified by table E.5.9 and start transmitting HSDPA Data on all the cells. For secondary serving HS-DSCH cells only P-CPICH, HS-PDSCH and HS-SCCH are configured.
- 2) For all relevant propagation conditions, for all relevant I_{oc} levels, for all relevant E_c/I_{or} , for all relevant \hat{I}_{or}/I_{oc} , for all relevant H-sets in tables 9.2.1GC.9 to 9.2.1GC.16 count the number of NACK, ACK and statDTX on the UL HS-DPCCH during the test interval on both the cells and decide pass or fail according to Annex F.6.3 tables F.6.3.5.2.5C and F.6.3.5.2.6C. Throughput shall be measured per cell and compared to requirements in these tables.

9.2.1GC.5 Test Requirements

Tables 9.2.1GC.9 to 9.2.1GC.16 define the primary level settings including test tolerance for all relevant throughput tests. The pass / fail decision for throughput is done according to Annex F.6.3.

Tables E.5.6 to E.5.8B define the secondary and subsequently ranked level settings including test tolerance for serving cells. As those level settings are not uniform for the throughput tests in this clause, Table E.5.9 indicates which levels are applied, when the primary level settings (E_c/I_{or} and I_{or}/I_{oc}) and propagation conditions (PA3, PB3, VA30, VA120) vary.

Table 9.2.1GC.9: Test Parameters for Testing QPSK FRCs H-Set 6B

| Parameter | Unit | Test 1 | Test 2 | Test 3 | Test 4 | Test 5 |
|-----------------|--------------|---------------------------------|--------|--------|--------|--------|
| Phase reference | | P-CPICH | | | | |
| I_{oc} | dBm/3.84 MHz | -60 (no test tolerance applied) | | | | |

Table 9.2.1GC.10: Test requirement enhanced requirement type 3 QPSK at $\hat{I}_{or}/I_{oc} = 10$ dB, Fixed Reference Channel (FRC) H-Set 6B

| Test Number | Propagation Conditions | Reference value | |
|-------------|------------------------|-------------------------------|---|
| | | HS-PDSCH E_c/I_{or} (dB) | T-put R (kbps) * $\hat{I}_{or}/I_{oc} = 10.6$ dB |
| 1 | PA3 | -8.9 | 1554 |
| | | -5.9 | 2495 |
| 2 | PB3 | -8.9 | 1190 |
| | | -5.9 | 2098 |
| 3 | VA30 | -8.9 | 1229 |
| | | -5.9 | 2013 |
| 4 | VA120 | -8.9 | 1060 |
| | | -5.9 | 1674 |

*NOTE 1: The reference value R is for the Fixed Reference Channel (FRC) H-Set 6.
*NOTE 2: For Fixed Reference Channel (FRC) H-Set 6B the reference values for R should be scaled (multiplied by 3.0) The throughput on each cell should be Reference value R.

Table 9.2.1GC.11: Test requirement enhanced requirement type 3 QPSK at $\hat{I}_{or}/I_{oc} = 5$ dB, Fixed Reference Channel (FRC) H-Set 6B

| Test Number | Propagation Conditions | Reference value | |
|-------------|------------------------|-------------------------------|--|
| | | HS-PDSCH E_c/I_{or} (dB) | T-put R (kbps) * $\hat{I}_{or}/I_{oc} = 5.6$ dB |
| 5 | PB3 | -5.9 | 1248 |
| | | -2.9 | 2044 |

*NOTE 1: The reference value R is for the Fixed Reference Channel (FRC) H-Set 6.
*NOTE 2: For Fixed Reference Channel (FRC) H-Set 6B the reference values for R should be scaled (multiplied by 3.0). The throughput on each cell should be Reference value R.

Table 9.2.1GC.12: Test Parameters for Testing 16QAM FRCs H-Set 6

| Parameter | Unit | Test 1 | Test 2 | Test 3 | Test 4 | Test 5 |
|-----------------|--------------|---------------------------------|--------|--------|--------|--------|
| Phase reference | | P-CPICH | | | | |
| I_{oc} | dBm/3.84 MHz | -60 (no test tolerance applied) | | | | |

Table 9.2.1GC.13: Test requirement enhanced requirement type 3 16QAM at $\hat{I}_{or}/I_{oc} = 10$, Fixed Reference Channel (FRC) H-Set 6B

| Test Number | Propagation Conditions | Reference value | |
|-------------|------------------------|-------------------------------|---|
| | | HS-PDSCH E_c/I_{or} (dB) | T-put R (kbps) * $\hat{I}_{or}/I_{oc} = 10.6$ dB |
| 1 | PA3 | -5.9 | 1979 |
| | | -2.9 | 3032 |
| 2 | PB3 | -5.9 | 1619 |
| | | -2.9 | 2464 |
| 3 | VA30 | -5.9 | 1710 |
| | | -2.9 | 2490 |
| 4 | VA120 | -5.9 | 1437 |
| | | -2.9 | 2148 |

*Note1: The reference value R is for the Fixed Reference Channel (FRC) H-Set 6.
*NOTE 2: For Fixed Reference Channel (FRC) H-Set 6B the reference values for R should be scaled (multiplied by 3.0). The throughput on each cell should be Reference value R.

Table 9.2.1GC.14: Test requirement enhanced requirement type 3 16QAM at $\hat{I}_{or}/I_{oc} = 5$, Fixed Reference Channel (FRC) H-Set 6B

| Test Number | Propagation Conditions | Reference value | |
|-------------|------------------------|-------------------------------|--|
| | | HS-PDSCH E_c/I_{or} (dB) | T-put R (kbps) * $\hat{I}_{or}/I_{oc} = 5.6$ dB |
| 5 | PB3 | -5.9 | 779 |
| | | -2.9 | 1688 |

*NOTE 1: The reference value R is for the Fixed Reference Channel (FRC) H-Set 6.
*NOTE 2: For Fixed Reference Channel (FRC) H-Set 6B the reference values for R should be scaled (multiplied by 3.0). The throughput on each cell should be Reference value R.

Table 9.2.1GC.15: Test Parameters for Testing QPSK FRCs H-Set 3

| Parameter | Unit | Test 1 | Test 2 | Test 3 | Test 4 |
|-----------------|--------------|---------------------------------|--------|--------|--------|
| Phase reference | | P-CPICH | | | |
| I_{oc} | dBm/3.84 MHz | -60 (no test tolerance applied) | | | |

**Table 9.2.1GC.16: Test requirement enhanced requirement type 3 QPSK,
Fixed Reference Channel (FRC) H-Set 3B**

| Test Number | Propagation Conditions | Reference value | | |
|-------------|------------------------|-------------------------------|--|---|
| | | HS-PDSCH E_c/I_{or} (dB) | T-put R (kbps) * $\hat{I}_{or}/I_{oc} = 0.6$ dB | T-put R (kbps) * $\hat{I}_{or}/I_{oc} = 10.6$ dB |
| 1 | PA3 | -11.9 | N/A | N/A |
| | | -8.9 | N/A | N/A |
| | | -5.9 | 195 | N/A |
| | | -2.9 | 329 | N/A |
| 2 | PB3 | -8.9 | N/A | N/A |
| | | -5.9 | 156 | N/A |
| | | -2.9 | 263 | N/A |
| 3 | VA30 | -8.9 | N/A | N/A |
| | | -5.9 | 171 | N/A |
| | | -2.9 | 273 | N/A |
| 4 | VA120 | -8.9 | N/A | N/A |
| | | -5.9 | 168 | N/A |
| | | -2.9 | 263 | N/A |

*NOTE 1: The reference value R is for the Fixed Reference Channel (FRC) H-Set 1.
*NOTE 2: For Fixed Reference Channel (FRC) H-Set 3B the reference values for R should be scaled (multiplied by 9.0). The throughput on each cell should be Reference value R times 3.
*NOTE 3: For UE supporting enhanced performance requirement type 3 and condition $\hat{I}_{or}/I_{oc} = 10$ dB this is tested using the Fixed Reference Channel (FRC) H-Set 6B.

9.2.1GD Single Link Performance - Enhanced Performance Requirements Type 3 - QPSK/16QAM, Fixed Reference Channel (FRC) H-Set 6C/3C

9.2.1GD.1 Definition and applicability

The receiver single link performance of the High Speed Physical Downlink Shared Channel (HS-DSCH) in different multi-path fading environments are determined by the information bit throughput R.

The requirements and this test apply for Release 10 and later releases to all types of UTRA for the FDD UE that support 4C-HSDPA and HSDPA UE capability categories 31 or 32 and support the optional enhanced performance requirements type 3 or 3i.

9.2.1GD.2 Minimum requirements

The performance requirements for a particular UE belonging to HS-DSCH categories 31-32 and supporting the optional enhanced performance requirements type 3 are determined according to the relevant part of Table 9.2.3H

During the Fixed Reference Channel (FRC) tests the behaviour of the Node-B emulator in response to the ACK/NACK signalling field of the HS-DPCCH is specified in Table 9.2.4.

The requirements are specified in terms of minimum information bit throughput R for the DL reference channels H-Set 6C/3C specified in Annex C.8.1.6 and C.8.1.3 respectively, with the addition of the relevant parameters in Tables 9.2.1GD.1, 9.2.1GD.4 and 9.2.1GD.7 plus the downlink physical channel setup according to table E.5.1.

Using this configuration the throughput shall meet or exceed the minimum requirements specified in tables 9.2.1GD.2, 9.2.1GD.3, 9.2.1GD.5, 9.2.1GD.6, and 9.2.1GD.8.

Table 9.2.1GD.1: Test Parameters for Testing QPSK FRCs H-Set 6C

| Parameter | Unit | Test 1 | Test 2 | Test 3 | Test 4 | Test 5 |
|---|--------------|-----------|--------|--------|--------|--------|
| Phase reference | | P-CPICH | | | | |
| I_{oc} | dBm/3.84 MHz | -60 | | | | |
| Redundancy and constellation version coding sequence | | {0,2,5,6} | | | | |
| Maximum number of HARQ transmission | | 4 | | | | |
| NOTE: The HS-SCCH-1 and HS-PDSCH shall be transmitted continuously with constant power. HS-SCCH-1 shall only use the identity of the UE under test for those TTI intended for the UE. | | | | | | |

Table 9.2.1GD.2: Minimum requirement Enhanced requirement type 3 QPSK at $\hat{I}_{or}/I_{oc} = 10$ dB, Fixed Reference Channel (FRC) H-Set 6C

| Test Number | Propagation Conditions | Reference value | |
|--|------------------------|----------------------------|---|
| | | HS-PDSCH E_c/I_{or} (dB) | T-put R (kbps) * $\hat{I}_{or}/I_{oc} = 10$ dB |
| 1 | PA3 | -9 | 1554 |
| | | -6 | 2495 |
| 2 | PB3 | -9 | 1190 |
| | | -6 | 2098 |
| 3 | VA30 | -9 | 1229 |
| | | -6 | 2013 |
| 4 | VA120 | -9 | 1060 |
| | | -6 | 1674 |
| *NOTE 1: The reference value R is for the Fixed Reference Channel (FRC) H-Set 6. | | | |
| *NOTE 2: For Fixed Reference Channel (FRC) H-Set 6C the reference values for R should be scaled (multiplied by 4.0). | | | |

Table 9.2.1GD.3: Minimum requirement Enhanced requirement type 3 QPSK at $\hat{I}_{or}/I_{oc} = 5$ dB, Fixed Reference Channel (FRC) H-Set 6C

| Test Number | Propagation Conditions | Reference value | |
|---|------------------------|----------------------------|--|
| | | HS-PDSCH E_c/I_{or} (dB) | T-put R (kbps) * $\hat{I}_{or}/I_{oc} = 5$ dB |
| 5 | PB3 | -6 | 1248 |
| | | -3 | 2044 |
| * NOTE 1: The reference value R is for the Fixed Reference Channel (FRC) H-Set 6. | | | |
| * NOTE 2: For Fixed Reference Channel (FRC) H-Set 6C the reference values for R should be scaled (multiplied by 4.0). | | | |

Table 9.2.1GD.4: Test Parameters for Testing 16QAM FRCs H-Set 6C

| Parameter | Unit | Test 1 | Test 2 | Test 3 | Test 4 | Test 5 |
|---|--------------|-----------|--------|--------|--------|--------|
| Phase reference | | P-CPICH | | | | |
| I_{oc} | dBm/3.84 MHz | -60 | | | | |
| Redundancy and constellation version coding sequence | | {6,2,1,5} | | | | |
| Maximum number of HARQ transmission | | 4 | | | | |
| NOTE: The HS-SCCH-1 and HS-PDSCH shall be transmitted continuously with constant power. HS-SCCH-1 shall only use the identity of the UE under test for those TTI intended for the UE. | | | | | | |

Table 9.2.1GD.5: Minimum requirement Enhanced requirement type 3 16QAM at $\hat{I}_{or}/I_{oc} = 10$ dB, Fixed Reference Channel (FRC) H-Set 6C

| Test Number | Propagation Conditions | Reference value | |
|-------------|------------------------|-------------------------------|---|
| | | HS-PDSCH E_c/I_{or} (dB) | T-put R (kbps) * $\hat{I}_{or}/I_{oc} = 10$ dB |
| 1 | PA3 | -6 | 1979 |
| | | -3 | 3032 |
| 2 | PB3 | -6 | 1619 |
| | | -3 | 2464 |
| 3 | VA30 | -6 | 1710 |
| | | -3 | 2490 |
| 4 | VA120 | -6 | 1437 |
| | | -3 | 2148 |

*NOTE 1: The reference value R is for the Fixed Reference Channel (FRC) H-Set 6.
*NOTE 2: For Fixed Reference Channel (FRC) H-Set 6C the reference values for R should be scaled (multiplied by 4.0).

Table 9.2.1GD.6: Minimum requirement Enhanced requirement type 3 16QAM at $\hat{I}_{or}/I_{oc} = 5$ dB, Fixed Reference Channel (FRC) H-Set 6C

| Test Number | Propagation Conditions | Reference value | |
|-------------|------------------------|-------------------------------|--|
| | | HS-PDSCH E_c/I_{or} (dB) | T-put R (kbps) * $\hat{I}_{or}/I_{oc} = 5$ dB |
| 5 | PB3 | -6 | 779 |
| | | -3 | 1688 |

*NOTE 1: The reference value R is for the Fixed Reference Channel (FRC) H-Set 6.
*NOTE 2: For Fixed Reference Channel (FRC) H-Set 6C the reference values for R should be scaled (multiplied by 4.0).

Table 9.2.1GD.7: Test Parameters for Testing QPSK FRCs H-Set 3C

| Parameter | Unit | Test 1 | Test 2 | Test 3 | Test 4 |
|--|--------------|-----------|--------|--------|--------|
| Phase reference | | P-CPICH | | | |
| I_{oc} | dBm/3.84 MHz | -60 | | | |
| Redundancy and constellation version coding sequence | | {0,2,5,6} | | | |
| Maximum number of HARQ transmission | | 4 | | | |

NOTE: The HS-SCCH-1 and HS-PDSCH shall be transmitted continuously with constant power. HS-SCCH-1 shall only use the identity of the UE under test for those TTI intended for the UE.

Table 9.2.1GD.8: Enhanced requirement type 3 QPSK, Fixed Reference Channel (FRC) H-Set 3C

| Test Number | Propagation Conditions | Reference value | | |
|-------------|------------------------|-------------------------------|--|---|
| | | HS-PDSCH E_c/I_{or} (dB) | T-put R (kbps) * $\hat{I}_{or}/I_{oc} = 0$ dB | T-put R (kbps) * $\hat{I}_{or}/I_{oc} = 10$ dB |
| 1 | PA3 | -12 | N/A | N/A |
| | | -9 | N/A | N/A |
| | | -6 | 195 | N/A |
| | | -3 | 329 | N/A |
| 2 | PB3 | -9 | N/A | N/A |
| | | -6 | 156 | N/A |
| | | -3 | 263 | N/A |
| 3 | VA30 | -9 | N/A | N/A |
| | | -6 | 171 | N/A |
| | | -3 | 273 | N/A |
| 4 | VA120 | -9 | N/A | N/A |
| | | -6 | 168 | N/A |
| | | -3 | 263 | N/A |

*NOTE 1: The reference value R is for the Fixed Reference Channel (FRC) H-Set 1.
*NOTE 2: For Fixed Reference Channel (FRC) H-Set 3C the reference values for R should be scaled (multiplied by 12.0).
*NOTE 3: For UE supporting enhanced performance requirement type 3 and condition $\hat{I}_{or}/I_{oc} = 10$ dB this is tested using the Fixed Reference Channel (FRC) H-Set 6C.

NOTE: Table 9.2.1GD.8 is based on core requirements for enhanced requirements type 3 as explained in Table 9.2.3H.

The reference for this requirement is TS 25.101 [1] clauses 9.2.1.1, 9.2.1.4, and 9.2.1.5.

9.2.1GD.3 Test purpose

To verify the ability of the receiver to receive a predefined test signal, representing a multi-path fading channel with information bit throughput R not falling below a specified value. The test stresses the multicode reception and channel decoding with incremental redundancy.

9.2.1GD.4 Method of test

9.2.1GD.4.1 Initial conditions

Test environment: normal; see clauses G.2.1 and G.2.2.

Frequencies to be tested: mid range; see clause G.2.4.

- 1) Connect the SS (node B emulator) and fader and AWGN noise source to the UE antenna connector as shown in figure 47 for UEs that support receive diversity or figure 46 for UEs that do not support receive diversity.
- 2) Set up an HSDPA call with according to TS 34.108 [3] clause 7.3.16 with levels according to table E.5.0.
- 3) Set the node B emulator behaviour according to table 9.2.4. Set the test parameters for tests 1-4 according to table 9.2.1GD.1, 9.2.1GD.4 and 9.2.1GD.7 and levels according to tables 9.2.1GD.9 to 9.2.1GD.16 as appropriate for both serving HS-DSCH cell and secondary HS-DSCH cells. The configuration of the downlink channels is defined in table E.5.1A and is to be applied to serving HS-DSCH cell and for secondary serving HS-DSCH cells set up P-CPICH, HS-PDSCH and HS-SCCH channels only per table E.5.1.
- 4) The information bit data shall be pseudo random and not repeated before 10 different information bit payload blocks are processed. (e.g. Fixed reference Channel Definition H-set 6 (16 QAM): The information bit payload block is 9377 bits long. Hence the PRBSequence must be at least $9377 * 10$ bits long.) Use a PRBS from ITU-T O.153 Ref [27].
- 5) The SS shall not time the transmission freely. It shall time the transmission strictly according to the reference measurement channels: i.e. Process number is continued exactly after 6 TTIs.
- 6) Setup the fading simulator with fading conditions as described in table D.2.2.1.A and clause D.2.6 on each of the serving cells.

9.2.1GD.4.2 Procedure

- 1) Once the HSDPA connection is setup, change levels according to Tables E.5.6 to E.5.8B as specified by table E.5.9 and start transmitting HSDPA Data on all the cells. For secondary serving HS-DSCH cells only P-CPICH, HS-PDSCH and HS-SCCH are configured.
- 2) For all relevant propagation conditions, for all relevant I_{oc} levels, for all relevant E_c/I_{or} , for all relevant \hat{I}_{or}/I_{oc} , for all relevant H-sets in tables 9.2.1GD.9 to 9.2.1GD.16 count the number of NACK, ACK and statDTX on the UL HS-DPCCH during the test interval on both the cells and decide pass or fail according to Annex F.6.3 tables F.6.3.5.2.5C and F.6.3.5.2.6C. Throughput shall be measured per cell and compared to requirements in these tables.

9.2.1GD.5 Test Requirements

Tables 9.2.1GD.9 to 9.2.1GD.16 define the primary level settings including test tolerance for all relevant throughput tests. The pass / fail decision for throughput is done according to Annex F.6.3.

Tables E.5.6 to E.5.8B define the secondary and subsequently ranked level settings including test tolerance for serving cells. As those level settings are not uniform for the throughput tests in this clause, Table E.5.9 indicates which levels are applied, when the primary level settings (E_c/I_{or} and I_{or}/I_{oc}) and propagation conditions (PA3, PB3, VA30, VA120) vary.

Table 9.2.1GD.9: Test Parameters for Testing QPSK FRCs H-Set 6C

| Parameter | Unit | Test 1 | Test 2 | Test 3 | Test 4 | Test 5 |
|-----------------|--------------|---------------------------------|--------|--------|--------|--------|
| Phase reference | | P-CPICH | | | | |
| I_{oc} | dBm/3.84 MHz | -60 (no test tolerance applied) | | | | |

Table 9.2.1GD.10: Test requirement enhanced requirement type 3 QPSK at $\hat{I}_{or}/I_{oc} = 10$ dB, Fixed Reference Channel (FRC) H-Set 6C

| Test Number | Propagation Conditions | Reference value | |
|-------------|------------------------|-------------------------------|---|
| | | HS-PDSCH E_c/I_{or} (dB) | T-put R (kbps) * $\hat{I}_{or}/I_{oc} = 10.6$ dB |
| 1 | PA3 | -8.9 | 1554 |
| | | -5.9 | 2495 |
| 2 | PB3 | -8.9 | 1190 |
| | | -5.9 | 2098 |
| 3 | VA30 | -8.9 | 1229 |
| | | -5.9 | 2013 |
| 4 | VA120 | -8.9 | 1060 |
| | | -5.9 | 1674 |

*NOTE 1: The reference value R is for the Fixed Reference Channel (FRC) H-Set 6.
*NOTE 2: For Fixed Reference Channel (FRC) H-Set 6C the reference values for R should be scaled (multiplied by 4.0) The throughput on each cell should be Reference value R.

Table 9.2.1GD.11: Test requirement enhanced requirement type 3 QPSK at $\hat{I}_{or}/I_{oc} = 5$ dB, Fixed Reference Channel (FRC) H-Set 6C

| Test Number | Propagation Conditions | Reference value | |
|-------------|------------------------|-------------------------------|--|
| | | HS-PDSCH E_c/I_{or} (dB) | T-put R (kbps) * $\hat{I}_{or}/I_{oc} = 5.6$ dB |
| 5 | PB3 | -5.9 | 1248 |
| | | -2.9 | 2044 |

*NOTE 1: The reference value R is for the Fixed Reference Channel (FRC) H-Set 6.
*NOTE 2: For Fixed Reference Channel (FRC) H-Set 6C the reference values for R should be scaled (multiplied by 4.0). The throughput on each cell should be Reference value R.

Table 9.2.1GD.12: Test Parameters for Testing 16QAM FRCs H-Set 6

| Parameter | Unit | Test 1 | Test 2 | Test 3 | Test 4 | Test 5 |
|-----------------|--------------|---------------------------------|--------|--------|--------|--------|
| Phase reference | | P-CPICH | | | | |
| I_{oc} | dBm/3.84 MHz | -60 (no test tolerance applied) | | | | |

Table 9.2.1GD.13: Test requirement enhanced requirement type 3 16QAM at $\hat{I}_{or}/I_{oc} = 10$, Fixed Reference Channel (FRC) H-Set 6C

| Test Number | Propagation Conditions | Reference value | |
|-------------|------------------------|-------------------------------|---|
| | | HS-PDSCH E_c/I_{or} (dB) | T-put R (kbps) * $\hat{I}_{or}/I_{oc} = 10.6$ dB |
| 1 | PA3 | -5.9 | 1979 |
| | | -2.9 | 3032 |
| 2 | PB3 | -5.9 | 1619 |
| | | -2.9 | 2464 |
| 3 | VA30 | -5.9 | 1710 |
| | | -2.9 | 2490 |
| 4 | VA120 | -5.9 | 1437 |
| | | -2.9 | 2148 |

*Note1: The reference value R is for the Fixed Reference Channel (FRC) H-Set 6.
*NOTE 2: For Fixed Reference Channel (FRC) H-Set 6C the reference values for R should be scaled (multiplied by 4.0). The throughput on each cell should be Reference value R.

Table 9.2.1GD.14: Test requirement enhanced requirement type 3 16QAM at $\hat{I}_{or}/I_{oc} = 5$, Fixed Reference Channel (FRC) H-Set 6C

| Test Number | Propagation Conditions | Reference value | |
|-------------|------------------------|-------------------------------|--|
| | | HS-PDSCH E_c/I_{or} (dB) | T-put R (kbps) * $\hat{I}_{or}/I_{oc} = 5.6$ dB |
| 5 | PB3 | -5.9 | 779 |
| | | -2.9 | 1688 |

*NOTE 1: The reference value R is for the Fixed Reference Channel (FRC) H-Set 6.
*NOTE 2: For Fixed Reference Channel (FRC) H-Set 6C the reference values for R should be scaled (multiplied by 4.0). The throughput on each cell should be Reference value R.

Table 9.2.1GD.15: Test Parameters for Testing QPSK FRCs H-Set 3

| Parameter | Unit | Test 1 | Test 2 | Test 3 | Test 4 |
|-----------------|--------------|---------------------------------|--------|--------|--------|
| Phase reference | | P-CPICH | | | |
| I_{oc} | dBm/3.84 MHz | -60 (no test tolerance applied) | | | |

**Table 9.2.1GD.16: Test requirement enhanced requirement type 3 QPSK,
Fixed Reference Channel (FRC) H-Set 3C**

| Test Number | Propagation Conditions | Reference value | | |
|-------------|------------------------|-------------------------------|--|---|
| | | HS-PDSCH E_c/I_{or} (dB) | T-put R (kbps) * $\hat{I}_{or}/I_{oc} = 0.6$ dB | T-put R (kbps) * $\hat{I}_{or}/I_{oc} = 10.6$ dB |
| 1 | PA3 | -11.9 | N/A | N/A |
| | | -8.9 | N/A | N/A |
| | | -5.9 | 195 | N/A |
| | | -2.9 | 329 | N/A |
| 2 | PB3 | -8.9 | N/A | N/A |
| | | -5.9 | 156 | N/A |
| | | -2.9 | 263 | N/A |
| 3 | VA30 | -8.9 | N/A | N/A |
| | | -5.9 | 171 | N/A |
| | | -2.9 | 273 | N/A |
| 4 | VA120 | -8.9 | N/A | N/A |
| | | -5.9 | 168 | N/A |
| | | -2.9 | 263 | N/A |

*NOTE 1: The reference value R is for the Fixed Reference Channel (FRC) H-Set 1.
*NOTE 2: For Fixed Reference Channel (FRC) H-Set 3C the reference values for R should be scaled (multiplied by 12.0). The throughput on each cell should be Reference value R times 3.
*NOTE 3: For UE supporting enhanced performance requirement type 3 and condition $\hat{I}_{or}/I_{oc} = 10$ dB this is tested using the Fixed Reference Channel (FRC) H-Set 6C.

9.2.1H Single Link Performance - Enhanced Performance Requirements Type 2 - 64QAM, Fixed Reference Channel (FRC) H-Set 8

9.2.1H.1 Definition and applicability

The receiver single link performance of the High Speed Physical Downlink Shared Channel (HS-DSCH) in different multi-path fading environments are determined by the information bit throughput R.

The requirements and this test apply for Release 7 and later releases to all types of UTRA for the FDD UE that support: HSDPA UE capability categories 13 and 14 but not the optional enhanced performance requirements Type 3 or Type 3i.

9.2.1H.2 Minimum requirements

The performance requirements for a particular UE belonging to HS-DSCH categories 13 and 14 and supporting the optional enhanced performance requirements type 2 are determined according to the relevant part of Table 9.2.3.

During the Fixed Reference Channel (FRC) tests the behaviour of the Node-B emulator in response to the ACK/NACK signalling field of the HS-DPCCH is specified in Table 9.2.4.

The requirements are specified in terms of minimum information bit throughput R for the DL reference channels H-set 8 specified in Annex C.8.1.8, with the addition of the relevant parameters in Table 9.2.1H.1 plus the downlink physical channel setup according to table E.5.1A.

Using this configuration the throughput shall meet or exceed the minimum requirements specified in tables 9.2.1H.2.

Table 9.2.1H.1: Test Parameters for Testing 64QAM FRCs H-Set 8

| Parameter | Unit | Test 1 |
|---|--------------|-----------|
| Phase reference | | P-CPICH |
| I_{oc} | dBm/3.84 MHz | -60 |
| I_{otx} / I_{or} | dB | -24.4 |
| Redundancy and constellation version coding sequence | | {6,2,1,5} |
| Maximum number of HARQ transmission | | 4 |
| NOTE: The HS-SCCH-1 and HS-PDSCH shall be transmitted continuously with constant power. HS-SCCH-1 shall only use the identity of the UE under test for those TTI intended for the UE. | | |

Table 9.2.1H.2: Minimum requirement Enhanced requirement type 2 64QAM, Fixed Reference Channel (FRC) H-Set 8

| Test Number | Propagation Conditions | Reference value | |
|---|------------------------|--------------------------------|---|
| | | \hat{I}_{or} / I_{oc} (dB) * | T-put R (kbps) HS-PDSCH $E_c / I_{or} = -2$ dB |
| 1 | PA3 | 15 | 4507 |
| | | 18 | 5736 |
| NOTE: When determining I_{or}/I_{oc} , the contribution from I_{otx} is not included. | | | |

The reference for this requirement is TS 25.101 [1] clause 9.2.1.6.

9.2.1H.3 Test purpose

To verify the ability of the receiver to receive a predefined test signal, representing a multi-path fading channel with information bit throughput R not falling below a specified value. The test stresses the multicode reception and channel decoding with incremental redundancy.

9.2.1H.4 Method of test

9.2.1H.4.1 Initial conditions

Test environment: normal; see clauses G.2.1 and G.2.2.

Frequencies to be tested: mid range; see clause G.2.4.

- 1) Connect the SS (node B emulator) and fader and AWGN noise source to the UE antenna connector as shown in figure A.21 for UEs that support receive diversity or figure A.10 for UEs that do not support receive diversity.
- 2) Set up an HSDPA call with looping back 12.2kbps RMC according to TS 34.108 [3] clause 7.3.6 with exceptions for information elements listed in table 9.2.1H.2A and with levels according to table E.5.0.
- 3) Set the node B emulator behaviour according to table 9.2.4. Set the test parameters for test 1 according to table 9.2.1H.1 and levels according to tables 9.2.1H.3 and 9.2.1H.4 as appropriate. The configuration of the downlink channels is defined in table E.5.1A.
- 4) The information bit data shall be pseudo random and not repeated before 10 different information bit payload blocks are processed. (e.g. Fixed reference Channel Definition H-set 8 (64 QAM): The information bit payload block is 26600 bits long. Hence the PRBSequence must be at least $26600 * 10$ bits long.) Use a PRBS from ITU-T O.153 Ref [27].
- 5) The SS shall not time the transmission freely. It shall time the transmission strictly according to the reference measurement channels: i.e. Process number is continued exactly after 6 TTIs.
- 6) Setup the fading simulator with fading conditions as described in table D.2.2.1.A.

Table 9.2.1H.2A Specific Message Contents for Testing 64QAM FRCs H-Set 8

Contents of RRC CONNECTION SETUP message: UM (Transition to CELL_DCH)

| Information Element | Value/remark | Version |
|--|--------------|---------|
| Downlink information for per radio links list -Downlink information for each radio links - Downlink DPCH info for each RL - DL channelisation code - Code number | 14 | |

Contents of RADIO BEARER SETUP message: AM or UM (Test Loop Mode1)

| Information Element | Value/remark | Version |
|---|--------------|---------|
| Downlink information per radio link list - Downlink information for each radio link - Downlink DPCH info for each RL - DL channelisation code - Code number | 7 | |

Contents of RADIO BEARER SETUP message: AM or UM (HSDPA)

| Information Element | Value/remark | Version |
|---|--|--|
| RAB information for setup list - RAB information for setup - RB mapping info - Downlink RLC logical channel info - Downlink transport channel type - CHOICE DL MAC header type - DL HS-DSCH MAC-ehs Queue Id - Logical channel identity | HS-DSCH MAC-ehs 0 1 | Rel-7 Rel-7 |
| Added or Reconfigured DL TrCH information list - Added or Reconfigured DL TrCH information - CHOICE DL parameters - CHOICE DL MAC header type - Added or reconfigured MAC-ehs reordering queue - MAC-ehs queue to add or reconfigure list - MAC-ehs queue Id - T1 - Treset - MAC-ehs window size | 1 TrCHs added HS-DSCH MAC-ehs (one queue) 0 50 Not Present 16 | Rel-7 Rel-7 Rel-7 Rel-7 Rel-7 Rel-7 |
| Downlink HS-PDSCH Information - HS-SCCH Info - CHOICE mode - DL Scrambling Code - HS-SCCH Channelisation Code Information - HS-SCCH Channelisation Code - HS-SCCH Channelisation Code - CHOICE mode - Downlink 64QAM configured | FDD 2 3 FDD TRUE | Rel-7 |
| Downlink information per radio link list - Downlink information for each radio link - Downlink DPCH info for each RL - DL channelisation code - Code number | 7 | |

9.2.1H.4.2 Procedure

- 1) Once the HSDPA connection is setup, change levels according to Tables E.5.6 to E.5.8C as specified by table E.5.9 and start transmitting HSDPA Data.
- 2) For all relevant propagation conditions, for all relevant I_{oc} levels, for all relevant E_c/I_{or} , for all relevant \hat{I}_{or}/I_{oc} , for all relevant H-sets in tables 9.2.1H.3 and 9.2.1H.4 count the number of NACK, ACK and statDTX on the UL HS-DPCCH during the test interval and decide pass or fail according to Annex F.6.3 table F.6.3.5.2.7.

9.2.1H.5 Test Requirements

Tables 9.2.1H.3 and 9.2.1H.4 define the primary level settings including test tolerance for all relevant throughput tests. The pass / fail decision for throughput is done according to Annex F.6.3.

Tables E.5.6 to E.5.8C define the secondary and subsequently ranked level settings including test tolerance. As those level settings are not uniform for the throughput tests in this clause, Table E.5.9 indicates which levels are applied, when the primary level settings (E_c/I_{or} and I_{or}/I_{oc}) and propagation conditions (PA3) vary.

Table 9.2.1H.3: Test Parameters for Testing 64QAM FRCs H-Set 8

| Parameter | Unit | Test 1 |
|--------------------|--------------|-----------------------------------|
| Phase reference | | P-CPICH |
| I_{oc} | dBm/3.84 MHz | -60 (no test tolerance applied) |
| I_{otx} / I_{or} | dB | -24.4 (no test tolerance applied) |

Table 9.2.1H.4: Test requirement Enhanced requirement type 2 64QAM, Fixed Reference Channel (FRC) H-Set 8

| Test Number | Propagation Conditions | Reference value | |
|-------------|------------------------|--------------------------------|--|
| | | \hat{I}_{or} / I_{oc} (dB) * | T-put R (kbps) HS-PDSCH $E_c / I_{or} = -1.9$ dB |
| 1 | PA3 | 15.6 | 4507 |
| | | 18.6 | 5736 |

* NOTE: When determining I_{or}/I_{oc} , the contribution from I_{otx} is not included.

9.2.1HA Single Link Performance - Enhanced Performance Requirements Type 2 - 64QAM, Fixed Reference Channel (FRC) H-Set 8 A

9.2.1HA.1 Definition and applicability

The receiver single link performance of the High Speed Physical Downlink Shared Channel (HS-DSCH) in different multi-path fading environments are determined by the information bit throughput R .

The requirements and this test apply for Release 8 and later releases to all types of UTRA for the FDD UE that support: HSDPA UE capability categories 23-24 but not the optional enhanced performance requirements Type 3 or Type 3i and not supporting Dual band operation.

9.2.1HA.2 Minimum requirements

The performance requirements for a particular UE belonging to HS-DSCH categories 23 -24 are determined according to the relevant part of Table 9.2.3C.

During the Fixed Reference Channel (FRC) tests the behaviour of the Node-B emulator in response to the ACK/NACK signalling field of the HS-DPCCH is specified in Table 9.2.4.

The requirements are specified in terms of minimum information bit throughput R for the DL reference channels H-set 8A specified in Annex C.8.1.8, with the addition of the relevant parameters in Table 9.2.1HA.1 plus the downlink physical channel setup according to table E.5.1A.

Using this configuration the throughput shall meet or exceed the minimum requirements specified in tables 9.2.1HA.2.

Table 9.2.1HA.1: Test Parameters for Testing 64QAM FRCs H-Set 8A

| Parameter | Unit | Test 1 |
|---|--------------|-----------|
| Phase reference | | P-CPICH |
| I_{oc} | dBm/3.84 MHz | -60 |
| I_{otx} / I_{or} | dB | -24.4 |
| Redundancy and constellation version coding sequence | | {6,2,1,5} |
| Maximum number of HARQ transmission | | 4 |
| NOTE: The HS-SCCH-1 and HS-PDSCH shall be transmitted continuously with constant power. HS-SCCH-1 shall only use the identity of the UE under test for those TTI intended for the UE. | | |

Table 9.2.1HA.2: Minimum requirement Enhanced requirement type 2 64QAM, Fixed Reference Channel (FRC) H-Set 8A

| Test Number | Propagation Conditions | Reference value | |
|---|------------------------|--------------------------------|--|
| | | \hat{I}_{or} / I_{oc} (dB) * | T-put R (kbps) HS-PDSCH $E_c / I_{or} = -2$ dB |
| 1 | PA3 | 15 | 4507 |
| | | 18 | 5736 |
| *NOTE 1: When determining I_{or}/I_{oc} , the contribution from I_{otx} is not included. | | | |
| *NOTE 2: The reference value R is for the Fixed Reference Channel (FRC) H-Set 8 | | | |
| *NOTE 3: For Fixed Reference Channel (FRC) H-Set 8A the reference values for R should be scaled (multiplied by 2.0) | | | |

The reference for this requirement is TS 25.101 [1] clause 9.2.1.6.

9.2.1HA.3 Test purpose

To verify the ability of the receiver to receive a predefined test signal, representing a multi-path fading channel with information bit throughput R not falling below a specified value. The test stresses the multicode reception and channel decoding with incremental redundancy.

9.2.1HA.4 Method of test

9.2.1HA.4.1 Initial conditions

Test environment: normal; see clauses G.2.1 and G.2.2.

Frequencies to be tested: mid range; see clause G.2.4.

- 1) Connect the SS (node B emulator) and fader and AWGN noise source to the UE antenna connector as shown in figure A.37 for UEs that support receive diversity or figure A.35 for UEs that do not support receive diversity.

NOTE: For a transition period of two meeting cycles until RAN#60, figure A.37 does not need to be used.

- 2) Set up an HSDPA call according to TS 34.108 [3] clause 7.3.13 with exceptions for information elements listed in table 9.2.1HA.2A and with levels according to table E.5.0.
- 3) Set the node B emulator behaviour according to table 9.2.4. Set the test parameters for test 1 according to table 9.2.1HA.1 and levels according to tables 9.2.1HA.3 and 9.2.1HA.4 as appropriate on both serving HS-DSCH cell and secondary serving HS-DSCH cell. The configuration of the downlink channels is defined in table E.5.1A and is to be applied to serving HS-DSCH cell. and for secondary serving HS-DSCH cell set up P-CPICH, HS-PDSCH and HS-SCCH channels only per table E.5.1A.
- 4) The information bit data shall be pseudo random and not repeated before 10 different information bit payload blocks are processed. (e.g. Fixed reference Channel Definition H-set 8 (64 QAM): The information bit payload block is 26600 bits long. Hence the PRBSequence must be at least 26600 * 10 bits long.) Use a PRBS from ITU-T O.153 Ref [27].

- 5) The SS shall not time the transmission freely. It shall time the transmission strictly according to the reference measurement channels: i.e. Process number is continued exactly after 6 TTIs.
- 6) Setup the fading simulator with fading conditions as described in table D.2.2.1.A.

Table 9.2.1HA.2A Specific Message Contents for Testing 64QAM FRCs H-Set 8A

Contents of RRC CONNECTION SETUP message: UM (Transition to CELL_DCH)

| Information Element | Value/remark | Version |
|--|--------------|---------|
| Downlink information for per radio links list -Downlink information for each radio links - Downlink DPCH info for each RL - DL channelisation code - Code number | 14 | |

Contents of RADIO BEARER SETUP message: AM or UM (Test Loop Mode1)

| Information Element | Value/remark | Version |
|---|--------------|---------|
| Downlink information per radio link list - Downlink information for each radio link - Downlink DPCH info for each RL - DL channelisation code - Code number | 7 | |

Contents of RADIO BEARER SETUP message: AM or UM (DC-HSDPA)

| Information Element | Value/remark | Version |
|---|---------------------------|---------|
| Downlink HS-PDSCH Information - CHOICE mode - Downlink 64QAM configured | FDD TRUE | Rel-7 |
| Downlink information per radio link list - Downlink information for each radio link - Downlink DPCH info for each RL - DL channelisation code - Code number | 7 | |
| Downlink secondary cell info FDD - CHOICE Configuration info - Downlink 64QAM configured | New configuration TRUE | Rel-8 |

9.2.1HA.4.2 Procedure

- 1) Once the HSDPA connection is setup, change levels according to Tables E.5.6 to E.5.8B as specified by table E.5.9 and start transmitting HSDPA Data on both serving cells For secondary serving HS-DSCH cell only P-CPICH, HS-PDSCH and HS-SCCH are configured.
- 2) For all relevant propagation conditions, for all relevant Ioc levels, for all relevant Ec/Ior, for all relevant Ior/Ioc, for all relevant H-sets in tables 9.2.1HA.3 and 9.2.1HA.4 count the number of NACK, ACK and statDTX on the UL HS-DPCCH during the test interval on both the cells and decide pass or fail according to Annex F.6.3 table F.6.3.5.2.7 Throughput shall be measured per cell and compared to requirements in table F.6.3.5.2.7.

9.2.1HA.5 Test Requirements

Tables 9.2.1HA.3 and 9.2.1HA.4 define the primary level settings including test tolerance for all relevant throughput tests to be applied to both serving cells. The pass / fail decision for throughput is done according to Annex F.6.3.

Tables E.5.6 to E.5.8B define the secondary and subsequently ranked level settings including test tolerance to be applied to both serving cells. As those level settings are not uniform for the throughput tests in this clause, Table E.5.9 indicates which levels are applied, when the primary level settings (Ec/Ior and Ior/Ioc) and propagation conditions (PA3) vary.

Table 9.2.1HAA.3: Test Parameters for Testing 64QAM FRCs H-Set 8A

| Parameter | Unit | Test 1 |
|--------------------|--------------|-----------------------------------|
| Phase reference | | P-CPICH |
| I_{oc} | dBm/3.84 MHz | -60 (no test tolerance applied) |
| I_{otx} / I_{or} | dB | -24.4 (no test tolerance applied) |

Table 9.2.1HA.4: Test requirement Enhanced requirement type 2 64QAM, Fixed Reference Channel (FRC) H-Set 8A

| Test Number | Propagation Conditions | Reference value | |
|--|------------------------|--------------------------------|--|
| | | \hat{I}_{or} / I_{oc} (dB) * | T-put R (kbps) HS-PDSCH $E_c / I_{or} = -1.9$ dB |
| 1 | PA3 | 15.6 | 4507 |
| | | 18.6 | 5736 |
| *NOTE 1: When determining lor/loc, the contribution from I_{otx} is not included. *NOTE 2: The reference value R is for the Fixed Reference Channel (FRC) H-Set 8 *NOTE 3: For Fixed Reference Channel (FRC) H-Set 8A the reference values for R should be scaled (multiplied by 2.0). The throughput on each cell should be Reference value R | | | |

9.2.1HB Single Link Performance - Enhanced Performance Requirements Type 2 - 64QAM, Fixed Reference Channel (FRC) H-Set 8 A for DB-DC-HSDPA

9.2.1HB.1 Definition and applicability

The receiver single link performance of the High Speed Physical Downlink Shared Channel (HS-DSCH) in different multi-path fading environments are determined by the information bit throughput R.

The requirements and this test apply for Release 9 and later releases to all types of UTRA for the FDD UE that support DB-DC-HSDPA and HSDPA UE capability categories 23-24 but not the optional enhanced performance requirements Type 3 or Type 3i.

9.2.1HB.2 Minimum requirements

The performance requirements for a particular UE belonging to HS-DSCH categories 23 -24 are determined according to the relevant part of Table9.2.3C.

During the Fixed Reference Channel (FRC) tests the behaviour of the Node-B emulator in response to the ACK/NACK signalling field of the HS-DPCCH is specified in Table 9.2.4.

The requirements are specified in terms of minimum information bit throughput R for the DL reference channels H-set 8A specified in Annex C.8.1.8, with the addition of the relevant parameters in Table 9.2.1HB.1 plus the downlink physical channel setup according to table E.5.1A.

Using this configuration the throughput shall meet or exceed the minimum requirements specified in tables 9.2.1HB.2.

Table 9.2.1HB.1: Test Parameters for Testing 64QAM FRCs H-Set 8A

| Parameter | Unit | Test 1 |
|---|--------------|-----------|
| Phase reference | | P-CPICH |
| I_{oc} | dBm/3.84 MHz | -60 |
| I_{otx} / I_{or} | dB | -24.4 |
| Redundancy and constellation version coding sequence | | {6,2,1,5} |
| Maximum number of HARQ transmission | | 4 |
| NOTE: The HS-SCCH-1 and HS-PDSCH shall be transmitted continuously with constant power. HS-SCCH-1 shall only use the identity of the UE under test for those TTI intended for the UE. | | |

Table 9.2.1HB.2: Minimum requirement Enhanced requirement type 2 64QAM, Fixed Reference Channel (FRC) H-Set 8A

| Test Number | Propagation Conditions | Reference value | |
|---|------------------------|--------------------------------|--|
| | | \hat{I}_{or} / I_{oc} (dB) * | T-put R (kbps) HS-PDSCH $E_c / I_{or} = -2$ dB |
| 1 | PA3 | 15 | 4507 |
| | | 18 | 5736 |
| *NOTE 1: When determining I_{or}/I_{oc} , the contribution from I_{otx} is not included. | | | |
| *NOTE 2: The reference value R is for the Fixed Reference Channel (FRC) H-Set 8 | | | |
| *NOTE 3: For Fixed Reference Channel (FRC) H-Set 8A the reference values for R should be scaled (multiplied by 2.0) | | | |

The reference for this requirement is TS 25.101 [1] clause 9.2.1.6.

9.2.1HB.3 Test purpose

To verify the ability of the receiver to receive a predefined test signal, representing a multi-path fading channel with information bit throughput R not falling below a specified value. The test stresses the multicode reception and channel decoding with incremental redundancy.

9.2.1HB.4 Method of test

9.2.1HB.4.1 Initial conditions

Test environment: normal; see clauses G.2.1 and G.2.2.

Frequencies to be tested: mid range; see clause G.2.4.

- 1) Connect the SS (node B emulator) and fader and AWGN noise source to the UE antenna connector as shown in figure A.37 for UEs that support receive diversity or figure A.35 for UEs that do not support receive diversity.

NOTE: For a transition period of two meeting cycles until RAN#60, figure A.37 does not need to be used.

- 2) Set up an HSDPA call according to TS 34.108 [3] clause 7.3.13 with exceptions for information elements listed in table 9.2.1HB.2A and with levels according to table E.5.0.
- 3) Set the node B emulator behaviour according to table 9.2.4. Set the test parameters for test 1 according to table 9.2.1HB.1 and levels according to tables 9.2.1HB.3 and 9.2.1HB.4 as appropriate on both serving HS-DSCH cell and secondary serving HS-DSCH cell. The primary and secondary serving cells are set on different bands according to DB-DC-HSDPA configurations defined in Section 4.2. The configuration of the downlink channels is defined in table E.5.1A and is to be applied to serving HS-DSCH cell. and for secondary serving HS-DSCH cell set up P-CPICH, HS-PDSCH and HS-SCCH channels only per table E.5.1A.
- 4) The information bit data shall be pseudo random and not repeated before 10 different information bit payload blocks are processed. (e.g. Fixed reference Channel Definition H-set 8 (64 QAM): The information bit payload block is 26600 bits long. Hence the PRBSequence must be at least 26600 * 10 bits long.) Use a PRBS from ITU-T O.153 Ref [27].

- 5) The SS shall not time the transmission freely. It shall time the transmission strictly according to the reference measurement channels: i.e. Process number is continued exactly after 6 TTIs.
- 6) Setup the fading simulator with fading conditions as described in table D.2.2.1.A.

Table 9.2.1HB.2A: Specific Message Contents for Testing 64QAM FRCs H-Set 8A

Contents of RRC CONNECTION SETUP message: UM (Transition to CELL_DCH)

| Information Element | Value/remark | Version |
|--|--------------|---------|
| Downlink information for per radio links list -Downlink information for each radio links - Downlink DPCH info for each RL - DL channelisation code - Code number | 14 | |

Contents of RADIO BEARER SETUP message: AM or UM (Test Loop Mode1)

| Information Element | Value/remark | Version |
|---|--------------|---------|
| Downlink information per radio link list - Downlink information for each radio link - Downlink DPCH info for each RL - DL channelisation code - Code number | 7 | |

Contents of RADIO BEARER SETUP message: AM or UM (DC-HSDPA)

| Information Element | Value/remark | Version |
|---|---------------------------|---------|
| Downlink HS-PDSCH Information - CHOICE mode - Downlink 64QAM configured | FDD TRUE | Rel-7 |
| Downlink information per radio link list - Downlink information for each radio link - Downlink DPCH info for each RL - DL channelisation code - Code number | 7 | |
| Downlink secondary cell info FDD - CHOICE Configuration info - Downlink 64QAM configured | New configuration TRUE | Rel-8 |

9.2.1HB.4.2 Procedure

- 1) Once the HSDPA connection is setup, change levels according to Tables E.5.6 to E.5.8B as specified by table E.5.9 and start transmitting HSDPA Data on both serving cells For secondary serving HS-DSCH cell only P-CPICH, HS-PDSCH and HS-SCCH are configured.
- 2) For all relevant propagation conditions, for all relevant Ioc levels, for all relevant Ec/Ior, for all relevant Ior/Ioc, for all relevant H-sets in tables 9.2.1HB.3 and 9.2.1HB.4 count the number of NACK, ACK and statDTX on the UL HS-DPCCH during the test interval on both the cells and decide pass or fail according to Annex F.6.3 table F.6.3.5.2.7 Throughput shall be measured per cell and compared to requirements in table F.6.3.5.2.7.

9.2.1HB.5 Test Requirements

Tables 9.2.1HB.3 and 9.2.1HB.4 define the primary level settings including test tolerance for all relevant throughput tests to be applied to both serving cells. The pass / fail decision for throughput is done according to Annex F.6.3.

Tables E.5.6 to E.5.8B define the secondary and subsequently ranked level settings including test tolerance to be applied to both serving cells. As those level settings are not uniform for the throughput tests in this clause, Table E.5.9 indicates which levels are applied, when the primary level settings (Ec/Ior and Ior/Ioc) and propagation conditions (PA3) vary.

Table 9.2.1HBA.3: Test Parameters for Testing 64QAM FRCs H-Set 8A

| Parameter | Unit | Test 1 |
|--------------------|--------------|-----------------------------------|
| Phase reference | | P-CPICH |
| I_{oc} | dBm/3.84 MHz | -60 (no test tolerance applied) |
| I_{otx} / I_{or} | dB | -24.4 (no test tolerance applied) |

Table 9.2.1HB.4: Test requirement Enhanced requirement type 2 64QAM, Fixed Reference Channel (FRC) H-Set 8A

| Test Number | Propagation Conditions | Reference value | |
|--|------------------------|--------------------------------|--|
| | | \hat{I}_{or} / I_{oc} (dB) * | T-put R (kbps) HS-PDSCH $E_c / I_{or} = -1.9$ dB |
| 1 | PA3 | 15.6 | 4507 |
| | | 18.6 | 5736 |
| *NOTE 1: When determining lor/loc, the contribution from I_{otx} is not included. *NOTE 2: The reference value R is for the Fixed Reference Channel (FRC) H-Set 8 *NOTE 3: For Fixed Reference Channel (FRC) H-Set 8A the reference values for R should be scaled (multiplied by 2.0). The throughput on each cell should be Reference value R | | | |

9.2.1HC Single Link Performance - Enhanced Performance Requirements Type 2 - 64QAM, Fixed Reference Channel (FRC) H-Set 8B

9.2.1HC.1 Definition and applicability

The receiver single link performance of the High Speed Physical Downlink Shared Channel (HS-DSCH) in different multi-path fading environments are determined by the information bit throughput R.

The requirements and this test apply for Release 10 and later releases to all types of UTRA for the FDD UE that support 4C-HSDPA and HSDPA UE capability category 29 but not the optional enhanced performance requirements Type 3 or Type 3i.

9.2.1HC.2 Minimum requirements

The performance requirements for a particular UE belonging to HS-DSCH category 29 are determined according to the relevant part of Table 9.2.3F.

During the Fixed Reference Channel (FRC) tests the behaviour of the Node-B emulator in response to the ACK/NACK signalling field of the HS-DPCCH is specified in Table 9.2.4.

The requirements are specified in terms of minimum information bit throughput R for the DL reference channels H-Set 8B specified in Annex C.8.1.8, with the addition of the relevant parameters in Table 9.2.1HC.1 plus the downlink physical channel setup according to table E.5.1A.

Using this configuration the throughput shall meet or exceed the minimum requirements specified in tables 9.2.1HC.2.

Table 9.2.1HC.1: Test Parameters for Testing 64QAM FRCs H-Set 8B

| Parameter | Unit | Test 1 |
|---|--------------|-----------|
| Phase reference | | P-CPICH |
| I_{oc} | dBm/3.84 MHz | -60 |
| I_{otx} / I_{or} | dB | -24.4 |
| Redundancy and constellation version coding sequence | | {6,2,1,5} |
| Maximum number of HARQ transmission | | 4 |
| NOTE: The HS-SCCH-1 and HS-PDSCH shall be transmitted continuously with constant power. HS-SCCH-1 shall only use the identity of the UE under test for those TTI intended for the UE. | | |

Table 9.2.1HC.2: Minimum requirement Enhanced requirement type 2 64QAM, Fixed Reference Channel (FRC) H-Set 8B

| Test Number | Propagation Conditions | Reference value | |
|---|------------------------|------------------------------|--|
| | | \hat{I}_{or} / I_{oc} (dB) | T-put R (kbps) HS-PDSCH $E_c / I_{or} = -2$ dB |
| 1 | PA3 | 15 | 4507 |
| | | 18 | 5736 |
| * NOTES: 1) The reference value R is for the Fixed Reference Channel (FRC) H-Set 8 2) For Fixed Reference Channel (FRC) H-Set 8B the reference values for R should be scaled (multiplied by 3) 3) When determining I_{or}/I_{oc} , the contribution from I_{otx} is not included. | | | |

The reference for this requirement is TS 25.101 [1] clause 9.2.1.6.

9.2.1HC.3 Test purpose

To verify the ability of the receiver to receive a predefined test signal, representing a multi-path fading channel with information bit throughput R not falling below a specified value. The test stresses the multicode reception and channel decoding with incremental redundancy.

9.2.1HC.4 Method of test

9.2.1HC.4.1 Initial conditions

Test environment: normal; see clauses G.2.1 and G.2.2.

Frequencies to be tested: mid range; see clause G.2.4.

- 1) Connect the SS (node B emulator) and fader and AWGN noise source to the UE antenna connector as shown in figure A.46.
- 2) Set up an HSDPA call according to TS 34.108 [3] clause 7.3.16 and with levels according to table E.5.0.
- 3) Set the node B emulator behaviour according to table 9.2.4. Set the test parameters for test 1 according to table 9.2.1HC.1 and levels according to tables 9.2.1HC.3 and 9.2.1HC.4 as appropriate on serving HS-DSCH cell and secondary serving HS-DSCH cells. The configuration of the downlink channels is defined in table E.5.1A and is to be applied to serving HS-DSCH cell. For secondary serving HS-DSCH cells set up P-CPICH, HS-PDSCH and HS-SCCH channels only per table E.5.1A.
- 4) The information bit data shall be pseudo random and not repeated before 10 different information bit payload blocks are processed. (e.g. Fixed reference Channel Definition H-set 8 (64 QAM): The information bit payload block is 26600 bits long. Hence the PRBSequence must be at least 26600 * 10 bits long.) Use a PRBS from ITU-T O.153 Ref [27].
- 5) The SS shall not time the transmission freely. It shall time the transmission strictly according to the reference measurement channels: i.e. Process number is continued exactly after 6 TTIs.

- 6) Setup the fading simulator with fading conditions as described in table D.2.2.1.A.

Table 9.2.1HC.2A Specific Message Contents for Testing 64QAM FRCs H-Set 8B

Contents of RRC CONNECTION SETUP message: UM (Transition to CELL_DCH)

| Information Element | Value/remark | Version |
|---|--------------|---------|
| Downlink information for per radio links list - Downlink information for each radio links - Downlink DPCH info for each RL - DL channelisation code - Code number | 14 | |

Contents of RADIO BEARER SETUP message: AM or UM (Test Loop Mode1)

| Information Element | Value/remark | Version |
|---|--------------|---------|
| Downlink information per radio link list - Downlink information for each radio link - Downlink DPCH info for each RL - DL channelisation code - Code number | 7 | |

Contents of RADIO BEARER SETUP message: AM or UM (DC-HSDPA)

| Information Element | Value/remark | Version |
|---|-------------------|---------|
| Downlink HS-PDSCH Information - CHOICE mode - Downlink 64QAM configured | FDD TRUE | Rel-7 |
| Downlink information per radio link list - Downlink information for each radio link - Downlink DPCH info for each RL - DL channelisation code - Code number | 7 | |
| Downlink secondary cell info FDD | | Rel-8 |
| - CHOICE Configuration info | New configuration | |
| - Downlink 64QAM configured | TRUE | |

9.2.1HC.4.2 Procedure

- 1) Once the HSDPA connection is setup, change levels according to Tables E.5.6 to E.5.8B as specified by table E.5.9 and start transmitting HSDPA Data on serving cell and on all secondary serving cells. For secondary serving HS-DSCH cells only P-CPICH, HS-PDSCH and HS-SCCH are configured.
- 2) For all relevant propagation conditions, for all relevant Ioc levels, for all relevant Ec/Ior, for all relevant Ior/Ioc, for all relevant H-sets in tables 9.2.1HC.3 and 9.2.1HC.4 count the number of NACK, ACK and statDTX on the UL HS-DPCCH during the test interval on both the cells and decide pass or fail according to Annex F.6.3 table F.6.3.5.2.7 Throughput shall be measured per cell and compared to requirements in table F.6.3.5.2.7.

9.2.1HC.5 Test Requirements

Tables 9.2.1HC.3 and 9.2.1HC.4 define the primary level settings including test tolerance for all relevant throughput tests to be applied to the serving and secondary serving cells. The pass / fail decision for throughput is done according to Annex F.6.3.

Tables E.5.6 to E.5.8B define the secondary and subsequently ranked level settings including test tolerance to be applied to serving cell and secondary serving cells. As those level settings are not uniform for the throughput tests in this clause, Table E.5.9 indicates which levels are applied, when the primary level settings (Ec/Ior and Ior/Ioc) and propagation conditions (PA3) vary.

Table 9.2.1HC.3: Test Parameters for Testing 64QAM FRCs H-Set 8B

| Parameter | Unit | Test 1 |
|--------------------|--------------|-----------------------------------|
| Phase reference | | P-CPICH |
| I_{oc} | dBm/3.84 MHz | -60 (no test tolerance applied) |
| I_{otx} / I_{or} | dB | -24.4 (no test tolerance applied) |

Table 9.2.1HC.4: Test requirement Enhanced requirement type 2 64QAM, Fixed Reference Channel (FRC) H-Set 8B

| Test Number | Propagation Conditions | Reference value | |
|--|------------------------|--------------------------------|--|
| | | \hat{I}_{or} / I_{oc} (dB) * | T-put R (kbps) HS-PDSCH $E_c / I_{or} = -1.9$ dB |
| 1 | PA3 | 15.6 | 4507 |
| | | 18.6 | 5736 |
| *NOTE 1: When determining lor/loc, the contribution from I_{otx} is not included. *NOTE 2: The reference value R is for the Fixed Reference Channel (FRC) H-Set 8 *NOTE 3: For Fixed Reference Channel (FRC) H-Set 8B the reference values for R should be scaled (multiplied by 3.0). The throughput on each cell should be Reference value R | | | |

9.2.1HD Single Link Performance - Enhanced Performance Requirements Type 2 - 64QAM, Fixed Reference Channel (FRC) H-Set 8C

9.2.1HD.1 Definition and applicability

The receiver single link performance of the High Speed Physical Downlink Shared Channel (HS-DSCH) in different multi-path fading environments are determined by the information bit throughput R.

The requirements and this test apply for Release 10 and later releases to all types of UTRA for the FDD UE that support 4C-HSDPA and HSDPA UE capability category 31 but not the optional enhanced performance requirements Type 3 or Type 3i.

9.2.1HD.2 Minimum requirements

The performance requirements for a particular UE belonging to HS-DSCH category 31 are determined according to the relevant part of Table 9.2.3F.

During the Fixed Reference Channel (FRC) tests the behaviour of the Node-B emulator in response to the ACK/NACK signalling field of the HS-DPCCH is specified in Table 9.2.4.

The requirements are specified in terms of minimum information bit throughput R for the DL reference channels H-Set 8C specified in Annex C.8.1.8, with the addition of the relevant parameters in Table 9.2.1HD.1 plus the downlink physical channel setup according to table E.5.1A.

Using this configuration the throughput shall meet or exceed the minimum requirements specified in tables 9.2.1HD.2.

Table 9.2.1HD.1: Test Parameters for Testing 64QAM FRCs H-Set 8C

| Parameter | Unit | Test 1 |
|---|--------------|-----------|
| Phase reference | | P-CPICH |
| I_{oc} | dBm/3.84 MHz | -60 |
| I_{otx} / I_{or} | dB | -24.4 |
| Redundancy and constellation version coding sequence | | {6,2,1,5} |
| Maximum number of HARQ transmission | | 4 |
| NOTE: The HS-SCCH-1 and HS-PDSCH shall be transmitted continuously with constant power. HS-SCCH-1 shall only use the identity of the UE under test for those TTI intended for the UE. | | |

Table 9.2.1HD.2: Minimum requirement Enhanced requirement type 2 64QAM, Fixed Reference Channel (FRC) H-Set 8C

| Test Number | Propagation Conditions | Reference value | |
|---|------------------------|--------------------------------|--|
| | | \hat{I}_{or} / I_{oc} (dB) * | T-put R (kbps) HS-PDSCH $E_c / I_{or} = -2$ dB |
| 1 | PA3 | 15 | 4507 |
| | | 18 | 5736 |
| *NOTE 1: When determining I_{or}/I_{oc} , the contribution from I_{otx} is not included. | | | |
| *NOTE 2: The reference value R is for the Fixed Reference Channel (FRC) H-Set 8 | | | |
| *NOTE 3: For Fixed Reference Channel (FRC) H-Set 8C the reference values for R should be scaled (multiplied by 4) | | | |

The reference for this requirement is TS 25.101 [1] clause 9.2.1.6.

9.2.1HD.3 Test purpose

To verify the ability of the receiver to receive a predefined test signal, representing a multi-path fading channel with information bit throughput R not falling below a specified value. The test stresses the multicode reception and channel decoding with incremental redundancy.

9.2.1HD.4 Method of test

9.2.1HD.4.1 Initial conditions

Test environment: normal; see clauses G.2.1 and G.2.2.

Frequencies to be tested: mid range; see clause G.2.4.

- 1) Connect the SS (node B emulator) and fader and AWGN noise source to the UE antenna connector as shown in figure A.46.
- 2) Set up an HSDPA call according to TS 34.108 [3] clause 7.3.16 and with levels according to table E.5.0.
- 3) Set the node B emulator behaviour according to table 9.2.4. Set the test parameters for test 1 according to table 9.2.1HD.1 and levels according to tables 9.2.1HD.3 and 9.2.1HD.4 as appropriate on serving HS-DSCH cell and secondary serving HS-DSCH cells. The configuration of the downlink channels is defined in table E.5.1A and is to be applied to serving HS-DSCH cell. For secondary serving HS-DSCH cells set up P-CPICH, HS-PDSCH and HS-SCCH channels only per table E.5.1A.
- 4) The information bit data shall be pseudo random and not repeated before 10 different information bit payload blocks are processed. (e.g. Fixed reference Channel Definition H-set 8 (64 QAM): The information bit payload block is 26600 bits long. Hence the PRBSequence must be at least 26600 * 10 bits long.) Use a PRBS from ITU-T O.153 Ref [27].
- 5) The SS shall not time the transmission freely. It shall time the transmission strictly according to the reference measurement channels: i.e. Process number is continued exactly after 6 TTIs.

- 6) Setup the fading simulator with fading conditions as described in table D.2.2.1.A.

Table 9.2.1HD.2A Specific Message Contents for Testing 64QAM FRCs H-Set 8C

Contents of RRC CONNECTION SETUP message: UM (Transition to CELL_DCH)

| Information Element | Value/remark | Version |
|---|--------------|---------|
| Downlink information for per radio links list - Downlink information for each radio links - Downlink DPCH info for each RL - DL channelisation code - Code number | 14 | |

Contents of RADIO BEARER SETUP message: AM or UM (Test Loop Mode1)

| Information Element | Value/remark | Version |
|---|--------------|---------|
| Downlink information per radio link list - Downlink information for each radio link - Downlink DPCH info for each RL - DL channelisation code - Code number | 7 | |

Contents of RADIO BEARER SETUP message: AM or UM (DC-HSDPA)

| Information Element | Value/remark | Version |
|---|-------------------|---------|
| Downlink HS-PDSCH Information - CHOICE mode - Downlink 64QAM configured | FDD TRUE | Rel-7 |
| Downlink information per radio link list - Downlink information for each radio link - Downlink DPCH info for each RL - DL channelisation code - Code number | 7 | |
| Downlink secondary cell info FDD | | Rel-8 |
| - CHOICE Configuration info | New configuration | |
| - Downlink 64QAM configured | TRUE | |

9.2.1HD.4.2 Procedure

- 1) Once the HSDPA connection is setup, change levels according to Tables E.5.6 to E.5.8B as specified by table E.5.9 and start transmitting HSDPA Data on both serving cells For secondary serving HS-DSCH cells only P-CPICH, HS-PDSCH and HS-SCCH are configured.
- 2) For all relevant propagation conditions, for all relevant Ioc levels, for all relevant Ec/Ior, for all relevant Ior/Ioc, for all relevant H-sets in tables 9.2.1HD.3 and 9.2.1HD.4 count the number of NACK, ACK and statDTX on the UL HS-DPCCH during the test interval on both the cells and decide pass or fail according to Annex F.6.3 table F.6.3.5.2.7. Throughput shall be measured per cell and compared to requirements in table F.6.3.5.2.7.

9.2.1HD.5 Test Requirements

Tables 9.2.1HD.3 and 9.2.1HD.4 define the primary level settings including test tolerance for all relevant throughput tests to be applied to both serving cells. The pass / fail decision for throughput is done according to Annex F.6.3.

Tables E.5.6 to E.5.8B define the secondary and subsequently ranked level settings including test tolerance to be applied to serving and secondary serving cells. As those level settings are not uniform for the throughput tests in this clause, Table E.5.9 indicates which levels are applied, when the primary level settings (Ec/Ior and Ior/Ioc) and propagation conditions (PA3) vary.

Table 9.2.1HD.3: Test Parameters for Testing 64QAM FRCs H-Set 8C

| Parameter | Unit | Test 1 |
|--------------------|--------------|-----------------------------------|
| Phase reference | | P-CPICH |
| I_{oc} | dBm/3.84 MHz | -60 (no test tolerance applied) |
| I_{otx} / I_{or} | dB | -24.4 (no test tolerance applied) |

Table 9.2.1HD.4: Test requirement Enhanced requirement type 2 64QAM, Fixed Reference Channel (FRC) H-Set 8C

| Test Number | Propagation Conditions | Reference value | |
|--|------------------------|--------------------------------|--|
| | | \hat{I}_{or} / I_{oc} (dB) * | T-put R (kbps) HS-PDSCH $E_c / I_{or} = -1.9$ dB |
| 1 | PA3 | 15.6 | 4507 |
| | | 18.6 | 5736 |
| *NOTE 1: When determining lor/loc, the contribution from I_{otx} is not included. *NOTE 2: The reference value R is for the Fixed Reference Channel (FRC) H-Set 8 *NOTE 3: For Fixed Reference Channel (FRC) H-Set 8C the reference values for R should be scaled (multiplied by 4). The throughput on each cell should be Reference value R | | | |

9.2.11 Single Link Performance - Enhanced Performance Requirements Type 3 - 64QAM, Fixed Reference Channel (FRC) H-Set 8

9.2.11.1 Definition and applicability

The receiver single link performance of the High Speed Physical Downlink Shared Channel (HS-DSCH) in different multi-path fading environments are determined by the information bit throughput R.

The requirements and this test apply for Release 7 and later releases to all types of UTRA for the FDD UE that support HSDPA UE capability categories 13 or 14, and the optional enhanced performance requirements type 3.

The requirements and this test apply also for Release 7 and later releases to all types of UTRA for the FDD UE that support HSDPA UE capability categories 17 or 18.

The requirements and this test apply for Release 8 and later releases to all types of UTRA for the FDD UE that support HSDPA UE capability categories 13 or 14, and the optional enhanced performance requirements type 3i.

The requirements and this test apply also for Release 8 and later releases to all types of UTRA for the FDD UE that support HSDPA UE capability categories 19 - 20.

9.2.11.2 Minimum requirements

The performance requirements for a particular UE belonging to a certain HS-DSCH category and supporting the optional enhanced performance requirements type 3 are determined according to the relevant part of Table 9.2.3A.

During the Fixed Reference Channel (FRC) tests the behaviour of the Node-B emulator in response to the ACK/NACK signalling field of the HS-DPCCH is specified in Table 9.2.4.

The requirements are specified in terms of minimum information bit throughput R for the DL reference channels H-set 8 specified in Annex C.8.1.8, with the addition of the relevant parameters in Table 9.2.11.1 plus the downlink physical channel setup according to table E.5.1A.

Using this configuration the throughput shall meet or exceed the minimum requirements specified in tables 9.2.11.2.

Table 9.2.11.1: Test Parameters for Testing 64QAM FRCs H-Set 8

| Parameter | Unit | Test 1 |
|---|--------------|-----------|
| Phase reference | | P-CPICH |
| I_{oc} | dBm/3.84 MHz | -60 |
| I_{otx} / I_{or} | dB | -24.4 |
| Redundancy and constellation version coding sequence | | {6,2,1,5} |
| Maximum number of HARQ transmission | | 4 |
| NOTE: The HS-SCCH-1 and HS-PDSCH shall be transmitted continuously with constant power. HS-SCCH-1 shall only use the identity of the UE under test for those TTI intended for the UE. | | |

Table 9.2.11.2: Minimum requirement Enhanced requirement type 3 64QAM, Fixed Reference Channel (FRC) H-Set 8

| Test Number | Propagation Conditions | Reference value | |
|---|------------------------|--------------------------------|--|
| | | \hat{I}_{or} / I_{oc} (dB) * | T-put R (kbps) HS-PDSCH $E_c / I_{or} = -2$ dB |
| 1 | PA3 | 15 | 6412 |
| | | 18 | 7638 |
| NOTE: When determining I_{or}/I_{oc} , the contribution from I_{otx} is not included. | | | |

The reference for this requirement is TS 25.101 [1] clause 9.2.1.6.

9.2.11.3 Test purpose

To verify the ability of the receiver to receive a predefined test signal, representing a multi-path fading channel with information bit throughput R not falling below a specified value. The test stresses the multicode reception and channel decoding with incremental redundancy.

9.2.11.4 Method of test

9.2.11.4.1 Initial conditions

Test environment: normal; see clauses G.2.1 and G.2.2.

Frequencies to be tested: mid range; see clause G.2.4.

- 1) Connect the SS (node B emulator) and fader and AWGN noise source to the UE antenna connector as shown in figure A.21 for UEs that support receive diversity or figure A.10 for UEs that do not support receive diversity.
- 2) Set up an HSDPA call with looping back 12.2kbps RMC according to TS 34.108 [3] clause 7.3.6 with exceptions for information elements listed in table 9.2.11.2A and with levels according to table E.5.0.
- 3) Set the node B emulator behaviour according to table 9.2.4. Set the test parameters for test 1 according to table 9.2.11.1 and levels according to tables 9.2.11.3 and 9.2.11.4 as appropriate. The configuration of the downlink channels is defined in table E.5.1A.
- 4) The information bit data shall be pseudo random and not repeated before 10 different information bit payload blocks are processed. (e.g. Fixed reference Channel Definition H-set 8 (64QAM): The information bit payload block is 26600 bits long. Hence the PRBSequence must be at least $26600 * 10$ bits long.) Use a PRBS from ITU-T O.153 Ref [27]
- 5) The SS shall not time the transmission freely. It shall time the transmission strictly according to the reference measurement channels: i.e. Process number is continued exactly after 6 TTIs.
- 6) Setup the fading simulator with fading conditions as described in table D.2.2.1.A and clause D.2.6.

Table 9.2.11.2A Specific Message Contents for Testing 64QAM FRCs H-Set 8

Contents of RRC CONNECTION SETUP message: UM (Transition to CELL_DCH)

| Information Element | Value/remark | Version |
|---|--------------|---------|
| Downlink information for per radio links list - Downlink information for each radio links - Downlink DPCH info for each RL - DL channelisation code - Code number | 14 | |

Contents of RADIO BEARER SETUP message: AM or UM (Test Loop Mode1)

| Information Element | Value/remark | Version |
|---|--------------|---------|
| Downlink information per radio link list - Downlink information for each radio link - Downlink DPCH info for each RL - DL channelisation code - Code number | 7 | |

Contents of RADIO BEARER SETUP message: AM or UM (HSDPA)

| Information Element | Value/remark | Version |
|---|--|--|
| RAB information for setup list - RAB information for setup - RB mapping info - Downlink RLC logical channel info - Downlink transport channel type - CHOICE DL MAC header type - DL HS-DSCH MAC-ehs Queue Id - Logical channel identity | HS-DSCH MAC-ehs 0 1 | Rel-7 Rel-7 |
| Added or Reconfigured DL TrCH information list - Added or Reconfigured DL TrCH information - CHOICE DL parameters - CHOICE DL MAC header type - Added or reconfigured MAC-ehs reordering queue - MAC-ehs queue to add or reconfigure list - MAC-ehs queue Id - T1 - Treset - MAC-ehs window size | 1 TrCHs added HS-DSCH MAC-ehs (one queue) 0 50 Not Present 16 | Rel-7 Rel-7 Rel-7 Rel-7 Rel-7 Rel-7 |
| Downlink HS-PDSCH Information - HS-SCCH Info - CHOICE mode - DL Scrambling Code - HS-SCCH Channelisation Code Information - HS-SCCH Channelisation Code - HS-SCCH Channelisation Code - CHOICE mode - Downlink 64QAM configured | FDD 2 3 FDD TRUE | Rel-7 |
| Downlink information per radio link list - Downlink information for each radio link - Downlink DPCH info for each RL - DL channelisation code - Code number | 7 | |

9.2.11.4.2 Procedure

- 1) Once the HSDPA connection is setup, change levels according to Tables E.5.6 to E.5.8C as specified by table E.5.9 and start transmitting HSDPA Data.

- 2) For all relevant propagation conditions, for all relevant I_{oc} levels, for all relevant E_c/I_{or} , for all relevant \hat{I}_{or}/I_{oc} , for all relevant H-sets in tables 9.2.11.3 and 9.2.11.4 count the number of NACK, ACK and statDTX on the UL HS-DPCCH during the test interval and decide pass or fail according to Annex F.6.3 table F.6.3.5.2.7A.

9.2.11.5 Test Requirements

Tables 9.2.11.3 and 9.2.11.4 define the primary level settings including test tolerance for all relevant throughput tests. The pass / fail decision for throughput is done according to Annex F.6.3.

Tables E.5.6 to E.5.8C define the secondary and subsequently ranked level settings including test tolerance. As those level settings are not uniform for the throughput tests in this clause, Table E.5.9 indicates which levels are applied, when the primary level settings (E_c/I_{or} and I_{or}/I_{oc}) and propagation conditions (PA3) vary.

Table 9.2.11.3: Test Parameters for Testing 64QAM FRCs H-Set 8

| Parameter | Unit | Test 1 |
|--------------------|--------------|-----------------------------------|
| Phase reference | | P-CPICH |
| I_{oc} | dBm/3.84 MHz | -60 (no test tolerance applied) |
| I_{otx} / I_{or} | dB | -24.4 (no test tolerance applied) |

Table 9.2.11.4: Test requirement Enhanced requirement type 3 64QAM, Fixed Reference Channel (FRC) H-Set 8

| Test Number | Propagation Conditions | Reference value | |
|-------------|------------------------|--------------------------------|--|
| | | \hat{I}_{or} / I_{oc} (dB) * | T-put R (kbps) HS-PDSCH $E_c / I_{or} = -1.9$ dB |
| 1 | PA3 | 15.6 | 6412 |
| | | 18.6 | 7638 |

* NOTE: When determining I_{or}/I_{oc} , the contribution from I_{otx} is not included.

9.2.11A Single Link Performance - Enhanced Performance Requirements Type 3 - 64QAM, Fixed Reference Channel (FRC) H-Set 8A

9.2.11A.1 Definition and applicability

The receiver single link performance of the High Speed Physical Downlink Shared Channel (HS-DSCH) in different multi-path fading environments are determined by the information bit throughput R.

The requirements and this test apply for Release 8 and later releases to all types of UTRA for the FDD UE that support: HSDPA UE capability categories 23-24 and support the optional enhanced performance requirements type 3 or 3i but not support DB-DC-HSDPA operation.

The requirements and this test apply for Release 9 and later releases to all types of UTRA for the FDD UE that support: HSDPA UE capability categories 27-28 and support the optional enhanced performance requirements type 3 or 3i but not support DB-DC-HSDPA operation.

9.2.11A.2 Minimum requirements

The performance requirements for a particular UE belonging to a certain HS-DSCH category and supporting the optional enhanced performance requirements type 3 are determined according to the relevant part of Table 9.2.3D.

During the Fixed Reference Channel (FRC) tests the behaviour of the Node-B emulator in response to the ACK/NACK signalling field of the HS-DPCCH is specified in Table 9.2.4.

The requirements are specified in terms of minimum information bit throughput R for the DL reference channels H-set 8A specified in Annex C.8.1.8, with the addition of the relevant parameters in Table 9.2.11A.1 plus the downlink physical channel setup according to table E.5.1A.

Using this configuration the throughput shall meet or exceed the minimum requirements specified in tables 9.2.11A.2.

Table 9.2.1IA.1: Test Parameters for Testing 64QAM FRCs H-Set 8A

| Parameter | Unit | Test 1 |
|---|--------------|-----------|
| Phase reference | | P-CPICH |
| I_{oc} | dBm/3.84 MHz | -60 |
| I_{otx} / I_{or} | dB | -24.4 |
| Redundancy and constellation version coding sequence | | {6,2,1,5} |
| Maximum number of HARQ transmission | | 4 |
| NOTE: The HS-SCCH-1 and HS-PDSCH shall be transmitted continuously with constant power. HS-SCCH-1 shall only use the identity of the UE under test for those TTI intended for the UE. | | |

Table 9.2.1IA.2: Minimum requirement Enhanced requirement type 3 64QAM, Fixed Reference Channel (FRC) H-Set 8A

| Test Number | Propagation Conditions | Reference value | |
|---|------------------------|--------------------------------|---|
| | | \hat{I}_{or} / I_{oc} (dB) * | T-put R (kbps) HS-PDSCH $E_c / I_{or} = -2$ dB |
| 1 | PA3 | 15 | 6412 |
| | | 18 | 7638 |
| *NOTE 1: When determining I_{or}/I_{oc} , the contribution from I_{otx} is not included. | | | |
| *NOTE 2: The reference value R is for the Fixed Reference Channel (FRC) H-Set 8 | | | |
| *NOTE 3: For Fixed Reference Channel (FRC) H-Set 8A the reference values for R should be scaled (multiplied by 2.0) | | | |

The reference for this requirement is TS 25.101 [1] clause 9.2.1.6.

9.2.1IA.3 Test purpose

To verify the ability of the receiver to receive a predefined test signal, representing a multi-path fading channel with information bit throughput R not falling below a specified value. The test stresses the multicode reception and channel decoding with incremental redundancy.

9.2.1IA.4 Method of test

9.2.1IA.4.1 Initial conditions

Test environment: normal; see clauses G.2.1 and G.2.2.

Frequencies to be tested: mid range; see clause G.2.4.

- 1) Connect the SS (node B emulator) and fader and AWGN noise source to the UE antenna connector as shown in figure A.37 for UEs that support receive diversity or figure A.35 for UEs that do not support receive diversity.
- 2) Set up an HSDPA call according to TS 34.108 [3] clause 7.3.13 with exceptions for information elements listed in table 9.2.1IA.2A and with levels according to table E.5.0.
- 3) Set the node B emulator behaviour according to table 9.2.4. Set the test parameters for test 1 according to table 9.2.1IA.1 and levels according to tables 9.2.1IA.3 and 9.2.1IA.14 as appropriate on both serving HS-DSCH cell and secondary serving HS-DSCH cell. The configuration of the downlink channels is defined in table E.5.1A and is to be applied to serving HS-DSCH cell and for secondary serving HS-DSCH cell set up P-CPICH, HS-PDSCH and HS-SCCH channels only per table E.5.1A.
- 4) The information bit data shall be pseudo random and not repeated before 10 different information bit payload blocks are processed. (e.g. Fixed reference Channel Definition H-set 8 (64QAM): The information bit payload block is 26600 bits long. Hence the PRBSequence must be at least 26600 * 10 bits long.) Use a PRBS from ITU-T O.153 Ref [27]
- 5) The SS shall not time the transmission freely. It shall time the transmission strictly according to the reference measurement channels: i.e. Process number is continued exactly after 6 TTIs.

- 6) Setup the fading simulator with fading conditions as described in table D.2.2.1.A and clause D.2.6.

Table 9.2.11A.2A Specific Message Contents for Testing 64QAM FRCs H-Set 8A

Contents of RRC CONNECTION SETUP message: UM (Transition to CELL_DCH)

| Information Element | Value/remark | Version |
|---|--------------|---------|
| Downlink information for per radio links list - Downlink information for each radio links - Downlink DPCH info for each RL - DL channelisation code - Code number | 14 | |

Contents of RADIO BEARER SETUP message: AM or UM (Test Loop Mode1)

| Information Element | Value/remark | Version |
|---|--------------|---------|
| Downlink information per radio link list - Downlink information for each radio link - Downlink DPCH info for each RL - DL channelisation code - Code number | 7 | |

Contents of RADIO BEARER SETUP message: AM or UM (DC-HSDPA)

| Information Element | Value/remark | Version |
|---|---------------------------|---------|
| Downlink HS-PDSCH Information - CHOICE mode - Downlink 64QAM configured | FDD TRUE | Rel-7 |
| Downlink information per radio link list - Downlink information for each radio link - Downlink DPCH info for each RL - DL channelisation code - Code number | 7 | |
| Downlink secondary cell info FDD - CHOICE Configuration info - Downlink 64QAM configured | New configuration TRUE | Rel-8 |

9.2.11A.4.2 Procedure

- 1) Once the HSDPA connection is setup, change levels according to Tables E.5.6 to E.5.8B as specified by table E.5.9 and start transmitting HSDPA Data on both serving cells for secondary serving HS-DSCH cell only P-CPICH, HS-PDSCH and HS-SCCH are configured
- 2) For all relevant propagation conditions, for all relevant Ioc levels, for all relevant Ec/Ior, for all relevant Ior/Ioc, for all relevant H-sets in tables 9.2.11A.3 and 9.2.11A.4 count the number of NACK, ACK and statDTX on the UL HS-DPCCH during the test interval on both the cells and decide pass or fail according to Annex F.6.3 table F.6.3.5.2.7A. Throughput shall be measured per cell and compared to requirements in table F.6.3.5.2.7A.

9.2.11A.5 Test Requirements

Tables 9.2.11A.3 and 9.2.11A.4 define the primary level settings including test tolerance for all relevant throughput tests. The pass / fail decision for throughput is done according to Annex F.6.3.

Tables E.5.6 to E.5.8B define the secondary and subsequently ranked level settings including test tolerance to be applied on both serving cells. As those level settings are not uniform for the throughput tests in this clause, Table E.5.9 indicates which levels are applied, when the primary level settings (Ec/Ior and Ior/Ioc) and propagation conditions (PA3) vary.

Table 9.2.1IA.3: Test Parameters for Testing 64QAM FRCs H-Set 8A

| Parameter | Unit | Test 1 |
|--------------------|--------------|-----------------------------------|
| Phase reference | | P-CPICH |
| I_{oc} | dBm/3.84 MHz | -60 (no test tolerance applied) |
| I_{otx} / I_{or} | dB | -24.4 (no test tolerance applied) |

Table 9.2.1IA.4: Test requirement Enhanced requirement type 3 64QAM, Fixed Reference Channel (FRC) H-Set 8A

| Test Number | Propagation Conditions | Reference value | |
|-------------|------------------------|--------------------------------|--|
| | | \hat{I}_{or} / I_{oc} (dB) * | T-put R (kbps) HS-PDSCH $E_c / I_{or} = -1.9$ dB |
| 1 | PA3 | 15.6 | 6412 |
| | | 18.6 | 7638 |

*NOTE 1: When determining I_{or}/I_{oc} , the contribution from I_{otx} is not included.
*NOTE 2: The reference value R is for the Fixed Reference Channel (FRC) H-Set 8
*NOTE 3: For Fixed Reference Channel (FRC) H-Set 8A the reference values for R
*NOTE 4: should be scaled (multiplied by 2.0). The throughput on each cell should be Reference value R .

9.2.1IB Single Link Performance - Enhanced Performance Requirements Type 3 - 64QAM, Fixed Reference Channel (FRC) H-Set 8A for DB-DC-HSDPA

9.2.1IB.1 Definition and applicability

The receiver single link performance of the High Speed Physical Downlink Shared Channel (HS-DSCH) in different multi-path fading environments are determined by the information bit throughput R .

The requirements and this test apply for Release 9 and later releases to all types of UTRA for the FDD UE that support: DB-DC-HSDPA and HSDPA UE capability categories 23, 24, 27 or 28 and support the optional enhanced performance requirements type 3 or 3i.

DB-DC-HSDPA is designed to operate in configurations specified in clause 4.2.

9.2.1IB.2 Minimum requirements

The performance requirements for a particular UE belonging to a certain HS-DSCH category and supporting the optional enhanced performance requirements type 3 are determined according to the relevant part of Table 9.2.3D.

During the Fixed Reference Channel (FRC) tests the behaviour of the Node-B emulator in response to the ACK/NACK signalling field of the HS-DPCCH is specified in Table 9.2.4.

The requirements are specified in terms of minimum information bit throughput R for the DL reference channels H-set 8A specified in Annex C.8.1.8, with the addition of the relevant parameters in Table 9.2.1IB.1 plus the downlink physical channel setup according to table E.5.1A.

Using this configuration the throughput shall meet or exceed the minimum requirements specified in tables 9.2.1IB.2.

Table 9.2.1IB.1: Test Parameters for Testing 64QAM FRCs H-Set 8A

| Parameter | Unit | Test 1 |
|---|--------------|-----------|
| Phase reference | | P-CPICH |
| I_{oc} | dBm/3.84 MHz | -60 |
| I_{otx} / I_{or} | dB | -24.4 |
| Redundancy and constellation version coding sequence | | {6,2,1,5} |
| Maximum number of HARQ transmission | | 4 |
| NOTE: The HS-SCCH-1 and HS-PDSCH shall be transmitted continuously with constant power. HS-SCCH-1 shall only use the identity of the UE under test for those TTI intended for the UE. | | |

Table 9.2.1IB.2: Minimum requirement Enhanced requirement type 3 64QAM, Fixed Reference Channel (FRC) H-Set 8A

| Test Number | Propagation Conditions | Reference value | |
|---|------------------------|--------------------------------|---|
| | | \hat{I}_{or} / I_{oc} (dB) * | T-put R (kbps) HS-PDSCH $E_c / I_{or} = -2$ dB |
| 1 | PA3 | 15 | 6412 |
| | | 18 | 7638 |
| *NOTE 1: When determining I_{or}/I_{oc} , the contribution from I_{otx} is not included. | | | |
| *NOTE 2: The reference value R is for the Fixed Reference Channel (FRC) H-Set 8 | | | |
| *NOTE 3: For Fixed Reference Channel (FRC) H-Set 8A the reference values for R should be scaled (multiplied by 2.0) | | | |

The reference for this requirement is TS 25.101 [1] clause 9.2.1.6.

9.2.1IB.3 Test purpose

To verify the ability of the receiver to receive a predefined test signal, representing a multi-path fading channel with information bit throughput R not falling below a specified value. The test stresses the multicode reception and channel decoding with incremental redundancy.

9.2.1IB.4 Method of test

9.2.1IB.4.1 Initial conditions

Test environment: normal; see clauses G.2.1 and G.2.2.

Frequencies to be tested: mid range; see clause G.2.4.

- 1) Connect the SS (node B emulator) and fader and AWGN noise source to the UE antenna connector as shown in figure A.37 for UEs that support receive diversity or figure A.35 for UEs that do not support receive diversity.
- 2) Set up an HSDPA call according to TS 34.108 [3] clause 7.3.13 with exceptions for information elements listed in table 9.2.1IB.2A and with levels according to table E.5.0.
- 3) Set the node B emulator behaviour according to table 9.2.4. Set the test parameters for test 1 according to table 9.2.1IB.1 and levels according to tables 9.2.1IB.3 and 9.2.1IB.4 as appropriate on both serving HS-DSCH cell and secondary serving HS-DSCH cell. The primary and secondary serving cells are set on different bands according to DB-DC-HSDPA configurations defined in Section 4.2. The configuration of the downlink channels is defined in table E.5.1A and is to be applied to serving HS-DSCH cell and for secondary serving HS-DSCH cell set up P-CPICH, HS-PDSCH and HS-SCCH channels only per table E.5.1A.
- 4) The information bit data shall be pseudo random and not repeated before 10 different information bit payload blocks are processed. (e.g. Fixed reference Channel Definition H-set 8 (64QAM): The information bit payload block is 26600 bits long. Hence the PRBSequence must be at least 26600 * 10 bits long.) Use a PRBS from ITU-T O.153 Ref [27]

- 5) The SS shall not time the transmission freely. It shall time the transmission strictly according to the reference measurement channels: i.e. Process number is continued exactly after 6 TTIs.
- 6) Setup the fading simulator with fading conditions as described in table D.2.2.1.A and clause D.2.6.

Table 9.2.1IB.2A Specific Message Contents for Testing 64QAM FRCs H-Set 8A

Contents of RRC CONNECTION SETUP message: UM (Transition to CELL_DCH)

| Information Element | Value/remark | Version |
|---|--------------|---------|
| Downlink information for per radio links list - Downlink information for each radio links - Downlink DPCH info for each RL - DL channelisation code - Code number | 14 | |

Contents of RADIO BEARER SETUP message: AM or UM (Test Loop Mode1)

| Information Element | Value/remark | Version |
|---|--------------|---------|
| Downlink information per radio link list - Downlink information for each radio link - Downlink DPCH info for each RL - DL channelisation code - Code number | 7 | |

Contents of RADIO BEARER SETUP message: AM or UM (DC-HSDPA)

| Information Element | Value/remark | Version |
|---|---------------------------|---------|
| Downlink HS-PDSCH Information - CHOICE mode - Downlink 64QAM configured | FDD TRUE | Rel-7 |
| Downlink information per radio link list - Downlink information for each radio link - Downlink DPCH info for each RL - DL channelisation code - Code number | 7 | |
| Downlink secondary cell info FDD - CHOICE Configuration info - Downlink 64QAM configured | New configuration TRUE | Rel-8 |

9.2.1IB.4.2 Procedure

- 1) Once the HSDPA connection is setup, change levels according to Tables E.5.6 to E.5.8B as specified by table E.5.9 and start transmitting HSDPA Data on both serving cells for secondary serving HS-DSCH cell only P-CPICH, HS-PDSCH and HS-SCCH are configured.
- 2) For all relevant propagation conditions, for all relevant Ioc levels, for all relevant Ec/Ior, for all relevant Ior/Ioc, for all relevant H-sets in tables 9.2.1IB.3 and 9.2.1IB.4 count the number of NACK, ACK and statDTX on the UL HS-DPCCH during the test interval on both the cells and decide pass or fail according to Annex F.6.3 table F.6.3.5.2.7A. Throughput shall be measured per cell and compared to requirements in table F.6.3.5.2.7A.

9.2.1IB.5 Test Requirements

Tables 9.2.1IB.3 and 9.2.1IB.4 define the primary level settings including test tolerance for all relevant throughput tests. The pass / fail decision for throughput is done according to Annex F.6.3.

Tables E.5.6 to E.5.8B define the secondary and subsequently ranked level settings including test tolerance to be applied on both serving cells. As those level settings are not uniform for the throughput tests in this clause, Table E.5.9 indicates which levels are applied, when the primary level settings (Ec/Ior and Ior/Ioc) and propagation conditions (PA3) vary.

Table 9.2.1IB.3: Test Parameters for Testing 64QAM FRCs H-Set 8A

| Parameter | Unit | Test 1 |
|--------------------|--------------|-----------------------------------|
| Phase reference | | P-CPICH |
| I_{oc} | dBm/3.84 MHz | -60 (no test tolerance applied) |
| I_{otx} / I_{or} | dB | -24.4 (no test tolerance applied) |

Table 9.2.1IB.4: Test requirement Enhanced requirement type 3 64QAM, Fixed Reference Channel (FRC) H-Set 8A

| Test Number | Propagation Conditions | Reference value | |
|--|------------------------|--------------------------------|--|
| | | \hat{I}_{or} / I_{oc} (dB) * | T-put R (kbps) HS-PDSCH $E_c / I_{or} = -1.9$ dB |
| 1 | PA3 | 15.6 | 6412 |
| | | 18.6 | 7638 |
| *NOTE 1: When determining I_{or}/I_{oc} , the contribution from I_{otx} is not included. *NOTE 2: The reference value R is for the Fixed Reference Channel (FRC) H-Set 8 *NOTE 3: For Fixed Reference Channel (FRC) H-Set 8A the reference values for R should be scaled (multiplied by 2.0). The throughput on each cell should be Reference value R. | | | |

9.2.1IC Single Link Performance - Enhanced Performance Requirements Type 3 - 64QAM, Fixed Reference Channel (FRC) H-Set 8B

9.2.1IC.1 Definition and applicability

The receiver single link performance of the High Speed Physical Downlink Shared Channel (HS-DSCH) in different multi-path fading environments are determined by the information bit throughput R.

The requirements and this test apply for Release 10 and later releases to all types of UTRA for the FDD UE that support 4C-HSDPA and HSDPA UE capability categories 29 or 30 and support the optional enhanced performance requirements type 3 or 3i.

9.2.1IC.2 Minimum requirements

The performance requirements for a particular UE belonging to a certain HS-DSCH category and supporting the optional enhanced performance requirements type 3 are determined according to the relevant part of Table 9.2.3H.

During the Fixed Reference Channel (FRC) tests the behaviour of the Node-B emulator in response to the ACK/NACK signalling field of the HS-DPCCH is specified in Table 9.2.4.

The requirements are specified in terms of minimum information bit throughput R for the DL reference channels H-set 8B specified in Annex C.8.1.8, with the addition of the relevant parameters in Table 9.2.1IC.1 plus the downlink physical channel setup according to table E.5.1A.

Using this configuration the throughput shall meet or exceed the minimum requirements specified in tables 9.2.1IC.2.

Table 9.2.1IC.1: Test Parameters for Testing 64QAM FRCs H-Set 8B

| Parameter | Unit | Test 1 |
|---|--------------|-----------|
| Phase reference | | P-CPICH |
| I_{oc} | dBm/3.84 MHz | -60 |
| I_{otx} / I_{or} | dB | -24.4 |
| Redundancy and constellation version coding sequence | | {6,2,1,5} |
| Maximum number of HARQ transmission | | 4 |
| NOTE: The HS-SCCH-1 and HS-PDSCH shall be transmitted continuously with constant power. HS-SCCH-1 shall only use the identity of the UE under test for those TTI intended for the UE. | | |

Table 9.2.1IC.2: Minimum requirement Enhanced requirement type 3 64QAM, Fixed Reference Channel (FRC) H-Set 8B

| Test Number | Propagation Conditions | Reference value | |
|---|------------------------|--------------------------------|--|
| | | \hat{I}_{or} / I_{oc} (dB) * | T-put R (kbps) HS-PDSCH $E_c / I_{or} = -2$ dB |
| 1 | PA3 | 15 | 6412 |
| | | 18 | 7638 |
| *NOTE 1: When determining I_{or}/I_{oc} , the contribution from I_{otx} is not included. | | | |
| *NOTE 2: The reference value R is for the Fixed Reference Channel (FRC) H-Set 8 | | | |
| *NOTE 3: For Fixed Reference Channel (FRC) H-Set 8B the reference values for R should be scaled (multiplied by 3.0) | | | |

The reference for this requirement is TS 25.101 [1] clause 9.2.1.6.

9.2.1IC.3 Test purpose

To verify the ability of the receiver to receive a predefined test signal, representing a multi-path fading channel with information bit throughput R not falling below a specified value. The test stresses the multicode reception and channel decoding with incremental redundancy.

9.2.1IC.4 Method of test

9.2.1IC.4.1 Initial conditions

Test environment: normal; see clauses G.2.1 and G.2.2.

Frequencies to be tested: mid range; see clause G.2.4.

- 1) Connect the SS (node B emulator) and fader and AWGN noise source to the UE antenna connector as shown in figure A.47 for UEs that support receive diversity or figure A.46 for UEs that do not support receive diversity.
- 2) Set up an HSDPA call according to TS 34.108 [3] clause 7.3.16 with exceptions for information elements listed in table 9.2.1IC.2A and with levels according to table E.5.0.
- 3) Set the node B emulator behaviour according to table 9.2.4. Set the test parameters for test 1 according to table 9.2.1IC.1 and levels according to tables 9.2.1IC.3 and 9.2.1IC.4 as appropriate on both serving HS-DSCH cell and secondary serving HS-DSCH cells. The configuration of the downlink channels is defined in table E.5.1A and is to be applied to serving HS-DSCH cell and for secondary serving HS-DSCH cells set up P-CPICH, HS-PDSCH and HS-SCCH channels only per table E.5.1A.
- 4) The information bit data shall be pseudo random and not repeated before 10 different information bit payload blocks are processed. (e.g. Fixed reference Channel Definition H-set 8 (64QAM): The information bit payload block is 26600 bits long. Hence the PRBSequence must be at least 26600 * 10 bits long.) Use a PRBS from ITU-T O.153 Ref [27]

- 5) The SS shall not time the transmission freely. It shall time the transmission strictly according to the reference measurement channels: i.e. Process number is continued exactly after 6 TTIs.
- 6) Setup the fading simulator with fading conditions on each cell as described in table D.2.2.1.A and clause D.2.6.

Table 9.2.1IC.2A: Specific Message Contents for Testing 64QAM FRCs H-Set 8B

Contents of RRC CONNECTION SETUP message: UM (Transition to CELL_DCH)

| Information Element | Value/remark | Version |
|---|--------------|---------|
| Downlink information for per radio links list - Downlink information for each radio links - Downlink DPCH info for each RL - DL channelisation code - Code number | 14 | |

Contents of RADIO BEARER SETUP message: AM or UM (Test Loop Mode1)

| Information Element | Value/remark | Version |
|---|--------------|---------|
| Downlink information per radio link list - Downlink information for each radio link - Downlink DPCH info for each RL - DL channelisation code - Code number | 7 | |

Contents of RADIO BEARER SETUP message: AM or UM (DC-HSDPA)

| Information Element | Value/remark | Version |
|---|---------------------------|---------|
| Downlink HS-PDSCH Information - CHOICE mode - Downlink 64QAM configured | FDD TRUE | Rel-7 |
| Downlink information per radio link list - Downlink information for each radio link - Downlink DPCH info for each RL - DL channelisation code - Code number | 7 | |
| Downlink secondary cell info FDD - CHOICE Configuration info - Downlink 64QAM configured | New configuration TRUE | Rel-8 |

9.2.1IC.4.2 Procedure

- 1) Once the HSDPA connection is setup, change levels according to Tables E.5.6 to E.5.8B as specified by table E.5.9 and start transmitting HSDPA Data on each cell.
- 2) For all relevant propagation conditions, for all relevant Ioc levels, for all relevant Ec/Ior, for all relevant Ior/Ioc, for all relevant H-sets in tables 9.2.1IC.3 and 9.2.1IC.4 count the number of NACK, ACK and statDTX on the UL HS-DPCCH during the test interval on both the cells and decide pass or fail according to Annex F.6.3 table F.6.3.5.2.7A. Throughput shall be measured per cell and compared to requirements in table F.6.3.5.2.7A.

9.2.1IC.5 Test Requirements

Tables 9.2.1IC.3 and 9.2.1IC.4 define the primary level settings including test tolerance for all relevant throughput tests. The pass / fail decision for throughput is done according to Annex F.6.3.

Tables E.5.6 to E.5.8B define the secondary and subsequently ranked level settings including test tolerance to be applied on each cell. As those level settings are not uniform for the throughput tests in this clause, Table E.5.9 indicates which levels are applied, when the primary level settings (Ec/Ior and Ior/Ioc) and propagation conditions (PA3) vary.

Table 9.2.1IC.3: Test Parameters for Testing 64QAM FRCs H-Set 8B

| Parameter | Unit | Test 1 |
|--------------------|--------------|-----------------------------------|
| Phase reference | | P-CPICH |
| I_{oc} | dBm/3.84 MHz | -60 (no test tolerance applied) |
| I_{otx} / I_{or} | dB | -24.4 (no test tolerance applied) |

Table 9.2.1IC.4: Test requirement Enhanced requirement type 3 64QAM, Fixed Reference Channel (FRC) H-Set 8B

| Test Number | Propagation Conditions | Reference value | |
|--|------------------------|--------------------------------|--|
| | | \hat{I}_{or} / I_{oc} (dB) * | T-put R (kbps) HS-PDSCH $E_c / I_{or} = -1.9$ dB |
| 1 | PA3 | 15.6 | 6412 |
| | | 18.6 | 7638 |
| *NOTE 1: When determining I_{or}/I_{oc} , the contribution from I_{otx} is not included. *NOTE 2: The reference value R is for the Fixed Reference Channel (FRC) H-Set 8 *NOTE 3: For Fixed Reference Channel (FRC) H-Set 8B the reference values for R should be scaled (multiplied by 3.0). The throughput on each cell should be Reference value R. | | | |

9.2.1ID Single Link Performance - Enhanced Performance Requirements Type 3 - 64QAM, Fixed Reference Channel (FRC) H-Set 8C

9.2.1ID.1 Definition and applicability

The receiver single link performance of the High Speed Physical Downlink Shared Channel (HS-DSCH) in different multi-path fading environments are determined by the information bit throughput R.

The requirements and this test apply for Release 10 and later releases to all types of UTRA for the FDD UE that support 4C-HSDPA and HSDPA UE capability categories 31 or 32 and support the optional enhanced performance requirements type 3 or 3i.

9.2.1ID.2 Minimum requirements

The performance requirements for a particular UE belonging to a certain HS-DSCH category and supporting the optional enhanced performance requirements type 3 are determined according to the relevant part of Table 9.2.3H.

During the Fixed Reference Channel (FRC) tests the behaviour of the Node-B emulator in response to the ACK/NACK signalling field of the HS-DPCCH is specified in Table 9.2.4.

The requirements are specified in terms of minimum information bit throughput R for the DL reference channels H-set 8C specified in Annex C.8.1.8, with the addition of the relevant parameters in Table 9.2.1ID.1 plus the downlink physical channel setup according to table E.5.1A.

Using this configuration the throughput shall meet or exceed the minimum requirements specified in tables 9.2.1ID.2.

Table 9.2.1ID.1: Test Parameters for Testing 64QAM FRCs H-Set 8C

| Parameter | Unit | Test 1 |
|---|--------------|-----------|
| Phase reference | | P-CPICH |
| I_{oc} | dBm/3.84 MHz | -60 |
| I_{otx} / I_{or} | dB | -24.4 |
| Redundancy and constellation version coding sequence | | {6,2,1,5} |
| Maximum number of HARQ transmission | | 4 |
| NOTE: The HS-SCCH-1 and HS-PDSCH shall be transmitted continuously with constant power. HS-SCCH-1 shall only use the identity of the UE under test for those TTI intended for the UE. | | |

Table 9.2.1ID.2: Minimum requirement Enhanced requirement type 3 64QAM, Fixed Reference Channel (FRC) H-Set 8C

| Test Number | Propagation Conditions | Reference value | |
|---|------------------------|--------------------------------|---|
| | | \hat{I}_{or} / I_{oc} (dB) * | T-put R (kbps) HS-PDSCH $E_c / I_{or} = -2$ dB |
| 1 | PA3 | 15 | 6412 |
| | | 18 | 7638 |
| *NOTE 1: When determining I_{or}/I_{oc} , the contribution from I_{otx} is not included. | | | |
| *NOTE 2: The reference value R is for the Fixed Reference Channel (FRC) H-Set 8 | | | |
| *NOTE 3: For Fixed Reference Channel (FRC) H-Set 8C the reference values for R should be scaled (multiplied by 4.0) | | | |

The reference for this requirement is TS 25.101 [1] clause 9.2.1.6.

9.2.1ID.3 Test purpose

To verify the ability of the receiver to receive a predefined test signal, representing a multi-path fading channel with information bit throughput R not falling below a specified value. The test stresses the multicode reception and channel decoding with incremental redundancy.

9.2.1ID.4 Method of test

9.2.1ID.4.1 Initial conditions

Test environment: normal; see clauses G.2.1 and G.2.2.

Frequencies to be tested: mid range; see clause G.2.4.

- 1) Connect the SS (node B emulator) and fader and AWGN noise source to the UE antenna connector as shown in figure A.47 for UEs that support receive diversity or figure A.46 for UEs that do not support receive diversity.
- 2) Set up an HSDPA call according to TS 34.108 [3] clause 7.3.16 with exceptions for information elements listed in table 9.2.1ID.2A and with levels according to table E.5.0.
- 3) Set the node B emulator behaviour according to table 9.2.4. Set the test parameters for test 1 according to table 9.2.1ID.1 and levels according to tables 9.2.1ID.3 and 9.2.1ID.4 as appropriate on both serving HS-DSCH cell and secondary serving HS-DSCH cells. The configuration of the downlink channels is defined in table E.5.1A and is to be applied to serving HS-DSCH cell and for secondary serving HS-DSCH cells set up P-CPICH, HS-PDSCH and HS-SCCH channels only per table E.5.1A.
- 4) The information bit data shall be pseudo random and not repeated before 10 different information bit payload blocks are processed. (e.g. Fixed reference Channel Definition H-set 8 (64QAM): The information bit payload block is 26600 bits long. Hence the PRBSequence must be at least 26600 * 10 bits long.) Use a PRBS from ITU-T O.153 Ref [27]
- 5) The SS shall not time the transmission freely. It shall time the transmission strictly according to the reference measurement channels: i.e. Process number is continued exactly after 6 TTIs.

- 6) Setup the fading simulator with fading conditions on each cell as described in table D.2.2.1.A and clause D.2.6.

Table 9.2.1ID.2A Specific Message Contents for Testing 64QAM FRCs H-Set 8C

Contents of RRC CONNECTION SETUP message: UM (Transition to CELL_DCH)

| Information Element | Value/remark | Version |
|---|--------------|---------|
| Downlink information for per radio links list - Downlink information for each radio links - Downlink DPCH info for each RL - DL channelisation code - Code number | 14 | |

Contents of RADIO BEARER SETUP message: AM or UM (Test Loop Mode1)

| Information Element | Value/remark | Version |
|---|--------------|---------|
| Downlink information per radio link list - Downlink information for each radio link - Downlink DPCH info for each RL - DL channelisation code - Code number | 7 | |

Contents of RADIO BEARER SETUP message: AM or UM (DC-HSDPA)

| Information Element | Value/remark | Version |
|---|-------------------|---------|
| Downlink HS-PDSCH Information - CHOICE mode - Downlink 64QAM configured | FDD TRUE | Rel-7 |
| Downlink information per radio link list - Downlink information for each radio link - Downlink DPCH info for each RL - DL channelisation code - Code number | 7 | |
| Downlink secondary cell info FDD | | Rel-8 |
| - CHOICE Configuration info | New configuration | |
| - Downlink 64QAM configured | TRUE | |

9.2.1ID.4.2 Procedure

- 1) Once the HSDPA connection is setup, change levels according to Tables E.5.6 to E.5.8B as specified by table E.5.9 and start transmitting HSDPA Data on each cell.
- 2) For all relevant propagation conditions, for all relevant Ioc levels, for all relevant Ec/Ior, for all relevant \hat{I} or/Ioc, for all relevant H-sets in tables 9.2.1ID.3 and 9.2.1ID.4 count the number of NACK, ACK and statDTX on the UL HS-DPCCH during the test interval on both the cells and decide pass or fail according to Annex F.6.3 table F.6.3.5.2.7A. Throughput shall be measured per cell and compared to requirements in table F.6.3.5.2.7A.

9.2.1ID.5 Test Requirements

Tables 9.2.1ID.3 and 9.2.1ID.4 define the primary level settings including test tolerance for all relevant throughput tests. The pass / fail decision for throughput is done according to Annex F.6.3.

Tables E.5.6 to E.5.8B define the secondary and subsequently ranked level settings including test tolerance to be applied on each cell. As those level settings are not uniform for the throughput tests in this clause, Table E.5.9 indicates which levels are applied, when the primary level settings (Ec/Ior and Ior/Ioc) and propagation conditions (PA3) vary.

Table 9.2.1ID.3: Test Parameters for Testing 64QAM FRCs H-Set 8C

| Parameter | Unit | Test 1 |
|--------------------|--------------|-----------------------------------|
| Phase reference | | P-CPICH |
| I_{oc} | dBm/3.84 MHz | -60 (no test tolerance applied) |
| I_{otx} / I_{or} | dB | -24.4 (no test tolerance applied) |

Table 9.2.1ID.4: Test requirement Enhanced requirement type 3 64QAM, Fixed Reference Channel (FRC) H-Set 8C

| Test Number | Propagation Conditions | Reference value | |
|--|------------------------|--------------------------------|--|
| | | \hat{I}_{or} / I_{oc} (dB) * | T-put R (kbps) HS-PDSCH $E_c / I_{or} = -1.9$ dB |
| 1 | PA3 | 15.6 | 6412 |
| | | 18.6 | 7638 |
| *NOTE 1: When determining I_{or}/I_{oc} , the contribution from I_{otx} is not included. *NOTE 2: The reference value R is for the Fixed Reference Channel (FRC) H-Set 8 *NOTE 3: For Fixed Reference Channel (FRC) H-Set 8C the reference values for R should be scaled (multiplied by 4.0). The throughput on each cell should be Reference value R. | | | |

9.2.1J Single Link Performance - Enhanced Performance Requirements Type 2 - QPSK/16QAM, Fixed Reference Channel (FRC) H-Set 10

9.2.1J.1 Definition and applicability

The receiver single link performance of the High Speed Physical Downlink Shared Channel (HS-DSCH) in different multi-path fading environments are determined by the information bit throughput R.

The requirements and this test apply for Release 8 and later releases to all types of UTRA for the FDD UE that support: HSDPA UE capability categories 9, 10, and the optional enhanced performance requirements type 2 but not the optional enhanced performance requirements Type 3 or Type 3i.

The requirements and this test apply also for Release 8 and later releases to all types of UTRA for the FDD UE that support HSDPA UE capability categories 13 and 14 but not the optional enhanced performance requirements Type 3 or Type 3i.

9.2.1J.2 Minimum requirements

The performance requirements for a particular UE belonging to a certain HS-DSCH category are determined according to the relevant part of Table 9.2.3.

During the Fixed Reference Channel (FRC) tests the behaviour of the Node-B emulator in response to the ACK/NACK signalling field of the HS-DPCCH is specified in Table 9.2.4.

The requirements are specified in terms of minimum information bit throughput R for the DL reference channel H-set 10 specified in Annex C.8.1.10, with the addition of the relevant parameters in Tables 9.2.1J.1 and 9.2.1J.3 plus the downlink physical channel setup according to table E.5.1A.

Using this configuration the throughput shall meet or exceed the minimum requirements specified in tables 9.2.1J.2, and 9.2.1J.4.

Table 9.2.1J.1: Test Parameters for Testing QPSK FRCs H-Set 10

| Parameter | Unit | Test 1 |
|---|--------------|-------------|
| Phase reference | | P-CPICH |
| I_{oc} | dBm/3.84 MHz | -60 |
| Redundancy and constellation version coding sequence | | {0,2, 5, 6} |
| Maximum number of HARQ transmission | | 4 |
| NOTE: The HS-SCCH-1 and HS-PDSCH shall be transmitted continuously with constant power. HS-SCCH-1 shall only use the identity of the UE under test for those TTI intended for the UE. | | |

Table 9.2.1J.2: Minimum requirement Enhanced requirement type 2 QPSK, Fixed Reference Channel (FRC) H-Set 10

| Test Number | Propagation Conditions | Reference value | |
|-------------|------------------------|-------------------------------|--|
| | | HS-PDSCH E_c/I_{or} (dB) | T-put R (kbps) * $\hat{I}_{or}/I_{oc} = 4$ dB |
| 1 | VA3 | -2 | 1397 |

Table 9.2.1J.3: Test Parameters for Testing 16QAM FRCs H-Set 10

| Parameter | Unit | Test 1 |
|---|--------------|--------------|
| Phase reference | | P-CPICH |
| I_{oc} | dBm/3.84 MHz | -60 |
| Redundancy and constellation version coding sequence | | {6, 2, 1, 5} |
| Maximum number of HARQ transmission | | 4 |
| NOTE: The HS-SCCH-1 and HS-PDSCH shall be transmitted continuously with constant power. HS-SCCH-1 shall only use the identity of the UE under test for those TTI intended for the UE. | | |

Table 9.2.1J.4: Minimum requirement Enhanced requirement type 2 16QAM, Fixed Reference Channel (FRC) H-Set 10

| Test Number | Propagation Conditions | Reference value | |
|-------------|------------------------|-------------------------------|--|
| | | HS-PDSCH E_c/I_{or} (dB) | T-put R (kbps) * $\hat{I}_{or}/I_{oc} = 8$ dB |
| 1 | VA3 | -2 | 1726 |

The reference for this requirement is TS 25.101 [1] clauses 9.2.1.7 and 9.2.1.8.

9.2.1J.3 Test purpose

To verify the ability of the receiver to receive a predefined test signal, representing a multi-path fading channel with information bit throughput R not falling below a specified value. The test stresses the multicode reception and channel decoding with incremental redundancy.

9.2.1J.4 Method of test

9.2.1J.4.1 Initial conditions

Test environment: normal; see clauses G.2.1 and G.2.2.

Frequencies to be tested: mid range; see clause G.2.4.

- 1) Connect the SS (node B emulator) and fader and AWGN noise source to the UE antenna connector as shown in figure A.21 for UEs that support receive diversity or figure A.10 for UEs that do not support receive diversity.
- 2) Set up an HSDPA call with looping back 12.2kbps RMC according to TS 34.108 [3] clause 7.3.6 with exceptions for information elements listed in table 9.2.1J.4A and with levels according to table E.5.0.
- 3) Set the node B emulator behaviour according to table 9.2.4. Set the test parameters for test 1 according to table 9.2.1J.1 or 9.2.1J.3 and levels according to tables 9.2.1J.5 to 9.2.1J.8 as appropriate. The configuration of the downlink channels is defined in table E.5.1A.
- 4) The information bit data shall be pseudo random and not repeated before 10 different information bit payload blocks are processed. (e.g. Fixed reference Channel Definition H-set 10 (16 QAM): The information bit payload block is 17548 bits long. Hence the PRBSequence must be at least 17548 * 10 bits long.) Use a PRBS from ITU-T O.153 Ref [27]
- 5) The SS shall not time the transmission freely. It shall time the transmission strictly according to the reference measurement channels: i.e. Process number is continued exactly after 6 TTIs.
- 6) Setup the fading simulator with fading conditions as described in table D.2.2.1C.

Table 9.2.1J.4A: Specific Message Contents for Fixed Reference Channel (FRC) H-Set 10

Contents of RRC CONNECTION SETUP message: UM (Transition to CELL_DCH)

| Information Element | Value/remark | Version |
|---|--------------|---------|
| Downlink information for per radio links list - Downlink information for each radio links - Downlink DPCH info for each RL - DL channelisation code - Code number | 14 | |

Contents of RADIO BEARER SETUP message: AM or UM (Test Loop Mode1)

| Information Element | Value/remark | Version |
|---|--------------|---------|
| Downlink information per radio link list - Downlink information for each radio link - Downlink DPCH info for each RL - DL channelisation code - Code number | 7 | |

Contents of RADIO BEARER SETUP message: AM or UM (HSDPA)

| Information Element | Value/remark | Version |
|--|--------------|---------|
| Downlink HS-PDSCH Information | | |
| - HS-SCCH Info | | |
| - CHOICE mode | FDD | |
| - DL Scrambling Code | | |
| - HS-SCCH Channelisation Code Info | | |
| - HS-SCCH Channelisation Code | 2 | |
| - HS-SCCH Channelisation Code | 3 | |
| Downlink information per radio link list | | |
| - Downlink information for each radio link | | |
| - Downlink DPCH info for each RL | | |
| - DL channelisation code | | |
| - Code number | 7 | |

9.2.1J.4.2 Procedure

- 1) Once the HSDPA connection is setup, change levels according to Table E.5.8C and start transmitting HSDPA Data.

- 2) For all relevant propagation conditions, for all relevant I_{oc} levels, for all relevant E_c/I_{or} , for all relevant \hat{I}_{or}/I_{oc} , for all relevant H-sets in tables 9.2.1J.5 to 9.2.1J.8 count the number of NACK, ACK and statDTX on the UL HS-DPCCH during the test interval and decide pass or fail according to Annex F.6.3 table F.6.3.5.2.7B.

9.2.1J.5 Test Requirements

Tables 9.2.1J.5 to 9.2.1J.8 define the primary level settings including test tolerance for all relevant throughput tests. The pass / fail decision for throughput is done according to Annex F.6.3.

Table E.5.8C define the secondary and subsequently ranked level settings including test tolerance.

Table 9.2.1J.5: Test Parameters for Testing QPSK FRCs H-Set 10

| Parameter | Unit | Test 1 |
|-----------------|--------------|---------------------------------|
| Phase reference | | P-CPICH |
| I_{oc} | dBm/3.84 MHz | -60 (no test tolerance applied) |

Table 9.2.1J.6: Test requirement Enhanced requirement type 2 QPSK, Fixed Reference Channel (FRC) H-Set 10

| Test Number | Propagation Conditions | Reference value | |
|-------------|------------------------|-------------------------------|--|
| | | HS-PDSCH E_c/I_{or} (dB) | T-put R (kbps) $\hat{I}_{or}/I_{oc} = 4.6$ dB |
| 1 | VA3 | -1.9 | 1397 |

Table 9.2.1J.7: Test Parameters for Testing 16QAM FRCs H-Set 10

| Parameter | Unit | Test 1 |
|-----------------|--------------|---------------------------------|
| Phase reference | | P-CPICH |
| I_{oc} | dBm/3.84 MHz | -60 (no test tolerance applied) |

Table 9.2.1J.8: Test requirement Enhanced requirement type 2 16QAM, Fixed Reference Channel (FRC) H-Set 10

| Test Number | Propagation Conditions | Reference value | |
|-------------|------------------------|-------------------------------|--|
| | | HS-PDSCH E_c/I_{or} (dB) | T-put R (kbps) $\hat{I}_{or}/I_{oc} = 8.6$ dB |
| 1 | VA3 | -1.9 | 1726 |

9.2.1JA Single Link Performance - Enhanced Performance Requirements Type 2 - QPSK/16QAM, Fixed Reference Channel (FRC) H-Set 10A

9.2.1JA.1 Definition and applicability

The receiver single link performance of the High Speed Physical Downlink Shared Channel (HS-DSCH) in different multi-path fading environments are determined by the information bit throughput R .

The requirements and this test apply for Release 8 and later releases to all types of UTRA for the FDD UE that support: HSDPA UE capability categories 21 - 24 but not the optional enhanced performance requirements Type 3 or Type 3i and not supporting dual band operation.

9.2.1JA.2 Minimum requirements

The performance requirements for a particular UE belonging to a certain HS-DSCH category are determined according to the relevant part of Table 9.2.3C.

During the Fixed Reference Channel (FRC) tests the behaviour of the Node-B emulator in response to the ACK/NACK signalling field of the HS-DPCCH is specified in Table 9.2.4.

The requirements are specified in terms of minimum information bit throughput R for the DL reference channel H-set 10A specified in Annex C.8.1.10, with the addition of the relevant parameters in Tables 9.2.1JA.1 and 9.2.1JA.3 plus the downlink physical channel setup according to table E.5.1A.

Using this configuration the throughput shall meet or exceed the minimum requirements specified in tables 9.2.1JA.2, and 9.2.1JA.4.

Table 9.2.1JA.1: Test Parameters for Testing QPSK FRCs H-Set 10A

| Parameter | Unit | Test 1 |
|---|--------------|-------------|
| Phase reference | | P-CPICH |
| I_{oc} | dBm/3.84 MHz | -60 |
| Redundancy and constellation version coding sequence | | {0,2, 5, 6} |
| Maximum number of HARQ transmission | | 4 |
| NOTE: The HS-SCCH-1 and HS-PDSCH shall be transmitted continuously with constant power. HS-SCCH-1 shall only use the identity of the UE under test for those TTI intended for the UE. | | |

Table 9.2.1JA.2: Minimum requirement Enhanced requirement type 2 QPSK, Fixed Reference Channel (FRC) H-Set 10A

| Test Number | Propagation Conditions | Reference value | |
|--|------------------------|---------------------------------|--|
| | | HS-PDSCH E_c / I_{or} (dB) | T-put R (kbps) * $\hat{I}_{or} / I_{oc} = 4$ dB |
| 1 | VA3 | -2 | 1397 |
| *NOTE 1: The reference value R is for the Fixed Reference Channel (FRC) H-Set 10 | | | |
| *NOTE 2: For Fixed Reference Channel (FRC) H-Set 10A the reference values for should be scaled (multiplied by 2.0) | | | |

Table 9.2.1JA.3: Test Parameters for Testing 16QAM FRCs H-Set 10A

| Parameter | Unit | Test 1 |
|---|--------------|--------------|
| Phase reference | | P-CPICH |
| I_{oc} | dBm/3.84 MHz | -60 |
| Redundancy and constellation version coding sequence | | {6, 2, 1, 5} |
| Maximum number of HARQ transmission | | 4 |
| NOTE: The HS-SCCH-1 and HS-PDSCH shall be transmitted continuously with constant power. HS-SCCH-1 shall only use the identity of the UE under test for those TTI intended for the UE. | | |

Table 9.2.1JA.4: Minimum requirement Enhanced requirement type 2 16QAM, Fixed Reference Channel (FRC) H-Set 10A

| Test Number | Propagation Conditions | Reference value | |
|--|------------------------|---------------------------------|--|
| | | HS-PDSCH E_c / I_{or} (dB) | T-put R (kbps) * $\hat{I}_{or} / I_{oc} = 8$ dB |
| 1 | VA3 | -2 | 1726 |
| *NOTE 1: The reference value R is for the Fixed Reference Channel (FRC) H-Set 10 | | | |
| *NOTE 2: For Fixed Reference Channel (FRC) H-Set 10A the reference values for should be scaled (multiplied by 2.0) | | | |

The reference for this requirement is TS 25.101 [1] clauses 9.2.1.7 and 9.2.1.8.

9.2.1JA.3 Test purpose

To verify the ability of the receiver to receive a predefined test signal, representing a multi-path fading channel with information bit throughput R not falling below a specified value. The test stresses the multicode reception and channel decoding with incremental redundancy.

9.2.1JA.4 Method of test

9.2.1JA.4.1 Initial conditions

Test environment: normal; see clauses G.2.1 and G.2.2.

Frequencies to be tested: mid range; see clause G.2.4.

- 1) Connect the SS (node B emulator) and fader and AWGN noise source to the UE antenna connector as shown in figure A.37 for UEs that support receive diversity or figure A.35 for UEs that do not support receive diversity. Note; For a transition period of two meeting cycles until RAN#60, figure A.37 does not need to be used.
- 2) Set up an HSDPA call according to TS 34.108 [3] clause 7.3.13 with exceptions for information elements listed in table 9.2.1JA.4A and with levels according to table E.5.0.
- 3) Set the node B emulator behaviour according to table 9.2.4. Set the test parameters for test 1 according to table 9.2.1JA.1 or 9.2.1JA.3 and levels according to tables 9.2.1JA.5 to 9.2.1JA.8 as appropriate to be applied to both serving HS-DSCH cell and secondary serving HS-DSCH cell. The configuration of the downlink channels is defined in table E.5.1A to be applied on serving HS-DSCH cell and for secondary serving HS-DSCH cell set up P-CPICH, HS-PDSCH and HS-SCCH channels only per table E.5.1A.
- 4) The information bit data shall be pseudo random and not repeated before 10 different information bit payload blocks are processed. (e.g. Fixed reference Channel Definition H-set 10 (16 QAM): The information bit payload block is 17548 bits long. Hence the PRBSequence must be at least 17548 * 10 bits long.) Use a PRBS from ITU-T O.153 Ref [27]
- 5) The SS shall not time the transmission freely. It shall time the transmission strictly according to the reference measurement channels: i.e. Process number is continued exactly after 6 TTIs.
- 6) Setup the fading simulator with fading conditions as described in table D.2.2.1C.

Table 9.2.1JA.4A: Specific Message Contents for Fixed Reference Channel (FRC) H-Set 10A

Contents of RRC CONNECTION SETUP message: UM (Transition to CELL_DCH)

| Information Element | Value/remark | Version |
|---|--------------|---------|
| Downlink information for per radio links list - Downlink information for each radio links - Downlink DPCH info for each RL - DL channelisation code - Code number | 14 | |

Contents of RADIO BEARER SETUP message: AM or UM (Test Loop Mode1)

| Information Element | Value/remark | Version |
|---|--------------|---------|
| Downlink information per radio link list - Downlink information for each radio link - Downlink DPCH info for each RL - DL channelisation code - Code number | 7 | |

Contents of RADIO BEARER SETUP message: AM or UM (DC-HSDPA)

| Information Element | Value/remark | Version |
|---|--------------|---------|
| Downlink information per radio link list - Downlink information for each radio link - Downlink DPCH info for each RL - DL channelisation code - Code number | 7 | |

9.2.1JA.4.2 Procedure

- 1) Once the HSDPA connection is setup, change levels according to Table E.5.6 to E.5.8B as specified by table E.5.9 and start transmitting HSDPA Data on both serving cells For secondary serving HS-DSCH cell only P-CPICH, HS-PDSCH and HS-SCCH are configured
- 2) For all relevant propagation conditions, for all relevant I_{oc} levels, for all relevant E_c/I_{or} , for all relevant \hat{I}_{or}/I_{oc} , for all relevant H-sets in tables 9.2.1JA.5 to 9.2.1JA.8 count the number of NACK, ACK and statDTX on the UL HS-DPCCH during the test interval on both the cells and decide pass or fail according to Annex F.6.3 table F.6.3.5.2.7B Throughput shall be measured per cell and compared to requirements in table F.6.3.5.2.7B.

9.2.1JA.5 Test Requirements

Tables 9.2.1JA.5 to 9.2.1JA.8 define the primary level settings including test tolerance for all relevant throughput tests to be applied to both serving cells. The pass / fail decision for throughput is done according to Annex F.6.3.

Table E.5.6 to E.5.8B define the secondary and subsequently ranked level settings including test tolerance and to be applied to both serving cells.

Table 9.2.1JA.5: Test Parameters for Testing QPSK FRCs H-Set 10A

| Parameter | Unit | Test 1 |
|-----------------|--------------|---------------------------------|
| Phase reference | | P-CPICH |
| I_{oc} | dBm/3.84 MHz | -60 (no test tolerance applied) |

Table 9.2.1JA.6: Test requirement Enhanced requirement type 2 QPSK, Fixed Reference Channel (FRC) H-Set 10A

| Test Number | Propagation Conditions | Reference value | |
|--|------------------------|-------------------------------|--|
| | | HS-PDSCH E_c/I_{or} (dB) | T-put R (kbps) $\hat{I}_{or}/I_{oc} = 4.6$ dB |
| 1 | VA3 | -1.9 | 1397 |
| *NOTE 1: The reference value R is for the Fixed Reference Channel (FRC) H-Set 10 *NOTE 2: For Fixed Reference Channel (FRC) H-Set 10A the reference values for should be scaled (multiplied by 2.0). The throughput on each cell should be Reference value R. | | | |

Table 9.2.1JA.7: Test Parameters for Testing 16QAM FRCs H-Set 10A

| Parameter | Unit | Test 1 |
|-----------------|--------------|---------------------------------|
| Phase reference | | P-CPICH |
| I_{oc} | dBm/3.84 MHz | -60 (no test tolerance applied) |

Table 9.2.1JA.8: Test requirement Enhanced requirement type 2 16QAM, Fixed Reference Channel (FRC) H-Set 10A

| Test Number | Propagation Conditions | Reference value | |
|--|------------------------|-------------------------------|--|
| | | HS-PDSCH E_c/I_{or} (dB) | T-put R (kbps) $\hat{I}_{or}/I_{oc} = 8.6$ dB |
| 1 | VA3 | -1.9 | 1726 |
| *NOTE 1: The reference value R is for the Fixed Reference Channel (FRC) H-Set 10 *NOTE 2: For Fixed Reference Channel (FRC) H-Set 10A the reference values for should be scaled (multiplied by 2.0). The throughput on each cell should be Reference value R. | | | |

9.2.1JB Single Link Performance - Enhanced Performance Requirements Type 2 - QPSK/16QAM, Fixed Reference Channel (FRC) H-Set 10A DB-DC-HSDPA

9.2.1JB.1 Definition and applicability

The receiver single link performance of the High Speed Physical Downlink Shared Channel (HS-DSCH) in different multi-path fading environments are determined by the information bit throughput R.

The requirements and this test apply for Release 9 and later releases to all types of UTRA for the FDD UE that support: DB-DC-HSDPA and HSDPA UE capability categories 21 - 24 but not the optional enhanced performance requirements Type 3 or Type 3i.

9.2.1JB.2 Minimum requirements

The performance requirements for a particular UE belonging to a certain HS-DSCH category are determined according to the relevant part of Table 9.2.3C.

During the Fixed Reference Channel (FRC) tests the behaviour of the Node-B emulator in response to the ACK/NACK signalling field of the HS-DPCCH is specified in Table 9.2.4.

The requirements are specified in terms of minimum information bit throughput R for the DL reference channel H-set 10A specified in Annex C.8.1.10, with the addition of the relevant parameters in Tables 9.2.1JB.1 and 9.2.1JB.3 plus the downlink physical channel setup according to table E.5.1A.

Using this configuration the throughput shall meet or exceed the minimum requirements specified in tables 9.2.1JB.2, and 9.2.1JB.4.

Table 9.2.1JB.1: Test Parameters for Testing QPSK FRCs H-Set 10A

| Parameter | Unit | Test 1 |
|---|--------------|-------------|
| Phase reference | | P-CPICH |
| I_{oc} | dBm/3.84 MHz | -60 |
| Redundancy and constellation version coding sequence | | {0,2, 5, 6} |
| Maximum number of HARQ transmission | | 4 |
| NOTE: The HS-SCCH-1 and HS-PDSCH shall be transmitted continuously with constant power. HS-SCCH-1 shall only use the identity of the UE under test for those TTI intended for the UE. | | |

Table 9.2.1JB.2: Minimum requirement Enhanced requirement type 2 QPSK, Fixed Reference Channel (FRC) H-Set 10A

| Test Number | Propagation Conditions | Reference value | |
|-------------|------------------------|---------------------------------|--|
| | | HS-PDSCH E_c / I_{or} (dB) | T-put R (kbps) * $\hat{I}_{or} / I_{oc} = 4$ dB |
| 1 | VA3 | -2 | 1397 |

*NOTE 1: The reference value R is for the Fixed Reference Channel (FRC) H-Set 10
*NOTE 2: For Fixed Reference Channel (FRC) H-Set 10A the reference values for should be scaled (multiplied by 2.0)

Table 9.2.1JB.3: Test Parameters for Testing 16QAM FRCs H-Set 10A

| Parameter | Unit | Test 1 |
|--|--------------|--------------|
| Phase reference | | P-CPICH |
| I_{oc} | dBm/3.84 MHz | -60 |
| Redundancy and constellation version coding sequence | | {6, 2, 1, 5} |
| Maximum number of HARQ transmission | | 4 |

NOTE: The HS-SCCH-1 and HS-PDSCH shall be transmitted continuously with constant power. HS-SCCH-1 shall only use the identity of the UE under test for those TTI intended for the UE.

Table 9.2.1JB.4: Minimum requirement Enhanced requirement type 2 16QAM, Fixed Reference Channel (FRC) H-Set 10A

| Test Number | Propagation Conditions | Reference value | |
|-------------|------------------------|---------------------------------|--|
| | | HS-PDSCH E_c / I_{or} (dB) | T-put R (kbps) * $\hat{I}_{or} / I_{oc} = 8$ dB |
| 1 | VA3 | -2 | 1726 |

*NOTE 1: The reference value R is for the Fixed Reference Channel (FRC) H-Set 10
*NOTE 2: For Fixed Reference Channel (FRC) H-Set 10A the reference values for should be scaled (multiplied by 2.0)

The reference for this requirement is TS 25.101 [1] clauses 9.2.1.7 and 9.2.1.8.

9.2.1JB.3 Test purpose

To verify the ability of the receiver to receive a predefined test signal, representing a multi-path fading channel with information bit throughput R not falling below a specified value. The test stresses the multicode reception and channel decoding with incremental redundancy.

9.2.1JB.4 Method of test

9.2.1JB.4.1 Initial conditions

Test environment: normal; see clauses G.2.1 and G.2.2.

Frequencies to be tested: mid range; see clause G.2.4.

- 1) Connect the SS (node B emulator) and fader and AWGN noise source to the UE antenna connector as shown in figure A.37 for UEs that support receive diversity or figure A.35 for UEs that do not support receive diversity. Note; For a transition period of two meeting cycles until RAN#60, figure A.37 does not need to be used.
- 2) Set up an HSDPA call according to TS 34.108 [3] clause 7.3.13 with exceptions for information elements listed in table 9.2.1JB.4A and with levels according to table E.5.0.

- 3) Set the node B emulator behaviour according to table 9.2.4. Set the test parameters for test 1 according to table 9.2.1JB.1 or 9.2.1JB.3 and levels according to tables 9.2.1JB.5 to 9.2.1JB.8 as appropriate to be applied to both serving HS-DSCH cell and secondary serving HS-DSCH cell. The Primary and secondary serving cells are set on different bands according to DB-DC-HSDPA configurations defined in Section 4.2. The configuration of the downlink channels is defined in table E.5.1A to be applied on serving HS-DSCH cell and for secondary serving HS-DSCH cell set up P-CPICH, HS-PDSCH and HS-SCCH channels only per table E.5.1A.
- 4) The information bit data shall be pseudo random and not repeated before 10 different information bit payload blocks are processed. (e.g. Fixed reference Channel Definition H-set 10 (16 QAM): The information bit payload block is 17548 bits long. Hence the PRBSequence must be at least 17548 * 10 bits long.) Use a PRBS from ITU-T O.153 Ref [27]
- 5) The SS shall not time the transmission freely. It shall time the transmission strictly according to the reference measurement channels: i.e. Process number is continued exactly after 6 TTIs.
- 6) Setup the fading simulator with fading conditions as described in table D.2.2.1C.

Table 9.2.1JB.4A Specific Message Contents for Fixed Reference Channel (FRC) H-Set 10A

Contents of RRC CONNECTION SETUP message: UM (Transition to CELL_DCH)

| Information Element | Value/remark | Version |
|---|--------------|---------|
| Downlink information for per radio links list - Downlink information for each radio links - Downlink DPCH info for each RL - DL channelisation code - Code number | 14 | |

Contents of RADIO BEARER SETUP message: AM or UM (Test Loop Mode1)

| Information Element | Value/remark | Version |
|---|--------------|---------|
| Downlink information per radio link list - Downlink information for each radio link - Downlink DPCH info for each RL - DL channelisation code - Code number | 7 | |

Contents of RADIO BEARER SETUP message: AM or UM (DC-HSDPA)

| Information Element | Value/remark | Version |
|---|--------------|---------|
| Downlink information per radio link list - Downlink information for each radio link - Downlink DPCH info for each RL - DL channelisation code - Code number | 7 | |

9.2.1JB.4.2 Procedure

- 1) Once the HSDPA connection is setup, change levels according to Table E.5.6 to E.5.8B as specified by table E.5.9 and start transmitting HSDPA Data on both serving cells For secondary serving HS-DSCH cell only P-CPICH, HS-PDSCH and HS-SCCH are configured
- 2) For all relevant propagation conditions, for all relevant Ioc levels, for all relevant Ec/Ior, for all relevant Îor/Ioc, for all relevant H-sets in tables 9.2.1JB.5 to 9.2.1JB.8 count the number of NACK, ACK and statDTX on the UL HS-DPCCH during the test interval on both the cells and decide pass or fail according to Annex F.6.3 table F.6.3.5.2.7B Throughput shall be measured per cell and compared to requirements in table F.6.3.5.2.7B.

9.2.1JB.5 Test Requirements

Tables 9.2.1JB.5 to 9.2.1JB.8 define the primary level settings including test tolerance for all relevant throughput tests to be applied to both serving cells. The pass / fail decision for throughput is done according to Annex F.6.3.

Table E.5.6 to E.5.8B define the secondary and subsequently ranked level settings including test tolerance and to be applied to both serving cells.

Table 9.2.1JB.5: Test Parameters for Testing QPSK FRCs H-Set 10A

| Parameter | Unit | Test 1 |
|-----------------|--------------|---------------------------------|
| Phase reference | | P-CPICH |
| I_{oc} | dBm/3.84 MHz | -60 (no test tolerance applied) |

Table 9.2.1JB.6: Test requirement Enhanced requirement type 2 QPSK, Fixed Reference Channel (FRC) H-Set 10A

| Test Number | Propagation Conditions | Reference value | |
|--|------------------------|---------------------------------|--|
| | | HS-PDSCH E_c / I_{or} (dB) | T-put R (kbps) $\hat{I}_{or} / I_{oc} = 4.6$ dB |
| 1 | VA3 | -1.9 | 1397 |
| *NOTE 1: The reference value R is for the Fixed Reference Channel (FRC) H-Set 10 *NOTE 2: For Fixed Reference Channel (FRC) H-Set 10A the reference values for should be scaled (multiplied by 2.0). The throughput on each cell should be Reference value R. | | | |

Table 9.2.1JB.7: Test Parameters for Testing 16QAM FRCs H-Set 10A

| Parameter | Unit | Test 1 |
|-----------------|--------------|---------------------------------|
| Phase reference | | P-CPICH |
| I_{oc} | dBm/3.84 MHz | -60 (no test tolerance applied) |

Table 9.2.1JB.8: Test requirement Enhanced requirement type 2 16QAM, Fixed Reference Channel (FRC) H-Set 10A

| Test Number | Propagation Conditions | Reference value | |
|--|------------------------|---------------------------------|--|
| | | HS-PDSCH E_c / I_{or} (dB) | T-put R (kbps) $\hat{I}_{or} / I_{oc} = 8.6$ dB |
| 1 | VA3 | -1.9 | 1726 |
| *NOTE 1: The reference value R is for the Fixed Reference Channel (FRC) H-Set 10 *NOTE 2: For Fixed Reference Channel (FRC) H-Set 10A the reference values for should be scaled (multiplied by 2.0). The throughput on each cell should be Reference value R. | | | |

9.2.1JC Single Link Performance - Enhanced Performance Requirements Type 2 - QPSK/16QAM, Fixed Reference Channel (FRC) H-Set 10B

9.2.1JC.1 Definition and applicability

The receiver single link performance of the High Speed Physical Downlink Shared Channel (HS-DSCH) in different multi-path fading environments are determined by the information bit throughput R.

The requirements and this test apply for Release 10 and later releases to all types of UTRA for the FDD UE that support 4C-HSDPA and HSDPA UE capability category 29 but not the optional enhanced performance requirements Type 3 or Type 3i.

9.2.1JC.2 Minimum requirements

The performance requirements for a particular UE belonging to a certain HS-DSCH category are determined according to the relevant part of Table 9.2.3F.

During the Fixed Reference Channel (FRC) tests the behaviour of the Node-B emulator in response to the ACK/NACK signalling field of the HS-DPCCH is specified in Table 9.2.4.

The requirements are specified in terms of minimum information bit throughput R for the DL reference channel H-set 10B specified in Annex C.8.1.10, with the addition of the relevant parameters in Tables 9.2.1JC.1 and 9.2.1JC.3 plus the downlink physical channel setup according to table E.5.1A.

Using this configuration the throughput shall meet or exceed the minimum requirements specified in tables 9.2.1JC.2, and 9.2.1JC.4.

Table 9.2.1JC.1: Test Parameters for Testing QPSK FRCs H-Set 10B

| Parameter | Unit | Test 1 |
|---|--------------|-------------|
| Phase reference | | P-CPICH |
| I_{oc} | dBm/3.84 MHz | -60 |
| Redundancy and constellation version coding sequence | | {0,2, 5, 6} |
| Maximum number of HARQ transmission | | 4 |
| NOTE: The HS-SCCH-1 and HS-PDSCH shall be transmitted continuously with constant power. HS-SCCH-1 shall only use the identity of the UE under test for those TTI intended for the UE. | | |

Table 9.2.1JC.2: Minimum requirement Enhanced requirement type 2 QPSK, Fixed Reference Channel (FRC) H-Set 10B

| Test Number | Propagation Conditions | Reference value | |
|--|------------------------|---------------------------------|--|
| | | HS-PDSCH E_c / I_{or} (dB) | T-put R (kbps) * $\hat{I}_{or} / I_{oc} = 4$ dB |
| 1 | VA3 | -2 | 1397 |
| *NOTE 1: The reference value R is for the Fixed Reference Channel (FRC) H-Set 10 | | | |
| *NOTE 2: For Fixed Reference Channel (FRC) H-Set 10B the reference values for should be scaled (multiplied by 3.0) | | | |

Table 9.2.1JC.3: Test Parameters for Testing 16QAM FRCs H-Set 10B

| Parameter | Unit | Test 1 |
|---|--------------|--------------|
| Phase reference | | P-CPICH |
| I_{oc} | dBm/3.84 MHz | -60 |
| Redundancy and constellation version coding sequence | | {6, 2, 1, 5} |
| Maximum number of HARQ transmission | | 4 |
| NOTE: The HS-SCCH-1 and HS-PDSCH shall be transmitted continuously with constant power. HS-SCCH-1 shall only use the identity of the UE under test for those TTI intended for the UE. | | |

Table 9.2.1JC.4: Minimum requirement Enhanced requirement type 2 16QAM, Fixed Reference Channel (FRC) H-Set 10B

| Test Number | Propagation Conditions | Reference value | |
|--|------------------------|---------------------------------|--|
| | | HS-PDSCH E_c / I_{or} (dB) | T-put R (kbps) * $\hat{I}_{or} / I_{oc} = 8$ dB |
| 1 | VA3 | -2 | 1726 |
| *NOTE 1: The reference value R is for the Fixed Reference Channel (FRC) H-Set 10 | | | |
| *NOTE 2: For Fixed Reference Channel (FRC) H-Set 10B the reference values for should be scaled (multiplied by 3.0) | | | |

The reference for this requirement is TS 25.101 [1] clauses 9.2.1.7 and 9.2.1.8.

9.2.1JC.3 Test purpose

To verify the ability of the receiver to receive a predefined test signal, representing a multi-path fading channel with information bit throughput R not falling below a specified value. The test stresses the multicode reception and channel decoding with incremental redundancy.

9.2.1JC.4 Method of test

9.2.1JC.4.1 Initial conditions

Test environment: normal; see clauses G.2.1 and G.2.2.

Frequencies to be tested: mid range; see clause G.2.4.

- 1) Connect the SS (node B emulator) and fader and AWGN noise source to the UE antenna connector as shown in figure A.47 for UEs that support receive diversity or figure A.46 for UEs that do not support receive diversity.
- 2) Set up an HSDPA call according to TS 34.108 [3] clause 7.3.16 with exceptions for information elements listed in 9.2.1JC.4A and with levels according to table E.5.0.
- 3) Set the node B emulator behaviour according to table 9.2.4. Set the test parameters for test 1 according to table 9.2.1JC.1 or 9.2.1JC.3 and levels according to tables 9.2.1JC.5 to 9.2.1JC.8 as appropriate to be applied to serving HS-DSCH cell and secondary serving HS-DSCH cells. The configuration of the downlink channels is defined in table E.5.1A to be applied on serving HS-DSCH cell and for secondary serving HS-DSCH cells set up P-CPICH, HS-PDSCH and HS-SCCH channels only per table E.5.1A.
- 4) The information bit data shall be pseudo random and not repeated before 10 different information bit payload blocks are processed. (e.g. Fixed reference Channel Definition H-set 10 (16 QAM): The information bit payload block is 17548 bits long. Hence the PRBSequence must be at least 17548 * 10 bits long.) Use a PRBS from ITU-T O.153 Ref [27]
- 5) The SS shall not time the transmission freely. It shall time the transmission strictly according to the reference measurement channels: i.e. Process number is continued exactly after 6 TTIs.
- 6) Setup the fading simulator with fading conditions as described in table D.2.2.1C.

Table 9.2.1JC.4A Specific Message Contents for Fixed Reference Channel (FRC) H-Set 10B

Contents of RRC CONNECTION SETUP message: UM (Transition to CELL_DCH)

| Information Element | Value/remark | Version |
|---|--------------|---------|
| Downlink information for per radio links list - Downlink information for each radio links - Downlink DPCH info for each RL - DL channelisation code - Code number | 14 | |

Contents of RADIO BEARER SETUP message: AM or UM (Test Loop Mode1)

| Information Element | Value/remark | Version |
|---|--------------|---------|
| Downlink information per radio link list - Downlink information for each radio link - Downlink DPCH info for each RL - DL channelisation code - Code number | 7 | |

Contents of RADIO BEARER SETUP message: AM or UM (DC-HSDPA)

| Information Element | Value/remark | Version |
|---|--------------|---------|
| Downlink information per radio link list - Downlink information for each radio link - Downlink DPCH info for each RL - DL channelisation code - Code number | 7 | |

9.2.1JC.4.2 Procedure

- 1) Once the HSDPA connection is setup, change levels according to Table E.5.6 to E.5.8B as specified by table E.5.9 and start transmitting HSDPA Data on each cell.
- 2) For all relevant propagation conditions, for all relevant I_{oc} levels, for all relevant E_c/I_{or} , for all relevant \hat{I}_{or}/I_{oc} , for all relevant H-sets in tables 9.2.1JC.5 to 9.2.1JC.8 count the number of NACK, ACK and statDTX on the UL HS-DPCCH during the test interval on both the cells and decide pass or fail according to Annex F.6.3 table F.6.3.5.2.7B Throughput shall be measured per cell and compared to requirements in table F.6.3.5.2.7B.

9.2.1JC.5 Test Requirements

Tables 9.2.1JC.5 to 9.2.1JC.8 define the primary level settings including test tolerance for all relevant throughput tests to be applied to both serving cells. The pass / fail decision for throughput is done according to Annex F.6.3.

Table E.5.6 to E.5.8B define the secondary and subsequently ranked level settings including test tolerance and to be applied to both serving cells.

Table 9.2.1JC.5: Test Parameters for Testing QPSK FRCs H-Set 10B

| Parameter | Unit | Test 1 |
|-----------------|--------------|---------------------------------|
| Phase reference | | P-CPICH |
| I_{oc} | dBm/3.84 MHz | -60 (no test tolerance applied) |

Table 9.2.1JC.6: Test requirement Enhanced requirement type 2 QPSK, Fixed Reference Channel (FRC) H-Set 10B

| Test Number | Propagation Conditions | Reference value | |
|--|------------------------|-------------------------------|--|
| | | HS-PDSCH E_c/I_{or} (dB) | T-put R (kbps) $\hat{I}_{or}/I_{oc} = 4.6$ dB |
| 1 | VA3 | -1.9 | 1397 |
| *NOTE 1: The reference value R is for the Fixed Reference Channel (FRC) H-Set 10 *NOTE 2: For Fixed Reference Channel (FRC) H-Set 10B the reference values for should be scaled (multiplied by 3.0). The throughput on each cell should be Reference value R. | | | |

Table 9.2.1JC.7: Test Parameters for Testing 16QAM FRCs H-Set 10B

| Parameter | Unit | Test 1 |
|-----------------|--------------|---------------------------------|
| Phase reference | | P-CPICH |
| I_{oc} | dBm/3.84 MHz | -60 (no test tolerance applied) |

Table 9.2.1JC.8: Test requirement Enhanced requirement type 2 16QAM, Fixed Reference Channel (FRC) H-Set 10B

| Test Number | Propagation Conditions | Reference value | |
|--|------------------------|-------------------------------|--|
| | | HS-PDSCH E_c/I_{or} (dB) | T-put R (kbps) $\hat{I}_{or}/I_{oc} = 8.6$ dB |
| 1 | VA3 | -1.9 | 1726 |
| *NOTE 1: The reference value R is for the Fixed Reference Channel (FRC) H-Set 10 | | | |
| *NOTE 2: For Fixed Reference Channel (FRC) H-Set 10B the reference values for should be scaled (multiplied by 3.0). The throughput on each cell should be Reference value R. | | | |

9.2.1JD Single Link Performance - Enhanced Performance Requirements Type 2 - QPSK/16QAM, Fixed Reference Channel (FRC) H-Set 10C

9.2.1JD.1 Definition and applicability

The receiver single link performance of the High Speed Physical Downlink Shared Channel (HS-DSCH) in different multi-path fading environments are determined by the information bit throughput R.

The requirements and this test apply for Release 10 and later releases to all types of UTRA for the FDD UE that support 4C-HSDPA and HSDPA UE capability category 31 but not the optional enhanced performance requirements Type 3 or Type 3i.

9.2.1JD.2 Minimum requirements

The performance requirements for a particular UE belonging to a certain HS-DSCH category are determined according to the relevant part of Table 9.2.3F.

During the Fixed Reference Channel (FRC) tests the behaviour of the Node-B emulator in response to the ACK/NACK signalling field of the HS-DPCCH is specified in Table 9.2.4.

The requirements are specified in terms of minimum information bit throughput R for the DL reference channel H-set 10C specified in Annex C.8.1.10, with the addition of the relevant parameters in Tables 9.2.1JD.1 and 9.2.1JD.3 plus the downlink physical channel setup according to table E.5.1A.

Using this configuration the throughput shall meet or exceed the minimum requirements specified in tables 9.2.1JD.2, and 9.2.1JD.4.

Table 9.2.1JD.1: Test Parameters for Testing QPSK FRCs H-Set 10C

| Parameter | Unit | Test 1 |
|---|--------------|-------------|
| Phase reference | | P-CPICH |
| I_{oc} | dBm/3.84 MHz | -60 |
| Redundancy and constellation version coding sequence | | {0,2, 5, 6} |
| Maximum number of HARQ transmission | | 4 |
| NOTE: The HS-SCCH-1 and HS-PDSCH shall be transmitted continuously with constant power. HS-SCCH-1 shall only use the identity of the UE under test for those TTI intended for the UE. | | |

Table 9.2.1JD.2: Minimum requirement Enhanced requirement type 2 QPSK, Fixed Reference Channel (FRC) H-Set 10C

| Test Number | Propagation Conditions | Reference value | |
|--|------------------------|---------------------------------|--|
| | | HS-PDSCH E_c / I_{or} (dB) | T-put R (kbps) * $\hat{I}_{or} / I_{oc} = 4$ dB |
| 1 | VA3 | -2 | 1397 |
| *NOTE 1: The reference value R is for the Fixed Reference Channel (FRC) H-Set 10 | | | |
| *NOTE 2: For Fixed Reference Channel (FRC) H-Set 10C the reference values for should be scaled (multiplied by 4.0) | | | |

Table 9.2.1JD.3: Test Parameters for Testing 16QAM FRCs H-Set 10C

| Parameter | Unit | Test 1 |
|---|--------------|--------------|
| Phase reference | | P-CPICH |
| I_{oc} | dBm/3.84 MHz | -60 |
| Redundancy and constellation version coding sequence | | {6, 2, 1, 5} |
| Maximum number of HARQ transmission | | 4 |
| NOTE: The HS-SCCH-1 and HS-PDSCH shall be transmitted continuously with constant power. HS-SCCH-1 shall only use the identity of the UE under test for those TTI intended for the UE. | | |

Table 9.2.1JD.4: Minimum requirement Enhanced requirement type 2 16QAM, Fixed Reference Channel (FRC) H-Set 10C

| Test Number | Propagation Conditions | Reference value | |
|--|------------------------|---------------------------------|--|
| | | HS-PDSCH E_c / I_{or} (dB) | T-put R (kbps) * $\hat{I}_{or} / I_{oc} = 8$ dB |
| 1 | VA3 | -2 | 1726 |
| *NOTE 1: The reference value R is for the Fixed Reference Channel (FRC) H-Set 10 | | | |
| *NOTE 2: For Fixed Reference Channel (FRC) H-Set 10C the reference values for should be scaled (multiplied by 4.0) | | | |

The reference for this requirement is TS 25.101 [1] clauses 9.2.1.7 and 9.2.1.8.

9.2.1JD.3 Test purpose

To verify the ability of the receiver to receive a predefined test signal, representing a multi-path fading channel with information bit throughput R not falling below a specified value. The test stresses the multicode reception and channel decoding with incremental redundancy.

9.2.1JD.4 Method of test

9.2.1JD.4.1 Initial conditions

Test environment: normal; see clauses G.2.1 and G.2.2.

Frequencies to be tested: mid range; see clause G.2.4.

- 1) Connect the SS (node B emulator) and fader and AWGN noise source to the UE antenna connector as shown in figure A.47 for UEs that support receive diversity or figure A.46 for UEs that do not support receive diversity.
- 2) Set up an HSDPA call according to TS 34.108 [3] clause 7.3.16 with exceptions for information elements listed in 9.2.1JD.4A and with levels according to table E.5.0.
- 3) Set the node B emulator behaviour according to table 9.2.4. Set the test parameters for test 1 according to table 9.2.1JD.1 or 9.2.1JD.3 and levels according to tables 9.2.1JD.5 to 9.2.1JD.8 as appropriate to be applied to serving HS-DSCH cell and secondary serving HS-DSCH cells. The configuration of the downlink channels is

defined in table E.5.1A to be applied on serving HS-DSCH cell and for secondary serving HS-DSCH cells set up P-CPICH, HS-PDSCH and HS-SCCH channels only per table E.5.1A.

- 4) The information bit data shall be pseudo random and not repeated before 10 different information bit payload blocks are processed. (e.g. Fixed reference Channel Definition H-set 10 (16 QAM): The information bit payload block is 17548 bits long. Hence the PRBSequence must be at least 17548 * 10 bits long.) Use a PRBS from ITU-T O.153 Ref [27]
- 5) The SS shall not time the transmission freely. It shall time the transmission strictly according to the reference measurement channels: i.e. Process number is continued exactly after 6 TTIs.
- 6) Setup the fading simulator with fading conditions as described in table D.2.2.1C.

Table 9.2.1JD.4A Specific Message Contents for Fixed Reference Channel (FRC) H-Set 10C

Contents of RRC CONNECTION SETUP message: UM (Transition to CELL_DCH)

| Information Element | Value/remark | Version |
|---|--------------|---------|
| Downlink information for per radio links list - Downlink information for each radio links - Downlink DPCH info for each RL - DL channelisation code - Code number | 14 | |

Contents of RADIO BEARER SETUP message: AM or UM (Test Loop Mode1)

| Information Element | Value/remark | Version |
|---|--------------|---------|
| Downlink information per radio link list - Downlink information for each radio link - Downlink DPCH info for each RL - DL channelisation code - Code number | 7 | |

Contents of RADIO BEARER SETUP message: AM or UM (DC-HSDPA)

| Information Element | Value/remark | Version |
|---|--------------|---------|
| Downlink information per radio link list - Downlink information for each radio link - Downlink DPCH info for each RL - DL channelisation code - Code number | 7 | |

9.2.1JD.4.2 Procedure

- 1) Once the HSDPA connection is setup, change levels according to Table E.5.6 to E.5.8B as specified by table E.5.9 and start transmitting HSDPA Data on each cell.
- 2) For all relevant propagation conditions, for all relevant I_{oc} levels, for all relevant E_c/I_{or} , for all relevant \hat{I}_{or}/I_{oc} , for all relevant H-sets in tables 9.2.1JD.5 to 9.2.1JD.8 count the number of NACK, ACK and statDTX on the UL HS-DPCCH during the test interval on both the cells and decide pass or fail according to Annex F.6.3 table F.6.3.5.2.7B Throughput shall be measured per cell and compared to requirements in table F.6.3.5.2.7B.

9.2.1JD.5 Test Requirements

Tables 9.2.1JD.5 to 9.2.1JD.8 define the primary level settings including test tolerance for all relevant throughput tests to be applied to both serving cells. The pass / fail decision for throughput is done according to Annex F.6.3.

Table E.5.6 to E.5.8B define the secondary and subsequently ranked level settings including test tolerance and to be applied to both serving cells.

Table 9.2.1JD.5: Test Parameters for Testing QPSK FRCs H-Set 10C

| Parameter | Unit | Test 1 |
|-----------------|--------------|---------------------------------|
| Phase reference | | P-CPICH |
| I_{oc} | dBm/3.84 MHz | -60 (no test tolerance applied) |

Table 9.2.1JD.6: Test requirement Enhanced requirement type 2 QPSK, Fixed Reference Channel (FRC) H-Set 10C

| Test Number | Propagation Conditions | Reference value | |
|-------------|------------------------|-------------------------------|--|
| | | HS-PDSCH E_c/I_{or} (dB) | T-put R (kbps) $\hat{I}_{or}/I_{oc} = 4.6$ dB |
| 1 | VA3 | -1.9 | 1397 |

*NOTE 1: The reference value R is for the Fixed Reference Channel (FRC) H-Set 10
*NOTE 2: For Fixed Reference Channel (FRC) H-Set 10C the reference values for should be scaled (multiplied by 4.0). The throughput on each cell should be Reference value R.

Table 9.2.1JD.7: Test Parameters for Testing 16QAM FRCs H-Set 10C

| Parameter | Unit | Test 1 |
|-----------------|--------------|---------------------------------|
| Phase reference | | P-CPICH |
| I_{oc} | dBm/3.84 MHz | -60 (no test tolerance applied) |

Table 9.2.1JD.8: Test requirement Enhanced requirement type 2 16QAM, Fixed Reference Channel (FRC) H-Set 10C

| Test Number | Propagation Conditions | Reference value | |
|-------------|------------------------|-------------------------------|--|
| | | HS-PDSCH E_c/I_{or} (dB) | T-put R (kbps) $\hat{I}_{or}/I_{oc} = 8.6$ dB |
| 1 | VA3 | -1.9 | 1726 |

*NOTE 1: The reference value R is for the Fixed Reference Channel (FRC) H-Set 10
*NOTE 2: For Fixed Reference Channel (FRC) H-Set 10C the reference values for should be scaled (multiplied by 4.0). The throughput on each cell should be Reference value R.

9.2.1K Single Link Performance - Enhanced Performance Requirements Type 3 - QPSK/16QAM, Fixed Reference Channel (FRC) H-Set 10

9.2.1K.1 Definition and applicability

The receiver single link performance of the High Speed Physical Downlink Shared Channel (HS-DSCH) in different multi-path fading environments are determined by the information bit throughput R.

The requirements and this test apply for Release 8 and later releases to all types of UTRA for the FDD UE that support: HSDPA UE capability categories 9, 10 and 13 to 14, and either the optional enhanced performance requirements type 3 or the optional enhanced performance requirements type 3i.

The requirements and this test apply for Release 8 and later releases to all types of UTRA for the FDD UE that support: HSDPA UE capability categories 15 to 18.

The requirements and this test apply also for Release 8 and later releases to all types of UTRA for the FDD UE that support HSDPA UE capability categories 19 - 20.

9.2.1K.2 Minimum requirements

The performance requirements for a particular UE belonging to certain HS-DSCH category are determined according to the relevant part of Table 9.2.3A.

During the Fixed Reference Channel (FRC) tests the behaviour of the Node-B emulator in response to the ACK/NACK signalling field of the HS-DPCCH is specified in Table 9.2.4.

The requirements are specified in terms of minimum information bit throughput R for the DL reference channel H-set 10 specified in Annex C.8.1.10, with the addition of the relevant parameters in Tables 9.2.1K.1 and 9.2.1K.3 plus the downlink physical channel setup according to table E.5.1A.

Using this configuration the throughput shall meet or exceed the minimum requirements specified in tables 9.2.1K.2, and 9.2.1K.4.

Table 9.2.1K.1: Test Parameters for Testing QPSK FRCs H-Set 10

| Parameter | Unit | Test 1 |
|---|--------------|-------------|
| Phase reference | | P-CPICH |
| I_{oc} | dBm/3.84 MHz | -60 |
| Redundancy and constellation version coding sequence | | {0,2, 5, 6} |
| Maximum number of HARQ transmission | | 4 |
| NOTE: The HS-SCCH-1 and HS-PDSCH shall be transmitted continuously with constant power. HS-SCCH-1 shall only use the identity of the UE under test for those TTI intended for the UE. | | |

Table 9.2.1K.2: Minimum requirement Enhanced requirement type 3 QPSK, Fixed Reference Channel (FRC) H-Set 10

| Test Number | Propagation Conditions | Reference value | |
|-------------|------------------------|-------------------------------|--|
| | | HS-PDSCH E_c/I_{or} (dB) | T-put R (kbps) * $\hat{I}_{or}/I_{oc} = 4$ dB |
| 1 | VA3 | -2 | 2621 |

Table 9.2.1K.3: Test Parameters for Testing 16QAM FRCs H-Set 10

| Parameter | Unit | Test 1 |
|---|--------------|--------------|
| Phase reference | | P-CPICH |
| I_{oc} | dBm/3.84 MHz | -60 |
| Redundancy and constellation version coding sequence | | {6, 2, 1, 5} |
| Maximum number of HARQ transmission | | 4 |
| NOTE: The HS-SCCH-1 and HS-PDSCH shall be transmitted continuously with constant power. HS-SCCH-1 shall only use the identity of the UE under test for those TTI intended for the UE. | | |

Table 9.2.1K.4: Minimum requirement Enhanced requirement type 3 16QAM, Fixed Reference Channel (FRC) H-Set 10

| Test Number | Propagation Conditions | Reference value | |
|-------------|------------------------|-------------------------------|--|
| | | HS-PDSCH E_c/I_{or} (dB) | T-put R (kbps) * $\hat{I}_{or}/I_{oc} = 8$ dB |
| 1 | VA3 | -2 | 3396 |

The reference for this requirement is TS 25.101 [1] clauses 9.2.1.7 and 9.2.1.8.

9.2.1K.3 Test purpose

To verify the ability of the receiver to receive a predefined test signal, representing a multi-path fading channel with information bit throughput R not falling below a specified value. The test stresses the multicode reception and channel decoding with incremental redundancy.

9.2.1K.4 Method of test

9.2.1K.4.1 Initial conditions

Test environment: normal; see clauses G.2.1 and G.2.2.

Frequencies to be tested: mid range; see clause G.2.4.

- 1) Connect the SS (node B emulator) and fader and AWGN noise source to the UE antenna connector as shown in figure A.21 for UEs that support receive diversity or figure A.10 for UEs that do not support receive diversity.
- 2) Set up an HSDPA call with looping back 12.2kbps RMC according to TS 34.108 [3] clause 7.3.6 with exceptions for information elements listed in table 9.2.1K.4A and with levels according to table E.5.0.
- 3) Set the node B emulator behaviour according to table 9.2.4. Set the test parameters for test 1 according to table 9.2.1K.1 or 9.2.1K.3 and levels according to tables 9.2.1K.5 to 9.2.1K.8 as appropriate. The configuration of the downlink channels is defined in table E.5.1A.
- 4) The information bit data shall be pseudo random and not repeated before 10 different information bit payload blocks are processed. (e.g. Fixed reference Channel Definition H-set 10 (16 QAM): The information bit payload block is 17548 bits long. Hence the PRBSequence must be at least 17548 * 10 bits long.) Use a PRBS from ITU-T O.153 Ref [27]
- 5) The SS shall not time the transmission freely. It shall time the transmission strictly according to the reference measurement channels: i.e. Process number is continued exactly after 6 TTIs.
- 6) Setup the fading simulator with fading conditions as described in table D.2.2.1C.

Table 9.2.1K.4A: Specific Message Contents for Fixed Reference Channel (FRC) H-Set 10

Contents of RRC CONNECTION SETUP message: UM (Transition to CELL_DCH)

| Information Element | Value/remark | Version |
|---|--------------|---------|
| Downlink information for per radio links list - Downlink information for each radio links - Downlink DPCH info for each RL - DL channelisation code - Code number | 14 | |

Contents of RADIO BEARER SETUP message: AM or UM (Test Loop Mode1)

| Information Element | Value/remark | Version |
|---|--------------|---------|
| Downlink information per radio link list - Downlink information for each radio link - Downlink DPCH info for each RL - DL channelisation code - Code number | 7 | |

Contents of RADIO BEARER SETUP message: AM or UM (HSDPA)

| Information Element | Value/remark | Version |
|--|--------------|---------|
| Downlink HS-PDSCH Information | | |
| - HS-SCCH Info | | |
| - CHOICE mode | FDD | |
| - DL Scrambling Code | | |
| - HS-SCCH Channelisation Code Info | | |
| - HS-SCCH Channelisation Code | 2 | |
| - HS-SCCH Channelisation Code | 3 | |
| Downlink information per radio link list | | |
| - Downlink information for each radio link | | |
| - Downlink DPCH info for each RL | | |
| - DL channelisation code | | |
| - Code number | 7 | |

9.2.1K.4.2 Procedure

- 1) Once the HSDPA connection is setup, change levels according to Table E.5.8C and start transmitting HSDPA Data.
- 2) For all relevant propagation conditions, for all relevant I_{oc} levels, for all relevant E_c/I_{or} , for all relevant \hat{I}_{or}/I_{oc} , for all relevant H-sets in tables 9.2.1K.5 to 9.2.1K.8 count the number of NACK, ACK and statDTX on the UL HS-DPCCH during the test interval and decide pass or fail according to Annex F.6.3 table F.6.3.5.2.7C.

9.2.1K.5 Test Requirements

Tables 9.2.1K.5 to 9.2.1K.8 define the primary level settings including test tolerance for all relevant throughput tests. The pass / fail decision for throughput is done according to Annex F.6.3.

Table E.5.8C define the secondary and subsequently ranked level settings including test tolerance.

Table 9.2.1K.5: Test Parameters for Testing QPSK FRCs H-Set 10

| Parameter | Unit | Test 1 |
|-----------------|--------------|---------------------------------|
| Phase reference | | P-CPICH |
| I_{oc} | dBm/3.84 MHz | -60 (no test tolerance applied) |

Table 9.2.1K.6: Test requirement Enhanced requirement type 3 QPSK, Fixed Reference Channel (FRC) H-Set 10

| Test Number | Propagation Conditions | Reference value | |
|-------------|------------------------|-------------------------------|--|
| | | HS-PDSCH E_c/I_{or} (dB) | T-put R (kbps) $\hat{I}_{or}/I_{oc} = 4.6$ dB |
| 1 | VA3 | -1.9 | 2621 |

Table 9.2.1K.7: Test Parameters for Testing 16QAM FRCs H-Set 10

| Parameter | Unit | Test 1 |
|-----------------|--------------|---------------------------------|
| Phase reference | | P-CPICH |
| I_{oc} | dBm/3.84 MHz | -60 (no test tolerance applied) |

Table 9.2.1K.8: Test requirement Enhanced requirement type 3 16QAM, Fixed Reference Channel (FRC) H-Set 10

| Test Number | Propagation Conditions | Reference value | |
|-------------|------------------------|-------------------------------|--|
| | | HS-PDSCH E_c/I_{or} (dB) | T-put R (kbps) $\hat{I}_{or}/I_{oc} = 8.6$ dB |
| 1 | VA3 | -1.9 | 3396 |

9.2.1KA Single Link Performance - Enhanced Performance Requirements Type 3 - QPSK/16QAM, Fixed Reference Channel (FRC) H-Set 10A

9.2.1KA.1 Definition and applicability

The receiver single link performance of the High Speed Physical Downlink Shared Channel (HS-DSCH) in different multi-path fading environments are determined by the information bit throughput R.

The requirements and this test apply for Release 8 and later releases to all types of UTRA for the FDD UE that support: HSDPA UE capability categories 21-24 and support the optional enhanced performance requirements type 3 or 3i but not support DB-DC-HSDPA operation.

The requirements and this test apply for Release 9 and later releases to all types of UTRA for the FDD UE that support: HSDPA UE capability categories 25-28 and support the optional enhanced performance requirements type 3 or 3i but not support DB-DC-HSDPA operation.

9.2.1KA.2 Minimum requirements

The performance requirements for a particular UE belonging to certain HS-DSCH category are determined according to the relevant part of Table 9.2.3D.

During the Fixed Reference Channel (FRC) tests the behaviour of the Node-B emulator in response to the ACK/NACK signalling field of the HS-DPCCH is specified in Table 9.2.4.

The requirements are specified in terms of minimum information bit throughput R for the DL reference channel H-set 10A specified in Annex C.8.1.10, with the addition of the relevant parameters in Tables 9.2.1KA.1 and 9.2.1KA.3 plus the downlink physical channel setup according to table E.5.1A.

Using this configuration the throughput shall meet or exceed the minimum requirements specified in tables 9.2.1KA.2, and 9.2.1KA.4.

Table 9.2.1KA.1: Test Parameters for Testing QPSK FRCs H-Set 10A

| Parameter | Unit | Test 1 |
|---|--------------|-------------|
| Phase reference | | P-CPICH |
| I_{oc} | dBm/3.84 MHz | -60 |
| Redundancy and constellation version coding sequence | | {0,2, 5, 6} |
| Maximum number of HARQ transmission | | 4 |
| NOTE: The HS-SCCH-1 and HS-PDSCH shall be transmitted continuously with constant power. HS-SCCH-1 shall only use the identity of the UE under test for those TTI intended for the UE. | | |

Table 9.2.1KA.2: Minimum requirement Enhanced requirement type 3 QPSK, Fixed Reference Channel (FRC) H-Set 10A

| Test Number | Propagation Conditions | Reference value | |
|--|------------------------|---------------------------------|--|
| | | HS-PDSCH E_c / I_{or} (dB) | T-put R (kbps) * $\hat{I}_{or} / I_{oc} = 4$ dB |
| 1 | VA3 | -2 | 2621 |
| *NOTE 1: The reference value R is for the Fixed Reference Channel (FRC) H-Set 10 | | | |
| *NOTE 2: For Fixed Reference Channel (FRC) H-Set 10A the reference values for should be scaled (multiplied by 2.0) | | | |

Table 9.2.1KA.3: Test Parameters for Testing 16QAM FRCs H-Set 10A

| Parameter | Unit | Test 1 |
|---|--------------|--------------|
| Phase reference | | P-CPICH |
| I_{oc} | dBm/3.84 MHz | -60 |
| Redundancy and constellation version coding sequence | | {6, 2, 1, 5} |
| Maximum number of HARQ transmission | | 4 |
| NOTE: The HS-SCCH-1 and HS-PDSCH shall be transmitted continuously with constant power. HS-SCCH-1 shall only use the identity of the UE under test for those TTI intended for the UE. | | |

Table 9.2.1KA.4: Minimum requirement Enhanced requirement type 3 16QAM, Fixed Reference Channel (FRC) H-Set 10A

| Test Number | Propagation Conditions | Reference value | |
|--|------------------------|-------------------------------|--|
| | | HS-PDSCH E_c/I_{or} (dB) | T-put R (kbps) * $\hat{I}_{or}/I_{oc} = 8$ dB |
| 1 | VA3 | -2 | 3396 |
| *NOTE 1: The reference value R is for the Fixed Reference Channel (FRC) H-Set 10 | | | |
| *NOTE 2: For Fixed Reference Channel (FRC) H-Set 10A the reference values for should be scaled (multiplied by 2.0) | | | |

The reference for this requirement is TS 25.101 [1] clauses 9.2.1.7 and 9.2.1.8.

9.2.1KA.3 Test purpose

To verify the ability of the receiver to receive a predefined test signal, representing a multi-path fading channel with information bit throughput R not falling below a specified value. The test stresses the multicode reception and channel decoding with incremental redundancy.

9.2.1KA.4 Method of test

9.2.1KA.4.1 Initial conditions

Test environment: normal; see clauses G.2.1 and G.2.2.

Frequencies to be tested: mid range; see clause G.2.4.

- 1) Connect the SS (node B emulator) and fader and AWGN noise source to the UE antenna connector as shown in figure A.37 for UEs that support receive diversity or figure A.35 for UEs that do not support receive diversity.
- 2) Set up an HSDPA call according to TS 34.108 [3] clause 7.3.13 with exceptions for information elements listed in table 9.2.1KA.4A and with levels according to table E.5.0.
- 3) Set the node B emulator behaviour according to table 9.2.4. Set the test parameters for test 1 according to table 9.2.1KA.1 or 9.2.1KA.3 and levels according to tables 9.2.1KA.5 to 9.2.1KA.8 as appropriate on both serving HS-DSCH cell and secondary HS-DSCH cell. The configuration of the downlink channels is defined in table E.5.1A and is to be applied to serving HS-DSCH cell and for secondary serving HS-DSCH cell set up P-CPICH, HS-PDSCH and HS-SCCH channels only per table E.5.1A.
- 4) The information bit data shall be pseudo random and not repeated before 10 different information bit payload blocks are processed. (e.g. Fixed reference Channel Definition H-set 10 (16 QAM): The information bit payload block is 17548 bits long. Hence the PRBSequence must be at least $17548 * 10$ bits long.) Use a PRBS from ITU-T O.153 Ref [27]
- 5) The SS shall not time the transmission freely. It shall time the transmission strictly according to the reference measurement channels: i.e. Process number is continued exactly after 6 TTIs.
- 6) Setup the fading simulator with fading conditions as described in table D.2.2.1C.

Table 9.2.1KA.4A Specific Message Contents for Fixed Reference Channel (FRC) H-Set 10A

Contents of RRC CONNECTION SETUP message: UM (Transition to CELL_DCH)

| Information Element | Value/remark | Version |
|---|--------------|---------|
| Downlink information for per radio links list - Downlink information for each radio links - Downlink DPCH info for each RL - DL channelisation code - Code number | 14 | |

Contents of RADIO BEARER SETUP message: AM or UM (Test Loop Mode1)

| Information Element | Value/remark | Version |
|---|--------------|---------|
| Downlink information per radio link list - Downlink information for each radio link - Downlink DPCH info for each RL - DL channelisation code - Code number | 7 | |

Contents of RADIO BEARER SETUP message: AM or UM (DC-HSDPA)

| Information Element | Value/remark | Version |
|---|--------------|---------|
| Downlink information per radio link list - Downlink information for each radio link - Downlink DPCH info for each RL - DL channelisation code - Code number | 7 | |

9.2.1KA.4.2 Procedure

- 1) Once the HSDPA connection is setup, change levels according to Table E.5.8C and start transmitting HSDPA Data on both the serving cells For secondary serving HS-DSCH cell only P-CPICH, HS-PDSCH and HS-SCCH are configured.
- 2) For all relevant propagation conditions, for all relevant I_{oc} levels, for all relevant E_c/I_{or} , for all relevant \hat{I}_{or}/I_{oc} , for all relevant H-sets in tables 9.2.1KA.5 to 9.2.1KA.8 count the number of NACK, ACK and statDTX on the UL HS-DPCCH during the test interval on both the cells and decide pass or fail according to Annex F.6.3 table F.6.3.5.2.7C. Throughput shall be measured per cell and compared to requirements in table F.6.3.5.2.7C.

9.2.1KA.5 Test Requirements

Tables 9.2.1KA.5 to 9.2.1KA.8 define the primary level settings including test tolerance for all relevant throughput tests to be applied to both the serving cells. The pass / fail decision for throughput is done according to Annex F.6.3.

Table E.5.6 to E.5.8C defines the secondary and subsequently ranked level settings including test tolerance to be applied to both the serving cells.

Table 9.2.1KA.5: Test Parameters for Testing QPSK FRCs H-Set 10A

| Parameter | Unit | Test 1 |
|-----------------|--------------|---------------------------------|
| Phase reference | | P-CPICH |
| I_{oc} | dBm/3.84 MHz | -60 (no test tolerance applied) |

Table 9.2.1KA.6: Test requirement Enhanced requirement type 3 QPSK, Fixed Reference Channel (FRC) H-Set 10A

| Test Number | Propagation Conditions | Reference value | |
|--|------------------------|-------------------------------|--|
| | | HS-PDSCH E_c/I_{or} (dB) | T-put R (kbps) $\hat{I}_{or}/I_{oc} = 4.6$ dB |
| 1 | VA3 | -1.9 | 2621 |
| *NOTE 1: The reference value R is for the Fixed Reference Channel (FRC) H-Set 10 *NOTE 2: For Fixed Reference Channel (FRC) H-Set 10A the reference values for should be scaled (multiplied by 2.0). The throughput on each cell should be Reference value R. | | | |

Table 9.2.1KA.7: Test Parameters for Testing 16QAM FRCs H-Set 10A

| Parameter | Unit | Test 1 |
|-----------------|--------------|---------------------------------|
| Phase reference | | P-CPICH |
| I_{oc} | dBm/3.84 MHz | -60 (no test tolerance applied) |

Table 9.2.1KA.8: Test requirement Enhanced requirement type 3 16QAM, Fixed Reference Channel (FRC) H-Set 10A

| Test Number | Propagation Conditions | Reference value | |
|--|------------------------|-------------------------------|--|
| | | HS-PDSCH E_c/I_{or} (dB) | T-put R (kbps) $\hat{I}_{or}/I_{oc} = 8.6$ dB |
| 1 | VA3 | -1.9 | 3396 |
| *NOTE 1: The reference value R is for the Fixed Reference Channel (FRC) H-Set 10 *NOTE 2: For Fixed Reference Channel (FRC) H-Set 10A the reference values for should be scaled (multiplied by 2.0). The throughput on each cell should be Reference value R. | | | |

9.2.1KB Single Link Performance - Enhanced Performance Requirements Type 3 - QPSK/16QAM, Fixed Reference Channel (FRC) H-Set 10A for DB-DC-HSDPA

9.2.1KB.1 Definition and applicability

The receiver single link performance of the High Speed Physical Downlink Shared Channel (HS-DSCH) in different multi-path fading environments are determined by the information bit throughput R.

The requirements and this test apply for Release 9 and later releases to all types of UTRA for the FDD UE that support: DB-DC-HSDPA and HSDPA UE capability categories 21-28 and support the optional enhanced performance requirements type 3 or 3i.

DB-DC-HSDPA is designed to operate in configurations specified in clause 4.2.

9.2.1KB.2 Minimum requirements

The performance requirements for a particular UE belonging to certain HS-DSCH category are determined according to the relevant part of Table 9.2.3D.

During the Fixed Reference Channel (FRC) tests the behaviour of the Node-B emulator in response to the ACK/NACK signalling field of the HS-DPCCH is specified in Table 9.2.4.

The requirements are specified in terms of minimum information bit throughput R for the DL reference channel H-set 10A specified in Annex C.8.1.10, with the addition of the relevant parameters in Tables 9.2.1KB.1 and 9.2.1KB.3 plus the downlink physical channel setup according to table E.5.1A.

Using this configuration the throughput shall meet or exceed the minimum requirements specified in tables 9.2.1KB.2, and 9.2.1KB.4.

Table 9.2.1KB.1: Test Parameters for Testing QPSK FRCs H-Set 10A

| Parameter | Unit | Test 1 |
|---|--------------|-------------|
| Phase reference | | P-CPICH |
| I_{oc} | dBm/3.84 MHz | -60 |
| Redundancy and constellation version coding sequence | | {0,2, 5, 6} |
| Maximum number of HARQ transmission | | 4 |
| NOTE: The HS-SCCH-1 and HS-PDSCH shall be transmitted continuously with constant power. HS-SCCH-1 shall only use the identity of the UE under test for those TTI intended for the UE. | | |

Table 9.2.1KB.2: Minimum requirement Enhanced requirement type 3 QPSK, Fixed Reference Channel (FRC) H-Set 10A

| Test Number | Propagation Conditions | Reference value | |
|--|------------------------|-------------------------------|--|
| | | HS-PDSCH E_c/I_{or} (dB) | T-put R (kbps) * $\hat{I}_{or}/I_{oc} = 4$ dB |
| 1 | VA3 | -2 | 2621 |
| *NOTE 1: The reference value R is for the Fixed Reference Channel (FRC) H-Set 10 | | | |
| *NOTE 2: For Fixed Reference Channel (FRC) H-Set 10A the reference values for should be scaled (multiplied by 2.0) | | | |

Table 9.2.1KB.3: Test Parameters for Testing 16QAM FRCs H-Set 10A

| Parameter | Unit | Test 1 |
|---|--------------|--------------|
| Phase reference | | P-CPICH |
| I_{oc} | dBm/3.84 MHz | -60 |
| Redundancy and constellation version coding sequence | | {6, 2, 1, 5} |
| Maximum number of HARQ transmission | | 4 |
| NOTE: The HS-SCCH-1 and HS-PDSCH shall be transmitted continuously with constant power. HS-SCCH-1 shall only use the identity of the UE under test for those TTI intended for the UE. | | |

Table 9.2.1KB.4: Minimum requirement Enhanced requirement type 3 16QAM, Fixed Reference Channel (FRC) H-Set 10A

| Test Number | Propagation Conditions | Reference value | |
|--|------------------------|-------------------------------|--|
| | | HS-PDSCH E_c/I_{or} (dB) | T-put R (kbps) * $\hat{I}_{or}/I_{oc} = 8$ dB |
| 1 | VA3 | -2 | 3396 |
| *NOTE 1: The reference value R is for the Fixed Reference Channel (FRC) H-Set 10 | | | |
| *NOTE 2: For Fixed Reference Channel (FRC) H-Set 10A the reference values for should be scaled (multiplied by 2.0) | | | |

The reference for this requirement is TS 25.101 [1] clauses 9.2.1.7 and 9.2.1.8.

9.2.1KB.3 Test purpose

To verify the ability of the receiver to receive a predefined test signal, representing a multi-path fading channel with information bit throughput R not falling below a specified value. The test stresses the multicode reception and channel decoding with incremental redundancy.

9.2.1KB.4 Method of test

9.2.1KB.4.1 Initial conditions

Test environment: normal; see clauses G.2.1 and G.2.2.

Frequencies to be tested: mid range; see clause G.2.4.

- 1) Connect the SS (node B emulator) and fader and AWGN noise source to the UE antenna connector as shown in figure A.37 for UEs that support receive diversity or figure A.35 for UEs that do not support receive diversity.
- 2) Set up an HSDPA call according to TS 34.108 [3] clause 7.3.13 with exceptions for information elements listed in table 9.2.1KB.4A and with levels according to table E.5.0.
- 3) Set the node B emulator behaviour according to table 9.2.4. Set the test parameters for test 1 according to table 9.2.1KB.1 or 9.2.1KB.3 and levels according to tables 9.2.1KB.5 to 9.2.1KB.8 as appropriate on both serving HS-DSCH cell and secondary HS-DSCH cell. The Primary and secondary serving cells are set on different bands according to DB-DC-HSDPA configurations defined in Section 4.2. The configuration of the downlink channels is defined in table E.5.1A and is to be applied to serving HS-DSCH cell and for secondary serving HS-DSCH cell set up P-CPICH, HS-PDSCH and HS-SCCH channels only per table E.5.1A.
- 4) The information bit data shall be pseudo random and not repeated before 10 different information bit payload blocks are processed. (e.g. Fixed reference Channel Definition H-set 10 (16 QAM): The information bit payload block is 17548 bits long. Hence the PRBSequence must be at least $17548 * 10$ bits long.) Use a PRBS from ITU-T O.153 Ref [27]
- 5) The SS shall not time the transmission freely. It shall time the transmission strictly according to the reference measurement channels: i.e. Process number is continued exactly after 6 TTIs.
- 6) Setup the fading simulator with fading conditions as described in table D.2.2.1C.

Table 9.2.1KB.4A Specific Message Contents for Fixed Reference Channel (FRC) H-Set 10A

Contents of RRC CONNECTION SETUP message: UM (Transition to CELL_DCH)

| Information Element | Value/remark | Version |
|---|--------------|---------|
| Downlink information for per radio links list - Downlink information for each radio links - Downlink DPCH info for each RL - DL channelisation code - Code number | 14 | |

Contents of RADIO BEARER SETUP message: AM or UM (Test Loop Mode1)

| Information Element | Value/remark | Version |
|---|--------------|---------|
| Downlink information per radio link list - Downlink information for each radio link - Downlink DPCH info for each RL - DL channelisation code - Code number | 7 | |

Contents of RADIO BEARER SETUP message: AM or UM (DC-HSDPA)

| Information Element | Value/remark | Version |
|---|--------------|---------|
| Downlink information per radio link list - Downlink information for each radio link - Downlink DPCH info for each RL - DL channelisation code - Code number | 7 | |

9.2.1KB.4.2 Procedure

- 1) Once the HSDPA connection is setup, change levels according to Table E.5.8C and start transmitting HSDPA Data on both the serving cells For secondary serving HS-DSCH cell only P-CPICH, HS-PDSCH and HS-SCCH are configured.
- 2) For all relevant propagation conditions, for all relevant I_{oc} levels, for all relevant E_c/I_{or} , for all relevant \hat{I}_{or}/I_{oc} , for all relevant H-sets in tables 9.2.1KB.5 to 9.2.1KB.8 count the number of NACK, ACK and statDTX on the UL HS-DPCCH during the test interval on both the cells and decide pass or fail according to Annex F.6.3 table F.6.3.5.2.7C. Throughput shall be measured per cell and compared to requirements in table F.6.3.5.2.7C.

9.2.1KB.5 Test Requirements

Tables 9.2.1KB.5 to 9.2.1KB.8 define the primary level settings including test tolerance for all relevant throughput tests to be applied to both the serving cells. The pass / fail decision for throughput is done according to Annex F.6.3.

Table E.5.6 to E.5.8C defines the secondary and subsequently ranked level settings including test tolerance to be applied to both the serving cells.

Table 9.2.1KB.5: Test Parameters for Testing QPSK FRCs H-Set 10A

| Parameter | Unit | Test 1 |
|-----------------|--------------|---------------------------------|
| Phase reference | | P-CPICH |
| I_{oc} | dBm/3.84 MHz | -60 (no test tolerance applied) |

Table 9.2.1KB.6: Test requirement Enhanced requirement type 3 QPSK, Fixed Reference Channel (FRC) H-Set 10A

| Test Number | Propagation Conditions | Reference value | |
|--|------------------------|-------------------------------|--|
| | | HS-PDSCH E_c/I_{or} (dB) | T-put R (kbps) $\hat{I}_{or}/I_{oc} = 4.6$ dB |
| 1 | VA3 | -1.9 | 2621 |
| *NOTE 1: The reference value R is for the Fixed Reference Channel (FRC) H-Set 10 *NOTE 2: For Fixed Reference Channel (FRC) H-Set 10A the reference values for should be scaled (multiplied by 2.0). The throughput on each cell should be Reference value R. | | | |

Table 9.2.1KB.7: Test Parameters for Testing 16QAM FRCs H-Set 10A

| Parameter | Unit | Test 1 |
|-----------------|--------------|---------------------------------|
| Phase reference | | P-CPICH |
| I_{oc} | dBm/3.84 MHz | -60 (no test tolerance applied) |

Table 9.2.1KB.8: Test requirement Enhanced requirement type 3 16QAM, Fixed Reference Channel (FRC) H-Set 10A

| Test Number | Propagation Conditions | Reference value | |
|--|------------------------|-------------------------------|--|
| | | HS-PDSCH E_c/I_{or} (dB) | T-put R (kbps) $\hat{I}_{or}/I_{oc} = 8.6$ dB |
| 1 | VA3 | -1.9 | 3396 |
| *NOTE 1: The reference value R is for the Fixed Reference Channel (FRC) H-Set 10 *NOTE 2: For Fixed Reference Channel (FRC) H-Set 10A the reference values for should be scaled (multiplied by 2.0). The throughput on each cell should be Reference value R. | | | |

9.2.1KC Single Link Performance - Enhanced Performance Requirements Type 3 - QPSK/16QAM, Fixed Reference Channel (FRC) H-Set 10B

9.2.1KC.1 Definition and applicability

The receiver single link performance of the High Speed Physical Downlink Shared Channel (HS-DSCH) in different multi-path fading environments are determined by the information bit throughput R.

The requirements and this test apply for Release 10 and later releases to all types of UTRA for the FDD UE that support 4C-HSDPA and HSDPA UE capability categories 29 or 30 and support the optional enhanced performance requirements type 3 or 3i.

9.2.1KC.2 Minimum requirements

The performance requirements for a particular UE belonging to a certain HS-DSCH category and supporting the optional enhanced performance requirements type 3 are determined according to the relevant part of Table 9.2.3H.

During the Fixed Reference Channel (FRC) tests the behaviour of the Node-B emulator in response to the ACK/NACK signalling field of the HS-DPCCH is specified in Table 9.2.4.

The requirements are specified in terms of minimum information bit throughput R for the DL reference channel H-set 10B specified in Annex C.8.1.10, with the addition of the relevant parameters in Tables 9.2.1KC.1 and 9.2.1KC.3 plus the downlink physical channel setup according to table E.5.1A.

Using this configuration the throughput shall meet or exceed the minimum requirements specified in tables 9.2.1KC.2, and 9.2.1KC.4.

Table 9.2.1KC.1: Test Parameters for Testing QPSK FRCs H-Set 10B

| Parameter | Unit | Test 1 |
|---|--------------|-------------|
| Phase reference | | P-CPICH |
| I_{oc} | dBm/3.84 MHz | -60 |
| Redundancy and constellation version coding sequence | | {0,2, 5, 6} |
| Maximum number of HARQ transmission | | 4 |
| NOTE: The HS-SCCH-1 and HS-PDSCH shall be transmitted continuously with constant power. HS-SCCH-1 shall only use the identity of the UE under test for those TTI intended for the UE. | | |

Table 9.2.1KC.2: Minimum requirement Enhanced requirement type 3 QPSK, Fixed Reference Channel (FRC) H-Set 10B

| Test Number | Propagation Conditions | Reference value | |
|--|------------------------|-------------------------------|--|
| | | HS-PDSCH E_c/I_{or} (dB) | T-put R (kbps) * $\hat{I}_{or}/I_{oc} = 4$ dB |
| 1 | VA3 | -2 | 2621 |
| *NOTE 1: The reference value R is for the Fixed Reference Channel (FRC) H-Set 10 | | | |
| *NOTE 2: For Fixed Reference Channel (FRC) H-Set 10B the reference values for should be scaled (multiplied by 3.0) | | | |

Table 9.2.1KC.3: Test Parameters for Testing 16QAM FRCs H-Set 10B

| Parameter | Unit | Test 1 |
|---|--------------|--------------|
| Phase reference | | P-CPICH |
| I_{oc} | dBm/3.84 MHz | -60 |
| Redundancy and constellation version coding sequence | | {6, 2, 1, 5} |
| Maximum number of HARQ transmission | | 4 |
| NOTE: The HS-SCCH-1 and HS-PDSCH shall be transmitted continuously with constant power. HS-SCCH-1 shall only use the identity of the UE under test for those TTI intended for the UE. | | |

Table 9.2.1KC.4: Minimum requirement Enhanced requirement type 3 16QAM, Fixed Reference Channel (FRC) H-Set 10B

| Test Number | Propagation Conditions | Reference value | |
|--|------------------------|-------------------------------|--|
| | | HS-PDSCH E_c/I_{or} (dB) | T-put R (kbps) * $\hat{I}_{or}/I_{oc} = 8$ dB |
| 1 | VA3 | -2 | 3396 |
| *NOTE 1: The reference value R is for the Fixed Reference Channel (FRC) H-Set 10 | | | |
| *NOTE 2: For Fixed Reference Channel (FRC) H-Set 10B the reference values for should be scaled (multiplied by 3.0) | | | |

The reference for this requirement is TS 25.101 [1] clauses 9.2.1.7 and 9.2.1.8.

9.2.1KC.3 Test purpose

To verify the ability of the receiver to receive a predefined test signal, representing a multi-path fading channel with information bit throughput R not falling below a specified value. The test stresses the multicode reception and channel decoding with incremental redundancy.

9.2.1KC.4 Method of test

9.2.1KC.4.1 Initial conditions

Test environment: normal; see clauses G.2.1 and G.2.2.

Frequencies to be tested: mid range; see clause G.2.4.

- 1) Connect the SS (node B emulator) and fader and AWGN noise source to the UE antenna connector as shown in figure A.47 for UEs that support receive diversity or figure A.46 for UEs that do not support receive diversity.
- 2) Set up an HSDPA call according to TS 34.108 [3] clause 7.3.16 with exceptions for information elements listed in table 9.2.1KC.4A and with levels according to table E.5.0.
- 3) Set the node B emulator behaviour according to table 9.2.4. Set the test parameters for test 1 according to table 9.2.1KC.1 or 9.2.1KC.3 and levels according to tables 9.2.1KC.5 to 9.2.1KC.8 as appropriate on both serving HS-DSCH cell and secondary HS-DSCH cells. The configuration of the downlink channels is defined in table E.5.1A and is to be applied to serving HS-DSCH cell and for secondary serving HS-DSCH cells set up P-CPICH, HS-PDSCH and HS-SCCH channels only per table E.5.1A.
- 4) The information bit data shall be pseudo random and not repeated before 10 different information bit payload blocks are processed. (e.g. Fixed reference Channel Definition H-set 10 (16 QAM): The information bit payload block is 17548 bits long. Hence the PRBSequence must be at least $17548 * 10$ bits long.) Use a PRBS from ITU-T O.153 Ref [27]
- 5) The SS shall not time the transmission freely. It shall time the transmission strictly according to the reference measurement channels: i.e. Process number is continued exactly after 6 TTIs.
- 6) Setup the fading simulator with fading conditions as described in table D.2.2.1C and clause D.2.6.

Table 9.2.1KC.4A Specific Message Contents for Fixed Reference Channel (FRC) H-Set 10B

Contents of RRC CONNECTION SETUP message: UM (Transition to CELL_DCH)

| Information Element | Value/remark | Version |
|---|--------------|---------|
| Downlink information for per radio links list - Downlink information for each radio links - Downlink DPCH info for each RL - DL channelisation code - Code number | 14 | |

Contents of RADIO BEARER SETUP message: AM or UM (Test Loop Mode1)

| Information Element | Value/remark | Version |
|---|--------------|---------|
| Downlink information per radio link list - Downlink information for each radio link - Downlink DPCH info for each RL - DL channelisation code - Code number | 7 | |

Contents of RADIO BEARER SETUP message: AM or UM (DC-HSDPA)

| Information Element | Value/remark | Version |
|---|--------------|---------|
| Downlink information per radio link list - Downlink information for each radio link - Downlink DPCH info for each RL - DL channelisation code - Code number | 7 | |

9.2.1KC.4.2 Procedure

- 1) Once the HSDPA connection is setup, change levels according to Table E.5.8C and start transmitting HSDPA Data on each cell.
- 2) For all relevant propagation conditions, for all relevant I_{oc} levels, for all relevant E_c/I_{or} , for all relevant \hat{I}_{or}/I_{oc} , for all relevant H-sets in tables 9.2.1KC.5 to 9.2.1KC.8 count the number of NACK, ACK and statDTX on the UL HS-DPCCH during the test interval on both the cells and decide pass or fail according to Annex F.6.3 table F.6.3.5.2.7C. Throughput shall be measured per cell and compared to requirements in table F.6.3.5.2.7C.

9.2.1KC.5 Test Requirements

Tables 9.2.1KC.5 to 9.2.1KC.8 define the primary level settings including test tolerance for all relevant throughput tests to be applied on each cell. The pass / fail decision for throughput is done according to Annex F.6.3.

Table E.5.6 to E.5.8C defines the secondary and subsequently ranked level settings including test tolerance to be applied on each cell.

Table 9.2.1KC.5: Test Parameters for Testing QPSK FRCs H-Set 10B

| Parameter | Unit | Test 1 |
|-----------------|--------------|---------------------------------|
| Phase reference | | P-CPICH |
| I_{oc} | dBm/3.84 MHz | -60 (no test tolerance applied) |

Table 9.2.1KC.6: Test requirement Enhanced requirement type 3 QPSK, Fixed Reference Channel (FRC) H-Set 10B

| Test Number | Propagation Conditions | Reference value | |
|--|------------------------|-------------------------------|--|
| | | HS-PDSCH E_c/I_{or} (dB) | T-put R (kbps) $\hat{I}_{or}/I_{oc} = 4.6$ dB |
| 1 | VA3 | -1.9 | 2621 |
| *NOTE 1: The reference value R is for the Fixed Reference Channel (FRC) H-Set 10 *NOTE 2: For Fixed Reference Channel (FRC) H-Set 10B the reference values for should be scaled (multiplied by 3.0). The throughput on each cell should be Reference value R. | | | |

Table 9.2.1KC.7: Test Parameters for Testing 16QAM FRCs H-Set 10B

| Parameter | Unit | Test 1 |
|-----------------|--------------|---------------------------------|
| Phase reference | | P-CPICH |
| I_{oc} | dBm/3.84 MHz | -60 (no test tolerance applied) |

Table 9.2.1KC.8: Test requirement Enhanced requirement type 3 16QAM, Fixed Reference Channel (FRC) H-Set 10B

| Test Number | Propagation Conditions | Reference value | |
|--|------------------------|-------------------------------|--|
| | | HS-PDSCH E_c/I_{or} (dB) | T-put R (kbps) $\hat{I}_{or}/I_{oc} = 8.6$ dB |
| 1 | VA3 | -1.9 | 3396 |
| *NOTE 1: The reference value R is for the Fixed Reference Channel (FRC) H-Set 10 *NOTE 2: For Fixed Reference Channel (FRC) H-Set 10B the reference values for should be scaled (multiplied by 3.0). The throughput on each cell should be Reference value R. | | | |

9.2.1KD Single Link Performance - Enhanced Performance Requirements Type 3 - QPSK/16QAM, Fixed Reference Channel (FRC) H-Set 10C

9.2.1KD.1 Definition and applicability

The receiver single link performance of the High Speed Physical Downlink Shared Channel (HS-DSCH) in different multi-path fading environments are determined by the information bit throughput R.

The requirements and this test apply for Release 10 and later releases to all types of UTRA for the FDD UE that support 4C-HSDPA and HSDPA UE capability categories 31 or 32 and support the optional enhanced performance requirements type 3 or 3i.

9.2.1KD.2 Minimum requirements

The performance requirements for a particular UE belonging to a certain HS-DSCH category and supporting the optional enhanced performance requirements type 3 are determined according to the relevant part of Table 9.2.3H.

During the Fixed Reference Channel (FRC) tests the behaviour of the Node-B emulator in response to the ACK/NACK signalling field of the HS-DPCCH is specified in Table 9.2.4.

The requirements are specified in terms of minimum information bit throughput R for the DL reference channel H-set 10C specified in Annex C.8.1.10, with the addition of the relevant parameters in Tables 9.2.1KD.1 and 9.2.1KD.3 plus the downlink physical channel setup according to table E.5.1A.

Using this configuration the throughput shall meet or exceed the minimum requirements specified in tables 9.2.1KD.2, and 9.2.1KD.4.

Table 9.2.1KD.1: Test Parameters for Testing QPSK FRCs H-Set 10C

| Parameter | Unit | Test 1 |
|---|--------------|-------------|
| Phase reference | | P-CPICH |
| I_{oc} | dBm/3.84 MHz | -60 |
| Redundancy and constellation version coding sequence | | {0,2, 5, 6} |
| Maximum number of HARQ transmission | | 4 |
| NOTE: The HS-SCCH-1 and HS-PDSCH shall be transmitted continuously with constant power. HS-SCCH-1 shall only use the identity of the UE under test for those TTI intended for the UE. | | |

Table 9.2.1KD.2: Minimum requirement Enhanced requirement type 3 QPSK, Fixed Reference Channel (FRC) H-Set 10C

| Test Number | Propagation Conditions | Reference value | |
|--|------------------------|-------------------------------|--|
| | | HS-PDSCH E_c/I_{or} (dB) | T-put R (kbps) * $\hat{I}_{or}/I_{oc} = 4$ dB |
| 1 | VA3 | -2 | 2621 |
| *NOTE 1: The reference value R is for the Fixed Reference Channel (FRC) H-Set 10 | | | |
| *NOTE 2: For Fixed Reference Channel (FRC) H-Set 10C the reference values for should be scaled (multiplied by 4.0) | | | |

Table 9.2.1KD.3: Test Parameters for Testing 16QAM FRCs H-Set 10C

| Parameter | Unit | Test 1 |
|---|--------------|--------------|
| Phase reference | | P-CPICH |
| I_{oc} | dBm/3.84 MHz | -60 |
| Redundancy and constellation version coding sequence | | {6, 2, 1, 5} |
| Maximum number of HARQ transmission | | 4 |
| NOTE: The HS-SCCH-1 and HS-PDSCH shall be transmitted continuously with constant power. HS-SCCH-1 shall only use the identity of the UE under test for those TTI intended for the UE. | | |

Table 9.2.1KD.4: Minimum requirement Enhanced requirement type 3 16QAM, Fixed Reference Channel (FRC) H-Set 10C

| Test Number | Propagation Conditions | Reference value | |
|--|------------------------|-------------------------------|--|
| | | HS-PDSCH E_c/I_{or} (dB) | T-put R (kbps) * $\hat{I}_{or}/I_{oc} = 8$ dB |
| 1 | VA3 | -2 | 3396 |
| *NOTE 1: The reference value R is for the Fixed Reference Channel (FRC) H-Set 10 | | | |
| *NOTE 2: For Fixed Reference Channel (FRC) H-Set 10C the reference values for should be scaled (multiplied by 4.0) | | | |

The reference for this requirement is TS 25.101 [1] clauses 9.2.1.7 and 9.2.1.8.

9.2.1KD.3 Test purpose

To verify the ability of the receiver to receive a predefined test signal, representing a multi-path fading channel with information bit throughput R not falling below a specified value. The test stresses the multicode reception and channel decoding with incremental redundancy.

9.2.1KD.4 Method of test

9.2.1KD.4.1 Initial conditions

Test environment: normal; see clauses G.2.1 and G.2.2.

Frequencies to be tested: mid range; see clause G.2.4.

- 1) Connect the SS (node B emulator) and fader and AWGN noise source to the UE antenna connector as shown in figure A.47 for UEs that support receive diversity or figure A.46 for UEs that do not support receive diversity.
- 2) Set up an HSDPA call according to TS 34.108 [3] clause 7.3.16 with exceptions for information elements listed in table 9.2.1KD.4A and with levels according to table E.5.0.
- 3) Set the node B emulator behaviour according to table 9.2.4. Set the test parameters for test 1 according to table 9.2.1KD.1 or 9.2.1KD.3 and levels according to tables 9.2.1KD.5 to 9.2.1KD.8 as appropriate on both serving HS-DSCH cell and secondary HS-DSCH cells. The configuration of the downlink channels is defined in table E.5.1A and is to be applied to serving HS-DSCH cell and for secondary serving HS-DSCH cells set up P-CPICH, HS-PDSCH and HS-SCCH channels only per table E.5.1A.
- 4) The information bit data shall be pseudo random and not repeated before 10 different information bit payload blocks are processed. (e.g. Fixed reference Channel Definition H-set 10 (16 QAM): The information bit payload block is 17548 bits long. Hence the PRBSequence must be at least 17548 * 10 bits long.) Use a PRBS from ITU-T O.153 Ref [27]
- 5) The SS shall not time the transmission freely. It shall time the transmission strictly according to the reference measurement channels: i.e. Process number is continued exactly after 6 TTIs.
- 6) Setup the fading simulator with fading conditions as described in table D.2.2.1C and clause D.2.6.

Table 9.2.1KD.4A Specific Message Contents for Fixed Reference Channel (FRC) H-Set 10C

Contents of RRC CONNECTION SETUP message: UM (Transition to CELL_DCH)

| Information Element | Value/remark | Version |
|---|--------------|---------|
| Downlink information for per radio links list - Downlink information for each radio links - Downlink DPCH info for each RL - DL channelisation code - Code number | 14 | |

Contents of RADIO BEARER SETUP message: AM or UM (Test Loop Mode1)

| Information Element | Value/remark | Version |
|---|--------------|---------|
| Downlink information per radio link list - Downlink information for each radio link - Downlink DPCH info for each RL - DL channelisation code - Code number | 7 | |

Contents of RADIO BEARER SETUP message: AM or UM (DC-HSDPA)

| Information Element | Value/remark | Version |
|---|--------------|---------|
| Downlink information per radio link list - Downlink information for each radio link - Downlink DPCH info for each RL - DL channelisation code - Code number | 7 | |

9.2.1KD.4.2 Procedure

- 1) Once the HSDPA connection is setup, change levels according to Table E.5.8C and start transmitting HSDPA Data on each cell.

- 2) For all relevant propagation conditions, for all relevant I_{oc} levels, for all relevant E_c/I_{or} , for all relevant \hat{I}_{or}/I_{oc} , for all relevant H-sets in tables 9.2.1KD.5 to 9.2.1KD.8 count the number of NACK, ACK and statDTX on the UL HS-DPCCH during the test interval on both the cells and decide pass or fail according to Annex F.6.3 table F.6.3.5.2.7C. Throughput shall be measured per cell and compared to requirements in table F.6.3.5.2.7C.

9.2.1KD.5 Test Requirements

Tables 9.2.1KD.5 to 9.2.1KD.8 define the primary level settings including test tolerance for all relevant throughput tests to be applied on each cell. The pass / fail decision for throughput is done according to Annex F.6.3.

Table E.5.6 to E.5.8C defines the secondary and subsequently ranked level settings including test tolerance to be applied on each cell.

Table 9.2.1KD.5: Test Parameters for Testing QPSK FRCs H-Set 10C

| Parameter | Unit | Test 1 |
|-----------------|--------------|---------------------------------|
| Phase reference | | P-CPICH |
| I_{oc} | dBm/3.84 MHz | -60 (no test tolerance applied) |

Table 9.2.1KD.6: Test requirement Enhanced requirement type 3 QPSK, Fixed Reference Channel (FRC) H-Set 10C

| Test Number | Propagation Conditions | Reference value | |
|--|------------------------|-------------------------------|--|
| | | HS-PDSCH E_c/I_{or} (dB) | T-put R (kbps) $\hat{I}_{or}/I_{oc} = 4.6$ dB |
| 1 | VA3 | -1.9 | 2621 |
| *NOTE 1: The reference value R is for the Fixed Reference Channel (FRC) H-Set 10 *NOTE 2: For Fixed Reference Channel (FRC) H-Set 10C the reference values for should be scaled (multiplied by 4.0). The throughput on each cell should be Reference value R. | | | |

Table 9.2.1KD.7: Test Parameters for Testing 16QAM FRCs H-Set 10C

| Parameter | Unit | Test 1 |
|-----------------|--------------|---------------------------------|
| Phase reference | | P-CPICH |
| I_{oc} | dBm/3.84 MHz | -60 (no test tolerance applied) |

Table 9.2.1KD.8: Test requirement Enhanced requirement type 3 16QAM, Fixed Reference Channel (FRC) H-Set 10C

| Test Number | Propagation Conditions | Reference value | |
|--|------------------------|-------------------------------|--|
| | | HS-PDSCH E_c/I_{or} (dB) | T-put R (kbps) $\hat{I}_{or}/I_{oc} = 8.6$ dB |
| 1 | VA3 | -1.9 | 3396 |
| *NOTE 1: The reference value R is for the Fixed Reference Channel (FRC) H-Set 10 *NOTE 2: For Fixed Reference Channel (FRC) H-Set 10C the reference values for should be scaled (multiplied by 4.0). The throughput on each cell should be Reference value R. | | | |

9.2.1L Single Link Performance - Enhanced Performance Requirements Type 3i - QPSK, Fixed Reference Channel (FRC) H-Set 6

9.2.1L.1 Definition and applicability

The receiver single link performance of the High Speed Physical Downlink Shared Channel (HS-DSCH) in different multi-path fading environments are determined by the information bit throughput R.

The requirements and this test apply for Release 8 and later releases to all types of UTRA for the FDD UE that support: HSDPA UE capability categories 7, 8, 9, 10 and 13 - 20, and the optional enhanced performance requirements type 3i.

9.2.1L.2 Minimum requirements

The performance requirements for a particular UE belonging to a certain HS-DSCH category and supporting the optional enhanced performance requirements type 3i are determined according to the relevant part of Table 9.2.3B.

During the Fixed Reference Channel (FRC) tests the behaviour of the Node-B emulator in response to the ACK/NACK signalling field of the HS-DPCCH is specified in Table 9.2.4.

The requirements are specified in terms of a minimum information bit throughput R for the DL reference channel H-Set 6 specified in Annex C.8.1.6 with the addition of the relevant parameters in Table 9.2.1L.1 and the downlink physical channel setup according to table E.5.1.

Using this configuration the throughput shall meet or exceed the minimum requirements specified in tables 9.2.1L.2.

Table 9.2.1L.1: Test Parameters for Testing QPSK FRCs H-Set 6

| Parameter | Unit | Test 1 |
|---|--------------|-------------|
| Phase reference | | P-CPICH |
| I_{oc} | dBm/3.84 MHz | -60 |
| Redundancy and constellation version coding sequence | | {0,2, 5, 6} |
| Maximum number of HARQ transmission | | 4 |
| NOTE: The HS-SCCH-1 and HS-PDSCH shall be transmitted continuously with constant power. HS-SCCH-1 shall only use the identity of the UE under test for those TTI intended for the UE. | | |

Table 9.2.1L.2: Minimum requirement Enhanced requirement type 3i QPSK, Fixed Reference Channel (FRC) H-Set 6

| Test Number | Propagation Conditions | Reference value | |
|---|------------------------|----------------------------|---|
| | | HS-PDSCH E_c/I_{or} (dB) | T-put R (kbps) * $\hat{I}_{or}/I_{oc}' = 0$ dB DIP1 = -2.75 dB DIP2 = -7.64 dB (Note 1) |
| 1 | PB3 | -6 | 691 |
| | | -3 | 1359 |
| 2 | VA30 | -6 | 661 |
| | | -3 | 1327 |
| NOTE 1: I_{oc}/I_{oc}' is computed based on the relations shown in E.5E. (Information only $I_{oc}/I_{oc}' = -5.27$ dB) | | | |
| NOTE 2: The reference value R is for the Fixed Reference Channel (FRC) H-Set 6 | | | |

The reference for this requirement is TS 25.101 [1] clauses 9.2.1.4.

9.2.1L.3 Test purpose

To verify the ability of the receiver to receive a predefined test signal, representing a multi-path fading channel with information bit throughput R not falling below a specified value. The test stresses the multicode reception and channel decoding with incremental redundancy.

9.2.1L.4 Method of test

9.2.1L.4.1 Initial conditions

Test environment: normal; see clauses G.2.1 and G.2.2.

Frequencies to be tested: mid range; see clause G.2.4.

- 1) Connect the SS (node B emulator) and fader and AWGN noise source to the UE antenna connector as shown in figure A.29 for UEs that support receive diversity

- 2) Set up an HSDPA call with looping back 12.2kbps RMC according to TS 34.108 [3] clause 7.3.6 with exceptions for information elements listed in table 9.2.1L.2A and with levels according to table E.5.0.
- 3) Set the node B emulator behaviour according to table 9.2.4. Set the test parameters for test 1 according to table 9.2.1L.1 and levels according to tables 9.2.1L.3 to 9.2.1L.4 as appropriate. The configuration of the downlink channels is defined as per E.5E and table E.5.1.
- 4) The information bit data shall be pseudo random and not repeated before 10 different information bit payload blocks are processed. (e.g. Fixed reference Channel Definition H-set 6 (QPSK): The information bit payload block is 6438 bits long. Hence the PRBSequence must be at least $6438 * 10$ bits long.) Use a PRBS from ITU-T O.153 Ref [27]
- 5) The SS shall not time the transmission freely. It shall time the transmission strictly according to the reference measurement channels: i.e. Process number is continued exactly after 6 TTIs.
- 6) Setup the fading simulator with fading conditions as described in table D.2.2.1A.

Contents of System Information Block type 11 (FDD)

Table 9.2.1L.2A: Specific Message Contents for Enhanced Performance Type 3i

| Information Element | Value/remark | Version |
|---|------------------------|---------|
| - Intra-frequency cell info list - New intra-frequency cells - Intra-frequency cell id - Cell info - CHOICE mode - Primary CPICH info - Primary scrambling code | 1 0 | |
| - Intra-frequency cell id - Cell info - CHOICE mode - Primary CPICH info - Primary scrambling code | 2 16 | |
| - Intra-frequency cell id - Cell info - CHOICE mode - Primary CPICH info - Primary scrambling code | 3 32 | |

Contents of RRC CONNECTION SETUP message: UM (Transition to CELL_DCH)

| Information Element | Value/remark | Version |
|---|------------------------------------|---------|
| Downlink information for per radio links list - Downlink information for each radio links - CHOICE mode - Primary CPICH info - Primary scrambling code - Downlink DPCH info for each RL - DL channelisation code - Spreading factor - Code number | FDD 0 256 194 | |

Contents of RADIO BEARER SETUP message: AM or UM (Test Loop Mode1)

| Information Element | Value/remark | Version |
|--|--------------|---------|
| Downlink information per radio link list | | |
| - Downlink information for each radio link | | |
| - CHOICE mode | FDD | |
| - Primary CPICH info | | |
| - Primary scrambling code | 0 | |
| - Downlink DPCH info for each RL | | |
| - DL channelisation code | | |
| - Spreading factor | 128 | |
| - Code number | 97 | |

Contents of RADIO BEARER SETUP message: AM or UM (HSDPA)

| Information Element | Value/Remark | Version |
|--|--------------|---------|
| Downlink HS-PDSCH Information | | |
| - HS-SCCH Info | | |
| - CHOICE mode | FDD | |
| - DL Scrambling Code | | |
| - HS-SCCH Channelisation Code Info | | |
| - HS-SCCH Channelisation Code | 7 | |
| Downlink information per radio link list | | |
| - Downlink information for each radio link | | |
| - CHOICE mode | FDD | |
| - Primary CPICH info | | |
| - Primary scrambling code | 0 | |
| - Downlink DPCH info for each RL | | |
| - DL channelisation code | | |
| - Spreading factor | 128 | |
| - Code number | 97 | |

9.2.1L.4.2 Procedure

- 1) Once the HSDPA connection is setup, change levels according to Table E.5.6 to E.5.8B as specified by table E.5.9 and start transmitting HSDPA Data.
- 2) For all relevant propagation conditions, for all relevant I_{oc} levels, for all relevant E_c/I_{or} , for all relevant \hat{I}_{or}/I_{oc} , for all relevant H-sets in tables 9.2.1L.3 to 9.2.1L.4 count the number of NACK, ACK and statDTX on the UL HS-DPCCH during the test interval and decide pass or fail according to Annex F.6.3 table F.6.3.5.2.7D

9.2.1L.5 Test Requirements

Tables 9.2.1L.3 to 9.2.1L.4 define the primary level settings including test tolerance for all relevant throughput tests. The pass / fail decision for throughput is done according to Annex F.6.3.

Table E.5.6 to E.5.8B define the secondary and subsequently ranked level settings including test tolerance. As those level settings are not uniform for the throughput tests in this clause, Table E.5.9 indicates which levels are applied, when the primary level settings (E_c/I_{or} and I_{or}/I_{oc}) and propagation conditions (PB3, VA30) vary.

Table 9.2.1L.3: Test Parameters for Testing QPSK FRCs H-Set 6

| Parameter | Unit | Test 1 |
|-----------------|--------------|---------------------------------|
| Phase reference | | P-CPICH |
| I_{oc} | dBm/3.84 MHz | -60 (no test tolerance applied) |

Table 9.2.1L.4: Test requirement enhanced requirement type 3i QPSK at $\hat{I}_{or}/I_{oc}' = 0$ dB, Fixed Reference Channel (FRC) H-Set 6

| Test Number | Propagation Conditions | Reference value | |
|-------------|------------------------|-------------------------------|--|
| | | HS-PDSCH E_c/I_{or} (dB) | T-put R (kbps) * $\hat{I}_{or}/I_{oc}' = 0.76$ dB DIP1 = -2.58 dB DIP2 = -7.47 dB (Note 1) |
| 1 | PB3 | -5.9 | 691 |
| | | -2.9 | 1359 |
| 2 | VA30 | -5.9 | 661 |
| | | -2.9 | 1327 |

NOTE 1: I_{oc}/I_{oc}' is computed based on the relations shown in E.5E.
NOTE 2: The reference value R is for the Fixed Reference Channel (FRC) H-Set 6

9.2.1LA Enhanced Performance Requirements Type 3i - QPSK, Fixed Reference Channel (FRC) H-Set 6A

9.2.1LA.1 Definition and applicability

The receiver single link performance of the High Speed Physical Downlink Shared Channel (HS-DSCH) in different multi-path fading environments are determined by the information bit throughput R.

The requirements and this test apply for Release 8 and later releases to all types of UTRA for the FDD UE that support DC-HSDPA UE capability categories 21-24, and the optional enhanced performance requirements type 3i.

The requirements and this test apply for Release 9 and later releases to all types of UTRA for the FDD UE that support DC-HSDPA UE capability categories 25-28 and the optional enhanced performance requirements type 3i.

9.2.1LA.2 Minimum requirements

The performance requirements for a particular UE belonging to a certain HS-DSCH category and supporting the optional enhanced performance requirements type 3i are determined according to the relevant part of Table 9.2.3E.

During the Fixed Reference Channel (FRC) tests the behaviour of the Node-B emulator in response to the ACK/NACK signalling field of the HS-DPCCH is specified in Table 9.2.4.

The requirements are specified in terms of a minimum information bit throughput R for the DL reference channel H-Set 6A specified in Annex C.8.1.6 with the addition of the relevant parameters in Table 9.2.1LA.1 and the downlink physical channel setup according to table E.5.1.

Using this configuration the throughput shall meet or exceed the minimum requirements specified in tables 9.2.1LA.2.

Table 9.2.1LA.1: Test Parameters for Testing QPSK FRCs H-Set 6A

| Parameter | Unit | Test 1 | Test 2 |
|--|--------------|-------------|--------|
| Phase reference | | P-CPICH | |
| I_{oc} | dBm/3.84 MHz | -60 | |
| Redundancy and constellation version coding sequence | | {0,2, 5, 6} | |
| Maximum number of HARQ transmission | | 4 | |

NOTE: The HS-SCCH-1 and HS-PDSCH shall be transmitted continuously with constant power. HS-SCCH-1 shall only use the identity of the UE under test for those TTI intended for the UE.

Table 9.2.1LA.2: Minimum requirement Enhanced requirement type 3i QPSK, Fixed Reference Channel (FRC) H-Set 6A

| Test Number | Propagation Conditions | Reference value | |
|-------------|------------------------|-------------------------------|---|
| | | HS-PDSCH E_c/I_{oc} (dB) | T-put R (kbps) * $\hat{I}_{oc}/I_{oc}' = 0$ dB DIP1 = -2.75 dB DIP2 = -7.64 dB (Note 1) |
| 1 | PB3 | -6 | 691 |
| | | -3 | 1359 |
| 2 | VA30 | -6 | 661 |
| | | -3 | 1327 |

NOTE 1: I_{oc}/I_{oc}' is computed based on the relations shown in E.5E (Information only $I_{oc}/I_{oc}' = -5.27$ dB).

NOTE 2: The reference value R is for the Fixed Reference Channel (FRC) H-Set 6.

NOTE 3: For FRC H-Set 6A the reference value should be scaled (multiplied by 2.0).

For DC-HSDPA, DB-DC-HSDPA or 4C-HSDPA tests which require more than 8 independent faders, the resulting propagation channel(s) shall be generated by considering a number of independent faders needed for one carrier and connecting them to the signal of randomly chosen carrier(s). The maximum number of channel faders on the test will be less than or equal to 8. The remaining carrier(s) shall be connected without a channel fader but with AWGN. The throughput shall be collected only for the carrier(s) connected to channel faders.

The test shall be repeated by choosing carrier(s) excluding already chosen carrier(s) until all the carrier(s) are tested under fading conditions. The sum of all the collected throughputs from each carrier shall be compared against the reference value in the requirements.

All supported carriers shall be configured and activated during the test.

The reference for this requirement is TS 25.101 [1] clauses 9.2.1.4 and C.5.4.

9.2.1LA.3 Test purpose

To verify the ability of the receiver to receive a predefined test signal, representing a multi-path fading channel with information bit throughput R not falling below a specified value. The test stresses the multicode reception and channel decoding with incremental redundancy.

9.2.1LA.4 Method of test

9.2.1LA.4.1 Initial conditions

Test environment: normal; see clauses G.2.1 and G.2.2.

Frequencies to be tested: mid range; see clause G.2.4.

- 1) Connect the SS (node B emulator) and fader and AWGN noise source to the UE antenna connector as shown in figure A.39 for UEs that support receive diversity
- 2) Set up an HSDPA call with according to TS 34.108 [3] clause 7.3.13 with levels according to table E.5.0.
- 3) Set the node B emulator behaviour according to table 9.2.4. Set the test parameters for test 1-2 according to table 9.2.1LA.1 and levels according to tables 9.2.1LA.3 to 9.2.1LA.4 as appropriate for both the serving HS-DSCH cell and secondary serving HS-DSCH cell. The configuration of the downlink channels is defined as per E.5E and table E.5.1 for the serving HS-DSCH cell and for secondary serving HS-DSCH cell setup P-CPICH, HS-PDSCH and HS-SCCH channels as per E.5E and table E.5.1
- 4) The information bit data shall be pseudo random and not repeated before 10 different information bit payload blocks are processed. (e.g. Fixed reference Channel Definition H-set 6 (QPSK): The information bit payload block is 6438 bits long. Hence the PRBSequence must be at least $6438 * 10$ bits long.) Use a PRBS from ITU-T O.153 Ref [27]
- 5) The SS shall not time the transmission freely. It shall time the transmission strictly according to the reference measurement channels: i.e. Process number is continued exactly after 6 TTIs.
- 6) Setup the fading simulator with fading conditions as described in table D.2.2.1A.

9.2.1LA.4.2 Procedure

- 1) Once the HSDPA connection is setup, change levels according to Table E.5.6 to E.5.8B as specified by table E.5.9 and start transmitting HSDPA Data on both the serving cells. For secondary serving HS-DSCH cell only P-CPICH, HS-PDSCH and HS-SCCH are configured.
- 2) For all relevant propagation conditions, for all relevant I_{oc} levels, for all relevant E_c/I_{or} , for all relevant \hat{I}_{or}/I_{oc} , for all relevant H-sets in tables 9.2.1LA.3 to 9.2.1LA.4 count the number of NACK, ACK and statDTX on the UL HS-DPCCH during the test interval on both the cells and decide pass or fail according to Annex F.6.3 table F.6.3.5.2.7D. Throughput is measured per cell in 2 part tests according to table 9.2.1LA.2A
- 3) To swap from part test 1 to part test 2, terminate the call and repeat the test, starting from initial conditions step 1 with the other part test connection in A.39.

Table 9.2.1LA.2A: Part test configuration

| | Part test 1 | Part test 2 |
|---------------------------------|--|--|
| Serving cell, freq. 1 | SS signal faded according to Fig A.39. Throughput measured and compared against table F.6.3.5.2.7D | SS signal delayed according to Fig A.39. Throughput ignored |
| Secondary serving cell, freq. 2 | SS signal delayed according to Fig A.39. Throughput ignored | SS signal faded according to Fig A.39. Throughput measured and compared against table F.6.3.5.2.7D |

9.2.1LA.5 Test Requirements

Tables 9.2.1LA.3 to 9.2.1LA.4 define the primary level settings including test tolerance for all relevant throughput tests. The pass / fail decision for throughput is done according to Annex F.6.3, where the test time is applicable per part test. The sum of all the collected throughputs from each carrier shall be compared against the reference value in the test requirements, including note 3.

Table E.5.6 to E.5.8B define the secondary and subsequently ranked level settings including test tolerance to be applied on both the serving cells. As those level settings are not uniform for the throughput tests in this clause, Table E.5.9 indicates which levels are applied, when the primary level settings (E_c/I_{or} and I_{or}/I_{oc}) and propagation conditions (PB3, VA30) vary.

Table 9.2.1LA.3: Test Parameters for Testing QPSK FRCs H-Set 6A

| Parameter | Unit | Test 1 | Test 2 |
|-----------------|--------------|---------------------------------|---------|
| Phase reference | | | P-CPICH |
| I_{oc} | dBm/3.84 MHz | -60 (no test tolerance applied) | |

Table 9.2.1LA.4: Test requirement enhanced requirement type 3i QPSK at $\hat{I}_{or}/I_{oc}' = 0$ dB, Fixed Reference Channel (FRC) H-Set 6A

| Test Number | Propagation Conditions | Reference value | |
|-------------|------------------------|-------------------------------|--|
| | | HS-PDSCH E_c/I_{or} (dB) | T-put R (kbps) * $\hat{I}_{or}/I_{oc}' = 0.76$ dB DIP1 = -2.58 dB DIP2 = -7.47 dB (Note 1) |
| 1 | PB3 | -5.9 | 691 |
| | | -2.9 | 1359 |
| 2 | VA30 | -5.9 | 661 |
| | | -2.9 | 1327 |

NOTE 1: I_{oc}/I_{oc}' is computed based on the relations shown in E.5E.
NOTE 2: The reference value R is for the Fixed Reference Channel (FRC) H-Set 6
NOTE 3: For FRC H-Set 6A the reference value should be scaled (multiplied by 2.0)

9.2.1LB Enhanced Performance Requirements Type 3i - QPSK, Fixed Reference Channel (FRC) H-Set 6A for DB-DC-HSDPA

9.2.1LB.1 Definition and applicability

The receiver single link performance of the High Speed Physical Downlink Shared Channel (HS-DSCH) in different multi-path fading environments are determined by the information bit throughput R.

The requirements and this test apply for Release 9 and later releases to all types of UTRA for the FDD UE that support: DB-DC-HSDPA UE capability categories 21-28, and the optional enhanced performance requirements type 3i.

9.2.1LB.2 Minimum requirements

The performance requirements for a particular UE belonging to a certain HS-DSCH category and supporting the optional enhanced performance requirements type 3i are determined according to the relevant part of Table 9.2.3E.

During the Fixed Reference Channel (FRC) tests the behaviour of the Node-B emulator in response to the ACK/NACK signalling field of the HS-DPCCH is specified in Table 9.2.4.

The requirements are specified in terms of a minimum information bit throughput R for the DL reference channel H-Set 6A specified in Annex C.8.1.6 with the addition of the relevant parameters in Table 9.2.1LB.1 and the downlink physical channel setup according to table E.5.1.

Using this configuration the throughput shall meet or exceed the minimum requirements specified in tables 9.2.1LB.2.

Table 9.2.1LB.1: Test Parameters for Testing QPSK FRCs H-Set 6A

| Parameter | Unit | Test 1 | Test 2 |
|--|--------------|-------------|--------|
| Phase reference | | P-CPICH | |
| I_{oc} | dBm/3.84 MHz | -60 | |
| Redundancy and constellation version coding sequence | | {0,2, 5, 6} | |
| Maximum number of HARQ transmission | | 4 | |

NOTE: The HS-SCCH-1 and HS-PDSCH shall be transmitted continuously with constant power. HS-SCCH-1 shall only use the identity of the UE under test for those TTI intended for the UE.

**Table 9.2.1LB.2: Minimum requirement Enhanced requirement type 3i QPSK,
Fixed Reference Channel (FRC) H-Set 6A**

| Test Number | Propagation Conditions | Reference value | |
|-------------|------------------------|-------------------------------|---|
| | | HS-PDSCH E_c/I_{oc} (dB) | T-put R (kbps) * $\hat{I}_{oc}/I_{oc}' = 0$ dB DIP1 = -2.75 dB DIP2 = -7.64 dB (Note 1) |
| 1 | PB3 | -6 | 691 |
| | | -3 | 1359 |
| 2 | VA30 | -6 | 661 |
| | | -3 | 1327 |

NOTE 1: I_{oc}/I_{oc}' is computed based on the relations shown in E.5E. (Information only $I_{oc}/I_{oc}' = -5.27$ dB)

NOTE 2: The reference value R is for the Fixed Reference Channel (FRC) H-Set 6

NOTE 3: For FRC H-Set 6A the reference value should be scaled (multiplied by 2.0)

For DC-HSDPA, DB-DC-HSDPA or 4C-HSDPA tests which require more than 8 independent faders, the resulting propagation channel(s) shall be generated by considering a number of independent faders needed for one carrier and connecting them to the signal of randomly chosen carrier(s). The maximum number of channel faders on the test will be less than or equal to 8. The remaining carrier(s) shall be connected without a channel fader but with AWGN. The throughput shall be collected only for the carrier(s) connected to channel faders.

The test shall be repeated by choosing carrier(s) excluding already chosen carrier(s) until all the carrier(s) are tested under fading conditions. The sum of all the collected throughputs from each carrier shall be compared against the reference value in the requirements.

All supported carriers shall be configured and activated during the test.

The reference for this requirement is TS 25.101 [1] clauses 9.2.1.4 and C.5.4.

9.2.1LB.3 Test purpose

To verify the ability of the receiver to receive a predefined test signal, representing a multi-path fading channel with information bit throughput R not falling below a specified value. The test stresses the multicode reception and channel decoding with incremental redundancy.

9.2.1LB.4 Method of test

9.2.1LB.4.1 Initial conditions

Test environment: normal; see clauses G.2.1 and G.2.2.

Frequencies to be tested: mid range; see clause G.2.4.

- 1) Connect the SS (node B emulator) and fader and AWGN noise source to the UE antenna connector as shown in figure A.45.
- 2) Set up an HSDPA call according to TS 34.108 [3] clause 7.3.13 with levels according to table E.5.0.
- 3) Set the node B emulator behaviour according to table 9.2.4. Set the test parameters for test 1-2 according to table 9.2.1LB.1 and levels according to tables 9.2.1LB.4 to 9.2.1LB.5 as appropriate for both the serving HS-DSCH cell and secondary serving HS-DSCH cell. The configuration of the downlink channels is defined as per E.5E and table E.5.1 for the serving HS-DSCH cell and for secondary serving HS-DSCH cell setup P-CPICH, HS-PDSCH and HS-SCCH channels as per E.5E and table E.5.1.
- 4) The information bit data shall be pseudo random and not repeated before 10 different information bit payload blocks are processed. (e.g. Fixed reference Channel Definition H-set 6 (QPSK): The information bit payload block is 6438 bits long. Hence the PRBSequence must be at least $6438 * 10$ bits long.) Use a PRBS from ITU-T O.153 Ref [27].
- 5) The SS shall not time the transmission freely. It shall time the transmission strictly according to the reference measurement channels: i.e. Process number is continued exactly after 6 TTIs.
- 6) Setup the fading simulator with fading conditions as described in table D.2.2.1A.

9.2.1LB.4.2 Procedure

- 1) Once the HSDPA connection is setup, change levels according to Table E.5.6 to E.5.8B as specified by table E.5.9 and start transmitting HSDPA Data on both the serving cells. For secondary serving HS-DSCH cell only P-CPICH, HS-PDSCH and HS-SCCH are configured.
- 2) For all relevant propagation conditions, for all relevant I_{oc} levels, for all relevant E_c/I_{or} , for all relevant \hat{I}_{or}/I_{oc} , for all relevant H-sets in tables 9.2.1LB.4 to 9.2.1LB.5 count the number of NACK, ACK and statDTX on the UL HS-DPCCH during the test interval on both the cells and decide pass or fail according to Annex F.6.3 table F.6.3.5.2.7D. Throughput is measured per cell in 2 part tests according to table 9.2.1LB.3

Table 9.2.1LB.3: Part test configuration

| | Part test 1 | Part test 2 |
|---------------------------------|--|--|
| Serving cell, freq. 1 | SS signal faded according to Fig A.43. Throughput measured and compared against table F.6.3.5.2.7D | SS signal delayed according to Fig A.43. Throughput ignored |
| Secondary serving cell, freq. 2 | SS signal delayed according to Fig A.43. Throughput ignored | SS signal faded according to Fig A.43. Throughput measured and compared against table F.6.3.5.2.7D |

- 3) To swap from part test 1 to part test 2, terminate the call and repeat the test, starting from initial conditions step 1 with the other part test connection in A.43.

9.2.1LB.5 Test Requirements

Tables 9.2.1LB.4 to 9.2.1LB.5 define the primary level settings including test tolerance for all relevant throughput tests. The pass / fail decision for throughput is done according to Annex F.6.3, where the test time is applicable per part test. The sum of all the collected throughputs from each carrier shall be compared against the reference value in the test requirements, including note 3

Table E.5.6 to E.5.8B define the secondary and subsequently ranked level settings including test tolerance to be applied on both the serving cells. As those level settings are not uniform for the throughput tests in this clause, Table E.5.9 indicates which levels are applied, when the primary level settings (E_c/I_{or} and I_{or}/I_{oc}) and propagation conditions (PB3, VA30) vary.

Table 9.2.1LB.4: Test Parameters for Testing QPSK FRCs H-Set 6A

| Parameter | Unit | Test 1 | Test 2 |
|-----------------|--------------|---------------------------------|---------|
| Phase reference | | | P-CPICH |
| I_{oc} | dBm/3.84 MHz | -60 (no test tolerance applied) | |

Table 9.2.1LB.5: Test requirement enhanced requirement type 3i QPSK at $\hat{I}_{or}/I_{oc}' = 0$ dB, Fixed Reference Channel (FRC) H-Set 6A

| Test Number | Propagation Conditions | Reference value | |
|-------------|------------------------|-------------------------------|--|
| | | HS-PDSCH E_c/I_{or} (dB) | T-put R (kbps) * $\hat{I}_{or}/I_{oc}' = 0.76$ dB DIP1 = -2.58 dB DIP2 = -7.47 dB (Note 1) |
| 1 | PB3 | -5.9 | 691 |
| | | -2.9 | 1359 |
| 2 | VA30 | -5.9 | 661 |
| | | -2.9 | 1327 |

NOTE 1: I_{oc}/I_{oc}' is computed based on the relations shown in E.5E.
NOTE 2: The reference value R is for the Fixed Reference Channel (FRC) H-Set 6
NOTE 3: For FRC H-Set 6A the reference value should be scaled (multiplied by 2.0)

9.2.1LC Enhanced Performance Requirements Type 3i - QPSK, Fixed Reference Channel (FRC) H-Set 6B

9.2.1LC.1 Definition and applicability

The receiver single link performance of the High Speed Physical Downlink Shared Channel (HS-DSCH) in different multi-path fading environments are determined by the information bit throughput R .

The requirements and this test apply for Release 10 and later releases to all types of UTRA for the FDD UE that support 4C-HSDPA and HSDPA UE capability categories 29 or 30 and support the optional enhanced performance requirements type 3i.

9.2.1LC.2 Minimum requirements

The performance requirements for a particular UE belonging to HS-DSCH category 29-30 and supporting the optional enhanced performance requirements type 3i are determined according to the relevant part of Table 9.2.3G.

During the Fixed Reference Channel (FRC) tests the behaviour of the Node-B emulator in response to the ACK/NACK signalling field of the HS-DPCCH is specified in Table 9.2.4.

The requirements are specified in terms of a minimum information bit throughput R for the DL reference channel H-Set 6B specified in Annex C.8.1.8 with the addition of the relevant parameters in Table 9.2.1LC.1 and the downlink physical channel setup according to table E.5.1A.

Using this configuration the throughput shall meet or exceed the minimum requirements specified in tables 9.2.1LC.2.

Table 9.2.1LC.1: Test Parameters for Testing QPSK FRCs H-Set 6B

| Parameter | Unit | Test 1 | Test 2 |
|--|--------------|-------------|--------|
| Phase reference | | P-CPICH | |
| I_{oc} | dBm/3.84 MHz | -60 | |
| Redundancy and constellation version coding sequence | | {0,2, 5, 6} | |
| Maximum number of HARQ transmission | | 4 | |

NOTE: The HS-SCCH-1 and HS-PDSCH shall be transmitted continuously with constant power. HS-SCCH-1 shall only use the identity of the UE under test for those TTI intended for the UE.

Table 9.2.1LC.2: Minimum requirement Enhanced requirement type 3i QPSK, Fixed Reference Channel (FRC) H-Set 6B

| Test Number | Propagation Conditions | Reference value | |
|-------------|------------------------|-------------------------------|---|
| | | HS-PDSCH E_c/I_{oc} (dB) | T-put R (kbps) * $\hat{I}_{oc}/I_{oc}' = 0$ dB DIP1 = -2.75 dB DIP2 = -7.64 dB (Note 1) |
| 1 | PB3 | -6 | 691 |
| | | -3 | 1359 |
| 2 | VA30 | -6 | 661 |
| | | -3 | 1327 |

NOTE 1: I_{oc}/I_{oc}' is computed based on the relations shown in E.5E. (Information only $I_{oc}/I_{oc}' = -5.27$ dB)

NOTE 2: The reference value R is for the Fixed Reference Channel (FRC) H-Set 6

NOTE 3: For FRC H-Set 6B the reference value should be scaled (multiplied by 3.0)

For DC-HSDPA, DB-DC-HSDPA or 4C-HSDPA tests which require more than 8 independent faders, the resulting propagation channel(s) shall be generated by considering a number of independent faders needed for one carrier and connecting them to the signal of randomly chosen carrier(s). The maximum number of channel faders on the test will be less than or equal to 8. The remaining carrier(s) shall be connected without a channel fader but with AWGN. The throughput shall be collected only for the carrier(s) connected to channel faders.

The test shall be repeated by choosing carrier(s) excluding already chosen carrier(s) until all the carrier(s) are tested under fading conditions. The sum of all the collected throughputs from each carrier shall be compared against the reference value in the requirements.

All supported carriers shall be configured and activated during the test.

The reference for this requirement is TS 25.101 [1] clauses 9.2.1.4 and C.5.4.

9.2.1LC.3 Test purpose

To verify the ability of the receiver to receive a predefined test signal, representing a multi-path fading channel with information bit throughput R not falling below a specified value. The test stresses the multicode reception and channel decoding with incremental redundancy.

9.2.1LC.4 Method of test

9.2.1LC.4.1 Initial conditions

Test environment: normal; see clauses G.2.1 and G.2.2.

Frequencies to be tested: mid range; see clause G.2.4.

- 1) Connect the SS (node B emulator) and fader and AWGN noise source to the UE antenna connector as shown in figure A.45.
- 2) Set up an HSDPA call according to TS 34.108 [3] clause 7.3.16 with levels according to table E.5.0.
- 3) Set the node B emulator behaviour according to table 9.2.4. Set the test parameters for test 1-2 according to table 9.2.1LC.1 and levels according to tables 9.2.1LC.4 to 9.2.1LC.5 as appropriate for the serving HS-DSCH cell and all the secondary serving HS-DSCH cell. The configuration of the downlink channels is defined as per E.5E and table E.5.1 for the serving HS-DSCH cell and for all the secondary serving HS-DSCH cell setup P-CPICH, HS-PDSCH and HS-SCCH channels as per E.5E and table E.5.1
- 4) The information bit data shall be pseudo random and not repeated before 10 different information bit payload blocks are processed. (e.g. Fixed reference Channel Definition H-set 6 (QPSK): The information bit payload block is 6438 bits long. Hence the PRBSequence must be at least $6438 * 10$ bits long.) Use a PRBS from ITU-T O.153 Ref [27]
- 5) The SS shall not time the transmission freely. It shall time the transmission strictly according to the reference measurement channels: i.e. Process number is continued exactly after 6 TTIs.

- 6) Setup the fading simulator with fading conditions as described in table D.2.2.1A.

9.2.1LC.4.2 Procedure

- 1) Once the HSDPA connection is setup, change levels according to Table E.5.6 to E.5.8B as specified by table E.5.9 and start transmitting HSDPA Data on all the serving cells. For secondary serving HS-DSCH cells only P-CPICH, HS-PDSCH and HS-SCCH are configured.
- 2) For all relevant propagation conditions, for all relevant I_{oc} levels, for all relevant E_c/I_{or} , for all relevant \hat{I}_{or}/I_{oc} , for all relevant H-sets in tables 9.2.1LC.4 to 9.2.1LC.5 count the number of NACK, ACK and statDTX on the UL HS-DPCCH during the test interval on primary cell and all the secondary cells and decide pass or fail according to Annex F.6.3 table F.6.3.5.2.7D. Throughput is measured per cell in 3 part tests according to table 9.2.1LC.3.

Table 9.2.1LC.3: Part test configuration

| | Part test 1 | Part test 2 | Part test 3 |
|---------------------------------|--|--|--|
| Serving cell, freq. 1 | SS signal faded according to Fig A.43. Throughput measured and compared against table F.6.3.5.2.7D | SS signal delayed according to Fig A.43. Throughput ignored | SS signal delayed according to Fig A.43. Throughput ignored |
| Secondary serving cell, freq. 2 | SS signal delayed according to Fig A.43. Throughput ignored | SS signal faded according to Fig A.43. Throughput measured and compared against table F.6.3.5.2.7D | SS signal delayed according to Fig A.43. Throughput ignored |
| Secondary serving cell, freq. 3 | SS signal delayed according to Fig A.43. Throughput ignored | SS signal delayed according to Fig A.43. Throughput ignored | SS signal faded according to Fig A.43. Throughput measured and compared against table F.6.3.5.2.7D |

- 3) To swap from one part test to another part test, terminate the call and repeat the test, starting from initial conditions step 1 with the other part test connection in A.43.

9.2.1LC.5 Test Requirements

Tables 9.2.1LC.4 to 9.2.1LC.5 define the primary level settings including test tolerance for all relevant throughput tests. The pass / fail decision for throughput is done according to Annex F.6.3, where the test time is applicable per part test. The sum of all the collected throughputs from each carrier shall be compared against the reference value in the test requirements, including note 3.

Table E.5.6 to E.5.8B define the secondary and subsequently ranked level settings including test tolerance to be applied on all the serving cells. As those level settings are not uniform for the throughput tests in this clause, Table E.5.9 indicates which levels are applied, when the primary level settings (E_c/I_{or} and I_{or}/I_{oc}) and propagation conditions (PB3, VA30) vary.

Table 9.2.1LC.4: Test Parameters for Testing QPSK FRCs H-Set 6B

| Parameter | Unit | Test 1 | Test 2 |
|-----------------|--------------|---------------------------------|---------|
| Phase reference | | | P-CPICH |
| I_{oc} | dBm/3.84 MHz | -60 (no test tolerance applied) | |

Table 9.2.1LC.5: Test requirement enhanced requirement type 3i QPSK at $\hat{I}_{or}/I_{oc}' = 0$ dB, Fixed Reference Channel (FRC) H-Set 6B

| Test Number | Propagation Conditions | Reference value | |
|-------------|------------------------|-------------------------------|--|
| | | HS-PDSCH E_c/I_{or} (dB) | T-put R (kbps) * $\hat{I}_{or}/I_{oc}' = 0.76$ dB DIP1 = -2.58 dB DIP2 = -7.47 dB (Note 1) |
| 1 | PB3 | -5.9 | 691 |
| | | -2.9 | 1359 |
| 2 | VA30 | -5.9 | 661 |
| | | -2.9 | 1327 |

NOTE 1: I_{oc}/I_{oc}' is computed based on the relations shown in E.5E.
NOTE 2: The reference value R is for the Fixed Reference Channel (FRC) H-Set 6
NOTE 3: For FRC H-Set 6B the reference value should be scaled (multiplied by 3.0)

9.2.1LD Enhanced Performance Requirements Type 3i - QPSK, Fixed Reference Channel (FRC) H-Set 6C

9.2.1LD.1 Definition and applicability

The receiver single link performance of the High Speed Physical Downlink Shared Channel (HS-DSCH) in different multi-path fading environments are determined by the information bit throughput R.

The requirements and this test apply for Release 10 and later releases to all types of UTRA for the FDD UE that support 4C-HSDPA and HSDPA UE capability categories 29 or 30 and support the optional enhanced performance requirements type 3i.

9.2.1LD.2 Minimum requirements

The performance requirements for a particular UE belonging to HS-DSCH category 31-32 and supporting the optional enhanced performance requirements type 3i are determined according to the relevant part of Table 9.2.3G.

During the Fixed Reference Channel (FRC) tests the behaviour of the Node-B emulator in response to the ACK/NACK signalling field of the HS-DPCCH is specified in Table 9.2.4.

The requirements are specified in terms of a minimum information bit throughput R for the DL reference channel H-Set 6C specified in Annex C.8.1.8 with the addition of the relevant parameters in Table 9.2.1LD.1 and the downlink physical channel setup according to table E.5.1A.

Using this configuration the throughput shall meet or exceed the minimum requirements specified in tables 9.2.1LD.2.

Table 9.2.1LD.1: Test Parameters for Testing QPSK FRCs H-Set 6C

| Parameter | Unit | Test 1 | Test 2 |
|--|--------------|-------------|--------|
| Phase reference | | P-CPICH | |
| I_{oc} | dBm/3.84 MHz | -60 | |
| Redundancy and constellation version coding sequence | | {0,2, 5, 6} | |
| Maximum number of HARQ transmission | | 4 | |

NOTE: The HS-SCCH-1 and HS-PDSCH shall be transmitted continuously with constant power. HS-SCCH-1 shall only use the identity of the UE under test for those TTI intended for the UE.

Table 9.2.1LD.2: Minimum requirement Enhanced requirement type 3i QPSK, Fixed Reference Channel (FRC) H-Set 6C

| Test Number | Propagation Conditions | Reference value | |
|-------------|------------------------|-------------------------------|---|
| | | HS-PDSCH E_c/I_{oc} (dB) | T-put R (kbps) * $\hat{I}_{oc}/I_{oc}' = 0$ dB DIP1 = -2.75 dB DIP2 = -7.64 dB (Note 1) |
| 1 | PB3 | -6 | 691 |
| | | -3 | 1359 |
| 2 | VA30 | -6 | 661 |
| | | -3 | 1327 |

NOTE 1: I_{oc}/I_{oc}' is computed based on the relations shown in E.5E. (Information only $I_{oc}/I_{oc}' = -5.27$ dB).

NOTE 2: The reference value R is for the Fixed Reference Channel (FRC) H-Set 6.

NOTE 3: For FRC H-Set 6C the reference value should be scaled (multiplied by 4.0).

For DC-HSDPA, DB-DC-HSDPA or 4C-HSDPA tests which require more than 8 independent faders, the resulting propagation channel(s) shall be generated by considering a number of independent faders needed for one carrier and connecting them to the signal of randomly chosen carrier(s). The maximum number of channel faders on the test will be less than or equal to 8. The remaining carrier(s) shall be connected without a channel fader but with AWGN. The throughput shall be collected only for the carrier(s) connected to channel faders.

The test shall be repeated by choosing carrier(s) excluding already chosen carrier(s) until all the carrier(s) are tested under fading conditions. The sum of all the collected throughputs from each carrier shall be compared against the reference value in the requirements.

All supported carriers shall be configured and activated during the test.

The reference for this requirement is TS 25.101 [1] clauses 9.2.1.4 and C.5.4.

9.2.1LD.3 Test purpose

To verify the ability of the receiver to receive a predefined test signal, representing a multi-path fading channel with information bit throughput R not falling below a specified value. The test stresses the multicode reception and channel decoding with incremental redundancy.

9.2.1LD.4 Method of test

9.2.1LD.4.1 Initial conditions

Test environment: normal; see clauses G.2.1 and G.2.2.

Frequencies to be tested: mid range; see clause G.2.4.

- 1) Connect the SS (node B emulator) and fader and AWGN noise source to the UE antenna connector as shown in figure A.45.
- 2) Set up an HSDPA call according to TS 34.108 [3] clause 7.3.16 with levels according to table E.5.0.
- 3) Set the node B emulator behaviour according to table 9.2.4. Set the test parameters for test 1-2 according to table 9.2.1LD.1 and levels according to tables 9.2.1LD.4 to 9.2.1LD.5 as appropriate for the serving HS-DSCH cell and all the secondary serving HS-DSCH cells. The configuration of the downlink channels is defined as per E.5E and table E.5.1 for the serving HS-DSCH cell. For all the secondary serving HS-DSCH cell setup P-CPICH, HS-PDSCH and HS-SCCH channels as per E.5.E and table E.5.1A
- 4) The information bit data shall be pseudo random and not repeated before 10 different information bit payload blocks are processed. (e.g. Fixed reference Channel Definition H-set 6 (QPSK): The information bit payload block is 6438 bits long. Hence the PRBSequence must be at least $6438 * 10$ bits long.) Use a PRBS from ITU-T O.153 Ref [27]
- 5) The SS shall not time the transmission freely. It shall time the transmission strictly according to the reference measurement channels: i.e. Process number is continued exactly after 6 TTIs.

- 6) Setup the fading simulator with fading conditions as described in table D.2.2.1A.

9.2.1LD.4.2 Procedure

- 1) Once the HSDPA connection is setup, change levels according to Table E.5.6 to E.5.8B as specified by table E.5.9 and start transmitting HSDPA Data on both the serving cells. For secondary serving HS-DSCH cells only P-CPICH, HS-PDSCH and HS-SCCH are configured.
- 2) For all relevant propagation conditions, for all relevant I_{oc} levels, for all relevant E_c/I_{or} , for all relevant I_{or}/I_{oc} , for all relevant H-sets in tables 9.2.1LD.4 to 9.2.1LD.5 count the number of NACK, ACK and statDTX on the UL HS-DPCCH during the test interval on primary cell and all the secondary cells and decide pass or fail according to Annex F.6.3 table F.6.3.5.2.7D. Throughput is measured per cell in 4 part tests according to table 9.2.1LD.3

Table 9.2.1LD.3: Part test configuration

| | Part test 1 | Part test 2 | Part test 3 | Part test 4 |
|---------------------------------|--|--|--|--|
| Serving cell, freq. 1 | SS signal faded according to Fig A.43. Throughput measured and compared against table F.6.3.5.2.7D | SS signal delayed according to Fig A.43. Throughput ignored | SS signal delayed according to Fig A.43. Throughput ignored | SS signal delayed according to Fig A.43. Throughput ignored |
| Secondary serving cell, freq. 2 | SS signal delayed according to Fig A.43. Throughput ignored | SS signal faded according to Fig A.43. Throughput measured and compared against table F.6.3.5.2.7D | SS signal delayed according to Fig A.43. Throughput ignored | SS signal delayed according to Fig A.43. Throughput ignored |
| Secondary serving cell, freq. 3 | SS signal delayed according to Fig A.43. Throughput ignored | SS signal delayed according to Fig A.43. Throughput ignored | SS signal faded according to Fig A.43. Throughput measured and compared against table F.6.3.5.2.7D | SS signal delayed according to Fig A.43. Throughput ignored |
| Secondary serving cell, freq. 4 | SS signal delayed according to Fig A.43. Throughput ignored | SS signal delayed according to Fig A.43. Throughput ignored | SS signal delayed according to Fig A.43. Throughput ignored | SS signal faded according to Fig A.43. Throughput measured and compared against table F.6.3.5.2.7D |

- 3) To swap from one part test to another part test, terminate the call and repeat the test, starting from initial conditions step 1 with the other part test connection in A.43.

9.2.1LD.5 Test Requirements

Tables 9.2.1LD.4 to 9.2.1LD.5 define the primary level settings including test tolerance for all relevant throughput tests. The pass / fail decision for throughput is done according to Annex F.6.3, where the test time is applicable per part test. The sum of all the collected throughputs from each carrier shall be compared against the reference value in the test requirements, including note 3

Table E.5.6 to E.5.8B define the secondary and subsequently ranked level settings including test tolerance to be applied on all the serving cells. As those level settings are not uniform for the throughput tests in this clause, Table E.5.9 indicates which levels are applied, when the primary level settings (E_c/I_{or} and I_{or}/I_{oc}) and propagation conditions (PB3, VA30) vary.

Table 9.2.1LD.4: Test Parameters for Testing QPSK FRCs H-Set 6C

| Parameter | Unit | Test 1 | Test 2 |
|-----------------|--------------|---------------------------------|--------|
| Phase reference | | P-CPICH | |
| I_{oc} | dBm/3.84 MHz | -60 (no test tolerance applied) | |

Table 9.2.1LD.5: Test requirement enhanced requirement type 3i QPSK at $\hat{I}_{or}/I_{oc}' = 0$ dB, Fixed Reference Channel (FRC) H-Set 6C

| Test Number | Propagation Conditions | Reference value | |
|-------------|------------------------|-------------------------------|--|
| | | HS-PDSCH E_c/I_{or} (dB) | T-put R (kbps) * $\hat{I}_{or}/I_{oc}' = 0.76$ dB DIP1 = -2.58 dB DIP2 = -7.47 dB (Note 1) |
| 1 | PB3 | -5.9 | 691 |
| | | -2.9 | 1359 |
| 2 | VA30 | -5.9 | 661 |
| | | -2.9 | 1327 |

NOTE 1: I_{oc}/I_{oc}' is computed based on the relations shown in E.5E.
NOTE 2: The reference value R is for the Fixed Reference Channel (FRC) H-Set 6.
NOTE 3: For FRC H-Set 6C the reference value should be scaled (multiplied by 4.0)

9.2.2 Open Loop Diversity Performance

The test cases in the following sections 9.2.2A to 9.2.2D define the Open Loop Diversity Performance tests for the different H-Sets for the different HS-DSCH Categories as defined in tables 9.2.1, 9.2.2 and 9.2.3.

9.2.2A Open Loop Diversity Performance - QPSK/16QAM, Fixed Reference Channel (FRC) H-Set 1/2/3

9.2.2A.1 Definition and applicability

The receiver open loop transmit diversity performance of the High Speed Physical Downlink Shared Channel (HS-DSCH) in multi-path fading environments are determined by the information bit throughput R .

The requirements and this test apply to Release 5 and later releases for all types of UTRA for FDD UE that support HSDPA UE capability categories 1 to 6 but not supporting the optional enhanced performance requirements types 1, 2, 3, or 3i.

The requirements and this test apply for Release 6 and later releases to all types of UTRA for the FDD UE that support HSDPA UE capability categories 7 - 10 but not supporting the optional enhanced performance requirements types 1, 2, 3, or 3i.

9.2.2A.2 Minimum requirements

Requirements for a particular UE belonging to certain HS-DSCH category are determined according to the relevant part of Table 9.2.1.

The requirements are specified in terms of minimum information bit throughput R for the DL reference channels H-set 1/2/3 specified in Annex C.8.1.1, C.8.1.2 and C.8.1.3 respectively, with the addition of the relevant parameters in Tables 9.2.2A.1 and 9.2.2A.3 plus the downlink physical channel setup according to table E.5.2.

Using this configuration the throughput shall meet or exceed the minimum requirements specified in tables 9.2.2A.2 and 9.2.2A.4.

Table 9.2.2A.1: Test Parameters for Testing QPSK FRCs H-Set 1/H-Set 2/H-Set 3

| Parameter | Unit | Test 1 | Test 2 | Test 3 |
|---|--------------|-----------|--------|--------|
| Phase reference | | P-CPICH | | |
| I_{oc} | dBm/3.84 MHz | -60 | | |
| Redundancy and constellation version coding sequence | | {0,2,5,6} | | |
| Maximum number of HARQ transmission | | 4 | | |
| NOTE: The HS-SCCH-1 and HS-PDSCH shall be transmitted continuously with constant power. HS-SCCH-1 shall only use the identity of the UE under test for those TTI intended for the UE. | | | | |

Table 9.2.2A.2: Minimum requirement QPSK, Fixed Reference Channel (FRC) H-Set 1/2/3

| Test Number | Propagation Conditions | Reference value | | |
|--|------------------------|-------------------------------|--|---|
| | | HS-PDSCH E_c/I_{or} (dB) | T-put R (kbps) * $\hat{I}_{or}/I_{oc} = 0$ dB | T-put R (kbps) * $\hat{I}_{or}/I_{oc} = 10$ dB |
| 1 | PA3 | -6 | 77 | 375 |
| | | -3 | 180 | 475 |
| 2 | PB3 | -6 | 20 | 183 |
| | | -3 | 154 | 274 |
| 3 | VA30 | -6 | 15 | 187 |
| | | -3 | 162 | 284 |
| * NOTES: 1) The reference value R is for the Fixed Reference Channel (FRC) H-Set 1 2) For Fixed Reference Channel (FRC) H-Set 2 the reference values for R should be scaled (multiplied by 1.5 and rounding to the nearest integer t-put in kbps, where values of $i+1/2$ are rounded up to $i+1$, i integer) 3) For Fixed Reference Channel (FRC) H-Set 3 the reference values for R should be scaled (multiplied by 3 and rounding to the nearest integer t-put in kbps, where values of $i+1/2$ are rounded up to $i+1$, i integer) | | | | |

Table 9.2.2A.3: Test Parameters for Testing 16QAM FRCs H-Set 1/H-Set 2/H-Set 3

| Parameter | Unit | Test 1 | Test 2 | Test 3 |
|---|--------------|-----------|--------|--------|
| Phase reference | | P-CPICH | | |
| I_{oc} | dBm/3.84 MHz | -60 | | |
| Redundancy and constellation version coding sequence | | {6,2,1,5} | | |
| Maximum number of HARQ transmission | | 4 | | |
| NOTE: The HS-SCCH-1 and HS-PDSCH shall be transmitted continuously with constant power. HS-SCCH-1 shall only use the identity of the UE under test for those TTI intended for the UE. | | | | |

Table 9.2.2A.4: Minimum requirement 16QAM, Fixed Reference Channel (FRC) H-Set 1/2/3

| Test Number | Propagation Conditions | Reference value | |
|-------------|------------------------|-------------------------------|---|
| | | HS-PDSCH E_c/I_{or} (dB) | T-put R (kbps) * $\hat{I}_{or}/I_{oc} = 10$ dB |
| 1 | PA3 | -6 | 295 |
| | | -3 | 463 |
| 2 | PB3 | -6 | 24 |
| | | -3 | 243 |
| 3 | VA30 | -6 | 35 |
| | | -3 | 251 |

* NOTES: 1) The reference value R is for the Fixed Reference Channel (FRC) H-Set 1
2) For Fixed Reference Channel (FRC) H-Set 2 the reference values for R should be scaled (multiplied by 1.5 and rounding to the nearest integer t-put in kbps, where values of $i+1/2$ are rounded up to $i+1$, i integer)
3) For Fixed Reference Channel (FRC) H-Set 3 the reference values for R should be scaled (multiplied by 3 and rounding to the nearest integer t-put in kbps, where values of $i+1/2$ are rounded up to $i+1$, i integer)

The reference for this requirement is TS 25.101 [1] clauses 9.2.2.1 and 9.2.2.2.

9.2.2A.3 Test purpose

To verify the ability of the receiver to receive a predefined test signal, representing a multi-path fading channel with information bit throughput R not falling below a specified value. The test stresses the multi-code reception and channel decoding with incremental redundancy.

9.2.2A.4 Method of test

9.2.2A.4.1 Initial conditions

Test environment: normal; see clauses G.2.1 and G.2.2.

Frequencies to be tested: mid range; see clause G.2.4.

1. Connect the SS (Node B Emulator) and faders and AWGN noise sources to the UE antenna connector as shown in figure A.12.
2. Set the node B emulator behaviour according to table 9.2.4. Set the test parameters for tests 1-3 according to table 9.2.2A.1 or 9.2.2A.3 and levels according to tables 9.2.2A.6 to 9.2.2A.9. The configuration of the downlink channels is defined in table E.5.2.
3. The information bit data shall be pseudo random and not repeated before 10 different information bit payload blocks are processed. (e.g. Fixed reference Channel Definition H-set 1 (16 QAM): The information bit payload block is 4664 bits long. Hence the PRBS must be at least $4664 * 10$ bits long) Use a PRBS from ITU-T O.153 Ref [27].
4. Setup the fading simulators with fading conditions as described in table D.2.2.1.A and clause D.2.7.

Table 9.2.2A.5: Specific Message Contents for open-loop transmit diversity mode

SYSTEM INFORMATION BLOCK TYPE5

| Information Element | Value/remark |
|---|------------------|
| PRACH system information list - AICH info - STTD Indicator | TRUE |
| Secondary CCPCH system information - PICH info - STTD Indicator - Secondary CCPCH info - STTD Indicator | TRUE TRUE |
| Primary CCPCH info - CHOICE mode - TX Diversity indicator | FDD TRUE |

SYSTEM INFORMATION BLOCK TYPE11

| Information Element | Value/remark |
|--|--------------|
| New intra-frequency cells - Intra-frequency cell id | 1 |
| - TX Diversity indicator | TRUE |

RRC CONNECTION SETUP

| Information Element | Value/remark |
|---|--------------|
| Downlink information common for all radio links - CHOICE mode - TX Diversity Mode | FDD STTD |
| Downlink DPCH info for each RL - CHOICE mode - Downlink DPCH info for each RL - Closed loop timing adjustment mode | FDD 1 |

RADIO BEARER SETUP for Closed test loop mode1 and HSDPA

| Information Element | Value/remark |
|---|--------------|
| Downlink information common for all radio links - CHOICE mode - TX Diversity Mode | FDD STTD |
| Downlink DPCH info for each RL - CHOICE mode - Downlink DPCH info for each RL - Closed loop timing adjustment mode | FDD 1 |

9.2.2A.4.2 Procedure

1. Set up a HSDPA with looping back 12.2kbps RMC connection according to the generic HSDPA set-up procedure specified in TS 34.108 [3] sub clause 7.3.6 with the exceptions for information elements listed in table 9.2.2A.5, with levels according to table E.5.0.
2. Once the HSDPA connection is setup, change levels according to Tables E.5.6 to E.5.8B as specified by table E.5.9 and start transmitting HSDPA Data.
3. For all relevant propagation conditions, for all relevant I_{oc} levels, for all relevant E_c/I_{or} , for all relevant \hat{I}_{or}/I_{oc} , for all relevant H-sets in tables 9.2.2A.6 to 9.2.2A.9 count the number of NACK, ACK and statDTX on the UL HS-DPCCH during the test interval and decide pass or fail according to Annex F.6.3 tables F.6.3.5.3.1 and F.6.3.5.3.2. ACK is counted as a pass. NACK and statDTX are counted as a failure.

9.2.2A.5 Test Requirements

Tables 9.2.2A.6 to 9.2.2A.9 define the primary level settings including test tolerance and test parameters for all relevant throughput tests. The pass / fail decision for throughput is done according to Annex F.6.3.

Tables E.5.6 to E.5.8B define the secondary and subsequently ranked level settings including test tolerance. As those level settings are not uniform for the throughput tests in this clause, Table E.5.9 indicates which levels are applied, when the primary level settings (E_c/I_{or} and I_{or}/I_{oc}) and propagation conditions (PA3, PB3, VA30, VA 120) vary.

Note that the levels in tables E.5.6 to E.5.8B, when applied in this subclause (open loop transmit diversity) are equal to the sum of the levels at both antennas. They are equally divided between both antennas according to Table E.5.2: column Note.

Table 9.2.2A.6: Test Parameters for Testing QPSK FRCs H-Set 1/H-Set 2/H-Set 3

| Parameter | Unit | Test 1 | Test 2 | Test 3 |
|-----------------|--------------|---------------------------------|--------|--------|
| Phase reference | | P-CPICH | | |
| I_{oc} | dBm/3.84 MHz | -60 (no test tolerance applied) | | |

Table 9.2.2A.7: Test requirement QPSK, Fixed Reference Channel (FRC) H-Set 1/2/3

| Test Number | Propagation Conditions | Reference value | | |
|-------------|------------------------|-------------------------------|--|---|
| | | HS-PDSCH E_c/I_{or} (dB) | T-put R (kbps) * $\hat{I}_{or}/I_{oc} = 0.8$ dB | T-put R (kbps) * $\hat{I}_{or}/I_{oc} = 10.8$ dB |
| 1 | PA3 | -5.9 | 77 | 375 |
| | | -2.9 | 180 | 475 |
| 2 | PB3 | -5.9 | 20 | 183 |
| | | -2.9 | 154 | 274 |
| 3 | VA30 | -5.9 | 15 | 187 |
| | | -2.9 | 162 | 284 |

* NOTES: 1) The reference value R is for the Fixed Reference Channel (FRC) H-Set 1
2) For Fixed Reference Channel (FRC) H-Set 2 the reference values for R should be scaled (multiplied by 1.5 and rounding to the nearest integer t-put in kbps, where values of $i+1/2$ are rounded up to $i+1$, i integer)
3) For Fixed Reference Channel (FRC) H-Set 3 the reference values for R should be scaled (multiplied by 3 and rounding to the nearest integer t-put in kbps, where values of $i+1/2$ are rounded up to $i+1$, i integer)

Table 9.2.2A.8: Test Parameters for Testing 16QAM FRCs H-Set 1/H-Set 2/H-Set 3

| Parameter | Unit | Test 1 | Test 2 | Test 3 |
|-----------------|--------------|---------------------------------|--------|--------|
| Phase reference | | P-CPICH | | |
| I_{oc} | dBm/3.84 MHz | -60 (no test tolerance applied) | | |

Table 9.2.2A.9: Test requirement 16QAM, Fixed Reference Channel (FRC) H-Set 1/2/3

| Test Number | Propagation Conditions | Reference value | |
|-------------|------------------------|-------------------------------|---|
| | | HS-PDSCH E_c/I_{or} (dB) | T-put R (kbps) * $\hat{I}_{or}/I_{oc} = 10.8$ dB |
| 1 | PA3 | -5.9 | 295 |
| | | -2.9 | 463 |
| 2 | PB3 | -5.9 | 24 |
| | | -2.9 | 243 |
| 3 | VA30 | -5.9 | 35 |
| | | -2.9 | 251 |

* NOTES: 1) The reference value R is for the Fixed Reference Channel (FRC) H-Set 1
2) For Fixed Reference Channel (FRC) H-Set 2 the reference values for R should be scaled (multiplied by 1.5 and rounding to the nearest integer t-put in kbps, where values of $i+1/2$ are rounded up to $i+1$, i integer)
3) For Fixed Reference Channel (FRC) H-Set 3 the reference values for R should be scaled (multiplied by 3 and rounding to the nearest integer t-put in kbps, where values of $i+1/2$ are rounded up to $i+1$, i integer)

NOTE: If the above Test Requirement differs from the Minimum Requirement then the Test Tolerance applied for this test is non-zero. The Test Tolerance for this test is defined in clause F.2 and the explanation of how the Minimum Requirement has been relaxed by the Test Tolerance is given in clause F.4.

9.2.2B Open Loop Diversity Performance - QPSK, Fixed Reference Channel (FRC) H-Set 4/5

9.2.2B.1 Definition and applicability

The receiver open loop transmit diversity performance of the High Speed Physical Downlink Shared Channel (HS-DSCH) in multi-path fading environments are determined by the information bit throughput R .

The requirements and this test apply to Release 5 and later releases for all types of UTRA for FDD UE that support HSDPA UE capability categories 11 and 12.

9.2.2B.2 Minimum requirements

Requirements for a particular UE belonging to certain HS-DSCH category are determined according to the relevant part of Table 9.2.1.

The requirements are specified in terms of minimum information bit throughput R for the DL reference channels H-set 4/5 specified in Annex C.8.1.4 and C.8.1.5 respectively, with the addition of the relevant parameters in Table 9.2.2B.1 plus the downlink physical channel setup according to table E.5.2.

Using this configuration the throughput shall meet or exceed the minimum requirements specified in tables 9.2.2B.2 and 9.2.2B.3.

Table 9.2.2B.1: Test Parameters for Testing QPSK FRCs H-Set 4/H-Set 5

| Parameter | Unit | Test 1 | Test 2 | Test 3 |
|---|--------------|--------|-----------|--------|
| Phase reference | | | P-CPICH | |
| I_{oc} | dBm/3.84 MHz | | -60 | |
| Redundancy and constellation version coding sequence | | | {0,2,5,6} | |
| Maximum number of HARQ transmission | | | 4 | |
| NOTE: The HS-SCCH-1 and HS-PDSCH shall be transmitted continuously with constant power. HS-SCCH-1 shall only use the identity of the UE under test for those TTI intended for the UE. | | | | |

Table 9.2.2B.2: Minimum requirement QPSK, Fixed Reference Channel (FRC) H-Set 4

| Test Number | Propagation Conditions | Reference value | | |
|-------------|------------------------|-------------------------------|--|---|
| | | HS-PDSCH E_c/I_{or} (dB) | T-put R (kbps) * $\hat{I}_{or}/I_{oc} = 0$ dB | T-put R (kbps) * $\hat{I}_{or}/I_{oc} = 10$ dB |
| 1 | PA3 | -6 | 70 | 369 |
| | | -3 | 171 | 471 |
| 2 | PB3 | -6 | 14 | 180 |
| | | -3 | 150 | 276 |
| 3 | VA30 | -6 | 11 | 184 |
| | | -3 | 156 | 285 |

* NOTE: The reference value R is for the Fixed Reference Channel (FRC) H-Set 4

Table 9.2.2B.3: Minimum requirement QPSK, Fixed Reference Channel (FRC) H-Set 5

| Test Number | Propagation Conditions | Reference value | | |
|-------------|------------------------|-------------------------------|--|---|
| | | HS-PDSCH E_c/I_{or} (dB) | T-put R (kbps) * $\hat{I}_{or}/I_{oc} = 0$ dB | T-put R (kbps) * $\hat{I}_{or}/I_{oc} = 10$ dB |
| 1 | PA3 | -6 | 116 | 563 |
| | | -3 | 270 | 713 |
| 2 | PB3 | -6 | 30 | 275 |
| | | -3 | 231 | 411 |
| 3 | VA30 | -6 | 23 | 281 |
| | | -3 | 243 | 426 |

* NOTE: The reference value R is for the Fixed Reference Channel (FRC) H-Set 5

The reference for this requirement is TS 25.101 [1] clause 9.2.2.3.

9.2.2B.3 Test purpose

To verify the ability of the receiver to receive a predefined test signal, representing a multi-path fading channel with information bit throughput R not falling below a specified value. The test stresses the multi-code reception and channel decoding with incremental redundancy.

9.2.2B.4 Method of test

9.2.2B.4.1 Initial conditions

Test environment: normal; see clauses G.2.1 and G.2.2.

Frequencies to be tested: mid range; see clause G.2.4.

1. Connect the SS (Node B Emulator) and faders and AWGN noise sources to the UE antenna connector as shown in figure A.22 for UEs that support receive diversity or figure A.12 for UEs that do not support receive diversity.

NOTE: For a transition period of two meeting cycles until RAN#60, figure A.22 does not need to be used.

2. Set the node B emulator behaviour according to table 9.2.4. Set the test parameters for tests 1-3 according to table 9.2.2B.1 and levels according to tables 9.2.2B.5 to 9.2.2B.7. The configuration of the downlink channels is defined in table E.5.2.
3. The information bit data shall be pseudo random and not repeated before 10 different information bit payload blocks are processed. (e.g. Fixed reference Channel Definition H-set 1 (16 QAM): The information bit payload block is 4664 bits long. Hence the PRBS must be at least $4664 * 10$ bits long) Use a PRBS from ITU-T O.153 Ref [27].
4. Setup the fading simulators with fading conditions as described in table D.2.2.1.A and clause D.2.7.

Table 9.2.2B.4: Specific Message Contents for open-loop transmit diversity mode

SYSTEM INFORMATION BLOCK TYPE5

| Information Element | Value/remark |
|---|------------------|
| PRACH system information list - AICH info - STTD Indicator | TRUE |
| Secondary CCPCH system information - PICH info - STTD Indicator - Secondary CCPCH info - STTD Indicator | TRUE TRUE |
| Primary CCPCH info - CHOICE mode - TX Diversity indicator | FDD TRUE |

SYSTEM INFORMATION BLOCK TYPE11

| Information Element | Value/remark |
|--|--------------|
| New intra-frequency cells - Intra-frequency cell id | 1 |
| - TX Diversity indicator | TRUE |

RRC CONNECTION SETUP

| Information Element | Value/remark |
|---|--------------|
| Downlink information common for all radio links - CHOICE mode - TX Diversity Mode | FDD STTD |
| Downlink DPCH info for each RL - CHOICE mode - Downlink DPCH info for each RL - Closed loop timing adjustment mode | FDD 1 |

RADIO BEARER SETUP for Closed test loop mode1 and HSDPA

| Information Element | Value/remark |
|---|--------------|
| Downlink information common for all radio links - CHOICE mode - TX Diversity Mode | FDD STTD |
| Downlink DPCH info for each RL - CHOICE mode - Downlink DPCH info for each RL - Closed loop timing adjustment mode | FDD 1 |

9.2.2B.4.2 Procedure

1. Set up a HSDPA connection with looping back 12.2kbps RMC according to the generic HSDPA set-up procedure specified in TS 34.108 [3] sub clause 7.3.6 with the exceptions for information elements listed in table 9.2.2B.4, with levels according to table E.5.0.
2. Once the HSDPA connection is setup, change levels according to Tables E.5.6 to E.5.8B as specified by table E.5.9 and start transmitting HSDPA Data.
3. For all relevant propagation conditions, for all relevant I_{oc} levels, for all relevant E_c/I_{or} , for all relevant \hat{I}_{or}/I_{oc} , for all relevant H-sets in tables 9.2.2B.5 to 9.2.2B.7 count the number of NACK, ACK and statDTX on the UL HS-DPCCH during the test interval and decide pass or fail according to Annex F.6.3 tables F.6.3.5.3.3 and F.6.3.5.3.4. ACK is counted as a pass. NACK and statDTX are counted as a failure.

9.2.2B.5 Test Requirements

Tables 9.2.2B.5 to 9.2.2B.7 define the primary level settings including test tolerance and test parameters for all relevant throughput tests. The pass / fail decision for throughput is done according to Annex F.6.3.

Tables E.5.6 to E.5.8B define the secondary and subsequently ranked level settings including test tolerance. As those level settings are not uniform for the throughput tests in this clause, Table E.5.9 indicates which levels are applied, when the primary level settings (E_c/I_{or} and I_{or}/I_{oc}) and propagation conditions (PA3, PB3, VA30, VA 120) vary.

Note that the levels in tables E.5.6 to E.5.8B, when applied in this subclause (open loop transmit diversity) are equal to the sum of the levels at both antennas. They are equally divided between both antennas according to Table E.5.2: column Note.

Table 9.2.2B.5: Test Parameters for Testing QPSK FRCs H-Set 4/H-Set 5

| Parameter | Unit | Test 1 | Test 2 | Test 3 |
|-----------------|--------------|---------------------------------|--------|--------|
| Phase reference | | P-CPICH | | |
| I_{oc} | dBm/3.84 MHz | -60 (no test tolerance applied) | | |

Table 9.2.2B.6: Test requirement QPSK, Fixed Reference Channel (FRC) H-Set 4

| Test Number | Propagation Conditions | Reference value | | |
|-------------|------------------------|-------------------------------|--|---|
| | | HS-PDSCH E_c/I_{or} (dB) | T-put R (kbps) * $\hat{I}_{or}/I_{oc} = 0.8$ dB | T-put R (kbps) * $\hat{I}_{or}/I_{oc} = 10.8$ dB |
| 1 | PA3 | -5.9 | 70 | 369 |
| | | -2.9 | 171 | 471 |
| 2 | PB3 | -5.9 | 14 | 180 |
| | | -2.9 | 150 | 276 |
| 3 | VA30 | -5.9 | 11 | 184 |
| | | -2.9 | 156 | 285 |

* NOTE: The reference value R is for the Fixed Reference Channel (FRC) H-Set 4

Table 9.2.2B.7: Test requirement QPSK, Fixed Reference Channel (FRC) H-Set 5

| Test Number | Propagation Conditions | Reference value | | |
|-------------|------------------------|-------------------------------|--|---|
| | | HS-PDSCH E_c/I_{or} (dB) | T-put R (kbps) * $\hat{I}_{or}/I_{oc} = 0.8$ dB | T-put R (kbps) * $\hat{I}_{or}/I_{oc} = 10.8$ dB |
| 1 | PA3 | -5.9 | 116 | 563 |
| | | -2.9 | 270 | 713 |
| 2 | PB3 | -5.9 | 30 | 275 |
| | | -2.9 | 231 | 411 |
| 3 | VA30 | -5.9 | 23 | 281 |
| | | -2.9 | 243 | 426 |

* NOTE: The reference value R is for the Fixed Reference Channel (FRC) H-Set 5

NOTE: If the above Test Requirement differs from the Minimum Requirement then the Test Tolerance applied for this test is non-zero. The Test Tolerance for this test is defined in clause F.2 and the explanation of how the Minimum Requirement has been relaxed by the Test Tolerance is given in clause F.4.

9.2.2C Open Loop Diversity Performance - Enhanced Performance Requirements Type 1 - QPSK/16QAM, Fixed Reference Channel (FRC) H-Set 1/2/3

9.2.2C.1 Definition and applicability

The receiver open loop transmit diversity performance of the High Speed Physical Downlink Shared Channel (HS-DSCH) in multi-path fading environments are determined by the information bit throughput R .

The requirements and this test apply for Release 6 and later releases to all types of UTRA for the FDD UE that support HSDPA UE capability categories 1 to 10 and the optional enhanced performance requirements type 1.

9.2.2C.2 Minimum requirements

Requirements for a particular UE belonging to certain HS-DSCH category are determined according to the relevant parts of Table 9.2.2..

The requirements are specified in terms of minimum information bit throughput R for the DL reference channels H-set 1/2/3 specified in Annex C.8.1.1, C.8.1.2 and C.8.1.3 respectively, with the addition of the relevant parameters in Tables 9.2.2C.1 and 9.2.2C.3 plus the downlink physical channel setup according to table E.5.2.

Using this configuration the throughput shall meet or exceed the minimum requirements specified in tables 9.2.2C.2 and 9.2.2C.4.

Table 9.2.2C.1: Test Parameters for Testing QPSK FRCs H-Set 1/H-Set 2/H-Set 3

| Parameter | Unit | Test 1 | Test 2 | Test 3 |
|---|--------------|-----------|--------|--------|
| Phase reference | | P-CPICH | | |
| I_{oc} | dBm/3.84 MHz | -60 | | |
| Redundancy and constellation version coding sequence | | {0,2,5,6} | | |
| Maximum number of HARQ transmission | | 4 | | |
| NOTE: The HS-SCCH-1 and HS-PDSCH shall be transmitted continuously with constant power. HS-SCCH-1 shall only use the identity of the UE under test for those TTI intended for the UE. | | | | |

Table 9.2.2C.2: Minimum requirement Enhanced requirement type 1, QPSK, Fixed Reference Channel (FRC) H-Set 1/2/3

| Test Number | Propagation Conditions | Reference value | | |
|--|------------------------|---------------------------------|--|---|
| | | HS-PDSCH E_c / I_{or} (dB) | T-put R (kbps) * $\hat{I}_{or} / I_{oc} = 0$ dB | T-put R (kbps) * $\hat{I}_{or} / I_{oc} = 10$ dB |
| 1 | PA3 | -12 | N/A | 268 |
| | | -9 | N/A | 407 |
| | | -6 | 197 | N/A |
| | | -3 | 333 | N/A |
| 2 | PB3 | -9 | N/A | 183 |
| | | -6 | 152 | 288 |
| | | -3 | 251 | N/A |
| 3 | VA30 | -9 | N/A | 197 |
| | | -6 | 164 | 307 |
| | | -3 | 261 | N/A |
| * NOTES: 1) The reference value R is for the Fixed Reference Channel (FRC) H-Set 1 2) For Fixed Reference Channel (FRC) H-Set 2 the reference values for R should be scaled (multiplied by 1.5 and rounding to the nearest integer t-put in kbps, where values of i+1/2 are rounded up to i+1, i integer) 3) For Fixed Reference Channel (FRC) H-Set 3 the reference values for R should be scaled (multiplied by 3 and rounding to the nearest integer t-put in kbps, where values of i+1/2 are rounded up to i+1, i integer) | | | | |

Table 9.2.2C.3: Test Parameters for Testing 16QAM FRCs H-Set 1/H-Set 2/H-Set 3

| Parameter | Unit | Test 1 | Test 2 | Test 3 |
|---|--------------|-----------|--------|--------|
| Phase reference | | P-CPICH | | |
| I_{oc} | dBm/3.84 MHz | -60 | | |
| Redundancy and constellation version coding sequence | | {6,2,1,5} | | |
| Maximum number of HARQ transmission | | 4 | | |
| NOTE: The HS-SCCH-1 and HS-PDSCH shall be transmitted continuously with constant power. HS-SCCH-1 shall only use the identity of the UE under test for those TTI intended for the UE. | | | | |

Table 9.2.2C.4: Minimum requirement Enhanced requirement type 1, 16QAM, Fixed Reference Channel (FRC) H-Set 1/2/3

| Test Number | Propagation Conditions | Reference value | |
|---|------------------------|-------------------------------|---|
| | | HS-PDSCH E_c/I_{or} (dB) | T-put R (kbps) * $\hat{I}_{or}/I_{oc} = 10$ dB |
| 1 | PA3 | -9 | 340 |
| | | -6 | 513 |
| 2 | PB3 | -6 | 251 |
| | | -3 | 374 |
| 3 | VA30 | -6 | 280 |
| | | -3 | 398 |
| * NOTES: 1)The reference value R is for the Fixed Reference Channel (FRC) H-Set 1 2) For Fixed Reference Channel (FRC) H-Set 2 the reference values for R should be scaled (multiplied by 1.5 and rounding to the nearest integer t-put in kbps, where values of $i+1/2$ are rounded up to $i+1$, i integer) 3) For Fixed Reference Channel (FRC) H-Set 3 the reference values for R should be scaled (multiplied by 3 and rounding to the nearest integer t-put in kbps, where values of $i+1/2$ are rounded up to $i+1$, i integer) | | | |

The reference for this requirement is TS 25.101 [1] clauses 9.2.2.1 and 9.2.2.2.

9.2.2C.3 Test purpose

To verify the ability of the receiver to receive a predefined test signal, representing a multi-path fading channel with information bit throughput R not falling below a specified value. The test stresses the multi-code reception and channel decoding with incremental redundancy.

9.2.2C.4 Method of test

9.2.2C.4.1 Initial conditions

Test environment: normal; see clauses G.2.1 and G.2.2.

Frequencies to be tested: mid range; see clause G.2.4.

1. Connect the SS (Node B Emulator) and faders and AWGN noise sources to the UE antenna connector as shown in figure A.22 for UEs that support receive diversity or figure A.12 for UEs that do not support receive diversity.
2. Set the node B emulator behaviour according to table 9.2.4. Set the test parameters for tests 1-3 according to table 9.2.2C.1 or 9.2.2C.3 and levels according to tables 9.2.2C.6 to 9.2.2C.9. The configuration of the downlink channels is defined in table E.5.2.
3. The information bit data shall be pseudo random and not repeated before 10 different information bit payload blocks are processed. (e.g. Fixed reference Channel Definition H-set 1 (16 QAM): The information bit payload block is 4664 bits long. Hence the PRBS must be at least $4664 * 10$ bits long) Use a PRBS from ITU-T O.153 Ref [27].

4. Setup the fading simulators with fading conditions as described in table D.2.2.1.A and clause D.2.5.

Table 9.2.2C.5: Specific Message Contents for open-loop transmit diversity mode

SYSTEM INFORMATION BLOCK TYPE5

| Information Element | Value/remark |
|---|--------------|
| PRACH system information list - AICH info - STTD Indicator | TRUE |
| Secondary CCPCH system information - PICH info - STTD Indicator - Secondary CCPCH info - STTD Indicator | TRUE TRUE |
| Primary CCPCH info - CHOICE mode - TX Diversity indicator | FDD TRUE |

SYSTEM INFORMATION BLOCK TYPE11

| Information Element | Value/remark |
|--|--------------|
| New intra-frequency cells - Intra-frequency cell id | 1 |
| - TX Diversity indicator | TRUE |

RRC CONNECTION SETUP

| Information Element | Value/remark |
|---|--------------|
| Downlink information common for all radio links - CHOICE mode - TX Diversity Mode | FDD STTD |
| Downlink DPCH info for each RL - CHOICE mode - Downlink DPCH info for each RL - Closed loop timing adjustment mode | FDD 1 |

RADIO BEARER SETUP for Closed test loop mode1 and HSDPA

| Information Element | Value/remark |
|---|--------------|
| Downlink information common for all radio links - CHOICE mode - TX Diversity Mode | FDD STTD |
| Downlink DPCH info for each RL - CHOICE mode - Downlink DPCH info for each RL - Closed loop timing adjustment mode | FDD 1 |

9.2.2C.4.2 Procedure

1. Set up a HSDPA connection with looping back 12.2kbps RMC according to the generic HSDPA set-up procedure specified in TS 34.108 [3] sub clause 7.3.6 with the exceptions for information elements listed in table 9.2.2C.5, with levels according to table E.5.0.
2. Once the HSDPA connection is setup, change levels according to Tables E.5.6 to E.5.8B as specified by table E.5.9 and start transmitting HSDPA Data.
3. For all relevant propagation conditions, for all relevant Ioc levels, for all relevant \hat{I}_{or}/I_{oc} , for all relevant H-sets in tables 9.2.2C.6 to 9.2.2C.9 count the number of NACK, ACK and statDTX on the UL HS-DPCCH during the test interval and decide pass or fail according to Annex F.6.3 tables F.6.3.5.3.5 and F.6.3.5.3.6. ACK is counted as a pass. NACK and statDTX are counted as a failure.

9.2.2C.5 Test Requirements

Tables 9.2.2C.6 to 9.2.2C.9 define the primary level settings including test tolerance and test parameters for all relevant throughput tests. The pass / fail decision for throughput is done according to Annex F.6.3.

Tables E.5.6 to E.5.8B define the secondary and subsequently ranked level settings including test tolerance. As those level settings are not uniform for the throughput tests in this clause, Table E.5.9 indicates which levels are applied, when the primary level settings (E_c/I_{or} and I_{or}/I_{oc}) and propagation conditions (PA3, PB3, VA30, VA 120) vary.

Note that the levels in tables E.5.6 to E.5.8B, when applied in this subclause (open loop transmit diversity) are equal to the sum of the levels at both antennas. They are equally divided between both antennas according to Table E.5.2: column Note.

Table 9.2.2C.6: Test Parameters for Testing QPSK FRCs H-Set 1/H-Set 2/H-Set 3

| Parameter | Unit | Test 1 | Test 2 | Test 3 |
|-----------------|--------------|---------------------------------|--------|--------|
| Phase reference | | P-CPICH | | |
| I_{oc} | dBm/3.84 MHz | -60 (no test tolerance applied) | | |

Table 9.2.2C.7: Test requirement Enhanced requirement type 1, QPSK, Fixed Reference Channel (FRC) H-Set 1/2/3

| Test Number | Propagation Conditions | Reference value | | |
|-------------|------------------------|-------------------------------|--|---|
| | | HS-PDSCH E_c/I_{or} (dB) | T-put R (kbps) * $\hat{I}_{or}/I_{oc} = 0.8$ dB | T-put R (kbps) * $\hat{I}_{or}/I_{oc} = 10.8$ dB |
| 1 | PA3 | -11.9 | N/A | 268 |
| | | -8.9 | N/A | 407 |
| | | -5.9 | 197 | N/A |
| | | -2.9 | 333 | N/A |
| 2 | PB3 | -8.9 | N/A | 183 |
| | | -5.9 | 152 | 288 |
| | | -2.9 | 251 | N/A |
| 3 | VA30 | -8.9 | N/A | 197 |
| | | -5.9 | 164 | 307 |
| | | -2.9 | 261 | N/A |

* NOTES: 1) The reference value R is for the Fixed Reference Channel (FRC) H-Set 1
2) For Fixed Reference Channel (FRC) H-Set 2 the reference values for R should be scaled (multiplied by 1.5 and rounding to the nearest integer t-put in kbps, where values of $i+1/2$ are rounded up to $i+1$, i integer)
3) For Fixed Reference Channel (FRC) H-Set 3 the reference values for R should be scaled (multiplied by 3 and rounding to the nearest integer t-put in kbps, where values of $i+1/2$ are rounded up to $i+1$, i integer)

Table 9.2.2C.8: Test Parameters for Testing 16QAM FRCs H-Set 1/H-Set 2/H-Set 3

| Parameter | Unit | Test 1 | Test 2 | Test 3 |
|-----------------|--------------|---------------------------------|--------|--------|
| Phase reference | | P-CPICH | | |
| I_{oc} | dBm/3.84 MHz | -60 (no test tolerance applied) | | |

Table 9.2.2C.9: Test requirement Enhanced requirement type 1, 16QAM, Fixed Reference Channel (FRC) H-Set 1/2/3

| Test Number | Propagation Conditions | Reference value | |
|-------------|------------------------|---------------------------------|---|
| | | HS-PDSCH E_c / I_{or} (dB) | T-put R (kbps) * $\hat{I}_{or} / I_{oc} = 10.8$ dB |
| 1 | PA3 | -8.9 | 340 |
| | | -5.9 | 513 |
| 2 | PB3 | -5.9 | 251 |
| | | -2.9 | 374 |
| 3 | VA30 | -5.9 | 280 |
| | | -2.9 | 398 |

* NOTES: 1) The reference value R is for the Fixed Reference Channel (FRC) H-Set 1
2) For Fixed Reference Channel (FRC) H-Set 2 the reference values for R should be scaled (multiplied by 1.5 and rounding to the nearest integer t-put in kbps, where values of $i+1/2$ are rounded up to $i+1$, i integer)
3) For Fixed Reference Channel (FRC) H-Set 3 the reference values for R should be scaled (multiplied by 3 and rounding to the nearest integer t-put in kbps, where values of $i+1/2$ are rounded up to $i+1$, i integer)

NOTE: If the above Test Requirement differs from the Minimum Requirement then the Test Tolerance applied for this test is non-zero. The Test Tolerance for this test is defined in clause F.2 and the explanation of how the Minimum Requirement has been relaxed by the Test Tolerance is given in clause F.4.

9.2.2D Open Loop Diversity Performance - Enhanced Performance Requirements Type 2 - QPSK/16QAM, Fixed Reference Channel (FRC) H-Set 3

9.2.2D.1 Definition and applicability

The receiver open loop transmit diversity performance of the High Speed Physical Downlink Shared Channel (HS-DSCH) in multi-path fading environments are determined by the information bit throughput R .

The requirements and this test apply to Release 6 and later releases for all types of UTRA for FDD UE that support HSDPA UE capability categories 7 - 10 and the optional enhanced performance requirements type 2 but not the optional enhanced performance requirements Type 3 or Type 3i.

The requirements and this test apply also for Release 7 and later releases to all types of UTRA for the FDD UE that support: HSDPA UE capability categories 13 and 14 but not the optional enhanced performance requirements Type 3 or Type 3i.

9.2.2D.2 Minimum requirements

Requirements for a particular UE belonging to certain HS-DSCH category are determined according to the relevant part of Table 9.2.1.

The requirements are specified in terms of minimum information bit throughput R for the DL reference channels H-set 3 specified in Annex C.8.1.3, with the addition of the relevant parameters in Tables 9.2.2D.1 and 9.2.2D.3 plus the downlink physical channel setup according to table E.5.2.

Using this configuration the throughput shall meet or exceed the minimum requirements specified in tables 9.2.2D.2 and 9.2.2D.4.

Table 9.2.2D.1: Test Parameters for Testing QPSK FRCs H-Set 3

| Parameter | Unit | Test 1 | Test 2 | Test 3 |
|---|--------------|-----------|--------|--------|
| Phase reference | | P-CPICH | | |
| I_{oc} | dBm/3.84 MHz | -60 | | |
| Redundancy and constellation version coding sequence | | {0,2,5,6} | | |
| Maximum number of HARQ transmission | | 4 | | |
| NOTE: The HS-SCCH-1 and HS-PDSCH shall be transmitted continuously with constant power. HS-SCCH-1 shall only use the identity of the UE under test for those TTI intended for the UE. | | | | |

Table 9.2.2D.2: Minimum requirement Enhanced performance requirements Type 2, QPSK, Fixed Reference Channel (FRC) H-Set 3

| Test Number | Propagation Conditions | Reference value | | |
|--|------------------------|-------------------------------|--|---|
| | | HS-PDSCH E_c/I_{or} (dB) | T-put R (kbps) * $\hat{I}_{or}/I_{oc} = 0$ dB | T-put R (kbps) * $\hat{I}_{or}/I_{oc} = 10$ dB |
| 1 | PA3 | -6 | 77 | 375 |
| | | -3 | 180 | 475 |
| 2 | PB3 | -6 | 20 | 183 |
| | | -3 | 154 | 274 |
| 3 | VA30 | -6 | 15 | 187 |
| | | -3 | 162 | 284 |
| * NOTES: 1) The reference value R is for the Fixed Reference Channel (FRC) H-Set 1, for Fixed Reference Channel (FRC) H-Set 3 the reference values for R should be scaled (multiplied by 3 and rounding to the nearest integer t-put in kbps, where values of $i+1/2$ are rounded up to $i+1$, i integer) | | | | |

Table 9.2.2D.3: Test Parameters for Testing 16QAM FRCs H-Set 3

| Parameter | Unit | Test 1 | Test 2 | Test 3 |
|---|--------------|-----------|--------|--------|
| Phase reference | | P-CPICH | | |
| I_{oc} | dBm/3.84 MHz | -60 | | |
| Redundancy and constellation version coding sequence | | {6,2,1,5} | | |
| Maximum number of HARQ transmission | | 4 | | |
| NOTE: The HS-SCCH-1 and HS-PDSCH shall be transmitted continuously with constant power. HS-SCCH-1 shall only use the identity of the UE under test for those TTI intended for the UE. | | | | |

Table 9.2.2D.4: Minimum requirement Enhanced performance requirements Type 2, 16QAM, Fixed Reference Channel (FRC) H-Set 3

| Test Number | Propagation Conditions | Reference value | |
|-------------|------------------------|---------------------------------|---|
| | | HS-PDSCH E_c / I_{or} (dB) | T-put R (kbps) * $\hat{I}_{or} / I_{oc} = 10$ dB |
| 1 | PA3 | -6 | 295 |
| | | -3 | 463 |
| 2 | PB3 | -6 | 24 |
| | | -3 | 243 |
| 3 | VA30 | -6 | 35 |
| | | -3 | 251 |

* NOTES: 1) The reference value R is for the Fixed Reference Channel (FRC) H-Set 1, for Fixed Reference Channel (FRC) H-Set 3 the reference values for R should be scaled (multiplied by 3 and rounding to the nearest integer t-put in kbps, where values of $i+1/2$ are rounded up to $i+1$, i integer)

NOTE: Tables 9.2.2D.2 and 9.2.2D.4 are based on core requirements for minimum requirement as explained in Table 9.2.3.

The reference for this requirement is TS 25.101 [1] clauses 9.2.2.1 and 9.2.2.2.

9.2.2D.3 Test purpose

To verify the ability of the receiver to receive a predefined test signal, representing a multi-path fading channel with information bit throughput R not falling below a specified value. The test stresses the multi-code reception and channel decoding with incremental redundancy.

9.2.2D.4 Method of test

9.2.2D.4.1 Initial conditions

Test environment: normal; see clauses G.2.1 and G.2.2.

Frequencies to be tested: mid range; see clause G.2.4.

1. Connect the SS (Node B Emulator) and faders and AWGN noise sources to the UE antenna connector as shown in figure A.22 for UEs that support receive diversity or figure A.12 for UEs that do not support receive diversity.

NOTE: For a transition period of two meeting cycles until RAN#60, figure A.22 does not need to be used.

2. Set the node B emulator behaviour according to table 9.2.4. Set the test parameters for tests 1-3 according to table 9.2.2D.1 or 9.2.2D.3 and levels according to tables 9.2.2D.6 to 9.2.2D.9. The configuration of the downlink channels is defined in table E.5.2.
3. The information bit data shall be pseudo random and not repeated before 10 different information bit payload blocks are processed. (e.g. Fixed reference Channel Definition H-set 1 (16 QAM): The information bit payload block is 4664 bits long. Hence the PRBS must be at least $4664 * 10$ bits long) Use a PRBS from ITU-T O.153 Ref [27].
4. Setup the fading simulators with fading conditions as described in table D.2.2.1.A and clause D.2.7.

Table 9.2.2D.5: Specific Message Contents for open-loop transmit diversity mode

SYSTEM INFORMATION BLOCK TYPE5

| Information Element | Value/remark |
|---|------------------|
| PRACH system information list - AICH info - STTD Indicator | TRUE |
| Secondary CCPCH system information - PICH info - STTD Indicator - Secondary CCPCH info - STTD Indicator | TRUE TRUE |
| Primary CCPCH info - CHOICE mode - TX Diversity indicator | FDD TRUE |

SYSTEM INFORMATION BLOCK TYPE11

| Information Element | Value/remark |
|--|--------------|
| New intra-frequency cells - Intra-frequency cell id | 1 |
| - TX Diversity indicator | TRUE |

RRC CONNECTION SETUP

| Information Element | Value/remark |
|---|--------------|
| Downlink information common for all radio links - CHOICE mode - TX Diversity Mode | FDD STTD |
| Downlink DPCH info for each RL - CHOICE mode - Downlink DPCH info for each RL - Closed loop timing adjustment mode | FDD 1 |

RADIO BEARER SETUP for Closed test loop mode1 and HSDPA

| Information Element | Value/remark |
|---|--------------|
| Downlink information common for all radio links - CHOICE mode - TX Diversity Mode | FDD STTD |
| Downlink DPCH info for each RL - CHOICE mode - Downlink DPCH info for each RL - Closed loop timing adjustment mode | FDD 1 |

9.2.2D.4.2 Procedure

1. Set up a HSDPA connection with looping back 12.2kbps RMC according to the generic HSDPA set-up procedure specified in TS 34.108 [3] sub clause 7.3.6 with the exceptions for information elements listed in table 9.2.2D.5, with levels according to table E.5.0.
2. Once the HSDPA connection is setup, change levels according to Tables E.5.6 to E.5.8B as specified by table E.5.9 and start transmitting HSDPA Data.
3. For all relevant propagation conditions, for all relevant Ioc levels, for all relevant Ec/Ior, for all relevant \hat{I}_{or}/I_{oc} , for all relevant H-sets in tables 9.2.2D.6 to 9.2.2D.9 count the number of NACK, ACK and statDTX on the UL HS-DPCCH during the test interval and decide pass or fail according to Annex F.6.3 tables F.6.3.5.3.1 and F.6.3.5.3.2. ACK is counted as a pass. NACK and statDTX are counted as a failure.

9.2.2D.5 Test Requirements

Tables 9.2.2D.6 to 9.2.2D.9 define the primary level settings including test tolerance and test parameters for all relevant throughput tests. The pass / fail decision for throughput is done according to Annex F.6.3.

Tables E.5.6 to E.5.8B define the secondary and subsequently ranked level settings including test tolerance. As those level settings are not uniform for the throughput tests in this clause, Table E.5.9 indicates which levels are applied, when the primary level settings (E_c/I_{or} and I_{or}/I_{oc}) and propagation conditions (PA3, PB3, VA30, VA 120) vary.

Note that the levels in tables E.5.6 to E.5.8B, when applied in this subclause (open loop transmit diversity) are equal to the sum of the levels at both antennas. They are equally divided between both antennas according to Table E.5.2: column Note.

Table 9.2.2D.6: Test Parameters for Testing QPSK FRCs H-Set 3

| Parameter | Unit | Test 1 | Test 2 | Test 3 |
|-----------------|--------------|---------------------------------|--------|--------|
| Phase reference | | P-CPICH | | |
| I_{oc} | dBm/3.84 MHz | -60 (no test tolerance applied) | | |

Table 9.2.2D.7: Test requirement Enhanced performance requirements Type 2, QPSK, Fixed Reference Channel (FRC) H-Set 3

| Test Number | Propagation Conditions | Reference value | | |
|-------------|------------------------|-------------------------------|--|---|
| | | HS-PDSCH E_c/I_{or} (dB) | T-put R (kbps) * $\hat{I}_{or}/I_{oc} = 0.8$ dB | T-put R (kbps) * $\hat{I}_{or}/I_{oc} = 10.8$ dB |
| 1 | PA3 | -5.9 | 77 | 375 |
| | | -2.9 | 180 | 475 |
| 2 | PB3 | -5.9 | 20 | 183 |
| | | -2.9 | 154 | 274 |
| 3 | VA30 | -5.9 | 15 | 187 |
| | | -2.9 | 162 | 284 |

* NOTES: 1) The reference value R is for the Fixed Reference Channel (FRC) H-Set 1, for Fixed Reference Channel (FRC) H-Set 3 the reference values for R should be scaled (multiplied by 3 and rounding to the nearest integer t-put in kbps, where values of $i+1/2$ are rounded up to $i+1$, i integer)

Table 9.2.2D.8: Test Parameters for Testing 16QAM FRCs H-Set 3

| Parameter | Unit | Test 1 | Test 2 | Test 3 |
|-----------------|--------------|---------------------------------|--------|--------|
| Phase reference | | P-CPICH | | |
| I_{oc} | dBm/3.84 MHz | -60 (no test tolerance applied) | | |

Table 9.2.2D.9: Test requirement Enhanced performance requirements Type 2, 16QAM, Fixed Reference Channel (FRC) H-Set 3

| Test Number | Propagation Conditions | Reference value | |
|-------------|------------------------|-------------------------------|---|
| | | HS-PDSCH E_c/I_{or} (dB) | T-put R (kbps) * $\hat{I}_{or}/I_{oc} = 10.8$ dB |
| 1 | PA3 | -5.9 | 295 |
| | | -2.9 | 463 |
| 2 | PB3 | -5.9 | 24 |
| | | -2.9 | 243 |
| 3 | VA30 | -5.9 | 35 |
| | | -2.9 | 251 |

* NOTES: 1) The reference value R is for the Fixed Reference Channel (FRC) H-Set 1, for Fixed Reference Channel (FRC) H-Set 3 the reference values for R should be scaled (multiplied by 3 and rounding to the nearest integer t-put in kbps, where values of $i+1/2$ are rounded up to $i+1$, i integer)

NOTE: If the above Test Requirement differs from the Minimum Requirement then the Test Tolerance applied for this test is non-zero. The Test Tolerance for this test is defined in clause F.2 and the explanation of how the Minimum Requirement has been relaxed by the Test Tolerance is given in clause F.4.

9.2.2E Open Loop Diversity Performance - Enhanced Performance Requirements Type 3 - QPSK/16QAM, Fixed Reference Channel (FRC) H-Set 3

Editor's note: This test is copied from 9.2.2C with the change that only H-Set3 is tested and that applicability is enhanced performance requirements type 3 instead of type 1.

9.2.2E.1 Definition and applicability

The receiver open loop transmit diversity performance of the High Speed Physical Downlink Shared Channel (HS-DSCH) in multi-path fading environments are determined by the information bit throughput R.

The requirements and this test apply for Release 7 and later releases to all types of UTRA for the FDD UE that support HSDPA UE capability categories 7 to 10, and 13 to 14, and the optional enhanced performance requirements type 3.

The requirements and this test apply also for Release 7 and later releases to all types of UTRA for the FDD UE that support HSDPA UE capability categories 15 to 18.

The requirements and this test apply for Release 8 and later releases to all types of UTRA for the FDD UE that support HSDPA UE capability categories 7 to 10, and 13 to 14, and the optional enhanced performance requirements type 3i.

The requirements and this test apply also for Release 8 and later releases to all types of UTRA for the FDD UE that support HSDPA UE capability categories 19 - 20.

9.2.2E.2 Minimum requirements

Requirements for a particular UE belonging to certain HS-DSCH category are determined according to the relevant parts of Table 9.2.3A.

The requirements are specified in terms of minimum information bit throughput R for the DL reference channels H-set 1/2/3 specified in Annex C.8.1.1, C.8.1.2 and C.8.1.3 respectively, with the addition of the relevant parameters in Tables 9.2.2E.1 and 9.2.2E.3 plus the downlink physical channel setup according to table E.5.2.

Using this configuration the throughput shall meet or exceed the minimum requirements specified in tables 9.2.2E.2 and 9.2.2E.4.

Table 9.2.2E.1: Test Parameters for Testing QPSK FRCs H-Set 3

| Parameter | Unit | Test 1 | Test 2 | Test 3 |
|---|--------------|--------|-----------|--------|
| Phase reference | | | P-CPICH | |
| I_{oc} | dBm/3.84 MHz | | -60 | |
| Redundancy and constellation version coding sequence | | | {0,2,5,6} | |
| Maximum number of HARQ transmission | | | 4 | |
| NOTE: The HS-SCCH-1 and HS-PDSCH shall be transmitted continuously with constant power. HS-SCCH-1 shall only use the identity of the UE under test for those TTI intended for the UE. | | | | |

Table 9.2.2E.2: Minimum requirement Enhanced requirement type 3, QPSK, Fixed Reference Channel (FRC) H-Set 3

| Test Number | Propagation Conditions | Reference value | | |
|-------------|------------------------|-------------------------------|--|---|
| | | HS-PDSCH E_c/I_{or} (dB) | T-put R (kbps) * $\hat{I}_{or}/I_{oc} = 0$ dB | T-put R (kbps) * $\hat{I}_{or}/I_{oc} = 10$ dB |
| 1 | PA3 | -12 | N/A | 268 |
| | | -9 | N/A | 407 |
| | | -6 | 197 | N/A |
| | | -3 | 333 | N/A |
| 2 | PB3 | -9 | N/A | 183 |
| | | -6 | 152 | 288 |
| | | -3 | 251 | N/A |
| 3 | VA30 | -9 | N/A | 197 |
| | | -6 | 164 | 307 |
| | | -3 | 261 | N/A |

* NOTES: 1) The reference value R is for the Fixed Reference Channel (FRC) H-Set 1, for Fixed Reference Channel (FRC) H-Set 3 the reference values for R should be scaled (multiplied by 3 and rounding to the nearest integer t-put in kbps, where values of $i+1/2$ are rounded up to $i+1$, i integer)

Table 9.2.2E.3: Test Parameters for Testing 16QAM FRCs H-Set 3

| Parameter | Unit | Test 1 | Test 2 | Test 3 |
|--|--------------|-----------|--------|--------|
| Phase reference | | P-CPICH | | |
| I_{oc} | dBm/3.84 MHz | -60 | | |
| Redundancy and constellation version coding sequence | | {6,2,1,5} | | |
| Maximum number of HARQ transmission | | 4 | | |

NOTE: The HS-SCCH-1 and HS-PDSCH shall be transmitted continuously with constant power. HS-SCCH-1 shall only use the identity of the UE under test for those TTI intended for the UE.

Table 9.2.2E.4: Minimum requirement Enhanced requirement type 3, 16QAM, Fixed Reference Channel (FRC) H-Set 3

| Test Number | Propagation Conditions | Reference value | |
|-------------|------------------------|-------------------------------|---|
| | | HS-PDSCH E_c/I_{or} (dB) | T-put R (kbps) * $\hat{I}_{or}/I_{oc} = 10$ dB |
| 1 | PA3 | -9 | 340 |
| | | -6 | 513 |
| 2 | PB3 | -6 | 251 |
| | | -3 | 374 |
| 3 | VA30 | -6 | 280 |
| | | -3 | 398 |

* NOTES: 1)The reference value R is for the Fixed Reference Channel (FRC) H-Set 1, for Fixed Reference Channel (FRC) H-Set 3 the reference values for R should be scaled (multiplied by 3 and rounding to the nearest integer t-put in kbps, where values of $i+1/2$ are rounded up to $i+1$, i integer)

NOTE: Tables 9.2.2E.2 and 9.2.2E.4 are based on core requirements for enhanced requirement type 1 as explained in Table 9.2.3A.

The reference for this requirement is TS 25.101 [1] clauses 9.2.2.1 and 9.2.2.2.

9.2.2E.3 Test purpose

To verify the ability of the receiver to receive a predefined test signal, representing a multi-path fading channel with information bit throughput R not falling below a specified value. The test stresses the multi-code reception and channel decoding with incremental redundancy.

9.2.2E.4 Method of test

9.2.2E.4.1 Initial conditions

Test environment: normal; see clauses G.2.1 and G.2.2.

Frequencies to be tested: mid range; see clause G.2.4.

1. Connect the SS (Node B Emulator) and faders and AWGN noise sources to the UE antenna connector as shown in figure A.22 for UEs that support receive diversity or figure A.12 for UEs that do not support receive diversity.
2. Set the node B emulator behaviour according to table 9.2.4. Set the test parameters for tests 1-3 according to table 9.2.2E.1 or 9.2.2E.3 and levels according to tables 9.2.2E.6 to 9.2.2E.9. The configuration of the downlink channels is defined in table E.5.2.
3. The information bit data shall be pseudo random and not repeated before 10 different information bit payload blocks are processed. (e.g. Fixed reference Channel Definition H-set 1 (16 QAM): The information bit payload block is 4664 bits long. Hence the PRBS must be at least $4664 * 10$ bits long) Use a PRBS from ITU-T O.153 Ref [27].
4. Setup the fading simulators with fading conditions as described in table D.2.2.1.A and clause D.2.5.

Table 9.2.2E.5: Specific Message Contents for open-loop transmit diversity mode

SYSTEM INFORMATION BLOCK TYPE5

| Information Element | Value/remark |
|---|--------------|
| PRACH system information list - AICH info - STTD Indicator | TRUE |
| Secondary CCPCH system information - PICH info - STTD Indicator - Secondary CCPCH info - STTD Indicator | TRUE TRUE |
| Primary CCPCH info - CHOICE mode - TX Diversity indicator | FDD TRUE |

SYSTEM INFORMATION BLOCK TYPE11

| Information Element | Value/remark |
|--|--------------|
| New intra-frequency cells - Intra-frequency cell id | 1 |
| - TX Diversity indicator | TRUE |

RRC CONNECTION SETUP

| Information Element | Value/remark |
|---|--------------|
| Downlink information common for all radio links - CHOICE mode - TX Diversity Mode | FDD STTD |
| Downlink DPCH info for each RL - CHOICE mode - Downlink DPCH info for each RL - Closed loop timing adjustment mode | FDD 1 |

RADIO BEARER SETUP for Closed test loop mode1 and HSDPA

| Information Element | Value/remark |
|---|--------------|
| Downlink information common for all radio links - CHOICE mode - TX Diversity Mode | FDD STTD |
| Downlink DPCH info for each RL - CHOICE mode - Downlink DPCH info for each RL - Closed loop timing adjustment mode | FDD 1 |

9.2.2E.4.2 Procedure

1. Set up a HSDPA connection with looping back 12.2kbps RMC according to the generic HSDPA set-up procedure specified in TS 34.108 [3] sub clause 7.3.6 with the exceptions for information elements listed in table 9.2.2E.5, with levels according to table E.5.0.
2. Once the HSDPA connection is setup, change levels according to Tables E.5.6 to E.5.8B as specified by table E.5.9 and start transmitting HSDPA Data.
3. For all relevant propagation conditions, for all relevant I_{oc} levels, for all relevant E_c/I_{or} , for all relevant \hat{I}_{or}/I_{oc} , for all relevant H-sets in tables 9.2.2E.6 to 9.2.2E.9 count the number of NACK, ACK and statDTX on the UL HS-DPCCH during the test interval and decide pass or fail according to Annex F.6.3 tables F.6.3.5.3.5 and F.6.3.5.3.6. ACK is counted as a pass. NACK and statDTX are counted as a failure.

9.2.2E.5 Test Requirements

Tables 9.2.2E.6 to 9.2.2E.9 define the primary level settings including test tolerance and test parameters for all relevant throughput tests. The pass / fail decision for throughput is done according to Annex F.6.3.

Tables E.5.6 to E.5.8B define the secondary and subsequently ranked level settings including test tolerance. As those level settings are not uniform for the throughput tests in this clause, Table E.5.9 indicates which levels are applied, when the primary level settings (E_c/I_{or} and I_{or}/I_{oc}) and propagation conditions (PA3,PB3, VA30, VA 120) vary.

Note that the levels in tables E.5.6 to E.5.8B, when applied in this subclause (open loop transmit diversity) are equal to the sum of the levels at both antennas. They are equally divided between both antennas according to Table E.5.2: column Note.

Table 9.2.2E.6: Test Parameters for Testing QPSK FRCs H-Set 3

| Parameter | Unit | Test 1 | Test 2 | Test 3 |
|-----------------|--------------|---------------------------------|--------|--------|
| Phase reference | | P-CPICH | | |
| I_{oc} | dBm/3.84 MHz | -60 (no test tolerance applied) | | |

Table 9.2.2E.7: Test requirement Enhanced requirement type 3, QPSK, Fixed Reference Channel (FRC) H-Set 3

| Test Number | Propagation Conditions | Reference value | | |
|-------------|------------------------|-------------------------------|--|---|
| | | HS-PDSCH E_c/I_{or} (dB) | T-put R (kbps) * $\hat{I}_{or}/I_{oc} = 0.8$ dB | T-put R (kbps) * $\hat{I}_{or}/I_{oc} = 10.8$ dB |
| 1 | PA3 | -11.9 | N/A | 268 |
| | | -8.9 | N/A | 407 |
| | | -5.9 | 197 | N/A |
| | | -2.9 | 333 | N/A |
| 2 | PB3 | -8.9 | N/A | 183 |
| | | -5.9 | 152 | 288 |
| | | -2.9 | 251 | N/A |
| 3 | VA30 | -8.9 | N/A | 197 |
| | | -5.9 | 164 | 307 |
| | | -2.9 | 261 | N/A |

* NOTES: 1) The reference value R is for the Fixed Reference Channel (FRC) H-Set 1, for Fixed Reference Channel (FRC) H-Set 3 the reference values for R should be scaled (multiplied by 3 and rounding to the nearest integer t-put in kbps, where values of $i+1/2$ are rounded up to $i+1$, i integer)

Table 9.2.2E.8: Test Parameters for Testing 16QAM FRCs H-Set 3

| Parameter | Unit | Test 1 | Test 2 | Test 3 |
|-----------------|--------------|---------------------------------|---------|--------|
| Phase reference | | | P-CPICH | |
| I_{oc} | dBm/3.84 MHz | -60 (no test tolerance applied) | | |

Table 9.2.2E.9: Test requirement Enhanced requirement type 3, 16QAM, Fixed Reference Channel (FRC) H-Set 3

| Test Number | Propagation Conditions | Reference value | |
|-------------|------------------------|-------------------------------|---|
| | | HS-PDSCH E_c/I_{or} (dB) | T-put R (kbps) * $\hat{I}_{or}/I_{oc} = 10.8$ dB |
| 1 | PA3 | -8.9 | 340 |
| | | -5.9 | 513 |
| 2 | PB3 | -5.9 | 251 |
| | | -2.9 | 374 |
| 3 | VA30 | -5.9 | 280 |
| | | -2.9 | 398 |

* NOTES: 1)The reference value R is for the Fixed Reference Channel (FRC) H-Set 1, for Fixed Reference Channel (FRC) H-Set 3 the reference values for R should be scaled (multiplied by 3 and rounding to the nearest integer t-put in kbps, where values of $i+1/2$ are rounded up to $i+1$, i integer)

NOTE: If the above Test Requirement differs from the Minimum Requirement then the Test Tolerance applied for this test is non-zero. The Test Tolerance for this test is defined in clause F.2 and the explanation of how the Minimum Requirement has been relaxed by the Test Tolerance is given in clause F.4.

9.2.3 Closed Loop Diversity Performance

The test cases in the following sections 9.2.3A to 9.2.3D define the Closed Loop Diversity Performance tests for the different H-Sets for the different HS-DSCH Categories as defined in tables 9.2.1, 9.2.2 and 9.2.3.

9.2.3A Closed Loop Diversity Performance - QPSK/16QAM, Fixed Reference Channel (FRC) H-Set 1/2/3

9.2.3A.1 Definition and applicability

The receiver closed loop transmit diversity performance of the High Speed Physical Downlink Shared Channel (HS-DSCH) in multi-path fading environments are determined by the information bit throughput R .

The requirements and this test apply to Release 5 and later releases for all types of UTRA for FDD UE that support HSDPA UE capability categories 1 to 6 but not supporting the optional enhanced performance requirements types 1, 2, 3 or 3i.

The requirements and this test apply also for Release 6 and later releases to all types of UTRA for the FDD UE that support HSDPA UE capability categories 7 - 10 but not supporting the optional enhanced performance requirements types 1, 2, 3 or 3i.

9.2.3A.2 Minimum requirements

Requirements for a particular UE belonging to certain HS-DSCH category are determined according to the relevant part of Table 9.2.1.

The requirements are specified in terms of minimum information bit throughput R for the DL reference channels H-set 1/2/3 specified in Annex C.8.1.1, C.8.1.2 and C.8.1.3 respectively, with the addition of the relevant parameters in tables 9.2.3A.1 and 9.2.3A.3 plus the downlink physical channel setup according to table E.5.3.

Using this configuration the throughput shall meet or exceed the minimum requirements specified in tables 9.2.3A.2 and 9.2.3A.4.

Table 9.2.3A.1: Test Parameters for Testing QPSK FRCs H-Set 1/H-Set 2/H-Set 3

| Parameter | Unit | Test 1 | Test 2 | Test 3 |
|---|--------------|-----------|--------|--------|
| Phase reference | | P-CPICH | | |
| I_{oc} | dBm/3.84 MHz | -60 | | |
| DPCH frame offset ($\tau_{DPCH,n}$) | Chip | 0 | | |
| Redundancy and constellation version coding sequence | | {0,2,5,6} | | |
| Maximum number of HARQ transmission | | 4 | | |
| Feedback Error Ratio | % | 4 | | |
| Closed loop timing adjustment mode | | 1 | | |
| NOTE: The HS-SCCH-1 and HS-PDSCH shall be transmitted continuously with constant power. HS-SCCH-1 shall only use the identity of the UE under test for those TTI intended for the UE. | | | | |

Table 9.2.3A.2: Minimum requirement QPSK, Fixed Reference Channel (FRC) H-Set 1/2/3

| Test Number | Propagation Conditions | Reference value | | |
|---|------------------------|-------------------------------|--|---|
| | | HS-PDSCH E_c/I_{or} (dB) | T-put R (kbps) * $\hat{I}_{or}/I_{oc} = 0$ dB | T-put R (kbps) * $\hat{I}_{or}/I_{oc} = 10$ dB |
| 1 | PA3 | -6 | 118 | 399 |
| | | -3 | 225 | 458 |
| 2 | PB3 | -6 | 50 | 199 |
| | | -3 | 173 | 301 |
| 3 | VA30 | -6 | 47 | 204 |
| | | -3 | 172 | 305 |
| * NOTES: 1) The reference value R is for the Fixed Reference Channel (FRC) H-Set 1 2) For Fixed Reference Channel (FRC) H-Set 2 the reference values for R should be scaled (multiplied by 1.5 and rounding to the nearest integer t-put in kbps, where values of i+1/2 are rounded up to i+1, i integers) 3) For Fixed Reference Channel (FRC) H-Set 3 the reference values for R should be scaled (multiplied by 3 and rounding to the nearest integer t-put in kbps, where values of i+1/2 are rounded up to i+1, i integer) | | | | |

Table 9.2.3A.3: Test Parameters for Testing 16QAM FRCs H-Set 1/H-Set 2/H-Set 3

| Parameter | Unit | Test 1 | Test 2 | Test 3 |
|---|--------------|-----------|--------|--------|
| Phase reference | | P-CPICH | | |
| I_{oc} | dBm/3.84 MHz | -60 | | |
| DPCH frame offset ($\tau_{DPCH,n}$) | Chip | 0 | | |
| Redundancy and constellation version coding sequence | | {6,2,1,5} | | |
| Maximum number of HARQ transmission | | 4 | | |
| Feedback Error Ratio | % | 4 | | |
| Closed loop timing adjustment mode | | 1 | | |
| NOTE: The HS-SCCH-1 and HS-PDSCH shall be transmitted continuously with constant power. HS-SCCH-1 shall only use the identity of the UE under test for those TTI intended for the UE. | | | | |

Table 9.2.3A.4 Minimum requirement 16QAM, Fixed Reference Channel (FRC) H-Set 1/2/3

| Test Number | Propagation Conditions | Reference value | |
|-------------|------------------------|-------------------------------|---|
| | | HS-PDSCH E_c/I_{or} (dB) | T-put R (kbps) * $\hat{I}_{or}/I_{oc} = 10$ dB |
| 1 | PA3 | -6 | 361 |
| | | -3 | 500 |
| 2 | PB3 | -6 | 74 |
| | | -3 | 255 |
| 3 | VA30 | -6 | 84 |
| | | -3 | 254 |

* NOTES: 1) The reference value R is for the Fixed Reference Channel (FRC) H-Set 1
2) For Fixed Reference Channel (FRC) H-Set 2 the reference values for R should be scaled (multiplied by 1.5 and rounding to the nearest integer t-put in kbps, where values of $i+1/2$ are rounded up to $i+1$, i integer)
3) For Fixed Reference Channel (FRC) H-Set 3 the reference values for R should be scaled (multiplied by 3 and rounding to the nearest integer t-put in kbps, where values of $i+1/2$ are rounded up to $i+1$, i integer)

The reference for this requirement is TS 25.101 [1] clauses 9.2.3.1 and 9.2.3.2.

9.2.3A.3 Test purpose

To verify the ability of the receiver to receive a predefined test signal, representing a multi-path fading channel with information bit throughput R not falling below a specified value. The test stresses the multi-code reception and channel decoding with incremental redundancy.

9.2.3A.4 Method of test

9.2.3A.4.1 Initial conditions

Test environment: normal; see clauses G.2.1 and G.2.2.

Frequencies to be tested: mid range; see clause G.2.4.

1. Connect the SS (Node B Emulator) and faders and AWGN noise sources to the UE antenna connector as shown in figure A.12.
2. Set the node B emulator behaviour according to table 9.2.4. Set the test parameters for tests 1-3 according to table 9.2.3A.1 or 9.2.3A.3 and levels according to tables 9.2.3A.6 to 9.2.3A.9. The configuration of the downlink channels is defined in table E.5.3.
3. The information bit data shall be pseudo random and not repeated before 10 different information bit payload blocks are processed. (e.g. Fixed reference Channel Definition H-set 1 (16 QAM): The information bit payload

block is 4664 bits long. Hence the PRBS must be at least 4664 * 10 bits long) Use a PRBS from ITU-T O.153 Ref [27].

4. Setup the fading simulators with fading conditions as described in table D.2.2.1.A and clause D.2.7.

Table 9.2.3A.5: Specific Message Contents for closed loop transmit diversity mode

SYSTEM INFORMATION BLOCK TYPE5

| Information Element | Value/remark |
|---|--------------|
| PRACH system information list - AICH info - STTD Indicator | TRUE |
| Secondary CCPCH system information - PICH info - STTD Indicator | TRUE |
| - Secondary CCPCH info - STTD Indicator | TRUE |
| Primary CCPCH info - CHOICE mode - TX Diversity indicator | FDD TRUE |

SYSTEM INFORMATION BLOCK TYPE11

| Information Element | Value/remark |
|--|--------------|
| New intra-frequency cells - Intra-frequency cell id | 1 |
| - TX Diversity indicator | TRUE |

RRC CONNECTION SETUP

| Information Element | Value/remark |
|---|--------------------------|
| CHOICE channel requirement - Number of FBI bit | Uplink DPCH info 1 |
| Downlink information common for all radio links - CHOICE mode - TX Diversity Mode | FDD Closed loop mode1 |
| Downlink DPCH info for each RL - CHOICE mode - Downlink DPCH info for each RL - Closed loop timing adjustment mode | FDD 1 |

RADIO BEARER SETUP for Closed test loop mode1 and HSDPA

| Information Element | Value/remark |
|---|--------------------------|
| CHOICE channel requirement - Number of FBI bit | Uplink DPCH info 1 |
| Downlink information common for all radio links - CHOICE mode - TX Diversity Mode | FDD Closed loop mode1 |
| Downlink DPCH info for each RL - CHOICE mode - Downlink DPCH info for each RL - Closed loop timing adjustment mode | FDD 1 |

9.2.3A.4.2 Procedure

1. Set up a HSDPA connection with looping back 12.2kbps RMC according to the generic HSDPA set-up procedure specified in TS 34.108 [3] sub clause 7.3.6 with the exceptions for information elements listed in table 9.2.3A.5, with levels according to table E.5.0.
2. Once the HSDPA connection is setup, change levels according to Tables E.5.6 to E.5.8B as specified by table E.5.9 and start transmitting HSDPA Data.

3. For all relevant propagation conditions, for all relevant I_{oc} levels, for all relevant E_c/I_{or} , for all relevant \hat{I}_{or}/I_{oc} , for all relevant H-sets in tables 9.2.3A.6 to 9.2.3A.9 count the number of NACK, ACK and statDTX on the UL HS-DPCCH during the test interval and decide pass or fail according to Annex F.6.3 tables F.6.3.5.4.1 and F.6.3.5.4.2. ACK is counted as a pass. NACK and statDTX are counted as a failure.

9.2.3A.5 Test Requirements

Tables 9.2.3A.6 to 9.2.3A.9 define the primary level settings including test tolerance and test parameters for all relevant throughput tests. The pass / fail decision for throughput is done according to Annex F.6.3.

Tables E.5.6 to E.5.8B define the secondary and subsequently ranked level settings including test tolerance. As those level settings are not uniform for the throughput tests in this clause, Table E.5.9 indicates which levels are applied, when the primary level settings (E_c/I_{or} and I_{or}/I_{oc}) and propagation conditions (PA3, PB3, VA30, VA 120) vary.

Note that the levels in tables E.5.6 to E.5.8B, when applied in this subclause (closed loop transmit diversity) are equal to the sum of the levels at both antennas. They are equally divided between both antennas according to Table E.5.3: column Note.

Table 9.2.3A.6: Test Parameters for Testing QPSK FRCs H-Set 1/H-Set 2/H-Set 3

| Parameter | Unit | Test 1 | Test 2 | Test 3 |
|-----------------|--------------|---------------------------------|--------|--------|
| Phase reference | | P-CPICH | | |
| I_{oc} | dBm/3.84 MHz | -60 (no test tolerance applied) | | |

Table 9.2.3A.7: Test requirement QPSK, Fixed Reference Channel (FRC) H-Set 1/2/3

| Test Number | Propagation Conditions | Reference value | | |
|-------------|------------------------|-------------------------------|--|---|
| | | HS-PDSCH E_c/I_{or} (dB) | T-put R (kbps) * $\hat{I}_{or}/I_{oc} = 0.8$ dB | T-put R (kbps) * $\hat{I}_{or}/I_{oc} = 10.8$ dB |
| 1 | PA3 | -5.9 | 118 | 399 |
| | | -2.9 | 225 | 458 |
| 2 | PB3 | -5.9 | 50 | 199 |
| | | -2.9 | 173 | 301 |
| 3 | VA30 | -5.9 | 47 | 204 |
| | | -2.9 | 172 | 305 |

* NOTES: 1) The reference value R is for the Fixed Reference Channel (FRC) H-Set 1
2) For Fixed Reference Channel (FRC) H-Set 2 the reference values for R should be scaled (multiplied by 1.5 and rounding to the nearest integer t-put in kbps, where values of $i+1/2$ are rounded up to $i+1$, i integers)
3) For Fixed Reference Channel (FRC) H-Set 3 the reference values for R should be scaled (multiplied by 3 and rounding to the nearest integer t-put in kbps, where values of $i+1/2$ are rounded up to $i+1$, i integer)

Table 9.2.3A.8: Test Parameters for Testing 16QAM FRCs H-Set 1/H-Set 2/H-Set 3

| Parameter | Unit | Test 1 | Test 2 | Test 3 |
|-----------------|--------------|---------------------------------|--------|--------|
| Phase reference | | P-CPICH | | |
| I_{oc} | dBm/3.84 MHz | -60 (no test tolerance applied) | | |

Table 9.2.3A.9 Test requirement 16QAM, Fixed Reference Channel (FRC) H-Set 1/2/3

| Test Number | Propagation Conditions | Reference value | |
|-------------|------------------------|-------------------------------|---|
| | | HS-PDSCH E_c/I_{or} (dB) | T-put R (kbps) * $\hat{I}_{or}/I_{oc} = 10.8$ dB |
| 1 | PA3 | -5.9 | 361 |
| | | -2.9 | 500 |
| 2 | PB3 | -5.9 | 74 |
| | | -2.9 | 255 |
| 3 | VA30 | -5.9 | 84 |
| | | -2.9 | 254 |

* NOTES: 1) The reference value R is for the Fixed Reference Channel (FRC) H-Set 1
2) For Fixed Reference Channel (FRC) H-Set 2 the reference values for R should be scaled (multiplied by 1.5 and rounding to the nearest integer t-put in kbps, where values of $i+1/2$ are rounded up to $i+1$, i integer)
3) For Fixed Reference Channel (FRC) H-Set 3 the reference values for R should be scaled (multiplied by 3 and rounding to the nearest integer t-put in kbps, where values of $i+1/2$ are rounded up to $i+1$, i integer)

NOTE: If the above Test Requirement differs from the Minimum Requirement then the Test Tolerance applied for this test is non-zero. The Test Tolerance for this test is defined in clause F.2 and the explanation of how the Minimum Requirement has been relaxed by the Test Tolerance is given in clause F.4

9.2.3B Closed Loop Diversity Performance - QPSK, Fixed Reference Channel (FRC) H-Set 4/5

9.2.3B.1 Definition and applicability

The receiver closed loop transmit diversity performance of the High Speed Physical Downlink Shared Channel (HS-DSCH) in multi-path fading environments are determined by the information bit throughput R.

The requirements and this test apply to Release 5 and later releases for all types of UTRA for FDD UE that support HSDPA UE capability categories 11 and 12

9.2.3B.2 Minimum requirements

Requirements for a particular UE belonging to certain HS-DSCH category are determined according to the relevant part of Table 9.2.1.

The requirements are specified in terms of minimum information bit throughput R for the DL reference channels H-set 4/5 specified in Annex C.8.1.4 and C.8.1.5 respectively, with the addition of the relevant parameters in Tables 9.2.3B.1 plus the downlink physical channel setup according to table E.5.3.

Using this configuration the throughput shall meet or exceed the minimum requirements specified in tables 9.2.3B.2 and 9.2.3B.3.

Table 9.2.3B.1: Test Parameters for Testing QPSK FRCs H-Set 4/H-Set 5

| Parameter | Unit | Test 1 | Test 2 | Test 3 |
|--|--------------|-----------|--------|--------|
| Phase reference | | P-CPICH | | |
| I_{oc} | dBm/3.84 MHz | -60 | | |
| DPCH frame offset ($\tau_{DPCH,n}$) | Chip | 0 | | |
| Redundancy and constellation version coding sequence | | {0,2,5,6} | | |
| Maximum number of HARQ transmission | | 4 | | |
| Feedback Error Ratio | % | 4 | | |
| Closed loop timing adjustment mode | | 1 | | |
| NOTE: The HS-SCCH-1 and HS-PDSCH shall be transmitted continuously with constant power. HS-SCCH-1 shall only use the identity of the UE under test for those TTI intended for the UE. | | | | |

Table 9.2.3B.2: Minimum requirement QPSK, Fixed Reference Channel (FRC) H-Set 4

| Test Number | Propagation Conditions | Reference value | | |
|--|------------------------|-------------------------------|--|---|
| | | HS-PDSCH E_c/I_{or} (dB) | T-put R (kbps) * $\hat{I}_{or}/I_{oc} = 0$ dB | T-put R (kbps) * $\hat{I}_{or}/I_{oc} = 10$ dB |
| 1 | PA3 | -6 | 114 | 398 |
| | | -3 | 223 | 457 |
| 2 | PB3 | -6 | 43 | 196 |
| | | -3 | 167 | 292 |
| 3 | VA30 | -6 | 40 | 199 |
| | | -3 | 170 | 305 |
| * NOTE: The reference value R is for the Fixed Reference Channel (FRC) H-Set 4 | | | | |

Table 9.2.3B.3: Minimum requirement QPSK, Fixed Reference Channel (FRC) H-Set 5

| Test Number | Propagation Conditions | Reference value | | |
|--|------------------------|-------------------------------|--|---|
| | | HS-PDSCH E_c/I_{or} (dB) | T-put R (kbps) * $\hat{I}_{or}/I_{oc} = 0$ dB | T-put R (kbps) * $\hat{I}_{or}/I_{oc} = 10$ dB |
| 1 | PA3 | -6 | 177 | 599 |
| | | -3 | 338 | 687 |
| 2 | PB3 | -6 | 75 | 299 |
| | | -3 | 260 | 452 |
| 3 | VA30 | -6 | 71 | 306 |
| | | -3 | 258 | 458 |
| * NOTE: The reference value R is for the Fixed Reference Channel (FRC) H-Set 5 | | | | |

The reference for this requirement is TS 25.101 [1] clause 9.2.3.3.

9.2.3B.3 Test purpose

To verify the ability of the receiver to receive a predefined test signal, representing a multi-path fading channel with information bit throughput R not falling below a specified value. The test stresses the multi-code reception and channel decoding with incremental redundancy.

9.2.3B.4 Method of test

9.2.3B.4.1 Initial conditions

Test environment: normal; see clauses G.2.1 and G.2.2.

Frequencies to be tested: mid range; see clause G.2.4.

1. Connect the SS (Node B Emulator) and faders and AWGN noise sources to the UE antenna connector as shown in figure A.22 for UEs that support receive diversity or figure A.12 for UEs that do not support receive diversity.

NOTE: For a transition period of two meeting cycles until RAN#60, figure A.22 does not need to be used.

2. Set the node B emulator behaviour according to table 9.2.4. Set the test parameters for tests 1-3 according to table 9.2.3B.1 and levels according to tables 9.2.3B.5 to 9.2.3B.7. The configuration of the downlink channels is defined in table E.5.3.
3. The information bit data shall be pseudo random and not repeated before 10 different information bit payload blocks are processed. (e.g. Fixed reference Channel Definition H-set 1 (16 QAM): The information bit payload block is 4664 bits long. Hence the PRBS must be at least $4664 * 10$ bits long) Use a PRBS from ITU-T O.153 Ref [27].
4. Setup the fading simulators with fading conditions as described in table D.2.2.1.A and clause D.2.7.

Table 9.2.3B.4: Specific Message Contents for closed loop transmit diversity mode

SYSTEM INFORMATION BLOCK TYPE5

| Information Element | Value/remark |
|---|--------------|
| PRACH system information list - AICH info - STTD Indicator | TRUE |
| Secondary CCPCH system information - PICH info - STTD Indicator - Secondary CCPCH info - STTD Indicator | TRUE TRUE |
| Primary CCPCH info - CHOICE mode - TX Diversity indicator | FDD TRUE |

SYSTEM INFORMATION BLOCK TYPE11

| Information Element | Value/remark |
|--|--------------|
| New intra-frequency cells - Intra-frequency cell id | 1 |
| - TX Diversity indicator | TRUE |

RRC CONNECTION SETUP

| Information Element | Value/remark |
|---|--------------------------|
| CHOICE channel requirement - Number of FBI bit | Uplink DPCH info 1 |
| Downlink information common for all radio links - CHOICE mode - TX Diversity Mode | FDD Closed loop mode1 |
| Downlink DPCH info for each RL - CHOICE mode - Downlink DPCH info for each RL - Closed loop timing adjustment mode | FDD 1 |

RADIO BEARER SETUP for Closed test loop mode1 and HSDPA

| Information Element | Value/remark |
|---|--------------------------|
| CHOICE channel requirement - Number of FBI bit | Uplink DPCH info 1 |
| Downlink information common for all radio links - CHOICE mode - TX Diversity Mode | FDD Closed loop mode1 |
| Downlink DPCH info for each RL - CHOICE mode - Downlink DPCH info for each RL - Closed loop timing adjustment mode | FDD 1 |

9.2.3B.4.2 Procedure

1. Set up a HSDPA connection with looping back 12.2kbps RMC according to the generic HSDPA set-up procedure specified in TS 34.108 [3] sub clause 7.3.6 with the exceptions for information elements listed in table 9.2.3B.4, with levels according to table E.5.0.
2. Once the HSDPA connection is setup, change levels according to Tables E.5.6 to E.5.8B as specified by table E.5.9 and start transmitting HSDPA Data.
3. For all relevant propagation conditions, for all relevant I_{oc} levels, for all relevant E_c/I_{or} , for all relevant \hat{I}_{or}/I_{oc} , for all relevant H-sets in tables 9.2.3B.5 to 9.2.3B.7 count the number of NACK, ACK and statDTX on the UL HS-DPCCH during the test interval and decide pass or fail according to Annex F.6.3 tables F.6.3.5.4.3 and F.6.3.5.4.4. ACK is counted as a pass. NACK and statDTX are counted as a failure.

9.2.3B.5 Test Requirements

Tables 9.2.3B.5 to 9.2.3B.7 define the primary level settings including test tolerance and test parameters for all relevant throughput tests. The pass / fail decision for throughput is done according to Annex F.6.3.

Tables E.5.6 to E.5.8B define the secondary and subsequently ranked level settings including test tolerance. As those level settings are not uniform for the throughput tests in this clause, Table E.5.9 indicates which levels are applied, when the primary level settings (E_c/I_{or} and I_{or}/I_{oc}) and propagation conditions (PA3, PB3, VA30, VA 120) vary.

Note that the levels in tables E.5.6 to E.5.8B, when applied in this subclause (closed loop transmit diversity) are equal to the sum of the levels at both antennas. They are equally divided between both antennas according to Table E.5.3: column Note.

Table 9.2.3B.5: Test Parameters for Testing QPSK FRCs H-Set 4/H-Set 5

| Parameter | Unit | Test 1 | Test 2 | Test 3 |
|-----------------|--------------|---------------------------------|--------|--------|
| Phase reference | | P-CPICH | | |
| I_{oc} | dBm/3.84 MHz | -60 (no test tolerance applied) | | |

Table 9.2.3B.6: Test requirement QPSK, Fixed Reference Channel (FRC) H-Set 4

| Test Number | Propagation Conditions | Reference value | | |
|-------------|------------------------|-------------------------------|--|---|
| | | HS-PDSCH E_c/I_{or} (dB) | T-put R (kbps) * $\hat{I}_{or}/I_{oc} = 0.8$ dB | T-put R (kbps) * $\hat{I}_{or}/I_{oc} = 10.8$ dB |
| 1 | PA3 | -5.9 | 114 | 398 |
| | | -2.9 | 223 | 457 |
| 2 | PB3 | -5.9 | 43 | 196 |
| | | -2.9 | 167 | 292 |
| 3 | VA30 | -5.9 | 40 | 199 |
| | | -2.9 | 170 | 305 |

* NOTE: The reference value R is for the Fixed Reference Channel (FRC) H-Set 4

Table 9.2.3B.7: Test requirement QPSK, Fixed Reference Channel (FRC) H-Set 5

| Test Number | Propagation Conditions | Reference value | | |
|-------------|------------------------|-------------------------------|--|---|
| | | HS-PDSCH E_c/I_{oc} (dB) | T-put R (kbps) * $\hat{I}_{or}/I_{oc} = 0.8$ dB | T-put R (kbps) * $\hat{I}_{or}/I_{oc} = 10.8$ dB |
| 1 | PA3 | -5.9 | 177 | 599 |
| | | -2.9 | 338 | 687 |
| 2 | PB3 | -5.9 | 75 | 299 |
| | | -2.9 | 260 | 452 |
| 3 | VA30 | -5.9 | 71 | 306 |
| | | -2.9 | 258 | 458 |

* NOTE: The reference value R is for the Fixed Reference Channel (FRC) H-Set 5

NOTE: If the above Test Requirement differs from the Minimum Requirement then the Test Tolerance applied for this test is non-zero. The Test Tolerance for this test is defined in clause F.2 and the explanation of how the Minimum Requirement has been relaxed by the Test Tolerance is given in clause F.4

9.2.3C Closed Loop Diversity Performance Enhanced Performance Requirements Type 1, QPSK/16QAM, Fixed Reference Channel (FRC) H-Set 1/2/3

9.2.3C.1 Definition and applicability

The receiver closed loop transmit diversity performance of the High Speed Physical Downlink Shared Channel (HS-DSCH) in multi-path fading environments are determined by the information bit throughput R .

The requirements and this test apply to Release 6 and later releases for all types of UTRA for FDD UE that support HSDPA UE capability categories 1 to 10 and the optional enhanced performance requirements type 1.

9.2.3C.2 Minimum requirements

Requirements for a particular UE belonging to certain HS-DSCH category are determined according to the relevant part of Table 9.2.2.

The requirements are specified in terms of minimum information bit throughput R for the DL reference channels H-set 1/2/3 specified in Annex C.8.1.1, C.8.1.2 and C.8.1.3 respectively, with the addition of the relevant parameters in Tables 9.2.3C.1 and 9.2.3C.3 plus the downlink physical channel setup according to table E.5.3.

Using this configuration the throughput shall meet or exceed the minimum requirements specified in tables 9.2.3C.2 and 9.2.3C.4.

Table 9.2.3C.1: Test Parameters for Testing QPSK FRCs H-Set 1/H-Set 2/H-Set 3

| Parameter | Unit | Test 1 | Test 2 | Test 3 |
|--|--------------|-----------|--------|--------|
| Phase reference | | P-CPICH | | |
| I_{oc} | dBm/3.84 MHz | -60 | | |
| DPCH frame offset ($\tau_{DPCH,n}$) | Chip | 0 | | |
| Redundancy and constellation version coding sequence | | {0,2,5,6} | | |
| Maximum number of HARQ transmission | | 4 | | |
| Feedback Error Ratio | % | 4 | | |
| Closed loop timing adjustment mode | | 1 | | |

NOTE: The HS-SCCH-1 and HS-PDSCH shall be transmitted continuously with constant power. HS-SCCH-1 shall only use the identity of the UE under test for those TTI intended for the UE.

**Table 9.2.3C.2: Minimum requirement Enhanced requirement type 1, QPSK,
Fixed Reference Channel (FRC) H-Set 1/2/3**

| Test Number | Propagation Conditions | Reference value | | |
|-------------|------------------------|-------------------------------|--|---|
| | | HS-PDSCH E_c/I_{or} (dB) | T-put R (kbps) * $\hat{I}_{or}/I_{oc} = 0$ dB | T-put R (kbps) * $\hat{I}_{or}/I_{oc} = 10$ dB |
| 1 | PA3 | -12 | N/A | 297 |
| | | -9 | N/A | 410 |
| | | -6 | 242 | N/A |
| | | -3 | 369 | N/A |
| 2 | PB3 | -9 | N/A | 194 |
| | | -6 | 170 | 308 |
| | | -3 | 272 | N/A |
| 3 | VA30 | -9 | N/A | 204 |
| | | -6 | 172 | 315 |
| | | -3 | 270 | N/A |

* NOTES: 1) The reference value R is for the Fixed Reference Channel (FRC) H-Set 1
2) For Fixed Reference Channel (FRC) H-Set 2 the reference values for R should be scaled (multiplied by 1.5 and rounding to the nearest integer t-put in kbps, where values of $i+1/2$ are rounded up to $i+1$, i integers)
3) For Fixed Reference Channel (FRC) H-Set 3 the reference values for R should be scaled (multiplied by 3 and rounding to the nearest integer t-put in kbps, where values of $i+1/2$ are rounded up to $i+1$, i integer)

Table 9.2.3C.3: Test Parameters for Testing 16QAM FRCs H-Set 1/H-Set 2/H-Set 3

| Parameter | Unit | Test 1 | Test 2 | Test 3 |
|--|--------------|-----------|--------|--------|
| Phase reference | | P-CPICH | | |
| I_{oc} | dBm/3.84 MHz | -60 | | |
| DPCH frame offset ($\tau_{DPCH,n}$) | Chip | 0 | | |
| Redundancy and constellation version coding sequence | | {6,2,1,5} | | |
| Maximum number of HARQ transmission | | 4 | | |
| Feedback Error Ratio | % | 4 | | |
| Closed loop timing adjustment mode | | 1 | | |

NOTE: The HS-SCCH-1 and HS-PDSCH shall be transmitted continuously with constant power. HS-SCCH-1 shall only use the identity of the UE under test for those TTI intended for the UE.

**Table 9.2.3C.4 Minimum requirement Enhanced requirement type 1, 16QAM,
Fixed Reference Channel (FRC) H-Set 1/2/3**

| Test Number | Propagation Conditions | Reference value | |
|-------------|------------------------|-------------------------------|---|
| | | HS-PDSCH E_c/I_{or} (dB) | T-put R (kbps) * $\hat{I}_{or}/I_{oc} = 10$ dB |
| 1 | PA3 | -9 | 376 |
| | | -6 | 532 |
| 2 | PB3 | -6 | 267 |
| | | -3 | 393 |
| 3 | VA30 | -6 | 279 |
| | | -3 | 404 |

* NOTES: 1) The reference value R is for the Fixed Reference Channel (FRC) H-Set 1
2) For Fixed Reference Channel (FRC) H-Set 2 the reference values for R should be scaled (multiplied by 1.5 and rounding to the nearest integer t-put in kbps, where values of $i+1/2$ are rounded up to $i+1$, i integer)
3) For Fixed Reference Channel (FRC) H-Set 3 the reference values for R should be scaled (multiplied by 3 and rounding to the nearest integer t-put in kbps, where values of $i+1/2$ are rounded up to $i+1$, i integer)

The reference for this requirement is TS 25.101 [1] clauses 9.2.3.1 and 9.2.3.2.

9.2.3C.3 Test purpose

To verify the ability of the receiver to receive a predefined test signal, representing a multi-path fading channel with information bit throughput R not falling below a specified value. The test stresses the multi-code reception and channel decoding with incremental redundancy.

9.2.3C.4 Method of test

9.2.3C.4.1 Initial conditions

Test environment: normal; see clauses G.2.1 and G.2.2.

Frequencies to be tested: mid range; see clause G.2.4.

1. Connect the SS (Node B Emulator) and faders and AWGN noise sources to the UE antenna connector as shown in figure A.22 for UEs that support receive diversity or figure A.12 for UEs that do not support receive diversity.
2. Set the node B emulator behaviour according to table 9.2.4. Set the test parameters for tests 1-3 according to table 9.2.3C.1 or 9.2.3C.3 and levels according to tables 9.2.3C.6 to 9.2.3C.9. The configuration of the downlink channels is defined in table E.5.3.
3. The information bit data shall be pseudo random and not repeated before 10 different information bit payload blocks are processed. (e.g. Fixed reference Channel Definition H-set 1 (16 QAM): The information bit payload block is 4664 bits long. Hence the PRBS must be at least $4664 * 10$ bits long) Use a PRBS from ITU-T O.153 Ref [27].
4. Setup the fading simulators with fading conditions as described in table D.2.2.1.A and clause D.2.5.

Table 9.2.3C.5: Specific Message Contents for closed loop transmit diversity mode

SYSTEM INFORMATION BLOCK TYPE5

| Information Element | Value/remark |
|---|--------------|
| PRACH system information list - AICH info - STTD Indicator | TRUE |
| Secondary CCPCH system information - PICH info - STTD Indicator | TRUE |
| - Secondary CCPCH info - STTD Indicator | TRUE |
| Primary CCPCH info - CHOICE mode - TX Diversity indicator | FDD TRUE |

SYSTEM INFORMATION BLOCK TYPE11

| Information Element | Value/remark |
|--|--------------|
| New intra-frequency cells - Intra-frequency cell id | 1 |
| - TX Diversity indicator | TRUE |

RRC CONNECTION SETUP

| Information Element | Value/remark |
|---|--------------------------|
| CHOICE channel requirement - Number of FBI bit | Uplink DPCH info 1 |
| Downlink information common for all radio links - CHOICE mode - TX Diversity Mode | FDD Closed loop mode1 |
| Downlink DPCH info for each RL - CHOICE mode - Downlink DPCH info for each RL - Closed loop timing adjustment mode | FDD 1 |

RADIO BEARER SETUP for Closed test loop mode1 and HSDPA

| Information Element | Value/remark |
|---|--------------------------|
| CHOICE channel requirement - Number of FBI bit | Uplink DPCH info 1 |
| Downlink information common for all radio links - CHOICE mode - TX Diversity Mode | FDD Closed loop mode1 |
| Downlink DPCH info for each RL - CHOICE mode - Downlink DPCH info for each RL - Closed loop timing adjustment mode | FDD 1 |

9.2.3C.4.2 Procedure

1. Set up a HSDPA connection with looping back 12.2kbps RMC according to the generic HSDPA set-up procedure specified in TS 34.108 [3] sub clause 7.3.6 with the exceptions for information elements listed in table 9.2.3C.5, with levels according to table E.5.0.
2. Once the HSDPA connection is setup, change levels according to Tables E.5.6 to E.5.8B as specified by table E.5.9 and start transmitting HSDPA Data.
3. For all relevant propagation conditions, for all relevant I_{oc} levels, for all relevant E_c/I_{or} , for all relevant \hat{I}_{or}/I_{oc} , for all relevant H-sets in tables 9.2.3C.6 to 9.2.3C.9 count the number of NACK, ACK and statDTX on the UL HS-DPCCH during the test interval and decide pass or fail according to Annex F.6.3 tables F.6.3.5.4.1 and F.6.3.5.4.2. ACK is counted as a pass. NACK and statDTX are counted as a failure.

9.2.3C.5 Test Requirements

Tables 9.2.3C.6 to 9.2.3C.9 define the primary level settings including test tolerance and test parameters for all relevant throughput tests. The pass / fail decision for throughput is done according to Annex F.6.3.

Tables E.5.6 to E.5.8B define the secondary and subsequently ranked level settings including test tolerance. As those level settings are not uniform for the throughput tests in this clause, Table E.5.9 indicates which levels are applied, when the primary level settings (E_c/I_{or} and \hat{I}_{or}/I_{oc}) and propagation conditions (PA3, PB3, VA30, VA 120) vary.

Note that the levels in tables E.5.6 to E.5.8B, when applied in this subclause (closed loop transmit diversity) are equal to the sum of the levels at both antennas. They are equally divided between both antennas according to Table E.5.3: column Note.

Table 9.2.3C.6: Test Parameters for Testing QPSK FRCs H-Set 1/H-Set 2/H-Set 3

| Parameter | Unit | Test 1 | Test 2 | Test 3 |
|-----------------|--------------|---------------------------------|---------|--------|
| Phase reference | | | P-CPICH | |
| I_{oc} | dBm/3.84 MHz | -60 (no test tolerance applied) | | |

**Table 9.2.3C.7: Test requirement Enhanced requirement type 1, QPSK,
Fixed Reference Channel (FRC) H-Set 1/2/3**

| Test Number | Propagation Conditions | Reference value | | |
|-------------|------------------------|-------------------------------|--|---|
| | | HS-PDSCH E_c/I_{or} (dB) | T-put R (kbps) * $\hat{I}_{or}/I_{oc} = 0.8$ dB | T-put R (kbps) * $\hat{I}_{or}/I_{oc} = 10.8$ dB |
| 1 | PA3 | -11.9 | N/A | 297 |
| | | -8.9 | N/A | 410 |
| | | -5.9 | 242 | N/A |
| | | -2.9 | 369 | N/A |
| 2 | PB3 | -8.9 | N/A | 194 |
| | | -5.9 | 170 | 308 |
| | | -2.9 | 272 | N/A |
| 3 | VA30 | -8.9 | N/A | 204 |
| | | -5.9 | 172 | 315 |
| | | -2.9 | 270 | N/A |

* NOTES: 1) The reference value R is for the Fixed Reference Channel (FRC) H-Set 1
2) For Fixed Reference Channel (FRC) H-Set 2 the reference values for R should be scaled (multiplied by 1.5 and rounding to the nearest integer t-put in kbps, where values of $i+1/2$ are rounded up to $i+1$, i integers)
3) For Fixed Reference Channel (FRC) H-Set 3 the reference values for R should be scaled (multiplied by 3 and rounding to the nearest integer t-put in kbps, where values of $i+1/2$ are rounded up to $i+1$, i integer)

Table 9.2.3C.8: Test Parameters for Testing 16QAM FRCs H-Set 1/H-Set 2/H-Set 3

| Parameter | Unit | Test 1 | Test 2 | Test 3 |
|-----------------|--------------|---------------------------------|--------|--------|
| Phase reference | | P-CPICH | | |
| I_{oc} | dBm/3.84 MHz | -60 (no test tolerance applied) | | |

**Table 9.2.3C.9 Test requirement Enhanced requirement type 1, 16QAM,
Fixed Reference Channel (FRC) H-Set 1/2/3**

| Test Number | Propagation Conditions | Reference value | |
|-------------|------------------------|-------------------------------|---|
| | | HS-PDSCH E_c/I_{or} (dB) | T-put R (kbps) * $\hat{I}_{or}/I_{oc} = 10.8$ dB |
| 1 | PA3 | -8.9 | 376 |
| | | -5.9 | 532 |
| 2 | PB3 | -5.9 | 267 |
| | | -2.9 | 393 |
| 3 | VA30 | -5.9 | 279 |
| | | -2.9 | 404 |

* NOTES: 1) The reference value R is for the Fixed Reference Channel (FRC) H-Set 1
2) For Fixed Reference Channel (FRC) H-Set 2 the reference values for R should be scaled (multiplied by 1.5 and rounding to the nearest integer t-put in kbps, where values of $i+1/2$ are rounded up to $i+1$, i integer)
3) For Fixed Reference Channel (FRC) H-Set 3 the reference values for R should be scaled (multiplied by 3 and rounding to the nearest integer t-put in kbps, where values of $i+1/2$ are rounded up to $i+1$, i integer)

NOTE: If the above Test Requirement differs from the Minimum Requirement then the Test Tolerance applied for this test is non-zero. The Test Tolerance for this test is defined in clause F.2 and the explanation of how the Minimum Requirement has been relaxed by the Test Tolerance is given in clause F.4

9.2.3D Closed Loop Diversity Performance - Enhanced Performance Requirements Type 2 - QPSK/16QAM, Fixed Reference Channel (FRC) H-Set 6/3

9.2.3D.1 Definition and applicability

The receiver closed loop transmit diversity performance of the High Speed Physical Downlink Shared Channel (HS-DSCH) in multi-path fading environments are determined by the information bit throughput R.

The requirements and this test apply for Release 6 and later releases to all types of UTRA for the FDD UE that support HSDPA UE capability categories 7 - 10 and the optional enhanced performance requirements type 2 but not the optional enhanced performance requirements Type 3 or Type 3i.

The requirements and this test apply also for Release 7 and later releases to all types of UTRA for the FDD UE that support: HSDPA UE capability categories 13 and 14 but not the optional enhanced performance requirements Type 3 or Type 3i.

9.2.3D.2 Minimum requirements

Requirements for a particular UE belonging to certain HS-DSCH category are determined according to the relevant part of Table 9.2.3.

The requirements are specified in terms of minimum information bit throughput R for the DL reference channels H-set 6/3 specified in Annex C.8.1.6 and C.8.1.3 respectively, with the addition of the relevant parameters in Tables 9.2.3D.1, 9.2.3D.3, 9.2.3D.5 and 9.2.3D.7 plus the downlink physical channel setup according to table E.5.3.

Using this configuration the throughput shall meet or exceed the minimum requirements specified in tables 9.2.3D.2, 9.2.3D.4, 9.2.3D.6 and 9.2.3D.8.

Table 9.2.3D.1: Test Parameters for Testing QPSK FRCs H-Set 6

| Parameter | Unit | Test 1 |
|---|--------------|-----------|
| Phase reference | | P-CPICH |
| I_{oc} | dBm/3.84 MHz | -60 |
| DPCH frame offset ($\tau_{DPCH,n}$) | Chip | 0 |
| Redundancy and constellation version coding sequence | | {0,2,5,6} |
| Maximum number of HARQ transmission | | 4 |
| Feedback Error Rate | % | 4 |
| Closed loop timing adjustment mode | | 1 |
| NOTE: The HS-SCCH-1 and HS-PDSCH shall be transmitted continuously with constant power. HS-SCCH-1 shall only use the identity of the UE under test for those TTI intended for the UE. | | |

Table 9.2.3D.2: Minimum requirement Enhanced requirement type 2 QPSK, Fixed Reference Channel (FRC) H-Set 6

| Test Number | Propagation Conditions | Reference value | |
|-------------|------------------------|---------------------------------|---|
| | | HS-PDSCH E_c / I_{or} (dB) | T-put R (kbps) * $\hat{I}_{or} / I_{oc} = 10$ dB |
| 1 | PB3 | -3 | 1536 |

Table 9.2.3D.3: Test Parameters for Testing 16-QAM FRCs H-Set 6

| Parameter | Unit | Test 1 |
|---|--------------|-----------|
| Phase reference | | P-CPICH |
| I_{oc} | dBm/3.84 MHz | -60 |
| DPCH frame offset ($\tau_{DPCH,n}$) | Chip | 0 |
| Redundancy and constellation version coding sequence | | {6,2,1,5} |
| Maximum number of HARQ transmission | | 4 |
| Feedback Error Rate | % | 4 |
| Closed loop timing adjustment mode | | 1 |
| NOTE: The HS-SCCH-1 and HS-PDSCH shall be transmitted continuously with constant power. HS-SCCH-1 shall only use the identity of the UE under test for those TTI intended for the UE. | | |

Table 9.2.3D.4: Minimum requirement Enhanced requirement type 2 16QAM, Fixed Reference Channel (FRC) H-Set 6

| Test Number | Propagation Conditions | Reference value | |
|-------------|------------------------|---------------------------------|---|
| | | HS-PDSCH E_c / I_{or} (dB) | T-put R (kbps) * $\hat{I}_{or} / I_{oc} = 10$ dB |
| 1 | PB3 | -3 | 1154 |

Table 9.2.3D.5: Test Parameters for Testing QPSK FRCs H-Set 3

| Parameter | Unit | Test 1 | Test 2 | Test 3 |
|---|--------------|-----------|--------|--------|
| Phase reference | | P-CPICH | | |
| I_{oc} | dBm/3.84 MHz | -60 | | |
| DPCH frame offset ($\tau_{DPCH,n}$) | Chip | 0 | | |
| Redundancy and constellation version coding sequence | | {0,2,5,6} | | |
| Maximum number of HARQ transmission | | 4 | | |
| Feedback Error Ratio | % | 4 | | |
| Closed loop timing adjustment mode | | 1 | | |
| NOTE: The HS-SCCH-1 and HS-PDSCH shall be transmitted continuously with constant power. HS-SCCH-1 shall only use the identity of the UE under test for those TTI intended for the UE. | | | | |

Table 9.2.3D.6: Minimum requirement Enhanced performance requirements Type 2, QPSK, Fixed Reference Channel (FRC) H-Set 3

| Test Number | Propagation Conditions | Reference value | | |
|-------------|------------------------|-------------------------------|--|---|
| | | HS-PDSCH E_c/I_{or} (dB) | T-put R (kbps) * $\hat{I}_{or}/I_{oc} = 0$ dB | T-put R (kbps) * $\hat{I}_{or}/I_{oc} = 10$ dB |
| 1 | PA3 | -6 | 118 | 399 |
| | | -3 | 225 | 458 |
| 2 | PB3 | -6 | 50 | 199 |
| | | -3 | 173 | *Note 2 |
| 3 | VA30 | -6 | 47 | 204 |
| | | -3 | 172 | 305 |

* NOTES: 1) The reference value R is for the Fixed Reference Channel (FRC) H-Set 1, for Fixed Reference Channel (FRC) H-Set 3 the reference values for R should be scaled (multiplied by 3 and rounding to the nearest integer t-put in kbps, where values of $i+1/2$ are rounded up to $i+1$, i integer)
2) Closed loop transmit diversity enhanced performance requirements type 2 for Categories 7, 8, 9, 10, 13 and 14 in Pedestrian B 3km/h with $\hat{I}_{or}/I_{oc}=10$ dB and $E_c/I_{or}=-3$ dB are set according to H-Set 6.

Table 9.2.3D.7: Test Parameters for Testing 16QAM FRCs H-Set 3

| Parameter | Unit | Test 1 | Test 2 | Test 3 |
|--|--------------|-----------|--------|--------|
| Phase reference | | P-CPICH | | |
| I_{oc} | dBm/3.84 MHz | -60 | | |
| DPCH frame offset ($\tau_{DPCH,n}$) | Chip | 0 | | |
| Redundancy and constellation version coding sequence | | {6,2,1,5} | | |
| Maximum number of HARQ transmission | | 4 | | |
| Feedback Error Ratio | % | 4 | | |
| Closed loop timing adjustment mode | | 1 | | |

NOTE: The HS-SCCH-1 and HS-PDSCH shall be transmitted continuously with constant power. HS-SCCH-1 shall only use the identity of the UE under test for those TTI intended for the UE.

Table 9.2.3D.8 Minimum requirement Enhanced performance requirements Type 2, 16QAM, Fixed Reference Channel (FRC) H-Set 3

| Test Number | Propagation Conditions | Reference value | |
|-------------|------------------------|-------------------------------|---|
| | | HS-PDSCH E_c/I_{or} (dB) | T-put R (kbps) * $\hat{I}_{or}/I_{oc} = 10$ dB |
| 1 | PA3 | -6 | 361 |
| | | -3 | 500 |
| 2 | PB3 | -6 | 74 |
| | | -3 | *Note 2 |
| 3 | VA30 | -6 | 84 |
| | | -3 | 254 |

* NOTES: 1) The reference value R is for the Fixed Reference Channel (FRC) H-Set 1, for Fixed Reference Channel (FRC) H-Set 3 the reference values for R should be scaled (multiplied by 3 and rounding to the nearest integer t-put in kbps, where values of $i+1/2$ are rounded up to $i+1$, i integer)
2) Closed loop transmit diversity enhanced performance requirements type 2 for Categories 7 and 8 in Pedestrian B 3km/h with $\hat{I}_{or}/I_{oc}=10$ dB and $E_c/I_{or}=-3$ dB are set according to H-Set 6.

NOTE: Tables 9.2.3D.2, 9.2.3D.4, 9.2.3D.6 and 9.2.3D.8 are based on core requirements for minimum requirement as explained in Table 9.2.3.

The reference for this requirement is TS 25.101 [1] clauses 9.2.3.1, 9.2.3.2, 9.2.3.4 and 9.2.3.5.

9.2.3D.3 Test purpose

To verify the ability of the receiver to receive a predefined test signal, representing a multi-path fading channel with information bit throughput R not falling below a specified value. The test stresses the multi-code reception and channel decoding with incremental redundancy.

9.2.3D.4 Method of test

9.2.3D.4.1 Initial conditions

Test environment: normal; see clauses G.2.1 and G.2.2.

Frequencies to be tested: mid range; see clause G.2.4.

1. Connect the SS (Node B Emulator) and faders and AWGN noise sources to the UE antenna connector as shown in figure A.22 for UEs that support receive diversity or figure A.12 for UEs that do not support receive diversity.

NOTE: For a transition period of two meeting cycles until RAN#60, figure A.22 does not need to be used.

2. Set the node B emulator behaviour according to table 9.2.4. Set the test parameters for tests 1-3 according to table 9.2.3D.1, 9.2.3D.3, 9.2.3D.5 or 9.2.3D.7 and levels according to tables 9.2.3D.10 to 9.2.3D.17. The configuration of the downlink channels is defined in table E.5.3.
3. The information bit data shall be pseudo random and not repeated before 10 different information bit payload blocks are processed. (e.g. Fixed reference Channel Definition H-set 1 (16 QAM): The information bit payload block is 4664 bits long. Hence the PRBS must be at least $4664 * 10$ bits long) Use a PRBS from ITU-T O.153 Ref [27].
4. Setup the fading simulators with fading conditions as described in table D.2.2.1.A and clause D.2.7.

Table 9.2.3D.9: Specific Message Contents for closed loop transmit diversity mode

SYSTEM INFORMATION BLOCK TYPE5

| Information Element | Value/remark |
|---|--------------|
| PRACH system information list - AICH info - STTD Indicator | TRUE |
| Secondary CCPCH system information - PICH info - STTD Indicator - Secondary CCPCH info - STTD Indicator | TRUE TRUE |
| Primary CCPCH info - CHOICE mode - TX Diversity indicator | FDD TRUE |

SYSTEM INFORMATION BLOCK TYPE11

| Information Element | Value/remark |
|--|--------------|
| New intra-frequency cells - Intra-frequency cell id | 1 |
| - TX Diversity indicator | TRUE |

RRC CONNECTION SETUP

| Information Element | Value/remark |
|---|--------------------------|
| CHOICE channel requirement - Number of FBI bit | Uplink DPCH info 1 |
| Downlink information common for all radio links - CHOICE mode - TX Diversity Mode | FDD Closed loop mode1 |
| Downlink DPCH info for each RL - CHOICE mode - Downlink DPCH info for each RL - Closed loop timing adjustment mode | FDD 1 |

RADIO BEARER SETUP for Closed test loop mode1 and HSDPA

| Information Element | Value/remark |
|---|--------------------------|
| CHOICE channel requirement - Number of FBI bit | Uplink DPCH info 1 |
| Downlink information common for all radio links - CHOICE mode - TX Diversity Mode | FDD Closed loop mode1 |
| Downlink DPCH info for each RL - CHOICE mode - Downlink DPCH info for each RL - Closed loop timing adjustment mode | FDD 1 |

9.2.3D.4.2 Procedure

1. Set up a HSDPA connection with looping back 12.2kbps RMC according to the generic HSDPA set-up procedure specified in TS 34.108 [3] sub clause 7.3.6 with the exceptions for information elements listed in table 9.2.3D.9, with levels according to table E.5.0.
2. Once the HSDPA connection is setup, change levels according to Tables E.5.6 to E.5.8B as specified by table E.5.9 and start transmitting HSDPA Data.
3. For all relevant propagation conditions, for all relevant I_{oc} levels, for all relevant E_c/I_{or} , for all relevant \hat{I}_{or}/I_{oc} , for all relevant H-sets in tables 9.2.3D.10 to 9.2.3D.17 count the number of NACK, ACK and statDTX on the UL HS-DPCCH during the test interval and decide pass or fail according to Annex F.6.3 tables F.6.3.5.4.1, F.6.3.5.4.2, F.6.3.5.4.5 and F.6.3.5.4.6. ACK is counted as a pass. NACK and statDTX are counted as a failure.

9.2.3D.5 Test Requirements

Tables 9.2.3D.10 to 9.2.3D.17 define the primary level settings including test tolerance and test parameters for all relevant throughput tests. The pass / fail decision for throughput is done according to Annex F.6.3.

Tables E.5.6 to E.5.8B define the secondary and subsequently ranked level settings including test tolerance. As those level settings are not uniform for the throughput tests in this clause, Table E.5.9 indicates which levels are applied, when the primary level settings (E_c/I_{or} and I_{or}/I_{oc}) and propagation conditions (PA3, PB3, VA30, VA 120) vary.

Note that the levels in tables E.5.6 to E.5.8B, when applied in this subclause (closed loop transmit diversity) are equal to the sum of the levels at both antennas. They are equally divided between both antennas according to Table E.5.3: column Note.

Table 9.2.3D.10: Test Parameters for Testing QPSK FRCs H-Set 6

| Parameter | Unit | Test 1 |
|-----------------|--------------|---------------------------------|
| Phase reference | | P-CPICH |
| I_{oc} | dBm/3.84 MHz | -60 (no test tolerance applied) |

Table 9.2.3D.11: Test requirement Enhanced requirement type 2 QPSK, Fixed Reference Channel (FRC) H-Set 6

| Test Number | Propagation Conditions | Reference value | |
|-------------|------------------------|-------------------------------|---|
| | | HS-PDSCH E_c/I_{or} (dB) | T-put R (kbps) * $\hat{I}_{or}/I_{oc} = 10.8$ dB |
| 1 | PB3 | -2.9 | 1536 |

Table 9.2.3D.12: Test Parameters for Testing 16-QAM FRCs H-Set 6

| Parameter | Unit | Test 1 |
|-----------------|--------------|---------------------------------|
| Phase reference | | P-CPICH |
| I_{oc} | dBm/3.84 MHz | -60 (no test tolerance applied) |

Table 9.2.3D.13: Test requirement Enhanced requirement type 2 16QAM, Fixed Reference Channel (FRC) H-Set 6

| Test Number | Propagation Conditions | Reference value | |
|-------------|------------------------|-------------------------------|---|
| | | HS-PDSCH E_c/I_{or} (dB) | T-put R (kbps) * $\hat{I}_{or}/I_{oc} = 10.8$ dB |
| 1 | PB3 | -2.9 | 1154 |

Table 9.2.3D.14: Test Parameters for Testing QPSK FRCs H-Set 3

| Parameter | Unit | Test 1 | Test 2 | Test 3 |
|-----------------|--------------|---------------------------------|--------|--------|
| Phase reference | | P-CPICH | | |
| I_{oc} | dBm/3.84 MHz | -60 (no test tolerance applied) | | |

Table 9.2.3D.15: Test requirement Enhanced performance requirements Type 2, QPSK, Fixed Reference Channel (FRC) H-Set 3

| Test Number | Propagation Conditions | Reference value | | |
|-------------|------------------------|-------------------------------|--|---|
| | | HS-PDSCH E_c/I_{or} (dB) | T-put R (kbps) * $\hat{I}_{or}/I_{oc} = 0.8$ dB | T-put R (kbps) * $\hat{I}_{or}/I_{oc} = 10.8$ dB |
| 1 | PA3 | -5.9 | 118 | 399 |
| | | -2.9 | 225 | 458 |
| 2 | PB3 | -5.9 | 50 | 199 |
| | | -2.9 | 173 | *Note 2 |
| 3 | VA30 | -5.9 | 47 | 204 |
| | | -2.9 | 172 | 305 |

* NOTES: 1) The reference value R is for the Fixed Reference Channel (FRC) H-Set 1, for Fixed Reference Channel (FRC) H-Set 3 the reference values for R should be scaled (multiplied by 3 and rounding to the nearest integer t-put in kbps, where values of $i+1/2$ are rounded up to $i+1$, i integer)
2) Closed loop transmit diversity enhanced performance requirements type 2 for Categories 7, 8, 9, 10, 13 and 14 in Pedestrian B 3km/h with $\hat{I}_{or}/I_{oc} = 10$ dB and $E_c/I_{or} = -3$ dB are set according to H-Set 6.

Table 9.2.3D.16: Test Parameters for Testing 16QAM FRCs H-Set 3

| Parameter | Unit | Test 1 | Test 2 | Test 3 |
|-----------------|--------------|---------------------------------|--------|--------|
| Phase reference | | P-CPICH | | |
| I_{oc} | dBm/3.84 MHz | -60 (no test tolerance applied) | | |

Table 9.2.3D.17 Test requirement Enhanced performance requirements Type 2, 16QAM, Fixed Reference Channel (FRC) H-Set 3

| Test Number | Propagation Conditions | Reference value | |
|-------------|------------------------|-------------------------------|---|
| | | HS-PDSCH E_c/I_{or} (dB) | T-put R (kbps) * $\hat{I}_{or}/I_{oc} = 10.8$ dB |
| 1 | PA3 | -5.9 | 361 |
| | | -2.9 | 500 |
| 2 | PB3 | -5.9 | 74 |
| | | -2.9 | *Note 2 |
| 3 | VA30 | -5.9 | 84 |
| | | -2.9 | 254 |

* NOTES: 1) The reference value R is for the Fixed Reference Channel (FRC) H-Set 1, for Fixed Reference Channel (FRC) H-Set 3 the reference values for R should be scaled (multiplied by 3 and rounding to the nearest integer t-put in kbps, where values of $i+1/2$ are rounded up to $i+1$, i integer)
2) Closed loop transmit diversity enhanced performance requirements type 2 for Categories 7, 8, 9, 10, 13 and 14 in Pedestrian B 3km/h with $\hat{I}_{or}/I_{oc} = 10$ dB and $E_c/I_{or} = -3$ dB are set according to H-Set 6.

NOTE: If the above Test Requirement differs from the Minimum Requirement then the Test Tolerance applied for this test is non-zero. The Test Tolerance for this test is defined in clause F.2 and the explanation of how the Minimum Requirement has been relaxed by the Test Tolerance is given in clause F.4

9.2.3E Closed Loop Diversity Performance Enhanced Performance Requirements Type 3, QPSK/16QAM, Fixed Reference Channel (FRC) H-Set 3

Editor's note: This test is copied from 9.2.3C with the change that only H-Set3 is tested and that applicability is enhanced performance requirements type 3 instead of type 1.

9.2.3E.1 Definition and applicability

The receiver closed loop transmit diversity performance of the High Speed Physical Downlink Shared Channel (HS-DSCH) in multi-path fading environments are determined by the information bit throughput R.

The requirements and this test apply also for Release 7 and later releases to all types of UTRA for the FDD UE that support: HSDPA UE capability categories 7 - 10 and 13 - 14 and the optional enhanced performance requirements type 3.

The requirements and this test apply also for Release 7 and later releases to all types of UTRA for the FDD UE that support: HSDPA UE capability categories 15 - 18.

The requirements and this test apply also for Release 8 and later releases to all types of UTRA for the FDD UE that support: HSDPA UE capability categories 7 - 10 and 13 - 14 and the optional enhanced performance requirements type 3i.

The requirements and this test apply also for Release 8 and later releases to all types of UTRA for the FDD UE that support HSDPA UE capability categories 19 - 20.

9.2.3E.2 Minimum requirements

Requirements for a particular UE belonging to certain HS-DSCH category are determined according to the relevant part of Table 9.2.3A .

The requirements are specified in terms of minimum information bit throughput R for the DL reference channels H-set 1/2/3 specified in Annex C.8.1.1, C.8.1.2 and C.8.1.3 respectively, with the addition of the relevant parameters in Tables 9.2.3E.1 and 9.2.3E.3 plus the downlink physical channel setup according to table E.5.3.

Using this configuration the throughput shall meet or exceed the minimum requirements specified in tables 9.2.3E.2 and 9.2.3E.4.

Table 9.2.3E.1: Test Parameters for Testing QPSK FRCs H-Set 3

| Parameter | Unit | Test 1 | Test 2 | Test 3 |
|---|--------------|-----------|--------|--------|
| Phase reference | | P-CPICH | | |
| I_{oc} | dBm/3.84 MHz | -60 | | |
| DPCH frame offset ($\tau_{DPCH,n}$) | Chip | 0 | | |
| Redundancy and constellation version coding sequence | | {0,2,5,6} | | |
| Maximum number of HARQ transmission | | 4 | | |
| Feedback Error Ratio | % | 4 | | |
| Closed loop timing adjustment mode | | 1 | | |
| NOTE: The HS-SCCH-1 and HS-PDSCH shall be transmitted continuously with constant power. HS-SCCH-1 shall only use the identity of the UE under test for those TTI intended for the UE. | | | | |

Table 9.2.3E.2: Minimum requirement Enhanced requirement type 3, QPSK, Fixed Reference Channel (FRC) H-Set 3

| Test Number | Propagation Conditions | Reference value | | |
|--|------------------------|-------------------------------|--|---|
| | | HS-PDSCH E_c/I_{or} (dB) | T-put R (kbps) * $\hat{I}_{or}/I_{oc} = 0$ dB | T-put R (kbps) * $\hat{I}_{or}/I_{oc} = 10$ dB |
| 1 | PA3 | -12 | N/A | 297 |
| | | -9 | N/A | 410 |
| | | -6 | 242 | N/A |
| | | -3 | 369 | N/A |
| 2 | PB3 | -9 | N/A | 194 |
| | | -6 | 170 | 308 |
| | | -3 | 272 | N/A |
| 3 | VA30 | -9 | N/A | 204 |
| | | -6 | 172 | 315 |
| | | -3 | 270 | N/A |
| * NOTES: 1) The reference value R is for the Fixed Reference Channel (FRC) H-Set 1, for Fixed Reference Channel (FRC) H-Set 3 the reference values for R should be scaled (multiplied by 3 and rounding to the nearest integer t-put in kbps, where values of $i+1/2$ are rounded up to $i+1$, i integer) | | | | |

Table 9.2.3E.3: Test Parameters for Testing 16QAM FRCs H-Set 3

| Parameter | Unit | Test 1 | Test 2 | Test 3 |
|---|--------------|-----------|--------|--------|
| Phase reference | | P-CPICH | | |
| I_{oc} | dBm/3.84 MHz | -60 | | |
| DPCH frame offset ($\tau_{DPCH,n}$) | Chip | 0 | | |
| Redundancy and constellation version coding sequence | | {6,2,1,5} | | |
| Maximum number of HARQ transmission | | 4 | | |
| Feedback Error Ratio | % | 4 | | |
| Closed loop timing adjustment mode | | 1 | | |
| NOTE: The HS-SCCH-1 and HS-PDSCH shall be transmitted continuously with constant power. HS-SCCH-1 shall only use the identity of the UE under test for those TTI intended for the UE. | | | | |

Table 9.2.3E.4: Minimum requirement Enhanced requirement type 3, 16QAM, Fixed Reference Channel (FRC) H-Set 3

| Test Number | Propagation Conditions | Reference value | |
|-------------|------------------------|-------------------------------|---|
| | | HS-PDSCH E_c/I_{or} (dB) | T-put R (kbps) * $\hat{I}_{or}/I_{oc} = 10$ dB |
| 1 | PA3 | -9 | 376 |
| | | -6 | 532 |
| 2 | PB3 | -6 | 267 |
| | | -3 | 393 |
| 3 | VA30 | -6 | 279 |
| | | -3 | 404 |

* NOTES: 1)The reference value R is for the Fixed Reference Channel (FRC) H-Set 1, for Fixed Reference Channel (FRC) H-Set 3 the reference values for R should be scaled (multiplied by 3 and rounding to the nearest integer t-put in kbps, where values of $i+1/2$ are rounded up to $i+1$, i integer)

NOTE: Tables 9.2.3E.2 and 9.2.3E.4 are based on core requirements for enhanced requirement type 1 as explained in Table 9.2.3.

The reference for this requirement is TS 25.101 [1] clauses 9.2.3.1 and 9.2.3.2.

9.2.3E.3 Test purpose

To verify the ability of the receiver to receive a predefined test signal, representing a multi-path fading channel with information bit throughput R not falling below a specified value. The test stresses the multi-code reception and channel decoding with incremental redundancy.

9.2.3E.4 Method of test

9.2.3E.4.1 Initial conditions

Test environment: normal; see clauses G.2.1 and G.2.2.

Frequencies to be tested: mid range; see clause G.2.4.

1. Connect the SS (Node B Emulator) and faders and AWGN noise sources to the UE antenna connector as shown in figure A.22 for UEs that support receive diversity or figure A.12 for UEs that do not support receive diversity.
2. Set the node B emulator behaviour according to table 9.2.4. Set the test parameters for tests 1-3 according to table 9.2.3E.1 or 9.2.3E.3 and levels according to tables 9.2.3E.6 to 9.2.3E.9. The configuration of the downlink channels is defined in table E.5.3.
3. The information bit data shall be pseudo random and not repeated before 10 different information bit payload blocks are processed. (e.g. Fixed reference Channel Definition H-set 1 (16 QAM): The information bit payload block is 4664 bits long. Hence the PRBS must be at least $4664 * 10$ bits long) Use a PRBS from ITU-T O.153 Ref [27].
4. Setup the fading simulators with fading conditions as described in table D.2.2.1.A and clause D.2.5.

Table 9.2.3E.5: Specific Message Contents for closed loop transmit diversity mode

SYSTEM INFORMATION BLOCK TYPE5

| Information Element | Value/remark |
|---|------------------|
| PRACH system information list - AICH info - STTD Indicator | TRUE |
| Secondary CCPCH system information - PICH info - STTD Indicator - Secondary CCPCH info - STTD Indicator | TRUE TRUE |
| Primary CCPCH info - CHOICE mode - TX Diversity indicator | FDD TRUE |

SYSTEM INFORMATION BLOCK TYPE11

| Information Element | Value/remark |
|--|--------------|
| New intra-frequency cells - Intra-frequency cell id | 1 |
| - TX Diversity indicator | TRUE |

RRC CONNECTION SETUP

| Information Element | Value/remark |
|---|--------------------------|
| CHOICE channel requirement - Number of FBI bit | Uplink DPCH info 1 |
| Downlink information common for all radio links - CHOICE mode - TX Diversity Mode | FDD Closed loop mode1 |
| Downlink DPCH info for each RL - CHOICE mode - Downlink DPCH info for each RL - Closed loop timing adjustment mode | FDD 1 |

RADIO BEARER SETUP for Closed test loop mode1 and HSDPA

| Information Element | Value/remark |
|---|--------------------------|
| CHOICE channel requirement - Number of FBI bit | Uplink DPCH info 1 |
| Downlink information common for all radio links - CHOICE mode - TX Diversity Mode | FDD Closed loop mode1 |
| Downlink DPCH info for each RL - CHOICE mode - Downlink DPCH info for each RL - Closed loop timing adjustment mode | FDD 1 |

9.2.3E.4.2 Procedure

1. Set up a HSDPA connection with looping back 12.2kbps RMC according to the generic HSDPA set-up procedure specified in TS 34.108 [3] sub clause 7.3.6 with the exceptions for information elements listed in table 9.2.3E.5, with levels according to table E.5.0.
2. Once the HSDPA connection is setup, change levels according to Tables E.5.6 to E.5.8B as specified by table E.5.9 and start transmitting HSDPA Data.
3. For all relevant propagation conditions, for all relevant Ioc levels, for all relevant Ec/Ior, for all relevant \hat{I} or/Ioc, for all relevant H-sets in tables 9.2.3E.6 to 9.2.3E.9 count the number of NACK, ACK and statDTX on the UL HS-DPCCH during the test interval and decide pass or fail according to Annex F.6.3 tables F.6.3.5.4.1 and F.6.3.5.4.2. ACK is counted as a pass. NACK and statDTX are counted as a failure.

9.2.3E.5 Test Requirements

Tables 9.2.3E.6 to 9.2.3E.9 define the primary level settings including test tolerance and test parameters for all relevant throughput tests. The pass / fail decision for throughput is done according to Annex F.6.3.

Tables E.5.6 to E.5.8B define the secondary and subsequently ranked level settings including test tolerance. As those level settings are not uniform for the throughput tests in this clause, Table E.5.9 indicates which levels are applied, when the primary level settings (E_c/I_{or} and I_{or}/I_{oc}) and propagation conditions (PA3, PB3, VA30, VA 120) vary.

Note that the levels in tables E.5.6 to E.5.8B, when applied in this subclause (closed loop transmit diversity) are equal to the sum of the levels at both antennas. They are equally divided between both antennas according to Table E.5.3: column Note.

Table 9.2.3E.6: Test Parameters for Testing QPSK FRCs H-Set 3

| Parameter | Unit | Test 1 | Test 2 | Test 3 |
|-----------------|--------------|---------------------------------|--------|--------|
| Phase reference | | P-CPICH | | |
| I_{oc} | dBm/3.84 MHz | -60 (no test tolerance applied) | | |

Table 9.2.3E.7: Test requirement Enhanced requirement type 3, QPSK, Fixed Reference Channel (FRC) H-Set 3

| Test Number | Propagation Conditions | Reference value | | |
|-------------|------------------------|---------------------------------|--|---|
| | | HS-PDSCH E_c / I_{or} (dB) | T-put R (kbps) * $\hat{I}_{or} / I_{oc} = 0.8$ dB | T-put R (kbps) * $\hat{I}_{or} / I_{oc} = 10.8$ dB |
| 1 | PA3 | -11.9 | N/A | 297 |
| | | -8.9 | N/A | 410 |
| | | -5.9 | 242 | N/A |
| | | -2.9 | 369 | N/A |
| 2 | PB3 | -8.9 | N/A | 194 |
| | | -5.9 | 170 | 308 |
| | | -2.9 | 272 | N/A |
| 3 | VA30 | -8.9 | N/A | 204 |
| | | -5.9 | 172 | 315 |
| | | -2.9 | 270 | N/A |

* NOTES: 1) The reference value R is for the Fixed Reference Channel (FRC) H-Set 1, for Fixed Reference Channel (FRC) H-Set 3 the reference values for R should be scaled (multiplied by 3 and rounding to the nearest integer t-put in kbps, where values of $i+1/2$ are rounded up to $i+1$, i integer)

Table 9.2.3E.8: Test Parameters for Testing 16QAM FRCs H-Set 3

| Parameter | Unit | Test 1 | Test 2 | Test 3 |
|-----------------|--------------|---------------------------------|--------|--------|
| Phase reference | | P-CPICH | | |
| I_{oc} | dBm/3.84 MHz | -60 (no test tolerance applied) | | |

Table 9.2.3E.9: Test requirement Enhanced requirement type 3, 16QAM, Fixed Reference Channel (FRC) H-Set 3

| Test Number | Propagation Conditions | Reference value | |
|-------------|------------------------|---------------------------------|---|
| | | HS-PDSCH E_c / I_{or} (dB) | T-put R (kbps) * $\hat{I}_{or} / I_{oc} = 10.8$ dB |
| 1 | PA3 | -8.9 | 376 |
| | | -5.9 | 532 |
| 2 | PB3 | -5.9 | 267 |
| | | -2.9 | 393 |
| 3 | VA30 | -5.9 | 279 |
| | | -2.9 | 404 |

* NOTES: 1) The reference value R is for the Fixed Reference Channel (FRC) H-Set 1, for Fixed Reference Channel (FRC) H-Set 3 the reference values for R should be scaled (multiplied by 3 and rounding to the nearest integer t-put in kbps, where values of $i+1/2$ are rounded up to $i+1$, i integer)

NOTE: If the above Test Requirement differs from the Minimum Requirement then the Test Tolerance applied for this test is non-zero. The Test Tolerance for this test is defined in clause F.2 and the explanation of how the Minimum Requirement has been relaxed by the Test Tolerance is given in clause F.4

9.2.4 MIMO Performance

The test case in section 9.2.4A defines the MIMO Performance test for the Fixed Reference Channel (FRC) H-Set 9.

9.2.4A MIMO Performance - Fixed Reference Channel (FRC) H-Set 9

9.2.4A.1 Definition and applicability

The MIMO performance of the High Speed Physical Downlink Shared Channel (HS-DSCH) in multi-path fading environments is determined by the information bit throughput R.

The requirements and this test apply to Release 7 and later releases for all types of UTRA for FDD UE that support HSDPA UE capability categories 15 - 18.

9.2.4A.2 Minimum requirements

The requirements are specified in terms of a minimum information bit throughput R for the DL reference channels H-Set 9 specified in Annex C.8.1.9, with the addition of the parameters in Table 9.2.4A.1 and the downlink physical channel setup according to Table E.5.2. Precoding weight set restriction shall not be enabled. The primary precoding vector signalled on the HS-SCCH and applied on the associated HS-DSCH subframe shall correspond to the preferred primary precoding vector reported immediately before the start of the HS-SCCH subframe.

The determination of applied precoding vector for single transport block transmission shall be as follows: the reported preferred primary precoding vector shall be applied to the primary transport block.

The determination of applied precoding vector for two transport block transmission shall be as follows: If the CQI reported by the UE indicates a preference for a single transport block, the preferred primary precoding vector shall be applied to the primary transport block. If the CQI reported by the UE indicates a preference for two transport blocks, and the preferred primary precoding vector corresponds to the highest reported CQI value, the preferred primary precoding vector shall be applied to the primary transport block. If the CQI reported by the UE indicates a preference for two transport blocks, and the preferred primary precoding vector does not correspond to the highest reported CQI value, the preferred primary precoding vector shall be applied to the secondary transport block.

Using this configuration the throughput shall meet or exceed the minimum requirements specified in Table 9.2.4A.2 with the downlink physical channel setup in Table E.5.2.

Table 9.2.4A.1: Test Parameters for Testing MIMO FRC H-Set 9

| Parameter | Unit | Test 1 | Test 2 | Test 3 | Test 4 |
|--|--------------|---|--------|--|--------|
| I_{oc} | dBm/3.84 MHz | -60 | | | |
| DPCH frame offset ($\tau_{DPCH,n}$) | Chip | 0 | | | |
| Redundancy and constellation version coding sequence | | {0,3,2,1} for 16-QAM and QPSK | | | |
| Maximum number of HARQ transmission | | 4 | | | |
| MIMO N_cqi_typeA/M_cqi ratio | | 1/1 | | 1/2 | |
| PCI/CQI reporting Error Rate | % | 0 | | 0 | |
| Number of transport blocks | | 2 | | 1 | |
| Modulation | | Primary Transport Block: 16QAM Secondary Transport Block: QPSK | | Primary Transport Block: 16QAM Secondary Transport Block is not used. | |

Table 9.2.4A.2: Minimum requirement MIMO, Fixed Reference Channel (FRC) H-Set 9 with downlink physical channel setup in Table E.5.2

| Test Number | Propagation Conditions | Reference value | |
|-------------|------------------------|------------------------------|--|
| | | \hat{I}_{or} / I_{oc} (dB) | T-put R (kbps) HS-PDSCH $E_c / I_{or} = -2$ dB |
| 1 | PA3 | 10 | 5563 |
| 2 | VA3 | 10 | 4347 |
| 3 | PA3 | 6 | 3933 |
| 4 | VA3 | 6 | 3011 |

The reference for this requirement is TS 25.101 [1] clause 9.2.4.1.

9.2.4A.3 Test purpose

To verify the ability of the receiver to receive a predefined test signal, representing a multi-path fading channel with information bit throughput R not falling below a specified value. The test stresses the multi-code reception and channel decoding with incremental redundancy.

9.2.4A.4 Method of test

9.2.4A.4.1 Initial conditions

Test environment: normal; see clauses G.2.1 and G.2.2.

Frequencies to be tested: mid range; see clause G.2.4.

1. Connect the SS (Node B Emulator) and faders and AWGN noise sources to the UE antenna connectors as shown in figure A.22.
2. Set the node B emulator behaviour according to table 9.2.4. Set the test parameters for tests 1-4 according to table 9.2.4A.1 and levels according to tables 9.2.4A.4 and 9.2.4A.5. The configuration of the downlink channels is defined in table E.5.2.

- The information bit data shall be pseudo random and not repeated before 10 different information bit payload blocks are processed. (e.g. Fixed reference Channel Definition H-set 9 dual stream [tests 1 & 2]: The information bit payload block is 17568 bits for the primary block using 16QAM and 9736 bits for the secondary block using QPSK. Hence the PRBS must be at least 17568 * 10 bits long for the primary block and 9736 * 10 bits for the secondary block. Also. For fixed reference Channel Definition H-set 9 single stream [tests 3 & 4]: The information bit payload block, there is only one payload block size which is 17568 bits using 16QAM, hence the PRBS must be at least 17568 * 10 bits long for the single stream case). Use a PRBS from ITU-T O.153 Ref [27].
- Setup the fading simulators with fading conditions as described in tables D.2.2.1A and D.2.2.1C and clause D.2.

Table 9.2.4A.3: Specific Message Contents for MIMO

RADIO BEARER SETUP for HSDPA Tests 1 & 2

| Information Element | Value/remark |
|---|--------------|
| MIMO parameters | Start 1/1 |
| - MIMO operation | |
| - MIMO N_cqi_typeA/M_cqi ratio | Not Present |
| - MIMO pilot configuration | |
| - CHOICE <i>Second CPICH pattern</i> >Antenna2 P-CPICH | |
| - Precoding weight set restriction | |

RADIO BEARER SETUP for HSDPA Tests 3 & 4

| Information Element | Value/remark |
|---|--------------|
| MIMO parameters | Start 1/2 |
| - MIMO operation | |
| - MIMO N_cqi_typeA/M_cqi ratio | Not Present |
| - MIMO pilot configuration | |
| - CHOICE <i>Second CPICH pattern</i> >Antenna2 P-CPICH | |
| - Precoding weight set restriction | |

9.2.4A.4.2 Procedure

- Set up a HSDPA with looping back 12.2kbps RMC connection according to the generic HSDPA set-up procedure specified in TS 34.108 [3] sub clause 7.3.6 with the exceptions for information elements listed in table 9.2.4A.3 and exceptions in Annex I, with levels according to table E.5.0.
- Once the HSDPA connection is setup, change levels according to Tables E.5.6 to E.5.8C as specified by table E.5.9 and start transmitting HSDPA Data.
- For all relevant propagation conditions, for all relevant Ioc levels, for all relevant Ec/Ior, for all relevant $\hat{I}or/Ioc$, for H-set 9 count the number of NACK, ACK and statDTX on the UL HS-DPCCH during the test interval and, for test 3 and 4, decide pass or fail according to Annex F.6.3 table F.6.3.5.4.10. ACK is counted as a success. NACK and statDTX are counted as a failure.
- For test 1 and 2 there are 4 possible contributions to the throughput per TTI.

| Primary stream | ACK on the Primary stream (16 QAM) | NACK on the Primary stream |
|------------------------------------|---------------------------------------|--|
| Secondary stream | | |
| ACK on the secondary stream (QPSK) | (17568 + 9736) bit per TTI | 9736 bit per TTI |
| NACK on the secondary stream | 17568 bit per TTI | 0 bit per TTI (also counted in case of statDTX) |

At the end of the test interval calculate the throughput and relate it to the nominal throughput. This is the relative throughput RT. Decide pass or fail according to Annex F.6.3 Table F.6.3.5.4.10

9.2.4A.5 Test Requirements

Tables 9.2.4A.4 and 9.2.4A.5 define the primary level settings including test tolerance and test parameters for all relevant throughput tests. The pass / fail decision for throughput is done according to Annex F.6.3.

Tables E.5.6 to E.5.8C define the secondary and subsequently ranked level settings including test tolerance. As those level settings are not uniform for the throughput tests in this clause, Table E.5.9 indicates which levels are applied, when the primary level settings (E_c/I_{or} and I_{or}/I_{oc}) and propagation conditions (PA3, VA3) vary.

Note that the levels in tables E.5.6 to E.5.8C, when applied in this subclause (MIMO performance) are equal to the sum of the levels at both antennas. They are equally divided between both antennas according to Table E.5.2: column Note.

Table 9.2.4A.4: Test Parameters for Testing MIMO Fixed Reference Channel (FRC) H-Set 9

| Parameter | Unit | Test 1 | Test 2 | Test 3 | Test 4 |
|-----------------|--------------|---------------------------------|---------|---------------------------------|---------|
| Phase reference | | P-CPICH | P-CPICH | P-CPICH | P-CPICH |
| I_{oc} | dBm/3.84 MHz | -60 (no test tolerance applied) | | -60 (no test tolerance applied) | |

Table 9.2.4A.5: Test requirement MIMO Fixed Reference Channel (FRC) H-Set 9 with downlink physical channel setup in Table E.5.2

| Test Number | Propagation Conditions | Reference value | |
|-------------|------------------------|----------------------------|--|
| | | \hat{I}_{or}/I_{oc} (dB) | T-put R (kbps) HS-PDSCH $E_c/I_{or} = -1.9$ dB |
| 1 | PA3 | 10.8 | 5563 |
| 2 | VA3 | 10.8 | 4347 |
| 3 | PA3 | 6.8 | 3933 |
| 4 | VA3 | 6.8 | 3011 |

9.2.4B MIMO Performance - Fixed Reference Channel (FRC) H-Set 11

9.2.4B.1 Definition and applicability

The MIMO performance of the High Speed Physical Downlink Shared Channel (HS-DSCH) in multi-path fading environments is determined by the information bit throughput R.

The requirements and this test apply to Release 8 and later releases for all types of UTRA for FDD UE that support HSDPA UE capability categories 19-20.

9.2.4B.2 Minimum requirements

The requirements are specified in terms of a minimum information bit throughput R for the DL reference channels H-Set 11 specified in Annex C.8.1.11, with the addition of the parameters in Table 9.2.4B.1 and the downlink physical channel setup according to Table E.5.2. Precoding weight set restriction shall not be enabled.

The primary precoding vector signalled on the HS-SCCH and applied on the associated HS-DSCH subframe shall correspond to the preferred primary precoding vector reported immediately before the start of the HS-SCCH subframe.

The determination of applied precoding vector for two transport block transmission shall be as follows: If the CQI reported by the UE indicates a preference for a single transport block, the preferred primary precoding vector shall be applied to the primary transport block. If the CQI reported by the UE indicates a preference for two transport blocks, and the preferred primary precoding vector corresponds to the highest reported CQI value, the preferred primary precoding vector shall be applied to the primary transport block. If the CQI reported by the UE indicates a preference for two transport blocks, and the preferred primary precoding vector does not correspond to the highest reported CQI value, the preferred primary precoding vector shall be applied to the secondary transport block.

Using this configuration the throughput shall meet or exceed the minimum requirements specified in Table 9.2.4B.2 with the downlink physical channel setup in Table E.5.2.

Table 9.2.4B.1: Test Parameters for Testing MIMO FRC H-Set 11

| Parameter | Unit | Test 1 |
|--|--------------|--|
| I_{oc} | dBm/3.84 MHz | -60 |
| DPCCH frame offset ($\tau_{DPCCH,n}$) | Chip | 0 |
| Redundancy and constellation version coding sequence | | {0,3,2,1} for 16QAM and 64QAM |
| Maximum number of HARQ transmission | | 4 |
| MIMO N_cqi_typeA/M_cqi ratio | | 1/1 |
| PCI/CQI reporting Error Rate | % | 0 |
| Number of transport blocks | | 2 |
| Modulation | | Primary Transport Block: 64QAM Secondary Transport Block: 16QAM |

Table 9.2.4B.2: Minimum requirement MIMO, Fixed Reference Channel (FRC) H-Set 11 with downlink physical channel setup in Table E.5.2

| Test Number | Propagation Conditions | Reference value | |
|-------------|------------------------|------------------------------|--|
| | | \hat{I}_{or} / I_{oc} (dB) | T-put R (kbps) HS-PDSCH $E_c / I_{or} = -1.5$ dB |
| 1 | PA3 | 18 | 9980 |

The reference for this requirement is TS 25.101 [1] clause 9.2.4.2.

9.2.4B.3 Test purpose

To verify the ability of the receiver to receive a predefined test signal, representing a multi-path fading channel with information bit throughput R not falling below a specified value. The test stresses the multi-code reception and channel decoding with incremental redundancy.

9.2.4B.4 Method of test

9.2.4B.4.1 Initial conditions

Test environment: normal; see clauses G.2.1 and G.2.2.

Frequencies to be tested: mid range; see clause G.2.4.

2. Connect the SS (Node B Emulator) and faders and AWGN noise sources to the UE antenna connectors as shown in figure A.22.
2. Set the node B emulator behaviour according to table 9.2.4. Set the test parameters according to table 9.2.4B.1 and levels according to tables 9.2.4B.4 and 9.2.4B.5. The configuration of the downlink channels is defined in table E.5.2.
3. The information bit data shall be pseudo random and not repeated before 10 different information bit payload blocks are processed. (the information bit payload block is 26504 bits for the primary block using 64QAM and 17568 bits for the secondary block using 16QAM. Hence the PRBS must be at least 26504 * 10 bits long for the primary block and 17568 * 10 bits for the secondary block.). Use a PRBS from ITU-T O.153 Ref [27].
4. Setup the fading simulators with fading conditions as described in tables D.2.2.1A and D.2.2.1C and clause D.2.

RADIO BEARER SETUP

Table 9.2.4B.3: Specific Message Contents for MIMO

| Information Element | Value/remark |
|--------------------------------------|--------------|
| MIMO parameters | |
| - MIMO operation | Start |
| - MIMO N_cqi_typeA/M_cqi ratio | 1/1 |
| - MIMO pilot configuration | |
| - CHOICE <i>Second CPICH pattern</i> | |
| - >Antenna2 P-CPICH | |
| - Precoding weight set restriction | Not Present |

9.2.4B.4.2 Procedure

1. Set up a HSDPA with looping back 12.2kbps RMC connection according to the generic HSDPA set-up procedure specified in TS 34.108 [3] sub clause 7.3.6 with the exceptions for information elements listed in table 9.2.4B.3 and exceptions in Annex I, with levels according to table E.5.0.
2. Once the HSDPA connection is setup, change levels according to Tables E.5.6 to E.5.8C as specified by table E.5.9 and start transmitting HSDPA Data.
3. For all relevant propagation conditions, for all relevant I_{oc} levels, for all relevant E_c/I_{or}, for all relevant Î_{or}/I_{oc}, for H-set 11 count the number of NACK, ACK and statDTX on the UL HS-DPCCH during the test interval. ACK is counted as a success. NACK and statDTX are counted as a failure.
4. There are 4 possible contributions to the throughput per TTI.

| Primary stream | ACK on the Primary stream (64QAM) | NACK on the Primary stream |
|-------------------------------------|--------------------------------------|--|
| Secondary stream | | |
| ACK on the secondary stream (16QAM) | (26504 + 17568) bit per TTI | 17568 bit per TTI |
| NACK on the secondary stream | 26504 bit per TTI | 0 bit per TTI (also counted in case of statDTX) |

At the end of the test interval calculate the throughput and relate it to the nominal throughput. This is the relative throughput RT. Decide pass or fail according to Annex F.6.3 Table F.6.3.5.4.7

9.2.4B.5 Test Requirements

Tables 9.2.4B.4 and 9.2.4B.5 define the primary level settings including test tolerance and test parameters. The pass / fail decision for throughput is done according to Annex F.6.3.

Tables E.5.6 to E.5.8D define the secondary and subsequently ranked level settings including test tolerance. As those level settings are not uniform for the throughput tests in this clause, Table E.5.9 indicates which levels are applied, when the primary level settings (E_c/I_{or} and I_{or}/I_{oc}) and propagation conditions (PA3, VA3) vary.

Note that the levels in tables E.5.6 to E.5.8D, when applied in this subclause (MIMO performance) are equal to the sum of the levels at both antennas. They are equally divided between both antennas according to Table E.5.2: column Note.

Table 9.2.4B.4: Test Parameters for Testing MIMO Fixed Reference Channel (FRC) H-Set 11

| Parameter | Unit | Test 1 |
|--|--------------|--|
| I_{oc} | dBm/3.84 MHz | -60 |
| DPCH frame offset ($\tau_{DPCH,n}$) | Chip | 0 |
| Redundancy and constellation version coding sequence | | {0,3,2,1} for 16QAM and 64QAM |
| Maximum number of HARQ transmission | | 4 |
| MIMO N_cqi_typeA/M_cqi ratio | | 1/1 |
| PCI/CQI reporting Error Rate | % | 0 |
| Number of transport blocks | | 2 |
| Modulation | | Primary Transport Block: 64QAM Secondary Transport Block: 16QAM |

Table 9.2.4B.5: Test requirement MIMO Fixed Reference Channel (FRC) H-Set 11 with downlink physical channel setup in Table E.5.2

| Test Number | Propagation Conditions | Reference value | |
|----------------|---------------------------|------------------------------|--|
| | | \hat{I}_{or} / I_{oc} (dB) | T-put R (kbps) HS-PDSCH $E_c / I_{or} = -1.4$ dB |
| 1 | PA3 | 18.8 | 9980 |

9.2.4C MIMO Performance - Fixed Reference Channel (FRC) H-Set 9A

9.2.4C.1 Definition and applicability

The MIMO performance of the High Speed Physical Downlink Shared Channel (HS-DSCH) in multi-path fading environments is determined by the information bit throughput R .

The requirements and this test apply to Release 9 and later releases for all types of UTRA for FDD UE that support HSDPA UE capability categories 25 - 28 but not supporting Dual band operation.

9.2.4C.2 Minimum requirements

The requirements are specified in terms of a minimum information bit throughput R for the DL reference channels H-Set 9A specified in Annex C.8.1.9, with the addition of the parameters in Table 9.2.4C.1 and the downlink physical channel setup according to Table E.5.2. Precoding weight set restriction shall not be enabled.

The primary precoding vector signalled on the HS-SCCH and applied on the associated HS-DSCH subframe shall correspond to the preferred primary precoding vector reported immediately before the start of the HS-SCCH subframe.

The determination of applied precoding vector for single transport block transmission shall be as follows: the reported preferred primary precoding vector shall be applied to the primary transport block.

The determination of applied precoding vector for two transport block transmission shall be as follows: If the CQI reported by the UE indicates a preference for a single transport block, the preferred primary precoding vector shall be applied to the primary transport block. If the CQI reported by the UE indicates a preference for two transport blocks, and the preferred primary precoding vector corresponds to the highest reported CQI value, the preferred primary precoding vector shall be applied to the primary transport block. If the CQI reported by the UE indicates a preference for two transport blocks, and the preferred primary precoding vector does not correspond to the highest reported CQI value, the preferred primary precoding vector shall be applied to the secondary transport block.

Using this configuration the throughput shall meet or exceed the minimum requirements specified in table 9.2.4C.2 with the downlink physical channel setup in Table E.5.2.

Table 9.2.4C.1: Test Parameters for Testing MIMO FRC H-Set 9A

| Parameter | Unit | Test 1 | Test 2 | Test 3 | Test 4 |
|--|--------------|---|--------|--|--------|
| I_{oc} | dBm/3.84 MHz | -60 | | | |
| DPCH frame offset ($\tau_{DPCH,n}$) | Chip | 0 | | | |
| Redundancy and constellation version coding sequence | | {0,3,2,1} for 16-QAM and QPSK | | | |
| Maximum number of HARQ transmission | | 4 | | | |
| MIMO N_cqi_typeA/M_cqi ratio | | 1/1 | | 1/2 | |
| PCI/CQI reporting Error Rate | % | 0 | | 0 | |
| Number of transport blocks | | 2 | | 1 | |
| Modulation | | Primary Transport Block: 16QAM Secondary Transport Block: QPSK | | Primary Transport Block: 16QAM Secondary Transport Block is not used. | |

Table 9.2.4C.2: Minimum requirement MIMO, Fixed Reference Channel (FRC) H-Set 9A with downlink physical channel setup in Table E.5.2

| Test Number | Propagation Conditions | Reference value | |
|-------------|------------------------|------------------------------|--|
| | | \hat{I}_{or} / I_{oc} (dB) | T-put R (kbps) * HS-PDSCH $E_c / I_{or} = -2$ dB |
| 1 | PA3 | 10 | 5563 |
| 2 | VA3 | 10 | 4347 |
| 3 | PA3 | 6 | 3933 |
| 4 | VA3 | 6 | 3011 |

* NOTES: 1) The reference value R is for the Fixed Reference Channel (FRC) H-Set 9
2) For Fixed Reference Channel (FRC) H-Set 9A the reference values for R should be scaled (multiplied by 2.0)

The reference for this requirement is TS 25.101 [1] clause 9.2.4.1.

9.2.4C.3 Test purpose

To verify the ability of the receiver to receive a predefined test signal, representing a multi-path fading channel with information bit throughput R not falling below a specified value. The test stresses the multi-code reception and channel decoding with incremental redundancy.

9.2.4C.4 Method of test

9.2.4C.4.1 Initial conditions

Test environment: normal; see clauses G.2.1 and G.2.2.

Frequencies to be tested: mid range; see clause G.2.4.

1. Connect the SS (Node B Emulator) and faders and AWGN noise sources to the UE antenna connectors as shown in figure A.40.
2. Set the node B emulator behaviour according to table 9.2.4. Set the test parameters for tests 1-4 according to table 9.2.4C.1 and levels according to tables 9.2.4C.4 and 9.2.4C.5. The configuration of the downlink channels is defined in table E.5.2.
3. The information bit data shall be pseudo random and not repeated before 10 different information bit payload blocks are processed. (e.g. Fixed reference Channel Definition H-Set 9A dual stream [tests 1 & 2]: The information bit payload block is 17568 bits for the primary block using 16QAM and 9736 bits for the secondary block using QPSK. Hence the PRBS must be at least $17568 * 10$ bits long for the primary block and $9736 * 10$ bits for the secondary block. Also. For fixed reference Channel Definition H-Set 9A single stream [tests 3 & 4]: The information bit payload block, there is only one payload block size which is 17568 bits using 16QAM, hence the PRBS must be at least $17568 * 10$ bits long for the single stream case). Use a PRBS from ITU-T O.153 Ref [27].
4. Setup the fading simulators with fading conditions as described in tables D.2.2.1A and D.2.2.1C and clause D.2. on each of the serving cells.

Table 9.2.4C.3: Specific Message Contents for MIMO

RADIO BEARER SETUP for HSDPA Tests 1 & 2

| Information Element | Value/remark |
|--------------------------------------|--------------|
| MIMO parameters | Start |
| - MIMO operation | |
| - MIMO N_cqi_typeA/M_cqi ratio | 1/1 |
| - MIMO pilot configuration | Not Present |
| - CHOICE <i>Second CPICH pattern</i> | |
| >Antenna2 P-CPICH | |
| - Precoding weight set restriction | |

RADIO BEARER SETUP for HSDPA Tests 3 & 4

| Information Element | Value/remark |
|--------------------------------------|--------------|
| MIMO parameters | Start |
| - MIMO operation | |
| - MIMO N_cqi_typeA/M_cqi ratio | 1/2 |
| - MIMO pilot configuration | Not Present |
| - CHOICE <i>Second CPICH pattern</i> | |
| >Antenna2 P-CPICH | |
| - Precoding weight set restriction | |

9.2.4C.4.2 Procedure

1. Set up a HSDPA with looping back 12.2kbps RMC connection according to the generic HSDPA set-up procedure specified in TS 34.108 [3] sub clause 7.3.13 with the exceptions for information elements listed in table 9.2.4C.3 and exceptions in Annex I, with levels according to table E.5.0.
2. Once the HSDPA connection is setup, change levels according to Tables E.5.6 to E.5.8B as specified by table E.5.9 and start transmitting HSDPA Data on both the serving cells. For secondary serving HS-DSCH cell only P-CPICH, HS-PDSCH and HS-SCCH are configured.
3. For all relevant propagation conditions, for all relevant I_{oc} levels, for all relevant E_c/I_{or} , for all relevant \hat{I}_{or}/I_{oc} , for H-Set 9A count the number of NACK, ACK and statDTX on the UL HS-DPCCH during the test interval and, for test 3 and 4, decide pass or fail according to Annex F.6.3 table F.6.3.5.4.9. ACK is counted as a success. NACK and statDTX are counted as a failure. Throughput shall be measured per cell and compared to requirements in these tables.
4. For test 1 and 2 there are 4 possible contributions to the throughput per TTI.

| Primary stream | ACK on the Primary stream (16 QAM) | NACK on the Primary stream |
|------------------------------------|------------------------------------|---|
| Secondary stream | | |
| ACK on the secondary stream (QPSK) | (17568 + 9736) bit per TTI | 9736 bit per TTI |
| NACK on the secondary stream | 17568 bit per TTI | 0 bit per TTI (also counted in case of statDTX) |

At the end of the test interval calculate the throughput for each cell and relate it to the nominal throughput. This is the relative throughput RT. Decide pass or fail according to Annex F.6.3 Table F.6.3.5.4.10

9.2.4C.5 Test Requirements

Tables 9.2.4C.4 and 9.2.4C.5 define the primary level settings including test tolerance and test parameters for all relevant throughput tests. The pass / fail decision for throughput is done according to Annex F.6.3.

Tables E.5.6 to E.5.8C define the secondary and subsequently ranked level settings including test tolerance for both the serving cells. As those level settings are not uniform for the throughput tests in this clause, Table E.5.9 indicates which levels are applied, when the primary level settings (E_c/I_{or} and I_{or}/I_{oc}) and propagation conditions (PA3, VA3) vary.

Note that the levels in tables E.5.6 to E.5.8C, when applied in this subclause (MIMO performance) are equal to the sum of the levels at both antennas. They are equally divided between both antennas according to Table E.5.2: column Note.

Table 9.2.4C.4: Test Parameters for Testing MIMO Fixed Reference Channel (FRC) H-Set 9A

| Parameter | Unit | Test 1 | Test 2 | Test 3 | Test 4 |
|-----------------|--------------|---------------------------------|---------|---------------------------------|---------|
| Phase reference | | P-CPICH | P-CPICH | P-CPICH | P-CPICH |
| I_{oc} | dBm/3.84 MHz | -60 (no test tolerance applied) | | -60 (no test tolerance applied) | |

Table 9.2.4C.5: Test requirement MIMO Fixed Reference Channel (FRC) H-Set 9A with downlink physical channel setup in Table E.5.2

| Test Number | Propagation Conditions | Reference value | |
|-------------|------------------------|----------------------------|--|
| | | \hat{I}_{or}/I_{oc} (dB) | T-put R (kbps) * HS-PDSCH $E_c/I_{or} = -1.9$ dB |
| 1 | PA3 | 10.8 | 5563 |
| 2 | VA3 | 10.8 | 4347 |
| 3 | PA3 | 6.8 | 3933 |
| 4 | VA3 | 6.8 | 3011 |

* NOTES: 1) The reference value R is for the Fixed Reference Channel (FRC) H-Set 9
2) For Fixed Reference Channel (FRC) H-Set 9A the reference values for R should be scaled (multiplied by 2.0)

9.2.4CA MIMO Performance - Fixed Reference Channel (FRC) H-Set 9A for DB DC-HSDPA

9.2.4CA.1 Definition and applicability

The MIMO performance of the High Speed Physical Downlink Shared Channel (HS-DSCH) in multi-path fading environments is determined by the information bit throughput R .

The requirements and this test apply to Release 10 and later releases for all types of UTRA for FDD UE that support DB-DC-HSDPA and HSDPA UE capability categories 25 - 28.

9.2.4CA.2 Minimum requirements

The requirements are specified in terms of a minimum information bit throughput R for the DL reference channels H-Set 9A specified in Annex C.8.1.9, with the addition of the parameters in Table 9.2.4CA.1 and the downlink physical channel setup according to Table E.5.2. Precoding weight set restriction shall not be enabled.

The primary precoding vector signalled on the HS-SCCH and applied on the associated HS-DSCH subframe shall correspond to the preferred primary precoding vector reported immediately before the start of the HS-SCCH subframe.

The determination of applied precoding vector for single transport block transmission shall be as follows: the reported preferred primary precoding vector shall be applied to the primary transport block.

The determination of applied precoding vector for two transport block transmission shall be as follows: If the CQI reported by the UE indicates a preference for a single transport block, the preferred primary precoding vector shall be applied to the primary transport block. If the CQI reported by the UE indicates a preference for two transport blocks, and the preferred primary precoding vector corresponds to the highest reported CQI value, the preferred primary precoding vector shall be applied to the primary transport block. If the CQI reported by the UE indicates a preference for two transport blocks, and the preferred primary precoding vector does not correspond to the highest reported CQI value, the preferred primary precoding vector shall be applied to the secondary transport block.

Using this configuration the throughput shall meet or exceed the minimum requirements specified in table 9.2.4CA.2 with the downlink physical channel setup in Table E.5.2.

Table 9.2.4CA.1: Test Parameters for Testing MIMO FRC H-Set 9A

| Parameter | Unit | Test 1 | Test 2 | Test 3 | Test 4 |
|--|--------------|---|--------|--|--------|
| I_{oc} | dBm/3.84 MHz | -60 | | | |
| DPCH frame offset ($\tau_{DPCH,n}$) | Chip | 0 | | | |
| Redundancy and constellation version coding sequence | | {0,3,2,1} for 16-QAM and QPSK | | | |
| Maximum number of HARQ transmission | | 4 | | | |
| MIMO N_cqi_typeA/M_cqi ratio | | 1/1 | | 1/2 | |
| PCI/CQI reporting Error Rate | % | 0 | | 0 | |
| Number of transport blocks | | 2 | | 1 | |
| Modulation | | Primary Transport Block: 16QAM Secondary Transport Block: QPSK | | Primary Transport Block: 16QAM Secondary Transport Block is not used. | |

Table 9.2.4CA.2: Minimum requirement MIMO, Fixed Reference Channel (FRC) H-Set 9A with downlink physical channel setup in Table E.5.2

| Test Number | Propagation Conditions | Reference value | |
|--|------------------------|------------------------------|--|
| | | \hat{I}_{or} / I_{oc} (dB) | T-put R (kbps) * HS-PDSCH $E_c / I_{or} = -2$ dB |
| 1 | PA3 | 10 | 5563 |
| 2 | VA3 | 10 | 4347 |
| 3 | PA3 | 6 | 3933 |
| 4 | VA3 | 6 | 3011 |
| * NOTES: 1) The reference value R is for the Fixed Reference Channel (FRC) H-Set 9 2) For Fixed Reference Channel (FRC) H-Set 9A the reference values for R should be scaled (multiplied by 2.0). | | | |

The reference for this requirement is TS 25.101 [1] clause 9.2.4.1.

9.2.4CA.3 Test purpose

To verify the ability of the receiver to receive a predefined test signal, representing a multi-path fading channel with information bit throughput R not falling below a specified value. The test stresses the multi-code reception and channel decoding with incremental redundancy.

9.2.4CA.4 Method of test

9.2.4CA.4.1 Initial conditions

Test environment: normal; see clauses G.2.1 and G.2.2.

Frequencies to be tested: mid range; see clause G.2.4.

1. Connect the SS (Node B Emulator) and faders and AWGN noise sources to the UE antenna connectors as shown in figure A.40.
2. Set the node B emulator behaviour according to table 9.2.4. Set the test parameters for tests 1-4 according to Table 9.2.4CA.1 and levels according to tables 9.2.4CA.4 and 9.2.4CA.5. The primary and secondary serving cells are set on different bands according to DB-DC-HSDPA configurations defined in Section 4.2. The configuration of the downlink channels is defined in table E.5.2.
3. The information bit data shall be pseudo random and not repeated before 10 different information bit payload blocks are processed. (e.g. Fixed reference Channel Definition H-Set 9A dual stream [tests 1 & 2]: The information bit payload block is 17568 bits for the primary block using 16QAM and 9736 bits for the secondary block using QPSK. Hence the PRBS must be at least 17568 * 10 bits long for the primary block and 9736 * 10 bits for the secondary block. Also for fixed reference Channel Definition H-Set 9A single stream [tests 3 & 4]: The information bit payload block, there is only one payload block size which is 17568 bits using 16QAM, hence the PRBS must be at least 17568 * 10 bits long for the single stream case). Use a PRBS from ITU-T O.153 Ref [27].
4. Setup the fading simulators with fading conditions as described in tables D.2.2.1A and D.2.2.1C and clause D.2. on each of the serving cells.

Table 9.2.4CA.3: Specific Message Contents for MIMO

RADIO BEARER SETUP for HSDPA Tests 1 & 2

| Information Element | Value/remark |
|--------------------------------------|--------------|
| MIMO parameters | |
| - MIMO operation | Start |
| - MIMO N_cqi_typeA/M_cqi ratio | 1/1 |
| - MIMO pilot configuration | |
| - CHOICE <i>Second CPICH pattern</i> | |
| - >Antenna2 P-CPICH | |
| - Precoding weight set restriction | Not Present |

RADIO BEARER SETUP for HSDPA Tests 3 & 4

| Information Element | Value/remark |
|--|---|
| MIMO parameters - MIMO operation - MIMO N_cqi_typeA/M_cqi ratio - MIMO pilot configuration - CHOICE <i>Second CPICH pattern</i> >Antenna2 P-CPICH - Precoding weight set restriction | Start 1/2 Not Present |

9.2.4CA.4.2 Procedure

1. Set up a HSDPA with looping back 12.2kbps RMC connection according to the generic HSDPA set-up procedure specified in TS 34.108 [3] sub clause 7.3.13 with the exceptions for information elements listed in table 9.2.4CA.3 and exceptions in Annex I, with levels according to table E.5.0.
2. Once the HSDPA connection is setup, change levels according to Tables E.5.6 to E.5.8B as specified by Table E.5.9 and start transmitting HSDPA Data on both the serving cells. For secondary serving HS-DSCH cell only P-CPICH, HS-PDSCH and HS-SCCH are configured.
3. For all relevant propagation conditions, for all relevant I_{oc} levels, for all relevant E_c/I_{or} , for all relevant \hat{I}_{or}/I_{oc} , for H-Set 9A count the number of NACK, ACK and statDTX on the UL HS-DPCCH during the test interval and, for test 3 and 4, decide pass or fail according to Annex F.6.3 table F.6.3.5.4.10. ACK is counted as a success. NACK and statDTX are counted as a failure. Throughput shall be measured per cell and compared to requirements in these tables.
4. For test 1 and 2 there are 4 possible contributions to the throughput per TTI.

| Primary stream Secondary stream | ACK on the Primary stream (16 QAM) | NACK on the Primary stream |
|------------------------------------|---------------------------------------|--|
| ACK on the secondary stream (QPSK) | (17568 + 9736) bit per TTI | 9736 bit per TTI |
| NACK on the secondary stream | 17568 bit per TTI | 0 bit per TTI (also counted in case of statDTX) |

At the end of the test interval calculate the throughput for each cell and relate it to the nominal throughput. This is the relative throughput RT. Decide pass or fail according to Annex F.6.3 Table F.6.3.5.4.10

9.2.4CA.5 Test Requirements

Tables 9.2.4CA.4 and 9.2.4CA.5 define the primary level settings including test tolerance and test parameters for all relevant throughput tests. The pass / fail decision for throughput is done according to Annex F.6.3.

Tables E.5.6 to E.5.8C define the secondary and subsequently ranked level settings including test tolerance for both the serving cells. As those level settings are not uniform for the throughput tests in this clause, Table E.5.9 indicates which levels are applied, when the primary level settings (E_c/I_{or} and \hat{I}_{or}/I_{oc}) and propagation conditions (PA3, VA3) vary.

Note that the levels in tables E.5.6 to E.5.8C, when applied in this subclause (MIMO performance) are equal to the sum of the levels at both antennas. They are equally divided between both antennas according to Table E.5.2: column Note.

Table 9.2.4CA.4: Test Parameters for Testing MIMO Fixed Reference Channel (FRC) H-Set 9A

| Parameter | Unit | Test 1 | Test 2 | Test 3 | Test 4 |
|-----------------|--------------|---------------------------------|---------|---------------------------------|---------|
| Phase reference | | P-CPICH | P-CPICH | P-CPICH | P-CPICH |
| I_{oc} | dBm/3.84 MHz | -60 (no test tolerance applied) | | -60 (no test tolerance applied) | |

Table 9.2.4CA.5: Test requirement MIMO Fixed Reference Channel (FRC) H-Set 9A with downlink physical channel setup in Table E.5.2

| Test Number | Propagation Conditions | Reference value | |
|-------------|------------------------|------------------------------|--|
| | | \hat{I}_{or} / I_{oc} (dB) | T-put R (kbps) * HS-PDSCH $E_c / I_{or} = -1.9$ dB |
| 1 | PA3 | 10.8 | 5563 |
| 2 | VA3 | 10.8 | 4347 |
| 3 | PA3 | 6.8 | 3933 |
| 4 | VA3 | 6.8 | 3011 |

* NOTES: 1)The reference value R is for the Fixed Reference Channel (FRC) H-Set 9
2) For Fixed Reference Channel (FRC) H-Set 9A the reference values for R should be scaled (multiplied by 2.0)

9.2.4D MIMO Performance - Fixed Reference Channel (FRC) H-Set 11A

9.2.4D.1 Definition and applicability

The MIMO performance of the High Speed Physical Downlink Shared Channel (HS-DSCH) in multi-path fading environments is determined by the information bit throughput R .

The requirements and this test apply to Release 9 and later releases for all types of UTRA for FDD UE that support HSDPA UE capability categories 27-28 but not supporting Dual band operation.

9.2.4D.2 Minimum requirements

The requirements are specified in terms of a minimum information bit throughput R for the DL reference channels H-Set 11A specified in Annex C.8.1.11, with the addition of the parameters in Table 9.2.4D.1 and the downlink physical channel setup according to Table E.5.2. Precoding weight set restriction shall not be enabled.

The primary precoding vector signalled on the HS-SCCH and applied on the associated HS-DSCH subframe shall correspond to the preferred primary precoding vector reported immediately before the start of the HS-SCCH subframe.

The determination of applied precoding vector for two transport block transmission shall be as follows: If the CQI reported by the UE indicates a preference for a single transport block, the preferred primary precoding vector shall be applied to the primary transport block. If the CQI reported by the UE indicates a preference for two transport blocks, and the preferred primary precoding vector corresponds to the highest reported CQI value, the preferred primary precoding vector shall be applied to the primary transport block. If the CQI reported by the UE indicates a preference for two transport blocks, and the preferred primary precoding vector does not correspond to the highest reported CQI value, the preferred primary precoding vector shall be applied to the secondary transport block.

Using this configuration the throughput shall meet or exceed the minimum requirements specified in Table 9.2.4D.2 with the downlink physical channel setup in Table E.5.2.

Table 9.2.4D.1: Test Parameters for Testing MIMO FRC H-Set 11A

| Parameter | Unit | Test 1 |
|--|--------------|--|
| I_{oc} | dBm/3.84 MHz | -60 |
| DPCH frame offset ($\tau_{DPCH,n}$) | Chip | 0 |
| Redundancy and constellation version coding sequence | | {0,3,2,1} for 16QAM and 64QAM |
| Maximum number of HARQ transmission | | 4 |
| MIMO N_cqi_typeA/M_cqi ratio | | 1/1 |
| PCI/CQI reporting Error Rate | % | 0 |
| Number of transport blocks | | 2 |
| Modulation | | Primary Transport Block: 64QAM Secondary Transport Block: 16QAM |

Table 9.2.4D.2: Minimum requirement MIMO, Fixed Reference Channel (FRC) H-Set 11A with downlink physical channel setup in Table E.5.2

| Test Number | Propagation Conditions | Reference value | |
|-------------|------------------------|----------------------------|--|
| | | \hat{I}_{or}/I_{oc} (dB) | T-put R (kbps) * HS-PDSCH $E_c/I_{or} = -1.5$ dB |
| 1 | PA3 | 18 | 9980 |

* NOTES: 1)The reference value R is for the Fixed Reference Channel (FRC) H-Set 11
2) For Fixed Reference Channel (FRC) H-Set 11A the reference values for R should be scaled (multiplied by 2.0)

The reference for this requirement is TS 25.101 [1] clause 9.2.4.2.

9.2.4D.3 Test purpose

To verify the ability of the receiver to receive a predefined test signal, representing a multi-path fading channel with information bit throughput R not falling below a specified value. The test stresses the multi-code reception and channel decoding with incremental redundancy.

9.2.4D.4 Method of test

9.2.4D.4.1 Initial conditions

Test environment: normal; see clauses G.2.1 and G.2.2.

Frequencies to be tested: mid range; see clause G.2.4.

1. Connect the SS (Node B Emulator) and faders and AWGN noise sources to the UE antenna connectors as shown in figure A.40.
2. Set the node B emulator behaviour according to table 9.2.4. Set the test parameters according to table 9.2.4D.1 and levels according to tables 9.2.4D.4 and 9.2.4D.5. The configuration of the downlink channels is defined in table E.5.2.
3. The information bit data shall be pseudo random and not repeated before 10 different information bit payload blocks are processed. (the information bit payload block is 26504 bits for the primary block using 64QAM and 17568 bits for the secondary block using 16QAM. Hence the PRBS must be at least $26504 * 10$ bits long for the primary block and $17568 * 10$ bits for the secondary block.). Use a PRBS from ITU-T O.153 Ref [27].
4. Setup the fading simulators with fading conditions as described in tables D.2.2.1A and clause D.2 on both the serving cells.

RADIO BEARER SETUP

Table 9.2.4D.3: Specific Message Contents for MIMO

| Information Element | Value/remark |
|--------------------------------------|--------------|
| MIMO parameters | |
| - MIMO operation | Start |
| - MIMO N_cqi_typeA/M_cqi ratio | 1/1 |
| - MIMO pilot configuration | |
| - CHOICE <i>Second CPICH pattern</i> | |
| >Antenna2 P-CPICH | |
| - Precoding weight set restriction | Not Present |

9.2.4D.4.2 Procedure

1. Set up a HSDPA with looping back 12.2kbps RMC connection according to the generic HSDPA set-up procedure specified in TS 34.108 [3] sub clause 7.3.13 with the exceptions for information elements listed in table 9.2.4D.3 and exceptions in Annex I, with levels according to table E.5.0.
2. Once the HSDPA connection is setup, change levels according to Tables E.5.6 to E.5.8C as specified by Table E.5.9 and start transmitting HSDPA Data on both the serving cells. For secondary serving HS-DSCH cell only P-CPICH, HS-PDSCH and HS-SCCH are configured.
3. For all relevant propagation conditions, for all relevant Ioc levels, for all relevant Ec/Ior, for all relevant Îor/Ioc, for H-Set 11A count the number of NACK, ACK and statDTX on the UL HS-DPCCH during the test interval. ACK is counted as a success. NACK and statDTX are counted as a failure. Throughput shall be measured per cell and compared to requirements in these tables.
4. There are 4 possible contributions to the throughput per TTI.

| Primary stream | ACK on the Primary stream (64QAM) | NACK on the Primary stream |
|-------------------------------------|-----------------------------------|---|
| Secondary stream | | |
| ACK on the secondary stream (16QAM) | (26504 + 17568) bit per TTI | 17568 bit per TTI |
| NACK on the secondary stream | 26504 bit per TTI | 0 bit per TTI (also counted in case of statDTX) |

At the end of the test interval calculate the throughput for each cell and relate it to the nominal throughput. This is the relative throughput RT. Decide pass or fail according to Annex F.6.3 Table F.6.3.5.4.11

9.2.4D.5 Test Requirements

Tables 9.2.4D.4 and 9.2.4D.5 define the primary level settings including test tolerance and test parameters. The pass / fail decision for throughput is done according to Annex F.6.3.

Tables E.5.6 to E.5.8D define the secondary and subsequently ranked level settings including test tolerance for both the serving cells. As those level settings are not uniform for the throughput tests in this clause, Table E.5.9 indicates which levels are applied, when the primary level settings (Ec/Ior and Ior/Ioc) and propagation conditions (PA3, VA3) vary.

Note that the levels in tables E.5.6 to E.5.8D, when applied in this subclause (MIMO performance) are equal to the sum of the levels at both antennas. They are equally divided between both antennas according to Table E.5.2: column Note.

Table 9.2.4D.4: Test Parameters for Testing MIMO Fixed Reference Channel (FRC) H-Set 11A

| Parameter | Unit | Test 1 |
|--|--------------|--|
| I_{oc} | dBm/3.84 MHz | -60 (no test tolerance applied) |
| DPCH frame offset ($\tau_{DPCH,n}$) | Chip | 0 |
| Redundancy and constellation version coding sequence | | {0,3,2,1} for 16QAM and 64QAM |
| Maximum number of HARQ transmission | | 4 |
| MIMO N_cqi_typeA/M_cqi ratio | | 1/1 |
| PCI/CQI reporting Error Rate | % | 0 |
| Number of transport blocks | | 2 |
| Modulation | | Primary Transport Block: 64QAM Secondary Transport Block: 16QAM |

Table 9.2.4D.5: Test requirement MIMO Fixed Reference Channel (FRC) H-Set 11A with downlink physical channel setup in Table E.5.2

| Test Number | Propagation Conditions | Reference value | |
|-------------|------------------------|----------------------------|---|
| | | \hat{I}_{or}/I_{oc} (dB) | T-put R (kbps) * HS-PDSCH $E_c/I_{or} = -1.4dB$ |
| 1 | PA3 | 18.8 | 9980 |

* NOTES: 1) The reference value R is for the Fixed Reference Channel (FRC) H-Set 11
2) For Fixed Reference Channel (FRC) H-Set 11A the reference values for R should be scaled (multiplied by 2.0)

9.2.4DA MIMO Performance - Fixed Reference Channel (FRC) H-Set 11A for DB DC-HSDPA

9.2.4DA.1 Definition and applicability

The MIMO performance of the High Speed Physical Downlink Shared Channel (HS-DSCH) in multi-path fading environments is determined by the information bit throughput R.

The requirements and this test apply to Release 10 and later releases for all types of UTRA for FDD UE that support DB-DC-HSDPA and HSDPA UE capability categories 27-28.

9.2.4DA.2 Minimum requirements

The requirements are specified in terms of a minimum information bit throughput R for the DL reference channels H-Set 11A specified in Annex C.8.1.11, with the addition of the parameters in Table 9.2.4DA.1 and the downlink physical channel setup according to Table E.5.2. Precoding weight set restriction shall not be enabled.

The primary precoding vector signalled on the HS-SCCH and applied on the associated HS-DSCH subframe shall correspond to the preferred primary precoding vector reported immediately before the start of the HS-SCCH subframe.

The determination of applied precoding vector for two transport block transmission shall be as follows: If the CQI reported by the UE indicates a preference for a single transport block, the preferred primary precoding vector shall be applied to the primary transport block. If the CQI reported by the UE indicates a preference for two transport blocks,

and the preferred primary precoding vector corresponds to the highest reported CQI value, the preferred primary precoding vector shall be applied to the primary transport block. If the CQI reported by the UE indicates a preference for two transport blocks, and the preferred primary precoding vector does not correspond to the highest reported CQI value, the preferred primary precoding vector shall be applied to the secondary transport block.

Using this configuration the throughput shall meet or exceed the minimum requirements specified in Table 9.2.4DA.2 with the downlink physical channel setup in Table E.5.2.

Table 9.2.4DA.1: Test Parameters for Testing MIMO FRC H-Set 11A

| Parameter | Unit | Test 1 |
|--|--------------|--|
| I_{oc} | dBm/3.84 MHz | -60 |
| DPCH frame offset ($\tau_{DPCH,n}$) | Chip | 0 |
| Redundancy and constellation version coding sequence | | {0,3,2,1} for 16QAM and 64QAM |
| Maximum number of HARQ transmission | | 4 |
| MIMO N_cqi_typeA/M_cqi ratio | | 1/1 |
| PCI/CQI reporting Error Rate | % | 0 |
| Number of transport blocks | | 2 |
| Modulation | | Primary Transport Block: 64QAM Secondary Transport Block: 16QAM |

Table 9.2.4DA.2: Minimum requirement MIMO, Fixed Reference Channel (FRC) H-Set 11A with downlink physical channel setup in Table E.5.2

| Test Number | Propagation Conditions | Reference value | |
|---|------------------------|------------------------------|--|
| | | \hat{I}_{or} / I_{oc} (dB) | T-put R (kbps) * HS-PDSCH $E_c / I_{or} = -1.5$ dB |
| 1 | PA3 | 18 | 9980 |
| * NOTES: 1) The reference value R is for the Fixed Reference Channel (FRC) H-Set 11 2) For Fixed Reference Channel (FRC) H-Set 11A the reference values for R should be scaled (multiplied by 2.0) | | | |

The reference for this requirement is TS 25.101 [1] clause 9.2.4.2.

9.2.4DA.3 Test purpose

To verify the ability of the receiver to receive a predefined test signal, representing a multi-path fading channel with information bit throughput R not falling below a specified value. The test stresses the multi-code reception and channel decoding with incremental redundancy.

9.2.4DA.4 Method of test

9.2.4DA.4.1 Initial conditions

Test environment: normal; see clauses G.2.1 and G.2.2.

Frequencies to be tested: mid range; see clause G.2.4.

1. Connect the SS (Node B Emulator) and faders and AWGN noise sources to the UE antenna connectors as shown in figure A.40.

2. Set the node B emulator behaviour according to table 9.2.4. Set the test parameters according to Table 9.2.4DA.1 and levels according to tables 9.2.4DA.4 and 9.2.4DA.5. The primary and secondary serving cells are set on different bands according to DB-DC-HSDPA configurations defined in Section 4.2. The configuration of the downlink channels is defined in table E.5.2.
3. The information bit data shall be pseudo random and not repeated before 10 different information bit payload blocks are processed. (the information bit payload block is 26504 bits for the primary block using 64QAM and 17568 bits for the secondary block using 16QAM. Hence the PRBS must be at least $26504 * 10$ bits long for the primary block and $17568 * 10$ bits for the secondary block.). Use a PRBS from ITU-T O.153 Ref [27].
4. Setup the fading simulators with fading conditions as described in tables D.2.2.1A and clause D.2 on both the serving cells.

RADIO BEARER SETUP

Table 9.2.4DA.3: Specific Message Contents for MIMO

| Information Element | Value/remark |
|---|--------------|
| MIMO parameters | Start 1/1 |
| - MIMO operation | |
| - MIMO N_cqi_typeA/M_cqi ratio | Not Present |
| - MIMO pilot configuration | |
| - CHOICE <i>Second CPICH pattern</i> >Antenna2 P-CPICH | |
| - Precoding weight set restriction | |

9.2.4DA.4.2 Procedure

1. Set up a HSDPA with looping back 12.2kbps RMC connection according to the generic HSDPA set-up procedure specified in TS 34.108 [3] sub clause 7.3.13 with the exceptions for information elements listed in table 9.2.4DA.3 and exceptions in Annex I, with levels according to table E.5.0.
2. Once the HSDPA connection is setup, change levels according to Tables E.5.6 to E.5.8C as specified by Table E.5.9 and start transmitting HSDPA Data on both the serving cells. For secondary serving HS-DSCH cell only P-CPICH, HS-PDSCH and HS-SCCH are configured.
3. For all relevant propagation conditions, for all relevant Ioc levels, for all relevant Ec/Ior, for all relevant $\hat{I}or/Ioc$, for H-Set 11A count the number of NACK, ACK and statDTX on the UL HS-DPCCH during the test interval. ACK is counted as a success. NACK and statDTX are counted as a failure. Throughput shall be measured per cell and compared to requirements in these tables.
4. There are 4 possible contributions to the throughput per TTI.

| Primary stream | ACK on the Primary stream (64QAM) | NACK on the Primary stream |
|-------------------------------------|-----------------------------------|--|
| Secondary stream | | |
| ACK on the secondary stream (16QAM) | (26504 + 17568) bit per TTI | 17568 bit per TTI |
| NACK on the secondary stream | 26504 bit per TTI | 0 bit per TTI (also counted in case of statDTX) |

At the end of the test interval calculate the throughput for each cell and relate it to the nominal throughput. This is the relative throughput RT. Decide pass or fail according to Annex F.6.3 Table F.6.3.5.4.11

9.2.4DA.5 Test Requirements

Tables 9.2.4DA.4 and 9.2.4DA.5 define the primary level settings including test tolerance and test parameters. The pass / fail decision for throughput is done according to Annex F.6.3.

Tables E.5.6 to E.5.8D define the secondary and subsequently ranked level settings including test tolerance for both the serving cells. As those level settings are not uniform for the throughput tests in this clause, Table E.5.9 indicates which levels are applied, when the primary level settings (Ec/Ior and Ior/Ioc) and propagation conditions (PA3, VA3) vary.

Note that the levels in tables E.5.6 to E.5.8D, when applied in this subclause (MIMO performance) are equal to the sum of the levels at both antennas. They are equally divided between both antennas according to Table E.5.2: column Note.

Table 9.2.4DA.4: Test Parameters for Testing MIMO Fixed Reference Channel (FRC) H-Set 11A

| Parameter | Unit | Test 1 |
|--|--------------|--|
| I_{oc} | dBm/3.84 MHz | -60 (no test tolerance applied) |
| DPCH frame offset ($\tau_{DPCH,n}$) | Chip | 0 |
| Redundancy and constellation version coding sequence | | {0,3,2,1} for 16QAM and 64QAM |
| Maximum number of HARQ transmission | | 4 |
| MIMO N_cqi_typeA/M_cqi ratio | | 1/1 |
| PCI/CQI reporting Error Rate | % | 0 |
| Number of transport blocks | | 2 |
| Modulation | | Primary Transport Block: 64QAM Secondary Transport Block: 16QAM |

Table 9.2.4DA.5: Test requirement MIMO Fixed Reference Channel (FRC) H-Set 11A with downlink physical channel setup in Table E.5.2

| Test Number | Propagation Conditions | Reference value | |
|-------------|------------------------|----------------------------|--|
| | | \hat{I}_{or}/I_{oc} (dB) | T-put R (kbps) * HS-PDSCH $E_c/I_{or} = -1.4\text{dB}$ |
| 1 | PA3 | 18.8 | 9980 |

* NOTES: 1) The reference value R is for the Fixed Reference Channel (FRC) H-Set 11
2) For Fixed Reference Channel (FRC) H-Set 11A the reference values for R should be scaled (multiplied by 2.0)

9.2.4E MIMO Performance - Fixed Reference Channel (FRC) H-Set 9 Asymmetric CPICHS

9.2.4E.1 Definition and applicability

The MIMO performance of the High Speed Physical Downlink Shared Channel (HS-DSCH) in multi-path fading environments is determined by the information bit throughput R.

The requirements and this test apply to Release 10 and later releases for all types of UTRA for FDD UE that support HSDPA UE capability categories 15 - 18.

NOTE: This test case can be optionally tested for Rel-7 and onward UE's supporting MIMO feature.

9.2.4E.2 Minimum requirements

The requirements are specified in terms of a minimum information bit throughput R for the DL reference channels H-Set 9A specified in Annex C.8.1.9, with the addition of the parameters in Table 9.2.4E.1 and the downlink physical channel setup according to Table E.5.4D. Precoding weight set restriction shall not be enabled.

The primary precoding vector signalled on the HS-SCCH and applied on the associated HS-DSCH subframe shall correspond to the preferred primary precoding vector reported immediately before the start of the HS-SCCH subframe.

The determination of applied precoding vector for single transport block transmission shall be as follows: the reported preferred primary precoding vector shall be applied to the primary transport block.

The determination of applied precoding vector for two transport block transmission shall be as follows: If the CQI reported by the UE indicates a preference for a single transport block, the preferred primary precoding vector shall be applied to the primary transport block. If the CQI reported by the UE indicates a preference for two transport blocks, and the preferred primary precoding vector corresponds to the highest reported CQI value, the preferred primary precoding vector shall be applied to the primary transport block. If the CQI reported by the UE indicates a preference for two transport blocks, and the preferred primary precoding vector does not correspond to the highest reported CQI value, the preferred primary precoding vector shall be applied to the secondary transport block.

Using this configuration the throughput shall meet or exceed the minimum requirements specified in Table 9.2.4E.2 with the downlink physical channel setup in Table E.5.4D.

Table 9.2.4E.1: Test Parameters for Testing MIMO FRC H-Set 9

| Parameter | Unit | Test 1 | Test 2 | Test 3 | Test 4 |
|--|--------------|---|--------|--|--------|
| I_{oc} | dBm/3.84 MHz | -60 | | | |
| DPCH frame offset ($\tau_{DPCH,n}$) | Chip | 0 | | | |
| Redundancy and constellation version coding sequence | | {0,3,2,1} for 16-QAM and QPSK | | | |
| Maximum number of HARQ transmission | | 4 | | | |
| MIMO N_cqi_typeA/M_cqi ratio | | 1/1 | | 1/2 | |
| PCI/CQI reporting Error Rate | % | 0 | | 0 | |
| Number of transport blocks | | 2 | | 1 | |
| Modulation | | Primary Transport Block: 16QAM Secondary Transport Block: QPSK | | Primary Transport Block: 16QAM Secondary Transport Block is not used. | |

Table 9.2.4E.2: Minimum requirement MIMO, Fixed Reference Channel (FRC) H-Set 9 with downlink physical channel setup in Table E.5.4D

| Test Number | Propagation Conditions | Reference value | |
|--|------------------------|----------------------------|--|
| | | \hat{I}_{or}/I_{oc} (dB) | T-put R (kbps) * HS-PDSCH $E_c/I_{or} = -2$ dB |
| 1 | PA3 | 10 | 5394 |
| 2 | VA3 | 10 | 4344 |
| 3 | PA3 | 6 | 3742 |
| 4 | VA3 | 6 | 2926 |
| * NOTES: 1) The reference value R is for the Fixed Reference Channel (FRC) H-Set 9 | | | |

The reference for this requirement is TS 25.101 [1] clause 9.2.4.1.

9.2.4E.3 Test purpose

To verify the ability of the receiver to receive a predefined test signal, representing a multi-path fading channel with information bit throughput R not falling below a specified value. The test stresses the multi-code reception and channel decoding with incremental redundancy.

9.2.4E.4 Method of test

9.2.4E.4.1 Initial conditions

Test environment: normal; see clauses G.2.1 and G.2.2.

Frequencies to be tested: mid range; see clause G.2.4.

1. Connect the SS (Node B Emulator) and faders and AWGN noise sources to the UE antenna connectors as shown in figure A.22.
2. Set the node B emulator behaviour according to table 9.2.4. Set the test parameters for tests 1-4 according to Table 9.2.4E.1 and levels according to tables 9.2.4E.4 and 9.2.4E.5. The configuration of the downlink channels is defined in table E.5.4D.
3. The information bit data shall be pseudo random and not repeated before 10 different information bit payload blocks are processed. (e.g. Fixed reference Channel Definition H-set 9 dual stream [tests 1 & 2]: The information bit payload block is 17568 bits for the primary block using 16QAM and 9736 bits for the secondary block using QPSK. Hence the PRBS must be at least 17568 * 10 bits long for the primary block and 9736 * 10 bits for the secondary block. Also. For fixed reference Channel Definition H-set 9 single stream [tests 3 & 4]: The information bit payload block, there is only one payload block size which is 17568 bits using 16QAM, hence the PRBS must be at least 17568 * 10 bits long for the single stream case). Use a PRBS from ITU-T O.153 Ref [27].
4. Setup the fading simulators with fading conditions as described in tables D.2.2.1A and D.2.2.1C and clause D.2.

Table 9.2.4E.3: Specific Message Contents for MIMO**RADIO BEARER SETUP for HSDPA Tests 1 & 2**

| Information Element | Value/remark |
|--------------------------------------|--------------|
| MIMO parameters | |
| - MIMO operation | Start |
| - MIMO N_cqi_typeA/M_cqi ratio | 1/1 |
| - MIMO pilot configuration | |
| - CHOICE <i>Second CPICH pattern</i> | |
| >Antenna1 S-CPICH | |
| >> Channelisation code | 13 |
| >> Power Offset for S-CPICH for MIMO | -3 |
| - Precoding weight set restriction | Not Present |

RADIO BEARER SETUP for HSDPA Tests 3 & 4

| Information Element | Value/remark |
|--------------------------------------|--------------|
| MIMO parameters | |
| - MIMO operation | Start |
| - MIMO N_cqi_typeA/M_cqi ratio | 1/2 |
| - MIMO pilot configuration | |
| - CHOICE <i>Second CPICH pattern</i> | |
| >Antenna1 S-CPICH | |
| >> Channelisation code | 13 |
| >> Power Offset for S-CPICH for MIMO | -3 |
| - Precoding weight set restriction | Not Present |

9.2.4E.4.2 Procedure

1. Set up a HSDPA with looping back 12.2kbps RMC connection according to the generic HSDPA set-up procedure specified in TS 34.108 [3] sub clause 7.3.6 with the exceptions for information elements listed in table 9.2.4E.3 and exceptions in Annex I, with levels according to table E.5.0.
2. Once the HSDPA connection is setup, change levels according to Tables E.5.6 to E.5.8C as specified by Table E.5.9. In addition, set the power offset for S-CPICH for MIMO to -3dB and start transmitting HSDPA Data.
3. For all relevant propagation conditions, for all relevant Ioc levels, for all relevant Ec/Ior, for all relevant Îor/Ioc, for H-set 9 count the number of NACK, ACK and statDTX on the UL HS-DPCCH during the test interval and, for test 3 and 4, decide pass or fail according to Annex F.6.3 table F.6.3.5.4.10. ACK is counted as a success. NACK and statDTX are counted as a failure.
4. For test 1 and 2 there are 4 possible contributions to the throughput per TTI.

| Primary stream Secondary stream | ACK on the Primary stream (16 QAM) | NACK on the Primary stream |
|------------------------------------|---------------------------------------|--|
| ACK on the secondary stream (QPSK) | (17568 + 9736) bit per TTI | 9736 bit per TTI |
| NACK on the secondary stream | 17568 bit per TTI | 0 bit per TTI (also counted in case of statDTX) |

At the end of the test interval calculate the throughput and relate it to the nominal throughput. This is the relative throughput RT. Decide pass or fail according to Annex F.6.3 Table F.6.3.5.4.10

9.2.4E.5 Test Requirements

Tables 9.2.4E.4 and 9.2.4E.5 define the primary level settings including test tolerance and test parameters for all relevant throughput tests. The pass / fail decision for throughput is done according to Annex F.6.3.

Tables E.5.6 to E.5.8C define the secondary and subsequently ranked level settings including test tolerance. As those level settings are not uniform for the throughput tests in this clause, Table E.5.9 indicates which levels are applied, when the primary level settings (E_c/I_{or} and I_{or}/I_{oc}) and propagation conditions (PA3, VA3) vary.

Table 9.2.4E.4: Test Parameters for Testing MIMO Fixed Reference Channel (FRC) H-Set 9

| Parameter | Unit | Test 1 | Test 2 | Test 3 | Test 4 |
|-----------------|--------------|---------------------------------|--------------|---------------------------------|--------------|
| Phase reference | | Both P-CPICH | Both P-CPICH | Both P-CPICH | Both P-CPICH |
| | | S-CPICH | S-CPICH | S-CPICH | S-CPICH |
| I_{oc} | dBm/3.84 MHz | -60 (no test tolerance applied) | | -60 (no test tolerance applied) | |

Table 9.2.4E.5: Test requirement MIMO Fixed Reference Channel (FRC) H-Set 9 with downlink physical channel setup in Table E.5.4D

| Test Number | Propagation Conditions | Reference value | |
|-------------|------------------------|----------------------------|--|
| | | \hat{I}_{or}/I_{oc} (dB) | T-put R (kbps) * HS-PDSCH $E_c/I_{or} = -1.9$ dB |
| 1 | PA3 | 10.8 | 5394 |
| 2 | VA3 | 10.8 | 4344 |
| 3 | PA3 | 6.8 | 3742 |
| 4 | VA3 | 6.8 | 2926 |

* NOTES: 1) The reference value R is for the Fixed Reference Channel (FRC) H-Set 9

9.2.4F MIMO Performance - Fixed Reference Channel (FRC) H-Set 11 Asymmetric CPICHs

9.2.4F.1 Definition and applicability

The MIMO performance of the High Speed Physical Downlink Shared Channel (HS-DSCH) in multi-path fading environments is determined by the information bit throughput R.

The requirements and this test apply to Release 10 and later releases for all types of UTRA for FDD UE that support HSDPA UE capability categories 19-20.

NOTE: This test case can be optionally tested for Rel-8 and onward UE's supporting MIMO feature.

9.2.4F.2 Minimum requirements

The requirements are specified in terms of a minimum information bit throughput R for the DL reference channels H-Set 11 specified in Annex C.8.1.11, with the addition of the parameters in Table 9.2.4F.1 and the downlink physical channel setup according to Table E.5.4D. Precoding weight set restriction shall not be enabled.

The primary precoding vector signalled on the HS-SCCH and applied on the associated HS-DSCH subframe shall correspond to the preferred primary precoding vector reported immediately before the start of the HS-SCCH subframe.

The determination of applied precoding vector for two transport block transmission shall be as follows: If the CQI reported by the UE indicates a preference for a single transport block, the preferred primary precoding vector shall be applied to the primary transport block. If the CQI reported by the UE indicates a preference for two transport blocks, and the preferred primary precoding vector corresponds to the highest reported CQI value, the preferred primary precoding vector shall be applied to the primary transport block. If the CQI reported by the UE indicates a preference for two transport blocks, and the preferred primary precoding vector does not correspond to the highest reported CQI value, the preferred primary precoding vector shall be applied to the secondary transport block.

Using this configuration the throughput shall meet or exceed the minimum requirements specified in Table 9.2.4F.2 with the downlink physical channel setup in Table E.5.4D.

Table 9.2.4F.1: Test Parameters for Testing MIMO FRC H-Set 11

| Parameter | Unit | Test 1 |
|--|--------------|--|
| I_{oc} | dBm/3.84 MHz | -60 |
| DPCH frame offset ($\tau_{DPCH,n}$) | Chip | 0 |
| Redundancy and constellation version coding sequence | | {0,3,2,1} for 16QAM and 64QAM |
| Maximum number of HARQ transmission | | 4 |
| MIMO N_cqi_typeA/M_cqi ratio | | 1/1 |
| PCI/CQI reporting Error Rate | % | 0 |
| Number of transport blocks | | 2 |
| Modulation | | Primary Transport Block: 64QAM Secondary Transport Block: 16QAM |

Table 9.2.4F.2: Minimum requirement MIMO, Fixed Reference Channel (FRC) H-Set 11 with downlink physical channel setup in Table E.5.4D

| Test Number | Propagation Conditions | Reference value | |
|----------------|---------------------------|------------------------------|--|
| | | \hat{I}_{or} / I_{oc} (dB) | T-put R (kbps) HS-PDSCH $E_c / I_{or} = -1.5$ dB |
| 1 | PA3 | 18 | 9880 |

The reference for this requirement is TS 25.101 [1] clause 9.2.4.2.

9.2.4F.3 Test purpose

To verify the ability of the receiver to receive a predefined test signal, representing a multi-path fading channel with information bit throughput R not falling below a specified value. The test stresses the multi-code reception and channel decoding with incremental redundancy.

9.2.4F.4 Method of test

9.2.4F.4.1 Initial conditions

Test environment: normal; see clauses G.2.1 and G.2.2.

Frequencies to be tested: mid range; see clause G.2.4.

1. Connect the SS (Node B Emulator) and faders and AWGN noise sources to the UE antenna connectors as shown in figure A.22.
2. Set the node B emulator behaviour according to table 9.2.4. Set the test parameters according to Table 9.2.4F.1 and levels according to tables 9.2.4F.4 and 9.2.4F.5. The configuration of the downlink channels is defined in table E.5.4D.
3. The information bit data shall be pseudo random and not repeated before 10 different information bit payload blocks are processed. (the information bit payload block is 26504 bits for the primary block using 64QAM and 17568 bits for the secondary block using 16QAM. Hence the PRBS must be at least $26504 * 10$ bits long for the primary block and $17568 * 10$ bits for the secondary block.). Use a PRBS from ITU-T O.153 Ref [27].
4. Setup the fading simulators with fading conditions as described in tables D.2.2.1A and D.2.2.1C and clause D.2.

RADIO BEARER SETUP

Table 9.2.4F.3: Specific Message Contents for MIMO

| Information Element | Value/remark |
|--------------------------------------|--------------|
| MIMO parameters | |
| - MIMO operation | Start |
| - MIMO N_cqi_typeA/M_cqi ratio | 1/1 |
| - MIMO pilot configuration | |
| - CHOICE <i>Second CPICH pattern</i> | |
| >Antenna1 S-CPICH | |
| >> Channelisation code | 13 |
| >> Power Offset for S-CPICH for MIMO | -3 |
| - Precoding weight set restriction | Not Present |

9.2.4F.4.2 Procedure

1. Set up a HSDPA with looping back 12.2kbps RMC connection according to the generic HSDPA set-up procedure specified in TS 34.108 [3] sub clause 7.3.6 with the exceptions for information elements listed in table 9.2.4F.3 and exceptions in Annex I, with levels according to table E.5.0.
2. Once the HSDPA connection is setup, change levels according to Tables E.5.6 to E.5.8C as specified by Table E.5.9. In addition, set the power offset for S-CPICH for MIMO to -3dB and start transmitting HSDPA Data.
3. For all relevant propagation conditions, for all relevant Ioc levels, for all relevant Ec/Ior, for all relevant Ior/Ioc, for H-set 11 count the number of NACK, ACK and statDTX on the UL HS-DPCCH during the test interval. ACK is counted as a success. NACK and statDTX are counted as a failure.
4. There are 4 possible contributions to the throughput per TTI.

| Primary stream | ACK on the Primary stream (64QAM) | NACK on the Primary stream |
|-------------------------------------|-----------------------------------|--|
| Secondary stream | | |
| ACK on the secondary stream (16QAM) | (26504 + 17568) bit per TTI | 17568 bit per TTI |
| NACK on the secondary stream | 26504 bit per TTI | 0 bit per TTI (also counted in case of statDTX) |

At the end of the test interval calculate the throughput and relate it to the nominal throughput. This is the relative throughput RT. Decide pass or fail according to Annex F.6.3 Table F.6.3.5.4.7

9.2.4F.5 Test Requirements

Tables 9.2.4F.4 and 9.2.4F.5 define the primary level settings including test tolerance and test parameters. The pass / fail decision for throughput is done according to Annex F.6.3.

Tables E.5.6 to E.5.8D define the secondary and subsequently ranked level settings including test tolerance. As those level settings are not uniform for the throughput tests in this clause, Table E.5.9 indicates which levels are applied, when the primary level settings (Ec/Ior and Ior/Ioc) and propagation conditions (PA3, VA3) vary.

Table 9.2.4F.4: Test Parameters for Testing MIMO Fixed Reference Channel (FRC) H-Set 11

| Parameter | Unit | Test 1 |
|--|--------------|--|
| I_{oc} | dBm/3.84 MHz | -60 |
| DPCH frame offset ($\tau_{DPCH,n}$) | Chip | 0 |
| Redundancy and constellation version coding sequence | | {0,3,2,1} for 16QAM and 64QAM |
| Maximum number of HARQ transmission | | 4 |
| MIMO N_cqi_typeA/M_cqi ratio | | 1/1 |
| PCI/CQI reporting Error Rate | % | 0 |
| Number of transport blocks | | 2 |
| Modulation | | Primary Transport Block: 64QAM Secondary Transport Block: 16QAM |

Table 9.2.4F.5: Test requirement MIMO Fixed Reference Channel (FRC) H-Set 11 with downlink physical channel setup in Table E.5.4D

| Test Number | Propagation Conditions | Reference value | |
|-------------|------------------------|------------------------------|--|
| | | \hat{I}_{or} / I_{oc} (dB) | T-put R (kbps) HS-PDSCH $E_c / I_{or} = -1.4$ dB |
| 1 | PA3 | 18.8 | 9880 |

9.2.4G MIMO Performance - Fixed Reference Channel (FRC) H-Set 9A Asymmetric CPICHS

9.2.4G.1 Definition and applicability

The MIMO performance of the High Speed Physical Downlink Shared Channel (HS-DSCH) in multi-path fading environments is determined by the information bit throughput R.

The requirements and this test apply to Release 10 and later releases for all types of UTRA for FDD UE that support HSDPA UE capability categories 25 - 28.

NOTE: This test case can be optionally tested for Rel-9 and onward UE's supporting MIMO feature.

9.2.4G.2 Minimum requirements

The requirements are specified in terms of a minimum information bit throughput R for the DL reference channels H-Set 9A specified in Annex C.8.1.9, with the addition of the parameters in Table 9.2.4G.1 and the downlink physical channel setup according to Table E.5.4D. Precoding weight set restriction shall not be enabled.

The primary precoding vector signalled on the HS-SCCH and applied on the associated HS-DSCH subframe shall correspond to the preferred primary precoding vector reported immediately before the start of the HS-SCCH subframe.

The determination of applied precoding vector for single transport block transmission shall be as follows: the reported preferred primary precoding vector shall be applied to the primary transport block.

The determination of applied precoding vector for two transport block transmission shall be as follows: If the CQI reported by the UE indicates a preference for a single transport block, the preferred primary precoding vector shall be applied to the primary transport block. If the CQI reported by the UE indicates a preference for two transport blocks, and the preferred primary precoding vector corresponds to the highest reported CQI value, the preferred primary precoding vector shall be applied to the primary transport block. If the CQI reported by the UE indicates a preference for two transport blocks, and the preferred primary precoding vector does not correspond to the highest reported CQI value, the preferred primary precoding vector shall be applied to the secondary transport block.

Using this configuration the throughput shall meet or exceed the minimum requirements specified in table 9.2.4G.2 with the downlink physical channel setup in Table E.5.4D.

Table 9.2.4G.1: Test Parameters for Testing MIMO FRC H-Set 9A

| Parameter | Unit | Test 1 | Test 2 | Test 3 | Test 4 |
|--|--------------|---|--------|--|--------|
| I_{oc} | dBm/3.84 MHz | -60 | | | |
| DPCH frame offset ($\tau_{DPCH,n}$) | Chip | 0 | | | |
| Redundancy and constellation version coding sequence | | {0,3,2,1} for 16-QAM and QPSK | | | |
| Maximum number of HARQ transmission | | 4 | | | |
| MIMO N_cqi_typeA/M_cqi ratio | | 1/1 | | 1/2 | |
| PCI/CQI reporting Error Rate | % | 0 | | 0 | |
| Number of transport blocks | | 2 | | 1 | |
| Modulation | | Primary Transport Block: 16QAM Secondary Transport Block: QPSK | | Primary Transport Block: 16QAM Secondary Transport Block is not used. | |

Table 9.2.4G.2: Minimum requirement MIMO, Fixed Reference Channel (FRC) H-Set 9A with downlink physical channel setup in Table E.5.4D

| Test Number | Propagation Conditions | Reference value | |
|-------------|------------------------|------------------------------|--|
| | | \hat{I}_{or} / I_{oc} (dB) | T-put R (kbps) * HS-PDSCH $E_c / I_{or} = -2$ dB |
| 1 | PA3 | 10 | 5394 |
| 2 | VA3 | 10 | 4344 |
| 3 | PA3 | 6 | 3742 |
| 4 | VA3 | 6 | 2926 |

* NOTES: 1) The reference value R is for the Fixed Reference Channel (FRC) H-Set 9
2) For Fixed Reference Channel (FRC) H-Set 9A the reference values for R should be scaled (multiplied by 2.0)

The reference for this requirement is TS 25.101 [1] clause 9.2.4.1.

9.2.4G.3 Test purpose

To verify the ability of the receiver to receive a predefined test signal, representing a multi-path fading channel with information bit throughput R not falling below a specified value. The test stresses the multi-code reception and channel decoding with incremental redundancy.

9.2.4G.4 Method of test

9.2.4G.4.1 Initial conditions

Test environment: normal; see clauses G.2.1 and G.2.2.

Frequencies to be tested: mid range; see clause G.2.4.

1. Connect the SS (Node B Emulator) and faders and AWGN noise sources to the UE antenna connectors as shown in figure A.40.
2. Set the node B emulator behaviour according to table 9.2.4. Set the test parameters for tests 1-4 according to table T.2.4G.1 and levels according to tables 9.2.4G.4 and 9.2.4G.5. The configuration of the downlink channels is defined in table E.5.4D.
3. The information bit data shall be pseudo random and not repeated before 10 different information bit payload blocks are processed. (e.g. Fixed reference Channel Definition H-Set 9A dual stream [tests 1 & 2]: The information bit payload block is 17568 bits for the primary block using 16QAM and 9736 bits for the secondary block using QPSK. Hence the PRBS must be at least $17568 * 10$ bits long for the primary block and $9736 * 10$ bits for the secondary block. Also. For fixed reference Channel Definition H-Set 9A single stream [tests 3 & 4]: The information bit payload block, there is only one payload block size which is 17568 bits using 16QAM, hence the PRBS must be at least $17568 * 10$ bits long for the single stream case). Use a PRBS from ITU-T O.153 Ref [27].
4. Setup the fading simulators with fading conditions as described in tables D.2.2.1A and D.2.2.1C and clause D.2. on each of the serving cells.

Table 9.2.4G.3: Specific Message Contents for MIMO

RADIO BEARER SETUP for HSDPA Tests 1 & 2

| Information Element | Value/remark |
|--------------------------------------|--------------|
| MIMO parameters | |
| - MIMO operation | Start |
| - MIMO N_cqi_typeA/M_cqi ratio | 1/1 |
| - MIMO pilot configuration | |
| - CHOICE <i>Second CPICH pattern</i> | |
| >Antenna1 S-CPICH | |
| >> Channelisation code | 13 |
| >> Power Offset for S-CPICH for MIMO | -3 |
| - Precoding weight set restriction | Not Present |

RADIO BEARER SETUP for HSDPA Tests 3 & 4

| Information Element | Value/remark |
|--------------------------------------|--------------|
| MIMO parameters | |
| - MIMO operation | Start |
| - MIMO N_cqi_typeA/M_cqi ratio | 1/2 |
| - MIMO pilot configuration | |
| - CHOICE <i>Second CPICH pattern</i> | |
| >Antenna1 S-CPICH | |
| >> Channelisation code | 13 |
| >> Power Offset for S-CPICH for MIMO | -3 |
| - Precoding weight set restriction | Not Present |

9.2.4G.4.2 Procedure

1. Set up a HSDPA with looping back 12.2kbps RMC connection according to the generic HSDPA set-up procedure specified in TS 34.108 [3] sub clause 7.3.13 with the exceptions for information elements listed in table 9.2.4G.3 and exceptions in Annex I, with levels according to table E.5.0.
2. Once the HSDPA connection is setup, change levels according to Tables E.5.6 to E.5.8B as specified by Table E.5.9. In addition, set the power offset for S-CPICH for MIMO to -3dB and start transmitting HSDPA Data on both the serving cells. For secondary serving HS-DSCH cell only P-CPICH, HS-PDSCH and HS-SCCH are configured.
3. For all relevant propagation conditions, for all relevant I_{oc} levels, for all relevant E_c/I_{or} , for all relevant \hat{I}_{or}/I_{oc} , for H-Set 9A count the number of NACK, ACK and statDTX on the UL HS-DPCCH during the test interval and, for test 3 and 4, decide pass or fail according to Annex F.6.3 table F.6.3.5.4.9. ACK is counted as a success. NACK and statDTX are counted as a failure. Throughput shall be measured per cell and compared to requirements in these tables.
4. For test 1 and 2 there are 4 possible contributions to the throughput per TTI.

| Primary stream | ACK on the Primary stream (16 QAM) | NACK on the Primary stream |
|------------------------------------|---------------------------------------|--|
| Secondary stream | | |
| ACK on the secondary stream (QPSK) | (17568 + 9736) bit per TTI | 9736 bit per TTI |
| NACK on the secondary stream | 17568 bit per TTI | 0 bit per TTI (also counted in case of statDTX) |

At the end of the test interval calculate the throughput for each cell and relate it to the nominal throughput. This is the relative throughput RT. Decide pass or fail according to Annex F.6.3 Table F.6.3.5.4.10

9.2.4G.5 Test Requirements

Tables 9.2.4G.4 and 9.2.4G.5 define the primary level settings including test tolerance and test parameters for all relevant throughput tests. The pass / fail decision for throughput is done according to Annex F.6.3.

Tables E.5.6 to E.5.8C define the secondary and subsequently ranked level settings including test tolerance for both the serving cells. As those level settings are not uniform for the throughput tests in this clause, Table E.5.9 indicates which levels are applied, when the primary level settings (E_c/I_{or} and \hat{I}_{or}/I_{oc}) and propagation conditions (PA3, VA3) vary.

Table 9.2.4G.4: Test Parameters for Testing MIMO Fixed Reference Channel (FRC) H-Set 9A

| Parameter | Unit | Test 1 | Test 2 | Test 3 | Test 4 |
|--|--------------|---|--------|--|--------|
| I_{oc} | dBm/3.84 MHz | -60 | | | |
| DPCH frame offset ($\tau_{DPCH,n}$) | Chip | 0 | | | |
| Redundancy and constellation version coding sequence | | {0,3,2,1} for 16-QAM and QPSK | | | |
| Maximum number of HARQ transmission | | 4 | | | |
| MIMO N_cqi_typeA/M_cqi ratio | | 1/1 | | 1/2 | |
| PCI/CQI reporting Error Rate | % | 0 | | 0 | |
| Number of transport blocks | | 2 | | 1 | |
| Modulation | | Primary Transport Block: 16QAM Secondary Transport Block: QPSK | | Primary Transport Block: 16QAM Secondary Transport Block is not used. | |

Table 9.2.4G.5: Test requirement MIMO Fixed Reference Channel (FRC) H-Set 9A with downlink physical channel setup in Table E.5.4D

| Test Number | Propagation Conditions | Reference value | |
|-------------|------------------------|------------------------------|--|
| | | \hat{I}_{or} / I_{oc} (dB) | T-put R (kbps) * HS-PDSCH $E_c / I_{or} = -1.9$ dB |
| 1 | PA3 | 10.8 | 5394 |
| 2 | VA3 | 10.8 | 4344 |
| 3 | PA3 | 6.8 | 3742 |
| 4 | VA3 | 6.8 | 2926 |

* NOTES: 1) The reference value R is for the Fixed Reference Channel (FRC) H-Set 9
2) For Fixed Reference Channel (FRC) H-Set 9A the reference values for R should be scaled (multiplied by 2.0)

9.2.4H MIMO Performance - Fixed Reference Channel (FRC) H-Set 11A Asymmetric CPICHs

Editor's note: This Test case is not complete. Message contents and distribution of P-CPICH and S-CPICH powers need clarification.

9.2.4H.1 Definition and applicability

The MIMO performance of the High Speed Physical Downlink Shared Channel (HS-DSCH) in multi-path fading environments is determined by the information bit throughput R .

The requirements and this test apply to Release 10 and later releases for all types of UTRA for FDD UE that support HSDPA UE capability categories 27-28.

NOTE: This test case can be optionally tested for Rel-9 and onward UE's supporting MIMO feature.

9.2.4H.2 Minimum requirements

The requirements are specified in terms of a minimum information bit throughput R for the DL reference channels H-Set 11A specified in Annex C.8.1.11, with the addition of the parameters in Table 9.2.4H.1 and the downlink physical channel setup according to Table E.5.4D. Precoding weight set restriction shall not be enabled.

The primary precoding vector signalled on the HS-SCCH and applied on the associated HS-DSCH subframe shall correspond to the preferred primary precoding vector reported immediately before the start of the HS-SCCH subframe.

The determination of applied precoding vector for two transport block transmission shall be as follows: If the CQI reported by the UE indicates a preference for a single transport block, the preferred primary precoding vector shall be applied to the primary transport block. If the CQI reported by the UE indicates a preference for two transport blocks, and the preferred primary precoding vector corresponds to the highest reported CQI value, the preferred primary precoding vector shall be applied to the primary transport block. If the CQI reported by the UE indicates a preference for two transport blocks, and the preferred primary precoding vector does not correspond to the highest reported CQI value, the preferred primary precoding vector shall be applied to the secondary transport block.

Using this configuration the throughput shall meet or exceed the minimum requirements specified in Table 9.2.4H.2 with the downlink physical channel setup in Table E.5.4D.

Table 9.2.4H.1: Test Parameters for Testing MIMO FRC H-Set 11A

| Parameter | Unit | Test 1 |
|--|--------------|--|
| I_{oc} | dBm/3.84 MHz | -60 |
| DPCH frame offset ($\tau_{DPCH,n}$) | Chip | 0 |
| Redundancy and constellation version coding sequence | | {0,3,2,1} for 16QAM and 64QAM |
| Maximum number of HARQ transmission | | 4 |
| MIMO N_cqi_typeA/M_cqi ratio | | 1/1 |
| PCI/CQI reporting Error Rate | % | 0 |
| Number of transport blocks | | 2 |
| Modulation | | Primary Transport Block: 64QAM Secondary Transport Block: 16QAM |

Table 9.2.4H.2: Minimum requirement MIMO, Fixed Reference Channel (FRC) H-Set 11A with downlink physical channel setup in Table E.5.4D

| Test Number | Propagation Conditions | Reference value | |
|---|---------------------------|------------------------------|--|
| | | \hat{I}_{or} / I_{oc} (dB) | T-put R (kbps) * HS-PDSCH $E_c / I_{or} = -1.5$ dB |
| 1 | PA3 | 18 | 9880 |
| * NOTES: 1) The reference value R is for the Fixed Reference Channel (FRC) H-Set 11 2) For Fixed Reference Channel (FRC) H-Set 11A the reference values for R should be scaled (multiplied by 2.0) | | | |

The reference for this requirement is TS 25.101 [1] clause 9.2.4.2.

9.2.4H.3 Test purpose

To verify the ability of the receiver to receive a predefined test signal, representing a multi-path fading channel with information bit throughput R not falling below a specified value. The test stresses the multi-code reception and channel decoding with incremental redundancy.

9.2.4H.4 Method of test

9.2.4H.4.1 Initial conditions

Test environment: normal; see clauses G.2.1 and G.2.2.

Frequencies to be tested: mid range; see clause G.2.4.

1. Connect the SS (Node B Emulator) and faders and AWGN noise sources to the UE antenna connectors as shown in figure A.40.
2. Set the node B emulator behaviour according to table 9.2.4. Set the test parameters according to Table 9.2.4H.1 and levels according to tables 9.2.4H.4 and 9.2.4H.5. The configuration of the downlink channels is defined in table E.5.4D.
3. The information bit data shall be pseudo random and not repeated before 10 different information bit payload blocks are processed. (the information bit payload block is 26504 bits for the primary block using 64QAM and 17568 bits for the secondary block using 16QAM. Hence the PRBS must be at least $26504 * 10$ bits long for the primary block and $17568 * 10$ bits for the secondary block.). Use a PRBS from ITU-T O.153 Ref [27].
4. Setup the fading simulators with fading conditions as described in tables D.2.2.1A and clause D.2 on both the serving cells.

RADIO BEARER SETUP

Table 9.2.4H.3: Specific Message Contents for MIMO

| Information Element | Value/remark |
|--------------------------------------|--------------|
| MIMO parameters | |
| - MIMO operation | Start |
| - MIMO N_cqi_typeA/M_cqi ratio | 1/1 |
| - MIMO pilot configuration | |
| - CHOICE <i>Second CPICH pattern</i> | |
| >Antenna1 S-CPICH | |
| >> Channelisation code | 13 |
| >> Power Offset for S-CPICH for MIMO | -3 |
| - Precoding weight set restriction | Not Present |

9.2.4H.4.2 Procedure

1. Set up a HSDPA with looping back 12.2kbps RMC connection according to the generic HSDPA set-up procedure specified in TS 34.108 [3] sub clause 7.3.13 with the exceptions for information elements listed in table 9.2.4H.3 and exceptions in Annex I, with levels according to table E.5.0.
2. Once the HSDPA connection is setup, change levels according to Tables E.5.6 to E.5.8C as specified by Table E.5.9. In addition, set the power offset for S-CPICH for MIMO to -3dB and start transmitting HSDPA Data on both the serving cells. For secondary serving HS-DSCH cell only P-CPICH, HS-PDSCH and HS-SCCH are configured.
3. For all relevant propagation conditions, for all relevant Ioc levels, for all relevant Ec/Ior, for all relevant \hat{I} or/Ioc, for H-Set 11A count the number of NACK, ACK and statDTX on the UL HS-DPCCH during the test interval. ACK is counted as a success. NACK and statDTX are counted as a failure. Throughput shall be measured per cell and compared to requirements in these tables.
4. There are 4 possible contributions to the throughput per TTI.

| Primary stream | ACK on the Primary stream (64QAM) | NACK on the Primary stream |
|-------------------------------------|-----------------------------------|--|
| Secondary stream | | |
| ACK on the secondary stream (16QAM) | (26504 + 17568) bit per TTI | 17568 bit per TTI |
| NACK on the secondary stream | 26504 bit per TTI | 0 bit per TTI (also counted in case of statDTX) |

At the end of the test interval calculate the throughput for each cell and relate it to the nominal throughput. This is the relative throughput RT. Decide pass or fail according to Annex F.6.3 Table F.6.3.5.4.11

9.2.4H.5 Test Requirements

Tables 9.2.4H.4 and 9.2.4H.5 define the primary level settings including test tolerance and test parameters. The pass / fail decision for throughput is done according to Annex F.6.3.

Tables E.5.6 to E.5.8D define the secondary and subsequently ranked level settings including test tolerance for both the serving cells. As those level settings are not uniform for the throughput tests in this clause, Table E.5.9 indicates which levels are applied, when the primary level settings (E_c/I_{or} and I_{or}/I_{oc}) and propagation conditions (PA3, VA3) vary.

Table 9.2.4H.4: Test Parameters for Testing MIMO Fixed Reference Channel (FRC) H-Set 11A

| Parameter | Unit | Test 1 |
|--|--------------|--|
| I_{oc} | dBm/3.84 MHz | -60 (no test tolerance applied) |
| DPCCH frame offset ($\tau_{DPCCH,n}$) | Chip | 0 |
| Redundancy and constellation version coding sequence | | {0,3,2,1} for 16QAM and 64QAM |
| Maximum number of HARQ transmission | | 4 |
| MIMO N_cqi_typeA/M_cqi ratio | | 1/1 |
| PCI/CQI reporting Error Rate | % | 0 |
| Number of transport blocks | | 2 |
| Modulation | | Primary Transport Block: 64QAM Secondary Transport Block: 16QAM |

Table 9.2.4H.5: Test requirement MIMO Fixed Reference Channel (FRC) H-Set 11A with downlink physical channel setup in Table E.5.4D

| Test Number | Propagation Conditions | Reference value | |
|-------------|------------------------|----------------------------|--|
| | | \hat{I}_{or}/I_{oc} (dB) | T-put R (kbps) * HS-PDSCH $E_c/I_{or} = -1.4\text{dB}$ |
| 1 | PA3 | 18.8 | 9880 |

* NOTES: 1) The reference value R is for the Fixed Reference Channel (FRC) H-Set 11
2) For Fixed Reference Channel (FRC) H-Set 11A the reference values for R should be scaled (multiplied by 2.0)

9.3 Reporting of Channel Quality Indicator

The propagation conditions for this subclause are defined in table D.2.2.1B for non-MIMO operation under fading conditions, in subclause D.2.9.1 for MIMO operation under single stream conditions, and in subclause D.2.9.2 for MIMO operation under dual stream conditions.

For the cases in this subclause where CQI reporting is evaluated under fading conditions or under MIMO single/dual stream conditions it is expected that the UE will not always detect the HS-SCCH, resulting in a DTX for the uplink ACK/NACK transmission. The downlink configuration for evaluating CQI performance does not use retransmission. Therefore any BLER calculations must exclude any packets where the UE may have attempted to combine data from more than one transmission due to having missed one or more new data indicators or initial transmissions in MIMO operation from lost HS-SCCH transmissions.

The implication of this situation is covered in the procedure for each test.

9.3.1 Single Link Performance - AWGN Propagation Conditions

9.3.1.1 Definition and applicability

The reporting accuracy of channel quality indicator (CQI) under AWGN environments is determined by the reporting variance and the BLER performance using the transport format indicated by the reported CQI median.

The requirements and this test apply to Release 5 for all types of UTRA for the FDD UE that support HSDPA UE capability categories 1 - 8, 11 and 12.

The requirements and this test apply to Release 6 and later releases for all types of UTRA for the FDD UE that support HSDPA UE capability categories 1 to 12. The requirements and this test apply to Release 7 and later releases for all types of UTRA for the FDD UE that support HSDPA UE capability categories 13 to 20.

9.3.1.2 Minimum requirements

For the parameters specified in Table 9.3.1.1, and using the downlink physical channels specified in table E.5.1 for HSDPA categories 1-8, 11 and 12 or in Table E.5.1A for other HSDPA categories the reported CQI value shall be in the range of ± 2 of the reported median more than 90% of the time. If the HS-PDSCH BLER using the transport format indicated by median CQI is less than or equal to 0.1, the BLER using the transport format indicated by the (median CQI +2) shall be greater than 0.1. If the HS-PDSCH BLER using the transport format indicated by the median CQI is greater than 0.1, the BLER using transport format indicated by (median CQI -1) shall be less than or equal to 0.1.

Table 9.3.1.1: Test Parameters for CQI test in AWGN - single link

| Parameter | Unit | Test 1 | Test 2 | Test 3 |
|---------------------------------------|---|--|--------|--------|
| \hat{I}_{or} / I_{oc} | dB | 0 | 5 | 10 |
| I_{oc} | dBm/3.84 MHz | -60 | | |
| Phase reference | - | P-CPICH | | |
| HS-PDSCH E_c / I_{or} | dB | -3 | | |
| HS-SCCH_1 E_c / I_{or} | dB | -10 | | |
| DPCH E_c / I_{or} | dB | -10 | | |
| Maximum number of H-ARQ transmission | - | 1 | | |
| Number of HS-SCCH set to be monitored | - | 1 | | |
| CQI feedback cycle | ms | 2 | | |
| CQI repetition factor | - | 1 | | |
| HS-SCCH-1 signalling pattern | - | To incorporate inter-TTI=3 the six sub-frame HS-SCCH-1 signalling pattern shall be "...XOOXOO...", where "X" indicates TTI in which the HS-SCCH-1 uses the identity of the UE under test, and "O" indicates TTI in which the HS-SCCH-1 uses a different UE identity. | | |
| Note1: | Measurement power offset "I" is configured by RRC accordingly and as defined in [8]. | | | |
| Note2: | TF for HS-PDSCH is configured according to the reported CQI statistics. TF based on median CQI, median CQI -1, median CQI+2 are used. Other physical channel parameters are configured according to the CQI mapping table described in TS25.214 | | | |
| NOTE 3: | HS-PDSCH E_c / I_{or} is decreased according to reference power adjustment Δ described in TS 25.214. | | | |
| NOTE 4: | For any given transport format the power of the HS-SCCH and HS-PDSCH shall be transmitted continuously with constant power. | | | |
| NOTE 5: | UEs from capability categories 13-20 shall be configured in non64QAM/non-MIMO mode and use appropriate CQI tables according to TS 25.214. | | | |

The reference for this requirement is TS 25.101 [1] clause 9.3.1.1.

9.3.1.3 Test purpose

To verify that the variance of the CQI reports when using TF based on CQI 16 is within the limits defined and that a BLER of 10% falls between the TF based on Median CQI-1 and the TF based on Median CQI TF or between the TF based on Median CQI and the TF based on Median CQI+2.

9.3.1.4 Method of test

9.3.1.4.1 Initial conditions

Test environment: normal; see clauses G.2.1 and G.2.2.

Frequencies to be tested: mid range; see clause G.2.4.

1. Connect SS and an AWGN noise source to the UE antenna connector as shown in figure A.9.
2. Set Ack/Nack handling at the SS such that regardless of the response from the UE (Ack, Nack or DTX) new data is sent each time, this is because HARQ transmissions are set to one, i.e. no re-transmission of failed blocks. The sending of new data means that for each HARQ process the new data indicator bit in the HS-SCCH toggles for consecutive transmissions.

9.3.1.4.2 Procedure

- 1) Set up an HSDPA call with looping back 12.2kbps RMC according to TS 34.108 [3] clause 7.3.6 with levels according to table E.5.0, and with the following exceptions in the RADIO BEARER SETUP message.

Table 9.3.1.2: Contents of RADIO BEARER SETUP message: AM or UM (HSDPA)

| Information Element | Value/Remark |
|--|--|
| Downlink HS-PDSCH Information | |
| - HS-SCCH Info | |
| - CHOICE mode | FDD |
| - DL Scrambling Code | |
| - HS-SCCH Channelisation Code Info | |
| - HS-SCCH Channelisation Code | 2 |
| - Measurement Feedback Info | |
| - CHOICE mode | FDD |
| - POhdsch | Compatible with the values in table 9.3.1.1 and according to TS 25.214 [5] clause 6A.2 |
| - Added or Reconfigured DL TrCH information | |
| - CHOICE DL parameters | HS-DSCH |
| - HARQ Info | |
| - Number of Processes | 2 |
| - Added or reconfigured MAC-d flow | |
| - MAC-hs queue to add or reconfigure list | (one queue) |
| - MAC-d PDU size Info | |
| - MAC-d PDU size | 112 bits (Note 1) |
| - MAC-d PDU size index | 0 |
| - MAC-d PDU size | 448 bits (Note 1) |
| - MAC-d PDU size index | 1 |
| NOTE 1: For UE Categories 1-6, 11 and 12, MAC-d PDU size of 112 is used. For other UE categories, MAC-d PDU sizes of 112 and 448 are used. Less than CQI value of 23 according to [5], 112 is used, and above the CQI values, 448 is used. | |

- 2) Set test conditions according to test 1 in table 9.3.1.1. The configuration of the downlink channels is defined in table E.5.1.

NOTE: The following part of the procedure will test if the UE reports a limited range of CQI values under the predefined channel conditions.

- 3) The SS shall send the TF according to CQI value 16 and keep it regardless of the CQI value sent by the UE. Continue transmission of the HS-PDSCH until 2000 CQI reports have been gathered. In this process the SS collects CQI reports every 2 ms and also cases where UE transmits nothing in its CQI field (CQI0) are counted as CQI reports.
- 4) Set up a relative frequency distribution for the CQI-values, reported. Calculate the median value (Median CQI is the CQI that is at or crosses 50% distribution from the lower CQI side). This CQI-value is declared as Median CQI value,
- 5) If 1800 or more of the CQI values are in the range $(\text{Median CQI} - 2) \leq \text{Median CQI} \leq (\text{Median CQI} + 2)$ then continue with step 6), otherwise fail the UE.

NOTE: The following part of the procedure will test if BLER versus CQI has the correct sense.

- 6) The SS shall transmit the TF according to the median-CQI value and shall not react to the UE's CQI reports. For any HSDPA block transmitted by the SS, record the associated ACK, NACK and statDTX responses. The responses are then filtered as follows: for the sequence of responses for each HARQ process, discard all the statDTX responses. If the number of consecutive discarded statDTX for any one process is an odd number including one, also discard the next response for that HARQ process regardless whether it is an ACK or NACK. Continue to gather data until the number of filtered ACK+NACK responses reaches 1000.

For the filtered ACK and NACK responses if the ratio ($\text{NACK} / \text{ACK} + \text{NACK}$) < 0.1 then goto step 7), otherwise goto step 8)

- 7) The SS shall transmit the TF according to the median-CQI+2 value and shall not react to the UE's CQI reports. For any HSDPA block, transmitted by the SS, record and filter the ACK, NACK and statDTX responses as in step 6 until 1000 filtered ACK+NACK responses are gathered.

If the ratio ($\text{NACK} / \text{ACK} + \text{NACK}$) \geq 0.1

then pass the UE, otherwise fail the UE

- 8) The SS shall transmit the TF according to the median-CQI-1 value and shall not react to the UE's CQI value. For any HSDPA block, transmitted by the SS, record and filter the ACK, NACK and statDTX responses as in step 6 until 1000 filtered ACK+NACK responses are gathered.

If the ratio ($\text{NACK} / \text{ACK} + \text{NACK}$) < 0.1

then pass the UE, otherwise fail the UE.

NOTE: The statistical selectivity based on 1000 samples is not sufficient to distinguish between BLER < 0.1 and > 0.1. However, it is assumed that the difference between

[true BLER on Median CQI - true BLER on (Median CQI + 2)] and
[true BLER on Median CQI - true BLER on (Median CQI - 1)]

is large enough to exceed the statistical uncertainty and hence the measurement can indicate the correct sense of BLER.

- 9) Repeat the same procedure (steps 3 to 8) with test conditions according to the table 9.3.1.1 for Test 2 and Test 3.

9.3.1.5 Test Requirements

The pass fail decision is as specified in the test procedure in clause 9.3.1.4.2.

There are no parameters in the test setup or measurement process whose variation impacts the results so there are no applicable test tolerances for this test.

9.3.1A Single Link Performance - AWGN Propagation Conditions, 64QAM

9.3.1A.1 Definition and applicability

The reporting accuracy of channel quality indicator (CQI) under AWGN environments is determined by the reporting variance and the BLER performance using the transport format indicated by the reported CQI median.

The requirements and this test apply to Release 7 for all types of UTRA for the FDD UE that support HSDPA UE capability categories 13, 14, 17 and 18.

The requirements and this test apply to Release 8 and later releases for all types of UTRA for the FDD UE that support HSDPA UE capability categories 13, 14, 17, 18, 19 and 20.

9.3.1A.2 Minimum requirements

For the parameters specified in Table 9.3.1A.1, and using the downlink physical channels specified in table E.5.1A the reported CQI value shall be in the range of +/-2 of the reported median more than 90% of the time. If the HS-PDSCH BLER using the transport format indicated by median CQI is less than or equal to 0.1, the BLER using the transport format indicated by the (median CQI +2) shall be greater than 0.1. If the HS-PDSCH BLER using the transport format

indicated by the median CQI is greater than 0.1, the BLER using transport format indicated by (median CQI -1) shall be less than or equal to 0.1.

Table 9.3.1A.1: Test Parameters for CQI test in AWGN, 64QAM - single link

| Parameter | Unit | Test 1 |
|---|--------------|--|
| \hat{I}_{or} / I_{oc} | dB | 15 |
| I_{oc} | dBm/3.84 MHz | -60 |
| Phase reference | - | P-CPICH |
| HS-PDSCH E_c / I_{or} | dB | -2 |
| HS-SCCH_1 E_c / I_{or} | dB | -12 |
| DPCH E_c / I_{or} | dB | -12 |
| Maximum number of H-ARQ transmission | - | 1 |
| Number of HS-SCCH set to be monitored | - | 1 |
| CQI feedback cycle | ms | 2 |
| CQI repetition factor | - | 1 |
| HS-SCCH-1 signalling pattern | - | To incorporate inter-TTI=3 the six sub-frame HS-SCCH-1 signalling pattern shall be "...XOOXOO...", where "X" indicates TTI in which the HS-SCCH-1 uses the identity of the UE under test, and "O" indicates TTI in which the HS-SCCH-1 uses a different UE identity. |
| NOTE 1: Measurement power offset "I" is configured by RRC accordingly and as defined in [8] | | |
| NOTE 2: TF for HS-PDSCH is configured according to the reported CQI statistics. TF based on median CQI, median CQI -1, median CQI+2 are used. Other physical channel parameters are configured according to the CQI mapping table described in TS25.214 | | |
| NOTE 3: HS-PDSCH E_c / I_{or} is decreased according to reference power adjustment Δ described in TS 25.214 | | |
| NOTE 4: For any given transport format the power of the HS-SCCH and HS-PDSCH shall be transmitted continuously with constant power. | | |
| NOTE 5: The UE shall be configured in 64QAM/non-MIMO mode and use appropriate CQI tables according to TS 25.214. | | |

The reference for this requirement is TS 25.101 [1] clause 9.3.1.1.2.

9.3.1A.3 Test purpose

To verify that the variance of the CQI reports when using TF based on CQI 16 is within the limits defined and that a BLER of 10% falls between the TF based on Median CQI-1 and the TF based on Median CQI TF or between the TF based on Median CQI and the TF based on Median CQI+2.

9.3.1A.4 Method of test

9.3.1A.4.1 Initial conditions

Test environment: normal; see clauses G.2.1 and G.2.2.

Frequencies to be tested: mid range; see clause G.2.4.

1. Connect SS and an AWGN noise source to the UE antenna connector as shown in figure A.9.
2. Set Ack/Nack handling at the SS such that regardless of the response from the UE (Ack, Nack or DTX) new data is sent each time, this is because HARQ transmissions are set to one, i.e. no re-transmission of failed blocks. The sending of new data means that for each HARQ process the new data indicator bit in the HS-SCCH toggles for consecutive transmissions.

9.3.1A.4.2 Procedure

1. Set up an HSDPA call with looping back 12.2kbps RMC according to TS 34.108 [3] clause 7.3.6 with levels according to table E.5.0, and with the following exceptions.

Table 9.3.1A.2 Specific Message Contents for CQI test in AWGN, 64QAM - single link

Contents of RRC CONNECTION SETUP message: UM (Transition to CELL_DCH)

| Information Element | Value/remark | Version |
|--|--------------|---------|
| Downlink information for per radio links list -Downlink information for each radio links - Downlink DPCH info for each RL - DL channelisation code - Code number | 14 | |

Contents of RADIO BEARER SETUP message: AM or UM (Test Loop Mode1)

| Information Element | Value/remark | Version |
|---|--------------|---------|
| Downlink information per radio link list - Downlink information for each radio link - Downlink DPCH info for each RL - DL channelisation code - Code number | 7 | |

Contents of RADIO BEARER SETUP message: AM or UM (HSDPA)

| Information Element | Value/Remark | Version |
|--|--|---|
| RAB information for setup list - RAB information for setup - RB mapping info - Downlink RLC logical channel info - Downlink transport channel type - CHOICE DL MAC header type - DL HS-DSCH MAC-ehs Queue Id - Logical channel identity | HS-DSCH MAC-ehs 0 1 | Rel-7 Rel-7 |
| Downlink HS-PDSCH Information - HS-SCCH Info - CHOICE mode - DL Scrambling Code - HS-SCCH Channelisation Code Info - HS-SCCH Channelisation Code - Measurement Feedback Info - CHOICE mode - POhsdsch | FDD 2 FDD Compatible with the values in table 9.3.1A.1 and according to TS 25.214 [5] clause 6A.2 | |
| - CHOICE mode | FDD | |
| - Downlink 64QAM configured | TRUE | Rel-7 |
| - Added or Reconfigured DL TrCH information - CHOICE DL parameters - HARQ Info - Number of Processes - CHOICE Memory Partitioning - Memory size - Process Memory Size - Process Memory Size - CHOICE DL MAC header type - Added or reconfigured MAC-ehs reordering queue - MAC-ehs queue to add or reconfigure list - MAC-ehs queue Id - T1 - Treset - MAC-ehs window size | HS-DSCH 2 Explicit 2 44000 44000 MAC-ehs (one queue) 0 50 Not Present 16 | Rel-7 Rel-7 Rel-7 Rel-7 Rel-7 Rel-7 Rel-7 |
| Downlink information per radio link list - Downlink information for each radio link - Downlink DPCH info for each RL - DL channelisation code - Code number | 7 | |
| NOTE 1: MAC-d PDU size is flexible for every CQI value. | | |

2. Set test conditions according to test 1 in table 9.3.1A.1. The configuration of the downlink channels is defined in table E.5.1A.

NOTE: The following part of the procedure will test if the UE reports a limited range of CQI values under the predefined channel conditions.

3. The SS shall send the TF according to CQI value 16 and keep it regardless of the CQI value sent by the UE. Continue transmission of the HS-PDSCH until 2000 CQI reports have been gathered. In this process the SS collects CQI reports every 2 ms and also cases where UE transmits nothing in its CQI field (CQI0) are counted as CQI reports.
4. Set up a relative frequency distribution for the CQI-values, reported. Calculate the median value (Median CQI is the CQI that is at or crosses 50% distribution from the lower CQI side). This CQI-value is declared as Median CQI value,
5. If 1800 or more of the CQI values are in the range $(\text{Median CQI} - 2) \leq \text{Median CQI} \leq (\text{Median CQI} + 2)$ then continue with step 6), otherwise fail the UE.

NOTE: The following part of the procedure will test if BLER versus CQI has the correct sense.

- 6) The SS shall transmit the TF according to the median-CQI value and shall not react to the UE's CQI reports. For any HSDPA block transmitted by the SS, record the associated ACK, NACK and statDTX responses. The responses are then filtered as follows: for the sequence of responses for each HARQ process, discard all the statDTX responses. If the number of consecutive discarded statDTX for any one process is an odd number including one, also discard the next response for that HARQ process regardless whether it is an ACK or NACK. Continue to gather data until the number of filtered ACK+NACK responses reaches 1000.

For the filtered ACK and NACK responses if the ratio $(\text{NACK} / \text{ACK} + \text{NACK}) < 0.1$ then goto step 7), otherwise goto step 8)

7. The SS shall transmit the TF according to the median-CQI+2 value and shall not react to the UE's CQI reports. For any HSDPA block, transmitted by the SS, record and filter the ACK, NACK and statDTX responses as in step 6 until 1000 filtered ACK+NACK responses are gathered.

If the ratio $(\text{NACK} / \text{ACK} + \text{NACK}) \geq 0.1$

then pass the UE, otherwise fail the UE

8. The SS shall transmit the TF according to the median-CQI-1 value and shall not react to the UE's CQI value. For any HSDPA block, transmitted by the SS, record and filter the ACK, NACK and statDTX responses as in step 6 until 1000 filtered ACK+NACK responses are gathered.

If the ratio $(\text{NACK} / \text{ACK} + \text{NACK}) < 0.1$

then pass the UE, otherwise fail the UE.

NOTE: The statistical selectivity based on 1000 samples is not sufficient to distinguish between $\text{BLER} < 0.1$ and > 0.1 . However, it is assumed that the difference between

[true BLER on Median CQI - true BLER on (Median CQI + 2)] and
[true BLER on Median CQI - true BLER on (Median CQI - 1)]

is large enough to exceed the statistical uncertainty and hence the measurement can indicate the correct sense of BLER.

9.3.1A.5 Test Requirements

The pass fail decision is as specified in the test procedure in clause 9.3.1A.4.2.

There are no parameters in the test setup or measurement process whose variation impacts the results so there are no applicable test tolerances for this test.

9.3.1B Single Link Performance - AWGN Propagation Conditions, DC-HSDPA requirements

9.3.1B.1 Definition and applicability

The reporting accuracy of channel quality indicator (CQI) under AWGN environments is determined by the reporting variance and the BLER performance using the transport format indicated by the reported CQI median.

The requirements and this test apply to Release 8 and later releases for all types of UTRA for the FDD UE that support DC-HSDPA UE capability categories 21, 22, 23 and 24.

The requirements and this test apply for Release 9 and later releases to all types of UTRA for the FDD UE that support DC-HSDPA UE capability categories 25-28.

9.3.1B.2 Minimum requirements

For the parameters specified in Table 9.3.1B.1, and using the downlink physical channels specified in table E.5.1, with both primary and secondary cells configured, for each of the serving cells, the reported CQI value for the cell shall be in the range of +/-2 of the cell-specific reported median more than 90% of the time. If the HS-PDSCH BLER, for any of the cells, using the transport format indicated by cell-specific median CQI is less than or equal to 0.1, the BLER for this cell using the transport format indicated by the (cell-specific median CQI +2) shall be greater than 0.1. If the HS-PDSCH BLER, for any of the cells, using the transport format indicated by the cell-specific median CQI is greater than 0.1, the BLER for this cell using transport format indicated by (cell-specific median CQI -1) shall be less than or equal to 0.1.

Table 9.3.1B.1: Test Parameters for CQI test in AWGN - single link

| Parameter | Unit | Test 1 |
|---|--------------|--|
| \hat{I}_{or1} / I_{oc} | dB | 0 |
| \hat{I}_{or2} / I_{oc} | dB | 10 |
| I_{oc} | dBm/3.84 MHz | -60 |
| Phase reference | - | P-CPICH |
| HS-PDSCH E_c / I_{or} | dB | -3 |
| HS-SCCH_1 E_c / I_{or} | dB | -10 |
| DPCH E_c / I_{or} | dB | -10 |
| Maximum number of H-ARQ transmission | - | 1 |
| Number of HS-SCCH set to be monitored | - | 1 |
| CQI feedback cycle | ms | 2 |
| CQI repetition factor | - | 1 |
| HS-SCCH-1 signalling pattern | - | To incorporate inter-TTI=3 the six sub-frame HS-SCCH-1 signalling pattern shall be "...XOOXOO...", where "X" indicates TTI in which the HS-SCCH-1 uses the identity of the UE under test, and "O" indicates TTI in which the HS-SCCH-1 uses a different UE identity. |
| NOTE 1: Measurement power offset "T" is configured by RRC accordingly and as defined in 25.331 [8] | | |
| NOTE 2: TF for HS-PDSCH is configured according to the reported CQI statistics. TF based on median CQI, median CQI -1, median CQI+2 are used. Other physical channel parameters are configured according to the CQI mapping table described in TS25.214 [5] | | |
| NOTE 3: HS-PDSCH E_c / I_{or} is decreased according to reference power adjustment Δ described in TS 25.214 [5] | | |
| NOTE 4: For any given transport format the power of the HS-SCCH and HS-PDSCH shall be transmitted continuously with constant power. | | |
| NOTE 5: The UE shall be configured in non-64QAM/non-MIMO mode and use appropriate CQI tables according to TS 25.214 [5]. | | |

The reference for this requirement is TS 25.101 [1] clause 9.3.1.1.3.

9.3.1B.3 Test purpose

To verify that the variance of the CQI reports when using TF based on CQI 16 on each of the serving cells is within the limits defined and that a BLER of 10% falls between the TF based on cell specific Median CQI-1 and the TF based on cell specific Median CQI TF or between the TF based on cell specific Median CQI and the TF based on cell specific Median CQI+2.

9.3.1B.4 Method of test

9.3.1B.4.1 Initial conditions

Test environment: normal; see clauses G.2.1 and G.2.2.

Frequencies to be tested: mid range; see clause G.2.4.

1. Connect the SS and an AWGN noise source to the UE antenna connector as shown in figure A.38.
2. Set Ack/Nack handling at the SS for each cell such that regardless of the response from the UE (Ack, Nack or DTX) new data is sent each time, this is because HARQ transmissions are set to one, i.e. no re-transmission of failed blocks. The sending of new data means that for each HARQ process the new data indicator bit in the HS-SCCH toggles for consecutive transmissions.

9.3.1B.4.2 Procedure

- 1) Set up an HSDPA call according to TS 34.108 [3] clause 7.3.13 with levels according to table E.5.0, and with the exceptions for information elements listed in table 9.3.1B.2.

Table 9.3.1B.2: Specific Message Contents for CQI test in AWGN - single link

Contents of RRC CONNECTION SETUP message: UM (Transition to CELL_DCH)

| Information Element | Value/remark | Version |
|---|--------------|---------|
| Downlink information for per radio links list - Downlink information for each radio links - Downlink DPCH info for each RL - DL channelisation code - Code number | 14 | |

Contents of RADIO BEARER SETUP message: AM or UM (Test Loop Mode1)

| Information Element | Value/remark | Version |
|---|--------------|---------|
| Downlink information per radio link list - Downlink information for each radio link - Downlink DPCH info for each RL - DL channelisation code - Code number | 7 | |

Contents of RADIO BEARER SETUP message: AM or UM (DC-HSDPA)

| Information Element | Value/Remark | Version |
|---|---|---------|
| Downlink HS-PDSCH Information | | |
| - HS-SCCH Info | FDD | |
| - CHOICE mode | | |
| - DL Scrambling Code | | |
| - HS-SCCH Channelisation Code Info | 2 | |
| - HS-SCCH Channelisation Code | | |
| - Measurement Feedback Info | FDD | |
| - CHOICE mode | | |
| - Measurement Power Offset | Compatible with the values in table 9.3.1B.1 and according to TS 25.214 [5] clause 6A.2 | |
| - Added or Reconfigured DL TrCH information | HS-DSCH | |
| - CHOICE DL parameters | | |
| - HARQ Info | 2 | |
| - Number of Processes | Explicit | |
| - CHOICE Memory Partitioning | The value of N_{IR} of CQI table specified according to TS 25.214 [5] clause 6A.2.3 | |
| - Process Memory Size | The value of N_{IR} of CQI table specified according to TS 25.214 [5] clause 6A.2.3 | |
| - Process Memory Size | | |
| Downlink information per radio link list | | |
| - Downlink information for each radio link | | |
| - Downlink DPCH info for each RL | | |
| - DL channelisation code | | |
| - Code number | 7 | |
| Downlink secondary cell info FDD | | Rel-8 |
| - HS-SCCH Channelisation Code Information | | |
| - HS-SCCH Channelisation Code | 2 | |
| - Measurement Power Offset | Compatible with the values in table 9.3.1B.1 and according to TS 25.214 [5] clause 6A.2 | |

- 2) Set test conditions according to test 1 in table 9.3.1B.1 for both serving HS-DSCH cell and the secondary serving HS-DSCH cell. The configuration of the downlink channels is defined in table E.5.1 for serving HS-DSCH cell, and for secondary serving HS-DSCH cell set up P-CPICH, HS-PDSCH and HS-SCCH channels only per table E.5.1.

NOTE: The following part of the procedure will test if the UE reports a limited range of CQI values under the predefined channel conditions.

- 3) The SS shall send the TF according to CQI value 16 on each of the serving HS-DSCH cell and keep it regardless of the CQI value sent by the UE. Continue transmission of the HS-PDSCH until 2000 composite CQI reports have been gathered. In this process the SS collects composite CQI reports every 2 ms.
- 4) Set up a relative frequency distribution for each of the reported cell specific CQI-values. Calculate the cell specific median value for each cell (Median CQI is the CQI that is at or crosses 50% distribution from the lower CQI side). This CQI-value is declared as Median CQI value of that cell.
- 5) If 1800 or more of the cell specific CQI values are in the range $(\text{cell specific Median CQI} - 2) \leq (\text{cell specific Median CQI}) \leq (\text{cell specific Median CQI} + 2)$ for each cell then continue with step 6), otherwise fail the UE.

NOTE: The following part of the procedure will test if BLER versus CQI has the correct sense.

- 6) The SS shall transmit the TF according to the cell specific median-CQI value on each of the cell and shall not react to the UE's composite CQI reports. For any HSDPA block transmitted by the SS, record the associated ACK, NACK and statDTX responses on each of the cell. The responses are then filtered as follows: for the sequence of responses for each HARQ process, discard all the statDTX responses. If the number of consecutive discarded statDTX for any one process is an odd number including one, also discard the next response for that HARQ process regardless whether it is an ACK or NACK. Continue to gather data until the number of filtered ACK+NACK responses on each of the cell reaches 1000.

Based on the ratio (NACK/ACK + NACK) for each of the cell, follow the below condition:

If $(\text{NACK}/\text{ACK} + \text{NACK}) < 0.1$ Goto step 7

Else Goto step 8

- 7) The SS shall transmit the TF according to the cell specific median-CQI+2 value and shall not react to the UE's composite CQI reports. For any HSDPA block, transmitted by the SS on any of the serving cell, record and filter the ACK, NACK and statDTX responses as in step 6 until 1000 filtered ACK+NACK responses are gathered for that cell.

If the ratio $(\text{NACK} / \text{ACK} + \text{NACK}) \geq 0.1$

then pass the UE, otherwise fail the UE

- 8) The SS shall transmit the TF according to the cell specific median-CQI-1 value and shall not react to the UE's composite CQI value. For any HSDPA block, transmitted by the SS on any of the serving cell, record and filter the ACK, NACK and statDTX responses as in step 6 until 1000 filtered ACK+NACK responses are gathered for that cell.

If the ratio $(\text{NACK} / \text{ACK} + \text{NACK}) < 0.1$

then pass the UE, otherwise fail the UE.

NOTE: The statistical selectivity based on 1000 samples is not sufficient to distinguish between $\text{BLER} < 0.1$ and > 0.1 . However, it is assumed that the difference between

[true BLER on Median CQI - true BLER on (Median CQI + 2)] and
[true BLER on Median CQI - true BLER on (Median CQI - 1)]

is large enough to exceed the statistical uncertainty and hence the measurement can indicate the correct sense of BLER.

- 9) The test case is considered pass only if steps 5-8 are satisfied for both the cells.

9.3.1B.5 Test Requirements

The pass fail decision is as specified in the test procedure in clause 9.3.1B.4.2.

There are no parameters in the test setup or measurement process whose variation impacts the results so there are no applicable test tolerances for this test.

9.3.1BA Single Link Performance - AWGN Propagation Conditions, DB-DC-HSDPA requirements

9.3.1BA.1 Definition and applicability

The reporting accuracy of channel quality indicator (CQI) under AWGN environments is determined by the reporting variance and the BLER performance using the transport format indicated by the reported CQI median.

The requirements and this test apply for Release 9 and later releases to all types of UTRA for the FDD UE that support DB-DC-HSDPA UE capability categories 21-28.

DB-DC-HSDPA is designed to operate in configurations specified in clause 4.2.

9.3.1BA.2 Minimum requirements

For the parameters specified in Table 9.3.1BA.1, and using the downlink physical channels specified in table E.5.1, with both primary and secondary cells configured, for each of the serving cells, the reported CQI value for the cell shall be in the range of ± 2 of the cell-specific reported median more than 90% of the time. If the HS-PDSCH BLER, for any of the cells, using the transport format indicated by cell-specific median CQI is less than or equal to 0.1, the BLER for this cell using the transport format indicated by the (cell-specific median CQI +2) shall be greater than 0.1. If the HS-PDSCH BLER, for any of the cells, using the transport format indicated by the cell-specific median CQI is greater than 0.1, the BLER for this cell using transport format indicated by (cell-specific median CQI -1) shall be less than or equal to 0.1.

Table 9.3.1BA.1: Test Parameters for CQI test in AWGN - single link

| Parameter | Unit | Test 1 |
|---|--------------|--|
| \hat{I}_{or1} / I_{oc} | dB | 0 |
| \hat{I}_{or2} / I_{oc} | dB | 10 |
| I_{oc} | dBm/3.84 MHz | -60 |
| Phase reference | - | P-CPICH |
| HS-PDSCH E_c / I_{or} | dB | -3 |
| HS-SCCH_1 E_c / I_{or} | dB | -10 |
| DPCH E_c / I_{or} | dB | -10 |
| Maximum number of H-ARQ transmission | - | 1 |
| Number of HS-SCCH set to be monitored | - | 1 |
| CQI feedback cycle | ms | 2 |
| CQI repetition factor | - | 1 |
| HS-SCCH-1 signalling pattern | - | To incorporate inter-TTI=3 the six sub-frame HS-SCCH-1 signalling pattern shall be "...XOOXOO...", where "X" indicates TTI in which the HS-SCCH-1 uses the identity of the UE under test, and "O" indicates TTI in which the HS-SCCH-1 uses a different UE identity. |
| NOTE 1: Measurement power offset "T" is configured by RRC accordingly and as defined in 25.331 [8] | | |
| NOTE 2: TF for HS-PDSCH is configured according to the reported CQI statistics. TF based on median CQI, median CQI -1, median CQI+2 are used. Other physical channel parameters are configured according to the CQI mapping table described in TS25.214 [5] | | |
| NOTE 3: HS-PDSCH E_c / I_{or} is decreased according to reference power adjustment Δ described in TS 25.214 [5] | | |
| NOTE 4: For any given transport format the power of the HS-SCCH and HS-PDSCH shall be transmitted continuously with constant power. | | |
| NOTE 5: The UE shall be configured in non-64QAM/non-MIMO mode and use appropriate CQI tables according to TS 25.214 [5]. | | |

The reference for this requirement is TS 25.101 [1] clause 9.3.1.1.3.

9.3.1BA.3 Test purpose

To verify that the variance of the CQI reports when using TF based on CQI 16 on each of the serving cells is within the limits defined and that a BLER of 10% falls between the TF based on cell specific Median CQI-1 and the TF based on cell specific Median CQI TF or between the TF based on cell specific Median CQI and the TF based on cell specific Median CQI+2.

9.3.1BA.4 Method of test

9.3.1BA.4.1 Initial conditions

Test environment: normal; see clauses G.2.1 and G.2.2.

Frequencies to be tested: mid range; see clause G.2.4.

1. Connect the SS and an AWGN noise source to the UE antenna connector as shown in figure A.38.
2. Set Ack/Nack handling at the SS for each cell such that regardless of the response from the UE (Ack, Nack or DTX) new data is sent each time, this is because HARQ transmissions are set to one, i.e. no re-transmission of failed blocks. The sending of new data means that for each HARQ process the new data indicator bit in the HS-SCCH toggles for consecutive transmissions.

9.3.1BA.4.2 Procedure

- 1) Set up an HSDPA call according to TS 34.108 [3] clause 7.3.13 with levels according to table E.5.0, and with the exceptions for information elements listed in table 9.3.1BA.2.

Table 9.3.1BA.2: Specific Message Contents for CQI test in AWGN - single link

Contents of RRC CONNECTION SETUP message: UM (Transition to CELL_DCH)

| Information Element | Value/remark | Version |
|---|--------------|---------|
| Downlink information for per radio links list - Downlink information for each radio links - Downlink DPCH info for each RL - DL channelisation code - Code number | 14 | |

Contents of RADIO BEARER SETUP message: AM or UM (Test Loop Mode1)

| Information Element | Value/remark | Version |
|---|--------------|---------|
| Downlink information per radio link list - Downlink information for each radio link - Downlink DPCH info for each RL - DL channelisation code - Code number | 7 | |

Contents of RADIO BEARER SETUP message: AM or UM (DC-HSDPA)

| Information Element | Value/Remark | Version |
|---|--|---------|
| Downlink HS-PDSCH Information - HS-SCCH Info - CHOICE mode - DL Scrambling Code - HS-SCCH Channelisation Code Info - HS-SCCH Channelisation Code - Measurement Feedback Info - CHOICE mode - Measurement Power Offset | FDD 2 FDD Compatible with the values in table 9.3.1BA.1 and according to TS 25.214 [5] clause 6A.2 | |
| - Added or Reconfigured DL TrCH information - CHOICE DL parameters - HARQ Info - Number of Processes - CHOICE Memory Partitioning - Process Memory Size - Process Memory Size | HS-DSCH 2 Explicit The value of N _{IR} of CQI table specified according to TS 25.214 [5] clause 6A.2.3 The value of N _{IR} of CQI table specified according to TS 25.214 [5] clause 6A.2.3 | |
| Downlink information per radio link list - Downlink information for each radio link - Downlink DPCH info for each RL - DL channelisation code - Code number | 7 | |
| Downlink secondary cell info FDD - HS-SCCH Channelisation Code Information - HS-SCCH Channelisation Code - Measurement Power Offset | 2 Compatible with the values in table 9.3.1BA.1 and according to TS 25.214 [5] clause 6A.2 | Rel-8 |

- 2) Set test conditions according to test 1 in table 9.3.1BA.1 for both serving HS-DSCH cell and the secondary serving HS-DSCH cell. The configuration of the downlink channels is defined in table E.5.1 for serving HS-DSCH cell, and for secondary serving HS-DSCH cell set up P-CPICH, HS-PDSCH and HS-SCCH channels only per table E.5.1.

NOTE: The following part of the procedure will test if the UE reports a limited range of CQI values under the predefined channel conditions.

- 3) The SS shall send the TF according to CQI value 16 on each of the serving HS-DSCH cell and keep it regardless of the CQI value sent by the UE. Continue transmission of the HS-PDSCH until 2000 composite CQI reports have been gathered. In this process the SS collects composite CQI reports every 2 ms.
- 4) Set up a relative frequency distribution for each of the reported cell specific CQI-values. Calculate the cell specific median value for each cell (Median CQI is the CQI that is at or crosses 50% distribution from the lower CQI side). This CQI-value is declared as Median CQI value of that cell.
- 5) If 1800 or more of the cell specific CQI values are in the range $(\text{cell specific Median CQI} - 2) \leq (\text{cell specific Median CQI}) \leq (\text{cell specific Median CQI} + 2)$ for each cell then continue with step 6), otherwise fail the UE.

NOTE: The following part of the procedure will test if BLER versus CQI has the correct sense.

- 6) The SS shall transmit the TF according to the cell specific median-CQI value on each of the cell and shall not react to the UE's composite CQI reports. For any HSDPA block transmitted by the SS, record the associated ACK, NACK and statDTX responses on each of the cell. The responses are then filtered as follows: for the sequence of responses for each HARQ process, discard all the statDTX responses. If the number of consecutive discarded statDTX for any one process is an odd number including one, also discard the next response for that HARQ process regardless whether it is an ACK or NACK. Continue to gather data until the number of filtered ACK+NACK responses on each of the cell reaches 1000.

Based on the ratio $(\text{NACK}/\text{ACK} + \text{NACK})$ for each of the cell, follow the below condition:

If $(\text{NACK}/\text{ACK} + \text{NACK}) < 0.1$ Goto step 7

Else Goto step 8

- 7) The SS shall transmit the TF according to the cell specific median-CQI+2 value and shall not react to the UE's composite CQI reports. For any HSDPA block, transmitted by the SS on any of the serving cell, record and filter the ACK, NACK and statDTX responses as in step 6 until 1000 filtered ACK+NACK responses are gathered for that cell.

If the ratio $(\text{NACK} / \text{ACK} + \text{NACK}) \geq 0.1$

then pass the UE, otherwise fail the UE

- 8) The SS shall transmit the TF according to the cell specific median-CQI-1 value and shall not react to the UE's composite CQI value. For any HSDPA block, transmitted by the SS on any of the serving cell, record and filter the ACK, NACK and statDTX responses as in step 6 until 1000 filtered ACK+NACK responses are gathered for that cell.

If the ratio $(\text{NACK} / \text{ACK} + \text{NACK}) < 0.1$

then pass the UE, otherwise fail the UE.

NOTE: The statistical selectivity based on 1000 samples is not sufficient to distinguish between $\text{BLER} < 0.1$ and > 0.1 . However, it is assumed that the difference between

[true BLER on Median CQI - true BLER on (Median CQI + 2)] and
[true BLER on Median CQI - true BLER on (Median CQI - 1)]

is large enough to exceed the statistical uncertainty and hence the measurement can indicate the correct sense of BLER.

- 9) The test case is considered pass only if steps 5-8 are satisfied for both the cells.

9.3.1BA.5 Test Requirements

The pass fail decision is as specified in the test procedure in clause 9.3.1BA.4.2.

There are no parameters in the test setup or measurement process whose variation impacts the results so there are no applicable test tolerances for this test.

9.3.1BB Single Link Performance - AWGN Propagation Conditions, 4C-HSDPA requirements (3 Carriers)

9.3.1BB.1 Definition and applicability

The reporting accuracy of channel quality indicator (CQI) under AWGN environments is determined by the reporting variance and the BLER performance using the transport format indicated by the reported CQI median.

The requirements and this test apply for Release 10 and later releases to all types of UTRA for the FDD UE that support 4C-HSDPA UE capability categories 29 and 30.

9.3.1BB.2 Minimum requirements

For the parameters specified in Table 9.3.1BB.1, and using the downlink physical channels specified in table E.5.1, with both primary and secondary cells configured, for each of the serving cells, the reported CQI value for the cell shall be in the range of +/-2 of the cell-specific reported median more than 90% of the time. If the HS-PDSCH BLER, for any of the cells, using the transport format indicated by cell-specific median CQI is less than or equal to 0.1, the BLER for this cell using the transport format indicated by the (cell-specific median CQI +2) shall be greater than 0.1. If the HS-PDSCH BLER, for any of the cells, using the transport format indicated by the cell-specific median CQI is greater than 0.1, the BLER for this cell using transport format indicated by (cell-specific median CQI -1) shall be less than or equal to 0.1.

Table 9.3.1BB.1: Test Parameters for CQI test in AWGN - single link

| Parameter | Unit | Test 1 |
|---|--------------|--|
| \hat{I}_{or1} / I_{oc} | dB | 0 |
| \hat{I}_{or2} / I_{oc} | dB | 10 |
| I_{oc} | dBm/3.84 MHz | -60 |
| Phase reference | - | P-CPICH |
| HS-PDSCH E_c / I_{or} | dB | -3 |
| HS-SCCH_1 E_c / I_{or} | dB | -10 |
| DPCH E_c / I_{or} | dB | -10 |
| Maximum number of H-ARQ transmission | - | 1 |
| Number of HS-SCCH set to be monitored | - | 1 |
| CQI feedback cycle | ms | 2 |
| CQI repetition factor | - | 1 |
| HS-SCCH-1 signalling pattern | - | To incorporate inter-TTI=3 the six sub-frame HS-SCCH-1 signalling pattern shall be "...XOOXOO...", where "X" indicates TTI in which the HS-SCCH-1 uses the identity of the UE under test, and "O" indicates TTI in which the HS-SCCH-1 uses a different UE identity. |
| NOTE 1: Measurement power offset "T" is configured by RRC accordingly and as defined in 25.331 [8] | | |
| NOTE 2: TF for HS-PDSCH is configured according to the reported CQI statistics. TF based on median CQI, median CQI -1, median CQI+2 are used. Other physical channel parameters are configured according to the CQI mapping table described in TS25.214 [5] | | |
| NOTE 3: HS-PDSCH E_c / I_{or} is decreased according to reference power adjustment Δ described in TS 25.214 [5] | | |
| NOTE 4: For any given transport format the power of the HS-SCCH and HS-PDSCH shall be transmitted continuously with constant power. | | |
| NOTE 5: The UE shall be configured in non-64QAM/non-MIMO mode and use appropriate CQI tables according to TS 25.214 [5]. | | |

The reference for this requirement is TS 25.101 [1] clause 9.3.1.1.3.

9.3.1BB.3 Test purpose

To verify that the variance of the CQI reports when using TF based on CQI 16 on each of the serving cells is within the limits defined and that a BLER of 10% falls between the TF based on cell specific Median CQI-1 and the TF based on cell specific Median CQI TF or between the TF based on cell specific Median CQI and the TF based on cell specific Median CQI+2.

9.3.1BB.4 Method of test

9.3.1BB.4.1 Initial conditions

Test environment: normal; see clauses G.2.1 and G.2.2.

Frequencies to be tested: mid range; see clause G.2.4.

1. Connect the SS and an AWGN noise source to the UE antenna connector as shown in figure A.46.
2. Set Ack/Nack handling at the SS for each cell such that regardless of the response from the UE (Ack, Nack or DTX) new data is sent each time, this is because HARQ transmissions are set to one, i.e. no re-transmission of failed blocks. The sending of new data means that for each HARQ process the new data indicator bit in the HS-SCCH toggles for consecutive transmissions.

9.3.1BB.4.2 Procedure

- 1) Set up an HSDPA call according to TS 34.108 [3] clause 7.3.16 with levels according to table E.5.0, and with the exceptions for information elements listed in table 9.3.1BB.2.

Table 9.3.1BB.2: Specific Message Contents for CQI test in AWGN - single link

Contents of RRC CONNECTION SETUP message: UM (Transition to CELL_DCH)

| Information Element | Value/remark | Version |
|---|--------------|---------|
| Downlink information for per radio links list - Downlink information for each radio links - Downlink DPCH info for each RL - DL channelisation code - Code number | 14 | |

Contents of RADIO BEARER SETUP message: AM or UM (Test Loop Mode1)

| Information Element | Value/remark | Version |
|---|--------------|---------|
| Downlink information per radio link list - Downlink information for each radio link - Downlink DPCH info for each RL - DL channelisation code - Code number | 7 | |

- 2) Set test conditions according to test 1 in table 9.3.1BB.1 for both serving HS-DSCH cell and the secondary serving HS-DSCH cells. The configuration of the downlink channels is defined in table E.5.1 for serving HS-DSCH cell, and for secondary serving HS-DSCH cells set up P-CPICH, HS-PDSCH and HS-SCCH channels only per table E.5.1.

NOTE 1: The following part of the procedure will test if the UE reports a limited range of CQI values under the predefined channel conditions.

- 3) The SS shall send the TF according to CQI value 16 on each of the serving HS-DSCH cell and keep it regardless of the CQI value sent by the UE. Continue transmission of the HS-PDSCH until 2000 composite CQI reports have been gathered. In this process the SS collects composite CQI reports every 2 ms.
- 4) Set up a relative frequency distribution for each of the reported cell specific CQI-values. Calculate the cell specific median value for each cell (Median CQI is the CQI that is at or crosses 50% distribution from the lower CQI side). This CQI-value is declared as Median CQI value of that cell.

- 5) If 1800 or more of the cell specific CQI values are in the range (cell specific Median CQI - 2) \leq (cell specific Median CQI) \leq (cell specific Median CQI + 2) for each cell then continue with step 6), otherwise fail the UE.

NOTE: The following part of the procedure will test if BLER versus CQI has the correct sense.

- 6) The SS shall transmit the TF according to the cell specific median-CQI value on each of the cell and shall not react to the UE's composite CQI reports. For any HSDPA block transmitted by the SS, record the associated ACK, NACK and statDTX responses on each of the cell. The responses are then filtered as follows: for the sequence of responses for each HARQ process, discard all the statDTX responses. If the number of consecutive discarded statDTX for any one process is an odd number including one, also discard the next response for that HARQ process regardless whether it is an ACK or NACK. Continue to gather data until the number of filtered ACK+NACK responses on each of the cell reaches 1000.

Based on the ratio (NACK/ACK + NACK) for each of the cell, follow the below condition:

If (NACK/ACK+NACK) < 0.1 Goto step 7

Else Goto step 8

- 7) The SS shall transmit the TF according to the cell specific median-CQI+2 value and shall not react to the UE's composite CQI reports. For any HSDPA block, transmitted by the SS on any of the serving cell, record and filter the ACK, NACK and statDTX responses as in step 6 until 1000 filtered ACK+NACK responses are gathered for that cell.

If the ratio (NACK / ACK + NACK) \geq 0.1

then pass the UE, otherwise fail the UE

- 8) The SS shall transmit the TF according to the cell specific median-CQI-1 value and shall not react to the UE's composite CQI value. For any HSDPA block, transmitted by the SS on any of the serving cell, record and filter the ACK, NACK and statDTX responses as in step 6 until 1000 filtered ACK+NACK responses are gathered for that cell.

If the ratio (NACK / ACK + NACK) < 0.1

then pass the UE, otherwise fail the UE.

NOTE 2: The statistical selectivity based on 1000 samples is not sufficient to distinguish between BLER < 0.1 and > 0.1. However, it is assumed that the difference between [true BLER on Median CQI - true BLER on (Median CQI + 2)] and [true BLER on Median CQI - true BLER on (Median CQI - 1)] is large enough to exceed the statistical uncertainty and hence the measurement can indicate the correct sense of BLER.

- 9) The test case is considered pass only if steps 5-8 are satisfied for all 3 cells.

9.3.1BB.5 Test Requirements

The pass fail decision is as specified in the test procedure in clause 9.3.1BB.4.2.

There are no parameters in the test setup or measurement process whose variation impacts the results so there are no applicable test tolerances for this test.

9.3.1BC Single Link Performance - AWGN Propagation Conditions, 4C-HSDPA requirements

9.3.1BC.1 Definition and applicability

The reporting accuracy of channel quality indicator (CQI) under AWGN environments is determined by the reporting variance and the BLER performance using the transport format indicated by the reported CQI median.

The requirements and this test apply for Release 10 and later releases to all types of UTRA for the FDD UE that support 4C-HSDPA UE capability categories 31 and 32.

9.3.1BC.2 Minimum requirements

For the parameters specified in Table 9.3.1BC.1, and using the downlink physical channels specified in table E.5.1, with both primary and secondary cells configured, for each of the serving cells, the reported CQI value for the cell shall be in the range of +/-2 of the cell-specific reported median more than 90% of the time. If the HS-PDSCH BLER, for any of the cells, using the transport format indicated by cell-specific median CQI is less than or equal to 0.1, the BLER for this cell using the transport format indicated by the (cell-specific median CQI +2) shall be greater than 0.1. If the HS-PDSCH BLER, for any of the cells, using the transport format indicated by the cell-specific median CQI is greater than 0.1, the BLER for this cell using transport format indicated by (cell-specific median CQI -1) shall be less than or equal to 0.1.

Table 9.3.1BC.1: Test Parameters for CQI test in AWGN - single link

| Parameter | Unit | Test 1 |
|---|--------------|--|
| \hat{I}_{or1} / I_{oc} | dB | 0 |
| \hat{I}_{or2} / I_{oc} | dB | 10 |
| I_{oc} | dBm/3.84 MHz | -60 |
| Phase reference | - | P-CPICH |
| HS-PDSCH E_c / I_{or} | dB | -3 |
| HS-SCCH_1 E_c / I_{or} | dB | -10 |
| DPCH E_c / I_{or} | dB | -10 |
| Maximum number of H-ARQ transmission | - | 1 |
| Number of HS-SCCH set to be monitored | - | 1 |
| CQI feedback cycle | ms | 2 |
| CQI repetition factor | - | 1 |
| HS-SCCH-1 signalling pattern | - | To incorporate inter-TTI=3 the six sub-frame HS-SCCH-1 signalling pattern shall be "...XOOXOO...", where "X" indicates TTI in which the HS-SCCH-1 uses the identity of the UE under test, and "O" indicates TTI in which the HS-SCCH-1 uses a different UE identity. |
| NOTE 1: Measurement power offset "T" is configured by RRC accordingly and as defined in 25.331 [8] | | |
| NOTE 2: TF for HS-PDSCH is configured according to the reported CQI statistics. TF based on median CQI, median CQI -1, median CQI+2 are used. Other physical channel parameters are configured according to the CQI mapping table described in TS25.214 [5] | | |
| NOTE 3: HS-PDSCH E_c / I_{or} is decreased according to reference power adjustment Δ described in TS 25.214 [5] | | |
| NOTE 4: For any given transport format the power of the HS-SCCH and HS-PDSCH shall be transmitted continuously with constant power. | | |
| NOTE 5: The UE shall be configured in non-64QAM/non-MIMO mode and use appropriate CQI tables according to TS 25.214 [5]. | | |

The reference for this requirement is TS 25.101 [1] clause 9.3.1.1.3.

9.3.1BC.3 Test purpose

To verify that the variance of the CQI reports when using TF based on CQI 16 on each of the serving cells is within the limits defined and that a BLER of 10% falls between the TF based on cell specific Median CQI-1 and the TF based on cell specific Median CQI TF or between the TF based on cell specific Median CQI and the TF based on cell specific Median CQI+2.

9.3.1BC.4 Method of test

9.3.1BC.4.1 Initial conditions

Test environment: normal; see clauses G.2.1 and G.2.2.

Frequencies to be tested: mid range; see clause G.2.4.

1. Connect the SS and an AWGN noise source to the UE antenna connector as shown in figure A.46.
2. Set Ack/Nack handling at the SS for each cell such that regardless of the response from the UE (Ack, Nack or DTX) new data is sent each time, this is because HARQ transmissions are set to one, i.e. no re-transmission of failed blocks. The sending of new data means that for each HARQ process the new data indicator bit in the HS-SCCH toggles for consecutive transmissions.

9.3.1BC.4.2 Procedure

- 1) Set up an HSDPA call according to TS 34.108 [3] clause 7.3.16 with levels according to table E.5.0, and with the exceptions for information elements listed in table 9.3.1BC.2.

Table 9.3.1BC.2: Specific Message Contents for CQI test in AWGN - single link

Contents of RRC CONNECTION SETUP message: UM (Transition to CELL_DCH)

| Information Element | Value/remark | Version |
|---|--------------|---------|
| Downlink information for per radio links list - Downlink information for each radio links - Downlink DPCH info for each RL - DL channelisation code - Code number | 14 | |

Contents of RADIO BEARER SETUP message: AM or UM (Test Loop Mode1)

| Information Element | Value/remark | Version |
|---|--------------|---------|
| Downlink information per radio link list - Downlink information for each radio link - Downlink DPCH info for each RL - DL channelisation code - Code number | 7 | |

- 2) Set test conditions according to test 1 in table 9.3.1BC.1 for both serving HS-DSCH cell and the secondary serving HS-DSCH cells. The configuration of the downlink channels is defined in table E.5.1 for serving HS-DSCH cell, and for secondary serving HS-DSCH cells set up P-CPICH, HS-PDSCH and HS-SCCH channels only per table E.5.1.

NOTE 1: The following part of the procedure will test if the UE reports a limited range of CQI values under the predefined channel conditions.

- 3) The SS shall send the TF according to CQI value 16 on each of the serving HS-DSCH cell and keep it regardless of the CQI value sent by the UE. Continue transmission of the HS-PDSCH until 2000 composite CQI reports have been gathered. In this process the SS collects composite CQI reports every 2 ms.
- 4) Set up a relative frequency distribution for each of the reported cell specific CQI-values. Calculate the cell specific median value for each cell (Median CQI is the CQI that is at or crosses 50% distribution from the lower CQI side). This CQI-value is declared as Median CQI value of that cell.
- 5) If 1800 or more of the cell specific CQI values are in the range $(\text{cell specific Median CQI} - 2) \leq (\text{cell specific Median CQI}) \leq (\text{cell specific Median CQI} + 2)$ for each cell then continue with step 6), otherwise fail the UE.

NOTE 2: The following part of the procedure will test if BLER versus CQI has the correct sense.

- 6) The SS shall transmit the TF according to the cell specific median-CQI value on each of the cell and shall not react to the UE's composite CQI reports. For any HSDPA block transmitted by the SS, record the associated ACK, NACK and statDTX responses on each of the cell. The responses are then filtered as follows: for the sequence of responses for each HARQ process, discard all the statDTX responses. If the number of consecutive discarded statDTX for any one process is an odd number including one, also discard the next response for that HARQ process regardless whether it is an ACK or NACK. Continue to gather data until the number of filtered ACK+NACK responses on each of the cell reaches 1000.

Based on the ratio $(\text{NACK}/(\text{ACK} + \text{NACK}))$ for each of the cell, follow the below condition:

If $(\text{NACK}/\text{ACK}+\text{NACK}) < 0.1$ Goto step 7

Else Goto step 8

- 7) The SS shall transmit the TF according to the cell specific median-CQI+2 value and shall not react to the UE's composite CQI reports. For any HSDPA block, transmitted by the SS on any of the serving cell, record and filter the ACK, NACK and statDTX responses as in step 6 until 1000 filtered ACK+NACK responses are gathered for that cell.

If the ratio $(\text{NACK} / \text{ACK} + \text{NACK}) \geq 0.1$

then pass the UE, otherwise fail the UE

- 8) The SS shall transmit the TF according to the cell specific median-CQI-1 value and shall not react to the UE's composite CQI value. For any HSDPA block, transmitted by the SS on any of the serving cell, record and filter the ACK, NACK and statDTX responses as in step 6 until 1000 filtered ACK+NACK responses are gathered for that cell.

If the ratio $(\text{NACK} / \text{ACK} + \text{NACK}) < 0.1$

then pass the UE, otherwise fail the UE.

NOTE 3: The statistical selectivity based on 1000 samples is not sufficient to distinguish between $\text{BLER} < 0.1$ and > 0.1 . However, it is assumed that the difference between [true BLER on Median CQI - true BLER on (Median CQI + 2)] and [true BLER on Median CQI - true BLER on (Median CQI - 1)] is large enough to exceed the statistical uncertainty and hence the measurement can indicate the correct sense of BLER.

- 9) The test case is considered pass only if steps 5-8 are satisfied for all 4 cells.

9.3.1BC.5 Test Requirements

The pass fail decision is as specified in the test procedure in clause 9.3.1BC.4.2.

There are no parameters in the test setup or measurement process whose variation impacts the results so there are no applicable test tolerances for this test.

9.3.2AB Single Link Performance - Fading Propagation Conditions, 4C-HSDPA requirements(3 Carriers)

9.3.2AB.1 Definition and applicability

The reporting accuracy of the channel quality indicator (CQI) under fading environments is determined by the BLER performance using the transport format indicated by the reported CQI median.

The requirements and this test apply for Release 10 and later releases to all types of UTRA for the FDD UE that support 4C-HSDPA UE capability categories 29 and 30.

9.3.2AB.2 Minimum requirements

For the parameters specified in Table 9.3.2AB.1 and using the downlink physical channels specified in table E.5.1, with both primary and secondary serving cells configured, for each of the serving cells, the requirements are specified in terms of maximum BLERs at particular reported CQIs when transmitting a cell specific fixed transport format given by the cell specific CQI median as shown in Table 9.3.2AB.2. The BLER at a particular reported CQI for a specific serving cell is obtained by associating a particular CQI reference measurement period with the HS-PDSCH subframe transmitted from this serving cell overlapping with the end of this CQI reference measurement period and calculating the fraction of erroneous HS-PDSCH subframes.

Table 9.3.2AB.1: Test Parameters for CQI test in fading - single link

| Parameter | Unit | Test 1 | Test 2 |
|---------------------------------------|--|--|--------|
| HS-PDSCH E_c/I_{or} | dB | -8 | -4 |
| \hat{I}_{or}/I_{oc} | dB | 0 | 5 |
| I_{oc} | dBm/3.84 MHz | -60 | |
| Phase reference | - | P-CPICH | |
| HS-SCCH_1 E_c/I_{or} | dB | -8.5 | |
| DPCH E_c/I_{or} | dB | -6 | |
| Maximum number of H-ARQ transmission | - | 1 | |
| Number of HS-SCCH set to be monitored | - | 1 | |
| CQI feedback cycle | ms | 2 | |
| CQI repetition factor | - | 1 | |
| HS-SCCH-1 signalling pattern | - | To incorporate inter-TTI=3 the six sub-frame HS-SCCH-1 signalling pattern shall be "...XOOXOO...", where "X" indicates TTI in which the HS-SCCH-1 uses the identity of the UE under test, and "O" indicates TTI in which the HS-SCCH-1 uses a different UE identity. | |
| Propagation Channel | | Case 8 | |
| Note1: | Measurement power offset "T" is configured by RRC accordingly and as defined in 25.331 [8] | | |
| Note2: | TF for HS-PDSCH is configured according to the reported CQI statistics. TF based on median CQI is used. Other physical channel parameters are configured according to the CQI mapping table described in TS25.214 [5]. | | |
| NOTE 3: | HS-PDSCH E_c/I_{or} is decreased according to reference power adjustment Δ described in TS 25.214 [5]. | | |
| NOTE 4: | For any given transport format the power of the HS-SCCH and HS-PDSCH shall be transmitted continuously with constant power. | | |
| NOTE 5: | The UE shall be configured in non-64QAM/ non-MIMO mode and use appropriate CQI tables according to TS 25.214 [5]. | | |

Table 9.3.2AB.2: Minimum requirement for CQI test in fading - single link

| Reported CQI | Maximum BLER | |
|----------------|--------------|-------|
| | Test 1 | Test2 |
| CQI median | 60% | 60% |
| CQI median + 3 | 15% | 15% |

The reference for this requirement is TS 25.101 [1] clause 9.3.1.2.3.

9.3.2AB.3 Test purpose

To verify that when using the TF based on the cell specific Median CQI the BLER for blocks associated with composite CQI reports of cell specific Median CQI is $\leq 60\%$ and that the BLER for blocks associated with composite CQI reports of cell specific Median CQI+3 is $\leq 15\%$.

9.3.2AB.4 Method of test

9.3.2AB.4.1 Initial conditions

Test environment: normal; see clauses G.2.1 and G.2.2.

Frequencies to be tested: mid range; see clause G.2.4.

- 1) Connect SS, multipath fading simulator and an AWGN noise source to the UE antenna connector as shown in figure A.46.

- 2) Set Ack/Nack handling at the SS on each cell such that regardless of the response from the UE (Ack, Nack or DTX) new data is sent each time, this is because HARQ transmissions are set to one, i.e. no re-transmission of failed blocks. The sending of new data means that for each HARQ process the new data indicator bit in the HS-SCCH toggles for consecutive transmissions.

9.3.2AB.4.2 Procedure

- 1) Set up an HSDPA call according to TS 34.108 [3] clause 7.3.16 with levels according to table E.5.0, and with the exceptions for information elements listed in table 9.3.2AB.3.
- 2) Set test conditions according to test 1 in table 9.3.2AB.1 on both the serving HS-DSCH cell and the secondary serving HS-DSCH cells. The configuration of the downlink channels is defined in table E.5.1 for serving S_DSCH cell. For secondary serving cells set up P-CPICH, HS-PDSCH and HS-SCCH channels only per table E.5.1.

Contents of RRC CONNECTION SETUP message: UM (Transition to CELL_DCH)

Table 9.3.2AB.3: Specific Message Contents for CQI test in fading - single link

| Information Element | Value/remark | Version |
|---|--------------|---------|
| Downlink information for per radio links list - Downlink information for each radio links - Downlink DPCH info for each RL - DL channelisation code - Code number | 14 | |

Contents of RADIO BEARER SETUP message: AM or UM (Test Loop Mode1)

| Information Element | Value/remark | Version |
|---|--------------|---------|
| Downlink information per radio link list - Downlink information for each radio link - Downlink DPCH info for each RL - DL channelisation code - Code number | 7 | |

Contents of RADIO BEARER SETUP message: AM or UM (4C-HSDPA)

FFS

- 2) The SS shall send TF according to CQI value 16 on each of the serving cell and keep it regardless of the CQI value sent by the UE. Continue transmission of the HS-PDSCH until 8200 composite CQI reports have been gathered. In this process the SS collects composite CQI reports every 2 ms.
- 3) Set up a relative frequency distribution for each of the cell specific reported CQI values. Calculate the cell specific median value for each cell (Median CQI is the CQI that is at or crosses 50% distribution from the lower CQI side). This CQI-value is declared as Median CQI value for that serving cell.
- 4) The SS shall transmit the TF according to the cell specific median-CQI value and shall not react to the UE's reported CQI value on each cell. For any HSDPA block transmitted by the SS, record the ACK, NACK and statDTX responses on each cell, and associate with each response the CQI report that corresponds to the CQI evaluation period in which the end of the HS-PDSCH is received. (See figure 9.3.2AB.4 below.)

The responses are then filtered as follows: for the sequence of responses for each HARQ process, discard all the statDTX responses. If the number of consecutive discarded statDTX for any one process is an odd number including one, also discard the next response for that HARQ process regardless whether it is an ACK or NACK. Continue to gather and filter responses until 1000 filtered responses for each serving cell with CQI = Median CQI and 1000 filtered responses with CQI = Median CQI + 3 have been collected.

- 5) Measure BLER as described below.

In the test there are two BLER requirements to be tested:

R1: HSDPA block with corresponding reported cell specific CQI = cell specific Median CQI BLER \leq 60%

R2: HSDPA block with corresponding reported cell specific CQI = cell specific Median CQI + 3 BLER ≤ 15%

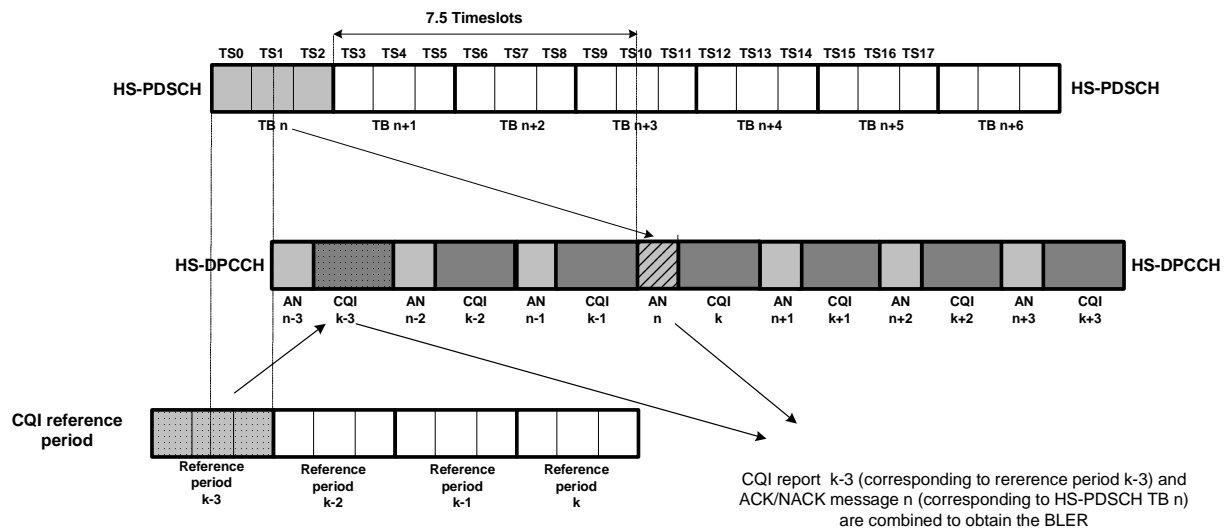


Figure 9.3.2AB.4: Combination of ACK/NACK message and the CQI report for BLER calculation

For each set of samples R1 and R2 the $BLER = \frac{NACK}{ACK + NACK}$

Repeat the same procedure with test conditions according to the test 2 of table 9.3.2AB.1.

9.3.2AB.5 Test Requirements

The measured BLER shall not exceed values specified in table 9.3.2AB.2 for each of the serving cells.

There are no parameters in the test setup or measurement process whose variation impacts the results so there are no applicable test tolerances for this test.

9.3.2AC Single Link Performance - Fading Propagation Conditions, 4C-HSDPA requirements

9.3.2AC.1 Definition and applicability

The reporting accuracy of the channel quality indicator (CQI) under fading environments is determined by the BLER performance using the transport format indicated by the reported CQI median.

The requirements and this test apply for Release 10 and later releases to all types of UTRA for the FDD UE that support 4C-HSDPA UE capability categories 31 and 32.

9.3.2AC.2 Minimum requirements

For the parameters specified in Table 9.3.2AC.1 and using the downlink physical channels specified in table E.5.1, with both primary and secondary serving cells configured, for each of the serving cells, the requirements are specified in terms of maximum BLERs at particular reported CQIs when transmitting a cell specific fixed transport format given by the cell specific CQI median as shown in Table 9.3.2AC.2. The BLER at a particular reported CQI for a specific serving cell is obtained by associating a particular CQI reference measurement period with the HS-PDSCH subframe transmitted from this serving cell overlapping with the end of this CQI reference measurement period and calculating the fraction of erroneous HS-PDSCH subframes.

Table 9.3.2AC.1: Test Parameters for CQI test in fading - single link

| Parameter | Unit | Test 1 | Test 2 |
|---------------------------------------|--|--|--------|
| HS-PDSCH E_c/I_{or} | dB | -8 | -4 |
| \hat{I}_{or}/I_{oc} | dB | 0 | 5 |
| I_{oc} | dBm/3.84 MHz | -60 | |
| Phase reference | - | P-CPICH | |
| HS-SCCH_1 E_c/I_{or} | dB | -8.5 | |
| DPCH E_c/I_{or} | dB | -6 | |
| Maximum number of H-ARQ transmission | - | 1 | |
| Number of HS-SCCH set to be monitored | - | 1 | |
| CQI feedback cycle | ms | 2 | |
| CQI repetition factor | - | 1 | |
| HS-SCCH-1 signalling pattern | - | To incorporate inter-TTI=3 the six sub-frame HS-SCCH-1 signalling pattern shall be "...XOOXOO...", where "X" indicates TTI in which the HS-SCCH-1 uses the identity of the UE under test, and "O" indicates TTI in which the HS-SCCH-1 uses a different UE identity. | |
| Propagation Channel | | Case 8 | |
| Note1: | Measurement power offset "T" is configured by RRC accordingly and as defined in 25.331 [8] | | |
| Note2: | TF for HS-PDSCH is configured according to the reported CQI statistics. TF based on median CQI is used. Other physical channel parameters are configured according to the CQI mapping table described in TS25.214 [5]. | | |
| NOTE 3: | HS-PDSCH E_c/I_{or} is decreased according to reference power adjustment Δ described in TS 25.214 [5]. | | |
| NOTE 4: | For any given transport format the power of the HS-SCCH and HS-PDSCH shall be transmitted continuously with constant power. | | |
| NOTE 5: | The UE shall be configured in non-64QAM/ non-MIMO mode and use appropriate CQI tables according to TS 25.214 [5]. | | |

Table 9.3.2AC.2: Minimum requirement for CQI test in fading - single link

| Reported CQI | Maximum BLER | |
|----------------|--------------|-------|
| | Test 1 | Test2 |
| CQI median | 60% | 60% |
| CQI median + 3 | 15% | 15% |

The reference for this requirement is TS 25.101 [1] clause 9.3.1.2.3.

9.3.2AC.3 Test purpose

To verify that when using the TF based on the cell specific Median CQI the BLER for blocks associated with composite CQI reports of cell specific Median CQI is $\leq 60\%$ and that the BLER for blocks associated with composite CQI reports of cell specific Median CQI+3 is $\leq 15\%$.

9.3.2AC.4 Method of test

9.3.2AC.4.1 Initial conditions

Test environment: normal; see clauses G.2.1 and G.2.2.

Frequencies to be tested: mid range; see clause G.2.4.

- 1) Connect SS, multipath fading simulator and an AWGN noise source to the UE antenna connector as shown in figure A.46.

- 2) Set Ack/Nack handling at the SS on each cell such that regardless of the response from the UE (Ack, Nack or DTX) new data is sent each time, this is because HARQ transmissions are set to one, i.e. no re-transmission of failed blocks. The sending of new data means that for each HARQ process the new data indicator bit in the HS-SCCH toggles for consecutive transmissions.

9.3.2AC.4.2 Procedure

- 1) Set up an HSDPA call according to TS 34.108 [3] clause 7.3.16 with levels according to table E.5.0, and with the exceptions for information elements listed in table 9.3.2AC.3.
- 2) Set test conditions according to test 1 in table 9.3.2AC.1 on both the serving HS-DSCH cell and the secondary serving HS-DSCH cells. The configuration of the downlink channels is defined in table E.5.1 for serving S_DSCH cell. For secondary serving cells set up P-CPICH, HS-PDSCH and HS-SCCH channels only per table E.5.1.

Table 9.3.2AC.3: Specific Message Contents for CQI test in fading - single link

Contents of RRC CONNECTION SETUP message: UM (Transition to CELL_DCH)

| Information Element | Value/remark | Version |
|---|--------------|---------|
| Downlink information for per radio links list - Downlink information for each radio links - Downlink DPCH info for each RL - DL channelisation code - Code number | 14 | |

Contents of RADIO BEARER SETUP message: AM or UM (Test Loop Mode1)

| Information Element | Value/remark | Version |
|---|--------------|---------|
| Downlink information per radio link list - Downlink information for each radio link - Downlink DPCH info for each RL - DL channelisation code - Code number | 7 | |

Contents of RADIO BEARER SETUP message: AM or UM (4C-HSDPA)

FFS

- 3) The SS shall send TF according to CQI value 16 on each of the serving cell and keep it regardless of the CQI value sent by the UE. Continue transmission of the HS-PDSCH until 8200 composite CQI reports have been gathered. In this process the SS collects composite CQI reports every 2 ms.
- 4) Set up a relative frequency distribution for each of the cell specific reported CQI values. Calculate the cell specific median value for each cell (Median CQI is the CQI that is at or crosses 50% distribution from the lower CQI side). This CQI-value is declared as Median CQI value for that serving cell.
- 5) The SS shall transmit the TF according to the cell specific median-CQI value and shall not react to the UE's reported CQI value on each cell. For any HSDPA block transmitted by the SS, record the ACK, NACK and statDTX responses on each cell, and associate with each response the CQI report that corresponds to the CQI evaluation period in which the end of the HS-PDSCH is received. (See figure 9.3.2AC.4 below.)
The responses are then filtered as follows: for the sequence of responses for each HARQ process, discard all the statDTX responses. If the number of consecutive discarded statDTX for any one process is an odd number including one, also discard the next response for that HARQ process regardless whether it is an ACK or NACK. Continue to gather and filter responses until 1000 filtered responses for each serving cell with CQI = Median CQI and 1000 filtered responses with CQI = Median CQI + 3 have been collected.
- 6) Measure BLER as described below.

In the test there are two BLER requirements to be tested:

R1: HSDPA block with corresponding reported cell specific CQI = cell specific Median CQI BLER ≤ 60%

R2: HSDPA block with corresponding reported cell specific CQI = cell specific Median CQI + 3 BLER ≤ 15%

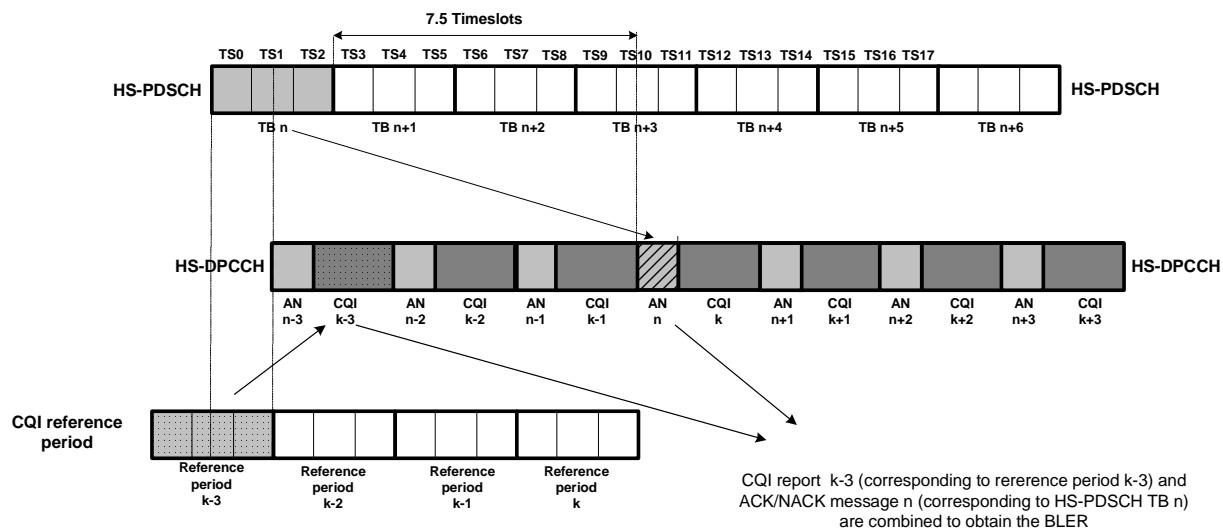


Figure 9.3.2AC.4: Combination of ACK/NACK message and the CQI report for BLER calculation

For each set of samples R1 and R2 the $BLER = (NACK) / (ACK + NACK)$

Repeat the same procedure with test conditions according to the test 2 of table 9.3.2AC.1.

9.3.2AC.5 Test Requirements

The measured BLER shall not exceed values specified in table 9.3.2AC.2 for each of the serving cells.

There are no parameters in the test setup or measurement process whose variation impacts the results so there are no applicable test tolerances for this test.

9.3.1C Single Link Performance - AWGN Propagation Conditions, Periodically Varying Radio Conditions

- *Editor's note: Applicability statement in 34.121-2 to be added*

9.3.1C.1 Definition and applicability

The reporting accuracy of the channel quality indicator (CQI) when subject to AWGN propagation conditions with periodically varying radio conditions, is determined by the reporting variance.

The requirements and this test apply to Release 8 and later releases for all types of UTRA for the FDD UE that support HSDPA UE capability categories 1 to 20.

9.3.1C.2 Minimum requirements

The reporting accuracy of the channel quality indicator (CQI) when subject to AWGN propagation conditions with periodically varying \hat{I}_{or} / I_{oc} , is determined by the reporting variance, as measured during selected parts of a predetermined \hat{I}_{or} / I_{oc} pattern, as depicted in Figure 9.3.1C.1.

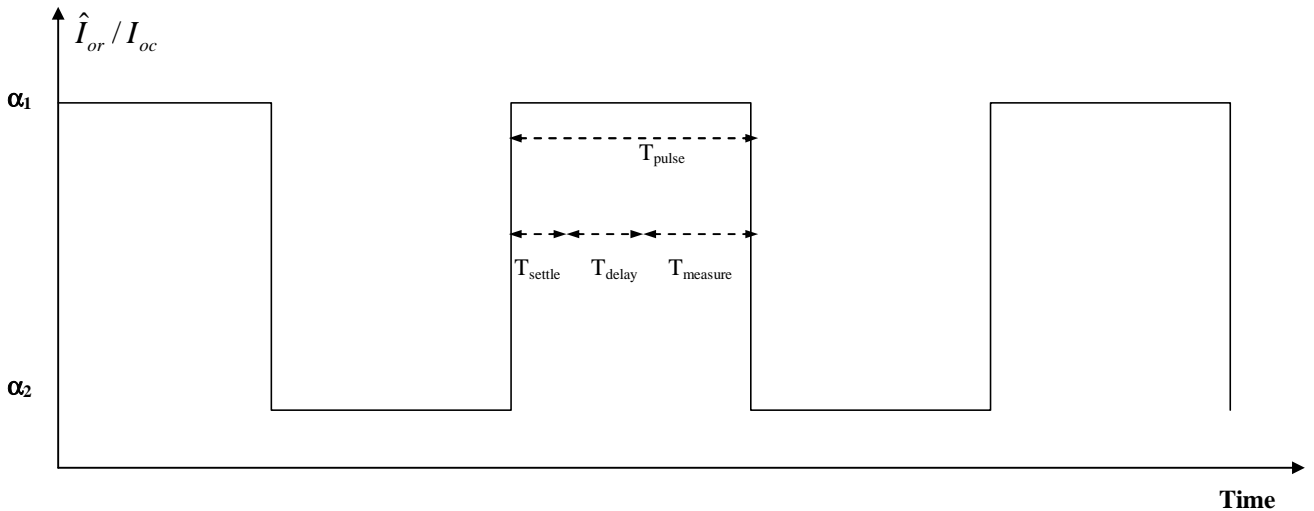


Figure 9.3.1C.1 Test scenario for CQI reporting test under varying interference conditions. \hat{I}_{or}/I_{oc} is varied between α_1 and α_2 according to a predetermined square wave pattern.

For the parameters specified in Table 9.3.1C.1, and using the downlink physical channels specified in table E.5.1 for HSDPA categories 1-8, 11 and 12 or in Table E.5.1A for other HSDPA categories, let M_1 be defined as the median CQI that the UE reports in static propagation conditions, with I_{or}/I_{oc} set to α_1 , and M_2 be the median CQI that the UE reports in static propagation conditions, with \hat{I}_{or}/I_{oc} set to α_2 . The minimum difference between M_1 and M_2 is required to be larger than 6.

For the parameters specified in Table 9.3.1C.1, and using the downlink physical channels specified in table E.5.1 for HSDPA categories 1-8, 11 and 12 or in Table E.5.1A for other HSDPA categories, 90% of the reported CQI values, during $T_{measure}$ as depicted in Figure 9.3.1C.1, shall be in the range of ± 3 of M_1 , for the cases when $T_{measure}$ occurs during time-periods where \hat{I}_{or}/I_{oc} is set to α_1 , and in the range of ± 3 of M_2 , for the cases when $T_{measure}$ occurs during time-periods where \hat{I}_{or}/I_{oc} is set to α_2 .

The measurement equipment is allowed to start the ramping of \hat{I}_{or}/I_{oc} 13 slots before the start of the HS-DPCCH slot that contains the first CQI report in $T_{measure}$.

The measurement equipment shall have settled \hat{I}_{or}/I_{oc} to its nominal value 10 slots before the start of the HS-DPCCH slot that contains the first CQI report in $T_{measure}$.

An illustration of these timing relations is provided in Figure 9.3.1C.2.

Table 9.3.1C.1: Test Parameter for CQI test in periodically varying radio conditions - single link

| Parameter | Unit | Test 1 |
|--|--------------|--|
| α_1 | dB | 10 |
| α_2 | dB | 0 |
| I_{oc1} | dBm/3.84 MHz | -60 |
| I_{oc2} | dBm/3.84 MHz | -50 |
| Phase reference | - | P-CPICH |
| $T_{measure}$ | TTI | 8 |
| T_{delay} | TTI | 3 |
| T_{settle} | TTI | 1 |
| T_{pulse} | TTI | 12 |
| HS-PDSCH E_c/I_{or} | dB | -2 |
| HS-SCCH_1 E_c/I_{or} | dB | -10 |
| DPCH E_c/I_{or} | dB | -10 |
| Maximum number of H-ARQ transmission | - | 1 |
| Number of HS-SCCH set to be monitored | - | 1 |
| CQI feedback cycle | ms | 2 |
| CQI repetition factor | - | 1 |
| HS-SCCH-1 signalling pattern | - | To incorporate inter-TTI=3 the six sub-frame HS-SCCH-1 signalling pattern shall be "...XOOXOO...", where "X" indicates TTI in which the HS-SCCH-1 uses the identity of the UE under test, and "O" indicates TTI in which the HS-SCCH-1 uses a different UE identity. |
| NOTE 1: Measurement power offset "T" is configured by RRC accordingly and as defined in [8] | | |
| NOTE 2: The UE shall be configured in non-64QAM/non-MIMO mode and use appropriate CQI tables according to TS 25.214. | | |

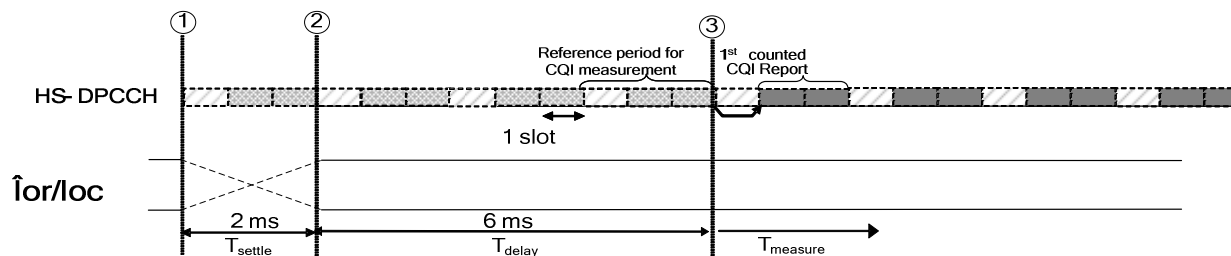


Figure 9.3.1C.2 Timing relation between HS-DPCCH, DPCCH/DPDCH and \hat{I}_{or}/I_{oc} ramping. The measurement equipment starts ramping the \hat{I}_{or}/I_{oc} at point 1. The \hat{I}_{or}/I_{oc} should be settled to its nominal value at point 2. The first CQI report that is counted in the statistics of the requirement is transmitted in the uplink at point 3.

The reference for this requirement is TS 25.101 [1] clause 9.3.1.3.1

9.3.1C.3 Test purpose

To verify that the variance of the CQI reports is within the limits defined and that the difference between the average reported CQI values, for two different \hat{I}_{or}/I_{oc} , is within the defined limit.

9.3.1C.4 Method of test

9.3.1C.4.1 Initial conditions

Test environment: normal; see clauses G.2.1 and G.2.2.

Frequencies to be tested: mid range; see clause G.2.4.

1. Connect SS and an AWGN noise source to the UE antenna connector as shown in figure A.9.
2. Set Ack/Nack handling at the SS such that regardless of the response from the UE (Ack, Nack or DTX) new data is sent each time, this is because HARQ transmissions are set to one, i.e. no re-transmission of failed blocks. The sending of new data means that for each HARQ process the new data indicator bit in the HS-SCCH toggles for consecutive transmissions.

9.3.1C.4.2 Procedure

- 1) Set up an HSDPA call with looping back 12.2kbps RMC according to TS 34.108 [3] clause 7.3.6 with levels according to table E.5.0, and with the following exceptions in the RADIO BEARER SETUP message.

Table 9.3.1C.2 Contents of RADIO BEARER SETUP message: AM or UM (HSDPA)

| Information Element | Value/Remark |
|--|---|
| Downlink HS-PDSCH Information | |
| - HS-SCCH Info | FDD |
| - CHOICE mode | |
| - DL Scrambling Code | |
| - HS-SCCH Channelisation Code Info | 2 |
| - HS-SCCH Channelisation Code | |
| - Measurement Feedback Info | FDD |
| - CHOICE mode | |
| - POhdsch | Compatible with the values in table 9.3.1C.1 and according to TS 25.214 [5] clause 6A.2 |
| - Added or Reconfigured DL TrCH information | HS-DSCH |
| - CHOICE DL parameters | |
| - HARQ Info | |
| - Number of Processes | 2 |
| - Added or reconfigured MAC-d flow | (one queue) |
| - MAC-hs queue to add or reconfigure list | |
| - MAC-d PDU size Info | |
| - MAC-d PDU size | 112 bits (Note 1) |
| - MAC-d PDU size index | 0 |
| - MAC-d PDU size | 448 bits (Note 1) |
| - MAC-d PDU size index | 1 |
| NOTE 1: For UE Categories 1-6, 11 and 12, MAC-d PDU size of 112 is used. For other UE categories, MAC-d PDU sizes of 112 and 448 are used. Less than CQI value of 23 according to [5], 112 is used, and above the CQI values, 448 is used. | |

- 2) Set test conditions according to test 1 in table 9.3.1C.1. The configuration of the downlink channels is defined in table E.5.1. Every 24 ms the SS shall toggle the I_{oc} level between I_{oc1} and I_{oc2} .
- 3) The SS shall send the TF according to CQI value 16 and keep it regardless of the CQI value sent by the UE.
- 4) Wait for one second and then start to gather CQI reports during continuous transmission of the HS-PDSCH. In this process the SS collects chunks of 8 consecutive CQI reports ($T_{measure}$), starting with the sub frame occurring 8 ms after a change of I_{oc} level, according to figure 9.3.1C.2. All other CQI reports ($T_{settle} + T_{delay}$) will be discarded. Cases where UE transmits nothing in its CQI field (CQI0) are counted as CQI reports. The collected CQI pattern would be "...OOOOHHHHHHHHOOOOLLLLLLLLLOOOO...", where "O" indicates discarded CQI reports, "H" indicates CQI reports corresponding to high \hat{I}_{or}/I_{oc} and "L" indicates CQI reports corresponding to low \hat{I}_{or}/I_{oc} . Stop when 4000 reports have been gathered.
- 5) Set up a relative frequency distribution for the collected CQI-values, belonging to the I_{oc1} value. Calculate the median CQI value (Median CQI is the CQI that is at or crosses 50% distribution from the lower CQI side). This CQI-value is declared as Median CQI value, M_1 .

- 6) Set up a relative frequency distribution for the collected CQI-values, belonging to the I_{oc2} value. Calculate the median CQI value (Median CQI is the CQI that is at or crosses 50% distribution from the lower CQI side). This CQI-value is declared as Median CQI value, M_2 .
- 7) If 1800 or more of the collected CQI values, reported for I_{oc1} , are in the range $(\text{Median CQI } M_1 - 3) \leq \text{Median CQI} \leq (\text{Median CQI } M_1 + 3)$ then continue with step 8), otherwise fail the UE.
- 8) If 1800 or more of the CQI values, reported for I_{oc2} , are in the range $(\text{Median CQI } M_2 - 3) \leq \text{Median CQI} \leq (\text{Median CQI } M_2 + 3)$ then continue with step 9), otherwise fail the UE.
- 9) If the difference between M_1 and M_2 is greater than $6-TT=5$ then pass the UE, otherwise fail the UE.

9.3.1C.5 Test Requirements

The pass fail decision is as specified in the test procedure in clause 9.3.1C.4.2.

9.3.2 Single Link Performance - Fading Propagation Conditions

9.3.2.1 Definition and applicability

The reporting accuracy of the channel quality indicator (CQI) under fading environments is determined by the BLER performance using the transport format indicated by the reported CQI median.

The requirements and this test apply to Release 5 for all types of UTRA for the FDD UE that support HSDPA UE capability categories 1 - 8, 11 and 12.

The requirements and this test apply to Release 6 and later releases for all types of UTRA for the FDD UE that support HSDPA UE capability categories 1 to 12.

The requirements and this test apply to Release 7 and later releases for all types of UTRA for the FDD UE that support HSDPA UE capability categories 13 to 20.

9.3.2.2 Minimum requirements

For the parameters specified in Table 9.3.2.1, and using the downlink physical channels specified in table E.5.1, the requirements are specified in terms of maximum BLERs at particular reported CQIs when transmitting a fixed transport format given by the CQI median as shown in Table 9.3.2.2. The BLER at a particular reported CQI is obtained by associating a particular CQI reference measurement period with the HS-PDSCH subframe overlapping with the end of this CQI reference measurement period and calculating the fraction of erroneous HS-PDSCH subframes.

Table 9.3.2.1: Test Parameters for CQI test in fading - single link

| Parameter | Unit | Test 1 | Test 2 |
|---------------------------------------|---|--|--------|
| HS-PDSCH E_c/I_{or} | dB | -8 | -4 |
| \hat{I}_{or}/I_{oc} | dB | 0 | 5 |
| I_{oc} | dBm/3.84 MHz | -60 | |
| Phase reference | - | P-CPICH | |
| HS-SCCH_1 E_c/I_{or} | dB | -8.5 | |
| DPCH E_c/I_{or} | dB | -6 | |
| Maximum number of H-ARQ transmission | - | 1 | |
| Number of HS-SCCH set to be monitored | - | 1 | |
| CQI feedback cycle | ms | 2 | |
| CQI repetition factor | - | 1 | |
| HS-SCCH-1 signalling pattern | - | To incorporate inter-TTI=3 the six sub-frame HS-SCCH-1 signalling pattern shall be "...XOOXOO...", where "X" indicates TTI in which the HS-SCCH-1 uses the identity of the UE under test, and "O" indicates TTI in which the HS-SCCH-1 uses a different UE identity. | |
| Propagation Channel | | Case 8 | |
| Note1: | Measurement power offset "T" is configured by RRC accordingly and as defined in [8] | | |
| Note2: | TF for HS-PDSCH is configured according to the reported CQI statistics. TF based on median CQI is used. Other physical channel parameters are configured according to the CQI mapping table described in TS25.214 | | |
| NOTE 3: | HS-PDSCH E_c/I_{or} is decreased according to reference power adjustment Δ described in TS 25.214. | | |
| NOTE 4: | For any given transport format the power of the HS-SCCH and HS-PDSCH shall be transmitted continuously with constant power. | | |
| NOTE 5: | UEs from capability categories 13-20 shall be configured in non-64QAM/non-MIMO mode and use appropriate CQI tables according to TS 25.214. | | |

Table 9.3.2.2: Minimum requirement for CQI test in fading - single link

| Reported CQI | Maximum BLER | |
|----------------|--------------|-------|
| | Test 1 | Test2 |
| CQI median | 60% | 60% |
| CQI median + 3 | 15% | 15% |

The reference for this requirement is TS 25.101 [1] clause 9.3.1.2.

9.3.2.3 Test purpose

To verify that when using the TF based on the Median CQI that the BLER for blocks associated with CQI reports of Median CQI is $\leq 60\%$ and that the BLER for blocks associated with CQI reports of Median CQI+3 is $\leq 15\%$.

9.3.2.4 Method of test

9.3.2.4.1 Initial conditions

Test environment: normal; see clauses G.2.1 and G.2.2.

Frequencies to be tested: mid range; see clause G.2.4.

- 1) Connect SS, multipath fading simulator and an AWGN noise source to the UE antenna connector as shown in figure A.10.

- 2) Set Ack/Nack handling at the SS such that regardless of the response from the UE (Ack, Nack or DTX) new data is sent each time, this is because HARQ transmissions are set to one, i.e. no re-transmission of failed blocks. The sending of new data means that for each HARQ process the new data indicator bit in the HS-SCCH toggles for consecutive transmissions.

9.3.2.4.2 Procedure

- 1) Set up an HSDPA call with looping back 12.2kbps RMC according to TS 34.108 [3] clause 7.3.6 with levels according to table E.5.0, and with the following exceptions in the RADIO BEARER SETUP message. Set test conditions according to test 1 in table 9.3.2.1. The configuration of the downlink channels is defined in table E.5.1.

Table 9.3.2.3 Contents of RADIO BEARER SETUP message: AM or UM (HSDPA)

| Information Element | Value/Remark |
|--|--|
| Downlink HS-PDSCH Information | |
| - HS-SCCH Info | FDD |
| - CHOICE mode | |
| - DL Scrambling Code | |
| - HS-SCCH Channelisation Code Info | 2 |
| - HS-SCCH Channelisation Code | |
| - Measurement Feedback Info | |
| - CHOICE mode | FDD |
| - POhdsch | Compatible with the values in table 9.3.2.1 and according to TS 25.214 [5] clause 6A.2 |
| - Added or Reconfigured DL TrCH information | HS-DSCH |
| - CHOICE DL parameters | |
| - HARQ Info | |
| - Number of Processes | 2 |
| - Added or reconfigured MAC-d flow | |
| - MAC-hs queue to add or reconfigure list | (one queue) |
| - MAC-d PDU size Info | |
| - MAC-d PDU size | 112 bits (Note 1) |
| - MAC-d PDU size index | 0 |
| - MAC-d PDU size | 448 bits (Note 1) |
| - MAC-d PDU size index | 1 |
| NOTE 1: For UE Categories 1-6, 11 and 12, MAC-d PDU size of 112 is used. For other UE categories, MAC-d PDU sizes of 112 and 448 are used. Less than CQI value of 23 according to [5], 112 is used, and above the CQI values, 448 is used. | |

- 2) The SS shall send TF according to CQI value 16 and keep it regardless of the CQI value sent by the UE. Continue transmission of the HS-PDSCH until 8200 CQI reports have been gathered. In this process the SS collects CQI reports every 2 ms and also cases where UE transmits nothing in its CQI field (CQI0) are counted as CQI reports.
- 3) Set up a relative frequency distribution for the reported CQI values. Calculate the median value (Median CQI is the CQI that is at or crosses 50% distribution from the lower CQI side). This CQI-value is declared as Median CQI value,
- 4) The SS shall transmit the TF according to the median-CQI value and shall not react to the UE's reported CQI value. For any HSDPA block transmitted by the SS, record the ACK, NACK and statDTX responses, and associate with each response the CQI report that corresponds to the CQI evaluation period in which the end of the HS-PDSCH is received. (See figure 9.3.2.1 below.)

The responses are then filtered as follows: for the sequence of responses for each HARQ process, discard all the statDTX responses. If the number of consecutive discarded statDTX for any one process is an odd number including one, also discard the next response for that HARQ process regardless whether it is an ACK or NACK. Continue to gather and filter responses until 1000 filtered responses with CQI = Median CQI and 1000 filtered responses with CQI = Median CQI + 3 have been collected.

- 5) Measure BLER as described below.

In the test there are two BLER requirements to be tested:

R1: HSDPA block with corresponding reported CQI = Median CQI BLER ≤ 60%

R2: HSDPA block with corresponding reported $CQI = \text{Median } CQI + 3$ $BLER \leq 15\%$

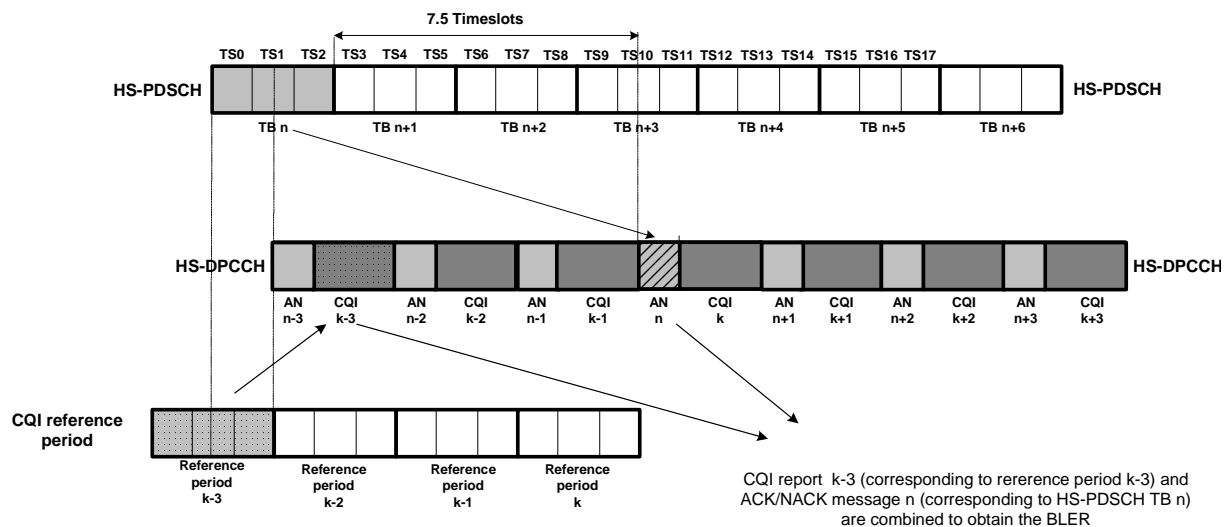


Figure 9.3.2.1 Combination of ACK/NACK message and the CQI report for BLER calculation

For each set of samples R1 and R2 the $BLER = \frac{NACK}{ACK + NACK}$

Repeat the same procedure with test conditions according to the test 2 of table 9.3.2.1.

9.3.2.5 Test Requirements

The measured BLER shall not exceed values specified in table 9.3.2.2.

There are no parameters in the test setup or measurement process whose variation impacts the results so there are no applicable test tolerances for this test.

9.3.2A Single Link Performance - Fading Propagation Conditions, DC-HSDPA requirements

9.3.2A.1 Definition and applicability

The reporting accuracy of the channel quality indicator (CQI) under fading environments is determined by the BLER performance using the transport format indicated by the reported CQI median.

The requirements and this test apply to Release 8 and later releases for all types of UTRA for the FDD UE that support DC-HSDPA UE capability categories 21, 22, 23 and 24.

The requirements and this test apply for Release 9 and later releases to all types of UTRA for the FDD UE that support DC-HSDPA UE capability categories 25-28.

9.3.2A.2 Minimum requirements

For the parameters specified in Table 9.3.2A.1 and using the downlink physical channels specified in table E.5.1, with both primary and secondary serving cells configured, for each of the serving cells, the requirements are specified in terms of maximum BLERs at particular reported CQIs when transmitting a cell specific fixed transport format given by the cell specific CQI median as shown in Table 9.3.2A.2. The BLER at a particular reported CQI for a specific serving cell is obtained by associating a particular CQI reference measurement period with the HS-PDSCH subframe transmitted from this serving cell overlapping with the end of this CQI reference measurement period and calculating the fraction of erroneous HS-PDSCH subframes.

Table 9.3.2A.1: Test Parameters for CQI test in fading - single link

| Parameter | Unit | Test 1 | Test 2 |
|---------------------------------------|--|--|--------|
| HS-PDSCH E_c/I_{or} | dB | -8 | -4 |
| \hat{I}_{or}/I_{oc} | dB | 0 | 5 |
| I_{oc} | dBm/3.84 MHz | -60 | |
| Phase reference | - | P-CPICH | |
| HS-SCCH_1 E_c/I_{or} | dB | -8.5 | |
| DPCH E_c/I_{or} | dB | -6 | |
| Maximum number of H-ARQ transmission | - | 1 | |
| Number of HS-SCCH set to be monitored | - | 1 | |
| CQI feedback cycle | ms | 2 | |
| CQI repetition factor | - | 1 | |
| HS-SCCH-1 signalling pattern | - | To incorporate inter-TTI=3 the six sub-frame HS-SCCH-1 signalling pattern shall be "...XOOXOO...", where "X" indicates TTI in which the HS-SCCH-1 uses the identity of the UE under test, and "O" indicates TTI in which the HS-SCCH-1 uses a different UE identity. | |
| Propagation Channel | | Case 8 | |
| Note1: | Measurement power offset "T" is configured by RRC accordingly and as defined in 25.331 [8] | | |
| Note2: | TF for HS-PDSCH is configured according to the reported CQI statistics. TF based on median CQI is used. Other physical channel parameters are configured according to the CQI mapping table described in TS25.214 [5]. | | |
| NOTE 3: | HS-PDSCH E_c/I_{or} is decreased according to reference power adjustment Δ described in TS 25.214 [5]. | | |
| NOTE 4: | For any given transport format the power of the HS-SCCH and HS-PDSCH shall be transmitted continuously with constant power. | | |
| NOTE 5: | The UE shall be configured in non-64QAM/ non-MIMO mode and use appropriate CQI tables according to TS 25.214 [5]. | | |

Table 9.3.2A.2: Minimum requirement for CQI test in fading - single link

| Reported CQI | Maximum BLER | |
|----------------|--------------|-------|
| | Test 1 | Test2 |
| CQI median | 60% | 60% |
| CQI median + 3 | 15% | 15% |

The reference for this requirement is TS 25.101 [1] clause 9.3.1.2.

9.3.2A.3 Test purpose

To verify that when using the TF based on the cell specific Median CQI the BLER for blocks associated with composite CQI reports of cell specific Median CQI is $\leq 60\%$ and that the BLER for blocks associated with composite CQI reports of cell specific Median CQI+3 is $\leq 15\%$.

9.3.2A.4 Method of test

9.3.2A.4.1 Initial conditions

Test environment: normal; see clauses G.2.1 and G.2.2.

Frequencies to be tested: mid range; see clause G.2.4.

- 1) Connect SS, multipath fading simulator and an AWGN noise source to the UE antenna connector as shown in figure A.36.

- 2) Set Ack/Nack handling at the SS on each cell such that regardless of the response from the UE (Ack, Nack or DTX) new data is sent each time, this is because HARQ transmissions are set to one, i.e. no re-transmission of failed blocks. The sending of new data means that for each HARQ process the new data indicator bit in the HS-SCCH toggles for consecutive transmissions.

9.3.2A.4.2 Procedure

- 1) Set up an HSDPA call according to TS 34.108 [3] clause 7.3.13 with levels according to table E.5.0, and with the exceptions for information elements listed in table 9.3.2A.3.
- 2) Set test conditions according to test 1 in table 9.3.2A.1 on both the serving HS-DSCH cell and the secondary serving HS-DSCH cell. The configuration of the downlink channels is defined in table E.5.1 for serving S_DSCH cell. For secondary serving cell set up P-CPICH, HS-PDSCH and HS-SCCH channels only per table E.5.1.

Table 9.3.2A.3: Specific Message Contents for CQI test in fading - single link

Contents of RRC CONNECTION SETUP message: UM (Transition to CELL_DCH)

| Information Element | Value/remark | Version |
|---|--------------|---------|
| Downlink information for per radio links list - Downlink information for each radio links - Downlink DPCH info for each RL - DL channelisation code - Code number | 14 | |

Contents of RADIO BEARER SETUP message: AM or UM (Test Loop Mode1)

| Information Element | Value/remark | Version |
|---|--------------|---------|
| Downlink information per radio link list - Downlink information for each radio link - Downlink DPCH info for each RL - DL channelisation code - Code number | 7 | |

Contents of RADIO BEARER SETUP message: AM or UM (DC-HSDPA)

| Information Element | Value/Remark | Version |
|---|--|---------|
| Downlink HS-PDSCH Information | | |
| - HS-SCCH Info | FDD | |
| - CHOICE mode | | |
| - DL Scrambling Code | | |
| - HS-SCCH Channelisation Code Info | 2 | |
| - HS-SCCH Channelisation Code | | |
| - Measurement Feedback Info | FDD | |
| - CHOICE mode | | |
| - Measurement Power Offset | Compatible with the values in table 9.3.2A.1 and according to TS 25.214 [5] clause 6A.2 | |
| - Added or Reconfigured DL TrCH information | HS-DSCH | |
| - CHOICE DL parameters | | |
| - HARQ Info | 2 | |
| - Number of Processes | Explicit | |
| - CHOICE Memory Partitioning | The value of N _{IR} of CQI table specified according to TS 25.214 [5] clause 6A.2.3 | |
| - Process Memory Size | The value of N _{IR} of CQI table specified according to TS 25.214 [5] clause 6A.2.3 | |
| - Process Memory Size | | |
| Downlink information per radio link list | | |
| - Downlink information for each radio link | | |
| - Downlink DPCH info for each RL | | |
| - DL channelisation code | | |
| - Code number | 7 | |
| Downlink secondary cell info FDD | | Rel-8 |
| - HS-SCCH Channelisation Code Information | | |
| - HS-SCCH Channelisation Code | 2 | |
| - Measurement Power Offset | Compatible with the values in table 9.3.2A.1 and according to TS 25.214 [5] clause 6A.2 | |

- 2) The SS shall send TF according to CQI value 16 on each of the serving cell and keep it regardless of the CQI value sent by the UE. Continue transmission of the HS-PDSCH until 8200 composite CQI reports have been gathered. In this process the SS collects composite CQI reports every 2 ms.
- 3) Set up a relative frequency distribution for each of the cell specific reported CQI values. Calculate the cell specific median value for each cell (Median CQI is the CQI that is at or crosses 50% distribution from the lower CQI side). This CQI-value is declared as Median CQI value for that serving cell.
- 4) The SS shall transmit the TF according to the cell specific median-CQI value and shall not react to the UE's reported CQI value on each cell. For any HSDPA block transmitted by the SS, record the ACK, NACK and statDTX responses on each cell, and associate with each response the CQI report that corresponds to the CQI evaluation period in which the end of the HS-PDSCH is received. (See figure 9.3.2A.4 below.)

The responses are then filtered as follows: for the sequence of responses for each HARQ process, discard all the statDTX responses. If the number of consecutive discarded statDTX for any one process is an odd number including one, also discard the next response for that HARQ process regardless whether it is an ACK or NACK. Continue to gather and filter responses until 1000 filtered responses for each serving cell with CQI = Median CQI and 1000 filtered responses with CQI = Median CQI + 3 have been collected.

- 5) Measure BLER as described below.

In the test there are two BLER requirements to be tested:

R1: HSDPA block with corresponding reported cell specific CQI = cell specific Median CQI BLER ≤ 60%

R2: HSDPA block with corresponding reported cell specific CQI = cell specific Median CQI + 3 BLER ≤ 15%

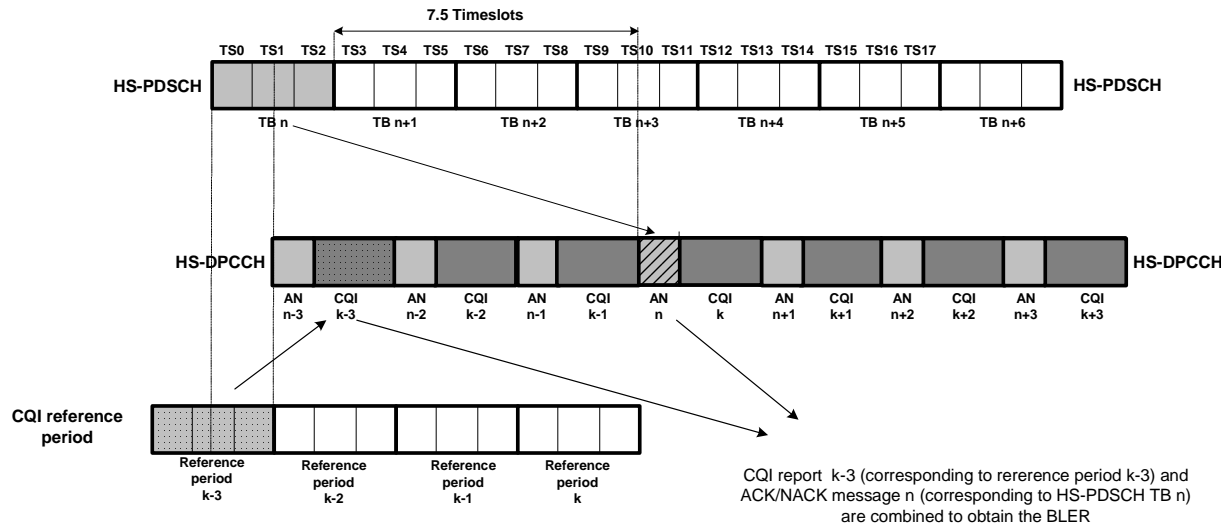


Figure 9.3.2A.4: Combination of ACK/NACK message and the CQI report for BLER calculation

For each set of samples R1 and R2 the $BLER = (NACK) / (ACK + NACK)$

Repeat the same procedure with test conditions according to the test 2 of table 9.3.2A.1.

9.3.2A.5 Test Requirements

The measured BLER shall not exceed values specified in table 9.3.2A.2 for each of the serving cells.

There are no parameters in the test setup or measurement process whose variation impacts the results so there are no applicable test tolerances for this test.

9.3.2AA Single Link Performance - Fading Propagation Conditions, DB-DC-HSDPA requirements

9.3.2AA.1 Definition and applicability

The reporting accuracy of the channel quality indicator (CQI) under fading environments is determined by the BLER performance using the transport format indicated by the reported CQI median.

The requirements and this test apply for Release 9 and later releases to all types of UTRA for the FDD UE that support DB-DC-HSDPA UE capability categories 21-28.

DB-DC-HSDPA is designed to operate in configurations specified in clause 4.2.

9.3.2AA.2 Minimum requirements

For the parameters specified in Table 9.3.2AA.1 and using the downlink physical channels specified in table E.5.1, with both primary and secondary serving cells configured, for each of the serving cells, the requirements are specified in terms of maximum BLERs at particular reported CQIs when transmitting a cell specific fixed transport format given by the cell specific CQI median as shown in Table 9.3.2AA.2. The BLER at a particular reported CQI for a specific serving cell is obtained by associating a particular CQI reference measurement period with the HS-PDSCH subframe transmitted from this serving cell overlapping with the end of this CQI reference measurement period and calculating the fraction of erroneous HS-PDSCH subframes.

Table 9.3.2AA.1: Test Parameters for CQI test in fading - single link

| Parameter | Unit | Test 1 | Test 2 |
|---------------------------------------|--|--|--------|
| HS-PDSCH E_c/I_{or} | dB | -8 | -4 |
| \hat{I}_{or}/I_{oc} | dB | 0 | 5 |
| I_{oc} | dBm/3.84 MHz | -60 | |
| Phase reference | - | P-CPICH | |
| HS-SCCH_1 E_c/I_{or} | dB | -8.5 | |
| DPCH E_c/I_{or} | dB | -6 | |
| Maximum number of H-ARQ transmission | - | 1 | |
| Number of HS-SCCH set to be monitored | - | 1 | |
| CQI feedback cycle | ms | 2 | |
| CQI repetition factor | - | 1 | |
| HS-SCCH-1 signalling pattern | - | To incorporate inter-TTI=3 the six sub-frame HS-SCCH-1 signalling pattern shall be "...XOOXOO...", where "X" indicates TTI in which the HS-SCCH-1 uses the identity of the UE under test, and "O" indicates TTI in which the HS-SCCH-1 uses a different UE identity. | |
| Propagation Channel | | Case 8 | |
| Note1: | Measurement power offset "T" is configured by RRC accordingly and as defined in 25.331 [8] | | |
| Note2: | TF for HS-PDSCH is configured according to the reported CQI statistics. TF based on median CQI is used. Other physical channel parameters are configured according to the CQI mapping table described in TS25.214 [5]. | | |
| NOTE 3: | HS-PDSCH E_c/I_{or} is decreased according to reference power adjustment Δ described in TS 25.214 [5]. | | |
| NOTE 4: | For any given transport format the power of the HS-SCCH and HS-PDSCH shall be transmitted continuously with constant power. | | |
| NOTE 5: | The UE shall be configured in non-64QAM/ non-MIMO mode and use appropriate CQI tables according to TS 25.214 [5]. | | |

Table 9.3.2AA.2: Minimum requirement for CQI test in fading - single link

| Reported CQI | Maximum BLER | |
|----------------|--------------|-------|
| | Test 1 | Test2 |
| CQI median | 60% | 60% |
| CQI median + 3 | 15% | 15% |

The reference for this requirement is TS 25.101 [1] clause 9.3.1.2.

9.3.2AA.3 Test purpose

To verify that when using the TF based on the cell specific Median CQI the BLER for blocks associated with composite CQI reports of cell specific Median CQI is $\leq 60\%$ and that the BLER for blocks associated with composite CQI reports of cell specific Median CQI+3 is $\leq 15\%$.

9.3.2AA.4 Method of test

9.3.2AA.4.1 Initial conditions

Test environment: normal; see clauses G.2.1 and G.2.2.

Frequencies to be tested: mid range; see clause G.2.4.

- 1) Connect SS, multipath fading simulator and an AWGN noise source to the UE antenna connector as shown in figure A.36.

- 2) Set Ack/Nack handling at the SS on each cell such that regardless of the response from the UE (Ack, Nack or DTX) new data is sent each time, this is because HARQ transmissions are set to one, i.e. no re-transmission of failed blocks. The sending of new data means that for each HARQ process the new data indicator bit in the HS-SCCH toggles for consecutive transmissions.

9.3.2AA.4.2 Procedure

- 1) Set up an HSDPA call according to TS 34.108 [3] clause 7.3.13 with levels according to table E.5.0, and with the exceptions for information elements listed in table 9.3.2AA.3.
- 2) Set test conditions according to test 1 in table 9.3.2AA.1 on both the serving HS-DSCH cell and the secondary serving HS-DSCH cell. The configuration of the downlink channels is defined in table E.5.1 for serving S_DSCH cell. For secondary serving cell set up P-CPICH, HS-PDSCH and HS-SCCH channels only per table E.5.1.

Table 9.3.2AA.3: Specific Message Contents for CQI test in fading - single link

Contents of RRC CONNECTION SETUP message: UM (Transition to CELL_DCH)

| Information Element | Value/remark | Version |
|---|--------------|---------|
| Downlink information for per radio links list - Downlink information for each radio links - Downlink DPCH info for each RL - DL channelisation code - Code number | 14 | |

Contents of RADIO BEARER SETUP message: AM or UM (Test Loop Mode1)

| Information Element | Value/remark | Version |
|---|--------------|---------|
| Downlink information per radio link list - Downlink information for each radio link - Downlink DPCH info for each RL - DL channelisation code - Code number | 7 | |

Contents of RADIO BEARER SETUP message: AM or UM (DC-HSDPA)

| Information Element | Value/Remark | Version |
|---|--|---------|
| Downlink HS-PDSCH Information | | |
| - HS-SCCH Info | FDD | |
| - CHOICE mode | | |
| - DL Scrambling Code | | |
| - HS-SCCH Channelisation Code Info | 2 | |
| - HS-SCCH Channelisation Code | | |
| - Measurement Feedback Info | FDD | |
| - CHOICE mode | | |
| - Measurement Power Offset | Compatible with the values in table 9.3.2AA.1 and according to TS 25.214 [5] clause 6A.2 | |
| - Added or Reconfigured DL TrCH information | HS-DSCH | |
| - CHOICE DL parameters | | |
| - HARQ Info | 2 | |
| - Number of Processes | Explicit | |
| - CHOICE Memory Partitioning | The value of N_{IR} of CQI table specified according to TS 25.214 [5] clause 6A.2.3 | |
| - Process Memory Size | The value of N_{IR} of CQI table specified according to TS 25.214 [5] clause 6A.2.3 | |
| - Process Memory Size | | |
| Downlink information per radio link list | | |
| - Downlink information for each radio link | | |
| - Downlink DPCH info for each RL | | |
| - DL channelisation code | | |
| - Code number | 7 | |
| Downlink secondary cell info FDD | | Rel-8 |
| - HS-SCCH Channelisation Code Information | | |
| - HS-SCCH Channelisation Code | 2 | |
| - Measurement Power Offset | Compatible with the values in table 9.3.2AA.1 and according to TS 25.214 [5] clause 6A.2 | |

- 2) The SS shall send TF according to CQI value 16 on each of the serving cell and keep it regardless of the CQI value sent by the UE. Continue transmission of the HS-PDSCH until 8200 composite CQI reports have been gathered. In this process the SS collects composite CQI reports every 2 ms.
- 3) Set up a relative frequency distribution for each of the cell specific reported CQI values. Calculate the cell specific median value for each cell (Median CQI is the CQI that is at or crosses 50% distribution from the lower CQI side). This CQI-value is declared as Median CQI value for that serving cell.
- 4) The SS shall transmit the TF according to the cell specific median-CQI value and shall not react to the UE's reported CQI value on each cell. For any HSDPA block transmitted by the SS, record the ACK, NACK and statDTX responses on each cell, and associate with each response the CQI report that corresponds to the CQI evaluation period in which the end of the HS-PDSCH is received. (See figure 9.3.2AA.4 below.)

The responses are then filtered as follows: for the sequence of responses for each HARQ process, discard all the statDTX responses. If the number of consecutive discarded statDTX for any one process is an odd number including one, also discard the next response for that HARQ process regardless whether it is an ACK or NACK. Continue to gather and filter responses until 1000 filtered responses for each serving cell with CQI = Median CQI and 1000 filtered responses with CQI = Median CQI + 3 have been collected.

- 5) Measure BLER as described below.

In the test there are two BLER requirements to be tested:

R1: HSDPA block with corresponding reported cell specific CQI = cell specific Median CQI BLER \leq 60%

R2: HSDPA block with corresponding reported cell specific CQI = cell specific Median CQI + 3 BLER \leq 15%

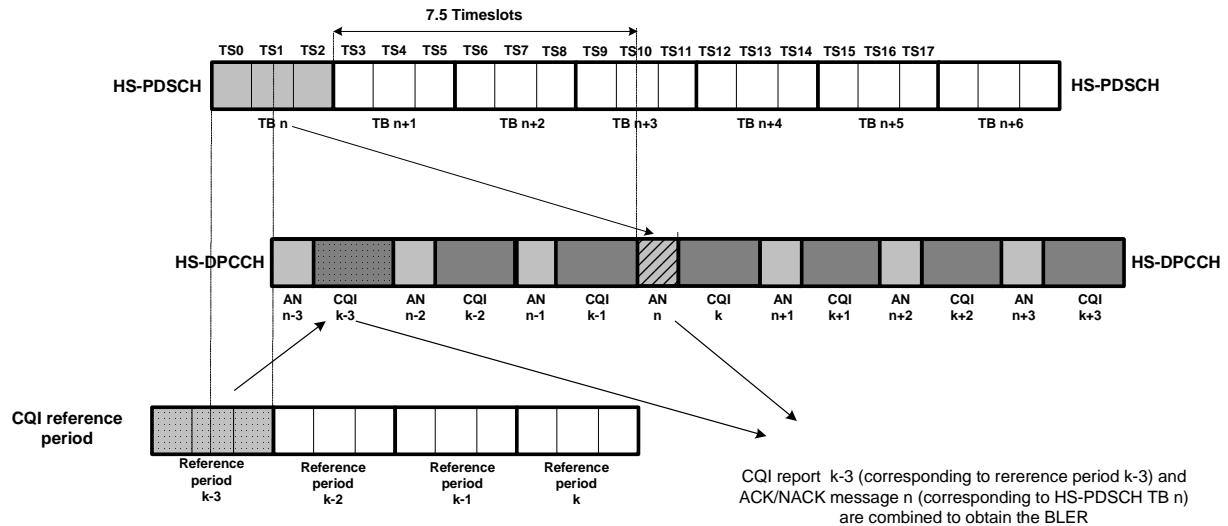


Figure 9.3.2AA.4: Combination of ACK/NACK message and the CQI report for BLER calculation

For each set of samples R1 and R2 the $BLER = (NACK) / (ACK + NACK)$

Repeat the same procedure with test conditions according to the test 2 of table 9.3.2AA.1.

9.3.2AA.5 Test Requirements

The measured BLER shall not exceed values specified in table 9.3.2AA.2 for each of the serving cells.

There are no parameters in the test setup or measurement process whose variation impacts the results so there are no applicable test tolerances for this test.

9.3.2B Single Link Performance - Fading Propagation Conditions, 64QAM

9.3.2B.1 Definition and applicability

The reporting accuracy of the channel quality indicator (CQI) under fading environments is determined by the BLER performance using the transport format indicated by the reported CQI median.

The requirements and this test apply to Release 7 for all types of UTRA for the FDD UE that support HSDPA UE capability categories 13, 14, 17 and 18.

The requirements and this test apply to Release 8 and later releases for all types of UTRA for the FDD UE that support HSDPA UE capability categories 13, 14, 17, 18, 19 and 20.

9.3.2B.2 Minimum requirements

For the parameters specified in Table 9.3.2B.1, and using the downlink physical channels specified in table E.5.1A, the requirements are specified in terms of maximum BLERs at particular reported CQIs when transmitting a fixed transport format given by the CQI median as shown in Table 9.3.2B.2. The BLER at a particular reported CQI is obtained by associating a particular CQI reference measurement period with the HS-PDSCH subframe overlapping with the end of this CQI reference measurement period and calculating the fraction of erroneous HS-PDSCH subframes.

Table 9.3.2B.1: Test Parameters for CQI test in fading, 64QAM - single link

| Parameter | Unit | Test 1 |
|--|--------------|--|
| HS-PDSCH E_c/I_{or} | dB | -2 |
| \hat{I}_{or}/I_{oc} | dB | 15 |
| I_{oc} | dBm/3.84 MHz | -60 |
| Phase reference | - | P-CPICH |
| HS-SCCH_1 E_c/I_{or} | dB | -12 |
| DPCH E_c/I_{or} | dB | -12 |
| Maximum number of H-ARQ transmission | - | 1 |
| Number of HS-SCCH set to be monitored | - | 1 |
| CQI feedback cycle | ms | 2 |
| CQI repetition factor | - | 1 |
| HS-SCCH-1 signalling pattern | - | To incorporate inter-TTI=3 the six sub-frame HS-SCCH-1 signalling pattern shall be "...XOOXOO...", where "X" indicates TTI in which the HS-SCCH-1 uses the identity of the UE under test, and "O" indicates TTI in which the HS-SCCH-1 uses a different UE identity. |
| Propagation Channel | | Case 8 |
| NOTE 1: Measurement power offset "T" is configured by RRC accordingly and as defined in [8]. | | |
| NOTE 2: TF for HS-PDSCH is configured according to the reported CQI statistics. TF based on median CQI is used. Other physical channel parameters are configured according to the CQI mapping table described in TS25.214. | | |
| NOTE 3: HS-PDSCH E_c/I_{or} is decreased according to reference power adjustment Δ described in TS 25.214 | | |
| NOTE 4: For any given transport format the power of the HS-SCCH and HS-PDSCH shall be transmitted continuously with constant power. | | |
| NOTE 5: The UE shall be configured in 64QAM/non-MIMO mode and use appropriate CQI tables according to TS 25.214. | | |

Table 9.3.2B.2: Minimum requirement for CQI test in fading - single link

| Reported CQI | Maximum BLER |
|----------------|---------------|
| | Test 1 |
| CQI median | 60% |
| CQI median + 3 | 15% |

The reference for this requirement is TS 25.101 [1] clause 9.3.1.2.2.

9.3.2B.3 Test purpose

To verify that when using the TF based on the Median CQI that the BLER for blocks associated with CQI reports of Median CQI is $\leq 60\%$ and that the BLER for blocks associated with CQI reports of Median CQI+3 is $\leq 15\%$.

9.3.2B.4 Method of test

9.3.2B.4.1 Initial conditions

Test environment: normal; see clauses G.2.1 and G.2.2.

Frequencies to be tested: mid range; see clause G.2.4.

- 1) Connect SS, multipath fading simulator and an AWGN noise source to the UE antenna connector as shown in figure A.10.

- 2) Set Ack/Nack handling at the SS such that regardless of the response from the UE (Ack, Nack or DTX) new data is sent each time, this is because HARQ transmissions are set to one, i.e. no re-transmission of failed blocks. The sending of new data means that for each HARQ process the new data indicator bit in the HS-SCCH toggles for consecutive transmissions.

9.3.2B.4.2 Procedure

- 1) Set up an HSDPA call with looping back 12.2kbps RMC according to TS 34.108 [3] clause 7.3.6 with levels according to table E.5.0, and with the following exceptions in the RRC CONNECTION SETUP and RADIO BEARER SETUP messages.

Table 9.3.2B.3 Specific Message Contents for CQI test in Fading, 64QAM - single link

Contents of RRC CONNECTION SETUP message: UM (Transition to CELL_DCH)

| Information Element | Value/remark | Version |
|--|--------------|---------|
| Downlink information for per radio links list -Downlink information for each radio links - Downlink DPCH info for each RL - DL channelisation code - Code number | 14 | |

Contents of RADIO BEARER SETUP message: AM or UM (Test Loop Mode1)

| Information Element | Value/remark | Version |
|---|--------------|---------|
| Downlink information per radio link list - Downlink information for each radio link - Downlink DPCH info for each RL - DL channelisation code - Code number | 7 | |

Contents of RADIO BEARER SETUP message: AM or UM (HSDPA)

| Information Element | Value/Remark | Version |
|--|--|---|
| RAB information for setup list - RAB information for setup - RB mapping info - Downlink RLC logical channel info - Downlink transport channel type - CHOICE DL MAC header type - DL HS-DSCH MAC-ehs Queue Id - Logical channel identity | HS-DSCH MAC-ehs 0 1 | Rel-7 Rel-7 |
| Downlink HS-PDSCH Information - HS-SCCH Info - CHOICE mode - DL Scrambling Code - HS-SCCH Channelisation Code Info - HS-SCCH Channelisation Code - Measurement Feedback Info - CHOICE mode - POhsdsch | FDD 2 FDD Compatible with the values in table 9.3.2B.1 and according to TS 25.214 [5] clause 6A.2 | |
| - CHOICE mode | FDD | |
| - Downlink 64QAM configured | TRUE | Rel-7 |
| - Added or Reconfigured DL TrCH information - CHOICE DL parameters - HARQ Info - Number of Processes - CHOICE Memory Partitioning - Memory size - Process Memory Size - Process Memory Size - CHOICE DL MAC header type - Added or reconfigured MAC-ehs reordering queue - MAC-ehs queue to add or reconfigure list - MAC-ehs queue Id - T1 - Treset - MAC-ehs window size | HS-DSCH 2 Explicit 2 44000 44000 MAC-ehs (one queue) 0 50 Not Present 16 | Rel-7 Rel-7 Rel-7 Rel-7 Rel-7 Rel-7 Rel-7 |
| Downlink information per radio link list - Downlink information for each radio link - Downlink DPCH info for each RL - DL channelisation code - Code number | 7 | |

NOTE 1: MAC-d PDU size is flexible for every CQI value.

- 2) Set test conditions according to test 1 in table 9.3.2B.1. The configuration of the downlink channels is defined in table E.5.1A.
- 3) The SS shall send TF according to CQI value 16 and keep it regardless of the CQI value sent by the UE. Continue transmission of the HS-PDSCH until 8200 CQI reports have been gathered. In this process the SS collects CQI reports every 2 ms and also cases where UE transmits nothing in its CQI field (CQI0) are counted as CQI reports.
- 4) Set up a relative frequency distribution for the reported CQI values. Calculate the median value (Median CQI is the CQI that is at or crosses 50% distribution from the lower CQI side). This CQI-value is declared as Median CQI value,

5) The SS shall transmit the TF according to the median-CQI value and shall not react to the UE's reported CQI value. For any HSDPA block transmitted by the SS, record the ACK, NACK and statDTX responses, and associate with each response the CQI report that corresponds to the CQI evaluation period in which the end of the HS-PDSCH is received. (See figure 9.3.2B.1 below.)

The responses are then filtered as follows: for the sequence of responses for each HARQ process, discard all the statDTX responses. If the number of consecutive discarded statDTX for any one process is an odd number including one, also discard the next response for that HARQ process regardless whether it is an ACK or NACK. Continue to gather and filter responses until 1000 filtered responses with CQI = Median CQI and 1000 filtered responses with CQI = Median CQI + 3 have been collected.

6) Measure BLER as described below.

In the test there are two BLER requirements to be tested:

R1: HSDPA block with corresponding reported CQI = Median CQI BLER ≤ 60%

R2: HSDPA block with corresponding reported CQI = Median CQI + 3 BLER ≤ 15%

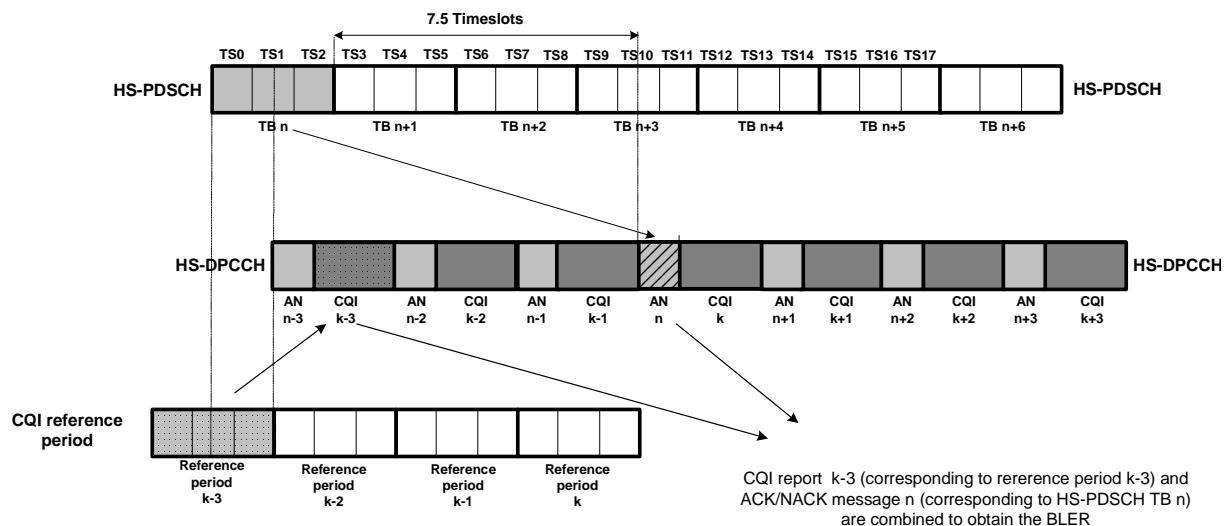


Figure 9.3.2B.1 Combination of ACK/NACK message and the CQI report for BLER calculation

For each set of samples R1 and R2 the BLER = (NACK) / (ACK + NACK)

9.3.2B.5 Test Requirements

The measured BLER shall not exceed values specified in table 9.3.2B.2.

There are no parameters in the test setup or measurement process whose variation impacts the results so there are no applicable test tolerances for this test.

9.3.3 Open Loop Diversity Performance - AWGN Propagation Conditions

9.3.3.1 Definition and applicability

The reporting accuracy of channel quality indicator (CQI) under AWGN environments is determined by the reporting variance and the BLER performance using the transport format indicated by the reported CQI median.

The requirements and this test apply to Release 6 and later releases for all types of UTRA for the FDD UE that support HSDPA UE capability categories 1 to 12. The requirements and this test apply to Release 7 and later releases for all types of UTRA for the FDD UE that support HSDPA UE capability categories 13 to 20.

9.3.3.2 Minimum requirements

For the parameters specified in Table 9.3.3.1, and using the downlink physical channels specified in table E.5.2 the reported CQI value shall be in the range of +/-2 of the reported median more than 90% of the time. If the HS-PDSCH BLER using the transport format indicated by median CQI is less than or equal to 0.1, the BLER using the transport format indicated by the (median CQI +2) shall be greater than 0.1. If the HS-PDSCH BLER using the transport format indicated by the median CQI is greater than 0.1, the BLER using transport format indicated by (median CQI -1) shall be less than or equal to 0.1.

Table 9.3.3.1: Test Parameters for CQI test in AWGN - single link

| Parameter | Unit | Test 1 | Test 2 | Test 3 |
|---------------------------------------|---|--|--------|--------|
| \hat{I}_{or} / I_{oc} | dB | 0 | 5 | 10 |
| I_{oc} | dBm/3.84 MHz | -60 | | |
| Phase reference | - | P-CPICH | | |
| HS-PDSCH E_c / I_{or} | dB | -3 | | |
| HS-SCCH_1 E_c / I_{or} | dB | -10 | | |
| DPCH E_c / I_{or} | dB | -10 | | |
| Maximum number of H-ARQ transmission | - | 1 | | |
| Number of HS-SCCH set to be monitored | - | 1 | | |
| CQI feedback cycle | ms | 2 | | |
| CQI repetition factor | - | 1 | | |
| HS-SCCH-1 signalling pattern | - | To incorporate inter-TTI=3 the six sub-frame HS-SCCH-1 signalling pattern shall be "...XOOXOO...", where "X" indicates TTI in which the HS-SCCH-1 uses the identity of the UE under test, and "O" indicates TTI in which the HS-SCCH-1 uses a different UE identity. | | |
| Note1: | Measurement power offset "T" is configured by RRC accordingly and as defined in [8]. | | | |
| Note2: | TF for HS-PDSCH is configured according to the reported CQI statistics. TF based on median CQI, median CQI -1, median CQI+2 are used. Other physical channel parameters are configured according to the CQI mapping table described in TS25.214 | | | |
| NOTE 3: | HS-PDSCH E_c/I_{or} is decreased according to reference power adjustment Δ described in TS 25.214. | | | |
| NOTE 4: | For any given transport format the power of the HS-SCCH and HS-PDSCH shall be transmitted continuously with constant power. | | | |
| NOTE 5: | The UE shall be configured in non-64QAM/non-MIMO mode and use appropriate CQI tables according to TS 25.214. | | | |

The reference for this requirement is TS 25.101 [1] clause 9.3.2.1.

9.3.3.3 Test purpose

To verify that the variance of the CQI reports when using TF based on CQI 16 is within the limits defined and that a BLER of 10% falls between the TF based on Median CQI-1 and the TF based on Median CQI TF or between the TF based on Median CQI and the TF based on Median CQI+2.

9.3.3.4 Method of test

9.3.3.4.1 Initial conditions

Test environment: normal; see clauses G.2.1 and G.2.2.

Frequencies to be tested: mid range; see clause G.2.4.

1. Connect SS and an AWGN noise source to the UE antenna connector as shown in figure A.12a.

2. Set Ack/Nack handling at the SS such that regardless of the response from the UE (Ack, Nack or DTX) new data is sent each time, this is because HARQ transmissions are set to one, i.e. no re-transmission of failed blocks. The sending of new data means that for each HARQ process the new data indicator bit in the HS-SCCH toggles for consecutive transmissions.

9.3.3.4.2 Procedure

- 1) Set up an HSDPA call with looping back 12.2kbps RMC according to TS 34.108 [3] clause 7.3.6 with the exceptions for information elements listed in table 9.3.3.2, with levels according to table E.5.0.
- 2) Set test conditions according to test 1 according table 9.3.3.1. The configuration of the downlink channels is defined in table E.5.2.

NOTE: The following part of the procedure will test if the UE reports a limited range of CQI values under the predefined channel conditions.

- 3) The SS shall send the TF according to CQI value 16 and keep it regardless of the CQI value sent by the UE. Continue transmission of the HS-PDSCH until 2000 CQI reports have been gathered. In this process the SS collects CQI reports every 2 ms and also cases where UE transmits nothing in its CQI field (CQI0) are counted as CQI reports.
- 4) Set up a relative frequency distribution for the CQI-values, reported. Calculate the median value (Median CQI is the CQI that is at or crosses 50% distribution from the lower CQI side). This CQI-value is declared as Median CQI value,
- 5) If 1800 or more of the CQI values are in the range $(\text{Median CQI} - 2) \leq \text{Median CQI} \leq (\text{Median CQI} + 2)$ then continue with step 6), otherwise fail the UE.

NOTE: The following part of the procedure will test if BLER versus CQI has the correct sense.

- 6) The SS shall transmit the TF according to the median-CQI value and shall not react to the UE's CQI reports. For any HSDPA block transmitted by the SS, record the associated ACK, NACK and statDTX responses. The responses are then filtered as follows: for the sequence of responses for each HARQ process, discard all the statDTX responses. If the number of consecutive discarded statDTX for any one process is an odd number including one, also discard the next response for that HARQ process regardless whether it is an ACK or NACK. Continue to gather data until the number of filtered ACK+NACK responses reaches 1000.

For the filtered ACK and NACK responses if the ratio $(\text{NACK} / \text{ACK} + \text{NACK}) < 0.1$ then goto step 7), otherwise goto step 8)

- 7) The SS shall transmit the TF according to the median-CQI+2 value and shall not react to the UE's CQI reports. For any HSDPA block, transmitted by the SS, record and filter the ACK, NACK and statDTX responses as in step 6 until 1000 filtered ACK+NACK responses are gathered.

If the ratio $(\text{NACK} / \text{ACK} + \text{NACK}) \geq 0.1$

then pass the UE, otherwise fail the UE

- 8) The SS shall transmit the TF according to the median-CQI-1 value and shall not react to the UE's CQI value. For any HSDPA block, transmitted by the SS, record and filter the ACK, NACK and statDTX responses as in step 6 until 1000 filtered ACK+NACK responses are gathered.

If the ratio $(\text{NACK} / \text{ACK} + \text{NACK}) < 0.1$

then pass the UE, otherwise fail the UE.

NOTE: The statistical selectivity based on 1000 samples is not sufficient to distinguish between $\text{BLER} < 0.1$ and > 0.1 . However, it is assumed that the difference between

[true BLER on Median CQI - true BLER on (Median CQI + 2)] and
[true BLER on Median CQI - true BLER on (Median CQI - 1)]

is large enough to exceed the statistical uncertainty and hence the measurement can indicate the correct sense of BLER.

9) Repeat the same procedure (steps 3 to 8) with test conditions according to the table 9.3.3.1 for Test 2 and Test 3.

Table 9.3.3.2: Specific Message Contents for open-loop transmit diversity mode

SYSTEM INFORMATION BLOCK TYPE5

| Information Element | Value/remark |
|---|--------------|
| PRACH system information list - AICH info - STTD Indicator | TRUE |
| Secondary CCPCH system information - PICH info - STTD Indicator - Secondary CCPCH info - STTD Indicator | TRUE TRUE |
| Primary CCPCH info - CHOICE mode - TX Diversity indicator | FDD TRUE |

SYSTEM INFORMATION BLOCK TYPE11

| Information Element | Value/remark |
|--|--------------|
| New intra-frequency cells - Intra-frequency cell id | 1 |
| - TX Diversity indicator | TRUE |

RRC CONNECTION SETUP

| Information Element | Value/remark |
|---|--------------|
| Downlink information common for all radio links - CHOICE mode - TX Diversity Mode | FDD STTD |
| Downlink DPCH info for each RL - CHOICE mode - Downlink DPCH info for each RL - Closed loop timing adjustment mode | FDD 1 |

RADIO BEARER SETUP for Closed test loop mode1

| Information Element | Value/remark |
|---|--------------|
| Downlink information common for all radio links - CHOICE mode - TX Diversity Mode | FDD STTD |
| Downlink DPCH info for each RL - CHOICE mode - Downlink DPCH info for each RL - Closed loop timing adjustment mode | FDD 1 |

RADIO BEARER SETUP message: AM or UM (HSDPA)

| Information Element | Value/remark |
|--|--|
| Downlink HS-PDSCH Information | |
| - HS-SCCH Info | |
| - CHOICE mode | FDD |
| - DL Scrambling Code | |
| - HS-SCCH Channelisation Code Info | |
| - HS-SCCH Channelisation Code | 2 |
| - Measurement Feedback Info | |
| - CHOICE mode | FDD |
| - POhsdsch | Compatible with the values in table 9.3.3.1 and according to TS 25.214 [5] clause 6A.2 |
| - Added or Reconfigured DL TrCH information | |
| - CHOICE DL parameters | HS-DSCH |
| - HARQ Info | |
| - Number of Processes | 2 |
| - Added or reconfigured MAC-d flow | |
| - MAC-hs queue to add or reconfigure list | (one queue) |
| - MAC-d PDU size Info | |
| - MAC-d PDU size | 112 bits (Note 1) |
| - MAC-d PDU size index | 0 |
| - MAC-d PDU size | 448 bits (Note 1) |
| - MAC-d PDU size index | 1 |
| Downlink information common for all radio links | |
| - CHOICE mode | FDD |
| - TX Diversity Mode | STTD |
| Downlink DPCH info for each RL | |
| - CHOICE mode | FDD |
| - Downlink DPCH info for each RL | |
| - Closed loop timing adjustment mode | 1 |
| NOTE 1: For UE Categories 1-6, 11 and 12, MAC-d PDU size of 112 is used. For other UE categories, MAC-d PDU sizes of 112 and 448 are used. Less than CQI value of 23 according to [5], 112 is used, and above the CQI values, 448 is used. | |

9.3.3.5 Test Requirements

The pass fail decision is as specified in the test procedure in clause 9.3.3.4.2.

There are no parameters in the test setup or measurement process whose variation impacts the results so there are no applicable test tolerances for this test.

9.3.4 Open Loop Diversity Performance - Fading Propagation Conditions

9.3.4.1 Definition and applicability

The reporting accuracy of the channel quality indicator (CQI) under fading environments is determined by the BLER performance using the transport format indicated by the reported CQI median.

The requirements and this test apply to Release 6 and later releases for all types of UTRA for the FDD UE that support HSDPA UE capability categories 1 to 12.

The requirements and this test apply to Release 7 and later releases for all types of UTRA for the FDD UE that support HSDPA UE capability categories 13 to 20.

9.3.4.2 Minimum requirements

For the parameters specified in Table 9.3.4.1, and using the downlink physical channels specified in table E.5.2, the requirements are specified in terms of maximum BLERs at particular reported CQIs when transmitting a fixed transport format given by the CQI median as shown in Table 9.3.4.2.. The BLER at a particular reported CQI is obtained by associating a particular CQI reference measurement period with the HS-PDSCH subframe overlapping with the end of this CQI reference measurement period and calculating the fraction of erroneous HS-PDSCH subframes.

Table 9.3.4.1: Test Parameters for CQI test in fading - single link

| Parameter | Unit | Test 1 | Test 2 |
|---------------------------------------|---|--|--------|
| HS-PDSCH E_c/I_{or} | dB | -8 | -4 |
| \hat{I}_{or}/I_{oc} | dB | 0 | 5 |
| I_{oc} | dBm/3.84 MHz | -60 | |
| Phase reference | - | P-CPICH | |
| HS-SCCH_1 E_c/I_{or} | dB | -8.5 | |
| DPCH E_c/I_{or} | dB | -6 | |
| Maximum number of H-ARQ transmission | - | 1 | |
| Number of HS-SCCH set to be monitored | - | 1 | |
| CQI feedback cycle | ms | 2 | |
| CQI repetition factor | - | 1 | |
| HS-SCCH-1 signalling pattern | - | To incorporate inter-TTI=3 the six sub-frame HS-SCCH-1 signalling pattern shall be "...XOOXOO...", where "X" indicates TTI in which the HS-SCCH-1 uses the identity of the UE under test, and "O" indicates TTI in which the HS-SCCH-1 uses a different UE identity. | |
| Propagation Channel | | Case 8 | |
| Note1: | Measurement power offset "T" is configured by RRC accordingly and as defined in [8] | | |
| Note2: | TF for HS-PDSCH is configured according to the reported CQI statistics. TF based on median CQI is used. Other physical channel parameters are configured according to the CQI mapping table described in TS25.214 | | |
| NOTE 3: | HS-PDSCH E_c/I_{or} is decreased according to reference power adjustment Δ described in TS 25.214. | | |
| NOTE 4: | For any given transport format the power of the HS-SCCH and HS-PDSCH shall be transmitted continuously with constant power. | | |
| NOTE 5: | The UE shall be configured in non-64QAM/non-MIMO mode and use appropriate CQI tables according to TS 25.214. | | |

Table 9.3.4.2: Minimum requirement for CQI test in fading - single link

| Reported CQI | Maximum BLER | |
|----------------|--------------|-------|
| | Test 1 | Test2 |
| CQI median | 60% | 60% |
| CQI median + 3 | 15% | 15% |

The reference for this requirement is TS 25.101 [1] clause 9.3.2.2.

9.3.4.3 Test purpose

To verify that when using the TF based on the Median CQI that the BLER for blocks associated with CQI reports of Median CQI is $\leq 60\%$ and that the BLER for blocks associated with CQI reports of Median CQI+3 is $\leq 15\%$.

9.3.4.4 Method of test

9.3.4.4.1 Initial conditions

Test environment: normal; see clauses G.2.1 and G.2.2.

Frequencies to be tested: mid range; see clause G.2.4.

- 1) Connect SS, multipath fading simulator and an AWGN noise source to the UE antenna connector as shown in figure A.12.

- 2) Set Ack/Nack handling at the SS such that regardless of the response from the UE (Ack, Nack or DTX) new data is sent each time, this is because HARQ transmissions are set to one, i.e. no re-transmission of failed blocks. The sending of new data means that for each HARQ process the new data indicator bit in the HS-SCCH toggles for consecutive transmissions.
- 3) Setup the fading simulators with fading conditions as described in table D.2.2.1B and clause D.2.7.

9.3.4.4.2 Procedure

- 1) Set up an HSDPA call with looping back 12.2kbps RMC according to TS 34.108 [3] clause 7.3.6 with the exceptions for information elements listed in table 9.3.4.3, with levels according to table E.5.0. Set test conditions according to test 1 according table 9.3.4.1. The configuration of the downlink channels is defined in table E.5.2.
- 2) The SS shall send TF according to CQI value 16 and keep it regardless of the CQI value sent by the UE. Continue transmission of the HS-PDSCH until 8200 CQI reports have been gathered. In this process the SS collects CQI reports every 2 ms and also cases where UE transmits nothing in its CQI field (CQI0) are counted as CQI reports.
- 3) Set up a relative frequency distribution for the reported CQI values. Calculate the median value (Median CQI is the CQI that is at or crosses 50% distribution from the lower CQI side). This CQI-value is declared as Median CQI value,
- 4) The SS shall transmit the TF according to the median-CQI value and shall not react to the UE's reported CQI value. For any HSDPA block transmitted by the SS, record the ACK, NACK and statDTX responses, and associate with each response the CQI report that corresponds to the CQI evaluation period in which the end of the HS-PDSCH is received. (See figure 9.3.4.1 below.)

The responses are then filtered as follows: for the sequence of responses for each HARQ process, discard all the statDTX responses. If the number of consecutive discarded statDTX for any one process is an odd number including one, also discard the next response for that HARQ process regardless whether it is an ACK or NACK. Continue to gather and filter responses until 1000 filtered responses with CQI = Median CQI and 1000 filtered responses with CQI = Median CQI + 3 have been collected.

- 5) Measure BLER as described below.

In the test there are two BLER requirements to be tested:

R1: HSDPA block with corresponding reported CQI = Median CQI BLER ≤ 60%

R2: HSDPA block with corresponding reported CQI = Median CQI + 3 BLER ≤ 15%

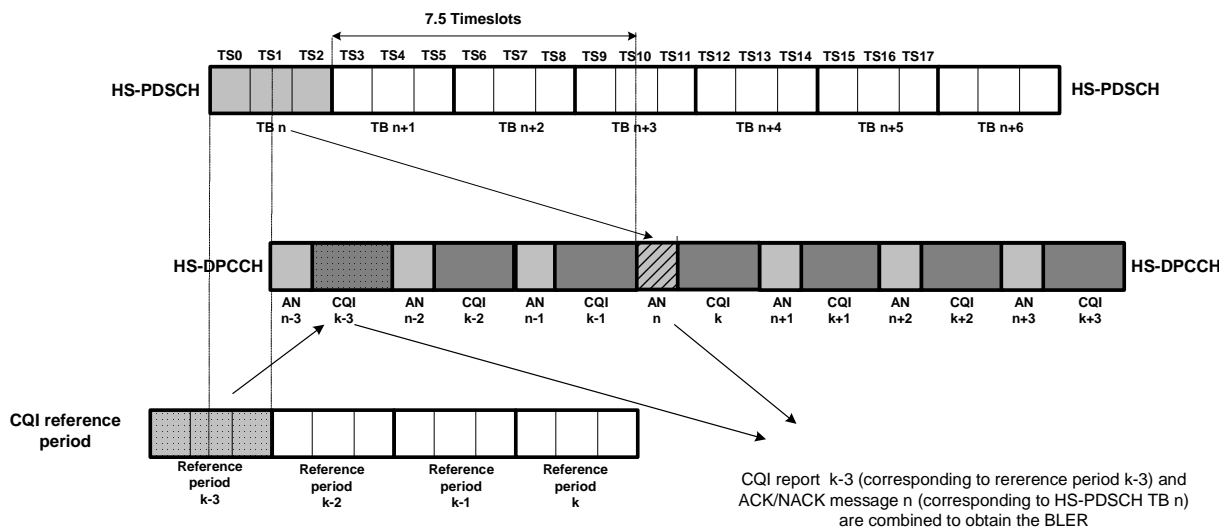


Figure 9.3.4.1 Combination of ACK/NACK message and the CQI report for BLER calculation

For each set of events R1 and R2 the BLER = (NACK) / (ACK + NACK)

Repeat the same procedure with test conditions according to the test 2 of table 9.3.4.1.

Table 9.3.4.3: Specific Message Contents for open-loop transmit diversity mode

SYSTEM INFORMATION BLOCK TYPE5

| Information Element | Value/remark |
|---|--------------|
| PRACH system information list - AICH info - STTD Indicator | TRUE |
| Secondary CCPCH system information - PICH info - STTD Indicator - Secondary CCPCH info - STTD Indicator | TRUE TRUE |
| Primary CCPCH info - CHOICE mode - TX Diversity indicator | FDD TRUE |

SYSTEM INFORMATION BLOCK TYPE11

| Information Element | Value/remark |
|--|--------------|
| New intra-frequency cells - Intra-frequency cell id | 1 |
| - TX Diversity indicator | TRUE |

RRC CONNECTION SETUP

| Information Element | Value/remark |
|---|--------------|
| Downlink information common for all radio links - CHOICE mode - TX Diversity Mode | FDD STTD |
| Downlink DPCH info for each RL - CHOICE mode - Downlink DPCH info for each RL - Closed loop timing adjustment mode | FDD 1 |

RADIO BEARER SETUP for Closed test loop mode1

| Information Element | Value/remark |
|---|--------------|
| Downlink information common for all radio links - CHOICE mode - TX Diversity Mode | FDD STTD |
| Downlink DPCH info for each RL - CHOICE mode - Downlink DPCH info for each RL - Closed loop timing adjustment mode | FDD 1 |

RADIO BEARER SETUP message: AM or UM (HSDPA)

| Information Element | Value/remark |
|--|--|
| Downlink HS-PDSCH Information | |
| - HS-SCCH Info | FDD |
| - CHOICE mode | |
| - DL Scrambling Code | |
| - HS-SCCH Channelisation Code Info | 2 |
| - HS-SCCH Channelisation Code | |
| - Measurement Feedback Info | |
| - CHOICE mode | FDD |
| - POhsdsch | Compatible with the values in table 9.3.4.1 and according to TS 25.214 [5] clause 6A.2 |
| - Added or Reconfigured DL TrCH information | HS-DSCH |
| - CHOICE DL parameters | |
| - HARQ Info | |
| - Number of Processes | 2 |
| - Added or reconfigured MAC-d flow | (one queue) |
| - MAC-hs queue to add or reconfigure list | |
| - MAC-d PDU size Info | |
| - MAC-d PDU size | 112 bits (Note 1) |
| - MAC-d PDU size index | 0 |
| - MAC-d PDU size | 448 bits (Note 1) |
| - MAC-d PDU size index | 1 |
| Downlink information common for all radio links | |
| - CHOICE mode | FDD |
| - TX Diversity Mode | STTD |
| Downlink DPCH info for each RL | |
| - CHOICE mode | FDD |
| - Downlink DPCH info for each RL | |
| - Closed loop timing adjustment mode | 1 |
| NOTE 1: For UE Categories 1-6, 11 and 12, MAC-d PDU size of 112 is used. For other UE categories, MAC-d PDU sizes of 112 and 448 are used. Less than CQI value of 23 according to [5], 112 is used, and above the CQI values, 448 is used. | |

9.3.4.5 Test Requirements

The measured BLER shall not exceed values specified in table 9.3.4.2.

There are no parameters in the test setup or measurement process whose variation impacts the results so there are no applicable test tolerances for this test.

9.3.5 Closed Loop Diversity Performance - AWGN Propagation Conditions

9.3.5.1 Definition and applicability

The reporting accuracy of channel quality indicator (CQI) under AWGN environments is determined by the reporting variance and the BLER performance using the transport format indicated by the reported CQI median.

The requirements and this test apply to Release 6 and later releases for all types of UTRA for the FDD UE that support HSDPA UE capability categories 1 to 12. The requirements and this test apply to Release 7 and later releases for all types of UTRA for the FDD UE that support HSDPA UE capability categories 13 to 20.

9.3.5.2 Minimum requirements

For the parameters specified in Table 9.3.5.1, and using the downlink physical channels specified in table E.5.3 the reported CQI value shall be in the range of +/-2 of the reported median more than 90% of the time. If the HS-PDSCH BLER using the transport format indicated by median CQI is less than or equal to 0.1, the BLER using the transport format indicated by the (median CQI +2) shall be greater than 0.1. If the HS-PDSCH BLER using the transport format indicated by the median CQI is greater than 0.1, the BLER using transport format indicated by (median CQI -1) shall be less than or equal to 0.1.

Table 9.3.5.1: Test Parameters for CQI test in AWGN - single link

| Parameter | Unit | Test 1 | Test 2 | Test 3 |
|---------------------------------------|---|--|--------|--------|
| \hat{I}_{or}/I_{oc} | dB | 0 | 5 | 10 |
| I_{oc} | dBm/3.84 MHz | -60 | | |
| Phase reference | - | P-CPICH | | |
| HS-PDSCH E_c/I_{or} | dB | -3 | | |
| HS-SCCH_1 E_c/I_{or} | dB | -10 | | |
| DPCH E_c/I_{or} | dB | -10 | | |
| Maximum number of H-ARQ transmission | - | 1 | | |
| Number of HS-SCCH set to be monitored | - | 1 | | |
| CQI feedback cycle | ms | 2 | | |
| CQI repetition factor | - | 1 | | |
| Feedback Error Rate | % | 0 | | |
| Closed loop timing adjustment mode | | 1 | | |
| HS-SCCH-1 signalling pattern | - | To incorporate inter-TTI=3 the six sub-frame HS-SCCH-1 signalling pattern shall be "...XOOXOO...", where "X" indicates TTI in which the HS-SCCH-1 uses the identity of the UE under test, and "O" indicates TTI in which the HS-SCCH-1 uses a different UE identity. | | |
| Note1: | Measurement power offset "I" is configured by RRC accordingly and as defined in [8]. | | | |
| Note2: | TF for HS-PDSCH is configured according to the reported CQI statistics. TF based on median CQI, median CQI -1, median CQI+2 are used. Other physical channel parameters are configured according to the CQI mapping table described in TS25.214 | | | |
| NOTE 3: | HS-PDSCH E_c/I_{or} is decreased according to reference power adjustment Δ described in TS 25.214. | | | |
| NOTE 4: | For any given transport format the power of the HS-SCCH and HS-PDSCH shall be transmitted continuously with constant power. | | | |
| NOTE 5: | The UE shall be configured in non-64QAM/non-MIMO mode and use appropriate CQI tables according to TS 25.214. | | | |

The reference for this requirement is TS 25.101 [1] clause 9.3.3.1.

9.3.5.3 Test purpose

To verify that the variance of the CQI reports when using TF based on CQI 16 is within the limits defined and that a BLER of 10% falls between the TF based on Median CQI-1 and the TF based on Median CQI TF or between the TF based on Median CQI and the TF based on Median CQI+2.

9.3.5.4 Method of test

9.3.5.4.1 Initial conditions

Test environment: normal; see clauses G.2.1 and G.2.2.

Frequencies to be tested: mid range; see clause G.2.4.

1. Connect SS and an AWGN noise source to the UE antenna connector as shown in figure A.12a.
2. Set Ack/Nack handling at the SS such that regardless of the response from the UE (Ack, Nack or DTX) new data is sent each time, this is because HARQ transmissions are set to one, i.e. no re-transmission of failed blocks. The sending of new data means that for each HARQ process the new data indicator bit in the HS-SCCH toggles for consecutive transmissions.

9.3.5.4.2 Procedure

- 1) Set up an HSDPA call with looping back 12.2kbps RMC according to TS 34.108 [3] clause 7.3.6 with the exceptions for information elements listed in table 9.3.5.2, with levels according to table E.5.0.
- 2) Set test conditions according to test 1 according table 9.3.5.1. The configuration of the downlink channels is defined in table E.5.3.

NOTE: The following part of the procedure will test if the UE reports a limited range of CQI values under the predefined channel conditions.

- 3) The SS shall send the TF according to CQI value 16 and keep it regardless of the CQI value sent by the UE. Continue transmission of the HS-PDSCH until 2000 CQI reports have been gathered. In this process the SS collects CQI reports every 2 ms and also cases where UE transmits nothing in its CQI field (CQI0) are counted as CQI reports.
- 4) Set up a relative frequency distribution for the CQI-values, reported. Calculate the median value (Median CQI is the CQI that is at or crosses 50% distribution from the lower CQI side). This CQI-value is declared as Median CQI value,
- 5) If 1800 or more of the CQI values are in the range $(\text{Median CQI} - 2) \leq \text{Median CQI} \leq (\text{Median CQI} + 2)$ then continue with step 6), otherwise fail the UE.

NOTE: The following part of the procedure will test if BLER versus CQI has the correct sense.

- 6) The SS shall transmit the TF according to the median-CQI value and shall not react to the UE's CQI reports. For any HSDPA block transmitted by the SS, record the associated ACK, NACK and statDTX responses. The responses are then filtered as follows: for the sequence of responses for each HARQ process, discard all the statDTX responses. If the number of consecutive discarded statDTX for any one process is an odd number including one, also discard the next response for that HARQ process regardless whether it is an ACK or NACK. Continue to gather data until the number of filtered ACK+NACK responses reaches 1000.

For the filtered ACK and NACK responses if the ratio $(\text{NACK} / \text{ACK} + \text{NACK}) < 0.1$ then goto step 7), otherwise goto step 8)

- 7) The SS shall transmit the TF according to the median-CQI+2 value and shall not react to the UE's CQI reports. For any HSDPA block, transmitted by the SS, record and filter the ACK, NACK and statDTX responses as in step 6 until 1000 filtered ACK+NACK responses are gathered.

If the ratio $(\text{NACK} / \text{ACK} + \text{NACK}) \geq 0.1$

then pass the UE, otherwise fail the UE

- 8) The SS shall transmit the TF according to the median-CQI-1 value and shall not react to the UE's CQI value. For any HSDPA block, transmitted by the SS, record and filter the ACK, NACK and statDTX responses as in step 6 until 1000 filtered ACK+NACK responses are gathered.

If the ratio $(\text{NACK} / \text{ACK} + \text{NACK}) < 0.1$

then pass the UE, otherwise fail the UE.

NOTE: The statistical selectivity based on 1000 samples is not sufficient to distinguish between $\text{BLER} < 0.1$ and > 0.1 . However, it is assumed that the difference between

[true BLER on Median CQI - true BLER on (Median CQI + 2)] and
[true BLER on Median CQI - true BLER on (Median CQI - 1)]

is large enough to exceed the statistical uncertainty and hence the measurement can indicate the correct sense of BLER.

- 9) Repeat the same procedure (steps 3 to 8) with test conditions according to the table 9.3.5.1 for Test 2 and Test 3.

Table 9.3.5.2: Specific Message Contents for closed loop transmit diversity mode

SYSTEM INFORMATION BLOCK TYPE5

| Information Element | Value/remark |
|---|------------------|
| PRACH system information list - AICH info - STTD Indicator | TRUE |
| Secondary CCPCH system information - PICH info - STTD Indicator - Secondary CCPCH info - STTD Indicator | TRUE TRUE |
| Primary CCPCH info - CHOICE mode - TX Diversity indicator | FDD TRUE |

SYSTEM INFORMATION BLOCK TYPE11

| Information Element | Value/remark |
|--|--------------|
| New intra-frequency cells - Intra-frequency cell id | 1 |
| - TX Diversity indicator | TRUE |

RRC CONNECTION SETUP

| Information Element | Value/remark |
|---|--------------------------|
| CHOICE channel requirement - Number of FBI bit | Uplink DPCH info 1 |
| Downlink information common for all radio links - CHOICE mode - TX Diversity Mode | FDD Closed loop mode1 |
| Downlink DPCH info for each RL - CHOICE mode - Downlink DPCH info for each RL - Closed loop timing adjustment mode | FDD 1 |

RADIO BEARER SETUP for Closed test loop mode1

| Information Element | Value/remark |
|---|--------------------------|
| CHOICE channel requirement - Number of FBI bit | Uplink DPCH info 1 |
| Downlink information common for all radio links - CHOICE mode - TX Diversity Mode | FDD Closed loop mode1 |
| Downlink DPCH info for each RL - CHOICE mode - Downlink DPCH info for each RL - Closed loop timing adjustment mode | FDD 1 |

RADIO BEARER SETUP message: AM or UM (HSDPA)

| Information Element | Value/remark |
|--|---|
| Downlink HS-PDSCH Information <ul style="list-style-type: none"> - HS-SCCH Info <ul style="list-style-type: none"> - CHOICE mode - DL Scrambling Code - HS-SCCH Channelisation Code Info - HS-SCCH Channelisation Code - Measurement Feedback Info <ul style="list-style-type: none"> - CHOICE mode - POhsdsch | FDD 2 FDD Compatible with the values in table 9.3.5.1 and according to TS 25.214 [5] clause 6A.2 |
| - Added or Reconfigured DL TrCH information <ul style="list-style-type: none"> - CHOICE DL parameters <ul style="list-style-type: none"> - HARQ Info <ul style="list-style-type: none"> - Number of Processes - Added or reconfigured MAC-d flow <ul style="list-style-type: none"> - MAC-hs queue to add or reconfigure list <ul style="list-style-type: none"> - MAC-d PDU size Info <ul style="list-style-type: none"> - MAC-d PDU size - MAC-d PDU size index - MAC-d PDU size - MAC-d PDU size index | HS-DSCH 2 (one queue) 112 bits (Note 1) 0 448 bits (Note 1) 1 |
| CHOICE channel requirement <ul style="list-style-type: none"> - Number of FBI bit | Uplink DPCH info 1 |
| Downlink information common for all radio links <ul style="list-style-type: none"> - CHOICE mode - TX Diversity Mode | FDD Closed loop mode1 |
| Downlink DPCH info for each RL <ul style="list-style-type: none"> - CHOICE mode - Downlink DPCH info for each RL - Closed loop timing adjustment mode | FDD 1 |
| NOTE 1: For UE Categories 1-6, 11 and 12, MAC-d PDU size of 112 is used. For other UE categories, MAC-d PDU sizes of 112 and 448 are used. Less than CQI value of 23 according to [5], 112 is used, and above the CQI values, 448 is used. | |

9.3.5.5 Test Requirements

The pass fail decision is as specified in the test procedure in clause 9.3.5.4.2.

There are no parameters in the test setup or measurement process whose variation impacts the results so there are no applicable test tolerances for this test.

9.3.6 Closed Loop Diversity Performance - Fading Propagation Conditions

9.3.6.1 Definition and applicability

The reporting accuracy of the channel quality indicator (CQI) under fading environments is determined by the BLER performance using the transport format indicated by the reported CQI median.

The requirements and this test apply to Release 6 and later releases for all types of UTRA for the FDD UE that support HSDPA UE capability categories 1 to 12.

The requirements and this test apply to Release 7 and later releases for all types of UTRA for the FDD UE that support HSDPA UE capability categories 13 to 20.

9.3.6.2 Minimum requirements

For the parameters specified in Table 9.3.6.1, and using the downlink physical channels specified in table E.5.3, the requirements are specified in terms of maximum BLERs at particular reported CQIs when transmitting a fixed transport format given by the CQI median as shown in Table 9.3.6.2. The BLER at a particular reported CQI is obtained by associating a particular CQI reference measurement period with the HS-PDSCH subframe overlapping with the end of this CQI reference measurement period and calculating the fraction of erroneous HS-PDSCH subframes.

Table 9.3.6.1: Test Parameters for CQI test in fading - single link

| Parameter | Unit | Test 1 | Test 2 |
|---------------------------------------|---|--|--------|
| HS-PDSCH E_c/I_{or} | dB | -8 | -4 |
| \hat{I}_{or}/I_{oc} | dB | 0 | 5 |
| I_{oc} | dBm/3.84 MHz | -60 | |
| Phase reference | - | P-CPICH | |
| HS-SCCH_1 E_c/I_{or} | dB | -8.5 | |
| DPCH E_c/I_{or} | dB | -6 | |
| Maximum number of H-ARQ transmission | - | 1 | |
| Number of HS-SCCH set to be monitored | - | 1 | |
| CQI feedback cycle | ms | 2 | |
| CQI repetition factor | - | 1 | |
| Feedback Error Rate | % | 0 | |
| Closed loop timing adjustment mode | | 1 | |
| HS-SCCH-1 signalling pattern | - | To incorporate inter-TTI=3 the six sub-frame HS-SCCH-1 signalling pattern shall be "...XOOXOO...", where "X" indicates TTI in which the HS-SCCH-1 uses the identity of the UE under test, and "O" indicates TTI in which the HS-SCCH-1 uses a different UE identity. | |
| Propagation Channel | | Case 8 | |
| Note1: | Measurement power offset "T" is configured by RRC accordingly and as defined in [8] | | |
| Note2: | TF for HS-PDSCH is configured according to the reported CQI statistics. TF based on median CQI is used. Other physical channel parameters are configured according to the CQI mapping table described in TS25.214 | | |
| NOTE 3: | HS-PDSCH E_c/I_{or} is decreased according to reference power adjustment Δ described in TS 25.214. | | |
| NOTE 4: | For any given transport format the power of the HS-SCCH and HS-PDSCH shall be transmitted continuously with constant power. | | |
| NOTE 5: | The UE shall be configured in non-64QAM/non-MIMO mode and use appropriate CQI tables according to TS 25.214. | | |

Table 9.3.6.2: Minimum requirement for CQI test in fading - single link

| Reported CQI | Maximum BLER | |
|----------------|--------------|-------|
| | Test 1 | Test2 |
| CQI median | 60% | 60% |
| CQI median + 3 | 15% | 15% |

The reference for this requirement is TS 25.101 [1] clause 9.3.3.2.

9.3.6.3 Test purpose

To verify that when using the TF based on the Median CQI that the BLER for blocks associated with CQI reports of Median CQI is $\leq 60\%$ and that the BLER for blocks associated with CQI reports of Median CQI+3 is $\leq 15\%$.

9.3.6.4 Method of test

9.3.6.4.1 Initial conditions

Test environment: normal; see clauses G.2.1 and G.2.2.

Frequencies to be tested: mid range; see clause G.2.4.

- 1) Connect SS, multipath fading simulator and an AWGN noise source to the UE antenna connector as shown in figure A.12.

- 2) Set Ack/Nack handling at the SS such that regardless of the response from the UE (Ack, Nack or DTX) new data is sent each time, this is because HARQ transmissions are set to one, i.e. no re-transmission of failed blocks.
- 3) Setup the fading simulators with fading conditions as described in table D.2.2.1B and clause D.2.7.

9.3.6.4.2 Procedure

- 1) Set up an HSDPA call with looping back 12.2kbps RMC according to TS 34.108 [3] clause 7.3.6 with the exceptions for information elements listed in table 9.3.6.3, with levels according to table E.5.0. Set test conditions according to test 1 according table 9.3.6.1. The configuration of the downlink channels is defined in table E.5.3.
- 2) The SS shall send TF according to CQI value 16 and keep it regardless of the CQI value sent by the UE. Continue transmission of the HS-PDSCH until 8200 CQI reports have been gathered. In this process the SS collects CQI reports every 2 ms and also cases where UE transmits nothing in its CQI field (CQI0) are counted as CQI reports.
- 3) Set up a relative frequency distribution for the reported CQI values. Calculate the median value (Median CQI is the CQI that is at or crosses 50% distribution from the lower CQI side). This CQI-value is declared as Median CQI value,
- 4) The SS shall transmit the TF according to the median-CQI value and shall not react to the UE's reported CQI value. For any HSDPA block transmitted by the SS, record the ACK, NACK and statDTX responses, and associate with each response the CQI report that corresponds to the CQI evaluation period in which the end of the HS-PDSCH is received. (See figure 9.3.6.1 below.)

The responses are then filtered as follows: for the sequence of responses for each HARQ process, discard all the statDTX responses. If the number of consecutive discarded statDTX for any one process is an odd number including one, also discard the next response for that HARQ process regardless whether it is an ACK or NACK. Continue to gather and filter responses until 1000 filtered responses with CQI = Median CQI and 1000 filtered responses with CQI = Median CQI + 3 have been collected.

- 5) Measure BLER as described below.

In the test there are two BLER requirements to be tested:

R1: HSDPA block with corresponding reported CQI = Median CQI BLER ≤ 60%

R2: HSDPA block with corresponding reported CQI = Median CQI + 3 BLER ≤ 15%

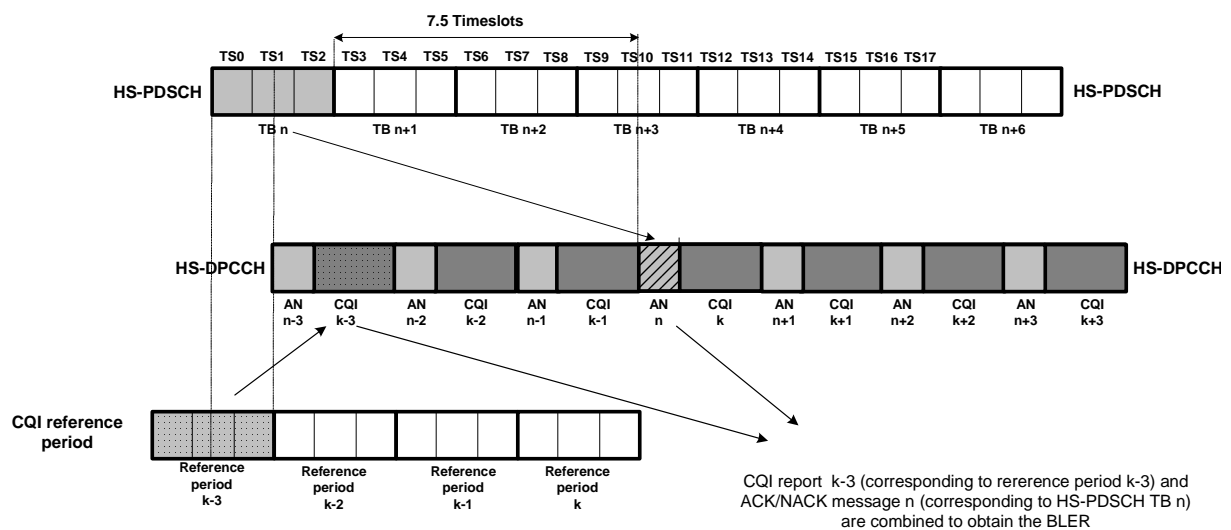


Figure 9.3.6.1 Combination of ACK/NACK message and the CQI report for BLER calculation

For each set of events R1 and R2 the BLER = (NACK) / (ACK + NACK)

Repeat the same procedure with test conditions according to the test 2 of table 9.3.6.1.

Table 9.3.6.3: Specific Message Contents for closed loop transmit diversity mode

SYSTEM INFORMATION BLOCK TYPE5

| Information Element | Value/remark |
|---|------------------|
| PRACH system information list - AICH info - STTD Indicator | TRUE |
| Secondary CCPCH system information - PICH info - STTD Indicator - Secondary CCPCH info - STTD Indicator | TRUE TRUE |
| Primary CCPCH info - CHOICE mode - TX Diversity indicator | FDD TRUE |

SYSTEM INFORMATION BLOCK TYPE11

| Information Element | Value/remark |
|--|--------------|
| New intra-frequency cells - Intra-frequency cell id | 1 |
| - TX Diversity indicator | TRUE |

RRC CONNECTION SETUP

| Information Element | Value/remark |
|---|--------------------------|
| CHOICE channel requirement - Number of FBI bit | Uplink DPCH info 1 |
| Downlink information common for all radio links - CHOICE mode - TX Diversity Mode | FDD Closed loop mode1 |
| Downlink DPCH info for each RL - CHOICE mode - Downlink DPCH info for each RL - Closed loop timing adjustment mode | FDD 1 |

RADIO BEARER SETUP for Closed test loop mode1

| Information Element | Value/remark |
|---|--------------------------|
| CHOICE channel requirement - Number of FBI bit | Uplink DPCH info 1 |
| Downlink information common for all radio links - CHOICE mode - TX Diversity Mode | FDD Closed loop mode1 |
| Downlink DPCH info for each RL - CHOICE mode - Downlink DPCH info for each RL - Closed loop timing adjustment mode | FDD 1 |

RADIO BEARER SETUP message: AM or UM (HSDPA)

| Information Element | Value/remark |
|--|---|
| Downlink HS-PDSCH Information <ul style="list-style-type: none"> - HS-SCCH Info <ul style="list-style-type: none"> - CHOICE mode - DL Scrambling Code - HS-SCCH Channelisation Code Info - HS-SCCH Channelisation Code - Measurement Feedback Info <ul style="list-style-type: none"> - CHOICE mode - POhsdsch | FDD 2 FDD Compatible with the values in table 9.3.6.1 and according to TS 25.214 [5] clause 6A.2 |
| - Added or Reconfigured DL TrCH information <ul style="list-style-type: none"> - CHOICE DL parameters <ul style="list-style-type: none"> - HARQ Info <ul style="list-style-type: none"> - Number of Processes - Added or reconfigured MAC-d flow <ul style="list-style-type: none"> - MAC-hs queue to add or reconfigure list <ul style="list-style-type: none"> - MAC-d PDU size Info <ul style="list-style-type: none"> - MAC-d PDU size - MAC-d PDU size index - MAC-d PDU size - MAC-d PDU size index | HS-DSCH 2 (one queue) 112 bits (Note 1) 0 448 1 |
| CHOICE channel requirement <ul style="list-style-type: none"> - Number of FBI bit | Uplink DPCH info 1 |
| Downlink information common for all radio links <ul style="list-style-type: none"> - CHOICE mode - TX Diversity Mode | FDD Closed loop mode1 |
| Downlink DPCH info for each RL <ul style="list-style-type: none"> - CHOICE mode - Downlink DPCH info for each RL - Closed loop timing adjustment mode | FDD 1 |
| NOTE 1: For UE Categories 1-6, 11 and 12, MAC-d PDU size of 112 is used. For other UE categories, MAC-d PDU sizes of 112 and 448 are used. Less than CQI value of 23 according to [5], 112 is used, and above the CQI values, 448 is used. | |

9.3.6.5 Test Requirements

The measured BLER shall not exceed values specified in table 9.3.6.2.

There are no parameters in the test setup or measurement process whose variation impacts the results so there are no applicable test tolerances for this test.

9.3.7 MIMO Performance - Reporting of Channel Quality Indicator

The test cases in this section define the MIMO Performance test for Reporting of Channel Quality Indicator.

9.3.7A MIMO Single Stream Fading Conditions

9.3.7A.1 Definition and applicability

The minimum performance requirements of channel quality indicator (CQI) reporting under MIMO single stream conditions are defined based on a CQI Type A versus Type B reporting ratio of 1 / 2, i.e. the parameters N_{cqi_typeA} and M_{cqi} (see [5]) are assumed to be set to 1 and 2, respectively. The propagation conditions assumed for minimum performance requirements of CQI reporting under MIMO single stream conditions are defined in subclause D.2.9.1. The precoding used at the transmitter is one randomly picked but fixed precoding vector for single transport block transmission out of the set of possible precoding vectors as defined in [5]. The same precoding vector shall be used to generate the resulting channel coefficients as described for MIMO single stream conditions in subclause D.2.9.1.

The reporting accuracy of CQI under MIMO single stream conditions is determined by the BLER performance when transmitting with a transport format indicated by the reported CQI median determined over all single transport block Type A CQI reports and all Type B CQI reports that were reported together with PCI reports matching the precoding vector embedded in the propagation channel as defined in subclause D.2.9.1.

The requirements and this test apply for Release 7 and later for all types of UTRA for the FDD UE that support HSDPA UE capability categories 15 - 18.

The requirements and this test also apply for Release 8 and later for all types of UTRA for the FDD UE that support HSDPA UE capability categories 19 - 20.

9.3.7A.2 Minimum requirements

For the parameters specified in Table 9.3.7A.1, and using the downlink physical channels specified in table E.5.2, the requirements are specified in terms of maximum BLERs at particular reported CQIs when transmitting a fixed transport format given by the CQI median as shown in Table 9.3.7A.2. The CQI median shall be determined over all single transport block Type A CQI reports and all Type B CQI reports that were reported together with PCI reports matching the precoding vector embedded in the propagation channel as defined in subclause D.2.9.1. The BLER at a particular reported CQI is obtained by associating a particular CQI reference measurement period for all single transport block Type A CQI reports and all Type B CQI reports that were reported together with PCI reports matching the precoding vector embedded in the propagation channel as defined in subclause D.2.9.1 with the HS-PDSCH subframe overlapping with the end of this CQI reference measurement period and calculating the fraction of erroneous HS-PDSCH subframes to which the same CQI value was associated.

Table 9.3.7A.1: Test Parameters for CQI test in MIMO single stream fading conditions

| Parameter | Unit | Test 1 |
|---|--------------|--|
| HS-PDSCH E_c/I_{or} | dB | -2 |
| \hat{I}_{or}/I_{oc} | dB | 6 |
| I_{oc} | dBm/3.84 MHz | -60 |
| Phase reference | - | P-CPICH (E.5.2) |
| HS-SCCH_1 E_c/I_{or} | dB | -15 (using STTD) |
| DPCH E_c/I_{or} | dB | -10 (using STTD) |
| Precoding weight set restriction | - | Disabled |
| Maximum number of H-ARQ transmission | - | 1 |
| Number of HS-SCCH set to be monitored | - | 1 |
| CQI feedback cycle | ms | 2 |
| CQI repetition factor | - | 1 |
| PCI/CQI reporting Error Rate | % | 0 |
| HS-SCCH-1 signalling pattern | - | To incorporate inter-TTI=3 the six sub-frame HS-SCCH-1 signalling pattern shall be "...XOOXOO...", where "X" indicates TTI in which the HS-SCCH-1 uses the identity of the UE under test, and "O" indicates TTI in which the HS-SCCH-1 uses a different UE identity. |
| Propagation Channel | | MIMO single stream fading conditions |
| NOTE 1: Measurement power offset "Γ" is configured by RRC accordingly and as defined in [8] | | |
| NOTE 2: TF for HS-PDSCH is configured according to the reported CQI statistics. TF based on median CQI over all single transport block Type A CQI reports and all Type B CQI reports that were reported together with PCI reports matching the precoding vector embedded in the propagation channel as defined in subclause D.2.9.1 is used. Other physical channel parameters are configured according to the CQI mapping table described in TS25.214. The precoding that shall be used in the transmitter is one randomly picked but fixed precoding vector for single transport block transmission out of the set of possible precoding vectors as defined in [5]. The same precoding vector shall be used to generate the resulting channel coefficients as described for MIMO single stream conditions in subclause D.2.9.1. | | |
| NOTE 3: HS-PDSCH E_c/I_{or} is decreased according to reference power adjustment Δ described in TS 25.214 | | |
| NOTE 4: For any given transport format the power of the HS-SCCH and HS-PDSCH shall be transmitted continuously with constant power. | | |
| NOTE 5: The UE shall be configured in non-64QAM/MIMO mode and use appropriate CQI tables according to TS 25.214. | | |

Table 9.3.7A.2: Minimum requirement for CQI test in MIMO single stream conditions

| Reported CQI | Maximum BLER |
|----------------|--------------|
| | Test 1 |
| CQI median | 60% |
| CQI median + 3 | 15% |

The reference for this requirement is TS 25.101 [1] clause 9.3.4.1.

9.3.7A.3 Test purpose

To verify that when using the TF based on the Median CQI that the BLER for blocks associated with CQI reports of Median CQI is $\leq 60\%$ and that the BLER for blocks associated with CQI reports of Median CQI+3 is $\leq 15\%$.

9.3.7A.4 Method of test

9.3.7A.4.1 Initial conditions

Test environment: normal; see clauses G.2.1 and G.2.2.

Frequencies to be tested: mid range; see clause G.2.4.

- 1) Connect SS, multipath fading simulator and an AWGN noise source to the UE antenna connector as shown in figure A.22.
- 2) Set Ack/Nack handling at the SS such that regardless of the response from the UE (Ack, Nack or DTX) new data is sent each time, this is because HARQ transmissions are set to one, i.e. no re-transmission of failed blocks. The sending of new data means that for each HARQ process the new data indicator bit in the HS-SCCH toggles for consecutive transmissions.
- 3) Setup the fading simulators with fading conditions as described in table D.2.9.1.

9.3.7A.4.2 Procedure

- 1) Set up an HSDPA call with looping back 12.2kbps RMC according to TS 34.108 [3] clause 7.3.6 with the exceptions for information elements listed in table 9.3.7A.3 and exceptions in Annex I, with levels according to table E.5.2. Set test conditions according to test 1 according table 9.3.7A.1. The configuration of the downlink channels is defined in table E.5.2.
- 2) The SS shall send TF according to CQI value 16 and keep it regardless of the CQI value sent by the UE. Continue transmission of the HS-PDSCH until 82000 CQI reports have been gathered. In this process the SS collects CQI reports every 2 ms and also cases where UE transmits nothing in its CQI field (CQI0) are counted as CQI reports.
- 3) Set up a relative frequency distribution for the reported CQI values that were reported together with PCI reports matching the precoding vector embedded in the propagation channel as defined in subclause D.2.9.1. Calculate the median value (Median CQI is the CQI that is at or crosses 50% distribution from the lower CQI side). This CQI-value is declared as Median CQI value.
- 4) The SS shall transmit the TF according to the median-CQI value and shall not react to the UE's reported CQI value. For any HSDPA block transmitted by the SS, record the ACK, NACK and statDTX responses, and associate with each response the CQI report that corresponds to the CQI evaluation period in which the end of the HS-PDSCH is received. (See figure 9.3.7A.1 below.)

The responses are then filtered as follows: for the sequence of responses for each HARQ process, discard all the statDTX responses. If the number of consecutive discarded statDTX for any one process is an odd number including one, also discard the next response for that HARQ process regardless whether it is an ACK or NACK. Then filter the responses based on the PCI values. Keep only the responses that have the PCI reports matching the precoding vector embedded in the propagation channel as defined in subclause D.2.9.1.

Continue to gather and filter responses until 1000 filtered responses with CQI = Median CQI and 1000 filtered responses with CQI = Median CQI + 3 have been collected.

- 5) Measure BLER as described below.

In the test there are two BLER requirements to be tested:

R1: HSDPA block with corresponding reported CQI = Median CQI BLER ≤ 60%

R2: HSDPA block with corresponding reported CQI = Median CQI + 3 BLER ≤ 15%

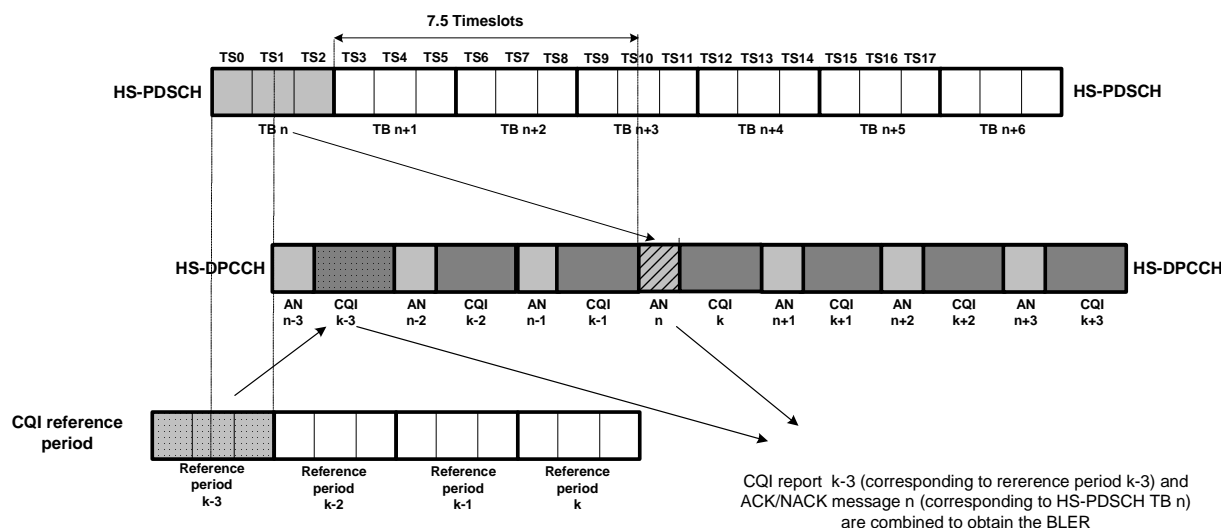


Figure 9.3.7A.1 Combination of ACK/NACK message and the CQI report for BLER calculation

For each set of events R1 and R2 the BLER = (NACK) / (ACK + NACK)

Table 9.3.7A.3: Specific Message Contents for MIMO

RADIO BEARER SETUP for HSDPA Test 1

| Information Element | Value/remark |
|------------------------------------|--------------|
| MIMO parameters | Start ½ |
| - MIMO operation | |
| - MIMO N_cqi_typeA/M_cqi ratio | |
| - MIMO pilot configuration | |
| - CHOICE Second CPICH pattern | |
| >Antenna2 P-CPICH | Not Present |
| - Precoding weight set restriction | |

9.3.7A.5 Test Requirements

The measured BLER shall not exceed values specified in table 9.3.7A.2.

There are no parameters in the test setup or measurement process whose variation impacts the results so there are no applicable test tolerances for this test.

9.3.7B MIMO Dual Stream Fading Conditions

9.3.7B.1 Definition and applicability

The minimum performance requirements of channel quality indicator (CQI) reporting under MIMO dual stream conditions are defined based on a Type A reporting fraction of 100%, i.e. the parameters *N_cqi_typeA* and *M_cqi* (see [5]) are assumed to be both set to 1. The propagation conditions assumed for minimum performance requirements of CQI reporting under MIMO dual stream conditions are defined in subclause D.2.9.2. The precoding used at the transmitter is one randomly picked but fixed precoding matrix for dual transport block transmission out of the set of possible precoding matrices as defined in [5]. The same precoding matrix shall be used to generate the resulting channel coefficients as described for MIMO dual stream conditions in subclause D.2.9.2.

The reporting accuracy of CQI under MIMO dual stream conditions is determined by the BLER performance of two streams of transport blocks using the transport formats indicated by the respective stream specific reported CQI median over all dual transport block CQI reports for each stream that were reported together with PCI reports matching the precoding matrix embedded in the propagation channel as defined in subclause D.2.9.2.

The requirements and this test apply for Release 7 and later for all types of UTRA for the FDD UE that support HSDPA UE capability categories 15 - 18.

The requirements and this test also apply for Release 8 and later for all types of UTRA for the FDD UE that support HSDPA UE capability categories 19 - 20.

9.3.7B.2 Minimum requirements

For the parameters specified in Table 9.3.7B.1, and using the downlink physical channels specified in table E.5.2, the requirements are specified in terms of maximum BLERs at particular reported CQIs for each stream when transmitting a fixed transport format per stream given by the stream specific CQI median as shown in Table 9.3.7B.2. The stream specific CQI median shall be determined over all dual transport block CQI reports that were reported together with PCI reports matching the precoding matrix embedded in the propagation channel as defined in subclause D.2.9.2. When the reported preferred primary precoding vector is matching with the first column of the precoding matrix embedded in the propagation channel as defined in subclause D.2.9.2, the reported values CQI_1 and CQI_2 shall be used respectively to determine the median CQI values for stream #1 and stream #2 as depicted in Figure D.2.9.2 in subclause D.2.9.2. When the reported preferred primary precoding vector is matching with the second column of the precoding matrix embedded in the propagation channel as defined in subclause D.2.9.2, the reported values CQI_1 and CQI_2 shall be used to determine the median CQI values for stream #2 and stream #1, respectively. The stream specific BLER at a particular reported CQI is obtained by associating a particular CQI reference measurement period for all dual transport block CQI reports that were reported together with a PCI report that was matching the precoding matrix embedded in the propagation channel as defined in subclause D.2.9.2 with the two transport blocks of the HS-PDSCH subframe overlapping with the end of this CQI reference measurement period and calculating the fractions of erroneous HS-PDSCH subframes to which the same CQI values were associated.

Table 9.3.7B.1: Test Parameters for CQI test in MIMO dual stream fading conditions

| Parameter | Unit | Test 1 |
|--|--------------|--|
| HS-PDSCH E_c/I_{or} | dB | -2 |
| \hat{I}_{or}/I_{oc} | dB | 10 |
| I_{oc} | dBm/3.84 MHz | -60 |
| Phase reference | - | P-CPICH (Table E.5.2) |
| HS-SCCH_1 E_c/I_{or} | dB | -15 (using STTD) |
| DPCH E_c/I_{or} | dB | -10 (using STTD) |
| Precoding weight set restriction | - | Disabled |
| Maximum number of H-ARQ transmission | - | 1 |
| Number of HS-SCCH set to be monitored | - | 1 |
| CQI feedback cycle | ms | 2 |
| CQI repetition factor | - | 1 |
| PCI/CQI reporting Error Rate | % | 0 |
| HS-SCCH-1 signalling pattern | - | To incorporate inter-TTI=3 the six sub-frame HS-SCCH-1 signalling pattern shall be "...XOOXOO...", where "X" indicates TTI in which the HS-SCCH-1 uses the identity of the UE under test, and "O" indicates TTI in which the HS-SCCH-1 uses a different UE identity. |
| Propagation Channel | | MIMO dual stream fading conditions |
| <p>NOTE 1: Measurement power offset "I" is configured by RRC accordingly and as defined in [8]</p> <p>NOTE 2: TF for HS-PDSCH is configured for each stream according to the reported CQI statistics. TF for each stream is based on median CQI over all dual transport block CQI reports that are reported together with a PCI report that is matching the precoding matrix embedded in the propagation channel as defined in subclause D.2.9.2. Other physical channel parameters are configured according to the CQI mapping table described in TS25.214. The precoding that shall be used in the transmitter is one randomly picked but fixed precoding matrix for dual transport block transmission out of the set of possible precoding matrices as defined in [5]. The same precoding matrix shall be used to generate the resulting channel coefficients as described for MIMO dual stream conditions in subclause D.2.9.2.</p> <p>NOTE 3: HS-PDSCH E_c/I_{or} is decreased according to reference power adjustment Δ described in TS 25.214</p> <p>NOTE 4: For any given transport format the power of the HS-SCCH and HS-PDSCH shall be transmitted continuously with constant power.</p> <p>NOTE 5: The UE shall be configured in non-64QAM/MIMO mode and use appropriate CQI tables according to TS 25.214.</p> | | |

Table 9.3.7B.2: Minimum requirement for CQI test in MIMO dual stream fading conditions

| Reported CQI | Maximum BLER |
|----------------|--------------|
| | Test 1 |
| CQI median | 60% |
| CQI median + 3 | 15% |

The reference for this requirement is TS 25.101 [1] clause 9.3.4.2.

9.3.7B.3 Test purpose

To verify that when using the TF based on the Median CQI that the BLER for blocks associated with CQI reports of Median CQI is $\leq 60\%$ and that the BLER for blocks associated with CQI reports of Median CQI+3 is $\leq 15\%$.

9.3.7B.4 Method of test

9.3.7B.4.1 Initial conditions

Test environment: normal; see clauses G.2.1 and G.2.2.

Frequencies to be tested: mid range; see clause G.2.4.

- 1) Connect SS, multipath fading simulator and an AWGN noise source to the UE antenna connector as shown in figure A.22.
- 2) Set Ack/Nack handling at the SS such that regardless of the response from the UE (Ack, Nack or DTX) new data is sent each time, this is because HARQ transmissions are set to one, i.e. no re-transmission of failed blocks. The sending of new data means that for each HARQ process the new data indicator bit in the HS-SCCH toggles for consecutive transmissions.
- 3) Setup the fading simulators with fading conditions as described in table D.2.9.2.

9.3.7B.4.2 Procedure

- 1) Set up an HSDPA call with looping back 12.2kbps RMC according to TS 34.108 [3] clause 7.3.6 with the exceptions for information elements listed in table 9.3.7B.3 and exceptions in Annex I, with levels according to table E.5.2. Set test conditions according to test 1 according table 9.3.7B.1. The configuration of the downlink channels is defined in table E.5.2.
- 2) For each stream, the SS shall send TF according to CQI value 7 and keep it regardless of the CQI value sent by the UE. Continue transmission of the HS-PDSCH until 82000 CQI reports have been gathered. In this process the SS collects CQI reports every 2 ms and also cases where UE transmits nothing in its CQI field (CQI0) are counted as CQI reports.
- 3) The stream specific CQI median shall be determined over all dual transport block CQI reports that were reported together with PCI reports matching the precoding matrix embedded in the propagation channel as defined in subclause D.2.9.2. When the reported preferred primary precoding vector is matching with the first column of the precoding matrix embedded in the propagation channel as defined in subclause D.2.9.2, the reported values CQI_1 and CQI_2 shall be used respectively to determine the median CQI values for stream #1 and stream #2 as depicted in Figure D.2.9.2 in subclause D.2.9.2. When the reported preferred primary precoding vector is matching with the second column of the precoding matrix embedded in the propagation channel as defined in subclause D.2.9.2, the reported values CQI_1 and CQI_2 shall be used to determine the median CQI values for stream #2 and stream #1, respectively. Set up a relative frequency distribution for the reported CQI values for each stream. Calculate the median value (Median CQI is the CQI that is at or crosses 50% distribution from the lower CQI side). This CQI-value is declared as Median CQI value for that stream.
- 4) For each stream, the SS shall transmit the TF according to the median-CQI value and shall not react to the UE's reported CQI value. For each stream, for any HSDPA block transmitted by the SS, record the ACK, NACK and statDTX responses, and associate with each response the CQI report that corresponds to the CQI evaluation period in which the end of the HS-PDSCH is received. (See figure 9.3.7B.1 below.)

For each stream, the responses are then filtered as follows: for the sequence of responses for each HARQ process, discard all the statDTX responses. If the number of consecutive discarded statDTX for any one process is an odd number including one, also discard the next response for that HARQ process regardless whether it is an ACK or NACK.

Then, for each stream, filter the responses based on the PCI values. Keep only the responses that have the PCI reports matching the precoding matrix embedded in the propagation channel as defined in subclause D.2.9.2. Continue to gather and filter responses until 1000 filtered responses with $CQI = \text{Median CQI}$ and 1000 filtered responses with $CQI = \text{Median CQI} + 3$ have been collected.

- 5) Measure BLER as described below for each stream.

In the test there are two BLER requirements to be tested:

R1: HSDPA block with corresponding reported $CQI = \text{Median CQI}$ $BLER \leq 60\%$

R2: HSDPA block with corresponding reported $CQI = \text{Median CQI} + 3$ $BLER \leq 15\%$

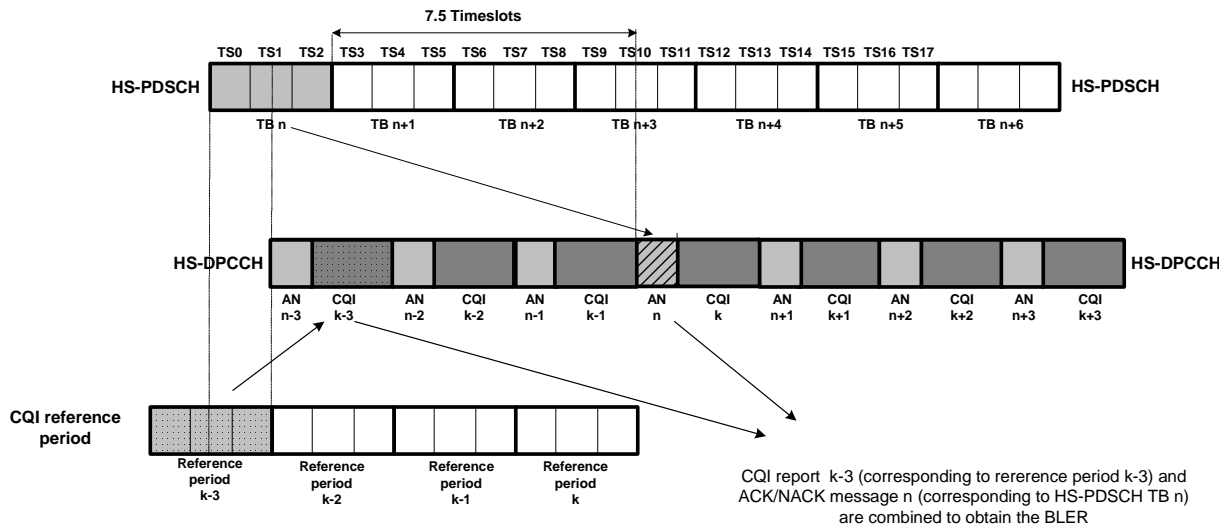


Figure 9.3.7B.1 Combination of ACK/NACK message and the CQI report for BLER calculation

For each set of events R1 and R2 the $BLER = (NACK) / (ACK + NACK)$

Table 9.3.7B.3: Specific Message Contents for MIMO

RADIO BEARER SETUP for HSDPA Test 1

| Information Element | Value/remark |
|--------------------------------------|--------------|
| MIMO parameters | Start 1/1 |
| - MIMO operation | |
| - MIMO N_cqi_typeA/M_cqi ratio | |
| - MIMO pilot configuration | |
| - CHOICE <i>Second CPICH pattern</i> | |
| >Antenna2 P-CPICH | Not Present |
| Precoding weight set restriction | |

9.3.7B.5 Test Requirements

For each stream, the measured BLER shall not exceed values specified in table 9.3.7B.2.

There are no parameters in the test setup or measurement process whose variation impacts the results so there are no applicable test tolerances for this test.

9.3.7C MIMO Dual Stream Fading Conditions - UE categories 19-20

9.3.7C.1 Definition and applicability

The minimum performance requirements of channel quality indicator (CQI) reporting under MIMO dual stream conditions are defined based on a Type A reporting fraction of 100%, i.e. the parameters N_{cqi_typeA} and M_{cqi} (see [5]) are assumed to be both set to 1. The propagation conditions assumed for minimum performance requirements of CQI reporting under MIMO dual stream conditions are defined in subclause D.2.9.2. The precoding used at the transmitter is one randomly picked but fixed precoding matrix for dual transport block transmission out of the set of possible precoding matrices as defined in [5]. The same precoding matrix shall be used to generate the resulting channel coefficients as described for MIMO dual stream conditions in subclause D.2.9.2.

The reporting accuracy of CQI under MIMO dual stream conditions is determined by the BLER performance of two streams of transport blocks using the transport formats indicated by the respective stream specific reported CQI median over all dual transport block CQI reports for each stream that were reported together with PCI reports matching the precoding matrix embedded in the propagation channel as defined in subclause D.2.9.2.

The requirements and this test apply for Release 8 and later for all types of UTRA for the FDD UE that support HSDPA UE capability categories 19 and 20.

9.3.7C.2 Minimum requirements

For the parameters specified in Table 9.3.7C.1, and using the downlink physical channels specified in table E.5.2, the requirements are specified in terms of maximum BLERs at particular reported CQIs for each stream when transmitting a fixed transport format per stream given by the stream specific CQI median as shown in Table 9.3.7C.2. The stream specific CQI median shall be determined over all dual transport block CQI reports that were reported together with PCI reports matching the precoding matrix embedded in the propagation channel as defined in subclause D.2.9.2. When the reported preferred primary precoding vector is matching with the first column of the precoding matrix embedded in the propagation channel as defined in subclause D.2.9.2, the reported values CQI_1 and CQI_2 shall be used respectively to determine the median CQI values for stream #1 and stream #2 as depicted in Figure D.2.9.2 in subclause D.2.9.2. When the reported preferred primary precoding vector is matching with the second column of the precoding matrix embedded in the propagation channel as defined in subclause D.2.9.2, the reported values CQI_1 and CQI_2 shall be used to determine the median CQI values for stream #2 and stream #1, respectively. The stream specific BLER at a particular reported CQI is obtained by associating a particular CQI reference measurement period for all dual transport block CQI reports that were reported together with a PCI report that was matching the precoding matrix embedded in the propagation channel as defined in subclause D.2.9.2 with the two transport blocks of the HS-PDSCH subframe overlapping with the end of this CQI reference measurement period and calculating the fractions of erroneous HS-PDSCH subframes to which the same CQI values were associated.

Table 9.3.7C.1: Test Parameters for CQI test in MIMO dual stream fading conditions

| Parameter | Unit | Test 1 |
|--|--------------|--|
| HS-PDSCH E_c/I_{or} | dB | -2 |
| \hat{I}_{or}/I_{oc} | dB | 10 |
| I_{oc} | dBm/3.84 MHz | -60 |
| Phase reference | - | P-CPICH(E.5.2) |
| HS-SCCH_1 E_c/I_{or} | dB | -15 (using STTD) |
| DPCH E_c/I_{or} | dB | -10 (using STTD) |
| Precoding weight set restriction | - | Disabled |
| Maximum number of H-ARQ transmission | - | 1 |
| Number of HS-SCCH set to be monitored | - | 1 |
| CQI feedback cycle | Ms | 2 |
| CQI repetition factor | - | 1 |
| PCI/CQI reporting Error Rate | % | 0 |
| HS-SCCH-1 signalling pattern | - | To incorporate inter-TTI=3 the six sub-frame HS-SCCH-1 signalling pattern shall be "...XOOXOO...", where "X" indicates TTI in which the HS-SCCH-1 uses the identity of the UE under test, and "O" indicates TTI in which the HS-SCCH-1 uses a different UE identity. |
| Propagation Channel | | MIMO dual stream conditions |
| <p>NOTE 1: Measurement power offset "Γ" is configured by RRC accordingly and as defined in [8]</p> <p>NOTE 2: TF for HS-PDSCH is configured for each stream according to the reported CQI statistics. TF for each stream is based on median CQI over all dual transport block CQI reports that are reported together with a PCI report that is matching the precoding matrix embedded in the propagation channel as defined in subclause D.2.6.2. Other physical channel parameters are configured according to the CQI mapping table described in TS25.214. The precoding that shall be used in the transmitter is one randomly picked but fixed precoding matrix for dual transport block transmission out of the set of possible precoding matrices as defined in [5]. The same precoding matrix shall be used to generate the resulting channel coefficients as described for MIMO dual stream conditions in subclause D.2.6.2.</p> <p>NOTE 3: HS-PDSCH E_c/I_{or} is decreased according to reference power adjustment Δ described in TS 25.214</p> <p>NOTE 4: For any given transport format the power of the HS-SCCH and HS-PDSCH shall be transmitted continuously with constant power.</p> <p>NOTE 5: The UE shall be configured in 64QAM/MIMO mode and use appropriate CQI tables according to TS 25.214.</p> | | |

Table 9.3.7C.2: Minimum requirement for CQI test in MIMO dual stream fading conditions

| Reported CQI | Maximum BLER |
|----------------|--------------|
| | Test 1 |
| CQI median | 60% |
| CQI median + 2 | 15% |

The reference for this requirement is TS 25.101 [1] clause 9.3.4.2.

9.3.7C.3 Test purpose

To verify that when using the TF based on the Median CQI that the BLER for blocks associated with CQI reports of Median CQI is $\leq 60\%$ and that the BLER for blocks associated with CQI reports of Median CQI+2 is $\leq 15\%$.

9.3.7C.4 Method of test

9.3.7C.4.1 Initial conditions

Test environment: normal; see clauses G.2.1 and G.2.2.

Frequencies to be tested: mid range; see clause G.2.4.

1. Connect SS, multipath fading simulator and an AWGN noise source to the UE antenna connector as shown in figure A.22.
2. Set Ack/Nack handling at the SS such that regardless of the response from the UE (Ack, Nack or DTX) new data is sent each time, this is because HARQ transmissions are set to one, i.e. no re-transmission of failed blocks. The sending of new data means that for each HARQ process the new data indicator bit in the HS-SCCH toggles for consecutive transmissions.
3. Setup the fading simulators with fading conditions as described in table D.2.9.2.

9.3.7C.4.2 Procedure

1. Set up an HSDPA call with looping back 12.2kbps RMC according to TS 34.108 [3] clause 7.3.6 with the exceptions for information elements listed in table 9.3.7C.3 and exceptions in Annex I, with levels according to table E.5.2. Set test conditions according to test 1 according table 9.3.7C.1. The configuration of the downlink channels is defined in table E.5.2.
2. For each stream, the SS shall send TF according to CQI value 6 and keep it regardless of the CQI value sent by the UE. Continue transmission of the HS-PDSCH until 82000 CQI reports have been gathered. In this process the SS collects CQI reports every 2 ms and also cases where UE transmits nothing in its CQI field (CQI0) are counted as CQI reports.
3. The stream specific CQI median shall be determined over all dual transport block CQI reports that were reported together with PCI reports matching the precoding matrix embedded in the propagation channel as defined in subclause D.2.9.2. When the reported preferred primary precoding vector is matching with the first column of the precoding matrix embedded in the propagation channel as defined in subclause D.2.9.2, the reported values CQI_1 and CQI_2 shall be used respectively to determine the median CQI values for stream #1 and stream #2 as depicted in Figure D.2.9.2 in subclause D.2.9.2. When the reported preferred primary precoding vector is matching with the second column of the precoding matrix embedded in the propagation channel as defined in subclause D.2.9.2, the reported values CQI_1 and CQI_2 shall be used to determine the median CQI values for stream #2 and stream #1, respectively. Set up a relative frequency distribution for the reported CQI values for each stream. Calculate the median value (Median CQI is the CQI that is at or crosses 50% distribution from the lower CQI side). This CQI-value is declared as Median CQI value for that stream.
4. For each stream, the SS shall transmit the TF according to the median-CQI value and shall not react to the UE's reported CQI value. For each stream, for any HSDPA block transmitted by the SS, record the ACK, NACK and statDTX responses, and associate with each response the CQI report that corresponds to the CQI evaluation period in which the end of the HS-PDSCH is received. (See figure 9.3.7C.1 below.)

For each stream, the responses are then filtered as follows: for the sequence of responses for each HARQ process, discard all the statDTX responses. If the number of consecutive discarded statDTX for any one process is an odd number including one, also discard the next response for that HARQ process regardless whether it is an ACK or NACK.

Then, for each stream, filter the responses based on the PCI values. Keep only the responses that have the PCI reports matching the precoding matrix embedded in the propagation channel as defined in subclause D.2.9.2. Continue to gather and filter responses until 1000 filtered responses with $CQI = \text{Median CQI}$ and 1000 filtered responses with $CQI = \text{Median CQI} + 2$ have been collected.

5. Measure BLER as described below for each stream.

In the test there are two BLER requirements to be tested:

R1: HSDPA block with corresponding reported $CQI = \text{Median CQI}$ $BLER \leq 60\%$

R2: HSDPA block with corresponding reported $CQI = \text{Median CQI} + 2$ $BLER \leq 15\%$

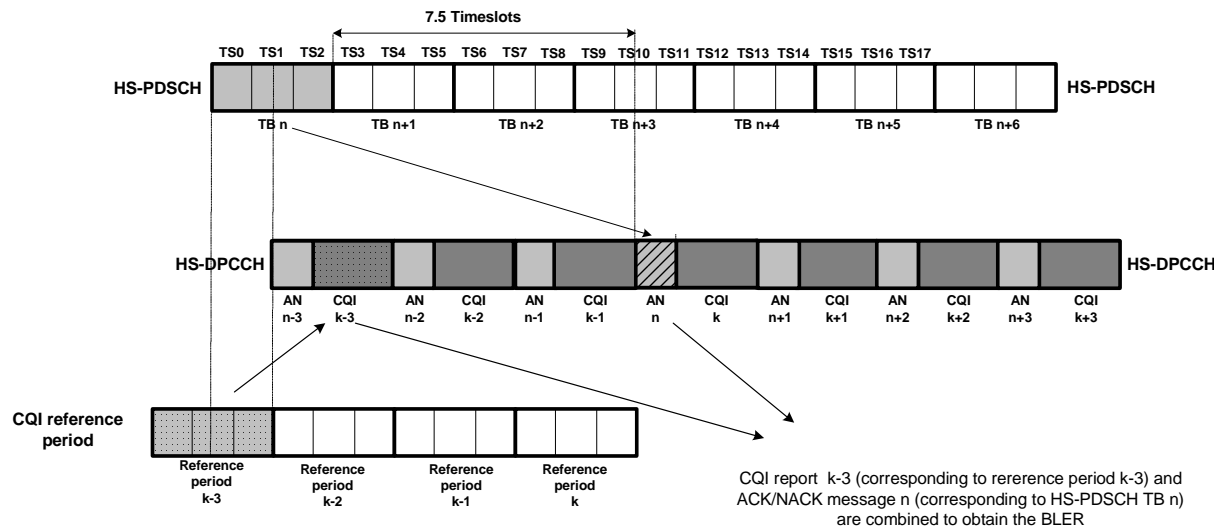


Figure 9.3.7C.1: Combination of ACK/NACK message and the CQI report for BLER calculation

For each set of events R1 and R2 the $BLER = (NACK) / (ACK + NACK)$

RADIO BEARER SETUP for HSDPA Test 1

Table 9.3.7C.3: Specific Message Contents for MIMO

| Information Element | Value/remark |
|-------------------------------------|--------------|
| MIMO parameters | Start 1/1 |
| - MIMO operation | |
| - MIMO N_cqi_typeA/M_cqi ratio | |
| - MIMO pilot configuration | |
| - CHOICE Second CPICH pattern | |
| >Antenna2 P-CPICH | |
| - Precoding weight set restriction | Not Present |

9.3.7C.5 Test Requirements

For each stream, the measured BLER shall not exceed values specified in table 9.3.7C.2.

There are no parameters in the test setup or measurement process whose variation impacts the results so there are no applicable test tolerances for this test.

9.3.7D MIMO Dual Stream Static Orthogonal Conditions - UE categories 15-20

9.3.7D.1 Definition and applicability

The minimum performance requirements of channel quality indicator (CQI) reporting under MIMO dual stream conditions are defined based on a Type A reporting fraction of 100%, i.e. the parameters N_cqi_typeA and M_cqi (see [5]) are assumed to be both set to 1. The propagation conditions assumed for minimum performance requirements of CQI reporting under MIMO dual stream static orthogonal conditions are defined in subclause D.2.9.3. The precoding matrix used in the transmitter shall be one randomly picked but fixed precoding matrix W out of the set defined in equation as defined in [5].

The requirements and this test apply for Release 8 and later for all types of UTRA for the FDD UE that support HSDPA UE capability categories 15 to 20.

9.3.7D.2 Minimum requirements

For the parameters specified in Table 9.3.7D.1, and using the downlink physical channels specified in table E.5.2, the reported CQI value, for each of the streams, shall be in the range of +/-2 of the reported stream specific CQI median more than 90% of the time. The stream specific CQI median shall be determined over all dual transport block CQI reports.

For each of the streams, if the HS-PDSCH BLER using the transport format indicated by the stream specific CQI median is less than or equal to 0.1, the BLER using the transport format indicated by the (stream specific CQI median + 2) shall be greater than 0.1. For each of the streams, if the HS-PDSCH BLER using the transport format indicated by the stream specific CQI median is greater than 0.1, the BLER using transport format indicated by (stream specific CQI median -1) shall be less than or equal to 0.1.

Table 9.3.7D.1: Test Parameters for CQI test in MIMO dual stream static orthogonal conditions

| Parameter | Unit | Test 1 |
|---|--------------|--|
| HS-PDSCH E_c/I_{or} | dB | -2 |
| \hat{I}_{or}/I_{oc} | dB | 10 |
| I_{oc} | dBm/3.84 MHz | -60 |
| Phase reference | - | P-CPICH (E.5.2) |
| HS-SCCH_1 E_c/I_{or} | dB | -15 (using STTD) |
| DPCH E_c/I_{or} | dB | -10(using STTD) |
| Precoding weight set restriction | - | Disabled |
| Maximum number of H-ARQ transmission | - | 1 |
| Number of HS-SCCH set to be monitored | - | 1 |
| CQI feedback cycle | Ms | 2 |
| CQI repetition factor | - | 1 |
| PCI/CQI reporting Error Rate | % | 0 |
| HS-SCCH-1 signalling pattern | - | To incorporate inter-TTI=3 the six sub-frame HS-SCCH-1 signalling pattern shall be "...XOOXOO...", where "X" indicates TTI in which the HS-SCCH-1 uses the identity of the UE under test, and "O" indicates TTI in which the HS-SCCH-1 uses a different UE identity. |
| Propagation Channel | | MIMO dual stream static orthogonal conditions |
| NOTE 1: Measurement power offset "Γ" is configured by RRC accordingly and as defined in [8] | | |
| NOTE 2: HS-PDSCH E_c/I_{or} is decreased according to reference power adjustment Δ described in TS 25.214 | | |
| NOTE 3: For any given transport format the power of the HS-SCCH and HS-PDSCH shall be transmitted continuously with constant power. | | |
| NOTE 4: The UE shall be configured in non-64QAM/non-MIMO mode and use appropriate CQI tables according to TS 25.214. | | |

The reference for this requirement is TS 25.101 [1] clause 9.3.4.3.1

9.3.7D.3 Test purpose

To verify that the variance of the CQI reports when using TF based on CQI 16 is within the limits defined and that a BLER of 10% falls between the TF based on Median CQI-1 and the TF based on Median CQI TF or between the TF based on Median CQI and the TF based on Median CQI+2 for each stream.

9.3.7D.4 Method of test

9.3.7D.4.1 Initial conditions

Test environment: normal; see clauses G.2.1 and G.2.2.

Frequencies to be tested: mid range; see clause G.2.4.

1. Connect SS, multipath fading simulator and an AWGN noise source to the UE antenna connector as shown in figure A.22.
2. Set Ack/Nack handling at the SS such that regardless of the response from the UE (Ack, Nack or DTX) new data is sent each time, this is because HARQ transmissions are set to one, i.e. no re-transmission of failed blocks. The sending of new data means that for each HARQ process the new data indicator bit in the HS-SCCH toggles for consecutive transmissions.

9.3.7D.4.2 Procedure

1. Set up an HSDPA call with looping back 12.2kbps RMC according to TS 34.108 [3] clause 7.3.6 with the exceptions for information elements listed in table 9.3.7D.2 and exceptions in Annex I, with levels according to table E.5.2. Set test conditions according to test 1 according table 9.3.7D.1. The configuration of the downlink channels is defined in table E.5.2.

NOTE: The following part of the procedure will test if the UE reports a limited range of CQI values under the predefined channel conditions.

2. For each stream, the SS shall send TF according to CQI value 7 and keep it regardless of the CQI value sent by the UE. Continue transmission of the HS-PDSCH until 2000 CQI reports have been gathered. In this process the SS collects CQI reports every 2 ms and also cases where UE transmits nothing in its CQI field (CQI0) are counted as CQI reports.
3. Set up a relative frequency distribution for the reported CQI values for each stream. Calculate the median value (Median CQI is the CQI that is at or crosses 50% distribution from the lower CQI side). This CQI-value is declared as Median CQI value for that stream.
4. For each stream, If 1800 or more of the CQI values are in the range $(\text{Median CQI} - 2) \leq \text{Median CQI} \leq (\text{Median CQI} + 2)$ then continue with step 5, otherwise fail the UE.

NOTE: The following part of the procedure will test if BLER versus CQI has the correct sense.

5. For each stream, SS shall transmit the TF according to the median-CQI value and shall not react to the UE's CQI reports. For each stream, for any HSDPA block transmitted by the SS, record the associated ACK, NACK and statDTX responses. The responses are then filtered as follows: for the sequence of responses for each HARQ process, discard all the statDTX responses. If the number of consecutive discarded statDTX for any one process is an odd number including one, also discard the next response for that HARQ process regardless whether it is an ACK or NACK. Continue to gather data until the number of filtered ACK+NACK responses reaches 1000.

For each stream, and for the filtered ACK and NACK responses if the ratio $(\text{NACK} / \text{ACK} + \text{NACK}) < 0.1$ then goto step 6), otherwise goto step 7)

6. The SS shall transmit the TF according to the median-CQI+2 value and shall not react to the UE's CQI reports. For any HSDPA block, transmitted by the SS, record and filter the ACK, NACK and statDTX responses as in step 5 until 1000 filtered ACK+NACK responses are gathered.

If the ratio $(\text{NACK} / \text{ACK} + \text{NACK}) \geq 0.1$

then pass the UE, otherwise fail the UE

7. The SS shall transmit the TF according to the median-CQI-1 value and shall not react to the UE's CQI value. For any HSDPA block, transmitted by the SS, record and filter the ACK, NACK and statDTX responses as in step 5 until 1000 filtered ACK+NACK responses are gathered.

If the ratio $(\text{NACK} / \text{ACK} + \text{NACK}) < 0.1$

then pass the UE, otherwise fail the UE.

NOTE: The statistical selectivity based on 1000 samples is not sufficient to distinguish between BLER < 0.1 and > 0.1. However, it is assumed that the difference between

[true BLER on Median CQI - true BLER on (Median CQI + 2)] and
 [true BLER on Median CQI - true BLER on (Median CQI - 1)]

is large enough to exceed the statistical uncertainty and hence the measurement can indicate the correct sense of BLER.

Table 9.3.7D.2: Specific Message Contents for MIMO

RADIO BEARER SETUP for HSDPA Test 1

| Information Element | Value/remark |
|---------------------------------------|--------------|
| MIMO parameters | |
| - MIMO operation | Start |
| - MIMO N_{cqi_typeA}/M_{cqi} ratio | 1/1 |
| - MIMO pilot configuration | |
| - CHOICE Second CPICH pattern | |
| >Antenna2 P-CPICH | |
| - Precoding weight set restriction | Not Present |

9.3.7D.5 Test Requirements

Pass fail decision is as specified in the test procedure in 9.3.7D.4.2

There are no parameters in the test setup or measurement process whose variation impacts the results so there are no applicable test tolerances for this test.

9.3.7E MIMO Dual Stream Static Orthogonal Conditions - UE categories 19-20

9.3.7E.1 Definition and applicability

The minimum performance requirements of channel quality indicator (CQI) reporting under MIMO dual stream conditions are defined based on a Type A reporting fraction of 100%, i.e. the parameters N_{cqi_typeA} and M_{cqi} (see [5]) are assumed to be both set to 1. The propagation conditions assumed for minimum performance requirements of CQI reporting under MIMO dual stream static orthogonal conditions are defined in subclause D.2.9.3. The precoding matrix used in the transmitter shall be one randomly picked but fixed precoding matrix W out of the set defined in equation as defined in [5].

The requirements and this test apply for Release 8 and later for all types of UTRA for the FDD UE that support HSDPA UE capability categories 19 to 20.

9.3.7E.2 Minimum requirements

For the parameters specified in Table 9.3.7E.1, and using the downlink physical channels specified in table E.5.2, the reported CQI value, for each of the streams, shall be in the range of +/-2 of the reported stream specific CQI median more than 90% of the time. The stream specific CQI median shall be determined over all dual transport block CQI reports.

For each of the streams, if the HS-PDSCH BLER using the transport format indicated by the stream specific CQI median is less than or equal to 0.1, the BLER using the transport format indicated by the (stream specific CQI median + 2) shall be greater than 0.1. For each of the streams, if the HS-PDSCH BLER using the transport format indicated by the stream specific CQI median is greater than 0.1, the BLER using transport format indicated by (stream specific CQI median -1) shall be less than or equal to 0.1.

Table 9.3.7E.1: Test Parameters for CQI test in MIMO dual stream static orthogonal

| Parameter | Unit | Test 1 |
|---|--------------|--|
| HS-PDSCH E_c/I_{or} | dB | -2 |
| \hat{I}_{or}/I_{oc} | dB | 15 |
| I_{oc} | dBm/3.84 MHz | -60 |
| Phase reference | - | P-CPICH (E.5.4D) |
| HS-SCCH_1 E_c/I_{or} | dB | -15 (using STTD) |
| DPCH E_c/I_{or} | dB | -10(using STTD) |
| Precoding weight set restriction | - | Disabled |
| Maximum number of H-ARQ transmission | - | 1 |
| Number of HS-SCCH set to be monitored | - | 1 |
| CQI feedback cycle | Ms | 2 |
| CQI repetition factor | - | 1 |
| PCI/CQI reporting Error Rate | % | 0 |
| HS-SCCH-1 signalling pattern | - | To incorporate inter-TTI=3 the six sub-frame HS-SCCH-1 signalling pattern shall be "...XOOXOO...", where "X" indicates TTI in which the HS-SCCH-1 uses the identity of the UE under test, and "O" indicates TTI in which the HS-SCCH-1 uses a different UE identity. |
| Propagation Channel | | MIMO dual stream static orthogonal conditions |
| NOTE 1: Measurement power offset "T" is configured by RRC accordingly and as defined in [8] | | |
| NOTE 2: HS-PDSCH E_c/I_{or} is decreased according to reference power adjustment Δ described in TS 25.214 | | |
| NOTE 3: For any given transport format the power of the HS-SCCH and HS-PDSCH shall be transmitted continuously with constant power. | | |
| NOTE 4: The UE shall be configured in 64QAM/MIMO mode and use appropriate CQI tables according to TS 25.214. | | |

The reference for this requirement is TS 25.101 [1] clause 9.3.4.3.2

9.3.7E.3 Test purpose

To verify that the variance of the CQI reports when using TF based on CQI 16 is within the limits defined and that a BLER of 10% falls between the TF based on Median CQI-1 and the TF based on Median CQI TF or between the TF based on Median CQI and the TF based on Median CQI+2 for each stream.

9.3.7E.4 Method of test

9.3.7E.4.1 Initial conditions

Test environment: normal; see clauses G.2.1 and G.2.2.

Frequencies to be tested: mid range; see clause G.2.4.

1. Connect SS, multipath fading simulator and an AWGN noise source to the UE antenna connector as shown in figure A.22.
2. Set Ack/Nack handling at the SS such that regardless of the response from the UE (Ack, Nack or DTX) new data is sent each time, this is because HARQ transmissions are set to one, i.e. no re-transmission of failed blocks. The sending of new data means that for each HARQ process the new data indicator bit in the HS-SCCH toggles for consecutive transmissions.

9.3.7E.4.2 Procedure

1. Set up an HSDPA call with looping back 12.2kbps RMC according to TS 34.108 [3] clause 7.3.6 with the exceptions for information elements listed in table 9.3.7E.2 and exceptions in Annex I, with levels according to table E.5.2. Set test conditions according to test 1 according table 9.3.7D.1. The configuration of the downlink channels is defined in table E.5.2.

NOTE: The following part of the procedure will test if the UE reports a limited range of CQI values under the predefined channel conditions.

2. For each stream, the SS shall send TF according to CQI value 6 and keep it regardless of the CQI value sent by the UE. Continue transmission of the HS-PDSCH until 2000 CQI reports have been gathered. In this process the SS collects CQI reports every 2 ms and also cases where UE transmits nothing in its CQI field (CQIO) are counted as CQI reports.
3. Set up a relative frequency distribution for the reported CQI values for each stream. Calculate the median value (Median CQI is the CQI that is at or crosses 50% distribution from the lower CQI side). This CQI-value is declared as Median CQI value for that stream.
4. For each stream, If 1800 or more of the CQI values are in the range $(\text{Median CQI} - 2) \leq \text{Median CQI} \leq (\text{Median CQI} + 2)$ then continue with step 5, otherwise fail the UE.

NOTE: The following part of the procedure will test if BLER versus CQI has the correct sense.

5. For each stream, SS shall transmit the TF according to the median-CQI value and shall not react to the UE's CQI reports. For each stream, for any HSDPA block transmitted by the SS, record the associated ACK, NACK and statDTX responses. The responses are then filtered as follows: for the sequence of responses for each HARQ process, discard all the statDTX responses. If the number of consecutive discarded statDTX for any one process is an odd number including one, also discard the next response for that HARQ process regardless whether it is an ACK or NACK. Continue to gather data until the number of filtered ACK+NACK responses reaches 1000.

For each stream, and for the filtered ACK and NACK responses if the ratio $(\text{NACK} / \text{ACK} + \text{NACK}) < 0.1$ then goto step 6), otherwise goto step 7)

6. The SS shall transmit the TF according to the median-CQI+2 value and shall not react to the UE's CQI reports. For any HSDPA block, transmitted by the SS, record and filter the ACK, NACK and statDTX responses as in step 5 until 1000 filtered ACK+NACK responses are gathered.

If the ratio $(\text{NACK} / \text{ACK} + \text{NACK}) \geq 0.1$

then pass the UE, otherwise fail the UE

7. The SS shall transmit the TF according to the median-CQI-1 value and shall not react to the UE's CQI value. For any HSDPA block, transmitted by the SS, record and filter the ACK, NACK and statDTX responses as in step 5 until 1000 filtered ACK+NACK responses are gathered.

If the ratio $(\text{NACK} / \text{ACK} + \text{NACK}) < 0.1$

then pass the UE, otherwise fail the UE.

NOTE: The statistical selectivity based on 1000 samples is not sufficient to distinguish between $\text{BLER} < 0.1$ and > 0.1 . However, it is assumed that the difference between

[true BLER on Median CQI - true BLER on (Median CQI + 2)] and
[true BLER on Median CQI - true BLER on (Median CQI - 1)]

is large enough to exceed the statistical uncertainty and hence the measurement can indicate the correct sense of BLER.

Table 9.3.7E.2: Specific Message Contents for MIMO

RADIO BEARER SETUP for HSDPA Test 1

| Information Element | Value/remark |
|---------------------------------------|--------------|
| MIMO parameters | |
| - MIMO operation | Start |
| - MIMO N_{cqi_typeA}/M_{cqi} ratio | 1/1 |
| - MIMO pilot configuration | |
| - CHOICE Second CPICH pattern | |
| >Antenna2 P-CPICH | |
| - Precoding weight set restriction | Not Present |

9.3.7E.5 Test Requirements

Pass fail decision is as specified in the test procedure in 9.3.7E.4.2

There are no parameters in the test setup or measurement process whose variation impacts the results so there are no applicable test tolerances for this test.

9.3.7F MIMO Single Stream Fading Conditions - Asymmetric CPICHs**9.3.7F.1 Definition and applicability**

The minimum performance requirements of channel quality indicator (CQI) reporting under MIMO single stream conditions are defined based on a CQI Type A versus Type B reporting ratio of 1/2, i.e. the parameters N_{cqi_typeA} and M_{cqi} (see [5]) are assumed to be set to 1 and 2, respectively. The propagation conditions assumed for minimum performance requirements of CQI reporting under MIMO single stream conditions are defined in subclause D.2.9.1. The precoding used at the transmitter is one randomly picked but fixed precoding vector for single transport block transmission out of the set of possible precoding vectors as defined in [5]. The same precoding vector shall be used to generate the resulting channel coefficients as described for MIMO single stream conditions in subclause D.2.9.1.

The reporting accuracy of CQI under MIMO single stream conditions is determined by the BLER performance when transmitting with a transport format indicated by the reported CQI median determined over all single transport block Type A CQI reports and all Type B CQI reports that were reported together with PCI reports matching the precoding vector embedded in the propagation channel as defined in subclause D.2.9.1.

The requirements and this test apply to Release 10 and later releases for all types of UTRA for FDD UE that support HSDPA UE capability categories 15-20.

NOTE: This test case can be optionally tested for Rel-7 and onward UE's supporting MIMO feature.

9.3.7F.2 Minimum requirements

For the parameters specified in Table 9.3.7F.1, and using the downlink physical channels specified in table E.5.4D, the requirements are specified in terms of maximum BLERs at particular reported CQIs when transmitting a fixed transport format given by the CQI median as shown in Table 9.3.7F.2. The CQI median shall be determined over all single transport block Type A CQI reports and all Type B CQI reports that were reported together with PCI reports matching the precoding vector embedded in the propagation channel as defined in subclause D.2.9.1. The BLER at a particular reported CQI is obtained by associating a particular CQI reference measurement period for all single transport block Type A CQI reports and all Type B CQI reports that were reported together with PCI reports matching the precoding vector embedded in the propagation channel as defined in subclause D.2.9.1 with the HS-PDSCH subframe overlapping with the end of this CQI reference measurement period and calculating the fraction of erroneous HS-PDSCH subframes to which the same CQI value was associated.

Table 9.3.7F.1: Test Parameters for CQI test in MIMO single stream fading conditions

| Parameter | Unit | Test 1 |
|--|--------------|--|
| HS-PDSCH E_c/I_{or} | dB | -2.23 |
| \hat{I}_{or}/I_{oc} | dB | 6 |
| I_{oc} | dBm/3.84 MHz | -60 |
| Phase reference | - | P-CPICH/S-CPICH (E.5.4D) |
| HS-SCCH_1 E_c/I_{or} | dB | -15 (without STTD) |
| DPCH E_c/I_{or} | dB | -10 (without STTD) |
| Precoding weight set restriction | - | Enabled |
| Maximum number of H-ARQ transmission | - | 1 |
| Number of HS-SCCH set to be monitored | - | 1 |
| CQI feedback cycle | ms | 2 |
| CQI repetition factor | - | 1 |
| PCI/CQI reporting Error Rate | % | 0 |
| HS-SCCH-1 signalling pattern | - | To incorporate inter-TTI=3 the six sub-frame HS-SCCH-1 signalling pattern shall be "...XOOXOO...", where "X" indicates TTI in which the HS-SCCH-1 uses the identity of the UE under test, and "O" indicates TTI in which the HS-SCCH-1 uses a different UE identity. |
| Propagation Channel | | MIMO single stream fading conditions |
| <p>NOTE 1: Measurement power offset "Γ" is configured by RRC accordingly and as defined in [8]</p> <p>NOTE 2: TF for HS-PDSCH is configured according to the reported CQI statistics. TF based on median CQI over all single transport block Type A CQI reports and all Type B CQI reports that were reported together with PCI reports matching the precoding vector embedded in the propagation channel as defined in subclause D.2.9.1 is used. Other physical channel parameters are configured according to the CQI mapping table described in TS25.214. The precoding that shall be used in the transmitter is one randomly picked but fixed precoding vector for single transport block transmission out of the set of possible precoding vectors as defined in [5]. The same precoding vector shall be used to generate the resulting channel coefficients as described for MIMO single stream conditions in subclause D.2.9.1.</p> <p>NOTE 3: HS-PDSCH E_c/I_{or} is decreased according to reference power adjustment Δ described in TS 25.214</p> <p>NOTE 4: For any given transport format the power of the HS-SCCH and HS-PDSCH shall be transmitted continuously with constant power.</p> <p>NOTE 5: The UE shall be configured in non-64QAM/MIMO mode and use appropriate CQI tables according to TS 25.214.</p> | | |

Table 9.3.7F.2: Minimum requirement for CQI test in MIMO single stream conditions

| Reported CQI | Maximum BLER |
|----------------|--------------|
| | Test 1 |
| CQI median | 60% |
| CQI median + 3 | 15% |

The reference for this requirement is TS 25.101 [1] clause 9.3.4.1.

9.3.7F.3 Test purpose

To verify that when using the TF based on the Median CQI that the BLER for blocks associated with CQI reports of Median CQI is $\leq 60\%$ and that the BLER for blocks associated with CQI reports of Median CQI+3 is $\leq 15\%$.

9.3.7F.4 Method of test

9.3.7F.4.1 Initial conditions

Test environment: normal; see clauses G.2.1 and G.2.2.

Frequencies to be tested: mid range; see clause G.2.4.

- 1) Connect SS, multipath fading simulator and an AWGN noise source to the UE antenna connector as shown in figure A.22.
- 2) Set Ack/Nack handling at the SS such that regardless of the response from the UE (Ack, Nack or DTX) new data is sent each time, this is because HARQ transmissions are set to one, i.e. no re-transmission of failed blocks. The sending of new data means that for each HARQ process the new data indicator bit in the HS-SCCH toggles for consecutive transmissions.
- 3) Setup the fading simulators with fading conditions as described in table D.2.9.1.

9.3.7F.4.2 Procedure

- 1) Set up an HSDPA call with looping back 12.2kbps RMC according to TS 34.108 [3] clause 7.3.6 with the exceptions for information elements listed in table 9.3.7F.3 and exceptions in Annex I, with levels according to table E.5.4D. Set test conditions according to test 1 according table 9.3.7F.1. The configuration of the downlink channels is defined in table E.5.4D.
- 2) The SS shall send TF according to CQI value 16 and keep it regardless of the CQI value sent by the UE. Continue transmission of the HS-PDSCH until 82000 CQI reports have been gathered. In this process the SS collects CQI reports every 2 ms and also cases where UE transmits nothing in its CQI field (CQI0) are counted as CQI reports.
- 3) Set up a relative frequency distribution for the reported CQI values that were reported together with PCI reports matching the precoding vector embedded in the propagation channel as defined in subclause D.2.9.1. Calculate the median value (Median CQI is the CQI that is at or crosses 50% distribution from the lower CQI side). This CQI-value is declared as Median CQI value.
- 4) The SS shall transmit the TF according to the median-CQI value and shall not react to the UE's reported CQI value. For any HSDPA block transmitted by the SS, record the ACK, NACK and statDTX responses, and associate with each response the CQI report that corresponds to the CQI evaluation period in which the end of the HS-PDSCH is received. (See figure 9.3.7F.1 below.)

The responses are then filtered as follows: for the sequence of responses for each HARQ process, discard all the statDTX responses. If the number of consecutive discarded statDTX for any one process is an odd number including one, also discard the next response for that HARQ process regardless whether it is an ACK or NACK. Then filter the responses based on the PCI values. Keep only the responses that have the PCI reports matching the precoding vector embedded in the propagation channel as defined in subclause D.2.9.1. Continue to gather and filter responses until 1000 filtered responses with $CQI = \text{Median CQI}$ and 1000 filtered responses with $CQI = \text{Median CQI} + 3$ have been collected.

- 5) Measure BLER as described below.

In the test there are two BLER requirements to be tested:

- R1: HSDPA block with corresponding reported CQI = Median CQI BLER ≤ 60%
- R2: HSDPA block with corresponding reported CQI = Median CQI + 3 BLER ≤ 15%

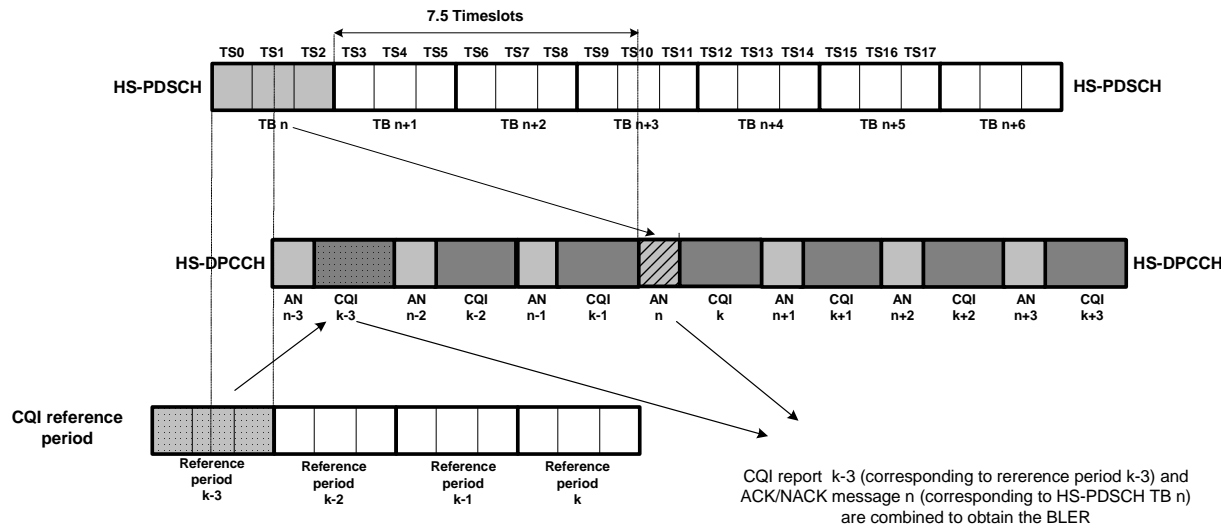


Figure 9.3.7F.1: Combination of ACK/NACK message and the CQI report for BLER calculation

For each set of events R1 and R2 the $BLER = (NACK) / (ACK + NACK)$

Table 9.3.7F.3: Specific Message Contents for MIMO

RADIO BEARER SETUP for HSDPA Test 1

| Information Element | Value/remark |
|--------------------------------------|--------------|
| MIMO parameters | Start 1/2 |
| - MIMO operation | |
| - MIMO N_cqi_typeA/M_cqi ratio | |
| - MIMO pilot configuration | |
| - CHOICE <i>Second CPICH pattern</i> | |
| >Antenna1 S-CPICH | |
| >> Channelisation code | 13 |
| >> Power Offset for S-CPICH for MIMO | -3 |
| - Precoding weight set restriction | TRUE |

9.3.7F.5 Test Requirements

The measured BLER shall not exceed values specified in table 9.3.7F.2.

There are no parameters in the test setup or measurement process whose variation impacts the results so there are no applicable test tolerances for this test.

9.3.7G MIMO Dual Stream Fading Conditions- Asymmetric CPICHs

9.3.7G.1 Definition and applicability

The minimum performance requirements of channel quality indicator (CQI) reporting under MIMO dual stream conditions are defined based on a Type A reporting fraction of 100%, i.e. the parameters N_cqi_typeA and M_cqi (see [5]) are assumed to be both set to 1. The propagation conditions assumed for minimum performance requirements of CQI reporting under MIMO dual stream conditions are defined in subclause D.2.9.2. The precoding used at the transmitter is one randomly picked but fixed precoding matrix for dual transport block transmission out of the set of possible precoding matrices as defined in [5]. The same precoding matrix shall be used to generate the resulting channel coefficients as described for MIMO dual stream conditions in subclause D.2.9.2.

The reporting accuracy of CQI under MIMO dual stream conditions is determined by the BLER performance of two streams of transport blocks using the transport formats indicated by the respective stream specific reported CQI median over all dual transport block CQI reports for each stream that were reported together with PCI reports matching the precoding matrix embedded in the propagation channel as defined in subclause D.2.9.2.

The requirements and this test apply to Release 10 and later releases for all types of UTRA for FDD UE that support HSDPA UE capability categories 15-20.

NOTE: This test case can be optionally tested for Rel-7 and onward UE's supporting MIMO feature.

9.3.7G.2 Minimum requirements

For the parameters specified in Table 9.3.7G.1, and using the downlink physical channels specified in Table E.5.4D, the requirements are specified in terms of maximum BLERs at particular reported CQIs for each stream when transmitting a fixed transport format per stream given by the stream specific CQI median as shown in Table 9.3.7G.2. The stream specific CQI median shall be determined over all dual transport block CQI reports that were reported together with PCI reports matching the precoding matrix embedded in the propagation channel as defined in subclause D.2.9.2. When the reported preferred primary precoding vector is matching with the first column of the precoding matrix embedded in the propagation channel as defined in subclause D.2.9.2, the reported values CQI_1 and CQI_2 shall be used respectively to determine the median CQI values for stream #1 and stream #2 as depicted in Figure D.2.9.2 in subclause D.2.9.2. When the reported preferred primary precoding vector is matching with the second column of the precoding matrix embedded in the propagation channel as defined in subclause D.2.9.2, the reported values CQI_1 and CQI_2 shall be used to determine the median CQI values for stream #2 and stream #1, respectively. The stream specific BLER at a particular reported CQI is obtained by associating a particular CQI reference measurement period for all dual transport block CQI reports that were reported together with a PCI report that was matching the precoding matrix embedded in the propagation channel as defined in subclause D.2.9.2 with the two transport blocks of the HS-PDSCH subframe overlapping with the end of this CQI reference measurement period and calculating the fractions of erroneous HS-PDSCH subframes to which the same CQI values were associated.

Table 9.3.7G.1: Test Parameters for CQI test in MIMO dual stream fading conditions

| Parameter | Unit | Test 1 |
|---|--------------|--|
| HS-PDSCH E_c/I_{or} | dB | -2.23 |
| \hat{I}_{or}/I_{oc} | dB | 10 |
| I_{oc} | dBm/3.84 MHz | -60 |
| Phase reference | - | P-CPICH/S-CPICH (Table E.5.4D) |
| HS-SCCH_1 E_c/I_{or} | dB | -15 (without STTD) |
| DPCH E_c/I_{or} | dB | -10 (without STTD) |
| Precoding weight set restriction | - | Enabled |
| Maximum number of H-ARQ transmission | - | 1 |
| Number of HS-SCCH set to be monitored | - | 1 |
| CQI feedback cycle | ms | 2 |
| CQI repetition factor | - | 1 |
| PCI/CQI reporting Error Rate | % | 0 |
| HS-SCCH-1 signalling pattern | - | To incorporate inter-TTI=3 the six sub-frame HS-SCCH-1 signalling pattern shall be "...XOOXOO...", where "X" indicates TTI in which the HS-SCCH-1 uses the identity of the UE under test, and "O" indicates TTI in which the HS-SCCH-1 uses a different UE identity. |
| Propagation Channel | | MIMO dual stream fading conditions |
| <p>NOTE 1: Measurement power offset "Γ" is configured by RRC accordingly and as defined in [8]</p> <p>NOTE 2: TF for HS-PDSCH is configured for each stream according to the reported CQI statistics. TF for each stream is based on median CQI over all dual transport block CQI reports that are reported together with a PCI report that is matching the precoding matrix embedded in the propagation channel as defined in subclause D.2.9.2. Other physical channel parameters are configured according to the CQI mapping table described in TS25.214. The precoding that shall be used in the transmitter is one randomly picked but fixed precoding matrix for dual transport block transmission out of the set of possible precoding matrices as defined in [5]. The same precoding matrix shall be used to generate the resulting channel coefficients as described for MIMO dual stream conditions in subclause D.2.9.2.</p> <p>NOTE 3: HS-PDSCH E_c/I_{or} is decreased according to reference power adjustment Δ described in TS 25.214</p> <p>NOTE 4: For any given transport format the power of the HS-SCCH and HS-PDSCH shall be transmitted continuously with constant power.</p> <p>NOTE 5:: The UE shall be configured in non-64QAM/MIMO mode and use appropriate CQI tables according to TS 25.214.</p> | | |

Table 9.3.7G.2: Minimum requirement for CQI test in MIMO dual stream fading conditions

| Reported CQI | Maximum BLER |
|----------------|--------------|
| | Test 1 |
| CQI median | 60% |
| CQI median + 3 | 15% |

The reference for this requirement is TS 25.101 [1] clause 9.3.4.2.

9.3.7G.3 Test purpose

To verify that when using the TF based on the Median CQI that the BLER for blocks associated with CQI reports of Median CQI is $\leq 60\%$ and that the BLER for blocks associated with CQI reports of Median CQI+3 is $\leq 15\%$.

9.3.7G.4 Method of test

9.3.7G.4.1 Initial conditions

Test environment: normal; see clauses G.2.1 and G.2.2.

Frequencies to be tested: mid range; see clause G.2.4.

- 1) Connect SS, multipath fading simulator and an AWGN noise source to the UE antenna connector as shown in figure A.22.
- 2) Set Ack/Nack handling at the SS such that regardless of the response from the UE (Ack, Nack or DTX) new data is sent each time, this is because HARQ transmissions are set to one, i.e. no re-transmission of failed blocks. The sending of new data means that for each HARQ process the new data indicator bit in the HS-SCCH toggles for consecutive transmissions.
- 3) Setup the fading simulators with fading conditions as described in table D.2.9.2.

9.3.7G.4.2 Procedure

- 1) Set up an HSDPA call with looping back 12.2kbps RMC according to TS 34.108 [3] clause 7.3.6 with the exceptions for information elements listed in table 9.3.7G.3 and exceptions in Annex I, with levels according to table E.5.4D. Set test conditions according to test 1 according table 9.3.7G.1. The configuration of the downlink channels is defined in table E.5.4D.
- 2) For each stream, the SS shall send TF according to CQI value 7 and keep it regardless of the CQI value sent by the UE. Continue transmission of the HS-PDSCH until 82000 CQI reports have been gathered. In this process the SS collects CQI reports every 2 ms and also cases where UE transmits nothing in its CQI field (CQI0) are counted as CQI reports.
- 3) The stream specific CQI median shall be determined over all dual transport block CQI reports that were reported together with PCI reports matching the precoding matrix embedded in the propagation channel as defined in subclause D.2.9.2. When the reported preferred primary precoding vector is matching with the first column of the precoding matrix embedded in the propagation channel as defined in subclause D.2.9.2, the reported values CQI_1 and CQI_2 shall be used respectively to determine the median CQI values for stream #1 and stream #2 as depicted in Figure D.2.9.2 in subclause D.2.9.2. When the reported preferred primary precoding vector is matching with the second column of the precoding matrix embedded in the propagation channel as defined in subclause D.2.9.2, the reported values CQI_1 and CQI_2 shall be used to determine the median CQI values for stream #2 and stream #1, respectively. Set up a relative frequency distribution for the reported CQI values for each stream. Calculate the median value (Median CQI is the CQI that is at or crosses 50% distribution from the lower CQI side). This CQI-value is declared as Median CQI value for that stream.
- 4) For each stream, the SS shall transmit the TF according to the median-CQI value and shall not react to the UE's reported CQI value. For each stream, for any HSDPA block transmitted by the SS, record the ACK, NACK and statDTX responses, and associate with each response the CQI report that corresponds to the CQI evaluation period in which the end of the HS-PDSCH is received. (See figure 9.3.7G.1 below.)

For each stream, the responses are then filtered as follows: for the sequence of responses for each HARQ process, discard all the statDTX responses. If the number of consecutive discarded statDTX for any one process is an odd number including one, also discard the next response for that HARQ process regardless whether it is an ACK or NACK.

Then, for each stream, filter the responses based on the PCI values. Keep only the responses that have the PCI reports matching the precoding matrix embedded in the propagation channel as defined in subclause D.2.9.2. Continue to gather and filter responses until 1000 filtered responses with $CQI = \text{Median CQI}$ and 1000 filtered responses with $CQI = \text{Median CQI} + 3$ have been collected.

- 5) Measure BLER as described below for each stream.

In the test there are two BLER requirements to be tested:

R1: HSDPA block with corresponding reported CQI = Median CQI BLER \leq 60%

R2: HSDPA block with corresponding reported CQI = Median CQI + 3 BLER \leq 15%

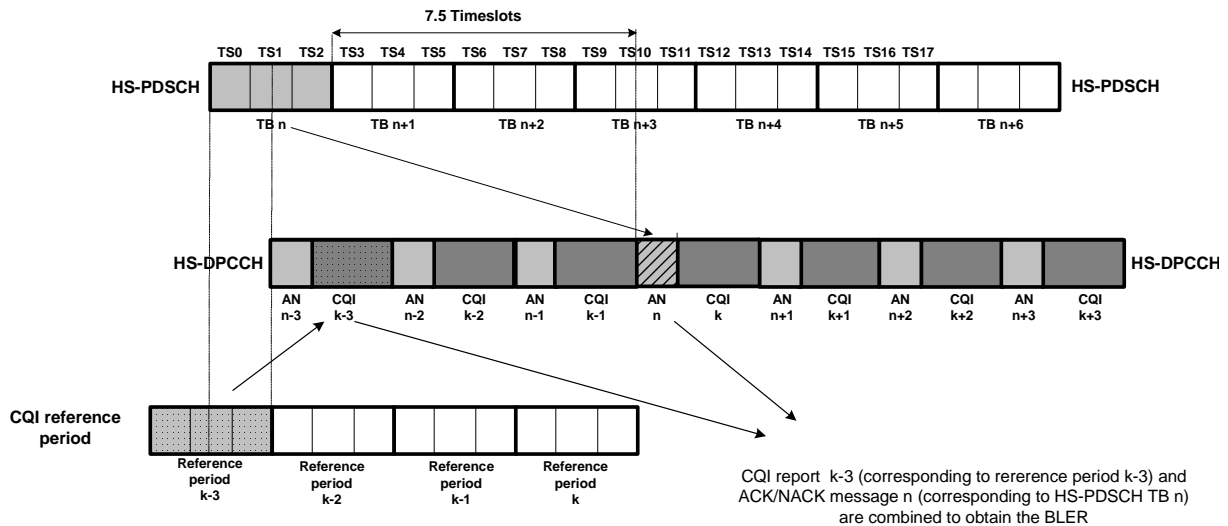


Figure 9.3.7G.1: Combination of ACK/NACK message and the CQI report for BLER calculation

For each set of events R1 and R2 the $BLER = (NACK) / (ACK + NACK)$

Table 9.3.7G.3: Specific Message Contents for MIMO

RADIO BEARER SETUP for HSDPA Test 1

| Information Element | Value/remark |
|---------------------------------------|--------------|
| MIMO parameters | |
| - MIMO operation | Start |
| - MIMO N_{cqi_typeA}/M_{cqi} ratio | 1/1 |
| - MIMO pilot configuration | |
| - CHOICE <i>Second CPICH pattern</i> | |
| >Antenna1 S-CPICH | |
| >> Channelisation code | 13 |
| >> Power Offset for S-CPICH for MIMO | -3 |
| - Precoding weight set restriction | TRUE |

9.3.7G.5 Test Requirements

For each stream, the measured BLER shall not exceed values specified in table 9.3.7G.2.

There are no parameters in the test setup or measurement process whose variation impacts the results so there are no applicable test tolerances for this test.

9.3.7H MIMO Dual Stream Fading Conditions - UE categories 19-20 - Asymmetric CPICHs

9.3.7H.1 Definition and applicability

The minimum performance requirements of channel quality indicator (CQI) reporting under MIMO dual stream conditions are defined based on a Type A reporting fraction of 100%, i.e. the parameters N_{cqi_typeA} and M_{cqi} (see [5]) are assumed to be both set to 1. The propagation conditions assumed for minimum performance requirements of CQI reporting under MIMO dual stream conditions are defined in subclause D.2.9.2. The precoding used at the transmitter is one randomly picked but fixed precoding matrix for dual transport block transmission out of the set of possible precoding matrices as defined in [5]. The same precoding matrix shall be used to generate the resulting channel coefficients as described for MIMO dual stream conditions in subclause D.2.9.2.

The reporting accuracy of CQI under MIMO dual stream conditions is determined by the BLER performance of two streams of transport blocks using the transport formats indicated by the respective stream specific reported CQI median over all dual transport block CQI reports for each stream that were reported together with PCI reports matching the precoding matrix embedded in the propagation channel as defined in subclause D.2.9.2.

The requirements and this test apply for Release 10 and later for all types of UTRA for the FDD UE that support HSDPA UE capability categories 19 and 20.

NOTE: This test case can be optionally tested for Rel-8 and onward UE's supporting MIMO feature.

9.3.7H.2 Minimum requirements

For the parameters specified in Table 9.3.7H.1, and using the downlink physical channels specified in table E.5.4D, the requirements are specified in terms of maximum BLERs at particular reported CQIs for each stream when transmitting a fixed transport format per stream given by the stream specific CQI median as shown in Table 9.3.7H.2. The stream specific CQI median shall be determined over all dual transport block CQI reports that were reported together with PCI reports matching the precoding matrix embedded in the propagation channel as defined in subclause D.2.9.2. When the reported preferred primary precoding vector is matching with the first column of the precoding matrix embedded in the propagation channel as defined in subclause D.2.9.2, the reported values CQI_1 and CQI_2 shall be used respectively to determine the median CQI values for stream #1 and stream #2 as depicted in Figure D.2.9.2 in subclause D.2.9.2. When the reported preferred primary precoding vector is matching with the second column of the precoding matrix embedded in the propagation channel as defined in subclause D.2.9.2, the reported values CQI_1 and CQI_2 shall be used to determine the median CQI values for stream #2 and stream #1, respectively. The stream specific BLER at a particular reported CQI is obtained by associating a particular CQI reference measurement period for all dual transport block CQI reports that were reported together with a PCI report that was matching the precoding matrix embedded in the propagation channel as defined in subclause D.2.9.2 with the two transport blocks of the HS-PDSCH subframe overlapping with the end of this CQI reference measurement period and calculating the fractions of erroneous HS-PDSCH subframes to which the same CQI values were associated.

Table 9.3.7H.1: Test Parameters for CQI test in MIMO dual stream fading conditions

| Parameter | Unit | Test 1 |
|--|--------------|--|
| HS-PDSCH E_c/I_{or} | dB | -2.23 |
| \hat{I}_{or}/I_{oc} | dB | 10 |
| I_{oc} | dBm/3.84 MHz | -60 |
| Phase reference | - | P-CPICH/S-CPICH (E.5.4D) |
| HS-SCCH_1 E_c/I_{or} | dB | -15 (without STTD) |
| DPCH E_c/I_{or} | dB | -10 (without STTD) |
| Precoding weight set restriction | - | Enabled |
| Maximum number of H-ARQ transmission | - | 1 |
| Number of HS-SCCH set to be monitored | - | 1 |
| CQI feedback cycle | Ms | 2 |
| CQI repetition factor | - | 1 |
| PCI/CQI reporting Error Rate | % | 0 |
| HS-SCCH-1 signalling pattern | - | To incorporate inter-TTI=3 the six sub-frame HS-SCCH-1 signalling pattern shall be "...XOOXOO...", where "X" indicates TTI in which the HS-SCCH-1 uses the identity of the UE under test, and "O" indicates TTI in which the HS-SCCH-1 uses a different UE identity. |
| Propagation Channel | | MIMO dual stream conditions |
| <p>NOTE 1: Measurement power offset "Γ" is configured by RRC accordingly and as defined in [8]</p> <p>NOTE 2: TF for HS-PDSCH is configured for each stream according to the reported CQI statistics. TF for each stream is based on median CQI over all dual transport block CQI reports that are reported together with a PCI report that is matching the precoding matrix embedded in the propagation channel as defined in subclause D.2.6.2. Other physical channel parameters are configured according to the CQI mapping table described in TS25.214. The precoding that shall be used in the transmitter is one randomly picked but fixed precoding matrix for dual transport block transmission out of the set of possible precoding matrices as defined in [5]. The same precoding matrix shall be used to generate the resulting channel coefficients as described for MIMO dual stream conditions in subclause D.2.6.2.</p> <p>NOTE 3: HS-PDSCH E_c/I_{or} is decreased according to reference power adjustment Δ described in TS 25.214</p> <p>NOTE 4: For any given transport format the power of the HS-SCCH and HS-PDSCH shall be transmitted continuously with constant power.</p> <p>NOTE 5: The UE shall be configured in 64QAM/MIMO mode and use appropriate CQI tables according to TS 25.214.</p> | | |

Table 9.3.7H.2: Minimum requirement for CQI test in MIMO dual stream fading conditions

| Reported CQI | Maximum BLER |
|----------------|--------------|
| | Test 1 |
| CQI median | 60% |
| CQI median + 2 | 15% |

The reference for this requirement is TS 25.101 [1] clause 9.3.4.2.

9.3.7H.3 Test purpose

To verify that when using the TF based on the Median CQI that the BLER for blocks associated with CQI reports of Median CQI is $\leq 60\%$ and that the BLER for blocks associated with CQI reports of Median CQI+2 is $\leq 15\%$.

9.3.7H.4 Method of test

9.3.7H.4.1 Initial conditions

Test environment: normal; see clauses G.2.1 and G.2.2.

Frequencies to be tested: mid range; see clause G.2.4.

1. Connect SS, multipath fading simulator and an AWGN noise source to the UE antenna connector as shown in figure A.22.
2. Set Ack/Nack handling at the SS such that regardless of the response from the UE (Ack, Nack or DTX) new data is sent each time, this is because HARQ transmissions are set to one, i.e. no re-transmission of failed blocks. The sending of new data means that for each HARQ process the new data indicator bit in the HS-SCCH toggles for consecutive transmissions.
3. Setup the fading simulators with fading conditions as described in table D.2.9.2.

9.3.7H.4.2 Procedure

1. Set up an HSDPA call with looping back 12.2kbps RMC according to TS 34.108 [3] clause 7.3.6 with the exceptions for information elements listed in table 9.3.7H.3 and exceptions in Annex I, with levels according to table E.5.4D. Set test conditions according to test 1 according table 9.3.7H.1. The configuration of the downlink channels is defined in table E.5.4D.
2. For each stream, the SS shall send TF according to CQI value 6 and keep it regardless of the CQI value sent by the UE. Continue transmission of the HS-PDSCH until 82000 CQI reports have been gathered. In this process the SS collects CQI reports every 2 ms and also cases where UE transmits nothing in its CQI field (CQI0) are counted as CQI reports.
3. The stream specific CQI median shall be determined over all dual transport block CQI reports that were reported together with PCI reports matching the precoding matrix embedded in the propagation channel as defined in subclause D.2.9.2. When the reported preferred primary precoding vector is matching with the first column of the precoding matrix embedded in the propagation channel as defined in subclause D.2.9.2, the reported values CQI_1 and CQI_2 shall be used respectively to determine the median CQI values for stream #1 and stream #2 as depicted in Figure D.2.9.2 in subclause D.2.9.2. When the reported preferred primary precoding vector is matching with the second column of the precoding matrix embedded in the propagation channel as defined in subclause D.2.9.2, the reported values CQI_1 and CQI_2 shall be used to determine the median CQI values for stream #2 and stream #1, respectively. Set up a relative frequency distribution for the reported CQI values for each stream. Calculate the median value (Median CQI is the CQI that is at or crosses 50% distribution from the lower CQI side). This CQI-value is declared as Median CQI value for that stream.
4. For each stream, the SS shall transmit the TF according to the median-CQI value and shall not react to the UE's reported CQI value. For each stream, for any HSDPA block transmitted by the SS, record the ACK, NACK and statDTX responses, and associate with each response the CQI report that corresponds to the CQI evaluation period in which the end of the HS-PDSCH is received. (See figure 9.3.7H.1 below.)

For each stream, the responses are then filtered as follows: for the sequence of responses for each HARQ process, discard all the statDTX responses. If the number of consecutive discarded statDTX for any one process is an odd number including one, also discard the next response for that HARQ process regardless whether it is an ACK or NACK.

Then, for each stream, filter the responses based on the PCI values. Keep only the responses that have the PCI reports matching the precoding matrix embedded in the propagation channel as defined in subclause D.2.9.2. Continue to gather and filter responses until 1000 filtered responses with $CQI = \text{Median CQI}$ and 1000 filtered responses with $CQI = \text{Median CQI} + 2$ have been collected.

5. Measure BLER as described below for each stream.

In the test there are two BLER requirements to be tested:

R1: HSDPA block with corresponding reported $CQI = \text{Median CQI}$ $BLER \leq 60\%$

R2: HSDPA block with corresponding reported $CQI = \text{Median CQI} + 2$ $BLER \leq 15\%$

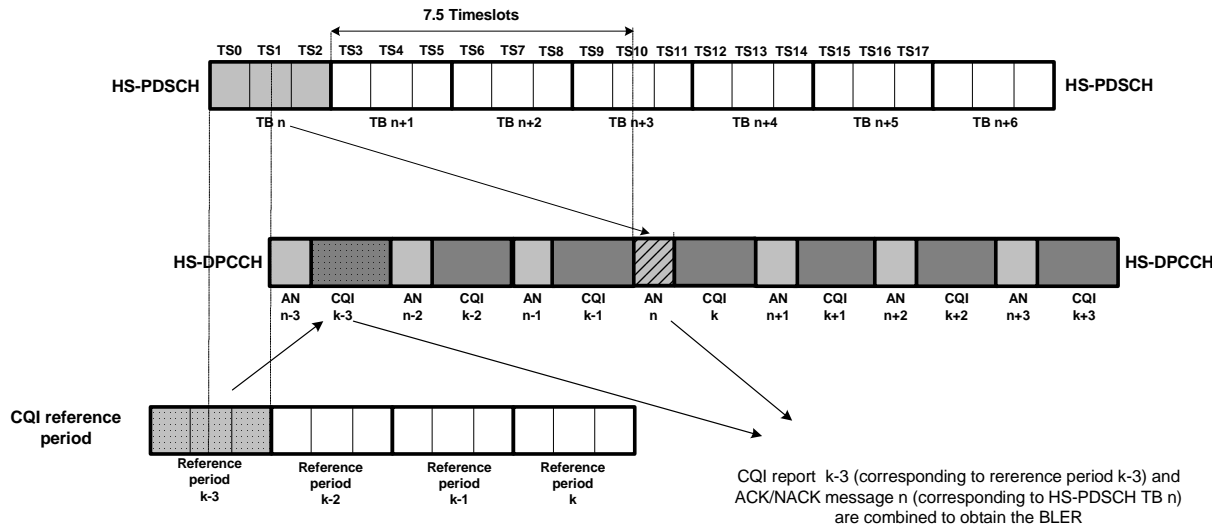


Figure 9.3.7H.1: Combination of ACK/NACK message and the CQI report for BLER calculation

For each set of events R1 and R2 the $BLER = (NACK) / (ACK + NACK)$

RADIO BEARER SETUP for HSDPA Test 1

Table 9.3.7H.3: Specific Message Contents for MIMO

| Information Element | Value/remark |
|--------------------------------------|--------------|
| MIMO parameters | Start |
| - MIMO operation | 1/1 |
| - MIMO N_cqi_typeA/M_cqi ratio | |
| - MIMO pilot configuration | |
| - CHOICE <i>Second CPICH pattern</i> | |
| >Antenna1 S-CPICH | |
| >> Channelisation code | 13 |
| >> Power Offset for S-CPICH for MIMO | -3 |
| - Precoding weight set restriction | TRUE |

9.3.7H.5 Test Requirements

For each stream, the measured BLER shall not exceed values specified in table 9.3.7H.2.

There are no parameters in the test setup or measurement process whose variation impacts the results so there are no applicable test tolerances for this test.

9.3.7I MIMO Dual Stream Static Orthogonal Conditions - UE categories 15-20 - Asymmetric CPICHs

9.3.7I.1 Definition and applicability

The minimum performance requirements of channel quality indicator (CQI) reporting under MIMO dual stream conditions are defined based on a Type A reporting fraction of 100%, i.e. the parameters N_cqi_typeA and M_cqi (see [5]) are assumed to be both set to 1. The propagation conditions assumed for minimum performance requirements of CQI reporting under MIMO dual stream static orthogonal conditions are defined in subclause D.2.9.3. The precoding matrix used in the transmitter shall be one randomly picked but fixed precoding matrix W_{out} of the set defined in equation as defined in [5].

The requirements and this test apply for Release 10 and later for all types of UTRA for the FDD UE that support HSDPA UE capability categories 15 to 20.

NOTE: This test case can be optionally tested for Rel-8 and onward UE's supporting MIMO feature.

9.3.71.2 Minimum requirements

For the parameters specified in Table 9.3.71.1, and using the downlink physical channels specified in table E.5.4D, the reported CQI value, for each of the streams, shall be in the range of +/-2 of the reported stream specific CQI median more than 90% of the time. The stream specific CQI median shall be determined over all dual transport block CQI reports.

For each of the streams, if the HS-PDSCH BLER using the transport format indicated by the stream specific CQI median is less than or equal to 0.1, the BLER using the transport format indicated by the (stream specific CQI median + 2) shall be greater than 0.1. For each of the streams, if the HS-PDSCH BLER using the transport format indicated by the stream specific CQI median is greater than 0.1, the BLER using transport format indicated by (stream specific CQI median -1) shall be less than or equal to 0.1.

Table 9.3.71.1: Test Parameters for CQI test in MIMO dual stream static orthogonal conditions

| Parameter | Unit | Test 1 |
|---|--------------|--|
| HS-PDSCH E_c/I_{or} | dB | -2.23 |
| \hat{I}_{or}/I_{oc} | dB | 10 |
| I_{oc} | dBm/3.84 MHz | -60 |
| Phase reference | - | P-CPICH/S-CPICH (E.5.4D) |
| HS-SCCH_1 E_c/I_{or} | dB | -15 (without STTD) |
| DPCH E_c/I_{or} | dB | -10(without STTD) |
| Precoding weight set restriction | - | Enabled |
| Maximum number of H-ARQ transmission | - | 1 |
| Number of HS-SCCH set to be monitored | - | 1 |
| CQI feedback cycle | Ms | 2 |
| CQI repetition factor | - | 1 |
| PCI/CQI reporting Error Rate | % | 0 |
| HS-SCCH-1 signalling pattern | - | To incorporate inter-TTI=3 the six sub-frame HS-SCCH-1 signalling pattern shall be "...XOOXOO...", where "X" indicates TTI in which the HS-SCCH-1 uses the identity of the UE under test, and "O" indicates TTI in which the HS-SCCH-1 uses a different UE identity. |
| Propagation Channel | | MIMO dual stream static orthogonal conditions |
| NOTE 1: Measurement power offset "Γ" is configured by RRC accordingly and as defined in [8] | | |
| NOTE 2: HS-PDSCH E_c/I_{or} is decreased according to reference power adjustment Δ described in TS 25.214 | | |
| NOTE 3: For any given transport format the power of the HS-SCCH and HS-PDSCH shall be transmitted continuously with constant power. | | |
| NOTE 4: The UE shall be configured in non-64QAM/non-MIMO mode and use appropriate CQI tables according to TS 25.214. | | |

The reference for this requirement is TS 25.101 [1] clause 9.3.4.3.1

9.3.71.3 Test purpose

To verify that the variance of the CQI reports when using TF based on CQI 16 is within the limits defined and that a BLER of 10% falls between the TF based on Median CQI-1 and the TF based on Median CQI TF or between the TF based on Median CQI and the TF based on Median CQI+2 for each stream.

9.3.71.4 Method of test

9.3.71.4.1 Initial conditions

Test environment: normal; see clauses G.2.1 and G.2.2.

Frequencies to be tested: mid range; see clause G.2.4.

1. Connect SS, multipath fading simulator and an AWGN noise source to the UE antenna connector as shown in figure A.22.
2. Set Ack/Nack handling at the SS such that regardless of the response from the UE (Ack, Nack or DTX) new data is sent each time, this is because HARQ transmissions are set to one, i.e. no re-transmission of failed blocks. The sending of new data means that for each HARQ process the new data indicator bit in the HS-SCCH toggles for consecutive transmissions.

9.3.71.4.2 Procedure

1. Set up an HSDPA call with looping back 12.2kbps RMC according to TS 34.108 [3] clause 7.3.6 with the exceptions for information elements listed in table 9.3.71.2 and exceptions in Annex I, with levels according to table E.5.4D. Set test conditions according to test 1 according table 9.3.71.1. The configuration of the downlink channels is defined in table E.5.4D.

NOTE: The following part of the procedure will test if the UE reports a limited range of CQI values under the predefined channel conditions.

2. For each stream, the SS shall send TF according to CQI value 7 and keep it regardless of the CQI value sent by the UE. Continue transmission of the HS-PDSCH until 2000 CQI reports have been gathered. In this process the SS collects CQI reports every 2 ms and also cases where UE transmits nothing in its CQI field (CQI0) are counted as CQI reports.
3. Set up a relative frequency distribution for the reported CQI values for each stream. Calculate the median value (Median CQI is the CQI that is at or crosses 50% distribution from the lower CQI side). This CQI-value is declared as Median CQI value for that stream.
4. For each stream, If 1800 or more of the CQI values are in the range $(\text{Median CQI} - 2) \leq \text{Median CQI} \leq (\text{Median CQI} + 2)$ then continue with step 5, otherwise fail the UE.

NOTE: The following part of the procedure will test if BLER versus CQI has the correct sense.

5. For each stream, SS shall transmit the TF according to the median-CQI value and shall not react to the UE's CQI reports. For each stream, for any HSDPA block transmitted by the SS, record the associated ACK, NACK and statDTX responses. The responses are then filtered as follows: for the sequence of responses for each HARQ process, discard all the statDTX responses. If the number of consecutive discarded statDTX for any one process is an odd number including one, also discard the next response for that HARQ process regardless whether it is an ACK or NACK. Continue to gather data until the number of filtered ACK+NACK responses reaches 1000.

For each stream, and for the filtered ACK and NACK responses if the ratio $(\text{NACK} / \text{ACK} + \text{NACK}) < 0.1$ then goto step 6), otherwise goto step 7)

6. The SS shall transmit the TF according to the median-CQI+2 value and shall not react to the UE's CQI reports. For any HSDPA block, transmitted by the SS, record and filter the ACK, NACK and statDTX responses as in step 5 until 1000 filtered ACK+NACK responses are gathered.

If the ratio $(\text{NACK} / \text{ACK} + \text{NACK}) \geq 0.1$

then pass the UE, otherwise fail the UE

7. The SS shall transmit the TF according to the median-CQI-1 value and shall not react to the UE's CQI value. For any HSDPA block, transmitted by the SS, record and filter the ACK, NACK and statDTX responses as in step 5 until 1000 filtered ACK+NACK responses are gathered.

If the ratio $(\text{NACK} / \text{ACK} + \text{NACK}) < 0.1$

then pass the UE, otherwise fail the UE.

NOTE: The statistical selectivity based on 1000 samples is not sufficient to distinguish between $BLER < 0.1$ and > 0.1 . However, it is assumed that the difference between

[true BLER on Median CQI - true BLER on (Median CQI + 2)] and
 [true BLER on Median CQI - true BLER on (Median CQI - 1)]

is large enough to exceed the statistical uncertainty and hence the measurement can indicate the correct sense of BLER.

Table 9.3.7I.2: Specific Message Contents for MIMO

RADIO BEARER SETUP for HSDPA Test 1

| Information Element | Value/remark |
|---------------------------------------|--------------|
| MIMO parameters | |
| - MIMO operation | Start |
| - MIMO N_{cqi_typeA}/M_{cqi} ratio | 1/1 |
| - MIMO pilot configuration | |
| - CHOICE <i>Second CPICH pattern</i> | |
| >Antenna1 S-CPICH | |
| >> Channelisation code | 13 |
| >> Power Offset for S-CPICH for MIMO | -3 |
| - Precoding weight set restriction | TRUE |

9.3.7I.5 Test Requirements

Pass fail decision is as specified in the test procedure in 9.3.7I.4.2

There are no parameters in the test setup or measurement process whose variation impacts the results so there are no applicable test tolerances for this test.

9.3.7J MIMO Dual Stream Static Orthogonal Conditions - UE categories 19-20- Asymmetric CPICHs

9.3.7J.1 Definition and applicability

The minimum performance requirements of channel quality indicator (CQI) reporting under MIMO dual stream conditions are defined based on a Type A reporting fraction of 100%, i.e. the parameters N_{cqi_typeA} and M_{cqi} (see [5]) are assumed to be both set to 1. The propagation conditions assumed for minimum performance requirements of CQI reporting under MIMO dual stream static orthogonal conditions are defined in subclause D.2.9.3. The precoding matrix used in the transmitter shall be one randomly picked but fixed precoding matrix W_{out} of the set defined in equation as defined in [5].

The requirements and this test apply for Release 10 and later for all types of UTRA for the FDD UE that support HSDPA UE capability categories 19 to 20.

NOTE: This test case can be optionally tested for Rel-8 and onward UE's supporting MIMO feature.

9.3.7J.2 Minimum requirements

For the parameters specified in Table 9.3.7J.1, and using the downlink physical channels specified in table E.5.4D, the reported CQI value, for each of the streams, shall be in the range of ± 2 of the reported stream specific CQI median more than 90% of the time. The stream specific CQI median shall be determined over all dual transport block CQI reports.

For each of the streams, if the HS-PDSCH BLER using the transport format indicated by the stream specific CQI median is less than or equal to 0.1, the BLER using the transport format indicated by the (stream specific CQI median + 2) shall be greater than 0.1. For each of the streams, if the HS-PDSCH BLER using the transport format indicated by the stream specific CQI median is greater than 0.1, the BLER using transport format indicated by (stream specific CQI median -1) shall be less than or equal to 0.1.

Table 9.3.7J.1: Test Parameters for CQI test in MIMO dual stream static orthogonal

| Parameter | Unit | Test 1 |
|---|--------------|--|
| HS-PDSCH E_c/I_{or} | dB | -2.23 |
| \hat{I}_{or}/I_{oc} | dB | 15 |
| I_{oc} | dBm/3.84 MHz | -60 |
| Phase reference | - | P-CPICH/S-CPICH (E.5.4D) |
| HS-SCCH_1 E_c/I_{or} | dB | -15 (using STTD) |
| DPCH E_c/I_{or} | dB | -10(using STTD) |
| Precoding weight set restriction | - | Enabled |
| Maximum number of H-ARQ transmission | - | 1 |
| Number of HS-SCCH set to be monitored | - | 1 |
| CQI feedback cycle | Ms | 2 |
| CQI repetition factor | - | 1 |
| PCI/CQI reporting Error Rate | % | 0 |
| HS-SCCH-1 signalling pattern | - | To incorporate inter-TTI=3 the six sub-frame HS-SCCH-1 signalling pattern shall be "...XOOXOO...", where "X" indicates TTI in which the HS-SCCH-1 uses the identity of the UE under test, and "O" indicates TTI in which the HS-SCCH-1 uses a different UE identity. |
| Propagation Channel | | MIMO dual stream static orthogonal conditions |
| NOTE 1: Measurement power offset "T" is configured by RRC accordingly and as defined in [8] | | |
| NOTE 2: HS-PDSCH E_c/I_{or} is decreased according to reference power adjustment Δ described in TS 25.214 | | |
| NOTE 3: For any given transport format the power of the HS-SCCH and HS-PDSCH shall be transmitted continuously with constant power. | | |
| NOTE 4: The UE shall be configured in 64QAM/MIMO mode and use appropriate CQI tables according to TS 25.214. | | |

The reference for this requirement is TS 25.101 [1] clause 9.3.4.3.2

9.3.7J.3 Test purpose

To verify that the variance of the CQI reports when using TF based on CQI 16 is within the limits defined and that a BLER of 10% falls between the TF based on Median CQI-1 and the TF based on Median CQI TF or between the TF based on Median CQI and the TF based on Median CQI+2 for each stream.

9.3.7J.4 Method of test

9.3.7J.4.1 Initial conditions

Test environment: normal; see clauses G.2.1 and G.2.2.

Frequencies to be tested: mid range; see clause G.2.4.

1. Connect SS, multipath fading simulator and an AWGN noise source to the UE antenna connector as shown in figure A.22.
2. Set Ack/Nack handling at the SS such that regardless of the response from the UE (Ack, Nack or DTX) new data is sent each time, this is because HARQ transmissions are set to one, i.e. no re-transmission of failed blocks. The sending of new data means that for each HARQ process the new data indicator bit in the HS-SCCH toggles for consecutive transmissions.

9.3.7J.4.2 Procedure

1. Set up an HSDPA call with looping back 12.2kbps RMC according to TS 34.108 [3] clause 7.3.6 with the exceptions for information elements listed in table 9.3.7J.2 and exceptions in Annex I, with levels according to table E.5.4D. Set test conditions according to test 1 according table 9.3.7J.1. The configuration of the downlink channels is defined in table E.5.4D.

NOTE: The following part of the procedure will test if the UE reports a limited range of CQI values under the predefined channel conditions.

2. For each stream, the SS shall send TF according to CQI value 6 and keep it regardless of the CQI value sent by the UE. Continue transmission of the HS-PDSCH until 2000 CQI reports have been gathered. In this process the SS collects CQI reports every 2 ms and also cases where UE transmits nothing in its CQI field (CQIO) are counted as CQI reports.
3. Set up a relative frequency distribution for the reported CQI values for each stream. Calculate the median value (Median CQI is the CQI that is at or crosses 50% distribution from the lower CQI side). This CQI-value is declared as Median CQI value for that stream.
4. For each stream, If 1800 or more of the CQI values are in the range $(\text{Median CQI} - 2) \leq \text{Median CQI} \leq (\text{Median CQI} + 2)$ then continue with step 5, otherwise fail the UE.

NOTE: The following part of the procedure will test if BLER versus CQI has the correct sense.

5. For each stream, SS shall transmit the TF according to the median-CQI value and shall not react to the UE's CQI reports. For each stream, for any HSDPA block transmitted by the SS, record the associated ACK, NACK and statDTX responses. The responses are then filtered as follows: for the sequence of responses for each HARQ process, discard all the statDTX responses. If the number of consecutive discarded statDTX for any one process is an odd number including one, also discard the next response for that HARQ process regardless whether it is an ACK or NACK. Continue to gather data until the number of filtered ACK+NACK responses reaches 1000.

For each stream, and for the filtered ACK and NACK responses if the ratio $(\text{NACK} / \text{ACK} + \text{NACK}) < 0.1$ then goto step 6), otherwise goto step 7)

6. The SS shall transmit the TF according to the median-CQI+2 value and shall not react to the UE's CQI reports. For any HSDPA block, transmitted by the SS, record and filter the ACK, NACK and statDTX responses as in step 5 until 1000 filtered ACK+NACK responses are gathered.

If the ratio $(\text{NACK} / \text{ACK} + \text{NACK}) \geq 0.1$

then pass the UE, otherwise fail the UE

7. The SS shall transmit the TF according to the median-CQI-1 value and shall not react to the UE's CQI value. For any HSDPA block, transmitted by the SS, record and filter the ACK, NACK and statDTX responses as in step 5 until 1000 filtered ACK+NACK responses are gathered.

If the ratio $(\text{NACK} / \text{ACK} + \text{NACK}) < 0.1$

then pass the UE, otherwise fail the UE.

NOTE: The statistical selectivity based on 1000 samples is not sufficient to distinguish between $\text{BLER} < 0.1$ and > 0.1 . However, it is assumed that the difference between

[true BLER on Median CQI - true BLER on (Median CQI + 2)] and
[true BLER on Median CQI - true BLER on (Median CQI - 1)]

is large enough to exceed the statistical uncertainty and hence the measurement can indicate the correct sense of BLER.

Table 9.3.7J.2: Specific Message Contents for MIMO

RADIO BEARER SETUP for HSDPA Test 1

| Information Element | Value/remark |
|--------------------------------------|--------------|
| MIMO parameters | |
| - MIMO operation | Start |
| - MIMO N_cqi_typeA/M_cqi ratio | 1/1 |
| - MIMO pilot configuration | |
| - CHOICE <i>Second CPICH pattern</i> | |
| >Antenna1 S-CPICH | |
| >> Channelisation code | 13 |
| >> Power Offset for S-CPICH for MIMO | -3 |
| - Precoding weight set restriction | TRUE |

9.3.7J.5 Test Requirements

Pass fail decision is as specified in the test procedure in 9.3.7J.4.2

There are no parameters in the test setup or measurement process whose variation impacts the results so there are no applicable test tolerances for this test.

9.4 HS-SCCH Detection Performance

9.4.1 Single Link Performance

9.4.1.1 Definition and applicability

The detection performance of the HS-SCCH is determined by the probability of event E_m , which is declared when the UE is signalled on HS-SCCH-1, but DTX is observed in the corresponding HS-DPCCH ACK/NACK field. The probability of event E_m is denoted $P(E_m)$.

The requirements and this test apply to all types of UTRA for FDD UE that support HSDPA.

9.4.1.2 Minimum requirements

For the parameters specified in Table 9.4.1.1, for each value of HS-SCCH-1 E_c/I_{or} specified in Table 9.4.1.2 the measured $P(E_m)$ shall be less than or equal to the corresponding specified value of $P(E_m)$.

Table 9.4.1.1: Test parameters for HS-SCCH detection - single link

| Parameter | Unit | Test 1 | Test 2 | Test 3 |
|---|--------------|---|--------|--------|
| I_{oc} | dBm/3.84 MHz | -60 | | |
| Phase reference | - | P-CPICH | | |
| P-CPICH E_c/I_{or} | dB | -10 | | |
| HS-SCCH UE Identity ($x_{ue,1}, x_{ue,2}, \dots, x_{ue,16}$) | | HS-SCCH-1: 10101010101010 (every third TTI only, UE under test addressed solely via HS-SCCH-1) HS-SCCH-2: 0001001010101010 HS-SCCH-3: 0001101010101010 HS-SCCH-4: 0001111110101010 | | |
| HS-DSCH TF of UE1 | | TF corresponding to CQI1 | | |
| HS-SCCH-1 transmission pattern | | The HS-SCCH-1 shall be transmitted continuously with constant power. | | |
| HS-PDSCH transmission pattern | | The HS-PDSCH shall be transmitted continuously with constant power. | | |
| HS-SCCH-1 TTI Signalling Pattern | - | The six sub-frame HS-SCCH-1 signalling pattern shall be "...XOOXOO...", where "X" indicates TTI in which the HS-SCCH-1 uses the identity of the UE under test, and "O" indicates TTI in which the HS-SCCH-1 uses a different UE identity. | | |

Table 9.4.1.2: Minimum requirement for HS-SCCH detection - single link

| Test Number | Propagation Conditions | Reference value | | |
|-------------|------------------------|----------------------------------|------------------------------|----------|
| | | HS-SCCH-1 E_c / I_{or} (dB) | \hat{I}_{or} / I_{oc} (dB) | $P(E_m)$ |
| 1 | PA3 | -9 | 0 | 0.05 |
| 2 | PA3 | -9.9 | 5 | 0.01 |
| 3 | VA30 | -10 | 0 | 0.01 |

The reference for this requirement is TS 25.101 [1] clause 9.4.1.

9.4.1.3 Test purpose

To verify that $P(E_m)$ does not exceed the limit in table 9.4.1.2.

9.4.1.4 Method of test

9.4.1.4.1 Initial conditions

Test environment: normal; see clauses G.2.1 and G.2.2.

Frequencies to be tested: mid range; see clause G.2.4.

1. Connect SS, multipath fading simulator and an AWGN noise source to the UE antenna connector as shown in figure A.21 for UEs that support receive diversity or figure A.10 for UEs that do not support receive diversity.

NOTE: For a transition period of two meeting cycles until RAN#60, figure A.21 does not need to be used.

2. Set the test parameters for test 1-3 as specified in table 9.4.1.3 and 9.4.1.4. Setup fading simulators as fading condition, which are described in table D.2.2.1A.

9.4.1.4.2 Procedure

1. The UE is switched on.
2. Set up a HSDPA connection with looping back 12.2kbps RMC according to the generic HSDPA set-up procedure specified in TS 34.108 [3] sub clause 7.3.6 with levels according to table E.5.0.
3. Once the HSDPA connection is setup, change levels according to Table E.5.4 and start transmitting HSDPA Data.
4. Count the number of NACK, ACK and statDTX on the UL HS-DPCCH during the test interval and decide pass or fail according to Annex F.6.1 and table F.6.1.8. NACK and ACK are counted as a pass and statDTX is counted as a failure.

9.4.1.5 Test Requirements

Tables 9.4.1.3. and 9.4.1.4 define the primary level settings including test tolerance and test parameters for relevant tests. The probability of event E_m denoted as $P(E_m)$ (test procedure step 3) shall not exceed the specified value in table 9.4.1.4. The pass/fail decision is done according to Annex F.6.1.

Table 9.4.1.3: Test parameters for HS-SCCH detection - single link

| Parameter | Unit | Test 1 | Test 2 | Test 3 |
|---|--------------|---|--------|--------|
| I_{oc} | dBm/3.84 MHz | -60 | | |
| Phase reference | - | P-CPICH | | |
| P-CPICH E_c/I_{or} | dB | -9.9 | | |
| HS-SCCH UE Identity ($x_{ue,1}, x_{ue,2}, \dots, x_{ue,16}$) | | HS-SCCH-1: 1010101010101010 (every third TTI only, UE under test addressed solely via HS-SCCH-1) HS-SCCH-2: 0001001010101010 HS-SCCH-3: 0001101010101010 HS-SCCH-4: 00011111010101010 | | |
| HS-DSCH TF of UE1 | | TF corresponding to CQI1 | | |
| MAC-d PDU size | Bits | 112 | | |
| HS-SCCH-1 transmission pattern | | The HS-SCCH-1 shall be transmitted continuously with constant power. | | |
| HS-PDSCH transmission pattern | | The HS-PDSCH shall be transmitted continuously with constant power. | | |
| HS-SCCH-1 TTI Signalling Pattern | - | The six sub-frame HS-SCCH-1 signalling pattern shall be "...XOOXOO...", where "X" indicates TTI in which the HS-SCCH-1 uses the identity of the UE under test, and "O" indicates TTI in which the HS-SCCH-1 uses a different UE identity. | | |
| Number of HARQ processes | | 2 | | |

Table 9.4.1.4: Test requirement for HS-SCCH detection - single link

| Test Number | Propagation Conditions | Reference value | | |
|-------------|------------------------|--------------------------------|----------------------------|----------|
| | | HS-SCCH-1 E_c/I_{or} (dB) | \hat{I}_{or}/I_{oc} (dB) | $P(E_m)$ |
| 1 | PA3 | -8.9 | 0.6 | 0.05 |
| 2 | PA3 | -9.8 | 5.6 | 0.01 |
| 3 | VA30 | -9.9 | 0.6 | 0.01 |

NOTE: If the above Test Requirement differs from the Minimum Requirement then the Test Tolerance applied for this test is non-zero. The Test Tolerance for this test is defined in clause F.2 and the explanation of how the Minimum Requirement has been relaxed by the Test Tolerance is given in clause F.4

9.4.1A Single Link Performance - Enhanced Performance Requirements Type 1

9.4.1A.1 Definition and applicability

The detection performance of the HS-SCCH is determined by the probability of event E_m , which is declared when the UE is signalled on HS-SCCH-1, but DTX is observed in the corresponding HS-DPCCH ACK/NACK field. The probability of event E_m is denoted $P(E_m)$.

The requirements and this test apply for Release 6 and later to all types of UTRA for FDD UE that support HSDPA and the optional enhanced performance requirements type 1.

The requirements and this test apply also for Release 7 and later to all types of UTRA for FDD UE that support HSDPA and the optional enhanced performance requirements type 3.

The requirements and this test apply also for Release 8 and later to all types of UTRA for FDD UE that support HSDPA and the optional enhanced performance requirements type 3i.

9.4.1A.2 Minimum requirements

For the parameters specified in Table 9.4.1A.1, for each value of HS-SCCH-1 E_c/I_{or} specified in Table 9.4.1A.2 the measured $P(E_m)$ shall be less than or equal to the corresponding specified value of $P(E_m)$.

Table 9.4.1A.1: Test parameters for HS-SCCH detection - single link

| Parameter | Unit | Test 1 | Test 2 | Test 3 |
|---|--------------|---|---------|--------|
| I_{oc} | dBm/3.84 MHz | | -60 | |
| Phase reference | - | | P-CPICH | |
| P-CPICH E_c/I_{or} | dB | | -10 | |
| HS-SCCH UE Identity ($x_{ue,1}, x_{ue,2}, \dots, x_{ue,16}$) | | HS-SCCH-1: 1010101010101010 (every third TTI only, UE under test addressed solely via HS-SCCH-1) HS-SCCH-2: 0001001010101010 HS-SCCH-3: 0001101010101010 HS-SCCH-4: 0001111110101010 | | |
| HS-DSCH TF of UE1 | | TF corresponding to CQI1 | | |
| HS-SCCH-1 transmission pattern | | The HS-SCCH-1 shall be transmitted continuously with constant power. | | |
| HS-PDSCH transmission pattern | | The HS-PDSCH shall be transmitted continuously with constant power. | | |
| HS-SCCH-1 TTI Signalling Pattern | - | The six sub-frame HS-SCCH-1 signalling pattern shall be "...XOOXOO...", where "X" indicates TTI in which the HS-SCCH-1 uses the identity of the UE under test, and "O" indicates TTI in which the HS-SCCH-1 uses a different UE identity. | | |

Table 9.4.1A.2: Minimum requirement for Enhanced performance requirements type 1 for HS-SCCH detection - single link

| Test Number | Propagation Conditions | Reference value | | |
|-------------|------------------------|--------------------------------|----------------------------|----------|
| | | HS-SCCH-1 E_c/I_{or} (dB) | \hat{I}_{or}/I_{oc} (dB) | $P(E_m)$ |
| 1 | PA3 | -12.0 | 0 | 0.01 |
| 2 | VA30 | -15.6 | 0 | 0.01 |

The reference for this requirement is TS 25.101 [1] clause 9.4.1.

9.4.1A.3 Test purpose

To verify that $P(E_m)$ does not exceed the limit in table 9.4.1A.2.

9.4.1A.4 Method of test

9.4.1A.4.1 Initial conditions

Test environment: normal; see clauses G.2.1 and G.2.2.

Frequencies to be tested: mid range; see clause G.2.4.

1. Connect SS, multipath fading simulators and AWGN noise sources to the UE antenna connector(s) as shown in figure A.21 for UEs that support receive diversity or figure A.10 for UEs that do not support receive diversity.
2. Set the test parameters for test 1-2 as specified in table 9.4.1A.3 and 9.4.1A.4. Setup fading simulators as fading condition, which are described in table D.2.2.1A and for UEs that support receive diversity as also described in clause D.2.5.

9.4.1A.4.2 Procedure

1. The UE is switched on.
2. Set up a HSDPA connection with looping back 12.2kbps RMC according to the generic HSDPA set-up procedure specified in TS 34.108 [3] sub clause 7.3.6 with levels according to table E.5.0.
3. Once the HSDPA connection is setup, change levels according to Table E.5.4 and start transmitting HSDPA Data.
4. Count the number of NACK, ACK and statDTX on the UL HS-DPCCH during the test interval and decide pass or fail according to Annex F.6.1 and table F.6.1.8. NACK and ACK are counted as a pass and statDTX is counted as a failure.

9.4.1A.5 Test Requirements

Tables 9.4.1A.3. and 9.4.1A.4 define the primary level settings including test tolerance and test parameters for relevant tests. The probability of event E_m denoted as $P(E_m)$ (test procedure step 3) shall not exceed the specified value in table 9.4.1A.4. The pass/fail decision is done according to Annex F.6.1.

Table 9.4.1A.3: Test parameters for HS-SCCH detection - single link

| Parameter | Unit | Test 1 | Test 2 | Test 3 |
|---|--------------|---|---------|--------|
| I_{oc} | dBm/3.84 MHz | | -60 | |
| Phase reference | - | | P-CPICH | |
| P-CPICH E_c/I_{or} | dB | | -9.9 | |
| HS-SCCH UE Identity ($x_{ue,1}, x_{ue,2}, \dots, x_{ue,16}$) | | HS-SCCH-1: 1010101010101010 (every third TTI only, UE under test addressed solely via HS-SCCH-1) HS-SCCH-2: 0001001010101010 HS-SCCH-3: 0001101010101010 HS-SCCH-4: 0001111110101010 | | |
| HS-DSCH TF of UE1 | | TF corresponding to CQI1 | | |
| MAC-d PDU size | Bits | 112 | | |
| HS-SCCH-1 transmission pattern | | The HS-SCCH-1 shall be transmitted continuously with constant power. | | |
| HS-PDSCH transmission pattern | | The HS-PDSCH shall be transmitted continuously with constant power. | | |
| HS-SCCH-1 TTI Signalling Pattern | - | The six sub-frame HS-SCCH-1 signalling pattern shall be "...XOOXOO...", where "X" indicates TTI in which the HS-SCCH-1 uses the identity of the UE under test, and "O" indicates TTI in which the HS-SCCH-1 uses a different UE identity. | | |
| Number of HARQ processes | | 2 | | |

Table 9.4.1A.4: Test requirement for Enhanced performance requirements type 1 for HS-SCCH detection - single link

| Test Number | Propagation Conditions | Reference value | | |
|-------------|------------------------|--------------------------------|----------------------------|----------|
| | | HS-SCCH-1 E_c/I_{or} (dB) | \hat{I}_{or}/I_{oc} (dB) | $P(E_m)$ |
| 1 | PA3 | -11.9 | 0.6 | 0.01 |
| 2 | VA30 | -15.5 | 0.6 | 0.01 |

NOTE: If the above Test Requirement differs from the Minimum Requirement then the Test Tolerance applied for this test is non-zero. The Test Tolerance for this test is defined in clause F.2 and the explanation of how the Minimum Requirement has been relaxed by the Test Tolerance is given in clause F.4.

9.4.2 Open Loop Diversity Performance

9.4.2.1 Definition and applicability

The detection performance of the HS-SCCH is determined by the probability of event E_m , which is declared when the UE is signalled on HS-SCCH-1, but DTX is observed in the corresponding HS-DPCCH ACK/NACK field. The probability of event E_m is denoted $P(E_m)$.

The requirements and this test apply for Release 6 and later to all types of UTRA for FDD UE that support HSDPA.

9.4.2.2 Minimum requirements

For the test parameters specified in Table 9.4.2.1, for each value of HS-SCCH-1 E_c/I_{or} specified in Table 9.4.2.2 the measured $P(E_m)$ shall be less than or equal to the corresponding specified value of $P(E_m)$.

Table 9.4.2.1: Test parameters for HS-SCCH detection - open loop diversity

| Parameter | Unit | Test 1 | Test 2 | Test 3 |
|---|--------------|---|---------|--------|
| I_{oc} | dBm/3.84 MHz | | -60 | |
| Phase reference | - | | P-CPICH | |
| P-CPICH E_c/I_{or} | dB | | -10 | |
| HS-SCCH UE Identity ($x_{ue,1}, x_{ue,2}, \dots, x_{ue,16}$) | | HS-SCCH-1: 1010101010101010 (every third TTI only, UE under test addressed solely via HS-SCCH-1) HS-SCCH-2: 0001001010101010 HS-SCCH-3: 0001101010101010 HS-SCCH-4: 0001111110101010 | | |
| HS-DSCH TF of UE1 | | TF corresponding to CQI1 | | |
| HS-SCCH-1 transmission pattern | | The HS-SCCH-1 shall be transmitted continuously with constant power. | | |
| HS-PDSCH transmission pattern | | The HS-PDSCH shall be transmitted continuously with constant power. | | |
| HS-SCCH-1 TTI Signalling Pattern | - | The six sub-frame HS-SCCH-1 signalling pattern shall be "...XOOXOO...", where "X" indicates TTI in which the HS-SCCH-1 uses the identity of the UE under test, and "O" indicates TTI in which the HS-SCCH-1 uses a different UE identity. | | |

Table 9.4.2.2: Minimum requirement for HS-SCCH detection - open loop diversity

| Test Number | Propagation Conditions | Reference value | | |
|-------------|------------------------|--------------------------------|----------------------------|----------|
| | | HS-SCCH-1 E_c/I_{or} (dB) | \hat{I}_{or}/I_{oc} (dB) | $P(E_m)$ |
| 1 | PA3 | -11.6 | 0 | 0.05 |
| 2 | PA3 | -13.4 | 5 | 0.01 |
| 3 | VA30 | -11.5 | 0 | 0.01 |

The reference for this requirement is TS 25.101 [1] clause 9.4.2.

9.4.2.3 Test purpose

To verify that $P(E_m)$ does not exceed the limit in table 9.4.2.2.

9.4.2.4 Method of test

9.4.2.4.1 Initial conditions

Test environment: normal; see clauses G.2.1 and G.2.2.

Frequencies to be tested: mid range; see clause G.2.4.

1. Connect SS, multipath fading simulators and AWGN noise sources to the UE antenna connector as shown in figure A.22 for UEs that support receive diversity or figure A.12 for UEs that do not support receive diversity.

NOTE: For a transition period of two meeting cycles until RAN#60, figure A.22 does not need to be used.

- Set the test parameters for test 1-3 as specified in table 9.4.2.4 and 9.4.2.5. Setup fading simulators as fading condition, which are described in table D.2.2.1A and clause D.2.7.

9.4.2.4.2 Procedure

- The UE is switched on.
- Set up a HSDPA connection with looping back 12.2kbps RMC according to the generic HSDPA set-up procedure specified in TS 34.108 [3] sub clause 7.3.6 with the exceptions for information elements listed in table 9.4.2.3, with levels according to table E.5.0.
- Once the HSDPA connection is setup, change levels according to Table E.5.4A and start transmitting HSDPA Data.
- Count the number of NACK, ACK and statDTX on the UL HS-DPCCH during the test interval and decide pass or fail according to Annex F.6.1 and table F.6.1.8. NACK and ACK are counted as a pass and statDTX is counted as a failure.

Table 9.4.2.3: Specific Message Contents for open-loop transmit diversity mode

SYSTEM INFORMATION BLOCK TYPE5

| Information Element | Value/remark |
|---|--------------|
| PRACH system information list - AICH info - STTD Indicator | TRUE |
| Secondary CCPCH system information - PICH info - STTD Indicator - Secondary CCPCH info - STTD Indicator | TRUE TRUE |
| Primary CCPCH info - CHOICE mode - TX Diversity indicator | FDD TRUE |

SYSTEM INFORMATION BLOCK TYPE11

| Information Element | Value/remark |
|--|--------------|
| New intra-frequency cells - Intra-frequency cell id | 1 |
| - TX Diversity indicator | TRUE |

RRC CONNECTION SETUP

| Information Element | Value/remark |
|---|--------------|
| Downlink information common for all radio links - CHOICE mode - TX Diversity Mode | FDD STTD |
| Downlink DPCH info for each RL - CHOICE mode - Downlink DPCH info for each RL - Closed loop timing adjustment mode | FDD 1 |

RADIO BEARER SETUP for Closed test loop mode1 and HSDPA

| Information Element | Value/remark |
|---|--------------|
| Downlink information common for all radio links - CHOICE mode - TX Diversity Mode | FDD STTD |
| Downlink DPCH info for each RL - CHOICE mode - Downlink DPCH info for each RL - Closed loop timing adjustment mode | FDD 1 |

9.4.2.5 Test Requirements

Tables 9.4.2.4. and 9.4.2.5 define the primary level settings including test tolerance and test parameters for relevant tests. The probability of event E_m denoted as $P(E_m)$ (test procedure step 3) shall not exceed the specified value in table 9.4.2.5. The pass/fail decision is done according to Annex F.6.1.

Table 9.4.2.4: Test parameters for HS-SCCH detection - open loop diversity

| Parameter | Unit | Test 1 | Test 2 | Test 3 |
|---|--------------|---|--------|--------|
| I_{oc} | dBm/3.84 MHz | -60 | | |
| Phase reference | - | P-CPICH | | |
| P-CPICH E_c/I_{or} | dB | -9.9 | | |
| HS-SCCH UE Identity ($x_{ue,1}, x_{ue,2}, \dots, x_{ue,16}$) | | HS-SCCH-1: 1010101010101010 (every third TTI only, UE under test addressed solely via HS-SCCH-1) HS-SCCH-2: 0001001010101010 HS-SCCH-3: 0001101010101010 HS-SCCH-4: 0001111110101010 | | |
| HS-DSCH TF of UE1 | | TF corresponding to CQI1 | | |
| MAC-d PDU size | Bits | 112 | | |
| HS-SCCH-1 transmission pattern | | The HS-SCCH-1 shall be transmitted continuously with constant power. | | |
| HS-PDSCH transmission pattern | | The HS-PDSCH shall be transmitted continuously with constant power. | | |
| HS-SCCH-1 TTI Signalling Pattern | - | The six sub-frame HS-SCCH-1 signalling pattern shall be "...XOOXOO...", where "X" indicates TTI in which the HS-SCCH-1 uses the identity of the UE under test, and "O" indicates TTI in which the HS-SCCH-1 uses a different UE identity. | | |
| Number of HARQ processes | | 2 | | |

Table 9.4.2.5: Test requirement for HS-SCCH detection - open loop diversity

| Test Number | Propagation Conditions | Reference value | | |
|-------------|------------------------|--------------------------------|----------------------------|----------|
| | | HS-SCCH-1 E_c/I_{or} (dB) | \hat{I}_{or}/I_{oc} (dB) | $P(E_m)$ |
| 1 | PA3 | -11.5 | 0.8 | 0.05 |
| 2 | PA3 | -13.3 | 5.8 | 0.01 |
| 3 | VA30 | -11.4 | 0.8 | 0.01 |

NOTE: If the above Test Requirement differs from the Minimum Requirement then the Test Tolerance applied for this test is non-zero. The Test Tolerance for this test is defined in clause F.2 and the explanation of how the Minimum Requirement has been relaxed by the Test Tolerance is given in clause F.4.

9.4.2A Open Loop Diversity Performance - Enhanced Performance Requirements Type 1

9.4.2A.1 Definition and applicability

The detection performance of the HS-SCCH is determined by the probability of event E_m , which is declared when the UE is signalled on HS-SCCH-1, but DTX is observed in the corresponding HS-DPCCH ACK/NACK field. The probability of event E_m is denoted $P(E_m)$.

The requirements and this test apply for Release 6 and later to all types of UTRA for FDD UE that support HSDPA and the optional enhanced performance requirements type 1.

The requirements and this test apply also for Release 7 and later to all types of UTRA for FDD UE that support HSDPA and the optional enhanced performance requirements type 3.

The requirements and this test apply also for Release 8 and later to all types of UTRA for FDD UE that support HSDPA and the optional enhanced performance requirements type 3i.

9.4.2A.2 Minimum requirements

For the test parameters specified in Table 9.4.2A.1, for each value of HS-SCCH-1 E_c/I_{or} specified in Table 9.4.2A.2 the measured $P(E_m)$ shall be less than or equal to the corresponding specified value of $P(E_m)$.

Table 9.4.2A.1: Test parameters for HS-SCCH detection - open loop diversity

| Parameter | Unit | Test 1 | Test 2 |
|---|--------------|---|--------|
| I_{oc} | dBm/3.84 MHz | -60 | |
| Phase reference | - | P-CPICH | |
| P-CPICH E_c/I_{or} | dB | -10 | |
| HS-SCCH UE Identity ($x_{ue,1}, x_{ue,2}, \dots, x_{ue,16}$) | | HS-SCCH-1: 1010101010101010 (every third TTI only, UE under test addressed solely via HS-SCCH-1) HS-SCCH-2: 0001001010101010 HS-SCCH-3: 0001101010101010 HS-SCCH-4: 0001111110101010 | |
| HS-DSCH TF of UE1 | | TF corresponding to CQI1 | |
| HS-SCCH-1 transmission pattern | | The HS-SCCH-1 shall be transmitted continuously with constant power. | |
| HS-PDSCH transmission pattern | | The HS-PDSCH shall be transmitted continuously with constant power. | |
| HS-SCCH-1 TTI Signalling Pattern | - | The six sub-frame HS-SCCH-1 signalling pattern shall be "...XOOXOO...", where "X" indicates TTI in which the HS-SCCH-1 uses the identity of the UE under test, and "O" indicates TTI in which the HS-SCCH-1 uses a different UE identity. | |

Table 9.4.2A.2: Minimum requirement for Enhanced performance requirements type 1 for HS-SCCH detection - open loop diversity

| Test Number | Propagation Conditions | Reference value | | |
|-------------|------------------------|--------------------------------|----------------------------|----------|
| | | HS-SCCH-1 E_c/I_{or} (dB) | \hat{I}_{or}/I_{oc} (dB) | $P(E_m)$ |
| 1 | PA3 | -15.2 | 0 | 0.01 |
| 2 | VA30 | -16.4 | 0 | 0.01 |

The reference for this requirement is TS 25.101 [1] clause 9.4.2.

9.4.2A.3 Test purpose

To verify that $P(E_m)$ does not exceed the limit in table 9.4.2A.2.

9.4.2A.4 Method of test

9.4.2A.4.1 Initial conditions

Test environment: normal; see clauses G.2.1 and G.2.2.

Frequencies to be tested: mid range; see clause G.2.4.

1. Connect SS, multipath fading simulator and an AWGN noise source to the UE antenna connector as shown in figure A.22 for UEs that support receive diversity or figure A.12 for UEs that do not support receive diversity.
2. Set the test parameters for test 1-2 as specified in table 9.4.2A.4 and 9.4.2A.5. Setup fading simulators as fading condition, which are described in table D.2.2.1A and clause D.2.5. The configuration of the downlink channels is defined in table E.5.4A.

9.4.2A.4.2 Procedure

1. The UE is switched on.
2. Set up a HSDPA connection with looping back 12.2kbps RMC according to the generic HSDPA set-up procedure specified in TS 34.108 [3] sub clause 7.3.6 with the exceptions for information elements listed in table 9.4.2A.3, with levels according to table E.5.0.
3. Once the HSDPA connection is setup, change levels according to Table E.5.4A and start transmitting HSDPA Data.
4. Count the number of NACK, ACK and statDTX on the UL HS-DPCCH during the test interval and decide pass or fail according to Annex F.6.1 and table F.6.1.8. NACK and ACK are counted as a pass and statDTX is counted as a failure.

Table 9.4.2A.3: Specific Message Contents for open-loop transmit diversity mode

SYSTEM INFORMATION BLOCK TYPE5

| Information Element | Value/remark |
|---|--------------|
| PRACH system information list - AICH info - STTD Indicator | TRUE |
| Secondary CCPCH system information - PICH info - STTD Indicator - Secondary CCPCH info - STTD Indicator | TRUE TRUE |
| Primary CCPCH info - CHOICE mode - TX Diversity indicator | FDD TRUE |

SYSTEM INFORMATION BLOCK TYPE11

| Information Element | Value/remark |
|--|--------------|
| New intra-frequency cells - Intra-frequency cell id - TX Diversity indicator | 1 TRUE |

RRC CONNECTION SETUP

| Information Element | Value/remark |
|---|--------------|
| Downlink information common for all radio links - CHOICE mode - TX Diversity Mode | FDD STTD |
| Downlink DPCH info for each RL - CHOICE mode - Downlink DPCH info for each RL - Closed loop timing adjustment mode | FDD 1 |

RADIO BEARER SETUP for Closed test loop mode1 and HSDPA

| Information Element | Value/remark |
|---|--------------|
| Downlink information common for all radio links - CHOICE mode - TX Diversity Mode | FDD STTD |
| Downlink DPCH info for each RL - CHOICE mode - Downlink DPCH info for each RL - Closed loop timing adjustment mode | FDD 1 |

9.4.2A.5 Test Requirements

Tables 9.4.2A.4. and 9.4.2A.5 define the primary level settings including test tolerance and test parameters for relevant tests. The probability of event E_m denoted as $P(E_m)$ (test procedure step 3) shall not exceed the specified value in table 9.4.2A.5. The pass/fail decision is done according to Annex F.6.1.

Table 9.4.2A.4: Test parameters for HS-SCCH detection - open loop diversity

| Parameter | Unit | Test 1 | Test 2 |
|---|--------------|---|--------|
| I_{oc} | dBm/3.84 MHz | -60 | |
| Phase reference | - | P-CPICH | |
| P-CPICH E_c/I_{or} | dB | -9.9 | |
| HS-SCCH UE Identity ($x_{ue,1}, x_{ue,2}, \dots, x_{ue,16}$) | | HS-SCCH-1: 1010101010101010 (every third TTI only, UE under test addressed solely via HS-SCCH-1) HS-SCCH-2: 0001001010101010 HS-SCCH-3: 0001101010101010 HS-SCCH-4: 0001111110101010 | |
| HS-DSCH TF of UE1 | | TF corresponding to CQI1 | |
| MAC-d PDU size | Bits | 112 | |
| HS-SCCH-1 transmission pattern | | The HS-SCCH-1 shall be transmitted continuously with constant power. | |
| HS-PDSCH transmission pattern | | The HS-PDSCH shall be transmitted continuously with constant power. | |
| HS-SCCH-1 TTI Signalling Pattern | - | The six sub-frame HS-SCCH-1 signalling pattern shall be "...XOOXOO...", where "X" indicates TTI in which the HS-SCCH-1 uses the identity of the UE under test, and "O" indicates TTI in which the HS-SCCH-1 uses a different UE identity. | |
| Number of HARQ processes | | 2 | |

Table 9.4.2A.5: Test requirement for Enhanced performance requirements type 1 for HS-SCCH detection - open loop diversity

| Test Number | Propagation Conditions | Reference value | | |
|-------------|------------------------|--------------------------------|----------------------------|----------|
| | | HS-SCCH-1 E_c/I_{or} (dB) | \hat{I}_{or}/I_{oc} (dB) | $P(E_m)$ |
| 1 | PA3 | -15.1 | 0.8 | 0.01 |
| 2 | VA30 | -16.3 | 0.8 | 0.01 |

NOTE: If the above Test Requirement differs from the Minimum Requirement then the Test Tolerance applied for this test is non-zero. The Test Tolerance for this test is defined in clause F.2 and the explanation of how the Minimum Requirement has been relaxed by the Test Tolerance is given in clause F.4.

9.4.3 HS-SCCH Type 3 Performance

9.4.3.1 Definition and applicability

The detection performance of the HS-SCCH is determined by the probability of event E_m , which is declared when the UE is signalled on HS-SCCH-1, but DTX is observed in the corresponding HS-DPCCH ACK/NACK field. The probability of event E_m is denoted $P(E_m)$.

The requirements and this test apply for Release 7 and later for all types of UTRA for the FDD UE that support HSDPA UE capability categories 15 - 18.

9.4.3.2 Minimum requirements

For the test parameters specified in Table 9.4.3.1 with the downlink physical channel setup in Table E.5.4A, for each value of HS-SCCH-1 E_c/I_{or} specified in Table 9.4.3.2 and Table 9.4.3.3 the measured $P(E_m)$ shall be less than or equal to the corresponding specified value of $P(E_m)$. The requirements in Table 9.4.3.2 and Table 9.4.3.3 assume STTD is enabled on HS-SCCH and DPCH. The requirements in Table 9.4.3.2 assumes HS-SCCH Type 3 coding associated with single stream transmission on HS-DSCH. The requirements in Table 9.4.3.3 assumes HS-SCCH Type 3 coding associated with dual stream transmission on HS-DSCH. Minimum performance requirements specified in Table 9.4.3.2 and 9.4.3.3 are based on receiver diversity.

Table 9.4.3.1: Test parameters for HS-SCCH Type 3 detection

| Parameter | Unit | Test 1 | Test 2 | Test 3 | Test 4 |
|---|--------------|--|--------|--------|--------|
| I_{oc} | dBm/3.84 MHz | -60 | | | |
| HS-SCCH UE Identity ($x_{ue,1}, x_{ue,2}, \dots, x_{ue,16}$) | | HS-SCCH-1: 1010101010101010 (every third TTI only, UE under test addressed solely via HS-SCCH-1) HS-SCCH-2: 0001001010101010 HS-SCCH-3: 0001101010101010 HS-SCCH-4: 0001111110101010 | | | |
| HS-DSCH TF of UE1 | | <u>In case one transport block is signalled on HS-SCCH:</u> One transport block with TF corresponding to CQI1 Precoding vector applied to HS-PDSCH shall cycle through the four possible options. <u>In case two transport blocks are signalled on HS-SCCH:</u> Two transport blocks with the same size and same number of OVSF codes as used in the case of transmitting only one transport block. Precoding matrix applied to HS-PDSCH shall cycle through the four possible options. | | | |
| HS-SCCH-1 transmission pattern | | The HS-SCCH-1 shall be transmitted continuously with constant power. | | | |
| HS-PDSCH transmission pattern | | The HS-PDSCH shall be transmitted continuously with constant power. | | | |
| HS-SCCH-1 TTI Signalling Pattern | - | The six sub-frame HS-SCCH-1 signalling pattern shall be "...XOOO...", where "X" indicates TTI in which the HS-SCCH-1 uses the identity of the UE under test, and "O" indicates TTI in which the HS-SCCH-1 uses a different UE identity. | | | |

Table 9.4.3.2: Minimum requirement for HS-SCCH Type 3 detection, single transport block case with downlink physical channel setup in Table E.5.4A

| Test Number | Propagation Conditions | Reference value | | |
|-------------|------------------------|--------------------------------|----------------------------|----------|
| | | HS-SCCH-1 E_c/I_{or} (dB) | \hat{I}_{or}/I_{oc} (dB) | $P(E_m)$ |
| 1 | PA3 | -15.6 | 0 | 0.01 |
| 2 | VA3 | -16.8 | 0 | 0.01 |

Table 9.4.3.3: Minimum requirement for HS-SCCH Type 3 detection, dual transport block case with downlink physical channel setup in Table E.5.4A

| Test Number | Propagation Conditions | Reference value | | |
|-------------|------------------------|--------------------------------|----------------------------|----------|
| | | HS-SCCH-1 E_c/I_{or} (dB) | \hat{I}_{or}/I_{oc} (dB) | $P(E_m)$ |
| 3 | PA3 | -14.7 | 0 | 0.01 |
| 4 | VA3 | -16.0 | 0 | 0.01 |

The reference for this requirement is TS 25.101 [1] clause 9.4.3.

9.4.3.3 Test purpose

To verify that $P(E_m)$ does not exceed the limit in table 9.4.3.2 for the single transport block case, and in table 9.4.3.3 for the dual transport block case.

9.4.3.4 Method of test

9.4.3.4.1 Initial conditions

Test environment: normal; see clauses G.2.1 and G.2.2.

Frequencies to be tested: mid range; see clause G.2.4.

- 1) Connect SS, multipath fading simulator and an AWGN noise source to the UE antenna connector as shown in figure A.22.
- 2) Set the test parameters for test 1-4 as specified in table 9.4.3.5. Setup fading simulators as fading condition, which are described in tables D.2.2.1A and D.2.2.1C and clause D.2. The configuration of the downlink channels is defined in table E.5.4A.

9.4.3.4.2 Procedure

1. The UE is switched on.
2. Set up a HSDPA connection with looping back 12.2kbps RMC according to the generic HSDPA set-up procedure specified in TS 34.108 [3] sub clause 7.3.6 with the exceptions for information elements listed in table 9.4.3.4, with levels according to table E.5.0.
3. Once the HSDPA connection is setup, change levels according to Table E.5.4A and start transmitting HSDPA Data.
4. Count the number of NACK, ACK and statDTX on the UL HS-DPCCH during the test interval and decide pass or fail according to Annex F.6.1 and table F.6.1.8. NACK and ACK are counted as a pass and statDTX is counted as a failure.

Table 9.4.3.4: Specific Message Contents for MIMO

RADIO BEARER SETUP for HSDPA Tests 1 & 2

| Information Element | Value/remark |
|--------------------------------------|--------------|
| MIMO parameters | |
| - MIMO operation | Start |
| - MIMO N_cqi_typeA/M_cqi ratio | 1/2 |
| - MIMO pilot configuration | |
| - CHOICE <i>Second CPICH pattern</i> | |
| >Antenna2 P-CPICH | |
| - Precoding weight set restriction | Not Present |

RADIO BEARER SETUP for HSDPA Tests 3 & 4

| Information Element | Value/remark |
|--------------------------------------|--------------|
| MIMO parameters | |
| - MIMO operation | Start |
| - MIMO N_cqi_typeA/M_cqi ratio | 1/1 |
| - MIMO pilot configuration | |
| - CHOICE <i>Second CPICH pattern</i> | |
| >Antenna2 P-CPICH | |
| - Precoding weight set restriction | Not Present |

9.4.3.5 Test Requirements

Tables 9.4.3.5 to 9.4.3.7 define the primary level settings including test tolerance and test parameters for relevant tests. The probability of event E_m denoted as $P(E_m)$ (test procedure step 3) shall not exceed the specified value in table 9.4.3.6 for single transport block case and the specified value in table 9.4.3.7 for dual transport block case. The pass/fail decision is done according to Annex F.6.1. IE's for

Table 9.4.3.5: Test parameters for HS-SCCH Type 3 detection

| Parameter | Unit | Test 1 | Test 2 | Test 3 | Test 4 |
|---|--------------|--|--------|--------|--------|
| I_{oc} | dBm/3.84 MHz | -60 | | | |
| HS-SCCH UE Identity ($x_{ue,1}, x_{ue,2}, \dots, x_{ue,16}$) | | HS-SCCH-1: 1010101010101010 (every third TTI only, UE under test addressed solely via HS-SCCH-1) HS-SCCH-2: 0001001010101010 HS-SCCH-3: 0001101010101010 HS-SCCH-4: 0001111110101010 | | | |
| HS-DSCH TF of UE1 | | <u>In case one transport block is signalled on HS-SCCH:</u> One transport block with TF corresponding to CQI1 Precoding vector applied to HS-PDSCH shall cycle through the four possible options. <u>In case two transport blocks are signalled on HS-SCCH:</u> Two transport blocks with the same size and same number of OVSF codes as used in the case of transmitting only one transport block. Precoding matrix applied to HS-PDSCH shall cycle through the four possible options. | | | |
| HS-SCCH-1 transmission pattern | | The HS-SCCH-1 shall be transmitted continuously with constant power. | | | |
| HS-PDSCH transmission pattern | | The HS-PDSCH shall be transmitted continuously with constant power. | | | |
| HS-SCCH-1 TTI Signalling Pattern | - | The six sub-frame HS-SCCH-1 signalling pattern shall be "...XOOXOO...", where "X" indicates TTI in which the HS-SCCH-1 uses the identity of the UE under test, and "O" indicates TTI in which the HS-SCCH-1 uses a different UE identity. | | | |

Table 9.4.3.6: Test requirement for HS-SCCH Type 3 detection, single transport block case with downlink physical channel setup in Table E.5.4A

| Test Number | Propagation Conditions | Reference value | | |
|-------------|------------------------|----------------------------------|------------------------------|----------|
| | | HS-SCCH-1 E_c / I_{or} (dB) | \hat{I}_{or} / I_{oc} (dB) | $P(E_m)$ |
| 1 | PA3 | -15.5 | 0.8 | 0.01 |
| 2 | VA3 | -16.7 | 0.8 | 0.01 |

Table 9.4.3.7: Test requirement for HS-SCCH Type 3 detection, dual transport block case with downlink physical channel setup in Table E.5.4A

| Test Number | Propagation Conditions | Reference value | | |
|-------------|------------------------|----------------------------------|------------------------------|----------|
| | | HS-SCCH-1 E_c / I_{or} (dB) | \hat{I}_{or} / I_{oc} (dB) | $P(E_m)$ |
| 3 | PA3 | -14.6 | 0.8 | 0.01 |
| 4 | VA3 | -15.9 | 0.8 | 0.01 |

NOTE: If the above Test Requirement differs from the Minimum Requirement then the Test Tolerance applied for this test is non-zero. The Test Tolerance for this test is defined in clause F.2 and the explanation of how the Minimum Requirement has been relaxed by the Test Tolerance is given in clause F.4.

9.4.3A HS-SCCH Type 3 Performance -STTD disabled- Asymmetric CPICHS

9.4.3A.1 Definition and applicability

The detection performance of the HS-SCCH is determined by the probability of event E_m , which is declared when the UE is signalled on HS-SCCH-1, but DTX is observed in the corresponding HS-DPCCH ACK/NACK field. The probability of event E_m is denoted $P(E_m)$.

The requirements and this test apply for Release 10 and later for all types of UTRA for the FDD UE that support HSDPA UE capability categories 15 - 20.

NOTE: This test case can be optionally executed for Rel-7 and onward UE's supporting MIMO feature.

9.4.3A.2 Minimum requirements

For the test parameters specified in Table 9.4.3A.1 with the downlink physical channel setup in Table E.5.4E, for each value of HS-SCCH-1 E_c/I_{or} specified in Table 9.4.3A.2 and Table 9.4.3A.3 the measured $P(E_m)$ shall be less than or equal to the corresponding specified value of $P(E_m)$. The requirements in Table 9.4.3A.2 and Table 9.4.3A.3 assume STTD is disabled on HS-SCCH and DPCH. The requirements in Table 9.4.3A.2 assumes HS-SCCH Type 3 coding associated with single stream transmission on HS-DSCH. The requirements in Table 9.4.3A.3 assumes HS-SCCH Type 3 coding associated with dual stream transmission on HS-DSCH. Minimum performance requirements specified in Table 9.4.3A.2 and 9.4.3A.3 are based on receiver diversity.

Table 9.4.3A.1: Test parameters for HS-SCCH Type 3 detection

| Parameter | Unit | Test 1 | Test 2 | Test 3 | Test 4 |
|---|--------------|--|--------|--------|--------|
| I_{oc} | dBm/3.84 MHz | -60 | | | |
| HS-SCCH UE Identity ($x_{ue,1}, x_{ue,2}, \dots, x_{ue,16}$) | | HS-SCCH-1: 1010101010101010 (every third TTI only, UE under test addressed solely via HS-SCCH-1) HS-SCCH-2: 0001001010101010 HS-SCCH-3: 0001101010101010 HS-SCCH-4: 0001111110101010 | | | |
| HS-DSCH TF of UE1 | | <u>In case one transport block is signalled on HS-SCCH:</u> One transport block with TF corresponding to CQI1 Precoding vector applied to HS-PDSCH shall cycle through the four possible options. <u>In case two transport blocks are signalled on HS-SCCH:</u> Two transport blocks with the same size and same number of OVSF codes as used in the case of transmitting only one transport block. Precoding matrix applied to HS-PDSCH shall cycle through the four possible options. | | | |
| HS-SCCH-1 transmission pattern | | The HS-SCCH-1 shall be transmitted continuously with constant power. | | | |
| HS-PDSCH transmission pattern | | The HS-PDSCH shall be transmitted continuously with constant power. | | | |
| HS-SCCH-1 TTI Signalling Pattern | - | The six sub-frame HS-SCCH-1 signalling pattern shall be "...XOOXOO...", where "X" indicates TTI in which the HS-SCCH-1 uses the identity of the UE under test, and "O" indicates TTI in which the HS-SCCH-1 uses a different UE identity. | | | |

Table 9.4.3A.2: Minimum requirement for HS-SCCH Type 3 detection, STTD disabled, single transport block case with downlink physical channel setup in Table E.5.4E

| Test Number | Propagation Conditions | Reference value | | |
|-------------|------------------------|----------------------------------|------------------------------|----------|
| | | HS-SCCH-1 E_c / I_{or} (dB) | \hat{I}_{or} / I_{oc} (dB) | $P(E_m)$ |
| 1 | PA3 | -12.3 | 0 | 0.01 |
| 2 | VA3 | -14.9 | 0 | 0.01 |

Table 9.4.3A.3: Minimum requirement for HS-SCCH Type 3 detection, STTD disabled, dual transport block case with downlink physical channel setup in Table E.5.4E

| Test Number | Propagation Conditions | Reference value | | |
|-------------|------------------------|----------------------------------|------------------------------|----------|
| | | HS-SCCH-1 E_c / I_{or} (dB) | \hat{I}_{or} / I_{oc} (dB) | $P(E_m)$ |
| 3 | PA3 | -11.4 | 0 | 0.01 |
| 4 | VA3 | -14.2 | 0 | 0.01 |

The reference for this requirement is TS 25.101 [1] clause 9.4.3.

9.4.3A.3 Test purpose

To verify that $P(E_m)$ does not exceed the limit in table 9.4.3A.2 for the single transport block case, and in table 9.4.3A.3 for the dual transport block case.

9.4.3A.4 Method of test

9.4.3A.4.1 Initial conditions

Test environment: normal; see clauses G.2.1 and G.2.2.

Frequencies to be tested: mid range; see clause G.2.4.

- 1) Connect SS, multipath fading simulator and an AWGN noise source to the UE antenna connector as shown in figure A.22.
- 2) Set the test parameters for test 1-4 as specified in table 9.4.3A.5. Setup fading simulators as fading condition, which are described in table s D.2.2.1A and D.2.2.1C and clause D.2. The configuration of the downlink channels is defined in table E.5.4E.

9.4.3A.4.2 Procedure

1. The UE is switched on.
2. Set up a HSDPA connection with looping back 12.2kbps RMC according to the generic HSDPA set-up procedure specified in TS 34.108 [3] sub clause 7.3.6 with the exceptions for information elements listed in table 9.4.3A.4, with levels according to table E.5.0.
3. Once the HSDPA connection is setup, change levels according to Table E.5.4E and start transmitting HSDPA Data.
4. Count the number of NACK, ACK and statDTX on the UL HS-DPCCH during the test interval and decide pass or fail according to Annex F.6.1 and table F.6.1.8. NACK and ACK are counted as a pass and statDTX is counted as a failure.

Table 9.4.3A.4: Specific Message Contents for MIMO

RADIO BEARER SETUP for HSDPA Tests 1 & 2

| Information Element | Value/remark |
|--------------------------------------|--------------|
| MIMO parameters | |
| - MIMO operation | Start |
| - MIMO N_cqi_typeA/M_cqi ratio | 1/2 |
| - MIMO pilot configuration | |
| - CHOICE <i>Second CPICH pattern</i> | |
| >Antenna1 S-CPICH | |
| >> Channelisation code | 13 |
| >> Power Offset for S-CPICH for MIMO | -3 |
| Precoding weight set restriction | Not Present |

RADIO BEARER SETUP for HSDPA Tests 3 & 4

| Information Element | Value/remark |
|--------------------------------------|--------------|
| MIMO parameters | |
| - MIMO operation | Start |
| - MIMO N_cqi_typeA/M_cqi ratio | 1/1 |
| - MIMO pilot configuration | |
| - CHOICE <i>Second CPICH pattern</i> | |
| >Antenna1 S-CPICH | |
| >> Channelisation code | 13 |
| >> Power Offset for S-CPICH for MIMO | -3 |
| Precoding weight set restriction | Not Present |

9.4.3A.5 Test Requirements

Tables 9.4.3A.5 to 9.4.3A.7 define the primary level settings including test tolerance and test parameters for relevant tests. The probability of event E_m denoted as $P(E_m)$ (test procedure step 3) shall not exceed the specified value in table 9.4.3A.6 for single transport block case and the specified value in table 9.4.3A.7 for dual transport block case. The pass/fail decision is done according to Annex F.6.1. IE's for

Table 9.4.3A.5: Test parameters for HS-SCCH Type 3 detection

| Parameter | Unit | Test 1 | Test 2 | Test 3 | Test 4 |
|---|--------------|---|--------|--------|--------|
| I_{oc} | dBm/3.84 MHz | -60 | | | |
| HS-SCCH UE Identity ($x_{ue,1}, x_{ue,2}, \dots, x_{ue,16}$) | | HS-SCCH-1: 1010101010101010 (every third TTI only, UE under test addressed solely via HS-SCCH-1) HS-SCCH-2: 0001001010101010 HS-SCCH-3: 0001101010101010 HS-SCCH-4: 0001111101010101 | | | |
| HS-DSCH TF of UE1 | | <p><u>In case one transport block is signalled on HS-SCCH:</u> One transport block with TF corresponding to CQI1 Precoding vector applied to HS-PDSCH shall cycle through the four possible options.</p> <p><u>In case two transport blocks are signalled on HS-SCCH:</u> Two transport blocks with the same size and same number of OVSF codes as used in the case of transmitting only one transport block. Precoding matrix applied to HS-PDSCH shall cycle through the four possible options.</p> | | | |
| HS-SCCH-1 transmission pattern | | The HS-SCCH-1 shall be transmitted continuously with constant power. | | | |
| HS-PDSCH transmission pattern | | The HS-PDSCH shall be transmitted continuously with constant power. | | | |
| HS-SCCH-1 TTI Signalling Pattern | - | The six sub-frame HS-SCCH-1 signalling pattern shall be "...XOOXOO...", where "X" indicates TTI in which the HS-SCCH-1 uses the identity of the UE under test, and "O" indicates TTI in which the HS-SCCH-1 uses a different UE identity. | | | |

Table 9.4.3A.6: Test requirement for HS-SCCH Type 3 detection, STTD disabled, single transport block case with downlink physical channel setup in Table E.5.4E

| Test Number | Propagation Conditions | Reference value | | |
|-------------|------------------------|----------------------------------|------------------------------|----------|
| | | HS-SCCH-1 E_c / I_{or} (dB) | \hat{I}_{or} / I_{oc} (dB) | $P(E_m)$ |
| 1 | PA3 | -12.2 | 0.8 | 0.01 |
| 2 | VA3 | -14.8 | 0.8 | 0.01 |

Table 9.4.3A.7: Test requirement for HS-SCCH Type 3 detection, STTD disabled, dual transport block case with downlink physical channel setup in Table E.5.4E

| Test Number | Propagation Conditions | Reference value | | |
|-------------|------------------------|----------------------------------|------------------------------|----------|
| | | HS-SCCH-1 E_c / I_{or} (dB) | \hat{I}_{or} / I_{oc} (dB) | $P(E_m)$ |
| 3 | PA3 | -11.3 | 0.8 | 0.01 |
| 4 | VA3 | -14.1 | 0.8 | 0.01 |

NOTE: If the above Test Requirement differs from the Minimum Requirement then the Test Tolerance applied for this test is non-zero. The Test Tolerance for this test is defined in clause F.2 and the explanation of how the Minimum Requirement has been relaxed by the Test Tolerance is given in clause F.4.

9.4.3B HS-SCCH Type 3 Performance -STTD enabled- Asymmetric CPICHS

9.4.3B.1 Definition and applicability

The detection performance of the HS-SCCH is determined by the probability of event E_m , which is declared when the UE is signalled on HS-SCCH-1, but DTX is observed in the corresponding HS-DPCCH ACK/NACK field. The probability of event E_m is denoted $P(E_m)$.

The requirements and this test apply for HSDPA UE capability categories 15 - 20 and Release 10 and later for all types of UTRA for the FDD UE's supporting TX Diversity on DL Control Channels by MIMO Capable UE when MIMO operation is active

NOTE: This test case can be optionally executed for Rel-7 and onward UE's supporting MIMO feature.

9.4.3B.2 Minimum requirements

For the test parameters specified in Table 9.4.3B.1 with the downlink physical channel setup in Table E.5.4E, for each value of HS-SCCH-1 E_c/I_{or} specified in Table 9.4.3B.2 and Table 9.4.3B.3 the measured $P(E_m)$ shall be less than or equal to the corresponding specified value of $P(E_m)$. The requirements in Table 9.4.3B.2 and Table 9.4.3B.3 assume STTD is enabled on HS-SCCH and DPCH. The requirements in Table 9.4.3B.2 assumes HS-SCCH Type 3 coding associated with single stream transmission on HS-DSCH. The requirements in Table 9.4.3B.3 assumes HS-SCCH Type 3 coding associated with dual stream transmission on HS-DSCH. Minimum performance requirements specified in Table 9.4.3B.2 and 9.4.3B.3 are based on receiver diversity.

Table 9.4.3B.1: Test parameters for HS-SCCH Type 3 detection

| Parameter | Unit | Test 1 | Test 2 | Test 3 | Test 4 |
|---|--------------|--|--------|--------|--------|
| I_{oc} | dBm/3.84 MHz | -60 | | | |
| HS-SCCH UE Identity ($x_{ue,1}, x_{ue,2}, \dots, x_{ue,16}$) | | HS-SCCH-1: 1010101010101010 (every third TTI only, UE under test addressed solely via HS-SCCH-1) HS-SCCH-2: 0001001010101010 HS-SCCH-3: 0001101010101010 HS-SCCH-4: 0001111110101010 | | | |
| HS-DSCH TF of UE1 | | <u>In case one transport block is signalled on HS-SCCH:</u> One transport block with TF corresponding to CQI1 Precoding vector applied to HS-PDSCH shall cycle through the four possible options. <u>In case two transport blocks are signalled on HS-SCCH:</u> Two transport blocks with the same size and same number of OVSF codes as used in the case of transmitting only one transport block. Precoding matrix applied to HS-PDSCH shall cycle through the four possible options. | | | |
| HS-SCCH-1 transmission pattern | | The HS-SCCH-1 shall be transmitted continuously with constant power. | | | |
| HS-PDSCH transmission pattern | | The HS-PDSCH shall be transmitted continuously with constant power. | | | |
| HS-SCCH-1 TTI Signalling Pattern | - | The six sub-frame HS-SCCH-1 signalling pattern shall be "...XOOXOO...", where "X" indicates TTI in which the HS-SCCH-1 uses the identity of the UE under test, and "O" indicates TTI in which the HS-SCCH-1 uses a different UE identity. | | | |

Table 9.4.3B.2: Minimum requirement for HS-SCCH Type 3 detection, STTD enabled, single transport block case with downlink physical channel setup in Table E.5.4E

| Test Number | Propagation Conditions | Reference value | | |
|-------------|------------------------|--------------------------------|----------------------------|----------|
| | | HS-SCCH-1 E_c/I_{or} (dB) | \hat{I}_{or}/I_{oc} (dB) | $P(E_m)$ |
| 1 | PA3 | -15.3 | 0 | 0.01 |
| 2 | VA3 | -16.7 | 0 | 0.01 |

Table 9.4.3B.3: Minimum requirement for HS-SCCH Type 3 detection, STTD enabled, dual transport block case with downlink physical channel setup in Table E.5.4E

| Test Number | Propagation Conditions | Reference value | | |
|-------------|------------------------|----------------------------------|------------------------------|----------|
| | | HS-SCCH-1 E_c / I_{or} (dB) | \hat{I}_{or} / I_{oc} (dB) | $P(E_m)$ |
| 3 | PA3 | -14.4 | 0 | 0.01 |
| 4 | VA3 | -15.8 | 0 | 0.01 |

The reference for this requirement is TS 25.101 [1] clause 9.4.3.

9.4.3B.3 Test purpose

To verify that $P(E_m)$ does not exceed the limit in table 9.4.3B.2 for the single transport block case, and in table 9.4.3B.3 for the dual transport block case.

9.4.3B.4 Method of test

9.4.3B.4.1 Initial conditions

Test environment: normal; see clauses G.2.1 and G.2.2.

Frequencies to be tested: mid range; see clause G.2.4.

- 1) Connect SS, multipath fading simulator and an AWGN noise source to the UE antenna connector as shown in figure A.22.
- 2) Set the test parameters for test 1-4 as specified in table 9.4.3B.5. Setup fading simulators as fading condition, which are described in tables D.2.2.1A and D.2.2.1C and clause D.2. The configuration of the downlink channels is defined in table E.5.4E.

9.4.3B.4.2 Procedure

1. The UE is switched on.
2. Set up a HSDPA connection with looping back 12.2kbps RMC according to the generic HSDPA set-up procedure specified in TS 34.108 [3] sub clause 7.3.6 with the exceptions for information elements listed in table 9.4.3B.4, with levels according to table E.5.0.
3. Once the HSDPA connection is setup, change levels according to Table E.5.4E and start transmitting HSDPA Data.
4. Count the number of NACK, ACK and statDTX on the UL HS-DPCCH during the test interval and decide pass or fail according to Annex F.6.1 and table F.6.1.8. NACK and ACK are counted as a pass and statDTX is counted as a failure.

Table 9.4.3B.4: Specific Message Contents for MIMO

RADIO BEARER SETUP for HSDPA Tests 1 & 2

| Information Element | Value/remark |
|--------------------------------------|--------------|
| MIMO parameters | |
| - MIMO operation | Start |
| - MIMO N_cqi_typeA/M_cqi ratio | 1/2 |
| - MIMO pilot configuration | |
| - CHOICE <i>Second CPICH pattern</i> | |
| >Antenna1 S-CPICH | |
| >> Channelisation code | 13 |
| >> Power Offset for S-CPICH for MIMO | -3 |
| Precoding weight set restriction | Not Present |

RADIO BEARER SETUP for HSDPA Tests 3 & 4

| Information Element | Value/remark |
|--------------------------------------|--------------|
| MIMO parameters | Start 1/1 |
| - MIMO operation | |
| - MIMO N_cqi_typeA/M_cqi ratio | |
| - MIMO pilot configuration | |
| - CHOICE <i>Second CPICH pattern</i> | |
| >Antenna1 S-CPICH | |
| >> Channelisation code | 13 |
| >> Power Offset for S-CPICH for MIMO | -3 |
| Precoding weight set restriction | Not Present |

9.4.3B.5 Test Requirements

Tables 9.4.3B.5 to 9.4.3B.7 define the primary level settings including test tolerance and test parameters for relevant tests. The probability of event E_m denoted as $P(E_m)$ (test procedure step 3) shall not exceed the specified value in table 9.4.3B.6 for single transport block case and the specified value in table 9.4.3B.7 for dual transport block case. The pass/fail decision is done according to Annex F.6.1. IE's for

Table 9.4.3B.5: Test parameters for HS-SCCH Type 3 detection

| Parameter | Unit | Test 1 | Test 2 | Test 3 | Test 4 |
|---|--------------|---|--------|--------|--------|
| I_{oc} | dBm/3.84 MHz | -60 | | | |
| HS-SCCH UE Identity ($x_{ue,1}, x_{ue,2}, \dots, x_{ue,16}$) | | HS-SCCH-1: 1010101010101010 (every third TTI only, UE under test addressed solely via HS-SCCH-1) HS-SCCH-2: 0001001010101010 HS-SCCH-3: 0001101010101010 HS-SCCH-4: 0001111110101010 | | | |
| HS-DSCH TF of UE1 | | <p><u>In case one transport block is signalled on HS-SCCH:</u> One transport block with TF corresponding to CQI1 Precoding vector applied to HS-PDSCH shall cycle through the four possible options.</p> <p><u>In case two transport blocks are signalled on HS-SCCH:</u> Two transport blocks with the same size and same number of OVSF codes as used in the case of transmitting only one transport block. Precoding matrix applied to HS-PDSCH shall cycle through the four possible options.</p> | | | |
| HS-SCCH-1 transmission pattern | | The HS-SCCH-1 shall be transmitted continuously with constant power. | | | |
| HS-PDSCH transmission pattern | | The HS-PDSCH shall be transmitted continuously with constant power. | | | |
| HS-SCCH-1 TTI Signalling Pattern | - | The six sub-frame HS-SCCH-1 signalling pattern shall be "...XOOXOO...", where "X" indicates TTI in which the HS-SCCH-1 uses the identity of the UE under test, and "O" indicates TTI in which the HS-SCCH-1 uses a different UE identity. | | | |

Table 9.4.3B.6: Test requirement for HS-SCCH Type 3 detection, STTD enabled, single transport block case with downlink physical channel setup in Table E.5.4E

| Test Number | Propagation Conditions | Reference value | | |
|-------------|------------------------|----------------------------------|------------------------------|----------|
| | | HS-SCCH-1 E_c / I_{or} (dB) | \hat{I}_{or} / I_{oc} (dB) | $P(E_m)$ |
| 1 | PA3 | -15.2 | 0.8 | 0.01 |
| 2 | VA3 | -16.6 | 0.8 | 0.01 |

Table 9.4.3B.7: Test requirement for HS-SCCH Type 3 detection, STTD enabled, dual transport block case with downlink physical channel setup in Table E.5.4E

| Test Number | Propagation Conditions | Reference value | | |
|-------------|------------------------|----------------------------------|------------------------------|----------|
| | | HS-SCCH-1 E_c / I_{or} (dB) | \hat{I}_{or} / I_{oc} (dB) | $P(E_m)$ |
| 3 | PA3 | -14.3 | 0.8 | 0.01 |
| 4 | VA3 | -15.7 | 0.8 | 0.01 |

NOTE: If the above Test Requirement differs from the Minimum Requirement then the Test Tolerance applied for this test is non-zero. The Test Tolerance for this test is defined in clause F.2 and the explanation of how the Minimum Requirement has been relaxed by the Test Tolerance is given in clause F.4.

9.4.4 HS-SCCH Type 3 Performance for MIMO only with single-stream restriction

9.4.4.1 Definition and applicability

The detection performance of the HS-SCCH for MIMO only with single-stream restriction is determined by the probability of event E_m , which is declared when the UE is signalled on HS-SCCH-1, but DTX is observed in the corresponding HS-DPCCH ACK/NACK field. The probability of event E_m is denoted $P(E_m)$.

The requirements and this test apply for Release 10 and later for all types of UTRA for the FDD UE that support the optional MIMO only with single stream restriction.

NOTE: This test case can be optionally tested for Rel-7 and onward UE's supporting MIMO feature.

9.4.4.2 Minimum requirements

For the test parameters specified in Table 9.4.4.1 with the downlink physical channel setup in Table E.5.4A, for each value of HS-SCCH-1 E_c/I_{or} specified in Table 9.4.4.2 the measured $P(E_m)$ shall be less than or equal to the corresponding specified value of $P(E_m)$. The requirements in Table 9.4.4.2 assume STTD is enabled on HS-SCCH and DPCH. The requirements in Table 9.4.4.2 assume HS-SCCH Type 3 coding associated with single stream transmission on HS-DSCH.

Table 9.4.4.1: Test parameters for HS-SCCH Type 3 detection

| Parameter | Unit | Test 1 | Test 2 |
|---|--------------|---|--------|
| I_{oc} | dBm/3.84 MHz | -60 | |
| Phase reference | - | P-CPICH | |
| P-CPICH E_c / I_{or} (*) | dB | -10 | |
| HS-SCCH UE Identity ($x_{ue,1}, x_{ue,2}, \dots, x_{ue,16}$) | | HS-SCCH-1: 1010101010101010 (every third TTI only, UE under test addressed solely via HS-SCCH-1) HS-SCCH-2: 0001001010101010 HS-SCCH-3: 0001101010101010 HS-SCCH-4: 0001111110101010 | |
| HS-DSCH TF of UE1 | | One transport block with TF corresponding to CQI1 Precoding vector applied to HS-PDSCH shall cycle through the four possible options. | |
| HS-SCCH-1 transmission pattern | | The HS-SCCH-1 shall be transmitted continuously with constant power. | |
| HS-PDSCH transmission pattern | | The HS-PDSCH shall be transmitted continuously with constant power. | |
| HS-SCCH-1 TTI Signalling Pattern | - | The six sub-frame HS-SCCH-1 signalling pattern shall be "...XOOXOO...", where "X" indicates TTI in which the HS-SCCH-1 uses the identity of the UE under test, and "O" indicates TTI in which the HS-SCCH-1 uses a different UE identity. | |

Table 9.4.4.2: Minimum requirement for HS-SCCH Type 3 detection, single transport block case with downlink physical channel setup in Table E.5.4A

| Test Number | Propagation Conditions | Reference value | | |
|-------------|------------------------|----------------------------------|------------------------------|----------|
| | | HS-SCCH-1 E_c / I_{or} (dB) | \hat{I}_{or} / I_{oc} (dB) | $P(E_m)$ |
| 1 | PA3 | -8.9 | 0 | 0.01 |
| 2 | VA3 | -11.0 | 0 | 0.01 |

Table 9.4.4.3: Void

The reference for this requirement is TS 25.101 [1] clause 9.4.4.

9.4.4.3 Test purpose

To verify that $P(E_m)$ does not exceed the limit in Table 9.4.4.2 for the single transport block case.

9.4.4.4 Method of test

9.4.4.4.1 Initial conditions

Test environment: normal; see clauses G.2.1 and G.2.2.

Frequencies to be tested: mid range; see clause G.2.4.

- 1) Connect SS, multipath fading simulator and an AWGN noise source to the UE antenna connector as shown in figure A.22 for UEs that support receive diversity or figure A.12 for UEs that do not support receive diversity.
- 2) Set the test parameters for test 1-2 as specified in Table 9.4.4.5. Setup the fading simulators as fading condition, which are described in tables D.2.2.1A and D.2.2.1C and clause D.2. The configuration of the downlink channels is defined in Table E.5.4A.

9.4.4.4.2 Procedure

1. The UE is switched on.
2. Set up a HSDPA connection with looping back 12.2kbps RMC according to the generic HSDPA set-up procedure specified in TS 34.108 [3] sub clause 7.3.6 with the exceptions for information elements listed in Table 9.4.4.4, with levels according to Table E.5.0.
3. Once the HSDPA connection is setup, change levels according to Table E.5.4A and start transmitting HSDPA Data.
4. Count the number of NACK, ACK and statDTX on the UL HS-DPCCH during the test interval and decide pass or fail according to Annex F.6.1 and Table F.6.1.8. NACK and ACK are counted as a pass and statDTX is counted as a failure.

Table 9.4.4.4: Specific Message Contents for MIMO

RADIO BEARER SETUP for HSDPA Tests 1 & 2

| Information Element | Value/remark |
|--------------------------------------|--------------|
| MIMO parameters | |
| - MIMO operation | Start |
| - MIMO N_cqi_typeA/M_cqi ratio | 1/2 |
| - MIMO pilot configuration | |
| - CHOICE <i>Second CPICH pattern</i> | |
| - >Antenna2 P-CPICH | |
| - Precoding weight set restriction | Not Present |

9.4.4.5 Test Requirements

Tables 9.4.4.5 to 9.4.4.6 define the primary level settings including test tolerance and test parameters for relevant tests. The probability of event E_m denoted as $P(E_m)$ (test procedure step 3) shall not exceed the specified value in Table 9.4.4.6 for single transport block case. The pass/fail decision is done according to Annex F.6.1. IE's for

Table 9.4.4.5: Test parameters for HS-SCCH Type 3 detection

| Parameter | Unit | Test 1 | Test 2 |
|---|--------------|---|--------|
| I_{oc} | dBm/3.84 MHz | -60 | |
| Phase reference | - | P-CPICH | |
| P-CPICH E_c/I_{or} (*) | dB | -9.9 | |
| HS-SCCH UE Identity ($x_{ue,1}, x_{ue,2}, \dots, x_{ue,16}$) | | HS-SCCH-1: 1010101010101010 (every third TTI only, UE under test addressed solely via HS-SCCH-1) HS-SCCH-2: 0001001010101010 HS-SCCH-3: 0001101010101010 HS-SCCH-4: 0001111110101010 | |
| HS-DSCH TF of UE1 | | One transport block with TF corresponding to CQI1 Precoding vector applied to HS-PDSCH shall cycle through the four possible options. | |
| HS-SCCH-1 transmission pattern | | The HS-SCCH-1 shall be transmitted continuously with constant power. | |
| HS-PDSCH transmission pattern | | The HS-PDSCH shall be transmitted continuously with constant power. | |
| HS-SCCH-1 TTI Signalling Pattern | - | The six sub-frame HS-SCCH-1 signalling pattern shall be "...XOOXOO...", where "X" indicates TTI in which the HS-SCCH-1 uses the identity of the UE under test, and "O" indicates TTI in which the HS-SCCH-1 uses a different UE identity. | |

Table 9.4.4.6: Test requirement for HS-SCCH Type 3 detection, single transport block case with downlink physical channel setup in Table E.5.4A

| Test Number | Propagation Conditions | Reference value | | |
|-------------|------------------------|--------------------------------|----------------------------|----------|
| | | HS-SCCH-1 E_c/I_{or} (dB) | \hat{I}_{or}/I_{oc} (dB) | $P(E_m)$ |
| 1 | PA3 | -8.8 | 0.8 | 0.01 |
| 2 | VA3 | -10.9 | 0.8 | 0.01 |

Table 9.4.4.7: Void

NOTE: If the above Test Requirement differs from the Minimum Requirement then the Test Tolerance applied for this test is non-zero. The Test Tolerance for this test is defined in clause F.2 and the explanation of how the Minimum Requirement has been relaxed by the Test Tolerance is given in clause F.4.

9.4.4A HS-SCCH Type 3 Performance for MIMO only with single-stream restriction- Enhanced Performance Requirements Type 1

9.4.4A.1 Definition and applicability

The detection performance of the HS-SCCH for MIMO only with single-stream restriction is determined by the probability of event E_m , which is declared when the UE is signalled on HS-SCCH-1, but DTX is observed in the corresponding HS-DPCCH ACK/NACK field. The probability of event E_m is denoted $P(E_m)$.

The requirements and this test apply for Release 10 and later for all types of UTRA for the FDD UE's supporting optional MIMO-only with single-stream restriction feature and the optional enhanced performance requirements type1.

NOTE: This test case can be optionally tested for Rel-9 UE's supporting optional MIMO-only with single-stream restriction and the optional enhanced performance requirements type1.

9.4.4A.2 Minimum requirements

For the test parameters specified in Table 9.4.4A.1 with the downlink physical channel setup in Table E.5.4A, for each value of HS-SCCH-1 E_c/I_{or} specified in Table 9.4.4A.2 and Table 9.4.4A.3 the measured $P(E_m)$ shall be less than or equal to the corresponding specified value of $P(E_m)$. The requirements in Table 9.4.4A.2 and Table 9.4.4A.3 assume STTD is enabled on HS-SCCH and DPCH. The requirements in Table 9.4.4A.2 and Table 9.4.4A.3 assume HS-SCCH Type 3 coding associated with single stream transmission on HS-DSCH. Performance requirements specified in Table 9.4.4A.3 are based on receiver diversity.

Table 9.4.4A.1: Test parameters for HS-SCCH Type 3 detection

| Parameter | Unit | Test 1 | Test 2 |
|---|--------------|---|--------|
| I_{oc} | dBm/3.84 MHz | -60 | |
| Phase reference | - | P-CPICH | |
| P-CPICH E_c/I_{or} (*) | dB | -10 | |
| HS-SCCH UE Identity ($x_{ue,1}, x_{ue,2}, \dots, x_{ue,16}$) | | HS-SCCH-1: 1010101010101010 (every third TTI only, UE under test addressed solely via HS-SCCH-1) HS-SCCH-2: 0001001010101010 HS-SCCH-3: 0001101010101010 HS-SCCH-4: 00011111010101010 | |
| HS-DSCH TF of UE1 | | One transport block with TF corresponding to CQI1 Precoding vector applied to HS-PDSCH shall cycle through the four possible options. | |
| HS-SCCH-1 transmission pattern | | The HS-SCCH-1 shall be transmitted continuously with constant power. | |
| HS-PDSCH transmission pattern | | The HS-PDSCH shall be transmitted continuously with constant power. | |
| HS-SCCH-1 TTI Signalling Pattern | - | The six sub-frame HS-SCCH-1 signalling pattern shall be "...XOOXOO...", where "X" indicates TTI in which the HS-SCCH-1 uses the identity of the UE under test, and "O" indicates TTI in which the HS-SCCH-1 uses a different UE identity. | |

Table 9.4.4A.2: Enhanced requirement type 1 for HS-SCCH Type 3 detection, single transport block case with downlink physical channel setup in Table E.5.4A

| Test Number | Propagation Conditions | Reference value | | |
|-------------|------------------------|--------------------------------|----------------------------|----------|
| | | HS-SCCH-1 E_c/I_{or} (dB) | \hat{I}_{or}/I_{oc} (dB) | $P(E_m)$ |
| 1 | PA3 | -15.6 | 0 | 0.01 |
| 2 | VA3 | -16.8 | 0 | 0.01 |

The reference for this requirement is TS 25.101 [1] clause 9.4.4A.

9.4.4A.3 Test purpose

To verify that $P(E_m)$ does not exceed the limit in Table 9.4.4A.2 and Table 9.4.4A.3 for the single transport block case.

9.4.4A.4 Method of test

9.4.4A.4.1 Initial conditions

Test environment: normal; see clauses G.2.1 and G.2.2.

Frequencies to be tested: mid range; see clause G.2.4.

- 1) Connect SS, multipath fading simulator and an AWGN noise source to the UE antenna connector as shown in figure A.22 for UEs that support receive diversity or figure A.12 for UEs that do not support receive diversity.

- 2) Set the test parameters for test 1-2 as specified in table 9.4.4A.5. Setup fading simulators as fading condition, which are described in table s D.2.2.1A and D.2.2.1C and clause D.2. The configuration of the downlink channels is defined in table E.5.4A.

9.4.4A.4.2 Procedure

1. The UE is switched on.
2. Set up a HSDPA connection with looping back 12.2kbps RMC according to the generic HSDPA set-up procedure specified in TS 34.108 [3] sub clause 7.3.6 with the exceptions for information elements listed in table 9.4.4A.4, with levels according to table E.5.0.
3. Once the HSDPA connection is setup, change levels according to Table E.5.4A and start transmitting HSDPA Data.
4. Count the number of NACK, ACK and statDTX on the UL HS-DPCCH during the test interval and decide pass or fail according to Annex F.6.1 and table F.6.1.8. NACK and ACK are counted as a pass and statDTX is counted as a failure.

Table 9.4.4A.3: Specific Message Contents for MIMO

RADIO BEARER SETUP for HSDPA Tests 1 & 2

| Information Element | Value/remark |
|--------------------------------------|--------------|
| MIMO parameters | Start 1/2 |
| - MIMO operation | |
| - MIMO N_cqi_typeA/M_cqi ratio | Not Present |
| - MIMO pilot configuration | |
| - CHOICE <i>Second CPICH pattern</i> | |
| ->Antenna2 P-CPICH | |
| - Precoding weight set restriction | |

9.4.4A.5 Test Requirements

Tables 9.4.4A.5 to 9.4.4A.7 define the primary level settings including test tolerance and test parameters for relevant tests. The probability of event E_m denoted as $P(E_m)$ (test procedure step 3) shall not exceed the specified value in Table 9.4.4A.6 and Table 9.4.4A.7 for single transport block case. The pass/fail decision is done according to Annex F.6.1. IE's for

Table 9.4.4A.4: Test parameters for HS-SCCH Type 3 detection

| Parameter | Unit | Test 1 | Test 2 |
|---|--------------|---|--------|
| I_{oc} | dBm/3.84 MHz | -60 | |
| Phase reference | - | P-CPICH | |
| P-CPICH $E_c/I_{or} (*)$ | dB | -9.9 | |
| HS-SCCH UE Identity ($x_{ue,1}, x_{ue,2}, \dots, x_{ue,16}$) | | HS-SCCH-1: 1010101010101010 (every third TTI only, UE under test addressed solely via HS-SCCH-1) HS-SCCH-2: 0001001010101010 HS-SCCH-3: 0001101010101010 HS-SCCH-4: 0001111110101010 | |
| HS-DSCH TF of UE1 | | One transport block with TF corresponding to CQI1 Precoding vector applied to HS-PDSCH shall cycle through the four possible options. | |
| HS-SCCH-1 transmission pattern | | The HS-SCCH-1 shall be transmitted continuously with constant power. | |
| HS-PDSCH transmission pattern | | The HS-PDSCH shall be transmitted continuously with constant power. | |
| HS-SCCH-1 TTI Signalling Pattern | - | The six sub-frame HS-SCCH-1 signalling pattern shall be "...XOOXOO...", where "X" indicates TTI in which the HS-SCCH-1 uses the identity of the UE under test, and "O" indicates TTI in which the HS-SCCH-1 uses a different UE identity. | |

Table 9.4.4A.5: Test enhanced requirement type 1 for HS-SCCH Type 3 detection, single transport block case with downlink physical channel setup in Table E.5.4A

| Test Number | Propagation Conditions | Reference value | | |
|-------------|------------------------|--------------------------------|----------------------------|----------|
| | | HS-SCCH-1 E_c/I_{or} (dB) | \hat{I}_{or}/I_{oc} (dB) | $P(E_m)$ |
| 1 | PA3 | -15.5 | 0.8 | 0.01 |
| 2 | VA3 | -16.7 | 0.8 | 0.01 |

NOTE: If the above Test Requirement differs from the Minimum Requirement then the Test Tolerance applied for this test is non-zero. The Test Tolerance for this test is defined in clause F.2 and the explanation of how the Minimum Requirement has been relaxed by the Test Tolerance is given in clause F.4.

9.4.4B HS-SCCH Type 3 Performance for MIMO only with single-stream restriction-STTD disabled-asymmetric CPICHS

9.4.4B.1 Definition and applicability

The detection performance of the HS-SCCH for MIMO only with single-stream restriction-STTD disabled-asymmetric CPICHS is determined by the probability of event E_m , which is declared when the UE is signalled on HS-SCCH-1, but DTX is observed in the corresponding HS-DPCCH ACK/NACK field. The probability of event E_m is denoted $P(E_m)$.

The requirements and this test apply for Release 10 and later for all types of UTRA for the FDD UE that support the optional MIMO only with single stream restriction.

NOTE: This test case can be optionally executed for Rel-7 and onward UE's supporting MIMO feature.

9.4.4B.2 Minimum requirements

For the test parameters specified in Table 9.4.4B.1 with the downlink physical channel setup in Table E.5.4E, for each value of HS-SCCH-1 E_c/I_{or} specified in Table 9.4.4B.2 the measured $P(E_m)$ shall be less than or equal to the corresponding specified value of $P(E_m)$. The requirements in Table 9.4.4B.2 assume STTD is disabled on HS-SCCH and DPCH. The requirements in Table 9.4.4B.2 assume HS-SCCH Type 3 coding associated with single stream transmission on HS-DSCH.

Table 9.4.4B.1: Test parameters for HS-SCCH Type 3 detection

| Parameter | Unit | Test 1 | Test 2 |
|---|--------------|---|--------|
| I_{oc} | dBm/3.84 MHz | -60 | |
| Phase reference | - | P-CPICH | |
| P-CPICH E_c/I_{or} (*) | dB | -10 | |
| HS-SCCH UE Identity ($x_{ue,1}, x_{ue,2}, \dots, x_{ue,16}$) | | HS-SCCH-1: 1010101010101010 (every third TTI only, UE under test addressed solely via HS-SCCH-1) HS-SCCH-2: 0001001010101010 HS-SCCH-3: 0001101010101010 HS-SCCH-4: 00011111010101010 | |
| HS-DSCH TF of UE1 | | One transport block with TF corresponding to CQI1 Precoding vector applied to HS-PDSCH shall cycle through the four possible options. | |
| HS-SCCH-1 transmission pattern | | The HS-SCCH-1 shall be transmitted continuously with constant power. | |
| HS-PDSCH transmission pattern | | The HS-PDSCH shall be transmitted continuously with constant power. | |
| HS-SCCH-1 TTI Signalling Pattern | - | The six sub-frame HS-SCCH-1 signalling pattern shall be "...XOOXOO...", where "X" indicates TTI in which the HS-SCCH-1 uses the identity of the UE under test, and "O" indicates TTI in which the HS-SCCH-1 uses a different UE identity. | |

Table 9.4.4B.2: Minimum requirement for HS-SCCH Type 3 detection, STTD-disabled, single transport block case with downlink physical channel setup in Table E.5.4E

| Test Number | Propagation Conditions | Reference value | | |
|-------------|------------------------|----------------------------------|------------------------------|----------|
| | | HS-SCCH-1 E_c / I_{or} (dB) | \hat{I}_{or} / I_{oc} (dB) | $P(E_m)$ |
| 1 | PA3 | -11.0 | 3 | 0.05 |
| 2 | VA3 | -8.7 | 0 | 0.01 |

The reference for this requirement is TS 25.101 [1] clause 9.4.4.

9.4.4B.3 Test purpose

To verify that $P(E_m)$ does not exceed the limit in Table 9.4.4B.2 for the single transport block case.

9.4.4B.4 Method of test

9.4.4B.4.1 Initial conditions

Test environment: normal; see clauses G.2.1 and G.2.2.

Frequencies to be tested: mid range; see clause G.2.4.

- 1) Connect SS, multipath fading simulator and an AWGN noise source to the UE antenna connector as shown in figure A.22 for UEs that support receive diversity or figure A.12 for UEs that do not support receive diversity.
- 2) Set the test parameters for test 1-2 as specified in Table 9.4.4B.4. Setup the fading simulators as fading condition, which are described in Tables D.2.2.1A and D.2.2.1C and clause D.2. The configuration of the downlink channels is defined in Table E.5.4E.

9.4.4B.4.2 Procedure

1. The UE is switched on.
2. Set up a HSDPA connection with looping back 12.2kbps RMC according to the generic HSDPA set-up procedure specified in TS 34.108 [3] sub clause 7.3.6 with the exceptions for information elements listed in Table 9.4.4B.3, with levels according to Table E.5.0.
3. Once the HSDPA connection is setup, change levels according to Table E.5.4E and start transmitting HSDPA Data.
4. Count the number of NACK, ACK and statDTX on the UL HS-DPCCH during the test interval and decide pass or fail according to Annex F.6.1 and Table F.6.1.8. NACK and ACK are counted as a pass and statDTX is counted as a failure.

Table 9.4.4B.3: Specific Message Contents for MIMO

RADIO BEARER SETUP for HSDPA Tests 1 & 2

| Information Element | Value/remark |
|---|--------------|
| MIMO parameters | Start |
| - MIMO operation | |
| - MIMO N_cqi_typeA/M_cqi ratio | Not Present |
| - MIMO pilot configuration | |
| - CHOICE <i>Second CPICH pattern</i> >Antenna2 P-CPICH | |
| - Precoding weight set restriction | |

9.4.4B.5 Test Requirements

Tables 9.4.4B.4 to 9.4.4B.5 define the primary level settings including test tolerance and test parameters for relevant tests. The probability of event E_m denoted as $P(E_m)$ (test procedure step 3) shall not exceed the specified value in Table 9.4.4B.5 for single transport block case. The pass/fail decision is done according to Annex F.6.1. IE's for

Table 9.4.4B.4: Test parameters for HS-SCCH Type 3 detection

| Parameter | Unit | Test 1 | Test 2 |
|---|--------------|---|--------|
| I_{oc} | dBm/3.84 MHz | -60 | |
| Phase reference | - | P-CPICH | |
| P-CPICH E_c/I_{or} (*) | dB | -9.9 | |
| HS-SCCH UE Identity ($x_{ue,1}, x_{ue,2}, \dots, x_{ue,16}$) | | HS-SCCH-1: 1010101010101010 (every third TTI only, UE under test addressed solely via HS-SCCH-1) HS-SCCH-2: 0001001010101010 HS-SCCH-3: 0001101010101010 HS-SCCH-4: 0001111110101010 | |
| HS-DSCH TF of UE1 | | One transport block with TF corresponding to CQI1 Precoding vector applied to HS-PDSCH shall cycle through the four possible options. | |
| HS-SCCH-1 transmission pattern | | The HS-SCCH-1 shall be transmitted continuously with constant power. | |
| HS-PDSCH transmission pattern | | The HS-PDSCH shall be transmitted continuously with constant power. | |
| HS-SCCH-1 TTI Signalling Pattern | - | The six sub-frame HS-SCCH-1 signalling pattern shall be "...XOOXOO...", where "X" indicates TTI in which the HS-SCCH-1 uses the identity of the UE under test, and "O" indicates TTI in which the HS-SCCH-1 uses a different UE identity. | |

Table 9.4.4B.5: Test requirement for HS-SCCH Type 3 detection, STTD-disabled, single transport block case with downlink physical channel setup in Table E.5.4E

| Test Number | Propagation Conditions | Reference value | | |
|-------------|------------------------|--------------------------------|----------------------------|----------|
| | | HS-SCCH-1 E_c/I_{or} (dB) | \hat{I}_{or}/I_{oc} (dB) | $P(E_m)$ |
| 1 | PA3 | -10.9 | 3.8 | 0.05 |
| 2 | VA3 | -8.6 | 0.8 | 0.01 |

NOTE: If the above Test Requirement differs from the Minimum Requirement then the Test Tolerance applied for this test is non-zero. The Test Tolerance for this test is defined in clause F.2 and the explanation of how the Minimum Requirement has been relaxed by the Test Tolerance is given in clause F.4.

9.4.4C HS-SCCH Type 3 Performance for MIMO only with single-stream restriction-STTD disabled-asymmetric CPICHS- Enhanced Performance Requirements Type 1

9.4.4C.1 Definition and applicability

The detection performance of the HS-SCCH for MIMO only with single-stream restriction-STTD disabled-asymmetric CPICHS is determined by the probability of event E_m , which is declared when the UE is signalled on HS-SCCH-1, but DTX is observed in the corresponding HS-DPCCH ACK/NACK field. The probability of event E_m is denoted $P(E_m)$.

The requirements and this test apply for Release 10 and later for all types of UTRA for the FDD UE's supporting the optional MIMO-only with single-stream restriction feature and the optional enhanced performance requirements type1.

NOTE: This test case can be optionally tested for Rel-9 UE's supporting optional MIMO-only with single-stream restriction feature and the optional enhanced performance requirements type1.

9.4.4C.2 Minimum requirements

For the test parameters specified in Table 9.4.4C.1 with the downlink physical channel setup in Table E.5.4E, for each value of HS-SCCH-1 E_c/I_{or} specified in Table 9.4.4C.2 the measured $P(E_m)$ shall be less than or equal to the corresponding specified value of $P(E_m)$. The requirements in Table 9.4.4C.2 assume STTD is disabled on HS-SCCH and DPCH. The requirements in Table 9.4.4C.2 assume HS-SCCH Type 3 coding associated with single stream transmission on HS-DSCH.

Table 9.4.4C.1: Test parameters for HS-SCCH Type 3 detection

| Parameter | Unit | Test 1 | Test 2 |
|---|--------------|---|--------|
| I_{oc} | dBm/3.84 MHz | -60 | |
| Phase reference | - | P-CPICH | |
| P-CPICH E_c/I_{or} (*) | dB | -10 | |
| HS-SCCH UE Identity ($x_{ue,1}, x_{ue,2}, \dots, x_{ue,16}$) | | HS-SCCH-1: 1010101010101010 (every third TTI only, UE under test addressed solely via HS-SCCH-1) HS-SCCH-2: 0001001010101010 HS-SCCH-3: 0001101010101010 HS-SCCH-4: 0001111110101010 | |
| HS-DSCH TF of UE1 | | One transport block with TF corresponding to CQI1 Precoding vector applied to HS-PDSCH shall cycle through the four possible options. | |
| HS-SCCH-1 transmission pattern | | The HS-SCCH-1 shall be transmitted continuously with constant power. | |
| HS-PDSCH transmission pattern | | The HS-PDSCH shall be transmitted continuously with constant power. | |
| HS-SCCH-1 TTI Signalling Pattern | - | The six sub-frame HS-SCCH-1 signalling pattern shall be "...XOOXOO...", where "X" indicates TTI in which the HS-SCCH-1 uses the identity of the UE under test, and "O" indicates TTI in which the HS-SCCH-1 uses a different UE identity. | |

Table 9.4.4C.2: Enhanced requirement type 1 for HS-SCCH Type 3 detection, STTD disabled, single transport block case with downlink physical channel setup in Table E.5.4E

| Test Number | Propagation Conditions | Reference value | | |
|-------------|------------------------|--------------------------------|----------------------------|----------|
| | | HS-SCCH-1 E_c/I_{or} (dB) | \hat{I}_{or}/I_{oc} (dB) | $P(E_m)$ |
| 1 | PA3 | -12.3 | 0 | 0.01 |
| 2 | VA3 | -14.9 | 0 | 0.01 |

The reference for this requirement is TS 25.101 [1] clause 9.4.4.

9.4.4C.3 Test purpose

To verify that $P(E_m)$ does not exceed the limit in Table 9.4.4C.2 for the single transport block case.

9.4.4C.4 Method of test

9.4.4C.4.1 Initial conditions

Test environment: normal; see clauses G.2.1 and G.2.2.

Frequencies to be tested: mid range; see clause G.2.4.

- 1) Connect SS, multipath fading simulator and an AWGN noise source to the UE antenna connector as shown in figure A.22 for UEs that support receive diversity or figure A.12 for UEs that do not support receive diversity.
- 2) Set the test parameters for test 1-2 as specified in table 9.4.4C.4. Setup fading simulators as fading condition, which are described in Tables D.2.2.1A and D.2.2.1C and clause D.2. The configuration of the downlink channels is defined in table E.5.4E.

9.4.4C.4.2 Procedure

1. The UE is switched on.
2. Set up a HSDPA connection with looping back 12.2kbps RMC according to the generic HSDPA set-up procedure specified in TS 34.108 [3] sub clause 7.3.6 with the exceptions for information elements listed in table 9.4.4C.3, with levels according to table E.5.0.
3. Once the HSDPA connection is setup, change levels according to Table E.5.4E and start transmitting HSDPA Data.
4. Count the number of NACK, ACK and statDTX on the UL HS-DPCCH during the test interval and decide pass or fail according to Annex F.6.1 and table F.6.1.8. NACK and ACK are counted as a pass and statDTX is counted as a failure.

Table 9.4.4C.3: Specific Message Contents for MIMO

RADIO BEARER SETUP for HSDPA Tests 1 & 2

| Information Element | Value/remark |
|--|---|
| MIMO parameters - MIMO operation - MIMO N_cqi_typeA/M_cqi ratio - MIMO pilot configuration - CHOICE <i>Second CPICH pattern</i> >Antenna2 P-CPICH - Precoding weight set restriction | Start 1/2 Not Present |

9.4.4C.5 Test Requirements

Tables 9.4.4C.4 to 9.4.4C.5 define the primary level settings including test tolerance and test parameters for relevant tests. The probability of event E_m denoted as $P(E_m)$ (test procedure step 3) shall not exceed the specified value in Table 9.4.4C.5 for single transport block case. The pass/fail decision is done according to Annex F.6.1. IE's for

Table 9.4.4C.4: Test parameters for HS-SCCH Type 3 detection

| Parameter | Unit | Test 1 | Test 2 |
|---|--------------|---|--------|
| I_{oc} | dBm/3.84 MHz | -60 | |
| Phase reference | - | P-CPICH | |
| P-CPICH E_c/I_{or} (*) | dB | -9.9 | |
| HS-SCCH UE Identity ($x_{ue,1}, x_{ue,2}, \dots, x_{ue,16}$) | | HS-SCCH-1: 1010101010101010 (every third TTI only, UE under test addressed solely via HS-SCCH-1) HS-SCCH-2: 0001001010101010 HS-SCCH-3: 0001101010101010 HS-SCCH-4: 0001111110101010 | |
| HS-DSCH TF of UE1 | | One transport block with TF corresponding to CQI1 Precoding vector applied to HS-PDSCH shall cycle through the four possible options. | |
| HS-SCCH-1 transmission pattern | | The HS-SCCH-1 shall be transmitted continuously with constant power. | |
| HS-PDSCH transmission pattern | | The HS-PDSCH shall be transmitted continuously with constant power. | |
| HS-SCCH-1 TTI Signalling Pattern | - | The six sub-frame HS-SCCH-1 signalling pattern shall be "...XOOXOO...", where "X" indicates TTI in which the HS-SCCH-1 uses the identity of the UE under test, and "O" indicates TTI in which the HS-SCCH-1 uses a different UE identity. | |

Table 9.4.4C.5: Enhanced requirement type 1 for HS-SCCH Type 3 detection, STTD disabled, single transport block case with downlink physical channel setup in Table E.5.4E

| Test Number | Propagation Conditions | Reference value | | |
|-------------|------------------------|----------------------------------|------------------------------|----------|
| | | HS-SCCH-1 E_c / I_{or} (dB) | \hat{I}_{or} / I_{oc} (dB) | $P(E_m)$ |
| 1 | PA3 | -12.3 | 0.8 | 0.01 |
| 2 | VA3 | -14.9 | 0 | 0.01 |

NOTE: If the above Test Requirement differs from the Minimum Requirement then the Test Tolerance applied for this test is non-zero. The Test Tolerance for this test is defined in clause F.2 and the explanation of how the Minimum Requirement has been relaxed by the Test Tolerance is given in clause F.4.

9.4.4D HS-SCCH Type 3 Performance for MIMO only with single-stream restriction-STTD enabled-asymmetric CPICHs

9.4.4D.1 Definition and applicability

The detection performance of the HS-SCCH for MIMO only with single-stream restriction-STTD enabled-asymmetric CPICHs is determined by the probability of event E_m , which is declared when the UE is signalled on HS-SCCH-1, but DTX is observed in the corresponding HS-DPCCH ACK/NACK field. The probability of event E_m is denoted $P(E_m)$.

The requirements and this test apply for Release 10 and later for all types of UTRA for the FDD UE that support the optional TX Diversity on DL Control Channels and the optional MIMO only with single stream restriction.

NOTE: This test case can be optionally executed for Rel-7 and onward UE's supporting MIMO feature.

9.4.4D.2 Minimum requirements

For the test parameters specified in Table 9.4.4D.1 with the downlink physical channel setup in Table E.5.4E, for each value of HS-SCCH-1 E_c/I_{or} specified in Table 9.4.4D.2 the measured $P(E_m)$ shall be less than or equal to the corresponding specified value of $P(E_m)$. The requirements in Table 9.4.4D.2 assume STTD is enabled on HS-SCCH and DPCH. The requirements in Table 9.4.4D.2 assume HS-SCCH Type 3 coding associated with single stream transmission on HS-DSCH.

Table 9.4.4D.1: Test parameters for HS-SCCH Type 3 detection

| Parameter | Unit | Test 1 | Test 2 |
|---|--------------|---|--------|
| I_{oc} | dBm/3.84 MHz | -60 | |
| Phase reference | - | P-CPICH | |
| P-CPICH E_c / I_{or} (*) | dB | -10 | |
| HS-SCCH UE Identity ($x_{ue,1}, x_{ue,2}, \dots, x_{ue,16}$) | | HS-SCCH-1: 1010101010101010 (every third TTI only, UE under test addressed solely via HS-SCCH-1) HS-SCCH-2: 0001001010101010 HS-SCCH-3: 0001101010101010 HS-SCCH-4: 0001111110101010 | |
| HS-DSCH TF of UE1 | | One transport block with TF corresponding to CQI1 Precoding vector applied to HS-PDSCH shall cycle through the four possible options. | |
| HS-SCCH-1 transmission pattern | | The HS-SCCH-1 shall be transmitted continuously with constant power. | |
| HS-PDSCH transmission pattern | | The HS-PDSCH shall be transmitted continuously with constant power. | |
| HS-SCCH-1 TTI Signalling Pattern | - | The six sub-frame HS-SCCH-1 signalling pattern shall be "...XOOXOO...", where "X" indicates TTI in which the HS-SCCH-1 uses the identity of the UE under test, and "O" indicates TTI in which the HS-SCCH-1 uses a different UE identity. | |

Table 9.4.4D.2: Minimum requirement for HS-SCCH Type 3 detection, STTD-enabled, single transport block case with downlink physical channel setup in Table E.5.4E

| Test Number | Propagation Conditions | Reference value | | |
|-------------|------------------------|----------------------------------|------------------------------|----------|
| | | HS-SCCH-1 E_c / I_{or} (dB) | \hat{I}_{or} / I_{oc} (dB) | $P(E_m)$ |
| 1 | PA3 | -8.4 | 0 | 0.01 |
| 2 | VA3 | -11.1 | 0 | 0.01 |

The reference for this requirement is TS 25.101 [1] clause 9.4.4.

9.4.4D.3 Test purpose

To verify that $P(E_m)$ does not exceed the limit in Table 9.4.4D.2 for the single transport block case.

9.4.4D.4 Method of test

9.4.4D.4.1 Initial conditions

Test environment: normal; see clauses G.2.1 and G.2.2.

Frequencies to be tested: mid range; see clause G.2.4.

- 1) Connect SS, multipath fading simulator and an AWGN noise source to the UE antenna connector as shown in figure A.22 for UEs that support receive diversity or figure A.12 for UEs that do not support receive diversity.
- 2) Set the test parameters for test 1-2 as specified in Table 9.4.4D.4. Setup the fading simulators as fading condition, which are described in Tables D.2.2.1A and D.2.2.1C and clause D.2. The configuration of the downlink channels is defined in Table E.5.4E.

9.4.4D.4.2 Procedure

1. The UE is switched on.
2. Set up a HSDPA connection with looping back 12.2kbps RMC according to the generic HSDPA set-up procedure specified in TS 34.108 [3] sub clause 7.3.6 with the exceptions for information elements listed in Table 9.4.4D.3, with levels according to Table E.5.0.
3. Once the HSDPA connection is setup, change levels according to Table E.5.4E and start transmitting HSDPA Data.
4. Count the number of NACK, ACK and statDTX on the UL HS-DPCCH during the test interval and decide pass or fail according to Annex F.6.1 and Table F.6.1.8. NACK and ACK are counted as a pass and statDTX is counted as a failure.

Table 9.4.4D.3: Specific Message Contents for MIMO

RADIO BEARER SETUP for HSDPA Tests 1 & 2

| Information Element | Value/remark |
|--------------------------------------|--------------|
| MIMO parameters | |
| - MIMO operation | Start |
| - MIMO N_cqi_typeA/M_cqi ratio | 1/2 |
| - MIMO pilot configuration | |
| - CHOICE <i>Second CPICH pattern</i> | |
| - >Antenna2 P-CPICH | |
| - Precoding weight set restriction | Not Present |

9.4.4D.5 Test Requirements

Tables 9.4.4D.4 to 9.4.4D.5 define the primary level settings including test tolerance and test parameters for relevant tests. The probability of event E_m denoted as $P(E_m)$ (test procedure step 3) shall not exceed the specified value in Table 9.4.4D.5 for single transport block case. The pass/fail decision is done according to Annex F.6.1. IE's for

Table 9.4.4D.4: Test parameters for HS-SCCH Type 3 detection

| Parameter | Unit | Test 1 | Test 2 |
|---|--------------|---|--------|
| I_{oc} | dBm/3.84 MHz | -60 | |
| Phase reference | - | P-CPICH | |
| P-CPICH E_c/I_{or} (*) | dB | -9.9 | |
| HS-SCCH UE Identity ($x_{ue,1}, x_{ue,2}, \dots, x_{ue,16}$) | | HS-SCCH-1: 1010101010101010 (every third TTI only, UE under test addressed solely via HS-SCCH-1) HS-SCCH-2: 0001001010101010 HS-SCCH-3: 0001101010101010 HS-SCCH-4: 0001111110101010 | |
| HS-DSCH TF of UE1 | | One transport block with TF corresponding to CQI1 Precoding vector applied to HS-PDSCH shall cycle through the four possible options. | |
| HS-SCCH-1 transmission pattern | | The HS-SCCH-1 shall be transmitted continuously with constant power. | |
| HS-PDSCH transmission pattern | | The HS-PDSCH shall be transmitted continuously with constant power. | |
| HS-SCCH-1 TTI Signalling Pattern | - | The six sub-frame HS-SCCH-1 signalling pattern shall be "...XOOXOO...", where "X" indicates TTI in which the HS-SCCH-1 uses the identity of the UE under test, and "O" indicates TTI in which the HS-SCCH-1 uses a different UE identity. | |

Table 9.4.4D.5: Test requirement for HS-SCCH Type 3 detection, STTD-enabled, single transport block case with downlink physical channel setup in Table E.5.4E

| Test Number | Propagation Conditions | Reference value | | |
|-------------|------------------------|--------------------------------|----------------------------|----------|
| | | HS-SCCH-1 E_c/I_{or} (dB) | \hat{I}_{or}/I_{oc} (dB) | $P(E_m)$ |
| 1 | PA3 | -8.3 | 0.8 | 0.01 |
| 2 | VA3 | -11.0 | 0.8 | 0.01 |

NOTE: If the above Test Requirement differs from the Minimum Requirement then the Test Tolerance applied for this test is non-zero. The Test Tolerance for this test is defined in clause F.2 and the explanation of how the Minimum Requirement has been relaxed by the Test Tolerance is given in clause F.4.

9.4.4E HS-SCCH Type 3 Performance for MIMO only with single-stream restriction-STTD enabled-asymmetric CPICHs- Enhanced Performance Requirements Type 1

9.4.4E.1 Definition and applicability

The detection performance of the HS-SCCH for MIMO only with single-stream restriction-STTD enabled-asymmetric CPICHs is determined by the probability of event E_m , which is declared when the UE is signalled on HS-SCCH-1, but DTX is observed in the corresponding HS-DPCCH ACK/NACK field. The probability of event E_m is denoted $P(E_m)$.

The requirements and this test apply for Release 10 and later for all types of UTRA for the FDD UE's supporting optional Tx Diversity on DL Control channels and the optional MIMO-only with single-stream restriction feature and the optional enhanced performance requirements type1.

NOTE: This test case can be optionally tested for Rel-9 UE's supporting optional Tx diversity on DL Control channels and supporting optional MIMO-only with single-stream restriction feature and the optional enhanced performance requirements type1

9.4.4E.2 Minimum requirements

For the test parameters specified in Table 9.4.4E.1 with the downlink physical channel setup in Table E.5.4E, for each value of HS-SCCH-1 E_c/I_{or} specified in Table 9.4.4E.2 the measured $P(E_m)$ shall be less than or equal to the corresponding specified value of $P(E_m)$. The requirements in Table 9.4.4E.2 assume STTD is enabled on HS-SCCH and DPCH. The requirements in Table 9.4.4E.2 assume HS-SCCH Type 3 coding associated with single stream transmission on HS-DSCH.

Table 9.4.4E.1: Test parameters for HS-SCCH Type 3 detection

| Parameter | Unit | Test 1 | Test 2 |
|---|--------------|---|--------|
| I_{oc} | dBm/3.84 MHz | -60 | |
| Phase reference | - | P-CPICH | |
| P-CPICH E_c/I_{or} (*) | dB | -10 | |
| HS-SCCH UE Identity ($x_{ue,1}, x_{ue,2}, \dots, x_{ue,16}$) | | HS-SCCH-1: 1010101010101010 (every third TTI only, UE under test addressed solely via HS-SCCH-1) HS-SCCH-2: 0001001010101010 HS-SCCH-3: 0001101010101010 HS-SCCH-4: 0001111110101010 | |
| HS-DSCH TF of UE1 | | One transport block with TF corresponding to CQI1 Precoding vector applied to HS-PDSCH shall cycle through the four possible options. | |
| HS-SCCH-1 transmission pattern | | The HS-SCCH-1 shall be transmitted continuously with constant power. | |
| HS-PDSCH transmission pattern | | The HS-PDSCH shall be transmitted continuously with constant power. | |
| HS-SCCH-1 TTI Signalling Pattern | - | The six sub-frame HS-SCCH-1 signalling pattern shall be "...XOOXOO...", where "X" indicates TTI in which the HS-SCCH-1 uses the identity of the UE under test, and "O" indicates TTI in which the HS-SCCH-1 uses a different UE identity. | |

Table 9.4.4E.2: Enhanced requirement type 1 for HS-SCCH Type 3 detection, STTD enabled, single transport block case with downlink physical channel setup in Table E.5.4E

| Test Number | Propagation Conditions | Reference value | | |
|-------------|------------------------|--------------------------------|----------------------------|----------|
| | | HS-SCCH-1 E_c/I_{or} (dB) | \hat{I}_{or}/I_{oc} (dB) | $P(E_m)$ |
| 1 | PA3 | -15.3 | 0 | 0.01 |
| 2 | VA3 | -16.7 | 0 | 0.01 |

The reference for this requirement is TS 25.101 [1] clause 9.4.4.

9.4.4E.3 Test purpose

To verify that $P(E_m)$ does not exceed the limit in Table 9.4.4E.2 for the single transport block case.

9.4.4E.4 Method of test

9.4.4E.4.1 Initial conditions

Test environment: normal; see clauses G.2.1 and G.2.2.

Frequencies to be tested: mid range; see clause G.2.4.

- 1) Connect SS, multipath fading simulator and an AWGN noise source to the UE antenna connector as shown in figure A.22 for UEs that support receive diversity or figure A.12 for UEs that do not support receive diversity.
- 2) Set the test parameters for test 1-2 as specified in table 9.4.4E.4. Setup fading simulators as fading condition, which are described in table s D.2.2.1A and D.2.2.1C and clause D.2. The configuration of the downlink channels is defined in table E.5.4E.

9.4.4E.4.2 Procedure

1. The UE is switched on.
2. Set up a HSDPA connection with looping back 12.2kbps RMC according to the generic HSDPA set-up procedure specified in TS 34.108 [3] sub clause 7.3.6 with the exceptions for information elements listed in table 9.4.4E.3, with levels according to table E.5.0.
3. Once the HSDPA connection is setup, change levels according to Table E.5.4E and start transmitting HSDPA Data.
4. Count the number of NACK, ACK and statDTX on the UL HS-DPCCH during the test interval and decide pass or fail according to Annex F.6.1 and table F.6.1.8. NACK and ACK are counted as a pass and statDTX is counted as a failure.

Table 9.4.4E.3: Specific Message Contents for MIMO

RADIO BEARER SETUP for HSDPA Tests 1 & 2

| Information Element | Value/remark |
|--|---|
| MIMO parameters - MIMO operation - MIMO N_cqi_typeA/M_cqi ratio - MIMO pilot configuration - CHOICE <i>Second CPICH pattern</i> >Antenna2 P-CPICH - Precoding weight set restriction | Start $\frac{1}{2}$ Not Present |

9.4.4E.5 Test Requirements

Tables 9.4.4E.4 to 9.4.4E.5 define the primary level settings including test tolerance and test parameters for relevant tests. The probability of event E_m denoted as $P(E_m)$ (test procedure step 3) shall not exceed the specified value in Table 9.4.4E.5 for single transport block case. The pass/fail decision is done according to Annex F.6.1. IE's for

Table 9.4.4E.4: Test parameters for HS-SCCH Type 3 detection

| Parameter | Unit | Test 1 | Test 2 |
|---|--------------|---|--------|
| I_{oc} | dBm/3.84 MHz | -60 | |
| Phase reference | - | P-CPICH | |
| P-CPICH E_c/I_{or} (*) | dB | -9.9 | |
| HS-SCCH UE Identity ($x_{ue,1}, x_{ue,2}, \dots, x_{ue,16}$) | | HS-SCCH-1: 1010101010101010 (every third TTI only, UE under test addressed solely via HS-SCCH-1) HS-SCCH-2: 0001001010101010 HS-SCCH-3: 0001101010101010 HS-SCCH-4: 0001111110101010 | |
| HS-DSCH TF of UE1 | | One transport block with TF corresponding to CQI1 Precoding vector applied to HS-PDSCH shall cycle through the four possible options. | |
| HS-SCCH-1 transmission pattern | | The HS-SCCH-1 shall be transmitted continuously with constant power. | |
| HS-PDSCH transmission pattern | | The HS-PDSCH shall be transmitted continuously with constant power. | |
| HS-SCCH-1 TTI Signalling Pattern | - | The six sub-frame HS-SCCH-1 signalling pattern shall be "...XOOXOO...", where "X" indicates TTI in which the HS-SCCH-1 uses the identity of the UE under test, and "O" indicates TTI in which the HS-SCCH-1 uses a different UE identity. | |

Table 9.4.4E.5: Enhanced requirement type 1 for HS-SCCH Type 3 detection, STTD enabled, single transport block case with downlink physical channel setup in Table E.5.4E

| Test Number | Propagation Conditions | Reference value | | |
|-------------|------------------------|----------------------------------|------------------------------|----------|
| | | HS-SCCH-1 E_c / I_{or} (dB) | \hat{I}_{or} / I_{oc} (dB) | $P(E_m)$ |
| 1 | PA3 | -15.3 | 0.8 | 0.01 |
| 2 | VA3 | -16.7 | 0.8 | 0.01 |

NOTE: If the above Test Requirement differs from the Minimum Requirement then the Test Tolerance applied for this test is non-zero. The Test Tolerance for this test is defined in clause F.2 and the explanation of how the Minimum Requirement has been relaxed by the Test Tolerance is given in clause F.4.

9.5 HS-SCCH-less demodulation of HS-DSCH (Fixed Reference Channel)

During the Fixed Reference Channel tests the behaviour of the Node-B emulator in response to the ACK/NACK signalling field of the HS-DPCCH is specified in Table 9.2.4.

Performance requirements in this section assume sufficient power allocation to HS-SCCH_1, so that the probability of detection failure, when the HS-SCCH-1 uses the identity of the UE under test, is very low.

9.5.1 Requirement QPSK, Fixed Reference Channel (FRC) H-Set 7

9.5.1.1 Definition and applicability

The receiver performance of the High Speed Physical Downlink Shared Channel (HS-DSCH) with HS-SCCH-less operation in multi-path fading environment is determined by the information bit throughput R.

The requirements and this test apply to Release 7 and later releases for all types of UTRA for the FDD UE that support the optional HS-SCCH-less HS-DSCH.

9.5.1.2 Minimum requirements

The requirements are specified in terms of a minimum information bit throughput R for the DL reference channels H-Set 7 specified in Annex C.8.1.7, with the addition of the parameters in Table 9.5.1.1 and the downlink physical channel setup according to table E.5.1.

Using this configuration the throughput shall meet or exceed the minimum requirements specified in table 9.5.1.2.

Table 9.5.1.1: Test Parameters for Testing QPSK FRC H-Set 7

| Parameter | Unit | Test 1 |
|--|--------------|---------|
| Phase reference | - | P-CPICH |
| I_{oc} | dBm/3.84 MHz | -60 |
| Redundancy and constellation version coding sequence | - | {0,3} |
| Maximum number of HARQ transmission | - | 2 |

NOTE: The HS-SCCH-1 and HS-PDSCH shall be transmitted continuously with constant power. HS-SCCH-1 shall only use the identity of the UE under test for redundancy version 3 transmissions intended for the UE.

Table 9.5.1.2: Minimum requirement, Fixed Reference Channel (FRC) H-Set 7

| Test Number | Propagation Conditions | Reference value | | |
|-------------|------------------------|---------------------------------|------------------------------|----------------|
| | | HS-PDSCH E_c / I_{or} (dB) | \hat{I}_{or} / I_{oc} (dB) | T-put R (kbps) |
| 1 | Case 8 | -6 | 0 | 19.9 |

The reference for this requirement is TS 25.101 [1] clause 9.5.1.

9.5.1.3 Test purpose

To verify that UE is capable of decoding the HS-PDSCH on the first transmission without the HS-SCCH, and be capable of combining the first transmission and second transmissions. Corresponding throughput requirements are specified.

9.5.1.4 Method of test

9.5.1.4.1 Initial conditions

Test environment: normal; see clauses G.2.1 and G.2.2.

Frequencies to be tested: mid range; see clause G.2.4.

- 1) Connect the SS (node B emulator) and fader and AWGN noise source to the UE antenna connector as shown in figure A.21 for UEs that support receive diversity or figure A.10 for UEs that do not support receive diversity.

NOTE: For a transition period of two meeting cycles until RAN#60, figure A.21 does not need to be used.

- 2) Set up an HSDPA call with looping back 12.2kbps RMC according to TS 34.108 [3] clause 7.3.6 with levels according to table E.5.0.
- 3) Set the test parameters for test 1 according to tables 9.5.1.3 and 9.5.1.4. The configuration of the downlink channels is defined in table E.5.1.
- 4) The information bit data shall be pseudo random and not repeated before 10 different information bit payload blocks are processed. (Fixed reference Channel Definition H-Set 7 (QPSK): The information bit payload block is 605 bits long. Hence the PRBSequence must be at least $605 * 10$ bits long.) Use a PRBS from ITU-T O.153 Ref [27].
- 5) The SS shall not time the transmission freely. It shall time the transmission strictly according to the reference measurement channel as specified in Annex C.8.1.7.
- 6) Setup the fading simulator with fading conditions as described in table D.2.2.1.B.

9.5.1.4.2 Procedure

- 1) Once the HSDPA connection is setup, change levels according to Tables E.5.6 and start transmitting HSDPA Data.
- 2) The SS shall count the number of NACK, ACK and statDTX on the UL HS-DPCCH during the test interval and decide pass or fail according to Annex F.6.3 tables F.6.3.5.4.7.

Specific Message Contents

All messages indicated above shall use the same content as described in the default message content in clause 9.2.1 of 34.108 [3] with the following exceptions:

RRC CONNECTION SETUP COMPLETE message

| Information Element | Value/remark |
|---|--------------|
| - HS-SCCHless HS-DSCH operation support | TRUE |

RADIO BEARER SETUP message: AM or UM (HSDPA)

| Information Element | Value/remark |
|---|---|
| - Added or Reconfigured DL TrCH information | |
| - CHOICE DL parameters | HS-DSCH |
| - HARQ Info | Not Present |
| - Added or reconfigured MAC-d flow | |
| - MAC-hs queue to add or reconfigure list | 1 |
| - MAC-d PDU size Info | |
| - MAC-d PDU size | 112 bits |
| - MAC-d PDU size index | 0 |
| HS-SCCH less information | |
| - CHOICE HS-SCCH less operation | New HS-SCCH less operation |
| - HS-PDSCH Code Index | 1 |
| - Transport Block Size List | 1 |
| - Transport Block Size Index | 40 Index of "information Bit Payload = 605" of H-Set 7 is defined in Annex A of TS25.321 [13]. |
| - HS-PDSCH Second Code Support | FALSE |

9.5.1.5 Test Requirements

The requirements are specified in terms of a minimum information bit throughput R for the DL reference channel H-Set 7 specified in Annex C.8.1.7. Tables 9.5.1.3 and 9.5.1.4 define the primary level settings including test tolerance for all relevant throughput tests. Table E.5.6 defines the secondary and subsequently ranked level settings including test tolerance. The pass / fail decision for throughput is done according to Annex F.6.3.

Using this configuration the throughput shall meet or exceed the test requirements specified in table 9.5.1.4.

Table 9.5.1.3: Test Parameters for Testing QPSK FRC H-Set 7

| Parameter | Unit | Test 1 |
|--|--------------|---------------------------------|
| Phase reference | - | P-CPICH |
| I_{oc} | dBm/3.84 MHz | -60 (No test tolerance applied) |
| Redundancy and constellation version coding sequence | - | {0,3} |
| Maximum number of HARQ transmission | - | 2 |
| NOTE: The HS-SCCH-1 and HS-PDSCH shall be transmitted continuously with constant power. HS-SCCH-1 shall only use the identity of the UE under test for redundancy version 3 transmissions intended for the UE. | | |

Table 9.5.1.4: Test requirement, Fixed Reference Channel (FRC) H-Set 7

| Test Number | Propagation Conditions | Reference value | | |
|-------------|------------------------|----------------------------|----------------------------|----------------|
| | | HS-PDSCH E_c/I_{or} (dB) | \hat{I}_{or}/I_{oc} (dB) | T-put R (kbps) |
| 1 | Case 8 | -5.9 | 0.6 | 19.9 |

9.5.1A Requirement QPSK, Fixed Reference Channel (FRC) H-Set 7 - Enhanced Performance Requirements Type 1

9.5.1A.1 Definition and applicability

The receiver performance of the High Speed Physical Downlink Shared Channel (HS-DSCH) with HS-SCCH-less operation in multi-path fading environment is determined by the information bit throughput R.

The requirements and this test apply to Release 7 and later releases for all types of UTRA for the FDD UE that support the optional HS-SCCH-less HS-DSCH and the optional performance requirements type 1.

9.5.1A.2 Minimum requirements

The requirements are specified in terms of a minimum information bit throughput R for the DL reference channels H-set 7 specified in Annex C.8.1.7, with the addition of the parameters in Table 9.5.1A.1 and the downlink physical channel setup according to table E.5.1.

Using this configuration the throughput shall meet or exceed the minimum requirements specified in table 9.5.1A.2. Enhanced performance requirements type 1 are based on receiver diversity.

Table 9.5.1A.1: Test Parameters for Testing QPSK FRC H-Set 7

| Parameter | Unit | Test 1 |
|--|--------------|---------|
| Phase reference | - | P-CPICH |
| I_{oc} | dBm/3.84 MHz | -60 |
| Redundancy and constellation version coding sequence | - | {0,3} |
| Maximum number of HARQ transmission | - | 2 |
| NOTE: The HS-SCCH-1 and HS-PDSCH shall be transmitted continuously with constant power. HS-SCCH-1 shall only use the identity of the UE under test for redundancy version 3 transmissions intended for the UE. | | |

Table 9.5.1A.2: Enhanced requirement type 1, Fixed Reference Channel (FRC) H-Set 7

| Test Number | Propagation Conditions | Reference value | | |
|-------------|------------------------|----------------------------|----------------------------|------------------|
| | | HS-PDSCH E_c/I_{or} (dB) | \hat{I}_{or}/I_{oc} (dB) | T-put R (kbps) |
| 1 | Case 8 | -9 | 0 | 23.5 |

The reference for this requirement is TS 25.101 [1] clause 9.5.1.

9.5.1A.3 Test purpose

To verify that UE is capable of decoding the HS-PDSCH on the first transmission without the HS-SCCH, and be capable of combining the first transmission and second transmissions. Corresponding throughput requirements are specified.

9.5.1A.4 Method of test

9.5.1A.4.1 Initial conditions

Test environment: normal; see clauses G.2.1 and G.2.2.

Frequencies to be tested: mid range; see clause G.2.4.

- 1) Connect the SS (node B emulator) and fader and AWGN noise source to the UE antenna connector as shown in figure A.21 for UEs that support receive diversity or figure A.10 for UEs that do not support receive diversity.
- 2) Set up an HSDPA call with looping back 12.2kbps RMC according to TS 34.108 [3] clause 7.3.6 with levels according to table E.5.0.
- 3) Set the test parameters for test 1 according to tables 9.5.1A.3 and 9.5.1A.4. The configuration of the downlink channels is defined in table E.5.1.
- 4) The information bit data shall be pseudo random and not repeated before 10 different information bit payload blocks are processed. (Fixed reference Channel Definition H-set 7 (QPSK): The information bit payload block is 605 bits long. Hence the PRBSequence must be at least $605 * 10$ bits long.) Use a PRBS from ITU-T O.153 Ref [27].
- 5) The SS shall not time the transmission freely. It shall time the transmission strictly according to the reference measurement channel as specified in Annex C.8.1.7.

- 6) Setup the fading simulator with fading conditions as described in table D.2.2.1.B and for UEs that support receive diversity as also described in clause D.2.5.

9.5.1A.4.2 Procedure

- 1) Once the HSDPA connection is setup, change levels according to Tables E.5.6 and start transmitting HSDPA Data.
- 2) The SS shall count the number of NACK, ACK and statDTX on the UL HS-DPCCH during the test interval and decide pass or fail according to Annex F.6.3 tables F.6.3.5.4.8.

Specific Message Contents

All messages indicated above shall use the same content as described in the default message content in clause 9.2.1 of 34.108 [3] with the following exceptions:

RRC CONNECTION SETUP COMPLETE message

| Information Element | Value/remark |
|---|--------------|
| - HS-SCCHless HS-DSCH operation support | TRUE |

RADIO BEARER SETUP message: AM or UM (HSDPA)

| Information Element | Value/remark |
|---|--|
| - Added or Reconfigured DL TrCH information | |
| - CHOICE DL parameters | HS-DSCH |
| - HARQ Info | Not Present |
| - Added or reconfigured MAC-d flow | |
| - MAC-hs queue to add or reconfigure list | 1 |
| - MAC-d PDU size Info | |
| - MAC-d PDU size | 112 bits |
| - MAC-d PDU size index | 0 |
| HS-SCCH less information | |
| - CHOICE <i>HS-SCCH less operation</i> | New HS-SCCH less operation |
| - HS-PDSCH Code Index | 1 |
| - Transport Block Size List | 1 |
| - Transport Block Size Index | 40 |
| - HS-PDSCH Second Code Support | Index of "information Bit Payload = 605" of H-Set 7 is defined in Annex A of TS25.321 [13]. FALSE |

9.5.1A.5 Test Requirements

The requirements are specified in terms of a minimum information bit throughput R for the DL reference channel H-Set 7 specified in Annex C.8.1.7. Tables 9.5.1A.3 and 9.5.1A.4 define the primary level settings including test tolerance for all relevant throughput tests. Table E.5.6 defines the secondary and subsequently ranked level settings including test tolerance. The pass / fail decision for throughput is done according to Annex F.6.3.

Using this configuration the throughput shall meet or exceed the test requirements specified in table 9.5.1A.4.

Table 9.5.1A.3: Test Parameters for Testing QPSK FRC H-Set 7

| Parameter | Unit | Test 1 |
|--|--------------|---------------------------------|
| Phase reference | - | P-CPICH |
| I_{oc} | dBm/3.84 MHz | -60 (no test tolerance applied) |
| Redundancy and constellation version coding sequence | - | {0,3} |
| Maximum number of HARQ transmission | - | 2 |
| NOTE: The HS-SCCH-1 and HS-PDSCH shall be transmitted continuously with constant power. HS-SCCH-1 shall only use the identity of the UE under test for redundancy version 3 transmissions intended for the UE. | | |

Table 9.5.1A.4: Test requirement, Enhanced requirement type 1, Fixed Reference Channel (FRC) H-Set 7

| Test Number | Propagation Conditions | Reference value | | |
|-------------|------------------------|----------------------------|----------------------------|------------------|
| | | HS-PDSCH E_c/I_{or} (dB) | \hat{I}_{or}/I_{oc} (dB) | T-put R (kbps) |
| 1 | Case 8 | -8.9 | 0.6 | 23.5 |

9.6 HS-DSCH and HS-SCCH reception in CELL-FACH state

9.6.1 Single link HS-DSCH Demodulation performance in CELL_FACH state

9.6.1.1 Definition and applicability

The receiver single link performance of the High Speed Physical Downlink Shared Channel (HS-DSCH) is determined by the RLC SDU error rate (RLC SDU ER).

The requirements apply to Release 7 and later releases for all types of UTRA FDD UEs, being able to receive HS-DSCH and HS-SCCH in CELL_FACH state.

9.6.1.2 Minimum requirement QPSK, Fixed Reference Channel (FRC) H-Set 3

The requirements are specified in terms of a minimum RLC SDU error rate (RLC SDU ER) for the DL reference channel H-Set 3 (QPSK version) specified in C.8.1.3 with the addition of the parameters in Table 9.6.1.1 and the downlink physical channel setup according to table E.5.4C. For the test parameters specified in Table 9.6.1.1, for the value of HS-DSCH-1 E_c/I_{or} specified in Table 9.6.1.3 the measured RLC SDU ER shall be less than or equal to the corresponding specified value of RLC SDU ER.

Table 9.6.1.1: Test Parameters for Testing QPSK FRCs H-Set 3

| Parameter | Unit | Test 1 |
|---|--------------|-----------|
| Phase reference | - | P-CPICH |
| I_{oc} | dBm/3.84 MHz | -60 |
| Redundancy and constellation version coding sequence | - | {0,2,5,6} |
| Number of HARQ transmission | - | 4 |
| NOTE 1: The HS-SCCH-1 and HS-PDSCH shall be transmitted continuously with constant power. HS-SCCH-1 shall only use the identity of the UE under test for those TTI intended for the UE. | | |
| NOTE 2: The HS-PDSCH is transmitted using all four HARQ transmissions cycling through the different redundancy and constellation versions. | | |

Table 9.6.1.2: Minimum requirement QPSK, Fixed Reference Channel (FRC) H-Set 3

| Test Number | Propagation Conditions | Reference value | |
|-------------|------------------------|---------------------------------|--|
| | | HS-PDSCH E_c / I_{or} (dB) | RLC SDU ER $\hat{I}_{or} / I_{oc} = 0$ dB |
| 1 | VA30 | -6 | 0.82 |

The reference for this requirement is TS 25.101 [1] clause 9.6.1.1.

9.6.1.3 Test purpose

To verify the ability of the receiver to receive a predefined test signal in cell FACH state, with SDU error ratio not falling below a specified value.

9.6.1.4 Method of test

Editor's note: This test is not complete

9.6.1.4.1 Initial conditions

Test environment: normal; see clauses G.2.1 and G.2.2.

Frequencies to be tested: mid range; see clause G.2.4.

- 1) Connect the SS (node B emulator), multipath fading simulator and AWGN noise source to the UE antenna connector as shown in figure A.21 for UEs that support receive diversity or figure A.10 for UEs that do not support receive diversity.

NOTE 1: For a transition period of two meeting cycles until RAN#60, figure A.21 does not need to be used.

- 2) Enter the UE into the CELL_FACH state according to TS 34.108 [3] clause 7.3.12 with levels according to table E.5.0 and enter the UE into loopback test mode 1 with UL RLC SDU size to 64 bits (see note). See TS 34.108 and TS 34.109 for details regarding loopback test mode 1.
- 3) The information bit data, sent on HS-DSCH, shall be pseudo random and not repeated before 10 different information bit payload blocks are processed. (e.g. Fixed reference Channel Definition H-set 3 (QPSK): The information bit payload block is 3202 bits long. Hence the PRBSequence must be at least $3202 * 10$ bits long.) Use a PRBS from ITU-T O.153 Ref [27]
- 4) Once the HSDPA connection is setup, change levels according to Table E.5.4C and start transmitting HSDPA Data.

NOTE 2: The radio bearer configuration used by TS 34.108 clause 7.3.12 for uplink use TTI=10ms and a payload size of 320 bits. In downlink the SS will transmit a transport block every 2 ms (H-set 3 (QPSK) with Inter-TTI=1), bit only one new block per HARQ process in 4 transmissions. To be able to loop back all the DL SDUs in the UL, 4 UL RLC SDUs per uplink TTI ($4 * (\text{UL RLC SDU size} + \text{Length Indicator (7 bits)} + \text{E-bit (1 bit)}) + \text{AMD SDU fixed size (16 bits)} < 320$ bits) is required assuming a preamble message can be sent every 3rd frame.

9.6.1.4.2 Procedure

1. The SS sends [100] consecutive valid MAC headers and SDUs to the UE. The no of bits in 1 RLC SDU (2963 bits) shall fit into 1 transport block (3202 bits)
2. The SS counts the received RLC SDUs in uplink.
3. The SS accumulates the No of SDUs, sent in step 1 and the No of received SDUs in step 2 after each iteration and calculates the preliminary SDU ER
4. Repeat step 1 to 3, until statistical significance according to Annex F.6.3 achieved.

Specific Message Contents

All messages indicated above shall use the same content as described in the default message content in clause 9 of 34.108 [3] and clause 7.3.12 of 34.108 [3], with the following exceptions:

SYSTEM INFORMATION BLOCK TYPE5

| Information Element | Value/remark |
|---------------------|--------------|
| - AICH Power offset | 0 dB |

9.6.1.5 Test Requirements

Tables 9.6.1.3 define the primary level settings including test tolerance for SDR error ratio. The pass / fail decision is done according to Annex F.6.3.

Tables 9.6.1.4 define the secondary and subsequently ranked level settings including test tolerance.

Table 9.6.1.3: Test requirement QPSK, Fixed Reference Channel (FRC) H-Set 3

| Test Number | Propagation Conditions | Reference value | |
|-------------|------------------------|-------------------------------|--|
| | | HS-PDSCH E_c/I_{or} (dB) | RLC SDU ER $\hat{I}_{or}/I_{oc} = 0.6$ dB |
| 1 | VA30 | -5.9 | 0.82 |

9.6.2 Single link HS-SCCH Detection performance in CELL_FACH state

9.6.2.1 Definition and applicability

The detection performance of the HS-SCCH is determined by RLC SDU error rate (RLC SDU ER).

The requirements apply to Release 7 and later releases for all types of UTRA FDD UEs, being able to receive HS-DSCH and HS-SCCH in CELL_FACH state.

9.6.2.2 Minimum requirement

For the test parameters specified in Table 9.6.2.1, for the value of HS-SCCH-1 E_c/I_{or} specified in Table 9.6.2.2 the measured RLC SDU ER shall be less than or equal to the corresponding specified value of RLC SDU ER. The downlink physical channel setup according to Table E.5.4C.

Table 9.6.2.1: Test parameters for HS-SCCH detection - single link

| Parameter | Unit | Test 1 | Test 2 | Test 3 |
|---|--------------|--------|--|--------|
| I_{oc} | dBm/3.84 MHz | | -60 | |
| Phase reference | - | | P-CPICH | |
| P-CPICH E_c/I_{or} (*) | Db | | -10 | |
| HS-SCCH UE Identity ($x_{ue,1}, x_{ue,2}, \dots, x_{ue,16}$) | | | HS-SCCH-1: 10101010101010 (UE under test addressed solely via HS-SCCH-1) HS-SCCH-2: 00010010101010 | |
| HS-DSCH TF of UE1 | | | TF corresponding to CQI1 | |
| HS-SCCH-1 transmission pattern | | | The HS-SCCH-1 shall be transmitted continuously with constant power. | |
| HS-PDSCH transmission pattern | | | The HS-PDSCH shall be transmitted continuously with constant power, without re-transmissions. | |
| HS-SCCH-1 TTI Signalling Pattern | - | | The identity of the UE under test shall be used on every fourth TTI. | |

Table 9.6.2.2: Minimum requirement for HS-SCCH detection - single link

| Test Number | Propagation Conditions | Reference value | | |
|-------------|------------------------|--------------------------------|----------------------------|------------|
| | | HS-SCCH-1 E_c/I_{or} (dB) | \hat{I}_{or}/I_{oc} (dB) | RLC SDU ER |
| 3 | VA30 | -10 | 0 | 0.01 |

The reference for this requirement is TS 25.101 [1] clause 9.6.2.1.

9.6.2.3 Test purpose

To verify the ability of the receiver to receive a predefined test signal in cell FACH state, with SDU error ratio not falling below a specified value.

9.6.2.4 Method of test

Editor's note: This test is not complete

9.6.2.4.1 Initial conditions

Test environment: normal; see clauses G.2.1 and G.2.2.

Frequencies to be tested: mid range; see clause G.2.4.

- 1) Connect the SS (node B emulator), multipath fading simulator and AWGN noise source to the UE antenna connector as shown in figure A.21 for UEs that support receive diversity or figure A.10 for UEs that do not support receive diversity.

NOTE: For a transition period of two meeting cycles until RAN#60, figure A.21 does not need to be used.

- 2) Enter the UE into the CELL_FACH state according to TS 34.108 [3] clause 7.3.12 with levels according to table E.5.0 and enter the UE into loopback test mode 1 with UL RLC SDU size to 64 bits (see note). See TS 34.108 and TS 34.109 for details regarding loopback test mode 1.
- 3) The SS shall transmit the TF according to the CQI1 value defined in TS 25.214. HS-PDSCH is transmitted without HARQ transmissions.
- 4) Once the HSDPA connection is setup, change levels according to Table E.5.4C and start transmitting HSDPA Data. The HS-PDSCH_Ec/Ior shall be set to -2.9 dB to guarantee zero BLER on the HS-PDSCH.

NOTE: The radio bearer configuration used by TS 34.108 clause 7.3.12 for uplink use TTI=10ms and a payload size of 320 bits. In downlink the SS will transmit a new transport block every fourth TTI with no re-transmissions. To be able to loop back all the DL SDUs in the UL, 4 UL RLC SDUs per uplink TTI ($4 * (\text{UL RLC SDU size} + \text{Length Indicator (7 bits)} + \text{E-bit (1 bit)}) + \text{AMD SDU fixed size (16 bits)} < 320$ bits) is required assuming a preamble message can be sent every 3rd frame.

9.6.2.4.2 Procedure

1. The SS sends [100] consecutive valid MAC headers and SDUs to the UE. The no of bits in 1 RLC SDU (2963 bits) shall fit into 1 transport block (3202 bits)
2. The SS counts the received RLC SDUs in uplink.
3. The SS accumulates the No of SDUs, sent in step 1 and the No of received SDUs in step 2 after each iteration and calculates the preliminary SDU ER
4. Repeat step 1 to 3, until statistical significance according to Annex F.6.3 achieved.

Specific Message Contents

All messages indicated above shall use the same content as described in the default message content in clause 9 of 34.108 [3] and clause 7.3.12 of 34.108 [3], with the following exceptions:

SYSTEM INFORMATION BLOCK TYPE5

| Information Element | Value/remark |
|---------------------|--------------|
| - AICH Power offset | 0 dB |

9.6.2.5 Test Requirements

Table 9.6.2.3 define the primary level settings including test tolerance for SDR error ratio. The pass / fail decision is done according to Annex F.6.3.

Tables 9.6.2.4 define the secondary and subsequently ranked level settings including test tolerance.

Table 9.6.2.3: Test requirement for HS-SCCH detection - single link

| Test Number | Propagation Conditions | Reference value | | |
|-------------|------------------------|----------------------------------|------------------------------|------------|
| | | HS-SCCH-1 E_c / I_{or} (dB) | \hat{I}_{or} / I_{oc} (dB) | RLC SDU ER |
| 3 | VA30 | -9.9 | 0.6 | 0.01 |

10 Performance requirement (E-DCH)

10.1 General

The performance requirements for the UE in this subclause are specified for the propagation conditions specified in Annex D.2 and the Downlink Physical channels specified in Annex E.5A.

Unless otherwise stated the performance requirements are specified at the antenna connector of the UE. For UE(s) with more than one receive antenna connector the fading of the signals and the AWGN signals applied to each receiver antenna connector shall be uncorrelated. The levels of the test signal applied to each of the antenna connectors shall be as defined in the respective sections below. Enhanced performance requirements Type 1 are based on receiver diversity.

A UE with one antenna connector may also fulfill the enhanced performance requirements Type 1. The levels of the test signal are applied to the single antenna connector as defined in the respective sections below.

When DCCH has been configured on downlink DCH then DCCH Data shall be continuously transmitted on downlink DCH during the measurement period. When there is no signalling to transmit on downlink DCCH then dummy DCCH transmission as described in Annex C.9 shall be used.

When DTCH has been configured on downlink DCH then DTCH Data shall be continuously transmitted on downlink DCH during the measurement period.

The MAC header transmission on HS-DSCH for all E-DCH test cases shall use a correct MAC-hs header consistent with the actual HSDPA transmission.

The DL and UL RLC SDU size for all E-DCH tests in clause 10 shall be set according to Annex C.11.3.

Unless otherwise stated, the UE output power for the tests shall be greater than -10dBm.

NOTE: If tests are performed with maximum UE output power it is known that this may cause a good UE to fail at least for tests in section 10.4.

For Release 7 and later UEs that support the optional Type 1 enhanced performance requirements the UE shall be tested according to this enhanced performance requirement as well.

10.2 Detection of E-DCH HARQ ACK Indicator Channel (E-HICH)

10.2.1 Single link performance

10.2.1.1 Single link performance (10ms TTI)

10.2.1.1.1 Definition and applicability

The receive characteristics of the E-DCH HARQ ACK Indicator Channel (E-HICH) in different multi-path fading environments are determined by the missed ACK and false ACK values. The requirements and this test apply to Release 6 and later releases for all types of UTRA for the FDD UE that support E-DCH and HSDPA.

10.2.1.1.2 Minimum requirement

For the parameters specified in Table 10.2.1.1.2.1 the average downlink E-HICH E_c/I_{or} power ratio shall be below the specified value for the missed ACK probabilities in Table 10.2.1.1.2.2. For the parameters specified in Table 10.2.1.1.2.1 the false ACK probability shall be below the specified value in Table 10.2.1.1.2.3 .

Table 10.2.1.1.2.1: Parameters for E-HICH – Serving E-DCH cell

| Parameter | Unit | Missed ACK | False ACK |
|---------------------------|--------------|------------|-----------|
| I_{oc} | dBm/3.84 MHz | -60 | |
| Phase reference | - | P-CPICH | |
| P-CPICH E_c/I_{or} | dB | -10 | |
| E-HICH signalling pattern | - | 100% ACK | 100% DTX |

Table 10.2.1.1.2.2: Minimum requirement for Missed ACK when hybrid ARQ acknowledgement indicator is transmitted using 12 consecutive slots – Serving E-DCH cell

| Test Number | Propagation Conditions | Reference value | | |
|-------------|------------------------|--------------------------|----------------------------|------------------------|
| | | E-HICH E_c/I_{or} (dB) | \hat{I}_{or}/I_{oc} (dB) | Missed ACK probability |
| 1 | VA30 | -35.1 | 0 | 0.01 |

Table 10.2.1.1.2.3: Minimum requirement for False ACK when hybrid ARQ acknowledgement indicator is transmitted using 12 consecutive slots – single link

| Test Number | Propagation Conditions | Reference value | |
|-------------|------------------------|----------------------------|-----------------------|
| | | \hat{I}_{or}/I_{oc} (dB) | False ACK probability |
| 2 | VA30 | 0 | 0.5 |

The reference for this requirement is TS 25.101 [1] clause 10.2.1

10.2.1.1.3 Test purpose

To verify that the average probability for missed ACK and false ACK when E-HICH is transmitted using 12 consecutive slots do not exceed the specified values.

10.2.1.1.4 Method of test

10.2.1.1.4.1 Initial conditions

Test environment: normal; see clauses G.2.1 and G.2.2.

Frequencies to be tested: mid range; see clause G.2.4.

- 1) Connect the SS and AWGN noise source and fading simulator to the UE antenna connector as shown in figure Figure A.10.
- 2) Set the test parameters for the missed ACK test and the false ACK test as specified in table 10.2.1.1.5.1.to 10.2.1.1.5.3 and table E.5A.2.
- 3) The UL Reference Measurement Channel parameters are defined in Annex C.11
- 4) The value of Absolute Grant Scope shall be set to 0, and the Absolute Grant shall be set to 5.
- 5) The relative grant is not configured. This ensures that the UL datarate remains constant.
- 6) The UE is switched on.
- 7) Enter the UE into loopback mode 1, looping back both the 12.2kbps RMC and HSDPA to E-DCH, and start the loopback test. See TS 34.108 [3] clause 7.3.9 and TS 34.109 [4] clauses 5.3.2.3 and 5.3.2.6. To fill the RLC transmit buffer, run the loopback for [3]s before starting the procedure.
- 8) Switch on the fading simulator.

10.2.1.1.4.2 Procedure

NOTE: The measurement principle for the missed ACK test (step 2 to 5) and for the false ACK test (step 6 to 9) is as follows. Upon the UE transmission on E-DPCCH and E-DPDCH, the SS reacts with E-HICH = ACK or DTX. The UE transmits new data or retransmissions on the corresponding E-DPCCH and E-DPDCH. The SS shall discriminate between:

(1) new data is a sign for ACK, received by the UE

(2) retransmission is a sign for NACK or DTX, received by the UE. The later is interpreted as NACK by higher layer and causes retransmission.

1. The Nominal Avg. Information Bit Rate in the DL is set to 534 kbps according to QPSK H-Set 1. The expected throughput under this level and fading conditions is 142 kbps. The UL datarate was configured by signalling AG value = 5 on the E-AGCH. The expected UL datarate is 71.6 kbps corresponding to E-TFC Index 45.
2. In the test Missed ACK the SS responds with 100% ACK.
3. If the UE indicates on the E-DPCCH a retransmission, the ACK from the SS was received as NACK or DTX by the UE. This is counted as missed(ACK).

If the UE indicates on the E-DPCCH new data, the ACK from the SS was received as ACK by the UE. This is counted as correct ACK.
4. Continue until statistical significance according to Annex F.6.4 is achieved.
5. If the number of retransmissions reaches the maximum number of retransmissions due to several false or missed ACK detections in series, the first new data on the E-DPDCH with E-DPCCH are not the consequence of ACK. This case is not counted as sample.
6. In the test false ACK the SS responds with 100% DTX.
7. If the UE indicates on the E-DPCCH new data, the DTX from the SS was received as ACK by the UE. This is counted as false(ACK). If the UE indicates on E-DPCCH retransmission, the DTX from the SS was received as DTX or NACK by the UE. This is counted as correct reception.
8. Continue until statistical significance according to Annex F.6.4 is achieved.
9. The number of retransmissions will reach the maximum number of transmissions due to several retransmissions in series. The first new data on the E-DPDCH with E-DPCCH are not the consequence of ACK received by the UE. This case is not counted as sample.

Specific Message Contents

All messages indicated above shall use the same content as described in the default message content in clause 9.2.1 of 34.108 [3] with the following exceptions:

RADIO BEARER SETUP:

| Information Element | Value/remark |
|--|--|
| RLC PDU size | 112 |
| - E-DCH Transmission Time | 10 ms |
| E-DCH MAC-d flow maximum number of retransmissions | 15 (max) |
| E-DCH info | |
| - Happy bit delay condition | 10 ms (indication of exhausted resources on frame basis) |

10.2.1.1.5. Test requirements

Table 10.2.1.1.5.1: Test Parameters for E-HICH – Serving E-DCH cell

| Parameter | Unit | Missed ACK | False ACK |
|---------------------------|--------------|--------------|--------------------|
| I_{oc} | dBm/3.84 MHz | -60 | |
| Phase reference | - | P-CPICH | |
| E-HICH E_c/I_{or} | dB | --35 (test1) | $-\infty$ (test 2) |
| E-HICH signalling pattern | - | 100% ACK | 100% DTX |

Table 10.2.1.1.5.2: Test requirement for Missed ACK when hybrid ARQ acknowledgement indicator is transmitted using 12 consecutive slots – Serving E-DCH cell

| Test Number | Propagation Conditions | Reference value | | |
|-------------|------------------------|--------------------------|----------------------------|------------------------|
| | | E-HICH E_c/I_{or} (dB) | \hat{I}_{or}/I_{oc} (dB) | Missed ACK probability |
| 1 | VA30 | -35.0 | 0.6 | 0.01 |

Table 10.2.1.1.5.3: Test requirement for False ACK when hybrid ARQ acknowledgement indicator is transmitted using 12 consecutive slots – single link

| Test Number | Propagation Conditions | Reference value | |
|-------------|------------------------|----------------------------|-----------------------|
| | | \hat{I}_{or}/I_{oc} (dB) | False ACK probability |
| 2 | VA30 | 0.6 | 0.5 |

To pass the test,

the ratio (missed(ACK) / all valid ACKs, sent) \leq 0.01 and
the ratio (false(ACK) / (all valid DTX, sent)) \leq 0.5

NOTE: If the above Test Requirement differs from the Minimum Requirement then the Test Tolerance applied for this test is non-zero. The Test Tolerance for this test is defined in clause F.2 and the explanation of how the Minimum Requirement has been relaxed by the Test Tolerance is given in clause F.4.

10.2.1.1A Single link performance (10ms TTI, Type 1)

10.2.1.1A.1 Definition and applicability

The receive characteristics of the E-DCH HARQ ACK Indicator Channel (E-HICH) in different multi-path fading environments are determined by the missed ACK values. The requirements and this test apply to Release 7 and later releases for all types of UTRA FDD UEs that support E-DCH and HSDPA and the optional Type 1 enhanced performance requirements.

10.2.1.1A.2 Minimum requirement

For the parameters specified in Table 10.2.1.1A.2.1 the average downlink E-HICH E_c/I_{or} power ratio shall be below the specified value for the missed ACK probabilities in Table 10.2.1.1A.2.2

Table 10.2.1.1A.2.1: Parameters for E-HICH – Serving E-DCH cell

| Parameter | Unit | Missed ACK |
|---------------------------|--------------|------------|
| I_{oc} | dBm/3.84 MHz | -60 |
| Phase reference | - | P-CPICH |
| P-CPICH E_c/I_{or} | dB | -10 |
| E-HICH signalling pattern | - | 100% ACK |

Table 10.2.1.1A.2.2: Enhanced performance requirement Type 1 for Missed ACK when hybrid ARQ acknowledgement indicator is transmitted using 12 consecutive slots – Serving E-DCH cell

| Test Number | Propagation Conditions | Reference value | | |
|-------------|------------------------|-------------------------------|------------------------------|------------------------|
| | | E-HICH E_c / I_{or} (dB) | \hat{I}_{or} / I_{oc} (dB) | Missed ACK probability |
| 1 | VA30 | -38.3 | 0 | 0.01 |

The reference for this requirement is TS 25.101 [1] clause 10.2.1

10.2.1.1A.3 Test purpose

To verify that the average probability for missed ACK when E-HICH is transmitted using 12 consecutive slots do not exceed the specified values.

10.2.1.1A.4 Method of test

10.2.1.1A.4.1 Initial conditions

Test environment: normal; see clauses G.2.1 and G.2.2.

Frequencies to be tested: mid range; see clause G.2.4.

- 1) Connect the SS and AWGN noise source and fading simulator to the UE antenna connectors as shown in figure Figure A.21 for UEs that support receive diversity or figure A.10 for UEs that do not support receive diversity.
- 2) Set the test parameters for the missed ACK test as specified in table 10.2.1.1A.5.1 and 10.2.1.1A.5.2 and table E.5A.2.
- 3) The UL Reference Measurement Channel parameters are defined in Annex C.11
- 4) The value of Absolute Grant Scope shall be set to 0, and the Absolute Grant shall be set to 5.
- 5) The relative grant is not configured. This ensures that the UL datarate remains constant.
- 6) The UE is switched on.
- 7) Enter the UE into loopback mode 1, looping back both the 12.2kbps RMC and HSDPA to E-DCH, and start the loopback test. See TS 34.108 [3] clause 7.3.9 and TS 34.109 [4] clauses 5.3.2.3 and 5.3.2.6. To fill the RLC transmit buffer, run the loopback for [3]s before starting the procedure.
- 8) Switch on the fading simulators.

10.2.1.1A.4.2 Procedure

NOTE: The measurement principle for the missed ACK test (step 2 to 5) is as follows. Upon the UE transmission on E-DPCCH and E-DPDCH, the SS reacts with E-HICH = ACK. The UE transmits new data or retransmissions on the corresponding E-DPCCH and E-DPDCH. The SS shall discriminate between:

- (1) new data is a sign for ACK, received by the UE
- (2) retransmission is a sign for NACK or DTX, received by the UE. The later is interpreted as NACK by higher layer and causes retransmission.

1. The Nominal Avg. Information Bit Rate in the DL is set to 534 kbps according to QPSK H-Set 1. The expected throughput under this level and fading conditions is 142 kbps. The UL datarate was configured by signalling AG value = 5 on the E-AGCH. The expected UL datarate is 71.6 kbps corresponding to E-TFC Index 45.
2. In the test Missed ACK the SS responds with 100% ACK.
3. If the UE indicates on the E-DPCCH a retransmission, the ACK from the SS was received as NACK or DTX by the UE. This is counted as missed(ACK).

If the UE indicates on the E-DPCCH new data, the ACK from the SS was received as ACK by the UE. This is counted as correct ACK.

4. Continue until statistical significance according to Annex F.6.4 is achieved.
5. If the number of retransmissions reaches the maximum number of retransmissions due to several false or missed ACK detections in series, the first new data on the E-DPDCH with E-DPCCH are not the consequence of ACK. This case is not counted as sample.

Specific Message Contents

All messages indicated above shall use the same content as described in the default message content in clause 9.2.1 of 34.108 [3] with the following exceptions:

RADIO BEARER SETUP:

| Information Element | Value/remark |
|--|--|
| RLC PDU size | 112 |
| - E-DCH Transmission Time | 10 ms |
| E-DCH MAC-d flow maximum number of retransmissions | 15 (max) |
| E-DCH info | |
| - Happy bit delay condition | 10 ms (indication of exhausted resources on frame basis) |

10.2.1.1A.5. Test requirements

Table 10.2.1.1A.5.1: Test Parameters for E-HICH – Serving E-DCH cell

| Parameter | Unit | Missed ACK |
|---------------------------|--------------|--------------|
| I_{oc} | dBm/3.84 MHz | -60 |
| Phase reference | - | P-CPICH |
| E-HICH E_c/I_{or} | dB | -38.2(test1) |
| E-HICH signalling pattern | - | 100% ACK |

Table 10.2.1.1A.5.2: Test requirement Type 1 for Missed ACK when hybrid ARQ acknowledgement indicator is transmitted using 12 consecutive slots – Serving E-DCH cell

| Test Number | Propagation Conditions | Reference value | | |
|-------------|------------------------|--------------------------|----------------------------|------------------------|
| | | E-HICH E_c/I_{or} (dB) | \hat{I}_{or}/I_{oc} (dB) | Missed ACK probability |
| 1 | VA30 | -38.2 | 0.6 | 0.01 |

To pass the test,

the ratio (missed(ACK) / all valid ACKs, sent) ≤ 0.01

NOTE: If the above Test Requirement differs from the Minimum Requirement then the Test Tolerance applied for this test is non-zero. The Test Tolerance for this test is defined in clause F.2 and the explanation of how the Minimum Requirement has been relaxed by the Test Tolerance is given in clause F.4.

10.2.1.2 Single link performance (2ms TTI)

10.2.1.2.1 Definition and applicability

The receive characteristics of the E-DCH HARQ ACK Indicator Channel (E-HICH) in different multi-path fading environments are determined by the missed ACK and false ACK values. The requirements and this test apply to Release 6 and later releases for all types of UTRA for the FDD UE that support E-DCH with 2ms TTI and HSDPA.

10.2.1.2.2 Minimum requirement

For the parameters specified in Table 10.2.1.2.2.1 the average downlink E-HICH E_c/I_{or} power ratio shall be below the specified value for the missed ACK probabilities in Table 10.2.1.2.2.2 For the parameters specified in Table 10.2.1.2.2.1 the false ACK probability shall be below the specified value in Table 10.2.1.2.2.3.

Table 10.2.1.2.2.1: Parameters for E-HICH – Serving E-DCH cell

| Parameter | Unit | Missed ACK | False ACK |
|---------------------------|--------------|------------|-----------|
| I_{oc} | dBm/3.84 MHz | -60 | |
| Phase reference | - | P-CPICH | |
| P-CPICH E_c/I_{or} | dB | -10 | |
| E-HICH signalling pattern | - | 100% ACK | 100% DTX |

Table 10.2.1.2.2.2: Minimum requirement for Missed ACK when hybrid ARQ acknowledgement indicator is transmitted using 3 consecutive slots – Serving E-DCH cell

| Test Number | Propagation Conditions | Reference value | | |
|-------------|------------------------|--------------------------|----------------------------|------------------------|
| | | E-HICH E_c/I_{or} (dB) | \hat{I}_{or}/I_{oc} (dB) | Missed ACK probability |
| 1 | VA30 | -28.3 | 0 | 0.01 |

Table 10.2.1.2.2.3: Minimum requirement for False ACK when hybrid ARQ acknowledgement indicator is transmitted using 3 consecutive slots – Serving E-DCH cell

| Test Number | Propagation Conditions | Reference value | |
|-------------|------------------------|----------------------------|-----------------------|
| | | \hat{I}_{or}/I_{oc} (dB) | False ACK probability |
| 2 | VA30 | 0 | 0.5 |

The reference for this requirement is TS 25.101 [1] clause 10.2.1

10.2.1.2.3 Test purpose

To verify that the average probability for missed ACK and false ACK, when E-HICH is transmitted using 3 consecutive slots, do not exceed the specified values.

10.2.1.2.4 Method of test

10.2.1.2.4.1 Initial conditions

Test environment: normal; see clauses G.2.1 and G.2.2.

Frequencies to be tested: mid range; see clause G.2.4.

- 1) Connect the SS and AWGN noise source and fading simulator to the UE antenna connector as shown in figure Figure A.10.
- 2) Set the test parameters for the missed ACK test and the false ACK test as specified in table 10.2.1.2.5.1.to 10.2.1.2.5.3 and table E.5A.2.
- 3) The UL Reference Measurement Channel parameters are defined in Annex C.11
- 4) The value of Absolute Grant Scope shall be set to the 0 and the Absolute Grant shall be set to 4.
- 5) The relative grant is not configured. This ensures that the UL datarate remains constant.
- 6) The UE is switched on.
- 7) Enter the UE into loopback mode 1, looping back both the 12.2kbps RMC and HSDPA to E-DCH, and start the loopback test. See TS 34.108 [3] clause 7.3.9 and TS 34.109 [4] clauses 5.3.2.3 and 5.3.2.6. To fill the RLC transmit buffer, run the loopback for [3]s before starting the procedure.
- 8) Switch on the fading simulator.

10.2.1.2.4.2 Procedure

NOTE: The measurement principle for the missed ACK test (step 2 to 5) and for the false ACK test (step 6 to 9) is as follows. Upon the UE transmission on E-DPCCH and E-DPDCH, the SS reacts with E-HICH = ACK or DTX. The UE transmits new data or retransmissions on the corresponding E-DPCCH and E-DPDCH. The SS shall discriminate between:

(1) new data is a sign for ACK, received by the UE

(2) retransmission is a sign for NACK or DTX, received by the UE. The later is interpreted as NACK by higher layer and causes retransmission.

1. The Nominal Avg. Information Bit Rate in the DL is set to 534 kbps according to QPSK H-Set 1. The expected throughput under this level and fading conditions is 142 kbps. The UL data rate was configured by signalling AG value 4 on the E-AGCH. The expected UL datarate is 273 kbps corresponding to E-TFC Index 39.
2. In the test Missed ACK the SS responds with 100% ACK.
3. If the UE indicates on the E-DPCCH a retransmission, the ACK from the SS was received as NACK or DTX by the UE. This is counted as missed(ACK).

If the UE indicates on the E-DPCCH new data, the ACK from the SS was received as ACK by the UE. This is counted as correct ACK.
4. Continue until statistical significance according to Annex F.6.4 is achieved.
5. If the number of retransmissions reaches the maximum number of retransmissions due to several false or missed ACK detections in series, the first new data on the E-DPDCH with E-DPCCH are not the consequence of ACK. This case is not counted as sample.
6. In the test False ACK the SS responds with 100% DTX.
7. If the UE indicates on the E-DPCCH new data, the DTX from the SS was received as ACK by the UE. This is counted as false(ACK). If the UE indicates on E-DPCCH retransmission, the DTX from the SS was received as DTX or NACK by the UE. This is counted as correct reception.
8. Continue until statistical significance according to Annex F.6.4 is achieved.
9. The number of retransmissions will reach the maximum number of transmissions due to several retransmissions in series. The first new data on the E-DPDCH with E-DPCCH are not the consequence of ACK received by the UE. This case is not counted as sample.

Specific Message Contents

All messages indicated above shall use the same content as described in the default message content in clause 9.2.1 of 34.108 [3] with the following exceptions:

RADIO BEARER SETUP:

| Information Element | Value/remark |
|--|--|
| RLC PDU size | 112 |
| - E-DCH Transmission Time | 2ms |
| E-DCH MAC-d flow maximum number of retransmissions | 15 (max) |
| E-DCH info | |
| - Happy bit delay condition | 2ms (indication of exhausted resources on TTI basis) |

10.2.1.2.5. Test requirements

Table 10.2.1.2.5.1: Test Parameters for E-HICH – Serving E-DCH cell

| Parameter | Unit | Missed ACK | False ACK |
|---------------------------|--------------|----------------|--------------------|
| I_{oc} | dBm/3.84 MHz | -60 | |
| Phase reference | - | P-CPICH | |
| E-HICH E_c/I_{or} | dB | -28.2 (test 1) | $-\infty$ (test 2) |
| E-HICH signalling pattern | - | 100% ACK | 100% DTX |

Table 10.2.1.2.5.2: Test requirement for Missed ACK when hybrid ARQ acknowledgement indicator is transmitted using 3 consecutive slots – Serving E-DCH cell

| Test Number | Propagation Conditions | Reference value | | |
|-------------|------------------------|--------------------------|----------------------------|------------------------|
| | | E-HICH E_c/I_{or} (dB) | \hat{I}_{or}/I_{oc} (dB) | Missed ACK probability |
| 1 | VA30 | -28.2 | 0.6 | 0.01 |

Table 10.2.1.2.5.3: Test requirement for False ACK when hybrid ARQ acknowledgement indicator is transmitted using 3 consecutive slots – Serving E-DCH cell

| Test Number | Propagation Conditions | Reference value | |
|-------------|------------------------|----------------------------|-----------------------|
| | | \hat{I}_{or}/I_{oc} (dB) | False ACK probability |
| 2 | VA30 | 0.6 | 0.5 |

To pass the test,

the ratio (missed(ACK) / all valid ACKs, sent) \leq 0.01 and
the ratio (false(ACK) / (all valid DTX, sent)) \leq 0.5

NOTE: If the above Test Requirement differs from the Minimum Requirement then the Test Tolerance applied for this test is non-zero. The Test Tolerance for this test is defined in clause F.2 and the explanation of how the Minimum Requirement has been relaxed by the Test Tolerance is given in clause F.4.

10.2.1.2A Single link performance (2ms TTI, Type 1)

10.2.1.2A.1 Definition and applicability

The receive characteristics of the E-DCH HARQ ACK Indicator Channel (E-HICH) in different multi-path fading environments are determined by the missed ACK values. The requirements and this test apply to Release 7 and later releases for all types of UTRA FDD UEs that support E-DCH with 2ms TTI and HSDPA and the optional Type 1 enhanced performance requirements.

10.2.1.2A.2 Minimum requirement

For the parameters specified in Table 10.2.1.2A.2.1 the average downlink E-HICH E_c/I_{or} power ratio shall be below the specified value for the missed ACK probabilities in Table 10.2.1.2A.2.2

Table 10.2.1.2A.2.1: Parameters for E-HICH – Serving E-DCH cell

| Parameter | Unit | Missed ACK |
|---------------------------|--------------|------------|
| I_{oc} | dBm/3.84 MHz | -60 |
| Phase reference | - | P-CPICH |
| P-CPICH E_c/I_{or} | dB | -10 |
| E-HICH signalling pattern | - | 100% ACK |

Table 10.2.1.2A.2.2: Enhanced performance requirement Type 1 for Missed ACK when hybrid ARQ acknowledgement indicator is transmitted using 3 consecutive slots – Serving E-DCH cell

| Test Number | Propagation Conditions | Reference value | | |
|-------------|------------------------|-------------------------------|------------------------------|------------------------|
| | | E-HICH E_c / I_{or} (dB) | \hat{I}_{or} / I_{oc} (dB) | Missed ACK probability |
| 1 | VA30 | -31.7 | 0 | 0.01 |

The reference for this requirement is TS 25.101 [1] clause 10.2.1

10.2.1.2A.3 Test purpose

To verify that the average probability for missed ACK, when E-HICH is transmitted using 3 consecutive slots, do not exceed the specified values.

10.2.1.2A.4 Method of test

10.2.1.2A.4.1 Initial conditions

Test environment: normal; see clauses G.2.1 and G.2.2.

Frequencies to be tested: mid range; see clause G.2.4.

- 1) Connect the SS and AWGN noise source and fading simulator to the UE antenna connector as shown in figure Figure A.21 for UEs that support receive diversity or figure A.10 for UEs that do not support receive diversity.
- 2) Set the test parameters for the missed ACK test as specified in table 10.2.1.2A.5.1 and 10.2.1.2A.5.2 and table E.5A.2.
- 3) The UL Reference Measurement Channel parameters are defined in Annex C.11
- 4) The value of Absolute Grant Scope shall be set to the 0 and the Absolute Grant shall be set to 4.
- 5) The relative grant is not configured. This ensures that the UL datarate remains constant.
- 6) The UE is switched on.
- 7) Enter the UE into loopback mode 1, looping back both the 12.2kbps RMC and HSDPA to E-DCH, and start the loopback test. See TS 34.108 [3] clause 7.3.9 and TS 34.109 [4] clauses 5.3.2.3 and 5.3.2.6. To fill the RLC transmit buffer, run the loopback for [3]s before starting the procedure.
- 8) Switch on the fading simulator.

10.2.1.2A.4.2 Procedure

NOTE: The measurement principle for the missed ACK test (step 2 to 5) is as follows. Upon the UE transmission on E-DPCCH and E-DPDCH, the SS reacts with E-HICH = ACK. The UE transmits new data or retransmissions on the corresponding E-DPCCH and E-DPDCH. The SS shall discriminate between:

- (1) new data is a sign for ACK, received by the UE
- (2) retransmission is a sign for NACK or DTX, received by the UE. The later is interpreted as NACK by higher layer and causes retransmission.

1. The Nominal Avg. Information Bit Rate in the DL is set to 534 kbps according to QPSK H-Set 1. The expected throughput under this level and fading conditions is 142 kbps. The UL data rate was configured by signalling AG value 4 on the E-AGCH. The expected UL datarate is 273 kbps corresponding to E-TFC Index 39.
2. In the test Missed ACK the SS responds with 100% ACK.
3. If the UE indicates on the E-DPCCH a retransmission, the ACK from the SS was received as NACK or DTX by the UE. This is counted as missed(ACK).

If the UE indicates on the E-DPCCH new data, the ACK from the SS was received as ACK by the UE. This is counted as correct ACK.

4. Continue until statistical significance according to Annex F.6.4 is achieved.
5. If the number of retransmissions reaches the maximum number of retransmissions due to several false or missed ACK detections in series, the first new data on the E-DPDCH with E-DPCCH are not the consequence of ACK. This case is not counted as sample.

Specific Message Contents

All messages indicated above shall use the same content as described in the default message content in clause 9.2.1 of 34.108 [3] with the following exceptions:

RADIO BEARER SETUP:

| Information Element | Value/remark |
|--|--|
| RLC PDU size | 112 |
| - E-DCH Transmission Time | 2ms |
| E-DCH MAC-d flow maximum number of retransmissions | 15 (max) |
| E-DCH info | |
| - Happy bit delay condition | 2ms (indication of exhausted resources on TTI basis) |

10.2.1.2A.5. Test requirements

Table 10.2.1.2A.5.1: Test Parameters for E-HICH – Serving E-DCH cell

| Parameter | Unit | Missed ACK |
|---------------------------|--------------|----------------|
| I_{oc} | dBm/3.84 MHz | -60 |
| Phase reference | - | P-CPICH |
| E-HICH E_c / I_{or} | dB | -31.6 (test 1) |
| E-HICH signalling pattern | - | 100% ACK |

Table 10.2.1.2A.5.2: Test requirement Type 1 for Missed ACK when hybrid ARQ acknowledgement indicator is transmitted using 3 consecutive slots – Serving E-DCH cell

| Test Number | Propagation Conditions | Reference value | | |
|-------------|------------------------|----------------------------|------------------------------|------------------------|
| | | E-HICH E_c / I_{or} (dB) | \hat{I}_{or} / I_{oc} (dB) | Missed ACK probability |
| 1 | VA30 | -31.6 | 0.6 | 0.01 |

To pass the test,

the ratio (missed(ACK) / all valid ACKs, sent) ≤ 0.01

NOTE: If the above Test Requirement differs from the Minimum Requirement then the Test Tolerance applied for this test is non-zero. The Test Tolerance for this test is defined in clause F.2 and the explanation of how the Minimum Requirement has been relaxed by the Test Tolerance is given in clause F.4.

10.2.2 Detection in Inter-Cell Handover conditions

10.2.2.1 RLS not containing the Serving E-DCH cell

10.2.2.1.1 RLS not containing the Serving E-DCH cell (10ms TTI)

10.2.2.1.1.1 Definition and applicability

The receive characteristics of the E-DCH HARQ ACK Indicator Channel (E-HICH) is determined during an inter-cell soft handover by the missed ACK and false ACK error probabilities. During the soft handover a UE receives signals from different cells. A UE has to be able to detect E-HICH signalling from different cells belonging to different RLS, not containing the Serving E-DCH cell.

The requirements and this test apply to Release 6 and later releases for all types of UTRA for the FDD UE that support E-DCH and HSDPA.

10.2.2.1.1.2 Minimum requirement

For the parameters specified in Table 10.2.2.1.1.2.1 the average downlink E-HICH E_c/I_{or} power ratio of cell belonging to RLS not containing the Serving E-DCH cell shall be below the specified value for the missed ACK probabilities in Table 10.2.2.1.1.2.2. For the parameters specified in Table 10.2.2.1.1.2.1 the false ACK probability shall be below the specified value in Table 10.2.2.1.1.2.3

Table 10.2.2.1.1.2.1: Requirement scenario parameters for E-HICH – cell belonging to RLS not containing the Serving E-DCH cell

| Parameter | Unit | Missed ACK | False ACK |
|---|--------------|-----------------------------|-----------------------------|
| I_{oc} | dBm/3.84 MHz | -60 | |
| Phase reference | - | P-CPICH | |
| P-CPICH E_c/I_{or} (*) | dB | -10 | |
| E-HICH signalling pattern for the Serving E-DCH cell | - | 100% NACK (-1) ¹ | 100% NACK (-1) ¹ |
| E-HICH signalling pattern for cell belonging to RLS not containing the Serving E-DCH cell | - | 100% ACK (+1) | 100% NACK (0) |
| NOTE 1: The Serving E-DCH cell E-HICH E_c/I_{or} power level is set to -16 dB when hybrid ARQ acknowledgement indicator is transmitted using 3 consecutive slots and to -23 dB when hybrid ARQ acknowledgement indicator is transmitted using 12 consecutive slots. | | | |

Table 10.2.2.1.1.2.2: Minimum requirement for Missed ACK when hybrid ARQ acknowledgement indicator is transmitted using 12 consecutive slots – cell belonging to RLS not containing the Serving E-DCH cell

| Test Number | Propagation Conditions | Reference value | | |
|-------------|------------------------|--------------------------|--|------------------------|
| | | E-HICH E_c/I_{or} (dB) | \hat{I}_{or1}/I_{oc} and \hat{I}_{or2}/I_{oc} (dB) | Missed ACK probability |
| 1 | VA30 | -23.6 | 0 | 0.05 |

Table 10.2.2.1.1.2.3: Minimum requirement for False ACK when hybrid ARQ acknowledgement indicator is transmitted using 12 consecutive slots – cell belonging to RLS not containing the Serving E-DCH cell

| Test Number | Propagation Conditions | Reference value | |
|-------------|------------------------|--|-----------------------|
| | | \hat{I}_{or1}/I_{oc} and \hat{I}_{or2}/I_{oc} (dB) | False ACK probability |
| 2 | VA30 | 0 | 2E-4 |

The reference for this requirement is TS 25.101 [1] clause 10.2.2.

10.2.2.1.1.3 Test Purpose

NOTE: Through all the text below including clause 10.2.2.1.5 the following abbreviation holds: Cell 1: cell belonging to RLS containing the Serving E-DCH cell, Cell 2: cell belonging to RLS not containing the Serving E-DCH cell

To verify that during an inter-cell soft handover for cell 2 the average probability for missed ACK and the average probability for false ACK, when E-HICH is transmitted using 12 consecutive slots, does not exceed specified values.

10.2.2.1.1.4 Method of test

10.2.2.1.1.4.1 Initial conditions

Test environment: normal; see clauses G.2.1 and G.2.2.

Frequencies to be tested: mid range; see clause G.2.4.

- 1) Connect the SS and AWGN noise source and fading simulators to the UE antenna connector as shown in figure Figure A.11.
- 2) The UL Reference Measurement Channel parameters are defined in Annex C.11.
- 3) Set the test parameters for the missed ACK and false ACK test as specified in table 10.2.2.1.1.5.1 to 10.2.2.1.1.5.3 and table E.5A.3, with the exception of \hat{I}_{or2} that shall be set to $-\infty$. Set the fading conditions to VA30.
- 4) The value of Absolute Grant Scope shall be set to 0, and the Absolute Grant shall be set to 5
- 5) The relative grant is not configured. This ensures that the UL datarate remains constant.
- 6) The UE is switched on.
- 7) Enter the UE into loopback mode 1, looping back both the 12.2kbps RMC and HSDPA to E-DCH, and start the loopback test. See TS 34.108 [3] clause 7.3.9 and TS 34.109 [4] clauses 5.3.2.3 and 5.3.2.6. To fill the RLC transmit buffer, run the loopback for [3]s before starting the procedure
- 8) Set \hat{I}_{or2} according to tables 10.2.2.1.1.5.2 to 10.2.2.1.1.5.3. The downlink DPCH of cell 2 must remain inactivated.
- 9) UE shall transmit a MEASUREMENT REPORT message triggered by event 1A containing the CFN-SFN time difference between cell 1 and cell 2.
- 10) The downlink DPCH of cell 2 shall be activated.
- 11) SS shall send an ACTIVE SET UPDATE message, adding cell 2 to the active set.
- 12) The fading simulators are switched on.

10.2.2.1.1.4.2 Procedure

NOTE: The measurement principle for the missed ACK test (step 2 to 5) and for the false ACK test (step 6 to 9) is as follows. Upon the UE transmission on E-DPCCH and E-DPDCH, the SS responds with E-HICH = ACK on the cell 2 and with E-HICH = NACK on the cell 1. The UE transmits new data or retransmissions on the corresponding E-DPCCH and E-DPDCH. The SS shall discriminate between:

- (1) new data is a sign for ACK, received by the UE from any of the cells
- (2) retransmission is a sign for NACK received by the UE on both cells.

1. The Nominal Avg. Information Bit Rate in the DL is set to 534 kbps according to QPSK H-Set 1. The expected throughput under this level and fading conditions is tested with a single cell in clause 9.2.1, but the DL throughput for this test case will be less than for the single cell case because of interference from Cell 2. The DL throughput for this test case is estimated based on the HSDPA throughput corresponding to the subtests using "HS-PDSCH $E_c/I_{or} = -6\text{dB}$ " condition in 9.2.1A. The worst case for a conformant UE is 22 kbps. The UL data rate was configured by signalling AG value 5 on the E-AGCH. The expected UL datarate is 71.6 kbps corresponding to E-TFC Index 45.
2. In the test Missed ACK the SS responds with 100% NACK (-1) on cell 1 and 100% ACK (1) cell 2.
3. If the UE indicates on the E-DPCCH a retransmission, the ACK from cell 2 was received as NACK by the UE. This is counted as missed (ACK). If the UE indicates on the E-DPCCH new data, the ACK from cell 2 was received as ACK by the UE. This is counted as correct ACK.
4. Continue until statistical significance according to Annex F.6.4 is achieved.

5. If the number of retransmissions reaches the maximum number of retransmissions due to several false or missed ACK detections in series, the first new data on the E-DPDCH with E-DPCCH are not the consequence of ACK. This case is not counted as sample.
6. In the test false ACK the SS responds with 100% NACK (-1) on cell 1 and with 100% NACK (0) on cell 2.
7. If the UE indicates on the E-DPCCH new data, the NACK (DTX) from the SS on cell 2 was received as ACK by the UE. This is counted as false(ACK). If the UE indicates on the the E-DPCCH retransmission, then NACK (DTX) from cell 2 was received as NACK by the UE. This is counted as correct reception.
8. Continue until statistical significance according to Annex F.6.4 is achieved.
9. The number of retransmissions will reach the maximum number of transmissions due to several retransmissions in series. The first new data on the E-DPDCH with E-DPCCH are not the consequence of ACK received by the UE. This case is not counted as sample.

Specific Message Contents

All messages indicated above shall use the same content as described in the default message content in clause 9.2.1 of 34.108 [3] with the following exceptions:

RADIO BEARER SETUP:

| Information Element | Value/remark |
|--|--------------|
| -RLC PDU size | 112 |
| - E-DCH Transmission Time | 10 ms |
| E-DCH MAC-d flow maximum number of retransmissions | 15 (max) |
| E-DCH info | |
| - Happy bit delay condition | 10 ms |

ACTIVE SET UPDATE message:

| Information Element/Group name | Value/Remark | Version |
|--|---|---|
| Message Type (10.2.17) | | |
| UE information elements - RRC transaction identifier - Integrity check info - message authentication code - RRC message sequence number - Activation time - New U-RNTI - New H-RNTI - New Primary E-RNTI - New Secondary E-RNTI | 0 SS calculates the value of MAC-I for this message and writes to this IE. The first/ leftmost bit of the bit string contains the most significant bit of the MAC-I. SS provides the value of this IE, from its internal counter. "now". Not Present Not Present Not Present Not Present | Rel-6 Rel-6 Rel-6 |
| CN information elements - CN Information info | Not Present | |
| Phy CH information elements Uplink radio resources - Maximum allowed UL TX power | 33 dBm | |
| Downlink radio resources - Radio link addition information - Radio link addition information - Primary CPICH info - Primary scrambling code - Downlink DPCH info for each RL | 1 Same as adding cell | |
| - CHOICE mode - Primary CPICH usage for channel estimation - DPCH frame offset - Secondary CPICH info | FDD Primary CPICH may be used This should be reflected by the IE " Cell synchronisation information" in received MEASUREMENT REPORT message Not Present | |
| - DL channelisation code - Secondary scrambling code - Spreading factor - Code number - Scrambling code change - TPC combination index - Closed loop timing adjustment mode - Downlink F-DPCH info for each RL | Not Present 128 96 No code change 1 Not Present Not Present | |
| E-HICH Information - Channelisation Code - Signature Sequence | 6 1 | Rel-6 |
| E-RGCH Information | Not Present | Rel-6 |
| - Radio link removal information - TX Diversity Mode | Not Present Not Present | |
| Serving HS-DSCH cell information | Not Present | Rel-6 |
| E-DCH reconfiguration information | Not Present | Rel-6 |

10.2.2.1.1.5 Test Requirements

For table 10.2.2.1.1.5.1, the average downlink E- HICH E_c/I_{or} power ratio shall be below the specified value for missed ACK probability in Table 10.2.2.1.1.5.2. For table 10.2.2.1.1.5.1, the false ACK probability shall be below the specified value in Table 10.2.2.1.1.5.3

Table 10.2.2.1.1.5.1: Requirement scenario parameters for E-HICH – cell belonging to RLS not containing the Serving E-DCH cell

| Parameter Note 1 | Unit | Missed ACK | False ACK |
|---|--------------|-----------------------------|-----------------------------|
| I_{oc} | dBm/3.84 MHz | -60 | |
| Phase reference | - | P-CPICH | |
| E-HICH ₁ E_c/I_{or} | dB | -22.9 | |
| E-HICH ₂ E_c/I_{or} | dB | -23.5 (test1) | $-\infty$ (test 2) |
| HS-DPSCH ₁ E_c/I_{or} | dB | -2.9(test 1) | -2.9(test 2) |
| E-HICH signalling pattern for the Serving E-DCH cell | - | 100% NACK (-1) ¹ | 100% NACK (-1) ¹ |
| E-HICH signalling pattern for cell belonging to RLS not containing the Serving E-DCH cell | - | 100% ACK (+1) | 100% NACK (0) |
| NOTE 1: Index 1: cell belonging to RLS containing the Serving E-DCH cell, Index 2: cell belonging to RLS not containing the Serving E-DCH cell. | | | |

Table 10.2.2.1.1.5.2: Test requirement for Missed ACK when hybrid ARQ acknowledgement indicator is transmitted using 12 consecutive slots – cell belonging to RLS not containing the Serving E-DCH cell

| Test Number | Propagation Conditions | Reference value | | |
|-------------|------------------------|--------------------------|--|------------------------|
| | | E-HICH E_c/I_{or} (dB) | \hat{I}_{or1}/I_{oc} and \hat{I}_{or2}/I_{oc} (dB) | Missed ACK probability |
| 1 | VA30 | -23.5 | 0.6 | 0.05 |

Table 10.2.2.1.1.5.3: Test requirement for False ACK when hybrid ARQ acknowledgement indicator is transmitted using 12 consecutive slots – cell belonging to RLS not containing the Serving E-DCH cell

| Test Number | Propagation Conditions | Reference value | |
|-------------|------------------------|--|-----------------------|
| | | \hat{I}_{or1}/I_{oc} and \hat{I}_{or2}/I_{oc} (dB) | False ACK probability |
| 2 | VA30 | 0.6 | 2E-4 |

To pass the test,

The ratio (missed (ACK) / all valid ACKs, sent) \leq 0.05 and

The ratio (false (ACK) / all valid samples) \leq 0.0002

NOTE: If the above Test Requirement differs from the Minimum Requirement then the Test Tolerance applied for this test is non-zero. The Test Tolerance for this test is defined in clause F.2 and the explanation of how the Minimum Requirement has been relaxed by the Test Tolerance is given in clause F.4.

10.2.2.1.1A RLS not containing the Serving E-DCH cell (10ms TTI, Type 1)

10.2.2.1.1A.1 Definition and applicability

The receive characteristics of the E-DCH HARQ ACK Indicator Channel (E-HICH) is determined during an inter-cell soft handover by the missed ACK error probabilities. During the soft handover a UE receives signals from different cells. A UE has to be able to detect E-HICH signalling from different cells belonging to different RLS, not containing the Serving E-DCH cell.

The requirements and this test apply to Release 7 and later releases for all types of UTRA FDD UEs that support E-DCH and HSDPA and the optional Type 1 enhanced performance requirements.

10.2.2.1.1A.2 Minimum requirement

For the parameters specified in Table 10.2.2.1.1A.2.1 the average downlink E-HICH E_c/I_{or} power ratio of cell belonging to RLS not containing the Serving E-DCH cell shall be below the specified value for the missed ACK probabilities in Table 10.2.2.1.1A.2.2.

Table 10.2.2.1.1A.2.1: Requirement scenario parameters for E-HICH – cell belonging to RLS not containing the Serving E-DCH cell

| Parameter | Unit | Missed ACK |
|---|--------------|-----------------------------|
| I_{oc} | dBm/3.84 MHz | -60 |
| Phase reference | - | P-CPICH |
| P-CPICH E_c/I_{or} (*) | dB | -10 |
| E-HICH signalling pattern for the Serving E-DCH cell | - | 100% NACK (-1) ¹ |
| E-HICH signalling pattern for cell belonging to RLS not containing the Serving E-DCH cell | - | 100% ACK (+1) |
| NOTE 1: The Serving E-DCH cell E-HICH E_c/I_{or} power level is set to -16 dB when hybrid ARQ acknowledgement indicator is transmitted using 3 consecutive slots and to -23 dB when hybrid ARQ acknowledgement indicator is transmitted using 12 consecutive slots. | | |

Table 10.2.2.1.1A.2.2: Enhanced performance requirement Type 1 for Missed ACK when hybrid ARQ acknowledgement indicator is transmitted using 12 consecutive slots – cell belonging to RLS not containing the Serving E-DCH cell

| Test Number | Propagation Conditions | Reference value | | |
|-------------|------------------------|--------------------------|--|------------------------|
| | | E-HICH E_c/I_{or} (dB) | \hat{I}_{or1}/I_{oc} and \hat{I}_{or2}/I_{oc} (dB) | Missed ACK probability |
| 1 | VA30 | -27.8 | 0 | 0.05 |

The reference for this requirement is TS 25.101 [1] clause 10.2.2.

10.2.2.1.1A.3 Test Purpose

NOTE: Through all the text below including clause 10.2.2.1.5 the following abbreviation holds: Cell 1: cell belonging to RLS containing the Serving E-DCH cell, Cell 2: cell belonging to RLS not containing the Serving E-DCH cell

To verify that during an inter-cell soft handover for cell 2 the average probability for missed ACK, when E-HICH is transmitted using 12 consecutive slots, does not exceed specified values.

10.2.2.1.1A.4 Method of test

10.2.2.1.1A.4.1 Initial conditions

Test environment: normal; see clauses G.2.1 and G.2.2.

Frequencies to be tested: mid range; see clause G.2.4.

- 1) Connect the SS and AWGN noise source and fading simulators to the UE antenna connector as shown in figure Figure A.24 for UEs that support receive diversity or figure A.11 for UEs that do not support receive diversity..
- 2) The UL Reference Measurement Channel parameters are defined in Annex C.11
- 3) Set the test parameters for the missed ACK test as specified in table 10.2.2.1.1A.5.1 and 10.2.2.1.1A.5.2 and table E.5A.3 with the exception of \hat{I}_{or2} that shall be set to $-\infty$. Set the fading conditions to VA 30
- 4) The value of Absolute Grant Scope shall be set to 0, and the Absolute Grant shall be set to 5
- 5) The relative grant is not configured. This ensures that the UL datarate remains constant.
- 6) The UE is switched on.
- 7) Enter the UE into loopback mode 1, looping back both the 12.2kbps RMC and HSDPA to E-DCH, and start the loopback test. See TS 34.108 [3] clause 7.3.9 and TS 34.109 [4] clauses 5.3.2.3 and 5.3.2.6. To fill the RLC transmit buffer, run the loopback for [3]s before starting the procedure

- 8) Set \hat{I}_{or2} according to tables 10.2.2.1.1A.5.1 to 10.2.2.1.1A.5.2. The downlink DPCH of cell 2 must remain inactivated.
- 9) UE shall transmit a MEASUREMENT REPORT message triggered by event 1A containing the CFN-SFN time difference between cell 1 and cell 2.
- 10) The downlink DPCH of cell 2 shall be activated.
- 11) SS shall send an ACTIVE SET UPDATE message, adding cell 2 to the active set.
- 12) The fading simulators are switched on

10.2.2.1.1A.4.2 Procedure

NOTE: The measurement principle for the missed ACK test (step 2 to 5) is as follows. Upon the UE transmission on E-DPCCH and E-DPDCH, the SS responds with E-HICH = ACK on the cell 2 and with E-HICH = NACK on the cell 1. The UE transmits new data or retransmissions on the corresponding E-DPCCH and E-DPDCH. The SS shall discriminate between:

- (1) new data is a sign for ACK, received by the UE from any of the cells
 - (2) retransmission is a sign for NACK received by the UE on both cells.
1. The Nominal Avg. Information Bit Rate in the DL is set to 534 kbps according to QPSK H-Set 1. The expected throughput under this level and fading conditions is tested with a single cell in clause 9.2.1, but the DL throughput for this test case will be less than for the single cell case because of interference from Cell 2. The DL throughput for this test case is estimated based on the HSDPA throughput corresponding to the subtests using "HS-PDSCH $E_c/I_{or} = -6\text{dB}$ " condition in 9.2.1A. The worst case for a conformant UE is 22 kbps. The UL data rate was configured by signalling AG value 5 on the E-AGCH. The expected UL data rate is 71.6 kbps corresponding to E-TFC Index 45.
 2. In the test Missed ACK the SS responds with 100% NACK (-1) on cell 1 and 100% ACK (1) cell 2.
 3. If the UE indicates on the E-DPCCH a retransmission, the ACK from cell 2 was received as NACK by the UE. This is counted as missed (ACK). If the UE indicates on the E-DPCCH new data, the ACK from cell 2 was received as ACK by the UE. This is counted as correct ACK.
 4. Continue until statistical significance according to Annex F.6.4 is achieved.
 5. If the number of retransmissions reaches the maximum number of retransmissions due to several false or missed ACK detections in series, the first new data on the E-DPDCH with E-DPCCH are not the consequence of ACK. This case is not counted as sample.

Specific Message Contents

All messages indicated above shall use the same content as described in the default message content in clause 9.2.1 of 34.108 [3] with the following exceptions:

RADIO BEARER SETUP:

| Information Element | Value/remark |
|--|--------------|
| -RLC PDU size | 112 |
| - E-DCH Transmission Time | 10 ms |
| E-DCH MAC-d flow maximum number of retransmissions | 15 (max) |
| E-DCH info | |
| - Happy bit delay condition | 10 ms |

ACTIVE SET UPDATE message:

| Information Element/Group name | Value/Remark | Version |
|--|---|---|
| Message Type (10.2.17) | | |
| UE information elements - RRC transaction identifier - Integrity check info - message authentication code - RRC message sequence number - Activation time - New U-RNTI - New H-RNTI - New Primary E-RNTI - New Secondary E-RNTI | 0 SS calculates the value of MAC-I for this message and writes to this IE. The first/ leftmost bit of the bit string contains the most significant bit of the MAC-I. SS provides the value of this IE, from its internal counter. "now". Not Present Not Present Not Present Not Present | Rel-6 Rel-6 Rel-6 |
| CN information elements - CN Information info | Not Present | |
| Phy CH information elements Uplink radio resources - Maximum allowed UL TX power | 33 dBm | |
| Downlink radio resources - Radio link addition information - Radio link addition information - Primary CPICH info - Primary scrambling code - Downlink DPCH info for each RL | 1 Same as adding cell | |
| - CHOICE mode - Primary CPICH usage for channel estimation - DPCH frame offset - Secondary CPICH info | FDD Primary CPICH may be used This should be reflected by the IE " Cell synchronisation information" in received MEASUREMENT REPORT message Not Present | |
| - DL channelisation code - Secondary scrambling code - Spreading factor - Code number - Scrambling code change - TPC combination index - Closed loop timing adjustment mode - Downlink F-DPCH info for each RL | Not Present 128 96 No code change 1 Not Present Not Present | |
| E-HICH Information - Channelisation Code - Signature Sequence | 6 1 | Rel-6 |
| E-RGCH Information | Not Present | Rel-6 |
| - Radio link removal information - TX Diversity Mode | Not Present Not Present | |
| Serving HS-DSCH cell information | Not Present | Rel-6 |
| E-DCH reconfiguration information | Not Present | Rel-6 |

10.2.2.1.1A.5 Test Requirements

For Table 10.2.2.1.1A.5.1, the average downlink E- HICH E_c/I_{or} power ratio shall be below the specified value for missed ACK probability in Table 10.2.2.1.1A.5.2.

Table 10.2.2.1.1A.5.1: Requirement scenario parameters for E-HICH – cell belonging to RLS not containing the Serving E-DCH cell

| Parameter Note 1 | Unit | Missed ACK |
|---|--------------|-----------------------------|
| I_{oc} | dBm/3.84 MHz | -60 |
| Phase reference | - | P-CPICH |
| E-HICH ₁ E_c/I_{or} | dB | -22.9 |
| E-HICH ₂ E_c/I_{or} | dB | -27.7 (test1) |
| HS-DPSCH ₁ E_c/I_{or} | dB | -2.9(test 1) |
| E-HICH signalling pattern for the Serving E-DCH cell | - | 100% NACK (-1) ¹ |
| E-HICH signalling pattern for cell belonging to RLS not containing the Serving E-DCH cell | - | 100% ACK (+1) |
| NOTE 1: Index 1: cell belonging to RLS containing the Serving E-DCH cell, Index 2: cell belonging to RLS not containing the Serving E-DCH cell. | | |

Table 10.2.2.1.1A.5.2: Test requirement Type 1 for Missed ACK when hybrid ARQ acknowledgement indicator is transmitted using 12 consecutive slots – cell belonging to RLS not containing the Serving E-DCH cell

| Test Number | Propagation Conditions | Reference value | | |
|-------------|------------------------|--------------------------|--|------------------------|
| | | E-HICH E_c/I_{or} (dB) | \hat{I}_{or1}/I_{oc} and \hat{I}_{or2}/I_{oc} (dB) | Missed ACK probability |
| 1 | VA30 | -27.7 | 0.6 | 0.05 |

To pass the test,

The ratio (missed (ACK) / all valid ACKs, sent) \leq 0.05

NOTE: If the above Test Requirement differs from the Minimum Requirement then the Test Tolerance applied for this test is non-zero. The Test Tolerance for this test is defined in clause F.2 and the explanation of how the Minimum Requirement has been relaxed by the Test Tolerance is given in clause F.4.

10.2.2.1.2 RLS not containing the Serving E-DCH cell (2ms TTI)

10.2.2.1.2.1 Definition and applicability

The receive characteristics of the E-DCH HARQ ACK Indicator Channel (E-HICH) is determined during an inter-cell soft handover by the missed ACK and false ACK error probabilities. During the soft handover a UE receives signals from different cells. A UE has to be able to detect E-HICH signalling from different cells belonging to different RLS, not containing the Serving E-DCH cell.

The requirements and this test apply to Release 6 and later releases for all types of UTRA for the FDD UE that support E-DCH with 2ms TTI and HSDPA.

10.2.2.1.2.2 Minimum requirement

For the parameters specified in Table 10.2.2.1.2.2.1 the average downlink E-HICH E_c/I_{or} power ratio of cell belonging to RLS not containing the Serving E-DCH cell shall be below the specified value for the missed ACK probabilities in Table 10.2.2.1.2.2.2. For the parameters specified in Table 10.2.2.1.2.2.1 the false ACK probability shall be below the specified value in Table 10.2.2.1.2.2.3.

Table 10.2.2.1.2.2.1: Requirement scenario parameters for E-HICH – cell belonging to RLS not containing the Serving E-DCH cell

| Parameter | Unit | Missed ACK | False ACK |
|---|--------------|-----------------------------|-----------------------------|
| I_{oc} | dBm/3.84 MHz | -60 | |
| Phase reference | - | P-CPICH | |
| P-CPICH E_c/I_{or} (*) | dB | -10 | |
| E-HICH signalling pattern for the Serving E-DCH cell | - | 100% NACK (-1) ¹ | 100% NACK (-1) ¹ |
| E-HICH signalling pattern for cell belonging to RLS not containing the Serving E-DCH cell | - | 100% ACK (+1) | 100% NACK (0) |
| NOTE 1: The Serving E-DCH cell E-HICH E_c/I_{or} power level is set to -16 dB when hybrid ARQ acknowledgement indicator is transmitted using 3 consecutive slots and to -23 dB when hybrid ARQ acknowledgement indicator is transmitted using 12 consecutive slots. | | | |

Table 10.2.2.1.2.2.2: Minimum requirement for Missed ACK when hybrid ARQ acknowledgement indicator is transmitted using 3 consecutive slots – cell belonging to RLS not containing the Serving E-DCH cell

| Test Number | Propagation Conditions | Reference value | | |
|-------------|------------------------|--------------------------|--|------------------------|
| | | E-HICH E_c/I_{or} (dB) | \hat{I}_{or1}/I_{oc} and \hat{I}_{or2}/I_{oc} (dB) | Missed ACK probability |
| 1 | VA30 | -16.3 | 0 | 0.05 |

Table 10.2.2.1.2.2.3: Minimum requirement for False ACK when hybrid ARQ acknowledgement indicator is transmitted using 3 consecutive slots – cell belonging to RLS not containing the Serving E-DCH cell

| Test Number | Propagation Conditions | Reference value | |
|-------------|------------------------|--|-----------------------|
| | | \hat{I}_{or1}/I_{oc} and \hat{I}_{or2}/I_{oc} (dB) | False ACK probability |
| 2 | VA30 | 0 | 2E-4 |

The reference for this requirement is TS 25.101 [1] clause 10.2.2.

10.2.2.1.2.3 Test Purpose

NOTE: Through all the text below including clause 10.2.2.1.2.5 the following abbreviation holds: Cell 1: cell belonging to RLS containing the Serving E-DCH cell, Cell 2: cell belonging to RLS not containing the Serving E-DCH cell

To verify that during an inter-cell soft handover for cell 2 the average probability for missed ACK and the average probability for false ACK, when E-HICH is transmitted using 3 consecutive slots, does not exceed specified values.

10.2.2.1.2.4 Method of test

10.2.2.1.2.4.1 Initial conditions

Test environment: normal; see clauses G.2.1 and G.2.2.

Frequencies to be tested: mid range; see clause G.2.4.

- 1) Connect the SS and AWGN noise source and fading simulators to the UE antenna connector as shown in Figure A.11.
- 2) The UL Reference Measurement Channel parameters are defined in Annex C.11.
- 3) Set the test parameters for the missed ACK and false ACK test as specified in table 10.2.2.1.2.5.1 to 10.2.2.1.2.5.3 and table E.5A.3 with the exception of \hat{I}_{or2} that shall be set to $-\infty$. Set the fading conditions to VA30

- 4) The value of Absolute Grant Scope shall be set to 0 and the Absolute Grant shall be set to 3.
- 5) The relative grant is not configured. This ensures that the UL datarate remains constant.
- 6) The UE is switched on.
- 7) Enter the UE into loopback mode 1, looping back both the 12.2kbps RMC and HSDPA to E-DCH, and start the loopback test. See TS 34.108 [3] clause 7.3.9 and TS 34.109 [4] clauses 5.3.2.3 and 5.3.2.6. To fill the RLC transmit buffer, run the loopback for [3]s before starting the procedure.
- 8) Set \hat{I}_{or2} according to tables 10.2.2.1.2.5.2 to 10.2.2.1.2.5.3. The downlink DPCH of cell 2 must remain inactivated.
- 9) UE shall transmit a MEASUREMENT REPORT message triggered by event 1A containing the CFN-SFN time difference between cell 1 and cell 2.
- 10) The downlink DPCH of cell 2 shall be activated.
- 11) SS shall send an ACTIVE SET UPDATE message, adding cell 2 to the active set.
- 12) The fading simulators are switched on.

10.2.2.1.2.4.2 Procedure

NOTE: The measurement principle for the missed ACK test (step 2 to 5) and for the false ACK test (step 6 to 9) is as follows. Upon the UE transmission on E-DPCCH and E-DPDCH, the SS responds with E-HICH = ACK on the cell 2 and with E-HICH = NACK on the cell 1. The UE transmits new data or retransmissions on the corresponding E-DPCCH and E-DPDCH. The SS shall discriminate between:

- (1) new data is a sign for ACK, received by the UE from any of the cells
- (2) retransmission is a sign for NACK received by the UE on both cells.

1. The Nominal Avg. Information Bit Rate in the DL is set to 534 kbps according to QPSK H-Set 1. The expected throughput under this level and fading conditions is tested with a single cell in clause 9.2.1, but the DL throughput for this test case will be less than for the single cell case because of interference from Cell 2. The DL throughput for this test case is estimated based on the HSDPA throughput corresponding to the subtests using "HS-PDSCH Ec/Ior = -6dB" condition in 9.2.1A. The worst case for a conformant UE is 22 kbps. The UL data rate was configured by signalling AG value 3 on the E-AGCH. The expected UL datarate is 123.5 kbps corresponding to E-TFC Index 21
2. In the test Missed ACK the SS responds with 100% NACK (-1) on cell 1 and 100% ACK (1) cell 2.
3. If the UE indicates on the the E-DPCCH a retransmission, the ACK from cell 2 was received as NACK by the UE. This is counted as missed (ACK). If the UE indicates on the E-DPCCH new data, the ACK from cell 2 was received as ACK by the UE. This is counted as correct ACK.
4. Continue until statistical significance according to Annex F.6.4 is achieved.
5. If the number of retransmissions reaches the maximum number of retransmissions due to several false or missed ACK detections in series, the first new data on the E-DPDCH with E-DPCCH are not the consequence of ACK. This case is not counted as sample.
6. In the test false ACK the SS responds with 100% NACK (-1) on cell 1 and with 100% NACK (0) on cell 2.
7. If the UE indicates on the the E-DPCCH new data, the NACK (DTX) from the SS on cell 2 was received as ACK by the UE. This is counted as false(ACK). If the UE indicates on the the E-DPCCH retransmission, then NACK (DTX) from cell 2 was received as NACK by the UE. This is counted as correct reception.
8. Continue until statistical significance according to Annex F.6.4 is achieved.
9. The number of retransmissions will reach the maximum number of transmissions due to several retransmissions in series. The first new data on the E-DPDCH with E-DPCCH are not the consequence of ACK received by the UE. This case is not counted as sample.

Specific Message Contents

All messages indicated above shall use the same content as described in the default message content in clause 9.2.1 of 34.108 [3] with the following exceptions:

RADIO BEARER SETUP:

| Information Element | Value/remark |
|--|--------------|
| -RLC PDU size | 112 |
| - E-DCH Transmission Time | 2ms |
| E-DCH MAC-d flow maximum number of retransmissions | 15 (max) |
| E-DCH info | |
| - Happy bit delay condition | 2ms |

ACTIVE SET UPDATE message:

| Information Element/Group name | Value/Remark | Version |
|--|---|---|
| Message Type (10.2.17) | | |
| UE information elements - RRC transaction identifier - Integrity check info - message authentication code - RRC message sequence number - Activation time - New U-RNTI - New H-RNTI - New Primary E-RNTI - New Secondary E-RNTI | 0 SS calculates the value of MAC-I for this message and writes to this IE. The first/ leftmost bit of the bit string contains the most significant bit of the MAC-I. SS provides the value of this IE, from its internal counter. "now". Not Present Not Present Not Present Not Present | Rel-6 Rel-6 Rel-6 |
| CN information elements - CN Information info | Not Present | |
| Phy CH information elements Uplink radio resources - Maximum allowed UL TX power | 33 dBm | |
| Downlink radio resources - Radio link addition information - Radio link addition information - Primary CPICH info - Primary scrambling code - Downlink DPCH info for each RL | 1 Same as adding cell | |
| - CHOICE mode - Primary CPICH usage for channel estimation - DPCH frame offset - Secondary CPICH info | FDD Primary CPICH may be used This should be reflected by the IE " Cell synchronisation information" in received MEASUREMENT REPORT message Not Present | |
| - DL channelisation code - Secondary scrambling code - Spreading factor - Code number - Scrambling code change - TPC combination index - Closed loop timing adjustment mode - Downlink F-DPCH info for each RL | Not Present 128 96 No code change 1 Not Present Not Present | |
| E-HICH Information - Channelisation Code - Signature Sequence | 6 1 | Rel-6 |
| E-RGCH Information | Not Present | Rel-6 |
| - Radio link removal information - TX Diversity Mode | Not Present Not Present | |
| Serving HS-DSCH cell information | Not Present | Rel-6 |
| E-DCH reconfiguration information | Not Present | Rel-6 |

10.2.2.1.2.5 Test Requirements

For table 10.2.2.1.2.5.1, the average downlink E- HICH E_c/I_{or} power ratio shall be below the specified value for missed ACK probability in Table 10.2.2.1.2.5.2. For table 10.2.2.1.2.5.1, the false ACK probability shall be below the specified value in Table 10.2.2.1.2.5.3

Table 10.2.2.1.2.5.1: Requirement scenario parameters for E-HICH – cell belonging to RLS not containing the Serving E-DCH cell

| Parameter Note 1 | Unit | Missed ACK | False ACK |
|---|--------------|-----------------------------|-----------------------------|
| I_{oc} | dBm/3.84 MHz | -60 | |
| Phase reference | - | P-CPICH | |
| E-HICH ₁ E_c/I_{or} | dB | -15.9 | |
| E-HICH ₂ E_c/I_{or} | dB | -16.2 (test 1) | $-\infty$ (test 2) |
| HS-DPSCH ₁ E_c/I_{or} | dB | -3.1(test 1) | -3.1(test 2) |
| E-HICH signalling pattern for the Serving E-DCH cell | - | 100% NACK (-1) ¹ | 100% NACK (-1) ¹ |
| E-HICH signalling pattern for cell belonging to RLS not containing the Serving E-DCH cell | | 100% ACK (+1) | 100% NACK (0) |
| NOTE 1: Index 1: cell belonging to RLS containing the Serving E-DCH cell, Index 2: cell belonging to RLS not containing the Serving E-DCH cell. | | | |

Table 10.2.2.1.2.5.2 Test requirement for Missed ACK when hybrid ARQ acknowledgement indicator is transmitted using 3 consecutive slots – cell belonging to RLS not containing the Serving E-DCH cell

| Test Number | Propagation Conditions | Reference value | | |
|-------------|------------------------|--------------------------|--|------------------------|
| | | E-HICH E_c/I_{or} (dB) | \hat{I}_{or1}/I_{oc} and \hat{I}_{or2}/I_{oc} (dB) | Missed ACK probability |
| 1 | VA30 | -16.2 | 0.6 | 0.05 |

Table 10.2.2.1.2.5.3: Test requirement for False ACK when hybrid ARQ acknowledgement indicator is transmitted using 3 consecutive slots – cell belonging to RLS not containing the Serving E-DCH cell

| Test Number | Propagation Conditions | Reference value | |
|-------------|------------------------|--|-----------------------|
| | | \hat{I}_{or1}/I_{oc} and \hat{I}_{or2}/I_{oc} (dB) | False ACK probability |
| 2 | VA30 | 0.6 | 2E-4 |

To pass the test,

The ratio (missed (ACK) / all valid ACKs, sent) ≤ 0.05 and

The ratio (false (ACK) / all valid samples) ≤ 0.0002

NOTE: If the above Test Requirement differs from the Minimum Requirement then the Test Tolerance applied for this test is non-zero. The Test Tolerance for this test is defined in clause F.2 and the explanation of how the Minimum Requirement has been relaxed by the Test Tolerance is given in clause F.4.

10.2.2.1.2A RLS not containing the Serving E-DCH cell (2ms TTI, Type 1)

10.2.2.1.2A.1 Definition and applicability

The receive characteristics of the E-DCH HARQ ACK Indicator Channel (E-HICH) is determined during an inter-cell soft handover by the missed ACK error probabilities. During the soft handover a UE receives signals from different cells. A UE has to be able to detect E-HICH signalling from different cells belonging to different RLS, not containing the Serving E-DCH cell.

The requirements and this test apply to Release 7 and later releases for all types of UTRA FDD UEs that support E-DCH with 2ms TTI and HSDPA and the optional Type 1 enhanced performance requirements.

10.2.2.1.2A.2 Minimum requirement

For the parameters specified in Table 10.2.2.1.2A.2.1 the average downlink E-HICH E_c/I_{or} power ratio of cell belonging to RLS not containing the Serving E-DCH cell shall be below the specified value for the missed ACK probabilities in Table 10.2.2.1.2A.2.2.

Table 10.2.2.1.2A.2.1: Requirement scenario parameters for E-HICH – cell belonging to RLS not containing the Serving E-DCH cell

| Parameter | Unit | Missed ACK |
|---|--------------|-----------------------------|
| I_{oc} | dBm/3.84 MHz | -60 |
| Phase reference | - | P-CPICH |
| P-CPICH E_c/I_{or} (*) | dB | -10 |
| E-HICH signalling pattern for the Serving E-DCH cell | - | 100% NACK (-1) [†] |
| E-HICH signalling pattern for cell belonging to RLS not containing the Serving E-DCH cell | - | 100% ACK (+1) |
| NOTE 1: The Serving E-DCH cell E-HICH E_c/I_{or} power level is set to -16 dB when hybrid ARQ acknowledgement indicator is transmitted using 3 consecutive slots and to -23 dB when hybrid ARQ acknowledgement indicator is transmitted using 12 consecutive slots. | | |

Table 10.2.2.1.2A.2.2: Enhanced performance requirement for Missed ACK when hybrid ARQ acknowledgement indicator is transmitted using 3 consecutive slots – cell belonging to RLS not containing the Serving E-DCH cell

| Test Number | Propagation Conditions | Reference value | | |
|-------------|------------------------|--------------------------|--|------------------------|
| | | E-HICH E_c/I_{or} (dB) | \hat{I}_{or1}/I_{oc} and \hat{I}_{or2}/I_{oc} (dB) | Missed ACK probability |
| 1 | VA30 | -20.6 | 0 | 0.05 |

The reference for this requirement is TS 25.101 [1] clause 10.2.2.

10.2.2.1.2A.3 Test Purpose

NOTE: Through all the text below including clause 10.2.2.1.2.5 the following abbreviation holds: Cell 1: cell belonging to RLS containing the Serving E-DCH cell, Cell 2: cell belonging to RLS not containing the Serving E-DCH cell

To verify that during an inter-cell soft handover for cell 2 the average probability for missed ACK, when E-HICH is transmitted using 3 consecutive slots, does not exceed specified values.

10.2.2.1.2A.4 Method of test

10.2.2.1.2A.4.1 Initial conditions

Test environment: normal; see clauses G.2.1 and G.2.2.

Frequencies to be tested: mid range; see clause G.2.4.

- 1) Connect the SS and AWGN noise source and fading simulators to the UE antenna connector as shown in Figure A.24 for UEs that support receive diversity or figure A.11 for UEs that do not support receive diversity..
- 2) The UL Reference Measurement Channel parameters are defined in Annex C.11
- 3) Set the test parameters for the missed ACK test as specified in table 10.2.2.1.2A.5.1 and 10.2.2.1.2A.5.2 and table E.5A.3 with the exception of \hat{I}_{or2} that shall be set to $-\infty$.. Set the fading conditions to VA 30
- 4) The value of Absolute Grant Scope shall be set to 0 and the Absolute Grant shall be set to 3.
- 5) The relative grant is not configured. This ensures that the UL datarate remains constant.
- 6) The UE is switched on.
- 7) Enter the UE into loopback mode 1, looping back both the 12.2kbps RMC and HSDPA to E-DCH, and start the loopback test. See TS 34.108 [3] clause 7.3.9 and TS 34.109 [4] clauses 5.3.2.3 and 5.3.2.6. To fill the RLC transmit buffer, run the loopback for [3]s before starting the procedure.

- 8) Set $\hat{I}_{or,2}$ according to tables 10.2.2.1.2A.5.1 to 10.2.2.1.2A.5.2. The downlink DPCH of cell 2 must remain inactivated.
- 9) UE shall transmit a MEASUREMENT REPORT message triggered by event 1A containing the CFN-SFN time difference between cell 1 and cell 2.
- 10) The downlink DPCH of cell 2 shall be activated.
- 11) SS shall send an ACTIVE SET UPDATE message, adding cell 2 to the active set.
- 12) The fading simulators are switched on.

10.2.2.1.2A.4.2 Procedure

NOTE: The measurement principle for the missed ACK test (step 2 to 5) is as follows. Upon the UE transmission on E-DPCCH and E-DPDCH, the SS responds with E-HICH = ACK on the cell 2 and with E-HICH = NACK on the cell 1. The UE transmits new data or retransmissions on the corresponding E-DPCCH and E-DPDCH. The SS shall discriminate between:

- (1) new data is a sign for ACK, received by the UE from any of the cells
 - (2) retransmission is a sign for NACK received by the UE on both cells.
1. The Nominal Avg. Information Bit Rate in the DL is set to 534 kbps according to QPSK H-Set 1. The expected throughput under this level and fading conditions is tested with a single cell in clause 9.2.1, but the DL throughput for this test case will be less than for the single cell case because of interference from Cell 2. The DL throughput for this test case is estimated based on the HSDPA throughput corresponding to the subtests using "HS-PDSCH $E_c/I_{or} = -6\text{dB}$ " condition in 9.2.1A. The worst case for a conformant UE is 22 kbps. The UL data rate was configured by signalling AG value 3 on the E-AGCH. The expected UL data rate is 123.5 kbps corresponding to E-TFC Index 21
 2. In the test Missed ACK the SS responds with 100% NACK (-1) on cell 1 and 100% ACK (1) cell 2.
 3. If the UE indicates on the E-DPCCH a retransmission, the ACK from cell 2 was received as NACK by the UE. This is counted as missed (ACK). If the UE indicates on the E-DPCCH new data, the ACK from cell 2 was received as ACK by the UE. This is counted as correct ACK.
 4. Continue until statistical significance according to Annex F.6.4 is achieved.
 5. If the number of retransmissions reaches the maximum number of retransmissions due to several false or missed ACK detections in series, the first new data on the E-DPDCH with E-DPCCH are not the consequence of ACK. This case is not counted as sample.

Specific Message Contents

All messages indicated above shall use the same content as described in the default message content in clause 9.2.1 of 34.108 [3] with the following exceptions:

RADIO BEARER SETUP:

| Information Element | Value/remark |
|--|--------------|
| -RLC PDU size | 112 |
| - E-DCH Transmission Time | 2ms |
| E-DCH MAC-d flow maximum number of retransmissions | 15 (max) |
| E-DCH info | |
| - Happy bit delay condition | 2ms |

ACTIVE SET UPDATE message:

| Information Element/Group name | Value/Remark | Version |
|--|--|---------|
| Message Type (10.2.17) | | |
| UE information elements | 0 | |
| - RRC transaction identifier | | |
| - Integrity check info | | |
| -message authentication code | SS calculates the value of MAC-I for this message and writes to this IE. The first/ leftmost bit of the bit string contains the most significant bit of the MAC-I. | |
| -RRC message sequence number | SS provides the value of this IE, from its internal counter. | |
| - Activation time | "now". | |
| - New U-RNTI | Not Present | Rel-6 |
| - New H-RNTI | Not Present | Rel-6 |
| - New Primary E-RNTI | Not Present | Rel-6 |
| - New Secondary E-RNTI | Not Present | Rel-6 |
| CN information elements | | |
| - CN Information info | Not Present | |
| Phy CH information elements | | |
| Uplink radio resources | | |
| - Maximum allowed UL TX power | 33 dBm | |
| Downlink radio resources | | |
| - Radio link addition information | 1 | |
| - Radio link addition information | | |
| - Primary CPICH info | | |
| - Primary scrambling code | Same as adding cell | |
| - Downlink DPCH info for each RL | | |
| - CHOICE mode | FDD | |
| - Primary CPICH usage for channel estimation | Primary CPICH may be used | |
| - DPCH frame offset | This should be reflected by the IE" Cell synchronisation information" in received MEASUREMENT REPORT message | |
| - Secondary CPICH info | Not Present | |
| - DL channelisation code | Not Present | |
| - Secondary scrambling code | 128 | |
| - Spreading factor | 96 | |
| - Code number | No code change | |
| - Scrambling code change | 1 | |
| - TPC combination index | Not Present | |
| - Closed loop timing adjustment mode | | |
| - Downlink F-DPCH info for each RL | Not Present | |
| E-HICH Information | | Rel-6 |
| - Channelisation Code | 6 | |
| - Signature Sequence | 1 | |
| E-RGCH Information | Not Present | Rel-6 |
| - Radio link removal information | Not Present | |
| - TX Diversity Mode | Not Present | |
| Serving HS-DSCH cell information | Not Present | Rel-6 |
| E-DCH reconfiguration information | Not Present | Rel-6 |

10.2.2.1.2A.5 Test Requirements

For table 10.2.2.1.2A.5.1, the average downlink E- HICH E_c/I_{or} power ratio shall be below the specified value for missed ACK probability in Table 10.2.2.1.2A.5.2

Table 10.2.2.1.2A.5.1: Requirement scenario parameters for E-HICH – cell belonging to RLS not containing the Serving E-DCH cell

| Parameter Note 1 | Unit | Missed ACK |
|---|--------------|-----------------------------|
| I_{oc} | dBm/3.84 MHz | -60 |
| Phase reference | - | P-CPICH |
| E-HICH ₁ E_c/I_{or} | dB | -15.9 |
| E-HICH ₂ E_c/I_{or} | dB | -20.5 (test 1) |
| HS-DPSCH ₁ E_c/I_{or} | dB | -3.00(test 1) |
| E-HICH signalling pattern for the Serving E-DCH cell | - | 100% NACK (-1) ¹ |
| E-HICH signalling pattern for cell belonging to RLS not containing the Serving E-DCH cell | | 100% ACK (+1) |
| NOTE 1: Index 1: cell belonging to RLS containing the Serving E-DCH cell, Index 2: cell belonging to RLS not containing the Serving E-DCH cell. | | |

Table 10.2.2.1.2A.5.2 Test requirement Type 1 for Missed ACK when hybrid ARQ acknowledgement indicator is transmitted using 3 consecutive slots – cell belonging to RLS not containing the Serving E-DCH cell

| Test Number | Propagation Conditions | Reference value | | |
|-------------|------------------------|--------------------------|--|------------------------|
| | | E-HICH E_c/I_{or} (dB) | \hat{I}_{or1}/I_{oc} and \hat{I}_{or2}/I_{oc} (dB) | Missed ACK probability |
| 1 | VA30 | -20.5 | 0.6 | 0.05 |

To pass the test,

The ratio (missed (ACK) / all valid ACKs, sent) <= 0.05

NOTE: If the above Test Requirement differs from the Minimum Requirement then the Test Tolerance applied for this test is non-zero. The Test Tolerance for this test is defined in clause F.2 and the explanation of how the Minimum Requirement has been relaxed by the Test Tolerance is given in clause F.4.

10.2.2.2 RLS containing the Serving E-DCH cell

10.2.2.2.1 RLS containing the Serving E-DCH cell (10ms TTI)

10.2.2.2.1.1 Definition and applicability

The receive characteristics of the E-DCH HARQ ACK Indicator Channel (E-HICH) is determined during an inter-cell soft handover by the missed ACK and false ACK error probabilities. During the soft handover a UE receives signals from different cells. A UE has to be able to detect E-HICH signalling from different cells belonging to different RLS, containing the Serving E-DCH cell.

The requirements and this test apply to Release 6 and later releases for all types of UTRA for the FDD UE that support E-DCH and HSDPA.

10.2.2.2.1.2 Minimum requirement

For the parameters specified in Table 10.2.2.2.1.2.1 the average downlink E-HICH E_c/I_{or} power ratio of cell belonging to RLS containing the Serving E-DCH cell shall be below the specified value for the missed ACK probabilities in Table 10.2.2.2.1.2.2. For the parameters specified in Table 10.2.2.2.1.2.1 the false ACK probability shall be below the specified value in Table 10.2.2.2.1.2.3

Table 10.2.2.2.1.2.1: Requirement scenario parameters for E-HICH – RLS containing the serving cell in SHO

| Parameter | Unit | Missed ACK | False ACK |
|---|--------------|---------------|---------------|
| I_{oc} | dBm/3.84 MHz | -60 | |
| Phase reference | - | P-CPICH | |
| P-CPICH E_c/I_{or} (*) | dB | -10 | |
| E-HICH signalling pattern for Serving E-DCH cell | - | 100% ACK (+1) | 100% DTX (0) |
| E-HICH signalling pattern for cell belonging to RLS not containing the Serving E-DCH cell | - | 100% NACK (0) | 100% NACK (0) |

Table 10.2.2.2.1.2.2: Minimum requirement for Missed ACK when hybrid ARQ acknowledgement indicator is transmitted using 12 consecutive slots – RLS containing the Serving E-DCH cell

| Test Number | Propagation Conditions | Reference value | | |
|-------------|------------------------|---|--|------------------------|
| | | E-HICH E_c/I_{or} (dB) for Serving E-DCH cell (ACK) | \hat{I}_{or1}/I_{oc} and \hat{I}_{or2}/I_{oc} (dB) | Missed ACK probability |
| 1 | VA30 | -29.7 | 0 | 0.05 |

Table 10.2.2.2.1.2.3: Minimum requirement for False ACK when hybrid ARQ acknowledgement indicator is transmitted using 12 consecutive slots – RLS containing the Serving E-DCH cell

| Test Number | Propagation Conditions | Reference value | |
|-------------|------------------------|--|-----------------------|
| | | \hat{I}_{or1}/I_{oc} and \hat{I}_{or2}/I_{oc} (dB) | False ACK probability |
| 2 | PA3 | 0 | 0.1 |
| 3 | VA120 | 0 | 0.1 |

The reference for this requirement is TS 25.101 [1] clause 10.2.2.1

10.2.2.2.1.3 Test purpose

NOTE: Through all the text below including clause 10.2.2.2.5 the following abbreviation holds: Cell 1: cell belonging to RLS containing the Serving E-DCH cell, Cell 2: cell belonging to RLS not containing the Serving E-DCH cell

To verify that during an inter-cell soft handover for cell 1 the average probability for missed ACK and the average probability for false ACK, when E-HICH is transmitted using 12 consecutive slots, does not exceed specified values.

10.2.2.2.1.4 Method of test

10.2.2.2.1.4.1 Initial conditions

Test environment: normal; see clauses G.2.1 and G.2.2.

Frequencies to be tested: mid range; see clause G.2.4.

- 1) Connect the SS and AWGN noise source and fading simulators to the UE antenna connector as shown in figure Figure A.11.
- 2) The UL Reference Measurement Channel parameters are defined in Annex C.11.
- 3) Set the test parameters for the missed ACK and false ACK test as specified in table 10.2.2.2.1.5.1 to 10.2.2.2.1.5.3 and table E.5A.3, with the exception of \hat{I}_{or2} that shall be set to $-\infty$. Set the fading conditions to VA 30, PA 3 or VA 120
- 4) The value of Absolute Grant Scope shall be set to 0 and the Absolute Grant shall be set to 5.

- 5) The relative grant is not configured. This ensures that the UL datarate remains constant.
- 6) The UE is switched on.
- 7) Enter the UE into loopback mode 1, looping back both the 12.2kbps RMC and HSDPA to E-DCH, and start the loopback test. See TS 34.108 [3] clause 7.3.9 and TS 34.109 [4] clauses 5.3.2.3 and 5.3.2.6. To fill the RLC transmit buffer, run the loopback for [3]s before starting the procedure.
- 8) Reset \hat{I}_{or2} according to tables 10.2.2.2.1.5.2 to 10.2.2.2.1.5.3. The downlink DPCH of cell 2 must remain inactivated.
- 9) UE shall transmit a MEASUREMENT REPORT message triggered by event 1A containing the CFN-SFN time difference between cell 1 and cell 2.
- 10) The downlink DPCH of cell 2 shall be activated.
- 11) The SS shall send an ACTIVE SET UPDATE message, adding cell 2 to the active set.
- 12) The fading simulators are switched on.

10.2.2.2.1.4.2 Procedure

NOTE: The measurement principle for the missed ACK test (step 3 to 5) and for the false ACK test (step 6 to 9) is as follows. Upon the UE transmission on E-DPCCH and E-DPDCH, the SS responds with E-HICH = ACK or DTX on cell 1 and with NACK (DTX) on cell 2. The UE transmits new data or retransmissions on the corresponding E-DPCCH and E-DPDCH. The SS shall discriminate between:

- (1) new data is a sign for ACK, received by the UE from any of the cells.
- (2) retransmission is a sign for NACK received by the UE on both cells. DTX, received by the UE from cell 1, is interpreted as NACK by higher layer and causes retransmission.

1. The Nominal Avg. Information Bit Rate in the DL is set to 534 kbps according to QPSK H-Set 1. The expected throughput under this level and fading conditions is tested with a single cell in clause 9.2.1, and the DL throughput for this test case will be less than for the single cell case because of interference from Cell 2. The DL throughput for this test case is estimated based on the HSDPA throughput corresponding to the subtests using "HS-PDSCH $E_c/I_{or} = -6\text{dB}$ " condition in 9.2.1A. The UL data rate was configured by signalling AG value 5 on the E-AGCH. The expected UL datarate is 71.6 kbps corresponding to E-TFC Index 45.
2. In the test Missed ACK the SS responds with 100% ACK(1) on cell 1 and 100% NACK(0) on cell 2.
3. If the UE indicates on the the E-DPCCH a retransmission, the ACK from cell 1 was received as NACK by the UE. This is counted as missed(ACK).
If the UE indicates on the the E-DPCCH new data, the ACK from cell 1 was received as ACK by the UE. This is counted as correct ACK.
4. Continue until statistical significance according to Annex F.6.4 is achieved.
5. If the number of retransmissions reaches the maximum number of retransmissions due to several false or missed ACK detections in series, the first new data on the E-DPDCH with E-DPCCH are not the consequence of ACK. This case is not counted as sample.
6. In the test false ACK the SS responds with 100% DTX (0) on cell 1 and with 100% NACK(0) on cell 2.
7. If the UE indicates on the E-DPCCH new data, the DTX from cell 1 was received as ACK by the UE. This is counted as false(ACK).

NOTE: An ACK reception from cell 2 also causes new data. However, the probability for this event is $< 2\text{E-}4$ according to Table 10.2.2.1.1.5.3

If the UE indicates on the E-DPCCH retransmission, then DTX or NACK was received by the UE from cell 1. This is counted as correct reception.

8. Continue until statistical significance according to Annex F.6.4 is achieved.

9. The number of retransmissions will reach the maximum number of retransmissions due to several retransmissions in series. The first new data on the E-DPDCH with E-DPCCH are not the consequence of ACK received by the UE. This case is not counted as sample.

Specific Message Contents

All messages indicated above shall use the same content as described in the default message content in clause 9.2.1 of 34.108 [3] with the following exceptions:

RADIO BEARER SETUP:

| Information Element | Value/remark |
|--|--------------|
| - RLC PDU size | 112 |
| - E-DCH Transmission Time | 10 ms |
| E-DCH MAC-d flow maximum number of retransmissions | 15 (max) |
| E-DCH info | |
| - Happy bit delay condition | 10 ms |

ACTIVE SET UPDATE message:

| Information Element/Group name | Value/Remark | Version |
|--|---|---|
| Message Type (10.2.17) | | |
| UE information elements - RRC transaction identifier - Integrity check info - message authentication code - RRC message sequence number - Activation time - New U-RNTI - New H-RNTI - New Primary E-RNTI - New Secondary E-RNTI | 0 SS calculates the value of MAC-I for this message and writes to this IE. The first/ leftmost bit of the bit string contains the most significant bit of the MAC-I. SS provides the value of this IE, from its internal counter. "now". Not Present Not Present Not Present Not Present | Rel-6 Rel-6 Rel-6 |
| CN information elements - CN Information info | Not Present | |
| Phy CH information elements Uplink radio resources - Maximum allowed UL TX power | 33 dBm | |
| Downlink radio resources - Radio link addition information - Radio link addition information - Primary CPICH info - Primary scrambling code - Downlink DPCH info for each RL | 1 Same as adding cell | |
| - CHOICE mode - Primary CPICH usage for channel estimation - DPCH frame offset - Secondary CPICH info | FDD Primary CPICH may be used This should be reflected by the IE " Cell synchronisation information" in received MEASUREMENT REPORT message Not Present | |
| - DL channelisation code - Secondary scrambling code - Spreading factor - Code number - Scrambling code change - TPC combination index - Closed loop timing adjustment mode - Downlink F-DPCH info for each RL | Not Present 128 96 No code change 1 Not Present Not Present | |
| E-HICH Information - Channelisation Code - Signature Sequence | 6 1 | Rel-6 |
| E-RGCH Information | Not Present | Rel-6 |
| - Radio link removal information - TX Diversity Mode | Not Present Not Present | |
| Serving HS-DSCH cell information | Not Present | Rel-6 |
| E-DCH reconfiguration information | Not Present | Rel-6 |

10.2.2.2.1.5 Test requirements

For table 10.2.2.2.1.5.1, the average downlink E- HICH E_c/I_{or} power ratio shall be below the specified value for missed ACK probability in Table 10.2.2.2.1.5.2. For table 10.2.2.2.5.1, the false ACK probability shall be below the specified value in Table 10.2.2.2.1.5.3.

Table 10.2.2.2.1.5.1: Requirement scenario parameters for E-HICH – RLS containing the serving cell in SHO

| Parameter | Unit | Missed ACK | False ACK |
|---|--------------|----------------|---------------------|
| I_{oc} | dBm/3.84 MHz | -60 | |
| Phase reference | - | P-CPICH | |
| E-HICH ₁ E_c/I_{or} | dB | -29.6 (test 1) | $-\infty$ (test2,3) |
| E-HICH ₂ E_c/I_{or} | dB | $-\infty$ | |
| HS-DPSCH ₁ E_c/I_{or} | dB | -2.9(test 1) | -2.9 (test,2,3) |
| E-HICH signalling pattern for Serving E-DCH cell | - | 100% ACK (+1) | 100% DTX (0) |
| E-HICH signalling pattern for cell belonging to RLS not containing the Serving E-DCH cell | - | 100% NACK (0) | 100% NACK (0) |

Table 10.2.2.2.1.5.2: Test requirement for Missed ACK when hybrid ARQ acknowledgement indicator is transmitted using 12 consecutive slots – RLS containing the Serving E-DCH cell

| Test Number | Propagation Conditions | Reference value | | |
|-------------|------------------------|---|--|------------------------|
| | | E-HICH E_c/I_{or} (dB) for Serving E-DCH cell (ACK) | \hat{I}_{or1}/I_{oc} and \hat{I}_{or2}/I_{oc} (dB) | Missed ACK probability |
| 1 | VA30 | -29.6 | 0.6 | 0.05 |

Table 10.2.2.2.1.5.3: Test requirement for False ACK when hybrid ARQ acknowledgement indicator is transmitted using 12 consecutive slots – RLS containing the Serving E-DCH cell

| Test Number | Propagation Conditions | Reference value | |
|-------------|------------------------|--|-----------------------|
| | | \hat{I}_{or1}/I_{oc} and \hat{I}_{or2}/I_{oc} (dB) | False ACK probability |
| 2 | PA3 | 0.6 | 0.1 |
| 3 | VA120 | 0.6 | 0.1 |

To pass the test,

The ratio (missed (ACK) / all valid ACKs, sent) ≤ 0.05 and

The ratio (false (ACK) / (all valid samples)) ≤ 0.1

NOTE: If the above Test Requirement differs from the Minimum Requirement then the Test Tolerance applied for this test is non-zero. The Test Tolerance for this test is defined in clause F.2 and the explanation of how the Minimum Requirement has been relaxed by the Test Tolerance is given in clause F.4.

10.2.2.2.1A RLS containing the Serving E-DCH cell (10ms TTI, Type 1)

10.2.2.2.1A.1 Definition and applicability

The receive characteristics of the E-DCH HARQ ACK Indicator Channel (E-HICH) is determined during an inter-cell soft handover by the missed ACK probabilities. During the soft handover a UE receives signals from different cells. A UE has to be able to detect E-HICH signalling from different cells belonging to different RLS, containing the Serving E-DCH cell.

The requirements and this test apply to Release 7 and later releases for all types of UTRA for the FDD UE that support E-DCH and HSDPA and the optional Type 1 enhanced performance requirements.

10.2.2.2.1A.2 Minimum requirement

For the parameters specified in Table 10.2.2.2.1A.2.1 the average downlink E-HICH E_c/I_{or} power ratio of cell belonging to RLS containing the Serving E-DCH cell shall be below the specified value for the missed ACK probabilities in Table 10.2.2.2.1A.2.2.

Table 10.2.2.2.1A.2.1: Requirement scenario parameters for E-HICH – RLS containing the serving cell in SHO

| Parameter | Unit | Missed ACK |
|---|--------------|---------------|
| I_{oc} | dBm/3.84 MHz | -60 |
| Phase reference | - | P-CPICH |
| P-CPICH E_c/I_{or} (*) | dB | -10 |
| E-HICH signalling pattern for Serving E-DCH cell | - | 100% ACK (+1) |
| E-HICH signalling pattern for cell belonging to RLS not containing the Serving E-DCH cell | - | 100% NACK (0) |

Table 10.2.2.2.1A.2.2: Enhanced performance requirement for Missed ACK when hybrid ARQ acknowledgement indicator is transmitted using 12 consecutive slots – RLS containing the Serving E-DCH cell

| Test Number | Propagation Conditions | Reference value | | |
|-------------|------------------------|---|--|------------------------|
| | | E-HICH E_c/I_{or} (dB) for Serving E-DCH cell (ACK) | \hat{I}_{or1}/I_{oc} and \hat{I}_{or2}/I_{oc} (dB) | Missed ACK probability |
| 1 | VA30 | -33.4 | 0 | 0.05 |

The reference for this requirement is TS 25.101 [1] clause 10.2.2.1

10.2.2.2.1A.3 Test purpose

NOTE: Through all the text below including clause 10.2.2.2.5 the following abbreviation holds: Cell 1: cell belonging to RLS containing the Serving E-DCH cell, Cell 2: cell belonging to RLS not containing the Serving E-DCH cell

To verify that during an inter-cell soft handover for cell 1 the average probability for missed ACK, when E-HICH is transmitted using 12 consecutive slots, does not exceed specified values.

10.2.2.2.1A.4 Method of test

10.2.2.2.1A.4.1 Initial conditions

Test environment: normal; see clauses G.2.1 and G.2.2.

Frequencies to be tested: mid range; see clause G.2.4.

- 1) Connect the SS and AWGN noise source and fading simulators to the UE antenna connector as shown in figure Figure A.24 for UEs that support receive diversity or figure A.11 for UEs that do not support receive diversity.
- 2) The UL Reference Measurement Channel parameters are defined in Annex C.11
- 3) Set the test parameters for the missed ACK test as specified in table 10.2.2.2.1A.5.1 and 10.2.2.2.1A.5.2 and table E.5A.3 with the exception of \hat{I}_{or2} that shall be set to $-\infty$. Set the fading conditions to VA 30.
- 4) The value of Absolute Grant Scope shall be set to 0 and the Absolute Grant shall be set to 5.
- 5) The relative grant is not configured. This ensures that the UL datarate remains constant.
- 6) The UE is switched on.

- 7) Enter the UE into loopback mode 1, looping back both the 12.2kbps RMC and HSDPA to E-DCH, and start the loopback test. See TS 34.108 [3] clause 7.3.9 and TS 34.109 [4] clauses 5.3.2.3 and 5.3.2.6. To fill the RLC transmit buffer, run the loopback for [3]s before starting the procedure.
- 8) Reset \hat{I}_{or2} according to tables 10.2.2.2.1A.5.1 to 10.2.2.2.1A.5.2. The downlink DPCH of cell 2 must remain inactivated.
- 9) UE shall transmit a MEASUREMENT REPORT message triggered by event 1A containing the CFN-SFN time difference between cell 1 and cell 2.
- 10) The downlink DPCH of cell 2 shall be activated.
- 11) The SS shall send an ACTIVE SET UPDATE message, adding cell 2 to the active set.
- 12) The fading simulators are switched on.

10.2.2.2.1A.4.2 Procedure

NOTE: The measurement principle for the missed ACK test (step 3 to 5) is as follows. Upon the UE transmission on E-DPCCH and E-DPDCH, the SS responds with E-HICH = ACK on cell 1 and with NACK (DTX) on cell 2. The UE transmits new data or retransmissions on the corresponding E-DPCCH and E-DPDCH. The SS shall discriminate between:

- (1) new data is a sign for ACK, received by the UE from any of the cells.
- (2) retransmission is a sign for NACK received by the UE on both cells. DTX, received by the UE from cell 1, is interpreted as NACK by higher layer and causes retransmission.

1. The Nominal Avg. Information Bit Rate in the DL is set to 534 kbps according to QPSK H-Set 1. The expected throughput under this level and fading conditions is tested with a single cell in clause 9.2.1 and the DL throughput for this test case will be less than for the single cell case because of interference from Cell 2. The DL throughput for this test case is estimated based on the HSDPA throughput corresponding to the subtests using "HS-PDSCH $E_c/I_{or} = -6\text{dB}$ " condition in 9.2.1A. The UL data rate was configured by signalling AG value 5 on the E-AGCH. The expected UL data rate is 71.6 kbps corresponding to E-TFC Index 45.
2. In the test Missed ACK the SS responds with 100% ACK(1) on cell 1 and 100% NACK(0) on cell 2.
3. If the UE indicates on the E-DPCCH a retransmission, the ACK from cell 1 was received as NACK by the UE. This is counted as missed(ACK).
If the UE indicates on the E-DPCCH new data, the ACK from cell 1 was received as ACK by the UE. This is counted as correct ACK.
4. Continue until statistical significance according to Annex F.6.4 is achieved.
5. If the number of retransmissions reaches the maximum number of retransmissions due to several false or missed ACK detections in series, the first new data on the E-DPDCH with E-DPCCH are not the consequence of ACK. This case is not counted as sample.

Specific Message Contents

All messages indicated above shall use the same content as described in the default message content in clause 9.2.1 of 34.108 [3] with the following exceptions:

RADIO BEARER SETUP:

| Information Element | Value/remark |
|--|--------------|
| - RLC PDU size | 112 |
| - E-DCH Transmission Time | 10 ms |
| E-DCH MAC-d flow maximum number of retransmissions | 15 (max) |
| E-DCH info | |
| - Happy bit delay condition | 10 ms |

ACTIVE SET UPDATE message:

| Information Element/Group name | Value/Remark | Version |
|--|---|---|
| Message Type (10.2.17) | | |
| UE information elements - RRC transaction identifier - Integrity check info - message authentication code - RRC message sequence number - Activation time - New U-RNTI - New H-RNTI - New Primary E-RNTI - New Secondary E-RNTI | 0 SS calculates the value of MAC-I for this message and writes to this IE. The first/ leftmost bit of the bit string contains the most significant bit of the MAC-I. SS provides the value of this IE, from its internal counter. "now". Not Present Not Present Not Present Not Present | Rel-6 Rel-6 Rel-6 |
| CN information elements - CN Information info | Not Present | |
| Phy CH information elements Uplink radio resources - Maximum allowed UL TX power | 33 dBm | |
| Downlink radio resources - Radio link addition information - Radio link addition information - Primary CPICH info - Primary scrambling code - Downlink DPCH info for each RL | 1 Same as adding cell | |
| - CHOICE mode - Primary CPICH usage for channel estimation - DPCH frame offset - Secondary CPICH info | FDD Primary CPICH may be used This should be reflected by the IE " Cell synchronisation information" in received MEASUREMENT REPORT message Not Present | |
| - DL channelisation code - Secondary scrambling code - Spreading factor - Code number - Scrambling code change - TPC combination index - Closed loop timing adjustment mode - Downlink F-DPCH info for each RL | Not Present 128 96 No code change 1 Not Present Not Present | |
| E-HICH Information - Channelisation Code - Signature Sequence | 6 1 | Rel-6 |
| E-RGCH Information | Not Present | Rel-6 |
| - Radio link removal information - TX Diversity Mode | Not Present Not Present | |
| Serving HS-DSCH cell information | Not Present | Rel-6 |
| E-DCH reconfiguration information | Not Present | Rel-6 |

10.2.2.2.1A.5 Test requirements

For table 10.2.2.2.1A.5.1, the average downlink E- HICH E_c/I_{or} power ratio shall be below the specified value for missed ACK probability in Table 10.2.2.2.1A.5.2

Table 10.2.2.2.1A.5.1: Requirement scenario parameters for E-HICH – RLS containing the serving cell in SHO

| Parameter | Unit | Missed ACK |
|---|--------------|----------------|
| I_{oc} | dBm/3.84 MHz | -60 |
| Phase reference | - | P-CPICH |
| E-HICH ₁ E_c/I_{or} | dB | -33.3 (test 1) |
| E-HICH ₂ E_c/I_{or} | dB | $-\infty$ |
| HS-DPSCH ₁ E_c/I_{or} | dB | -2.9(test 1) |
| E-HICH signalling pattern for Serving E-DCH cell | - | 100% ACK (+1) |
| E-HICH signalling pattern for cell belonging to RLS not containing the Serving E-DCH cell | - | 100% NACK (0) |

Table 10.2.2.2.1A.5.2: Test requirement Type 1 for Missed ACK when hybrid ARQ acknowledgement indicator is transmitted using 12 consecutive slots – RLS containing the Serving E-DCH cell

| Test Number | Propagation Conditions | Reference value | | |
|-------------|------------------------|---|--|------------------------|
| | | E-HICH E_c/I_{or} (dB) for Serving E-DCH cell (ACK) | \hat{I}_{or1}/I_{oc} and \hat{I}_{or2}/I_{oc} (dB) | Missed ACK probability |
| 1 | VA30 | -33.3 | 0.6 | 0.05 |

To pass the test,

The ratio (missed (ACK) / all valid ACKs, sent) ≤ 0.05

NOTE: If the above Test Requirement differs from the Minimum Requirement then the Test Tolerance applied for this test is non-zero. The Test Tolerance for this test is defined in clause F.2 and the explanation of how the Minimum Requirement has been relaxed by the Test Tolerance is given in clause F.4.

10.2.2.2.2 RLS containing the Serving E-DCH cell (2ms TTI)

10.2.2.2.2.1 Definition and applicability

The receive characteristics of the E-DCH HARQ ACK Indicator Channel (E-HICH) is determined during an inter-cell soft handover by the missed ACK and false ACK error probabilities. During the soft handover a UE receives signals from different cells. A UE has to be able to detect E-HICH signalling from different cells belonging to different RLS, containing the Serving E-DCH cell.

The requirements and this test apply to Release 6 and later releases for all types of UTRA for the FDD UE that support E-DCH with 2ms TTI and HSDPA.

10.2.2.2.2.2 Minimum requirement

For the parameters specified in Table 10.2.2.2.2.1 the average downlink E-HICH E_c/I_{or} power ratio of cell belonging to RLS containing the Serving E-DCH cell shall be below the specified value for the missed ACK probabilities in Table 10.2.2.2.2.2. For the parameters specified in Table 10.2.2.2.2.1 the false ACK probability shall be below the specified value in Table 10.2.2.2.2.3

Table 10.2.2.2.2.1: Requirement scenario parameters for E-HICH – RLS containing the serving cell in SHO

| Parameter | Unit | Missed ACK | False ACK |
|---|--------------|---------------|---------------|
| I_{oc} | dBm/3.84 MHz | -60 | |
| Phase reference | - | P-CPICH | |
| P-CPICH E_c/I_{or} (*) | dB | -10 | |
| E-HICH signalling pattern for Serving E-DCH cell | - | 100% ACK (+1) | 100% DTX (0) |
| E-HICH signalling pattern for cell belonging to RLS not containing the Serving E-DCH cell | - | 100% NACK (0) | 100% NACK (0) |

Table 10.2.2.2.2.2: Minimum requirement for Missed ACK when hybrid ARQ acknowledgement indicator is transmitted using 3 consecutive slots – RLS containing the Serving E-DCH cell

| Test Number | Propagation Conditions | Reference value | | |
|-------------|------------------------|---|--|------------------------|
| | | E-HICH E_c/I_{or} (dB) for Serving E-DCH cell (ACK) | \hat{I}_{or1}/I_{oc} and \hat{I}_{or2}/I_{oc} (dB) | Missed ACK probability |
| 1 | VA30 | -23.2 | 0 | 0.05 |

Table 10.2.2.2.2.3: Minimum requirement for False ACK when hybrid ARQ acknowledgement indicator is transmitted using 3 consecutive slots – RLS containing the Serving E-DCH cell

| Test Number | Propagation Conditions | Reference value | |
|-------------|------------------------|--|-----------------------|
| | | \hat{I}_{or1}/I_{oc} and \hat{I}_{or2}/I_{oc} (dB) | False ACK probability |
| 2 | PA3 | 0 | 0.1 |
| 3 | VA120 | 0 | 0.1 |

The reference for this requirement is TS 25.101 [1] clause 10.2.2.1

10.2.2.2.2.3 Test purpose

NOTE: Through all the text below including clause 10.2.2.2.5 the following abbreviation holds: Cell 1: cell belonging to RLS containing the Serving E-DCH cell, Cell 2: cell belonging to RLS not containing the Serving E-DCH cell

To verify that during an inter-cell soft handover for cell 1 the average probability for missed ACK and the average probability for false ACK, when E-HICH is transmitted using 3 consecutive slots, does not exceed specified values.

10.2.2.2.2.4 Method of test

10.2.2.2.2.4.1 Initial conditions

Test environment: normal; see clauses G.2.1 and G.2.2.

Frequencies to be tested: mid range; see clause G.2.4.

- 1) Connect the SS and AWGN noise source and fading simulators to the UE antenna connector as shown in figure Figure A.11.
- 2) The UL Reference Measurement Channel parameters are defined in Annex C.11.
- 3) Set the test parameters for the missed ACK and false ACK test as specified in table 10.2.2.2.2.5.1 to 10.2.2.2.2.5.3 and table E.5A.3, with the exception of \hat{I}_{or2} that shall be set to $-\infty$. Set the fading conditions to VA 30, PA3 or VA 120.
- 4) The value of Absolute Grant Scope shall be set to 0, and the Absolute Grant shall be set to 3.

- 5) The relative grant is not configured. This ensures that the UL datarate remains constant.
- 6) The UE is switched on.
- 7) Enter the UE into loopback mode 1, looping back both the 12.2kbps RMC and HSDPA to E-DCH, and start the loopback test. See TS 34.108 [3] clause 7.3.9 and TS 34.109 [4] clauses 5.3.2.3 and 5.3.2.6. To fill the RLC transmit buffer, run the loopback for [3]s before starting the procedure.
- 8) Reset \hat{I}_{or2} according to tables 10.2.2.2.2.5.2 to 10.2.2.2.2.5.3. The downlink DPCH of cell 2 must remain inactivated.
- 9) UE shall transmit a MEASUREMENT REPORT message triggered by event 1A containing the CFN-SFN time difference between cell 1 and cell 2.
- 10) The downlink DPCH of cell 2 shall be activated.
- 11) The SS shall send an ACTIVE SET UPDATE message, adding cell 2 to the active set.
- 12) The fading simulators are switched on.

10.2.2.2.4.2 Procedure

NOTE: The measurement principle for the missed ACK test (step 2 to 5) and for the false ACK test (step 6 to 9) is as follows. Upon the UE transmission on E-DPCCH and E-DPDCH, the SS responds with E-HICH = ACK or DTX on cell 1 and with DTX on cell 2. The UE transmits new data or retransmissions on the corresponding E-DPCCH and E-DPDCH. The SS shall discriminate between:

- (1) new data is a sign for ACK, received by the UE from any of the cells.
- (2) retransmission is a sign for NACK received by the UE on both cells. DTX, received by the UE from cell 1, is interpreted as NACK by higher layer and causes retransmission.

1. The Nominal Avg. Information Bit Rate in the DL is set to 534 kbps according to QPSK H-Set 1. The expected throughput under this level and fading conditions is tested with a single cell in clause 9.2.1, and the DL throughput for this test case will be less than for the single cell case because of interference from Cell 2. The DL throughput for this test case is estimated based on the HSDPA throughput corresponding to the subtests using "HS-PDSCH Ec/Ior = -6dB" condition in 9.2.1A. The UL data rate was configured by signalling AG value 3 on the E-AGCH. The expected UL datarate is 123.5 kbps corresponding to E-TFC Index 21.
2. In the test Missed ACK the SS responds with 100% ACK(1) on cell 1 and 100% NACK(0) on cell 2.
3. If the UE indicates on the the E-DPCCH a retransmission, the ACK from cell 1 was received as NACK by the UE. This is counted as missed(ACK).
If the UE indicates on the the E-DPCCH new data, the ACK from cell 1 was received as ACK by the UE. This is counted as correct ACK.
4. Continue until statistical significance according to Annex F.6.4 is achieved.
5. If the number of retransmissions reaches the maximum number of retransmissions due to several false or missed ACK detections in series, the first new data on the E-DPDCH with E-DPCCH are not the consequence of ACK. This case is not counted as sample.
6. In the test false ACK the SS responds with 100% DTX (0) on cell 1 and with 100% NACK(0) on cell 2.
7. If the UE indicates on the E-DPCCH new data, the DTX from cell 1 was received as ACK by the UE. This is counted as false(ACK).

NOTE: An ACK reception from cell 2 also causes new data. However, the probability for this event is $< 2E-4$ according to Table 10.2.2.1.2.2.3:

If the UE indicates on the E-DPCCH retransmission, then DTX or NACK was received by the UE from cell 1. This is counted as correct reception.

8. Continue until statistical significance according to Annex F.6.4 is achieved.

9. The number of retransmissions will reach the maximum number of transmissions due to several retransmissions in series. The first new data on the E-DPDCH with E-DPCCH are not the consequence of ACK received by the UE. This case is not counted as sample.

Specific Message Contents

All messages indicated above shall use the same content as described in the default message content in clause 9.2.1 of 34.108 [3] with the following exceptions:

RADIO BEARER SETUP:

| Information Element | Value/remark |
|--|--------------|
| - RLC PDU size | 112 |
| - E-DCH Transmission Time | 2ms |
| E-DCH MAC-d flow maximum number of retransmissions | 15 (max) |
| E-DCH info | |
| - Happy bit delay condition | 2ms |

ACTIVE SET UPDATE message:

| Information Element/Group name | Value/Remark | Version |
|--|---|---|
| Message Type (10.2.17) | | |
| UE information elements - RRC transaction identifier - Integrity check info - message authentication code - RRC message sequence number - Activation time - New U-RNTI - New H-RNTI - New Primary E-RNTI - New Secondary E-RNTI | 0 SS calculates the value of MAC-I for this message and writes to this IE. The first/ leftmost bit of the bit string contains the most significant bit of the MAC-I. SS provides the value of this IE, from its internal counter. "now". Not Present Not Present Not Present Not Present | Rel-6 Rel-6 Rel-6 |
| CN information elements - CN Information info | Not Present | |
| Phy CH information elements Uplink radio resources - Maximum allowed UL TX power | 33 dBm | |
| Downlink radio resources - Radio link addition information - Radio link addition information - Primary CPICH info - Primary scrambling code - Downlink DPCH info for each RL | 1 Same as adding cell | |
| - CHOICE mode - Primary CPICH usage for channel estimation - DPCH frame offset - Secondary CPICH info | FDD Primary CPICH may be used This should be reflected by the IE " Cell synchronisation information" in received MEASUREMENT REPORT message Not Present | |
| - DL channelisation code - Secondary scrambling code - Spreading factor - Code number - Scrambling code change - TPC combination index - Closed loop timing adjustment mode - Downlink F-DPCH info for each RL | Not Present 128 96 No code change 1 Not Present Not Present | |
| E-HICH Information - Channelisation Code - Signature Sequence | 6 1 | Rel-6 |
| E-RGCH Information | Not Present | Rel-6 |
| - Radio link removal information - TX Diversity Mode | Not Present Not Present | |
| Serving HS-DSCH cell information | Not Present | Rel-6 |
| E-DCH reconfiguration information | Not Present | Rel-6 |

10.2.2.2.2.5 Test requirements

For table 10.2.2.2.5.1, the average downlink E- HICH E_c/I_{or} power ratio shall be below the specified value for missed ACK probability in Table 10.2.2.2.5.2. For table 10.2.2.2.5.1, the false ACK probability shall be below the specified value in Table 10.2.2.2.5.3.

Table 10.2.2.2.5.1: Requirement scenario parameters for E-HICH – RLS containing the serving cell in SHO

| Parameter | Unit | Missed ACK | False ACK |
|---|--------------|----------------|-----------------------|
| I_{oc} | dBm/3.84 MHz | -60 | |
| Phase reference | - | P-CPICH | |
| E-HICH ₁ E_c/I_{or} | dB | -23.1 (test 1) | $-\infty$ (test 2 ,3) |
| E-HICH ₂ E_c/I_{or} | dB | $-\infty$ | |
| HS-DPSCH ₁ E_c/I_{or} | dB | -2.9(test 1) | -2.9 (test 2,3) |
| E-HICH signalling pattern for Serving E-DCH cell | - | 100% ACK (+1) | 100% DTX (0) |
| E-HICH signalling pattern for cell belonging to RLS not containing the Serving E-DCH cell | - | 100% NACK (0) | 100% NACK (0) |

Table 10.2.2.2.5.2: Test requirement for Missed ACK when hybrid ARQ acknowledgement indicator is transmitted using 3 consecutive slots – RLS containing the Serving E-DCH cell

| Test Number | Propagation Conditions | Reference value | | |
|-------------|------------------------|---|--|------------------------|
| | | E-HICH E_c/I_{or} (dB) for Serving E-DCH cell (ACK) | \hat{I}_{or1}/I_{oc} and \hat{I}_{or2}/I_{oc} (dB) | Missed ACK probability |
| 1 | VA30 | -23.1 | 0.6 | 0.05 |

Table 10.2.2.2.5.3: Test requirement for False ACK when hybrid ARQ acknowledgement indicator is transmitted using 3 consecutive slots – RLS containing the Serving E-DCH cell

| Test Number | Propagation Conditions | Reference value | |
|-------------|------------------------|--|-----------------------|
| | | \hat{I}_{or1}/I_{oc} and \hat{I}_{or2}/I_{oc} (dB) | False ACK probability |
| 2 | PA3 | 0.6 | 0.1 |
| 3 | VA120 | 0.6 | 0.1 |

To pass the test,

The ratio (missed (ACK) / all valid ACKs, sent) ≤ 0.05 and

The ratio (false (ACK) / (all valid samples)) ≤ 0.1

NOTE: If the above Test Requirement differs from the Minimum Requirement then the Test Tolerance applied for this test is non-zero. The Test Tolerance for this test is defined in clause F.2 and the explanation of how the Minimum Requirement has been relaxed by the Test Tolerance is given in clause F.4.

10.2.2.2.2A RLS containing the Serving E-DCH cell (2ms TTI, Type 1)

10.2.2.2.2A.1 Definition and applicability

The receive characteristics of the E-DCH HARQ ACK Indicator Channel (E-HICH) is determined during an inter-cell soft handover by the missed ACK error probabilities. During the soft handover a UE receives signals from different cells. A UE has to be able to detect E-HICH signalling from different cells belonging to different RLS, containing the Serving E-DCH cell.

The requirements and this test apply to Release 7 and later releases for all types of UTRA for the FDD UE that support E-DCH with 2ms TTI and HSDPA and the optional Type 1 enhanced performance requirements.

10.2.2.2.2A.2 Minimum requirement

For the parameters specified in Table 10.2.2.2.2A.2.1 the average downlink E-HICH E_c/I_{or} power ratio of cell belonging to RLS containing the Serving E-DCH cell shall be below the specified value for the missed ACK probabilities in Table 10.2.2.2.2A.2.2.

Table 10.2.2.2A.2.1: Requirement scenario parameters for E-HICH – RLS containing the serving cell in SHO

| Parameter | Unit | Missed ACK |
|---|--------------|---------------|
| I_{oc} | dBm/3.84 MHz | -60 |
| Phase reference | - | P-CPICH |
| P-CPICH E_c/I_{or} (*) | dB | -10 |
| E-HICH signalling pattern for Serving E-DCH cell | - | 100% ACK (+1) |
| E-HICH signalling pattern for cell belonging to RLS not containing the Serving E-DCH cell | - | 100% NACK (0) |

Table 10.2.2.2A.2.2: Enhanced performance requirement for Missed ACK when hybrid ARQ acknowledgement indicator is transmitted using 3 consecutive slots – RLS containing the Serving E-DCH cell

| Test Number | Propagation Conditions | Reference value | | |
|-------------|------------------------|---|--|------------------------|
| | | E-HICH E_c/I_{or} (dB) for Serving E-DCH cell (ACK) | \hat{I}_{or1}/I_{oc} and \hat{I}_{or2}/I_{oc} (dB) | Missed ACK probability |
| 1 | VA30 | -27.1 | 0 | 0.05 |

The reference for this requirement is TS 25.101 [1] clause 10.2.2.1

10.2.2.2A.3 Test purpose

NOTE: Through all the text below including clause 10.2.2.2.5 the following abbreviation holds: Cell 1: cell belonging to RLS containing the Serving E-DCH cell, Cell 2: cell belonging to RLS not containing the Serving E-DCH cell

To verify that during an inter-cell soft handover for cell 1 the average probability for missed ACK, when E-HICH is transmitted using 3 consecutive slots, does not exceed specified values.

10.2.2.2A.4 Method of test

10.2.2.2A.4.1 Initial conditions

Test environment: normal; see clauses G.2.1 and G.2.2.

Frequencies to be tested: mid range; see clause G.2.4.

- 1) Connect the SS and AWGN noise source and fading simulators to the UE antenna connector as shown in figure Figure A.24 for UEs that support receive diversity or figure A.10 for UEs that do not support receive diversity.
- 2) The UL Reference Measurement Channel parameters are defined in Annex C.11
- 3) Set the test parameters for the missed ACK test as specified in table 10.2.2.2A.5.1 and 10.2.2.2A.5.2 and table E.5A.3 with the exception of \hat{I}_{or2} that shall be set to $-\infty$. Set the fading conditions to VA 30.
- 4) The value of Absolute Grant Scope shall be set to 0, and the Absolute Grant shall be set to 3.
- 5) The relative grant is not configured. This ensures that the UL datarate remains constant.
- 6) The UE is switched on.
- 7) Enter the UE into loopback mode 1, looping back both the 12.2kbps RMC and HSDPA to E-DCH, and start the loopback test. See TS 34.108 [3] clause 7.3.9 and TS 34.109 [4] clauses 5.3.2.3 and 5.3.2.6. To fill the RLC transmit buffer, run the loopback for [3]s before starting the procedure.

- 8) Reset \hat{I}_{or2} according to tables 10.2.2.2A.5.1 to 10.2.2.2A.5.2. The downlink DPCH of cell 2 must remain inactivated.
- 9) UE shall transmit a MEASUREMENT REPORT message triggered by event 1A containing the CFN-SFN time difference between cell 1 and cell 2.
- 10) The downlink DPCH of cell 2 shall be activated.
- 11) The SS shall send an ACTIVE SET UPDATE message, adding cell 2 to the active set.
- 12) The fading simulators are switched on.

10.2.2.2A.4.2 Procedure

NOTE: The measurement principle for the missed ACK test (step 2 to 5) is as follows. Upon the UE transmission on E-DPCCH and E-DPDCH, the SS responds with E-HICH = ACK on cell 1 and with DTX on cell 2. The UE transmits new data or retransmissions on the corresponding E-DPCCH and E-DPDCH. The SS shall discriminate between:

- (1) new data is a sign for ACK, received by the UE from any of the cells.
 - (2) retransmission is a sign for NACK received by the UE on both cells. DTX, received by the UE from cell 1, is interpreted as NACK by higher layer and causes retransmission.
1. The Nominal Avg. Information Bit Rate in the DL is set to 534 kbps according to QPSK H-Set 1. The expected throughput under this level and fading conditions is tested with a single cell in clause 9.2.1 and the DL throughput for this test case will be less than for the single cell case because of interference from Cell 2. The DL throughput for this test case is estimated based on the HSDPA throughput corresponding to the subtests using "HS-PDSCH Ec/Ior = -6dB" condition in 9.2.1A. The UL data rate was configured by signalling AG value 3 on the E-AGCH. The expected UL datarate is 123.5 kbps corresponding to E-TFC Index 21.
 2. In the test Missed ACK the SS responds with 100% ACK(1) on cell 1 and 100% NACK(0) on cell 2.
 3. If the UE indicates on the the E-DPCCH a retransmission, the ACK from cell 1 was received as NACK by the UE. This is counted as missed(ACK).

If the UE indicates on the the E-DPCCH new data, the ACK from cell 1 was received as ACK by the UE. This is counted as correct ACK.
 4. Continue until statistical significance according to Annex F.6.4 is achieved.
 5. If the number of retransmissions reaches the maximum number of retransmissions due to several false or missed ACK detections in series, the first new data on the E-DPDCH with E-DPCCH are not the consequence of ACK. This case is not counted as sample.

Specific Message Contents

All messages indicated above shall use the same content as described in the default message content in clause 9.2.1 of 34.108 [3] with the following exceptions:

RADIO BEARER SETUP:

| Information Element | Value/remark |
|--|--------------|
| - RLC PDU size | 112 |
| - E-DCH Transmission Time | 2ms |
| E-DCH MAC-d flow maximum number of retransmissions | 15 (max) |
| E-DCH info | |
| - Happy bit delay condition | 2ms |

ACTIVE SET UPDATE message:

| Information Element/Group name | Value/Remark | Version |
|--|---|---|
| Message Type (10.2.17) | | |
| UE information elements - RRC transaction identifier - Integrity check info - message authentication code - RRC message sequence number - Activation time - New U-RNTI - New H-RNTI - New Primary E-RNTI - New Secondary E-RNTI | 0 SS calculates the value of MAC-I for this message and writes to this IE. The first/ leftmost bit of the bit string contains the most significant bit of the MAC-I. SS provides the value of this IE, from its internal counter. "now". Not Present Not Present Not Present Not Present | Rel-6 Rel-6 Rel-6 |
| CN information elements - CN Information info | Not Present | |
| Phy CH information elements Uplink radio resources - Maximum allowed UL TX power | 33 dBm | |
| Downlink radio resources - Radio link addition information - Radio link addition information - Primary CPICH info - Primary scrambling code - Downlink DPCH info for each RL | 1 Same as adding cell | |
| - CHOICE mode - Primary CPICH usage for channel estimation - DPCH frame offset - Secondary CPICH info | FDD Primary CPICH may be used This should be reflected by the IE" Cell synchronisation information" in received MEASUREMENT REPORT message Not Present | |
| - DL channelisation code - Secondary scrambling code - Spreading factor - Code number - Scrambling code change - TPC combination index - Closed loop timing adjustment mode - Downlink F-DPCH info for each RL | Not Present 128 96 No code change 1 Not Present Not Present | |
| E-HICH Information - Channelisation Code - Signature Sequence | 6 1 | Rel-6 |
| E-RGCH Information | Not Present | Rel-6 |
| - Radio link removal information - TX Diversity Mode | Not Present Not Present | |
| Serving HS-DSCH cell information | Not Present | Rel-6 |
| E-DCH reconfiguration information | Not Present | Rel-6 |

10.2.2.2.A.5 Test requirements

For table 10.2.2.2.A.5.1, the average downlink E- HICH E_c/I_{or} power ratio shall be below the specified value for missed ACK probability in Table 10.2.2.2.A.5.2.

Table 10.2.2.2A.5.1: Requirement scenario parameters for E-HICH – RLS containing the serving cell in SHO

| Parameter | Unit | Missed ACK |
|---|--------------|----------------|
| I_{oc} | dBm/3.84 MHz | -60 |
| Phase reference | - | P-CPICH |
| E-HICH ₁ E_c/I_{or} | dB | -27.0 (test 1) |
| E-HICH ₂ E_c/I_{or} | dB | $-\infty$ |
| HS-DPSCH ₁ E_c/I_{or} | dB | -2.9(test 1) |
| E-HICH signalling pattern for Serving E-DCH cell | - | 100% ACK (+1) |
| E-HICH signalling pattern for cell belonging to RLS not containing the Serving E-DCH cell | - | 100% NACK (0) |

Table 10.2.2.2A.5.2: Test requirement Type 1 for Missed ACK when hybrid ARQ acknowledgement indicator is transmitted using 3 consecutive slots – RLS containing the Serving E-DCH cell

| Test Number | Propagation Conditions | Reference value | | |
|-------------|------------------------|---|--|------------------------|
| | | E-HICH E_c/I_{or} (dB) for Serving E-DCH cell (ACK) | \hat{I}_{or1}/I_{oc} and \hat{I}_{or2}/I_{oc} (dB) | Missed ACK probability |
| 1 | VA30 | -27.0 | 0.6 | 0.05 |

To pass the test,

The ratio (missed (ACK) / all valid ACKs, sent) ≤ 0.05

NOTE: If the above Test Requirement differs from the Minimum Requirement then the Test Tolerance applied for this test is non-zero. The Test Tolerance for this test is defined in clause F.2 and the explanation of how the Minimum Requirement has been relaxed by the Test Tolerance is given in clause F.4.

10.3 Detection of E-DCH Relative Grant Channel (E-RGCH)

10.3.1 Single link performance

10.3.1.1 Single link performance (10ms TTI)

10.3.1.1.1 Definition and applicability

The receive characteristics of the E-DCH Relative Grant Channel (E-RGCH) in multi-path fading environment is determined by the missed UP/DOWN and missed HOLD. The requirements and this test apply to Release 6 and later releases for all types of UTRA for the FDD UE that support E-DCH and HSDPA.

NOTE: The fail cases for Up are Down (erroneous detection) and Hold (missed detection).

The fail cases for Down are Up and Hold. TS 25.101 designated this test "Missed Up/Down". It is assumed that the minimum requirements apply for both fail cases erroneous and missed detection.

10.3.1.1.2 Minimum requirement

For the parameters specified in Table 10.3.1.1.2.1 the average downlink E-RGCH E_c/I_{or} power ratio shall be below the specified value for the missed UP/DOWN probabilities in Table 10.3.1.1.2.2. For the parameters specified in Table 10.3.1.1.2.1 the missed HOLD probability shall be below the specified value in Table 10.3.1.1.2.

Table 10.3.1.1.2.1: Parameters for E-RGCH – Serving E-DCH cell

| Parameter | Unit | Missed UP/DOWN | Missed HOLD |
|---------------------------|--------------|--------------------|-------------|
| I_{oc} | dBm/3.84 MHz | -60 | |
| Phase reference | - | P-CPICH | |
| P-CPICH E_c/I_{or} | dB | -10 | |
| E-RGCH signalling pattern | - | 50% UP 50% DOWN | 100% HOLD |

Table 10.3.1.1.2.2: Minimum requirement for Missed UP/DOWN when relative scheduling grant is transmitted using 12 consecutive slots – Serving E-DCH cell

| Test Number | Propagation Conditions | Reference value | | |
|-------------|------------------------|--------------------------|----------------------------|----------------------------|
| | | E-RGCH E_c/I_{or} (dB) | \hat{I}_{or}/I_{oc} (dB) | Missed UP/DOWN probability |
| 1 | VA30 | -31 | 0 | 0.05/0.05 |

Table 10.3.1.1.2.3: Minimum requirement for Missed HOLD when relative scheduling grant is transmitted using 12 consecutive slots – Serving E-DCH cell

| Test Number | Propagation Conditions | Reference value | |
|-------------|------------------------|----------------------------|-------------------------|
| | | \hat{I}_{or}/I_{oc} (dB) | Missed HOLD probability |
| 2 | VA30 | 0 | 0.1 |

The reference for this requirement is TS 25.101 [1] clause 10.3.1

10.3.1.1.3 Test purpose

To verify that average probability for missed up down and average probability for missed hold, when E-RGCH is transmitted using 12 consecutive slots, do not exceed specified values.

10.3.1.1.4 Method of test

10.3.1.1.4.1 Initial conditions

Test environment: normal; see clauses G.2.1 and G.2.2.

Frequencies to be tested: mid range; see clause G.2.4.

- 1) Connect the SS and AWGN noise source and fading simulator to the UE antenna connector as shown in figure Figure A.10.
- 2) The UL Reference Measurement Channel parameters are defined in Annex C.11
- 3) Set the test parameters for the missed up down test and the missed hold test as specified in table 10.3.1.1.5.1. to 10.3.1.1.5.3 and table E.5A.2. Set the fading conditions to VA 30
- 4) The value of Absolute Grant Scope shall be set to the 0. and the Absolute Grant shall be set to 5
- 5) The UE is switched on.
- 6) Enter the UE into loopback mode 1, looping back both the 12.2kbps RMC and HSDPA to E-DCH, and start the loopback test. See TS 34.108 [3] clause 7.3.9 and TS 34.109 [4] clauses 5.3.2.3 and 5.3.2.6. To fill the RLC transmit buffer, run the loopback for [3]s before starting the procedure.
- 7) The fading simulator is switched on.

10.3.1.1.4.2 Procedure

NOTE: The measurement principle for the missed up down test (step 3 to 10) and for the missed hold test (step 11 to 15) is as follows. The UE transmits E-DPCCH and E-DPDCH. The SS transmits E-RGCH up or down or hold (DTX). The UE changes or holds the transport format of the corresponding E-DPCCH and E-DPDCH accordingly. This is visible for the SS by reading the E-TFCI, signalled on the corresponding E-DPCCH.

- 1) The Nominal Avg. Information Bit Rate in the DL is set to 534 kbps according to QPSK H-Set 1. The expected throughput under this level and fading conditions is 142 kbps. The expected UL datarate is 71.6 kbps corresponding to E-TFC Index 45.
- 2) Upon reception of every E-DPCCH and E-DPDCH, the SS signals always "DTX" on the E-HICH during the entire test. This way there is no E_HICH power. Nevertheless the UE will transmit new data, since "E-DCH MAC-d flow maximum number of retransmissions" is set to 0.
- 3) The SS signals 4 consecutive "down" on the E-RGCH
- 4) The SS reads the E-TFCI for 4 consecutive HARQ processes, signalled on the E-DPCCH, corresponding to these "down"
- 5) If the UE increases or holds the transport format at each HARQ process upon a "down" command, count a missed(down).

If the UE signals Happy Bit = 1, the UE may transmit less data than granted. (TS25.321 [13] section 11.8.1.5. bullet point 1) The corresponding E-DPCCH and E-DPDCH TTI is not counted as sample.

- 6) The SS signals 4 consecutive "up" on the E-RGCH
- 7) The SS reads the E-TFCI for 4 consecutive HARQ processes, signalled on the E-DPCCH corresponding to these "up".
- 8) If the UE decreases or holds the transport format at each HARQ process upon an "up" command, count a missed(up).

If the UE signals Happy Bit = 1, the UE may transmit less data than granted. (TS25.321 [13] section 11.8.1.5. bullet point 1) The corresponding E-DPCCH and E-DPDCH TTI is not counted as sample.

- 9) Repeat the "down-up" cycle in step 3 to 8, such that statistical significance according to Annex F.6.4 is achieved for up and down separately.

Due to missed up or missed down the operating range will shift down or up. If the operating range shifts outside the range shown in Table 10.3.1.1.4.2.1 the operating range must be re-adjusted.

Table 10.3.1.1.4.2.1 E-TFCI operating point/range(10 ms)

| missed up down | missed hold | AG Value | β_{ed}/β_c | E-TFCI | TB Size= $N*112 + \text{Header} + \text{Padding}$ | UL rate kbps |
|-------------------------|-------------------------|----------|----------------------|--------|---|--------------|
| | | 6 | 24/15 | 59 | $1264 = 11*112 + 18 + 14$ | 126.4 |
| | | | 21/15 | 52 | $951 = 8*112 + 18 + 37$ | 95.1 |
| Initial operating range | Initial operating point | 5 | 19/15 | 45 | $716 = 6*112 + 18 + 26$ | 71.6 |
| | | | 17/15 | 40 | $584 = 5*112 + 18 + 6$ | 58.4 |
| | | 4 | 15/15 | 35 | $477 = 4*112 + 18 + 11$ | 47.7 |
| | | | 13/15 | 28 | $359 = 3*112 + 18 + 4$ | 35.9 |
| | | | 12/15 | 19 | $249 = 2*112 + 18 + 7$ | 24.9 |

- 10) If one counter reaches the pass criterion, this counter is stopped and the remaining counter is continued. The missed up down test is decided pass, if the last counter reaches pass. The missed up down test is decided fail, if the first counter reaches fail.

- 11) Hold on E-RGCH is indicated by DTX from the SS.

- 12) The SS signals "DTX" on the E-RGCH

13) The SS reads the E-TFCI, signalled on the E-DPCCH corresponding to that "DTX".

14) If the UE increases or decreases the transport format upon a "DTX" command, record a missed(hold).

If the UE signals Happy Bit = 1, the UE may transmit less data than granted. (TS25.321 [13] section 11.8.1.5. bullet point 1) The corresponding E-DPCCH and E-DPDCH TTI is not counted as sample.

15) Repeat step 11 to 14, such that statistical significance according to Annex F.6.4 is achieved.

Due to missed hold the operating range will shift down or up. If the operating range shifts outside the range shown in Table 10.3.1.1.4.2.1 the operating range must be re-adjusted.

Specific Message Contents

All messages indicated above shall use the same content as described in the default message content in clause 9.2.1 of 34.108 [3] with the following exceptions:

RADIO BEARER SETUP:

| Information Element | Value/remark | Version |
|--|---|---------|
| RLC PDU size | 112 | Rel-6 |
| - E-DCH Transmission Time | 10 ms | |
| E-DCH MAC-d flow maximum number of retransmissions | 0 | |
| E-DCH info | | Rel-6 |
| - Happy bit delay condition | 10 ms (indication of exhausted resources on frame basis) | |
| - E-DCH minimum set E-TFCI | Not Present in RGCH performance tests, all E-TFCs should be in the selection process) | |
| Downlink information for each radio link list | | |
| - Downlink information for each radio link | | |
| - CHOICE E-RGCH Information | | Rel-6 |
| - E-RGCH Information | | |
| - Signature Sequence | 0 | |
| - RG combination index | 0 | |

10.3.1.1.5 Test requirements

Table 10.3.1.1.5.1: Test Parameters for E-RGCH – Serving E-DCH cell

| Parameter | Unit | Missed UP/DOWN | Missed HOLD |
|---------------------------|--------------|--------------------|--------------------|
| I_{oc} | dBm/3.84 MHz | -60 | |
| Phase reference | - | P-CPICH | |
| E-RGCH E_c/I_{or} | dB | -30.9 (test 1) | $-\infty$ (test 2) |
| E-RGCH signalling pattern | - | 50% UP 50% DOWN | 100% HOLD |

Table 10.3.1.1.5.2: Test requirement for Missed UP/DOWN when relative scheduling grant is transmitted using 12 consecutive slots – Serving E-DCH cell

| Test Number | Propagation Conditions | Reference value | | |
|-------------|------------------------|--------------------------|----------------------------|----------------------------|
| | | E-RGCH E_c/I_{or} (dB) | \hat{I}_{or}/I_{oc} (dB) | Missed UP/DOWN probability |
| 1 | VA30 | -30.9 | 0.6 | 0.05/0.05 |

Table 10.3.1.1.5.3: Test requirement for Missed HOLD when relative scheduling grant is transmitted using 12 consecutive slots – Serving E-DCH cell

| Test Number | Propagation Conditions | Reference value | |
|-------------|------------------------|------------------------------|-------------------------|
| | | \hat{I}_{or} / I_{oc} (dB) | Missed HOLD probability |
| 2 | VA30 | 0.6 | 0.1 |

To pass the test,

the ratio (missed(down) / all valid down commands, sent) \leq 0.05 and

the ratio (missed(up) / all valid up commands, sent) \leq 0.05 and

the ratio (missed(hold) / all DTX from the SS) \leq 0.1

NOTE: If the above Test Requirement differs from the Minimum Requirement then the Test Tolerance applied for this test is non-zero. The Test Tolerance for this test is defined in clause F.2 and the explanation of how the Minimum Requirement has been relaxed by the Test Tolerance is given in clause F.4.

10.3.1.1A Single link performance (10ms TTI, Type 1)

10.3.1.1A.1 Definition and applicability

The receive characteristics of the E-DCH Relative Grant Channel (E-RGCH) in multi-path fading environment is determined by the missed UP/DOWN. The requirements and this test apply to Release 7 and later releases for all types of UTRA for the FDD UE that support E-DCH and HSDPA and the optional Type 1 enhanced performance requirements.

NOTE: The fail cases for Up are Down (erroneous detection) and Hold (missed detection).

The fail cases for Down are Up and Hold. TS 25.101 designated this test "Missed Up/Down". It is assumed that the minimum requirements apply for both fail cases erroneous and missed detection.

10.3.1.1A.2 Minimum requirement

For the parameters specified in Table 10.3.1.1A.2.1 the average downlink E-RGCH E_c/I_{or} power ratio shall be below the specified value for the missed UP/DOWN probabilities in Table 10.3.1.1A.2.2.

Table 10.3.1.1A.2.1: Parameters for E-RGCH – Serving E-DCH cell

| Parameter | Unit | Missed UP/DOWN |
|---------------------------|--------------|--------------------|
| I_{oc} | dBm/3.84 MHz | -60 |
| Phase reference | - | P-CPICH |
| P-CPICH E_c/I_{or} | dB | -10 |
| E-RGCH signalling pattern | - | 50% UP 50% DOWN |

Table 10.3.1.1A.2.2: Enhanced performance requirement for Missed UP/DOWN when relative scheduling grant is transmitted using 12 consecutive slots – Serving E-DCH cell

| Test Number | Propagation Conditions | Reference value | | |
|-------------|------------------------|--------------------------|------------------------------|----------------------------|
| | | E-RGCH E_c/I_{or} (dB) | \hat{I}_{or} / I_{oc} (dB) | Missed UP/DOWN probability |
| 1 | VA30 | -35 | 0 | 0.05/0.05 |

The reference for this requirement is TS 25.101 [1] clause 10.3.1

10.3.1.1A.3 Test purpose

To verify that average probability for missed up down, when E-RGCH is transmitted using 12 consecutive slots, do not exceed specified values.

10.3.1.1A.4 Method of test

10.3.1.1A.4.1 Initial conditions

Test environment: normal; see clauses G.2.1 and G.2.2.

Frequencies to be tested: mid range; see clause G.2.4.

- 1) Connect the SS and AWGN noise source and fading simulator to the UE antenna connector as shown in figure Figure A.21 for UEs that support receive diversity or figure A.10 for UEs that do not support receive diversity.
- 2) The UL Reference Measurement Channel parameters are defined in Annex C.11
- 3) Set the test parameters for the missed up down test as specified in table 10.3.1.1A.5.1. and 10.3.1.1A.5.2 and table E.5A.2. Set the fading conditions to VA 30
- 4) The value of Absolute Grant Scope shall be set to the 0. and the Absolute Grant shall be set to 5
- 5) The UE is switched on.
- 6) Enter the UE into loopback mode 1, looping back both the 12.2kbps RMC and HSDPA to E-DCH, and start the loopback test. See TS 34.108 [3] clause 7.3.9 and TS 34.109 [4] clauses 5.3.2.3 and 5.3.2.6. To fill the RLC transmit buffer, run the loopback for [3]s before starting the procedure.
- 7) The fading simulators are switched on.

10.3.1.1A.4.2 Procedure

NOTE: The measurement principle for the missed up down test (step 3 to 10) is as follows. The UE transmits E-DPCCH and E-DPDCH. The SS transmits E-RGCH up or down. The UE changes or holds the transport format of the corresponding E-DPCCH and E-DPDCH accordingly. This is visible for the SS by reading the E-TFCI, signalled on the corresponding E-DPCCH.

- 1) The Nominal Avg. Information Bit Rate in the DL is set to 534 kbps according to QPSK H-Set 1. The expected throughput under this level and fading conditions is 142 kbps. The expected UL datarate is 71.6 kbps corresponding to E-TFC Index 45.
- 2) Upon reception of every E-DPCCH and E-DPDCH, the SS signals always "DTX" on the E-HICH during the entire test. This way there is no E_HICH power. Nevertheless the UE will transmit new data, since "E-DCH MAC-d flow maximum number of retransmissions" is set to 0.
- 3) The SS signals 4 consecutive "down" on the E-RGCH
- 4) The SS reads the E-TFCI for 4 consecutive HARQ processes, signalled on the E-DPCCH, corresponding to these "down"
- 5) If the UE increases or holds the transport format at each HARQ process upon a "down" command, count a missed(down).

If the UE signals Happy Bit = 1, the UE may transmit less data than granted. (TS25.321 [13] section 11.8.1.5. bullet point 1) The corresponding E-DPCCH and E-DPDCH TTI is not counted as sample.

- 6) The SS signals 4 consecutive "up" on the E-RGCH
- 7) The SS reads the E-TFCI for 4 consecutive HARQ processes, signalled on the E-DPCCH corresponding to these "up".
- 8) If the UE decreases or holds the transport format at each HARQ process upon an "up" command, count a missed(up).

If the UE signals Happy Bit = 1, the UE may transmit less data than granted. (TS25.321 [13] section 11.8.1.5. bullet point 1) The corresponding E-DPCCH and E-DPDCH TTI is not counted as sample.

- 9) Repeat the "down-up" cycle in step 3 to 8, such that statistical significance according to Annex F.6.4 is achieved for up and down separately.

Due to missed up or missed down the operating range will shift down or up. If the operating range shifts outside the range shown in Table 10.3.1.1A.4.2.1 the operating range must be re-adjusted.

Table 10.3.1.1A.4.2.1 E-TFCI operating point/range(10 ms)

| missed up down | AG Value | β_{ed}/β_c | E-TFCI | TB Size= $N*112 + \text{Header} + \text{Padding}$ | UL rate kbps |
|-------------------------|----------|----------------------|--------|---|--------------|
| | 6 | 24/15 | 59 | $1264 = 11*112 + 18 + 14$ | 126.4 |
| | | 21/15 | 52 | $951 = 8*112 + 18 + 37$ | 95.1 |
| Initial operating range | 5 | 19/15 | 45 | $716 = 6*112 + 18 + 26$ | 71.6 |
| | | 17/15 | 40 | $584 = 5*112 + 18 + 6$ | 58.4 |
| | 4 | 15/15 | 35 | $477 = 4*112 + 18 + 11$ | 47.7 |
| | | 13/15 | 28 | $359 = 3*112 + 18 + 4$ | 35.9 |
| | | 12/15 | 19 | $249 = 2*112 + 18 + 7$ | 24.9 |

10) If one counter reaches the pass criterion, this counter is stopped and the remaining counter is continued. The missed up down test is decided pass, if the last counter reaches pass. The missed up down test is decided fail, if the first counter reaches fail.

Specific Message Contents

All messages indicated above shall use the same content as described in the default message content in clause 9.2.1 of 34.108 [3] with the following exceptions:

RADIO BEARER SETUP:

| Information Element | Value/remark | Version |
|--|---|---------|
| RLC PDU size | 112 | Rel-6 |
| - E-DCH Transmission Time | 10 ms | |
| E-DCH MAC-d flow maximum number of retransmissions | 0 | |
| E-DCH info | | Rel-6 |
| - Happy bit delay condition | 10 ms (indication of exhausted resources on frame basis) | |
| - E-DCH minimum set E-TFCI | Not Present in RGCH performance tests, all E-TFCs should be in the selection process) | |
| Downlink information for each radio link list | | |
| - Downlink information for each radio link | | |
| - CHOICE E-RGCH Information | | Rel-6 |
| - E-RGCH Information | | |
| - Signature Sequence | 0 | |
| - RG combination index | 0 | |

10.3.1.1A.5 Test requirements

Table 10.3.1.1A.5.1: Test Parameters for E-RGCH – Serving E-DCH cell

| Parameter | Unit | Missed UP/DOWN |
|---------------------------|--------------|--------------------|
| I_{oc} | dBm/3.84 MHz | -60 |
| Phase reference | - | P-CPICH |
| E-RGCH E_c / I_{or} | dB | -34.9 (test 1) |
| E-RGCH signalling pattern | - | 50% UP 50% DOWN |

Table 10.3.1.1A.5.2: Test requirement Type 1 for Missed UP/DOWN when relative scheduling grant is transmitted using 12 consecutive slots – Serving E-DCH cell

| Test Number | Propagation Conditions | Reference value | | |
|-------------|------------------------|-------------------------------|------------------------------|----------------------------|
| | | E-RGCH E_c / I_{or} (dB) | \hat{I}_{or} / I_{oc} (dB) | Missed UP/DOWN probability |
| 1 | VA30 | -34.9 | 0.6 | 0.05/0.05 |

To pass the test,

the ratio (missed(down) / all valid down commands, sent) \leq 0.05 and

the ratio (missed(up) / all valid up commands, sent) \leq 0.05

NOTE: If the above Test Requirement differs from the Minimum Requirement then the Test Tolerance applied for this test is non-zero. The Test Tolerance for this test is defined in clause F.2 and the explanation of how the Minimum Requirement has been relaxed by the Test Tolerance is given in clause F.4.

10.3.1.2 Single link performance (2ms TTI)

10.3.1.2.1 Definition and applicability

The receive characteristics of the E-DCH Relative Grant Channel (E-RGCH) in multi-path fading environment is determined by the missed UP/DOWN and missed HOLD. The requirements and this test apply to Release 6 and later releases for all types of UTRA for the FDD UE that support E-DCH with 2ms TTI and HSDPA.

NOTE: The fail cases for Up are Down (erroneous detection) and Hold (missed detection).

The fail cases for Down are Up and Hold. TS 25.101 designated this test "Missed Up/Down". It is assumed that the minimum requirements apply for both fail cases erroneous and missed detection.

10.3.1.2.2 Minimum requirement

For the parameters specified in Table 10.3.1.2.2.1 the average downlink E-RGCH E_c/I_{or} power ratio shall be below the specified value for the missed UP/DOWN probabilities in Table 10.3.1.2. 2.2 and

For the parameters specified in Table 10.3.1.2.2.1 the missed HOLD probability shall be below the specified value in Table 10.3.1.2.2.3

Table 10.3.1.2.2.1: Parameters for E-RGCH – Serving E-DCH cell

| Parameter | Unit | Missed UP/DOWN | Missed HOLD |
|---------------------------|--------------|--------------------|-------------|
| I_{oc} | dBm/3.84 MHz | -60 | |
| Phase reference | - | P-CPICH | |
| P-CPICH E_c / I_{or} | dB | -10 | |
| E-RGCH signalling pattern | - | 50% UP 50% DOWN | 100% HOLD |

Table 10.3.1.2.2.2: Minimum requirement for Missed UP/DOWN when relative scheduling grant is transmitted using 3 consecutive slots – Serving E-DCH cell

| Test Number | Propagation Conditions | Reference value | | |
|-------------|------------------------|-------------------------------|------------------------------|----------------------------|
| | | E-RGCH E_c / I_{or} (dB) | \hat{I}_{or} / I_{oc} (dB) | Missed UP/DOWN probability |
| 1 | VA30 | -24.4 | 0 | 0.05/0.05 |

Table 10.3.1.2.2.3: Minimum requirement for Missed HOLD when relative scheduling grant is transmitted using 3 consecutive slots – Serving E-DCH cell

| Test Number | Propagation Conditions | Reference value | |
|-------------|------------------------|------------------------------|-------------------------|
| | | \hat{I}_{or} / I_{oc} (dB) | Missed HOLD probability |
| 2 | VA30 | 0 | 0.1 |

The reference for this requirement is TS 25.101 [1] clause 10.3.1

10.3.1.2.3 Test purpose

To verify that average probability for missed up down and average probability for missed hold when E-RGCH is transmitted using 12 consecutive slots do not exceed specified values.

10.3.1.2.4 Method of test

10.3.1.2.4.1 Initial conditions

Test environment: normal; see clauses G.2.1 and G.2.2.

Frequencies to be tested: mid range; see clause G.2.4.

- 1) Connect the SS and AWGN noise source and fading simulator to the UE antenna connector as shown in figure Figure A.10.
- 2) The UL Reference Measurement Channel parameters are defined in Annex C.11
- 3) Set the test parameters for the missed up down test and the missed hold test as specified in table 10.3.1.2.5.1 to 10.3.1.2.5.3 and table E.5A.2. Set the fading conditions to VA 30
- 4) The value of Absolute Grant Scope shall be set to the 0, and the Absolute Grant shall be set to 4
- 5) The UE is switched on.
- 6) Enter the UE into loopback mode 1, looping back both the 12.2kbps RMC and HSDPA to E-DCH, and start the loopback test. See TS 34.108 [3] clause 7.3.9 and TS 34.109 [4] clauses 5.3.2.3 and 5.3.2.6 To fill the RLC transmit buffer, run the loopback for [3]s before starting the procedure.
- 7) The fading simulator is switched on.

10.3.1.2.4.2 Procedure

NOTE: The measurement principle for the missed up down test (step 3 to 10) and for the missed hold test (step 11 to 15) is as follows. The UE transmits E-DPCCH and E-DPDCH. The SS transmits E-RGCH up or down or hold (DTX). The UE changes or holds the transport format of the corresponding E-DPCCH and E-DPDCH accordingly. This is visible for the SS by reading the E-TFCI, signalled on the corresponding E-DPCCH.

- 1) The Nominal Avg. Information Bit Rate in the DL is set to 534 kbps according to QPSK H-Set 1. The expected throughput under this level and fading conditions is 142 kbps. The UL data rate was configured by signalling AG value 4 on the E-AGCH. The expected UL datarate is 273 kbps corresponding to E-TFC Index 39.
- 2) Upon reception of every E-DPCCH and E-DPDCH, the SS signals always "DTX" on the E-HICH during the entire test. This way there is no E_HICH power. Nevertheless the UE will transmit new data, since "E-DCH MAC-d flow maximum number of retransmissions" is set to 0.
- 3) The SS signals 8 consecutive "up" on the E-RGCH
- 4) The SS reads the E-TFCI for 8 consecutive HARQ processes, signalled on the E-DPCCH, corresponding to these "up"

- 5) If the UE decreases or holds the transport format at each HARQ process upon an "up" command, count a missed(up).

If the UE signals Happy Bit = 1, the UE may transmit less data than granted. (TS25.321 [13] section 11.8.1.5. bullet point 1) The corresponding E-DPCCH and E-DPDCH TTI is not counted as sample.

- 6) The SS signals 8 consecutive "down" on the E-RGCH
- 7) The SS reads the E-TFCI for 8 consecutive HARQ processes, signalled on the E-DPCCH corresponding to these "down".
- 8) If the UE increases or holds the transport format at each HARQ process upon a "down" command, count a missed(down).

If the UE signals Happy Bit = 1, the UE may transmit less data than granted. (TS25.321 [13] section 11.8.1.5. bullet point 1) The corresponding E-DPCCH and E-DPDCH TTI is not counted as sample.

- 9) Repeat the "up-down" cycle in step 3 to 8, such that statistical significance according to Annex F.6.4 is achieved for up and down separately.
- 10) If one counter reaches the pass criterion, this counter is stopped and the remaining counter is continued. The missed up down test is decided pass, if the last counter reaches pass. The missed up down test is decided fail, if the first counter reaches fail.

Due to missed up or missed down the operating range will shift down or up. If the operating point shifts into the range "risk of buffer underflow" or "ambiguous E-TFCI" (see Table 10.3.1.2.4.2.1) the operating point must be re-adjusted.

Table 10.3.1.2.4.2.1 E-TFCI operating point/range(2 ms)

| missed up down | missed hold | AG Value | β_{ed}/β_c | E-TFCI | TB Size=N*112+Header+min Padding | UL rate kbps |
|--------------------------|-------------------------|----------|----------------------|--------|----------------------------------|----------------------|
| Risk of buffer underflow | | | | | | |
| | | | 21/15 | 54 | 817 = 7*112 + 18 + 15 | 408 |
| | | 5 | 19/15 | 50 | 707 = 6*112 + 18 + 17 | 353.5 |
| Initial operating range | | | 17/15 | 45 | 590 = 5*112 + 18 + 12 | 295.5 |
| | Initial operating point | 4 | 15/15 | 39 | 474 = 4*112 + 18 + 8 | 273 |
| | | | 13/15 | 31 | 355 = 3*112 + 18 + 1 | 177.5 |
| Ambiguous E-TFCI | | | 12/15 | 21 | 247 = 2*112 + 18 + 5 | 123.5 |
| | | | 3 | 11/15 | 21 | 247 = 2*112 + 18 + 5 |

- 11) Hold on E-RGCH is indicated by DTX from the SS.
- 12) The SS signals "DTX" on the E-RGCH
- 13) The SS reads the E-TFCI, signalled on the E-DPCCH corresponding to that "DTX".
- 14) If the UE increases or decreases the transport format upon a "DTX" command, record a missed(hold).

If the UE signals Happy Bit = 1, the UE may transmit less data than granted. (TS25.321 [13] section 11.8.1.5. bullet point 1) The corresponding E-DPCCH and E-DPDCH TTI is not counted as sample.

- 15) Repeat step 12 to 14, such that statistical significance according to Annex F.6.4 is achieved.

Due to missed hold the operating point will shift down or up. If the operating point shifts into the range "risk of buffer underflow" or "ambiguous E-TFCI" (see Table 10.3.1.2.4.2) the operating point must be re-adjusted.

Specific Message Contents

All messages indicated above shall use the same content as described in the default message content in clause 9.2.1 of 34.108 [3] with the following exceptions:

RADIO BEARER SETUP:

| Information Element | Value/remark | Version |
|--|---|---------|
| - RLC PDU size | 112 | Rel-6 |
| - E-DCH Transmission Time | 10 ms (Test 2 and 4), 2ms (Test 1 and 3) | |
| E-DCH MAC-d flow maximum number of retransmissions | 0 | |
| E-DCH info | | Rel-6 |
| - Happy bit delay condition | 10 ms (Test 2 and 4), 2ms (Test 1 and 3) (indication of exhausted resources on frame basis) | |
| - E-DCH minimum set E-TFCI | Not Present in RGCH performance tests, all E-TFCs should be in the selection process) | |
| Downlink information for each radio link list | | |
| - Downlink information for each radio link | | |
| - CHOICE E-RGCH Information | | Rel-6 |
| - E-RGCH Information | | |
| - Signature Sequence | 0 | |
| - RG combination index | 0 | |

10.3.1.2.5 Test requirements

Table 10.3.1.2.5.1: Test Parameters for E-RGCH – Serving E-DCH cell

| Parameter | Unit | Missed UP/DOWN | Missed HOLD |
|---------------------------|--------------|--------------------|--------------------|
| I_{oc} | dBm/3.84 MHz | -60 | |
| Phase reference | - | P-CPICH | |
| E-RGCH E_c/I_{or} | dB | -24.3 (test 1) | $-\infty$ (test 2) |
| E-RGCH signalling pattern | - | 50% UP 50% DOWN | 100% HOLD |

Table 10.3.1.2.5.2: Test requirement for Missed UP/DOWN when relative scheduling grant is transmitted using 3 consecutive slots – Serving E-DCH cell

| Test Number | Propagation Conditions | Reference value | | |
|-------------|------------------------|--------------------------|----------------------------|----------------------------|
| | | E-RGCH E_c/I_{or} (dB) | \hat{I}_{or}/I_{oc} (dB) | Missed UP/DOWN probability |
| 1 | VA30 | -24.3 | 0.6 | 0.05/0.05 |

Table 10.3.1.2.5.3: Test requirement for Missed HOLD when relative scheduling grant is transmitted using 3 consecutive slots – Serving E-DCH cell

| Test Number | Propagation Conditions | Reference value | |
|-------------|------------------------|----------------------------|-------------------------|
| | | \hat{I}_{or}/I_{oc} (dB) | Missed HOLD probability |
| 2 | VA30 | 0.6 | 0.1 |

To pass the test,

the ratio (missed(down) / all valid down commands, sent) ≤ 0.05 and

the ratio (missed(up) / all valid up commands, sent) ≤ 0.05 and

the ratio (missed(hold) / all DTX from the SS) ≤ 0.1

NOTE : If the above Test Requirement differs from the Minimum Requirement then the Test Tolerance applied for this test is non-zero. The Test Tolerance for this test is defined in clause F.2 and the explanation of how the Minimum Requirement has been relaxed by the Test Tolerance is given in clause F.4.

10.3.1.2A Single link performance (2ms TTI, Type 1)

10.3.1.2A.1 Definition and applicability

The receive characteristics of the E-DCH Relative Grant Channel (E-RGCH) in multi-path fading environment is determined by the missed UP/DOWN. The requirements and this test apply to Release 7 and later releases for all types of UTRA for the FDD UE that support E-DCH with 2ms TTI and HSDPA and the optional Type 1 enhanced performance requirements.

NOTE: The fail cases for Up are Down (erroneous detection) and Hold (missed detection).

The fail cases for Down are Up and Hold. TS 25.101 designated this test "Missed Up/Down". It is assumed that the minimum requirements apply for both fail cases erroneous and missed detection.

10.3.1.2A.2 Minimum requirement

For the parameters specified in Table 10.3.1.2A.2.1 the average downlink E-RGCH E_c/I_{or} power ratio shall be below the specified value for the missed UP/DOWN probabilities in Table 10.3.1.2A.2.2.

Table 10.3.1.2A.2.1: Parameters for E-RGCH – Serving E-DCH cell

| Parameter | Unit | Missed UP/DOWN |
|---------------------------|--------------|--------------------|
| I_{oc} | dBm/3.84 MHz | -60 |
| Phase reference | - | P-CPICH |
| P-CPICH E_c/I_{or} | dB | -10 |
| E-RGCH signalling pattern | - | 50% UP 50% DOWN |

Table 10.3.1.2A.2.2: Enhanced performance requirement for Missed UP/DOWN when relative scheduling grant is transmitted using 3 consecutive slots – Serving E-DCH cell

| Test Number | Propagation Conditions | Reference value | | |
|-------------|------------------------|--------------------------|----------------------------|----------------------------|
| | | E-RGCH E_c/I_{or} (dB) | \hat{I}_{or}/I_{oc} (dB) | Missed UP/DOWN probability |
| 1 | VA30 | -28.6 | 0 | 0.05/0.05 |

The reference for this requirement is TS 25.101 [1] clause 10.3.1

10.3.1.2A.3 Test purpose

To verify that average probability for missed up down, when E-RGCH is transmitted using 12 consecutive slots, do not exceed specified values.

10.3.1.2A.4 Method of test

10.3.1.2A.4.1 Initial conditions

Test environment: normal; see clauses G.2.1 and G.2.2.

Frequencies to be tested: mid range; see clause G.2.4.

- 1) Connect the SS and AWGN noise source and fading simulator to the UE antenna connector as shown in figure Figure A.21 for UEs that support receive diversity or figure A.10 for UEs that do not support receive diversity.
- 2) The UL Reference Measurement Channel parameters are defined in Annex C.11
- 3) Set the test parameters for the missed up down test as specified in table 10.3.1.2A.5.1 and 10.3.1.2A.5.2 and table E.5A.2. Set the fading conditions to VA 30
- 4) The value of Absolute Grant Scope shall be set to the 0, and the Absolute Grant shall be set to 4
- 5) The UE is switched on.

- 6) Enter the UE into loopback mode 1, looping back both the 12.2kbps RMC and HSDPA to E-DCH, and start the loopback test. See TS 34.108 [3] clause 7.3.9 and TS 34.109 [4] clauses 5.3.2.3 and 5.3.2.6 To fill the RLC transmit buffer, run the loopback for [3]s before starting the procedure.
- 7) The fading simulators are switched on.

10.3.1.2A.4.2 Procedure

NOTE: The measurement principle for the missed up down test (step 3 to 10) is as follows. The UE transmits E-DPCCH and E-DPDCH. The SS transmits E-RGCH up or down. The UE changes or holds the transport format of the corresponding E-DPCCH and E-DPDCH accordingly. This is visible for the SS by reading the E-TFCI, signalled on the corresponding E-DPCCH.

- 1) The Nominal Avg. Information Bit Rate in the DL is set to 534 kbps according to QPSK H-Set 1. The expected throughput under this level and fading conditions is 142 kbps. The UL data rate was configured by signalling AG value 4 on the E-AGCH. The expected UL datarate is 273 kbps corresponding to E-TFC Index 39.
- 2) Upon reception of every E-DPCCH and E-DPDCH, the SS signals always "DTX" on the E-HICH during the entire test. This way there is no E_HICH power. Nevertheless the UE will transmit new data, since "E-DCH MAC-d flow maximum number of retransmissions" is set to 0.
- 3) The SS signals 8 consecutive "up" on the E-RGCH
- 4) The SS reads the E-TFCI for 8 consecutive HARQ processes, signalled on the E-DPCCH, corresponding to that "up"
- 5) If the UE decreases or holds the transport format at each HARQ process upon an "up" command, count a missed(up).

If the UE signals Happy Bit = 1, the UE may transmit less data than granted. (TS25.321 [13] section 11.8.1.5. bullet point 1) The corresponding E-DPCCH and E-DPDCH TTI is not counted as sample.

- 6) The SS signals 8 consecutive "down" on the E-RGCH
- 7) The SS reads the E-TFCI for 8 consecutive HARQ processes, signalled on the E-DPCCH corresponding to these "down".
- 8) If the UE increases or holds the transport format upon a "down" command, count a missed(down).

If the UE signals Happy Bit = 1, the UE may transmit less data than granted. (TS25.321 [13] section 11.8.1.5. bullet point 1) The corresponding E-DPCCH and E-DPDCH TTI is not counted as sample.

- 9) Repeat the "up-down" cycle in step 3 to 8, such that statistical significance according to Annex F.6.4 is achieved for up and down separately.
- 10) If one counter reaches the pass criterion, this counter is stopped and the remaining counter is continued. The missed up down test is decided pass, if the last counter reaches pass. The missed up down test is decided fail, if the first counter reaches fail.

Due to missed up or missed down the operating range will shift down or up. If the operating point shifts into the range "risk of buffer underflow" or "ambiguous E-TFCI" (see Table 10.3.1.2A.4.2.1) the operating point must be re-adjusted.

Table 10.3.1.2A.4.2.1 E-TFCI operating point/range(2 ms)

| missed up down | AG Value | β_{ed}/β_c | E-TFCI | TB Size=N*112+Header+min Padding | UL rate kbps |
|--------------------------|----------|----------------------|--------|----------------------------------|--------------|
| Risk of buffer underflow | | | | | |
| | | 21/15 | 54 | 817 = 7*112 + 18 + 15 | 408 |
| | 5 | 19/15 | 50 | 707 = 6*112 + 18 + 17 | 353.5 |
| Initial operating range | | 17/15 | 45 | 590 = 5*112 + 18 + 12 | 295.5 |
| | 4 | 15/15 | 39 | 474 = 4*112 + 18 + 8 | 273 |
| | | 13/15 | 31 | 355 = 3*112 + 18 + 1 | 177.5 |
| Ambiguous E-TFCI | | 12/15 | 21 | 247 = 2*112 + 18 + 5 | 123.5 |
| | 3 | 11/15 | 21 | 247 = 2*112 + 18 + 5 | 123.5 |

Specific Message Contents

All messages indicated above shall use the same content as described in the default message content in clause 9.2.1 of 34.108 [3] with the following exceptions:

RADIO BEARER SETUP:

| Information Element | Value/remark | Version |
|--|--|---------|
| - RLC PDU size | 112 | Rel-6 |
| - E-DCH Transmission Time | 10 ms (Test 2 and 4), 2ms (Test 1 and 3) | |
| E-DCH MAC-d flow maximum number of retransmissions | 0 | |
| E-DCH info | | Rel-6 |
| - Happy bit delay condition | 10 ms (Test 2 and 4), 2ms (Test 1 and 3) (indication of exhausted resources on frame basis) | |
| - E-DCH minimum set E-TFCI | Not Present in RGCH performance tests, all E-TFCs should be in the selection process) | |
| Downlink information for each radio link list | | |
| - Downlink information for each radio link | | |
| - CHOICE E-RGCH Information | | Rel-6 |
| - E-RGCH Information | | |
| - Signature Sequence | 0 | |
| - RG combination index | 0 | |

10.3.1.2A.5 Test requirements

Table 10.3.1.2A.5.1: Test Parameters for E-RGCH – Serving E-DCH cell

| Parameter | Unit | Missed UP/DOWN |
|---------------------------|--------------|--------------------|
| I_{oc} | dBm/3.84 MHz | -60 |
| Phase reference | - | P-CPICH |
| E-RGCH E_c/I_{or} | dB | -28.4 (test 1) |
| E-RGCH signalling pattern | - | 50% UP 50% DOWN |

Table 10.3.1.2A.5.2: Test requirement Type 1 for Missed UP/DOWN when relative scheduling grant is transmitted using 3 consecutive slots – Serving E-DCH cell

| Test Number | Propagation Conditions | Reference value | | |
|-------------|------------------------|--------------------------|----------------------------|----------------------------|
| | | E-RGCH E_c/I_{or} (dB) | \hat{I}_{or}/I_{oc} (dB) | Missed UP/DOWN probability |
| 1 | VA30 | -28.4 | 0.6 | 0.05/0.05 |

To pass the test,

the ratio (missed(down) / all valid down commands, sent) \leq 0.05 and

the ratio (missed(up) / all valid up commands, sent) \leq 0.05

NOTE: If the above Test Requirement differs from the Minimum Requirement then the Test Tolerance applied for this test is non-zero. The Test Tolerance for this test is defined in clause F.2 and the explanation of how the Minimum Requirement has been relaxed by the Test Tolerance is given in clause F.4.

10.3.2 Detection in Inter-Cell Handover conditions

10.3.2.1 Definition and applicability

The receive characteristics of the E-DCH Relative Grant Channel (E-RGCH) is determined during an inter-cell soft handover by the missed UP/DOWN and missed HOLD error probabilities. During the soft handover a UE receives signals from different cells. A UE has to be able to detect E-RGCH signalling from different cells, Serving E-DCH cell and Non-serving E-DCH RL.

The requirements and this test apply to Release 6 and later releases for all types of UTRA for the FDD UE that support E-DCH and HSDPA.

10.3.2.2 Minimum requirement for Non-serving E-DCH RL

For the parameters specified in Table 10.3.2.2.1 the missed HOLD probability shall be below the specified value in Table 10.3.2.2.2. For the parameters specified in Table 10.3.2.2.1 the average downlink E-RGCH E_c/I_{or} power ratio shall be below the specified value for the missed DOWN probabilities in Table 10.3.2.2.3.

Table 10.3.2.2.1: Requirement scenario parameters for E-RGCH – Non-serving E-DCH RL

| Parameter | Unit | Missed HOLD | Missed DOWN |
|--|--------------|-----------------------|-----------------------|
| I_{oc} | dBm/3.84 MHz | -60 | |
| Phase reference | - | P-CPICH | |
| P-CPICH E_c/I_{or} | dB | -10 | |
| E-RGCH signalling pattern for Serving E-DCH cell | - | 100% UP ¹ | 100% UP ¹ |
| E-AGCH information | | Fixed SG ² | Fixed SG ² |
| E-RGCH signalling pattern for Non-serving E-DCH RL | | 100% HOLD | 100% DOWN |
| NOTE 1: Serving E-DCH cell E-RGCH E_c/I_{or} power level is set to -22 dB and relative scheduling grant is transmitted using 12 consecutive slots. | | | |
| NOTE 2: Serving E-DCH cell E-AGCH E_c/I_{or} power level is set to -15 dB and E-AGCH TTI length is 10ms. | | | |

Table 10.3.2.2.2: Minimum requirement for Missed HOLD when relative scheduling grant is transmitted using 15 consecutive slots – Non-serving E-DCH RL

| Test Number | Propagation Conditions | Reference value | |
|-------------|------------------------|--|-------------------------|
| | | \hat{I}_{or1}/I_{oc} and \hat{I}_{or2}/I_{oc} (dB) | Missed HOLD probability |
| 1 | VA30 | 0 | 0.005 |

Table 10.3.2.2.3: Minimum requirement for Missed DOWN when relative scheduling grant is transmitted using 15 consecutive slots – Non-serving E-DCH RL

| Test Number | Propagation Conditions | Reference value | | |
|-------------|------------------------|--------------------------|--|-------------------------|
| | | E-RGCH E_c/I_{or} (dB) | \hat{I}_{or1}/I_{oc} and \hat{I}_{or2}/I_{oc} (dB) | Missed DOWN probability |
| 2 | VA30 | -27.3 | 0 | 0.05 |

The reference for this requirement is TS 25.101 [1] clause 10.3.2.

10.3.2.3 Test Purpose

To verify that during an inter-cell soft handover the average probability for missed HOLD and the average probability for missed DOWN do not exceed specified values.

10.3.2.4 Method of test

10.3.2.4.1 Initial conditions

Test environment: normal; see clauses G.2.1 and G.2.2.

Frequencies to be tested: mid range; see clause G.2.4.

- 1) Connect the SS and AWGN noise source and fading simulators to the UE antenna connector as shown in figure Figure A.11.
- 2) The UL Reference Measurement Channel parameters are defined in Annex C.11.
- 3) Set the test parameters for the missed HOLD and missed DOWN test as specified in table 10.3.2.5.1 to 10.3.2.5.3 and table E.5A.3, with the exception of \hat{I}_{or2} that shall be set to $-\infty$. Set the fading conditions to VA 30.
- 4) The value of Absolute Grant Scope shall be set to 0, and the Absolute Grant shall be set to 5.
- 5) The UE is switched on.
- 6) Enter the UE into loopback mode 1, looping back both the 12.2kbps RMC and HSDPA to E-DCH, and start the loopback test. See TS 34.108 [3] clause 7.3.9 and TS 34.109 [4] clauses 5.3.2.3 and 5.3.2.6. To fill the RLC transmit buffer, run the loopback for [3]s before starting the procedure.
- 7) Reset \hat{I}_{or2} according to tables 10.3.2.5.2 to 10.3.2.5.3. The downlink DPCH of cell 2 must remain inactivated.
- 8) UE shall transmit a MEASUREMENT REPORT message triggered by event 1A containing the CFN-SFN time difference between cell 1 and cell 2.
- 9) The downlink DPCH of cell 2 shall be activated.
- 10) SS shall send an ACTIVE SET UPDATE message adding cell 2 to the active set.
- 11) The fading simulators are switched on.

10.3.2.4.2 Procedure

NOTE: The measurement principle of the missed hold test (step 3 to 5) is as follows: Upon the UE transmission on E-DPCCH and E-DPDCH, the SS responds as follows: Cell 1 responds "up" on the E-RGCH and a fixed SG on the E-AGCH. Cell 2 responds DTX=hold. The SS reads the transport format, signalled on the E-DPCCH, corresponding to that signalling. If the E-TFCI is not changed, the reception on cell 2 is interpreted as hold. If the E-TFCI is decreased by one step, the DTX on cell 2 was received as down. If the E-TFCI is increased to the fixed SG, then the hold on cell 2 was received correctly and the Non_Serving_RG_Timer has expired.

1. The Nominal Avg. Information Bit Rate in the DL is set to 534 kbps according to QPSK H-Set 1. The expected throughput under this level and fading conditions is tested with a single cell in clause 9.2.1, but the DL throughput for this test case will be less than for the single cell case because of interference from Cell 2. The DL throughput for this test case is estimated based on the HSDPA throughput corresponding to the subtests using "HS-PDSCH $E_c/I_{or} = -6\text{dB}$ " condition in 9.2.1A. The worst case for a conformant UE is 22 kbps. The UL data rate was configured by signalling AG value = 5 on the E-AGCH. The expected UL data rate is 71.6 kbps corresponding to E-TFC Index 45.
2. Upon reception of every E-DPCCH and E-DPDCH, the SS signals always "DTX" on the E-HICH during the entire test. This way there is no E_HICH power. Nevertheless the UE will transmit new data, since "E-DCH MAC-d flow maximum number of retransmissions" is set to 0.
3. Upon reception of the E-DPCCH and E-DPDCH, the SS signals "up" on the E-RGCH and AG value = 5 on the E-AGCH of cell 1 and "DTX" on the E-RGCH of cell 2.
4. The SS reads the E-TFCI transport, signalled on the E-DPCCH, corresponding to that "up and SG".
5. If the UE decreases the E-TFCI by one step, the DTX on the E-RGCH of cell 2 was received as "down". Count a missed(hold). If the UE holds the E-TFCI, count a correct sample.

Figure 10.3.2.4.2.1 Void

Table 10.3.2.4.2.2 E-TFCI operating range (10 ms)

| Missed hold applicability | Missed down applicability | AG Value | β_{ed}/β_c | E-TFCI | TB Size = N*112 + Header + Padding | UL rate kbps |
|---------------------------|---------------------------|----------|----------------------|-----------|------------------------------------|--------------|
| | | 6 | 24/15 | 59 | 1264 = 11*112 + 18 + 14 | 126.4 |
| | | | 21/15 | 52 | 951 = 8*112 + 18 + 37 | 95.1 |
| Fixed SG | Fixed SG | 5 | 19/15 | 45 | 716 = 6*112 + 18 + 26 | 71.6 |
| Applicable SG range | Applicable SG range | | 17/15 | 40 | 584 = 5*112 + 18 + 6 | 58.4 |
| | | 4 | 15/15 | 35 | 477 = 4*112 + 18 + 11 | 47.7 |
| | | | 13/15 | 28 | 359 = 3*112 + 18 + 4 | 35.9 |
| | | | 12/15 | 19 | 249 = 2*112 + 18 + 7 | 24.9 |

If the UE increases the E-TFCI by one or more steps at one instant to the fixed SG, signalled on the E-AGCH, the Non_Serving_RG_Timer has expired.

If the UE signals Happy Bit = 1, the UE may transmit less data than granted. (TS25.321 [13] section 11.8.1.5. bullet point 1) The corresponding E-DPCCH and E-DPDCH blocks are not counted as sample.

If the UE decreases the E-TFCI due to several missed hold to the TFCI = 19, (TFCI =45 → 40 → 35 → 28 → 19) without Non_Serving_RG_Timer expired, fail the UE.

6. Repeat step 3) to 5) such that statistical significance according to Annex F.6.4 is achieved.

NOTE: The measurement principle of the missed down test (step 8 to 10) is as follows: Upon the UE transmission on E-DPCCH and E-DPDCH, the SS responds as follows: Cell 1 sends "up" on the E-RGCH and a fixed SG on the E-AGCH. Cell 2 sends down. The SS reads the transport format, signalled on the E-DPCCH, corresponding to that signalling. If the transport format is decreased by one step, the Down on cell 2 was received correctly as down. If the transport format is not changed or is increased, the down on cell 2 was missed.

7. Repeat the settings of step 1

8. On cell 1, the SS signals "up" on the E-RGCH and AG value=5 on the E-AGCH. On cell 2, the SS signals a periodic sequence of 4 "down" followed by 8 "hold" on the E-RGCH. The SS should not count the E-TFCI as samples during signalling "hold". The sequence of 8 "hold" should allow reestablishment of the initial transport format for all the HARQ processes, unless "hold" is falsely detected as "down", when the Non_Serving_RG timer is undesirably started. In that case the SS shall not count as samples the 4 E-TFCI corresponding to the 4 "down" of next period (steps 9 and 10 are not executed for those).

9. The SS reads the E-TFCI at each HARQ process, signalled on the E-DPCCH corresponding to that "down on the E-RGCH of cell 2.

10. If the UE does not decrease the E-TFCI by one step at each HARQ process upon that "down on cell 2" record a missed(down). Otherwise count a correct sample.

If the UE signals Happy Bit = 1, the UE may transmit less data than granted. (TS25.321 [13] section 11.8.1.5. bullet point 1) The corresponding E-DPCCH and E-DPDCH blocks are not counted as sample.

Figure 10.3.2.4.2.3 Void

11. Repeat step 8 to 10, such that statistical significance according to Annex F.6.4 is achieved.

Specific Message Contents

All messages indicated above shall use the same content as described in the default message content in clause 9.2.1 of 34.108 [3] with the following exceptions:

RADIO BEARER SETUP

| Information Element | Value/remark | Version |
|--|---|---------|
| - RLC PDU size | 112 | Rel-6 |
| - E-DCH Transmission Time | 10 ms | |
| E-DCH MAC-d flow maximum number of retransmissions | 0 | |
| E-DCH info | | Rel-6 |
| - Happy bit delay condition | 10 ms | |
| - E-DCH minimum set E-TFCI | Not Present in RGCH performance tests, all E-TFCs should be in the selection process) | |
| Downlink information for each radio link list | | |
| - Downlink information for each radio link | | |
| - CHOICE E-RGCH Information | | Rel-6 |
| - E-RGCH Information | | |
| - Signature Sequence | 0 | |
| - RG combination index | 0 | |

ACTIVE SET UPDATE message:

| Information Element/Group name | Value/Remark | Version |
|--|---|---|
| Message Type (10.2.17) | | |
| UE information elements - RRC transaction identifier - Integrity check info - message authentication code - RRC message sequence number - Activation time - New U-RNTI - New H-RNTI - New Primary E-RNTI - New Secondary E-RNTI | 0 SS calculates the value of MAC-I for this message and writes to this IE. The first/ leftmost bit of the bit string contains the most significant bit of the MAC-I. SS provides the value of this IE, from its internal counter. "now". Not Present Not Present Not Present Not Present | Rel-6 Rel-6 Rel-6 |
| CN information elements - CN Information info | Not Present | |
| Phy CH information elements Uplink radio resources - Maximum allowed UL TX power | 33 dBm | |
| Downlink radio resources - Radio link addition information - Radio link addition information - Primary CPICH info - Primary scrambling code - Downlink DPCH info for each RL | 1 Same as adding cell | |
| - CHOICE mode - Primary CPICH usage for channel estimation - DPCH frame offset - Secondary CPICH info | FDD Primary CPICH may be used This should be reflected by the IE " Cell synchronisation information" in received MEASUREMENT REPORT message Not Present | |
| - DL channelisation code - Secondary scrambling code - Spreading factor - Code number - Scrambling code change - TPC combination index - Closed loop timing adjustment mode - Downlink F-DPCH info for each RL | Not Present 128 96 No code change 1 Not Present Not Present | |
| E-HICH Information - Channelisation Code - Signature Sequence | 6 1 | Rel-6 |
| E-RGCH Information - Signature Sequence - RG combination index - Radio link removal information - TX Diversity Mode | 0 1 Not Present Not Present | Rel-6 |
| Serving HS-DSCH cell information | Not Present | Rel-6 |
| E-DCH reconfiguration information | Not Present | Rel-6 |

10.3.2.5 Test Requirements

For table 10.3.2.5.1, the missed HOLD probability shall be below the specified value in Table 10.3.2.5.2. For table 10.3.2.5.1, the average downlink E-RGCH E_c/I_{or} power ratio shall be below the specified value for the missed DOWN probabilities in Table 10.3.2.5.3

Table 10.3.2.5.1: Test scenario parameters for E-RGCH – Non-serving E-DCH RL

| Parameter | Unit | Missed HOLD | Missed DOWN |
|--|--------------|-----------------------|-----------------------|
| I_{oc} | dBm/3.84 MHz | -60 | |
| Phase reference | - | P-CPICH | |
| E-RGCH ₁ E_c/I_{or} | dB | -21.9 | |
| E-AGCH ₁ E_c/I_{or} | dB | -14.9 | |
| E-RGCH ₂ E_c/I_{or} | dB | $-\infty$ | -27.2 |
| HS-DPSCH ₁ E_c/I_{or} | dB | -3.1 | -3.1 |
| E-RGCH signalling pattern for Serving E-DCH cell | - | 100% UP ¹ | 100% UP ¹ |
| E-AGCH information | | Fixed SG ² | Fixed SG ² |
| E-RGCH signalling pattern for Non-serving E-DCH RL | | 100% HOLD | 100% DOWN |

NOTE 1: Index 1: cell belonging to RLS containing the Serving E-DCH cell, Index 2: cell belonging to RLS not containing the Serving E-DCH cell
NOTE 2: Serving E-DCH cell E-RGCH E_c/I_{or} power level is set to -22 dB+TT and relative scheduling grant is transmitted using 12 consecutive slots.
NOTE 3: Serving E-DCH cell E-AGCH E_c/I_{or} power level is set to -15+TT dB and E-AGCH TTI length is 10ms. TT is added to Serving E-DCH cell E-RGCH E_c/I_{or} and E-AGCH E_c/I_{or} power. E-RGCH and E-AGCH reception on the serving cell is outside the test purpose. However reception errors may cause incorrect interpretation of the wanted test.

Table 10.3.2.5.2: Test requirements for Missed HOLD when relative scheduling grant is transmitted using 15 consecutive slots – Non-serving E-DCH RL

| Test Number | Propagation Conditions | Reference value | |
|-------------|------------------------|--|-------------------------|
| | | \hat{I}_{or1}/I_{oc} and \hat{I}_{or2}/I_{oc} (dB) | Missed HOLD probability |
| 1 | VA30 | 0.6 | 0.005 |

Table 10.3.2.5.3: Test requirements for Missed DOWN when relative scheduling grant is transmitted using 15 consecutive slots – Non-serving E-DCH RL

| Test Number | Propagation Conditions | Reference value | | |
|-------------|------------------------|--------------------------|--|-------------------------|
| | | E-RGCH E_c/I_{or} (dB) | \hat{I}_{or1}/I_{oc} and \hat{I}_{or2}/I_{oc} (dB) | Missed DOWN probability |
| 2 | VA30 | -27.2 | 0.6 | 0.05 |

To pass the test,

The ratio (missed (hold) / all DTX from the SS) ≤ 0.005 and

The ratio (missed (down) / all valid down commands, sent) ≤ 0.05

NOTE : If the above Test Requirement differs from the Minimum Requirement then the Test Tolerance applied for this test is non-zero. The Test Tolerance for this test is defined in clause F.2 and the explanation of how the Minimum Requirement has been relaxed by the Test Tolerance is given in clause F.4.

10.3.2A Detection in Inter-Cell Handover conditions (Type 1)

10.3.2A.1 Definition and applicability

The receive characteristics of the E-DCH Relative Grant Channel (E-RGCH) is determined during an inter-cell soft handover by the missed UP/DOWN error probabilities. During the soft handover a UE receives signals from different cells. A UE has to be able to detect E-RGCH signalling from different cells, Serving E-DCH cell and Non-serving E-DCH RL.

The requirements and this test apply to Release 7 and later releases for all types of UTRA for the FDD UE that support E-DCH and HSDPA and the optional Type 1 enhanced performance requirements.

10.3.2A.2 Minimum requirement for Non-serving E-DCH RL

For the parameters specified in Table 10.3.2A.2.1 the average downlink E-RGCH E_c/I_{or} power ratio shall be below the specified value for the missed DOWN probabilities in Table 10.3.2A.2.2.

Table 10.3.2A.2.1: Requirement scenario parameters for E-RGCH – Non-serving E-DCH RL

| Parameter | Unit | Missed DOWN |
|--|--------------|-----------------------|
| I_{oc} | dBm/3.84 MHz | -60 |
| Phase reference | - | P-CPICH |
| P-CPICH E_c/I_{or} | dB | -10 |
| E-RGCH signalling pattern for Serving E-DCH cell | - | 100% UP ¹ |
| E-AGCH information | - | Fixed SG ² |
| E-RGCH signalling pattern for Non-serving E-DCH RL | - | 100% DOWN |
| NOTE 1: Serving E-DCH cell E-RGCH E_c/I_{or} power level is set to -22 dB and relative scheduling grant is transmitted using 12 consecutive slots. | | |
| NOTE 2: Serving E-DCH cell E-AGCH E_c/I_{or} power level is set to -15 dB and E-AGCH TTI length is 10ms. | | |

Table 10.3.2A.2.2: Enhanced performance requirement for Missed DOWN when relative scheduling grant is transmitted using 15 consecutive slots – Non-serving E-DCH RL

| Test Number | Propagation Conditions | Reference value | | |
|-------------|------------------------|--------------------------|--|-------------------------|
| | | E-RGCH E_c/I_{or} (dB) | \hat{I}_{or1}/I_{oc} and \hat{I}_{or2}/I_{oc} (dB) | Missed DOWN probability |
| 2 | VA30 | -31.2 | 0 | 0.05 |

The reference for this requirement is TS 25.101 [1] clause 10.3.2.

10.3.2A.3 Test Purpose

To verify that during an inter-cell soft handover the average probability for missed DOWN do not exceed specified values.

10.3.2A.4 Method of test

10.3.2A.4.1 Initial conditions

Test environment: normal; see clauses G.2.1 and G.2.2.

Frequencies to be tested: mid range; see clause G.2.4.

- 1) Connect the SS and AWGN noise source and fading simulators to the UE antenna connector as shown in figure Figure A.24 for UEs that support receive diversity or figure A.11 for UEs that do not support receive diversity.
- 2) The UL Reference Measurement Channel parameters are defined in Annex C.11.
- 3) Set the test parameters for the missed DOWN test as specified in table 10.3.2A.5.1 and 10.3.2A.5.2 and table E.5A.3 with the exception of \hat{I}_{or2} that shall be set to $-\infty$. Set the fading conditions to VA 30.
- 4) The value of Absolute Grant Scope shall be set to the 0, and the Absolute Grant shall be set to 5.
- 5) The UE is switched on.
- 6) Enter the UE into loopback mode 1, looping back both the 12.2kbps RMC and HSDPA to E-DCH, and start the loopback test. See TS 34.108 [3] clause 7.3.9 and TS 34.109 [4] clauses 5.3.2.3 and 5.3.2.6. To fill the RLC transmit buffer, run the loopback for [3]s before starting the procedure.

- 7) Reset \hat{I}_{or2} according to tables 10.3.2A.5.1 to 10.3.2A.5.2. The downlink DPCH of cell 2 must remain inactivated.
- 8) UE shall transmit a MEASUREMENT REPORT message triggered by event 1A containing the CFN-SFN time difference between cell 1 and cell 2.
- 9) The downlink DPCH of cell 2 shall be activated.
- 10) SS shall send an ACTIVE SET UPDATE message adding cell 2 to the active set.
- 11) The fading simulators are switched on.

10.3.2A.4.2 Procedure

NOTE: The measurement principle of the missed down test is as follows: Upon the UE transmission on E-DPCCH and E-DPDCH, the SS responds as follows: Cell 1 sends "up" on the E-RGCH and a fixed SG on the E-AGCH. Cell 2 sends down. The SS reads the transport format, signalled on the E-DPCCH, corresponding to that signalling. If the transport format is decreased by one step, the Down on cell 2 was received correctly as down. If the transport format is not changed or is increased, the down on cell 2 was missed.

1. The Nominal Avg. Information Bit Rate in the DL is set to 534 kbps according to QPSK H-Set 1. The expected throughput under this level and fading conditions is tested with a single cell in clause 9.2.1, but the DL throughput for this test case will be less than for the single cell case because of interference from Cell 2. The DL throughput for this test case is estimated based on the HSDPA throughput corresponding to the subtests using "HS-PDSCH Ec/Ior = -6dB" condition in 9.2.1A. The worst case for a conformant UE is 22 kbps. The UL data rate was configured by signalling AG value = 5 on the E-AGCH. The expected UL data rate is 71.6 kbps corresponding to E-TFC Index 45.

Table 10.3.2A.4.2.1 E-TFCI operating range (10 ms)

| Missed down applicability | AG Value | β_{ed}/β_c | E-TFCI | TB Size = N*112 + Header + Padding | UL rate kbps |
|---------------------------|----------|----------------------|-----------|------------------------------------|--------------|
| | 6 | 24/15 | 59 | 1264 = 11*112 + 18 + 14 | 126.4 |
| | | 21/15 | 52 | 951 = 8*112 + 18 + 37 | 95.1 |
| Fixed SG | 5 | 19/15 | 45 | 716 = 6*112 + 18 + 26 | 71.6 |
| Applicable SG range | | 17/15 | 40 | 584 = 5*112 + 18 + 6 | 58.4 |
| | 4 | 15/15 | 35 | 477 = 4*112 + 18 + 11 | 47.7 |
| | | 13/15 | 28 | 359 = 3*112 + 18 + 4 | 35.9 |
| | | 12/15 | 19 | 249 = 2*112 + 18 + 7 | 24.9 |

2. The SS signals 12 consecutive "down" on the E-RGCH of cell 2 followed by a sequence of hold. The SS signals up on the E-RGCH of cell 1 and AG value = 5 on the E-AGCH always. (To avoid the lower limit of SG after several down in sequence, the SS signals hold continuously on cell 2 until the initial transport format is re-established). The SS should not count the E-TFCI as samples during signalling hold.). The SS shall take into account that UE may falsely detect "Hold" of the non-serving cell to "Down". This is FFS.
3. The SS reads the E-TFCI at each HARQ process, signalled on the E-DPCCH corresponding to that "down on the E-RGCH of cell 2.
4. If the UE does not decrease the E-TFCI by one step at each HARQ process upon that "down on cell 2" record a missed(down). Otherwise count a correct sample.

If the UE signals Happy Bit = 1, the UE may transmit less data than granted. (TS25.321 [13] section 11.8.1.5. bullet point 1) The corresponding E-DPCCH and E-DPDCH blocks are not counted as sample.
5. Repeat step 2 to 4, such that statistical significance according to Annex F.6.4 is achieved.

Specific Message Contents

All messages indicated above shall use the same content as described in the default message content in clause 9.2.1 of 34.108 [3] with the following exceptions:

RADIO BEARER SETUP

| Information Element | Value/remark | Version |
|--|---|---------|
| - RLC PDU size | 112 | Rel-6 |
| - E-DCH Transmission Time | 10 ms | |
| E-DCH MAC-d flow maximum number of retransmissions | 0 | |
| E-DCH info | | Rel-6 |
| - Happy bit delay condition | 10 ms | |
| - E-DCH minimum set E-TFCI | Not Present in RGCH performance tests, all E-TFCs should be in the selection process) | |
| Downlink information for each radio link list | | |
| - Downlink information for each radio link | | |
| - CHOICE E-RGCH Information | | Rel-6 |
| - E-RGCH Information | | |
| - Signature Sequence | 0 | |
| - RG combination index | 0 | |

ACTIVE SET UPDATE message:

| Information Element/Group name | Value/Remark | Version |
|--|---|---|
| Message Type (10.2.17) | | |
| UE information elements - RRC transaction identifier - Integrity check info - message authentication code - RRC message sequence number - Activation time - New U-RNTI - New H-RNTI - New Primary E-RNTI - New Secondary E-RNTI | 0 SS calculates the value of MAC-I for this message and writes to this IE. The first/ leftmost bit of the bit string contains the most significant bit of the MAC-I. SS provides the value of this IE, from its internal counter. "now". Not Present Not Present Not Present Not Present | Rel-6 Rel-6 Rel-6 |
| CN information elements - CN Information info | Not Present | |
| Phy CH information elements Uplink radio resources - Maximum allowed UL TX power | 33 dBm | |
| Downlink radio resources - Radio link addition information - Radio link addition information - Primary CPICH info - Primary scrambling code - Downlink DPCH info for each RL | 1 Same as adding cell | |
| - CHOICE mode - Primary CPICH usage for channel estimation - DPCH frame offset - Secondary CPICH info | FDD Primary CPICH may be used This should be reflected by the IE " Cell synchronisation information" in received MEASUREMENT REPORT message Not Present | |
| - DL channelisation code - Secondary scrambling code - Spreading factor - Code number - Scrambling code change - TPC combination index - Closed loop timing adjustment mode - Downlink F-DPCH info for each RL | Not Present 128 96 No code change 1 Not Present Not present | |
| E-HICH Information - Channelisation Code - Signature Sequence | 6 1 | Rel-6 |
| E-RGCH Information - Signature Sequence - RG combination index - Radio link removal information - TX Diversity Mode | Not Present 0 1 Not Present Not Present | Rel-6 |
| Serving HS-DSCH cell information | Not Present | Rel-6 |
| E-DCH reconfiguration information | Not Present | Rel-6 |

10.3.2A.5 Test Requirements

For table 10.3.2A.5.1, the average downlink E-RGCH E_c/I_{or} power ratio shall be below the specified value for the missed DOWN probabilities in Table 10.3.2A.5.2

Table 10.3.2A.5.1: Test scenario parameters for E-RGCH – Non-serving E-DCH RL

| Parameter | Unit | Missed DOWN |
|---|--------------|-----------------------|
| I_{oc} | dBm/3.84 MHz | -60 |
| Phase reference | - | P-CPICH |
| E-RGCH ₁ E_c/I_{or} | dB | -21.9 |
| E-AGCH ₁ E_c/I_{or} | dB | -14.9 |
| E-RGCH ₂ E_c/I_{or} | dB | -31.1 |
| HS-DPSCH ₁ E_c/I_{or} | dB | -3.1 |
| E-RGCH signalling pattern for Serving E-DCH cell | - | 100% UP ¹ |
| E-AGCH information | | Fixed SG ² |
| E-RGCH signalling pattern for Non-serving E-DCH RL | | 100% DOWN |
| NOTE 1: Index 1: cell belonging to RLS containing the Serving E-DCH cell, Index 2: cell belonging to RLS not containing the Serving E-DCH cell | | |
| NOTE 2: Serving E-DCH cell E-RGCH E_c/I_{or} power level is set to -22 dB+TT and relative scheduling grant is transmitted using 12 consecutive slots. | | |
| NOTE 3: Serving E-DCH cell E-AGCH E_c/I_{or} power level is set to -15+TT dB and E-AGCH TTI length is 10ms. TT is added to Serving E-DCH cell E-RGCH E_c/I_{or} and E-AGCH E_c/I_{or} power. E-RGCH and E-AGCH reception on the serving cell is outside the test purpose. However reception errors may cause incorrect interpretation of the wanted test. | | |

Table 10.3.2A.5.2: Test requirements Type 1 for Missed DOWN when relative scheduling grant is transmitted using 15 consecutive slots – Non-serving E-DCH RL

| Test Number | Propagation Conditions | Reference value | | |
|-------------|------------------------|--------------------------|--|-------------------------|
| | | E-RGCH E_c/I_{or} (dB) | \hat{I}_{or1}/I_{oc} and \hat{I}_{or2}/I_{oc} (dB) | Missed DOWN probability |
| 2 | VA30 | -31.1 | 0.6 | 0.05 |

To pass the test,

The ratio (missed (down) / all valid down commands, sent) ≤ 0.05

NOTE : If the above Test Requirement differs from the Minimum Requirement then the Test Tolerance applied for this test is non-zero. The Test Tolerance for this test is defined in clause F.2 and the explanation of how the Minimum Requirement has been relaxed by the Test Tolerance is given in clause F.4.

10.4 Demodulation of E-DCH Absolute Grant Channel (E-AGCH)

10.4.1 Single link performance

10.4.1.1 Definition and applicability

The receive characteristics of the E-DCH Absolute Grant Channel (E-AGCH) in multi-path fading environment is determined by the missed detection probability. The requirements and this test apply to Release 6 and later releases for all types of UTRA for the FDD UE that support HSDPA and E-DCH.

10.4.1.2 Minimum requirement

For the parameters specified in Table 10.4.1.1 the average downlink E-AGCH E_c/I_{or} power ratio shall be below the specified value for the missed detection probability in Table 10.4.1.2.

Table 10.4.1.1: Test parameters for E-AGCH detection – single link

| Parameter | Unit | Missed detection |
|----------------------|--------------|------------------|
| I_{oc} | dBm/3.84 MHz | -60 |
| Phase reference | - | P-CPICH |
| P-CPICH E_c/I_{or} | dB | -10 |
| E-AGCH information | - | Varying SG |
| E-AGCH TTI length | ms | 10 |

Table 10.4.1.2: Minimum requirement for E-AGCH detection – single link

| Test Number | Propagation Conditions | Reference value | | |
|-------------|------------------------|--------------------------|----------------------------|----------------------------|
| | | E-AGCH E_c/I_{or} (dB) | \hat{I}_{or}/I_{oc} (dB) | Miss detection probability |
| 1 | VA30 | -23.2 | 0 | 0.01 |

10.4.1.3 Test Purpose

The aim of the test is to verify that the missed detection probability of the E-AGCH channel does not exceed 0.01.

10.4.1.4 Method of test

10.4.1.4.1 Initial conditions

Test environment: normal; see clause G.2.1 and G.2.2.

Frequencies to be tested: mid range; see clause G.2.4

- 1) Connect the SS and AWGN noise source and fading simulator to the UE antenna connector as shown in Figure A.10.
- 2) The UL Reference Measurement Channel parameters are defined in Annex C.11.
- 3) Set the test parameters for the missed detection test as specified in Table 10.4.1.3, 10.4.1.3a and Table E.5A.2. Setup the fading simulator as per the fading condition, which is described in Table 10.4.1.3a.
- 4) Relative Grant shall not be transmitted on the E-RGCH and only Absolute Grant sent on E-AGCH will affect the Serving Grant (SG).
- 5) The value of Absolute Grant Scope shall be set to the 0 and the Absolute Grant shall be set to the 4.
- 6) The UE is switched on.
- 7) Enter the UE into loopback mode 1 looping back both the 12.2kbps RMC and HSDPA to E-DCH and start the loopback test. See TS34.108[3] clause 7.3.9 and TS34.109[4] clause 5.3.2.3 and 5.3.2.6 for details regarding loopback test mode for HSDPA and E-DCH. This way the UE is configured to transmit a data stream on the E-DPDCH with E-DPCCH. To fill the RLC transmit buffer, run the loopback for [3]s before starting the procedure.
- 8) Switch on the fading simulator

10.4.1.4.2 Procedure

- 1) The SS shall signal 100% ACK on the E-HICH for all processes.
- 2) The SS shall signal the Absolute Grants according to the E-AGCH information sequence as defined in Table 10.4.1.3.
- 3) The SS shall analyse the E-TFCI transmitted on the E-DPCCH for each E-DCH TTI to determine if a missed detection event has occurred by correlating the detected E-TFCIs with the expected E-TFCIs corresponding to the absolute grant sequence sent on E-AGCH. If the expected E-TFC is not detected by the SS, record a missed detection event.
- 4) The test shall be run such that statistical significance according to Annex F.6.4 is achieved.

Specific Message Contents

All messages indicated above shall use the same content as described in the default message content in clause 9.2.1 of 34.108 [3] with the following exceptions:

RADIO BEARER SETUP:

| Information Element | Value/remark |
|--|--------------|
| E-DCH MAC-d flow maximum number of retransmissions | 0 |

10.4.1.5 Test Requirements

The missed detection probability shall not exceed to the values specified in Table 10.4.1.3a.

The missed detection probability = the ratio of (missed detection event)/ (all detected E-TFCI event) ≤ 0.01 .

Tables 10.4.1.3 and 10.4.1.3a define the primary level settings including test tolerance and test parameters for the test.

Table 10.4.1.3: Test parameters for E-AGCH detection – single link

| Parameter | Unit | Missed detection |
|----------------------|--------------|---|
| I_{oc} | dBm/3.84 MHz | -60 |
| Phase reference | - | P-CPICH |
| P-CPICH E_c/I_{or} | dB | -10 |
| E-AGCH information | | The E-AGCH information sequence "AG ₄ AG ₈ AG ₁₀ AG ₄ AG ₈ AG ₁₀ AG ₄ AG ₈ AG ₁₀ ..." shall be transmitted continuously, where AG ₄ , AG ₈ and AG ₁₀ denote absolute grant index of 4, 8, 10 respectively |
| E-AGCH TTI length | ms | 10 |
| E-HICH E_c/I_{or} | dB | -20 |
| β_c | | 15/15 |
| β_d | | 5/15 |
| β_{hs} | | 15/15 |

Table 10.4.1.3a: Test requirement for E-AGCH detection – single link

| Test Number | Propagation Conditions | Reference value | | |
|-------------|------------------------|--------------------------|----------------------------|----------------------------|
| | | E-AGCH E_c/I_{or} (dB) | \hat{I}_{or}/I_{oc} (dB) | Miss detection probability |
| 1 | VA30 | -23.1 | 0.6 | 0.01 |

The exact mapping of the E-AGCH absolute grant indices and the expected E-TFCIs is shown in Table 10.4.1.4. The mapping shall be used by the SS to compute the missed detection probability.

Table 10.4.1.4: Mapping of the E-AGCH test sequence and the expected E-TFCI

| Absolute Grant Index | Expected E-TFCI index |
|--|-----------------------|
| AG ₄ | E-TFCI ₂₈ |
| AG ₈ | E-TFCI ₆₇ |
| AG ₁₀ | E-TFCI ₈₁ |
| NOTE: E-TFCI ₂₈ , E-TFCI ₆₇ , E-TFCI ₈₁ denotes the E-TFC index of 28, 67 and 81 from 10ms TTI Table 0 in 25.321[13]. This mapping is based on the assumption that 1, 5 or 9 RLC PDUs of size 336 bits are used respectively. | |

10.4.1A Single link performance (Type 1)

10.4.1A.1 Definition and applicability

The receive characteristics of the E-DCH Absolute Grant Channel (E-AGCH) in multi-path fading environment is determined by the missed detection probability. The requirements and this test apply to Release 7 and later releases for all types of UTRA for the FDD UE that support HSDPA and E-DCH and the optional Type 1 enhanced performance requirements.

10.4.1A.2 Minimum requirement

For the parameters specified in Table 10.4.1A.1 the average downlink E-AGCH E_c/I_{or} power ratio shall be below the specified value for the missed detection probability in Table 10.4.1A.2.

Table 10.4.1A.1: Test parameters for E-AGCH detection – single link

| Parameter | Unit | Missed detection |
|----------------------|--------------|------------------|
| I_{oc} | dBm/3.84 MHz | -60 |
| Phase reference | - | P-CPICH |
| P-CPICH E_c/I_{or} | dB | -10 |
| E-AGCH information | - | Varying SG |
| E-AGCH TTI length | ms | 10 |

Table 10.4.1A.2: Enhanced performance requirement for E-AGCH detection – single link

| Test Number | Propagation Conditions | Reference value | | |
|-------------|------------------------|--------------------------|----------------------------|----------------------------|
| | | E-AGCH E_c/I_{or} (dB) | \hat{I}_{or}/I_{oc} (dB) | Miss detection probability |
| 1 | VA30 | -26.8 | 0 | 0.01 |

10.4.1A.3 Test Purpose

The aim of the test is to verify that the missed detection probability of the E-AGCH channel does not exceed 0.01.

10.4.1A.4 Method of test

10.4.1A.4.1 Initial conditions

Test environment: normal; see clause G.2.1 and G.2.2.

Frequencies to be tested: mid range; see clause G.2.4

- 1) Connect the SS and AWGN noise source and fading simulator to the UE antenna connector as shown in Figure A.21 for UEs that support receive diversity or figure A.10 for UEs that do not support receive diversity.
- 2) The UL Reference Measurement Channel parameters are defined in Annex C.11.
- 3) Set the test parameters for the missed detection test as specified in Table 10.4.1A.3 and 10.4.1A.5 and Table E.5A.2. Setup the fading simulator as per the fading condition, which is described in Table 10.4.1A.5.
- 4) Relative Grant shall not be transmitted on the E-RGCH and only Absolute Grant sent on E-AGCH will affect the Serving Grant (SG).
- 5) The value of Absolute Grant Scope shall be set to the 0 and the Absolute Grant shall be set to the 4.
- 6) The UE is switched on.
- 7) Enter the UE into loopback mode 1 looping back both the 12.2kbps RMC and HSDPA to E-DCH and start the loopback test. See TS34.108[3] clause 7.3.9 and TS34.109[4] clause 5.3.2.3 and 5.3.2.6 for details regarding loopback test mode for HSDPA and E-DCH. This way the UE is configured to transmit a data stream on the E-DPDCH with E-DPCCH. To fill the RLC transmit buffer, run the loopback for [3]s before starting the procedure.

- 8) Switch on the fading simulators

10.4.1A.4.2 Procedure

- 1) The SS shall signal 100% ACK on the E-HICH for all processes.
- 2) The SS shall signal the Absolute Grants according to the E-AGCH information sequence as defined in Table 10.4.1A.3.
- 3) The SS shall analyse the E-TFCI transmitted on the E-DPCCH for each E-DCH TTI to determine if a missed detection event has occurred by correlating the detected E-TFCIs with the expected E-TFCIs corresponding to the absolute grant sequence sent on E-AGCH. If the expected E-TFC is not detected by the SS, record a missed detection event.
- 4) The test shall be run such that statistical significance according to Annex F.6.4 is achieved.

Specific Message Contents

All messages indicated above shall use the same content as described in the default message content in clause 9.2.1 of 34.108 [3] with the following exceptions:

RADIO BEARER SETUP:

| Information Element | Value/remark |
|--|--------------|
| E-DCH MAC-d flow maximum number of retransmissions | 0 |

10.4.1A.5 Test Requirements

The missed detection probability shall not exceed to the values specified in Table 10.4.1A.5.

The missed detection probability = the ratio of (missed detection event)/ (all detected E-TFCI event) ≤ 0.01 .

Table 10.4.1A.3 and 10.4.1A.5 define the primary level settings including test tolerance and test parameters for the test.

Table 10.4.1A.3: Test parameters for E-AGCH detection – single link

| Parameter | Unit | Missed detection |
|----------------------|--------------|--|
| I_{oc} | dBm/3.84 MHz | -60 |
| Phase reference | - | P-CPICH |
| P-CPICH E_c/I_{or} | dB | -10 |
| E-AGCH information | | The E-AGCH information sequence "AG ₄ AG ₈ AG ₁₀ AG ₄ AG ₈ AG ₁₀ ..." shall be transmitted continuously, where AG ₄ , AG ₈ and AG ₁₀ denote absolute grant index of 4, 8, 10 respectively |
| E-AGCH TTI length | ms | 10 |
| E-HICH E_c/I_{or} | dB | -20 |
| β_c | | 15/15 |
| β_d | | 5/15 |
| β_{hs} | | 15/15 |

The exact mapping of the E-AGCH absolute grant indices and the expected E-TFCIs is shown in Table 10.4.1A.4. The mapping shall be used by the SS to compute the missed detection probability.

Table 10.4.1A.4: Mapping of the E-AGCH test sequence and the expected E-TFCI

| Absolute Grant Index | Expected E-TFCI index |
|--|-----------------------|
| AG ₄ | E-TFCI ₂₈ |
| AG ₈ | E-TFCI ₆₇ |
| AG ₁₀ | E-TFCI ₈₁ |
| NOTE: E-TFCI ₂₈ , E-TFCI ₆₇ , E-TFCI ₈₁ denotes the E-TFC index of 28, 67 and 81 from 10ms TTI Table 0 in 25.321[13]. This mapping is based on the assumption that 1, 5 or 9 RLC PDUs of size 336 bits are used respectively. | |

Table 10.4.1A.5: Test requirement for E-AGCH detection – single link

| Test Number | Propagation Conditions | Reference value | | |
|-------------|------------------------|-------------------------------|------------------------------|----------------------------|
| | | E-AGCH E_c / I_{or} (dB) | \hat{I}_{or} / I_{oc} (dB) | Miss detection probability |
| 1 | VA30 | -26.7 | 0.6 | 0.01 |

11 Performance requirement (MBMS)

11.1 General

The performance requirements for the UE in this subclause are specified for the propagation conditions specified in Annex D.2 and the Downlink Physical channels specified in Annex E.5B.

Unless otherwise stated the receiver characteristics are specified at the antenna connector of the UE. For UEs with more than one receiver antenna connector the fading of the signals and the AWGN signals applied to each receiver antenna connector shall be uncorrelated. The levels of the test signal applied to each of the antenna connectors shall be as defined in the respective sections below.

For MBMS test cases which require invalid MAC header to be transmitted during the test, the configuration of invalid MAC header for MTCH transmission shall use the value "1111" for the MBMS-Id field. The UE shall discard PDU's with this invalid MAC header according TS 25.321[13] section 10.

A UE with one antenna connector may also fulfill the enhanced performance requirements Type 1. The levels of the test signal are applied to the single antenna connector as defined in the respective sections below.

11.2 Demodulation of MTCH

11.2.1 Definition and applicability

The receive characteristic of the MTCH is determined by RLC SDU error rate (RLC SDU ER). RLC SDU ER is specified for each individual data rate of the MTCH. The requirement is valid for all RRC states for which the UE has capabilities for MBMS.

The requirements and this test apply to Release 6 and later releases for all types of UTRA for the FDD UE that support MBMS.

11.2.2 Minimum requirement

For the parameters specified in Table 11.2.2.1 the average downlink S-CCPCH E_c / I_{or} power ratio shall be below the specified value for the RLC SDU ER shown in Table 11.2.2.2.

Table 11.2.2.1: Parameters for MTCH detection

| Parameter | Unit | Test 1 | Test 2 | Test 3 |
|--|--------------|----------|------------------------------|------------------------------|
| Phase reference | - | | P-CPICH | |
| I_{oc} | dBm/3.84 MHz | | -60 | |
| \hat{I}_{or}/I_{oc} | dB | -3 | -3 | -3 |
| MTCH Data Rate | | 128 kbps | 256 kbps | 128 kbps |
| Transmission Time Interval | ms | 40 | 40 | 80 |
| Propagation condition | | VA3 | | |
| Number of Radio Links p | | 3 | 3 | 3 |
| Delay of Radio Link 2 compared with Radio Link 1 | | 160ms | 20 ms | 20 ms |
| Delay of Radio Link 3 compared with Radio Link 1 | | 1240ms | 40.67 ms (1 TTI + 1 slot) | 80.67 ms (1 TTI + 1 slot) |

Table 11.2.2.2: Test requirements for MTCH detection

| Test Number | S-CCPCH_Ec/Ior (dB) | RLC SDU ER |
|-------------|---------------------|------------|
| 1 | -4.9 | 0.1 |
| 2 | -5.6 | 0.1 |
| 3 | -8.5 | 0.1 |

11.2.3 Test Purpose

The aim of the test is to verify that the RLC SDU error rate (RLC SDU ER) for each individual data rate of the MTCH channel does not exceed 0.1. The test shall be performed in CELL_PCH state only.

11.2.4 Method of test

11.2.4.1 Initial conditions

Test environment: normal; see clauses G.2.1 and G.2.2.

Frequencies to be tested: mid range; see clause G.2.4.

- 1) Connect the SS and AWGN noise source and fading simulator to the UE antenna connector as shown in Figure A.23.
- 2) The DL Reference Measurement Channel parameters are defined in Annex C.12.1.
- 3) The configuration for the downlink channel for each radio link is defined in Annex.E.5B. The Ior of cell 2 and cell 3 are set to 10 dB lower than cell 1.
- 4) The same MTCH data shall be sent in all radio links during the test.
- 5) The UE is switched on.
- 6) The UE is interested in the broadcast service provided by the SS, this service is included in the MBMS_ACTIVATED_SERVICES variable.
- 7) Set up a call according to the generic call setup procedure in TS34.108 [3] clause 7.3.10 and enter the UE into loopback test mode 3 with transition to the CELL_PCH state. See TS 34.108 and TS 34.109 for details regarding loopback test mode 3 for MBMS.
- 8) Setup the test parameter for Test 1-3 as specified in Table 11.2.5.1 and 11.2.5.2. Set up fading simulator as per the fading condition VA3, which is described in table D.2.2.1C.
- 9) Switch on the fading simulator.

Specific Message Contents

All messages indicated above shall use the same content as described in the default message content in clause 9 of 34.108 [3], with the exceptions stated in clause 7.3.10 of 34.108 [3], and with the following exceptions:

Contents of PHYSICAL CHANNEL RECONFIGURATION message: AM (Step 7)

| Information Element | Value/remark |
|------------------------------------|--------------|
| UTRAN DRX cycle length coefficient | 7 |

11.2.4.2 Procedure

- 1) Initiate the variables N_{SS_ACC} to 0.
- 2) SS shall start the test by sending valid MAC headers and RLC SDUs on the MTCH radio bearer for 164 seconds (10 seconds in the second or later iteration) on each Radio Link. The delays of Radio Link 2 and 3 compared with Radio Link 1 are specified in Table 11.2.5.1. SS stores the count of transmitted RLC SDU blocks on the MTCH with valid MAC headers in the variable N_{SS} and adds it to N_{SS_ACC} .
- 3) The SS transmits invalid MAC headers on the MTCH and sets I_{or} of cell 2 and cell 3 to 10dB lower than cell 1.
- 4) SS shall transmit a PAGING TYPE 1 message specified in TS 34.108 [3] clause 7.3.10.4 to place the UE in CELL_FACH state.
- 5) UE shall move to CELL_FACH state by sending a CELL_UPDATE message. On reception of the CELL_UPDATE message the SS shall transmit 3 identical CELL_UPDATE_CONFIRM message.
- 6) UE confirms the received C-RNTI to be used in CELL_FACH state by transmitting a UTRAN_MOBILITY_INFORMATION_CONFIRM message on the uplink DCCH.
- 7) SS shall send a "UE TEST LOOP MODE 3 RLC SDU COUNTER REQUEST" message and wait for the UE to respond with a "UE TEST LOOP MODE 3 RLC SDU COUNTER RESPONSE" reporting the received RLC SDU counter value. Store this counter in the variable N_{UEOK} .
- 8) SS shall compute the RLC SDU error rate by the following:
 The RLC SDU error rate = $(N_{SS_ACC} - N_{UEOK}) / N_{SS_ACC}$
 N_{UEOK} : UE received RLC SDUs as reported in the "UE TEST LOOP MODE 3 RLC SDU COUNTER RESPONSE" message in step 7.
 N_{SS_ACC} : Accumulated sum of N_{SS} tested so far.
- 9) The SS orders the UE to move to CELL_PCH state by transmitting a PHYSICAL_CHANNEL_RECONFIGURATION message with the RRC state indicator set to "CELL_PCH".
- 10) The UE send a PHYSICAL_CHANNEL_RECONFIGURATION_COMPLETE message.
- 11) The SS puts I_{or} of cell 2 and cell 3 back to test parameter specified in Table 11.2.5.1.12) Repeat steps 2) to 11) until the statistical significance according to Annex to F.6.4.4 is achieved.
- 13) End the RRC connection according to the generic call setup procedure specified in TS 34.108 [3] clause 7.3.10.

NOTE: In the Step 5 and 13 above, the 3 identical CELL_UPDATE_CONFIRM messages are transmitted with the same RRC message sequence number. Transmitting 3 identical CELL_UPDATE_CONFIRM messages is done to increase the probability of correct message reception at the UE.

Specific Message Contents

All messages indicated above shall use the same content as described in the default message content in clause 9 of 34.108 [3], with the exceptions stated in clause 7.3.10 of 34.108[3] , and with the following exceptions:

SYSTEM INFORMATION BLOCK TYPE5

| Information Element | Value/remark |
|---------------------|--------------|
| - PICH Power offset | -2 dB |

Content of CELL UPDATE CONFIRM message for CELL_FACH (Step 5 and Step 13)

| Information Element | Value/remark |
|----------------------------|--------------------|
| RRC transaction identifier | 0 |
| Activation time | Not Present |
| New C-RNTI | 0000000000000001 B |
| RRC State indicator | CELL_FACH |

Contents of PHYSICAL CHANNEL RECONFIGURATION message: AM (Step 9)

| Information Element | Value/remark |
|------------------------------------|--------------|
| UTRAN DRX cycle length coefficient | 7 |

11.2.5 Test Requirements

Table 11.2.5.1: Parameters for MTCH detection

| Parameter | Unit | Test 1 | Test 2 | Test 3 |
|--|--------------|----------|------------------------------|------------------------------|
| Phase reference | - | P-CPICH | | |
| I_{oc} | dBm/3.84 MHz | -60 | | |
| Cell1 \hat{I}_{or1}/I_{oc} | dB | -2.4 | -2.4 | -2.4 |
| Cell2 \hat{I}_{or2}/I_{oc} | dB | -2.4 | -2.4 | -2.4 |
| Cell3 \hat{I}_{or3}/I_{oc} | dB | -2.4 | -2.4 | -2.4 |
| MTCH Data Rate | | 128 kbps | 256 kbps | 128 kbps |
| Transmission Time Interval | ms | 40 | 40 | 80 |
| Propagation condition | | VA3 | | |
| Number of Radio Links p | | 3 | 3 | 3 |
| Delay of Radio Link 2 compared with Radio Link 1 | | 160ms | 20 ms | 20 ms |
| Delay of Radio Link 3 compared with Radio Link 1 | | 1240ms | 40.67 ms (1 TTI + 1 slot) | 80.67 ms (1 TTI + 1 slot) |

Table 11.2.5.2: Test requirements for MTCH detection

| Test Number | S-CCPCH_Ec/I _{or} (dB) | RLC SDU ER |
|-------------|---------------------------------|------------|
| 1 | -4.8 | 0.1 |
| 2 | -5.5 | 0.1 |
| 3 | -8.4 | 0.1 |

The RLC SDU error rate (RLC SDU ER) for all the MTCH demodulation tests shall not exceed the value specified in 11.2.5.2 for the specified $\frac{S-CCPCH_Ec}{I_{or}}$.

The RLC SDU error rate = the ratio of (transmitted RLC SDU count – received RLC SDU count) / (transmitted RLC SDU count) < 0.1.

NOTE: If the above Test Requirement differs from the Minimum Requirement then the Test Tolerance applied for this test is non-zero. The Test Tolerance for this test is defined in clause F.2 and the explanation of how the Minimum Requirement has been relaxed by the Test Tolerance is given in clause F.4.

11.2A Demodulation of MTCH - Enhanced Performance Requirements Type 1

11.2A.1 Definition and applicability

The receive characteristic of the MTCH is determined by RLC SDU error rate (RLC SDU ER). RLC SDU ER is specified for each individual data rate of the MTCH. The requirement is valid for all RRC states for which the UE has capabilities for MBMS.

The requirements and this test apply to Release 7 and later releases for all types of UTRA for the FDD UE that support MBMS and enhanced receiver type 1.

11.2A.2 Minimum requirement

For the parameters specified in Table 11.2A.2.1 the average downlink S-CCPCH_{E_c}/I_{or} power ratio shall be below the specified value for the RLC SDU ER shown in Table 11.2A.2.2.

Table 11.2A.2.1: Parameters for MTCH detection

| Parameter | Unit | Test 1 | Test 2 | Test 3 |
|--|--------------|----------|------------------------------|------------------------------|
| Phase reference | - | P-CPICH | | |
| I_{oc} | dBm/3.84 MHz | -60 | | |
| \hat{I}_{or}/I_{oc} | dB | -3 | -3 | -3 |
| MTCH Data Rate | | 128 kbps | 256 kbps | 128 kbps |
| Transmission Time Interval | ms | 40 | 40 | 80 |
| Propagation condition | | VA3 | | |
| Number of Radio Links p | | 3 | 3 | 3 |
| Delay of Radio Link 2 compared with Radio Link 1 | | 160ms | 20 ms | 20 ms |
| Delay of Radio Link 3 compared with Radio Link 1 | | 1240ms | 40.67 ms (1 TTI + 1 slot) | 80.67 ms (1 TTI + 1 slot) |

Table 11.2A.2.2: Test requirements for MTCH detection for UE supporting the enhanced performance requirements type1

| Test Number | S-CCPCH _{E_c} /I _{or} (dB) | RLC SDU ER |
|-------------|--|------------|
| 1 | -7.7 | 0.1 |
| 2 | -8.7 | 0.1 |
| 3 | -11.5 | 0.1 |

11.2A.3 Test Purpose

The aim of the test is to verify that the RLC SDU error rate (RLC SDU ER) for each individual data rate of the MTCH channel does not exceed 0.1. The test shall be performed in CELL_PCH state only.

11.2A.4 Method of test

11.2A.4.1 Initial conditions

Test environment: normal; see clauses G.2.1 and G.2.2.

Frequencies to be tested: mid range; see clause G.2.4.

- 1) Connect the SS and AWGN noise source and fading simulators to the UE antenna connector as shown in Figure A.25.
- 2) The DL Reference Measurement Channel parameters are defined in Annex C.12.1.
- 3) The configuration for the downlink channel for each radio link is defined in Annex.E.5B. The I_{or} of cell 2 and cell 3 are set to 10 dB lower than cell 1.

- 4) The same MTCH data shall be sent in all radio links during the test.
- 5) The UE is switched on.
- 6) The UE is interested in the broadcast service provided by the SS, this service is included in the MBMS_ACTIVATED_SERVICES variable.
- 7) Set up a call according to the generic call setup procedure in TS34.108 [3] clause 7.3.10 and enter the UE into loopback test mode 3 with transition to the CELL_PCH state. See TS 34.108 and TS 34.109 for details regarding loopback test mode 3 for MBMS.
- 8) Setup the test parameter for Test 1-3 as specified in Table 11.2A.5.1 and 11.2A.5.2. Set up fading simulators as per the fading condition VA3, which is described in table D.2.2.1C.
- 9) Switch on the fading simulator.

Specific Message Contents

All messages indicated above shall use the same content as described in the default message content in clause 9 of 34.108 [3], with the exceptions stated in clause 7.3.10 of 34.108 [3], and with the following exceptions:

Contents of PHYSICAL CHANNEL RECONFIGURATION message: AM (Step 7)

| Information Element | Value/remark |
|------------------------------------|--------------|
| UTRAN DRX cycle length coefficient | 7 |

11.2A.4.2 Procedure

- 1) Initiate the variables N_{SS_ACC} to 0.
- 2) SS shall start the test by sending valid MAC headers and RLC SDUs on the MTCH radio bearer for 164 seconds (10 seconds in the second or later iteration) on each Radio Link. The delays of Radio Link 2 and 3 compared with Radio Link 1 are specified in Table 11.2A.5.1. SS stores the count of transmitted RLC SDU blocks on the MTCH with valid MAC headers in the variable N_{SS} and adds it to N_{SS_ACC} .
- 3) The SS transmits invalid MAC headers on the MTCH and sets I_{or} of cell 2 and cell 3 to 10dB lower than cell 1.
- 4) SS shall transmit a PAGING TYPE 1 message specified in TS 34.108 [3] clause 7.3.10.4 to place the UE in CELL_FACH state.
- 5) UE shall move to CELL_FACH state by sending a CELL_UPDATE message. On reception of the CELL_UPDATE message the SS shall transmit 3 identical CELL_UPDATE_CONFIRM message.
- 6) UE confirms the received C-RNTI to be used in CELL_FACH state by transmitting a UTRAN_MOBILITY_INFORMATION_CONFIRM message on the uplink DCCH.
- 7) SS shall send a "UE TEST LOOP MODE 3 RLC SDU COUNTER REQUEST" message and wait for the UE to respond with a "UE TEST LOOP MODE 3 RLC SDU COUNTER RESPONSE" reporting the received RLC SDU counter value. Store this counter in the variable N_{UEOK} .
- 8) SS shall compute the RLC SDU error rate by the following:

$$\text{The RLC SDU error rate} = (N_{SS_ACC} - N_{UEOK}) / N_{SS_ACC}$$

N_{UEOK} : UE received RLC SDUs as reported in the "UE TEST LOOP MODE 3 RLC SDU COUNTER RESPONSE" message in step 7.

N_{SS_ACC} : Accumulated sum of N_{SS} tested so far.
- 9) The SS orders the UE to move to CELL_PCH state by transmitting a PHYSICAL_CHANNEL_RECONFIGURATION message with the RRC state indicator set to "CELL_PCH".
- 10) The UE send a PHYSICAL_CHANNEL_RECONFIGURATION_COMPLETE message.
- 11) The SS puts I_{or} of cell 2 and cell 3 back to test parameter specified in Table 11.2A.5.1.12) Repeat steps 2) to 11) until the statistical significance according to Annex to F.6.4.4 is achieved.

13) End the RRC connection according to the generic call setup procedure specified in TS 34.108 [3] clause 7.3.10.

NOTE: In the Step 5 and 13 above, the 3 identical CELL UPDATE CONFIRM messages are transmitted with the same RRC message sequence number. Transmitting 3 identical CELL UPDATE CONFIRM messages is done to increase the probability of correct message reception at the UE.

Specific Message Contents

All messages indicated above shall use the same content as described in the default message content in clause 9 of 34.108 [3], with the exceptions stated in clause 7.3.10 of 34.108 [3], and with the following exceptions:

SYSTEM INFORMATION BLOCK TYPE5

| Information Element | Value/remark |
|---------------------|--------------|
| - PICH Power offset | -2 dB |

Content of CELL UPDATE CONFIRM message for CELL_FACH (Step 5 and Step 13)

| Information Element | Value/remark |
|----------------------------|--------------------|
| RRC transaction identifier | 0 |
| Activation time | Not Present |
| New C-RNTI | 0000000000000001 B |
| RRC State indicator | CELL_FACH |

Contents of PHYSICAL CHANNEL RECONFIGURATION message: AM (Step 9)

| Information Element | Value/remark |
|------------------------------------|--------------|
| UTRAN DRX cycle length coefficient | 7 |

11.2A.5 Test Requirements

Table 11.2A.5.1: Parameters for MTCH detection

| Parameter | Unit | Test 1 | Test 2 | Test 3 |
|--|--------------|----------|------------------------------|------------------------------|
| Phase reference | - | P-CPICH | | |
| I_{oc} | dBm/3.84 MHz | -60 | | |
| Cell1 \hat{I}_{or1}/I_{oc} | dB | -2.4 | -2.4 | -2.4 |
| Cell2 \hat{I}_{or2}/I_{oc} | dB | -2.4 | -2.4 | -2.4 |
| Cell3 \hat{I}_{or3}/I_{oc} | dB | -2.4 | -2.4 | -2.4 |
| MTCH Data Rate | | 128 kbps | 256 kbps | 128 kbps |
| Transmission Time Interval | ms | 40 | 40 | 80 |
| Propagation condition | | VA3 | | |
| Number of Radio Links p | | 3 | 3 | 3 |
| Delay of Radio Link 2 compared with Radio Link 1 | | 160ms | 20 ms | 20 ms |
| Delay of Radio Link 3 compared with Radio Link 1 | | 1240ms | 40.67 ms (1 TTI + 1 slot) | 80.67 ms (1 TTI + 1 slot) |

Table 11.2A.5.2: Test requirements for MTCH detection for UE supporting the enhanced performance requirements type1

| Test Number | S-CCPCH_Ec/lor (dB) | RLC SDU ER |
|-------------|---------------------|------------|
| 1 | -7.6 | 0.1 |
| 2 | -8.6 | 0.1 |
| 3 | -11.4 | 0.1 |

The RLC SDU error rate (RLC SDU ER) for all the MTCH demodulation tests shall not exceed the value specified in 11.2A.5.2 for the specified $\frac{S - \text{CCPCH_Ec}}{I_{or}}$.

The RLC SDU error rate = the ratio of (transmitted RLC SDU count – received RLC SDU count) / (transmitted RLC SDU count) < 0.1.

NOTE: If the above Test Requirement differs from the Minimum Requirement then the Test Tolerance applied for this test is non-zero. The Test Tolerance for this test is defined in clause F.2 and the explanation of how the Minimum Requirement has been relaxed by the Test Tolerance is given in clause F.4.

11.3 Demodulation of MTCH and cell identification

11.3.1 Definition and applicability

MBMS combining is not controlled by a network but instead it is autonomously handled by a terminal. UE has to be able to receive MTCH and identify intra-frequency neighbour cells according to the requirements. The receive characteristic of the MTCH combined with cell identification is determined by RLC SDU error rate (RLC SDU ER).

The requirements and this test apply to Release 6 and later releases for FDD UE that supports MBMS.

11.3.2 Minimum requirements

For the parameters specified in Table 11.3.2.1 the average downlink S-CCPCH_Ec/I_{or} power ratio shall be below the specified value for the RLC SDU error rate shown in Table 11.3.2.2. The cell reselection parameters are given in clause in Table 11.3.2.3. The different cells are assumed to be time aligned.

Table 11.3.2.1: Parameters for MTCH demodulation requirements with cell identification

| Parameter | Unit | Test 1 | | |
|------------------------------|--------------|-----------|---------|-----------|
| | | Stage 1 | Stage 2 | Stage 3 |
| Time in each stage | S | 2 | 0.8 | 2 |
| Phase reference | - | P-CPICH | | |
| I_{oc} | dBm/3.84 MHz | -70 | -73 | -70 |
| Cell1 \hat{I}_{or1}/I_{oc} | dB | -3 | 0 | -3 |
| Cell2 \hat{I}_{or2}/I_{oc} | dB | -3 | 0 | -infinity |
| Cell3 \hat{I}_{or3}/I_{oc} | dB | -infinity | 0 | -3 |
| Propagation condition | | Case1 | | |
| MTCH Data Rate | Kbps | 128 | | |
| Number of Radio Links | | 2 | 3 | 2 |

Table 11.3.2.2: Requirements for MTCH detection

| Test Number | S-CCPCH_Ec/I _{or} (dB) | RLC SDU ER |
|-------------|------------------------------------|------------|
| 1 | -5.6 | 0.05 |

Parameters for combined MTCH demodulation and cell identification requirements are defined in Table 11.3.2.3.

Table 11.3.2.3: Cell reselection parameters

| Parameter | Unit | Value |
|--|---------|--|
| Serving cell in the initial condition | | Cell1 |
| Neighbour cells | | 32 intra-frequency neighbour cells are indicated including Cell2 and Cell3 |
| Cell_selection_and_reselection_quality_measure | | CPICH E_c/N_0 |
| Qqualmin | dB | -20 |
| Qrxlevmin | dBm | -115 |
| UE_TXPWR_MAX_RACH | dB | 21 |
| Qhyst2 | dB | 20 dB |
| Treselection | Seconds | 4 |
| Sintrasearch | dB | not sent |
| IE "FACH Measurement occasion info" | | not sent |

The reference for this requirement is TS 25.101 [1] clause 11.3.1 and TS 25.101 [1] annex A.9.

11.3.3 Test purpose

To verify that the SDU error rate does not exceed the value at the S-CCPCH_ E_c/I_{or} specified in table 11.3.2.2.

11.3.4 Method of test

11.3.4.1 Initial conditions

Test environment: normal; see clauses G.2.1 and G.2.2.

Frequencies to be tested: mid range; see clause G.2.4.

- 1) Connect the SS and AWGN noise source and fading simulators to the UE antenna connector as shown in Figure A.23.
- 2) The DL Reference Measurement Channel (128kbps 40ms TTI) parameters are defined in Annex C.12.1 and C.12.2.
- 3) The configuration for the downlink channel for each radio link is defined in Annex.E.5B.1. The I_{or} of cell 2 and cell 3 are set to 10 dB lower than cell 1.
- 4) The same MTCH data shall be sent in all active cells during the test.
- 5) The UE is switched on.
- 6) The UE selects the broadcast service provided by the SS (included in the MBMS_ACTIVATED_SERVICES variable).
- 7) Set up a call according to the generic call setup procedure specified in TS 34.108 [3] clause 7.3.10 to configure and activate an MBMS session and enter the UE into loopback mode 3 with transition to CELL_PCH state. The SS broadcast the cell reselection parameters according to table 11.3.2.3. See TS 34.108 and TS 34.109 for details regarding loopback test mode 3 for MBMS.
- 8) Set up fading simulators as per the fading condition Case 1, which is described in table D.2.2.1.
- 9) Switch on the fading simulator.

Specific Message Contents

All messages indicated above shall use the same content as described in the default message content in clause 9 of 34.108 [3], with the exceptions stated in clause 7.3.10 of 34.108 [3], and with the following exceptions:

Contents of PHYSICAL CHANNEL RECONFIGURATION message: AM (Step 7)

| Information Element | Value/remark |
|------------------------------------|--------------|
| UTRAN DRX cycle length coefficient | 7 |

11.3.4.2 Procedures

- 1) Initiate the variables N_{SS} to 0.
 - 2) The SS configures and activates cell 1 to 3 with RF parameters according to Stage 1 conditions in Table 11.3.5.1.
 - 3) The SS transmits valid MAC headers and RLC SDUs on the MTCH radio bearer for 2 seconds during Stage 1, 0.8 seconds during Stage 2 and 2 seconds during T3. The SS changes the test parameters for Cell 1, Cell 2 and Cell 3 from Stage 1 to 3 as specified in table 11.3.5.1 and counts the number of transmitted RLC SDUs on the MTCH with valid MAC headers (N_{SS}) and adds it to N_{SS_ACC} .
 - 4) The SS transmits invalid MAC headers on the MTCH radio bearer and sets I_{or} of cell 3 to 10dB lower than cell 1.
 - 5) The SS transmits a PAGING TYPE 1 message specified in TS 34.108 [3] clause 7.3.10.4 to place the UE in CELL_FACH state.
 - 6) UE shall move to CELL_FACH state by sending a CELL_UPDATE message. On reception of the CELL_UPDATE message the SS shall transmit 3 identical CELL_UPDATE_CONFIRM message.
 - 7) UE confirms the received C-RNTI to be used in CELL_FACH state by transmitting a UTRAN_MOBILITY_INFORMATION_CONFIRM message on the uplink DCCH.
 - 8) The SS sends a "UE TEST LOOP MODE 3 RLC SDU COUNTER REQUEST" message.
 - 9) The SS waits for the UE to respond by a "UE TEST LOOP MODE 3 RLC SDU COUNTER RESPONSE" message reporting the number of received RLC SDUs on MTCH (N_{UEOK}).
 - 10) The SS in Cell 1 calculates the SDU error rate by the following: The SDU error rate = $(N_{SS_ACC} - N_{UEOK}) / N_{SS}$
 N_{UEOK} : UE received RLC SDUs as reported in the "UE TEST LOOP MODE 3 RLC SDU COUNTER RESPONSE" message in step 9.
 N_{SS_ACC} : Accumulated sum of N_{SS} tested so far.
 - 11) The SS orders the UE to move to CELL_PCH state by transmitting a PHYSICAL_CHANNEL_RECONFIGURATION message with the RRC state indicator set to "CELL_PCH".
 - 12) The UE send a PHYSICAL_CHANNEL_RECONFIGURATION_COMPLETE message.
 - 13) Repeat steps 2) to 12) until the confidence level for RLC SDU's according to annex F.6.4.4.
 - 14) End the RRC connection according to the generic call setup procedure specified in TS 34.108 [3] clause 7.3.10.
- NOTE: In the Step 6 and 14 above, the 3 identical CELL_UPDATE_CONFIRM messages are transmitted with the same RRC message sequence number. Transmitting 3 identical CELL_UPDATE_CONFIRM messages is done to increase the probability of correct message reception at the UE.

Specific Message Contents

All messages indicated above shall use the same content as described in the default message content in clause 9 of 34.108 [3], with the exceptions stated in clause 7.3.10 of 34.108 [3], and with the following exceptions:

SYSTEM INFORMATION BLOCK TYPE5

| Information Element | Value/remark |
|---------------------|--------------|
| - PICH Power offset | -2 dB |

Content of CELL UPDATE CONFIRM message for CELL_FACH (Step 6 and Step 14)

| Information Element | Value/remark |
|----------------------------|--------------------|
| RRC transaction identifier | 0 |
| Activation time | Not Present |
| New C-RNTI | 0000000000000001 B |
| RRC State indicator | CELL_FACH |

Contents of PHYSICAL CHANNEL RECONFIGURATION message: AM (Step 11)

| Information Element | Value/remark |
|------------------------------------|--------------|
| UTRAN DRX cycle length coefficient | 7 |

11.3.5 Test requirements

The test parameters are specified in table 11.3.5.1.

Table 11.3.5.1: Parameters for MTCH demodulation requirements with cell identification

| Parameter | Unit | Test 1 | | |
|------------------------------|--------------|-----------|---------|-----------|
| | | Stage 1 | Stage 2 | Stage 2 |
| Time in each stage | S | 2 | 0.8 | 2 |
| Phase reference | - | P-CPICH | | |
| I_{oc} | dBm/3.84 MHz | -70 | -73 | -70 |
| Cell1 \hat{I}_{or1}/I_{oc} | dB | -2.4 | 0.6 | -2.4 |
| Cell2 \hat{I}_{or2}/I_{oc} | dB | -2.4 | 0.6 | -infinity |
| Cell3 \hat{I}_{or3}/I_{oc} | dB | -infinity | 0.6 | -2.4 |
| Propagation condition | | Case1 | | |
| MTCH Data Rate | Kbps | 128 | | |
| Number of Radio Links | | 2 | 3 | 2 |

The RLC SDU ER shall not exceed the value specified in table 11.3.5.2 for the specified $\frac{S - CCPCH_Ec}{I_{or}}$.

Table 11.3.5.2: Requirements for MTCH detection

| Test Number | S-CCPCH_Ec/lor (dB) | RLC SDU ER |
|-------------|---------------------|------------|
| 1 | -5.5 | 0.05 |

NOTE: If the above Test Requirement differs from the Minimum Requirement then the Test Tolerance applied for this test is non-zero. The Test Tolerance for this test is defined in clause F.2 and the explanation of how the Minimum Requirement has been relaxed by the Test Tolerance is given in clause F.4.

Annex A (informative): Connection Diagrams

Definition of Terms

System Simulator or SS – A device or system, that is capable of generating simulated Node B signalling and analysing UE signalling responses on one or more RF channels, in order to create the required test environment for the UE under test. It will also include the following capabilities:

1. Measurement and control of the UE Tx output power through TPC commands
2. Measurement of Rx BLER and BER
3. Measurement of signalling timing and delays
4. Ability to simulate UTRAN and/or GERAN signalling

Test System – A combination of devices brought together into a system for the purpose of making one or more measurements on a UE in accordance with the test case requirements. A test system may include one or more System Simulators if additional signalling is required for the test case. The following diagrams are all examples of Test Systems.

NOTE: The above terms are logical definitions to be used to describe the test methods used in this document (TS34.121), in practice, real devices called 'System Simulators' may also include additional measurement capabilities or may only support those features required for the test cases they are designed to perform.

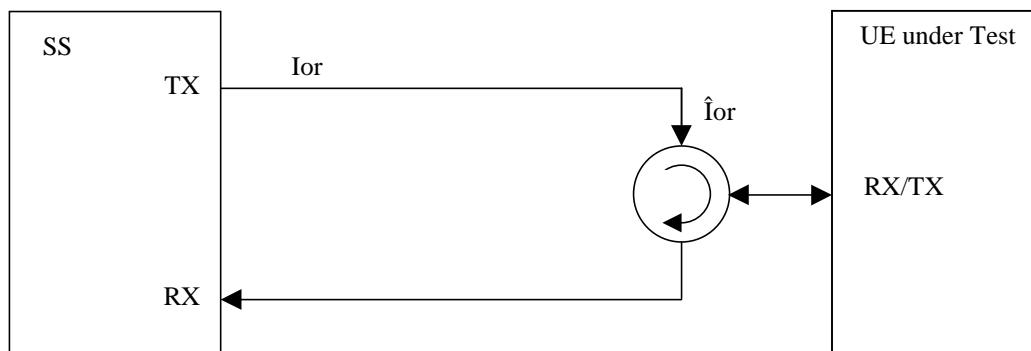


Figure A.1: Connection for basic single cell tests

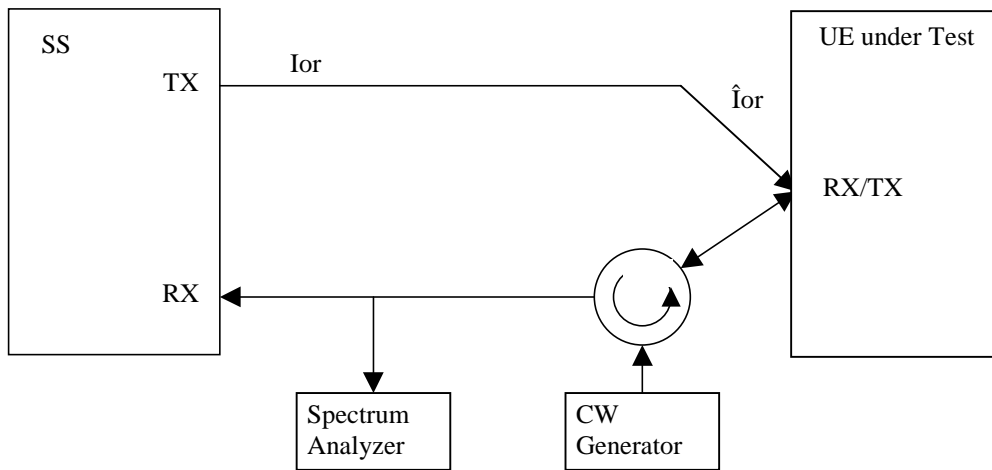


Figure A.2: Connection for Transmitter Intermodulation tests

Figure A.3: Void

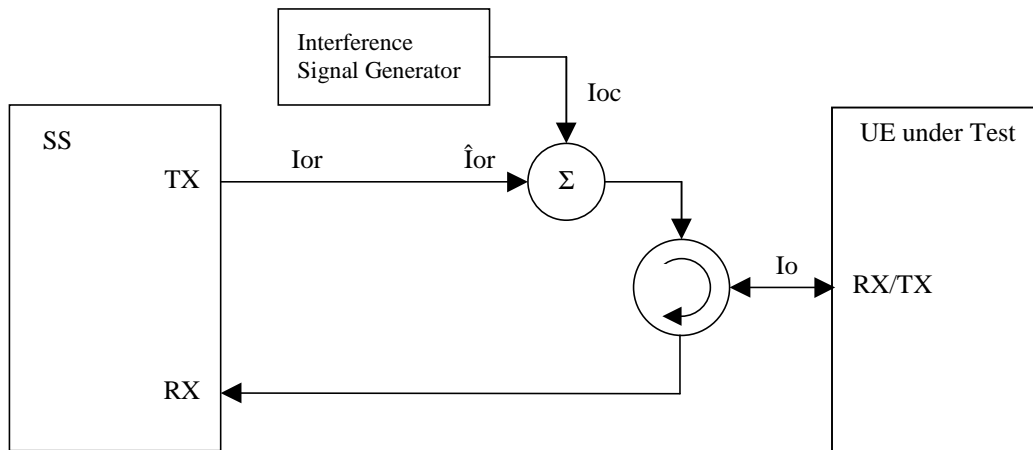


Figure A.4: Connection for Receiver tests with Interference

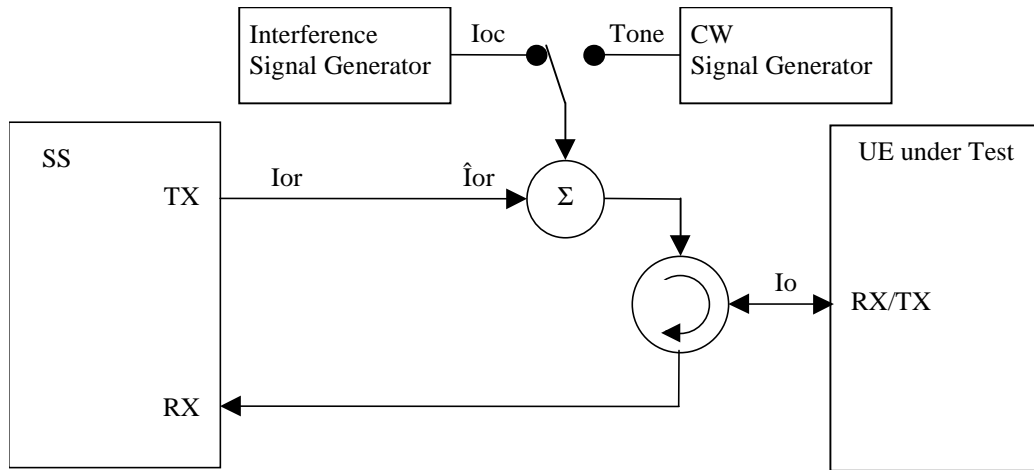


Figure A.5: Connection for Receiver tests with Interference or additional CW signal

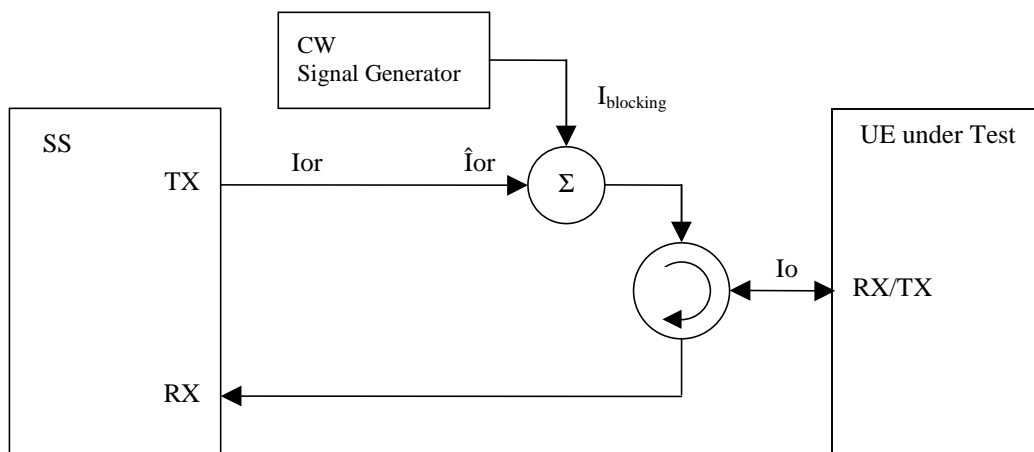


Figure A.6: Connection for Receiver tests with additional CW signal

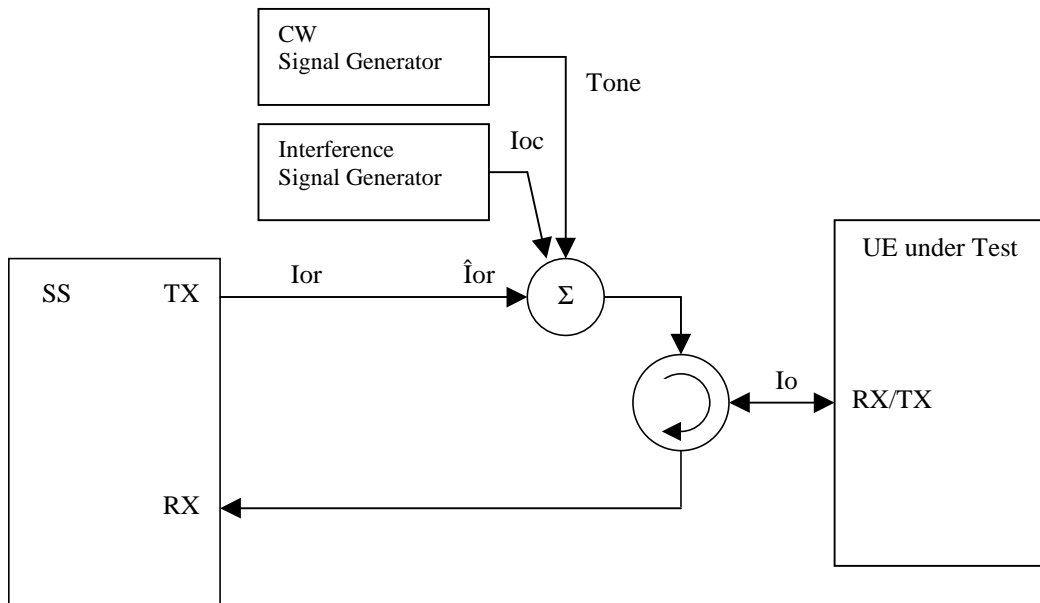


Figure A.7: Connection for Receiver tests with both Interference and additional CW signal

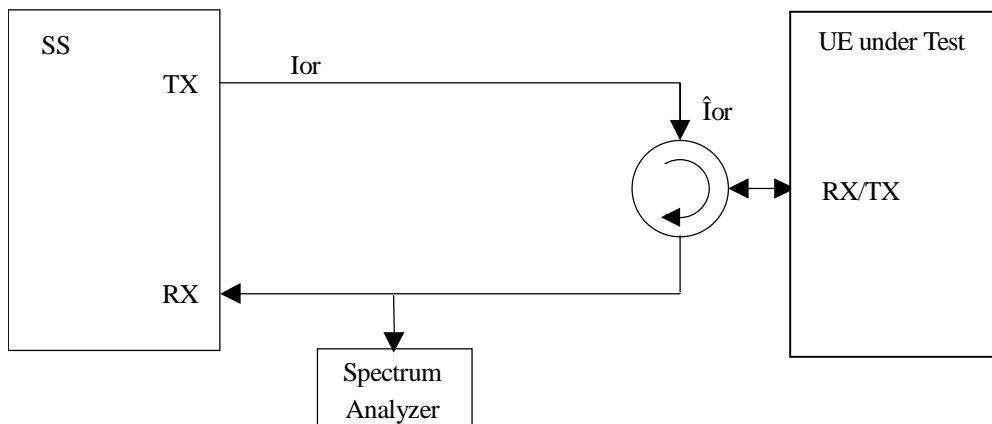


Figure A.8: Connection for tests with additional Spectrum Analyzer

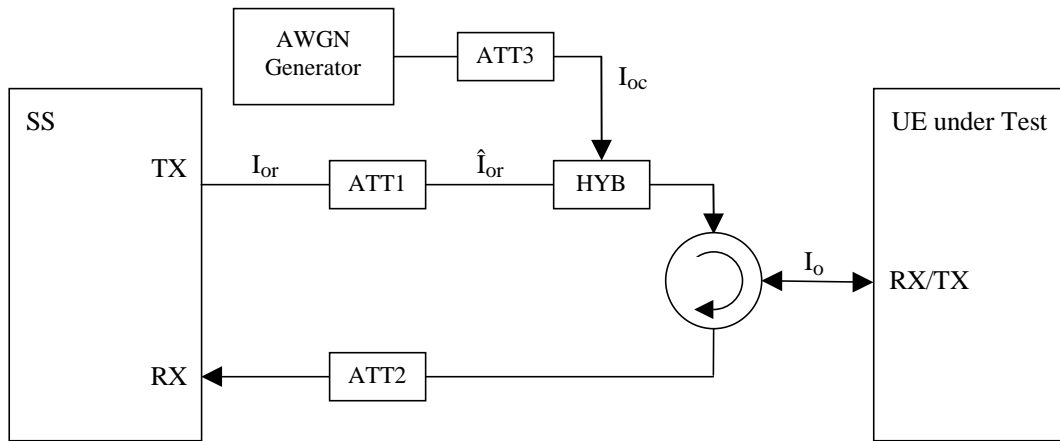


Figure A.9: Connection for single cell tests with static propagation

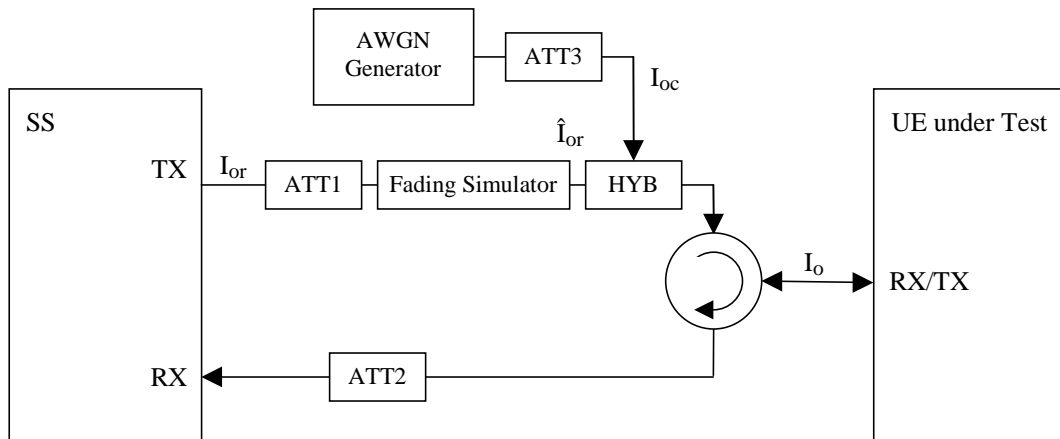


Figure A.10: Connection for single cell tests with Multi-path Fading propagation

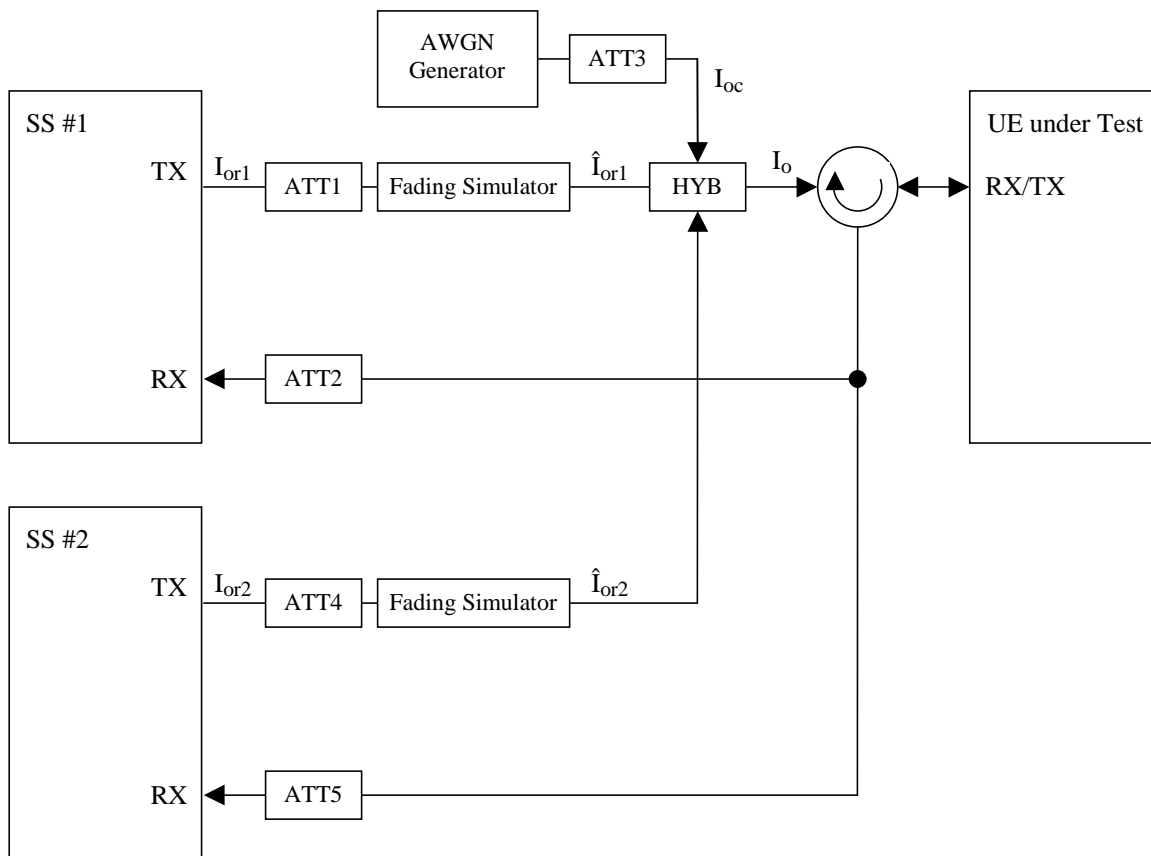


Figure A.11: Connection for two cell tests with Multi-path Fading propagation

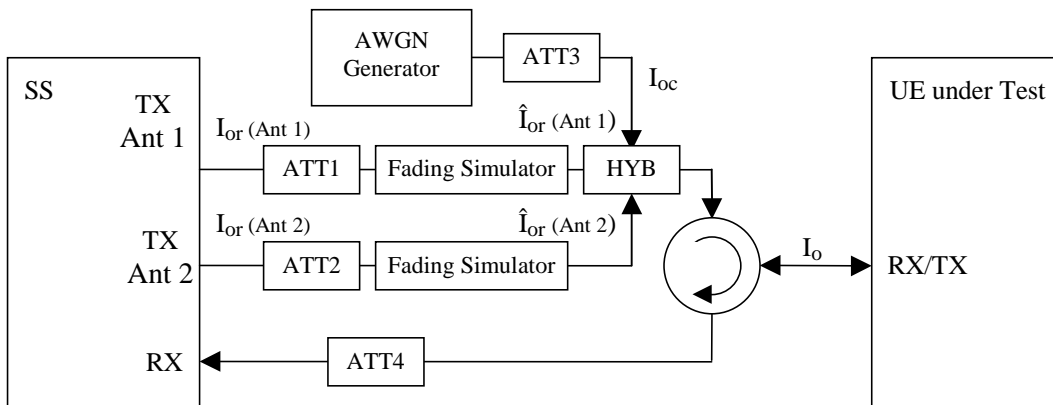


Figure A.12: Connection for single cell tests with Multi-path Fading propagation and transmit diversity

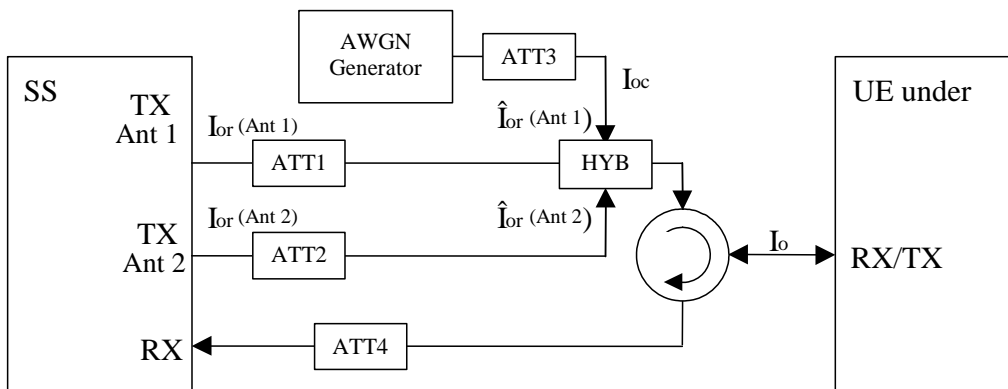


Figure A.12a: Connection for single cell tests with static propagation and transmit diversity

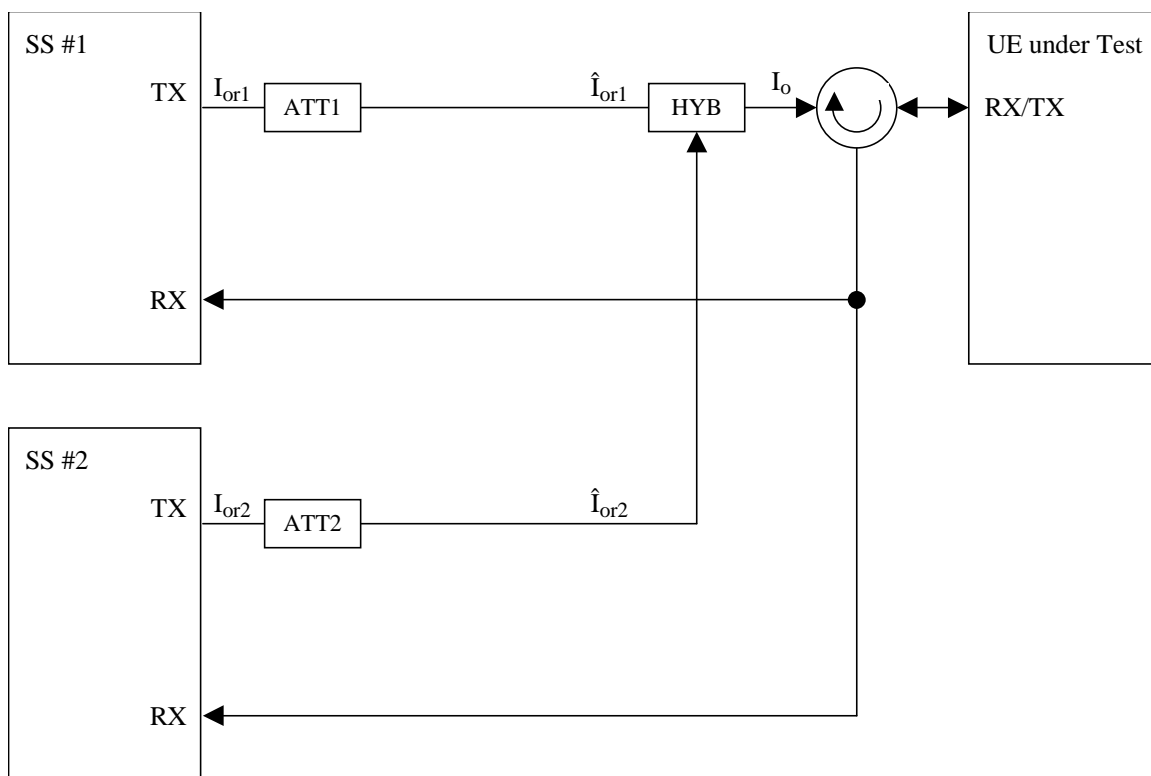


Figure A.13: Connection for basic two cell tests

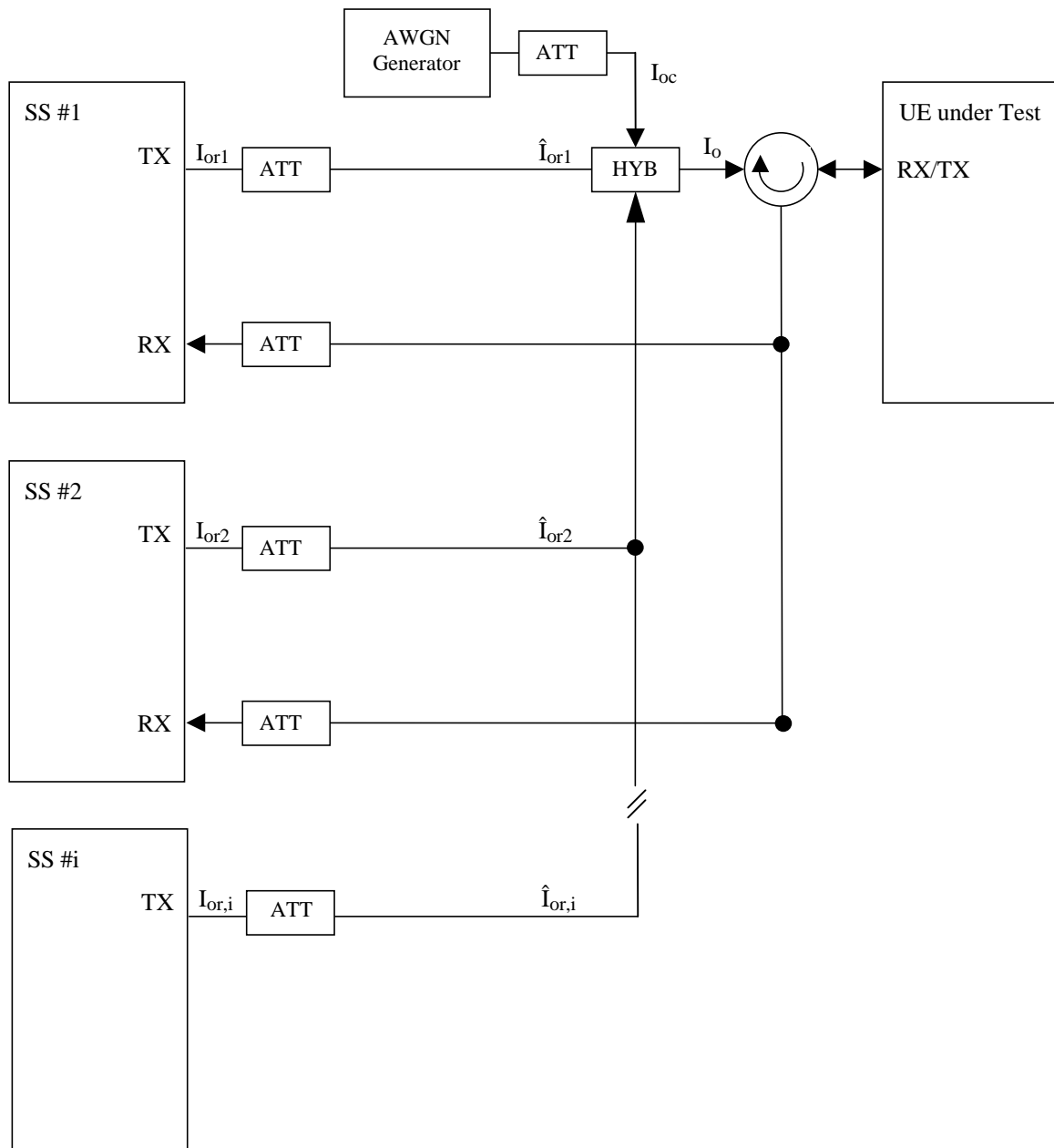


Figure A.14: Connection for multi-cell tests with static propagation

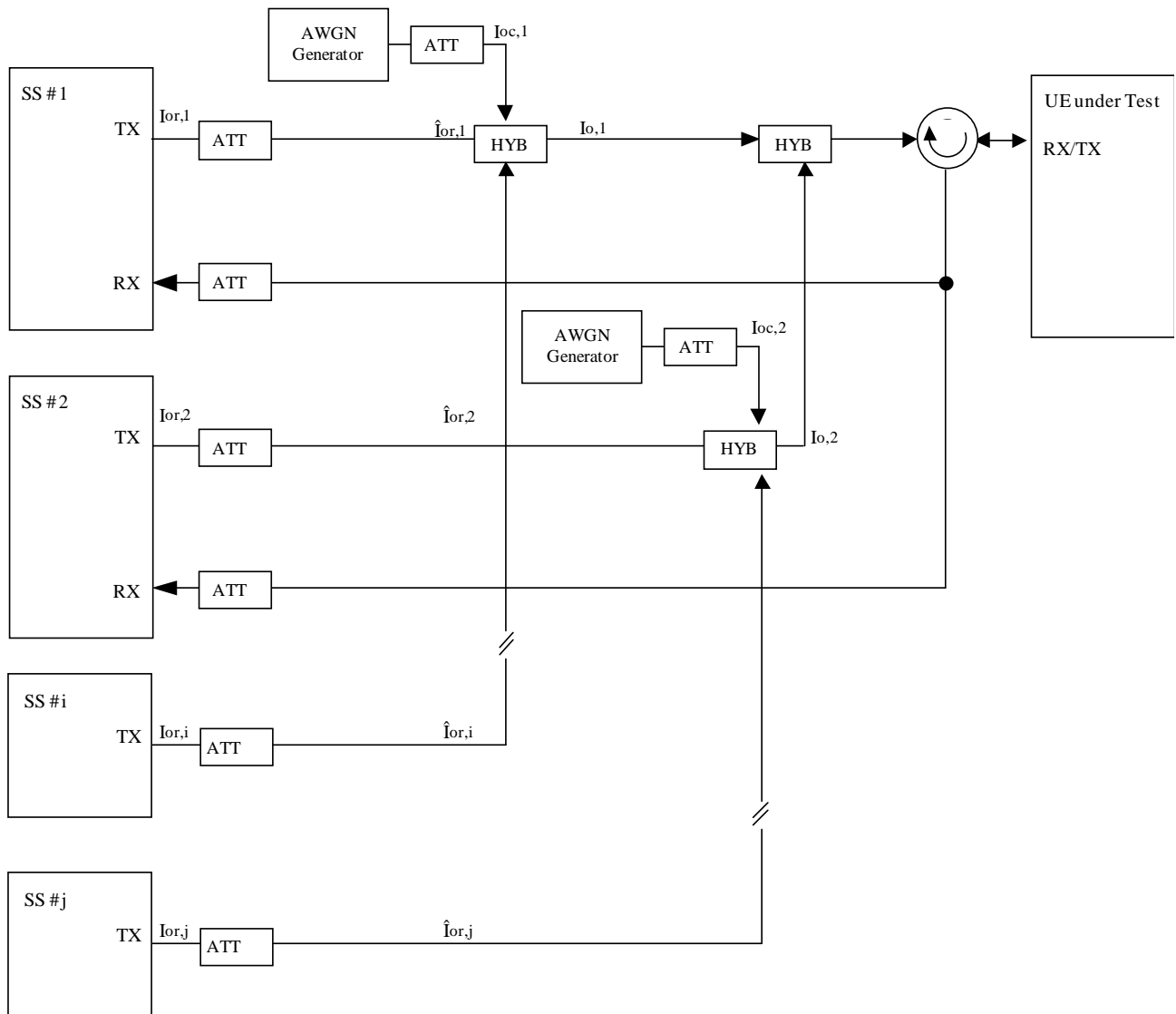


Figure A.15: Connection for multi-carrier, multi-cell tests with static propagation

Figure A.16: Void

Figure A.17: Void

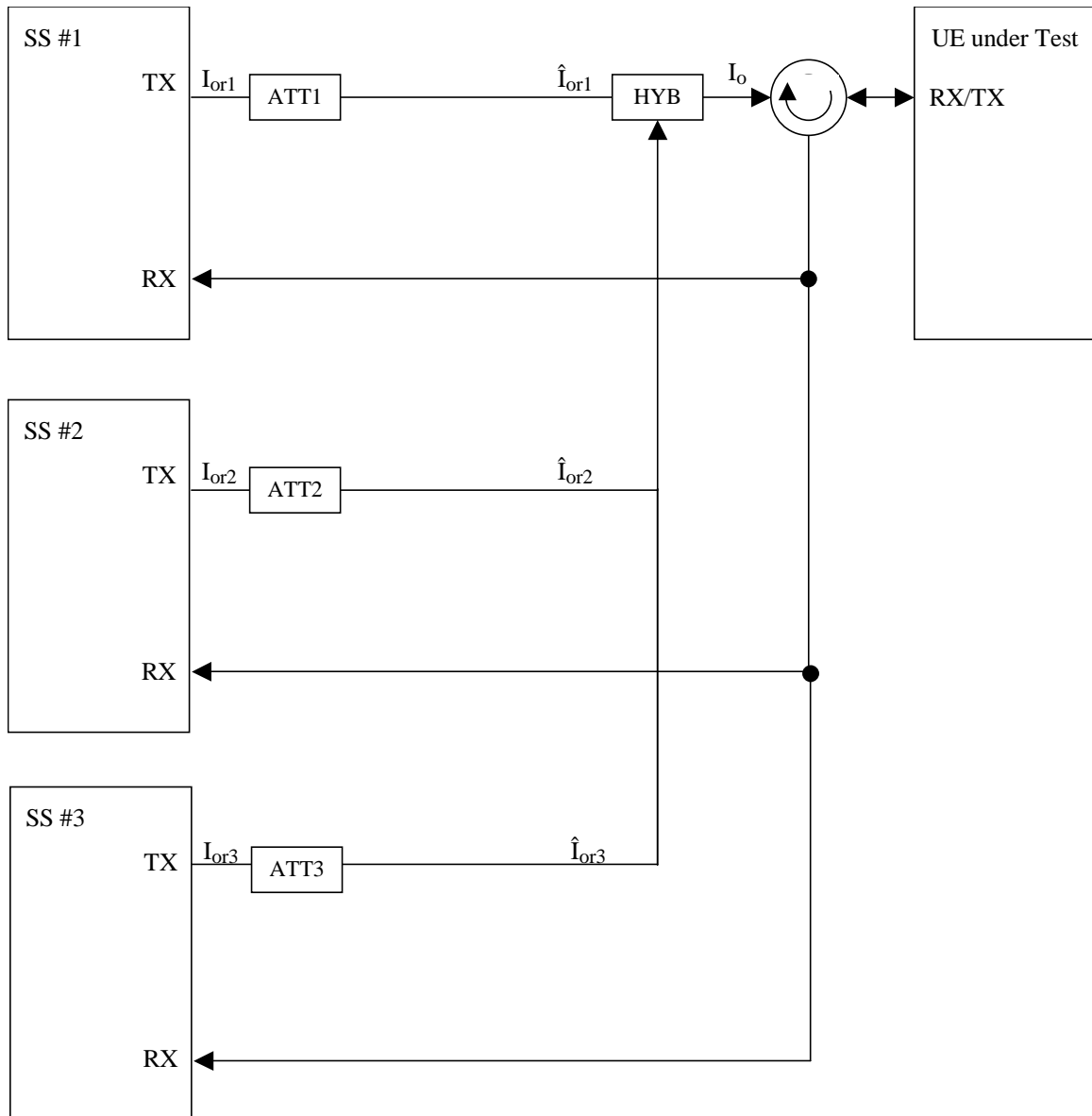


Figure A.18: Connection for basic three cell tests

Figure A.19: Void

Figure A.20: Void

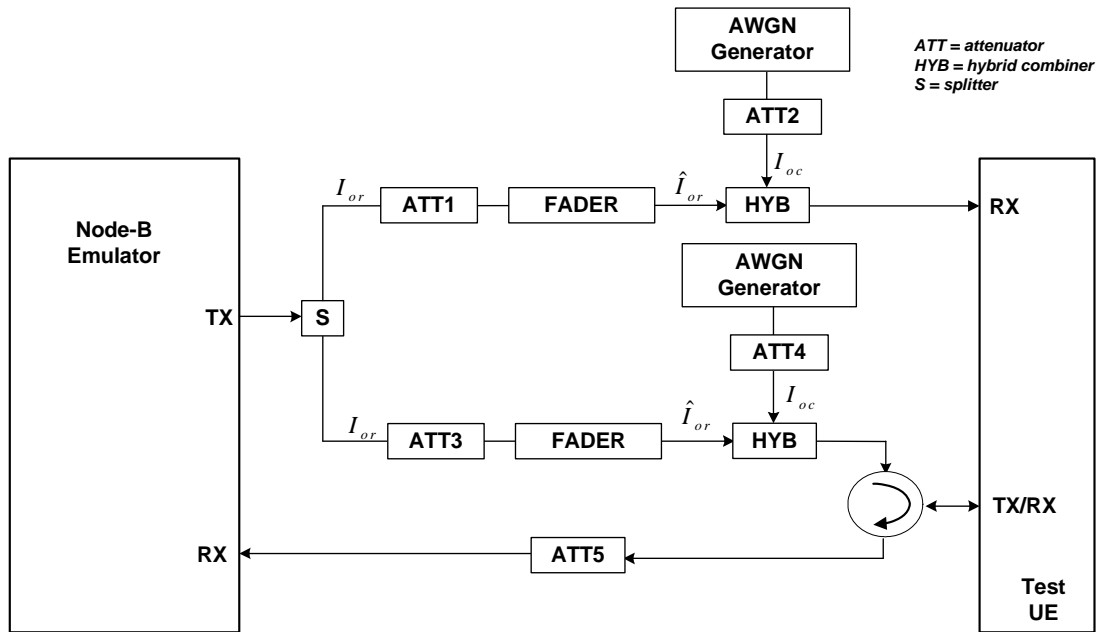


Figure A.21: Connection for single cell tests with Multi-path Fading propagation and UE receive diversity

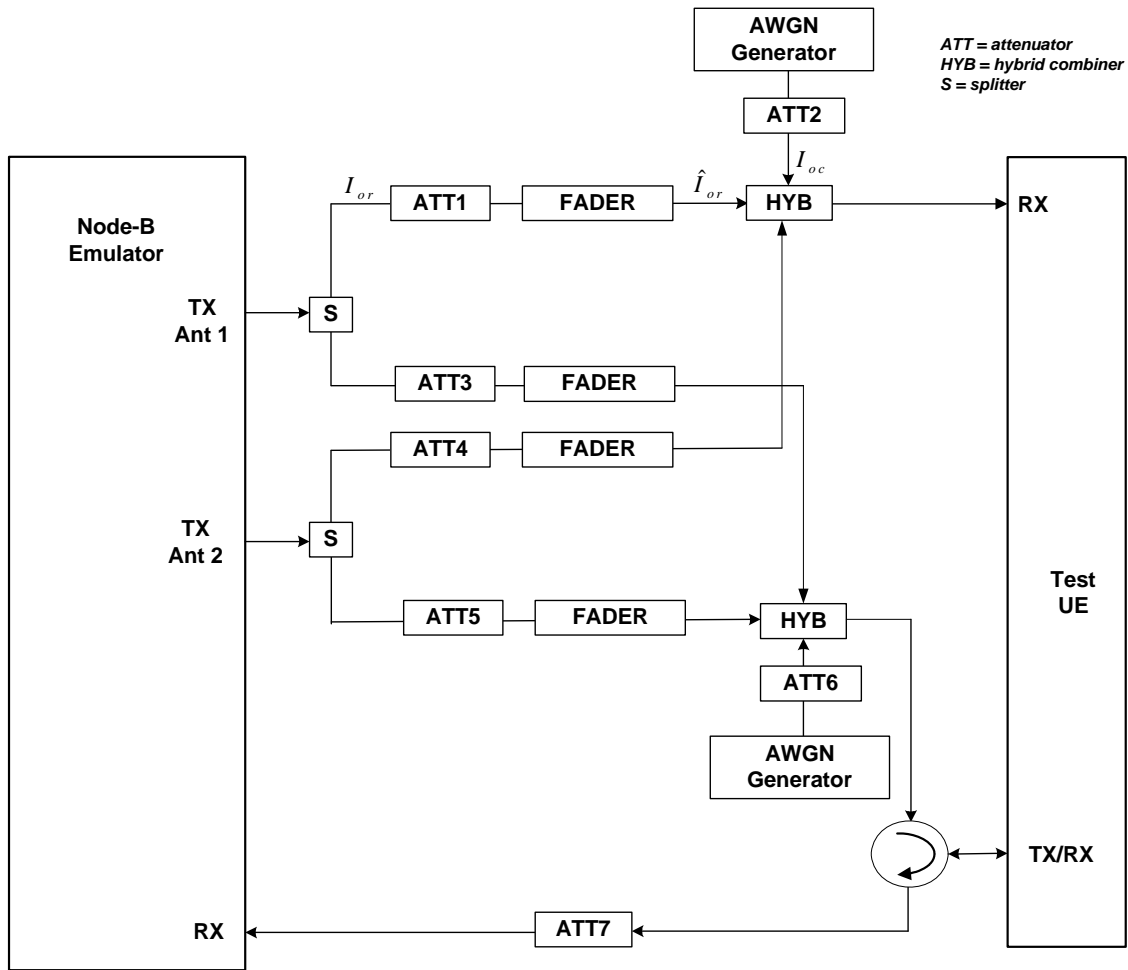


Figure A.22: Connection for single cell tests with Multi-path Fading propagation, transmit diversity UE receive diversity and MIMO.

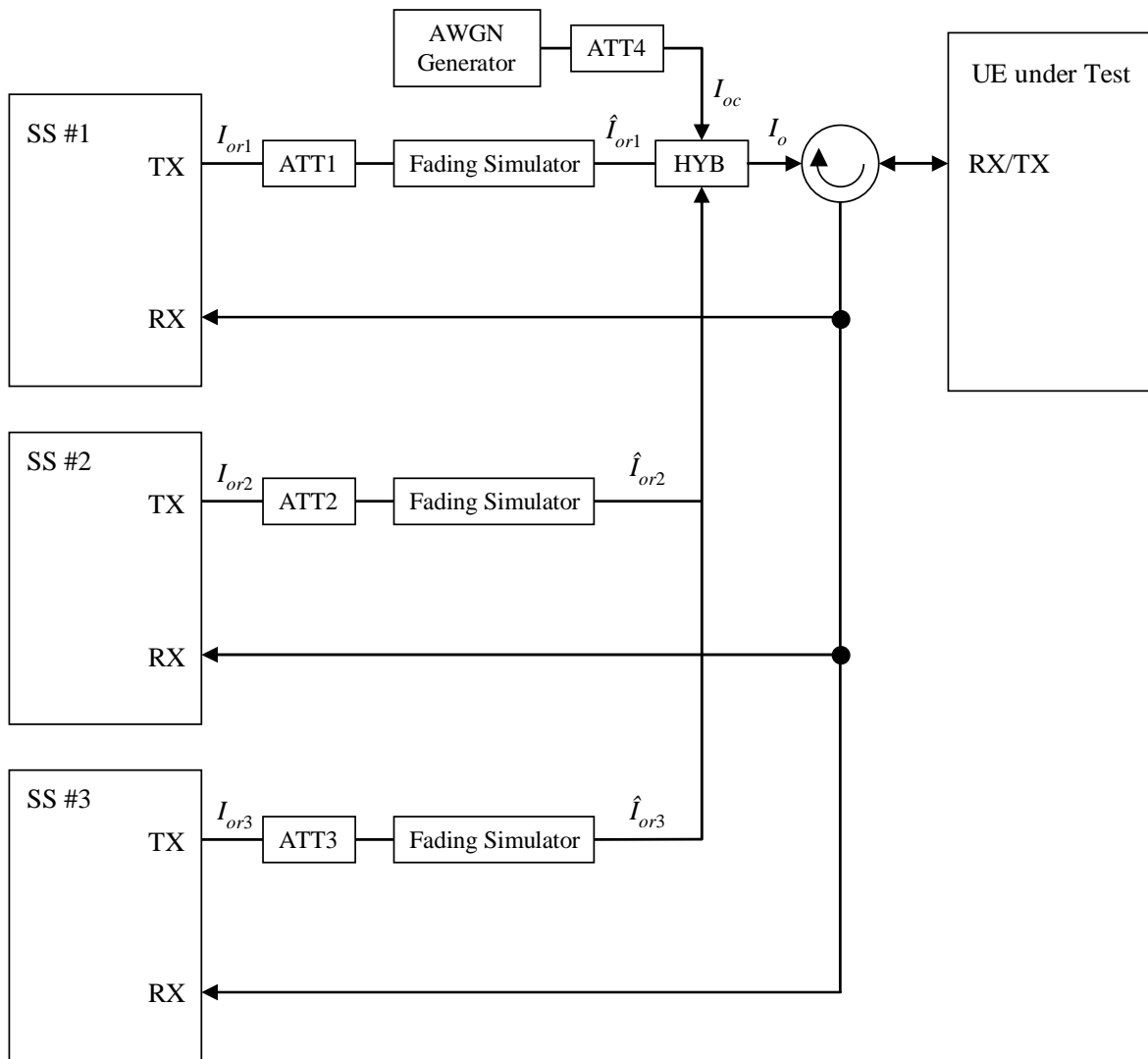


Figure A.23: Connection for three cell tests with Multi-path fading propagation

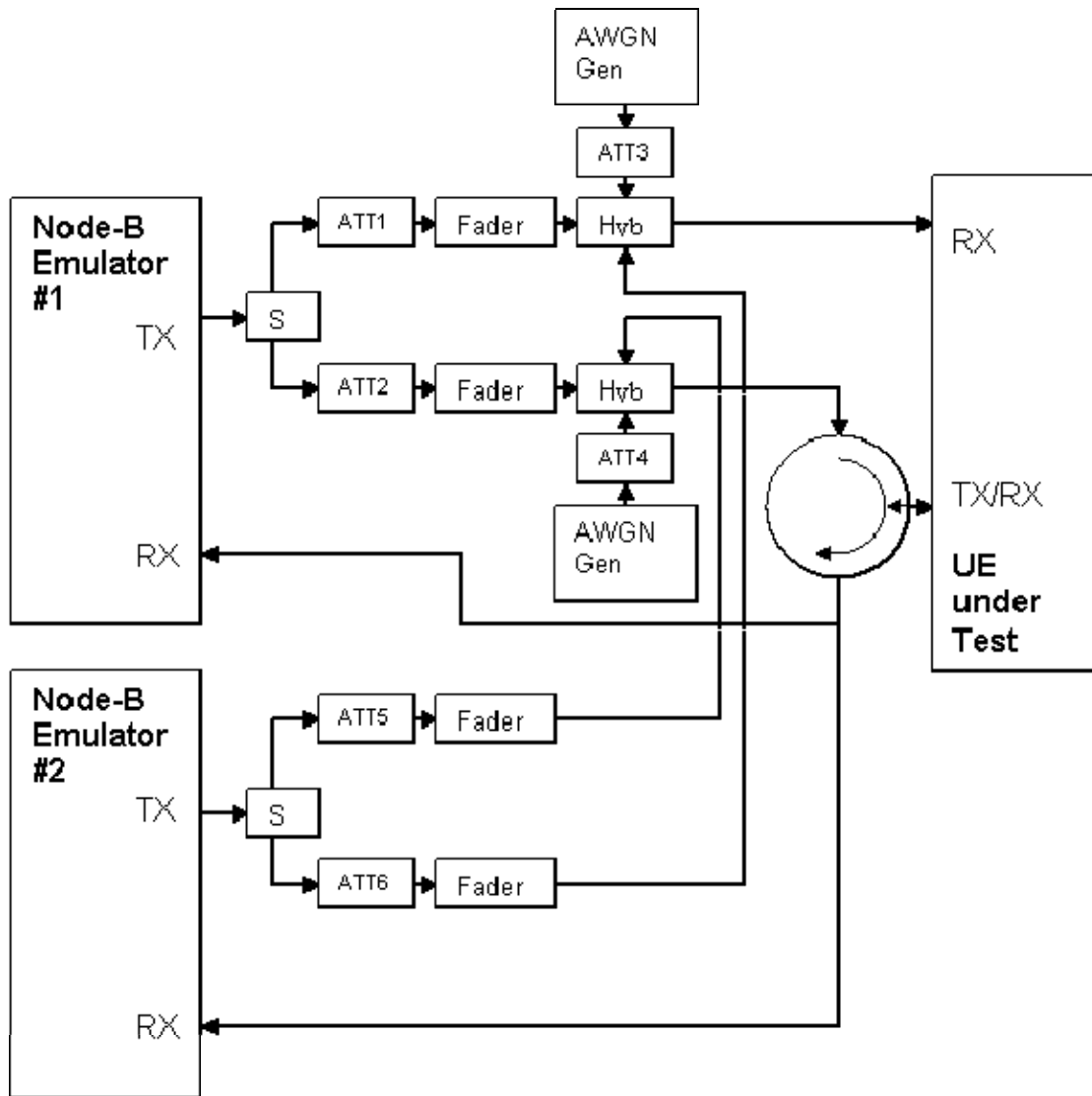


Figure A.24: Connection for two cell tests with Multi-path Fading propagation and UE receive diversity

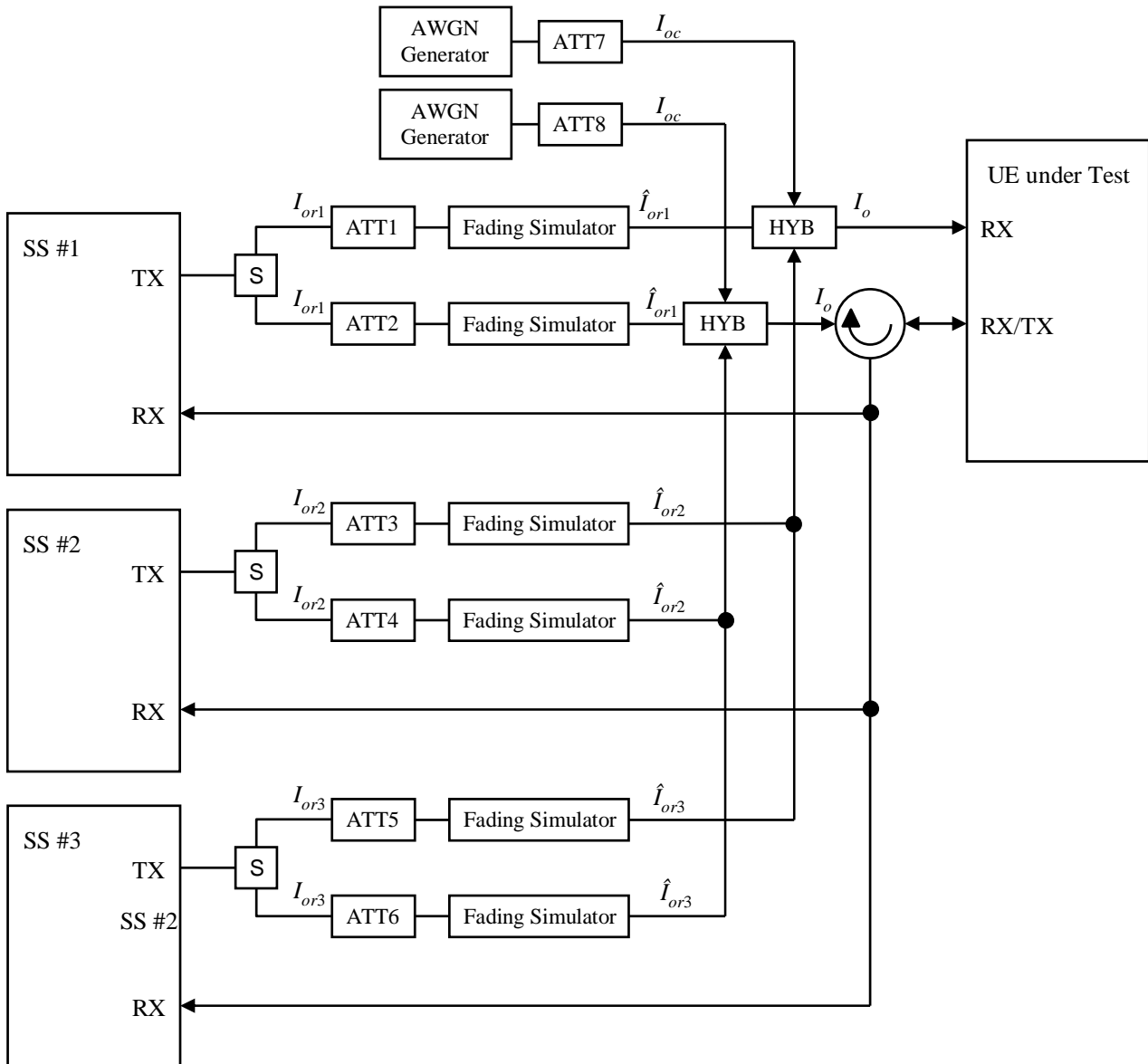


Figure A.25: Connection for three cell tests with Multi-path Fading propagation and UE receive diversity

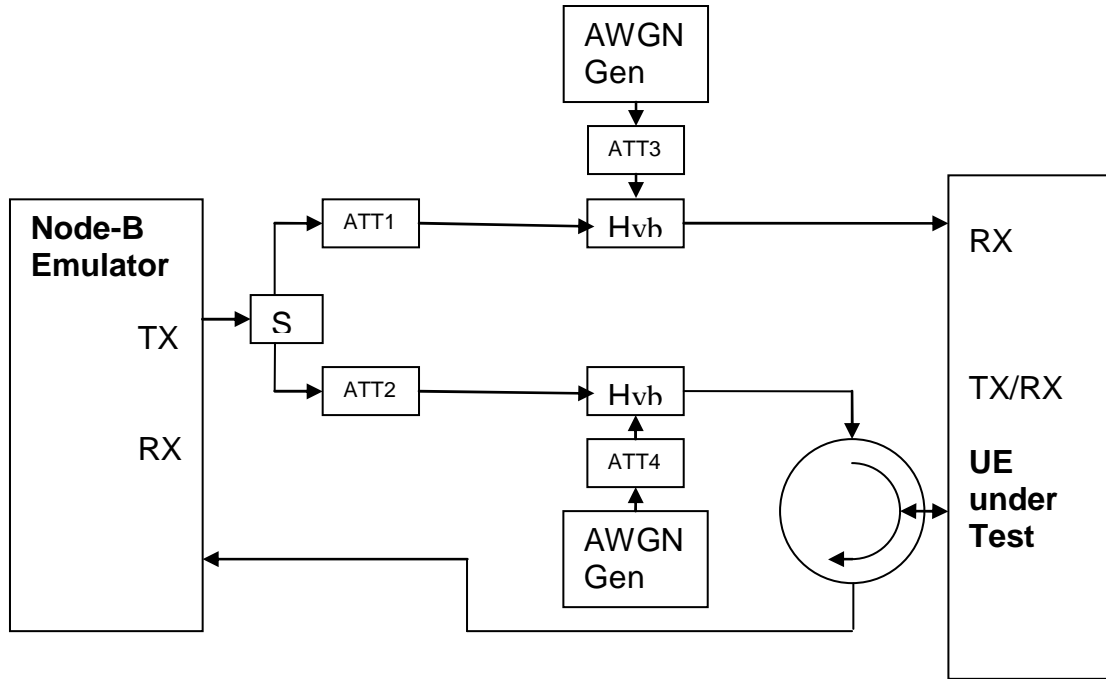


Figure A.26: Connection for single cell tests with static propagation and UE receive diversity

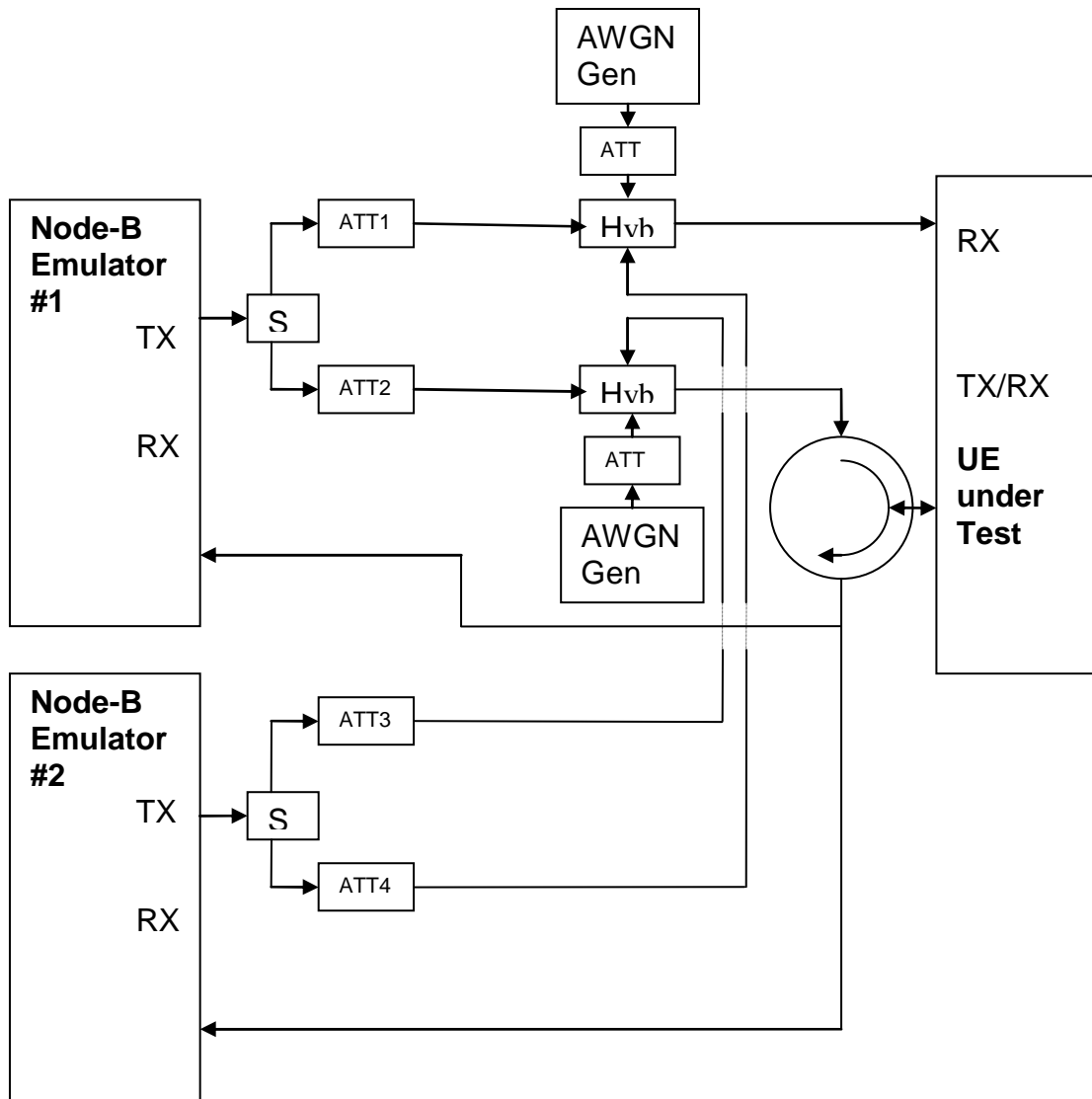


Figure A.27: Connection for two cell tests with static propagation and UE receive diversity

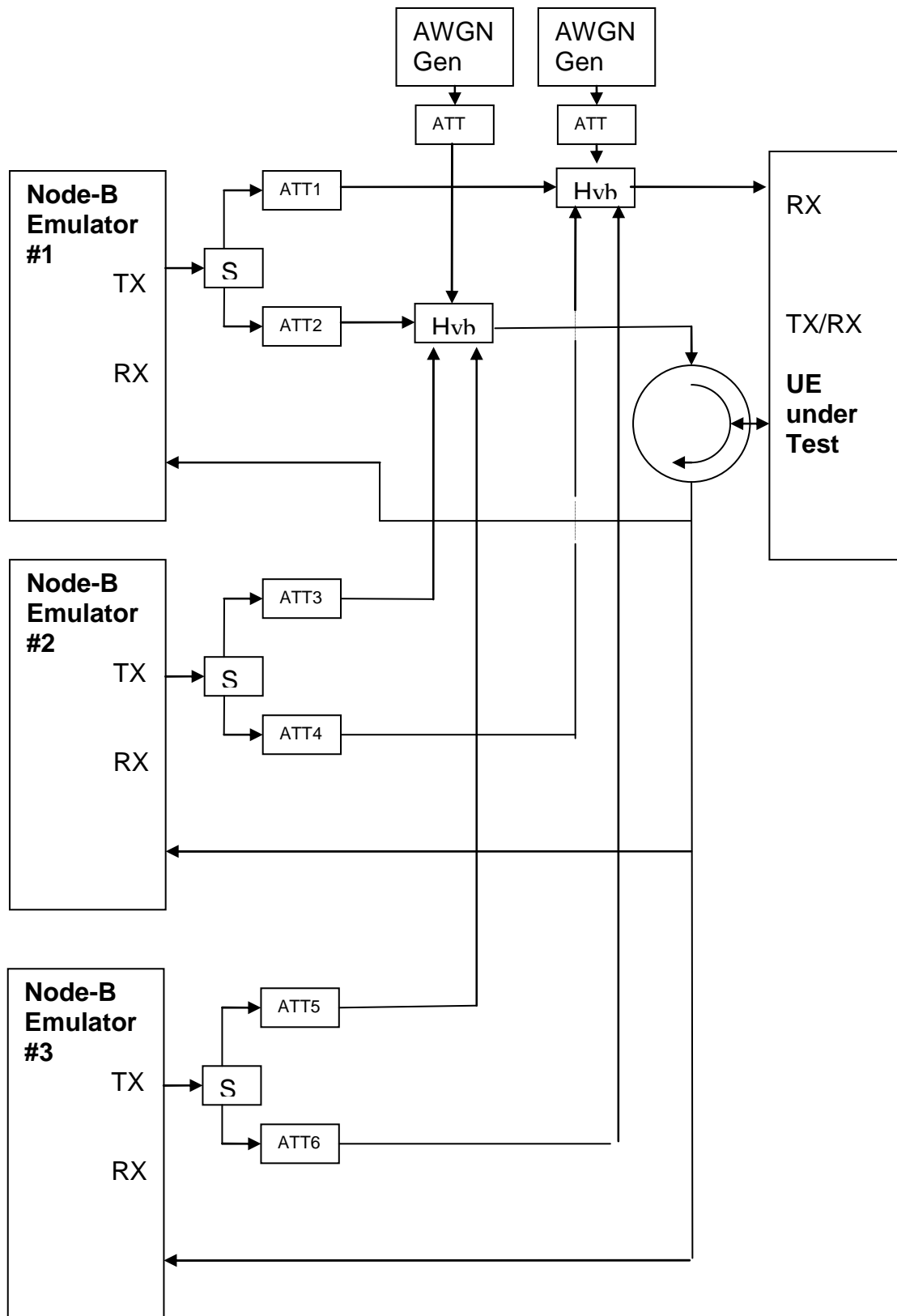


Figure A.28: Connection for 3 cell tests with static propagation and UE receive diversity

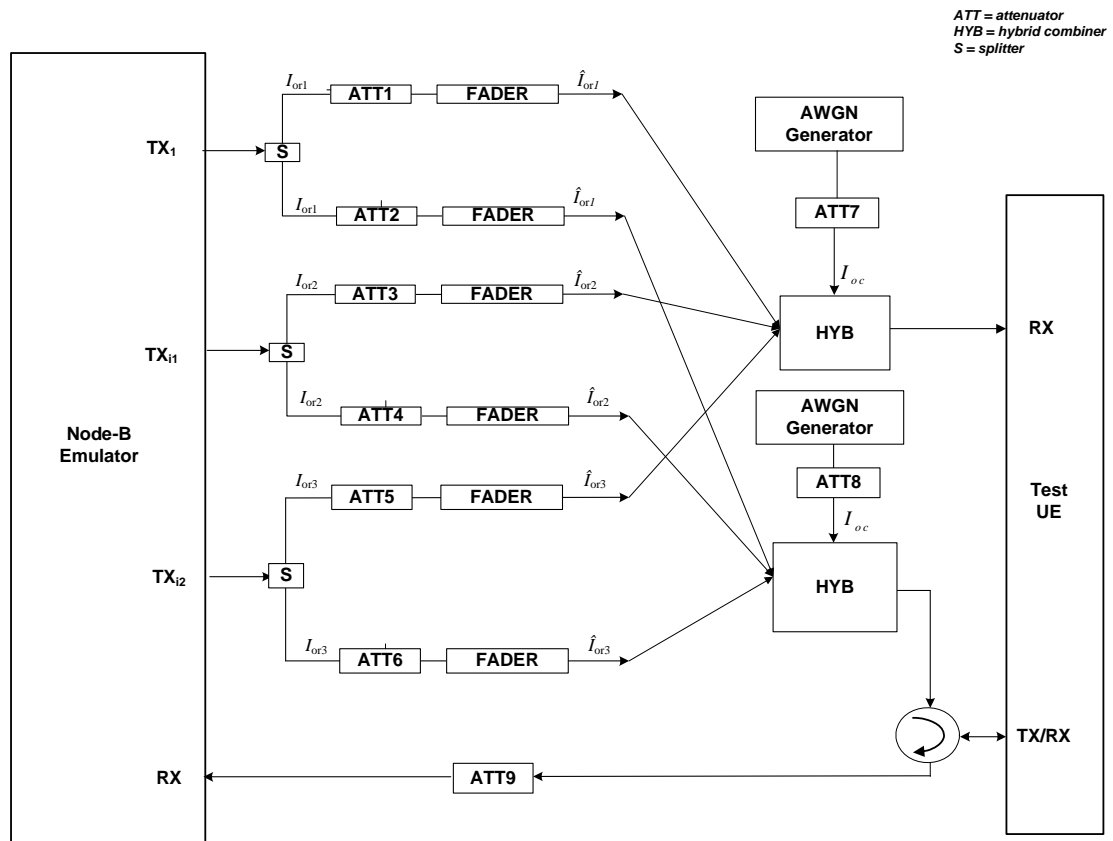


Figure A.29: Connection for single cell tests with Multi-path Fading propagation and UE receive diversity for Type 3i tests

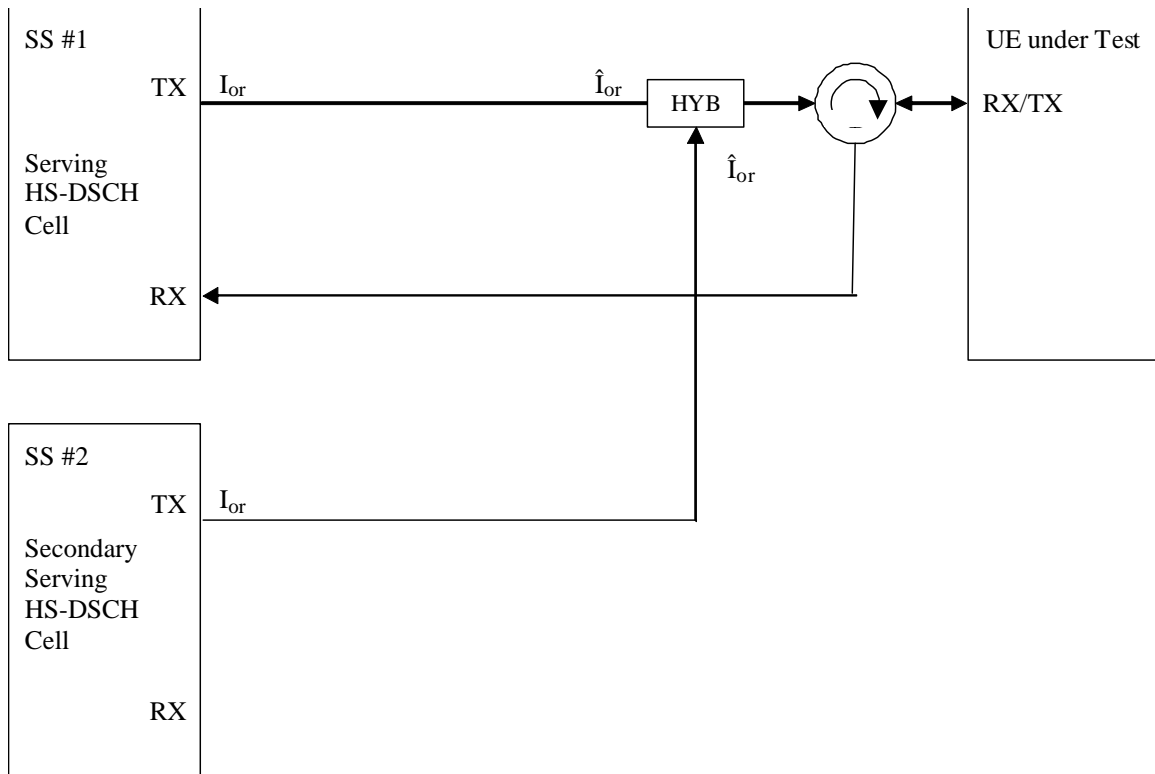


Figure A.30: Connection for basic DC-HSDPA and DB-DC-HSDPA receiver tests

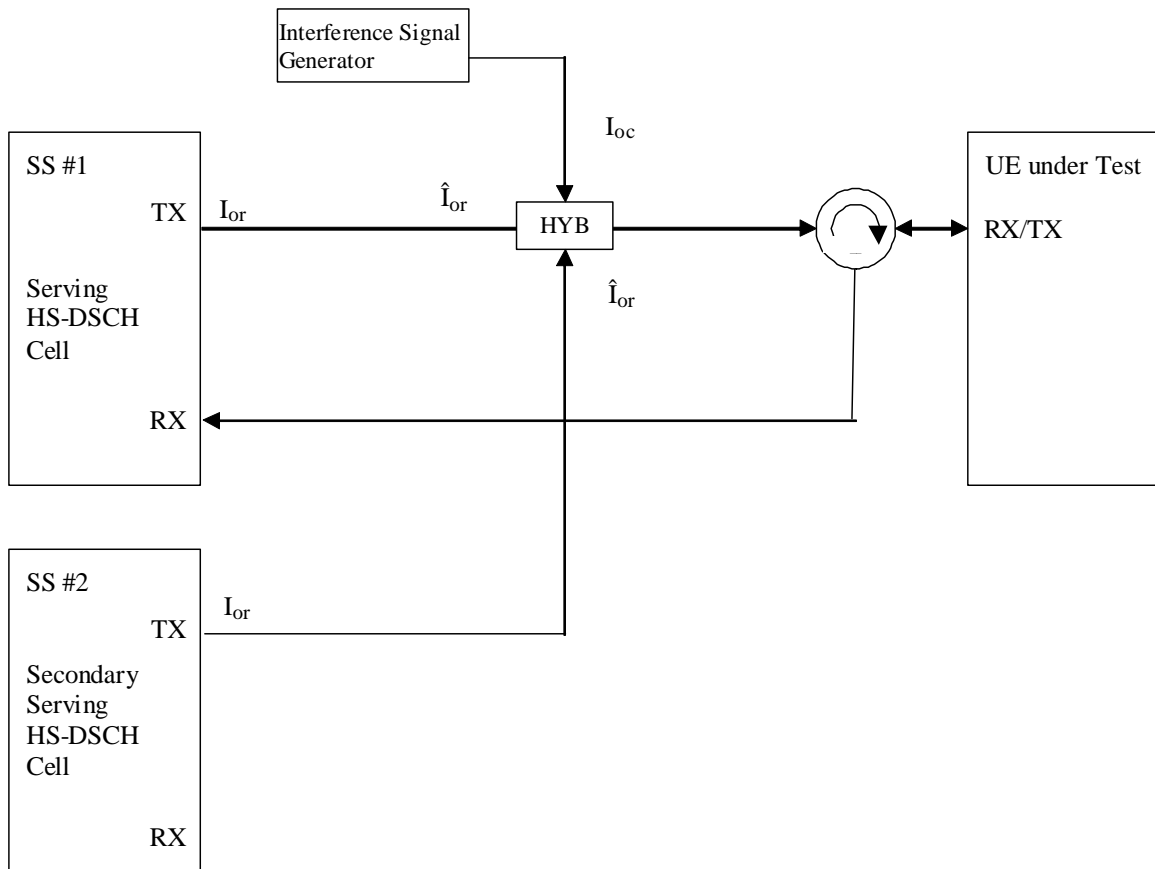


Figure A.31: Connection for DC-HSDPA and DB-DC-HSDPA receiver tests with interferer

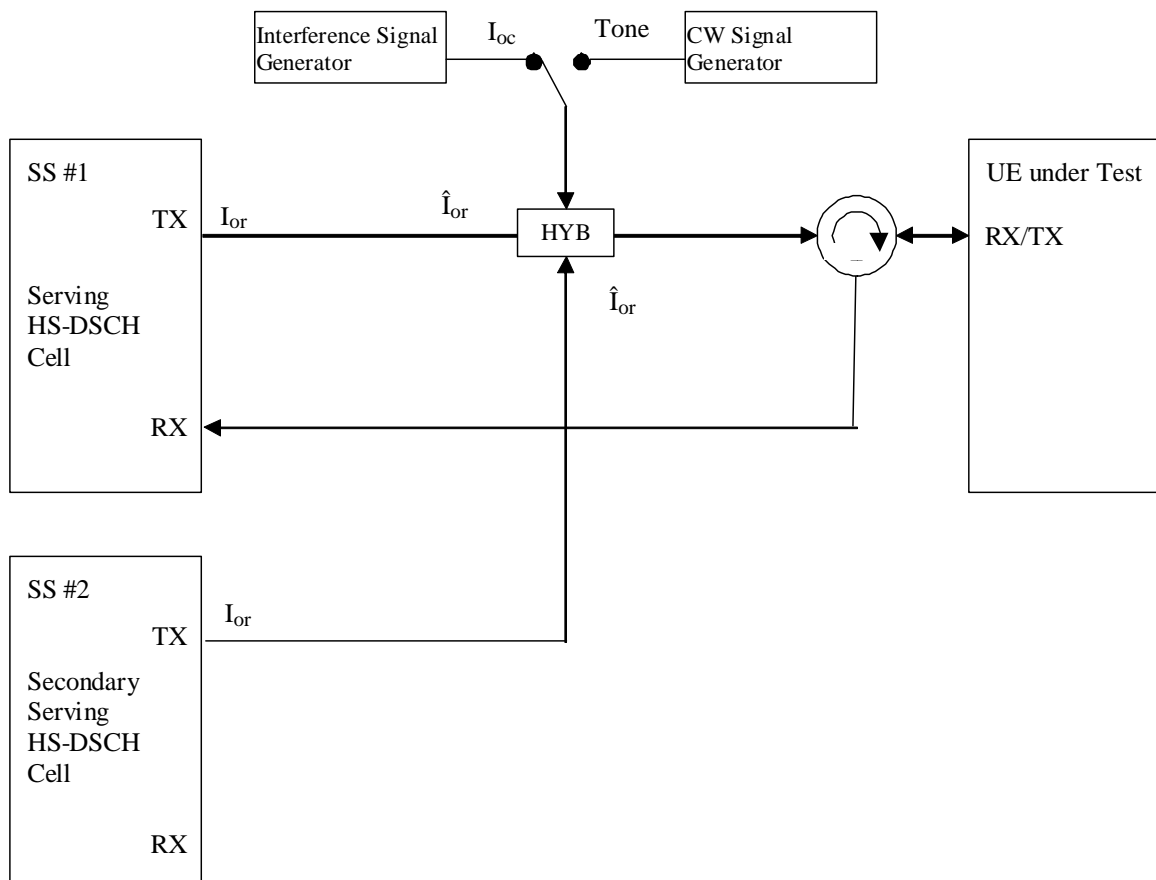


Figure A.32: Connection for DC-HSDPA and DB-DC-HSDPA receiver tests with interferer or additional CW signal

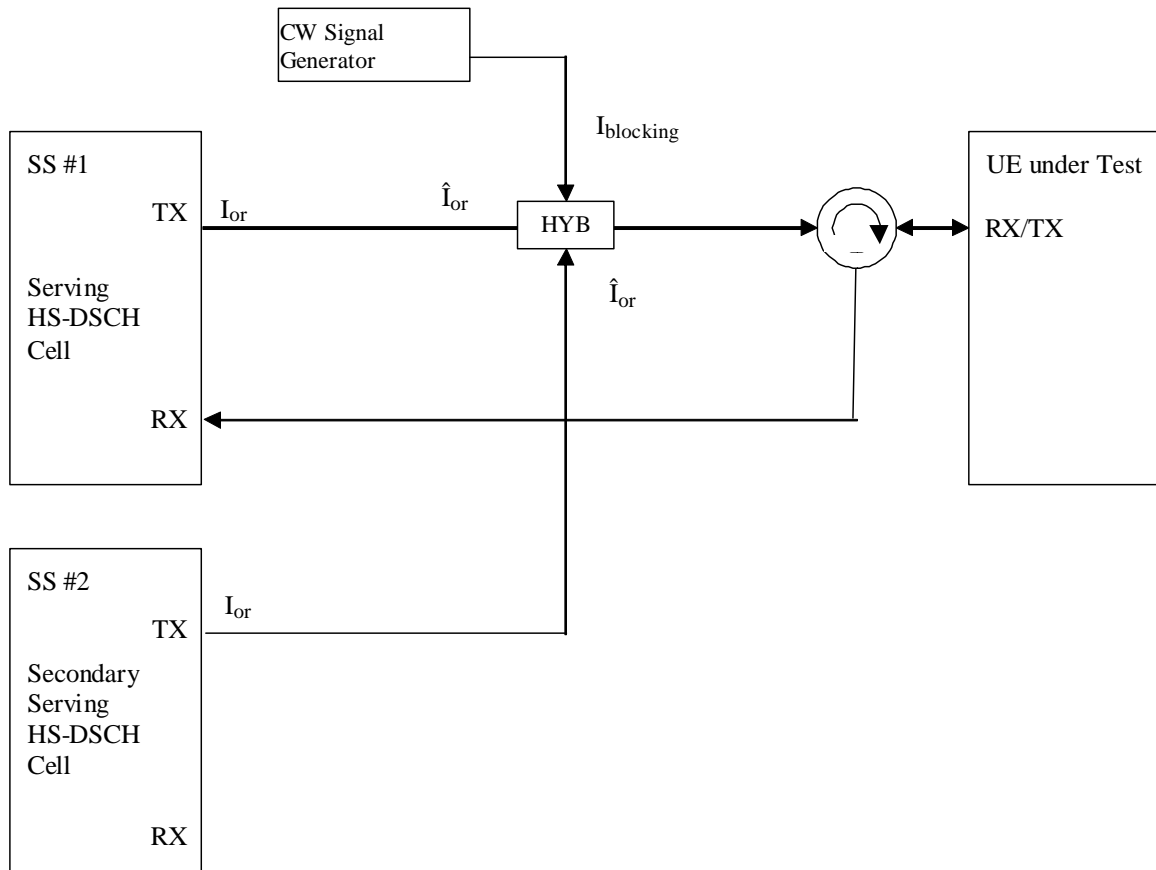


Figure A.33: Connection for DC-HSDPA and DB-DC-HSDPA receiver tests with additional CW signal

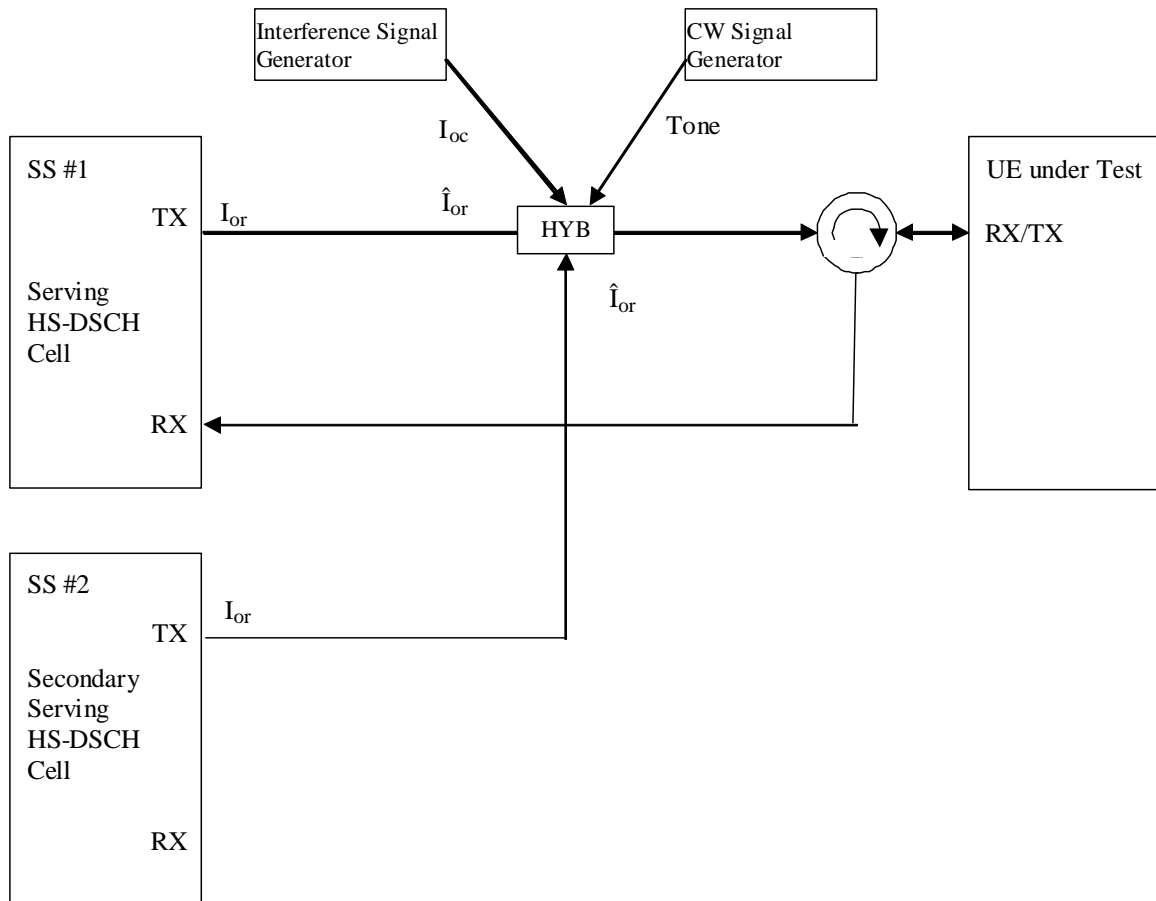


Figure A.34: Connection for DC-HSDPA and DB-DC-HSDPA receiver tests with both interferer and additional CW signal

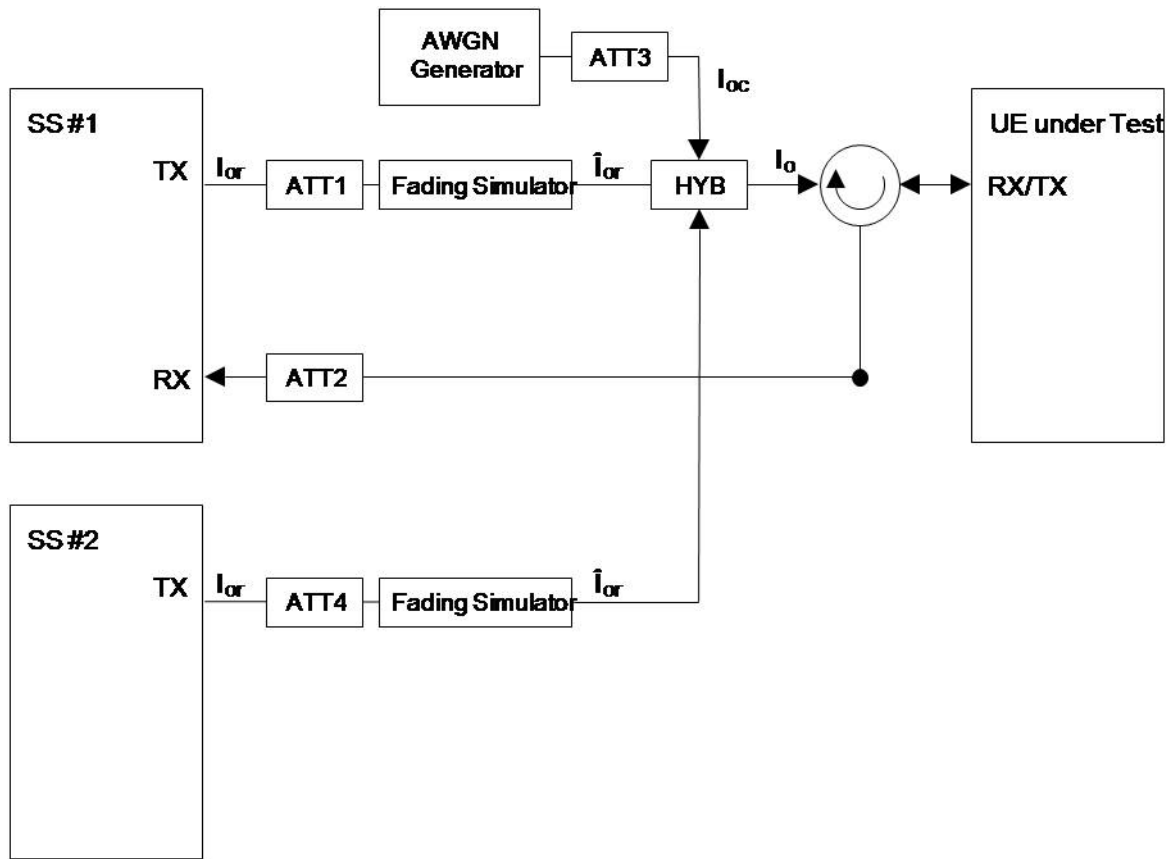


Figure A.35: Connection for Dual cell tests with Multi-path Fading propagation for DC-HSDPA and DB-DC-HSDPA type 2 performance requirements

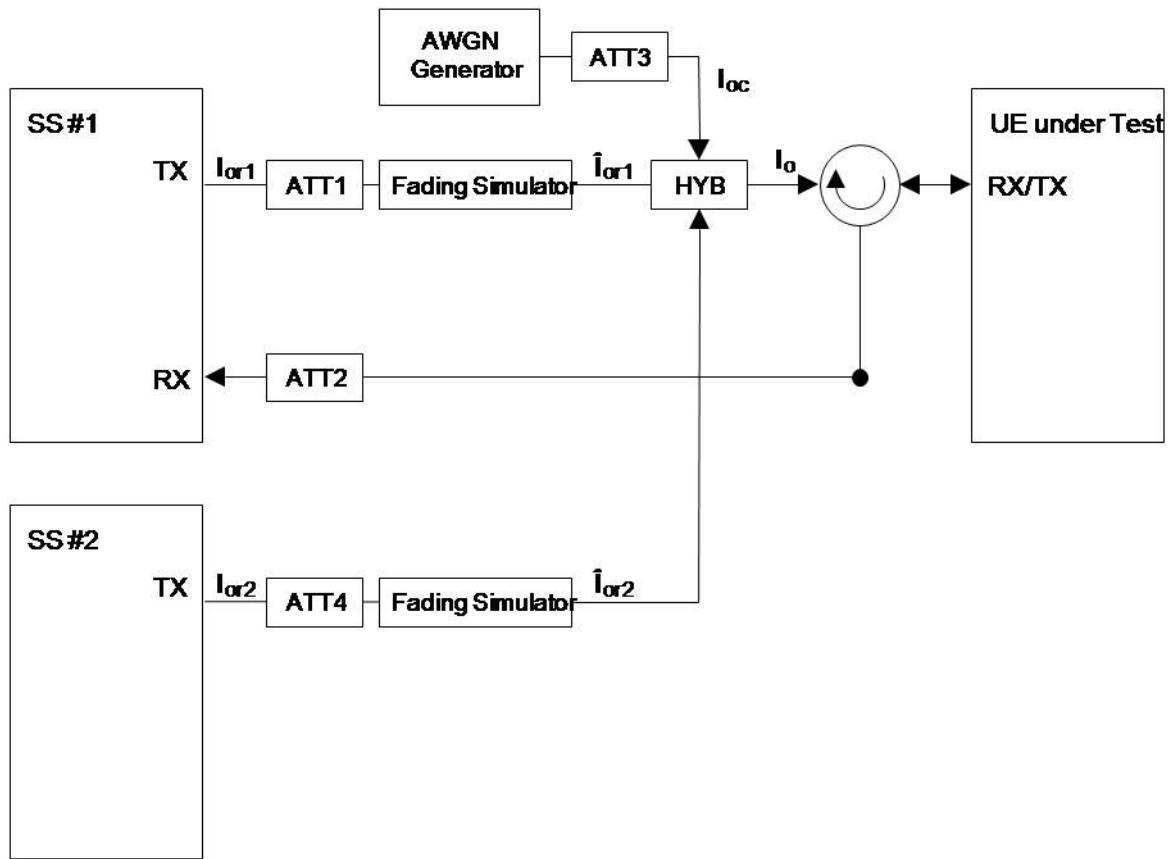


Figure A.36: Connection for Dual cell tests with Multi-path Fading propagation for DC-HSDPA and DB-DC-HSDPA CQI reporting test cases

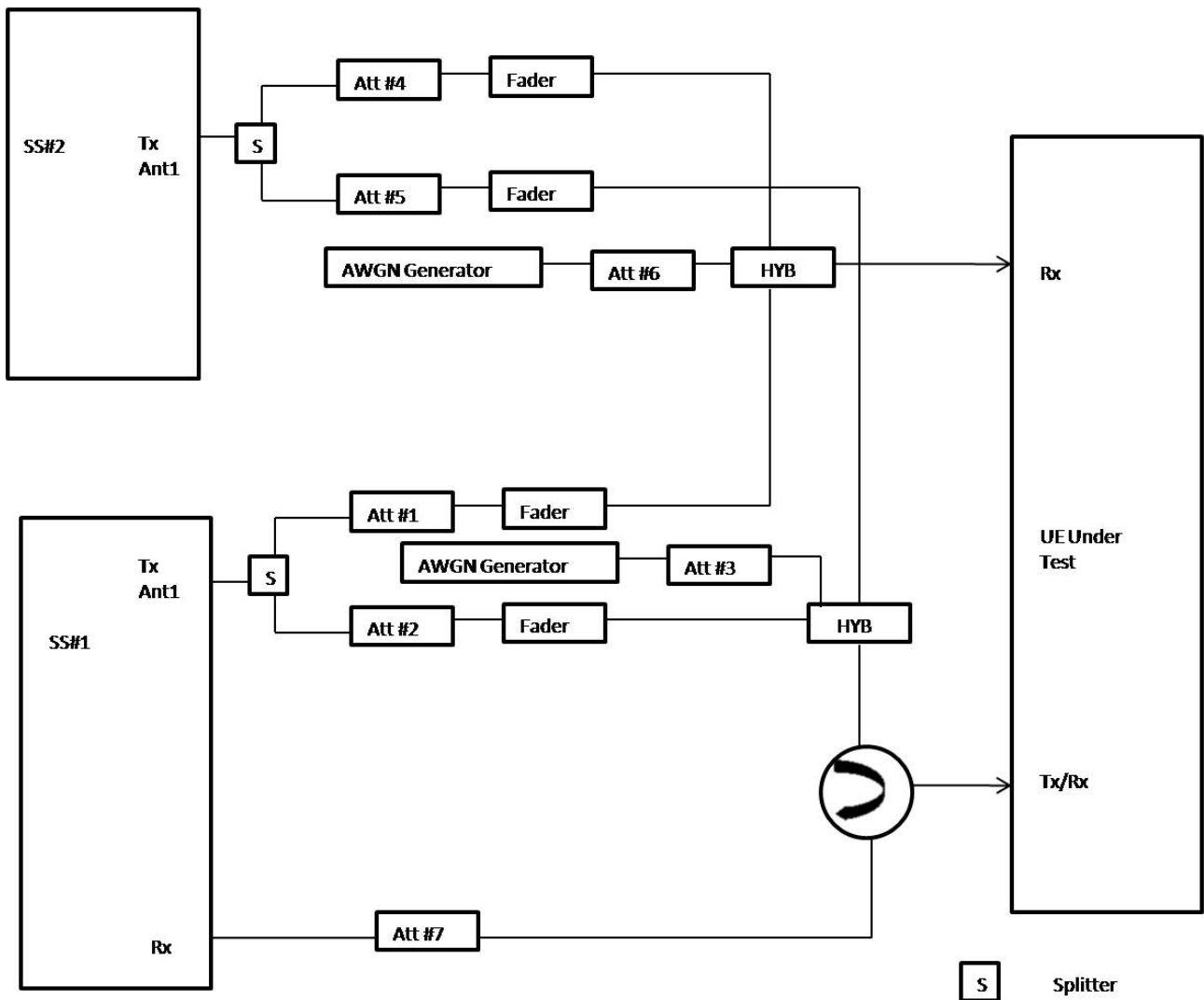


Figure A.37: Connection for Dual cell tests with Multi-path Fading propagation for DC-HSDPA and DB-DC-HSDPA Type 3 Performance test cases

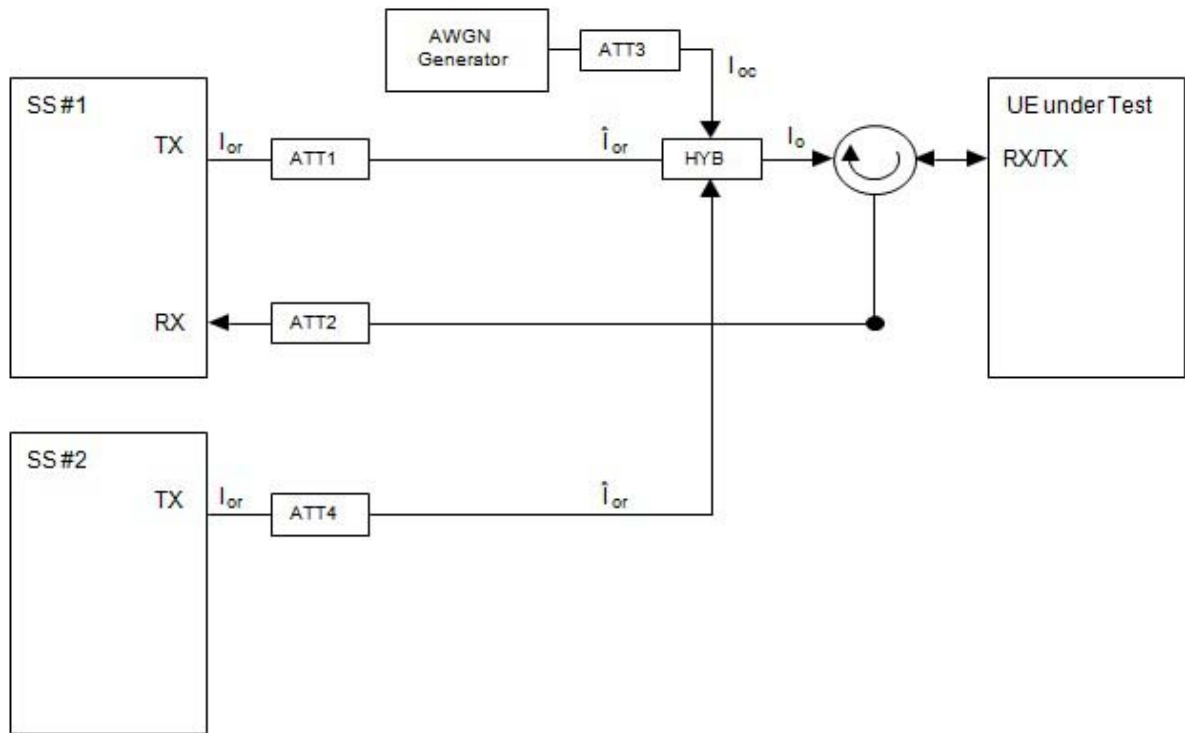


Figure A.38: Connection for Dual cell tests with Static propagation for DC-HSDPA and DB-DC-HSDPA CQI reporting test cases

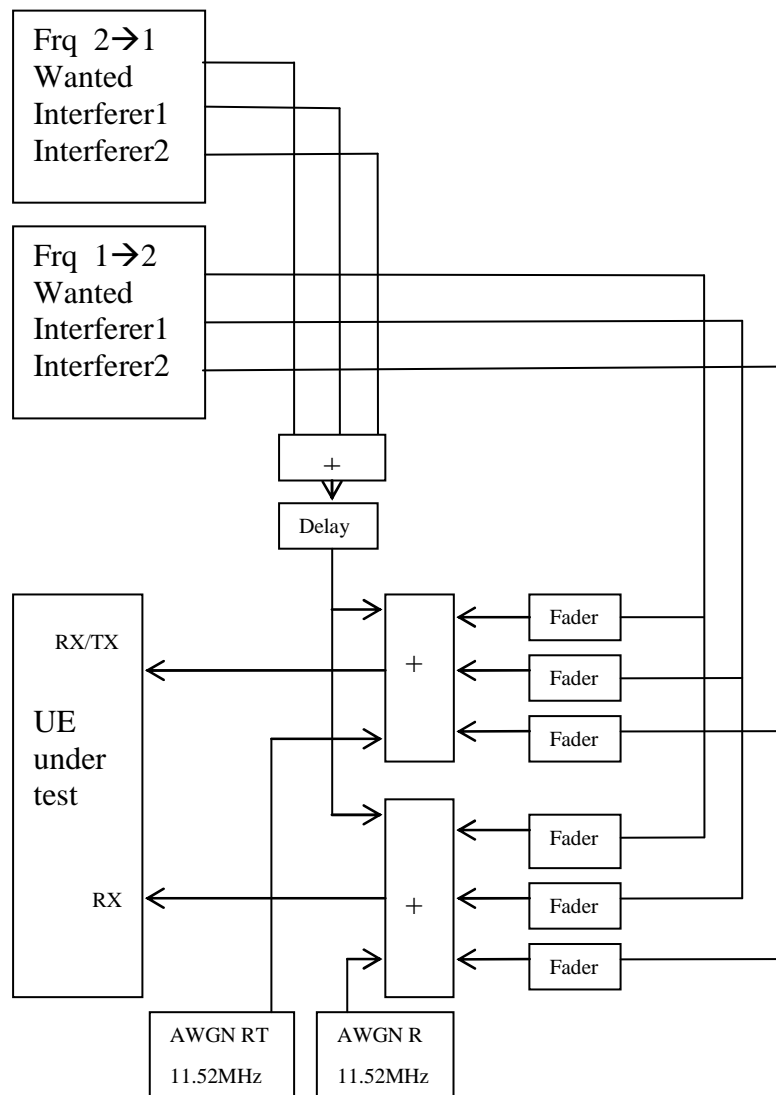


Figure A.39: Connection for DC-HSDPA, Type 3i. 6 faders. 1 delay, to compensate for the basic delay of the faders. 2 part test illustrated by "Freq. 1→2 and Freq. 2→1" Uplink not displayed

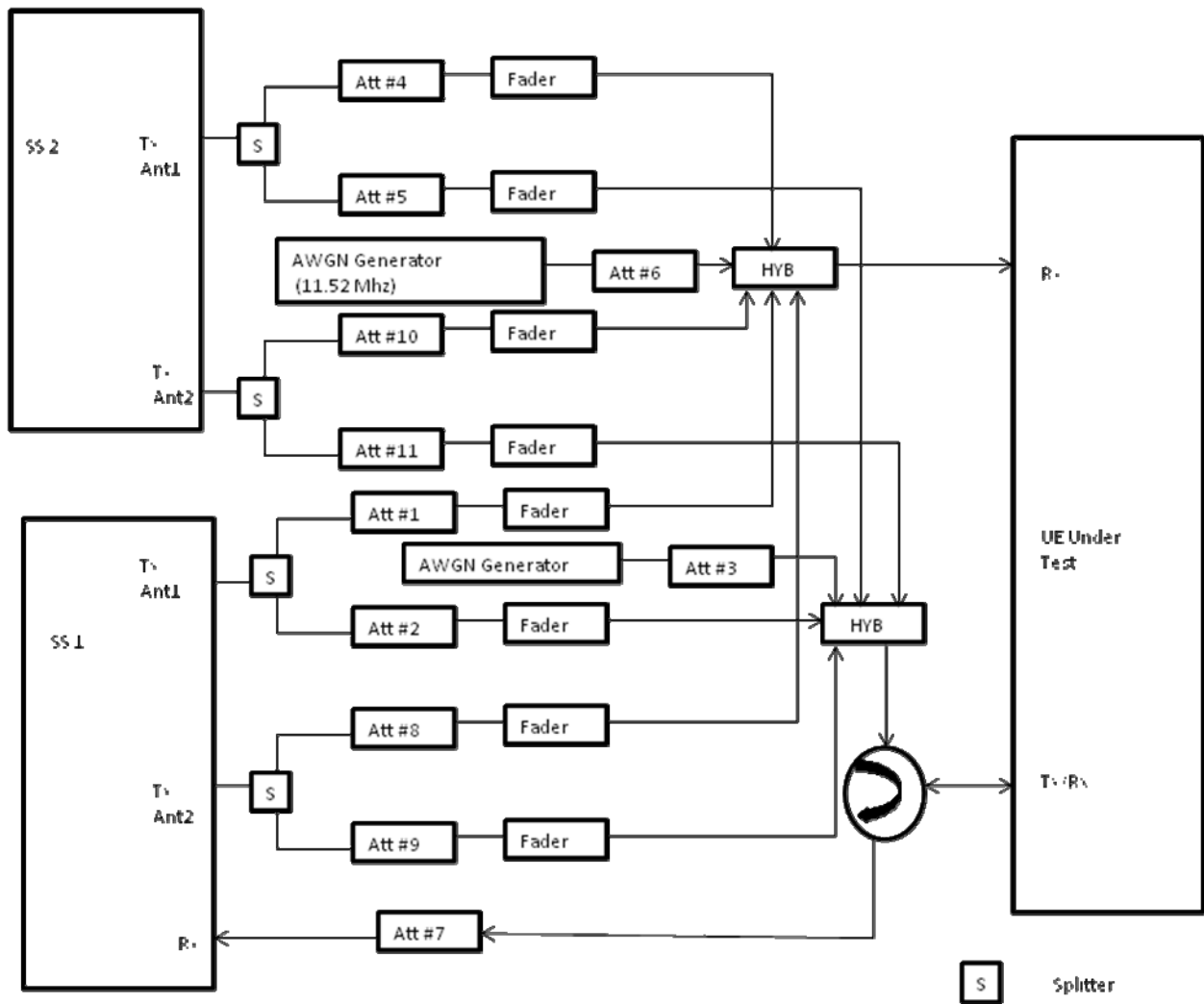


Figure A.40: Connection for Dual cell tests with Multi-path Fading propagation for DC-HSDPA MIMO Performance test cases

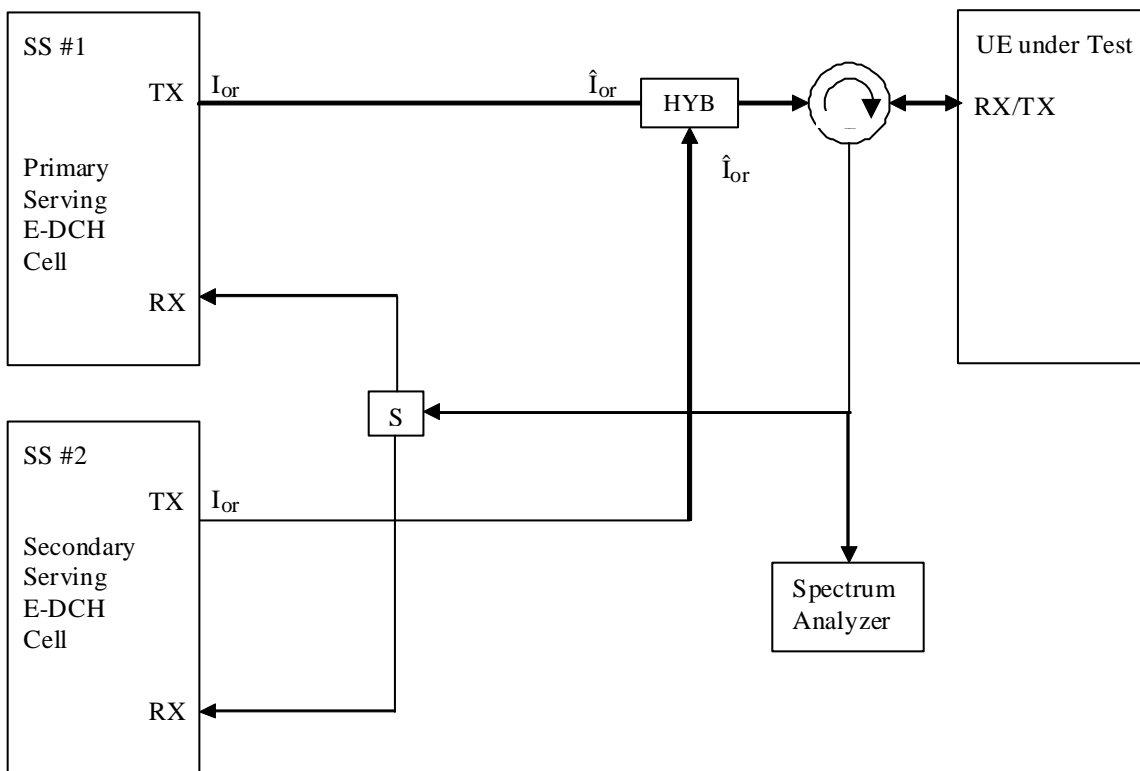


Figure A.41: Connection for basic DC-HSUPA transmitter tests

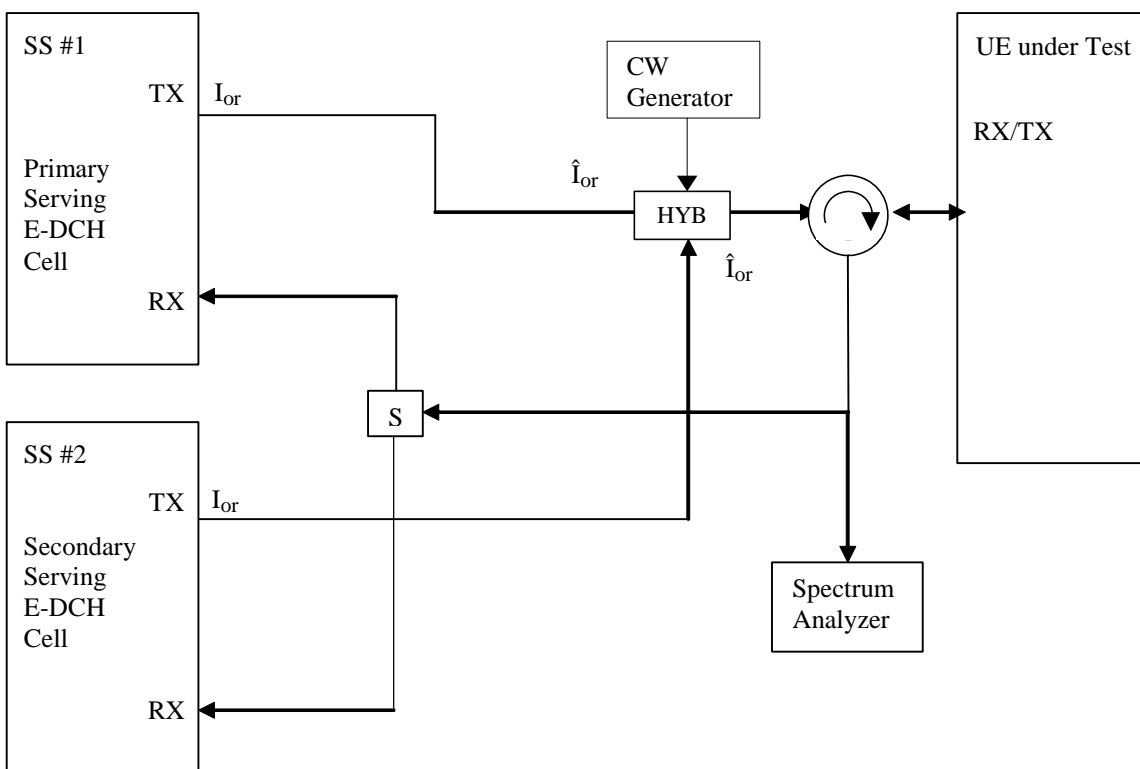


Figure A.42: Connection for DC-HSUPA Transmitter intermodulation tests

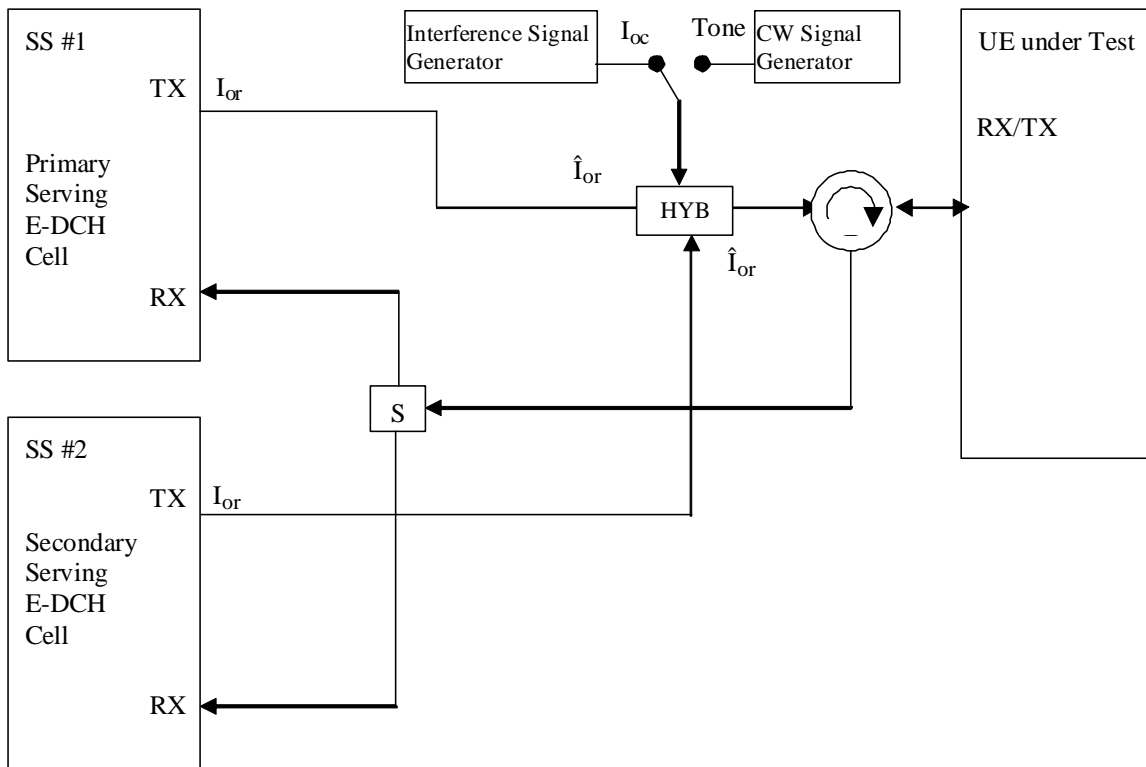


Figure A.43: Connection for DC-HSUPA receiver tests with interferer or additional CW signal

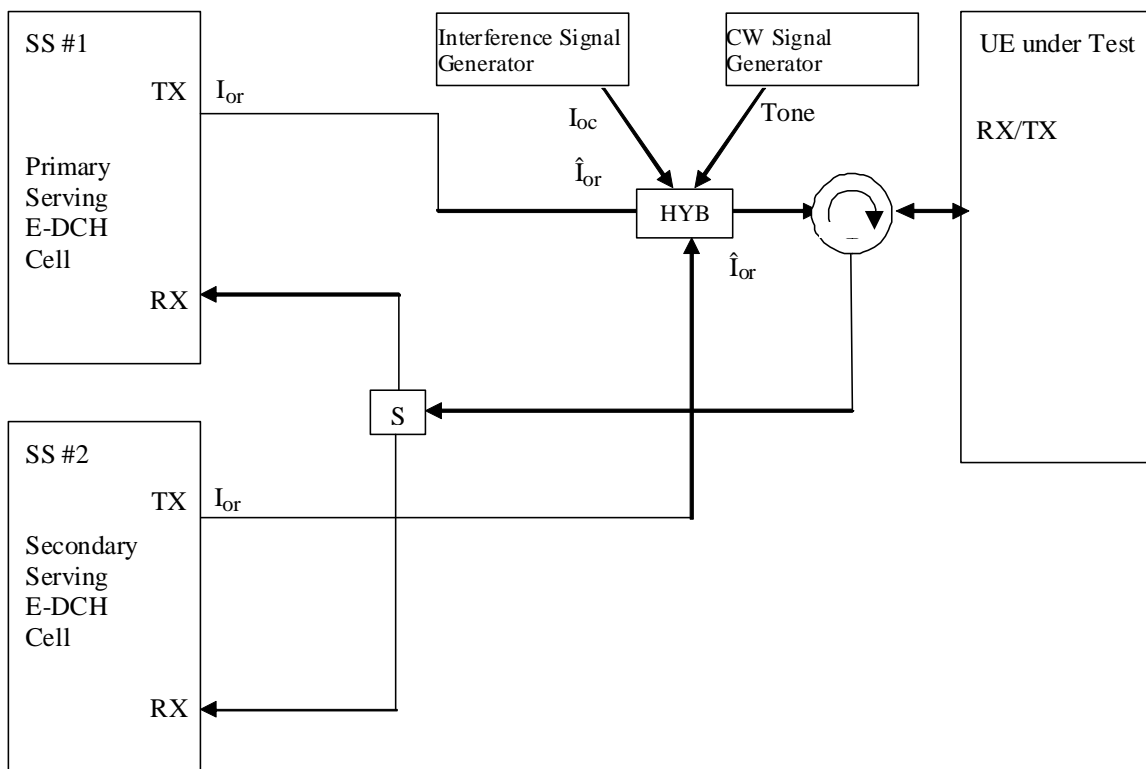


Figure A.44: Connection for DC-HSUPA receiver tests with both interferer and additional CW signal

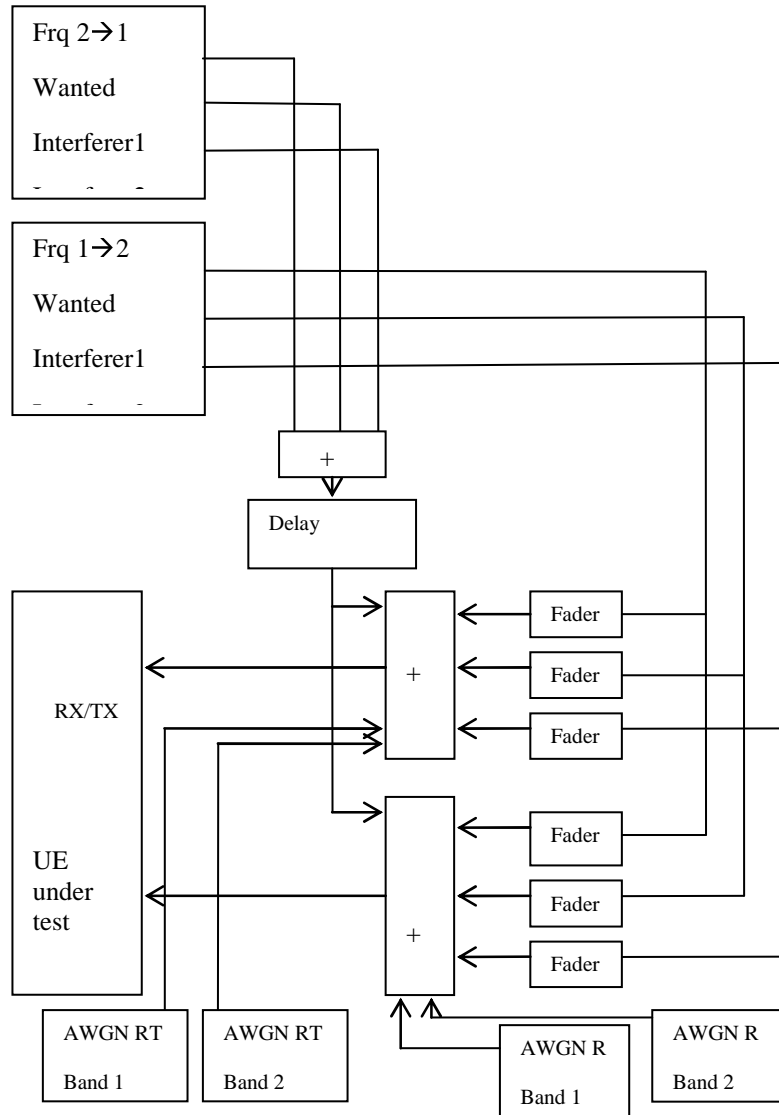


Figure A.45: Connection for DB-DC-HSDPA, Type 3i. 6 faders. 1 delay, to compensate for the basic delay of the faders. 2 part test illustrated by “Freq. 1→2 and Freq. 2→1”. Uplink not displayed

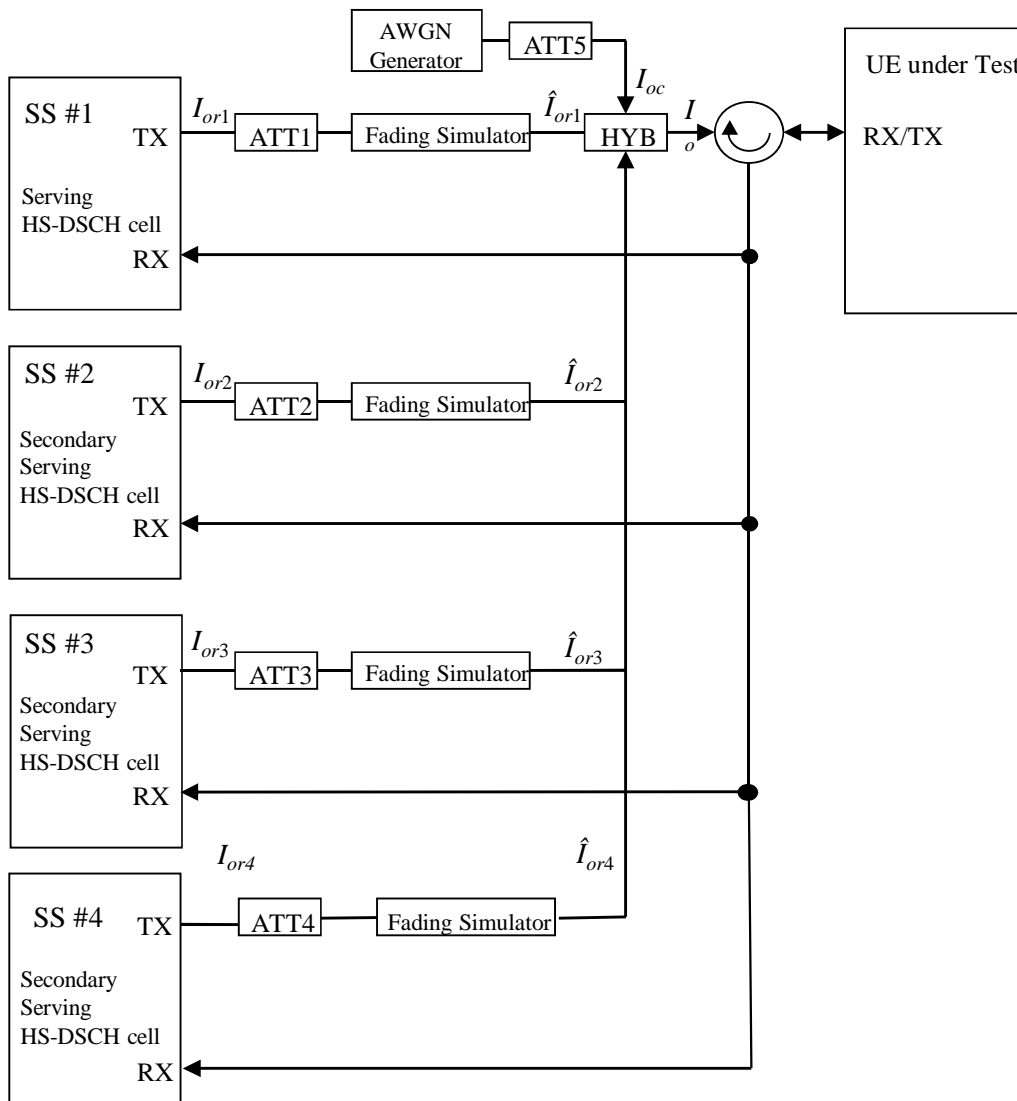


Figure A.46: Connection for 4C-HSDPA tests with multi-path fading propagation. Depending on 4C-HSDPA configuration SS#4 may not be needed

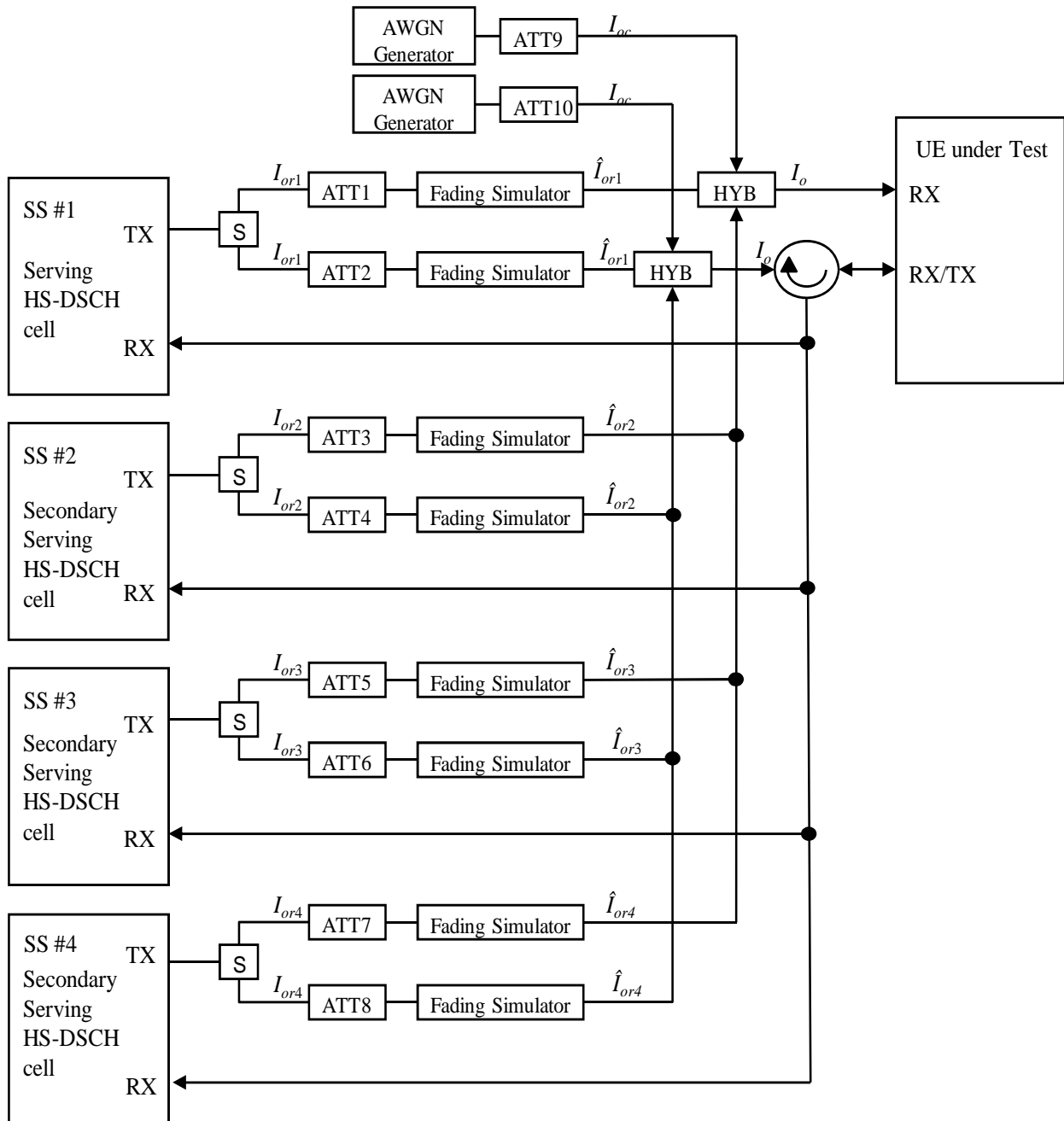


Figure A.47: Connection for 4C-HSDPA with multi-path fading propagation and UE receive diversity. Depending on 4C-HSDPA configuration SS#4 may not be needed

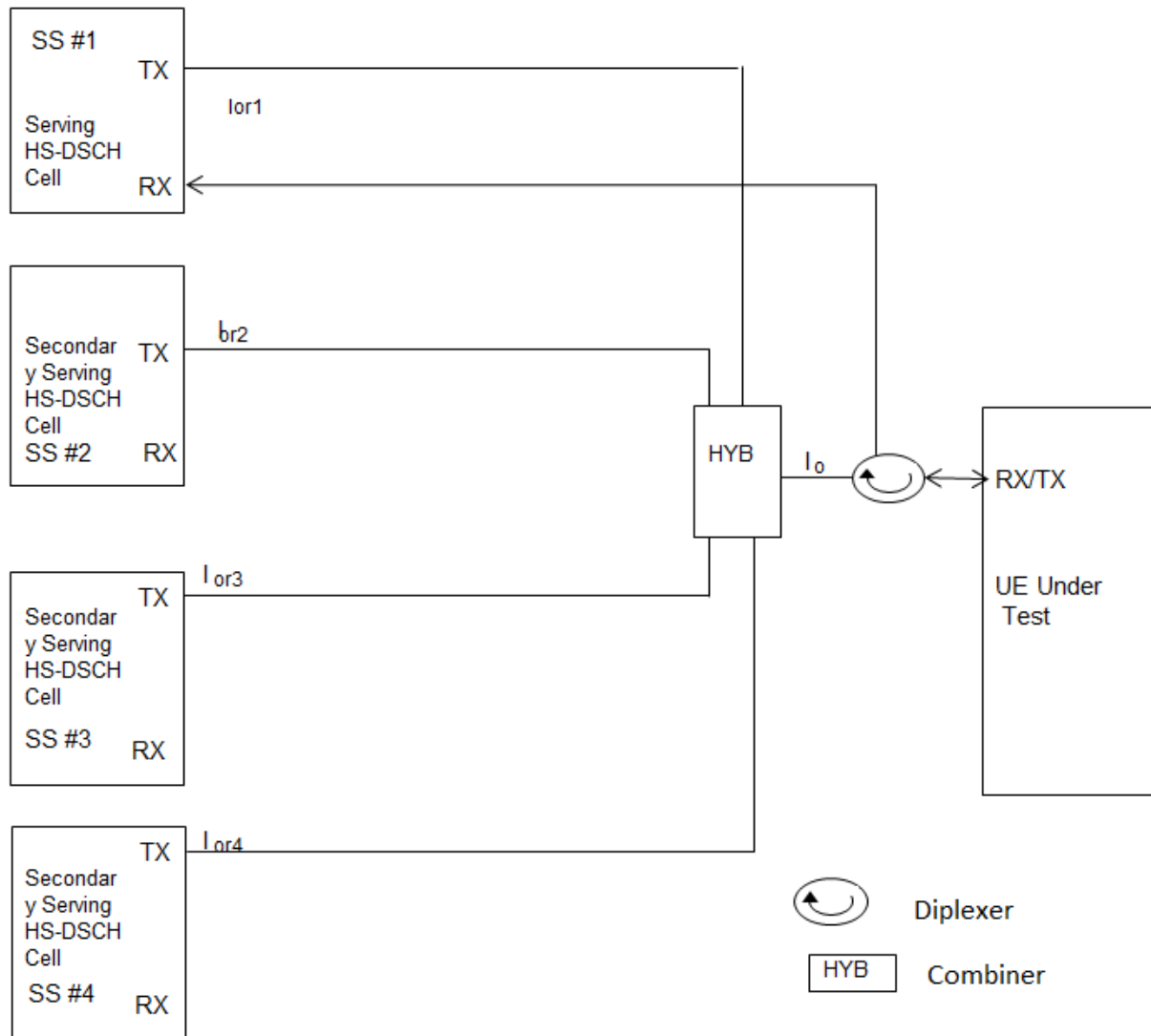


Figure A.48: Connection for basic 4C-HSDPA tests. Depending on 4C-HSDPA configuration SS#4 may not be needed

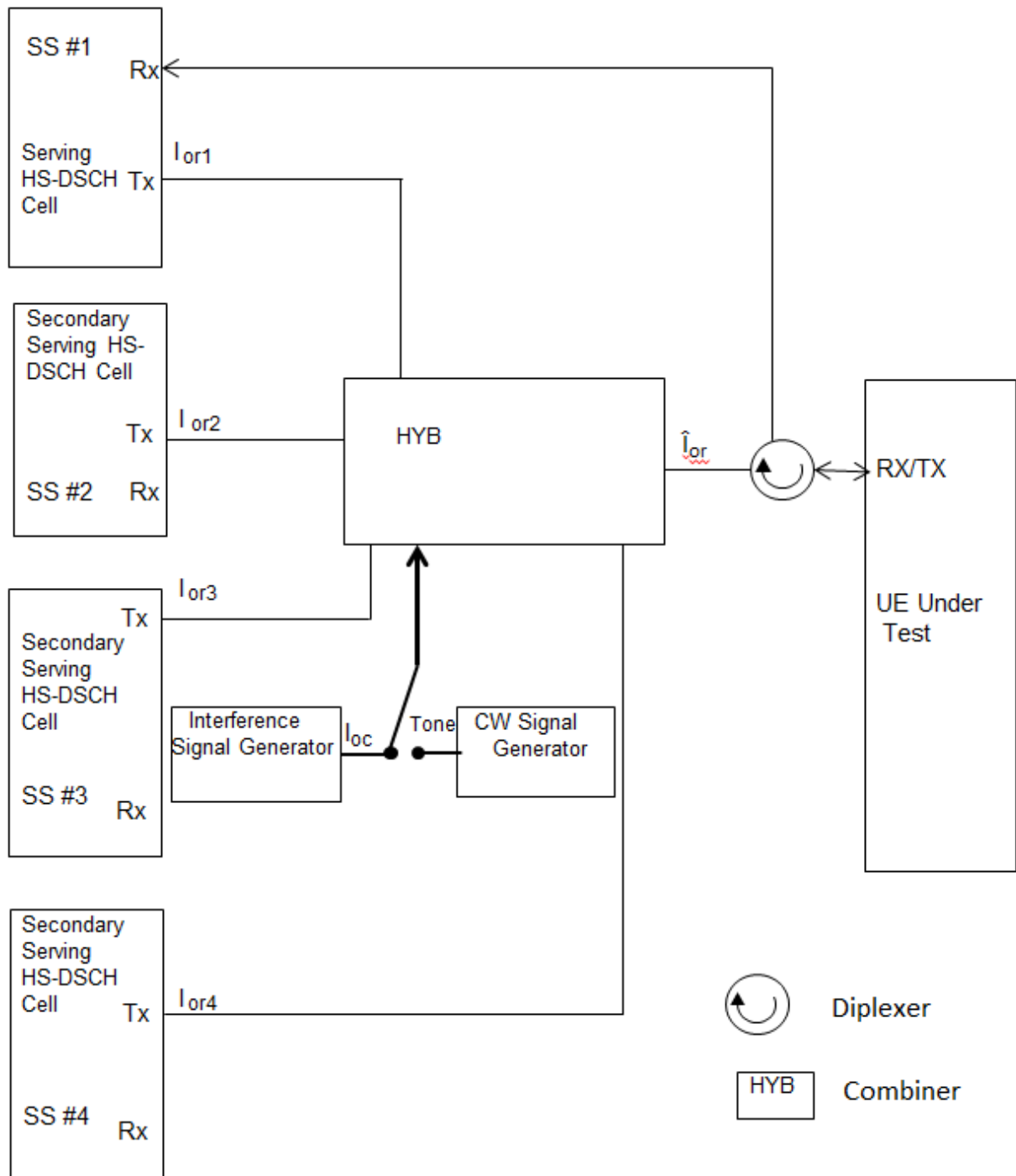


Figure A.49: Connection for 4C-HSDPA Receiver tests with Interference or additional CW signal. Depending on 4C-HSDPA configuration SS#4 may not be needed

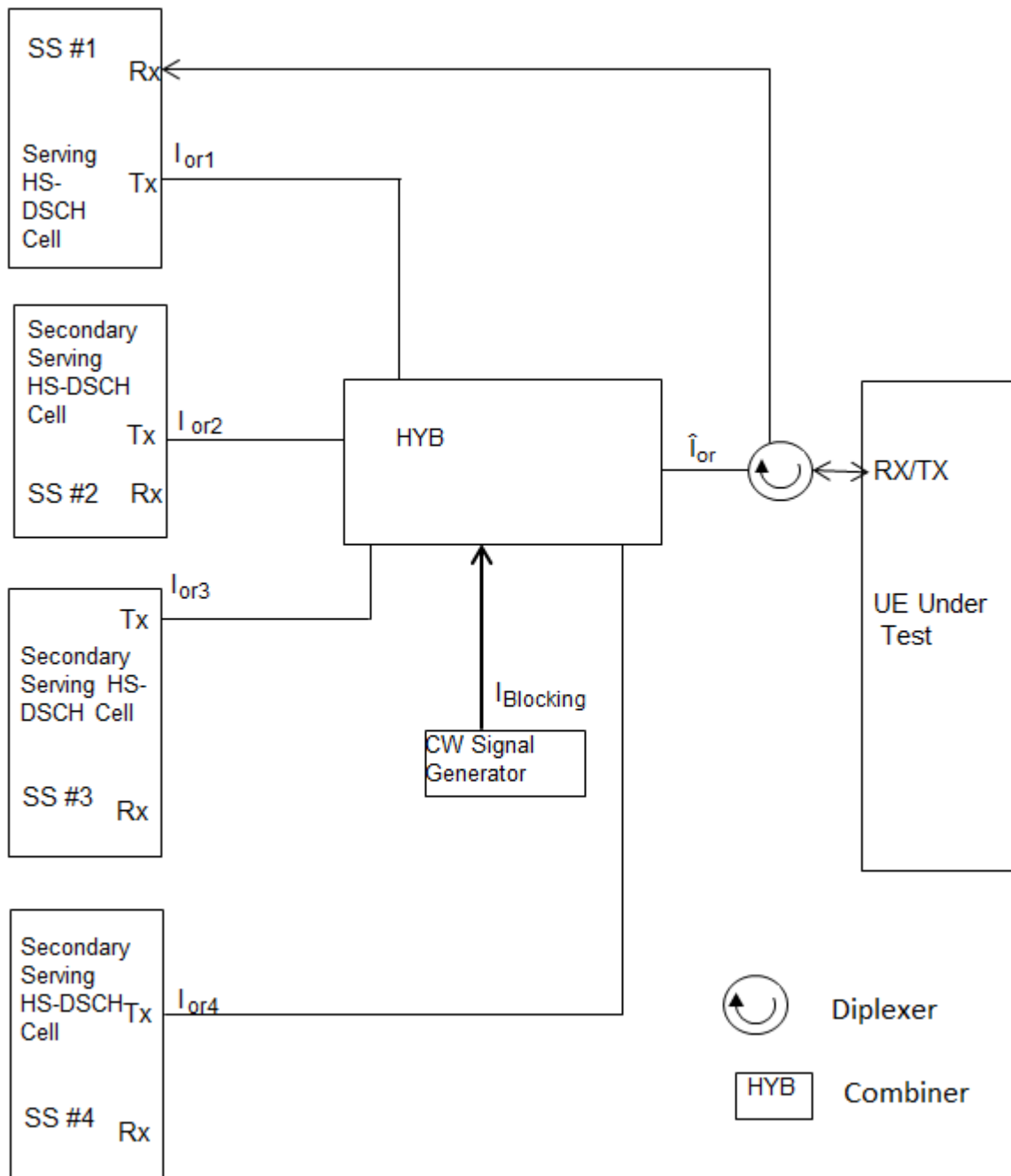


Figure A.50: Connection for 4C-HSDPA Receiver tests with additional CW signal. Depending on 4C-HSDPA configuration SS#4 may not be needed

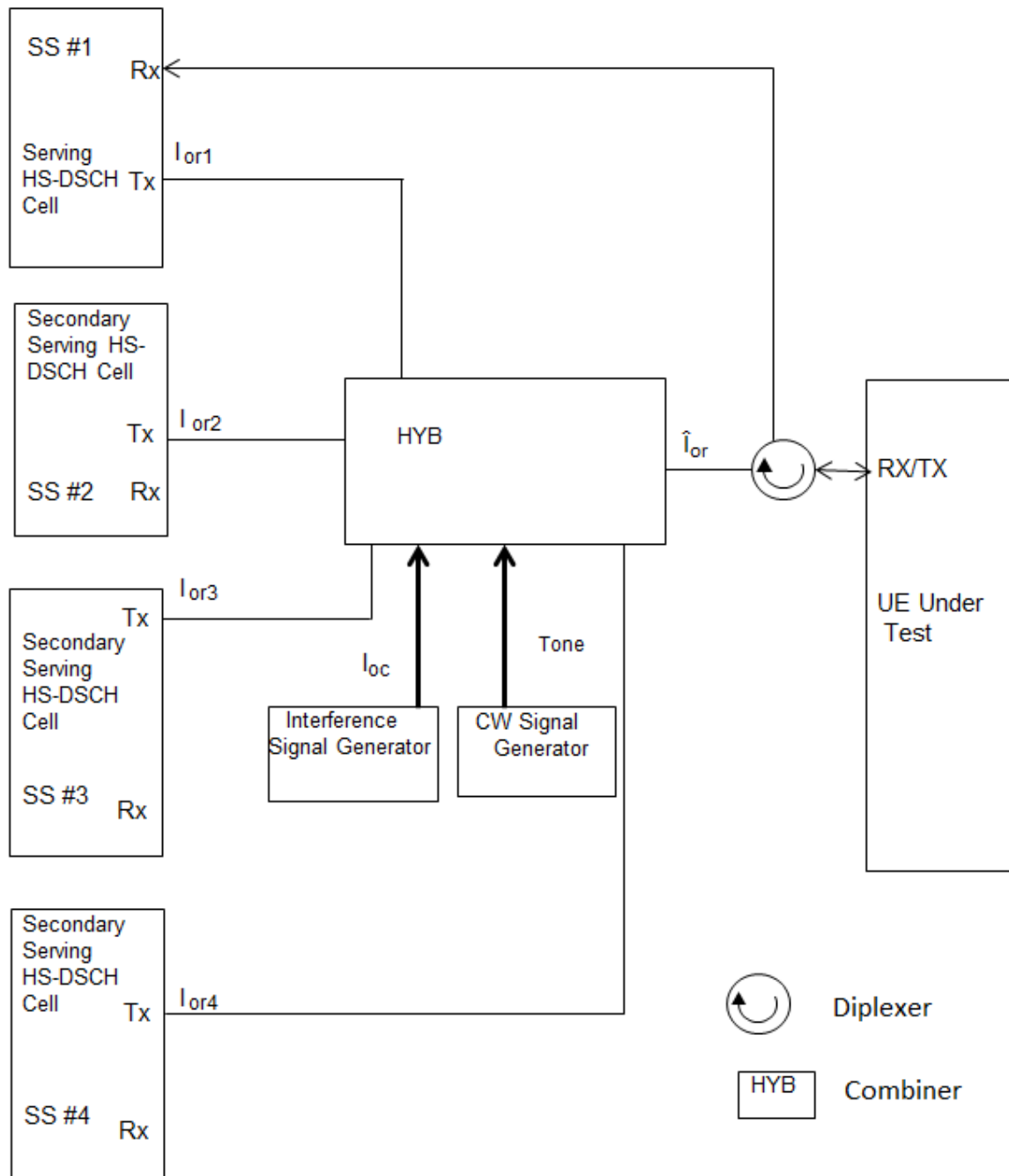


Figure A.51: Connection for 4C-HSDPA Receiver tests with both Interference and additional CW signal. Depending on 4C-HSDPA configuration SS#4 may not be needed

Annex B (normative): Global In-Channel TX-Test

B.1 General

The global in-channel Tx test enables the measurement of all relevant parameters that describe the in-channel quality of the output signal of the Tx under test in a single measurement process.

The parameters describing the in-channel quality of a transmitter, however, are not necessarily independent. The algorithm chosen for description inside this annex places particular emphasis on the exclusion of all interdependencies among the parameters. Any other algorithm (e.g. having better computational efficiency) may be applied, as long as the results are the same within the acceptable uncertainty of the test system as defined in annex F.

The global in-channel Tx test is bipartite depending whether the signal under test contains a 16QAM modulation on any of the uplink code channels. Further details are in Note: Residual(16 QAM).

All notes referred in the various clauses of B.2 are put together in B.3.

B.2 Definition of the process

B.2.1 Basic principle

The process is based on the comparison of the actual **output signal of the TX under test**, received by an ideal receiver, with a **reference signal**, that is generated by the measuring equipment and represents an ideal error free received signal. The reference signal shall be composed of the same number of codes at the correct spreading factors as contained in the test signal. Note, for simplification, the notation below assumes only codes of one spreading factor although the algorithm is valid for signals containing multiple spreading factors. All signals are represented as equivalent (generally complex) baseband signals.

B.2.2 Output signal of the TX under test

The output signal of the TX under test is acquired by the measuring equipment, filtered by a matched filter (RRC 0.22, correct in shape and in position on the frequency axis) and stored for further processing.

The following form represents the physical signal in the entire measurement interval:

one vector **Z**, containing $N = n_s \times sf$ complex samples;

with

n_s : number of symbols in the measurement interval;

sf : number of chips per symbol. (sf : spreading factor) (see Note: Symbol length)

B.2.3 Reference signal

The reference signal is constructed by the measuring equipment according to the relevant TX specifications.

It is filtered by the same matched filter, mentioned in clause B.2.2., and stored at the Inter-Symbol-Interference free instants. The following form represents the reference signal in the entire measurement interval:

- one vector **R**, containing $N = n_s \times sf$ complex samples;

- n_s, sf : see clause B.2.2.

B.2.4 void

B.2.5 Classification of measurement results

The measurement results achieved by the global in-channel TX test can be classified into two types:

- Results of type "deviation", where the error-free parameter has a non-zero magnitude. (These are the parameters that quantify the integral physical characteristic of the signal). These parameters are:

RF Frequency;

Power (in case of single code);

Code Domain Power (in case of multi code);

Timing

(Additional parameters: see Note: Deviation).

- Results of type "residual", where the error-free parameter has value zero. (These are the parameters that quantify the error values of the measured signal, whose ideal magnitude is zero). These parameters are:

Error Vector Magnitude (EVM);

Peak Code Domain Error (PCDE).

Relative Code Domain Error (RCDE).

Origin Offset (O) See Note : Residual(16 QAM)

B.2.6 Process definition to achieve results f , t , φ , g_1 , g_2 , and O

The reference signal (\mathbf{R} ; see clause B.2.3) and the signal under Test (\mathbf{Z} ; see subclause B.2.2) are varied with respect to the parameters RF Frequency, absolute Amplitude or Code Domain Amplitude, Phase, Timing and Origin Offset in order to achieve best fit. Best fit is achieved when the RMS difference value between the varied signal under test and the varied reference signal is an absolute minimum.

Overview:

$$\text{FCT} [\mathbf{Z}(\tilde{f}, \tilde{t}, \tilde{\varphi}, g_1, g_2, \dots, \tilde{O}) - \mathbf{R}(f, t, \varphi, \tilde{g}_1, \tilde{g}_2, \dots, O)] = \text{Minimum} \quad !$$

Z: Signal under test.

R: Reference signal,

with

- frequency f ,
- the timing t ,
- the phase φ ,
- amplitude of code1 (g_1), amplitude of code2 (g_2) etc
- Origin Offset O See Note: Residual(16 QAM).

The parameters marked with a tilde in Z and R are varied in order to achieve a best fit.

Detailed formula: see Note: Formula for the minimum process.

The varied reference signal, after the best fit process, will be called \mathbf{R}' .

The varied signal under test, after the best fit process, will be called \mathbf{Z}' .

Hence

The samples \mathbf{R} are constructed, using the nominal values of the parameters $f, t, \varphi, g_1, g_2, \dots$ and O from the TX specifications

Vice versa, values for the parameters $f, t, \varphi, g_1, g_2, \dots$ and O can be assigned to the measured samples \mathbf{Z}

The values in \mathbf{R}' : f, t, φ and O are the same as in \mathbf{R} , g_1, g_2, \dots are fit towards \mathbf{Z}

The values in \mathbf{Z}' : f, t, φ and O are fit towards \mathbf{R} g_1, g_2, \dots are same as in \mathbf{Z}

The varying parameters, leading to \mathbf{R}' and \mathbf{Z}' represent directly the wanted results $f, t, \varphi, g_1, g_2, \dots$ etc, and O . These measurement parameters are expressed as deviation from the reference value with units same as the reference value.

In case of multi code, the $f, t, \varphi, g_1, g_2, \dots$ etc, and O parameters (frequency, timing, origin offset and (RF-phase)) are varied commonly for all codes such that the process returns one frequency-deviation, one timing deviation, (one RF-phase –deviation) one origin offset.

(These parameters are not varied on the individual codes signals such that the process would return kr frequency errors. (kr : number of codes in the reference signal)).

The only parameters varied individually are the code domain amplitudes (g_1, g_2, \dots) where (g_1, g_2, \dots) comprise the active codes only. In general the measured signal \mathbf{Z} contains residual power on the unused codes. The amplitudes of the unused codes in \mathbf{R} remain 0 and are not fit towards \mathbf{Z} .

\mathbf{R}' will be used for normalisation frequently in the subsequent clauses. Hence the physical meaning of \mathbf{R}' is explained here:

\mathbf{R}' is the modified reference signal, modified by fitting the code amplitudes of the active codes towards the measured signal. Hence the power of these samples is the power of the active codes in the measured signal. For a signal, not containing 16 QAM, this is true although f, t, φ in the measured signal are different from the equivalent values in \mathbf{R}' , however differences in these parameters do not contribute to the power in \mathbf{R}' . For a signal, containing 16 QAM modulation on any of the uplink codes, the meaning is different: f, t, φ and O in the measured signal are different to the equivalent values in \mathbf{R}' , but O contribute to the power in \mathbf{R}' . Hence the power in the samples of \mathbf{R}' is the power of the active codes in the measured signal excluding the power in the IQ offset.

B.2.6.1 Decision Point Power

The mean-square value of the signal-under-test, sampled at the best estimate of the of Intersymbol-Interference-free points using the process defined in subclause 2.6, is referred to the *Decision Point Power* (DPP):

$$DPP = \text{mean}(|Z|^2)$$

B.2.6.2 Measured total power of all active codes

The mean-square value of the modified reference signal \mathbf{R}' defined in subclause 2.6, is referred to the *measured total power of all active codes*:

$$\text{measured total power of all active codes} = \text{mean}(|\mathbf{R}'|^2)$$

B.2.6.3 Code-Domain Power

The samples, \mathbf{Z}' , are separated into symbol intervals to create n_s time-sequential vectors \mathbf{z} with sf complex samples comprising one symbol interval. The *Code Domain Power* is calculated according to the following steps:

- 1) Take the vectors \mathbf{z} defined above.
- 2) To achieve meaningful results it is necessary to descramble \mathbf{z} , leading to \mathbf{z}' (see Note1: Scrambling code)
- 3) Take the orthogonal vectors of the channelization code set \mathbf{C} (all codes belonging to one spreading factor) as defined in TS 25.213 and TS 25.223 (range +1, -1), and normalize by the norm of the vectors to produce $\mathbf{C}_{\text{norm}} = \mathbf{C} / \text{sqrt}(sf)$. (see Note: Symbol length)

- 4) Calculate the inner product of \mathbf{z}' with \mathbf{C}_{norm} . Do this for all symbols of the measurement interval and for all codes in the code space.
This gives an array of format $k \times n_s$, each value representing a specific symbol and a specific code, which can be exploited in a variety of ways.

k : total number of codes in the code space (active and unused)

n_s : number of symbols in the measurement interval

- 5) Calculate k mean-square values, each mean-square value unifying n_s symbols within one code. (These values can be called "*Absolute CodeDomainPower (CDP)*".) Unused codes may carry CDP. The sum of the k values of CDP is equal to DPP.
- 6) Normalize by the decision point power to obtain

$$\text{Relative CodeDomain Power} = \frac{\text{Absolute CodeDomainPower}}{\text{DecisionPointPower}}$$

B.2.6.4 Code-Domain Power of the varied reference signal

- 1) The samples \mathbf{R}' , as defined in B.2.6, are separated into symbol intervals to create n_s time-sequential vectors \mathbf{r} with sf complex samples comprising one symbol interval. The code domain power of the varied reference signal is calculated according to the following steps:
- 2) To achieve meaningful results it is necessary to descramble \mathbf{r} , leading to \mathbf{r}' (see Note1: Scrambling code)
- 3) Take the orthogonal vectors of the channelization code set \mathbf{C} (all codes belonging to one spreading factor) as defined in TS 25.213 and TS 25.223 (range +1, -1), and normalize by the norm of the vectors to produce $\mathbf{C}_{\text{norm}} = \mathbf{C}/\text{sqrt}(sf)$.
- 4) Calculate the inner product of \mathbf{r}' with \mathbf{C}_{norm} . Do this for all symbols of the measurement interval but only for used codes in the code space. This gives an array of format $u_k \times n_s$, each value representing a specific symbol and a specific code
- u_k : number of codes (only active (used) codes)
- n_s : number of symbols in the measurement interval
- 5) Calculate u_k mean-square values, each mean-square value unifying n_s symbols within one code. These are called "*Absolute Code Domain Power of the varied reference signal*".
- 6) Normalize by measured total power of all active codes (B.2.6.2) to obtain:

$$\text{Absolute Code Domain Power of the varied reference signal}$$

$$\text{Measured code domain power ratio} = \frac{\text{Absolute Code Domain Power of the varied reference signal}}{\text{measured total power of all active codes}}$$

$$\text{measured total power of all active codes}$$

B.2.7 Process definition to achieve results EVM, PCDE, RCDE

The difference between the varied reference signal (\mathbf{R}' ; see clause B.2.6.) and the varied TX signal under test (\mathbf{Z}' ; see clause B.2.6) is the error vector \mathbf{E} versus time:

$$\mathbf{E} = \mathbf{Z}' - \mathbf{R}'$$

\mathbf{E} gives results of type "residual" applying the three algorithms defined in clauses B.2.7.1, B.2.7.2.1 and B.2.7.3.

B.2.7.1 Error Vector Magnitude (EVM)

The Error Vector Magnitude EVM is calculated according to the following steps:

- 1) Take the error vector \mathbf{E} defined in clause B.2.7 and calculate the RMS value of \mathbf{E} ; the result will be called $\text{RMS}(\mathbf{E})$.

- 2) Take the varied reference vector \mathbf{R}' defined in clause B.2.6 and calculate the RMS value of \mathbf{R}' ; the result will be called $\text{RMS}(\mathbf{R}')$.
- 3) Calculate EVM according to:

$$\text{EVM} = \frac{\text{RMS}(\mathbf{E})}{\text{RMS}(\mathbf{R}')} \times 100\% \quad (\text{here, EVM is relative and expressed in \%})$$

(see Note: Formula for EVM)

B.2.7.2 Code Domain Error Power

The Code Domain Error Power is calculated according to the following steps:

- 1) The samples \mathbf{E} , as defined in B.2.7, are separated into symbol intervals to create n_s time-sequential vectors \mathbf{e} with sf complex samples comprising one symbol interval.
- 2) To achieve meaningful results it is necessary to descramble \mathbf{e} , leading to \mathbf{e}' (see Note1: Scrambling code)
- 3) Take the orthogonal vectors of the channelisation code set \mathbf{C} (all codes belonging to one spreading factor) as defined in TS 25.213 and TS 25.223 (range +1, -1). (see Note: Symbol length) and normalize by the norm of the vectors to produce $\mathbf{C}_{\text{norm}} = \mathbf{C}/\text{sqrt}(sf)$. (see Note: Symbol length)
- 4) Calculate the inner product of \mathbf{e}' with \mathbf{C}_{norm} . Do this for all symbols of the measurement interval and for all codes in the code space.
This gives an array of format $k \times n_s$, each value representing an error-vector representing a specific symbol and a specific code, which can be exploited in a variety of ways.

k : total number of codes in the code space

n_s : number of symbols in the measurement interval

- 5) Calculate k values $\text{mean}(|\mathbf{e}'|^2)$, each value unifying n_s symbols within one code.
(These values can be called "Absolute Code Domain Error Power" B.2.7.2.1 Peak Code Domain Error Power (PCDE))

Find the peak value among the k "Absolute Code Domain Error Powers".

(This value can be called "Absolute Peak Code Domain Error Powers" This peak may hit an unused or an active code.)

Normalise by the *measured total power of all active codes* (clause B.2.6.2) to achieve PCDE

Absolute Peak Code Domain Error Power

$$\text{PCDE} = 10 \cdot \lg \frac{\text{Absolute Peak Code Domain Error Power}}{\text{measured total power of all active codes (RMS}(\mathbf{R}')\text{)}^2} \quad \text{dB} \quad (\text{a relative value in dB}).$$

measured total power of all active codes (RMS}(\mathbf{R}')\text{)}^2

(see Note 2: Scrambling code)

(see Note IQ)

B.2.7.3 Relative Code Domain Error (RCDE)

The Relative Code Domain Error is calculated according to the following steps:

Re-use step 1 to 3 from clause B.2.7.2.

- 4) Calculate the inner product of \mathbf{e}' with \mathbf{C}_{norm} . Do this for all symbols of the measurement interval but only for the used codes in the code space.
This gives an array of format $u_k \times n_s$, each value representing an error-vector representing a specific symbol and a specific code.

u_k : used (active) codes in the code space

n_s : number of symbols in the measurement interval

- 5) Calculate uk values $mean(|e'|^2)$, each value unifying ns symbols within one code.
(These values can be called "Absolute Code Domain Error Powers")
- 6) The uk absolute code domain error powers are normalized by the equivalent uk code domain powers of the varied reference signal (B.2.6.4 step 5)

$$RCDE = \frac{\text{Absolute CodeDomain Error Power}}{\text{Code domain power of the varied reference signal}}$$

B.3 Notes

Note: Symbol length)

A general code multiplexed signal is multicode and multirate. In order to avoid unnecessary complexity, the measurement applications use a unique symbol-length, corresponding to a spreading factor, regardless of the really intended spreading factor. Nevertheless the complexity with a multicode / multirate signal can be mastered by introducing appropriate definitions.

Note: Deviation)

It is conceivable to regard more parameters as type „deviation" e.g. Chip frequency and RF-phase.

As chip-frequency and RF-frequency are linked together by a statement in the core specifications [1] it is sufficient to process RF frequency only.

A parameter RF-phase must be varied within the best fit process (B 2.6.). Although necessary, this parameter-variation doesn't describe any error, as the modulation schemes used in the system don't depend on an absolute RF-phase.

Note: Residual (non 16 QAM))

It is conceivable to regard more parameters as type „residual" e.g. IQ origin offset. As it is not the intention of the test to separate for different error sources, but to quantify the quality of the signal, all such parameters are not extracted by the best fit process, instead remain part of EVM and PCDE.

Note: Residual(16 QAM)

When a UE uses 16QAM modulation on any of the uplink code channels, the best fit process, described in B.2.6, includes the Origin Offset as an additional parameter for minimisation. Otherwise Origin Offset is not part of the best fit process and remains part of EVM, PCDE and RCDE, This bipartite handling of the minimisation process will influence the results for EVM, PCDE and RCDE by definition. It will influence the results for amplitude and the code amplitudes and it may influence, as an effect of higher order, the results for RF frequency, absolute phase and phase discontinuity.

Note 1: Scrambling Code)

In general a TX signal under test can use more than one scrambling code. Note that PCDE is processed regarding the unused channelisation - codes as well. In order to know which scrambling code shall be applied on unused channelisation -codes, it is necessary to restrict the test conditions: TX signal under test shall use exactly one scrambling code.

Note 2: Scrambling Code)

To interpret the measurement results in practice it should be kept in mind that erroneous code power on unused codes is generally de-scrambled differently under test conditions and under real life conditions, whereas erroneous code power on used codes is generally de-scrambled equally under test conditions and under real life conditions. It might be indicated if a used or unused code hits PCDE.

Note IQ)

As in FDD/uplink each code can be used twice, on the I and on the Q channel, the measurement result may indicate separate values of CDP or PCDE for I and Q on which channel (I or Q) they occur.

NOTE: Formula for the minimum process

$$L(\Delta \tilde{f}, \Delta \tilde{t}, \Delta \tilde{\varphi}, \Delta \tilde{g}_c, \dots, \tilde{O}) = \sum_{v=0}^{N-1} |Z(v) - R(v)|^2$$

Legend:

L : the function to be minimised.

The parameters to be varied in order to minimize are:

$\Delta \tilde{f}$: the RF frequency offset

$\Delta \tilde{t}$: the timing offset

$\Delta \tilde{\varphi}$: the phase offset

$\Delta \tilde{g}_c \dots$ code amplitude offsets (one offset for each code)

\tilde{O} : Origin Offset

Z(v): Samples of the signal under Test

R(v): Samples of the reference signal

$\sum_{v=0}^{N-1}$: counting index v starting at the beginning of the measurement interval and ending at its end.

N = No of chips during the measurement interval.

Z(v): Samples of the signal under Test. It is modelled as a sequence of complex baseband samples Z(v) with a n Origin offset, time-shift Δt , a frequency offset Δf , a phase offset $\Delta \varphi$, the latter three with respect to the reference signal.

$$Z(v) = Z(v - \Delta \tilde{t}) * e^{-j2\pi\Delta \tilde{f}v} * e^{-j\Delta \tilde{\varphi}}$$

$$Z(v) = Z(v - \Delta \tilde{t}) * e^{-j2\pi\Delta \tilde{f}v} * e^{-j\Delta \tilde{\varphi}} - \tilde{O}$$

$$Z(v) = Z(v - \Delta \tilde{t}) * e^{-j2\pi\Delta \tilde{f}v} * e^{-j\Delta \tilde{\varphi}}$$

R(v): Samples of the reference signal:

$$R(v) = \sum_{c=1}^{\text{No.of codes}} (g_c + \Delta \tilde{g}_c) * \text{Chip}_c(v)$$

g: nominal amplitude of the code channel

$\Delta \tilde{g}$: The offset to be varied in the minimum process

Chip(v) is the chipsequence of the code channel

Indices at g, Δg and Chip:

The index indicates the code channel: $c = 1, 2, \dots$ No of code channels

Range for Chip_c : +1,-1

NOTE: Formula for EVM

$$\text{EVM} = \sqrt{\frac{\sum_{v=0}^{N-1} |Z'(v) - R'(v)|^2}{\sum_{v=0}^{N-1} |R'(v)|^2}} * 100 \%$$

Z'(v), R'(v) are the varied measured and reference signals.

Annex C (normative): Measurement channels

C.1 General

The measurement channels in this annex are defined to derive the requirements in clauses 5, 6 and 7. The measurement channels represent example configuration of radio access bearers for different data rates.

The measurement channel for 12,2 kbps shall be supported by any UE both in up- and downlink. Support for other measurement channels is depending on the UE Radio Access capabilities.

C.2 UL reference measurement channel

C.2.1 UL reference measurement channel (12,2 kbps)

The parameters for the 12,2 kbps UL reference measurement channel are specified in table C.2.1.1, table C 2.1.2, table C 2.1.3 and table C.2.1.4. The channel coding for information is shown in figure C.2.1.

Table C.2.1.1: UL reference measurement channel physical parameters (12,2 kbps)

| Parameter | Level | Unit |
|--|-------|------|
| Information bit rate | 12,2 | kbps |
| DPDCH | 60 | kbps |
| DPCCH | 15 | kbps |
| DPCCH Slot Format #i | 0 | - |
| DPCCH/DPDCH power ratio | -5,46 | dB |
| TFCI | On | - |
| Repetition | 23 | % |
| NOTE: Slot Format #2 is used for closed loop tests in clause 7.6.2. Slot Format #2 and #5 are used for site selection diversity transmission tests in subclause 7.6.3. | | |

Table C.2.1.2: UL reference measurement channel using RLC-TM for DTCH, transport channel parameters (12.2 kbps)

| Higher Layer | RAB/Signalling RB | RAB | SRB | |
|--------------|---|--------------------|--------------------|-------|
| RLC | Logical channel type | DTCH | DCCH | |
| | RLC mode | TM | UM/AM | |
| | Payload sizes, bit | 244 | 88/80 | |
| | Max data rate, bps | 12200 | 2200/2000 | |
| | PDU header, bit | N/A | 8/16 | |
| | TrD PDU header, bit | 0 | N/A | |
| MAC | MAC header, bit | 0 | 4 | |
| | MAC multiplexing | N/A | Yes | |
| Layer 1 | TrCH type | DCH | DCH | |
| | Transport Channel Identity | 1 | 5 | |
| | TB sizes, bit | 244 | 100 | |
| | TFS | TF0, bits | 0*244 | 0*100 |
| | | TF1, bits | 1*244 | 1*100 |
| | TTI, ms | 20 | 40 | |
| | Coding type | Convolution Coding | Convolution Coding | |
| | Coding Rate | 1/3 | 1/3 | |
| | CRC, bit | 16 | 12 | |
| | Max number of bits/TTI after channel coding | 804 | 360 | |
| | Uplink: Max number of bits/radio frame before rate matching | 402 | 90 | |
| | RM attribute | 256 | 256 | |

Table C.2.1.3: UL reference measurement channel, TFCS (12.2 kbps)

| | |
|-----------|---|
| TFCS size | 4 |
| TFCS | (DTCH, DCCH)= (TF0, TF0), (TF1, TF0), (TF0, TF1), (TF1, TF1) |

NOTE: The TFCs except for (TF1, TF1) are belonging to minimum set of TFCs.

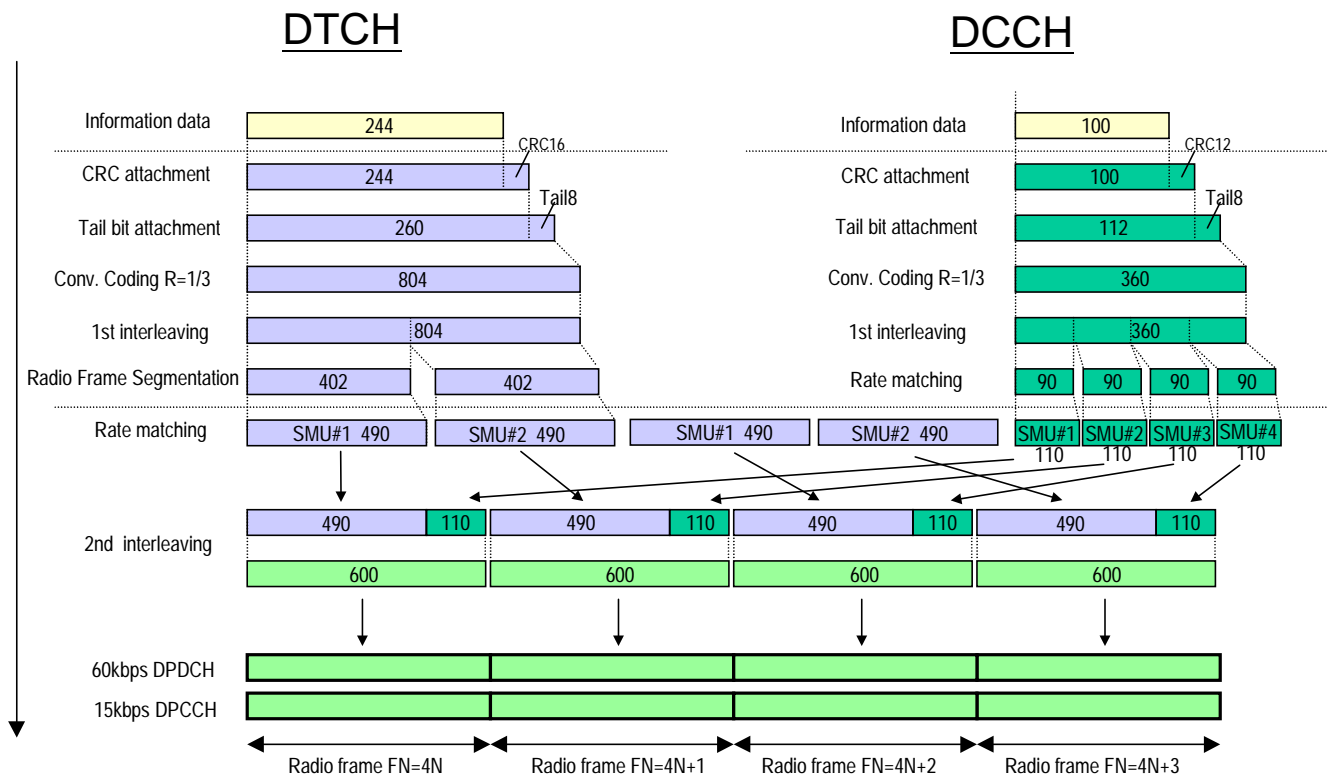


Figure C.2.1 (Informative): Channel coding of UL reference measurement channel (12,2 kbps)

C.2.2 UL reference measurement channel (64 kbps)

The parameters for the 64 kbps UL reference measurement channel are specified in table C.2.2.1, table C.2.2.2, table C.2.2.3 and table C.2.2.4. The channel coding for information is shown in figure C.2.2.

Table C.2.2.1: UL reference measurement channel (64 kbps)

| Parameter | Level | Unit |
|----------------------|-------|------|
| Information bit rate | 64 | kbps |
| DPDCH | 240 | kbps |
| DPCCH | 15 | kbps |
| DPCCH Slot Format #i | 0 | - |
| DPCCH/DPDCH | -9,54 | dB |
| TFCI | On | - |
| Repetition | 18 | % |

Table C.2.2.2: UL reference measurement channel using RLC-TM for DTCH, transport channel parameters (64 kbps)

| Higher Layer | RAB/Signalling RB | RAB | SRB | |
|--------------|---|--------------|--------------------|-------|
| RLC | Logical channel type | DTCH | DCCH | |
| | RLC mode | TM | UM/AM | |
| | Payload sizes, bit | 1280 | 88/80 | |
| | Max data rate, bps | 64000 | 2200/2000 | |
| | PDU header, bit | N/A | 8/16 | |
| | TrD PDU header, bit | 0 | N/A | |
| MAC | MAC header, bit | 0 | 4 | |
| | MAC multiplexing | N/A | Yes | |
| Layer 1 | TrCH type | DCH | DCH | |
| | Transport Channel Identity | 1 | 5 | |
| | TB sizes, bit | 1280 | 100 | |
| | TFS | TF0, bits | 0*1280 | 0*100 |
| | | TF1, bits | 1*1280 | 1*100 |
| | TTI, ms | 20 | 40 | |
| | Coding type | Turbo Coding | Convolution Coding | |
| | Coding Rate | N/A | 1/3 | |
| | CRC, bit | 16 | 12 | |
| | Max number of bits/TTI after channel coding | 3900 | 360 | |
| | Uplink: Max number of bits/radio frame before rate matching | 1950 | 90 | |
| | RM attribute | 256 | 256 | |

Table C.2.2.3: UL reference measurement channel using RLC-AM for DTCH, transport channel parameters (64 kbps)

| Higher Layer | RAB/Signalling RB | RAB | SRB | |
|--------------|---|--------------|--------------------|-------|
| RLC | Logical channel type | DTCH | DCCH | |
| | RLC mode | AM | UM/AM | |
| | Payload sizes, bit | 1264 | 88/80 | |
| | Max data rate, bps | 63200 | 2200/2000 | |
| | PDU header, bit | 16 | 8/16 | |
| | TrD PDU header, bit | N/A | N/A | |
| MAC | MAC header, bit | 0 | 4 | |
| | MAC multiplexing | N/A | Yes | |
| Layer 1 | TrCH type | DCH | DCH | |
| | Transport Channel Identity | 1 | 5 | |
| | TB sizes, bit | 1280 | 100 | |
| | TFS | TF0, bits | 0*1280 | 0*100 |
| | | TF1, bits | 1*1280 | 1*100 |
| | TTI, ms | 20 | 40 | |
| | Coding type | Turbo Coding | Convolution Coding | |
| | Coding Rate | N/A | 1/3 | |
| | CRC, bit | 16 | 12 | |
| | Max number of bits/TTI after channel coding | 3900 | 360 | |
| | Uplink: Max number of bits/radio frame before rate matching | 1950 | 90 | |
| | RM attribute | 256 | 256 | |

Table C.2.2.4: UL reference measurement channel, TFCS (64 kbps)

| | |
|-----------|---|
| TFCS size | 4 |
| TFCS | (DTCH, DCCH)= (TF0, TF0), (TF1, TF0), (TF0, TF1), (TF1, TF1) |

NOTE: The TFCs except for (TF1, TF1) are belonging to minimum set of TFCs.

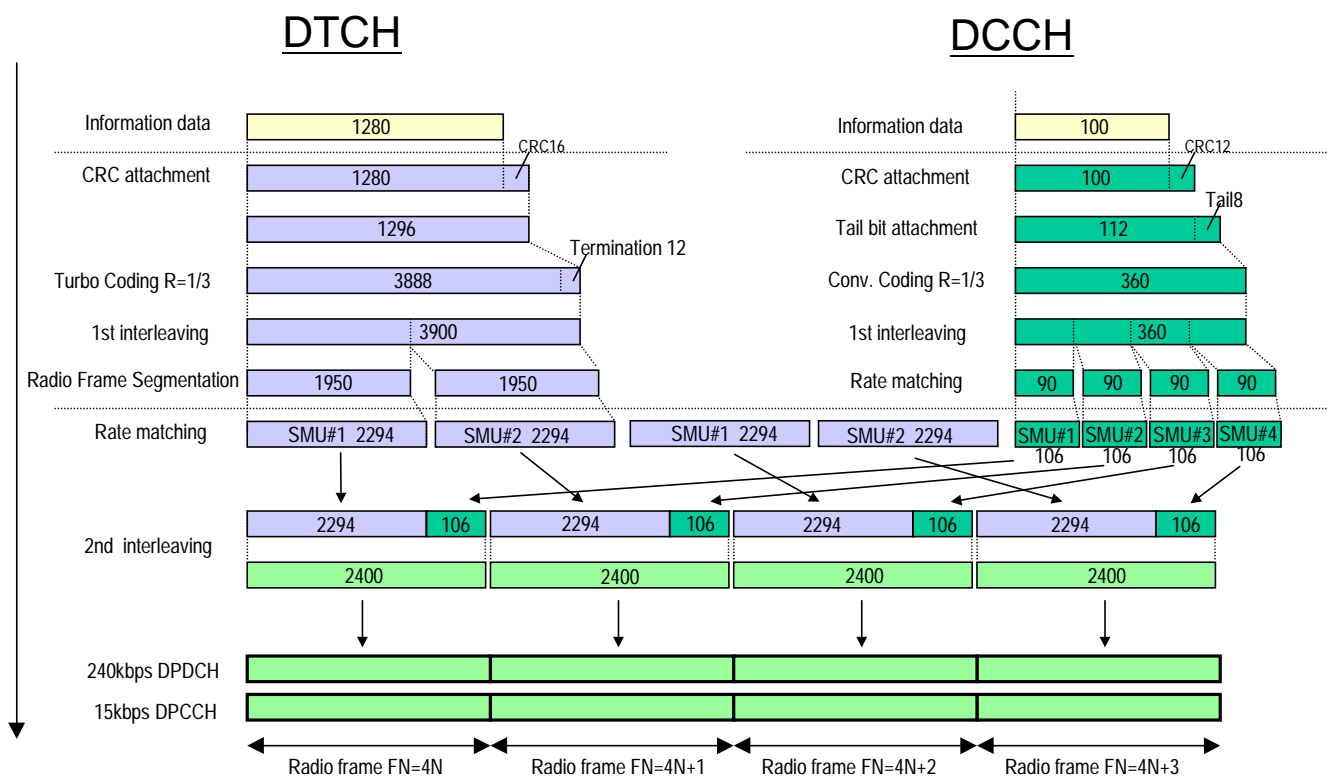


Figure C.2.2 (Informative): Channel coding of UL reference measurement channel (64 kbps)

C.2.3 UL reference measurement channel (144 kbps)

The parameters for the 144 kbps UL reference measurement channel are specified in table C.2.3.1, table C.2.3.2, table C.2.3.3 and table C.2.3.4. The channel coding for information is shown in figure C.2.3.

Table C.2.3.1: UL reference measurement channel (144 kbps)

| Parameter | Level | Unit |
|-------------------------|--------|------|
| Information bit rate | 144 | kbps |
| DPDCH | 480 | kbps |
| DPCCH | 15 | kbps |
| DPCCH Slot Format #i | 0 | - |
| DPCCH/DPDCH power ratio | -11,48 | dB |
| TFCI | On | - |
| Repetition | 8 | % |

Table C.2.3.2: UL reference measurement channel using RLC-TM for DTCH, transport channel parameters (144 kbps)

| Higher Layer | RAB/Signalling RB | RAB | SRB | |
|--------------|---|--------------|--------------------|-------|
| RLC | Logical channel type | DTCH | DCCH | |
| | RLC mode | TM | UM/AM | |
| | Payload sizes, bit | 2880 | 88/80 | |
| | Max data rate, bps | 144000 | 2200/2000 | |
| | PDU header, bit | N/A | 8/16 | |
| | TrD PDU header, bit | 0 | N/A | |
| MAC | MAC header, bit | 0 | 4 | |
| | MAC multiplexing | N/A | Yes | |
| Layer 1 | TrCH type | DCH | DCH | |
| | Transport Channel Identity | 1 | 5 | |
| | TB sizes, bit | 2880 | 100 | |
| | TFS | TF0, bits | 0*2880 | 0*100 |
| | | TF1, bits | 1*2880 | 1*100 |
| | TTI, ms | 20 | 40 | |
| | Coding type | Turbo Coding | Convolution Coding | |
| | Coding Rate | N/A | 1/3 | |
| | CRC, bit | 16 | 12 | |
| | Max number of bits/TTI after channel coding | 8700 | 360 | |
| | Uplink: Max number of bits/radio frame before rate matching | 4350 | 90 | |
| | RM attribute | 256 | 256 | |

Table C.2.3.3: UL reference measurement channel using RLC-AM for DTCH, transport channel parameters (144 kbps)

| Higher Layer | RAB/Signalling RB | RAB | SRB | |
|--------------|---|--------------|--------------------|-------|
| RLC | Logical channel type | DTCH | DCCH | |
| | RLC mode | AM | UM/AM | |
| | Payload sizes, bit | 2864 | 88/80 | |
| | Max data rate, bps | 143200 | 2200/2000 | |
| | PDU header, bit | 16 | 8/16 | |
| | TrD PDU header, bit | N/A | N/A | |
| MAC | MAC header, bit | 0 | 4 | |
| | MAC multiplexing | N/A | Yes | |
| Layer 1 | TrCH type | DCH | DCH | |
| | Transport Channel Identity | 1 | 5 | |
| | TB sizes, bit | 2880 | 100 | |
| | TFS | TF0, bits | 0*2880 | 0*100 |
| | | TF1, bits | 1*2880 | 1*100 |
| | TTI, ms | 20 | 40 | |
| | Coding type | Turbo Coding | Convolution Coding | |
| | Coding Rate | N/A | 1/3 | |
| | CRC, bit | 16 | 12 | |
| | Max number of bits/TTI after channel coding | 8700 | 360 | |
| | Uplink: Max number of bits/radio frame before rate matching | 4350 | 90 | |
| | RM attribute | 256 | 256 | |

Table C.2.3.4: UL reference measurement channel, TFCS (144 kbps)

| | |
|-----------|---|
| TFCS size | 4 |
| TFCS | (DTCH, DCCH)= (TF0, TF0), (TF1, TF0), (TF0, TF1), (TF1, TF1) |

NOTE: The TFCs except for (TF1, TF1) are belonging to minimum set of TFCs.

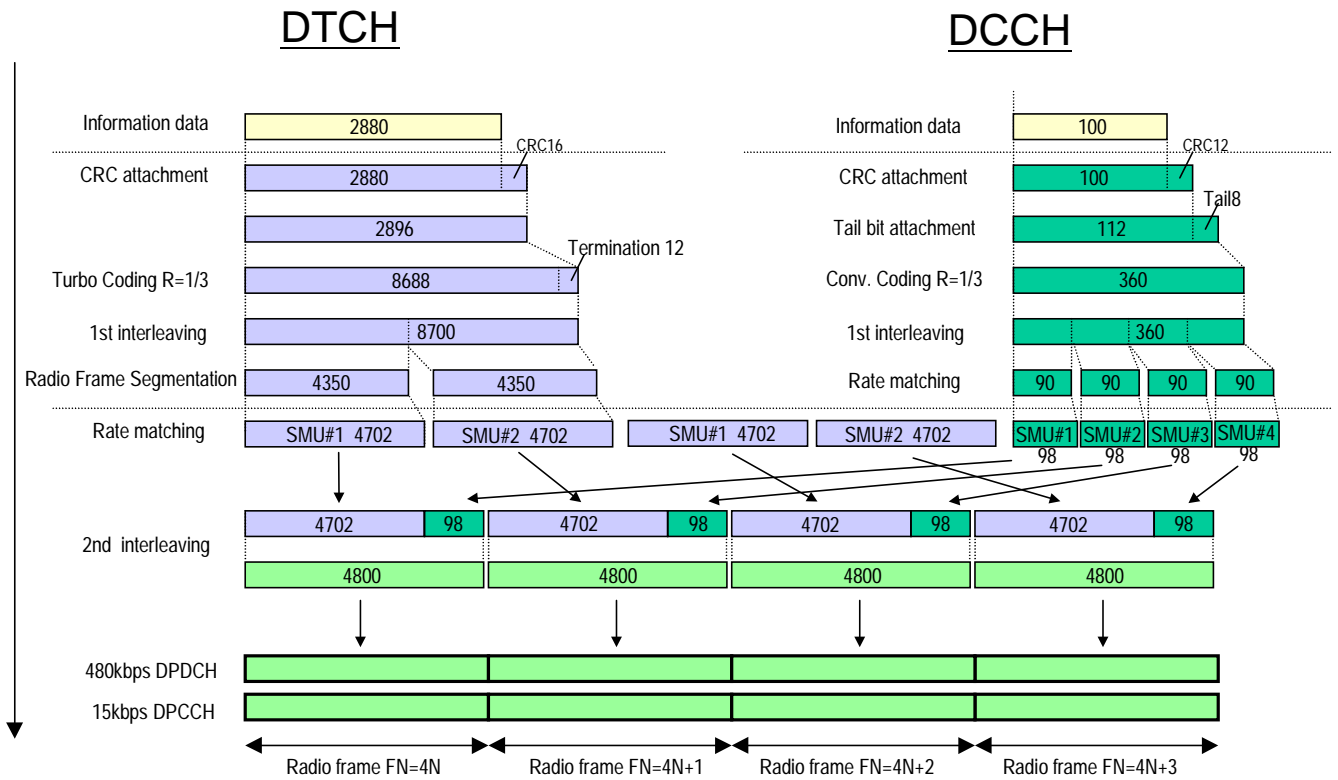


Figure C.2.3 (Informative): Channel coding of UL reference measurement channel (144 kbps)

C.2.4 UL reference measurement channel (384 kbps)

The parameters for the 384 kbps UL reference measurement channel are specified in table C.2.4.1, table C.2.4.2, table C.2.4.3 and table C.2.4.4. The channel coding for information is shown in figure C.2.4.

Table C.2.4.1: UL reference measurement channel (384 kbps)

| Parameter | Level | Unit |
|-------------------------|--------|------|
| Information bit rate | 384 | kbps |
| DPDCH | 960 | kbps |
| DPCCH | 15 | kbps |
| DPCCH Slot Format #1 | 0 | - |
| DPCCH/DPDCH power ratio | -11,48 | dB |
| TFCI | On | - |
| Puncturing | 18 | % |

Table C.2.4.2: UL reference measurement channel using RLC-TM for DTCH, transport channel parameters (384 kbps)

| Higher Layer | RAB/Signalling RB | RAB | SRB | |
|--------------|---|--------------|--------------------|-------|
| RLC | Logical channel type | DTCH | DCCH | |
| | RLC mode | TM | UM/AM | |
| | Payload sizes, bit | 3840 | 88/80 | |
| | Max data rate, bps | 384000 | 2200/2000 | |
| | PDU header, bit | N/A | 8/16 | |
| | TrD PDU header, bit | 0 | N/A | |
| MAC | MAC header, bit | 0 | 4 | |
| | MAC multiplexing | N/A | Yes | |
| Layer 1 | TrCH type | DCH | DCH | |
| | Transport Channel Identity | 1 | 5 | |
| | TB sizes, bit | 3840 | 100 | |
| | TFS | TF0, bits | 0*3840 | 0*100 |
| | | TF1, bits | 1*3840 | 1*100 |
| | TTI, ms | 10 | 40 | |
| | Coding type | Turbo Coding | Convolution Coding | |
| | Coding Rate | N/A | 1/3 | |
| | CRC, bit | 16 | 12 | |
| | Max number of bits/TTI after channel coding | 11580 | 360 | |
| | Uplink: Max number of bits/radio frame before rate matching | 11580 | 90 | |
| | RM attribute | 256 | 256 | |

Table C.2.4.3: UL reference measurement channel using RLC-AM for DTCH, transport channel parameters (384 kbps)

| Higher Layer | RAB/Signalling RB | RAB | SRB | |
|--------------|---|--------------|--------------------|-------|
| RLC | Logical channel type | DTCH | DCCH | |
| | RLC mode | AM | UM/AM | |
| | Payload sizes, bit | 3824 | 88/80 | |
| | Max data rate, bps | 382400 | 2200/2000 | |
| | PDU header, bit | 16 | 8/16 | |
| | TrD PDU header, bit | N/A | N/A | |
| MAC | MAC header, bit | 0 | 4 | |
| | MAC multiplexing | N/A | Yes | |
| Layer 1 | TrCH type | DCH | DCH | |
| | Transport Channel Identity | 1 | 5 | |
| | TB sizes, bit | 3840 | 100 | |
| | TFS | TF0, bits | 0*3840 | 0*100 |
| | | TF1, bits | 1*3840 | 1*100 |
| | TTI, ms | 10 | 40 | |
| | Coding type | Turbo Coding | Convolution Coding | |
| | Coding Rate | N/A | 1/3 | |
| | CRC, bit | 16 | 12 | |
| | Max number of bits/TTI after channel coding | 11580 | 360 | |
| | Uplink: Max number of bits/radio frame before rate matching | 11580 | 90 | |
| | RM attribute | 256 | 256 | |

Table C.2.4.4: UL reference measurement channel, TFCS (384 kbps)

| | |
|-----------|---|
| TFCS size | 4 |
| TFCS | (DTCH, DCCH)= (TF0, TF0), (TF1, TF0), (TF0, TF1), (TF1, TF1) |

NOTE: The TFCs except for (TF1, TF1) are belonging to minimum set of TFCs.

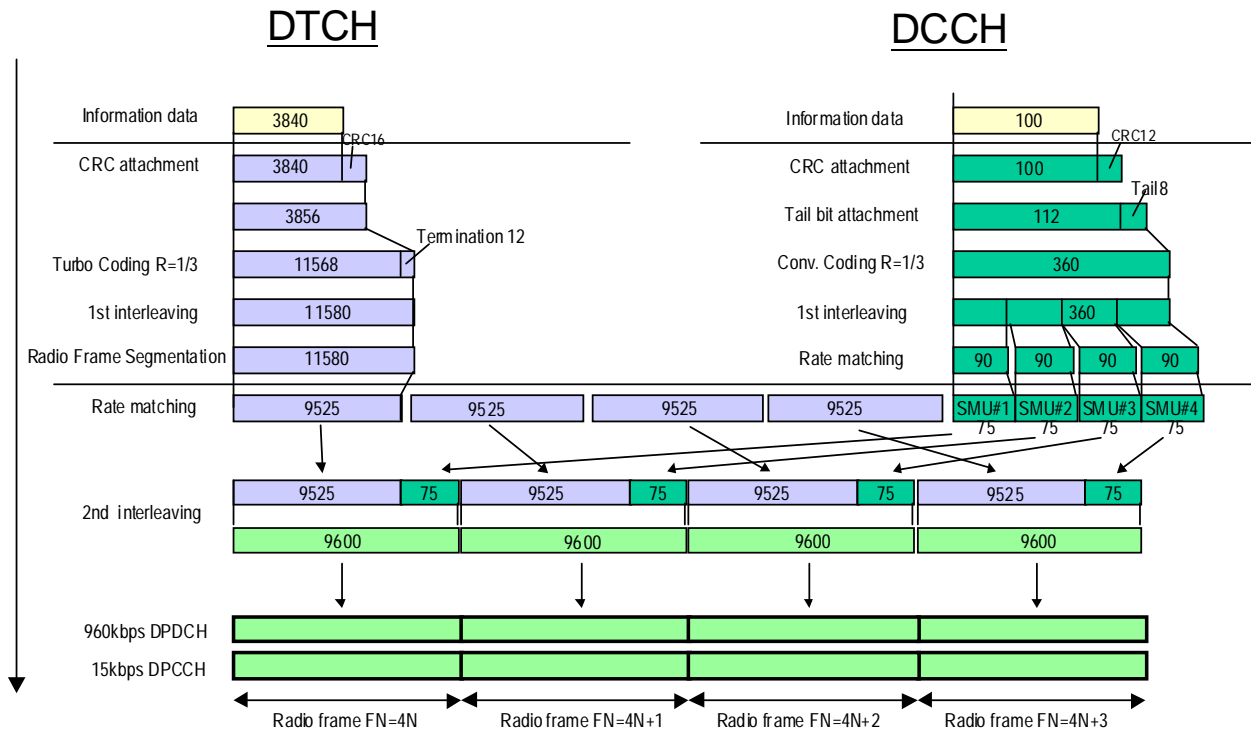


Figure C.2.4 (informative): Channel coding of UL reference measurement channel (384 kbps)

C.2.5 UL reference measurement channel (768 kbps)

The parameters for the UL measurement channel for 768 kbps are specified in table C.2.5.1, table C.2.5.2, table C.2.5.3 and table C.2.5.4.

Table C.2.5.1: UL reference measurement channel, physical parameters (768 kbps)

| Parameter | Level | Unit |
|-------------------------|--------|------|
| Information bit rate | 2*384 | kbps |
| DPDCH ₁ | 960 | kbps |
| DPDCH ₂ | 960 | kbps |
| DPCCH | 15 | kbps |
| DPCCH Slot Format #i | 0 | - |
| DPCCH/DPDCH power ratio | -11.48 | dB |
| TFCI | On | - |
| Puncturing | 18 | % |

Table C.2.5.2: UL reference measurement channel using RLC-TM for DTCH, transport channel parameters (768 kbps)

| Higher Layer | RAB/Signalling RB | RAB | SRB | |
|--------------|---|--------------|--------------------|-------|
| RLC | Logical channel type | DTCH | DCCH | |
| | RLC mode | TM | UM/AM | |
| | Payload sizes, bit | 7680 | 88/80 | |
| | Max data rate, bps | 768000 | 2200/2000 | |
| | PDU header, bit | N/A | 8/16 | |
| | TrD PDU header, bit | 0 | N/A | |
| MAC | MAC header, bit | 0 | 4 | |
| | MAC multiplexing | N/A | Yes | |
| Layer 1 | TrCH type | DCH | DCH | |
| | Transport Channel Identity | 1 | 5 | |
| | TB sizes, bit | 3840 | 100 | |
| | TFS | TF0, bits | 0*3840 | 0*100 |
| | | TF1, bits | 2*3840 | 1*100 |
| | TTI, ms | 10 | 40 | |
| | Coding type | Turbo Coding | Convolution Coding | |
| | Coding Rate | N/A | 1/3 | |
| | CRC, bit | 16 | 12 | |
| | Max number of bits/TTI after channel coding | 23160 | 360 | |
| | Uplink: Max number of bits/radio frame before rate matching | 23160 | 90 | |
| | RM attribute | 256 | 256 | |

Table C.2.5.3: UL reference measurement channel using RLC-AM for DTCH, transport channel parameters (768 kbps)

| Higher Layer | RAB/Signalling RB | RAB | SRB | |
|--------------|---|--------------|--------------------|-------|
| RLC | Logical channel type | DTCH | DCCH | |
| | RLC mode | TM | UM/AM | |
| | Payload sizes, bit | 7664 | 88/80 | |
| | Max data rate, bps | 766400 | 2200/2000 | |
| | PDU header, bit | 16 | 8/16 | |
| | TrD PDU header, bit | N/A | N/A | |
| MAC | MAC header, bit | 0 | 4 | |
| | MAC multiplexing | N/A | Yes | |
| Layer 1 | TrCH type | DCH | DCH | |
| | Transport Channel Identity | 1 | 5 | |
| | TB sizes, bit | 3840 | 100 | |
| | TFS | TF0, bits | 0*3840 | 0*100 |
| | | TF1, bits | 2*3840 | 1*100 |
| | TTI, ms | 10 | 40 | |
| | Coding type | Turbo Coding | Convolution Coding | |
| | Coding Rate | N/A | 1/3 | |
| | CRC, bit | 16 | 12 | |
| | Max number of bits/TTI after channel coding | 23160 | 360 | |
| | Uplink: Max number of bits/radio frame before rate matching | 23160 | 90 | |
| | RM attribute | 256 | 256 | |

Table C.2.5.4: UL reference measurement channel, TFCS (768 kbps)

| | |
|-----------|---|
| TFCS size | 4 |
| TFCS | (DTCH, DCCH)= (TF0, TF0), (TF1, TF0), (TF0, TF1), (TF1, TF1) |

NOTE: The TFCs except for (TF1, TF1) are belonging to minimum set of TFCs.

C.2.6 UL E-DCH reference measurement channel for DC-HSUPA using BPSK modulation

The parameters for the UL measurement channel for UE transmitter characteristics for DC-HSUPA are specified in Table C.2.6.1 and Figure C.2.6. The power imbalance in Table C.2.6.1 refers to the ratio of the DPCCH power of the primary uplink frequency to the DPCCH power of the secondary uplink frequency, expressed in dB.

Table C.2.6.1: Settings for DC-HSUPA reference measurement channel using BPSK modulation

| Parameter | Unit | Value |
|---|------------------------------|-------|
| Modulation | | BPSK |
| Maximum. Inf. Bit Rate | kbps | 60 |
| TTI | ms | 2 |
| Number of HARQ Processes | Processes | 8 |
| Information Bit Payload (N_{INF}) | Bits | 120 |
| Binary Channel Bits per TTI (N_{BIN}) ($3840 / SF \times TTI$ sum for all channels) | Bits | 480 |
| Coding Rate (N_{INF} / N_{BIN}) | | 0.25 |
| Physical Channel Codes | SF for each physical channel | {16} |
| E-DPDCH/DPCCH power ratio | dB | 4.08 |
| E-DPCCH/DPCCH power ratio | dB | -9.54 |
| HS-PDCCH/DPCCH power ratio | dB | -9.54 |
| Power imbalance | dB | 0 |
| Note: HS-DPCCH is applicable only for the primary uplink frequency. | | |

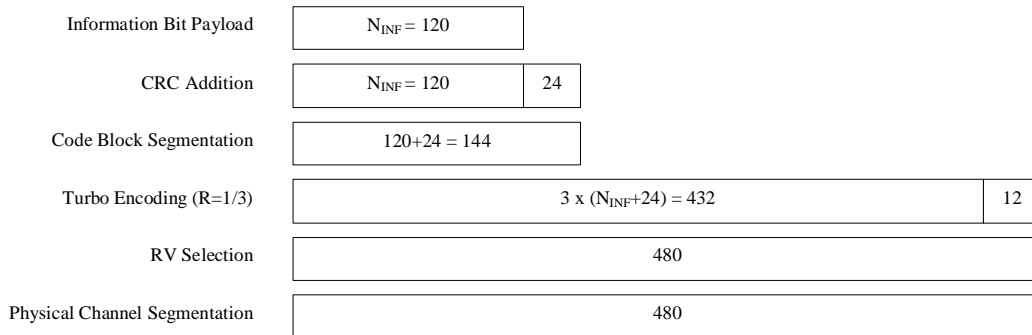


Figure C.2.6: Coding rate for DC-HSUPA reference measurement channel using BPSK modulation

C.2.7 UL E-DCH reference measurement channel for DC-HSUPA using 16QAM modulation

The parameters for the UL measurement channel for UE transmitter characteristics for DC-HSUPA using 16QAM modulation are specified in Table C.2.7.1 and Figure C.2.7. The power imbalance in Table C.2.7.1 refers to the ratio of the DPCCH power of the primary uplink frequency to the DPCCH power of the secondary uplink frequency, expressed in dB.

Table C.2.7.1: Settings for DC-HSUPA reference measurement channel using 16QAM modulation

| Parameter | Unit | Value |
|--|------------------------------|-----------|
| Modulation | | 16QAM |
| Maximum. Inf. Bit Rate | kbps | 4227 |
| TTI | ms | 2 |
| Number of HARQ Processes | Processes | 8 |
| Information Bit Payload (N _{INF}) | Bits | 8454 |
| Binary Channel Bits per TTI (NBIN) (3840 / SF x TTI sum for all channels) | Bits | 23040 |
| Coding Rate (N _{INF} / NBIN) | | 0.367 |
| Physical Channel Codes | SF for each physical channel | {2,2,4,4} |
| E-DPDCH/DPCCH power ratio SF4 codes | dB | 16.03 |
| E-DPCCH/DPCCH power ratio SF2 codes | dB | 19.02 |
| E-DPCCH/DPCCH power ratio | dB | 8.07 |
| HS-PDCCH/DPCCH power ratio | dB | 2.05 |
| Power imbalance | dB | 0 |
| Note: HS-DPCCH is applicable only for the primary uplink frequency. | | |

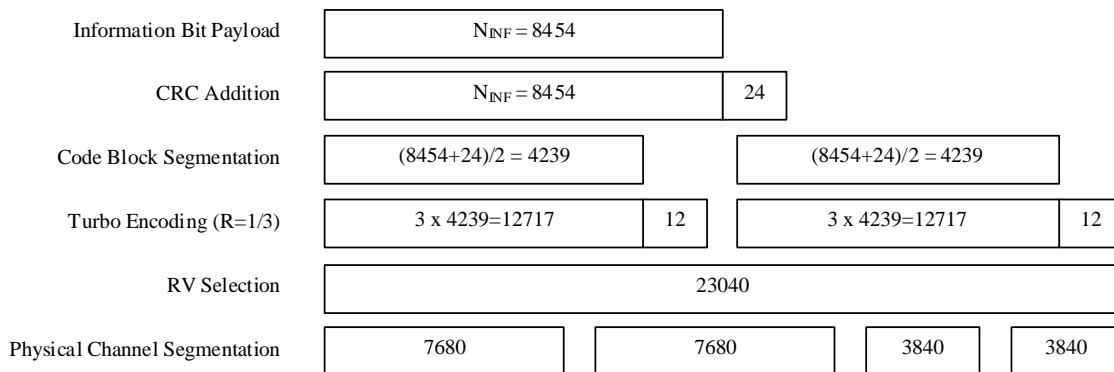


Figure C.2.7: Coding rate for DC-HSUPA reference measurement channel using 16QAM modulation

C.2.8 Combinations of UL E-DCH reference measurement channel for DC-HSUPA tests

The combinations of BPSK and 16QAM reference measurement channels in Table C.2.8.1 shall be used for verifying the UE maximum output power for DC-HSUPA, additional Spectrum emission mask for DC-HSUPA, and additional ACLR requirement for DC-HSUPA. The entry BPSK in Table C.2.8.1 refers to the UL E-DCH reference measurement channel for DC-HSUPA using BPSK modulation, specified in subclause C.2.6, and the entry 16QAM refers to the UL E-DCH reference measurement channel for DC-HSUPA using 16QAM modulation, specified in subclause C.2.7. The power imbalance in subclause C.2.6 and C.2.7 have been adjusted as shown in Table C.2.8.1.

Table C.2.8.1: E-DPDCH settings for DC-HSUPA reference measurement channel

| Config # | Primary carrier | Secondary carrier | Power imbalance [dB] | Allowed MPR [dB] |
|----------|-----------------|-------------------|----------------------|------------------|
| 1 | BPSK | BPSK | -10 | [0.5] |
| 2 | BPSK | BPSK | 8 | [1.0] |
| 3 | BPSK | BPSK | 0 | [1.5] |
| 4 | 16QAM | 16QAM | 0 | [TBD] |

C.3 DL reference measurement channel

C.3.1 DL reference measurement channel (12.2 kbps)

The parameters for the 12,2 kbps DL reference measurement channel are specified in table C.3.1.1, table C.3.1.2 and table C.3.1.3. The channel coding is detailed in figure C.3.1. For the RLC configuration of AM DCCHs Timer_STATUS_Periodic shall not be set in RRC CONNECTION SETUP message used in test procedure for RF test as defined in TS 34.108 [3] clause 7.3. This is to prevent unexpected DCHs from being transmitted through such RLC entities when the timer has expired in order to sure that the required TFC from the minimum set of TFCs can continuously convey a DCH for DTCH during the test.

Table C.3.1.1: DL reference measurement channel (12.2 kbps)

| Parameter | Level | Unit |
|--------------------------------|-------|------|
| Information bit rate | 12.2 | kbps |
| DPCH | 30 | ksps |
| Slot Format #1 | 11 | - |
| TFCI | On | |
| Power offsets PO1, PO2 and PO3 | 0 | dB |
| DTX position | Fixed | - |

Table C.3.1.2: DL reference measurement channel using RLC-TM for DTCH, transport channel parameters (12.2 kbps)

| Higher Layer | RAB/Signalling RB | RAB | SRB | |
|--------------|---|--------------------|--------------------|-------|
| RLC | Logical channel type | DTCH | DCCH | |
| | RLC mode | TM | UM/AM | |
| | Payload sizes, bit | 244 | 88/80 | |
| | Max data rate, bps | 12200 | 2200/2000 | |
| | PDU header, bit | N/A | 8/16 | |
| | TrD PDU header, bit | 0 | N/A | |
| MAC | MAC header, bit | 0 | 4 | |
| | MAC multiplexing | N/A | Yes | |
| Layer 1 | TrCH type | DCH | DCH | |
| | Transport Channel Identity | 6 | 10 | |
| | TB sizes, bit | 244 | 100 | |
| | TFS | TF0, bits | 0*244 | 0*100 |
| | | TF1, bits | 1*244 | 1*100 |
| | TTI, ms | 20 | 40 | |
| | Coding type | Convolution Coding | Convolution Coding | |
| | Coding Rate | 1/3 | 1/3 | |
| | CRC, bit | 16 | 12 | |
| | Max number of bits/TTI after channel coding | 804 | 360 | |
| | RM attribute | 256 | 256 | |

Table C.3.1.3: DL reference measurement channel, TFCS (12.2 kbps)

| | |
|-----------|---|
| TFCS size | 4 |
| TFCS | (DTCH, DCCH)= (TF0, TF0), (TF1, TF0), (TF0, TF1), (TF1, TF1) |

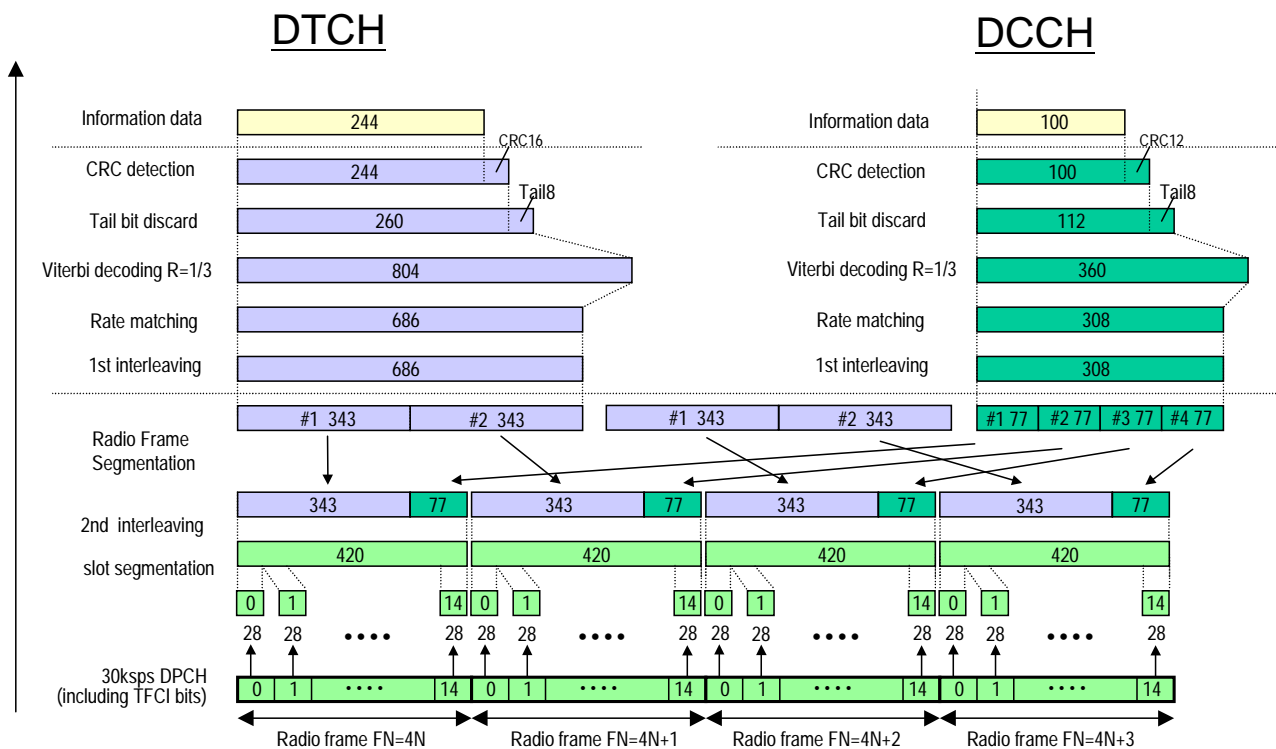


Figure C.3.1 (informative): Channel coding of DL reference measurement channel (12.2 kbps)

C.3.1A DL reference measurement channel (0 kbps and 12.2 kbps)

The parameters for the 0 kbps and 12.2 kbps DL reference measurement channel are specified in table C.3.1A.1, table C.3.1A.2 and table C.3.1A.3. The channel coding is detailed in figures C.3.1A and C.3.1B. For the RLC configuration of AM DCCHs Timer_STATUS_Periodic shall not be set in RRC CONNECTION SETUP message used in the test procedure for RF testing as defined in TS 34.108 [3] clause 7.3. This is to prevent unexpected DCHs from being transmitted through such RLC entities when the timer has expired in order to make sure that the required TFC from the minimum set of TFCs can continuously convey a DCH for DTCH during the test.

Table C.3.1A.1: DL reference measurement channel (0 kbps and 12.2 kbps)

| Parameter | Level | Unit |
|--------------------------------|-------|------|
| Information bit rate | 12.2 | kbps |
| DPCH | 30 | ksps |
| Slot Format #1 | 11 | - |
| TFCI | On | - |
| Power offsets PO1, PO2 and PO3 | 0 | dB |
| DTX position | Fixed | - |

Table C.3.1A.2: DL reference measurement channel using RLC-TM for DTCH, transport channel parameters (0 kbps and 12.2 kbps)

| Higher Layer | RAB/Signalling RB | RAB | SRB | |
|--------------|---|--------------------|--------------------|-------|
| RLC | Logical channel type | DTCH | DCCH | |
| | RLC mode | TM | UM/AM | |
| | Payload sizes, bit | 244 | 88/80 | |
| | Max data rate, bps | 12200 | 2200/2000 | |
| | PDU header, bit | N/A | 8/16 | |
| | TrD PDU header, bit | 0 | N/A | |
| MAC | MAC header, bit | 0 | 4 | |
| | MAC multiplexing | N/A | Yes | |
| Layer 1 | TrCH type | DCH | DCH | |
| | Transport Channel Identity | 6 | 10 | |
| | TB sizes, bit | 244 | 100 | |
| | TFS | TF0, bits | 1*0 | 0*100 |
| | | TF1, bits | 1*244 | 1*100 |
| | TTI, ms | 20 | 40 | |
| | Coding type | Convolution Coding | Convolution Coding | |
| | Coding Rate | 1/3 | 1/3 | |
| | CRC, bit | 16 | 12 | |
| | Max number of bits/TTI after channel coding | 804 | 360 | |
| | RM attribute | 256 | 256 | |

Table C.3.1A.3: DL reference measurement channel, TFCS (0 kbps and 12.2 kbps)

| | |
|-----------|---|
| TFCS size | 4 |
| TFCS | (DTCH, DCCH)= (TF0, TF0), (TF1, TF0), (TF0, TF1), (TF1, TF1) |

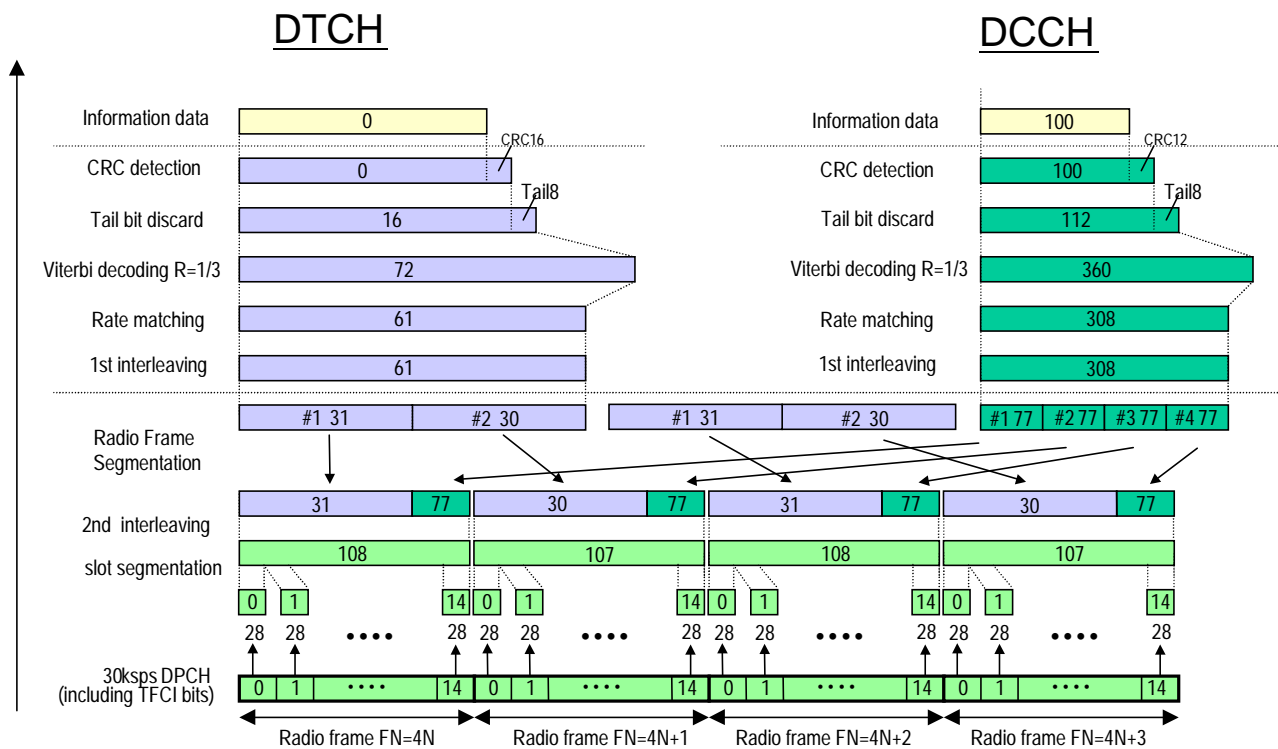


Figure C.3.1A (Informative): Channel coding of DL reference measurement channel (0 kbps)

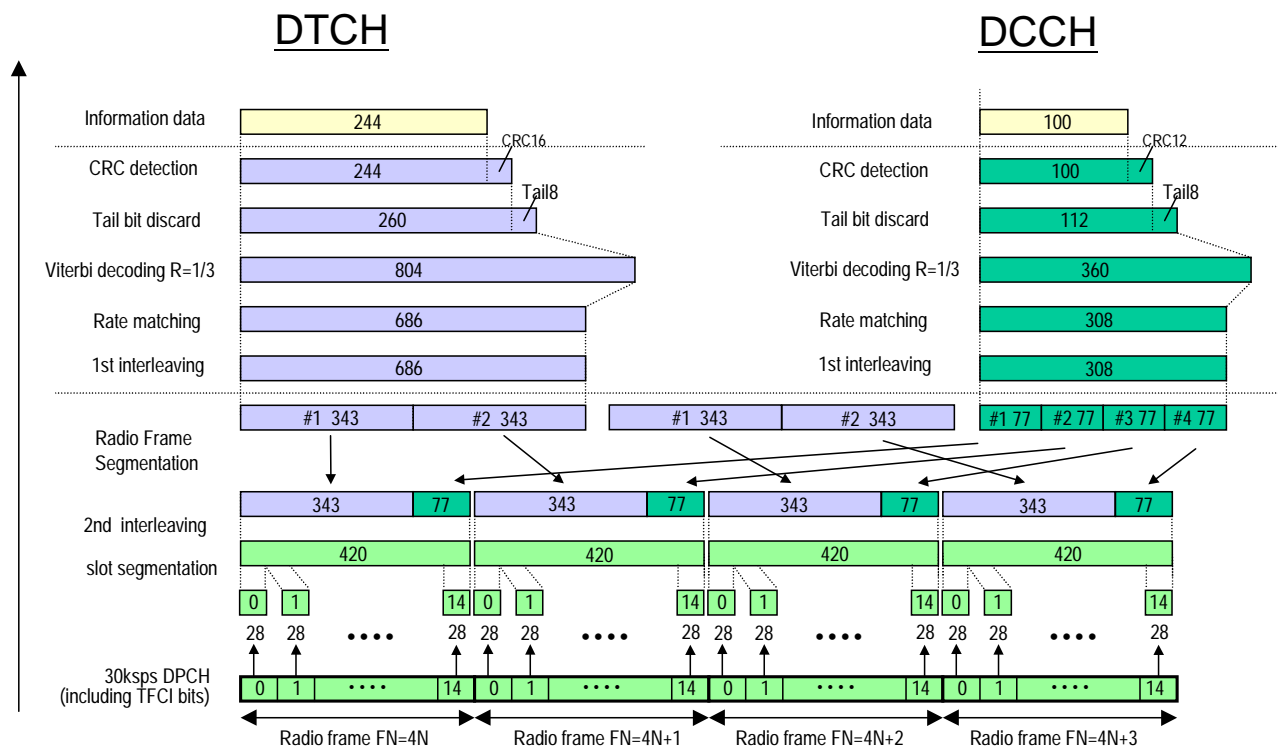


Figure C.3.1B (informative): Channel coding of DL reference measurement channel (12.2 kbps)

C.3.2 DL reference measurement channel (64 kbps)

The parameters for the DL reference measurement channel for 64 kbps are specified in table C.3.2.1, table C.3.2.2, table C.3.2.3 and table C.3.2.4. The channel coding is detailed in figure C.3.2. For the RLC configuration of AM DCCHs Timer_STATUS_Periodic shall not be set in RRC CONNECTION SETUP message used in test procedure for RF test as defined in TS 34.108 [3] clause 7.3. This is to prevent unexpected DCHs from being transmitted through such RLC entities when the timer has expired in order to sure that the required TFC from the minimum set of TFCs can continuously convey a DCH for DTCH during the test.

Table C.3.2.1: DL reference measurement channel (64 kbps)

| Parameter | Level | Unit |
|--------------------------------|-------|------|
| Information bit rate | 64 | kbps |
| DPCH | 120 | ksps |
| Slot Format #i | 13 | - |
| TFCI | On | - |
| Power offsets PO1, PO2 and PO3 | 0 | dB |
| DTX position | Fixed | - |

Table C.3.2.2: DL reference measurement channel using RLC-TM for DTCH, transport channel parameters (64 kbps)

| Higher Layer | RAB/Signalling RB | RAB | SRB | |
|--------------|---|--------------|--------------------|-------|
| RLC | Logical channel type | DTCH | DCCH | |
| | RLC mode | TM | UM/AM | |
| | Payload sizes, bit | 1280 | 88/80 | |
| | Max data rate, bps | 64000 | 2200/2000 | |
| | PDU header, bit | N/A | 8/16 | |
| | TrD PDU header, bit | 0 | N/A | |
| MAC | MAC header, bit | 0 | 4 | |
| | MAC multiplexing | N/A | Yes | |
| Layer 1 | TrCH type | DCH | DCH | |
| | Transport Channel Identity | 6 | 10 | |
| | TB sizes, bit | 1280 | 100 | |
| | TFS | TF0, bits | 0*1280 | 0*100 |
| | | TF1, bits | 1*1280 | 1*100 |
| | TTI, ms | 20 | 40 | |
| | Coding type | Turbo Coding | Convolution Coding | |
| | Coding Rate | N/A | 1/3 | |
| | CRC, bit | 16 | 12 | |
| | Max number of bits/TTI after channel coding | 3900 | 360 | |
| | RM attribute | 256 | 256 | |

Table C.3.2.3: DL reference measurement channel using RLC-AM for DTCH, transport channel parameters (64 kbps)

| Higher Layer | RAB/Signalling RB | RAB | SRB | |
|--------------|---|--------------|--------------------|-------|
| RLC | Logical channel type | DTCH | DCCH | |
| | RLC mode | AM | UM/AM | |
| | Payload sizes, bit | 1264 | 88/80 | |
| | Max data rate, bps | 63200 | 2200/2000 | |
| | PDU header, bit | 16 | 8/16 | |
| | TrD PDU header, bit | N/A | N/A | |
| MAC | MAC header, bit | 0 | 4 | |
| | MAC multiplexing | N/A | Yes | |
| Layer 1 | TrCH type | DCH | DCH | |
| | Transport Channel Identity | 6 | 10 | |
| | TB sizes, bit | 1280 | 100 | |
| | TFS | TF0, bits | 0*1280 | 0*100 |
| | | TF1, bits | 1*1280 | 1*100 |
| | TTI, ms | 20 | 40 | |
| | Coding type | Turbo Coding | Convolution Coding | |
| | Coding Rate | N/A | 1/3 | |
| | CRC, bit | 16 | 12 | |
| | Max number of bits/TTI after channel coding | 3900 | 360 | |
| | RM attribute | 256 | 256 | |

Table C.3.2.4: DL reference measurement channel, TFCS (64 kbps)

| | |
|-----------|---|
| TFCS size | 4 |
| TFCS | (DTCH, DCCH)= (TF0, TF0), (TF1, TF0), (TF0, TF1), (TF1, TF1) |

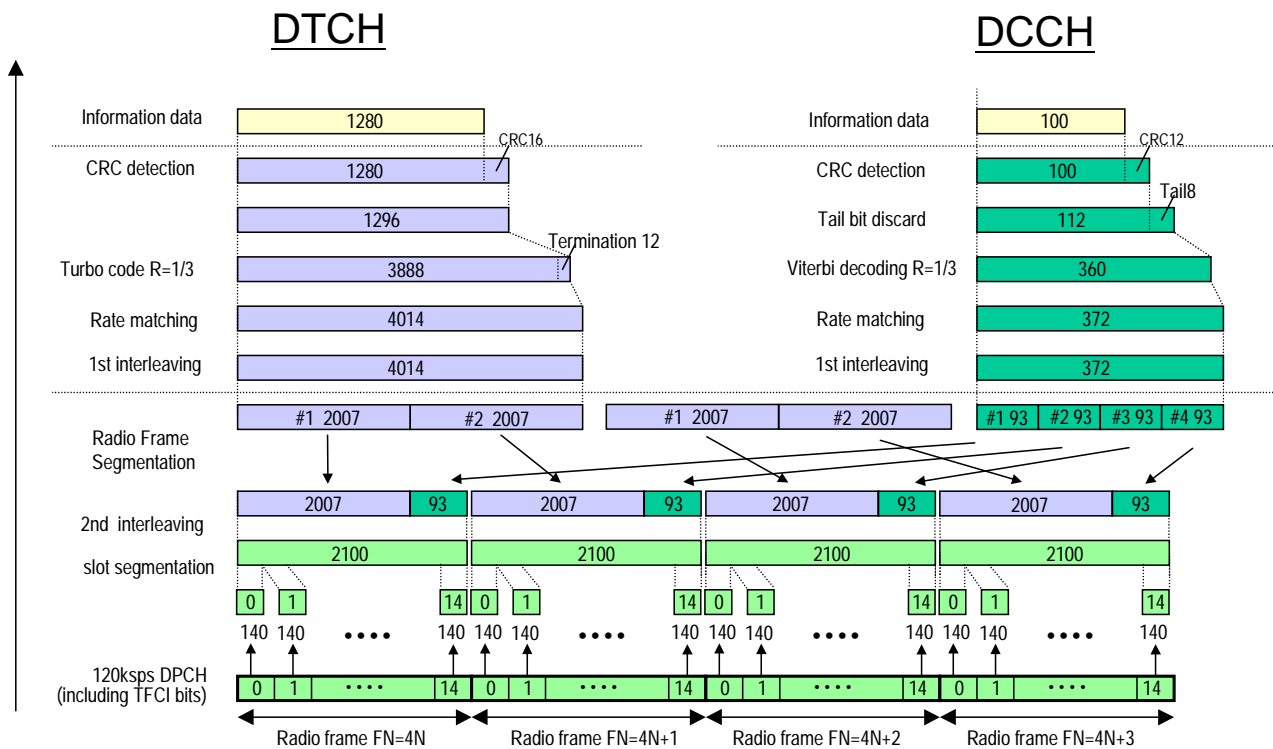


Figure C.3.2 (informative): Channel coding of DL reference measurement channel (64 kbps)

C.3.3 DL reference measurement channel (144 kbps)

The parameters for the DL reference measurement channel for 144 kbps are specified in table C.3.3.1, table C.3.3.2, table C.3.3.3 and table C.3.3.4. The channel coding is detailed in figure C.3.3. For the RLC configuration of AM DCCHs Timer_STATUS_Periodic shall not be set in RRC CONNECTION SETUP message used in test procedure for RF test as defined in TS 34.108 [3] clause 7.3. This is to prevent unexpected DCHs from being transmitted through such RLC entities when the timer has expired in order to sure that the required TFC from the minimum set of TFCs can continuously convey a DCH for DTCH during the test.

Table C.3.3.1: DL reference measurement channel (144kbps)

| Parameter | Level | Unit |
|--------------------------------|-------|------|
| Information bit rate | 144 | kbps |
| DPCH | 240 | ksps |
| Slot Format #i | 14 | - |
| TFCI | On | |
| Power offsets PO1, PO2 and PO3 | 0 | dB |
| DTX position | Fixed | - |

Table C.3.3.2: DL reference measurement channel using RLC-TM for DTCH, transport channel parameters (144 kbps)

| Higher Layer | RAB/Signalling RB | RAB | SRB | |
|--------------|---|--------------|--------------------|-------|
| RLC | Logical channel type | DTCH | DCCH | |
| | RLC mode | TM | UM/AM | |
| | Payload sizes, bit | 2880 | 88/80 | |
| | Max data rate, bps | 144000 | 2200/2000 | |
| | PDU header, bit | N/A | 8/16 | |
| | TrD PDU header, bit | 0 | N/A | |
| MAC | MAC header, bit | 0 | 4 | |
| | MAC multiplexing | N/A | Yes | |
| Layer 1 | TrCH type | DCH | DCH | |
| | Transport Channel Identity | 6 | 10 | |
| | TB sizes, bit | 2880 | 100 | |
| | TFS | TF0, bits | 0*2880 | 0*100 |
| | | TF1, bits | 1*2880 | 1*100 |
| | TTI, ms | 20 | 40 | |
| | Coding type | Turbo Coding | Convolution Coding | |
| | Coding Rate | N/A | 1/3 | |
| | CRC, bit | 16 | 12 | |
| | Max number of bits/TTI after channel coding | 8700 | 360 | |
| | RM attribute | 256 | 256 | |

Table C.3.3.3: DL reference measurement channel using RLC-AM for DTCH, transport channel parameters (144 kbps)

| Higher Layer | RAB/Signalling RB | RAB | SRB | |
|--------------|---|--------------|--------------------|-------|
| RLC | Logical channel type | DTCH | DCCH | |
| | RLC mode | AM | UM/AM | |
| | Payload sizes, bit | 2864 | 88/80 | |
| | Max data rate, bps | 143200 | 2200/2000 | |
| | PDU header, bit | 16 | 8/16 | |
| | TrD PDU header, bit | N/A | N/A | |
| MAC | MAC header, bit | 0 | 4 | |
| | MAC multiplexing | N/A | Yes | |
| Layer 1 | TrCH type | DCH | DCH | |
| | Transport Channel Identity | 6 | 10 | |
| | TB sizes, bit | 2880 | 100 | |
| | TFS | TF0, bits | 0*2880 | 0*100 |
| | | TF1, bits | 1*2880 | 1*100 |
| | TTI, ms | 20 | 40 | |
| | Coding type | Turbo Coding | Convolution Coding | |
| | Coding Rate | N/A | 1/3 | |
| | CRC, bit | 16 | 12 | |
| | Max number of bits/TTI after channel coding | 8700 | 360 | |
| | RM attribute | 256 | 256 | |

Table C.3.3.4: DL reference measurement channel, TFCS (144 kbps)

| | |
|-----------|---|
| TFCS size | 4 |
| TFCS | (DTCH, DCCH)= (TF0, TF0), (TF1, TF0), (TF0, TF1), (TF1, TF1) |

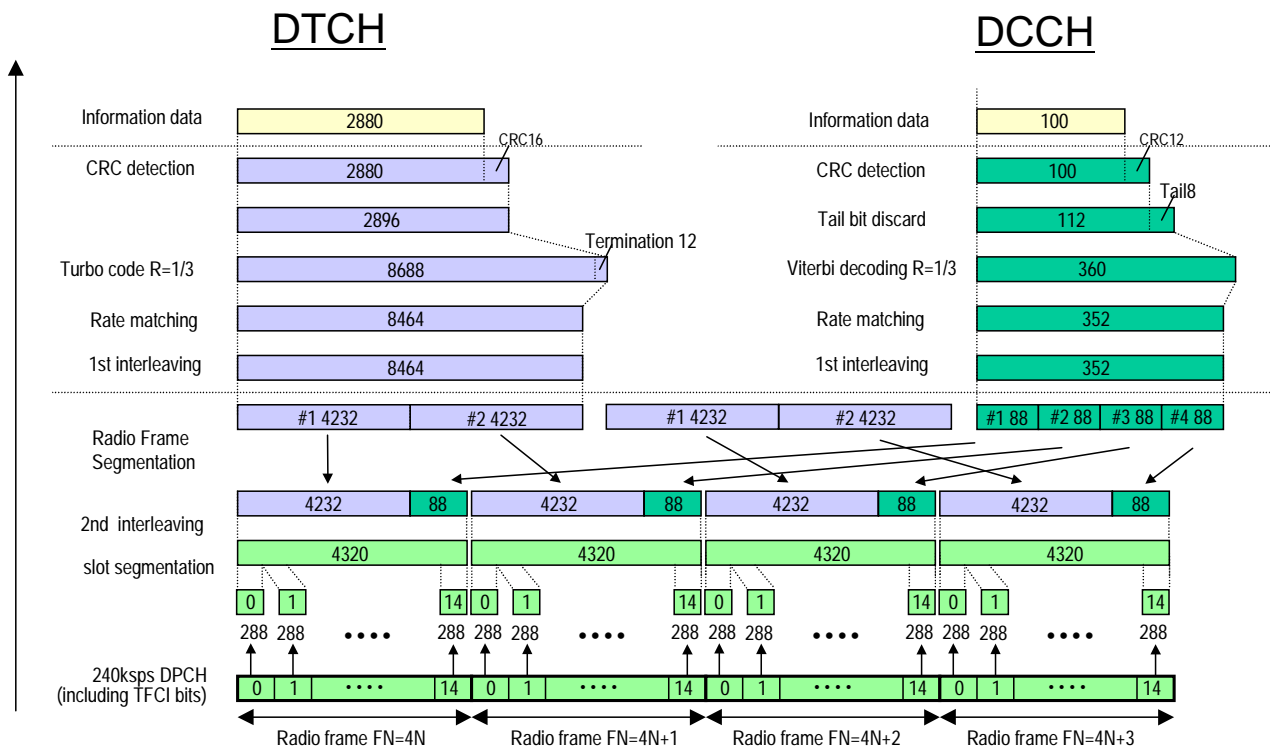


Figure C.3.3 (informative): Channel coding of DL reference measurement channel (144 kbps)

C.3.4 DL reference measurement channel (384 kbps)

The parameters for the DL reference measurement channel for 384 kbps are specified in table C.3.4.1, table C.3.4.2, table C.3.4.3 and table C.3.4.4. The channel coding is shown for information in figure C3.4. For the RLC configuration of AM DCCHs Timer_STATUS_Periodic shall not be set in RRC CONNECTION SETUP message used in test procedure for RF test as defined in TS 34.108 [3] clause 7.3. This is to prevent unexpected DCHs from being transmitted through such RLC entities when the timer has expired in order to sure that the required TFC from the minimum set of TFCs can continuously convey a DCH for DTCH during the test.

Table C.3.4.1: DL reference measurement channel, physical parameters (384 kbps)

| Parameter | Level | Unit |
|--------------------------------|-------|------|
| Information bit rate | 384 | kbps |
| DPCH | 480 | ksps |
| Slot Format # | 15 | - |
| TFCI | On | - |
| Power offsets PO1, PO2 and PO3 | 0 | dB |
| DTX position | Fixed | - |

Table C.3.4.2: DL reference measurement channel using RLC-TM for DTCH, transport channel parameters (384 kbps)

| Higher Layer | RAB/Signalling RB | RAB | SRB | |
|--------------|---|--------------|--------------------|-------|
| RLC | Logical channel type | DTCH | DCCH | |
| | RLC mode | TM | UM/AM | |
| | Payload sizes, bit | 3840 | 88/80 | |
| | Max data rate, bps | 384000 | 2200/2000 | |
| | PDU header, bit | N/A | 8/16 | |
| | TrD PDU header, bit | 0 | N/A | |
| MAC | MAC header, bit | 0 | 4 | |
| | MAC multiplexing | N/A | Yes | |
| Layer 1 | TrCH type | DCH | DCH | |
| | Transport Channel Identity | 6 | 10 | |
| | TB sizes, bit | 3840 | 100 | |
| | TFS | TF0, bits | 0*3840 | 0*100 |
| | | TF1, bits | 1*3840 | 1*100 |
| | TTI, ms | 10 | 40 | |
| | Coding type | Turbo Coding | Convolution Coding | |
| | Coding Rate | N/A | 1/3 | |
| | CRC, bit | 16 | 12 | |
| | Max number of bits/TTI after channel coding | 11580 | 360 | |
| | RM attribute | 256 | 256 | |

Table C.3.4.3: DL reference measurement channel using RLC-AM for DTCH, transport channel parameters (384 kbps)

| Higher Layer | RAB/Signalling RB | RAB | SRB | |
|--------------|---|--------------|--------------------|-------|
| RLC | Logical channel type | DTCH | DCCH | |
| | RLC mode | AM | UM/AM | |
| | Payload sizes, bit | 3824 | 88/80 | |
| | Max data rate, bps | 382400 | 2200/2000 | |
| | PDU header, bit | 16 | 8/16 | |
| | TrD PDU header, bit | N/A | N/A | |
| MAC | MAC header, bit | 0 | 4 | |
| | MAC multiplexing | N/A | Yes | |
| Layer 1 | TrCH type | DCH | DCH | |
| | Transport Channel Identity | 6 | 10 | |
| | TB sizes, bit | 3840 | 100 | |
| | TFS | TF0, bits | 0*3840 | 0*100 |
| | | TF1, bits | 1*3840 | 1*100 |
| | TTI, ms | 10 | 40 | |
| | Coding type | Turbo Coding | Convolution Coding | |
| | Coding Rate | N/A | 1/3 | |
| | CRC, bit | 16 | 12 | |
| | Max number of bits/TTI after channel coding | 11580 | 360 | |
| | RM attribute | 256 | 256 | |

Table C.3.4.4: DL reference measurement channel, TFCS (384 kbps)

| | |
|-----------|---|
| TFCS size | 4 |
| TFCS | (DTCH, DCCH)= (TF0, TF0), (TF1, TF0), (TF0, TF1), (TF1, TF1) |

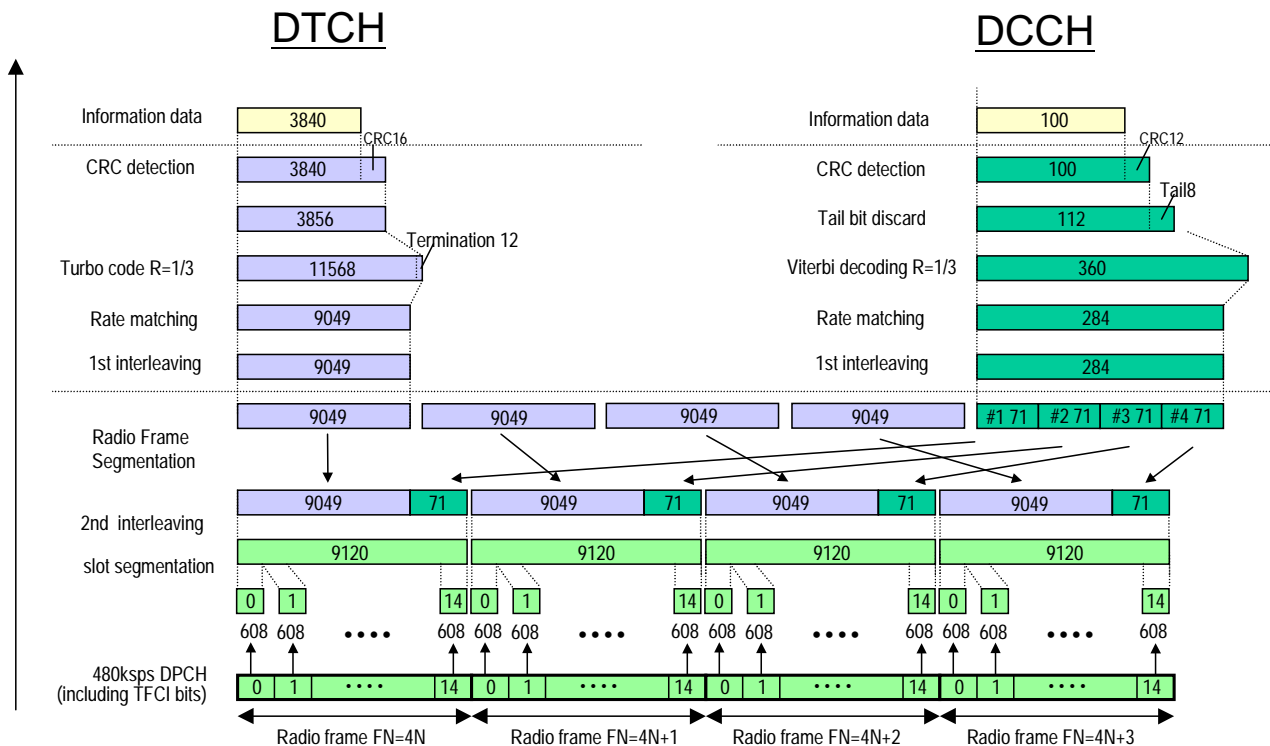


Figure C.3.4 (informative): Channel coding of DL reference measurement channel (384 kbps)

C.3.5 DL reference measurement channel 2 (64 kbps)

The parameters for the DL reference measurement channel 2 for 64 kbps are specified in table C.3.5.1, table C.3.5.2 and table C.3.5.3. The channel coding is detailed in figure C.3.5. For the RLC configuration of AM DCCHs Timer_STATUS_Periodic shall not be set in RRC CONNECTION SETUP message used in test procedure for RF test as defined in TS 34.108 [3] clause 7.3. This is to prevent unexpected DCHs from being transmitted through such RLC entities when the timer has expired in order to sure that the required TFC from the minimum set of TFCs can continuously convey a DCH for DTCH during the test.

Table C.3.5.1: DL reference measurement channel physical parameters (64 kbps)

| Parameter | Unit | Level |
|-----------------------------|------|-------|
| Information bit rate (DTCH) | kbps | 64 |
| Information bit rate (DCCH) | kbps | 3.4 |
| DPCH | ksps | 120 |
| Slot Format #i | - | 13 |
| TFCI | - | On |
| Puncturing (DTCH) | % | 8.6 |
| Repetition (DCCH) | % | 27.9 |

Table C.3.5.2: DL reference measurement channel 2 using RLC-AM for DTCH, transport channel parameters (64 kbps)

| Higher Layer | RAB/Signalling RB | RAB | SRB | |
|--------------|---|--------------|--------------------|-------|
| RLC | Logical channel type | DTCH | DCCH | |
| | RLC mode | AM | UM/AM | |
| | Payload sizes, bit | 320 | 136/128 | |
| | Max data rate, bps | 64000 | 3400/3200 | |
| | PDU header, bit | 16 | 8/16 | |
| | TrD PDU header, bit | N/A | N/A | |
| MAC | MAC header, bit | 0 | 4 | |
| | MAC multiplexing | N/A | Yes | |
| Layer 1 | TrCH type | DCH | DCH | |
| | Transport Channel Identity | 6 | 10 | |
| | TB sizes, bit | 336 | 148 | |
| | TB set size, bit | 1344 | 148 | |
| | TB per TTI | 4 | 1 | |
| | TFS | TF0, bits | 0*336 | 0*148 |
| | | TF1, bits | 1*336 | 1*148 |
| | | TF2, bits | 4*336 | |
| | TTI, ms | 20 | 40 | |
| | Coding type | Turbo Coding | Convolution Coding | |
| | Coding Rate | 1/3 | 1/3 | |
| | CRC, bit | 16 | 16 | |
| | Max number of bits/TTI after channel coding | 1068*4 | 516 | |
| RM attribute | 143 | 256 | | |

Table C.3.5.3: DL reference measurement channel 2, TFCS (64 kbps)

| | |
|-----------|---|
| TFCS size | 6 |
| TFCS | (DTCH, DCCH)= (TF0, TF0), (TF1, TF0), (TF2, TF0), (TF0, TF1), (TF1, TF1) |

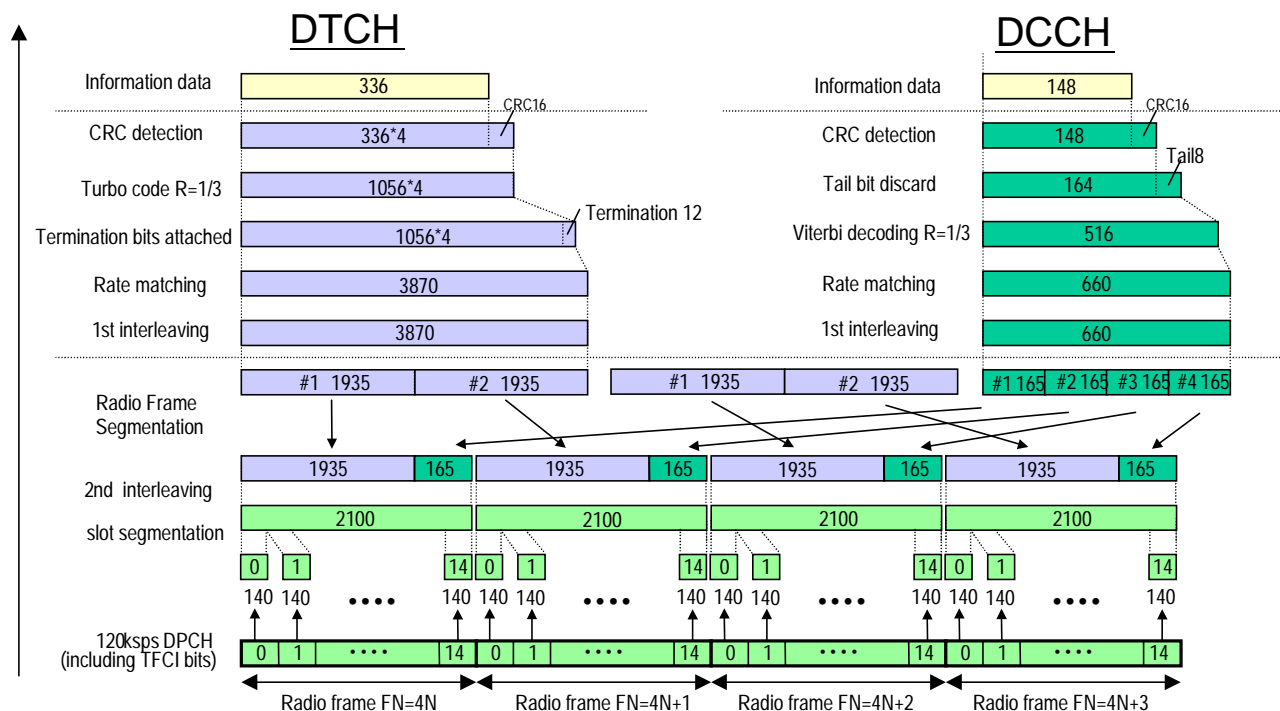


Figure C.3.5 (informative): Channel coding of DL reference measurement channel 2 (64 kbps)

C.4 Reference measurement channel for BTFD performance requirements

C.4.1 UL reference measurement channel for BTFD performance requirements

The parameters for UL reference measurement channel for BTFD are specified in table C.4.1.1, table C.4.1.2, table C.4.1.3 and table C.4.1.4.

Table C.4.1.1: UL reference measurement channel physical parameters for BTFD

| Parameter | Level | Unit |
|-------------------------|--|------|
| Information bit rate | 12.8k, 10.8k, 8.55k, 8.0k, 7.3k, 6.5k, 5.75k, 5.35k, 2.55k | kbps |
| DPCCH | 15 | kbps |
| DPCCH Slot Format #i | 0 | - |
| DPCCH/DPDCH power ratio | -5.46 (12.8k - 7.3k) | dB |
| | -2.69 (6.5k - 2.55k) | |
| TFCI | On | - |
| Puncturing Limit | 100 | % |

Table C.4.1.2: UL reference measurement channel, transport channel parameters for SRB

| Higher Layer | RAB/Signalling RB | SRB | |
|--------------|---|--------------------|-------|
| RLC | Logical channel type | DCCH | |
| | RLC mode | UM/AM | |
| | Payload sizes, bit | 88/80 | |
| | Max data rate, bps | 2200/2000 | |
| | PDU header, bit | 8/16 | |
| | TrD PDU header, bit | N/A | |
| MAC | MAC header, bit | 4 | |
| | MAC multiplexing | Yes | |
| Layer 1 | TrCH type | DCH | |
| | Transport Channel Identity | 10 | |
| | TB sizes, bit | 100 | |
| | TFS | TF0, bits | 0*100 |
| | | TF1, bits | 1*100 |
| | TTI, ms | 40 | |
| | Coding type | Convolution Coding | |
| | Coding Rate | 1/3 | |
| | CRC, bit | 12 | |
| | Max number of bits/TTI after channel coding | 360 | |
| | Uplink: Max number of bits/radio frame before rate matching | 90 | |
| | RM attribute | 256 | |

Table C.4.1.3: UL reference measurement channel using RLC-TM for DTCH, transport channel parameters

| Higher Layer | RAB/Signalling RB | 12.8k /10.8k/8.55k/8.0k/7.3k/6.5k/5.75k/5.35k/2.55k | |
|--------------|----------------------------|---|-------|
| RLC | Logical channel type | DTCH | |
| | RLC mode | TM | |
| | Payload sizes, bit | 256, 216, 171, 160, 146, 130, 115, 107, 51, 12 | |
| | Max data rate, bps | 12200 | |
| | PDU header, bit | N/A | |
| | TrD PDU header, bit | 0 | |
| MAC | MAC header, bit | 0 | |
| | MAC multiplexing | N/A | |
| Layer 1 | TrCH type | DCH | |
| | Transport Channel Identity | 1 | |
| | TB sizes, bit | 256, 216, 171, 160, 146, 130, 115, 107, 51,12 | |
| | TFS | TF0 bit | 0x256 |
| | | TF1 bit | 1x256 |
| | | TF2 bit | 1x216 |
| | | TF3 bit | 1x171 |
| | | TF4 bit | 1x160 |
| | | TF5 bit | 1x146 |
| | | TF6 bit | 1x130 |
| | | TF7 bit | 1x115 |
| | | TF8 bit | 1x107 |
| | | TF9 bit | 1x51 |
| | TF10 bit | 1x12 | |
| | TTI, ms | 20 | |
| | Coding type | CC | |
| Coding Rate | 1/3 | | |
| CRC, bit | 0 | | |
| RM attribute | 256 | | |

Table C.4.1.4: UL reference measurement channel, TFCS

| | |
|-----------|---|
| TFCS size | 22 |
| TFCS | (DTCH, DCCH)= (TF0, TF0), (TF1, TF0), (TF2, TF0), (TF3, TF0), (TF4, TF0), (TF5, TF0), (TF6, TF0), (TF7, TF0), (TF8, TF0), (TF9, TF0), (TF10, TF0), (TF0, TF1), (TF1, TF1), (TF2, TF1), (TF3, TF1), (TF4, TF1), (TF5, TF1), (TF6, TF1), (TF7, TF1), (TF8, TF1), (TF9, TF1), (TF10, TF1) |

NOTE: The TFCs (TF0, TF0), (TF10, TF0) and (TF0, TF1) are belonging to minimum set of TFCs.

C.4.2 DL reference measurement channel for BTFD performance requirements

The parameters for DL reference measurement channel for BTFD are specified in table C.4.2.1, table C.4.2.2, table C.4.2.3 and table C.4.2.4. The channel coding for information is shown in figures C.4.1, C.4.2, and C.4.3. For the RLC configuration of AM DCCHs Timer_STATUS_Periodic shall not be set in RRC CONNECTION SETUP message used in test procedure for RF test as defined in TS 34.108 [3] clause 7.3. This is to prevent unexpected DCHs from being transmitted through such RLC entities when the timer has expired in order to ensure that the required TFC from the minimum set of TFCs can continuously convey a DCH for DTCH during the test.

Table C.4.2.1: DL reference measurement channel physical parameters for BTFD

| Parameter | Rate 1 | Rate 2 | Rate 3 | Unit |
|--------------------------------|--------|--------|--------|------|
| Information bit rate | 12,2 | 7,95 | 1,95 | kbps |
| DPCH | 30 | | | ksps |
| Slot Format #1 | 8 | | | - |
| TFC1 | Off | | | - |
| Power offsets PO1, PO2 and PO3 | 0 | | | dB |
| DTX position | Fixed | | | - |

Table C.4.2.2: DL reference measurement channel, transport channel parameters for SRB

| Higher Layer | RAB/Signalling RB | SRB | |
|--------------|---|--------------------|-------|
| RLC | Logical channel type | DCCH | |
| | RLC mode | UM/AM | |
| | Payload sizes, bit | 88/80 | |
| | Max data rate, bps | 2200/2000 | |
| | PDU header, bit | 8/16 | |
| | TrD PDU header, bit | N/A | |
| MAC | MAC header, bit | 4 | |
| | MAC multiplexing | Yes | |
| Layer 1 | TrCH type | DCH | |
| | Transport Channel Identity | 20 | |
| | TB sizes, bit | 100 | |
| | TFS | TF0, bits | 0*100 |
| | | TF1, bits | 1*100 |
| | TTI, ms | 40 | |
| | Coding type | Convolution Coding | |
| | Coding Rate | 1/3 | |
| | CRC, bit | 12 | |
| | Max number of bits/TTI after channel coding | 360 | |
| | Uplink: Max number of bits/radio frame before rate matching | 90 | |
| | RM attribute | 256 | |

Table C.4.2.3: DL reference measurement channel using RLC-TM for DTCH, transport channel parameters

| | | | |
|--------------|----------------------------|--|-------|
| Higher Layer | RAB/Signalling RB | 12.2k/10.2k/7.95k/7.4k/6.7k/5.9k/5.15k/4.75k/1.95k | |
| RLC | Logical channel type | DTCH | |
| | RLC mode | TM | |
| | Payload sizes, bit | 244, 204, 159, 148, 134, 118, 103, 95, 39 | |
| | Max data rate, bps | 12200 | |
| | PDU header, bit | N/A | |
| | TrD PDU header, bit | 0 | |
| MAC | MAC header, bit | 0 | |
| | MAC multiplexing | N/A | |
| Layer 1 | TrCH type | DCH | |
| | Transport Channel Identity | 1 | |
| | TB sizes, bit | 244, 204, 159, 148, 134, 118, 103, 95, 39 | |
| | TFS | TF0 bit | 1x244 |
| | | TF1 bit | 1x204 |
| | | TF2 bit | 1x159 |
| | | TF3 bit | 1x148 |
| | | TF4 bit | 1x134 |
| | | TF5 bit | 1x118 |
| | | TF6 bit | 1x103 |
| | | TF7 bit | 1x95 |
| | | TF8 bit | 1x39 |
| | TTI, ms | 20 | |
| | Coding type | CC | |
| Coding Rate | 1/3 | | |
| CRC, bit | 12 | | |
| RM attribute | 256 | | |

Table C.4.2.4: DL reference measurement channel, TFCS

| | |
|-----------|---|
| TFCS size | 18 |
| TFCS | (DTCH, DCCH)= (TF0, TF0), (TF1, TF0), (TF2, TF0), (TF3, TF0), (TF4, TF0), (TF5, TF0), (TF6, TF0), (TF7, TF0), (TF8, TF0), (TF0, TF1), (TF1, TF1), (TF2, TF1), (TF3, TF1), (TF4, TF1), (TF5, TF1), (TF6, TF1), (TF7, TF1), (TF8, TF1) |

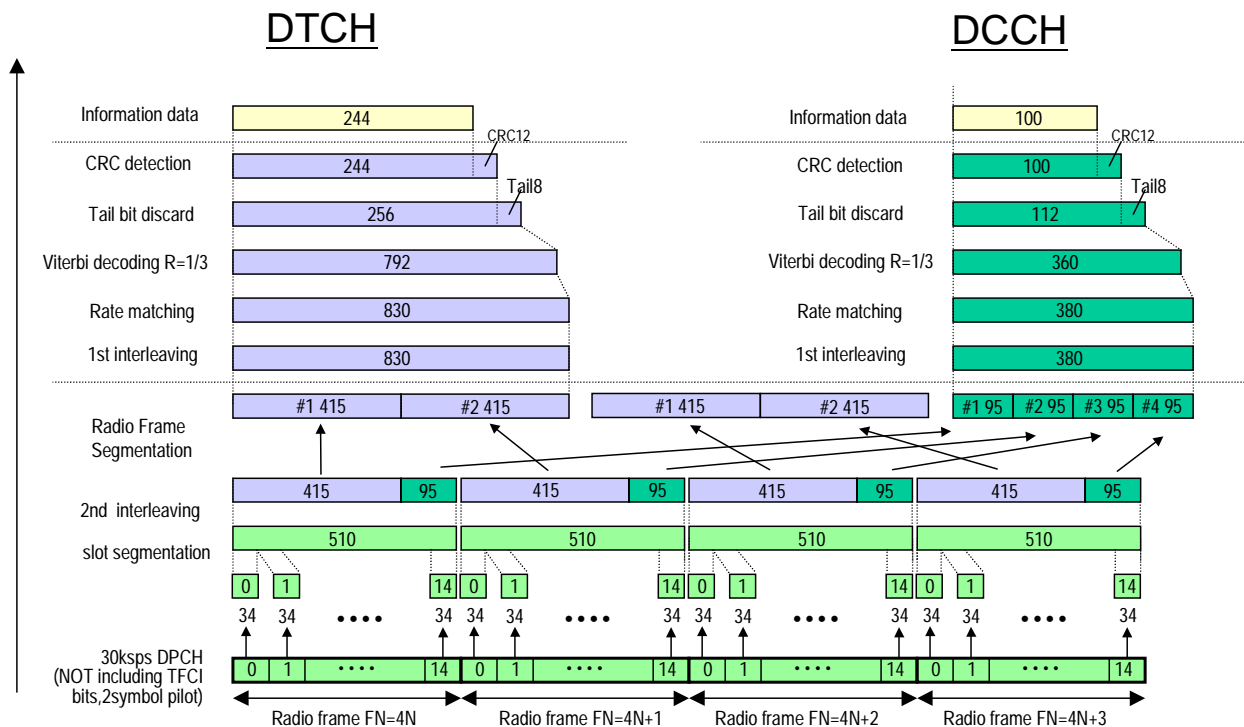


Figure C.4.1 (informative): Channel coding of DL reference measurement channel for BTFD (Rate 1)

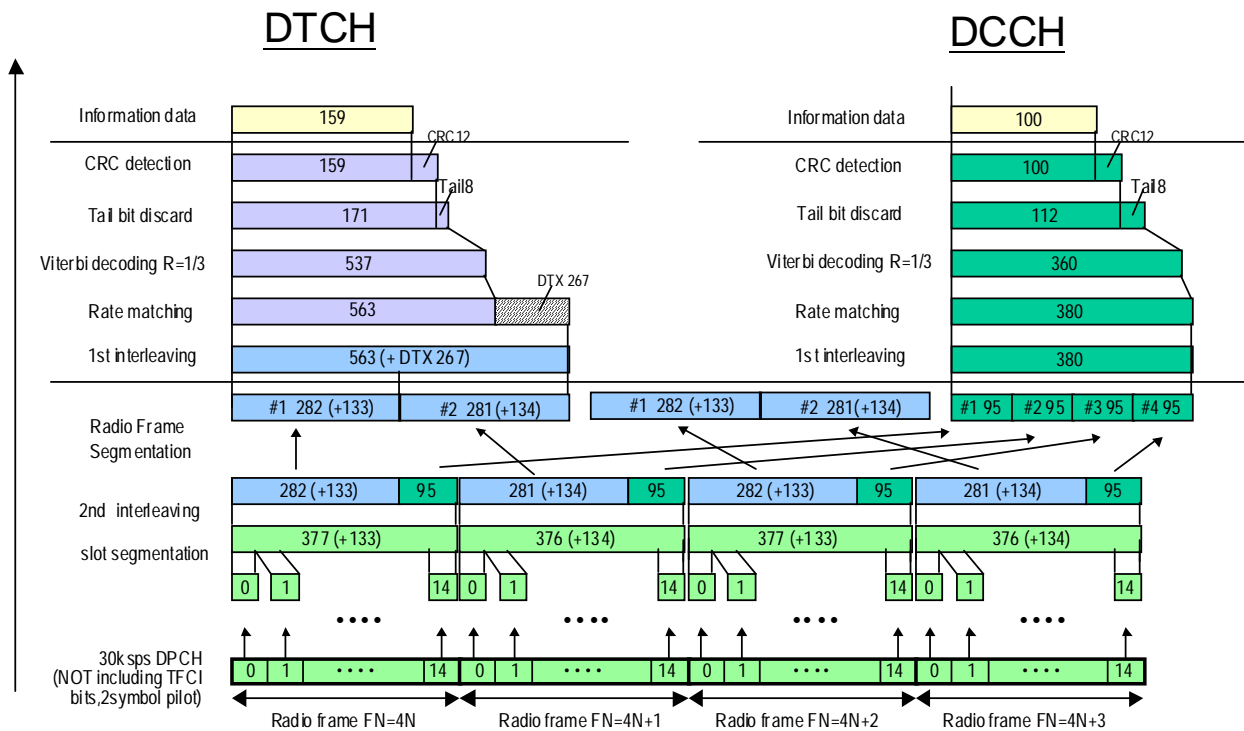


Figure C.4.2 (informative): Channel coding of DL reference measurement channel for BTFD (Rate 2)

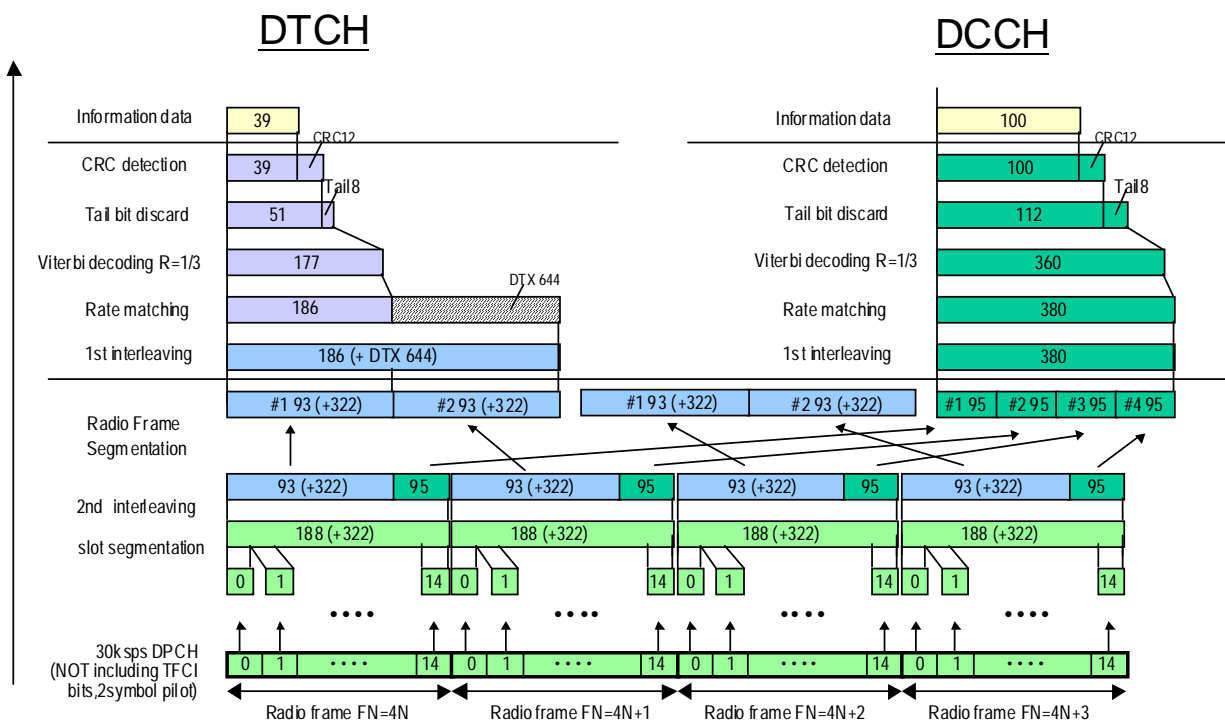


Figure C.4.3 (informative): Channel coding of DL reference measurement channel for BTFD (Rate 3)

C.4.3 Reference parameters for discontinuous UL DPCCH transmission

The parameters for the UE UL power control operation with discontinuous UL DPCCH transmission test is specified in Table C.4.3.1. Same parameter values are used for 2ms and 10ms E-DCH TTI.

Table C.4.3.1: Parameters for the discontinuous UL DPCCH transmission

| Parameter | Unit | Level |
|--|--------------|-------|
| Enabling_Delay | Radio frames | 0 |
| UE_DTX_cycle_1 | Subframes | 10 |
| UE_DTX_cycle_2 | Subframes | 10 |
| UE_DTX_DRX_offset | Subframes | 0 |
| Inactivity_threshold_for_UE_DTX_cycle2 | E-DCH TTI | 1 |
| UE_DPCCH_burst_1 | Subframes | 1 |
| UE_DPCCH_burst_2 | Subframes | 1 |
| UE_DTX_long_preamble_length | Slots | 2 |
| CQI_Feedback_cycle, k | Milliseconds | 0 |
| CQI_DTX_TIMER | Subframes | 0 |

C.5 DL reference compressed mode parameters

Parameters described in table C.5.1 are used in some test specified in TS 25.101 while parameters described in table C.5.2 are used in some tests specified in TS 25.133 [2].

Set 1 parameters in table C.5.1 are applicable when compressed mode by spreading factor reduction is used in downlink. Set 2 parameters in table C.5.1 are applicable when compressed mode by puncturing is used in downlink. Set 2 is applicable for Release 99 and Release 4 only.

Table C.5.1: Compressed mode reference pattern 1 parameters

| Parameter | Set 1 | Set 2 | Set 2A | Note |
|---|---------|------------|---------|--|
| TGSN (Transmission Gap Starting Slot Number) | 11 | 11 | 4 | |
| TGL1 (Transmission Gap Length 1) | 7 | 7 | 7 | |
| TGL2 (Transmission Gap Length 2) | - | - | 7 | For Set 1 and Set 2 only one gap in use. |
| TGD (Transmission Gap Distance) | 0 | 0 | 15 | Only one gap in use. For Set 1 and Set 2 UNDEFINED is used for TGD. |
| TGPL1 (Transmission Gap Pattern Length) | 4 | 4 | 4 | |
| TGPL2 (Transmission Gap Pattern Length) | - | - | - | R99 and Rel-4: Only one pattern in use. Rel-5 and later releases: Not applicable |
| TGPRC (Transmission Gap Pattern Repetition Count) | NA | NA | NA | Defined by higher layers |
| TGCFN (Transmission Gap Connection Frame Number): | NA | NA | 0 | Defined by higher layers |
| UL/DL compressed mode selection | DL & UL | DL & UL | DL & UL | 2 configurations possible DL & UL / DL |
| UL compressed mode method | SF/2 | SF/2 | SF/2 | |
| DL compressed mode method | SF/2 | Puncturing | SF/2 | Compressed mode by puncturing is applicable for R99 and Rel-4 only. |
| Downlink Slot format | 11B | 11A | 11B | Downlink frame type is specified per individual test. If it is not specified either downlink frame type A or B can be used |
| Scrambling code change | No | No | No | |
| RPP (Recovery period power control mode) | 0 | 0 | 0 | |
| ITP (Initial transmission power control mode) | 0 | 0 | 0 | |

Table C.5.2: Compressed mode reference pattern 2 parameters

| Parameter | Set 1 | Set 2 | Set 3 | Set 4 | Set 5 | Note |
|---|---------|---------|------------|---------|---------|--|
| TGSN (Transmission Gap Starting Slot Number) | 4 | 4 | 10 | 8 | 10 | |
| TGL1 (Transmission Gap Length 1) | 7 | 7 | 10 | 14 | 10 | |
| TGL2 (Transmission Gap Length 2) | - | - | - | - | - | Only one gap in use. |
| TGD (Transmission Gap Distance) | 0 | 0 | 0 | 0 | 0 | UNDEFINED is used for TGD. |
| TGPL1 (Transmission Gap Pattern Length) | 3 | 12 | 11 | 4 | 8 | |
| TGPL2 (Transmission Gap Pattern Length) | - | - | - | - | - | R99 and Rel-4: Only one pattern in use. Rel-5 and later releases: Not applicable |
| TGPRC (Transmission Gap Pattern Repetition Count) | NA | NA | NA | NA | NA | Defined by higher layers |
| TGCFN (Transmission Gap Connection Frame Number): | NA | NA | NA | NA | NA | Defined by higher layers |
| UL/DL compressed mode selection | DL & UL | DL & UL | DL & UL | DL & UL | DL & UL | 2 configurations possible. DL & UL / DL |
| UL compressed mode method | SF/2 | SF/2 | SF/2 | SF/2 | SF/2 | |
| DL compressed mode method | SF/2 | SF/2 | Puncturing | SF/2 | SF/2 | Compressed mode by puncturing is applicable for R99 and Rel-4 only. |
| Downlink and Slot format | 11B | 11B | 11A | 11B | 11B | Downlink frame type is specified per individual test. If it is not specified either downlink frame type A or B can be used |
| Scrambling code change | No | No | No | No | No | |
| RPP (Recovery period power control mode) | 0 | 0 | 0 | 0 | 0 | |
| ITP (Initial transmission power control mode) | 0 | 0 | 0 | 0 | 0 | |

Table C.5.3: Compressed mode reference pattern 3 parameters

| Parameter | Set 1 | Set 2 | Set 3 | Set 4 | Note |
|---|---------|---------|---------|---------|--|
| TGSN (Transmission Gap Starting Slot Number) | 8 | 8 | 8 | 8 | |
| TGL1 (Transmission Gap Length 1) | 14 | 14 | 14 | 14 | |
| TGL2 (Transmission Gap Length 2) | - | - | - | - | Only one gap in use. |
| TGD (Transmission Gap Distance) | 0 | 0 | 0 | 0 | UNDEFINED is used for TGD. |
| TGPL1 (Transmission Gap Pattern Length) | 8 | 24 | 24 | 24 | |
| TGPRC (Transmission Gap Pattern Repetition Count) | NA | NA | NA | NA | Defined by higher layers |
| TGCFN (Transmission Gap Connection Frame Number): | 0 | 4 | 12 | 20 | |
| UL/DL compressed mode selection | DL & UL | DL & UL | DL & UL | DL & UL | 2 configurations possible. DL & UL / DL |
| UL compressed mode method | SF/2 | SF/2 | SF/2 | SF/2 | |
| DL compressed mode method | SF/2 | SF/2 | SF/2 | SF/2 | |
| Downlink and Slot format | 11B | 11B | 11B | 11B | Downlink frame type is specified per individual test. If it is not specified either downlink frame type A or B can be used |
| Scrambling code change | No | No | No | No | |
| RPP (Recovery period power control mode) | 0 | 0 | 0 | 0 | |
| ITP (Initial transmission power control mode) | 0 | 0 | 0 | 0 | |

C.6 Auxiliary measurement channels

C.6.1 Introduction

BLER measurements for test cases where the UL data rate is less or equal to the DL data rate require that special auxiliary measurement channels (AUXMC) are used. This annex specifies the alternative auxiliary measurement channels and the UE test loop mode parameters to be used for the different UL and DL data rate combinations.

C.6.2 Channel combinations for BLER measurements

Table C.6.2: BLER test method and measurement channels for BLER tests for UL DL data rate combinations

| DL rate [kbps] | UE UL RMC rate capability [kbps] | BLER Test method | DL RMC | UL RMC | UE test loop mode (Note 1) | Comments |
|-------------------|---|------------------------|-------------------------------------|---|-------------------------------------|---|
| 12.2 | RMC 12.2 | Loopback Data+CRC | DL TM RMC 12.2 kbps See C.3.1 | UL TM AUXMC 12.2 kbps, no CRC See C.6.3 | 2 | Perform test in CS domain. |
| 64 | RMC 12.2 | AM ACK/NACK | DL AM RMC 64 kbps See C.3.2 | UL AM AUXMC 12.2 kbps See C.6.7 | 1 | DL RLC SDU size=1248 UL RLC SDU size=0 See Note 2 Perform test in PS domain. |
| 64 | RMC 12.2 | AM ACK/NACK | DL AM RMC 64 kbps See C.3.5 | UL AM AUXMC 12.2 kbps See C.6.8 | 1 | DL RLC SDU size=304 UL RLC SDU size=0 See Note 5 Perform test in PS domain. |
| 144 | RMC 12.2 | AM ACK/NACK | DL AM RMC 144 kbps See C.3.3 | UL AM AUXMC 12.2 kbps See C.6.7 | 1 | DL RLC SDU size=2848 UL RLC SDU size=0 See Note 3 Perform test in PS domain. |
| 384 | RMC 12.2 | AM ACK/NACK | DL AM RMC 384 kbps See C.3.4 | UL AM AUXMC 12.2 kbps See C.6.7 | 1 | DL RLC SDU size=3808 UL RLC SDU size=0 See Note 4 Perform test in PS domain. |
| Note 1 | See TS 34.109 [4] for details regarding UE test loop modes. See TS 34.109 [4] Annex A.3 for description of the BLER test method using TM reference measurement channel and UE test loop mode 2 (Loopback Data+CRC). See TS 34.109 [4] Annex A.2 for BLER test method using AM reference measurement channels and UE test loop mode 1 (AM ACK/NACK). | | | | | |
| Note 2 | The DL AM RMC for 64 kbps according to clause C.3.2 table C.3.2.3 has payload size = 1264 bits and TTI = 20 ms. The SS sends one RLC SDU of size 1248 bits (payload size of 1264 bits – 16 bits for length indicator and extension bit) every downlink TTI (20 ms). The UE test loop parameter “UL RLC SDU size” is set to 0 (no data will be returned) in order to avoid UE buffer overflows. | | | | | |
| Note 3 | The DL AM RMC for 144 kbps according to clause C.3.3 table C.3.3.3 has payload size = 2864 bits and TTI = 20 ms. The SS sends one RLC SDU of size 2848 bits (payload size of 2864 bits – 16 bits for length indicator and extension bit) every downlink TTI (20 ms). The UE test loop parameter “UL RLC SDU size” is set to 0 (no data will be returned) in order to avoid UE buffer overflows. | | | | | |
| Note 4 | The DL AM RMC for 384 kbps according to clause C.3.4 table C.3.4.3 has a payload size of 3824 bits and a TTI of 10 ms. The SS sends one RLC SDU of size 3808 bits (=payload size of 3824 bits – 16 bits for length indicator and extension bit) every downlink TTI (10 ms). The UE test loop parameter “UL RLC SDU size” set to 0 (no data will be returned) in order to avoid UE buffer overflows. | | | | | |
| Note 5 | The DL AM RMC for 64 kbps according to clause C.3.5 table C.3.5.2 has a payload size of 320 bits and a TTI of 20 ms. The SS sends one RLC SDU of size 304 bits (=payload size of 320bits – 16 bits for length indicator and extension bit) every downlink TTI (20 ms). The UE test loop parameter “UL RLC SDU size” set to 0 (no data will be returned) in order to avoid UE buffer overflows. | | | | | |

C.6.3 UL auxiliary reference measurement channel (TM, 12.2 kbps, no CRC)

Table C.6.3: UL AUXMC TM 12.2 kbps (13 kbps), no CRC

| Higher Layer | RAB/Signalling RB | RAB | SRB | |
|--------------|---|--------------------|--------------------|-------|
| RLC | Logical channel type | DTCH | DCCH | |
| | RLC mode | TM | UM/AM | |
| | Payload sizes, bit | 260 | 88/80 | |
| | Max data rate, bps | 13000 | 2200/2000 | |
| | PDU header, bit | N/A | 8/16 | |
| | TrD PDU header, bit | 0 | N/A | |
| MAC | MAC header, bit | 0 | 4 | |
| | MAC multiplexing | N/A | Yes | |
| Layer 1 | TrCH type | DCH | DCH | |
| | Transport Channel Identity | 1 | 5 | |
| | TB sizes, bit | 260 | 100 | |
| | TFS | TF0, bits | 0*260 | 0*100 |
| | | TF1, bits | 1*260 | 1*100 |
| | TTI, ms | 20 | 40 | |
| | Coding type | Convolution Coding | Convolution Coding | |
| | Coding Rate | 1/3 | 1/3 | |
| | CRC, bit | 0 | 12 | |
| | Max number of bits/TTI after channel coding | 804 | 360 | |
| | Uplink: Max number of bits/radio frame before rate matching | 402 | 90 | |
| | RM attribute | 256 | 256 | |

C.6.3A UL auxiliary reference measurement channel (TM, 0 kbps and 12.2 kbps, no CRC)

Table C.6.3A: UL AUXMC TM 0 kbps (400 bps) and 12.2 kbps (13 kbps), no CRC

| Higher Layer | RAB/Signalling RB | RAB | SRB | |
|--------------|---|--------------------|--------------------|-------|
| RLC | Logical channel type | DTCH | DCCH | |
| | RLC mode | TM | UM/AM | |
| | Payload sizes, bit | 260/16 | 88/80 | |
| | Max data rate, bps | 13000/400 | 2200/2000 | |
| | PDU header, bit | N/A | 8/16 | |
| | TrD PDU header, bit | 0 | N/A | |
| MAC | MAC header, bit | 0 | 4 | |
| | MAC multiplexing | N/A | Yes | |
| Layer 1 | TrCH type | DCH | DCH | |
| | Transport Channel Identity | 1 | 5 | |
| | TB sizes, bit | 260 | 100 | |
| | TFS | TF0, bits | 0*260 | 0*100 |
| | | TF1, bits | 1*260 | 1*100 |
| | | TF2, bits | 1*16 | - |
| | TTI, ms | 20 | 40 | |
| | Coding type | Convolution Coding | Convolution Coding | |
| | Coding Rate | 1/3 | 1/3 | |
| | CRC, bit | 0 | 12 | |
| | Max number of bits/TTI after channel coding | 804 | 360 | |
| | Uplink: Max number of bits/radio frame before rate matching | 402 | 90 | |
| | RM attribute | 256 | 256 | |

C.6.4 Void

Table C.6.4: Void

C.6.5 Void

Table C.6.5: Void

C.6.6 Void

Table C.6.6: Void

C.6.7 UL AUXMC AM 12.2 kbps

Table C.6.7: UL AUXMC AM 12.2 kbps (11.2 kbps)

| Higher Layer | RAB/Signalling RB | RAB | SRB | |
|--------------|---|--------------------|--------------------|-------|
| RLC | Logical channel type | DTCH | DCCH | |
| | RLC mode | AM | UM/AM | |
| | Payload sizes, bit | 224 | 88/80 | |
| | Max data rate, bps | 11200 | 2200/2000 | |
| | PDU header, bit | 16 | 8/16 | |
| | TrD PDU header, bit | N/A | N/A | |
| MAC | MAC header, bit | 0 | 4 | |
| | MAC multiplexing | N/A | Yes | |
| Layer 1 | TrCH type | DCH | DCH | |
| | Transport Channel Identity | 1 | 5 | |
| | TB sizes, bit | 240 | 100 | |
| | TFS | TF0, bits | 0*240 | 0*100 |
| | | TF1, bits | 1*240 | 1*100 |
| | TTI, ms | 20 | 40 | |
| | Coding type | Convolution Coding | Convolution Coding | |
| | Coding Rate | 1/3 | 1/3 | |
| | CRC, bit | 16 | 12 | |
| | Max number of bits/TTI after channel coding | 792 | 360 | |
| | Uplink: Max number of bits/radio frame before rate matching | 396 | 90 | |
| | RM attribute | 256 | 256 | |

C.6.8 UL AUXMC AM 12.2 kbps(DCCH with TB size of 148bit)

Table C.6.8: UL AUXMC AM 12.2 kbps (11.2 kbps) (DCCH with TB size of 148bit)

| Higher Layer | RAB/Signalling RB | RAB | SRB | |
|--------------|---|--------------------|--------------------|-------|
| RLC | Logical channel type | DTCH | DCCH | |
| | RLC mode | AM | UM/AM | |
| | Payload sizes, bit | 224 | 136/128 | |
| | Max data rate, bps | 11200 | 3400/3200 | |
| | PDU header, bit | 16 | 8/16 | |
| | TrD PDU header, bit | N/A | N/A | |
| MAC | MAC header, bit | 0 | 4 | |
| | MAC multiplexing | N/A | Yes | |
| Layer 1 | TrCH type | DCH | DCH | |
| | Transport Channel Identity | 1 | 5 | |
| | TB sizes, bit | 240 | 148 | |
| | TFS | TF0, bits | 0*240 | 0*148 |
| | | TF1, bits | 1*240 | 1*148 |
| | TTI, ms | 20 | 40 | |
| | Coding type | Convolution Coding | Convolution Coding | |
| | Coding Rate | 1/3 | 1/3 | |
| | CRC, bit | 16 | 16 | |
| | Max number of bits/TTI after channel coding | 792 | 516 | |
| | Uplink: Max number of bits/radio frame before rate matching | 396 | 129 | |
| | RM attribute | 256 | 256 | |

C.7 DL reference parameters for PCH tests

The parameters for the PCH demodulation tests are specified in table C.7.1 and table C.7.2.

Table C.7.1: Physical channel parameters for S-CCPCH

| Parameter | Unit | Level |
|---|------|-------|
| Channel bit rate | Kbps | 60 |
| Channel symbol rate | Ksps | 30 |
| Slot Format #1 | - | 4 |
| TFCI | - | OFF |
| Power offsets of TFCI and Pilot fields relative to data field | dB | 0 |

Table C.7.2: Transport channel parameters for S-CCPCH

| Parameter | PCH |
|---------------------------------|--------------------|
| Transport Channel Number | 1 |
| Transport Block Size | 240 |
| Transport Block Set Size | 240 |
| Transmission Time Interval | 10 ms |
| Type of Error Protection | Convolution Coding |
| Coding Rate | 1/2 |
| Rate Matching attribute | 256 |
| Size of CRC | 16 |
| Position of TrCH in radio frame | fixed |

C.8 DL reference channel parameters for HSDPA tests

C.8.1 Fixed Reference Channel (FRC)

C.8.1.1 Fixed Reference Channel Definition H-Set 1/1A/1B/1C

Table C.8.1.1: Fixed Reference Channel H-Set 1/1A/1B/1C

| Parameter | Unit | Value | |
|---------------------------------------|--|-------|-------|
| Nominal Avg. Inf. Bit Rate | kbps | 534 | 777 |
| Inter-TTI Distance | TTI's | 3 | 3 |
| Number of HARQ Processes | Processes | 2 | 2 |
| Information Bit Payload (N_{INF}) | Bits | 3202 | 4664 |
| Number Code Blocks | Blocks | 1 | 1 |
| Binary Channel Bits Per TTI | Bits | 4800 | 7680 |
| Total Available SML's in UE | SML's | 19200 | 19200 |
| Number of SML's per HARQ Proc. | SML's | 9600 | 9600 |
| Coding Rate | | 0.67 | 0.61 |
| Number of Physical Channel Codes | Codes | 5 | 4 |
| Modulation | | QPSK | 16QAM |
| Note: | The HS-DSCH shall be transmitted continuously with constant power but only every third TTI shall be allocated to the UE under test. The values in the table defines H-Set 1. H-Set 1A for DC-HSDPA and DB-DC-HSDPA is formed by applying H-Set 1 to each of the carriers available in DC-HSDPA and DB-DC-HSDPA mode. H-Set 1B and H-Set 1C for 4C-HSDPA are formed by applying H-Set 1 to each of the carriers available in 4C-HSDPA mode (3 carriers for H-Set 1B and 4 carriers for H-Set 1C). | | |

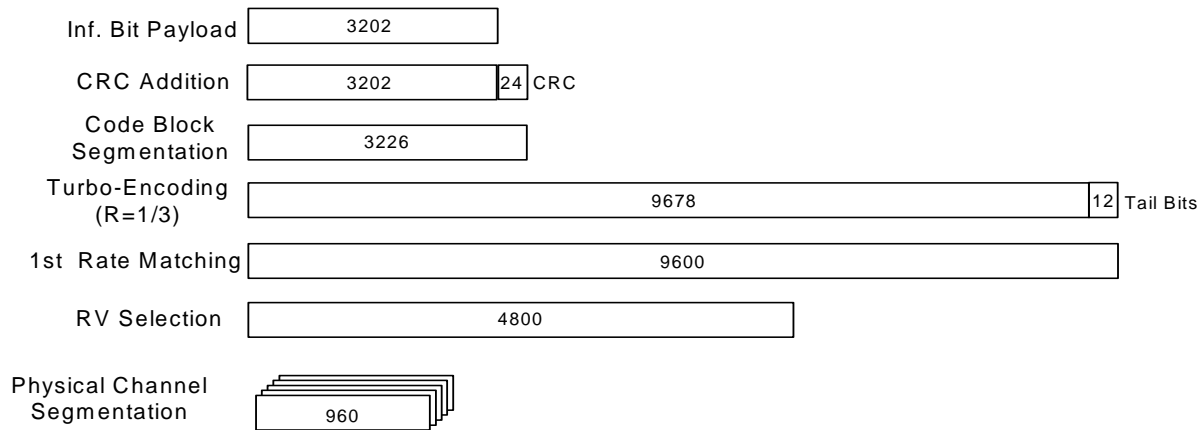


Figure C.8.1: Coding rate for Fixed reference Channel H-Set 1 (QPSK)

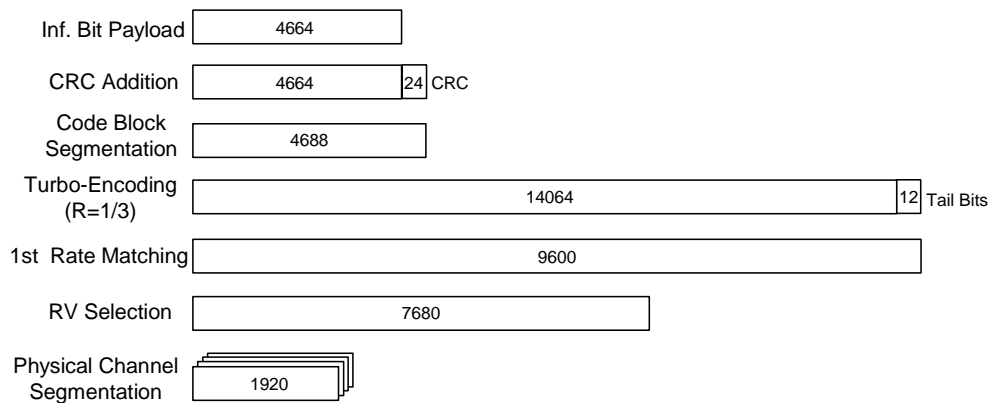


Figure C.8.2: Coding rate for Fixed reference Channel H-Set 1 (16 QAM)

C.8.1.2 Fixed Reference Channel Definition H-Set 2

Table C.8.1.2: Fixed Reference Channel H-Set 2

| Parameter | Unit | Value | |
|---------------------------------------|---|-------|-------|
| Nominal Avg. Inf. Bit Rate | kbps | 801 | 1166 |
| Inter-TTI Distance | TTI's | 2 | 2 |
| Number of HARQ Processes | Processes | 3 | 3 |
| Information Bit Payload (N_{INF}) | Bits | 3202 | 4664 |
| MAC-d PDU size | Bits | 336 | 336 |
| Number Code Blocks | Blocks | 1 | 1 |
| Binary Channel Bits Per TTI | Bits | 4800 | 7680 |
| Total Available SML's in UE | SML's | 28800 | 28800 |
| Number of SML's per HARQ Proc. | SML's | 9600 | 9600 |
| Coding Rate | | 0.67 | 0.61 |
| Number of Physical Channel Codes | Codes | 5 | 4 |
| Modulation | | QPSK | 16QAM |
| Note: | The HS-DSCH shall be transmitted continuously with constant power but only every second TTI shall be allocated to the UE under test | | |

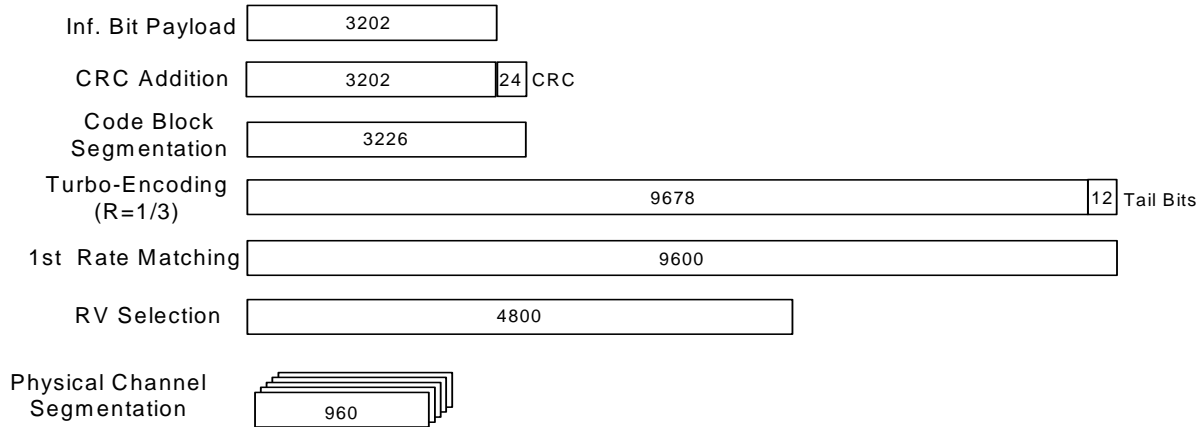


Figure C.8.3: Coding rate for Fixed Reference Channel H-Set 2 (QPSK)

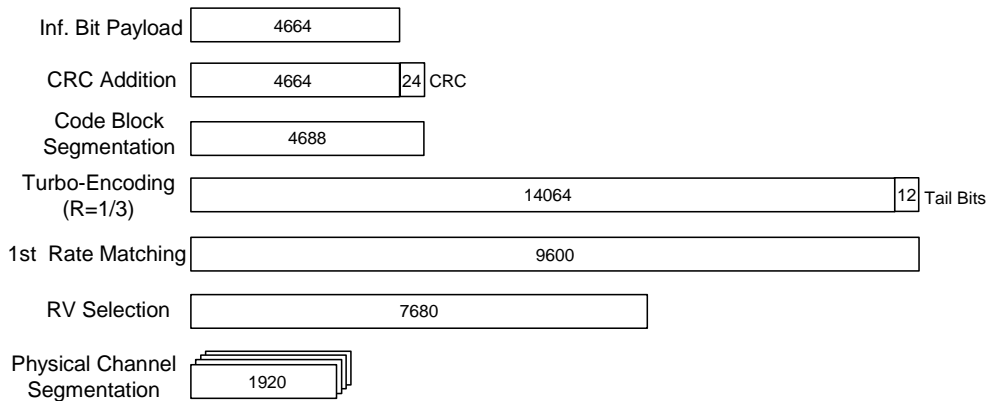


Figure C.8.4: Coding rate for Fixed Reference Channel H-Set 2 (16QAM)

C.8.1.3 Fixed Reference Channel Definition H-Set 3/3A/3B/3C

Table C.8.1.3: Fixed Reference Channel H-Set 3/3A/3B/3C

| Parameter | Unit | Value | |
|---------------------------------------|--|-------|-------|
| Nominal Avg. Inf. Bit Rate | kbps | 1601 | 2332 |
| Inter-TTI Distance | TTI's | 1 | 1 |
| Number of HARQ Processes | Processes | 6 | 6 |
| Information Bit Payload (N_{INF}) | Bits | 3202 | 4664 |
| Number Code Blocks | Blocks | 1 | 1 |
| Binary Channel Bits Per TTI | Bits | 4800 | 7680 |
| Total Available SML's, in UE | SML's | 57600 | 57600 |
| Number of SML's per HARQ Proc. | SML's | 9600 | 9600 |
| Coding Rate | | 0.67 | 0.61 |
| Number of Physical Channel Codes | Codes | 5 | 4 |
| Modulation | | QPSK | 16QAM |
| Note: | The values in the table defines H-Set 3. H-Set 3A for DC-HSDPA and DB-DC-HSDPA is formed by applying H-Set 3 to each of the carriers available in DC-HSDPA and DB-DC-HSDPA mode. H-Set 3B and H-Set 3C for 4C-HSDPA are formed by applying H-Set 3 to each of the carriers available in 4C-HSDPA mode (3 carriers for H-Set 3B and 4 carriers for H-Set 3C). | | |

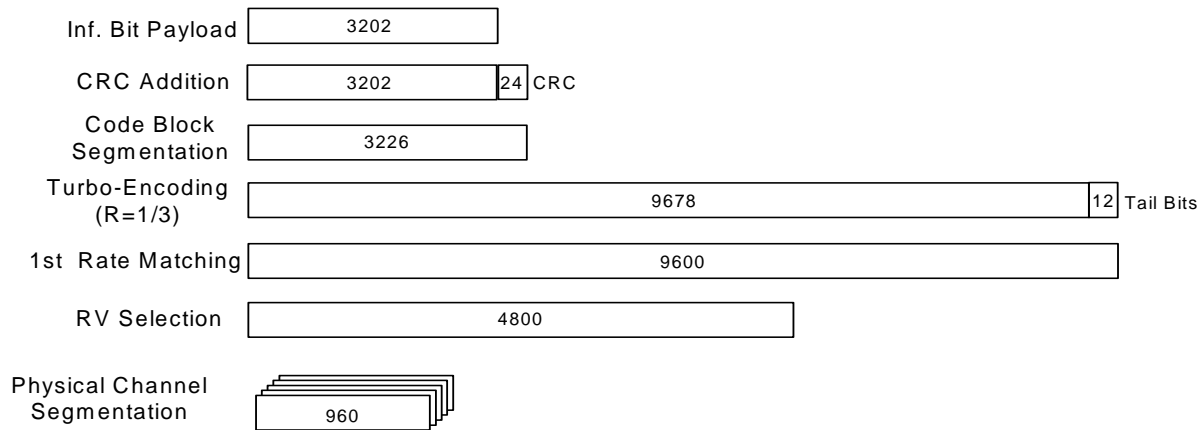


Figure C.8.5: Coding rate for Fixed reference Channel H-Set 3 (QPSK)

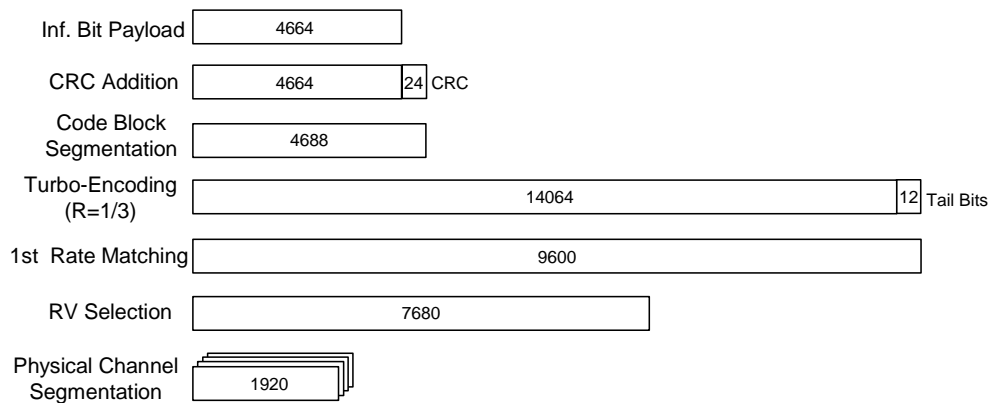


Figure C.8.6: Coding rate for Fixed reference Channel H-Set 3 (16QAM)

C.8.1.4 Fixed Reference Channel Definition H-Set 4

Table C.8.1.4: Fixed Reference Channel H-Set 4

| Parameter | Unit | Value |
|---------------------------------------|--|-------|
| Nominal Avg. Inf. Bit Rate | kbps | 534 |
| Inter-TTI Distance | TTI's | 2 |
| Number of HARQ Processes | Processes | 2 |
| Information Bit Payload (N_{INF}) | Bits | 3202 |
| MAC-d PDU Size | Bits | 336 |
| Number Code Blocks | Blocks | 1 |
| Binary Channel Bits Per TTI | Bits | 4800 |
| Total Available SML's in UE | SML's | 14400 |
| Number of SML's per HARQ Proc. | SML's | 7200 |
| Coding Rate | | 0.67 |
| Number of Physical Channel Codes | Codes | 5 |
| Modulation | | QPSK |
| Note: | This FRC is used to verify the minimum inter-TTI distance for UE category 11. The HS-PDSCH shall be transmitted continuously with constant power. The six sub-frame HS-SCCH signalling pattern shall repeat as follows: ...OOXOXOOXOXO..., where 'X' marks TTI in which HS-SCCH uses the identity of the UE under test and 'O' marks TTI in which HS-SCCH uses a different identity. | |

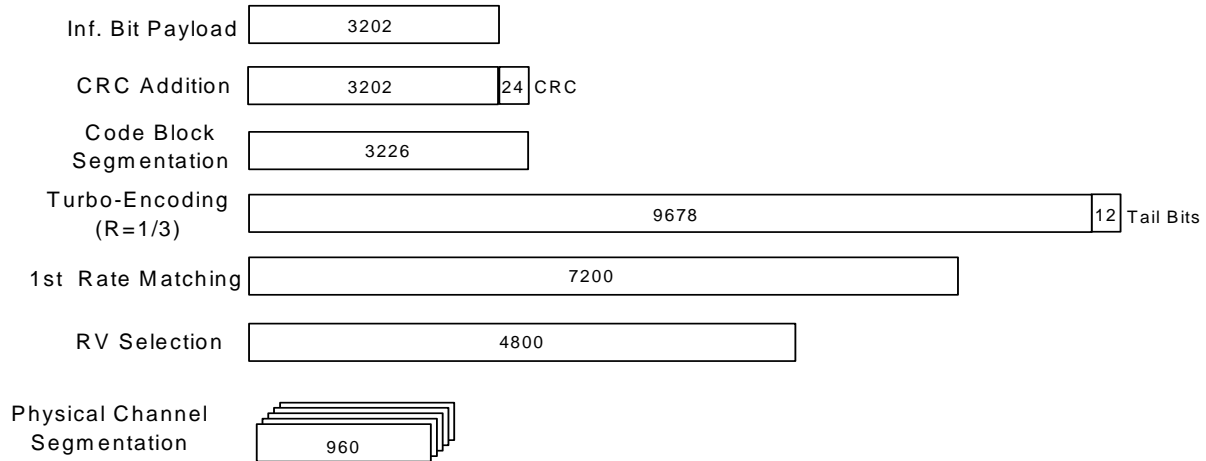


Figure C.8.7: Coding rate for Fixed Reference Channel H-Set 4

C.8.1.5 Fixed Reference Channel Definition H-Set 5

Table C.8.1.5: Fixed Reference Channel H-Set 5

| Parameter | Unit | Value |
|--|-----------|-------|
| Nominal Avg. Inf. Bit Rate | kbps | 801 |
| Inter-TTI Distance | TTI's | 1 |
| Number of HARQ Processes | Processes | 3 |
| Information Bit Payload (N_{INF}) | Bits | 3202 |
| MAC-d PDU Size | Bits | 336 |
| Number Code Blocks | Blocks | 1 |
| Binary Channel Bits Per TTI | Bits | 4800 |
| Total Available SML's in UE | SML's | 28800 |
| Number of SML's per HARQ Proc. | SML's | 9600 |
| Coding Rate | | 0.67 |
| Number of Physical Channel Codes | Codes | 5 |
| Modulation | | QPSK |
| Note: This FRC is used to verify the minimum inter-TTI distance for UE category 12. The HS-PDSCH shall be transmitted continuously with constant power. The six sub-frame HS-SCCH signalling pattern shall repeat as follows: ...OOXXXOOOXXO..., where 'X' marks TTI in which HS-SCCH uses the identity of the UE under test and 'O' marks TTI in which HS-SCCH uses a different identity. | | |

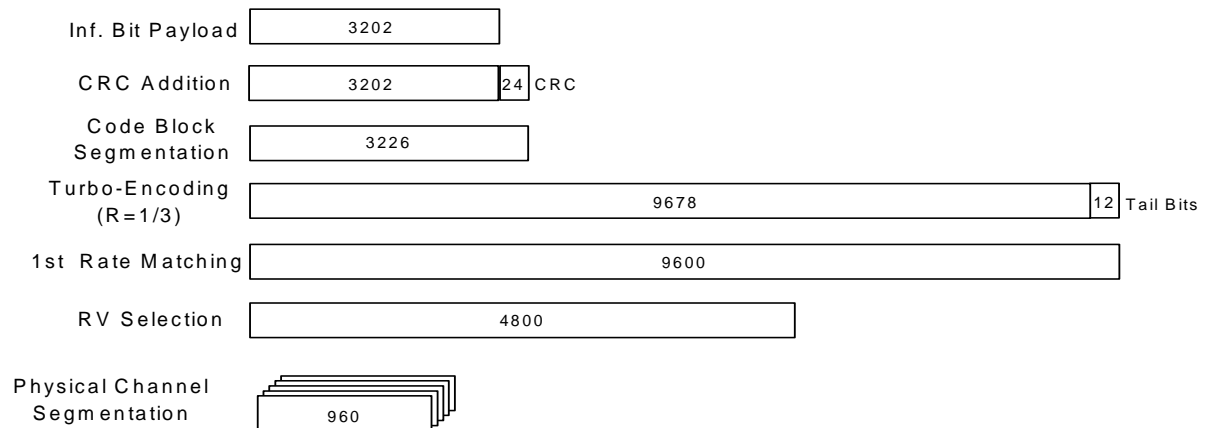


Figure C.8.8: Coding rate for Fixed Reference Channel H-Set 5

C.8.1.6 Fixed Reference Channel Definition H-Set 6/6A/6B/6C

Table C.8.1.6: Fixed Reference Channel H-Set 6/6A/6B/6C

| Parameter | Unit | Value | |
|---------------------------------------|--|--------|--------|
| Nominal Avg. Inf. Bit Rate | kbps | 3219 | 4689 |
| Inter-TTI Distance | TTI's | 1 | 1 |
| Number of HARQ Processes | Processes | 6 | 6 |
| Information Bit Payload (N_{INF}) | Bits | 6438 | 9377 |
| Number Code Blocks | Blocks | 2 | 2 |
| Binary Channel Bits Per TTI | Bits | 9600 | 15360 |
| Total Available SML's in UE | SML's | 115200 | 115200 |
| Number of SML's per HARQ Proc. | SML's | 19200 | 19200 |
| Coding Rate | | 0.67 | 0.61 |
| Number of Physical Channel Codes | Codes | 10 | 8 |
| Modulation | | QPSK | 16QAM |
| Note: | The values in the table defines H-Set 6. H-Set 6A for DC-HSDPA and DB-DC-HSDPA is formed by applying H-Set 6 to each of the carriers available in DC-HSDPA and DB-DC-HSDPA mode. H-Set 6B and H-Set 6C for 4C-HSDPA are formed by applying H-Set 6 to each of the carriers available in 4C-HSDPA mode (3 carriers for H-Set 6B and 4 carriers for H-Set 6C). | | |

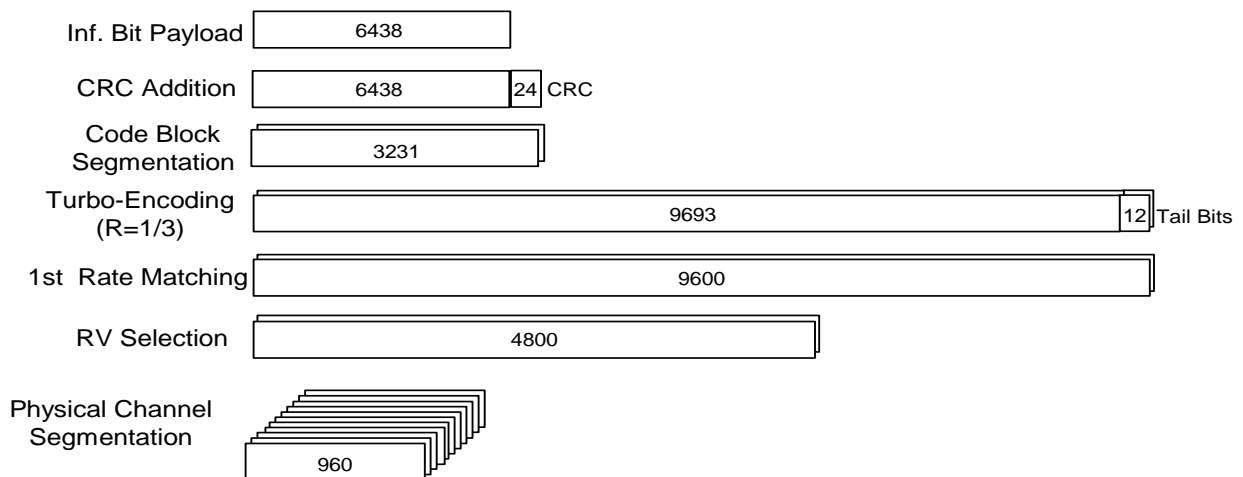


Figure C.8.9: Coding rate for Fixed reference Channel H-Set 6 (QPSK)

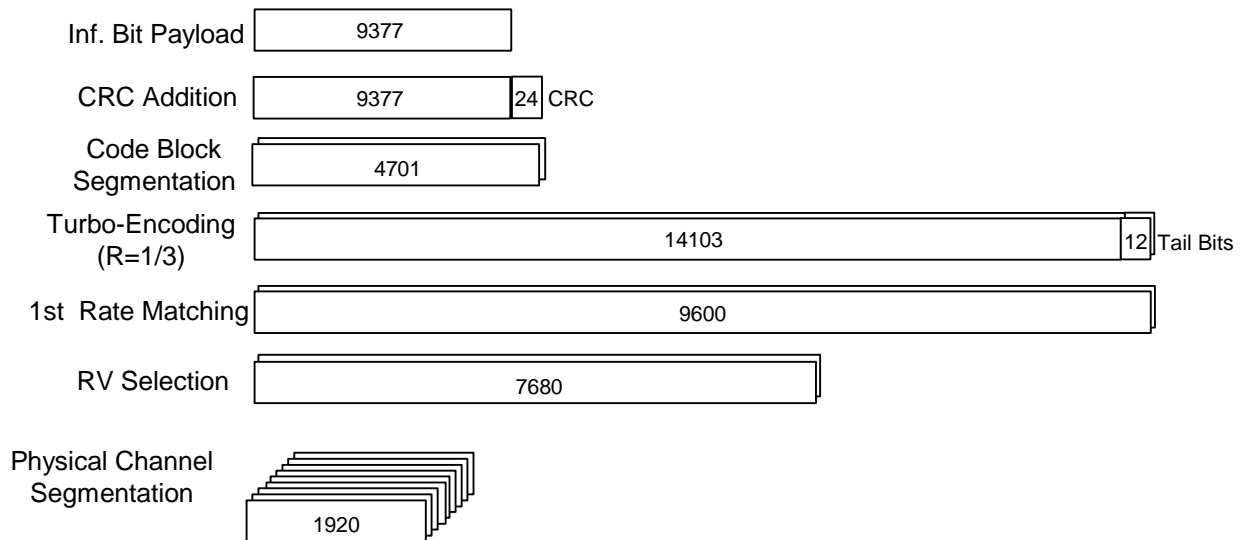


Figure C.8.10: Coding rate for Fixed reference Channel H-Set 6 (16 QAM)

C.8.1.7 Fixed Reference Channel Definition H-Set 7

Table C.8.1.7: Fixed Reference Channel H-Set 7

| Parameter | Unit | Value |
|---|--------|-------|
| Nominal Avg. Inf. Bit Rate | kbps | 37.8 |
| Inter-TTI Distance | TTI's | 8 |
| Information Bit Payload (N_{INF}) | Bits | 605 |
| Number Code Blocks | Blocks | 1 |
| Binary Channel Bits Per TTI | Bits | 960 |
| Coding Rate | | 0.66 |
| Number of Physical Channel Codes | Codes | 1 |
| Modulation | | QPSK |
| Note: This FRC is used to verify CPC operation. The HS-DSCH shall be transmitted continuously with constant power but only every 8th TTI shall be allocated to the UE under test. | | |

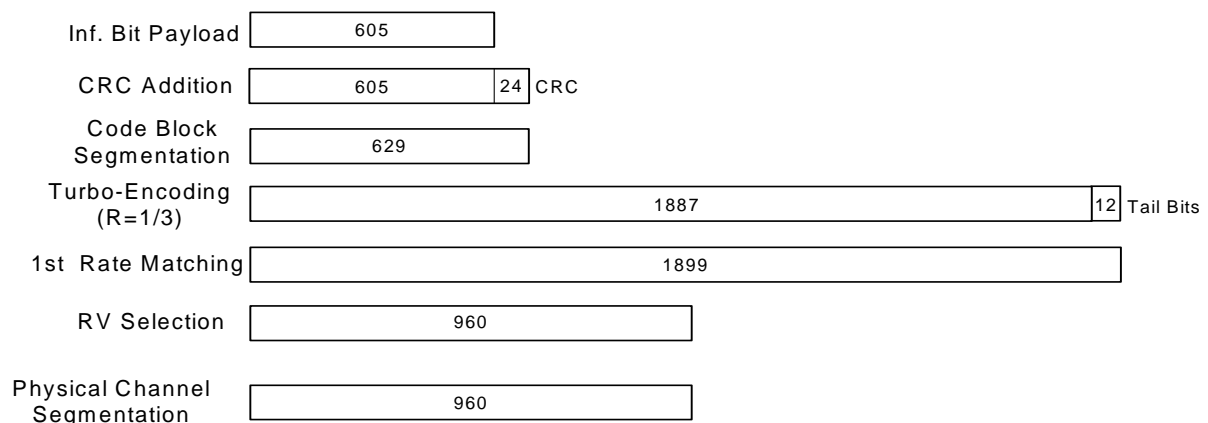


Figure C.8.11: Coding rate for Fixed Reference Channel H-Set 7 (QPSK)

C.8.1.8 Fixed Reference Channel Definition H-Set 8/8A/8B/8C

Table C.8.1.8: Fixed Reference Channel H-Set 8/8A/8B/8C

| Parameter | Unit | Value | |
|---|-----------|--------|--------|
| Nominal Avg. Inf. Bit Rate | kbps | 13252 | |
| Inter-TTI Distance | TTI's | 1 | |
| Number of HARQ Processes | Processes | 6 | |
| Information Bit Payload (N_{INF}) | Bits | 26504 | |
| Number Code Blocks | Blocks | 6 | |
| Binary Channel Bits Per TTI | Bits | 43200 | |
| Total Available SML's in UE | SML's | 259200 | 264000 |
| Number of SML's per HARQ Proc. | SML's | 43200 | 44000 |
| Coding Rate | | 0.61 | 0.60 |
| Number of Physical Channel Codes | Codes | 15 | |
| Modulation | | 64QAM | |
| <p>Note 1: The values in the table define H-Set 8. H-Set 8A for DC-HSDPA and DB-DC-HSDPA is formed by applying H-Set 8 to each of the carriers available in DC-HSDPA and DB-DC-HSDPA mode. H-Set 8B and H-Set 8C for 4C-HSDPA are formed by applying H-Set 8 to each of the carriers available in 4C-HSDPA mode (3 carriers for H-Set 8B and 4 carriers for H-Set 8C).</p> <p>Note 2: If "Total number of soft channel bits" as per HS-DSCH categories is equal to 259200, set "Number of SML's per HARQ Proc." As 43200 using an implicit UE IR Buffer Size Allocation. If "Total number of soft channel bits" is larger than or equal to 264000, set "Number of SML's per HARQ Proc." As 44000 using an explicit UE IR Buffer Size Allocation.</p> | | | |

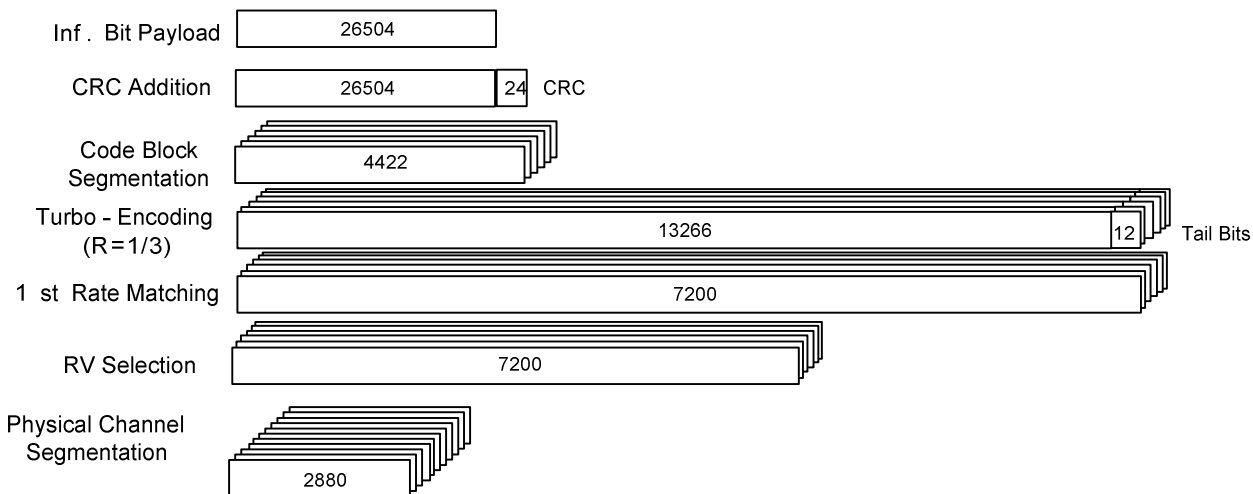


Figure C.8.12: Coding rate for Fixed reference Channel H-Set 8 (64 QAM)

C.8.1.9 Fixed Reference Channel Definition H-Set 9/9A/9B/9C

Table C.8.1.9: Fixed Reference Channel H-Set 9/9A

| Parameter | Unit | Value | |
|--|-----------|---------|-----------|
| | | Primary | Secondary |
| Transport block | | | |
| Combined Nominal Avg. Inf. Bit Rate | | 13652 | |
| Nominal Avg. Inf. Bit Rate | kbps | 8784 | 4868 |
| Inter-TTI Distance | TTI's | 1 | 1 |
| Number of HARQ Processes | Processes | 6 | 6 |
| Information Bit Payload (N_{INF}) | Bits | 17568 | 9736 |
| Number Code Blocks | Blocks | 4 | 2 |
| Binary Channel Bits Per TTI | Bits | 28800 | 14400 |
| Total available SML's in UE | Bits | 345600 | |
| Number of SML's per HARQ Proc. | SML's | 28800 | 28800 |
| Coding Rate | | 0.61 | 0.68 |
| Number of Physical Channel Codes | Codes | 15 | 15 |
| Modulation | | 16QAM | QPSK |
| Note: The values in the table defines H-Set 9. H-Set 9A for DC-HSDPA is formed by applying H-Set 9 to each of the carriers available in DC-HSDPA and DB-DC-HSDPA mode. H-Set 9B and H-Set 9C for 4C-HSDPA are formed by applying H-Set 9 to each of the carriers available in 4C-HSDPA mode (3 carriers for H-Set 9B and 4 carriers for H-Set 9C). | | | |

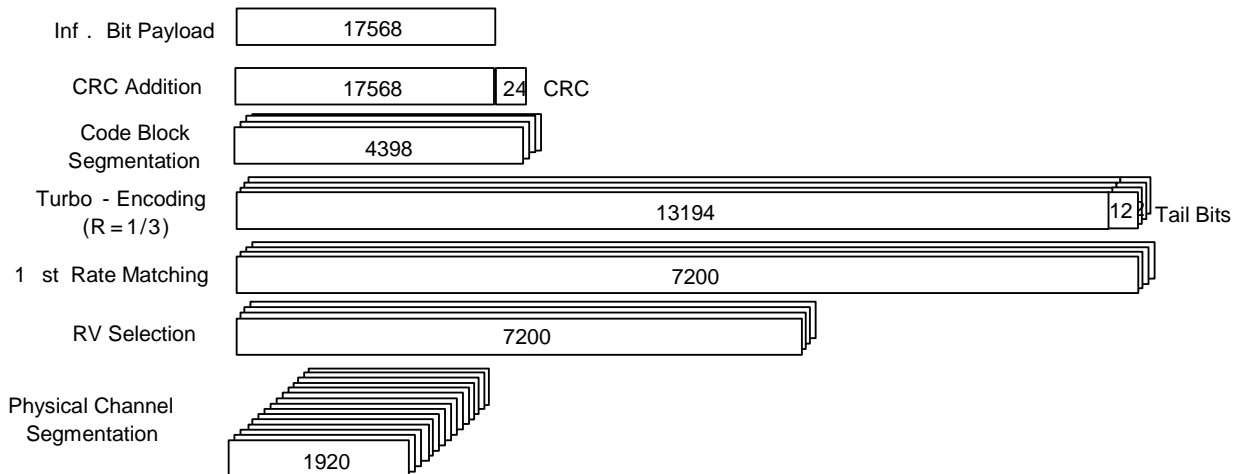


Figure C.8.13: Coding rate for Fixed Reference Channel H-Set 9/9A Primary Transport Block

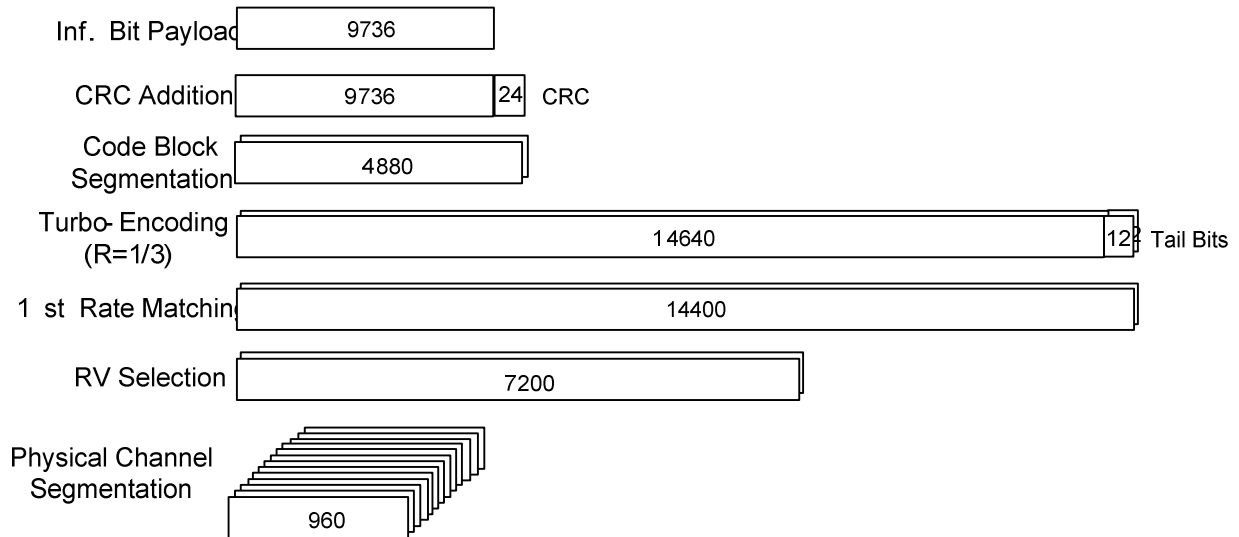


Figure C.8.14: Coding rate for Fixed Reference Channel H-Set 9/9A Secondary Transport Block

C.8.1.10 Fixed Reference Channel Definition H-Set 10/10A/10B/10C

Table C.8.1.10: Fixed Reference Channel H-Set 10/10A/10B/10C

| Parameter | Unit | Value | |
|----------------------------------|--|-------|-------|
| Nominal Avg. Inf. Bit Rate | Kbps | 8774 | 4860 |
| Inter-TTI Distance | TTI's | 1 | 1 |
| Number of HARQ Processes | Processes | 6 | 6 |
| Information Bit Payload | Bits | 17548 | 9719 |
| Number Code Blocks | Blocks | 4 | 2 |
| Binary Channel Bits Per TTI | Bits | 28800 | 14400 |
| Number of SML's per HARQ Proc. | SML's | 28800 | 28800 |
| Coding Rate | | 0.6 | 0.67 |
| Number of Physical Channel Codes | Codes | 15 | 15 |
| Modulation | | 16QAM | QPSK |
| Note: | The values in the table defines H-Set 10. H-Set 10A for DC-HSDPA and DB-DC-HSDPA is formed by applying H-Set 10 to each of the carriers available in DC-HSDPA and DB-DC-HSDPA mode. H-Set 10B and H-Set 10C for 4C-HSDPA are formed by applying H-Set 10 to each of the carriers available in 4C-HSDPA mode (3 carriers for H-Set 10B and 4 carriers for H-Set 10C). | | |

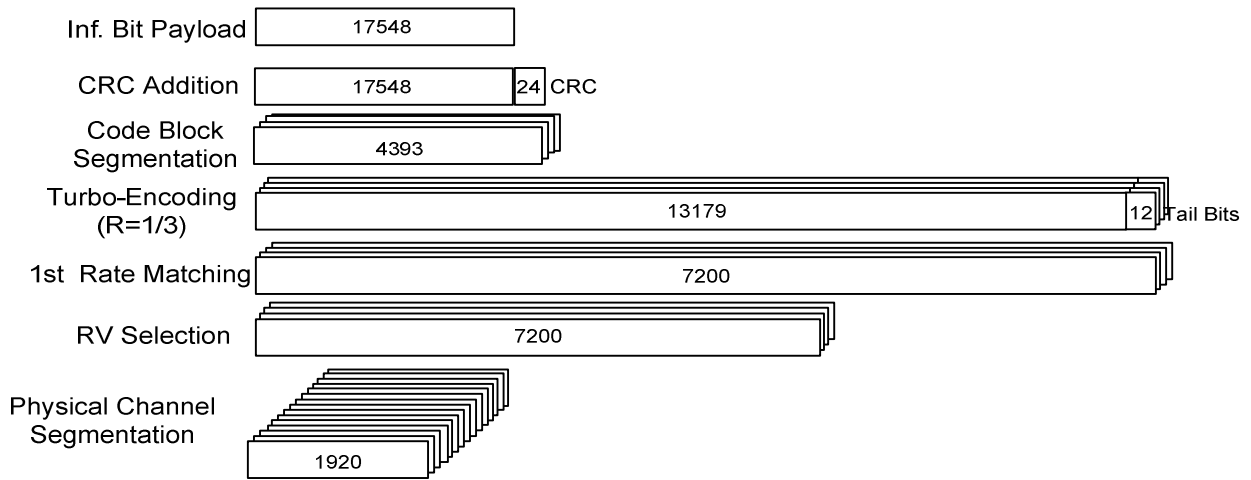


Figure C.8.15: Coding rate for Fixed Reference Channel H-Set 10 (16QAM)

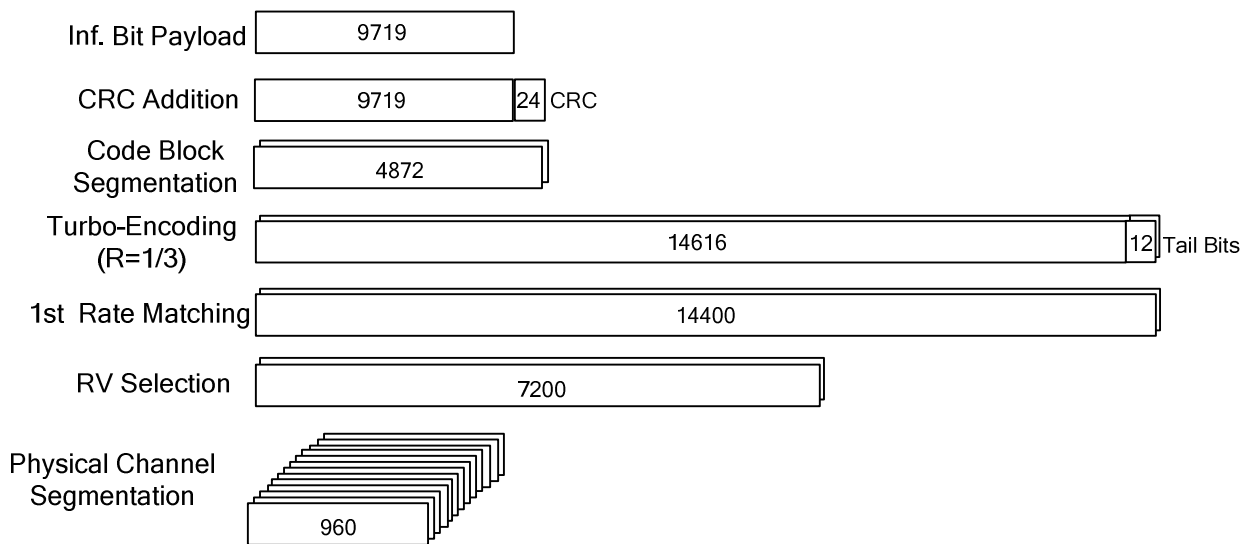


Figure C.8.16: Coding rate for Fixed Reference Channel H-Set 10 (QPSK)

C.8.1.11 Fixed Reference Channel Definition H-Set 11/11A/11B/11C

Table C.8.1.11: Fixed Reference Channel H-Set 11/11A

| Parameter | Unit | Value | |
|--|-----------|---------|-----------|
| | | Primary | Secondary |
| Transport block | | | |
| Combined Nominal Avg. Inf. Bit Rate | | 22074 | |
| Nominal Avg. Inf. Bit Rate | kbps | 13300 | 8774 |
| Inter-TTI Distance | TTI's | 1 | 1 |
| Number of HARQ Processes | Processes | 6 | 6 |
| Information Bit Payload (N_{INF}) | Bits | 26504 | 17568 |
| Number Code Blocks | Blocks | 6 | 4 |
| Binary Channel Bits Per TTI | Bits | 43200 | 28800 |
| Total available SML's in UE | Bits | 518400 | |
| Number of SML's per HARQ Proc. | SML's | 43200 | 43200 |
| Coding Rate | | 0.61 | 0.6 |
| Number of Physical Channel Codes | Codes | 15 | 15 |
| Modulation | | 64QAM | 16QAM |
| Note: The values in the table defines H-Set 11. H-Set 11A for DC-HSDPA is formed by applying H-Set 11 to each of the carriers available in DC-HSDPA and DB-DC-HSDPA mode. H-Set 11B and H-Set 11C for 4C-HSDPA are formed by applying H-Set 11 and H-Set 11C to each of the carriers available in 4C-HSDPA mode (3 carriers for H-Set 11B and 4 carriers for H-Set 11C). | | | |

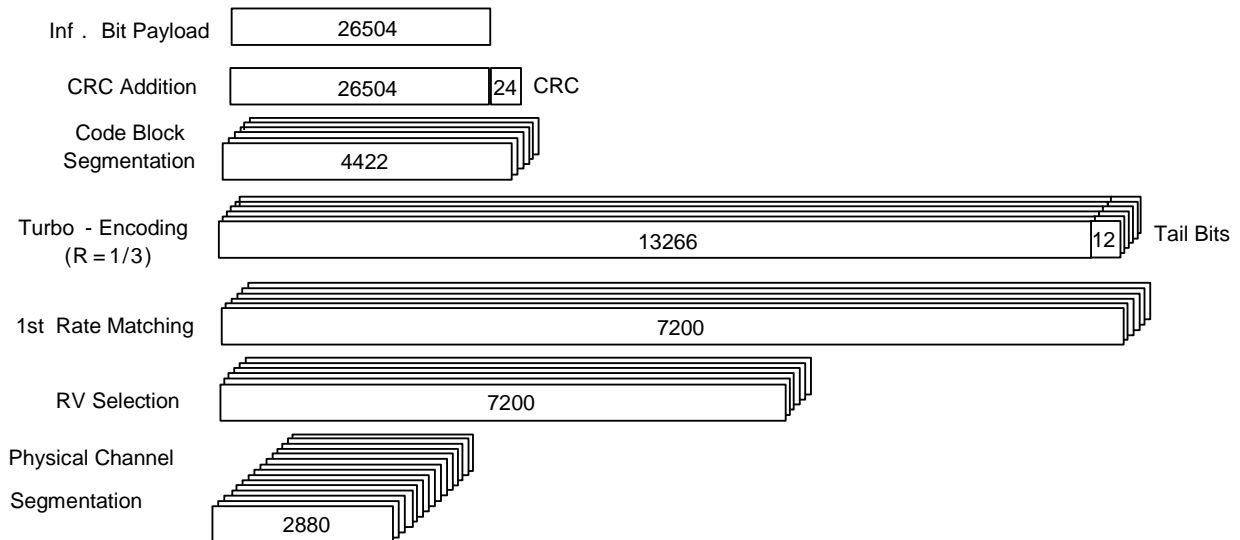


Figure C.8.17: Coding rate for Fixed Reference Channel H-Set 11/11A Primary Transport Block

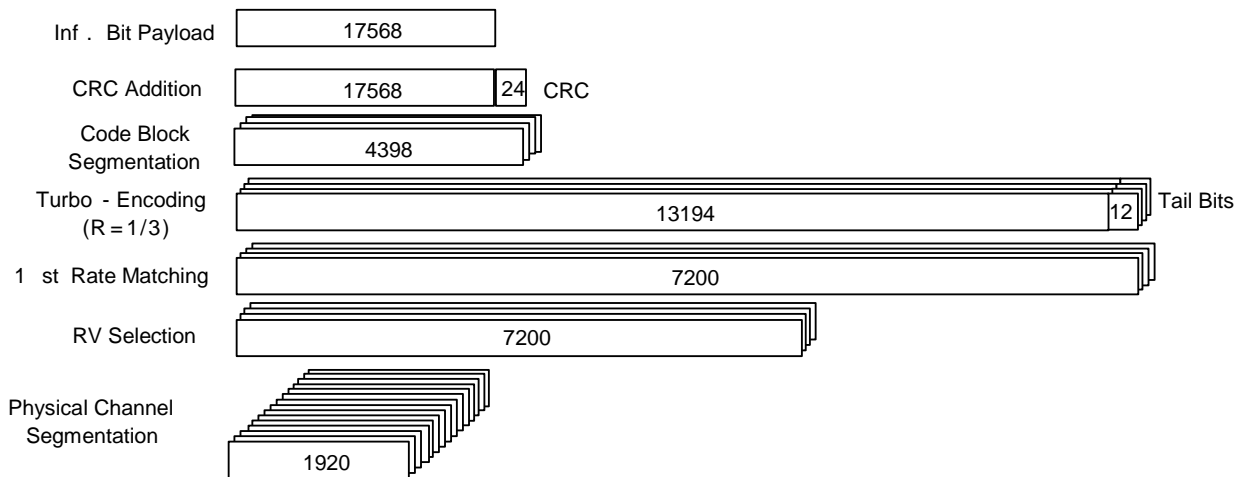


Figure C.8.18: Coding rate for Fixed Reference Channel H-Set 11/11A Secondary Transport Block

C.8.1.12 Fixed Reference Channel Definition H-Set 12

Table C.8.1.12: Fixed Reference Channel H-Set 12

| Parameter | Unit | Value |
|--|-----------|-------|
| Nominal Avg. Inf. Bit Rate | kbps | 60 |
| Inter-TTI Distance | TTI's | 1 |
| Number of HARQ Processes | Processes | 6 |
| Information Bit Payload (N_{INF}) | Bits | 120 |
| Number Code Blocks | Blocks | 1 |
| Binary Channel Bits Per TTI | Bits | 960 |
| Total Available SML's in UE | SML's | 19200 |
| Number of SML's per HARQ Proc. | SML's | 3200 |
| Coding Rate | | 0.15 |
| Number of Physical Channel Codes | Codes | 1 |
| Modulation | | QPSK |
| Note 1: The RMC is intended to be used for DC-HSDPA mode and both cells shall transmit with identical parameters as listed in the table. Note 2: Maximum number of transmission is limited to 1, i.e., retransmission is not allowed. The redundancy and constellation version 0 shall be used. | | |

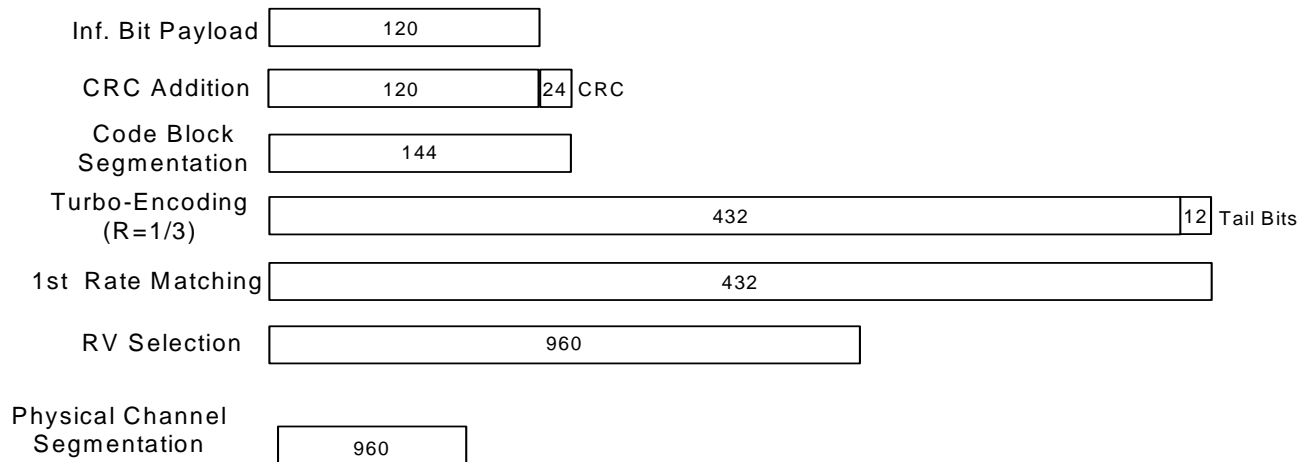


Figure C.8.19: Coding rate for Fixed reference Channel H-Set 12 (QPSK)

C.9 Downlink reference channel dummy DCCH transmission on DCH

Many test cases have been designed to have continuous downlink DCCH transmission on DCH. The DCCH is carrying SRBs. When there are no signalling messages to be transmitted on downlink DCCH then dummy DCCH messages shall be transmitted on the downlink.

For all test cases with continuous downlink DCCH transmission on DCH the format of the dummy DCCH message is using an invalid MAC header with the value "1111" for the C/T field. The UE shall discard PDU's with this invalid MAC header according to TS 25.321. This applies for cases where a MAC header is used to distinguish between several logical channels. In the case of the reference measurement channels the SRBs on DCH use a 4 bit MAC header.

C.9A MAC header transmission on HS-DSCH

For all test cases with HS-DSCH transmission either a correct MAC-hs header consistent with the actual HSDPA transmission is used or an inconsistent MAC-hs header with the value "111" for the SID field is used. If an inconsistent MAC-hs header is used, then the UE shall discard PDU's according to TS 25.321[13] section 10. For other fields the MAC-hs header shall be set according to the HS-DSCH configuration configured by RRC and the actual HS-DSCH transmission in order to avoid unspecified UE behaviour.

C.10 UL reference channel parameters for HSDPA tests

This annex specifies the UL reference channels in for HSDPA test cases and the UE test loop mode parameters to be used when the UL reference measurement channel (12.2 kbps) from C.2.1 does not support the required test conditions. Transmitter characteristics tests with HS-DPCCH require continuous transmission and test loop operation on UL DPCH.

C.10.1 UL reference measurement channel for HSDPA tests

Table C.10.1.1 to C.10.1.4 are applicable for tests on Transmitter Characteristics with HSDPA in clauses 5.2A, 5.2C, 5.2AA, 5.7A, 5.9A, 5.10A, 5.13.1A and 5.13.1AA.

Table C.10.1.1: UL reference measurement channel physical parameters (12.2 kbps) for HSDPA tests

| Parameter | Level | Unit |
|--|----------------|------|
| DPCCH/DPDCH power ratio | -5.46 (Note 1) | dB |
| Note 1: The power ratio for transmitter characteristics testing with HS-DPCCH depends on the beta values given in table C.10.1.4. | | |
| Note 2: With the exception of the DPCCH/DPDCH power ratio parameter in this table all other parameters are defined in UL reference measurement channel in clause C.2.1, table C.2.1.1. | | |

Table C.10.1.2: UL reference measurement channel, transport channel parameters (12.2 kbps) for HSDPA

| Higher Layer | RAB/Signalling RB | RAB | SRB |
|--|-------------------|-----|-----|
| Note: As defined in UL reference measurement channel in clause C.2.1, table C.2.1.2. | | | |

Table C.10.1.3: UL reference measurement channel, TFCS (12.2 kbps) for HSDPA

| |
|--|
| Note: As defined in UL reference measurement channel in clause C.2.1, table C.2.1.3. |
|--|

Table C.10.1.4: β values for transmitter characteristics tests with HS-DPCCH

| Sub-test | β_c | β_d | β_d (SF) | β_c/β_d | β_{HS} (Note 1, Note 2) | CM (dB) (Note 3) | MPR (dB) (Note 3) |
|----------|-------------------|-------------------|-------------------|-------------------|-------------------------------------|---------------------|----------------------|
| 1 | 2/15 | 15/15 | 64 | 2/15 | 4/15 | 0.0 | 0.0 |
| 2 | 12/15 (Note 4) | 15/15 (Note 4) | 64 | 12/15 (Note 4) | 24/15 | 1.0 | 0.0 |
| 3 | 15/15 | 8/15 | 64 | 15/8 | 30/15 | 1.5 | 0.5 |
| 4 | 15/15 | 4/15 | 64 | 15/4 | 30/15 | 1.5 | 0.5 |

Note 1: Δ_{ACK} , Δ_{NACK} and $\Delta_{CQI} = 30/15$ with $\beta_{HS} = 30/15 * \beta_c$.

Note 2: For the HS-DPCCH power mask requirement test in clause 5.2C, 5.7A, and the Error Vector Magnitude (EVM) with HS-DPCCH test in clause 5.13.1A, and HSDPA EVM with phase discontinuity in clause 5.13.1AA, Δ_{ACK} and $\Delta_{NACK} = 30/15$ with $\beta_{HS} = 30/15 * \beta_c$, and $\Delta_{CQI} = 24/15$ with $\beta_{HS} = 24/15 * \beta_c$.

Note 3: CM = 1 for $\beta_c/\beta_d = 12/15$, $\beta_{HS}/\beta_c = 24/15$. For all other combinations of DPDCH, DPCCH and HS-DPCCH the MPR is based on the relative CM difference. This is applicable for only UEs that support HSDPA in release 6 and later releases.

Note 4: For subtest 2 the β_c/β_d ratio of 12/15 for the TFC during the measurement period (TF1, TF0) is achieved by setting the signalled gain factors for the reference TFC (TF1, TF1) to $\beta_c = 11/15$ and $\beta_d = 15/15$.

C.11 Reference channel parameters for E-DCH tests

This annex specifies the reference channel parameters for E-DCH test cases.

C.11.1 UL reference measurement channel for E-DCH tests

On uplink E-DCH the MAC-d flow parameters and the physical channel parameters according to default Radio Bearer Setup message of section 9.2.1 of TS 34.108 are used. On uplink DCH the reference measurement channel according to section C.2.1 is used with the exception that for transmitter characteristics tests the DPCCH/DPDCH power ratio depends on the beta values given in table C.11.1.3. For transmitter characteristics tests the beta values on all uplink channels according to table C.11.1.3. are used.

Table C.11.1.1: Void

Table C.11.1.2: Void

Table C.11.1.3: β values for transmitter characteristics tests with HS-DPCCH and E-DCH

| Sub-test | β_c | β_d | β_d (SF) | β_c/β_d | β_{HS} (Note 1) | β_{ec} | β_{ed} (Note 4) (Note 5) | β_{ed} (SF) | β_{ed} (Codes) | CM (dB) (Note 2) | MPR (dB) (Note 2) (Note 6) | AG Index (Note 5) | E- TFCI |
|----------|-------------------|-------------------|-------------------|-------------------|--------------------------|--------------|--|----------------------|-------------------------|------------------------|-------------------------------------|-------------------------|------------|
| 1 | 11/15 (Note 3) | 15/15 (Note 3) | 64 | 11/15 (Note 3) | 22/15 | 209/25 | 1309/225 | 4 | 1 | 1.0 | 0.0 | 20 | 75 |
| 2 | 6/15 | 15/15 | 64 | 6/15 | 12/15 | 12/15 | 94/75 | 4 | 1 | 3.0 | 2.0 | 12 | 67 |
| 3 | 15/15 | 9/15 | 64 | 15/9 | 30/15 | 30/15 | β_{ed1} : 47/15 β_{ed2} : 47/15 | 4 4 | 2 | 2.0 | 1.0 | 15 | 92 |
| 4 | 2/15 | 15/15 | 64 | 2/15 | 4/15 | 2/15 | 56/75 | 4 | 1 | 3.0 | 2.0 | 17 | 71 |
| 5 | 15/15 | 0 | - | - | 5/15 | 5/15 | 47/15 | 4 | 1 | 1.0 | 0.0 | 12 | 67 |

Note 1: For sub-test 1 to 4, Δ_{ACK} , Δ_{NACK} and $\Delta_{CQI} = 30/15$ with $\beta_{hs} = 30/15 * \beta_c$. For sub-test 5, Δ_{ACK} , Δ_{NACK} and $\Delta_{CQI} = 5/15$ with $\beta_{hs} = 5/15 * \beta_c$.

Note 2: CM = 1 for $\beta_c/\beta_d = 12/15$, $\beta_{hs}/\beta_c = 24/15$. For all other combinations of DPDCH, DPCCH, HS-DPCCH, E-DPDCH and E-DPCCH the MPR is based on the relative CM difference.

Note 3: For subtest 1 the β_c/β_d ratio of 11/15 for the TFC during the measurement period (TF1, TF0) is achieved by setting the signalled gain factors for the reference TFC (TF1, TF0) to $\beta_c = 10/15$ and $\beta_d = 15/15$.

Note 4: In case of testing by UE using E-DPDCH Physical Layer category 1, Sub-test 3 is omitted according to TS25.306 Table 5.1g.

Note 5: β_{ed} can not be set directly; it is set by Absolute Grant Value.

Note 6: For subtests 2, 3 and 4, UE may perform E-DPDCH power scaling at max power which could result in slightly smaller MPR values.

Table C.11.1.4: β values for transmitter characteristics tests with HS-DPCCH and E-DCH with 16QAM

| Sub-test | β_c (Note 3) | β_d | β_{HS} (Note 1) | β_{ec} | β_{ed} (2xSF2) (Note 4) | β_{ed} (2xSF4) (Note 4) | CM (dB) (Note 2) | MPR (dB) (Note 2) | AG Index (Note 4) | E-TFCI (Note 5) | E-TFCI (boost) |
|----------|-----------------------|-----------|--------------------------|--------------|--|--|------------------------|-------------------------|-------------------------|--------------------|-------------------|
| 1 | 1 | 0 | 30/15 | 30/15 | β_{ed1} : 30/15 β_{ed2} : 30/15 | β_{ed3} : 24/15 β_{ed4} : 24/15 | 3.5 | 2.5 | 14 | 105 | 105 |

Note 1: Δ_{ACK} , Δ_{NACK} and $\Delta_{CQI} = 30/15$ with $\beta_{hs} = 30/15 * \beta_c$.

Note 2: CM = 3.5 and the MPR is based on the relative CM difference, MPR = MAX(CM-1,0).

Note 3: DPDCH is not configured, therefore the β_c is set to 1 and $\beta_d = 0$ by default.

Note 4: β_{ed} can not be set directly; it is set by Absolute Grant Value.

Note 5: All the sub-tests require the UE to transmit 2SF2+2SF4 16QAM EDCH and they apply for UE using E-DPDCH category 7. E-DCH TTI is set to 2ms TTI and E-DCH table index = 2. To support these E-DCH configurations DPDCH is not allocated. The UE is signalled to use the extrapolation algorithm.

C.11.2 DL reference measurement channel for E-DCH tests

On downlink DCH the reference measurement channel according to section C.3.1 is used. On downlink HS-DSCH the fixed reference channel H-Set 1 according to section C.8.1.1 is used.

C.11.3 RLC SDU size for E-DCH tests

Table C.11.3.1 defines the number of DL RLC SDUs per TTI and the sizes of the DL and UL RLC SDUs to achieve the required asymmetrical DL/UL data rates for the E-DCH test cases.

Table C.11.3.1: UL RLC SDU size for E-DCH tests

| TC Clause | TS 34.121-1 E-DCH Test Cases | Inter-TTI (Note 1) | DL SDU size [bits] (Note 2) | Number of DL SDUs per DL transmission (Note 1) | UL RLC SDU Size [bits] (Note 1) |
|------------|---|--------------------|-----------------------------|--|---|
| 5.2B | Maximum Output Power with HS-DPCCH and E-DCH | 3 (H-Set 1) | 2936 | 1 | For sub-test 1-4: 2936 For sub-test 5: 11744 |
| 5.2D | UE Relative Code Domain Power Accuracy for HS-DPCCH and E-DCH | 3 (H-Set 1) | 2936 | 1 | 2936 |
| 5.2E | UE Relative Code Domain Power Accuracy for HS-DPCCH and E-DCH with 16QAM | 3 (H-Set 1) | 312 | 9 | 8808 |
| 5.9B | Spectrum Emission Mask with E-DCH | 3 (H-Set 1) | 2936 | 1 | For sub-test 1-4: 2936 For sub-test 5: 11744 |
| 5.10B | ACLR with E-DCH | 3 (H-Set 1) | 2936 | 1 | For sub-test 1-4: 2936 For sub-test 5: 11744 |
| 5.13.1AAA | EVM and IQ origin offset for HS-DPCCH and E-DCH with 16QAM | 3 (H-Set 1) | 312 | 9 | 8808 |
| 5.13.2B | Relative Code Domain Error with HS-DPCCH and E-DCH | 3 (H-Set 1) | 2936 | 1 | 2936 |
| 5.13.2C | Relative Code Domain Error for HS-DPCCH and E-DCH with 16QAM | 3 (H-Set 1) | 312 | 9 | 8808 |
| 8.4.4.1 | 10 ms TTI E-DCH E-TFC Restriction | 3 (H-Set 1) | 2936 | 1 | 11744 |
| 8.4.4.2 | 2ms TTI E-DCH E-TFC Restriction | 3 (H-Set 1) | 968 | 3 | 11744 |
| 8.7.9 | UE Transmission Power Headroom | 3 (H-Set 1) | - | - | No E-DCH payload data transmitted |
| 10.2.1.1 | Detection of E-HICH - Single Link Performance (10ms) | 3 (H-Set 1) | 2936 | 1 | 2936 |
| 10.2.1.2 | Detection of E-HICH - Single Link Performance (2ms) | 3 (H-Set 1) | 2936 | 1 | 5872 |
| 10.2.2.1.1 | Detection in Inter-Cell Handover conditions- RLS not containing the Serving E-DCH cell (10ms) | 3 (H-Set 1) | 2936 | 1 | 11744 |
| 10.2.2.1.2 | Detection in Inter-Cell Handover conditions- RLS not containing the Serving E-DCH cell (2ms) | 3 (H-Set 1) | 968 | 3 | 5872 |
| 10.2.2.2.1 | Detection in Inter-Cell Handover conditions- RLS containing the Serving E-DCH cell (10ms) | 3 (H-Set 1) | 968 | 3 | 5872 |
| 10.2.2.2.2 | Detection in Inter-Cell Handover conditions- RLS containing the Serving E-DCH cell (2ms) | 3 (H-Set 1) | 968 | 3 | 9784 |
| 10.3.1.1 | Detection of E-RGCH - Single Link Performance (10ms) | 3 (H-Set 1) | 2936 | 1 | 2936 |
| 10.3.1.2 | Detection of E-RGCH - Single Link Performance | 3 (H-Set 1) | 2936 | 1 | 5872 |

| TC Clause | TS 34.121-1 E-DCH Test Cases | Inter-TTI (Note 1) | DL SDU size [bits] (Note 2) | Number of DL SDUs per DL transmission (Note 1) | UL RLC SDU Size [bits] (Note 1) |
|--|---|--------------------|-----------------------------|--|---------------------------------|
| | (2ms) | | | | |
| 10.3.2 | Detection of E-RGCH - Detection in Inter-Cell Handover conditions | 3 (H-Set 1) | 2936 | 1 | 11744 |
| 10.4.1 | Demodulation of E-AGCH (Single Link Performance) | 3 (H-Set 1) | 2936 | 1 | 8808 |
| <p>Note 1: The achieved UL rate will depend on the number of DL SDUs sent at every inter-TTI interval. For each received DL RLC SDU one UL RLC SDU of the configured UL RLC SDU size is transmitted in UL. Generated UL bit rate by the UE test loop function = Number of DL SDUs per Inter-TTI reception * UL RLC SDU size / DL TTI * Inter-TTI. The UE test loop function bit rate shall be equal or larger than the UL rate required by the test to avoid that Tx buffer becomes empty during the test phase. The SS configured UL SDU size for UE test loop mode 1 shall be limited to maximum 1520 octets (12160 bits) to not restrict the applicability of test cases to UEs supporting optional UL RLC SDU sizes larger than 1520 octets (TS 34.109 clause 6.2).</p> <p>Note 2: The DL RLC SDU size for all E-DCH tests is set to fit into a transport block size of 3202 bits (the transport block size used for H-Set 1). For the case of one, three or nine DL SDUs are used per DL transmission then DL SDU size of 2936, 968 and 312 bits are used. These DL SDU sizes take into account the required fixed and flexible MAC and RLC header size to enable the SS to concatenate and transmit the DL RLC SDUs in one and the same TTI.</p> | | | | | |

C.11A Reference channel parameters for DC-HSUPA tests

This annex specifies the reference channel parameters for DC-HSUPA test cases.

C.11A.1 UL reference measurement channel for DC-HSUPA tests

On uplink E-DCH the MAC-d flow parameters and the physical channel parameters according to default Radio Bearer Setup message of section 9.2.1 of TS 34.108 are used. On uplink DCH the reference measurement channel according to section C.2.6 (BPSK configuration) or C.2.7 (16QAM configuration) is used. Table C.11A.1.1 and Table C.11A.1.2 show the beta values on all uplink channels on both carriers that are used for transmitter characteristics tests.

Table C.11A.1.1: β values for transmitter characteristics tests for DC-HSUPA with QPSK

| β_c (Note2) | β_d | β_{HS} (Note1) | β_{ec} (Note2) | β_{ed} (1xSF16) (Note2) | AG Index (Note 2 and 3) | E-TFCI (Note 2 and 4) |
|--|-----------|----------------------|----------------------|-------------------------------|-------------------------|-----------------------|
| 15/15 | - | 5/15 | 5/15 | 24/15 | 6 | 1 |
| <p>Note 1: Δ_{ACK}, Δ_{NACK} and $\Delta_{CQI} = 5/15$ with $\beta_{hs} = 5/15 * \beta_c$. This channel is present only in primary carrier.</p> <p>Note 2: This value is used for both primary and secondary carriers.</p> <p>Note 3: β_{ed} can not be set directly; it is set by Absolute Grant Value.</p> <p>Note 4: 2ms TTI E-DCH Transport Block Size Table 0 is used.</p> | | | | | | |

Table C.11A.1.2: β values for transmitter characteristics tests for DC-HSUPA with 16QAM

| β_c (Note2) | β_d | β_{HS} (Note1) | β_{ec} (Note2) | β_{ed} (2xSF2) (Note 2) | β_{ed} (2xSF4) (Note 2) | AG Index (Note 2 and 3) | E-TFCI (Note 2 and 4) | E-TFCI (Boost) |
|--|-----------|----------------------|----------------------|--|--|-------------------------|-----------------------|----------------|
| 15/15 | - | 19/15 | 38/15 | β_{ed1} : 134/15 β_{ed2} : 134/15 | β_{ed3} : 95/15 β_{ed4} : 95/15 | 24 | 68 | 67 |
| <p>Note 1: Δ_{ACK}, Δ_{NACK} and $\Delta_{CQI} = 19/15$ with $\beta_{hs} = 19/15 * \beta_c$. This channel is present only in primary carrier.</p> <p>Note 2: This value is used for both primary and secondary carriers.</p> <p>Note 3: β_{ed} can not be set directly; it is set by Absolute Grant Value.</p> <p>Note 4: 2ms TTI E-DCH Transport Block Size Table 3 is used.</p> | | | | | | | | |

C.11A.2 DL reference measurement channel for DC-HSUPA tests

On downlink DCH the reference measurement channel according to section C.3.1 is used. On downlink HS-DSCH the fixed reference channel H-Set 3A with QPSK according to section C.8.1.1 is used.

C.11A.3 RLC SDU size for DC-HSUPA tests

Table C.11A.3.1 defines the number of DL RLC SDUs per TTI and the sizes of the DL and UL RLC SDUs to achieve the required asymmetrical DL/UL data rates for the E-DCH test cases.

Table C.11A.3.1: UL RLC SDU size for E-DCH tests

| TC Clause | TS 34.121-1 E-DCH Test Cases | Inter-TTI (Note 1) | DL SDU size [bits] (Note 2) | Number of DL SDUs per DL transmission (Note 1) | UL RLC SDU Size [bits] (Note 1) |
|---|---|--------------------|-----------------------------|--|---------------------------------|
| 5.2BA | Maximum Output Power for DC-HSUPA | 1 (H-Set 3A) | 2936 | 1 | 72 (BPSK) 8406 (16QAM) |
| 5.2DA | UE Relative Code Domain Power Accuracy for DC-HSUPA with QPSK | 1 (H-Set 3A) | 2936 | 1 | 72 |
| 5.3A | Frequency Error for DC-HSUPA | 1 (H-SET 3A) | 2936 | 1 | 72 |
| 5.4.1A | Open Loop Power Control in the Uplink for DC-HSUPA | 1 (H-SET 3A) | 2936 | 1 | 72 |
| 5.4.2A | Inner Loop Power Control in the Uplink for DC-HSUPA | 1 (H-SET 3A) | 2936 | 1 | 72 |
| 5.8A | Occupied Bandwidth (OBW) for DC-HSUPA | 1 (H-SET 3A) | 2936 | 1 | 72 |
| 5.9C | Additional Spectrum Emission Mask for DC-HSUPA | 1 (H-SET 3A) | 2936 | 1 | 72 (BPSK) 8406 (16QAM) |
| 5.10C | Adjacent Channel Leakage Power Ratio (ACLR) with E-DCH for DC-HSUPA | 1 (H-SET 3A) | 2936 | 1 | 72 (BPSK) 8406 (16QAM) |
| 5.11A | Spurious Emissions for DC-HSUPA | 1 (H-SET 3A) | 2936 | 1 | 72 |
| 5.12A | Transmit Intermodulation for DC-HSUPA | 1 (H-SET 3A) | 2936 | 1 | 72 |
| 5.13.2BA | Relative Code Domain Error with HS-DPCCH and E-DCH for DC-HSUPA | 1 (H-SET 3A) | 2936 | 1 | 72 |
| 5.13.2CA | Relative Code Domain Error for HS-DPCCH and E-DCH with 16QAM for DC-HSUPA | 1 (H-SET 3A) | 2936 | 1 | 8406 |
| 5.13.5 | In-band emission for DC-HSUPA | 1 (H-SET 3A) | 2936 | 1 | 72 |
| <p>Note 1: The achieved UL rate will depend on the number of DL SDUs sent at every inter-TTI interval. For each received DL RLC SDU one UL RLC SDU of the configured UL RLC SDU size is transmitted in UL. Generated UL bit rate by the UE test loop function = Number of DL SDUs per Inter-TTI reception * UL RLC SDU size / DL TTI * Inter-TTI. The UE test loop function bit rate shall be equal or larger than the UL rate required by the test to avoid that Tx buffer becomes empty during the test phase. The SS configured UL SDU size for UE test loop mode 1 shall be limited to maximum 1520 octets (12160 bits) to not restrict the applicability of test cases to UEs supporting optional UL RLC SDU sizes larger than 1520 octets (TS 34.109 clause 6.2).</p> <p>Note 2: The DL RLC SDU size for all E-DCH tests is set to fit into a transport block size of 3202 bits (the transport block size used for H-Set 3A).</p> | | | | | |

C.12 DL reference parameters for MBMS tests

This annex specifies the reference channel parameters for MBMS test cases.

C.12.1 MTCH

The parameters for the MTCH demodulation tests are specified in Table C.12.1.1 and Table C.12.1.2.

Table C.12.1.1: Physical channel parameters for S-CCPCH

| Parameter | Unit | Level | Level |
|---|-------------|------------|------------|
| User Data Rate | kbps | 256 | 128 |
| Channel bit rate | kbps | 960 | 480 |
| Channel symbol rate | ksps | 480 | 240 |
| Slot Format #i | - | 14 | 12 |
| TFCI | - | ON | ON |
| Power offsets of TFCI and Pilot fields relative to data field | dB | 0 | 0 |

Table C.12.1.2: Transport channel parameters for S-CCPCH

| Parameter | MTCH | | |
|---------------------------------|----------|-----------------------|------------------------|
| | 256 kbps | 128 kbps 40 ms TTI | 128 kbps, 80 ms TTI |
| Transport Channel Number | 1 | 1 | 1 |
| Transport Block Size | 2536 | 2536 | 2536 |
| Transport Block Set Size | 10144 | 5072 | 10144 |
| Nr of transport blocks/TTI | 4 | 2 | 4 |
| RLC SDU block size | 10080 | 5024 | 10080 |
| Transmission Time Interval | 40 ms | 40 ms | 80 ms |
| Type of Error Protection | Turbo | Turbo | Turbo |
| Rate Matching attribute | 256 | 256 | 256 |
| Size of CRC | 16 | 16 | 16 |
| Position of TrCH in radio frame | Flexible | Flexible | Flexible |

C.12.2 Combined MTCH demodulation and cell identification

The parameters for combined MTCH demodulation and cell identification test are defined in Table C.12.2.1.

Table C.12.2.1: Cell reselection parameters

| Parameter | Unit | Value |
|--|---------|--|
| Serving cell in the initial condition | | Cell1 |
| Neighbour cells | | 32 intra-frequency neighbour cells are indicated including Cell2 and Cell3 |
| Cell_selection_and_reselection_quality_measure | | CPICH E_c/N_0 |
| Qqualmin | dB | -20 |
| Qrxlevmin | dBm | -115 |
| UE_TXPWR_MAX_RACH | dB | 21 |
| Qhyst2 | dB | 20 dB |
| Treselection | seconds | 4 |
| Sintrasearch | dB | not sent |
| IE "FACH Measurement occasion info" | | not sent |

Annex D (normative): Propagation Conditions

D.1 General

D.1.1 Definition of Additive White Gaussian Noise (AWGN) Interferer

The minimum bandwidth of the AWGN interferer shall be 1,5 times chip rate of the radio access mode (e.g. 5,76 MHz for a chip rate of 3,84 Mcps). The flatness across this minimum bandwidth shall be less than $\pm 0,5$ dB and the peak to average ratio at a probability of 0,001 % shall exceed 10 dB.

For DC-HSDPA tests the minimum bandwidth of the AWGN interferer shall be 11.52 MHz for a chip rate of 3,84 Mcps. The flatness across this minimum bandwidth shall be less than $\pm 1,0$ dB and the peak to average ratio at a probability of 0,001 % shall exceed 10 dB.

D.2 Propagation Conditions

D.2.1 Static propagation condition

The propagation for the static performance measurement is an Additive White Gaussian Noise (AWGN) environment. No fading and multi-paths exist for this propagation model.

D.2.2 Multi-path fading propagation conditions

Table D.2.2.1 shows propagation conditions that are used for the performance measurements in multi-path fading environment. All taps have classical Doppler spectrum.

Table D.2.2.1: Propagation conditions for multi-path fading environments

| Case 1 | | Case 2 | | Case 3 | | Case 4 | | Case 5 (Note 1) | | Case 6 | |
|---|--------------------------|---|--------------------------|--|--------------------------|---|--------------------------|---|--------------------------|--|--------------------------|
| Speed for Band I, II, III, IV, IX, X and XXV: 3 km/h | | Speed for Band I, II, III, IV, IX, X and XXV: 3 km/h | | Speed for Band I, II, III, IV, IX, X and XXV: 120 km/h | | Speed for Band I, II, III, IV, IX, X and XXV: 3 km/h | | Speed for Band I, II, III, IV, IX, X and XXV: 50 km/h | | Speed for Band I, II, III, IV, IX, X and XXV: 250 km/h | |
| Speed for Band V, VI, VIII, XIX, XX and XXVI: 7 km/h | | Speed for Band V, VI, VIII, XIX, XX and XXVI: 7 km/h | | Speed for Band V, VI, VIII, XIX, XX and XXVI: 282 km/h (Note 2) | | Speed for Band V, VI, VIII, XIX, XX and XXVI: 7 km/h | | Speed for Band V, VI, VIII, XIX, XX and XXVI: 118 km/h | | Speed for Band V, VI, VIII, XIX, XX and XXVI: 583 km/h (Note 2) | |
| Speed for Band VII: 2.3 km/h | | Speed for Band VII: 2.3 km/h | | Speed for Band VII: 92 km/h | | Speed for Band VII: 2.3 km/h | | Speed for Band VII: 38 km/h | | Speed for Band VII: 192 km/h | |
| Speed for Band XI, XXI: 4.1 km/h | | Speed for Band XI, XXI: 4.1 km/h | | Speed for Band XI, XXI: 166 km/h | | Speed for Band XI, XXI: 4.1 km/h | | Speed for Band XI, XXI: 69 km/h | | Speed for Band XI, XXI: 345 km/h (Note 2) | |
| Speed for Band XII, XIII and XIV: 8 km/h | | Speed for Band XII, XIII and XIV: 8 km/h | | Speed for Band XII, XIII and XIV: 320 km/h | | Speed for Band XII, XIII and XIV: 8 km/h | | Speed for Band XII, XIII and XIV: 133 km/h | | Speed for Band XII, XIII and XIV: 668 km/h | |
| Relative Delay [ns] | Relative mean Power [dB] | Relative Delay [ns] | Relative mean Power [dB] | Relative Delay [ns] | Relative mean Power [dB] | Relative Delay [ns] | Relative mean Power [dB] | Relative Delay [ns] | Relative mean Power [dB] | Relative Delay [ns] | Relative mean Power [dB] |
| 0 | 0 | 0 | 0 | 0 | 0 | 0 | 0 | 0 | 0 | 0 | 0 |
| 976 | -10 | 976 | 0 | 260 | -3 | 976 | 0 | 976 | -10 | 260 | -3 |
| | | 20000 | 0 | 521 | -6 | | | | | 521 | -6 |
| | | | | 781 | -9 | | | | | 781 | -9 |

NOTE 1: Case 5 is only used in Requirements for support of RRM.

NOTE 2: Speed above 250km/h is applicable to demodulation performance requirements only.

Table D.2.2.1A shows propagation conditions that are used for HSDPA performance measurements in multi-path fading environment. For HSDPA and DCH enhanced performance requirements, the fading of the signals and the AWGN signals provided in each receiver antenna port shall be independent. For DC-HSDPA requirements, the fading of the signals for each cell shall be independent.

Table D.2.2.1A: Propagation Conditions for multi-path fading environments for HSDPA

| ITU Pedestrian A Speed 3km/h (PA3) | | ITU Pedestrian B Speed 3km/h (PB3) | | ITU vehicular A Speed 30km/h (VA30) | | ITU vehicular A Speed 120km/h (VA120) | |
|---|--------------------------|---|--------------------------|--|--------------------------|--|--------------------------|
| Speed for Band I, II, III, IV, IX, X and XXV: 3 km/h | | Speed for Band I, II, III, IV, IX, X and XXV: 3 km/h | | Speed for Band I, II, III, IV, IX, X and XXV: 30 km/h | | Speed for Band I, II, III, IV, IX, X and XXV: 120 km/h | |
| Speed for Band V, VI, VIII, XIX, XX and XXVI: 7 km/h | | Speed for Band V, VI, VIII, XIX, XX and XXVI: 7 km/h | | Speed for Band V, VI, VIII, XIX, XX and XXVI: 71 km/h | | Speed for Band V, VI, VIII, XIX, XX and XXVI: 282 km/h (Note 1) | |
| Speed for Band VII: 2.3 km/h | | Speed for Band VII: 2.3 km/h | | Speed for Band VII: 23 km/h | | Speed for Band VII: 92 km/h | |
| Speed for Band XI, XXI: 4.1 km/h | | Speed for Band XI, XXI: 4.1 km/h | | Speed for Band XI, XXI: 41 km/h | | Speed for Band XI, XXI: 166 km/h (Note 1) | |
| Speed for Band XII, XIII and XIV: 8 km/h | | Speed for Band XII, XIII and XIV: 8 km/h | | Speed for Band XII, XIII and XIV: 80 km/h | | Speed for Band XII, XIII and XIV: 320 km/h | |
| Relative Delay [ns] | Relative Mean Power [dB] | Relative Delay [ns] | Relative Mean Power [dB] | Relative Delay [ns] | Relative Mean Power [dB] | Relative Delay [ns] | Relative Mean Power [dB] |
| 0 | 0 | 0 | 0 | 0 | 0 | 0 | 0 |
| 110 | -9.7 | 200 | -0.9 | 310 | -1.0 | 310 | -1.0 |
| 190 | -19.2 | 800 | -4.9 | 710 | -9.0 | 710 | -9.0 |
| 410 | -22.8 | 1200 | -8.0 | 1090 | -10.0 | 1090 | -10.0 |
| | | 2300 | -7.8 | 1730 | -15.0 | 1730 | -15.0 |
| | | 3700 | -23.9 | 2510 | -20.0 | 2510 | -20.0 |

NOTE 1: Speed above 120km/h is applicable to demodulation performance requirements only.

Table D.2.2.1B shows propagation conditions that are used for CQI test in multi-path fading and HS-SCCH-less demodulation of HS-DSCH. For HSDPA enhanced performance requirements, the fading of the signals and the AWGN signals provided in each receiver antenna port shall be independent. For DC-HSDPA requirements, the fading of the signals for each cell shall be independent.

Table D.2.2.1B: Propagation Conditions for CQI test in multi-path fading and HS-SCCH-less demodulation of HS-DSCH

| Case 8 | |
|--|--------------------------|
| Speed for Band I, II, III, IV, IX, X and XXV: 30km/h | |
| Speed for Band V, VI, VIII, XIX, XX and XXVI: 71km/h | |
| Speed for Band VII: 23km/h | |
| Speed for Band XI, XXI: 41km/h | |
| Speed for Band XII, XIII and XIV: 80 km/h | |
| Relative Delay [ns] | Relative mean Power [dB] |
| 0 | 0 |
| 976 | -10 |

Table D.2.2.1C shows propagation conditions that are used for MBMS demodulation performance measurements in multi-path fading environment.

Table D.2.2.1C: Propagation Conditions for Multi-Path Fading Environments for MBMS Performance Requirements, Demodulation of HS-DSCH H-Set9 and H-Set10, HS-SCCH Type 3 Performance

| ITU vehicular A Speed 3km/h (VA 3) | |
|---|-----------------------------|
| Speed for Band I, II, III, IV, IX, X and XXV: 3 km/h | |
| Speed for Band V, VI, VIII, XIX, XX and XXVI: 7 km/h | |
| Speed for Band VII: 2.3 km/h | |
| Speed for Band XI, XXI: 4.1 km/h | |
| Speed for Band XII, XIII and XIV: 8 km/h | |
| Relative Delay [ns] | Relative Mean Power [dB] |
| 0 | 0 |
| 310 | -1.0 |
| 710 | -9.0 |
| 1090 | -10.0 |
| 1730 | -15.0 |
| 2510 | -20.0 |

D.2.3 Moving propagation conditions

The dynamic propagation conditions for the test of the baseband performance are non fading channel models with two taps. The moving propagation condition has two taps, one static, Path0, and one moving, Path1. The time difference between the two paths is according Equation D.2.3.1. The taps have equal strengths and equal phases.

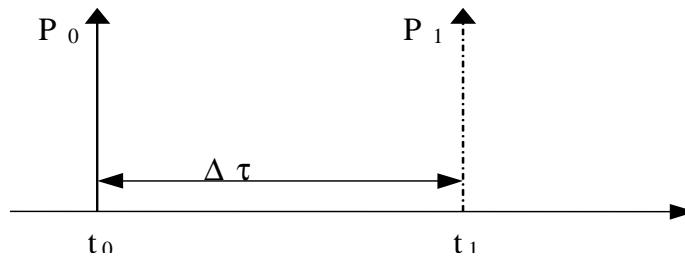


Figure D.2.3.1: The moving propagation conditions

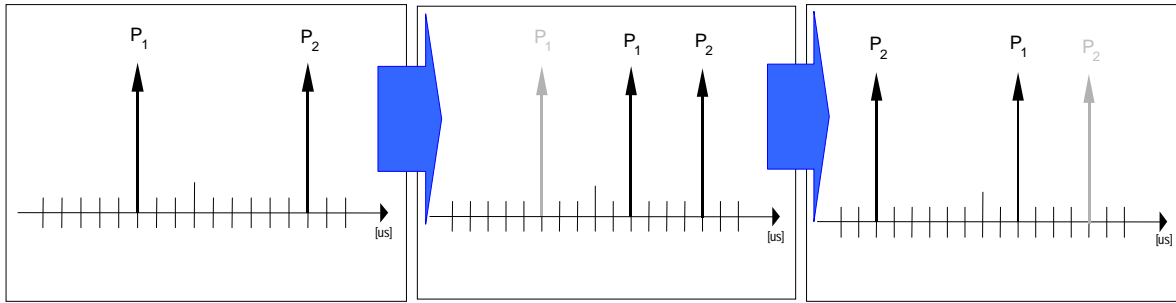
$$\Delta\tau = B + \frac{A}{2}(1 + \sin(\Delta\omega \cdot t)) \tag{Equation D.2.3.1}$$

The parameters in the equation are shown in.

| | |
|----|---------------------------------------|
| A | 5 μs |
| B | 1 μs |
| Δω | 40 · 10 ⁻³ s ⁻¹ |

D.2.4 Birth-Death propagation conditions

The dynamic propagation conditions for the test of the baseband performance is a non fading propagation channel with two taps. The moving propagation condition has two taps, Path1 and Path2 while alternate between 'birth' and 'death'. The positions the paths appear are randomly selected with an equal probability rate and are shown in figure D.2.4.1.



NOTE1: Two paths, Path1 and Path2 are randomly selected from the group [-5, -4, -3, -2, -1, 0, 1, 2, 3, 4, 5] µs. The paths have equal strengths and equal phases.

NOTE 2: After 191 ms, Path1 vanishes and reappears immediately at a new location randomly selected from the group [-5, -4, -3, -2, -1, 0, 1, 2, 3, 4, 5] µs but excludes the point Path2.

NOTE 3: After additional 191 ms, Path2 vanishes and reappears immediately at a new location randomly selected from the group [-5, -4, -3, -2, -1, 0, 1, 2, 3, 4, 5] µs but excludes the point Path1.

NOTE 4: The sequence in 2) and 3) is repeated.

D.2.4A High speed train conditions

The high speed train condition for the test of the baseband performance is a non fading propagation channel with one tap. Doppler shift is given by

$$f_s(t) = f_d \cos(\theta(t)) \tag{D.2.4A.1}$$

where $f_s(t)$ is the Doppler shift and f_d is the maximum Doppler frequency. The cosine of angle $\theta(t)$ is given by

$$\cos \theta(t) = \frac{D_s/2 - vt}{\sqrt{D_{\min}^2 + (D_s/2 - vt)^2}}, \quad 0 \leq t \leq D_s/v \tag{D.2.4A.2}$$

where $D_s/2$ is the initial distance of the train from BS, and D_{\min} is BS-Railway track distance, both in meters; v is the velocity of the train in m/s, t is time in seconds. The parameters in the equation are shown in table D.2.4A.1. Accordingly, Doppler shift changes to the following figure D.2.4A.1.

Table D.2.4A.1

| Parameter | Value |
|------------|----------|
| D_s | 300 m |
| D_{\min} | 2 m |
| v | 300 km/h |
| f_d | 600 Hz |

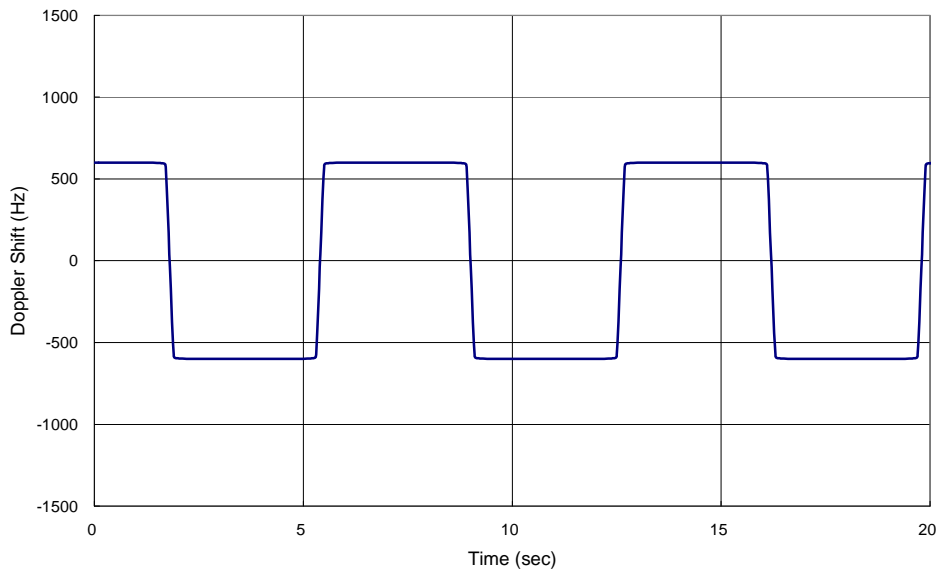


Figure D.2.4A.1: Doppler shift trajectory

D.2.5 Conditions for HSDPA enhanced performance requirements type 1 with UE receiver diversity

The fading profiles used in the two or four faders for testing enhanced performance requirements type 1 with UE receiver diversity shall be uncorrelated to each other.

The two AWGN signals used for testing enhanced performance requirements type 1 with UE receiver diversity shall be uncorrelated to each other.

D.2.6 Conditions for HSDPA enhanced performance requirements type 3 with UE receiver diversity

The fading profiles used in the two faders for testing enhanced performance requirements type 3 with UE receiver diversity shall be uncorrelated to each other.

The two AWGN signals used for testing enhanced performance requirements type 3 with UE receiver diversity shall be uncorrelated to each other.

D.2.7 Conditions for open and closed loop diversity performance

The fading profiles used in the two or four faders for testing open and closed loop diversity performance shall be uncorrelated to each other.

D.2.8 Conditions for MBMS enhanced performance requirements type 1 with UE receiver diversity

The fading profiles used in the six faders for testing enhanced performance requirements type 1 with UE receiver diversity shall be uncorrelated to each other.

The two AWGN signals used for testing enhanced performance requirements type 1 with UE receiver diversity shall be uncorrelated to each other.

D.2.9 MIMO propagation conditions

MIMO propagation conditions are defined for a 2x2 antenna configuration. The resulting propagation channel shall be characterized by a complex 2x2 matrix termed

$$\mathbf{H} = \begin{pmatrix} h_{11} & h_{12} \\ h_{21} & h_{22} \end{pmatrix}.$$

The channel coefficients of \mathbf{H} shall be defined as a function of the possible precoding vectors or matrices. The possible precoding vectors for MIMO operation according to [5] shall be termed

$$\mathbf{w}^{(1)} = \begin{pmatrix} \frac{1}{\sqrt{2}} \\ \frac{1+j}{2} \end{pmatrix}, \quad \mathbf{w}^{(2)} = \begin{pmatrix} \frac{1}{\sqrt{2}} \\ \frac{1-j}{2} \end{pmatrix}, \quad \mathbf{w}^{(3)} = \begin{pmatrix} \frac{1}{\sqrt{2}} \\ \frac{-1+j}{2} \end{pmatrix}, \quad \mathbf{w}^{(4)} = \begin{pmatrix} \frac{1}{\sqrt{2}} \\ \frac{-1-j}{2} \end{pmatrix} \quad (\text{EQ. D.2.9.1})$$

Furthermore the following possible precoding matrices shall be defined:

$$\mathbf{W}^{(1)} = \begin{pmatrix} \mathbf{w}^{(1)} & \mathbf{w}^{(4)} \end{pmatrix}, \quad \mathbf{W}^{(2)} = \begin{pmatrix} \mathbf{w}^{(2)} & \mathbf{w}^{(3)} \end{pmatrix}, \quad \mathbf{W}^{(3)} = \begin{pmatrix} \mathbf{w}^{(3)} & \mathbf{w}^{(2)} \end{pmatrix}, \quad \mathbf{W}^{(4)} = \begin{pmatrix} \mathbf{w}^{(4)} & \mathbf{w}^{(1)} \end{pmatrix} \quad (\text{EQ. D.2.9.2})$$

D.2.9.1 MIMO Single Stream Fading Conditions

For MIMO single stream conditions, the resulting propagation channel shall be generated using two independent fading processes with classical Doppler and one randomly picked but fixed precoding vector \mathbf{w} out of the set defined in equation EQ. D.2.9.1. The two fading processes shall be generated according to the parameters in Table D.2.9.1

Table D.2.9.1

| MIMO Single Stream Conditions, | | |
|---|-----------------------------|-------------------------------|
| Speed for Band I, II, III, IV, IX and X: 3km/h | | |
| Speed for Band V, VI, VIII, XIX, XX and XXVI: 7.1km/h | | |
| Speed for Band VII: 2.3km/h | | |
| Speed for Band XI, XXI: 4.1km/h | | |
| Speed for Band XII, XIII and XIV: 8 km/h | | |
| Relative Delay [ns] | Relative Mean Power [dB] | (Amplitude, phase) symbols |
| 0 | 0 | (a_1, φ_1) |
| 0 | 0 | (a_2, φ_2) |

NOTE: The amplitude a_2 is not used in tests under MIMO single stream conditions, only the phase φ_2 will be used.

The channel coefficients of the resulting propagation channel under MIMO single stream conditions shall be given by

$$\mathbf{H} = \begin{pmatrix} h_{11} & h_{12} \\ h_{21} & h_{22} \end{pmatrix} = a_1 \cdot \begin{pmatrix} \exp(j \cdot \varphi_1) \\ \exp(-j \cdot \varphi_2) \end{pmatrix} \cdot \mathbf{w}^H$$

The generation of the resulting channel coefficients for MIMO single stream conditions and the association with the transmitter and receiver ports are depicted Figure D.2.9.1. Figure D.2.9.1 does not restrict test system implementation.

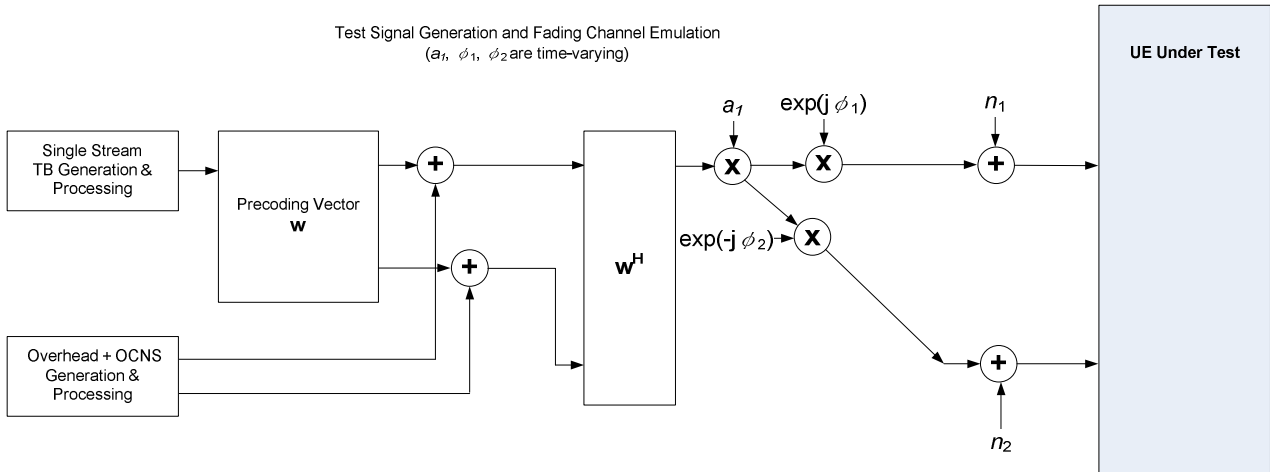


Figure D.2.9.1: Test setup under MIMO Single Stream Fading Conditions

D.2.9.2 MIMO Dual Stream Fading Conditions

For MIMO dual stream conditions, the resulting propagation channel shall be generated using two independent fading processes with classical Doppler and one randomly picked but fixed precoding matrix \mathbf{W} out of the set defined in equation EQ. D.2.9.2. The two fading processes shall be generated according to the parameters in Table D.2.9.2

Table D.2.9.2

| MIMO Dual Stream Conditions, Speed for Band I, II, III, IV, IX, X and XXV: 3km/h Speed for Band V, VI, VIII, XIX, XX and XXVI: 7.1km/h Speed for Band VII: 2.3km/h Speed for Band XI, XXI: 4.1km/h Speed for Band XII, XIII and XIV: 8 km/h | | |
|--|--------------------------|----------------------------|
| Relative Delay [ns] | Relative Mean Power [dB] | (Amplitude, phase) symbols |
| 0 | 0 | (a_1, ϕ_1) |
| 0 | -3 | (a_2, ϕ_2) |

The channel coefficients of the resulting propagation channel under MIMO dual stream conditions shall be given by

$$\mathbf{H} = \begin{pmatrix} h_{11} & h_{12} \\ h_{21} & h_{22} \end{pmatrix} = \sqrt{\frac{2}{3}} \begin{pmatrix} \exp(j \phi_1) & \exp(j \phi_2) \\ \exp(-j \phi_2) & -\exp(-j \phi_1) \end{pmatrix} \cdot \begin{pmatrix} a_1 & 0 \\ 0 & a_2 \end{pmatrix} \cdot \mathbf{W}^H$$

The generation of the resulting channel coefficients for MIMO dual stream conditions and the association with the transmitter and receiver ports are depicted Figure D.2.9.2. Figure D.2.9.2 does not restrict test system implementation.

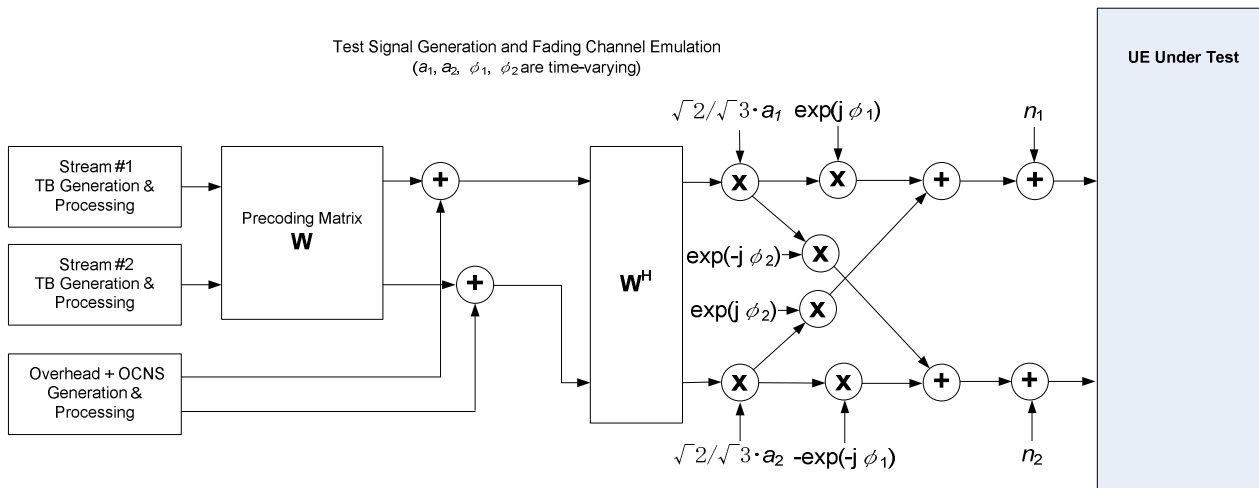


Figure D.2.9.2: Test setup under MIMO Dual Stream Fading Conditions

D.2.9.3 MIMO Dual Stream Static Orthogonal Conditions

The channel coefficients of the resulting propagation channel under MIMO dual stream conditions shall be given by

$$H = \begin{pmatrix} h_{11} & h_{12} \\ h_{21} & h_{22} \end{pmatrix} = \begin{pmatrix} 1 & 1 \\ 1 & -1 \end{pmatrix}$$

The generation of the resulting channel coefficients for MIMO dual stream conditions and the association with the transmitter and receiver ports are depicted Figure D.2.9.3. Figure D.2.9.3 does not restrict test system implementation.

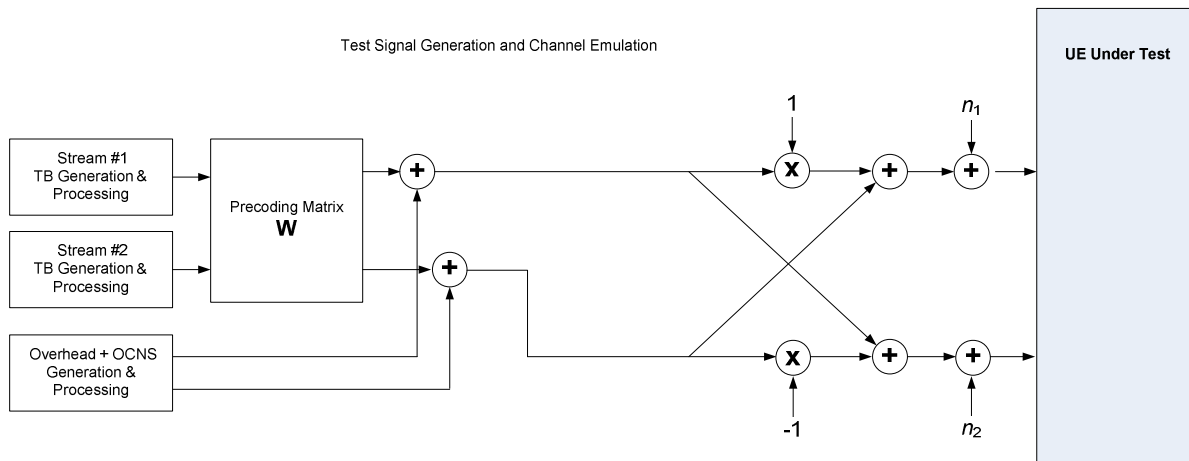


Figure D.2.9.3: Test setup under MIMO Dual Stream Static Orthogonal Conditions

Annex E (normative): Downlink Physical Channels

E.1 General

This normative annex specifies the downlink physical channels that are needed for setting a connection and channels that are needed during a connection. For the definition of OCNS, the power of OCNS shall be controlled so as to keep the total transmit power spectral density I_{or} constant. The I_{or} shall be measured as the mean power defined in 3.1 Definitions. The mean power shall be kept constant from one slot to the next.

In test cases where the I_{or} should be kept constant, it shall be acceptable to continuously send logical channel DCCH data which is allowed to be dummy DCCH data, so that it is not necessary to count the number of power off symbols and calculate OCNS power every symbol or slot period to keep the I_{or} constant.

NOTE: The power level specified for each physical channel in this annex is an average power, as measured during periods when the physical channel transmission is ON (see [19] for definitions), and no DTX symbols are being transmitted on that physical channel.

E.2 Connection Set-up for non-HSDPA test cases

Table E.2.1 describes the downlink Physical Channels that are required for connection set up.

Table E.2.1: Downlink Physical Channels required for connection set-up

| Physical Channel |
|------------------|
| CPICH |
| P-CCPCH |
| SCH |
| S-CCPCH |
| PICH |
| AICH |
| DPCH |

E.2.1 Measurement without dedicated connection

Table E.2.2 describes the downlink Physical Channels that are required for measurement before connection. This is applicable for the clauses 5.4.1 , 5.5.2 and 5.13.4and 5.5.2.

Table E.2.2: Downlink Physical Channels transmitted without dedicated connection

| Physical Channel | Power |
|------------------|-----------------------------------|
| I_{or} | Test dependent power |
| CPICH | $CPICH_{Ec} / I_{or} = -3.9$ dB |
| P-CCPCH | $P-CCPCH_{Ec} / I_{or} = -8.3$ dB |
| SCH | $SCH_{Ec} / I_{or} = -8.3$ dB |
| PICH | $PICH_{Ec} / I_{or} = -8.3$ dB |
| S-CCPCH | $S-CCPCH_{Ec} / I_{or} = -5.3$ dB |

E.3 During connection for non-HSDPA test cases

The following clauses describe the downlink Physical Channels that are transmitted during a connection i.e., when measurements are done. For these measurements the offset between DPCH and SCH shall be zero chips at base station meaning that SCH is overlapping with the first symbols in DPCH in the beginning of DPCH slot structure.

E.3.1 Measurement of Tx Characteristics

Table E.3.1 is applicable for measurements on the Transmitter Characteristics (clause 5) with the exception of clauses 5.3, 5.4.1, 5.4.4 and 5.4.4A.

NOTE: Applicability to clause 5.7 (Power setting in uplink compressed mode) is FFS.

Table E.3.1: Downlink Physical Channels transmitted during a connection

| Physical Channel | Power |
|------------------|-----------------------------|
| For | -93 dBm / 3,84MHz |
| CPICH | CPICH_Ec / DPCH_Ec = 7 dB |
| P-CCPCH | P-CCPCH_Ec / DPCH_Ec = 5 dB |
| SCH | SCH_Ec / DPCH_Ec = 5 dB |
| PICH | PICH_Ec / DPCH_Ec = 2 dB |
| DPCH | -103,3 dBm / 3,84MHz |

E.3.2 Measurement of Rx Characteristics

Table E.3.2.1 is applicable for measurements on the Receiver Characteristics (clause 6) including clauses 5.3, excluding clauses 6.3 and 6.8.

Table E.3.2.1: Downlink Physical Channels transmitted during a connection

| Physical Channel | Power |
|------------------|-----------------------------|
| CPICH | CPICH_Ec / DPCH_Ec = 7 dB |
| P-CCPCH | P-CCPCH_Ec / DPCH_Ec = 5 dB |
| SCH | SCH_Ec / DPCH_Ec = 5 dB |
| PICH | PICH_Ec / DPCH_Ec = 2 dB |
| DPCH | Test dependent power |

Table E.3.2.2 describes the downlink Physical Channels that are required for the test of Spurious Emissions (clause 6.8). The UE is in the CELL_FACH state during the measurement.

Table E.3.2.2: Downlink Physical Channels transmitted during the Rx Spurious Emissions test

| Physical Channel | Power |
|------------------|-------------------------------|
| CPICH | -86dBm / 3,84MHz |
| P-CCPCH | P-CCPCH_Ec / CPICH_Ec = -2 dB |
| SCH | SCH_Ec / CPICH_Ec = -2 dB |
| PICH | PICH_Ec / CPICH_Ec = -5 dB |
| S-CCPCH | S-CCPCH_Ec / CPICH_Ec = -2 dB |

E.3.3 Measurement of Performance requirements

Table E.3.3 is applicable for measurements on the Performance requirements (clause 7), including clauses 6.3, 5.4.4 and 5.4.4A, excluding clauses 7.6.1, 7.6.2, 7.11 and 7.12.

Table E.3.3.1 is applicable for measurements on the Performance requirements (clause 7) that are done without a dedicated connection (i.e. clauses 7.11 and 7.12).

Table E.3.3: Downlink Physical Channels transmitted during a connection

| Physical Channel | Power ² | Note |
|---|--|--|
| P-CPICH | P-CPICH_Ec/Ior = -10 dB | Use of P-CPICH or S-CPICH as phase reference is specified for each requirement and is also set by higher layer signalling. |
| S-CPICH | S-CPICH_Ec/Ior = -10 dB | When S-CPICH is the phase reference in a test condition, the phase of S-CPICH shall be 180 degrees offset from the phase of P-CPICH. When S-CPICH is not the phase reference, it is not transmitted. |
| P-CCPCH | P-CCPCH_Ec/Ior = -12 dB | |
| SCH | SCH_Ec/Ior = -12 dB | This power shall be divided equally between Primary and Secondary Synchronous channels |
| PICH | PICH_Ec/Ior = -15 dB | |
| DPCH | Test dependent power | When S-CPICH is the phase reference in a test condition, the phase of DPCH shall be 180 degrees offset from the phase of P-CPICH. |
| OCNS | Necessary power so that total transmit power spectral density of Node B (Ior) adds to one ¹ | OCNS interference consists of 16 dedicated data channels as specified in table E.3.6. |
| NOTE 1: For dynamic power correction required to compensate for the presence of transient channels, e.g. control channels, a subset of the OCNS DPCH channels may be used. | | |
| NOTE 2: Power levels are based on the assumption that multipath propagation conditions and noise source representing interference from other cells loc are turned on after the call-set-up phase. | | |

Table E.3.3.1: Downlink Physical Channels transmitted without a dedicated connection

| Physical Channel | Power ² | Note |
|---|--|--|
| P-CPICH | P-CPICH_Ec/Ior = -10 dB | |
| P-CCPCH | P-CCPCH_Ec/Ior = -12 dB | |
| S-CCPCH | S-CCPCH_Ec/Ior = -12 dB | This value is set in case the SCCPCH is not a test dependent power |
| SCH | SCH_Ec/Ior = -12 dB | This power shall be divided equally between Primary and Secondary Synchronous channels |
| PICH | PICH_Ec/Ior = -15 dB | This value is set in case the PICH is not a test dependent power |
| AICH | AICH_Ec/Ior = -10 dB | This value is set in case the AICH is not a test dependent power |
| OCNS | Necessary power so that total transmit power spectral density of Node B (Ior) adds to one ¹ | OCNS interference consists of 16 dedicated data channels as specified in table E.3.6. |
| NOTE 1: For dynamic power correction required to compensate for the presence of transient channels, e.g. control channels, a subset of the OCNS DPCH channels may be used. | | |
| NOTE 2: Power levels are based on the assumption that multipath propagation conditions and noise source representing interference from other cells loc are turned on after the call-set-up phase. | | |

E.3.4 Connection with open-loop transmit diversity mode

Table E.3.4 is applicable for measurements for clause 7.6.1.

Table E.3.4: Downlink Physical Channels transmitted during a connection

| Physical Channel | Power ² | Note |
|---|---|---|
| P-CPICH (antenna 1) | $P\text{-CPICH_}E_{c1}/I_{or} = -13 \text{ dB}$ | 1. Total $P\text{-CPICH_}E_c/I_{or} = -10 \text{ dB}$ |
| P-CPICH (antenna 2) | $P\text{-CPICH_}E_{c2}/I_{or} = -13 \text{ dB}$ | |
| P-CCPCH (antenna 1) | $P\text{-CCPCH_}E_{c1}/I_{or} = -15 \text{ dB}$ | 1. STTD applied 2. Total $P\text{-CCPCH_}E_c/I_{or} = -12 \text{ dB}$ |
| P-CCPCH (antenna 2) | $P\text{-CCPCH_}E_{c2}/I_{or} = -15 \text{ dB}$ | |
| SCH (antenna 1 / 2) | $SCH_E_c/I_{or} = -12 \text{ dB}$ | 1. TSTD applied. 2. This power shall be divided equally between Primary and Secondary Synchronous channels |
| PICH (antenna 1) | $PICH_E_{c1}/I_{or} = -18 \text{ dB}$ | 1. STTD applied 2. Total $PICH_E_c/I_{or} = -15 \text{ dB}$ |
| PICH (antenna 2) | $PICH_E_{c2}/I_{or} = -18 \text{ dB}$ | |
| DPCH | Test dependent power | 1. STTD applied 2. Total power from both antennas |
| OCNS | Necessary power so that total transmit power spectral density of Node B (I_{or}) adds to one ¹ | 1. This power shall be divided equally between antennas 2. OCNS interference consists of 16 dedicated data channels as specified in Table E.3.6. |
| NOTE 1: For dynamic power correction required to compensate for the presence of transient channels, e.g. control channels, a subset of the OCNS DPCH channels may be used. | | |
| NOTE 2: Power levels are based on the assumption that multipath propagation conditions and noise source representing interference from other cells loc are turned on after the call-set-up phase. | | |
| NOTE 3: The time alignment of the P-CPICH from Antenna 1 and Antenna 2 as measured at the UE antenna connection shall be within 1/4 chip. | | |

E.3.5 Connection with closed loop transmit diversity mode

table E.3.5 is applicable for measurements for clause 7.6.2.

Table E.3.5: Downlink Physical Channels transmitted during a connection

| Physical Channel | Power ² | Note |
|---|--|---|
| P-CPICH (antenna 1) | P-CPICH_Ec1/lor = -13 dB | 1. Total P-CPICH_Ec/lor = -10 dB |
| P-CPICH (antenna 2) | P-CPICH_Ec2/lor = -13 dB | |
| P-CCPCH (antenna 1) | P-CCPCH_Ec1/lor = -15 dB | 1. STTD applied |
| P-CCPCH (antenna 2) | P-CCPCH_Ec2/lor = -15 dB | 1. STTD applied, total P-CCPCH_Ec/lor = -12 dB |
| SCH (antenna 1 / 2) | SCH_Ec/lor = -12 dB | 1. TSTD applied |
| PICH (antenna 1) | PICH_Ec1/lor = -18 dB | 1. STTD applied |
| PICH (antenna 2) | PICH_Ec2/lor = -18 dB | 2. STTD applied, total PICH_Ec/lor = -15 dB |
| DPCH | Test dependent power | 1. Total power from both antennas |
| OCNS | Necessary power so that total transmit power spectral density of Node B (lor) adds to one ^{1,3} | 1. This power shall be divided equally between antennas 2. OCNS interference consists of 16 dedicated data channels as specified in Table E.3.6. |
| NOTE 1: For dynamic power correction required to compensate for the presence of transient channels, e.g. control channels, a subset of the OCNS DPCH channels may be used. | | |
| NOTE 2: Power levels are based on the assumption that multipath propagation conditions and noise source representing interference from other cells loc are turned on after the call-set-up phase. | | |
| NOTE 3: For the case of DPCH with transmit diversity, the OCNS power calculation shall be based on the addition of the power from Antenna 1 and Antenna 2, i.e. disregarding any phase relationship between the antennas. | | |
| NOTE 4: The time alignment of the P-CPICH from Antenna 1 and Antenna 2 as measured at the UE antenna connection shall be within 1/4 chip. | | |

E.3.6 OCNS Definition

Table E.3.6: DPCH Channelization Code and relative level settings for OCNS signal.

| • Channelization Code at SF=128 ¹ | • Relative Level setting (dB) ^{1,2} | • DPCH Data |
|--|--|--|
| • 2 | • -1 | • The DPCH data for each channelization code shall be uncorrelated with each other and with any wanted signal over the period of any measurement. For OCNS with transmit diversity the DPCH data sent to each antenna shall be either STTD encoded or generated from uncorrelated sources. |
| • 11 | • -3 | |
| • 17 | • -3 | |
| • 23 | • -5 | |
| • 31 | • -2 | |
| • 38 | • -4 | |
| • 47 | • -8 | |
| • 55 | • -7 | |
| • 62 | • -4 | |
| • 69 | • -6 | |
| • 78 | • -5 | |
| • 85 | • -9 | |
| • 94 | • -10 | |
| • 125 | • -8 | |
| • 113 | • -6 | |
| • 119 | • 0 | |

NOTE 1: The DPCH Channelization Codes and relative level settings are chosen to simulate a signal with realistic Peak to Average Ratio.

NOTE 2: The relative level setting specified in dB refers only to the relationship between the OCNS channels. The level of the OCNS channels relative to the Ior of the complete signal is a function of the power of the other channels in the signal with the intention that the power of the group of OCNS channels is used to make the total signal add up to 1.

E.4 W-CDMA Modulated Interferer for non-HSDPA test cases

The W-CDMA modulated interferer consists of the downlink channels defined in table E.4.1 plus the OCNS channels defined in Table E.3.6. The relative power of the OCNS channels shall be such that the power of the total signal adds up to one. In this subclause Ior refers to the power of the interferer.

Table E.4.1: Spreading Code, Timing offsets and relative level settings for W-CDMA Modulated Interferer signal channels.

| Channel Type | Spreading Factor | Channelization Code | Timing offset ($\times 256T_{\text{chip}}$) | Power | NOTE |
|--------------|------------------|---------------------|---|---|---|
| P-CCPCH | 256 | 1 | 0 | P-CCPCH_Ec/Ior = -10 dB | |
| SCH | 256 | - | 0 | SCH_Ec/Ior = -10 dB | The SCH power shall be divided equally between Primary and Secondary Synchronous channels |
| P-CPICH | 256 | 0 | 0 | P-CPICH_Ec/Ior = *10 dB | |
| PICH | 256 | 16 | 16 | PICH_Ec/Ior = -15 dB | |
| OCNS | See table E.3.6 | | | Necessary power so that total transmit power spectral density of Node B (Ior) adds to one | OCNS interference consists of the dedicated data channels. as specified in Table E.3.6. |

E.5 HSDPA DL Physical channels

E.5.0 Downlink Physical Channels for connection set-up

Table E.5.0: Levels for HSDPA connection setup

| Parameter During Connection setup | Unit | Value |
|-----------------------------------|------|-------|
| P-CPICH_Ec/Ior | dB | -10 |
| P-CCPCH and SCH_Ec/Ior | dB | -12 |
| PICH_Ec/Ior | dB | -15 |
| HS-PDSCH | dB | off |
| HS-SCCH_1 | dB | off |
| DPCH_Ec/Ior | dB | -5 |
| OCNS_Ec/Ior | dB | -3.1 |

E.5.1 Downlink Physical Channels for measurement

Table E.5.1 is applicable for the measurements for tests in subclauses 5.2A, 5.2AA, 5.2C, 5.7A, 5.9A, 5.10A, 5.13.1A, 5.13.1AA, 5.13.2A, 6.3A, 9.2.1A to 9.2.1GD, 9.3.1, 9.3.1C (HSDPA categories 1-8, 11 and 12), 9.3.2, 9.5.1 and 9.5.1A.

Table E.5.1A is applicable for the measurements for tests in subclauses 6.3B, 9.2.1H, 9.2.1HA, 9.2.1HB, 9.2.1HC, 9.2.1HD, 9.2.1I, 9.3.1, 9.3.1C (HSDPA categories 9,10 and 13-20), 9.3.1A and 9.3.2B.

Table E.5.2 is applicable for the measurements for tests in subclauses 9.2.2A to 9.2.2E, 9.3.3, 9.3.4, 9.2.4A, 9.2.4B, 9.3.7A to 9.3.7E.

Table E.5.3 is applicable for the measurements for tests in subclauses 9.2.3A to 9.2.3E, 9.3.5 and 9.3.6.

Table E.5.4 is applicable for the measurements for tests in subclauses 9.4.1, 9.4.1A.

Table E.5.4A is applicable for the measurements for tests in subclauses 9.4.2, 9.4.2A, 9.4.3, 9.4.4 and 9.4.4A.

Table E.5.4B is applicable for the measurements for DC-HSDPA, DB-DC-HSDPA and 4C-HSDPA tests in sections 5 and 6.

Table E.5.4C is applicable for the measurements for tests in subclauses 9.6.1 and 9.6.2.

Table E.5.4D is applicable for the measurements for tests in subclauses 9.2.4E, 9.2.4F, 9.2.4G, 9.2.4H, 9.3.7F, 9.3.7G, 9.3.7H, 9.3.7I and 9.3.7J

Table E.5.4E is applicable for the measurements for tests in subclauses 9.4.4B, 9.4.4C, 9.4.4D and 9.4.4E.

Table E.5.1: Downlink physical channels for HSDPA/DC-HSDPA/4C-HSDPA receiver testing for Single Link performance

| Physical Channel | Parameter | Value | NOTE |
|--|-----------------|--|--|
| P-CPICH | P-CPICH_Ec/Ior | -10dB | |
| P-CCPCH | P-CCPCH_Ec/Ior | -12dB | Mean power level is shared with SCH. |
| SCH | SCH_Ec/Ior | -12dB | Mean power level is shared with P-CCPCH – SCH includes P- and S-SCH, with power split between both. P-SCH code is S_dl,0 as per [14] S-SCH pattern is scrambling code group 0 |
| PICH | PICH_Ec/Ior | -15dB | |
| DPCH | DPCH_Ec/Ior | Test-specific only for serving HS-DSCH cell, omitted otherwise | 12.2 kbps DL reference measurement channel as defined in Annex C.3.1 |
| HS-SCCH-1 | HS-SCCH_Ec/Ior | Test-specific | Specifies fraction of Node-B radiated power transmitted when TTI is active (i.e. due to minimum inter-TTI interval). During TTIs, in which the HS-SCCH is not allocated to the UE the HS-SCCH shall be transmitted continuously with constant power. |
| HS-SCCH-2 | HS-SCCH_Ec/Ior | DTX'd | No signalling scheduled, or power radiated, on this HS-SCCH, but signalled to the UE as present. |
| HS-SCCH-3 | HS-SCCH_Ec/Ior | DTX'd | As HS-SCCH-2. |
| HS-SCCH-4 | HS-SCCH_Ec/Ior | DTX'd | No signalling scheduled, or power radiated, on this HS-SCCH, but signalled to the UE as present only in HSDPA configuration and not in multi cell configurations e.g. DC-HSDPA. |
| HS-PDSCH | HS-PDSCH_Ec/Ior | Test-specific | . |
| OCNS | | Necessary power so that total transmit power spectral density of Node B (Ior) adds to one ¹ | OCNS interference consists of a number of dedicated data channels as specified in table E.5.5. Table E.5.5 is the definition of OCNS for the test case which uses a maximum of ten HS-PDSCH. |
| NOTE 1: For dynamic power correction required to compensate for the presence of transient channels, e.g. control channels, a subset of the OCNS DPCH channels may be used. | | | |

Table E.5.1A: Downlink physical channels for HSDPA/DC-HSDPA/4C-HSDPA receiver testing for Single Link performance, FRC H-Set 8 to H-Set 10

| Physical Channel | Parameter | Value | Note |
|------------------|-----------------|---|--|
| P-CPICH | P-CPICH_Ec/Ior | -10dB | |
| P-CCPCH | P-CCPCH_Ec/Ior | -12dB | Mean power level is shared with SCH. |
| SCH | SCH_Ec/Ior | -12dB | Mean power level is shared with P-CCPCH – SCH includes P- and S-SCH, with power split between both. P-SCH code is S_dl,0 as per [14] S-SCH pattern is scrambling code group 0 |
| PICH | PICH_Ec/Ior | -15dB | |
| DPCH | DPCH_Ec/Ior | Test-specific only for serving HS-DSCH cell, omitted otherwise | 12.2 kbps DL reference measurement channel as defined in Annex C.3.1 |
| HS-SCCH-1 | HS-SCCH_Ec/Ior | Test-specific | Specifies fraction of Node-B radiated power transmitted when TTI is active (i.e. due to minimum inter-TTI interval). During TTIs, in which the HS-SCCH is not allocated to the UE the HS-SCCH shall be transmitted continuously with constant power. |
| HS-SCCH-2 | HS-SCCH_Ec/Ior | DTX'd | No signalling scheduled, or power radiated, on this HS-SCCH, but signalled to the UE as present. |
| HS-PDSCH | HS-PDSCH_Ec/Ior | Test-specific | . |
| OCNS | | Necessary power so that total transmit power spectral density of Node B (Ior) adds to one | OCNS interference consists of a number of dedicated data channels as specified in table E.5.5A. Table E.5.5A is the definition of OCNS for the test case which uses a maximum of 11 to 15 HS-PDSCH. |

Table E.5.2: Downlink physical channels for HSDPA/DC-HSDPA receiver testing for Open Loop Transmit Diversity performance and MIMO performance

| Physical Channel | Parameter | Value | Note |
|---|-----------------|--|---|
| P-CPICH (antenna 1) | P-CPICH_Ec1/lor | -13dB | 1. Total P-CPICH_Ec/lor = -10dB |
| P-CPICH (antenna 2) | P-CPICH_Ec2/lor | -13dB | |
| P-CCPCH (antenna 1) | P-CCPCH_Ec1/lor | -15dB | 1. STTD applied. 2. Total P-CCPCH Ec/lor is -12dB. |
| P-CCPCH (antenna 2) | P-CCPCH_Ec2/lor | -15dB | |
| SCH (antenna 1/2) | SCH_Ec/lor | -12dB | 1. TSTD applied. 2. Power divided equally between primary and secondary SCH. |
| PICH (antenna 1) | PICH_Ec1/lor | -18dB | 1. STTD applied. 2. Total PICH Ec/lor is -15dB. |
| PICH (antenna 2) | PICH_Ec2/lor | -18dB | |
| DPCH | DPCH_Ec/lor | Test-specific only for serving HS-DSCH cell, omitted otherwise | 1. STTD applied. 2. Total power from both antennas |
| HS-SCCH-1 | HS-SCCH_Ec/lor | Test-specific | 1. STTD applied. 2. Specifies fraction of Node-B radiated power transmitted when TTI is active (i.e. due to minimum inter-TTI interval). During TTIs, in which the HS-SCCH_1 is not allocated to the UE, the HS-SCCH_1 shall be transmitted continuously with constant power. |
| HS-SCCH-2 | HS-SCCH_Ec/lor | DTX'd | 1. UE assumes STTD applied. 2. No signalling scheduled, or power radiated, on this HS-SCCH, but signalled to the UE as present. |
| HS-PDSCH | HS-PDSCH_Ec/lor | Test-specific | 1. STTD applied. 2. Total power from both antennas |
| OCNS | | Necessary power so that total transmit power spectral density of Node B (lor) adds to one ^{1,2} | 1. Balance of power I_{or} of the Node-B is assigned to OCNS. 2. Power divided equally between antennas. 3. OCNS interference consists of a number of dedicated data channels as specified in table E.5.5 and E.5.5A. Table E.5.5 is the definition of OCNS for the test case which uses a maximum of ten HS-PDSCH. Table E.5.5A is the definition of OCNS for the test case which uses a maximum of 11 to 15 HS-PDSCH. |
| NOTE 1: For dynamic power correction required to compensate for the presence of transient channels, e.g. control channels, a subset of the OCNS DPCH channels may be used. | | | |
| NOTE 2: For the case of DPCH with transmit diversity, the OCNS power calculation shall be based on the addition of the power from Antenna 1 and Antenna 2, i.e. disregarding any phase relationship between the antennas. | | | |

Table E.5.3: Downlink physical channels for HSDPA receiver testing for Closed Loop Transmit Diversity (Mode-1) performance.

| Physical Channel | Parameter | Value | Note |
|---|-----------------|--|--|
| P-CPICH (antenna 1) | P-CPICH_Ec1/lor | -13dB | 1. Total P-CPICH_Ec/lor = -10dB |
| P-CPICH (antenna 2) | P-CPICH_Ec2/lor | -13dB | |
| P-CCPCH (antenna 1) | P-CCPCH_Ec1/lor | -15dB | 1. STTD applied. 2. Total P-CCPCH Ec/lor is -12dB. |
| P-CCPCH (antenna 2) | P-CCPCH_Ec2/lor | -15dB | |
| SCH (antenna 1/2) | SCH_Ec/lor | -12dB | 1. TSTD applied. 2. Power divided equally between primary and secondary SCH. |
| PICH (antenna 1) | PICH_Ec1/lor | -18dB | 1. STTD applied. 2. Total PICH Ec/lor is -15dB. |
| PICH (antenna 2) | PICH_Ec2/lor | -18dB | |
| DPCH | DPCH_Ec/lor | Test-specific | 1. CL1 applied. 2. Total power from both antennas |
| HS-SCCH-1 | HS-SCCH_Ec/lor | Test-specific | 1. STTD applied. 2. Specifies fraction of Node-B radiated power transmitted when TTI is active (i.e. due to minimum inter-TTI interval). During TTIs, in which the HS-SCCH_1 is not allocated to the UE, the HS-SCCH_1 shall be transmitted continuously with constant power. |
| HS-SCCH-2 | HS-SCCH_Ec/lor | DTX'd | 1. UE assumes STTD applied. 2. No signalling scheduled, or power radiated, on this HS-SCCH, but signalled to the UE as present. |
| HS-SCCH-3 | HS-SCCH_Ec/lor | DTX'd | 1. As HS-SCCH-2. |
| HS-SCCH-4 | HS-SCCH_Ec/lor | DTX'd | 2. As HS-SCCH-2. |
| HS-PDSCH | HS-PDSCH_Ec/lor | Test-specific | 1. CL1 applied. 2. Total power from both antennas |
| OCNS | | Necessary power so that total transmit power spectral density of Node B (lor) adds to one ^{1,2} | 1. Balance of power I_{or} of the Node-B is assigned to OCNS. 2. Power divided equally between antennas. 3. OCNS interference consists of 6 dedicated data channels as specified in table E.5.5. Table E.5.5 is the definition of OCNS for the test case which uses a maximum of ten HS-PDSCH. Table E.5.5A is the definition of OCNS for the test case which uses a maximum of 11 to 15 HS-PDSCH. |
| NOTE 1: For dynamic power correction required to compensate for the presence of transient channels, e.g. control channels, a subset of the OCNS DPCH channels may be used. | | | |
| NOTE 2: For the case of DPCH with transmit diversity, the OCNS power calculation shall be based on the addition of the power from Antenna 1 and Antenna 2, i.e. disregarding any phase relationship between the antennas. | | | |

Table E.5.4: Downlink physical channels for HSDPA receiver testing for HS-SCCH detection performance

| Parameter | Units | Value | Comment |
|---|-------|--|--|
| CPICH E_c/I_{or} | dB | -10 | |
| CCPCH E_c/I_{or} | dB | -12 | Mean power level is shared with SCH. |
| SCH E_c/I_{or} | dB | -12 | Mean power level is shared with P-CCPCH – SCH includes P- and S-SCH, with power split between both. P-SCH code is S_dl,0 as per [14] S-SCH pattern is scrambling code group 0 |
| PICH E_c/I_{or} | dB | -15 | |
| HS-PDSCH-1 E_c/I_{or} | dB | -10 | HS-PDSCH associated with HS-SCCH-1. The HS-PDSCH shall be transmitted continuously with constant power. |
| HS-PDSCH-2 E_c/I_{or} | dB | DTX | HS-PDSCH associated with HS-SCCH-2 |
| HS-PDSCH-3 E_c/I_{or} | dB | DTX | HS-PDSCH associated with HS-SCCH-3 |
| HS-PDSCH-4 E_c/I_{or} | dB | DTX | HS-PDSCH associated with HS-SCCH-4 |
| DPCH E_c/I_{or} | dB | -8 | 12.2 kbps DL reference measurement channel as defined in Annex C.3.1 |
| HS-SCCH-1 E_c/I_{or} | dB | Test Specific | All HS-SCCH's allocated equal E_c/I_{or} . Specifies E_c/I_{or} when TTI is active. During TTIs, in which the HS-SCCH's are not allocated to the UE, the HS-SCCH's shall be transmitted continuously with constant power. |
| HS-SCCH-2 E_c/I_{or} | dB | | |
| HS-SCCH-3 E_c/I_{or} | dB | | |
| HS-SCCH-4 E_c/I_{or} | dB | | |
| OCNS E_c/I_{or} | dB | Remaining power at Node-B (including HS-SCCH power allocation when HS-SCCH's inactive). ^{1,2} | OCNS interference consists of 6 dedicated data channels as specified in table E.5.5. Table E.5.5 is the definition of OCNS for the test case which uses a maximum of ten HS-PDSCH. Table E.5.5A is the definition of OCNS for the test case which uses a maximum of 11 to 15 HS-PDSCH. |
| NOTE 1: For dynamic power correction required to compensate for the presence of transient channels, e.g. control channels, a subset of the OCNS DPCH channels may be used. | | | |
| NOTE 2: For the case of DPCH with transmit diversity, the OCNS power calculation shall be based on the addition of the power from Antenna 1 and Antenna 2, i.e. disregarding any phase relationship between the antennas. | | | |

Table E.5.4A: Downlink physical channels for HSDPA receiver testing for HS-SCCH detection with Open Loop Transmit Diversity performance and MIMO performance

| Parameter | Units | Value | Comment |
|---|-----------------|--|---|
| P-CPICH (antenna 1) | P-CPICH_Ec1/lor | -13dB | 1. Total P-CPICH_Ec/lor = -10dB |
| P-CPICH (antenna 2) | P-CPICH_Ec2/lor | -13dB | |
| P-CCPCH (antenna 1) | P-CCPCH_Ec1/lor | -15dB | 1. STTD applied. 2. Total P-CCPCH Ec/lor is -12dB. |
| P-CCPCH (antenna 2) | P-CCPCH_Ec2/lor | -15dB | |
| SCH (antenna 1/2) | SCH_Ec/lor | -12dB | 1. TSTD applied. 2. Power divided equally between primary and secondary SCH. |
| PICH (antenna 1) | PICH_Ec1/lor | -18dB | 1. STTD applied. |
| PICH (antenna 2) | PICH_Ec2/lor | -18dB | 2. Total PICH Ec/lor is -15dB. |
| HS-PDSCH-1 E_c / I_{or} | dB | -10 dB | 1. STTD applied. 2. HS-PDSCH associated with HS-SCCH-1. The HS-PDSCH shall be transmitted continuously with constant power. 3. Total power from both antennas |
| HS-PDSCH-2 E_c / I_{or} | dB | DTX | HS-PDSCH associated with HS-SCCH-2 |
| HS-PDSCH-3 E_c / I_{or} | dB | DTX | HS-PDSCH associated with HS-SCCH-3 |
| HS-PDSCH-4 E_c / I_{or} | dB | DTX | HS-PDSCH associated with HS-SCCH-4 |
| DPCH E_c / I_{or} | dB | -8 | 1. STTD applied. 2. Total power from both antennas |
| HS-SCCH-1 E_c / I_{or} | dB | Test Specific | 1. UE assumes STTD applied. 2. All HS-SCCH's allocated equal E_c / I_{or} . Specifies E_c / I_{or} when TTI is active. During TTIs, in which the HS-SCCH's are not allocated to the UE, the HS-SCCH's shall be transmitted continuously with constant power. |
| HS-SCCH-2 E_c / I_{or} | dB | | |
| HS-SCCH-3 E_c / I_{or} | dB | | |
| HS-SCCH-4 E_c / I_{or} | dB | | |
| OCNS E_c / I_{or} | dB | Remaining power at Node-B (including HS-SCCH power allocation when HS-SCCH's inactive). ^{1,2} | OCNS interference consists of a number of dedicated data channels as specified in table E.5.5 and E.5.5A. Table E.5.5 is the definition of OCNS for the test case which uses a maximum of ten HS-PDSCH. Table E.5.5A is the definition of OCNS for the test case which uses a maximum of 11 to 15 HS-PDSCH. |
| NOTE 1: For dynamic power correction required to compensate for the presence of transient channels, e.g. control channels, a subset of the OCNS DPCH channels may be used. | | | |
| NOTE 2: For the case of DPCH with transmit diversity, the OCNS power calculation shall be based on the addition of the power from Antenna 1 and Antenna 2, i.e. disregarding any phase relationship between the antennas. | | | |

Table E.5.4B: Downlink physical channels for DC-HSDPA/4C-HSDPA Receiver testing

| Physical Channel | Parameter | Value | Note |
|------------------|-----------------|---|---|
| P-CPICH | P-CPICH_Ec/Ior | -10 dB | |
| P-CCPCH | P-CCPCH_Ec/Ior | -12 dB | Mean power level is shared with SCH. |
| SCH | SCH_Ec/Ior | -12 dB | Mean power level is shared with P-CCPCH – SCH includes P- and S-SCH, with power split between both. P-SCH code is S_dl,0 as per TS25.213 S-SCH pattern is scrambling code group 0 |
| PICH | PICH_Ec/Ior | -15 dB | |
| DPCH | DPCH_Ec/Ior | Test-specific only for serving HS-DSCH cell, omitted otherwise | 12.2 kbps DL reference measurement channel as defined in Annex C.3.1 |
| HS-SCCH-1 | HS-SCCH_Ec/Ior | -9 dB | Specifies fraction of Node-B radiated power transmitted when TTI is active (i.e. due to minimum inter-TTI interval). |
| HS-SCCH-2 | HS-SCCH_Ec/Ior | DTX'd | No signalling scheduled, or power radiated, on this HS-SCCH, but signalled to the UE as present. |
| HS-SCCH-3 | HS-SCCH_Ec/Ior | DTX'd | As HS-SCCH-2. |
| HS-PDSCH | HS-PDSCH_Ec/Ior | Test-specific | |
| OCNS | | Necessary power so that total transmit power spectral density of Node B (Ior) adds to one | OCNS interference consists of a number of dedicated data channels as specified in table E.5.5 and E.5.5A. Table E.5.5 specifies the OCNS setup for H-Set 1 to H-Set 6 and H-Set 12. Table E.5.5A specifies the OCNS setup for H-Set 8 and H-set 10. |

Table E.5.4C: Downlink physical channels for HS-DSCH and HS-SCCH reception in CELL-FACH state

| Physical Channel | Parameter | Value | Note |
|------------------|-----------------|---|--|
| P-CPICH | P-CPICH_Ec/Ior | -10 dB | |
| P-CCPCH | P-CCPCH_Ec/Ior | -12 dB | Mean power level is shared with SCH. |
| SCH | SCH_Ec/Ior | -12 dB | Mean power level is shared with P-CCPCH – SCH includes P- and S-SCH, with power split between both. P-SCH code is S_dl,0 as per TS25.213 S-SCH pattern is scrambling code group 0 |
| PICH | PICH_Ec/Ior | -15 dB | |
| AICH | AICH Ec/Ior | -10 dB | |
| HS-SCCH-1 | HS-SCCH_Ec/Ior | -10 dB | Specifies fraction of Node-B radiated power transmitted when TTI is active (i.e. due to minimum inter-TTI interval). |
| HS-SCCH-2 | HS-SCCH_Ec/Ior | DTX'd | No signalling scheduled, or power radiated, on this HS-SCCH, but signalled to the UE as present. |
| HS-SCCH-3 | HS-SCCH_Ec/Ior | DTX'd | As HS-SCCH-2. |
| HS-SCCH-4 | HS-SCCH_Ec/Ior | DTX'd | As HS-SCCH-2. |
| HS-PDSCH | HS-PDSCH_Ec/Ior | Test-specific | |
| OCNS | | Necessary power so that total transmit power spectral density of Node B (Ior) adds to one | OCNS interference consists of a number of dedicated data channels as specified in table E.5.5. Table E.5.5 is the definition of OCNS for the test case which uses a maximum of ten HS-PDSCH. |

Table E.5.4D: Downlink physical channels for HSDPA/DC-HSDPA receiver testing for MIMO performance with asymmetric P-CPICH/S-CPICH power settings

| Physical Channel | Parameter | Value | Note |
|--|-----------------|---|---|
| P-CPICH (antenna 1) | P-CPICH_Ec/lor | -10dB | Phase reference |
| S-CPICH (antenna 2) | S-CPICH Ec/lor | -13dB | Phase reference |
| P-CCPCH | P-CCPCH_Ec/lor | -12dB | |
| SCH | SCH_Ec/lor | -12dB | |
| PICH | PICH_Ec/lor | -15dB | |
| DPCH | DPCH_Ec/lor | Test-specific | |
| HS-SCCH-1 | HS-SCCH_Ec/lor | Test-specific | Specifies fraction of Node-B radiated power transmitted when TTI is active (i.e. due to minimum inter-TTI interval). |
| HS-SCCH-2 | HS-SCCH_Ec/lor | DTX'd | No signalling scheduled, or power radiated, on this HS-SCCH, but signalled to the UE as present. |
| HS-SCCH-3 | HS-SCCH_Ec/lor | DTX'd | As HS-SCCH-2. |
| HS-SCCH-4 | HS-SCCH_Ec/lor | DTX'd | No signalling scheduled, or power radiated, on this HS-SCCH, but signalled to the UE as present only in HSDPA configuration and not in multi cell configurations e.g. DC-HSDPA. |
| HS-PDSCH | HS-PDSCH_Ec/lor | Test-specific | Precoding used. |
| OCNS | | Necessary power so that total transmit power spectral density of Node B (lor) adds to one | <ol style="list-style-type: none"> 1. Balance of power I_{or} of the Node-B is assigned to OCNS. 2. OCNS interference consists of a number of dedicated data channels as specified in Table E.5.5 and E.5.5A. Table E.5.5 specifies the OCNS setup for H-Set 1 to H-set 6. Table E.5.5A specifies the OCNS setup for H-Set 9 and H-Set 11. 3. OCNS transmitted only on antenna 1. |
| NOTE: Transmit diversity (STTD or TSTD) is disabled on the associated physical channels (P-CPICH, PICH, SCH, HS-SCCH, DPCH). | | | |

Table E.5.4E: Downlink physical channels for HSDPA receiver testing for HS-SCCH detection performance with asymmetric P-CPICH/S-CPICH power settings

| Physical Channel | Parameter | Value | Note |
|---|-----------------|---|--|
| P-CPICH (antenna 1) | P-CPICH_Ec/lor | -10dB | Phase reference |
| S-CPICH (antenna 2) | S-CPICH Ec/lor | -13dB | Phase reference |
| P-CCPCH | P-CCPCH_Ec/lor | -12dB | |
| SCH | SCH_Ec/lor | -12dB | |
| PICH | PICH_Ec/lor | -15dB | |
| DPCH | DPCH_Ec/lor | -8dB | 1. STTD applicability is test-specific. 2. 12.2 kbps DL reference measurement channel as defined in Annex C.3.1 |
| HS-SCCH-1 | HS-SCCH_Ec/lor | Test-specific | 1. STTD applicability is test specific. 2. Specifies fraction of Node-B radiated power transmitted when TTI is active (i.e. due to minimum inter-TTI interval). 2. All HS-SCCH's allocated equal E_c / I_{or} . 3. Specifies E_c / I_{or} when TTI is active. |
| HS-SCCH-2 | HS-SCCH_Ec/lor | | |
| HS-SCCH-3 | HS-SCCH_Ec/lor | | |
| HS-SCCH-4 | HS-SCCH_Ec/lor | | |
| HS-PDSCH-1 E_c / I_{or} | HS-PDSCH_Ec/lor | Necessary power so that total transmit power spectral density of Node B (lor) adds to one | 1. Precoding used. 2. Balance of power I_{or} of the Node-B is assigned to HS-PDSCH. |
| HS-PDSCH-2 E_c / I_{or} | HS-PDSCH_Ec/lor | DTX | |
| HS-PDSCH-3 E_c / I_{or} | HS-PDSCH_Ec/lor | DTX | |
| HS-PDSCH-4 E_c / I_{or} | HS-PDSCH_Ec/lor | DTX | |
| OCNS | | DTX | |
| NOTE1: Transmit diversity (STTD or TSTD) is disabled on P-CCPCH, PICH and SCH. NOTE2: OCNS is not present for this test. HS-PDSCH is used in order to model other UE MIMO traffic. | | | |

E.5.2 HSDPA OCNS Definition

The selected channelization codes and relative power levels for OCNS transmission for HSDPA performance assessment for receiver types other than enhanced performance type 3i are defined in Table E.5.5 and E.5.5A. The selected codes are designed to have a single length-16 parent code. The test definition for the enhanced performance type 3i is defined in section E.5E.

Table E.5.5: OCNS definition for HSDPA receiver testing

| Channelization Code at SF=128 | Relative Level setting (dB) (Note 1) | DPCH Data |
|-------------------------------|--------------------------------------|--|
| 122 | 0 | The DPCH data for each channelization code shall be uncorrelated with each other and with any wanted signal over the period of any measurement. For OCNS with transmit diversity the DPCH data sent to each antenna shall be either STTD encoded or generated from uncorrelated sources. |
| 123 | -2 | |
| 124 | -2 | |
| 125 | -4 | |
| 126 | -1 | |
| 127 | -3 | |

NOTE 1: The relative level setting specified in dB refers only to the relationship between the OCNS channels. The level of the OCNS channels relative to the I_{or} of the complete signal is a function of the power of the other channels in the signal with the intention that the power of the group of OCNS channels is used to make the total signal add up to 1.

Table E.5.5A: OCNS definition for HSDPA receiver testing, FRC H-Set 8, H-Set 9, H-Set 10, H-Set 11

| Channelization Code at SF=128 | DPCH Data |
|--|--|
| 6 | For OCNS with transmit diversity the DPCH data sent to each antenna shall be either STTD encoded or generated from uncorrelated sources. |
| Note: The core requirements are based on OCNS with 4 codes. However when taking into account the necessary physical channels for call setup, only one code fit the code tree. See table E.6.2.4. | |

E.5.3 Downlink Physical Channels for measurement including test tolerances

Table E.5.6 to E.5.8D are applicable for tests in subclause 9.2. Table E.5.9 indicates which levels are applied, when the primary level settings (E_c/I_{or} and I_{or}/I_{oc}) and propagation conditions (PA3, PB3, VA3, VA30, VA120) vary. Table E.5.6 is also applicable for tests in subclause 9.5.1 and 9.5.1A. For the downlink physical channels of other than serving cell, OCNS is necessary power so that total transmit power spectral density of Node B (I_{or}) adds to one.

Table E.5.6: Level set 1 for HSDPA measurements including test tolerances

| Parameter During Measurement | Unit | Value |
|-------------------------------|---|-------|
| P-CPICH_ E_c/I_{or} | dB | -9.9 |
| P-CCPCH and SCH_ E_c/I_{or} | dB | -11.9 |
| PICH_ E_c/I_{or} | dB | -14.9 |
| HS-PDSCH | dB | -5.9 |
| HS-SCCH_1 | dB | -7.4 |
| DPCH_ E_c/I_{or} | dB | -5 |
| OCNS_ E_c/I_{or} | dB | -13.3 |
| Measurement conditions | PA3 & Case 8: HS-PDSCH = -6dB, I_{or}/I_{oc} = 0 dB Case 8: HS-PDSCH = -9 dB, I_{or}/I_{oc} = 0 dB | |

Table E.5.7: Level set 2 for HSDPA measurements including test tolerances

| Parameter During Measurement | Unit | Value |
|-------------------------------|--|--------|
| P-CPICH_ E_c/I_{or} | dB | -9.9 |
| P-CCPCH and SCH_ E_c/I_{or} | dB | -11.9 |
| PICH_ E_c/I_{or} | dB | -14.9 |
| HS-PDSCH | dB | -5.9 |
| HS-SCCH_1 | dB | -8.4 |
| DPCH_ E_c/I_{or} | dB | -5 |
| OCNS_ E_c/I_{or} | dB | -10.75 |
| Measurement conditions | HS-PDSCH = -6dB, I_{or}/I_{oc} = 10dB, 5dB and 0dB | |

Table E.5.8: Level set 3 for HSDPA measurements including test tolerances

| Parameter During Measurement | Unit | Value |
|-------------------------------|---|-------|
| P-CPICH_ E_c/I_{or} | dB | -9.9 |
| P-CCPCH and SCH_ E_c/I_{or} | dB | -11.9 |
| PICH_ E_c/I_{or} | dB | -14.9 |
| HS-PDSCH | dB | -2.9 |
| HS-SCCH_1 | dB | -8.4 |
| DPCH_ E_c/I_{or} | dB | -8.4 |
| OCNS_ E_c/I_{or} | dB | off |
| Measurement conditions | HS-PDSCH = -3dB, I_{or}/I_{oc} = 10dB, 5dB and 0 dB | |

Table E.5.8A: Level set 4 for HSDPA measurements including test tolerances

| Parameter During Measurement | Unit | Value |
|------------------------------|------------------------------------|-------|
| P-CPICH_Ec/Ior | dB | -9.9 |
| P-CCPCH and SCH_Ec/Ior | dB | -11.9 |
| PICH_Ec/Ior | dB | -14.9 |
| HS-PDSCH | dB | -8.9 |
| HS-SCCH_1 | dB | -8.4 |
| DPCH_Ec/Ior | dB | -5 |
| OCNS_Ec/Ior | dB | -6.75 |
| Measurement conditions | HS-PDSCH = -9dB, Ior/Ioc = 10dB | |

Table E.5.8B: Level set 5 for HSDPA measurements including test tolerances

| Parameter During Measurement | Unit | Value |
|------------------------------|-------------------------------------|-------|
| P-CPICH_Ec/Ior | dB | -9.9 |
| P-CCPCH and SCH_Ec/Ior | dB | -11.9 |
| PICH_Ec/Ior | dB | -14.9 |
| HS-PDSCH | dB | -11.9 |
| HS-SCCH_1 | dB | -8.4 |
| DPCH_Ec/Ior | dB | -5 |
| OCNS_Ec/Ior | dB | -5.6 |
| Measurement conditions | HS-PDSCH = -12dB, Ior/Ioc = 10dB | |

Table E.5.8C: Level set 6 for HSDPA measurements including test tolerances

| Parameter During Measurement | Unit | Value |
|------------------------------|---|-------|
| P-CPICH_Ec/Ior | dB | -9.9 |
| P-CCPCH and SCH_Ec/Ior | dB | -11.9 |
| PICH_Ec/Ior | dB | -14.9 |
| HS-PDSCH | dB | -1.9 |
| HS-SCCH_1 | dB | -11.1 |
| DPCH_Ec/Ior | dB | -11.1 |
| OCNS_Ec/Ior | dB | Off |
| Measurement conditions | HS-PDSCH = -2dB, Ior/Ioc = 4 dB, 6 dB, 8 dB, 10 dB, 15 dB and 18 dB | |

Table E.5.8D: Level set 7 for HSDPA measurements including test tolerances

| Parameter During Measurement | Unit | Value |
|------------------------------|--|-------|
| P-CPICH_Ec/Ior | dB | -9.9 |
| P-CCPCH and SCH_Ec/Ior | dB | -11.9 |
| PICH_Ec/Ior | dB | -14.9 |
| HS-PDSCH | dB | -1.4 |
| HS-SCCH_1 | dB | -14.2 |
| DPCH_Ec/Ior | dB | -14.2 |
| OCNS_Ec/Ior | dB | Off |
| Measurement conditions | HS-PDSCH = -1.5 dB, Ior/Ioc = 18 dB | |

Table E.5.9: Application of level sets for measurement

| Propagation Conditions | Reference value | | | | | | | |
|------------------------|----------------------------------|---|--|---|--|---|--|--|
| | HS-PDSCH E_c/I_{or} (dB) | T-put R (kbps) $\hat{I}_{or}/I_{oc} =$ 0 dB | T-put R (kbps) $\hat{I}_{or}/I_{oc} =$ 10 dB | T-put R (kbps) $\hat{I}_{or}/I_{oc} =$ 6 dB | T-put R (kbps) $\hat{I}_{or}/I_{oc} =$ 15 dB and 18 dB | T-put R (kbps) $\hat{I}_{or}/I_{oc} =$ 5 dB | T-put R (kbps) $\hat{I}_{or}/I_{oc} =$ 4 dB and 8 dB | T-put R (kbps) $\hat{I}_{or}/I_{oc} =$ 18 dB |
| PA3 | -12 | Not tested | Level set 5 | Not tested | Not tested | Not tested | Not tested | Not tested |
| | -9 | Not tested | Level set 4 | Not tested | Not tested | Not tested | Not tested | Not tested |
| | -6 | Level set 1 | Level set 2 | Not tested | Not tested | Not tested | Not tested | Not tested |
| | -3 | Level set 3 | Level set 3 | Not tested | Not tested | Not tested | Not tested | Not tested |
| | -2 | Not tested | Level set 6 | Level set 6 | Level set 6 | Not tested | Not tested | Not tested |
| | -1.5 | Not tested | Not tested | Not tested | Not tested | Not tested | Not tested | Level set 7 |
| PB3 | -9 | Not tested | Level set 4 | Not tested | Not tested | Not tested | Not tested | Not tested |
| | -6 | Level set 2 | Level set 2 | Not tested | Not tested | Level set 2 | Not tested | Not tested |
| | -3 | Level set 3 | Level set 3 | Not tested | Not tested | Level set 3 | Not tested | Not tested |
| VA30 | -9 | Not tested | Level set 4 | Not tested | Not tested | Not tested | Not tested | Not tested |
| | -6 | Level set 2 | Level set 2 | Not tested | Not tested | Not tested | Not tested | Not tested |
| | -3 | Level set 3 | Level set 3 | Not tested | Not tested | Not tested | Not tested | Not tested |
| VA120 | -9 | Not tested | Level set 4 | Not tested | Not tested | Not tested | Not tested | Not tested |
| | -6 | Level set 2 | Level set 2 | Not tested | Not tested | Not tested | Not tested | Not tested |
| | -3 | Level set 3 | Level set 3 | Not tested | Not tested | Not tested | Not tested | Not tested |
| VA3 | -2 | Not tested | Level set 6 | Level set 6 | Not tested | Not tested | Level set 6 | Not tested |

E.5.4 Downlink Physical Channels for Transmitter Characteristics with HS-DPCCH

Table E.5.10 is applicable for measurements on the Transmitter Characteristics with HSDPA in clauses 5.2A, 5.2AA, 5.2C, 5.7A, 5.9A, 5.10A, 5.13.1A, 5.13.1AA and 5.13.2A.

Table E.5.10: Test specific downlink physical channels

| Parameter | Unit | Test |
|-----------|---|------|
| DPCH | DPCH_Ec/I _{or} (dB) | -9 |
| HS-SCCH_1 | HS-SCCH_Ec/I _{or} (dB) | -8 |
| HS-PDSCH | HS-PDSCH_Ec/I _{or} (dB) | -3 |
| Note: | The power levels are selected high enough to keep the DTX reporting ratio very small and to ensure that the radio link is maintained during the test. | |

E.5A E-DCH with HSDPA DL Physical channels

E.5A.0 Downlink Physical Channels for connection set-up

Table E.5A.0: Levels for connection setup

| Parameter During Connection setup | Unit | Value |
|--------------------------------------|------|-------|
| P-CPICH_Ec/Ior | dB | -10 |
| P-CCPCH and SCH_Ec/Ior | dB | -12 |
| PICH_Ec/Ior | dB | -15 |
| HS-PDSCH | dB | off |
| HS-SCCH_1 | dB | off |
| DPCH_Ec/Ior | dB | -5 |
| E-HICH | dB | off |
| E-AGCH | dB | off |
| E-RGCH | dB | off |
| OCNS_Ec/Ior | dB | -3.1 |

E.5A.1 Downlink Physical Channels for measurement

Table E.5A.1 is applicable for tests in subclause 5.2B, 5.2D, 5.2E, 5.9B, 5.10B, 5.13.1AAA, 5.13.2B, and 5.13.2C.

Table E.5A.2 is applicable for tests in subclause 10.2.1, 10.3.1, 10.4.1. and 10.4.1A. Table E.5A.3 is applicable for tests in subclause 10.2.2, 10.3.2 and 10.3.2A.

Table E.5A.1A is applicable for the measurements for DC-HSUPA in sections 5 and 6, and is valid for both DC-HSDPA cells (DC-HSDPA is configured).

Table E.5A.1: Downlink Physical Channel parameters for E-DCH the Transmitter Characteristics tests

| Parameter During Measurement | Unit | Value | Remark |
|--|------|---|--|
| P-CPICH_Ec/Ior | dB | -10 | |
| P-CCPCH and SCH_Ec/Ior | dB | -12 | |
| PICH_Ec/Ior | dB | -15 | |
| HS-PDSCH | dB | -3 | During TTIs, in which the HS-PDSCH is not allocated to the UE via HS-SCCH signalling, the HS-PDSCH shall be transmitted continuously with constant power |
| HS-SCCH_1 | dB | -8 | During TTIs, in which the HS-SCCH is not allocated to the UE the HS-SCCH shall be transmitted continuously with constant power. |
| DPCH_Ec/Ior | dB | -10 | |
| E-AGCH | dB | -20 | |
| E-HICH | dB | -20 | |
| E-RGCH | dB | DTX'd | |
| OCNS_Ec/Ior | dB | Necessary power so that total transmit power spectral density of Node B (Ior) adds to one | OCNS interference consists of 6 dedicated data channels as specified in table E.5A.4 |
| NOTE 1: For dynamic power correction required to compensate for the presence of transient channels, e.g. control channels, a subset of the OCNS DPCH channels may be used. | | | |
| NOTE 2: For 5.2B, 5.9B, 5.10B, the power levels are selected high enough to keep the DTX reporting ratio very small and to ensure that the radio link is maintained during the test. | | | |

Table E.5A.1A: Downlink Physical Channel parameters for DC-HSUPA Transmitter and Receiver Characteristics tests

| Parameter During Measurement | Unit | Value | Remark |
|---|------|---|--|
| P-CPICH_Ec/Ior | dB | -10 | |
| P-CCPCH and SCH_Ec/Ior | dB | -12 | |
| PICH_Ec/Ior | dB | -15 | |
| HS-PDSCH | dB | -3 | During TTIs, in which the HS-PDSCH is not allocated to the UE via HS-SCCH signalling, the HS-PDSCH shall be transmitted continuously with constant power |
| HS-SCCH_1 | dB | -8 | During TTIs, in which the HS-SCCH is not allocated to the UE the HS-SCCH shall be transmitted continuously with constant power. |
| DPCH_Ec/Ior | dB | -10 | |
| E-AGCH | dB | -20 | |
| E-HICH | dB | -20 | |
| E-RGCH | dB | DTX'd | |
| OCNS_Ec/Ior | dB | Necessary power so that total transmit power spectral density of Node B (Ior) adds to one | OCNS interference consists of 6 dedicated data channels as specified in table E.5A.4 |
| NOTE 1: For dynamic power correction required to compensate for the presence of transient channels, e.g. control channels, a subset of the OCNS DPCH channels may be used. | | | |
| NOTE 2: For 5.2BA, 5.9C, 5.10C, the power levels are selected high enough to keep the DTX reporting ratio very small and to ensure that the radio link is maintained during the test. | | | |
| NOTE 3: DC-HSDPA shall be configured when testing DC-HSUPA. | | | |

Table E.5A.2: Downlink Physical Channel parameters for E-DCH single link performance tests

| Parameter During Measurement | Unit | Value | Remark |
|--|------|---|--|
| P-CPICH_Ec/Ior | dB | -10 | |
| P-CCPCH and SCH_Ec/Ior | dB | -12 | |
| PICH_Ec/Ior | dB | -15 | |
| HS-PDSCH | dB | -3 | During TTIs, in which the HS-PDSCH is not allocated to the UE via HS-SCCH signalling, the HS-PDSCH shall be transmitted continuously with constant power |
| HS-SCCH_1 | dB | -7.5 | During TTIs, in which the HS-SCCH is not allocated to the UE the HS-SCCH shall be transmitted continuously with constant power. |
| DPCH_Ec/Ior | dB | -10 | |
| E-AGCH | dB | Test specific | Test-specific value or -20dB is used |
| E-HICH | dB | Test specific | Test-specific value or DTX'd is used |
| E-RGCH | dB | Test specific | Test-specific value or DTX'd is used |
| OCNS_Ec/Ior | dB | Necessary power so that total transmit power spectral density of Node B (Ior) adds to one | OCNS interference consists of 6 dedicated data channels as specified in table E.5A.4 |
| NOTE 1: For dynamic power correction required to compensate for the presence of transient channels, e.g. control channels, a subset of the OCNS DPCH channels may be used. | | | |

Table E.5A.3: Downlink Physical Channel parameters for E-DCH in Inter-cell SHO tests

| Parameter During Measurement (Note 1) | Unit | Value | Remark |
|---|------|---|--|
| P-CPICH_Ec/Ior _{1 and 2} | dB | -10 | |
| P-CCPCH and SCH_Ec/Ior _{1 and 2} | dB | -12 | |
| PICH_Ec/Ior _{1 and 2} | dB | -15 | |
| HS-PDSCH ₁ | dB | Test specific | During TTIs, in which the HS-PDSCH is not allocated to the UE via HS-SCCH signalling, the HS-PDSCH shall be transmitted continuously with constant power |
| HS-SCCH _{1,1} | dB | -7.5 | During TTIs, in which the HS-SCCH is not allocated to the UE the HS-SCCH shall be transmitted continuously with constant power. |
| DPCH_Ec/Ior _{1 and 2} | dB | -10 | |
| E-AGCH ₁ | dB | Test specific | Test-specific value or -20dB is used |
| E-HICH ₁ | dB | Test specific | Test-specific value or DTX'd is used |
| E-RGCH ₁ | dB | Test specific | Test-specific value or DTX'd is used |
| OCNS_Ec/Ior _{1 and 2} | dB | Necessary power so that total transmit power spectral density of Node B (Ior) adds to one). | OCNS interference consists of 6 dedicated data channels as specified in table E.5A.4 |
| NOTE1: Index 1: cell belonging to RLS containing the Serving E-DCH cell, Index 2: cell belonging to RLS not containing the Serving E-DCH cell | | | |

E.5A.2 E-DCH OCNS Definition

The selected channelization codes and relative power levels for OCNS transmission for E-DCH tests assessment are defined in Table E.5A.4. The selected codes are designed to have a single length-16 parent code.

Table E.5A.4: OCNS definition for HSDPA receiver testing

| Channelization Code at SF=128 | Relative Level setting (dB) | DPCH Data |
|-------------------------------|-----------------------------|--|
| 122 | 0 | The DPCH data for each channelization code shall be uncorrelated with each other and with any wanted signal over the period of any measurement. For OCNS with transmit diversity the DPCH data sent to each antenna shall be either STTD encoded or generated from uncorrelated sources. |
| 123 | -2 | |
| 124 | -2 | |
| 125 | -4 | |
| 126 | -1 | |
| 127 | -3 | |

NOTE 1: The relative level setting specified in dB refers only to the relationship between the OCNS channels. The level of the OCNS channels relative to the Ior of the complete signal is a function of the power of the other channels in the signal with the intention that the power of the group of OCNS channels is used to make the total signal add up to 1.

E.5B MBMS DL Physical channels

E.5B.1 Downlink Physical Channels for connection set-up

Table E.5B.1 is applicable for measurements on the Performance requirements in Clause 11.

Table E.5B.1: Downlink Physical Channels on each radio link

| Physical Channel | Power ratio | NOTE |
|------------------|---|--|
| P-CPICH | $P\text{-CPICH}_{Ec/Ior} = -10$ dB | Only P-CPICH is used as phase reference for S-CCPCH carrying MCCH or MTCH. |
| P-CCPCH | $P\text{-CCPCH}_{Ec/Ior} = -12$ dB | |
| SCH | $SCH_{Ec/Ior} = -12$ dB | This power shall be divided equally between Primary and Secondary Synchronous channels |
| PICH | $PICH_{Ec/Ior} = -12$ dB | This power shall be high enough such that UE can transition to CELL_PCH state reliably |
| S-CCPCH_1 | $S\text{-CCPCH}_{Ec/Ior} = -7$ dB | Specifies the power of the S-CCPCH carrying the FACH/PCH/MCCH |
| S-CCPCH_2 | $S\text{-CCPCH}_{Ec/Ior} = \text{test dependent}$ | Specifies the power of the S-CCPCH carrying the MTCH |
| MICH | $MICH_{Ec/Ior} = -10$ dB | |
| OCNS | Necessary power so that total transmit power spectral density of Node B (Ior) adds to one | OCNS interference consists of 16 dedicated data channels as specified in table E.3.6 |

E.5C F-DPCH with HSDPA DL Physical channels

E.5C.0 Downlink Physical Channels for connection set-up

Table E.5C.0: Levels for connection setup

| Parameter | Unit | Value |
|-------------------------------------|------|-------|
| During Connection setup | | |
| $P\text{-CPICH}_{Ec/Ior}$ | dB | -10 |
| $P\text{-CCPCH}$ and $SCH_{Ec/Ior}$ | dB | -12 |
| $PICH_{Ec/Ior}$ | dB | -15 |
| HS-PDSCH | dB | off |
| HS-SCCH_1 | dB | off |
| $DPCH_{Ec/Ior}$ | dB | -5 |
| $F\text{-DPCH}_{Ec/Ior}$ | dB | off |
| $OCNS_{Ec/Ior}$ | dB | -3.1 |

E.5C.1 Downlink Physical Channels for measurement

Table E.5C.1 is applicable for tests in subclause 7.8.5.

Table E.5C.1: Downlink Physical Channel parameters for F-DPCH performance tests

| Parameter During Measurement | Unit | Value | Remark |
|--|------|---|---|
| P-CPICH_Ec/Ior | dB | -10 | |
| P-CCPCH Ec/Ior | dB | -12 | Mean power level is shared with SCH. |
| SCH Ec/Ior | dB | -12 | Mean power level is shared with P-CCPCH – SCH includes P- and S-SCH, with power split between both. P-SCH code is S_dl,0 as per [14] S-SCH pattern is scrambling code group 0 |
| PICH_Ec/Ior | dB | -15 | |
| HS-PDSCH_Ec/Ior | dB | -7 | Specifies fraction of Node-B radiated power transmitted when TTI is active (i.e. due to minimum inter-TTI interval). During TTIs, in which the HS-PDSCH is not allocated to the UE via HS-SCCH signalling, the HS-PDSCH shall be transmitted continuously with constant power |
| HS-SCCH_1_Ec/Ior | dB | -10 | Specifies fraction of Node-B radiated power transmitted when TTI is active (i.e. due to minimum inter-TTI interval). During TTIs, in which the HS-SCCH is not allocated to the UE the HS-SCCH shall be transmitted continuously with constant power. |
| HS-SCCH-2_Ec/Ior | dB | DTX'd | Not present |
| HS-SCCH-3_Ec/Ior | dB | DTX'd | Not present |
| HS-SCCH-4_Ec/Ior | dB | DTX'd | Not present |
| DPCH_Ec/Ior | dB | off | Not present |
| F-DPCH_Ec/Ior | dB | Test specific | DL power control is ON so this power varies according to TPC commands received from UE. |
| OCNS_Ec/Ior | dB | Necessary power so that total transmit power spectral density of Node B (Ior) adds to one | OCNS interference consists of 6 dedicated data channels as specified in table E.5.5 |
| NOTE 1: For dynamic power correction required to compensate for the presence of transient channels, e.g. control channels, a subset of the OCNS DPCH channels may be used. | | | |

E.5D HSDPA and E-DCH DL Physical channels with discontinuous UL DPCCH transmission

E.5D.0 Downlink Physical Channels for connection set-up

Table E.5D.0: Levels for connection setup

| Parameter During Connection setup | Unit | Value |
|--------------------------------------|------|-------|
| P-CPICH_Ec/Ior | dB | -10 |
| P-CCPCH and SCH_Ec/Ior | dB | -12 |
| PICH_Ec/Ior | dB | -15 |
| HS-PDSCH | dB | off |
| HS-SCCH_1 | dB | off |
| DPCH_Ec/Ior | dB | -5 |
| F-DPCH_Ec/Ior | dB | off |
| OCNS_Ec/Ior | dB | -3.1 |
| E-HICH | dB | off |
| E-AGCH | dB | off |
| E-RGCH | dB | off |

E.5D.1 Downlink Physical Channels for measurement

Table E.5D.1 is applicable for the test in subclause 7.13.

Table E.5D.1: Downlink Physical Channel parameters for UE UL power control operation with discontinuous UL DPCH transmission test

| Parameter During Measurement | Unit | Value | Remark |
|--|------|---|---|
| P-CPICH_Ec/lor | dB | -10 | |
| P-CCPCH Ec/lor | dB | -12 | Mean power level is shared with SCH. |
| SCH Ec/lor | dB | -12 | Mean power level is shared with P-CCPCH – SCH includes P- and S-SCH, with power split between both. P-SCH code is S_dl,0 as per [14] S-SCH pattern is scrambling code group 0 |
| PICH_Ec/lor | dB | -15 | |
| HS-PDSCH_Ec/lor | dB | -3 | Specifies fraction of Node-B radiated power transmitted when TTI is active (i.e. due to minimum inter-TTI interval). During TTIs, in which the HS-PDSCH is not allocated to the UE via HS-SCCH signalling, the HS-PDSCH shall be transmitted continuously with constant power |
| HS-SCCH_1_Ec/lor | dB | -10 | Specifies fraction of Node-B radiated power transmitted when TTI is active (i.e. due to minimum inter-TTI interval). During TTIs, in which the HS-SCCH is not allocated to the UE the HS-SCCH shall be transmitted continuously with constant power. |
| HS-SCCH-2_Ec/lor | dB | DTX'd | Not present |
| HS-SCCH-3_Ec/lor | dB | DTX'd | Not present |
| HS-SCCH-4_Ec/lor | dB | DTX'd | Not present |
| DPCH_Ec/lor | dB | off | Not present |
| F-DPCH_Ec/lor | dB | -10 | DL power control is OFF so this power does not vary according to TPC commands received from UE. |
| E-AGCH | dB | -20 dB | |
| E-HICH | dB | -20 dB | |
| E-RGCH | dB | off | E-RGCH is not configured |
| OCNS_Ec/lor | dB | Necessary power so that total transmit power spectral density of Node B (lor) adds to one | OCNS interference consists of 6 dedicated data channels as specified in table E.5.5 |
| NOTE 1: For dynamic power correction required to compensate for the presence of transient channels, e.g. control channels, a subset of the OCNS DPCH channels may be used. | | | |

E.5E Test Definition for Enhanced Performance Type 3i

This section defines additional test definition for enhanced performance type 3i including: number of interfering cells and their respective powers; transmitted code and power characteristics (OCNS) for serving and interfering cells; and frame offsets for interfering cells. For DC-HSDPA, DB-DC-HSDPA and 4C-HSDPA requirements, the number of interfering cells and their respective powers; transmitted code and power characteristics (OCNS) for serving and interfering cells; and frame offsets for interfering cells shall be the same for each carrier frequency. The transmitted OCNS and data signals shall be independent for each cell.

$DIP_i = \hat{I}_{or(i+1)} / I_{oc}'$ where \hat{I}_{orj} is the average received power spectral density from the j -th strongest interfering cell (\hat{I}_{or1} is assumed to be the power spectral density associated with the serving cell), and I_{oc}' is given by $I_{oc}' = \sum_{j=2}^3 \hat{I}_{orj} + I_{oc}$ where I_{oc} is the average power spectral density of a band limited white noise source consistent with the definition provided in section 3.4.

Annex K specifies how the serving cell and interfering cells are mapped to TS 34.108 cells.

E.5E.1 Transmitted code and power characteristics for serving cell

The downlink physical channel code allocations for the serving cell are specified in Table E.5E.1.1. Ten HS-PDSCH codes have been reserved for the user of interest, based upon the use of QPSK with FRC H-Set 6. The other user codes are selected from 46 possible SF = 128 codes. Note not all 46 of these codes are used, and in addition only 16 codes are used at a given instance in time. Table E.5E.1.2 summarizes the power allocations of different channels for the serving cell for 50% and 25% HS-PDSCH power allocation. Note the power allocations in the last row of Table E.5E.1.2 are to be split between the HS-SCCH and the other users' channels in order to ensure proper operation of the HS-SCCH during testing.

Table E.5E.1.3 summarizes the channelisation codes to be used for the other users channels (OCNS) along with their respective relative power allocations in dB when HS-PDSCH is allocated 25% or 50% of the total power. As shown in Table E.5E.1.3, there are two groups of 16 codes, which are randomly selected with equal probability on a symbol-by-symbol basis. This random selection is done per code pair, where a code pair occupies the same row, as opposed to selecting all of the codes within group 1 or group 2. This random selection between these two groups is for purposes of modelling a simplified form of DTX. Note that the switching time for the symbols with SF = 64 would be the symbol timing associated with an SF 64 channel, and the switching time for the symbols with SF = 128 would be the symbol timing for SF = 128 channel. Thus, there would be two different symbol times dependent upon the SF. For SF = 64, symbol time ~ 16.67 microseconds, and for SF = 128, symbol time ~ 33.33 microseconds. Each of these users is also power controlled as described in section E.5E.3.

The scrambling code of the serving cell is set to 0.

Table E.5E.1.1: Downlink physical channel code allocation

| Channelization Code at SF=128 | Note |
|-------------------------------|-------------------------------------|
| 0 | P-CPICH, P-CCPCH and PICH on SF=256 |
| 1 | |
| 2...6 | 5 SF=128 codes free for OCNS |
| 7 | HS-SCCH on SF=128 |
| 8...87 | 10 HS-PDSCH codes at SF=16 |
| 88...96 | 9 SF=128 codes free for OCNS |
| 97 | DPCH on SF=128 |
| 98...127 | 30 SF=128 codes free for OCNS |

Table E.5E.1.2: Summary of modelling approach for the serving cell

| | Serving cell | |
|---|---|---|
| Common channels | 0.195 (-7.1dB) As specified in Table E.5.1 | |
| HS-PDSCH transport format | H-Set 6 | |
| HS-PDSCH power allocation [E_c/I_{or}] | 0.5 (-3 dB) | 0.25 (-6 dB) |
| HS-SCCH + DPCH + Other users' channels (OCNS) | 0.3049 (-5.16 dB) Other users' channels set according to Table E.5E.1.3 | 0.5551 (-2.56 dB) Other users' channels set according to Table E.5E.1.3 |
| Note 1: The repetition cycle length of the pre-generated other users channels should be at least 50ms. The pre-generated pattern should be different for each cell and the cycle length should not be the same. | | |

Table E.5E.1.3: Channelization codes and relative power levels for 25% and 50% HS-PDSCH power allocations

| Group 1 Channelization Code, C_{ch}, SF,k | Group 2 Channelization Code, C_{ch}, SF, k | Relative level setting for 25% and 50% allocation |
|--|---|--|
| C _{ch,128,2} | C _{ch,128,108} | -1.7 |
| C _{ch,128,3} | C _{ch,128,103} | -2.7 |
| C _{ch,128,5} | C _{ch,128,109} | -3.5 |
| C _{ch,128,6} | C _{ch,128,118} | -0.8 |
| C _{ch,128,90} | C _{ch,128,4} | -6.2 |
| C _{ch,128,94} | C _{ch,128,123} | -4.6 |
| C _{ch,128,96} | C _{ch,128,111} | -2.3 |
| C _{ch,128,98} | C _{ch,128,106} | -4.1 |
| C _{ch,128,99} | C _{ch,128,100} | -3.1 |
| C _{ch,128,101} | C _{ch,128,113} | -5.1 |
| C _{ch,64,52} | C _{ch,64,44} | 0.0 |
| C _{ch,128,110} | C _{ch,128,124} | -4.6 |
| C _{ch,128,114} | C _{ch,128,115} | -4.8 |
| C _{ch,128,116} | C _{ch,128,126} | -4.8 |
| C _{ch,64,60} | C _{ch,64,46} | -1.1 |
| C _{ch,128,125} | C _{ch,128,95} | -4.1 |

NOTE: The relative level settings specified in dB refer only to the relationship between the OCNS channels. For the serving cell, the sum of the powers of the OCNS channels plus the power allocated to the HS-SCCH must add up to the values specified in the last row of Table E.5E.1.2. For the interfering cells, the sum of the powers of the OCNS channels must add up to the value shown in the last row of E.5E.2-1.

E.5E.2 Transmitted code and power characteristics for interfering cells

The downlink physical channel code allocations for the interfering cells are same as for the serving cell as given in Table E.5E.1.1. The modelling approach for the interfering cells is summarized in Table E.5E.2.1. The modelling of the other users' dedicated channels is done in the same way as in the case of the serving cell except that the HSDPA power allocation is fixed at 50% and the total power allocated is not shared with the HS-SCCH. Thus, the two groups of channelisation codes defined in Table E.5E.1.3 apply, along with the specified relative power levels.

Table E.5E.2.1: Summary of modelling approach for the interfering cells

| | Interfering cell(s) |
|--|--|
| Common channels | 0.195 (-7.1 dB) As specified in Table E.5.1 |
| HS-PDSCH transport format | Selected randomly from Table E.5E.2.2 Independent for each interferer. |
| HS-PDSCH power allocation [Ec/Ior] | 0.5 (-3 dB) |
| Other users' channels | 0.3049 (-5.16 dB) Set according to Table E.5E.1.3 for 50% HS-PDSCH power allocation |
| Note 1: The repetition cycle length of the pre-generated HS-PDSCH and other users channels should be at least 50ms. The pre-generated pattern should be different for each cell and the cycle length should not be the same. | |

NOTE: The values given in decibel are only for information.

The HS-PDSCH transmission for interfering cells is modelled to have randomly varying modulation and number of codes. The predefined modulation and number of codes are given in Table E.5E.2.2, with the actual codes selected per the code allocation given in Table E.5E.1.1. The transmission from each interfering cell is randomly and independently selected every HSDPA TTI among the four options given in Table E.5E.2.2.

The scrambling codes of the interfering cells are set to 16 and 32, respectively. The frame offsets for the interfering cells are set to 1296 and 2576 chips relative to the serving cell. The scrambling code value of 16 and the frame offset value of 2576 correspond to the first interfering cell.

Table E.5E.2.2: Predefined interferer transmission

| # | Used modulation and number of HS-PDSCH codes |
|---|---|
| 1 | QPSK with 5 codes |
| 2 | 16QAM with 5 codes |
| 3 | QPSK with 10 codes |
| 4 | 16QAM, with 10 codes |

E.5E.3 Model for power control sequence generation

In this section the modelling of power control for the other users' channels is described. There are two powers that are calculated for each user, i at each slot, n . The first is an interim power calculation, which develops a power P_n^i in dB.

The second is the actual applied transmit power, \hat{P}_n^i in the linear domain, which is normalized such that the total power for all users remains the same as that originally allocated. The interim power calculation is described first followed by the applied, normalized power calculation.

The interim power is varied randomly, either by increasing or decreasing it by 1 dB steps in each slot, i.e.

$$P_n^i = P_{n-1}^i + \Delta, \text{ where } \Delta \in \{-1, +1\} \quad (\text{EQ.E.5E.3.1})$$

The probability of Δ having a value of +1 for the i^{th} user at time instant n can be determined as

$$Pr_n^i(\Delta = +1) = 0.5 - (P_{n-1}^i - P_0^i) \frac{0.5}{L} \quad (\text{EQ.E.5E.3.2})$$

where, P_{n-1}^i is the interim power at time instant $n-1$ and P_0^i is the initial value given in Table E.5E.1.3 after conversion to dB for each of the two possible HS-PDSCH power allocations. L is a scaling factor which can be used to determine the range to which the variation of power is confined. The value of L is set to 10, leading to a variance of ~5 dB.

The applied, normalized power is given by

$$\hat{P}_n^i = \frac{P_{lin,n}^i}{\sum_i P_{lin,n}^i} \sum_i P_{lin,0}^i \quad (\text{EQ.E.5E.3.3})$$

where $P_{lin,n}^i$ is the interim power of the user i at time instant n in the linear domain, and $P_{lin,0}^i$ is the initial value of the i^{th} user's power also in the linear domain. Each summation is over all 16 possible values for $P_{lin,n}^i$ and $P_{lin,0}^i$ where the latter summation is equal to either 0.5551 or 0.3049 for HS-PDSCH allocations of 25% and 50%, respectively, see Table E.5E.1.3. The total instantaneous output power of the OCNS is now always equal to its allocated power. One other subtle point to note is that at each iteration of interim power generation using (EQ.E.5E.3.1) that the value of P_{n-1}^i is set to P_n^i of the previous iteration as opposed to \hat{P}_n^i of the previous iteration. In summary, two sets of power control sequences are developed using (EQ.E.5E.3.1) and (EQ.E.5E.3.3), respectively, where the interim outputs developed by (E.1) are used to develop the applied, normalized values described by (EQ.E.5E.3.3) and to which the actual channel powers are set.

E.6 Downlink Physical Channels Code Allocation (This clause is informative)

E.6.1 Downlink Physical Channels Code Allocation for non-HSDPA test cases

Table E.6.1.1 shows the downlink code allocation for non-HSDPA test cases. The numbers in the code columns indicate the code number with the respective spreading factor (SF). The Note column refers to specifications where the code allocation is defined. Only the system configuration according to TS 34.108 [3] section 6.10b is used for RF testing. The codes used for the WCDMA interferer as defined in Table E.4.1 are not included in the table below because the WCDMA interferer is on another carrier. The S-CCPCH has been moved from code 1 to code 2 (SF=64) in order to resolve the code conflict with OCNS DPCH.

Table E.6.1.1: Downlink Physical Channels Code Allocation for RF testing (non-HSDPA)

| Code with SF=256 | Code with SF=128 | Code with SF=64 | Note |
|------------------|------------------|-----------------|---|
| 0: P-CPICH | 0: - | 0: - | TS 25.213; TS 34.108 [3]: 6.1.4 |
| 1: P-CCPCH | | | TS 25.213 |
| 2: PICH | 1: - | | TS 34.108 [3]: 6.1.0b (SIB5) |
| 3: AICH | | | TS 34.108 [3]: 6.1.0b (SIB5) |
| 4: - | 2: OCNS DPCH | 1: - | OCNS: TS34.121: Table E.3.6 |
| 5: - | | | |
| 6: - | 3: S-CCPCH | 1: - | 3: TS 34.121: TC 7.11 (PCH) only |
| 7: - | | | |
| 8: - | 4: - | 2: S-CCPCH | S-CCPCH for RF testing TS 34.108 [3]: 7.3 (SIB5), TS 34.121: TC 7.11 (FACH) |
| 9: - | | | |
| 10: - | 5: - | 2: S-CCPCH | 5: TS 34.108 [3]: 6.1.2 (CTCH) |
| 11: - | | | |
| 12: - | 6: - | 3: - | |
| 13: - | | | |
| 14: - | 7: - | 3: - | |
| 15: - | | | |
| 16: - | 8: - | 4: - | |
| 17: - | | | |
| 18: - | 9: - | 4: - | |
| 19: - | | | |
| 20: - | 10: - | 5: - | |
| 21: - | | | |
| 22: - | 11: OCNS DPCH | 5: - | OCNS: TS 34.121: E.3.6 |
| 23: - | | | |
| 24-31: - | 12-15: - | 6-7: - | |
| 32: - | 16: - | 8: - | |
| 33: - | | | |
| 34: - | 17: OCNS DPCH | 8: - | OCNS: TS 34.121: E.3.6 |
| 35: - | | | |
| 36-43: - | 18-21: - | 9-10: - | |
| 44: - | 22: - | 11: - | |
| 45: - | | | |
| 46: - | 23: OCNS DPCH | 11: - | OCNS: TS 34.121: E.3.6 |
| 47: - | | | |
| 48-59: - | 24-29: - | 12-14: - | |
| 60: - | 30: - | 15: - | |
| 61: - | | | |
| 62: - | 31: OCNS DPCH | 15: - | OCNS: TS 34.121: E.3.6 |
| 63: - | | | |
| 64-75: - | 32-37: - | 16-18: - | |
| 76: - | 38: OCNS DPCH | 19: - | OCNS: TS 34.121: E.3.6 |
| 77: - | | | |
| 78: - | 39: - | 19: - | |
| 79: - | | | |

| Code with SF=256 | Code with SF=128 | Code with SF=64 | Note |
|------------------|------------------|-----------------|---|
| 80-91: - | 40-45: - | 20-22: - | |
| 92: - | 46: - | 23: - | OCNS: TS 34.121: E.3.6 |
| 93: - | | | |
| 94: - | | | |
| 95: - | | | |
| 96-107: - | 48-53: - | 24-26: - | |
| 108: - | 54: - | 27: - | OCNS: TS 34.121: E.3.6 |
| 109: - | | | |
| 110: - | | | |
| 111: - | 55: OCNS DPCH | | |
| 112-123: - | 56-61: - | 28-30: - | |
| 124: - | 62: OCNS DPCH | 31: - | OCNS: TS 34.121: E.3.6 |
| 125: - | | | |
| 126: - | | | |
| 127: - | | | |
| 128-135: - | 64-67: - | 32-33: - | |
| 136: - | 68: - | 34: - | OCNS: TS 34.121: E.3.6 |
| 137: - | | | |
| 138: - | | | |
| 139: - | 69: OCNS DPCH | | |
| 140-155: - | 70-77: - | 35-38: - | |
| 156: - | 78: OCNS DPCH | 39: - | OCNS: TS 34.121: E.3.6 |
| 157: - | | | |
| 158: - | | | |
| 159: - | | | |
| 160-167: - | 80-83: - | 40-41: - | |
| 168: - | 84: - | 42: - | OCNS: TS 34.121: E.3.6 |
| 169: - | | | |
| 170: - | | | |
| 171: - | | | |
| 172-187: - | 86-93: - | 43-46: - | |
| 188: - | 94: OCNS DPCH | 47: - | OCNS: TS 34.121: E.3.6 |
| 189: - | | | |
| 190: - | | | |
| 191: - | 95: - | | |
| 192: DCH SRB | 96: DCH 12.2 | 48: - | TS 34.108 [3]: 9.2.1 (DCH SRB and 12.2); DCH 64: SF32-Code24, DCH 144: SF16-Code12, DCH 384: SF8-Code6 |
| 193: - | | | |
| 194: - | | | |
| 195: - | | | |
| 196-223: - | 98-111: - | 49-55: - | |
| 224: - | 112: - | 56: - | OCNS: TS 34.121: E.3.6 |
| 225: - | | | |
| 226: - | | | |
| 227: - | | | |
| 228-235: - | 114-117: - | 57-58: - | |
| 236: - | 118: - | 59: - | OCNS: TS 34.121: E.3.6 |
| 237: - | | | |
| 238: - | | | |
| 239: - | | | |
| 240-59: - | 120-123: - | 60-61: - | |
| 248: - | 124: - | 62: - | OCNS: TS 34.121: E.3.6 |
| 249: - | | | |
| 250: - | | | |
| 251: - | | | |
| 252-255: - | 125: OCNS DPCH | | |
| | 126-127: - | 63: - | |

E.6.2 Downlink Physical Channels Code Allocation for HSDPA test cases

Tables E.6.2.1, E.6.2.2, E.6.2.3 and E.6.2.4 show the downlink code allocation for HSDPA test cases. Table E.6.2.1 shows the complete downlink code tree for spreading factors 16, 32 and 64. Table E.6.2.2 shows details of the downlink code tree for SF=16 code=0 with spreading factors 64, 128 and 256. Tables E.6.1.1 and E.6.1.2 should be used for HSDPA test cases for UE categories 1-8 and 11-12. Tables E.6.2.3 and E.6.2.4 show the complete downlink code trees to be used for HSDPA test case for UE categories 9-10 and 13-20, with the exception of test cases testing the control channel performance, for which Tables E.6.2.1 and E.6.2.2 should be used. The numbers in the code columns indicate the code number with the respective spreading factor (SF). The Note column refers to specifications where the code allocation is defined.

Table E.6.2.1: HSDPA Downlink Physical Channels Code Allocation for RF testing

| Code with SF=64 | Code with SF=32 | Code with SF=16 | Note |
|-----------------|-----------------|-----------------|---------------------------------------|
| 0: - | 0: - | 0: - | P-CPICH, P-CCPCH, PICH, AICH on SF256 |
| 1: - | | | HS-SCCH1 and HS-SCCH2 on SF128 |
| 2: S-CCPCH | | | S-CCPCH: TS 34.108 [3]: 6.1.0b |
| 3: - | | | HS-SCCH3 and HS-SCCH4 on SF128 |
| 4: - | 2: - | 1: HS-PDSCH | 1st HS-PDSCH code |
| 5: - | | | |
| 6: - | 3: - | 2: HS-PDSCH | 2nd HS-PDSCH code |
| 7: - | | | |
| 8: - | 4: - | 3: HS-PDSCH | 3rd HS-PDSCH code |
| 9: - | | | |
| 10: - | 5: - | 4: HS-PDSCH | 4th HS-PDSCH code |
| 11: - | | | |
| 12: - | 6: - | 5: HS-PDSCH | 5th HS-PDSCH code |
| 13: - | | | |
| 14: - | 7: - | 6: HS-PDSCH | 6th HS-PDSCH code |
| 15: - | | | |
| 16: - | 8: - | 7: HS-PDSCH | 7th HS-PDSCH code |
| 17: - | | | |
| 18: - | 9: - | 8: HS-PDSCH | 8th HS-PDSCH code |
| 19: - | | | |
| 20: - | 10: - | 9: HS-PDSCH | 9th HS-PDSCH code |
| 21: - | | | |
| 22: - | 11: - | 10: HS-PDSCH | 10th HS-PDSCH code |
| 23: - | | | |
| 24: - | 12: - | 11: - | |
| 25: - | | | |
| 26: - | 13: - | | |
| 27: - | | | |
| 28: - | 14: - | | |
| 29: - | | | |
| 30: - | 15: - | | |
| 31: - | | | |
| 32: - | 16: - | | |
| 33: - | | | |
| 34: - | 17: - | | |
| 35: - | | | |
| 36: - | 18: - | | |
| 37: - | | | |
| 38: - | 19: - | | |
| 39: - | | | |
| 40: - | 20: - | | |
| 41: - | | | |
| 42: - | 21: - | | |
| 43: - | | | |
| 44: - | 22: - | | |
| 45: - | | | |
| 46: - | 23: - | | |

| Code with SF=64 | Code with SF=32 | Code with SF=16 | Note |
|-----------------|-----------------|-----------------|--|
| 47: - | | | |
| 48: - | 24: - | 12: - | RMC12.2 on code 96 (SF128), the SRB standalone used during call setup on code 192 (SF256) (TS 34.108 [3]: 9.2.1) |
| 49: - | | | |
| 50: - | 25: - | 13: - | |
| 51: - | | | |
| 52: - | 26: - | 14: - | |
| 53: - | | | |
| 54: - | 27: - | 15: - | |
| 55: - | | | |
| 56: - | 28: - | 16: - | |
| 57: - | | | |
| 58: - | 29: - | 17: - | |
| 59: - | | | |
| 60: - | 30: - | 18: - | OCNS DPCH on codes 122-127 (SF128) (Table E.5.5) |
| 61: - | | | |
| 62: - | 31: - | 19: - | |
| 63: - | | | |

Table E.6.2.2: HSDPA Downlink Physical Channels Code Allocation for SF=16 code=0

| Code with SF=256 | Code with SF=128 | Code with SF=64 | Note |
|------------------|------------------|-----------------|---|
| 0: P-CPICH | 0: - | 0: - | TS 25.213; 34.108 [3]: 6.1.4; 34.121: E.4.2 |
| 1: P-CCPCH | | | TS 25.213; 34.121: E.4.2 |
| 2: PICH | 1: - | 0: - | TS 34.108 [3]: 6.1.0b (SIB5) |
| 3: AICH | | | TS 34.108 [3]: 6.1.0b (SIB5) |
| 4: - | 2: HS-SCCH1 | 1: - | TS 34.108 [3]: 9.2.1 RB Setup message |
| 5: - | | | |
| 6: - | 3: HS-SCCH2 | 1: - | TS 34.108 [3]: 9.2.1 RB Setup message |
| 7: - | | | |
| 8: - | 4: - | 2: S-CCPCH | S-CCPCH: TS 34.108 [3]: 6.1.0b (SIB5) |
| 9: - | | | |
| 10: - | 5: - | 2: S-CCPCH | |
| 11: - | | | |
| 12: - | 6: HS-SCCH3 | 3: - | TS 34.108 [3]: 9.2.1 RB Setup message |
| 13: - | | | |
| 14: - | 7: HS-SCCH4 | 3: - | TS 34.108 [3]: 9.2.1 RB Setup message |
| 15: - | | | |

Table E.6.2.3: HSDPA Downlink Physical Channels Code Allocation for RF testing for UE categories 9-10 and 13-20 test cases, except control channel performance test cases

| Code with SF=64 | Code with SF=32 | Code with SF=16 | Note |
|-----------------|-----------------|-----------------|--|
| 0: - | 0: - | 0: - | P-CPICH, P-CCPCH, PICH, AICH on SF256 |
| 1: - | | | HS-SCCH1 and HS-SCCH2 on SF128 |
| 2: S-CCPCH | | | S-CCPCH: TS 34.108 [3]: 6.1.0b |
| 3: - | 1: - | 0: - | OCNS DPCH on code 6 (SF128) (Table E.5.5A), RMC12.2 on code 7 (SF128) (TS 34.108 [3]: 9.2.1 RRC Connection Setup message (Transition to CELL_DCH) with exceptions in Annex I), the SRB standalone used during call setup on code 14 (SF256) (TS 34.108 [3]: 9.2.1 RB Setup message (HSDPA) with exceptions in Annex I) |
| 4: - | 2: - | 1: HS-PDSCH | 1 st HS-PDSCH code |
| 5: - | | | |
| 6: - | | | |
| 7: - | | | |
| 8: - | 4: - | 2: HS-PDSCH | 2 nd HS-PDSCH code |
| 9: - | | | |
| 10: - | | | |
| 11: - | | | |
| 12: - | 6: - | 3: HS-PDSCH | 3 rd HS-PDSCH code |
| 13: - | | | |
| 14: - | | | |
| 15: - | | | |
| 16: - | 8: - | 4: HS-PDSCH | 4 th HS-PDSCH code |
| 17: - | | | |
| 18: - | | | |
| 19: - | | | |
| 20: - | 10: - | 5: HS-PDSCH | 5 th HS-PDSCH code |
| 21: - | | | |
| 22: - | | | |
| 23: - | | | |
| 24: - | 12: - | 6: HS-PDSCH | 6 th HS-PDSCH code |
| 25: - | | | |
| 26: - | | | |
| 27: - | | | |
| 28: - | 14: - | 7: HS-PDSCH | 7 th HS-PDSCH code |
| 29: - | | | |
| 30: - | | | |
| 31: - | | | |
| 32: - | 16: - | 8: HS-PDSCH | 8 th HS-PDSCH code |
| 33: - | | | |
| 34: - | | | |
| 35: - | | | |
| 36: - | 18: - | 9: HS-PDSCH | 9 th HS-PDSCH code |
| 37: - | | | |
| 38: - | | | |
| 39: - | | | |
| 40: - | 20: - | 10: HS-PDSCH | 10 th HS-PDSCH code |
| 41: - | | | |
| 42: - | | | |
| 43: - | | | |
| 44: - | 22: - | 11: HS-PDSCH | 11 th HS-PDSCH code |
| 45: - | | | |
| 46: - | | | |
| 47: - | | | |
| 48: - | 24: - | 12: HS-PDSCH | 12 th HS-PDSCH code |
| 49: - | | | |
| 50: - | | | |
| 51: - | | | |

| Code with SF=64 | Code with SF=32 | Code with SF=16 | Note |
|-----------------|-----------------|-----------------|--------------------------------|
| 52: - | 26: - | 13: HS-PDSCH | 13 th HS-PDSCH code |
| 53: - | | | |
| 54: - | | | |
| 55: - | 27: - | 13: HS-PDSCH | 13 th HS-PDSCH code |
| 56: - | | | |
| 57: - | 28: - | 14: HS-PDSCH | 14 th HS-PDSCH code |
| 58: - | | | |
| 59: - | 29: - | 14: HS-PDSCH | 14 th HS-PDSCH code |
| 60: - | | | |
| 61: - | 30: - | 15: HS-PDSCH | 15 th HS-PDSCH code |
| 62: - | | | |
| 63: - | | | |
| | 31: - | | |

Table E.6.2.4: HSDPA Downlink Physical Channels Code Allocation for SF=16 code=0 for UE categories 9-10 and 13-20 test cases, except control channel performance test cases

| Code with SF=256 | Code with SF=128 | Code with SF=64 | Note |
|---------------------------|------------------|-----------------|--|
| 0: P-CPICH | 0: - | 0: - | TS 25.213; 34.108 [3]: 6.1.4; 34.121: E.4.2 |
| 1: P-CCPCH | | | TS 25.213; 34.121: E.4.2 |
| 2: PICH | 1: - | 0: - | TS 34.108 [3]: 6.1.0b (SIB5) |
| 3: AICH | | | TS 34.108 [3]: 6.1.0b (SIB5) |
| 4: - | 2: HS-SCCH1 | 1: - | TS 34.108 [3]: 9.2.1 RB Setup message (HSDPA) with exceptions in Annex I |
| 5: - | | | |
| 6: - | 3: HS-SCCH2 | 1: - | TS 34.108 [3]: 9.2.1 RB Setup message (HSDPA) with exceptions in Annex I |
| 7: - | | | |
| 8: - | 4: - | 2: S-CCPCH | S-CCPCH: TS 34.108 [3]: 6.1.0b (SIB5) |
| 9: - | | | |
| 10: - | 5: - | 2: S-CCPCH | S-CCPCH: TS 34.108 [3]: 6.1.0b (SIB5) |
| 11: - | | | |
| 12: - | 6: OCNS DPCH | 3: - | OCNS DPCH on code 6 (SF128) (Table E.5.5A) |
| 13: - | | | |
| 14: SRB during call setup | 7: RMC 12.2 | 3: - | RMC12.2 on code 7 (SF128) (TS 34.108 [3]: 9.2.1 RRC Connection Setup message (Transition to CELL_DCH) with exceptions in Annex I), the SRB standalone used during call setup on code 14 (SF256) (TS 34.108 [3]: 9.2.1 RB Setup message (HSDPA) with exceptions in Annex I) |
| 15: - | | | |

E.6.3 Downlink Physical Channels Code Allocation for E-DCH test cases

Tables E.6.3.1 and E.6.3.2 show the downlink code allocation for E-DCH test cases. Table E.6.3.1 shows the complete downlink code tree for spreading factors 16, 32 and 64. Table E.6.3.2 shows details of the downlink code tree for SF=16 code=0 with spreading factors 64, 128 and 256. The numbers in the code columns indicate the code number with the respective spreading factor (SF). The Note column refers to specifications where the code allocation is defined.

Table E.6.3.1: E-DCH Downlink Physical Channels Code Allocation for RF testing

| Code with SF=64 | Code with SF=32 | Code with SF=16 | Note |
|-----------------|-----------------|-----------------|---|
| 0: - | 0: - | 0: - | P-CPICH, P-CCPCH, PICH, AICH on SF256 |
| 1: - | | | HS-SCCH1 and HS-SCCH2 on SF128 |
| 2: S-CCPCH | | | S-CCPCH: TS 34.108 [3]: 6.1.0b |
| 3: - | 1: - | | E-HICH/E-RGCH on SF128, E-AGCH on SF256 |
| 4: - | 2: - | 1: HS-PDSCH | 1st HS-PDSCH code |
| 5: - | | | |
| 6: - | | | |
| 7: - | 3: - | 2: HS-PDSCH | 2nd HS-PDSCH code |
| 8: - | | | |
| 9: - | | | |
| 10: - | 4: - | 3: HS-PDSCH | 3rd HS-PDSCH code |
| 11: - | | | |
| 12: - | | | |
| 13: - | 5: - | 4: HS-PDSCH | 4th HS-PDSCH code |
| 14: - | | | |
| 15: - | | | |
| 16: - | 6: - | 5: HS-PDSCH | 5th HS-PDSCH code |
| 17: - | | | |
| 18: - | | | |
| 19: - | 7: - | 6: - | |
| 20: - | | | |
| 21: - | | | |
| 22: - | 8: - | 7: - | |
| 23: - | | | |
| 24: - | | | |
| 25: - | 9: - | 8: - | |
| 26: - | | | |
| 27: - | | | |
| 28: - | 10: - | 9: - | |
| 29: - | | | |
| 30: - | | | |
| 31: - | 11: - | 10: - | |
| 32: - | | | |
| 33: - | | | |
| 34: - | 12: - | 11: - | |
| 35: - | | | |
| 36: - | | | |
| 37: - | 12: - | 12: - | RMC12.2 on code 96 (SF128), the SRB standalone used during call setup on code 192 |
| 38: - | | | |
| 39: - | | | |
| 40: - | | | |
| 41: - | | | |
| 42: - | | | |
| 43: - | | | |
| 44: - | | | |
| 45: - | | | |
| 46: - | | | |
| 47: - | | | |
| 48: - | | | |
| 49: - | | | |

| Code with SF=64 | Code with SF=32 | Code with SF=16 | Note |
|-----------------|-----------------|-----------------|------------------------------------|
| 50: - | 25: - | | (SF256) (TS 34.108 [3]: 9.2.1) |
| 51: - | | | |
| 52: - | 26: - | 13: - | |
| 53: - | | | |
| 54: - | | | |
| 55: - | 27: - | 14: - | |
| 56: - | 28: - | | |
| 57: - | | | |
| 58: - | 29: - | | |
| 59: - | 30: - | 15: - | OCNS DPCH on codes 122-127 (SF128) |
| 60: - | | | |
| 61: - | | | |
| 62: - | | | |
| 63: - | 31: - | | |

Table E.6.2.2: E-DCH Downlink Physical Channels Code Allocation for SF=16 code=0

| Code with SF=256 | Code with SF=128 | Code with SF=64 | Note |
|------------------|------------------|-----------------|---|
| 0: P-CPICH | 0: - | 0: - | TS 25.213; 34.108 [3]: 6.1.4; 34.121: E.4.2 |
| 1: P-CCPCH | | | TS 25.213; 34.121: E.4.2 |
| 2: PICH | 1: - | | TS 34.108 [3]: 6.1.0b (SIB5) |
| 3: AICH | | | TS 34.108 [3]: 6.1.0b (SIB5) |
| 4: - | 2: HS-SCCH1 | 1: - | TS 34.108 [3]: 9.2.1 RB Setup message |
| 5: - | 3: HS-SCCH2 | | |
| 6: - | | | |
| 7: - | 4: - | 2: S-CCPCH | S-CCPCH: TS 34.108 [3]: 6.1.0b (SIB5) |
| 8: - | 5: - | | |
| 9: - | | | |
| 10: - | 6: E-HICH/E-RGCH | | |
| 11: - | 7: - | | |
| 12: - | | | |
| 13: - | | | TS 34.108 [3]: 9.2.1 RB Setup message |
| 14: E-AGCH | | | |
| 15: - | | | |

E.6.4 Downlink Physical Channels Code Allocation for MBMS test cases

Table E.6.4.1 show the details of downlink code allocation for MBMS test cases. The numbers in the Code columns indicate the code number with the respective spreading factor (SF). The Note column refers to specifications where the code allocation is defined.

Table E.6.4.1: MBMS Downlink Physical Channels Code Allocation for RF testing

| Code with SF=256 | Code with SF=128 | Code with SF=64 | Note |
|------------------|------------------|------------------------|---------------------------------|
| 0: P-CPICH | 0: - | 0: - | TS 25.213; TS 34.108 [3]: 6.1.4 |
| 1: P-CCPCH | | | TS 25.213 |
| 2: PICH | 1: - | | TS 34.108 [3]: 6.1.0b (SIB5) |
| 3: AICH | | | TS 34.108 [3]: 6.1.0b (SIB5) |
| 4: - | 2: OCNS DPCH | 1: - | OCNS: TS34.121: Table E.3.6 |
| 5: - | | | |
| 6: - | 3: - | | |
| 7: MICH | | | |
| 8: - | 4: - | 2: S-CCPCH | 2: TS 34.108 [3]: 6.1.0b (SIB5) |
| 9: - | | | |
| 10: - | 5: - | | |
| 11: - | | | |
| 12: - | 6: S-CCPCH | 3: - | 6: TS 34.121: TC 8.3.5.4 |
| 13: - | | | |
| 14: - | 7: - | | |
| 15: - | | | |
| 16: - | 8: - | 4: - | |
| 17: - | | | |
| 18: - | 9: - | | |
| 19: - | | | |
| 20: - | 10: - | 5: - | |
| 21: - | | | |
| 22: - | 11: OCNS DPCH | | |
| 23: - | | OCNS: TS 34.121: E.3.6 | |
| 24-31: - | 12-15: - | 6-7: - | |
| 32: - | 16: - | 8: - | |
| 33: - | | | |
| 34: - | 17: OCNS DPCH | | |
| 35: - | | OCNS: TS 34.121: E.3.6 | |
| 36-43: - | 18-21: - | 9-10: - | |
| 44: - | 22: - | 11: - | |
| 45: - | | | |
| 46: - | 23: OCNS DPCH | | |
| 47: - | | OCNS: TS 34.121: E.3.6 | |
| 48-59: - | 24-29: - | 12-14: - | |
| 60: - | 30: - | 15: - | |
| 61: - | | | |
| 62: - | 31: OCNS DPCH | | |
| 63: - | | OCNS: TS 34.121: E.3.6 | |
| 64-75: - | 32-37: - | 16-18: - | |
| 76: - | 38: OCNS DPCH | 19: - | OCNS: TS 34.121: E.3.6 |
| 77: - | | | |
| 78: - | 39: - | | |
| 79: - | | | |
| 80-91: - | 40-45: - | 20-22: - | |
| 92: - | 46: - | 23: - | |
| 93: - | | | |
| 94: - | 47: OCNS DPCH | | |
| 95: - | | OCNS: TS 34.121: E.3.6 | |
| 96-107: - | 48-53: - | 24-26: - | |
| 108: - | 54: - | 27: - | |
| 109: - | | | |

| Code with SF=256 | Code with SF=128 | Code with SF=64 | Note |
|------------------|------------------|-----------------|--|
| 110: - | 55: OCNS DPCH | | OCNS: TS 34.121: E.3.6 |
| 111: - | | | |
| 112-123: - | 56-61: - | 28-30: - | |
| 124: - | 62: OCNS DPCH | 31: - | OCNS: TS 34.121: E.3.6 |
| 125: - | | | |
| 126: - | 63: - | | |
| 127: - | | | |
| 128-135: - | 64-67: - | 32-33: - | |
| 136: - | 68: - | 34: - | |
| 137: - | | | |
| 138: - | 69: OCNS DPCH | | OCNS: TS 34.121: E.3.6 |
| 139: - | | | |
| 140-155: - | 70-77: - | 35-38: - | |
| 156: - | 78: OCNS DPCH | 39: - | OCNS: TS 34.121: E.3.6 |
| 157: - | | | |
| 158: - | 79: - | | |
| 159: - | | | |
| 160-167: - | 80-83: - | 40-41: - | |
| 168: - | 84: - | 42: - | |
| 169: - | | | |
| 170: - | 85: OCNS DPCH | | OCNS: TS 34.121: E.3.6 |
| 171: - | | | |
| 172-187: - | 86-93: - | 43-46: - | |
| 188: - | 94: OCNS DPCH | 47: - | OCNS: TS 34.121: E.3.6 |
| 189: - | | | |
| 190: - | 95: - | | |
| 191: - | | | |
| 192: - | 96: - | 48: - | TS 34.121: TC 8.3.5.4, 8.3.6.3, 11.2 (Test 2) MTCH 256kbps: SF8-Code6 |
| 193: - | | | |
| 194: - | 97: - | | TS 34.121: TC 11.2 (Test 1 and 3), 11.3 MTCH 128kbps: SF16-Code12 |
| 195: - | | | |
| 196-223: - | 98-111: - | 49-55: - | |
| 224: - | 112: - | 56: - | |
| 225: - | | | |
| 226: - | 113: OCNS DPCH | | OCNS: TS 34.121: E.3.6 |
| 227: - | | | |
| 228-235: - | 114-117: - | 57-58: - | |
| 236: - | 118: - | 59: - | |
| 237: - | | | |
| 238: - | 119: OCNS DPCH | | OCNS: TS 34.121: E.3.6 |
| 239: - | | | |
| 240-59: - | 120-123: - | 60-61: - | |
| 248: - | 124: - | 62: - | |
| 249: - | | | |
| 250: - | 125: OCNS DPCH | | OCNS: TS 34.121: E.3.6 |
| 251: - | | | |
| 252-255: - | 126-127: - | 63: - | |

Annex F (normative): General test conditions and declarations

The requirements of this clause apply to all applicable tests in the present document.

Many of the tests in the present document measure a parameter relative to a value that is not fully specified in the UE specifications. For these tests, the Minimum Requirement is determined relative to a nominal value specified by the manufacturer.

When specified in a test, the manufacturer shall declare the nominal value of a parameter, or whether an option is supported.

In all the relevant clauses in this clause all Bit Error Ratio (BER), Block Error Ratio (BLER), False transmit format Detection Ratio (FDR) measurements shall be carried out according to the general rules for statistical testing in clause F.6.

For operating band XXII, the Test Tolerances may not be valid since some Test System uncertainties are changed for frequencies above 3000MHz. The Test Tolerances for those specific bands are therefore For Further Study [FFS].

F.1 Acceptable uncertainty of Test System

The maximum acceptable uncertainty of the Test System is specified below for each test, where appropriate. The Test System shall enable the stimulus signals in the test case to be adjusted to within the specified range, and the equipment under test to be measured with an uncertainty not exceeding the specified values. All ranges and uncertainties are absolute values, and are valid for a confidence level of 95 %, unless otherwise stated.

A confidence level of 95 % is the measurement uncertainty tolerance interval for a specific measurement that contains 95 % of the performance of a population of test equipment.

For RF tests it should be noted that the uncertainties in clause F.1 apply to the Test System operating into a nominal 50 ohm load and do not include system effects due to mismatch between the DUT and the Test System.

F.1.1 Measurement of test environments

The measurement accuracy of the UE test environments defined in annex G, Test environments shall be.

- Pressure ± 5 kPa.
- Temperature ± 2 degrees.
- Relative Humidity ± 5 %.
- DC Voltage $\pm 1,0$ %.
- AC Voltage $\pm 1,5$ %.
- Vibration 10 %.
- Vibration frequency 0,1 Hz.

The above values shall apply unless the test environment is otherwise controlled and the specification for the control of the test environment specifies the uncertainty for the parameter.

F.1.2 Measurement of transmitter

Table F.1.2: Maximum Test System Uncertainty for transmitter tests

| Clause | Maximum Test System Uncertainty | Derivation of Test System Uncertainty |
|--|--|--|
| 5.2 Maximum Output Power | $\pm 0,7$ dB | |
| 5.2A Maximum Output Power with HS-DPCCH (Release 5 only) | $\pm 0,7$ dB | |
| 5.2AA Maximum Output Power with HS-DPCCH (Release 6 and later) | $\pm 0,7$ dB | |
| 5.2B Maximum Output Power with HS-DPCCH and E-DCH | $\pm 0,7$ dB | |
| 5.2BA UE Maximum Output Power for DC-HSUPA (QPSK) | $\pm 0,7$ dB | The accuracy over two carriers is the same as over one carrier |
| 5.2BB UE Maximum Output Power for DC-HSUPA (16QAM) | $\pm 0,7$ dB | The accuracy over two carriers is the same as over one carrier |
| 5.2C UE relative code domain power accuracy | For $0 \text{ dB} \geq -10 \text{ dB}$ CDP ± 0.2 dB For $-10 \text{ dB} \geq -15 \text{ dB}$ CDP ± 0.3 dB For $-15 \text{ dB} \geq -20 \text{ dB}$ CDP ± 0.4 dB | This accuracy is based on the linearity of the code domain power measurement of the test equipment. |
| 5.2D UE Relative Code Domain Power Accuracy with HS-DPCCH and E-DCH | For $0 \text{ dB} \geq -10 \text{ dB}$ CDP ± 0.2 dB For $-10 \text{ dB} \geq -15 \text{ dB}$ CDP ± 0.3 dB For $-15 \text{ dB} \geq -20 \text{ dB}$ CDP ± 0.4 dB | This accuracy is based on the linearity of the code domain power measurement of the test equipment. |
| 5.2DA UE Relative Code Domain Power Accuracy for DC-HSUPA with QPSK | For $0 \text{ dB} \geq -10 \text{ dB}$ CDP ± 0.2 dB For $-10 \text{ dB} \geq -15 \text{ dB}$ CDP ± 0.3 dB For $-15 \text{ dB} \geq -20 \text{ dB}$ CDP ± 0.4 dB | This accuracy is based on the linearity of the code domain power measurement of the test equipment. |
| 5.2E UE Relative Code Domain Power Accuracy for HS-DPCCH and E-DCH with 16QAM | For $0 \text{ dB} \geq -10 \text{ dB}$ CDP ± 0.2 dB For $-10 \text{ dB} \geq -15 \text{ dB}$ CDP ± 0.3 dB For $-15 \text{ dB} \geq -20 \text{ dB}$ CDP ± 0.4 dB For $-20 \text{ dB} \geq -30 \text{ dB}$ CDP ± 0.5 dB | This accuracy is based on the linearity of the code domain power measurement of the test equipment. |
| 5.2 EA UE relative code domain power accuracy for DC-HSUPA using HS-DPCCH and E-DCH with 16QAM | For $0 \text{ dB} \geq -10 \text{ dB}$ CDP ± 0.2 dB For $-10 \text{ dB} \geq -15 \text{ dB}$ CDP ± 0.3 dB For $-15 \text{ dB} \geq -20 \text{ dB}$ CDP ± 0.4 dB For $-20 \text{ dB} \geq -30 \text{ dB}$ CDP ± 0.5 dB | This accuracy is based on the linearity of the code domain power measurement of the test equipment. |
| 5.3 Frequency Error | ± 10 Hz | |
| 5.3A Frequency Error for DC-HSUPA | ± 10 Hz per carrier | |
| 5.3C Frequency error for UL CLTD Activation state 1 | ± 10 Hz | |
| 5.3D Frequency error for UL CLTD Activation state 2 and 3 | 10 Hz | |
| 5.4.1 Open loop power control in uplink | $\pm 1,0$ dB | The uncertainty of this test is a combination of the downlink level setting error and the uplink power measurement that are uncorrelated. Formula = SQRT(source_level_error ² + power_meas_error ²) |
| 5.4.1A Open Loop Power Control in the Uplink for DC-HSUPA | $\pm 1,0$ dB per carrier | The uncertainty of this test is a combination of the downlink level setting error and the uplink power measurement that are uncorrelated. Formula = SQRT(source_level_error ² + power_meas_error ²) |

| Clause | Maximum Test System Uncertainty | Derivation of Test System Uncertainty |
|--|---|--|
| 5.4.2 Inner loop power control in the uplink | The test system uncertainty is the function of the UE transmitter power control range for each combination of the step size and number of steps. For 0 dB and 1 dB range $\pm 0,1$ dB For a nominal 2 dB range $\pm 0,15$ dB For a nominal 3 dB range $\pm 0,2$ dB For a greater than 3 dB range $\pm 0,3$ dB | This accuracy is based on the linearity of the absolute power measurement of the test equipment. |
| 5.4.2A Inner Loop Power Control in the Uplink for DC-HSUPA | The test system uncertainty is the function of the UE transmitter power control range for each combination of the step size and number of steps. For 0 dB and 1 dB range $\pm 0,1$ dB per carrier For a nominal 2 dB range $\pm 0,15$ dB per carrier For a nominal 3 dB range $\pm 0,2$ dB per carrier For a greater than 3 dB range $\pm 0,3$ dB per carrier | This accuracy is based on the linearity of the absolute power measurement of the test equipment. |
| 5.4.3 Minimum Output Power | $\pm 1,0$ dB | Measured on a static signal |
| 5.4.3A Minimum Output Power for DC-HSUPA | $\pm 1,0$ dB | Measured on a static signal |
| 5.4.4 Out-of-synchronisation handling of output power: $\frac{DPCCH_E_c}{I_{or}}$ | $\pm 0,4$ dB | 0.1 dB uncertainty in DPCCH ratio 0.3 dB uncertainty in \hat{I}_{or}/I_{oc} based on power meter measurement after the combiner Overall error is the sum of the \hat{I}_{or}/I_{oc} ratio error and the DPCCH_Ec/Ior ratio. The absolute error of the AWGN loc is not important but is specified as 1.0 dB |
| 5.4.4A Out-of-synchronisation handling of output power for UE which supports type 1 for DCH: $\frac{DPCCH_E_c}{I_{or}}$ | $\pm 0,4$ dB | 0.1 dB uncertainty in DPCCH ratio 0.3 dB uncertainty in \hat{I}_{or}/I_{oc} based on power meter measurement after the combiner Overall error is the sum of the \hat{I}_{or}/I_{oc} ratio error and the DPCCH_Ec/Ior ratio. The absolute error of the AWGN loc is not important but is specified as 1.0 dB |
| 5.5.1 Transmit OFF Power: (static case) | $\pm 1,0$ dB | Measured on a static signal |
| 5.5.2 Transmit ON/OFF time mask (dynamic case) | On power $+0,7$ dB / $-1,0$ dB Off power (dynamic case) TBD | Assume asymmetric meas error -1.0 dB / 0.7 dB comprising RSS of: -0.7 dB downlink error plus -0.7 dB meas error, and $+0.7$ dB for upper limit (assume UE won't go above 24 nominal). For the off power, the accuracy of a two-pass measurement needs to be analysed. |

| Clause | Maximum Test System Uncertainty | Derivation of Test System Uncertainty |
|--|--|--|
| 5.6 Change of TFC: power control step size (7 dB step) | $\pm 0,3$ dB relative over a 9 dB range | |
| 5.7 Power setting in uplink compressed mode:-UE output power | A subset of 5.4.2. | |
| 5.7A HS-DPCCH | The test system uncertainty is the function of the UE transmitter power range for each step size on the HS-DPCCH channel. For 0 dB and 1 dB range $\pm 0,1$ dB For a nominal 2 dB range $\pm 0,15$ dB For a nominal 3 dB range $\pm 0,2$ dB For a greater than 3 dB range $\pm 0,3$ dB | This accuracy is based on the linearity of the absolute power measurement of the test equipment. |
| 5.8 Occupied Bandwidth | ± 100 kHz | Accuracy = $\pm 3 \cdot \text{RBW}$. Assume 30 kHz bandwidth. |
| 5.8A Occupied Bandwidth for DC-HSUPA | ± 100 kHz | Accuracy = $\pm 3 \cdot \text{RBW}$. Assume 30 kHz bandwidth. |
| 5.9 Spectrum emission mask | $\pm 1,5$ dB | |
| 5.9A Spectrum emission mask with HS-DPCCH | $\pm 1,5$ dB | |
| 5.9B Spectrum emission mask with E-DCH | $\pm 1,5$ dB | |
| 5.9C Additional Spectrum Emission Mask for DC-HSUPA (QPSK) | $\pm 1,5$ dB | |
| 5.9D Additional Spectrum Emission Mask for DC-HSUPA (16QAM) | $\pm 1,5$ dB | |
| 5.10 ACLR | 5 MHz offset: $\pm 0,8$ dB 10 MHz offset: $\pm 0,8$ dB | |
| 5.10A ACLR with HS-DPCCH | 5 MHz offset: $\pm 0,8$ dB 10 MHz offset: $\pm 0,8$ dB | |
| 5.10B ACLR with E-DCH | 5 MHz offset: $\pm 0,8$ dB 10 MHz offset: $\pm 0,8$ dB | |
| 5.10C ACLR with E-DCH for DC-HSUPA (QPSK) | 7.5 MHz offset: $\pm 0,8$ dB 12.5 MHz offset: $\pm 0,8$ dB | |
| 5.10D ACLR with E-DCH for DC-HSUPA (16QAM) | 7.5 MHz offset: $\pm 0,8$ dB 12.5 MHz offset: $\pm 0,8$ dB | |
| 5.11 Spurious emissions | $\pm 2,0$ dB for UE and coexistence bands for results ≥ -60 dBm $\pm 3,0$ dB for results < -60 dBm Outside above: $f \leq 2.2$ GHz: ± 1.5 dB 2.2 GHz $< f \leq 4$ GHz: ± 2.0 dB $f > 4$ GHz: ± 4.0 dB | |
| 5.11A Spurious emissions for DC-HSUPA | $\pm 2,0$ dB for UE and coexistence bands for results ≥ -60 dBm $\pm 3,0$ dB for results < -60 dBm Outside above: $f \leq 2.2$ GHz: ± 1.5 dB 2.2 GHz $< f \leq 4$ GHz: ± 2.0 dB $f > 4$ GHz: ± 4.0 dB | |

| Clause | Maximum Test System Uncertainty | Derivation of Test System Uncertainty |
|---|--|--|
| 5.12 Transmit Intermodulation | ± 2.2 dB | CW Interferer error is 0.7 dB for the UE power RSS with 0.7 dB for CW setting = 1.0 dB Measurement error of intermod product is 0.7 dB for UE power RSS with 0.7 dB for relative = 1.0 dB Interferer has an effect of 2 times on the intermod product so overall test uncertainty is 2×1.0 RSS with 1.0 = 2.2 dB. Apply half any excess test system uncertainty to increase the interferer level |
| 5.12A Transmit Intermodulation for DC-HSUPA | ± 2.2 dB | |
| 5.13.1 Transmit modulation: EVM | ± 2.5 % (for single code) | |
| 5.13.1A Transmit modulation: EVM with HS-DPCCH | ± 2.5 % (for single code) | |
| 5.13.1AA Transmit modulation: EVM and phase discontinuity with HS-DPCCH | ± 2.5 % (for single code) ± 6 degree for Phase discontinuity | |
| 5.13.1AAA EVM and IQ origin offset for HS-DPCCH with E-DCH with 16 QAM | ± 0.5 dB (for IQ origin offset) | |
| 5.13.2 Transmit modulation: peak code domain error | ± 1.0 dB | |
| 5.13.2A Relative Code Domain Error | ± 0.5 dB | |
| 5.13.2B Relative Code Domain Error with HS-DPCCH and E-DCH | ± 0.5 dB | |
| 5.13.2BA Relative Code Domain Error with HS-DPCCH and E-DCH for DC-HSUPA | ± 0.5 dB | |
| 5.13.2C Relative Code Domain Error for HS-DPCCH and E-DCH with 16QAM | ± 0.5 dB | |
| 5.13.2CA Relative Code Domain error with HS-DPCCH and E-DCH with 16QAM for DC-HSUPA | ± 0.5 dB | |
| 5.13.3 UE phase discontinuity | ± 2.5 % for EVM (for single code) ± 10 Hz for Frequency error ± 6 degree for Phase discontinuity | |
| 5.13.4 PRACH quality (EVM) | ± 2.5 % | |
| 5.13.4 PRACH quality (Frequency error) | ± 10 Hz | |
| 5.13.5 In-band emission for DC-HSUPA | ± 0.8 dB | |

F.1.3 Measurement of receiver

Table F.1.3: Maximum Test System Uncertainty for receiver tests

| Clause | Maximum Test System Uncertainty | Derivation of Test System Uncertainty |
|--|---|--|
| 6.2 Reference sensitivity level | ± 0.7 dB for Ior ± 0.7 dB for Ec | |
| 6.2A Reference sensitivity level for DC-HSDPA | ± 0.7 dB for Ior ± 0.7 dB for Ec | This applies for both DC-HSDPA cells |
| 6.2B Reference sensitivity level for DB-DC-HSDPA | ± 0.7 dB for Ior ± 0.7 dB for Ec | This applies for both DB-DC-HSDPA cells |
| 6.2C Reference sensitivity level for single band 4C-HSDPA | ± 0.7 dB for Ior ± 0.7 dB for Ec | This applies for all 3CHSDPA cells |
| 6.2D Reference sensitivity level for Dual band 4C-HSDPA | ± 0.7 dB for Ior ± 0.7 dB for Ec | This applies for all /4C-HSDPA cells |
| 6.2DA Reference sensitivity level for Dual band 4C-HSDPA (3 carrier) | ± 0.7 dB for Ior ± 0.7 dB for Ec | This applies for all 3C-HSDPA cells |
| 6.3 maximum input level: | ± 0.7 dB for Ior | The critical parameter is the overall signal level and not the -19 dB DPCH_Ec/Ior ratio. 0.7 dB absolute error due to signal measurement DPCH_Ec/Ior ratio error is <0.1 dB but is not important so is ignored |
| 6.3A Maximum Input Level for HS-PDSCH Reception (16QAM) | ± 0.7 dB for Ior | The critical parameter is the overall signal level and not the -3 dB HS-PDSCH_Ec/Ior ratio. 0.7 dB absolute error due to signal measurement HS-PDSCH/Ior ratio error is <0.1 dB but is not important so is ignored |
| 6.3B Maximum Input Level for HS-PDSCH Reception (64QAM) | ± 0.7 dB for Ior | The critical parameter is the overall signal level and not the -2 dB HS-PDSCH_Ec/Ior ratio. 0.7 dB absolute error due to signal measurement HS-PDSCH/Ior ratio error is <0.1 dB but is not important so is ignored |
| 6.3C Maximum Input Level for DC-HSDPA Reception (16QAM) | ± 0.7 dB for Ior | Same as 6.3A This applies for both DC-HSDPA cells |
| 6.3D Maximum Input Level for DC-HSDPA Reception (64QAM) | ± 0.7 dB for Ior | Same as 6.3B This applies for both DC-HSDPA cells |
| 6.3E Maximum Input Level for DB-DC-HSDPA Reception (16QAM) | ± 0.7 dB for Ior | Same as 6.3A This applies for both DB-DC-HSDPA cells |
| 6.3F Maximum Input Level for DB-DC-HSDPA Reception (64QAM) | ± 0.7 dB for Ior | Same as 6.3B This applies for both DB-DC-HSDPA cells |
| 6.3G Maximum Input Level for 4C-HSDPA Reception (16QAM) | ± 0.7 dB for Ior | Same as 6.3A This applies for all 4C-HSDPA cells |

| Clause | Maximum Test System Uncertainty | Derivation of Test System Uncertainty |
|--|---|--|
| 6.3GA Maximum Input Level for 4C-HSDPA Reception (16QAM) (3 carrier) | ± 0.7 dB for Ior | Same as 6.3A This applies for all 3C-HSDPA cells |
| 6.3H Maximum Input Level for 4C-HSDPA Reception (64QAM) | ± 0.7 dB for Ior | Same as 6.3B This applies for all /4C-HSDPA cells |
| 6.3HA Maximum Input Level for 4C-HSDPA Reception (64QAM)(3 carrier) | ± 0.7 dB for Ior | Same as 6.3B This applies for all 3C-HSDPA cells |
| 6.4 Adjacent channel selectivity (Rel-99 and Rel-4) | ± 1.1 dB | Overall system uncertainty comprises three quantities: 1. Wanted signal level error 2. Interferer signal level error 3. Additional impact of interferer ACLR Items 1 and 2 are assumed to be uncorrelated so can be root sum squared to provide the ratio error of the two signals. Assume for simplicity this ratio error is linearly added to the interferer ACLR. Test System uncertainty = $\text{SQRT}(\text{wanted_level_error}^2 + \text{interferer_level_error}^2) + \text{ACLR effect}$. The ACLR effect is calculated by:(Formula to follow) (E.g. ACLR at 5 MHz of 51 dB gives additional error of .0765 dB. ACLR of 48 gives error of -0.15 dB.) |
| 6.4A Adjacent channel selectivity (Rel-5 and later releases) | ± 1.1 dB | Same as above |
| 6.4B Adjacent channel selectivity (ACS) for DC-HSDPA | ± 0.7 dB for Ior ± 0.7 dB for loac ± 1.1 dB for overall uncertainty | Overall system uncertainty comprises three quantities: 1. Wanted signal level error 2. Interferer signal level error 3. Additional impact of interferer ACLR Items 1 and 2 are assumed to be uncorrelated so can be root sum squared to provide the ratio error of the two signals. Assume for simplicity this ratio error is linearly added to the interferer ACLR. Assume also for simplicity this interferer ACLR impacts equally on both DC-HSDPA cells. Test System uncertainty = $\text{SQRT}(\text{wanted_level_error}^2 + \text{interferer_level_error}^2) + \text{ACLR effect}$. The ACLR effect is calculated by:(Formula to follow) (E.g. ACLR at 5 MHz of 51 dB gives additional error of .0765 dB. ACLR of 48 gives error of -0.15 dB.) |

| Clause | Maximum Test System Uncertainty | Derivation of Test System Uncertainty |
|---|--|--|
| 6.4C Adjacent channel selectivity (ACS) for DB-DC-HSDPA | ± 0.7 dB for \hat{f} or ± 0.7 dB for l_{oac} ± 1.1 dB for overall uncertainty | Same as 6.4B |
| 6.5 Blocking characteristics | System error with $f < 15$ MHz offset: ± 1.4 dB $f \geq 15$ MHz offset and $f_b \leq 2.2$ GHz: ± 1.0 dB 2.2 GHz $< f \leq 4$ GHz: ± 1.7 dB $f > 4$ GHz: ± 3.1 dB | Using ± 0.7 dB for signal and interferer as currently defined and 68 dB ACLR @ 10 MHz. |
| 6.5A Blocking characteristics for DC-HSDPA | System error with $f < 15$ MHz offset: ± 1.4 dB $f \geq 15$ MHz offset and $f_b \leq 2.2$ GHz: ± 1.0 dB 2.2 GHz $< f \leq 4$ GHz: ± 1.7 dB $f > 4$ GHz: ± 3.1 dB | Using ± 0.7 dB for signal and interferer as currently defined and 68 dB ACLR @ 10 MHz. Assume for simplicity this system error applies for both DC-HSDPA cells. |
| 6.5B Blocking characteristics for DB-DC-HSDPA | System error with $f < 15$ MHz offset: ± 1.4 dB $f \geq 15$ MHz offset and $f_b \leq 2.2$ GHz: ± 1.0 dB 2.2 GHz $< f \leq 4$ GHz: ± 1.7 dB $f > 4$ GHz: ± 3.1 dB | Same as 6.5A |
| 6.5C Blocking characteristics for DC-HSUPA | System error with $f < 15$ MHz offset: ± 1.4 dB $f \geq 15$ MHz offset and $f_b \leq 2.2$ GHz: ± 1.0 dB 2.2 GHz $< f \leq 4$ GHz: ± 1.7 dB $f > 4$ GHz: ± 3.1 dB | Same as 6.5A |
| 6.5D Blocking Characteristics for single Uplink Single band 4C-HSDPA | System error with $f < 15$ MHz offset: ± 1.4 dB $f \geq 15$ MHz offset and $f_b \leq 2.2$ GHz: ± 1.0 dB 2.2 GHz $< f \leq 4$ GHz: ± 1.7 dB $f > 4$ GHz: ± 3.1 dB | Same as 6.5A |
| 6.5E Blocking Characteristics for dual Uplink Single band 4C-HSDPA | System error with $f < 15$ MHz offset: ± 1.4 dB $f \geq 15$ MHz offset and $f_b \leq 2.2$ GHz: ± 1.0 dB 2.2 GHz $< f \leq 4$ GHz: ± 1.7 dB $f > 4$ GHz: ± 3.1 dB | Same as 6.5A |
| 6.5F Blocking Characteristics for single Uplink Dual band 4C-HSDPA | System error with $f < 15$ MHz offset: ± 1.4 dB $f \geq 15$ MHz offset and $f_b \leq 2.2$ GHz: ± 1.0 dB 2.2 GHz $< f \leq 4$ GHz: ± 1.7 dB $f > 4$ GHz: ± 3.1 dB | Same as 6.5A |
| 6.5FA Blocking Characteristics for single Uplink Dual band 4C-HSDPA (3 carrier) | System error with $f < 15$ MHz offset: ± 1.4 dB $f \geq 15$ MHz offset and $f_b \leq 2.2$ GHz: ± 1.0 dB 2.2 GHz $< f \leq 4$ GHz: ± 1.7 dB $f > 4$ GHz: ± 3.1 dB | Same as 6.5A |
| 6.5G Blocking Characteristics for dual Uplink Dual band 4C-HSDPA | System error with $f < 15$ MHz offset: ± 1.4 dB $f \geq 15$ MHz offset and $f_b \leq 2.2$ GHz: ± 1.0 dB 2.2 GHz $< f \leq 4$ GHz: ± 1.7 dB $f > 4$ GHz: ± 3.1 dB | Same as 6.5A |

| Clause | Maximum Test System Uncertainty | Derivation of Test System Uncertainty |
|--|--|---|
| 6.5GA Blocking Characteristics for dual Uplink Dual band 4C-HSDPA (3 carrier) | System error with $f < 15$ MHz offset: ± 1.4 dB $f \geq 15$ MHz offset and $f \leq 2.2$ GHz: ± 1.0 dB 2.2 GHz $< f \leq 4$ GHz: ± 1.7 dB $f > 4$ GHz: ± 3.1 dB | Same as 6.5A |
| 6.6 Spurious Response | $f \leq 2.2$ GHz: ± 1.0 dB 2.2 GHz $< f \leq 4$ GHz: ± 1.7 dB $f > 4$ GHz: ± 3.1 dB | |
| 6.6A Spurious Response for DC-HSDPA | $f \leq 2.2$ GHz: ± 1.0 dB 2.2 GHz $< f \leq 4$ GHz: ± 1.7 dB $f > 4$ GHz: ± 3.1 dB | This applies for both DC-HSDPA cells. |
| 6.6B Spurious Response for DB-DC-HSDPA | $f \leq 2.2$ GHz: ± 1.0 dB 2.2 GHz $< f \leq 4$ GHz: ± 1.7 dB $f > 4$ GHz: ± 3.1 dB | This applies for both DB-DC-HSDPA cells. |
| 6.6C Spurious Response for single band 4C-HSDPA | $f \leq 2.2$ GHz: ± 1.0 dB 2.2 GHz $< f \leq 4$ GHz: ± 1.7 dB $f > 4$ GHz: ± 3.1 dB | This applies for all 3C-HSDPA cells. |
| 6.6D Spurious Response for dual band 4C-HSDPA | $f \leq 2.2$ GHz: ± 1.0 dB 2.2 GHz $< f \leq 4$ GHz: ± 1.7 dB $f > 4$ GHz: ± 3.1 dB | This applies for all 4C-HSDPA cells. |
| 6.6DA Spurious Response for dual band 4C-HSDPA (3 carrier) | $f \leq 2.2$ GHz: ± 1.0 dB 2.2 GHz $< f \leq 4$ GHz: ± 1.7 dB $f > 4$ GHz: ± 3.1 dB | This applies for all 3C-HSDPA cells. |
| 6.7 Intermodulation Characteristics | ± 1.3 dB | Similar issues to 7.4 ACS test. ETR028 says impact if the closer signal is twice that of the far signal. If both signals drop 1 dB, intermod product drops 2 dB. Formula = $\sqrt{(2 \cdot CW_level_error)^2 + (mod_level_error)^2}$ (Using CW interferer ± 0.5 dB, modulated interferer ± 0.5 dB, wanted signal ± 0.7 dB) 1.3 dB! Broadband noise/ACLR not considered but may have impact. |
| 6.7A Intermodulation Characteristics for DC-HSDPA | ± 1.3 dB | Same as 6.7. This applies for both DC-HSDPA cells. |
| 6.7B Intermodulation Characteristics for DB-DC-HSDPA | ± 1.3 dB | Same as 6.7. This applies for both DB-DC-HSDPA cells. |
| 6.7C Intermodulation Characteristics for DC-HSUPA | ± 1.3 dB | Same as 6.7. This applies for both DC-HSUPA cells. |
| 6.7D Intermodulation Characteristics for single uplink single band 4C-HSDPA | ± 1.3 dB | Same as 6.7. This applies for all 3CHSDPA cells. |
| 6.7E Intermodulation Characteristics for single uplink dual band 4C-HSDPA | ± 1.3 dB | Same as 6.7. This applies for all 4C-HSDPA cells. |
| 6.7EA Intermodulation Characteristics for single uplink dual band 4C-HSDPA (3 carrier) | ± 1.3 dB | Same as 6.7. This applies for all 3C-HSDPA cells. |

| Clause | Maximum Test System Uncertainty | Derivation of Test System Uncertainty |
|------------------------|---|---------------------------------------|
| 6.8 Spurious emissions | ± 3.0 dB for UE receive band and UE transmit band (-60 dBm) Outside above: $f \leq 2.2$ GHz: ± 2.0 dB (-57 dBm) 2.2 GHz $< f \leq 4$ GHz: ± 2.0 dB (-47 dBm) $f > 4$ GHz: ± 4.0 dB (-47 dBm) Downlink signal for ± 2.0 dB | |

F.1.4 Performance requirement

Table F.1.4: Maximum Test System Uncertainty for Performance Requirements

| Clause | Maximum Test System Uncertainty | Derivation of Test System Uncertainty |
|--|---|---|
| 7.2 Demodulation in Static Propagation Condition | \hat{I}_{or}/I_{oc} ± 0.3 dB I_{oc} ± 1.0 dB $\frac{DPCH_E_c}{I_{or}}$ ± 0.1 dB | <p>0.1 dB uncertainty in DPCH_Ec ratio</p> <p>0.3 dB uncertainty in \hat{I}_{or}/I_{oc} based on power meter measurement after the combiner</p> <p>Overall error is the sum of the \hat{I}_{or}/I_{oc} ratio error and the DPCH_Ec/Ior ratio but is not RSS for simplicity. The absolute error of the AWGN loc is not important for any tests in clause 7 but is specified as 1.0 dB.</p> |
| 7.3 Demodulation of DCH in multipath Fading Propagation conditions | \hat{I}_{or}/I_{oc} ± 0.56 dB I_{oc} ± 1.0 dB $\frac{DPCH_E_c}{I_{or}}$ ± 0.1 dB | <p>Worst case gain uncertainty due to the fader from the calibrated static profile is ± 0.5 dB</p> <p>In addition the same ± 0.3 dB \hat{I}_{or}/I_{oc} ratio error as 7.2.</p> <p>These are uncorrelated so can be RSS.</p> <p>Overall error in \hat{I}_{or}/I_{oc} is $(0.5^2 + 0.3^2)^{0.5} = 0.6$ dB</p> |
| 7.4 Demodulation of DCH in Moving Propagation conditions | \hat{I}_{or}/I_{oc} ± 0.6 dB I_{oc} ± 1.0 dB $\frac{DPCH_E_c}{I_{or}}$ ± 0.1 dB | Same as 7.3 |
| 7.5 Demodulation of DCH in Birth-Death Propagation conditions | \hat{I}_{or}/I_{oc} ± 0.6 dB I_{oc} ± 1.0 dB $\frac{DPCH_E_c}{I_{or}}$ ± 0.1 dB | Same as 7.3 |
| 7.5A Demodulation of DCH in high speed train conditions | \hat{I}_{or}/I_{oc} ± 0.6 dB I_{oc} ± 1.0 dB $\frac{DPCH_E_c}{I_{or}}$ ± 0.1 dB | Same as 7.3 |

| Clause | Maximum Test System Uncertainty | Derivation of Test System Uncertainty |
|--|---|---|
| 7.6.1 Demodulation of DCH in open loop Transmit diversity mode | \hat{I}_{or}/I_{oc} ± 0.8 dB I_{oc} ± 1.0 dB $\frac{DPCH - E_c}{I_{or}}$ ± 0.1 dB | <p>Worst case gain uncertainty due to the fader from the calibrated static profile is ± 0.5 dB per output</p> <p>In addition the same ± 0.3 dB \hat{I}_{or}/I_{oc} ratio error as 7.2.</p> <p>These are uncorrelated so can be RSS.</p> <p>Overall error in \hat{I}_{or}/I_{oc} is $(0.5^2 + 0.5^2 + 0.3^2)^{0.5} = 0.768$ dB. Round up to 0.8 dB</p> |
| 7.6.2 Demodulation of DCH in closed loop Transmit diversity mode | \hat{I}_{or}/I_{oc} ± 0.8 dB I_{oc} ± 1.0 dB $\frac{DPCH - E_c}{I_{or}}$ ± 0.1 dB | Same as 7.6.1 |
| 7.6.3, Demodulation of DCH in site selection diversity Transmission power control mode | \hat{I}_{or}/I_{oc} ± 0.8 dB I_{oc} ± 1.0 dB $\frac{DPCH - E_c}{I_{or}}$ ± 0.1 dB | Same as 7.6.1 |
| 7.7.1 Demodulation in inter-cell soft Handover (Release 5 and earlier) | \hat{I}_{or1}/I_{oc} ± 0.6 dB \hat{I}_{or2}/I_{oc} ± 0.6 dB I_{oc} ± 1.0 dB $\frac{DPCH - E_c}{I_{or}}$ ± 0.1 dB | <p>Worst case gain uncertainty due to the fader from the calibrated static profile is ± 0.5 dB per output</p> <p>In addition the same ± 0.3 dB \hat{I}_{or}/I_{oc} ratio error as 7.2.</p> <p>These are uncorrelated so can be RSS.</p> <p>Overall error in \hat{I}_{or}/I_{oc} is $(0.5^2 + 0.5^2 + 0.3^2)^{0.5} = 0.768$ dB, but per output \hat{I}_{or1}/I_{oc} or \hat{I}_{or2}/I_{oc} the error is $(0.5^2 + 0.3^2)^{0.5} = 0.6$ dB.</p> |
| 7.7.1A Demodulation in inter-cell soft Handover (Release 6 and later) | \hat{I}_{or1}/I_{oc} ± 0.6 dB \hat{I}_{or2}/I_{oc} ± 0.6 dB I_{oc} ± 1.0 dB $\frac{DPCH - E_c}{I_{or}}$ ± 0.1 dB | <p>Worst case gain uncertainty due to the fader from the calibrated static profile is ± 0.5 dB per output</p> <p>In addition the same ± 0.3 dB \hat{I}_{or}/I_{oc} ratio error as 7.2.</p> <p>These are uncorrelated so can be RSS.</p> <p>Overall error in \hat{I}_{or}/I_{oc} is $(0.5^2 + 0.5^2 + 0.3^2)^{0.5} = 0.768$ dB, but per output \hat{I}_{or1}/I_{oc} or \hat{I}_{or2}/I_{oc} the error is $(0.5^2 + 0.3^2)^{0.5} = 0.6$ dB.</p> |

| Clause | Maximum Test System Uncertainty | Derivation of Test System Uncertainty |
|--|---|---|
| 7.7.2 Combining of TPC commands Test 1 | $lor1, lor2$ ±1.0 dB $\frac{DPCH - E_c}{I_{or}}$ ±0.1 dB | Test is looking for changes in power – need to allow for relaxation in criteria for power step of probably 0.1 dB to 0.4 dB |
| 7.7.2 Combining of TPC commands Test 2 | \hat{I}_{or1}/I_{oc} ±0.6 dB \hat{I}_{or2}/I_{oc} ±0.6 dB I_{oc} ±1.0 dB $\frac{DPCH - E_c}{I_{or}}$ ±0.1 dB | Same as 7.7.1 |
| 7.7.3 Combining of reliable TPC commands from radio links of different radio link sets | \hat{I}_{or1}/I_{oc} ±0.3 dB \hat{I}_{or2}/I_{oc} ±0.3 dB \hat{I}_{or3}/I_{oc} ±0.3 dB I_{oc} ±1.0 dB $\frac{DPCH - E_{c1}}{I_{or1}}$ ±0.1 dB $\frac{DPCH - E_{c2}}{I_{or2}}$ ±0.1 dB $\frac{DPCH - E_{c3}}{I_{or3}}$ ±0.1 dB Offset of $\frac{DPCH - E_{c2}}{I_{or1}}$ relative to $\frac{DPCH - E_{c1}}{I_{or1}}$ ±0.4 dB Offset of $\frac{DPCH - E_{c3}}{I_{or1}}$ relative to $\frac{DPCH - E_{c1}}{I_{or1}}$ ±0.4 dB | Same as 7.2. Offsets calculated as RMS of: $lor1/I_{oc}$, $DPCH_Ec1/lor1$ and $DPCH_Ec2/lor2$ and $lor1/I_{oc}$, $DPCH_Ec1/lor1$ and $DPCH_Ec3/lor3$ respectively. |

| Clause | Maximum Test System Uncertainty | Derivation of Test System Uncertainty |
|--|--|---|
| 7.8.1 Power control in downlink constant BLER target (Release 5 and earlier) | \hat{I}_{or}/I_{oc} ±0.6 dB I_{oc} ±1.0 dB $\frac{DPCH - E_c}{I_{or}}$ ±0.1 dB | <p>Same as 7.3</p> <p>For test cases wherein the SS response time to DL power control commands is delayed by one timeslot from the immediate response then additional test system uncertainty in $\frac{DPCH - E_c}{I_{or}}$ is applied:</p> <p>For test 1 an additional 0.3 dB is allowed. This value is based on a rounded 0.24 dB delta value from simulations.</p> <p>For test 2 an additional 0.2 dB is allowed. This value is based on a rounded 0.14 dB delta value from simulations.</p> |
| 7.8.1A Power control in downlink constant BLER target (Release 6 and later) | \hat{I}_{or}/I_{oc} ±0.6 dB I_{oc} ±1.0 dB $\frac{DPCH - E_c}{I_{or}}$ ±0.1 dB | Same as 7.3 |
| 7.8.2, Power control in downlink initial convergence | \hat{I}_{or}/I_{oc} ±0.6 dB I_{oc} ±1.0 dB $\frac{DPCH - E_c}{I_{or}}$ ±0.1 dB | <p>Same as 7.3.</p> <p>When the SS response time to DL power control commands is delayed by one timeslot from the immediate response, then additional test system uncertainty in $\frac{DPCH - E_c}{I_{or}}$ of 0.2 db is applied. This value is based on a rounded 0.15 dB delta value from simulations.</p> |
| 7.8.3, Power control in downlink: wind up effects (Release 5 and earlier) | \hat{I}_{or}/I_{oc} ±0.6 dB I_{oc} ±1.0 dB $\frac{DPCH - E_c}{I_{or}}$ ±0.1 dB | <p>Same as 7.3.</p> <p>For test cases wherein the SS response time to DL power control commands is delayed by one timeslot from the immediate response, then additional test system uncertainty in $\frac{DPCH - E_c}{I_{or}}$ is applied:</p> <p>For test 1 an additional 0.3 dB is allowed. This value is based on a rounded 0.26 dB delta value from simulations.</p> |
| 7.8.3A, Power control in downlink: wind up effects (Release 6 and later) | \hat{I}_{or}/I_{oc} ±0.6 dB I_{oc} ±1.0 dB $\frac{DPCH - E_c}{I_{or}}$ ±0.1 dB | Same as 7.3. |

| Clause | Maximum Test System Uncertainty | Derivation of Test System Uncertainty |
|---|---|---|
| 7.8.4, Power control in the downlink, different transport formats | \hat{I}_{or}/I_{oc} ±0.6 dB I_{oc} ±1.0 dB $\frac{DPCH_E_c}{I_{or}}$ ±0.1 dB | <p>Same as 7.3</p> <p>For test cases where the SS response time to DL power control commands is delayed by one timeslot from the immediate response, then additional test system uncertainty in $\frac{DPCH_E_c}{I_{or}}$ is applied:</p> <p>For test 1 stage 1, an additional 0.2 dB is allowed. This value is based on a rounded 0.24 dB delta value from simulations.</p> <p>For test 1 stage 2, an additional 0.1 dB is allowed. This value is based on a rounded 0.16 dB delta value from simulations.</p> |
| 7.8.5, Power control in the downlink for F-DPCH | \hat{I}_{or}/I_{oc} ±0.6 dB I_{oc} ±1.0 dB $\frac{F - DPCH_E_c}{I_{or}}$ ±0.1 dB | Same as 7.3 |
| 7.9.1 Downlink compressed mode (Release 5 and earlier) | \hat{I}_{or}/I_{oc} ±0.6 dB I_{oc} ±1.0 dB $\frac{DPCH_E_c}{I_{or}}$ ±0.1 dB | Same as 7.3 |
| 7.9.1A Downlink compressed mode (Release 6 and later) | \hat{I}_{or}/I_{oc} ±0.6 dB I_{oc} ±1.0 dB $\frac{DPCH_E_c}{I_{or}}$ ±0.1 dB | Same as 7.3 |
| 7.10 Blind transport format detection Tests 1, 2, 3 | \hat{I}_{or}/I_{oc} ±0.3 dB I_{oc} ±1.0 dB $\frac{DPCH_E_c}{I_{or}}$ ±0.1 dB | Same as 7.2 |
| 7.10 Blind transport format detection Tests 4, 5, 6 | \hat{I}_{or}/I_{oc} ±0.6 dB I_{oc} ±1.0 dB $\frac{DPCH_E_c}{I_{or}}$ ±0.1 dB | Same as 7.3 |
| 7.11 Demodulation of paging channel (PCH) | <p>Test 1:</p> \hat{I}_{or}/I_{oc} ±0.3 dB I_{oc} ±1.0 dB S-CCPCH_Ec/Ior ±0.1 dB PICH_Ec/Ior ±0.1 dB | <p>Test 1: Values for \hat{I}_{or}/I_{oc} and I_{oc} are the same as 7.2</p> <p>Uncertainties for S-CCPCH_Ec/Ior and PICH_Ec/Ior are the same as for DPCH_Ec/Ior</p> |

| Clause | Maximum Test System Uncertainty | Derivation of Test System Uncertainty |
|--|--|---|
| | Test 2: \hat{I}_{or}/I_{oc} ± 0.6 dB I_{oc} ± 1.0 dB S-CCPCH_Ec/lor ± 0.1 dB PICH_Ec/lor ± 0.1 dB | Test 2: Values for \hat{I}_{or}/I_{oc} and I_{oc} are the same as 7.3 Uncertainties for S-CCPCH_Ec/lor and PICH_Ec/lor are the same as for DPCH_Ec/lor |
| 7.12 Detection of acquisition indicator (AI) | \hat{I}_{or}/I_{oc} ± 0.3 dB I_{oc} ± 1.0 dB AICH_Ec/lor ± 0.1 dB S-CCPCH_Ec/lor ± 0.1 dB | Values for \hat{I}_{or}/I_{oc} and I_{oc} are the same as 7.2 Uncertainty for AICH_Ec/lor and S-CCPCH_Ec/lor is the same as for DPCH_Ec/lor |
| 7.12A Detection of E-DCH Acquisition Indicator (E-AI) | \hat{I}_{or}/I_{oc} ± 0.3 dB I_{oc} ± 1.0 dB AICH_Ec/lor ± 0.1 dB E-AICH_Ec/lor ± 0.1 dB S-CCPCH_Ec/lor ± 0.1 dB | Values for \hat{I}_{or}/I_{oc} and I_{oc} are the same as 7.2 Uncertainty for AICH_Ec/lor, E-AICH and S-CCPCH_Ec/lor is the same as for DPCH_Ec/lor |
| 7.13 UE UL power control operation with discontinuous UL DPCH transmission operation | DL: lor $\pm [1.0]$ dB $\frac{F - DPCH - E_c}{I_{or}}$ $\pm [0.1]$ dB UL: For a greater than 3 dB range $\pm [0,3]$ dB | DL: Value for lor is same as for TC 7.7.2 test 1. Value for F-DPCh is same as TC for TC 7.8.5 UL: This accuracy is based on the linearity of the absolute power measurement of the test equipment. |

F.1.5 Requirements for support of RRM

Table F.1.5: Maximum Test System Uncertainty for Radio Resource Management Tests

| Clause | Maximum Test System Uncertainty | Derivation of Test System Uncertainty |
|---|---|---------------------------------------|
| 8.2 Idle Mode Tasks | | |
| 8.2.2 Cell Re-Selection | | |
| 8.2.2.1 Scenario 1: Single carrier case | <p><u>During T1 and T2:</u></p> $\frac{CPICH - E_c}{I_{or}} \quad \pm 0.1 \text{ dB}$ $I_{oc} \quad \pm 1.0 \text{ dB}$ <p><u>During T1:</u></p> $I_{or} (2) \quad \pm 0.7 \text{ dB}$ $I_{or} (1, 3, 4, 5, 6) \text{ relative to } I_{or} (2) \quad \pm 0.3 \text{ dB}$ <p><u>During T2:</u></p> $I_{or} (1) \quad \pm 0.7 \text{ dB}$ $I_{or} (2, 3, 4, 5, 6) \text{ relative to } I_{or} (1) \quad \pm 0.3 \text{ dB}$ <p>Assumptions:</p> <ul style="list-style-type: none"> a) The contributing uncertainties for $I_{or}(n)$, channel power ratio, and I_{oc} are derived according to ETR 273-1-2 [16], with a coverage factor of $k=2$. b) Within each cell, the uncertainty for $I_{or}(n)$, and channel power ratio are uncorrelated to each other. c) The relative uncertainties for $I_{or}(n)$ across different cells may have any amount of positive correlation from zero (uncorrelated) to one (fully correlated). d) Across different cells, the channel power ratio uncertainties may have any amount of positive correlation from zero (uncorrelated) to one (fully correlated). e) The uncertainty for I_{oc} and $I_{or}(n)$ may have any amount of positive correlation from zero (uncorrelated) to one (fully correlated). f) The absolute uncertainty of $I_{or}(2)$ at T1 and the relative uncertainty of $I_{or}(1, 3, 4, 5, 6)$, are uncorrelated to each other. Similarly, the absolute uncertainty of $I_{or}(1)$ at T2 and the relative uncertainty of $I_{or}(2, 3, 4, 5, 6)$, are uncorrelated to each other. <p>An explanation of correlation between uncertainties, and of the rationale behind the assumptions, is recorded in 3GPP TR 34 902 [24].</p> | |

| Clause | Maximum Test System Uncertainty | Derivation of Test System Uncertainty |
|--|--|---------------------------------------|
| 8.2.2.2 Scenario 2: Multi carrier case | <p><u>Channel 1 during T1 and T2:</u></p> $\frac{CPICH - E_c}{I_{or}} \quad \pm 0.1 \text{ dB}$ $I_{oc}(1) \quad \pm 1.0 \text{ dB}$ <p><u>Channel 1 during T1:</u></p> $I_{or}(1) \quad \pm 0.7 \text{ dB}$ <p>$I_{or}(3, 4)$ relative to $I_{or}(1)$ $\pm 0.3 \text{ dB}$</p> <p><u>Channel 1 during T2:</u></p> $I_{or}(1) \quad \pm 0.7 \text{ dB}$ <p>$I_{or}(3, 4)$ relative to $I_{or}(1)$ $\pm 0.3 \text{ dB}$</p> <p><u>Channel 2 during T1 and T2:</u></p> $\frac{CPICH - E_c}{I_{or}} \quad \pm 0.1 \text{ dB}$ $I_{oc}(2) \quad \pm 1.0 \text{ dB}$ <p><u>Channel 2 during T1:</u></p> $I_{or}(2) \quad \pm 0.7 \text{ dB}$ <p>$I_{or}(5, 6)$ relative to $I_{or}(2)$ $\pm 0.3 \text{ dB}$</p> <p><u>Channel 2 during T2:</u></p> $I_{or}(2) \quad \pm 0.7 \text{ dB}$ <p>$I_{or}(5, 6)$ relative to $I_{or}(2)$ $\pm 0.3 \text{ dB}$</p> <p>Assumptions: a) to e): Same as for the one-frequency test 8.2.2.1. f) The absolute uncertainty of $I_{or}(1)$ and the relative uncertainty of $I_{or}(3, 4)$, are uncorrelated to each other. Similarly, the absolute uncertainty of $I_{or}(2)$ and the relative uncertainty of $I_{or}(5, 6)$, are uncorrelated to each other. g) The absolute uncertainties for $I_{or}(1)$ and $I_{or}(2)$ may have any amount of positive correlation from zero (uncorrelated) to one (fully correlated). h) The absolute uncertainties for $I_{oc}(1)$ and $I_{oc}(2)$ may have any amount of positive correlation from zero (uncorrelated) to one (fully correlated). An explanation of correlation between uncertainties, and of the rationale behind the assumptions, is recorded in 3GPP TR 34 902 [24].</p> | |
| 8.2.3 UTRAN to GSM Cell Re-Selection | | |

| Clause | Maximum Test System Uncertainty | Derivation of Test System Uncertainty |
|--|--|---|
| 8.2.3.1 Scenario 1: Both UTRA and GSM level changed | \hat{I}_{or}/I_{oc} ± 0.3 dB $I_{oc}/RXLEV$ ± 0.5 dB I_{oc} ± 1.0 dB RXLEV ± 1.0 dB $\frac{CPICH - E_c}{I_{or}}$ ± 0.1 dB | 0.1 dB uncertainty in CPICH_Ec ratio 0.3 dB uncertainty in \hat{I}_{or}/I_{oc} based on power meter measurement after the combiner 0.5 dB uncertainty in loc/RXLEV based on power meter measurement after the combiner The absolute error of the AWGN is specified as 1.0 dB. The absolute error of the RXLEV is specified as 1.0 dB. |
| 8.2.3.2 Scenario 2: Only UTRA level changed | \hat{I}_{or}/I_{oc} ± 0.3 dB $I_{oc}/RXLEV$ ± 0.5 dB I_{oc} ± 1.0 dB RXLEV ± 1.0 dB $\frac{CPICH - E_c}{I_{or}}$ ± 0.1 dB | Same as 8.2.3.1 |
| 8.2.3.3 Scenario 3: HCS with only UTRA level changed | \hat{I}_{or}/I_{oc} ± 0.3 dB $I_{oc}/RXLEV$ ± 0.5 dB I_{oc} ± 1.0 dB RXLEV ± 1.0 dB $\frac{CPICH - E_c}{I_{or}}$ ± 0.1 dB | Same as 8.2.3.1 |
| 8.2.4 FDD/TDD cell re-selection | \hat{I}_{or}/I_{oc} ± 0.3 dB I_{oc} ± 1.0 dB I_{oc1}/I_{oc2} ± 0.3 dB $\frac{CPICH - E_c}{I_{or}}$ ± 0.1 dB For multi-band UE with Band I and VI I_{oc1}/I_{oc2} ± 0.5 dB | Same as 8.2.2.2 |
| 8.2.5 UTRA to E-UTRA Cell Re-Selection | | |

| Clause | Maximum Test System Uncertainty | Derivation of Test System Uncertainty |
|--------------------------------------|---|--|
| 8.2.5.1 E-UTRA is of higher priority | <u>UTRA cell</u> $I_{oc} \pm 0.7$ dB $I_{or} / I_{oc} \pm 0.3$ dB $CPICH E_c / I_{or} \pm 0.1$ dB <u>E-UTRA cell</u> $N_{oc} \pm 0.7$ dB averaged over BW_{Config} $\hat{E}_s / N_{oc} \pm 0.3$ dB averaged over BW_{Config} | Notes: I_{oc} is the AWGN on cell 1 (UTRA) frequency I_{or} / I_{oc} is the ratio of cell 1 signal / AWGN $CPICH E_c / I_{or}$ is the fraction of cell 1 power assigned to the CPICH Physical channel N_{oc} is the AWGN on cell 2 (E-UTRA) frequency \hat{E}_s / N_{oc} is the ratio of cell 2 signal / AWGN |
| 8.2.5.2 E-UTRA is of lower priority | Same as 8.2.5.1 | |
| 8.3 UTRAN Connected Mode Mobility | | |
| 8.3.1 FDD/FDD Soft Handover | <u>During T0/T1 and T2/T3/T4/T5/T6:</u> $\frac{CPICH - E_c}{I_{or}} \pm 0.1$ dB $I_{or}(1) \pm 0.7$ dB $I_{oc} \pm 1.0$ dB Relative delay of paths received from cell 2 with respect to cell 1: ± 0.5 chips <u>During T0/T1:</u> Already covered above <u>During T2/T3/T4/T5/T6:</u> $I_{or}(2)$ relative to $I_{or}(1) \pm 0.3$ dB Assumptions: a) The contributing uncertainties for $I_{or}(n)$, channel power ratio, and I_{oc} are derived according to ETR 273-1-2 [16], with a coverage factor of $k=2$. b) Within each cell, the uncertainty for $I_{or}(n)$, and channel power ratio are uncorrelated to each other. c) Across different cells, the channel power ratio uncertainties may have any amount of positive correlation from zero (uncorrelated) to one (fully correlated). d) The uncertainty for I_{oc} and $I_{or}(n)$ may have any amount of positive correlation from zero (uncorrelated) to one (fully correlated). e) The absolute uncertainty of $I_{or}(1)$ and the relative uncertainty of $I_{or}(2)$, are uncorrelated to each other. An explanation of correlation between uncertainties, and of the rationale behind the assumptions, is recorded in 3GPP TR 34 902 [24]. | |
| 8.3.2 FDD/FDD Hard Handover | | |

| Clause | Maximum Test System Uncertainty | Derivation of Test System Uncertainty |
|--|---|---------------------------------------|
| 8.3.2.1 Handover to intra-frequency cell | <p><u>During T1 and T2 / T3:</u></p> $\frac{CPICH - E_c}{I_{or}} \quad \pm 0.1 \text{ dB}$ $I_{or} (1) \quad \pm 0.7 \text{ dB}$ $I_{oc} \quad \pm 1.0 \text{ dB}$ <p><u>During T1:</u> Already covered above</p> <p><u>During T2 / T3:</u> $I_{or} (2)$ relative to $I_{or} (1) \pm 0.3 \text{ dB}$</p> <p>Assumptions:</p> <ul style="list-style-type: none"> a) The contributing uncertainties for $I_{or}(n)$, channel power ratio, and I_{oc} are derived according to ETR 273-1-2 [16], with a coverage factor of $k=2$. b) Within each cell, the uncertainty for $I_{or}(n)$, and channel power ratio are uncorrelated to each other. c) Across different cells, the channel power ratio uncertainties may have any amount of positive correlation from zero (uncorrelated) to one (fully correlated). d) The uncertainty for I_{oc} and $I_{or}(n)$ may have any amount of positive correlation from zero (uncorrelated) to one (fully correlated). e) The absolute uncertainty of $I_{or}(1)$ and the relative uncertainty of $I_{or}(2)$, are uncorrelated to each other. <p>An explanation of correlation between uncertainties, and of the rationale behind the assumptions, is recorded in 3GPP TR 34 902 [24].</p> | |
| 8.3.2.2 Handover to inter-frequency cell | <p><u>Channel 1 during T1 and T2 / T3:</u></p> $\frac{CPICH - E_c}{I_{or}} \quad \pm 0.1 \text{ dB}$ $I_{or} (1) \quad \pm 0.7 \text{ dB}$ $I_{oc} (1) \quad \pm 1.0 \text{ dB}$ <p><u>Channel 2 during T1 and T2 / T3:</u> $I_{oc} (2) \quad \pm 1.0 \text{ dB}$</p> <p><u>Channel 2 during T1:</u> Already covered above</p> <p><u>Channel 2 during T2 / T3:</u></p> $\frac{CPICH - E_c}{I_{or}} \quad \pm 0.1 \text{ dB}$ $I_{or} (2) \quad \pm 0.7 \text{ dB}$ | |

| Clause | Maximum Test System Uncertainty | Derivation of Test System Uncertainty |
|---|---|--|
| | Assumptions: a) The contributing uncertainties for $I_{or}(n)$, channel power ratio, and I_{oc} are derived according to ETR 273-1-2 [16], with a coverage factor of $k=2$. b) Within each cell, the uncertainty for $I_{or}(n)$, and channel power ratio are uncorrelated to each other. c) Across different cells, the channel power ratio uncertainties may have any amount of positive correlation from zero (uncorrelated) to one (fully correlated). d) The uncertainty for $I_{oc}(n)$ and $I_{or}(n)$ may have any amount of positive correlation from zero (uncorrelated) to one (fully correlated). e) The absolute uncertainties for $I_{or}(1)$ and $I_{or}(2)$ may have any amount of positive correlation from zero (uncorrelated) to one (fully correlated). f) The absolute uncertainties for $I_{oc}(1)$ and $I_{oc}(2)$ may have any amount of positive correlation from zero (uncorrelated) to one (fully correlated). An explanation of correlation between uncertainties, and of the rationale behind the assumptions, is recorded in 3GPP TR 34 902 [24]. | |
| 8.3.3 FDD/TDD Handover | TBD | |
| 8.3.4 Inter-system Handover from UTRAN FDD to GSM | \hat{I}_{or}/I_{oc} ± 0.3 dB $I_{oc}/RXLEV$ ± 0.5 dB I_{oc} ± 1.0 dB $RXLEV$ ± 1.0 dB $\frac{CPICH - E_c}{I_{or}}$ ± 0.1 dB | 0.1 dB uncertainty in CPICH_Ec ratio 0.3 dB uncertainty in \hat{I}_{or}/I_{oc} based on power meter measurement after the combiner 0.5 dB uncertainty in $I_{oc}/RXLEV$ based on power meter measurement after the combiner The absolute error of the AWGN is specified as 1.0 dB. The absolute error of the RXLEV is specified as 1.0 dB. |
| 8.3.4a Inter-system Handover from UTRAN FDD to E-UTRAN FDD | UTRA Cell: $I_{oc} \pm 0.7$ dB $I_{or}/I_{oc} \pm 0.3$ dB $CPICH E_c / I_{or} \pm 0.1$ dB EUTRA Cell: $N_{oc} \pm 0.7$ dB averaged over BW_{Config} $\hat{E}_s / N_{oc} \pm 0.3$ dB averaged over BW_{Config} | Notes: I_{oc} is the AWGN on cell 1 (UTRA) frequency I_{or}/I_{oc} is the ratio of cell 1 signal / AWGN $CPICH E_c / I_{or}$ is the fraction of cell 1 power assigned to the CPICH Physical channel N_{oc} is the AWGN on cell 2 frequency \hat{E}_s / N_{oc} is the ratio of cell 2 signal / AWGN |
| 8.3.4b Inter-system Handover from UTRAN FDD to E-UTRAN TDD | Same as 8.3.4a | Same as 8.3.4a |
| 8.3.4c Inter-system Handover from UTRAN FDD to E-UTRAN FDD: Unknown Target Cell | Same as 8.3.4a | Same as 8.3.4a |
| 8.3.4d Inter-system Handover from UTRAN FDD to E-UTRAN TDD; Unknown Target Cell | Same as 8.3.4a | Same as 8.3.4a |
| 8.3.5 Cell Re-selection in CELL_FACH | | |

| Clause | Maximum Test System Uncertainty | Derivation of Test System Uncertainty |
|---|---|---------------------------------------|
| 8.3.5.1 One frequency present in the neighbour list | <p>During T1 and T2:</p> $\frac{CPICH - E_c}{I_{or}} \quad \pm 0.1 \text{ dB}$ <p>$I_{oc} \quad \pm 1.0 \text{ dB}$</p> <p>During T1:</p> <p>$I_{or} (2) \quad \pm 0.7 \text{ dB}$</p> <p>$I_{or} (1, 3, 4, 5, 6)$ relative to $I_{or} (2) \quad \pm 0.3 \text{ dB}$</p> <p>During T2:</p> <p>$I_{or} (1) \quad \pm 0.7 \text{ dB}$</p> <p>$I_{or} (2, 3, 4, 5, 6)$ relative to $I_{or} (1) \quad \pm 0.3 \text{ dB}$</p> <p>Assumptions:</p> <p>a) The contributing uncertainties for $I_{or}(n)$, channel power ratio, and I_{oc} are derived according to ETR 273-1-2 [16], with a coverage factor of $k=2$.</p> <p>b) Within each cell, the uncertainty for $I_{or}(n)$, and channel power ratio are uncorrelated to each other.</p> <p>c) The relative uncertainties for $I_{or}(n)$ across different cells may have any amount of positive correlation from zero (uncorrelated) to one (fully correlated).</p> <p>d) Across different cells, the channel power ratio uncertainties may have any amount of positive correlation from zero (uncorrelated) to one (fully correlated).</p> <p>e) The uncertainty for I_{oc} and $I_{or}(n)$ may have any amount of positive correlation from zero (uncorrelated) to one (fully correlated).</p> <p>f) The absolute uncertainty of $I_{or}(2)$ at T1 and the relative uncertainty of $I_{or}(1, 3, 4, 5, 6)$, are uncorrelated to each other. Similarly, the absolute uncertainty of $I_{or}(1)$ at T2 and the relative uncertainty of $I_{or}(2, 3, 4, 5, 6)$, are uncorrelated to each other.</p> <p>An explanation of correlation between uncertainties, and of the rationale behind the assumptions, is recorded in 3GPP TR 34 902 [24].</p> | |

| Clause | Maximum Test System Uncertainty | Derivation of Test System Uncertainty |
|---|---|---------------------------------------|
| 8.3.5.2 Two frequencies present in the neighbour list | <p><u>Channel 1 during T1 and T2:</u></p> $\frac{CPICH - E_c}{I_{or}} \quad \pm 0.1 \text{ dB}$ <p>$I_{oc}(1) \quad \pm 1.0 \text{ dB}$</p> <p><u>Channel 1 during T1:</u></p> $I_{or}(1) \quad \pm 0.7 \text{ dB}$ <p>$I_{or}(3, 4) \text{ relative to } I_{or}(1) \quad \pm 0.3 \text{ dB}$</p> <p><u>Channel 1 during T2:</u></p> $I_{or}(1) \quad \pm 0.7 \text{ dB}$ <p>$I_{or}(3, 4) \text{ relative to } I_{or}(1) \quad \pm 0.3 \text{ dB}$</p> <p><u>Channel 2 during T1 and T2:</u></p> $\frac{CPICH - E_c}{I_{or}} \quad \pm 0.1 \text{ dB}$ <p>$I_{oc}(2) \quad \pm 1.0 \text{ dB}$</p> <p><u>Channel 2 during T1:</u></p> $I_{or}(2) \quad \pm 0.7 \text{ dB}$ <p>$I_{or}(5, 6) \text{ relative to } I_{or}(2) \quad \pm 0.3 \text{ dB}$</p> <p><u>Channel 2 during T2:</u></p> $I_{or}(2) \quad \pm 0.7 \text{ dB}$ <p>$I_{or}(5, 6) \text{ relative to } I_{or}(2) \quad \pm 0.3 \text{ dB}$</p> | |
| | <p>Assumptions:</p> <p>a) to e): Same as for the one-frequency test 8.3.5.1.</p> <p>f) The absolute uncertainty of $I_{or}(1)$ and the relative uncertainty of $I_{or}(3, 4)$, are uncorrelated to each other. Similarly, the absolute uncertainty of $I_{or}(2)$ and the relative uncertainty of $I_{or}(5, 6)$, are uncorrelated to each other.</p> <p>g) The absolute uncertainties for $I_{or}(1)$ and $I_{or}(2)$ may have any amount of positive correlation from zero (uncorrelated) to one (fully correlated).</p> <p>h) The absolute uncertainties for $I_{oc}(1)$ and $I_{oc}(2)$ may have any amount of positive correlation from zero (uncorrelated) to one (fully correlated).</p> <p>An explanation of correlation between uncertainties, and of the rationale behind the assumptions is recorded in 3GPP TR 34 902 [24].</p> | |

| Clause | Maximum Test System Uncertainty | Derivation of Test System Uncertainty |
|--|---|---|
| 8.3.5.3 Cell Re-selection to GSM | \hat{I}_{or}/I_{oc} ± 0.3 dB $I_{oc}/RXLEV$ ± 0.5 dB I_{oc} ± 1.0 dB RXLEV ± 1.0 dB $\frac{CPICH - E_c}{I_{or}}$ ± 0.1 dB | 0.1 dB uncertainty in CPICH_Ec ratio 0.3 dB uncertainty in \hat{I}_{or}/I_{oc} based on power meter measurement after the combiner 0.5 dB uncertainty in loc/RXLEV based on power meter measurement after the combiner The absolute error of the AWGN is specified as 1.0 dB. The absolute error of the RXLEV is specified as 1.0 dB. |
| 8.3.5.4 Cell Reselection during an MBMS session, two frequencies present in neighbour list | <u>Channel 1 during T2 and T3:</u> $\frac{CPICH - E_c}{I_{or}}$ ± 0.1 dB $I_{or}(1)$ ± 0.7 dB <u>Channel 1 during T1, T2 and T3:</u> $I_{oc}(1)$ ± 1.0 dB <u>Channel 2 during T1, T2 and T3:</u> $\frac{CPICH - E_c}{I_{or}}$ ± 0.1 dB $I_{oc}(2)$ ± 1.0 dB $I_{or}(2)$ ± 0.7 dB | |
| | Assumptions: a) The contributing uncertainties for $I_{or}(n)$, channel power ratio, and I_{oc} are derived according to ETR 273-1-2 [16], with a coverage factor of $k=2$. b) Within each cell, the uncertainty for $I_{or}(n)$, and channel power ratio are uncorrelated to each other. c) Across different cells, the channel power ratio uncertainties may have any amount of positive correlation from zero (uncorrelated) to one (fully correlated). d) The uncertainty for $I_{oc}(n)$ and $I_{or}(n)$ may have any amount of positive correlation from zero (uncorrelated) to one (fully correlated). e) The absolute uncertainties for $I_{or}(1)$ and $I_{or}(2)$ may have any amount of positive correlation from zero (uncorrelated) to one (fully correlated). f) The absolute uncertainties for $I_{oc}(1)$ and $I_{oc}(2)$ may have any amount of positive correlation from zero (uncorrelated) to one (fully correlated). An explanation of correlation between uncertainties, and of the rationale behind the assumptions, is recorded in 3GPP TR 34 902 [24]. | |
| 8.3.6 Cell Re-selection in CELL_PCH | | |
| 8.3.6.1 One frequency present in the neighbour list | Same as 8.2.2.1 | Same as 8.2.2.1 |
| 8.3.6.2 Two frequencies present in the neighbour list | Same as 8.2.2.2 | Same as 8.2.2.2 |

| Clause | Maximum Test System Uncertainty | Derivation of Test System Uncertainty |
|--|--|---|
| <p>8.3.6.3 Cell re-selection during an MBMS session, one UTRAN inter-frequency and 2 GSM cells present in the neighbour list</p> | <p><u>Channel 1 during T2:</u></p> $\frac{CPICH - E_c}{I_{or}} \quad \pm 0.1 \text{ dB}$ $I_{or} (1) \quad \pm 0.7 \text{ dB}$ <p><u>Channel 1 during T1, T2 and T3:</u></p> $I_{oc} (1) \quad \pm 1.0 \text{ dB}$ <p><u>Channel 2 during T1, T2 and T3:</u></p> $\frac{CPICH - E_c}{I_{or}} \quad \pm 0.1 \text{ dB}$ $I_{oc} (2) \quad \pm 1.0 \text{ dB}$ $I_{or} (2) \quad \pm 0.7 \text{ dB}$ $\hat{I}_{or}/I_{oc} \quad \pm 0.3 \text{ dB}$ <p><u>GSM during T2:</u></p> $I_{oc} (2)/RXLEV 1 \quad \pm 0.5 \text{ dB}$ $RXLEV1 \quad \pm 1.0 \text{ dB}$ $I_{oc} (2)/RXLEV 2 \quad \pm 0.5 \text{ dB}$ $RXLEV2 \quad \pm 1.0 \text{ dB}$ <p><u>GSM during T3:</u></p> $I_{oc} (2)/RXLEV 2 \quad \pm 0.5 \text{ dB}$ $RXLEV2 \quad \pm 1.0 \text{ dB}$ | <p>0.3 dB uncertainty in \hat{I}_{or}/I_{oc} based on power meter measurement after the combiner</p> <p>0.5 dB uncertainty in loc/RXLEV based on power meter measurement after the combiner</p> <p>The absolute error of the AWGN is specified as 1.0 dB.</p> <p>The absolute error of the RXLEV is specified as 1.0 dB.</p> |
| | <p>Assumptions:</p> <ul style="list-style-type: none"> a) The contributing uncertainties for $I_{or}(n)$, channel power ratio, and I_{oc} are derived according to ETR 273-1-2 [16], with a coverage factor of $k=2$. b) Within each cell, the uncertainty for $I_{or}(n)$, and channel power ratio are uncorrelated to each other. c) Across different cells, the channel power ratio uncertainties may have any amount of positive correlation from zero (uncorrelated) to one (fully correlated). d) The uncertainty for $I_{oc}(n)$ and $I_{or}(n)$ may have any amount of positive correlation from zero (uncorrelated) to one (fully correlated). e) The absolute uncertainties for $I_{or}(1)$ and $I_{or}(2)$ may have any amount of positive correlation from zero (uncorrelated) to one (fully correlated). f) The absolute uncertainties for $I_{oc}(1)$ and $I_{oc}(2)$ may have any amount of positive correlation from zero (uncorrelated) to one (fully correlated). <p>An explanation of correlation between uncertainties, and of the rationale behind the assumptions, is recorded in 3GPP TR 34 902 [24].</p> | |
| <p>8.3.7 Cell Re-selection in URA_PCH</p> | | |
| <p>8.3.7.1 One frequency present in the neighbour list</p> | <p>Same as 8.2.2.1</p> | <p>Same as 8.2.2.1</p> |
| <p>8.3.7.2 Two frequencies present in the neighbour list</p> | <p>Same as 8.2.2.2</p> | <p>Same as 8.2.2.2</p> |

| Clause | Maximum Test System Uncertainty | Derivation of Test System Uncertainty |
|--|--|---------------------------------------|
| 8.3.8 Serving HS-DSCH cell change | <p><u>During T0 and T1/T2/T3/T4:</u></p> $\frac{CPICH - E_c}{I_{or}} \quad \pm 0.1 \text{ dB}$ $I_{or}(1) \quad \pm 0.7 \text{ dB}$ $I_{oc} \quad \pm 1.0 \text{ dB}$ <p>Relative delay of paths received from cell 2 with respect to cell 1: ± 0.5 chips</p> <p><u>During T0:</u> Already covered above</p> <p><u>During T1/T2/T3/T4:</u> $I_{or}(2)$ relative to $I_{or}(1) \pm 0.3$ dB</p> <p>Assumptions:</p> <p>a) The contributing uncertainties for $I_{or}(n)$, channel power ratio, and I_{oc} are derived according to ETR 273-1-2 [16], with a coverage factor of $k=2$.</p> <p>b) Within each cell, the uncertainty for $I_{or}(n)$, and channel power ratio are uncorrelated to each other.</p> <p>c) Across different cells, the channel power ratio uncertainties may have any amount of positive correlation from zero (uncorrelated) to one (fully correlated).</p> <p>d) The uncertainty for I_{oc} and $I_{or}(n)$ may have any amount of positive correlation from zero (uncorrelated) to one (fully correlated).</p> <p>e) The absolute uncertainty of $I_{or}(1)$ and the relative uncertainty of $I_{or}(2)$, are uncorrelated to each other.</p> <p>An explanation of correlation between uncertainties, and of the rationale behind the assumptions, is recorded in 3GPP TR 34 902 [24].</p> | |
| 8.3.9 Enhanced Serving HS-DSCH cell change | <p><u>During T1/T2/T3/T4:</u></p> $\frac{CPICH - E_c}{I_{or}} \quad \pm 0.1 \text{ dB}$ $I_{or}(1) \quad \pm 0.7 \text{ dB}$ $I_{or}(2) \text{ relative to } I_{or}(1) \pm 0.3 \text{ dB}$ $I_{oc} \quad \pm 1.0 \text{ dB}$ <p>Relative delay of paths received from cell 2 with respect to cell 1: ± 0.5 chips</p> <p>Assumptions:</p> <p>a) The contributing uncertainties for $I_{or}(n)$, channel power ratio, and I_{oc} are derived according to ETR 273-1-2 [16], with a coverage factor of $k=2$.</p> <p>b) Within each cell, the uncertainty for $I_{or}(n)$, and channel power ratio are uncorrelated to each other.</p> <p>c) Across different cells, the channel power ratio uncertainties may have any amount of positive correlation from zero (uncorrelated) to one (fully correlated).</p> <p>d) The uncertainty for I_{oc} and $I_{or}(n)$ may have any amount of positive correlation from zero (uncorrelated) to one (fully correlated).</p> <p>e) The absolute uncertainty of $I_{or}(1)$ and the relative uncertainty of $I_{or}(2)$, are uncorrelated to each other.</p> <p>An explanation of correlation between uncertainties, and of the rationale behind the assumptions, is recorded in 3GPP TR 34 902 [24].</p> | |
| 8.3.10 System information acquisition for CSG cell | | |

| Clause | Maximum Test System Uncertainty | Derivation of Test System Uncertainty |
|---|--|---------------------------------------|
| <p>8.3.10.1 Intrafrequency System information acquisition for CSG cell</p> | <p><u>During T1 / T2:</u> $\frac{CPICH - E_c}{I_{or}} \quad \pm 0.1 \text{ dB}$ $I_{or} (1) \quad \pm 0.7 \text{ dB}$ $I_{oc} \quad \pm 1.0 \text{ dB}$</p> <p><u>During T1:</u> Already covered above</p> <p><u>During T2:</u> $I_{or} (2) \text{ relative to } I_{or} (1) \pm 0.3 \text{ dB}$</p> <p>Assumptions: a) The contributing uncertainties for $I_{or}(n)$, channel power ratio, and I_{oc} are derived according to ETR 273-1-2 [16], with a coverage factor of $k=2$. b) Within each cell, the uncertainty for $I_{or}(n)$, and channel power ratio are uncorrelated to each other. c) Across different cells, the channel power ratio uncertainties may have any amount of positive correlation from zero (uncorrelated) to one (fully correlated). d) The uncertainty for I_{oc} and $I_{or}(n)$ may have any amount of positive correlation from zero (uncorrelated) to one (fully correlated). e) The absolute uncertainty of $I_{or}(1)$ and the relative uncertainty of $I_{or}(2)$, are uncorrelated to each other. An explanation of correlation between uncertainties, and of the rationale behind the assumptions, is recorded in 3GPP TR 34 902 [24].</p> | |
| <p>8.3.10.2 Inter frequency System information acquisition for CSG cell</p> | <p><u>Channel 1 during T1 and T2 / T3:</u> $\frac{CPICH - E_c}{I_{or}} \quad \pm 0.1 \text{ dB}$ $I_{or} (1) \quad \pm 0.7 \text{ dB}$ $I_{oc} (1) \quad \pm 1.0 \text{ dB}$</p> <p><u>Channel 2 during T1 and T2 / T3:</u> $I_{oc} (2) \quad \pm 1.0 \text{ dB}$</p> <p><u>Channel 2 during T1:</u> Already covered above</p> <p><u>Channel 2 during T2 / T3:</u> $\frac{CPICH - E_c}{I_{or}} \quad \pm 0.1 \text{ dB}$ $I_{or} (2) \quad \pm 0.7 \text{ dB}$</p> | |

| Clause | Maximum Test System Uncertainty | Derivation of Test System Uncertainty |
|----------------------------------|--|--|
| | <p>Assumptions:</p> <ul style="list-style-type: none"> a) The contributing uncertainties for $I_{or}(n)$, channel power ratio, and I_{oc} are derived according to ETR 273-1-2 [16], with a coverage factor of $k=2$. b) Within each cell, the uncertainty for $I_{or}(n)$, and channel power ratio are uncorrelated to each other. c) Across different cells, the channel power ratio uncertainties may have any amount of positive correlation from zero (uncorrelated) to one (fully correlated). d) The uncertainty for $I_{oc}(n)$ and $I_{or}(n)$ may have any amount of positive correlation from zero (uncorrelated) to one (fully correlated). e) The absolute uncertainties for $I_{or}(1)$ and $I_{or}(2)$ may have any amount of positive correlation from zero (uncorrelated) to one (fully correlated). f) The absolute uncertainties for $I_{oc}(1)$ and $I_{oc}(2)$ may have any amount of positive correlation from zero (uncorrelated) to one (fully correlated). <p>An explanation of correlation between uncertainties, and of the rationale behind the assumptions, is recorded in 3GPP TR 34 902 [24].</p> | |
| 8.4 RRC Connection Control | | |
| 8.4.1 RRC Re-establishment delay | <p>Settings.</p> $\hat{I}_{or}/I_{oc} \quad \pm 0.3 \text{ dB}$ $I_{oc} \quad \pm 1.0 \text{ dB}$ $\frac{CPICH - E_c}{I_{or}} \quad \pm 0.1 \text{ dB}$ | <p>0.1 dB uncertainty in CPICH_Ec ratio</p> <p>0.3 dB uncertainty in \hat{I}_{or}/I_{oc} based on power meter measurement after the combiner</p> <p>Overall error is the sum of the \hat{I}_{or}/I_{oc} ratio error and the CPICH_Ec/Ior ratio.</p> <p>The absolute error of the AWGN is specified as 1.0 dB</p> |

| Clause | Maximum Test System Uncertainty | Derivation of Test System Uncertainty |
|---|---|---|
| 8.4.2 Random Access | Settings. \hat{I}_{or}/I_{oc} ± 0.3 dB I_{oc} ± 1.0 dB $\frac{AICH - E_c}{I_{or}}$ ± 0.1 dB Measurements: Power difference. ± 1 dB Maximum Power: same as 5.5.2 | 0.1 dB uncertainty in AICH_Ec ratio 0.3 dB uncertainty in \hat{I}_{or}/I_{oc} based on power meter measurement after the combiner Overall error is the sum of the \hat{I}_{or}/I_{oc} ratio error and the AICH_Ec/Ior ratio. The absolute error of the AWGN is specified as 1.0 dB Power difference: Assume symmetric meas error ± 1.0 dB comprising RSS of: -0.7 dB downlink error plus -0.7 dB meas error. Maximum Power: Assume asymmetric meas error -1.0 dB / 0.7 dB comprising RSS of: -0.7 dB downlink error plus -0.7 dB meas error, and +0.7 dB for upper limit |
| 8.4.3 Transport format combination selection in UE | $\frac{DPCH - E_c}{I_{or}}$ ± 0.1 dB | 0.1 dB uncertainty in DPCH_Ec ratio |
| 8.4.4 E-TFC restriction in UE 8.4.4.1 10ms TTI E-DCH E-TFC restriction | $\frac{E_c}{I_{or}}$ ± 0.1 dB I_{or} ± 0.7 dB DPCCH code domain absolute power measurement uncertainty ± 0.9 dB | 0.1 dB uncertainty in Ec/Ior ratio Absolute power uncertainty (all codes together) ± 0.7 dB, relative code domain power uncertainty ± 0.5 dB, These are uncorrelated so can be combined RSS. Overall error is $(0.5^2 + 0.7^2)^{0.5} = 0.9$ dB, |
| 8.4.4.2 2ms TTI E-DCH E-TFC restriction | $\frac{E_c}{I_{or}}$ ± 0.1 dB I_{or} ± 0.7 dB DPCCH code domain absolute power measurement uncertainty ± 0.9 dB | 0.1 dB uncertainty in Ec/Ior ratio Same as 8.4.4.1 |
| 8.5 Timing and Signalling Characteristics | | |

| Clause | Maximum Test System Uncertainty | Derivation of Test System Uncertainty |
|---|---|---|
| 8.5.1 UE Transmit Timing | I_{or} ±1.0 dB I_{or1}/I_{or2} ±0.3 dB $\frac{DPCH - E_c}{I_{or}}$ ±0.1 dB $\frac{CPICH - E_c}{I_{or}}$ ±0.1 dB Rx-Tx Timing Accuracy ±0.5 chips Tx-Tx Timing Accuracy ±0.25 chips | 0.1 dB uncertainty in DPCH_Ec ratio 0.3 dB uncertainty in lor1/lor2 based on power meter measurement after the combiner The absolute error of the lor is specified as 1.0 dB. |
| 8.6 UE Measurements Procedures | | |
| 8.6.1 FDD intra frequency measurements | | |
| 8.6.1.1 Event triggered reporting in AWGN propagation conditions (R99) | <u>During T1/T4 and T2/T3:</u> $\frac{CPICH - E_c}{I_{or}}$ ±0.1 dB $I_{or} (1)$ ±0.7 dB I_{oc} ±1.0 dB <u>During T1/T4 only:</u> Already covered above <u>During T2/T3 only:</u> $I_{or} (2)$ relative to $I_{or} (1)$ ±0.3 dB | |
| 8.6.1.1A Event triggered reporting in AWGN propagation conditions (Rel-4 and later) | <u>During T1/T3 and T2:</u> $\frac{CPICH - E_c}{I_{or}}$ ±0.1 dB $I_{or} (1)$ ±0.7 dB I_{oc} ±1.0 dB <u>During T1/T3 only:</u> Already covered above <u>During T2 only:</u> $I_{or} (2)$ relative to $I_{or} (1)$ ±0.3 dB | |
| 8.6.1.1 and 8.6.1.1A | Assumptions: a) The contributing uncertainties for lor(n), channel power ratio, and loc are derived according to ETR 273-1-2 [16], with a coverage factor of k=2. b) Within each cell, the uncertainty for lor(n), and channel power ratio are uncorrelated to each other. c) Across different cells, the channel power ratio uncertainties may have any amount of positive correlation from zero (uncorrelated) to one (fully correlated). d) The uncertainty for loc and lor(n) may have any amount of positive correlation from zero (uncorrelated) to one (fully correlated). e) The absolute uncertainty of lor(1) and the relative uncertainty of lor(2), are uncorrelated to each other. An explanation of correlation between uncertainties, and of the rationale behind the assumptions, is recorded in 3GPP TR 34 902 [24]. | |

| Clause | Maximum Test System Uncertainty | Derivation of Test System Uncertainty |
|--|---|---------------------------------------|
| <p>8.6.1.2 Event triggered reporting of multiple neighbours in AWGN propagation condition (R99)</p> | <p><u>During T0 to T6:</u> $\frac{CPICH - E_c}{I_{or}} \quad \pm 0.1 \text{ dB}$ $I_{or} (1) \quad \pm 0.7 \text{ dB}$ $I_{oc} \quad \pm 1.0 \text{ dB}$</p> <p><u>During T1/T2, T3 and T6:</u> $I_{or} (3) \text{ relative to } I_{or} (1) \pm 0.3 \text{ dB}$</p> <p><u>During T3, T4/T5 and T6:</u> $I_{or} (2) \text{ relative to } I_{or} (1) \pm 0.3 \text{ dB}$</p> <p>Assumptions: a) The contributing uncertainties for lor(n), channel power ratio, and loc are derived according to ETR 273-1-2 [4], with a coverage factor of k=2. b) Within each cell, the uncertainty for lor(n), and channel power ratio are uncorrelated to each other. c) The relative uncertainties for lor(n) across different cells may have any amount of positive correlation from zero (uncorrelated) to one (fully correlated). d) Across different cells, the channel power ratio uncertainties may have any amount of positive correlation from zero (uncorrelated) to one (fully correlated). e) The uncertainty for loc and lor(1) may have any amount of positive correlation from zero (uncorrelated) to one (fully correlated). f) The absolute uncertainty of lor(1) and the relative uncertainty of lor(2, 3), are uncorrelated to each other.</p> | |
| <p>8.6.1.2A Event triggered reporting of multiple neighbours in AWGN propagation condition (Rel-4 and later)</p> | <p><u>During T0 to T4:</u> $\frac{CPICH - E_c}{I_{or}} \quad \pm 0.1 \text{ dB}$ $I_{or} (1) \quad \pm 0.7 \text{ dB}$ $I_{oc} \quad \pm 1.0 \text{ dB}$</p> <p><u>During T1, T2 and T4:</u> $I_{or} (3) \text{ relative to } I_{or} (1) \pm 0.3 \text{ dB}$</p> <p><u>During T2, T3 and T4:</u> $I_{or} (2) \text{ relative to } I_{or} (1) \pm 0.3 \text{ dB}$</p> <p>Assumptions: Same as 8.6.1.2</p> | |
| <p>8.6.1.3 Event triggered reporting of two detectable neighbours in AWGN propagation condition (R99)</p> | <p><u>During T0 to T5:</u> $\frac{CPICH - E_c}{I_{or}} \quad \pm 0.1 \text{ dB}$ $I_{or} (1) \quad \pm 0.7 \text{ dB}$ $I_{oc} \quad \pm 1.0 \text{ dB}$</p> <p><u>During T1, T2/T3, T4 and T5:</u> $I_{or} (3) \text{ relative to } I_{or} (1) \pm 0.3 \text{ dB}$</p> <p><u>During T2/T3, T4 and T5:</u> $I_{or} (2) \text{ relative to } I_{or} (1) \pm 0.3 \text{ dB}$</p> | |

| Clause | Maximum Test System Uncertainty | Derivation of Test System Uncertainty |
|---|--|---------------------------------------|
| 8.6.1.3A Event triggered reporting of two detectable neighbours in AWGN propagation condition (Rel-4 and later) | <p><u>During T0 to T4:</u></p> $\frac{CPICH - E_c}{I_{or}} \quad \pm 0.1 \text{ dB}$ $I_{or}(1) \quad \pm 0.7 \text{ dB}$ $I_{oc} \quad \pm 1.0 \text{ dB}$ <p><u>During T1, T2, T3 and T4:</u></p> $I_{or}(3) \text{ relative to } I_{or}(1) \pm 0.3 \text{ dB}$ <p><u>During T2, T3 and T4:</u></p> $I_{or}(2) \text{ relative to } I_{or}(1) \pm 0.3 \text{ dB}$ | |
| | <p>Assumptions:</p> <ul style="list-style-type: none"> a) The contributing uncertainties for $I_{or}(n)$, channel power ratio, and I_{oc} are derived according to ETR 273-1-2 [4], with a coverage factor of $k=2$. b) Within each cell, the uncertainty for $I_{or}(n)$, and channel power ratio are uncorrelated to each other. c) The relative uncertainties for $I_{or}(n)$ across different cells may have any amount of positive correlation from zero (uncorrelated) to one (fully correlated). d) Across different cells, the channel power ratio uncertainties may have any amount of positive correlation from zero (uncorrelated) to one (fully correlated). e) The uncertainty for I_{oc} and $I_{or}(1)$ may have any amount of positive correlation from zero (uncorrelated) to one (fully correlated). f) The absolute uncertainty of $I_{or}(1)$ and the relative uncertainty of $I_{or}(2, 3)$, are uncorrelated to each other. <p>An explanation of correlation between uncertainties, and of the rationale behind the assumptions, is recorded in 3GPP TR 34 902 [24].</p> | |
| 8.6.1.4A Correct reporting of neighbours in fading propagation condition (Rel-4 and later) | <p><u>During T1 and T2:</u></p> $\frac{CPICH - E_c}{I_{or}} \quad \pm 0.1 \text{ dB}$ $I_{or}(1) \quad \pm 0.7 \text{ dB}$ $I_{oc} \quad \pm 1.0 \text{ dB}$ <p><u>During T1 and T2:</u></p> $I_{or}(2) \text{ relative to } I_{or}(1) \pm 0.3 \text{ dB}$ | |
| 8.6.1.4A | <p>Assumptions:</p> <ul style="list-style-type: none"> a) The contributing uncertainties for $I_{or}(n)$, channel power ratio, and I_{oc} are derived according to ETR 273-1-2 [16], with a coverage factor of $k=2$. b) Within each cell, the uncertainty for $I_{or}(n)$, and channel power ratio are uncorrelated to each other. c) Across different cells, the channel power ratio uncertainties may have any amount of positive correlation from zero (uncorrelated) to one (fully correlated). d) The uncertainty for I_{oc} and $I_{or}(n)$ may have any amount of positive correlation from zero (uncorrelated) to one (fully correlated). e) The absolute uncertainty of $I_{or}(1)$ and the relative uncertainty of $I_{or}(2)$, are uncorrelated to each other. <p>An explanation of correlation between uncertainties, and of the rationale behind the assumptions, is recorded in 3GPP TR 34 902 [24].</p> | |

| Clause | Maximum Test System Uncertainty | Derivation of Test System Uncertainty |
|--|--|---------------------------------------|
| 8.6.1.5 Event triggered reporting of multiple neighbour cells in Case 1 fading condition | <p><u>During T1 and T2:</u></p> $\frac{CPICH - E_c}{I_{or}} \quad \pm 0.1 \text{ dB}$ $I_{or}(1) \quad \pm 0.7 \text{ dB}$ $I_{oc} \quad \pm 1.0 \text{ dB}$ <p><u>During T1 and T2:</u></p> $I_{or}(2) \text{ relative to } I_{or}(1) \pm 0.3 \text{ dB}$ <p>Assumptions:</p> <p>a) The contributing uncertainties for $I_{or}(n)$, channel power ratio, and I_{oc} are derived according to ETR 273-1-2 [4], with a coverage factor of $k=2$.</p> <p>b) Within each cell, the uncertainty for $I_{or}(n)$, and channel power ratio are uncorrelated to each other.</p> <p>c) The relative uncertainties for $I_{or}(n)$ across different cells may have any amount of positive correlation from zero (uncorrelated) to one (fully correlated).</p> <p>d) Across different cells, the channel power ratio uncertainties may have any amount of positive correlation from zero (uncorrelated) to one (fully correlated).</p> <p>e) The uncertainty for I_{oc} and $I_{or}(1)$ may have any amount of positive correlation from zero (uncorrelated) to one (fully correlated).</p> <p>f) The absolute uncertainty of $I_{or}(1)$ and the relative uncertainty of $I_{or}(2)$, are uncorrelated to each other.</p> <p>An explanation of correlation between uncertainties, and of the rationale behind the assumptions, is recorded in 3GPP TR 34 902 [24].</p> | |
| 8.6.1.6 Event triggered reporting of multiple neighbour cells in Case 3 fading condition | <p><u>During T1 and T2:</u></p> $\frac{CPICH - E_c}{I_{or}} \quad \pm 0.1 \text{ dB}$ $I_{or}(1) \quad \pm 0.7 \text{ dB}$ $I_{oc} \quad \pm 1.0 \text{ dB}$ <p><u>During T1 and T2:</u></p> $I_{or}(2) \text{ relative to } I_{or}(1) \pm 0.3 \text{ dB}$ | |

| Clause | Maximum Test System Uncertainty | Derivation of Test System Uncertainty |
|---|--|---------------------------------------|
| | <p>Assumptions:</p> <ul style="list-style-type: none"> a) The contributing uncertainties for $I_{or}(n)$, channel power ratio, and I_{oc} are derived according to ETR 273-1-2 [4], with a coverage factor of $k=2$. b) Within each cell, the uncertainty for $I_{or}(n)$, and channel power ratio are uncorrelated to each other. c) The relative uncertainties for $I_{or}(n)$ across different cells may have any amount of positive correlation from zero (uncorrelated) to one (fully correlated). d) Across different cells, the channel power ratio uncertainties may have any amount of positive correlation from zero (uncorrelated) to one (fully correlated). e) The uncertainty for I_{oc} and $I_{or}(1)$ may have any amount of positive correlation from zero (uncorrelated) to one (fully correlated). f) The absolute uncertainty of $I_{or}(1)$ and the relative uncertainty of $I_{or}(2)$, are uncorrelated to each other. <p>An explanation of correlation between uncertainties, and of the rationale behind the assumptions, is recorded in 3GPP TR 34 902 [24].</p> | |
| 8.6.2 FDD inter frequency measurements | | |
| 8.6.2.1 Correct reporting of neighbours in AWGN propagation condition (Release 5 and earlier) | <p>Channel 1 <u>during T0, T1 and T2:</u></p> $\frac{CPICH - E_c}{I_{or}} \quad \pm 0.1 \text{ dB}$ $I_{oc} \quad \pm 1.0 \text{ dB}$ $I_{or}(1) \quad \pm 0.7 \text{ dB}$ <p><u>Channel 1 during T2:</u></p> $I_{or}(2) \text{ relative to } I_{or}(1) \pm 0.3 \text{ dB}$ <p>Channel 2 <u>during T0, T1 and T2:</u></p> $I_{oc} \quad \pm 1.0 \text{ dB}$ <p>Channel 2 <u>during T1 and T2:</u></p> $I_{or}(3) \quad \pm 0.7 \text{ dB}$ $\frac{CPICH - E_c}{I_{or}} \quad \pm 0.1 \text{ dB}$ | |

| Clause | Maximum Test System Uncertainty | Derivation of Test System Uncertainty |
|--|--|---------------------------------------|
| | Assumptions: a) The contributing uncertainties for $I_{or}(n)$, channel power ratio, and I_{oc} are derived according to ETR 273-1-2 [16], with a coverage factor of $k=2$. b) Within each cell, the uncertainty for $I_{or}(n)$, and channel power ratio are uncorrelated to each other. c) Across different cells, the channel power ratio uncertainties may have any amount of positive correlation from zero (uncorrelated) to one (fully correlated) d) The uncertainty for I_{oc} and $I_{or}(n)$ may have any amount of positive correlation from zero (uncorrelated) to one (fully correlated). e) The absolute uncertainty of $I_{or}(1)$ and the relative uncertainty of $I_{or}(2)$, are uncorrelated to each other. f) The absolute uncertainties for $I_{or}(1)$ and $I_{or}(3)$ may have any amount of positive correlation from zero (uncorrelated) to one (fully correlated). g) The absolute uncertainties for $I_{oc}(1)$ and $I_{oc}(2)$ may have any amount of positive correlation from zero (uncorrelated) to one (fully correlated). An explanation of correlation between uncertainties, and of the rationale behind the assumptions, is recorded in 3GPP TR 34 902 [24]. | |
| 8.6.2.1A Correct reporting of neighbours in AWGN propagation condition (Release 6 and later) | Same as 8.6.2.1 | Same as 8.6.2.1 |
| 8.6.2.2 Correct reporting of neighbours in Fading propagation condition (Release 5 only) | <p><u>Channel 1 during T1 and T2:</u></p> $\frac{CPICH - E_c}{I_{or}} \quad \pm 0.1 \text{ dB}$ $I_{or}(1) \quad \pm 0.7 \text{ dB}$ $I_{oc}(1) \quad \pm 1.0 \text{ dB}$ <p><u>Channel 2 during T1 and T2:</u></p> $I_{oc}(2) \quad \pm 1.0 \text{ dB}$ <p><u>Channel 2 during T2:</u></p> $\frac{CPICH - E_c}{I_{or}} \quad \pm 0.1 \text{ dB}$ $I_{or}(2) \quad \pm 0.7 \text{ dB}$ <p>Assumptions: a) The contributing uncertainties for $I_{or}(n)$, channel power ratio, and I_{oc} are derived according to ETR 273-1-2 [16], with a coverage factor of $k=2$. b) Within each cell, the uncertainty for $I_{or}(n)$, and channel power ratio are uncorrelated to each other. c) Across different cells, the channel power ratio uncertainties may have any amount of positive correlation from zero (uncorrelated) to one (fully correlated). d) The uncertainty for $I_{oc}(n)$ and $I_{or}(n)$ may have any amount of positive correlation from zero (uncorrelated) to one (fully correlated). e) The absolute uncertainties for $I_{or}(1)$ and $I_{or}(2)$ may have any amount of positive correlation from zero (uncorrelated) to one (fully correlated). f) The absolute uncertainties for $I_{oc}(1)$ and $I_{oc}(2)$ may have any amount of positive correlation from zero (uncorrelated) to one (fully correlated). An explanation of correlation between uncertainties, and of the rationale behind the assumptions, is recorded in 3GPP TR 34 902 [24].</p> | |
| 8.6.2.2A Correct reporting of neighbours in Fading propagation condition (Release 6 and later) | Same as 8.6.2.2 | Same as 8.6.2.2 |

| Clause | Maximum Test System Uncertainty | Derivation of Test System Uncertainty |
|--|---|--|
| <p>8.6.2.3 Correct reporting of neighbours in Fading propagation condition using TGL1=14</p> | <p><u>Channel 1 during T1 and T2:</u> $\frac{CPICH - E_c}{I_{or}} \quad \pm 0.1 \text{ dB}$ $I_{or}(1) \quad \pm 0.7 \text{ dB}$ $I_{oc}(1) \quad \pm 1.0 \text{ dB}$ <u>Channel 2 during T1 and T2:</u> $I_{oc}(2) \quad \pm 1.0 \text{ dB}$ <u>Channel 2 during T2:</u> $\frac{CPICH - E_c}{I_{or}} \quad \pm 0.1 \text{ dB}$ $I_{or}(2) \quad \pm 0.7 \text{ dB}$ <p>Assumptions: a) The contributing uncertainties for $I_{or}(n)$, channel power ratio, and I_{oc} are derived according to ETR 273-1-2 [16], with a coverage factor of $k=2$. b) Within each cell, the uncertainty for $I_{or}(n)$, and channel power ratio are uncorrelated to each other. c) Across different cells, the channel power ratio uncertainties may have any amount of positive correlation from zero (uncorrelated) to one (fully correlated). d) The uncertainty for $I_{oc}(n)$ and $I_{or}(n)$ may have any amount of positive correlation from zero (uncorrelated) to one (fully correlated). e) The absolute uncertainties for $I_{or}(1)$ and $I_{or}(2)$ may have any amount of positive correlation from zero (uncorrelated) to one (fully correlated). f) The absolute uncertainties for $I_{oc}(1)$ and $I_{oc}(2)$ may have any amount of positive correlation from zero (uncorrelated) to one (fully correlated).</p> </p> | |
| 8.6.3 TDD measurements | | |
| 8.6.3.1 Correct reporting of TDD neighbours in AWGN propagation condition | TBD | |
| 8.6.4 GSM Measurement | | |
| 8.6.4.1 Correct reporting of GSM neighbours in AWGN propagation condition | $\hat{I}_{or}/I_{oc} \quad \pm 0.3 \text{ dB}$ $I_{oc}/RXLEV \quad \pm 0.5 \text{ dB}$ $I_{oc} \quad \pm 1.0 \text{ dB}$ $RXLEV \quad \pm 1.0 \text{ dB}$ $\frac{CPICH - E_c}{I_{or}} \quad \pm 0.1 \text{ dB}$ | <p>0.1 dB uncertainty in CPICH_Ec ratio</p> <p>0.3 dB uncertainty in \hat{I}_{or}/I_{oc} based on power meter measurement after the combiner</p> <p>0.5 dB uncertainty in $I_{oc}/RXLEV$ based on power meter measurement after the combiner</p> <p>The absolute error of the AWGN is specified as 1.0 dB. The absolute error of the RXLEV is specified as 1.0 dB.</p> |
| 8.6.5 Combined Inter frequency and GSM measurements | | |

| Clause | Maximum Test System Uncertainty | Derivation of Test System Uncertainty |
|---|---|--|
| 8.6.5.1 Correct reporting of neighbours in AWGN propagation condition | <p><u>Channel 1 during T0 to T5:</u></p> $\frac{CPICH - E_c}{I_{or}} \quad \pm 0.1 \text{ dB}$ $I_{or} (1) \quad \pm 0.7 \text{ dB}$ $I_{oc} (1) \quad \pm 1.0 \text{ dB}$ $\hat{I}_{or}/I_{oc} \quad \pm 0.3 \text{ dB}$ <p><u>Channel 1 during T2 to T5:</u></p> $I_{or} (2) \text{ relative to } I_{or} (1) \pm 0.3 \text{ dB}$ <p>For multi-band UE with Band I and VI</p> $I_{or} (2) \text{ relative to } I_{or} (1) \pm 0.5 \text{ dB}$ <p><u>Channel 2 during T0 to T5:</u></p> $I_{oc} (2) \quad \pm 1.0 \text{ dB}$ <p><u>Channel 2 during T2 to T5:</u></p> $\frac{CPICH - E_c}{I_{or}} \quad \pm 0.1 \text{ dB}$ $I_{or} (2) \quad \pm 0.7 \text{ dB}$ $\hat{I}_{or}/I_{oc} \quad \pm 0.3 \text{ dB}$ <p><u>GSM during T4/T5</u></p> $I_{oc}/RXLEV \quad \pm 0.5 \text{ dB}$ $RXLEV \quad \pm 1.0 \text{ dB}$ | <p>0.3 dB uncertainty in \hat{I}_{or}/I_{oc} based on power meter measurement after the combiner</p> <p>0.5 dB uncertainty in loc/RXLEV based on power meter measurement after the combiner</p> <p>The absolute error of the AWGN is specified as 1.0 dB. The absolute error of the RXLEV is specified as 1.0 dB.</p> |
| | <p>Assumptions:</p> <ol style="list-style-type: none"> The contributing uncertainties for lor(n), channel power ratio, and loc are derived according to ETR 273-1-2 [16], with a coverage factor of k=2. Within each cell, the uncertainty for lor(n), and channel power ratio are uncorrelated to each other. Across different cells, the channel power ratio uncertainties may have any amount of positive correlation from zero (uncorrelated) to one (fully correlated). The uncertainty for loc(n) and lor(n) may have any amount of positive correlation from zero (uncorrelated) to one (fully correlated). The absolute uncertainties for lor(1) and lor(2) may have any amount of positive correlation from zero (uncorrelated) to one (fully correlated). The absolute uncertainties for loc(1) and loc(2) may have any amount of positive correlation from zero (uncorrelated) to one (fully correlated). <p>An explanation of correlation between uncertainties, and of the rationale behind the assumptions, is recorded in 3GPP TR 34 902 [24].</p> | |

| Clause | Maximum Test System Uncertainty | Derivation of Test System Uncertainty |
|--|---|---|
| 8.6.6.1 Correct reporting of E-UTRAN FDD neighbour in fading propagation condition | <p>UTRA Cell: $I_{oc} \pm 0.7$ dB $I_{or} / I_{oc} \pm 0.6$ dB CPICH $E_c / I_{or} \pm 0.1$ dB</p> <p>EUTRA Cell: $N_{oc} \pm 0.7$ dB averaged over BW_{Config} $\hat{E}_s / N_{oc} \pm 0.6$ dB averaged over BW_{Config}</p> | <p>Notes: I_{oc} is the AWGN on cell 1 (UTRA) frequency I_{or} / I_{oc} is the ratio of cell 1 signal / AWGN CPICH E_c / I_{or} is the fraction of cell 1 power assigned to the CPICH Physical channel</p> <p>N_{oc} is the AWGN on cell 2 frequency \hat{E}_s / N_{oc} is the ratio of cell 2 signal / AWGN</p> |
| 8.6.6.2 Correct reporting of E-UTRAN TDD neighbour in fading propagation condition | Same as 8.6.6.1 | Same as 8.6.6.1 |
| 8.6.7.1 Correct reporting of E-UTRA FDD neighbours in fading propagation condition | <p>UTRA Cell1 :</p> $I_{oc} \pm 0.7$ dB $I_{or} / I_{oc} \pm 0.3$ dB CPICH $E_c / I_{or} \pm 0.1$ dB <p>UTRA Cell2 :</p> $I_{oc} \pm 0.7$ dB $I_{or} / I_{oc} \pm 0.6$ dB CPICH $E_c / I_{or} \pm 0.1$ dB <p>EUTRA Cell 3:</p> $N_{oc} \pm 0.7$ dB averaged over BW_{Config} $\hat{E}_s / N_{oc} \pm 0.6$ dB averaged over BW_{Config} | <p>Notes: I_{oc} is the AWGN on cell 1 (UTRA) frequency I_{or} / I_{oc} is the ratio of cell 1 signal / AWGN CPICH E_c / I_{or} is the fraction of cell 1 power assigned to the CPICH Physical channel</p> <p>I_{oc} is the AWGN on cell 2 (UTRA) frequency I_{or} / I_{oc} is the ratio of cell 2 signal / AWGN CPICH E_c / I_{or} is the fraction of cell 2 power assigned to the CPICH Physical channel</p> <p>N_{oc} is the AWGN on cell 3 frequency \hat{E}_s / N_{oc} is the ratio of cell 3 signal / AWGN</p> <p>For Cell 2 and Cell 3: I_{or} / I_{oc} uncertainty or \hat{E}_s / N_{oc} uncertainty for fading condition comprises two quantities: 1. Signal-to-noise ratio uncertainty 2. Fading profile power uncertainty</p> <p>Items 1 and 2 are assumed to be uncorrelated so can be root sum squared: \hat{E}_s / N_{oc} uncertainty or I_{or} / I_{oc} uncertainty = SQRT (Signal-to-noise ratio uncertainty² + Fading profile power uncertainty²) Signal-to-noise ratio uncertainty ± 0.3 dB Fading profile power uncertainty ± 0.5 dB</p> |
| 8.6.7.2 Correct reporting of E-UTRA TDD neighbours in fading propagation condition | Same as 8.6.7.1 | Same as 8.6.7.1 |
| 8.7 Measurements Performance Requirements | | |
| 8.7.1 CPICH RSCP | | |

| Clause | Maximum Test System Uncertainty | Derivation of Test System Uncertainty |
|--|--|---|
| 8.7.1.1 Intra frequency measurements accuracy | \hat{I}_{or}/I_{oc} ± 0.3 dB I_{oc} ± 1.0 dB $\frac{CPICH - E_c}{I_{or}}$ ± 0.1 dB | Same as 8.2.2.1 |
| 8.7.1.2 Inter frequency measurement accuracy | \hat{I}_{or}/I_{oc} ± 0.3 dB I_{oc} ± 1.0 dB I_{oc1}/I_{oc2} ± 0.3 dB $\frac{CPICH - E_c}{I_{or}}$ ± 0.1 dB For multi-band UE with Band I and VI I_{oc1}/I_{oc2} ± 0.5 dB for | Same as 8.2.2.2 |
| 8.7.2 CPICH Ec/Io | | |
| 8.7.2.1 Intra frequency measurements accuracy | \hat{I}_{or}/I_{oc} ± 0.3 dB I_{oc} ± 1.0 dB $\frac{CPICH - E_c}{I_{or}}$ ± 0.1 dB | Same as 8.2.2.1 |
| 8.7.2.2 Inter frequency measurement accuracy | \hat{I}_{or}/I_{oc} ± 0.3 dB I_{oc} ± 1.0 dB I_{oc1}/I_{oc2} ± 0.3 dB $\frac{CPICH - E_c}{I_{or}}$ ± 0.1 dB For multi-band UE with Band I and VI I_{oc1}/I_{oc2} ± 0.5 dB for | Same as 8.2.2.2 |
| 8.7.3.1 UTRA Carrier RSSI, absolute measurement accuracy | \hat{I}_{or}/I_{oc} ± 0.3 dB I_{oc} ± 1.0 dB I_{oc1}/I_{oc2} ± 0.3 dB For multi-band UE with Band I and VI I_{oc1}/I_{oc2} ± 0.5 dB | 0.3 dB uncertainty in \hat{I}_{or}/I_{oc} based on power meter measurement after the combiner 0.3 dB or 0.5dB uncertainty in I_{oc1}/I_{oc2} based on power meter measurement after the combiner The absolute error of the AWGN is specified as 1.0 dB |
| 8.7.3.2 UTRA Carrier RSSI, relative measurement accuracy | \hat{I}_{or}/I_{oc} ± 0.3 dB I_{oc} ± 1.0 dB I_{oc2}/I_{oc3} ± 0.3 dB For multi-band UE with Band I and VI I_{oc2}/I_{oc3} ± 0.5 dB | 0.3 dB uncertainty in \hat{I}_{or}/I_{oc} based on power meter measurement after the combiner 0.3 dB uncertainty in I_{oc2}/I_{oc3} based on power meter measurement after the combiner The absolute error of the AWGN is specified as 1.0 dB |

| Clause | Maximum Test System Uncertainty | Derivation of Test System Uncertainty |
|--|---|---|
| 8.7.3A GSM Carrier RSSI | \hat{I}_{or}/I_{oc} ± 0.3 dB $I_{oc}/RXLEV$ ± 0.5 dB I_{oc} ± 1.0 dB $\frac{CPICH - E_c}{I_{or}}$ ± 0.1 dB RXLEV ± 1.0 dB RXLEV1/RXLEV2 ± 1.4 dB | 0.1 dB uncertainty in CPICH_Ec ratio 0.3 dB uncertainty in \hat{I}_{or}/I_{oc} based on power meter measurement after the combiner 0.5 dB uncertainty in loc/RXLEV based on power meter measurement after the combiner The absolute error of the AWGN is specified as 1.0 dB. The absolute error of the RXLEV is specified as 1.0 dB. The relative accuracy of RXLEV1 to RXLEV2 is specified to be 1.4 dB (RMS of individual uncertainties) when BCCHs are on the same or on different RF channel within the same frequency band The relative accuracy of RXLEV1 to RXLEV2 is specified to be 1.4 dB (RMS of individual uncertainties) when BCCHs are on different frequency band |
| 8.7.3C UE Transmitted power (R99 and Rel-4 only) | Mean power measurement $\pm 0,7$ dB | Downlink parameters are unimportant. |
| 8.7.3D UE Transmitted power (Rel-5 and later) | Mean power measurement $\pm 0,7$ dB | Downlink parameters are unimportant. |
| 8.7.4 SFN-CFN observed time difference | | |
| 8.7.4.1 Intra frequency measurements accuracy | \hat{I}_{or}/I_{oc} ± 0.3 dB I_{oc} ± 1.0 dB Actual SFN-CFN observed time difference: ± 0.5 chips | 0.3 dB uncertainty in \hat{I}_{or}/I_{oc} based on power meter measurement after the combiner The absolute error of the AWGN is specified as 1.0 dB |
| 8.7.4.2 Inter frequency measurements accuracy | \hat{I}_{or}/I_{oc} ± 0.3 dB I_{oc} ± 1.0 dB Actual SFN-CFN observed time difference: ± 0.5 chips | 0.3 dB uncertainty in \hat{I}_{or}/I_{oc} based on power meter measurement after the combiner The absolute error of the AWGN is specified as 1.0 dB |
| 8.7.5.1 SFN-SFN observed time difference type 1 | \hat{I}_{or}/I_{oc} ± 0.3 dB I_{oc} ± 1.0 dB Actual SFN-SFN observed time difference type 1: ± 0.5 chips | 0.3 dB uncertainty in \hat{I}_{or}/I_{oc} based on power meter measurement after the combiner The absolute error of the AWGN is specified as 1.0 dB |

| Clause | Maximum Test System Uncertainty | Derivation of Test System Uncertainty |
|--|--|---|
| 8.7.6.1 UE Rx-Tx time difference (Release 5 and earlier) | \hat{I}_{or}/I_{oc} ± 0.3 dB I_{oc} ± 1.0 dB Rx-Tx Timing Accuracy ± 0.5 chip | 0.3 dB uncertainty in \hat{I}_{or}/I_{oc} based on power meter measurement after the combiner The absolute error of the AWGN is specified as 1.0 dB. |
| 8.7.6.1A UE Rx-Tx time difference (Release 6 and later) | \hat{I}_{or}/I_{oc} ± 0.3 dB I_{oc} ± 1.0 dB Rx-Tx Timing Accuracy ± 0.5 chip | 0.3 dB uncertainty in \hat{I}_{or}/I_{oc} based on power meter measurement after the combiner The absolute error of the AWGN is specified as 1.0 dB. |
| 8.7.8 P-CCPCH RSCP | TBD | |
| 8.7.9 UE Transmission Power Headroom | $\frac{E_c}{I_{or}}$ ± 0.1 dB Overall UL absolute power measurement uncertainty ± 0.7 dB DPCCH code domain absolute power measurement uncertainty ± 0.8 dB | 0.1 dB uncertainty in E_c/I_{or} ratio Absolute power uncertainty (all codes together) ± 0.7 dB, relative code domain power uncertainty ± 0.3 dB, These are uncorrelated so can be combined RSS. Overall error is $(0.3^2 + 0.7^2)^{0.5} = 0.8$ dB, |
| 8.7.10 E-UTRAN FDD RSRP absolute accuracy | <u>UTRA cell</u> $I_{oc} \pm 0.7$ dB $\hat{I}_{or}/I_{oc} \pm 0.3$ dB CPICH $E_c/I_{or} \pm 0.1$ dB <u>E-UTRA cell</u> $N_{oc} \pm 0.7$ dB averaged over BW_{Config} $N_{oc} \pm 1.0$ dB for PRBs #22-27 $\hat{E}_S/N_{oc} \pm 0.3$ dB averaged over BW_{Config} $\hat{E}_S/N_{oc} \pm 0.8$ dB for PRBs #22-27 | Note: I_{oc} is the AWGN on cell 1 frequency \hat{I}_{or}/I_{oc} is the ratio of cell 1 signal / AWGN CPICH E_c/I_{or} is the fraction of cell 1 power assigned to the CPICH Physical channel N_{oc} is the AWGN on cell 2 frequency \hat{E}_S/N_{oc} is the ratio of cell 2 signal / AWGN |
| 8.7.11 E-UTRAN TDD RSRP absolute accuracy | Same as 8.7.10 | Same as 8.7.10 |
| 8.7.12 E-UTRAN FDD RSRQ absolute accuracy | Same as 8.7.10 | Same as 8.7.10 |
| 8.7.13 E-UTRAN TDD RSRQ absolute accuracy | Same as 8.7.10 | Same as 8.7.10 |

F.1.6 Performance requirement (HSDPA)

Table F.1.6: Maximum Test System Uncertainty for Performance Requirements (HSDPA)

| Clause | Maximum Test System Uncertainty | Derivation of Test System Uncertainty |
|--|--|--|
| 9.2.1A to 9.2.1KD Single Link Performance | \hat{I}_{or}/I_{oc} ± 0.6 dB I_{oc} ± 1.0 dB $\frac{E_c}{I_{or}}$ ± 0.1 dB | <p>0.1 dB uncertainty in E_c/I_{or} ratio</p> <p>Worst case gain uncertainty due to the fader from the calibrated static profile is ± 0.5 dB per output</p> <p>In addition the same ± 0.3 dB \hat{I}_{or}/I_{oc} ratio error as 7.2.</p> <p>These are uncorrelated so can be RSS.</p> <p>Overall error in \hat{I}_{or}/I_{oc} is $(0.5^2 + 0.3^2)^{0.5} = 0.6$ dB</p> <p>For multi-carrier, uncertainties apply for each carrier</p> |
| 9.2.1L to 9.2.1LD Single Link Enhanced Performance Type 3i | <p>Wanted signal \hat{I}_{or1}/I_{oc} ± 0.6 dB</p> <p>First interferer \hat{I}_{or2}/I_{oc} ± 0.6 dB</p> <p>Second interferer \hat{I}_{or3}/I_{oc} ± 0.6 dB</p> <p>I_{oc} ± 1.0 dB</p> <p>$\frac{E_c}{I_{or}}$ ± 0.1 dB</p> | <p>0.1 dB uncertainty in E_c/I_{or} ratio</p> <p>For wanted signal and each interferer, worst case gain uncertainty due to the fader from the calibrated static profile is ± 0.5 dB per output</p> <p>In addition the same ± 0.3 dB \hat{I}_{or}/I_{oc} uncertainty as 7.2.</p> <p>These are uncorrelated so can be combined RSS.</p> <p>Overall uncertainty in \hat{I}_{or}/I_{oc}, for each signal: $(0.5^2 + 0.3^2)^{0.5} = 0.6$ dB.</p> <p>For multi-carrier, uncertainties apply for each carrier</p> |
| 9.2.2A to 9.2.2E Open loop diversity performance | \hat{I}_{or}/I_{oc} ± 0.8 dB I_{oc} ± 1.0 dB $\frac{E_c}{I_{or}}$ ± 0.1 dB | <p>Worst case gain uncertainty due to the fader from the calibrated static profile is ± 0.5 dB per output</p> <p>In addition the same ± 0.3 dB \hat{I}_{or}/I_{oc} ratio error as 7.2.</p> <p>These are uncorrelated so can be RSS.</p> <p>Overall error in \hat{I}_{or}/I_{oc} is $(0.5^2 + 0.3^2)^{0.5} = 0.768$ dB. Round up to 0.8 dB</p> |
| 9.2.3A to 9.2.3E Closed loop diversity performance | Same as 9.2.2A | Same as 9.2.2A |
| 9.2.4A to 9.2.4H MIMO performance | Same as 9.2.2A | Same as 9.2.2A |

| Clause | Maximum Test System Uncertainty | Derivation of Test System Uncertainty |
|---|--|--|
| 9.3.1 Single Link Performance - AWGN propagation conditions | \hat{I}_{or}/I_{oc} ± 0.3 dB I_{oc} ± 1.0 dB $\frac{E_c}{I_{or}}$ ± 0.1 dB | 0.1 dB uncertainty in DPCH_Ec ratio 0.3 dB uncertainty in \hat{I}_{or}/I_{oc} based on power meter measurement after the combiner Overall error is the sum of the \hat{I}_{or}/I_{oc} ratio error and the DPCH_Ec/Ior ratio but is not RSS for simplicity. The absolute error of the AWGN loc is not important for any tests in clause 7 but is specified as 1.0 dB. |
| 9.3.1A Single Link Performance - AWGN propagation conditions, 64QAM | Same as 9.3.1 | Same as 9.3.1 |
| 9.3.1B Single Link Performance - AWGN Propagation Conditions, DC-HSDPA requirements | \hat{I}_{or1}/I_{oc} ± 0.3 dB \hat{I}_{or2}/I_{oc} ± 0.3 dB I_{oc} ± 1.0 dB $\frac{E_c}{I_{or}}$ ± 0.1 dB | 0.1 dB uncertainty in DPCH_Ec ratio 0.3 dB uncertainty in \hat{I}_{or1}/I_{oc} and \hat{I}_{or2}/I_{oc} based on power meter measurement after the combiner Overall error is the sum of the \hat{I}_{or}/I_{oc} ratio error and the DPCH_Ec/Ior ratio but is not RSS for simplicity. The absolute error of the AWGN loc is not important for any tests in clause 7 but is specified as 1.0 dB. |
| 9.3.1BA Single Link Performance - AWGN Propagation Conditions, DB-DC-HSDPA requirements | \hat{I}_{or1}/I_{oc} ± 0.3 dB \hat{I}_{or2}/I_{oc} ± 0.3 dB I_{oc} ± 1.0 dB $\frac{E_c}{I_{or}}$ ± 0.1 dB | 0.1 dB uncertainty in DPCH_Ec ratio 0.3 dB uncertainty in \hat{I}_{or1}/I_{oc} and \hat{I}_{or2}/I_{oc} based on power meter measurement after the combiner Overall error is the sum of the \hat{I}_{or}/I_{oc} ratio error and the DPCH_Ec/Ior ratio but is not RSS for simplicity. The absolute error of the AWGN loc is not important for any tests in clause 7 but is specified as 1.0 dB. |

| Clause | Maximum Test System Uncertainty | Derivation of Test System Uncertainty |
|---|--|--|
| 9.3.1C Single Link Performance - AWGN Propagation Conditions, Periodically Varying Radio Conditions | $\hat{I}_{or}/I_{oc1}, \hat{I}_{or}/I_{oc2} \pm 0.3$ dB $I_{oc1}, I_{oc2} \pm 1.0$ dB $\frac{E_c}{I_{or}} \pm 0.1$ dB I_{oc} Linearity within the applicable range of 10dB 1.0 dB | 0.1 dB uncertainty in DPCH_Ec ratio 0.3 dB uncertainty in \hat{I}_{or}/I_{oc} based on power meter measurement after the combiner Overall error is the sum of the \hat{I}_{or}/I_{oc} ratio error and the DPCH_Ec/Ior ratio but is not RSS for simplicity. The absolute error of the AWGN Ioc is specified as 1.0 dB. The linearity of the AWGN Ioc is specified as 1.0 dB (± 0.5 dB) |
| 9.3.2 Single Link Performance - Fading propagation conditions | $\hat{I}_{or}/I_{oc} \pm 0.6$ dB $I_{oc} \pm 1.0$ dB $\frac{E_c}{I_{or}} \pm 0.1$ dB | 0.1 dB uncertainty in Ec/Ior ratio Worst case gain uncertainty due to the fader from the calibrated static profile is ± 0.5 dB per output In addition the same ± 0.3 dB \hat{I}_{or}/I_{oc} ratio error as 7.2. These are uncorrelated so can be RSS. Overall error in \hat{I}_{or}/I_{oc} is $(0.5^2 + 0.3^2)^{0.5} = 0.6$ dB |
| 9.3.2A Single Link Performance - Fading Propagation Conditions, DC-HSDPA requirements | $\hat{I}_{or1}/I_{oc} \pm 0.6$ dB $\hat{I}_{or2}/I_{oc} \pm 0.6$ dB $I_{oc} \pm 1.0$ dB $\frac{E_c}{I_{or}} \pm 0.1$ dB | 0.1 dB uncertainty in Ec/Ior ratio Worst case gain uncertainty due to the fader from the calibrated static profile is ± 0.5 dB per output In addition the same ± 0.3 dB \hat{I}_{or}/I_{oc} ratio error as 7.2. These are uncorrelated so can be RSS. Overall error in \hat{I}_{or}/I_{oc} is $(0.52 + 0.32)^{0.5} = 0.6$ dB |
| 9.3.2AA Single Link Performance - Fading Propagation Conditions, DB-DC-HSDPA requirements | $\hat{I}_{or1}/I_{oc} \pm 0.6$ dB $\hat{I}_{or2}/I_{oc} \pm 0.6$ dB $I_{oc} \pm 1.0$ dB $\frac{E_c}{I_{or}} \pm 0.1$ dB | 0.1 dB uncertainty in Ec/Ior ratio Worst case gain uncertainty due to the fader from the calibrated static profile is ± 0.5 dB per output In addition the same ± 0.3 dB \hat{I}_{or}/I_{oc} ratio error as 7.2. These are uncorrelated so can be RSS. Overall error in \hat{I}_{or}/I_{oc} is $(0.52 + 0.32)^{0.5} = 0.6$ dB |
| 9.3.2B Single Link Performance - Fading propagation conditions, 64QAM | Same as 9.3.2 | Same as 9.3.2 |

| Clause | Maximum Test System Uncertainty | Derivation of Test System Uncertainty |
|--|--|---|
| 9.3.3 Open Loop Diversity Performance - AWGN propagation conditions | \hat{I}_{or}/I_{oc} ± 0.5 dB I_{oc} ± 1.0 dB $\frac{E_c}{I_{or}}$ ± 0.1 dB | 0.3 dB uncertainty in \hat{I}_{or}/I_{oc} for each antenna output based on power meter measurement after the combiner In addition the same ± 0.3 dB \hat{I}_{or}/I_{oc} ratio error as 7.2. These are uncorrelated so can be RSS. Overall error in \hat{I}_{or}/I_{oc} is $(0.3^2 + 0.3^2)^{0.5} = 0.424$ dB. Round up to 0.5 dB |
| 9.3.4 Open Loop Diversity Performance - Fading propagation conditions | \hat{I}_{or}/I_{oc} ± 0.8 dB I_{oc} ± 1.0 dB $\frac{E_c}{I_{or}}$ ± 0.1 dB | In addition the same ± 0.3 dB \hat{I}_{or}/I_{oc} ratio error as 7.2. These are uncorrelated so can be RSS. Overall error in \hat{I}_{or}/I_{oc} is $(0.5^2 + 0.5^2 + 0.3^2)^{0.5} = 0.768$ dB. Round up to 0.8 dB |
| 9.3.5 Closed Loop Diversity Performance - AWGN propagation conditions | Same as 9.3.3 | |
| 9.3.6 Closed Loop Diversity Performance - Fading propagation conditions | Same as 9.3.4 | |
| 9.3.7A, MIMO performance – Reporting of Channel Quality indicator - Single stream fading conditions | Same as 9.3.4 | |
| 9.3.7B MIMO performance – Reporting of Channel Quality indicator - Dual stream fading conditions | Same as 9.3.4 | |
| 9.3.7C MIMO performance – Reporting of Channel Quality indicator - Dual stream fading conditions – UE categories 19-20 | Same as 9.3.4 | |
| 9.3.7D MIMO performance – Reporting of Channel Quality indicator - Dual stream static orthogonal conditions – UE categories 15-20 | Same as 9.3.4 | |
| 9.3.7E MIMO performance – Reporting of Channel Quality indicator - Dual stream static orthogonal conditions – UE categories 19-20 | Same as 9.3.4 | |
| 9.3.7F MIMO performance – Reporting of Channel Quality indicator - Single stream fading conditions – Asymmetric CPICHs | Same as 9.3.4 | |
| 9.3.7G MIMO performance – Reporting of Channel Quality indicator - Dual stream fading conditions – Asymmetric CPICHs | Same as 9.3.4 | |
| 9.3.7H MIMO performance – Reporting of Channel Quality indicator - Dual stream fading conditions – UE categories 19-20 | Same as 9.3.4 | |
| 9.3.7I MIMO performance – Reporting of Channel Quality indicator - Dual stream static orthogonal conditions – UE categories 15-20 -Asymmetric CPICHs | Same as 9.3.4 | |
| 9.3.7J MIMO performance – Reporting of Channel Quality indicator - Dual stream static orthogonal conditions – UE categories 19-20 –Asymmetric CPICHs | Same as 9.3.4 | |

| Clause | Maximum Test System Uncertainty | Derivation of Test System Uncertainty |
|---|--|--|
| 9.4.1 Single link Performance | \hat{I}_{or}/I_{oc} ± 0.6 dB I_{oc} ± 1.0 dB $\frac{E_c}{I_{or}}$ ± 0.1 dB | 0.1 dB uncertainty in E_c/I_{or} ratio Worst case gain uncertainty due to the fader from the calibrated static profile is ± 0.5 dB per output In addition the same ± 0.3 dB \hat{I}_{or}/I_{oc} ratio error as 7.2. These are uncorrelated so can be RSS. Overall error in \hat{I}_{or}/I_{oc} is $(0.5^2 + 0.3^2)^{0.5} = 0.6$ dB |
| 9.4.1A Single link Performance – Enhanced Performance Requirements Type 1 | Same as 9.4.1 | Same as 9.4.1 |
| 9.4.2 Open loop diversity performance | \hat{I}_{or}/I_{oc} ± 0.8 dB I_{oc} ± 1.0 dB $\frac{E_c}{I_{or}}$ ± 0.1 dB | Worst case gain uncertainty due to the fader from the calibrated static profile is ± 0.5 dB per output In addition the same ± 0.3 dB \hat{I}_{or}/I_{oc} ratio error as 7.2. These are uncorrelated so can be RSS. Overall error in \hat{I}_{or}/I_{oc} is $(0.52 + 0.52 + 0.32) 0.5 = 0.768$ dB. Round up to 0.8 dB |
| 9.4.2A Open loop diversity performance – Enhanced Performance Requirements Type 1 | Same as 9.4.2 | Same as 9.4.2 |
| 9.4.3 HS-SCCH Type 3 performance | Same as 9.4.2 | Same as 9.4.2 |
| 9.4.3A HS-SCCH Type 3 Performance - STTD disabled- Asymmetric CPICHs | Same as 9.4.2 | Same as 9.4.2 |
| 9.4.3B HS-SCCH Type 3 Performance - STTD enabled- Asymmetric CPICHs | Same as 9.4.2 | Same as 9.4.2 |
| 9.4.4 HS-SCCH Type 3 performance for MIMO only with single-stream restriction | Same as 9.4.2 | Same as 9.4.2 |
| 9.4.4A HS-SCCH Type 3 performance for MIMO only with single-stream restriction- Enhanced Performance Requirements Type 1 | Same as 9.4.2 | Same as 9.4.2 |
| 9.4.4B HS-SCCH Type 3 Performance for MIMO only with single-stream restriction- STTD disabled-asymmetric CPICHs | Same as 9.4.2 | Same as 9.4.2 |
| 9.4.4C HS-SCCH Type 3 Performance for MIMO only with single-stream restriction- STTD disabled-asymmetric CPICHs- Enhanced Performance Requirements Type 1 | Same as 9.4.2 | Same as 9.4.2 |
| 9.4.4D HS-SCCH Type 3 Performance for MIMO only with single-stream restriction- STTD enabled-asymmetric CPICHs | Same as 9.4.2 | Same as 9.4.2 |
| 9.4.4E HS-SCCH Type 3 Performance for MIMO only with single-stream restriction- STTD enabled-asymmetric CPICHs- Enhanced Performance Requirements Type 1 | Same as 9.4.2 | Same as 9.4.2 |
| 9.5.1 HS-SCCH-less demodulation of HS-DSCH | Same as 9.2.1A | Same as 9.2.1A |

| Clause | Maximum Test System Uncertainty | Derivation of Test System Uncertainty |
|---|--|--|
| 9.5.1A HS-SCCH-less demodulation of HS-DSCH, Enhanced Performance Requirements Type 1 | Same as 9.2.1A | Same as 9.2.1A |
| 9.6.1 Single link HS-DSCH Demodulation performance in CELL_FACH state | Same as 9.2.1A | Same as 9.2.1A |
| 9.6.2 Single link HS-SCCH Detection performance in CELL_FACH state | Same as 9.2.1A | Same as 9.2.1A |

F.1.7 Performance requirement (E-DCH)

Table F.1.7: Maximum Test System Uncertainty for Performance Requirements (E-DCH)

| Clause | Maximum Test System Uncertainty | Derivation of Test System Uncertainty |
|---|---|--|
| 9.2.1L Single Link Enhanced Performance Type 3i | 0.76 dB for \hat{I}_{or}/I_{oc} 0.17 dB for DIP1, DIP2 0.1 dB for Ec/lor | |
| 10.2.1.1 Detection of E-DCH HARQ ACK Indicator Channel (E-HICH) Single Link Performance (10 ms TTI) | \hat{I}_{or}/I_{oc} ± 0.6 dB I_{oc} ± 1.0 dB E-HICH_Ec/lor ± 0.1 dB | 0.1 dB uncertainty in Ec/lor ratio Worst case gain uncertainty due to the fader from the calibrated static profile is ± 0.5 dB per output In addition the same ± 0.3 dB \hat{I}_{or}/I_{oc} ratio error as 7.2. These are uncorrelated so can be RSS. Overall error in \hat{I}_{or}/I_{oc} is $(0.5^2 + 0.3^2)^{0.5} = 0.6$ dB |
| 10.2.1.1A Detection of E-DCH HARQ ACK Indicator Channel (E-HICH) Single Link Performance (10 ms TTI, Type 1) | \hat{I}_{or}/I_{oc} ± 0.6 dB I_{oc} ± 1.0 dB E-HICH_Ec/lor ± 0.1 dB | 0.1 dB uncertainty in Ec/lor ratio Worst case gain uncertainty due to the fader from the calibrated static profile is ± 0.5 dB per output In addition the same ± 0.3 dB \hat{I}_{or}/I_{oc} ratio error as 7.2. These are uncorrelated so can be RSS. Overall error in \hat{I}_{or}/I_{oc} is $(0.5^2 + 0.3^2)^{0.5} = 0.6$ dB |
| 10.2.1.2 Detection of E-DCH HARQ ACK Indicator Channel (E-HICH) Single Link Performance (2 ms TTI) | Same as in 10.2.1.1 | Same as 10.2.1.1 |
| 10.2.1.2A Detection of E-DCH HARQ ACK Indicator Channel (E-HICH) Single Link Performance (2 ms TTI, Type 1) | Same as in 10.2.1.1 | Same as 10.2.1.1 |
| 10.2.2.1.1 Detection of E-DCH HARQ ACK Indicator Channel (E-HICH) in Inter-Cell handover conditions – RLS not containing the serving E-DCH cell (10 ms TTI) | \hat{I}_{or1}/I_{oc} ± 0.6 dB \hat{I}_{or2}/I_{oc} ± 0.6 dB I_{oc} ± 1.0 dB E-HICH_Ec/lor ± 0.1 dB | Worst case gain uncertainty due to the fader from the calibrated static profile is ± 0.5 dB per output In addition the same ± 0.3 dB \hat{I}_{or}/I_{oc} ratio error as 7.2. These are uncorrelated so can be RSS. Overall error per \hat{I}_{or1}/I_{oc} or \hat{I}_{or2}/I_{oc} is $(0.5^2 + 0.3^2)^{0.5} = 0.6$ dB. |

| Clause | Maximum Test System Uncertainty | Derivation of Test System Uncertainty |
|--|---|---|
| 9.2.1L Single Link Enhanced Performance Type 3i | 0.76 dB for \hat{I}_{or}/I_{oc} 0.17 dB for DIP1, DIP2 0.1 dB for Ec/lor | |
| 10.2.2.1.1A Detection of E-DCH HARQ ACK Indicator Channel (E-HICH) in Inter-Cell handover conditions – RLS not containing the serving E-DCH cell (10 ms TTI, Type 1) | \hat{I}_{or1}/I_{oc} ±0.6 dB \hat{I}_{or2}/I_{oc} ±0.6 dB I_{oc} ±1.0 dB E-HICH_Ec/lor ±0.1 dB | Worst case gain uncertainty due to the fader from the calibrated static profile is ±0.5 dB per output In addition the same ±0.3 dB \hat{I}_{or}/I_{oc} ratio error as 7.2. These are uncorrelated so can be RSS. Overall error per \hat{I}_{or1}/I_{oc} or \hat{I}_{or2}/I_{oc} is $(0.5^2 + 0.3^2)^{0.5} = 0.6$ dB. |
| 10.2.2.1.2 Detection of E-DCH HARQ ACK Indicator Channel (E-HICH) in Inter-Cell handover conditions – RLS not containing the serving E-DCH cell (2 ms TTI) | Same as 10.2.2.1.1 | Same as 10.2.2.1.1 |
| 10.2.2.1.2A Detection of E-DCH HARQ ACK Indicator Channel (E-HICH) in Inter-Cell handover conditions – RLS not containing the serving E-DCH cell (2 ms TTI, Type 1) | Same as 10.2.2.1.1 | Same as 10.2.2.1.1 |
| 10.2.2.2.1 Detection of E-DCH HARQ ACK Indicator Channel (E-HICH) in Inter-Cell handover conditions – RLS containing the serving E-DCH cell (10 ms TTI) | Same as 10.2.2.1.1 | Same as 10.2.2.1.1 |
| 10.2.2.2.1A Detection of E-DCH HARQ ACK Indicator Channel (E-HICH) in Inter-Cell handover conditions – RLS containing the serving E-DCH cell (10 ms TTI, Type 1) | Same as 10.2.2.1.1 | Same as 10.2.2.1.1 |
| 10.2.2.2.2 Detection of E-DCH HARQ ACK Indicator Channel (E-HICH) in Inter-Cell handover conditions – RLS containing the serving E-DCH cell (2 ms TTI) | Same as 10.2.2.1.1 | Same as 10.2.2.1.1 |
| 10.2.2.2.2A Detection of E-DCH HARQ ACK Indicator Channel (E-HICH) in Inter-Cell handover conditions – RLS containing the serving E-DCH cell (2 ms TTI, Type 1) | Same as 10.2.2.1.1 | Same as 10.2.2.1.1 |
| 10.3.1.1 Detection of E-DCH Relative Grant Channel (E-RGCH) Single Link Performance (10 ms TTI) | \hat{I}_{or}/I_{oc} ±0.6 dB I_{oc} ±1.0 dB E-RGCH_Ec/lor ±0.1 dB | Same as 10.2.1.1 |
| 10.3.1.1A Detection of E-DCH Relative Grant Channel (E-RGCH) Single Link Performance (10 ms TTI, Type 1) | \hat{I}_{or}/I_{oc} ±0.6 dB I_{oc} ±1.0 dB E-RGCH_Ec/lor ±0.1 dB | Same as 10.2.1.1 |
| 10.3.1.2 Detection of E-DCH Relative Grant Channel (E-RGCH) Single Link Performance (2 ms TTI) | Same as 10.3.1.1 | Same as in 10.2.1.1 |
| 10.3.1.2A Detection of E-DCH Relative Grant Channel (E-RGCH) Single Link Performance (2 ms TTI, Type 1) | Same as 10.3.1.1 | Same as in 10.2.1.1 |

| Clause | Maximum Test System Uncertainty | Derivation of Test System Uncertainty |
|---|---|---------------------------------------|
| 9.2.1L Single Link Enhanced Performance Type 3i | 0.76 dB for \hat{I}_{or}/I_{oc} 0.17 dB for DIP1, DIP2 0.1 dB for Ec/lor | |
| 10.3.2 Detection of E-DCH Relative Grant Channel (E-RGCH) in Inter-Cell Handover conditions | \hat{I}_{or1}/I_{oc} ±0.6 dB \hat{I}_{or2}/I_{oc} ±0.6 dB I_{oc} ±1.0 dB E-RGCH_Ec/lor ±0.1 dB | Same as 10.2.2.1.1 |
| 10.3.2A Detection of E-DCH Relative Grant Channel (E-RGCH) in Inter-Cell Handover conditions (Type 1) | \hat{I}_{or1}/I_{oc} ±0.6 dB \hat{I}_{or2}/I_{oc} ±0.6 dB I_{oc} ±1.0 dB E-RGCH_Ec/lor ±0.1 dB | Same as 10.2.2.1.1 |
| 10.4.1 Demodulation of E-DCH Absolute Grant Channel (E-AGCH) Single Link Performance | \hat{I}_{or}/I_{oc} ±0.6 dB I_{oc} ±1.0 dB E-AGCH_Ec/lor ±0.1 dB | Same as 10.2.1.1 |
| 10.4.1A Demodulation of E-DCH Absolute Grant Channel (E-AGCH) Single Link Performance (Type 1) | \hat{I}_{or}/I_{oc} ±0.6 dB I_{oc} ±1.0 dB E-AGCH_Ec/lor ±0.1 dB | Same as 10.2.1.1 |

F.1.8 Performance requirement (MBMS)

Table F.1.8: Maximum Test System Uncertainty for Performance Requirements (MBMS)

| Clause | Maximum Test System Uncertainty | Derivation of Test System Uncertainty |
|---|---|--|
| 11.2 Demodulation of MTCH | S-CCPCH_Ec/lor ± 0.1 dB I_{oc} ± 1.0 dB \hat{I}_{or1}/I_{oc} ± 0.6 dB \hat{I}_{or2}/I_{oc} ± 0.6 dB \hat{I}_{or3}/I_{oc} ± 0.6 dB | 0.1 dB uncertainty in S-CCPCH_Ec/lor ratio Worst case gain uncertainty due to the fader from the calibrated static profile is ± 0.5 dB per output. In addition the same ± 0.3 dB \hat{I}_{or}/I_{oc} ratio error as 7.2. These are uncorrelated so can be RSS. Overall error in \hat{I}_{or}/I_{oc} is $(0.5^2 + 0.5^2 + 0.5^2 + 0.3^2)^{0.5} = 1.0$ dB, but per output \hat{I}_{or1}/I_{oc} , \hat{I}_{or2}/I_{oc} or \hat{I}_{or3}/I_{oc} the error is $(0.5^2 + 0.3^2)^{0.5} = 0.6$ dB. |
| 11.2A Demodulation of MTCH - Enhanced Performance Requirements Type 1 | S-CCPCH_Ec/lor ± 0.1 dB I_{oc} ± 1.0 dB \hat{I}_{or1}/I_{oc} ± 0.6 dB \hat{I}_{or2}/I_{oc} ± 0.6 dB \hat{I}_{or3}/I_{oc} ± 0.6 dB | 0.1 dB uncertainty in S-CCPCH_Ec/lor ratio Worst case gain uncertainty due to the fader from the calibrated static profile is ± 0.5 dB per output. In addition the same ± 0.3 dB \hat{I}_{or}/I_{oc} ratio error as 7.2. These are uncorrelated so can be RSS. Overall error in \hat{I}_{or}/I_{oc} is $(0.5^2 + 0.5^2 + 0.5^2 + 0.3^2)^{0.5} = 1.0$ dB, but per output \hat{I}_{or1}/I_{oc} , \hat{I}_{or2}/I_{oc} or \hat{I}_{or3}/I_{oc} the error is $(0.5^2 + 0.3^2)^{0.5} = 0.6$ dB. |
| 11.3 Demodulation of MTCH and cell identification | S-CCPCH_Ec/lor ± 0.1 dB I_{oc} ± 1.0 dB \hat{I}_{or1}/I_{oc} ± 0.6 dB \hat{I}_{or2}/I_{oc} ± 0.6 dB \hat{I}_{or3}/I_{oc} ± 0.6 dB | 0.1 dB uncertainty in S-CCPCH_Ec/lor ratio Worst case gain uncertainty due to the fader from the calibrated static profile is ± 0.5 dB per output. In addition the same ± 0.3 dB \hat{I}_{or}/I_{oc} ratio error as 7.2. These are uncorrelated so can be RSS. Overall error in \hat{I}_{or}/I_{oc} is $(0.5^2 + 0.5^2 + 0.5^2 + 0.3^2)^{0.5} = 1.0$ dB, but per output \hat{I}_{or1}/I_{oc} , \hat{I}_{or2}/I_{oc} or \hat{I}_{or3}/I_{oc} the error is $(0.5^2 + 0.3^2)^{0.5} = 0.6$ dB. |

F.2 Test Tolerances (This clause is informative)

The Test Tolerances defined in this clause have been used to relax the Minimum Requirements in the present document to derive the Test Requirements.

The Test Tolerances are derived from Test System uncertainties, regulatory requirements and criticality to system performance. As a result, the Test Tolerances may sometimes be set to zero.

The test tolerances should not be modified for any reason e.g. to take account of commonly known test system errors (such as mismatch, cable loss, etc.).

F.2.1 Transmitter

Table F.2.1: Test Tolerances for transmitter tests

| Clause | Test Tolerance |
|--|--|
| 5.2 Maximum Output Power | 0.7 dB |
| 5.2A Maximum Output Power with HS-DPCCH (Release 5 only) | 0.7 dB |
| 5.2AA Maximum Output Power with HS-DPCCH (Release 6 and later) | 0.7 dB |
| 5.2B Maximum Output Power with HS-DPCCH and E-DCH | 0.7 dB |
| 5.2BA UE Maximum Output Power for DC-HSUPA (QPSK) | 0.7 dB |
| 5.2BB UE Maximum Output Power for DC-HSUPA (16QAM) | 0.7 dB |
| 5.2C UE relative code domain power accuracy | For 0 dB \geq -10 dB CDP 0.2 dB For -10 dB \geq -15 dB CDP 0.3 dB For -15 dB \geq -20 dB CDP 0.4 dB |
| 5.2D UE Relative Code Domain Power Accuracy with HS-DPCCH and E-DCH | For 0 dB \geq -10 dB CDP 0.2 dB For -10 dB \geq -15 dB CDP 0.3 dB For -15 dB \geq -20 dB CDP 0.4 dB |
| 5.2DA UE Relative Code Domain Power Accuracy for DC-HSUPA with QPSK | For 0 dB \geq -10 dB CDP 0.2 dB For -10 dB \geq -15 dB CDP 0.3 dB For -15 dB \geq -20 dB CDP 0.4 dB |
| 5.2E UE Relative Code Domain Power Accuracy for HS-DPCCH and E-DCH with 16QAM | For 0 dB \geq -10 dB CDP 0.2 dB For -10 dB \geq -15 dB CDP 0.3 dB For -15 dB \geq -20 dB CDP 0.4 dB For -20 dB \geq -30 dB CDP 0.5 dB |
| 5.2 EA UE relative code domain power accuracy for DC-HSUPA using HS-DPCCH and E-DCH with 16QAM | For 0 dB \geq -10 dB CDP 0.2 dB For -10 dB \geq -15 dB CDP 0.3 dB For -15 dB \geq -20 dB CDP 0.4 dB For -20 dB \geq -30 dB CDP 0.5 dB |
| 5.3 Frequency error | 10 Hz |
| 5.3A Frequency Error for DC-HSUPA | 10 Hz per carrier |
| 5.3C Frequency error for UL CLTD Activation state 1 | 10 Hz |
| 5.3D Frequency error for UL CLTD Activation state 2 and 3 | 10 Hz |
| 5.4.1 Open loop power control in uplink | 1.0 dB |
| 5.4.1A Open Loop Power Control in the Uplink for DC-HSUPA | 1.0 dB per carrier |
| 5.4.2 Inner loop power control in the uplink | 0.1 dB (1 dB and 0 dB range) 0.15 dB (2 dB range) 0.2 dB (3 dB range) 0.3 dB (> 3 dB range)) |
| 5.4.2A Inner Loop Power Control in the Uplink for DC-HSUPA | 0.1 dB per carrier (1 dB and 0 dB range) 0.15 dB per carrier (2 dB range) 0.2 dB per carrier (3 dB range) 0.3 dB per carrier (> 3 dB range)) |
| 5.4.3 Minimum Output Power | 1.0 dB |
| 5.4.3A Minimum Output Power for DC-HSUPA | 1.0 dB |

| Clause | Test Tolerance |
|--|--|
| 5.4.4 Out-of-synchronisation handling of output power: $\frac{DPCCH_E_c}{I_{or}}$ | 0.4 dB |
| 5.4.4 Out-of-synchronisation handling of output power: transmit ON/OFF time | 0 ms |
| 5.4.4A Out-of-synchronisation handling of output power for a UE which supports type 1 for DCH: $\frac{DPCCH_E_c}{I_{or}}$ | 0.4 dB |
| 5.4.4 A Out-of-synchronisation handling of output power for a UE which supports type 1 for DCH: transmit ON/OFF time | 0 ms |
| 5.5.1 Transmit OFF power | 1.0 dB |
| 5.5.2 Transmit ON/OFF time mask (dynamic case) | On power +0.7 dB / -1.0 dB Off power TT 1.0 dB |
| 5.6 Change of TFC: power control step size | 0.3 dB |
| 5.7 Power setting in uplink compressed mode:-UE output power | See subset of 5.4.2 |
| 5.7A HS-DPCCH | 0.1 dB (1 dB and 0 dB range) 0.15 dB (2 dB range) 0.2 dB (3 dB range) 0.3 dB (> 3 dB range) |
| 5.8 Occupied Bandwidth | 0 kHz |
| 5.8A Occupied Bandwidth for DC-HSUPA | 0 kHz |
| 5.9 Spectrum emission mask | 1.5 dB (0 dB for additional requirements for Band II, Band IV, Band V and Band X only) |
| 5.9A Spectrum emission mask with HS-DPCCH | 1.5 dB (0 dB for additional requirements for Band II, Band IV, Band V and Band X only) |
| 5.9B Spectrum emission mask with E-DCH | 1.5 dB (0 dB for additional requirements for Band II, Band IV and Band V only) |
| 5.9C Additional Spectrum Emission Mask for DC-HSUPA (QPSK) | 1.5 dB (0 dB for additional requirements for band II, IV, V and X only) |
| 5.9D Additional Spectrum Emission Mask for DC-HSUPA (16QAM) | 1.5 dB (0 dB for additional requirements for band II, IV, V and X only) |
| 5.10 ACLR | 0.8 dB for ratio 0.0 dB for absolute power |
| 5.10A ACLR with HS-DPCCH | 0.8 dB for ratio 0.0 dB for absolute power |
| 5.10B ACLR with E-DCH | 0.8 dB for ratio 0.0 dB for absolute power |
| 5.10C ACLR with E-DCH for DC-HSUPA (QPSK) | 0.8 dB for ratio 0.0 dB for absolute power |
| 5.10D ACLR with E-DCH for DC-HSUPA (16QAM) | 0.8 dB for ratio 0.0 dB for absolute power |
| 5.11 Spurious emissions | 0 dB |
| 5.11A Spurious emissions for DC-HSUPA | 0 dB |
| 5.12 Transmit Intermodulation | 0 dB |
| 5.12A Transmit Intermodulation for DC-HSUPA | 0 dB |
| 5.13.1 Transmit modulation: EVM | 0% |
| 5.13.1A Transmit modulation: EVM with HS-DPCCH | 0% |
| 5.13.1AA Transmit modulation: EVM and phase discontinuity with HS-DPCCH | 0% EVM 6 degrees phase discontinuity |
| 5.13.1AAA EVM and IQ origin offset for HS-DPCCH with E-DCH with 16 QAM | ±0.5 dB (for IQ origin offset) |
| 5.13.2 Transmit modulation: peak code domain error | 1.0 dB |
| 5.13.2A Relative Code Domain Error | ±0.5 dB |
| 5.13.2B Relative Code Domain Error with HS-DPCCH and E-DCH | ±0.5 dB |

| Clause | Test Tolerance |
|---|----------------------------------|
| 5.13.2B Relative Code Domain Error with HS-DPCCH and E-DCH for DC-HSUPA | ± 0.5 dB |
| 5.13.2C Relative Code Domain Error for HS-DPCCH and E-DCH with 16QAM | ± 0.5 dB |
| 5.13.3 UE phase discontinuity | 0% for EVM |
| | 10 Hz for Frequency error |
| | 6 degree for Phase discontinuity |
| 5.13.4 PRACH preamble quality (EVM) | 0% |
| 5.13.4 PRACH preamble quality (Frequency error) | 10 Hz |
| 5.13.5 In-band emission for DC-HSUPA | 0.8 dB |

F.2.2 Receiver

Table F.2.2: Test Tolerances for receiver tests

| Clause | Test Tolerance |
|---|--|
| 6.2 Reference sensitivity level | 0.7 dB for Ior and Ec |
| 6.2A Reference sensitivity level for DC-HSDPA | 0.7 dB for Ior and Ec (for both DC-HSDPA cells) |
| 6.2B Reference sensitivity level for DB-DC-HSDPA | 0.7 dB for Ior and Ec (for both DB-DC-HSDPA cells) |
| 6.2C Reference sensitivity level for single band 4C-HSDPA | 0.7 dB for Ior and Ec (for all 3C-HSDPA cells) |
| 6.2D Reference sensitivity level for Dual band 4C-HSDPA | 0.7 dB for Ior and Ec (for all 4C-HSDPA cells) |
| 6.2DA Reference sensitivity level for Dual band 4C-HSDPA (3 carrier) | 0.7 dB for Ior and Ec (for all 3C-HSDPA cells) |
| 6.3 Maximum input level: | 0.7 dB for Ior |
| 6.3A Maximum Input Level for HS-PDSCH Reception (16QAM) | 0.7 dB for Ior |
| 6.3B Maximum Input Level for HS-PDSCH Reception (64QAM) | 0.7 dB for Ior |
| 6.3C Maximum Input Level for DC-HSDPA Reception (16QAM) | 0.7 dB for Ior (for both DC-HSDPA cells) |
| 6.3D Maximum Input Level for DC-HSDPA Reception (64QAM) | 0.7 dB for Ior (for both DC-HSDPA cells) |
| 6.3E Maximum Input Level for DB-DC-HSDPA Reception (16QAM) | 0.7 dB for Ior (for both DB-DC-HSDPA cells) |
| 6.3F Maximum Input Level for DB-DC-HSDPA Reception (64QAM) | 0.7 dB for Ior (for both DB-DC-HSDPA cells) |
| 6.3G Maximum Input Level for 4C-HSDPA Reception (16QAM) | 0.7 dB for Ior and Ec (for all 4C-HSDPA cells) |
| 6.3GA Maximum Input Level for 4C-HSDPA Reception (16QAM) (3 carrier) | 0.7 dB for Ior and Ec (for all 3C-HSDPA cells) |
| 6.3H Maximum Input Level for 4C-HSDPA Reception (64QAM) | 0.7 dB for Ior and Ec (for all 4C-HSDPA cells) |
| 6.3HA Maximum Input Level for 4C-HSDPA Reception (64QAM) (3 carrier) | 0.7 dB for Ior and Ec (for all 3C-HSDPA cells) |
| 6.4 Adjacent channel selectivity (Rel-99 and Rel-4) | 0 dB |
| 6.4A Adjacent channel selectivity (Rel-5 and later releases) | 0 dB |
| 6.4B Adjacent channel selectivity (ACS) for DC-HSDPA | 0 dB |
| 6.4C Adjacent channel selectivity (ACS) for DB-DC-HSDPA | 0 dB |
| 6.5 Blocking characteristics | 0 dB |
| 6.5A Blocking characteristics for DC-HSDPA | 0 dB |
| 6.5B Blocking characteristics for DB-DC-HSDPA | 0 dB |
| 6.5C Blocking characteristics for DC-HSUPA | 0 dB |
| 6.5D Blocking Characteristics for single Uplink Single band 4C-HSDPA | 0 dB |
| 6.5E Blocking Characteristics for dual Uplink Single band 4C-HSDPA | 0 dB |
| 6.5F Blocking Characteristics for single Uplink Dual band 4C-HSDPA | 0 dB |
| 6.5FA Blocking Characteristics for single Uplink Dual band 4C-HSDPA (3 carrier) | 0 dB |
| 6.5G Blocking Characteristics for dual Uplink Dual band 4C-HSDPA | 0 dB |
| 6.5GA Blocking Characteristics for dual Uplink Dual band 4C-HSDPA (3 carrier) | 0 dB |
| 6.6 Spurious Response | 0 dB |
| 6.6A Spurious Response for DC-HSDPA | 0 dB |

| Clause | Test Tolerance |
|--|-----------------------|
| 6.6B Spurious Response for DB-DC-HSDPA | 0 dB |
| 6.6C Spurious Response for single band 4C-HSDPA | 0 dB |
| 6.6D Spurious Response for dual band 4C-HSDPA | 0 dB |
| 6.6DA Spurious Response for dual band 4C-HSDPA (3 carrier) | 0 dB |
| 6.7 Intermodulation Characteristics | 0 dB |
| 6.7A Intermodulation Characteristics for DC-HSDPA | 0 dB |
| 6.7B Intermodulation Characteristics for DB-DC-HSDPA | 0 dB |
| 6.7C Intermodulation Characteristics for DC-HSUPA | 0 dB |
| 6.7D Intermodulation Characteristics for single uplink single band 4C-HSDPA | 0 dB |
| 6.7E Intermodulation Characteristics for single uplink dual band 4C-HSDPA | 0 dB |
| 6.7EA Intermodulation Characteristics for single uplink dual band 4C-HSDPA (3 carrier) | 0 dB |
| 6.8 Spurious emissions | 0 dB |

F.2.3 Performance requirements

Table F.2.3: Test Tolerances for Performance Requirements

| Clause | Test Tolerance |
|--|--|
| 7.2 Demodulation in Static Propagation Condition | 0.3 dB for \hat{I}_{or}/I_{oc} 0.1 dB for DPCH_Ec/lor |
| 7.3 Demodulation of DCH in multipath Fading Propagation conditions | 0.6 dB for \hat{I}_{or}/I_{oc} 0.1 dB for DPCH_Ec/lor |
| 7.4 Demodulation of DCH in Moving Propagation conditions | 0.6 dB for \hat{I}_{or}/I_{oc} 0.1 dB for DPCH_Ec/lor |
| 7.5 Demodulation of DCH in Birth-Death Propagation conditions | 0.6 dB for \hat{I}_{or}/I_{oc} 0.1 dB for DPCH_Ec/lor |
| 7.5A Demodulation of DCH in high speed train conditions | 0.6 dB for \hat{I}_{or}/I_{oc} 0.1 dB for DPCH_Ec/lor |
| 7.6.1 Demodulation of DCH in open loop Transmit diversity mode | 0.8 dB for \hat{I}_{or}/I_{oc} 0.1 dB for DPCH_Ec/lor |
| 7.6.2 Demodulation of DCH in closed loop Transmit diversity mode | 0.8 dB for \hat{I}_{or}/I_{oc} 0.1 dB for DPCH_Ec/lor |
| 7.6.3, Demodulation of DCH in site selection diversity Transmission power control mode | 0.8 dB for \hat{I}_{or}/I_{oc} 0.1 dB for DPCH_Ec/lor |
| 7.7.1 Demodulation in inter-cell soft Handover conditions (Release 5 and earlier) | 0.6 dB for \hat{I}_{or1}/I_{oc} and \hat{I}_{or2}/I_{oc} 0.1 dB for DPCH_Ec/lor |
| 7.7.1A Demodulation in inter-cell soft Handover conditions (Release 6 and later) | 0.6 dB for \hat{I}_{or1}/I_{oc} and \hat{I}_{or2}/I_{oc} 0.1 dB for DPCH_Ec/lor |
| 7.7.2 Combining of TPC commands Test 1 | 0 dB for lor1, lor2 0.1 dB for DPCH_Ec/lor |
| 7.7.2 Combining of TPC commands Test 2 | 0.8 dB for \hat{I}_{or}/I_{oc} 0.1 dB for DPCH_Ec/lor |
| 7.7.3 Combining of reliable TPC commands from radio links of different radio link sets | Test parameters: 0 dB for \hat{I}_{or1}/I_{oc} 0 dB for \hat{I}_{or2}/I_{oc} 0 dB for \hat{I}_{or3}/I_{oc} 0 dB for DPCH_Ec1/lor1 0 dB for DPCH_Ec2/lor2 0 dB for DPCH_Ec3/lor3 Test requirements: 0 dB for Test 1 0 dB for Test 2 |
| 7.8.1 Power control in downlink constant BLER target (Release 5 and earlier) | 0.6 dB for \hat{I}_{or}/I_{oc} 0.1 dB for DPCH_Ec/lor For test cases wherein the SS response time to DL power control commands is delayed by one timeslot from the immediate response the following $\frac{DPCH_Ec}{I_{or}}$ test tolerances apply: Test 1: 0.4 dB for $\frac{DPCH_Ec}{I_{or}}$ Test 2: 0.3 dB for $\frac{DPCH_Ec}{I_{or}}$ |

| Clause | Test Tolerance |
|--|--|
| 7.8.1A Power control in downlink constant BLER target (Release 6 and later) | 0.6 dB for \hat{I}_{or}/I_{oc} 0.1 dB for DPCH_Ec/lor |
| 7.8.2, Power control in downlink initial convergence (Release 5 and earlier) | 0.6 dB for measured DPCH_Ec/lor power ratio values during T1 and T2. When the SS response time to DL power control commands is delayed by one timeslot from the immediate response the following measured DPCH_Ec/lor power ratio value test tolerance applies: Test 1, 2, 3 and 4: 0.8 dB (= rounded 0.75 dB) |
| 7.8.3A, Power control in downlink: wind up effects (Release 6 and later) | 0.6 dB for \hat{I}_{or}/I_{oc} 0.1 dB for DPCH_Ec/lor |
| 7.8.3, Power control in downlink: wind up effects | 0.6 dB for \hat{I}_{or}/I_{oc} 0.1 dB for DPCH_Ec/lor For test cases wherein the SS response time to DL power control commands is delayed by one timeslot from the immediate response the following $\frac{DPCH_Ec}{I_{or}}$ test tolerance applies: Test 1: 0.4 dB for $\frac{DPCH_Ec}{I_{or}}$ |
| 7.8.4, Power control in the downlink, different transport formats | 0.6 dB for \hat{I}_{or}/I_{oc} 0.1 dB for DPCH_Ec/lor For test cases where the SS response time to DL power control commands is delayed by one timeslot from the immediate response the following $\frac{DPCH_Ec}{I_{or}}$ test tolerances apply: Test 1 stage 1: 0.3 dB for $\frac{DPCH_Ec}{I_{or}}$ Test 1 stage 2: 0.2 dB for $\frac{DPCH_Ec}{I_{or}}$ |
| 7.8.5, Power control in the downlink for F-DPCH | 0.6 dB for \hat{I}_{or}/I_{oc} 0.1 dB for F-DPCH_Ec/lor |
| 7.9.1 Downlink compressed mode (Release 5 and earlier) | 0.6 dB for \hat{I}_{or}/I_{oc} 0.1 dB for DPCH_Ec/lor |
| 7.9.1A Downlink compressed mode (Release 6 and later) | 0.6 dB for \hat{I}_{or}/I_{oc} 0.1 dB for DPCH_Ec/lor |
| 7.10 Blind transport format detection Tests 1, 2, 3 | 0.3 dB for \hat{I}_{or}/I_{oc} 0.1 dB for DPCH_Ec/lor |
| 7.10 Blind transport format detection Tests 4, 5, 6 | 0.6 dB for \hat{I}_{or}/I_{oc} 0.1 dB for DPCH_Ec/lor |
| 7.11 Demodulation of paging channel (PCH) | Test 1: 0.4 dB for \hat{I}_{or}/I_{oc} |
| | Test 2: 0.7 dB for \hat{I}_{or}/I_{oc} |
| 7.12 Detection of acquisition indicator (AI) | 0.4 dB for \hat{I}_{or}/I_{oc} |
| 7.12A Detection of E-DCH Acquisition Indicator (E-AI) | 0.4 dB for \hat{I}_{or}/I_{oc} |
| 7.13 UE UL power control operation with discontinuous UL DPCCCH transmission operation | DL: No test tolerances applied UL: [0.3[dB for the measured UL power step |

F.2.4 Requirements for support of RRM

Table F.2.4: Test Tolerances for Radio Resource Management Tests

| Clause | Test Tolerance |
|--|---|
| 8.2 Idle Mode Tasks | |
| 8.2.2 Cell Re-Selection | |
| 8.2.2.1 Scenario 1: Single carrier case | <p><u>During T1 and T2:</u> +0.60 dB for all Cell 1 and 2 Ec/Ior ratios -0.50 dB for all Cell 3, 4, 5, 6 Ec/Ior ratios +0.03 dB for Ior(3, 4, 5, 6)</p> <p><u>During T1:</u> -0.27 dB for Ior(1) +0.13 dB for Ior(2)</p> <p><u>During T2:</u> +0.13 dB for Ior(1) -0.27 dB for Ior(2)</p> |
| 8.2.2.2 Scenario 2: Multi carrier case | <p><u>Channel 1 during T1 and T2:</u> +0.70 dB for all Cell 1 Ec/Ior ratios -0.80 dB for all Cell 3 and 4 Ec/Ior ratios</p> <p><u>Channel 1 during T1:</u> -0.01 dB for Ior(1) -0.01 dB for Ior(3, 4) No change for Ioc(1)</p> <p><u>Channel 1 during T2:</u> +0.75 dB for Ior(1) -0.05 dB for Ior(3, 4) -1.80 dB for Ioc(1)</p> <p><u>Channel 2 during T1 and T2:</u> +0.70 dB for all Cell 2 Ec/Ior ratios -0.80 dB for all Cell 5 and 6 Ec/Ior ratios</p> <p><u>Channel 2 during T1:</u> +0.75 dB for Ior(2) -0.05 dB for Ior(5, 6) -1.80 dB for Ioc(2)</p> <p><u>Channel 2 during T2:</u> -0.01 dB for Ior(2) -0.01 dB for Ior(5, 6) No change for Ioc(2)</p> |
| 8.2.3 UTRAN to GSM Cell Re-Selection | |
| 8.2.3.1 Scenario 1: Both UTRA and GSM level changed | <p>0.3 dB for \hat{I}_{or}/I_{oc} 0.1 dB for CPICH_Ec/Ior 1.0 dB for RXLEV</p> |
| 8.2.3.2 Scenario 2: Only UTRA level changed | <p>0.3 dB for \hat{I}_{or}/I_{oc} 0.1 dB for CPICH_Ec/Ior 1.0 dB for RXLEV</p> |
| 8.2.3.3 Scenario 3: HCS with only UTRA level changed | <p>0.3 dB for \hat{I}_{or}/I_{oc} 0.1 dB for CPICH_Ec/Ior 1.0 dB for RXLEV</p> |
| 8.2.4 FDD/TDD cell re-selection | <p>0.3 dB for \hat{I}_{or}/I_{oc} 0.1 dB for CPICH_Ec/Ior 0.3 dB for Ioc1/Ioc2 For multi-band UE with Band I and VI 0.5 dB for Ioc1/Ioc2</p> |
| 8.2.5 UTRA to E-UTRA Cell Re-Selection | |

| Clause | Test Tolerance |
|--|--|
| 8.2.5.1 E-UTRA is of higher priority | <p><u>UTRA cell during T1:</u> 0dB for loc +0.80dB for lor/loc 0dB for CPICH_Ec/lor</p> <p><u>E-UTRA cell during T1:</u> -1.10dB for Noc 0dB for \hat{E}_s / N_{oc}</p> <p><u>UTRA cell during T2:</u> 0dB for loc +0.80dB for lor/loc 0dB for CPICH_Ec/lor</p> <p><u>E-UTRA cell during T2:</u> -1.10dB for Noc +1.90dB for \hat{E}_s / N_{oc}</p> <p><u>UTRA cell during T3:</u> 0dB for loc +0.80dB for lor/loc 0dB for CPICH_Ec/lor</p> <p><u>E-UTRA cell during T3:</u> -1.10dB for Noc +0.30dB for \hat{E}_s / N_{oc}</p> |
| 8.2.5.2 E-UTRA is of lower priority | <p><u>UTRA cell during T1:</u> -0.10dB for loc +0.90dB for lor/loc 0dB for CPICH_Ec/lor</p> <p><u>E-UTRA cell during T1:</u> 0dB for Noc +0.80dB for \hat{E}_s / N_{oc}</p> <p><u>UTRA cell during T2:</u> -0.10dB for loc -0.70dB for lor/loc 0dB for CPICH_Ec/lor</p> <p><u>E-UTRA cell during T2:</u> 0dB for Noc +0.80dB for \hat{E}_s / N_{oc}</p> |
| 8.3 UTRAN Connected Mode Mobility | |
| 8.3.1 FDD/FDD Soft Handover | <p><u>During T0/T1 and T2/T3/T4/T5/T6:</u> +0.70 dB for all Cell 1 Ec/lor ratios Relative delay: $\{-147.5 \dots +147.5\}$ chips</p> <p><u>During T0/T1:</u> Already covered above</p> <p><u>During T2/T3/T4/T5/T6:</u> +0.70 dB for all Cell 2 Ec/lor ratios</p> |
| 8.3.2 FDD/FDD Hard Handover | |
| 8.3.2.1 Handover to intra-frequency cell | <p><u>During T1 and T2 / T3:</u> +0.70 dB for all Cell 1 Ec/lor ratios</p> <p><u>During T1:</u> Already covered above</p> <p><u>During T2 / T3:</u> +0.70 dB for all Cell 2 Ec/lor ratios</p> |

| Clause | Test Tolerance |
|---|---|
| 8.3.2.2 Handover to inter-frequency cell | <u>Channel 1 during T1 and T2 / T3:</u> +0.80 dB for all Cell 1 Ec/Ior ratios <u>Channel 2 during T1:</u> Not applicable <u>Channel 2 during T2 / T3:</u> +0.80 dB for all Cell 2 Ec/Ior ratios |
| 8.3.3 FDD/TDD Handover | TBD |
| 8.3.4 Inter-system Handover form UTRAN FDD to GSM | <u>During T2 and T3:</u> + 1 dB for RXLEV |
| 8.3.4a Inter-system Handover from UTRAN FDD to E-UTRAN FDD | UTRA cell during T1: 0dB for loc 0dB for Ior/loc 0dB for CPICH_Ec/Ior E-UTRA cell during T1: 0dB for Noc 0dB for \hat{E}_s / Noc UTRA cell during T2: 0dB for loc 0dB for Ior/loc 0dB for CPICH_Ec/Ior E-UTRA cell during T2: 0dB for Noc +0.80dB for \hat{E}_s / Noc UTRA cell during T3: 0dB for loc 0dB for Ior/loc 0dB for CPICH_Ec/Ior E-UTRA cell during T3: 0dB for Noc +0.80dB for \hat{E}_s / Noc |
| 8.3.4b Inter-system Handover from UTRAN FDD to E-UTRAN TDD | <u>Same as 8.3.4a</u> |
| 8.3.4c Inter-system Handover from UTRAN FDD to E-UTRAN FDD: Unknown Target Cell | Zero TT is applied, |
| 8.3.4d Inter-system Handover from UTRAN FDD to E-UTRAN TDD; Unknown Target Cell | Same as 8.3.4c |
| 8.3.5 Cell Re-selection in CELL_FACH | |
| 8.3.5.1 One frequency present in the neighbour list | <u>During T1 and T2:</u> +0.60 dB for all Cell 1 and 2 Ec/Ior ratios -0.50 dB for all Cell 3, 4, 5, 6 Ec/Ior ratios +0.03 dB for Ior(3, 4, 5, 6) <u>During T1:</u> -0.27 dB for Ior(1) +0.13 dB for Ior(2) <u>During T2:</u> +0.13 dB for Ior(1) -0.27 dB for Ior(2) |

| Clause | Test Tolerance |
|---|---|
| 8.3.5.2 Two frequencies present in the neighbour list | <p><u>Channel 1 during T1 and T2:</u> +0.60 dB for all Cell 1 Ec/Ior ratios -0.70 dB for all Cell 3 and 4 Ec/Ior ratios</p> <p><u>Channel 1 during T1:</u> +0.05 dB for Ior(1) +0.05 dB for Ior(3, 4) No change for Ioc(1)</p> <p><u>Channel 1 during T2:</u> +0.75 dB for Ior(1) -0.05 dB for Ior(3, 4) -1.60 dB for Ioc(1)</p> <p><u>Channel 2 during T1 and T2:</u> +0.60 dB for all Cell 2 Ec/Ior ratios -0.70 dB for all Cell 5 and 6 Ec/Ior ratios</p> <p><u>Channel 2 during T1:</u> +0.75 dB for Ior(2) -0.05 dB for Ior(5, 6) -1.60 dB for Ioc(2)</p> <p><u>Channel 2 during T2:</u> +0.05 dB for Ior(2) +0.05 dB for Ior(5, 6) No change for Ioc(2)</p> |
| 8.3.5.3 Cell Re-selection to GSM | <p>0.3 dB for \hat{I}_{or} / I_{oc} 0.1 dB for CPICH_Ec/Ior 1.0 dB for RXLEV</p> |
| 8.3.5.4 Cell Reselection during an MBMS session, two frequencies present in neighbour list | <p><u>Channel 1 during T2 and T3:</u> +1.00 dB for all Cell 1 Ec/Ior ratios</p> <p><u>Channel 1 during T3:</u> -1.52 dB for Ioc(1)</p> <p><u>Channel 2 during T1, T2 and T3:</u> +1.00 dB for all Cell 2 Ec/Ior ratios</p> <p><u>Channel 2 during T2:</u> -1.38 dB for Ioc(2)</p> |
| 8.3.6 Cell Re-selection in CELL_PCH | |
| 8.3.6.1 One frequency present in the neighbour list | Same as 8.2.2.1 |
| 8.3.6.2 Two frequencies present in the neighbour list | Same as 8.2.2.2 |
| 8.3.6.3 Cell re-selection during an MBMS session, one UTRAN inter-frequency and 2 GSM cells present in the neighbour list | <p><u>Channel 1 during T2:</u> +1.00 dB for all Cell 1 Ec/Ior ratios</p> <p><u>Channel 2 during T1 and T2:</u> +1.00 dB for all Cell 2 Ec/Ior ratios</p> <p><u>Channel 2 during T2:</u> -1.50 dB for Ioc(2)</p> <p><u>Channel 2 during T3:</u> -0.1 dB for CPICH_Ec/Ior -0.3 dB for \hat{I}_{or} / I_{oc}</p> <p>GSM during T2: -1.0 dB for RXLEV1 -1.0 dB for RXLEV2</p> <p>GSM during T3: +1.0 dB for RXLEV2</p> |

| Clause | Test Tolerance |
|--|--|
| 8.3.7 Cell Re-selection in URA_PCH | |
| 8.3.7.1 One frequency present in the neighbour list | Same as 8.2.2.1 |
| 8.3.7.2 Two frequencies present in the neighbour list | Same as 8.2.2.2 |
| 8.3.8 Serving HS-DSCH cell change | <p><u>During T0/T1/T2/T3/T4:</u> +0.70 dB for all Cell 1 Ec/Ior ratios Relative delay: {-147.5 ... +147.5} chips <u>During T0</u> Already covered above</p> <p><u>During T1/T2/T3/T4</u> +0.70 dB for all Cell 2 Ec/Ior ratios</p> |
| 8.3.9 Enhanced Serving HS-DSCH cell change | <p><u>During /T1/T2/T3/T4:</u> +0.70 dB for all Cell 1 Ec/Ior ratios +0.70 dB for all Cell 2 Ec/Ior ratios + 0.5 chips for relative delay</p> |
| 8.3.10 System information acquisition for CSG cell | |
| 8.3.10.1 Intrafrequency System information acquisition for CSG cell | <p><u>During T1 / T2:</u> +0.70 dB for all Cell 1 Ec/Ior ratios</p> <p><u>During T1:</u> Already covered above</p> <p><u>During T2:</u> +0.70 dB for all Cell 2 Ec/Ior ratios</p> |
| 8.3.10.2 Inter frequency System information acquisition for CSG cell | <p><u>Channel 1 during T1 and T2 / T3:</u> +0.80 dB for all Cell 1 Ec/Ior ratios</p> <p><u>Channel 2 during T1:</u> Not applicable</p> <p><u>Channel 2 during T2 / T3:</u> +0.80 dB for all Cell 2 Ec/Ior ratios</p> |
| 8.4 RRC Connection Control | |
| 8.4.1 RRC Re-establishment delay | <p>Settings: 0 dB for \hat{I}_{or} / I_{oc} 0 dB for any_Ec/Ior Zero TT is applied, as level settings are not critical with respect to the outcome of the test.</p> |
| 8.4.2 Random Access | <p>Settings: 0.3 dB for \hat{I}_{or} / I_{oc} 0.1 dB for AICH_Ec/Ior Measurements: Power difference: ± 1 dB Maximum Power: -1dB / +0.7dB</p> <p>PRACH timing error 0.5 chips</p> |
| 8.4.3 Transport format combination selection in UE | 0 dB for DPCH_Ec/Ior |
| 8.4.4 E-TFC restriction in UE | |
| 8.4.4.1 10ms TTI E-DCH E-TFC restriction | 0.1 dB for Ec/Ior 0.7 dB for \hat{I}_{or} |
| 8.4.4.2 2ms TTI E-DCH E-TFC restriction | 0.1 dB for Ec/Ior 0.7 dB for \hat{I}_{or} |
| 8.5 Timing and Signalling Characteristics | |
| 8.5.1 UE Transmit Timing | 0.1 dB for CPICH_Ec/Ior 0.1 dB for DPCH_Ec/Ior 1 dB for \hat{I}_{or1} 1.3 dB for \hat{I}_{or2} 0.5 chips for Rx-Tx timing accuracy 0.25 chips for Tx-Tx Timing Accuracy |
| 8.6 UE Measurements Procedures | |
| 8.6.1 FDD intra frequency measurements | |

| Clause | Test Tolerance |
|---|--|
| 8.6.1.1 Event triggered reporting in AWGN propagation conditions (R99) | During T1/T4 and T2/T3: +0.70 dB for all Cell 1 Ec/Ior ratios During T1/T4 only: Already covered above During T2/T3 only: +0.70 dB for all Cell 2 Ec/Ior ratios |
| 8.6.1.1A Event triggered reporting in AWGN propagation conditions (Rel-4 and later) | During T1/T3 and T2: +0.70 dB for all Cell 1 Ec/Ior ratios During T1/T3 only: Already covered above During T2 only: +0.70 dB for all Cell 2 Ec/Ior ratios |
| 8.6.1.2 Event triggered reporting of multiple neighbours in AWGN propagation condition (R99) | During T0 to T6: +0.70 dB for all Cell 1 Ec/Ior ratios +0.70 dB for all Cell 2 Ec/Ior ratios +0.70 dB for all Cell 3 Ec/Ior ratios |
| 8.6.1.2A Event triggered reporting of multiple neighbours in AWGN propagation condition (Rel-4 and later) | During T0 to T4: +0.70 dB for all Cell 1 Ec/Ior ratios +0.70 dB for all Cell 2 Ec/Ior ratios +0.70 dB for all Cell 3 Ec/Ior ratios |
| 8.6.1.3 Event triggered reporting of two detectable neighbours in AWGN propagation condition (R99) | During T0 to T5: +0.40 dB for all Cell 1 Ec/Ior ratios +0.40 dB for all Cell 2 Ec/Ior ratios +0.40 dB for all Cell 3 Ec/Ior ratios |
| 8.6.1.3A Event triggered reporting of two detectable neighbours in AWGN propagation condition (Rel-4 and later) | During T0 to T4: +0.40 dB for all Cell 1 Ec/Ior ratios +0.40 dB for all Cell 2 Ec/Ior ratios +0.40 dB for all Cell 3 Ec/Ior ratios |
| 8.6.1.4A Correct reporting of neighbours in fading propagation condition (Rel-4 and later) | During T1: +0.70 dB for all Cell 1 Ec/Ior ratios +0.30 dB for all Cell 2 Ec/Ior ratios During T2: +0.30 dB for all Cell 1 Ec/Ior ratios +0.70 dB for all Cell 2 Ec/Ior ratios |
| 8.6.1.5 Event triggered reporting of multiple neighbour cells in Case 1 fading condition | During T1 and T2: +0.70 dB for all Cell 1 Ec/Ior ratios +0.70 dB for all Cell 2 Ec/Ior ratios +0.70 dB for all Cell 3 Ec/Ior ratios |
| 8.6.1.6 Event triggered reporting of multiple neighbour cells in Case 3 fading condition | During T1 and T2: +0.70 dB for all Cell 1 Ec/Ior ratios +0.70 dB for all Cell 2 Ec/Ior ratios +0.70 dB for all Cell 3 Ec/Ior ratios |
| 8.6.2 FDD inter frequency measurements | |
| 8.6.2.1 Correct reporting of neighbours in AWGN propagation condition (Release 5 and earlier) | During T0 to T2: +0.80 dB for all Cell 1 Ec/Ior ratios +0.80 dB for all Cell 2 Ec/Ior ratios +0.80 dB for all Cell 3 Ec/Ior ratios |
| 8.6.2.1A Correct reporting of neighbours in AWGN propagation condition (Release 6 and later) | During T0 to T2: +0.80 dB for all Cell 1 Ec/Ior ratios +0.80 dB for all Cell 2 Ec/Ior ratios +0.80 dB for all Cell 3 Ec/Ior ratios |
| 8.6.2.2 Correct reporting of neighbours in Fading propagation condition (Release 5 only) | During T1 and T2: +0.80 dB for all Cell 1 Ec/Ior ratios +0.80 dB for all Cell 2 Ec/Ior ratios |
| 8.6.2.2A Correct reporting of neighbours in Fading propagation condition (Release 6 and later) | During T1 and T2: +0.80 dB for all Cell 1 Ec/Ior ratios +0.80 dB for all Cell 2 Ec/Ior ratios |
| 8.6.2.3 Correct reporting of neighbours in Fading propagation condition using TGL1=14 | During T1 and T2: +0.80 dB for all Cell 1 Ec/Ior ratios +0.80 dB for all Cell 2 Ec/Ior ratios |
| 8.6.3 TDD measurements | |

| Clause | Test Tolerance |
|--|---|
| 8.6.3.1 Correct reporting of TDD neighbours in AWGN propagation condition | TBD |
| 8.6.4 GSM measurements | |
| 8.6.4.1 Correct reporting of GSM neighbours in AWGN propagation condition | <u>During T2:</u> + 1 dB for RXLEV <u>During T3:</u> -1 dB for RXLEV |
| 8.6.5 Combined Inter frequency and GSM measurements | |
| 8.6.5.1 Correct reporting of neighbours in AWGN propagation condition | <u>During T0 to T5:</u> +0.80 dB for all Cell 1 Ec/Ior ratios +0.80 dB for all Cell 2 Ec/Ior ratios <u>During T4 to T5:</u> + 1 dB for RXLEV |
| 8.6.6.1 Correct reporting of E-UTRAN FDD neighbour in fading propagation condition | <u>During T1:</u> -0.6 dB for Cell 2 Noc <u>During T2:</u> -0.6 dB for Cell 2 Noc 0.6dB for Cell 2 Es/Noc <u>During T3:</u> -0.6 dB for Cell 2 Noc 0.6dB for Cell 2 Es/Noc |
| 8.6.6.2 Correct reporting of E-UTRAN TDD neighbour in fading propagation condition | Same as 8.6.6.1 |
| 8.6.7.1 Correct reporting of E-UTRA FDD neighbours in fading propagation condition | <u>During T2:</u> 0.7dB for Cell 2 Ior/Ioc |
| 8.6.7.2 Correct reporting of E-UTRA TDD neighbours in fading propagation condition | Same as 8.6.7.1 |
| 8.7 Measurements Performance Requirements | |
| 8.7.1 CPICH RSCP | |
| 8.7.1.1 Intra frequency measurements accuracy | 0.3 dB for \hat{I}_{or}/I_{oc} 0.1 dB for CPICH_Ec/Ior 1.0 dB for Ioc |
| 8.7.1.2 Inter frequency measurement accuracy | 0.3 dB for \hat{I}_{or}/I_{oc} 0.1 dB for CPICH_Ec/Ior 0.3 dB for Ioc1/Ioc2 1.0 dB for Ioc For multi-band UE with Band I and VI 0.5 dB for Ioc1/Ioc2 |
| 8.7.2 CPICH Ec/Io | |
| 8.7.2.1 Intra frequency measurements accuracy | 0.3 dB for \hat{I}_{or}/I_{oc} 0.1 dB for CPICH_Ec/Ior |
| 8.7.2.2 Inter frequency measurement accuracy | 0.3 dB for \hat{I}_{or}/I_{oc} 0.1 dB for CPICH_Ec/Ior 0.3 dB for Ioc1/Ioc2 1.0 dB for Ioc For multi-band UE with Band I and VI 0.5 dB for Ioc1/Ioc2 |
| 8.7.3.1 UTRA Carrier RSSI, absolute measurement accuracy | 0.3 dB for \hat{I}_{or}/I_{oc} 0.3 dB for Ioc1/Ioc2 1.0 dB for Ioc For multi-band UE with Band I and VI 0.5 dB for Ioc1/Ioc2 |
| 8.7.3.2 UTRA Carrier RSSI, relative measurement accuracy | 0.3 dB for \hat{I}_{or}/I_{oc} 1.0 dB for Ioc |

| Clause | Test Tolerance |
|--|--|
| 8.7.3A GSM Carrier RSSI | <p>TT for test parameters</p> <p>GSM cell levels: Step 1: -1 dB Step 2: -1 dB Step 3: -1 dB Step 4:+1 dB</p> <p>Relative accuracy requirements: a, b, c and d values in minimum requirements are increased by 2 dB i.e.,</p> <p>For $x_1 \geq s+14$, $x_2 < -48$ dBm: a=4, b=4, c=6, d=6</p> <p>For $s+14 > x_1 \geq s+1$ a=5, b=4, c=7, d=6</p> <p>For $s+1 > x_1$ a=6, b=4, c=8, d=6</p> <p>Absolute accuracy requirements: original minimum requirements are increased by ± 1 dB</p> |
| 8.7.3B Transport channel BLER | TBD |
| 8.7.3C UE Transmitted power (R99 and Rel-4 only) | 0.7 dB for mean power measurement by test system |
| 8.7.3D UE Transmitted power (Rel-5 and later) | 0.7 dB for mean power measurement by test system |
| 8.7.4 SFN-CFN observed time difference | <p>0.3 dB for \hat{I}_{or}/I_{oc} 1.0 dB for loc</p> <p>± 0.5 chips for the actual SFN-CFN observed time difference</p> |
| 8.7.5.1 SFN-SFN observed time difference type 1 | <p>0.3 dB for \hat{I}_{or}/I_{oc} 1.0 dB for loc</p> <p>± 0.5 chips for the actual SFN-SFN observed time difference type 1</p> |
| 8.7.6.1 UE Rx-Tx time difference (Release 5 and earlier) | <p>0.3 dB for \hat{I}_{or}/I_{oc} 1.0 dB for loc 0.5 chip for Rx-Tx Timing Accuracy</p> |
| 8.7.6.1A UE Rx-Tx time difference (Release 6 and later) | <p>0.3 dB for \hat{I}_{or}/I_{oc} 1.0 dB for loc 0.5 chip for Rx-Tx Timing Accuracy</p> |
| 8.7.7 Observed time difference to GSM cell | TBD |
| 8.7.8 P-CCPCH RSCP | TBD |
| 8.7.9 UE Transmission Power Headroom | 0.8 dB for UPH reporting accuracy |

| Clause | Test Tolerance |
|---|---|
| 8.7.10 E-UTRAN FDD RSRP absolute accuracy | UTRA cell in Test 1: 0dB for loc 0dB for lor/loc 0dB for CPICH_Ec/lor E-UTRA cell in Test 1: -0.30dB for Noc 0dB for \hat{E}_s/Noc UTRA cell in Test 2: 0dB for loc 0dB for lor/loc 0dB for CPICH_Ec/lor E-UTRA cell in Test 2: 0dB for Noc +0.80dB for \hat{E}_s/Noc |
| 8.7.11 E-UTRAN TDD RSRP absolute accuracy | Same as 8.7.10 |
| 8.7.12 E-UTRAN FDD RSRQ absolute accuracy | UTRA cell in Test 1: 0dB for loc 0dB for lor/loc 0dB for CPICH_Ec/lor E-UTRA cell in Test 1: -0.80dB for Noc 0dB for \hat{E}_s/Noc UTRA cell in Test 2: 0dB for loc 0dB for lor/loc 0dB for CPICH_Ec/lor E-UTRA cell in Test 2: 0dB for Noc +0.80dB for \hat{E}_s/Noc UTRA cell in Test 3: 0dB for loc 0dB for lor/loc 0dB for CPICH_Ec/lor E-UTRA cell in Test 3: 0dB for Noc +0.80dB for \hat{E}_s/Noc |
| 8.7.13 E-UTRAN TDD RSRQ absolute accuracy | Same as 8.7.12 |

F.2.5 Performance requirements (HSDPA)

Table F.2.5: Test Tolerances for Performance Requirements (HSDPA)

| Clause | Test Tolerance |
|---|---|
| 9.2.1A to 9.2.1KD Single Link Performance | 0.6 dB for \hat{I}_{or}/I_{oc} 0.1 dB for E_c/I_{or} Test Tolerances apply for each carrier |
| 9.2.1L to 9.2.1LD Single Link Enhanced Performance Type 3i | 0.76 dB for \hat{I}_{or}/I_{oc} 0.17 dB for DIP1, DIP2 0.1 dB for E_c/I_{or} Test Tolerances apply for each carrier |
| 9.2.2A to 9.2.2E Open loop diversity performance | 0.8 dB for \hat{I}_{or}/I_{oc} 0.1 dB for E_c/I_{or} |
| 9.2.3A to 9.2.3E Closed loop diversity performance | Same as 9.2.2A |
| 9.2.4A to 9.2.4H MIMO performance | Same as 9.2.2A |
| 9.3.1 Single Link Performance - AWGN propagation conditions | No test tolerances applied |
| 9.3.1A Single Link Performance - AWGN propagation conditions, 64QAM | No test tolerances applied |
| 9.3.1B Single Link Performance - AWGN Propagation Conditions, DC-HSDPA requirements | No test tolerances applied |
| 9.3.1BA Single Link Performance - AWGN Propagation Conditions, DB-DC-HSDPA requirements | No test tolerances applied |
| 9.3.1C Single Link Performance - AWGN Propagation Conditions, Periodically Varying Radio Conditions | No test tolerances applied for test step 7 and 8 TT for M-difference is 1 for test step 9 (difference in medians M_1 and M_2) |
| 9.3.2 Single Link Performance - Fading propagation conditions | No test tolerances applied |
| 9.3.2A Single Link Performance - Fading Propagation Conditions, DC-HSDPA requirements | No test tolerances applied |
| 9.3.2AA Single Link Performance - Fading Propagation Conditions, DB-DC-HSDPA requirements | No test tolerances applied |
| 9.3.2B Single Link Performance - Fading propagation conditions, 64QAM | No test tolerances applied |
| 9.3.3 Open Loop Diversity Performance - AWGN propagation conditions | No test tolerances applied |
| 9.3.4 Open Loop Diversity Performance - Fading propagation conditions | No test tolerances applied |
| 9.3.5 Closed Loop Diversity Performance - AWGN propagation conditions | No test tolerances applied |
| 9.3.6 Closed Loop Diversity Performance - Fading propagation conditions | No test tolerances applied |
| 9.3.7A, MIMO performance – Reporting of Channel Quality indicator - Single stream fading conditions | No test tolerances applied |
| 9.3.7B MIMO performance – Reporting of Channel Quality indicator - Dual stream fading conditions | No test tolerances applied |
| 9.3.7C MIMO performance – Reporting of Channel Quality indicator - Dual stream fading conditions– UE categories 19-20 | No test tolerances applied |
| 9.3.7D MIMO performance – Reporting of Channel Quality indicator - Dual stream static orthogonal conditions – UE categories 15-20 | No test tolerances applied |

| Clause | Test Tolerance |
|---|--|
| 9.3.7E MIMO performance –Reporting of Channel Quality indicator - Dual stream static orthogonal conditions – UE categories 19-20 | No test tolerances applied |
| 9.3.7A MIMO performance – Reporting of Channel Quality indicator - Single stream fading conditions - Asymmetric CPICHs | No test tolerances applied |
| 9.3.7B MIMO performance – Reporting of Channel Quality indicator - Dual stream fading conditions –Asymmetric CPICHs | No test tolerances applied |
| 9.3.7C MIMO performance – Reporting of Channel Quality indicator - Dual stream fading conditions– UE categories 19-20 – Asymmetric CPICHs | No test tolerances applied |
| 9.3.7D MIMO performance – Reporting of Channel Quality indicator - Dual stream static orthogonal conditions – UE categories 15-20 - Asymmetric CPICHs | No test tolerances applied |
| 9.3.7E MIMO performance –Reporting of Channel Quality indicator - Dual stream static orthogonal conditions – UE categories 19-20 - Asymmetric CPICHs | No test tolerances applied |
| 9.4.1 Single Link Performance | 0.6 dB for \hat{I}_{or}/I_{oc} 0.1 dB for P-CPICH_Ec/Ior and HS-SCCH_Ec/Ior |
| 9.4.1A Single Link Performance - Enhanced Performance Requirements Type 1 | Same as 9.4.1 |
| 9.4.2 Open loop diversity performance | 0.8 dB for \hat{I}_{or}/I_{oc} 0.1 dB for P-CPICH_Ec/Ior and HS-SCCH_Ec/Ior |
| 9.4.2A Open loop diversity performance – Enhanced Performance Requirements Type 1 | Same as 9.4.2 |
| 9.4.3 HS-SCCH Type 3 performance | Same as 9.4.2 |
| 9.4.3A HS-SCCH Type 3 Performance - STTD disabled- Asymmetric CPICHs | Same as 9.4.2 |
| 9.4.3B HS-SCCH Type 3 Performance - STTD enabled- Asymmetric CPICHs | Same as 9.4.2 |
| 9.4.4 HS-SCCH Type 3 performance for MIMO only with single-stream restriction | Same as 9.4.2 |
| 9.4.4A HS-SCCH Type 3 performance for MIMO only with single-stream restriction- Enhanced Performance Requirements Type1 | Same as 9.4.2 |
| 9.4.4B HS-SCCH Type 3 Performance for MIMO only with single-stream restriction- STTD disabled-asymmetric CPICHs | Same as 9.4.2 |
| 9.4.4C HS-SCCH Type 3 Performance for MIMO only with single-stream restriction- STTD disabled-asymmetric CPICHs- Enhanced Performance Requirements Type 1 | Same as 9.4.2 |
| 9.4.4D HS-SCCH Type 3 Performance for MIMO only with single-stream restriction- STTD enabled-asymmetric CPICHs | Same as 9.4.2 |
| 9.4.4E HS-SCCH Type 3 Performance for MIMO only with single-stream restriction- STTD enabled-asymmetric CPICHs- Enhanced Performance Requirements Type 1 | Same as 9.4.2 |
| 9.5.1 HS-SCCH-less demodulation of HS-DSCH | Same as 9.2.1A |
| 9.5.1A HS-SCCH-less demodulation of HS-DSCH, Enhanced Performance Requirements Type 1 | Same as 9.2.1A |

| Clause | Test Tolerance |
|---|-----------------------|
| 9.6.1 Single link HS-DSCH Demodulation performance in CELL_FACH state | Same as 9.2.1A |
| 9.6.2 Single link HS-SCCH Detection performance in CELL_FACH state | Same as 9.2.1A |

F.2.6 Performance requirements (E-DCH)

Table F.2.6: Test Tolerances for Performance Requirements (E-DCH)

| Clause | Test Tolerance |
|--|--|
| 10.2.1.1 Detection of E-DCH HARQ ACK Indicator Channel (E-HICH) Single Link Performance (10 ms) | 0.6 dB for \hat{I}_{or}/I_{oc} 0.1 dB for E-HICH_Ec/lor |
| 10.2.1.1A Detection of E-DCH HARQ ACK Indicator Channel (E-HICH) Single Link Performance (10 ms, Type 1) | 0.6 dB for \hat{I}_{or}/I_{oc} 0.1 dB for E-HICH_Ec/lor |
| 10.2.1.2 Detection of E-DCH HARQ ACK Indicator Channel (E-HICH) Single Link Performance (2 ms TTI) | 0.6 dB for \hat{I}_{or}/I_{oc} 0.1 dB for E-HICH_Ec/lor |
| 10.2.1.2A Detection of E-DCH HARQ ACK Indicator Channel (E-HICH) Single Link Performance (2 ms TTI, Type 1) | 0.6 dB for \hat{I}_{or}/I_{oc} 0.1 dB for E-HICH_Ec/lor |
| 10.2.2.1.1 Detection of E-DCH HARQ ACK Indicator Channel (E-HICH) in Inter-Cell handover conditions – RLS not containing the serving E-DCH cell (10 ms TTI) | 0.6 dB for \hat{I}_{or1}/I_{oc} and \hat{I}_{or2}/I_{oc} 0.1 dB for E-HICH_Ec/lor |
| 10.2.2.1.1A Detection of E-DCH HARQ ACK Indicator Channel (E-HICH) in Inter-Cell handover conditions – RLS not containing the serving E-DCH cell (10 ms TTI, Type 1) | 0.6 dB for \hat{I}_{or1}/I_{oc} and \hat{I}_{or2}/I_{oc} 0.1 dB for E-HICH_Ec/lor |
| 10.2.2.1.2 Detection of E-DCH HARQ ACK Indicator Channel (E-HICH) in Inter-Cell handover conditions – RLS not containing the serving E-DCH cell (2 ms TTI) | 0.6 dB for \hat{I}_{or1}/I_{oc} and \hat{I}_{or2}/I_{oc} 0.1 dB for E-HICH_Ec/lor |
| 10.2.2.1.2A Detection of E-DCH HARQ ACK Indicator Channel (E-HICH) in Inter-Cell handover conditions – RLS not containing the serving E-DCH cell (2 ms TTI, Type 1) | 0.6 dB for \hat{I}_{or1}/I_{oc} and \hat{I}_{or2}/I_{oc} 0.1 dB for E-HICH_Ec/lor |
| 10.2.2.2.1 Detection of E-DCH HARQ ACK Indicator Channel (E-HICH) in Inter-Cell handover conditions – RLS containing the serving E-DCH cell (10 ms TTI) | 0.6 dB for \hat{I}_{or1}/I_{oc} and \hat{I}_{or2}/I_{oc} 0.1 dB for E-HICH_Ec/lor |
| 10.2.2.2.1A Detection of E-DCH HARQ ACK Indicator Channel (E-HICH) in Inter-Cell handover conditions – RLS containing the serving E-DCH cell (10 ms TTI, Type 1) | 0.6 dB for \hat{I}_{or1}/I_{oc} and \hat{I}_{or2}/I_{oc} 0.1 dB for E-HICH_Ec/lor |
| 10.2.2.2.2 Detection of E-DCH HARQ ACK Indicator Channel (E-HICH) in Inter-Cell handover conditions – RLS containing the serving E-DCH cell (2 ms TTI) | 0.6 dB for \hat{I}_{or1}/I_{oc} and \hat{I}_{or2}/I_{oc} 0.1 dB for E-HICH_Ec/lor |
| 10.2.2.2.2A Detection of E-DCH HARQ ACK Indicator Channel (E-HICH) in Inter-Cell handover conditions – RLS containing the serving E-DCH cell (2 ms TTI, Type 1) | 0.6 dB for \hat{I}_{or1}/I_{oc} and \hat{I}_{or2}/I_{oc} 0.1 dB for E-HICH_Ec/lor |
| 10.3.1.1 Detection of E-DCH Relative Grant Channel (E-RGCH) Single Link Performance (10 ms TTI) | 0.6 dB for \hat{I}_{or}/I_{oc} 0.1 dB for E-RGCH_Ec/lor |
| 10.3.1.1A Detection of E-DCH Relative Grant Channel (E-RGCH) Single Link Performance (10 ms TTI, Type 1) | 0.6 dB for \hat{I}_{or}/I_{oc} 0.1 dB for E-RGCH_Ec/lor |
| 10.3.1.2 Detection of E-DCH Relative Grant Channel (E-RGCH) Single Link Performance (2 ms TTI) | 0.6 dB for \hat{I}_{or}/I_{oc} 0.1 dB for E-RGCH_Ec/lor |
| 10.3.1.2A Detection of E-DCH Relative Grant Channel (E-RGCH) Single Link Performance (2 ms TTI, Type 1) | 0.6 dB for \hat{I}_{or}/I_{oc} 0.1 dB for E-RGCH_Ec/lor |
| 10.3.2 Detection of E-DCH Relative Grant Channel (E-RGCH) in Inter-Cell Handover conditions | 0.6 dB for \hat{I}_{or1}/I_{oc} and \hat{I}_{or2}/I_{oc} 0.1 dB for E-RGCH_Ec/lor |
| 10.3.2A Detection of E-DCH Relative Grant Channel (E-RGCH) in Inter-Cell Handover conditions (Type 1) | 0.6 dB for \hat{I}_{or1}/I_{oc} and \hat{I}_{or2}/I_{oc} 0.1 dB for E-RGCH_Ec/lor |
| 10.4.1 Demodulation of E-DCH Absolute Grant Channel (E-AGCH) Single Link Performance | 0.6 dB for \hat{I}_{or}/I_{oc} 0.1 dB for E-AGCH_Ec/lor |
| 10.4.1A Demodulation of E-DCH Absolute Grant Channel (E-AGCH) Single Link Performance (Type 1) | 0.6 dB for \hat{I}_{or}/I_{oc} 0.1 dB for E-AGCH_Ec/lor |

F.2.7 Performance requirements (MBMS)

Table F.2.7: Test Tolerances for Performance Requirements (MBMS).

| Clause | Test Tolerance |
|---|--|
| 11.2 Demodulation of MTCH | 0.1 dB for S-CCPCH_Ec/I _{or} 0.6 dB for \hat{I}_{or1}/I_{oc} , \hat{I}_{or2}/I_{oc} and \hat{I}_{or3}/I_{oc} . |
| 11.2A Demodulation of MTCH - Enhanced Performance Requirements Type 1 | 0.1 dB for S-CCPCH_Ec/I _{or} 0.6 dB for \hat{I}_{or1}/I_{oc} , \hat{I}_{or2}/I_{oc} and \hat{I}_{or3}/I_{oc} . |
| 11.3 Demodulation of MTCH and cell identification | 0.1 dB for S-CCPCH_Ec/I _{or} 0.6 dB for \hat{I}_{or1}/I_{oc} , \hat{I}_{or2}/I_{oc} and \hat{I}_{or3}/I_{oc} . |

F.3 Interpretation of measurement results

The measurement results returned by the Test System are compared – without any modification – against the Test Requirements as defined by the shared risk principle.

The Shared Risk principle is defined in ETR 273-1-2 clause 6.5.

The actual measurement uncertainty of the Test System for the measurement of each parameter shall be included in the test report.

The recorded value for the Test System uncertainty shall be, for each measurement, equal to or lower than the appropriate figure in clause F.1 of the present document.

If the Test System for a test is known to have a measurement uncertainty greater than that specified in clause F.1, it is still permitted to use this apparatus provided that an adjustment is made value as follows.

Any additional uncertainty in the Test System over and above that specified in clause F.1 shall be used to tighten the Test Requirement – making the test harder to pass. (For some tests e.g. receiver tests, this may require modification of stimulus signals). This procedure will ensure that a Test System not compliant with clause F.1 does not increase the chance of passing a device under test where that device would otherwise have failed the test if a Test System compliant with clause F.1 had been used.

For some of the more complex tests e.g. RRM, deriving the overall test system uncertainty is not straightforward. In such cases the derivation is given in TR 34.902 [24] rather than in subclause F.1. If it is deemed necessary to apply the additional test system uncertainty rules to these tests, the formula for deriving the new overall uncertainty from any excess fundamental test system uncertainties, shall use the formulas provided in 34.902.

F.4 Derivation of Test Requirements (This clause is informative)

The Test Requirements in the present document have been calculated by relaxing the Minimum Requirements of the core specification using the Test Tolerances defined in clause F.2. When the Test Tolerance is zero, the Test Requirement will be the same as the Minimum Requirement. When the Test Tolerance is non-zero, the Test Requirements will differ from the Minimum Requirements, and the formula used for this relaxation is given in table F.4.

F.4.1 Transmitter

Table F.4.1: Derivation of Test Requirements (Transmitter tests)

| Test | Minimum Requirement in TS 25.101 | Test Tolerance (TT) | Test Requirement in TS 34.121 |
|--|---|---------------------|---|
| 5.2 Maximum Output Power | Power class 1 (33 dBm) Tolerance = +1/-3 dB Power class 2 (27 dBm) Tolerance = +1/-3 dB Power class 3 (24 dBm) Tolerance = +1/-3 dB Power class 4 (21 dBm) Tolerance = ±2 dB | 0.7 dB | Formula: (Upper) Minimum Requirement + TT (Lower) Minimum Requirement – TT For power classes 1-3: Upper Tolerance limit = +1.7 dB Lower Tolerance limit = -3.7 dB For power class 4: Upper Tolerance limit = +2.7 dB Lower Tolerance limit = -2.7 dB |
| 5.2A Maximum Output Power with HS-DPCCH (Release 5 only) | For Power class 3: Power class 3 (24 dBm) Tolerance = +1/-3 dB Power class 3 (23 dBm) Tolerance = +2/-3 dB Power class 3 (22 dBm) Tolerance = +3/-3 dB For Power class 4: Power class 4 (21 dBm) Tolerance = ±2 dB Power class 4 (20 dBm) Tolerance = +3/-2 dB Power class 4 (19 dBm) Tolerance = +4/-2 dB | 0.7 dB | Formula: (Upper) Minimum Requirement + TT (Lower) Minimum Requirement – TT For power classes 3: Upper Tolerance limit = +1.7 dB (24 dBm) Upper Tolerance limit = +2.7 dB (23 dBm) Upper Tolerance limit = +1.7 dB (22 dBm) Lower Tolerance limit = -3.7 dB For power class 4: Upper Tolerance limit = +2.7 dB (24 dBm) Upper Tolerance limit = +3.7 dB (23 dBm) Upper Tolerance limit = +4.7 dB (22 dBm) Lower Tolerance limit = -2.7 dB |

| Test | Minimum Requirement in TS 25.101 | Test Tolerance (TT) | Test Requirement in TS 34.121 |
|--|---|---------------------|---|
| 5.2AA Maximum Output Power with HS-DPCCH (Release 6 and later) | <p>For Power class 3:</p> <p>Sub-test 1: Power class 3 (24 dBm) Tolerance = +1/-3 dB</p> <p>Sub-test 2: Power class 3 (24 dBm) Tolerance = +1/-3 dB</p> <p>Sub-test 3: Power class 3 (23.5 dBm) Tolerance = +1.5/-3 dB</p> <p>Sub-test 4: Power class 3 (23.5 dBm) Tolerance = +1.5/-3 dB</p> <p>For Power class 4:</p> <p>Sub-test 1: Power class 4 (21 dBm) Tolerance = ±2 dB</p> <p>Sub-test 2: Power class 4 (21 dBm) Tolerance = ±2 dB</p> <p>Sub-test 3: Power class 4 (20.5 dBm) Tolerance = +2.5/-2 dB</p> <p>Sub-test 4: Power class 4 (20.5 dBm) Tolerance = +2.5/-2 dB</p> | 0.7 dB | <p>Formula: (Upper) Minimum Requirement + TT (Lower) Minimum Requirement – TT</p> <p>For power classes 3:</p> <p>Sub-test 1: Upper Tolerance limit = +1.7 dB (24 dBm) Sub-test 1: Lower Tolerance limit = -3.7 dB</p> <p>Sub-test 2: Upper Tolerance limit = +1.7 dB (24 dBm) Sub-test 2: Lower Tolerance limit = -3.7 dB</p> <p>Sub-test 3: Upper Tolerance limit = +2.2 dB (23.5 dBm) Sub-test 3: Lower Tolerance limit = -3.7 dB</p> <p>Sub-test 4: Upper Tolerance limit = +2.2 dB (23.5 dBm) Sub-test 4: Lower Tolerance limit = -3.7 dB</p> <p>For power class 4:</p> <p>Sub-test 1: Upper Tolerance limit = +2.7 dB (21 dBm) Sub-test 1: Lower Tolerance limit = -2.7 dB</p> <p>Sub-test 2: Upper Tolerance limit = +2.7 dB (21 dBm) Sub-test 2: Lower Tolerance limit = -2.7 dB</p> <p>Sub-test 3: Upper Tolerance limit = +3.2 dB (20.5 dBm) Sub-test 3: Lower Tolerance limit = -2.7 dB</p> <p>Sub-test 4: Upper Tolerance limit = +3.2 dB (20.5 dBm) Sub-test 4: Lower Tolerance limit = -2.7 dB</p> |

| Test | Minimum Requirement in TS 25.101 | Test Tolerance (TT) | Test Requirement in TS 34.121 |
|---|--|---------------------|--|
| 5.2B Maximum Output Power with HS-DPCCH and E-DCH | <p>For Power class 3: Sub-test 1: Power class 3 (24 dBm) Tolerance = +1/-3 Sub-test 2: Power class 3 (22 dBm) Tolerance = +3/-3 Sub-test 3: Power class 3 (23 dBm) Tolerance = +2/-3 Sub-test 4: Power class 3 (22 dBm) Tolerance = +1/-3 Sub-test 5: Power class 3 (24 dBm) Tolerance = +1/-3</p> <p>For Power class 4: Sub-test 1: Power class 4 (21 dBm) Tolerance = ±2 dB Sub-test 2: Power class 4 (19 dBm) Tolerance = +4/-2 dB Sub-test 3: Power class 4 (20 dBm) Tolerance = +3/-2 dB Sub-test 4: Power class 4 (19 dBm) Tolerance = +4/-2 dB Sub-test 5: Power class 4 (21 dBm) Tolerance = ±2 dB</p> | 0.7 dB | <p>Formula: (Upper) Minimum Requirement + TT (Lower) Minimum Requirement – TT</p> <p>For power classes 3: Sub-test 1: Upper Tolerance limit = +1.7 dB (24 dBm) Sub-test 1: Lower Tolerance limit = -3.7 dB (24 dBm) Sub-test 2: Upper Tolerance limit = +3.7 dB (22 dBm) Sub-test 2: Lower Tolerance limit = -3.7 dB (22 dBm) Sub-test 3: Upper Tolerance limit = +2.7 dB (23 dBm) Sub-test 3: Lower Tolerance limit = -3.7 dB (23 dBm) Sub-test 4: Upper Tolerance limit = +3.7 dB (22 dBm) Sub-test 4: Lower Tolerance limit = -3.7 dB (22 dBm) Sub-test 5: Upper Tolerance limit = +1.7 dB (24 dBm) Sub-test 5: Lower Tolerance limit = -3.7 dB (24 dBm)</p> <p>For power class 4: Sub-test 1: Upper Tolerance limit = +2.7 dB (21 dBm) Sub-test 1: Lower Tolerance limit = -2.7 dB (21 dBm) Sub-test 2: Upper Tolerance limit = +4.7 dB (19 dBm) Sub-test 2: Lower Tolerance limit = -2.7 dB (19 dBm) Sub-test 3: Upper Tolerance limit = +3.7 dB (20 dBm) Sub-test 3: Lower Tolerance limit = -2.7 dB (20 dBm) Sub-test 4: Upper Tolerance limit = +4.7 dB (19 dBm) Sub-test 4: Lower Tolerance limit = -2.7 dB (19 dBm) Sub-test 5: Upper Tolerance limit = +2.7 dB (21 dBm) Sub-test 5: Lower Tolerance limit = -2.7 dB (21 dBm)</p> |
| 5.2BA UE Maximum Output Power for DC-HSUPA (QPSK) | <p>For Power class 3: Sub-test 1: Power class 3 (22.5 dBm) Tolerance = +1/-3</p> <p>For Power class 4: Sub-test 1: Power class 4 (19.5 dBm) Tolerance = ±2 dB</p> | 0.7 dB | <p>Formula: (Upper) Minimum Requirement + TT (Lower) Minimum Requirement – TT</p> <p>For power classes 3: Sub-test 1: Upper Tolerance limit = +3.2 dB (22.5 dBm) Sub-test 1: Lower Tolerance limit = -3.7 dB (22.5 dBm)</p> <p>For power class 4: Sub-test 1: Upper Tolerance limit = +4.2 dB (19.5 dBm) Sub-test 1: Lower Tolerance limit = -2.7 dB (19.5 dBm)</p> |

| Test | Minimum Requirement in TS 25.101 | Test Tolerance (TT) | Test Requirement in TS 34.121 |
|---|--|--|---|
| 5.2BB UE Maximum Output Power for DC-HSUPA (16QAM) | For Power class 3: Sub-test 1: Power class 3 (22.5 dBm) Tolerance = +1/-3 For Power class 4: Sub-test 1: Power class 4 (19.5 dBm) Tolerance = ± 2 dB | 0.7 dB | Formula: (Upper) Minimum Requirement + TT (Lower) Minimum Requirement - TT For power classes 3: Sub-test 1: Upper Tolerance limit = +3.2 dB (22.5 dBm) Sub-test 1: Lower Tolerance limit = -3.7 dB (22.5 dBm) For power class 4: Sub-test 1: Upper Tolerance limit = +4.2 dB (19.5 dBm) Sub-test 1: Lower Tolerance limit = -2.7 dB (19.5 dBm) |
| 5.2C UE relative code domain power accuracy | For 0 dB \geq -10 dB CDP ± 1.5 dB For -10 dB \geq -15 dB CDP ± 2.0 dB For -15 dB \geq -20 dB CDP ± 2.5 dB | For 0 dB \geq -10 dB CDP 0.2 dB For -10 dB \geq -15 dB CDP 0.3 dB For -15 dB \geq -20 dB CDP 0.4 dB | Formula: UE relative CDP accuracy + TT For 0 dB \geq -10 dB CDP ± 1.7 dB For -10 dB \geq -15 dB CDP ± 2.3 dB For -15 dB \geq -20 dB CDP ± 2.9 dB |
| 5.2D UE Relative Code Domain Power Accuracy with HS-DPCCH and E-DCH | For 0 dB \geq -10 dB CDP ± 1.5 dB For -10 dB \geq -15 dB CDP ± 2.0 dB For -15 dB \geq -20 dB CDP ± 2.5 dB | For 0 dB \geq -10 dB CDP 0.2 dB For -10 dB \geq -15 dB CDP 0.3 dB For -15 dB \geq -20 dB CDP 0.4 dB | Formula: UE relative CDP accuracy + TT For 0 dB \geq -10 dB CDP ± 1.7 dB For -10 dB \geq -15 dB CDP ± 2.3 dB For -15 dB \geq -20 dB CDP ± 2.9 dB |
| 5.2DA UE Relative Code Domain Power Accuracy for DC-HSUPA with QPSK | For 0 dB \geq -10 dB CDP ± 1.5 dB For -10 dB \geq -15 dB CDP ± 2.0 dB For -15 dB \geq -20 dB CDP ± 2.5 dB | For 0 dB \geq -10 dB CDP 0.2 dB For -10 dB \geq -15 dB CDP 0.3 dB For -15 dB \geq -20 dB CDP 0.4 dB | Formula: UE relative CDP accuracy + TT For 0 dB \geq -10 dB CDP ± 1.7 dB For -10 dB \geq -15 dB CDP ± 2.3 dB For -15 dB \geq -20 dB CDP ± 2.9 dB |
| 5.2E UE Relative Code Domain Power Accuracy for HS-DPCCh and E-DCH with 16QAM | For 0 dB \geq -10 dB CDP ± 1.5 dB For -10 dB \geq -15 dB CDP ± 2.0 dB For -15 dB \geq -20 dB CDP ± 2.5 dB For -20 dB \geq -30 dB CDP ± 3.0 dB | For 0 dB \geq -10 dB CDP [0.2 dB] For -10 dB \geq -15 dB CDP [0.3 dB] For -15 dB \geq -20 dB CDP [0.4 dB] For -20 dB \geq -30 dB CDP [0.5 dB] | Formula: UE relative CDP accuracy + TT For 0 dB \geq -10 dB CDP [± 1.7 dB] For -10 dB \geq -15 dB CDP [± 2.3 dB] For -15 dB \geq -20 dB CDP [± 2.9 dB] For -20 dB \geq -30 dB CDP [± 3.5 dB] |

| Test | Minimum Requirement in TS 25.101 | Test Tolerance (TT) | Test Requirement in TS 34.121 |
|--|--|--|--|
| 5.2 EA UE relative code domain power accuracy for DC-HSUPA using HS-DPCCH and E-DCH with 16QAM | For 0 dB \geq -10 dB CDP \pm 1.5 dB For -10 dB \geq -15 dB CDP \pm 2.0 dB For -15 dB \geq -20 dB CDP \pm 2.5 dB For -20 dB \geq -30 dB CDP \pm 3.0 dB | For 0 dB \geq -10 dB CDP [0.2 dB] For -10 dB \geq -15 dB CDP [0.3 dB] For -15 dB \geq -20 dB CDP [0.4 dB] For -20 dB \geq -30 dB CDP [0.5 dB] | Formula: UE relative CDP accuracy + TT For 0 dB \geq -10 dB CDP [\pm 1.7 dB] For -10 dB \geq -15 dB CDP [\pm 2.3 dB] For -15 dB \geq -20 dB CDP [\pm 2.9 dB] For -20 dB \geq -30 dB CDP [\pm 3.5 dB] |
| 5.3 Frequency Error | The UE modulated carrier frequency shall be accurate to within \pm 0.1 ppm compared to the carrier frequency received from the Node B. | 10 Hz | Formula: modulated carrier frequency error + TT modulated carrier frequency error = \pm (0.1 ppm + 10 Hz). |
| 5.3C Frequency error for UL CLTD Activation state 1 | The UE modulated carrier frequency shall be accurate to within \pm 0.1 ppm compared to the carrier frequency received from the Node B. | 10 Hz | Formula: modulated carrier frequency error + TT modulated carrier frequency error = \pm (0.1 ppm + 10 Hz). |
| 5.3D Frequency error for UL CLTD Activation state 2 and 3 | The UE modulated carrier frequency shall be accurate to within \pm 0.1 ppm compared to the carrier frequency received from the Node B. | 10 Hz | Formula: modulated carrier frequency error + TT modulated carrier frequency error = \pm (0.1 ppm + 10 Hz). |
| 5.4.1 Open loop power control in the uplink | Open loop power control tolerance \pm 9 dB (Normal) Open loop power control tolerance \pm 12 dB (Extreme) | 1.0 dB | Formula: (Upper) Minimum Requirement + TT (Lower) Minimum Requirement – TT For Normal conditions: Upper Tolerance limit = +10 dB Lower Tolerance limit = -10 dB For Extreme conditions: Upper Tolerance limit = +13 dB Lower Tolerance limit = -13 dB |
| 5.4.1A Open loop power control in the uplink for DC-HSUPA | Open loop power control tolerance \pm 9 dB (Normal) Open loop power control tolerance \pm 12 dB (Extreme) | 1.0 dB | Formula: (Upper) Minimum Requirement + TT (Lower) Minimum Requirement – TT For Normal conditions: Upper Tolerance limit = +10 dB Lower Tolerance limit = -10 dB For Extreme conditions: Upper Tolerance limit = +13 dB Lower Tolerance limit = -13 dB |
| 5.4.2 Inner loop power control in uplink | See table 5.4.2.1 and 5.4.2.2 | 0.1dB 0.15 dB 0.2 dB 0.3 dB | Formula: (Upper) Minimum Requirement + TT (Lower) Minimum Requirement – TT |
| 5.4.2A Inner loop power control in uplink for DC-HSUPA | See table 5.4.2.1 and 5.4.2.2 | 0.1dB 0.15 dB 0.2 dB 0.3 dB | Formula: (Upper) Minimum Requirement + TT (Lower) Minimum Requirement – TT |
| 5.4.3 Minimum Output Power | UE minimum transmit power shall be less than -50 dBm | 1.0 dB | Formula: Minimum Requirement + TT UE minimum transmit power = -49 dBm |

| Test | Minimum Requirement in TS 25.101 | Test Tolerance (TT) | Test Requirement in TS 34.121 |
|--|--|---|--|
| 5.4.3A Minimum Output Power for DC-HSUPA | UE minimum transmit power shall be less than -50 dBm | 1.0 dB | Formula: Minimum Requirement + TT UE minimum transmit power = -49 dBm |
| 5.4.4 Out-of-synchronisation handling of output power: | <p>$\frac{DPCCH_E_c}{I_{or}}$ levels AB: -22 dB BD: -28 dB DE: -24 dB EF: -18 dB transmit ON/OFF time 200ms</p> <p>$\frac{DPDCH_E_c}{I_{or}} = -16.6$ dB</p> <p>$I_{oc} - 60$ dBm</p> <p>$\hat{I}_{or}/I_{oc} = -1$ dB</p> | <p>0.4 dB for $\frac{DPCCH_E_c}{I_{or}}$</p> <p>0 ms for timing measurement</p> | <p>Formulas: Minimum Requirement between A and B + TT Minimum Requirement between B and D - TT Minimum Requirement between D and E - TT Minimum Requirement between E and F + TT transmit ON/OFF time Minimum Requirement + TT timing</p> <p>$\frac{DPDCH_E_c}{I_{or}} = -16.6$ dB</p> <p>$I_{oc} - 60$ dBm</p> <p>$\hat{I}_{or}/I_{oc} = -1$ dB</p> <p>$\frac{DPCCH_E_c}{I_{or}}$ levels: AB: -21.6 dB BD: -28.4 dB DE: -24.4 dB EF: -17.6 dB</p> <p>transmit ON/OFF time 200ms timing Uncertainty of OFF power measurement is handled by Transmit OFF power test and uncertainty of ON power measurement is handled by Minimum output power test.</p> |

| Test | Minimum Requirement in TS 25.101 | Test Tolerance (TT) | Test Requirement in TS 34.121 |
|--|---|---|---|
| 5.4.4A Out-of-synchronisation handling of output power for a UE which supports type 1 for DCH: | $\frac{DPCCH_E_c}{I_{or}}$ levels AB: -25 dB BD: -31 dB DE: -27 dB EF: -21 dB transmit ON/OFF time 200ms $\frac{DPDCH_E_c}{I_{or}} = -19.6$ dB $I_{oc} - 60$ dBm $\hat{I}_{or}/I_{oc} = -1$ dB | 0.4 dB for $\frac{DPCCH_E_c}{I_{or}}$ 0 ms for timing measurement | Formulas: Minimum Requirement between A and B + TT Minimum Requirement between B and D – TT Minimum Requirement between D and E – TT Minimum Requirement between E and F + TT transmit ON/OFF time Minimum Requirement + TT timing $\frac{DPDCH_E_c}{I_{or}} = -19.6$ dB $I_{oc} - 60$ dBm $\hat{I}_{or}/I_{oc} = -1$ dB $\frac{DPCCH_E_c}{I_{or}}$ levels: AB: -24.6 dB BD: -31.4 dB DE: -27.4 dB EF: -20.6 dB transmit ON/OFF time 200ms timing Uncertainty of OFF power measurement is handled by Transmit OFF power test and uncertainty of ON power measurement is handled by Minimum output power test. |
| 5.5.1 Transmit OFF power (static case) | Transmit OFF power shall be less than -56 dBm | 1.0 dB | Formula: Transmit OFF power Minimum Requirement + TT Transmit OFF power = -55dBm. |
| 5.5.2 Transmit ON/OFF time mask (dynamic case) | Transmit ON power shall be the target value as defined in clause 5.5.2.2 Transmit OFF power shall be less than -56 dBm | On power upper TT = 0.7 dB On power lower TT = 1.0 dB Off power TT = 1.0 dB | Formula for transmit ON power: (Upper) Minimum Requirement (Transmit ON power) + On power upper TT (Lower) Minimum Requirement (Transmit ON power) - On power lower TT To calculate Transmit ON power target value range take the nominal TX power range from Table 5.5.2.3 then apply table 5.4.1.1 open limits then apply table 5.7.1 (only if there has been a transmission gap) then cap the upper value using table 5.2.1. Formula for transmit OFF power: Transmit OFF power Minimum Requirement + Off power TT Transmit OFF power = -55 dBm |

| Test | Minimum Requirement in TS 25.101 | Test Tolerance (TT) | Test Requirement in TS 34.121 |
|---|--|---------------------------------------|---|
| 5.6 Change of TFC: power control step size | TFC step size = 7dB (Up or Down) Tolerance= ± 2 dB | 0.3 dB | For the nominal -7dB step: (Upper) Minimum Requirement + TT = -4.7 dB (Lower) Minimum Requirement - TT = -9.3 dB For the nominal +7dB step: (Upper) Minimum Requirement + TT = +9.3 dB (Lower) Minimum Requirement - TT = +4.7 dB |
| 5.7 Power setting in uplink compressed mode | See tables 5.7.2 and 5.7.3 | Subset of 5.4.2 | Formula: (Upper) Minimum Requirement + TT (Lower) Minimum Requirement - TT |
| 5.7A HS-DPCCH | See table 5.7A.1 and 5.7A.2 | 0.1 dB 0.15 dB 0.2 dB 0.3 dB | Formula: (Upper) Minimum Requirement + TT (Lower) Minimum Requirement - TT |
| 5.8 Occupied Bandwidth | The occupied channel bandwidth shall be less than 5 MHz based on a chip rate of 3.84 Mcps. | 0 kHz | Formula: occupied channel bandwidth Minimum Requirement + TT occupied channel bandwidth = 5.0 MHz |
| 5.8A Occupied Bandwidth for DC-HSUPA | The occupied channel bandwidth shall be less than 10 MHz based on a chip rate of 3.84 Mcps. | 0 kHz | Formula: occupied channel bandwidth Minimum Requirement + TT occupied channel bandwidth = 10.0 MHz |
| 5.9 Spectrum emission mask | Minimum requirement defined in TS25.101 Table 6.10. The lower limit shall be -50 dBm / 3.84 MHz or which ever is higher. This is expressed as the equivalent power in the measurement band-width used at each offset. | 1.5 dB | Formula: Minimum requirement + TT Lower limit Minimum Requirement + TT Add 1.5 to Minimum requirement entries in TS25.101 Table 6.10. Zero test tolerance is applied for Additional requirements for Band II, Band IV Band V and Band X due to FCC regulatory requirements. The lower limit shall be -48.5 dBm / 3.84 MHz or which ever is higher. |
| 5.9A Spectrum emission mask with HS-DPCCH | Minimum requirement defined in TS25.101 Table 6.10. The lower limit shall be -50 dBm / 3.84 MHz or which ever is higher. | 1.5 dB | Formula: Minimum requirement + TT Lower limit Minimum Requirement + TT Add 1.5 to Minimum requirement entries in TS25.101 Table 6.10. Zero test tolerance is applied for Additional requirements for Band II, Band IV, Band V and Band X due to FCC regulatory requirements. The lower limit shall be -48.5 dBm / 3.84 MHz or which ever is higher. |
| 5.9B Spectrum emission mask with E-DCH | Minimum requirement defined in TS25.101 Table 6.10. The lower limit shall be -50 dBm / 3.84 MHz or which ever is higher. | 1.5 dB | Formula: Lower limit Minimum Requirement + TT Add 1.5 to Minimum requirement entries in TS25.101 Table 6.10. Zero test tolerance is applied for Additional requirements for Band II, Band IV, Band V and Band X due to FCC regulatory requirements. The lower limit shall be -48.5 dBm / 3.84 MHz or which ever is higher. |

| Test | Minimum Requirement in TS 25.101 | Test Tolerance (TT) | Test Requirement in TS 34.121 |
|---|--|---------------------|---|
| 5.9C Additional Spectrum Emission Mask for DC-HSUPA (QPSK) | Minimum requirement defined in TS25.101 Table 6.10D | 1.5 dB | Formula: Lower limit Minimum Requirement + TT Add 1.5 to Minimum requirement entries in TS25.101 Table 6.10D. Zero test tolerance is applied for Additional requirements for Band II, IV, V, X and XXV due to FCC regulatory requirements. |
| 5.9D Additional Spectrum Emission Mask for DC-HSUPA (16QAM) | Minimum requirement defined in TS25.101 Table 6.10D | 1.5 dB | Formula: Lower limit Minimum Requirement + TT Add 1.5 to Minimum requirement entries in TS25.101 Table 6.10D. Zero test tolerance is applied for Additional requirements for Band II, IV, V, X and XXV due to FCC regulatory requirements. |
| 5.10 Adjacent Channel Leakage Power Ratio (ACLR) | If the adjacent channel power is greater than –50 dBm then the ACLR shall be higher than the values specified below. | 0.0 dB | Formula: Absolute power threshold + TT |
| | Power Classes 3 and 4: UE channel +5 MHz or -5 MHz, ACLR limit: 33 dB UE channel +10 MHz or -10 MHz, ACLR limit: 43 dB | 0.8 dB | Formula: ACLR Minimum Requirement - TT Power Classes 3 and 4: UE channel +5 MHz or -5 MHz, ACLR limit = 32.2 dB UE channel +10 MHz or -10 MHz, ACLR limit = 42.2 dB |
| 5.10A Adjacent Channel Leakage Power Ratio (ACLR) with HS-DPCCH | If the adjacent channel power is greater than –50 dBm then the ACLR shall be higher than the values specified below. | 0.0 dB | Formula: Absolute power threshold + TT |
| | Power Classes 3 and 4: UE channel +5 MHz or -5MHz, ACLR limit: 33 dB UE channel +10 MHz or -10MHz, ACLR limit: 43 dB | 0.8 dB | Formula: ACLR Minimum Requirement – TT Power Classes 3 and 4: UE channel +5 MHz or -5MHz, ACLR Limit : 32.2 dB UE channel +10 MHz or -10MHz, ACLR Limit: 42.2 dB |
| 5.10B Adjacent Channel Leakage Power Ratio (ACLR) with E-DCH | If the adjacent channel power is greater than –50 dBm then the ACLR shall be higher than the values specified below. | 0.0 dB | Formula: Absolute power threshold Minimum Requirement + TT |
| | Power Classes 3 and 4: UE channel +5 MHz or -5MHz, ACLR limit: 33 dB UE channel +10 MHz or -10MHz, ACLR limit: 43 dB | 0.8 dB | Formula: ACLR Minimum Requirement– TT Power Classes 3 and 4: UE channel +5 MHz or -5MHz, ACLR Limit: 32.2 dB UE channel +10 MHz or -10MHz, ACLR Limit:42.2 dB |
| 5.10C ACLR with E-DCH for DC-HSUPA (QPSK) | If the adjacent channel power is greater than –50 dBm then the ACLR shall be higher than the values specified below. | 0.0 dB | Formula: Absolute power threshold Minimum Requirement + TT |
| | Power Classes 3 and 4: UE channel +7.5 MHz or -7.5 MHz: ACLR limit: 33 dB UE channel +12.5 MHz or -12.5 MHz, ACLR limit: 36 dB | 0.8 dB | Formula: ACLR Minimum Requirement– TT Power Classes 3 and 4: UE channel +7.5 MHz or -7.5MHz, ACLR Limit: 32.2 dB UE channel +12.5 MHz or -12.5 MHz, ACLR Limit: 35.2 dB |

| Test | Minimum Requirement in TS 25.101 | Test Tolerance (TT) | Test Requirement in TS 34.121 | | |
|---|--|---------------------|--|-----------------------------|----------------|
| 5.10D ACLR with E-DCH for DC-HSUPA (16QAM) | If the adjacent channel power is greater than -50 dBm then the ACLR shall be higher than the values specified below | 0.0 dB | Formula: Absolute power threshold Minimum Requirement + TT | | |
| | Power Classes 3 and 4: UE channel +7.5 MHz or -7.5 MHz: ACLR limit: 33 dB UE channel +12.5 MHz or -12.5 MHz, ACLR limit: 36 dB | 0.8 dB | Formula: ACLR Minimum Requirement- TT Power Classes 3 and 4: UE channel +7.5 MHz or -7.5MHz, ACLR Limit: 32.2 dB UE channel +12.5 MHz or -12.5 MHz, ACLR Limit: 35.2 dB | | |
| 5.11 Spurious Emissions | | | Formula: Minimum Requirement+ TT Add zero to all the values of Minimum Requirements in table 5.11.1a and 5.11.1b. | | |
| | Frequency Band | Minimum Requirement | Frequency Band | Minimum Requirement | |
| | 9 kHz ≤ f < 150 kHz | -36dBm /1kHz | 0 dB | 9kHz ≤ f < 1GHz | -36dBm /1kHz |
| | 150 kHz ≤ f < 30 MHz | -36dBm /10kHz | 0 dB | 150 kHz ≤ f < 30 MHz | -36dBm /10kHz |
| | 30 MHz ≤ f < 1000 MHz | -36dBm /100kHz | 0 dB | 30 MHz ≤ f < 1000 MHz | -36dBm /100kHz |
| | 1 GHz ≤ f < 12.75 GHz | -30dBm /1MHz | 0 dB | 1 GHz ≤ f < 2.2 GHz | -30dBm /1MHz |
| | | | 0 dB | 2.2 GHz ≤ f < 4 GHz | -30dBm /1MHz |
| | | | 0 dB | 4 GHz ≤ f < 12.75 GHz | -30dBm /1MHz |
| | 1893.5 MHz < f < 1915.7 MHz | -41dBm /300kHz | 0 dB | 1893.5 MHz < f < 1915.7 MHz | -41dBm /300kHz |
| | 925 MHz ≤ f ≤ 935 MHz | -67dBm /100kHz | 0 dB | 925 MHz ≤ f ≤ 935 MHz | -67dBm /100kHz |
| | 935 MHz < f ≤ 960 MHz | -79dBm /100kHz | 0 dB | 935 MHz < f ≤ 960 MHz | -79dBm /100kHz |
| | 1805 MHz ≤ f ≤ 1880 MHz | -71dBm /100kHz | 0 dB | 1805 MHz ≤ f ≤ 1880 MHz | -71dBm /100kHz |
| 5.11A Spurious Emissions for DC-HSUPA 5.12 Transmit Intermodulation | Intermodulation Product 5MHz -31 dBc 10MHz -41 dBc CW Interferer level = -40 dBc | 0 dB | Formula: CW interferer Minimum Requirement- TT/2 Intermod Products limits remain unchanged. CW interferer level = -40 dBc | | |
| 5.12A Transmit Intermodulation for DC-HSUPA | Intermodulation Product 10MHz -31 dBc 20MHz -41 dBc CW Interferer level = -40 dBc | 0 dB | Formula: CW interferer Minimum Requirement- TT/2 Intermod Products limits remain unchanged. CW interferer level = -40 dBc | | |
| 5.13.1 Transmit modulation: EVM | The measured EVM shall not exceed 17.5% | 0% | Formula: EVM Minimum Requirement + TT EVM limit = 17.5 % | | |
| 5.13.1A Transmit modulation: EVM with HS-DPCCH | The measured EVM shall not exceed 17.5% | 0% | Formula: EVM Minimum Requirement + TT EVM limit = 17.5 % | | |
| 5.13.1AA Transmit modulation: EVM with HS-DPCCH | The measured EVM shall not exceed 17.5% | 0% | Formula: EVM Minimum Requirement + TT EVM limit = 17.5 % | | |

| Test | Minimum Requirement in TS 25.101 | Test Tolerance (TT) | Test Requirement in TS 34.121 |
|---|--|-------------------------------------|--|
| | Phase discontinuity: | [6] degree | Formula: Phase discontinuity + TT |
| 5.13.1AAA EVM and IQ origin offset for HS-DPCCH with E-DCH with 16 QAM | The Relative Carrier Leakage Power shall not exceed -17 dB | ± 0.5 dB (for IQ origin offset) | Formula: Relative Carrier Leakage Power + TT Relative Carrier Leakage Power = -16.5 dB |
| 5.13.2 Transmit modulation: peak code domain error | The measured Peak code domain error shall not exceed -15 dB | 1.0 dB | Formula: Peak code domain Minimum Requirement + TT Peak code domain error = -14 dB |
| 5.13.2A Relative Code Domain Error | The measured RCDE shall not exceed table 5.13.2A.1 | 0.5 dB | Formula: UE RCDE requirement + TT |
| 5.13.2B Relative Code Domain Error with HS-DPCCH and E-DCH | The measured RCDE shall not exceed table 5.13.2B.1 | 0.5 dB | Formula: UE RCDE requirement + TT |
| 5.13.2B Relative Code Domain Error with HS-DPCCH and E-DCH for DC-HSUPA | The measured RCDE shall not exceed table 5.13.2BA.1 | 0.5 dB | Formula: UE RCDE requirement + TT |
| 5.13.2C Relative Code Domain Error for HS-DPCCH and E-DCH with 16QAM | The measured RCDE shall not exceed tables 5.13.2C.1 and 5.13.2C.2 | 0.5 dB | Formula: UE RCDE requirement + TT |
| 5.13.3 UE phase discontinuity | EVM: The measured EVM shall not exceed 17.5% | 0% | Formula: EVM Minimum Requirement + TT EVM limit = 17.5 % |
| | Frequency error: The UE modulated carrier frequency shall be accurate to within ± 0.1 ppm compared to the carrier frequency received from the Node B. | 10 Hz | Formula: modulated carrier frequency error + TT modulated carrier frequency error = $\pm (0.1 \text{ ppm} + 10 \text{ Hz})$. |
| | Phase discontinuity: | 6 degree | Formula: Phase discontinuity + TT |
| 5.13.4 PRACH preamble quality (EVM) | The measured EVM shall not exceed 17.5%. | 0% | Formula: EVM Minimum Requirement + TT EVM limit = 17.5 % |
| 5.13.4 PRACH preamble quality (Frequency error) | The UE modulated carrier frequency shall be accurate to within ± 0.1 ppm compared to the carrier frequency received from the Node B. | 10 Hz | Formula: modulated carrier frequency error Minimum Requirement + TT modulated carrier frequency error = $\pm (0.1 \text{ ppm} + 10 \text{ Hz})$. |
| 5.13.5 In-band emission for DC-HSUPA | The measured in-band emission shall not exceed table 5.13.5.1 | 0.8 dB | Formula: in-band emission minimum requirement + TT |

F.4.2 Receiver

Table F.4.2: Derivation of Test Requirements (Receiver tests)

| Test | Minimum Requirement in TS 25.101 | Test Tolerance (TT) | Test Requirement in TS 34.121 |
|--|---|---------------------|--|
| 6.2 Reference sensitivity level | $\hat{I}_{or} = -106.7 \text{ dBm} / 3.84 \text{ MHz}$ DPCH_Ec = -117 dBm / 3.84 MHz BER limit = 0.001 | 0.7 dB | Formula: \hat{I}_{or} Minimum Requirement + TT DPCH_Ec + TT BER limit unchanged $\hat{I}_{or} = -106 \text{ dBm} / 3.84 \text{ MHz}$ DPCH_Ec = -116.3 dBm / 3.84 MHz |
| 6.2A Reference sensitivity level for DC-HSDPA | $\hat{I}_{or} = -102.7 \text{ dBm} / 3.84 \text{ MHz}$ HS-PDSCH_Ec = -113 dBm / 3.84 MHz BLER limit = 0.1 | 0.7 dB | Formula: \hat{I}_{or} : Minimum Requirement + TT HS-PDSCH_Ec Minimum Requirement + TT BLER limit unchanged $\hat{I}_{or} = -102 \text{ dBm} / 3.84 \text{ MHz}$ HS-PDSCH_Ec = -112.3 dBm / 3.84 MHz |
| 6.2B Reference sensitivity level for DB-DC-HSDPA | $\hat{I}_{or} = -102.7 \text{ dBm} / 3.84 \text{ MHz}$ HS-PDSCH_Ec = -113 dBm / 3.84 MHz BLER limit = 0.1 | 0.7 dB | Formula: \hat{I}_{or} : Minimum Requirement + TT HS-PDSCH_Ec Minimum Requirement + TT BLER limit unchanged $\hat{I}_{or} = -102 \text{ dBm} / 3.84 \text{ MHz}$ HS-PDSCH_Ec = -112.3 dBm / 3.84 MHz |
| 6.2C Reference Sensitivity Level for Single band 4C-HSDPA | $\hat{I}_{or} = -102.7 \text{ dBm} / 3.84 \text{ MHz}$ HS-PDSCH_Ec = -113 dBm / 3.84 MHz BLER limit = 0.1 | 0.7 dB | Formula: \hat{I}_{or} : Minimum Requirement + TT HS-PDSCH_Ec Minimum Requirement + TT BLER limit unchanged $\hat{I}_{or} = -102 \text{ dBm} / 3.84 \text{ MHz}$ HS-PDSCH_Ec = -112.3 dBm / 3.84 MHz |
| 6.2D Reference Sensitivity Level for Dual band 4C-HSDPA | $\hat{I}_{or} = -102.7 \text{ dBm} / 3.84 \text{ MHz}$ HS-PDSCH_Ec = -113 dBm / 3.84 MHz BLER limit = 0.1 | 0.7 dB | Formula: \hat{I}_{or} : Minimum Requirement + TT HS-PDSCH_Ec Minimum Requirement + TT BLER limit unchanged $\hat{I}_{or} = -102 \text{ dBm} / 3.84 \text{ MHz}$ HS-PDSCH_Ec = -112.3 dBm / 3.84 MHz |
| 6.2DA Reference Sensitivity Level for Dual band 4C-HSDPA (3 carrier) | $\hat{I}_{or} = -102.7 \text{ dBm} / 3.84 \text{ MHz}$ HS-PDSCH_Ec = -113 dBm / 3.84 MHz BLER limit = 0.1 | 0.7 dB | Formula: \hat{I}_{or} : Minimum Requirement + TT HS-PDSCH_Ec Minimum Requirement + TT BLER limit unchanged $\hat{I}_{or} = -102 \text{ dBm} / 3.84 \text{ MHz}$ HS-PDSCH_Ec = -112.3 dBm / 3.84 MHz |
| 6.3 Maximum input level | -25 dBm I_{or} -19 dBc DPCH_Ec/ I_{or} | 0.7 dB | Formula: I_{or} Minimum Requirement - TT $I_{or} = -25.7 \text{ dBm}$ |
| 6.3A Maximum Input Level for HS-PDSCH Reception (16QAM) | -25 dBm I_{or} | 0.7 dB | Formula: Minimum Requirement - TT $I_{or} = -25.7 \text{ dBm}$ |
| 6.3B Maximum Input Level for HS-PDSCH Reception (64QAM) | -25 dBm I_{or} | 0.7 dB | Formula: Minimum Requirement - TT $I_{or} = -25.7 \text{ dBm}$ |

| Test | Minimum Requirement in TS 25.101 | Test Tolerance (TT) | Test Requirement in TS 34.121 |
|--|--|---------------------|---|
| 6.3C Maximum Input Level for DC-HSDPA Reception (16QAM) | -25 dBm lor | 0.7 dB | Formula: Minimum Requirement -TT lor = -25.7 dBm |
| 6.3D Maximum Input Level for DC-HSDPA Reception (64QAM) | -25 dBm lor | 0.7 dB | Formula: Minimum Requirement -TT lor = -25.7 dBm |
| 6.3E Maximum Input Level for DB-DC-HSDPA Reception (16QAM) | -25 dBm lor | 0.7 dB | Formula: Minimum Requirement -TT lor = -25.7 dBm |
| 6.3F Maximum Input Level for DB-DC-HSDPA Reception (64QAM) | -25 dBm lor | 0.7 dB | Formula: Minimum Requirement -TT lor = -25.7 dBm |
| 6.3G Maximum Input Level for 4C-HSDPA Reception (16QAM) | -25 dBm lor | 0.7 dB | Formula: Minimum Requirement -TT lor = -25.7 dBm |
| 6.3GA Maximum Input Level for 4C-HSDPA Reception (16QAM) (3 carrier) | -25 dBm lor | 0.7 dB | Formula: Minimum Requirement -TT lor = -25.7 dBm |
| 6.3H Maximum Input Level for 4C-HSDPA Reception (64QAM) | -25 dBm lor | 0.7 dB | Formula: Minimum Requirement -TT lor = -25.7 dBm |
| 6.3HA Maximum Input Level for 4C-HSDPA Reception (64QAM) (3 carrier) | -25 dBm lor | 0.7 dB | Formula: Minimum Requirement -TT lor = -25.7 dBm |
| 6.4 Adjacent Channel Selectivity (Rel-99 and Rel-4) | lor = -92.7 dBm / 3.84 MHz DPCH_Ec = -103 dBm / 3.84 MHz loac (modulated) = -52 dBm/3.84 MHz BER limit = 0.001 | 0 dB | Formula: lor unchanged DPCH_Ec unchanged loac Minimum Requirement – TT BER limit unchanged loac = -52 dBm/3.84 MHz |
| 6.4A Adjacent Channel Selectivity (Rel-5 and later releases) | Case 1: lor = <REFlor> + 14 dB / 3.84 MHz DPCH_Ec = <REFSENS> + 14 dB / 3.84 MHz loac (modulated) = -52 dBm/3.84 MHz BER limit = 0.001 Case 2: lor = <REFlor> + 41 dB / 3.84 MHz DPCH_Ec = <REFSENS> + 41 dB / 3.84 MHz loac (modulated) = -25 dBm/3.84 MHz BER limit = 0.001 | 0 dB | Formula: lor unchanged DPCH_Ec unchanged loac Minimum Requirement – TT BER limit unchanged Case1: loac = -52 dBm/3.84 MHz Case2: loac = -25 dBm/3.84 MHz |

| Test | Minimum Requirement in TS 25.101 | Test Tolerance (TT) | Test Requirement in TS 34.121 |
|---|---|---------------------|---|
| 6.4B Adjacent channel selectivity (ACS) for DC-HSDPA | <p>Case 1: $\hat{I}_{or} = \langle \text{REF}_{\hat{I}_{or}} \rangle + 14 \text{ dB} / 3.84 \text{ MHz}$ $\text{HS-PDSCH}_{Ec} = \langle \text{REF}_{\text{SENS}} \rangle + 14 \text{ dB} / 3.84 \text{ MHz}$ $\text{Ioac (modulated)} = -52 \text{ dBm/3.84 MHz}$ $\text{BLER limit} = 0.1$</p> <p>Case 2: $\hat{I}_{or} = \langle \text{REF}_{\hat{I}_{or}} \rangle + 41 \text{ dB} / 3.84 \text{ MHz}$ $\text{HS-PDSCH}_{Ec} = \langle \text{REF}_{\text{SENS}} \rangle + 41 \text{ dB} / 3.84 \text{ MHz}$ $\text{Ioac (modulated)} = -25 \text{ dBm/3.84 MHz}$ $\text{BLER limit} = 0.1$</p> | 0 dB | <p>Formula: \hat{I}_{or} unchanged DPCH_{Ec} unchanged Ioac Minimum Requirement – TT BLER limit unchanged</p> <p>Case1: $\text{Ioac} = -52 \text{ dBm/3.84 MHz}$ Case2: $\text{Ioac} = -25 \text{ dBm/3.84 MHz}$</p> |
| 6.5 Blocking Characteristics | See Table 6.5.1, 6.5.2 and 6.5.3. in TS34.121 BER limit = 0.001 | 0 dB | <p>Formula: $I_{\text{blocking (modulated)}}$ Minimum Requirement - TT (dBm/3.84MHz) $I_{\text{blocking (CW)}}$ Minimum Requirement - TT (dBm) BLER limit unchanged</p> |
| 6.5A Blocking characteristics for DC-HSDPA | See Table 6.5A.1, 6.5A.2 and 6.5A.3 in TS34.121 BLER limit = 0.1 | 0 dB | <p>Formula: $I_{\text{blocking (modulated)}}$ Minimum Requirement - TT (dBm/3.84MHz) $I_{\text{blocking (CW)}}$ Minimum Requirement - TT (dBm) BLER limit unchanged</p> |
| 6.5B Blocking characteristics for DB-DC-HSDPA | See Table 6.5B.1, 6.5B.2 and 6.5B.3 in TS34.121 BLER limit = 0.1 | 0 dB | <p>Formula: $I_{\text{blocking (modulated)}}$ Minimum Requirement - TT (dBm/3.84MHz) $I_{\text{blocking (CW)}}$ Minimum Requirement - TT (dBm) BLER limit unchanged</p> |
| 6.5C Blocking characteristics for DC-HSUPA | See Table 6.5C.1 and 6.5C.3 in TS34.121 BLER limit = 0.1 | 0 dB | <p>Formula: $I_{\text{blocking (modulated)}}$ Minimum Requirement - TT (dBm/3.84MHz) $I_{\text{blocking (CW)}}$ Minimum Requirement - TT (dBm) BLER limit unchanged</p> |
| 6.5D Blocking Characteristics for single Uplink Single band 4C-HSDPA | See Table 6.5D.1, 6.5D.2 and 6.5D.3 in TS34.121 BLER limit = 0.1 | 0 dB | <p>Formula: $I_{\text{blocking (modulated)}}$ Minimum Requirement - TT (dBm/3.84MHz) $I_{\text{blocking (CW)}}$ Minimum Requirement - TT (dBm) BLER limit unchanged</p> |
| 6.5E Blocking Characteristics for dual Uplink Single band 4C-HSDPA | See Table 6.5E.1 and 6.5E.3 in TS34.121 BLER limit = 0.1 | 0 dB | <p>Formula: $I_{\text{blocking (modulated)}}$ Minimum Requirement - TT (dBm/3.84MHz) $I_{\text{blocking (CW)}}$ Minimum Requirement - TT (dBm) BLER limit unchanged</p> |
| 6.5F Blocking Characteristics for single Uplink Dual band 4C-HSDPA | See Table 6.5F.1, 6.5F.2 and 6.5F.3 in TS34.121 BLER limit = 0.1 | 0 dB | <p>Formula: $I_{\text{blocking (modulated)}}$ Minimum Requirement - TT (dBm/3.84MHz) $I_{\text{blocking (CW)}}$ Minimum Requirement - TT (dBm) BLER limit unchanged</p> |
| 6.5FA Blocking Characteristics for single Uplink Dual band 4C-HSDPA (3 carrier) | See Table 6.5F.1, 6.5F.2 and 6.5F.3 in TS34.121 BLER limit = 0.1 | 0 dB | <p>Formula: $I_{\text{blocking (modulated)}}$ Minimum Requirement - TT (dBm/3.84MHz) $I_{\text{blocking (CW)}}$ Minimum Requirement - TT (dBm) BLER limit unchanged</p> |

| Test | Minimum Requirement in TS 25.101 | Test Tolerance (TT) | Test Requirement in TS 34.121 |
|---|---|---------------------|---|
| 6.5G Blocking Characteristics for dual Uplink Dual band 4C-HSDPA | See Table 6.5G.1 and 6.5G.3 in TS34.121 BLER limit = 0.1 | 0 dB | Formula: $I_{\text{blocking}}(\text{modulated})$ Minimum Requirement - TT (dBm/3.84MHz) $I_{\text{blocking}}(\text{CW})$ Minimum Requirement - TT (dBm) BLER limit unchanged |
| 6.5GA Blocking Characteristics for dual Uplink Dual band 4C-HSDPA (3 carrier) | See Table 6.5G.1 and 6.5G.3 in TS34.121 BLER limit = 0.1 | 0 dB | Formula: $I_{\text{blocking}}(\text{modulated})$ Minimum Requirement - TT (dBm/3.84MHz) $I_{\text{blocking}}(\text{CW})$ Minimum Requirement - TT (dBm) BLER limit unchanged |
| 6.6 Spurious Response | Iblocking(CW) -44 dBm Fuw: Spurious response frequencies BER limit = 0.001 | 0 dB | Formula: $I_{\text{blocking}}(\text{CW})$ Minimum Requirement - TT (dBm) Fuw unchanged BER limit unchanged $I_{\text{blocking}}(\text{CW}) = -44 \text{ dBm}$ |
| 6.6A Spurious Response for DC-HSDPA | Iblocking(CW) -44 dBm Fuw: Spurious response frequencies BLER limit = 0.1 | 0 dB | Formula: $I_{\text{blocking}}(\text{CW})$ Minimum Requirement - TT (dBm) Fuw unchanged BLER limit unchanged $I_{\text{blocking}}(\text{CW}) = -44 \text{ dBm}$ |
| 6.6B Spurious Response for DB-DC-HSDPA | Iblocking(CW) -44 dBm Fuw: Spurious response frequencies BLER limit = 0.1 | 0 dB | Formula: $I_{\text{blocking}}(\text{CW})$ Minimum Requirement - TT (dBm) Fuw unchanged BLER limit unchanged $I_{\text{blocking}}(\text{CW}) = -44 \text{ dBm}$ |
| 6.6C Spurious Response for single band 4C-HSDPA | Iblocking(CW) -44 dBm Fuw: Spurious response frequencies BLER limit = 0.1 | 0 dB | Formula: $I_{\text{blocking}}(\text{CW})$ Minimum Requirement - TT (dBm) Fuw unchanged BLER limit unchanged $I_{\text{blocking}}(\text{CW}) = -44 \text{ dBm}$ |
| 6.6D Spurious Response for dual band 4C-HSDPA | Iblocking(CW) -44 dBm Fuw: Spurious response frequencies BLER limit = 0.1 | 0 dB | Formula: $I_{\text{blocking}}(\text{CW})$ Minimum Requirement - TT (dBm) Fuw unchanged BLER limit unchanged $I_{\text{blocking}}(\text{CW}) = -44 \text{ dBm}$ |
| 6.6DA Spurious Response for dual band 4C-HSDPA (3 carrier) | Iblocking(CW) -44 dBm Fuw: Spurious response frequencies BLER limit = 0.1 | 0 dB | Formula: $I_{\text{blocking}}(\text{CW})$ Minimum Requirement - TT (dBm) Fuw unchanged BLER limit unchanged $I_{\text{blocking}}(\text{CW}) = -44 \text{ dBm}$ |
| 6.7 Intermodulation Characteristics | I _{low1} (CW) -46 dBm I _{low2} (modulated) -46 dBm / 3.84 MHz F _{w1} (offset) 10 MHz F _{w2} (offset) 20 MHz I _{or} = -103.7 dBm/3.84 MHz DPCH_Ec = -114 dBm/3.84 MHz BER limit = 0.001 | 0 dB | Formula: I _{or} Minimum Requirement + TT DPCH_Ec + TT I _{low1} level unchanged I _{low2} level unchanged BER limit unchanged. |

| Test | Minimum Requirement in TS 25.101 | Test Tolerance (TT) | Test Requirement in TS 34.121 |
|--|--|---------------------|---|
| 6.7A Intermodulation Characteristics for DC-HSDPA | louw1 (CW) -46 dBm louw2 (modulated) -46 dBm / 3.84 MHz Fuw1 (offset) 10 MHz Fuw2 (offset) 20 MHz lor = -99.7 dBm/3.84 MHz HS-PDSCH_Ec = -110 dBm/3.84 MHz BER limit = 0.1 | 0 dB | Formula: lor Minimum Requirement + TT HS-PDSCH_Ec + TT louw1 level unchanged louw2 level unchanged BLER limit unchanged. |
| 6.7B Intermodulation Characteristics for DB-DC-HSDPA | louw1 (CW) -46 dBm louw2 (modulated) -46 dBm / 3.84 MHz Fuw1 (offset) 10 MHz Fuw2 (offset) 20 MHz lor = -99.7 dBm/3.84 MHz HS-PDSCH_Ec = -110 dBm/3.84 MHz BER limit = 0.1 | 0 dB | Formula: lor Minimum Requirement + TT HS-PDSCH_Ec + TT louw1 level unchanged louw2 level unchanged BLER limit unchanged. |
| 6.7C Intermodulation Characteristics for DC-HSUPA | louw1 (CW) -46 dBm louw2 (modulated) -46 dBm / 3.84 MHz Fuw1 (offset) 10 MHz Fuw2 (offset) 20 MHz lor = -99.7 dBm/3.84 MHz HS-PDSCH_Ec = -110 dBm/3.84 MHz BER limit = 0.1 | 0 dB | Formula: lor Minimum Requirement + TT HS-PDSCH_Ec + TT louw1 level unchanged louw2 level unchanged BLER limit unchanged. |
| 6.7D Intermodulation Characteristics for single uplink single band 4C-HSDPA | louw1 (CW) -46 dBm louw2 (modulated) -46 dBm / 3.84 MHz Fuw1 (offset) 10 MHz Fuw2 (offset) 20 MHz lor = -99.7 dBm/3.84 MHz HS-PDSCH_Ec = -110 dBm/3.84 MHz BER limit = 0.1 | 0 dB | Formula: lor Minimum Requirement + TT HS-PDSCH_Ec + TT louw1 level unchanged louw2 level unchanged BLER limit unchanged. |
| 6.7E Intermodulation Characteristics for single uplink dual band 4C-HSDPA | louw1 (CW) -46 dBm louw2 (modulated) -46 dBm / 3.84 MHz Fuw1 (offset) 10 MHz Fuw2 (offset) 20 MHz lor = -99.7 dBm/3.84 MHz HS-PDSCH_Ec = -110 dBm/3.84 MHz BER limit = 0.1 | 0 dB | Formula: lor Minimum Requirement + TT HS-PDSCH_Ec + TT louw1 level unchanged louw2 level unchanged BLER limit unchanged. |
| 6.7EA Intermodulation Characteristics for single uplink dual band 4C-HSDPA (3 carrier) | louw1 (CW) -46 dBm louw2 (modulated) -46 dBm / 3.84 MHz Fuw1 (offset) 10 MHz Fuw2 (offset) 20 MHz lor = -99.7 dBm/3.84 MHz HS-PDSCH_Ec = -110 dBm/3.84 MHz BER limit = 0.1 | 0 dB | Formula: lor Minimum Requirement + TT HS-PDSCH_Ec + TT louw1 level unchanged louw2 level unchanged BLER limit unchanged. |

| Test | Minimum Requirement in TS 25.101 | | Test Tolerance (TT) | Test Requirement in TS 34.121 | |
|------------------------|---|-----------------|---------------------|--|-----------------|
| 6.8 Spurious Emissions | | | | Formula: Maximum level + TT Add zero to all the values of Maximum Level in table 6.8.1. | |
| | Frequency Band | Maximum level | | Frequency Band | Maximum level |
| | $9\text{kHz} \leq f < 1\text{GHz}$ | -57dBm /100kHz | 0 dB | $9\text{kHz} \leq f < 1\text{GHz}$ | -57dBm /100kHz |
| | $1\text{GHz} \leq f \leq 12.75\text{GHz}$ | -47dBm /1MHz | 0 dB | $1\text{GHz} \leq f \leq 2.2\text{GHz}$ | -47dBm /1MHz |
| | | | 0 dB | $2.2\text{GHz} < f \leq 4\text{GHz}$ | -47dBm /1MHz |
| | | | 0 dB | $4\text{GHz} < f \leq 12.75\text{GHz}$ | -47dBm /1MHz |
| | $1920\text{MHz} \leq f \leq 1980\text{MHz}$ | -60dBm /3.84MHz | 0 dB | $1920\text{MHz} \leq f \leq 1980\text{MHz}$ | -60dBm /3.84MHz |
| | $2110\text{MHz} \leq f \leq 2170\text{MHz}$ | -60dBm /3.84MHz | 0 dB | $2110\text{MHz} \leq f \leq 2170\text{MHz}$ | -60dBm /3.84MHz |

F.4.3 Performance requirements

Table F.4.3: Derivation of Test Requirements (Performance tests)

| Test | Minimum Requirement in TS 25.101 | Test Tolerance (TT) | Test Requirement in TS 34.121 |
|---|---|---|--|
| 7.2 Demodulation of DPCH in static conditions | $\frac{DPCH_E_c}{I_{or}} \text{ -5.5 to -16.6 dB}$ $I_{OC} = -60 \text{ dBm}$ $\hat{I}_{or}/I_{oc} = -1 \text{ dB}$ | 0.1 dB for $\frac{DPCH_E_c}{I_{or}}$ 0.3 dB for \hat{I}_{or}/I_{oc} | Formulas: $\frac{DPCH_E_c}{I_{or}} = \text{Minimum Requirement} + TT$ $\hat{I}_{or}/I_{oc} = \text{Minimum Requirement} + TT$ $I_{OC} \text{ unchanged}$ $\hat{I}_{or}/I_{oc} = -0.7 \text{ dB}$ $\frac{DPCH_E_c}{I_{or}} = -5.4 \text{ to } -16.5 \text{ dB:}$ |
| 7.3 Demodulation of DPCH in multi-path fading propagation conditions Tests 1-4 | $\frac{DPCH_E_c}{I_{or}} \text{ -2.2 to -15.0}$ $I_{OC} = -60 \text{ dBm}$ $\hat{I}_{or}/I_{oc} = 9 \text{ dB to } -3 \text{ dB}$ | 0.1 dB for $\frac{DPCH_E_c}{I_{or}}$ 0.6 dB for \hat{I}_{or}/I_{oc} | Formulas: $\frac{DPCH_E_c}{I_{or}} = \text{Minimum Requirement} + TT$ $\hat{I}_{or}/I_{oc} = \text{Minimum Requirement} + TT$ $I_{OC} \text{ unchanged}$ $\hat{I}_{or}/I_{oc} = 9.6 \text{ to } -2.4 \text{ dB}$ $\frac{DPCH_E_c}{I_{or}} = -2.1 \text{ to } -14.9 \text{ dB:}$ |
| 7.3 Demodulation of DPCH in multi-path fading propagation conditions Tests 5-8 | $\frac{DPCH_E_c}{I_{or}} \text{ -3.2 to -7.7 dB}$ $I_{OC} = -60 \text{ dBm}$ $\hat{I}_{or}/I_{oc} = 6 \text{ dB to } -3 \text{ dB}$ | 0.1 dB for $\frac{DPCH_E_c}{I_{or}}$ 0.6 dB for \hat{I}_{or}/I_{oc} | Formulas: $\frac{DPCH_E_c}{I_{or}} = \text{Minimum Requirement} + TT$ $\hat{I}_{or}/I_{oc} = \text{Minimum Requirement} + TT$ $I_{OC} \text{ unchanged}$ $\hat{I}_{or}/I_{oc} = 6.6 \text{ to } -2.4 \text{ dB}$ $\frac{DPCH_E_c}{I_{or}} = -3.1 \text{ to } -7.6 \text{ dB:}$ |
| 7.3 Demodulation of DPCH in multi-path fading propagation conditions Tests 9-12 | $\frac{DPCH_E_c}{I_{or}} \text{ -4.4 to -11.8 dB}$ $I_{OC} = -60 \text{ dBm}$ $\hat{I}_{or}/I_{oc} = 6 \text{ dB to } -3 \text{ dB}$ | 0.1 dB for $\frac{DPCH_E_c}{I_{or}}$ 0.6 dB for \hat{I}_{or}/I_{oc} | Formulas: $\frac{DPCH_E_c}{I_{or}} = \text{Minimum Requirement} + TT$ $\hat{I}_{or}/I_{oc} = \text{Minimum Requirement} + TT$ $I_{OC} \text{ unchanged}$ $\hat{I}_{or}/I_{oc} = 6.6 \text{ to } -2.4 \text{ dB}$ $\frac{DPCH_E_c}{I_{or}} = -4.3 \text{ to } -11.7 \text{ dB:}$ |

| Test | Minimum Requirement in TS 25.101 | Test Tolerance (TT) | Test Requirement in TS 34.121 |
|--|--|---|---|
| 7.3 Demodulation of DPCH in multi-path fading propagation conditions Tests 13-16 | $\frac{DPCH_E_c}{I_{or}} -2.2 \text{ to } -15.0 \text{ dB}$ $I_{OC} = -60 \text{ dBm}$ $\hat{I}_{or}/I_{oc} = 9 \text{ dB}$ | 0.1 dB for $\frac{DPCH_E_c}{I_{or}}$ 0.6 dB for \hat{I}_{or}/I_{oc} | Formulas: $\frac{DPCH_E_c}{I_{or}} = \text{Minimum Requirement} +$ TT $\hat{I}_{or}/I_{oc} = \text{Minimum Requirement} + \text{TT}$ $I_{OC} \text{ unchanged}$ $\hat{I}_{or}/I_{oc} = 9.6$ $\frac{DPCH_E_c}{I_{or}} = -2.1 \text{ to } -14.9 \text{ dB:}$ |
| 7.3 Demodulation of DPCH in multi-path fading propagation conditions Tests 17-20 | $\frac{DPCH_E_c}{I_{or}} -1.4 \text{ to } -8.8 \text{ dB}$ $I_{OC} = -60 \text{ dBm}$ $\hat{I}_{or}/I_{oc} = 6 \text{ to } -3 \text{ dB}$ | 0.1 dB for $\frac{DPCH_E_c}{I_{or}}$ 0.6 dB for \hat{I}_{or}/I_{oc} | Formulas: $\frac{DPCH_E_c}{I_{or}} = \text{Minimum Requirement} +$ TT $\hat{I}_{or}/I_{oc} = \text{Minimum Requirement} + \text{TT}$ $I_{OC} \text{ unchanged}$ $\hat{I}_{or}/I_{oc} = 6.6 \text{ to } -2.4 \text{ dB}$ $\frac{DPCH_E_c}{I_{or}} = -1.3 \text{ to } -8.7 \text{ dB:}$ |
| 7.4 Demodulation of DPCH in moving propagation conditions | $\frac{DPCH_E_c}{I_{or}} -10.9 \text{ to } -14.5$ $I_{OC} = -60 \text{ dBm}$ $\hat{I}_{or}/I_{oc} = -1 \text{ dB}$ | 0.1 dB for $\frac{DPCH_E_c}{I_{or}}$ 0.6 dB for \hat{I}_{or}/I_{oc} | Formulas: $\frac{DPCH_E_c}{I_{or}} = \text{Minimum Requirement} +$ TT $\hat{I}_{or}/I_{oc} = \text{Minimum Requirement} + \text{TT}$ $I_{OC} \text{ unchanged}$ $\hat{I}_{or}/I_{oc} = -0.4 \text{ dB}$ $\frac{DPCH_E_c}{I_{or}} = -10.8 \text{ to } -14.4 \text{ dB:}$ |
| 7.5 Demodulation of DPCH birth-death propagation conditions | $\frac{DPCH_E_c}{I_{or}} -8.7 \text{ to } -12.6 \text{ dB}$ $I_{OC} = -60 \text{ dBm}$ $\hat{I}_{or}/I_{oc} = -1 \text{ dB}$ | 0.1 dB for $\frac{DPCH_E_c}{I_{or}}$ 0.6 dB for \hat{I}_{or}/I_{oc} | Formulas: $\frac{DPCH_E_c}{I_{or}} = \text{Minimum Requirement} +$ TT $\hat{I}_{or}/I_{oc} = \text{Minimum Requirement} + \text{TT}$ $I_{OC} \text{ unchanged}$ $\hat{I}_{or}/I_{oc} = -0.4 \text{ dB}$ $\frac{DPCH_E_c}{I_{or}} = -18.6 \text{ to } -12.5 \text{ dB:}$ |

| Test | Minimum Requirement in TS 25.101 | Test Tolerance (TT) | Test Requirement in TS 34.121 |
|--|---|---|--|
| 7.5A Demodulation of DCH in high speed train conditions | $\frac{DPCH_E_c}{I_{or}} -21.8 \text{ dB}$ $I_{OC} = -60 \text{ dBm}$ $\hat{I}_{or}/I_{oc} = 5 \text{ dB}$ | 0.1 dB for $\frac{DPCH_E_c}{I_{or}}$ 0.6 dB for \hat{I}_{or}/I_{oc} | Formulas: $\frac{DPCH_E_c}{I_{or}} = \text{Minimum Requirement} +$ TT $\hat{I}_{or}/I_{oc} = \text{Minimum Requirement} + \text{TT}$ $I_{OC} \text{ unchanged}$ $\hat{I}_{or}/I_{oc} = 5.6 \text{ dB}$ $\frac{DPCH_E_c}{I_{or}} = -21.7 \text{ dB:}$ |
| 7.6.1 Demodulation of DPCH in transmit diversity propagation conditions | $\frac{DPCH_E_c}{I_{or}} -16.8 \text{ dB}$ $I_{OC} = -60 \text{ dBm}$ $\hat{I}_{or}/I_{oc} = 9 \text{ dB}$ | 0.1 dB for $\frac{DPCH_E_c}{I_{or}}$ 0.8 dB for \hat{I}_{or}/I_{oc} | Formulas: $\frac{DPCH_E_c}{I_{or}} = \text{Minimum Requirement} +$ TT $\hat{I}_{or}/I_{oc} = \text{Minimum Requirement} + \text{TT}$ $I_{OC} \text{ unchanged}$ $\hat{I}_{or}/I_{oc} = 9.8 \text{ dB}$ $\frac{DPCH_E_c}{I_{or}} = -16.7 \text{ dB:}$ |
| 7.6.2 Demodulation of DCH in closed loop Transmit diversity mode | $\frac{DPCH_E_c}{I_{or}} -18 \text{ to } -18.3 \text{ dB}$ $I_{OC} = -60 \text{ dBm}$ $\hat{I}_{or}/I_{oc} = 9 \text{ dB}$ | 0.1 dB for $\frac{DPCH_E_c}{I_{or}}$ 0.8 dB for \hat{I}_{or}/I_{oc} | Formulas: $\frac{DPCH_E_c}{I_{or}} = \text{Minimum Requirement} +$ TT $\hat{I}_{or}/I_{oc} = \text{Minimum Requirement} + \text{TT}$ $I_{OC} \text{ unchanged}$ $\hat{I}_{or}/I_{oc} = 9.8 \text{ dB}$ $\frac{DPCH_E_c}{I_{or}} = -17.9 \text{ to } -18.2 \text{ dB:}$ |
| 7.6.3, Demodulation of DCH in site selection diversity Transmission power control mode | $\frac{DPCH_E_c}{I_{or}} -5.0 \text{ to } -10.5 \text{ dB}$ $I_{OC} = -60 \text{ dBm}$ $\hat{I}_{or}/I_{oc} = 0 \text{ to } -3 \text{ dB}$ | 0.1 dB for $\frac{DPCH_E_c}{I_{or}}$ 0.8 dB for \hat{I}_{or}/I_{oc} | Formulas: $\frac{DPCH_E_c}{I_{or}} = \text{Minimum Requirement} +$ TT $\hat{I}_{or}/I_{oc} = \text{Minimum Requirement} + \text{TT}$ $I_{OC} \text{ unchanged}$ $\hat{I}_{or}/I_{oc} = 0.8 \text{ to } -2.2 \text{ dB}$ $\frac{DPCH_E_c}{I_{or}} = -4.9 \text{ to } -10.4 \text{ dB:}$ |

| Test | Minimum Requirement in TS 25.101 | Test Tolerance (TT) | Test Requirement in TS 34.121 |
|--|--|---|---|
| 7.7.1 Demodulation in inter-cell soft Handover (Release 5 and earlier) | $\frac{DPCH_E_c}{I_{or}} -5.5 \text{ to } -15.2 \text{ dB}$ $I_{oc} = -60 \text{ dBm}$ $\hat{I}_{or1}/I_{oc} = \hat{I}_{or2}/I_{oc} = 6 \text{ to } 0 \text{ dB}$ | 0.1 dB for $\frac{DPCH_E_c}{I_{or}}$ 0.6 dB for \hat{I}_{or1}/I_{oc} and \hat{I}_{or2}/I_{oc} | Formulas: $\frac{DPCH_E_c}{I_{or}} = \text{Minimum Requirement} + TT$ $\hat{I}_{or1}/I_{oc} = \text{Minimum Requirement} + TT$ $\hat{I}_{or2}/I_{oc} = \text{Minimum Requirement} + TT$ $I_{oc} \text{ unchanged}$ $\hat{I}_{or1}/I_{oc} = \hat{I}_{or2}/I_{oc} = 6.6 \text{ to } 0.6 \text{ dB}$ $\frac{DPCH_E_c}{I_{or}} = -5.4 \text{ to } -15.4 \text{ dB:}$ |
| 7.7.1A Demodulation in inter-cell soft Handover (Release 6 and later) | $\frac{DPCH_E_c}{I_{or}} -5.8 \text{ to } -15.2 \text{ dB}$ $I_{oc} = -60 \text{ dBm}$ $\hat{I}_{or1}/I_{oc} = \hat{I}_{or2}/I_{oc} = 6 \text{ to } 0 \text{ dB}$ | 0.1 dB for $\frac{DPCH_E_c}{I_{or}}$ 0.6 dB for \hat{I}_{or1}/I_{oc} and \hat{I}_{or2}/I_{oc} | Formulas: $\frac{DPCH_E_c}{I_{or}} = \text{Minimum Requirement} + TT$ $\hat{I}_{or1}/I_{oc} = \text{Minimum Requirement} + TT$ $\hat{I}_{or2}/I_{oc} = \text{Minimum Requirement} + TT$ $I_{oc} \text{ unchanged}$ $\hat{I}_{or1}/I_{oc} = \hat{I}_{or2}/I_{oc} = 6.6 \text{ to } 0.6 \text{ dB}$ $\frac{DPCH_E_c}{I_{or}} = -5.7 \text{ to } -15.1 \text{ dB:}$ |
| 7.7.2 Combining of TPC commands Test 1 | $\frac{DPCH_E_c}{I_{or}} -12 \text{ dB}$ $\text{lor1 and lor2 } -60\text{dBm}$ | 0.1 dB for $\frac{DPCH_E_c}{I_{or}}$ 0dB for lor1 and lor2 | Formulas: $\frac{DPCH_E_c}{I_{or}} = \text{Minimum Requirement} + TT$ $\frac{DPCH_E_c}{I_{or}} = -11,9 \text{ dB:}$ $\text{lor1} = -60\text{dBm}$ $\text{lor2} = -60\text{dBm}$ <p>The absolute levels of lor1 and lor2 are not important to this test.</p> |

| Test | Minimum Requirement in TS 25.101 | Test Tolerance (TT) | Test Requirement in TS 34.121 |
|---|---|---|---|
| <p>7.7.2 Combining of TPC commands Test 2</p> | <p>$\frac{DPCH_E_c}{I_{or}} -12$ dB</p> <p>$I_{oc} = -60$ dBm</p> <p>$\hat{I}_{or1}/I_{oc} = \hat{I}_{or2}/I_{oc} = 0$ dB</p> | <p>0.1 dB for $\frac{DPCH_E_c}{I_{or}}$</p> <p>0.6 dB for \hat{I}_{or1}/I_{oc} and \hat{I}_{or2}/I_{oc}</p> | <p>Formulas:</p> <p>$\frac{DPCH_E_c}{I_{or}} = \text{Minimum Requirement} +$</p> <p>TT</p> <p>$\hat{I}_{or1}/I_{oc} = \text{Minimum Requirement} + \text{TT}$</p> <p>$\hat{I}_{or2}/I_{oc} = \text{Minimum Requirement} + \text{TT}$</p> <p>$I_{oc}$ unchanged</p> <p>$\hat{I}_{or1}/I_{oc} = \hat{I}_{or2}/I_{oc} = 0.6$ dB</p> <p>$\frac{DPCH_E_c}{I_{or}} = -11,9$ dB:</p> |
| <p>7.7.3 Combining of reliable TPC commands from radio links of different radio link sets</p> | <p>Test parameters:</p> <p>$\frac{DPCH_E_{c1}}{I_{or1}}$ = set at the level corresponding to 5% TPC error rate.</p> <p>Test 1:</p> <p>$\frac{DPCH_E_{c2}}{I_{or2}} = \frac{DPCH_E_{c1}}{I_{or1}} -10$ dB</p> <p>$\frac{DPCH_E_{c3}}{I_{or3}} = \frac{DPCH_E_{c1}}{I_{or1}} -10$ dB</p> <p>Test 2:</p> <p>$\frac{DPCH_E_{c2}}{I_{or2}} = \frac{DPCH_E_{c1}}{I_{or1}} +6$ dB</p> <p>Test requirements:</p> <p>Test 1: UE output power = -15 dBm ± 5 dB</p> <p>Test 2: UE output power = -15 dBm ± 3 dB</p> | <p>0 dB for all test parameters</p> <p>0 dB for all test requirements</p> | <p>Test parameters:</p> <p>$\frac{DPCH_E_{c1}}{I_{or1}} = \text{Minimum Requirement} +$</p> <p>TT</p> <p>$\frac{DPCH_E_{c2}}{I_{or2}} = \text{Minimum Requirement} +$</p> <p>TT</p> <p>$\frac{DPCH_E_{c3}}{I_{or3}} = \text{Minimum Requirement} +$</p> <p>TT</p> <p>Test requirements:</p> <p>Test 1: UE output power = -15 dBm ± (5 dB + TT)</p> <p>Test 2: UE output power = -15 dBm ± (3 dB + TT)</p> |

| Test | Minimum Requirement in TS 25.101 | Test Tolerance (TT) | Test Requirement in TS 34.121 |
|---|---|---|--|
| <p>7.8.1 Power control in downlink constant BLER target (Release 5 and earlier)</p> | <p>$\frac{DPCH_E_c}{I_{or}}$ -9 to -16 dB</p> <p>$I_{OC} = -60$ dBm</p> <p>$\hat{I}_{or}/I_{OC} = 9$ to -1 dB</p> | <p>0.1 dB for $\frac{DPCH_E_c}{I_{or}}$</p> <p>0.6 dB for \hat{I}_{or}/I_{OC}</p> <p>Alternative $\frac{DPCH_E_c}{I_{or}}$ tolerances also apply for test cases using an SS with delayed DL power control response time.</p> | <p>Formulas:</p> <p>$\frac{DPCH_E_c}{I_{or}} = \text{Minimum Requirement} + TT$</p> <p>$\hat{I}_{or}/I_{OC} = \text{Minimum Requirement} + TT$</p> <p>$I_{OC}$ unchanged</p> <p>$\hat{I}_{or}/I_{OC} = 9.6$ to -0.4 dB</p> <p>$\frac{DPCH_E_c}{I_{or}} = -8.9$ to -15.9 dB:</p> |
| <p>7.8.1A Power control in downlink constant BLER target (Release 6 and later)</p> | <p>$\frac{DPCH_E_c}{I_{or}}$ -9 to -16 dB</p> <p>$I_{OC} = -60$ dBm</p> <p>$\hat{I}_{or}/I_{OC} = 9$ to -1 dB</p> | <p>0.1 dB for $\frac{DPCH_E_c}{I_{or}}$</p> <p>0.6 dB for \hat{I}_{or}/I_{OC}</p> | <p>Formulas:</p> <p>$\frac{DPCH_E_c}{I_{or}} = \text{Minimum Requirement} + TT$</p> <p>$\hat{I}_{or}/I_{OC} = \text{Minimum Requirement} + TT$</p> <p>$I_{OC}$ unchanged</p> <p>$\hat{I}_{or}/I_{OC} = 9.6$ to -0.4 dB</p> <p>$\frac{DPCH_E_c}{I_{or}} = -8.9$ to -15.9 dB:</p> |
| <p>7.8.2, Power control in downlink initial convergence (Release 5 and earlier)</p> | <p>$\frac{DPCH_E_c}{I_{or}}$ -8.1 to -18.9 dB</p> <p>$I_{OC} = -60$ dBm</p> <p>$\hat{I}_{or}/I_{OC} = -1$ dB</p> | <p>0.6 dB for $\frac{DPCH_E_c}{I_{or}}$ power ratio values during T1 and T2.</p> <p>Alternative $\frac{DPCH_E_c}{I_{or}}$ tolerance of 0.8 dB applies when using an SS with delayed DL power control response time.</p> | <p>Formulas:</p> <p>DPCH_Ec/Ior during T1 and T2:</p> <p>Minimum Requirement -TT ≤ DPCH_Ec/Ior ≤ Minimum Requirement + TT</p> <p>$\hat{I}_{or}/I_{OC} = \text{unchanged}$</p> <p>$I_{OC}$ unchanged</p> |

| Test | Minimum Requirement in TS 25.101 | Test Tolerance (TT) | Test Requirement in TS 34.121 |
|--|---|--|--|
| 7.8.3A, Power control in downlink: wind up effects (Release 6 and later) | $\frac{DPCH_E_c}{I_{or}} -13.3 \text{ dB}$ $I_{OC} = -60 \text{ dBm}$ $\hat{I}_{or}/I_{oc} = 5 \text{ dB}$ | 0.1 dB for $\frac{DPCH_E_c}{I_{or}}$ 0.6 dB for \hat{I}_{or}/I_{oc} | Formulas: $\frac{DPCH_E_c}{I_{or}} = \text{Minimum Requirement} + TT$ $\hat{I}_{or}/I_{oc} = \text{Minimum Requirement} + TT$ $I_{OC} \text{ unchanged}$ $\hat{I}_{or}/I_{oc} = 5.6 \text{ dB}$ $\frac{DPCH_E_c}{I_{or}} = -13.2 \text{ dB:}$ |
| 7.8.3, Power control in downlink: wind up effects | $\frac{DPCH_E_c}{I_{or}} -13.3 \text{ dB}$ $I_{OC} = -60 \text{ dBm}$ $\hat{I}_{or}/I_{oc} = 5 \text{ dB}$ | 0.1 dB for $\frac{DPCH_E_c}{I_{or}}$ 0.6 dB for \hat{I}_{or}/I_{oc} Alternative $\frac{DPCH_E_c}{I_{or}}$ tolerances also apply for test cases using an SS with delayed DL power control response time. | Formulas: $\frac{DPCH_E_c}{I_{or}} = \text{Minimum Requirement} + TT$ $\hat{I}_{or}/I_{oc} = \text{Minimum Requirement} + TT$ $I_{OC} \text{ unchanged}$ $\hat{I}_{or}/I_{oc} = 5.6 \text{ dB}$ $\frac{DPCH_E_c}{I_{or}} = -13.2 \text{ dB:}$ |
| 7.8.4, Power control in the downlink, different transport formats | $\frac{DPCH_E_c}{I_{or}} -16 \text{ to } -18 \text{ dB}$ $I_{OC} = -60 \text{ dBm}$ $\hat{I}_{or}/I_{oc} = 9 \text{ dB}$ | 0.1 dB for $\frac{DPCH_E_c}{I_{or}}$ 0.6 dB for \hat{I}_{or}/I_{oc} Alternative $\frac{DPCH_E_c}{I_{or}}$ tolerances also apply for test cases using an SS with delayed DL power control response time. | Formulas: $\frac{DPCH_E_c}{I_{or}} = \text{Minimum Requirement} + TT$ $\hat{I}_{or}/I_{oc} = \text{Minimum Requirement} + TT$ $I_{OC} \text{ unchanged}$ $\hat{I}_{or}/I_{oc} = 9.6 \text{ dB}$ $\frac{DPCH_E_c}{I_{or}} = -15.9 \text{ to } -17.9 \text{ dB:}$ |

| Test | Minimum Requirement in TS 25.101 | Test Tolerance (TT) | Test Requirement in TS 34.121 |
|--|--|---|--|
| 7.8.5, Power control in the downlink for F-DPCH | $\frac{F - DPCH_E_c}{I_{or}} -15.9 \text{ to } -12 \text{ dB}$ $I_{oc} = -60 \text{ dBm}$ $\hat{I}_{or}/I_{oc} = 9 \text{ to } -1 \text{ dB}$ | 0.1 dB for $\frac{F - DPCH_E_c}{I_{or}}$ 0.6 dB for \hat{I}_{or}/I_{oc} | |
| 7.9.1 Downlink compressed mode / single link performance (Release 5 and earlier) | $\frac{DPCH_E_c}{I_{or}}$ Test 1 -14.6 dB Test 3 -15.2 dB $I_{oc} = -60 \text{ dBm}$ $\hat{I}_{or}/I_{oc} = 9 \text{ dB}$ | 0.1 dB for $\frac{DPCH_E_c}{I_{or}}$ 0.6 dB for \hat{I}_{or}/I_{oc} | Formulas: $\frac{DPCH_E_c}{I_{or}} = \text{Minimum Requirement} + TT$ $\hat{I}_{or}/I_{oc} = \text{Minimum Requirement} + TT$ $I_{oc} \text{ unchanged}$ $\hat{I}_{or}/I_{oc} = 9.6 \text{ dB}$ $\frac{DPCH_E_c}{I_{or}} =$ Test 1 -14.5 dB Test 3 -15.1 dB: |
| 7.9.1A Downlink compressed mode / single link performance (Release 6 and later) | $\frac{DPCH_E_c}{I_{or}}$ Test 1 -13.7 dB $I_{oc} = -60 \text{ dBm}$ $\hat{I}_{or}/I_{oc} = 9 \text{ dB}$ | 0.1 dB for $\frac{DPCH_E_c}{I_{or}}$ 0.6 dB for \hat{I}_{or}/I_{oc} | Formulas: $\frac{DPCH_E_c}{I_{or}} = \text{Minimum Requirement} + TT$ $\hat{I}_{or}/I_{oc} = \text{Minimum Requirement} + TT$ $I_{oc} \text{ unchanged}$ $\hat{I}_{or}/I_{oc} = 9.6 \text{ dB}$ $\frac{DPCH_E_c}{I_{or}} =$ Test 1 -13.6 dB |
| 7.10 Blind transport format detection Tests 1, 2, 3 | $\frac{DPCH_E_c}{I_{or}} -17.7 \text{ to } -18.4 \text{ dB}$ $I_{oc} = -60 \text{ dBm}$ $\hat{I}_{or}/I_{oc} = -1 \text{ dB}$ | 0.1 dB for $\frac{DPCH_E_c}{I_{or}}$ 0.3 dB for \hat{I}_{or}/I_{oc} | Formulas: $\frac{DPCH_E_c}{I_{or}} = \text{Minimum Requirement} + TT$ $\hat{I}_{or}/I_{oc} = \text{Minimum Requirement} + TT$ $I_{oc} \text{ unchanged}$ $\hat{I}_{or}/I_{oc} = -0.7 \text{ dB}$ $\frac{DPCH_E_c}{I_{or}} = -17.6 \text{ to } -18.3 \text{ dB:}$ |

| Test | Minimum Requirement in TS 25.101 | Test Tolerance (TT) | Test Requirement in TS 34.121 |
|---|---|---|--|
| 7.10 Blind transport format detection Tests 4, 5, 6 | $\frac{DPCH_E_c}{I_{or}} -13.0 \text{ to } -13.8 \text{ dB}$ $I_{oc} = -60 \text{ dBm}$ $\hat{I}_{or}/I_{oc} = -3 \text{ dB}$ | 0.1 dB for $\frac{DPCH_E_c}{I_{or}}$ 0.6 dB for \hat{I}_{or}/I_{oc} | Formulas: $\frac{DPCH_E_c}{I_{or}} = \text{Minimum Requirement} + TT$ $\hat{I}_{or}/I_{oc} = \text{Minimum Requirement} + TT$ $I_{oc} \text{ unchanged}$ $\hat{I}_{or}/I_{oc} = -2.4 \text{ dB}$ $\frac{DPCH_E_c}{I_{or}} = -12.9 \text{ to } -13.7 \text{ dB:}$ |
| 7.11 Demodulation of paging channel (PCH) | Test 1: $I_{oc} = -60 \text{ dBm}$ $\hat{I}_{or}/I_{oc} = -1 \text{ dB}$ $S\text{-CCPCH_Ec}/I_{or} = -14.8 \text{ dB}$ $PICH_Ec}/I_{or} = -19 \text{ dB}$ | Test 1: 0.4 dB for \hat{I}_{or}/I_{oc} | I_{oc} , S-CCPCH_Ec/I _{or} and PICH_Ec/I _{or} are unchanged Since PICH Power Offset has to be an integer value TT for PICH_Ec/I _{or} is zero. But TT of \hat{I}_{or}/I_{oc} has been increased by 0.1 dB from its normal value (0.3 dB / 0.6 dB) due to test system uncertainty of PICH_Ec/I _{or} . Formulas: $\hat{I}_{or}/I_{oc} = \text{Minimum Requirement} + TT$ |
| | Test 2: $I_{oc} = -60 \text{ dBm}$ $\hat{I}_{or}/I_{oc} = -3 \text{ dB}$ $S\text{-CCPCH_Ec}/I_{or} = -9.8 \text{ dB}$ $PICH_Ec}/I_{or} = -12 \text{ dB}$ | Test 2: 0.7 dB for \hat{I}_{or}/I_{oc} | |
| 7.12 Detection of acquisition indicator (AI) | $I_{oc} = -60 \text{ dBm}$ $\hat{I}_{or}/I_{oc} = -1 \text{ dB}$ $AICH_Ec}/I_{or} = -22.0 \text{ dB}$ $S\text{-CCPCH_Ec}/I_{or} = -12.0 \text{ dB}$ | 0.4 dB for \hat{I}_{or}/I_{oc} | I_{oc} and AICH_Ec/I _{or} are unchanged. Since AICH Power Offset has to be an integer value TT for AICH_Ec/I _{or} is zero. But TT of \hat{I}_{or}/I_{oc} has been increased by 0.1 dB from its normal value (0.3 dB) due to test system uncertainty of AICH_Ec/I _{or} . No need to add test tolerance to S-CCPCH_Ec/I _{or} since it is not critical parameter Formula: $\hat{I}_{or}/I_{oc} = \text{Minimum Requirement} + TT$ |
| 7.12A Detection of E-DCH Acquisition Indicator (E-AI) | $I_{oc} = -60 \text{ dBm}$ $\hat{I}_{or}/I_{oc} = -1 \text{ dB}$ $AICH_Ec}/I_{or} = -22.0 \text{ dB}$ $E\text{-AICH_Ec}/I_{or} = -22.0 \text{ dB}$ $S\text{-CCPCH_Ec}/I_{or} = -12.0 \text{ dB}$ | 0.4 dB for \hat{I}_{or}/I_{oc} | I_{oc} , AICH_Ec/I _{or} and E-AICH_Ec/I _{or} are unchanged. Since AICH Power Offset has to be an integer value TT for AICH_Ec/I _{or} and E-AICH_Ec/I _{or} are zero. But TT of \hat{I}_{or}/I_{oc} has been increased by 0.1 dB from its normal value (0.3 dB) due to test system uncertainty of AICH_Ec/I _{or} and E-AICH_Ec/I _{or} . No need to add test tolerance to S-CCPCH_Ec/I _{or} since it is not critical parameter Formula: $\hat{I}_{or}/I_{oc} = \text{Minimum Requirement} + TT$ |
| 7.13 UE UL power control operation with discontinuous UL DPCCH transmission operation | UE Output power difference: Lower: -2 dB Upper: 4 dB | [0.3] dB | DL: No test tolerances applied: UL: Formula: (Upper) Minimum Requirement + TT (Lower) Minimum Requirement – TT |

F.4.4 Requirements for support of RRM

Table F.4.4: Derivation of Test Requirements (RRM tests)

| Test | Test Parameters in TS 25.133 [2] | Test Tolerance (TT) | Test Requirement in TS 34.121 |
|---|---|--|--|
| 8.2 Idle Mode Tasks | | | |
| 8.2.2 Cell Re-Selection | | | |
| 8.2.2.1 Scenario 1: Single carrier case | Because the relationships between the Test system uncertainties and the Test Tolerances are complex, it is not possible to give a simple derivation of the Test Requirement in this document. The analysis is recorded in 3GPP TR 34 902 [24]. | | |
| | <u>During T1 and T2:</u> Cells 1 and 2: CPICH_Ec/Ior = -10 dB PCCPCH_Ec/Ior = -12 dB SCH_Ec/Ior = -12 dB PICH_Ec/Ior = -15 dB Cells 3, 4, 5, 6: CPICH_Ec/Ior = -10 dB PCCPCH_Ec/Ior = -12 dB SCH_Ec/Ior = -12 dB PICH_Ec/Ior = -15 dB Ior(3, 4, 5, 6) = -69.73 dBm | <u>During T1 and T2:</u> +0.60 dB +0.60 dB +0.60 dB +0.60 dB -0.50 dB -0.50 dB -0.50 dB -0.50 dB +0.03 dB for Ior(3, 4, 5, 6) | <u>During T1 and T2:</u> Ec/Ior Minimum Requirement + TT Ec/Ior Minimum Requirement + TT Ec/Ior Minimum Requirement + TT Ec/Ior Minimum Requirement + TT Ec/Ior Minimum Requirement + TT Ec/Ior Minimum Requirement + TT Ec/Ior Minimum Requirement + TT Ec/Ior Minimum Requirement + TT Ior(3, 4, 5, 6) Minimum Requirement + TT |
| | <u>During T1:</u> Ior(1) = -62.73 dBm Ior(2) = -59.73 dBm | <u>During T1:</u> -0.27 dB for Ior(1) +0.13 dB for Ior(2) | <u>During T1:</u> Ior(1) Minimum Requirement + TT Ior(2) Minimum Requirement + TT |
| | <u>During T2:</u> Ior(1) = -59.73 dBm Ior(2) = -62.73 dBm | <u>During T2:</u> +0.13 dB for Ior(1) -0.27 dB for Ior(2) | <u>During T2:</u> Ior(1) Minimum Requirement + TT Ior(2) Minimum Requirement + TT |
| 8.2.2.2 Scenario 2: Multi carrier case | Because the relationships between the Test system uncertainties and the Test Tolerances are complex, it is not possible to give a simple derivation of the Test Requirement in this document. The analysis is recorded in 3GPP TR 34 902 [24]. | | |

| Test | Test Parameters in TS 25.133 [2] | Test Tolerance (TT) | Test Requirement in TS 34.121 |
|------|--|---|---|
| | <p><u>Channel 1 during T1 and T2:</u></p> <p>Cell 1: CPICH_Ec/Ior = -10 dB PCCPCH_Ec/Ior = -12 dB SCH_Ec/Ior = -12 dB PICH_Ec/Ior = -15 dB</p> <p>Cells 3 and 4: CPICH_Ec/Ior = -10 dB PCCPCH_Ec/Ior = -12 dB SCH_Ec/Ior = -12 dB PICH_Ec/Ior = -15 dB</p> | <p><u>Channel 1 during T1 and T2:</u></p> <p>+0.70 dB +0.70 dB +0.70 dB +0.70 dB</p> <p>-0.80 dB -0.80 dB -0.80 dB -0.80 dB</p> | <p><u>Channel 1 during T1 and T2:</u></p> <p>Ec/Ior Minimum Requirement + TT Ec/Ior Minimum Requirement + TT Ec/Ior Minimum Requirement + TT Ec/Ior Minimum Requirement + TT Ec/Ior Minimum Requirement + TT Ec/Ior Minimum Requirement + TT Ec/Ior Minimum Requirement + TT Ec/Ior Minimum Requirement + TT</p> |
| | <p><u>Channel 1 during T1:</u></p> <p>Ior(1) = -73.39 dBm Ior(3, 4) = -77.39 dBm Ioc(1) = -70.00 dBm</p> | <p><u>Channel 1 during T1:</u></p> <p>-0.01 dB for Ior(1) -0.01 dB for Ior(3,4) 0.00 dB for Ioc(1)</p> | <p><u>Channel 1 during T1:</u></p> <p>Ior(1) Minimum Requirement + TT Ior(3, 4) Minimum Requirement + TT Ioc(1) Minimum Requirement + TT</p> |
| | <p><u>Channel 1 during T2:</u></p> <p>Ior(1) = -67.75 dBm Ior(3, 4) = -74.75 dBm Ioc(1) = -70.00 dBm</p> | <p><u>Channel 1 during T2:</u></p> <p>+0.75 dB for Ior(1) -0.05 dB for Ior(3, 4) -1.80 dB for Ioc(1)</p> | <p><u>Channel 1 during T2:</u></p> <p>Ior(1) Minimum Requirement + TT Ior(3, 4) Minimum Requirement + TT Ioc(1) Minimum Requirement + TT</p> |
| | <p><u>Channel 2 during T1 and T2:</u></p> <p>Cell 2: CPICH_Ec/Ior = -10 dB PCCPCH_Ec/Ior = -12 dB SCH_Ec/Ior = -12 dB PICH_Ec/Ior = -15 dB</p> <p>Cells 5 and 6: CPICH_Ec/Ior = -10 dB PCCPCH_Ec/Ior = -12 dB SCH_Ec/Ior = -12 dB PICH_Ec/Ior = -15 dB</p> | <p><u>Channel 2 during T1 and T2:</u></p> <p>+0.70 dB +0.70 dB +0.70 dB +0.70 dB</p> <p>-0.80 dB -0.80 dB -0.80 dB -0.80 dB</p> | <p><u>Channel 2 during T1 and T2:</u></p> <p>Ec/Ior Minimum Requirement + TT Ec/Ior Minimum Requirement + TT Ec/Ior Minimum Requirement + TT Ec/Ior Minimum Requirement + TT Ec/Ior Minimum Requirement + TT Ec/Ior Minimum Requirement + TT Ec/Ior Minimum Requirement + TT Ec/Ior Minimum Requirement + TT</p> |

| Test | Test Parameters in TS 25.133 [2] | Test Tolerance (TT) | Test Requirement in TS 34.121 |
|---|---|---|--|
| | <u>Channel 2 during T1:</u> lor(2) = -67.75 dBm lor(5, 6) = -74.75 dBm loc(2) = -70.00 dBm | <u>Channel 2 during T1:</u> +0.75 dB for lor(2) -0.05 dB for lor(5, 6) -1.80 dB for loc(2) | <u>Channel 2 during T1:</u> Minimum Requirement (lor(2)) + TT Minimum Requirement (lor(5, 6)) + TT Minimum Requirement (loc(2)) + TT |
| | <u>Channel 2 during T2:</u> lor(2) = -73.39 dBm lor(5, 6) = -77.39 dBm loc(2) = -70.00 dBm | <u>Channel 2 during T2:</u> -0.01 dB for lor(2) -0.01 dB for lor(5,6) 0.00 dB for loc(2) | <u>Channel 2 during T2:</u> lor(2) Minimum Requirement + TT lor(5, 6) Minimum Requirement + TT loc(2) Minimum Requirement + TT |
| 8.2.3 UTRAN to GSM Cell Re-Selection | | | |
| 8.2.3.1 Scenario 1: Both UTRA and GSM level changed | During T1: $\frac{CPICH_E_c}{I_{or}} = -10\text{ dB}$ lor/loc = 0 dB RXLEV=-90 dBm | During T1: 0.1 dB for $\frac{CPICH_E_c}{I_{or}}$ 0.3 dB for lor/loc 1.0 dB for RXLEV | During T1: Formulas: $\frac{CPICH_E_c}{I_{or}} = \text{Minimum Requirement} + TT$ lor/loc = Minimum Requirement + TT RXLEV - TT lor/loc = 0.3 dB $\frac{CPICH_E_c}{I_{or}} = -9.9\text{ dB}$: Measured GSM Carrier RSSI ± uncertainty of RXLEV setting shall be below -90 dBm (Threshold for GSM). |
| | During T2: $\frac{CPICH_E_c}{I_{or}} = -10\text{ dB}$ lor/loc = - 5 dB RXLEV=-75 dBm | During T2: 0.1 dB for $\frac{CPICH_E_c}{I_{or}}$ 0.3 dB for lor/loc 1.0 dB for RXLEV | During T2: Formulas: $\frac{CPICH_E_c}{I_{or}} = \text{Minimum Requirement} - TT$ lor/loc = Minimum Requirement - TT RXLEV + TT lor/loc = -5.3 dB $\frac{CPICH_E_c}{I_{or}} = -10.1\text{ dB}$: Measured GSM Carrier RSSI ± uncertainty of RXLEV setting shall be above -75 dBm (Threshold for GSM). |

| Test | Test Parameters in TS 25.133 [2] | Test Tolerance (TT) | Test Requirement in TS 34.121 |
|---|--|--|---|
| 8.2.3.2 Scenario 2: Only UTRA level changed | During T1: $\frac{CPICH_E_c}{I_{or}} = -10$ dB Ior/loc = 20 dB RXLEV=-80 dBm | During T1: 0.1 dB for $\frac{CPICH_E_c}{I_{or}}$ 0.3 dB for Ior/loc 1.0 dB for RXLEV | During T1: Formulas: $\frac{CPICH_E_c}{I_{or}} = \text{Minimum}$ Requirement + TT Ior/loc = Minimum Requirement + TT RXLEV - TT Ior/loc = 20.3 dB $\frac{CPICH_E_c}{I_{or}} = -9.9$ dB: Measured GSM Carrier RSSI ± uncertainty of RXLEV setting shall be below -80 dBm (Threshold for GSM). |
| | During T2: $\frac{CPICH_E_c}{I_{or}} = -10$ dB Ior/loc = -9 dB RXLEV=-80 dBm | During T2: 0.1 dB for $\frac{CPICH_E_c}{I_{or}}$ 0.3 dB for Ior/loc 1.0 dB for RXLEV | During T2: Formulas: $\frac{CPICH_E_c}{I_{or}} = \text{Minimum}$ Requirement - TT Ior/loc = Minimum Requirement - TT RXLEV + TT Ior/loc = -9.3 dB $\frac{CPICH_E_c}{I_{or}} = -10.1$ dB: Measured GSM Carrier RSSI ± uncertainty of RXLEV setting shall be above -80 dBm (Threshold for GSM). |
| 8.2.3.3 Scenario 3: HCS with only UTRA level changed | $\frac{CPICH_E_c}{I_{or}} = -10$ dB Ior/loc = 40 dB | 0.1 dB for $\frac{CPICH_E_c}{I_{or}}$ 0.3 dB for Ior/loc 1.0 dB for RXLEV | Formulas: $\frac{CPICH_E_c}{I_{or}} = \text{Minimum}$ Requirement + TT Ior/loc = Minimum Requirement + TT RXLEV + TT Ior/loc = 40.3 dB $\frac{CPICH_E_c}{I_{or}} = -9.9$ dB: $\frac{CPICH_E_c}{I_{or}}$ |

| Test | Test Parameters in TS 25.133 [2] | Test Tolerance (TT) | Test Requirement in TS 34.121 |
|--|--|---|--|
| | $\frac{CPICH_E_c}{I_{or}} = -10 \text{ dB}$ lor/loc = 10 dB | 0.1 dB for $\frac{CPICH_E_c}{I_{or}}$ 0.3 dB for lor/loc 1.0 dB for RXLEV | Formulas: $\frac{CPICH_E_c}{I_{or}} = \text{ratio} - \text{TT}$ lor/loc = ratio - TT RXLEV + TT lor/loc = 9.7 dB $\frac{CPICH_E_c}{I_{or}} = -10.1 \text{ dB:}$ |
| 8.2.4 FDD/TDD cell re-selection | TBD | | |
| 8.2.5 UTRA to E-UTRA Cell Re-Selection | | | |
| 8.2.5.1 E-UTRA is of higher priority | <u>UTRA cell during T1:</u> I _{oc} : -70.00dBm/3.84MHz I _{or} / I _{oc} : +13.00dB CPICH_E _c /I _{or} : -10.00dB <u>E-UTRA cell during T1:</u> N _{oc} : -98.00dBm/15kHz Ê _s / N _{oc} : -infinity dB <u>UTRA cell during T2:</u> I _{oc} : -70.00dBm/3.84MHz I _{or} / I _{oc} : +13.00dB CPICH_E _c /I _{or} : -10.00dB <u>E-UTRA cell during T2:</u> N _{oc} : -98.00dBm/15kHz Ê _s / N _{oc} : +12.00dB <u>UTRA cell during T3:</u> I _{oc} : -70.00dBm/3.84MHz I _{or} / I _{oc} : +13.00dB CPICH_E _c /I _{or} : -10.00dB <u>E-UTRA cell during T3:</u> N _{oc} : -98.00dBm/15kHz Ê _s / N _{oc} : -4.00dB | <u>UTRA cell during T1:</u> 0dB +0.80dB 0dB <u>E-UTRA cell during T1:</u> -1.10dB 0dB <u>UTRA cell during T2:</u> 0dB +0.80dB 0dB <u>E-UTRA cell during T2:</u> -1.10dB +1.90dB <u>UTRA cell during T3:</u> 0dB +0.80dB 0dB <u>E-UTRA cell during T3:</u> -1.10dB +0.30dB | <u>UTRA cell during T1:</u> I _{oc} : -70.00dBm/3.84MHz I _{or} / I _{oc} : +13.80dB CPICH_E _c /I _{or} : -10.00dB <u>E-UTRA cell during T1:</u> N _{oc} : -99.10dBm/15kHz Ê _s / N _{oc} : -infinity dB <u>UTRA cell during T2:</u> I _{oc} : -70.00dBm/3.84MHz I _{or} / I _{oc} : +13.80dB CPICH_E _c /I _{or} : -10.00dB <u>E-UTRA cell during T2:</u> N _{oc} : -99.10dBm/15kHz Ê _s / N _{oc} : +13.90dB <u>UTRA cell during T3:</u> I _{oc} : -70.00dBm/3.84MHz I _{or} / I _{oc} : +13.80dB CPICH_E _c /I _{or} : -10.00dB <u>E-UTRA cell during T3:</u> N _{oc} : -99.10dBm/15kHz Ê _s / N _{oc} : -3.70dB |
| 8.2.5.2 E-UTRA is of lower priority | <u>UTRA cell during T1:</u> I _{oc} : -70.00dBm/3.84MHz I _{or} / I _{oc} : +11.00dB CPICH_E _c /I _{or} : -10.00dB <u>E-UTRA cell during T1:</u> N _{oc} : -98.00dBm/15kHz Ê _s / N _{oc} : +14.00dB <u>UTRA cell during T2:</u> I _{oc} : -70.00dBm/3.84MHz I _{or} / I _{oc} : -5.00dB CPICH_E _c /I _{or} : -10.00dB <u>E-UTRA cell during T2:</u> N _{oc} : -98.00dBm/15kHz Ê _s / N _{oc} : +14.00dB | <u>UTRA cell during T1:</u> -0.10dB +0.90dB 0dB <u>E-UTRA cell during T1:</u> 0dB +0.80dB <u>UTRA cell during T2:</u> -0.10dB -0.70dB 0dB <u>E-UTRA cell during T2:</u> 0dB +0.80dB | <u>UTRA cell during T1:</u> I _{oc} : -70.10dBm/3.84MHz I _{or} / I _{oc} : +11.90dB CPICH_E _c /I _{or} : -10.00dB <u>E-UTRA cell during T1:</u> N _{oc} : -98.00dBm/15kHz Ê _s / N _{oc} : +14.80dB <u>UTRA cell during T2:</u> I _{oc} : -70.10dBm/3.84MHz I _{or} / I _{oc} : -5.70dB CPICH_E _c /I _{or} : -10.00dB <u>E-UTRA cell during T2:</u> N _{oc} : -98.00dBm/15kHz Ê _s / N _{oc} : +14.80dB |

| Test | Test Parameters in TS 25.133 [2] | Test Tolerance (TT) | Test Requirement in TS 34.121 |
|--|--|--|---|
| 8.3 UTRAN Connected Mode Mobility | TBD | | |
| 8.3.1 FDD/FDD Soft Handover | Because the relationships between the Test system uncertainties and the Test Tolerances are complex, it is not possible to give a simple derivation of the Test Requirement in this document. The analysis is recorded in 3GPP TR 34 902 [24]. | | |
| | <u>During T0/T1 and T2/T3/T4/T5/T6:</u> Cell 1: CPICH_Ec/Ior = -10 dB PCCPCH_Ec/Ior = -12 dB SCH_Ec/Ior = -12 dB PICH_Ec/Ior = -15 dB Relative delay of paths received from cell 2 with respect to cell 1 = {-148 ... 148} chips | <u>During T0/T1 and T2/T3/T4/T5/T6:</u> +0.70 dB +0.70 dB +0.70 dB +0.70 dB 0.5 chips | <u>During T0/T1 and T2/T3/T4/T5/T6:</u> Ec/Ior Minimum Requirement + TT Ec/Ior Minimum Requirement + TT Ec/Ior Minimum Requirement + TT Ec/Ior Minimum Requirement + TT {-148+TT ... 148-TT} chips |
| | <u>During T0/T1:</u> Already covered above | <u>During T0/T1:</u> Covered above | <u>During T0/T1:</u> Already covered above |
| | <u>During T2/T3/T4/T5/T6:</u> Cell 2: CPICH_Ec/Ior = -10 dB PCCPCH_Ec/Ior = -12 dB SCH_Ec/Ior = -12 dB PICH_Ec/Ior = -15 dB | <u>During T2/T3/T4/T5/T6:</u> +0.70 dB +0.70 dB +0.70 dB +0.70 dB | <u>During T2/T3/T4/T5/T6:</u> Ec/Ior Minimum Requirement + TT Ec/Ior Minimum Requirement + TT Ec/Ior Minimum Requirement + TT Ec/Ior Minimum Requirement + TT |
| 8.3.2 FDD/FDD Hard Handover | | | |
| 8.3.2.1 Handover to intra-frequency cell | Because the relationships between the Test system uncertainties and the Test Tolerances are complex, it is not possible to give a simple derivation of the Test Requirement in this document. The analysis is recorded in 3GPP TR 34 902 [24]. | | |
| | <u>During T1 and T2 / T3:</u> Cell 1: CPICH_Ec/Ior = -10 dB PCCPCH_Ec/Ior = -12 dB SCH_Ec/Ior = -12 dB PICH_Ec/Ior = -15 dB | <u>During T1 / T2 / T3:</u> +0.70 dB +0.70 dB +0.70 dB +0.70 dB | <u>During T1 and T2 / T3:</u> Ec/Ior Minimum Requirement + TT Ec/Ior Minimum Requirement + TT Ec/Ior Minimum Requirement + TT Ec/Ior Minimum Requirement + TT |
| | <u>During T1:</u> Already covered above | <u>During T1:</u> Covered above | <u>During T1:</u> Already covered above |
| | <u>During T2 / T3:</u> Cell 2: CPICH_Ec/Ior = -10 dB PCCPCH_Ec/Ior = -12 dB SCH_Ec/Ior = -12 dB PICH_Ec/Ior = -15 dB | <u>During T2 / T3:</u> +0.70 dB +0.70 dB +0.70 dB +0.70 dB | <u>During T2 / T3:</u> Ec/Ior Minimum Requirement + TT Ec/Ior Minimum Requirement + TT Ec/Ior Minimum Requirement + TT Ec/Ior Minimum Requirement + TT |

| Test | Test Parameters in TS 25.133 [2] | Test Tolerance (TT) | Test Requirement in TS 34.121 |
|---|--|---|---|
| 8.3.2.2 Handover to inter-frequency cell | Because the relationships between the Test system uncertainties and the Test Tolerances are complex, it is not possible to give a simple derivation of the Test Requirement in this document. The analysis is recorded in 3GPP TR 34 902 [24]. | | |
| | <u>Channel 1 during T1 and T2 / T3:</u> Cell 1: CPICH_Ec/Ior = -10 dB PCCPCH_Ec/Ior = -12 dB SCH_Ec/Ior = -12 dB PICH_Ec/Ior = -15 dB | <u>Channel 1 during T1 and T2 / T3:</u> +0.80 dB +0.80 dB +0.80 dB +0.80 dB | <u>Channel 1 during T1 and T2 / T3:</u> Ec/Ior Minimum Requirement + TT Ec/Ior Minimum Requirement + TT Ec/Ior Minimum Requirement + TT Ec/Ior Minimum Requirement + TT |
| | <u>Channel 2 during T1:</u> Not applicable | <u>Channel 2 during T1:</u> Not applicable | <u>Channel 2 during T1:</u> Not applicable |
| | <u>Channel 2 during T2 / T3:</u> Cell 2: CPICH_Ec/Ior = -10 dB PCCPCH_Ec/Ior = -12 dB SCH_Ec/Ior = -12 dB PICH_Ec/Ior = -15 dB | <u>Channel 2 during T2 / T3:</u> +0.80 dB +0.80 dB +0.80 dB +0.80 dB | <u>Channel 2 during T2 / T3:</u> Ec/Ior Minimum Requirement + TT Ec/Ior Minimum Requirement + TT Ec/Ior Minimum Requirement + TT Ec/Ior Minimum Requirement + TT |
| 8.3.3 FDD/TDD Handover | TBD | | |
| 8.3.4 Inter-system Handover form UTRAN FDD to GSM | During T2 and T3 RXLEV=-75 dBm | <u>During T2 and T3:</u> + 1 dB for RXLEV | During T2 and T3 Minimum Requirement + TT Only RXLEV during T2 and T3 is a critical parameter. UE measurement accuracy for GSM Carrier RSSI is ± 4 dB in this test. During T2 and T3 : measured GSM Carrier RSSI \pm uncertainty of RXLEV setting shall be above -80 dBm (Threshold for GSM). => TT=+1 dB for RXLEV |

| Test | Test Parameters in TS 25.133 [2] | Test Tolerance (TT) | Test Requirement in TS 34.121 |
|---|---|--|---|
| 8.3.4a Inter-system Handover from UTRAN FDD to E-UTRAN FDD | <p><u>UTRA cell during T1:</u> I_{oc}: -70.00dBm/3.84MHz I_{or} / I_{oc}: 0dB $CPICH_E_c/I_{or}$: -10.00dB</p> <p><u>E-UTRA cell during T1:</u> N_{oc}: -98.00dBm/15kHz \hat{E}_s / N_{oc}: -infinity dB</p> <p><u>UTRA cell during T2:</u> I_{oc}: -70.00dBm/3.84MHz I_{or} / I_{oc}: 0dB $CPICH_E_c/I_{or}$: -10.00dB</p> <p><u>E-UTRA cell during T2:</u> N_{oc}: -98.00dBm/15kHz \hat{E}_s / N_{oc}: +7.00dB</p> <p><u>UTRA cell during T3:</u> I_{oc}: -70.00dBm/3.84MHz I_{or} / I_{oc}: 0dB $CPICH_E_c/I_{or}$: -10.00dB</p> <p><u>E-UTRA cell during T3:</u> N_{oc}: -98.00dBm/15kHz \hat{E}_s / N_{oc}: +7.00dB</p> | <p><u>UTRA cell during T1:</u> 0dB 0dB 0dB</p> <p><u>E-UTRA cell during T1:</u> 0dB 0dB</p> <p><u>UTRA cell during T2:</u> 0dB 0dB 0dB</p> <p><u>E-UTRA cell during T2:</u> 0dB +0.80dB</p> <p><u>UTRA cell during T3:</u> 0dB 0dB 0dB</p> <p><u>E-UTRA cell during T3:</u> 0dB +0.80dB</p> | <p><u>UTRA cell during T1:</u> I_{oc}: -70.00dBm/3.84MHz I_{or} / I_{oc}: 0dB $CPICH_E_c/I_{or}$: -10.00dB</p> <p><u>E-UTRA cell during T1:</u> N_{oc}: -98.00dBm/15kHz \hat{E}_s / N_{oc}: -infinity dB</p> <p><u>UTRA cell during T2:</u> I_{oc}: -70.00dBm/3.84MHz I_{or} / I_{oc}: 0dB $CPICH_E_c/I_{or}$: -10.00dB</p> <p><u>E-UTRA cell during T2:</u> N_{oc}: -98.00dBm/15kHz \hat{E}_s / N_{oc}: +7.80dB</p> <p><u>UTRA cell during T3:</u> I_{oc}: -70.00dBm/3.84MHz I_{or} / I_{oc}: 0dB $CPICH_E_c/I_{or}$: -10.00dB</p> <p><u>E-UTRA cell during T3:</u> N_{oc}: -98.00dBm/15kHz \hat{E}_s / N_{oc}: +7.80dB</p> |
| 8.3.4b Inter-system Handover from UTRAN FDD to E-UTRAN TDD | Same as 8.3.4a | Same as 8.3.4a | Same as 8.3.4a |
| 8.3.4c Inter-system Handover from UTRAN FDD to E-UTRAN FDD: Unknown Target Cell | <p><u>UTRA cell during T1:</u> I_{oc}: -70.00dBm/3.84MHz I_{or} / I_{oc}: 0dB $CPICH_E_c/I_{or}$: -10.00dB</p> <p><u>E-UTRA cell during T1:</u> N_{oc}: -98.00dBm/15kHz \hat{E}_s / N_{oc}: -infinity dB</p> <p><u>UTRA cell during T2:</u> I_{oc}: -70.00dBm/3.84MHz I_{or} / I_{oc}: 0dB $CPICH_E_c/I_{or}$: -10.00dB</p> <p><u>E-UTRA cell during T2:</u> N_{oc}: -98.00dBm/15kHz \hat{E}_s / N_{oc}: 0dB</p> | <p><u>UTRA cell during T1:</u> 0dB 0dB 0dB</p> <p><u>E-UTRA cell during T1:</u> 0dB 0dB</p> <p><u>UTRA cell during T2:</u> 0dB 0dB 0dB</p> <p><u>E-UTRA cell during T2:</u> 0dB 0dB</p> | <p><u>UTRA cell during T1:</u> I_{oc}: -70.00dBm/3.84MHz I_{or} / I_{oc}: 0dB $CPICH_E_c/I_{or}$: -10.00dB</p> <p><u>E-UTRA cell during T1:</u> N_{oc}: -98.00dBm/15kHz \hat{E}_s / N_{oc}: -infinity dB</p> <p><u>UTRA cell during T2:</u> I_{oc}: -70.00dBm/3.84MHz I_{or} / I_{oc}: 0dB $CPICH_E_c/I_{or}$: -10.00dB</p> <p><u>E-UTRA cell during T2:</u> N_{oc}: -98.00dBm/15kHz \hat{E}_s / N_{oc}: 0dB</p> |
| 8.3.4d Inter-system Handover from UTRAN FDD to E-UTRAN TDD; Unknown Target Cell | Same as 8.3.4c | Same as 8.3.4c | Same as 8.3.4c |
| 8.3.5 Cell Re-selection in CELL_FACH | | | |
| 8.3.5.1 One frequency present in the neighbour list | Because the relationships between the Test system uncertainties and the Test Tolerances are complex, it is not possible to give a simple derivation of the Test Requirement in this document. The analysis is recorded in 3GPP TR 34 902 [24]. | | |

| Test | Test Parameters in TS 25.133 [2] | Test Tolerance (TT) | Test Requirement in TS 34.121 |
|---|---|--|---|
| | <u>During T1 and T2:</u> Cells 1 and 2: CPICH_Ec/Ior = -10 dB PCCPCH_Ec/Ior = -12 dB SCH_Ec/Ior = -12 dB PICH_Ec/Ior = -15 dB S-CCPCH_Ec/Ior = -12 dB Cells 3, 4, 5, 6: CPICH_Ec/Ior = -10 dB PCCPCH_Ec/Ior = -12 dB SCH_Ec/Ior = -12 dB PICH_Ec/Ior = -15 dB S-CCPCH_Ec/Ior = -12 dB Ior(3, 4, 5, 6) = -69.73 dBm | <u>During T1 and T2:</u> +0.60 dB +0.60 dB +0.60 dB +0.60 dB +0.60 dB -0.50 dB -0.50 dB -0.50 dB -0.50 dB -0.50 dB +0.03 dB for Ior(3, 4, 5, 6) | <u>During T1 and T2:</u> Ec/Ior Minimum Requirement + TT Ec/Ior Minimum Requirement + TT Ec/Ior Minimum Requirement + TT Ec/Ior Minimum Requirement + TT Ec/Ior Minimum Requirement + TT Ec/Ior Minimum Requirement + TT Ec/Ior Minimum Requirement + TT Ec/Ior Minimum Requirement + TT Ec/Ior Minimum Requirement + TT Ec/Ior Minimum Requirement + TT Ec/Ior Minimum Requirement + TT Ior(3, 4, 5, 6) Minimum Requirement + TT |
| | <u>During T1:</u> Ior(1) = -62.73 dBm Ior(2) = -59.73 dBm | <u>During T1:</u> -0.27 dB for Ior(1) +0.13 dB for Ior(2) | <u>During T1:</u> Minimum Requirement (Ior(1)) + TT Minimum Requirement (Ior(2)) + TT |
| | <u>During T2:</u> Ior(1) = -59.73 dBm Ior(2) = -62.73 dBm | <u>During T2:</u> +0.13 dB for Ior(1) -0.27 dB for Ior(2) | <u>During T2:</u> Ior(1) Minimum Requirement + TT Ior(2) Minimum Requirement + TT |
| 8.3.5.2 Two frequencies present in the neighbour list | Because the relationships between the Test system uncertainties and the Test Tolerances are complex, it is not possible to give a simple derivation of the Test Requirement in this document. The analysis is recorded in 3GPP TR 34 902 [24]. | | |

| Test | Test Parameters in TS 25.133 [2] | Test Tolerance (TT) | Test Requirement in TS 34.121 |
|------|--|---|--|
| | <p><u>Channel 1 during T1 and T2:</u></p> <p>Cell 1: CPICH_Ec/Ior = -10 dB PCCPCH_Ec/Ior = -12 dB SCH_Ec/Ior = -12 dB PICH_Ec/Ior = -15 dB S-CCPCH_Ec/Ior = -12 dB</p> <p>Cells 3 and 4: CPICH_Ec/Ior = -10 dB PCCPCH_Ec/Ior = -12 dB SCH_Ec/Ior = -12 dB PICH_Ec/Ior = -15 dB S-CCPCH_Ec/Ior = -12 dB</p> | <p><u>Channel 1 during T1 and T2:</u></p> <p>+0.60 dB +0.60 dB +0.60 dB +0.60 dB +0.60 dB</p> <p>-0.70 dB -0.70 dB -0.70 dB -0.70 dB -0.70 dB</p> | <p><u>Channel 1 during T1 and T2:</u></p> <p>Ec/Ior Minimum Requirement + TT Ec/Ior Minimum Requirement + TT Ec/Ior Minimum Requirement + TT Ec/Ior Minimum Requirement + TT Ec/Ior Minimum Requirement + TT Ec/Ior Minimum Requirement + TT Ec/Ior Minimum Requirement + TT Ec/Ior Minimum Requirement + TT Ec/Ior Minimum Requirement + TT Ec/Ior Minimum Requirement + TT Ec/Ior Minimum Requirement + TT Ec/Ior Minimum Requirement + TT Ec/Ior Minimum Requirement + TT Ec/Ior Minimum Requirement + TT Ec/Ior Minimum Requirement + TT</p> |
| | <p><u>Channel 1 during T1:</u></p> <p>Ior(1) = -71.85 dBm Ior(3, 4) = -76.85 dBm Ioc(1) = -70.00 dBm</p> | <p><u>Channel 1 during T1:</u></p> <p>+0.05 dB for Ior(1) +0.05 dB for Ior(3,4) 0.00 dB for Ioc(1)</p> | <p><u>Channel 1 during T1:</u></p> <p>Ior(1) Minimum Requirement + TT Ior(3, 4) Minimum Requirement + TT Ioc(1) Minimum Requirement + TT</p> |
| | <p><u>Channel 1 during T2:</u></p> <p>Ior(1) = -67.75 dBm Ior(3, 4) = -74.75 dBm Ioc(1) = -70.00 dBm</p> | <p><u>Channel 1 during T2:</u></p> <p>+0.75 dB for Ior(1) -0.05 dB for Ior(3, 4) -1.60 dB for Ioc(1)</p> | <p><u>Channel 1 during T2:</u></p> <p>Ior(1) Minimum Requirement + TT Ior(3, 4) Minimum Requirement + TT Ioc(1) Minimum Requirement + TT</p> |

| Test | Test Parameters in TS 25.133 [2] | Test Tolerance (TT) | Test Requirement in TS 34.121 |
|----------------------------------|---|--|--|
| | <u>Channel 2 during T1 and T2:</u> Cell 2: CPICH_Ec/Ior = -10 dB PCCPCH_Ec/Ior = -12 dB SCH_Ec/Ior = -12 dB PICH_Ec/Ior = -15 dB S-CCPCH_Ec/Ior = -12 dB Cells 5 and 6: CPICH_Ec/Ior = -10 dB PCCPCH_Ec/Ior = -12 dB SCH_Ec/Ior = -12 dB PICH_Ec/Ior = -15 dB S-CCPCH_Ec/Ior = -12 dB | <u>Channel 2 during T1 and T2:</u> +0.60 dB +0.60 dB +0.60 dB +0.60 dB +0.60 dB -0.70 dB -0.70 dB -0.70 dB -0.70 dB -0.70 dB | <u>Channel 2 during T1 and T2:</u> Ec/Ior Minimum Requirement + TT Ec/Ior Minimum Requirement + TT Ec/Ior Minimum Requirement + TT Ec/Ior Minimum Requirement + TT Ec/Ior Minimum Requirement + TT Ec/Ior Minimum Requirement + TT Ec/Ior Minimum Requirement + TT Ec/Ior Minimum Requirement + TT Ec/Ior Minimum Requirement + TT Ec/Ior Minimum Requirement + TT Ec/Ior Minimum Requirement + TT Ec/Ior Minimum Requirement + TT |
| | <u>Channel 2 during T1:</u> Ior(2) = -67.75 dBm Ior(5, 6) = -74.75 dBm Ioc(2) = -70.00 dBm | <u>Channel 2 during T1:</u> +0.75 dB for Ior(2) -0.05 dB for Ior(5, 6) -1.60 dB for Ioc(2) | <u>Channel 2 during T1:</u> Ior(2) Minimum Requirement + TT Ior(5, 6) Minimum Requirement + TT Ioc(2) Minimum Requirement + TT |
| | <u>Channel 2 during T2:</u> Ior(2) = -71.85 dBm Ior(5, 6) = -76.85 dBm Ioc(2) = -70.00 dBm | <u>Channel 2 during T2:</u> +0.05 dB for Ior(2) +0.05 dB for Ior(5,6) 0.00 dB for Ioc(2) | <u>Channel 2 during T2:</u> Ior(2) Minimum Requirement + TT Ior(5, 6) Minimum Requirement + TT Ioc(2) Minimum Requirement + TT |
| 8.3.5.3 Cell Re-selection to GSM | <u>During T1:</u> $\frac{CPICH_E_c}{I_{or}} = -10 \text{ dB}$ Ior/Ioc = 0 dB RXLEV=-90 dBm Ioc/RXLEV = 20 | <u>During T1:</u> 0.1 dB for $\frac{CPICH_E_c}{I_{or}}$ 0.3 dB for Ior/Ioc 1.0 dB for RXLEV | <u>During T1:</u> $\frac{CPICH_E_c}{I_{or}} = \text{Minimum Requirement} + \text{TT}$ Ior/Ioc = Minimum Requirement + TT RXLEV - TT Ior/Ioc = 0.3 dB $\frac{CPICH_E_c}{I_{or}} = -9.9 \text{ dB}$: Measured GSM Carrier RSSI ± uncertainty of RXLEV setting shall be below -90 dBm (Threshold for GSM). |

| Test | Test Parameters in TS 25.133 [2] | Test Tolerance (TT) | Test Requirement in TS 34.121 |
|---|---|---|--|
| | <p><u>During T2:</u></p> $\frac{CPICH_E_c}{I_{or}} = -10 \text{ dB}$ <p>lor/loc = - 5 dB</p> <p>RXLEV=-75 dBm</p> <p>loc/RXLEV = 5</p> | <p><u>During T2:</u></p> <p>0.1 dB for $\frac{CPICH_E_c}{I_{or}}$</p> <p>0.3 dB for lor/loc</p> <p>1.0 dB for RXLEV</p> | <p><u>During T2:</u></p> $\frac{CPICH_E_c}{I_{or}} = \text{Minimum}$ <p>Requirement - TT</p> <p>lor/loc = Minimum Requirement - TT</p> <p>RXLEV + TT</p> <p>lor/loc = -5.3 dB</p> $\frac{CPICH_E_c}{I_{or}} = -10.1 \text{ dB:}$ <p>Measured GSM Carrier RSSI ± uncertainty of RXLEV setting shall be above -75 dBm (Threshold for GSM).</p> |
| <p>8.3.5.4 Cell Reselection during an MBMS session, two frequencies present in neighbour list</p> | <p>Because the relationships between the Test system uncertainties and the Test Tolerances are complex, it is not possible to give a simple derivation of the Test Requirement in this document. The analysis is recorded in 3GPP TR 34 902 [24].</p> | | |
| | <p><u>Channel 1 during T2 and T3:</u></p> <p>Cell 1:</p> <p>CPICH_Ec/lor = -10 dB</p> <p>PCCPCH_Ec/lor = -12 dB</p> <p>SCH_Ec/lor = -12 dB</p> <p>PICH_Ec/lor = -15 dB</p> <p>S-CCPCH_Ec/lor = -12 dB</p> | <p><u>Channel 1 during T2 and T3:</u></p> <p>+1.00 dB</p> <p>+1.00 dB</p> <p>+1.00 dB</p> <p>+1.00 dB</p> <p>+1.00 dB</p> | <p><u>Channel 1 during T2 and T3:</u></p> <p>Ec/lor Minimum Requirement + TT</p> <p>Ec/lor Minimum Requirement + TT</p> <p>Ec/lor Minimum Requirement + TT</p> <p>Ec/lor Minimum Requirement + TT</p> <p>Ec/lor Minimum Requirement + TT</p> <p>Ec/lor Minimum Requirement + TT</p> |
| | <p><u>Channel 1 during T3:</u></p> <p>loc(1) = -70.00 dBm</p> | <p><u>Channel 1 during T3:</u></p> <p>-1.52 dB for loc(1)</p> | <p><u>Channel 1 during T3:</u></p> <p>loc(1) Minimum Requirement + TT</p> |
| | <p><u>Channel 2 during T1, T2 and T3:</u></p> <p>Cell 2:</p> <p>CPICH_Ec/lor = -10 dB</p> <p>PCCPCH_Ec/lor = -12 dB</p> <p>SCH_Ec/lor = -12 dB</p> <p>PICH_Ec/lor = -15 dB</p> <p>S-CCPCH1_Ec/lor = -12 dB</p> <p>S-CCPCH2_Ec/lor = -6 dB</p> | <p><u>Channel 2 during T1, T2 and T3:</u></p> <p>+1.00 dB</p> <p>+1.00 dB</p> <p>+1.00 dB</p> <p>+1.00 dB</p> <p>+1.00 dB</p> <p>+1.00 dB</p> | <p><u>Channel 2 during T1, T2 and T3:</u></p> <p>Ec/lor Minimum Requirement + TT</p> <p>Ec/lor Minimum Requirement + TT</p> <p>Ec/lor Minimum Requirement + TT</p> <p>Ec/lor Minimum Requirement + TT</p> <p>Ec/lor Minimum Requirement + TT</p> <p>Ec/lor Minimum Requirement + TT</p> |
| | <p><u>Channel 2 during T2:</u></p> <p>loc(2) = -70.00 dBm</p> | <p><u>Channel 2 during T2:</u></p> <p>-1.38 dB for loc(2)</p> | <p><u>Channel 2 during T2:</u></p> <p>loc(2) Minimum Requirement + TT</p> |

| Test | Test Parameters in TS 25.133 [2] | Test Tolerance (TT) | Test Requirement in TS 34.121 |
|---|---|---|--|
| 8.3.6 Cell Re-selection in CELL_PCH | | | |
| 8.3.6.1 One frequency present in the neighbour list | Same as 8.2.2.1 | Same as 8.2.2.1 | Same as 8.2.2.1 |
| | $\frac{CPICH_E_c}{I_{or}} = -10$ dB $I_{oc} = -70$ dBm lor/loc = 10.27 dB Note: Parameters are valid for cell 1 at time T2 and cell 2 at time T1 | 0.1 dB for $\frac{CPICH_E_c}{I_{or}}$ 0.3 dB for lor/loc | Formulas: $\frac{CPICH_E_c}{I_{or}} = \text{Minimum Requirement} + TT$ lor/loc = Minimum Requirement + TT loc unchanged lor/loc = 10.57 dB $\frac{CPICH_E_c}{I_{or}} = -9.9$ dB: |
| 8.3.6.2 Two frequencies present in the neighbour list | Same as 8.2.2.2 | Same as 8.2.2.2 | Same as 8.2.2.2 |
| | $\frac{CPICH_E_c}{I_{or}} = -10$ dB $I_{oc} = -70$ dBm lor/loc = 2.2 dB Note: Parameters are valid for cell 1 at time T2 and cell 2 at time T1 | 0.1 dB for $\frac{CPICH_E_c}{I_{or}}$ 0.3 dB for lor/loc | Formulas: $\frac{CPICH_E_c}{I_{or}} = \text{Minimum Requirement} + TT$ lor/loc = Minimum Requirement + TT loc unchanged loc ratio unchanged lor/loc = 2.5 dB $\frac{CPICH_E_c}{I_{or}} = -9.9$ dB: |
| 8.3.6.3 Cell re-selection during an MBMS session, one UTRAN inter-frequency and 2 GSM cells present in the neighbour list | Same way as 8.3.5.4 for Channel 1 and 2 during T1 and T2. | Same way as 8.3.5.4 for Channel 1 and 2 during T1 and T2. | Same way as 8.3.5.4 for Channel 1 and 2 during T1 and T2. |
| | <u>Channel 1 during T2:</u> Cell 1: CPICH_Ec/lor = -10 dB PCCPCH_Ec/lor = -12 dB SCH_Ec/lor = -12 dB PICH_Ec/lor = -15 dB S-CCPCH_Ec/lor = -12 dB | <u>Channel 1 during T2:</u> +1.00 dB +1.00 dB +1.00 dB +1.00 dB +1.00 dB | <u>Channel 1 during T2:</u> Ec/lor Minimum Requirement + TT Ec/lor Minimum Requirement + TT Ec/lor Minimum Requirement + TT Ec/lor Minimum Requirement + TT Ec/lor Minimum Requirement + TT |

| Test | Test Parameters in TS 25.133 [2] | Test Tolerance (TT) | Test Requirement in TS 34.121 |
|------|--|--|---|
| | <u>Channel 2 during T1 and T2:</u> Cell 2: CPICH_Ec/lor = -10 dB PCCPCH_Ec/lor = -12 dB SCH_Ec/lor = -12 dB PICH_Ec/lor = -15 dB S-CCPCH1_Ec/lor = -12 dB S-CCPCH2_Ec/lor = -6.8 dB | <u>Channel 2 during T1 and T2:</u> +1.00 dB +1.00 dB +1.00 dB +1.00 dB +1.00 dB +1.00 dB | <u>Channel 2 during T1 and T2:</u> Ec/lor Minimum Requirement + TT Ec/lor Minimum Requirement + TT Ec/lor Minimum Requirement + TT Ec/lor Minimum Requirement + TT Ec/lor Minimum Requirement + TT Ec/lor Minimum Requirement + TT Ec/lor Minimum Requirement + TT |
| | <u>Channel 2 during T2:</u> loc(2) = -70.00 dBm | <u>Channel 2 during T2:</u> -1.50 dB for loc(2) | <u>Channel 2 during T2:</u> loc(2) Minimum Requirement + TT |
| | <u>Channel 2 during T3:</u> $\frac{CPICH_E_c}{I_{or}} = -10$ dB lor/loc = -15 dB | <u>Channel 2 during T3:</u> -0.1 dB for $\frac{CPICH_E_c}{I_{or}}$ -0.3 dB for lor/loc | <u>Channel 2 during T3:</u> $\frac{CPICH_E_c}{I_{or}} =$ Minimum Requirement + TT lor/loc = Minimum Requirement + TT |
| | <u>GSM During T2:</u> RXLEV1=-85 dBm RXLEV2=-85 dBm | <u>GSM During T2:</u> -1.0 dB for RXLEV1 -1.0 dB for RXLEV2 | <u>GSM During T2:</u> RXLEV + TT RXLEV + TT Measured GSM Carrier RSSI \pm uncertainty of RXLEV setting shall be below -85 dBm (Threshold for GSM). |
| | <u>GSM During T3:</u> RXLEV2=-85 dBm | <u>GSM During T3:</u> +1.0 dB for RXLEV2 | <u>GSM During T3:</u> RXLEV + TT Measured GSM Carrier RSSI \pm uncertainty of RXLEV setting shall be above -85 dBm (Threshold for GSM). |

| Test | Test Parameters in TS 25.133 [2] | Test Tolerance (TT) | Test Requirement in TS 34.121 |
|---|---|---|--|
| 8.3.7 Cell Re-selection in URA_PCH | | | |
| 8.3.7.1 One frequency present in the neighbour list | Same as 8.2.2.1 | Same as 8.2.2.1 | Same as 8.2.2.1 |
| 8.3.7.2 Two frequencies present in the neighbour list | Same as 8.2.2.2 | Same as 8.2.2.2 | Same as 8.2.2.2 |
| 8.3.8 Serving HS-DSCH cell change | Because the relationships between the Test system uncertainties and the Test Tolerances are complex, it is not possible to give a simple derivation of the Test Requirement in this document. The analysis is recorded in 3GPP TR 34 902 [24]. | | |
| | <u>During T0/T1/T2/T3:</u> Cell 1: CPICH_Ec/lor = -10 dB PCCPCH_Ec/lor = -12 dB SCH_Ec/lor = -12 dB PICH_Ec/lor = -15 dB HS-PDSCH_Ec/lor = -10 dB HS-SCCH_Ec/lor = -13 dB Cell 2: CPICH_Ec/lor = -10 dB PCCPCH_Ec/lor = -12 dB SCH_Ec/lor = -12 dB PICH_Ec/lor = -15 dB Relative delay of paths received from cell 2 with respect to cell 1 = {-148 ... 148} chips | <u>During T0/T1/T2/T3:</u> +0.70 dB +0.70 dB +0.70 dB +0.70 dB +0.70 dB +0.70 dB +0.70 dB +0.70 dB +0.70 dB 0.5 chips | <u>During T0/T1/T2/T3:</u> Ec/lor Minimum Requirement + TT Ec/lor Minimum Requirement + TT Ec/lor Minimum Requirement + TT Ec/lor Minimum Requirement + TT Ec/lor Minimum Requirement + TT Ec/lor Minimum Requirement + TT Ec/lor Minimum Requirement + TT Ec/lor Minimum Requirement + TT Ec/lor Minimum Requirement + TT Ec/lor Minimum Requirement + TT Ec/lor Minimum Requirement + TT Ec/lor Minimum Requirement + TT {-148+TT ... 148-TT} chips |
| | <u>During T0</u> Already covered above | <u>During T0</u> Covered above | <u>During T0</u> Already covered above |
| | <u>During T1/T2/T3</u> Cell 2: CPICH_Ec/lor = -10 dB PCCPCH_Ec/lor = -12 dB SCH_Ec/lor = -12 dB PICH_Ec/lor = -15 dB | <u>During T1/T2/T3</u> +0.70 dB +0.70 dB +0.70 dB +0.70 dB | <u>During T1/T2/T3</u> Ec/lor Minimum Requirement + TT Ec/lor Minimum Requirement + TT Ec/lor Minimum Requirement + TT Ec/lor Minimum Requirement + TT |

| Test | Test Parameters in TS 25.133 [2] | Test Tolerance (TT) | Test Requirement in TS 34.121 |
|--|---|--|--|
| | <u>During T4:</u> Cell 1: CPICH_Ec/Ior = -10 dB PCCPCH_Ec/Ior = -12 dB SCH_Ec/Ior = -12 dB PICH_Ec/Ior = -15 dB Cell 2: CPICH_Ec/Ior = -10 dB PCCPCH_Ec/Ior = -12 dB SCH_Ec/Ior = -12 dB PICH_Ec/Ior = -15 dB HS-PDSCH_Ec/Ior = -10 dB HS-SCCH_Ec/Ior = -13 dB Relative delay of paths received from cell 2 with respect to cell 1 = {-148 ... 148} chips | <u>During T4:</u> +0.70 dB +0.70 dB +0.70 dB +0.70 dB +0.70 dB +0.70 dB +0.70 dB +0.70 dB +0.70 dB +0.70 dB 0.5 chips | <u>During T4:</u> Ec/Ior Minimum Requirement + TT Ec/Ior Minimum Requirement + TT Ec/Ior Minimum Requirement + TT Ec/Ior Minimum Requirement + TT Ec/Ior Minimum Requirement + TT Ec/Ior Minimum Requirement + TT Ec/Ior Minimum Requirement + TT Ec/Ior Minimum Requirement + TT Ec/Ior Minimum Requirement + TT Ec/Ior Minimum Requirement + TT Ec/Ior Minimum Requirement + TT Ec/Ior Minimum Requirement + TT Ec/Ior Minimum Requirement + TT {-148+TT ... 148-TT} chips |
| 8.3.9 Enhanced Serving HS-DSCH cell change | Because the relationships between the Test system uncertainties and the Test Tolerances are complex, it is not possible to give a simple derivation of the Test Requirement in this document. The analysis of TC 8.3.9 is not recorded in 3GPP TR 34 902 [24] but it would be very similar to TC 8.3.8 analysis, and therefore it is safe to assume to apply the same principle in TC 8.3.9 tolerances as in TC 8.3.8 tolerances. | | |
| | <u>During T1/T2:</u> Cell 1: CPICH_Ec/Ior = -10 dB PCCPCH_Ec/Ior = -12 dB SCH_Ec/Ior = -12 dB PICH_Ec/Ior = -15 dB HS-PDSCH_Ec/Ior = -10 dB HS-SCCH-1_Ec/Ior = -13 dB Cell 2: CPICH_Ec/Ior = -10 dB PCCPCH_Ec/Ior = -12 dB SCH_Ec/Ior = -12 dB PICH_Ec/Ior = -15 dB Relative delay of paths received from cell 2 with respect to cell 1 = {-148 ... 148} chips | <u>During T1/T2:</u> +0.70 dB +0.70 dB +0.70 dB +0.70 dB +0.70 dB +0.70 dB +0.70 dB +0.70 dB +0.70 dB 0.5 chips | <u>During T1/T2:</u> Ec/Ior Min Requirement + TT Ec/Ior Min Requirement + TT Ec/Ior Min Requirement + TT Ec/Ior Min Requirement + TT Ec/Ior Min Requirement + TT Ec/Ior Min Requirement + TT Ec/Ior Min Requirement + TT Ec/Ior Min Requirement + TT Ec/Ior Min Requirement + TT Ec/Ior Min Requirement + TT {-148+TT ... 148-TT} chips |

| Test | Test Parameters in TS 25.133 [2] | Test Tolerance (TT) | Test Requirement in TS 34.121 |
|--|---|---|--|
| | <p><u>During T3:</u></p> <p>Cell 1: CPICH_Ec/Ior = -10 dB PCCPCH_Ec/Ior = -12 dB SCH_Ec/Ior = -12 dB PICH_Ec/Ior = -15 dB</p> <p>Cell 2: CPICH_Ec/Ior = -10 dB PCCPCH_Ec/Ior = -12 dB SCH_Ec/Ior = -12 dB PICH_Ec/Ior = -15 dB HS-SCCH-1_Ec/Ior = -13 dB</p> <p>Relative delay of paths received from cell 2 with respect to cell 1 = {-148 ... 148} chips</p> | <p><u>During T3:</u></p> <p>+0.70 dB +0.70 dB +0.70 dB +0.70 dB</p> <p>0.5 chips</p> | <p><u>During T3:</u></p> <p>Ec/Ior Min Requirement + TT Ec/Ior Min Requirement + TT Ec/Ior Min Requirement + TT Ec/Ior Min Requirement + TT</p> <p>Ec/Ior Min Requirement + TT Ec/Ior Min Requirement + TT Ec/Ior Min Requirement + TT Ec/Ior Min Requirement + TT Ec/Ior Min Requirement + TT</p> <p>{-148+TT ... 148-TT} chips</p> |
| | <p><u>During T4:</u></p> <p>Cell 1: CPICH_Ec/Ior = -10 dB PCCPCH_Ec/Ior = -12 dB SCH_Ec/Ior = -12 dB PICH_Ec/Ior = -15 dB</p> <p>Cell 2: CPICH_Ec/Ior = -10 dB PCCPCH_Ec/Ior = -12 dB SCH_Ec/Ior = -12 dB PICH_Ec/Ior = -15 dB HS-PDSCH_Ec/Ior = -10 dB HS-SCCH-2_Ec/Ior = -13 dB</p> <p>Relative delay of paths received from cell 2 with respect to cell 1 = {-148 ... 148} chips</p> | <p><u>During T4:</u></p> <p>+0.70 dB +0.70 dB +0.70 dB +0.70 dB</p> <p>+0.70 dB +0.70 dB +0.70 dB +0.70 dB +0.70 dB +0.70 dB</p> <p>0.5 chips</p> | <p><u>During T4:</u></p> <p>Ec/Ior Min Requirement + TT Ec/Ior Min Requirement + TT Ec/Ior Min Requirement + TT Ec/Ior Min Requirement + TT</p> <p>Ec/Ior Min Requirement + TT Ec/Ior Min Requirement + TT Ec/Ior Min Requirement + TT Ec/Ior Min Requirement + TT Ec/Ior Min Requirement + TT Ec/Ior Min Requirement + TT</p> <p>{-148+TT ... 148-TT} chips</p> |
| <p>8.3.10 System information acquisition for CSG cell</p> | | | |
| <p>8.3.10.1 Intrafrequency System information acquisition for CSG cell</p> | <p>Because the relationships between the Test system uncertainties and the Test Tolerances are complex, it is not possible to give a simple derivation of the Test Requirement in this document. The analysis is recorded in 3GPP TR 34 902 [24].</p> | | |
| | <p><u>During T1/T2:</u></p> <p>Cell 1: CPICH_Ec/Ior = -10 dB PCCPCH_Ec/Ior = -12 dB SCH_Ec/Ior = -12 dB PICH_Ec/Ior = -15 dB</p> | <p><u>During T1 / T2:</u></p> <p>+0.70 dB +0.70 dB +0.70 dB +0.70 dB</p> | <p><u>During T1 / T2:</u></p> <p>Ec/Ior Minimum Requirement + TT Ec/Ior Minimum Requirement + TT Ec/Ior Minimum Requirement + TT Ec/Ior Minimum Requirement + TT</p> |
| | <p><u>During T1:</u></p> <p>Already covered above</p> | <p><u>During T1:</u></p> <p>Covered above</p> | <p><u>During T1:</u></p> <p>Already covered above</p> |

| Test | Test Parameters in TS 25.133 [2] | Test Tolerance (TT) | Test Requirement in TS 34.121 |
|--|--|---|--|
| | <u>During T2:</u> Cell 2: CPICH_Ec/Ior = -10 dB PCCPCH_Ec/Ior = -12 dB SCH_Ec/Ior = -12 dB PICH_Ec/Ior = -15 dB | <u>During T2:</u> +0.70 dB +0.70 dB +0.70 dB +0.70 dB | <u>During T2:</u> Ec/Ior Minimum Requirement + TT Ec/Ior Minimum Requirement + TT Ec/Ior Minimum Requirement + TT Ec/Ior Minimum Requirement + TT |
| 8.3.10.2 Inter frequency System information acquisition for CSG cell | Because the relationships between the Test system uncertainties and the Test Tolerances are complex, it is not possible to give a simple derivation of the Test Requirement in this document. The analysis is recorded in 3GPP TR 34 902 [24]. | | |
| | Channel 1 during T1 and T2 / T3: Cell 1: CPICH_Ec/Ior = -10 dB PCCPCH_Ec/Ior = -12 dB SCH_Ec/Ior = -12 dB PICH_Ec/Ior = -15 dB | <u>Channel 1 during T1 and T2 / T3:</u> +0.80 dB +0.80 dB +0.80 dB +0.80 dB | Channel 1 during T1 and T2 / T3: Ec/Ior Minimum Requirement + TT Ec/Ior Minimum Requirement + TT Ec/Ior Minimum Requirement + TT Ec/Ior Minimum Requirement + TT |
| | <u>Channel 2 during T1:</u> <u>Not applicable</u> | <u>Channel 2 during T1:</u> <u>Not applicable</u> | <u>Channel 2 during T1:</u> <u>Not applicable</u> |
| | Channel 2 during T2 / T3: Cell 2: CPICH_Ec/Ior = -10 dB PCCPCH_Ec/Ior = -12 dB SCH_Ec/Ior = -12 dB PICH_Ec/Ior = -15 dB | Channel 2 during T2 / T3: +0.80 dB +0.80 dB +0.80 dB +0.80 dB | Channel 2 during T2 / T3: Ec/Ior Minimum Requirement + TT Ec/Ior Minimum Requirement + TT Ec/Ior Minimum Requirement + TT Ec/Ior Minimum Requirement + TT |
| 8.4 RRC Connection Control | | | |
| 8.4.1 RRC Re-establishment delay | TBD | | |

| Test | Test Parameters in TS 25.133 [2] | Test Tolerance (TT) | Test Requirement in TS 34.121 |
|--|--|---|---|
| 8.4.1.1 Test 1 | <p>Cell 1, T1: CPICH_Ec/lor = -10 dB PCCPCH_Ec/lor = -12 dB SCH_Ec/lor = -12 dB PICH_Ec/lor = -15 dB DCH_Ec/lor = -17 dB lor/loc = 2.39 dB</p> <p>Cell 1, T2: lor/loc = -infinity</p> <p>Cell 2, T1: CPICH_Ec/lor = -10 dB PCCPCH_Ec/lor = -12 dB SCH_Ec/lor = -12 dB PICH_Ec/lor = -15 dB lor/loc = 4.39 dB</p> <p>Cell 2, T2: CPICH_Ec/lor = -10 dB PCCPCH_Ec/lor = -12 dB SCH_Ec/lor = -12 dB PICH_Ec/lor = -15 dB lor/loc = 0.02 dB</p> | 0.1 dB for $\frac{CPICH_E_c}{I_{or}}$ 0.3 dB for lor/loc | Level settings in either direction are not critical with respect to the outcome of the test. |
| 8.4.1.2 Test 2 | <p>Cell 1, T1: CPICH_Ec/lor = -10 dB PCCPCH_Ec/lor = -12 dB SCH_Ec/lor = -12 dB PICH_Ec/lor = -15 dB DCH_Ec/lor = -17 dB lor/loc = -3.35 dB</p> <p>Cell 1, T2: lor/loc = -infinity</p> <p>Cell 2, T1: lor/loc = -infinity</p> <p>Cell 2, T2: CPICH_Ec/lor = -10 dB PCCPCH_Ec/lor = -12 dB SCH_Ec/lor = -12 dB PICH_Ec/lor = -15 dB lor/loc = 0.02 dB</p> | 0.1 dB for $\frac{CPICH_E_c}{I_{or}}$ 0.3 dB for lor/loc | Level settings in either direction are not critical with respect to the outcome of the test. |
| 8.4.2 Random Access | PRACH power difference nominal 3dB ± 2dB UE setting uncertainty | Measurement TT: Power difference ± 1dB Maximum Power-1dB / +0.7dB | Test parameter settings unchanged. Power measurement: Upper limit +TT Lower limit -TT |
| 8.4.2.1A Correct behaviour when receiving an ACK (Release 6 and later) | PRACH timing error ±3.5 chips | 0.5 chips | Formula: Upper limit + TT Lower limit - TT |
| 8.4.2.4 Random Access correct behaviour when reaching maximum transmit power | Maximum preamble power=0dBm±9dB (Normal) Maximum preamble power=0dBm±12dB (Extreme) | 1.0 dB | Formula: Upper limit + TT Lower limit - TT For Normal conditions: Upper Tolerance limit = +10 dB Lower Tolerance limit = -10 dB For Extreme conditions: Upper Tolerance limit = +13 dB Lower Tolerance limit = -13 dB |

| Test | Test Parameters in TS 25.133 [2] | Test Tolerance (TT) | Test Requirement in TS 34.121 |
|--|--|--|--|
| 8.4.3 Transport format combination selection in UE | DL Power control is ON so DPCH_Ec/lor depends on TPC commands sent by UE | 0 dB for DPCH_Ec/lor | No test requirements for DPCH_Ec/lor |
| 8.4.4 E-TFC restriction in UE | | | |
| 8.4.4.1 10ms TTI E-DCH E-TFC restriction | $\frac{E_c}{I_{or}}$ -3.47, -10, -31dB $\hat{I}_{or} = -70$ dBm | 0.1 dB for $\frac{E_c}{I_{or}}$ 0.7 dB for \hat{I}_{or} | Formulas: $\frac{E_c}{I_{or}} = \text{ratio} + \text{TT}$ $\hat{I}_{or} = \text{Minimum Requirement} + \text{TT}$ |
| 8.4.4.2 2ms TTI E-DCH E-TFC restriction | $\frac{E_c}{I_{or}}$ -3.5, -10, -24.4dB $\hat{I}_{or} = -70$ dBm | 0.1 dB for $\frac{E_c}{I_{or}}$ 0.7 dB for \hat{I}_{or} | Formulas: $\frac{E_c}{I_{or}} = \text{ratio} + \text{TT}$ $\hat{I}_{or} = \text{Minimum Requirement} + \text{TT}$ |
| 8.5 Timing and Signalling Characteristics | | | |
| 8.5.1 UE Transmit Timing | DPCH_Ec/lor = -13.5 dB CPICH_Ec/lor = -10 dB $\hat{I}_{or1} = -96$ dB $\hat{I}_{or2} = -99$ dB Rx-Tx Timing accuracy ± 1.5 chips $\frac{1}{4}$ chip / 200ms maximum rate 233ns / s minimum rate | 0.1 dB for CPICH_Ec/lor 0.1 dB for DPCH_Ec/lor 0.1 dB for DPCH_Ec/lor 1 dB for \hat{I}_{or1} 1.3 dB for \hat{I}_{or2} 0.5 chips for Rx-Tx timing accuracy 0.25 chips for Tx-Tx Timing Accuracy | Since the test is performed close to sensitivity level any TT applied to the nominal setting shall fulfil: \hat{I}_{or1} shall not go below -96 dBm \hat{I}_{or2} shall not go below -99 dBm $\hat{I}_{or1}/\hat{I}_{or2}$ shall not go above 3 dB DPCH_Ec/lor shall not go below -13.5 dB CPICH_Ec/lor shall not go below -10 dB Formulas for test parameters DPCH_Ec/lor + TT CPICH_Ec/lor + TT $\hat{I}_{or1} + \text{TT}$ $\hat{I}_{or2} + \text{TT}$ Rx-Tx Timing accuracy ± 2.0 chip Formulas for test requirements: Upper limit +TT Lower limit -TT Tx-Tx Timing accuracies Formulas for test requirements: Upper limit +TT Lower limit -TT |
| 8.6 UE Measurements Procedures | | | |
| 8.6.1 FDD intra frequency measurements | | | |
| 8.6.1.1 Event triggered reporting in AWGN propagation conditions (R99) | Because the relationships between the Test system uncertainties and the Test Tolerances are complex, it is not possible to give a simple derivation of the Test Requirement in this document. The analysis is recorded in 3GPP TR 34 902 [24]. | | |
| | <u>During T1 to T4:</u> Cell 1: CPICH_Ec/lor = -10 dB PCCPCH_Ec/lor = -12 dB SCH_Ec/lor = -12 dB PICH_Ec/lor = -15 dB | <u>During T1 to T4:</u> +0.70 dB +0.70 dB +0.70 dB +0.70 dB | <u>During T1 to T4:</u> Ec/lor ratio + TT Ec/lor ratio + TT Ec/lor ratio + TT Ec/lor ratio + TT |

| Test | Test Parameters in TS 25.133 [2] | Test Tolerance (TT) | Test Requirement in TS 34.121 |
|---|---|---|--|
| | <u>During T1/T4 only :</u> Already covered above | <u>During T1/T4 only:</u> Covered above | <u>During T1/T4 only:</u> Already covered above |
| | <u>During T2/T3 only:</u> Cell 2: CPICH_Ec/lor = -10 dB PCCPCH_Ec/lor = -12 dB SCH_Ec/lor = -12 dB PICH_Ec/lor = -15 dB | <u>During T2/T3 only:</u> +0.70 dB +0.70 dB +0.70 dB +0.70 dB | <u>During T2/T3 only:</u> Ec/lor ratio + TT Ec/lor ratio + TT Ec/lor ratio + TT Ec/lor ratio + TT |
| 8.6.1.1A Event triggered reporting in AWGN propagation conditions (Rel-4 and later) | Because the relationships between the Test system uncertainties and the Test Tolerances are complex, it is not possible to give a simple derivation of the Test Requirement in this document. The analysis is recorded in 3GPP TR 34 902 [24]. | | |
| | <u>During T1 / T2 / T3:</u> Cell 1: CPICH_Ec/lor = -10 dB PCCPCH_Ec/lor = -12 dB SCH_Ec/lor = -12 dB PICH_Ec/lor = -15 dB | <u>During T1 / T2 / T3:</u> +0.70 dB +0.70 dB +0.70 dB +0.70 dB | <u>During T1 / T2 / T3:</u> Ec/lor ratio + TT Ec/lor ratio + TT Ec/lor ratio + TT Ec/lor ratio + TT |
| | <u>During T1/T3 only :</u> Already covered above | <u>During T1/T3 only:</u> Covered above | <u>During T1/T3 only:</u> Already covered above |
| | <u>During T2 only:</u> Cell 2: CPICH_Ec/lor = -10 dB PCCPCH_Ec/lor = -12 dB SCH_Ec/lor = -12 dB PICH_Ec/lor = -15 dB | <u>During T2 only:</u> +0.70 dB +0.70 dB +0.70 dB +0.70 dB | <u>During T2 only:</u> Ec/lor ratio + TT Ec/lor ratio + TT Ec/lor ratio + TT Ec/lor ratio + TT |
| 8.6.1.2 Event triggered reporting of multiple neighbours in AWGN propagation condition (R99) | Because the relationships between the Test system uncertainties and the Test Tolerances are complex, it is not possible to give a simple derivation of the Test Requirement in this document. The analysis is recorded in 3GPP TR 34 902 [24]. | | |
| | <u>During T0 to T6:</u> Cell 1, Cell 2 and Cell 3: CPICH_Ec/lor = -10 dB PCCPCH_Ec/lor = -12 dB SCH_Ec/lor = -12 dB PICH_Ec/lor = -15 dB | <u>During T0 to T6:</u> +0.70 dB +0.70 dB +0.70 dB +0.70 dB | <u>During T0 to T6:</u> Ec/lor ratio + TT Ec/lor ratio + TT Ec/lor ratio + TT Ec/lor ratio + TT |
| 8.6.1.2A Event triggered reporting of multiple neighbours in AWGN propagation condition (Rel-4 and later) | Because the relationships between the Test system uncertainties and the Test Tolerances are complex, it is not possible to give a simple derivation of the Test Requirement in this document. The analysis is recorded in 3GPP TR 34 902 [24]. | | |
| | <u>During T0 to T4:</u> Cell 1, Cell 2 and Cell 3: CPICH_Ec/lor = -10 dB PCCPCH_Ec/lor = -12 dB SCH_Ec/lor = -12 dB PICH_Ec/lor = -15 dB | <u>During T0 to T4:</u> +0.70 dB +0.70 dB +0.70 dB +0.70 dB | <u>During T0 to T4:</u> Ec/lor ratio + TT Ec/lor ratio + TT Ec/lor ratio + TT Ec/lor ratio + TT |
| 8.6.1.3 Event triggered reporting of two detectable neighbours in AWGN propagation condition (R99) | Because the relationships between the Test system uncertainties and the Test Tolerances are complex, it is not possible to give a simple derivation of the Test Requirement in this document. The analysis is recorded in 3GPP TR 34 902 [24].TBD | | |
| | <u>During T0 to T5:</u> Cell 1, Cell 2 and Cell 3: CPICH_Ec/lor = -10 dB PCCPCH_Ec/lor = -12 dB SCH_Ec/lor = -12 dB PICH_Ec/lor = -15 dB Cell 1: DPCH_Ec/lor = -17 dB | <u>During T0 to T5:</u> +0.40 dB +0.40 dB +0.40 dB +0.40 dB +0.40 dB | <u>During T0 to T5:</u> Ec/lor ratio + TT Ec/lor ratio + TT Ec/lor ratio + TT Ec/lor ratio + TT Ec/lor ratio + TT |

| Test | Test Parameters in TS 25.133 [2] | Test Tolerance (TT) | Test Requirement in TS 34.121 |
|---|--|---|--|
| 8.6.1.3A Event triggered reporting of two detectable neighbours in AWGN propagation condition (Rel-4 and later) | Because the relationships between the Test system uncertainties and the Test Tolerances are complex, it is not possible to give a simple derivation of the Test Requirement in this document. The analysis is recorded in 3GPP TR 34 902 [24]. | | |
| | <u>During T0 to T4:</u> Cell 1, Cell 2 and Cell 3: CPICH_Ec/lor = -10 dB PCCPCH_Ec/lor = -12 dB SCH_Ec/lor = -12 dB PICH_Ec/lor = -15 dB Cell 1: DPCH_Ec/lor = -17 dB | <u>During T0 to T4:</u> +0.40 dB +0.40 dB +0.40 dB +0.40 dB +0.40 dB | <u>During T0 to T4:</u> Ec/lor ratio + TT Ec/lor ratio + TT Ec/lor ratio + TT Ec/lor ratio + TT Ec/lor ratio + TT |
| 8.6.1.4A Correct reporting of neighbours in fading propagation condition (Rel-4 and later) | Because the relationships between the Test system uncertainties and the Test Tolerances are complex, it is not possible to give a simple derivation of the Test Requirement in this document. The analysis is recorded in 3GPP TR 34 902 [24]. | | |
| | <u>During T1 only:</u> Cell 1: CPICH_Ec/lor = -10dB PCCPCH_Ec/lor = -12 dB SCH_Ec/lor = -12 dB PICH_Ec/lor = -15 dB DPCH_Ec/lor = -17 dB Cell 2: CPICH_Ec/lor = -10dB PCCPCH_Ec/lor = -12 dB SCH_Ec/lor = -12 dB PICH_Ec/lor = -15 dB | <u>During T1:</u> +0.70 dB +0.70 dB +0.70 dB +0.70 dB +0.70 dB +0.30 dB +0.30 dB +0.30 dB +0.30 dB | <u>During T1:</u> Ec/lor ratio + TT Ec/lor ratio + TT Ec/lor ratio + TT Ec/lor ratio + TT Ec/lor ratio + TT Ec/lor ratio + TT Ec/lor ratio + TT Ec/lor ratio + TT Ec/lor ratio + TT |
| | <u>During T2 only:</u> Cell 1: CPICH_Ec/lor = -10dB PCCPCH_Ec/lor = -12 dB SCH_Ec/lor = -12 dB PICH_Ec/lor = -15 dB DPCH_Ec/lor = -17 dB Cell 2: CPICH_Ec/lor = -10dB PCCPCH_Ec/lor = -12 dB SCH_Ec/lor = -12 dB PICH_Ec/lor = -15 dB | <u>During T2:</u> +0.30 dB +0.30 dB +0.30 dB +0.30 dB +0.30 dB +0.70 dB +0.70 dB +0.70 dB +0.70 dB | <u>During T2:</u> Ec/lor ratio + TT Ec/lor ratio + TT Ec/lor ratio + TT Ec/lor ratio + TT Ec/lor ratio + TT Ec/lor ratio + TT Ec/lor ratio + TT Ec/lor ratio + TT Ec/lor ratio + TT |
| | Cell 1: CPICH_Ec/lor = -10dB PCCPCH_Ec/lor = -12 dB SCH_Ec/lor = -12 dB PICH_Ec/lor = -15 dB | +0.70 dB +0.70 dB +0.70 dB +0.70 dB | Ec/lor ratio + TT Ec/lor ratio + TT Ec/lor ratio + TT Ec/lor ratio + TT |
| 8.6.1.5 Event triggered reporting of multiple neighbour cells in Case 1 fading condition | Because the relationships between the Test system uncertainties and the Test Tolerances are complex, it is not possible to give a simple derivation of the Test Requirement in this document. The analysis is recorded in 3GPP TR 34 902 [24]. | | |
| | <u>During T1 and T2:</u> Cell 1, 2, 3 and Cell 4: CPICH_Ec/lor = -10 dB PCCPCH_Ec/lor = -12 dB SCH_Ec/lor = -12 dB PICH_Ec/lor = -15 dB | <u>During T1 and T2:</u> +0.70 dB +0.70 dB +0.70 dB +0.70 dB | <u>During T1 and T2:</u> Ec/lor ratio + TT Ec/lor ratio + TT Ec/lor ratio + TT Ec/lor ratio + TT |
| 8.6.1.6 Event triggered reporting of multiple neighbour cells in Case 3 fading conditions | Because the relationships between the Test system uncertainties and the Test Tolerances are complex, it is not possible to give a simple derivation of the Test Requirement in this document. The analysis is recorded in 3GPP TR 34 902 [24]. | | |
| | <u>During T1 and T2:</u> Cell 1, 2, 3 and Cell 4: CPICH_Ec/lor = -10 dB PCCPCH_Ec/lor = -12 dB SCH_Ec/lor = -12 dB PICH_Ec/lor = -15 dB | <u>During T1 and T2:</u> +0.70 dB +0.70 dB +0.70 dB +0.70 dB | <u>During T1 and T2:</u> Ec/lor ratio + TT Ec/lor ratio + TT Ec/lor ratio + TT Ec/lor ratio + TT |

| Test | Test Parameters in TS 25.133 [2] | Test Tolerance (TT) | Test Requirement in TS 34.121 |
|--|--|---|--|
| 8.6.2 FDD inter frequency measurements | TBD | | |
| 8.6.2.1 Correct reporting of neighbours in AWGN propagation condition (Release 5 and earlier) | Because the relationships between the Test system uncertainties and the Test Tolerances are complex, it is not possible to give a simple derivation of the Test Requirement in this document. The analysis is recorded in 3GPP TR 34 902 [24]. | | |
| | <u>During T0 to T2:</u> Cell 1, Cell 2 and Cell 3: CPICH_Ec/lor = -10 dB PCCPCH_Ec/lor = -12 dB SCH_Ec/lor = -12 dB PICH_Ec/lor = -15 dB Cell 1: DPCH_Ec/lor = -17 dB | <u>During T0 to T2:</u> +0.80 dB +0.80 dB +0.80 dB +0.80 dB +0.80 dB | <u>During T0 to T2:</u> Ec/lor ratio + TT Ec/lor ratio + TT Ec/lor ratio + TT Ec/lor ratio + TT Ec/lor ratio + TT |
| 8.6.2.1A Correct reporting of neighbours in AWGN propagation condition (Release 6 and later) | Because the relationships between the Test system uncertainties and the Test Tolerances are complex, it is not possible to give a simple derivation of the Test Requirement in this document. The analysis is recorded in 3GPP TR 34 902 [24]. | | |
| | <u>During T0 to T2:</u> Cell 1, Cell 2 and Cell 3: CPICH_Ec/lor = -10 dB PCCPCH_Ec/lor = -12 dB SCH_Ec/lor = -12 dB PICH_Ec/lor = -15 dB Cell 1: DPCH_Ec/lor = -17 dB | <u>During T0 to T2:</u> +0.80 dB +0.80 dB +0.80 dB +0.80 dB +0.80 dB | <u>During T0 to T2:</u> Ec/lor ratio + TT Ec/lor ratio + TT Ec/lor ratio + TT Ec/lor ratio + TT Ec/lor ratio + TT |
| 8.6.2.2 Correct reporting of neighbours in Fading propagation condition (Release 5 only) | Because the relationships between the Test system uncertainties and the Test Tolerances are complex, it is not possible to give a simple derivation of the Test Requirement in this document. The analysis is recorded in 3GPP TR 34 902 [24]. | | |
| | <u>During T1 and T2:</u> Cell 1 and Cell 2: CPICH_Ec/lor = -10 dB PCCPCH_Ec/lor = -12 dB SCH_Ec/lor = -12 dB PICH_Ec/lor = -15 dB | <u>During T1 and T2:</u> +0.80 dB +0.80 dB +0.80 dB +0.80 dB | <u>During T1 and T2:</u> Ec/lor ratio + TT Ec/lor ratio + TT Ec/lor ratio + TT Ec/lor ratio + TT |
| 8.6.2.2A Correct reporting of neighbours in Fading propagation condition (Release 6 and later) | Because the relationships between the Test system uncertainties and the Test Tolerances are complex, it is not possible to give a simple derivation of the Test Requirement in this document. The analysis is recorded in 3GPP TR 34 902 [24]. | | |
| | <u>During T1 and T2:</u> Cell 1 and Cell 2: CPICH_Ec/lor = -10 dB PCCPCH_Ec/lor = -12 dB SCH_Ec/lor = -12 dB PICH_Ec/lor = -15 dB | <u>During T1 and T2:</u> +0.80 dB +0.80 dB +0.80 dB +0.80 dB | <u>During T1 and T2:</u> Ec/lor ratio + TT Ec/lor ratio + TT Ec/lor ratio + TT Ec/lor ratio + TT |
| 8.6.2.3 Correct reporting of neighbours in Fading propagation condition using TGL1=14 | Because the relationships between the Test system uncertainties and the Test Tolerances are complex, it is not possible to give a simple derivation of the Test Requirement in this document. | | |
| | <u>During T1 and T2:</u> Cell 1 and Cell 2: CPICH_Ec/lor = -10 dB PCCPCH_Ec/lor = -12 dB SCH_Ec/lor = -12 dB PICH_Ec/lor = -15 dB | <u>During T1 and T2:</u> +0.80 dB +0.80 dB +0.80 dB +0.80 dB | <u>During T1 and T2:</u> Ec/lor ratio + TT Ec/lor ratio + TT Ec/lor ratio + TT Ec/lor ratio + TT |
| 8.6.3 TDD measurements | TBD | | |

| Test | Test Parameters in TS 25.133 [2] | Test Tolerance (TT) | Test Requirement in TS 34.121 |
|---|--|--|---|
| 8.6.3.1 Correct reporting of TDD neighbours in AWGN propagation condition | TBD | | |
| 8.6.4 GSM measurements | | | |
| 8.6.4.1 Correct reporting of GSM neighbours in AWGN propagation condition | <p>During T2 RXLEV=-75 dBm</p> <p>During T3 RXLEV=-85 dBm</p> | <p><u>During T2:</u> + 1 dB for RXLEV</p> <p><u>During T3:</u> -1 dB for RXLEV</p> | <p>During T2 and T3 RXLEV + TT</p> <p>Only RXLEV is a critical parameter. UE measurement accuracy for GSM Carrier RSSI is ± 4 dB in this test.</p> <p>During T2: measured GSM Carrier RSSI \pm uncertainty of RXLEV setting shall be above - 80 dBm (Threshold for GSM). => TT=+1 dB for RXLEV</p> <p>During T3: measured GSM Carrier RSSI \pm uncertainty of RXLEV setting shall be below - 80 dBm (Threshold for GSM). => TT=-1 dB for RXLEV</p> |
| 8.6.5 Combined Inter frequency and GSM measurements | | | |
| 8.6.5.1 Correct reporting of neighbours in AWGN propagation condition | <p><u>During T0 to T5:</u></p> <p>Cell 1 and Cell 2: CPICH_Ec/Ior = -10 dB PCCPCH_Ec/Ior = -12 dB SCH_Ec/Ior = -12 dB PICH_Ec/Ior = -15 dB</p> <p>During T4 to T5: RXLEV=-75 dBm</p> | <p><u>During T0 to T5:</u></p> <p>+0.80 dB +0.80 dB +0.80 dB +0.80 dB</p> <p><u>During T4 and T5:</u> + 1 dB for RXLEV</p> | <p><u>During T0 to T5:</u></p> <p>Ec/Ior ratio + TT Ec/Ior ratio + TT Ec/Ior ratio + TT Ec/Ior ratio + TT</p> <p>During T4 and T5 RXLEV + TT</p> |

| Test | Test Parameters in TS 25.133 [2] | Test Tolerance (TT) | Test Requirement in TS 34.121 |
|--|--|---|--|
| 8.6.6.1 Correct reporting of E-UTRAN FDD neighbour in fading propagation condition | <p><u>UTRA cell during T1:</u> I_{oc}: -70.00dBm/3.84MHz I_{or} / I_{oc}: 0dB $CPICH_E_c/I_{or}$: -13.00dB</p> <p><u>E-UTRA cell during T1:</u> N_{oc}: -100.00dBm/15kHz \hat{E}_s / N_{oc}: -infinity dB</p> <p><u>UTRA cell during T2:</u> I_{oc}: -70.00dBm/3.84MHz I_{or} / I_{oc}: 0dB $CPICH_E_c/I_{or}$: -13.00dB</p> <p><u>E-UTRA cell during T2:</u> N_{oc}: -100.00dBm/15kHz \hat{E}_s / N_{oc}: 16.00 dB</p> <p><u>UTRA cell during T3:</u> I_{oc}: -70.00dBm/3.84MHz I_{or} / I_{oc}: 0dB $CPICH_E_c/I_{or}$: -13.00dB</p> <p><u>E-UTRA cell during T3:</u> N_{oc}: -100.00dBm/15kHz \hat{E}_s / N_{oc}: -4.00 dB</p> | <p><u>UTRA cell during T1:</u> 0dB 0dB 0dB</p> <p><u>E-UTRA cell during T1:</u> -0.6dB 0dB</p> <p><u>UTRA cell during T2:</u> 0dB 0dB 0dB</p> <p><u>E-UTRA cell during T2:</u> -0.6dB 0.6dB</p> <p><u>UTRA cell during T3:</u> 0dB 0dB 0dB</p> <p><u>E-UTRA cell during T3:</u> -0.6dB 0.6dB</p> | <p><u>UTRA cell during T1:</u> I_{oc}: -70.00dBm/3.84MHz I_{or} / I_{oc}: 0dB $CPICH_E_c/I_{or}$: -13.00dB</p> <p><u>E-UTRA cell during T1:</u> N_{oc}: -100.60dBm/15kHz \hat{E}_s / N_{oc}: -infinity dB</p> <p><u>UTRA cell during T2:</u> I_{oc}: -70.00dBm/3.84MHz I_{or} / I_{oc}: 0dB $CPICH_E_c/I_{or}$: -13.00dB</p> <p><u>E-UTRA cell during T2:</u> N_{oc}: -100.60dBm/15kHz \hat{E}_s / N_{oc}: 16.6dB</p> <p><u>UTRA cell during T3:</u> I_{oc}: -70.00dBm/3.84MHz I_{or} / I_{oc}: 0dB $CPICH_E_c/I_{or}$: -13.00dB</p> <p><u>E-UTRA cell during T3:</u> N_{oc}: -100.60dBm/15kHz \hat{E}_s / N_{oc}: -3.4dB</p> |
| 8.6.6.2 Correct reporting of E-UTRAN TDD neighbour in fading propagation condition | Same as 8.6.6.1 | Same as 8.6.6.1 | Same as 8.6.6.1 |
| 8.6.7.1 Correct reporting of E-UTRA FDD neighbours in fading propagation condition | <p><u>UTRA cell 1 during T1 and T2:</u> I_{oc}: -70.00dBm/3.84MHz I_{or} / I_{oc}: 0dB $CPICH_E_c/I_{or}$: -10.00dB</p> <p><u>UTRA cell 2 during T1 :</u> I_{oc}: -70.00dBm/3.84MHz I_{or} / I_{oc}: -Infinity dB $CPICH_E_c/I_{or}$: --Infinity dB</p> <p><u>E-UTRA cell 3 during T1:</u> N_{oc}: -98.00dBm/15kHz \hat{E}_s / N_{oc}: -infinity dB</p> <p><u>UTRA cell 2 during T2:</u> I_{oc}: -70.00dBm/3.84MHz I_{or} / I_{oc}: -1.8dB $CPICH_E_c/I_{or}$: -10.00dB</p> <p><u>E-UTRA cell 3 during T2:</u> N_{oc}: -98.00dBm/15kHz \hat{E}_s / N_{oc}: 13.00 dB</p> | <p><u>UTRA cell 1 during T1 and T2:</u> 0dB 0dB 0dB</p> <p><u>UTRA cell 2 during T1:</u> 0dB 0dB 0dB</p> <p><u>E-UTRA cell 3 during T1:</u> 0dB 0dB</p> <p><u>UTRA cell 2 during T2:</u> 0dB 0.7dB 0dB</p> <p><u>E-UTRA cell 3 during T2:</u> 0dB 0dB</p> | <p><u>UTRA cell 1 during T1 and T2:</u> I_{oc}: -70.00dBm/3.84MHz I_{or} / I_{oc}: 0dB $CPICH_E_c/I_{or}$: -10.00dB</p> <p><u>UTRA cell 2 during T1 :</u> I_{oc}: -70.00dBm/3.84MHz I_{or} / I_{oc}: -Infinity dB $CPICH_E_c/I_{or}$: --Infinity dB</p> <p><u>E-UTRA cell 3 during T1:</u> N_{oc}: -98.00dBm/15kHz \hat{E}_s / N_{oc}: -infinity dB</p> <p><u>UTRA cell 2 during T2:</u> I_{oc}: -70.00dBm/3.84MHz I_{or} / I_{oc}: -1.1dB $CPICH_E_c/I_{or}$: -10.00dB</p> <p><u>E-UTRA cell 3 during T2:</u> N_{oc}: -98.00dBm/15kHz \hat{E}_s / N_{oc}: 13.00 dB</p> |

| | | | |
|--|---|---|---|
| 8.6.7.2 Correct reporting of E-UTRA TDD neighbours in fading propagation condition | <u>Same as 8.6.7.1</u> | Same as 8.6.7.1 | Same as 8.6.7.1 |
| 8.7 Measurements Performance Requirements | | | |
| 8.7.1 CPICH RSCP | | | |
| 8.7.1.1 Intra frequency measurements accuracy | see table 8.7.1.1.1 and table 8.7.1.1.2 | ± 1 dB for $loc \pm 0.3$ dB for $lor/loc \pm 0.1$ dB for..... $_Ec/lor$ | Any TT applied to the nominal setting shall fulfil: Test 1 (absolute and relative): lo shall not go above -70dBm Test 2(absolute and relative): lo shall not go above -50 dBm Test 3 (absolute and relative): lo shall not go below -94 dBm $lor/loc + TTTT$ on top of UE measurement accuracy: Absolute ± 1.0 dB for $loc \pm 0.3$ dB for $lor/loc \pm 0.1$ dB for CPICH_ $_Ec/lor \sum$ 1.4dB Relative ± 0.3 dB for $lor/loc (cell1) \pm 0.3$ dB for $lor/loc (cell2) \pm 0.1$ dB for CPICH_ $_Ec/lor (cell1) \pm 0.1$ dB for CPICH_ $_Ec/lor (cell2) \sum$ 0.8dB |
| 8.7.1.2 Inter frequency measurement accuracy | See table 8.7.1.2.1.1 and table 8.7.1.2.1.2 | ± 1 dB for $loc \pm 0.3$ dB for $loc1/loc2 \pm 0.3$ dB for $lor/loc \pm 0.1$ dB for $_Ec/lor$ For multi-band UE with Band I and VI 0.5 dB for $loc1/loc2$ | Any TT applied to the nominal setting shall fulfil: Test 1: lo shall not go above -50 dBm Test 2: lo shall not go below -94 dBm $lor/loc + TT$ TT on top of UE measurement accuracy: ± 0.3 dB for $loc1/loc2$ ± 0.3 dB for $lor/loc (cell1)$ ± 0.3 dB for $lor/loc (cell2)$ ± 0.1 dB for CPICH_ $_Ec/lor (cell1)$ ± 0.1 dB for CPICH_ $_Ec/lor (cell2)$ \sum 1.1 dB |
| 8.7.2 CPICH E_c/lo | | | |

| Test | Test Parameters in TS 25.133 [2] | Test Tolerance (TT) | Test Requirement in TS 34.121 |
|---|---|---|--|
| 8.7.2.1 Intra frequency measurements accuracy | table 8.7.2.1.1.1 and table 8.7.2.1.1.2 | ± 1 dB for loc ± 0.3 dB for lor/loc ± 0.1 dB for_Ec/lor | Any TT applied to the nominal setting shall fulfil: Test 1 (absolute and relative): lo shall not go above -50 dBm Test 2 (absolute and relative): lo shall not go below -87dBm Test 3 (absolute and relative): lo shall not go below -94 dBm CPICH Ec/lo shall stay in the UE accuracy ranges lor/loc + TT TT on top of UE measurement accuracy: Absolute ± 0.3 dB for lor/loc ± 0.1 dB for CPICH_Ec/lor Σ 0.4dB Relative loc1=loc2 ± 0.3 dB for lor/loc (cell1) ± 0.3 dB for lor/loc (cell2) ± 0.1 dB for CPICH_Ec/lor (cell1) ± 0.1 dB for CPICH_Ec/lor (cell2) Σ 0.8dB |
| 8.7.2.2 Inter frequency measurement accuracy | table 8.7.2.2.2.1 and table 8.7.2.2.2.2 | ± 1 dB for loc ± 0.3 dB for loc1/loc2 ± 0.3 dB for lor/loc ± 0.1 dB for_Ec/lor For multi-band UE with Band I and VI 0.5 dB for loc1/loc2 | Any TT applied to the nominal setting shall fulfil: Test 1: lo shall not go above -50 dBm Test 2: lo shall not go below -87 dBm Test 3: lo shall not go below -94 dBm lor/loc + TT TT on top of UE measurement accuracy: loc1=loc2. ± 0.3 dB for lor/loc (cell1) ± 0.3 dB for lor/loc (cell2) ± 0.1 dB for CPICH_Ec/lor (cell1) ± 0.1 dB for CPICH_Ec/lor (cell2) Σ 0.8 dB |

| Test | Test Parameters in TS 25.133 [2] | Test Tolerance (TT) | Test Requirement in TS 34.121 |
|--|----------------------------------|--|---|
| 8.7.3.1 UTRA Carrier RSSI, absolute measurement accuracy | Table 8.7.3.1.2 | ±1 dB for lo_c ±0.3 dB for lo_{c1}/lo_{c2} ±0.3 dB for lo_r/lo_c For multi-band UE with Band I and VI 0.5 dB for lo_{c1}/lo_{c2} | Any TT applied to the nominal setting shall fulfil: Test 1: lo shall not go above -50 dBm Test 2: lo shall not go below -69 dBm Test 3: lo shall not go below -94 dBm $lo_r/lo_c + TT$ TT on top of UE measurement accuracy: Test 1: $Max\ TT = lo_{max} - lo_{nominal}$ $lo_{nominal} = -51.15\ dBm$ $lo_{max} = lo_{c_{max}} + lo_{r_{max}} = (-53.5\ dBm + 1\ dB) + (-52.5\ dBm - 1.45\ dB + 0.3\ dB) = -50.0\ dBm$ $\Rightarrow Max\ TT = 1.15\ dB$ $Min\ TT = lo_{min} - lo$ $lo_{min} = lo_{c_{min}} + lo_{r_{min}} = (-53.5\ dBm - 1\ dB) + (-54.5\ dBm - 1.45\ dB - 0.3\ dB) = -52.3\ dBm$ $\Rightarrow Min\ TT = -1.15\ dB$ Test 2: $Max\ TT = lo_{max} - lo_{nominal}$ $lo_{nominal} = -67.9\ dBm$ $lo_{max} = lo_{c_{max}} + lo_{r_{max}} = (-69.27\ dBm + 1\ dB) + (-68.27\ dBm - 4.4\ dB + 0.3\ dB) = -66.8\ dBm$ $\Rightarrow Max\ TT = 1.1\ dB$ $Min\ TT = lo_{min} - lo$ $lo_{min} = lo_{c_{min}} + lo_{r_{min}} = (-69.27\ dBm - 1\ dB) + (-70.27\ dBm - 4.4\ dB - 0.3\ dB) = -69.0\ dBm$ $\Rightarrow Min\ TT = -1.1\ dB$ Test 3 (Band I): $Max\ TT = lo_{max} - lo_{nominal}$ $lo_{nominal} = -93\ dBm$ $lo_{max} = lo_{c_{max}} + lo_{r_{max}} + N_0 = (-93.46\ dBm + 1\ dB) + (-92.46\ dBm - 9.24\ dB + 0.3\ dB) + -99\ dBm = -91.2$ $\Rightarrow Max\ TT = 1.8\ dB$ $Min\ TT = lo_{min} - lo$ $lo_{min} = lo_{c_{min}} + lo_{r_{min}} = (-93.46\ dBm - 1\ dB) + (-94.46\ dBm - 9.24\ dB - 0.3\ dB) = -94.0\ dBm$ $\Rightarrow Min\ TT = -1.0\ dB$ The same TT for all bands |

| Test | Test Parameters in TS 25.133 [2] | Test Tolerance (TT) | Test Requirement in TS 34.121 |
|--|----------------------------------|--|--|
| 8.7.3.2 UTRA Carrier RSSI, relative measurement accuracy | Table 8.7.3.2.1A | <p>±1 dB for loc ±0.3 dB for loc2/loc3 ±0.3 dB for lor/loc</p> | <p>Any TT applied to the nominal setting shall fulfil:</p> <p>Test 1: lo shall not go above -50 dBm. lo3-lo2 shall not go below -20 dB. Test 2: lo shall not go below -91 dBm. lo3-lo2 shall not go above 20 dB Test 3: lo shall not go below -94 dBm (Band I). lo3-lo2 shall not go above 20 dB.</p> <p>lor/loc + TT TT on top of UE measurement accuracy:</p> <p>Test 1: ±0.3 dB for loc3/loc2 ratio ±0.3 dB for lor2/loc2 ratio ±0.3 dB for lor3/loc3 ratio Σ±0.9 dB (This is the worst case since G factor makes the actual tolerance lower). No impact from Noise Floor. The same TT for all bands.</p> <p>Test 2: ±0.3 dB for loc3/loc2 ratio ±0.3 dB for lor2/loc2 ratio ±0.3 dB for lor3/loc3 ratio Σ±0.9 dB (This is the worst case since G factor makes the actual tolerance lower). Noise floor impact: Noise floor = -96 dB for Band III, VIII, and VIII, XII, XIII, XIV and XX (worst case). => lo2 increases by 1.0 dB, lo3 increases by 0.1 dB. Thus noise floor increases the test tolerance by 0.9 dB => TT = ±1.8 dB The same TT for all bands.</p> <p>Test 3: ±0.3 dB for loc3/loc2 ratio ±0.3 dB for lor2/loc2 ratio ±0.3 dB for lor3/loc3 ratio Σ±0.9 dB (This is the worst case since G factor makes the actual tolerance lower). Noise floor impact (Band I): Noise floor = -99 dB. => lo2 increases by 1.0 dB. No impact to lo3. Thus noise floor increases the test tolerance by 1.0 dB => TT = ±1.9 dB The same TT for all bands.</p> |

| Test | Test Parameters in TS 25.133 [2] | Test Tolerance (TT) | Test Requirement in TS 34.121 |
|--|--|---|---|
| 8.7.3A GSM Carrier RSSI | WCDMA cell parameters: See table 8.7.3A.2 GSM cell parameters: See table 8.7.3A.3 | <p>TT for test parameters</p> <p>GSM cell levels: Step 1: -1 dB Step 2: -1 dB Step 3: -1 dB Step 4: +1 dB</p> <p>TT for test requirements:</p> <p>Relative accuracy requirements: a, b, c and d values in minimum requirements are increased by 2 dB i.e.,</p> <p>For $x_1 \geq s+14$, $x_2 < -48$ dBm: a=4, b=4, c=6, d=6</p> <p>For $s+14 > x_1 \geq s+1$ a=5, b=4, c=7, d=6</p> <p>For $s+1 > x_1$ a=6, b=4, c=8, d=6</p> <p>Absolute accuracy requirements: original minimum requirements are increased by ± 1 dB</p> | <p>WCDMA: Test parameter settings are unchanged since level settings in either direction are not critical with respect to the outcome of the test</p> <p>GSM: Test parameter settings are changed in steps 1,2,3 and 4 as follows: BCCH levels are increased by test tolerance so that during Step 1, level ≤ 38 dBm, Step 2, level ≤ 48 dBm, Step 3, level ≤ 70 dBm, Step 4, level ≥ -110 dBm. Hence during steps 1,2,3 and 4: New levels=Original levels + TT</p> <p>For other steps 5 to 12 GSM test parameter settings are unchanged since level settings in either direction are not critical with respect to the outcome of the test</p> <p>TT on top of UE measurement accuracy: Relative accuracy: Test system uncertainty ± 1.4 dB. Rounded to ± 2 dB due to granularity of GSM Carrier RSSI report mapping of 1 dB.</p> <p>Absolute accuracy: Test system uncertainty ± 1.0 dB. No need to increase due to granularity of GSM Carrier RSSI report mapping of 1 dB.</p> |
| 8.7.3B Transport channel BLER | TBD | | |
| 8.7.3C UE Transmitted power (R99 and Rel-4 only) | Accuracy upper limit Accuracy lower limit Depends on PUEMAX see table 8.7.3C.2.1 | 0.7 dB | <p>Formula: Upper accuracy limit + TT</p> <p>Lower accuracy limit - TT</p> <p>Add and subtract TT to all the values in table 8.7.3C.2.1.</p> |
| 8.7.3D UE Transmitted power (Rel-5 and later) | Accuracy upper limit Accuracy lower limit | 0.7 dB | <p>Formula: Upper accuracy limit + TT</p> <p>Lower accuracy limit - TT</p> <p>Add and subtract TT to all the accuracy values in table 8.7.3D.4.3.</p> |

| Test | Test Parameters in TS 25.133 [2] | Test Tolerance (TT) | Test Requirement in TS 34.121 |
|--|---|---|--|
| 8.7.4 SFN-CFN observed time difference | Table 8.7.4.1.2 and Table 8.7.4.2.2 | ± 1.0 dB for loc ± 0.3 dB for lor/loc ± 0.5 chips for the actual SFN-CFN observed time difference | Intra and inter frequency case: Test 1: lo shall not go above -50 dBm Test 2: No restrictions on lo value Test 3: lo shall not go below -94 dBm (Band 1, IV, VI, X), or below -93 dBm (Band IX), or below -92 dBm (Band II, V, VII, XI) or below -91 dBm (Band III, VIII, XII, XIII, XIV, XX) $\hat{lor}/loc + TT$ TT on top of UE measurements accuracy: SFN-CFN observed time difference: 1.0 chips + TT |
| 8.7.5.1 SFN-SFN observed time difference type 1 | Table 8.7.5.1.2 | ± 1.0 dB for loc ± 0.3 dB for lor/loc ± 0.5 chips for the actual SFN-SFN observed time difference | Test 1: lo shall not go above -50 dBm Test 2: No restrictions on lo value Test 3: lo shall not go below -94 dBm (Band 1, IV, VI, X), or below -93 dBm (Band IX), or below -92 dBm (Band II, V, VII, XI) or below -91 dBm (Band III, VIII, XII, XIII, XIV, XX) $\hat{lor}/loc + TT$ TT on top of UE measurements accuracy: SFN-SFN observed time difference: 1.0 chips + TT |
| 8.7.6.1 UE Rx-Tx time difference (Release 5 and earlier) | $lo - 10.9$ dB = loc, Test 1: lo = -94 dBm Test2 : lo = -72dBm Test3 : lo = -50dBm Timing Accuracy ± 1.5 chip | 1 dB for loc 0.3 dB for lor/loc 0.5 chip for timing accuracy | Test 1: lo = -92.7 dBm, loc = -103.6 dBm Formula: $loc * (1 - TT_{loc} + (lor/loc - TT_{lor/loc})) \geq -94$ Test 2: unchanged (no critical RF parameters) Test 3: lo = -51.3 dBm, loc = -62.2 dBm Formula: $loc * (1 + TT_{loc} + (lor/loc + TT_{lor/loc})) \leq -50$ Timing accuracy ± 2.0 chip Formulas: Upper limit +TT Lower limit -TT |

| Test | Test Parameters in TS 25.133 [2] | Test Tolerance (TT) | Test Requirement in TS 34.121 |
|---|--|--|--|
| 8.7.6.1A UE Rx-Tx time difference (Release 6 and later) | Table 8.6.7.1A.2 and Table 8.6.7.1A.4 | ±1.0 dB for loc ±0.3 dB for lor/loc ±0.5 chip for timing accuracy | Test 1: lo shall not go below -94 dBm (Band I, IV, VI, X), or below -93 dBm (Band IX), or below -92 dBm (Band II, V, VII, XI) or below -91 dBm (Band III, VIII, XII, XIII, XIV, XX) Formula: $loc * (1 - TT_{loc} + (lor/loc - TT_{lor/loc})) \geq -94$ Test 2: No restrictions on lo value Test 3: lo shall not go above -50 dBm Formula: $loc * (1 + TT_{loc} + (lor/loc + TT_{lor/loc})) \leq -50$ Timing accuracy ±2.0 chip Formulas: Upper limit +TT Lower limit -TT |
| 8.7.7 Observed time difference to GSM cell | TBD | | |
| 8.7.8 P-CCPCH RSCP | TBD | | |
| 8.7.9 UE Transmission Power Headroom | UPH reporting accuracy from ±2 dB to ±6 dB, depending on UE power class and total UE output power. | 0.8 dB for UPH reporting accuracy | Formula: (Upper) Minimum Requirement + TT (Lower) Minimum Requirement - TT UPH reporting accuracy from ±2.8 dB to ±6.8 dB, depending on UE power class and total UE output power. |
| 8.7.10 E-UTRAN FDD RSRP absolute accuracy | <u>Test 1:</u> UTRA Cell 1 I_{oc} : -70.00dBm/3.84MHz \hat{I}_{or} / I_{oc} : -1.00dB CPICH_E/I _{or} : -10.00dB E-UTRA Cell 2 N_{oc} : -88.65dBm /15kHz \hat{E}_s / N_{oc} : +10dB Reported RSRP values: ±8dB <u>Test 2:</u> UTRA Cell 1 I_{oc} : -70dBm/3.84MHz \hat{I}_{or} / I_{oc} : -1.00dB CPICH_E/I _{or} : -10.00dB E-UTRA Cell 2 N_{oc} : -117dBm or -115dBm or -113.5 or -114dBm or -116dBm /15kHz depending on operating band \hat{E}_s / N_{oc} : -4.00dB Reported RSRP values: ±6dB | <u>Test 1:</u> 0dB 0dB 0dB -0.30dB 0dB Via mapping <u>Test 2:</u> 0dB 0dB 0dB 0dB +0.80dB Via mapping | <u>Test 1:</u> UTRA Cell 1 I_{oc} : -70dBm/3.84MHz \hat{I}_{or} / I_{oc} : -1.00dB CPICH_E/I _{or} : -10.00dB E-UTRA Cell 2 N_{oc} : -88.95dBm /15kHz \hat{E}_s / N_{oc} : +10dB RSRP_52 to RSRP_71 <u>Test 2:</u> UTRA Cell 1 I_{oc} : -70dBm/3.84MHz \hat{I}_{or} / I_{oc} : -1.00dB CPICH_E/I _{or} : -10.00dB E-UTRA Cell 2 N_{oc} : -117dBm or -115dBm or -113.5 or -114dBm or -116dBm /15kHz depending on operating band \hat{E}_s / N_{oc} : -3.20dB RSRP_13 to RSRP_28 RSRP_15 to RSRP_30 RSRP_17 to RSRP_31 RSRP_16 to RSRP_31 RSRP_14 to RSRP_29 depending on operating band |

| Test | Test Parameters in TS 25.133 [2] | Test Tolerance (TT) | Test Requirement in TS 34.121 |
|---|--|--|--|
| | The derivation of the RSRP values takes into account the uncertainty in Cell 2 RSRP from N_{oc} and $\hat{E}s / N_{oc}$, the allowed UE reporting accuracy, and the UE mapping function. The RSRP values given above are for normal conditions. In all cases the RSRP values are 3dB wider at each end for extreme conditions. | | |
| 8.7.11 E-UTRAN TDD RSRP absolute accuracy | Same as 8.7.10 | Same as 8.7.10 | Same as 8.7.10 |
| 8.7.12 E-UTRAN FDD RSRQ absolute accuracy | <p>Test 1: UTRA Cell 1 loc: -70dBm/3.84MHz $\hat{I}or/loc$: -1.00dB CPICH_Ec/Ior: -10.00dB</p> <p>E-UTRA Cell 2 Noc: -80.00dBm /15kHz $\hat{E}s/Noc$: -1.75dB Reported RSRQ values: ± 2.5dB</p> <p>Test 2: UTRA Cell 1 loc: -70dBm/3.84MHz $\hat{I}or/loc$: -1.00dB CPICH_Ec/Ior: -10.00dB</p> <p>E-UTRA Cell 2 Noc: -104.70dBm /15kHz $\hat{E}s / Noc$: -4.00dB Reported RSRQ values: ± 3.5dB</p> <p>Test 3: UTRA Cell 1 loc: -70dBm/3.84MHz $\hat{I}or/loc$: -1.00dB CPICH_Ec/Ior: -10.00dB</p> <p>E-UTRA Cell 2 Noc: -119.5dBm or -118.5dBm or -117.5 or -116.5dBm or -116dBm /15kHz depending on operating band $\hat{E}s/Noc$: -4.00dB Reported RSRP values: ± 3.5dB</p> | <p>Test 1: 0dB 0dB 0dB</p> <p>-0.80dB 0dB Via mapping</p> <p>Test 2: 0dB 0dB 0dB</p> <p>0dB +0.80dB Via mapping</p> <p>Test 3: 0dB 0dB 0dB</p> <p>0dB +0.80dB Via mapping</p> | <p>Test 1: UTRA Cell 1 loc: -70dBm/3.84MHz $\hat{I}or/loc$: -1.00dB CPICH_Ec/Ior: -10.00dB</p> <p>E-UTRA Cell 2 Noc: -80.80dBm /15kHz $\hat{E}s/Noc$: -1.75dB RSRQ_04 to RSRQ_16</p> <p>Test 2: UTRA Cell 1 loc: -70dBm/3.84MHz $\hat{I}or/loc$: -1.00dB CPICH_Ec/Ior: -10.00dB</p> <p>E-UTRA Cell 2 Noc: -104.70dBm /15kHz $\hat{E}s / Noc$: -3.20dB RSRQ_00 to RSRQ_16</p> <p>Test 3: UTRA Cell 1 loc: -70dBm/3.84MHz $\hat{I}or/loc$: -1.00dB CPICH_Ec/Ior: -10.00dB</p> <p>E-UTRA Cell 2 Noc: -119.5dBm or -118.5dBm or -117.5 or -116.5dBm or -116dBm /15kHz depending on operating band $\hat{E}s/Noc$: -3.20dB RSRQ_00 to RSRQ_16</p> |
| | The derivation of the RSRQ values takes into account the uncertainty in Cell 2 RSRQ from N_{oc} and $\hat{E}s / N_{oc}$, the allowed UE reporting accuracy, and the UE mapping function. The RSRQ values given above are for normal conditions. In Test 1 the RSRQ values are 1.5dB wider at each end and in Test 2 and 3 the RSRQ values are 0.5dB wider at each end for extreme conditions. | | |
| 8.7.13 E-UTRAN TDD RSRQ absolute accuracy | Same as 8.7.12 | Same as 8.7.12 | Same as 8.7.12 |

F.4.5 Performance requirements (HSDPA)

Table F.4.5: Derivation of Test Requirements (Performance tests HSDPA)

| Test | Minimum Requirement in TS 25.101 | Test Tolerance (TT) | Test Requirement in TS 34.121 |
|--|---|--|--|
| 9.2.1A to 9.2.1KD Single Link Performance | $\frac{E_c}{I_{or}}$ -12, -9, -6, -3 and -2 dB $I_{oc} = -60$ dBm $\hat{I}_{or}/I_{oc} = 0, 5, 10, 15$ and 18 dB Minimum requirements apply for each carrier | 0.1 dB for $\frac{E_c}{I_{or}}$ 0.6 dB for \hat{I}_{or}/I_{oc} Test Tolerances apply for each carrier | Formulas: $\frac{E_c}{I_{or}} = \text{ratio} + \text{TT}$ $\hat{I}_{or}/I_{oc} = \text{ratio} + \text{TT}$ I_{oc} unchanged Test requirements apply for each carrier |
| 9.2.1L to 9.2.1LD Single Link Enhanced Performance Type 3i | $\frac{E_c}{I_{or}}$ -6 and -3 dB $I_{oc} = -60$ dBm $\hat{I}_{or}/I_{oc}' = 0$ dB DIP1 = -2.75 dB DIP2 = -7.64 dB Minimum requirements apply for each carrier | 0.1 dB for $\frac{E_c}{I_{or}}$ 0.76 dB for \hat{I}_{or}/I_{oc}' 0.17 dB for DIP1, DIP2 Test Tolerances apply for each carrier | Formulas: $\frac{E_c}{I_{or}} = \text{ratio} + \text{TT}$ $\hat{I}_{or1}/I_{oc} = \text{ratio} + 1.2$ dB $\hat{I}_{or2}/I_{oc} = \text{ratio} + 0.6$ dB $\hat{I}_{or3}/I_{oc} = \text{ratio} + 0.6$ dB This has the effect of increasing \hat{I}_{or}/I_{oc}' by 0.76dB and increasing DIP1 and DIP2 by 0.17dB. \hat{I}_{or2}/I_{oc} and \hat{I}_{or3}/I_{oc} TT is derived by increasing ratio by uncertainty to ensure DIP values are maintained. \hat{I}_{or1}/I_{oc} TT is derived by combined effect of \hat{I}_{or1}/I_{oc} , \hat{I}_{or2}/I_{oc} and \hat{I}_{or3}/I_{oc} uncertainties in wanted signal, interferer 1 and interferer 2 respectively, after applying TT to \hat{I}_{or2}/I_{oc} and \hat{I}_{or3}/I_{oc} . The interferer uncertainties are scaled according to their effect on \hat{I}_{or}/I_{oc}' , which is determined from the DIP values. I_{oc} unchanged Test requirements apply for each carrier |

| Test | Minimum Requirement in TS 25.101 | Test Tolerance (TT) | Test Requirement in TS 34.121 |
|--|--|---|--|
| 9.2.2A to 9.2.2E Open loop diversity performance | $\frac{E_c}{I_{or}}$ -6 and -3 dB $I_{oc} = -60$ dBm $\hat{I}_{or}/I_{oc} = 0$ and 10 dB | 0.1 dB for $\frac{E_c}{I_{or}}$ 0.8 dB for \hat{I}_{or}/I_{oc} | Formulas: $\frac{E_c}{I_{or}} = \text{ratio} + \text{TT}$ $\hat{I}_{or}/I_{oc} = \text{ratio} + \text{TT}$ I_{oc} unchanged |
| 9.2.3A to 9.2.3E Closed loop diversity performance | Same as 9.2.2A | Same as 9.2.2A | Same as 9.2.2A |
| 9.2.4A MIMO performance | $\frac{E_c}{I_{or}}$ -2 dB $I_{oc} = -60$ dBm $\hat{I}_{or}/I_{oc} = 6$ and 10 dB | 0.1 dB for $\frac{E_c}{I_{or}}$ 0.8 dB for \hat{I}_{or}/I_{oc} | Formulas: $\frac{E_c}{I_{or}} = \text{ratio} + \text{TT}$ $\hat{I}_{or}/I_{oc} = \text{ratio} + \text{TT}$ I_{oc} unchanged |
| 9.2.4B MIMO and 64QAM performance | $\frac{E_c}{I_{or}}$ -1.5 dB $I_{oc} = -60$ dBm $\hat{I}_{or}/I_{oc} = 18$ dB | 0.1 dB for $\frac{E_c}{I_{or}}$ 0.8 dB for \hat{I}_{or}/I_{oc} | Formulas: $\frac{E_c}{I_{or}} = \text{ratio} + \text{TT}$ $\hat{I}_{or}/I_{oc} = \text{ratio} + \text{TT}$ I_{oc} unchanged |
| 9.2.4C MIMO Performance - Fixed Reference Channel (FRC) H-Set 9A | $\frac{E_c}{I_{or}}$ -2 dB $I_{oc} = -60$ dBm $\hat{I}_{or}/I_{oc} = 6$ and 10 dB | 0.1 dB for $\frac{E_c}{I_{or}}$ 0.8 dB for \hat{I}_{or}/I_{oc} | Formulas: $\frac{E_c}{I_{or}} = \text{ratio} + \text{TT}$ $\hat{I}_{or}/I_{oc} = \text{ratio} + \text{TT}$ I_{oc} unchanged Test requirements should be applied for both the cells |
| 9.2.4CA MIMO Performance - Fixed Reference Channel (FRC) H-Set 9A for DB DC-HSDPA | Same as 9.2.4C | Same as 9.2.4C | Same as 9.2.4C |
| 9.2.4D MIMO Performance - Fixed Reference Channel (FRC) H-Set 11A | $\frac{E_c}{I_{or}}$ -1.5 dB $I_{oc} = -60$ dBm $\hat{I}_{or}/I_{oc} = 18$ dB | 0.1 dB for $\frac{E_c}{I_{or}}$ 0.8 dB for \hat{I}_{or}/I_{oc} | Formulas: $\frac{E_c}{I_{or}} = \text{ratio} + \text{TT}$ $\hat{I}_{or}/I_{oc} = \text{ratio} + \text{TT}$ I_{oc} unchanged Test requirements should be applied for both the cells |
| 9.2.4DA MIMO Performance - Fixed Reference Channel (FRC) H-Set 11A for DB DC-HSDPA | Same as 9.2.4D | Same as 9.2.4D | Same as 9.2.4D |
| 9.2.4E MIMO performance - Fixed Reference Channel (FRC) H-Set 9 Asymmetric CPICHs | $\frac{E_c}{I_{or}}$ -2 dB $I_{oc} = -60$ dBm $\hat{I}_{or}/I_{oc} = 6$ and 10 dB | 0.1 dB for $\frac{E_c}{I_{or}}$ 0.8 dB for \hat{I}_{or}/I_{oc} | Formulas: $\frac{E_c}{I_{or}} = \text{ratio} + \text{TT}$ $\hat{I}_{or}/I_{oc} = \text{ratio} + \text{TT}$ I_{oc} unchanged |

| Test | Minimum Requirement in TS 25.101 | Test Tolerance (TT) | Test Requirement in TS 34.121 |
|---|---|---|---|
| 9.2.4F MIMO performance- Fixed Reference Channel (FRC) H-Set 11 Asymmetric CPICHS | $\frac{E_c}{I_{or}} -1.5$ dB $I_{oc} = -60$ dBm $\hat{I}_{or}/I_{oc} = 18$ dB | 0.1 dB for $\frac{E_c}{I_{or}}$ 0.8 dB for \hat{I}_{or}/I_{oc} | Formulas: $\frac{E_c}{I_{or}} = \text{ratio} + \text{TT}$ $\hat{I}_{or}/I_{oc} = \text{ratio} + \text{TT}$ I_{oc} unchanged |
| 9.2.4G MIMO Performance - Fixed Reference Channel (FRC) H-set 9A Asymmetric CPICHS | $\frac{E_c}{I_{or}} -2$ dB $I_{oc} = -60$ dBm $\hat{I}_{or}/I_{oc} = 6$ and 10 dB | 0.1 dB for $\frac{E_c}{I_{or}}$ 0.8 dB for \hat{I}_{or}/I_{oc} | Formulas: $\frac{E_c}{I_{or}} = \text{ratio} + \text{TT}$ $\hat{I}_{or}/I_{oc} = \text{ratio} + \text{TT}$ I_{oc} unchanged Test requirements should be applied for both the cells |
| 9.2.4H MIMO Performance - Fixed Reference Channel (FRC) H-set 11A Asymmetric CPICHS | $\frac{E_c}{I_{or}} -1.5$ dB $I_{oc} = -60$ dBm $\hat{I}_{or}/I_{oc} = 18$ dB | 0.1 dB for $\frac{E_c}{I_{or}}$ 0.8 dB for \hat{I}_{or}/I_{oc} | Formulas: $\frac{E_c}{I_{or}} = \text{ratio} + \text{TT}$ $\hat{I}_{or}/I_{oc} = \text{ratio} + \text{TT}$ I_{oc} unchanged Test requirements should be applied for both the cells |
| 9.3.1 Single Link Performance - AWGN propagation conditions | | No test tolerances applied | |
| 9.3.1A Single Link Performance - AWGN propagation conditions, 64QAM | | No test tolerances applied | |
| 9.3.1B Single Link Performance - AWGN Propagation Conditions, DC-HSDPA requirements | | No test tolerances applied | |
| 9.3.1BA Single Link Performance - AWGN Propagation Conditions, DB-DC-HSDPA requirements | | No test tolerances applied | |
| 9.3.1C Single Link Performance - AWGN Propagation Conditions, Periodically Varying Radio Conditions | | No test tolerances applied for test step 7 and 8. TT for the M-difference is 1 for test step 9. | 10 dB between I_{oc1} and I_{oc2} maps to 6 between medians M_1 and M_2 hence 0.6M per dB. 1dB linearity uncertainty maps to 0.6 M. Since M is integer, the M uncertainty is 1: TT for M is defined to 1 Formula: difference in medians M_1 and $M_2 = 6\text{-TT}$ |
| 9.3.2 Single Link Performance - Fading propagation conditions | | No test tolerances applied | |
| 9.3.2A Single Link Performance - Fading propagation conditions, DC-HSDPA requirements | | No test tolerances applied | |

| Test | Minimum Requirement in TS 25.101 | Test Tolerance (TT) | Test Requirement in TS 34.121 |
|---|----------------------------------|----------------------------|-------------------------------|
| 9.3.2AA Single Link Performance - Fading propagation conditions, DB-DC-HSDPA requirements | | No test tolerances applied | |
| 9.3.2B Single Link Performance - Fading propagation conditions, 64QAM | | No test tolerances applied | |
| 9.3.3 Open Loop Diversity Performance - AWGN propagation conditions | | No test tolerances applied | |
| 9.3.4 Open Loop Diversity Performance - Fading propagation conditions | | No test tolerances applied | |
| 9.3.5 Closed Loop Diversity Performance - AWGN propagation conditions | | No test tolerances applied | |
| 9.3.6 Closed Loop Diversity Performance - Fading propagation conditions | | No test tolerances applied | |
| 9.3.7A, MIMO performance – Reporting of Channel Quality indicator - Single stream fading conditions | | No test tolerances applied | |
| 9.3.7B MIMO performance – Reporting of Channel Quality indicator - Dual stream fading conditions | | No test tolerances applied | |
| 9.3.7C MIMO performance – Reporting of Channel Quality indicator - Dual stream fading conditions – UE categories 19-20 | | No test tolerances applied | |
| 9.3.7D MIMO performance – Reporting of Channel Quality indicator - Dual stream static orthogonal conditions – UE categories 15-20 | | No test tolerances applied | |
| 9.3.7E MIMO performance – Reporting of Channel Quality indicator - Dual stream static orthogonal conditions – UE categories 19-20 | | No test tolerances applied | |

| Test | Minimum Requirement in TS 25.101 | Test Tolerance (TT) | Test Requirement in TS 34.121 |
|---|--|---|--|
| 9.3.7F MIMO performance – Reporting of Channel Quality indicator - Single stream fading conditions – Asymmetric CPICHs | | No test tolerances applied | |
| 9.3.7G MIMO performance – Reporting of Channel Quality indicator - Dual stream fading conditions – Asymmetric CPICHs | | No test tolerances applied | |
| 9.3.7H MIMO performance – Reporting of Channel Quality indicator - Dual stream fading conditions– UE categories 19-20 – Asymmetric CPICHs | | No test tolerances applied | |
| 9.3.7I MIMO performance – Reporting of Channel Quality indicator - Dual stream static orthogonal conditions – UE categories 15-20 – Asymmetric CPICHs | | No test tolerances applied | |
| 9.3.7J MIMO performance – Reporting of Channel Quality indicator - Dual stream static orthogonal conditions – UE categories 19-20 – Asymmetric CPICHs | | No test tolerances applied | |
| 9.4.1 Single Link Performance | $\frac{E_c}{I_{or}}$ -9, -9.9 and -10 dB $I_{oc} = -60$ dBm $\hat{I}_{or}/I_{oc} = 0$ and 5 dB | 0.1 dB for $\frac{E_c}{I_{or}}$ 0.6 dB for \hat{I}_{or}/I_{oc} | Formulas: $\frac{E_c}{I_{or}} = \text{ratio} + \text{TT}$ $\hat{I}_{or}/I_{oc} = \text{ratio} + \text{TT}$ I_{oc} unchanged |
| 9.4.1A Single Link Performance - Enhanced Performance Requirements Type 1 | $\frac{E_c}{I_{or}}$ -12 and -15.6 dB $I_{oc} = -60$ dBm $\hat{I}_{or}/I_{oc} = 0$ dB | 0.1 dB for $\frac{E_c}{I_{or}}$ 0.6 dB for \hat{I}_{or}/I_{oc} | Formulas: $\frac{E_c}{I_{or}} = \text{ratio} + \text{TT}$ $\hat{I}_{or}/I_{oc} = \text{ratio} + \text{TT}$ I_{oc} unchanged |
| 9.4.2 Open loop diversity performance | $\frac{E_c}{I_{or}}$ -11.6, -13.4 and -11.5 dB $I_{oc} = -60$ dBm $\hat{I}_{or}/I_{oc} = 0$ and 5 dB | 0.1 dB for $\frac{E_c}{I_{or}}$ 0.8 dB for \hat{I}_{or}/I_{oc} | Formulas: $\frac{E_c}{I_{or}} = \text{ratio} + \text{TT}$ $\hat{I}_{or}/I_{oc} = \text{ratio} + \text{TT}$ I_{oc} unchanged |

| Test | Minimum Requirement in TS 25.101 | Test Tolerance (TT) | Test Requirement in TS 34.121 |
|---|---|---|--|
| 9.4.2A Open loop diversity performance – Enhanced Performance Requirements Type 1 | $\frac{E_c}{I_{or}}$ -15.2 and -16.4 dB $I_{OC} = -60$ dBm $\hat{I}_{or}/I_{oc} = 0$ dB | 0.1 dB for $\frac{E_c}{I_{or}}$ 0.8 dB for \hat{I}_{or}/I_{oc} | Formulas: $\frac{E_c}{I_{or}} = \text{ratio} + \text{TT}$ $\hat{I}_{or}/I_{oc} = \text{ratio} + \text{TT}$ I_{OC} unchanged |
| 9.4.3 HS-SCCH Type 3 performance | $\frac{E_c}{I_{or}}$ -14.7, -15.6, -16 and -16.8 dB $I_{OC} = -60$ dBm $\hat{I}_{or}/I_{oc} = 0$ dB | 0.1 dB for $\frac{E_c}{I_{or}}$ 0.8 dB for \hat{I}_{or}/I_{oc} | Formulas: $\frac{E_c}{I_{or}} = \text{ratio} + \text{TT}$ $\hat{I}_{or}/I_{oc} = \text{ratio} + \text{TT}$ I_{OC} unchanged |
| 9.4.3A HS-SCCH Type 3 Performance -STTD disabled- Asymmetric CPICHs | $\frac{E_c}{I_{or}}$ -12.3, -14.9, -11.4 and -14.2 dB $I_{OC} = -60$ dBm $\hat{I}_{or}/I_{oc} = 0$ dB | 0.1 dB for $\frac{E_c}{I_{or}}$ 0.8 dB for \hat{I}_{or}/I_{oc} | Formulas: $\frac{E_c}{I_{or}} = \text{ratio} + \text{TT}$ $\hat{I}_{or}/I_{oc} = \text{ratio} + \text{TT}$ I_{OC} unchanged |
| 9.4.3B HS-SCCH Type 3 Performance -STTD enabled- Asymmetric CPICHs | $\frac{E_c}{I_{or}}$ -15.3, -16.7, -14.4 and -15.8 dB $I_{OC} = -60$ dBm $\hat{I}_{or}/I_{oc} = 0$ dB | 0.1 dB for $\frac{E_c}{I_{or}}$ 0.8 dB for \hat{I}_{or}/I_{oc} | Formulas: $\frac{E_c}{I_{or}} = \text{ratio} + \text{TT}$ $\hat{I}_{or}/I_{oc} = \text{ratio} + \text{TT}$ I_{OC} unchanged |
| 9.4.4 HS-SCCH Type 3 performance for MIMO only with single-stream restriction | $\frac{E_c}{I_{or}}$ -8.9, -11.0, -15.6 and -16.8 dB $I_{OC} = -60$ dBm $\hat{I}_{or}/I_{oc} = 0$ dB | 0.1 dB for $\frac{E_c}{I_{or}}$ 0.8 dB for \hat{I}_{or}/I_{oc} | Formulas: $\frac{E_c}{I_{or}} = \text{ratio} + \text{TT}$ $\hat{I}_{or}/I_{oc} = \text{ratio} + \text{TT}$ I_{OC} unchanged |
| 9.4.4A HS-SCCH Type 3 performance for MIMO only with single-stream restriction- Enhanced Performance Requirements Type1 | $\frac{E_c}{I_{or}}$ -15.6 and -16.8 dB $I_{OC} = -60$ dBm $\hat{I}_{or}/I_{oc} = 0$ dB | 0.1 dB for $\frac{E_c}{I_{or}}$ 0.8 dB for \hat{I}_{or}/I_{oc} | Formulas: $\frac{E_c}{I_{or}} = \text{ratio} + \text{TT}$ $\hat{I}_{or}/I_{oc} = \text{ratio} + \text{TT}$ I_{OC} unchanged |

| Test | Minimum Requirement in TS 25.101 | Test Tolerance (TT) | Test Requirement in TS 34.121 |
|---|--|---|--|
| 9.4.4B HS-SCCH Type 3 Performance for MIMO only with single-stream restriction-STTD disabled-asymmetric CPICHs | $\frac{E_c}{I_{or}}$ -11.0, -8.7, -12.3 and -14.9 dB $I_{OC} = -60$ dBm $\hat{I}_{or}/I_{OC} = 0$ dB | 0.1 dB for $\frac{E_c}{I_{or}}$ 0.8 dB for \hat{I}_{or}/I_{OC} | Formulas: $\frac{E_c}{I_{or}} = \text{ratio} + \text{TT}$ $\hat{I}_{or}/I_{OC} = \text{ratio} + \text{TT}$ I_{OC} unchanged |
| 9.4.4C HS-SCCH Type 3 Performance for MIMO only with single-stream restriction-STTD disabled-asymmetric CPICHs-Enhanced Performance Requirements Type 1 | $\frac{E_c}{I_{or}}$ -12.3 and -14.9 dB $I_{OC} = -60$ dBm $\hat{I}_{or}/I_{OC} = 0$ dB | 0.1 dB for $\frac{E_c}{I_{or}}$ 0.8 dB for \hat{I}_{or}/I_{OC} | Formulas: $\frac{E_c}{I_{or}} = \text{ratio} + \text{TT}$ $\hat{I}_{or}/I_{OC} = \text{ratio} + \text{TT}$ I_{OC} unchanged |
| 9.4.4D HS-SCCH Type 3 Performance for MIMO only with single-stream restriction-STTD enabled-asymmetric CPICHs | $\frac{E_c}{I_{or}}$ -8.4, -11.1, -15.3 and -16.7 dB $I_{OC} = -60$ dBm $\hat{I}_{or}/I_{OC} = 0$ dB | 0.1 dB for $\frac{E_c}{I_{or}}$ 0.8 dB for \hat{I}_{or}/I_{OC} | Formulas: $\frac{E_c}{I_{or}} = \text{ratio} + \text{TT}$ $\hat{I}_{or}/I_{OC} = \text{ratio} + \text{TT}$ I_{OC} unchanged |
| 9.4.4E HS-SCCH Type 3 Performance for MIMO only with single-stream restriction-STTD enabled-asymmetric CPICHs-Enhanced Performance Requirements Type 1 | $\frac{E_c}{I_{or}}$ -15.3 and -16.7 dB $I_{OC} = -60$ dBm $\hat{I}_{or}/I_{OC} = 0$ dB | 0.1 dB for $\frac{E_c}{I_{or}}$ 0.8 dB for \hat{I}_{or}/I_{OC} | Formulas: $\frac{E_c}{I_{or}} = \text{ratio} + \text{TT}$ $\hat{I}_{or}/I_{OC} = \text{ratio} + \text{TT}$ I_{OC} unchanged |
| 9.5.1 HS-SCCH-less demodulation of HS-DSCH | $\frac{E_c}{I_{or}}$ -6 dB $I_{OC} = -60$ dBm $\hat{I}_{or}/I_{OC} = 0$ dB | 0.1 dB for $\frac{E_c}{I_{or}}$ 0.6 dB for \hat{I}_{or}/I_{OC} | Formulas: $\frac{E_c}{I_{or}} = \text{ratio} + \text{TT}$ $\hat{I}_{or}/I_{OC} = \text{ratio} + \text{TT}$ I_{OC} unchanged |
| 9.5.1A HS-SCCH-less demodulation of HS-DSCH, Enhanced Performance Requirements Type 1 | $\frac{E_c}{I_{or}}$ -9 dB $I_{OC} = -60$ dBm $\hat{I}_{or}/I_{OC} = 0$ dB | 0.1 dB for $\frac{E_c}{I_{or}}$ 0.6 dB for \hat{I}_{or}/I_{OC} | Formulas: $\frac{E_c}{I_{or}} = \text{ratio} + \text{TT}$ $\hat{I}_{or}/I_{OC} = \text{ratio} + \text{TT}$ I_{OC} unchanged |
| 9.6.1 Single link HS-DSCH Demodulation performance in CELL_FACH state | $\frac{E_c}{I_{or}}$ -6 dB $I_{OC} = -60$ dBm $\hat{I}_{or}/I_{OC} = 0$ dB | 0.1 dB for $\frac{E_c}{I_{or}}$ 0.6 dB for \hat{I}_{or}/I_{OC} | Formulas: $\frac{E_c}{I_{or}} = \text{ratio} + \text{TT}$ $\hat{I}_{or}/I_{OC} = \text{ratio} + \text{TT}$ I_{OC} unchanged |
| 9.6.2 Single link HS-SCCH Detection performance in CELL_FACH state | $\frac{E_c}{I_{or}}$ -10 dB $I_{OC} = -60$ dBm $\hat{I}_{or}/I_{OC} = 0$ dB | 0.1 dB for $\frac{E_c}{I_{or}}$ 0.6 dB for \hat{I}_{or}/I_{OC} | Formulas: $\frac{E_c}{I_{or}} = \text{ratio} + \text{TT}$ $\hat{I}_{or}/I_{OC} = \text{ratio} + \text{TT}$ I_{OC} unchanged |

F.4.6 Performance requirements (E-DCH)

Table F.4.6: Derivation of Test Requirements (Performance tests E-DCH)

| Test | Minimum Requirement in TS 25.101 | Test Tolerance (TT) | Test Requirement in TS 34.121 |
|--|--|--|---|
| 10.2.1.1 Detection of E-DCH HARQ ACK Indicator Channel (E-HICH) Single Link Performance (10 ms TTI) | E-HICH_Ec/lor = -35.1 dB $I_{oc} = -60$ dBm $\hat{I}_{or}/I_{oc} = 0$ dB | 0.1 dB for E-HICH_Ec/lor 0.6 dB for \hat{I}_{or}/I_{oc} | Formulas: E-HICH_Ec/lor = ratio + TT $\hat{I}_{or}/I_{oc} = \text{ratio} + \text{TT}$ I_{oc} unchanged |
| 10.2.1.1A Detection of E-DCH HARQ ACK Indicator Channel (E-HICH) Single Link Performance (10 ms TTI, Type 1) | E-HICH_Ec/lor = -38.1 dB $I_{oc} = -60$ dBm $\hat{I}_{or}/I_{oc} = 0$ dB | 0.1 dB for E-HICH_Ec/lor 0.6 dB for \hat{I}_{or}/I_{oc} | Formulas: E-HICH_Ec/lor = ratio + TT $\hat{I}_{or}/I_{oc} = \text{ratio} + \text{TT}$ I_{oc} unchanged |
| 10.2.1.2 Detection of E-DCH HARQ ACK Indicator Channel (E-HICH) Single Link Performance (2 ms TTI) | E-HICH_Ec/lor = -28.3 dB $I_{oc} = -60$ dBm $\hat{I}_{or}/I_{oc} = 0$ dB | 0.1 dB for E-HICH_Ec/lor 0.6 dB for \hat{I}_{or}/I_{oc} | Same as in 10.2.1.1 |
| 10.2.1.2A Detection of E-DCH HARQ ACK Indicator Channel (E-HICH) Single Link Performance (2 ms TTI, Type 1) | E-HICH_Ec/lor = -31.7 dB $I_{oc} = -60$ dBm $\hat{I}_{or}/I_{oc} = 0$ dB | 0.1 dB for E-HICH_Ec/lor 0.6 dB for \hat{I}_{or}/I_{oc} | Same as in 10.2.1.1 |
| 10.2.2.1.1 Detection of E-DCH HARQ ACK Indicator Channel (E-HICH) in Inter-Cell handover conditions – RLS not containing the serving E-DCH cell (10 ms TTI) | E-HICH_Ec/lor = -23.6 dB $I_{oc} = -60$ dBm $\hat{I}_{or1}/I_{oc} = 0$ dB $\hat{I}_{or2}/I_{oc} = 0$ dB | 0.1 dB for E-HICH_Ec/lor 0.6 dB for \hat{I}_{or1}/I_{oc} and \hat{I}_{or2}/I_{oc} | Formulas: E-HICH_Ec/lor = ratio + TT $\hat{I}_{or1}/I_{oc} = \text{ratio} + \text{TT}$ $\hat{I}_{or2}/I_{oc} = \text{ratio} + \text{TT}$ I_{oc} unchanged |
| 10.2.2.1.1A Detection of E-DCH HARQ ACK Indicator Channel (E-HICH) in Inter-Cell handover conditions – RLS not containing the serving E-DCH cell (10 ms TTI, Type 1) | E-HICH_Ec/lor = -27.8 dB $I_{oc} = -60$ dBm $\hat{I}_{or1}/I_{oc} = 0$ dB $\hat{I}_{or2}/I_{oc} = 0$ dB | 0.1 dB for E-HICH_Ec/lor 0.6 dB for \hat{I}_{or1}/I_{oc} and \hat{I}_{or2}/I_{oc} | Formulas: E-HICH_Ec/lor = ratio + TT $\hat{I}_{or1}/I_{oc} = \text{ratio} + \text{TT}$ $\hat{I}_{or2}/I_{oc} = \text{ratio} + \text{TT}$ I_{oc} unchanged |
| 10.2.2.1.2 Detection of E-DCH HARQ ACK Indicator Channel (E-HICH) in Inter-Cell handover conditions – RLS not containing the serving E-DCH cell (2 ms TTI) | E-HICH_Ec/lor = -16.3 dB $I_{oc} = -60$ dBm $\hat{I}_{or1}/I_{oc} = 0$ dB $\hat{I}_{or2}/I_{oc} = 0$ dB | 0.1 dB for E-HICH_Ec/lor 0.6 dB for \hat{I}_{or1}/I_{oc} and \hat{I}_{or2}/I_{oc} | Same as 10.2.2.1.1 |
| 10.2.2.1.2A Detection of E-DCH HARQ ACK Indicator Channel (E-HICH) in Inter-Cell handover conditions – RLS not containing the serving E-DCH cell (2 ms TTI, Type 1) | E-HICH_Ec/lor = -20.6 dB $I_{oc} = -60$ dBm $\hat{I}_{or1}/I_{oc} = 0$ dB $\hat{I}_{or2}/I_{oc} = 0$ dB | 0.1 dB for E-HICH_Ec/lor 0.6 dB for \hat{I}_{or1}/I_{oc} and \hat{I}_{or2}/I_{oc} | Same as 10.2.2.1.1 |

| Test | Minimum Requirement in TS 25.101 | Test Tolerance (TT) | Test Requirement in TS 34.121 |
|--|--|--|---|
| 10.2.2.2.1 Detection of E-DCH HARQ ACK Indicator Channel (E-HICH) in Inter-Cell handover conditions – RLS containing the serving E-DCH cell (10 ms TTI) | E-HICH_Ec/lor = -29.7 dB $I_{oc} = -60$ dBm $\hat{I}_{or1}/I_{oc} = 0$ dB $\hat{I}_{or2}/I_{oc} = 0$ dB | 0.1 dB for E-HICH_Ec/lor 0.6 dB for \hat{I}_{or1}/I_{oc} and \hat{I}_{or2}/I_{oc} | Same as 10.2.2.1.1 |
| 10.2.2.2.1A Detection of E-DCH HARQ ACK Indicator Channel (E-HICH) in Inter-Cell handover conditions – RLS containing the serving E-DCH cell (10 ms TTI, Type 1) | E-HICH_Ec/lor = -33.4 dB $I_{oc} = -60$ dBm $\hat{I}_{or1}/I_{oc} = 0$ dB $\hat{I}_{or2}/I_{oc} = 0$ dB | 0.1 dB for E-HICH_Ec/lor 0.6 dB for \hat{I}_{or1}/I_{oc} and \hat{I}_{or2}/I_{oc} | Same as 10.2.2.1.1 |
| 10.2.2.2.2 Detection of E-DCH HARQ ACK Indicator Channel (E-HICH) in Inter-Cell handover conditions – RLS containing the serving E-DCH cell (2 ms TTI) | E-HICH_Ec/lor = -23.2 dB $I_{oc} = -60$ dBm $\hat{I}_{or1}/I_{oc} = 0$ dB $\hat{I}_{or2}/I_{oc} = 0$ dB | 0.1 dB for E-HICH_Ec/lor 0.6 dB for \hat{I}_{or1}/I_{oc} and \hat{I}_{or2}/I_{oc} | Same as 10.2.2.1.1 |
| 10.2.2.2.2A Detection of E-DCH HARQ ACK Indicator Channel (E-HICH) in Inter-Cell handover conditions – RLS containing the serving E-DCH cell (2 ms TTI, Type 1) | E-HICH_Ec/lor = -27.1 dB $I_{oc} = -60$ dBm $\hat{I}_{or1}/I_{oc} = 0$ dB $\hat{I}_{or2}/I_{oc} = 0$ dB | 0.1 dB for E-HICH_Ec/lor 0.6 dB for \hat{I}_{or1}/I_{oc} and \hat{I}_{or2}/I_{oc} | Same as 10.2.2.1.1 |
| 10.3.1.1 Detection of E-DCH Relative Grant Channel (E-RGCH) Single Link Performance (10 ms TTI) | E-RGCH_Ec/lor = -31 dB $I_{oc} = -60$ dBm $\hat{I}_{or}/I_{oc} = 0$ dB | 0.1 dB for E-RGCH_Ec/lor 0.6 dB for \hat{I}_{or}/I_{oc} | Formulas: E-RGCH_Ec/lor = ratio + TT $\hat{I}_{or}/I_{oc} = \text{ratio} + \text{TT}$ I_{oc} unchanged |
| 10.3.1.1A Detection of E-DCH Relative Grant Channel (E-RGCH) Single Link Performance (10 ms TTI, Type 1) | E-RGCH_Ec/lor = -35 dB $I_{oc} = -60$ dBm $\hat{I}_{or}/I_{oc} = 0$ dB | 0.1 dB for E-RGCH_Ec/lor 0.6 dB for \hat{I}_{or}/I_{oc} | Formulas: E-RGCH_Ec/lor = ratio + TT $\hat{I}_{or}/I_{oc} = \text{ratio} + \text{TT}$ I_{oc} unchanged |
| 10.3.1.2 Detection of E-DCH Relative Grant Channel (E-RGCH) Single Link Performance (2 ms TTI) | E-RGCH_Ec/lor = -24.4 dB $I_{oc} = -60$ dBm $\hat{I}_{or}/I_{oc} = 0$ dB | 0.1 dB for E-RGCH_Ec/lor 0.6 dB for \hat{I}_{or}/I_{oc} | Same as 10.3.1.1 |
| 10.3.1.2A Detection of E-DCH Relative Grant Channel (E-RGCH) Single Link Performance (2 ms TTI, Type 1) | E-RGCH_Ec/lor = -28.6 dB $I_{oc} = -60$ dBm $\hat{I}_{or}/I_{oc} = 0$ dB | 0.1 dB for E-RGCH_Ec/lor 0.6 dB for \hat{I}_{or}/I_{oc} | Same as 10.3.1.1 |
| 10.3.2 Detection of E-DCH Relative Grant Channel (E-RGCH) in Inter-Cell Handover conditions | E-RGCH_Ec/lor = -27.3 dB $I_{oc} = -60$ dBm $\hat{I}_{or1}/I_{oc} = 0$ dB $\hat{I}_{or2}/I_{oc} = 0$ dB | 0.1 dB for E-RGCH_Ec/lor 0.6 dB for \hat{I}_{or1}/I_{oc} and \hat{I}_{or2}/I_{oc} | Formulas: E-RGCH_Ec/lor = ratio + TT $\hat{I}_{or1}/I_{oc} = \text{ratio} + \text{TT}$ $\hat{I}_{or2}/I_{oc} = \text{ratio} + \text{TT}$ I_{oc} unchanged |

| Test | Minimum Requirement in TS 25.101 | Test Tolerance (TT) | Test Requirement in TS 34.121 |
|---|--|--|---|
| 10.3.2A Detection of E-DCH Relative Grant Channel (E-RGCH) in Inter-Cell Handover conditions (Type 1) | $E\text{-RGCH_Ec/lor} = -31.2 \text{ dB}$ $I_{oc} = -60 \text{ dBm}$ $\hat{I}_{or1}/I_{oc} = 0 \text{ dB}$ $\hat{I}_{or2}/I_{oc} = 0 \text{ dB}$ | 0.1 dB for E-RGCH_Ec/lor 0.6 dB for \hat{I}_{or1}/I_{oc} and \hat{I}_{or2}/I_{oc} | Formulas: $E\text{-RGCH_Ec/lor} = \text{ratio} + \text{TT}$ $\hat{I}_{or1}/I_{oc} = \text{ratio} + \text{TT}$ $\hat{I}_{or2}/I_{oc} = \text{ratio} + \text{TT}$ I_{oc} unchanged |
| 10.4.1 Demodulation of E-DCH Absolute Grant Channel (E-AGCH) Single Link Performance | $E\text{-AGCH_Ec/lor} = -23.2 \text{ dB}$ $I_{oc} = -60 \text{ dBm}$ $\hat{I}_{or}/I_{oc} = 0 \text{ dB}$ | 0.1 dB for E-AGCH_Ec/lor 0.6 dB for \hat{I}_{or}/I_{oc} | Formulas: $E\text{-AGCH_Ec/lor} = \text{ratio} + \text{TT}$ $\hat{I}_{or}/I_{oc} = \text{ratio} + \text{TT}$ I_{oc} unchanged |
| 10.4.1A Demodulation of E-DCH Absolute Grant Channel (E-AGCH) Single Link Performance (Type 1) | $E\text{-AGCH_Ec/lor} = -26.8 \text{ dB}$ $I_{oc} = -60 \text{ dBm}$ $\hat{I}_{or}/I_{oc} = 0 \text{ dB}$ | 0.1 dB for E-AGCH_Ec/lor 0.6 dB for \hat{I}_{or}/I_{oc} | Formulas: $E\text{-AGCH_Ec/lor} = \text{ratio} + \text{TT}$ $\hat{I}_{or}/I_{oc} = \text{ratio} + \text{TT}$ I_{oc} unchanged |

F.4.7 Performance requirements (MBMS)

Table F.4.7: Derivation of Test Requirements (Performance tests MBMS)

| Test | Minimum Requirement in TS 25.101 | Test Tolerance (TT) | Test Requirement in TS 34.121 |
|---|--|--|---|
| 11.2 Demodulation of MTCH | S-CCPCH_Ec/Ior = -4.9, -5.6, -8.5 dB | 0.1 dB for S-CCPCH_Ec/Ior ratio 0.6 dB for \hat{I}_{or1}/I_{oc} 0.6 dB for \hat{I}_{or2}/I_{oc} 0.6 dB for \hat{I}_{or3}/I_{oc} | Formulas: S-CCPCH_Ec/Ior = ratio + TT I_{oc} unchanged \hat{I}_{or1}/I_{oc} = ratio + TT \hat{I}_{or2}/I_{oc} = ratio + TT \hat{I}_{or3}/I_{oc} = ratio + TT |
| 11.2A Demodulation of MTCH - Enhanced Performance Requirements Type 1 | S-CCPCH_Ec/Ior = -7.7, -8.7, -11.5 dB | 0.1 dB for S-CCPCH_Ec/Ior ratio 0.6 dB for \hat{I}_{or1}/I_{oc} 0.6 dB for \hat{I}_{or2}/I_{oc} 0.6 dB for \hat{I}_{or3}/I_{oc} | Formulas: S-CCPCH_Ec/Ior = ratio + TT I_{oc} unchanged \hat{I}_{or1}/I_{oc} = ratio + TT \hat{I}_{or2}/I_{oc} = ratio + TT \hat{I}_{or3}/I_{oc} = ratio + TT |
| 11.3 Demodulation of MTCH and cell identification | S-CCPCH_Ec/Ior = -5.6 dB Stage 1: I_{oc} = -70 dB \hat{I}_{or1}/I_{oc} = -3 dB \hat{I}_{or2}/I_{oc} = -3 dB \hat{I}_{or3}/I_{oc} = -infinity Stage 2: I_{oc} = -73 dB \hat{I}_{or1}/I_{oc} = 0 dB \hat{I}_{or2}/I_{oc} = 0 dB \hat{I}_{or3}/I_{oc} = 0 dB Stage 3: I_{oc} = -70 dB \hat{I}_{or1}/I_{oc} = -3 dB \hat{I}_{or2}/I_{oc} = -infinity \hat{I}_{or3}/I_{oc} = -3 dB | 0.1 dB for S-CCPCH_Ec/Ior ratio 0.6 dB for \hat{I}_{or1}/I_{oc} 0.6 dB for \hat{I}_{or2}/I_{oc} 0.6 dB for \hat{I}_{or3}/I_{oc} | Formulas: S-CCPCH_Ec/Ior = ratio + TT I_{oc} unchanged \hat{I}_{or1}/I_{oc} = ratio + TT \hat{I}_{or2}/I_{oc} = ratio + TT \hat{I}_{or3}/I_{oc} = ratio + TT |

F.5 Acceptable uncertainty of Test Equipment (This clause is informative)

This informative clause specifies the critical parameters of the components of an overall Test System (e.g. Signal generators, Signal Analysers etc.) which are necessary when assembling a Test System that complies with clause F.1 Acceptable Uncertainty of Test System. These Test Equipment parameters are fundamental to the accuracy of the overall Test System and are unlikely to be improved upon through System Calibration.

F.5.1 Transmitter measurements

Table F.5.1: Equipment accuracy for transmitter measurements

| Test | Equipment accuracy | Test conditions |
|--|--|---|
| 5.2 Maximum Output Power | Not critical | 19 to 25 dBm |
| 5.2A Maximum Output Power with HS-DPCCH (Release 5 only) | Not critical | 19 to 25 dBm |
| 5.2AA Maximum Output Power with HS-DPCCH (Release 6 and later) | Not critical | 19 to 25 dBm |
| 5.2B Maximum Output Power with HS-DPCCH and E-DCH | Not critical | 19 to 25 dBm |
| 5.2C UE relative code domain power accuracy | For 0 dB \geq -10 dB CDP \pm 0.2 dB For -10 dB \geq -15 dB CDP \pm 0.3 dB For -15 dB \geq -20 dB CDP \pm 0.4 dB | -10 to 10 dBm |
| 5.2D UE Relative Code Domain Power Accuracy with HS-DPCCH and E-DCH | For 0 dB \geq -10 dB CDP \pm 0.2 dB For -10 dB \geq -15 dB CDP \pm 0.3 dB For -15 dB \geq -20 dB CDP \pm 0.4 dB | -10 to 10 dBm |
| 5.2E UE Relative Code Domain Power Accuracy for HS-DPCCH and E-DCH with 16QAM | For 0 dB \geq -10 dB CDP \pm 0.2 dB For -10 dB \geq -15 dB CDP \pm 0.3 dB For -15 dB \geq -20 dB CDP \pm 0.4 dB For -20 dB \geq -30 dB CDP \pm 0.5 dB | -10 to 10 dBm |
| 5.3 Frequency error | \pm 10 Hz | 0 to 500 Hz. |
| 5.4.1 Open loop power control in uplink | Not critical | -43.7 dBm to 25 dBm |
| 5.4.2 Inner loop power control in the uplink | \pm 0.1 dB relative over a 1.5 dB range \pm 0.15 dB relative over a 3.0 dB range \pm 0.2 dB relative over a 4.5 dB range \pm 0.3 dB relative over a 26 dB range | +25 dBm to -50 dBm |
| 5.4.3 Minimum Output Power | Not critical | |
| 5.4.4 Out-of-synchronisation handling of output power: $\frac{DPCCH_E_c}{I_{or}}$ | \pm 0.1 dB uncertainty in DPCCH_Ec/Ior ratio | Ratio from -16.6 dB to -28 dB |
| 5.4.4A Out-of-synchronisation handling of output power for a UE which supports type 1 for DCH: $\frac{DPCCH_E_c}{I_{or}}$ | \pm 0.1 dB uncertainty in DPCCH_Ec/Ior ratio | Ratio from -19.6 dB to -31 dB |
| 5.5.1 Transmit ON/OFF Power: UE transmit OFF power | Not critical | -56 dBm (static power) |
| 5.5.2 Transmit ON/OFF Power: transmit ON/OFF time mask | TBD | -56 dBm (dynamic power over approx. 70 dB range) |
| 5.6 Change of TFC: power control step size | \pm 0.3 dB relative over a 9 dB range | +25 dBm to -50 dBm |
| 5.7 Power setting in uplink compressed mode:-UE output power | Subset of 5.4.2 | +25 dBm to -50 dBm |
| 5.7A HS-DPCCH | \pm 0.1 dB relative over a 1.5 dB range \pm 0.15 dB relative over a 3.0 dB range \pm 0.2 dB relative over a 4.5 dB range \pm 0.3 dB relative over a 26 dB range | +25 dBm to -50 dBm |
| 5.8 Occupied Bandwidth | \pm 100 kHz | For results between 4 and 6 MHz? |
| 5.9 Spectrum emission mask | Not critical | P_Max Accuracy applies \pm 5 dB either side of UE requirements |
| 5.9A Spectrum emission mask with HS-DPCCH | Not critical | P_Max Accuracy applies \pm 5 dB either side of UE requirements |
| 5.9B Spectrum emission mask with E-DCH | Not critical | P_Max Accuracy applies \pm 5 dB either side of UE requirements |

| | | |
|--|---|---|
| 5.10 ACLR | 5 MHz offset ± 0.8 dB 10 MHz offset ± 0.8 dB | 19 to 25 dBm at 5 MHz offset for results between 40 dB and 50 dB. 25 dBm at 10 MHz offset for results between 45 dB and 55 dB. |
| 5.10A ACLR with HS-DPCCH | 5 MHz offset ± 0.8 dB 10 MHz offset ± 0.8 dB | 19 to 25 dBm at 5 MHz offset for results between 40 dB and 50 dB. 25 dBm at 10 MHz offset for results between 45 dB and 55 dB. |
| 5.10B ACLR with E-DCH | 5 MHz offset ± 0.8 dB 10 MHz offset ± 0.8 dB | 19 to 25 dBm at 5 MHz offset for results between 40 dB and 50 dB. 25 dBm at 10 MHz offset for results between 45 dB and 55 dB. |
| 5.10C ACLR with E-DCH for DC-HSUPA | 7.5 MHz offset ± 0.8 dB 12.5 MHz offset ± 0.8 dB | 19 to 25 dBm at 7.5 MHz offset for results between 40 dB and 50 dB. 25 dBm at 12.5 MHz offset for results between 45 dB and 55 dB. |
| 5.11 Spurious emissions | Not critical | 19 to 25 dBm |
| 5.11A Spurious emissions for DC-HSUPA | Not critical | 19 to 25 dBm |
| 5.12 Transmit Intermodulation | Not critical | 19 to 25 dBm |
| 5.12A Transmit Intermodulation for DC-HSUPA | Not critical | 19 to 25 dBm |
| 5.13.1 Transmit modulation: EVM | ± 2.5 % (for single code) | 25 dBm to -21 dBm |
| 5.13.1A Transmit modulation: EVM with HS-DPCCH | ± 2.5 % (for single code) | 25 dBm to -21 dBm |
| 5.13.1AAA EVM and IQ origin offset for HS-DPCCH with E-DCH with 16 QAM | ± 0.5 dB (for IQ origin offset) | UE transmitted power = -28 dB ± 2 dB |
| 5.13.2 Transmit modulation: peak code domain error | ± 1.0 dB | For readings between -10 dB to -20 dB. |
| 5.13.2A Relative Code Domain Error | ± 0.5 dB | Effective Code Domain Power > -30 dB Nominal Code Domain Power > -20 dB |
| 5.13.2B Relative Code Domain Error with HS-DPCCH and E-DCH | ± 0.5 dB | Effective Code Domain Power > -30 dB Nominal Code Domain Power > -20 dB |
| 5.13.2C Relative Code Domain Error for HS-DPCCH and E-DCH with 16QAM | ± 0.5 dB | Effective Code Domain Power > -30 dB Nominal Code Domain Power > -30 dB |
| 5.13.3 UE phase discontinuity | ± 10 Hz for Frequency error | $+25$ dBm to -50 dBm |
| | ± 2.5 % for EVM (for single code) | $+25$ dBm to -20 dBm |
| | 6 degree for Phase discontinuity | $+25$ dBm to -50 dBm |
| 5.13.4 PRACH preamble quality (EVM) | ± 2.5 % | 25 dBm to -21 dBm |
| 5.13.4 PRACH preamble quality (Frequency error) | ± 10 Hz | 0 to 500 Hz. |

F.5.2 Receiver measurements

Table F.5.2: Equipment accuracy for receiver measurements

| Clause | Equipment accuracy | Test conditions |
|--|--------------------|-----------------|
| 6.2 Reference sensitivity level | Not critical | |
| 6.2A Reference sensitivity level for DC-HSDPA | Not critical | |
| 6.2B Reference sensitivity level for DB-DC-HSDPA | Not critical | |
| 6.2C Reference sensitivity level for single band 4C-HSDPA | Not critical | |
| 6.2D Reference sensitivity level for Dual band 4C-HSDPA | Not critical | |
| 6.3 Maximum input level: | Not critical | |
| 6.3A Maximum Input Level for HS-PDSCH Reception (16QAM) | Not critical | |
| 6.3B Maximum Input Level for HS-PDSCH Reception (64QAM) | Not critical | |
| 6.3C Maximum Input Level for DC-HSDPA Reception (16QAM) | Not critical | |
| 6.3D Maximum Input Level for DC-HSDPA Reception (64QAM) | Not critical | |
| 6.3E Maximum Input Level for DB-DC-HSDPA Reception (16QAM) | Not critical | |
| 6.3F Maximum Input Level for DB-DC-HSDPA Reception (64QAM) | Not critical | |
| 6.3G Maximum Input Level for 4C-HSDPA Reception (16QAM) | Not critical | |
| 6.3H Maximum Input Level for 4C-HSDPA Reception (64QAM) | Not critical | |
| 6.4 Adjacent channel selectivity (Rel-99 and Rel-4) | Not critical | |
| 6.4A Adjacent channel selectivity (Rel-5 and later releases) | Not critical | |
| 6.4B Adjacent channel selectivity (ACS) for DC-HSDPA | Not critical | |
| 6.4C Adjacent channel selectivity (ACS) for DB-DC-HSDPA | Not critical | |
| 6.5 Blocking characteristics | Not critical | |
| 6.5A Blocking characteristics for DC-HSDPA | Not critical | |
| 6.5B Blocking characteristics for DB-DC-HSDPA | Not critical | |
| 6.5D Blocking Characteristics for single Uplink Single band 4C-HSDPA | Not critical | |
| 6.5E Blocking Characteristics for dual Uplink Single band 4C-HSDPA | Not critical | |
| 6.5F Blocking Characteristics for single Uplink Dual band 4C-HSDPA | Not critical | |
| 6.5G Blocking Characteristics for dual Uplink Dual band 4C-HSDPA | Not critical | |
| 6.6 Spurious Response | Not critical | |
| 6.6A Spurious Response for DC-HSDPA | Not critical | |
| 6.6B Spurious Response for DB-DC-HSDPA | Not critical | |
| 6.6C Spurious Response for single band 4C-HSDPA | Not critical | |
| 6.6D Spurious Response for dual band 4C-HSDPA | Not critical | |
| 6.7 Intermod Characteristics | Not critical | |
| 6.7A Intermodulation Characteristics for DC-HSDPA | Not critical | |
| 6.7B Intermodulation Characteristics for DB-DC-HSDPA | Not critical | |

| | | |
|---|--------------|--|
| 6.7D Intermodulation Characteristics for single uplink single band 4C-HSDPA | Not critical | |
| 6.7E Intermodulation Characteristics for single uplink dual band 4C-HSDPA | Not critical | |
| 6.8 Spurious emissions | Not critical | |

F.5.3 Performance measurements

Table F.5.3: Equipment accuracy for performance measurements

| Clause | Equipment accuracy | Test conditions |
|-------------|--|--------------------|
| 7.2 to 7.10 | $\frac{DPCH_E_c}{I_{or}} \pm 0.1$ dB | -2.2 to -21.8 dB |
| 7.13 | $\pm[0.3]$ dB relative over 4 dB range | +25 dBm to -50 dBm |

F.5.4 Requirements for support of RRM

Table F.5.4: Equipment accuracy for RRM

| Clause | Equipment accuracy | Test conditions |
|--|---|-----------------|
| 8.2.2 to 8.7.8 | any_Ec/lor ± 0.1 dB lor//loc ± 0.3 dB loc1/loc2 ± 0.3 dB loc ± 1.0 dB RXLEV ± 1.0 dB loc/ RXLEV ± 0.5 dB | |
| 8.4.2.1A Correct behaviour when receiving an ACK (Release 6 and later) | PRACH timing error ± 0.5 chips | ± 10 chips |

F.5.5 Performance measurements (HSDPA)

Table F.5.5: Equipment accuracy for performance measurements (HSDPA)

| Clause | Equipment accuracy | Test conditions |
|---|--|--|
| 9.2.1A to 9.2.1DB Single Link Performance | $\frac{E_c}{I_{or}}$ ± 0.1 dB | -12, -9, -6 and -3 dB |
| 9.2.1LA Enhanced Performance Requirements Type 3i - QPSK, Fixed Reference Channel (FRC) H-Set 6A | Time alignment between DC-HSDPA cells: $\pm \frac{1}{2}$ chip The (0 ns / 0 dB)-tap in the faded signal shall be (equally timed $\pm \frac{1}{2}$ chip) compared to the delayed signal. Critical! | |
| 9.2.2A to 9.2.2E Open loop diversity performance | Same as 9.2.1A | Same as 9.2.1A |
| 9.2.3A to 9.2.3E Closed loop diversity performance | Same as 9.2.1A | Same as 9.2.1A |
| 9.2.4A to 9.2.4H MIMO performance | Same as 9.2.1A | -1.5, -2 dB |
| 9.3.1 Single Link Performance - AWGN propagation conditions | Same as 9.2.1A | |
| 9.3.1A Single Link Performance - AWGN propagation conditions, 64QAM | Same as 9.2.1A | |
| 9.3.1B Single Link Performance - AWGN propagation conditions, DC HSDPA requirements | Same as 9.2.1A | |
| 9.3.1C Single Link Performance - AWGN Propagation Conditions, Periodically Varying Radio Conditions | Same as 9.2.1A Additionally loc linearity 1dB | $-60\text{dBm} \leq \text{loc} \leq -50\text{dBm}$ |
| 9.3.2 Single Link Performance - Fading propagation conditions | Same as 9.2.1A | |
| 9.3.2A Single Link Performance - Fading propagation conditions, DC HSDPA requirements | Same as 9.2.1A | |
| 9.3.2B Single Link Performance - Fading propagation conditions, 64QAM | Same as 9.2.1A | |
| 9.3.3 Open Loop Diversity Performance - AWGN propagation conditions | Same as 9.2.1A | |
| 9.3.4 Open Loop Diversity Performance - Fading propagation conditions | Same as 9.2.1A | |
| 9.3.5 Closed Loop Diversity Performance - AWGN propagation conditions | Same as 9.2.1A | |
| 9.3.6 Closed Loop Diversity Performance - Fading propagation conditions | Same as 9.2.1A | |
| 9.3.7A, MIMO performance – Reporting of Channel Quality indicator - Single stream fading conditions | Same as 9.2.1A | |
| 9.3.7B MIMO performance – Reporting of Channel Quality indicator - Dual stream fading conditions | Same as 9.2.1A | |
| 9.3.7C MIMO performance – Reporting of Channel Quality indicator - Dual stream fading conditions– UE categories 19-20 | Same as 9.2.1A | |
| 9.3.7D MIMO performance – Reporting of Channel Quality indicator - Dual stream static orthogonal conditions – UE categories 15-20 | Same as 9.2.1A | |
| 9.3.7E MIMO performance – Reporting of Channel Quality indicator - Dual stream static orthogonal conditions – UE categories 19-20 | Same as 9.2.1A | |
| 9.3.7F MIMO performance – Reporting of Channel Quality indicator - Single stream fading conditions – Asymmetric CPICHS | Same as 9.2.1A | |

| | | |
|---|----------------|-------|
| 9.3.7G MIMO performance – Reporting of Channel Quality indicator - Dual stream fading conditions – Asymmetric CPICHs | Same as 9.2.1A | |
| 9.3.7H MIMO performance – Reporting of Channel Quality indicator - Dual stream fading conditions– UE categories 19-20 – Asymmetric CPICHs | Same as 9.2.1A | |
| 9.3.7I MIMO performance – Reporting of Channel Quality indicator - Dual stream static orthogonal conditions – UE categories 15-20 – Asymmetric CPICHs | Same as 9.2.1A | |
| 9.3.7J MIMO performance –Reporting of Channel Quality indicator - Dual stream static orthogonal conditions – UE categories 19-20 – Asymmetric CPICHs | Same as 9.2.1A | |
| 9.5.1 HS-SCCH-less demodulation of HS-DSCH | Same as 9.2.1A | -6 dB |
| 9.5.1A HS-SCCH-less demodulation of HS-DSCH, Enhanced Performance Requirements Type 1 | Same as 9.2.1A | -9 dB |
| 9.6.1 Single link HS-DSCH Demodulation performance in CELL_FACH state | Same as 9.2.1A | |
| 9.6.2 Single link HS-SCCH Detection performance in CELL_FACH state | Same as 9.2.1A | |

F.5.6 Performance measurements (E-DCH)

Table F.5.6: Equipment accuracy for performance measurements (E-DCH)

| Clause | Equipment accuracy | Test conditions |
|--|----------------------------|-----------------|
| 10.2.1.1 Detection of E-DCH HARQ ACK Indicator Channel (E-HICH) Single Link Performance (10 ms TTI) | E-HICH_Ec/lor ± 0.1 dB | -35.1 dB |
| 10.2.1.1A Detection of E-DCH HARQ ACK Indicator Channel (E-HICH) Single Link Performance (10 ms TTI, Type 1) | E-HICH_Ec/lor ± 0.1 dB | -38.3 dB |
| 10.2.1.2 Detection of E-DCH HARQ ACK Indicator Channel (E-HICH) Single Link Performance (2 ms TTI) | E-HICH_Ec/lor ± 0.1 dB | -28.3 dB |
| 10.2.1.2A Detection of E-DCH HARQ ACK Indicator Channel (E-HICH) Single Link Performance (2 ms TTI, Type 1) | E-HICH_Ec/lor ± 0.1 dB | -31.7 dB |
| 10.2.2.1.1 Detection of E-DCH HARQ ACK Indicator Channel (E-HICH) in Inter-Cell handover conditions – RLS not containing the serving E-DCH cell (10 ms TTI) | E-HICH_Ec/lor ± 0.1 dB | -23.6 dB |
| 10.2.2.1.1A Detection of E-DCH HARQ ACK Indicator Channel (E-HICH) in Inter-Cell handover conditions – RLS not containing the serving E-DCH cell (10 ms TTI, Type 1) | E-HICH_Ec/lor ± 0.1 dB | -27.8 dB |
| 10.2.2.1.2 Detection of E-DCH HARQ ACK Indicator Channel (E-HICH) in Inter-Cell handover conditions – RLS not containing the serving E-DCH cell (2 ms TTI) | E-HICH_Ec/lor ± 0.1 dB | -16.3 dB |
| 10.2.2.1.2A Detection of E-DCH HARQ ACK Indicator Channel (E-HICH) in Inter-Cell handover conditions – RLS not containing the serving E-DCH cell (2 ms TTI, Type 1) | E-HICH_Ec/lor ± 0.1 dB | -20.7 dB |
| 10.2.2.2.1 Detection of E-DCH HARQ ACK Indicator Channel (E-HICH) in Inter-Cell handover conditions – RLS containing the serving E-DCH cell (10 ms TTI) | E-HICH_Ec/lor ± 0.1 dB | -29.7 dB |
| 10.2.2.2.1A Detection of E-DCH HARQ ACK Indicator Channel (E-HICH) in Inter-Cell handover conditions – RLS containing the serving E-DCH cell (10 ms TTI, Type 1) | E-HICH_Ec/lor ± 0.1 dB | -33.4 dB |
| 10.2.2.2.2 Detection of E-DCH HARQ ACK Indicator Channel (E-HICH) in Inter-Cell handover conditions – RLS containing the serving E-DCH cell (2 ms TTI) | E-HICH_Ec/lor ± 0.1 dB | -23.2 dB |
| 10.2.2.2.2A Detection of E-DCH HARQ ACK Indicator Channel (E-HICH) in Inter-Cell handover conditions – RLS containing the serving E-DCH cell (2 ms TTI, Type 1) | E-HICH_Ec/lor ± 0.1 dB | -27.1 dB |
| 10.3.1.1 Detection of E-DCH Relative Grant Channel (E-RGCH) Single Link Performance (10 ms TTI) | E-RGCH_Ec/lor ± 0.1 dB | -31 dB |
| 10.3.1.1A Detection of E-DCH Relative Grant Channel (E-RGCH) Single Link Performance (10 ms TTI, Type 1) | E-RGCH_Ec/lor ± 0.1 dB | -35 dB |
| 10.3.1.2 Detection of E-DCH Relative Grant Channel (E-RGCH) Single Link Performance (2 ms TTI) | E-RGCH_Ec/lor ± 0.1 dB | -24.4 dB |

| | | | |
|---|---------------|--------------|----------|
| 10.3.1.2A Detection of E-DCH Relative Grant Channel (E-RGCH) Single Link Performance (2 ms TTI, Type 1) | E-RGCH_Ec/lor | ± 0.1 dB | -28.6 dB |
| 10.3.2 Detection of E-DCH Relative Grant Channel (E-RGCH) in Inter-Cell Handover conditions | E-RGCH_Ec/lor | ± 0.1 dB | -27.3 dB |
| 10.3.2A Detection of E-DCH Relative Grant Channel (E-RGCH) in Inter-Cell Handover conditions (Type 1) | E-RGCH_Ec/lor | ± 0.1 dB | -31.2 dB |
| 10.4.1 Demodulation of E-DCH Absolute Grant Channel (E-AGCH) Single Link Performance | E-AGCH_Ec/lor | ± 0.1 dB | -23.2 dB |
| 10.4.1A Demodulation of E-DCH Absolute Grant Channel (E-AGCH) Single Link Performance (Type 1) | E-AGCH_Ec/lor | ± 0.1 dB | -26.8 dB |

F.5.7 Performance measurements (MBMS)

Table F.5.7.1: Equipment accuracy for performance measurements (MBMS)

| Clause | Equipment accuracy | Test conditions |
|---|-----------------------------|-------------------------|
| 11.2 Demodulation of MTCH | S-CCPCH_Ec/lor ± 0.1 dB | -4.9dB, -5.6dB, -8.5dB |
| 11.2A Demodulation of MTCH - Enhanced Performance Requirements Type 1 | S-CCPCH_Ec/lor ± 0.1 dB | -7.7dB, -8.7dB, -11.5dB |
| 11.3 Demodulation of MTCH and cell identification | S-CCPCH_Ec/lor ± 0.1 dB | -5.6dB |

F.6 General rules for statistical testing

F.6.1 Statistical testing of receiver BER/BLER performance

F.6.1.1 Error Definition

1) Bit Error Ratio (BER)

The Bit Error Ratio is defined as the ratio of the bits wrongly received to all data bits sent. The bits are the information bits above the convolutional/turbo decoder

2) Block Error Ratio (BLER)

A Block Error Ratio is defined as the ratio of the number of erroneous blocks received to the total number of blocks sent. An erroneous block is defined as a Transport Block, the cyclic redundancy check (CRC) of which is wrong.

F.6.1.2 Test Method

Each test is performed in the following manner:

- a) Setup the required test conditions.
- b) Record the number of samples tested and the number of occurred events (bit error or block error)
- c) Stop the test at a stop criterion which is minimum test time or an early pass or an early fail event.
- d) Once the test is stopped decide according to the pass fail decision rules (subclause F.6.1.7)

F.6.1.3 Test Criteria

The test shall fulfil the following requirements:

- a) good pass fail decision

- 1) to keep reasonably low the probability (risk) of passing a bad unit for each individual test;
 - 2) to have high probability of passing a good unit for each individual test;
- b) good balance between test time and statistical significance
- 3) to perform measurements with a high degree of statistical significance;
 - 4) to keep the test time as low as possible.

F.6.1.4 Calculation assumptions

F.6.1.4.1 Statistical independence

- (a) It is assumed, that error events are rare ($\lim \text{BER BLER} \rightarrow 0$) independent statistical events. However the memory of the convolutional /turbo coder is terminated after one TTI. Samples and errors are summed up every TTI. So the assumption of independent error events is justified.
- (b) In the BLER test with fading there is the memory of the multipath fading channel which interferes the statistical independence. A minimum test time is introduced to average fluctuations of the multipath fading channel. So the assumption of independent error events is justified approximately.

F.6.1.4.2 Applied formulas

The formulas, applied to describe the BER BLER test, are based on the following experiments:

- (1) After having observed a certain number of errors (**ne**) the number of samples are counted to calculate BER BLER. Provisions are made (note 1) such that the complementary experiment is valid as well:
- (2) After a certain number of samples (**ns**) the number of errors, occurred, are counted to calculate BER BLER.

Experiment (1) stipulates to use the following Chi Square Distribution with degree of freedom ne :
 $2 * dchisq(2 * NE, 2 * ne)$.

Experiment (2) stipulates to use the Poisson Distribution: $dpois(ne, NE)$

(NE: mean of the distribution)

To determine the early stop conditions, the following inverse cumulative operation is applied:

$0.5 * qchisq(D, 2 * ne)$. This is applicable for experiment (1) and (2).

D: wrong decision risk per test step

Note: other inverse cumulative operations are available, however only this is suited for experiment (1) and (2).

F.6.1.4.3 Approximation of the distribution

The test procedure is as follows:

During a running measurement for a UE ns (number of samples) and ne (number of errors) are accumulated and from this the preliminary BER BLER is calculated. Then new samples up to the next error are taken. The entire past and the new samples are basis for the next preliminary BER BLER. Depending on the result at every step, the UE can pass, can fail or must continue the test.

As early pass- and early fail-UEs leave the statistical totality under consideration, the experimental conditions are changed every step resulting in a distribution that is truncated more and more towards the end of the entire test. Such a distribution can not any more be handled analytically. The unchanged distribution is used as an approximation to calculate the early fail and early pass bounds.

F.6.1.5 Definition of good pass fail decision.

This is defined by the probability of wrong decision F at the end of the test. The probability of a correct decision is $1-F$.

The probability (risk) to fail a good DUT shall be $\leq F$ according to the following definition: A DUT is failed, accepting a probability of $\leq F$ that the DUT is still better than the specified error ratio (Test requirement).

The probability to pass a bad DUT shall be $\leq F$ according to the following definition: A DUT is passed, accepting a probability of $\leq F$ that the DUT is still worse than M times the specified error ratio. ($M > 1$ is the bad DUT factor).

This definitions lead to an early pass and an early fail limit:

Early fail: $ber \geq berlim_{fail}$

$$ber\ lim_{fail}(D, ne) = \frac{2 * ne}{qchisq(D, 2 * ne)} \quad (1)$$

For $ne \geq 7$

Early pass: $ber \leq berlim_{pass}$

$$ber\ lim_{pass}(D, ne) = \frac{2 * ne * M}{qchisq(1 - D, 2 * ne)} \quad (2)$$

For $ne \geq 1$

With

ber (normalized BER,BLER): BER,BLER according to F.6.1.1 divided by Test requirement

D : wrong decision probability for a test step . This is a numerically evaluated fraction of F , the wrong decision probability at the end of the test. See table F.6.1.6.1.

ne : Number of error events

M : bad DUT factor see table F.6.1.6.1.

$qchisq$: inverse cumulative chi squared distribution

F.6.1.6 Good balance between test time and statistical significance

Three independent test parameters are introduced into the test and shown in Table F.6.1.6.1. These are the obvious basis of test time and statistical significance. From the first two of them four dependent test parameters are derived. The third independent test parameter is justified separately.

Table F.6.1.6.1 independent and dependent test parameters

| Independent test parameters | | | Dependent test parameters | | |
|---|--------------------------|-------------------|---|--|-----------------------------------|
| Test Parameter | Value | Reference | Test parameter | Value | Reference |
| Bad DUT factor M | 1.5 | Table F.6.1.8 | Early pass/fail condition | Curves | Subclause F.6.1.5 Figure 6.1.9 |
| Final probability of wrong pass/fail decision F | 0.2% 0.02%, note 2 | Subclause F.6.1.5 | Target number of error events | 345 | Table 6.1.8 |
| | | | Probability of wrong pass/fail decision per test step D | 0.0085% 0.0008% and 0.008%, note 2 | |
| | | | Test limit factor TL | 1.234] | Table 6.1.8 |
| Minimum test time | | Table F.6.1.6.2 | | | |

The minimum test time is derived from the following justification:

- 1) For no propagation conditions and static propagation condition

No early fail calculated from fractional number of errors < 1 (see note 1)

- 2) For multipath fading condition

No stop of the test until 990 wavelengths are crossed with the speed given in the fading profile.

3) For birth death propagation conditions

No stop of the test until 200 birth death transitions occur

4) For moving propagation conditions: 628 sec

This is necessary in order to pass all potential critical points in the moving propagation profile 4 times:

Maximum rake window

Maximum adjustment speed

Intersection of moving taps

5) For high speed train conditions

This corresponds 4 complete cycles of approach and leave to and from a BS antenna.

Table F.6.1.6.2 : minimum Test time

| Fading profile | Minimum test time |
|--------------------------------|-------------------|
| Multipath propagation 3 km/h | 164 sec |
| Multipath propagation 50 km/h | 9.8 sec |
| Multipath propagation 120 km/h | 4.1 sec |
| Multipath propagation 250 km/h | 2 sec |
| Birth Death propagation | 38.2 sec |
| Moving propagation | 628 sec |
| High speed train conditions | 28.8 sec |

In table F.6.1.8 the minimum test time is converted in minimum number of samples.

F.6.1.7 Pass fail decision rules

No decision is allowed before the minimum test time is elapsed.

- 1) If minimum Test time < time for target number of error events then the following applies: The required confidence level 1-F (= correct decision probability) shall be achieved. This is fulfilled at an early pass or early fail event.

For BER:

For every TTI (Transmit Time Interval) sum up the number of bits (ns) and the number if errors (ne) from the beginning of the test and calculate

BER₁ (including the artificial error at the beginning of the test (Note 1))and

BER₀ (excluding the artificial error at the beginning of the test (Note 1)).

If BER₀ is above the early fail limit, fail the DUT.

If BER₁ is below the early pass limit, pass the DUT.

Otherwise continue the test

For BLER:

For every block sum up the number of blocks (ns) and the number of erroneous blocks (ne) from the beginning of the test and calculate

BLER₁ (including the artificial error at the beginning of the test (Note 1))and

BLER₀ (excluding the artificial error at the beginning of the test (Note 1)).

If BLER₁ is below the early pass limit, pass the DUT.

If BLER₀ is above the early fail limit, fail the DUT.

Otherwise continue the test

- 2) If the minimum test time \geq time for target error events, then the test runs for the minimum test time and the decision is done by comparing the result with the test limit.

For BER:

For every TTI (Transmit Time Interval) sum up the number of bits (ns) and the number of errors (ne) from the beginning of the test and calculate BER_0

For BLER:

For every block sum up the number of blocks (ns) and the number of erroneous blocks (ne) from the beginning of the test and calculate $BLER_0$

If $BER_0/BLER_0$ is above the test limit, fail the DUT.

If $BER_0/BLER_0$ is on or below the test limit, pass the DUT.

F.6.1.8 Test conditions for BER, BLER, RLC SDU Error Rate tests

Table F.6.1.8: Test conditions for a single BER/BLER tests

| Type of test (BER) | Test requirement (BER/BLER) | Test limit (BER/BLER) = Test requirement (BER/BLER) x TL TL | Target number of error events (time) | Minimum number of samples | Prob that good unit will fail = Prob that bad unit will pass [%] | Bad unit BER/BLER factor M |
|--|-----------------------------|---|--------------------------------------|---------------------------|--|----------------------------|
| Reference Sensitivity Level | 0.001 | 1.234 | 345 (22.9s) | Note 1 | 0.2 | 1.5 |
| Maximum Input Level | 0.001 | 1.234 | 345 (22.9s) | Note 1 | 0.2 | 1.5 |
| Adjacent Channel Selectivity | 0.001 | 1.234 | 345 (22.9s) | Note 1 | 0.2 | 1.5 |
| Blocking Characteristics Pass condition Note 2 | 0.001 | 1.251 | 403 (26.4s) | Note 1 | 0.2 | 1.5 |
| Blocking Characteristics Fail condition Note 2 | 0.001 | 1.251 | 403 (26.4s) | Note 1 | 0.02 | 1.5 |
| Spurious Response | 0.001 | 1.234 | 345 (22.9s) | Note 1 | 0.2 | 1.5 |
| Intermodulation Characteristics | 0.001 | 1.234 | 345 (22.9s) | Note 1 | 0.2 | 1.5 |
| HS-SCCH Detection Performance | 0.05 | 1.234 | 345 (34s) | Note 1 | 0.2 | 1.5 |
| | 0.01 | 1.234 | 345 (168s) | Note 1 | 0.2 | 1.5 |

Table F.6.1.8-2: Test conditions for BLER tests

| Type of test (BLER) | Information Bit rate | Test requirement (BER/BLER) | Test limit (BER/BLER)= Test requirement (BER/BLER)x TL TL | Target number of error events (time) | Minimum number of samples | Prob that bad unit will pass = Prob that good unit will fail [%] | Bad unit BER/BLER factor M |
|---|--------------------------|------------------------------------|--|---|--|--|----------------------------|
| Demodulation in Static Propagation conditions | 12.2 64 144 384 | 0.01 0.1 0.01 0.1 0.01 | 1.234 | 345 (559.16s) (55.92s) (559.16s) (55.92s) (559.16s) (27.96s) (279.58s) | Note1 | 0.2 | 1.5 |
| Demodulation of DCH in Multi-path Fading Propagation conditions | | | | | | | |
| 3km/h (Case 1, Case 2, Case 4) | 12.2 64 144 384 | 0.01 0.1 0.01 0.1 0.01 | 1.234 | 345 (559.16s) (55.92s) (559.16s) (55.92s) (559.16s) (27.96s) (279.58s) | 8200 8200 8200 8200 8200 16400 16400 | 0.2 | 1.5 |
| 120 km/h (Case3) | 12.2 64 144 384 | 0.01 0.1 0.01 0.1 0.01 | 1.234 | 345 (559.16s) (55.92s) (559.16s) (55.92s) (559.16s) (27.96s) (279.58s) | 205 205 205 205 205 410 410 | 0.2 | 1.5 |
| 250 km/h (Case 6) | 12.2 64 144 384 | 0.01 0.1 0.01 0.1 0.01 | 1.234 | 345 (559.16s) (55.92s) (559.16s) (55.92s) (559.16s) (27.96s) (279.58s) | 100 100 100 100 100 200 200 | 0.2 | 1.5 |
| Demodulation of DCH in Moving Propagation conditions | 12.2 64 | 0.01 0.01 | 1.234 | 345 (559.16) | 31400 31400 | 0.2 | 1.5 |
| Demodulation of DCH in Birth-Death Propagation conditions | 12.2 64 | 0.01 0.01 | 1.234 | 345 (559.16s) (559.16s) | 1910 1910 | 0.2 | 1.5 |
| Demodulation of DCH in high speed train conditions | 12.2 | 0.01 | 1.234 | 345 (559.16s) | 1440 | 0.2 | 1.5 |

| | | | | | | | |
|--|------|------|-------|------------------|------|-----|-----|
| Demodulation of DCH in Base Station Transmit diversity modes (3 km/h, case1) | 12.2 | 0.01 | 1.234 | 345 (559.16s) | 8200 | 0.2 | 1.5 |
| Demodulation of DCH in closed loop transmit diversity mode (3 km/h, case1) Mode 1 | 12.2 | 0.01 | 1.234 | 345 (559.16s) | 8200 | 0.2 | 1.5 |
| | 12.2 | 0.01 | | (559.16s) | 8200 | | |
| Mode 2 | | | | | | | |
| Demodulation of DCH in Site Selection Diversity Transmission Power Control mode | 12.2 | 0.01 | 1.234 | 345 (559.16) | 8200 | 0.2 | 1.5 |
| Demodulation of DCH in Inter-Cell Soft Handover (120 km/h, case3) | 12.2 | 0.01 | 1.234 | 345 (559.16s) | 205 | 0.2 | 1.5 |
| | 64 | 0.1 | | (55.92s) | 205 | | |
| | | 0.01 | | (559.16s) | 205 | | |
| | 144 | 0.1 | | (55.92s) | 205 | | |
| | 384 | 0.01 | | (559.16s) | 410 | | |
| | | 0.01 | | (27.96s) | 410 | | |
| | | | | (279.58s) | | | |
| Combining of TPC commands from radio links of different radio link sets | | | | Not applicable | | | |
| Power control in the downlink, constant BLER target | | | | Not applicable | | | |
| Power control in the downlink, initial convergence | | | | Not applicable | | | |
| Power control in the downlink, wind up effects | | | | Not applicable | | | |
| Power control in the downlink, different transport formats | | | | Not applicable | | | |
| Downlink compressed mode | | | | Not applicable | | | |

| | | | | | | | | |
|----------------------------------|-----------|-----------|-----------|-------|----------------------------------|----------------------------|-----|-----|
| Blind transport format detection | Static | BLER | FDR | 1.234 | 345 | Note 1 Note 1 Note 1 | 0.2 | 1.5 |
| | 12.2 | 10^{-2} | 10^{-4} | | | | | |
| | 7.95 | 10^{-2} | 10^{-4} | | | | | |
| | 1.95 | 10^{-2} | 10^{-4} | | | | | |
| | Multipath | | | | | | | |
| | 12.2 | 10^{-2} | 10^{-4} | | | 205 | | |
| | 7.95 | 10^{-2} | 10^{-4} | | 559.16s 932min | 205 | | |
| | 1.98 | 10^{-2} | 10^{-4} | | 559.16s 932min 559.16s 932min | 205 | | |

Table F.6.1.8-3: Test conditions for RLC SDU Error Rate (SDU ER) tests

| Type of test (SDU ER) | Test requirement (SDU ER) | Test limit (SDU ER)= Test requirement (SDU ER)x TL TL | Target number of error events | Minimum number of samples | Prob that good unit will fail = Prob that bad unit will pass [%] | Bad unit SDU ER factor M |
|---|---------------------------|---|--|---------------------------|--|--------------------------|
| Cell re-selection during an MBMS session, one UTRAN inter-frequency and 2 GSM cells present in the neighbour list | 0.04 | 1.236 | NA | NA | 5% | 1.5 |
| | | | The SDU ER test is embedded in the Cell reselection delay test and its test duration depends on the test duration of the delay test. During the cell reselection delay test more samples than necessary for statistical significance are generated in the SDU ER test. (approx factor 50). Hence, after finalisation of the delay test, the SDU ER test is decided against the test limit: $0.04 \times 1.236 = 0.0495$ | | | |

F.6.1.9 Practical Use (informative)

See figure F.6.1.9:

The early fail limit represents formula (1) in F.6.1.5. The range of validity is $n_e \geq 7, \geq 8$ in case of blocking test to $n_e = 345$

The early pass limit represents the formula (2) in F.6.1.5. The range of validity is $n_e = 1$ to $n_e = 345$. See note 1

The intersection co-ordinates of both curves are : number of errors $n_e = 345$ and test limit $TL = 1.234$.

The range of validity for TL is $n_e > 345$.

A typical BER BLER test, calculated from the number of samples and errors (F.6.1.2.(b)) using experimental method (1) or (2) (see F.6.1.4. calculation assumptions) runs along the yellow trajectory. With an errorless sample the trajectory goes down vertically. With an erroneous sample it jumps up right. The tester checks if the BER BLER test intersects the early fail or early pass limits. The real time processing can be reduced by the following actions:

$BLER_0$ (excluding the artificial error at the beginning of the test (Note 1)), is calculated only in case of an error event.

BER_0 (excluding the artificial error at the beginning of the test (Note 1)), is calculated only in case of an error event within a TTI.

So the early fail limit cannot be missed by errorless samples.

The check against the early pass limit may be done by transforming formula (2) in F.6.1.5 such that the tester checks against a Limit-Number-of-samples (NL(ne)) depending on the current number of errors (including the artificial error at the beginning of the test (Note 1)).

Early pass if

$$NL(ne) \geq \frac{qchisq(1 - D, 2 * ne)}{2 * TR * M}$$

TR: test requirement (0.001)

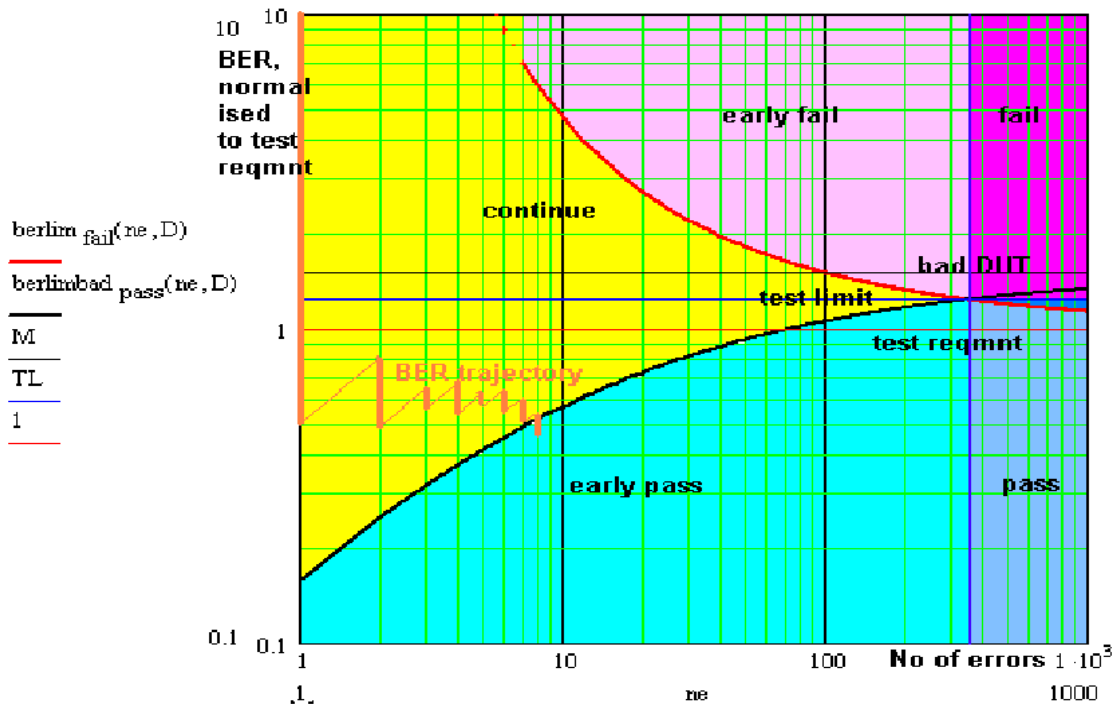


Figure F.6.1.9

NOTE 1: At the beginning of the test, an artificial error is introduced. This ensures that an ideal DUT meets the valid range of the early pass limit. In addition this ensures that the complementary experiment (F.6.1.4. bullet point (2)) is applicable as well.

For the check against the early fail limit the artificial erroneous sample, introduced at the beginning of the test, is disregarded.

Due to the nature of the test, namely discrete error events, the early fail condition shall not be valid, when fractional errors <1 are used to calculate the early fail limit: Any early fail decision is postponed until number of errors $ne \geq 7$. In the blocking test any early fail decision is postponed until number of errors $ne \geq 8$.

NOTE 2: F= 0.2% is intended to be used for a test containing a few BER/BLER tests (e.g. receiver sensitivity is repeated 12 times). For a test containing many BER/BLER tests (e.g. blocking test) this value is not appropriate for a single BER/BLER test.

The blocking test contains approx. 12750 single BER tests. A DUT on the limit will fail approx. 25 to 26 times due to statistical reasons (wrong decision probability at the end of the test F= 0.2 %). 24 fails are allowed in the blocking test but they are reserved for spurious responses. This shall be solved by the following rule:

All passes (based on $F=0.2\%$) are accepted, including the wrong decisions due to statistical reasons.

An early fail limit based on $F=0.02\%$ instead of 0.2% is established, that ensures that wrong decisions due to statistical reasons are reduced to 2 to 3.

These asymmetric test conditions ensure that a DUT on the test limit consumes hardly more test time for a blocking test than in the symmetric case and on the other hand discriminates sufficiently between statistical fails and spurious response cases.

F.6.1.10 Dual limit BLER tests

This annex is applicable for subclause 7.8.1 and 7.8.1A Power control in the downlink constant BLER target, subclause 7.8.4 Power control in the downlink, different transport formats and subclause 7.9 Downlink compressed mode. In this tests the BLER shall stay between two limits.

Table F.6.1.10. Parameters for single and dual limit BLER

| Parameters for single limit | Parameters for dual limits |
|--|--|
| Specified BER BLER | <ul style="list-style-type: none"> Specified BLER * 1.3 (upper test requirement) Specified BLER * 0.7 (lower test requirement) |
| Bad DUT BER BLER | <ul style="list-style-type: none"> Bad DUT BLER *1.3 Bad DUT BLER *0.7 |
| Test limit | <ul style="list-style-type: none"> Upper Test limit Lower Test limit |
| <ul style="list-style-type: none"> Early fail and Early pass | <ul style="list-style-type: none"> Fail_high Pass_high Pass_low Fail_low |

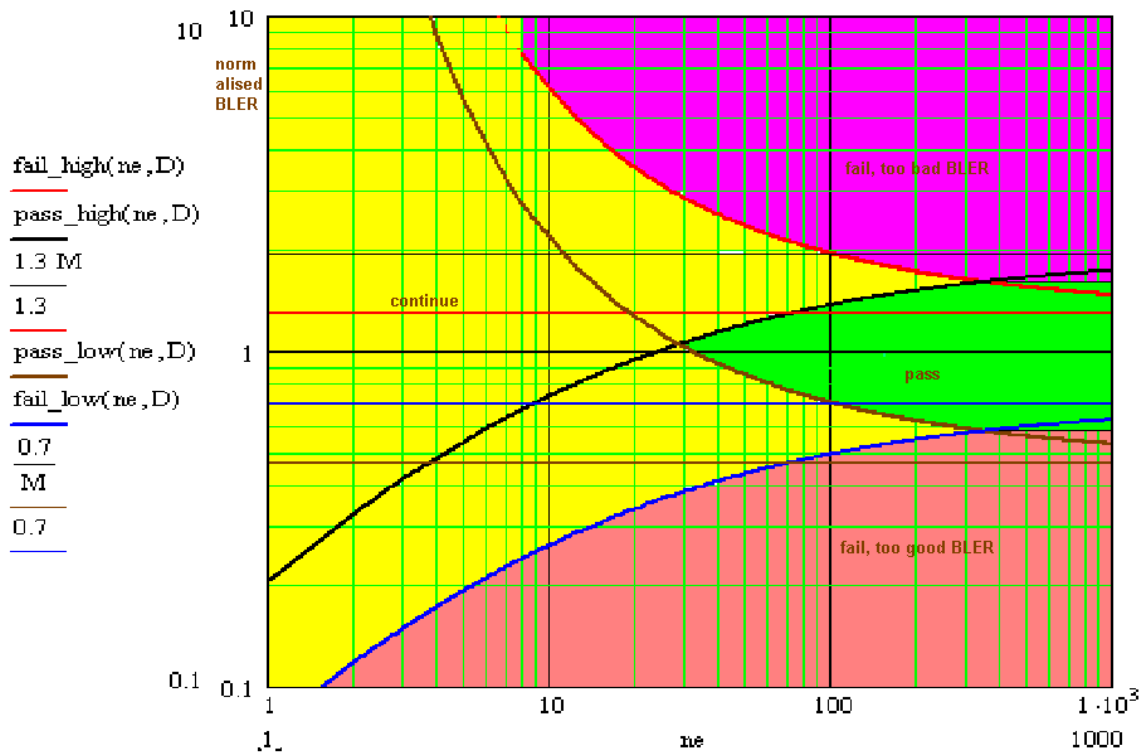


Figure F.6.1.10: Dual limit BLER

F.6.1.10.1 Description of the parameters for dual limit BLER tests

(refer figure F.6.1.10)

The origin

1 (black horizontal line in the centre): this is the normalised origin BLER

The asymptotes

1.3 (red horizontal line): this is the specified upper limit of the range (BLER +30%) (upper test requirement)

0.7 (blue horizontal line): this is the specified lower limit of the range (BLER-30%) (lower test requirement)

1.3 * M (black horizontal line): this is M times the specified upper limit of the range (Bad DUT BLER)

0.7 / M (brown horizontal line): this is 1/M times the specified lower limit. (Bad DUT BLER)

The pass/fail limits

Fail_high (bold red curve):

Definition: A momentary BLER value above this curve is with high probability above the specified upper limit: BLER +30%.

Verdict: Above: Fail due to bad BLER

Below: continue

It approaches towards 1.3 (red).

Validity range $7 < \text{errors} < 345$.

Formula:

$$\text{fail_high}(ne, D) := 2 \cdot \frac{ne \cdot 1.3}{qchisq(D, 2 \cdot ne)}$$

Fail_low (bold blue curve):

Definition: A momentary BLER value below this curve is with high probability below the specified lower limit: BLER -30%).

Verdict: Above: continue

Below: Fail due to too good BLER

It approaches towards 0.7(blue).

Validity range $1 \leq \text{errors} < 343$.

Formula:

$$\text{fail_low}(ne, D) := 2 \cdot \frac{ne \cdot 0.7}{qchisq(1 - D, 2 \cdot ne)}$$

Pass_high (bold black curve):

Definition: a momentary BLER value on and below this curve is with high probability below M times the specified upper limit.

Verdict: Above: continue

Below: pass for $ne \geq 29$

continue for $ne < 29$

It approaches $1.3 \cdot M$ (black).

Validity range $1 \leq \text{errors} < 345$.

Formula:

$$\text{pass_high}(ne, D) := 2 \cdot \frac{ne}{qchisq(1 - D, 2 \cdot ne)} \cdot M \cdot 1.3$$

Pass_low (bold brown curve):

Definition: a momentary BLER value on and above this curve is with high probability above $1/M$ times the specified lower limit of the range.

Verdict: Above: pass for $ne \geq 29$,

continue for $ne < 29$

Below: continue

It approaches $0.7/M$ (brown).

Validity range $7 < \text{errors} < 343$.

$$\text{pass_low}(ne, D) := 2 \cdot \frac{ne \cdot \frac{0.7}{M}}{qchisq(D, 2 \cdot ne)}$$

Legend formulas:

D: wrong decision risk per test step: 0.000085

M: bad DUT factor: 1.5

ne: number of errors

qchisq: inverse cumulative chi square function

Upper test limit (boarder between pink and green) $1.3 * 1.234 = 1.6$

Validity range: $345 \leq \text{errors}$.

Verdict: Above: fail due to bad BLER

Below: pass

Lower test limit (boarder between green and orange) $0.7 / 1.234 = 0.567$

Validity range: $343 \leq \text{errors}$

Verdict: Above: pass

Below: fail due to too good BLER

The intersection co-ordinates:

Fail_high (bold red curve) and Pass_high (bold black curve):

Upper target number of errors (345) and upper test limit: $1.3 * 1.234$

Fail_low (bold blue curve) and Pass_high (bold black curve):

Lower target number of errors (343) and lower test limit: $0.7 / 1.234$

Pass_high (bold black curve) and Pass_low (bold brown curve)

Minimum number of errors (29) and optimum normalised BLER (1.049)

The ranges:

Range(pink): in this range the measurement can be stopped and the DUT is failed due to too high BLER.

Range (orange): in this range the measurement can be stopped and the DUT is failed due to too low BLER.

Range (yellow): in this range the measurement is undecided and must be continued.

Range (green): in this range the measurement can be stopped and the DUT is passed. No final BLER result is achieved.

F.6.1.10.2 Pass fail decision rules

No decision is allowed before the minimum test time (Table F.6.1.6.2) has elapsed

- 1) If minimum Test time < time for target number of error events then the following applies: The required confidence level $1-F$ (= correct decision probability, Table F.6.1.6.2) shall be achieved. This is fulfilled at

fail_high

pass_high

pass_low

fail_low

For every block sum up the number of blocks (ns) and the number of erroneous blocks (ne) from the beginning of the test and calculate

$BLER_1$ (including the artificial error at the beginning of the test (Note 1, F.6.1.9))and

$BLER_0$ (excluding the artificial error at the beginning of the test (Note 1, F.6.1.9)).

If $BLER_0$ is above *fail_high*, fail the test due to too bad BLER

If $BLER_1$ is below *fail_low*, fail the test due to too good BLER

If $BLER_0$ is on or below *fail_high* and if $BLER_1$ is above *pass_high*, continue the test

If $BLER_0$ is below *pass_low* and if $BLER_1$ is above or on *fail_low*, continue the test

If $BLER_1$ is below or on *pass_high* and if $BLER_0$ is on or above *pass_low*, pass the test

- 2) If the minimum test time \geq time for target error events, then the test runs for the minimum test time and the decision is done by comparing the result with the upper and lower test limit.

If $BLER_0$ is above the upper test limit, fail the DUT due to too bad BLER

If $BLER_1$ is below the lower test limit, fail the DUT due to too good BLER

If $BLER_0$ is on or below the upper test limit and if $BLER_1$ is on or above the lower test limit, pass the DUT

F.6.1.10.3 Test conditions for dual limit BLER tests

Table F.6.1.10.3: Test conditions for dual limit BLER tests

| Type of test (BLER) | Data rate, Propagation condition | Test requirement (BLER) | Test limit = Test requirement * TL TL | Target number of error events (time) | Minimum number of samples | Prob that a good unit will fail = prob that a bad unit will pass: F[%] | Bad unit factor M |
|--|---|----------------------------------|---|---|---------------------------|--|---------------------------------|
| Power control in the downlink, constant BLER target | 12.2 kbit/s, 3km/h (case4) | 0.01±30% 0.1±30% 0.001±30% | Upper TL: 1.3*1.234 Lower TL 0.7/1.234 | Upper: 345 (431.25s) (43s) (4311s) Lower 343 (1191s) (119s) (11946s) | 8200 | 0.2 | Upper: 1.5 Lower 1/1.5 |
| Power control in the downlink, constant BLER target | 64 kbit/s, 3km/h (case4) | 0.01±30% 0.1±30% 0.001±30% | Upper TL: 1.3*1.234 Lower TL 0.7/1.234 | Upper: 345 (431.25s) (43s) (4311s) Lower 343 (1191s) (119s) (11946s) | 32800 | 0.2 | Upper: 1.5 Lower 1/1.5 |
| Downlink compressed mode | 12.2kbit/s, 3km/h (case 2) | 0.01±30% | Upper TL: 1.3*1.234 Lower TL 0.7/1.234 | Upper: 345 (431.25s) Lower 343 (1191s) | 8200 | 0.2 | Upper: 1.5 Lower 1/1.5 |
| Power control in the downlink, different transport formats | 12.2 kbit/s, 3km/h 0 kbit/s, 3km/h (case 4) | 0.01±30% | Upper TL: 1.3*1.234 Lower TL 0.7/1.234 | Upper: 345 (431.25s) Lower 343 (1191s) | 8200 | 0.2 | Upper: 1.5 Lower 1/1.5 |

F.6.1.10.4 Test conditions for dual limit TPC Command Error Rate tests

Table F.6.1.10.4: Test conditions for dual limit TPC Command Error Rate tests

| Type of test (TPC Command Error Rate) | TPC Command Error Rate, Propagation condition | Test requirement (TPC Command Error Rate) | Test limit = Test requirement * TL TL | Target number of error events (time) | Minimum number of samples | Prob that a good unit will fail = prob that a bad unit will pass: F[%] | Bad unit factor M |
|--|---|---|---|---|---------------------------|--|---------------------------------|
| Power control in the downlink for F-DPCH | 1500TPC's/s ,3km/h (case4) | 0.01±50% 0.05±30% | Upper TL: 1.5*1.234 6.5*1.234 Lower TL 0.5/1.234 3.5/1.234 | Upper: 345 (12.425s) (2.485s) Lower: 343 (37.06s) (7.412s) | 246000 (164*1500) | 0.2 | Upper: 1.5 Lower 1/1.5 |

F.6.2 Statistical testing of RRM delay performance

F.6.2.1 Test Method

Each test is performed in the following manner:

- a) Setup the required test conditions.
- b) Measure the delay repeated times. Start each repetition after sufficient time, such that each delay test is independent from the previous one. The delay-times, measured, are simplified to:
 - a good delay, if the measured delay is \leq limit.
 - a bad delay, if the measured delay is $>$ limit
- c) Record the number of delays (ns), tested, and the number of bad delays (ne)
- d) Stop the test at an early pass or an early fail event.
- e) Once the test is stopped, decide according to the pass fail decision rules (subclause F.6.2.7)

F.6.2.2 Bad Delay Ratio (ER)

The Bad Delay Ratio (ER) is defined as the ratio of bad delays (ne) to all delays (ns).
(1-ER is the success ratio)

F.6.2.3 Test Criteria

The test shall fulfil the following requirements:

- a) good pass fail decision
 - 1) to keep reasonably low the probability (risk) of passing a bad unit for each individual test;
 - 2) to have high probability of passing a good unit for each individual test;
- b) good balance between test-time and statistical significance
 - 3) to perform measurements with a high degree of statistical significance;
 - 4) to keep the test time as low as possible.

F.6.2.4 Calculation assumptions

F.6.2.4.1 Statistical independence

It is arranged by test conditions, that bad delays are independent statistical events.

F.6.2.4.2 Applied formulas

The specified ER is 10% in most of the cases. This stipulates to use the binomial distribution to describe the RRM delay statistics. With the binomial distribution optimal results can be achieved. However the inverse cumulative operation for the binomial distribution is not supported by standard mathematical tools. The use of the Poisson or Chi Square Distribution requires $ER \rightarrow 0$. Using one of these distributions instead of the binomial distribution gives sub-optimal results in the conservative sense: a pass/fail decision is done later than optimal and with a lower wrong decision risk than predefined.

The formulas, applied to describe the RRM delay statistics test, are based on the following experiment:

(1) After having observed a certain number of bad delays (**ne**) the number of all delays (**ns**) are counted to calculate ER. Provisions are made (note 1) such that the complementary experiment is valid as well:

(2) After a certain number of delays (**ns**) the number of bad delays (**ne**), occurred, are counted to calculate ER.

Experiment (1) stipulates to use the Chi Square Distribution with degree of freedom ne : $2 * dchisq(2 * NE, 2 * ne)$.

Experiment (2) stipulates to use the Poisson Distribution: $dpois(ne, NE)$

(NE: mean value of the distribution)

To determine the early stop conditions, the following inverse cumulative operation is applied:

$0.5 * qchisq(D, 2 * ne)$ for experiment (1) and (2)

D: wrong decision risk per test step

NOTE: Other inverse cumulative operations are available, however only this is suited for experiment (1) and (2).

F.6.2.4.3 Approximation of the distribution

The test procedure is as follows:

During a running measurement for a UE ns (Number of Delays) and ne (Number of bad delays) are accumulated and from this the preliminary ER is calculated. Then new samples up to the next bad delay are taken. The entire past and the new samples are basis for the next preliminary ER. Depending on the result at every step, the UE can pass, can fail or must continue the test.

As early pass- and early fail-UEs leave the statistical totality under consideration, the experimental conditions are changed every step resulting in a distribution that is truncated more and more towards the end of the entire test. Such a distribution can not any more be handled analytically. The unchanged distribution is used as an approximation to calculate the early fail and early pass bounds.

F.6.2.5 Definition of good pass/fail decision

This is defined by the probability of wrong decision F at the end of the test. The probability of a correct decision is $1 - F$.

The probability (risk) to fail a good DUT shall be $\leq F$ according to the following definition: A DUT is failed, accepting a probability of $\leq F$ that the DUT is still better than the specified bad delay ratio (Test requirement).

The probability (risk) to pass a bad DUT shall be $\leq F$ according to the following definition: A DUT is passed, accepting a probability of $\leq F$ that the DUT is still worse than M times the specified bad delay ratio. ($M \geq 1$ is the bad DUT factor).

These definitions lead to an early pass and an early fail limit:

Early fail: $er \geq erlim_{fail}$

$$erlim_{fail}(D, ne) = \frac{2 * ne}{qchisq(D, 2 * ne)} \quad (1)$$

For $ne \geq 5$

Early pass: $er \leq erlim_{pass}$

$$er\lim bad_{pass}(D, ne) = \frac{2 * ne * M}{qchisq(1 - D, 2 * ne)} \quad (2)$$

For $ne \geq 1$

With

er (normalized ER): ER according to F.6.2.2 divided by specified ER

D: wrong decision probability for a test step . This is a numerically evaluated fraction of F, the wrong decision probability at the end of the test. see table F.6.2.6.1

ne: Number of bad delays

M: bad DUT factor see table F.6.2.6.1

qchisq: inverse cumulative chi squared distribution

F.6.2.6 Good balance between test-time and statistical significance

Two independent test parameters are introduced into the test and shown in Table F.6.2.6.1. These are the obvious basis of test time and statistical significance. From them four dependent test parameters are derived.

Table F.6.2.6 independent and dependent test parameters

| Independent test parameters | | | Dependent test parameters | | |
|---|-------|---------------|---|--------|-----------------------------------|
| Test Parameter | Value | Reference | Test parameter | Value | Reference |
| Bad DUT factor M | 1.5 | Table F.6.1.8 | Early pass/fail condition | Curves | Subclause F.6.2.5 Figure 6.2.9 |
| Final probability of wrong pass/fail decision F | 5% | Table F.6.2.8 | Target number of bad delays | 154 | Table 6.2.8 |
| | | | Probability of wrong pass/fail decision per test step D | 0.6 % | |
| | | | Test limit factor TL | 1.236] | Table 6.2.8 |

F.6.2.7 Pass fail decision rules

The required confidence level 1-F (= correct decision probability) shall be achieved. This is fulfilled at an early pass or early fail event. Sum up the number of all delays (ns) and the number of bad delays from the beginning of the test and calculate:

ER_1 (including the artificial error at the beginning of the test (Note 1))and

ER_0 (excluding the artificial error at the beginning of the test (Note 1)).

If ER_0 is on or above the early fail limit, fail the DUT.

If ER_1 is on or below the early pass limit, pass the DUT.

Otherwise continue the test

F.6.2.8 Test conditions for RRM delay tests, Combining of TPC commands test 1, Demodulation of Paging channel and Detection of acquisition indicator tests and UE measurement performance tests.

NOTE: Statistical independence of the tests below need to be considered:

In test 7.7.2 the statistical independency of the samples is given: Power control algorithm 1 is used. Hence the TPC commands represent directly the TPC reception. The TPC bit patterns are independent.

In test 7.7.3 the statistical independency of the samples is FFS

Test 7.11 the statistical independency of the samples is given: A paging message is an independent sample, since channel-coding, introducing dependency, is terminated after one message.

The same holds for Test 7.12

The delay tests in clause 8 up to clause 8.6 use independent samples. This is ensured by changing the scenario or reset the UE in between the samples.

In clause 8.7 the UE reports measurements. In between the reports the scenario keeps constant and the UE continues its measurement. It is unknown, whether the UE re-uses knowledge from the previous reports for the next report (intentionally or unintentionally). Hence it is unknown, whether the samples in the test are independent or not. Independent samples allow the usage of the theory in clause F.6.2.1 to F.6.2.7. Dependent samples could result in a distribution which is wider or narrower, compared to the equivalent independent distribution. In this situation statistical independency of the samples is **assumed** and the theory described in clause F.6.2.1 to F.6.2.7 is re-used.

Table F.6.2.8: Test conditions for a single RRM delay tests, Combining of TPC commands test 1, Demodulation of Paging channel and Detection of Acquisition indicator tests and UE measurement performance tests.

| Type of test | Test requirement | Test requirement (ER= 1-success ratio) | Test limit(ER)= Test requirement (ER)x TL TL | Target number of bad results | Prob that good unit will fail = Prob that bad unit will pass [%] | Bad unit factor M |
|---|--|--|--|------------------------------|--|-------------------|
| 7.7.2 Combining of TPC commands Test 1 | 99% success ratio for power control sequence | 0.01 | 1.236 | 154 | 5 | 1.5 |
| 7.7.3 Combining of reliable TPC commands from radio links of different radio link sets | 90% success ratio for power control sequence | 0.1 | 1.236 | 154 | 5 | 1.5 |
| 7.11 Demodulation of Paging Channel (PCH) | 1% missed paging | 0.01 | 1.236 | 154 | 5 | 1.5 |
| 7.12 Detection of Acquisition indicator (AI). | 1% false alarm 99% correct detection | 0.01 | 1.236 | 154 | 5 | 1.5 |
| 7.12A Detection of E-DCH Acquisition Indicator (E-AI) | 99.5% correct detection | 0.005 | 1.236 | 154 | 5 | 1.5 |
| 8.2.2 Cell reselection | 8s delay | 0.1 | 1.236 | 154 | 5 | 1.5 |
| 8.2.3.1 UTRAN to GSM cell reselection, scenario 1 | 27.9s delay | 0.1 | 1.236 | 154 | 5 | 1.5 |
| 8.2.3.2 UTRAN to GSM cell reselection, scenario 2 | 9.6s delay | 0.1 | 1.236 | 154 | 5 | 1.5 |
| 8.2.3.3 UTRAN to GSM cell reselection, scenario 3 | 39.6s delay | 0.1 | 1.236 | 154 | 5 | 1.5 |
| 8.2.4 FDD/TDD Cell reselection | 8s delay | 0.1 | 1.236 | 154 | 5 | 1.5 |
| 8.3.1 FDD/FDD Soft handover | NA | | | | | |
| 8.3.2 FDD/FDD Hard Handover | | | | | | |
| 8.3.2.1 Handover to intra frequency cell | 110 ms delay | 0.1 | 1.236 | 154 | 5 | 1.5 |
| 8.3.2.2 FDD/FDD Hard Handover to inter frequency cell | 140ms delay | 0.1 | 1.236 | 154 | 5 | 1.5 |
| 8.3.4 Inter-system Handover from UTRAN to GSM r | 100 ms delay | 0.1 | 1.236 | 154 | 5 | 1.5 |
| 8.3.6.3 Cell re-selection during an MBMS session, one UTRAN inter-frequency and 2 GSM cells present in the neighbour list | 4.65 s delay | 0.1 | 1.236 | 154 | 5 | 1.5 |
| 8.3.8 Serving HS-DSCH cell change | 75 ms, 85 ms delay | 0.1 | 1.236 | 154 | 5 | 1.5 |
| 8.3.9 Enhanced Serving HS-DSCH cell change | 50 ms | 0.1 | 1.236 | 154 | 5 | 1.5 |
| 8.3.10 System information acquisition for CSG cell | | | | | | |
| 8.3.10.1 Intrafrequency System information acquisition for CSG cell | 2.71 s delay | 0.1 | 1.236 | 154 | 5 | 1.5 |
| 8.3.10.2 Inter frequency System information acquisition for CSG cell | 1.96 s delay | 0.1 | 1.236 | 154 | 5 | 1.5 |

| | | | | | | |
|---|--|-----|-------|-----|---|-----|
| 8.4.3. Transport format combination selection in UE. | 140ms delay (see 8.4.3.1.4.2 and 8.4.3.1A.4.2 step 7) | 0.1 | 1.236 | 154 | 5 | 1.5 |
| 8.4.4.1: 10 ms TTI E-DCH E-TFC restriction | 50msdelay | 0.1 | 1.236 | 154 | 5 | 1.5 |
| 8.4.4.2: 2 ms TTI E-DCH E-TFC restriction | 31ms delay | 0.1 | 1.236 | 154 | 5 | 1.5 |
| 8.6.2.2 correct reporting of neighbours in fading propagation condition. | [13.9 s delay] (see procedure 8.6.2.2.4.2 step 8.) | 0.1 | 1.236 | 154 | 5 | 1.5 |
| 8.6.2.3 correct reporting of neighbours in fading propagation condition using TGL1=14. | [1.78 s delay] (see procedure 8.6.2.3.4.2 step 8.) | 0.1 | 1.236 | 154 | 5 | 1.5 |
| CPICH RSCP Intra frequency measurements accuracy 8.7.1.1.1 Absolute accuracy requirement | 90% correct reports | 0.1 | 1.236 | 154 | 5 | 1.5 |
| 8.7.1.1.2 Relative accuracy requirement | 90% correct reports | 0.1 | 1.236 | 154 | 5 | 1.5 |
| Inter frequency measurement accuracy 8.7.1.2.1 Relative accuracy requirement | 90% correct reports | 0.1 | 1.236 | 154 | 5 | 1.5 |
| CPICH Ec/Io Intra frequency measurements accuracy 8.7.2.1.1 Absolute accuracy requirement | 90% correct reports | 0.1 | 1.236 | 154 | 5 | 1.5 |
| 8.7.2.1.2 Relative accuracy requirement | 90% correct reports | 0.1 | 1.236 | 154 | 5 | 1.5 |
| Inter frequency measurement accuracy 8.7.2.2.2 Relative accuracy requirement | 90% correct reports | 0.1 | 1.236 | 154 | 5 | 1.5 |
| UTRA Carrier RSSI 8.7.3.1 Absolute measurement accuracy requirement | 90% correct reports | 0.1 | 1.236 | 154 | 5 | 1.5 |
| 8.7.3.2 Relative measurement accuracy requirement | 90% correct reports | 0.1 | 1.236 | 154 | 5 | 1.5 |
| 8.7.3 AGSM Carrier SSI | 90% correct reports | 0.1 | 1.236 | 154 | 5 | 1.5 |
| 8.7.3C UE transmitted power (R99 and Rel-4 only) | 90% consistency between reported power and transmitted power | 0.1 | 1.236 | 154 | 5 | 1.5 |

| | | | | | | |
|---|--|-----|-------|-----|---|-----|
| 8.7.3D UE transmitted power (Rel-5 and later) | 90% consistency between reported power and transmitted power | 0.1 | 1.236 | 154 | 5 | 1.5 |
| SFN-CFN observed time difference 8.7.4.1 Intra frequency measurement requirement | 90% correct reports | 0.1 | 1.236 | 154 | 5 | 1.5 |
| 8.7.4.2 Inter frequency measurement requirement | 90% correct reports | 0.1 | 1.236 | 154 | 5 | 1.5 |
| SFN-SFN observed time difference 8.7.5.1 SFN-SFN observed time difference type 1 | 90% correct reports | 0.1 | 1.236 | 154 | 5 | 1.5 |
| 8.7.5.2 SFN-SFN observed time difference type 2 without IPDL period active Note: This test case is not complete and there are currently no plans to complete it. | | | | | | |
| 8.7.5.3 SFN-SFN observed time difference type 2 with IPDL period active Note: This test case is not complete and there are currently no plans to complete it. | 90% correct reports | 0.1 | 1.236 | 154 | 5 | 1.5 |
| UE Rx-Tx time difference 8.7.6.1 UE Rx-Tx time difference type 1 (Rel-5 and earlier) | 90% correct reports | 0.1 | 1.236 | 154 | 5 | 1.5 |
| 8.7.6.1A UE Rx-Tx time difference type 1 (Rel-6 and later) | 90% correct reports | 0.1 | 1.236 | 154 | 5 | 1.5 |
| 8.7.6.2 UE Rx-Tx time difference type 2 Note: This test case is not complete and there are currently no plans to complete it. | | | | | | |
| P-CCPCH RSCP 8.7.8.1 Absolute measurement accuracy | 90% correct reports | 0.1 | 1.236 | 154 | 5 | 1.5 |
| 8.7.9 UE Transmission Power Headroom. | 90% correct reports | 0.1 | 1.236 | 154 | 5 | 1.5 |

F.6.2.9 Practical Use (informative)

See figure F.6.2.9:

The early fail limit represents formula (1) in F.6.2.5. The range of validity is $n_e \geq 5$ to $n_e = 154$

The early pass limit represents the formula (2) in F.6.2.5. The range of validity is $n_e = 1$ to $n_e = 154$. See note 1. The intersection co-ordinates of both curves are: target number of bad delays $n_e = 154$ and test limit $TL = 1.236$.

A typical delay test, calculated from the number of samples and errors (F.6.2.2) using experimental method (1) or (2) (see F.6.2.4.2. calculation assumptions) runs along the yellow trajectory. With an good delay the trajectory goes down vertically. With a bad delay it jumps up right. The tester checks if the ER test intersects the early fail or early pass limits.

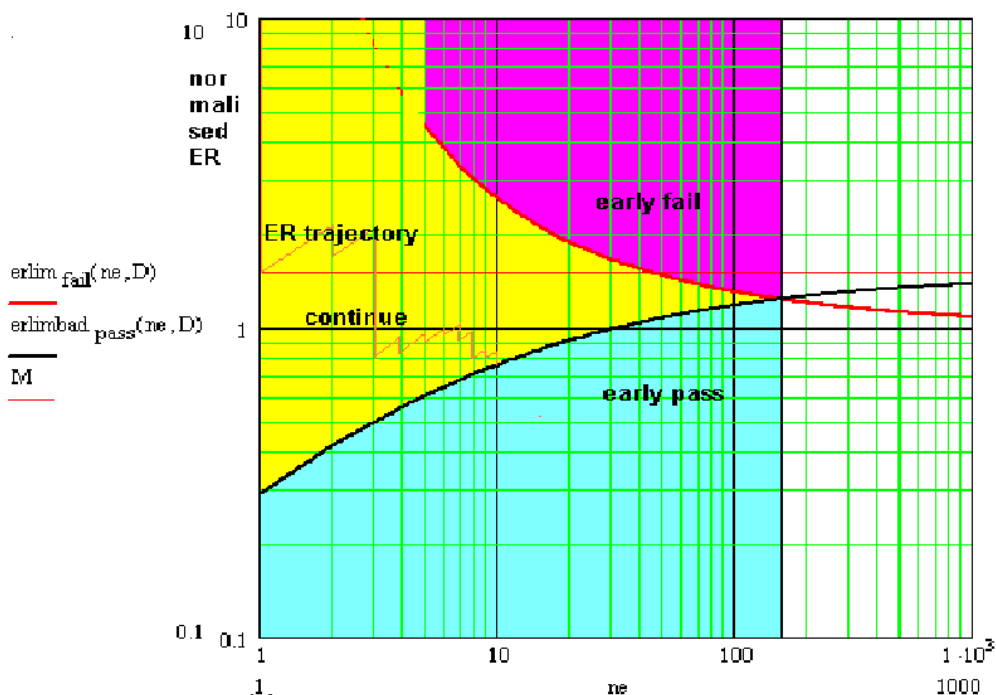


Figure F.6.2.9

NOTE 1: At the beginning of the test, an artificial bad delay is introduced. This ensures that an ideal DUT meets the valid range of the early pass limit. In addition this ensures that the complementary experiment (F.6.2.4.2. bullet point (2)) is applicable as well. For the check against the early fail limit the artificial bad delay sample, introduced at the beginning of the test, is disregarded.

Due to the nature of the test, namely discrete bad delay events, the early fail condition shall not be valid, when fractional bad delays < 1 are used to calculate the early fail limit: Any early fail decision is postponed until number of errors $ne \geq 5$.

F.6.3 Statistical Testing of HSDPA Receiver Performance

F.6.3.1 Definition

Information Bit Throughput R:

The measured information bit throughput R is defined as the sum (in kilobits) of the information bit payloads (excluding the 24-bit HS-DSCH CRC) successfully received during the test interval, divided by the duration of the test interval (in seconds).

F.6.3.2 Mapping throughput to block error ratio

- a) In measurement practice the UE indicates successfully received information bit payload by signalling an ACK to the SS.

If payload is received, but damaged and cannot be decoded, the UE signals a NACK.

- b) Only the ACK and NACK signals, not the data bits received, are accessible to the SS.
The number of bits is known in the SS from knowledge of what payload was sent.
- c) For fixed reference channel the number of bits in a TTI is fixed during one test.
- d) The time in the measurement interval is composed of successful TTIs (ACK), unsuccessful TTIs (NACK) and DTX-TTIs.
- e) DTX-TTIs occur regularly according to the H-set. (regDTX).
In real live this is the time when other UEs are served.
regDTX vary from test to test but are fixed within the test.
- f) Additional DTX-TTIs occur statistically when the UE is not responding ACK or NACK where it should.
(statDTX)
This may happen when the UE was not expecting data or decided that the data were not intended for it.

The pass / fail decision is done by observing the:

- number of NACKs
- number of ACKs and
- number of statDTXs (regDTX is implicitly known to the SS)

The ratio $(\text{NACK} + \text{statDTX}) / (\text{NACK} + \text{statDTX} + \text{ACK})$ is the Block Error Ratio BLER. Taking into account the time consumed by the ACK-, NACK-, and DTX-TTIs (regular and statistical), BLER can be mapped unambiguously to throughput for any single FRC test.

F.6.3.3 Bad DUT factor

NOTE: Data throughput in a communication system is of statistical nature and must be measured and decided pass or fail. The specified limit of throughput related to the ideal throughput in different throughput tests is in the range of a few % to near 100%. To make it comparable with BER, we define the complement of the relative throughput: BLER as defined above. Complementary this is in the range of near 100% down to a few % For e.g. BLER = 1%, the currently in BER BLER used Bad DUT factor M=1.5 is highly meaningful. For e.g. BLER = 99%, the currently used M=1.5 obviously meaningless.

An appropriate definition of the bad DUT factor is illustrated in figure F.6.3.3: constant and variable Bad DUT factor.

It illustrates how to find the Bad BLER when the nominal BLER is given.

- 1) In the range $0\% < \text{nominal BLER} > 10\%$ the Bad DUT factor is constant 1.5
- 2) In the range $90\% < \text{bad BLER} > 100\%$ it decreases to 1. (symmetrical to (1))
- 3) The range in between is interpolated by an arc section.

The example shows: nominal BLER=35,6% \rightarrow bad BLER=47.67.5% \rightarrow M=1.34

(blue mapping)

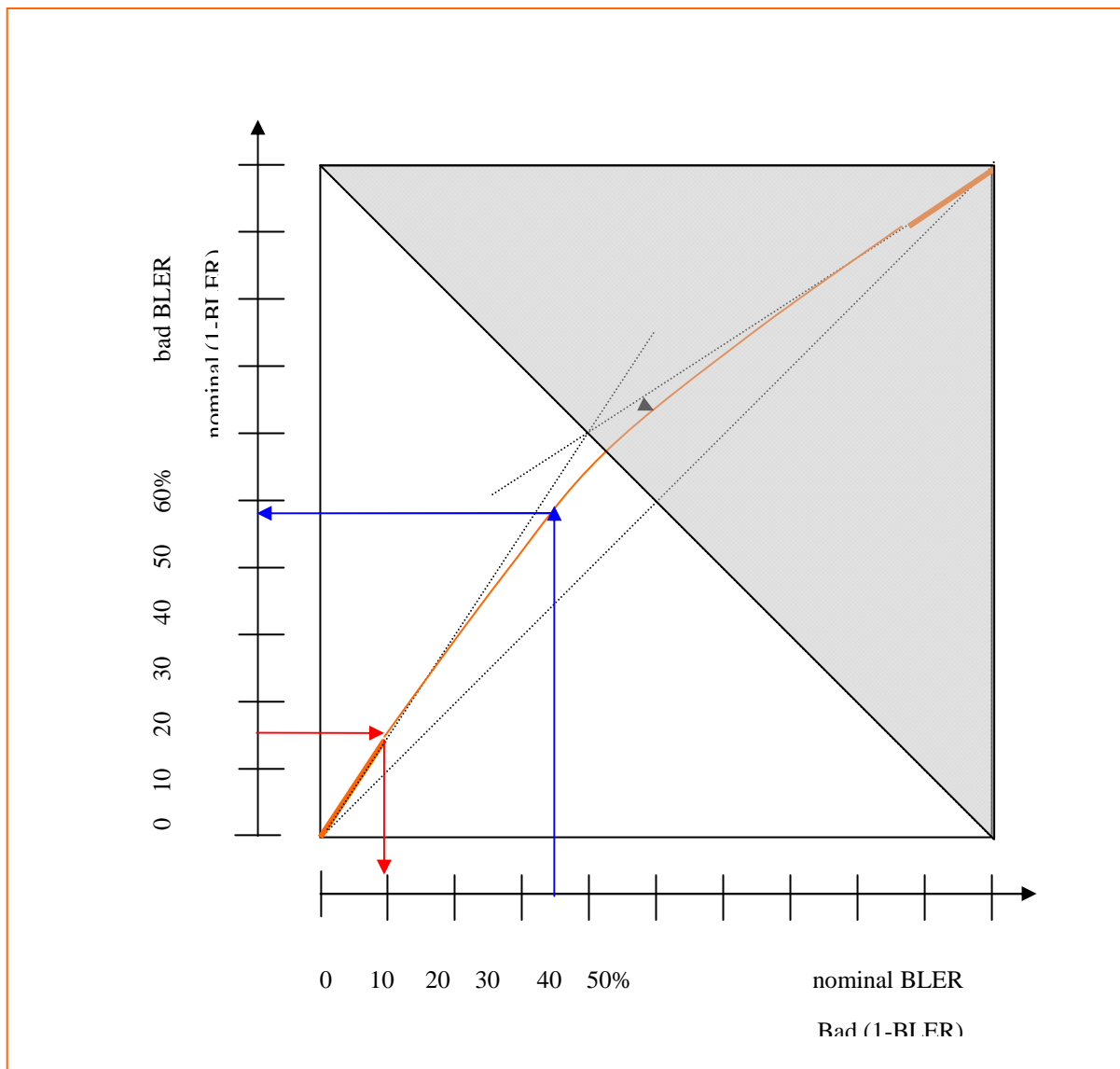


Figure F.6.3.3: constant and variable Bad DUT factor

Formula:

For $0 < \text{BLER} \leq 0.1$ $M = 1.5$

$$M(\text{BLER}) := \frac{\sqrt{r^2 - (\text{BLER} - 2.35)^2}}{\text{BLER}} - \frac{1.35}{\text{BLER}}$$

For $0.1 < \text{BLER} < 0.9$

For $0.9 \leq \text{BLER} < 1$ $M(\text{BLER}) = 2/3\text{BLER} + 1/3$

With BLER: nominal Block Error Ratio ($0 < \text{BLER} < 1$)

With $r = 2.70415$ (Radius of the arc)

F.6.3.3.1 Bad DUT factor, range of applicability

Inaccuracy is one practical reason to avoid the grey shaded area of figure F.6.3.3: constant and variable Bad DUT factor. For BLER near 1 the Bad DUT factor M is near 1. For $M=1$, exactly, the pass and fail criteria do not intersect. The test never is finalised.

For M near 1 the pass and fail criteria exhibit a very smooth intersection. In addition the binomial distribution and its inverse are of discrete nature. Therefore the test limit and the number of samples is calculable only very ambiguous.

It is proposed to apply the bad DUT factor only in the not shaded area of figure F.6.3.3.

This is done by the following:

BLER mode:

Use BLER as defined above in the range of 0 to 50%, use $M > 1$ as defined above.

The Test Limit will be $>$ the Test Requirement in the table F.6.3.5. below.

Relative Throughput mode:

If BLER is in the range 50 to 100%, use 1-BLER instead. Use $m < 1$ instead of M.

1-BLER is the relative throughput with respect to the ideal throughput.

As a consequence, the Test Limit $<$ Test Requirement

Formula for m:

For $0 < (1-\text{BLER}) \leq 0.15$ $m = 1/1.5$

$$m := \frac{2.35 - \sqrt{r^2 - [(1 - \text{BLER}) + 1.35]^2}}{(1 - \text{BLER})}$$

For $0.15 < (1-\text{BLER}) < 0.85$

In figure F.6.3.3 this is represented by the red mapping.

The tables F.6.3.5... below distinguish between m and M.

F.6.3.4 Minimum Test time

Same as with BER BLER there is a minimum test time is necessary for multipath fading profiles with the same justification:

Table F.6.3.4 Applicability and characteristics of the Tables F.6.3.5. 0 to F.6.3.5.4. 10

| profile | Minimum Test time |
|--------------|-------------------|
| PA3, PB3 | 164s |
| VA30, Case 8 | 16.4s |
| VA 120 | 4.1s |

The purpose of tables F.6.3.5.0 to F.6.3.5.4.10 is to decide throughput pass or fail.

(the Ior/Ioc levels are only for reference)

Meaning of a decision:

- A passed DUT is not worse than a Bad DUT with 95% confidence level.
- A failed DUT is not better than a Limit DUT with 95% confidence level.

The minimum Test Time is

- 1) the minimum test time due to statistical reasons

(To ensure the confidence level, the test must be continued until a certain number of samples (NACK+ statDTX +ACK) is reached.)

- 2) the minimum test time due to multipath fading.

The longer test time applies. It is marked in table F.6.3.5. which one applies.

Statistical independence:

If a process works within an incremental redundancy sequence, the samples are not independent. The incremental redundancy sequence for every process must be finalised, successfully or unsuccessfully, on or beyond the minimum test time.

Then the BLER (or 1-BLER) is compared with the Test Limit to decide pass or fail.

Note: It is FFS, if correlation within groups of retransmissions may influence the confidence level of the test.

Formula:

The theory, to derive the minimum number of samples and the Test Limit, takes into consideration that BLER is in the range of near 0% to near 100%. Hence it is based on the binomial distribution and its inverse cumulative function: qbinom:

For the BLER test mode:

$$ne_{low} = qbinom(D, ns, M * BLER_{limit}) \quad (1)$$

$$ne_{high} = qbinom(1-D, ns, BLER_{limit}) \quad (2)$$

given: 1-D: confidence level= 95%

$BLER_{limit}$ = Block error ratio at the limit

M: Bad DUT factor >1

Input: ns: number of samples (NACK+ statDTX + ACK)

Output ne: number of events (NACK+ statDTX)

The intersection of (1) and (2) is the Test Limit with the coordinates: ns and ne

For the Relative Throughput test mode:

$$ne_{low} = qbinom(D, ns, 1 - BLER_{limit}) \quad (3)$$

$$ne_{high} = qbinom(1-D, ns, m * (1 - BLER_{limit})) \quad (4)$$

given: 1-D: confidence level= 95%

$1 - BLER_{limit}$ = Relative Throughput at the limit

m: Bad DUT factor <1

Input: ns: number of samples (NACK+ statDTX + ACK)

Output ne: number of events (ACK)

The intersection of (3) and (4) is the Test Limit with the coordinates: ns and ne

Note 1: In contrast to BER BLER test, this approach does not contain any test time optimisation. (early pass, early fail)

Note 2: The intersection of (3) and (4) above is a multipoint intersection due to the discrete nature of those curves. Thus, the specific intersection point used for the test limit is a subjective decision about the intersection point. In all cases, the intersection point was chosen such that it fell in the middle of the set of intersections of curves (3) and (4) above.

Nomenclature used in the tables F.6.3.5... below:

- NACK+ statDTX + ACK is summarised as No of samples
- NACK+ statDTX is summarised as No of errors
- ACK is summarised as No of successes

- In the BLER (BL) test mode the ratio: $\frac{\text{No of errors}}{\text{No of samples}}$ is recorded. In this mode a pass is below the test limit
- In the Relative Throughput (RT) test mode (1-BLER) the ratio: $\frac{\text{No of successes}}{\text{No of samples}}$ is recorded. In this mode a pass is above the test limit
- The test mode, used, is indicated in the rightmost column with BL or RT
- The transition from the BL to the RT test mode can also be seen in the column relative test requirement: BLER% \rightarrow (1-BLER%)
- The generic term for No of errors (BLER mode) or No of successes (Relative Throughput mode) is No of events. This is used in the table column Test Limit.

F.6.3.5 Test conditions for HSDPA Receiver Performance

Table F.6.3.5.0: DC-HSDPA/4C-HSDPA receiver test case 6.2A, 6.2C, 6.2D, 6.4B, 6.5A, 6.5D, 6.2DA, 6.5E, 6.5F, 6.5FA 6.5G, 6.5GA, 6.6A, 6.6C, 6.6D, 6.6DA, 6.7A, 6.7D, 6.7E and 6.7EA

| DC-HSDPA Reception | Absolute Test requirement (kbps) | Relative test requirement (normalized to ideal=60 kbps) | Test limit expressed as No of events/min No of samples | Min No of samples (number of events to pass) | Test time in s | BL / RT |
|--------------------|----------------------------------|---|--|--|---|---------|
| QPSK H-Set 12 | | No of events/No of samples in % | (Bad DUT factor) | Mandatory if applicable | Mandatory if fading Informative and approx. if statistical | |
| | 54 | 10% | 58/467 (M=1.5) | 467 (≤ 58) | 0.934s (stat) | BL |

Table F.6.3.5.1: Maximum Input Level test cases 6.3A, 6.3C, 6.3G and 6.3GA

| Maximum Input Level for HS-PDSCH Reception (16QAM) | Absolute Test requirement (kbps) | Relative test requirement (normalized to ideal=777 kbps) | Test limit expressed as No of events/min No of samples | Min No of samples (number of events to pass) | Test time in s | BL / RT |
|--|----------------------------------|--|--|--|---|---------|
| 16 QAM H-Set 1 | | No of events/No of samples in % | (Bad DUT factor) | Mandatory if applicable | Mandatory if fading Informative and approx. if statistical | |
| | 700 | 10% | 58/467 (M=1.5) | 467 (≤ 58) | 2.8s (stat) | BL |

Table F.6.3.5.1A: Maximum Input Level test cases 6.3B, 6.3D, 6.3H and 6.3HA

| Maximum Input Level for HS-PDSCH Reception (64QAM) | Absolute Test requirement (kbps) | Relative test requirement (normalized to ideal=13252 kbps) | Test limit expressed as No of events/min No of samples | Min No of samples (number of events to pass) | Test time in s | BL / RT |
|--|----------------------------------|--|--|--|---|---------|
| 64 QAM H-Set 8 | | No of events/No of samples in % | (Bad DUT factor) | Mandatory if applicable | Mandatory if fading Informative and approx. if statistical | |
| | 11800 | 10.96% | 57/422 (M=1.499) | 422 (≤ 57) | 0.844s (stat) | BL |

Table F.6.3.5.2.1: Single link performance for test case 9.2.1A, 9.2.1C 9.2.1F, 9.2.1FA to 9.2.1FD demodulation of HS-DSCH (QPSK, H-Set 1, 2, 3/3A/3B/3C)

| Single link Performance | H-SET 1 Absolute Test requirement (kbps) | | Relative test requirement (normalized to ideal=534 kbps for H-SET 1) | Test limit expressed as No of events/min No of samples for H-SET 1, 2, 3 | Min No of samples (number of events to pass) | Test time in s | BL / RT |
|---------------------------------------|--|-----|--|--|--|--|--|
| QPSK H-Set 1/2/3 | | | No of events/No of samples in % BL → (RT) | (Bad DUT factor) | Mandatory if applicable | Mandatory if fading | Informative and approx. if statistical |
| Test number | | | | | | | |
| 1 ($\hat{I}_{or}/I_{oc} = 0$ dB) | PA3 | 65 | 87,82% → (12.18%) | 60/595 (m = 1 / 1.5) | N.A. | 164s (fading) | RT |
| 2 ($\hat{I}_{or}/I_{oc} = 0$ dB) | | PB3 | 23 | 95.69% → (4.31%) | 64/1796 (m = 1/1.5) | N.A. | 164s (fading) |
| | | | 138 | 74.14% → (25.86%) | 58/268 (m = 0.682) | N.A. | 164s(fading) |
| 3 ($\hat{I}_{or}/I_{oc} = 0$ dB) | VA30 | 22 | 95.9% → (4.1%) | 64/1888 (m=1/1.5) | N.A. | 16.4s(fading) | RT |
| | | | 142 | 73.4% → (26.6%) | 59/264 (m = 0.684) | N.A. | 16.4s(fading) |
| 4 ($\hat{I}_{or}/I_{oc} = 0$ dB) | VA12 0 | 13 | 97.564% → (2.436%) | 63/3224 (m = 1/1.5) | 3224 (≥63) | H-set 1: 19.5s(stat) H-set 2: 13s (stat) H-set 3: 6.5s (stat) | RT |
| | | | 140 | 73.77% → (26.23%) | 59/268 (m = 0.683) | N.A. | 4.1s(fading) |
| 1 ($\hat{I}_{or}/I_{oc} = 10$ dB) | PA3 | 309 | 42.1% | 83/171 (M = 1.295) | N.A. | 164s (fading) | BL |
| | | | 423 | 20.74% | 60/237 (M = 1.445) | N.A. | 164s (fading) |
| 2 ($\hat{I}_{or}/I_{oc} = 10$ dB) | PB3 | 181 | 66.1% → (33.9%) | 62/215 (m = 0.703) | N.A. | 164s (fading) | RT |
| | | | 287 | 46.22% → (53,78%) | 84/176 (m = 0.77) | N.A. | 164s(fading) |
| 3 ($\hat{I}_{or}/I_{oc} = 10$ dB) | VA30 | 190 | 64.4% → (35.6%) | 64/211 (m = 0.708) | N.A. | 16.4s(fading) | RT |
| | | | 295 | 44.72% → (55.28%) | 85/173 (m = 0.775) | N.A. | 16.4s(fading) |
| 4 ($\hat{I}_{or}/I_{oc} = 10$ dB) | VA12 0 | 181 | 66.1% → (33.9%) | 62/215 (m = 0.703) | N.A. | 4.1s(fading) | RT |
| | | | 275 | 48.5% → (51.5%) | 79/174 (m = 0.761) | N.A. | 4.1s(fading) |

Table F.6.3.5.2.1A: Single link Performance for test case 9.2.1D, 9.2.1E demodulation of HS-DSCH (enhanced requirement type 1, QPSK, H-Set 1, 2, 3) and 9.2.1G, 9.2.1GA, 9.2.1GB, 9.2.1GC, 9.2.1GD demodulation of HS-DSCH (enhanced requirement type 3, QPSK, H-Set 3)

| Single link enhanced requirement type 1 Performance | H-SET 1 Absolute Test requirement (kbps) | | Relative test requirement (normalized to ideal=534 kbps for H-SET 1) | Test limit expressed as No of events/min No of samples for H-SET 1, 2, 3 | Min No of samples (number of events to pass) | Test time in s | BL / RT |
|---|--|-----|--|--|--|---------------------|--|
| QPSK H-Set 1/2/3 | | | No of events/No of samples in % BL → (RT) | (Bad DUT factor) | Mandatory if applicable | Mandatory if fading | Informative and approx. if statistical |
| Test number | | | | | | | |
| 1 ($\hat{I}_{or}/I_{oc} = 0$ dB) | PA3 | 195 | 63.46% → (36.54%) | 64/205 (m = 0.710) | N.A. | 164s (fading) | RT |
| | | 329 | 38.35% → (61.65%) | 78/175 (M = 1.320) | N.A. | 164s (fading) | BL |
| 2 ($\hat{I}_{or}/I_{oc} = 0$ dB) | PB3 | 156 | 70.77% → (29.23%) | 59/239 (m = 0.690) | N.A. | 164s (fading) | RT |
| | | 263 | 50.72% → (49.28%) | 76/176 (m = 0.753) | N.A. | 164s (fading) | RT |
| 3 ($\hat{I}_{or}/I_{oc} = 0$ dB) | VA30 | 171 | 67.96% → (32.04%) | 61/225 (m = 0.697) | N.A. | 16.4s(fading) | RT |
| | | 273 | 48.84% → (51.16%) | 96/174 (M = 1.252) | N.A. | 16.4s(fading) | BL |
| 4 ($\hat{I}_{or}/I_{oc} = 0$ dB) | VA120 | 168 | 68.52% → (34.48%) | 60/228 (m = 0.696) | N.A. | 4.1s(fading) | RT |
| | | 263 | 50.72% → (49.28%) | 76/176 (m = 0.753) | N.A. | 4.1s(fading) | RT |
| 1 ($\hat{I}_{or}/I_{oc} = 10$ dB) | PA3 | 247 | 53.72% → (46.28%) | 72/180 (m = 0.742) | N.A. | 164s (fading) | RT |
| | | 379 | 28.95% → (71.02%) | 66/193 (M = 1.386) | N.A. | 164s (fading) | BL |
| 2 ($\hat{I}_{or}/I_{oc} = 10$ dB) | PB3 | 195 | 63.46% → (36.54%) | 63/204 (m = 0.710) | N.A. | 164s (fading) | RT |
| | | 316 | 40.79% → (59.21%) | 81/172 (M = 1.303) | N.A. | 164s (fading) | BL |
| 3 ($\hat{I}_{or}/I_{oc} = 10$ dB) | VA30 | 212 | 60.27% → (39.73%) | 66/194 (m = 0.720) | N.A. | 16.4s(fading) | RT |
| | | 329 | 38.35% → (61.65%) | 78/175 (M = 1.320) | N.A. | 16.4s(fading) | BL |
| 4 ($\hat{I}_{or}/I_{oc} = 10$ dB) | VA120 | 191 | 64.21% → (35.79%) | 63/208 (m = 0.708) | N.A. | 4.1s(fading) | RT |
| | | 293 | 45.10% → (54.90%) | 89/173 (M = 1.275) | N.A. | 4.1s(fading) | BL |

Table F.6.3.5.2.2: Single link performance for test case 9.2.1A and 9.2.1C demodulation of HS-DSCH (16 QAM, H-Set 1, 2, 3)

| Single link Performance | H-SET 1 Absolute Test requirement (kbps) | | Relative test requirement (normalized to ideal=777 kbps for H-SET 1) | Test limit expressed as No of events/min No of samples for H-SET 1, 2, 3 | Min No of samples (number of events to pass) | Test time in s | BL / RT |
|---------------------------------------|--|-----|--|--|--|---|---------|
| 16 QAM H-Set 1/2/3 | | | No of events/No of samples in % BL → (RT) | (Bad DUT factor) | Mandatory if applicable | Mandatory if fading Informative and approx. if statistical | |
| Test number | | | | | | | |
| 1 ($\hat{I}_{or}/I_{oc} = 10$ dB) | PA3 | 198 | 74.53% → (25.47%) | 58/272 (m=0.681) | N.A. | 164s (fading) | RT |
| | | 368 | 52.66% → (47.34%) | 74/179 m=0.746 | N.A. | 164s(fading) | RT |
| 2 ($\hat{I}_{or}/I_{oc} = 10$ dB) | PB3 | 34 | 95.626% → (4.374%) | 64/1770 (m=1/1.5) | N.A. | 164s (fading) | RT |
| | | 219 | 71.83% → (28,17%) | 58/240 (m=0.687) | N.A. | 164s (fading) | RT |
| 3 ($\hat{I}_{or}/I_{oc} = 10$ dB) | VA30 | 47 | 93.95% → (6.05%) | 63/1259 (m=1/1.5) | N.A. | 16.4s (fading) | RT |
| | | 214 | 72.47% → (27.53%) | 59/255 (m=0.686) | N.A. | 16.4s (fading) | RT |
| 4 ($\hat{I}_{or}/I_{oc} = 10$ dB) | VA120 | 28 | 96.4% → (3.6%) | 64/2150 (m=1/1.5) | 2150 (≥64) | 12.9s H-set1 8.6s H-set2 4.3s Hset3 (stat) | RT |
| | | 167 | 78.51% → (21.49%) | 57/319 (m=0.673) | N.A. | 4.1s (fading) | RT |

Table F.6.3.5.2.2A: Single link Performance for test case 9.2.1D and 9.2.1E demodulation of HS-DSCH (enhanced requirement type 1, 16 QAM, H-Set 1, 2, 3)

| Single link enhanced requirement type 1 Performance | H-SET 1 Absolute Test requirement (kbps) | | Relative test requirement (normalized to ideal=777 kbps for H-SET 1) | Test limit expressed as No of events/min No of samples for H-SET 1, 2, 3 | Min No of samples (number of events to pass) | Test time in s | BL / RT |
|---|--|-----|--|--|--|---|---------|
| 16 QAM H-Set 1/2/3 | | | No of events/No of samples in % BL → (RT) | (Bad DUT factor) | Mandatory if applicable | Mandatory if fading Informative and approx. if statistical | |
| Test number | | | | | | | |
| 1 ($\hat{I}_{or}/I_{oc} = 10$ dB) | PA3 | 312 | 59.86% → (40.14%) | 66/193 (m = 0.722) | N.A. | 164s (fading) | RT |
| | | 487 | 37.35% → (62.65) | 76/176 (M = 1.327) | N.A. | 164s (fading) | BL |
| 2 ($\hat{I}_{or}/I_{oc} = 10$ dB) | PB3 | 275 | 64.62% → (35.38%) | 63/209 (m = 0.707) | N.A. | 164s (fading) | RT |
| | | 408 | 47.51% → (52.49) | 94/174 (M = 1.260) | N.A. | 164s (fading) | BL |
| 3 ($\hat{I}_{or}/I_{oc} = 10$ dB) | VA30 | 296 | 61.92% → (38.08%) | 65/199 (m = 0.715) | N.A. | 16.4s (fading) | RT |
| | | 430 | 44.68% → (55.32%) | 88/173 (M = 1.278) | N.A. | 16.4s (fading) | BL |
| 4 ($\hat{I}_{or}/I_{oc} = 10$ dB) | VA120 | 271 | 65.14% → (34.86%) | 62/211 (m = 0.705) | N.A. | 4.1s (fading) | RT |
| | | 392 | 49.57% → (50.43%) | 97/175 | N.A. | 4.1s (fading) | BL |

Table F.6.3.5.2.3: Single link performance for test case 9.2.1B demodulation of HS-DSCH (QPSK H-Set 4)

| Single link Performance | Absolute Test requirement (kbps) | | Relative test requirement (normalized to ideal=534 kbps) | Test limit expressed as No of events/min No of samples | Min No of samples | Test time in s | BL / RT |
|---------------------------------------|----------------------------------|-----|--|--|----------------------------|--|----------------|
| QPSK H-Set 4 | | | No of events/No of samples in % BL → (RT) | (Bad DUT factor) | (number of events to pass) | Mandatory if fading | |
| Test number | | | | | Mandatory if applicable | Informative and approx. if statistical | |
| 1 ($\hat{I}_{or}/I_{oc} = 0$ dB) | PA3 | 72 | 86.5% → (13.5%) | 59/528 (m=1/1.5) | N.A. | 164s (fading) | RT |
| 2 ($\hat{I}_{or}/I_{oc} = 0$ dB) | | PB3 | 24 | 95.5% → (4.5%) | 63/1695 (m=1/1.5) | N.A. | 164s (fading) |
| | | | 142 | 73.4% → (26.6%) | 59/264 (m=0.684) | N.A. | 164s (fading) |
| 3 ($\hat{I}_{or}/I_{oc} = 0$ dB) | VA30 | 19 | 96.44% → (3.56%) | 64/2176 (m=1/1.5) | N.A. | 16.4s (fading) | RT |
| | | | 148 | 72.27% → (27.73%) | 59/253 (m=0.686) | N.A. | 16.4s (fading) |
| 4 ($\hat{I}_{or}/I_{oc} = 0$ dB) | VA120 | 11 | 98% → (2%) | 65/3746 (m=1/1.5) | 3746 (≥65) | 22.5s (stat) | RT |
| | | | 144 | 73% → (27%) | 58/256 (m=0.684) | N.A. | 4.1s (fading) |
| 1 ($\hat{I}_{or}/I_{oc} = 10$ dB) | PA3 | 340 | 36.29% | 75/177 (M=1.334) | N.A. | 164s (fading) | BL |
| | | | 439 | 17.74% | 58/266 (M=1.468) | N.A. | 164s (fading) |
| 2 ($\hat{I}_{or}/I_{oc} = 10$ dB) | PB3 | 186 | 65.15% → (34.85%) | 62/209 (m=0.705) | N.A. | 164s (fading) | RT |
| | | | 299 | 44% → (56%) | 87/174 (m=0.778) | N.A. | 164s(fading) |
| 3 ($\hat{I}_{or}/I_{oc} = 10$ dB) | VA30 | 183 | 65.7% → (34.3%) | 63/216 (m=0.704) | N.A. | 16.4s (fading) | RT |
| | | | 306 | 42.66% | 86/176 (M=1.291) | N.A. | 16.4s (fading) |
| 4 ($\hat{I}_{or}/I_{oc} = 10$ dB) | VA120 | 170 | 68,14% → (31.86%) | 61/226 (m=697) | N.A. | 4.1s (fading) | RT |
| | | | 284 | 46.78%→ (53.22%) | 81/172 (m = 0.767) | N.A. | 4.1s (fading) |

Table F.6.3.5.2.4: Single link performance for test case 9.2.1B demodulation of HS-DSCH (QPSK H-Set 5)

| Single link Performance | Absolute Test requirement (kbps) | | Relative test requirement (normalized to ideal=801 kbps) | Test limit expressed as No of events/min No of samples | Min No of samples | Test time in s | BL / RT |
|---------------------------------------|----------------------------------|-----|--|--|----------------------------|--|----------------|
| QPSK H-Set 5 | | | No of events/No of samples in % BL → (RT) | (Bad DUT factor) | (number of events to pass) | Mandatory if fading | |
| Test number | | | | | Mandatory if applicable | Informative and approx. if statistical | |
| 1 ($\hat{I}_{or}/I_{oc} = 0$ dB) | PA3 | 98 | 87.76% → (12.24%) | 59/583 (m=1/1.5) | N.A. | 164s (fading) | RT |
| 2 ($\hat{I}_{or}/I_{oc} = 0$ dB) | | PB3 | 35 | 95.63% → (4.37%) | 63/1746 (m=1/1.5) | N.A. | 164s (fading) |
| | | | 207 | 74.14% → (25.86%) | 58/268 (m=0.682) | N.A. | 164s (fading) |
| 3 ($\hat{I}_{or}/I_{oc} = 0$ dB) | VA30 | 33 | 95.88% → (4.12%) | 64/1879 (m=1/1.5) | N.A. | 16.4s (fading) | RT |
| | | | 213 | 73.4% → (26.6%) | 59/264% (m=0.684) | N.A. | 16.2s (fading) |
| 4 ($\hat{I}_{or}/I_{oc} = 0$ dB) | VA120 | 20 | 97.5% → (2.5%) | 64/3101 (m=1/1.5) | 3101 (≥64) | 12.4s (stat) | RT |
| | | | 210 | 73.77% → (26.23%) | 59/268 (m=0.683) | N.A. | 4.1s (fading) |
| 1 ($\hat{I}_{or}/I_{oc} = 10$ dB) | PA3 | 464 | 42% | 84/174 (M=1.295) | N.A. | 164s (fading) | BL |
| | | | 635 | 20.67% | 59/234 (M=1.446) | N.A. | 164s (fading) |
| 2 ($\hat{I}_{or}/I_{oc} = 10$ dB) | PB3 | 272 | 66.02% → (33.98%) | 63/218 (m=0.703) | N.A. | 164s (fading) | RT |
| | | | 431 | 46.16% → (53.84) | 84/176 (m=0.77) | N.A. | 164s(fading) |
| 3 ($\hat{I}_{or}/I_{oc} = 10$ dB) | VA30 | 285 | 64.4% → (35.6%) | 64/211 (m=0.708) | N.A. | 16.4s (fading) | RT |
| | | | 443 | 44.7% → (55.3%) | 85/173 (m=0.775) | N.A. | 16.4s(fading) |
| 4 ($\hat{I}_{or}/I_{oc} = 10$ dB) | VA120 | 272 | 66.02% → (33.98%) | 63/218 (m=0.703) | N.A. | 4.1s (fading) | RT |
| | | | 413 | 48.4% → (51.6%) | 81/176 (m=0.761) | N.A. | 4.1s(fading) |

Table F.6.3.5.2.5: Single link Performance for test case 9.2.1C demodulation of HS-DSCH (QPSK H-Set 6)

| Single link Performance | Absolute Test requirement (kbps) | | Relative test requirement (normalized to ideal=3219 kbps) | Test limit expressed as No of events/min No of samples | Min No of samples | Test time in s | BL / RT |
|---------------------------------------|----------------------------------|------|---|--|----------------------------|--|---------------|
| QPSK H-Set 6 | | | No of events/No of samples in % BL → (RT) | (Bad DUT factor) | (number of events to pass) | Mandatory if fading | |
| Test number | | | | | Mandatory if applicable | Informative and approx. if statistical | |
| 1 ($\hat{I}_{or}/I_{oc} = 10$ dB) | PA3 | 1407 | 56.29% → (43.71%) | 70/185 | N.A. | 164s (fading) | RT |
| | | | 2090 | 35.07% → (64.93%) | 73/179 | N.A. | 164s (fading) |

Table F.6.3.5.2.5A: Single link Performance for test case 9.2.1E demodulation of HS-DSCH (enhanced requirement type 1, QPSK H-Set 6)

| Single link enhanced requirement type 1 Performance | Absolute Test requirement (kbps) | | Relative test requirement (normalized to ideal=3219 kbps) | Test limit expressed as No of events/min No of samples | Min No of samples (number of events to pass) | Test time in s | BL / RT |
|---|----------------------------------|------|---|--|--|--|---------|
| QPSK H-Set 6 | | | No of events/No of samples in % | (Bad DUT factor) | Mandatory if applicable | Mandatory if fading | |
| Test number | | | BL → (RT) | | | Informative and approx. if statistical | |
| 1 ($\hat{I}_{or}/I_{oc} = 10$ dB) | PA3 | 672 | 79.12% → (20.88%) | 57/328 (m = 0.672) | N.A. | 164s (fading) | RT |
| | | 1305 | 59.46% → (40.54%) | 67/193 (m = 0.723) | N.A. | 164s (fading) | RT |

Table F.6.3.5.2.5B: Single link Performance for test case 9.2.1F, 9.2.1FA to9.2.1FD demodulation of HS-DSCH (enhanced requirement type 2, QPSK H-Set 6/6A/6B/6C)

| Single link enhanced requirement type 2 Performance | Absolute Test requirement (kbps) | | Relative test requirement (normalized to ideal=3219 kbps) | Test limit expressed as No of events/min No of samples | Min No of samples (number of events to pass) | Test time in s | BL / RT |
|---|----------------------------------|------|---|--|--|--|---------|
| QPSK H-Set 6 | | | No of events/No of samples in % | (Bad DUT factor) | Mandatory if applicable | Mandatory if fading | |
| Test number | | | BL → (RT) | | | Informative and approx. if statistical | |
| 1 ($\hat{I}_{or}/I_{oc} = 10$ dB) | PA3 | 1494 | 53.59% → (46.41%) | 72/179 (m = 0.743) | N.A. | 164s (fading) | RT |
| | | 2153 | 33.12% → (66.88%) | 71/182 (M = 1.356) | N.A. | 164s (fading) | BL |
| 2 ($\hat{I}_{or}/I_{oc} = 10$ dB) | PB3 | 1038 | 67.75% → (32.25%) | 61/224 (m = 0.698) | N.A. | 164s (fading) | RT |
| | | 1744 | 45.82% → (54.18%) | 90/172 (M = 1.271) | N.A. | 164s (fading) | BL |
| 3 ($\hat{I}_{or}/I_{oc} = 10$ dB) | VA30 | 1142 | 64.52% → (35.48%) | 63/209 (m = 0.707) | N.A. | 16.4s(fading) | RT |
| | | 1782 | 44.64% → (55.36%) | 88/172 (M = 1.278) | N.A. | 16.4s(fading) | BL |
| 4 ($\hat{I}_{or}/I_{oc} = 10$ dB) | VA120 | 909 | 71.76% → (28.24%) | 59/248 (m = 0.687) | N.A. | 4.1s(fading) | RT |
| | | 1467 | 54.43% → (45.57%) | 72/181 (m = 0.740) | N.A. | 4.1s(fading) | RT |

Table F.6.3.5.2.5C: Single link Performance for test case 9.2.1G, 9.2.1GA, 9.2.1GB, 9.2.1GC, 9.2.1GD demodulation of HS-DSCH (enhanced requirement type 3, QPSK H-Set 6/A)

| Single link enhanced requirement type 3 Performance | Absolute Test requirement (kbps) | | Relative test requirement (normalized to ideal=3219 kbps) | Test limit expressed as No of events/min No of samples | Min No of samples (number of events to pass) | Test time in s | BL / RT |
|---|----------------------------------|------|---|--|--|--|---------|
| QPSK H-Set 6 | | | No of events/No of samples in % | (Bad DUT factor) | Mandatory if applicable | Mandatory if fading | |
| Test number | | | BL → (RT) | | | Informative and approx. if statistical | |
| 1 ($\hat{I}_{or}/I_{oc} = 10$ dB) | PA3 | 1554 | 51.72% → (48.28%) | 75/178 (m = 0.749) | N.A. | 164s (fading) | RT |
| | | 2495 | 22.49% → (77.51%) | 61/226 (M = 1.433) | N.A. | 164s (fading) | BL |
| 2 ($\hat{I}_{or}/I_{oc} = 10$ dB) | PB3 | 1190 | 63.03% → (36.94%) | 64/205 (m = 0.712) | N.A. | 164s (fading) | RT |
| | | 2098 | 34.82% → (65.18%) | 73/180 (M = 1.344) | N.A. | 164s (fading) | BL |
| 3 ($\hat{I}_{or}/I_{oc} = 10$ dB) | VA30 | 1299 | 59.65% → (40.35%) | 66/192 (m = 0.722) | N.A. | 16.4s(fading) | RT |
| | | 2013 | 37.46% → (62.54%) | 77/176 (M = 1.326) | N.A. | 16.4s(fading) | BL |
| 4 ($\hat{I}_{or}/I_{oc} = 10$ dB) | VA12 0 | 1060 | 67.07% → (39.93%) | 61/221 (m = 0.700) | N.A. | 4.1s(fading) | RT |
| | | 1674 | 48.00% → (52.00%) | 96/174 (M = 1.252) | N.A. | 4.1s(fading) | BL |
| 5 ($\hat{I}_{or}/I_{oc} = 5$ dB) | PB3 | 1248 | 61.23% → (38.77%) | 66/198 (m = 0.717) | N.A. | 164s (fading) | RT |
| | | 2044 | 36.50% → (63.50%) | 75/176 (M = 1.332) | N.A. | 164s (fading) | BL |

Table F.6.3.5.2.6: Single link Performance for test case 9.2.1C demodulation of HS-DSCH (16 QAM H-Set 6)

| Single link Performance | Absolute Test requirement (kbps) | | Relative test requirement (normalized to ideal=4689 kbps) | Test limit expressed as No of events/min No of samples | Min No of samples (number of events to pass) | Test time in s | BL / RT |
|---------------------------------------|----------------------------------|------|---|--|--|--|---------|
| 16 QAM H-Set 6 | | | No of events/No of samples in % | (Bad DUT factor) | Mandatory if applicable | Mandatory if fading | |
| Test number | | | BL → (RT) | | | Informative and approx. if statistical | |
| 1 ($\hat{I}_{or}/I_{oc} = 10$ dB) | PA3 | 887 | 81.08% → (18.92%) | 56/362 (m = 0.669) | N.A. | 164s (fading) | RT |
| | | 1664 | 64.51% → (35.49%) | 63/209 (m = 0.707) | N.A. | 164s (fading) | RT |

Table F.6.3.5.2.6A: Single link Performance for test case 9.2.1E demodulation of HS-DSCH (enhanced requirement type 1, 16 QAM H-Set 6)

| Single link enhanced requirement type 1 Performance | Absolute Test requirement (kbps) | | Relative test requirement (normalized to ideal=4689 kbps) | Test limit expressed as No of events/min No of samples | Min No of samples (number of events to pass) | Test time in s | BL / RT |
|---|----------------------------------|------|---|--|--|--|---------|
| 16 QAM H-Set 6 | | | No of events/No of samples in % | (Bad DUT factor) | Mandatory if applicable | Mandatory if fading | |
| Test number | | | BL → (RT) | | | Informative and approx. if statistical | |
| 1 ($\hat{I}_{or}/I_{oc} = 10$ dB) | PA3 | 912 | 80.55% → (19.45%) | 56/352 (m = 0.670) | N.A. | 164s (fading) | RT |
| | | 1730 | 63.10% → (36.90%) | 64/203 (m = 0.712) | N.A. | 164s (fading) | RT |

Table F.6.3.5.2.6B: Single link Performance for test case 9.2.1F, 9.2.1FA to 9.2.1FD demodulation of HS-DSCH (enhanced requirement type 2, 16 QAM H-Set 6/6A/6B/6C)

| Single link enhanced requirement type 2 Performance | Absolute Test requirement (kbps) | | Relative test requirement (normalized to ideal=4689 kbps) | Test limit expressed as No of events/min No of samples (Bad DUT factor) | Min No of samples (number of events to pass) | Test time in s Mandatory if fading Informative and approx. if statistical | BL / RT |
|---|----------------------------------|------|---|--|---|---|---------|
| 16 QAM H-Set 6 | | | No of events/No of samples in % BL → (RT) | | Mandatory if applicable | | |
| Test number | | | | | | | |
| 1 ($\hat{I}_{or}/I_{oc} = 10$ dB) | PA3 | 991 | 78.86% → (21.14%) | 57/324 (m = 0.673) | N.A. | 164s (fading) | RT |
| | | 1808 | 61.44% → (38.56%) | 65/197 (m = 0.717) | N.A. | 164s (fading) | RT |
| 2 ($\hat{I}_{or}/I_{oc} = 10$ dB) | PB3 | 465 | 90.08% → (9.92%) | 60/740 (m = 1/1.5) | N.A. | 164s (fading) | RT |
| | | 1370 | 70.78% → (29.22%) | 59/242 (m = 0.690) | N.A. | 164s (fading) | RT |
| 3 ($\hat{I}_{or}/I_{oc} = 10$ dB) | VA30 | 587 | 87.48% → (12.52%) | 59/573 (m = 1/1.5) | N.A. | 16.4s(fading) | RT |
| | | 1488 | 68.26% → (31.74%) | 60/226 (m = 0.697) | N.A. | 16.4s(fading) | RT |
| 4 ($\hat{I}_{or}/I_{oc} = 10$ dB) | VA12 0 | 386 | 91.77% → (8.23%) | 61/905 (m = 1/1.5) | N.A. | 4.1s(fading) | RT |
| | | 1291 | 72.46% → (27.54%) | 58/254 | N.A. | 4.1s(fading) | RT |

Table F.6.3.5.2.6C: Single link Performance for test case 9.2.1G, 9.2.1GA, 9.2.1GB, 9.2.1GC, 9.2.1GD demodulation of HS-DSCH (enhanced requirement type 3, 16 QAM H-Set 6/6A)

| Single link enhanced requirement type 3 Performance | Absolute Test requirement (kbps) | | Relative test requirement (normalized to ideal=4689 kbps) | Test limit expressed as No of events/min No of samples (Bad DUT factor) | Min No of samples (number of events to pass) | Test time in s Mandatory if fading Informative and approx. if statistical | BL / RT |
|---|----------------------------------|------|---|--|---|---|---------|
| 16 QAM H-Set 6 | | | No of events/No of samples in % BL → (RT) | | Mandatory if applicable | | |
| Test number | | | | | | | |
| 1 ($\hat{I}_{or}/I_{oc} = 10$ dB) | PA3 | 1979 | 57.79% → (42.21%) | 69/190 (m = 0.728) | N.A. | 164s (fading) | RT |
| | | 3032 | 35.34% → (64.66%) | 73/178 (M = 1.340) | N.A. | 164s (fading) | BL |
| 2 ($\hat{I}_{or}/I_{oc} = 10$ dB) | PB3 | 1619 | 65.47% → (34.53%) | 62/211 (m = 0.704) | N.A. | 164s (fading) | RT |
| | | 2464 | 47.45% → (52.55%) | 92/171 (M = 1.260) | N.A. | 164s (fading) | BL |
| 3 ($\hat{I}_{or}/I_{oc} = 10$ dB) | VA30 | 1710 | 63.53% → (36.47%) | 63/204 (m = 0.710) | N.A. | 16.4s(fading) | RT |
| | | 2490 | 46.90% → (53.10%) | 91/171 (M = 1.264) | N.A. | 16.4s(fading) | BL |
| 4 ($\hat{I}_{or}/I_{oc} = 10$ dB) | VA12 0 | 1437 | 69.35% → (30.65%) | 59/231 (m = 0.694) | N.A. | 4.1s(fading) | RT |
| | | 2148 | 54.19% → (45.81%) | 72/182 (m = 0.740) | N.A. | 4.1s(fading) | RT |
| 5 ($\hat{I}_{or}/I_{oc} = 5$ dB) | PB3 | 779 | 83.39% → (16.61%) | 57/414 (m = 0.667) | N.A. | 164s (fading) | RT |
| | | 1688 | 64.00% → (36.00%) | 63/207 (m = 0.709) | N.A. | 164s (fading) | RT |

Table F.6.3.5.2.7: Single link Performance for test case 9.2.1H, 9.2.1HA to- 9.2.1HD demodulation of HS-DSCH (enhanced requirement type 2, 64QAM H-Set 8/8A/8B/8C)

| Single link enhanced requirement type 2 Performance | Absolute Test requirement (kbps) | | Relative test requirement (normalized to ideal=13245 kbps) | Test limit expressed as No of events/min No of samples (Bad DUT factor) | Min No of samples (number of events to pass) | Test time in s Mandatory if fading Informative and approx. if statistical | BL / RT |
|---|----------------------------------|------|--|--|---|---|---------|
| 64 QAM H-Set 8 | | | No of events/No of samples in % BL → (RT) | | Mandatory if applicable | | |
| Test number | | | | | | | |
| 1 ($\hat{I}_{or}/I_{oc} = 15$ and 18 dB) | PA3 | 4507 | 65.97% → (34.03%) | 57/324 (m = 0.703) | N.A. | 164s (fading) | RT |
| | | 5736 | 56.69% → (43.31%) | 70/188 (m = 0.732) | N.A. | 164s (fading) | RT |

Table F.6.3.5.2.7A: Single link Performance for test case 9.2.1I, 9.2.1IA to 9.2.1ID demodulation of HS-DSCH (enhanced requirement type 3, 64QAM H-Set 8/8A/8B/8C)

| Single link enhanced requirement type 3 Performance | Absolute Test requirement (kbps) | | Relative test requirement (normalized to ideal=13245 kbps) | Test limit expressed as No of events/min No of samples (Bad DUT factor) | Min No of samples (number of events to pass) | Test time in s Mandatory if fading Informative and approx. if statistical | BL / RT |
|---|----------------------------------|------|--|--|---|---|---------|
| 64 QAM H-Set 8 | | | No of events/No of samples in % BL → (RT) | | Mandatory if applicable | | |
| Test number | | | | | | | |
| 1 ($\hat{I}_{or}/I_{oc} = 15$ and 18 dB) | PA3 | 6412 | 51.59% → (48.41%) | 78/184 (m = 0.750) | N.A. | 164s (fading) | RT |
| | | 7638 | 42.33% → (57.67%) | 85/175 (M = 1.293) | N.A. | 164s (fading) | BL |

Table F.6.3.5.2.7B: Single link Performance for test case 9.2.1J, 9.2.1JA to 9.2.1JD -Enhanced requirement type 2, QPSK / 16QAM, FRC H-Set 10/10A/10B/10C)

| Single link enhanced requirement Type2 | Absolute Test requirement (kbps) | | Relative test requirement (normalized to ideal=4860(QPSK) ideal=8774 (16QAM)) | Test limit expressed as No of events/min No of samples (Bad DUT factor) | Min No of samples (number of events to pass) | Test time in s Mandatory if fading Informative and approx. if statistical | BL / RT |
|---|----------------------------------|------|---|--|---|---|---------|
| QPSK/16QAM H-Set 10 | | | No of events/No of samples in % BL → (RT) | | Mandatory if applicable | | |
| Test | | | | | | | |
| QPSK, ($\hat{I}_{or}/I_{oc} = 4.6$ dB) | VA3 | 1397 | 71.255% → (28.745%) | 63/259 (m=0.698) | N.A. | 164s (fading) | RT |
| 16 QAM, ($\hat{I}_{or}/I_{oc} = 8.6$ dB) | VA3 | 1726 | 80.33% → (19.67%) | 56/343 (m=0.67) | N.A. | 164s (fading) | RT |

Table F.6.3.5.2.7C: Single link Performance for test case 9.2.1K, 9.2.1KA to 9.2.1KD Enhanced requirement type 3, QPSK / 16 QAM FRC H-Set 10/10A/10B/10C)

| Single link enhanced Type 3 | Absolute Test requirement (kbps) | | Relative test requirement (normalized to ideal=4860 (QPSK) ideal=8774 (16QAM) No of events/No of samples in % BL → (RT) | Test limit expressed as No of events/min No of samples (Bad DUT factor) | Min No of samples (number of events to pass) Mandatory if applicable | Test time in s Mandatory if fading Informative and approx. if statistical | BL / RT |
|--|----------------------------------|------|---|--|--|---|---------|
| QPSK/16QAM H-Set 10 | | | | | | | |
| QPSK ($\hat{I}_{or}/I_{oc} = 4.6$ dB) | VA3 | 2621 | 46.07% → (53.93%) | 90/172 (M=1.269) | N.A. | 164s (fading) | BL |
| 16QAM ($\hat{I}_{or}/I_{oc} = 8.6$ dB) | VA3 | 3396 | 61.29% → (38.71%) | 65/196 (m=0.717) | N.A. | 164s (fading) | RT |

Table F.6.3.5.2.7D: Single link Performance for test case 9.2.1L, 9.2.1LA to 9.2.1LD Enhanced requirement type 3i, QPSK, FRC H-Set 6/6A/6B/6C)

| Single link enhanced Type 3i | Absolute Test requirement (kbps) | | Relative test requirement (normalized to ideal=3219 No of events/No of samples in % BL → (RT) | Test limit expressed as No of events/min No of samples (Bad DUT factor) | Min No of samples (number of events to pass) Mandatory if applicable | Test time in s Mandatory if fading Informative and approx. if statistical | BL / RT |
|---|----------------------------------|------|---|--|--|---|---------|
| QPSK H-Set 6/6A | | | | | | | |
| QPSK ($\hat{I}_{or}/I_{oc} = 0$ dB DIP1=-2.75 dB DIP2=-7.64 dB) | PB3 | 691 | 78.534% → (21.466%) | 57/319 (m=0.673) | N.A. | 164s (fading) | RT |
| | | 1359 | 57.782% → (42.218%) | 69/189 (m=0.728) | N.A. | 164s (fading) | RT |
| | VA30 | 661 | 79.466% → (20.534%) | 57/334 (m=0.672) | N.A. | 16.4s (fading) | RT |
| | | 1327 | 58.776% → (41.224%) | 68/191 (m=0.725) | N.A. | 16.4s (fading) | RT |

Table F.6.3.5.3.1: Open Loop Diversity Performance for test case 9.2.2A and 9.2.2D demodulation of HS-DSCH (QPSK, H-Set 1, 2, 3)

| Open Loop Diversity Performance | H-SET 1 Absolute Test requirement (kbps) | | Relative test requirement (normalized to ideal=534 kbps for H-SET 1) | Test limit expressed as No of events/min No of samples for H-SET 1, 2, 3 | Min No of samples (number of events to pass) | Test time in s | BL / RT |
|---------------------------------------|--|-----|--|--|--|--|---------|
| QPSK H-Set 1/2/3 | | | No of events/No of samples in % BL → (RT) | (Bad DUT factor) | Mandatory if applicable | Mandatory if fading | |
| Test number | | | | | | Informative and approx. if statistical | |
| 1 ($\hat{I}_{or}/I_{oc} = 0$ dB) | PA3 | 77 | 85.57% → (14.43%) | 58/486 (m=1/1.5) | N.A. | 164s (fading) | RT |
| | | 180 | 66.27% → (33.73%) | 62/216 (m=0.702) | N.A. | 164s (fading) | RT |
| 2 ($\hat{I}_{or}/I_{oc} = 0$ dB) | PB3 | 20 | 96.25% → (3.75%) | 64/2065 (m=1/1.5) | N.A. | 164s (fading) | RT |
| | | 154 | 71.14% → (28,86%) | 59/243 (m=0.689) | N.A. | 164s (fading) | RT |
| 3 ($\hat{I}_{or}/I_{oc} = 0$ dB) | VA30 | 15 | 97.19% → (2.81%) | 64/2758 (m=1/1.5) | H-Set 1: 2758 (≥64) | H-Set 2,3: 16.4s (fading) | RT |
| | | 162 | 69.64% → (30.36%) | 60/235 (m=0.693) | N.A. | 16.4s (fading) | RT |
| 1 ($\hat{I}_{or}/I_{oc} = 10$ dB) | PA3 | 375 | 29.7% | 68/192 (M=1.38) | N.A. | 164s (fading) | BL |
| | | 475 | 11% | 58/425 (M=1.499) | N.A. | 164s (fading) | BL |
| 2 ($\hat{I}_{or}/I_{oc} = 10$ dB) | PB3 | 183 | 65.7% → (34.3%) | 63/216 (m=0.704) | N.A. | 164s (fading) | RT |
| | | 274 | 48.7% → (51.3%) | 80/177 (m=0.76) | N.A. | 164s (fading) | RT |
| 3 ($\hat{I}_{or}/I_{oc} = 10$ dB) | VA30 | 187 | 65% → (35%) | 62/208 (m=0.706) | N.A. | 16.4s (fading) | RT |
| | | 284 | 46.8% → (53.2%) | 82/174 (m=0.767) | N.A. | 16.4s (fading) | RT |

Table F.6.3.5.3.2: Open Loop Diversity Performance for test case 9.2.2A and 9.2.2D demodulation of HS-DSCH (16 QAM, H-Set 1, 2, 3)

| Open Loop Diversity Performance | H-SET 1 Absolute Test requirement (kbps) | | Relative test requirement (normalized to ideal=777 kbps for H-SET 1) | Test limit expressed as No of events/min No of samples for H-SET 1, 2, 3 | Min No of samples (number of events to pass) | Test time in s | BL / RT |
|---------------------------------------|--|-----|--|--|--|--|---------|
| 16 QAM H-Set 1/2/3 | | | No of events/No of samples in % BL → (RT) | (Bad DUT factor) | Mandatory if applicable | Mandatory if fading | |
| Test number | | | | | | Informative and approx. if statistical | |
| 1 ($\hat{I}_{or}/I_{oc} = 10$ dB) | PA3 | 295 | 62% → (38%) | 66/203 (m=0.715) | N.A. | 164s (fading) | RT |
| | | 463 | 40.4% | 82/176 (M=1.306) | N.A. | 164s (fading) | BL |
| 2 ($\hat{I}_{or}/I_{oc} = 10$ dB) | PB3 | 24 | 96.9% → (3.1%) | 64/2500 (m=1/1.5) | N.A. | 164s (fading) | RT |
| | | 243 | 68.7% → (31.3%) | 60/227 (m=0.695) | N.A. | 164s (fading) | RT |
| 3 ($\hat{I}_{or}/I_{oc} = 10$ dB) | VA30 | 35 | 95.5% → (4.5%) | 63/1695 (m=1/1.5) | N.A. | 16.4s (fading) | RT |
| | | 251 | 67.7% → (32.3%) | 61/223 (m=0.698) | N.A. | 16.4s (fading) | RT |

Table F.6.3.5.3.3: Open Loop Diversity Performance for test case 9.2.2B demodulation of HS-DSCH (QPSK, H-Set 4)

| Open Loop Diversity Performance QPSK H-Set 4 | Absolute Test requirement (kbps) | | Relative test requirement (normalized to ideal=534 kbps) | Test limit expressed as No of events/min No of samples | Min No of samples | Test time in s | BL / RT |
|--|----------------------------------|-----|--|--|----------------------------|--|---------|
| | | | No of events/No of samples in % BL → (RT) | (Bad DUT factor) | (number of events to pass) | Mandatory if fading | |
| Test number | | | | | Mandatory if applicable | Informative and approx. if statistical | |
| 1 ($\hat{I}_{or}/I_{oc} = 0$ dB) | PA3 | 70 | 86.9% →(13.1%) | 59/544 (m=1/1.5) | N.A. | 164s (fading) | RT |
| | | 171 | 68% →(32%) | 61/225 (m=0.697) | N.A. | 164s (fading) | RT |
| 2 ($\hat{I}_{or}/I_{oc} = 0$ dB) | PB3 | 14 | 97.4% →(2.6%) | 64/2982 (m=1/1.5) | N.A. | 164s (fading) | RT |
| | | 150 | 71.9% →(28.1%) | 59/250 (m=0.687) | N.A. | 164s (fading) | RT |
| 3 ($\hat{I}_{or}/I_{oc} = 0$ dB) | VA30 | 11 | 97.04% →(2.06%) | 65/3819 (m=1/1.5) | 3819 (≥65) | 23s (stat) | RT |
| | | 156 | 70.8% →(29.2%) | 60/243 (m=0.69) | N.A. | 16.4s (fading) | RT |
| 1 ($\hat{I}_{or}/I_{oc} = 10$ dB) | PA3 | 369 | 30.9% | 69/188 (M=1.372) | N.A. | 164s (fading) | BL |
| | | 471 | 11.7% | 58/400 (M=1.497) | N.A. | 164s (fading) | BL |
| 2 ($\hat{I}_{or}/I_{oc} = 10$ dB) | PB3 | 180 | 66.3% →(33.7%) | 63/220 (m=0.702) | N.A. | 164s (fading) | RT |
| | | 276 | 48.3% →(51.7%) | 79/173 (m=0.762) | N.A. | 164s (fading) | RT |
| 3 ($\hat{I}_{or}/I_{oc} = 10$ dB) | VA30 | 184 | 65.5% →(34.5%) | 62/211 (m=0.704) | N.A. | 16.4s (fading) | RT |
| | | 285 | 46.6% →(53.4%) | 81/171 (m=0.768) | N.A. | 16.4s (fading) | RT |

Table F.6.3.5.3.4: Open Loop Diversity Performance for test case 9.2.2B demodulation of HS-DSCH (QPSK, H-Set 5)

| Open Loop Diversity Performance QPSK H-Set 5 | Absolute Test requirement (kbps) | | Relative test requirement, normalized to ideal=801 kbps | Test limit expressed as No of events/min No of samples | Min No of samples | Test time in s | BL / RT |
|--|----------------------------------|-----|---|--|----------------------------|--|---------|
| | | | No of events/No of samples in % BL → (RT) | (Bad DUT factor) | (number of events to pass) | Mandatory if fading | |
| Test number | | | | | Mandatory if applicable | Informative and approx. if statistical | |
| 1 ($\hat{I}_{or}/I_{oc} = 0$ dB) | PA3 | 116 | 85.5% →(14.5%) | 59/492 (m=0.667) | N.A. | 164s (fading) | RT |
| | | 270 | 66.27% →(33.73%) | 62/216 (m=0.702) | N.A. | 164s (fading) | RT |
| 2 ($\hat{I}_{or}/I_{oc} = 0$ dB) | PB3 | 30 | 96.25% →(3.75%) | 65/2100 (m=1/1.5) | N.A. | 164s (fading) | RT |
| | | 231 | 71.14% →(28.86%) | 58/243 (m=0.689) | N.A. | 164s (fading) | RT |
| 3 ($\hat{I}_{or}/I_{oc} = 0$ dB) | VA30 | 23 | 97.13% →(2.87%) | 64/2741 (m=1/1.5) | N.A. | 16.4s (fading) | RT |
| | | 243 | 69.64% →(30.36%) | 60/234 (m=0.693) | N.A. | 16.4s (fading) | RT |
| 1 ($\hat{I}_{or}/I_{oc} = 10$ dB) | PA3 | 563 | 29.67% | 68/194 (M=1.381) | N.A. | 164s (fading) | BL |
| | | 713 | 10.93% | 58/428 (M=1.499) | N.A. | 164s (fading) | BL |
| 2 ($\hat{I}_{or}/I_{oc} = 10$ dB) | PB3 | 275 | 65.65% →(34.35%) | 64/212 (m=0.704) | N.A. | 164s (fading) | RT |
| | | 411 | 48.66% →(51.34%) | 77/170 (m=0.76) | N.A. | 164s (fading) | RT |
| 3 ($\hat{I}_{or}/I_{oc} = 10$ dB) | VA30 | 281 | 64.9% →(35.1%) | 63/211 (m=0.706) | N.A. | 16.4s (fading) | RT |
| | | 426 | 46.78% →(53.22%) | 81/172 (m=0.767) | N.A. | 16.4s (fading) | RT |

Table F.6.3.5.3.5: Open Loop Diversity Performance for test case 9.2.2C demodulation of HS-DSCH (QPSK, H-Set 1, 2, 3) and test case 9.2.2E

| Open Loop Diversity Performance | H-SET 1 Absolute Test requirement (kbps) | | Relative test requirement (normalized to ideal=534 kbps for H-SET 1) | Test limit expressed as No of events/min No of samples for H-SET 1, 2, 3 | Min No of samples (number of events to pass) | Test time in s | BL / RT |
|---------------------------------------|--|-----|--|--|--|---------------------|--|
| QPSK H-Set 1/2/3 | | | No of events/No of samples in % BL → (RT) | (Bad DUT factor) | Mandatory if applicable | Mandatory if fading | Informative and approx. if statistical |
| Test number | | | | | | | |
| 1 ($\hat{I}_{or}/I_{oc} = 0$ dB) | PA3 | 197 | 63.09% → (36.91%) | 64/203 (m = 0.712) | N.A. | 164s (fading) | RT |
| | | 330 | 38.16% → (61.84%) | 80/181 (M = 1.321) | N.A. | 164s (fading) | BL |
| 2 ($\hat{I}_{or}/I_{oc} = 0$ dB) | PB3 | 152 | 71.52% → (28.48%) | 59/247 (m = 0.688) | N.A. | 164s (fading) | RT |
| | | 251 | 52.97% → (47.03%) | 73/179 (m = 0.745) | N.A. | 164s (fading) | RT |
| 3 ($\hat{I}_{or}/I_{oc} = 0$ dB) | VA30 | 164 | 69.27% → (30.73%) | 60/232 (m = 0.694) | N.A. | 16.4s (fading) | RT |
| | | 261 | 51.09% → (48.91%) | 75/176 (m = 0.751) | N.A. | 16.4s (fading) | RT |
| 1 ($\hat{I}_{or}/I_{oc} = 10$ dB) | PA3 | 268 | 49.78% → (50.22%) | 101/181 (M = 1.246) | N.A. | 164s (fading) | BL |
| | | 407 | 23.74% → (76.26%) | 62/217 (M = 1.424) | N.A. | 164s (fading) | BL |
| 2 ($\hat{I}_{or}/I_{oc} = 10$ dB) | PB3 | 183 | 65.71% → (34.29%) | 62/213 (m = 0.704) | N.A. | 164s (fading) | RT |
| | | 288 | 46.03% → (53.97%) | 93/178 (M = 1.269) | N.A. | 164s (fading) | BL |
| 3 ($\hat{I}_{or}/I_{oc} = 10$ dB) | VA30 | 197 | 63.09% → (36.91%) | 64/203 (m = 0.712) | N.A. | 16.4s (fading) | RT |
| | | 307 | 42.47% → (57.53%) | 87/178 (M = 1.292) | N.A. | 16.4s (fading) | BL |

Table F.6.3.5.3.6: Open Loop Diversity Performance for test case 9.2.2C demodulation of HS-DSCH (16QAM, H-Set 1, 2, 3) and test case 9.2.2E

| Open Loop Diversity Performance | H-SET 1 Absolute Test requirement (kbps) | | Relative test requirement (normalized to ideal=777 kbps for H-SET 1) | Test limit expressed as No of events/min No of samples for H-SET 1, 2, 3 | Min No of samples (number of events to pass) | Test time in s | BL / RT |
|---------------------------------------|--|-----|--|--|--|---------------------|--|
| 16 QAM H-Set 1/2/3 | | | No of events/No of samples in % BL → (RT) | (Bad DUT factor) | Mandatory if applicable | Mandatory if fading | Informative and approx. if statistical |
| Test number | | | | | | | |
| 1 ($\hat{I}_{or}/I_{oc} = 10$ dB) | PA3 | 340 | 56.26% → (43.74%) | 70/184 (m = 0.733) | N.A. | 16.4s (fading) | RT |
| | | 513 | 34.01% → (65.99%) | 72/180 (M = 1.350) | N.A. | 16.4s (fading) | BL |
| 2 ($\hat{I}_{or}/I_{oc} = 10$ dB) | PB3 | 251 | 67.71% → (32.29%) | 60/222 (m = 0.698) | N.A. | 16.4s (fading) | RT |
| | | 374 | 51.89% → (48.11%) | 74/177 (m = 0.749) | N.A. | 16.4s (fading) | RT |
| 3 ($\hat{I}_{or}/I_{oc} = 10$ dB) | VA30 | 280 | 63.98% → (36.02%) | 63/206 (m = 0.709) | N.A. | 16.4s (fading) | RT |
| | | 398 | 48.80% → (51.20%) | 96/174 (M = 1.252) | N.A. | 16.4s (fading) | BL |

Table F.6.3.5.4.1: Closed Loop Diversity Performance for test case 9.2.3A and 9.2.3D demodulation of HS-DSCH (QPSK, H-Set 1, 2, 3)

| Closed Loop Diversity Performance | H-SET 1 Absolute Test requirement (kbps) | | Relative test requirement (normalized to ideal=534 kbps for H-SET 1) | Test limit expressed as No of events/min No of samples for H-SET 1, 2, 3 | Min No of samples (number of events to pass) | Test time in s | BL / RT |
|---------------------------------------|--|-----|--|--|--|---|---------|
| | | | No of events/No of samples in % BL → (RT) | (Bad DUT factor) | Mandatory if applicable | Mandatory if fading Informative and approx. if statistical | |
| QPSK H-Set 1/2/3 | | | | | | | |
| Test number | | | | | | | |
| 1 ($\hat{I}_{or}/I_{oc} = 0$ dB) | PA3 | 118 | 77.89% →(22.11%) | 58/315 (m=0.674) | N.A. | 164s (fading) | RT |
| | | 225 | 57.84% →(42.16%) | 69/189(m=0.728) | N.A. | 164s (fading) | RT |
| 2 ($\hat{I}_{or}/I_{oc} = 0$ dB) | PB3 | 50 | 90.63% →(9.37%) | 61/787 (m=1/1.5) | N.A. | 164s (fading) | RT |
| | | 173 | 67.58% →(32.42%) | 61/222 (m=0.698) | N.A. | 164s (fading) | RT |
| 3 ($\hat{I}_{or}/I_{oc} = 0$ dB) | VA30 | 47 | 91.2% →(8.8%) | 62/852 (m=1/1.5) | N.A. | 16.4s (fading) | RT |
| | | 172 | 67.77% →(32.23%) | 61/223 (m=0.698) | N.A. | 16.4s (fading) | RT |
| 1 ($\hat{I}_{or}/I_{oc} = 10$ dB) | PA3 | 399 | 25.23% | 63/207 (M=1.413) | N.A. | 164s (fading) | BL |
| | | 458 | 14.18% | 57/325 (M=1.487) | N.A. | 164s (fading) | BL |
| 2 ($\hat{I}_{or}/I_{oc} = 10$ dB) | PB3 | 199 | 62.71% →(37.29%) | 65/204 (m=0.713) | N.A. | 164s (fading) | RT |
| | | 301 | 43.6% | 88/180 (M=1.285) | N.A. | 164s (fading) | BL |
| 3 ($\hat{I}_{or}/I_{oc} = 10$ dB) | VA30 | 204 | 61.77% →(38.23%) | 65/198 (m=0.716) | N.A. | 16.4s (fading) | RT |
| | | 305 | 42.85% | 85/173 (M=1.29) | N.A. | 16.4s (fading) | BL |

Table F.6.3.5.4.1A: Closed Loop Diversity Performance for test case 9.2.3C demodulation of HS-DSCH (QPSK, H-Set 1, 2, 3), type 1 and test case 9.2.3E

| Closed Loop Diversity Performance | H-SET 1 Absolute Test requirement (kbps) | | Relative test requirement (normalized to ideal=534 kbps for H-SET 1) | Test limit expressed as No of events/min No of samples for H-SET 1, 2, 3 | Min No of samples (number of events to pass) | Test time in s | BL / RT |
|---------------------------------------|--|-----|--|--|--|--|---------|
| | | | No of events/No of samples in % | (Bad DUT factor) | Mandatory if applicable | Mandatory if fading | |
| | | | BL → (RT) | | | Informative and approx. if statistical | |
| QPSK H-Set 1/2/3 | | | | | | | |
| Test number | | | | | | | |
| 1 ($\hat{I}_{or}/I_{oc} = 0$ dB) | PA3 | 242 | 54.7% →(45.3%) | 71/180 (m=0.739) | N.A. | 164s (fading) | RT |
| | | 369 | 30.9% | 86/239(M=1.327) | N.A. | 164s (fading) | RT |
| 2 ($\hat{I}_{or}/I_{oc} = 0$ dB) | PB3 | 170 | 68.2% →(31.8%) | 53/199 (m=0.679) | N.A. | 164s (fading) | RT |
| | | 272 | 49.1% →(50.9%) | 78/174 (m=0.759) | N.A. | 164s (fading) | RT |
| 3 ($\hat{I}_{or}/I_{oc} = 0$ dB) | VA30 | 172 | 67.8% →(32.2%) | 62/227 (m=0.698) | N.A. | 16.4s (fading) | RT |
| | | 270 | 49.4% →(50.6%) | 78/175 (m=0.758) | N.A. | 16.4s (fading) | RT |
| 1 ($\hat{I}_{or}/I_{oc} = 10$ dB) | PA3 | 297 | 44.4% | 88/173 (M=1.28) | N.A. | 164s (fading) | BL |
| | | 410 | 23.2% | 60/213 (M=1.434) | N.A. | 164s (fading) | BL |
| 2 ($\hat{I}_{or}/I_{oc} = 10$ dB) | PB3 | 194 | 63.7% →(36.3%) | 63/203 (m=0.71) | N.A. | 164s (fading) | RT |
| | | 308 | 42.3% | 84/173 (M=1.293) | N.A. | 164s (fading) | BL |
| 3 ($\hat{I}_{or}/I_{oc} = 10$ dB) | VA30 | 204 | 61.77% →(38.23%) | 65/198 (m=0.716) | N.A. | 16.4s (fading) | RT |
| | | 315 | 41.0% | 80/169 (M=1.302) | N.A. | 16.4s (fading) | BL |

Table F.6.3.5.4.2: Closed Loop Diversity Performance for test case 9.2.3A and 9.2.3D demodulation of HS-DSCH (16 QAM, H-Set 1, 2, 3)

| Closed Loop Diversity Performance | H-SET 1 Absolute Test requirement (kbps) | | Relative test requirement (normalized to ideal=777 kbps for H-SET 1) | Test limit expressed as No of events/min No of samples for H-SET 1, 2, 3 | Min No of samples (number of events to pass) | Test time in s | BL / RT |
|---------------------------------------|--|-----|--|--|--|--|---------|
| | | | No of events/No of samples in % | (Bad DUT factor) | Mandatory if applicable | Mandatory if fading | |
| | | | BL → (RT) | | | Informative and approx. if statistical | |
| 16 QAM H-Set 1/2/3 | | | | | | | |
| Test number | | | | | | | |
| 1 ($\hat{I}_{or}/I_{oc} = 10$ dB) | PA3 | 361 | 53.56% →(46.44%) | 73/180 (m=0.743) | N.A. | 164s (fading) | RT |
| | | 500 | 35.68% | 74/177 (M=1.338) | N.A. | 164s (fading) | BL |
| 2 ($\hat{I}_{or}/I_{oc} = 10$ dB) | PB3 | 74 | 90.48% →(9.52%) | 62/788 (m=1/1.5) | N.A. | 164s (fading) | RT |
| | | 255 | 67.2% →(32.8%) | 61/219 (m=0.7) | N.A. | 164s (fading) | RT |
| 3 ($\hat{I}_{or}/I_{oc} = 10$ dB) | VA30 | 84 | 89.2% →(10.8%) | 61/683 (m=1/1.5) | N.A. | 16.4s (fading) | RT |
| | | 254 | 67.32% →(32.68%) | 61/220 (m=0.699) | N.A. | 16.4s (fading) | RT |

Table F.6.3.5.4.2A: Closed Loop Diversity Performance for test case 9.2.3C demodulation of HS-DSCH (16 QAM, H-Set 1, 2, 3), type 1 and test case 9.2.3E

| Closed Loop Diversity Performance | H-SET 1 Absolute Test requirement (kbps) | | Relative test requirement (normalized to ideal=777 kbps for H-SET 1) | Test limit expressed as No of events/min No of samples for H-SET 1, 2, 3 | Min No of samples (number of events to pass) | Test time in s | BL / RT |
|---------------------------------------|--|-----|--|--|--|---------------------|--|
| 16 QAM H-Set 1/2/3 | | | No of events/No of samples in % BL → (RT) | (Bad DUT factor) | Mandatory if applicable | Mandatory if fading | Informative and approx. if statistical |
| Test number | | | | | | | |
| 1 ($\hat{I}_{or}/I_{oc} = 10$ dB) | PA3 | 376 | 51.6% →(48.4%) | 75/177 (m=0.75) | N.A. | 164s (fading) | RT |
| | | 532 | 31.5% | 72/193 (M=1.368) | N.A. | 164s (fading) | BL |
| 2 ($\hat{I}_{or}/I_{oc} = 10$ dB) | PB3 | 267 | 65.6% →(34.4%) | 62/212 (m=0.704) | N.A. | 164s (fading) | RT |
| | | 393 | 49.4% →(50.6%) | 78/175 (m=0.758) | N.A. | 164s (fading) | RT |
| 3 ($\hat{I}_{or}/I_{oc} = 10$ dB) | VA30 | 279 | 64.1% →(35.9%) | 63/206 (m=0.708) | N.A. | 16.4s (fading) | RT |
| | | 404 | 48% →(52%) | 79/172 (m=0.763) | N.A. | 16.4s (fading) | RT |

Table F.6.3.5.4.3: Closed Loop Diversity Performance for test case 9.2.3B demodulation of HS-DSCH (QPSK, H-Set 4)

| Closed Loop Diversity Performance | Absolute Test requirement (kbps) | | Relative test requirement (normalized to ideal=534 kbps) | Test limit expressed as No of events/min No of samples | Min No of samples (number of events to pass) | Test time in s | BL / RT |
|---------------------------------------|----------------------------------|-----|--|--|--|---------------------|--|
| QPSK H-Set 4 | | | No of events/No of samples in % BL → (RT) | (Bad DUT factor) | Mandatory if applicable | Mandatory if fading | Informative and approx. if statistical |
| Test number | | | | | | | |
| 1 ($\hat{I}_{or}/I_{oc} = 0$ dB) | PA3 | 114 | 78.64% →(21.36%) | 58/327 (m=0.673) | N.A. | 164s (fading) | RT |
| | | 223 | 58.21% →(41.79%) | 69/191 (m=0.727) | N.A. | 164s (fading) | RT |
| 2 ($\hat{I}_{or}/I_{oc} = 0$ dB) | PB3 | 43 | 91.94% →(8.06%) | 62/930 (m=1/1.5) | N.A. | 164s (fading) | RT |
| | | 167 | 68.71% →(31.29%) | 60/227 (m=0.695) | N.A. | 164s (fading) | RT |
| 3 ($\hat{I}_{or}/I_{oc} = 0$ dB) | VA30 | 40 | 92.5% →(7.5%) | 63/1017 (m=1/1.5) | N.A. | 16.4s (fading) | RT |
| | | 170 | 68.14% →(31.86%) | 61/226 (m=0.697) | N.A. | 16.4s (fading) | RT |
| 1 ($\hat{I}_{or}/I_{oc} = 10$ dB) | PA3 | 398 | 25.42% | 63/206 (M=1.412) | N.A. | 164s (fading) | BL |
| | | 457 | 14.37% | 57/321 (M=1.486) | N.A. | 164s (fading) | BL |
| 2 ($\hat{I}_{or}/I_{oc} = 10$ dB) | PB3 | 196 | 63.27 →(36.73%) | 64/204 (m=0.711) | N.A. | 164s (fading) | RT |
| | | 292 | 45.28% →(54.72%) | 85/175 (m=0.773) | N.A. | 164s (fading) | RT |
| 3 ($\hat{I}_{or}/I_{oc} = 10$ dB) | VA30 | 199 | 62.71% →(37.29%) | 65/204 (m=0.713) | N.A. | 16.4s (fading) | RT |
| | | 305 | 42.85% | 85/173 (M=1.29) | N.A. | 16.4s (fading) | BL |

Table F.6.3.5.4.4: Closed Loop Diversity Performance for test case 9.2.3B demodulation of HS-DSCH (QPSK, H-Set 5)

| Closed Loop Diversity Performance QPSK H-Set 5 | Absolute Test requirement (kbps) | | Relative test requirement (normalized to ideal=801 kbps) | Test limit expressed as No of events/min No of samples | Min No of samples (number of events to pass) | Test time in s | BL / RT |
|--|----------------------------------|-----|--|--|--|---|---------|
| | | | No of events/No of samples in % BL → (RT) | (Bad DUT factor) | Mandatory if applicable | Mandatory if fading Informative and approx. if statistical | |
| Test number | | | | | | | |
| 1 ($\hat{I}_{or}/I_{oc} = 0$ dB) | PA3 | 177 | 77.89% →(22.11%) | 58/315 (m=0.674) | N.A. | 164s (fading) | RT |
| | | 338 | 57.78% →(42.22%) | 68/186 (m=0.728) | N.A. | 164s (fading) | RT |
| 2 ($\hat{I}_{or}/I_{oc} = 0$ dB) | PB3 | 75 | 90.63% →(9.37%) | 61/787 (m=1/1.5) | N.A. | 164s (fading) | RT |
| | | 260 | 67.52% →(32.48%) | 62/225 (m=0.699) | N.A. | 164s (fading) | RT |
| 3 ($\hat{I}_{or}/I_{oc} = 0$ dB) | VA30 | 71 | 91.13% →(8.87%) | 62/846 (m=1/1.5) | N.A. | 16.4s (fading) | RT |
| | | 258 | 67.77% →(32.23%) | 61/223 (m=0.698) | N.A. | 16.4s (fading) | RT |
| 1 ($\hat{I}_{or}/I_{oc} = 10$ dB) | PA3 | 599 | 25.17% | 64/211 (M=1.413) | N.A. | 164s (fading) | BL |
| | | 687 | 14.18% | 57/325 (M=1.487) | N.A. | 164s (fading) | BL |
| 2 ($\hat{I}_{or}/I_{oc} = 10$ dB) | PB3 | 299 | 62.65% →(37.35%) | 64/200 (m=0.713) | N.A. | 164s (fading) | RT |
| | | 452 | 43.54% | 87/174 (M=1.285) | N.A. | 164s (fading) | BL |
| 3 ($\hat{I}_{or}/I_{oc} = 10$ dB) | VA30 | 306 | 61.77% →(38.23%) | 65/198 (m=0.716) | N.A. | 16.4s (fading) | RT |
| | | 458 | 42.79% | 86/175 (M=1.29) | N.A. | 16.4s (fading) | BL |

Table F.6.3.5.4.5: Closed Loop Diversity Performance for test case 9.2.3D demodulation of HS-DSCH (QPSK, H-Set 6)

| Closed Loop Diversity Performance QPSK H-Set 6 | Absolute Test requirement (kbps) | | Relative test requirement (normalized to ideal=3219 kbps) | Test limit expressed as No of events/min No of samples | Min No of samples (number of events to pass) | Test time in s | BL / RT |
|--|----------------------------------|------|---|--|--|---|---------|
| | | | No of events/No of samples in % BL → (RT) | (Bad DUT factor) | Mandatory if applicable | Mandatory if fading Informative and approx. if statistical | |
| Test number | | | | | | | |
| 1 ($\hat{I}_{or}/I_{oc} = 10$ dB) | PB3 | 1536 | 52.28% → (47.72%) | 74/178 (m = 0.747) | N.A. | 164s (fading) | RT |
| | | | | | | | |

Table F.6.3.5.4.6: Closed Loop Diversity Performance for test case 9.2.3D demodulation of HS-DSCH (16QAM, H-Set 6)

| Closed Loop Diversity Performance | Absolute Test requirement (kbps) | | Relative test requirement (normalized to ideal=4689 kbps) | Test limit expressed as No of events/min No of samples | Min No of samples | Test time in s | BL / RT |
|---------------------------------------|----------------------------------|------|---|--|----------------------------|--|---------|
| 16QAM H-Set 6 | | | No of events/No of samples in % BL → (RT) | (Bad DUT factor) | (number of events to pass) | Mandatory if fading | |
| Test number | | | | | Mandatory if applicable | Informative and approx. if statistical | |
| 1 ($\hat{I}_{or}/I_{oc} = 10$ dB) | PB3 | 1154 | 75.39% → (24.61%) | 57/280 (m = 0.679) | N.A. | 164s (fading) | RT |

Table F.6.3.5.4.7: HS-SCCH-less demodulation of HS-DSCH for test case 9.5.1 (QPSK, H-Set 7)

| HS-SCCH-less demodulation of HS-DSCH | Absolute Test requirement (kbps) | | Relative test requirement (normalized to ideal=TBD kbps) | Test limit expressed as No of events/min No of samples | Min No of samples | Test time in s | BL / RT |
|--------------------------------------|----------------------------------|------|--|--|----------------------------|--|---------|
| QPSK H-Set 7 | | | No of events/No of samples in % BL → (RT) | (Bad DUT factor) | (number of events to pass) | Mandatory if fading | |
| Test number | | | | | Mandatory if applicable | Informative and approx. if statistical | |
| 1 ($\hat{I}_{or}/I_{oc} = 0$ dB) | Case 8 | 19.9 | 47.35% → (52.65%) | 91/170 (M = 1.26) | N.A. | 16.4s (fading) | BL |

Table F.6.3.5.4.8: HS-SCCH-less demodulation of HS-DSCH for test case 9.5.1A (Enhanced requirement type 1, QPSK, H-Set 7)

| HS-SCCH-less demodulation of HS-DSCH | Absolute Test requirement (kbps) | | Relative test requirement (normalized to ideal=TBD kbps) | Test limit expressed as No of events/min No of samples | Min No of samples | Test time in s | BL / RT |
|--------------------------------------|----------------------------------|------|--|--|----------------------------|--|---------|
| QPSK H-Set 7 | | | No of events/No of samples in % BL → (RT) | (Bad DUT factor) | (number of events to pass) | Mandatory if fading | |
| Test number | | | | | Mandatory if applicable | Informative and approx. if statistical | |
| 1 ($\hat{I}_{or}/I_{oc} = 0$ dB) | Case 8 | 23.5 | 37.83% → (62.17%) | 76/173 (M = 1.32) | N.A. | 16.4s (fading) | BL |

Table F.6.3.5.4.9: HS-DSCH and HS-SCCH reception in CELL-FACH state

| 9.6.1 Single link HS-DSCH demodulation performance in CELL- FACH | Absolute Test requirement SDU ER | | No of events/No of samples in % Error Ratio(ER) → (Success Ratio(SR)) | Test limit expressed as No of events/min No of samples (Bad DUT factor) | Min No of samples (number of events to pass) Mandatory if applicable | Test time in s Mandatory if fading Informative and approx. if statistical | ER / SR |
|--|--|------|---|---|---|--|---------------|
| QPSK H-Set 3 | | | | | | | |
| $(\hat{I}_{or}/I_{oc} = 0$ dB) | VA30 | 0.82 | 82% → (18%) | 57/382 (m = 0.668) | 382 (>=57) | 30.5s | SR |
| 9.6.2 (HS-DCCH) $(\hat{I}_{or}/I_{oc} = 0$ dB) | VA30 | 0.01 | 1% → (99%) | 65/5247 (M = 1.5) | 5247 (<=65) | 420s | ER |

Table F.6.3.5.4.10: MIMO Performance for test case 9.2.4A, 9.2.4C, 9.2.4CA, 9.2.4E, 9.2.4G (FRC , H-Set 9/9A)

| MIMO Performance | Absolute Test requirement (kbps) | | Relative test requirement (normalized to ideal=13510 kbps) | Test limit expressed as No of events/min No of samples (Bad DUT factor) | Min No of samples (number of events to pass) Mandatory if applicable | Test time in s Mandatory if fading Informative and approx. if statistical | BL / RT |
|--|--|------|---|---|---|--|---------------|
| H-Set 9/9A | | | | | | | |
| Test number | | | No of events/No of samples in % BL → (RT) | | | | |
| 1 $(\hat{I}_{or}/I_{oc} = 10$ dB) | PA3 | 5563 | 55.8% → (41.2%) | 68/192* (m = 0.725) | N.A. | 164s (fading) | RT |
| 2 $(\hat{I}_{or}/I_{oc} = 10$ dB) | VA3 | 4347 | 67.8% → (32.2%) | 61/225* (m = 0.679) | N.A. | 164s (fading) | RT |
| *)nominator and denominator by its own are irrelevant, only the ratio is relevant. | | | | | | | |
| MIMO Performance | Absolute Test requirement (kbps) | | Relative test requirement (normalized to ideal=8650 kbps) | Test limit expressed as No of events/min No of samples (Bad DUT factor) | Min No of samples (number of events to pass) Mandatory if applicable | Test time in s Mandatory if fading Informative and approx. if statistical | BL / RT |
| H-Set 9/9A | | | | | | | |
| Test number | | | No of events/No of samples in % BL → (RT) | | | | |
| 3 $(\hat{I}_{or}/I_{oc} = 6$ dB) | PA3 | 3933 | 54.5% → (45.5%) | 71/180 (m = 0.739) | N.A. | 164s (fading) | RT |
| 4 $(\hat{I}_{or}/I_{oc} = 6$ dB) | VA3 | 3011 | 65.2% → (34.8%) | 62/210 (m = 0.705) | N.A. | 164s (fading) | RT |

Table F.6.3.5.2.11: MIMO Performance for test case 9.2.4B, 9.2.4D, 9.2.4DA, 9.2.4F, 9.2.4H (FRC H-Set 11/11A)

| Single link Performance | Absolute Test requirement (kbps) | | Relative test requirement (normalized to ideal=22074 kbps) | Test limit expressed as No of events/min No of samples (Bad DUT factor) | Min No of samples (number of events to pass) | Test time in s Mandatory if fading Informative and approx. if statistical | BL / RT |
|---------------------------------------|----------------------------------|------|--|--|---|---|---------|
| HSET-11/11A 64 QAM | | | No of events/No of samples in % BL → (RT) | | Mandatory if applicable | | |
| Test number | | | | | | | |
| 1 ($\hat{I}_{or}/I_{oc} = 18$ dB) | PA3 | 9980 | 54.79% → (45.21%) | 71/180 (m = 0.739) | N.A. | 164s (fading) | RT |

F.6.4 Statistical testing of performance requirement (E-DCH and MBMS)

F.6.4.1 Test Method

Each test is performed in the following manner:

- Setup the required test conditions.
- Measure the E-HICH, the E-RGCH and the E-AGCH repeated times. The results, measured, are summarized to:
 - a bad result, if the measured E-HICH returns a missed ACK or a false ACK or if the E_RGCH test returns a missed HOLD or a missed UP/DOWN or a missed DOWN or if the E-AGCH test returns a missed detection in the relevant test.
 - a good result, otherwise.
- Record the number of valid results (ns), tested, and the number of bad results (ne)
- Stop the test at an early pass or an early fail event.
- Once the test is stopped, decide according to the pass fail decision rules

F.6.4.2 Bad Result Ratio (ER)

The Bad Result Ratio (ER) is defined as the ratio of bad results (ne) to all valid results (ns).

(1-ER is the success ratio)

F.6.4.3 Mapping of E-DCH and MBMS tests to RRM tests (F.6.2) and HSDPA tests (F.6.3)

The test design and the explanations for the RRM tests in F.6.2.4 to F.6.2.7 are valid also for the E-DCH and MBMS test as long as the error ratio for minimum requirements is ≤ 0.1 .

The test design and the explanations for the HSDPA tests in F.6.3.3 to F.6.3.4 are partly valid also for the E-DCH test as long as the error ratio for minimum requirements is > 0.1 .

F.6.4.4 Test conditions for E-DCH tests and MBMS

Table F.6.4.4: Test conditions for a E-DCH and MBMS tests

| Type of test | Minimum requirement (ER) | Test limit TL (ER)= Minimum requirement (ER)x TL TL | Target number of bad results | Prob that good unit will fail = Prob that bad unit will pass [%] | Bad unit factor M | Minimum Test time [s] Note 1 |
|---|---|---|------------------------------|--|-------------------|------------------------------|
| Detection of E-DCH HARQ ACK Indicator Channel (E-HICH) | | | | | | |
| 10.2.1.1 Single link performance (10ms TTI) | | | | | | |
| Missed ACK probability (VA30, Test 1) | 0.01 | 1.236 | 154 | 5 | 1.5 | 16.4 |
| False ACK probability (VA30, Test 2)Note 2) | 0.5 | 1.127 | NA | 5 | 1.245 | 16.4 |
| 10.2.1.2 Single link performance (2ms TTI) | | | | | | |
| Missed ACK probability (VA30, Test 1) | 0.01 | 1.236 | 154 | 5 | 1.5 | 16.4 |
| False ACK probability (VA30, Test 2)Note 2) | 0.5 | 1.127 | NA | 5 | 1.245 | 16.4 |
| Detection in Inter-Cell Handover conditions | | | | | | |
| 10.2.2.1.1 RLS not containing the Serving E-DCH cell (10ms TTI). | | | | | | |
| Missed ACK probability (VA30, Test1) | 0.05 | 1.236 | 154 | 5 | 1.5 | 16.4 |
| False ACK probability (VA30,Test 2) | 2E-4 | 1.236 | 154 | 5 | 1.5 | NA |
| 10.2.2.1.2 RLS not containing the Serving E-DCH cell (2ms TTI) | | | | | | |
| Missed ACK probability (VA30, Test 1) | 0.05 | 1.236 | 154 | 5 | 1.5 | 16.4 |
| False ACK probability (VA30, Test 2) | 2E-4 | 1.236 | 154 | 5 | 1.5 | NA |
| 10.2.2.2.1 RLS containing the Serving E-DCH cell (10ms TTI) | | | | | | |
| Missed ACK probability (Test 1, VA30) | 0.05 | 1.236 | 154 | 5 | 1.5 | 16.4 |
| False ACK probability (Test 2, PA3) | 0.1 | 1.236 | 154 | 5 | 1.5 | 164s |
| False ACK probability (Test 3, VA120) | 0.1 | 1.236 | 154 | 5 | 1.5 | 4.1 |
| 10.2.2.2.2 RLS containing the Serving E-DCH cell (2ms TTI) | | | | | | |
| Missed ACK probability (Test 1, VA30) | 0.05 | 1.236 | 154 | 5 | 1.5 | 16.4 |
| False ACK probability (Test 2, PA3) | 0.1 | 1.236 | 154 | 5 | 1.5 | 164 |
| False ACK probability (Test 3, VA120) | 0.1 | 1.236 | 154 | 5 | 1.5 | 4.1 |
| Detection of E-DCH Relative Grant Channel (E-RGCH) | | | | | | |
| 10.3.1.1 Single link performance (10ms TTI) | | | | | | |
| Missed UP/DOWN (VA30, Test 1) | 0.05 | 1.236 | 154 | 5 | 1.5 | 16.4 |
| Missed HOLD (VA30,Test 2) | 0.1 | 1.236 | 154 | 5 | 1.5 | 16.4 |
| 10.3.1.2 Single link performance (2ms TTI) | | | | | | |
| Missed UP/DOWN (VA30, Test 1) | 0.05 | 1.236 | 154 | 5 | 1.5 | 16.4 |
| Missed HOLD (VA30, Test 2) | 0.1 | 1.236 | 154 | 5 | 1.5 | 16.4 |
| 10.3.2 Detection in Inter-Cell Handover conditions | | | | | | |
| Missed HOLD probability (Test 1) | 0.005 | 1.236 | 154 | 5 | 1.5 | 16.4 |
| Missed DOWN probability (Test 2) | 0.05 | 1.236 | 154 | 5 | 1.5 | 16.4 |
| 10.4 Demodulation of E-DCH Absolute Grant Channel (E-AGCH) | | | | | | |
| Missed detection probability (Test 1) | 0.01 | 1.236 | 154 | 5 | 1.5 | 16.4 |
| 11.2 Demodulation of MTCH | 0.1 | 1.236 | 154 | 5 | 1.5 | 164 |
| 11.2A Demodulation of MTCH - Enhanced Performance Requirements Type 1 | 0.1 | 1.236 | 154 | 5 | 1.5 | 164 |
| 11.3 Demodulation of MTCH and cell identification | 0.05 | 1.236 | 154 | 5 | 1.5 | 164 |
| Note 1) | The minimum test time due to propagation conditions is constant and overrides the test time due to statistical reasons. The test time due to statistical reasons is variable and depends on the quality of the DUT. Justification is given in clause F.6.1.6. | | | | | |
| Note 2) | No early decision is designed in this test. Sample for 16.4 s. Then decide the ER against the TL. The limit ratio is 102/181=0.563536 | | | | | |

Annex G (normative): Environmental conditions

G.1 General

This normative annex specifies the environmental requirements of the UE. Within these limits the requirements of the present documents shall be fulfilled.

G.2 Environmental requirements

The requirements in this clause apply to all types of UE(s)

G.2.1 Temperature

The UE shall fulfil all the requirements in the full temperature range of:

Table G.2.1.1

| | |
|-----------------|---|
| +15°C to + 35°C | for normal conditions (with relative humidity of up to 75 %) |
| -10°C to + 55°C | for extreme conditions (see IEC publications 68-2-1 and 68-2-2) |

Outside this temperature range the UE, if powered on, shall not make ineffective use of the radio frequency spectrum. In no case shall the UE exceed the transmitted levels as defined in TS 25.101 [1] for extreme operation.

Some tests in the present document are performed also in extreme temperature conditions. These test conditions are denoted as TL (temperature low, -10°C) and TH (temperature high, +55°C).

G.2.2 Voltage

The UE shall fulfil all the requirements in the full voltage range, i.e. the voltage range between the extreme voltages.

The manufacturer shall declare the lower and higher extreme voltages and the approximate shutdown voltage. For the equipment that can be operated from one or more of the power sources listed below, the lower extreme voltage shall not be higher, and the higher extreme voltage shall not be lower than that specified below.

Table G.2.2.1

| Power source | Lower extreme voltage | Higher extreme voltage | Normal conditions voltage |
|-----------------------------|-----------------------|------------------------|---------------------------|
| AC mains | 0.9 * nominal | 1.1 * nominal | nominal |
| Regulated lead acid battery | 0.9 * nominal | 1.3 * nominal | 1.1 * nominal |
| Non regulated batteries: | | | |
| - Leclanché | 0.85 * nominal | Nominal | Nominal |
| - Lithium | 0.95 * nominal | 1.1*Nominal | 1.1*Nominal |
| - Mercury/nickel & cadmium | 0.90 * nominal | Nominal | Nominal |

Outside this voltage range the UE if powered on, shall not make ineffective use of the radio frequency spectrum. In no case shall the UE exceed the transmitted levels as defined in TS 25.101 [1] for extreme operation. In particular, the UE shall inhibit all RF transmissions when the power supply voltage is below the manufacturer declared shutdown voltage.

Some tests in the present document are performed also in extreme voltage conditions. These test conditions are denoted as VL (lower extreme voltage) and VH (higher extreme voltage).

G.2.3 Vibration

The UE shall fulfil all the requirements when vibrated at the following frequency/amplitudes:

Table G.2.3.1

| Frequency | ASD (Acceleration Spectral Density) random vibration |
|------------------|---|
| 5 Hz to 20 Hz | 0.96 m ² /s ³ |
| 20 Hz to 500 Hz | 0.96 m ² /s ³ at 20 Hz, thereafter -3 dB / Octave |

Outside the specified frequency range the UE, if powered on, shall not make ineffective use of the radio frequency spectrum. In no case shall the UE exceed the transmitted levels as defined in TS 25.101 [1] for extreme operation.

G.2.4 Specified frequency range

The manufacturer shall declare, which of the frequency bands defined in clause 4.2 is supported by the UE.

Some tests in the present document are performed also in low, mid and high range of the operating frequency band of the UE. The UARFCN's to be used for low, mid and high range are defined in TS 34.108 [3] clause 5.1.1.

For GSM frequency bands see TS 51.010-1 [25]. The test frequencies depend on the GSM bands supported by the terminal (according to PICS/PIXIT).

Annex H (normative): UE Capabilities (FDD)

For UE capabilities regarding FDD refer to TS 25.306.

H.1 Void

H.2 Void

Annex I (normative): Default Message Contents

This Annex contains the default values of common messages, other than those described in TS 34.108 [3]. The messages are primarily concerning the RRM test cases in clause 8 and unless indicated otherwise in specific test cases, shall be transmitted and checked by the system simulator. In this Annex, decimal values are normally used. However, sometimes, a hexadecimal value, indicated by an "H", or a binary value, indicated by a "B" is used.

Contents of MEASUREMENT REPORT message for Intra frequency test cases

| Information Element | Value/remark | Version |
|--|--|---------|
| Message Type Integrity check info | <p>The presence of this IE is dependent on IXIT statements in TS 34.123-2. If integrity protection is indicated to be active, this IE shall be present with the values of the sub IEs as stated below. Else, this IE and the sub-IEs shall be absent. This IE is checked to see if it is present. The value is compared against the XMAC-I value computed by SS.</p> <p>This IE is checked to see if it is present. The value is used by SS to compute the XMAC-I value.</p> | |
| - Message authentication code | | |
| - RRC Message sequence number | | |
| Measurement identity | 1 | |
| Measured Results | | |
| - Intra-frequency measured results list | | |
| - Cell measured results | | |
| - Cell Identity | Not present | |
| - Cell synchronisation information | | |
| - Tm | | |
| - OFF | <p>If reporting of "Tm" measurement is configured then check that this IE is present. If reporting of "Tm" measurement is not configured then no check is needed.</p> <p>If reporting of "OFF" measurement is configured then check that this IE is present. If reporting of "OFF" measurement is not configured then no check is needed.</p> | |
| - CHOICE mode | FDD | |
| - Primary CPICH info | Checked that this IE is present | |
| - Primary scrambling code | See Annex K and TS 34.108 [3] section 6.1.4 | |
| - CPICH Ec/N0 | <p>If reporting of "CPICH Ec/N0" measurement is configured then check that this IE is present. If reporting of "CPICH Ec/N0" measurement is not configured then no check is needed.</p> | |
| - CPICH RSCP | <p>If reporting of "CPICH RSCP" measurement is configured then check that this IE is present. If reporting of "CPICH RSCP" measurement is not configured then no check is needed.</p> | |
| - Delta _{CPICH RSCP} | <p>If reporting of "CPICH RSCP" measurement is configured this IE may be present</p> | Rel-5 |
| - Pathloss | This IE does not need to be checked. | |
| Measured results on RACH | <p>If reporting of "Measured results on RACH" is configured then check that this IE is present. If reporting of "Measured results on RACH" measurement is not configured then no check is needed.</p> | |
| Additional measured results | This IE does not need to be checked. | |
| Event results | <p>If reporting of "Event results" is configured then check that this IE is present. If reporting of "Event results" measurement is not configured then no check is needed.</p> | |

Contents of MEASUREMENT REPORT message for Inter frequency test cases

| Information Element | Value/remark |
|--|--|
| Message Type | |
| Integrity check info | The presence of this IE is dependent on IXIT statements in TS 34.123-2. If integrity protection is indicated to be active, this IE shall be present with the values of the sub IEs as stated below. Else, this IE and the sub-IEs shall be absent. |
| - Message authentication code | This IE is checked to see if it is present. The value is compared against the XMAC-I value computed by SS. |
| - RRC Message sequence number | This IE is checked to see if it is present. The value is used by SS to compute the XMAC-I value. |
| Measurement identity | 2 |
| Measured Results | |
| - Inter-frequency measured results list | |
| - UTRA Carrier RSSI | If reporting of "UTRA Carrier RSSI" measurement is configured then check that this IE is present. If reporting of "UTRA Carrier RSSI" measurement is not configured then no check is needed. |
| - Inter-frequency cell measurement results | |
| - Cell measured results | |
| - Cell Identity | Not present |
| - Cell synchronisation information | |
| -Tm | If reporting of "Tm" measurement is configured then check that this IE is present. If reporting of "Tm" measurement is not configured then no check is needed. |
| - OFF | If reporting of "OFF" measurement is configured then check that this IE is present. If reporting of "OFF " measurement is not configured then no check is needed. |
| - CHOICE mode | FDD |
| - Primary CPICH info | Checked that this IE is present |
| - Primary scrambling code | See Annex K and TS 34.108 [3] section 6.1.4 |
| - CPICH Ec/N0 | If reporting of "CPICH Ec/N0" measurement is configured then check that this IE is present. If reporting of "CPICH Ec/N0 " measurement is not configured then no check is needed.. |
| - CPICH RSCP | If reporting of "CPICH RSCP" measurement is configured then check that this IE is present. If reporting of "CPICH RSCP" measurement is not configured then no check is needed. |
| - Pathloss | absent |
| Measured results on RACH | If reporting of "Measured results on RACH" is configured then check that this IE is present. If reporting of "Measured results on RACH "measurement is not configured then no check is needed. |
| Additional measured results | This IE does not need to be checked. |
| Event results | If reporting of "Event results" is configured then check that this IE is present. |

Contents of MEASUREMENT REPORT message for inter – RAT test cases

| Information Element | Value/remark | Version |
|--|---|--------------------|
| Message Type | The presence of this IE is dependent on IXIT statements in TS 34.123-2. If integrity protection is indicated to be active, this IE shall be present with the values of the sub IEs as stated below. Else, this IE and the sub-IEs shall be absent. This IE is checked to see if it is present. The value is compared against the XMAC-I value computed by SS. | |
| Integrity check info | | |
| - Message authentication code | This IE is checked to see if it is present. The value is used by SS to compute the XMAC-I value. | |
| - RRC Message sequence number | 2 | |
| Measurement identity | <p>GSM</p> <p>Checked that this IE is present If reporting of "GSM carrier RSSI" measurement is configured then check that this IE is present. If reporting of "GSM carrier RSSI" measurement is not configured then no check is needed. If reporting of "BSIC verification" measurement is required then check this IE. If reporting of "BSIC verification" measurement is not required then no check is needed. on verified BSIC If reporting of "BSIC verification" measurement is not required then check this IE. If reporting of "BSIC verification" measurement is required then no check is needed Checked that this IE is present This IE does not need to be checked.</p> | R99 and Rel-4 only |
| Measured Results | | |
| - Inter-RAT measured results list | | |
| - CHOICE system | | |
| - GSM | | |
| - Measured GSM cells | | |
| - GSM carrier RSSI | | |
| - CHOICE BSIC | | |
| - Non verified BSIC | | |
| - BCCH ARFCN | | |
| - Observed time difference to GSM cell | | |
| Measured results on RACH | If reporting of "Measured results on RACH" is configured then check that this IE is present. If reporting of "Measured results on RACH" measurement is not configured then no check is needed. | |
| Additional measured results | This IE does not need to be checked. | |
| Event results | If reporting of "Event results" is configured then check that this IE is present. If reporting of "Event results" measurement is not configured then no check is needed. | |

Contents of RRC CONNECTION SETUP message: UM (Transition to CELL_DCH)

The following information element is exception of TS34.108 [3] for test cases 9.2.4A, 9.3.7A and 9.3.7B.

| Information Element | Value/remark | Version |
|---|--------------|---------|
| Downlink information for per radio links list | | |
| -Downlink information for each radio links | | |
| - Downlink DPCH info for each RL | | |
| - DL channelisation code | | |
| - Code number | 14 | |

Contents of RADIO BEARER SETUP message: AM or UM (HSDPA)

The following information element is exception of TS34.108 [3] for test cases 9.2.4A, 9.3.7A and 9.3.7B.

| Information Element | Value/remark | Version |
|---------------------|--------------|---------|
| | | |

| | | |
|--|-----|--|
| Downlink HS-PDSCH Information | | |
| - HS-SCCH Info | | |
| - CHOICE mode | FDD | |
| - DL Scrambling Code | | |
| - HS-SCCH Channelisation Code Information | | |
| - HS-SCCH Channelisation Code | 2 | |
| - HS-SCCH Channelisation Code | 3 | |
| Downlink information per radio link list | | |
| - Downlink information for each radio link | | |
| - Downlink DPCH info for each RL | | |
| - DL channelisation code | | |
| - Code number | 7 | |

Contents of Master Information Block PLMN type is the case of GSM-MAP

The following information element is exception of TS34.108 [3] based on monitor list size for 8.2.3.1, 8.2.3.2, 8.2.3.3, 8.3.4, 8.3.4a, 8.3.4b, 8.3.5.3, 8.4.1.1, 8.4.1.2, 8.6.1.1, 8.6.1.1A, 8.6.1.2, 8.6.1.2A, 8.6.1.3, 8.6.1.3A, 8.6.1.4A, 8.6.2.1, 8.6.2.1A, 8.6.2.2, 8.6.2.2A, 8.6.2.3, 8.6.4.1, 8.6.5.1, 8.6.6.1, 8.6.6.2, 8.6.7.1, 8.6.7.2 test cases and based on the maximum SIB repetition period for 8.2.2.1, 8.2.2.2, 8.3.5.1, 8.3.5.2, 8.3.6.1, 8.3.6.2, 8.3.7.1 and 8.3.7.2 test cases.

| Information Element | Value/Remark |
|-----------------------|---------------------------|
| - SIB_POS | 2 |
| - SIB_POS offset info | Not Present |
| - SIB and SB type | Scheduling Block 1 |
| - SIB_REP | 128 |
| - SIB_POS | 22 |
| - SIB_POS offset info | Not Present |
| - SIB and SB type | System Information Type 1 |
| - SIB_REP | 128 |
| - SIB_POS | 22 |
| - SIB_POS offset info | Not Present |
| - SIB and SB type | System Information Type 2 |
| - SIB_REP | 128 |
| - SIB_POS | 20 |
| - SIB_POS offset info | Not Present |
| - SIB and SB type | System Information Type 3 |
| - SIB_REP | 128 |
| - SIB_POS | 52 |
| - SIB_POS offset info | Not Present |
| - SIB and SB type | System Information Type 4 |
| - SIB_REP | 128 |
| - SIB_POS | 38 |
| - SIB_POS offset info | 3 |
| - SIB and SB type | System Information Type 5 |

Contents of Scheduling Block 1 (FDD)

The following information element is exception of TS34.108 [3] based on SIB repetition period for 8.2.2.1, 8.2.2.2, 8.3.5.1, 8.3.5.2, 8.3.6.1, 8.3.6.2, 8.3.7.1 and 8.3.7.2 test cases.

| Information Element | Value/Remark |
|---|----------------------------|
| - References to other system information blocks | |
| - SIB_REP | 128 |
| - SIB_POS | 6 |
| - SIB_POS offset info | 3 |
| - SIB type SIBs only | System Information Type 6 |
| - SIB_POS | 4 |
| - SIB type SIBs only | System Information Type 7 |
| - SEG_COUNT | 3 |
| - SIB_REP | 128 |
| - SIB_POS | 58 |
| - SIB_POS offset info | 2 |
| - SIB_OFF | 2 |
| - SIB_OFF | 2 |
| - SIB type SIBs only | System Information Type 11 |
| - SIB_REP | 128 |
| - SIB_POS | 26 |
| - SIB_POS offset info | 2 |
| - SIB type SIBs only | System Information Type 12 |
| - CHOICE Value tag | Cell Value tag |
| - Cell Value tag | 1 |
| - SIB_REP | 128 |
| - SIB_POS | 36 |
| - SIB type SIBs only | System Information Type 18 |

Contents of Scheduling Block 1 (FDD)

The following information element is exception of TS34.108 [3] based on monitor list size for 8.2.3.1, 8.2.3.2, 8.2.3.3, 8.4.1.1, 8.4.1.2, 8.6.1.1, 8.6.1.1A, 8.6.1.4A, 8.6.2.2, 8.6.2.2A, 8.6.2.3 test cases.

| Information Element | Value/Remark |
|---|----------------------------|
| - References to other system information blocks | |
| - SIB_REP | 128 |
| - SIB_POS | 6 |
| - SIB_POS offset info | 3 |
| - SIB type SIBs only | System Information Type 6 |
| - SIB_POS | 4 |
| - SIB type SIBs only | System Information Type 7 |
| - SEG_COUNT | 4 |
| - SIB_REP | 128 |
| - SIB_POS | 54 |
| - SIB_POS offset info | 3 |
| - SIB_OFF | 4 |
| - SIB_OFF | 2 |
| - SIB_OFF | 2 |
| - SIB type SIBs only | System Information Type 11 |
| - SIB_REP | 128 |
| - SIB_POS | 26 |
| - SIB_POS offset info | 2 |
| - SIB type SIBs only | System Information Type 12 |
| - CHOICE Value tag | Cell Value tag |
| - Cell Value tag | 1 |
| - SIB_REP | 128 |
| - SIB_POS | 36 |
| - SIB type SIBs only | System Information Type 18 |

Contents of Scheduling Block 1 (FDD)

The following information element is exception of TS34.108 [3] based on monitor list size for 8.3.4a, 8.3.4b, 8.6.6.1, 8.6.6.2, 8.6.7.1, 8.6.7.2 test cases.

| Information Element | Value/Remark |
|---|--------------|
| - References to other system information blocks | |
| - SIB_REP | 128 |
| - SIB_POS | 6 |

| | |
|-----------------------|----------------------------|
| - SIB_POS offset info | 3 |
| - SIB type SIBs only | System Information Type 6 |
| - SIB_POS | 4 |
| - SIB type SIBs only | System Information Type 7 |
| - SEG_COUNT | 4 |
| - SIB_REP | 128 |
| - SIB_POS | 54 |
| - SIB_POS offset info | 3 |
| - SIB_OFF | 4 |
| - SIB_OFF | 2 |
| - SIB_OFF | 2 |
| - SIB type SIBs only | System Information Type 11 |
| - SEG_COUNT | 1 |
| - SIB_REP | 128 |
| - SIB_POS | 26 |
| - SIB type SIBs only | System Information Type 12 |
| - CHOICE Value tag | Cell Value tag |
| - Cell Value tag | 1 |
| - SIB_REP | 128 |
| - SIB_POS | 36 |
| - SIB type SIBs only | System Information Type 18 |
| - SEG_COUNT | 2 |
| - SIB_REP | 128 |
| - SIB_POS | 28 |
| - SIB_POS offset info | 1 |
| - SIB_OFF | 2 |
| - SIB type SIBs only | System Information Type 19 |

Contents of System Information Block type 11 (FDD)

The following information element is exception to SIB 11 option A2 as specified in TS34.108 [3] section 6.1.0b based on the monitored list size for 8.3.6.3

| Information Element | Value/Remark |
|--|--|
| - Intra-frequency measurement system information | |
| - New intra-frequency cells | 1 |
| - Intra-frequency cell id | 1 |
| - Cell info | Same content as specified for Intra-frequency cell id=1 |
| - Intra-frequency measurement quantity | |
| - CHOICE <i>mode</i> | FDD |
| - Measurement quantity | CPICH Ec/N0 |
| - Inter-frequency measurement system information | |
| - New inter-frequency cells | 1 |
| - Inter frequency cell id | 4 |
| - Frequency info | Same content as specified for Inter-frequency cell id=4 |
| - Cell info | Same content as specified for Inter-frequency cell id=4 |
| - Inter-RAT measurement system information | |
| - Inter-RAT cell info list | |
| - New inter-RAT cells | 12 |
| - Inter-RAT cell id | 11+n (n=0 to 9) |
| - CHOICE Radio Access Technology | GSM |
| - GSM | |
| - Cell individual offset | 0 |
| - Cell selection and re-selection info | Not Present |
| - BSIC | |
| - Base transceiver Station Identity Code (BSIC) | Chosen arbitrarily by the test house such that it does not collide with BSICs of other Inter-RAT cell ids. |
| - Band indicator | According to PICS/PIXIT |
| - BCCH ARFCN | Chosen arbitrarily by the test house such that it does not collide with BCCH ARFCNs of other Inter-RAT cell ids. |

Contents of System Information Block type 11 (FDD)

The following information element is exception to SIB 11 option A3 as specified in TS34.108 [3] section 6.1.0b based on the monitored list size for 8.3.4a, 8.3.4b, 8.4.1.1, 8.6.1.1, 8.6.1.1A, 8.6.1.4A, 8.6.6.1, 8.6.6.2.

| Information Element | Value/Remark |
|--|---|
| - Intra-frequency measurement system information | |
| - New intra-frequency cells | 24 |
| - Intra-frequency cell id | 12+n (n=0 to 17) |
| - Cell info | Same content as specified for Intra-frequency cell id=2 with the exception that value for Primary scrambling code shall not be overlapped values. |
| - Inter-frequency measurement system information | Not Present |
| - Inter-RAT measurement system information | Not Present |

The following information element is exception to SIB 11 option A1 as specified in TS34.108 [3] section 6.1.0b based on the monitored list size for 8.4.1.2.

| Information Element | Value/Remark |
|--|---|
| - New intra-frequency cells | 18 |
| - Intra-frequency cell id | 12+n(n=0 to12) |
| - Cell info | Same content as specified for Intra-frequency cell id=2 with the exception that value for Primary scrambling code shall not be overlapped values. |
| - Inter-frequency measurement system information | |
| - New inter-frequency cells | 6 |
| - Inter frequency cell id | 7 |
| - Frequency info | |
| - CHOICE mode | FDD |
| - UARFCN uplink(Nu) | Not present Absence of this IE is equivalent to applying the default duplex distance defined for the operating frequency according to 3GPP TS 25.101 [11]. |
| - UARFCN downlink(Nu) | A different channel as specified in TS34.108 [3] Table 6.1.4 for Cell 1 and for Cell 4 within the currently used UTRA band. |
| - Cell info | Same content as specified for Inter-frequency cell id=4 |
| - Inter frequency cell id | 8+n (n =0 to 1) |
| - Frequency info | Not Present Absence of this IE is equivalent to value of the previous "frequency info" in the list. |
| - Cell info | Same content as specified for Inter-frequency cell id=4 |
| - Inter-RAT measurement system information | Not Present |

Contents of System Information Block type 11 (FDD)

The following information element is exception to SIB 11 option A1 as specified in TS34.108 [3] section 6.1.0b based on the monitored list size for 8.6.2.2, 8.6.2.2A, 8.6.2.3, 8.6.7.1, 8.6.7.2.

| Information Element | Value/Remark |
|--|---|
| - New intra-frequency cells - Intra-frequency cell id - Cell info | 16 12+n (n=0 to 10) Same content as specified for Intra-frequency cell id=2 with the exception that value for Primary scrambling code shall not be overlapped values. |
| - Inter-frequency measurement system information - New inter-frequency cells - Inter frequency cell id - Frequency info | 8 7+n (n =0 to 4) Not Present Absence of this IE is equivalent to value of the previous "frequency info" in the list. |
| - Cell info | Same content as specified for Inter-frequency cell id=4 with the exception that value for Primary scrambling code shall not be overlapped values. |
| - Inter-RAT measurement system information | Not Present |

The following information element is exception to SIB11 as specified in TS34.108 [3] for 8.2.2.1, 8.3.5.1, 8.3.5.4, 8.3.6.1, and 8.3.7.1.

| Information Element | Value/Remark |
|--|--------------|
| - Intra-frequency measurement system information | |
| - Intra-frequency measurement quantity | |
| - CHOICE <i>mode</i> | FDD |
| - Measurement quantity | CPICH Ec/N0 |

Contents of System Information Block type 11 (FDD)

The following information element is exception to SIB 11 option A1 as specified in TS34.108 [3] section 6.1.0b based on the monitored list size for tests 8.2.2.2, 8.3.5.2, 8.3.6.2, and 8.3.7.2.

| Information Element | Value/Remark |
|--|--|
| - New intra-frequency cells | 3 |
| - Intra-frequency cell id | 1 |
| - Cell info | Same content as specified for Intra-frequency cell id=1 |
| - Intra-frequency cell id | 2 |
| - Cell info | Same content as specified for Intra-frequency cell id=2 |
| - Intra-frequency cell id | 3 |
| - Cell info | Same content as specified for Intra-frequency cell id=3 |
| - Intra-frequency measurement quantity | |
| - CHOICE <i>mode</i> | FDD |
| - Measurement quantity | CPICH Ec/N0 |
| - Inter-frequency measurement system information | |
| - New inter-frequency cells | 3 |
| - Inter frequency cell id | 4 |
| - Frequency info | Same content as specified for Intra-frequency cell id=4 |
| - Cell info | Same content as specified for Inter-frequency cell id=4 |
| - Inter frequency cell id | 5 |
| - Frequency info | Not Present Absence of this IE is equivalent to value of the previous "frequency info" in the list. |
| - Cell info | Same content as specified for Inter-frequency cell id=5 |
| - Inter frequency cell id | 6 |
| - Frequency info | Not Present Absence of this IE is equivalent to value of the previous "frequency info" in the list. |
| - Cell info | Same content as specified for Inter-frequency cell id=6 |
| - Inter-RAT measurement system information | Not Present |

Contents of Scheduling Block 1 (FDD)

The following information element is exception of TS34.108 [3] based on monitor list size for 8.3.4, 8.3.5.3, 8.6.1.2, 8.6.1.2A, 8.6.1.3, 8.6.1.3A, 8.6.4.1.

| Information Element | Value/Remark |
|---|----------------------------|
| - References to other system information blocks | |
| - SIB_REP | 128 |
| - SIB_POS | 6 |
| - SIB_POS offset info | 3 |
| - SIB type SIBs only | System Information Type 6 |
| - SIB_POS | 4 |
| - SIB type SIBs only | System Information Type 7 |
| - SEG_COUNT | 5 |
| - SIB_REP | 128 |
| - SIB_POS | 54 |
| - SIB_POS offset info | 4 |
| - SIB_OFF | 4 |
| - SIB_OFF | 2 |
| - SIB_OFF | 2 |
| - SIB_OFF | 8 |
| - SIB type SIBs only | System Information Type 11 |
| - SIB_REP | 128 |
| - SIB_POS | 26 |
| - SIB_POS offset info | 2 |
| - SIB type SIBs only | System Information Type 12 |
| - CHOICE Value tag | Cell Value tag |
| - SIB_REP | 128 |
| - SIB_POS | 36 |
| - SIB type SIBs only | System Information Type 18 |

Contents of System Information Block type 11 (FDD)

The following information element is exception to SIB 11 option A2 as specified in TS34.108 [3] section 6.1.0b based on the monitored list size for 8.3.4, 8.6.4.1.

| Information Element | Value/Remark |
|--|---|
| - Intra-frequency measurement system information | |
| - New intra-frequency cells | 24 |
| - Intra-frequency cell id | 7+n (n=0, 1, 4 to 22) |
| - Cell info | Same content as specified for Intra-frequency cell id=2 with the exception that value for Primary scrambling code shall not be overlapped values. |
| - Inter-frequency measurement system information | Not present |
| - Inter-RAT measurement system information | |
| - Inter-RAT cell info list | |
| - New inter-RAT cells | 6 |
| - Inter-RAT cell id | 11+n (n=0 to 3) |
| - CHOICE Radio Access Technology | GSM |
| - GSM | |
| - Cell individual offset | 0 |
| - Cell selection and re-selection info | Not Present |
| - BSIC | |
| - Base transceiver Station Identity Code (BSIC) | Chosen arbitrarily by the test house such that it does not collide with BSICs of other Inter-RAT cell ids. |
| - Band indicator | According to PICS/PIXIT |
| - BCCH ARFCN | Chosen arbitrarily by the test house such that it does not collide with BCCH ARFCNs of other Inter-RAT cell ids. |

The following information element is exception to SIB 11 option A2 as specified in TS34.108 [3] section 6.1.0b based on the monitored list size for 8.3.5.3.

| Information Element | Value/Remark |
|--|---|
| - Intra-frequency measurement system information | |
| - New intra-frequency cells | 24 |
| - Intra-frequency cell id | 7+n (n=0, 1, 4 to 22) |
| - Cell info | Same content as specified for Intra-frequency cell id=2 with the exception that value for Primary scrambling code shall not be overlapped values. |
| - Intra-frequency measurement quantity | |
| - CHOICE <i>mode</i> | FDD |
| - Measurement quantity | CPICH Ec/N0 |
| - Inter-frequency measurement system information | Not present |
| - Inter-RAT measurement system information | |
| - Inter-RAT cell info list | |
| - New inter-RAT cells | 6 |
| - Inter-RAT cell id | 11+n (n=0 to 3) |
| - CHOICE Radio Access Technology | GSM |
| - GSM | |
| - Cell individual offset | 0 |
| - Cell selection and re-selection info | Not Present |
| - BSIC | |
| - Base transceiver Station Identity Code (BSIC) | Chosen arbitrarily by the test house such that it does not collide with BSICs of other Inter-RAT cell ids. |
| - Band indicator | According to PICS/PIXIT |
| - BCCH ARFCN | Chosen arbitrarily by the test house such that it does not collide with BCCH ARFCNs of other Inter-RAT cell ids. |

The following information element is exception to SIB11 option A2 as specified in TS34.108 [3] based on monitor list size for 8.2.3.1, 8.2.3.2 and 8.2.3.3

| 1. Information Element | 2. Value/Remark |
|--|--|
| 3. - Intra-frequency measurement system information | 4. |
| 5. - Intra-frequency measurement quantity | 6. |
| 7. - CHOICE <i>mode</i> | 8. FDD |
| 9. - Measurement quantity | 10. CPICH Ec/N0 |
| 11. - Inter-frequency measurement system information | 12. Not present |
| 13. - Inter-RAT measurement system information | 14. |
| 15. - Inter-RAT cell info list | 16. |
| 17. - Inter-RAT cell id | 18. 11+n (n=0 to 9) |
| 19. - CHOICE Radio Access Technology | 20. GSM |
| 21. - GSM | 22. |
| 23. - Cell individual offset | 24. 0 |
| 25. - Cell selection and re-selection info | 26. Not Present |
| 27. - BSIC | 28. |
| 29. - Base transceiver Station Identity Code (BSIC) | 30. Chosen arbitrarily by the test house such that it does not collide with BSICs of other Inter-RAT cell ids. |
| 31. - Band indicator | 32. According to PICS/PIXIT |
| 33. - BCCH ARFCN | 34. Chosen arbitrarily by the test house such that it does not collide with BCCH ARFCNs of other Inter-RAT cell ids. |

Contents of System Information Block type 11 (FDD)

The following information element is exception to SIB 11 option A3 as specified in TS34.108 [3] section 6.1.0b based on the monitored list size for 8.6.1.2, 8.6.1.2A, 8.6.1.3, 8.6.1.3A.

| Information Element | Value/Remark |
|--|---|
| - Intra-frequency measurement system information | 32 n(n=0, 4, 5, 6, 9, 10 and 12 to 31) Same content as specified for Intra-frequency cell id=2 with the exception that value for Primary scrambling code shall not be overlapped values. |
| - New intra-frequency cells | |
| - Intra-frequency cell id | |
| - Cell info | Not Present |
| - Inter-frequency measurement system information | Not Present |
| - Inter-RAT measurement system information | Not Present |

Contents of Scheduling Block 1 (FDD)

The following information element is exception of TS34.108 [3] based on monitor list size for 8.6.2.1, 8.6.2.1A, 8.6.5.1 test case.

| Information Element | Value/Remark |
|---|----------------------------|
| - References to other system information blocks | 128 |
| - SIB_REP | |
| - SIB_POS | 6 |
| - SIB_POS offset info | 3 |
| - SIB type SIBs only | System Information Type 6 |
| - SIB_POS | 4 |
| - SIB type SIBs only | System Information Type 7 |
| - SEG_COUNT | 6 |
| - SIB_REP | 128 |
| - SIB_POS | 54 |
| - SIB_POS offset info | 5 |
| - SIB_OFF | 4 |
| - SIB_OFF | 2 |
| - SIB_OFF | 2 |
| - SIB_OFF | 8 |
| - SIB_OFF | 4 |
| - SIB type SIBs only | System Information Type 11 |
| - SIB_REP | 128 |
| - SIB_POS | 26 |
| - SIB_POS offset info | 2 |
| - SIB type SIBs only | System Information Type 12 |
| - CHOICE Value tag | Cell Value tag |
| - Cell Value tag | 1 |
| - SEG_COUNT | 1 |
| - SIB_REP | 128 |
| - SIB_POS | 36 |
| - SIB type SIBs only | System Information Type 18 |

Contents of System Information Block type 11 (FDD)

The following information element is exception to SIB 11 option A1 as specified in TS34.108 [3] section 6.1.0b based on the monitored list size for 8.6.2.1, 8.6.2.1A.

| Information Element | Value/Remark |
|---|---|
| - New intra-frequency cells | 24 |
| - Intra-frequency cell id | 12+n(n=0 to18) |
| - Cell info | Same content as specified for Intra-frequency cell id=2 with the exception that value for Primary scrambling code shall not be overlapped values. |
| - Inter-frequency measurement system information | |
| - New inter-frequency cells | 16 |
| - Inter frequency cell id | 7+n (n =0 to 12) |
| - Frequency info | Not Present |
| Absence of this IE is equivalent to value of the previous "frequency info" in the list. | |
| - Cell info | Same content as specified for Inter-frequency cell id=4 with the exception that value for Primary scrambling code shall not be overlapped values. |
| - Inter-RAT measurement system information | Not Present |

Contents of System Information Block type 11 (FDD)

The following information element is exception to SIB 11 option A2 as specified in TS34.108 [3] section 6.1.0b based on the monitored list size for 8.6.5.1.

| Information Element | Value/Remark |
|---|---|
| - New intra-frequency cells | 16 |
| - Intra-frequency cell id | 12+n(n=0 to12) |
| - Cell info | Same content as specified for Intra-frequency cell id=2 with the exception that value for Primary scrambling code shall not be overlapped values. |
| - Inter-frequency measurement system information | |
| - New inter-frequency cells | 8 |
| - Inter frequency cell id | 25+n (n =0 to 4) |
| - Frequency info | Not Present |
| Absence of this IE is equivalent to value of the previous "frequency info" in the list. | |
| - Cell info | Same content as specified for Inter-frequency cell id=4 with the exception that value for Primary scrambling code shall not be overlapped values. |
| - Inter-RAT measurement system information | |
| - New inter-RAT cells | 6 |
| - Inter-RAT cell id | 11+n (n=0 to 3) |
| - CHOICE Radio Access Technology | GSM |
| - GSM | |
| - Cell individual offset | 0 |
| - Cell selection and re-selection info | Not Present |
| - BSIC | |
| - Base transceiver Station Identity Code (BSIC) | Chosen arbitrarily by the test house such that it does not collide with BSICs of other Inter-RAT cell ids. |
| - Band indicator | According to PICS/PIXIT |
| - BCCH ARFCN | Chosen arbitrarily by the test house such that it does not collide with BCCH ARFCNs of other Inter-RAT cell ids. |

Contents of System Information Block type 11 (FDD)

The following information element is exception to SIB 11 option A2 as specified in TS34.108 [3] section 6.1.0b based on the monitored list size for 8.7.3a

| Information Element | Value/Remark |
|--|---|
| <ul style="list-style-type: none"> - Inter-frequency measurement system information - Inter-RAT measurement system information - Inter-RAT cell info list <ul style="list-style-type: none"> - Inter-RAT cell id - CHOICE <i>Radio Access Technology</i> <ul style="list-style-type: none"> - GSM - Cell individual offset - Cell selection and re-selection info - BSIC - Base transceiver Station Identity Code (BSIC) - Band indicator - BCCH ARFCN | <p>Not present</p> <p>11+n (n=0 to 3) GSM</p> <p>0</p> <p>Not Present</p> <p>BSIC(1+n) for n=0, 1 according to 34.108 [3] Table 6.1.10; for n=2 to 3 chosen arbitrarily by the test house such that it does not collide with BSICs of other Inter-RAT cell ids</p> <p>According to PICS/PIXIT</p> <p>BCCH(1+n) according to Table 8.7.3A.4</p> |

Contents of TRANSPORT CHANNEL RECONFIGURATION message for test cases with HSDPA in clauses 5.2A, 5.2AA, 5.2C, 5.7A, 5.9A, 5.10A, 5.13.1A, 5.13.1AA and 5.13.2A

| Information Element | Value/remark | Version |
|---|---|---------|
| Message Type | | |
| RRC transaction identifier | Arbitrarily selects an integer between 0 and 3 | |
| Integrity check info | | |
| - message authentication code | SS calculates the value of MAC-I for this message and writes to this IE. The first/leftmost bit of the bit string contains the most significant bit of the MAC-I. | |
| - RRC message sequence number | SS provides the value of this IE, from its internal counter. | |
| Integrity protection mode info | Not Present | |
| Ciphering mode info | Not Present | |
| Activation time | Not Present | |
| New U-RNTI | Not Present | |
| New C-RNTI | Not Present | |
| New H-RNTI | '1010 1010 1010 1010' | |
| RRC State indicator | CELL_DCH | |
| UTRAN DRX cycle length coefficient | Not Present | |
| CN information info | Not Present | |
| URA identity | Not Present | |
| Downlink counter synchronisation info | Not Present | |
| UL Transport channel information for all transport channels | | |
| - PRACH TFCS | Not Present | |
| - CHOICE mode | FDD | |
| - TFC subset | Not Present | |
| - UL DCH TFCS | | |
| - CHOICE TFCI signalling | Normal | |
| - TFCI Field 1 information | | |
| - CHOICE TFCS representation | Complete reconfiguration | |
| - TFCS complete reconfigure information | | |
| - CHOICE CTFC Size | Same as used in the call set up. | |
| - CTFC information | This IE is repeated for TFC numbers used in the call set up | |
| - CTFC | Same as used in the call set up. | |
| - Power offset information | | |
| - CHOICE Gain Factors | Computed Gain Factors except for the reference TFC (TF1, TF1) when Signalled Gain Factors is used | |
| - Gain factor β_c | Value used in test (Not Present if the CHOICE Gain Factors is set to Computed Gain Factors) | |
| - Gain factor β_d | Value used in test (Not Present if the CHOICE Gain Factors is set to Computed Gain Factors) | |
| - Reference TFC ID | 0 | |
| - CHOICE mode | FDD | |
| - Power offset P _{p-m} | Not Present | |
| Added or Reconfigured UL TrCH information list | Not Present | |
| CHOICE mode | Not Present | |
| DL Transport channel information common for all transport channel | Not Present | |
| Added or Reconfigured DL TrCH information list | Not Present | |
| Frequency info | Not Present | |
| Maximum allowed UL TX power | Not Present | |
| CHOICE channel requirement | Uplink DPCH info | |
| - Uplink DPCH power control info | | |
| - CHOICE mode | FDD | |
| - DPCCH power offset | -80dB | |
| - PC Preamble | 1 frame | |
| - SRB delay | 7 frames | |
| - Power Control Algorithm | Algorithm1 or as specified in the test | |
| - TPC step size | 1dB | |
| - Δ_{ACK} | Value used in test | |
| - Δ_{NACK} | Value used in test | |

| Information Element | Value/remark | Version |
|--|--|---------|
| <ul style="list-style-type: none"> - Ack-Nack repetition factor - CHOICE mode - Scrambling code type - Scrambling code number - Number of DPDCH - spreading factor - TFCI existence - Number of FBI bit - Puncturing Limit CHOICE Mode | 3(required for continuous HS-DPCCH signal) FDD Long 0 (0 to 16777215) Not Present (1) Reference to TS34.121 clause C.2.1 Parameter Set TRUE Not Present(0) 1 Not present | |
| Downlink HS-PDSCH Information <ul style="list-style-type: none"> - HS-SCCH Info - Measurement Feedback Info <ul style="list-style-type: none"> - CHOICE mode - POhsdsch - CQI Feedback cycle, k - CQI repetition factor - Δ_{CQI} - CHOICE mode | Not Present FDD 6 dB 4 ms 2(required for continuous HS-DPCCH signal) Value used in test FDD (no data) | |
| Downlink information common for all radio links | Not Present | |
| Downlink information per radio link list | Not Present | |

Contents of ACTIVE SET UPDATE message for test cases with SHO in clauses 7.7.1, 7.7.1A, 7.7.2, and 7.7.3.

ACTIVESET UPDATE message (Radio link addition information)

| Information Element/Group name | Value/Remark | Version |
|---|--|--|
| Message Type (10.2.17) | | |
| UE information elements - RRC transaction identifier - Integrity check info -message authentication code -RRC message sequence number - Activation time - New U-RNTI | 0 SS calculates the value of MAC-I for this message and writes to this IE. The first/ leftmost bit of the bit string contains the most significant bit of the MAC-I. SS provides the value of this IE, from its internal counter. "now". Not Present | |
| CN information elements - CN Information info | Not Present | |
| Phy CH information elements Uplink radio resources - Maximum allowed UL TX power | 33 dBm | |
| Downlink radio resources - Radio link addition information - Radio link addition information - Primary CPICH info - Primary scrambling code - Downlink DPCH info for each RL | #of Adding Cells Same as adding cell | |
| - CHOICE mode - Primary CPICH usage for channel estimation - DPCH frame offset - Secondary CPICH info | FDD Primary CPICH may be used This should be reflected by the IE" Cell synchronisation information" in received MEASUREMENT REPORT message Not Present | |
| - DL channelisation code - Secondary scrambling code - Spreading factor - Code number - Scrambling code change - TPC combination index - SSDT Cell Identity - Closed loop timing adjustment mode - TFCI combining indicator - SCCPCH Information for FACH - Radio link removal information - TX Diversity Mode | Not Present 128 96 No code change different value for each new cell Not Present Not Present FALSE Not Present Not Present Not Present | R99 and Rel-4 only R99 and Rel-4 only |
| - SSDT information | Not Present | R99 and Rel-4 only |

Contents of ACTIVE SET UPDATE message for test cases with SHO in clauses 8.6.1.1, 8.6.1.2, 8.6.1.3, and 8.7.6.1A

ACTIVESET UPDATE message (Radio link addition information)

| Information Element/Group name | Value/Remark | Version |
|---|--|--|
| Message Type (10.2.17) | | |
| UE information elements - RRC transaction identifier - Integrity check info -message authentication code -RRC message sequence number - Activation time - New U-RNTI | 0 SS calculates the value of MAC-I for this message and writes to this IE. The first/ leftmost bit of the bit string contains the most significant bit of the MAC-I. SS provides the value of this IE, from its internal counter. "now". Not Present | |
| CN information elements - CN Information info | Not Present | |
| Phy CH information elements Uplink radio resources - Maximum allowed UL TX power | 33 dBm | |
| Downlink radio resources - Radio link addition information - Radio link addition information - Primary CPICH info - Primary scrambling code - Downlink DPCH info for each RL | 1 Same as adding cell | |
| - CHOICE mode - Primary CPICH usage for channel estimation - DPCH frame offset - Secondary CPICH info | FDD Primary CPICH may be used This should be reflected by the IE" Cell synchronisation information" in received MEASUREMENT REPORT message Not Present | |
| - DL channelisation code - Secondary scrambling code - Spreading factor - Code number - Scrambling code change - TPC combination index - SSTD Cell Identity - Closed loop timing adjustment mode - TFCI combining indicator - SCCPCH Information for FACH - Radio link removal information - TX Diversity Mode | Not Present 128 96 No code change 0 (Note: This requires that SS sends the same TPC commands from all cells in the active set) Not Present Not Present FALSE Not Present Not Present Not Present | R99 and Rel-4 only R99 and Rel-4 only |
| - SSTD information | Not Present | R99 and Rel-4 only |

ACTIVESET UPDATE message (Radio link removal information)

| Information Element/Group name | Value/Remark | Version |
|--|--|--------------------|
| Message Type (10.2.17) | | |
| UE information elements - RRC transaction identifier - Integrity check info -message authentication code -RRC message sequence number - Activation time - New U-RNTI | 0 SS calculates the value of MAC-I for this message and writes to this IE. The first/ leftmost bit of the bit string contains the most significant bit of the MAC-I. SS provides the value of this IE, from its internal counter. "now". Not Present | |
| CN information elements - CN Information info | Not Present | |
| Phy CH information elements Uplink radio resources - Maximum allowed UL TX power | 33 dBm | |
| Downlink radio resources - Radio link addition information - Radio link removal information - Primary CPICH info - Primary scrambling code - TX Diversity Mode | Not Present 1 Same as removing cell Not Present | |
| - SSDT information | Not Present | R99 and Rel-4 only |

Scrambling codes for cell2 and cell3 in clauses 8.6.1.1, 8.6.1.1A, 8.6.1.2, 8.6.1.2A, 8.6.1.3, 8.6.1.3A, 8.6.1.4A, 8.6.2.1, 8.6.2.1A, 8.6.2.2, 8.6.2.2A, 8.6.2.3.

| Test Case | Cell2 | Cell3 |
|--------------------------------------|-------------|-------------|
| 8.6.1.1, 8.6.1.1A, 8.6.1.4A | 150,400,450 | - |
| 8.6.1.2, 8.6.1.2A, 8.6.1.3, 8.6.1.3A | 150,400,450 | 200,500,50 |
| 8.6.2.1, 8.6.2.1A | 150,400,450 | 250,300,350 |
| 8.6.2.2, 8.6.2.2A, 8.6.2.3 | 250,300,350 | - |

Scrambling codes for cell1 in clauses 8.6.1.5 and 8.6.1.6.

| Test Case | Cell1 |
|------------------|---------------|
| 8.6.1.5, 8.6.1.6 | 100, 400, 450 |

Annex J (informative): Information about special regional application of test cases and requirements

This annex provides information about special regional application of the tests specified in the core part of the present document. The special regional application of certain test cases is typically caused by specific local regulation and legalisation.

J.1 Japan

For regulatory testing in Japan shared risk against core specification value with test tolerance of zero may be applied provisionally, until the time the non-zero test tolerances principle used in the present document is reflected in Japanese regulations, The shared risk principle described above will apply to the following requirements:

- 5.9 Spectrum Emission Mask;

NOTE: This information should be reviewed on a regular basis to check its applicability, as changes to regulation allowing usage of the non-zero test tolerances principle are expected.

Annex K (normative): Cell configuration mapping

The cells defined in TS 25.133 [2] and used in TS 34.121 do not correspond to the cells defined in TS 34.108 [3] section 6.1.4 and TS 36.508 [33] section 4.4.2 and 4.4.3. Table K.1 and K.2 describes the mapping between cells described in TS 34.121 and those defined in TS 34.108 [3] and TS 36.508 [33] respectively. For each test case in section 8 the cells as defined in TS 34.108 [3] section 6.1.4 or TS 36.508 [33] section 4.4.2 and 4.4.3 are listed in one row. The test case shall apply the RF parameters as defined in TS 34.121 according to the column heading. The use of cells as defined in TS 34.108 [3] and TS 36.508 [33] is important in order to have consistent SIB11 configurations between the different cells.

NOTE: For example if the second cell in a test case is an inter-frequency cell then Cell4 from TS 34.108 [3] section 6.1.4 is used with the radio parameters as defined for Cell2 in TS 34.121.

Table K.1: Cell configuration mapping for RF testing between TS34.121 and TS 34.108

| Test Case | Description | 34.121 Cell1 | 34.121 Cell2 | 34.121 Cell3 | 34.121 Cell4 | 34.121 Cell5 | 34.121 Cell6 |
|-----------|--|--------------|--------------|--------------|--------------|--------------|--------------|
| 8.2.2.1 | Idle Mode / Cell Re-Selection / Scenario 1:Single carrier case | Cell1 | Cell2 | Cell3 | Cell7 | Cell8 | Cell11 |
| 8.2.2.2 | Idle Mode / Cell Re-Selection / Scenario 2:Multi carrier case | Cell1 | Cell4 | Cell2 | Cell3 | Cell5 | Cell6 |
| 8.2.3.1 | Idle Mode / UTRAN to GSM Cell Re-Selection/ Scenario 1: Both UTRA and GSM level changed | Cell1 | Cell9 | | | | |
| 8.2.3.2 | Idle Mode / UTRAN to GSM Cell Re-Selection/ Scenario 2: Only UTRA level changed | Cell1 | Cell9 | | | | |
| 8.2.3.3 | Idle Mode / UTRAN to GSM Cell Re-Selection/ Scenario 3: HCS with only UTRA level changed | Cell1 | Cell9 | | | | |
| 8.2.4 | Idle Mode / FDD/TDD Cell Re-selection | Cell1 | TDD | | | | |
| 8.3.1 | UTRAN Connected Mode Mobility / FDD/FDDSoft Handover | Cell1 | Cell2 | | | | |
| 8.3.2.1 | UTRAN Connected Mode Mobility / FDD/FDDHard Handover to intra-frequency cell | Cell1 | Cell2 | | | | |
| 8.3.2.2 | UTRAN Connected Mode Mobility / FDD/FDDHard Handover to inter-frequency cell | Cell1 | Cell4 | | | | |
| 8.3.3 | UTRAN Connected Mode Mobility / FDD/TDDHard Handover | Cell1 | TDD | | | | |
| 8.3.4 | UTRAN Connected Mode Mobility /Inter-system Handover from UTRAN FDD to GSM | Cell1 | Cell9 | | | | |
| 8.3.5.1 | UTRAN Connected Mode Mobility / Cell Reselection in CELL_FACH / One frequency present in neighbour list | Cell1 | Cell2 | Cell3 | Cell7 | Cell8 | Cell11 |
| 8.3.5.2 | UTRAN Connected Mode Mobility / Cell Reselection in CELL_FACH / Two frequencies present in the neighbour list | Cell1 | Cell4 | Cell2 | Cell3 | Cell5 | Cell6 |
| 8.3.5.3 | UTRAN Connected Mode Mobility / Cell Reselection in CELL_FACH / Cell Reselection to GSM | Cell1 | Cell9 | | | | |
| 8.3.5.4 | UTRAN Connected Mode Mobility / Cell Reselection in CELL_FACH / Cell Reselection during an MBMS session, two frequencies present in neighbour list | Cell1 | Cell4 | | | | |
| 8.3.6.1 | UTRAN Connected Mode Mobility / Cell Reselection in CELL_PCH / One frequency present in the neighbour list | Cell1 | Cell2 | Cell3 | Cell7 | Cell8 | Cell11 |
| 8.3.6.2 | UTRAN Connected Mode Mobility / Cell Reselection in CELL_PCH / Two frequencies present in the neighbour list | Cell1 | Cell4 | Cell2 | Cell3 | Cell5 | Cell6 |
| 8.3.6.3 | UTRAN Connected Mode Mobility / Cell Reselection in CELL_PCH / Cell re-selection during an MBMS session, one UTRAN inter-frequency and 2 GSM cells present in the neighbour list | Cell1 | Cell4 | Cell10 | Cell9 | | |
| 8.3.7.1 | UTRAN Connected Mode Mobility / Cell Reselection in URA_PCH / One frequency present in the neighbour list | Cell1 | Cell2 | Cell3 | Cell7 | Cell8 | Cell11 |
| 8.3.7.2 | UTRAN Connected Mode Mobility / Cell Reselection in URA_PCH / Two frequencies present in the neighbour list | Cell1 | Cell4 | Cell2 | Cell3 | Cell5 | Cell6 |
| 8.3.8 | Serving HS-DSCH cell change | Cell1 | Cell2 | | | | |
| 8.3.9 | Enhanced Serving HS-DSCH cell change | Cell1 | Cell2 | | | | |
| 8.3.10.1 | Intrafrequency System information acquisition for CSG cell | Cell1 | Cell2 | | | | |
| 8.3.10.2 | Inter frequency System information acquisition for CSG cell | Cell1 | Cell4 | | | | |
| 8.4.1.1 | RRC Connection Control / RRC Reestablishment delay / Test 1 | Cell1 | Cell2 | | | | |

| Test Case | Description | 34.121 Cell1 | 34.121 Cell2 | 34.121 Cell3 | 34.121 Cell4 | 34.121 Cell5 | 34.121 Cell6 |
|-----------|---|--------------|--------------|--------------|--------------|--------------|--------------|
| 8.4.1.2 | RRC Connection Control / RRC Reestablishment delay / Test 2 | Cell1 | Cell4 | | | | |
| 8.4.2.1 | RRC Connection Control / Random Access /Correct behaviour when receiving an ACK | Cell1 | | | | | |
| 8.4.2.1A | RRC Connection Control / Random Access /Correct behaviour when receiving an ACK | Cell1 | | | | | |
| 8.4.2.2 | RRC Connection Control / Random Access /Correct behaviour when receiving an NACK | Cell1 | | | | | |
| 8.4.2.3 | RRC Connection Control / Random Access /Correct behaviour at Time-out | Cell1 | | | | | |
| 8.4.2.4 | RRC Connection Control / Random Access /Correct behaviour when reaching maximum transmit power | Cell1 | | | | | |
| 8.4.3.1 | RRC Connection Control / Transport format combination selection in UE / Interactive or Background, PS, UL: 64 kbps | Cell1 | | | | | |
| 8.4.4.1 | RRC Connection Control / E-TFC restriction in UE / 10ms TTI E-DCH E-TFC restriction | Cell1 | | | | | |
| 8.4.4.2 | RRC Connection Control / E-TFC restriction in UE / 2ms TTI E-DCH E-TFC restriction | Cell1 | | | | | |
| 8.5.1 | Timing and Signalling Characteristics / UE Transmit Timing | Cell1 | Cell2 | | | | |
| 8.6.1.1 | FDD intra frequency measurements / Event triggered reporting in AWGN propagation conditions | Cell1 | Cell2 | | | | |
| 8.6.1.1A | FDD intra frequency measurements / Event triggered reporting in AWGN propagation conditions | Cell1 | Cell2 | | | | |
| 8.6.1.2 | FDD intra frequency measurements / Event triggered reporting of multiple neighbours in AWGN propagation condition | Cell1 | Cell2 | Cell3 | | | |
| 8.6.1.2A | FDD intra frequency measurements / Event triggered reporting of multiple neighbours in AWGN propagation condition | Cell1 | Cell2 | Cell3 | | | |
| 8.6.1.3 | FDD intra frequency measurements / Event triggered reporting of two detectable neighbours in AWGN propagation condition | Cell1 | Cell2 | Cell3 | | | |
| 8.6.1.3A | FDD intra frequency measurements / Event triggered reporting of two detectable neighbours in AWGN propagation condition | Cell1 | Cell2 | Cell3 | | | |
| 8.6.1.4A | FDD intra frequency measurements / Correct reporting of neighbours in fading propagation condition | Cell1 | Cell2 | | | | |
| 8.6.1.5 | FDD intra frequency measurements / Event triggered reporting of multiple neighbour cells in Case 1 fading condition | Cell1 | Cell2 | Cell3 | Cell7 | | |
| 8.6.1.6 | FDD intra frequency measurements / Event triggered reporting of multiple neighbour cells in Case 3 fading conditions | Cell1 | Cell2 | Cell3 | Cell7 | | |
| 8.6.2.1 | FDD inter frequency measurements / Correct reporting of neighbours in AWGN propagation condition | Cell1 | Cell2 | Cell4 | | | |
| 8.6.2.1a | FDD inter frequency measurements / Correct reporting of neighbours in AWGN propagation condition | Cell1 | Cell2 | Cell4 | | | |
| 8.6.2.2 | FDD inter frequency measurements / Correct reporting of neighbours in fading propagation condition | Cell1 | Cell4 | | | | |
| 8.6.2.2a | FDD inter frequency measurements / Correct reporting of neighbours in fading propagation condition | Cell1 | Cell4 | | | | |
| 8.6.2.3 | FDD inter frequency measurements / Correct reporting of neighbours in fading propagation condition using TGL1=14 | Cell1 | Cell4 | | | | |

| Test Case | Description | 34.121 Cell1 | 34.121 Cell2 | 34.121 Cell3 | 34.121 Cell4 | 34.121 Cell5 | 34.121 Cell6 |
|-----------|--|--------------|--------------|--------------|--------------|--------------|--------------|
| 8.6.3.1 | TDD measurements / Correct reporting of TDD neighbours in AWGN propagation condition | Cell1 | TDD | | | | |
| 8.6.4.1 | GSM measurements / Correct reporting of GSM neighbours in AWGN propagation condition | Cell1 | Cell9 | | | | |
| 8.6.5.1 | Combined Inter frequency and GSM measurements/ Correct reporting of neighbours in AWGN propagation condition | Cell1 | Cell4 | Cell9 | | | |
| 8.7.1.1.1 | Measurements Performance Requirements /CPICH RSCP / Intra frequency measurements accuracy / Absolute accuracy requirement | Cell1 | Cell2 | | | | |
| 8.7.1.1.2 | Measurements Performance Requirements /CPICH RSCP / Intra frequency measurements accuracy / Relative accuracy requirement | Cell1 | Cell2 | | | | |
| 8.7.1.2.1 | Measurements Performance Requirements /CPICH RSCP / Inter frequency measurement accuracy / Relative accuracy requirement | Cell1 | Cell4 | | | | |
| 8.7.2.1.1 | Measurements Performance Requirements /CPICH Ec/lo / Intra frequency measurements accuracy / Absolute accuracy requirement | Cell1 | Cell2 | | | | |
| 8.7.2.1.2 | Measurements Performance Requirements /CPICH Ec/lo / Intra frequency measurements accuracy / Relative accuracy requirement | Cell1 | Cell2 | | | | |
| 8.7.2.2.1 | Measurements Performance Requirements /CPICH Ec/lo / Inter frequency measurement accuracy / Absolute accuracy requirement | Cell1 | Cell4 | | | | |
| 8.7.2.2.2 | Measurements Performance Requirements /CPICH Ec/lo / Inter frequency measurement accuracy / Relative accuracy requirement | Cell1 | Cell4 | | | | |
| 8.7.3.1 | Measurements Performance Requirements /UTRA Carrier RSSI / Absolute measurement accuracy requirement | Cell1 | Cell4 | | | | |
| 8.7.3.2 | Measurements Performance Requirements /UTRA Carrier RSSI / Relative measurement accuracy requirement | Cell1 | Cell4 | Cell7 | | | |
| 8.7.3A | Measurements Performance Requirements / GSMCarrier RSSI | Cell1 | Cell9 | Cell10 | GSM | GSM | GSM |
| 8.7.3B | Measurements Performance Requirements /Transport channel BLER | | | | | | |
| 8.7.3C | Measurements Performance Requirements / UE transmitted power | Cell1 | | | | | |
| 8.7.3D | Measurements Performance Requirements / UE transmitted power | Cell1 | | | | | |
| 8.7.4.1 | Measurements Performance Requirements /SFN-CFN observed time difference /Intra frequency measurement requirement | Cell1 | Cell2 | | | | |
| 8.7.4.2 | Measurements Performance Requirements /SFN-CFN observed time difference /Inter frequency measurement requirement | Cell1 | Cell4 | | | | |
| 8.7.5.1 | Measurements Performance Requirements /SFN-SFN observed time difference / SFN-SFN observed time difference type 1 | Cell1 | Cell2 | | | | |
| 8.7.5.2 | Measurements Performance Requirements /SFN-SFN observed time difference / SFN-SFN observed time difference type 2 without IPDL period active | Cell1 | Cell2 | | | | |
| 8.7.5.3 | Measurements Performance Requirements /SFN-SFN observed time difference / SFN-SFN observed time difference type 2 with IPDL period active | Cell1 | Cell2 | | | | |
| 8.7.6.1 | Measurements Performance Requirements / UERx-Tx time difference / UE Rx-Tx time difference type 1 (Release 5 and earlier) | Cell1 | | | | | |

| Test Case | Description | 34.121 Cell1 | 34.121 Cell2 | 34.121 Cell3 | 34.121 Cell4 | 34.121 Cell5 | 34.121 Cell6 |
|-----------|---|--------------|--------------|--------------|--------------|--------------|--------------|
| 8.7.6.1A | Measurements Performance Requirements / UERx-Tx time difference / UE Rx-Tx time difference type 1 (Release 6 and later) | Cell1 | Cell2 | | | | |
| 8.7.6.2 | Measurements Performance Requirements / UERx-Tx time difference/ UE Rx- Tx time difference type 2 | Cell1 | Cell2 | | | | |
| 8.7.7 | Measurements Performance Requirements /Observed time difference to GSM cell | | | | | | |
| 8.7.8.1 | Measurements Performance Requirements / P-CCPCH RSCP / Absolute measurement accuracy | Cell1 | TDD | | | | |
| 8.7.9 | Measurements Performance Requirements / UE Transmission Power Headroom | Cell1 | | | | | |

Table K.2: Cell configuration mapping for UTRA-EUTRA RRM test cases between TS 34.121 and TS 36.508

| Test Case | Description | 34.121 Cell1 | 34.121 Cell2 | 34.121 Cell3 | 34.121 Cell4 | 34.121 Cell5 | 34.121 Cell6 |
|-----------|--|--------------|--------------|--------------|--------------|--------------|--------------|
| 8.2.5.1 | UTRAN to E-UTRA Cell Re-Selection E-UTRA is of higher priority | Cell8 | Cell6 | | | | |
| 8.2.5.2 | UTRAN to E-UTRA Cell Re-Selection E-UTRA is of lower priority | Cell8 | Cell6 | | | | |
| 8.3.4a | UTRAN Connected Mode Mobility / Inter-system Handover from UTRAN FDD to E-UTRAN FDD | Cell8 | Cell6 | | | | |
| 8.3.4c | UTRAN Connected Mode Mobility / Inter-system Handover from UTRAN FDD to E-UTRAN FDD: Unknown Target Cell | Cell8 | Cell6 | | | | |
| 8.6.6.1 | Correct reporting of E-UTRAN FDD neighbour in fading propagation condition | Cell8 | Cell6 | | | | |
| 8.6.6.2 | Correct reporting of E-UTRAN TDD neighbour in fading propagation condition | Cell8 | Cell6 | | | | |
| 8.6.7.1 | Combined Inter-frequency and E-UTRAN measurements / Correct reporting of E-UTRA FDD neighbours in fading propagation condition | Cell8 | Cell9 | Cell1 | | | |
| 8.7.10 | E-UTRAN FDD RSRP absolute accuracy | Cell8 | Cell6 | | | | |
| 8.7.12 | E-UTRAN FDD RSRQ absolute accuracy | Cell8 | Cell6 | | | | |

The Table K.3 describes the mapping between cells described in TS 34.121 section 9 Type 3i tests and those defined in TS 34.108 [3]. The use of cells as defined in TS 34.108 [3] is important in order to have consistent SIB11 configurations between the different cells.

Table K.3: Cell configuration mapping for Type 3i testing between TS34.121 and TS 34.108

| Test Case | Description | 34.121 HSDPA Serving Cell | 34.121 Interfering cell 1 | 34.121 Interfering Cell 2 |
|-----------|---|---------------------------|---------------------------|---------------------------|
| 9.2.1L | Single Link Enhanced Performance Type 3i | Cell1 | Cell2 | Cell3 |
| 9.2.1LA | Enhanced Performance Type 3i for DC-HSDPA | TBD | TBD | TBD |

Annex L (informative): Change history

| T Meeting | Doc-1 st -Level | CR | Rev | Subject | Cat | Version - Current | Version -New | Doc-2 nd -Level |
|-----------|----------------------------|-----|-----|--|-----|-------------------|--------------|----------------------------|
| TP-07 | | | | Approval of the specification | | 2.0.0 | 3.0.0 | |
| | | | | No change: replaces invalid zip file on server | | 3.0.0 | 3.0.1 | |
| TP-08 | TP-000090 | 001 | | Editorial corrections to clauses 2, 3, 4 and 5.1 | D | 3.0.1 | 3.1.0 | T1-000059 |
| TP-08 | TP-000090 | 002 | | Modifications to clause 5.4 "Output Power Dynamics in the Uplink" | C | 3.0.1 | 3.1.0 | T1-000060 |
| TP-08 | TP-000090 | 003 | | Out-of-synchronisation handling of the UE | B | 3.0.1 | 3.1.0 | T1-000061 |
| TP-08 | TP-000090 | 004 | | Modifications to clauses 5.8, 5.9, 5.10 and 5.11 | D | 3.0.1 | 3.1.0 | T1-000062 |
| TP-08 | TP-000090 | 005 | | Modifications to Chapter 6 "Receiver Characteristics" | F | 3.0.1 | 3.1.0 | T1-000063 |
| TP-08 | TP-000090 | 006 | | Modifications to Annex D, Annex E, Annex G and Annex H | F | 3.0.1 | 3.1.0 | T1-000067 |
| TP-08 | TP-000090 | 008 | | Modifications to clauses 5.5, 5.6 and 5.7 | F | 3.0.1 | 3.1.0 | T1-000069 |
| TP-08 | TP-000090 | 009 | | Modifications to Chapter 7 "Performance requirements" | F | 3.0.1 | 3.1.0 | T1-000070 |
| TP-08 | TP-000090 | 010 | | Modifications to test power control in downlink | F | 3.0.1 | 3.1.0 | T1-000071 |
| TP-08 | TP-000090 | 011 | | Modifications to clause 5.13 "Transmit Modulation" | F | 3.0.1 | 3.1.0 | T1-000072 |
| TP-08 | TP-000090 | 012 | | Modifications to test for inner loop power control in the uplink | F | 3.0.1 | 3.1.0 | T1-000073 |
| TP-08 | TP-000090 | 013 | | Revision of Annex B: Global in-channel Tx test | F | 3.0.1 | 3.1.0 | T1-000074 |
| TP-08 | TP-000090 | 014 | | Blind transport format detection | B | 3.0.1 | 3.1.0 | T1-000075 |
| TP-08 | TP-000090 | 015 | | Removal of Annex I "Open Items" | D | 3.0.1 | 3.1.0 | T1-000077 |
| TP-08 | TP-000090 | 016 | | Modifications to Chapter 8 "Requirements for support of RRM" | C | 3.0.1 | 3.1.0 | T1-000117 |
| TP-08 | TP-000090 | 017 | | Modifications to Annex C "Measurement channels" | F | 3.0.1 | 3.1.0 | T1-000118 |
| TP-08 | TP-000090 | 018 | | Idle mode test cases (test of performance requirements) | F | 3.0.1 | 3.1.0 | T1-000119 |
| TP-09 | TP-000163 | 019 | | Editorial corrections for References and Frequency Stability (2, 5.2, 5.3) | F | 3.1.0 | 3.2.0 | T1-000131 |
| TP-09 | TP-000163 | 020 | | Corrections for Output Power Dynamics in the Uplink (5.4) | F | 3.1.0 | 3.2.0 | T1-000132 |
| TP-09 | TP-000163 | 021 | | Transients for uplink inner loop power control (5.4.2.4.2) | F | 3.1.0 | 3.2.0 | T1-000133 |
| TP-09 | TP-000163 | 022 | | Transmit On/Off power (5.5.2.4.2) | F | 3.1.0 | 3.2.0 | T1-000134 |
| TP-09 | TP-000163 | 023 | | Change of TFC (5.6.4.2) | F | 3.1.0 | 3.2.0 | T1-000135 |
| TP-09 | TP-000163 | 024 | | Clarification of the definition on Peak Code Domain Error (5.13.2.1) | F | 3.1.0 | 3.2.0 | T1-000139 |
| TP-09 | TP-000163 | 025 | | UE interfering signal definition (6.3, 6.4, 6.5, 6.7) | F | 3.1.0 | 3.2.0 | T1-000140 |
| TP-09 | TP-000163 | 026 | | Performance requirements (7.1, 7.2, 7.3, 7.4, 7.5) | F | 3.1.0 | 3.2.0 | T1-000143 |
| TP-09 | TP-000163 | 027 | | CR on clause 7.6 and 7.7 in TS34.121 (7.6, 7.7) | F | 3.1.0 | 3.2.0 | T1-000144 |
| TP-09 | TP-000163 | 028 | | Performance requirements (7.9, 7.10, 7.11) | F | 3.1.0 | 3.2.0 | T1-000146 |
| TP-09 | TP-000163 | 029 | | Corrections for Annex D (Annex-D) | F | 3.1.0 | 3.2.0 | T1-000147 |
| TP-09 | TP-000163 | 030 | | Corrections for Annex E (Annex-E) | F | 3.1.0 | 3.2.0 | T1-000148 |
| TP-09 | TP-000163 | 031 | | Corrections for Transmit ON/OFF Power, Change of TFC and Power setting in uplink compressed mode (5.5, 5.6, 5.7) | F | 3.1.0 | 3.2.0 | T1-000149 |
| TP-09 | TP-000163 | 032 | | Corrections for power setting in uplink compressed mode (5.7) | F | 3.1.0 | 3.2.0 | T1-000136 |
| TP-09 | TP-000163 | 033 | | CR for subclause 7.8: Power control in downlink (7.8) | B | 3.1.0 | 3.2.0 | T1-000145 |
| TP-09 | TP-000163 | 034 | | Corrections to clause 5.8, 5.9, 5.10, 5.11 and 5.12 | F | 3.1.0 | 3.2.0 | T1-000137 |
| TP-09 | TP-000163 | 035 | | Corrections to EVM and PCDE formulae (B.2.7.1, B.2.7.2) | F | 3.1.0 | 3.2.0 | T1-000138 |
| TP-09 | TP-000163 | 036 | | New initial conditions for Spurious emission test case (6.8.4.1) | F | 3.1.0 | 3.2.0 | T1-000141 |
| TP-09 | TP-000163 | 037 | | C.4.1 UL reference measurement channel for BTFD performance requirement (C.4.1) | F | 3.1.0 | 3.2.0 | T1-000142 |
| TP-10 | TP-000216 | 038 | | Corrections to Chapter 3 "Definitions, symbols, abbreviations and equations" | D | 3.2.0 | 3.3.0 | T1-000247 |
| TP-10 | TP-000216 | 039 | | Vocabulary Corrections | D | 3.2.0 | 3.3.0 | T1-000253 |
| TP-10 | TP-000216 | 040 | | Reference Measurement Channels in Annex C | F | 3.2.0 | 3.3.0 | T1-000238 |
| TP-10 | TP-000216 | 041 | | Inclusion of OCNS definition for performance tests | F | 3.2.0 | 3.3.0 | T1-000241 |
| TP-10 | TP-000216 | 042 | | Handling of measurement uncertainties in UE conformance testing (FDD) | F | 3.2.0 | 3.3.0 | T1-000250 |

| T Meeting | Doc-1 st -Level | CR | Rev | Subject | Cat | Version - Current | Version -New | Doc-2 nd -Level |
|-----------|----------------------------|-----|-----|---|-----|-------------------|--------------|-----------------------------|
| TP-10 | TP-000216 | 043 | | Update of Idle mode test cases | F | 3.2.0 | 3.3.0 | T1-000252 |
| TP-10 | TP-000216 | 044 | | UE emission mask measurement filter definition correction | F | 3.2.0 | 3.3.0 | T1-000254 |
| TP-10 | TP-000216 | 045 | | New structure of TS 34.121 | F | 3.2.0 | 3.3.0 | T1-000255 |
| TP-10 | TP-000216 | 046 | | Test for combining TPC commands in soft handover | F | 3.2.0 | 3.3.0 | T1-000239 |
| TP-10 | TP-000216 | 047 | | Corrections to power control tests | F | 3.2.0 | 3.3.0 | T1-000240 |
| TP-10 | TP-000216 | 048 | | Correction to Open Loop Power Control in Uplink | F | 3.2.0 | 3.3.0 | T1-000242 |
| TP-10 | TP-000216 | 049 | | Correction to Transmit ON/OFF Time mask | F | 3.2.0 | 3.3.0 | T1-000243r |
| TP-10 | TP-000216 | 050 | | Correction to Spurious Emission test | F | 3.2.0 | 3.3.0 | T1-000244 |
| TP-10 | TP-000216 | 051 | | Correction of spurious emission measurement procedure | F | 3.2.0 | 3.3.0 | T1-000245 |
| TP-10 | TP-000216 | 052 | | Out-of-synchronization handling of output power | F | 3.2.0 | 3.3.0 | T1-000246 |
| TP-10 | TP-000216 | 053 | | Clarification of test procedure and test requirement for receiver blocking and spurious response. | F | 3.2.0 | 3.3.0 | T1-000248 |
| TP-10 | TP-000216 | 054 | | Subclause 7.8 Power control in downlink | F | 3.2.0 | 3.3.0 | T1-000249 |
| TP-10 | TP-000216 | 055 | | Downlink compressed mode | F | 3.2.0 | 3.3.0 | T1-000251 |
| TP-11 | TP-010019 | 056 | | CR on Test tolerance for 6.5 Blocking Characteristics | F | 3.3.0 | 3.4.0 | T1-010020 |
| TP-11 | TP-010019 | 057 | | CR on Test tolerance for 6.7 Intermodulation Characteristics | F | 3.3.0 | 3.4.0 | T1-010025 |
| TP-11 | TP-010019 | 058 | | CR on Test tolerance for 5.5.1 Test Tolerance for Transmit OFF power | F | 3.3.0 | 3.4.0 | T1-010027 |
| TP-11 | TP-010019 | 059 | | CR on Test tolerance for 6.6 Spurious Response | F | 3.3.0 | 3.4.0 | T1-010028 |
| TP-11 | TP-010019 | 060 | | CR on Test tolerance for 5.11 Test Tolerance for Transmit Spurious emissions | F | 3.3.0 | 3.4.0 | T1-010029 |
| TP-11 | TP-010019 | 061 | | CR on Test tolerance for Annex F TS34.121 | F | 3.3.0 | 3.4.0 | T1-010030 |
| TP-11 | TP-010019 | 062 | | CR on Test tolerance for 5.2 Maximum output power | F | 3.3.0 | 3.4.0 | T1-010031 |
| TP-11 | TP-010019 | 063 | | CR on Test tolerance for 5.4.3 Minimum Output Power | F | 3.3.0 | 3.4.0 | T1-010032 |
| TP-11 | TP-010019 | 064 | | CR on Test tolerance for 5.9 Spectrum Emission Mask | F | 3.3.0 | 3.4.0 | T1-010033 |
| TP-11 | TP-010019 | 065 | | CR on Test tolerance for 5.10 ACLR | F | 3.3.0 | 3.4.0 | T1-010034 |
| TP-11 | TP-010019 | 066 | | CR on Test tolerance for 5.12 Transmit Intermodulation | F | 3.3.0 | 3.4.0 | T1-010035 |
| TP-11 | TP-010019 | 067 | | CR on Test tolerance for 6.2 Reference Sensitivity Level | F | 3.3.0 | 3.4.0 | T1-010036 |
| TP-11 | TP-010019 | 068 | | CR on Test tolerance for 5.3 Frequency Error | F | 3.3.0 | 3.4.0 | T1-010037 |
| TP-11 | TP-010019 | 069 | | CR on Test tolerance for 5.8 Occupied Bandwidth | F | 3.3.0 | 3.4.0 | T1-010038 |
| TP-11 | TP-010019 | 070 | | CR on Test tolerance for 5.13.1 EVM | F | 3.3.0 | 3.4.0 | T1-010039 |
| TP-11 | TP-010019 | 071 | | CR on Test tolerance for 5.13.2 PCDE | F | 3.3.0 | 3.4.0 | T1-010040 |
| TP-11 | TP-010019 | 072 | | CR on Test tolerance for 5.4.4 Out of Synchronisation transmit power | F | 3.3.0 | 3.4.0 | T1-010041 |
| TP-11 | TP-010019 | 073 | | CR on Test tolerance for 6.4 ACS | F | 3.3.0 | 3.4.0 | T1-010042 |
| TP-11 | TP-010019 | 074 | | CR on Test tolerance for 6.8 RX Spurious Emissions | F | 3.3.0 | 3.4.0 | T1-010108 |
| TP-11 | TP-010019 | 075 | | CR on corrections to DL compressed mode | F | 3.3.0 | 3.4.0 | T1-010021 |
| TP-11 | TP-010019 | 076 | | CR on Corrections to DL 384kbps and BTFD measurement channels | F | 3.3.0 | 3.4.0 | T1-010022 |
| TP-11 | TP-010019 | 077 | | CR on Corrections to Maximum output power | F | 3.3.0 | 3.4.0 | T1-010023 |
| TP-11 | TP-010019 | 078 | | CR on RX spurious emissions | F | 3.3.0 | 3.4.0 | T1-010024 |
| TP-11 | TP-010019 | 079 | | CR on Editorial correction to channel number | D | 3.3.0 | 3.4.0 | T1-010026 |
| TP-11 | TP-010019 | 080 | | CR Correction of Annex-E and reference information to Annex E | F | 3.3.0 | 3.4.0 | T1-010043 |
| TP-11 | TP-010019 | 081 | | Editorial corrections | D | 3.3.0 | 3.4.0 | T1-010044 |
| TP-11 | TP-010076 | 082 | 1 | Regional requirements on Test Tolerance | F | 3.3.0 | 3.4.0 | Presented directly to TP-11 |
| TP-12 | TP-010119 | 083 | | CR: Addition of Test System uncertainties and Test Tolerances | F | 3.4.0 | 3.5.0 | T1-010139 |
| TP-12 | TP-010119 | 084 | | CR: Measurement accuracy of CPICH RSCP | F | 3.4.0 | 3.5.0 | T1-010140 |
| TP-12 | TP-010119 | 085 | | CR: Measurement accuracy of CPICH Ec/Io | F | 3.4.0 | 3.5.0 | T1-010141 |
| TP-12 | TP-010119 | 086 | | CR: Modifications to the structure of RRM test cases (FDD) | F | 3.4.0 | 3.5.0 | T1-010142 |
| TP-12 | TP-010119 | 087 | | Maintenance CR: Propagation condition 250 km/h | F | 3.4.0 | 3.5.0 | T1-010143 |
| TP-12 | TP-010119 | 088 | | Maintenance CR: Removal of square brackets | F | 3.4.0 | 3.5.0 | T1-010144 |
| TP-12 | TP-010119 | 089 | | Maintenance CR: Tx power for Rx characteristics measurement | F | 3.4.0 | 3.5.0 | T1-010145 |
| TP-12 | TP-010119 | 090 | | Maintenance CR: Correction of Definition of multi-code OCNS signal | F | 3.4.0 | 3.5.0 | T1-010146 |
| TP-12 | TP-010119 | 091 | | Maintenance CR: Conformance requirement to Minimum requirement | D | 3.4.0 | 3.5.0 | T1-010147 |

| T Meeting | Doc-1 st -Level | CR | Rev | Subject | Cat | Version - Current | Version -New | Doc-2 nd -Level |
|-----------|----------------------------|-----|-----|--|-----|-------------------|--------------|----------------------------|
| TP-12 | TP-010119 | 092 | | Maintenance CR: Test conditions for TS 34.121 | F | 3.4.0 | 3.5.0 | T1-010148 |
| TP-12 | TP-010119 | 093 | | Maintenance CR: Editorial correction 34.121 | D | 3.4.0 | 3.5.0 | T1-010149 |
| TP-12 | TP-010119 | 094 | | Maintenance CR: closed loop power control close to the limits | C | 3.4.0 | 3.5.0 | T1-010150 |
| TP-12 | TP-010119 | 095 | | Maintenance CR: removal of annex I | D | 3.4.0 | 3.5.0 | T1-010151 |
| TP-12 | TP-010119 | 096 | | Maintenance CR: correction to annex E | F | 3.4.0 | 3.5.0 | T1-010152 |
| TP-12 | TP-010119 | 097 | | Maintenance CR: corrections to TS34.121 | F | 3.4.0 | 3.5.0 | T1-010153 |
| TP-13 | TP-010184 | 098 | | Annex F Measurement uncertainty | F | 3.5.0 | 3.6.0 | T1-010342 |
| TP-13 | TP-010184 | 099 | | RX Spurious emissions | F | 3.5.0 | 3.6.0 | T1-010364 |
| TP-13 | TP-010184 | 100 | | Structure of RRM test cases | F | 3.5.0 | 3.6.0 | T1-010356 |
| TP-13 | TP-010184 | 101 | | Clause 8.2, Idle mode cell reselection delay tests | F | 3.5.0 | 3.6.0 | T1-010361 |
| TP-13 | TP-010184 | 102 | | Proposal for measuring method of Random Access | F | 3.5.0 | 3.6.0 | T1-010362 |
| TP-13 | TP-010184 | 103 | | Modification to OCNS code channels to allow for 384 kbps allocation | F | 3.5.0 | 3.6.0 | T1-010339 |
| TP-13 | TP-010184 | 104 | | Clarification of AWGN definition | F | 3.5.0 | 3.6.0 | T1-010340 |
| TP-13 | TP-010184 | 105 | | Correction to test for inner loop power control in the uplink (FDD) | F | 3.5.0 | 3.6.0 | T1-010341 |
| TP-13 | TP-010184 | 106 | | Core specification change for uplink inner loop power control | F | 3.5.0 | 3.6.0 | T1-010355 |
| TP-13 | TP-010184 | 107 | | Power Control mode in downlink | F | 3.5.0 | 3.6.0 | T1-010357 |
| TP-13 | TP-010184 | 108 | | Correction of frequency range for receiver spurious emission requirements | F | 3.5.0 | 3.6.0 | T1-010360 |
| TP-13 | TP-010184 | 109 | | Test numbering of multi-path fading propagation tests | F | 3.5.0 | 3.6.0 | T1-010363 |
| TP-13 | TP-010184 | 110 | | Measurement of the ON/OFF power during the PRACH preamble | F | 3.5.0 | 3.6.0 | T1-010370 |
| TP-14 | TP-010259 | 111 | | Improvement of test description: CPICH RSCP test case | F | 3.6.0 | 3.7.0 | T1-010489 |
| TP-14 | TP-010259 | 112 | | Improvement of test description: CPICH Ec/Io test case | F | 3.6.0 | 3.7.0 | T1-010490 |
| TP-14 | TP-010259 | 113 | | UTRA Carrier RSSI test case | F | 3.6.0 | 3.7.0 | T1-010491 |
| TP-14 | TP-010259 | 114 | | Corrections and improvements for TS 34.121 subclauses 5, 6 and Annex E | F | 3.6.0 | 3.7.0 | T1-010492 |
| TP-14 | TP-010259 | 115 | | Clarification of test requirements for Transmit ON/OFF time mask | F | 3.6.0 | 3.7.0 | T1-010493 |
| TP-14 | TP-010259 | 116 | | Clarification of procedure for Out-of-synchronisation handling of output power | F | 3.6.0 | 3.7.0 | T1-010494 |
| TP-14 | TP-010259 | 117 | | UE Rx-Tx time difference type 1 | F | 3.6.0 | 3.7.0 | T1-010495 |
| TP-14 | TP-010259 | 118 | | UE Transmit Timing | F | 3.6.0 | 3.7.0 | T1-010496 |
| TP-14 | TP-010259 | 119 | | Changes to blocking characteristics and spurious response test cases | F | 3.6.0 | 3.7.0 | T1-010497 |
| TP-14 | TP-010259 | 120 | | Clarification in Spectrum emission mask section | F | 3.6.0 | 3.7.0 | T1-010498 |
| TP-14 | TP-010259 | 121 | | DL Power Control Step Size in performance requirements | F | 3.6.0 | 3.7.0 | T1-010499 |
| TP-14 | TP-010259 | 122 | | DL Compressed mode, correction of pattern | F | 3.6.0 | 3.7.0 | T1-010500 |
| TP-14 | TP-010259 | 123 | | BER/BLER testing based on statistical approach | F | 3.6.0 | 3.7.0 | T1-010517 |
| TP-14 | TP-010259 | 124 | | Deletion of OFF power measurement on "Power setting in uplink compressed mode" Test | F | 3.6.0 | 3.7.0 | T1-010520 |
| TP-14 | TP-010259 | 125 | | Cell reselection delay tests in idle mode | F | 3.6.0 | 3.7.0 | T1-010521 |
| TP-14 | TP-010259 | 126 | | CR for Transmit OFF power measurement | F | 3.6.0 | 3.7.0 | T1-010522 |
| TP-15 | TP-020039 | 127 | | Correction of power terms and definitions | F | 3.7.0 | 3.8.0 | T1-020133 |
| TP-15 | TP-020039 | 128 | | Creation of common default messages for RRM test cases in Annex I | F | 3.7.0 | 3.8.0 | T1-020134 |
| TP-15 | TP-020039 | 129 | | Transmit ON/OFF time mask, Change of TFC and Power setting in uplink compressed mode | F | 3.7.0 | 3.8.0 | T1-020135 |
| TP-15 | TP-020039 | 130 | | Maintenance of Annex B | F | 3.7.0 | 3.8.0 | T1-020136 |
| TP-15 | TP-020039 | 131 | | Correction of minimum test times under fading | F | 3.7.0 | 3.8.0 | T1-020137 |
| TP-15 | TP-020039 | 132 | | Addition of test case description for SFN-CFN observed time difference | F | 3.7.0 | 3.8.0 | T1-020138 |
| TP-15 | TP-020039 | 133 | | Addition of test case description for SFN-SFN observed time difference type 1 | F | 3.7.0 | 3.8.0 | T1-020139 |
| TP-15 | TP-020039 | 134 | | Corrections for TS 34.121 subclause 8.7.6 | F | 3.7.0 | 3.8.0 | T1-020140 |
| TP-15 | TP-020039 | 135 | | Correction changes in clause 8.7 | F | 3.7.0 | 3.8.0 | T1-020141 |
| TP-15 | TP-020039 | 136 | | Update of RRM Cell reselection delay tests in idle mode | F | 3.7.0 | 3.8.0 | T1-020142 |
| TP-15 | TP-020039 | 137 | | Implementation of test tolerances to test cases in subclause 7 | F | 3.7.0 | 3.8.0 | T1-020143 |
| TP-15 | TP-020039 | 138 | | RRM Annex F | F | 3.7.0 | 3.8.0 | T1-020144 |
| TP-15 | TP-020039 | 139 | | Connection Diagrams for RRM tests cell re-selection in idle mode | F | 3.7.0 | 3.8.0 | T1-020145 |
| TP-15 | TP-020039 | 140 | | Statistical testing of RRM delay performance | F | 3.7.0 | 3.8.0 | T1-020146 |

| T Meeting | Doc-1 st -Level | CR | Rev | Subject | Cat | Version - Current | Version -New | Doc-2 nd -Level |
|-----------|----------------------------|-----|-----|--|-----|-------------------|--------------|----------------------------|
| TP-15 | TP-020039 | 141 | | RRM Hard handover test cases | F | 3.7.0 | 3.8.0 | T1-020147 |
| TP-15 | TP-020039 | 142 | | System Simulator and Test System definition | F | 3.7.0 | 3.8.0 | T1-020148 |
| TP-15 | TP-020039 | 143 | | WCDMA 1800 and 1900 additions | F | 3.7.0 | 3.8.0 | T1-020170 |
| TP-15 | TP-020039 | 144 | | Correction of power spectral density | F | 3.7.0 | 3.8.0 | T1-020171 |
| TP-16 | TP-020139 | 145 | | Spectrum emission mask test case: Change to frequencies to be tested | F | 3.8.0 | 3.9.0 | T1-020220 |
| TP-16 | TP-020139 | 146 | | Power control in downlink, initial convergence | F | 3.8.0 | 3.9.0 | T1-020221 |
| TP-16 | TP-020139 | 147 | | Event triggered reporting in AWGN propagation conditions | F | 3.8.0 | 3.9.0 | T1-020222 |
| TP-16 | TP-020139 | 148 | | Event triggered reporting of multiple neighbours in AWGN propagation conditions | F | 3.8.0 | 3.9.0 | T1-020223 |
| TP-16 | TP-020139 | 149 | | Event triggered reporting of two detectable neighbours in AWGN propagation conditions | F | 3.8.0 | 3.9.0 | T1-020224 |
| TP-16 | TP-020139 | 150 | | Correct reporting of neighbours in fading propagation conditions | F | 3.8.0 | 3.9.0 | T1-020226 |
| TP-16 | TP-020139 | 151 | | Removal of "AFC On" reference from clause 5.3 Frequency Error test | F | 3.8.0 | 3.9.0 | T1-020227 |
| TP-16 | TP-020139 | 152 | | Correct reporting of neighbours in AWGN propagation conditions - inter frequency case | F | 3.8.0 | 3.9.0 | T1-020235 |
| TP-16 | TP-020139 | 153 | | Deletion of test case description 'Correct reporting of neighbours in Fading propagation conditions - Inter frequency case | F | 3.8.0 | 3.9.0 | T1-020236 |
| TP-16 | TP-020139 | 154 | | Correction of UE Tx Timing adjustment rate | F | 3.8.0 | 3.9.0 | T1-020237 |
| TP-16 | TP-020139 | 155 | | Correction of Units of side conditions and test parameters | F | 3.8.0 | 3.9.0 | T1-020238 |
| TP-16 | TP-020139 | 156 | | Structure of subclause 8 | F | 3.8.0 | 3.9.0 | T1-020239 |
| TP-16 | TP-020139 | 157 | | Inter-system Handover from UTRAN FDD to GSM | F | 3.8.0 | 3.9.0 | T1-020240 |
| TP-16 | TP-020139 | 158 | | UTRAN to GSM Cell Re-Selection: Change of minimum requirements | F | 3.8.0 | 3.9.0 | T1-020241 |
| TP-16 | TP-020139 | 159 | | Cell reselection in idle mode: CR for testcase | F | 3.8.0 | 3.9.0 | T1-020242 |
| TP-16 | TP-020139 | 160 | | Cell reselection in idle mode: CR for annex F.4 | F | 3.8.0 | 3.9.0 | T1-020243 |
| TP-16 | TP-020139 | 161 | | UTRAN to GSM cell reselection: CR for testcase | F | 3.8.0 | 3.9.0 | T1-020244 |
| TP-16 | TP-020139 | 162 | | UTRAN to GSM cell reselection: CR for annex F.4 | F | 3.8.0 | 3.9.0 | T1-020245 |
| TP-16 | TP-020139 | 163 | | Test parameters of FDD/FDD Hard Handover test case | F | 3.8.0 | 3.9.0 | T1-020246 |
| TP-16 | TP-020139 | 164 | | Addition of details for RRM test cases in 8.3.7.1 and 8.3.7.2 (Cell Re-selection in URA_PCH) | F | 3.8.0 | 3.9.0 | T1-020247 |
| TP-16 | TP-020139 | 165 | | Addition of details for RRM test cases in 8.4.1 (RRC Re-establishment delay) | F | 3.8.0 | 3.9.0 | T1-020248 |
| TP-16 | TP-020139 | 166 | | Addition of details for RRM test case 8.3.1 | F | 3.8.0 | 3.9.0 | T1-020249 |
| TP-16 | TP-020139 | 167 | | Addition of details for RRM test case 8.3.5.1 | F | 3.8.0 | 3.9.0 | T1-020250 |
| TP-16 | TP-020139 | 168 | | Addition of details for RRM test case 8.3.5.2 | F | 3.8.0 | 3.9.0 | T1-020251 |
| TP-16 | TP-020139 | 169 | | UE RX TX time difference: CR for testcase | F | 3.8.0 | 3.9.0 | T1-020252 |
| TP-16 | TP-020139 | 170 | | UE RX TX time difference: CR for annex | F | 3.8.0 | 3.9.0 | T1-020253 |
| TP-16 | TP-020139 | 171 | | Correction for SSDT test parameters and UL DPCCH slot format for performance | F | 3.8.0 | 3.9.0 | T1-020265 |
| TP-16 | TP-020139 | 172 | | Correction of UE FDD EVM definition | F | 3.8.0 | 3.9.0 | T1-020266 |
| TP-16 | TP-020139 | 173 | | Clarification of Meaning of FDR | F | 3.8.0 | 3.9.0 | T1-020267 |
| TP-16 | TP-020139 | 174 | | Modification to the test case for RX spurious emissions in TS34.121 | F | 3.8.0 | 3.9.0 | T1-020268 |
| TP-16 | TP-020139 | 175 | | Editorial correction to Open Loop Power Control and Transmit ON/OFF Time mask in TS34.121 | F | 3.8.0 | 3.9.0 | T1-020422 |
| TP-16 | TP-020139 | 176 | | Corrections to ACLR in TS34.121 | F | 3.8.0 | 3.9.0 | T1-020423 |
| TP-17 | TP-020185 | 177 | - | Addition of sub clause 8.7.6.2 – UE Rx-Tx time | F | 3.9.0 | 3.10.0 | T1-020453 |
| TP-17 | TP-020185 | 178 | - | Addition of test case Cell reselection in CELL_PCH | F | 3.9.0 | 3.10.0 | T1-020454 |
| TP-17 | TP-020185 | 179 | - | Addition of test case Transport format combination | F | 3.9.0 | 3.10.0 | T1-020455 |
| TP-17 | TP-020185 | 180 | - | Maintenance of Re-selection and handover test | F | 3.9.0 | 3.10.0 | T1-020456 |
| TP-17 | TP-020185 | 181 | - | Correction of test parameters of Handover to inter- | F | 3.9.0 | 3.10.0 | T1-020457 |
| TP-17 | TP-020185 | 182 | - | Addition of details for RRM test case 8.7.3C (UE | F | 3.9.0 | 3.10.0 | T1-020458 |
| TP-17 | TP-020185 | 183 | - | Corrections to clause 6 and 7 for editorial errors | F | 3.9.0 | 3.10.0 | T1-020459 |
| TP-17 | TP-020185 | 184 | - | Correction to clause 8.2.2 Cell Re-Selection | F | 3.9.0 | 3.10.0 | T1-020460 |
| TP-17 | TP-020185 | 185 | - | Correction to clause 8.3.1 FDD/FDD Soft Handover | F | 3.9.0 | 3.10.0 | T1-020461 |
| TP-17 | TP-020185 | 187 | - | Correction to clause 8.6.1.1 Event triggered | F | 3.9.0 | 3.10.0 | T1-020463 |
| TP-17 | TP-020185 | 188 | - | Correction to clause 8.6.1.2 Event triggered | F | 3.9.0 | 3.10.0 | T1-020464 |
| TP-17 | TP-020185 | 189 | - | Correction to clause 8.6.1.3 Event triggered | F | 3.9.0 | 3.10.0 | T1-020465 |
| TP-17 | TP-020185 | 190 | - | Correction to clause 8.6.1.4 Correct reporting of | F | 3.9.0 | 3.10.0 | T1-020466 |
| TP-17 | TP-020185 | 191 | - | Correction to clause 8.6.2.1 Correct reporting of | F | 3.9.0 | 3.10.0 | T1-020467 |
| TP-17 | TP-020185 | 192 | - | Correction to clause 8.7.1 CPICH RSCP | F | 3.9.0 | 3.10.0 | T1-020468 |

| T Meeting | Doc-1 st -Level | CR | Rev | Subject | Cat | Version - Current | Version -New | Doc-2 nd -Level |
|-----------|----------------------------|-----|-----|--|-----|-------------------|--------------|----------------------------|
| TP-17 | TP-020185 | 193 | - | Correction to clause 8.7.2 CPICH Ec/Io | F | 3.9.0 | 3.10.0 | T1-020469 |
| TP-17 | TP-020185 | 194 | - | Correction of test case 'Rx-Tx time difference type | F | 3.9.0 | 3.10.0 | T1-020470 |
| TP-17 | TP-020185 | 195 | - | FDD/TDD Handover Test Case | F | 3.9.0 | 3.10.0 | T1-020471 |
| TP-17 | TP-020185 | 196 | - | Test Requirements for Cell Re-Selection in | F | 3.9.0 | 3.10.0 | T1-020474 |
| TP-17 | TP-020185 | 197 | - | Correction to clause 8.3.7 Cell Re-selection in | F | 3.9.0 | 3.10.0 | T1-020475 |
| TP-17 | TP-020185 | 198 | - | Segmented Measurement to be allowed for Inner | F | 3.9.0 | 3.10.0 | T1-020476 |
| TP-17 | TP-020185 | 199 | - | Correction to clause 8.4.1 RRC Re-establishment | F | 3.9.0 | 3.10.0 | T1-020477 |
| TP-17 | TP-020185 | 200 | - | Correction to clause 8.7.3 UTRA Carrier RSSI | F | 3.9.0 | 3.10.0 | T1-020478 |
| TP-17 | TP-020185 | 201 | - | Correction to clause 8.7.4 and 8.7.5 SFN-CFN/SFN | F | 3.9.0 | 3.10.0 | T1-020479 |
| TP-17 | TP-020185 | 202 | - | Addition of a set of Compressed mode reference | F | 3.9.0 | 3.10.0 | T1-020480 |
| TP-17 | TP-020185 | 203 | - | Correction of Compressed Mode Performance | F | 3.9.0 | 3.10.0 | T1-020481 |
| TP-17 | TP-020185 | 204 | - | Tx Power level control during Rx testing | F | 3.9.0 | 3.10.0 | T1-020482 |
| TP-17 | TP-020185 | 205 | - | Deletion of some subclauses from F.6.1 Statistical | F | 3.9.0 | 3.10.0 | T1-020483 |
| TP-17 | TP-020185 | 206 | - | Correction to clause 8.3.5 Cell Re-selection in | F | 3.9.0 | 3.10.0 | T1-020484 |
| TP-17 | TP-020185 | 207 | - | Test Requirements for Cell Re-Selection in CELL- | F | 3.9.0 | 3.10.0 | T1-020485 |
| TP-17 | TP-020185 | 208 | - | Calculation of Test Requirements for Cell Re- | F | 3.9.0 | 3.10.0 | T1-020486 |
| TP-17 | TP-020185 | 209 | - | Clarification of the definition of 90 % success rate | F | 3.9.0 | 3.10.0 | T1-020491 |
| TP-17 | TP-020185 | 210 | - | Update of test requirement derivation of Downlink | F | 3.9.0 | 3.10.0 | T1-020492 |
| TP-17 | TP-020192 | 211 | - | Correction of regional note in Annex J.1 | F | 3.9.0 | 3.10.0 | - |
| TP-18 | TP-020294 | 212 | - | Correction of table titles of Demodulation of DCH in closed loop transmit diversity mode test case | F | 3.10.0 | 3.11.0 | T1-020631 |
| TP-18 | TP-020294 | 213 | - | Maintenance of FDD/TDD Cell Re-selection test case | F | 3.10.0 | 3.11.0 | T1-020632 |
| TP-18 | TP-020294 | 214 | - | Maintenance of UE Transmit Timing test case | F | 3.10.0 | 3.11.0 | T1-020633 |
| TP-18 | TP-020294 | 215 | - | Correction of ACLR absolute power limit | F | 3.10.0 | 3.11.0 | T1-020634 |
| TP-18 | TP-020294 | 216 | - | Correction to clause 8.3.6 Cell Re-selection in CELL_PCH | F | 3.10.0 | 3.11.0 | T1-020636 |
| TP-18 | TP-020294 | 217 | - | Maintenance of 8.4.2.4 Correct behaviour when reaching maximum transit power | F | 3.10.0 | 3.11.0 | T1-020637 |
| TP-18 | TP-020294 | 218 | - | Correction of table numbers | F | 3.10.0 | 3.11.0 | T1-020639 |
| TP-18 | TP-020294 | 219 | - | Correction of message parameter | F | 3.10.0 | 3.11.0 | T1-020640 |
| TP-18 | TP-020294 | 220 | - | Correction of test parameter in 8.4.2.3 Correct behaviour when Time-out | F | 3.10.0 | 3.11.0 | T1-020641 |
| TP-18 | TP-020294 | 221 | - | Modification of the Random Access Test 8.4.2.1, Correct behaviour when receiving an ACK. | F | 3.10.0 | 3.11.0 | T1-020651 |
| TP-18 | TP-020294 | 222 | - | Modifications to the test case for Inner Loop Power Control in the Uplink in TS34.121 | F | 3.10.0 | 3.11.0 | T1-020642 |
| TP-18 | TP-020294 | 223 | - | Correction of SCH side conditions and other corrections | F | 3.10.0 | 3.11.0 | T1-020750 |
| TP-18 | TP-020294 | 224 | - | Corrections of test for power setting in uplink compressed mode | F | 3.10.0 | 3.11.0 | T1-020751 |
| TP-18 | TP-020294 | 225 | - | Text for annex F.6.2 Statistical testing of RRM delay performance | F | 3.10.0 | 3.11.0 | T1-020752 |
| TP-18 | TP-020294 | 226 | - | Maintenance of annex F.6.1 Statistical testing of BER BLER performance | F | 3.10.0 | 3.11.0 | T1-020753 |
| TP-18 | TP-020294 | 227 | - | Dual limit BLER tests | F | 3.10.0 | 3.11.0 | T1-020754 |
| TP-18 | TP-020294 | 228 | - | Correction of test method: Out-of-synchronisation handling of output power | F | 3.10.0 | 3.11.0 | T1-020755 |
| TP-18 | TP-020294 | 229 | - | Correction of table and subclause references | F | 3.10.0 | 3.11.0 | T1-020756 |
| TP-18 | TP-020294 | 230 | - | Revision of table titles in Sec 8. to provide unique and unambiguous descriptions | F | 3.10.0 | 3.11.0 | T1-020757 |
| TP-18 | TP-020294 | 231 | - | Correction to clause 8.3.2 FDD/FDD Hard Handover | F | 3.10.0 | 3.11.0 | T1-020758 |
| TP-18 | TP-020294 | 232 | - | Correction to PHYSICAL CHANNEL RECONFIGURATION message that activates compressed mode | F | 3.10.0 | 3.11.0 | T1-020759 |
| TP-18 | TP-020294 | 233 | - | Introduction of test tolerances in Cell Reselection multi carrier test cases | F | 3.10.0 | 3.11.0 | T1-020769 |
| TP-18 | TP-020294 | 234 | - | Correction of UL reference measurement channel | F | 3.10.0 | 3.11.0 | T1-020889 |
| TP-19 | TP-030045 | 235 | - | P-CCPCH RSCP test case for FDD to TDD | F | 3.11.0 | 3.12.0 | T1-030171 |
| TP-19 | TP-030045 | 236 | - | Correct reporting of TDD inter-frequency neighbours | F | 3.11.0 | 3.12.0 | T1-030172 |
| TP-19 | TP-030045 | 237 | - | Correction for minimum requirement of UE | F | 3.11.0 | 3.12.0 | T1-030173 |
| TP-19 | TP-030045 | 238 | - | Removal of 34.123-1 Annex A reference | F | 3.11.0 | 3.12.0 | T1-030174 |
| TP-19 | TP-030045 | 239 | - | Correction of UE parameter for Correct behaviour at | F | 3.11.0 | 3.12.0 | T1-030175 |
| TP-19 | TP-030045 | 240 | - | Correction of Out-of-synchronisation handling of | F | 3.11.0 | 3.12.0 | T1-030178 |
| TP-19 | TP-030045 | 241 | - | Removal of uplink dummy DCCH transmission | F | 3.11.0 | 3.12.0 | T1-030179 |

| T Meeting | Doc-1 st -Level | CR | Rev | Subject | Cat | Version - Current | Version -New | Doc-2 nd -Level |
|-----------|----------------------------|-----|-----|--|-----|-------------------|--------------|----------------------------|
| TP-19 | TP-030045 | 242 | - | Correction for Combining of TPC commands from | F | 3.11.0 | 3.12.0 | T1-030186 |
| TP-20 | TP-030099 | 243 | - | Modifications to the test cases for Transmit diversity modes in TS34.121 | F | 3.12.0 | 3.13.0 | T1-030323 |
| TP-20 | TP-030099 | 244 | - | Correction for Cell Re-selection in CELL_FACH state test case | F | 3.12.0 | 3.13.0 | T1-030324 |
| TP-20 | TP-030099 | 245 | - | Correction for Random Access test case | F | 3.12.0 | 3.13.0 | T1-030325 |
| TP-20 | TP-030099 | 246 | - | Correction for downlink compressed mode test case | F | 3.12.0 | 3.13.0 | T1-030326 |
| TP-20 | TP-030099 | 247 | - | CR to 34.121 R99; Correction to Activation Time in Hard Handover RRM Test Cases | F | 3.12.0 | 3.13.0 | T1-030343 |
| TP-20 | TP-030099 | 249 | - | CR to 34.121 R99; Correction to Inner Loop Power Control in the Uplink | F | 3.12.0 | 3.13.0 | T1-030348 |
| TP-20 | - | - | - | Upgrade to Rel-4 | - | 3.13.0 | 4.0.0 | - |
| TP-20 | TP-030099 | 250 | - | Addition of clarification for modulation accuracy requirement | F | 4.0.0 | 5.0.0 | T1-030732 |
| TP-21 | TP-030189 | 251 | - | Creation of a merged release for 34.121 which incorporates R99 and Rel-4 | F | 5.0.0 | 5.1.0 | T1-030796 |
| TP-21 | TP-030189 | 253 | - | CR to 34.121 R99; Addition of test case details for RRM test case 8.3.5.3 (Cell Reselection to GSM in Cell_FACH) | F | 3.13.0 | 5.1.0 | T1-030814 |
| TP-21 | TP-030189 | 254 | - | CR to 34.121 REL-4; Addition of test case details for RRM test case 8.3.5.3 (Cell Reselection to GSM in Cell_FACH) | A | 4.0.0 | 5.1.0 | T1-030815 |
| TP-21 | TP-030189 | 255 | - | CR to 34.121 REL-5; Addition of test case details for RRM test case 8.3.5.3 (Cell Reselection to GSM in Cell_FACH) | A | 5.0.0 | 5.1.0 | T1-030816 |
| TP-21 | TP-030189 | 256 | - | Correction of SSTD performance test case (R99) | F | 3.13.0 | 5.1.0 | T1-030817 |
| TP-21 | TP-030189 | 257 | - | Correction of SSTD performance test case (Rel-4) | A | 4.0.0 | 5.1.0 | T1-030818 |
| TP-21 | TP-030189 | 258 | - | Correction of SSTD performance test case (Rel-5) | A | 5.0.0 | 5.1.0 | T1-030819 |
| TP-21 | TP-030189 | 261 | - | Test Requirements for RRM CPICH RSCP Inter Frequency Measurement | F | 3.13.0 | 5.1.0 | T1-030841 |
| TP-21 | TP-030189 | 262 | - | Test Requirements for RRM CPICH RSCP Inter Frequency Measurement | A | 4.0.0 | 5.1.0 | T1-030842 |
| TP-21 | TP-030189 | 263 | - | Test Requirements for RRM CPICH RSCP Inter Frequency Measurement | A | 5.0.0 | 5.1.0 | T1-030843 |
| TP-21 | TP-030189 | 264 | - | Test Requirements for RRM CPICH RSCP Intra Frequency Measurement | F | 3.13.0 | 5.1.0 | T1-030859 |
| TP-21 | TP-030189 | 265 | - | Test Requirements for RRM CPICH RSCP Intra Frequency Measurement | A | 4.0.0 | 5.1.0 | T1-030860 |
| TP-21 | TP-030189 | 266 | - | Test Requirements for RRM CPICH RSCP Intra Frequency Measurement | A | 5.0.0 | 5.1.0 | T1-030861 |
| TP-21 | TP-030189 | 267 | - | Correction to RRC Re-establishment delay test case (R99) | F | 3.13.0 | 5.1.0 | T1-030862 |
| TP-21 | TP-030189 | 268 | - | Correction to RRC Re-establishment delay test case (Rel-4) | A | 4.0.0 | 5.1.0 | T1-030863 |
| TP-21 | TP-030189 | 269 | - | Correction to RRC Re-establishment delay test case (Rel-5) | A | 5.0.0 | 5.1.0 | T1-030864 |
| TP-21 | TP-030189 | 270 | - | CR to 34.121 R99; Correction to SFN-SFN observed time difference type 1 | F | 3.13.0 | 5.1.0 | T1-030865 |
| TP-21 | TP-030189 | 271 | - | CR to 34.121 Rel-4; Correction to SFN-SFN observed time difference type 1 | A | 4.0.0 | 5.1.0 | T1-030866 |
| TP-21 | TP-030189 | 272 | - | CR to 34.121 Rel-5; Correction to SFN-SFN observed time difference type 1 | A | 5.0.0 | 5.1.0 | T1-030867 |
| TP-21 | TP-030189 | 277 | - | CR to 34.121 R99; Correction to CPICH Ec/Io in correct reporting of neighbours in AWGN propagation condition test case | F | 3.13.0 | 5.1.0 | T1-031108 |
| TP-21 | TP-030189 | 278 | - | CR to 34.121 Rel-4; Correction to CPICH Ec/Io in correct reporting of neighbours in AWGN propagation condition test case | 4 | 4.0.0 | 5.1.0 | T1-031109 |
| TP-21 | TP-030189 | 279 | - | CR to 34.121 Rel-5; Correction to CPICH Ec/Io in correct reporting of neighbours in AWGN propagation condition test case | A | 5.0.0 | 5.1.0 | T1-031110 |
| TP-21 | TP-030189 | 280 | - | Test Requirements for RRM CPICH Ec/Io Intra Frequency Measurement | F | 3.13.0 | 5.1.0 | T1-031182 |
| TP-21 | TP-030189 | 281 | - | Test Requirements for RRM CPICH Ec/Io Intra Frequency Measurement | A | 4.0.0 | 5.1.0 | T1-031183 |
| TP-21 | TP-030189 | 282 | - | CR Rel 5 Test requirements for RRM CPICH_Ec/Io Intra Frequency Measurement | A | 5.0.0 | 5.1.0 | T1-031184 |
| TP-21 | TP-030189 | 283 | - | Test Requirements for RRM CPICH Ec/Io Inter Frequency Measurement | F | 3.13.0 | 5.1.0 | T1-031188 |
| TP-21 | TP-030189 | 284 | - | Test Requirements for RRM CPICH Ec/Io Inter Frequency Measurement | A | 4.0.0 | 5.1.0 | T1-031189 |

| T Meeting | Doc-1 st -Level | CR | Rev | Subject | Cat | Version - Current | Version -New | Doc-2 nd -Level |
|-----------|----------------------------|-----|-----|--|-----|-------------------|--------------|----------------------------|
| TP-21 | TP-030189 | 285 | - | Test Requirements for RRM CPICH Ec/Io Inter Frequency Measurement | A | 5.0.0 | 5.1.0 | T1-031190 |
| TP-21 | TP-030189 | 286 | - | Test requirements for RRM Random Access tests | F | 3.13.0 | 5.1.0 | T1-031191 |
| TP-21 | TP-030189 | 287 | - | Test requirements for RRM Random Access Test | A | 4.0.0 | 5.1.0 | T1-031192 |
| TP-21 | TP-030189 | 288 | - | Test requirements for RRM Random Access Test | A | 5.0.0 | 5.1.0 | T1-031193 |
| TP-21 | TP-030189 | 289 | - | Completion of Annex F | F | 3.13.0 | 5.1.0 | T1-031229 |
| TP-21 | TP-030189 | 290 | - | Completion of Annex F | A | 4.0.0 | 5.1.0 | T1-031230 |
| TP-21 | TP-030189 | 291 | - | Completion of Annex F | A | 5.0.0 | 5.1.0 | T1-031231 |
| TP-21 | TP-030189 | 252 | - | CR to 34.121 R99; Correction to Inter-system Handover from UTRAN FDD to GSM | F | 3.13.0 | 5.1.0 | T1-030800 |
| TP-21 | TP-030189 | 273 | - | CR to 34.121 Rel-99; Correction to CRC bit for reference measurement channel using RLC-TM for DTCH, transport channel parameters | F | 3.13.0 | 5.1.0 | T1-030870 |
| TP-21 | TP-030189 | 274 | - | Introduction of Test Tolerances to Cell Reselection in CELL_FACH tests 8.3.5.1 & 8.3.5.2 | F | 3.13.0 | 5.1.0 | T1-030873 |
| TP-21 | TP-030189 | 259 | - | Introduction of Test Tolerances to Cell Reselection in CELL_FACH tests 8.3.5.1 & 8.3.5.2 | F | 4.0.0 | 5.1.0 | T1-030832 |
| TP-21 | TP-030189 | 260 | - | Introduction of Test Tolerances to Cell Reselection in CELL_FACH tests 8.3.5.1 & 8.3.5.2 | F | 5.0.0 | 5.1.0 | T1-030833 |
| TP-21 | TP-030189 | 275 | - | CR to 34.121 Rel-4; Correction to Inter-system Handover from UTRAN FDD to GSM | F | 4.0.0 | 5.1.0 | T1-031103 |
| TP-21 | TP-030189 | 276 | - | CR to 34.121 Rel-5; Correction to Inter-system Handover from UTRAN FDD to GSM | F | 5.0.0 | 5.1.0 | T1-031104 |
| TP-21 | TP-030189 | 292 | - | CR to 34.121 Rel-4; Correction to CRC bit for reference measurement channel using RLC-TM for DTCH, transport channel parameters | F | 4.0.0 | 5.1.0 | T1-030871 |
| TP-21 | TP-030189 | 293 | - | CR to 34.121 Rel-5; Correction to CRC bit for reference measurement channel using RLC-TM for DTCH, transport channel parameters | F | 5.0.0 | 5.1.0 | T1-030872 |
| TP-21 | TP-030189 | 296 | - | Introduction of the phase discontinuity test (Specific to Rel-5) | F | 5.0.0 | 5.1.0 | T1-031277 |
| | | | | Complete CR266 implementation | | 5.1.0 | 5.1.1 | |
| TP-22 | TP-030280 | 298 | | CR to 34.121: Correction to Inter-system Handover from UTRAN FDD to GSM | F | 5.1.1 | 5.2.0 | T1-031356 |
| TP-22 | TP-030280 | 299 | | CR to 34.121: Correction to Power control in DL, initial convergence test case | F | 5.1.1 | 5.2.0 | T1-031357 |
| TP-22 | TP-030280 | 319 | | Correction to RRM test case 8.3.2.1 | F | 5.1.1 | 5.2.0 | T1-031445 |
| TP-22 | TP-030280 | 314 | 1 | Correction of clause 4.2 Frequency bands | B | 5.1.1 | 5.2.0 | T1-031551 |
| TP-22 | TP-030280 | 315 | 1 | Clause 4.4 Channel arrangement for DS-CDMA Introduction in the 800 MHz Band | B | 5.1.1 | 5.2.0 | T1-031552 |
| TP-22 | TP-030280 | 316 | 1 | DS-CDMA Introduction in the 800 MHz Band | B | 5.1.1 | 5.2.0 | T1-031553 |
| TP-22 | TP-030280 | 317 | 1 | Correction and maintenance of Annex H and DS-CDMA Introduction in the 800 MHz Band | B | 5.1.1 | 5.2.0 | T1-031556 |
| TP-22 | TP-030280 | 300 | 1 | Introduction of reference to RRM test tolerances TR | F | 5.1.1 | 5.2.0 | T1-031561 |
| TP-22 | TP-030280 | 301 | 1 | Introduction of Test Tolerances to Cell Reselection tests 8.2.2.1 & 8.2.2.2 | F | 5.1.1 | 5.2.0 | T1-031562 |
| TP-22 | TP-030280 | 302 | 1 | Introduction of Test Tolerances to Cell Re-selection in CELL_PCH tests 8.3.6.1 & 8.3.6.2 | F | 5.1.1 | 5.2.0 | T1-031563 |
| TP-22 | TP-030280 | 329 | | Introduction of Test Tolerances to Cell Re-selection in URA_PCH tests 8.3.7.1 & 8.3.7.2 | F | 5.1.1 | 5.2.0 | T1-031564 |
| TP-22 | TP-030280 | 303 | 1 | Clarification of Downlink Physical Channel in table E.3.1 | F | 5.1.1 | 5.2.0 | T1-031565 |
| TP-22 | TP-030280 | 309 | 1 | FDD inter-frequency cell identification and measurement reporting test case | F | 5.1.1 | 5.2.0 | T1-031566 |
| TP-22 | TP-030280 | 310 | 1 | Changes to section 8.4.3, TFC selection requirements for codec mode switch | F | 5.1.1 | 5.2.0 | T1-031567 |
| TP-22 | TP-030280 | 327 | 1 | Test requirements for RRM CPICH RSCP Intra Frequency Measurement | F | 5.1.1 | 5.2.0 | T1-031568 |
| TP-22 | TP-030280 | 328 | 1 | Test requirements for RRM CPICH RSCP Inter Frequency Measurement | F | 5.1.1 | 5.2.0 | T1-031569 |
| TP-22 | TP-030280 | 324 | 1 | Test requirements for RRM CPICH_Ec/Io Intra Frequency Measurement | F | 5.1.1 | 5.2.0 | T1-031570 |
| TP-22 | TP-030280 | 325 | 1 | Test requirements for RRM CPICH_Ec/Io Inter Frequency Measurement | F | 5.1.1 | 5.2.0 | T1-031571 |
| TP-22 | TP-030280 | 318 | 1 | Correction of clause 8.7.3C UE transmitted power | F | 5.1.1 | 5.2.0 | T1-031604 |
| TP-22 | TP-030280 | 304 | 1 | CR to 34.121: Correction to FDD/FDD Soft Handover test case | F | 5.1.1 | 5.2.0 | T1-031605 |
| TP-22 | TP-030280 | 308 | 1 | Correction to RRM test case 8.3.5.3 | F | 5.1.1 | 5.2.0 | T1-031606 |
| TP-22 | TP-030280 | 321 | 1 | 12.2 kbit/s RMC is insufficient for BLER testing | F | 5.1.1 | 5.2.0 | T1-031611 |
| TP-22 | TP-030280 | 320 | 1 | Update of initial conditions for RF test cases | F | 5.1.1 | 5.2.0 | T1-031612 |

| T Meeting | Doc-1 st -Level | CR | Rev | Subject | Cat | Version - Current | Version -New | Doc-2 nd -Level |
|-----------|----------------------------|-----|-----|---|-----|-------------------|--------------|----------------------------|
| TP-22 | TP-030280 | 307 | 2 | Addition of two new test cases; 7.11 (Demodulation of paging channel (PCH)) and 7.12 (Detection of acquisition indicator (AI)). | F | 5.1.1 | 5.2.0 | T1-031613 |
| TP-22 | TP-030280 | 311 | 1 | Performance requirement for HSDPA skeleton section added | F | 5.1.1 | 5.2.0 | T1-031624 |
| TP-22 | TP-030280 | 312 | 1 | New test requirements for Demodulation of HS-DSCH (fixed reference channel) single link performance | F | 5.1.1 | 5.2.0 | T1-031625 |
| TP-22 | TP-030280 | 313 | 1 | New test requirements for reporting of HS-DSCH Channel Quality Indicator (CQI) AWGN propagation conditions | F | 5.1.1 | 5.2.0 | T1-031626 |
| TP-22 | TP-030280 | 306 | 1 | Correction to F.1.5 Requirements for support of RRM | F | 5.1.1 | 5.2.0 | T1-031627 |
| TP-22 | TP-030280 | 331 | | Correction to W-CDMA modulated interferer definition | F | 5.1.1 | 5.2.0 | T1-031652 |
| TP-22 | TP-030280 | 330 | 1 | Correction on Random Access test cases | F | 5.1.1 | 5.2.0 | T1-031692 |
| TP-22 | TP-030280 | 332 | | Addition to Scope clause to clarify applicability of tests to Releases | F | 5.1.1 | 5.2.0 | T1-031694 |
| TP-23 | TP-040038 | 332 | - | Introduction of Test Tolerance to Maximum Input Level test 6.3 | F | 5.2.0 | 5.3.0 | T1-040099 |
| TP-23 | TP-040038 | 333 | - | CPICH_Ec/Io Inter frequency relative accuracy requirements for reported values. | F | 5.2.0 | 5.3.0 | T1-040165 |
| TP-23 | TP-040038 | 334 | - | Correction to the measurement control message in 8.7.2. | F | 5.2.0 | 5.3.0 | T1-040288 |
| TP-23 | TP-040038 | 335 | - | Correction of the TGD value for single gap transmission gap pattern | F | 5.2.0 | 5.3.0 | T1-040289 |
| TP-23 | TP-040038 | 336 | - | Correction to the Measurement Control message in 8.7.6 UE Rx-Tx time difference | F | 5.2.0 | 5.3.0 | T1-040292 |
| TP-23 | TP-040038 | 337 | - | Introduction of correct reporting of GSM neighbours in AWGN propagation condition test case | F | 5.2.0 | 5.3.0 | T1-040341 |
| TP-23 | TP-040038 | 338 | - | Correction to 8.6.2.1 Correct reporting of neighbours in AWGN propagation condition | F | 5.2.0 | 5.3.0 | T1-040345 |
| TP-23 | TP-040038 | 339 | - | Correction to RRC connection control test 1 and 2 | F | 5.2.0 | 5.3.0 | T1-040354 |
| TP-23 | TP-040038 | 340 | - | Correction of measurement control message in inter frequency measurement test cases. | F | 5.2.0 | 5.3.0 | T1-040100 |
| TP-23 | TP-040038 | 341 | - | Correction to W-CDMA modulated interferer definition | F | 5.2.0 | 5.3.0 | T1-040190 |
| TP-23 | TP-040038 | 342 | - | Removal of square brackets in Annex F.6 | F | 5.2.0 | 5.3.0 | T1-040248 |
| TP-23 | TP-040038 | 343 | - | Excess test uncertainties | F | 5.2.0 | 5.3.0 | T1-040279 |
| TP-23 | TP-040038 | 344 | - | Define TBD message parameters for FDD/FDD Hard Handover test cases | F | 5.2.0 | 5.3.0 | T1-040281 |
| TP-23 | TP-040038 | 345 | - | Introduction of Test Tolerances to FDD/FDD Hard Handover to intra-frequency cell, test 8.3.2.1 | F | 5.2.0 | 5.3.0 | T1-040282 |
| TP-23 | TP-040038 | 346 | - | Introduction of Test Tolerances to FDD/FDD Hard Handover to inter-frequency cell, test 8.3.2.2 | F | 5.2.0 | 5.3.0 | T1-040284 |
| TP-23 | TP-040038 | 347 | - | Introduction of PRACH preamble tests | B | 5.2.0 | 5.3.0 | T1-040330 |
| TP-23 | TP-040038 | 348 | - | Correction of requirements of HSDPA CQI reporting in AWGN propagation conditions | F | 5.2.0 | 5.3.0 | T1-040333 |
| TP-23 | TP-040038 | 349 | - | Annex A for HSDPA | F | 5.2.0 | 5.3.0 | T1-040337 |
| TP-23 | TP-040038 | 350 | - | Annex F.1 for HSDPA | F | 5.2.0 | 5.3.0 | T1-040338 |
| TP-23 | TP-040038 | 351 | - | Correction of DL channelisation code value in DL radio resources | F | 5.2.0 | 5.3.0 | T1-040339 |
| TP-23 | TP-040038 | 352 | - | Correction to F.4.1 | F | 5.2.0 | 5.3.0 | T1-040393 |
| TP-23 | TP-040038 | 353 | - | Links to Annex F.6.2 in RRM test cases | F | 5.2.0 | 5.3.0 | T1-040139 |
| TP-23 | TP-040038 | 354 | - | Clarify measurement control for FDD/FDD Inter-frequency Hard Handover test case | F | 5.2.0 | 5.3.0 | T1-040252 |
| TP-23 | - | - | - | Correction on implementation of CR 333 on CPICH_Ec/Io Inter frequency relative accuracy requirements for reported values on Table 8.7.2.2.3 | F | 5.3.0 | 5.3.1 | - |
| TP-24 | TP-040113 | 355 | - | Introduction of Test Tolerances to Event triggered reporting in AWGN propagation conditions, test 8.6.1.1 | F | 5.3.1 | 5.4.0 | T1-040524 |
| TP-24 | TP-040113 | 356 | - | Corrections to CPICH RSCP test cases | F | 5.3.1 | 5.4.0 | T1-040533 |
| TP-24 | TP-040113 | 357 | - | Corrections to CPICH Ec/Io test cases | F | 5.3.1 | 5.4.0 | T1-040534 |
| TP-24 | TP-040113 | 358 | - | Correction to 8.4.1.1 RRC connection control test 1 | F | 5.3.1 | 5.4.0 | T1-040864 |
| TP-24 | TP-040113 | 359 | - | Correction to MEASUREMENT CONTROL and MEASUREMENT REPORT messages | F | 5.3.1 | 5.4.0 | T1-040541 |
| TP-24 | TP-040113 | 360 | - | Addition of unit for OCNS Ec/Ior in RRM tests | F | 5.3.1 | 5.4.0 | T1-040542 |
| TP-24 | TP-040113 | 361 | - | Correction to default messages in Annex I of 34.121 | F | 5.3.1 | 5.4.0 | T1-040591 |
| TP-24 | TP-040113 | 362 | - | Update of F1.5 | F | 5.3.1 | 5.4.0 | T1-040695 |

| T Meeting | Doc-1 st -Level | CR | Rev | Subject | Cat | Version - Current | Version -New | Doc-2 nd -Level |
|-----------|----------------------------|-----|-----|---|-----|-------------------|--------------|----------------------------|
| TP-24 | TP-040113 | 363 | - | Correction of Spurious Emissions for UMTS800(band VI) | F | 5.3.1 | 5.4.0 | T1-040700 |
| TP-24 | TP-040113 | 364 | - | Removal of [] for UE transmit power test case 8.7.3C | F | 5.3.1 | 5.4.0 | T1-040720 |
| TP-24 | TP-040113 | 365 | - | Correction to 8.7.6 UE Rx-Tx time difference | F | 5.3.1 | 5.4.0 | T1-040728 |
| TP-24 | TP-040113 | 366 | - | Inter system handover | F | 5.3.1 | 5.4.0 | T1-040805 |
| TP-24 | TP-040113 | 367 | - | Correction to BTDF test case 7.10 | F | 5.3.1 | 5.4.0 | T1-040815 |
| TP-24 | TP-040113 | 368 | - | Addition of details for RRM test case for GSM carrier RSSI | F | 5.3.1 | 5.4.0 | T1-040816 |
| TP-24 | TP-040113 | 369 | - | Correction of FDD intra frequency measurements , wrong IEs | F | 5.3.1 | 5.4.0 | T1-040817 |
| TP-24 | TP-040113 | 370 | - | Correction of FDD inter frequency measurements, wrong IEs | F | 5.3.1 | 5.4.0 | T1-040818 |
| TP-24 | TP-040113 | 371 | - | Correction to Transmit Off Power | F | 5.3.1 | 5.4.0 | T1-040824 |
| TP-24 | TP-040113 | 372 | - | Corrections to UTRA Carrier RSSI test cases | F | 5.3.1 | 5.4.0 | T1-040825 |
| TP-24 | TP-040113 | 373 | - | Corrections to FDD/FDD Soft Handover test cases | F | 5.3.1 | 5.4.0 | T1-040826 |
| TP-24 | TP-040113 | 374 | - | Correction to the pathloss indicator in measurement control messages | F | 5.3.1 | 5.4.0 | T1-040827 |
| TP-24 | TP-040113 | 375 | - | Corrections to SFN-CFN observed time difference test cases | F | 5.3.1 | 5.4.0 | T1-040831 |
| TP-24 | TP-040113 | 376 | - | Corrections to SFN-SFN type 1 measurement test cases | F | 5.3.1 | 5.4.0 | T1-040832 |
| TP-24 | TP-040113 | 377 | - | Correction to URA identity for reselection in Cell URA_PCH | F | 5.3.1 | 5.4.0 | T1-040834 |
| TP-24 | TP-040113 | 378 | - | Proposed addition of downlink code allocation table to 34.121 Annex | F | 5.3.1 | 5.4.0 | T1-040838 |
| TP-24 | TP-040113 | 379 | - | Correction of channel number for UMTS800(band VI) | F | 5.3.1 | 5.4.0 | T1-040839 |
| TP-24 | TP-040113 | 380 | - | Correction to the pathloss indicator in measurement control messages | F | 5.3.1 | 5.4.0 | T1-040840 |
| TP-24 | TP-040113 | 381 | - | HSDPA test 9.3.1 | F | 5.3.1 | 5.4.0 | T1-040842 |
| TP-24 | TP-040113 | 382 | - | HSDPA test 9.3.2 | F | 5.3.1 | 5.4.0 | T1-040843 |
| TP-24 | TP-040113 | 383 | - | New test case for 9.2.2 Open Loop Diversity Performance | F | 5.3.1 | 5.4.0 | T1-040844 |
| TP-24 | TP-040113 | 385 | - | Statistical approach for HSDPA tests | F | 5.3.1 | 5.4.0 | T1-040854 |
| TP-24 | TP-040113 | 386 | - | Correction to GSM neighbour reporting in 8.6.4.1 | F | 5.3.1 | 5.4.0 | T1-040856 |
| TP-24 | TP-040113 | 387 | - | Correction to measurement report in 8.3.2 | F | 5.3.1 | 5.4.0 | T1-040857 |
| TP-24 | TP-040113 | 388 | - | Corrections to UE Rx-Tx time difference type 1 test cases | F | 5.3.1 | 5.4.0 | T1-040859 |
| TP-24 | TP-040113 | 389 | - | Addition of MEASUREMENT CONTROL message and ACTIVESET UPDATE message in 8.5.1 | F | 5.3.1 | 5.4.0 | T1-040863 |
| TP-24 | TP-040113 | 391 | - | HSDPA test: 9.2.1 | F | 5.3.1 | 5.4.0 | T1-040871 |
| TP-24 | TP-040113 | 392 | - | New test case for 9.4 HS-SCCH Detection Performance | F | 5.3.1 | 5.4.0 | T1-040872 |
| TP-24 | TP-040113 | 393 | - | New TPC combining in SHO | F | 5.3.1 | 5.4.0 | T1-040873 |
| TP-24 | TP-040113 | 394 | - | New test case for 9.2.3 Closed Loop Diversity Performance | F | 5.3.1 | 5.4.0 | T1-040874 |
| TP-24 | TP-040113 | 395 | - | Addition of CELL_UPDATE CONFIRM Message and URA_UPDATE CONFIRM Message. | F | 5.3.1 | 5.4.0 | T1-040866 |
| TP-24 | TP-040113 | 396 | - | Correction to 7.11 (Demodulation of paging channel (PCH)) | F | 5.3.1 | 5.4.0 | T1-040855 |
| TP-25 | TP-040158 | 395 | - | Addition of a new case to Adjacent Channel Selectivity test | F | 5.4.0 | 5.5.0 | T1-041017 |
| TP-25 | TP-040158 | 396 | - | Removal of [] for test case 8.3.5.3 'Cell Reselection to GSM' | D | 5.4.0 | 5.5.0 | T1-041034 |
| TP-25 | TP-040158 | 397 | - | Addition of the integrity protection in messages | F | 5.4.0 | 5.5.0 | T1-041058 |
| TP-25 | TP-040158 | 398 | - | Correction to Cell Re-selection in CELL_PCH and URA_PCH test cases | F | 5.4.0 | 5.5.0 | T1-041076 |
| TP-25 | TP-040158 | 399 | - | Addition of test tolerances to TC 8.4.3 | F | 5.4.0 | 5.5.0 | T1-041093 |
| TP-25 | TP-040158 | 400 | - | Revision of Test Tolerances to Event triggered reporting in AWGN propagation conditions, test 8.6.1.1 | F | 5.4.0 | 5.5.0 | T1-041098 |
| TP-25 | TP-040158 | 401 | - | Correction of RRM test case 8.7.3A (GSM carrier RSSI) | F | 5.4.0 | 5.5.0 | T1-041176 |
| TP-25 | TP-040158 | 402 | - | Completion of Annex F.6.3 Statistical Testing of HSDPA Receiver Performance | F | 5.4.0 | 5.5.0 | T1-041201 |
| TP-25 | TP-040158 | 403 | - | Correction to the Measurement Control message in 8.7.6 UE Rx-Tx time difference | F | 5.4.0 | 5.5.0 | T1-041203 |
| TP-25 | TP-040158 | 404 | - | Correction to the pathloss indicator in measurement control messages | F | 5.4.0 | 5.5.0 | T1-041204 |
| TP-25 | TP-040158 | 405 | - | Correction to test uncertainty definition of Inner Loop Power Control in the Uplink test case | F | 5.4.0 | 5.5.0 | T1-041307 |

| T Meeting | Doc-1 st -Level | CR | Rev | Subject | Cat | Version - Current | Version -New | Doc-2 nd -Level |
|-----------|----------------------------|-----|-----|---|-----|-------------------|--------------|----------------------------|
| TP-25 | TP-040158 | 406 | - | Addition of the integrity protection in 5.7 Power setting in uplink compressed mode | F | 5.4.0 | 5.5.0 | T1-041308 |
| TP-25 | TP-040158 | 407 | - | Corrections to Demodulation of DCH in Inter-Cell Soft Handover | B | 5.4.0 | 5.5.0 | T1-041311 |
| TP-25 | TP-040158 | 408 | - | Correction to 7.7.3: Combining of reliable TPC commands from radio links of different radio link sets | F | 5.4.0 | 5.5.0 | T1-041314 |
| TP-25 | TP-040158 | 409 | - | Addition of TPC error rate accuracy to TC 7.7.3 | F | 5.4.0 | 5.5.0 | T1-041316 |
| TP-25 | TP-040158 | 410 | - | Test system uncertainties update for test case 8.3.5.3 | F | 5.4.0 | 5.5.0 | T1-041319 |
| TP-25 | TP-040158 | 411 | - | Corrections to UTRA Carrier RSSI test case | F | 5.4.0 | 5.5.0 | T1-041325 |
| TP-25 | TP-040158 | 412 | - | Resolution of downlink code conflict between OCNS DPCH and S-CCPCH | F | 5.4.0 | 5.5.0 | T1-041326 |
| TP-25 | TP-040158 | 413 | - | Addition of the information element for monitor cells in Annex I | F | 5.4.0 | 5.5.0 | T1-041328 |
| TP-25 | TP-040158 | 414 | - | Correction to 5.5.2: Transmit ON/OFF Time mask test case | F | 5.4.0 | 5.5.0 | T1-041333 |
| TP-25 | TP-040158 | 415 | - | Cell configuration mapping | F | 5.4.0 | 5.5.0 | T1-041341 |
| TP-25 | TP-040158 | 416 | - | Test tolerances in 8.4.1 RRC Re-establishment delay | F | 5.4.0 | 5.5.0 | T1-041344 |
| TP-25 | TP-040158 | 417 | - | Completion of Transmitter Intermodulation test 5.12 | F | 5.4.0 | 5.5.0 | T1-041345 |
| TP-25 | TP-040158 | 418 | - | Correction of reference to generic setup procedure in TS 34.108 for Cell_FACH | F | 5.4.0 | 5.5.0 | T1-041348 |
| TP-25 | TP-040158 | 419 | - | Correction to TC 7.8.3, Power control in the downlink, wind up effects | F | 5.4.0 | 5.5.0 | T1-041349 |
| TP-25 | TP-040158 | 420 | - | Revision of Receiver Spurious Emissions Test 6.8 | F | 5.4.0 | 5.5.0 | T1-041353 |
| TP-25 | TP-040158 | 421 | - | Correction to BTFD test case 7.10 and DL dummy DCCH | F | 5.4.0 | 5.5.0 | T1-041358 |
| TP-25 | TP-040158 | 422 | - | Correction to measurement control message in 8.6.1.2 | F | 5.4.0 | 5.5.0 | T1-041360 |
| TP-25 | TP-040158 | 423 | - | Correction to test case 8.2.3 'UTRAN to GSM Cell Re-Selection' | F | 5.4.0 | 5.5.0 | T1-041362 |
| TP-25 | TP-040158 | 425 | - | Corrections to Annex F.2.4 and F.4.4 | F | 5.4.0 | 5.5.0 | T1-041322 |
| TP-25 | TP-040158 | 426 | - | Introduction of Test Tolerances to Event triggered reporting of multiple neighbours in AWGN propagation condition, test 8.6.1.2 | F | 5.4.0 | 5.5.0 | T1-041329 |
| TP-25 | TP-040158 | 427 | - | Correction to 8.6.1.1 | F | 5.4.0 | 5.5.0 | T1-041361 |
| TP-25 | TP-040158 | 429 | - | Proposed addition of HSDPA downlink code allocation to 34.121 Annex | F | 5.4.0 | 5.5.0 | T1-041372 |
| TP-25 | TP-040158 | 430 | - | Maximum Input Level for HSDPA | F | 5.4.0 | 5.5.0 | T1-041375 |
| TP-25 | TP-040158 | 431 | - | Correction to test procedure for test cases using Cell_PCH or URA_PCH state | F | 5.4.0 | 5.5.0 | T1-041347r2 |
| TP-25 | TP-040158 | 432 | - | Clarification of OCNS power control | F | 5.4.0 | 5.5.0 | T1-041318r4 |
| TP-26 | TP-040234 | 433 | - | Addition of UMTS-850 Band V to chapter 5 | F | 5.5.0 | 5.6.0 | T1-041524 |
| TP-26 | TP-040234 | 434 | - | Correction of the FDD/FDD Soft Handover test parameters | F | 5.5.0 | 5.6.0 | T1-041567 |
| TP-26 | TP-040234 | 435 | - | Corrections to TC 8.7.3C UE transmitted power | F | 5.5.0 | 5.6.0 | T1-041577 |
| TP-26 | TP-040234 | 436 | - | Addition of test tolerances to TC 8.3.4 | F | 5.5.0 | 5.6.0 | T1-041579 |
| TP-26 | TP-040234 | 437 | - | New clause for reference conditions | F | 5.5.0 | 5.6.0 | T1-041648 |
| TP-26 | TP-040234 | 438 | - | Alignment of HSDPA OCNS with TS 25.101 | F | 5.5.0 | 5.6.0 | T1-041650 |
| TP-26 | TP-040234 | 439 | - | Correction to Handover to GSM TC 8.3.4 | F | 5.5.0 | 5.6.0 | T1-041653 |
| TP-26 | TP-040234 | 440 | - | Correction to test procedure in 7.12 | F | 5.5.0 | 5.6.0 | T1-041661 |
| TP-26 | TP-040234 | 441 | - | Correction to 8.7.6.1 UE Rx-Tx time difference type 1 | F | 5.5.0 | 5.6.0 | T1-041662 |
| TP-26 | TP-040234 | 442 | - | Corrections to RRM test cases 8.6.1.2 Event triggered reporting... | F | 5.5.0 | 5.6.0 | T1-041667 |
| TP-26 | TP-040234 | 443 | - | Update of references to GSM core specifications | F | 5.5.0 | 5.6.0 | T1-041684 |
| TP-26 | TP-040234 | 444 | - | Corrections to HSDPA test 9.4 (HS-SCCH detection) | F | 5.5.0 | 5.6.0 | T1-041749 |
| TP-26 | TP-040234 | 445 | - | Clarification of HS-PDSCH and HS-SCCH signal structure | F | 5.5.0 | 5.6.0 | T1-041790 |
| TP-26 | TP-040234 | 446 | - | CR to 34.121 Rel 5: Editorial corrections to test 8.7.3 | D | 5.5.0 | 5.6.0 | T1-041810 |
| TP-26 | TP-040234 | 447 | - | Corrections to BTFD test case | F | 5.5.0 | 5.6.0 | T1-041813 |
| TP-26 | TP-040234 | 448 | - | Corrections to RRM test cases 8.3.2.1 and 8.3.2.2 Correction to the test procedure of FDD/FDD Hard Handover test cases | F | 5.5.0 | 5.6.0 | T1-041818 |
| TP-26 | TP-040234 | 449 | - | Corrections to TC 8.6.4.1 | F | 5.5.0 | 5.6.0 | T1-041822 |
| TP-26 | TP-040234 | 450 | - | Correction to pathloss indicator | F | 5.5.0 | 5.6.0 | T1-041824 |
| TP-26 | TP-040234 | 451 | - | Corrections to RRM test case 8.5.1 UE Transmit Timing | F | 5.5.0 | 5.6.0 | T1-041830 |
| TP-26 | TP-040234 | 452 | - | Corrections and additions to Release 5 RRM test case 8.6.2.2 | F | 5.5.0 | 5.6.0 | T1-041831 |
| TP-26 | TP-040234 | 453 | - | Measurement Channel for BLER measurement in 8.3.1 FDD/FDD Soft Handover. | F | 5.5.0 | 5.6.0 | T1-041832 |

| T Meeting | Doc-1 st -Level | CR | Rev | Subject | Cat | Version - Current | Version -New | Doc-2 nd -Level |
|-----------|----------------------------|-----|-----|--|-----|-------------------|--------------|----------------------------|
| TP-26 | TP-040234 | 454 | - | Correction to SFN-SFN observed time difference type 1 measurement test case | F | 5.5.0 | 5.6.0 | T1-041834 |
| TP-26 | TP-040234 | 455 | - | Corrections to HSDPA test 6.3A (max input power) | F | 5.5.0 | 5.6.0 | T1-041838 |
| TP-26 | TP-040234 | 456 | - | CM configuration in FDD inter frequency measurements in TC 8.6.2.1 | F | 5.5.0 | 5.6.0 | T1-041841 |
| TP-26 | TP-040234 | 457 | - | Addition of the scheduling information for Cell Re-Selection test cases | F | 5.5.0 | 5.6.0 | T1-041843 |
| TP-26 | TP-040234 | 458 | - | Correction to 8.3.1 UE FDD/FDD Soft Handover | F | 5.5.0 | 5.6.0 | T1-041844 |
| TP-26 | TP-040234 | 459 | - | Correction to 8.7.1.1 CPICH RSCP Intra frequency measurements accuracy | F | 5.5.0 | 5.6.0 | T1-041845 |
| TP-26 | TP-040234 | 460 | - | Corrections to HSDPA test 9.3 (CQI reporting) | F | 5.5.0 | 5.6.0 | T1-041852 |
| TP-26 | TP-040234 | 461 | - | Correction to measurement configurations in section 7 | F | 5.5.0 | 5.6.0 | T1-041858 |
| TP-26 | TP-040234 | 462 | - | Change of notes position in TS34.121 Annex E.3 | F | 5.5.0 | 5.6.0 | T1-041859 |
| TP-26 | TP-040234 | 463 | - | BLER testing for UEs with asymmetrical UL/DL data rates | F | 5.5.0 | 5.6.0 | T1-041860 |
| TP-26 | TP-040234 | 464 | - | Invalid MAC header for downlink dummy DCCH | F | 5.5.0 | 5.6.0 | T1-041861 |
| TP-26 | TP-040234 | 465 | - | Addition of test tolerances and corrections for 8.6.2.1 Correct reporting of neighbours in AWGN propagation condition (34.121) | F | 5.5.0 | 5.6.0 | T1-041865 |
| TP-26 | TP-040234 | 466 | - | Correction to Correct reporting of neighbours in fading propagation condition test case | F | 5.5.0 | 5.6.0 | T1-041866 |
| TP-26 | TP-040234 | 467 | - | Correction to Event triggered reporting of two detectable neighbours in AWGN propagation condition test cases | F | 5.5.0 | 5.6.0 | T1-041867 |
| TP-26 | TP-040234 | 468 | - | S-CCPCH configuration in 8.3.5 Cell Re-selection in CELL_FACH. | F | 5.5.0 | 5.6.0 | T1-041868 |
| TP-26 | TP-040234 | 469 | - | Corrections to TC 8.2.3.1 and 8.2.3.2 | F | 5.5.0 | 5.6.0 | T1-041869 |
| TP-26 | TP-040234 | 470 | - | Correction to MEASUREMENT CONTROL Message for 8.6.2.1: Correct reporting of neighbours in AWGN propagation condition and 8.3.2.2: FDD/FDD Hard Handover to inter-frequency cell test cases | F | 5.5.0 | 5.6.0 | T1-041870 |
| TP-26 | TP-040234 | 471 | - | Corrections to HSDPA test 9.2 (Demod of HS-DSCH) | F | 5.5.0 | 5.6.0 | T1-041872 |
| TP-26 | TP-040234 | 472 | - | Addition of UMTS-850 Band V to chapter 6 | F | 5.5.0 | 5.6.0 | T1-041873 |
| TP-26 | TP-040234 | 473 | - | Correction of time to receive system information in RRM test cases | F | 5.5.0 | 5.6.0 | T1-041877 |
| TP-26 | TP-040234 | 474 | - | CR to 34.121: Changing the BLER target for the DCCH in test 7.8 | D | 5.5.0 | 5.6.0 | T1-041878 |
| TP-26 | TP-040234 | 475 | - | Corrections to Information elements for Monitored Cells in Annex I. | F | 5.5.0 | 5.6.0 | T1-041881 |
| TP-26 | TP-040234 | 476 | - | Introduction of UMTS-850 MHz band V | F | 5.5.0 | 5.6.0 | T1-041882 |
| TP-26 | TP-040234 | 477 | - | Introduction of Test Tolerances to Event triggered reporting of multiple neighbours in AWGN propagation condition (Rel-4 and later), test 8.6.1.2A | F | 5.5.0 | 5.6.0 | T1-041507 |
| TP-26 | TP-040234 | 478 | - | Addition of UMTS-850 Band V to chapter 4. | F | 5.5.0 | 5.6.0 | T1-041523 |
| TP-27 | TP-050033 | 479 | | Change of test method and test time optimization in TC 8.7.3A | F | 5.6.0 | 6.0.0 | T1-050080 |
| TP-27 | TP-050033 | 480 | | Corrections to RRM test case 8.4.3.1 "Transport format combination selection in UE" | F | 5.6.0 | 6.0.0 | T1-050122 |
| TP-27 | TP-050033 | 481 | | lor value correction for RRM test case, 8.6.2.1 | F | 5.6.0 | 6.0.0 | T1-050124 |
| TP-27 | TP-050033 | 482 | | Removal of editorial notes from TC 8.7.3C | F | 5.6.0 | 6.0.0 | T1-050186 |
| TP-27 | TP-050033 | 483 | | Invalid MAC header for downlink dummy DCCH (mandatory) | F | 5.6.0 | 6.0.0 | T1-050215 |
| TP-27 | TP-050033 | 484 | | Correction to RRC CONNECTION SETUP and RB SETUP messages for TX diversity | F | 5.6.0 | 6.0.0 | T1-050217 |
| TP-27 | TP-050033 | 485 | | Correction to CPICH_Ec/Io in 8.6.1.3 | F | 5.6.0 | 6.0.0 | T1-050219 |
| TP-27 | TP-050033 | 486 | | Correction to "Read SFN indicator" in Measurement Control Messages | F | 5.6.0 | 6.0.0 | T1-050221 |
| TP-27 | TP-050033 | 487 | | Table E.3.4 Correction | D | 5.6.0 | 6.0.0 | T1-050233 |
| TP-27 | TP-050033 | 488 | | Addition of 25.212 to reference list | D | 5.6.0 | 6.0.0 | T1-050234 |
| TP-27 | TP-050033 | 489 | | Addition of fading case 8 for HSDPA testing | D | 5.6.0 | 6.0.0 | T1-050235 |
| TP-27 | TP-050033 | 490 | | Measurement configuration setup information | F | 5.6.0 | 6.0.0 | T1-050308 |
| TP-27 | TP-050033 | 491 | | Addition of uncertainties and test tolerances to TC 7.7.3 | F | 5.6.0 | 6.0.0 | T1-050309 |
| TP-27 | TP-050033 | 492 | | Omission of test points in 6.5. Blocking Characteristics | F | 5.6.0 | 6.0.0 | T1-050311 |
| TP-27 | TP-050033 | 493 | | CR to 34.121: Changes to 7.12: Detection of Acquisition Indicator | F | 5.6.0 | 6.0.0 | T1-050313 |
| TP-27 | TP-050033 | 494 | | CR to 34.121: Changes to 8.6.1.2 Event triggered reporting of multiple neighbours in AWGN propagation condition (R99) | F | 5.6.0 | 6.0.0 | T1-050315 |

| T Meeting | Doc-1 st -Level | CR | Rev | Subject | Cat | Version - Current | Version -New | Doc-2 nd -Level |
|-----------|----------------------------|-----|-----|---|-----|-------------------|--------------|----------------------------|
| TP-27 | TP-050033 | 495 | | Deletion of Target quality value on DTCH in Clause 8.7.3C UE transmitted power | F | 5.6.0 | 6.0.0 | T1-050316 |
| TP-27 | TP-050033 | 496 | | Clarification of reference value for T Reconfirm Abort Parameter in Inter-Rat Test Case 8.3.4 | F | 5.6.0 | 6.0.0 | T1-050319 |
| TP-27 | TP-050033 | 497 | | Clarification of RRM TC 8.2.3 | F | 5.6.0 | 6.0.0 | T1-050321 |
| TP-27 | TP-050033 | 498 | | Correction to "Reporting cell status" in Measurement Control Messages | F | 5.6.0 | 6.0.0 | T1-050322 |
| TP-27 | TP-050033 | 499 | | Correction to 8.3.1 | F | 5.6.0 | 6.0.0 | T1-050324 |
| TP-27 | TP-050033 | 500 | | Correction to MEASUREMENT REPORT message in Annex I | F | 5.6.0 | 6.0.0 | T1-050326 |
| TP-27 | TP-050033 | 501 | | Removal of Rel-5 specific reference to TS 25.101 | F | 5.6.0 | 6.0.0 | T1-050329 |
| TP-27 | TP-050033 | 502 | | Test tolerances for Test 9.2.2 Open loop diversity performance and 9.2.3 Closed loop diversity performance | F | 5.6.0 | 6.0.0 | T1-050338 |
| TP-27 | TP-050033 | 503 | | CR to 34.121: Changes to Annex D and Annex H to introduce UMTS 850 Band | B | 5.6.0 | 6.0.0 | T1-050347 |
| TP-27 | TP-050033 | 504 | | Correction of 34.121 Power vs. Time diagrams | F | 5.6.0 | 6.0.0 | T1-050351 |
| TP-27 | TP-050033 | 505 | | Clarification for Test Case 7.9 | F | 5.6.0 | 6.0.0 | T1-050352 |
| TP-27 | TP-050033 | 506 | | Correction to OCNS value in 8.7.2.2 | F | 5.6.0 | 6.0.0 | T1-050356 |
| TP-27 | TP-050033 | 508 | | Level Definition HS_SCCH_1 and DPCH for Test 9.2.2 Open loop diversity performance And Test 9.2.3 Closed loop diversity performance | F | 5.6.0 | 6.0.0 | T1-050362 |
| TP-27 | TP-050033 | 509 | | Changes to Annex I to harmonise System Information scheduling for RRM test cases. | F | 5.6.0 | 6.0.0 | T1-050366 |
| TP-27 | TP-050033 | 510 | | Level Definition HS_SCCH_1 and DPCH for Test 9.2.1 Single link performance | F | 5.6.0 | 6.0.0 | T1-050368 |
| TP-27 | TP-050033 | 511 | | Correction to TS34.121 TC 8.4.2 | D | 5.6.0 | 6.0.0 | T1-050370 |
| TP-27 | TP-050033 | 512 | | Correction to the event triggered reporting test cases | F | 5.6.0 | 6.0.0 | T1-050371 |
| TP-27 | TP-050033 | 513 | | Corrections to reporting of CQI | F | 5.6.0 | 6.0.0 | T1-050373 |
| TP-27 | TP-050033 | 514 | | Correction to H Set-4/5 pattern length | F | 5.6.0 | 6.0.0 | T1-050374 |
| TP-27 | TP-050033 | 515 | | Corrections to detection of HS-SCCH | F | 5.6.0 | 6.0.0 | T1-050375 |
| TP-27 | TP-050033 | 516 | | CR to 34.121 section 5: Introduction of test case for Adjacent Channel Leakage Power Ratio with HS-DPCCH | B | 5.6.0 | 6.0.0 | T1-050376 |
| TP-27 | TP-050033 | 517 | | CR to 34.121 section 5: Introduction of new test case for HSDPA: UE max output power with HS-DPCCH | B | 5.6.0 | 6.0.0 | T1-050377 |
| TP-27 | TP-050033 | 518 | | CR to 34.121 section 5: Introduction of new test case for Error Vector Magnitude with HS-DPCCH | B | 5.6.0 | 6.0.0 | T1-050378 |
| TP-27 | TP-050033 | 519 | | CR to 34.121 section 5: Introduction of a new test case for spectrum emission mask with HS-DPCCH | B | 5.6.0 | 6.0.0 | T1-050379 |
| TP-27 | TP-050033 | 520 | | CR to 34.121: Changes to RRM test cases for introduction of UMTS 850 Band | B | 5.6.0 | 6.0.0 | T1-050381 |
| TP-27 | TP-050033 | 521 | | Corrections to maximum input level for HS-PDSCH reception | F | 5.6.0 | 6.0.0 | T1-050382 |
| TP-27 | TP-050033 | 522 | | Corrections to TC 8.5.1 UE transmit timing | F | 5.6.0 | 6.0.0 | T1-050318r3 |
| TP-27 | TP-050033 | 523 | | Corrections to demodulation of HS-DSCH | F | 5.6.0 | 6.0.0 | T1-050383 |
| RP-28 | RP-050269 | 525 | - | CR to 34.121: Correction to operating conditions for TCs: 5.13.1, 5.13A.1 & 5.13.2 | F | 6.0.0 | 6.1.0 | R5-050671 |
| RP-28 | RP-050269 | 526 | - | Removal of TGPL2 | F | 6.0.0 | 6.1.0 | R5-050842 |
| RP-28 | RP-050269 | 527 | - | Clarification of the interfering signal in 6.5 Blocking Characteristics and 6.7 Intermodulation Characteristics | F | 6.0.0 | 6.1.0 | R5-050816 |
| RP-28 | RP-050269 | 528 | - | Addition of test tolerances to TC 7.11 | F | 6.0.0 | 6.1.0 | R5-050615 |
| RP-28 | RP-050269 | 529 | - | Correction to 7.7.2 Combining of TPC commands from radio links of different radio link sets | F | 6.0.0 | 6.1.0 | R5-050820 |
| RP-28 | RP-050269 | 530 | - | Clarification of TS34.121 Closed Loop Transmit Diversity test cases | F | 6.0.0 | 6.1.0 | R5-050833 |
| RP-28 | RP-050269 | 531 | - | CR to 34.121: Clarification of Annex C.6 for BLER measurement configurations | F | 6.0.0 | 6.1.0 | R5-050843 |
| RP-28 | RP-050269 | 532 | - | Change of 34.121 test case 7.8.2 | F | 6.0.0 | 6.1.0 | R5-050850 |
| RP-28 | RP-050269 | 533 | - | Correction to TS34.121 TC 8.6.1.2 | F | 6.0.0 | 6.1.0 | R5-050571 |
| RP-28 | RP-050269 | 534 | - | Correction to TS34.121 TC 8.7.6.1 | F | 6.0.0 | 6.1.0 | R5-050573 |
| RP-28 | RP-050269 | 535 | - | Corrections to test cases having power control ON. | F | 6.0.0 | 6.1.0 | R5-050652 |
| RP-28 | RP-050269 | 536 | - | Correction to TS34.121 TC 8.6.1.3 | F | 6.0.0 | 6.1.0 | R5-050822 |
| RP-28 | RP-050269 | 537 | - | Modification of call setup procedure for inter-RAT connected state RRM tests | F | 6.0.0 | 6.1.0 | R5-050823 |
| RP-28 | RP-050269 | 538 | - | Addition of test tolerances and corrections for 8.6.2.2 Correct reporting of neighbours in fading propagation condition | F | 6.0.0 | 6.1.0 | R5-050825 |
| RP-28 | RP-050269 | 539 | - | CR to 34.121: GSM band corrections | F | 6.0.0 | 6.1.0 | R5-050829 |
| RP-28 | RP-050269 | 540 | - | Statistical approach for 8.7.3A GSM Carrier RSSI | F | 6.0.0 | 6.1.0 | R5-050837 |

| T Meeting | Doc-1 st -Level | CR | Rev | Subject | Cat | Version - Current | Version -New | Doc-2 nd -Level |
|-----------|----------------------------|-----|-----|---|-----|-------------------|--------------|----------------------------|
| RP-28 | RP-050269 | 541 | - | CR to 34.121 Rel-6; Update of the MEASUREMENT REPORT message to RRC release 5 | F | 6.0.0 | 6.1.0 | R5-050821 |
| RP-28 | RP-050269 | 542 | - | CR to 34.121: Corrections to Annex C and Annex E | F | 6.0.0 | 6.1.0 | R5-050830 |
| RP-28 | RP-050269 | 543 | - | CR to TC 5.9 Spectrum emission mask | F | 6.0.0 | 6.1.0 | R5-050814 |
| RP-28 | RP-050269 | 544 | - | Clarifications of TS34.121 section 9.1 | F | 6.0.0 | 6.1.0 | R5-050575 |
| RP-28 | RP-050270 | 545 | - | Editorial correction to TS34.121 TC 9.3.2 | D | 6.0.0 | 6.1.0 | R5-050718 |
| RP-28 | RP-050270 | 546 | - | CR to 34.121: Addition of a new annex section for uplink Reference Measurement Channel for testing of UE Transmitter Characteristics with HS-DPCCH. | F | 6.0.0 | 6.1.0 | R5-050841 |
| RP-28 | RP-050270 | 547 | - | CR to 34.121: New test case for HS-DPCCH. | F | 6.0.0 | 6.1.0 | R5-050860 |
| RP-28 | RP-050270 | 548 | - | Correction to 9.2.1 Single Link Performance in 9.2 Demodulation of HS-DSCH | F | 6.0.0 | 6.1.0 | R5-050864 |
| RP-28 | RP-050270 | 549 | - | Corrections to TC 7.12, detection of acquisition indicator (AI) | F | 6.0.0 | 6.1.0 | R5-050819 |
| RP-28 | RP-050270 | 550 | - | Corrections to test tolerances in TC 7.8.2 | F | 6.0.0 | 6.1.0 | R5-050847 |
| RP-28 | RP-050270 | 551 | - | OCNS for TX diversity | F | 6.0.0 | 6.1.0 | R5-050859 |
| RP-28 | RP-050270 | 552 | - | Correction to "Read SFN indicator" in Measurement Control Messages in 8.3.2.2 | F | 6.0.0 | 6.1.0 | R5-050863 |
| RP-28 | RP-050270 | 553 | - | Corrections to TC 5.4.1 and 5.5.2 due to too low S-CCPCH level | F | 6.0.0 | 6.1.0 | R5-050614 |
| RP-28 | RP-050270 | 554 | - | Changes to 8.3.1 FDD/FDD Soft Handover. | F | 6.0.0 | 6.1.0 | R5-050877 |
| RP-29 | RP-050517 | 555 | - | Addition of test tolerances to open loop power control tolerance | F | 6.1.0 | 6.2.0 | R5-051155 |
| RP-29 | RP-050517 | 556 | - | Correction to 5.13.3 | F | 6.1.0 | 6.2.0 | R5-051282 |
| RP-29 | RP-050517 | 557 | - | Correction of Transmit ON/OFF Test Case 5.5.2 | F | 6.1.0 | 6.2.0 | R5-051405 |
| RP-29 | RP-050517 | 558 | - | Clarification to TX OFF power Test Tolerance in TC 5.5.2 | F | 6.1.0 | 6.2.0 | R5-051406 |
| RP-29 | RP-050517 | 559 | - | Correction to 5.6 | F | 6.1.0 | 6.2.0 | R5-051408 |
| RP-29 | RP-050517 | 560 | - | Correction to 34.121 for test case: 5.7 Power setting in uplink compressed mode | F | 6.1.0 | 6.2.0 | R5-051412 |
| RP-29 | RP-050517 | 561 | - | Correction to 5.3 Frequency Error | F | 6.1.0 | 6.2.0 | R5-051440 |
| RP-29 | RP-050517 | 562 | - | Output power control in the uplink procedure changes (TC5.4.1) | F | 6.1.0 | 6.2.0 | R5-051441 |
| RP-29 | RP-050517 | 563 | - | Correction to 5.4.1 and 5.5.2 | F | 6.1.0 | 6.2.0 | R5-051442 |
| RP-29 | RP-050517 | 564 | - | Correction to 5.11 | F | 6.1.0 | 6.2.0 | R5-051453 |
| RP-29 | RP-050517 | 565 | - | CR to 34.121: Correction to TC 7.11 PCH detection regarding SIB5 | F | 6.1.0 | 6.2.0 | R5-051117 |
| RP-29 | RP-050517 | 566 | - | Corrections to Procedure and Test System Uncertainty for TC7.3 | F | 6.1.0 | 6.2.0 | R5-051444 |
| RP-29 | RP-050517 | 567 | - | Correction to UE parameters for AI test | F | 6.1.0 | 6.2.0 | R5-051452 |
| RP-29 | RP-050517 | 568 | - | CR on 34.121: Correction to TC 8.3.3 | F | 6.1.0 | 6.2.0 | R5-051099 |
| RP-29 | RP-050517 | 569 | - | Removal of TC 8.6.1.4 Correct reporting of neighbours in fading propagation condition | F | 6.1.0 | 6.2.0 | R5-051159 |
| RP-29 | RP-050517 | 570 | - | Removal of TC 8.7.3.2 from R99, Rel-4 and Rel-5 | F | 6.1.0 | 6.2.0 | R5-051160 |
| RP-29 | RP-050517 | 571 | - | CR to 34.121: Correction to RXLEV in test requirements for cell re-selection to GSM test cases | F | 6.1.0 | 6.2.0 | R5-051193 |
| RP-29 | RP-050517 | 572 | - | Correction to 8.3.5.2 | F | 6.1.0 | 6.2.0 | R5-051275 |
| RP-29 | RP-050517 | 573 | - | Correction to "Reporting cell status" in Measurement Control Messages | F | 6.1.0 | 6.2.0 | R5-051276 |
| RP-29 | RP-050517 | 574 | - | CR to 34.121: Addition of SFN-SFN type 2 and RX-TX type 2 measurement requirements | F | 6.1.0 | 6.2.0 | R5-051417 |
| RP-29 | RP-050518 | 575 | - | Correction to procedure for RRM test case 8.3.5.3 | F | 6.1.0 | 6.2.0 | R5-051418 |
| RP-29 | RP-050518 | 576 | - | Update of Annex I and K | F | 6.1.0 | 6.2.0 | R5-051421 |
| RP-29 | RP-050518 | 577 | - | Correction / Clarification to Annex E Transmit Diversity | F | 6.1.0 | 6.2.0 | R5-051416 |
| RP-29 | RP-050518 | 578 | - | Feature Clean Up: Removal of Closed Loop mode 2 | F | 6.1.0 | 6.2.0 | R5-051072 |
| RP-29 | RP-050518 | 579 | - | Feature Clean Up: Removal of DRAC from TS 34.121 | F | 6.1.0 | 6.2.0 | R5-051422 |
| RP-29 | RP-050518 | 580 | - | Feature Clean Up: Removal of Observed Time Difference to GSM cell from TS 34.121 | F | 6.1.0 | 6.2.0 | R5-051423 |
| RP-29 | RP-050518 | 581 | - | Feature Clean Up: Removal of SSDT from TS 34.121 | F | 6.1.0 | 6.2.0 | R5-051424 |
| RP-29 | RP-050518 | 582 | - | Feature Clean Up: Removal of compressed mode by puncturing | F | 6.1.0 | 6.2.0 | R5-051425 |
| RP-29 | RP-050518 | 583 | - | Feature Clean Up: Removal of DSCH | F | 6.1.0 | 6.2.0 | R5-051426 |
| RP-29 | RP-050518 | 584 | - | Feature Clean Up to 34.121: Removal of CPCH | F | 6.1.0 | 6.2.0 | R5-051447 |
| RP-29 | RP-050518 | 585 | - | Correction to Annex F for 6.3A Maximum Input Level for HS-PDSCH Reception | F | 6.1.0 | 6.2.0 | R5-051278 |
| RP-29 | RP-050518 | 586 | - | Correction to 9.2.3 Closed Loop Diversity Performance | F | 6.1.0 | 6.2.0 | R5-051279 |

| T Meeting | Doc-1 st -Level | CR | Rev | Subject | Cat | Version - Current | Version -New | Doc-2 nd -Level |
|-----------|----------------------------|-----|-----|---|-----|-------------------|--------------|----------------------------|
| RP-29 | RP-050518 | 587 | - | Correction to 5.9A Spectrum Emission Mask with HS-DPCCH | F | 6.1.0 | 6.2.0 | R5-051429 |
| RP-29 | RP-050513 | 588 | - | Correction to 34.121 for HSDPA test case: Maximum Output Power with HS-DPCCH and addition of Uplink Reference Measurement Channel for testing | F | 6.1.0 | 6.2.0 | R5-051431 |
| RP-29 | RP-050518 | 589 | - | Table C.8.1.5 Correction | F | 6.1.0 | 6.2.0 | R5-051433 |
| RP-29 | RP-050518 | 590 | - | Correction to 5.10A ACLR with HS-DPCCH | F | 6.1.0 | 6.2.0 | R5-051449 |
| RP-29 | RP-050513 | 591 | - | Correction to 34.121 for HSDPA test case 5.7A: HS-DPCCH | F | 6.1.0 | 6.2.0 | R5-051450 |
| RP-29 | RP-050518 | 592 | - | Removal of 1st BLER measurement in TC 7.8.1 and 7.9.1 | F | 6.1.0 | 6.2.0 | R5-051438 |
| RP-29 | RP-050518 | 593 | - | Corrections and Clarification of TC8.6.4.1 | F | 6.1.0 | 6.2.0 | R5-051589 |
| RP-29 | RP-050518 | 594 | - | Corrections to Inter-system handover TC 8.3.4 | F | 6.1.0 | 6.2.0 | R5-051590 |
| RP-30 | RP-050767 | 595 | - | Correction to 34.121 for HSDPA test case 5.7A: HS-DPCCH | F | 6.2.0 | 6.3.0 | R5-051921 |
| RP-30 | RP-050767 | 596 | - | Correction to 34.121: UE Capabilities for HSDPA testing | F | 6.2.0 | 6.3.0 | R5-052341 |
| RP-30 | RP-050767 | 597 | - | Correction to power step size for HSDPA test case 5.7A: HS-DPCCH | F | 6.2.0 | 6.3.0 | R5-051927 |
| RP-30 | RP-050716 | 598 | - | Addition of reference measurement channel for E-DCH RF testing | F | 6.2.0 | 6.3.0 | R5-052327 |
| RP-30 | RP-050719 | 599 | - | Restructuring of chapter 9.4 (HS-SCCH detection performance) | F | 6.2.0 | 6.3.0 | R5-052333 |
| RP-30 | RP-050719 | 600 | - | Addition of HSDPA Enhanced performance requirements plus splitting of Test Cases in Sections 9.2.1, 9.2.2 and 9.2.3 | B | 6.2.0 | 6.3.0 | R5-052343 |
| RP-30 | RP-050767 | 601 | - | Addition of Open and Closed loop diversity Rel-6 test cases for CQI reporting in section 9.3 and calculation of BLER during CQI reporting tests | B | 6.2.0 | 6.3.0 | R5-052318 |
| RP-30 | RP-050770 | 602 | - | Modification of the protection band for PHS | F | 6.2.0 | 6.3.0 | R5-051994 |
| RP-30 | RP-050770 | 603 | - | Revision of additional receiver spurious emissions requirements on 800MHz band in Japan | F | 6.2.0 | 6.3.0 | R5-051995 |
| RP-30 | RP-050770 | 604 | - | Clarification of UE measurement reference point | F | 6.2.0 | 6.3.0 | R5-052305 |
| RP-30 | RP-050770 | 605 | - | Addition of test tolerance to Change of TFC Test Case | F | 6.2.0 | 6.3.0 | R5-051843 |
| RP-30 | RP-050770 | 606 | - | Addition of test tolerance to Power setting in Uplink compressed mode Test Case | F | 6.2.0 | 6.3.0 | R5-052303 |
| RP-30 | RP-050770 | 607 | - | Correction to TC5.4.1 and 5.5.2 <REFlor> and levels | F | 6.2.0 | 6.3.0 | R5-052304 |
| RP-30 | RP-050770 | 608 | - | Correction to TS34.121 TC7.7.3 | F | 6.2.0 | 6.3.0 | R5-051844 |
| RP-30 | RP-050770 | 609 | - | Correction to Measurement Configuration in TS34.121 Chapter 7 | F | 6.2.0 | 6.3.0 | R5-052309 |
| RP-30 | RP-050770 | 610 | - | Clarification on TFCS size for DCH demodulation requirements | F | 6.2.0 | 6.3.0 | R5-051934 |
| RP-30 | RP-050770 | 611 | - | Correction to TC7.7.2 statistical requirements | F | 6.2.0 | 6.3.0 | R5-052306 |
| RP-30 | RP-050776 | 612 | - | Test time optimization for test cases 7.11 and 7.12 | F | 6.2.0 | 6.3.0 | R5-052022 |
| RP-30 | RP-050770 | 613 | - | Modification of BLER target in RRM hard handover test cases | F | 6.2.0 | 6.3.0 | R5-051853 |
| RP-30 | RP-050770 | 614 | - | Removal of some event 1C reporting which may fill RLC buffer in RRM test cases 8.6.1.2 and 8.6.1.2A | F | 6.2.0 | 6.3.0 | R5-052310 |
| RP-30 | RP-050770 | 615 | - | Correction to 8.2.3.1 and 8.2.3.2 Monitored cell list information added | F | 6.2.0 | 6.3.0 | R5-052338 |
| RP-30 | RP-050770 | 616 | - | Correction to 8.3.1 Test procedure | F | 6.2.0 | 6.3.0 | R5-052312 |
| RP-30 | RP-050770 | 617 | - | Clarification of monitored cell list | F | 6.2.0 | 6.3.0 | R5-052336 |
| RP-30 | RP-050770 | 618 | - | Correction to 8.3.7 Cell Re-selection in URA_PCH | F | 6.2.0 | 6.3.0 | R5-052007 |
| RP-30 | RP-050770 | 619 | - | Addition of integrity check info in MEASUREMENT CONTROL messages | F | 6.2.0 | 6.3.0 | R5-052314 |
| RP-30 | RP-050777 | 620 | - | Correction to SIB 11 of 8.6.2.2 in Annex I | F | 6.2.0 | 6.3.0 | R5-052315 |
| RP-30 | RP-050779 | 621 | - | New test scenario: 8.2.3.3 Scenario 3: HCS with only UTRA level changed. | F | 6.2.0 | 6.3.0 | R5-052347 |
| RP-30 | RP-050779 | 622 | - | Introduction of PRACH timing accuracy test | F | 6.2.0 | 6.3.0 | R5-052337 |
| RP-30 | RP-050770 | 623 | - | Correction to Measurement Report messages | F | 6.2.0 | 6.3.0 | R5-052344 |
| RP-30 | RP-050770 | 624 | - | Corrections to Annex F for Change of TFC | F | 6.2.0 | 6.3.0 | R5-052316 |
| RP-30 | RP-050770 | 625 | - | Removal of temporary BLER measurement configuration | F | 6.2.0 | 6.3.0 | R5-051935 |
| RP-30 | RP-050780 | 626 | - | Introduction of UMTS1700 for TS34.121 | B | 6.2.0 | 6.3.0 | R5-052334 |
| RP-31 | RP-060144 | 627 | - | Introduction of test case 5.9B Spectrum Emission Mask with E-DCH | F | 6.3.0 | 6.4.0 | R5-060465 |
| RP-31 | RP-060155 | 628 | - | Allowance of alternative DL power control response time | D | 6.3.0 | 6.4.0 | R5-060466 |
| RP-31 | RP-060153 | 629 | - | Introduction of Band VII and Band VIII to Chapter 5 | F | 6.3.0 | 6.4.0 | R5-060427 |

| T Meeting | Doc-1 st -Level | CR | Rev | Subject | Cat | Version - Current | Version -New | Doc-2 nd -Level |
|-----------|----------------------------|-----|-----|--|-----|-------------------|--------------|----------------------------|
| RP-31 | RP-060155 | 630 | - | Allowance of DL power control response time in TC 7.8.2 | F | 6.3.0 | 6.4.0 | R5-060114 |
| RP-31 | RP-060155 | 631 | - | Correction to SIB11 signalling for inter frequency test cases | F | 6.3.0 | 6.4.0 | R5-060464 |
| RP-31 | RP-060144 | 632 | - | Introduction of test case 5.10B Adjacent Channel Leakage Ratio (ACLR) with E-DCH | F | 6.3.0 | 6.4.0 | R5-060456 |
| RP-31 | RP-060155 | 633 | - | Correction to tolerance of setting -20 dBm output power in tests 5.13.1 and 5.13.2 | F | 6.3.0 | 6.4.0 | R5-060458 |
| RP-31 | RP-060155 | 634 | - | Correction to spurious emissions requirements in TC 5.11 | F | 6.3.0 | 6.4.0 | R5-060461 |
| RP-31 | RP-060155 | 635 | - | Clarification of Connection Diagrams in Annex A | F | 6.3.0 | 6.4.0 | R5-060452 |
| RP-31 | RP-060166 | 636 | - | New Rel-6 RRM test case for combined inter-frequency and GSM measurements | F | 6.3.0 | 6.4.0 | R5-060460 |
| RP-31 | RP-060155 | 637 | - | Alignment of 34.121 and 25.133 for TC 8.4.1.2 | F | 6.3.0 | 6.4.0 | R5-060421 |
| RP-31 | RP-060153 | 638 | - | Introduction of UMTS band VII and VIII test cases for TS34.121 chapter 8 and annex D | F | 6.3.0 | 6.4.0 | R5-060428 |
| RP-31 | RP-060146 | 639 | - | Correction to Performance requirements for HSDPA in Clause 9 | F | 6.3.0 | 6.4.0 | R5-060243 |
| RP-31 | RP-060146 | 640 | - | Correction to 34.121 for HSDPA: UE max output power with HS-DPCCH | F | 6.3.0 | 6.4.0 | R5-060426 |
| RP-31 | RP-060151 | 641 | - | Correction to Annex F Statistical Requirements for HSDPA tests | F | 6.3.0 | 6.4.0 | R5-060425 |
| RP-31 | RP-060146 | 642 | - | Correction to TRANSPORT CHANNEL RECONFIGURATION message for test cases with HSDPA | F | 6.3.0 | 6.4.0 | R5-060423 |
| RP-31 | RP-060146 | 643 | - | Missing references and definitions for performance requirements for HSDPA | F | 6.3.0 | 6.4.0 | R5-060417 |
| RP-31 | RP-060146 | 644 | - | Definition of downlink power level for HSDPA RF transmitter test cases | F | 6.3.0 | 6.4.0 | R5-060416 |
| RP-31 | RP-060146 | 645 | - | Addition of Test System Uncertainties for 9.3.x | F | 6.3.0 | 6.4.0 | R5-060411 |
| RP-31 | RP-060155 | 646 | - | Correction to monitored cell lists | F | 6.3.0 | 6.4.0 | R5-060420 |
| RP-31 | RP-060155 | 647 | - | Clarification of CN domain for BLER measurements | F | 6.3.0 | 6.4.0 | R5-060261 |
| RP-31 | RP-060164 | 648 | - | Editorial errors and missing changes in Section 9 and related annexes | F | 6.3.0 | 6.4.0 | R5-060409 |
| RP-31 | RP-060155 | 649 | - | Correction to 7.7.3 Combining of reliable TPC commands from radio links of different radio link sets | F | 6.3.0 | 6.4.0 | R5-060246 |
| RP-31 | RP-060155 | 650 | - | Correction to TC7.7.2 power step threshold | F | 6.3.0 | 6.4.0 | R5-060407 |
| RP-31 | RP-060155 | 651 | - | Editorial errors in Clause 5 | D | 6.3.0 | 6.4.0 | R5-060403 |
| RP-31 | RP-060155 | 652 | - | Band IX additions to tables 5.4.1.3 and 5.5.2.3 | F | 6.3.0 | 6.4.0 | R5-060408 |
| RP-31 | RP-060144 | 653 | - | Code allocation for EDCH testing | F | 6.3.0 | 6.4.0 | R5-060437 |
| RP-31 | RP-060163 | 654 | - | Correction to 34.121: FDD/TDD Cell Re-selection, TDD measurements and P-CCPCH RSCP test cases | F | 6.3.0 | 6.4.0 | R5-060441 |
| RP-31 | RP-060155 | 655 | - | Detection and measurements of new cells not belonging to monitored set | F | 6.3.0 | 6.4.0 | R5-060418 |
| RP-31 | RP-060152 | 656 | - | Introduction of Band VII and Band VIII to Chapter 6 | F | 6.3.0 | 6.4.0 | R5-060040 |
| RP-31 | RP-060152 | 657 | - | Introduction of Band VII and Band VIII to Chapter 4 and introduction of new UARFCN scheme | F | 6.3.0 | 6.4.0 | R5-060038 |
| RP-31 | RP-060146 | 658 | - | Correction to HSDPA call setup levels in 34.121 | F | 6.3.0 | 6.4.0 | R5-060297 |
| RP-31 | RP-060155 | 659 | - | Corrections to downlink code allocation tables in Annex E.6 | F | 6.3.0 | 6.4.0 | R5-060046 |
| RP-31 | RP-060163 | 660 | - | Clarifications to TC 8.6.1.4A | F | 6.3.0 | 6.4.0 | R5-060288 |
| RP-31 | RP-060155 | 661 | - | Correction to 8.7.4.2 Inter frequency measurement requirement | F | 6.3.0 | 6.4.0 | R5-060242 |
| RP-31 | RP-060163 | 662 | - | Correction to MEASUREMENT CONTROL message in 8.6.1.2A | F | 6.3.0 | 6.4.0 | R5-060241 |
| RP-31 | RP-060155 | 663 | - | Correction to 8.3.2.2 FDD/FDD Hard Handover to inter-frequency cell | F | 6.3.0 | 6.4.0 | R5-060240 |
| RP-31 | RP-060155 | 664 | - | Change to the statistical analysis of multiple events in 8.6.x.x. tests | F | 6.3.0 | 6.4.0 | R5-060047 |
| RP-31 | RP-060163 | 665 | - | Correction to 7.12 | F | 6.3.0 | 6.4.0 | R5-060239 |
| RP-31 | RP-060155 | 666 | - | Correction to 7.8.2 | F | 6.3.0 | 6.4.0 | R5-060238 |
| RP-31 | RP-060155 | 667 | - | Correction of TGD parameter for compressed mode tests | F | 6.3.0 | 6.4.0 | R5-060237 |
| RP-31 | RP-060155 | 668 | - | Correction to Frequency Error | F | 6.3.0 | 6.4.0 | R5-060235 |
| RP-31 | RP-060155 | 669 | - | Correction to the operating conditions in TS34.121 5.13.1 and 5.13.1A | F | 6.3.0 | 6.4.0 | R5-060043 |
| RP-31 | RP-060144 | 670 | - | Correction to 34.121: HSDPA and E-DCH beta configurations | F | 6.3.0 | 6.4.0 | R5-060468 |
| RP-31 | RP-060146 | 671 | - | Correction of HSDPA EVM test case 5.13.1A | F | 6.3.0 | 6.4.0 | R5-060590 |
| RP-31 | RP-060164 | 672 | - | New Test Case Introduction to 34.121: Power control in the downlink, different transport formats | F | 6.3.0 | 6.4.0 | R5-060588 |

| T Meeting | Doc-1 st -Level | CR | Rev | Subject | Cat | Version - Current | Version -New | Doc-2 nd -Level |
|-----------|----------------------------|-----|-----|--|-----|-------------------|--------------|----------------------------|
| RP-31 | RP-060166 | 673 | - | Replace the content of 34.121 with reference pointer to Version 7.0.0 | F | 6.3.0 | 6.4.0 | R5-060557 |
| RP-31 | RP-060167 | 674 | - | Convert 34.121 to a multipart specification; 34.121-1 modification | F | 6.3.0 | 7.0.0 | R5-060574 |
| RP-32 | RP-060322 | 675 | - | Correction to test system uncertainty in 5.11 | F | 7.0.0 | 7.1.0 | R5-061402 |
| RP-32 | RP-060322 | 676 | - | Correction to spurious emissions requirements applicability for TC 5.11 | F | 7.0.0 | 7.1.0 | R5-061209 |
| RP-32 | RP-060329 | 677 | - | Correction to 5.13.3 | F | 7.0.0 | 7.1.0 | R5-061456 |
| RP-32 | RP-060322 | 678 | - | Clarification to TC7.8.2 | F | 7.0.0 | 7.1.0 | R5-061404 |
| RP-32 | RP-060322 | 679 | - | Correction to TC7.9 | F | 7.0.0 | 7.1.0 | R5-061405 |
| RP-32 | RP-060322 | 680 | - | Correction to 7.8.1 and 7.9.1 test cases | F | 7.0.0 | 7.1.0 | R5-061406 |
| RP-32 | RP-060329 | 681 | - | Correction to 34.121-1 Test Case 7.8.4: Power control in the downlink, different transport formats | F | 7.0.0 | 7.1.0 | R5-061407 |
| RP-32 | RP-060328 | 682 | - | Missing lor/loc field in 7.12 test requirements | F | 7.0.0 | 7.1.0 | R5-061408 |
| RP-32 | RP-060331 | 683 | - | Modifications to 8.6.5 Combined Inter frequency and GSM measurements | F | 7.0.0 | 7.1.0 | R5-061409 |
| RP-32 | RP-060329 | 684 | - | Correction to Measurement Control Message in 8.6.2.2 | F | 7.0.0 | 7.1.0 | R5-061411 |
| RP-32 | RP-060322 | 685 | - | correction to Tc 8.7.3.a | F | 7.0.0 | 7.1.0 | R5-061412 |
| RP-32 | RP-060322 | 686 | - | Tc 8.7.3a - Move Sib 11 exceptions to Annex I | F | 7.0.0 | 7.1.0 | R5-061413 |
| RP-32 | RP-060322 | 687 | - | Tc 8.3.5.3 - Addition of 2quater parameters to the test parameters | F | 7.0.0 | 7.1.0 | R5-061414 |
| RP-32 | RP-060322 | 688 | - | Addition of measurement performance requirements for Band III/IX UE | F | 7.0.0 | 7.1.0 | R5-061416 |
| RP-32 | RP-060322 | 689 | - | Correction to the contents of Tables of the section of F.4 of 3GPP TS 34.121-1 | F | 7.0.0 | 7.1.0 | R5-061457 |
| RP-32 | RP-060322 | 690 | - | Correction to Annex F.6.1.10 Dual limit BLER tests | F | 7.0.0 | 7.1.0 | R5-061458 |
| RP-32 | RP-060328 | 691 | - | Addition of downlink physical channels power definition for performance tests without a dedicated connection | F | 7.0.0 | 7.1.0 | R5-061423 |
| RP-32 | RP-060337 | 692 | - | Clarification to H-SET 1 used in Tx HSDPA tests | F | 7.0.0 | 7.1.0 | R5-061428 |
| RP-32 | RP-060337 | 693 | - | Number of HARQ processes in HS-SCCH performance tests | F | 7.0.0 | 7.1.0 | R5-061049 |
| RP-32 | RP-060337 | 694 | - | Clarification of HS-SCCH performance requirements | F | 7.0.0 | 7.1.0 | R5-061076 |
| RP-32 | RP-060337 | 695 | - | Beta values for HSDPA RF test 5.7A | F | 7.0.0 | 7.1.0 | R5-061436 |
| RP-32 | RP-060337 | 696 | - | Correction to 5.2A | F | 7.0.0 | 7.1.0 | R5-061437 |
| RP-32 | RP-060337 | 697 | - | Annex F HSET data rate clarification and corrections | F | 7.0.0 | 7.1.0 | R5-061422 |
| RP-32 | RP-060337 | 698 | - | Addition of MAC-d PDU size and HARQ process in 9.3 and 9.4 and Annex C.8.1 | F | 7.0.0 | 7.1.0 | R5-061467 |
| RP-32 | RP-060337 | 699 | - | Correction to 5.7A and 5.13.1A waveform patterns | F | 7.0.0 | 7.1.0 | R5-061471 |
| RP-32 | RP-060337 | 700 | - | Correction to 5.13.1A minimum power setting | F | 7.0.0 | 7.1.0 | R5-061433 |
| RP-32 | RP-060332 | 701 | - | E-HICH test | F | 7.0.0 | 7.1.0 | R5-061447 |
| RP-32 | RP-060332 | 702 | - | E-RGCH test | F | 7.0.0 | 7.1.0 | R5-061462 |
| RP-32 | RP-060332 | 703 | - | Test tolerances for E-HICH and E_RGCH | F | 7.0.0 | 7.1.0 | R5-061090 |
| RP-32 | RP-060332 | 704 | - | Definition of serving cell for E-DCH RF transmitter test cases | F | 7.0.0 | 7.1.0 | R5-061463 |
| RP-32 | RP-060332 | 705 | - | Correction to 34.121-1: HSDPA and E-DCH beta configurations | F | 7.0.0 | 7.1.0 | R5-061459 |
| RP-32 | RP-060332 | 706 | - | Addition to 34.121-1 for HSUPA: UE max output power with HS-DPCCH and E-DCH and HS-DPCCH only release 6 and later | F | 7.0.0 | 7.1.0 | R5-061461 |
| RP-32 | RP-060332 | 707 | - | Introduction of the demodulation of E-AGCH test case | F | 7.0.0 | 7.1.0 | R5-061445 |
| RP-32 | RP-060335 | 708 | - | CR to 34.121-1: Introduction of improvement of performance requirements of HSDPA receiver (type 3) for UE categories 7 & 8 | F | 7.0.0 | 7.1.0 | R5-061472 |
| RP-32 | RP-060334 | 709 | - | Introduction of Band IV to 34.121-1 Chapter 4 | F | 7.0.0 | 7.1.0 | R5-061072 |
| RP-32 | RP-060334 | 710 | - | Introduction of Band IV to 34.121-1 Chapter 5 | F | 7.0.0 | 7.1.0 | R5-061073 |
| RP-32 | RP-060334 | 711 | - | Introduction of Band IV to 34.121 Chapter 6 | F | 7.0.0 | 7.1.0 | R5-061465 |
| RP-32 | RP-060334 | 712 | - | CR to 34.121-1: Changes to Annex D to introduce UMTS 1.7/2.1 GHz (Band IV) | F | 7.0.0 | 7.1.0 | R5-061452 |
| RP-32 | RP-060334 | 713 | - | CR to 34.121-1: Changes to chapter 8 to introduce UMTS 1.7/2.1 GHz (Band IV) | F | 7.0.0 | 7.1.0 | R5-061466 |
| RP-32 | RP-060322 | 714 | - | Correction of UE Transmit timing 8.5.1 | F | 7.0.0 | 7.1.0 | R5-061475r3 |
| RP-33 | RP-060549 | 715 | - | Correction to the formula of CPICH_RSCP of Table 5.5.2.3 | F | 7.1.0 | 7.2.0 | R5-062423 |
| RP-33 | RP-060553 | 716 | - | Correction to 5.13.3 UE phase discontinuity | F | 7.1.0 | 7.2.0 | R5-062220 |
| RP-33 | RP-060553 | 717 | - | Correction to 5.13.4 PRACH preamble quality | F | 7.1.0 | 7.2.0 | R5-062406 |
| RP-33 | RP-060549 | 718 | - | Split of 34.121-1 test case 6.4 to 6.4 and 6.4A | F | 7.1.0 | 7.2.0 | R5-062407 |
| RP-33 | RP-060553 | 719 | - | BLER test limit for TC 7.8.4 Power control in DL, different transport formats | F | 7.1.0 | 7.2.0 | R5-062129 |

| T Meeting | Doc-1 st -Level | CR | Rev | Subject | Cat | Version - Current | Version -New | Doc-2 nd -Level |
|-----------|----------------------------|-----|-----|--|-----|-------------------|--------------|----------------------------|
| RP-33 | RP-060552 | 720 | - | Correction to test case 7.11 Demodulation of Paging Channel (PCH) | F | 7.1.0 | 7.2.0 | R5-062450 |
| RP-33 | RP-060549 | 721 | - | Correction to 7.8.2 Power control in the downlink, initial convergence | F | 7.1.0 | 7.2.0 | R5-062409 |
| RP-33 | RP-060549 | 722 | - | Clarification to UL data rate in test 7.8.2 subtest 3 & 4 | F | 7.1.0 | 7.2.0 | R5-062400 |
| RP-33 | RP-060549 | 723 | - | Correction to the RRM Test cases 8.6.1.1 and 8.6.1.1A | F | 7.1.0 | 7.2.0 | R5-062411 |
| RP-33 | RP-060549 | 724 | - | Correction to ARFCN of GSM target cell in test case 8.2.3.3 | F | 7.1.0 | 7.2.0 | R5-062203 |
| RP-33 | RP-060549 | 725 | - | Clarification to GSM target cell in test case 8.3.5.3 | F | 7.1.0 | 7.2.0 | R5-062204 |
| RP-33 | RP-060549 | 726 | - | Correction to 8.5.1 UE Transmit Timing | F | 7.1.0 | 7.2.0 | R5-062222 |
| RP-33 | RP-060560 | 727 | - | Correction to 8.6.5.1 Correct reporting of neighbours in AWGN propagation condition | F | 7.1.0 | 7.2.0 | R5-062413 |
| RP-33 | RP-060549 | 728 | - | Correction to Annex C.6.2 Channel combinations for BLER measurements | F | 7.1.0 | 7.2.0 | R5-062426 |
| RP-33 | RP-060567 | 729 | - | Beta values for HSDPA RF tests | F | 7.1.0 | 7.2.0 | R5-062060 |
| RP-33 | RP-060567 | 730 | - | Correction to beta values to be used in test 5.13.1A | F | 7.1.0 | 7.2.0 | R5-062420 |
| RP-33 | RP-060567 | 731 | - | Correction of reference to connection diagram in 9.3.1 | F | 7.1.0 | 7.2.0 | R5-062421 |
| RP-33 | RP-060567 | 732 | - | MAC header transmission on HS-DSCH | F | 7.1.0 | 7.2.0 | R5-062439 |
| RP-33 | RP-060567 | 733 | - | New Rel-6 RRM test case: 8.3.8 Serving HS-DSCH cell change | F | 7.1.0 | 7.2.0 | R5-062422 |
| RP-33 | RP-060567 | 734 | - | Changes to annex of 34.121-1 for the test case "Serving HS-DSCH cell change" | F | 7.1.0 | 7.2.0 | R5-062231 |
| RP-33 | RP-060567 | 735 | - | Correction of beta factors during the measurement period for test cases in 5.xA tests | F | 7.1.0 | 7.2.0 | R5-062441 |
| RP-33 | RP-060562 | 736 | - | New HSUPA Test Case to 34.121-1: E-TFC restriction in UE | F | 7.1.0 | 7.2.0 | R5-062452 |
| RP-33 | RP-060562 | 737 | - | New HSUPA Test Case to 34.121-1: Detection Inter-Cell Handover conditions for E-HICH for RLS not containing the Serving E-DCH cell and containing the Serving E-DCH cell | F | 7.1.0 | 7.2.0 | R5-062448 |
| RP-33 | RP-060562 | 738 | - | New HSUPA Test Case to 34.121-1: Detection Inter-Cell Handover conditions for E-RGCH | F | 7.1.0 | 7.2.0 | R5-062449 |
| RP-33 | RP-060562 | 739 | - | Clarification on the loopback test mode for E-DCH RF test cases | F | 7.1.0 | 7.2.0 | R5-062433 |
| RP-33 | RP-060562 | 740 | - | Introduction of E-AGCH information sequence for E-AGCH test case. | F | 7.1.0 | 7.2.0 | R5-062434 |
| RP-33 | RP-060562 | 741 | - | Test tolerance for E-AGCH test case. | F | 7.1.0 | 7.2.0 | R5-062211 |
| RP-33 | RP-060549 | 742 | - | Correction to 5.11 and 6.5.2.2 | F | 7.1.0 | 7.2.0 | R5-062436 |
| RP-33 | RP-060560 | 743 | - | Addition of phase discontinuity to HSDPA EVM test | F | 7.1.0 | 7.2.0 | R5-062444r2 |
| RP-33 | RP-060562 | 744 | - | Beta values for E-DCH RF tests | F | 7.1.0 | 7.2.0 | R5-062447r2 |
| RP-34 | RP-060731 | 745 | - | Correction to call setup procedure | F | 7.2.0 | 7.3.0 | R5-063403 |
| RP-34 | RP-060731 | 746 | - | Correction to PHYSICAL CHANNEL RECONFIGURATION messages | F | 7.2.0 | 7.3.0 | R5-063404 |
| RP-34 | RP-060735 | 747 | - | Corrections to Annex C table references | F | 7.2.0 | 7.3.0 | R5-063405 |
| RP-34 | RP-060735 | 748 | - | Clarification to HSDPA EVM and phase discontinuity timing diagrams | F | 7.2.0 | 7.3.0 | R5-063406 |
| RP-34 | RP-060735 | 749 | - | Clarification on the MAC headers for HSDPA test cases | F | 7.2.0 | 7.3.0 | R5-063230 |
| RP-34 | RP-060731 | 750 | - | Correction to transmit diversity test cases | F | 7.2.0 | 7.3.0 | R5-063447 |
| RP-34 | RP-060731 | 751 | - | Correction to SHO test cases | F | 7.2.0 | 7.3.0 | R5-063408 |
| RP-34 | RP-060731 | 752 | - | Correction to TC 7.8.2 | F | 7.2.0 | 7.3.0 | R5-063453 |
| RP-34 | RP-060739 | 753 | - | Correction to RRM Test Case to 34.121-1: Band VI Inter-Frequency Band test cases interference issue. | F | 7.2.0 | 7.3.0 | R5-063461 |
| RP-34 | RP-060731 | 754 | - | Correction to the RRM Test case 8.3.5.3 | F | 7.2.0 | 7.3.0 | R5-063410 |
| RP-34 | RP-060731 | 755 | - | Correction to RRM Test case 8.6.1.2A | F | 7.2.0 | 7.3.0 | R5-063411 |
| RP-34 | RP-060731 | 756 | - | Correction to 8.3.4 | F | 7.2.0 | 7.3.0 | R5-063412 |
| RP-34 | RP-060731 | 757 | - | Correction to 8.3.5 | F | 7.2.0 | 7.3.0 | R5-063413 |
| RP-34 | RP-060731 | 758 | - | Correction to 8.4.1 | F | 7.2.0 | 7.3.0 | R5-063414 |
| RP-34 | RP-060731 | 759 | - | Correction to MEASUREMENT CONTROL messages in 8.7.2.1.1 and 8.7.6.1 | F | 7.2.0 | 7.3.0 | R5-063415 |
| RP-34 | RP-060731 | 760 | - | Update of Annex I | F | 7.2.0 | 7.3.0 | R5-063416 |
| RP-34 | RP-060731 | 761 | - | Correction to MEASUREMENT CONTROL messages in RRM | F | 7.2.0 | 7.3.0 | R5-063417 |
| RP-34 | RP-060732 | 762 | - | Correction to UARFCN frequency offset for Band VII | F | 7.2.0 | 7.3.0 | R5-063070 |
| RP-34 | RP-060735 | 763 | - | Corrections to CQI tests | F | 7.2.0 | 7.3.0 | R5-063418 |
| RP-34 | RP-060739 | 764 | - | Correction of reference to connection diagram in 9.3.3 and 9.3.5 | F | 7.2.0 | 7.3.0 | R5-063419 |
| RP-34 | RP-060735 | 765 | - | Correction to Downlink Physical Channels for HSDPA Closed Loop Transmit Diversity | F | 7.2.0 | 7.3.0 | R5-063422 |

| T Meeting | Doc-1 st -Level | CR | Rev | Subject | Cat | Version - Current | Version -New | Doc-2 nd -Level |
|-----------|----------------------------|-----|-----|--|-----|-------------------|--------------|----------------------------|
| RP-34 | RP-060735 | 766 | - | Correction to Annex F.6.1.8 and F.6.3.4 | F | 7.2.0 | 7.3.0 | R5-063420 |
| RP-34 | RP-060739 | 767 | - | New test case - UE Relative code domain power accuracy | F | 7.2.0 | 7.3.0 | R5-063452 |
| RP-34 | RP-060743 | 768 | - | Correction to TC 10.2.1 E-HICH test, single link | F | 7.2.0 | 7.3.0 | R5-063456 |
| RP-34 | RP-060743 | 769 | - | Correction to TC 10.3.1 E-RGCH , single link | F | 7.2.0 | 7.3.0 | R5-063457 |
| RP-34 | RP-060743 | 770 | - | Correction to HSUPA Test Case to 34.121-1: Detection Inter-Cell Handover conditions for E-HICH for RLS not containing the Serving E-DCH cell and containing the Serving E-DCH cell | F | 7.2.0 | 7.3.0 | R5-063468 |
| RP-34 | RP-060743 | 771 | - | Correction of test case: Detection in Inter-Cell Handover conditions for E-RGCH. | F | 7.2.0 | 7.3.0 | R5-063464 |
| RP-34 | RP-060743 | 772 | - | Correction to HSUPA Test Case to 34.121-1: E-TFC restriction in UE 10ms TTI test case and addition of 2ms TTI test case | F | 7.2.0 | 7.3.0 | R5-063465 |
| RP-34 | RP-060743 | 773 | - | Additions to HSUPA Test Case to 34.121-1: Test Tolerances for E-TFC restriction in UE 10ms TTI test case and 2ms TTI test case | F | 7.2.0 | 7.3.0 | R5-063438 |
| RP-34 | RP-060743 | 774 | - | Adding the notice to Sub-test 3 in E-DCH Test cases | F | 7.2.0 | 7.3.0 | R5-063439 |
| RP-34 | RP-060743 | 775 | - | Adding downlink channel and power definition for E-DCH tests | F | 7.2.0 | 7.3.0 | R5-063469 |
| RP-34 | RP-060743 | 776 | - | Clarification on the MAC headers for E-DCH test cases | F | 7.2.0 | 7.3.0 | R5-063232 |
| RP-34 | RP-060743 | 777 | - | Clarification on the beta values for the E-AGCH test | F | 7.2.0 | 7.3.0 | R5-063466 |
| RP-34 | RP-060743 | 778 | - | UE Transmission Power Headroom test | F | 7.2.0 | 7.3.0 | R5-063470 |
| RP-34 | RP-060743 | 779 | - | Addition of statistical testing of RRM delay performance for test case 8.4.4 for 10 ms TTI E-DCH E-TFC restriction and 2 ms TTI E-DCH E-TFC restriction | F | 7.2.0 | 7.3.0 | R5-063449 |
| RP-34 | RP-060735 | 780 | - | Corrections to test case 5.7A HS-DPCCH power time template | F | 7.2.0 | 7.3.0 | R5-063462r1 |
| RP-34 | RP-060743 | 781 | - | Correction to set UE to maximum output power | F | 7.2.0 | 7.3.0 | R5-063434r1 |
| RP-35 | RP-070101 | 782 | - | Correction to 34.121-1 test case for: Change of TFC | F | 7.3.0 | 7.4.0 | R5-070501 |
| RP-35 | RP-070105 | 783 | - | Correction to 34.121-1 test case for: Change to peak code domain error applicability | F | 7.3.0 | 7.4.0 | R5-070173 |
| RP-35 | RP-070101 | 784 | - | Correction to test tolerances in test cases 7.7.1 and 7.7.2. | F | 7.3.0 | 7.4.0 | R5-070216 |
| RP-35 | RP-070101 | 785 | - | Correction to test requirements in section 8.4.2.4 and F.4.4 | F | 7.3.0 | 7.4.0 | R5-070502 |
| RP-35 | RP-070101 | 786 | - | Correction to Table 8.3.7.2.1 and Table F.4.1 | F | 7.3.0 | 7.4.0 | R5-070555 |
| RP-35 | RP-070101 | 787 | - | Correction to the content of Measurement Control message in RRM Test cases 8.3.2.2, 8.6.2.1 and 8.6.2.2 | F | 7.3.0 | 7.4.0 | R5-070503 |
| RP-35 | RP-070101 | 788 | - | Correction of the definition of known cell | F | 7.3.0 | 7.4.0 | R5-070218 |
| RP-35 | RP-070101 | 789 | - | Correction to system uncertainty of GSM test cases | F | 7.3.0 | 7.4.0 | R5-070256 |
| RP-35 | RP-070111 | 790 | - | Correction to SIB11for 8.6.5.1 in Annex I | F | 7.3.0 | 7.4.0 | R5-070257 |
| RP-35 | RP-070111 | 791 | - | Correction to 8.3.8 | F | 7.3.0 | 7.4.0 | R5-070504 |
| RP-35 | RP-070101 | 792 | - | Default Qrxlevmin value for RRM Test cases | F | 7.3.0 | 7.4.0 | R5-070505 |
| RP-35 | RP-070101 | 793 | - | Correction to Active Set Update message in Annex I | F | 7.3.0 | 7.4.0 | R5-070506 |
| RP-35 | RP-070105 | 794 | - | Correction to reference TFC in Annex I | F | 7.3.0 | 7.4.0 | R5-070219 |
| RP-35 | RP-070105 | 795 | - | Continuous DPCH transmission during HSDPA and E-DCH performance tests | F | 7.3.0 | 7.4.0 | R5-070220 |
| RP-35 | RP-070105 | 796 | - | Removal of the fixed MAC-hs header option for HSDPA test cases | F | 7.3.0 | 7.4.0 | R5-070290 |
| RP-35 | RP-070105 | 797 | - | Correction to HSDPA Performance test cases | F | 7.3.0 | 7.4.0 | R5-070583 |
| RP-35 | RP-070105 | 798 | - | Clarification of CQI test cases | F | 7.3.0 | 7.4.0 | R5-070584 |
| RP-35 | RP-070111 | 799 | - | Introduction of Relative Code Domain Error | F | 7.3.0 | 7.4.0 | R5-070557 |
| RP-35 | RP-070096 | 800 | - | E-TFC selection for E-DCH maximum power tests | F | 7.3.0 | 7.4.0 | R5-070512 |
| RP-35 | RP-070096 | 801 | - | Corrections to method of test and limits for E-DCH RRM test 8.4.4.1 | F | 7.3.0 | 7.4.0 | R5-070582 |
| RP-35 | RP-070096 | 802 | - | Correction to HSUPA Test Case to 34.121-1: E-TFC restriction in UE 10ms TTI test case and 2ms TTI test case | F | 7.3.0 | 7.4.0 | R5-070576 |
| RP-35 | RP-070096 | 803 | - | Reduction of lower limits in TC 5.2B | F | 7.3.0 | 7.4.0 | R5-070223 |
| RP-35 | RP-070096 | 804 | - | Addition of test system uncertainties and test tolerances for inter cell E-DCH tests | F | 7.3.0 | 7.4.0 | R5-070524 |
| RP-35 | RP-070096 | 805 | - | Correction to E-AGCH test case | F | 7.3.0 | 7.4.0 | R5-070520 |
| RP-35 | RP-070096 | 806 | - | Removal of the 2ms test from 10.2.1(E-HICH, Single link performance) | F | 7.3.0 | 7.4.0 | R5-070562 |
| RP-35 | RP-070096 | 807 | - | Separation of the 2ms test from 10.2.1(E-HICH, Single link performance) | F | 7.3.0 | 7.4.0 | R5-070563 |
| RP-35 | RP-070096 | 808 | - | Removal of the 2ms test from 10.2.2.1(E-HICH, SHO, RLS not cont....) | F | 7.3.0 | 7.4.0 | R5-070577 |

| T Meeting | Doc-1 st -Level | CR | Rev | Subject | Cat | Version - Current | Version -New | Doc-2 nd -Level |
|-----------|----------------------------|-----|-----|--|-----|-------------------|--------------|----------------------------|
| RP-35 | RP-070096 | 809 | - | Separation of the 2ms test from 10.2.2.1(E-HICH, SHO, RLS not cont...) | F | 7.3.0 | 7.4.0 | R5-070578 |
| RP-35 | RP-070096 | 810 | - | Removal of the 2ms test from 10.2.2.2(E-HICH, SHO, RLS containing....) | F | 7.3.0 | 7.4.0 | R5-070579 |
| RP-35 | RP-070096 | 811 | - | Separation of the 2ms test from 10.2.2.2(E-HICH, SHO, RLS containing....) | F | 7.3.0 | 7.4.0 | R5-070567 |
| RP-35 | RP-070096 | 812 | - | Removal of the 2ms test from 10.3.1(E-RGCH, Single link performance) | F | 7.3.0 | 7.4.0 | R5-070568 |
| RP-35 | RP-070096 | 813 | - | Separation of the 2ms test from 10.3.1(E-RGCH, single link) | F | 7.3.0 | 7.4.0 | R5-070569 |
| RP-35 | RP-070097 | 814 | - | Correction to 10.3.2(E-RGCH, SHO) | F | 7.3.0 | 7.4.0 | R5-070570 |
| RP-35 | RP-070097 | 815 | - | Statistical annex for E-DCH performance tests | F | 7.3.0 | 7.4.0 | R5-070561 |
| RP-35 | RP-070097 | 816 | - | Statistical requirements for test cases 8.4.4 | F | 7.3.0 | 7.4.0 | R5-070515 |
| RP-35 | RP-070090 | 817 | - | New test case: Demodulation of MTCH and cell identification – RLC SDU Error Rate | F | 7.3.0 | 7.4.0 | R5-070580 |
| RP-35 | RP-070090 | 818 | - | Addition of reference measurement channel, downlink physical channels configuration and VA3 fading condition for MBMS RF testing | F | 7.3.0 | 7.4.0 | R5-070546 |
| RP-35 | RP-070090 | 819 | - | Introduction of the new demodulation of MTCH test case | F | 7.3.0 | 7.4.0 | R5-070547 |
| RP-35 | RP-070094 | 820 | - | CR to 34.121-1: Introduction of FDD Mode Test frequencies for Operating Band X (Extended 1.7/2.1 GHz) to Chapter 4 | F | 7.3.0 | 7.4.0 | R5-070162 |
| RP-35 | RP-070094 | 821 | - | CR to 34.121-1: Introduction of FDD Band X (Extended UMTS 1.7/2.1 GHz) to Chapter 5 | F | 7.3.0 | 7.4.0 | R5-070536 |
| RP-35 | RP-070094 | 822 | - | CR to 34.121-1: Introduction of FDD Band X (Extended UMTS 1.7/2.1 GHz) to Chapter 6 | F | 7.3.0 | 7.4.0 | R5-070537 |
| RP-35 | RP-070094 | 823 | - | CR to 34.121-1: Introduction of FDD Band X (Extended UMTS 1.7/2.1 GHz) to Annex D | F | 7.3.0 | 7.4.0 | R5-070165 |
| RP-35 | RP-070094 | 824 | - | CR to 34.121-1: Introduction of FDD Band X (Extended UMTS 1.7/2.1 GHz) to Annex F | F | 7.3.0 | 7.4.0 | R5-070166 |
| RP-35 | RP-070101 | 825 | - | Test time reduction to event trigger tests | F | 7.3.0 | 7.4.0 | R5-070560 |
| RP-35 | RP-070090 | 826 | - | New test case: Cell re-selection during an MBMS session, one UTRAN inter-frequency and 2 GSM cells present in the neighbour list | F | 7.3.0 | 7.4.0 | R5-070573 |
| RP-36 | RP-070357 | 827 | - | Uncertainties for E-TFC restriction test cases 8.4.4.1 and 8.4.4.2. | F | 7.4.0 | 7.5.0 | R5-071064 |
| RP-36 | RP-070368 | 828 | - | CR to 34.121-1: Introduction of FDD Band X (Extended UMTS 1.7/2.1 GHz) to Chapter 8 | F | 7.4.0 | 7.5.0 | R5-071080 |
| RP-36 | RP-070368 | 829 | - | CR to 34.121-1: Introduction of FDD Band X (Extended UMTS 1.7/2.1 GHz) to Annex F for RRM test cases | F | 7.4.0 | 7.5.0 | R5-071081 |
| RP-36 | RP-070344 | 830 | - | TC 8.3.4 - addition of physical channel reconfiguration message | F | 7.4.0 | 7.5.0 | R5-071103 |
| RP-36 | RP-070356 | 831 | - | Correction to connection diagram to use for test 9.2.1G | F | 7.4.0 | 7.5.0 | R5-071151 |
| RP-36 | RP-070354 | 832 | - | Addition of settings for the serving cell in test case 5.2AA | F | 7.4.0 | 7.5.0 | R5-071153 |
| RP-36 | RP-070349 | 833 | - | Adding the AICH power level to TC 7.11 | F | 7.4.0 | 7.5.0 | R5-071179 |
| RP-36 | RP-070350 | 834 | - | TC 7.8.4 and RRC CONNECTION SETUP message in Annex I | F | 7.4.0 | 7.5.0 | R5-071180 |
| RP-36 | RP-070357 | 835 | - | Corrections to test procedure of test case 5.2B | F | 7.4.0 | 7.5.0 | R5-071182 |
| RP-36 | RP-070357 | 836 | - | Removing tables C.11.1.1 and C.11.1.2 from Annex C | F | 7.4.0 | 7.5.0 | R5-071183 |
| RP-36 | RP-070350 | 837 | - | Clarification to DL DTCH for HSDPA test cases and E-DCH test cases in section 5. | F | 7.4.0 | 7.5.0 | R5-071203 |
| RP-36 | RP-070363 | 838 | - | Connection diagram for three cells tests with multipath fading propagation is missing | F | 7.4.0 | 7.5.0 | R5-071207 |
| RP-36 | RP-070344 | 839 | - | Correction to Measurement report message in Annex I for Inter RAT tests | F | 7.4.0 | 7.5.0 | R5-071217 |
| RP-36 | RP-070357 | 840 | - | Correction to RB setup in 5.2B | F | 7.4.0 | 7.5.0 | R5-071222 |
| RP-36 | RP-070357 | 841 | - | Correction to missed down procedure in 10.3.2 | F | 7.4.0 | 7.5.0 | R5-071226 |
| RP-36 | RP-070357 | 842 | - | Correction of procedure for 10.3.1.1 | F | 7.4.0 | 7.5.0 | R5-071228 |
| RP-36 | RP-070363 | 843 | - | Correction to the demodulation of MTCH test case | F | 7.4.0 | 7.5.0 | R5-071255 |
| RP-36 | RP-070344 | 844 | - | Applicability change of vibration condition to 34.121-1 test case 5.3 | F | 7.4.0 | 7.5.0 | R5-071323 |
| RP-36 | RP-070344 | 845 | - | Correction to 5.13.1 | F | 7.4.0 | 7.5.0 | R5-071324 |
| RP-36 | RP-070350 | 846 | - | Correction of test parameter 'Available signature Start Index and Available signature End Index' for TC 5.13.4 in TS 34.121-1 | F | 7.4.0 | 7.5.0 | R5-071325 |
| RP-36 | RP-070350 | 847 | - | Correction to 6.3A | F | 7.4.0 | 7.5.0 | R5-071326 |
| RP-36 | RP-070349 | 848 | - | Correction to 7.11 | F | 7.4.0 | 7.5.0 | R5-071327 |

| T Meeting | Doc-1 st -Level | CR | Rev | Subject | Cat | Version - Current | Version -New | Doc-2 nd -Level |
|-----------|----------------------------|-----|-----|--|-----|-------------------|--------------|----------------------------|
| RP-36 | RP-070350 | 849 | - | Correction to 7.8.4 | F | 7.4.0 | 7.5.0 | R5-071328 |
| RP-36 | RP-070354 | 850 | - | UTRA Carrier RSSI relative accuracy | F | 7.4.0 | 7.5.0 | R5-071330 |
| RP-36 | RP-070363 | 851 | - | Tc 8.3.6.3 - modification of table 8.3.6.3.1 and addition of SIB11 | F | 7.4.0 | 7.5.0 | R5-071332 |
| RP-36 | RP-070354 | 852 | - | Correction to 8.3.8 | F | 7.4.0 | 7.5.0 | R5-071334 |
| RP-36 | RP-070344 | 853 | - | Correction to Annex K - ' cell configuration mapping' table | F | 7.4.0 | 7.5.0 | R5-071336 |
| RP-36 | RP-070350 | 854 | - | Correction to 34.121-1 test case for: UE Transmitted Power test tolerances to Annex F | F | 7.4.0 | 7.5.0 | R5-071339 |
| RP-36 | RP-070354 | 855 | - | Applicability of DL power tables | F | 7.4.0 | 7.5.0 | R5-071340 |
| RP-36 | RP-070350 | 856 | - | Clarification to fading conditions for Enhanced Performance Requirements Type 3 and Transmit Diversity | F | 7.4.0 | 7.5.0 | R5-071341 |
| RP-36 | RP-070350 | 857 | - | MAC-d PDU size for UE Categories 7 and above in 9.3 | F | 7.4.0 | 7.5.0 | R5-071342 |
| RP-36 | RP-070354 | 858 | - | Correction to performance TCs for HS-SCCH detection | F | 7.4.0 | 7.5.0 | R5-071343 |
| RP-36 | RP-070350 | 859 | - | CR to 34.121-1:Introduction of test cases for multi-path fading intra-frequency cell identification | F | 7.4.0 | 7.5.0 | R5-071345 |
| RP-36 | RP-070350 | 860 | - | CR to 34.121-1:Introduction of test tolerances for multi-path fading intra-frequency cell identification RRM test cases | F | 7.4.0 | 7.5.0 | R5-071346 |
| RP-36 | RP-070350 | 861 | - | CR to 34.121-1:Introduction of default message contents for multi-path fading intra-frequency cell identification RRM test cases | F | 7.4.0 | 7.5.0 | R5-071347 |
| RP-36 | RP-070357 | 862 | - | Corrections to E-TFCl restriction test cases 8.4.4.1 and 8.4.4.2 | F | 7.4.0 | 7.5.0 | R5-071349 |
| RP-36 | RP-070357 | 863 | - | Correction to E-DCH Power Setting | F | 7.4.0 | 7.5.0 | R5-071355 |
| RP-36 | RP-070357 | 864 | - | Corrections to HSUPA test case 8.4.4.1 | F | 7.4.0 | 7.5.0 | R5-071356 |
| RP-36 | RP-070363 | 865 | - | Correction to Annex E.5B | F | 7.4.0 | 7.5.0 | R5-071357 |
| RP-36 | RP-070350 | 866 | - | Correction of parameter for TC 5.13.4 in TS 34.121-1 | F | 7.4.0 | 7.5.0 | R5-071362 |
| RP-36 | RP-070350 | 867 | - | Correction to 34.121-1 test case for: UE transmitted power | F | 7.4.0 | 7.5.0 | R5-071363 |
| RP-36 | RP-070344 | 868 | - | TC 8.6.4.1 test 1 and 2 - addition of physical channel reconfiguration messages | F | 7.4.0 | 7.5.0 | R5-071364 |
| RP-36 | RP-070354 | 869 | - | Corrections to TC 8.6.5.1Correct reporting of neighbours... | F | 7.4.0 | 7.5.0 | R5-071366 |
| RP-36 | RP-070363 | 870 | - | Typo correction on Tc 8.3.6.3. | F | 7.4.0 | 7.5.0 | R5-071367 |
| RP-36 | RP-070357 | 871 | - | Introduction of Relative Code Domain Power Accuracy for HS-DPCCH and E-DCH | F | 7.4.0 | 7.5.0 | R5-071369 |
| RP-36 | RP-070357 | 872 | - | Introduction of Relative Code Domain Error with HS-DPCCH and E-DCH | F | 7.4.0 | 7.5.0 | R5-071370 |
| RP-36 | RP-070357 | 873 | - | RLC SDU size for E-DCH test cases in Annex C | F | 7.4.0 | 7.5.0 | R5-071371 |
| RP-36 | RP-070357 | 874 | - | Statistical requirements for 8.7.9 UE Transmission Power Headroom | F | 7.4.0 | 7.5.0 | R5-071372 |
| RP-36 | RP-070363 | 875 | - | Statistical Requirements for TC 8.3.6.3 | F | 7.4.0 | 7.5.0 | R5-071373 |
| RP-36 | RP-070363 | 876 | - | MBMS New test case: Cell Reselection during an MBMS session, one frequency present in neighbour list | F | 7.4.0 | 7.5.0 | R5-071374 |
| RP-36 | RP-070357 | 877 | - | Correction to E-TFC restriction in UE | F | 7.4.0 | 7.5.0 | R5-071375 |
| RP-36 | RP-070357 | 878 | - | RLC SDU size for E-DCH test cases | F | 7.4.0 | 7.5.0 | R5-071376 |
| RP-36 | RP-070357 | 879 | - | Corrections to HSUPA test case 8.4.4.2 | F | 7.4.0 | 7.5.0 | R5-071377 |
| RP-36 | RP-070344 | 880 | - | Correction of test case 8.3.4 for Inter-system Handover from UTRAN FDD to GSM | F | 7.4.0 | 7.5.0 | R5-071249 |
| RP-36 | RP-070344 | 881 | - | Corrections to RRM test case 8.7.3.A when run in FDD Band V and VI | F | 7.4.0 | 7.5.0 | R5-071379r1 |
| RP-37 | RP-070588 | 882 | - | Correction to call setup procedure | F | 7.5.0 | 7.6.0 | R5-072256 |
| RP-37 | RP-070588 | 883 | - | Correction to ACTIVESET UPDATE message in Annex I | F | 7.5.0 | 7.6.0 | R5-072257 |
| RP-37 | RP-070596 | 884 | - | CR to 34.121-1: New Requirements for Fast L1 Synchronization | F | 7.5.0 | 7.6.0 | R5-072134 |
| RP-37 | RP-070593 | 885 | - | Correction to cell configurations of 8.7.3.2 and 8.7.3D in Annex K | F | 7.5.0 | 7.6.0 | R5-072258 |
| RP-37 | RP-070588 | 886 | - | Clarification of Transmission gap pattern sequence | F | 7.5.0 | 7.6.0 | R5-072260 |
| RP-37 | RP-070596 | 887 | - | Correction to Annex I | F | 7.5.0 | 7.6.0 | R5-072262 |
| RP-37 | RP-070588 | 888 | - | Removing test procedure for event trigger tests | F | 7.5.0 | 7.6.0 | R5-072263 |
| RP-37 | RP-070596 | 889 | - | Correction to MEASUREMENT CONTROL message (Intra Frequency) in 8.6.5.1 | F | 7.5.0 | 7.6.0 | R5-072575 |
| RP-37 | RP-070596 | 890 | - | CR to 34.121-1: New FDD UE receiver performance requirements for Release 6 test tolerances to Annex F | F | 7.5.0 | 7.6.0 | R5-072129 |

| T Meeting | Doc-1 st -Level | CR | Rev | Subject | Cat | Version - Current | Version -New | Doc-2 nd -Level |
|-----------|----------------------------|-----|-----|---|-----|-------------------|--------------|----------------------------|
| RP-37 | RP-070596 | 891 | - | CR to 34.121-1: Introduction of new compressed mode reference pattern in Annex C | F | 7.5.0 | 7.6.0 | R5-072130 |
| RP-37 | RP-070596 | 892 | - | CR to 34.121-1: Introduction of test case for correct reporting of neighbours in fading propagation condition using TGL1=14 RRM test tolerances | F | 7.5.0 | 7.6.0 | R5-072132 |
| RP-37 | RP-070596 | 893 | - | Correction to channel power of T0 in 8.3.8 | F | 7.5.0 | 7.6.0 | R5-072265 |
| RP-37 | RP-070596 | 894 | - | CR to 34.121-1: Correction to the Inter Frequency Cell Identification test cases test tolerances | F | 7.5.0 | 7.6.0 | R5-072406 |
| RP-37 | RP-070601 | 895 | - | Scheduling info Power offset for E-DCH E-TFC restriction TCs | F | 7.5.0 | 7.6.0 | R5-072055 |
| RP-37 | RP-070601 | 896 | - | Correction of the maximum channelisation codes allowed in test cases 8.4.4.1 and 8.4.4.2. | F | 7.5.0 | 7.6.0 | R5-072056 |
| RP-37 | RP-070601 | 897 | - | Correction to reference for E-DCH Test Case | F | 7.5.0 | 7.6.0 | R5-072060 |
| RP-37 | RP-070601 | 898 | - | Correction to E-DCH 2 cell TCs | F | 7.5.0 | 7.6.0 | R5-072071 |
| RP-37 | RP-070601 | 899 | - | Correction to E-DCH Active set update message | F | 7.5.0 | 7.6.0 | R5-072072 |
| RP-37 | RP-070601 | 900 | - | Corrections to Table C.11.3.1 in Annex C | F | 7.5.0 | 7.6.0 | R5-072243 |
| RP-37 | RP-070601 | 901 | - | Correction to HS-PDSCH power in section 10 test cases | F | 7.5.0 | 7.6.0 | R5-072269 |
| RP-37 | RP-070608 | 902 | - | Addition of test tolerances for MBMS RF and RRM test cases | F | 7.5.0 | 7.6.0 | R5-072342 |
| RP-37 | RP-070615 | 903 | - | Introduction of continuous packet connectivity (CPC) to "Out-of-synchronization handling of output power" | F | 7.5.0 | 7.6.0 | R5-072179 |
| RP-37 | RP-070596 | 907 | - | Add test tolerance and test frequencies for 5.13.2A and 5.13.2B UE Relative Code Domain Error. | F | 7.5.0 | 7.6.0 | R5-072353 |
| RP-37 | RP-070596 | 908 | - | Replace tentative test tolerances for UE Relative Code Domain Power Accuracy tests 5.2C and 5.2D. | F | 7.5.0 | 7.6.0 | R5-072354 |
| RP-37 | RP-070596 | 909 | - | Add frequency range 4 to 6.5 Blocking Characteristics | F | 7.5.0 | 7.6.0 | R5-072355 |
| RP-37 | RP-070596 | 910 | - | CR to 34.121-1: New FDD UE receiver performance requirements for Release 6 | F | 7.5.0 | 7.6.0 | R5-072356 |
| RP-37 | RP-070588 | 911 | - | CR to 34.121-1: Correction to FDD/FDD Soft Handover test cases | F | 7.5.0 | 7.6.0 | R5-072357 |
| RP-37 | RP-070596 | 912 | - | CR to 34.121-1: Introduction of test case for correct reporting of neighbours in fading propagation condition using TGL1=14 RRM test case | F | 7.5.0 | 7.6.0 | R5-072358 |
| RP-37 | RP-070593 | 913 | - | Correction to measurement control message in 8.7.3D | F | 7.5.0 | 7.6.0 | R5-072363 |
| RP-37 | RP-070596 | 914 | - | Correction to frequency separation in 8.7.3.2 | F | 7.5.0 | 7.6.0 | R5-072364 |
| RP-37 | RP-070593 | 915 | - | Correction to HSDPA diversity performance TCs | F | 7.5.0 | 7.6.0 | R5-072366 |
| RP-37 | RP-070601 | 916 | - | Corrections to E-DCH UE Power Headroom TC | F | 7.5.0 | 7.6.0 | R5-072370 |
| RP-37 | RP-070601 | 917 | - | Definition of uncertainties for E-DCH UE Power Headroom TC | F | 7.5.0 | 7.6.0 | R5-072371 |
| RP-37 | RP-070601 | 918 | - | Corrections to E-DCH E-TFC restriction Test Cases | F | 7.5.0 | 7.6.0 | R5-072372 |
| RP-37 | RP-070601 | 919 | - | Correction to 5.2D UE Relative Code Domain Power Accuracy for HS-DPCCH and E-DCH | F | 7.5.0 | 7.6.0 | R5-072375 |
| RP-37 | RP-070601 | 920 | - | Corrections to Section 10 | F | 7.5.0 | 7.6.0 | R5-072377 |
| RP-37 | RP-070608 | 921 | - | Downlink physical channels code allocation for MBMS test cases | F | 7.5.0 | 7.6.0 | R5-072381 |
| RP-37 | RP-070615 | 922 | - | Introduction of continuous packet connectivity (CPC) to E-TFC restriction | F | 7.5.0 | 7.6.0 | R5-072384 |
| RP-37 | RP-070618 | 923 | - | New E-DCH TC: RLS not containing the Serving E-DCH cell (10ms TTI, Type 1) | F | 7.5.0 | 7.6.0 | R5-072388 |
| RP-37 | RP-070618 | 924 | - | New E-DCH TC: RLS not containing the Serving E-DCH cell (2ms TTI, Type 1) | F | 7.5.0 | 7.6.0 | R5-072389 |
| RP-37 | RP-070618 | 925 | - | New E-DCH TC: RLS containing the Serving E-DCH cell (10ms TTI, Type 1) | F | 7.5.0 | 7.6.0 | R5-072390 |
| RP-37 | RP-070618 | 926 | - | New E-DCH TC: RLS containing the Serving E-DCH cell (2ms TTI, Type 1) | F | 7.5.0 | 7.6.0 | R5-072391 |
| RP-37 | RP-070618 | 927 | - | New E-DCH TC: E-RGCH single link performance (10ms TTI, Type 1) | F | 7.5.0 | 7.6.0 | R5-072392 |
| RP-37 | RP-070618 | 928 | - | New E-DCH TC: E-RGCH single link performance (2ms TTI, Type 1) | F | 7.5.0 | 7.6.0 | R5-072393 |
| RP-37 | RP-070618 | 929 | - | New E-DCH TC: Detection in Inter-Cell Handover conditions (Type 1) | F | 7.5.0 | 7.6.0 | R5-072394 |
| RP-37 | RP-070618 | 930 | - | New E-DCH TC: E-AGCH single link performance (Type 1) | F | 7.5.0 | 7.6.0 | R5-072395 |
| RP-37 | RP-070618 | 931 | - | Measurement uncertainties for E-DCH RX diversity (Type 1) tests | F | 7.5.0 | 7.6.0 | R5-072396 |
| RP-37 | RP-070618 | 932 | - | Downlink physical Channels for E-DCH RX-diversity (Type 1) tests | F | 7.5.0 | 7.6.0 | R5-072397 |
| RP-37 | RP-070618 | 933 | - | New E-DCH Connection Diagram: 2 cells/Fading/RX-diversity | F | 7.5.0 | 7.6.0 | R5-072343 |

| T Meeting | Doc-1 st -Level | CR | Rev | Subject | Cat | Version - Current | Version -New | Doc-2 nd -Level |
|-----------|----------------------------|-----|-----|---|-----|-------------------|--------------|----------------------------|
| RP-37 | RP-070617 | 934 | - | New test case for demodulation of MTCH and enhanced performance requirement 1 | F | 7.5.0 | 7.6.0 | R5-072385 |
| RP-37 | RP-070600 | 935 | - | UE performance requirements for high speed train | F | 7.5.0 | 7.6.0 | R5-072413 |
| RP-37 | RP-070596 | 936 | - | CR to 34.121-1: Correction to the Inter Frequency Cell Identification test cases | F | 7.5.0 | 7.6.0 | R5-072405 |
| RP-37 | RP-070592 | 937 | - | Correction to 8.6.1.2A – invalid IE for event 1C | F | 7.5.0 | 7.6.0 | R5-072410 |
| RP-37 | RP-070596 | 938 | - | CR to 34.121-1: Correction for testing receiver diversity UEs | F | 7.5.0 | 7.6.0 | R5-072402 |
| RP-37 | RP-070601 | 939 | - | Correction to E-DCH AG detection TC | F | 7.5.0 | 7.6.0 | R5-072403 |
| RP-37 | RP-070601 | 940 | - | Correction to 10.4 (E-AGCH) | F | 7.5.0 | 7.6.0 | R5-072400 |
| RP-37 | RP-070618 | 941 | - | New E-DCH TC: E-HICH single link performance (10ms TTI, Type 1) | F | 7.5.0 | 7.6.0 | R5-072414 |
| RP-37 | RP-070618 | 942 | - | New E-DCH TC: E-HICH single link performance (2ms TTI, Type 1) | F | 7.5.0 | 7.6.0 | R5-072415 |
| RP-37 | RP-070601 | 943 | - | Corrections to section 5.2B maximum output power with HS-DPCCH and E-DCH procedure | F | 7.5.0 | 7.6.0 | R5-072417 |
| RP-37 | RP-070601 | 944 | - | Correction to signalling pattern on the E-RGCH in 10.3.1 and 10.3.2 | F | 7.5.0 | 7.6.0 | R5-072418 |
| RP-37 | RP-070600 | 945 | - | Production of 34.121-1 Rel-7 pointer version to point to Rel-8 of the spec | F | 7.5.0 | 7.6.0 | R5-072591 |
| RP-37 | RP-070599 | 904 | - | Introduction of UMTS1500(Band XI) requirements to Chapter 4, 5 and 6 | F | 7.5.0 | 8.0.0 | R5-072274 |
| RP-37 | RP-070599 | 905 | - | Introduction of UMTS1500(Band XI) requirements to Chapter 8 | F | 7.5.0 | 8.0.0 | R5-072275 |
| RP-37 | RP-070599 | 906 | - | Introduction of UMTS1500(Band XI) requirements to Annex D and F | F | 7.5.0 | 8.0.0 | R5-072276 |
| RP-38 | RP-070858 | 946 | - | CR to 34.121-1: Correction to TFC and Compressed Mode Time Mask Diagrams | F | 8.0.0 | 8.1.0 | R5-073065 |
| RP-38 | RP-070858 | 947 | - | CR to 34.121-1: Correction to Spectrum Emission Mask Limits for Band V (UMTS 850) | F | 8.0.0 | 8.1.0 | R5-073067 |
| RP-38 | RP-070871 | 948 | - | Clarification to section 5.2B when no E-TFCI is present | F | 8.0.0 | 8.1.0 | R5-073363 |
| RP-38 | RP-070876 | 949 | - | CR to 34.121-1: Correction to add Power Class 3bis to receiver requirements | F | 8.0.0 | 8.1.0 | R5-073082 |
| RP-38 | RP-070871 | 950 | - | CR to 34.121-1: Correction to Downlink Compressed Mode Layer 1 Requirements | F | 8.0.0 | 8.1.0 | R5-073397 |
| RP-38 | RP-070858 | 951 | - | CR to 34.121-1: Correction to test case CPICH RSCP intra frequency measurements absolute accuracy minimum requirements | F | 8.0.0 | 8.1.0 | R5-073068 |
| RP-38 | RP-070858 | 952 | - | CR to 34.121-1: Correction to test case CPICH RSCP intra frequency test parameters | F | 8.0.0 | 8.1.0 | R5-073314 |
| RP-38 | RP-070871 | 953 | - | CR to 34.121-1: Correction to the UE Rx-Tx Time Difference Type 1 test case | F | 8.0.0 | 8.1.0 | R5-073365 |
| RP-38 | RP-070858 | 954 | - | CR to 34.121-1: Test time reduction for Cell Re-selection in CELL_FACH State for one and two frequency present in neighbour list | F | 8.0.0 | 8.1.0 | R5-073071 |
| RP-38 | RP-070858 | 955 | - | CR to 34.121-1: Test time reduction for RRM delay tests | F | 8.0.0 | 8.1.0 | R5-073316 |
| RP-38 | RP-070871 | 956 | - | CR to 34.121-1: Correction to test case combined inter frequency and GSM measurements correct reporting of neighbours in AWGN propagation condition | F | 8.0.0 | 8.1.0 | R5-073080 |
| RP-38 | RP-070871 | 957 | - | CR to 34.121-1: Correction to test case FDD/FDD Hard Handover to inter-frequency cell minimum requirements | F | 8.0.0 | 8.1.0 | R5-073317 |
| RP-38 | RP-070871 | 958 | - | Test Case 8.3.8 – Correction to Measurement Report | F | 8.0.0 | 8.1.0 | R5-073318 |
| RP-38 | RP-070871 | 959 | - | Test Case 8.6.5.1 – Correction to MEASUREMENT CONTROL and MEASUREMENT REPORT messages | F | 8.0.0 | 8.1.0 | R5-073319 |
| RP-38 | RP-070871 | 960 | - | Correction to RRM test case 8.7.9 | F | 8.0.0 | 8.1.0 | R5-073367 |
| RP-38 | RP-070858 | 961 | - | Correction to the test case 8.6.2.1 – compressed mode | F | 8.0.0 | 8.1.0 | R5-073379 |
| RP-38 | RP-070871 | 962 | - | Correction to the test case 8.6.2.1A – compressed mode | F | 8.0.0 | 8.1.0 | R5-073380 |
| RP-38 | RP-070869 | 963 | - | Correction to the test cases 8.6.2.2 – compressed mode | F | 8.0.0 | 8.1.0 | R5-073381 |
| RP-38 | RP-070871 | 964 | - | Correction to the test cases 8.6.2.2A – compressed mode | F | 8.0.0 | 8.1.0 | R5-073382 |
| RP-38 | RP-070858 | 965 | - | Correction to test case 8.6.4.1 – compressed mode | F | 8.0.0 | 8.1.0 | R5-073393 |
| RP-38 | RP-070858 | 966 | - | Correction to the test case 8.7.1.2.1 – compressed mode | F | 8.0.0 | 8.1.0 | R5-073384 |

| T Meeting | Doc-1 st -Level | CR | Rev | Subject | Cat | Version - Current | Version -New | Doc-2 nd -Level |
|-----------|----------------------------|------|-----|---|-----|-------------------|--------------|----------------------------|
| RP-38 | RP-070858 | 967 | - | Correction to the test case 8.7.2.2.2 – compressed mode | F | 8.0.0 | 8.1.0 | R5-073385 |
| RP-38 | RP-070858 | 968 | - | Correction to the test case 8.7.3.1 – compressed mode | F | 8.0.0 | 8.1.0 | R5-073394 |
| RP-38 | RP-070858 | 969 | - | Correction to test case 8.7.4.2 – compressed mode | F | 8.0.0 | 8.1.0 | R5-073387 |
| RP-38 | RP-070858 | 970 | - | Corrections to test cases 8.6.1.3 and 8.6.1.3A | F | 8.0.0 | 8.1.0 | R5-073179 |
| RP-38 | RP-070858 | 971 | - | Correction to Qhyst parameter in 8.3.5 | F | 8.0.0 | 8.1.0 | R5-073207 |
| RP-38 | RP-070859 | 972 | - | Addition of specific reference messages for 8.4.3 | F | 8.0.0 | 8.1.0 | R5-073208 |
| RP-38 | RP-070859 | 973 | - | Correction to system uncertainty of RRM test cases | F | 8.0.0 | 8.1.0 | R5-073209 |
| RP-38 | RP-070859 | 974 | - | Correction to RRM test case 8.7.3.A | F | 8.0.0 | 8.1.0 | R5-073210 |
| RP-38 | RP-070859 | 975 | - | Corrections to the BCCH ARFCN for RRM TCs | F | 8.0.0 | 8.1.0 | R5-073211 |
| RP-38 | RP-070859 | 976 | - | Correction to Primary CPICH Tx Power in Measurement Control message for RRM TCs | F | 8.0.0 | 8.1.0 | R5-073324 |
| RP-38 | RP-070859 | 977 | - | Correction to IE Reporting interval in RRM event triggered tests | F | 8.0.0 | 8.1.0 | R5-073213 |
| RP-38 | RP-070859 | 978 | - | Correction to Annex I | F | 8.0.0 | 8.1.0 | R5-073215 |
| RP-38 | RP-070871 | 979 | - | Corrections to TC 9.2.1G Enhanced Performance Requirements Type 3 | F | 8.0.0 | 8.1.0 | R5-073052 |
| RP-38 | RP-070859 | 980 | - | CR to 34.121-1: Correction to UARFCN for Band V and Band VI | F | 8.0.0 | 8.1.0 | R5-073064 |
| RP-38 | RP-070871 | 981 | - | Correction to 10.2.2.2.1of 34.121-1 | F | 8.0.0 | 8.1.0 | R5-073087 |
| RP-38 | RP-070871 | 982 | - | Correction to fading configuration in 9.3.4 and 9.3.6 | F | 8.0.0 | 8.1.0 | R5-073090 |
| RP-38 | RP-070871 | 983 | - | Correction to number of tests in 9.4.1A and 9.4.2A | F | 8.0.0 | 8.1.0 | R5-073327 |
| RP-38 | RP-070872 | 984 | - | Clarification on the behaviour of the SS in 10.3.2 | F | 8.0.0 | 8.1.0 | R5-073092 |
| RP-38 | RP-070859 | 985 | - | Correction to extreme condition voltages for Lithium batteries | F | 8.0.0 | 8.1.0 | R5-073122 |
| RP-38 | RP-070876 | 986 | - | Correction to 34.121-1 applicability of HSDPA tests testing Enhanced performance type 3 terminals | F | 8.0.0 | 8.1.0 | R5-073328 |
| RP-38 | RP-070859 | 987 | - | Addition of new TCs to Annex K - cell configuration mapping table | F | 8.0.0 | 8.1.0 | R5-073127 |
| RP-38 | RP-070869 | 988 | - | Corrections to Annex K - cell configuration mapping table | F | 8.0.0 | 8.1.0 | R5-073329 |
| RP-38 | RP-070876 | 989 | - | Correction to test conditions in F5.3 | F | 8.0.0 | 8.1.0 | R5-073190 |
| RP-38 | RP-070859 | 990 | - | Correction of Table F.6.2.8 (statistical testing) | F | 8.0.0 | 8.1.0 | R5-073222 |
| RP-38 | RP-070872 | 991 | - | CR to 34.121-1: Introduction of new Constant BLER Target Requirements using DL reference measurement channel 2 (64 kbps) | F | 8.0.0 | 8.1.0 | R5-073368 |
| RP-38 | RP-070872 | 992 | - | CR to 34.121-1: Introduction of test tolerances for new Constant BLER Target using DL reference measurement channel 2 (64 kbps) test case | F | 8.0.0 | 8.1.0 | R5-073369 |
| RP-38 | RP-070872 | 993 | - | CR to 34.121-1: Introduction of new Power Control in the Downlink for F-DPCH Requirements | F | 8.0.0 | 8.1.0 | R5-073335 |
| RP-38 | RP-070872 | 994 | - | CR to 34.121-1: Introduction of new Power Control in the Downlink, Wind Up Effects (Release 6 and later) Requirements | F | 8.0.0 | 8.1.0 | R5-073370 |
| RP-38 | RP-070872 | 995 | - | CR to 34.121-1: Introduction of test tolerances for new Power Control in the Downlink, Wind Up Effects (Release 6 and later) test case | F | 8.0.0 | 8.1.0 | R5-073337 |
| RP-38 | RP-070877 | 996 | - | Clarification of the invalid MAC header for MBMS RF/RRM testing | F | 8.0.0 | 8.1.0 | R5-073175 |
| RP-38 | RP-070877 | 997 | - | Clarification of power level for MBMS RF/RRM testing | F | 8.0.0 | 8.1.0 | R5-073346 |
| RP-38 | RP-070877 | 998 | - | Test tolerances for TC 11.2 MTCH demodulation test | F | 8.0.0 | 8.1.0 | R5-073347 |
| RP-38 | RP-070877 | 999 | - | Addition of test system uncertainties and test tolerance for 8.3.5.4 and 8.3.6.3 | F | 8.0.0 | 8.1.0 | R5-073344 |
| RP-38 | RP-070877 | 1000 | - | Correction to Test Procedures of 8.3.5.4 and 8.3.6.3 | F | 8.0.0 | 8.1.0 | R5-073345 |
| RP-38 | RP-070877 | 1001 | - | Clarification of test procedure in 11.2, 11.2A and 11.3 | F | 8.0.0 | 8.1.0 | R5-073343 |
| RP-38 | RP-070884 | 1002 | - | Introduction of HSDPA performance requirements for 64QAM | F | 8.0.0 | 8.1.0 | R5-073348 |
| RP-38 | RP-070884 | 1003 | - | New 64QAM Test Case: Maximum Input Level for HS-PDSCH Reception (64QAM) | F | 8.0.0 | 8.1.0 | R5-073373 |
| RP-38 | RP-070883 | 1004 | - | CR to 34.121-1: Introduction of UE Transmitter Requirements for 16-QAM test cases | F | 8.0.0 | 8.1.0 | R5-073366 |
| RP-38 | RP-070885 | 1005 | - | Introduction of HS-SCCH-less demodulation requirements for CPC | F | 8.0.0 | 8.1.0 | R5-073352 |
| RP-38 | RP-070881 | 1006 | - | New MIMO Test Case: Demodulation of HS-DSCH (Fixed Reference Channel): MIMO Performance | F | 8.0.0 | 8.1.0 | R5-073396 |
| RP-38 | RP-070881 | 1007 | - | New MIMO Test Case: Reporting of Channel Quality Indicator: MIMO Performance | F | 8.0.0 | 8.1.0 | R5-073375 |
| RP-38 | RP-070881 | 1008 | - | HSDPA performance requirements for MIMO | F | 8.0.0 | 8.1.0 | R5-073353 |

| T Meeting | Doc-1 st -Level | CR | Rev | Subject | Cat | Version - Current | Version -New | Doc-2 nd -Level |
|-----------|----------------------------|------|-----|---|-----|-------------------|--------------|----------------------------|
| RP-38 | RP-070881 | 1009 | - | MIMO Fading scenarios and MIMO changes for 34.121-1 Annex | F | 8.0.0 | 8.1.0 | R5-073395 |
| RP-38 | RP-070888 | 1010 | - | Addition of test tolerances for TC 11.2A demodulation of MTCH enhanced perf req 1 | F | 8.0.0 | 8.1.0 | R5-073357 |

From v8.1.0, the history table is generated automatically from the Specs Status database (form "2008-04-01_apprvd-CRs-for-spec_form").

| T Meeting | Doc-1 st -Level | CR | Rev | Subject | Cat | Version - Current | Version -New | Doc-2 nd -Level |
|-----------|----------------------------|------|-----|---|-----|-------------------|--------------|----------------------------|
| RP-39 | RP-080091 | 1011 | - | Correction to Spectrum emission mask | F | 8.1.0 | 8.2.0 | R5-080419 |
| RP-39 | RP-080095 | 1012 | - | Correction to Test Procedure in 5.2B | F | 8.1.0 | 8.2.0 | R5-080381 |
| RP-39 | RP-080091 | 1013 | - | Correction to test case 6.5 for Band V operation | F | 8.1.0 | 8.2.0 | R5-080141 |
| RP-39 | RP-080095 | 1014 | - | CR to 34.121-1: Correction to test case power control in the downlink, wind up effects | F | 8.1.0 | 8.2.0 | R5-080425 |
| RP-39 | RP-080095 | 1015 | - | Correction to DL RMC for Channel2(64kbps) | F | 8.1.0 | 8.2.0 | R5-080421 |
| RP-39 | RP-080091 | 1016 | - | Correction to SHO messages | F | 8.1.0 | 8.2.0 | R5-080240 |
| RP-39 | RP-080095 | 1017 | - | Correction to target quality on DCCH | F | 8.1.0 | 8.2.0 | R5-080383 |
| RP-39 | RP-080095 | 1018 | - | Correction to TC 7.8.5 (F-DPCH power control test case) | F | 8.1.0 | 8.2.0 | R5-080385 |
| RP-39 | RP-080095 | 1019 | - | Correction to Table F6.1.10.3 for Power control in the downlink, constant BLER target | F | 8.1.0 | 8.2.0 | R5-080386 |
| RP-39 | RP-080095 | 1020 | - | Correction to test case 8.7.9 UE Transmission Power Headroom | F | 8.1.0 | 8.2.0 | R5-080174 |
| RP-39 | RP-080091 | 1021 | - | Correction to system uncertainty of RRM test cases | F | 8.1.0 | 8.2.0 | R5-080243 |
| RP-39 | RP-080095 | 1022 | - | Correction to MEASUREMENT REPORT message in 8.7.6.1A | F | 8.1.0 | 8.2.0 | R5-080422 |
| RP-39 | RP-080095 | 1023 | - | Correction to 8.6.5.1 | F | 8.1.0 | 8.2.0 | R5-080245 |
| RP-39 | RP-080095 | 1024 | - | Correction to RRM test cases 8.4.4.1 and 8.4.4.2 | F | 8.1.0 | 8.2.0 | R5-080249 |
| RP-39 | RP-080091 | 1025 | - | TC 8.3.2.1 û Correction to Measurement Report | F | 8.1.0 | 8.2.0 | R5-080288 |
| RP-39 | RP-080091 | 1026 | - | Uniform application of Annex F.6.2.8 (statistical annex) to all tests in clause 8.7 | F | 8.1.0 | 8.2.0 | R5-080319 |
| RP-39 | RP-080091 | 1027 | - | Completion and correction of Annex F.6.2.8 (Statistical testing) | F | 8.1.0 | 8.2.0 | R5-080403 |
| RP-39 | RP-080095 | 1028 | - | Correction to table F.1.5 for test case 8.6.2.1A | F | 8.1.0 | 8.2.0 | R5-080139 |
| RP-39 | RP-080095 | 1029 | - | Correction to 9.4.2 and 9.4.2A channel levels | F | 8.1.0 | 8.2.0 | R5-080140 |
| RP-39 | RP-080095 | 1030 | - | Correction to 34.121-1 HSDPA test applicabilities for Enhanced Performance type 1 and type 3 terminals. | F | 8.1.0 | 8.2.0 | R5-080242 |
| RP-39 | RP-080093 | 1031 | - | Corrections to applicability of CQI test cases 9.3.1 to 9.3.6 | F | 8.1.0 | 8.2.0 | R5-080250 |
| RP-39 | RP-080103 | 1032 | - | PICH power level for MBMS performance test | F | 8.1.0 | 8.2.0 | R5-080418 |
| RP-39 | RP-080103 | 1033 | - | Clarification on MBMS MTCH reference channel for TC 11.3 | F | 8.1.0 | 8.2.0 | R5-080147 |
| RP-39 | RP-080103 | 1034 | - | Correction to TC 8.3.6.3 | F | 8.1.0 | 8.2.0 | R5-080391 |
| RP-39 | RP-080103 | 1035 | - | Correction to test procedure in 8.3.5.4 and 8.3.6.3 | F | 8.1.0 | 8.2.0 | R5-080392 |
| RP-39 | RP-080103 | 1036 | - | Addition the message exceptions to 8.3.6.3 | F | 8.1.0 | 8.2.0 | R5-080224 |
| RP-39 | RP-080103 | 1037 | - | Correction to the time for sending valid MAC headers and RLS SDUs in 11.2 and 11.2A | F | 8.1.0 | 8.2.0 | R5-080225 |
| RP-39 | RP-080103 | 1038 | - | Correction to cell update procedure in the transition from CELL_PCH to CELL_FACH. | F | 8.1.0 | 8.2.0 | R5-080227 |
| RP-39 | RP-080103 | 1039 | - | Correction to the BCCH ARFCN for 8.3.6.3 | F | 8.1.0 | 8.2.0 | R5-080228 |
| RP-39 | RP-080103 | 1040 | - | Correction to MBMS test case 11.3 | F | 8.1.0 | 8.2.0 | R5-080393 |
| RP-39 | RP-080103 | 1041 | - | Correction to 11.2 and 11.2A | F | 8.1.0 | 8.2.0 | R5-080428 |
| RP-39 | RP-080107 | 1042 | - | Addition of downlink physical channels power definition for 64QAM performance tests | F | 8.1.0 | 8.2.0 | R5-080394 |
| RP-39 | RP-080107 | 1043 | - | Correction of table captions in Annex F.6.3.4 | F | 8.1.0 | 8.2.0 | R5-080265 |
| RP-39 | RP-080107 | 1044 | - | Correction to Maximum input level 64QAM test case | F | 8.1.0 | 8.2.0 | R5-080426 |
| RP-39 | RP-080108 | 1045 | - | CR to 34.121-1: Correction to UE Transmitter 16-QAM test cases | F | 8.1.0 | 8.2.0 | R5-080395 |
| RP-39 | RP-080108 | 1046 | - | CR to 34.121-1: Introduction of test tolerances for UE Transmitter 16-QAM test cases | F | 8.1.0 | 8.2.0 | R5-080417 |
| RP-39 | RP-080111 | 1047 | - | Introduction of continuous packet connectivity (CPC) to intra frequency CPICH measurement requirements | F | 8.1.0 | 8.2.0 | R5-080414 |
| RP-39 | RP-080105 | 1048 | - | Adding test tolerances for test case 9.2.4A: MIMO Performance û Fixed Reference Channel (FRC) H-Set 9 | F | 8.1.0 | 8.2.0 | R5-080398 |
| RP-39 | RP-080105 | 1049 | - | Adding test tolerances in the annex for MIMO test cases | F | 8.1.0 | 8.2.0 | R5-080427 |

| T Meeting | Doc-1 st -Level | CR | Rev | Subject | Cat | Version - Current | Version -New | Doc-2 nd -Level |
|-----------|----------------------------|------|-----|---|-----|-------------------|--------------|----------------------------|
| RP-39 | RP-080105 | 1050 | - | Adding test procedure for MIMO CQI reporting test cases 9.3.7A and 9.3.7B | F | 8.1.0 | 8.2.0 | R5-080399 |
| RP-39 | RP-080105 | 1051 | - | New MIMO Test case: HS-SCCH Detection Performance: HS-SCCH Type M Performance | F | 8.1.0 | 8.2.0 | R5-080401 |
| RP-39 | RP-080105 | 1052 | - | Code allocation for HSDPA test cases | F | 8.1.0 | 8.2.0 | R5-080423 |
| RP-39 | RP-080103 | 1053 | - | Correction to TC 8.3.5.4 | F | 8.1.0 | 8.2.0 | R5-080307 |
| | | | | Completion of history table entries | | 8.2.0 | 8.2.1 | |
| RP-40 | RP-080372 | 1054 | - | CR to 34.121-1: Correction to UE Transmitter 16-QAM test cases | F | 8.2.1 | 8.3.0 | R5-081424 |
| RP-40 | RP-080372 | 1055 | - | CR to 34.121-1: Addition of UE reference measurement channel for E-DCH tests with 16QAM | F | 8.2.1 | 8.3.0 | R5-081446 |
| RP-40 | RP-080372 | 1056 | - | Introduction of new Test: Relative Carrier Leakage Power (IQ offset) | F | 8.2.1 | 8.3.0 | R5-081422 |
| RP-40 | RP-080372 | 1057 | - | CR to 34.121-1: Introduction of test tolerances for UE Transmitter 16-QAM test cases | F | 8.2.1 | 8.3.0 | R5-081425 |
| RP-40 | RP-080372 | 1058 | - | Correction to UE Transmitter 16-QAM test cases | F | 8.2.1 | 8.3.0 | R5-081275 |
| RP-40 | RP-080373 | 1059 | - | CR to 34.121-1: Correction to Transmit ON/OFF Power test cases for CPC requirements | F | 8.2.1 | 8.3.0 | R5-081427 |
| RP-40 | RP-080370 | 1060 | - | CR to 34.121-1: Introduction of Bands XII XIII and XIV (UMTS700 MHz) to section 4 | F | 8.2.1 | 8.3.0 | R5-081428 |
| RP-40 | RP-080370 | 1061 | - | CR to 34.121-1: Introduction of Bands XII XIII and XIV (UMTS700 MHz) to section 5 | F | 8.2.1 | 8.3.0 | R5-081429 |
| RP-40 | RP-080370 | 1062 | - | CR to 34.121-1: Introduction of Bands XII XIII and XIV (UMTS700 MHz) to section 6 | F | 8.2.1 | 8.3.0 | R5-081430 |
| RP-40 | RP-080370 | 1063 | - | CR to 34.121-1: Introduction of Bands XII XIII and XIV (UMTS700 MHz) to section 8 | F | 8.2.1 | 8.3.0 | R5-081431 |
| RP-40 | RP-080370 | 1064 | - | CR to 34.121-1: Introduction of Bands XII XIII and XIV (UMTS700 MHz) to Annex D | F | 8.2.1 | 8.3.0 | R5-081432 |
| RP-40 | RP-080370 | 1065 | - | CR to 34.121-1: Introduction of Bands XII XIII and XIV (UMTS700 MHz) to Annex F | F | 8.2.1 | 8.3.0 | R5-081433 |
| RP-40 | RP-080364 | 1066 | - | Correction to test requirements of TC 5.2B | F | 8.2.1 | 8.3.0 | R5-081174 |
| RP-40 | RP-080427 | 1067 | - | Removal of two test points from TC 5.7A | F | 8.2.1 | 8.3.0 | R5-081437 |
| RP-40 | RP-080365 | 1068 | - | Correction to DL reference channel for 6.3B | F | 8.2.1 | 8.3.0 | R5-081440 |
| RP-40 | RP-080364 | 1069 | - | Correction to Annex C.3.5 and C.6.2 for 7.8.1A | F | 8.2.1 | 8.3.0 | R5-081441 |
| RP-40 | RP-080364 | 1070 | - | Correction to test procedure in 7.8.5 of 34.121-1 | F | 8.2.1 | 8.3.0 | R5-081271 |
| RP-40 | RP-080363 | 1071 | - | 8.6.2.1 and 8.6.2.1A: correction to Measurement Control message | F | 8.2.1 | 8.3.0 | R5-081442 |
| RP-40 | RP-080363 | 1072 | - | Correction to 8.7.1.1 and 8.7.3A | F | 8.2.1 | 8.3.0 | R5-081272 |
| RP-40 | RP-080364 | 1073 | - | Correction to 8.3.6.3 | F | 8.2.1 | 8.3.0 | R5-081274 |
| RP-40 | RP-080427 | 1074 | - | Correction to test procedure of RRM test cases 8.6.1.5 and 8.6.1.6 | F | 8.2.1 | 8.3.0 | R5-081352 |
| RP-40 | RP-080364 | 1075 | - | Correction to 34.121-1 HSDPA tests' applicabilities for Enhanced Performance type 1 type 2 and type 3 terminals | F | 8.2.1 | 8.3.0 | R5-081221 |
| RP-40 | RP-080364 | 1076 | - | Statistical requirements for Clause 11 (MBMS) | F | 8.2.1 | 8.3.0 | R5-081444 |
| RP-40 | RP-080364 | 1077 | - | Correction to cell power in Section 11 Test Cases | F | 8.2.1 | 8.3.0 | R5-081445 |
| RP-40 | RP-080364 | 1078 | - | Correction to TC 8.3.5.4 | F | 8.2.1 | 8.3.0 | R5-081286 |
| RP-40 | RP-080364 | 1079 | - | Corrections to TBS size for MBMS test cases | F | 8.2.1 | 8.3.0 | R5-081449 |
| RP-40 | RP-080365 | 1080 | - | Correction to Annex B | F | 8.2.1 | 8.3.0 | R5-081426 |
| RP-40 | RP-080364 | 1081 | - | Correction to system uncertainty and test tolerance of 8.3.6.3 | F | 8.2.1 | 8.3.0 | R5-081261 |
| RP-41 | RP-080555 | 1082 | - | Corrections to cross references in EVM tests | F | 8.3.0 | 8.4.0 | R5-083190 |
| RP-41 | RP-080554 | 1083 | - | Correction to RRM tests cases in clause 8.2.3 | F | 8.3.0 | 8.4.0 | R5-083219 |
| RP-41 | RP--080740 | 1084 | - | Correction to HSUPA Tx test case | F | 8.3.0 | 8.4.0 | R5-083326 |
| RP-41 | RP--080740 | 1085 | - | Correction to 8.3.5.4 and 8.3.6.3 | F | 8.3.0 | 8.4.0 | R5-083328 |
| RP-41 | RP--080740 | 1086 | - | Addition the message exceptions to 11.2, 11.2A, and 11.3 | F | 8.3.0 | 8.4.0 | R5-083329 |
| RP-41 | RP--080740 | 1087 | - | Correction to 7.8.5 | F | 8.3.0 | 8.4.0 | R5-083330 |
| RP-41 | RP-080557 | 1088 | - | Update MIMO test cases with 25.101 | F | 8.3.0 | 8.4.0 | R5-083335 |
| RP-41 | RP-080554 | 1089 | - | Correction to RRM test case 8.3.4 | F | 8.3.0 | 8.4.0 | R5-083343 |
| RP-41 | RP-080554 | 1090 | - | Correction to RRM test case 8.6.5.1 – compressed mode and Measurement report | F | 8.3.0 | 8.4.0 | R5-083349 |
| RP-41 | RP--080740 | 1091 | - | Performance tests for UE with RX-diversity | F | 8.3.0 | 8.4.0 | R5-083373 |
| RP-41 | RP--080740 | 1092 | - | Performance tests for UE with RX-diversity: Connection diagrams | F | 8.3.0 | 8.4.0 | R5-083374 |
| RP-41 | RP--080740 | 1093 | - | RX Spurious Emissions in case of RX diversity | F | 8.3.0 | 8.4.0 | R5-083376 |
| RP-41 | RP-080554 | 1094 | - | Correction 7.8.5 (Power control in F-DPCH) | F | 8.3.0 | 8.4.0 | R5-083381 |
| RP-41 | RP-080557 | 1095 | - | Correction to Annex E.5.3 with respect to TC 9.2.1G and 9.2.4A | F | 8.3.0 | 8.4.0 | R5-083384 |
| RP-41 | RP-080554 | 1096 | - | Typo in 6.5.2 | F | 8.3.0 | 8.4.0 | R5-083385 |

| T Meeting | Doc-1 st -Level | CR | Rev | Subject | Cat | Version - Current | Version -New | Doc-2 nd -Level |
|-----------|----------------------------|------|-----|--|-----|-------------------|--------------|----------------------------|
| RP-41 | RP--080740 | 1097 | - | Maximum Channelisation Codes for CAT6 UE in 2ms case | F | 8.3.0 | 8.4.0 | R5-083388 |
| RP-41 | RP-080554 | 1098 | - | Correction to for the DL reference measurement channel 2 for 64 kbps | F | 8.3.0 | 8.4.0 | R5-083389 |
| RP-41 | RP-080557 | 1099 | - | Correction to MIMO propagation conditions, Annex D2.9 | F | 8.3.0 | 8.4.0 | R5-083390 |
| RP-41 | RP--080740 | 1100 | - | Correction of test 8.2.3.3 UTRAN to GSM reflection Scenario 3 | F | 8.3.0 | 8.4.0 | R5-083454 |
| RP-41 | RP-080702 | 1101 | - | New Fixed Reference Channel H-Set10 for 15 codes reception | F | 8.3.0 | 8.4.0 | R5-083462 |
| RP-41 | RP-080557 | 1102 | - | Proposal on the testing specification of Transmitter Characteristics for TS 36.521-1 | F | 8.3.0 | 8.4.0 | R5-083818 |
| RP-41 | RP-080702 | 1103 | - | UE categories for 15 codes HSDPA reception to chapter 9.2 and applicability changes to existing tests. | F | 8.3.0 | 8.4.0 | R5-083819 |
| RP-41 | RP-080702 | 1104 | - | UE categories for HSDPA 15 codes reception, applicability in existing tests. | F | 8.3.0 | 8.4.0 | R5-083820 |
| RP-41 | RP-080554 | 1105 | - | Correction to the reference table of test case 6.8 | F | 8.3.0 | 8.4.0 | R5-083827 |
| RP-41 | RP-080557 | 1106 | - | Correction to 9.5.1 and 9.5.1A | F | 8.3.0 | 8.4.0 | R5-083832 |
| RP-41 | RP-080554 | 1107 | - | Missing AWGN in connection A.13 and A.18 | F | 8.3.0 | 8.4.0 | R5-083833 |
| RP-41 | RP-080560 | 1108 | - | CR to 34.121 for SEM test cases | F | 8.3.0 | 8.4.0 | R5-083841 |
| RP-41 | RP-080554 | 1109 | - | Correction to WI-10 RRM test case 8.3.5.3 | F | 8.3.0 | 8.4.0 | R5-083846 |
| RP-41 | RP-080557 | 1110 | - | TT for TC5.13.1AAA (EVM and IQ offset | F | 8.3.0 | 8.4.0 | R5-083847 |
| RP-41 | RP-080557 | 1111 | - | CR to 34.121 for E-DCH 16QAM test cases | F | 8.3.0 | 8.4.0 | R5-083850 |
| RP-42 | RP-080954 | 1112 | - | CR to 34.121-1 for 5.13.2B test case | F | 8.4.0 | 8.5.0 | R5-085074 |
| RP-42 | RP-080955 | 1113 | - | CR to 34.121-1 Update of table F.6.3.5.1A | F | 8.4.0 | 8.5.0 | R5-085075 |
| RP-42 | RP-080963 | 1114 | - | New HSDPA performance test cases for UEs supporting 15 HS-PDSCH codes | F | 8.4.0 | 8.5.0 | R5-085161 |
| RP-42 | RP-080955 | 1115 | - | Clarification of title for MIMO clause 9.3.7 | F | 8.4.0 | 8.5.0 | R5-085171 |
| RP-42 | RP-080955 | 1116 | - | Correction to 5.2E, 5.13.1AAA and 5.13.2C | F | 8.4.0 | 8.5.0 | R5-085224 |
| RP-42 | RP-080956 | 1117 | - | Correction to system uncertainty and test tolerance for 6.3B and 9.2.1 | F | 8.4.0 | 8.5.0 | R5-085225 |
| RP-42 | RP-080954 | 1118 | - | Correction to 9.2.1H, 9.2.1I and 9.2.4A | F | 8.4.0 | 8.5.0 | R5-085227 |
| RP-42 | RP-080954 | 1119 | - | Correction to 6.3B, 9.2.1H and 9.2.1I | F | 8.4.0 | 8.5.0 | R5-085229 |
| RP-42 | RP-080954 | 1120 | - | Correction to test time in 11.2 and 11.2A | F | 8.4.0 | 8.5.0 | R5-085234 |
| RP-42 | RP-080956 | 1121 | - | TT for TC 5.13.1AAA (EVM and IQ offset) | F | 8.4.0 | 8.5.0 | R5-085318 |
| RP-42 | RP-080963 | 1122 | - | Statistical testing for new HSDPA performance test cases (15 codes) | F | 8.4.0 | 8.5.0 | R5-085724 |
| RP-42 | RP-080963 | 1123 | - | Changes to Annex for UEs supporting 15 HS-PDSCH codes | F | 8.4.0 | 8.5.0 | R5-085725 |
| RP-42 | RP-080955 | 1124 | - | CR to 34.121-1 for 5.13.2C test case editorial change | F | 8.4.0 | 8.5.0 | R5-085728 |
| RP-42 | RP-080953 | 1125 | - | CR to 34.121-1 for 5.13.3 test case editorial change | F | 8.4.0 | 8.5.0 | R5-085729 |
| RP-42 | RP-080956 | 1126 | - | Applicability changes in Demodulation of HS-DSCH single link tests. | F | 8.4.0 | 8.5.0 | R5-085730 |
| RP-42 | RP-080956 | 1127 | - | Applicability changes in Demodulation of HS-DSCH Tx diversity tests. | F | 8.4.0 | 8.5.0 | R5-085731 |
| RP-42 | RP-080956 | 1128 | - | Wrong minimum requirements in test case 9.2.3C | F | 8.4.0 | 8.5.0 | R5-085732 |
| RP-42 | RP-080953 | 1129 | - | Addition of references for UE's supporting a release-independent frequency band | F | 8.4.0 | 8.5.0 | R5-083830 |
| RP-43 | RP-090203 | 1130 | - | Modifications to CQI test cases in annexes | F | 8.5.0 | 8.6.0 | R5-090094 |
| RP-43 | RP-090218 | 1132 | - | New TC9.3.7D -- MIMO Dual Stream Static Orthogonal Conditions UE categories 15-20 | F | 8.5.0 | 8.6.0 | R5-090242 |
| RP-43 | RP-090218 | 1133 | - | New TC9.3.7E -- MIMO Dual Stream Static Orthogonal Conditions UE categories 19-20 | F | 8.5.0 | 8.6.0 | R5-090244 |
| RP-43 | RP-090200 | 1134 | - | Correction to 8.7.1 and 8.7.2 | F | 8.5.0 | 8.6.0 | R5-090305 |
| RP-43 | RP-090200 | 1135 | - | Statistical requirements for TC 7.8.5 (Power control in the downlink for F-DPCH) | F | 8.5.0 | 8.6.0 | R5-090378 |
| RP-43 | RP-090203 | 1136 | - | Correction to minimum test time for 9.5.1 and 9.5.1A | F | 8.5.0 | 8.6.0 | R5-090397 |
| RP-43 | RP-090218 | 1137 | - | Fixed reference channel FRC H-Set 11 for 64QAM + MIMO | F | 8.5.0 | 8.6.0 | R5-090491 |
| RP-43 | RP-090200 | 1138 | - | Correction to RRM Random Access Procedure test case 8.4.2.4 | F | 8.5.0 | 8.6.0 | R5-091037 |
| RP-43 | RP-090202 | 1139 | - | Correction to RRM E-TFC restriction test cases 8.4.4.1 and 8.4.4.2 | F | 8.5.0 | 8.6.0 | R5-091062 |
| RP-43 | RP-090202 | 1140 | - | Correction to 8.4.4.1 and 8.4.4.2 | F | 8.5.0 | 8.6.0 | R5-091065 |
| RP-43 | RP-090202 | 1141 | - | Correction of table 8.7.1.1.1.5 the reported value requirements for 8.7.1.1.1 | F | 8.5.0 | 8.6.0 | R5-091066 |
| RP-43 | RP-090203 | 1142 | - | Extensions to CQI tests | F | 8.5.0 | 8.6.0 | R5-091067 |
| RP-43 | RP-090203 | 1143 | - | Correction to minimum requirement table for 9.2.1 and 9.2.4 | F | 8.5.0 | 8.6.0 | R5-091069 |

| T Meeting | Doc-1 st -Level | CR | Rev | Subject | Cat | Version - Current | Version -New | Doc-2 nd -Level |
|-----------|----------------------------|------|-----|---|-----|-------------------|--------------|----------------------------|
| RP-43 | RP-090203 | 1144 | - | Introduction of requirements for UE UL power control operation with discontinuous UL DPCH transmission operation & changes to section 7 | F | 8.5.0 | 8.6.0 | R5-091074 |
| RP-43 | RP-090203 | 1145 | - | Introduction of requirements for UE UL power control operation with discontinuous UL DPCH transmission operation & changes to Annexes | F | 8.5.0 | 8.6.0 | R5-091075 |
| RP-43 | RP-090218 | 1146 | - | New TC9.3.7C -- MIMO Dual Stream Fading Conditions & UE categories 19-20 | F | 8.5.0 | 8.6.0 | R5-091093 |
| RP-43 | RP-090218 | 1147 | - | Adding test tolerances and MIMO propagation conditions in the annex for New MIMO test cases | F | 8.5.0 | 8.6.0 | R5-091094 |
| RP-43 | RP-090202 | 1148 | - | Statistical requirements for TC 9.2.3C | F | 8.5.0 | 8.6.0 | R5-091098 |
| RP-43 | RP-090201 | 1149 | - | Clarification on compressed mode DL frame type | F | 8.5.0 | 8.6.0 | R5-091103 |
| RP-43 | RP-090218 | 1150 | - | Mandatory support of enhanced receiver for 64QAM or MIMO capable UEs | F | 8.5.0 | 8.6.0 | R5-091104 |
| RP-44 | RP-090445 | 1151 | - | Statistical annex: HSDPA in CELL_FACH | F | 8.6.0 | 8.7.0 | R5-092134 |
| RP-44 | RP-090432 | 1152 | - | Correction to TRANSPORT CHANNEL RECONFIGURATION message in Annex I | F | 8.6.0 | 8.7.0 | R5-092145 |
| RP-44 | RP-090444 | 1153 | - | Addition of 64QAM + MIMO test case in annex of 34.121-1 | F | 8.6.0 | 8.7.0 | R5-092175 |
| RP-44 | RP-090433 | 1154 | - | Correction to 64QAM TCs of 6.3B, 9.2.1H, and 9.2.1I | F | 8.6.0 | 8.7.0 | R5-092368 |
| RP-44 | RP-090444 | 1155 | - | New HSDPA demodulation test for MIMO + 64QAM into 34.121-1 | F | 8.6.0 | 8.7.0 | R5-092631 |
| RP-44 | RP-090442 | 1156 | - | Update of Annexure A and Annexure E. | F | 8.6.0 | 8.7.0 | R5-092634 |
| RP-44 | RP-090432 | 1157 | - | Clarification about Rx Diversity in RRM tests | F | 8.6.0 | 8.7.0 | R5-092650 |
| RP-44 | RP-090442 | 1158 | - | New TC9.2.1L -- Single Link Performance - Enhanced Performance Requirements Type 3i - QPSK, Fixed Reference Channel (FRC) H-Set 6 | F | 8.6.0 | 8.7.0 | R5-092654 |
| RP-44 | RP-090432 | 1159 | - | Correction to HSUPA TC 5.2D and 5.13.2B | F | 8.6.0 | 8.7.0 | R5-092659 |
| RP-44 | RP-090432 | 1160 | - | Corrections to Annex C.11.3 for E-DCH test cases | F | 8.6.0 | 8.7.0 | R5-092662 |
| RP-44 | RP-090598 | 1162 | - | CR to 34.121-1: Addition of band XIX to RRM test cases | F | 8.6.0 | 8.7.0 | R5-092438 |
| RP-44 | RP-090598 | 1163 | - | Introduction of Extended UMTS800 for TRx requirements | F | 8.6.0 | 8.7.0 | R5-092462 |
| RP-44 | RP-090598 | 1164 | - | Update of Annex for Extended UMTS 800 | F | 8.6.0 | 8.7.0 | R5-092463 |
| RP-44 | RP-090432 | 0088 | 2 | Improved stability of TC7.8.5 Power control in the downlink for F-DPCH | F | 8.6.0 | 8.7.0 | R5-092652 |
| RP-45 | RP-090805 | 1165 | - | Inclusion of DC-HSDPA into Annexes | F | 8.7.0 | 8.8.0 | R5-094236 |
| RP-45 | RP-090793 | 1166 | - | Changes to applicabilities of CQI test cases | F | 8.7.0 | 8.8.0 | R5-094238 |
| RP-45 | RP-090794 | 1167 | - | Corrections to Test Case 9.3.1A | F | 8.7.0 | 8.8.0 | R5-094239 |
| RP-45 | RP-090794 | 1168 | - | Correction to FRC H-Set 8 Definition | F | 8.7.0 | 8.8.0 | R5-094240 |
| RP-45 | RP-090794 | 1169 | - | Correction to Table E.5.5A | F | 8.7.0 | 8.8.0 | R5-094241 |
| RP-45 | RP-090801 | 1171 | - | CR to 34.121-1: Addition of UTRA FDD-E-UTRA FDD cell reselection test case (E-UTRA is of higher Priority) | F | 8.7.0 | 8.8.0 | R5-094251 |
| RP-45 | RP-090801 | 1172 | - | CR to 34.121-1: Addition of UTRA FDD-E-UTRA FDD cell reselection test case (E-UTRA is of lower Priority) | F | 8.7.0 | 8.8.0 | R5-094252 |
| RP-45 | RP-090801 | 1173 | - | CR to 34.121-1: Addition of UTRA FDD - E-UTRA FDD cell search (fading) test case | F | 8.7.0 | 8.8.0 | R5-094255 |
| RP-45 | RP-090801 | 1174 | - | CR to 34.121-1: Addition of UTRA FDD - E-UTRA FDD HO delay test case | F | 8.7.0 | 8.8.0 | R5-094256 |
| | | 1175 | - | - | - | - | - | - |
| RP-45 | RP-090807 | 1176 | - | Statistics for Test 9.2.1L (HSDPA type 3i) | F | 8.7.0 | 8.8.0 | R5-094383 |
| RP-45 | RP-090810 | 1177 | - | CR to 34.121-1: Addition of band XIX requirement to 6.8 test case | F | 8.7.0 | 8.8.0 | R5-094531 |
| RP-45 | RP-090807 | 1178 | - | Update to the Applicability sections under Performance requirements for HSDPA clause of 34.121-1 | F | 8.7.0 | 8.8.0 | R5-094553 |
| | | 1179 | - | - | - | - | - | - |
| | | 1180 | - | - | - | - | - | - |
| RP-45 | RP-090791 | 1181 | - | Adding reference to the new test cases 9.2.2E and 9.2.3E in annex | F | 8.7.0 | 8.8.0 | R5-094828 |
| RP-45 | RP-090800 | 1182 | - | Update to MIMO Performance - Reporting of Channel Quality Indicator test cases | F | 8.7.0 | 8.8.0 | R5-094947 |
| RP-45 | RP-090805 | 1183 | - | Inclusion of DC-HSDPA into sections 3 and 4 of TS 34.121-1 | F | 8.7.0 | 8.8.0 | R5-094948 |
| RP-45 | RP-090805 | 1184 | - | Inclusion of DC-HSDPA into section 6 of TS 34.121-1 | F | 8.7.0 | 8.8.0 | R5-094949 |
| RP-45 | RP-090805 | 1185 | - | Reporting CQI test cases for DC-HSDPA Single Link Performance - AWGN and fading Propagation Conditions | F | 8.7.0 | 8.8.0 | R5-094950 |

| T Meeting | Doc-1 st -Level | CR | Rev | Subject | Cat | Version - Current | Version -New | Doc-2 nd -Level |
|-----------|----------------------------|------|-----|---|-----|-------------------|--------------|----------------------------|
| RP-45 | RP-090805 | 1186 | - | Inclusion of DC-HSDPA into sections 9.2 of TS 34.121-1 | F | 8.7.0 | 8.8.0 | R5-094951 |
| RP-45 | RP-090801 | 1187 | - | UTRA FDD to E-UTRA TDD handover test case | F | 8.7.0 | 8.8.0 | R5-094955 |
| RP-45 | RP-090801 | 1188 | - | UTRA FDD to E-UTRA TDD Cell Search test case | F | 8.7.0 | 8.8.0 | R5-094956 |
| RP-45 | RP-090793 | 1189 | - | Corrections to Annex C.11 for E-DCH test cases | F | 8.7.0 | 8.8.0 | R5-094962 |
| | | 1190 | - | - | - | - | - | - |
| RP-45 | RP-090809 | 1191 | - | New test cases: HS-DSCH and HS-SCCH in | F | 8.7.0 | 8.8.0 | R5-094985 |
| RP-45 | RP-090793 | 1192 | - | CR to 34.121-1: Correction to 5.2B test case | F | 8.7.0 | 8.8.0 | R5-094992 |
| RP-45 | RP-090793 | 1193 | - | CR to 34.121-1: Correction to 5.9B and 5.10B test | F | 8.7.0 | 8.8.0 | R5-094993 |
| RP-46 | RP-091121 | 1194 | - | CR to 34.121-1: Update to UTRA FDD - E-UTRA | F | 8.8.0 | 8.9.0 | R5-095870 |
| RP-46 | RP-091121 | 1195 | - | CR to 34.121-1: Update to UTRA FDD - E-UTRA | F | 8.8.0 | 8.9.0 | R5-095871 |
| RP-46 | RP-091121 | 1196 | - | CR to 34.121-1: Addition of UTRA FDD - E-UTRA | F | 8.8.0 | 8.9.0 | R5-095872 |
| RP-46 | RP-091124 | 1197 | - | Addition of Connection Diagrams for DC-HSDPA | F | 8.8.0 | 8.9.0 | R5-095918 |
| RP-46 | RP-091124 | 1198 | - | Addition of DC-HSDPA receiver test cases to annex | F | 8.8.0 | 8.9.0 | R5-095920 |
| RP-46 | RP-091124 | 1199 | - | Adding test tolerances and connection diagram | F | 8.8.0 | 8.9.0 | R5-095921 |
| RP-46 | RP-091117 | 1200 | - | Correction to 9.2.3D for supported UE categories | F | 8.8.0 | 8.9.0 | R5-096050 |
| RP-46 | RP-091126 | 1201 | - | Introduction of Type 3i test case uncertainties and | F | 8.8.0 | 8.9.0 | R5-096051 |
| RP-46 | RP-091124 | 1202 | - | Update to DC-HSDPA related sections 9.2 of TS | F | 8.8.0 | 8.9.0 | R5-096282 |
| RP-46 | RP-091124 | 1203 | - | Update to Reporting CQI test cases for DC-HSDPA | F | 8.8.0 | 8.9.0 | R5-096283 |
| RP-46 | RP-091124 | 1204 | - | Updates to Annexure A to Annexure F. in 34.121-1 | F | 8.8.0 | 8.9.0 | R5-096284 |
| RP-46 | RP-091124 | 1205 | - | Addition of AWGN definition for DC-HSDPA tests | F | 8.8.0 | 8.9.0 | R5-096286 |
| RP-46 | RP-091117 | 1206 | - | Clarification for Maximum Output Power with HS- | F | 8.8.0 | 8.9.0 | R5-096288 |
| RP-46 | RP-091118 | 1207 | 2 | Update of tests 9.6.1 and 9.6.2 (HS-DSCH and HS- | F | 8.8.0 | 8.9.0 | R5-096290 |
| RP-47 | RP-100149 | 1208 | - | Amendments to DC-HSDPA receiver test cases | F | 8.9.0 | 8.10.0 | R5-100138 |
| RP-47 | RP-100159 | 1209 | - | Introduction of enhanced serving HS-DSCH cell | F | 8.9.0 | 8.10.0 | R5-100141 |
| RP-47 | RP-100139 | 1210 | - | Addition of UE Power Class 3bis to all bands | F | 8.9.0 | 8.10.0 | R5-100143 |
| RP-47 | RP-100137 | 1211 | - | Clarification to testing of RRM test cases with | F | 8.9.0 | 8.10.0 | R5-100144 |
| RP-47 | RP-100139 | 1212 | - | Correction TC 7.8.5 | F | 8.9.0 | 8.10.0 | R5-100145 |
| RP-47 | RP-100138 | 1213 | - | Correction to power setting with HS-DPCCH | F | 8.9.0 | 8.10.0 | R5-100146 |
| RP-47 | RP-100139 | 1214 | - | Title change for test case in TC 8.3.5.4 in section 8 | F | 8.9.0 | 8.10.0 | R5-100148 |
| RP-47 | RP-100139 | 1215 | - | Title change for test case in TC 8.3.5.4 in annexes | F | 8.9.0 | 8.10.0 | R5-100149 |
| RP-47 | RP-100142 | 1216 | - | Addition of new test case TC 8.3.4d (UTRA FDD to | F | 8.9.0 | 8.10.0 | R5-100157 |
| RP-47 | RP-100149 | 1217 | - | Updates to DC-HSDPA performance test cases | F | 8.9.0 | 8.10.0 | R5-100165 |
| RP-47 | RP-100149 | 1218 | - | Updates to Annexure of 34.121-1 due to addition of | F | 8.9.0 | 8.10.0 | R5-100166 |
| RP-47 | RP-100149 | 1219 | - | Updates to DC-HSDPA CQI reporting test cases | F | 8.9.0 | 8.10.0 | R5-100213 |
| RP-47 | RP-100142 | 1220 | - | CR to 34.121-1: Update to UTRA FDD - E-UTRA | F | 8.9.0 | 8.10.0 | R5-100549 |
| RP-47 | RP-100142 | 1221 | - | CR to 34.121-1: Update to UTRA FDD - E-UTRA | F | 8.9.0 | 8.10.0 | R5-100550 |
| RP-47 | RP-100142 | 1222 | - | CR to 34.121-1: Update to UTRA FDD - E-UTRA | F | 8.9.0 | 8.10.0 | R5-100551 |
| RP-47 | RP-100142 | 1223 | - | CR to 34.121-1: Update to UTRA - E-UTRA cell search (fading) test cases | F | 8.9.0 | 8.10.0 | R5-100552 |
| RP-47 | RP-100142 | 1224 | - | CR to 34.121-1: Addition of Combined UTRA FDD - UTRA FDD - E-UTRA FDD cell search test case | F | 8.9.0 | 8.10.0 | R5-100553 |
| RP-47 | RP-100142 | 1225 | - | CR to 34.121-1: Addition of cell mapping for U-TRA E-UTRA RRM test cases | F | 8.9.0 | 8.10.0 | R5-100554 |
| RP-47 | RP-100154 | 1226 | - | CR to 34.121-1: Introduction of Extended UMTS1500MHz for RRM requirements | F | 8.9.0 | 8.10.0 | R5-100557 |
| RP-47 | RP-100139 | 1227 | - | CR to 34.121-1: Correction to 5.2B, 5.9B and 5.10B test cases | F | 8.9.0 | 8.10.0 | R5-100564 |
| RP-47 | RP-100142 | 1229 | - | Addition of new test case TC 8.6.7.2 (Combined Inter frequency and E-UTRAN measurements) to TS 34.121-1 | F | 8.9.0 | 8.10.0 | R5-100867 |
| RP-47 | RP-100142 | 1230 | - | Compressed mode reference pattern parameter updates to Annex C.5 to 34.121-1 | F | 8.9.0 | 8.10.0 | R5-100868 |
| RP-47 | RP-100142 | 1231 | - | Update of 9.3.1A Channel Code Power | F | 8.9.0 | 8.10.0 | R5-100869 |
| RP-47 | RP-100142 | 1232 | - | CR to 34.121-1: Introduction of Extended UMTS1500MHz for TRx requirements | F | 8.9.0 | 8.10.0 | R5-100874 |
| RP-47 | RP-100149 | 1233 | - | Addition of statistical tables for DC-HSDPA receiver tests | F | 8.9.0 | 8.10.0 | R5-100876 |
| RP-47 | RP-100149 | 1234 | - | Addition of new DC-HSDPA Type 3i test case 9.2.1 LA to TS 34.121-1 | F | 8.9.0 | 8.10.0 | R5-100877 |

| T Meeting | Doc-1 st -Level | CR | Rev | Subject | Cat | Version - Current | Version -New | Doc-2 nd -Level |
|-----------|----------------------------|------|-----|--|-----|-------------------|--------------|----------------------------|
| RP-47 | RP-100159 | 1235 | - | Introduction of enhanced serving HS-DSCH cell change test case into section 8 | F | 8.9.0 | 8.10.0 | R5-100878 |
| RP-47 | RP-100141 | 1236 | - | New CQI test case for Periodically Varying Radio Conditions | F | 8.9.0 | 8.10.0 | R5-100882 |
| RP-47 | RP-100142 | 1237 | - | UTRAN FDD - E-UTRAN TDD RSRP Measurement Accuracy Tests | F | 8.9.0 | 8.10.0 | R5-100902 |
| RP-47 | RP-100142 | 1238 | - | UTRAN FDD - E-UTRAN TDD RSRQ Measurement Accuracy Tests | F | 8.9.0 | 8.10.0 | R5-100903 |
| RP-47 | - | - | - | Moved to v9.0.0 with no change | - | 8.10.0 | 9.0.0 | - |
| RP-48 | RP-100521 | 1239 | - | Band20 test requirement additions to Inter/Intra Frequency measurement accuracy related test cases in Chapter 8(8.7.x) | F | 9.0.0 | 9.1.0 | R5-103166 |
| RP-48 | RP-100521 | 1240 | - | Addition of Band20 Test Tolerance for section 8.7.3.2 in 34.121-1 Annex F | F | 9.0.0 | 9.1.0 | R5-103168 |
| RP-48 | RP-100519 | 1241 | - | Introduction of E-AI detection performance test case into section 7 | F | 9.0.0 | 9.1.0 | R5-103502 |
| RP-48 | RP-100519 | 1242 | - | Introduction of E-AI detection performance test case into Annex | F | 9.0.0 | 9.1.0 | R5-103503 |
| RP-48 | RP-100508 | 1243 | - | Replacing the HS-SCCH Type M with HS-SCCH Type 3 | F | 9.0.0 | 9.1.0 | R5-103505 |
| RP-48 | RP-100508 | 1244 | - | Small corrections to TC 9.2.4B | F | 9.0.0 | 9.1.0 | R5-103506 |
| RP-48 | RP-100507 | 1245 | - | Clarifications to TC 5.2C and 5.2D applicabilities | F | 9.0.0 | 9.1.0 | R5-103507 |
| RP-48 | RP-100508 | 1246 | - | Correction to reference to Figure D.2.9.3 | F | 9.0.0 | 9.1.0 | R5-103509 |
| RP-48 | RP-100507 | 1247 | - | Correction to test procedure of RRM test 8.3.8 | F | 9.0.0 | 9.1.0 | R5-103554 |
| RP-48 | RP-100521 | 1248 | - | Support for UMTS/LTE 800MHz for Europe in | F | 9.0.0 | 9.1.0 | R5-103557 |
| RP-48 | RP-100521 | 1249 | - | Band20 test requirement additions to sections | F | 9.0.0 | 9.1.0 | R5-103723 |
| RP-48 | RP-100509 | 1250 | - | CR to 34.121-1: Update to UTRA FDD - E-UTRA | F | 9.0.0 | 9.1.0 | R5-103762 |
| RP-48 | RP-100517 | 1251 | - | Removing the square brackets from the values | F | 9.0.0 | 9.1.0 | R5-103765 |
| RP-48 | RP-100521 | 1253 | - | CR to 34.121-1: Addition of UE RF requirements for | F | 9.0.0 | 9.1.0 | R5-103767 |
| RP-48 | RP-100509 | 1252 | - | UTRAN FDD to E-UTRA FDD RSRQ absolute | F | 9.0.0 | 9.1.0 | R5-103774 |
| RP-48 | RP-100509 | 1254 | - | UTRAN FDD to E-UTRA FDD RSRP absolute accuracy | F | 9.0.0 | 9.1.0 | R5-103775 |
| RP-48 | RP-100507 | 1255 | - | Correction to missing parameters in Table E.5.8C and Table F.6.1.10.4 | F | 9.0.0 | 9.1.0 | R5-103787 |
| RP-49 | RP-100812 | 1257 | - | CR to 34.121-1: Update to Inter-system Handover from UTRAN FDD to E-UTRAN FDD test case | F | 9.1.0 | 9.2.0 | R5-104187 |
| RP-49 | RP-100810 | 1258 | - | Clarifications to applicabilities of TC 5.13.2A and TC 5.13.2B | F | 9.1.0 | 9.2.0 | R5-104373 |
| RP-49 | RP-100811 | 1259 | - | Addition of CQI fading test case for 64QAM UEs | F | 9.1.0 | 9.2.0 | R5-104376 |
| RP-49 | RP-100811 | 1260 | - | Addition of CQI fading test case for 64QAM UEs into annexes | F | 9.1.0 | 9.2.0 | R5-104379 |
| RP-49 | RP-100809 | 1261 | - | Small corrections to all CQI tests | F | 9.1.0 | 9.2.0 | R5-104382 |
| RP-49 | RP-100811 | 1262 | - | Modification of MIMO CQI fading test case and propagation condition names | F | 9.1.0 | 9.2.0 | R5-104384 |
| RP-49 | RP-100812 | 1263 | - | 34121-1 General update of sections 00 to 06: for E-UTRA testing | F | 9.1.0 | 9.2.0 | R5-104530 |
| RP-49 | RP-100812 | 1264 | - | 34121-1 Editorial update of sections 08 for E-UTRA testing | F | 9.1.0 | 9.2.0 | R5-104531 |
| RP-49 | RP-100985 | 1265 | - | Simplified connection for type 3i performance tests | F | 9.1.0 | 9.2.0 | R5-104592 |
| RP-49 | RP-100985 | 1266 | - | Further simplification for type 3i performance tests | F | 9.1.0 | 9.2.0 | R5-104593 |
| RP-49 | RP-100812 | 1267 | - | 34.121-1: Annex K update | F | 9.1.0 | 9.2.0 | R5-104615 |
| RP-49 | RP-100811 | 1268 | - | Removing editors notes in HS in CELL_FACH test cases | F | 9.1.0 | 9.2.0 | R5-104651 |
| RP-49 | RP-100808 | 1269 | - | 34.121-1_TC9.2.1HA_Definition and applicability correction | F | 9.1.0 | 9.2.0 | R5-104831 |
| RP-49 | RP-100808 | 1270 | - | 34.121-1 Correction parameters of Chapter 9 | F | 9.1.0 | 9.2.0 | R5-104832 |
| RP-49 | RP-100811 | 1271 | - | Correction in Initial Settings references correlating to Test Requirements Tables for test case 10.2.1.1A | F | 9.1.0 | 9.2.0 | R5-104833 |
| RP-49 | RP-100811 | 1272 | - | Correction in Initial Settings references correlating to Test Requirements Tables for test case 10.4.1A | F | 9.1.0 | 9.2.0 | R5-104834 |
| RP-49 | RP-100809 | 1273 | - | Correction in Annex E.2.1 to refer Downlink Physical Channels settings for test case 5.13.4 | F | 9.1.0 | 9.2.0 | R5-104835 |
| RP-49 | RP-100811 | 1274 | - | Adding RX diversity further to TC 5.4.4 (out of synch handling) | F | 9.1.0 | 9.2.0 | R5-104836 |
| RP-49 | RP-100811 | 1275 | - | TT and uncertainties for TC 5.4.4A (out of synch handling / RX diversity) | F | 9.1.0 | 9.2.0 | R5-104837 |
| RP-50 | RP-101137 | 1276 | - | Correction in Procedure Settings for test case 9.2.1G and corresponding Annex F.6.3 | F | 9.2.0 | 9.3.0 | R5-106159 |

| T Meeting | Doc-1 st -Level | CR | Rev | Subject | Cat | Version - Current | Version -New | Doc-2 nd -Level |
|-----------|----------------------------|------|-----|---|-----|-------------------|--------------|----------------------------|
| RP-50 | RP-101136 | 1277 | - | Correction to RCDP E-DCH 16QAM | F | 9.2.0 | 9.3.0 | R5-106199 |
| RP-50 | RP-101138 | 1278 | - | CR to 34.121-1: Correction to UTRA FDD - E-UTRA FDD cell re-selection (UTRA higher priority) test case | F | 9.2.0 | 9.3.0 | R5-106251 |
| RP-50 | RP-101137 | 1279 | - | Correction to UE Relative Code Domain Power Accuracy requirements | F | 9.2.0 | 9.3.0 | R5-106409 |
| RP-50 | RP-101134 | 1280 | - | Correction to references in out-of-sync tests 5.4.4 and 5.4.4A | F | 9.2.0 | 9.3.0 | R5-106411 |
| RP-50 | RP-101134 | 1281 | - | Adding Band XII, XIII and XIV operation info into out-of-band blocking test case | F | 9.2.0 | 9.3.0 | R5-106412 |
| RP-50 | RP-101146 | 1282 | - | Addition of cell mapping table to Type 3i tests | F | 9.2.0 | 9.3.0 | R5-106413 |
| RP-50 | RP-101146 | 1283 | - | Applicability change to TC 9.3.7A and 9.3.7B in TS 34.121-1 | F | 9.2.0 | 9.3.0 | R5-106414 |
| RP-50 | RP-101137 | 1284 | - | Correction to MIMO propagation conditions | F | 9.2.0 | 9.3.0 | R5-106416 |
| RP-50 | RP-101134 | 1285 | - | Removal of lower limit for humidity in normal conditions | F | 9.2.0 | 9.3.0 | R5-106417 |
| RP-50 | RP-101147 | 1286 | - | Maintenance of Band 20 for UTRAN RRM test cases | F | 9.2.0 | 9.3.0 | R5-106436 |
| RP-50 | RP-101138 | 1287 | - | Annex K update | F | 9.2.0 | 9.3.0 | R5-106485 |
| RP-50 | RP-101138 | 1288 | - | CR to 34.121-1: Correction to UTRA FDD - E-UTRA FDD cell re-selection (UTRA lower priority) test case | F | 9.2.0 | 9.3.0 | R5-106813 |
| RP-50 | RP-101160 | 1289 | - | Update of legacy HSDPA performance test cases for UE HS-DSCH Physical Layer category 25 to 28 | F | 9.2.0 | 9.3.0 | R5-106837 |
| RP-50 | RP-101146 | 1290 | - | Introduction of Test tolerances for 9.3.1C (Periodically Varying Radio Conditions) | F | 9.2.0 | 9.3.0 | R5-106839 |
| RP-50 | RP-101147 | 1291 | - | Correction to Downlink Physical Channels in DC-HSDPA Tests | F | 9.2.0 | 9.3.0 | R5-106861 |
| RP-51 | RP-110155 | 1292 | - | Corrections to Annex F.6.3 and 9.2.4A... | F | 9.3.0 | 9.4.0 | R5-110242 |
| RP-51 | RP-110155 | 1293 | - | Corrections to Annex C.11 for E-DCH test cases | F | 9.3.0 | 9.4.0 | R5-110301 |
| RP-51 | RP-110156 | 1294 | - | Correction in Clause 5.2E.4.1 to co-relate as per Annex C.8.1.1, Table C.8.1.1 | F | 9.3.0 | 9.4.0 | R5-110326 |
| RP-51 | RP-110156 | 1295 | - | Correction in Clause 5.13.2C.4.1 to co-relate as per Annex C.8.1.1, Table C.8.1.1 | F | 9.3.0 | 9.4.0 | R5-110327 |
| RP-51 | RP-110152 | 1296 | - | Correction to Notes in Tx Spurious Emissions | F | 9.3.0 | 9.4.0 | R5-110425 |
| RP-51 | RP-110155 | 1297 | - | Correction to table references in minimum requirements | F | 9.3.0 | 9.4.0 | R5-110426 |
| RP-51 | RP-110155 | 1298 | - | Clarification of CQI reporting requirement applicability | F | 9.3.0 | 9.4.0 | R5-110464 |
| RP-51 | RP-110156 | 1299 | - | Addition of Level Set 7 into Table E.5.9 | F | 9.3.0 | 9.4.0 | R5-110467 |
| RP-51 | RP-110177 | 1300 | - | New TC 9.2.4 - MIMO Performance - Fixed Reference Channel (FRC) H-SET 9A and TC 9.2.4D - MIMO Performance - Fixed Reference Channel (FRC) H-SET 11A | F | 9.3.0 | 9.4.0 | R5-110934 |
| RP-51 | RP-110177 | 1301 | - | Update of Annexure A to Annexure F | F | 9.3.0 | 9.4.0 | R5-110935 |
| RP-51 | RP-110157 | 1302 | - | Update to test case 8.3.4d | F | 9.3.0 | 9.4.0 | R5-110936 |
| RP-51 | RP-110166 | 1303 | - | Corrections to Band XII frequency range | F | 9.3.0 | 9.4.0 | R5-110976 |

| T Meeting | Doc-1 st -Level | CR | Rev | Subject | Cat | Version - Current | Version -New | Doc-2 nd -Level |
|-----------|----------------------------|------|-----|--|-----|-------------------|--------------|----------------------------|
| RP-52 | RP-110652 | 1304 | - | Correction of OOB interferer frequency ranges for Band XII in 34.121-1 | F | 9.4.0 | 9.5.0 | R5-112133 |
| RP-52 | RP-110651 | 1305 | - | Correction to DC-HSDPA RX TCs | F | 9.4.0 | 9.5.0 | R5-112425 |
| RP-52 | RP-110651 | 1306 | - | Correction to DC-HSDPA Performance TCs | F | 9.4.0 | 9.5.0 | R5-112427 |
| RP-52 | RP-110663 | 1307 | - | DC+MIMO Performance Test Case Update | F | 9.4.0 | 9.5.0 | R5-112472 |
| RP-52 | RP-110667 | 1308 | - | DB-DC-HSDPA in test case 6.2 | F | 9.4.0 | 9.5.0 | R5-112490 |
| RP-52 | RP-110643 | 1309 | - | Uncertainties and Test Tolerances for RRM test case 8.2.5.2 in 34.121-1 | F | 9.4.0 | 9.5.0 | R5-112564 |
| RP-52 | RP-110643 | 1310 | - | Uncertainties and Test Tolerances for RRM test case 8.3.4c in 34.121-1 | F | 9.4.0 | 9.5.0 | R5-112805 |
| RP-52 | RP-110651 | 1311 | - | Corrections to test case 10.3.2 | F | 9.4.0 | 9.5.0 | R5-112806 |
| RP-52 | RP-110663 | 1312 | - | Connection Diagram for DC+MIMO Performance tests | F | 9.4.0 | 9.5.0 | R5-112822 |
| RP-52 | RP-110652 | 1313 | - | Correction to the content of 'Definition and applicability' of the test case 5.4.4 | F | 9.4.0 | 9.5.0 | R5-112823 |
| RP-52 | RP-110641 | 1314 | - | Correction to the initial condition of the test case 7.8.5 of TS 34.121-1 | F | 9.4.0 | 9.5.0 | R5-112824 |
| RP-52 | RP-110642 | 1315 | - | Update to TC 9.2.4A | F | 9.4.0 | 9.5.0 | R5-112825 |
| RP-52 | RP-110651 | 1316 | - | Update to TC 9.2.4B | F | 9.4.0 | 9.5.0 | R5-112826 |
| RP-52 | RP-110642 | 1317 | - | Update to TC 9.4.3 | F | 9.4.0 | 9.5.0 | R5-112827 |
| RP-52 | RP-110652 | 1318 | - | Update to TC 9.2.4C and 9.2.4D | F | 9.4.0 | 9.5.0 | R5-112828 |
| RP-52 | RP-110638 | 1319 | - | Spurious Emission requirement extension due to EN spec change | F | 9.4.0 | 9.5.0 | R5-112836 |
| RP-52 | RP-110667 | 1320 | - | Addition of DB-DC-HSDPA into common sections of 34.121-1 | F | 9.4.0 | 9.5.0 | R5-112841 |
| RP-52 | RP-110667 | 1321 | - | New test case 6.2B for DB-DC-HSDPA, RF sensitivity | F | 9.4.0 | 9.5.0 | R5-112842 |
| RP-52 | RP-110667 | 1322 | - | New test case 6.3E for DB-DC-HSDPA, Maximum Input Level | F | 9.4.0 | 9.5.0 | R5-112843 |
| RP-52 | RP-110667 | 1323 | - | New test case 6.4C for DB-DC-HSDPA, Adjacent Channel Selectivity | F | 9.4.0 | 9.5.0 | R5-112844 |
| RP-52 | RP-110667 | 1324 | - | New test case 6.5B for DB-DC-HSDPA blocking | F | 9.4.0 | 9.5.0 | R5-112845 |
| RP-52 | RP-110667 | 1325 | - | New test case 6.6B for DB-DC-HSDPA, spurious response | F | 9.4.0 | 9.5.0 | R5-112846 |
| RP-52 | RP-110667 | 1326 | - | New test case 6.7B for DB-DC-HSDPA, Intermodulation | F | 9.4.0 | 9.5.0 | R5-112847 |
| RP-52 | RP-110643 | 1327 | - | Correction to UTRAN to E-UTRAN Cell Reselection | F | 9.4.0 | 9.5.0 | R5-112856 |
| RP-52 | RP-110667 | 1328 | - | Addition of DB-DC-HSDPA into Annex | F | 9.4.0 | 9.5.0 | R5-112867 |
| RP-53 | RP-111150 | 1329 | - | Adding connection diagram for DC-HSUPA basic Tx tests | F | 9.5.0 | 9.6.0 | R5-113079 |
| RP-53 | RP-111133 | 1330 | - | UE Relative Code Domain Power Accuracy for E-DCH | F | 9.5.0 | 9.6.0 | R5-113235 |
| RP-53 | RP-111150 | 1331 | - | Introduction of Annex C.11A to include DC-HSUPA parameters | F | 9.5.0 | 9.6.0 | R5-113265 |

| T Meeting | Doc-1 st -Level | CR | Rev | Subject | Cat | Version - Current | Version -New | Doc-2 nd -Level |
|-----------|----------------------------|------|-----|---|-----|-------------------|--------------|----------------------------|
| RP-53 | RP-111150 | 1332 | - | Addition of DC-HSUPA max power and RCDP tests to Annex F | F | 9.5.0 | 9.6.0 | R5-113266 |
| RP-53 | RP-111134 | 1333 | - | Correction to 8.6.6 E-UTRAN Measurement | F | 9.5.0 | 9.6.0 | R5-113470 |
| RP-53 | RP-111142 | 1334 | - | Correction to Frequency ranges in Blocking TCs | F | 9.5.0 | 9.6.0 | R5-113474 |
| RP-53 | RP-111134 | 1335 | - | Correction to DC-HSDPA Perf TCs | F | 9.5.0 | 9.6.0 | R5-113475 |
| RP-53 | RP-111146 | 1359 | - | Introduction of system information acquisition for CSG cell test cases into annex | F | 9.5.0 | 9.6.0 | R5-113510 |
| RP-53 | RP-111134 | 1336 | - | Correction to Inter-system Handover TCs | F | 9.5.0 | 9.6.0 | R5-114035 |
| RP-53 | RP-111142 | 1337 | - | Update to DC HSDPA connection diagram | F | 9.5.0 | 9.6.0 | R5-114036 |
| RP-53 | RP-111134 | 1338 | - | Uncertainties and Test Tolerances for UTRA to E-UTRA reselection test case 8.2.5.1 | F | 9.5.0 | 9.6.0 | R5-114052 |
| RP-53 | RP-111134 | 1339 | - | Uncertainties and Test Tolerances for Inter-system Handover from UTRAN FDD to E-UTRAN FDD/TDD test cases 8.3.4a+8.3.4b | F | 9.5.0 | 9.6.0 | R5-114054 |
| RP-53 | RP-111134 | 1340 | - | Test Tolerances for TC 8.6.6.1 and 8.6.6.2 | F | 9.5.0 | 9.6.0 | R5-114064 |
| RP-53 | RP-111134 | 1341 | - | Update of Annex I | F | 9.5.0 | 9.6.0 | R5-114065 |
| RP-53 | RP-111146 | 1357 | - | Addition of new Rel-9 RRM test case 8.3.10.1: Intrafrequency System information acquisition for CSG cell | F | 9.5.0 | 9.6.0 | R5-114075 |
| RP-53 | RP-111146 | 1358 | - | Addition of new Rel-9 RRM test case 8.3.10.2: Inter frequency System information acquisition for CSG cell | F | 9.5.0 | 9.6.0 | R5-114076 |
| RP-53 | RP-111150 | 1342 | - | New test case 5.4.2A, for DC-HSUPA, inner loop power control | F | 9.5.0 | 9.6.0 | R5-114078 |
| RP-53 | RP-111150 | 1343 | - | New test case 5.4.1A, for DC-HSUPA, open loop power control | F | 9.5.0 | 9.6.0 | R5-114079 |
| RP-53 | RP-111150 | 1344 | - | CR: New FDD Receiver TCs for Dual-Cell HSUPA | F | 9.5.0 | 9.6.0 | R5-114080 |
| RP-53 | RP-111150 | 1345 | - | Introduction of new test case for DC-HSUPA maximum output power | F | 9.5.0 | 9.6.0 | R5-114081 |
| RP-53 | RP-111150 | 1346 | - | Introduction of new test case for DC-HSUPA relative code domain power | F | 9.5.0 | 9.6.0 | R5-114082 |
| RP-53 | RP-111154 | 1347 | - | Addition measurement uncertainties and test tolerances for HS-SCCH Type 3 performance single stream restriction test in Annex | F | 9.5.0 | 9.6.0 | R5-114085 |
| RP-53 | RP-111134 | 1352 | - | Correction to 8.2.5.2 | F | 9.5.0 | 9.6.0 | R5-114092 |
| RP-53 | RP-111143 | 1353 | - | Harmonic Signal Exceptions in UTRA FDD Spurious Emissions | F | 9.5.0 | 9.6.0 | R5-114093 |
| RP-53 | RP-111143 | 1354 | - | Clarify uncertainty values for multi-carrier HSDPA | F | 9.5.0 | 9.6.0 | R5-114094 |
| RP-53 | RP-111149 | 1356 | - | Update to TC 9.2.1FA , 9.2.1HA and TC 9.2.1JA | F | 9.5.0 | 9.6.0 | R5-114109 |
| RP-53 | RP-111154 | 1348 | - | Introduction of New Test case 9.2.4E | F | 9.6.0 | 10.0.0 | R5-114086 |
| RP-53 | RP-111154 | 1349 | - | Introduction of New Test case 9.2.4F | F | 9.6.0 | 10.0.0 | R5-114087 |
| RP-53 | RP-111154 | 1350 | - | Introduction of New Test case 9.2.4G and 9.2.4H | F | 9.6.0 | 10.0.0 | R5-114088 |
| RP-53 | RP-111154 | 1351 | - | Update to 34.121-1 Annex | F | 9.6.0 | 10.0.0 | R5-114089 |
| RP-53 | RP-111154 | 1355 | - | Introduction of new test case verifying HS-SCCH performance under symmetric CPICH conditions | F | 9.6.0 | 10.0.0 | R5-114098 |

| T Meeting | Doc-1 st -Level | CR | Rev | Subject | Cat | Version - Current | Version -New | Doc-2 nd -Level |
|-----------|----------------------------|------|-----|--|-----|-------------------|--------------|----------------------------|
| RP-54 | RP-111595 | 1361 | - | Annex changes for new ACLR test case for DC-HSUPA | F | 10.0.0 | 10.1.0 | R5-115152 |
| RP-54 | RP-111594 | 1362 | - | Introduction of new DB-DC-HSDPA test cases 9.2.1GB, 9.2.1IB and 9.2.1KB | F | 10.0.0 | 10.1.0 | R5-115154 |
| RP-54 | RP-111594 | 1363 | - | Annex changes for new DB-DC-HSDPA test cases 9.2.1GB, 9.2.1IB and 9.2.1KB | F | 10.0.0 | 10.1.0 | R5-115155 |
| RP-54 | RP-111595 | 1364 | - | Transmit Intermodulation for DC-HSUPA - uncertainties and tolerances | F | 10.0.0 | 10.1.0 | R5-115160 |
| RP-54 | RP-111575 | 1365 | - | Update of RRM 8.2.5 UTRAN to E-UTRA Cell Re-Selection | F | 10.0.0 | 10.1.0 | R5-115377 |
| RP-54 | RP-111594 | 1366 | - | Annex changes for DB-DC-HSDPA test cases 9.2.1FB, 9.2.1HB and 9.2.1JB | F | 10.0.0 | 10.1.0 | R5-115411 |
| RP-54 | RP-111595 | 1368 | - | Transmit Intermodulation for DC-HSUPA (new tc) | F | 10.0.0 | 10.1.0 | R5-115805 |
| RP-54 | RP-111573 | 1369 | - | Correction to test applicability in 8.6.2.2 | F | 10.0.0 | 10.1.0 | R5-115806 |
| RP-54 | RP-111595 | 1370 | - | Connection diagram for transmit intermodulation for DC-HSUPA | F | 10.0.0 | 10.1.0 | R5-115807 |
| RP-54 | RP-111575 | 1371 | - | Correction to 8.6.6.1 and 8.6.6.2 | F | 10.0.0 | 10.1.0 | R5-115808 |
| RP-54 | RP-111597 | 1372 | - | Adding band XXII (3500MHz) to 34.121-1 chapter 4 | F | 10.0.0 | 10.1.0 | R5-115810 |
| RP-54 | RP-111575 | 1373 | - | Uncertainties and Test Tolerances for RRM test case 8.6.7.1 and 8.6.7.2 in 34.121-1 | F | 10.0.0 | 10.1.0 | R5-115829 |
| RP-54 | RP-111575 | 1374 | - | Correction to Table F.4.4 for TC 8.6.6.1 | F | 10.0.0 | 10.1.0 | R5-115849 |
| RP-54 | RP-111598 | 1375 | - | CR New TCs for MIMO Operation with Non-MIMO Coexistence in HSDPA Type3 perf | F | 10.0.0 | 10.1.0 | R5-115851 |
| RP-54 | RP-111598 | 1376 | - | New Test Case 9.3.7F - MIMO Single Stream Fading Conditions - Asymmetric CPICHs | F | 10.0.0 | 10.1.0 | R5-115852 |
| RP-54 | RP-111598 | 1377 | - | New Test Case 9.3.7G - MIMO Dual Stream Fading Conditions - Asymmetric CPICHs | F | 10.0.0 | 10.1.0 | R5-115853 |
| RP-54 | RP-111598 | 1378 | - | New Test Case 9.3.7H - MIMO Dual Stream Fading Conditions - UE categories 19-20 - Asymmetric CPICHs | F | 10.0.0 | 10.1.0 | R5-115854 |
| RP-54 | RP-111598 | 1379 | - | New Test Case 9.3.7I and 9.3.7J | F | 10.0.0 | 10.1.0 | R5-115855 |
| RP-54 | RP-111598 | 1380 | - | Update to 34.121-1 Annex | F | 10.0.0 | 10.1.0 | R5-115856 |
| RP-54 | RP-111598 | 1381 | - | Introduction of new test case verifying HS-SCCH Type 3 performance single stream restriction-STTD disabled-asymmetric CPICHs | F | 10.0.0 | 10.1.0 | R5-115857 |
| RP-54 | RP-111598 | 1382 | - | Addition measurement uncertainties and test tolerances for HS-SCCH Type 3 performance SS restriction-STTD disabled-asymmetric CPICHs test in Annex | F | 10.0.0 | 10.1.0 | R5-115858 |
| RP-54 | RP-111598 | 1383 | - | Introduction of new test case verifying HS-SCCH Type 3 performance single stream restriction-STTD enabled-asymmetric CPICHs | F | 10.0.0 | 10.1.0 | R5-115859 |
| RP-54 | RP-111598 | 1384 | - | Addition measurement uncertainties and test tolerances for HS-SCCH Type 3 performance SS restriction-STTD enabled-asymmetric CPICHs test in Annex | F | 10.0.0 | 10.1.0 | R5-115860 |
| RP-54 | RP-111594 | 1385 | - | CR Test cases update for DB-DC-HSDPA CQI reporting | F | 10.0.0 | 10.1.0 | R5-115863 |

| T Meeting | Doc-1 st -Level | CR | Rev | Subject | Cat | Version - Current | Version -New | Doc-2 nd -Level |
|-----------|----------------------------|------|-----|--|-----|-------------------|--------------|----------------------------|
| RP-54 | RP-111595 | 1386 | - | Introduction of new ACLR test case for DC-HSUPA | F | 10.0.0 | 10.1.0 | R5-115866 |
| RP-54 | RP-111595 | 1387 | - | CR New FDD transmitter TCs for Dual-Cell HSUPA | F | 10.0.0 | 10.1.0 | R5-115867 |
| RP-54 | RP-111595 | 1388 | - | CR update FDD Receiver TCs for Dual-Cell HSUPA | F | 10.0.0 | 10.1.0 | R5-115868 |
| RP-54 | RP-111595 | 1389 | - | New test case 5.9C, for DC-HSUPA spectrum emission | F | 10.0.0 | 10.1.0 | R5-115869 |
| RP-54 | RP-111595 | 1390 | - | New test case 5.3A, for DC-HSUPA frequency error | F | 10.0.0 | 10.1.0 | R5-115870 |
| RP-54 | RP-111595 | 1391 | - | Updates to annex of 34.121-1 to include DC-HSUPA | F | 10.0.0 | 10.1.0 | R5-115871 |
| RP-54 | RP-111575 | 1392 | - | Update for Inter HO in 8.3.4x | F | 10.0.0 | 10.1.0 | R5-115876 |
| RP-55 | RP-120175 | 1393 | - | HS-SCCH and DPCH codes and power level missing in Annex E.5E.1 tables | F | 10.1.0 | 10.2.0 | R5-120082 |
| RP-55 | RP-120194 | 1394 | - | DC-HSUPA : Correction the Note content in tables for test cases 6.5C and 6.7C. | F | 10.1.0 | 10.2.0 | R5-120102 |
| RP-55 | RP-120175 | 1395 | - | TC 9.6.2 - Contradiction in NOTE on how often DL transmission blocks are sent | F | 10.1.0 | 10.2.0 | R5-120258 |
| RP-55 | RP-120194 | 1396 | - | DC-HSUPA RF - Correction to 5.4.3A and 5.8A applicabilities | F | 10.1.0 | 10.2.0 | R5-120290 |
| RP-55 | RP-120194 | 1397 | - | CR update FDD Receiver TCs 6.5C & 6.7C for Dual-Cell HSUPA | F | 10.1.0 | 10.2.0 | R5-120296 |
| RP-55 | RP-120175 | 1398 | - | Update of cell configuration mapping in Annex k | F | 10.1.0 | 10.2.0 | R5-120331 |
| RP-55 | RP-120194 | 1399 | - | Introduction of new spurious emissions test case for DC-HSUPA | F | 10.1.0 | 10.2.0 | R5-120345 |
| RP-55 | RP-120194 | 1400 | - | Changes to annexes for the new spurious emissions test case for DC-HSUPA | F | 10.1.0 | 10.2.0 | R5-120347 |
| RP-55 | RP-120197 | 1401 | - | Test System uncertainties for frequencies between 3000MHz to 4200MHz in 34.121-1 | F | 10.1.0 | 10.2.0 | R5-120396 |
| RP-55 | RP-120175 | 1402 | - | Clarification of threshold other system values in measurement control messages | F | 10.1.0 | 10.2.0 | R5-120813 |
| RP-55 | RP-120194 | 1403 | - | test case, In-band emission for DC-HSUPA | F | 10.1.0 | 10.2.0 | R5-120824 |
| RP-55 | RP-120198 | 1404 | - | Annexure changes for Test case 9.4.4A, 9.4.4C, and 9.4.4E | F | 10.1.0 | 10.2.0 | R5-120834 |
| RP-55 | RP-120197 | 1405 | - | Adding band XXII (3500MHz) to 34.121-1 | F | 10.1.0 | 10.2.0 | R5-120857 |
| RP-55 | RP-120198 | 1406 | - | New Test case 9.4.4A, 9.4.4C, and 9.4.4E | F | 10.1.0 | 10.2.0 | R5-120858 |
| RP-55 | RP-120193 | 1407 | - | New test case 9.2.1LB (HSDPA, type 3i, Dual Band Dual Cell) | F | 10.1.0 | 10.2.0 | R5-120859 |
| RP-55 | RP-120194 | 1408 | - | Correcting downlink physical channels for DC-HSUPA in annex E | F | 10.1.0 | 10.2.0 | R5-120860 |
| RP-55 | RP-120194 | 1409 | - | New test case 5.13.2BA, Relative Code Domain Error with HS-DPCCH and E-DCH for DC-HSUPA | F | 10.1.0 | 10.2.0 | R5-120861 |
| RP-55 | RP-120201 | 1410 | - | New Test case 9.2.1FC and 9.2.1FD | F | 10.1.0 | 10.2.0 | R5-120863 |
| RP-55 | RP-120198 | 1411 | - | Corrections to the HS-SCCH Type 3 Performance for MIMO only with single-stream restriction-STTD disabled-asymmetric CPICH test | F | 10.1.0 | 10.2.0 | R5-120886 |
| RP-55 | RP-120198 | 1412 | - | Corrections to HS-SCCH Type 3 Performance for MIMO only with single-stream restriction | F | 10.1.0 | 10.2.0 | R5-120888 |

| T Meeting | Doc-1 st -Level | CR | Rev | Subject | Cat | Version - Current | Version -New | Doc-2 nd -Level |
|-----------|----------------------------|------|-----|---|-----|-------------------|--------------|----------------------------|
| RP-55 | RP-120198 | 1413 | - | Corrections to the HS-SCCH Type 3 Performance for MIMO only with single-stream restriction-STTD enabled-asymmetric CPICH test | F | 10.1.0 | 10.2.0 | R5-120890 |
| RP-55 | RP-120184 | 1414 | - | Correction to TC 9.2.1LA (HSDPA, type 3i, Dual Cell) and connection diagram | F | 10.1.0 | 10.2.0 | R5-120896 |
| RP-56 | RP-120656 | 1415 | - | Addition of a new section 6.1A:Reference input power adjustment for a dual band device | F | 10.2.0 | 10.3.0 | R5-121149 |
| RP-56 | RP-120656 | 1416 | - | Correction to the Notes of Tables of the test cases 6.5C and 6.7C. | F | 10.2.0 | 10.3.0 | R5-121150 |
| RP-56 | RP-120649 | 1417 | - | Correction to the content of test case 6.5B | F | 10.2.0 | 10.3.0 | R5-121151 |
| RP-56 | RP-120648 | 1418 | - | Addition the definition of enhance performance type 3i to TS 34.121-1 | F | 10.2.0 | 10.3.0 | R5-121152 |
| RP-56 | RP-120648 | 1419 | - | Error in initial CQI value TC 9.3.7C,E,H,J MIMO Dual Stream/64QAM configured | F | 10.2.0 | 10.3.0 | R5-121230 |
| RP-56 | RP-120639 | 1420 | - | Error in initial CQI valueTC 9.3.7B,D,G,I MIMO Dual Stream/64QAM not configured | F | 10.2.0 | 10.3.0 | R5-121231 |
| RP-56 | RP-120648 | 1421 | - | 3G RRM: Corrections to test procedures of TC 8.6.6.1 | F | 10.2.0 | 10.3.0 | R5-121252 |
| RP-56 | RP-120635 | 1422 | - | Correction of Maximum Test System Uncertainty in Annex F.1.2 Table F.1.2 | F | 10.2.0 | 10.3.0 | R5-121303 |
| RP-56 | RP-120640 | 1423 | - | Correction to Inter-system Handover | F | 10.2.0 | 10.3.0 | R5-121533 |
| RP-56 | RP-120640 | 1424 | - | Correction to 8.6.6.1 | F | 10.2.0 | 10.3.0 | R5-121534 |
| RP-56 | RP-120639 | 1425 | - | Correction to 5.4.4A | F | 10.2.0 | 10.3.0 | R5-121539 |
| RP-56 | RP-120648 | 1426 | - | Correction to test time for HSDPA Rx TCs | F | 10.2.0 | 10.3.0 | R5-121540 |
| RP-56 | RP-120656 | 1427 | - | Corrections to TC 5.4.1A (Open Loop Power Control for DC-HSUPA) | F | 10.2.0 | 10.3.0 | R5-121587 |
| RP-56 | RP-120656 | 1428 | - | Adding DC-HSDPA configuration into DC-HSUPA section 5 test cases | F | 10.2.0 | 10.3.0 | R5-121590 |
| RP-56 | RP-120656 | 1429 | - | Adding DC-HSDPA configuration into Annex C.11A | F | 10.2.0 | 10.3.0 | R5-121593 |
| RP-56 | RP-120638 | 1430 | - | Removing a Note 3 from Table C.11.3.1 | F | 10.2.0 | 10.3.0 | R5-121594 |
| RP-56 | RP-120640 | 1431 | - | Correction to the test frequency references in FDD with E-UTRA tests | F | 10.2.0 | 10.3.0 | R5-121621 |
| RP-56 | RP-120659 | 1432 | - | Adding band XXII (3500MHz) to 34.121-1 (RRM test cases) | F | 10.2.0 | 10.3.0 | R5-121642 |
| RP-56 | RP-120649 | 1433 | - | Update to 34.121-1 for TCs 9.3.1BA & 9.3.2AA for DB-DC-HSDPA CQI reporting | F | 10.2.0 | 10.3.0 | R5-121916 |
| RP-56 | RP-120660 | 1434 | - | Adding band XXV (1900MHz) to 34.121-1 Rx Blocking test cases | F | 10.2.0 | 10.3.0 | R5-121968 |
| RP-56 | RP-120664 | 1435 | - | New test cases 9.2.1IC and 9.2.1ID | F | 10.2.0 | 10.3.0 | R5-121970 |
| RP-56 | RP-120664 | 1436 | - | New test cases 9.2.1JC and 9.2.1JD | F | 10.2.0 | 10.3.0 | R5-121971 |
| RP-56 | RP-120664 | 1437 | - | 4C HSDPA related Updates to 34.121-1 Annex | F | 10.2.0 | 10.3.0 | R5-121972 |
| RP-56 | RP-120664 | 1438 | - | New Test case 9.2.1HC and 9.2.1HD | F | 10.2.0 | 10.3.0 | R5-121973 |
| RP-56 | RP-120648 | 1439 | - | 3G RRM: Corrections to test procedures of TC 8.2.5.1 and 8.2.5.2 | F | 10.2.0 | 10.3.0 | R5-121974 |

| T Meeting | Doc-1 st -Level | CR | Rev | Subject | Cat | Version - Current | Version -New | Doc-2 nd -Level |
|-----------|----------------------------|------|-----|--|-----|-------------------|--------------|----------------------------|
| RP-56 | RP-120638 | 1440 | - | Total DL power defined in TC 7.8.5 and Annex E.5C.1 tables greater than unity | F | 10.2.0 | 10.3.0 | R5-121975 |
| RP-56 | RP-120660 | 1441 | - | Adding band XXV (1900MHz) to 34.121-1 | F | 10.2.0 | 10.3.0 | R5-122005 |
| RP-57 | RP-121102 | 1442 | - | Annex E.5 - Correction to numbers of HS-SCCH for DC-HSDPA | F | 10.3.0 | 10.4.0 | R5-123238 |
| RP-57 | RP-121115 | 1443 | - | New test cases 9.2.1KC and 9.2.1KD | F | 10.3.0 | 10.4.0 | R5-123241 |
| RP-57 | RP-121094 | 1444 | - | Changes associated with PHS band operation change for WCDMA | F | 10.3.0 | 10.4.0 | R5-123271 |
| RP-57 | RP-121094 | 1445 | - | Update of Annex I | F | 10.3.0 | 10.4.0 | R5-123337 |
| RP-57 | RP-121094 | 1447 | - | Alignment of test procedure steps in cell reselection tests | F | 10.3.0 | 10.4.0 | R5-123339 |
| RP-57 | RP-121091 | 1448 | - | Correction on Rx test cases | F | 10.3.0 | 10.4.0 | R5-123344 |
| RP-57 | RP-121094 | 1449 | - | Correction to test applicability in FDD/E-UTRAN test cases | F | 10.3.0 | 10.4.0 | R5-123380 |
| RP-57 | RP-121120 | 1450 | - | Adding band XXVI (850MHz) to 34.121-1 (RRM test cases) | F | 10.3.0 | 10.4.0 | R5-123577 |
| RP-57 | RP-121094 | 1446 | - | Correction to 8.6.7 | F | 10.3.0 | 10.4.0 | R5-123786 |
| RP-57 | RP-121094 | 1453 | - | Uncertainties and Test Tolerances for E-UTRAN RSRQ Test cases 8.7.12 and 8.7.13 | F | 10.3.0 | 10.4.0 | R5-123796 |
| RP-57 | RP-121109 | 1456 | - | Updating incomplete DC-HSUPA test cases in 34.121-1 | F | 10.3.0 | 10.4.0 | R5-123797 |
| RP-57 | RP-121120 | 1451 | - | Introduction of E850 Upper Band (Band 26) into sections 4 and 5 of 34.121-1 | F | 10.3.0 | 10.4.0 | R5-123918 |
| RP-57 | RP-121094 | 1452 | - | Uncertainties and Test Tolerances for E-UTRAN RSRP Test cases 8.7.10 and 8.7.11 | F | 10.3.0 | 10.4.0 | R5-123929 |
| RP-57 | RP-121115 | 1454 | - | New Test case 9.2.1LC and 9.2.1LD | F | 10.3.0 | 10.4.0 | R5-123967 |
| RP-57 | RP-121109 | 1455 | - | Adding new RMCs into annexes for DC-HSUPA tests | F | 10.3.0 | 10.4.0 | R5-123971 |
| RP-57 | RP-121109 | 1457 | - | New test case, Relative Code Domain Error with HS-DPCCH and E-DCH with 16QAM for DC-HSUPA | F | 10.3.0 | 10.4.0 | R5-123973 |
| RP-57 | RP-121089 | 1459 | - | Adding band XXII in spurious emission test cases in 34.121-1 | F | 10.3.0 | 10.4.0 | R5-123975 |
| RP-58 | RP-121673 | 1460 | - | Introduction of new UE Relative Code Domain Power Accuracy test case for DC-HSUPA with 16QAM | F | 10.4.0 | 10.5.0 | R5-125249 |
| RP-58 | RP-121654 | 1461 | - | Correction to UE output power level during relative CDP measurement in TC 5.2E | F | 10.4.0 | 10.5.0 | R5-125250 |
| RP-58 | RP-121680 | 1462 | - | Adding connection diagram for 4C-HSDPA tests | F | 10.4.0 | 10.5.0 | R5-125255 |
| RP-58 | RP-121680 | 1463 | - | Test system uncertainties, test tolerances and statistical testing for 4C-HSDPA tests | F | 10.4.0 | 10.5.0 | R5-125256 |
| RP-58 | RP-121680 | 1464 | - | Corrections to many 4C-HSDPA performance tests in section 9 | F | 10.4.0 | 10.5.0 | R5-125258 |
| RP-58 | RP-121655 | 1465 | - | Addition of Band 26 in RSRP/RSRQ accuracy requirements in 34.121-1 | F | 10.4.0 | 10.5.0 | R5-125387 |
| RP-58 | RP-121655 | 1466 | - | Correction to exception messages in RRM 8.7.12 in 34.121-1 | F | 10.4.0 | 10.5.0 | R5-125389 |

| T Meeting | Doc-1 st -Level | CR | Rev | Subject | Cat | Version - Current | Version -New | Doc-2 nd -Level |
|-----------|----------------------------|------|-----|---|-----|-------------------|--------------|----------------------------|
| RP-58 | RP-121655 | 1467 | - | Correction to Inter-system Handover in 34.121-1 | F | 10.4.0 | 10.5.0 | R5-125392 |
| RP-58 | RP-121663 | 1468 | - | Addition of message exceptions in 9.2.1J/9.2.1K/9.2.1L | F | 10.4.0 | 10.5.0 | R5-125401 |
| RP-58 | RP-121680 | 1469 | - | 4C-HSDPA related updates to Annexure | F | 10.4.0 | 10.5.0 | R5-125639 |
| RP-58 | RP-121655 | 1470 | - | Correction to exception messages in RRM 8.7.10 in 34.121-1 | F | 10.4.0 | 10.5.0 | R5-125822 |
| RP-58 | RP-121655 | 1471 | - | Correction to RRM 8.6.7.2/8.6.7.2 in 34.121-1 | F | 10.4.0 | 10.5.0 | R5-125823 |
| RP-58 | RP-121655 | 1472 | - | Update of Annex K | F | 10.4.0 | 10.5.0 | R5-125824 |
| RP-58 | RP-121688 | 1473 | - | Introduction of Band 27 to TS 34.121-1 | F | 10.4.0 | 10.5.0 | R5-125834 |
| RP-58 | RP-121680 | 1474 | - | Addition of new test cases 9.2.1GC and 9.2.1GD | F | 10.4.0 | 10.5.0 | R5-125840 |
| RP-58 | RP-121680 | 1475 | - | New 4C-HSDPA Blocking test cases | F | 10.4.0 | 10.5.0 | R5-125841 |
| RP-58 | RP-121680 | 1476 | - | New 4C-HSDPA Reference Sensitivity test cases | F | 10.4.0 | 10.5.0 | R5-125842 |
| RP-58 | RP-121680 | 1477 | - | New 4C-HSDPA Maximum input level test cases | F | 10.4.0 | 10.5.0 | R5-125843 |
| RP-58 | RP-121680 | 1478 | - | New 4C-HSDPA Spurious response test cases | F | 10.4.0 | 10.5.0 | R5-125844 |
| RP-58 | RP-121680 | 1479 | - | New 4C-HSDPA intermodulation characteristics test cases | F | 10.4.0 | 10.5.0 | R5-125845 |
| RP-58 | RP-121680 | 1480 | - | 4C HSDPA related updates to General sections of 34.121-1 | F | 10.4.0 | 10.5.0 | R5-125846 |
| RP-58 | RP-121655 | 1481 | - | Correction to test applicability of inter-RAT measurement related TCs(TS34.121-1) | F | 10.4.0 | 10.5.0 | R5-125864 |
| RP-58 | RP-121655 | 1489 | - | Completing TC8.3.4b, Handover from UTRAN FDD to E-UTRAN TDD | F | 10.4.0 | 10.5.0 | R5-125904 |
| RP-58 | RP-121655 | 1482 | - | Completing TC8.3.4d, Handover from UTRAN FDD to E-UTRAN TDD unknown cell | F | 10.4.0 | 10.5.0 | R5-125905 |
| RP-58 | RP-121705 | 1485 | - | Introduction of new RRM Test Case 8.4.3.1A | F | 10.4.0 | 10.5.0 | R5-125914 |
| RP-58 | RP-121680 | 1486 | - | New 4C HSDPA - CQI reporting TC | F | 10.4.0 | 10.5.0 | R5-125918 |
| RP-58 | RP-121654 | 1487 | - | Removing redundant testing for Type3/Type3i UEs (34.121-1) | F | 10.4.0 | 10.5.0 | R5-125926 |
| RP-58 | RP-121655 | 1488 | - | Alignment of UE antenna connection in HSDPA and E-DCH performance tests | F | 10.4.0 | 10.5.0 | R5-125927 |
| RP-58 | RP-121673 | 1483 | - | Updating incomplete DC-HSUPA test cases in 34.121-1 | F | 10.4.0 | 10.5.0 | R5-126061 |
| RP-58 | RP-121673 | 1484 | - | Splitting DC-HSUPA test case 5.2BA, 5.9C and 5.10C. | F | 10.4.0 | 10.5.0 | R5-126062 |
| RP-59 | RP-130155 | 1490 | - | Updation of 4C-HSDPA Chapter 9 test cases | F | 10.5.0 | 10.6.0 | R5-130922 |
| RP-59 | RP-130155 | 1491 | - | Addition of connection diagram for Receiver tests | F | 10.5.0 | 10.6.0 | R5-130923 |
| RP-59 | RP-130155 | 1492 | - | Updating Chapter 6 receiver test cases for 4C_HSDPA | F | 10.5.0 | 10.6.0 | R5-130974 |
| RP-59 | RP-130155 | 1493 | - | Annexure update to test tolerance and statistical testing for 4C-HSDPA | F | 10.5.0 | 10.6.0 | R5-130975 |
| RP-59 | RP-130611 | 1495 | - | Adding definition of UE maximum output power for DC-HSUPA | F | 10.6.0 | 10.7.0 | R5-131211 |
| RP-59 | RP-130611 | 1496 | - | Clarification of center frequency offset for additional SEM for DC-HSUPA | F | 10.6.0 | 10.7.0 | R5-131213 |

| T Meeting | Doc-1 st -Level | CR | Rev | Subject | Cat | Version - Current | Version -New | Doc-2 nd -Level |
|-----------|----------------------------|------|-----|--|-----|-------------------|--------------|----------------------------|
| RP-59 | RP-130625 | 1497 | - | Editors note for test cases where Test Requirement not valid above 3GHz | F | 10.6.0 | 10.7.0 | R5-131272 |
| RP-59 | RP-130607 | 1498 | - | Applicability of test frequency ranges as per UE releases | F | 10.6.0 | 10.7.0 | R5-131547 |
| RP-59 | RP-130621 | 1500 | - | Correction to the content of the test case 9.3.2AC | F | 10.6.0 | 10.7.0 | R5-131678 |
| RP-59 | RP-130625 | 1503 | - | Update to test procedure for WCDMA to LTE Scenarios in absence of a configured PDP Context. | F | 10.6.0 | 10.7.0 | R5-131968 |
| RP-59 | RP-130621 | 1504 | - | Annexure update to test tolerance and statistical testing for newly added 4C-HSDPA test cases | F | 10.6.0 | 10.7.0 | R5-131988 |
| RP-59 | RP-130608 | 1505 | - | Changes to uplink 16QAM test case parameters and test procedures | F | 10.6.0 | 10.7.0 | R5-131989 |
| RP-59 | RP-130611 | 1506 | - | Correction to relative Tx power difference between carriers in DC-HSUPA | F | 10.6.0 | 10.7.0 | R5-131991 |
| RP-59 | RP-130621 | 1507 | - | Adding Chapter 6 test cases for 3C-HSDPA as part of 4C-HSDPA WP | F | 10.6.0 | 10.7.0 | R5-132108 |
| RP-59 | RP-130634 | 1494 | - | Introduction of new minimum output power test cases for uplink CLTD | F | 10.7.0 | 11.0.0 | R5-131160 |
| RP-59 | RP-130609 | 1499 | - | Correction to Downlink Physical Channels for other than serving cell | F | 10.7.0 | 11.0.0 | R5-131596 |
| RP-59 | RP-130634 | 1501 | - | Adding chapter 5 Maximum output power cases for UL CLTD | F | 10.7.0 | 11.0.0 | R5-131941 |
| RP-59 | RP-130634 | 1502 | - | Adding chapter 5 Relative code domain power accuracy cases for UL CLTD | F | 10.7.0 | 11.0.0 | R5-131942 |
| RP-60 | - | - | - | History table fix for 4 entries, from 10.7.0 to 11.0.0 | - | 11.0.0 | 11.0.1 | - |
| RP-61 | RP-131124 | 1508 | - | Addition of RSRQ based reselection TC | - | 11.0.1 | 11.1.0 | R5-133215 |
| RP-61 | RP-131114 | 1509 | - | Removal of technical content in 34.121-1 v10.7.0 and substitution with pointer to the next Release | - | 11.0.1 | 11.1.0 | R5-133236 |
| RP-61 | RP-131114 | 1510 | - | Correction to FRC information in clause 9.2 for HS-DSCH categories 21 to 28 | - | 11.0.1 | 11.1.0 | R5-133331 |
| RP-61 | RP-131102 | 1511 | - | Correction to MIMO Performance test case 9.2.4C | - | 11.0.1 | 11.1.0 | R5-133332 |
| RP-61 | RP-131102 | 1512 | - | Correction to MIMO Performance test case 9.2.4D | - | 11.0.1 | 11.1.0 | R5-133334 |
| RP-61 | RP-131100 | 1513 | - | Clarification of the power setting time in FDD HO test cases | - | 11.0.1 | 11.1.0 | R5-133437 |
| RP-61 | RP-131114 | 1514 | - | New MIMO Performance test case for DB-DC-HSDPA and FRC H-Set 9A | - | 11.0.1 | 11.1.0 | R5-133820 |
| RP-61 | RP-131114 | 1515 | - | New MIMO Performance test case for DB-DC-HSDPA and FRC H-Set 11A | - | 11.0.1 | 11.1.0 | R5-133821 |
| RP-61 | RP-131121 | 1516 | - | New RF TC for 34.121-1_5.3C_Uplink Transmit Diversity for HSPA Rel-11 | - | 11.0.1 | 11.1.0 | R5-133834 |
| RP-61 | RP-131121 | 1517 | - | New RF TC for 34.121-1_5.3D_Uplink Transmit Diversity for HSPA Rel-11 | - | 11.0.1 | 11.1.0 | R5-133835 |
| RP-61 | RP-131121 | 1518 | - | Updates to minimum output power test cases for uplink CLTD | - | 11.0.1 | 11.1.0 | R5-133878 |
| RP-61 | RP-131121 | 1519 | - | Addition of CDP and ILPC test cases for UL CLTD | - | 11.0.1 | 11.1.0 | R5-133879 |
| RP-61 | RP-131121 | 1520 | - | Addition of out of sync and Change of TFC scenarios for UL CLTD | - | 11.0.1 | 11.1.0 | R5-133880 |

| T Meeting | Doc-1 st -Level | CR | Rev | Subject | Cat | Version - Current | Version -New | Doc-2 nd -Level |
|-----------|----------------------------|------|-----|---|-----|-------------------|--------------|----------------------------|
| RP-61 | RP-131124 | 1521 | - | Update to minimum requirement of Maximum Output Power | - | 11.0.1 | 11.1.0 | R5-133882 |
| RP-61 | - | - | - | History table fix for 14 entries of RP-61: from v11.1.1 to 11.1.0 | - | 11.1.0 | 11.1.1 | - |

History

| Document history | | |
|-------------------------|--------------|-------------|
| V11.0.1 | August 2013 | Publication |
| V11.1.1 | October 2013 | Publication |
| | | |
| | | |
| | | |