

# ETSI TS 134 122 V4.6.0 (2002-12)

---

*Technical Specification*

## **Universal Mobile Telecommunications System (UMTS); Terminal Conformance Specification, Radio Transmission and Reception (TDD) (3GPP TS 34.122 version 4.6.0 Release 4)**



---

Reference

RTS/TSGT-0134122v460

---

Keywords

UMTS

**ETSI**

650 Route des Lucioles  
F-06921 Sophia Antipolis Cedex - FRANCE

Tel.: +33 4 92 94 42 00 Fax: +33 4 93 65 47 16

Siret N° 348 623 562 00017 - NAF 742 C  
Association à but non lucratif enregistrée à la  
Sous-Préfecture de Grasse (06) N° 7803/88

---

**Important notice**

Individual copies of the present document can be downloaded from:

<http://www.etsi.org>

The present document may be made available in more than one electronic version or in print. In any case of existing or perceived difference in contents between such versions, the reference version is the Portable Document Format (PDF). In case of dispute, the reference shall be the printing on ETSI printers of the PDF version kept on a specific network drive within ETSI Secretariat.

Users of the present document should be aware that the document may be subject to revision or change of status. Information on the current status of this and other ETSI documents is available at

<http://portal.etsi.org/tb/status/status.asp>

If you find errors in the present document, send your comment to:

[editor@etsi.org](mailto:editor@etsi.org)

---

**Copyright Notification**

No part may be reproduced except as authorized by written permission.  
The copyright and the foregoing restriction extend to reproduction in all media.

© European Telecommunications Standards Institute 2002.  
All rights reserved.

DECT™, PLUGTESTS™ and UMTS™ are Trade Marks of ETSI registered for the benefit of its Members.  
TIPHON™ and the TIPHON logo are Trade Marks currently being registered by ETSI for the benefit of its Members.  
3GPP™ is a Trade Mark of ETSI registered for the benefit of its Members and of the 3GPP Organizational Partners.

---

## Intellectual Property Rights

IPRs essential or potentially essential to the present document may have been declared to ETSI. The information pertaining to these essential IPRs, if any, is publicly available for **ETSI members and non-members**, and can be found in ETSI SR 000 314: *"Intellectual Property Rights (IPRs); Essential, or potentially Essential, IPRs notified to ETSI in respect of ETSI standards"*, which is available from the ETSI Secretariat. Latest updates are available on the ETSI Web server (<http://webapp.etsi.org/IPR/home.asp>).

All published ETSI deliverables shall include information which directs the reader to the above source of information.

---

## Foreword

This Technical Specification (TS) has been produced by ETSI 3rd Generation Partnership Project (3GPP).

The present document may refer to technical specifications or reports using their 3GPP identities, UMTS identities or GSM identities. These should be interpreted as being references to the corresponding ETSI deliverables.

The cross reference between GSM, UMTS, 3GPP and ETSI identities can be found under [www.etsi.org/key](http://www.etsi.org/key) .

# Contents

Intellectual Property Rights .....	2
Foreword.....	2
Foreword.....	15
1 Scope .....	16
2 References .....	16
3 Definitions, abbreviations and equations .....	16
3.1 Definitions .....	16
3.2 Abbreviations .....	17
3.3 Equations .....	18
4 Frequency bands and channel arrangement.....	18
4.1 General .....	18
4.2 Frequency bands.....	18
4.3 TX–RX frequency separation.....	19
4.3.1 3,84 Mcps TDD Option .....	19
4.3.2 1,28 Mcps TDD Option .....	19
4.4 Channel arrangement.....	19
4.4.1 Channel spacing .....	19
4.4.1.1 3,84 Mcps TDD Option.....	19
4.4.1.2 1,28 Mcps TDD Option.....	19
4.4.2 Channel raster .....	19
4.4.3 Channel number .....	19
4.4.4 UARFCN (3,84 Mcps TDD Option) .....	19
5 Transmitter Characteristics.....	20
5.1 General .....	20
5.2 User Equipment maximum output power.....	20
5.2.1 Definition and applicability .....	20
5.2.2 Minimum Requirements .....	20
5.2.3 Test purpose.....	21
5.2.4 Method of test .....	21
5.2.4.1 Initial conditions .....	21
5.2.4.1.1 3,84 Mcps TDD Option.....	22
5.2.4.1.2 1,28 Mcps TDD Option.....	22
5.2.4.2 Procedure .....	22
5.2.5 Test Requirements .....	23
5.3 UE frequency stability.....	23
5.3.1 Definition and applicability .....	23
5.3.2 Minimum Requirements .....	23
5.3.3 Test purpose.....	23
5.3.4 Method of test .....	24
5.3.4.1 Initial conditions .....	24
5.3.4.1.1 3,84 Mcps TDD Option.....	24
5.3.4.1.2 1,28 Mcps TDD Option.....	24
5.3.4.2 Procedure .....	24
5.3.5 Test Requirements .....	24
5.4 Output Power Dynamics .....	25
5.4.1 Uplink power control.....	25
5.4.1.1 Initial accuracy (3,84 Mcps TDD Option) .....	25
5.4.1.1.1 Definition and applicability .....	25
5.4.1.1.2 Minimum requirements .....	25
5.4.1.1.3 Test purpose .....	25
5.4.1.1.4 Method of test.....	25
5.4.1.1.4.1 Initial conditions .....	25
5.4.1.1.4.2 Procedure .....	26

5.4.1.1.5	Test requirements .....	26
5.4.1.2	Differential accuracy, controlled input (3,84 Mcps TDD Option) .....	26
5.4.1.2.1	Definition and applicability .....	26
5.4.1.2.2	Minimum requirements .....	27
5.4.1.2.3	Test purpose .....	27
5.4.1.2.4	Method of test.....	27
5.4.1.2.4.1	Initial conditions .....	27
5.4.1.2.4.2	Procedure .....	27
5.4.1.2.5	Test requirements .....	28
5.4.1.2A	Differential accuracy, controlled input.....	28
5.4.1.3	Open loop power control (1,28 Mcps TDD Option) .....	28
5.4.1.3.1	Definition and applicability .....	28
5.4.1.3.2	Minimum requirements .....	28
5.4.1.3.3	Test purpose .....	29
5.4.1.3.4	Method of test.....	29
5.4.1.3.4.1	Initial conditions .....	29
5.4.1.3.4.2	Procedure .....	30
5.4.1.3.5	Test requirements .....	30
5.4.1.4	Closed loop power control (1,28 Mcps TDD Option).....	30
5.4.1.4.1	Definition and applicability .....	30
5.4.1.4.2	Minimum requirements .....	30
5.4.1.4.3	Test purpose .....	31
5.4.1.4.4	Method of test.....	31
5.4.1.4.4.1	Initial conditions .....	31
5.4.1.4.4.2	Procedure .....	31
5.4.1.4.5	Test requirements .....	32
5.4.2	Minimum output power .....	33
5.4.2.1	Definition and applicability.....	33
5.4.2.2	Minimum Requirements.....	33
5.4.2.2.1	3,84Mcps TDD Option.....	33
5.4.2.2.2	1,28Mcps TDD Option.....	33
5.4.2.3	Test purpose .....	33
5.4.2.4	Method of test .....	33
5.4.2.4.1	Initial conditions .....	33
5.4.2.4.2	Procedure.....	33
5.4.2.5	Test requirements .....	34
5.4.2.5.1	3,84 Mcps TDD Option.....	34
5.4.2.5.2	1,28 Mcps TDD Option.....	34
5.4.3	Transmit OFF power.....	34
5.4.3.1	Definition and applicability.....	34
5.4.3.2	Minimum Requirements.....	34
5.4.3.3	Test purpose .....	34
5.4.3.4	Method of test .....	34
5.4.3.5	Test requirements .....	34
5.4.4	Transmit ON/OFF Time mask .....	34
5.4.4.1	Definition and applicability.....	34
5.4.4.2	Minimum requirements .....	35
5.4.4.2.1	3,84Mcps TDD Option.....	35
5.4.4.2.2	1,28Mcps TDD Option.....	35
5.4.4.3	Test Purpose .....	36
5.4.4.4	Method of test .....	36
5.4.4.4.1	Initial conditions .....	36
5.4.4.4.2	Procedure.....	36
5.4.4.5	Test requirements .....	36
5.4.5	Out-of-synchronisation handling of output power for continuous transmission.....	36
5.4.5.1	Definition and applicability.....	36
5.4.5.2	Minimum Requirement .....	36
5.4.5.2.1	3,84 Mcps TDD Option.....	36
5.4.5.2.2	1,28 Mcps TDD Option.....	38
5.4.5.3	Test purpose .....	39
5.4.5.4	Method of test .....	39
5.4.5.4.2	Procedure.....	39

5.4.5.4.2.1	3,84 Mcps TDD Option .....	39
5.4.5.4.2.2	1,28 Mcps TDD Option .....	40
5.4.5.5	Test Requirements.....	40
5.4.6	Out-of-synchronisation handling of output power for discontinuous transmission .....	40
5.4.6.1	Definition and applicability.....	40
5.4.6.2	Minimum Requirement .....	41
5.4.6.2.1	3,84 Mcps TDD Option.....	41
5.4.6.2.2	1,28 Mcps TDD Option.....	42
5.4.6.3	Test purpose .....	43
5.4.6.4	Method of test .....	43
5.4.6.4.2	Procedure.....	43
5.4.6.4.2.1	3,84 Mcps TDD Option .....	43
5.4.6.4.2.2	1,28 Mcps TDD Option .....	44
5.4.6.5	Test Requirements.....	44
5.5	Output RF spectrum emissions.....	44
5.5.1	Occupied bandwidth .....	44
5.5.1.1	Definition and applicability.....	44
5.5.1.2	Minimum Requirements.....	44
5.5.1.2.1	3,84Mcps TDD Option.....	44
5.5.1.2.2	1,28Mcps TDD Option.....	44
5.5.1.3	Test purpose .....	45
5.5.1.4	Method of test .....	45
5.5.1.4.1	Initial conditions .....	45
5.5.1.4.2	Procedure.....	45
5.5.1.5	Test requirements .....	45
5.5.1.5.1	3,84 Mcps TDD Option.....	45
5.5.1.5.2	1,28 Mcps TDD Option.....	45
5.5.2	Out of band emission .....	46
5.5.2.1	Spectrum emission mask .....	46
5.5.2.1.1	Definition and applicability .....	46
5.5.2.1.1.1	3,84 Mcps TDD Option .....	46
5.5.2.1.1.2	1,28 Mcps TDD Option .....	46
5.5.2.1.2	Minimum Requirements .....	46
5.5.2.1.2.1	3,84 Mcps TDD Option .....	46
5.5.2.1.2.2	1,28 Mcps TDD Option .....	47
5.5.2.1.3	Test purpose .....	48
5.5.2.1.4	Method of test.....	48
5.5.2.1.5	Test requirements .....	49
5.5.2.1.5.1	3,84 Mcps TDD Option .....	49
5.5.2.1.5.2	1,28 Mcps TDD Option .....	50
5.5.2.2	Adjacent Channel Leakage power Ratio (ACLR).....	50
5.5.2.2.1	Definition and applicability .....	50
5.5.2.2.2	Minimum Requirements .....	50
5.5.2.2.2.1	3,84Mcps TDD Option .....	50
5.5.2.2.2.2	1,28Mcps TDD Option .....	51
5.5.2.2.3	Test purpose .....	51
5.5.2.2.4	Method of test.....	51
5.5.2.2.5	Test requirements .....	51
5.5.2.2.5.1	3,84 Mcps TDD Option .....	51
5.5.2.2.5.2	1,28 Mcps TDD Option .....	52
5.5.3	Spurious emissions .....	52
5.5.3.1	Definition and applicability.....	52
5.5.3.2	Minimum Requirements.....	52
5.5.3.2.1	3,84 Mcps TDD Option.....	52
5.5.3.2.2	1,28Mcps TDD Option.....	53
5.5.3.3	Test purpose .....	53
5.5.3.3.1	3,84 Mcps Option .....	53
5.5.3.3.2	1,28 Mcps Option .....	53
5.5.3.4	Method of test .....	53
5.5.3.4.1	Initial conditions .....	53
5.5.3.4.2	Procedure.....	54
5.5.3.5	Test requirements .....	54

5.5.3.5.1	3,84 Mcps TDD Option.....	54
5.5.3.5.2	1,28 Mcps TDD Option.....	54
5.6	Transmit Intermodulation.....	55
5.6.1	Definition and applicability.....	55
5.6.2	Minimum Requirements.....	55
5.6.2.1	3,84 Mcps TDD Option.....	55
5.6.2.2	1,28 Mcps TDD Option.....	55
5.6.3	Test purpose.....	56
5.6.4	Method of test.....	56
5.6.4.1	Initial conditions.....	56
5.6.4.2	Procedure.....	56
5.6.4.2.1	3,84 Mcps TDD Option.....	56
5.6.4.2.2	1,28 Mcps TDD Option.....	56
5.6.5	Test requirements.....	57
5.6.5.1	3,84 Mcps TDD Option.....	57
5.6.5.2	1,28 Mcps TDD Option.....	57
5.7	Transmit Modulation.....	57
5.7.1	Error Vector Magnitude.....	57
5.7.1.1	Definition and applicability.....	57
5.7.1.2	Minimum Requirements.....	57
5.7.1.3	Test purpose.....	58
5.7.1.4	Method of test.....	58
5.7.1.4.1	Initial conditions.....	58
5.7.1.4.2	Procedure.....	58
5.7.1.5	Test requirements.....	58
5.7.2	Peak code domain error.....	58
5.7.2.1	Definition and applicability.....	58
5.7.2.2	Minimum Requirement.....	59
5.7.2.3	Test purpose.....	59
5.7.2.4	Method of test.....	59
5.7.2.4.1	Initial conditions.....	59
5.7.2.4.1.1	3,84 Mcps TDD Option.....	59
5.7.2.4.1.2	1,28 Mcps TDD Option.....	59
5.7.2.4.2	Procedure.....	59
5.7.2.5	Test requirements.....	60
6	Receiver Characteristics.....	60
6.1	General.....	60
6.2	Reference sensitivity level.....	60
6.2.1	Definition and applicability.....	60
6.2.2	Minimum Requirements.....	60
6.2.2.1	3,84 Mcps TDD Option.....	60
6.2.2.2	1,28 Mcps TDD Option.....	61
6.2.3	Test purpose.....	61
6.2.4	Method of test.....	61
6.2.4.1	Initial conditions.....	61
6.2.4.2	Procedure.....	61
6.2.5	Test requirements.....	62
6.2.5.1	3,84 Mcps TDD Option.....	62
6.2.5.2	1,28 Mcps TDD Option.....	62
6.3	Maximum Input Level.....	62
6.3.1	Definition and applicability.....	62
6.3.2	Minimum requirements.....	62
6.3.2.1	3,84 Mcps TDD Option.....	62
6.3.2.2	1,28 Mcps TDD Option.....	63
6.3.3	Test purpose.....	63
6.3.4	Method of test.....	63
6.3.4.1	Initial conditions.....	63
6.3.4.2	Procedure.....	63
6.3.5	Test requirements.....	63
6.4	Adjacent Channel Selectivity (ACS).....	64
6.4.1	Definition and applicability.....	64

6.4.2	Minimum Requirements .....	64
6.4.2.1	3,84 Mcps TDD Option.....	64
6.4.2.2	1,28 Mcps TDD Option.....	64
6.4.3	Test purpose.....	65
6.4.4	Method of test .....	65
6.4.4.1	Initial conditions .....	65
6.4.4.2	Procedure .....	65
6.4.5	Test Requirements .....	65
6.4.5.1	3,84 Mcps TDD Option.....	65
6.4.5.2	1,28 Mcps TDD Option.....	66
6.5	Blocking Characteristics.....	66
6.5.1	Definition and applicability .....	66
6.5.2	Minimum Requirements .....	66
6.5.2.1	3,84 Mcps TDD Option.....	66
6.5.2.2	1,28 Mcps TDD Option.....	67
6.5.3	Test purpose.....	68
6.5.4	Method of test .....	68
6.5.4.1	Initial conditions .....	68
6.5.4.2	Procedure .....	69
6.5.5	Test requirements.....	69
6.5.5.1	3,84 Mcps TDD Option.....	69
6.5.5.2	1,28 Mcps TDD Option.....	70
6.6	Spurious Response .....	71
6.6.1	Definition and applicability .....	71
6.6.2	Minimum Requirements .....	71
6.6.2.1	3,84 Mcps TDD Option.....	71
6.6.2.2	1,28 Mcps TDD Option.....	71
6.6.3	Test purpose.....	71
6.6.4	Method of test .....	72
6.6.4.1	Initial conditions .....	72
6.6.4.2	Procedure .....	72
6.6.5	Test requirements.....	72
6.6.5.1	3,84 Mcps TDD.....	72
6.6.5.2	1,28 Mcps TDD.....	72
6.7	Intermodulation Characteristics.....	73
6.7.1	Definition and applicability .....	73
6.7.2	Minimum Requirements .....	73
6.7.2.1	3,84 Mcps TDD Option.....	73
6.7.2.2	1,28 Mcps TDD Option.....	73
6.7.3	Test purpose.....	74
6.7.4	Method of test .....	74
6.7.4.1	Initial conditions .....	74
6.7.4.2	Procedure .....	74
6.7.5	Test requirements.....	75
6.7.5.1	3,84 Mcps TDD Option.....	75
6.7.5.2	1,28 Mcps TDD Option.....	75
6.8	Spurious Emissions .....	75
6.8.1	Definition and applicability .....	75
6.8.2	Minimum Requirements .....	76
6.8.2.1	3,84 Mcps TDD Option.....	76
6.8.2.2	1,28 Mcps TDD Option.....	76
6.8.3	Test purpose.....	76
6.8.4	Method of test .....	76
6.8.4.1	Initial conditions .....	76
6.8.4.2	Procedure .....	77
6.8.5	Test requirements.....	77
6.8.5.1	3,84 Mcps TDD Option.....	77
6.8.5.2	1,28 Mcps TDD Option.....	78
7	Performance Requirements .....	79
7.1	General .....	79
7.1.2	Definition of Additive White Gaussian Noise (AWGN) Interferer .....	79



7.2	Demodulation in static propagation conditions .....	79
7.2.1	Demodulation of DCH.....	79
7.2.1.1	Definition and applicability.....	79
7.2.1.2	Minimum requirements.....	79
7.2.1.2.1	3,84 Mcps TDD Option.....	79
7.2.1.2.2	1,28 Mcps TDD Option.....	80
7.2.1.3	Test purpose .....	80
7.2.1.4	Method of test .....	80
7.2.1.4.1	Initial conditions .....	80
7.2.1.4.2	Procedure.....	81
7.2.1.5	Test requirements.....	81
7.3	Demodulation of DCH in multipath fading conditions .....	81
7.3.1	Multipath fading Case 1.....	81
7.3.1.1	Definition and applicability.....	81
7.3.1.2	Minimum requirements.....	81
7.3.1.2.1	3,84 Mcps TDD Option.....	81
7.3.1.2.2	1,28 Mcps TDD Option.....	82
7.3.1.3	Test purpose .....	83
7.3.1.4	Method of test .....	83
7.3.1.4.1	Initial conditions .....	83
7.3.1.4.2	Procedure.....	83
7.3.1.5	Test requirements.....	83
7.3.2	Multipath fading Case 2.....	83
7.3.2.1	Definition and applicability.....	83
7.3.2.2	Minimum requirement .....	84
7.3.2.2.1	3,84 Mcps TDD Option.....	84
7.3.2.2.2	1,28 Mcps TDD Option.....	84
7.3.2.3	Test purpose .....	85
7.3.2.4	Method of test .....	85
7.3.2.4.1	Initial conditions .....	85
7.3.2.4.2	Procedure.....	85
7.3.2.5	Test requirements.....	86
7.3.3	Multipath fading Case 3.....	86
7.3.3.1	Definition and applicability.....	86
7.3.3.2	Minimum requirements.....	86
7.3.3.2.1	3,84 Mcps TDD Option.....	86
7.3.3.2.2	1,28 Mcps TDD Option.....	87
7.3.3.3	Test purpose .....	87
7.3.3.4	Method of test .....	87
7.3.3.4.1	Initial conditions .....	87
7.3.3.4.2	Procedure.....	88
7.3.3.5	Test requirements .....	88
7.4	Base station transmit diversity mode for 3,84 Mcps TDD Option .....	88
7.4.1	Demodulation of BCH in SCTD mode.....	88
7.5	Power control in downlink .....	88
7.5.1	Definition and applicability .....	88
7.5.2	Power control in downlink for 3.84 Mcps TDD option, constant BLER Target .....	88
7.5.2.1	Minimum requirements.....	88
7.5.2.2	Test purpose .....	89
7.5.2.3	Method of test .....	89
7.5.2.3.1	Initial conditions.....	89
7.5.2.3.2	Procedure.....	89
7.5.2.4	Test Requirements.....	89
7.5.3	Power control in downlink for 1,28 Mcps TDD option, constant BLER Target .....	90
7.5.3.1	Definition and applicability.....	90
7.5.3.2	Minimum requirements.....	90
7.5.3.3	Test purpose .....	90
7.5.3.4	Method of test .....	90
7.5.3.4.1	Initial conditions .....	90
7.5.3.4.2	Procedure.....	91
7.5.3.5	Test Requirements.....	91
7.6	Uplink Power Control .....	91

7.6.1	Definition and applicability .....	91
7.6.2	Minimum requirements.....	91
7.6.3	Test purpose.....	92
7.6.4	Method of test .....	93
7.6.4.1	Initial conditions .....	93
7.6.4.2	Procedure .....	93
7.6.5	Test requirements.....	93
8	Requirements for Support of RRM .....	94
8.1	General .....	94
8.2	Idle Mode Tasks .....	94
8.2.1	RF Cell Selection Scenario .....	94
8.2.1.1	Introduction.....	94
8.2.2	Cell Re-Selection .....	94
8.2.2.1	Scenario 1: TDD/TDD cell re-selection single carrier case .....	94
8.2.2.1.1	Definition and applicability .....	94
8.2.2.1.1.1	3,84 Mcps TDD Option .....	94
8.2.2.1.1.2	1,28 Mcps TDD Option .....	94
8.2.2.1.2	Minimum requirement.....	94
8.2.2.1.2.1	3,84 Mcps TDD Option .....	94
8.2.2.1.2.2	1,28 Mcps TDD Option .....	95
8.2.2.1.3	Test purpose .....	95
8.2.2.1.4	Method of test.....	95
8.2.2.1.4.1	3,84 Mcps TDD Option .....	95
8.2.2.1.4.1.1	Initial conditions.....	95
8.2.2.1.4.1.2	Procedure.....	96
8.2.2.1.4.2	1,28 Mcps TDD Option .....	97
8.2.2.1.5	Test Requirements .....	98
8.2.2.1.5.1	3,84 Mcps TDD Option .....	98
8.2.2.1.5.2	1,28 Mcps TDD Option .....	99
8.2.2.2	Scenario 2: TDD/TDD cell re-selection multi carrier case .....	99
8.2.2.2.1	Definition and applicability .....	99
8.2.2.2.1.1	3,84 Mcps Option .....	99
8.2.2.2.1.2	1,28 Mcps Option .....	99
8.2.2.2.2	Minimum requirement.....	99
8.2.2.2.2.1	3,84 Mcps Option .....	99
8.2.2.2.2.2	1,28 Mcps Option .....	99
8.2.2.2.3	Test purpose .....	100
8.2.2.2.4	Method of test.....	100
8.2.2.2.4.1	3,84 Mcps Option .....	100
8.2.2.2.4.1.1	Initial conditions.....	100
8.2.2.2.4.1.2	Procedure.....	101
8.2.2.2.4.2	1,28 Mcps Option .....	102
8.2.2.2.5	Test Requirements .....	104
8.2.2.2.5.1	3,84 Mcps Option .....	104
8.2.2.2.5.2	1,28 Mcps Option .....	104
8.2.2.2A	Scenario 2A: 3.84 Mcps TDD cell re-selection for 1.28 Mcps TDD UE.....	104
8.2.2.3	Scenario 3: TDD/FDD Cell re-selection .....	104
8.2.2.3.1	Definition and applicability .....	104
8.2.2.3.1.1	3,84 Mcps Option .....	104
8.2.2.3.1.2	1,28 Mcps Option .....	104
8.2.2.3.2	Minimum requirements .....	104
8.2.2.3.3	Test purpose .....	105
8.2.2.3.4	Method of test.....	105
8.2.2.3.4.1	3,84 Mcps Option .....	105
8.2.2.3.4.1.1	Initial conditions .....	105
8.2.2.3.4.1.2	Procedure .....	106
8.2.2.3.4.2	1,28 Mcps Option .....	107
8.2.2.3.5	Test requirements .....	109
8.2.2.4	Scenario 4: inter RAT cell re-selection .....	109
8.2.2.4.1	Definition and applicability .....	109
8.2.2.4.1.1	3,84 Mcps Option .....	109

8.2.2.4.1.2	1,28 Mcps Option .....	109
8.2.2.4.2	Minimum requirement .....	110
8.2.2.4.2.1	3,84 Mcps Option .....	110
8.2.2.4.2.2	1,28 Mcps Option .....	110
8.2.2.4.3	Test purpose .....	110
8.2.2.4.4	Method of Test .....	110
8.2.2.4.4.1	3,84 Mcps Option .....	110
8.2.2.4.4.1.1	Initial conditions .....	110
8.2.2.4.4.1.2	Procedure .....	111
8.2.2.4.4.2	1,28 Mcps Option .....	112
8.2.2.4.5	Test Requirements .....	113
8.2.2.4.5.1	3,84 Mcps Option .....	113
8.2.2.4.5.2	1,28 Mcps Option .....	113
8.3	UTRAN Connected Mode Mobility .....	113
8.3.1	TDD/TDD Handover for 3,84 Mcps Option.....	113
8.3.1.1	Handover to intra-frequency cell.....	113
8.3.1.1.1	Definition and applicability .....	113
8.3.1.1.2	Minimum requirement.....	113
8.3.1.1.3	Test purpose .....	114
8.3.1.1.4	Method of test.....	114
8.3.1.1.5	Test requirements .....	119
8.3.1.2	Handover to inter-frequency cell.....	120
8.3.1.2.1	Definition and applicability .....	120
8.3.1.2.2	Minimum requirement.....	120
8.3.1.2.3	Test purpose .....	120
8.3.1.2.4	Method of test.....	120
8.3.1.2.5	Test requirements .....	125
8.3.1A	TDD/TDD Handover for 1,28 Mcps Option.....	126
8.3.1A.1	Handover to intra-frequency cell.....	126
8.3.1A.1.1	Definition and applicability .....	126
8.3.1A.1.2	Minimum requirement.....	126
8.3.1A.1.3	Test purpose .....	126
8.3.1A.1.4	Method of test.....	126
8.3.1A.1.5	Test requirements .....	132
8.3.1A.2	Handover to inter-frequency cell.....	133
8.3.1A.2.1	Definition and applicability .....	133
8.3.1A.2.2	Minimum requirement.....	133
8.3.1A.2.3	Test purpose .....	133
8.3.1A.2.4	Method of test.....	133
8.3.1A.2.5	Test requirements .....	138
8.3.2	TDD/FDD Handover for 3,84 Mcps Option .....	139
8.3.2.1	Definition and applicability .....	139
8.3.2.2	Minimum requirement.....	139
8.3.2.3	Test purpose .....	139
8.3.2.4	Method of test.....	139
8.3.2.5	Test requirements .....	144
8.3.3	TDD/GSM Handover.....	144
8.3.4	Cell Re-selection in CELL_FACH .....	144
8.3.4.1	Scenario 1: TDD/TDD cell re-selection single carrier case .....	144
8.3.4.1.1	Definition and applicability .....	144
8.3.4.1.1.1	3,84 Mcps TDD option .....	144
8.3.4.1.1.2	1,28 Mcps TDD option .....	145
8.3.4.1.2	Minimum requirement.....	145
8.3.4.1.2.1	3,84 Mcps TDD option .....	145
8.3.4.1.2.2	1,28 Mcps TDD option .....	145
8.3.4.1.3	Test purpose .....	145
8.3.4.1.4	Method of test.....	145
8.3.4.1.4.1	3,84 Mcps TDD option .....	145
8.3.4.1.4.2	1,28 Mcps TDD option .....	147
8.3.4.1.5	Test Requirements .....	147
8.3.4.1.5.1	3,84 Mcps TDD option .....	147
8.3.4.1.5.2	1,28 Mcps TDD option .....	147

8.3.4.2	Scenario 2: TDD/TDD cell re-selection multi carrier case .....	147
8.3.4.2.1	Definition and applicability .....	147
8.3.4.2.1.1	3,84 Mcps TDD option .....	147
8.3.4.2.1.2	1,28 Mcps TDD option .....	147
8.3.4.2.2	Minimum requirement .....	148
8.3.4.2.2.1	3,84 Mcps TDD option .....	148
8.3.4.2.2.2	1,28 Mcps TDD option .....	148
8.3.4.2.3	Test purpose .....	148
8.3.4.2.4	Method of test .....	148
8.3.4.2.4.2	1,28 Mcps TDD option .....	150
8.3.4.2.5	Test Requirements .....	150
8.3.4.2.5.1	3,84 Mcps TDD option .....	150
8.3.4.2.5.2	1,28 Mcps TDD option .....	150
8.3.5	Cell Re-selection in CELL_PCH .....	150
8.3.5.1	Scenario 1: TDD/TDD cell re-selection single carrier case .....	150
8.3.5.1.1	Definition and applicability .....	150
8.3.5.1.1.1	3,84 Mcps TDD option .....	150
8.3.5.1.1.2	1,28 Mcps TDD option .....	151
8.3.5.1.2	Minimum requirement .....	151
8.3.5.1.2.1	3,84 Mcps TDD option .....	151
8.3.5.1.2.2	1,28 Mcps TDD option .....	151
8.3.5.1.3	Test purpose .....	151
8.3.5.1.4	Method of test .....	151
8.3.5.1.4.1	3,84 Mcps TDD option .....	151
8.3.5.1.4.2	1,28 Mcps TDD option .....	152
8.3.5.1.5	Test Requirements .....	153
8.3.5.1.5.1	3,84 Mcps TDD option .....	153
8.3.5.1.5.2	1,28 Mcps TDD option .....	153
8.3.5.2	Scenario 2: TDD/TDD cell re-selection multi carrier case .....	153
8.3.5.2.1	Definition and applicability .....	153
8.3.5.2.1.1	3,84 Mcps TDD option .....	153
8.3.5.2.1.2	1,28 Mcps TDD option .....	153
8.3.5.2.2	Minimum requirement .....	153
8.3.5.2.2.1	3,84 Mcps TDD option .....	153
8.3.5.2.2.2	3,84 Mcps TDD option .....	153
8.3.5.2.3	Test purpose .....	154
8.3.5.2.4	Method of test .....	154
8.3.5.2.4.1	3,84 Mcps TDD option .....	154
8.3.5.2.4.1.1	Initial conditions .....	154
8.3.5.2.5.2	1,28 Mcps TDD option .....	156
8.3.5.2.5	Test Requirements .....	156
8.3.5.2.5.1	3,84 Mcps TDD option .....	156
8.3.5.2.5.2	1,28 Mcps TDD option .....	156
8.3.6	Cell Re-selection in URA_PCH .....	156
8.3.6.1	Scenario 1: TDD/TDD cell re-selection single carrier case .....	156
8.3.6.1.1	Definition and applicability .....	156
8.3.6.1.1.1	3,84 Mcps TDD option .....	156
8.3.6.1.1.2	1,28 Mcps TDD option .....	156
8.3.6.1.2	Minimum requirement .....	156
8.3.6.1.2.1	3,84 Mcps TDD option .....	156
8.3.6.1.2.2	1,28 Mcps TDD option .....	157
8.3.6.1.3	Test purpose .....	157
8.3.6.1.4	Method of test .....	157
8.3.6.1.4.1	3,84 Mcps TDD option .....	157
8.3.6.1.4.1.1	Initial conditions .....	157
8.3.6.1.4.1.2	Procedure .....	158
8.3.6.1.4.2	1,28 Mcps TDD option .....	158
8.3.6.1.5	Test Requirements .....	159
8.3.6.1.5.1	3,84 Mcps TDD option .....	159
8.3.6.1.5.2	1,28 Mcps TDD option .....	159
8.3.6.2	Scenario 2: TDD/TDD cell re-selection multi carrier case .....	159
8.3.6.2.1	Definition and applicability .....	159

8.3.6.1.1.1	3,84 Mcps TDD option .....	159
8.3.6.1.1.2	1,28 Mcps TDD option .....	159
8.3.6.1.2	Minimum requirement.....	159
8.3.6.1.2.1	3,84 Mcps TDD option .....	159
8.3.6.1.2.2	1,28 Mcps TDD option .....	159
8.3.6.1.3	Test purpose .....	160
8.3.6.1.4	Method of test.....	160
8.3.6.1.4.1	3,84 Mcps TDD option .....	160
8.3.6.1.4.1.2	Procedure .....	161
8.3.6.1.4.2	1,28 Mcps TDD option .....	161
8.3.6.1.5	Test Requirements .....	162
8.3.6.1.5.1	3,84 Mcps TDD option .....	162
8.3.6.1.5.2	1,28 Mcps TDD option .....	162
8.4	RRC Connection Control .....	162
8.4.1	RRC connection re-establishment delay .....	162
8.4.1.1	To a known target cell, 3,84 Mcps option.....	162
8.4.1.2	To an unknown target cell, 3,84 Mcps option.....	162
8.4.1.3	Test 1: 1,28 Mcps option.....	162
8.4.1.3.1	Definition and applicability .....	162
8.4.1.3.2	Minimum requirement.....	162
8.4.1.3.3	Test purpose .....	163
8.4.1.3.4	Method of test.....	163
8.4.1.3.5	Test requirements .....	164
8.4.1.4	Test 2: 1,28 Mcps option.....	164
8.4.1.4.1	Definition and applicability .....	164
8.4.1.4.2	Minimum requirement.....	165
8.4.1.4.3	Test purpose .....	165
8.4.1.4.4	Method of test.....	165
8.4.1.4.5	Test requirements .....	167
8.4.2	Transport Format Combination selection in UE .....	167
8.5	Timing Characteristics .....	167
8.5.1	UE Timing Advance .....	167
8.5.2	UE Transmit Timing.....	167
8.6	UE Measurements Procedures.....	167
8.6.1	TDD intra frequency measurements .....	167
8.6.1.1	Event triggered reporting in AWGN propagation conditions .....	167
8.6.1.2	Event 1H and 1I triggered reporting in AWGN propagation condition .....	167
8.6.2	TDD inter frequency measurements .....	167
8.6.2.1	Correct reporting of neighbours in AWGN propagation condition.....	167
8.6.3	FDD measurements.....	167
8.6.3.1	Correct reporting of FDD neighbours in AWGN propagation condition.....	167
8.7	Measurements Performance Requirements .....	168
8.7.1	P-CCPCH RSCP.....	168
8.7.1.1	Intra frequency measurement accuracy for 3,84 Mcps TDD Option .....	168
8.7.1.1.1	Absolute accuracy requirement .....	168
8.7.1.1.2	Relative accuracy requirement for 3,84 Mcps TDD Option.....	170
8.7.1.1A	Intra frequency measurement accuracy for 1.28 Mcps TDD Option .....	171
8.7.1.1A.1	Absolute accuracy requirement .....	171
8.7.1.1A.2	Relative accuracy requirement for 1.28 Mcps TDD Option.....	174
8.7.1.2	Inter frequency measurement accuracy for 3,84 Mcps TDD Option .....	176
8.7.1.2.1	Relative accuracy requirement .....	176
8.7.1.2A	Inter frequency measurement accuracy for 1.28 Mcps TDD Option .....	178
8.7.1.2A.1	Relative accuracy requirement .....	178
<b>Annex A (informative): Connection Diagrams .....</b>	<b>181</b>	
<b>Annex B (normative): Global In-Channel TX-Test.....</b>	<b>185</b>	
B.1	General .....	185
B.2	Definition of the process .....	185
B.2.1	Basic principle .....	185
B.2.2	Output signal of the TX under test.....	185
B.2.3	Reference signal.....	185

B.2.4	void .....	186
B.2.5	Classification of measurement results.....	186
B.2.6	Process definition to achieve results of type "deviation" .....	186
B.2.7	Process definition to achieve results of type "residual" .....	187
B.2.7.1	Error Vector Magnitude (EVM).....	187
B.2.7.2	Peak Code Domain Error (PCDE) .....	188
B.3	Notes .....	188
<b>Annex C (normative): Measurement channels .....</b>		<b>191</b>
C.1	General .....	191
C.2	UL Reference measurement channels .....	191
C.2.1	UL reference measurement channel (12,2 kbps).....	191
C.2.1.1	3,84 TDD Option .....	191
C.2.1.2	UL reference measurement channel (12,2 kbps) for 1,28 Mcps TDD Option .....	192
C.2.2	UL multi code reference measurement channel (12,2 kbps).....	193
C.2.2.1	3,84 Mcps TDD Option.....	193
C.2.2.2	UL multi code reference measurement channel (12,2 kbps) for 1,28 Mcps TDD Option .....	194
C.2.3	UL reference measurement channel (64 kbps).....	195
C.2.4	UL reference measurement channel (144 kbps).....	196
C.2.5	UL reference measurement channel (384 kbps).....	197
C.3	DL Reference measurement channels .....	198
C.3.1	DL reference measurement channel (12,2 kbps).....	198
C.3.1.1	3,84 Mcps TDD Option.....	198
C.3.1.2	DL reference measurement channel (12,2 kbps) for 1,28 Mcps TDD Option .....	200
C.3.2	DL reference measurement channel (64 kbps).....	201
C.3.2.1	3,84 Mcps TDD Option.....	201
C.3.2.2	DL reference measurement channel (64 kbps) for 1,28 Mcps TDD Option .....	202
C.3.3	DL reference measurement channel (144 kbps).....	203
C.3.3.1	3,84 Mcps TDD Option.....	203
C.3.3.2	DL reference measurement channel (144 kbps) for 1,28 Mcps TDD Option .....	204
C.3.4	DL reference measurement channel (384 kbps).....	205
C.3.4.1	3,84 Mcps TDD Option.....	205
C.3.4.2	DL reference measurement channel (384 kbps) for 1,28 Mcps TDD Option .....	206
C.3.5	BCH reference measurement channel.....	208
C.3.5.1	3,84 Mcps TDD Option.....	208
C.3.5.2	BCH reference measurement channel (12.3 kbps) for 1,28 Mcps TDD Option .....	208
C.3.6	DL reference measurement channel (2 Mbps) for 3,84 Mcps TDD Option .....	209
<b>Annex D (normative): Propagation conditions .....</b>		<b>211</b>
D.1	Test Environments.....	211
D.2	Propagation Conditions .....	211
D.2.1	Static propagation condition .....	211
D.2.2	Multi-path fading propagation conditions.....	211
D.2.2.1	3,84 Mcps TDD Option.....	211
D.2.2.2	1,28 Mcps TDD Option.....	212
<b>Annex E (normative): Common RF test conditions .....</b>		<b>213</b>
E.1	General .....	213
E.2	Connection Set-up .....	213
E.3	During connection .....	213
E.3.1	Measurement of Tx Characteristics .....	213
E.3.2	Measurement of Rx Characteristics .....	214
E.3.3	Measurement of Performance requirements .....	214
<b>Annex F (normative): General test conditions and declarations.....</b>		<b>215</b>
F.1	Acceptable uncertainty of Test System .....	215
F.1.1	Measurement of test environments .....	215
F.1.2	Measurement of transmitter .....	216
F.1.3	Measurement of receiver .....	217
F.1.4	Performance requirement.....	217
F.1.5	Requirements for support of RRM .....	217
F.2	Test Tolerances (This clause is informative).....	217

F.2.1	Transmitter.....	218
F.2.2	Receiver .....	218
F.2.3	Performance requirements .....	219
F.2.4	Requirements for support of RRM .....	219
F.2.4.1	TDD/TDD Cell Reselection on intra-frequency cells .....	219
F.2.4.1.1	3,84 Mcps TDD Option.....	219
F.2.4.1.2	1,28 Mcps Option .....	219
F.3	Interpretation of measurement results .....	219
F.4	Derivation of Test Requirements (This clause is informative).....	220
F.5	Acceptable uncertainty of Test Equipment (This clause is informative).....	224
F.5.1	Transmitter measurements .....	224
F.5.2	Receiver measurements .....	225
F.5.3	Performance measurements .....	225
F.6	General rules for statistical testing .....	225
F.6.1	Statistical testing of receiver BER/BLER performance.....	225
F.6.1.1	Error Definition.....	225
F.6.1.2	Test Method .....	225
F.6.1.3	Test Criteria.....	225
F.6.1.4	Calculation assumptions.....	226
F.6.1.5	Definition of good pass fail decision.....	226
F.6.1.6	Good balance between testtime and statistical significance.....	227
F.6.1.7	Pass fail decision rules .....	228
F.6.1.8	Test conditions for BER,BLER tests.....	228
F.6.1.9	Practical Use (informative) .....	229
F.6.2	Statistical testing of RRM delay performance.....	231
<b>Annex G (normative): Environmental conditions .....</b>		<b>232</b>
G.1	General .....	232
G.2	Environmental requirements .....	232
G.2.1	Temperature .....	232
G.2.2	Voltage.....	232
G.2.3	Vibration.....	233
G.2.4	Specified frequency range .....	233
<b>Annex H (normative): Terminal Baseline and Service Implementation Capabilities (TDD).....</b>		<b>234</b>
H.1	Baseline Implementation Capabilities:.....	234
H.2	Service Implementation Capabilities:.....	234
<b>Annex I (normative): Default Message Contents.....</b>		<b>235</b>
<b>Annex J (informative): Change history .....</b>		<b>239</b>
History .....		240

---

## Foreword

This Technical Specification (TS) has been produced by the 3<sup>rd</sup> Generation Partnership Project (3GPP).

The contents of the present document are subject to continuing work within the TSG and may change following formal TSG approval. Should the TSG modify the contents of the present document, it will be re-released by the TSG with an identifying change of release date and an increase in version number as follows:

Version x.y.z

where:

- x the first digit:
  - 1 presented to TSG for information;
  - 2 presented to TSG for approval;
  - 3 or greater indicates TSG approved document under change control.
- y the second digit is incremented for all changes of substance, i.e. technical enhancements, corrections, updates, etc.
- z the third digit is incremented when editorial only changes have been incorporated in the document.



---

# 1 Scope

This present document specifies the measurement procedure for the conformance test of the mobile station that contain transmitting characteristics, receiving characteristics and performance requirements and requirements for support of RRM (Radio Resource Management) in TDD mode of both options of the TDD mode of UTRA. The two options are the 3,84 Mcps TDD Option and 1,28 Mcps TDD Option, respectively. The requirements are listed in different clauses only if the corresponding parameters deviate.

---

# 2 References

The following documents contain provisions which, through reference in this text, constitute provisions of the present document.

- References are either specific (identified by date of publication, edition number, version number, etc.) or non-specific.
- For a specific reference, subsequent revisions do not apply.
- For a non-specific reference, the latest version applies. In the case of a reference to a 3GPP document (including a GSM document), a non-specific reference implicitly refers to the latest version of that document *in the same Release as the present document*.

- [1] 3GPP TS 25.102 (V4.0.0): "UTRA (UE) TDD; Radio Transmission and Reception (TDD)".
- [2] 3GPP TS 25.123: "Requirements for Support of Radio Resource Management (TDD)".
- [3] 3GPP TS 34.108 "Common Test Environments for User Equipment (UE) Conformance Testing"
- [4] 3GPP TS 34.109: "Terminal logical test interface; Special conformance testing functions".
- [5] 3GPP TS 25.224: "Physical Layer Procedures (TDD)".
- [6] 3GPP TR 21.905: "Vocabulary for 3GPP Specifications".
- [7] 3GPP TR 25.990: "Vocabulary".
- [8] ITU-R Recommendation SM.328-9: "Spectra and bandwidth of emissions".
- [9] 3GPP TS 25.331: "Radio Resource Control (RRC) Protocol Specification".

---

# 3 Definitions, abbreviations and equations

For the purposes of the present document, the definitions, symbols, abbreviations and equations used in the present document are listed in TR 21.905 [6] and TR 25.990 [7].

## 3.1 Definitions

For the purpose of the present document, the following definition applies:

**Power Spectral Density:** The units of Power Spectral Density (PSD) are extensively used in this document. PSD is a function of power versus frequency and when integrated across a given bandwidth, the function represents the mean power in such a bandwidth. When the mean power is normalised to (divided by) the chip-rate it represents the mean energy per chip. Some signals are directly defined in terms of energy per chip, (DPCH\_Ec, Ec, and P-CCPCH\_Ec) and others defined in terms of PSD (Io, Ioc, Ior and  $\hat{I}$ or). There also exist quantities that are a ratio of energy per chip to PSD (DPCH\_Ec/Ior, Ec/Ior etc.). This is the common practice of relating energy magnitudes in communication systems.

It can be seen that if both energy magnitudes in the ratio are divided by time, the ratio is converted from an energy ratio to a power ratio, which is more useful from a measurement point of view. It follows that an energy per chip of  $X$  dBm/3.84 MHz (3.84 Mcps TDD option) or  $X$  dBm/1.28 MHz (1.28 Mcps TDD option) can be expressed as a mean power per chip of  $X$  dBm. Similarly, a signal PSD of  $Y$  dBm/3.84 MHz (3.84 Mcps TDD option) or  $Y$  dBm/1.28 MHz (1.28 Mcps TDD option) can be expressed as a signal power of  $Y$  dBm.

**Maximum Output Power:** This is a measure of the maximum power the UE can transmit (i.e. the actual power as would be measured assuming no measurement error) in a bandwidth of at least  $(1 + \alpha)$  times the chip rate of the radio access mode. The period of measurement shall be a transmit timeslot excluding the guard period.

**Mean Power:** When applied to a CDMA modulated signal this is the power (transmitted or received) in a bandwidth of at least  $(1 + \alpha)$  times the chip rate of the radio access mode. The period of measurement shall be a transmit timeslot excluding the guard period unless otherwise stated.

**Output power:** The mean power of the UE delivered to a load with resistance equal to the nominal load impedance of the transmitter.

**RRC Filtered Mean Power:** The mean power as measured through a root raised cosine filter with roll-off factor  $\alpha$  and a bandwidth equal to the chip rate of the radio access mode.

**Nominal Maximum Output Power:** This is the nominal power defined by the UE power class. The period of measurement shall be a transmit timeslot excluding the guard period.

**Received Signal Code Power (RSCP):** Given only signal power is received, the RRC filtered mean power of the received signal after despreading and combining.

**Interference Signal Code Power (ISCP):** Given only interference power is received, the RRC filtered mean power of the received signal after despreading to the code and combining. Equivalent to the RSCP value but now only interference is received instead of signal.

NOTE 1: The RRC filtered mean power of a perfectly modulated CDMA signal is 0.246 dB lower than the mean power of the same signal.

NOTE 2: The roll-off factor  $\alpha$  is defined in section 6.8.1 of [1].

## 3.2 Abbreviations

For the purpose of the present document, the following abbreviations apply.

ACLR	Adjacent Channel Leakage power Ratio
ACS	Adjacent Channel Selectivity
AFC	Automatic Frequency Control
ATT	Attenuator
CW	Continuous wave (unmodulated signal)
DPCH	Dedicated physical channel
DPCH_Ec	Average energy per PN chip for DPCH
EVM	Error Vector Magnitude
FFS	For Further Study
Fuw	Frequency of unwanted signal. This is specified in bracket in terms of an absolute frequency(s) or frequency offset from the assigned channel frequency.
HYB	Hybrid
$I_{BTS}$	Interference signal power level at BTS in dBm, which is broadcasted on BCH
$I_{oac}$	The power spectral density of the adjacent frequency channel as measured at the UE antenna connector.
$I_{oc}$	The power spectral density (integrated in a noise bandwidth equal to the chip rate and normalized to the chip rate) of a band limited white noise source (simulating interference from other cells) as measured at the UE antenna connector.
$I_{or}$	The total transmit power spectral density (integrated in a bandwidth of $(1+\alpha)$ times the chip rate and normalized to the chip rate) of the downlink signal at the BS antenna connector
$\hat{I}_{or}$	The received power spectral density (integrated in a bandwidth of $(1+\alpha)$ times the chip rate and normalized to the chip rate) of the downlink signal as measured at the UE antenna connector
$I_{owc}$	Unwanted signal power level

OBW	Occupied Bandwidth
OCNS	Orthogonal Channel Noise Simulator, a mechanism used to simulate the users or control signals on the other orthogonal channels of a downlink.
PCDE	Peak Code Domain Error
PPM	Parts Per Million
PRBS	Pseudo Random Bit Sequence
RRC	Root-Raised Cosine
SCTD	Space Code Transmit Diversity
SIR	Signal to Interference ratio
SS	System Simulator
TBD	To Be Defined
TPC	Transmit Power Control
TS	Time Slot

### 3.3 Equations

For the purpose of the present document, the following additional equations apply:

$\frac{DPCH\_Ec}{I_{or}}$	The ratio of the average energy per PN chip of the DPCH to the total transmit power spectral density of the downlink at the BS antenna connector
$\frac{\sum DPCH\_Ec}{I_{or}}$	The ratio of the sum of DPCH_Ec for one service in case of multicode to the total transmit power spectral density of the downlink at the BS antenna connector

---

## 4 Frequency bands and channel arrangement

### 4.1 General

The information presented in this clause is based on the chip rates of 3,84 Mcps TDD Option and 1,28 Mcps TDD Option.

### 4.2 Frequency bands

UTRA/TDD is designed to operate in the following bands;

- a) 1 900 – 1 920 MHz: Uplink and downlink transmission  
2 010 – 2 025 MHz: Uplink and downlink transmission
- b) 1 850 – 1 910 MHz: Uplink and downlink transmission (note)  
1 930 – 1 990 MHz: Uplink and downlink transmission
- c) 1 910 – 1 930 MHz: Uplink and downlink transmission (note)

NOTE: Used in ITU Region 2.

Additional allocations in ITU region 2 are for further study.

Deployment in existing or other frequency bands is not precluded.

## 4.3 TX–RX frequency separation

### 4.3.1 3,84 Mcps TDD Option

No TX-RX frequency separation is required as Time Division Duplex (TDD) is employed. Each TDMA frame consists of 15 timeslots where each timeslot can be allocated to either transmit or receive.

### 4.3.2 1,28 Mcps TDD Option

No TX-RX frequency separation is required as Time Division Duplex (TDD) is employed. Each subframe consists of 7 main timeslots where all main timeslots (at least the first one) before the single switching point are allocated DL and all main timeslots (at least the last one) after the single switching point are allocated UL.

## 4.4 Channel arrangement

### 4.4.1 Channel spacing

#### 4.4.1.1 3,84 Mcps TDD Option

The nominal channel spacing is 5 MHz, but this can be adjusted to optimise performance in a particular deployment scenario.

#### 4.4.1.2 1,28 Mcps TDD Option

The nominal channel spacing is 1,6 MHz, but this can be adjusted to optimise performance in a particular deployment scenario.

### 4.4.2 Channel raster

The channel raster is 200 kHz, which means that the carrier frequency must be a multiple of 200 kHz.

### 4.4.3 Channel number

The carrier frequency is designated by the UTRA absolute radio frequency channel number (UARFCN). The value of the UARFCN in the IMT2000 band is defined as follows:

$$N_t = 5 * F \quad 0,0 \text{ MHz} \leq F \leq 3276,6 \text{ MHz} \quad \text{where } F \text{ is the carrier frequency in MHz}$$

### 4.4.4 UARFCN (3,84 Mcps TDD Option)

The following UARFCN range shall be supported for each band.

**Table 4.4.1: UTRA Absolute Radio Frequency Channel Number**

Frequency Band	Frequency Range	UARFCN Uplink and Downlink transmission
For operation in frequency band as defined in subclause 5.2 (a)	1900-1920 MHz 2010-2025 MHz	9512 to 9588 10062 to 10113
For operation in frequency band as defined in subclause 5.2 (b)	1850-1910 MHz 1930-1990 MHz	9262 to 9538 9662 to 9938
For operation in frequency band as defined in subclause 5.2 (c)	1910-1930 MHz	9562 to 9638

## 5 Transmitter Characteristics

### 5.1 General

Transmitting performance test of the UE is implemented during communicating with the SS via air interface. The procedure is uses normal call protocol until the UE is communicating on traffic channel basically. (Refer to TS 34.108 [3] Common Test Environments for User Equipment (UE) Conformance Testing) On the traffic channel, the UE provides special function for testing that is called Logical Test Interface and the UE is tested using this function. (Refer to TS 34.109 [4] Logical Test Interface; Special conformance testing functions).

Unless detailed the transmitter characteristic are specified at the antenna connector of the UE. For UE with integral antenna only, a reference antenna with a gain of 0 dBi is assumed. Transmitter characteristics for UE(s) with multiple antennas/antenna connectors are for further study.

The UE antenna performance has a significant impact on system performance, and minimum requirements on the antenna efficiency are therefore intended to be included in future versions of the present document. It is recognized that different requirements and test methods are likely to be required for the different types of UE.

The common RF test conditions are defined in annex E, and each test conditions in this Clause should refer annex E. Individual test conditions are defined in the paragraph of each test.

### 5.2 User Equipment maximum output power

#### 5.2.1 Definition and applicability

The nominal maximum output power and its tolerance are defined according to the Power Class of the UE.

The requirements in this test apply to all UTRA – TDD- UEs

Notes copied from TS 25.102 clause 6.2.1:

NOTE 1: For multi-code operation the nominal maximum output power will be reduced by the difference of peak to average ratio between single and multi-code transmission.

NOTE 2: The tolerance allowed for the nominal maximum power applies even at the multi-code transmission mode

NOTE 3: For UE using directive antennas for transmission, a class dependent limit will be placed on the maximum EIRP (Equivalent Isotropic Radiated Power).

#### 5.2.2 Minimum Requirements

The error of the UE maximum output power shall not exceed the tolerance shown in tables 5.2.2 a and b for single and multi-code.

**Table 5.2.2.a: Maximum Output Power single code**

Power Class	Nominal maximum output power	Tolerance
1	+30 dBm	+1dB/-3dB
2	+24 dBm	+1dB/-3dB
3	+21 dBm	+2dB/-2dB
4	+10 dBm	+4dB/-4dB

**Table 5.2.2.b: Maximum Output Power multi code**

Power Class	Nominal maximum output power	Tolerance
1	+27 dBm (note)	+1dB/-3dB
2	21 dBm (note)	+1dB/-3dB
3	18 dBm (note)	+2dB/-2dB
4	+7 dBm (note)	+4dB/-4dB
<p>NOTE: These figures are not mentioned in 25.102. Instead there is a note, saying: "For multi-code operation the maximum output power will be reduced by the difference of peak to average ratio between single and multi-code transmission." The figures are calculated from maximum output power single code (table 5.2.2.a) and UL multicode reference measurement channel (12,2 kbit/s) (annex C.2.2.1 for the 3,84 TDD Option and annex C.2.2.2 for the 1,28 Mcps TDD Option, respectively) containing two code signals with equal level.</p>		

The normative reference for this requirement is TS 25.102 [1] clause 6.2.1.

## 5.2.3 Test purpose

For the following reasons:

Limit interference.

Verify that the maximum output power is achievable.

It is the purpose of the test to verify that the UE's maximum output power is within its tolerance limits under all environmental conditions.

## 5.2.4 Method of test

### 5.2.4.1 Initial conditions

Test environment: normal, TL/VL, TL/VH, TH/VL, TH/VH; see clauses G.2.1 and G.2.2.

Frequencies to be tested: low range, mid range, high range; see clause G.2.4.

- 1) Connect the SS to the UE antenna connector as shown in figure A.1.
- 2) Calls are set up according to the Generic call setup procedure using parameters as specified in tables 5.2.4.1.1a and b for the 3,84 Mcps TDD Option and in tables 5.2.4.1.2a and b for the 1,28 Mcps TDD Option, respectively.
- 3) Enter the UE into loopback test mode and start the loopback test.

## 5.2.4.1.1 3,84 Mcps TDD Option

**Table 5.2.4.1.1a: Test parameters for Maximum Output Power single code (3,84 Mcps TDD Option)**

Parameter	Value/description
UL Reference measurement channel	12,2 kbps, according to annex C.2.1.1
Uplink Power Control	SS level and signalling values such that UE transmits maximum power.
Data content	real life (sufficient irregular)

**Table 5.2.4.1.1b: Test parameters for Maximum Output Power multicode (3,84 Mcps TDD Option)**

Parameter	Value/description
Reference measurement channel	Multicode 12,2 kbps, according to annex C.2.2.1
Uplink Power Control	SS level and signalling values such that UE transmits maximum power
Data content	real life (sufficient irregular)

## 5.2.4.1.2 1,28 Mcps TDD Option

**Table 5.2.4.1.2a: Test parameters for Maximum Output Power single code (1,28 Mcps TDD Option)**

Parameter	Value/description
UL Reference measurement channel	12,2 kbps, according to annex C.2.1.2.
Uplink Power Control	SS level and signalling values such that UE transmits maximum power.
Data content	real life (sufficient irregular)

**Table 5.2.4.1.2b: Test parameters for Maximum Output Power multicode (1,28 Mcps TDD Option)**

Parameter	Value/description
Reference measurement channel	Multicode 12,2 kbps, according to annex C.2.2.2
Uplink Power Control	SS level and signalling values such that UE transmits maximum power
Data content	real life (sufficient irregular)

## 5.2.4.2 Procedure

- 1) Measure the mean power of the UE output signal.
- 2) Run step 1) for RF channels Low / Mid / High.

## 5.2.5 Test Requirements

The output power, measured in step 2) of clause 5.2.4.2, shall not exceed the prescribed tolerance in table 5.2.5 a and b.

**Table 5.2.5.a: Maximum Output Power single code**

Power Class	Nominal maximum output power	Tolerance
1	+30 dBm	[+1,7] dB / [-3,7] dB
2	+24 dBm	+1,7 dB / -3,7dB
3	+21 dBm	+2,7 dB / -2,7dB
4	+10 dBm	[+4,7] dB / [-4,7] dB

**Table 5.2.5.b: Maximum Output Power multi code**

Power Class	Nominal maximum output power	Tolerance
1	27 dBm	+1,7 dB / -3,7 dB
2	21 dBm	+1,7dB / -3,7 dB
3	18 dBm	+2,7dB / -2,7 dB
4	7 dBm	+4,7 dB / -4,7 dB

NOTE 1: If the above Test Requirement differs from the Minimum Requirement then the Test Tolerance applied for this test is non-zero. The Test Tolerance for this test is defined in annex F clause F.2 and the explanation of how the Minimum Requirement has been relaxed by the Test Tolerance is given in annex F clause F.4.

NOTE 2: Concerning multicode transmission this test applies only for UE power classes 2 and 3. It is intended, that additional test requirements for UE power classes 1 and 4 in this case are part of a later version of the present document.

## 5.3 UE frequency stability

### 5.3.1 Definition and applicability

The frequency stability is the difference of the modulated carrier frequency between the RF transmission from the UE and the RF transmission from the BS. The UE shall use the same frequency source for both RF frequency generation and chip clocking.

The requirements of this test apply to all types of UTRA- UE.

### 5.3.2 Minimum Requirements

The UE frequency stability, observed over a period of one timeslot, shall be within  $\pm 0,1$  ppm compared to signals received from the BS.

The normative reference for this requirement is TS 25.102 [1] clause 6.3.

### 5.3.3 Test purpose

Reliable frequency stability of the UE's transmitter in certain tolerance limits is prerequisite for connectivity.

This test stresses the ability of the UE's receiver to derive correct frequency information from the received signal for the transmitter.



## 5.3.4 Method of test

### 5.3.4.1 Initial conditions

Test environment: normal, TL/VL, TL/VH, TH/VL, TH/VH, vibration; see clauses G.2.1, G.2.2 and G.2.3.

Frequencies to be tested: low range, mid range, high range; see clause G.2.4.

#### 5.3.4.1.1 3,84 Mcps TDD Option

- 1) Connect the SS to the UE antenna connector as shown in figure A.1.
- 2) A call is set up according to the Generic call setup procedure using parameters as specified in table 5.3.4.1.1.
- 3) Enter the UE into loopback test mode and start the loopback test.

**Table 5.3.4.1.1: Test parameters for Frequency Stability (3,84 Mcps TDD Option)**

Parameter	Value/description
SS level (Ior)	-105 dBm / 3,84 MHz (reference sensitivity)
UL reference measurement channel	12,2 kbps according to annex C.2.1.1.
Data content	real life (sufficient irregular)

#### 5.3.4.1.2 1,28 Mcps TDD Option

- 1) Connect the SS to the UE antenna connector as shown in figure A.1.
- 2) A call is set up according to the Generic call setup procedure using parameters as specified in table 5.3.4.1.2.
- 3) Enter the UE into loopback test mode and start the loopback test.

**Table 5.3.4.1.2: Test parameters for Frequency Stability (1,28 Mcps TDD Option)**

Parameter	Value/description
SS level (Ior)	-108 dBm / 1,28 MHz (reference sensitivity)
UL reference measurement channel	12,2 kbps according to annex C.2.1.2
Data content	real life (sufficient irregular)

### 5.3.4.2 Procedure

- 1) Measure the frequency error  $\Delta f$  across the TS according to annex B.
- 2) Repeat step 1) for 200 bursts (time slots).
- 3) Run Step 1) and 2) for RF channels Low /Mid/ High.

## 5.3.5 Test Requirements

For all measured bursts (time slots), the frequency error, derived in clause 5.3.4.2, shall not exceed  $\pm(0,1 \text{ ppm} + 10 \text{ Hz})$ .

NOTE: If the above Test Requirement differs from the Minimum Requirement then the Test Tolerance applied for this test is non-zero. The Test Tolerance for this test is defined in annex F clause F.2 and the explanation of how the Minimum Requirement has been relaxed by the Test Tolerance is given in annex F clause F.4

## 5.4 Output Power Dynamics

Power control is used to limit the interference level.

### 5.4.1 Uplink power control

Uplink power control is the ability of the UE transmitter to sets its output power in accordance with measured downlink path loss, values determined by higher layer signalling and path loss weighting parameter  $\alpha$  as defined in TS 25.331 [9]. The output power is defined as the RRC filtered mean power of the transmit timeslot.

#### 5.4.1.1 Initial accuracy (3,84 Mcps TDD Option)

##### 5.4.1.1.1 Definition and applicability

Initial Uplink power control is the ability of the UE transmitter to sets its output power in accordance with measured downlink path loss, and signalling values:  $I_{BTS}$  and Constant value, received from the BCH and applicable for the PRACH.

The requirements and this test apply to all types of UTRA - UEs.

##### 5.4.1.1.2 Minimum requirements

The UE power control, initial accuracy, is given in table 5.4.1.1.2.

**Table 5.4.1.1.2: Initial uplink power control tolerance (3,84 Mcps TDD Option)**

Normal conditions	$\pm 9$ dB
Extreme conditions	$\pm 12$ dB

The reference for this requirement is TS 25.102 [1] clause 6.4.1.1.1.

##### 5.4.1.1.3 Test purpose

The power of the received signal at the UE and the BCH information control the power of the transmitted UE signal with the target to transmit at lowest power, acceptable for proper communication.

The test stresses the ability of the receiver to measure the received power over the receiver dynamic range and to derive from this correct transmitter-power.

##### 5.4.1.1.4 Method of test

###### 5.4.1.1.4.1 Initial conditions

Test environment: normal, TL/VL, TL/VH, TH/VL, TH/VH; see clauses G.2.1 and G.2.2.

Frequencies to be tested: low range, mid range, high range; see clause G.2.4.

Connect the SS to the MS antenna connector as shown in figure A.1.

A call is set up according to the generic call setup procedure [3] using parameters as specified in table 5.4.1.1.4. The RACH procedure within the call setup is used for the test.

**Table 5.4.1.1.4: Test parameters for uplink Power Control (3,84 Mcps TDD Option)**

	RX-Upper dynamic end	RX-middle	RX-Sensitivity level
SS transmit power	-25 dBm/3,84 MHz	-65 dBm/3,84 MHz	-105 dBm/3,84 MHz
Broadcasted transmit-power PCCPCH	35 dBm	35 dBm	24 dBm
Simulated path loss = Broadcasted TX – SS TX Power	60 dB	100 dB	129 dB
$I_{BTS}$ (UL interference)	-75 dBm	-100 dBm	-110 dBm
Constant value	-10 dB	-10 dB	-10 dB
Nominal expected UE TX power	-25 dBm	-10 dBm	+9 dBm (note 2)
NOTE 1: While the SS transmit power shall cover the UE receiver input dynamic range, the logical parameters: broadcasted transmit power, $I_{BTS}$ , and RACH constant value are chosen to achieve a UE TX power, located within the TX output power dynamic range of a class 3 UE.			
NOTE 2: Nominal TX output power 9 dBm allows to check the uplink power control algorithm within the entire tolerance range (9 dBm +12 dB: 9 dBm +12 dB =21 dBm = max power class 3).			

#### 5.4.1.1.4.2 Procedure

- 1) Set the SS transmit power according to table 5.4.1.1.4.
- 2) Measure the RACH output power of the UE according to annex B.
- 3) Repeat the test for all SS transmit powers and parameters in table 5.4.1.1.4.

#### 5.4.1.1.5 Test requirements

The deviation with respect to the nominal expected UE TX power (table 5.4.1.1.2), derived in step 2, shall not exceed the prescribed tolerance in table 5.4.1.1.5.

**Table 5.4.1.1.5: Test parameters for uplink Power Control**

Expected UE TX power, normal conditions	-25 dBm $\pm$ 10 dB	-10 dBm $\pm$ 10 dB	+9 dBm $\pm$ 10 dB
Expected UE TX power, extreme conditions	-25 dBm $\pm$ 13 dB	-10 dBm $\pm$ 13 dB	+9 dBm $\pm$ 13 dB

NOTE: If the above Test Requirement differs from the Minimum Requirement then the Test Tolerance applied for this test is non-zero. The Test Tolerance for this test is defined in annex F clause F.2 and the explanation of how the Minimum Requirement has been relaxed by the Test Tolerance is given in annex F clause F.4.

### 5.4.1.2 Differential accuracy, controlled input (3,84 Mcps TDD Option)

#### 5.4.1.2.1 Definition and applicability

Uplink power control, differential accuracy, is the ability of the UE transmitter to sets its output power in accordance with measured downlink path loss, and the signalling values:  $I_{BTS}$ ,  $SIR_{Target}$ , Constant Value, received from higher layers and applicable for the DPCH.

Specifically, the uplink power control, differential accuracy, controlled input, is defined as the error in the UE transmitter power step as a result of a step in  $SIR_{TARGET}$ ,  $I_{BTS}$  or DPCH Constant Value when the path loss weighting parameter  $\alpha=0$ .

The requirements of this test apply to all types of UTRA -UE.

#### 5.4.1.2.2 Minimum requirements

The step in  $SIR_{TARGET}$  shall be rounded to the closest integer dB value. The power control error resulting from a change in  $SIR_{TARGET}$ ,  $I_{BTS}$  or DPCH Constant Value shall not exceed the values in table 5.4.1.2.2.

**Table 5.4.1.2.2: Transmitter power step tolerance as a result of control power step (3,84 Mcps TDD Option)**

$\Delta SIR_{TARGET}$ [dB]	Transmitter power step tolerance [dB]
$\Delta SIR_{TARGET} \leq 1$	$\pm 0,5$
$1 < \Delta SIR_{TARGET} \leq 2$	$\pm 1$
$2 < \Delta SIR_{TARGET} \leq 3$	$\pm 1,5$
$3 < \Delta SIR_{TARGET} \leq 10$	$\pm 2$
$10 < \Delta SIR_{TARGET} \leq 20$	$\pm 4$
$20 < \Delta SIR_{TARGET} \leq 30$	$\pm 6$
$30 < \Delta SIR_{TARGET}$	$\pm 9$ (note)
NOTE: Value is given for normal conditions. For extreme conditions value is $\pm 12$ .	

The reference for this requirement is TS 25.102 [1] clause 6.4.1.1.2.

#### 5.4.1.2.3 Test purpose

It is verified if the UE sets correct uplink power steps in response to steps in the signalling value  $SIR_{Target}$  and DPCH Constant Value, signalled via the downlink to the UE, under the following conditions: keeping the other signalling parameters constant and deactivating any influence due to varying pathloss.

#### 5.4.1.2.4 Method of test

##### 5.4.1.2.4.1 Initial conditions

Test environment: normal; see clauses G.2.1 and G.2.2.

Frequencies to be tested: mid range; see clause G.2.4.

- 1) Connect the SS to the MS antenna connector as shown in figure A.1.
- 2) A call is set up according to the generic call setup procedure using parameters as specified in table 5.4.1.2.4.

**Table 5.4.1.2.4 : Test parameters for Uplink Power Control, Differential Accuracy, Controlled Input (3,84 Mcps TDD Option)**

Parameter	Value/description
UL reference measurement channel	12,2 kbps according to annex C clause C.2.1.1
BS Transmit to UE Transmit delay	7 TSS--> $\alpha=0$
SSTransmit power	-65 dBm
Reference transmit power broadcast on BCH	35 dBm
$I_{BTS}$	-100
Constant value	-10
Data content	real life (sufficient irregular)

##### 5.4.1.2.4.2 Procedure

Using a combination of  $SIR_{Target}$  and DPCH constant value signaled in the downlink, cover the UE-transmitter dynamic range by commanding the UEs power with the signalling value  $SIR_{Target}$  in a step resolution (positive and negative direction) of:

1 dB	approx. 68 steps up and 68 steps down
2 dB	approx. 34 steps up and 34 steps down
3 dB	approx. 22 steps up and 22 steps down
10 dB	approx. 7 steps up and 7 steps down
20 dB	approx. 3 steps up and 3 steps down
30 dB	approx. 2 step up and 2 step down
maximum stepsize	1 step up and 1 step down

Measure the power according to annex B.

#### 5.4.1.2.5 Test requirements

For the UE output power laying between

Max Power minus tolerance and Min Power

the step response shall not exceed the prescribed tolerance in table 5.4.1.2.5.

**Table 5.4.1.2.5: Transmitter power step tolerance as a result of control power step**

$\Delta\text{SIR}_{\text{TARGET}}$ [dB]	Transmitter power step tolerance [dB]
$\Delta\text{SIR}_{\text{TARGET}} \leq 1$	$\pm 0,6$
$1 < \Delta\text{SIR}_{\text{TARGET}} \leq 2$	$\pm 1,15$
$2 < \Delta\text{SIR}_{\text{TARGET}} \leq 3$	$\pm 1,7$
$3 < \Delta\text{SIR}_{\text{TARGET}} \leq 10$	$\pm 2,5$
$10 < \Delta\text{SIR}_{\text{TARGET}} \leq 20$	$\pm 4,7$
$20 < \Delta\text{SIR}_{\text{TARGET}} \leq 30$	$\pm 6,7$
$30 < \Delta\text{SIR}_{\text{TARGET}}$	$\pm 10$

NOTE: If the above Test Requirement differs from the Minimum Requirement then the Test Tolerance applied for this test is non-zero. The Test Tolerance for this test is defined in annex F clause F.2 and the explanation of how the Minimum Requirement has been relaxed by the Test Tolerance is given in annex F clause F.4.

#### 5.4.1.2A Differential accuracy, controlled input

This is not tested.

#### 5.4.1.3 Open loop power control (1,28 Mcps TDD Option)

##### 5.4.1.3.1 Definition and applicability

Open loop power control is the ability of the UE transmitter to sets its output power to a specific value. The open loop power control tolerance is given in table 5.4.1.3.2.

##### 5.4.1.3.2 Minimum requirements

The UE open loop power is defined as the average power in a timeslot or ON power duration, whichever is available, and they are measured with a filter that has a Root-Raised Cosine (RRC) filter response with a roll off  $\alpha = 0.22$  and a bandwidth equal to the chip rate of 1,28 Mcps. The open loop power control tolerance is given in table 5.4.1.3.2.

**Table 5.4.1.3.2: Open loop power control tolerance (1,28 Mcps TDD Option)**

Normal conditions	±9 dB
Extreme conditions	±12 dB

The reference for this requirement is TS 25.102 [1] clause 6.4.1.2.1.1.

### 5.4.1.3.3 Test purpose

The power of the received signal and the BCCH information control the power of the transmitted signal with the target to transmit at lowest power acceptable for proper communication.

The test stresses the ability of the receiver to measure the received power correctly over the receiver dynamic range.

The test purpose is to verify that the UE open loop power control tolerance does not exceed the described value shown in table 5.4.1.3.2.

An excess error of the open loop power control decreases the system capacity.

### 5.4.1.3.4 Method of test

#### 5.4.1.3.4.1 Initial conditions

Test environment: normal, TL/VL, TL/VH, TH/VL, TH/VH; see clauses G.2.1 and G.2.2.

Frequencies to be tested: low range, mid range, high range; see clause G.2.4.

- 1) Connect the SS to the UE antenna connector as shown in figure A.1.
- 2) A call is set up according to the Generic call setup procedure, and RF parameters are set up according to table 5.4.1.3.4a. The transmit power level by a UE on the UpPTS is measured. The network signals on BCH a power increment that is applied only for the access procedure. At each new transmission of a SYNC1 burst during the access procedure, the transmit power level can be increased by this power increment. According to the test purpose this power increment is set to zero.

See TS 34.108 [3] for details regarding generic call setup procedure.

**Table 5.4.1.3.4a: Test parameters for Open Loop Power Control (UE) (1,28 Mcps TDD Option)**

Parameter	Level / Status	Unit
$I_{or}$	See table 5.4.1.3.4b	dBm / 1,28 MHz

**Table 5.4.1.3.4b: Test parameters for Open Loop Power Control (SS) (1,28 Mcps TDD Option)<sup>1)</sup>**

Parameter	RX Upper dynamic end	RX-middle	RX-Sensitivity level
SS transmit power $I_{or}$	-25 dBm / 1,28 MHz	- 66 dBm / 1,28 MHz	- 108 dBm / 1,28 MHz <sup>3)</sup>
broadcasted transmit power on BCH	+35 dBm	+24 dBm	+11 dBm
Simulated path loss = broadcasted TX – SS TX power	+60 dBm	+90 dB	+119 dB
$PRX_{UpPCHdes}$ (UL interference)	-85 dBm	-100 dBm	-110 dBm
$Pwr_{ramp}$ (Power Ramping Step)	0 dB	0 dB	0 dB
$I$ (Max SYNC_UL Transmissions)	1	1	1
Expected nominal UE TX power <sup>5)</sup>	-25 dBm	-10 dBm	+9 dBm <sup>2)</sup>

NOTE 1: While the SS transmit power shall cover the receiver input dynamic range, the logical parameters: broadcasted TX power, Desired UpPCH RX power at the BS receiver and Power Ramp step are chosen to achieve a UE TX power, located within the TX output power dynamic range of a class 3 UE.

NOTE 2: Nominal TX output power 9 dBm allows to check the open loop power algorithm within the entire tolerance range (9 dBm  $\pm$  12 dB; 9 dBm + 12 dB = 21 dBm = max power class 3)

NOTE 3: The reference for this requirement is TS 25.102 [1] clause 7.3.1.2.

NOTE 4: This test applies only for max UE power classes 3. It is intended, that additional test requirements for UE power class 4 are part of a later release.

NOTE 5: The Expected nominal UE TX power is calculated by using the equation in the clause 8.5.7 Open Loop Power Control of [9]

#### 5.4.1.3.4.2 Procedure

- 1) Set the TX output level of the SS to obtain  $\hat{I}_{or}$  at the UE antenna connector.  $\hat{I}_{or}$  shall be according to table 5.4.1.3.4b (-25 dBm / 1,28 MHz).
- 2) Measure the UpPCH RX power at the BS receiver and calculate the transmit power level by the UE on the UpPTS by using the equation in the clause 8.5.7 Open Loop Power Control of [9].
- 3) Repeat the above measurement for all SS levels in table 5.4.1.3.4b.

#### 5.4.1.3.5 Test requirements

The deviation with respect to the expected nominal UE TX power (table 5.4.1.3.4b), derived in step 2), shall not exceed the prescribed tolerance given in table 5.4.1.3.5.

**Table 5.4.1.3.5: Test parameters for open loop power control (1,28 Mcps TDD Option)**

Expected UE TX power, normal conditions	-25 dBm $\pm$ 10 dB	-10 dBm $\pm$ 10 dB	+9 dBm $\pm$ 10 dB
Expected UE TX power, extreme conditions	-25 dBm $\pm$ 13 dB	-10 dBm $\pm$ 13 dB	+9 dBm $\pm$ 13 dB

NOTE: If the above Test Requirement differs from the Minimum Requirement then the Test Tolerance applied for this test is non-zero. The Test Tolerance for this test is defined in annex F clause F.2 and the explanation of how the Minimum Requirement has been relaxed by the Test Tolerance is given in annex F clause F.4.

### 5.4.1.4 Closed loop power control (1,28 Mcps TDD Option)

#### 5.4.1.4.1 Definition and applicability

Closed loop power control in the Uplink is the ability of the UE transmitter to adjust its output power in accordance with one or more TPC commands received in the downlink.

The power control step is the change in the UE transmitter output power in response to a single TPC command, TPC\_cmd, arrived at the UE.

#### 5.4.1.4.2 Minimum requirements

The UE transmitter shall have the capability of changing the output power with a step size of 1, 2 and 3 dB according to the value of  $\Delta_{TPC}$  in the slot immediately after the TPC\_cmd can be arrived.

- a) The transmitter output power step due to closed loop power control shall be within the range shown in table 5.4.1.4.2a.

- b) The transmitter average output power step due to closed loop power control shall be within the range shown in table 5.4.1.4.2b. Here a TPC\_cmd group is a set of TPC\_cmd values derived from a corresponding sequence of TPC commands of the same duration.

The closed loop power is defined as the relative power differences between RRC filtered mean power of original (reference) timeslot and RRC filtered mean power of the target timeslot without transient duration.

**Table 5.4.1.4.2a: Transmitter power control range**

TPC_cmd	Transmitter power control range					
	1 dB step size		2 dB step size		3 dB step size	
	Lower	Upper	Lower	Upper	Lower	Upper
Up	+0,5 dB	+1,5 dB	+1 dB	+3 dB	+1,5 dB	+4,5 dB
Down	-0,5 dB	-1,5 dB	-1 dB	-3 dB	-1,5 dB	-4,5 dB

**Table 5.4.1.4.2b: Transmitter average power control range**

TPC_cmd group	Transmitter power control range after 10 equal TPC_cmd groups					
	1 dB step size		2 dB step size		3 dB step size	
	Lower	Upper	Lower	Upper	Lower	Upper
Up	+8 dB	+12 dB	+16 dB	+24 dB	+24 dB	+36 dB
Down	-8 dB	-12 dB	-16 dB	-24 dB	-24 dB	-36 dB

#### 5.4.1.4.3 Test purpose

The purpose of this test is

- to verify that the UE inner loop power control size and response is meet to the described value shown in clause 5.4.1.4.2; and
- to verify that the TPC\_cmd is correctly derived from received TPC commands.

#### 5.4.1.4.4 Method of test

##### 5.4.1.4.4.1 Initial conditions

Test environment: normal; see clauses G.2.1 and G.2.2.

Frequencies to be tested: mid range; see clause G.2.4.

- 1) Connect the SS to the UE antenna connector as shown in figure A.1.
- 2) A call is set up according to the Generic call setup procedure.
- 3) Enter the UE into loopback test mode and start the loopback test.

See TS 34.108 [3] and TS 34.109 [4] for details regarding generic call setup procedure and loopback test.

##### 5.4.1.4.4.2 Procedure

- 1) Before proceeding with paragraph (2) (Step A) below, set the output power of the UE, measured at the UE antenna connector, to be in the range  $-10 \pm 9$  dBm. This may be achieved by setting the downlink signal ( $\hat{I}_{or}$ ) to yield an appropriate open loop output power and/or by generating suitable downlink TPC commands from the SS.
- 2) Step A: Configure the uplink channel to set the TPC step size to 1 dB. When the Configuration is complete, transmit a sequence of TPC commands with the value 1 until the UE output power is above the maximum power threshold.
- 3) Step B: Transmit a sequence of 68 (note) TPC commands with the value 0.



- 4) Step C: Transmit a sequence of 68 (note) TPC commands with the value 1.
- 5) Step D: Reconfigure the uplink channel to set the TPC step size to 2dB. When the reconfiguration is complete, transmit a sequence of TPC commands with the value 1 until the UE output power is above the maximum power threshold. Transmit a sequence of 34 (note) TPC commands with the value 0.
- 6) Step E: Transmit a sequence of 34 (note) TPC commands with the value 1.
- 7) Step F: Reconfigure the uplink channel to set the TPC step size to 3 dB. When the reconfiguration is complete, transmit a sequence of TPC commands with the value 1 until the UE output power is above the maximum power threshold. Transmit a sequence of 22 (note) TPC commands with the value 0.
- 8) Step G: Transmit a sequence of 22 (note) TPC commands with the value 1.

NOTE: These numbers of TPC commands are given as examples. The actual number of TPC commands transmitted in these steps shall be sufficient to ensure that the UE reaches the relevant maximum or minimum power threshold.

#### 5.4.1.4.5 Test requirements

- a) During Step B, the difference in mean output power between adjacent slots shall be within the prescribed range given in table 5.4.1.4.2a for a TPC\_cmd of  $-1$  and step size of 1 dB, until the output power reaches (Minimum power threshold  $+0,5$  dB).
- b) During Step B, the change in mean output power over 10 consecutive slots shall be within the prescribed range for a TPC\_cmd group of  $-1$ , and step size of 1 dB as given in table 5.4.1.4.2b, until the output power reaches (Minimum power threshold  $+0,5$  dB).
- c) During Step C, the difference in mean output power between adjacent slots shall be within the prescribed range given in table 5.4.1.4.2a for a TPC\_cmd of  $+1$  and step size of 1 dB, until the output power reaches (Maximum power threshold  $-0,5$  dB).
- d) During Step C, the change in mean output power over 10 consecutive slots shall be within the prescribed range for a TPC\_cmd group of  $+1$ , and step size of 1 dB as given in table 5.4.1.4.2b, until the output power reaches (Maximum power threshold  $-0,5$  dB).
- e) During Step D, the difference in mean output power between adjacent slots shall be within the prescribed range given in table 5.4.1.4.2a for a TPC\_cmd of  $-1$  and step size of 2 dB, until the output power reaches (Minimum power threshold  $+1$  dB).
- f) During Step D, the change in mean output power over 10 consecutive slots shall be within the prescribed range for a TPC\_cmd group of  $-1$ , and step size of 2 dB as given in table 5.4.1.4.2b, until the output power reaches (Minimum power threshold  $+1$  dB).
- g) During Step E, the difference in mean output power between adjacent slots shall be within the prescribed range given in table 5.4.1.4.2a for a TPC\_cmd of  $+1$  and step size of 2 dB, until the output power reaches (Maximum power threshold  $-1$  dB).
- h) During Step E, the change in mean output power over 10 consecutive slots shall be within the prescribed range for a TPC\_cmd group of  $+1$ , and step size of 2 dB as given in table 5.4.1.4.2b, until the output power reaches (Maximum power threshold  $-1$  dB).
- i) During Step F, the difference in mean output power between adjacent slots shall be within the prescribed range given in table 5.4.1.4.2a for a TPC\_cmd of  $-1$  and step size of 3 dB, until the output power reaches (Minimum power threshold  $+1$  dB).
- j) During Step F, the change in mean output power over 10 consecutive slots shall be within the prescribed range for a TPC\_cmd group of  $-1$ , and step size of 3 dB as given in table 5.4.1.4.2b, until the output power reaches (Minimum power threshold  $+1$  dB).
- k) During Step G, the difference in mean output power between adjacent slots shall be within the prescribed range given in table 5.4.1.4.2a for a TPC\_cmd of  $+1$  and step size of 3 dB, until the output power reaches (Maximum power threshold  $-1$  dB).

- 1) During Step G, the change in mean output power over 10 consecutive slots shall be within the prescribed range for a TPC\_cmd group of +1, and step size of 3 dB as given in table 5.4.1.4.2b, until the output power reaches (Maximum power threshold –1 dB).

## 5.4.2 Minimum output power

### 5.4.2.1 Definition and applicability

The minimum controlled output power of the UE is when the power is set to a minimum value. The minimum output power is defined as the mean power in one time slot excluding the guard period.

The normative requirements of this test apply to all types of UTRA- UE.

### 5.4.2.2 Minimum Requirements

#### 5.4.2.2.1 3,84Mcps TDD Option

The minimum output power shall be lower than or equal to –44 dBm.

The normative reference for this requirement is TS 25.102 [1] clause 6.4.2.1.1.

#### 5.4.2.2.2 1,28Mcps TDD Option

The minimum output power shall be better than –49 dBm.

The normative reference for this requirement is TS 25.102 [1] clause 6.4.2.1.2.

### 5.4.2.3 Test purpose

The test purpose is to verify the ability of the UE to reduce its output power to a specified value.

### 5.4.2.4 Method of test

#### 5.4.2.4.1 Initial conditions

Test environment: normal, TL/VL, TL/VH, TH/VL, TH/VH; see clauses G.2.1 and G.2.2.

Frequencies to be tested: low range, mid range, high range; see clause G.2.4.

- 1) Connect the SS to the UE antenna connector as shown in figure A.1.
- 2) A call is set up according to the Generic call setup procedure using parameters as specified in table E.3.1.2.
- 3) Enter the UE into loopback test mode and start the loopback test.

#### 5.4.2.4.2 Procedure

- 1) Configure the UE transmitter to enable power control steps of size 1 dB.
- 2) Set and send Down power control commands to the UE. The sequence shall be sufficiently long so that the UE output signal reached its minimum power.
- 2) Measure the mean power of the UE output signal according to annex B.

NOTE: Annex B returns the power in the decision points (displayed as reference power and power offset). This is equivalent to thermal power at the air-interface. Insofar 5.4.2.2.1 minimum output power for 3,84 Mcps TDD Option and 5.4.2.2.2 minimum output power for 1,28 Mcps TDD Option is consistent with 5.2 maximum output power.

- 3) Configure the UE transmitter to enable power control steps of 2 dB and of 3 dB, respectively, and repeat step 2).

4) Run step 2) for RF channels Low Mid and High.

### 5.4.2.5 Test requirements

#### 5.4.2.5.1 3,84 Mcps TDD Option

For all measurements, the minimum output power derived in step 3) and 4) of 5.4.2.4.2 shall be below  $-43$  dBm.

#### 5.4.2.5.2 1,28 Mcps TDD Option

For all measurements, the minimum output power derived in step 3) and 4) of 5.4.2.4.2 shall be below  $-48$  dBm.

NOTE: If the above Test Requirement differs from the Minimum Requirement then the Test Tolerance applied for this test is non-zero. The Test Tolerance for this test is defined in annex F clause F.2 and the explanation of how the Minimum Requirement has been relaxed by the Test Tolerance is given in annex F clause F.4.

## 5.4.3 Transmit OFF power

### 5.4.3.1 Definition and applicability

Transmit OFF power is defined as the RRC filtered mean power measured over one chip when the transmitter is off. The transmit OFF power state is when the UE does not transmit.

The requirements of this test apply to all types of UTRA-UE.

### 5.4.3.2 Minimum Requirements

The transmit OFF power shall be below  $-65$  dBm.

The normative reference for this requirement is TS 25.102 clause 6.5.1.

### 5.4.3.3 Test purpose

Refer clause 5.4.4.3.

### 5.4.3.4 Method of test

Refer clause 5.4.4.4.

### 5.4.3.5 Test requirements

The transmit OFF power shall be below  $-63.5$  dBm.

NOTE: If the above Test Requirement differs from the Minimum Requirement then the Test Tolerance applied for this test is non-zero. The Test Tolerance for this test is defined in annex F clause F.2 and the explanation of how the Minimum Requirement has been relaxed by the Test Tolerance is given in annex F clause F.4

## 5.4.4 Transmit ON/OFF Time mask

### 5.4.4.1 Definition and applicability

The transmit ON/OFF time mask defines the ramping time allowed for the UE between transmit OFF power and transmit ON power.

This test applies for all UTRA TTD UEs.

5.4.4.2 Minimum requirements

5.4.4.2.1 3,84Mcps TDD Option

The transmit power level versus time shall meet the mask specified in figure 5.4.4.2, where the transmission period refers to the burst without guard-period for a single transmission slot, and to the period from the beginning of the burst in the first transmission slot to the end of the burst without guard period in the last transmission timeslot for consecutive transmission slots.

The reference for this requirement is TS 25.102 [1] clause 6.5.2.1.1.

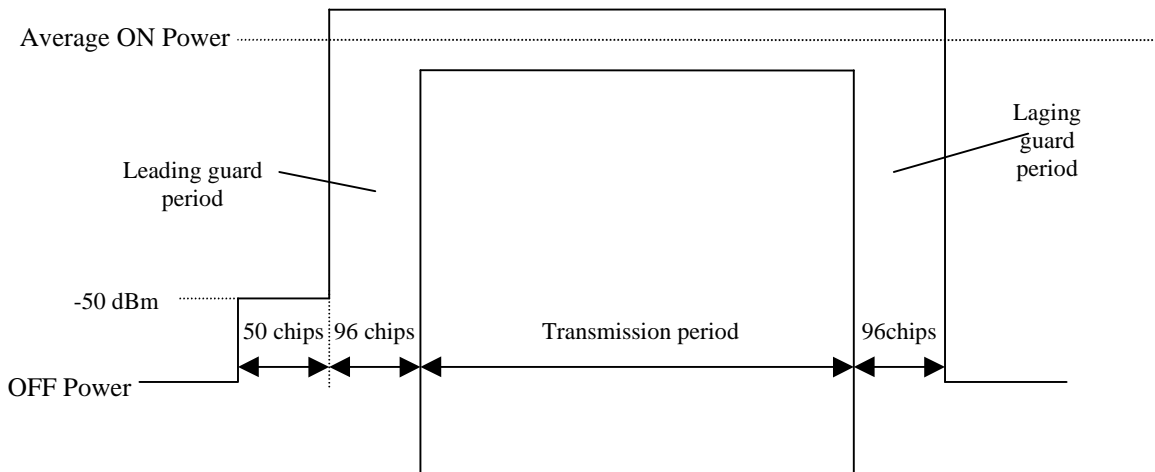


Figure 5.4.4.2.1: Transmit ON/OFF template for 3,84 Mcps TDD Option

5.4.4.2.2 1,28Mcps TDD Option

The transmit power level versus time shall meet the mask specified in figure 5.4.4.2.2, where the transmission period refers to the burst without guardperiod for a single transmission slot, and to the period from the beginning of the burst in the first transmission slot to the end of the burst without guard period in the last transmission timeslot for consecutive transmission slots.

The reference for this requirement is TS 25.102 [1] clause 6.5.2.1.2.

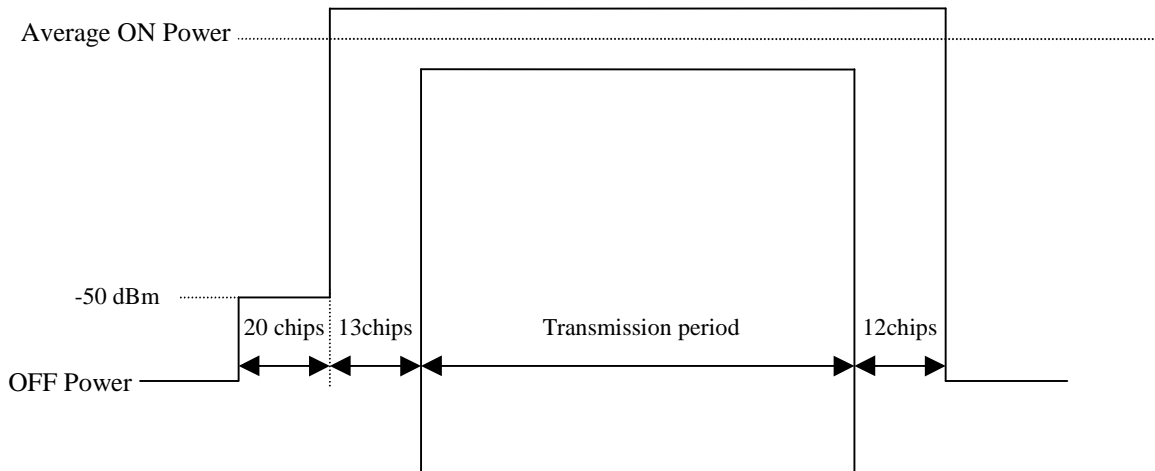


Figure 5.4.4.2.2: Transmit ON/OFF template for 1,28Mcps TDD Option

### 5.4.4.3 Test Purpose

It is tested if the UE TX signal uses the guard period for on-to-off and off-to-on transitions, where the time position of guard period is derived from the burst under test itself.

It is furtheron tested, if the UE TX signal is below certain limits outside transmission period and guard periods where the position in time is derived from the burst under test itself.

With this test interference to other UTRA TDD users are limited

### 5.4.4.4 Method of test

#### 5.4.4.4.1 Initial conditions

Test environment: normal, TL/VL, TL/VH, TH/VL, TH/VH; see clauses G.2.1 and G.2.2.

Frequencies to be tested: low range, mid range, high range; see clause G.2.4.

Connect the SS to the UE antenna connector as shown in figure A.1.

A call is set up according to the generic call setup procedure using parameters as specified in table E.3.1.2.

Enter the UE into loopback test mode and start the loopback test.

#### 5.4.4.4.2 Procedure

- 1) The time position of the midamble of the burst under test (TimeSlot  $s$  in Frame  $f$ ) shall be the reference for the time position of the leading and laging guard-periods of the burst under test and, alternatively, for the equivalent guard periods of the next 2 bursts.
- 2) Record the following time periods with at least 2 samples /chip through a matched filter (RRC 0.22, BW equal to the chiprate) : TS  $s-1$  and TS  $s+1$  in frame  $f$  or  $f+1$  or  $f+2$
- 3) Calculate power samples by averaging the recorded samples of one chip duration.

#### 5.4.4.5 Test requirements

Each power sample shall be below the limits (off Power (clause 5.4.3) and  $-50$  dBm), indicated in figure 5.4.4.2.1 for 3,84 Mcps TDD Option and figure 5.4.4.2.2 for 1,28 Mcps TDD Option, respectively.

NOTE: In this test no power limits apply during guard period.

## 5.4.5 Out-of-synchronisation handling of output power for continuous transmission

### 5.4.5.1 Definition and applicability

The UE shall monitor the DPCH quality in order to detect a loss of the signal on Layer 1, as specified in TS 25.224. [5] The thresholds  $Q_{out}$  and  $Q_{in}$  specify at what DPCH quality levels the UE shall shut its power off and when it shall turn its power on, respectively. The thresholds are not defined explicitly, but are defined by the conditions under which the UE shall shut its transmitter off and turn it on, as stated in this clause.

The requirement of this clause shall apply to all types of UTRA-UE.

### 5.4.5.2 Minimum Requirement

#### 5.4.5.2.1 3,84 Mcps TDD Option

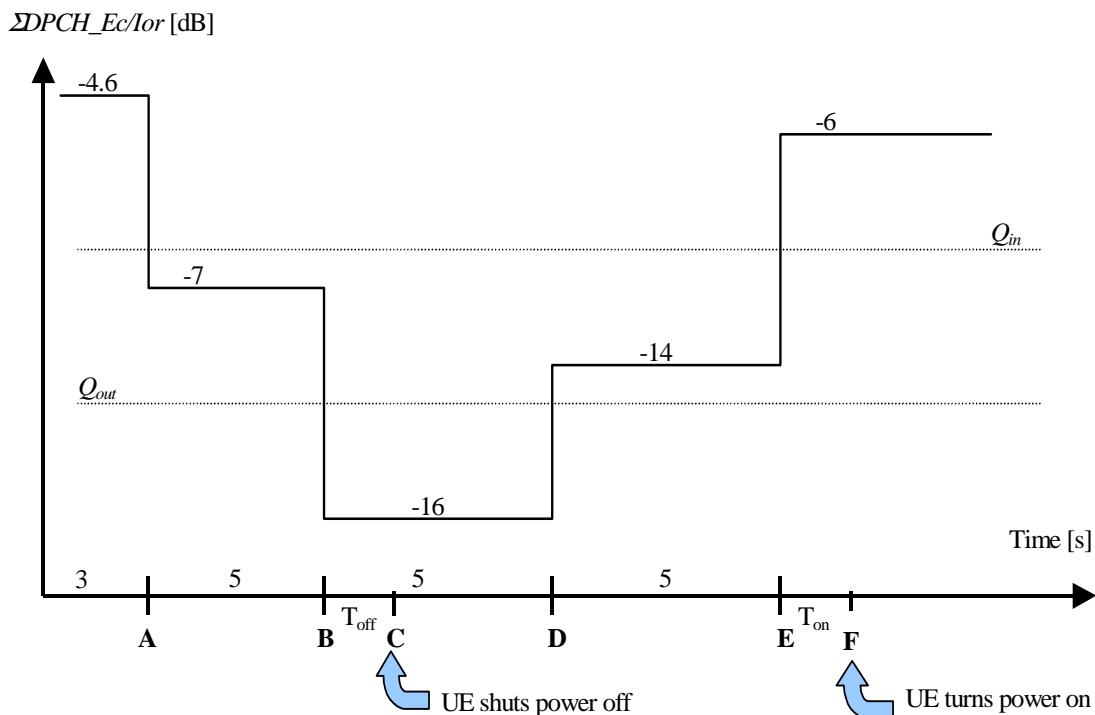
When the UE estimates the DPCH quality over the last 160 ms period to be worse than a threshold  $Q_{out}$ , the UE shall shut its transmitter off within 40 ms. The UE shall not turn its transmitter on again until the DPCH quality exceeds an

acceptable level  $Q_{in}$ . When the UE estimates the DPCH quality over the last 160 ms period to be better than a threshold  $Q_{in}$ , the UE shall again turn its transmitter on within 40 ms.

The quality levels at the thresholds  $Q_{out}$  and  $Q_{in}$  correspond to different signal levels depending on the downlink conditions DCH parameters. For the conditions in table 5.4.5.2.1, a signal with the quality at the level  $Q_{out}$  is generated by a  $\Sigma DPCH\_Ec/Ior$  ratio of -13 dB, and a signal with  $Q_{in}$  by a  $\Sigma DPCH\_Ec/Ior$  ratio of -9 dB. In this test, the DL reference measurement channel (12,2) kbps specified in clause C.3.1, where the CRC bits are replaced by data bits, and with static propagation conditions is used.

**Table 5.4.5.2.1: DCH parameters the of Out-of-synch handling test case test case – 3.84 Mcps TDD option – continuous transmission**

Parameter	Unit	Value
$\hat{I}_{or}/I_{oc}$	dB	1.1
$I_{oc}$	dBm/3,84 MHz	-60
$\frac{\Sigma DPCH\_Ec}{I_{or}}$	dB	See figure 5.4.5.2.1
Information Data Rate	kbps	13
TFCI	-	On



**Figure 5.4.5.2.1: Test case for out-of-synch handling in the UE. Conditions apply for 3,84 Mcps TDD Option – continuous transmission**

The requirements for the UE are that:

- 1) The UE shall not shut its transmitter off before point B.
- 2) The UE shall shut its transmitter off before point C, which is  $T_{off} = 200$  ms after point B
- 3) The UE shall not turn its transmitter on between points C and E.
- 4) The UE shall turn its transmitter on before point F, which is  $T_{on} = 200$  ms after Point E.

The normative reference for this test is TS 25.102 [1] clause 6.4.3.1.1.

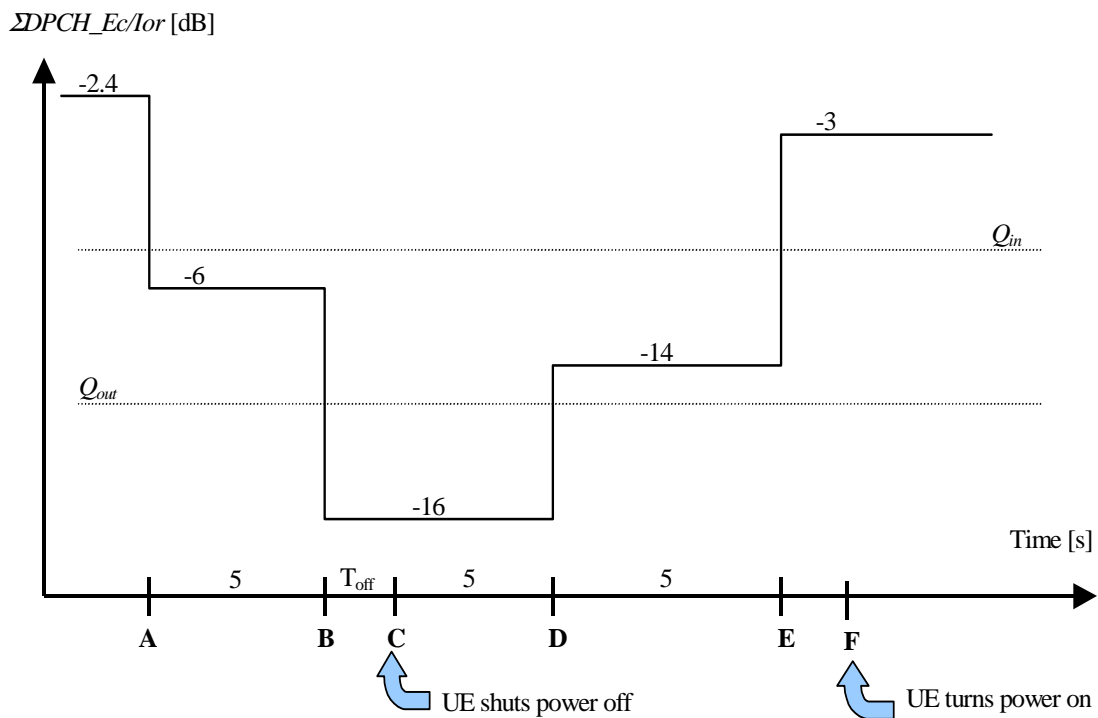
5.4.5.2.2 1,28 Mcps TDD Option

The parameters in table 5.4.5.2.2 are defined using the DL reference measurement channel (12,2) kbps specified in annex C where the CRC bits are replaced by data bits, and with static propagation conditions.

**Table 5.4.5.2.2: DCH parameters for test of Out-of-synch handling**

Parameter	Unit	Value
$\hat{I}_{or}/I_{oc}$	dB	-1
$I_{oc}$	dBm/1,28 MHz	-60
$\frac{\Sigma DPCH_{-} E_c}{I_{or}}$	dB	See figure 5.4.5.2.2
Information Data Rate	kbps	12,2
TFCI	-	On

The conditions for when the UE shall shut its transmitter off and when it shall turn it on are defined by the parameters in table 5.4.5.1.2 together with the DPCH power level as defined in figure 5.4.5.1.



**Figure 5.4.5.2.2: Conditions for out-of-synch handling in the UE. The indicated thresholds  $Q_{out}$  and  $Q_{in}$  are only informative. Conditions apply for 1,28 Mcps TDD Option – continuous transmission**

The requirements for the UE are that:

1. The UE shall not shut its transmitter off before point B.
2. The UE shall shut its transmitter off before point C, which is  $T_{off} = 200$  ms after point B
3. The UE shall not turn its transmitter on between points C and E.
4. The UE shall turn its transmitter on before point F, which is  $T_{on} = 200$  ms after Point E.

The normative reference for this test is TS 25.102 [1] clause 6.4.3.1.2.

### 5.4.5.3 Test purpose

To verify that the UE monitors the DPCH quality and turns its transmitter on or off according to DPCH level diagram specified in figure 5.4.5.1

### 5.4.5.4 Method of test

#### 5.4.5.4.1 Initial conditions

Test environment: normal; see clauses G.2.1 and G.2.2.

Frequencies to be tested: mid range; see clause G.2.4.

- 1) Connect the SS to the UE antenna connector as shown in figure A.1.
- 2) Calls are set up according to the Generic call setup procedure using parameters as specified in table 5.4.5.1
- 3) Enter the UE into loopback test mode and start the loopback test.
- 4) The handover triggering level shall be set very high [TBD] to ensure that the beacon channel power never exceeds the value of 10dB above it. Therefore the averaging time for signal quality will always be 160 milliseconds.

#### 5.4.5.4.2 Procedure

##### 5.4.5.4.2.1 3,84 Mcps TDD Option

- 1) SS level and signalling values are set that the UE transmits maximum power (see annex E clause E.3.1)

- 2) Set the SS TX signal quality to  $\frac{\Sigma DPCH - E_c}{I_{or}} = -4.6[+0.4 - 0]$  dB and verify that the UE TX signal is on.

- 3) Set the SS TX signal quality to  $\frac{\Sigma DPCH - E_c}{I_{or}} = -7[+0.4 - 0]$  dB and verify that the UE TX signal remains on continuously for at least 5 seconds.

- 4) Set the SS TX signal quality to  $\frac{\Sigma DPCH - E_c}{I_{or}} = -16[+0 - 0.4]$  dB and verify that the UE TX signal turns off 200 ms or earlier with respect to that instant.

- 5) Set the SS TX signal quality to  $\frac{\Sigma DPCH - E_c}{I_{or}} = -14[+0 - 0.4]$  dB and verify that the UE TX signal remains off continuously for at least 5 seconds.

- 6) Set the SS TX signal quality to  $\frac{\Sigma DPCH - E_c}{I_{or}} = -6[+0.4 - 0]$  dB and verify that the UE TX signal is switched on 200 ms or earlier with respect to that instant.



#### 5.4.5.4.2.2 1,28 Mcps TDD Option

- 1) The SS sends continuously Up power control commands to the UE until the UE transmitter power reaches maximum level

2) Set the SS TX signal quality to  $\frac{\Sigma DPCH - E_c}{I_{or}} = -2.4 [+0.3 - 0]$  dB and verify that the UE TX signal is on.

3) Set the SS TX signal quality to  $\frac{\Sigma DPCH - E_c}{I_{or}} = -6 [+0.3 - 0]$  dB and verify that the UE TX signal remains on continuously for at least 5 seconds.

4) Set the SS TX signal quality to  $\frac{\Sigma DPCH - E_c}{I_{or}} = -16 [+0 - 0.3]$  dB and verify that the UE TX signal turns off 200 ms or earlier with respect to that instant.

5) Set the SS TX signal quality to  $\frac{\Sigma DPCH - E_c}{I_{or}} = -14 [+0 - 0.3]$  dB and verify that the UE TX signal remains off continuously for at least 5 seconds.

6) Set the SS TX signal quality to  $\frac{\Sigma DPCH - E_c}{I_{or}} = -3 [+0.3 - 0]$  dB and verify that the UE TX signal is switched on 200 ms or earlier with respect to that instant.

#### 5.4.5.5 Test Requirements

The UE TX on-criterion including tolerance window is derived from the initial conditions and is verified with the method of 5.4.2.4 minimum transmit power related to minimum requirements according to clause 5.4.2.2.1 for 3,84 Mcps TDD Option and 5.4.2.2.2 for 1,28 Mcps TDD Option, respectively. The UE transmitter is considered to be on if the UE transmitted power is higher than the minimum output power.

The UE TX off criterion including tolerance is verified according to clause 5.4.3 of the present document (Transmit off power). The UE transmitter is considered to be off if the UE transmitted power is lower than the transmit OFF power.

To pass the test, steps 1 through 6 of the procedure must be fulfilled.

#### 5.4.6 Out-of-synchronisation handling of output power for discontinuous transmission

##### 5.4.6.1 Definition and applicability

Normally the UE monitors the DPCH quality in order to detect a loss of the signal on Layer 1, as specified in TS 25.224. [5] The thresholds  $Q_{out}$  and  $Q_{in}$  specify at what DPCH quality levels the UE shall shut its power off and when it shall turn its power on, respectively. The thresholds are not defined explicitly, but are defined by the conditions under which the UE shall shut its transmitter off and turn it on, as stated in this clause.

However, during DTX, there are periods when the UE will receive no data from the UTRAN. As specified in TS 25.224, in order to keep synchronization, Special Bursts shall be transmitted by the UTRAN during these periods of no data.

During these periods, the conditions for when the UE shall shut its transmitter on or off are defined by the power level of the received Special Bursts.

When the UE does not detect at least one special burst with a quality above a threshold  $Q_{sout}$  over the last 160 ms period, the UE shall shut its transmitter off within 40 ms. The UE shall not turn its transmitter on again until the special burst quality exceeds an acceptable level  $Q_{sbin}$ . When the UE estimates the special burst quality to be better than a threshold  $Q_{sbin}$  over the last 160 ms, the UE shall again turn its transmitter on within 40 ms.

The requirement of this clause shall apply to all types of UTRA-UE.

### 5.4.6.2 Minimum Requirement

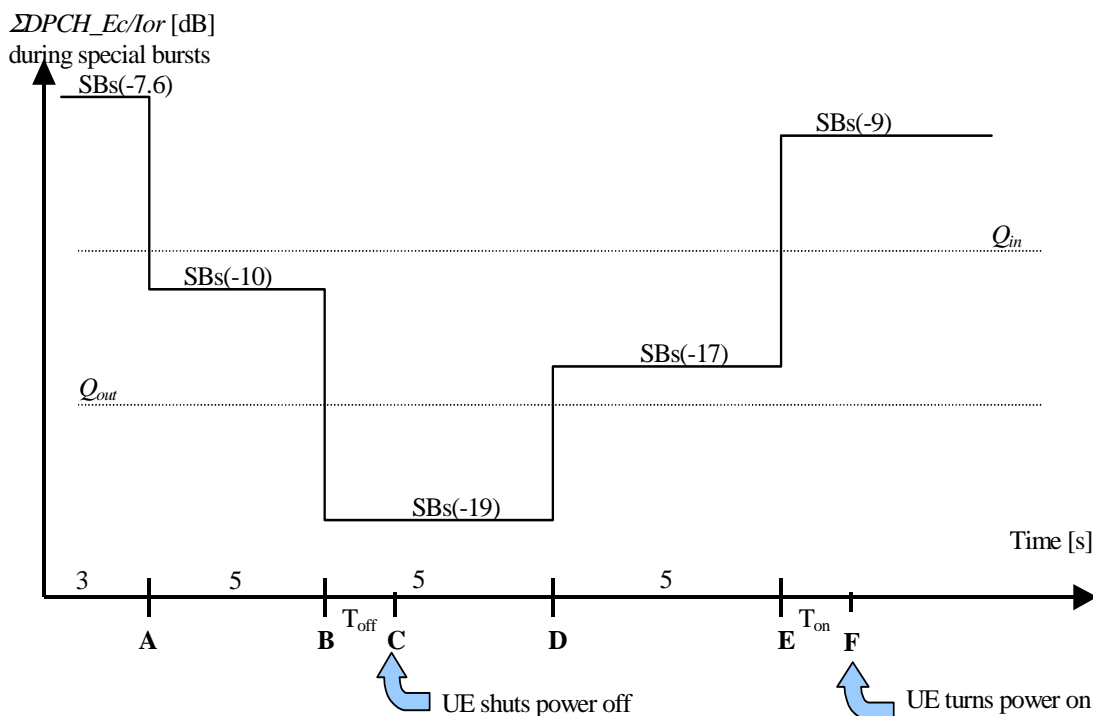
#### 5.4.6.2.1 3,84 Mcps TDD Option

When the UE estimates the DPCH quality over the last 160 ms period to be worse than a threshold  $Q_{out}$ , the UE shall shut its transmitter off within 40 ms. The UE shall not turn its transmitter on again until the DPCH quality exceeds an acceptable level  $Q_{in}$ . When the UE estimates the DPCH quality over the last 160 ms period to be better than a threshold  $Q_{in}$ , the UE shall again turn its transmitter on within 40 ms.

The quality levels at the thresholds  $Q_{out}$  and  $Q_{in}$  correspond to different signal levels depending on the downlink conditions DCH parameters. For the conditions in table 5.4.6.2.1, a signal with the quality at the level  $Q_{out}$  is generated by a DPCH\_Ec/Ior ratio of -16 dB during special bursts, and a signal with  $Q_{in}$  by a DPCH\_Ec/Ior ratio of -12 dB.

**Table 5.4.6.2.1: DCH parameters the of Out-of-synch handling test case test case – 3.84 Mcps TDD option – discontinuous transmission**

Parameter	Unit	Value
$\hat{I}_{or}/I_{oc}$	dB	1.1
$I_{oc}$	dBm/3,84 MHz	-60
$\frac{\Sigma DPCH\_Ec}{I_{or}}$	dB	See figure 5.4.6.2.1
Bits/burst (including TFCI bits)	bits	244
TFCI	-	On



**Figure 5.4.6.2.1: Test case for out-of-synch handling in the UE. Conditions apply for 3,84 Mcps TDD Option – discontinuous transmission**

The requirements for the UE are that:

- 1) The UE shall not shut its transmitter off before point B.
- 2) The UE shall shut its transmitter off before point C, which is  $T_{off} = 200$  ms after point B

- 3) The UE shall not turn its transmitter on between points C and E.
- 4) The UE shall turn its transmitter on before point F, which is  $T_{on} = 200$  ms after Point E.

The normative reference for this test is TS 25.102 [1] clause 6.4.3.1.1.

5.4.6.2.2 1,28 Mcps TDD Option

When the UE estimates the DPCH quality over the last 160 ms period to be worse than a threshold  $Q_{out}$ , the UE shall shut its transmitter off within 40 ms. The UE shall not turn its transmitter on again until the DPCH quality exceeds an acceptable level  $Q_{in}$ . When the UE estimates the DPCH quality over the last 160 ms period to be better than a threshold  $Q_{in}$ , the UE shall again turn its transmitter on within 40 ms.

The quality levels at the thresholds  $Q_{out}$  and  $Q_{in}$  correspond to different signal levels depending on the downlink conditions DCH parameters. For the conditions in table 5.4.6.2.2, a signal with the quality at the level  $Q_{out}$  is generated by a DPCH\_Ec/Ior ratio of -16 dB during special bursts, and a signal with  $Q_{in}$  by a DPCH\_Ec/Ior ratio of -12 dB.

Table 5.4.6.2.2: DCH parameters for test of Out-of-synch handling

Parameter	Unit	Value
$\hat{I}_{or}/I_{oc}$	dB	-1
$I_{oc}$	dBm/1,28 MHz	-60
$\frac{\Sigma DPCH\_Ec}{I_{or}}$	dB	See figure 5.4.6.2.2
Bits/burst (including TFCI bits)	bits	88 per subframe
TFCI	-	On

The conditions for when the UE shall shut its transmitter off and when it shall turn it on are defined by the parameters in table 5.4.6.2.2 together with the DPCH power level as defined in figure 5.4.6.2.

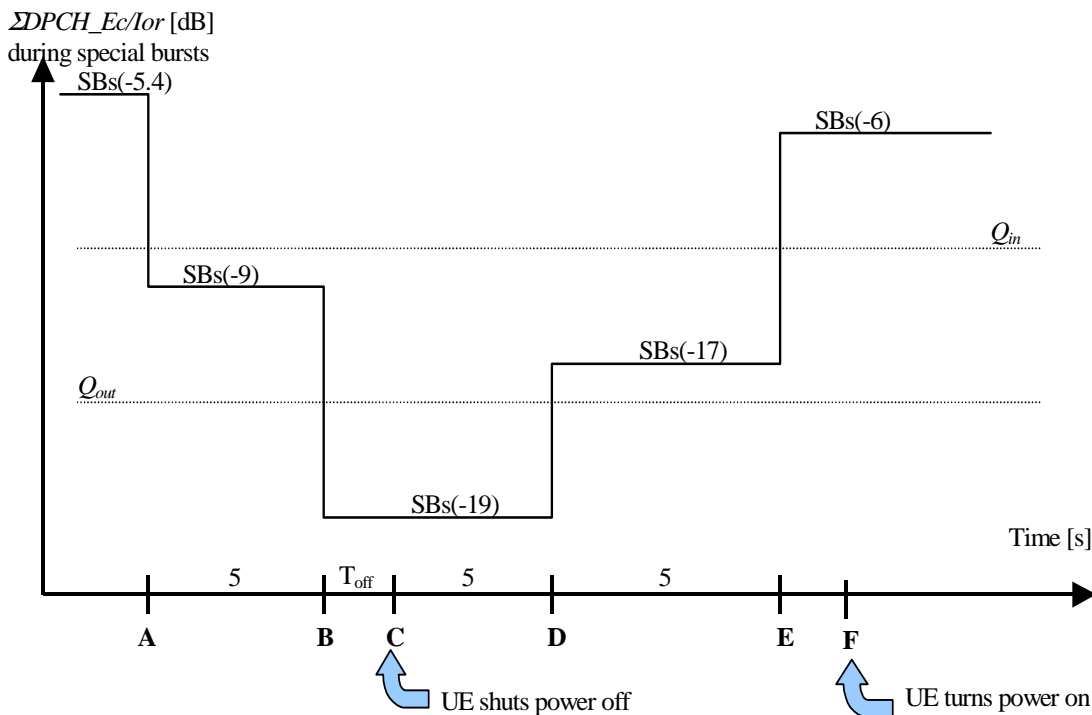


Figure 5.4.6.2.2: Conditions for out-of-synch handling in the UE. The indicated thresholds  $Q_{out}$  and  $Q_{in}$  are only informative. Conditions apply for 1,28 Mcps TDD Option– discontinuous transmission

The requirements for the UE are that:

1. The UE shall not shut its transmitter off before point B.
2. The UE shall shut its transmitter off before point C, which is  $T_{\text{off}} = 200$  ms after point B
3. The UE shall not turn its transmitter on between points C and E.
4. The UE shall turn its transmitter on before point F, which is  $T_{\text{on}} = 200$  ms after Point E.

The normative reference for this test is TS 25.102 [1] clause 6.4.3.1.2.

### 5.4.6.3 Test purpose

To verify that the UE monitors the DPCH quality and turns its transmitter on or off according to DPCH level diagram specified in figure 5.4.6.1

### 5.4.6.4 Method of test

#### 5.4.6.4.1 Initial conditions

Test environment: normal; see clauses G.2.1 and G.2.2.

Frequencies to be tested: mid range; see clause G.2.4.

- 1) Connect the SS to the UE antenna connector as shown in figure A.1.
- 2) Calls are set up according to the Generic call setup procedure using parameters as specified in table 5.4.6.1
- 3) Enter the UE into loopback test mode and start the loopback test.
- 4) The handover triggering level shall be set very high [TBD] to ensure that the beacon channel power never exceeds the value of 10dB above it. Therefore the averaging time for signal quality will always be 160 milliseconds.

#### 5.4.6.4.2 Procedure

##### 5.4.6.4.2.1 3,84 Mcps TDD Option

- 1) SS level and signalling values are set that the UE transmits maximum power (see annex E clause E.3.1)

- 2) Set the SS TX signal quality to  $\frac{DPCH - E_c}{I_{or}} = -7.6[+0.4 -0]$  dB and verify that the UE TX signal is on.

- 3) Set the SS TX signal quality to  $\frac{DPCH - E_c}{I_{or}} = -10[+0.4 -0]$  dB and verify that the UE TX signal remains on continuously for at least 5 seconds.

- 4) Set the SS TX signal quality to  $\frac{DPCH - E_c}{I_{or}} = -19[+0 -0.4]$  dB and verify that the UE TX signal turns off 200 ms or earlier with respect to that instant.

- 5) Set the SS TX signal quality to  $\frac{DPCH - E_c}{I_{or}} = -17[+0 -0.4]$  dB and verify that the UE TX signal remains off continuously for at least 5 seconds.

- 6) Set the SS TX signal quality to  $\frac{DPCH - E_c}{I_{or}} = -9[+0.4 -0]$  dB and verify that the UE TX signal is switched on 200 ms or earlier with respect to that instant.

#### 5.4.6.4.2.2 1,28 Mcps TDD Option

- 1) The SS sends continuously Up power control commands to the UE until the UE transmitter power reaches maximum level

- 2) Set the SS TX signal quality to  $\frac{DPCH - E_c}{I_{or}} = -5.4[+0.3 - 0]$  dB and verify that the UE TX signal is on.

- 3) Set the SS TX signal quality to  $\frac{DPCH - E_c}{I_{or}} = -9[+0.3-0]$  dB and verify that the UE TX signal remains on continuously for at least 5 seconds.

- 4) Set the SS TX signal quality to  $\frac{DPCH - E_c}{I_{or}} = -19-[+0-0.3]$  dB and verify that the UE TX signal turns off 200 ms or earlier with respect to that instant.

- 5) Set the SS TX signal quality to  $\frac{DPCH - E_c}{I_{or}} = -17-[=0-0.3]$  dB and verify that the UE TX signal remains off continuously for at least 5 seconds.

- 6) Set the SS TX signal quality to  $\frac{DPCH - E_c}{I_{or}} = -6[+0.3-0]$  dB and verify that the UE TX signal is switched on 200 ms or earlier with respect to that instant.

#### 5.4.6.5 Test Requirements

The UE TX on-criterion including tolerance window is derived from the initial conditions and is verified with the method of 5.4.2.4 minimum transmit power related to minimum requirements according to clause 5.4.2.2.1 for 3,84 Mcps TDD Option and 5.4.2.2.2 for 1,28 Mcps TDD Option, respectively. The UE transmitter is considered to be on if the UE transmitted power is higher than the minimum output power.

The UE TX off criterion including tolerance is verified according to clause 5.4.3 of the present document (Transmit off power). The UE transmitter is considered to be off if the UE transmitted power is lower than the transmit OFF power.

To pass the test, steps 1 through 6 of the procedure must be fulfilled.

## 5.5 Output RF spectrum emissions

### 5.5.1 Occupied bandwidth

#### 5.5.1.1 Definition and applicability

Occupied bandwidth is a measure of the bandwidth containing 99 % of the total integrated power for transmitted spectrum and is centered on the assigned channel frequency.

The requirements in this clause shall apply to all types of UTRA - UE.

#### 5.5.1.2 Minimum Requirements

##### 5.5.1.2.1 3,84Mcps TDD Option

The occupied bandwidth shall be less than 5 MHz based on a chip rate of 3,84 Mcps.

The normative reference for this requirement is TS 25.102 [1] clause 6.6.1.1.

##### 5.5.1.2.2 1,28Mcps TDD Option

The occupied channel bandwidth shall be less than 1.6 MHz based on a chip rate of 1,28 Mcps.

The normative reference for this requirement is TS 25.102 [1] clause 6.6.1.2.

### 5.5.1.3 Test purpose

The occupied bandwidth, defined in the Radio Regulations of the International Telecommunication Union ITU, is a useful concept for specifying the spectral properties of a given emission in the simplest possible manner; see also ITU-R Recommendation SM.328-9 [8].

The test purpose is to verify that the emission of the UE is sufficiently concentrated in the bandwidth for the service to be provided and is, therefore, not likely to create interference to other users of the spectrum beyond undue limits.

### 5.5.1.4 Method of test

#### 5.5.1.4.1 Initial conditions

Test environment: normal; see clauses G.2.1 and G.2.2.

Frequencies to be tested: low range, mid range, high range; see clause G.2.4.

- 1) Connect the SS to the UE antenna connector as shown in figure A.1.
- 2) A call is set up according to the generic call setup procedure using parameters as specified in table E.3.1.2.
- 3) Enter the UE into loopback test mode and start the loopback test.

#### 5.5.1.4.2 Procedure

- 1) Measure the power of the transmitted signal with a measurement filter of bandwidth [30 kHz]. The characteristic of the filter shall be approximately Gaussian (typical spectrum analyzer filter). The center frequency of the filter shall be stepped in contiguous 30 kHz steps from a minimum frequency, which shall be [7,5 – 0,015] MHz for the 3,84 Mcps TDD Option and [2,4 – 0,015] MHz for the 1,28 Mcps TDD Option, respectively, below the assigned channel frequency of the transmitted signal, up to a maximum frequency, which shall be [7,5 – 0,015] MHz for the 3,84 Mcps TDD Option and [2,4 – 0,015] MHz for the 1,28 Mcps TDD Option, respectively, above the assigned channel frequency of the transmitted signal. The step duration shall be sufficient slow to capture the active TS. The measured power shall be recorded for each step.
- 2) Determine the total transmitted power by accumulating the recorded power measurements results of all steps.
- 3) Sum up the power upward from the lower boundary of the measured frequency range in '(2)' and seek the limit frequency point by which this sum becomes 0.5 % of "Total Power" and save this point as "Lower Frequency".
- 4) Sum up the power downward from the upper boundary of the measured frequency range in '(2)' and seek the limit frequency point by which this sum becomes 0.5 % of "Total Power" and save this point as "Upper Frequency".
- 5) Calculate the difference ("Upper Frequency" – "Lower Frequency" = "Occupied Bandwidth") between two limit frequencies obtained in '(4)' and '(5)'.

### 5.5.1.5 Test requirements

#### 5.5.1.5.1 3,84 Mcps TDD Option

The measured Occupied Bandwidth, derived in step 5), shall not exceed 5 MHz for the 3,84 Mcps TDD Option.

NOTE: If the above Test Requirement differs from the Minimum Requirement then the Test Tolerance applied for this test is non-zero. The Test Tolerance for this test is defined in annex F clause F.2 and the explanation of how the Minimum Requirement has been relaxed by the Test Tolerance is given in annex F clause F.4.

#### 5.5.1.5.2 1,28 Mcps TDD Option

The measured Occupied Bandwidth, derived in step 5), shall not exceed [1.6] MHz for the 1,28 Mcps TDD Option.

NOTE: If the above Test Requirement differs from the Minimum Requirement then the Test Tolerance applied for this test is non-zero. The Test Tolerance for this test is defined in annex F clause F.2 and the explanation of how the Minimum Requirement has been relaxed by the Test Tolerance is given in annex F clause F.4.

## 5.5.2 Out of band emission

Out of band emissions are unwanted emissions immediately outside the nominal channel resulting from the modulation process and non-linearity in the transmitter but excluding spurious emissions. This out of band emission limit is specified in terms of a spectrum emission mask and adjacent channel leakage power ratio (ACLR).

### 5.5.2.1 Spectrum emission mask

#### 5.5.2.1.1 Definition and applicability

##### 5.5.2.1.1.1 3,84 Mcps TDD Option

The spectrum emission mask of the UE is a requirement that applies to frequencies which are between 2,5 MHz and 12,5 MHz on both sides of the UE centre carrier frequency. The out of channel emission is specified relative to the RRC filtered mean power of the UE carrier.

The requirements of this test apply to all types of UTRA-UE.

##### 5.5.2.1.1.2 1,28 Mcps TDD Option

The spectrum emission mask of the UE applies to frequencies, which are between 0,8 MHz and 4,0 MHz on both sides of the centre carrier frequency. The out of channel emission is specified relative to the RRC filtered mean power of the UE carrier.

#### 5.5.2.1.2 Minimum Requirements

##### 5.5.2.1.2.1 3,84 Mcps TDD Option

The power of any UE emission shall not exceed the levels specified in table 5.5.2.1.2.1.

The normative reference for this requirement is TS 25.102 clause 6.6.2.1.1.1.

**Table 5.5.2.1.2.1: Spectrum Emission Mask Requirement (3,84 Mcps TDD Option)**

$\Delta f$ in MHz (note 1)	Minimum requirement	Measurement bandwidth
2.5 - 3.5	$\left\{ -35 - 15 \cdot \left( \frac{\Delta f}{\text{MHz}} - 2.5 \right) \right\} \text{dBc}$	30 kHz (note 2)
3.5 - 7.5	$\left\{ -35 - 1 \cdot \left( \frac{\Delta f}{\text{MHz}} - 3.5 \right) \right\} \text{dBc}$	1 MHz (note 3)
7.5 - 8.5	$\left\{ -39 - 10 \cdot \left( \frac{\Delta f}{\text{MHz}} - 7.5 \right) \right\} \text{dBc}$	1 MHz (note 3)
8.5 - 12.5	-49 dBc	1 MHz
<p>Note 1: <math>\Delta f</math> is the separation between the carrier frequency and the centre of the measuring filter.</p> <p>Note 2: The first and last measurement position with a 30 kHz filter is at <math>\Delta f</math> equals to 2.515 MHz and 3.485 MHz.</p> <p>Note 3: The first and last measurement position with a 1 MHz filter is at <math>\Delta f</math> equals to 4 MHz and 12 MHz. As a general rule, the resolution bandwidth of the measuring equipment should be equal to the measurement bandwidth. To improve measurement accuracy, sensitivity and efficiency, the resolution bandwidth can be different from the measurement bandwidth. When the resolution bandwidth is smaller than the measurement bandwidth, the result should be integrated over the measurement bandwidth in order to obtain the equivalent noise bandwidth of the measurement bandwidth.</p>		
The lower limit shall be $-50\text{dBm}/3.84\text{ MHz}$ or the minimum requirement presented in this table which ever is the higher.		

## 5.5.2.1.2.2 1,28 Mcps TDD Option

The power of any UE emission shall not exceed the levels specified in table 5.5.2.1.2.2.

The normative reference for this requirement is TS 25.102 clause 6.6.2.1.1.2.

**Table 5.5.2.1.2.2: Spectrum Emission Mask Requirement (1,28 Mcps TDD Option)**

$\Delta f$ (note 1) in MHz	Minimum requirement	Measurement bandwidth
0.8	-35 dBc	30 kHz (note 2)
0.8-1.8	$\left\{ -35 - 14 \cdot \left( \frac{\Delta f}{\text{MHz}} - 0.8 \right) \right\} \text{dBc}$	30 kHz (note 2)
1.8-2.4	$\left\{ -49 - 25 \cdot \left( \frac{\Delta f}{\text{MHz}} - 1.8 \right) \right\} \text{dBc}$	30 kHz (note 2)
2.4 - 4.0	-49 dBc	1MHz (note 3)
NOTE 1: $\Delta f$ is the separation between the carrier frequency and the centre of the measuring filter.		
NOTE 2: The first and last measurement position with a 30 kHz filter is at $\Delta f$ equals to 0.815 MHz and 2.385 MHz.		
NOTE 3: The first and last measurement position with a 1 MHz filter is at $\Delta f$ equals to 2.9MHz and 3.5MHz .As a general rule, the resolution bandwidth of the measuring equipment should be equal to the measurement bandwidth. To improve measurement accuracy, sensitivity and efficiency, the resolution bandwidth can be different from the measurement bandwidth. When the resolution bandwidth is smaller than the measurement bandwidth, the result should be integrated over the measurement bandwidth in order to obtain the equivalent noise bandwidth of the measurement bandwidth.		
The lower limit shall be $-55\text{dBm}/1.28\text{ MHz}$ or the minimum requirement presented in this table which ever is the higher.		



### 5.5.2.1.3 Test purpose

This test supplements Occupied Bandwidth (verifying the spectral concentration of the UE's emissions) and Adjacent Channel Leakage Ratio (simulating the perception of other UTRA receivers) in a system independent way. It is the purpose of this test to limit interferences to other systems (wideband or narrowband).

### 5.5.2.1.4 Method of test

#### 5.5.2.1.4.1 Initial conditions

Test environment: normal; see clauses G.2.1 and G.2.2.

Frequencies to be tested: low range, high range; see clause G.2.4.

- 1) Connect the SS to the UE antenna connector as shown in figure A.1.
- 2) A call is set up according to the generic call setup procedure using parameters as specified in table E.3.1.2.
- 3) Enter the UE into loopback test mode and start the loopback test.

#### 5.5.2.1.4.2 Procedure

- 1) Measure the power of the transmitted signal with a measurement filter of bandwidths according to table 5.5.2.1.2.1 for the 3,84 Mcps TDD Option and 5.5.2.1.2.2 for the 1,28 Mcps TDD Option, respectively. The characteristic of the filter shall be approximately Gaussian (typical spectrum analyzer filter). The center frequency of the filter shall be stepped in contiguous steps according to table 5.5.2.1.2.1 for the 3,84 Mcps TDD Option and 5.5.2.1.2.2 for the 1,28 Mcps TDD Option, respectively. The step duration shall be sufficient slow to capture the active TS. The measured power shall be recorded for each step.
- 2) Measure the RRC filtered mean power centered on the assigned channel frequency according to annex B.
- 3) Display the results of 1) in dBc with respect to 2).

## 5.5.2.1.5 Test requirements

## 5.5.2.1.5.1 3,84 Mcps TDD Option

The result 5.5.2.1.4.2. step 3) shall fulfil the requirements of table 5.5.2.1.5.1.

**Table 5.5.2.1.5.1: Spectrum Emission Mask Requirement (3,84 Mcps TDD Option)**

$\Delta f$ in MHz (note 1)	Minimum requirement	Measurement bandwidth
2.5 - 3.5	$\left\{ -33.5 - 15 \cdot \left( \frac{\Delta f}{\text{MHz}} - 2.5 \right) \right\} \text{dBc}$	30 kHz
3.5 - 7.5	$\left\{ -33.5 - 1 \cdot \left( \frac{\Delta f}{\text{MHz}} - 3.5 \right) \right\} \text{dBc}$	1 MHz
7.5 - 8.5	$\left\{ -37.5 - 10 \cdot \left( \frac{\Delta f}{\text{MHz}} - 7.5 \right) \right\} \text{dBc}$	1 MHz
8.5 - 12.5	-47.5 dBc	1 MHz
Note 1: $\Delta f$ is the separation between the carrier frequency and the centre of the measuring filter. Note 2: The first and last measurement position with a 30 kHz filter is at $\Delta f$ equals to 2.515 MHz and 3.485 MHz. Note 3: The first and last measurement position with a 1 MHz filter is at $\Delta f$ equals to 4 MHz and 12 MHz. As a general rule, the resolution bandwidth of the measuring equipment should be equal to the measurement bandwidth. To improve measurement accuracy, sensitivity and efficiency, the resolution bandwidth can be different from the measurement bandwidth. When the resolution bandwidth is smaller than the measurement bandwidth, the result should be integrated over the measurement bandwidth in order to obtain the equivalent noise bandwidth of the measurement bandwidth..		
The lower limit shall be $-48.5 \text{ dBm}/3.84 \text{ MHz}$ or the minimum requirement presented in this table which ever is the higher.		

NOTE: If the above Test Requirement differs from the Minimum Requirement then the Test Tolerance applied for this test is non-zero. The Test Tolerance for this test is defined in Annex F.2 and the explanation of how the Minimum Requirement has been relaxed by the Test Tolerance is given in Annex F.4.

## 5.5.2.1.5.2 1,28 Mcps TDD Option

The result 5.5.2.1.4.2. step 3) shall fulfil the requirements of table 5.5.2.1.5.2.

**Table 5.5.2.1.5.2: Spectrum Emission Mask Requirement (1,28 Mcps TDD Option)**

$\Delta f$ (note 1) in MHz	Minimum requirement	Measurement bandwidth
0.8	-33.5 dBc	30 kHz (note 2)
0.8-1.8	$\left\{ -33.5 - 14 \cdot \left( \frac{\Delta f}{\text{MHz}} - 0.8 \right) \right\} \text{dB}$	30 kHz (note 2)
1.8-2.4	$\left\{ -47.5 - 25 \cdot \left( \frac{\Delta f}{\text{MHz}} - 1.8 \right) \right\} \text{dB}$	30 kHz (note 2)
2.4 – 4.0	-47.5 dBc	1MHz (note 3)
NOTE 1: $\Delta f$ is the separation between the carrier frequency and the centre of the measuring filter.		
NOTE 2: The first and last measurement position with a 30 kHz filter is at $\Delta f$ equals to 0.815 MHz and 2.385 MHz.		
NOTE 3: The first and last measurement position with a 1 MHz filter is at $\Delta f$ equals to 2.9MHz and 3.5MHz .As a general rule, the resolution bandwidth of the measuring equipment should be equal to the measurement bandwidth. To improve measurement accuracy, sensitivity and efficiency, the resolution bandwidth can be different from the measurement bandwidth. When the resolution bandwidth is smaller than the measurement bandwidth, the result should be integrated over the measurement bandwidth in order to obtain the equivalent noise bandwidth of the measurement bandwidth.		
The lower limit shall be $-53.5 \text{ dBm}/1.28 \text{ MHz}$ or the minimum requirement presented in this table which ever is the higher.		

NOTE: If the above Test Requirement differs from the Minimum Requirement then the Test Tolerance applied for this test is non-zero. The Test Tolerance for this test is defined in Annex F.2 and the explanation of how the Minimum Requirement has been relaxed by the Test Tolerance is given in Annex F.4.

## 5.5.2.2 Adjacent Channel Leakage power Ratio (ACLR)

## 5.5.2.2.1 Definition and applicability

Adjacent Channel Leakage power Ratio (ACLR) is the ratio of the RRC filtered mean power centered on the assigned channel frequency to the RRC filtered mean power centered on an adjacent channel frequency.

The requirements in this clause shall apply to all types of UTRA-UE.

## 5.5.2.2.2 Minimum Requirements

## 5.5.2.2.2.1 3,84Mcps TDD Option

If the adjacent channel RRC filtered mean power is greater than  $-50 \text{ dBm}$  then the ACLR shall be higher than the value specified in table 5.5.2.2.2.1.

The normative reference for this requirement is TS 25.102 [1] clause 6.6.2.2.1.1.

**Table 5.5.2.2.2.1: UE ACLR (3,84 Mcps TDD Option)**

Power Class	Adjacent channel	ACLR limit
2, 3	UE-channel $\pm 5 \text{ MHz}$	33 dB
2, 3	UE-Channel $\pm 10 \text{ MHz}$	43 dB

#### 5.5.2.2.2.2 1,28Mcps TDD Option

If the adjacent channel RRC filtered mean power is greater than  $-55$  dBm then the ACLR shall be better than the value specified in table 5.5.2.2.2.2.

The normative reference for this requirement is TS 25.102 [1] clause 6.6.2.2.1.2.

**Table 5.5.2.2.2.2: UE ACLR (1,28Mcps TDD Option)**

Power Class	adjacent channel	ACLR limit
2, 3	UE channel $\pm$ 1.6 MHz	33 dB
2, 3	UE channel $\pm$ 3.2 MHz	43 dB

NOTE 1: The requirement shall still be met in the presence of switching transients.

NOTE 2: The ACLR requirements reflect what can be achieved with present state of the art technology.

NOTE 3: Requirement on the UE shall be reconsidered when the state of the art technology progresses.

#### 5.5.2.2.3 Test purpose

The test purpose is to verify the ability of the UE to limit the interference produced by the transmitted signal to other UTRA receivers operating at the first or second adjacent RF channel.

#### 5.5.2.2.4 Method of test

##### 5.5.2.2.4.1 Initial conditions

Test environment: normal, TL/VL, TL/VH, TH/VL, TH/VH; see clauses G.2.1 and G.2.2.

Frequencies to be tested: low range, mid range, high range; see clause G.2.4.

- 1) Connect the SS to the UE antenna connector as shown in figure A.1.
- 2) A call is set up according to the generic call setup procedure using parameters as specified in table E.3.1.2.
- 3) Enter the UE into loopback test mode and start the loopback test.

##### 5.5.2.2.4.2 Procedure

- 1) Measure the RRC filtered mean power centered on the assigned channel frequency.
- 2) Measure RRC filtered mean power centered on the first lower adjacent channel frequency.
- 3) Calculate the ACLR by dividing the power measured in 1) by the power measured in 2).
- 4) Repeat steps 2) and 3) for the second lower adjacent RF channel (center frequency 10 MHz for the 3,84 Mcps TDD Option and 3,2 MHz for the 1,28 Mcps TDD Option, respectively, below the assigned channel frequency of the transmitted signal) and also for the first and second upper adjacent RF channel (center frequency 5 MHz for the 3,84 Mcps TDD Option and 1,6 MHz for the 1,28 Mcps TDD Option, respectively, and 10 MHz, for the 3,84 Mcps TDD Option and 3,2 MHz for the 1,28 Mcps TDD Option, respectively).
- 7) Run step 1) to 4) for RF channels Low/Mid/High.

#### 5.5.2.2.5 Test requirements

##### 5.5.2.2.5.1 3,84 Mcps TDD Option

The ACLR calculated in steps 3) and 4) of clause 5.5.2.2.4.2 shall be equal or greater than the limits given in table 5.5.2.2.5.1 for the 3,84 Mcps TDD Option.

**Table 5.5.2.2.5.1: UE ACLR (3,84 Mcps TDD Option)**

Power Class	Adjacent channel	ACLR limit
2, 3	UE-channel $\pm 5$ MHz	32.2 dB
2, 3	UE-Channel $\pm 10$ MHz	42.2 dB

NOTE: If the above Test Requirement differs from the Minimum Requirement then the Test Tolerance applied for this test is non-zero. The Test Tolerance for this test is defined in annex F clause F.2 and the explanation of how the Minimum Requirement has been relaxed by the Test Tolerance is given in annex F.

#### 5.5.2.2.5.2 1,28 Mcps TDD Option

The ACLR calculated in steps 3) and 4) of clause 5.5.2.2.4.2 shall be equal or greater than the limits given in table 5.5.2.2.5.2 for the 1,28 Mcps TDD Option.

**Table 5.5.2.2.5.2: UE ACLR (1,28 Mcps TDD Option)**

Power Class	Adjacent channel	ACLR limit
2, 3	UE-channel $\pm 1.6$ MHz	32.2 dB
2, 3	UE-Channel $\pm 3.2$ MHz	42.2 dB

NOTE: If the above Test Requirement differs from the Minimum Requirement then the Test Tolerance applied for this test is non-zero. The Test Tolerance for this test is defined in annex F clause F.2 and the explanation of how the Minimum Requirement has been relaxed by the Test Tolerance is given in annex F.

### 5.5.3 Spurious emissions

#### 5.5.3.1 Definition and applicability

Spurious emissions are emissions which are caused by unwanted transmitter effects such as harmonics emission, parasitic emission, intermodulation products and frequency conversion products, but exclude out of band emissions.

The frequency boundary and the detailed transitions of the limits between the requirement for out band emissions and spectrum emissions are based on ITU-R Recommendations SM.329 [8].

#### 5.5.3.2 Minimum Requirements

##### 5.5.3.2.1 3,84 Mcps TDD Option

These requirements are only applicable for frequencies which are greater than 12.5 MHz away from the UE center carrier frequency.

The normative reference for this requirement is TS 25.102 [1] clause 6.6.3.1.1.

**Table 5.5.3.2.1a: General Spurious emissions requirements (3,84 Mcps TDD Option)**

Frequency Bandwidth	Resolution Bandwidth	Minimum requirement
$9 \text{ kHz} \leq f < 150 \text{ kHz}$	1 kHz	-36 dBm
$150 \text{ kHz} \leq f < 30 \text{ MHz}$	10 kHz	-36 dBm
$30 \text{ MHz} \leq f < 1000 \text{ MHz}$	100 kHz	-36 dBm
$1 \text{ GHz} \leq f < 12.75 \text{ GHz}$	1 MHz	-30 dBm

**Table 5.5.3.2.1b: Additional Spurious emissions requirements (3,84 Mcps TDD Option)**

Frequency Bandwidth	Resolution Bandwidth	Minimum requirement
$925 \text{ MHz} \leq f \leq 935 \text{ MHz}$	100 kHz	-67 dBm*
$935 \text{ MHz} < f \leq 960 \text{ MHz}$	100 kHz	-79 dBm*
$1805 \text{ MHz} \leq f \leq 1880 \text{ MHz}$	100 kHz	-71 dBm*

NOTE: The measurements are made on frequencies which are integer multiples of 200 kHz. As exceptions, up to five measurements with a level up to the applicable requirements defined in table 5.5.3.2.1a are permitted for each UARFCN used in the measurement.

### 5.5.3.2.2 1,28Mcps TDD Option

These requirements are only applicable for frequencies which are greater than 4 MHz away from the UE center carrier frequency.

The normative reference for this requirement is TS 25.102 [1] clause 6.6.3.1.2.

**Table 5.5.3.2.2a : General Spurious emissions requirements (1,28 Mcps TDD Option)**

Frequency Bandwidth	Resolution Bandwidth	Minimum requirement
$9 \text{ kHz} \leq f < 150 \text{ kHz}$	1 kHz	-36 dBm
$150 \text{ kHz} \leq f < 30 \text{ MHz}$	10 kHz	-36 dBm
$30 \text{ MHz} \leq f < 1000 \text{ MHz}$	100 kHz	-36 dBm
$1 \text{ GHz} \leq f < 12.75 \text{ GHz}$	1 MHz	-30 dBm

**Table 5.5.3.2.2b : Additional Spurious emissions requirements (1,28 Mcps TDD Option)**

Frequency Bandwidth	Resolution Bandwidth	Minimum requirement
$925 \text{ MHz} \leq f \leq 935 \text{ MHz}$	100 KHz	-67 dBm*
$935 \text{ MHz} < f \leq 960 \text{ MHz}$	100 KHz	-79 dBm*
$1805 \text{ MHz} \leq f \leq 1880 \text{ MHz}$	100 KHz	-71 dBm*

NOTE: The measurements are made on frequencies which are integer multiples of 200 kHz. As exceptions, up to five measurements with a level up to the applicable requirements defined in table 5.5.3.2.2a are permitted for each UARFCN used in the measurement.

### 5.5.3.3 Test purpose

#### 5.5.3.3.1 3,84 Mcps Option

The test purpose is to verify the ability of the UE to limit the interference caused by unwanted transmitter effects to other systems operating at frequencies which are more than 12,5 MHz away from of the UE's carrier frequency.

#### 5.5.3.3.2 1,28 Mcps Option

The test purpose is to verify the ability of the UE to limit the interference caused by unwanted transmitter effects to other systems operating at frequencies which are more than 4 MHz away from of the UE's carrier frequency.

### 5.5.3.4 Method of test

#### 5.5.3.4.1 Initial conditions

Test environment: normal; see clauses G.2.1 and G.2.2.

Frequencies to be tested: low range, mid range, high range; see clause G.2.4.

- 1) Connect the SS to the UE antenna connector as shown in figure A.1.

- 2) A call is set up according to the generic call setup procedure using parameters as specified in table E.3.1.2.
- 3) Enter the UE into loopback test mode and start the loopback test.

#### 5.5.3.4.2 Procedure

Measure the power of the spurious emissions applying measurement filters with bandwidths as specified in the relevant tables of 5.5.3.2.1 for 3,84 Mcps TDD Option and tables 5.5.3.2.2 for 1,28 Mcps TDD Option, respectively. The characteristic of the filters shall be approximately Gaussian (typical spectrum analyzer filters). The center frequency of the filter shall be swept over the frequency bands as given in the tables. The sweep time shall be sufficiently low to capture the active time slots.

#### 5.5.3.5 Test requirements

##### 5.5.3.5.1 3,84 Mcps TDD Option

The spurious emissions measured according to clause 5.5.3.4.2 shall not exceed the limits specified in the relevant tables of 5.5.3.5.1a and 5.5.3.5.1b.

**Table 5.5.3.5.1a: General Spurious emissions requirements**

Frequency Bandwidth	Resolution Bandwidth	Test requirement
$9 \text{ kHz} \leq f < 150 \text{ kHz}$	1 kHz	-36 dBm
$150 \text{ kHz} \leq f < 30 \text{ MHz}$	10 kHz	-36 dBm
$30 \text{ MHz} \leq f < 1000 \text{ MHz}$	100 kHz	-36 dBm
$1 \text{ GHz} \leq f < 12.75 \text{ GHz}$	1 MHz	-30 dBm

**Table 5.5.3.5.1b: Additional Spurious emissions requirements**

Frequency Bandwidth	Resolution Bandwidth	Test requirement
$925 \text{ MHz} \leq f \leq 935 \text{ MHz}$	100 kHz	-67 dBm*
$935 \text{ MHz} < f \leq 960 \text{ MHz}$	100 kHz	-79 dBm*
$1805 \text{ MHz} \leq f \leq 1880 \text{ MHz}$	100 kHz	-71 dBm*

NOTE 1: The measurements are made on frequencies which are integer multiples of 200 kHz. As exceptions, up to five measurements with a level up to the applicable requirements defined in table 5.5.3.5.1a for the 3,84 Mcps TDD Option are permitted for each UARFCN used in the measurement.

NOTE 2: If the above Test Requirement differs from the Minimum Requirement then the Test Tolerance applied for this test is non-zero. The Test Tolerance for this test is defined in annex F clause F.2 and the explanation of how the Minimum Requirement has been relaxed by the Test Tolerance is given in annex F clause F.4.

##### 5.5.3.5.2 1,28 Mcps TDD Option

The spurious emissions measured according to clause 5.5.3.4.2 shall not exceed the limits specified in the relevant tables of 5.5.3.5.2a and 5.5.3.5.2b.

**Table 5.5.3.5.2a: General Spurious emissions requirements (1,28 Mcps TDD Option)**

Frequency Bandwidth	Resolution Bandwidth	Test requirement
$9 \text{ kHz} \leq f < 150 \text{ kHz}$	1 kHz	-36 dBm
$150 \text{ kHz} \leq f < 30 \text{ MHz}$	10 kHz	-36 dBm
$30 \text{ MHz} \leq f < 1000 \text{ MHz}$	100 kHz	-36 dBm
$1 \text{ GHz} \leq f < 12.75 \text{ GHz}$	1 MHz	-30 dBm

**Table 5.5.3.5.2b: Additional Spurious emissions requirements (1,28 Mcps TDD Option)**

Frequency Bandwidth	Resolution Bandwidth	Test requirement
$925 \text{ MHz} \leq f \leq 935 \text{ MHz}$	100 KHz	-67 dBm*
$935 \text{ MHz} < f \leq 960 \text{ MHz}$	100 KHz	-79 dBm*
$1805 \text{ MHz} \leq f \leq 1880 \text{ MHz}$	100 KHz	-71 dBm*

NOTE 1: The measurements are made on frequencies which are integer multiples of 200 kHz. As exceptions, up to five measurements with a level up to the applicable requirements defined in table 5.5.3.5.2a for the 1,28 Mcps TDD Option are permitted for each UARFCN used in the measurement.

NOTE 2: If the above Test Requirement differs from the Minimum Requirement then the Test Tolerance applied for this test is non-zero. The Test Tolerance for this test is defined in annex F clause F.2 and the explanation of how the Minimum Requirement has been relaxed by the Test Tolerance is given in annex F clause F.4.

## 5.6 Transmit Intermodulation

### 5.6.1 Definition and applicability

The transmit intermodulation performance is a measure of the capability of the transmitter to inhibit the generation of signals in its non linear elements caused by the presence of the wanted signal and an interfering signal reaching the transmitter via the antenna.

User Equipment(s) transmitting in close vicinity of each other can produce intermodulation products, which can fall into the UE, or BS receive band as an unwanted interfering signal. The UE intermodulation attenuation is defined by the ratio of the RRC filtered mean power of the wanted signal to the RRC filtered mean power of the intermodulation product when an interfering CW signal is added at a level below the wanted signal.

The requirements of this test shall apply for all UTRA-UE.

### 5.6.2 Minimum Requirements

#### 5.6.2.1 3,84 Mcps TDD Option

The requirement of transmitting intermodulation for carrier spacing 5 MHz is prescribed in the table below.

The normative reference for this requirement is TS 25.102 [1] clause 6.7.1.1.

**Table 5.6.2.1: Transmit Intermodulation (3,84 Mcps TDD Option)**

Interference Signal Frequency Offset	5MHz	10MHz
Interference Signal Level	-40 dBc	
Interferer Modulation	CW Note: BS Test uses a CDMA modulated signal	
Minimum Requirement	-31dBc	-41dBc

#### 5.6.2.2 1,28 Mcps TDD Option

The requirement of transmitting intermodulation for carrier spacing 1,6 MHz is prescribed in table 5.6.2.2.

The normative reference for this requirement is TS 25.102 [1] clause 6.7.1.1.



**Table 5.6.2.2: Transmit Intermodulation (1,28 Mcps TDD Option)**

Interference Signal Frequency Offset	1.6 MHz	3.2 MHz
Interference Signal Level	-40 dBc	
Interferer Modulation	CW Note: BS Test uses a CDMA modulated signal	
Minimum Requirement	-31dBc	-41dBc

### 5.6.3 Test purpose

User Equipment(s) transmitting in close vicinity of each other can produce intermodulation products, which can fall into other UE, or BS receive band as an unwanted interfering signal.

It is the purpose of this test to limit interferences to the own and other systems due to intermodulation products.

### 5.6.4 Method of test

#### 5.6.4.1 Initial conditions

Test environment: normal; see clauses G.2.1 and G.2.2.

Frequencies to be tested: mid range; see clause G.2.4.

- 1) Connect the SS and the interferer to the UE antenna connector as shown in figure A.2.
- 2) A call is set up according to the generic call setup procedure using parameters as specified in table E.3.1.2.
- 3) Enter the UE into loopback test mode and start the loopback test.

Parameters of the interferer according to table 5.6.2.1 for 3,84 Mcps TDD Option and table 5.6.2.2 for 1,28 Mcps TDD Option, respectively.

#### 5.6.4.2 Procedure

##### 5.6.4.2.1 3,84 Mcps TDD Option

- 1) Measure the unwanted emissions according to 5.6.2. in a carrier offset spacing of 5 MHz and in a frequency range [5 MHz to 12.75 GHz], using an interferer +5MHz offset.

The frequency occupied by the interferer is excluded from the measurement.

- 2) Repeat 1) with the other 3 interferer-configurations (-5Mz, +10 MHz, -10 MHz).
- 3) Measure the wanted power according to annex B.
- 4) Display 1) and 2) in dBc with respect to 3).

##### 5.6.4.2.2 1,28 Mcps TDD Option

- 1) Measure the unwanted emissions according to 5.6.2.2 in a carrier offset spacing of 1.6 MHz and in a frequency range [1.6 MHz to 12.75GHz], using an interferer +1.6MHz offset.

The frequency occupied by the interferer is excluded from the measurement.

- 2) Repeat 1) with the other 3 interferer-configurations (-1.6 MHz, +3.2 MHz, -3.2 MHz).
- 3) Measure the wanted power according to annex B.
- 4) Display 1) and 2) in dBc with respect to 3).

## 5.6.5 Test requirements

### 5.6.5.1 3,84 Mcps TDD Option

The results in 4) from clause 5.6.4.2.1 shall not exceed the prescribed values in table 5.6.5.1.

**Table 5.6.5.1: Transmit Intermodulation (3,84 Mcps TDD Option)**

Interference Signal Frequency Offset	5MHz	10MHz
Interference Signal Level	-40 dBc	
Interferer Modulation	CW Note: BS Test uses a CDMA modulated signal	
Minimum Requirement	[-31+TT] dBc	[-41+TT] dBc

NOTE: If the above Test Requirement differs from the Minimum Requirement then the Test Tolerance applied for this test is non-zero. The Test Tolerance for this test is defined in annex F clause F.2 and the explanation of how the Minimum Requirement has been relaxed by the Test Tolerance is given in annex F clause F.4.

### 5.6.5.2 1,28 Mcps TDD Option

The results in 4) from clause 5.6.4.2.2 shall not exceed the prescribed values in table 5.6.5.2.

**Table 5.6.5.2 : Transmit Intermodulation (1,28Mcps TDD Option)**

Interference signal frequency offset	1.6MHz	3.2MHz
Interference signal level	[-40]dBc	
Minimum requirement of intermodulation products	[-31+TT] dBc	[-41+TT] dBc

NOTE: If the above Test Requirement differs from the Minimum Requirement then the Test Tolerance applied for this test is non-zero. The Test Tolerance for this test is defined in annex F clause F.2 and the explanation of how the Minimum Requirement has been relaxed by the Test Tolerance is given in annex F clause F.4.

## 5.7 Transmit Modulation

### 5.7.1 Error Vector Magnitude

#### 5.7.1.1 Definition and applicability

The Error Vector Magnitude (EVM) is a measure of the difference between the measured waveform and the theoretical modulated waveform (the error vector). Both waveforms pass through a matched Root Raised Cosine filter with bandwidth 3,84 MHz and roll-off  $\alpha = 0,22$ . Both waveforms are then further modified by selecting the frequency, absolute phase, absolute amplitude and chip clock timing so as to minimise the error vector. The EVM result is defined as the square root of the ratio of the mean error vector power to the mean reference signal power expressed as a %. The measurement interval is one timeslot.

The requirement of this clause shall apply to all types of UTRA-UE.

#### 5.7.1.2 Minimum Requirements

The Error Vector Magnitude shall not exceed 17,5 % for the parameters specified in table 5.7.1.2.

**Table 5.7.1.2.: Test parameters for Error Vector Magnitude/Peak Code Domain Error**

Parameter	Level	Unit
UE Output Power	$\geq -20$	dBm
Operating conditions	Normal conditions	
Power control step size	1	dB

The normative reference for this requirement is TS 25.102 [1] clause 6.8.2.1.

### 5.7.1.3 Test purpose

The transmitter shall generate a sufficient precise waveform, to enable the receiver to achieve the specified receiver performances.

### 5.7.1.4 Method of test

#### 5.7.1.4.1 Initial conditions

Test environment: normal, TL/VL, TL/VH, TH/VL, TH/VH, vibration; see clauses G.2.1, G.2.2 and G.2.3.

Frequencies to be tested: low range, mid range, high range; see clause G.2.4.

- 1) Connect the SS to the UE antenna connector as shown in figure A.1.
- 2) A call is set up according to the generic call setup procedure using parameters as specified in table E.3.1.2.
- 3) Enter the UE into loopback test mode and start the loopback test.

#### 5.7.1.4.2 Procedure

- 1) Starting from the initial conditions, measure EVM (Error Vector Magnitude) of the UE according to annex B.
- 2) Set SS-level and signalling values such that the power level of the UE is between  $-20$  and  $-19$  dBm.
- 3) Measure EVM of the UE according to annex B.

### 5.7.1.5 Test requirements

The results in step 1) and 2) shall not exceed 17.5 % for parameters specified in table 5.7.1.2.

**NOTE:** If the above Test Requirement differs from the Minimum Requirement then the Test Tolerance applied for this test is non-zero. The Test Tolerance for this test is defined in annex F clause F.2 and the explanation of how the Minimum Requirement has been relaxed by the Test Tolerance is given in annex F clause F.4.

## 5.7.2 Peak code domain error

### 5.7.2.1 Definition and applicability

The code domain error is computed by projecting the error vector power onto the code domain at a specific spreading factor. The error power for each code is defined as the ratio to the mean power of the projection onto the code, to the mean power of the composite reference waveform expressed in dB. And the Peak Code Domain Error is defined as the maximum value for Code Domain Error. The measurement interval is one timeslot.

The present document is applicable for multi-code transmission only.

The requirement of this test applies to all UTRA-UE, applicable for multi-code transmission.

### 5.7.2.2 Minimum Requirement

The peak code domain error shall not exceed -21dB at spreading factor 16.

The normative reference for this requirement is TS 25.102 [1] clause 6.8.3.1.

### 5.7.2.3 Test purpose

It is the purpose of this test to limit crosstalk among codes.

### 5.7.2.4 Method of test

#### 5.7.2.4.1 Initial conditions

##### 5.7.2.4.1.1 3,84 Mcps TDD Option

Test environment: normal, TL/VL, TL/VH, TH/VL, TH/VH; see clauses G.2.1 and G.2.2.

Frequencies to be tested: low range, mid range, high range; see clause G.2.4.

- 1) Connect the SS to the UE antenna connector as shown in figure A.1.
- 2) A call is set up according to the generic call setup procedure using parameters as specified in table 5.7.2.4.1.1 for the 3,84 Mcps TDD Option.
- 3) Enter the UE into loopback test mode and start the loopback test.

**Table 5.7.2.4.1.1: Test parameters for Peak code Domain Error (3,84 Mcps TDD Option)**

Parameter	Value/description
Reference measurement channel	Multicode 12,2kbps, according to annex C.2.2.1
Uplink Power Control	SS level and signalling values such that UE transmits maximum power
Data content	real life (sufficient irregular)

##### 5.7.2.4.1.2 1,28 Mcps TDD Option

- 1) Connect the SS to the UE antenna connector as shown in figure A.1.
- 2) A call is set up according to the generic call setup procedure using parameters as specified in table 5.7.2.4.1.2 for the 1,28 Mcps TDD Option.
- 3) Enter the UE into loopback test mode and start the loopback test.

**Table 5.7.2.4.1.2: Test parameters for Peak code Domain Error (1,28 Mcps TDD Option)**

Parameter	Value/description
Reference measurement channel	Multicode 12,2kbps, according to annex C.2.2.2
Uplink Power Control	SS level and signalling values such that UE transmits maximum power
Data content	real life (sufficient irregular)

#### 5.7.2.4.2 Procedure

- 1) Starting from the initial conditions, measure peak code error(PCDE)of the UE according to annex B.

- 2) Set SS-level and signalling values such that the power level of the UE is between  $-20$  and  $-19$  dBm.
- 3) Measure PCDE of the UE according to annex B.

### 5.7.2.5 Test requirements

The results in step 1) and 2) shall not exceed  $-20$  dB. for parameters specified in table 5.7.1.2.

NOTE: If the above Test Requirement differs from the Minimum Requirement then the Test Tolerance applied for this test is non-zero. The Test Tolerance for this test is defined in annex F clause F.2 and the explanation of how the Minimum Requirement has been relaxed by the Test Tolerance is given in annex F clause F.4.

---

## 6 Receiver Characteristics

### 6.1 General

Receiving performance test of the UE is implemented during communicating with the SS via air interface. The procedure uses normal call protocol until the UE is communicating on traffic channel basically. (Refer to TS 34.108 [3] Common Test Environments for User Equipment (UE) Conformance Testing.) On the traffic channel, the UE provides special function for testing that is described in Logical Test Interface and the UE is tested using this function. (Refer to TS 34.109 [3] Logical Test Interface (FDD/TDD) Special conformance testing functions.)

Unless otherwise stated the receiver characteristics are specified at the antenna connector of the UE. For UE(s) with an integral antenna only, a reference antenna with a gain of 0 dBi is assumed. UE with an integral antenna may be taken into account by converting these power levels into field strength requirements, assuming a 0 dBi gain antenna. Receiver characteristics for UE(s) with multiple antennas/antenna connectors are for further study.

The UE antenna performance has a significant impact on system performance, and minimum requirements on the antenna efficiency are therefore intended to be included in future versions of the present document. It is recognized that different requirements and test methods are likely to be required for the different types of UE.

All the parameters in clause 6 are defined using the DL reference measurement channel (12,2 kbps) specified in clause C.3.3.

All Bit Error ratio (BER) measurements in clause 6 shall be performed according to the general rules for statistical testing in Annex F.6.

### 6.2 Reference sensitivity level

#### 6.2.1 Definition and applicability

The reference sensitivity level is the minimum mean power received at the UE antenna connector at which the BER shall not exceed the specific value.

The requirements in this clause shall apply to all types of UTRA UE.

#### 6.2.2 Minimum Requirements

##### 6.2.2.1 3,84 Mcps TDD Option

For the DL reference measurement channel 12,2 kBit/s specified in annex C, the BER shall not exceed 0.001 for the parameters specified in table 6.2.2.1.

**Table 6.2.2.1: Test parameters for reference sensitivity (3,84 Mcps TDD Option)**

Parameter	Level	Unit
$\frac{\Sigma DPCH_{Ec}}{I_{or}}$	0	dB
$\hat{I}_{or}$	-105	dBm/3,84 MHz

The normative reference for this requirement is TS 25.102 [1] clause 7.3.1.1.

### 6.2.2.2 1,28 Mcps TDD Option

The BER shall not exceed 0.001 for the parameters specified in table 6.2.2.2.

**Table 6.2.2.2: Test parameters for reference sensitivity (1,28Mcps TDD Option)**

Parameter	Level	Unit
$\frac{\Sigma DPCH_{Ec}}{I_{or}}$	0	dB
$\hat{I}_{or}$	-108	dBm/1,28 MHz

The normative reference for this requirement is TS 25.102 [1] clause 7.3.1.2.

## 6.2.3 Test purpose

The test purpose is to verify the ability of the UE to receive a prescribed test signal at the lower end of the dynamic range under defined conditions (no interference, no multipath propagation) with a BER not exceeding a specified level. This test is also used as a reference case for other tests to allow the assessment of degradations due to various sources of interference.

## 6.2.4 Method of test

### 6.2.4.1 Initial conditions

Test environment: normal, TL/VL, TL/VH, TH/VL, TH/VH; see clauses G.2.1 and G.2.2.

Frequencies to be tested: low range, mid range, high range; see clause G.2.4.

- 1) Connect the SS to the UE antenna connector as shown in figure A.3.
- 2) A call is set up according to the Generic call setup procedure.
- 3) Enter the UE into loopback test mode and start the loopback test.
- 4) The level of SS output signal measured at the UE antenna connector shall be –105 dBm for the 3,84 Mcps TDD Option and –108 dBm for the 1,28 Mcps TDD Option, respectively.

### 6.2.4.2 Procedure

- 1) Measure the BER of DCH received from the UE at the SS.

## 6.2.5 Test requirements

### 6.2.5.1 3,84 Mcps TDD Option

The measured BER, derived in step 1), shall not exceed 0.001 under conditions described in table 6.2.5.1 for the 3,84 Mcps TDD Option.

**Table 6.2.5.1: Test parameters for reference sensitivity (3,84 Mcps TDD Option)**

Parameter	Level	Unit
$\frac{\Sigma DPCH_{Ec}}{I_{or}}$	0	dB
$\hat{I}_{or}$	-104.3	dBm/3,84 MHz

NOTE: If the above Test Requirement differs from the Minimum Requirement then the Test Tolerance applied for this test is non-zero. The Test Tolerance for this test is defined in annex F clause F.2 and the explanation of how the Minimum Requirement has been relaxed by the Test Tolerance is given in annex F clause F.4.

### 6.2.5.2 1,28 Mcps TDD Option

The measured BER, derived in step 1), shall not exceed 0.001 under conditions described in table 6.2.5.2 for the 1,28 Mcps TDD Option.

**Table 6.2.5.2: Test parameters for reference sensitivity (1,28 Mcps TDD Option)**

Parameter	Level	Unit
$\frac{\Sigma DPCH_{Ec}}{I_{or}}$	0	dB
$\hat{I}_{or}$	[-107.3]	dBm/1,28 MHz

NOTE: If the above Test Requirement differs from the Minimum Requirement then the Test Tolerance applied for this test is non-zero. The Test Tolerance for this test is defined in annex F clause F.2 and the explanation of how the Minimum Requirement has been relaxed by the Test Tolerance is given in annex F clause F.4.

## 6.3 Maximum Input Level

### 6.3.1 Definition and applicability

The maximum input level is defined as the maximum mean power received at the UE antenna connector, which does not degrade the specified BER performance.

The requirements in this clause shall apply to all types of UTRA UE.

### 6.3.2 Minimum requirements

#### 6.3.2.1 3,84 Mcps TDD Option

The BER shall not exceed 0,001 for the parameters specified in table 6.3.2.1.

**Table 6.3.2.1: Maximum input level (3,84 Mcps TDD Option)**

Parameter	Level	Unit
$\frac{\Sigma DPCH\_Ec}{I_{or}}$	-7	dB
$\hat{I}_{or}$	-25	dBm/3,84 MHz

The reference for this requirement is TS 25.102 [1] clause 7.4.1.1.

### 6.3.2.2 1,28 Mcps TDD Option

The BER shall not exceed 0.001 for the parameters specified in table 6.3.2.2.

**Table 6.3.2.2: Maximum input level (1,28Mcps TDD Option)**

Parameter	Level	Unit
$\frac{\Sigma DPCH\_Ec}{I_{or}}$	-7	dB
$\hat{I}_{or}$	-25	dBm/1,28 MHz

The reference for this requirement is TS 25.102 [1] clause 7.4.1.2.

## 6.3.3 Test purpose

The test purpose is to verify the ability of the UE to receive a prescribed test signal at the upper end of the dynamic range under defined conditions (no interference, no multipath propagation) with BER not exceeding a specified value.

## 6.3.4 Method of test

### 6.3.4.1 Initial conditions

Test environment: normal; see clauses G.2.1 and G.2.2.

Frequencies to be tested: mid range; see clause G.2.4.

- 1) Connect the SS to the UE antenna connector as shown in figure A.3.
- 2) A call is set up according to the Generic call setup procedure.
- 3) Enter the UE into loopback test mode and start the loopback test.
- 4) The level of SS output signal measured at the UE antenna connector shall be according to table 6.3.2.1 (3,84 Mcps TDD Option) and table 6.3.2.2(1,28 Mcps TDD Option), respectively.

### 6.3.4.2 Procedure

Measure the BER of DCH received from the UE at the SS.

## 6.3.5 Test requirements

The measured BER, derived in step 1), shall not exceed 0,001.



## 6.4 Adjacent Channel Selectivity (ACS)

### 6.4.1 Definition and applicability

Adjacent Channel Selectivity is a measure of a receiver's ability to receive a wanted signal at its assigned channel frequency in the presence of an adjacent channel signal at a given frequency offset from the centre frequency of the assigned channel. ACS is the ratio of the receive filter attenuation on the assigned channel frequency to the receiver filter attenuation on the adjacent channel(s).

The requirements of this test apply to all UTRA UE.

### 6.4.2 Minimum Requirements

#### 6.4.2.1 3,84 Mcps TDD Option

For the UE of power class 2 and 3, the BER shall not exceed 0,001 for parameters specified in table 6.4.2. This test condition is equivalent to the ACS value 33 dB.

**Table 6.4.2.1: Test parameters for Adjacent Channel Selectivity (3,84 Mcps TDD Option)**

Parameter	Unit	Level
$\frac{\Sigma DPCH - Ec}{I_{or}}$	dB	0
$I_{or}$	dBm/3,84 MHz	-91
$I_{oac}$ mean power (modulated)	dBm	-52
$F_{uw}$ offset	MHz	+5 or -5

Explanatory note:

Within the reference sensitivity BER= 0.001 corresponds to a test signal = -105 dBm/3,84 MHz and a noise level -99 dBm /3,84 MHz BW (S/I -6 dB).

Within ACS BER=0.001 is directly verified.

Known from the reference sensitivity, this corresponds to S/I -6dB in the wanted BW.

As a wanted signal of -91 dBm applied, an in-channel-interfering-signal of -85 dBm can be assumed.

Verifying a filter suppression of 33 dB indirectly, an adjacent-channel-interferer of -52 dBm is needed

The normative reference of this requirement is TS 25.102 [1] clause 7.5.

#### 6.4.2.2 1,28 Mcps TDD Option

For the UE of power class 2 and 3, the BER shall not exceed 0,001 for parameters specified in table 6.4.2.2. This test condition is equivalent to the ACS value 33 dB.

**Table 6.4.2.2: Test parameters for Adjacent Channel Selectivity (1,28Mcps TDD Option)**

Parameter	Unit	Level
$\frac{\Sigma DPCH - Ec}{I_{or}}$	dB	0
$I_{or}$	dBm/1,28MHz	-91
$I_{oac}$ mean power (modulated)	dBm	-54
$F_{uw}$ offset	MHz	+1.6 or -1.6

Explanatory note:

Within the reference sensitivity BER= 0.001 corresponds to a test signal = -108 dBm/1,28 MHz and a noise level -104 dBm /1,28 MHz BW (S/I -4 dB).

Within ACS BER=0.001 is directly verified.

Known from the reference sensitivity, this corresponds to S/I -4dB in the wanted BW.

As a wanted signal of -91 dBm applied, an in-channel-interfering-signal of -87 dBm can be assumed.

Verifying a filter suppression of 33 dB indirectly, an adjacent-channel-interferer of 54 dBm is needed

The normative reference of this requirement is TS 25.102 [1] clause 7.5.1.2.

### 6.4.3 Test purpose

The test purpose is to verify the ability of the UE-receiver to sufficiently suppress the interfering signal in the channel adjacent to the wanted channel.

### 6.4.4 Method of test

#### 6.4.4.1 Initial conditions

Test environment: normal; see clauses G.2.1 and G.2.2.

Frequencies to be tested: mid range; see clause G.2.4.

- 1) Connect the SS and the interferer to the UE antenna connector as shown in figure A.4.
- 2) A call is set up according to the Generic call setup procedure.
- 3) Enter the UE into loopback test mode and start the loopback test.
- 4) Set the signal generators to produce wanted and interference signals according table 6.4.2.1 for 3,84 Mcps TDD option and table 6.4.2.1.2 for 1,28 Mcps TDD option. The interference signal shall be equivalent to a continuously running wideband CDMA signal with one code and chip frequency 3,84 Mchip/s for the 3,84 Mcps TDD Option and 1,28 Mchip/s for the 1,28 Mcps TDD Option, respectively and rolloff 0.22.

#### 6.4.4.2 Procedure

- 1) Set the interference signal 5 MHz for the 3,84 Mcps TDD Option and 1.6 MHz for the 1,28 Mcps TDD Option, respectively above the assigned channel frequency of the wanted signal.
- 2) Measure the BER of the wanted signal received from the UE at the SS.
- 3) Set the interference signal 5 MHz for the 3,84 Mcps TDD Option and 1.6 MHz for the 1,28 Mcps TDD Option, respectively, below the assigned channel frequency of the wanted signal and repeat 2).

### 6.4.5 Test Requirements

#### 6.4.5.1 3,84 Mcps TDD Option

The measured BER, derived in step 2), shall not exceed 0,001 under conditions described in table 6.4.5.1 for the 3,84 Mcps TDD Option.

**Table 6.4.5.1: Test parameters for Adjacent Channel Selectivity (3,84 Mcps TDD Option)**

Parameter	Unit	Level
$\frac{\Sigma DPCH - Ec}{I_{or}}$	dB	0
$\hat{I}_{or}$	dBm/3,84 MHz	-91
$I_{oac}$ mean power (modulated)	dBm	-52
$F_{uw}$ offset	MHz	+5 or -5

NOTE: If the above Test Requirement differs from the Minimum Requirement then the Test Tolerance applied for this test is non-zero. The Test Tolerance for this test is defined in Annex F.2 and the explanation of how the Minimum Requirement has been relaxed by the Test Tolerance is given in Annex F.4.

### 6.4.5.2 1,28 Mcps TDD Option

The measured BER, derived in step 2), shall not exceed 0,001 under conditions described in table 6.4.5.2 for the 1,28 Mcps TDD Option.

**Table 6.4.5.2: Test parameters for Adjacent Channel Selectivity (1,28Mcps TDD Option)**

Parameter	Unit	Level
$\frac{\Sigma DPCH - Ec}{I_{or}}$	dB	0
$\hat{I}_{or}$	dBm/1,28MHz	-91
$I_{oac}$ mean power (modulated)	dBm	-54
$F_{uw}$ offset	MHz	+1.6 or -1.6

NOTE: If the above Test Requirement differs from the Minimum Requirement then the Test Tolerance applied for this test is non-zero. The Test Tolerance for this test is defined in annex F clause F.2 and the explanation of how the Minimum Requirement has been relaxed by the Test Tolerance is given in annex F clause F.4.

## 6.5 Blocking Characteristics

### 6.5.1 Definition and applicability

The blocking characteristics is a measure of the receiver ability to receive a wanted signal at its assigned channel frequency in the presence of an unwanted interferer on frequencies other than those of the spurious response or the adjacent channels without this unwanted input signal causing a degradation of the performance of the receiver beyond a specified limit.. The blocking performance shall apply at all frequencies except those at which a spurious response occur.

The requirements of this test apply to all UTRA UE.

### 6.5.2 Minimum Requirements

#### 6.5.2.1 3,84 Mcps TDD Option

The BER shall not exceed 0,001 for the parameters specified in table 6.5.2.1a and table 6.5.2.1b. For table 6.5.2.1b up to 24 exceptions are allowed for spurious response frequencies in each assigned frequency channel when measured using a 1MHz step size for the interference signal.

The normative reference for this requirement is TS 25.102 clause 7.6.1.1.

Table 6.5.2.1a: In-band blocking (3,84 Mcps TDD Option)

Parameter	Level		Unit
$\frac{\Sigma DPCH\_Ec}{I_{or}}$	0		dB
$\hat{I}_{or}$	-102		dBm/3,84 MHz
$I_{ouw}$ mean power (modulated)	-56 (for $F_{uw}$ offset $\pm 10$ MHz)	-44 (for $F_{uw}$ offset $\pm 15$ MHz)	dBm

Table 6.5.2.1b: Out of band blocking (3,84 Mcps TDD Option)

Parameter	Band 1	Band 2	Band 3	Unit
$\frac{\Sigma DPCH\_Ec}{I_{or}}$	0	0	0	dB
$\hat{I}_{or}$	-102	-102	-102	dBm/3,84 MHz
$I_{ouw}$	-44	-30	-15	dBm
$F_{uw}$ For operation in frequency bands as defined in clause 4.2(a)	1840 < f < 1885 1935 < f < 1995 2040 < f < 2085	1815 < f < 1840 2085 < f < 2110	1 < f < 1815 2110 < f < 12750	MHz
$F_{uw}$ For operation in frequency bands as defined in clause 4.2(b)	1790 < f < 1835 2005 < f < 2050	1765 < f < 1790 2050 < f < 2075	1 < f < 1765 2075 < f < 12750	MHz
$F_{uw}$ For operation in frequency bands as defined in clause 4.2(c)	1850 < f < 1895 1945 < f < 1990	1825 < f < 1850 1990 < f < 2015	1 < f < 1825 2015 < f < 12750	MHz

NOTE 1: For operation referenced in 4.2(a), from 1885 < f < 1900 MHz, 1920 < f < 1935 MHz, 1995 < f < 2010 MHz and 2025 < f < 2040 MHz, the appropriate in-band blocking or adjacent channel selectivity in clause 6.4.2.1 shall be applied.

NOTE 2: For operation referenced in 4.2(b), from 1835 < f < 1850 MHz and 1990 < f < 2005 MHz, the appropriate in-band blocking or adjacent channel selectivity in clause 6.4.2.1 shall be applied.

NOTE 3: For operation referenced in 4.2(c), from 1895 < f < 1910 MHz and 1930 < f < 1945 MHz, the appropriate in-band blocking or adjacent channel selectivity in clause 6.4.2.1 shall be applied.

### 6.5.2.2 1,28 Mcps TDD Option

The BER shall not exceed 0.001 for the parameters specified in table 6.5.2.2a and table 6.5.2.2b.

The normative reference for this requirement is 3G TS 25.102 [1] clause 7.6.1.2.

Table 6.5.2.2a: In-band blocking (1,28Mcps TDD Option)

Parameter	Level		Unit
$\frac{\Sigma DPCH\_Ec}{I_{or}}$	0		dB
$\hat{I}_{or}$	-105		dBm/1.28 MHz
$I_{ouw}$ mean power (modulated)	-61 (for $F_{uw}$ offset $\pm 3.2$ MHz)	-49 (for $F_{uw}$ offset $\pm 4.8$ MHz)	dBm

Table 6.5.2.2b: Out of band blocking (1,28Mcps TDD Option)

Parameter	Band 1	Band 2	Band 3	Unit
$\frac{\Sigma DPCH\_Ec}{I_{or}}$	0	0	0	dB
$\hat{I}_{or}$	-105	-105	-105	dBm/1,28 MHz
$I_{ouw}$ (CW)	-44	-30	-15	dBm
$F_{uw}$ For operation in frequency bands as defined in clause 4.2(a)	1840 <f <1895.2 1924.8 <f <2005.2 2029.8 <f <2085	1815 <f <1840 2085 <f <2110	1 <f <1815 2110 <f <12750	MHz
$F_{uw}$ For operation in frequency bands as defined in clause 4.2(b)	1790 <f < 1845.2 1994.8 <f < 2050	1765 <f < 1790 2050 <f < 2075	1 <f < 1765 2075 <f < 12750	MHz
$F_{uw}$ For operation in frequency bands as defined in clause 4.2(c)	1850 <f < 1905.2 1934.8 <f < 1990	1825 <f < 1850 1990 <f < 2015	1 <f < 1825 2015 <f < 12750	MHz

NOTE 1: For operation referenced in 4.2(a), from 1895.2 <f < 1900 MHz, 1920 <f < 1924.8 MHz, 2005.2 <f < 2010 MHz and 2025 <f < 2029.8 MHz, the appropriate in-band blocking or adjacent channel selectivity in clause 6.4.2.2 shall be applied.

NOTE 2: For operation referenced in 4.2(b), from 1845.2 <f < 1850 MHz and 1990 <f < 1994.8 MHz, the appropriate in-band blocking or adjacent channel selectivity in clause 6.4.2.2 shall be applied.

NOTE 3: For operation referenced in 4.2(c), from 1905.2 <f < 1910 MHz and 1930 <f < 1934.8 MHz, the appropriate in-band blocking or adjacent channel selectivity in clause 6.4.2.2 shall be applied.

## 6.5.3 Test purpose

"The test stresses the ability of the UE receiver to withstand high-level interference from unwanted signals at frequency offsets of 10 MHz or more, without undue degradation of its sensitivity."

## 6.5.4 Method of test

### 6.5.4.1 Initial conditions

For in-band case:

Test environment: normal; see clauses G.2.1 and G.2.2.

Frequencies to be tested: mid range; see clause G.2.4.

For out-of-band case:

Test environment: normal; see clauses G.2.1 and G.2.2.

Frequency to be tested: 1 arbitrary frequency chosen from the low, mid or high range; see clause G.2.4.

- 1) Connect the SS and the interfering Signal generator to the UE antenna connector as shown in figure A.5.
- 2) A call is set up according to the Generic call setup procedure.
- 3) Enter the UE into loopback test mode and start the loopback test.

## 6.5.4.2 Procedure

- 1) The wanted signal frequency channel is set to mid range frequency. The wanted signal power level shall be set according to Table 6.5.5.1a for the 3,84 Mcps TDD option and Table 6.5.5.2a for the 1,28 Mcps TDD option.
- 2) The interfering Signal Generator is stepped through the frequency range indicated in table 6.5.2.1a for the 3,84 Mcps TDD Option and table 6.5.2.2a for the 1,28 Mcps TDD Option, respectively with a step size of 1 MHz. The interfering signal level shall be set according to Table 6.5.5.1a for the 3,84 Mcps TDD option and Table 6.5.5.2a for the 1,28 Mcps TDD option.
- 3) The interference signal shall be equivalent to a continuously running wideband CDMA signal with one code and chip frequency 3,84 Mchp/s for the 3,84 Mcps TDD Option and 1,28 Mchp/s for the 1,28 Mcps TDD Option, respectively and rolloff 0.22.
- 4) Measure the BER of the wanted signal received from the UE at the SS for each step of the interferer.
- 5) The wanted signal frequency channel is set to an arbitrary frequency chosen from the low, mid or high range. The level of the wanted signal shall be set according to Table 6.5.5.1b for the 3,84 Mcps TDD option and table 6.5.5.2b for the 1,28 Mcps TDD option.
- 6) The interfering Signal Generator is stepped through the frequency range indicated in table 6.5.2.1b for the 3,84 Mcps TDD Option and table 6.5.2.2b for the 1,28 Mcps TDD Option, respectively with a step size of 1 MHz. The interfering signal level shall be set according to Table 6.5.5.1b for the 3,84 Mcps TDD option and Table 6.5.5.2b for the 1,28 Mcps TDD option.
- 7) The interference signal is a CW signal.
- 8) Measure the BER of the wanted signal received from the UE at the SS for each step of the interferer.
- 9) Record the frequencies for which BER exceed the test requirements in Table 6.5.5.1b for the 3,84 Mcps TDD option and table 6.5.5.2b for the 1,28 Mcps TDD option. These frequencies are further proceeding in subclause 6.6 Spurious Response.

NOTE: Due to the large amount of time-consuming BER tests it is recommended to speed up a single BER test by reducing the 0.001-BER confidence level [10 000 bits under test or 10 errors] for screening the critical frequencies. Critical frequencies must be identified using standard BER confidence level. [30 000 bits or 30 errors].

## 6.5.5 Test requirements

### 6.5.5.1 3,84 Mcps TDD Option

The measured BER, derived in step 4) shall not exceed 0,001 (without exception) under test conditions described in table 6.5.5.1a.

The measured BER, derived in step 8), shall not exceed 0,001 except for up to 24 different frequencies of the interfering signal under test conditions described in table 6.5.5.1b.

These frequencies are further processed in clause 6.6 Spurious response.

**Table 6.5.5.1a: Test conditions In-band blocking (3,84 Mcps TDD Option)**

Parameter	Level		Unit
$\frac{\Sigma DPCH\_Ec}{I_{or}}$	0		dB
$\hat{I}_{or}$	-102		dBm/3,84 MHz
$I_{ouw}$ mean power (modulated)	-56 (for $F_{uw}$ offset $\pm 10$ MHz)	-44 (for $F_{uw}$ offset $\pm 15$ MHz)	dBm

**Table 6.5.5.1b: Test conditions Out of band blocking (3,84 Mcps TDD Option)**

Parameter	Band 1	Band 2	Band 3	Unit
$\frac{\Sigma DPCH\_Ec}{I_{or}}$	0	0	0	dB
$\hat{I}_{or}$	-102	-102	-102	dBm/3,84 MHz
$I_{ouw}$ (CW)	-44	-30	-15	dBm

NOTE: If the above Test Requirement differs from the Minimum Requirement then the Test Tolerance applied for this test is non-zero. The Test Tolerance for this test is defined in annex F clause F.2 and the explanation of how the Minimum Requirement has been relaxed by the Test Tolerance is given in annex F clause F.4.

### 6.5.5.2 1,28 Mcps TDD Option

The measured BER, derived in step 4), shall not exceed 0,001 (without exception) under test conditions described in table 6.5.5.2a.

The measured BER, derived in step 8), shall not exceed 0,001 except for up to 24 different frequencies of the interfering signal under test conditions described in table 6.5.5.2b.

These frequencies are further processed in clause 6.6 Spurious response.

**Table 6.5.5.2a: Test conditions In-band blocking (1,28 Mcps TDD Option)**

Parameter	Level		Unit
$\frac{\Sigma DPCH\_Ec}{I_{or}}$	0		dB
$\hat{I}_{or}$	-105		dBm/1,28 MHz
$I_{ouw}$ mean power (modulated)	-61 (for $F_{uw}$ offset $\pm 3.2$ MHz)	-49 (for $F_{uw}$ offset $\pm 4.8$ MHz)	dBm

**Table 6.5.5.2b: Test conditions Out of band blocking (1,28 Mcps TDD Option)**

Parameter	Band 1	Band 2	Band 3	Unit
$\frac{\Sigma DPCH\_Ec}{I_{or}}$	0	0	0	dB
$\hat{I}_{or}$	-105	-105	-105	dBm/1,28 MHz
$I_{ouw}$	-44	-30	-15	dBm

NOTE: If the above Test Requirement differs from the Minimum Requirement then the Test Tolerance applied for this test is non-zero. The Test Tolerance for this test is defined in annex F clause F.2 and the explanation of how the Minimum Requirement has been relaxed by the Test Tolerance is given in annex F clause F.4

## 6.6 Spurious Response

### 6.6.1 Definition and applicability

Spurious response is a measure of the receiver's ability to receive a wanted signal on its assigned channel frequency without exceeding a given degradation due to the presence of an unwanted CW interfering signal at any other frequency at which a response is obtained i.e. for which the blocking limit is not met.

The requirements of this test apply to all types of UTRA for the UE.

### 6.6.2 Minimum Requirements

#### 6.6.2.1 3,84 Mcps TDD Option

The BER shall not exceed 0,001 for the parameters specified in table 6.6.2.1.

The normative reference for this requirement is TS 25.102 clause 7.7.1.1.

**Table 6.6.2.1: Spurious Response (3,84 Mcps TDD Option)**

Parameter	Value	Unit
$\frac{\Sigma DPCH\_Ec}{I_{or}}$	0	dB
$\hat{I}_{or}$	-102	dBm/3,84 MHz
$I_{ouw}$ (CW)	-44	dBm
$F_{uw}$	Spurious response frequencies	MHz

#### 6.6.2.2 1,28 Mcps TDD Option

The BER shall not exceed 0.001 for the parameters specified in table 6.6.2.2.

**Table 6.6.2.2: Spurious Response (1,28Mcps TDD Option)**

Parameter	Level	Unit
$\frac{\Sigma DPCH\_Ec}{I_{or}}$	0	dB
$\hat{I}_{or}$	-105	dBm/1,28 MHz
$I_{ouw}$ (CW)	-44	dBm
$F_{uw}$	Spurious response frequencies	MHz

### 6.6.3 Test purpose

Spurious response frequencies, identified in the blocking test, are measured against a less stringent test requirement. The test stresses the ability of the receiver to withstand high level interference signals without undue degradation of its sensitivity due to the receiver's frequency conversion concept.



## 6.6.4 Method of test

### 6.6.4.1 Initial conditions

Test environment: normal; see clauses G.2.1 and G.2.2.

Frequency to be tested: the same frequency as chosen in subclause 6.5.4.1 for Blocking characteristics out-of-band case.

- 1) Connect the SS and the unwanted signal to the UE antenna connector as shown in figure A.6.
- 2) A call is set up according to the Generic call setup procedure.
- 3) Enter the UE into loopback test mode and start the loopback test.

### 6.6.4.2 Procedure

- 1) Set the wanted signal frequency to the frequency used for the out-of-band blocking test. Set the power level of the wanted signal according to table 6.6.2.1 for the 3,84 Mcps TDD Option and table 6.6.2.2 for the 1,28 Mcps TDD Option, respectively.
- 2) Set the frequency of the interferer signal according the recorded spurious response frequency values obtained from the out-of-band blocking test as described in 6.5.4.2, at which the blocking test failed. Set the power level of the interferer according to table 6.6.5.1 for the 3,84 Mcps TDD Option and table 6.6.5.2 for the 1,28 Mcps TDD Option, respectively.
- 3) Measure the BER of DCH received from the UE at the SS.

## 6.6.5 Test requirements

### 6.6.5.1 3,84 Mcps TDD

The measured BER, derived in step 3), shall not exceed 0,001 under. test conditions described in table 6.6.5.1 for the 3,84 Mcps TDD Option.

**Table 6.6.5.1: Test Parameters Spurious Response (3,84 Mcps TDD Option)**

Parameter	Value	Unit
$\frac{\Sigma DPCH\_Ec}{I_{or}}$	0	dB
$I_{or}$	-102	dBm/3,84 MHz
$I_{ouw}$ (CW)	-44	dBm
$F_{uw}$	Spurious response frequencies	MHz

NOTE: If the above Test Requirement differs from the Minimum Requirement then the Test Tolerance applied for this test is non-zero. The Test Tolerance for this test is defined in annex F clause F.2 and the explanation of how the Minimum Requirement has been relaxed by the Test Tolerance is given in annex F clause F.4.

### 6.6.5.2 1,28 Mcps TDD

The measured BER, derived in step 3), shall not exceed 0,001 under test conditions described in table 6.6.5.2 for the 1,28 Mcps TDD Option.

**Table 6.6.5.2: Test Parameters Spurious Response (1,28 Mcps TDD Option)**

Parameter	Value	Unit
$\frac{\Sigma DPCH\_Ec}{I_{or}}$	0	dB
$\hat{I}_{or}$	-105	dBm/1,28 MHz
$I_{ouw}$ (CW)	-44	dBm
$F_{uw}$	Spurious response frequencies	MHz

NOTE: If the above Test Requirement differs from the Minimum Requirement then the Test Tolerance applied for this test is non-zero. The Test Tolerance for this test is defined in annex F clause F.2 and the explanation of how the Minimum Requirement has been relaxed by the Test Tolerance is given in annex F clause F.4.

## 6.7 Intermodulation Characteristics

### 6.7.1 Definition and applicability

Third and higher order mixing of the two interfering RF signals can produce an interfering signal in the band of the desired channel. Intermodulation response rejection is a measure of the capability of the receiver to receiver a wanted signal on its assigned channel frequency in the presence of two or more interfering signals which have a specific frequency relationship to the wanted signal.

The requirements of this test shall apply to all UTRA UE.

### 6.7.2 Minimum Requirements

#### 6.7.2.1 3,84 Mcps TDD Option

The BER shall not exceed 0,001 for the parameters specified in table 6.7.2.1.

The normative reference for this requirement is TS 25.102 clause 7.8.1.1.

**Table 6.7.2.1: Receive intermodulation characteristics (3,84 Mcps TDD Option)**

Parameter	Value	Unit
$\frac{\Sigma DPCH\_Ec}{I_{or}}$	0	dB
$\hat{I}_{or}$	-102	dBm/3,84 MHz
$I_{ouw1}$ (CW)	-46	dBm
$I_{ouw2}$ mean power (modulated)	-46	dBm
$F_{uw1}$ (CW)	$\pm 10$	MHz
$F_{uw2}$ (Modulated)	$\pm 20$	MHz

#### 6.7.2.2 1,28 Mcps TDD Option

The BER shall not exceed 0.001 for the parameters specified in table 6.7.2.2.

The normative reference for this requirement is TS 25.102 clause 7.8.1.2.

**Table 6.7.2.2: Receive intermodulation characteristics (1,28 Mcps TDD Option)**

Parameter	Level	Unit
$\frac{\Sigma DPCH - Ec}{I_{or}}$	0	dB
$I_{or}$	-105	dBm/1,28 MHz
$I_{ouw1}$ (CW)	-46	dBm
$I_{ouw2}$ mean power (modulated)	-46	dBm
$F_{uw1}$ (CW)	$\pm 3.2$	MHz
$F_{uw2}$ (Modulated)	$\pm 6.4$	MHz

### 6.7.3 Test purpose

The test stresses the ability of the receiver to withstand two or more high level interference signals without undue degradation of its sensitivity due to the receiver's non-linear elements.

### 6.7.4 Method of test

#### 6.7.4.1 Initial conditions

Test environment: normal; see clauses G.2.1 and G.2.2.

Frequencies to be tested: mid range; see clause G.2.4.

- 1) Connect the SS and the unwanted signals to the UE antenna connector as shown in figure A.7.
- 2) A call is set up according to the Generic call setup procedure.
- 3) Enter the UE into loopback test mode and start the loopback test.

#### 6.7.4.2 Procedure

- 1) Set the wanted and interfering signals as indicated in table 6.7.2.1 for the 3,84 Mcps TDD Option and table 6.7.2.2 for the 1,28 Mcps TDD Option) with positive offset with respect to the wanted signal.
- 2) Measure the BER of DCH received from the UE at the SS.
- 3) Set the interfering signals as indicated in table 6.7.2.1 for the 3,84 Mcps TDD Option and table 6.7.2.2 for the 1,28 Mcps TDD Option with negative offset with respect to the wanted signal and repeat 2).

## 6.7.5 Test requirements

### 6.7.5.1 3,84 Mcps TDD Option

The measured BER, derived in step 2) and 3), shall not exceed 0,001 under test conditions described in table 6.7.5.1 for the 3,84 Mcps TDD Option.

**Table 6.7.5.1: Test parameters Receive intermodulation characteristics (3,84 Mcps TDD Option)**

Parameter	Value	Unit
$\frac{\Sigma DPCH\_Ec}{I_{or}}$	0	dB
$\hat{I}_{or}$ Wanted Signal Level	-102	dBm/3,84 MHz
$I_{ouw1}$ (CW)	-46	dBm
$I_{ouw2}$ mean power (modulated)	-46	dBm
$F_{uw1}$ (CW)	$\pm 10$	MHz
$F_{uw2}$ (Modulated)	$\pm 20$	MHz

NOTE: If the above Test Requirement differs from the Minimum Requirement then the Test Tolerance applied for this test is non-zero. The Test Tolerance for this test is defined in annex F clause F.2 and the explanation of how the Minimum Requirement has been relaxed by the Test Tolerance is given in annex F clause F.4.

### 6.7.5.2 1,28 Mcps TDD Option

The measured BER, derived in step 2) and 3), shall not exceed 0,001 under test conditions described in table 6.7.5.2 for the 1,28 Mcps TDD Option.

**Table 6.7.5.2: Test parameters Receive intermodulation characteristics (1,28 Mcps TDD Option)**

Parameter	Level	Unit
$\frac{\Sigma DPCH\_Ec}{I_{or}}$	0	dB
$\hat{I}_{or}$	-105	dBm/1,28 MHz
$I_{ouw1}$ (CW)	-46	dBm
$I_{ouw2}$ mean power (modulated)	-46	dBm
$F_{uw1}$ (CW)	$\pm 3.2$	MHz
$F_{uw2}$ (Modulated)	$\pm 6.4$	MHz

NOTE: If the above Test Requirement differs from the Minimum Requirement then the Test Tolerance applied for this test is non-zero. The Test Tolerance for this test is defined in Annex F.2 and the explanation of how the Minimum Requirement has been relaxed by the Test Tolerance is given in Annex F.4.

## 6.8 Spurious Emissions

### 6.8.1 Definition and applicability

The Spurious Emissions Power is the power of emissions generated or amplified in a receiver that appear at the UE antenna connector.

The requirements of this test are applicable for all UTRA UE.

## 6.8.2 Minimum Requirements

### 6.8.2.1 3,84 Mcps TDD Option

The power of any spurious emission shall not exceed:

**Table 6.8.2.1: Receiver spurious emission requirements (3,84 Mcps TDD Option)**

Band	Maximum level	Measurement Bandwidth	Note
30 MHz – 1 GHz	-57 dBm	100 kHz	
1 GHz – 1,9 GHz and 1,92 GHz – 2,01 GHz and 2,025 GHz – 2,11 GHz	-47 dBm	1 MHz	With the exception of frequencies between 12,5MHz below the first carrier frequency and 12.5MHz above the last carrier frequency used by the UE.
1,9 GHz – 1,92 GHz and 2,01 GHz – 2,025 GHz and 2,11 GHz – 2,170 GHz	-60 dBm	3,84 MHz	With the exception of frequencies between 12,5MHz below the first carrier frequency and 12,5MHz above the last carrier frequency used by the UE.
2,170 GHz – 12,75 GHz	-47 dBm	1 MHz	

The normative reference for this requirement is TS 25.102 [1] clause 7.9.1.1.

### 6.8.2.2 1,28 Mcps TDD Option

The power of any spurious emission shall not exceed.

**Table 6.8.2.2: Receiver spurious emission requirements (1,28Mcps TDD Option)**

Band	Maximum level	Measurement Bandwidth	Note
30 MHz – 1 GHz	-57 dBm	100 kHz	
1 GHz – 1.9 GHz and 1.92 GHz – 2.01 GHz and 2.025 GHz – 2.11 GHz	-47 dBm	1 MHz	With the exception of frequencies between 4MHz below the first carrier frequency and 4MHz above the last carrier frequency used by the UE.
1.9 GHz – 1.92 GHz and 2.01 GHz – 2.025 GHz and 2.11 GHz – 2.170 GHz	-64 dBm	1,28 MHz	With the exception of frequencies between 4MHz below the first carrier frequency and 4MHz above the last carrier frequency used by the UE.
2.170 GHz – 12.75 GHz	-47 dBm	1 MHz	

The normative reference for this requirement is TS 25.102 [1] clause 7.9.1.2.

## 6.8.3 Test purpose

The test purpose is to verify the UE's ability to limit interference caused by receiver spurious emissions to the own and the other systems. The test requirements are tighter than in clause 5.5.3 ((TX) Spurious Emissions) because the time of Receive-Only-Operation is generally much longer than RX-TX-Operation.

## 6.8.4 Method of test

### 6.8.4.1 Initial conditions

Test environment: normal; see clauses G.2.1 and G.2.2.

Frequencies to be tested: 1 arbitrary frequency selected between low and high range; see clause G.2.4.

- 1) Connect the measurement equipment to the UE antenna connector according to figure A.8.

- 2) RF parameters are setup according to table 6.8.4.1a for 3,84 Mcps TDD option and 6.8.4.1b for 1,28 Mcps TDD option respectively.
- 3) A call is set up according to the setup procedure specified in TS34.108 [3] sub-clause 7.3.3, with the following exceptions for information elements in System Information Block type3.

Information Element	Value/Remark
- Cell selection and re-selection info	TDD
- CHOICE mode	0 dB
- Sintrasearch	0 dB
- Sintersearch	This parameter is configurable
- RAT List	0 dB
- Ssearch,RAT	Power level where Pcompensation=0
- Maximum allowed UL TX power	

Note 1: The setup procedure (3) sets the UE into CELL\_FACH state. With this state and the SS level (2) it is ensured that UE continuously monitors the S-CCPCH and no cell reselections are performed [see 25.304, subcl. 5.2.3.and 5.2.6]. No transmission of the UE will interfere with the measurement.

**Table 6.8.4.1a: RF parameters for receiver spurious test (3,84Mcps TDD Option)**

Parameter	Unit	Level
PCCPCH_Ec/Ior	dB	-3
SCH_Ec/Ior	dB	-9
$\hat{I}_{or} / I_{oc}$	dB	9
PCCPCH RSCP	dBm	-64

**Table 6.8.4.1b: RF parameters for receiver spurious test (1,28Mcps TDD Option)**

Parameter	Unit	Level
PCCPCH_Ec/Ior	dB	-3
DwPCH_Ec/Ior	dB	0
$\hat{I}_{or} / I_{oc}$	dB	9
PCCPCH RSCP	dBm	-64

### 6.8.4.2 Procedure

Measure the power of spurious emissions by covering the frequency ranges of table 6.8.2.1 for the 3,84 Mcps TDD Option and table 6.8.2.2 for the 1,28 Mcps TDD Option, respectively. Cover the UTRA/TDD and UTRA/FDD UE receive band in contiguous steps of 200 kHz. Cover the other frequency ranges in contiguous steps of 100 kHz. Apply the corresponding filters of table 6.8.2.1 for the 3,84 Mcps TDD Option and table 6.8.2.2 for the 1,28 Mcps TDD Option, respectively. The step duration shall be sufficient slow to capture intermittent spurious emissions.

## 6.8.5 Test requirements

### 6.8.5.1 3,84 Mcps TDD Option

The spurious emissions shall be according to table 6.8.5.1 for the 3,84 Mcps TDD Option.

**Table 6.8.5.1: Receiver spurious emission test requirements (3,84 Mcps TDD Option)**

Band	Maximum level	Measurement Bandwidth	Note
30 MHz – 1 GHz	-57 dBm	100 kHz	
1 GHz – 1,9 GHz and 1,92 GHz – 2,01 GHz and 2,025 GHz – 2,11 GHz	-47 dBm	1 MHz	With the exception of frequencies between 12,5 MHz below the first carrier frequency and 12,5 MHz above the last carrier frequency used by the UE.
1,9 GHz – 1,92 GHz and 2,01 GHz – 2,025 GHz and 2,11 GHz – 2,170 GHz	-60 dBm	3,84 MHz	With the exception of frequencies between 12,5 MHz below the first carrier frequency and 12,5 MHz above the last carrier frequency used by the UE.
2,170 GHz – 12,75 GHz	-47 dBm	1MHz	

NOTE: If the above Test Requirement differs from the Minimum Requirement then the Test Tolerance applied for this test is non-zero. The Test Tolerance for this test is defined in annex F clause F.2 and the explanation of how the Minimum Requirement has been relaxed by the Test Tolerance is given in annex F clause F.4.

### 6.8.5.2 1,28 Mcps TDD Option

The spurious emissions shall be according to table 6.8.5.2 for the 1,28 Mcps TDD Option.

**Table 6.8.5.2: Receiver spurious emission requirements (1,28Mcps TDD Option)**

Band	Maximum level	Measurement Bandwidth	Note
30 MHz – 1 GHz	-57 dBm	100 kHz	
1 GHz – 1,9 GHz and 1,92 GHz – 2,01 GHz and 2,025 GHz – 2,11 GHz	-47 dBm	1 MHz	With the exception of frequencies between 4 MHz below the first carrier frequency and 4 MHz above the last carrier frequency used by the UE.
1,9 GHz – 1,92 GHz and 2,01 GHz – 2,025 GHz and 2,11 GHz – 2,170 GHz	-64 dBm	1,28 MHz	With the exception of frequencies between 4 MHz below the first carrier frequency and 4 MHz above the last carrier frequency used by the UE.
2,170 GHz – 12,75 GHz	-47 dBm	1 MHz	

NOTE: If the above Test Requirement differs from the Minimum Requirement then the Test Tolerance applied for this test is non-zero. The Test Tolerance for this test is defined in annex F clause F.2 and the explanation of how the Minimum Requirement has been relaxed by the Test Tolerance is given in annex F clause F.4.

## 7 Performance Requirements

### 7.1 General

The performance requirements for the UE in this clause is specified for the measurement channels specified in annex C and the test environments specified in annex D.

All Block Error ratio (BLER) measurements in clause 7 shall be performed according to the general rules for statistical testing in Annex F.6.

#### 7.1.2 Definition of Additive White Gaussian Noise (AWGN) Interferer

The minimum bandwidth of the AWGN interferer shall be 1.5 times chip rate of the radio access mode. (e.g. 5.76 MHz for a chip rate of 3.84 Mcps). The flatness across this minimum bandwidth shall be less than  $\pm 0.5$  dB and the peak to average ratio at a probability of 0.001% shall exceed 10 dB.

### 7.2 Demodulation in static propagation conditions

#### 7.2.1 Demodulation of DCH

##### 7.2.1.1 Definition and applicability

The performance requirement of DCH in static propagation conditions is determined by the maximum Block Error Ratio (BLER). The BLER is specified for each individual data rate of the DCH. DCH is mapped into the Dedicated Physical Channel (DPCH).

The UE shall be tested only according to the datarates, supported. The data-rate-corresponding requirements shall apply to the UE.

##### 7.2.1.2 Minimum requirements

###### 7.2.1.2.1 3,84 Mcps TDD Option

For the parameters specified in table 7.2.1.2.1a the BLER shall not exceed the piece-wise linear BLER curve specified in table 7.2.1.2.1b. These requirements are applicable for TFCS size 16.

The reference for this requirement is TS 25.102 [1] clause 8.2.1.1.1.

**Table 7.2.1.2.1a: DCH parameters in static propagation conditions (3,84 Mcps TDD Option)**

Parameters	Unit	Test 1	Test 2	Test 3	Test 4	Test 5
$\frac{\Sigma DPCH - E_c}{I_{or}}$	dB	-6	-3	0	0	0
$I_{oc}$	dBm/3,84 MHz	-60				
Cell Parameter*		0,1				
DPCH Channelization Codes*	C(k,Q)	C(i,16) i=1,2	C(i,16) i=1 . .5	C(i,16) i=1 . .9	C(i,16) i=1 . .8	-
OCNS Channelization Code*	C(k,Q)	C(3,16)	C(6,16)	-	-	-
Information Data Rate	kbps	12,2	64	144	384	2048
Note:	Refer to TS 25.223 for definition of channelization codes and cell parameter.					



**Table 7.2.1.2.1b: Performance requirements in AWGN channel (3,84 Mcps TDD Option)**

Test Number	$\frac{\hat{I}_{or}}{I_{oc}}$ [dB]	BLER
1	1,1	$10^{-2}$
2	3,5	$10^{-1}$
	3,8	$10^{-2}$
3	3,4	$10^{-1}$
	3,6	$10^{-2}$
4	2,7	$10^{-1}$
	3,0	$10^{-2}$
5	3,5	$10^{-1}$
	3,6	$10^{-2}$

### 7.2.1.2.2 1,28 Mcps TDD Option

For the parameters specified in table 7.2.1.2.2a the BLER should not exceed the piece-wise linear BLER curve specified in table 7.2.1.2.2b.

**Table 7.2.1.2.2a: DCH parameters in static propagation conditions (1,28Mcps TDD Option)**

Parameters	Unit	Test 1	Test 2	Test 3	Test 4
Number of DPCH <sub>o</sub>		8	2	2	0
$\frac{DPCH_o - E_c}{I_{or}}$	dB	-10	-10	-10	0
$I_{oc}$	DBm/1,28MHz	-60			
Information Data Rate	Kbps	12,2	64	144	384

**Table 7.2.1.2.2b: Performance requirements in AWGN channel (1,28 Mcps TDD Option)**

Test Number	$\frac{\hat{I}_{or}}{I_{oc}}$ [dB]	BLER
1	3,1	$10^{-2}$
2	2,1	$10^{-1}$
	2,4	$10^{-2}$
3	2,5	$10^{-1}$
	2,8	$10^{-2}$
4	2,8	$10^{-1}$

### 7.2.1.3 Test purpose

While the receiver tests in clause 6 aims for the RF hardware, this performance requirement aims for the receiver's signal processing.

The test purpose is to verify the ability of the receiver to receive a predefined test signal ,representing a static propagation channel for the wanted and for the co-channel signals from serving and adjacent cells, with a block error ratio (BLER) not exceeding a specified value.

### 7.2.1.4 Method of test

#### 7.2.1.4.1 Initial conditions

Test environment: normal; see clauses G.2.1 and G.2.2.

Frequencies to be tested: mid range; see clause G.2.4.

- 1) Connect the SS, AWGN Generator and additional components to the UE antenna connector as shown in figure A.9.
- 2) A call is set up according to the Generic call setup procedure. The characteristic of the call shall be according to the DL reference measurement channels (12,2 kbit/s) (64 kbit/s), (144 kbit/s), and (384 kbit/s) specified in annex C.
- 3) Enter the UE into loopback test mode and start the loopback test. (test 1) and/or activate the Ack/Nack test mode (test 1 to test 4).
- 4) The levels of the wanted signal and the co-channel signals are set according to table 7.2.1.2.1a and b for the 3,84 Mcps TDD Option and table 7.2.1.2.2a and b for the 1,28 Mcps TDD Option, respectively.

#### 7.2.1.4.2 Procedure

Measure the BLER of DCH received from the UE at the SS for all tests specified in table 7.2.1.2.1a for the 3,84 Mcps TDD Option and table 7.2.1.2.2a for the 1,28 Mcps TDD Option, respectively.

#### 7.2.1.5 Test requirements

The measured BLER shall not exceed the values indicated in table 7.2.1.2.1b for the 3,84 Mcps TDD Option and table 7.2.1.2.2b for the 1,28 Mcps TDD Option, respectively.

## 7.3 Demodulation of DCH in multipath fading conditions

### 7.3.1 Multipath fading Case 1

#### 7.3.1.1 Definition and applicability

The performance requirement of DCH is determined by the maximum Block Error Ratio (BLER). The BLER is specified for each individual data ratio of the DCH. DCH is mapped into the Dedicated Physical Channel (DPCH).

The UE shall be tested only according to the data ratios, supported. The data-ratio-corresponding requirements shall apply to the UE.

#### 7.3.1.2 Minimum requirements

##### 7.3.1.2.1 3,84 Mcps TDD Option

For the parameters specified in table 7.3.1.2.1a the BLER shall not exceed the piece-wise linear BLER curve specified in table 7.3.1.2.1b. These requirements are applicable for TFCS size 16.

The reference for this requirement is TS 25.102 clause 8.3.1.1.1.

**Table 7.3.1.2.1a: DCH parameters in multipath Case 1 channel (3,84 Mcps TDD Option)**

Parameters	Unit	Test 1	Test 2	Test 3	Test 4	Test 5
$\frac{\Sigma DPCH - E_c}{I_{or}}$	DB	-6	-3	0	0	0
$I_{oc}$	dBm/3,84 MHz	-60				
Cell Parameter (note)		0,1				
DPCH Channelization Codes (note)	C(k,Q)	C(i,16) i=1,2	C(i,16) i=1 .5	C(i,16) i=1 .9	C(i,16) i=1 .8	-
OCNS Channelization Code (note)	C(k,Q)	C(3,16)	C(6,16)	-	-	-
Information Data Rate	kbps	12,2	64	144	384	2048

Note: Refer to TS 25.223 for definition of channelization codes and cell parameter.

**Table 7.3.1.2.1b: Performance requirements in multipath Case 1 channel (3,84 Mcps TDD Option)**

Test Number	$\frac{\hat{I}_{or}}{I_{oc}}$ [dB]	BLER
1	13,9	$10^{-2}$
2	13,7	$10^{-1}$
	19,8	$10^{-2}$
3	14,1	$10^{-1}$
	20,6	$10^{-2}$
4	13,8	$10^{-1}$
	20,0	$10^{-2}$
5	13,2	$10^{-1}$
	17,8	$10^{-2}$

### 7.3.1.2.2 1,28 Mcps TDD Option

For the parameters specified in table 7.3.1.2.2a the BLER should not exceed the piece-wise linear BLER curve specified in table 7.3.1.2.2b.

**Table 7.3.1.2.2a: DCH parameters in static propagation conditions (1,28Mcps TDD Option)**

Parameters	Unit	Test 1	Test 2	Test 3	Test 4
Number of DPCH <sub>o</sub>		8	2	2	0
$\frac{DPCH_o - E_c}{I_{or}}$	dB	-10	-10	-10	0
$I_{oc}$	DBm/1,28MHz	-60			
Information Data Rate	Kbps	12,2	64	144	384

**Table 7.3.1.2.2b: Performance requirements in AWGN channel (1,28Mcps TDD Option)**

Test Number	$\frac{\hat{I}_{or}}{I_{oc}}$ [dB]	BLER
1	3,1	$10^{-2}$
2	2,1	$10^{-1}$
	2,4	$10^{-2}$
3	2,5	$10^{-1}$
	2,8	$10^{-2}$
4	2,8	$10^{-1}$

### 7.3.1.3 Test purpose

While the receiver tests in clause 6 aims for the RF hardware, this performance requirement aims for the receiver's signal processing.

The test purpose is to verify the ability of the receiver to receive a predefined test signal, representing a multipath propagation channel for the wanted and for the co-channel signals from serving and adjacent cells, with a block error ratio (BLER) not exceeding a specified value.

### 7.3.1.4 Method of test

#### 7.3.1.4.1 Initial conditions

Test environment: normal; see clauses G.2.1 and G.2.2.

Frequencies to be tested: mid range; see clause G.2.4.

- 1) Connect the SS, , the fading simulator, the AWGN generator and additional components to the UE antenna connector as shown in figure A.10.
- 2) A call is set up according to the Generic call setup procedure. The characteristic of the call shall be according to the DL reference measurement channels (12,2 kbit/s), (64 kbit/s), (144 kbit/s), and (384 kbit/s) specified in annex C.
- 3) Enter the UE into loopback test mode and start the loopback test. (test 1) and/or activate the Ack/Nack test mode (test 1 to test 4).
- 4) The levels of the wanted signal and the co-channel signals are set according to table 7.3.1.2.1a and b for the 3,84 Mcps TDD Option and table 7.3.1.2.2a and b for the 1,28 Mcps TDD Option, respectively.

#### 7.3.1.4.2 Procedure

Measure the BLER of DCH received from the UE at the SS for all tests specified in table 7.3.1.2.1a for the 3,84 Mcps TDD Option and table 7.3.1.2.2a for the 1,28 Mcps TDD Option, respectively.

### 7.3.1.5 Test requirements

The measured BLER shall not exceed the values indicated in table 7.3.1.2.1b for the 3,84 Mcps TDD Option and table 7.3.1.2.2b for the 1,28 Mcps TDD Option, respectively.

## 7.3.2 Multipath fading Case 2

### 7.3.2.1 Definition and applicability

The performance requirement of DCH is determined by the maximum Block Error Ratio (BLER ). The BLER is specified for each individual data rate of the DCH. DCH is mapped into the Dedicated Physical Channel (DPCH).

The UE shall be tested only according to the datarates, supported. The data-rate-corresponding requirements shall apply to the UE.

### 7.3.2.2 Minimum requirement

#### 7.3.2.2.1 3,84 Mcps TDD Option

For the parameters specified in table 7.3.2.2.1a the BLER should not exceed the piece-wise linear BLER curve specified in table 7.3.2.2.1b. These requirements are applicable for TFCS size 16.

The reference for this requirement is TS 25.102 [1] clause 8.3.2.1.

**Table 7.3.2.2.1a: DCH parameters in multipath Case 2 channel (3,84 Mcps TDD Option)**

Parameters	Unit	Test 1	Test 2	Test 3	Test 4	Test 5
$\frac{\Sigma DPCH \_ E_c}{I_{or}}$	DB	-3	0	0	0	0
$I_{oc}$	dBm/3,84 MHz	-60				
Cell Parameter (note)		0,1				
DPCH Channelization Codes (note)	C(k,Q)	C(i,16) i=1,2	C(i,16) i=1 .5	C(i,16) i=1 .9	C(i,16) i=1 .8	-
OCNS Channelization Code (note)	C(k,Q)	C(3,16)	-	-	-	-
Information Data Rate	kbps	12,2	64	144	384	2048

Note: Refer to TS 25.223 for definition of channelization codes and cell parameter.

**Table 7.3.2.2.1b: Performance requirements in multipath Case 2 channel (3,84 Mcps TDD Option)**

Test Number	$\frac{\hat{I}_{or}}{I_{oc}}$ [dB]	BLER
1	5,8	$10^{-2}$
2	5,7	$10^{-1}$
	9,2	$10^{-2}$
3	9,3	$10^{-1}$
	12,7	$10^{-2}$
4	8,8	$10^{-1}$
	12,0	$10^{-2}$
5	10,3	$10^{-1}$
	12,7	$10^{-2}$

#### 7.3.2.2.2 1,28 Mcps TDD Option

For the parameters specified in table 7.3.2.2.2a: the BLER should not exceed the piece-wise linear BLER curve specified in table 7.3.2.2.2b.

**Table 7.3.2.2.2a: DCH parameters in multipath Case 2 channel (1,28Mcps TDD Option)**

Parameters	Unit	Test 1	Test 2	Test 3	Test 4
Number of DPCH <sub>o</sub>		8	2	2	0
$\frac{DPCH_{o} - E_c}{I_{or}}$	dB	-10	-10	-10	0
$I_{oc}$	dBm/1,28MHz	-60			
Information Data Rate	Kbps	12,2	64	144	384

**Table 7.3.2.2.2b: Performance requirements in multipath Case 2 channel (1,28Mcps TDD Option)**

Test Number	$\frac{\hat{I}_{or}}{I_{oc}}$ [dB]	BLER
1	13,2	$10^{-2}$
2	9,5	$10^{-1}$
	13,7	$10^{-2}$
3	10,0	$10^{-1}$
	14,0	$10^{-2}$
4	10,0	$10^{-1}$
	14,0	$10^{-2}$

### 7.3.2.3 Test purpose

While the receiver tests in clause 6 aims for the RF hardware, this performance requirement aims for the receiver's signal processing.

The test purpose is to verify the ability of the receiver to receive a predefined test signal, representing a multipath propagation channel for the wanted and for the co-channel signals from serving and adjacent cells, with a block error ratio (BLER) not exceeding a specified value.

### 7.3.2.4 Method of test

#### 7.3.2.4.1 Initial conditions

Test environment: normal; see clauses G.2.1 and G.2.2.

Frequencies to be tested: mid range; see clause G.2.4.

- 1) Connect the SS, the fading simulator, the AWGN generator and additional components to the UE antenna connector as shown in figure A.10.
- 2) A call is set up according to the Generic call setup procedure. The characteristic of the call shall be according to the DL reference measurement channels (12,2 kbit/s) (64 kbit/s), (144 kbit/s), and (384 kbit/s) specified in annex C.
- 3) Enter the UE into loopback test mode and start the loopback test. (test 1) and/or activate the Ack/Nack test mode (test 1 to test 4).
- 4) The levels of the wanted signal and the co-channel signals are set according to table 7.3.2.2.1a and b for the 3,84 Mcps TDD Option and table 7.3.2.2.2a and b for the 1,28 Mcps TDD Option, respectively.

#### 7.3.2.4.2 Procedure

Measure the BLER of DCH received from the UE at the SS for all tests specified in table 7.3.2.2.1a for the 3,84 Mcps TDD Option and table 7.3.2.2.2a for the 1,28 Mcps TDD Option, respectively.

### 7.3.2.5 Test requirements

The measured BLER shall not exceed the values indicated in table 7.3.2.2.1b for the 3,84 Mcps TDD Option and table 7.3.2.2.2b for the 1,28 Mcps TDD Option, respectively.

## 7.3.3 Multipath fading Case 3

### 7.3.3.1 Definition and applicability

The performance requirement of DCH is determined by the maximum Block Error Ratio (BLER). The BLER is specified for each individual data rate of the DCH. DCH is mapped into the Dedicated Physical Channel (DPCH).

The UE shall be tested only according to the datarates, supported. The data-rate-corresponding requirements shall apply to the UE.

### 7.3.3.2 Minimum requirements

#### 7.3.3.2.1 3,84 Mcps TDD Option

For the parameters specified in table 7.3.3.2.1a the BLER should not exceed the piece-wise linear BLER curve specified in table 7.3.3.2.1b. These requirements are applicable for TFCS size 16.

The reference for this requirement is 3G TS 25.102 clause 8.3.3.1.1.

**Table 7.3.3.2.1a: DCH parameters in multipath Case 3 channel (3,84 Mcps TDD Option)**

Parameters	Unit	Test 1	Test 2	Test 3	Test 4	Test 5
$\frac{\Sigma DPCH\_E_c}{I_{or}}$	DB	-3	0	0	0	0
$I_{oc}$	dBm/3,84 MHz	-60				
Cell Parameter (note)		0,1				
DPCH Channelization Codes (note)	C(k,Q)	C(i,16) i=1,2	C(i,16) i=1 .5	C(i,16) i=1 .9	C(i,16) i=1 .8	-
OCNS Channelization Code (note)	C(k,Q)	C(3,16)	-	-	-	-
Information Data Rate	kbps	12,2	64	144	384	2048

Note: Refer to TS 25.223 for definition of channelization codes and cell parameter.

**Table 7.3.3.2.1b: Performance requirements in multipath Case 3 channel (3,84 Mcps TDD Option)**

Test Number	$\frac{\hat{I}_{or}}{I_{oc}}$ [dB]	BLER
1	4,8	$10^{-2}$
2	5,8	$10^{-1}$
	8,5	$10^{-2}$
	10,7	$10^{-3}$
3	10,3	$10^{-1}$
	13,3	$10^{-2}$
	16,0	$10^{-3}$
4	8,9	$10^{-1}$
	11,5	$10^{-2}$
	13,6	$10^{-3}$
5	9,4	$10^{-1}$
	11,5	$10^{-2}$
	13,6	$10^{-3}$

### 7.3.3.2.2 1,28 Mcps TDD Option

For the parameters specified in table 7.3.3.2.2a the BLER should not exceed the piece-wise linear BLER curve specified in table 7.3.3.2.2b.

**Table 7.3.3.2.2a: DCH parameters in multipath Case 3 channel (1,28Mcps TDD Option)**

Parameters	Unit	Test 1	Test 2	Test 3	Test 4
Number of DPCH <sub>o</sub>		8	2	2	0
$\frac{DPCH_o - E_c}{I_{or}}$	dB	-10	-10	-10	0
$I_{oc}$	dBm/1,28MHz	-60			
Information Data Rate	Kbps	12,2	64	144	384

**Table 7.3.3.2.2b: Performance requirements in multipath Case 3 channel (1,28Mcps TDD Option)**

Test Number	$\frac{\hat{I}_{or}}{I_{oc}}$ [dB]	BLER
1	10,8	$10^{-2}$
2	8,3	$10^{-1}$
	11,1	$10^{-2}$
	13,8	$10^{-3}$
3	8,7	$10^{-1}$
	10,6	$10^{-2}$
	11,8	$10^{-3}$
4	8,8	$10^{-1}$
	10,3	$10^{-2}$
	11,5	$10^{-3}$

### 7.3.3.3 Test purpose

While the receiver tests in clause 6 aims for the RF hardware, this performance requirement aims for the receiver's signal processing.

The test purpose is to verify the ability of the receiver to receive a predefined test signal ,representing a multipath propagation channel for the wanted and for the co-channel signals from serving and adjacent cells, with a block error ratio (BLER) not exceeding a specified value.

### 7.3.3.4 Method of test

#### 7.3.3.4.1 Initial conditions

Test environment: normal; see clauses G.2.1 and G.2.2.

Frequencies to be tested: mid range; see clause G.2.4.

- 1) Connect the SS, the fading simulator, the AWGN generator and additional components to the UE antenna connector as shown in figure A.10.
- 2) A call is set up according to the Generic call setup procedure. The characteristic of the call shall be according to the DL reference measurement channels (12,2 kbit/s)(64 kbit/s), (144 kbit/s), and (384 kbit/s) specified in annex C.
- 3) Enter the UE into loopback test mode and start the loopback test. (test 1) and/or activate the Ack/Nack test mode (test 1 to test 4).
- 4) The levels of the wanted signal and the co-channel signals are set according to table 7.3.3.2.1a and b for the 3,84 Mcps TDD Option and table 7.3.3.2.2a and b for the 1,28 Mcps TDD Option, respectively.



### 7.3.3.4.2 Procedure

Measure the BLER of DCH received from the UE at the SS for all tests specified in table 7.3.3.2.1a for the 3,84 Mcps TDD Option and table 7.3.3.2.2a for the 1,28 Mcps TDD Option, respectively.

### 7.3.3.5 Test requirements

The measured BLER shall not exceed the values indicated in table 7.3.3.2.1b for the 3,84 Mcps TDD Option and table 7.3.3.2.2b for the 1,28 Mcps TDD Option, respectively.

## 7.4 Base station transmit diversity mode for 3,84 Mcps TDD Option

### 7.4.1 Demodulation of BCH in SCTD mode

This is not tested.

## 7.5 Power control in downlink

### 7.5.1 Definition and applicability

Power control in the uplink is the ability of the UE to converge to the required link quality set by the network while using minimum uplink power. The requirements of this test shall apply to the UTRA-TDD UE.

### 7.5.2 Power control in downlink for 3.84 Mcps TDD option, constant BLER Target

#### 7.5.2.1 Minimum requirements

For the parameters specified in table 7.5.2.1 the downlink  $\hat{I}_{or}/I_{oc}$  averaged over one timeslot shall be below the specified value in table 7.5.2 more than 90% of the time. BLER shall be as shown in table 7.5.2.2 Downlink power control is ON during the test.

**Table 7.5.2.1: Test parameters for downlink power control - constant BLER Target**

Parameter	Unit	Test 1
$\frac{DPCH\_E_c}{I_{or}}$	dB	0
$I_{oc}$	dBm/3,84 MHz	-60
Information Data Rate	kbps	12,2
Target quality value on DTCH	BLER	0,01
Propagation condition		Case 1
DL Power Control step size, $\Delta_{TPC}$	dB	1
Maximum_DL_power (note)	dB	0
Minimum_DL_power (note)	dB	-27
NOTE: Refer to TS 25.224 for description and definition		

NOTE: DL power is relative to P-CCPCH power.

**Table 7.5.2.2: Requirements for downlink power control - constant BLER Target**

Parameter	Unit	Test 1
$\hat{I}_{or}/I_{oc}$	dB	8,5
Measured quality on DTCH	BLER	0,01±30%

The reference for this requirement is TS 25.102 [1] clause 8.5.1.

### 7.5.2.2 Test purpose

To verify that the UE receiver is capable of converging to the required link quality set by the network while using as low power as possible.

### 7.5.2.3 Method of test

#### 7.5.2.3.1 Initial conditions

Test environment: normal; see clauses G.2.1 and G.2.2.

Frequencies to be tested: mid range; see clause G.2.4.

- 1) Connect SS, multipath fading simulator and an AWGN source to the UE antenna connector as shown in figure A.10.
- 2) Set up a call according to the Generic call setup procedure.
- 3) RF parameters are set up according to table 7.5.2.1
- 4) Enter the UE into loopback test mode and start the loopback test.
- 5) SS signals to UE target quality value on DTCH as specified in table 7.5.2.1. SS will vary the physical channel power in downlink according to the TPC commands from UE, and at the same time measure BLER. This is continued until the target quality value on DTCH is met, within the minimum accuracy requirement.

See TS 34.108 [3] and TS 34.109 [4] for details regarding generic call setup procedure and loopback test.

#### 7.5.2.3.2 Procedure

- 1) After the target quality on DTCH is met, BLER is measured. Simultaneously the downlink  $\hat{I}_{or}/I_{oc}$  power ratio averaged over one slot is measured. This is repeated until adequate amount of measurements is done to reach the required confidence level.
- 2) The measured quality on DTCH (BLER) and the measured downlink  $\hat{I}_{or}/I_{oc}$  power ratio values averaged over one slot are compared to the limits in table 7.5.2.2.

### 7.5.2.4 Test Requirements

- a) The measured quality on DTCH does not exceed the values in table 7.5.2.2.
- b) The downlink  $\hat{I}_{or}/I_{oc}$  power ratio values, which are averaged over one slot, shall be below the values in table 7.5.2.2 more than 90 % of the time.

## 7.5.3 Power control in downlink for 1,28 Mcps TDD option, constant BLER Target

### 7.5.3.1 Definition and applicability

Power control in the downlink is the ability of the UE receiver to converge to required link quality set by the network while using as low power as possible in downlink. If a BLER target has been assigned to a DCCH (See clause C.3), then it has to be such that outer loop is based on DTCH and not on DCCH. The requirements and this test apply to all types of UTRA for the 1.28 Mcps TDD UE.

### 7.5.3.2 Minimum requirements

For the parameters specified in table 7.5.3.1 the downlink  $\hat{I}_{or}/I_{oc}$  averaged over one timeslot power shall be below the specified value in table 7.5.3.2. BLER shall be as shown in table 7.5.3.2 more than 90% of the time. Downlink power control is ON during the test.

**Table 7.5.3.1: Test parameters for downlink power control – constant BLER Target**

Parameter	Unit	Test 1	
$\frac{DPCH - E_c}{I_{or}}$	dB	0	
$I_{oc}$	dBm/1.28 MHz	-60	
Information Data Rate	kbps	12,2	
Target quality value on DTCH	BLER	0,01	
Propagation condition		Case 1	
DL Power Control step size, $\Delta_{TPC}$	dB	1	
Maximum_DL_power *	dB	0	
Minimum_DL_power *	dB	-27	

Note: DL power is compared to P-CCPCH power.

**Table 7.5.3.2: Requirements for downlink power control – constant BLER Target**

Parameter	Unit	Test 1	
$\hat{I}_{or}/I_{oc}$	dB	7.5	
Measured quality on DTCH	BLER	0,01±30%	

The reference for this requirement is TS 25.102 [1] clause 8.5.1.

### 7.5.3.3 Test purpose

To verify that the UE receiver is capable of converging to the required link quality set by the network while using as low power as possible.

### 7.5.3.4 Method of test

#### 7.5.3.4.1 Initial conditions

Test environment: normal; see clauses G.2.1 and G.2.2.

Frequencies to be tested: mid range; see clause G.2.4.

- 1) Connect SS, multipath fading simulator and an AWGN source to the UE antenna connector as shown in figure A.10.

- 2) Set up a call according to the Generic call setup procedure.
- 3) RF parameters are set up according to table 7.5.3.1
- 4) Enter the UE into loopback test mode and start the loopback test.
- 5) SS signals to UE target quality value on DTCH as specified in table 7.5.3.1. SS will vary the physical channel power in downlink according to the TPC commands from UE, and at the same time measure BLER. This is continued until the target quality value on DTCH is met, within the minimum accuracy requirement.

See TS 34.108 [3] and TS 34.109 [4] for details regarding generic call setup procedure and loopback test.

#### 7.5.3.4.2 Procedure

- 1) After the target quality on DTCH is met, BLER is measured. Simultaneously the downlink  $\hat{I}_{or}/I_{oc}$  power ratio averaged over one slot is measured. This is repeated until adequate amount of measurements is done to reach the required confidence level.
- 2) The measured quality on DTCH (BLER) and the measured downlink  $\hat{I}_{or}/I_{oc}$  power ratio values averaged over one slot are compared to the limits in table 7.5.3.2.

#### 7.5.3.5 Test Requirements

- a) The measured quality on DTCH does not exceed the values in table 7.5.3.2.
- b) The downlink  $\hat{I}_{or}/I_{oc}$  power ratio values, which are averaged over one slot, shall be below the values in table 7.5.3.2.

## 7.6 Uplink Power Control

### 7.6.1 Definition and applicability

Power control in the uplink is the ability of the UE to converge to the required link quality set by the network while using minimum uplink power. The requirements of this test shall apply to all types of the UTRA-TDD UE.

### 7.6.2 Minimum requirements

During period T1, the PCCPCH and a second Beacon Channel are transmitted in the DL in designated slots within each frame and at the same power level.

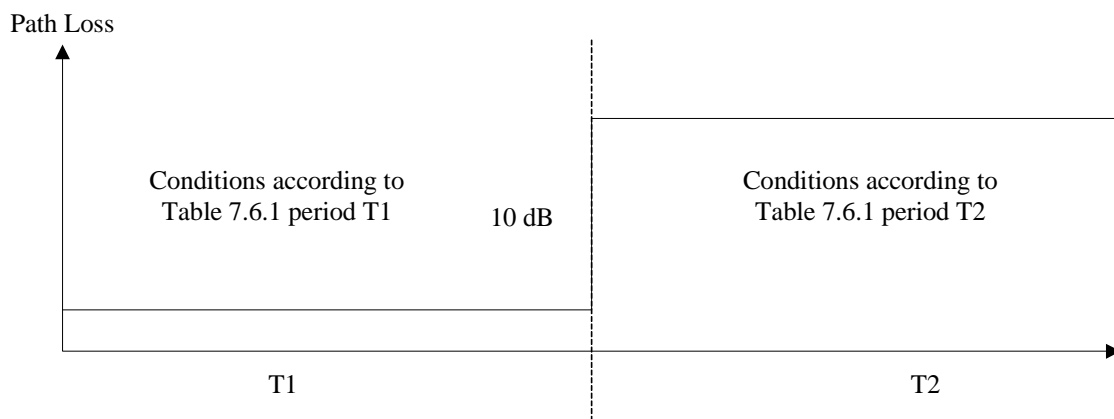
The UE transmits, using the channel of TS25.105, Annex A.2.1 UL reference measurement channel (12.2 kbps) in one UL slot. For different parts of the test, different UL slots will be designated.

The values of table 7.6.1, period T1 shall be selected. Then, with the received PCCPCH and Beacon power set at -60 dBm, the value of DPCH constant value shall be adjusted so that the mean UE output power is 5 dBm. These conditions are held steady during period T1.

Periods T1 and T2 are each 5 seconds long.

**Table 7.6.1: UL Power Control Test Conditions**

		Period T1	Period T2
$I_{BTS}$ all slots	dBm	-60	
PCCPCH Power -Broadcast	dBm	18	
PCCPCH Power - Received	dBm	-60	-70
Mean UE transmit power	dBm	5	According to tables 7.6.2 and 7.6.3
$SIR_{TARGET}$	dB	6	
$I_{oc}$ in PCCPCH and Beacon Slots	dBm	-60	
IE (information element) Alpha	As defined in 25.331	1.0	
PCCPCH slot position	Integer 0 -14	0	
Beacon slot position	Integer 0 -14	8	



**Figure 7.6.1**

At the end of period T1, the PCCPCH and Beacon Received power shall be simultaneously decreased by 10 dB. These conditions are summarized in table 7.6.1, period T2.

For the first frame including the change in received power the UE output power shall satisfy the values in table 7.6.2.

For the 20<sup>th</sup> frame after the change in received power the UE output power shall satisfy the values in table 7.6.3.

**Table 7.6.2: Required UE Output Power, Frame Containing Power Level Change**

Parameter	Units	Value	
UL transmission slot position		1,9	7,14
UE output power	dBm	15 ±4.0	5 ±0.5

**Table 7.6.3: Required UE Output Power, 20 Frames after Power Level Change**

Parameter	Units	Value	
UL transmission slot position		1,9	7,14
UE output power	dBm	15 ±4.0	15 ±4.0

### 7.6.3 Test purpose

To verify the ability of the UE to converge to the required link quality set by the network while using minimum uplink power.

## 7.6.4 Method of test

### 7.6.4.1 Initial conditions

Test environment: normal; see clauses G.2.1 and G.2.2.

Frequencies to be tested: mid range; see clause G.2.4.

- 1) Connect SS and an AWGN source to the UE antenna connector as shown in figure A.9.
- 2) Set up a call according to the Generic call setup procedure using SS levels and signalling values as specified in table 7.6.1 for Period P1 and table 7.6.4 . The UE shall be signalled to transmit in timeslot position 1.

**Table 7.6.4: Test parameters for Uplink Power Control Test**

Parameter	Value/description
UL Reference measurement channel	12,2kbps, according to annex C.2.1
DPCH constant value	0
Data content	real life (sufficient irregular)

- 3) Enter the UE into loopback test mode and start the loopback test.

See TS 34.108 [3] and TS 34.109 [4] for details regarding generic call setup procedure and loopback test.

### 7.6.4.2 Procedure

- 1) The SS adjusts the DPCH constant value until the UE transmit power is 5 dBm.
- 2) After the UE output power has been held constant at 5 dBm for at least 5 seconds, the received PCCPCH power shall be decreased by 10 dB to -70 dBm as shown in figure 7.6.1.
- 3) Measure the transmit power according to annex B for the first frame including the pathloss change and the 20<sup>th</sup> frame after the pathloss change.
- 4) Set the received PCCPCH power to -60 dBm.
- 5) SS signals UE to transmit in timeslot 7. Repeat step 1 - 4.
- 6) SS signals UE to transmit in timeslot 9. Repeat step 1 - 4.
- 7) SS signals UE to transmit in timeslot 14. Repeat step 1 - 4.

## 7.6.5 Test requirements

The measured transmit power shall not exceed the prescribed tolerance in tables 7.6.5 and 7.6.6.

**Table 7.6.5: Required UE Output Power, Frame Containing Power Level Change**

Parameter	Units	Value	
UL transmission slot position		1,9	7,14
UE output power	dBm	15 ±5.5	5 ±0.5

**Table 7.6.6: Required UE Output Power, 20 Frames after Power Level Change**

Parameter	Units	Value	
UL transmission slot position		1,9	7,14
UE output power	dBm	15 ±5.5	15 ±5.5

NOTE: If the above Test Requirement differs from the Minimum Requirement then the Test Tolerance applied for this test is non-zero. The Test Tolerance for this test is defined in annex F clause F.2 and the explanation of how the Minimum Requirement has been relaxed by the Test Tolerance is given in Annex F clause F.4.

---

## 8 Requirements for Support of RRM

### 8.1 General

Void.

### 8.2 Idle Mode Tasks

#### 8.2.1 RF Cell Selection Scenario

##### 8.2.1.1 Introduction

After a UE has switched on and a PLMN has been selected, the Cell selection process takes place, as described in TS 25.304. This process allows the UE to select a suitable cell where to camp on in order to access available services. In this process the UE can use stored information (*Stored information cell selection*) or not (*Initial cell selection*).

##### 8.2.2 Cell Re-Selection

###### 8.2.2.1 Scenario 1: TDD/TDD cell re-selection single carrier case

###### 8.2.2.1.1 Definition and applicability

###### 8.2.2.1.1.1 3,84 Mcps TDD Option

The cell re-selection delay is defined as the time from a change of cell levels to the moment when this change causes the UE to camp on a new cell, and starts to send the RRC CONNECTION REQUEST message to perform a Location Registration on the new cell.

The requirements and this test apply to the 3.84 Mcps TDD UE.

###### 8.2.2.1.1.2 1,28 Mcps TDD Option

The cell re-selection delay is defined as the time from the beginning of time period T2, to the moment when the UE camps on Cell 2, and starts to send SYNCH-UL sequence in the UpPTS for sending the RRC CONNECTION REQUEST to perform a Location Registration on cell 2.

This test is applicable to 1.28 Mcps TDD UE.

###### 8.2.2.1.2 Minimum requirement

###### 8.2.2.1.2.1 3,84 Mcps TDD Option

The cell re-selection delay shall be less than 8 s when the DRX cycle length is 1,28 s.

The rate of correct cell reselections observed during repeated tests shall be at least 90% with a confidence level of [FFS]%.

NOTE:

The cell re-selection delay can be expressed as:  $T_{\text{evaluateTDD}} + T_{\text{SI}}$ , where:

$T_{\text{evaluateTDD}}$  A DRX cycle length of 1280ms is assumed for this test case, this leads to a  $T_{\text{evaluate TDD}}$  of 6.4s according to table 4.1 in clause 4.2.2.7 in [2].

$T_{\text{SI}}$  Maximum repetition rate of relevant system info blocks that needs to be received by the UE to camp on a cell. 1280 ms is assumed in this test case.

This gives a total of 7.68 s, allow 8s in the test case.

The normative reference for this requirement is TS 25.123 [2] clauses 4.2.2 and A.4.2.1.

#### 8.2.2.1.2.2 1,28 Mcps TDD Option

The cell re-selection delay shall be less than 8 s when the DRX cycle length is 1,28 s.

The rate of correct cell reselections observed during repeated tests shall be at least 90%.

NOTE:

The cell re-selection delay can be expressed as:  $T_{\text{evaluateNTDD}} + T_{\text{SI}}$ , where:

$T_{\text{evaluateNTDD}}$ : A DRX cycle length of 1280ms is assumed for this test case, this leads to a  $T_{\text{evaluate NTDD}}$  of 6.4s according to table 4.1A in clause 4.2 in [2].

$T_{\text{SI}}$ : Time required for receiving all the relevant system information data according to the reception procedure and the RRC procedure delay of system information blocks defined in 25.331 for a UTRAN cell (ms). 1280 ms is assumed in this test case.

This gives a total of 7.68 s, allow 8s in the test case.

The normative reference for this requirement is TS 25.123 [2] clauses 4.2.2 and A.4.2.1.

#### 8.2.2.1.3 Test purpose

This test is to verify the requirement for the cell re-selection delay in the single carrier case

#### 8.2.2.1.4 Method of test

##### 8.2.2.1.4.1 3,84 Mcps TDD Option

##### 8.2.2.1.4.1.1 Initial conditions

This scenario implies the presence of 1 carrier and 6 cells as given in table 8.2.2.1.1 and table 8.2.2.1.2. Cell 1 and cell 2 shall belong to different Location Areas.

**Table 8.2.2.1.1: General test parameters for Cell Re-selection single carrier multi-cell case**

Parameter	Unit	Value	Comment
Initial condition	Active cell	Cell1	
	Neighbour cells	Cell2, Cell3, Cell4, Cell5, Cell6	
Final condition	Active cell	Cell2	
HCS		Not used	
UE_TXPWR_MAX_RACH	dBm	21	The value shall be used for all cells in the test.
Qrxlevmin	dBm	-102	The value shall be used for all cells in the test.
Access Service Class (ASC#0) - Persistence value		1	Selected so that no additional delay is caused by the random access procedure. The value shall be used for all cells in the test.
$T_{\text{SI}}$	s	1.28	The value shall be used for all cells in the test.
DRX cycle length	s	1.28	The value shall be used for all cells in the test.
T1	s	15	
T2	s	15	



Table 8.2.2.1.2: Cell re-selection single carrier multi-cell case

Parameter	Unit	Cell 1				Cell 2				Cell 3			
		0		8		0		8		0		8	
Timeslot Number		T1	T2	T1	T2	T1	T2	T1	T2	T1	T2	T1	T2
UTRA RF Channel Number		Channel 1				Channel 1				Channel 1			
PCCPCH_Ec/lor	dB	-3	-3			-3	-3			-3	-3		
SCH_Ec/lor	dB	-9	-9	-9	-9	-9	-9	-9	-9	-9	-9	-9	-9
SCH_offset		0	0	0	0	5	5	5	5	10	10	10	10
PICH_Ec/lor	dB			-3	-3			-3	-3			-3	-3
OCNS_Ec/lor	dB	-3,12	-3,12	-3,12	-3,12	-3,12	-3,12	-3,12	-3,12	-3,12	-3,12	-3,12	-3,12
$\hat{I}_{or}/I_{oc}$	dB	9	7	9	7	7	9	7	9	-1	-1	-1	-1
PCCPCH RSCP	dBm	-64	-66			-66	-64			-74	-74		
Qoffset1 <sub>s,n</sub>	dB	C1, C2: 0; C1, C3:0; C1,C4:0 C1, C5:0; C1, C6:0				C2, C1: 0; C2, C3:0; C2,C4:0 C2, C5: 0; C2, C6:0				C3, C1: 0; C3, C2:0; C3,C4:0 C3, C5: 0; C3, C6:0			
Qhyst1 <sub>s</sub>	dB	0				0				0			
Treselection	s	0				0				0			
Sintrasearch	dB	not sent				not sent				not sent			
Timeslot		Cell 4				Cell 5				Cell 6			
		0		8		0		8		0		8	
UTRA RF Channel Number		Channel 1				Channel 1				Channel 1			
PCCPCH_Ec/lor	dB	-3	-3			-3	-3			-3	-3		
SCH_Ec/lor	dB	-9	-9	-9	-9	-9	-9	-9	-9	-9	-9	-9	-9
SCH_offset		15	15	15	15	20	20	20	20	25	25	25	25
PICH_Ec/lor	dB			-3	-3			-3	-3			-3	-3
OCNS_Ec/lor	dB	-3,12	-3,12	-3,12	-3,12	-3,12	-3,12	-3,12	-3,12	-3,12	-3,12	-3,12	-3,12
$\hat{I}_{or}/I_{oc}$	dB	-1	-1	-1	-1	-1	-1	-1	-1	-1	-1	-1	-1
PCCPCH RSCP	dBm	-74	-74			-74	-74			-74	-74		
Qoffset1 <sub>s,n</sub>	dB	C4, C1: 0; C4, C2:0; C4,C3:0C4, C5:0; C4, C6:0				C5, C1: 0; C5, C2:0; C5,C3:0 C5, C4:0; C5, C6:0				C6, C1: 0; C6, C2:0; C6,C3:0 C6, C4:0; C6, C5:0			
Qhyst1 <sub>s</sub>	dB	0				0				0			
Treselection	s	0				0				0			
Sintrasearch	dB	not sent				not sent				not sent			
$I_{oc}$	dBm/3, 84 MHz	-70											
Propagation Condition		AWGN											

## 8.2.2.1.4.1.2 Procedure

- The SS activates cell 1-6 with T1 defined parameters and monitors cell 1 and 2 for RRC CONNECTION REQUEST messages from the UE.
- The UE is switched on.
- The SS waits until the UE camps on Cell 1 and sends the RRC CONNECTION REQUEST message.
- After 15 s, the parameters are changed as described for T2.
- The SS waits for RRC CONNECTION REQUEST messages from the UE.
- After another 15 s, the parameters are changed as described for T1.
- The SS waits for RRC CONNECTION REQUEST messages from the UE.
- Repeat steps d) to g) [TBD] times.

8.2.2.1.4.2 1,28 Mcps TDD Option

8.2.2.1.4.2.1 Initial conditions

This scenario implies the presence of 1 carrier and 6 cells as given in table 8.2.2.1.1A and 8.2.2.1.2A.

**Table 8.2.2.1.1A: General test parameters for Cell Re-selection single carrier multi-cell case**

Parameter		Unit	Value	Comment
Initial condition	Active cell		Cell1	
	Neighbour cells		Cell2, Cell3, Cell4, Cell5, Cell6	
Final condition	Active cell		Cell2	
HCS			Not used	
UE_TXPWR_MAX_RACH		dBm	21	The value shall be used for all cells in the test.
Qrxlevmin		dBm	-103	The value shall be used for all cells in the test.
Access Service Class (ASC#0) -- Persistence value		0..1	1	Selected so that no additional delay is caused by the random access procedure. The value shall be used for all cells in the test.
T <sub>SI</sub>		s	1.28	The value shall be used for all cells in the test.
DRX cycle length		s	1.28	The value shall be used for all cells in the test.
T1		s	15	
T2		s	15	

Table 8.2.2.1.2A: Cell re-selection single carrier multi-cell case

Parameter	Unit	Cell 1				Cell 2				Cell 3			
		0		DWPTS		0		DWPTS		0		DWPTS	
Timeslot Number		T1	T2	T1	T2	T1	T2	T1	T2	T1	T2	T1	T2
UTRA RF Channel Number		Channel 1				Channel 1				Channel 1			
PCCPCH_Ec/lor	dB	-3	-3			-3	-3			-3	-3		
DwPCH_Ec/lor	dB			0	0			0	0			0	0
$\hat{I}_{or}/I_{oc}$	dB	9	7	9	7	7	9	7	9	-1	-1	-1	-1
PCCPCH RSCP	dBm	-64	-66			-66	-64			-74	-74		
Qoffset1 <sub>s,n</sub>	dB	C1, C2: 0; C1, C3:0; C1,C4:0 C1, C5:0; C1,C6:0				C2, C1: 0; C2, C3:0; C2,C4:0 C2, C5: 0; C2, C6:0				C3, C1: 0; C3, C2:0; C3,C4:0 C3, C5: 0; C3, C6:0			
Qhyst1 <sub>s</sub>	dB	0				0				0			
Treselection	s	0				0				0			
Sintrasearch	dB	not sent				not sent				not sent			
Timeslot		Cell 4				Cell 5				Cell 6			
		0		DWPTS		0		DWPTS		0		DWPTS	
UTRA RF Channel Number		Channel 1				Channel 1				Channel 1			
PCCPCH_Ec/lor	dB	-3	-3			-3	-3			-3	-3		
DwPCH_Ec/lor	dB			0	0			0	0			0	0
$\hat{I}_{or}/I_{oc}$	dB	-1	-1	-1	-1	-1	-1	-1	-1	-1	-1	-1	-1
PCCPCH RSCP	dBm	-74	-74			-74	-74			-74	-74		
Qoffset1 <sub>s,n</sub>	dB	C4, C1: 0; C4, C2:0; C4,C3:0 C4, C5:0; C4, C6:0				C5, C1: 0; C5, C2:0; C5,C3:0 C5, C4:0; C5, C6:0				C6, C1: 0; C6, C2:0; C6,C3:0 C6, C4:0; C6, C5:0			
Qhyst1 <sub>s</sub>	dB	0				0				0			
Treselection	s	0				0				0			
Sintrasearch	dB	not sent				not sent				not sent			
$I_{oc}$	dBm/1.28 MHz	-70											
Propagation Condition		AWGN											

#### 8.2.2.1.4.2.2 Procedure

- The SS activates cell 1-6 with T1 defined parameters and monitors cell 1 and 2 for RRC CONNECTION REQUEST messages from the UE.
- The UE is switched on.
- The SS waits until the UE camps on Cell 1 and sends the RRC CONNECTION REQUEST message.
- After 15 s, the parameters are changed as described for T2.
- The SS waits for RRC CONNECTION REQUEST messages from the UE.
- After another 15 s, the parameters are changed as described for T1.
- The SS waits for RRC CONNECTION REQUEST messages from the UE.
- Repeat steps d) to g) [TBD] times.

#### 8.2.2.1.5 Test Requirements

##### 8.2.2.1.5.1 3,84 Mcps TDD Option

- In step c), after the UE has responded on cell 1, it shall not respond on any other cell (cell selection).
- In step e), the UE shall respond on cell 2 within 8 s.
- In step g), the UE shall respond on cell 1 within 8 s.

For the test to pass, the total number of fulfilled test requirements 2) and 3) shall be more than [FFS]% of the cases.

NOTE: If the above Test Requirement differs from the Minimum Requirement then the Test Tolerance applied for this test is non-zero. The Test Tolerance for this test is defined in clause F.2 and the explanation of how the Minimum Requirement has been relaxed by the Test Tolerance is given in clause F.4.

#### 8.2.2.1.5.2 1,28 Mcps TDD Option

- 1) In step c), after the UE has responded on cell 1, it shall not respond on any other cell (cell selection).
- 2) In step e), the UE shall respond on cell 2 within 8 s.
- 3) In step g), the UE shall respond on cell 1 within 8 s.

NOTE: If the above Test Requirement differs from the Minimum Requirement then the Test Tolerance applied for this test is non-zero. The Test Tolerance for this test is defined in clause F.2 and the explanation of how the Minimum Requirement has been relaxed by the Test Tolerance is given in clause F.4.

### 8.2.2.2 Scenario 2: TDD/TDD cell re-selection multi carrier case

#### 8.2.2.2.1 Definition and applicability

##### 8.2.2.2.1.1 3,84 Mcps Option

The cell re-selection delay is defined as the time from a change of cell levels to the moment when this change causes the UE to camp on a new cell, and starts to send the RRC CONNECTION REQUEST message to perform a Location Registration on the new cell.

The requirements and this test apply to the 3,84 Mcps TDD UE.

##### 8.2.2.2.1.2 1,28 Mcps Option

The cell re-selection delay is defined as the time from the beginning of time period T<sub>2</sub>, to the moment when the UE camps on Cell 2, and starts to send the SYNCH-UL sequence in the UpPTS for sending the RRC CONNECTION REQUEST to perform a Location Registration on cell 2.

This test is applicable to 1,28 Mcps TDD UE.

#### 8.2.2.2.2 Minimum requirement

##### 8.2.2.2.2.1 3,84 Mcps Option

The cell re-selection delay shall be less than 8 s.

The rate of correct cell reselections observed during repeated tests shall be at least 90% with a confidence level of [FFS]%.

The rate of correct cell reselections observed during repeated tests shall be at least 90%.NOTE:

The cell re-selection delay can be expressed as:  $T_{\text{evaluateTDD}} + T_{\text{SI}}$ , where:

$T_{\text{evaluateTDD}}$  A DRX cycle length of 1280ms is assumed for this test case, this leads to a  $T_{\text{evaluateTDD}}$  of 6.4s according to table 4.1 in clause 4.2.2.7 in [2].

$T_{\text{SI}}$  Maximum repetition rate of relevant system info blocks that needs to be received by the UE to camp on a cell. 1280 ms is assumed in this test case.

This gives a total of 7.68 s, allow 8s in the test case.

The normative reference for this requirement is TS 25.123 [2] clauses 4.2.2 and A.4.2.2.

##### 8.2.2.2.2.2 1,28 Mcps Option

The cell re-selection delay shall be less than 8 s.

The rate of correct cell reselections observed during repeated tests shall be at least 90%.

NOTE:

The cell re-selection delay can be expressed as:  $T_{\text{evaluateNTDD}} + T_{\text{SI}}$ , where:

$T_{\text{evaluateNTDD}}$  A DRX cycle length of 1280ms is assumed for this test case, this leads to a  $T_{\text{evaluateNTDD}}$  of 6.4s according to table 4.1A in clause 4.2 in [2].

$T_{\text{SI}}$  Time required for receiving all the relevant system information data according to the reception procedure and the RRC procedure delay of system information blocks defined in 25.331 for a UTRAN cell (ms). 1280 ms is assumed in this test case.

This gives a total of 7.68 s, allow 8s in the test case.

The normative reference for this requirement is TS 25.123 [2] clauses 4.2.2 and A.4.2.2.

### 8.2.2.2.3 Test purpose

This test is to verify the requirement for the cell re-selection delay in the multi carrier case.

### 8.2.2.2.4 Method of test

#### 8.2.2.2.4.1 3,84 Mcps Option

##### 8.2.2.2.4.1.1 Initial conditions

This scenario implies the presence of 2 carriers and 6 cells as given in table 8.2.2.2.1 and table 8.2.2.2.2. Cell 1 and cell 2 shall belong to different Location Areas.

**Table 8.2.2.2.1: General test parameters for Cell Re-selection in Multi carrier case**

Parameter		Unit	Value	Comment
Initial condition	Active cell		Cell1	
	Neighbour cells		Cell2, Cell3, Cell4, Cell5, Cell6	
Final condition	Active cell		Cell2	
HCS			Not used	
UE_TXPWR_MAX_RACH		dBm	21	The value shall be used for all cells in the test.
Qrxlevmin		dBm	-102	The value shall be used for all cells in the test.
Access Service Class (ASC#0) - Persistence value			1	Selected so that no additional delay is caused by the random access procedure. The value shall be used for all cells in the test.
$T_{\text{SI}}$		s	1.28	The value shall be used for all cells in the test.
DRX cycle length		s	1.28	The value shall be used for all cells in the test.
T1		s	30	
T2		s	15	

Table 8.2.2.2.2: Cell re-selection multi carrier multi cell case

Parameter	Unit	Cell 1				Cell 2				Cell 3			
		0		8		0		8		0		8	
Timeslot Number		T1	T2	T1	T2	T1	T2	T1	T2	T1	T2	T1	T2
UTRA RF Channel Number		Channel 1				Channel 2				Channel 1			
PCCPCH_Ec/lor	dB	-3	-3			-3	-3			-3	-3		
SCH_Ec/lor	dB	-9	-9	-9	-9	-9	-9	-9	-9	-9	-9	-9	-9
SCH_offset		0	0	0	0	5	5	5	5	10	10	10	10
PICH_Ec/lor	dB			-3	-3			-3	-3			-3	-3
OCNS_Ec/lor	dB	-3,12	-3,12	-3,12	-3,12	-3,12	-3,12	-3,12	-3,12	-3,12	-3,12	-3,12	-3,12
$\hat{I}_{or}/I_{oc}$	dB	6	0	6	0	0	6	0	6	-3	-3	-3	-3
PCCPCH RSCP	dBm	-67	-73			-73	-67			-76	-76		
Qoffset1 <sub>s,n</sub>	dB	C1, C2: 0; C1, C3:0; C1,C4:0C1, C5:0; C1, C6:0				C2, C1: 0; C2, C3:0; C2,C4:0C2, C5:0; C2, C6:0				C3, C1: 0; C3, C2:0; C3,C4:0 C3, C5:0; C3, C6:0			
Qhyst1 <sub>s</sub>	dB	0				0				0			
Treselection	s	0				0				0			
Sintrasearch	dB	not sent				not sent				not sent			
Sintersearch	dB	not sent				not sent				not sent			
		Cell 4				Cell 5				Cell 6			
Timeslot		0		8		0		8		0		8	
		T1	T2	T1	T2	T1	T2	T1	T2	T1	T2	T1	T2
UTRA RF Channel Number		Channel 1				Channel 2				Channel 2			
PCCPCH_Ec/lor	dB	-3	-3			-3	-3			-3	-3		
SCH_Ec/lor	dB	-9	-9	-9	-9	-9	-9	-9	-9	-9	-9	-9	-9
SCH_offset		15	15	15	15	20	20	20	20	25	25	25	25
PICH_Ec/lor	dB			-3	-3			-3	-3			-3	-3
OCNS_Ec/lor	dB	-3,12	-3,12	-3,12	-3,12	-3,12	-3,12	-3,12	-3,12	-3,12	-3,12	-3,12	-3,12
$\hat{I}_{or}/I_{oc}$	dB	-3	-3	-3	-3	-3	-3	-3	-3	-3	-3	-3	-3
PCCPCH RSCP	dBm	-76	-76			-76	-76			-76	-76		
Qoffset1 <sub>s,n</sub>	dB	C4, C1: 0; C4, C2:0; C4,C3:0 C4, C5:0; C4, C6:0				C5, C1: 0; C5, C2:0; C5,C3:0 C5, C4:0; C5, C6:0				C6, C1: 0; C6, C2:0; C6,C3:0 C6, C4:0; C6, C5:0			
Qhyst1 <sub>s</sub>	dB	0				0				0			
Treselection	s	0				0				0			
Sintrasearch	dB	not sent				not sent				not sent			
Sintersearch	dB	not sent				not sent				not sent			
$I_{oc}$	dBm/3, 84 MHz	-70											
Propagation Condition		AWGN											

## 8.2.2.2.4.1.2 Procedure

- The SS activates cell 1-6 with T1 defined parameters and monitors cell 1 and 2 for RRC CONNECTION REQUEST messages from the UE.
- The UE is switched on.
- The SS waits until the UE camps on Cell 1 and sends the RRC CONNECTION REQUEST message.
- After 15 s, the parameters are changed as described for T2.
- The SS waits for RRC CONNECTION REQUEST messages from the UE.
- After another 15 s, the parameters are changed as described for T1.
- The SS waits for RRC CONNECTION REQUEST messages from the UE.
- Repeat steps d) to g) [TBD] times.

NOTE: T1 is initially 30 s to allow enough time for the UE to search for cells as it has no prior knowledge of these.

8.2.2.2.4.2 1,28 Mcps Option

8.2.2.2.4.2.1 Initial conditions

This scenario implies the presence of 2 carriers and 6 cells as given in table 8.2.2.2.1A and table 8.2.2.2A. For this test purpose the broadcast repetition period of the target cell shall be [TBD] s. Cell 1 and cell 2 shall belong to different Location Areas.

**Table 8.2.2.2.1A: General test parameters for Cell Re-selection in Multi carrier case**

Parameter		Unit	Value	Comment
Initial condition	Active cell		Cell1	
	Neighbour cells		Cell2, Cell3, Cell4, Cell5, Cell6	
Final condition	Active cell		Cell2	
HCS			Not used	
UE_TXPWR_MAX_RACH		dBm	21	The value shall be used for all cells in the test.
Qrxlevmin		dBm	-103	The value shall be used for all cells in the test.
Access Service Class (ASC#0) - Persistence value			1	Selected so that no additional delay is caused by the random access procedure. The value shall be used for all cells in the test.
T <sub>SI</sub>		s	1.28	The value shall be used for all cells in the test.
DRX cycle length		s	1.28	The value shall be used for all cells in the test.
T1		s	30	
T2		s	15	

Table 8.2.2.2A: Cell re-selection multi carrier multi cell case

Parameter	Unit	Cell 1				Cell 2				Cell 3			
		0		DWPTS		0		DWPTS		0		DWPTS	
Timeslot Number		T1	T2	T1	T2	T1	T2	T1	T2	T1	T2	T1	T2
UTRA RF Channel Number		Channel 1				Channel 2				Channel 1			
PCCPCH_Ec/lor	dB	-3	-3			-3	-3			-3	-3		
DwPCH_Ec/lor	dB			0	0			0	0			0	0
$\hat{I}_{or}/I_{oc}$	dB	9	7	9	7	7	9	7	9	-1	-1	-1	-1
PCCPCH RSCP	dBm	-64	-66			-66	-64			-74	-74		
Qoffset1 <sub>s,n</sub>	dB	C1, C2: 0; C1, C3:0; C1,C4:0 C1, C5:0; C1, C6:0				C2, C1: 0; C2, C3:0; C2,C4:0C2, C5:0; C2, C6:0				C3, C1: 0; C3, C2:0; C3,C4:0 C3, C5:0; C3, C6:0			
Qhyst1 <sub>s</sub>	dB	0				0				0			
Treselection	s	0				0				0			
Sintrasearch	dB	not sent				not sent				not sent			
Sintersearch	dB	not sent				not sent				not sent			
Timeslot		Cell 4				Cell 5				Cell 6			
		0		DWPTS		0		DWPTS		0		DWPTS	
UTRA RF Channel Number		T1	T2	T1	T2	T1	T2	T1	T2	T1	T2	T1	T2
UTRA RF Channel Number		Channel				Channel 2				Channel			
PCCPCH_Ec/lor	dB	-3	-3			-3	-3			-3	-3		
DwPCH_Ec/lor	dB			0	0			0	0			0	0
$\hat{I}_{or}/I_{oc}$	dB	-1	-1	-1	-1	-1	-1	-1	-1	-1	-1	-1	-1
PCCPCH RSCP	dBm	-74	-74			-74	-74			-74	-74		
Qoffset1 <sub>s,n</sub>	dB	C4, C1: 0; C4, C2:0; C4,C3:0 C4, C5:0; C4, C6:0				C5, C1: 0; C5, C2:0; C5,C3:0 C5, C4:0; C5, C6:0				C6, C1: 0; C6, C2:0; C6,C3:0 C6, C4:0; C6, C5:0			
Qhyst1 <sub>s</sub>	dB	0				0				0			
Treselection	s	0				0				0			
Sintrasearch	dB	not sent				not sent				not sent			
Sintersearch	dB	not sent				not sent				not sent			
$I_{oc}$	dBm/3, 84 MHz	-70											
Propagation Condition		AWGN											

## 8.2.2.2.4.2.2 Procedure

- The SS activates cell 1-6 with T1 defined parameters and monitors cell 1 and 2 for RRC CONNECTION REQUEST messages from the UE.
- The UE is switched on.
- The SS waits until the UE camps on Cell 1 and sends the RRC CONNECTION REQUEST message.
- After 15 s, the parameters are changed as described for T2.
- The SS waits for RRC CONNECTION REQUEST messages from the UE.
- After another 15 s, the parameters are changed as described for T1.
- The SS waits for RRC CONNECTION REQUEST messages from the UE.
- Repeat steps d) to g) [TBD] times.

NOTE: T1 is initially 30 s to allow enough time for the UE to search for cells as it has no prior knowledge of these.



### 8.2.2.2.5 Test Requirements

#### 8.2.2.2.5.1 3,84 Mcps Option

- 1) In step c), after the UE has responded on cell 1, it shall not respond on any other cell (cell selection).
- 2) In step e), the UE shall respond on cell 1 within 8 s.
- 3) In step g), the UE shall respond on cell 2 within 8 s.

For the test to pass, the total number of fulfilled test requirements 2) and 3) shall be more than [FFS]% of the cases.

NOTE: If the above Test Requirement differs from the Minimum Requirement then the Test Tolerance applied for this test is non-zero. The Test Tolerance for this test is defined in clause F.2 and the explanation of how the Minimum Requirement has been relaxed by the Test Tolerance is given in clause F.4.

#### 8.2.2.2.5.2 1,28 Mcps Option

- 1) In step c), after the UE has responded on cell 1, it shall not respond on any other cell (cell selection).
- 2) In step e), the UE shall respond on cell 1 within 8 s.
- 3) In step g), the UE shall respond on cell 2 within 8 s.

NOTE: If the above Test Requirement differs from the Minimum Requirement then the Test Tolerance applied for this test is non-zero. The Test Tolerance for this test is defined in clause F.2 and the explanation of how the Minimum Requirement has been relaxed by the Test Tolerance is given in clause F.4.

### 8.2.2.2A Scenario 2A: 3.84 Mcps TDD cell re-selection for 1.28 Mcps TDD UE

[FFS]

### 8.2.2.3 Scenario 3: TDD/FDD Cell re-selection

#### 8.2.2.3.1 Definition and applicability

##### 8.2.2.3.1.1 3,84 Mcps Option

The cell re-selection delay is defined as the time from when the cell quality levels change to the moment when this change makes the UE reselect a better ranked cell, and starts to send preambles on the PRACH for sending the RRC CONNECTION REQUEST message to perform a Location Registration on the new cell.

This test is for the case where the UE camps on a 3,84 Mcps TDD cell and reselects to an FDD cell.

The requirements and this test apply to UEs supporting both 3,84 Mcps TDD and FDD.

##### 8.2.2.3.1.2 1,28 Mcps Option

The cell re-selection delay is defined as the time from the beginning of time period T2, to the moment when the UE camps on Cell 2, and starts to send preambles on the PRACH for sending the RRC CONNECTION REQUEST message to perform a Location Registration on cell 2.

This test is for the case where the UE camps on a 1.28 Mcps TDD cell and reselects to an FDD cell.

The requirements and this test apply to UEs supporting both 1.28 Mcps TDD and FDD.

#### 8.2.2.3.2 Minimum requirements

##### 8.2.2.3.2.1 3,84 Mcps TDD Option

The cell re-selection delay shall be less than 8 s when the DRX cycle length is 1,28 s.

The rate of correct cell reselections observed during repeated tests shall be at least 90% with a confidence level of [FFS]%.

NOTE:

The cell re-selection delay can be expressed as:  $T_{\text{evaluateFDD}} + T_{\text{SI}}$ , where:

$T_{\text{evaluateFDD}}$  See TS 25.123 [2] table 4.1 in clause 4.2.2.

$T_{\text{SI}}$  Maximum repetition rate of relevant system info blocks that needs to be received by the UE to camp on a cell. 1280 ms is assumed in this test case.

This gives a total of 7.68 s, allow 8s in the test case.

The normative reference for this requirement is TS 25.123 [2] clauses 4.2.2 and A.4.2.3.

#### 8.2.2.3.2.2 1,28 Mcps TDD Option

The minimum requirement for the cell re-selection delay is less than 8 s with a DRX cycle length of 1280ms.

This shall be verified in more than [FFS]% of the cases with a confidence level of [FFS].

The normative reference for this requirement is TS 25.123 [2] clauses 4.2.2 and A4.2.3.

NOTE: The cell re-selection delay can be expressed as:  $T_{\text{evaluateTDD}} + T_{\text{SI}}$ , where:

$T_{\text{evaluateTDD}}$  A DRX cycle length of 1280ms is assumed for this test case, this leads to a  $T_{\text{evaluateTDD}}$  of 6.4s according to table F2.4.1.A in Annex F clause F.2.4.

$T_{\text{SI}}$  Maximum repetition rate of relevant system info blocks that needs to be received by the UE to camp on a cell. 1280 ms is assumed in this test case.

This gives a total of 7,68 s, allow 8 s in the test case.

#### 8.2.2.3.3 Test purpose

The test purpose is to verify the requirement for the cell re-selection.

#### 8.2.2.3.4 Method of test

##### 8.2.2.3.4.1 3,84 Mcps Option

##### 8.2.2.3.4.1.1 Initial conditions

This scenario implies the presence of 1 TDD and 1 FDD cell as given in table 8.2.2.3.4.1 and table 8.2.2.3.4.2. Cell 1 and cell 2 shall belong to different Location Areas.

Table 8.2.2.3.4.1: General test parameters for the TDD/FDD cell re-selection

Parameter		Unit	Value	Comment
Initial condition	Active cell		Cell1	TDD cell
	Neighbour cells		Cell2	FDD cell
Final condition	Active cell		Cell2	
HCS			Not used	
UE_TXPWR_MAX_RACH		dBm	21	The value shall be used for all cells in the test.
Access Service Class (ASC#0) - Persistence value			1	Selected so that no additional delay is caused by the random access procedure. The value shall be used for all cells in the test.
T <sub>SI</sub>		s	1.28	The value shall be used for all cells in the test.
DRX cycle length		s	1.28	The value shall be used for all cells in the test.
T1		s	30	
T2		s	15	

Table 8.2.2.3.4.2: TDD/FDD cell re-selection

Parameter	Unit	Cell 1				Cell 2	
		0		8		n.a.	n.a.
Timeslot Number		T1	T2	T1	T2	T1	T2
UTRA RF Channel Number		Channel 1				Channel 2	
CPICH_Ec/I <sub>or</sub>	dB	n.a.		n.a.		-10	-10
PCCPCH_Ec/I <sub>or</sub>	dB	-3	-3			-12	-12
SCH_Ec/I <sub>or</sub>	dB	-9	-9	-9	-9	-12	-12
SCH <sub>toffset</sub>		0	0	0	0	n.a.	n.a.
PICH_Ec/I <sub>or</sub>	dB			-3	-3	-15	-15
OCNS_Ec/I <sub>or</sub>	dB	-3,12	-3,12	-3,12	-3,12	-0,941	-0,941
$\hat{I}_{or}/I_{oc}$	dB	3	-2	3	-2	-2	3
I <sub>oc</sub>	dBm/3.8 4 MHz	-70					
CPICH_RSCP	dBm	n.a.		n.a.		-82	-77
PCCPCH_RSCP	dBm	-70	-75			n.a.	n.a.
Cell_selection and reselectionquality _measure		CPICH_RSCP				CPICH_RSCP	
Qrxlevmin	dBm	-102				-115	
Qoffset1 <sub>s,n</sub>	dB	C1, C2: -12				C2, C1: +12	
Qhyst1 <sub>s</sub>	dB	0				0	
Treselection	s	0				0	
Sintersearch	dB	not sent				not sent	
Propagation Condition		AWGN				AWGN	

## 8.2.2.3.4.1.2 Procedure

- The SS activates cell 1 and cell 2 with T1 defined parameters and monitors them for RRC CONNECTION REQUEST messages from the UE.
- The UE is switched on.
- The SS waits until the UE camps on Cell 1 and sends the RRC CONNECTION REQUEST message.
- After 30 s, the parameters are changed as described for T2.
- The SS waits for RRC CONNECTION REQUEST messages from the UE.
- After another 15 s, the parameters are changed as described for T1.
- The SS waits for RRC CONNECTION REQUEST messages from the UE.

h) Repeat steps d) to g) [TBD] times.

8.2.2.3.4.2            1,28 Mcps Option

8.2.2.3.4.2.1        Initial Conditions

This test is to verify the requirement for the 1.28 Mcps TDD OPTION/FDD cell re-selection delay reported in clause 4.2. in [2]

This scenario implies the presence of 1 low chip rate TDD and 1 FDD cell as given in table 8.2.2.3.4.1A and table 8.2.2.3.4.2A.

The ranking of the cells shall be made according to the cell reselection criteria specified in TS25.304.

Cell 1 and cell 2 shall belong to different Location Areas.

Table 8.2.2.3.4.1A: General test parameters for the TDD/FDD cell re-selection

Parameter		Unit	Value	Comment
Initial condition	Active cell		Cell1	1.28 Mcps TDD OPTION cell
	Neighbour cells		Cell2	
Final condition	Active cell		Cell2	FDD cell
HCS			Not used	
UE_TXPWR_MAX_RACH		dBm	21	The value shall be used for all cells in the test.
Access Service Class (ASC#0) - Persistence value			1	Selected so that no additional delay is caused by the random access procedure. The value shall be used for all cells in the test.
T <sub>SI</sub>		s	1.28	The value shall be used for all cells in the test.
DRX cycle length		s	1.28	The value shall be used for all cells in the test.
T1		s	30	
T2		s	15	

Table 8.2.2.3.4.2A: Test parameters for the 1.28 Mcps TDD OPTION/FDD cell re-selection

Parameter	Unit	Cell 1				Cell 2	
		0		DwPts		n.a.	
Timeslot Number		0		DwPts		n.a.	
		T1	T2	T1	T2	T1	T2
UTRA RF Channel Number		Channel 1				Channel 2	
PCCPCH_Ec/I <sub>or</sub>	dB	-3	-3			-12	-12
DwPCH_Ec/I <sub>or</sub>	dB			0	0	n.a.	
CPICH_Ec/I <sub>or</sub>	dB	n.a.		n.a.		-10	-10
SCH_Ec/I <sub>or</sub>	dB	n.a.		n.a.		-12	-12
PICH_Ec/I <sub>or</sub>	dB					-15	-15
OCNS_Ec/I <sub>or</sub>	dB	n.a.		n.a.		-0,941	-0,941
$\hat{I}_{or}/I_{oc}$	dB	[TBD]	[TBD]			[TBD]	[TBD]
$I_{oc}$	dBm/1.28 MHz	-70					
PCCPCH_RSCP	dBm	[TBD]	[TBD]			n.a.	n.a.
CPICH_RSCP		n.a.				[TBD]	[TBD]
Cell_selection_and_reselection_quality_measure		CPICH_RSCP				CPICH_RSCP	
Q <sub>rxlevmin</sub>	dBm	-103				-115	
Q <sub>offset1_s,n</sub>	dB	C1, C2: -12				C2, C1: +12	
Q <sub>hyst1_s</sub>	dB	0				0	
T <sub>reselection</sub>	s	0				0	
S <sub>intersearch</sub>	dB	not sent					
Propagation Condition		AWGN					

## 8.2.2.3.4.2.2 Procedure

- The SS activates cell 1 and cell 2 with T1 defined parameters and monitors them for RRC CONNECTION REQUEST messages from the UE.
- The UE is switched on.
- The SS waits until the UE camps on Cell 1 and sends the RRC CONNECTION REQUEST message.
- After 30 s, the parameters are changed as described for T2.
- The SS waits for RRC CONNECTION REQUEST messages from the UE.

- f) After another 15 s, the parameters are changed as described for T1.
- g) The SS waits for RRC CONNECTION REQUEST messages from the UE.
- h) Repeat steps d) to g) [TBD] times.

### 8.2.2.3.5 Test requirements

#### 8.2.2.3.5.1 3,84 Mcps TDD Option

- 1) In step c), after the UE has responded on cell 1, it shall not respond on any other cell (cell selection).
- 2) In step e), the UE shall respond on cell 2 within 8 s.
- 3) In step g), the UE shall respond on cell 1 within 8 s.

For the test to pass, the total number of fulfilled test requirements 2) and 3) shall be more than [FFS]% of the cases.

NOTE: If the above Test Requirement differs from the Minimum Requirement then the Test Tolerance applied for this test is non-zero. The Test Tolerance for this test is defined in clause F.2 and the explanation of how the Minimum Requirement has been relaxed by the Test Tolerance is given in clause F.4.

#### 8.2.2.3.5.2 1,28 Mcps TDD Option

- 1) In step c), after the UE has responded on cell 1, it shall not respond on any other cell (cell selection).
- 2) In step e), the UE shall respond on cell 2 within 8 s.
- 3) In step g), the UE shall respond on cell 1 within 8 s.

For the test to pass, the total number of fulfilled test requirements 2) and 3) shall be more than [FFS]% of the cases.

NOTE: If the above Test Requirement differs from the Minimum Requirement then the Test Tolerance applied for this test is non-zero. The Test Tolerance for this test is defined in clause F.2 and the explanation of how the Minimum Requirement has been relaxed by the Test Tolerance is given in clause F.4.

### 8.2.2.4 Scenario 4: inter RAT cell re-selection

#### 8.2.2.4.1 Definition and applicability

##### 8.2.2.4.1.1 3,84 Mcps Option

The cell re-selection delay is defined as the time from when the cell quality levels change to the moment when this change makes the UE reselect a better ranked cell, and starts to send LOCATION UPDATING REQUEST message to perform a Location update to the new cell.

This test is for the case where the UE camps on a 3,84 Mcps TDD cell and reselects to a GSM cell.

The requirements and this test apply to UEs supporting both 3,84 Mcps TDD and GSM.

##### 8.2.2.4.1.2 1,28 Mcps Option

The cell re-selection delay is defined as the time from the beginning of time period T2, to the moment when the UE camps on Cell 2, and starts to send LOCATION UPDATING REQUEST message to perform a Location update.

This test is for the case where the UE camps on a 1,28 Mcps TDD cell and reselects to a GSM cell.

The requirements and this test apply to UEs supporting both 1,28 Mcps TDD and GSM.

#### 8.2.2.4.2 Minimum requirement

##### 8.2.2.4.2.1 3,84 Mcps Option

The cell re-selection delay shall be less than 8 s when the DRX cycle length is 1,28 s. The cell selection parameters in the BCCH of the GSM cell in system info 3 and 4 are transmitted at least every second.

The rate of correct cell reselections observed during repeated tests shall be at least 90% with a confidence level of [FFS]%.

The normative reference for this requirement is TS 25.123 [2] clauses 4.2.2 and A.4.2.4

##### 8.2.2.4.2.2 1,28 Mcps Option

The cell re-selection delay shall be less than 4 s +  $T_{\text{BCCH}}$  where  $T_{\text{BCCH}}$  is the maximum time allowed to read BCCH data from GSM cell.

The rate of correct cell reselections observed during repeated tests shall be at least 90%.

NOTE: The cell re-selection delay can be expressed as:  $3 * T_{\text{measureTDD}} + T_{\text{BCCH}}$ , where:

$T_{\text{measureTDD}}$  Specified in 4.2.2.7.2 table 4.1A in [2].

$T_{\text{BCCH}}$  Maximum time allowed to read BCCH data from GSM cell in TS 45.005.

This gives a total of 3.84s +  $T_{\text{BCCH}}$ , thus allow 4s +  $T_{\text{BCCH}}$ .

The normative reference for this requirement is TS 25.123 [2] clauses 4.2.2 and A.4.2.4

#### 8.2.2.4.3 Test purpose

This test verifies the UE meets the minimum requirement for the case where the UE camps on a TDD cell and reselects to a GSM cell.

#### 8.2.2.4.4 Method of Test

##### 8.2.2.4.4.1 3,84 Mcps Option

###### 8.2.2.4.4.1.1 Initial conditions

This scenario implies the presence of 1 3,84 Mcps TDD and 1 GSM cell as given in table 8.2.2.4.1, 8.2.2.4.2, and 8.2.2.4.3. Cell 1 and cell 2 shall belong to different Location Areas.

Table 8.2.2.4.1: General test parameters for UTRAN to GSM Cell Re-selection

Parameter	Unit	Value	Comment
Initial condition	Active cell	Cell1	TDD Cell
	Neighbour cell	Cell2	GSM Cell
Final condition	Active cell	Cell2	
DRX cycle length	s	1,28	UTRAN cell
BCCH repetition period (GSM cell)	s	1,87	In GSM the system information is scheduled according to an 8 x (51 x 8) cycle (i.e. a system information message is transmitted every 235 ms). The cell selection parameters in system info 3 and 4 are transmitted at least every second. (GSM 05.02)
T1	s	15	
T2	s	15	

Table 8.2.2.4.2: Cell re-selection UTRAN to GSM cell case (cell 1)

Parameter	Unit	Cell 1 (UTRA)			
		0		8	
Timeslot Number		T1	T2	T1	T2
UTRA RF Channel Number		Channel 1		Channel 1	
PCCPCH_Ec/lor	dB	-3	-3		
SCH_Ec/lor	dB	-9	-9	-9	-9
SCH_offset		0	0	0	0
PICH_Ec/lor	dB			-3	-3
OCNS_Ec/lor	dB	-3,12	-3,12	-3,12	-3,12
$\hat{I}_{or}/I_{oc}$	dB	3	-2	3	-2
$I_{oc}$	dBm/3, 84 MHz	-70		-70	
PCCPCH RSCP	dBm	-70	-75		
Propagation Condition		AWGN		AWGN	
Treselection	s	0			
Ssearch <sub>RAT</sub>	dB	not sent			

Table 8.2.2.4.3: Cell re-selection UTRAN to GSM cell case (cell 2)

Parameter	Unit	Cell 2 (GSM)	
		T1	T2
Absolute RF Channel Number		ARFCN 1	
RXLEV	dBm	-80	-70
RXLEV_ACCESS_MIN	dBm	-100	
MS_TXPWR_MAX_CCH	dBm	30	

## 8.2.2.4.4.1.2 Procedure

- The SS activates cell 1 and 2 with T1 defined parameters and monitors cell 1 and 2 for RRC CONNECTION REQUEST and LOCATION UPDATING REQUEST messages from the UE.
- The UE is switched on.
- The SS waits until the UE camps on Cell 1 and sends the RRC CONNECTION REQUEST message.
- After 15 s, the parameters are changed as described for T2.
- The SS waits for LOCATION UPDATING REQUEST messages from the UE.
- After 15 s, the parameters are changed as described for T1.
- The SS waits for RRC CONNECTION REQUEST messages from the UE.



h) Repeat steps d) to g) [TBD] times.

#### 8.2.2.4.4.2 1,28 Mcps Option

##### 8.2.2.4.4.2.1 Initial conditions

This scenario implies the presence of 1 1.28 Mcps TDD serving cell, and 1 GSM cell to be re-selected. Test parameters are given in table 8.2.2.4.1A, 8.2.2.4.2A, and 8.2.2.4.3A.

The ranking of the cells shall be made according to the cell reselection criteria specified in TS25.304. Cell 1 and cell 2 shall belong to different location areas.

**Table 8.2.2.4.1A: General test parameters for UTRAN (1.28 Mcps TDD OPTION) to GSM Cell Re-selection**

Parameter	Unit	Value	Comment
Initial condition	Active cell	Cell1	
	Neighbour cell	Cell2	
Final condition	Active cell	Cell2	
DRX cycle length	s	1,28	
T1	s	15	
T2	s	15	

**Table 8.2.2.4.2A: Cell re-selection UTRAN to GSM cell case (cell 1)**

Parameter	Unit	Cell 1 (UTRA)			
		0		DwPTS	
Timeslot Number		T1	T2	T1	T2
UTRA RF Channel Number		Channel 1		Channel 1	
PCCPCH_Ec/Ior	dB	-3	-3		
DwPCH_Ec/Ior	dB			0	0
$\hat{I}_{or}/I_{oc}$	dB	13	-1	13	-1
$I_{oc}$	dBm/1.28 MHz	-80			
PCCPCH RSCP	dBm	-70	-84		
Propagation Condition		AWGN		AWGN	
Treselection	s	0			
Ssearch <sub>RAT</sub>	dB	Not sent			
Qrxlevmin	dBm	-103			
Qoffset1 <sub>s,n</sub>	dB	C1, C2: 0			
Qhyst1 <sub>s</sub>	dB	0			

**Table 8.2.2.4.3A: Cell re-selection UTRAN to GSM cell case (cell 2)**

Parameter	Unit	Cell 2 (GSM)	
		T1	T2
Absolute RF Channel Number		ARFCN 1	
RXLEV	dBm	-75	-70
RXLEV_ACCESS_MIN	dBm	-104	
MS_TXPWR_MAX_CCH	dBm	33	

##### 8.2.2.4.4.2.2 Procedure

- The SS activates cell 1 and 2 with T1 defined parameters and monitors cell 1 and 2 for RRC CONNECTION REQUEST and LOCATION UPDATING REQUEST messages from the UE.
- The UE is switched on.

- c) The SS waits until the UE camps on Cell 1 and sends the RRC CONNECTION REQUEST message.
- d) After 15 s, the parameters are changed as described for T2.
- e) The SS waits for LOCATION UPDATING REQUEST messages from the UE.
- f) After 15 s, the parameters are changed as described for T1.
- g) The SS waits for RRC CONNECTION REQUEST messages from the UE.
- h) Repeat steps d) to g) [TBD] times.

#### 8.2.2.4.5 Test Requirements

##### 8.2.2.4.5.1 3,84 Mcps Option

- 1) In step c), after the UE has responded on cell 1, it shall not respond on any other cell (cell selection).
- 2) In step e), the UE shall respond on cell 2 within 8 s.
- 3) In step g), the UE shall respond on cell 1.

For the test to pass, the total number of fulfilled test requirements in step 2) shall be at least 90% of the cases.

NOTE: If the above Test Requirement differs from the Minimum Requirement then the Test Tolerance applied for this test is non-zero. The Test Tolerance for this test is defined in clause F.2 and the explanation of how the Minimum Requirement has been relaxed by the Test Tolerance is given in clause F.4.

##### 8.2.2.4.5.2 1,28 Mcps Option

- 1) In step c), after the UE has responded on cell 1, it shall not respond on any other cell (cell selection).
- 2) In step e), the UE shall respond on cell 2 within 8 s.
- 3) In step g), the UE shall respond on cell 1.

NOTE: If the above Test Requirement differs from the Minimum Requirement then the Test Tolerance applied for this test is non-zero. The Test Tolerance for this test is defined in clause F.2 and the explanation of how the Minimum Requirement has been relaxed by the Test Tolerance is given in clause F.4.

## 8.3 UTRAN Connected Mode Mobility

### 8.3.1 TDD/TDD Handover for 3,84 Mcps Option

#### 8.3.1.1 Handover to intra-frequency cell

##### 8.3.1.1.1 Definition and applicability

Handover delay of the UE is defined as the time from the end of the last TTI containing an RRC message implying hard handover to the transmission of the new uplink DPCH, excluding the RRC procedure delay as defined in [9].

The requirements and this test apply to the UTRA TDD UE.

##### 8.3.1.1.2 Minimum requirement

The hard handover delay shall be less than 40 ms in the single carrier case when the cell is known by the UE and the SFN of the target cell does not need to be decoded. The rate of correct handovers observed during repeated tests shall be at least 90% with a confidence level of [FFS]%.

The normative reference for this requirement is TS 25.123 [2] clauses 5.1.2 and A.5.1.1.

### 8.3.1.1.3 Test purpose

The purpose of this test is to verify the requirement for the intra-frequency handover delay in CELL\_DCH state in the single carrier case.

### 8.3.1.1.4 Method of test

#### 8.3.1.1.4.1 Initial conditions

Test environment: normal; see clauses G.2.1 and G.2.2.

Frequencies to be tested: mid range; see clause G.2.4.

The test parameters are given in table 8.3.1.1.1 and 8.3.1.1.2. In the measurement control information it is indicated to the UE that event-triggered reporting with Event 1G shall be used, and that P-CCPCH RSCP and SFN-CFN observed timed difference shall be reported together with Event 1G. The test consists of three successive time periods, with a time duration of T1, T2 and T3 respectively. At the start of time duration T1, the UE may not have any timing information of cell 2.

UTRAN shall send a Physical Channel reconfiguration message with activation time at the beginning of T3 with a new active cell, cell 2. The Physical Channel reconfiguration message shall be sent to the UE such that the delay between the end of the last received TTI containing the message and the beginning of T3 is at least equal to the RRC procedure delay as defined in [16].

The second Beacon timeslot shall be provided in timeslot 8 for both cell 1 and cell 2. The UL DPCH shall be transmitted in timeslot 12.

**Table 8.3.1.1.1: General test parameters for Handover to intra-frequency cell**

Parameter		Unit	Value	Comment
DCH parameters			DL Reference Measurement Channel 12.2 kbps	As specified in TS 25.102 clause A.2.2
Power Control			On	
Target quality value on DTCH		BLER	0.01	
Initial conditions	Active cell		Cell 1	
	Neighbour cell		Cell 2	
Final condition	Active cell		Cell 2	
HCS			Not used	
O		dB	0	Cell individual offset. This value shall be used for all cells in the test.
Hysteresis		dB	0	
Time to Trigger		ms	0	
Filter coefficient			0	
Monitored cell list size			6 TDD neighbours on Channel 1	
T1		s	10	
T2		s	10	
T3		s	10	

Table 8.3.1.1.2: Cell specific test parameters for Handover to intra-frequency cell

Parameter	Unit	Cell 1						Cell 2					
		0			4			0			5		
DL timeslot number		T1	T2	T3	T1	T2	T3	T1	T2	T3	T1	T2	T3
UTRA RF Channel Number		Channel 1						Channel 1					
PCCPCH_Ec/I <sub>or</sub>	dB	-3			n.a.			-3			n.a.		
SCH_Ec/I <sub>or</sub>	dB	-9			n.a.			-9			n.a.		
SCH_t <sub>offset</sub>	dB	0			n.a.			5			n.a.		
DPCH_Ec/I <sub>or</sub>	dB	n.a.			Note 1		n.a.	n.a.			n.a.		Note 1
OCNS_Ec/I <sub>or</sub>	dB	-3,12			Note 2		n.a.	n.a.	-3,12		n.a.		Note 2
$\hat{I}_{or}/I_{oc}$	dB	1						-Inf.	3		-Inf.		3
PCCPCH RSCP	dBm	-72			n.a.			-Inf.	-70		n.a.		
$I_{oc}$	dBm/ 3,84 MHz	-70											
Propagation Condition		AWGN											
Note 1: The DPCH level is controlled by the power control loop													
Note 2: The power of the OCNS channel that is added shall make the total power from the cell to be equal to I <sub>or</sub> .													

#### 8.3.1.1.4.2 Procedure

- 1) The RF parameters are set up according to T1.
- 2) The UE is switched on.
- 3) A call is set up according to the test procedure specified in TS 34.108 [3] subclause 7.3.4.  
[Editor's note: subclause 7.3.4 in TS 34.108 (Message sequence chart for Handover Test procedure) is not yet specified]
- 4) SS shall transmit a MEASUREMENT CONTROL message.
- 5) After 10 seconds, the SS shall switch the power settings from T1 to T2.
- 6) UE shall transmit a MEASUREMENT REPORT message triggered by event 1G.
- 7) SS shall transmit a PHYSICAL CHANNEL RECONFIGURATION message with activation time at T3.
- 8) After 10 seconds, the SS shall switch the power settings from T2 to T3
- 9) UE shall transmit a PHYSICAL CHANNEL RECONFIGURATION COMPLETE message on the UL DCCH of cell 2. If the UE transmits the UL DPCH to cell 2 less than 40 ms from the beginning of time period T3 then the number of successful tests is increased by one.
- 10) After 10 seconds, the UE is switched off. Any timing information of cell 2 is deleted in the UE.
- 11) Repeat step 1-10 [TBD] times.

#### Specific Message Contents

All messages indicated above shall use the same content as described in the default message content in clause 9 of 34.108 [3] and in Annex A of 34.123-1 [21], with the following exceptions:

MEASUREMENT CONTROL message (step 4):

Information Element/Group name	Value/Remark
Message Type (10.2.17)	
<b>UE information elements</b>	
-RRC transaction identifier	0
-Integrity check info	Not Present
<b>Measurement Information elements</b>	
-Measurement Identity	1
-Measurement Command (10.3.7.46)	Modify
-Measurement Reporting Mode (10.3.7.49)	
-Measurement Report Transfer Mode	AM RLC
-Periodical Reporting / Event Trigger Reporting Mode	Event trigger
-Additional measurements list (10.3.7.1)	Not Present
-CHOICE <i>Measurement type</i>	Intra-frequency measurement
-Intra-frequency measurement (10.3.7.36)	
-Intra-frequency measurement objects list (10.3.7.33)	Not Present
-Intra-frequency measurement quantity (10.3.7.38)	
-Filter coefficient (10.3.7.9)	0
-CHOICE <i>mode</i>	TDD
-Measurement quantity list	1
-Measurement quantity	Primary CCPCH
-Intra-frequency reporting quantity (10.3.7.41)	
-Reporting quantities for active set cells (10.3.7.5)	
-SFN-SFN observed time difference reporting indicator	No report
-Cell synchronisation information reporting indicator	TRUE (Note 1)
-Cell Identity reporting indicator	TRUE
-CHOICE <i>mode</i>	TDD
-Timeslot ISCP reporting indicator	TRUE
-Primary CCPCH RSCP reporting indicator	TRUE
-Pathloss reporting indicator	TRUE
-Reporting quantities for monitored set cells (10.3.7.5)	
-SFN-SFN observed time difference reporting indicator	No report
-Cell synchronisation information reporting indicator	TRUE (Note 1)
-Cell Identity reporting indicator	TRUE
-CHOICE <i>mode</i>	TDD
-Timeslot ISCP reporting indicator	TRUE
-Proposed TGSN reporting required	FALSE
-Primary CCPCH RSCP reporting indicator	TRUE
-Pathloss reporting indicator	TRUE
-Reporting quantities for detected set cells (10.3.7.5)	Not Present
-Reporting cell status (10.3.7.61)	
-CHOICE <i>reported cell</i>	Report all active set cells + cells within monitored set on used frequency
-Maximum number of reported cells	2
-Measurement validity (10.3.7.51)	Not Present
-CHOICE <i>report criteria</i>	Intra-frequency measurement reporting criteria
-Intra-frequency measurement reporting criteria (10.3.7.39)	
-Parameters required for each event	1
-Intra-frequency event identity	Event 1G
-Triggering condition 2	Not Present
-Reporting Range Constant	Not Present
-Cells forbidden to affect Reporting Range	Not Present
-CHOICE <i>mode</i>	TDD
-Primary CCPCH info (10.3.6.57)	
-CHOICE <i>mode</i>	TDD
-CHOICE <i>TDD option</i>	3.84 Mcps
-CHOICE <i>sync case</i>	Case 2
-Timeslot	0
-Cell parameters ID	0
-SCTD indicator	FALSE
-W	Not Present
-Hysteresis	0 dB
-Threshold used frequency	Not Present
-Reporting deactivation threshold	Not Present
-Replacement activation threshold	Not Present
-Time to trigger	0 ms

Information Element/Group name	Value/Remark
-Amount of reporting -Reporting interval -Reporting cell status	Infinity 0 ms (Note 2) Not Present
<b>Physical channel information elements</b> -DPCH compressed mode status info (10.3.6.34)	Not Present
<p>Note 1: The SFN-CFN observed time difference is calculated from the OFF and Tm parameters contained in the IE "Cell synchronisation information", TS 25.331, clause 10.3.7.6. According to TS 25.331, 8.6.7.7, this IE is included in MEASUREMENT REPORT if IE "Cell synchronisation information reporting indicator" in IE "Cell reporting quantities" TS 25.331, clause 10.3.7.5 is set to TRUE in MEASUREMENT CONTROL.</p> <p>Note 2: Reporting interval = 0 ms means no periodical reporting</p>	

PHYSICAL CHANNEL RECONFIGURATION message (step 7):

Information Element	Value/Remark
Message Type	
<b>UE Information Elements</b>	
-RRC transaction identifier	0
-Integrity check info	Not Present
-Integrity protection mode info	Not Present
-Ciphering mode info	Not Present
-Activation time	At T3
-New U-RNTI	Not Present
-New C-RNTI	Not Present
-RRC State Indicator	CELL_DCH
-UTRAN DRX cycle length coefficient	Not Present
<b>CN Information Elements</b>	
-CN Information info	Not Present
<b>UTRAN mobility information elements</b>	
-URA identity	Not Present
<b>RB information elements</b>	
-Downlink counter synchronisation info	Not Present
-RB with PDCP information list	Not Present
-RB with PDCP information	Not Present
<b>PhyCH information elements</b>	
-Frequency info (10.3.6.36)	TDD
-CHOICE <i>mode</i>	Same UARFCN as used for cell 2
-UARFCN (Nt)	
<b>Uplink radio resources</b>	
-Maximum allowed UL TX power	33 dBm
-CHOICE <i>channel requirement</i>	Uplink DPCH info
-Uplink DPCH info (10.3.6.88)	
-Uplink DPCH power control info (10.3.6.91)	
-CHOICE <i>mode</i>	TDD
-CHOICE <i>TDD option</i>	3.84 Mcps TDD
-UL Target SIR	Not Present
-CHOICE <i>UL OL PC info</i>	Individually signalled
-CHOICE <i>TDD option</i>	3.84 Mcps TDD
-Individual Timeslot interference info	1
-Individual timeslot interference (10.3.6.38)	
-Timeslot Number (10.3.6.84)	
-CHOICE <i>TDD option</i>	3.84 Mcps TDD
-Timeslot number	12
-UL Timeslot Interference	-90 dBm
-CHOICE <i>mode</i>	TDD
-Uplink timing advance control (10.3.6.96)	
-CHOICE <i>Timing Advance</i>	Disabled
-UL CCTrCH list	1
-UL Target SIR	TBD dB
-Time Info (10.3.6.83)	
-Activation Time	T3
-Duration	Infinite
-Common timeslot info	Not Present
-Uplink DPCH timeslots and codes (10.3.6.94)	
-Dynamic SF Usage	False
-First individual timeslot info (10.3.6.37)	
-Timeslot Number (10.3.6.84)	
-CHOICE <i>TDD option</i>	3.84 Mcps
-Timeslot number	12
-TFCl existence	True
-Midamble shift and burst type (10.3.6.41)	
-Choice <i>TDD option</i>	3.84 Mcps
-Choice Burst Type	Type 1
-Midamble Allocation Mode	Default
-Midamble configuration burst type 1 and 3	16
-Midamble shift	Not present
-CHOICE <i>TDD option</i>	3.84 Mcps
-First timeslot code list	1
-Channelisation code	8/1
-Choice more timeslots	No more timeslots

Information Element	Value/Remark
<b>Downlink radio resources</b>	
-CHOICE <i>mode</i>	TDD
-Downlink information common for all radio links (10.3.6.24)	
-Downlink DPCH info common for all RL (10.3.6.18)	
-Timing indicator	Initialise
-CFN-targetSFN frame offset	Not Present
-Downlink DPCH power control information (10.3.6.23)	
-CHOICE <i>mode</i>	TDD
-TPC Step size	1 dB
-CHOICE <i>mode</i>	TDD
-CHOICE <i>mode</i>	TDD
-CHOICE <i>TDD option</i>	3.84 Mcps
-TX Diversity mode (10.3.6.86)	None
-Default DPCH Offset Value (10.3.6.16)	0
-Downlink information per radio link list	1
-Downlink information for each radio link (10.3.6.27)	
-CHOICE <i>mode</i>	TDD
-Primary CCPCH info (10.3.6.57)	
-CHOICE <i>mode</i>	TDD
-CHOICE <i>TDD option</i>	3.84 Mcps
-CHOICE <i>sync case</i>	Case 2
-Timeslot	0
-Cell parameters ID	20
-SCTD indicator	False
-Downlink DPCH info for each RL (10.3.6.21)	
-CHOICE <i>mode</i>	TDD
-DL CCTrCH list	1
-TFCS ID	Not Present
-Time Info (10.3.6.83)	
-Activation Time	T3
-Duration	Infinite
-Common timeslot info	Not Present
-Downlink DPCH timeslots and codes (10.3.6.32)	
-First individual timeslot info (10.3.6.37)	
-Timeslot Number (10.3.6.84)	
-CHOICE <i>TDD option</i>	3.84 Mcps
-Timeslot number	5
-TFCI existence	True
-Midamble shift and burst type (10.3.6.41)	
-CHOICE <i>TDD option</i>	3.84 Mcps
-CHOICE <i>Burst Type</i>	Type 1
-Midamble Allocation Mode	Default
-Midamble configuration burst type 1 and 3	16
-Midamble shift	Not present
-CHOICE <i>TDD option</i>	3.84 Mcps
-First timeslot channelisation codes (10.3.6.17)	
-CHOICE <i>codes representation</i>	Consecutive codes
-First channelisation code	16/1
-Last channelisation code	16/2
-CHOICE <i>more timeslots</i>	No more timeslots
-SCCPCH information for FACH (10.3.6.70)	Not Present

## MEASUREMENT REPORT message for Intra frequency test cases

This message is common for all intra frequency test cases in clause 8.7 and is described in Annex I.

### 8.3.1.1.5 Test requirements

For the test to pass, the total number of successful tests shall be more than [FFS] of the cases.

Note: If the above Test Requirement differs from the Minimum Requirement then the Test Tolerance applied for this test is non-zero. The Test Tolerance for this test is defined in clause F.2 and the explanation of how the Minimum Requirement has been relaxed by the Test Tolerance is given in clause F.4.



## 8.3.1.2 Handover to inter-frequency cell

### 8.3.1.2.1 Definition and applicability

Handover delay of the UE is defined as the time from the end of the last TTI containing an RRC message implying hard handover to the transmission of the new uplink DPCH, excluding the RRC procedure delay as defined in [9].

The requirements and this test apply to the UTRA TDD UE.

### 8.3.1.2.2 Minimum requirement

The hard handover delay shall be less than 40 ms in the dual carrier case when the cell is known by the UE and the SFN of the target cell needs to be decoded. The rate of correct handovers observed during repeated tests shall be at least 90% with a confidence level of [FFS]%.

The normative reference for this requirement is TS 25.123 [2] clauses 5.1.2 and A.5.1.2.

### 8.3.1.2.3 Test purpose

The purpose of this test is to verify the requirement for the inter-frequency handover delay in CELL\_DCH state in the dual carrier case.

### 8.3.1.2.4 Method of test

#### 8.3.1.2.4.1 Initial conditions

Test environment: normal; see clauses G.2.1 and G.2.2.

Frequencies to be tested: mid range; see clause G.2.4.

The test parameters are given in table 8.3.1.2.1 and 8.3.1.2.2. In the measurement control information it is indicated to the UE that event-triggered reporting with Event 2C shall be used. The PCCPCH RSCP and SFN-CFN observed time difference of the best cell on the unused frequency shall be reported together with Event 2C reporting. At the start of time duration T1, the UE may not have any timing information of cell 2.

UTRAN shall send a Physical Channel reconfiguration message with activation time at beginning of T3 with one active cell, cell 2. The Physical Channel reconfiguration message shall be sent to the UE such that the delay between the end of the last received TTI containing the message and the beginning of T3 is at least equal to the RRC procedure delay as defined in [16].

The second Beacon timeslot shall be provided in timeslot 8 for cell 1 and in timeslot 10 for cell 2. The UL DPCH shall be transmitted in timeslot 12.

**Table 8.3.1.2.1: General test parameters for Handover to inter-frequency cell**

Parameter		Unit	Value	Comment
DCH parameters			DL Reference Measurement Channel 12.2 kbps	As specified in TS 25.102 clause A.2.2
Power Control			On	
Target quality value on DTCH		BLER	0.01	
Initial conditions	Active cell		Cell 1	
	Neighbour cell		Cell 2	
Final condition	Active cell		Cell 2	
HCS			Not used	
O		dB	0	Cell individual offset. This value shall be used for all cells in the test.
Hysteresis		dB	0	Hysteresis parameter for event 2C
Time to Trigger		ms	0	
Threshold non-used frequency		dBm	-80	Applicable for Event 2C
Filter coefficient			0	
Monitored cell list size			6 TDD neighbours on Channel 1 6 TDD neighbours on Channel 2	
T <sub>SI</sub>		s	1,28	The value shall be used for all cells in the test.
T1		s	10	
T2		s	10	
T3		s	10	

**Table 8.3.1.2.2: Cell Specific parameters for Handover to inter-frequency cell**

Parameter	Unit	Cell 1						Cell 2					
		0			4			2			5		
DL timeslot number		T1	T2	T3	T1	T2	T3	T1	T2	T3	T1	T2	T3
UTRA RF Channel Number		Channel 1						Channel 2					
PCCPCH_Ec/I <sub>or</sub>	dB	-3			n.a.			-3			n.a.		
SCH_Ec/I <sub>or</sub>	dB	-9			n.a.			-9			n.a.		
SCH_t <sub>offset</sub>	dB	0			n.a.			5			n.a.		
DPCH_Ec/I <sub>or</sub>	dB	n.a.			Note 1		n.a.	n.a.			n.a.		Note 1
OCNS_Ec/I <sub>or</sub>	dB	-3,12			Note 2		n.a.	n.a.	-3,12		n.a.		Note 2
$\hat{I}_{or}/I_{oc}$	dB	1						-Inf.	7		-Inf.	7	
PCCPCH RSCP	dBm	-72			n.a.			-Inf.	-66		n.a.		
I <sub>oc</sub>	dBm/ 3,84 MHz	-70											
Propagation Condition		AWGN											
Note 1: The DPCH level is controlled by the power control loop													
Note 2: The power of the OCNS channel that is added shall make the total power from the cell to be equal to I <sub>or</sub> .													

#### 8.3.1.2.4.2 Procedure

- 1) The RF parameters are set up according to T1.
- 2) The UE is switched on.
- 3) A call is set up according to the test procedure specified in TS 34.108 [3] subclause 7.3.4.

[Editor's note: subclause 7.3.4 in TS 34.108 (Message sequence chart for Handover Test procedure) is not yet specified]

- 4) SS shall transmit a MEASUREMENT CONTROL message.

- 5) After 10 seconds, the SS shall switch the power settings from T1 to T2.
- 6) UE shall transmit a MEASUREMENT REPORT message triggered by event 2C.
- 7) SS shall transmit a PHYSICAL CHANNEL RECONFIGURATION message with activation time at T3.
- 8) After 10 seconds, the SS shall switch the power settings from T2 to T3
- 9) UE shall transmit a PHYSICAL CHANNEL RECONFIGURATION COMPLETE message on the UL DCCH of cell 2. If the UE transmits the UL DPCH to cell 2 less than 40 ms from the beginning of time period T3 then the number of successful tests is increased by one.
- 10) After 10 seconds, the UE is switched off. Any timing information of cell 2 is deleted in the UE.
- 11) Repeat step 1-10 [TBD] times.

#### Specific Message Contents

All messages indicated above shall use the same content as described in the default message content in clause 9 of 34.108 [3] and in Annex A of 34.123-1 [21], with the following exceptions:

MEASUREMENT CONTROL message, event 2C (step 4):

Information Element/Group name	Value/Remark
Message Type (10.2.17)	
<b>UE information elements</b> -RRC transaction identifier -Integrity check info	0 Not Present
<b>Measurement Information elements</b> -Measurement Identity -Measurement Command (10.3.7.46) -Measurement Reporting Mode (10.3.7.49) -Measurement Report Transfer Mode -Periodical Reporting / Event Trigger Reporting Mode -Additional measurements list (10.3.7.1)	1 Modify  AM RLC Event trigger Not Present
-CHOICE <i>Measurement type</i> -Inter-frequency measurement (10.3.7.16) -Inter-frequency measurement objects list (10.3.7.13) -Inter-frequency measurement quantity (10.3.7.18) -CHOICE <i>reporting criteria</i> -Inter-frequency reporting criteria -Filter coefficient -CHOICE <i>mode</i> -Measurement quantity for frequency quality estimate	Inter-frequency measurement  Not Present  Inter-frequency reporting criteria  0 TDD Primary CCPCH RSCP
-Inter-frequency reporting quantity (10.3.7.21) -UTRA Carrier RSSI -Frequency quality estimate -Non frequency related cell reporting quantities (10.3.7.5) -SFN-SFN observed time difference reporting indicator -Cell synchronisation information reporting indicator -Cell Identity reporting indicator -CHOICE <i>mode</i> -Timeslot ISCP reporting indicator -Proposed TGSN reporting required -Primary CCPCH RSCP reporting indicator -Pathloss reporting indicator	FALSE FALSE  Type 1 TRUE TRUE TDD TRUE FALSE TRUE TRUE
-Reporting cell status (10.3.7.61) -CHOICE <i>reported cell</i>  -Maximum number of reported cells per reported non-used frequency -Measurement validity (10.3.7.51) -Inter-frequency set update (10.3.7.22) -CHOICE <i>report criteria</i>	Report cells within monitored set on non-used frequency 1  Not Present Not Present Inter-frequency measurement reporting criteria
-Inter-frequency measurement reporting criteria (10.3.7.19) -Parameters required for each event -Inter-frequency event identity (10.3.7.14) -Threshold used frequency -W used frequency -Hysteresis -Time to trigger -Reporting cell status (10.3.7.61) -CHOICE <i>reported cell</i>  -Maximum number of reported cells per reported non-used frequency -Parameters required for each non-used frequency -Threshold non-used frequency -W non-used frequency	1 Event 2C Not Present Not Present 0 dB 0 ms  Report cells within monitored set on non-used frequency 1  1 -80 dBm 1
<b>Physical channel information elements</b> -DPCH compressed mode status info (10.3.6.34)	Not Present

PHYSICAL CHANNEL RECONFIGURATION message (step 7):

Information Element	Value/Remark
Message Type	
<b>UE Information Elements</b>	
-RRC transaction identifier	0
-Integrity check info	Not Present
-Integrity protection mode info	Not Present
-Ciphering mode info	Not Present
-Activation time	At T3
-New U-RNTI	Not Present
-New C-RNTI	Not Present
-RRC State Indicator	CELL_DCH
-UTRAN DRX cycle length coefficient	Not Present
<b>CN Information Elements</b>	
-CN Information info	Not Present
<b>UTRAN mobility information elements</b>	
-URA identity	Not Present
<b>RB information elements</b>	
-Downlink counter synchronisation info	Not Present
-RB with PDCP information list	Not Present
-RB with PDCP information	Not Present
<b>PhyCH information elements</b>	
-Frequency info (10.3.6.36)	TDD
-CHOICE <i>mode</i>	Same UARFCN as used for cell 2
-UARFCN (Nt)	
<b>Uplink radio resources</b>	
-Maximum allowed UL TX power	33 dBm
-CHOICE <i>channel requirement</i>	Uplink DPCH info
-Uplink DPCH info (10.3.6.88)	
-Uplink DPCH power control info (10.3.6.91)	
-CHOICE <i>mode</i>	TDD
-CHOICE <i>TDD option</i>	3.84 Mcps TDD
-UL Target SIR	Not Present
-CHOICE <i>UL OL PC info</i>	Individually signalled
-CHOICE <i>TDD option</i>	3.84 Mcps TDD
-Individual Timeslot interference info	1
-Individual timeslot interference (10.3.6.38)	
-Timeslot Number (10.3.6.84)	
-CHOICE <i>TDD option</i>	3.84 Mcps TDD
-Timeslot number	12
- UL Timeslot Interference	-90 dBm
-CHOICE <i>mode</i>	TDD
-Uplink timing advance control (10.3.6.96)	
-CHOICE <i>Timing Advance</i>	Disabled
-UL CCTrCH list	1
-UL Target SIR	TBD dB
-Time Info (10.3.6.83)	
-Activation Time	T3
-Duration	Infinite
-Common timeslot info	Not Present
-Uplink DPCH timeslots and codes (10.3.6.94)	
-Dynamic SF Usage	False
-First individual timeslot info (10.3.6.37)	
-Timeslot Number (10.3.6.84)	
-CHOICE <i>TDD option</i>	3.84 Mcps
-Timeslot number	12
-TFCl existence	True
-Midamble shift and burst type (10.3.6.41)	
-CHOICE <i>TDD option</i>	3.84 Mcps
-CHOICE <i>Burst Type</i>	Type 1
-Midamble Allocation Mode	Default
-Midamble configuration burst type 1 and 3	16
-Midamble shift	Not present
-CHOICE <i>TDD option</i>	3.84 Mcps
-First timeslot code list	1
-Channelisation code	8/1
-CHOICE <i>more timeslots</i>	No more timeslots

Information Element	Value/Remark
<b>Downlink radio resources</b>	
-CHOICE <i>mode</i>	TDD
-Downlink information common for all radio links (10.3.6.24)	
-Downlink DPCH info common for all RL (10.3.6.18)	
-Timing indicator	Initialise
-CFN-targetSFN frame offset	Not Present
-Downlink DPCH power control information (10.3.6.23)	
-CHOICE <i>mode</i>	TDD
-TPC Step size	1 dB
-CHOICE <i>mode</i>	TDD
-CHOICE <i>mode</i>	TDD
-CHOICE <i>TDD option</i>	3.84 Mcps
-TX Diversity mode (10.3.6.86)	None
-Default DPCH Offset Value (10.3.6.16)	0
-Downlink information per radio link list	1
-Downlink information for each radio link (10.3.6.27)	
-CHOICE <i>mode</i>	TDD
-Primary CCPCH info (10.3.6.57)	
- CHOICE <i>mode</i>	TDD
- CHOICE <i>TDD option</i>	3.84 Mcps
- CHOICE <i>sync case</i>	Case 2
- Timeslot	2
- Cell parameters ID	20
- SCTD indicator	False
-Downlink DPCH info for each RL (10.3.6.21)	
-CHOICE <i>mode</i>	TDD
- DL CCTrCH list	1
-TFCS ID	Not Present
-Time Info (10.3.6.83)	
-Activation Time	T3
-Duration	Infinite
-Common timeslot info	Not Present
- Downlink DPCH timeslots and codes (10.3.6.32)	
- First individual timeslot info (10.3.6.37)	
- Timeslot Number (10.3.6.84)	
- CHOICE <i>TDD option</i>	3.84 Mcps
- Timeslot number	5
- TFCI existence	True
- Midamble shift and burst type (10.3.6.41)	
- CHOICE <i>TDD option</i>	3.84 Mcps
- CHOICE <i>Burst Type</i>	Type 1
- Midamble Allocation Mode	Default
- Midamble configuration burst type 1 and 3	16
- Midamble shift	Not present
- CHOICE <i>TDD option</i>	3.84 Mcps
- First timeslot channelisation codes (10.3.6.17)	
- CHOICE <i>codes representation</i>	Consecutive codes
- First channelisation code	16/1
- Last channelisation code	16/2
- CHOICE <i>more timeslots</i>	No more timeslots
- SCCPCH information for FACH (10.3.6.70)	Not Present

## MEASUREMENT REPORT message for Inter frequency test cases

This message is common for all inter frequency TDD test cases in clause 8.7 and is described in Annex I.

### 8.3.1.2.5 Test requirements

For the test to pass, the total number of successful tests shall be more than [FFS] of the cases.

Note: If the above Test Requirement differs from the Minimum Requirement then the Test Tolerance applied for this test is non-zero. The Test Tolerance for this test is defined in clause F.2 and the explanation of how the Minimum Requirement has been relaxed by the Test Tolerance is given in clause F.4.

## 8.3.1A TDD/TDD Handover for 1,28 Mcps Option

### 8.3.1A.1 Handover to intra-frequency cell

#### 8.3.1A.1.1 Definition and applicability

Handover delay of the UE is defined as the time from the end of the last TTI containing an RRC message implying hard handover to the transmission of the new uplink DPCH, excluding the RRC procedure delay as defined in [9].

The requirements and this test apply to the UTRA TDD UE 1.28 Mcps option.

#### 8.3.1A.1.2 Minimum requirement

The hard handover delay shall be less than 40 ms in the single carrier case when the cell is known by the UE and the SFN of the target cell does not need to be decoded. The rate of correct handovers observed during repeated tests shall be at least 90% with a confidence level of [FFS]%.

The normative reference for this requirement is TS 25.123 [2] clauses 5.1.2 and A.5.1.2.

#### 8.3.1A.1.3 Test purpose

The purpose of this test is to verify the requirement for the intra-frequency handover delay in CELL\_DCH state in the single carrier case.

#### 8.3.1A.1.4 Method of test

##### 8.3.1A.1.4.1 Initial conditions

Test environment: normal; see clauses G.2.1 and G.2.2.

Frequencies to be tested: mid range; see clause G.2.4.

The test parameters are given in table 8.3.1A.1.1 and 8.3.1A.1.2. In the measurement control information it is indicated to the UE that event-triggered reporting with Event 1G shall be used, and that P-CCPCH RSCP and SFN-CFN observed timed difference shall be reported together with Event 1G. The test consists of three successive time periods, with a time duration of T1, T2 and T3 respectively. At the start of time duration T1, the UE may not have any timing information of cell 2.

UTRAN shall send a Physical Channel reconfiguration message with activation time at the beginning of T3 with a new active cell, cell 2. The Physical Channel reconfiguration message shall be sent to the UE such that the delay between the end of the last received TTI containing the message and the beginning of T3 is at least equal to the RRC procedure delay as defined in [9].

**Table 8.3.1A.1.1: General test parameters for Handover to intra-frequency cell**

Parameter		Unit	Value	Comment
DCH parameters			DL Reference Measurement Channel 12.2 kbps	As specified in TS 25.102 clause A.2.2
Power Control			On	
Target quality value on DTCH		BLER	0.01	
Initial conditions	Active cell		Cell 1	
	Neighbour cell		Cell 2	
Final condition	Active cell		Cell 2	
HCS			Not used	
O		dB	0	Cell individual offset. This value shall be used for all cells in the test.
Hysteresis		dB	0	
Time to Trigger		ms	0	
Filter coefficient			0	
Monitored cell list size			6 TDD neighbours on Channel 1	
T1		s	10	
T2		s	10	
T3		s	10	

**Table 8.3.1A.1.2: Cell specific test parameters for Handover to intra-frequency cell**

Parameter	Unit	Cell 1						Cell 2					
		0			5			0			5		
Timeslot Number		T1	T2	T3	T1	T2	T3	T1	T2	T3	T1	T2	T3
UTRA RF Channel Number		Channel 1						Channel 1					
PCCPCH_Ec/I <sub>or</sub>	dB	-3			n.a.			-3			n.a.		
DPCH_Ec/I <sub>or</sub>	dB	n.a.			Note1	n.a.		n.a.			n.a.	Note1	
OCNS_Ec/I <sub>or</sub>	dB	Note2			Note2			Note2			Note2		
$\hat{I}_{or}/I_{oc}$	dB	3			3			-Inf.	5		-Inf.	5	
$I_{oc}$	dBm/ 1.28 MHz	-70											
PCCPCH_RSCP	dBm	-70			n.a.			-Inf.	-68		n.a.		
Propagation Condition		AWGN											
Note 1: The DPCH level is controlled by the power control loop													
Note 2: The power of the OCNS channel that is added shall make the total power from the cell to be equal to $I_{or}$ .													

#### 8.3.1A.1.4.2 Procedure

- 1) The RF parameters are set up according to T1.
- 2) The UE is switched on.
- 3) A call is set up according to the test procedure specified in TS 34.108 [3] subclause 7.3.4.
- 4) SS shall transmit a MEASUREMENT CONTROL message.
- 5) After 10 seconds, the SS shall switch the power settings from T1 to T2.
- 6) UE shall transmit a MEASUREMENT REPORT message triggered by event 1G.
- 7) SS shall transmit a PHYSICAL CHANNEL RECONFIGURATION message with activation time at T3.
- 8) After 10 seconds, the SS shall switch the power settings from T2 to T3



- 9) UE shall transmit a PHYSICAL CHANNEL RECONFIGURATION COMPLETE message on the UL DCCH of cell 2. If the UE transmits the UL DPCH to cell 2 less than 40 ms from the beginning of time period T3 then the number of successful tests is increased by one.
- 10) After 10 seconds, the UE is switched off. Any timing information of cell 2 is deleted in the UE.
- 11) Repeat step 1-10 [TBD] times.

#### Specific Message Contents

All messages indicated above shall use the same content as described in the default message content in clause 9 of 34.108 [3] with the following exceptions:

MEASUREMENT CONTROL message (step 4):

Information Element/Group name	Value/Remark
Message Type (10.2.17)	
<b>UE information elements</b>	
-RRC transaction identifier	0
-Integrity check info	Not Present
<b>Measurement Information elements</b>	
-Measurement Identity	1
-Measurement Command (10.3.7.46)	Modify
-Measurement Reporting Mode (10.3.7.49)	
-Measurement Report Transfer Mode	AM RLC
-Periodical Reporting / Event Trigger Reporting Mode	Event trigger
-Additional measurements list (10.3.7.1)	Not Present
-CHOICE <i>Measurement type</i>	Intra-frequency measurement
-Intra-frequency measurement (10.3.7.36)	
-Intra-frequency measurement objects list (10.3.7.33)	Not Present
-Intra-frequency measurement quantity (10.3.7.38)	
-Filter coefficient (10.3.7.9)	0
-CHOICE <i>mode</i>	TDD
-Measurement quantity list	1
-Measurement quantity	Primary CCPCH
-Intra-frequency reporting quantity (10.3.7.41)	
-Reporting quantities for active set cells (10.3.7.5)	
-SFN-SFN observed time difference reporting indicator	No report
-Cell synchronisation information reporting indicator	TRUE (Note 1)
-Cell Identity reporting indicator	TRUE
-CHOICE <i>mode</i>	TDD
-Timeslot ISCP reporting indicator	TRUE
-Primary CCPCH RSCP reporting indicator	TRUE
-Pathloss reporting indicator	TRUE
-Reporting quantities for monitored set cells (10.3.7.5)	
-SFN-SFN observed time difference reporting indicator	No report
-Cell synchronisation information reporting indicator	TRUE (Note 1)
-Cell Identity reporting indicator	TRUE
-CHOICE <i>mode</i>	TDD
-Timeslot ISCP reporting indicator	TRUE
-Proposed TGSN reporting required	FALSE
-Primary CCPCH RSCP reporting indicator	TRUE
-Pathloss reporting indicator	TRUE
-Reporting quantities for detected set cells (10.3.7.5)	Not Present
-Reporting cell status (10.3.7.61)	
-CHOICE <i>reported cell</i>	Report all active set cells + cells within monitored set on used frequency
-Maximum number of reported cells	2
-Measurement validity (10.3.7.51)	Not Present
-CHOICE <i>report criteria</i>	Intra-frequency measurement reporting criteria
-Intra-frequency measurement reporting criteria (10.3.7.39)	
-Parameters required for each event	1
-Intra-frequency event identity	Event 1G
-Triggering condition 2	Not Present
-Reporting Range Constant	Not Present
-Cells forbidden to affect Reporting Range	Not Present
-CHOICE <i>mode</i>	TDD
-Primary CCPCH info (10.3.6.57)	
-CHOICE <i>mode</i>	TDD
-CHOICE <i>TDD option</i>	1.28 Mcps
<i>TSTD indicator</i>	TRUE
-Cell parameters ID	0
-SCTD indicator	FALSE
-W	Not Present
-Hysteresis	0 dB
-Threshold used frequency	Not Present
-Reporting deactivation threshold	Not Present
-Replacement activation threshold	Not Present
-Time to trigger	0 ms
-Amount of reporting	Infinity

Information Element/Group name	Value/Remark
-Reporting interval -Reporting cell status	0 ms (Note 2) Not Present
<b>Physical channel information elements</b> -DPCH compressed mode status info (10.3.6.34)	Not Present
Note 1: The SFN-CFN observed time difference is calculated from the OFF and Tm parameters contained in the IE "Cell synchronisation information", TS 25.331, clause 10.3.7.6. According to TS 25.331, 8.6.7.7, this IE is included in MEASUREMENT REPORT if IE "Cell synchronisation information reporting indicator" in IE "Cell reporting quantities" TS 25.331, clause 10.3.7.5 is set to TRUE in MEASUREMENT CONTROL.	
Note 2: Reporting interval = 0 ms means no periodical reporting	

## PHYSICAL CHANNEL RECONFIGURATION message (step 7):

Information Element	Value/Remark
Message Type	
<b>UE Information Elements</b>	
-RRC transaction identifier	0
-Integrity check info	Not Present
-Integrity protection mode info	Not Present
-Ciphering mode info	Not Present
-Activation time	At T3
-New U-RNTI	Not Present
-New C-RNTI	Not Present
-RRC State Indicator	CELL_DCH
-UTRAN DRX cycle length coefficient	Not Present
<b>CN Information Elements</b>	
-CN Information info	Not Present
<b>UTRAN mobility information elements</b>	
-URA identity	Not Present
<b>RB information elements</b>	
-Downlink counter synchronisation info	Not Present
-RB with PDCP information list	Not Present
-RB with PDCP information	Not Present
<b>PhyCH information elements</b>	
-Frequency info (10.3.6.36)	TDD
-CHOICE <i>mode</i>	Same UARFCN as used for cell 2
-UARFCN (Nt)	
<b>Uplink radio resources</b>	
-Maximum allowed UL TX power	30 dBm
-CHOICE <i>channel requirement</i>	Uplink DPCH info
-Uplink DPCH info (10.3.6.88)	
-Uplink DPCH power control info (10.3.6.91)	
-CHOICE <i>mode</i>	TDD
-CHOICE <i>TDD option</i>	1.28 Mcps TDD
-PRX <sub>DPCHdes</sub>	Not Present
-CHOICE <i>UL OL PC info</i>	Individually signalled
-CHOICE <i>TDD option</i>	1.28 Mcps TDD
-Individual Timeslot interference info	1
-Individual timeslot interference (10.3.6.38)	
-Timeslot Number (10.3.6.84)	
-CHOICE <i>TDD option</i>	1.28 Mcps TDD
-TPC step size	1
-UL Timeslot Interference	-90 dBm
-CHOICE <i>mode</i>	TDD
-Uplink timing advance control (10.3.6.96)	
-CHOICE <i>Timing Advance</i>	Disabled
-UL CCTrCH list	1
-UL Target SIR	TBD dB
-Time Info (10.3.6.83)	
-Activation Time	T3
-Duration	Infinite
-Common timeslot info	Not Present
-Uplink DPCH timeslots and codes (10.3.6.94)	
-Dynamic SF Usage	False
-First individual timeslot info (10.3.6.37)	
-Timeslot Number (10.3.6.84)	
-CHOICE <i>TDD option</i>	1.28 Mcps
-Timeslot number	2
-TFCl existence	True
-Midamble shift and burst type (10.3.6.41)	
-Choice <i>TDD option</i>	1.28 Mcps
-Midamble Allocation Mode	Default
-Midamble configuration	16
-Midamble shift	Not present
-CHOICE <i>TDD option</i>	1.28 Mcps
-Modulation	QPSK
- SS-TPC Symbols	
-Additional TPC-SS Symbols	

Information Element	Value/Remark
-First timeslot code list	1
-Channelisation code	8/1
-Choice more timeslots	No more timeslots
<b>Downlink radio resources</b>	
-CHOICE <i>mode</i>	TDD
-Downlink information common for all radio links (10.3.6.24)	
-Downlink DPCH info common for all RL (10.3.6.18)	
-Timing indicator	Initialise
-CFN-targetSFN frame offset	Not Present
-Downlink DPCH power control information (10.3.6.23)	
-CHOICE <i>mode</i>	TDD
-TPC Step size	1 dB
-CHOICE <i>mode</i>	TDD
-CHOICE <i>mode</i>	TDD
-CHOICE <i>TDD option</i>	1.28 Mcps
-TX Diversity mode (10.3.6.86)	None
-Default DPCH Offset Value (10.3.6.16)	0
-Downlink information per radio link list	1
-Downlink information for each radio link (10.3.6.27)	
-CHOICE <i>mode</i>	TDD
-Primary CCPCH info (10.3.6.57)	
-CHOICE <i>mode</i>	TDD
-CHOICE <i>TDD option</i>	1.28 Mcps
<i>TSTD indicator</i>	TRUE
-Cell parameters ID	0
-SCTD indicator	False
-Downlink DPCH info for each RL (10.3.6.21)	
-CHOICE <i>mode</i>	TDD
-DL CCTrCH list	1
-TFCS ID	Not Present
-Time Info (10.3.6.83)	
-Activation Time	T3
-Duration	Infinite
-Common timeslot info	Not Present
-Downlink DPCH timeslots and codes (10.3.6.32)	
-First individual timeslot info (10.3.6.37)	
-Timeslot Number (10.3.6.84)	
-CHOICE <i>TDD option</i>	1.28 Mcps
-Timeslot number	5
-TFCI existence	True
-Midamble shift and burst type (10.3.6.41)	
-CHOICE <i>TDD option</i>	1.28 Mcps
-Midamble Allocation Mode	Default
-Midamble configuration	16
-Midamble shift	Not present
-CHOICE <i>TDD option</i>	1.28 Mcps
-Modulation	QPSK
-SS-TPC Symbols	
-Additional TPC-SS Symbols	
-First timeslot channelisation codes (10.3.6.17)	
-CHOICE <i>codes representation</i>	Consecutive codes
-First channelisation code	16/1
-Last channelisation code	16/2
-CHOICE <i>more timeslots</i>	No more timeslots
-SCCPCH information for FACH (10.3.6.70)	Not Present

## MEASUREMENT REPORT message for Intra frequency test cases

This message is common for all intra frequency test cases in clause 8.7 and is described in Annex I.

### 8.3.1A.1.5 Test requirements

For the test to pass, the total number of successful tests shall be more than [FFS] of the cases.

NOTE: If the above Test Requirement differs from the Minimum Requirement then the Test Tolerance applied for this test is non-zero. The Test Tolerance for this test is defined in clause F.2 and the explanation of how the Minimum Requirement has been relaxed by the Test Tolerance is given in clause F.4.

## 8.3.1A.2 Handover to inter-frequency cell

### 8.3.1A.2.1 Definition and applicability

Handover delay of the UE is defined as the time from the end of the last TTI containing an RRC message implying hard handover to the transmission of the new uplink DPCH, excluding the RRC procedure delay as defined in [9].

The requirements and this test apply to the UTRA TDD UE 1.28 Mcps option.

### 8.3.1A.2.2 Minimum requirement

The hard handover delay shall be less than 40 ms in the dual carrier case when the cell is known by the UE and the SFN of the target cell needs to be decoded. The rate of correct handovers observed during repeated tests shall be at least 90% with a confidence level of [FFS]%.

The normative reference for this requirement is TS 25.123 [2] clauses 5.1.2 and A.5.1.2.

### 8.3.1A.2.3 Test purpose

The purpose of this test is to verify the requirement for the inter-frequency handover delay in CELL\_DCH state in the dual carrier case.

### 8.3.1A.2.4 Method of test

#### 8.3.1A.2.4.1 Initial conditions

Test environment: normal; see clauses G.2.1 and G.2.2.

Frequencies to be tested: mid range; see clause G.2.4.

The test parameters are given in table 8.3.1A.2.1 and 8.3.1A.2.2. In the measurement control information it is indicated to the UE that event-triggered reporting with Event 2C shall be used. The PCCPCH RSCP and SFN-CFN observed time difference of the best cell on the unused frequency shall be reported together with Event 2C reporting. At the start of time duration T1, the UE may not have any timing information of cell 2.

UTRAN shall send a Physical Channel reconfiguration message with activation time at beginning of T3 with one active cell, cell 2. The Physical Channel reconfiguration message shall be sent to the UE such that the delay between the end of the last received TTI containing the message and the beginning of T3 is at least equal to the RRC procedure delay as defined in [9].

Table 8.3.1A.2.1: General test parameters for Handover to inter-frequency cell

Parameter		Unit	Value	Comment
DCH parameters			DL Reference Measurement Channel 12.2 kbps	As specified in TS 25.102 clause A.2.2
Power Control			On	
Target quality value on DTCH		BLER	0.01	
Initial conditions	Active cell		Cell 1	
	Neighbour cell		Cell 2	
Final condition	Active cell		Cell 2	
HCS			Not used	
O		dB	0	Cell individual offset. This value shall be used for all cells in the test.
Hysteresis		dB	0	Hysteresis parameter for event 2C
Time to Trigger		ms	0	
Threshold non-used frequency		dBm	-80	Applicable for Event 2C
Filter coefficient			0	
Monitored cell list size			6 TDD neighbours on Channel 1 6 TDD neighbours on Channel 2	
T <sub>SI</sub>		s	1,28	The value shall be used for all cells in the test.
T1		s	10	
T2		s	10	
T3		s	10	

Table 8.3.1A.2.2: Cell Specific parameters for Handover to inter-frequency cell

Parameter	Unit	Cell 1						Cell 2						
		0			5			0			5			
Timeslot Number		T1	T2	T3	T1	T2	T3	T1	T2	T3	T1	T2	T3	
UTRA RF Channel Number		Channel 1						Channel 2						
PCCPCH_Ec/I <sub>or</sub>	dB	-3			n.a.			-3			n.a.			
DPCH_Ec/I <sub>or</sub>	dB	n.a.			Note1			n.a.			n.a. Note1			
OCNS_Ec/I <sub>or</sub>	dB	-3			Note2			-3			Note2			
$\hat{I}_{or}/I_{oc}$	dB	3			3			-Inf	9			-Inf	9	
I <sub>oc</sub>	dBm/1.28 MHz	-70												
PCCPCH_RSCP	dBm	-70			n.a.			-Inf	-64			n.a.		
Propagation Condition		AWGN												
Note 1: The DPCH level is controlled by the power control loop														
Note 2: The power of the OCNS channel that is added shall make the total power from the cell to be equal to I <sub>or</sub> .														

## 8.3.1A.2.4.2 Procedure

- 1) The RF parameters are set up according to T1.
- 2) The UE is switched on.
- 3) A call is set up according to the test procedure specified in TS 34.108 [3] subclause 7.3.4.
- 4) SS shall transmit a MEASUREMENT CONTROL message.
- 5) After 10 seconds, the SS shall switch the power settings from T1 to T2.
- 6) UE shall transmit a MEASUREMENT REPORT message triggered by event 2C.
- 7) SS shall transmit a PHYSICAL CHANNEL RECONFIGURATION message with activation time at T3.
- 8) After 10 seconds, the SS shall switch the power settings from T2 to T3

- 9) UE shall transmit a PHYSICAL CHANNEL RECONFIGURATION COMPLETE message on the UL DCCH of cell 2. If the UE transmits the UL DPCH to cell 2 less than 40 ms from the beginning of time period T3 then the number of successful tests is increased by one.
- 10) After 10 seconds, the UE is switched off. Any timing information of cell 2 is deleted in the UE.
- 11) Repeat step 1-10 [TBD] times.

#### Specific Message Contents

All messages indicated above shall use the same content as described in the default message content in clause 9 of 34.108 [3] with the following exceptions:



MEASUREMENT CONTROL message, event 2C (step 4):

Information Element/Group name	Value/Remark
Message Type (10.2.17)	
<b>UE information elements</b> -RRC transaction identifier -Integrity check info	0 Not Present
<b>Measurement Information elements</b> -Measurement Identity -Measurement Command (10.3.7.46) -Measurement Reporting Mode (10.3.7.49) -Measurement Report Transfer Mode -Periodical Reporting / Event Trigger Reporting Mode -Additional measurements list (10.3.7.1)	1 Modify  AM RLC Event trigger Not Present
-CHOICE <i>Measurement type</i> -Inter-frequency measurement (10.3.7.16) -Inter-frequency measurement objects list (10.3.7.13) -Inter-frequency measurement quantity (10.3.7.18) -CHOICE <i>reporting criteria</i> -Inter-frequency reporting criteria -Filter coefficient -CHOICE <i>mode</i> -Measurement quantity for frequency quality estimate	Inter-frequency measurement  Not Present  Inter-frequency reporting criteria  0 TDD Primary CCPCH RSCP
-Inter-frequency reporting quantity (10.3.7.21) -UTRA Carrier RSSI -Frequency quality estimate -Non frequency related cell reporting quantities (10.3.7.5) -SFN-SFN observed time difference reporting indicator -Cell synchronisation information reporting indicator -Cell Identity reporting indicator -CHOICE <i>mode</i> -Timeslot ISCP reporting indicator -Proposed TGSN reporting required -Primary CCPCH RSCP reporting indicator -Pathloss reporting indicator	FALSE FALSE  Type 1 TRUE TRUE TDD TRUE FALSE TRUE TRUE
-Reporting cell status (10.3.7.61) -CHOICE <i>reported cell</i>  -Maximum number of reported cells per reported non-used frequency -Measurement validity (10.3.7.51) -Inter-frequency set update (10.3.7.22) -CHOICE <i>report criteria</i>	Report cells within monitored set on non-used frequency 1  Not Present Not Present Inter-frequency measurement reporting criteria
-Inter-frequency measurement reporting criteria (10.3.7.19) -Parameters required for each event -Inter-frequency event identity (10.3.7.14) -Threshold used frequency -W used frequency -Hysteresis -Time to trigger -Reporting cell status (10.3.7.61) -CHOICE <i>reported cell</i>  -Maximum number of reported cells per reported non-used frequency -Parameters required for each non-used frequency -Threshold non-used frequency -W non-used frequency	1 Event 2C Not Present Not Present 0 dB 0 ms  Report cells within monitored set on non-used frequency 1  1 -80 dBm 1
<b>Physical channel information elements</b> -DPCH compressed mode status info (10.3.6.34)	Not Present

PHYSICAL CHANNEL RECONFIGURATION message (step 7):

Information Element	Value/Remark
Message Type	
<b>UE Information Elements</b>	
-RRC transaction identifier	0
-Integrity check info	Not Present
-Integrity protection mode info	Not Present
-Ciphering mode info	Not Present
-Activation time	At T3
-New U-RNTI	Not Present
-New C-RNTI	Not Present
-RRC State Indicator	CELL_DCH
-UTRAN DRX cycle length coefficient	Not Present
<b>CN Information Elements</b>	
-CN Information info	Not Present
<b>UTRAN mobility information elements</b>	
-URA identity	Not Present
<b>RB information elements</b>	
-Downlink counter synchronisation info	Not Present
-RB with PDCP information list	Not Present
-RB with PDCP information	Not Present
<b>PhyCH information elements</b>	
-Frequency info (10.3.6.36)	
-CHOICE <i>mode</i>	TDD
-UARFCN (Nt)	Same UARFCN as used for cell 2
<b>Uplink radio resources</b>	
-Maximum allowed UL TX power	30 dBm
-CHOICE <i>channel requirement</i>	Uplink DPCH info
-Uplink DPCH info (10.3.6.88)	
-Uplink DPCH power control info (10.3.6.91)	
-CHOICE <i>mode</i>	TDD
-CHOICE <i>TDD option</i>	1.28 Mcps TDD
-PRX <sub>DPCHdes</sub>	Not Present
-CHOICE <i>UL OL PC info</i>	Individually signalled
-CHOICE <i>TDD option</i>	1.28 Mcps TDD
-Individual Timeslot interference info	1
-Individual timeslot interference (10.3.6.38)	
-Timeslot Number (10.3.6.84)	
-CHOICE <i>TDD option</i>	1.28 Mcps TDD
-TPC stepsize	1
- UL Timeslot Interference	-90 dBm
-CHOICE <i>mode</i>	TDD
-Uplink timing advance control (10.3.6.96)	
-CHOICE <i>Timing Advance</i>	Disabled
-UL CCTrCH list	1
-UL Target SIR	TBD dB
-Time Info (10.3.6.83)	
-Activation Time	T3
-Duration	Infinite
-Common timeslot info	Not Present
-Uplink DPCH timeslots and codes (10.3.6.94)	
-Dynamic SF Usage	False
-First individual timeslot info (10.3.6.37)	
-Timeslot Number (10.3.6.84)	
-CHOICE <i>TDD option</i>	1.28 Mcps
-Timeslot number	2
-TFCl existence	True
-Midamble shift and burst type (10.3.6.41)	
-CHOICE <i>TDD option</i>	1.28 Mcps
-Midamble Allocation Mode	Default
-Midamble configuration	16
-Midamble shift	Not present
-CHOICE <i>TDD option</i>	1.28 Mcps
-Modulation	QPSK
- SS-TPC Symbols	
-Additional TPC-SS Symbols	
-First timeslot code list	1

Information Element	Value/Remark
-Channelisation code	8/1
-CHOICE <i>more timeslots</i>	No more timeslots
<b>Downlink radio resources</b>	
-CHOICE <i>mode</i>	TDD
-Downlink information common for all radio links (10.3.6.24)	
-Downlink DPCH info common for all RL (10.3.6.18)	
-Timing indicator	Initialise
-CFN-targetSFN frame offset	Not Present
-Downlink DPCH power control information (10.3.6.23)	
-CHOICE <i>mode</i>	TDD
-TPC Step size	1 dB
-CHOICE <i>mode</i>	TDD
-CHOICE <i>mode</i>	TDD
-CHOICE <i>TDD option</i>	1.28 Mcps
-TX Diversity mode (10.3.6.86)	None
-Default DPCH Offset Value (10.3.6.16)	0
-Downlink information per radio link list	1
-Downlink information for each radio link (10.3.6.27)	
-CHOICE <i>mode</i>	TDD
-Primary CCPCH info (10.3.6.57)	
- CHOICE <i>mode</i>	TDD
- CHOICE <i>TDD option</i>	1.28 Mcps
<i>TSTD indicator</i>	TRUE
- Cell parameters ID	0
- SCTD indicator	False
-Downlink DPCH info for each RL (10.3.6.21)	
-CHOICE <i>mode</i>	TDD
- DL CCTrCH list	1
-TFCS ID	Not Present
-Time Info (10.3.6.83)	
-Activation Time	T3
-Duration	Infinite
-Common timeslot info	Not Present
- Downlink DPCH timeslots and codes (10.3.6.32)	
- First individual timeslot info (10.3.6.37)	
- Timeslot Number (10.3.6.84)	
- CHOICE <i>TDD option</i>	1.28 Mcps
- Timeslot number	5
- TFCI existence	True
- Midamble shift and burst type (10.3.6.41)	
- CHOICE <i>TDD option</i>	1.28 Mcps
- Midamble Allocation Mode	Default
- Midamble configuration	16
- Midamble shift	Not present
- CHOICE <i>TDD option</i>	1.28 Mcps
- First timeslot channelisation codes (10.3.6.17)	
-Modulation	QPSK
-SS-TPC Symbols	
-Additional TPC-SS Symbols	
- CHOICE <i>codes representation</i>	Consecutive codes
- First channelisation code	16/1
- Last channelisation code	16/2
- CHOICE <i>more timeslots</i>	No more timeslots
- SCCPCH information for FACH (10.3.6.70)	Not Present

## MEASUREMENT REPORT message for Inter frequency test cases

This message is common for all inter frequency TDD test cases in clause 8.7 and is described in Annex I.

### 8.3.1A.2.5 Test requirements

For the test to pass, the total number of successful tests shall be more than [FFS] of the cases.

NOTE: If the above Test Requirement differs from the Minimum Requirement then the Test Tolerance applied for this test is non-zero. The Test Tolerance for this test is defined in clause F.2 and the explanation of how the Minimum Requirement has been relaxed by the Test Tolerance is given in clause F.4.

## 8.3.2 TDD/FDD Handover for 3,84 Mcps Option

### 8.3.2.1 Definition and applicability

Handover delay of the UE is defined as the time from the end of the last TTI containing an RRC message implying hard handover to the transmission of the new uplink DPCCH, excluding the RRC procedure delay as defined in [9].

The requirements and this test apply to the UTRA TDD / FDD UE.

### 8.3.2.2 Minimum requirement

The hard handover delay shall be less than 100 ms in the single carrier case when the cell is known by the UE and the SFN of the target cell does not need to be decoded. The rate of correct handovers observed during repeated tests shall be at least 90% with a confidence level of [FFS]%.

The normative reference for this requirement is TS 25.123 [2] clauses 5.2 and A.5.2.

### 8.3.2.3 Test purpose

The purpose of this test is to verify the requirement for the TDD/FDD handover delay in CELL\_DCH state.

### 8.3.2.4 Method of test

#### 8.3.2.4.1 Initial conditions

Test environment: normal; see clauses G.2.1 and G.2.2.

Frequencies to be tested: mid range; see clause G.2.4.

The test parameters are given in table 8.3.2.1, 8.3.2.2 and 8.3.2.3 below. In the measurement control information it is indicated to the UE that event-triggered reporting with Event 1G and 2B shall be used. The CPICH\_RSCP of the best cell on the unused frequency shall be reported together with Event 2B reporting. The test consists of three successive time periods, with a time duration of T1, T2 and T3 respectively. At the start of time duration T1, the UE may not have any timing information of cell 2.

UTRAN shall send a Physical Channel reconfiguration message with activation time at the beginning of T3 with a new active cell, cell 2. The Physical Channel reconfiguration message shall be sent to the UE such that the delay between the end of the last received TTI containing the message and the beginning of T3 is at least equal to the RRC procedure delay as defined in [16].

Table 8.3.2.1: General test parameters for TDD/FDD handover

Parameter	Unit	Value	Comment
DCH parameters		DL Reference Measurement Channel 12.2 kbps	As specified in TS 25.102 clause A.2.2
Power Control		On	
Target quality value on DTCH	BLER	0.01	
Initial conditions	Active cell	Cell 1	TDD cell
	Neighbour cell	Cell 2	FDD cell
Final condition	Active cell	Cell 2	FDD cell
HCS		Not used	
O	dB	0	Cell individual offset. This value shall be used for all cells in the test.
Hysteresis	dB	3	Hysteresis parameter for event 2B
Time to Trigger	ms	0	
Absolute threshold used frequency	dBm	-71	Applicable for Event 2B
Threshold non-used frequency	dBm	-80	Applicable for Event 2B
W used frequency		1	Applicable for Event 2B
W non-used frequency		1	Applicable for Event 2B
Filter coefficient		0	
Monitored cell list size		6 TDD neighbours on Channel 1 6 FDD neighbours on Channel 2	
T <sub>SI</sub>	s	1.28	The value shall be used for all cells in the test.
T1	s	5	
T2	s	15	
T3	s	5	

Table 8.3.2.2: Cell 1 specific test parameters for TDD/FDD handover

Parameter	Unit	Cell 1					
DL timeslot number		0			2		
		T1	T2	T3	T1	T2	T3
UTRA RF Channel Number		Channel 1					
PCCPCH_Ec/lor	dB	-3			n.a.		
SCH_Ec/lor	dB	-9			n.a.		
SCH_t_offset	dB	0			n.a.		
DPCH_Ec/lor	dB	n.a.			Note 1		n.a.
OCNS_Ec/lor	dB	-3,12			Note 2		n.a.
$\hat{I}_{or}/I_{oc}$	dB	5	-1		5	-1	
PCCPCH RSCP	dBm	-68	-74		n.a.		
$I_{oc}$	dBm/ 3,84 MHz	-70					
Propagation Condition		AWGN					
Note 1: The DPCH level is controlled by the power control loop							
Note 2: The power of the OCNS channel that is added shall make the total power from the cell to be equal to lor .							

**Table 8.3.2.3: Cell 2 specific test parameters for TDD/FDD handover**

Parameter	Unit	Cell 2	
		T1, T2	T3
CPICH_Ec/I <sub>or</sub>	dB	-10	
PCCPCH_Ec/I <sub>or</sub>	dB	-12	
SCH_Ec/I <sub>or</sub>	dB	-12	
PICH_Ec/I <sub>or</sub>	dB	-15	
DPCH_Ec/I <sub>or</sub>	dB	n.a.	Note 1
OCNS_Ec/I <sub>or</sub>	dB	-0,941	Note 2
CPICH_RSCP	dBm	-83	-77
$\hat{I}_{or}/I_{oc}$	dB	-3	3
$I_{oc}$	dBm/3. 84 MHz	-70	
Propagation Condition		AWGN	
Note 1: The DPCH level is controlled by the power control loop			
Note 2 : The power of the OCNS channel that is added shall make the total power from the cell to be equal to I <sub>or</sub>			

#### 8.3.2.4.2 Procedure

- 1) The RF parameters are set up according to T1.
- 2) The UE is switched on.
- 3) A call is set up according to the test procedure specified in TS 34.108 [3] subclause 7.3.4.  
[Editor's note: subclause 7.3.4 in TS 34.108 (Message sequence chart for Handover Test procedure) is not yet specified]
- 4) SS shall transmit a MEASUREMENT CONTROL message.
- 5) After 5 seconds, the SS shall switch the power settings from T1 to T2.
- 6) UE shall transmit a MEASUREMENT REPORT message triggered by event 2B.
- 7) SS shall transmit a PHYSICAL CHANNEL RECONFIGURATION message with activation time at T3.
- 8) After 15 seconds, the SS shall switch the power settings from T2 to T3
- 9) UE shall transmit a PHYSICAL CHANNEL RECONFIGURATION COMPLETE message on the UL DCCH of cell 2. If the UE transmits the UL DPCCH to cell 2 less than 100 ms from the beginning of time period T3 then the number of successful tests is increased by one.
- 10) After 5 seconds, the UE is switched off. Any timing information of cell 2 is deleted in the UE.
- 11) Repeat step 1-10 [TBD] times.

#### Specific Message Contents

All messages indicated below shall use the same content as described in the default message content in clause 9 of 34.108 [3] and in Annex A of 34.123-1 [21], with the following exceptions:

MEASUREMENT CONTROL message, event 2B (step 4):

Information Element/Group name	Value/Remark
Message Type (10.2.17)	
<b>UE information elements</b> -RRC transaction identifier -Integrity check info	0 Not Present
<b>Measurement Information elements</b> -Measurement Identity -Measurement Command (10.3.7.46) -Measurement Reporting Mode (10.3.7.49) -Measurement Report Transfer Mode -Periodical Reporting / Event Trigger Reporting Mode -Additional measurements list (10.3.7.1)	1 Modify  AM RLC Event trigger Not Present
-CHOICE <i>Measurement type</i> -Inter-frequency measurement (10.3.7.16) -Inter-frequency measurement objects list (10.3.7.13) -Inter-frequency measurement quantity (10.3.7.18) -CHOICE <i>reporting criteria</i> -Inter-frequency reporting criteria -Filter coefficient -CHOICE <i>mode</i> -Measurement quantity for frequency quality estimate	Inter-frequency measurement  Not Present  Inter-frequency reporting criteria  0 FDD CPICH RSCP
-Inter-frequency reporting quantity (10.3.7.21) -UTRA Carrier RSSI -Frequency quality estimate -Non frequency related cell reporting quantities (10.3.7.5) -SFN-SFN observed time difference reporting indicator -Cell synchronisation information reporting indicator -Cell Identity reporting indicator -CHOICE <i>mode</i> -CPICH Ec/N0 reporting indicator -CPICH RSCP reporting indicator -Pathloss reporting indicator	FALSE FALSE  Type 1 TRUE TRUE FDD TRUE TRUE TRUE
-Reporting cell status (10.3.7.61) -CHOICE <i>reported cell</i>  -Maximum number of reported cells per reported non-used frequency -Measurement validity (10.3.7.51) -Inter-frequency set update (10.3.7.22) -CHOICE <i>report criteria</i>	Report cells within monitored set on non-used frequency  1  Not Present Not Present Inter-frequency measurement reporting criteria
-Inter-frequency measurement reporting criteria (10.3.7.19) -Parameters required for each event -Inter-frequency event identity (10.3.7.14) -Threshold used frequency -W used frequency -Hysteresis -Time to trigger -Reporting cell status (10.3.7.61) -CHOICE <i>reported cell</i>  -Maximum number of reported cells per reported non-used frequency -Parameters required for each non-used frequency -Threshold non-used frequency -W non-used frequency	1 Event 2B -71 dBm 1 0 dB 0 ms  Report cells within monitored set on non-used frequency 1  1 -80 dBm 1
<b>Physical channel information elements</b> -DPCH compressed mode status info (10.3.6.34)	Not Present

PHYSICAL CHANNEL RECONFIGURATION message (step 7):

Information Element	Value/Remark
Message Type	
<b>UE Information Elements</b>	
-RRC transaction identifier	0
-Integrity check info	Not Present
-Integrity protection mode info	Not Present
-Ciphering mode info	Not Present
-Activation time	At T3
-New U-RNTI	Not Present
-New C-RNTI	Not Present
-RRC State Indicator	CELL_DCH
-UTRAN DRX cycle length coefficient	Not Present
<b>CN Information Elements</b>	
-CN Information info	Not Present
<b>UTRAN mobility information elements</b>	
-URA identity	Not Present
<b>RB information elements</b>	
-Downlink counter synchronisation info	Not Present
-RB with PDCP information list	Not Present
-RB with PDCP information	Not Present
<b>PhyCH information elements</b>	
-Frequency info (10.3.6.36)	
-CHOICE <i>mode</i>	FDD
-UARFCN uplink(Nu)	Same uplink UARFCN as used for cell 2
-UARFCN downlink(Nd)	Same downlink UARFCN as used for cell 2
<b>Uplink radio resources</b>	
-Maximum allowed UL TX power	33 dBm
-CHOICE <i>channel requirement</i>	Uplink DPCH info
-Uplink DPCH info (10.3.6.88)	
-Uplink DPCH power control info (10.3.6.91)	
-CHOICE <i>mode</i>	FDD
-DPCCH power offset	-6dB
- PC Preamble	1 frame
- SRB delay	7 frames
- Power Control Algorithm	Algorithm1
- TPC step size	1dB
-CHOICE <i>mode</i>	FDD
-Scrambling code type	Long
-Scrambling code number	0 (0 to 16777215)
-Number of DPDCH	Not Present(1)
-Spreading factor	SF is reference to TS34.108 clause 6.10 Parameter Set
-TFCI existence	TRUE
-Number of FBI bit	Not Present(0)
-Puncturing Limit	Reference to TS34.108 clause 6.10 Parameter Set
<b>Downlink radio resources</b>	
-CHOICE <i>mode</i>	FDD
-Downlink PDSCH information	Not Present
-Downlink information common for all radio links (10.3.6.24)	
-Downlink DPCH info common for all RL (10.3.6.18)	
-Timing indicator	Initialise
-CFN-targetSFN frame offset	Not Present
-Downlink DPCH power control information (10.3.6.23)	
-DPC mode	0 (single)
-CHOICE <i>mode</i>	FDD
-Power offset $P_{\text{Pilot-DPDCH}}$	TBD
-DL rate matching restriction information	Not Present
-Spreading factor	Reference to TS34.108 clause 6.10 Parameter Set
-Fixed or Flexible Position	Flexible
-TFCI existence	TRUE
-CHOICE <i>SF</i>	Not Present
-Number of bits for Pilot bits(SF=128,256)	Not Present
-CHOICE <i>mode</i>	FDD
-DPCH compressed mode info (10.3.6.33)	Not Present (Note 1)



Information Element	Value/Remark
-TX Diversity mode (10.3.6.86)	None
-SSDT information (10.3.6.77)	Not Present
-Default DPCH Offset Value (10.3.6.16)	0
-Downlink information per radio link list	1
-Downlink information for each radio link (10.3.6.27)	
-CHOICE <i>mode</i>	FDD
-Primary CPICH info (10.3.6.60)	
-Primary scrambling code	350
-PDSCH with SHO DCH info (10.3.6.47)	Not Present
-PDSCH code mapping (10.3.6.43)	Not Present
-Downlink DPCH info for each RL (10.3.6.21)	
-CHOICE <i>mode</i>	FDD
-Primary CPICH usage for channel estimation	Primary CPICH may be used
-DPCH frame offset	0 chips
-Secondary CPICH info	Not Present
-DL channelisation code	
-Secondary scrambling code	1
-Spreading factor	Reference to TS34.108 clause 6.10 Parameter Set
-Code number	SF-1(SF is reference to TS34.108 clause 6.10 Parameter Set)
-Scrambling code change	No change
-TPC combination index	0
-SSDT Cell Identity	-a
- Closed loop timing adjustment mode	Not Present
- SCCPCH information for FACH (10.3.6.70)	Not Present
Note 1: IE "DPCH compressed mode info" is not needed as default values are applied that have previously been received in RADIO BEARER SETUP or RRC CONNECTION SETUP	

## MEASUREMENT REPORT message for Inter frequency test cases

This message is common for all inter frequency FDD test cases in clause 8.7 and is described in Annex I.

### 8.3.2.5 Test requirements

For the test to pass, the total number of successful tests shall be more than [FFS] of the cases.

Note: If the above Test Requirement differs from the Minimum Requirement then the Test Tolerance applied for this test is non-zero. The Test Tolerance for this test is defined in clause F.2 and the explanation of how the Minimum Requirement has been relaxed by the Test Tolerance is given in clause F.4.

## 8.3.3 TDD/GSM Handover

Void.

## 8.3.4 Cell Re-selection in CELL\_FACH

### 8.3.4.1 Scenario 1: TDD/TDD cell re-selection single carrier case

#### 8.3.4.1.1 Definition and applicability

##### 8.3.4.1.1.1 3,84 Mcps TDD option

The cell re-selection delay is defined as the time from a change of cell levels to the moment when this change causes the UE to camp on a new cell, and starts to send the CELL UPDATE message with cause value "cell reselection" in the new cell.

The requirements and this test apply to the 3,84 Mcps TDD UE.

## 8.3.4.1.1.2 1,28 Mcps TDD option

Void.

## 8.3.4.1.2 Minimum requirement

## 8.3.4.1.2.1 3,84 Mcps TDD option

The cell re-selection delay shall be less than 2.5 s. The rate of correct cell re-selections observed during repeated tests shall be at least 90%.

The normative reference for this requirement is TS 25.123 [2] clauses 5.4.2 and A.5.4.1.

## 8.3.4.1.2.2 1,28 Mcps TDD option

Void.

## 8.3.4.1.3 Test purpose

This test verifies that the UE meets the minimum requirement for the cell re-selection delay in CELL\_FACH for the single carrier case

## 8.3.4.1.4 Method of test

## 8.3.4.1.4.1 3,84 Mcps TDD option

## 8.3.4.1.4.1.1 Initial conditions

This scenario contains 6 cells operating on the same carrier frequency. The test parameters are given in Tables 8.3.4.1.1.1, 8.3.4.1.1.2, 8.3.4.1.1.3, and 8.3.4.1.1.4.

**Table 8.3.4.1.1.1: General test parameters for Cell Re-selection in CELL\_FACH**

Parameter		Unit	Value	Comment
Initial condition	Active cell		Cell1	
	Neighbour cells		Cell2, Cell3, Cell4, Cell5, Cell6	
Final condition	Active cell		Cell2	
HCS			Not used	
UE_TXPWR_MAX_RACH		dBm	21	The value shall be used for all cells in the test.
Qrxlevmin		dBm	-102	The value shall be used for all cells in the test.
Access Service Class (ASC#0) - Persistence value		-	1	Selected so that no additional delay is caused by the random access procedure. The value shall be used for all cells in the test.
T <sub>SI</sub>		s	1,28	The value shall be used for all cells in the test.
T1		s	15	
T2		s	15	

**Table 8.3.4.1.1.2: Physical channel parameters for S-CCPCH.**

Parameter	Unit	Level
Channel bit rate	Kbps	24,4
Channel symbol rate	Ksps	12,2
Slot Format #	-	0
Frame allocation	-	Continuous frame allocation
Midamble allocation	-	Default Midamble

**Table 8.3.4.1.1.3: Transport channel parameters for S-CCPCH**

Parameter	FACH
Transport Channel Number	1
Transport Block Size	240
Transport Block Set Size	240
Transmission Time Interval	20 ms
Type of Error Protection	Convolutional Coding
Coding Rate	1/2
Rate Matching attribute	256
Size of CRC	16

**Table 8.3.4.1.1.4: Cell specific test parameters for Cell Re-selection in CELL\_FACH**

Parameter	Unit	Cell 1				Cell 2				Cell 3			
		0		8		0		8		0		8	
Timeslot Number		T1	T2	T1	T2	T1	T2	T1	T2	T1	T2	T1	T2
UTRA RF Channel Number		Channel 1				Channel 1				Channel 1			
PCCPCH_Ec/lor	dB	-3	-3			-3	-3			-3	-3		
SCH_Ec/lor	dB	-9	-9	-9	-9	-9	-9	-9	-9	-9	-9	-9	-9
SCH_offset		0	0	0	0	5	5	5	5	10	10	10	10
PICH_Ec/lor	dB			-3	-3			-3	-3			-3	-3
OCNS_Ec/lor	dB	-4,28	-4,28	-4,28	-4,28	-4,28	-4,28	-4,28	-4,28	-4,28	-4,28	-4,28	-4,28
$\hat{I}_{or}/I_{oc}$	dB	9	7	9	7	7	9	7	9	-1	-1	-1	-1
PCCPCH RSCP	dBm	-64	-66			-66	-64			-74	-74		
Qoffset1 <sub>s,n</sub>	dB	C1, C2: 0; C1, C3:0; C1,C4:0 C1, C5:0; C1,C6:0				C2, C1: 0; C2, C3:0; C2,C4:0 C2, C5: 0; C2, C6:0				C3, C1: 0; C3, C2:0; C3,C4:0 C3, C5: 0; C3, C6:0			
Qhyst1 <sub>s</sub>	dB	0				0				0			
Treselection		0				0				0			
Sintrasearch	dB	not sent				not sent				not sent			
FACH measurement occasion info		not sent				not sent				not sent			
$I_{oc}$	dBm/3, 84 MHz	-70											
Propagation Condition		AWGN											
		Cell 4				Cell 5				Cell 6			
Timeslot		0		8		0		8		0		8	
		T1	T2	T1	T2	T1	T2	T1	T2	T1	T2	T1	T2
UTRA RF Channel Number		Channel 1				Channel 1				Channel 1			
PCCPCH_Ec/lor	dB	-3	-3			-3	-3			-3	-3		
SCH_Ec/lor	dB	-9	-9	-9	-9	-9	-9	-9	-9	-9	-9	-9	-9
SCH_offset		15	15	15	15	20	20	20	20	25	25	25	25
PICH_Ec/lor	dB			-3	-3			-3	-3			-3	-3
OCNS_Ec/lor	dB	-4,28	-4,28	-4,28	-4,28	-4,28	-4,28	-4,28	-4,28	-4,28	-4,28	-4,28	-4,28
$\hat{I}_{or}/I_{oc}$	dB	-1	-1	-1	-1	-1	-1	-1	-1	-1	-1	-1	-1
PCCPCH RSCP	dBm	-74	-74			-74	-74			-74	-74		
Qoffset1 <sub>s,n</sub>	dB	C4, C1: 0; C4, C2:0; C4,C3:0 C4, C5:0; C4, C6:0				C5, C1: 0; C5, C2:0; C5,C3:0 C5, C4:0; C5, C6:0				C6, C1: 0; C6, C2:0; C6,C3:0 C6, C4:0; C6, C5:0			
Qhyst1 <sub>s</sub>	dB	0				0				0			
Treselection		0				0				0			
Sintrasearch	dB	not sent				not sent				not sent			
FACH measurement occasion info		not sent				not sent				not sent			
$I_{oc}$	dBm/3, 84 MHz	-70											
Propagation Condition		AWGN											

Note: S-CCPCH shall not be located in TS0.

#### 8.3.4.1.4.1.2 Procedure

- a) The SS activates cell 1-6 with T1 defined parameters.
- b) The UE is switched on.
- c) A call is set up according to the generic set-up procedure specified in TS 34.108 [3] subclause 7.4.2 to place the UE in CELL\_FACH.
- d) After 15 s, the parameters are changed as described for T2.
- e) The SS waits for CELL UPDATE message with cause value "cell reselection" from the UE.
- f) After another 15 s, the parameters are changed as described for T1.
- g) The SS waits for CELL UPDATE message with cause value "cell reselection" from the UE.
- h) Repeat steps d) to g) [TBD] times.

#### 8.3.4.1.4.2 1,28 Mcps TDD option

Void.

#### 8.3.4.1.5 Test Requirements

##### 8.3.4.1.5.1 3,84 Mcps TDD option

- 1) In step d), after the UE has responded on cell 1, it shall not respond on any other cell (cell selection).
- 2) In step e), the UE shall respond on cell 2 within 2.5 s.
- 3) In step g), the UE shall respond on cell 1 within 2.5 s.

For the test to pass, the total number of fulfilled test requirements 2) and 3) shall be more than [FFS]% of the cases.

NOTE: If the above Test Requirement differs from the Minimum Requirement then the Test Tolerance applied for this test is non-zero. The Test Tolerance for this test is defined in clause F.2 and the explanation of how the Minimum Requirement has been relaxed by the Test Tolerance is given in clause F.4.

##### 8.3.4.1.5.2 1,28 Mcps TDD option

Void.

#### 8.3.4.2 Scenario 2: TDD/TDD cell re-selection multi carrier case

##### 8.3.4.2.1 Definition and applicability

###### 8.3.4.2.1.1 3,84 Mcps TDD option

The cell re-selection delay is defined as the time from a change of cell levels to the moment when this change causes the UE to camp on a new cell, and starts to send the CELL UPDATE message with cause value "cell reselection" in the new cell.

The requirements and this test apply to the TDD UE.

###### 8.3.4.2.1.2 1,28 Mcps TDD option

Void.

## 8.3.4.2.2 Minimum requirement

## 8.3.4.2.2.1 3,84 Mcps TDD option

The cell re-selection delay shall be less than 3 s. The rate of correct cell re-selections observed during repeated tests shall be at least 90%.

The normative reference for this requirement is TS 25.123 [2] clauses 5.4.2 and A.5.4.2.

## 8.3.4.2.2.2 1,28 Mcps TDD option

Void.

## 8.3.4.2.3 Test purpose

This test verifies that the UE meets the requirement for the cell re-selection delay in CELL\_FACH for the multi carrier case.

## 8.3.4.2.4 Method of test

## 8.3.4.2.4.1.1 Initial conditions

This scenario contains 6 cells and 2 carrier frequencies. The test parameters are given in Tables 8.3.4.2.1.1, 8.3.4.2.1.2, 8.3.4.2.1.3, and 8.3.4.2.1.4.

**Table 8.3.4.2.1.1: General test parameters for Cell Re-selection in CELL\_FACH**

Parameter		Unit	Value	Comment
Initial condition	Active cell		Cell1	
	Neighbour cells		Cell2, Cell3, Cell4, Cell5, Cell6	
Final condition	Active cell		Cell2	
HCS			Not used	
UE_TXPWR_MAX_RACH		dBm	21	The value shall be used for all cells in the test.
Qrxlevmin		dBm	-102	The value shall be used for all cells in the test.
Access Service Class (ASC#0) - Persistence value		-	1	Selected so that no additional delay is caused by the random access procedure. The value shall be used for all cells in the test.
T <sub>SI</sub>		s	1,28	The value shall be used for all cells in the test.
T1		s	15	
T2		s	15	

**Table 8.3.4.2.1.2: Physical channel parameters for S-CCPCH.**

Parameter	Unit	Level
Channel bit rate	Kbps	24,4
Channel symbol rate	Ksps	12,2
Slot Format #	-	0
Frame allocation	-	Continuous frame allocation
Midamble allocation	-	Default Midamble

**Table 8.3.4.2.1.3: Transport channel parameters for S-CCPCH**

Parameter	FACH
Transport Channel Number	1
Transport Block Size	240
Transport Block Set Size	240
Transmission Time Interval	20 ms
Type of Error Protection	Convolutional Coding
Coding Rate	1/2
Rate Matching attribute	256
Size of CRC	16

**Table 8.3.4.2.1.4: Cell specific test parameters for Cell Re-selection in CELL\_FACH**

Parameter	Unit	Cell 1				Cell 2				Cell 3			
		0		8		0		8		0		8	
Timeslot Number		T1	T2	T1	T2	T1	T2	T1	T2	T1	T2	T1	T2
UTRA RF Channel Number		Channel 1				Channel 2				Channel 1			
PCCPCH_Ec/lor	dB	-3	-3			-3	-3			-3	-3		
SCH_Ec/lor	dB	-9	-9	-9	-9	-9	-9	-9	-9	-9	-9	-9	-9
SCH_offset		0	0	0	0	5	5	5	5	10	10	10	10
PICH_Ec/lor	dB			-3	-3			-3	-3			-3	-3
OCNS_Ec/lor	dB	-4,28	-4,28	-4,28	-4,28	-4,28	-4,28	-4,28	-4,28	-4,28	-4,28	-4,28	-4,28
$\hat{I}_{or}/I_{oc}$	dB	9	3	9	3	3	9	3	9	-1	-1	-1	-1
PCCPCH RSCP	dBm	-64	-70			-70	-64			-74	-74		
Qoffset1 <sub>s,n</sub>	dB	C1, C2: 0; C1, C3:0; C1,C4:0 C1, C5:0; C1,C6:0				C2, C1: 0; C2, C3:0; C2,C4:0 C2, C5: 0; C2, C6:0				C3, C1: 0; C3, C2:0; C3,C4:0 C3, C5: 0; C3, C6:0			
Qhyst1 <sub>s</sub>	dB	0				0				0			
Treselection		0				0				0			
Sintrasearch	dB	not sent				not sent				not sent			
Sintersearch	dB	not sent				not sent				not sent			
FACH measurement occasion info		not sent				not sent				not sent			
Inter-frequency TDD measurement indicator		TRUE				TRUE				TRUE			
$I_{oc}$	dBm/3, 84 MHz	-70											
Propagation Condition		AWGN											
		Cell 4				Cell 5				Cell 6			
Timeslot		0		8		0		8		0		8	
		T1	T2	T1	T2	T1	T2	T1	T2	T1	T2	T1	T2
UTRA RF Channel Number		Channel 1				Channel 2				Channel 2			
PCCPCH_Ec/lor	dB	-3	-3			-3	-3			-3	-3		
SCH_Ec/lor	dB	-9	-9	-9	-9	-9	-9	-9	-9	-9	-9	-9	-9
SCH_offset		15	15	15	15	20	20	20	20	25	25	25	25
PICH_Ec/lor	dB			-3	-3			-3	-3			-3	-3
OCNS_Ec/lor	dB	-4,28	-4,28	-4,28	-4,28	-4,28	-4,28	-4,28	-4,28	-4,28	-4,28	-4,28	-4,28
$\hat{I}_{or}/I_{oc}$	dB	-1	-1	-1	-1	-1	-1	-1	-1	-1	-1	-1	-1
PCCPCH RSCP	dBm	-74	-74			-74	-74			-74	-74		
Qoffset1 <sub>s,n</sub>	dB	C4, C1: 0; C4, C2:0; C4,C3:0 C4, C5:0; C4, C6:0				C5, C1: 0; C5, C2:0; C5,C3:0 C5, C4:0; C5, C6:0				C6, C1: 0; C6, C2:0; C6,C3:0 C6, C4:0; C6, C5:0			
Qhyst1 <sub>s</sub>	dB	0				0				0			
Treselection		0				0				0			
Sintrasearch	dB	not sent				not sent				not sent			
Sintersearch	dB	not sent				not sent				not sent			
FACH measurement occasion info		not sent				not sent				not sent			
Inter-frequency TDD measurement indicator		TRUE				TRUE				TRUE			

$I_{oc}$	dBm/3, 84 MHz	-70
Propagation Condition		AWGN

NOTE: S-CCPCH shall not be located in TS0.

#### 8.3.4.2.4.1.2 Procedure

- a) The SS activates cell 1-6 with T1 defined parameters.
- b) The UE is switched on.
- c) A call is set up according to the generic set-up procedure specified in TS 34.108 [3] subclause 7.4.2 to place the UE in CELL\_FACH.
- d) After 15 s, the parameters are changed as described for T2.
- e) The SS waits for CELL UPDATE message with cause value "cell reselection" from the UE.
- f) After another 15 s, the parameters are changed as described for T1.
- g) The SS waits for CELL UPDATE message with cause value "cell reselection" from the UE.
- h) Repeat steps d) to g) [TBD] times.

#### 8.3.4.2.4.2 1,28 Mcps TDD option

Void.

#### 8.3.4.2.5 Test Requirements

##### 8.3.4.2.5.1 3,84 Mcps TDD option

- 1) In step d), after the UE has responded on cell 1, it shall not respond on any other cell (cell selection).
- 2) In step e), the UE shall respond on cell 1 within 3 s.
- 3) In step g), the UE shall respond on cell 2 within 3 s.

For the test to pass, the total number of fulfilled test requirements 2) and 3) shall be more than [FFS]% of the cases.

NOTE: If the above Test Requirement differs from the Minimum Requirement then the Test Tolerance applied for this test is non-zero. The Test Tolerance for this test is defined in clause F.2 and the explanation of how the Minimum Requirement has been relaxed by the Test Tolerance is given in clause F.4.

##### 8.3.4.2.5.2 1,28 Mcps TDD option

Void.

### 8.3.5 Cell Re-selection in CELL\_PCH

#### 8.3.5.1 Scenario 1: TDD/TDD cell re-selection single carrier case

##### 8.3.5.1.1 Definition and applicability

##### 8.3.5.1.1.1 3,84 Mcps TDD option

The cell re-selection delay is defined as the time from a change of cell levels to the moment when this change causes the UE to camp on a new cell, and starts to send the CELL UPDATE message with cause value "cell reselection" in the new cell.

The requirements and this test apply to the 3,84 Mcps TDD UE.

## 8.3.5.1.1.2 1,28 Mcps TDD option

Void.

## 8.3.5.1.2 Minimum requirement

## 8.3.5.1.2.1 3,84 Mcps TDD option

The cell re-selection delay shall be less than 8 s.

NOTE:

The cell re-selection delay can be expressed as:  $T_{\text{evaluateTDD}} + T_{\text{SI}}$ , where:

$T_{\text{evaluateTDD}}$  A DRX cycle length of 1280ms is assumed for this test case, this leads to a  $T_{\text{evaluateTDD}}$  of 6.4s according to TS 25.123 [2] table 4.1 in clause 4.2.2.7.

$T_{\text{SI}}$  Maximum repetition period of relevant system info blocks that needs to be received by the UE to camp on a cell. 1280 ms is assumed in this test case.

This gives a total of 7.68 s, allow 8s in the test case.

The normative reference for this requirement is TS 25.123 [2] clauses 5.5 and A.5.5.1.

## 8.3.5.1.2.2 1,28 Mcps TDD option

Void.

## 8.3.5.1.3 Test purpose

This test verifies that the UE meets the minimum requirement for the cell re-selection delay in CELL\_PCH for the single carrier case

## 8.3.5.1.4 Method of test

## 8.3.5.1.4.1 3,84 Mcps TDD option

## 8.3.5.1.4.1.1 Initial conditions

This scenario contains 6 cells operating on the same carrier frequency. The test parameters are given in Tables 8.3.5.1.1.1, and 8.3.5.1.1.2.

**Table 8.3.5.1.1.1: General test parameters for Cell Re-selection single carrier multi-cell case**

Parameter		Unit	Value	Comment
Initial condition	Active cell		Cell1	
	Neighbour cells		Cell2, Cell3, Cell4, Cell5, Cell6	
Final condition	Active cell		Cell2	
HCS			Not used	
UE_TXPWR_MAX_RACH		dBm	21	The value shall be used for all cells in the test.
Qrxlevmin		dBm	-102	The value shall be used for all cells in the test.
Access Service Class (ASC#0) - Persistence value			1	Selected so that no additional delay is caused by the random access procedure. The value shall be used for all cells in the test.
T <sub>SI</sub>		s	1.28	The value shall be used for all cells in the test.
DRX cycle length		s	1.28	The value shall be used for all cells in the test.
T1		s	15	
T2		s	15	



Table 8.3.5.1.1.2: Cell re-selection single carrier multi-cell case

Parameter	Unit	Cell 1				Cell 2				Cell 3			
		0		8		0		8		0		8	
Timeslot Number		T1	T2	T1	T2	T1	T2	T1	T2	T1	T2	T1	T2
UTRA RF Channel Number		Channel 1				Channel 1				Channel 1			
PCCPCH_Ec/lor	dB	-3	-3			-3	-3			-3	-3		
SCH_Ec/lor	dB	-9	-9	-9	-9	-9	-9	-9	-9	-9	-9	-9	-9
SCH_offset		0	0	0	0	5	5	5	5	10	10	10	10
PICH_Ec/lor	dB			-3	-3			-3	-3			-3	-3
OCNS_Ec/lor	dB	-4,28	-4,28	-4,28	-4,28	-4,28	-4,28	-4,28	-4,28	-4,28	-4,28	-4,28	-4,28
$\hat{I}_{or}/I_{oc}$	dB	9	7	9	7	7	9	7	9	-1	-1	-1	-1
PCCPCH RSCP	dBm	-64	-66			-66	-64			-74	-74		
Qoffset1 <sub>s,n</sub>	dB	C1, C2: 0; C1, C3:0; C1,C4:0 C1, C5:0; C1, C6:0				C2, C1: 0; C2, C3:0; C2,C4:0 C2, C5: 0; C2, C6:0				C3, C1: 0; C3, C2:0; C3,C4:0 C3, C5: 0; C3, C6:0			
Qhyst1 <sub>s</sub>	dB	0				0				0			
Treselection	s	0				0				0			
Sintrasearch	dB	not sent				not sent				not sent			
		Cell 4				Cell 5				Cell 6			
Timeslot		0		8		0		8		0		8	
		T1	T2	T1	T2	T1	T2	T1	T2	T1	T2	T1	T2
UTRA RF Channel Number		Channel 1				Channel 1				Channel 1			
PCCPCH_Ec/lor	dB	-3	-3			-3	-3			-3	-3		
SCH_Ec/lor	dB	-9	-9	-9	-9	-9	-9	-9	-9	-9	-9	-9	-9
SCH_offset		15	15	15	15	20	20	20	20	25	25	25	25
PICH_Ec/lor	dB			-3	-3			-3	-3			-3	-3
OCNS_Ec/lor	dB	-4,28	-4,28	-4,28	-4,28	-4,28	-4,28	-4,28	-4,28	-4,28	-4,28	-4,28	-4,28
$\hat{I}_{or}/I_{oc}$	dB	-1	-1	-1	-1	-1	-1	-1	-1	-1	-1	-1	-1
PCCPCH RSCP	dBm	-74	-74			-74	-74			-74	-74		
Qoffset1 <sub>s,n</sub>	dB	C4, C1: 0; C4, C2:0; C4,C3:0C4, C5:0; C4, C6:0				C5, C1: 0; C5, C2:0; C5,C3:0 C5, C4:0; C5, C6:0				C6, C1: 0; C6, C2:0; C6,C3:0 C6, C4:0; C6, C5:0			
Qhyst1 <sub>s</sub>	dB	0				0				0			
Treselection	s	0				0				0			
Sintrasearch	dB	not sent				not sent				not sent			
$I_{oc}$	dBm/3, 84 MHz	-70											
Propagation Condition		AWGN											

## 8.3.5.1.4.1.2 Procedure

- The SS activates cell 1-6 with T1 defined parameters.
- The UE is switched on.
- A call is set up according to the test procedure specified in TS 34.108 [3] subclause 7.4.2.7.1.
- After 15 s, the parameters are changed as described for T2.
- The SS waits for CELL UPDATE message with cause value "cell reselection" from the UE.
- The SS sends the UE CELL UPDATE CONFIRM message with "RRC State Indicator" = "CELL\_PCH".
- After another 15 s, the parameters are changed as described for T1.
- The SS waits for CELL UPDATE message with cause value "cell reselection" from the UE.
- Repeat steps d) to g) [TBD] times.

## 8.3.5.1.4.2 1,28 Mcps TDD option

Void.

### 8.3.5.1.5 Test Requirements

#### 8.3.5.1.5.1 3,84 Mcps TDD option

- 1) In step d), after the UE has responded on cell 1, it shall not respond on any other cell (cell selection).
- 2) In step e), the UE shall respond on cell 2 within 8 s.
- 3) In step h), the UE shall respond on cell 1 within 8 s.

For the test to pass, the total number of fulfilled test requirements 2) and 3) shall be more than [FFS]% of the cases.

NOTE: If the above Test Requirement differs from the Minimum Requirement then the Test Tolerance applied for this test is non-zero. The Test Tolerance for this test is defined in clause F.2 and the explanation of how the Minimum Requirement has been relaxed by the Test Tolerance is given in clause F.4.

#### 8.3.5.1.5.2 1,28 Mcps TDD option

Void.

### 8.3.5.2 Scenario 2: TDD/TDD cell re-selection multi carrier case

#### 8.3.5.2.1 Definition and applicability

##### 8.3.5.2.1.1 3,84 Mcps TDD option

The cell re-selection delay is defined as the time from a change of cell levels to the moment when this change causes the UE to camp on a new cell, and starts to send the CELL UPDATE message with cause value "cell reselection" in the new cell.

The requirements and this test apply to the 3,84 Mcps option TDD UE.

##### 8.3.5.2.1.2 1,28 Mcps TDD option

Void.

#### 8.3.5.2.2 Minimum requirement

##### 8.3.5.2.2.1 3,84 Mcps TDD option

The cell re-selection delay shall be less than 8 s.

NOTE:

The cell re-selection delay can be expressed as:  $T_{\text{evaluateTDD}} + T_{\text{SI}}$ , where:

$T_{\text{evaluateTDD}}$  A DRX cycle length of 1280ms is assumed for this test case, this leads to a  $T_{\text{evaluateTDD}}$  of 6.4s according to TS 25.123 [2] table 4.1 in clause 4.2.2.7.

$T_{\text{SI}}$  Maximum repetition period of relevant system info blocks that needs to be received by the UE to camp on a cell. 1280 ms is assumed in this test case.

This gives a total of 7.68 s, allow 8s in the test case.

The normative reference for this requirement is TS 25.123 [2] clauses 5.5 and A.5.5.2.

##### 8.3.5.2.2.2 3,84 Mcps TDD option

Void.

## 8.3.5.2.3 Test purpose

This test verifies that the UE meets the requirement for the cell re-selection delay in CELL\_PCH for the multi carrier case.

## 8.3.5.2.4 Method of test

## 8.3.5.2.4.1 3,84 Mcps TDD option

## 8.3.5.2.4.1.1 Initial conditions

This scenario contains 6 cells and 2 carrier frequencies. The test parameters are given in Tables 8.3.5.2.1.1 and 8.3.5.2.1.2.

**Table 8.3.5.2.1.1: General test parameters for Cell Re-selection in Multi carrier case**

	Parameter	Unit	Value	Comment
Initial condition	Active cell		Cell1	
	Neighbour cells		Cell2, Cell3, Cell4, Cell5, Cell6	
Final condition	Active cell		Cell2	
	HCS		Not used	
	UE_TXPWR_MAX_RACH	dBm	21	The value shall be used for all cells in the test.
	Qrxlevmin	dBm	-102	The value shall be used for all cells in the test.
	Access Service Class (ASC#0) - Persistence value		1	Selected so that no additional delay is caused by the random access procedure. The value shall be used for all cells in the test.
	T <sub>SI</sub>	s	1.28	The value shall be used for all cells in the test.
	DRX cycle length	s	1.28	The value shall be used for all cells in the test.
	T1	s	30	
	T2	s	15	

Table 8.3.5.2.1.2: Cell re-selection multi carrier multi cell case

Parameter	Unit	Cell 1				Cell 2				Cell 3			
		0		8		0		8		0		8	
Timeslot Number		T1	T2	T1	T2	T1	T2	T1	T2	T1	T2	T1	T2
UTRA RF Channel Number		Channel 1				Channel 2				Channel 1			
PCCPCH_Ec/lor	dB	-3	-3			-3	-3			-3	-3		
SCH_Ec/lor	dB	-9	-9	-9	-9	-9	-9	-9	-9	-9	-9	-9	-9
SCH_offset		0	0	0	0	5	5	5	5	10	10	10	10
PICH_Ec/lor	dB			-3	-3			-3	-3			-3	-3
OCNS_Ec/lor	dB	-4,28	-4,28	-4,28	-4,28	-4,28	-4,28	-4,28	-4,28	-4,28	-4,28	-4,28	-4,28
$\hat{I}_{or}/I_{oc}$	dB	6	0	6	0	0	6	0	6	-3	-3	-3	-3
PCCPCH RSCP	dBm	-67	-73			-73	-67			-76	-76		
Qoffset1 <sub>s,n</sub>	dB	C1, C2: 0; C1, C3:0; C1,C4:0C1, C5:0; C1, C6:0				C2, C1: 0; C2, C3:0; C2,C4:0C2, C5:0; C2, C6:0				C3, C1: 0; C3, C2:0; C3,C4:0 C3, C5:0; C3, C6:0			
Qhyst1 <sub>s</sub>	dB	0				0				0			
Treselection	s	0				0				0			
Sintrasearch	dB	not sent				not sent				not sent			
Sintersearch	dB	not sent				not sent				not sent			
		Cell 4				Cell 5				Cell 6			
Timeslot		0		8		0		8		0		8	
		T1	T2	T1	T2	T1	T2	T1	T2	T1	T2	T1	T2
UTRA RF Channel Number		Channel 1				Channel 2				Channel 2			
PCCPCH_Ec/lor	dB	-3	-3			-3	-3			-3	-3		
SCH_Ec/lor	dB	-9	-9	-9	-9	-9	-9	-9	-9	-9	-9	-9	-9
SCH_offset		15	15	15	15	20	20	20	20	25	25	25	25
PICH_Ec/lor	dB			-3	-3			-3	-3			-3	-3
OCNS_Ec/lor	dB	-4,28	-4,28	-4,28	-4,28	-4,28	-4,28	-4,28	-4,28	-4,28	-4,28	-4,28	-4,28
$\hat{I}_{or}/I_{oc}$	dB	-3	-3	-3	-3	-3	-3	-3	-3	-3	-3	-3	-3
PCCPCH RSCP	dBm	-76	-76			-76	-76			-76	-76		
Qoffset1 <sub>s,n</sub>	dB	C4, C1: 0; C4, C2:0; C4,C3:0 C4, C5:0; C4, C6:0				C5, C1: 0; C5, C2:0; C5,C3:0 C5, C4:0; C5, C6:0				C6, C1: 0; C6, C2:0; C6,C3:0 C6, C4:0; C6, C5:0			
Qhyst1 <sub>s</sub>	dB	0				0				0			
Treselection	s	0				0				0			
Sintrasearch	dB	not sent				not sent				not sent			
Sintersearch	dB	not sent				not sent				not sent			
$I_{oc}$	dBm/3, 84 MHz	-70											
Propagation Condition		AWGN											

## 8.3.5.2.4.1.2 Procedure

- The SS activates cell 1-6 with T1 defined parameters.
- The UE is switched on.
- A call is set up according to the test procedure specified in TS 34.108 [3] subclause 7.4.2.7.1.
- After 15 s, the parameters are changed as described for T2.
- The SS waits for CELL UPDATE message with cause value "cell reselection" from the UE.
- The SS sends the UE CELL UPDATE CONFIRM message with "RRC State Indicator" = "CELL\_PCH".
- After another 15 s, the parameters are changed as described for T1.
- The SS waits for CELL UPDATE message with cause value "cell reselection" from the UE.
- Repeat steps d) to g) [TBD] times.

NOTE: T1 is initially 30 s to allow enough time for the UE to search for cells as it has no prior knowledge of these.

#### 8.3.5.2.5.2 1,28 Mcps TDD option

Void.

#### 8.3.5.2.5 Test Requirements

##### 8.3.5.2.5.1 3,84 Mcps TDD option

- 1) In step d), after the UE has responded on cell 1, it shall not respond on any other cell (cell selection).
- 2) In step e), the UE shall respond on cell 1 within 8 s.
- 3) In step h), the UE shall respond on cell 2 within 8 s.

For the test to pass, the total number of fulfilled test requirements 2) and 3) shall be more than [FFS]% of the cases.

NOTE: If the above Test Requirement differs from the Minimum Requirement then the Test Tolerance applied for this test is non-zero. The Test Tolerance for this test is defined in clause F.2 and the explanation of how the Minimum Requirement has been relaxed by the Test Tolerance is given in clause F.4.

##### 8.3.5.2.5.2 1,28 Mcps TDD option

Void.

### 8.3.6 Cell Re-selection in URA\_PCH

#### 8.3.6.1 Scenario 1: TDD/TDD cell re-selection single carrier case

##### 8.3.6.1.1 Definition and applicability

###### 8.3.6.1.1.1 3,84 Mcps TDD option

The cell re-selection delay is defined as the time from a change of cell levels to the moment when this change causes the UE to camp on a new cell, and starts to send the URA UPDATE message with cause value "change of URA" in the new cell.

The requirements and this test apply to the 3,84 Mcps TDD UE.

###### 8.3.6.1.1.2 1,28 Mcps TDD option

Void.

##### 8.3.6.1.2 Minimum requirement

###### 8.3.6.1.2.1 3,84 Mcps TDD option

The cell re-selection delay shall be less than 8 s.

NOTE:

The cell re-selection delay can be expressed as:  $T_{\text{evaluateTDD}} + T_{\text{SI}}$ , where:

$T_{\text{evaluateTDD}}$  A DRX cycle length of 1280ms is assumed for this test case, this leads to a  $T_{\text{evaluateTDD}}$  of 6.4s according to TS25.123 [2] table 4.1 in clause 4.2.2.7.

$T_{\text{SI}}$  Maximum repetition period of relevant system info blocks that needs to be received by the UE to camp on a cell. 1280 ms is assumed in this test case.

This gives a total of 7.68 s, allow 8s in the test case.

The normative reference for this requirement is TS 25.123 [2] clauses 5.6 and A.5.6.1.

#### 8.3.6.1.2.2 1,28 Mcps TDD option

Void.

#### 8.3.6.1.3 Test purpose

This test verifies that the UE meets the minimum requirement for the cell re-selection delay in URA\_PCH for the single carrier case.

#### 8.3.6.1.4 Method of test

##### 8.3.6.1.4.1 3,84 Mcps TDD option

##### 8.3.6.1.4.1.1 Initial conditions

This scenario contains 6 cells operating on the same carrier frequency. The test parameters are given in Tables 8.3.6.1.1.1, and 8.3.6.1.1.2.

**Table 8.3.6.1.1.1: General test parameters for Cell Re-selection single carrier multi-cell case**

Parameter		Unit	Value	Comment
Initial condition	Active cell		Cell1	
	Neighbour cells		Cell2, Cell3, Cell4, Cell5, Cell6	
Final condition	Active cell		Cell2	
HCS			Not used	
UE_TXPWR_MAX_RACH		dBm	21	The value shall be used for all cells in the test.
Qrxlevmin		dBm	-102	The value shall be used for all cells in the test.
Access Service Class (ASC#0) - Persistence value			1	Selected so that no additional delay is caused by the random access procedure. The value shall be used for all cells in the test.
T <sub>SI</sub>		s	1.28	The value shall be used for all cells in the test.
DRX cycle length		s	1.28	The value shall be used for all cells in the test.
T1		s	15	
T2		s	15	

Table 8.3.6.1.1.2: Cell re-selection single carrier multi-cell case

Parameter	Unit	Cell 1				Cell 2				Cell 3			
		0		8		0		8		0		8	
Timeslot Number		T1	T2	T1	T2	T1	T2	T1	T2	T1	T2	T1	T2
UTRA RF Channel Number		Channel 1				Channel 1				Channel 1			
PCCPCH_Ec/lor	dB	-3	-3			-3	-3			-3	-3		
SCH_Ec/lor	dB	-9	-9	-9	-9	-9	-9	-9	-9	-9	-9	-9	-9
SCH_offset		0	0	0	0	5	5	5	5	10	10	10	10
PICH_Ec/lor	dB			-3	-3			-3	-3			-3	-3
OCNS_Ec/lor	dB	-3,12	-3,12	-3,12	-3,12	-3,12	-3,12	-3,12	-3,12	-3,12	-3,12	-3,12	-3,12
$\hat{I}_{or}/I_{oc}$	dB	9	7	9	7	7	9	7	9	-1	-1	-1	-1
PCCPCH RSCP	dBm	-64	-66			-66	-64			-74	-74		
Qoffset1 <sub>s,n</sub>	dB	C1, C2: 0; C1, C3:0; C1,C4:0 C1, C5:0; C1,C6:0				C2, C1: 0; C2, C3:0; C2,C4:0 C2, C5: 0; C2, C6:0				C3, C1: 0; C3, C2:0; C3,C4:0 C3, C5: 0; C3, C6:0			
Qhyst1 <sub>s</sub>	dB	0				0				0			
Treselection	s	0				0				0			
Sintrasearch	dB	not sent				not sent				not sent			
		Cell 4				Cell 5				Cell 6			
Timeslot		0		8		0		8		0		8	
		T1	T2	T1	T2	T1	T2	T1	T2	T1	T2	T1	T2
UTRA RF Channel Number		Channel 1				Channel 1				Channel 1			
PCCPCH_Ec/lor	dB	-3	-3			-3	-3			-3	-3		
SCH_Ec/lor	dB	-9	-9	-9	-9	-9	-9	-9	-9	-9	-9	-9	-9
SCH_offset		15	15	15	15	20	20	20	20	25	25	25	25
PICH_Ec/lor	dB			-3	-3			-3	-3			-3	-3
OCNS_Ec/lor	dB	-3,12	-3,12	-3,12	-3,12	-3,12	-3,12	-3,12	-3,12	-3,12	-3,12	-3,12	-3,12
$\hat{I}_{or}/I_{oc}$	dB	-1	-1	-1	-1	-1	-1	-1	-1	-1	-1	-1	-1
PCCPCH RSCP	dBm	-74	-74			-74	-74			-74	-74		
Qoffset1 <sub>s,n</sub>	dB	C4, C1: 0; C4, C2:0; C4,C3:0C4, C5:0; C4, C6:0				C5, C1: 0; C5, C2:0; C5,C3:0 C5, C4:0; C5, C6:0				C6, C1: 0; C6, C2:0; C6,C3:0 C6, C4:0; C6, C5:0			
Qhyst1 <sub>s</sub>	dB	0				0				0			
Treselection	s	0				0				0			
Sintrasearch	dB	not sent				not sent				not sent			
$I_{oc}$	dBm/3, 84 MHz	-70											
Propagation Condition		AWGN											

## 8.3.6.1.4.1.2 Procedure

- The SS activates cell 1-6 with T1 defined parameters.
- The UE is switched on.
- A call is set up according to the test procedure specified in TS 34.108 [3] subclause 7.4.2.7.2.
- After 15 s, the parameters are changed as described for T2.
- The SS waits for URA UPDATE message with cause value "change of URA" from the UE.
- The SS sends the UE CELL UPDATE CONFIRM message with "RRC State Indicator" = "URA\_PCH".
- After another 15 s, the parameters are changed as described for T1.
- The SS waits for URA UPDATE message with cause value "change of URA" from the UE.
- Repeat steps d) to g) [TBD] times.

## 8.3.6.1.4.2 1,28 Mcps TDD option

Void.

### 8.3.6.1.5 Test Requirements

#### 8.3.6.1.5.1 3,84 Mcps TDD option

- 1) In step d), after the UE has responded on cell 1, it shall not respond on any other cell (cell selection).
- 2) In step e), the UE shall respond on cell 2 within 8 s.
- 3) In step h), the UE shall respond on cell 1 within 8 s.

For the test to pass, the total number of fulfilled test requirements 2) and 3) shall be more than [FFS]% of the cases.

NOTE: If the above Test Requirement differs from the Minimum Requirement then the Test Tolerance applied for this test is non-zero. The Test Tolerance for this test is defined in clause F.2 and the explanation of how the Minimum Requirement has been relaxed by the Test Tolerance is given in clause F.4.

#### 8.3.6.1.5.2 1,28 Mcps TDD option

Void.

### 8.3.6.2 Scenario 2: TDD/TDD cell re-selection multi carrier case

#### 8.3.6.1.1 Definition and applicability

##### 8.3.6.1.1.1 3,84 Mcps TDD option

The cell re-selection delay is defined as the time from a change of cell levels to the moment when this change causes the UE to camp on a new cell, and starts to send the URA UPDATE message with cause value "change of URA" in the new cell.

The requirements and this test apply to the 3,84 Mcps TDD UE.

##### 8.3.6.1.1.2 1,28 Mcps TDD option

Void.

#### 8.3.6.1.2 Minimum requirement

##### 8.3.6.1.2.1 3,84 Mcps TDD option

The cell re-selection delay shall be less than 8 s.

NOTE:

The cell re-selection delay can be expressed as:  $T_{\text{evaluateTDD}} + T_{\text{SI}}$ , where:

$T_{\text{evaluateTDD}}$  A DRX cycle length of 1280ms is assumed for this test case, this leads to a  $T_{\text{evaluateTDD}}$  of 6.4s according to TS25.123 [2] table 4.1 in clause 4.2.2.7.

$T_{\text{SI}}$  Maximum repetition period of relevant system info blocks that needs to be received by the UE to camp on a cell. 1280 ms is assumed in this test case.

This gives a total of 7.68 s, allow 8s in the test case.

The normative reference for this requirement is TS 25.123 [2] clauses 5.6 and A.5.6.1.

##### 8.3.6.1.2.2 1,28 Mcps TDD option

Void.



## 8.3.6.1.3 Test purpose

This test verifies that the UE meets the minimum requirement for the cell re-selection delay in URA\_PCH for the single carrier case

## 8.3.6.1.4 Method of test

## 8.3.6.1.4.1 3,84 Mcps TDD option

## 8.3.6.1.4.1.1 Initial conditions

This scenario contains 6 cells operating on the same carrier frequency. The test parameters are given in Tables 8.3.6.1.1.1, and 8.3.6.1.1.2.

**Table 8.3.6.1.1.1: General test parameters for Cell Re-selection single carrier multi-cell case**

Parameter		Unit	Value	Comment
Initial condition	Active cell		Cell1	
	Neighbour cells		Cell2, Cell3, Cell4, Cell5, Cell6	
Final condition	Active cell		Cell2	
HCS			Not used	
UE_TXPWR_MAX_RACH		dBm	21	The value shall be used for all cells in the test.
Qrxlevmin		dBm	-102	The value shall be used for all cells in the test.
Access Service Class (ASC#0) - Persistence value			1	Selected so that no additional delay is caused by the random access procedure. The value shall be used for all cells in the test.
T <sub>SI</sub>		s	1.28	The value shall be used for all cells in the test.
DRX cycle length		s	1.28	The value shall be used for all cells in the test.
T1		s	15	
T2		s	15	

Table 8.3.6.1.1.2: Cell re-selection single carrier multi-cell case

Parameter	Unit	Cell 1				Cell 2				Cell 3			
		0		8		0		8		0		8	
Timeslot Number		T1	T2	T1	T2	T1	T2	T1	T2	T1	T2	T1	T2
UTRA RF Channel Number		Channel 1				Channel 1				Channel 1			
PCCPCH_Ec/lor	dB	-3	-3			-3	-3			-3	-3		
SCH_Ec/lor	dB	-9	-9	-9	-9	-9	-9	-9	-9	-9	-9	-9	-9
SCH_offset		0	0	0	0	5	5	5	5	10	10	10	10
PICH_Ec/lor	dB			-3	-3			-3	-3			-3	-3
OCNS_Ec/lor	dB	-3,12	-3,12	-3,12	-3,12	-3,12	-3,12	-3,12	-3,12	-3,12	-3,12	-3,12	-3,12
$\hat{I}_{or}/I_{oc}$	dB	9	7	9	7	7	9	7	9	-1	-1	-1	-1
PCCPCH RSCP	dBm	-64	-66			-66	-64			-74	-74		
Qoffset1 <sub>s,n</sub>	dB	C1, C2: 0; C1, C3:0; C1,C4:0 C1, C5:0; C1,C6:0				C2, C1: 0; C2, C3:0; C2,C4:0 C2, C5: 0; C2, C6:0				C3, C1: 0; C3, C2:0; C3,C4:0 C3, C5: 0; C3, C6:0			
Qhyst1 <sub>s</sub>	dB	0				0				0			
Treselection	s	0				0				0			
Sintrasearch	dB	not sent				not sent				not sent			
Timeslot		Cell 4				Cell 5				Cell 6			
		0		8		0		8		0		8	
UTRA RF Channel Number		Channel 1				Channel 1				Channel 1			
PCCPCH_Ec/lor	dB	-3	-3			-3	-3			-3	-3		
SCH_Ec/lor	dB	-9	-9	-9	-9	-9	-9	-9	-9	-9	-9	-9	-9
SCH_offset		15	15	15	15	20	20	20	20	25	25	25	25
PICH_Ec/lor	dB			-3	-3			-3	-3			-3	-3
OCNS_Ec/lor	dB	-3,12	-3,12	-3,12	-3,12	-3,12	-3,12	-3,12	-3,12	-3,12	-3,12	-3,12	-3,12
$\hat{I}_{or}/I_{oc}$	dB	-1	-1	-1	-1	-1	-1	-1	-1	-1	-1	-1	-1
PCCPCH RSCP	dBm	-74	-74			-74	-74			-74	-74		
Qoffset1 <sub>s,n</sub>	dB	C4, C1: 0; C4, C2:0; C4,C3:0C4, C5:0; C4, C6:0				C5, C1: 0; C5, C2:0; C5,C3:0 C5, C4:0; C5, C6:0				C6, C1: 0; C6, C2:0; C6,C3:0 C6, C4:0; C6, C5:0			
Qhyst1 <sub>s</sub>	dB	0				0				0			
Treselection	s	0				0				0			
Sintrasearch	dB	not sent				not sent				not sent			
$I_{oc}$	dBm/3, 84 MHz	-70											
Propagation Condition		AWGN											

## 8.3.6.1.4.1.2 Procedure

- The SS activates cell 1-6 with T1 defined parameters.
- The UE is switched on.
- A call is set up according to the test procedure specified in TS 34.108 [3] subclause 7.4.2.7.2.
- After 15 s, the parameters are changed as described for T2.
- The SS waits for URA UPDATE message with cause value "change of URA" from the UE.
- The SS sends the UE CELL UPDATE CONFIRM message with "RRC State Indicator" = "URA\_PCH".
- After another 15 s, the parameters are changed as described for T1.
- The SS waits for URA UPDATE message with cause value "change of URA" from the UE.
- Repeat steps d) to g) [TBD] times.

## 8.3.6.1.4.2 1,28 Mcps TDD option

Void.

### 8.3.6.1.5 Test Requirements

#### 8.3.6.1.5.1 3,84 Mcps TDD option

- 1) In step d), after the UE has responded on cell 1, it shall not respond on any other cell (cell selection).
- 2) In step e), the UE shall respond on cell 2 within 8 s.
- 3) In step h), the UE shall respond on cell 1 within 8 s.

For the test to pass, the total number of fulfilled test requirements 2) and 3) shall be more than [FFS]% of the cases.

NOTE: If the above Test Requirement differs from the Minimum Requirement then the Test Tolerance applied for this test is non-zero. The Test Tolerance for this test is defined in clause F.2 and the explanation of how the Minimum Requirement has been relaxed by the Test Tolerance is given in clause F.4.

#### 8.3.6.1.5.2 1,28 Mcps TDD option

Void.

## 8.4 RRC Connection Control

### 8.4.1 RRC connection re-establishment delay

#### 8.4.1.1 To a known target cell, 3,84 Mcps option

(FFS).

#### 8.4.1.2 To an unknown target cell, 3,84 Mcps option

(FFS).

#### 8.4.1.3 Test 1: 1,28 Mcps option

##### 8.4.1.3.1 Definition and applicability

The UE Re-establishment delay requirement ( $T_{\text{UE-RE-ESTABLISH-REQ}}$ ) is defined as the time between the moment when radio link failure is considered by the UE, to when the UE starts to send preambles on the PRACH.

$T_{\text{UE-RE-ESTABLISH-REQ}}$  is depending on whether the target cell is known by the UE or not. A cell is known if either or both of the following conditions are true:

- the UE has had radio links connected to the cell in the previous (old) active set.
- the cell has been measured by the UE during the last 5 seconds.

The requirements of this test apply to the TDD UE, 1.28 Mcps option..

##### 8.4.1.3.2 Minimum requirement

The Re-establishment delay  $T_{\text{RE-ESTABLISH}}$  to a known cell shall be less than 1.9 s.

The rate of correct RRC re-establishments observed during repeated tests shall be at least 90%.

NOTE: The Re-establishment delay in this case can be expressed as

$$T_{\text{RE-ESTABLISH}} = T_{\text{RRC-RE-ESTABLISH}} + T_{\text{UE-RE-ESTABLISH-REQ-KNOWN}}$$

where

$$T_{\text{RRC-RE-ESTABLISH}} = 160\text{ms} + (N_{313} - 1) * 10\text{ms} + T_{313}$$

$$T_{\text{UE-RE-ESTABLISH\_REQ-KNOWN}}=50\text{ms}+T_{\text{search}} + T_{\text{SI}} + T_{\text{RA}},$$

$$N_{313}= 20$$

$$T_{313}= 0\text{s}$$

$$T_{\text{search}}= 100\text{ms}$$

$$T_{\text{RA}}= \text{The additional delay caused by the random access procedure. 40 ms is assumed in this test case.}$$

$$T_{\text{SI}} \text{ is the time required for receiving all the relevant system information data according to the reception procedure and the RRC procedure delay of system information blocks defined in 25.331 for a UTRAN cell (ms). 1280 ms is assumed in this test case.}$$

This gives a total of 1820ms, allow 1.9s in the test case.

#### 8.4.1.3.3 Test purpose

To verify that the UE meets the minimum requirement.

#### 8.4.1.3.4 Method of test

##### 8.4.1.3.4.1 Initial conditions

Test environment: normal; see clauses G.2.1 and G2.2

Frequencies to be tested: mid range; see clause G.2.4

The test parameters are given in table 8.4.1.3.4.1 and table 8.4.1.3.4.2 below. The maximum repetition period of the relevant system info blocks that needs to be received by the UE to camp on a cell shall be 1280 ms. And DRX cycle length shall be 1280ms. In the measurement control information it is indicated to the UE that periodic reporting shall be used. The test consist of 2 successive time periods, with a time duration of T1 and T2 respectively. At the start of time period T2, the dedicated channel is removed.

**Table 8.4.1.3.4.1: General test parameters for RRC re-establishment delay, Test 1**

Parameter	Unit	Value	Comment
DCH Parameters		DL and UL Reference measurement channel 12.2 kbps	As specified in clause C.3.1 and C.2.1
Power Control		On	
Active cell, Initial condition		Cell 1	
Active cell, Final condition		Cell 2	
N313		20	
N315		1	
T313	Seconds	0	
Monitored cell list size		24	Monitored set shall only include intra frequency neighbours.
Cell 2			Included in the monitored set
Reporting frequency	Seconds	4	
T1	s	10	
T2	s	6	

**Table 8.4.1.3.4.2: Cell specific parameters for RRC re-establishment delay test, Test 1**

Parameter	Unit	Cell 1		Cell 2	
		T1	T2	T1	T2
Cell Frequency	ChNr	1		1	
CPICH_Ec/Ior	DB	-10		-10	
PCCPCH_Ec/Ior	DB	-12		-12	
PICH_Ec/Ior	DB	-15		-15	
DCH_Ec/Ior	dB	-17	-Infinity	Not applicable	
OCNS_Ec/Ior	dB	-1.049	-0.941	-0.941	
$\hat{I}_{or}/I_{oc}$	dB	2,39	-Infinity	4,39	
$I_{oc}$	dBm/ 1.28 MHz	-70			
CPICH_Ec/Io	dB	-15	-Infinity	-13	
Propagation Condition		AWGN			

#### 8.4.1.3.4.2 Procedure

- 1) The RF parameters are set up according to column T1 in table 8.4.1.3.4.2.
- 2) The UE is switched on.
- 3) A call is set up according to the test procedure specified in TS 34.108 [3] subclause 7.3.4
- 4) The SS waits for random access requests from the UE on cell 2.
- 5) 10 s after step3 has completed, the parameters are changed to that as described for column T2.
- 6) If the UE responds on cell 2 within 2.0 s from the beginning of time period T2 with a CELL\_UPDATE command then the number of successful tests is increased by one.
- 7) SS shall transmit a RRC CONNECTION RELEASE message to make the UE transit to idle mode.
- 8) After 6 seconds from the beginning of time period T2, the RF parameters are set up according to T1.
- 9) The SS shall wait for 30s to make the UE complete cell reselection to cell1.
- 10) Repeat step 3-9 [TBD] times.

NOTE: The time required for receiving all the relevant system information data according to the reception procedure and the RRC procedure delay of system information blocks defined in 25.331 for a UTRAN cell. Since the maximum repetition period of the relevant system info blocks that needs to be received by the UE to camp on a cell is 1280ms and the maximum RRC procedure delay for reception system information block is 100ms, 1380 ms is assumed in this test case. Therefore this gives a total of 1920ms (Minimum requirement + 100ms), allow 2s in the test case.

#### 8.4.1.3.5 Test requirements

For the test to pass, the total number of successful tests shall be more than 90% with a confidence level of [FFS]% of the cases.

NOTE: If the above Test Requirement differs from the Minimum Requirement then the Test Tolerance applied for this test is non-zero. The Test Tolerance for this test is defined in clause F.2 and the explanation of how the Minimum Requirement has been relaxed by the Test Tolerance is given in clause F.4.

#### 8.4.1.4 Test 2: 1,28 Mcps option

##### 8.4.1.4.1 Definition and applicability

The UE Re-establishment delay requirement ( $T_{UE-E-ESTABLISH-REQ}$ ) is defined as the time between the moment when radio link failure is considered by the UE, to when the UE starts to send preambles on the PRACH.

$T_{UE-RE-ESTABLISH-REQ}$  is depending on whether the target cell is known by the UE or not. A cell is NOT known if both of the following conditions are true:

- the UE has NOT had radio links connected to the cell in the previous (old) active set.
- the cell has NOT been measured by the UE during the last 5 seconds.

The requirements of this test apply to the TDD UE, 1.28 Mcps option..

#### 8.4.1.4.2 Minimum requirement

The rate of correct RRC re-establishments observed during repeated tests shall be at least 90%.

NOTE: The Re-establishment delay in this case can be expressed as

$$T_{RE-ESTABLISH} = T_{RRC-RE-ESTABLISH} + T_{UE-RE-ESTABLISH-REQ-UNKNOWN}$$

where

$$T_{RRC-RE-ESTABLISH} = 160\text{ms} + (N_{313} - 1) * 10\text{ms} + T_{313}$$

$$T_{UE-RE-ESTABLISH-REQ-UNKNOWN} = 50\text{ms} + T_{\text{search}} * NF + T_{SI} + T_{RA}$$

$$N_{313} = 20$$

$$T_{313} = 0\text{s}$$

$$T_{\text{search}} = 800\text{ms}$$

$NF$  is the number of different frequencies in the monitored set. 3 frequencies are assumed in this test case.

$T_{RA}$  = The additional delay caused by the random access procedure. 40 ms is assumed in this test case.

$T_{SI}$  is the time required for receiving all the relevant system information data according to the reception procedure and the RRC procedure delay of system information blocks defined in 25.331 for a UTRAN cell (ms). 1280 ms is assumed in this test case.

This gives a total of 4120ms, allow 4.2s in the test case.

#### 8.4.1.4.3 Test purpose

To verify that the UE meets the minimum requirement

#### 8.4.1.4.4 Method of test

##### 8.4.1.4.4.1 Initial conditions

Test environment: normal; see clauses G.2.1 and G2.2

Frequencies to be tested: mid range; see clause G.2.4

The test parameters are given in table 8.4.1.4.1 and table 8.4.1.4.2 below. The maximum repetition period of the relevant system info blocks that needs to be received by the UE to camp on a cell shall be 1280 ms. And DRX cycle length shall be 1280ms. In the measurement control information it is indicated to the UE that periodic reporting shall be used. The test consists of 2 successive time periods, with a time duration of T1 and T2 respectively. At the start of time period T2, the dedicated channel is removed.

**Table 8.4.1.4.1. General test parameters for RRC re-establishment delay, Test 2**

Parameter	Unit	Value	Comment
DCH Parameters		DL and UL Reference measurement channel 12.2 kbps	As specified in clause A.3.1 and A.2.1
Power Control		On	
Active cell, initial condition		Cell 1	
Active cell, final condition		Cell 2	
N313		20	
N315		1	
T313	Seconds	0	
Monitored cell list size		24	Monitored set shall include 2 additional frequencies.
Cell 2			Cell 2 is not included in the monitored set. Cell 2 is located on one of the 2 additional frequencies of the monitored set.
Reporting frequency	Seconds	4	
T1	s	10	
T2	s	6	

**Table 8.4.1.4.2 Cell specific parameters for RRC re-establishment delay test, Test 2**

Parameter	Unit	Cell 1		Cell 2	
		T1	T2	T1	T2
Cell Frequency	ChNr	1		2	
CPICH_Ec/lor	DB	-10		-10	
PCCPCH_Ec/lor	DB	-12		-12	
PICH_Ec/lor	DB	-15		-15	
DCH_Ec/lor	DB	-17	-Infinity	Not applicable	
OCNS_Ec/lor	DB	-1.049	-0.941	-0.941	
$\hat{I}_{or}/I_{oc}$	DB	-3,35	-Infinity	-Infinity	0,02
$I_{oc}$	dBm/ 1.28 MHz	-70			
CPICH_Ec/lo	DB	-15	-Infinity	-Infinity	-13
Propagation Condition		AWGN			

#### 8.4.1.4.4.2 Procedure

- 1) The RF parameters are set up according to column T1 in table 8.4.1.4.2.
- 2) The UE is switched on.
- 3) A call is set up according to the test procedure specified in TS 34.108 [3] subclause 7.3.4
- 4) The SS waits for random access requests from the UE on cell 2.
- 5) 10 s after step3 has completed, the parameters are changed to that as described for column T2.
- 6) If the UE responds on cell 2 within 4.3 s from the beginning of time period T2 with a CELL\_UPDATE command then the number of successful tests is increased by one.
- 7) SS shall transmit a RRC CONNECTION RELEASE message to make the UE transit to idle mode.
- 8) After 6 seconds the RF parameters are set up according to T1.
- 9) The SS shall wait for 30s to make the UE complete cell reselection to cell1.
- 10) Repeat step 3-9 [TBD] times

NOTE: The time required for receiving all the relevant system information data according to the reception procedure and the RRC procedure delay of system information blocks defined in 25.331 for a UTRAN cell. Since the maximum repetition period of the relevant system info blocks that needs to be received by the UE to camp on a cell is 1280ms and the maximum RRC procedure delay for reception system information block is 100ms, 1380 ms is assumed in this test case. Therefore this gives a total of 4220ms(Minimum requirement + 100ms), allow 4.3s in the test case.

#### 8.4.1.4.5 Test requirements

For the test to pass, the total number of successful tests shall be more than 90% with a confidence level of [FFS]% of the cases.

Note: If the above Test Requirement differs from the Minimum Requirement then the Test Tolerance applied for this test is non-zero. The Test Tolerance for this test is defined in clause F.2 and the explanation of how the Minimum Requirement has been relaxed by the Test Tolerance is given in clause F.4.

### 8.4.2 Transport Format Combination selection in UE

Void.

## 8.5 Timing Characteristics

### 8.5.1 UE Timing Advance

Void.

### 8.5.2 UE Transmit Timing

Void.

## 8.6 UE Measurements Procedures

### 8.6.1 TDD intra frequency measurements

#### 8.6.1.1 Event triggered reporting in AWGN propagation conditions

Void.

#### 8.6.1.2 Event 1H and 1I triggered reporting in AWGN propagation condition

Void.

### 8.6.2 TDD inter frequency measurements

#### 8.6.2.1 Correct reporting of neighbours in AWGN propagation condition

Void.

### 8.6.3 FDD measurements

#### 8.6.3.1 Correct reporting of FDD neighbours in AWGN propagation condition

Void.



## 8.7 Measurements Performance Requirements

Unless explicitly stated:

- Measurement channel is 12.2 kbps as defined in TS 25.102 annex A. This measurement channel is used both in active cell and cells to be measured.
- Cell 1 is the active cell.
- Single task reporting.
- Power control is active.

### 8.7.1 P-CCPCH RSCP

#### 8.7.1.1 Intra frequency measurement accuracy for 3,84 Mcps TDD Option

##### 8.7.1.1.1 Absolute accuracy requirement

###### 8.7.1.1.1.1 Definition and applicability

The absolute accuracy of P-CCPCH RSCP is defined as the P-CCPCH RSCP measured from one cell compared to the actual P-CCPCH RSCP power from the same cell.

The requirements and this test apply to all types of UTRA TDD UE.

###### 8.7.1.1.1.2 Minimum Requirements

The absolute accuracy requirements in table 8.7.1.1.1.1 are valid under the following conditions:

P-CCPCH RSCP  $\geq$  -102 dBm.

$$\left( \frac{P - CCPCH - E_c}{I_o} \right)_{in \text{ dB}} \geq -8dB$$

$$\left( \frac{SCH - E_c}{I_o} \right)_{in \text{ dB}} \geq -13dB$$

**Table 8.7.1.1.1.1: P-CCPCH\_RSCP absolute accuracy**

Parameter	Unit	Accuracy [dB]		Conditions
		Normal condition	Extreme condition	Io [dBm]
P-CCPCH_RSCP	dBm	$\pm 6$	$\pm 9$	-94...-70
	dBm	$\pm 8$	$\pm 11$	-70...-50

The rate of correct measurements observed during repeated tests shall be at least 90%.

The normative reference for this requirement is TS 25.123 [2] clauses 9.1.1.1.1 and A.9.1.1.1.1.

###### 8.7.1.1.1.3 Test Purpose

The purpose of this test is to verify that the absolute P-CCPCH RSCP measurement accuracy is within the specified limits.

## 8.7.1.1.1.4 Method of test

## 8.7.1.1.1.4.1 Initial conditions

Test environment: normal, TL/VL, TL/VH, TH/VL, TH/VH; see clauses G.2.1 and G.2.2.

Frequencies to be tested: mid range; see clause G.2.4.

In this case all cells are on the same frequency. Cell 1 and cell 2 shall be synchronised, i.e. share the same frame and timeslot timing. The DL DPCH shall be transmitted in timeslot 4 and the UL DPCH shall be transmitted in timeslot 12. The second Beacon timeslot shall be provided in timeslot 8 for both cell 1 and cell 2. P-CCPCH RSCP intra frequency absolute accuracy requirements are tested by using test parameters in table 8.7.1.1.1.2.

**Table 8.7.1.1.1.2: P-CCPCH RSCP Intra frequency test parameters**

Parameter	Unit	Test 1		Test 2		Test 3	
		Cell 1	Cell 2	Cell 1	Cell 2	Cell 1	Cell 2
DL timeslot number		0	0	0	0	0	0
UTRA RF Channel number		Channel 1		Channel 1		Channel 1	
PCCPCH_Ec/Ior	dB	-3		-3		-3	
SCH_Ec/Ior	dB	-9		-9		-9	
SCH <sub>offset</sub>		0	5	0	5	0	5
OCNS_Ec/Ior	dB	-3,12		-3,12		-3,12	
I <sub>oc</sub>	dBm / 3.84 MHz	-75.7		-59.8		-98.7	
I <sub>or/Ioc</sub>	dB	5	2	9	2	3	0
PCCPCH RSCP, Note 1	dBm	-73.7	-76.7	-53.8	-60.8	-98.7	-101.7
I <sub>o</sub> , Note 1	dBm / 3.84 MHz	-69		-50		-94	
Propagation condition		AWGN		AWGN		AWGN	
NOTE 1: PCCPCH RSCP and I <sub>o</sub> levels have been calculated from other parameters for information purposes. They are not settable parameters themselves.							

- 1) A call is set up according to the test procedure specified in TS 34.108 [3] clause 7.3.2.3. The RF parameters for Test 1 are set up according to table 8.7.1.1.1.2.

## 8.7.1.1.1.4.2 Procedure

- 1) SS shall transmit MEASUREMENT CONTROL message.
- 2) UE shall transmit periodically MEASUREMENT REPORT messages.
- 3) SS shall check PCCPCH\_RSCP value in MEASUREMENT REPORT messages. PCCPCH\_RSCP power of Cell 1 reported by UE is compared to actual PCCPCH\_RSCP power for each MEASUREMENT REPORT message.
- 4) SS shall count number of MEASUREMENT REPORT messages transmitted by UE. After 1000 MEASUREMENT REPORT messages have been received from UE, the RF parameters are set up according to table 8.7.1.1.1.2 for Test 2. While RF parameters are being set up, MEASUREMENT REPORT messages from UE are ignored. SS shall wait for additional 1s and ignore the MEASUREMENT REPORT messages during this period. Then, step 3) above is repeated. After further 1000 MEASUREMENT REPORT messages have been received from UE, the RF parameters are set up according to table 8.7.1.1.1.2 for Test 3. While RF parameters are being set up, MEASUREMENT REPORT messages from UE are ignored. SS shall wait for additional 1s and ignore the MEASUREMENT REPORT messages during this period. Then, step 3) above is repeated.
- 5) After further 1000 MEASUREMENT REPORT messages have been received from UE, the SS shall transmit RRC CONNECTION RELEASE message.
- 6) UE shall transmit RRC CONNECTION RELEASE COMPLETE message.

## 8.7.1.1.1.5 Test requirements

The PCCPCH RSCP measurement accuracy shall meet the requirements in clause 8.7.1.1.1.2 for at least 900 of the measurement reports at each input level in step 4.

NOTE: If the above Test Requirement differs from the Minimum Requirement then the Test Tolerance applied for this test is non-zero. The Test Tolerance for this test is defined in clause F.2 and the explanation of how the Minimum Requirement has been relaxed by the Test Tolerance is given in clause F.4.

### 8.7.1.1.2 Relative accuracy requirement for 3,84 Mcps TDD Option

#### 8.7.1.1.2.1 Definition and applicability

The relative accuracy of PCCPCH RSCP is defined as the PCCPCH RSCP measured from one cell compared to the PCCPCH RSCP measured from another cell on the same frequency.

The requirements and this test apply to all types of UTRA TDD UE.

#### 8.7.1.1.2.2 Minimum Requirements

The relative accuracy requirements in table 8.7.1.1.2.1 are valid under the following conditions:

P-CCPCH RSCP  $\geq$  -102 dBm.

$$\left( \frac{P - CCPCH - E_c}{I_o} \right)_{in\ dB} \geq -8dB$$

$$\left( \frac{SCH - E_c}{I_o} \right)_{in\ dB} \geq -13dB$$

$$\left| P - CCPCH\ RSCP1 \Big|_{in\ dB} - P - CCPCH\ RSCP2 \Big|_{in\ dB} \right| \leq 20dB$$

Relative  $I_o$  difference [dB]  $\leq$  relative RSCP difference [dB]

It is assumed that the measurements of P-CCPCH RSCP1 and P-CCPCH RSCP2 can be performed within 20ms due to slot allocations in the cells concerned.

**Table 8.7.1.1.2.1: P-CCPCH\_RSCP intra-frequency relative accuracy**

Parameter	Unit	Accuracy [dB]		Conditions	
		Normal condition	Extreme condition	Io [dBm]	relative RSCP difference [dB]
P-CCPCH_RSCP	dBm	$\pm 1$	$\pm 1$	-94...-50	<2
		$\pm 2$	$\pm 2$		2...14
		$\pm 3$	$\pm 3$		>14

The rate of correct measurements observed during repeated tests shall be at least 90%.

The normative reference for this requirement is TS 25.123 [2] clauses 9.1.1.1.2 and A.9.1.1.1.1.

#### 8.7.1.1.2.3 Test Purpose

The purpose of this test is to verify that the relative P-CCPCH RSCP measurement accuracy is within the specified limits.

#### 8.7.1.1.2.4 Method of test

##### 8.7.1.1.2.4.1 Initial conditions

Test environment: normal, TL/VL, TL/VH, TH/VL, TH/VH; see clauses G.2.1 and G.2.2.

Frequencies to be tested: mid range; see clause G.2.4.

In this case all cells are on the same frequency. Cell 1 and cell 2 shall be synchronised, i.e. share the same frame and timeslot timing. The DL DPCH shall be transmitted in timeslot 4 and the UL DPCH shall be transmitted in timeslot 12. The second Beacon timeslot shall be provided in timeslot 8 for both cell 1 and cell 2. P-CCPCH RSCP intra frequency relative accuracy requirements are tested by using test parameters in table 8.7.1.1.1.2.

- 1) A call is set up according to the test procedure specified in TS 34.108 [3] clause 7.3.2.3. The RF parameters for Test 1 are set up according to table 8.7.1.1.1.2.

#### 8.7.1.1.2.4.2 Procedure

- 1) SS shall transmit MEASUREMENT CONTROL message.
- 2) UE shall transmit periodically MEASUREMENT REPORT messages.
- 3) SS shall check PCCPCH\_RSCP value of Cell 1 and Cell 2 in MEASUREMENT REPORT messages. PCCPCH RSCP power value measured from Cell 1 is compared to PCCPCH RSCP power value measured from Cell 2 for each MEASUREMENT REPORT message.
- 4) The result of step 3) is compared to actual power level difference of PCCPCH RSCP of Cell 1 and Cell 2.
- 5) SS shall count number of MEASUREMENT REPORT messages transmitted by UE. After 1000 MEASUREMENT REPORT messages have been received from UE, the RF parameters are set up according to table 8.7.1.1.1.2 for Test 2. While RF parameters are being set up, MEASUREMENT REPORT messages from UE are ignored. SS shall wait for additional 1s and ignore the MEASUREMENT REPORT messages during this period. Then, steps 3) and 4) above are repeated. After further 1000 MEASUREMENT REPORT messages have been received from UE, the RF parameters are set up according to table 8.7.1.1.1.2 for Test 3. While RF parameters are being set up, MEASUREMENT REPORT messages from UE are ignored. SS shall wait for additional 1s and ignore the MEASUREMENT REPORT messages during this period. Then, steps 3) and 4) above are repeated.
- 6) After further 1000 MEASUREMENT REPORT messages have been received from UE, the SS shall transmit RRC CONNECTION RELEASE message.
- 7) UE shall transmit RRC CONNECTION RELEASE COMPLETE message.

#### 8.7.1.1.2.5 Test requirements

The PCCPCH RSCP measurement accuracy shall meet the requirements in clause 8.7.1.1.2.2 for at least 900 of the measurement reports at each input level in step 4.

NOTE: If the above Test Requirement differs from the Minimum Requirement then the Test Tolerance applied for this test is non-zero. The Test Tolerance for this test is defined in clause F.2 and the explanation of how the Minimum Requirement has been relaxed by the Test Tolerance is given in clause F.4.

### 8.7.1.1A Intra frequency measurement accuracy for 1.28 Mcps TDD Option

#### 8.7.1.1A.1 Absolute accuracy requirement

##### 8.7.1.1A.1.1 Definition and applicability

The absolute accuracy of P-CCPCH RSCP is defined as the P-CCPCH RSCP measured from one cell compared to the actual P-CCPCH RSCP power from the same cell.

The requirements and this test apply to all types of UTRA TDD UE 1.28 Mcps option.

##### 8.7.1.1A.1.2 Minimum Requirements

The absolute accuracy requirements in table 8.7.1.1A.1.1 are valid under the following conditions:

P-CCPCH RSCP  $\geq$  -102 dBm.

$$\left( \frac{P - \text{CCPCH} - E_c}{I_o} \right)_{in \text{ dB}} \geq -8 \text{ dB}$$

$$\left( \frac{D_{wPCH} - E_c}{I_o} \right)_{in \text{ dB}} \geq -5 \text{ dB}$$

**Table 8.7.1.1A.1.1: P-CCPCH\_RSCP absolute accuracy**

Parameter	Unit	Accuracy [dB]		Conditions
		Normal condition	Extreme condition	Io [dBm]
P-CCPCH_RSCP	dBm	± 6	± 9	-94...-70
	dBm	± 8	± 11	-70...-50

The rate of correct measurements observed during repeated tests shall be at least 90%.

The normative reference for this requirement is TS 25.123 [2] clauses 9.1.1.1.1 and A.9.2.1.1.1.

#### 8.7.1.1A.1.3 Test Purpose

The purpose of this test is to verify that the absolute P-CCPCH RSCP measurement accuracy is within the specified limits.

#### 8.7.1.1A.1.4 Method of test

##### 8.7.1.1A.1.4.1 Initial conditions

Test environment: normal, TL/VL, TL/VH, TH/VL, TH/VH; see clauses G.2.1 and G.2.2.

Frequencies to be tested: mid range; see clause G.2.4.

In this case all cells are on the same frequency. Cell 1 and cell 2 shall be synchronised, i.e. share the same frame and timeslot timing. The DL DPCH shall be transmitted in timeslot 5 and the UL DPCH shall be transmitted in timeslot 2. P-CCPCH RSCP intra frequency absolute accuracy requirements are tested by using test parameters in table 8.7.1.1A.1.2.

Table 8.7.1.1A.1.2: P-CCPCH RSCP Intra frequency test parameters

Test 1					
Parameter	Unit	Cell 1		Cell 2	
Timeslot Number		0	DwPTS	0	DwPTS
UTRA RF Channel Number		Channel 1		Channel 1	
PCCPCH_Ec/lor	dB	-3		-3	
DwPCH_Ec/lor	dB		0		0
OCNS_Ec/lor	dB	-3		-3	
$\hat{I}_{or}/I_{oc}$	dB	5		2	
$I_{oc}$	dBm/ 1.28 MHz	-76.6			
PCCPCH RSCP, Note 1	dBm	-74.6		-77.6	
Io, Note 1	dBm/ 1.28 MHz	-69			
Propagation condition		AWGN			
Test 2					
Parameter	Unit	Cell 1		Cell 2	
Timeslot Number		0	DwPTS	0	DwPTS
UTRA RF Channel Number		Channel 1		Channel 1	
PCCPCH_Ec/lor	dB	-3		-3	
DwPCH_Ec/lor	dB		0		0
OCNS_Ec/lor	dB	-3		-3	
$\hat{I}_{or}/I_{oc}$	dB	9		2	
$I_{oc}$	dBm/ 1.28 MHz	-60.2			
PCCPCH RSCP, Note 1	dBm	-54.2		-61.2	
Io, Note 1	dBm/ 1.28 MHz	-50			
Propagation condition		AWGN			
Test 3					
Parameter	Unit	Cell 1		Cell 2	
Timeslot Number		0	DwPTS	0	DwPTS
UTRA RF Channel Number		Channel 1		Channel 1	
PCCPCH_Ec/lor	dB	-3		-3	
DwPCH_Ec/lor	dB		0		0
OCNS_Ec/lor	dB	-3		-3	
$\hat{I}_{or}/I_{oc}$	dB	5		3	
$I_{oc}$	dBm/ 1.28 MHz	-101.9			
PCCPCH RSCP, Note 1	dBm	-99.9		-101.9	
Io, Note 1	dBm/ 1.28 MHz	-94			
Propagation condition		AWGN			
NOTE 1: PCCPCH RSCP and Io levels have been calculated from other parameters for information purposes. They are not settable parameters themselves.					

- 1) A call is set up according to the test procedure specified in TS 34.108 [3] clause 7.3.2.3. The RF parameters for Test 1 are set up according to table 8.7.1.1A.1.2.

#### 8.7.1.1A.1.4.2 Procedure

- 1) SS shall transmit MEASUREMENT CONTROL message.

- 2) UE shall transmit periodically MEASUREMENT REPORT messages.
- 3) SS shall check PCCPCH\_RSCP value in MEASUREMENT REPORT messages. PCCPCH\_RSCP power of Cell 1 reported by UE is compared to actual PCCPCH\_RSCP power for each MEASUREMENT REPORT message.
- 4) SS shall count number of MEASUREMENT REPORT messages transmitted by UE. After 1000 MEASUREMENT REPORT messages have been received from UE, the RF parameters are set up according to table 8.7.1.1A.1.2 for Test 2. While RF parameters are being set up, MEASUREMENT REPORT messages from UE are ignored. SS shall wait for additional 1s and ignore the MEASUREMENT REPORT messages during this period. Then, step 3) above is repeated. After further 1000 MEASUREMENT REPORT messages have been received from UE, the RF parameters are set up according to table 8.7.1.1A.1.2 for Test 3. While RF parameters are being set up, MEASUREMENT REPORT messages from UE are ignored. SS shall wait for additional 1s and ignore the MEASUREMENT REPORT messages during this period. Then, step 3) above is repeated.
- 5) After further 1000 MEASUREMENT REPORT messages have been received from UE, the SS shall transmit RRC CONNECTION RELEASE message.
- 6) UE shall transmit RRC CONNECTION RELEASE COMPLETE message.

#### 8.7.1.1A.1.5 Test requirements

The PCCPCH RSCP measurement accuracy shall meet the requirements in clause 8.7.1.1A.1.2 for at least 900 of the measurement reports at each input level in step 4.

NOTE: If the above Test Requirement differs from the Minimum Requirement then the Test Tolerance applied for this test is non-zero. The Test Tolerance for this test is defined in clause F.2 and the explanation of how the Minimum Requirement has been relaxed by the Test Tolerance is given in clause F.4.

#### 8.7.1.1A.2 Relative accuracy requirement for 1.28 Mcps TDD Option

##### 8.7.1.1A.2.1 Definition and applicability

The relative accuracy of PCCPCH RSCP is defined as the PCCPCH RSCP measured from one cell compared to the PCCPCH RSCP measured from another cell on the same frequency.

The requirements and this test apply to all types of UTRA TDD UE 1.28 Mcps option.

##### 8.7.1.1A.2.2 Minimum Requirements

The relative accuracy requirements in table 8.7.1.1A.2.1 are valid under the following conditions:

P-CCPCH RSCP  $\geq$  -102 dBm.

$$\left( \frac{P - CCPCH - E_c}{I_o} \right)_{in\ dB} \geq -8dB$$

$$\left( \frac{DwPCH - E_c}{I_o} \right)_{in\ dB} \geq -5dB$$

$$\left| P - CCPCH\ RSCP1 \Big|_{in\ dB} - P - CCPCH\ RSCP2 \Big|_{in\ dB} \right| \leq 20dB$$

Relative  $I_o$  difference [dB]  $\leq$  relative RSCP difference [dB]

It is assumed that the measurements of P-CCPCH RSCP1 and P-CCPCH RSCP2 can be performed within 20ms due to slot allocations in the cells concerned.

**Table 8.7.1.1A.2.1: P-CCPCH\_RSCP intra-frequency relative accuracy**

Parameter	Unit	Accuracy [dB]		Conditions	
		Normal condition	Extreme condition	Io [dBm]	relative RSCP difference [dB]
P-CCPCH_RSCP	dBm	$\pm 1$	$\pm 1$	-94...-50	<2
		$\pm 2$	$\pm 2$		2...14
		$\pm 3$	$\pm 3$		>14

The rate of correct measurements observed during repeated tests shall be at least 90%.

The normative reference for this requirement is TS 25.123 [2] clauses 9.1.1.1.2 and A.9.2.1.1.1.

#### 8.7.1.1A.2.3 Test Purpose

The purpose of this test is to verify that the relative P-CCPCH RSCP measurement accuracy is within the specified limits.

#### 8.7.1.1A.2.4 Method of test

##### 8.7.1.1A.2.4.1 Initial conditions

Test environment: normal, TL/VL, TL/VH, TH/VL, TH/VH; see clauses G.2.1 and G.2.2.

Frequencies to be tested: mid range; see clause G.2.4.

In this case all cells are on the same frequency. Cell 1 and cell 2 shall be synchronised, i.e. share the same frame and timeslot timing. The DL DPCH shall be transmitted in timeslot 5 and the UL DPCH shall be transmitted in timeslot 2. P-CCPCH RSCP intra frequency relative accuracy requirements are tested by using test parameters in table 8.7.1.1A.1.2.

- 1) A call is set up according to the test procedure specified in TS 34.108 [3] clause 7.3.2.3. The RF parameters for Test 1 are set up according to table 8.7.1.1A.1.2.

##### 8.7.1.1A.2.4.2 Procedure

- 1) SS shall transmit MEASUREMENT CONTROL message.
- 2) UE shall transmit periodically MEASUREMENT REPORT messages.
- 3) SS shall check PCCPCH\_RSCP value of Cell 1 and Cell 2 in MEASUREMENT REPORT messages. PCCPCH RSCP power value measured from Cell 1 is compared to PCCPCH RSCP power value measured from Cell 2 for each MEASUREMENT REPORT message.
- 4) The result of step 3) is compared to actual power level difference of PCCPCH RSCP of Cell 1 and Cell 2.
- 5) SS shall count number of MEASUREMENT REPORT messages transmitted by UE. After 1000 MEASUREMENT REPORT messages have been received from UE, the RF parameters are set up according to table 8.7.1.1A.1.2 for Test 2. While RF parameters are being set up, MEASUREMENT REPORT messages from UE are ignored. SS shall wait for additional 1s and ignore the MEASUREMENT REPORT messages during this period. Then, steps 3) and 4) above are repeated. After further 1000 MEASUREMENT REPORT messages have been received from UE, the RF parameters are set up according to table 8.7.1.1A.1.2 for Test 3. While RF parameters are being set up, MEASUREMENT REPORT messages from UE are ignored. SS shall wait for additional 1s and ignore the MEASUREMENT REPORT messages during this period. Then, steps 3) and 4) above are repeated.
- 6) After further 1000 MEASUREMENT REPORT messages have been received from UE, the SS shall transmit RRC CONNECTION RELEASE message.
- 7) UE shall transmit RRC CONNECTION RELEASE COMPLETE message.



## 8.7.1.1A.2.5 Test requirements

The PCCPCH RSCP measurement accuracy shall meet the requirements in clause 8.7.1.1A.2.2 for at least 900 of the measurement reports at each input level in step 4.

NOTE: If the above Test Requirement differs from the Minimum Requirement then the Test Tolerance applied for this test is non-zero. The Test Tolerance for this test is defined in clause F.2 and the explanation of how the Minimum Requirement has been relaxed by the Test Tolerance is given in clause F.4.

## 8.7.1.2 Inter frequency measurement accuracy for 3,84 Mcps TDD Option

## 8.7.1.2.1 Relative accuracy requirement

## 8.7.1.2.1.1 Definition and applicability

The P-CCPCH\_RSCP inter-frequency relative accuracy is defined as the P-CCPCH\_RSCP measured from one cell compared to the P-CCPCH\_RSCP measured from another cell on a different frequency.

The requirements and this test apply to all types of UTRA TDD UE.

## 8.7.1.2.1.2 Minimum Requirements

The relative accuracy requirements in table 8.7.1.2.1.1 are valid under the following conditions:

P-CCPCH RSCP  $\geq$  -102 dBm.

$$\left| P - CCPCH RSCP1 \Big|_{in\ dB} - P - CCPCH RSCP2 \Big|_{in\ dB} \right| \leq 20dB$$

$$\left( \frac{P - CCPCH - E_c}{I_o} \right) \Big|_{in\ dB} \geq -8dB$$

$$\left( \frac{SCH - E_c}{I_o} \right) \Big|_{in\ dB} \geq -13dB$$

**Table 8.7.1.2.1.1 P-CCPCH\_RSCP inter-frequency relative accuracy**

Parameter	Unit	Accuracy [dB]		Conditions
		Normal condition	Extreme condition	Io [dBm]
P-CCPCH_RSCP	dBm	$\pm 6$	$\pm 6$	-94...-50

The rate of correct measurements observed during repeated tests shall be at least 90%.

The normative reference for this requirement is TS 25.123 [2] clauses 9.1.1.1.2 and A.9.1.1.

## 8.7.1.2.1.3 Test Purpose

The purpose of this test is to verify that the relative P-CCPCH RSCP measurement accuracy is within the specified limits for the inter frequency case.

## 8.7.1.2.1.4 Method of test

## 8.7.1.2.1.4.1 Initial conditions

Test environment: normal, TL/VL, TL/VH, TH/VL, TH/VH; see clauses G.2.1 and G.2.2.

Frequencies to be tested: mid range; see clause G.2.4.

In this case both cells are on different frequencies. The second Beacon timeslot shall be provided in timeslot 8 for cell 1 and in timeslot 10 for cell 2. P-CCPCH RSCP inter frequency relative accuracy requirements are tested by using test parameters in table 8.7.1.2.1.2.

**Table 8.7.1.2.1.2: P-CCPCH RSCP Intra frequency test parameters**

Parameter	Unit	Test 1		Test 2		Test 3	
		Cell 1	Cell 2	Cell 1	Cell 2	Cell 1	Cell 2
DL timeslot number		0	2	0	2	0	2
UTRA RF Channel number		Channel 1	Channel 2	Channel 1	Channel 2	Channel 1	Channel 2
PCCPCH_Ec/lor	dB	-3		-3		-3	
SCH_Ec/lor	dB	-9		-9		-9	
SCH_toffset		0	5	0	5	0	5
OCNS_Ec/lor	dB	-3,12		-3,12		-3,12	
loc	dBm / 3.84 MHz	-75.2	-75.2	-57.8	-54.1	-98.7	-97
lor/loc	dB	5	5	7	2	3	0
PCCPCH RSCP, Note 1	dBm	-73.2	-73.2	-54.8	-55.1	-98.7	-100
lo, Note 1	dBm / 3.84 MHz	-69		-50		-94	
Propagation condition		AWGN		AWGN		AWGN	
NOTE 1: PCCPCH RSCP and lo levels have been calculated from other parameters for information purposes. They are not settable parameters themselves.							

- 1) A call is set up according to the test procedure specified in TS 34.108 [3] clause 7.3.2.3. The RF parameters for Test 1 are set up according to table 8.7.1.2.1.2.

#### 8.7.1.2.1.4.2 Procedure

- 1) SS shall transmit PHYSICAL CHANNEL RECONFIGURATION message.
- 2) UE shall transmit PHYSICAL CHANNEL RECONFIGURATION COMPLETE message.
- 3) SS shall transmit MEASUREMENT CONTROL message.
- 4) UE shall transmit periodically MEASUREMENT REPORT messages.
- 5) SS shall check PCCPCH\_RSCP value of Cell 1 and Cell 2 in MEASUREMENT REPORT messages. PCCPCH RSCP power value measured from Cell 1 is compared to PCCPCH RSCP power value measured from Cell 2 for each MEASUREMENT REPORT message.
- 6) The result of step 5) is compared to actual power level difference of PCCPCH RSCP of Cell 1 and Cell 2.
- 7) SS shall count number of MEASUREMENT REPORT messages transmitted by UE. After 1000 MEASUREMENT REPORT messages have been received from UE, the RF parameters are set up according to table 8.7.1.2.1.2 for Test 2. While RF parameters are being set up, MEASUREMENT REPORT messages from UE are ignored. SS shall wait for additional 1s and ignore the MEASUREMENT REPORT messages during this period. Then, steps 5) and 6) above are repeated.
- 8) After further 1000 MEASUREMENT REPORT messages have been received from UE, the SS shall transmit RRC CONNECTION RELEASE message.
- 9) UE shall transmit RRC CONNECTION RELEASE COMPLETE message.

#### 8.7.1.2.1.5 Test requirements

The PCCPCH RSCP measurement accuracy shall meet the requirements in clause 8.7.1.2.1.2 for at least 900 of the measurement reports at each input level in step 4.

NOTE: If the above Test Requirement differs from the Minimum Requirement then the Test Tolerance applied for this test is non-zero. The Test Tolerance for this test is defined in clause F.2 and the explanation of how the Minimum Requirement has been relaxed by the Test Tolerance is given in clause F.4.

## 8.7.1.2A Inter frequency measurement accuracy for 1.28 Mcps TDD Option

### 8.7.1.2A.1 Relative accuracy requirement

#### 8.7.1.2A.1.1 Definition and applicability

The P-CCPCH\_RSCP inter-frequency relative accuracy is defined as the P-CCPCH\_RSCP measured from one cell compared to the P-CCPCH\_RSCP measured from another cell on a different frequency.

The requirements and this test apply to all types of UTRA TDD UE 1.28 Mcps option.

#### 8.7.1.2A.1.2 Minimum Requirements

The relative accuracy requirements in table 8.7.1.2A.1.1 are valid under the following conditions:

P-CCPCH RSCP  $\geq$  -102 dBm.

$$\left| P - CCPCH\ RSCP1 \Big|_{in\ dB} - P - CCPCH\ RSCP2 \Big|_{in\ dB} \right| \leq 20dB$$

$$\left( \frac{P - CCPCH - E_c}{I_o} \right) \Big|_{in\ dB} \geq -8dB$$

$$\left( \frac{DwPCH - E_c}{I_o} \right) \Big|_{in\ dB} \geq -5dB$$

**Table 8.7.1.2A.1.1 P-CCPCH\_RSCP inter-frequency relative accuracy**

Parameter	Unit	Accuracy [dB]		Conditions Io [dBm]
		Normal condition	Extreme condition	
P-CCPCH_RSCP	dBm	$\pm 6$	$\pm 6$	-94...-50

The rate of correct measurements observed during repeated tests shall be at least 90%.

The normative reference for this requirement is TS 25.123 [2] clauses 9.1.1.1.2 and A.9.2.1.

#### 8.7.1.2A.1.3 Test Purpose

The purpose of this test is to verify that the relative P-CCPCH RSCP measurement accuracy is within the specified limits for the inter frequency case.

#### 8.7.1.2A.1.4 Method of test

##### 8.7.1.2A.1.4.1 Initial conditions

Test environment: normal, TL/VL, TL/VH, TH/VL, TH/VH; see clauses G.2.1 and G.2.2.

Frequencies to be tested: mid range; see clause G.2.4.

In this case both cells are on different frequencies. P-CCPCH RSCP inter frequency relative accuracy requirements are tested by using test parameters in table 8.7.1.2A.1.2.

Table 8.7.1.2A.1.2: P-CCPCH RSCP Intra frequency test parameters

		Test 1			
Parameter	Unit	Cell 1		Cell 2	
Timeslot Number		0	DwPTS	0	DwPTS
UTRA RF Channel Number		Channel 1		Channel 2	
PCCPCH_Ec/lor	dB	-3		-3	
DwPCH_Ec/lor	dB		0		0
OCNS_Ec/lor	dB	-3		-3	
$\hat{I}_{or}/I_{oc}$	dB	5		5	
$I_{oc}$	dBm/ 1.28 MHz	-75.2		-75.2	
PCCPCH RSCP, Note 1	dBm	-73.2		-73.2	
Io, Note 1	dBm/ 1.28 MHz	-69			
Propagation condition		AWGN			
		Test 2			
Parameter	Unit	Cell 1		Cell 2	
Timeslot Number		0	DwPTS	0	DwPTS
UTRA RF Channel Number		Channel 1		Channel 2	
PCCPCH_Ec/lor	dB	-3		-3	
DwPCH_Ec/lor	dB		0		0
OCNS_Ec/lor	dB	-3		-3	
$\hat{I}_{or}/I_{oc}$	dB	7		2	
$I_{oc}$	dBm/ 1.28 MHz	-57.8		-54.1	
PCCPCH RSCP, Note 1	dBm	-53.8		-55.1	
Io, Note 1	dBm/ 1.28 MHz	-50			
Propagation condition		AWGN			
		Test 3			
Parameter	Unit	Cell 1		Cell 2	
Timeslot Number		0	DwPTS	0	DwPTS
UTRA RF Channel Number		Channel 1		Channel 2	
PCCPCH_Ec/lor	dB	-3		-3	
DwPCH_Ec/lor	dB		0		0
OCNS_Ec/lor	dB	-3		-3	
$\hat{I}_{or}/I_{oc}$	dB	3		0	
$I_{oc}$	dBm/ 1.28 MHz	-98.7		-97	
PCCPCH RSCP, Note 1	dBm	-98.7		-100	
Io, Note 1	dBm/ 1.28 MHz	-94			
Propagation condition		AWGN			
NOTE 1: PCCPCH RSCP and Io levels have been calculated from other parameters for information purposes. They are not settable parameters themselves.					

- 1) A call is set up according to the test procedure specified in TS 34.108 [3] clause 7.3.2.3. The RF parameters for Test 1 are set up according to table 8.7.1.2A.1.2.

#### 8.7.1.2A.1.4.2 Procedure

- 1) SS shall transmit PHYSICAL CHANNEL RECONFIGURATION message.

- 2) UE shall transmit PHYSICAL CHANNEL RECONFIGURATION COMPLETE message.
- 3) SS shall transmit MEASUREMENT CONTROL message.
- 4) UE shall transmit periodically MEASUREMENT REPORT messages.
- 5) SS shall check PCCPCH\_RSCP value of Cell 1 and Cell 2 in MEASUREMENT REPORT messages. PCCPCH RSCP power value measured from Cell 1 is compared to PCCPCH RSCP power value measured from Cell 2 for each MEASUREMENT REPORT message.
- 6) The result of step 5) is compared to actual power level difference of PCCPCH RSCP of Cell 1 and Cell 2.
- 7) SS shall count number of MEASUREMENT REPORT messages transmitted by UE. After 1000 MEASUREMENT REPORT messages have been received from UE, the RF parameters are set up according to table 8.7.1.2A.1.2 for Test 2. While RF parameters are being set up, MEASUREMENT REPORT messages from UE are ignored. SS shall wait for additional 1s and ignore the MEASUREMENT REPORT messages during this period. Then, steps 5) and 6) above are repeated.
- 8) After further 1000 MEASUREMENT REPORT messages have been received from UE, the SS shall transmit RRC CONNECTION RELEASE message.
- 9) UE shall transmit RRC CONNECTION RELEASE COMPLETE message.

#### 8.7.1.2A.1.5 Test requirements

The PCCPCH RSCP measurement accuracy shall meet the requirements in clause 8.7.1.2A.1.2 for at least 900 of the measurement reports at each input level in step 4.

NOTE: If the above Test Requirement differs from the Minimum Requirement then the Test Tolerance applied for this test is non-zero. The Test Tolerance for this test is defined in clause F.2 and the explanation of how the Minimum Requirement has been relaxed by the Test Tolerance is given in clause F.4.

# Annex A (informative): Connection Diagrams

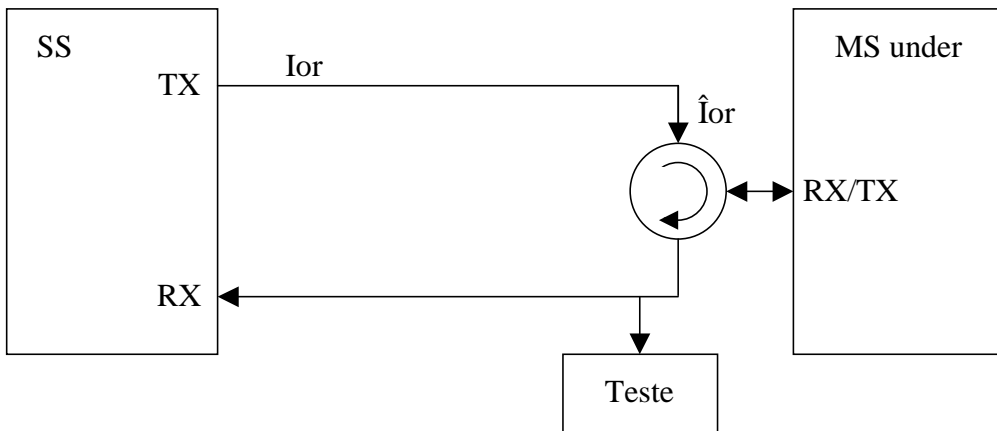


Figure A.1: Connection for Basic TX Test

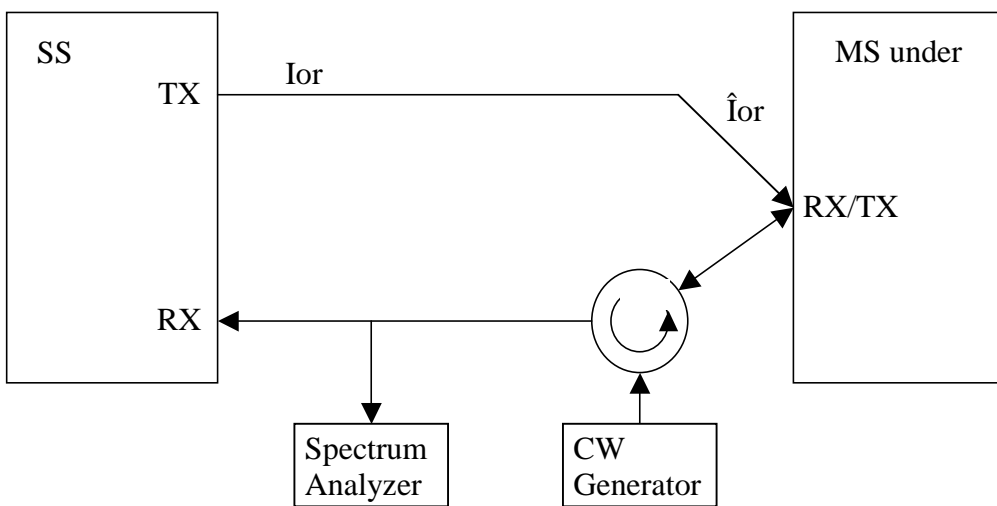


Figure A.2: Connection for TX Intermodulation Test

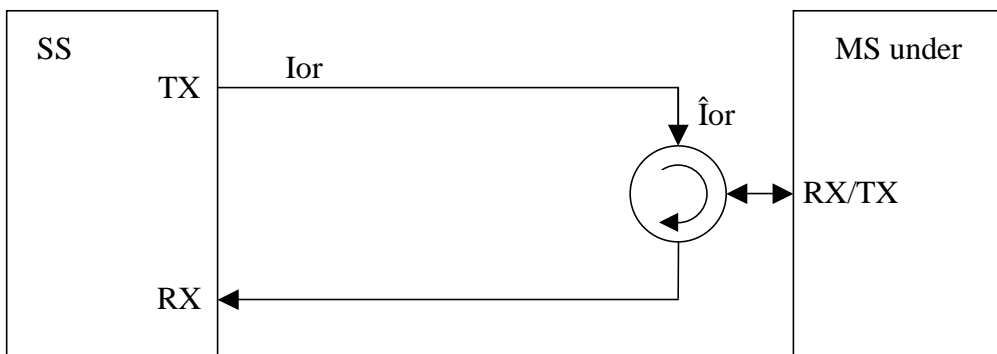


Figure A.3: Connection for Basic RX Test

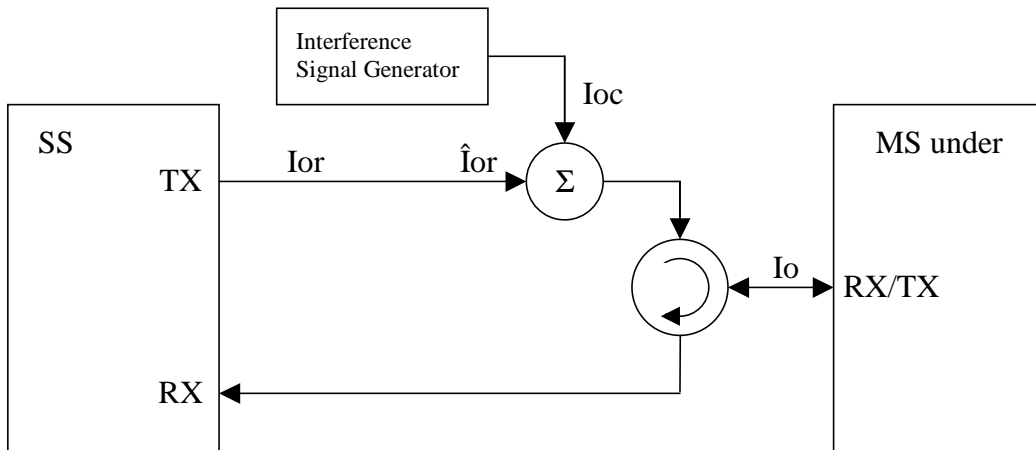


Figure A.4: Connection for RX Test with Interference

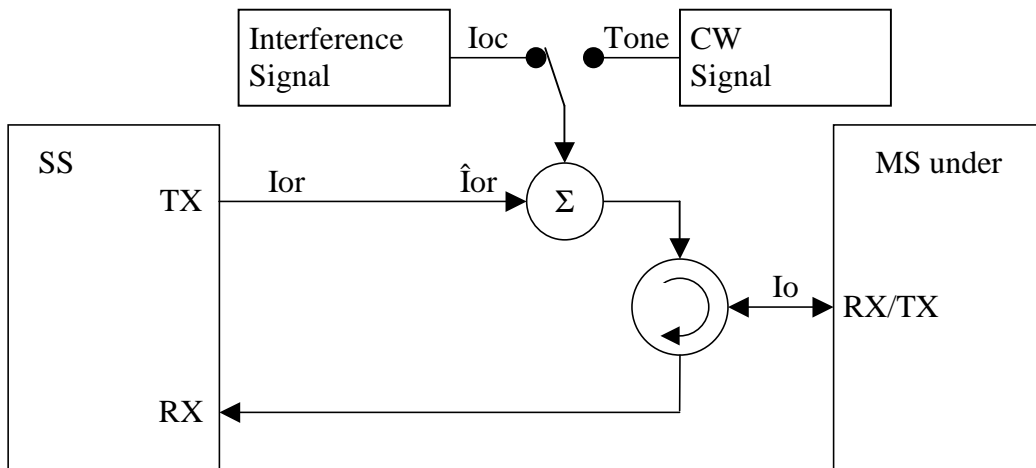


Figure A.5: Connection for RX Test with Interference or additional CW

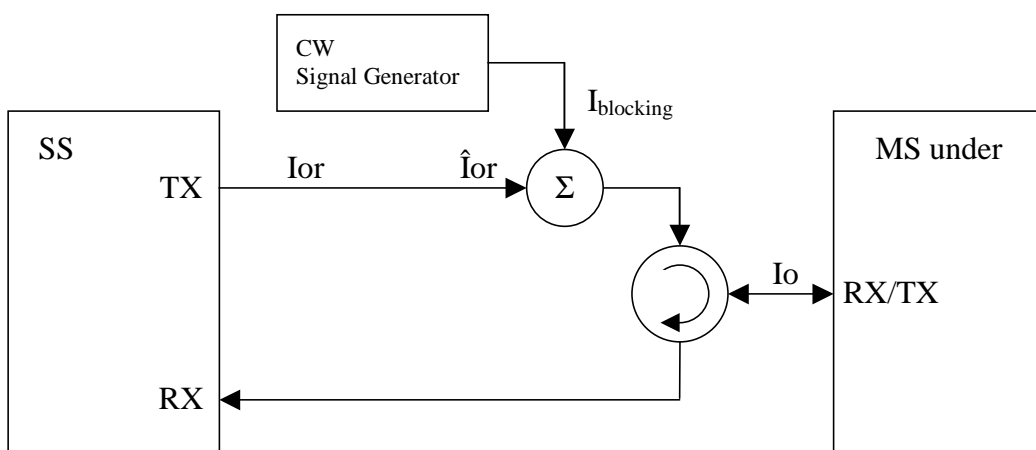


Figure A.6: Connection for RX Test with additional CW

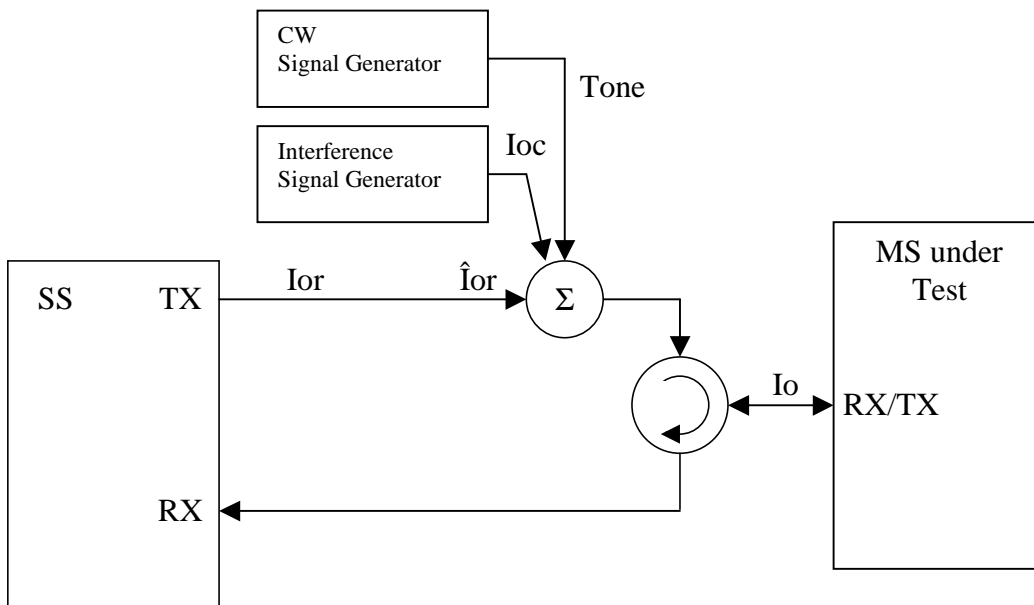


Figure A.7: Connection for RX Test with both Interference and additional CW



Figure A.8: Connection for Spurious Emission Test

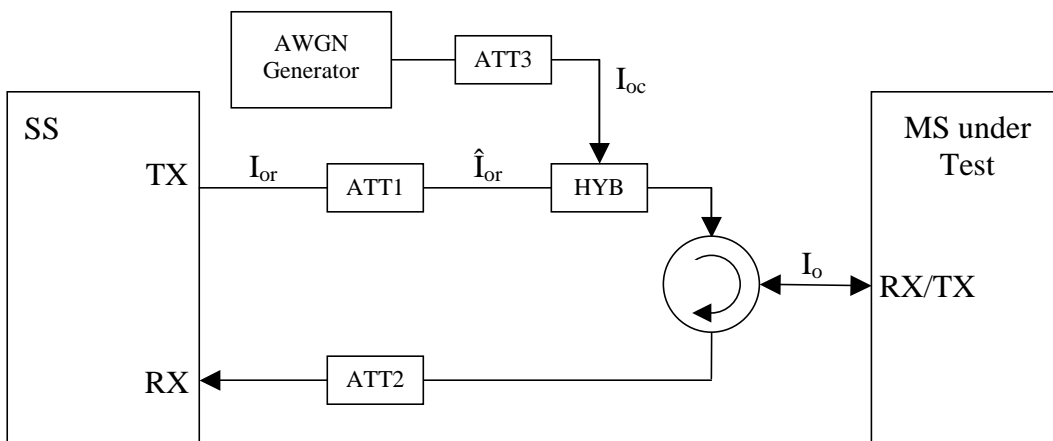


Figure A.9: Connection for Static Channel Test



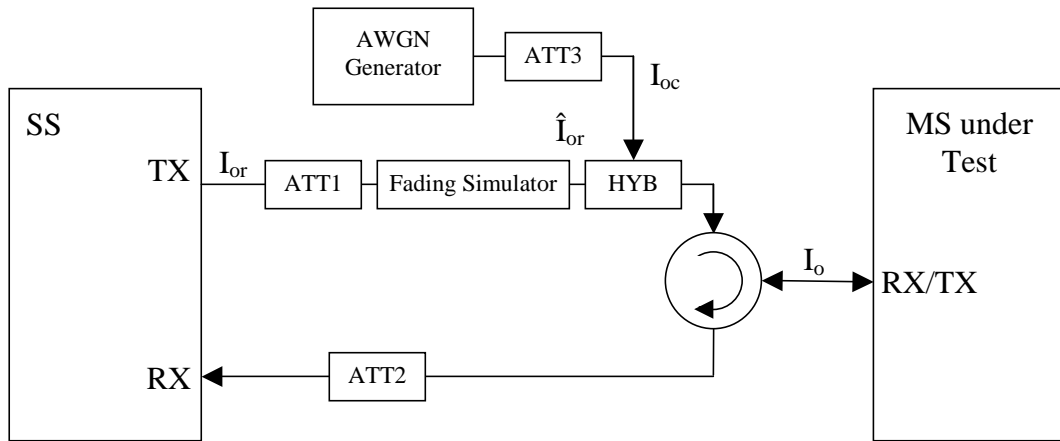


Figure A.10: Connection for Multiple Fading Channel Test

## Annex B (normative): Global In-Channel TX-Test

### B.1 General

The global in-channel Tx test enables the measurement of all relevant parameters that describe the in-channel quality of the output signal of the Tx under test in a single measurement process.

The parameters describing the in-channel quality of a transmitter, however, are not necessarily independent. The algorithm chosen for description inside this annex places particular emphasis on the exclusion of all interdependencies among the parameters. Any other algorithm (e.g. having better computational efficiency) may be applied, as long as the results are the same within the accuracy limits.

All notes referred in the various clauses of B.2 are put together in B.3.

### B.2 Definition of the process

#### B.2.1 Basic principle

The process is based on the comparison of the actual **output signal of the TX under test**, received by an ideal receiver, with a **reference signal**, that is generated by the measuring equipment and represents an ideal error free received signal. The reference signal shall be composed of the same number of codes at the correct spreading factors as contained in the test signal. Note, for simplification, the notation below assumes only codes of one spreading factor although the algorithm is valid for signals containing multiple spreading factors.

All signals are represented as equivalent (generally complex) baseband signals.

#### B.2.2 Output signal of the TX under test

The output signal of the TX under test is acquired by the measuring equipment, filtered by a matched filter (RRC 0.22, correct in shape and in position on the frequency axis) and stored for further processing.

The following form represents the physical signal in the entire measurement interval:

one vector **Z**, containing  $N = n_s \times sf + m_a$  complex samples;

with

$n_s$ : number of symbols in the measurement interval;

$sf$ : number of chips per symbol. ( $sf$ : spreading factor) (see Note: Symbol length)

$m_a$ : number of midamble chips

#### B.2.3 Reference signal

The reference signal is constructed by the measuring equipment according to the relevant TX specifications.

It is filtered by the same matched filter, mentioned in B.2.2., and stored at the Inter-Symbol-Interference free instants. The following form represents the reference signal in the entire measurement interval:

one vector **R**, containing  $N = n_s \times sf + m_a$  complex samples;

$n_s$ ,  $sf$ ,  $m_a$ : see B.2.2

## B.2.4 void

## B.2.5 Classification of measurement results

The measurement results achieved by the global in-channel TX test can be classified into two types:

Results of type "deviation", where the error-free parameter has a non-zero magnitude. (These are the parameters that quantify the integral physical characteristic of the signal). These parameters are:

- RF Frequency
- Power (in case of single code)
- Code Domain Power (in case of multi code)
- Timing

(Additional parameters: see Note: Deviation)

Results of type "residual", where the error-free parameter has value zero. (These are the parameters that quantify the error values of the measured signal, whose ideal magnitude is zero). These parameters are:

- Error Vector Magnitude (EVM);
- Peak Code Domain Error (PCDE).

(Additional parameters: see Note residual).

## B.2.6 Process definition to achieve results of type "deviation"

The reference signal (**R**; see clause B.2.3) and the signal under Test (**Z**; see subclause B.2.2) are varied with respect to the parameters mentioned in clause B.2.5 under "results of type deviation" in order to achieve best fit. Best fit is achieved when the RMS difference value between the varied signal under test and the varied reference signal is an absolute minimum.

Overview:

$$FCT [ Z(\tilde{f}, \tilde{t}, \tilde{\varphi}, g_1, g_2, \dots, g_{synch}) - R(f, t, \varphi, \tilde{g}_1, \tilde{g}_2, \dots, \tilde{g}_{synch}) ] = Minimum !$$

Z : Signal under test.

R: Reference signal,

with frequency  $f$ , the timing  $t$ , the phase  $\varphi$ , gain of code1 ( $g_1$ ), gain of code2 ( $g_2$ ) etc, and the gain of the synch channel  $g_{synch}$

The parameters marked with a tilde in Z and R are varied in order to achieve a best fit.

Detailed formula: see Note: Formula for the minimum process

The varied reference signal, after the best fit process, will be called **R'**.

The varied signal under test, after the best fit process, will be called **Z'**.

The varying parameters, leading to **R'** and **Z'** represent directly the wanted results of type "deviation". These measurement parameters are expressed as deviation from the reference value with units same as the reference value.

In case of multi code, the type-"deviation"-parameters (frequency, timing and (RF-phase)) are varied commonly for all codes such that the process returns one frequency-deviation, one timing deviation, (one RF-phase –deviation).

(These parameters are not varied on the individual codes signals such that the process would return  $kr$  frequency errors... . ( $kr$ : number of codes in the reference signal)).

The only type-"deviation"-parameters varied individually are the code domain gain factors ( $g_1, g_2, \dots$ ).

### E.2.5.1 Decision Point Power

The mean-square value of the signal-under-test, sampled at the best estimate of the of Intersymbol-Interference-free points using the process defined in subclause 2.5, is referred to the *Decision Point Power* (DPP):

### E.2.5.2 Code-Domain Power

The samples,  $Z$ , are separated into symbol intervals to create  $n_s$  time-sequential vectors  $\mathbf{z}$  with  $s_f$  complex samples comprising one symbol interval. The *Code Domain Power* is calculated according to the following steps:

- 1) Take the vectors  $\mathbf{z}$  defined above.
- 2) To achieve meaningful results it is necessary to descramble  $\mathbf{z}$ , leading to  $\mathbf{z}'$
- 3) Take the orthogonal vectors of the channelization code set  $\mathbf{C}$  (all codes belonging to one spreading factor) as defined in TS 25.213 and TS 25.223 (range +1, -1), and normalize by the norm of the vectors to produce  $\mathbf{C}_{norm} = \mathbf{C} / \text{sqrt}(s_f)$ . (see Note: Symbol length)
- 4) Calculate the inner product of  $\mathbf{z}'$  with  $\mathbf{C}_{norm}$ . Do this for all symbols of the measurement interval and for all codes in the code space.  
This gives an array of format  $k \times n_s$ , each value representing a specific symbol and a specific code, which can be exploited in a variety of ways.

$k$ : total number of codes in the code space

$n_s$ : number of symbols in the measurement interval

- 5) Calculate  $k$  mean-square values, each mean-square value unifying  $n_s$  symbols within one code. (These values can be called "*Absolute CodeDomainPower* (CDP)" [ $\text{Volt}^2$ ].) The sum of the  $k$  values of CDP is equal to DPP.
- 6) Normalize by the decision point power to obtain

$$\text{Relative CodeDomain Power} = \frac{\text{Absolute CodeDomainPower}}{\text{DecisionPointPower}}$$

## B.2.7 Process definition to achieve results of type "residual"

The difference between the varied reference signal ( $\mathbf{R}'$ ; see clause B.2.6.) and the varied TX signal under test ( $\mathbf{Z}'$ ; see clause B.2.6) is the error vector  $\mathbf{E}$  versus time:

$$\mathbf{E} = \mathbf{Z}' - \mathbf{R}'.$$

Depending on the parameter to be evaluated, it is appropriate to represent  $\mathbf{E}$  in one of the following two different forms:

Form EVM (representing the physical error signal in the entire measurement interval)

One vector  $\mathbf{E}$ , containing  $N = n_s \times s_f + m_a$  complex samples;

$n_s$ ,  $s_f$ ,  $m_a$ : see B.2.2

Form PCDE (derived from Form EVM by separating the samples into symbol intervals)

$n_s$  time-sequential vectors  $\mathbf{e}$  with  $s_f$  complex samples comprising one symbol interval.

$\mathbf{E}$  gives results of type "residual" applying the two algorithms defined in clauses B 2.7.1 and B 2.7.2.

### B.2.7.1 Error Vector Magnitude (EVM)

The Error Vector Magnitude EVM is calculated according to the following steps:

- 1) Take the error vector  $\mathbf{E}$  defined in clause B.2.7 (Form EVM) and calculate the RMS value of  $\mathbf{E}$ ; the result will be called  $\text{RMS}(\mathbf{E})$ .

- 2) Take the varied reference vector **R'** defined in clause B.2.6 and calculate the RMS value of **R'**; the result will be called RMS(**R'**).
- 3) Calculate EVM according to:

$$EVM = \frac{RMS(E)}{RMS(R')} \times 100\% \quad (\text{here, EVM is relative and expressed in \%})$$

(see note TDD)

(see note: Formula for EVM)

### B.2.7.2 Peak Code Domain Error (PCDE)

The Peak Code Domain Error is calculated according to the following steps:

- 1) Take the error vectors **e** defined in clause B.2.7 (Form PCDE).
- 2) Take the orthogonal vectors of the channelisation - code set **C** (all codes belonging to one spreading factor) as defined in TS 25.213 and TS 25.223 (range +1, -1). (see Note: Symbol length) and normalize by the norm of the vectors to produce **Cnorm= C/sqrt(sf)**. (see Note: Symbol length).
- 3) To achieve meaningful results it is necessary to descramble **e**, leading to **e'**.
- 4) Calculate the inner product of **e'** with **Cnorm**. Do this for all symbols of the measurement interval and for all codes in the code space.  
This gives an array of format **k x ns**, each value representing an error-vector representing a specific symbol and a specific code, which can be exploited in a variety of ways.

**k:** total number of codes in the code space  
**ns:** number of symbols in the measurement interval

- 5) Calculate **k** RMS values, each RMS value unifying **ns** symbols within one code.  
(These values can be called "*Absolute CodeEVMs*" [Volt].)
- 6) Find the peak value among the **k** "*Absolute CodeEVMs*".  
(This value can be called "*Absolute PeakCodeEVM*" [Volt].)
- 7) Calculate PCDE according to:

$$10 \cdot \lg \frac{("Absolute PeakCodeEVM")^2}{(RMS(R'))^2} \quad \text{dB} \quad (\text{a relative value in dB}).$$

(see Note: Scrambling code)

(see Note TDD)

## B.3 Notes

### Note: Symbol length)

A general code multiplexed signal is multicode and multirate. In order to avoid unnecessary complexity, the measurement applications use a unique symbol-length, corresponding to a spreading factor, regardless of the really intended spreading factor. Nevertheless the complexity with a multicode / multirate signal can be mastered by introducing appropriate definitions.

### Note: Deviation)

It is conceivable to regard more parameters as type „deviation" e.g. Chip frequency and RF-phase.

As chip-frequency and RF-frequency are linked together by a statement in the core specifications [1] it is sufficient to process RF frequency only.

A parameter RF-phase must be varied within the best fit process (B 2.6.). Although necessary, this parameter-variation doesn't describe any error, as the modulation schemes used in the system don't depend on an absolute RF-phase.

**Note: Residual)**

It is conceivable to regard more parameters as type „residual" e.g. IQ origin offset. As it is not the intention of the test to separate for different error sources, but to quantify the quality of the signal, all such parameters are not extracted by the best fit process, instead remain part of EVM and PCDE.

**Note Scrambling Code)**

To interpret the measurement results in practice it should be kept in mind that erroneous code power on unused codes is generally de-scrambled differently under test conditions and under real life conditions, whereas erroneous code power on used codes is generally de-scrambled equally under test conditions and under real life conditions. It might be indicated if a used or unused code hits PCDE.

**Note TDD)**

EVM covers the midamble part as well as the data part; however PCDE disregards the midamble part.

Note: **Fomula for the minimum process**

$$L(\Delta\tilde{f}, \Delta\tilde{t}, \Delta\tilde{\varphi}, \Delta\tilde{g}_c, \dots, \Delta\tilde{g}_{mid}) = \sum_{v=0}^{N-1} |Z(v) - R(v)|^2$$

Legend:

L : the function to be minimised

The parameters to be varied in order to minimize are:

$\Delta\tilde{f}$  : the RF frequency offset

$\Delta\tilde{t}$  : the timing offset

$\Delta\tilde{\varphi}$  : the phase offset

$\Delta\tilde{g}_c \dots$  code power offsets (one offset for each code)

$\Delta\tilde{g}_{mid}$  : the power offset of the midamble

Z(v): Samples of the signal under Test

R(v): Samples of the reference signal

$\sum_{v=0}^{N-1}$  : counting index  $V$  starting at the beginning of the measurement interval and ending at its end.

N = No of chips during the measurement interval.

Z(v): Samples of the signal under Test. It is modelled as a sequence of complex baseband samples  $Z(\gamma)$  with a time-shift  $\Delta t$ , a frequency offset  $\Delta f$ , a phase offset  $\Delta\varphi$ , the latter three with respect to the reference signal.

$$Z(v) = Z(v - \Delta \tilde{t}) * e^{-j2\pi\Delta\tilde{f}v} * e^{-j\Delta\tilde{\varphi}}$$

R(v): Samples of the reference signal:

$$R(v) = \sum_{c=1}^{\text{No. of codes}} (g_c + \Delta\tilde{g}_c) * \text{Chip}_c(v) + (g_{mid} + \Delta\tilde{g}_{mid}) * \text{Chip}_{mid}(v)$$

g : nominal gain of the code channel or midamble

$\Delta\tilde{g}$  : The gain offset to be varied in the minimum process

Chip(v) is the chipsequence of the code channel or midamble

Indices at g,  $\Delta g$  and Chip:

The index indicates the code channel: c = 1,2,... No of code channels

Range for Chip<sub>c</sub> : +1,-1

Note: **Formula for EVM**

$$EVM = \sqrt{\frac{\sum_{v=0}^{N-1} |Z'(\gamma) - R'(\gamma)|^2}{\sum_{v=0}^{N-1} |R'(\gamma)|^2}} * 100 \%$$

Z'(γ), R'(γ) are the varied measured and reference signals.

---

## Annex C (normative): Measurement channels

### C.1 General

Void.

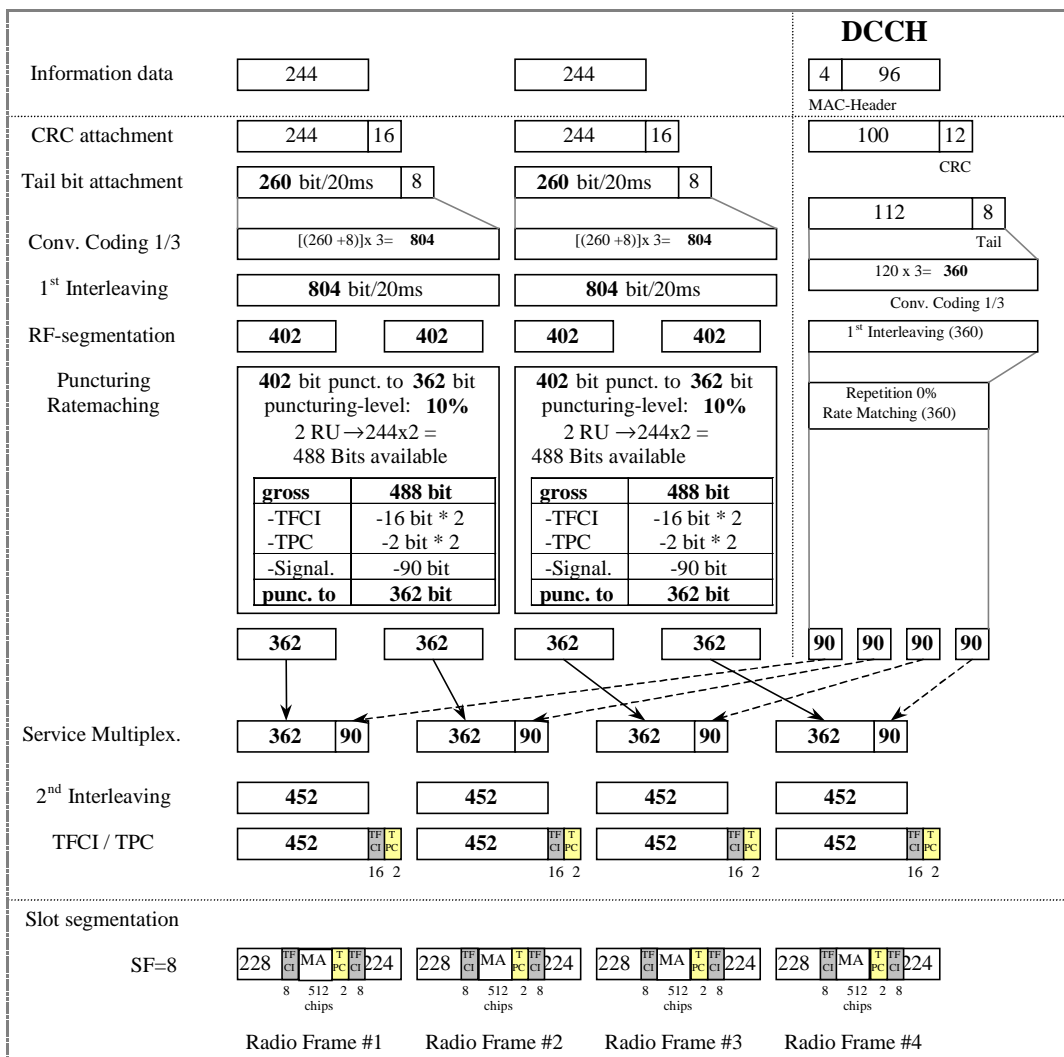
### C.2 UL Reference measurement channels

#### C.2.1 UL reference measurement channel (12,2 kbps)

##### C.2.1.1 3,84 TDD Option

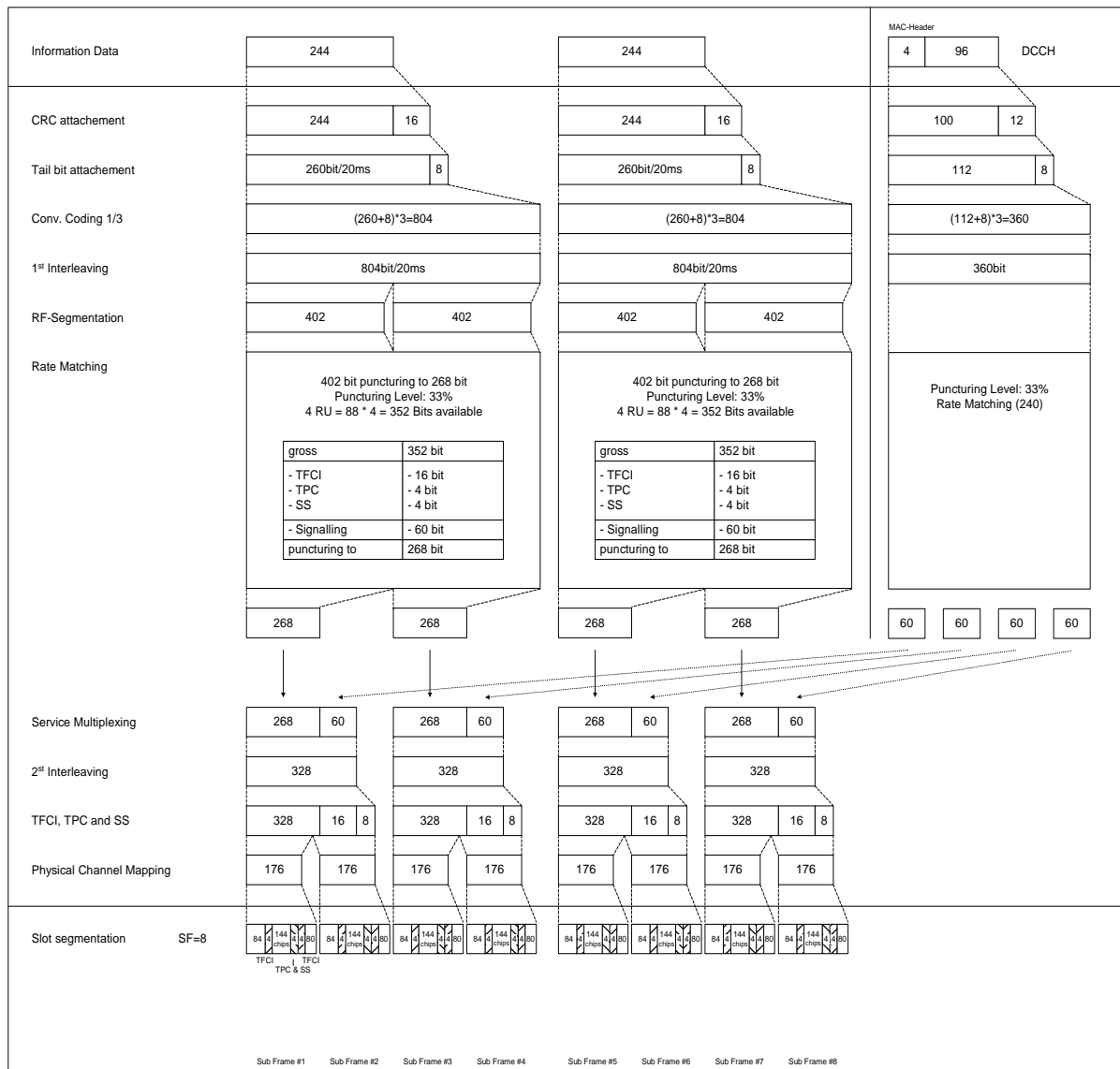
Parameter	
Information data rate	12,2 kbps
RU's allocated	2 RU
Midamble	<b>512</b> chips
Interleaving	20 ms
Power control	2 Bit/user
TFCI	16 Bit/user
Inband signalling DCCH	2 kbps
Puncturing level at Code rate 1/3 : DCH / DCCH	10% / 0%





C.2.1.2 UL reference measurement channel (12,2 kbps) for 1,28 Mcps TDD Option

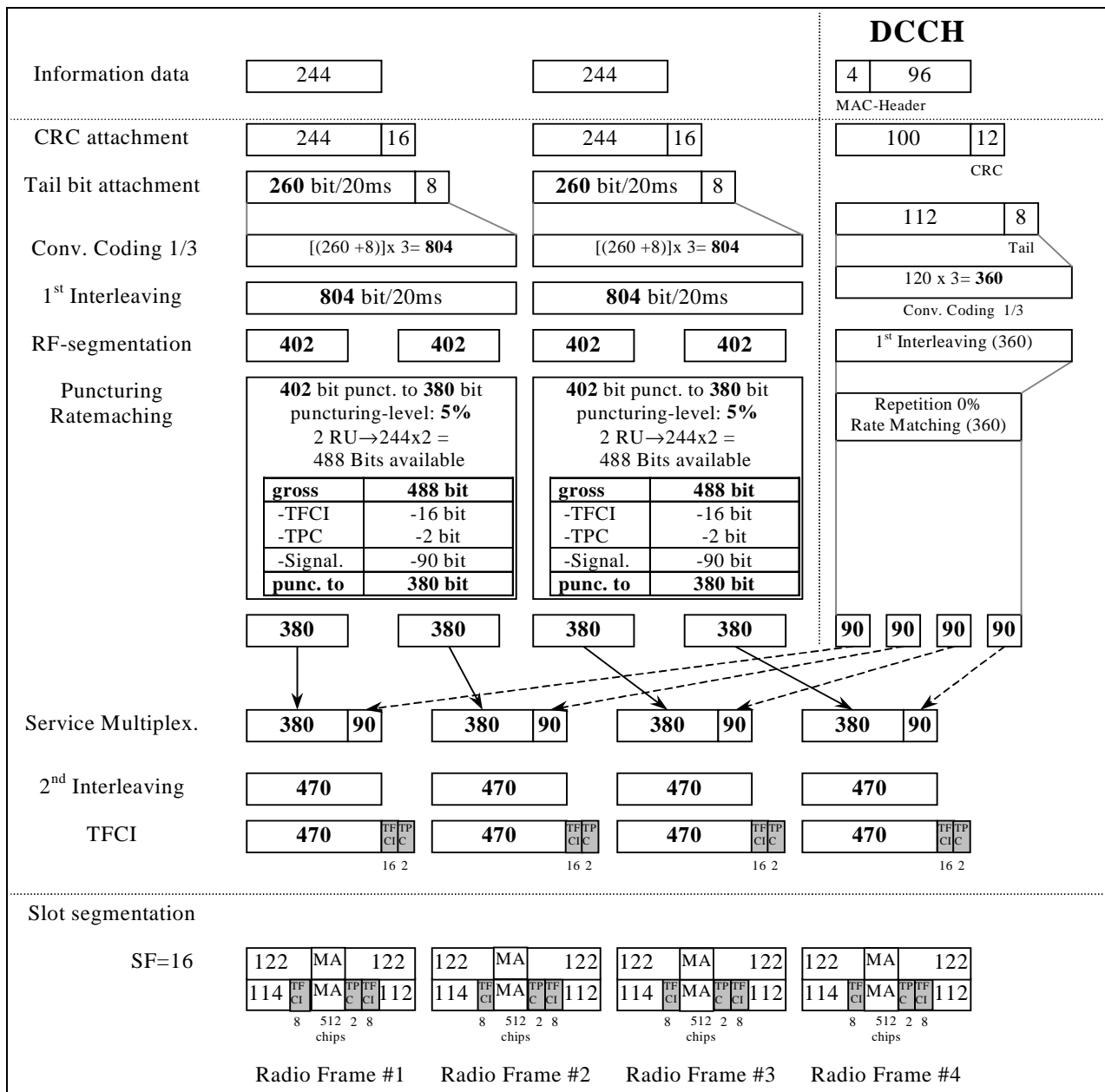
Parameter	
Information data rate	12,2 kbps
RU's allocated	1TS (1*SF8) = 2RU/5ms
Midamble	144
Interleaving	20 ms
Power control (TPC)	4 Bit/user/10ms
TFCI	16 Bit/user/10ms
Synchronisation Shift (SS)	4 Bit/user/10ms
Inband signalling DCCH	2 kbps
Puncturing level at Code rate 1/3: DCH / DCCH	33% / 33%



## C.2.2 UL multi code reference measurement channel (12,2 kbps)

### C.2.2.1 3,84 Mcps TDD Option

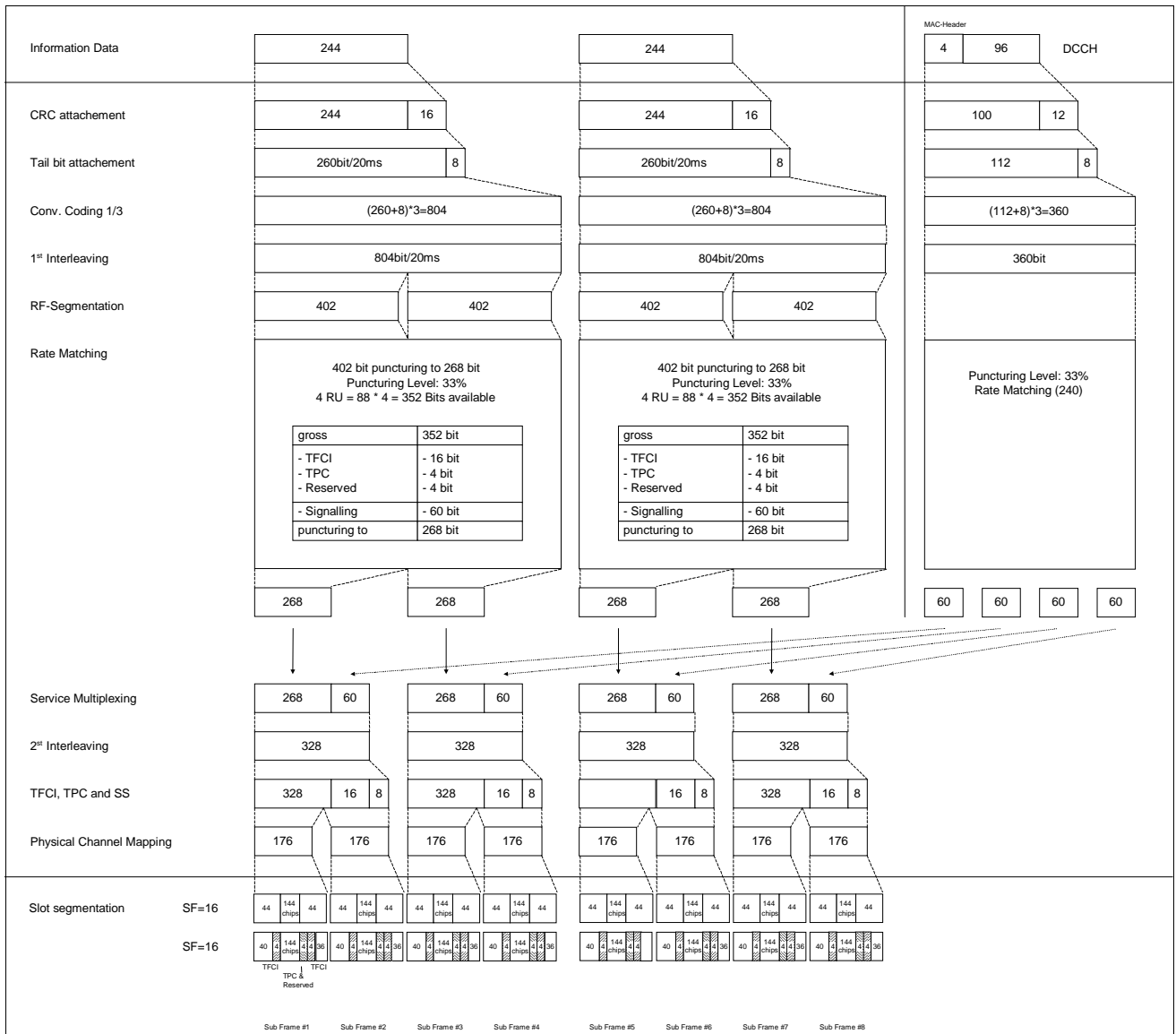
Parameter	
Information data rate	12,2 kbps
RU's allocated	2 RU
Midamble	512 chips
Interleaving	20 ms
Power control	2 Bit/user
TFCI	16 Bit/user
Inband signalling DCCH	2 kbps
Puncturing level at Code rate 1/3 : DCH / DCCH	5% / 0 %



C.2.2.2 UL multi code reference measurement channel (12,2 kbps) for 1,28 Mcps TDD Option

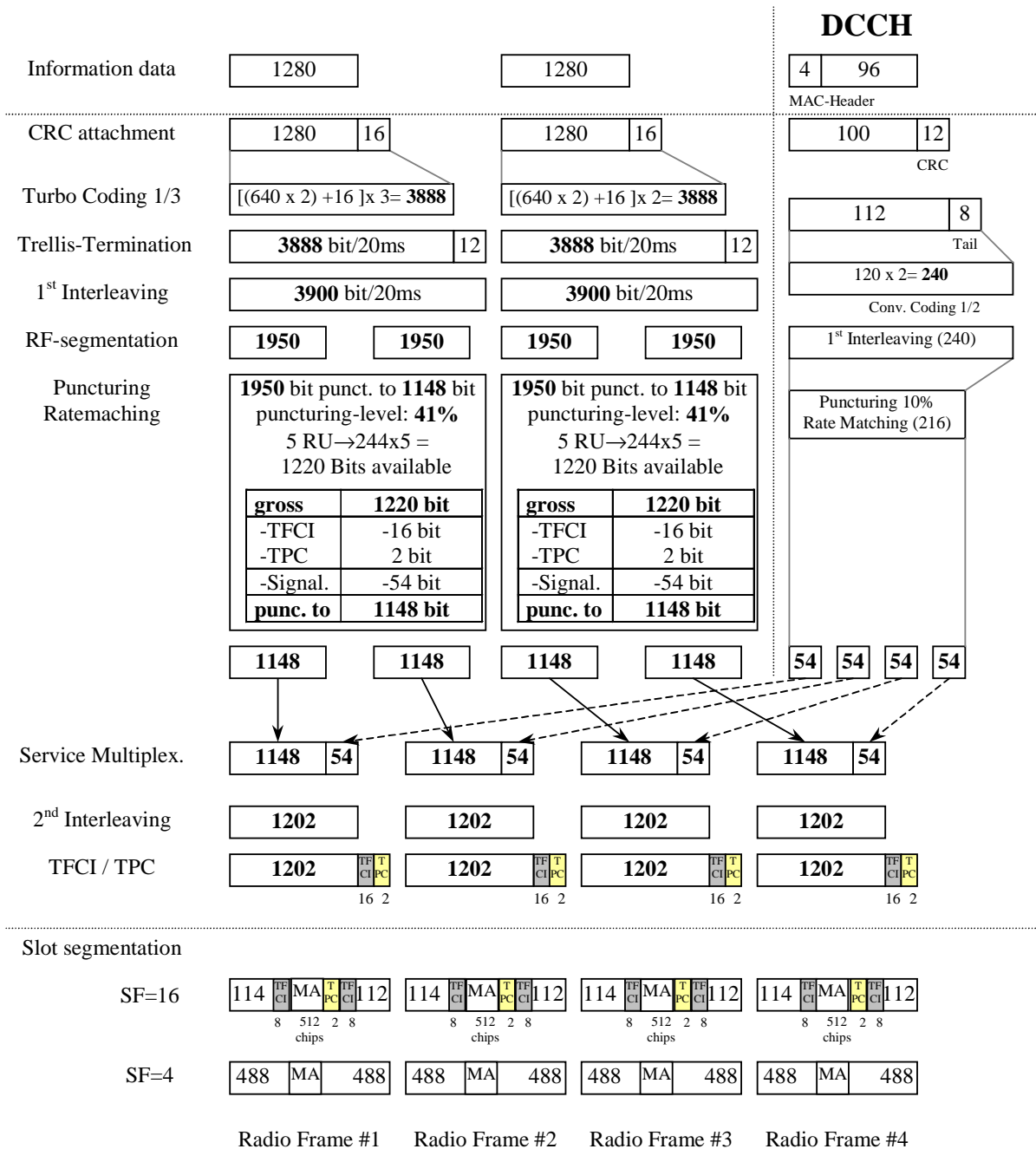
Table A.7A

Parameter	Value
Information data rate	12,2 kbps
RU's allocated	1TS (2*SF16) = 2RU/5ms
Midamble	144
Interleaving	20 ms
Power control (TPC)	4 Bit/user/10ms
TFCI	16 Bit/user/10ms
4 Bit reserved for future use (place of SS)	4 Bit/user/10ms
Inband signalling DCCH	2.4 kbps
Puncturing level at Code rate 1/3: DCH / DCCH	33% / 33%



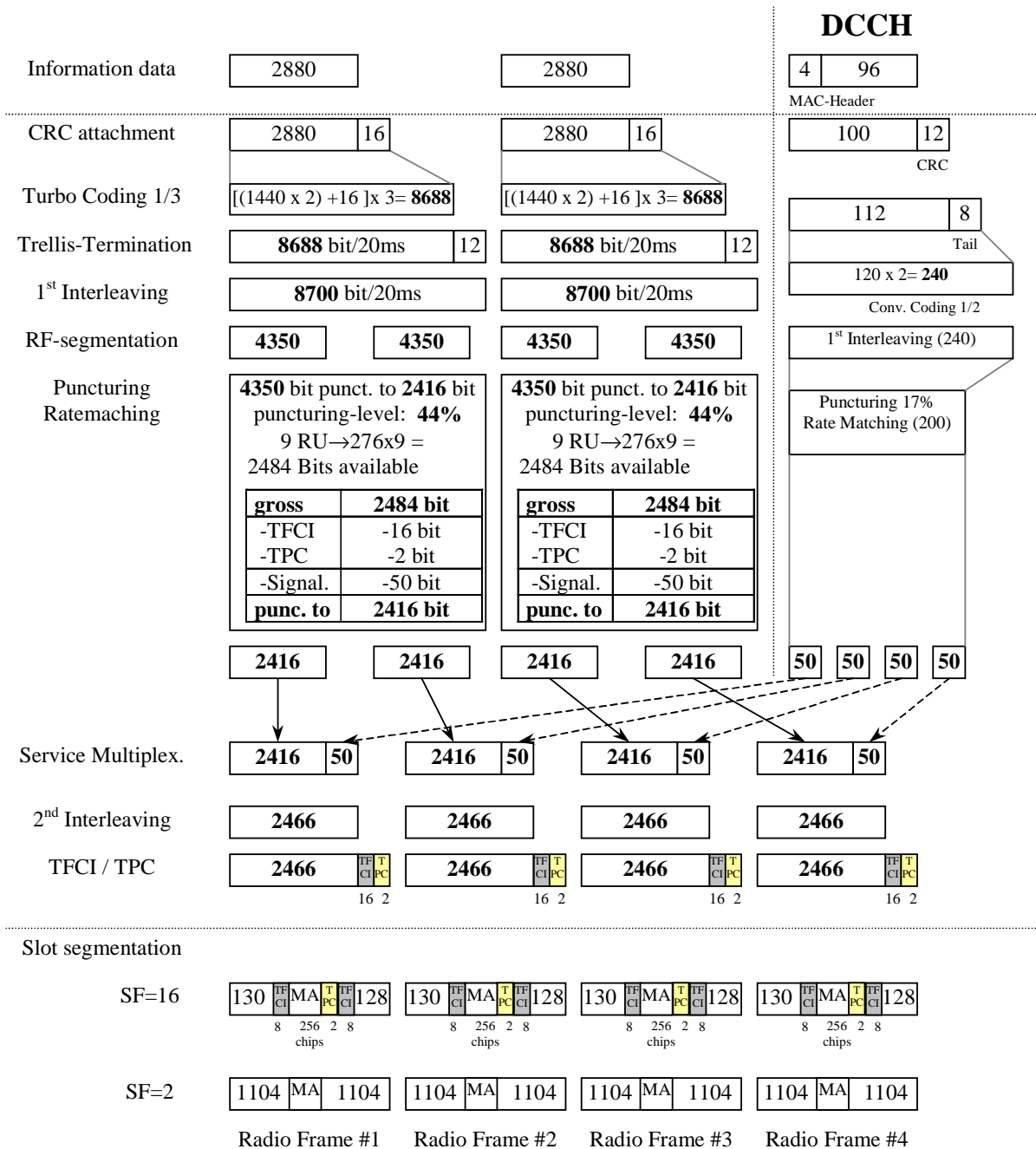
### C.2.3 UL reference measurement channel (64 kbps)

Parameter	
Information data rate	64 kbps
RU's allocated	1 SF4 + 1 SF16 = 5RU
Midamble	512 chips
Interleaving	20 ms
Power control	2 Bit/user
TFCI	16 Bit/user
Inband signalling DCCH	2 kbps
Puncturing level at Code rate : 1/3 DCH / 1/2 DCCH	41.2% / 10%



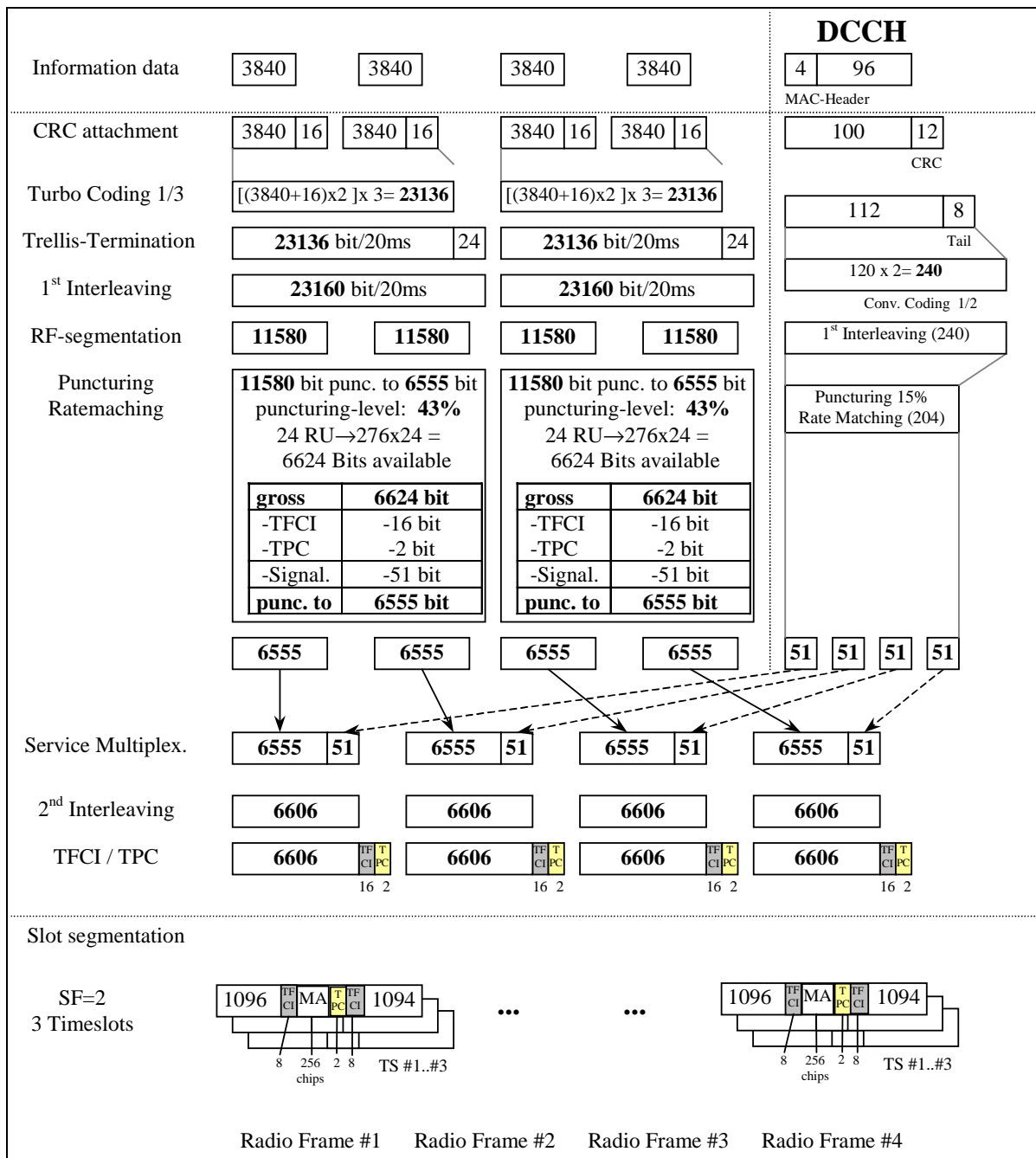
C.2.4 UL reference measurement channel (144 kbps)

Parameter	
Information data rate	144 kbps
RU's allocated	1 SF2 + 1 SF16 = 9RU
Midamble	256 chips
Interleaving	20 ms
Power control	2 Bit/user
TFCI	16 Bit/user
Inband signalling DCCH	2 kbps
Puncturing level at Code rate : 1/3 DCH / 1/2 DCCH	44.4% / 16.6%



C.2.5 UL reference measurement channel (384 kbps)

Parameter	
Information data rate	384 kbps
RU's allocated	8*3TS = 24RU
Midamble	256 chips
Interleaving	20 ms
Power control	2 Bit/user
TFCI	16 Bit/user
Inband signalling DCCH	2 kbps
Puncturing level at Code rate : 1/3 DCH / 1/2 DCCH	43.4% / 15.3%



### C.3 DL Reference measurement channels

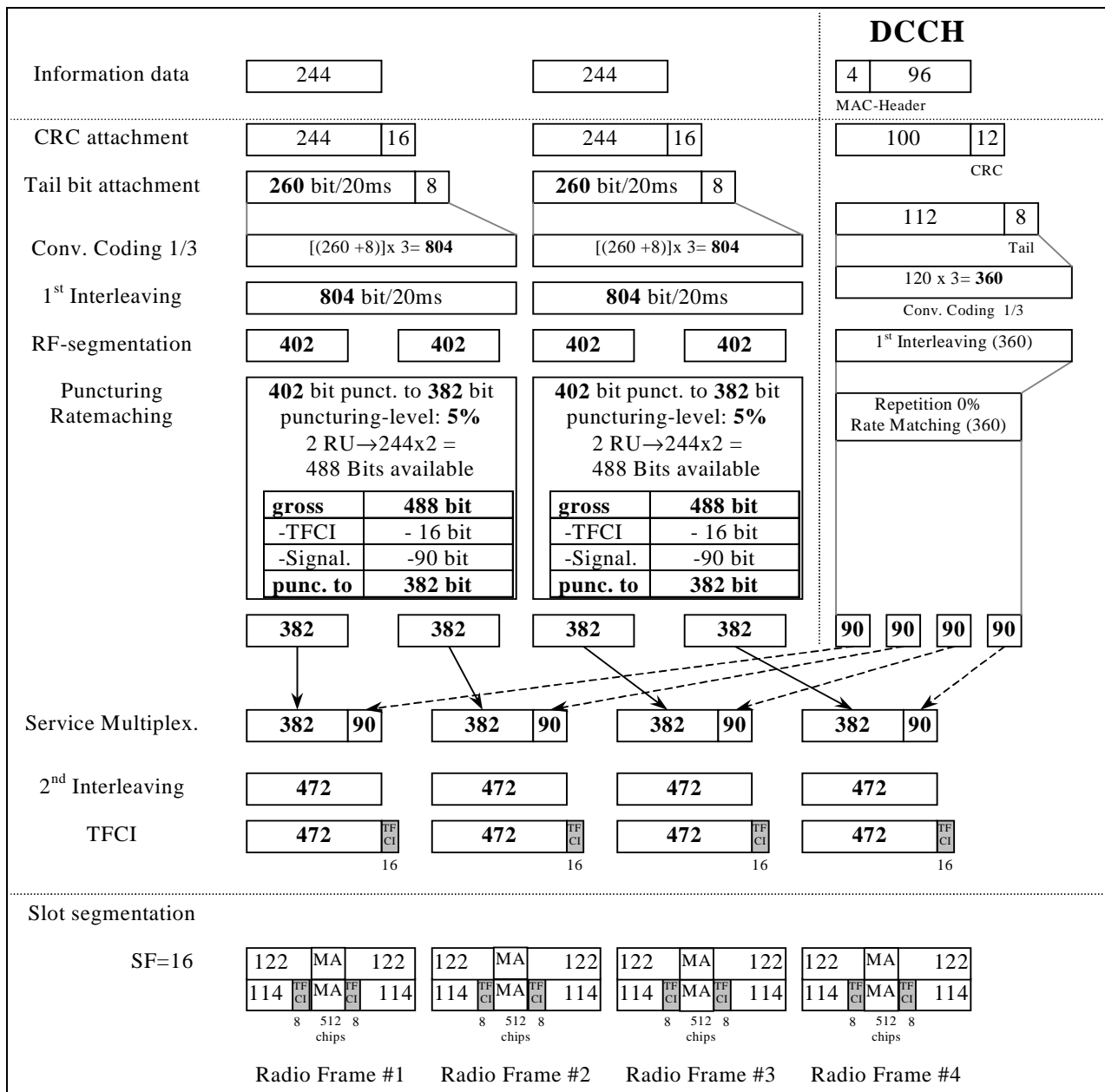
#### C.3.1 DL reference measurement channel (12,2 kbps)

##### C.3.1.1 3,84 Mcps TDD Option

Parameter	
Information data rate	12,2 kbps
RU's allocated	2 RU
Midamble	512 chips
Interleaving	20 ms
Power control	0 Bit/user
TFCI	16 Bit/user

Inband signalling DCCH	2 kbps
Puncturing level at Code rate 1/3 : DCH / DCCH	5% / 0 %

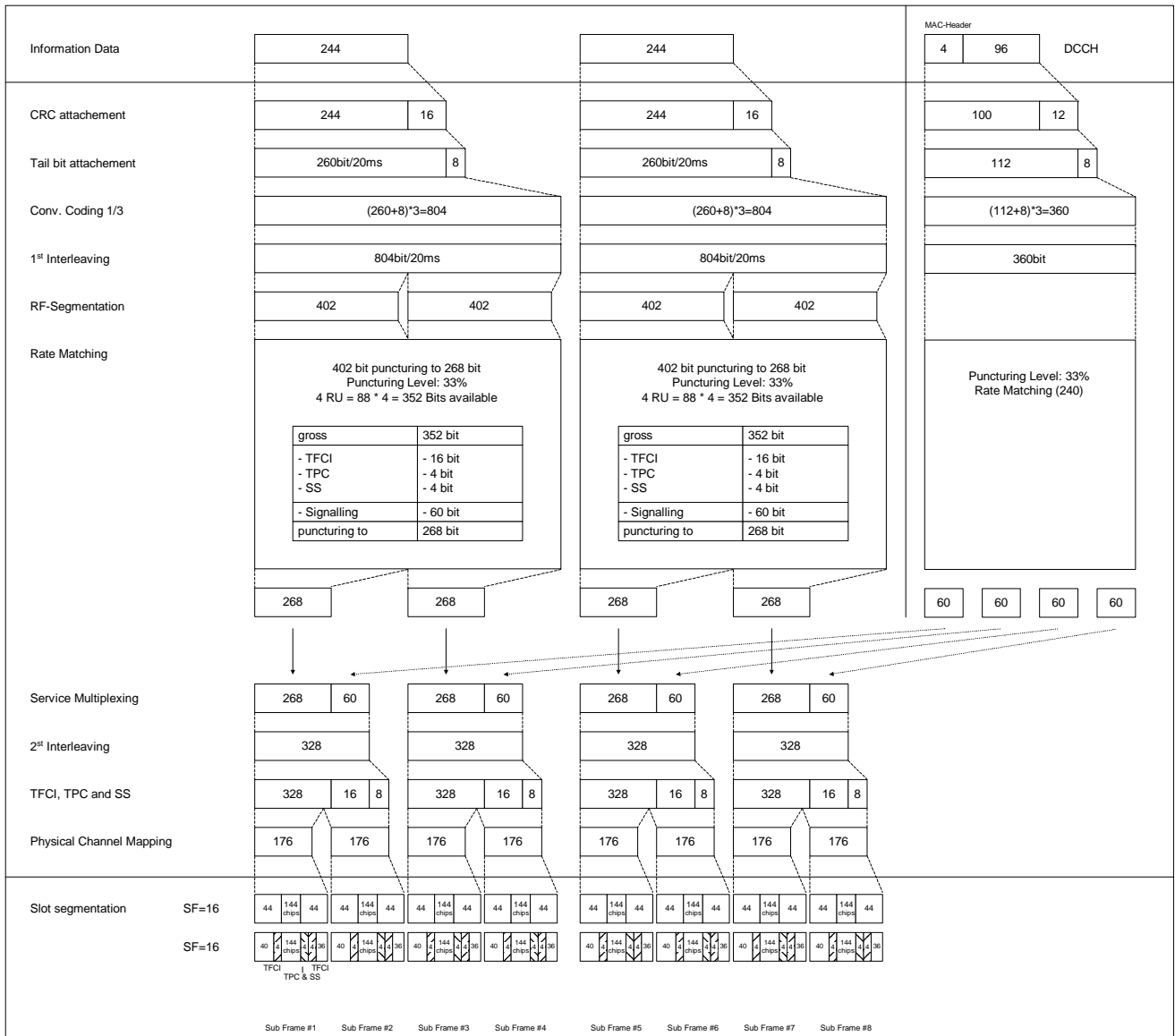




C.3.1.2 DL reference measurement channel (12,2 kbps) for 1,28 Mcps TDD Option

Table C.3.1.2

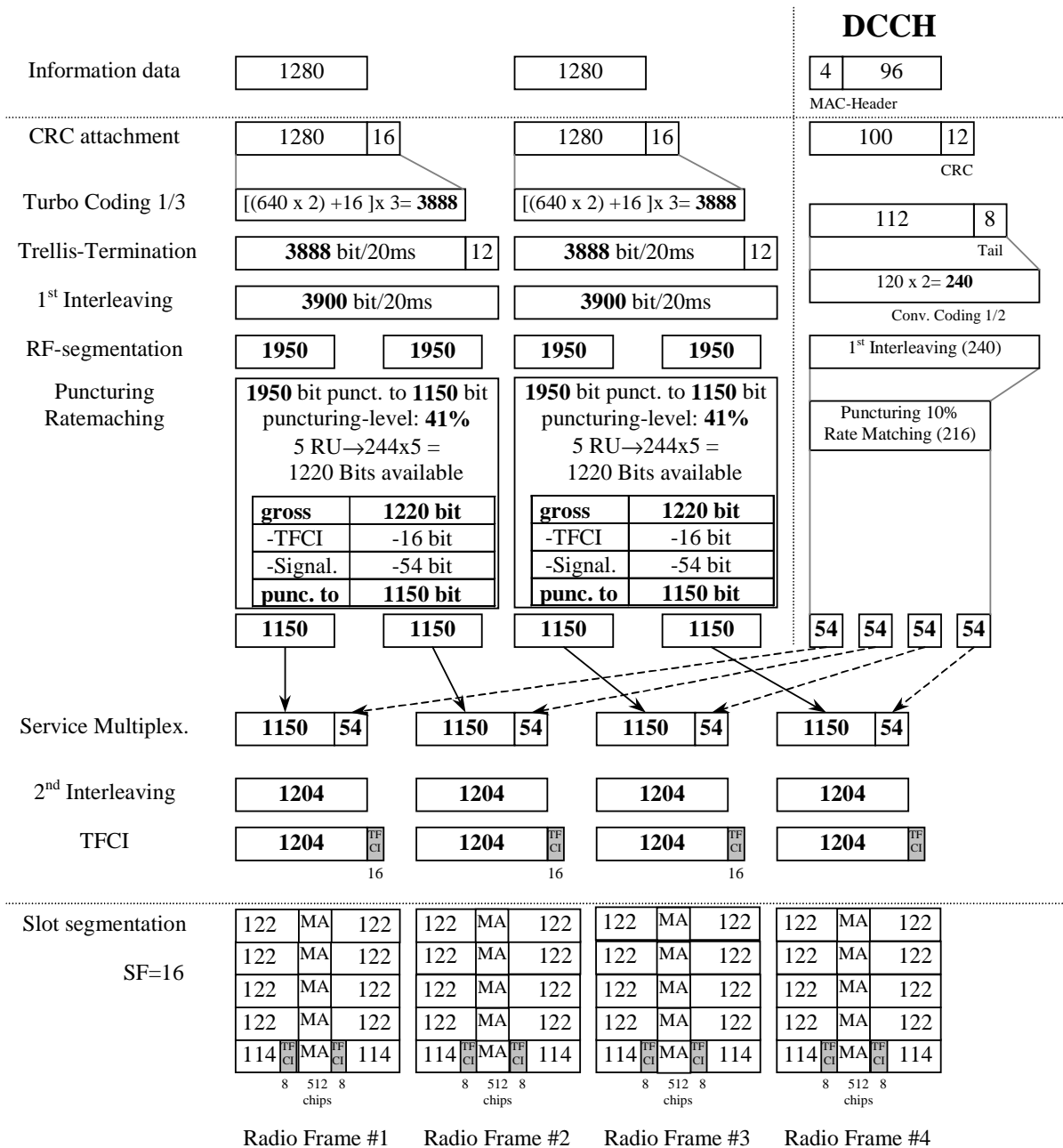
Parameter	Value
Information data rate	12,2 kbps
RU's allocated	1TS (2*SF16) = 2RU/5ms
Midamble	144
Interleaving	20 ms
Power control (TPC)	4 Bit/user/10ms
TFCI	16 Bit/user/10ms
Synchronisation Shift (SS)	4 Bit/user/10ms
Inband signalling DCCH	2.4 kbps
Puncturing level at Code rate 1/3: DCH / DCCH	33% / 33%



### C.3.2 DL reference measurement channel (64 kbps)

#### C.3.2.1 3,84 Mcps TDD Option

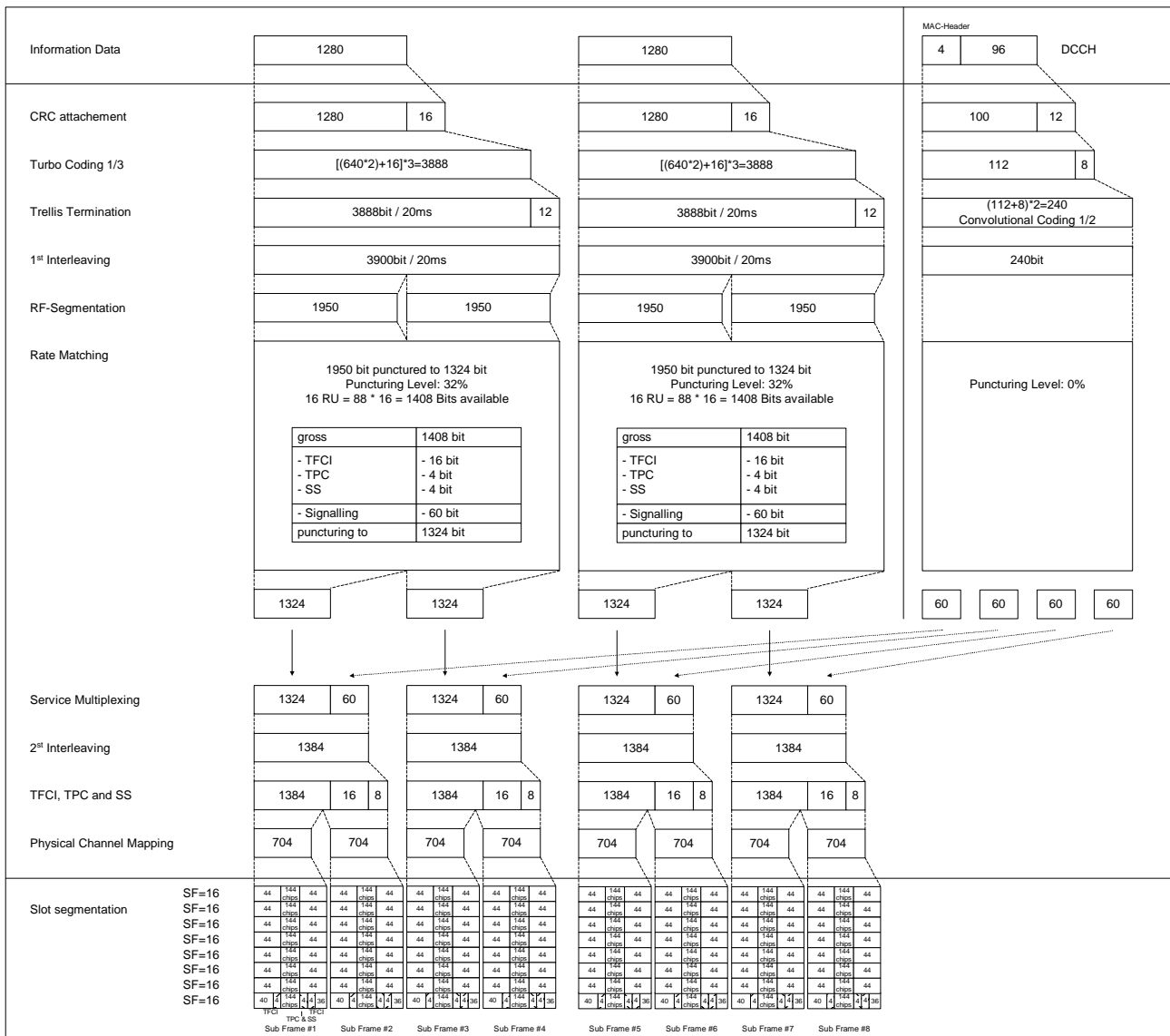
Parameter	
Information data rate	64 kbps
RU's allocated	5 codes SF16 = 5RU
Midamble	512 chips
Interleaving	20 ms
Power control	0 Bit/user
TFCI	16 Bit/user
Inband signalling DCCH	2 kbps
Puncturing level at Code rate : 1/3 DCH / 1/2 DCCH	41.1% / 10%



C.3.2.2 DL reference measurement channel (64 kbps) for 1,28 Mcps TDD Option

Table C.3.2.2

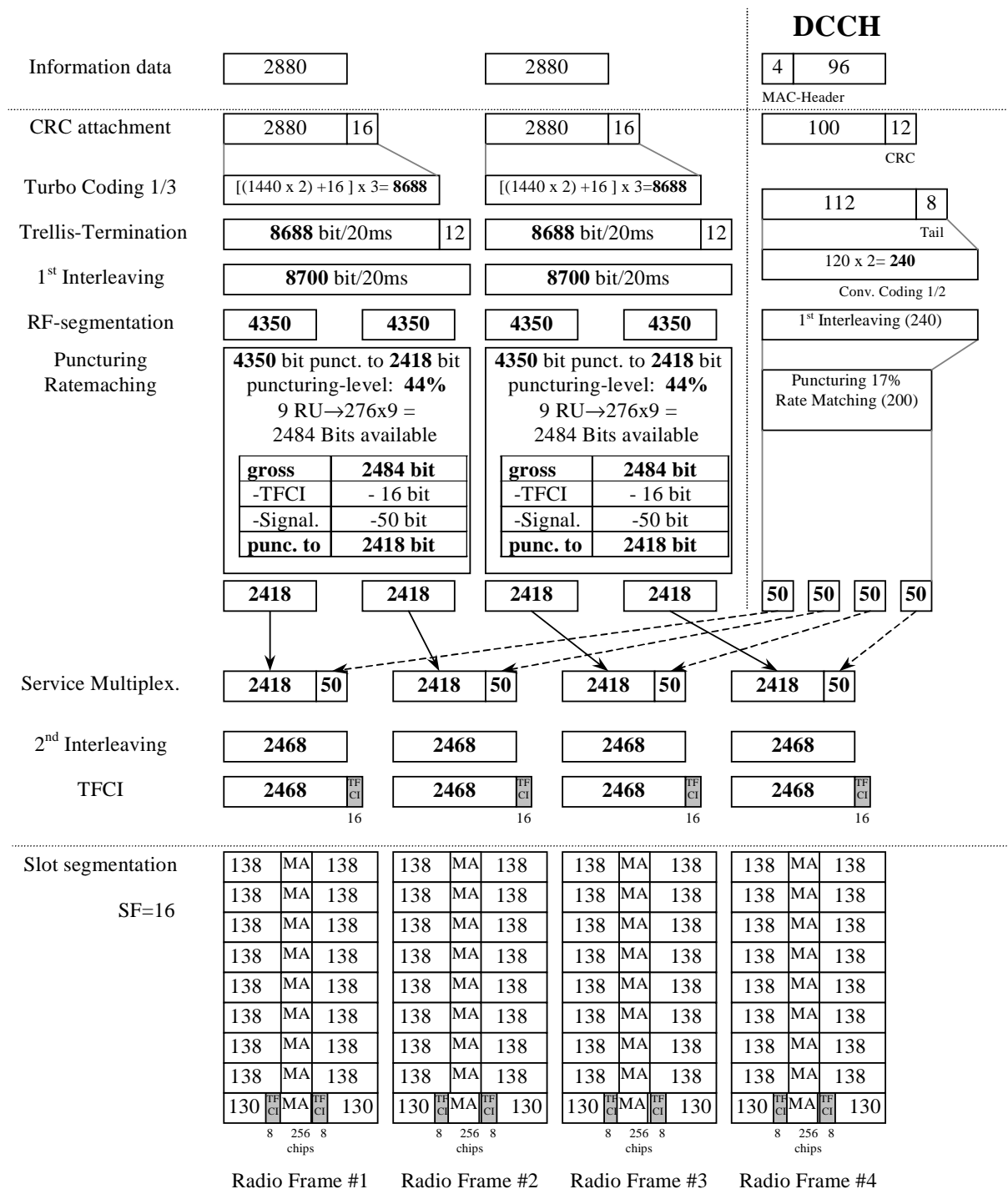
Parameter	Value
Information data rate	64 kbps
RU's allocated	1TS (8*SF16) = 8RU/5ms
Midamble	144
Interleaving	20 ms
Power control (TPC)	4 Bit/user/10ms
TFCI	16 Bit/user/10ms
Synchronisation Shift (SS)	4 Bit/user/10ms
Inband signalling DCCH	2.4 kbps
Puncturing level at Code rate: 1/3 DCH / 1/2 DCCH	32% / 0



### C.3.3 DL reference measurement channel (144 kbps)

#### C.3.3.1 3,84 Mcps TDD Option

Parameter	
Information data rate	144 kbps
RU's allocated	9 codes SF16 = 9RU
Midamble	256 chips
Interleaving	20 ms
Power control	0 Bit/user
TFCI	16 Bit/user
Inband signalling DCCH	2 kbps
Puncturing level at Code rate: 1/3 DCH / 1/2 DCCH	44.5% / 16.6%

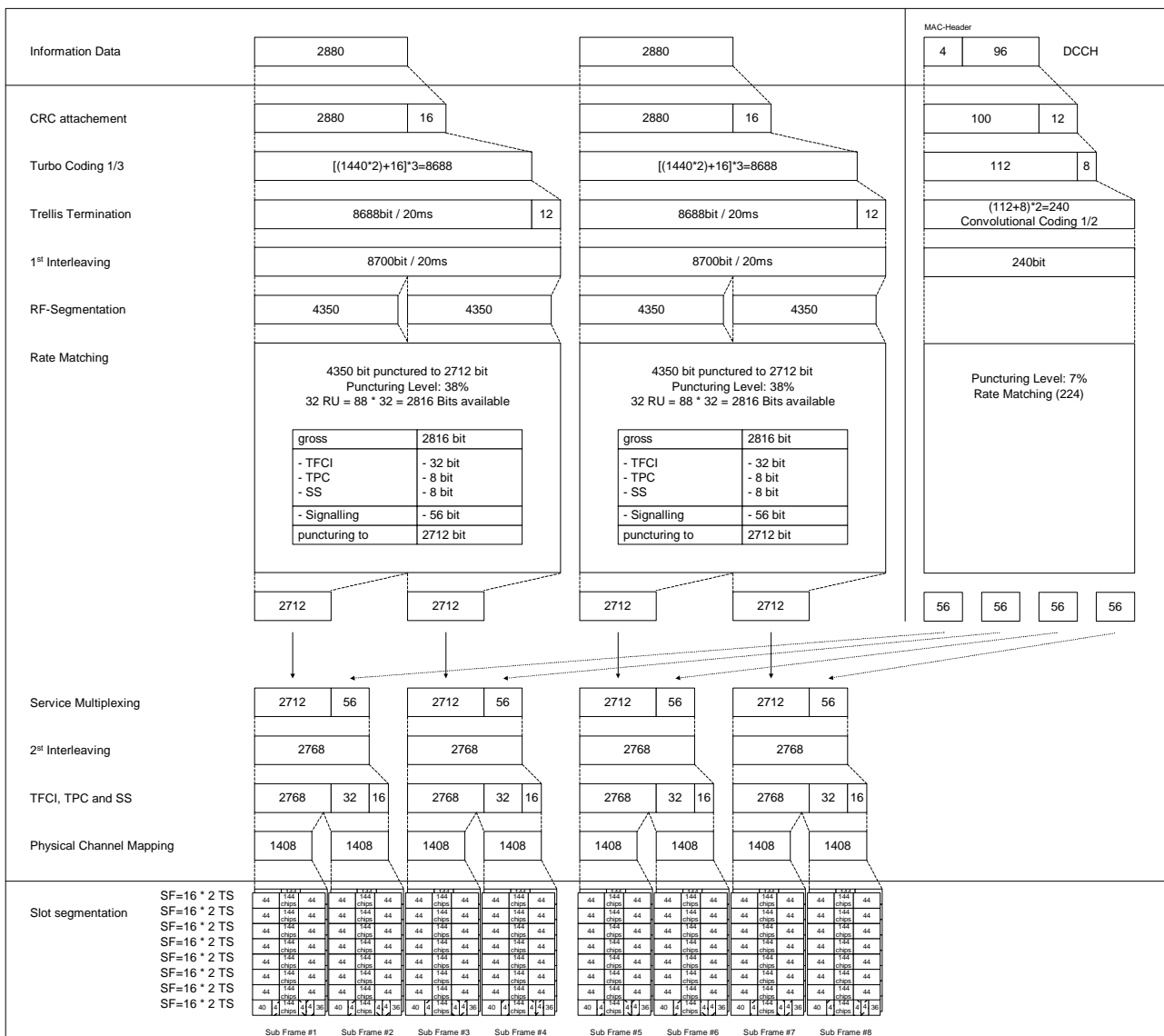


C.3.3.2 DL reference measurement channel (144 kbps) for 1,28 Mcps TDD Option

Table C.3.3.2

Parameter	Value
Information data rate	144 kbps
RU's allocated	2TS (8*SF16) = 16RU/5ms
Midamble	144
Interleaving	20 ms
Power control (TPC)	8 Bit/user/10ms
TFCI	32 Bit/user/10ms
Synchronisation Shift (SS)	8 Bit/user/10ms

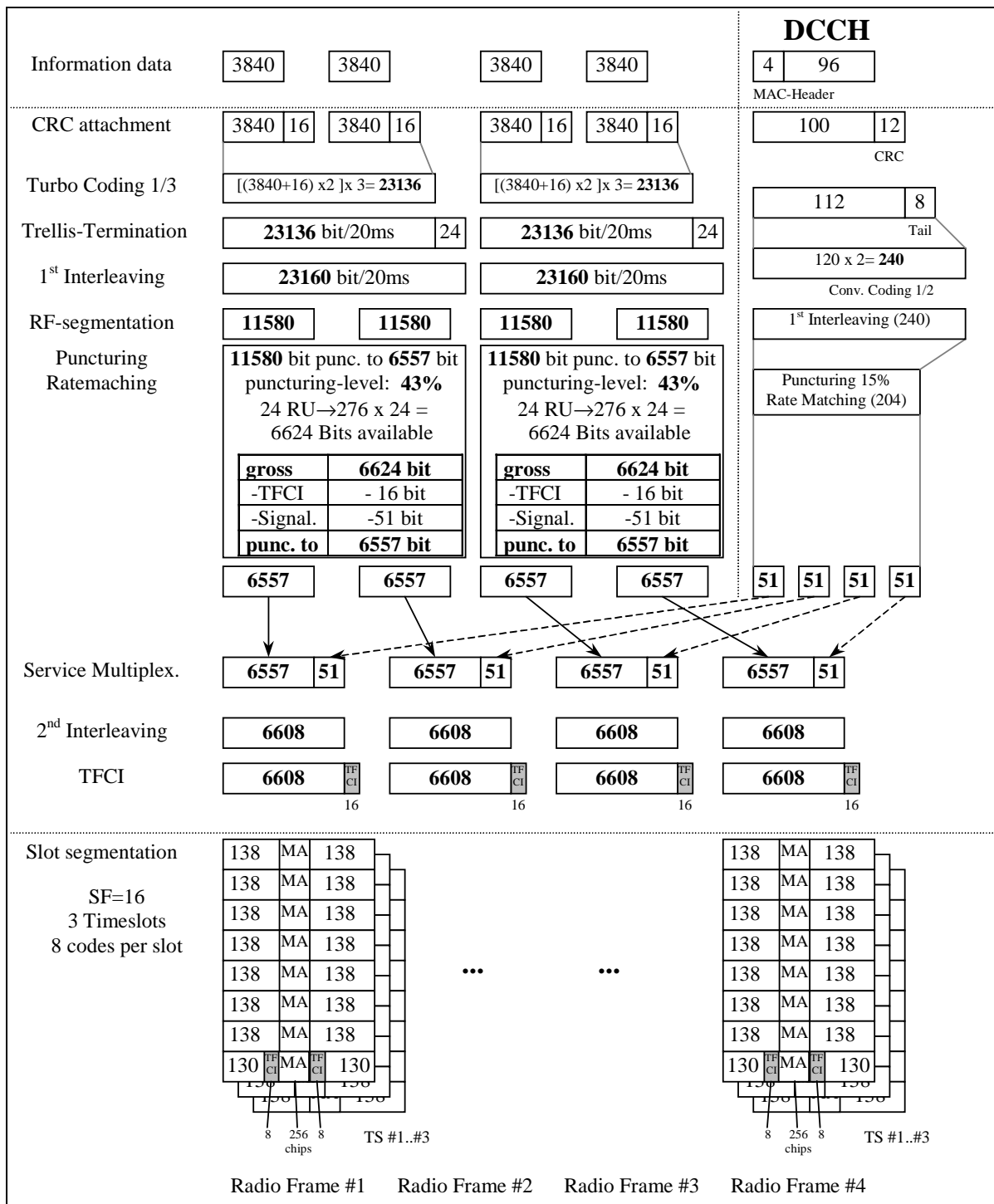
Inband signalling DCCH	2.4 kbps
Puncturing level at Code rate: 1/3 DCH / 1/2 DCCH	38% / 7%



### C.3.4 DL reference measurement channel (384 kbps)

#### C.3.4.1 3,84 Mcps TDD Option

Parameter	
Information data rate	384 kbps
RU's allocated	8*3TS = 24RU
Midamble	256 chips
Interleaving	20 ms
Power control	0 Bit/user
TFCI	16 Bit/user
Inband signalling DCCH	2 kbps
Puncturing level at Code rate : 1/3 DCH / 1/2 DCCH	43.4% / 15.3%

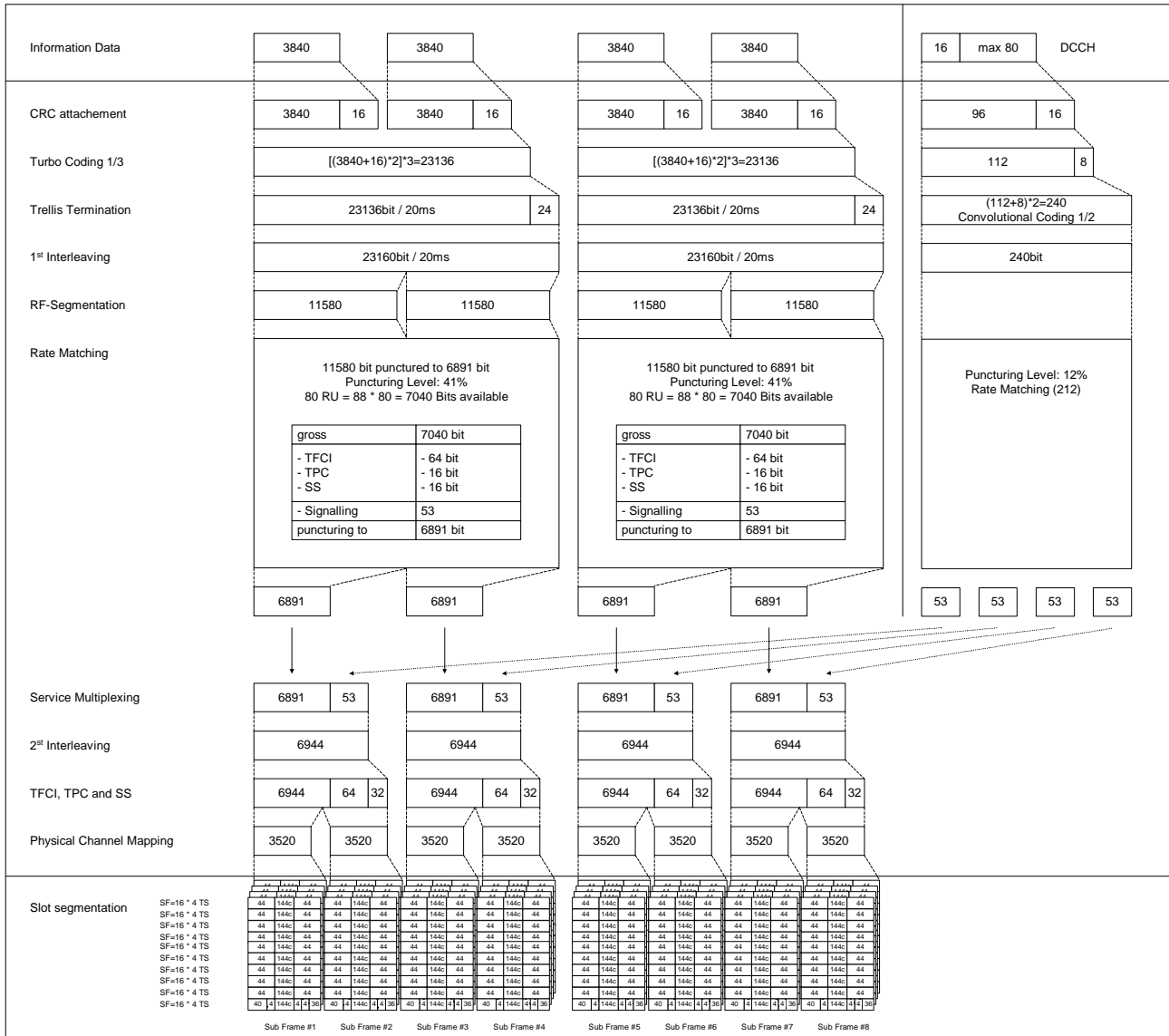


C.3.4.2 DL reference measurement channel (384 kbps) for 1,28 Mcps TDD Option

Table C.3.4.2

Parameter	Value
Information data rate	384 kbps
RU's allocated	4TS (10*SF16) = 40RU/5ms
Midamble	144
Interleaving	20 ms
Power control (TPC)	16 Bit/user/10ms
TFCI	64 Bit/user/10ms

Synchronisation Shift (SS)	16 Bit/user/10ms
Inband signalling DCCH	max.2 kbps
Puncturing level at Code rate: 1/3 DCH / 1/2 DCCH	41% / 12%



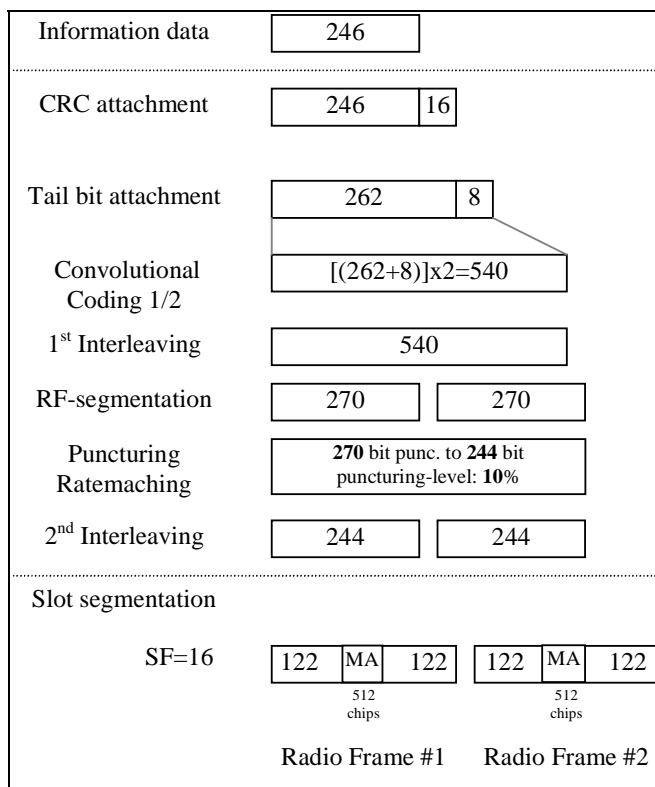


### C.3.5 BCH reference measurement channel

#### C.3.5.1 3,84 Mcps TDD Option

[mapped to 1 code SF16]

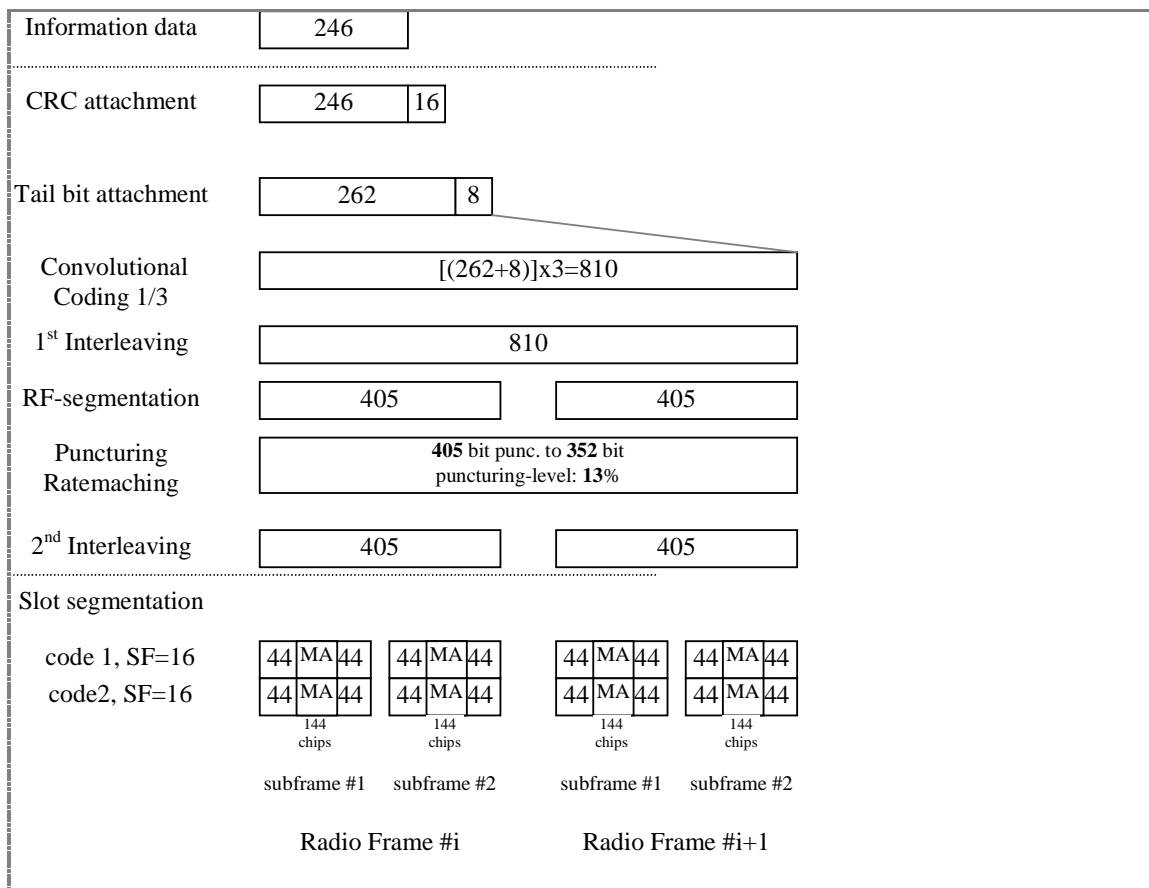
Parameter	
Information data rate:	12.3 kbps
RU's allocated	1 RU
Midamble	512 chips
Interleaving	20 ms
Power control	0 bit
TFCI	0 bit
Puncturing level	10%



#### C.3.5.2 BCH reference measurement channel (12.3 kbps) for 1,28 Mcps TDD Option

Table C.3.5.2

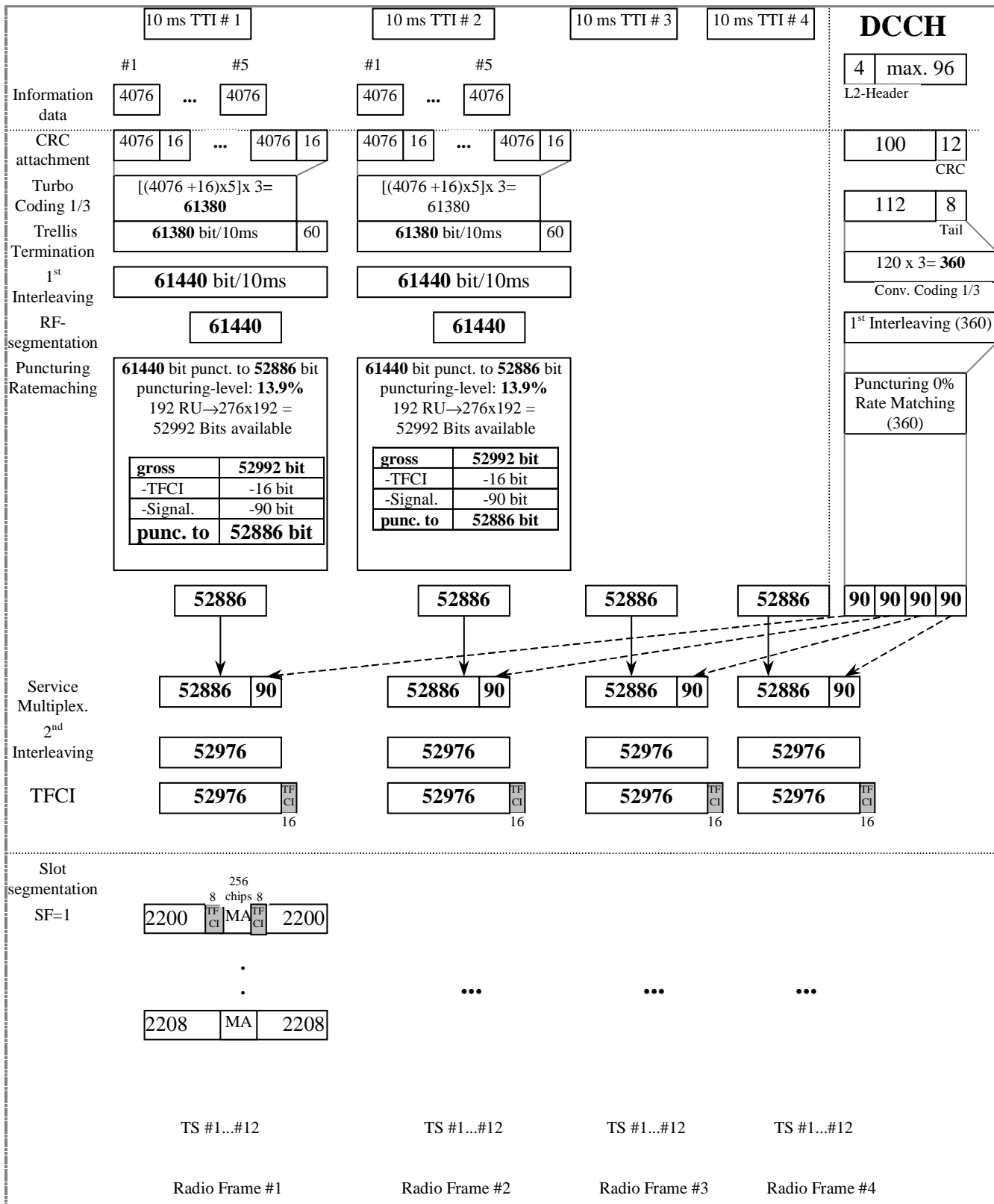
Parameter	Value
Information data rate:	12.3 kbps
RU's allocated	2 RU
Midamble	144 chips
Interleaving	20 ms
Power control	0 bit
TFCI	0 bit
Puncturing level	13%



### C.3.6 DL reference measurement channel (2 Mbps) for 3,84 Mcps TDD Option

Table C.3.6

Parameter	Value
Information data rate	2048 kbps
RU's allocated	16*12TS = 192RU
Midamble	256 chips
Interleaving	10 ms
Power control	0 Bit/user
TFCI	16 Bit/user
Inband signalling DCCH	2 kbps
Puncturing level at Code rate 1/3 : DCH / DCCH	13.9% / 0%



## Annex D (normative): Propagation conditions

### D.1 Test Environments

Table D.1 details the test services, the information data and the propagation conditions.

**Table D.1: Test Environments for UE Performance Specifications**

Test Services	Information Data Rate	Static	Multipath Case 1	Multipath Case 2	Multipath Case 3
		<b>Performance metric</b>			
Paging Message			-	-	-
FACH Message			-	-	-
Circuit Switched Services	12,2 kbps	BLER <	BLER <	BLER <	BLER <
	64 kbps	BLER <	BLER <	BLER <	BLER <
	144 kbps	BLER <	BLER <	BLER <	BLER <
	384 kbps	BLER <	BLER <	BLER <	BLER <
	2048 kbps	BLER <	-	-	-
Packet Switched Data	TBD	TBD	TBD	TBD	TBD

### D.2 Propagation Conditions

#### D.2.1 Static propagation condition

The propagation for the static performance measurement is an Additive White Gaussian Noise (AWGN) environment. No fading and multi-paths exist for this propagation model.

#### D.2.2 Multi-path fading propagation conditions

##### D.2.2.1 3,84 Mcps TDD Option

Table D.2.2.1 shows propagation conditions that are used for the performance measurements in multi-path fading environment. All taps have classical Doppler spectrum.

**Table D.2.2.1: Propagation Conditions for Multi path Fading Environments**

Case 1, speed 3km/h		Case 2, speed 3 km/h		Case 3, speed 120 km/h		Case 4, speed 3 km/h	
Relative Delay [ns]	Relative Mean Power [dB]	Relative Delay [ns]	Relative Mean Power [dB]	Relative Delay [ns]	Relative Mean Power [dB]	Relative Delay [ns]	Relative Mean Power [dB]
0	0	0	0	0	0	0	0
976	-10	976	0	260	-3	976	0
		12000	0	521	-6		
				781	-9		

## D.2.2.2 1,28 Mcps TDD Option

Table D2.2.2 shows propagation conditions that are used for the performance measurements in multi-path fading environment. All taps have classical Doppler spectrum.

**Table D.2.2.2: Propagation Conditions for Multi-Path Fading Environments**

Case 1, speed 3km/h		Case 2, speed 3km/h		Case 3, speed 120km/h	
Relative Delay [ns]	Relative Mean Power [dB]	Relative Delay [ns]	Relative Mean Power [dB]	Relative Delay [ns]	Relative Mean Power [dB]
0	0	0	0	0	0
2928	-10	2928	0	781	-3
		12000	0	1563	-6
				2344	-9

## Annex E (normative): Common RF test conditions

### E.1 General

This normative annex specifies the common RF test conditions that are needed for setting a connection and channels that are needed during a connection.

### E.2 Connection Set-up

Table E.2 describes the downlink Physical Channels that are required for connection set up.

**Table E.2: Downlink Physical Channels required for connection set-up**

Physical Channel
PSCH
PCCPCH
DPCH
PICH

### E.3 During connection

The following clauses describes the uplink and downlink Physical Channels that are transmitted during a connection i.e., when measurements are done.

#### E.3.1 Measurement of Tx Characteristics

Table E.3.1 is applicable for measurements on the Transmitter Characteristics (Clause 5) with the exception of clause 5.2 (UE maximum output power), 5.3 (Frequency Stability), 5.4.1 (Uplink Power Control). For these cases certain parameters are defined individually.

**Table E.3.1.1: Common downlink test condition RF parameters**

Physical Channel	Power
DPCH	-93 dBm Data content PRBS
PSCH	TBD
PCCPCH	TBD
PICH	TBD
OCNS	Nothing

**Table E.3.1.2: Common TX test parameters**

Parameter	Value/description
UL Reference measurement channel	12,2kbps, according to annex C.2.1
Uplink Power Control	SS level and signalling values such that UE transmits maximum power.
Data content	real life (sufficient irregular)

## E.3.2 Measurement of Rx Characteristics

Table E.3.2 is applicable for measurements on the Receiver Characteristics (Clause 6)

**Table E.3.2: Downlink Physical Channels transmitted during a connection.**

Physical Channel	Power
CPICH	TBD
PCCPCH	TBD
SCH	TBD
PICH	TBD
DPCH	TBD

## E.3.3 Measurement of Performance requirements

Table E.3.3 is applicable for measurements on the Performance requirements (Clause 7)

**Table E.3.3: Downlink Physical Channels transmitted during a connection.**

Physical Channel	Power	Note
CPICH	TBD	
PCCPCH	TBD	
SCH	TBD	
PICH	TBD	
DPCH	TBD	
OCNS	TBD	

---

## Annex F (normative): General test conditions and declarations

The requirements of this clause apply to all applicable tests in the present document.

Many of the tests in the present document measure a parameter relative to a value that is not fully specified in the UE specifications. For these tests, the Minimum Requirement is determined relative to a nominal value specified by the manufacturer.

When specified in a test, the manufacturer shall declare the nominal value of a parameter, or whether an option is supported.

In all the relevant clauses in this clause all Bit Error Ratio (BER), Block Error Ratio (BLER) measurements shall be carried out according to the general rules for statistical testing in annex F.6.

### F.1 Acceptable uncertainty of Test System

The maximum acceptable uncertainty of the Test System is specified below for each test, where appropriate. The Test System shall enable the stimulus signals in the test case to be adjusted to within the specified range, and the equipment under test to be measured with an uncertainty not exceeding the specified values. All tolerances and uncertainties are absolute values, and are valid for a confidence level of 95 %, unless otherwise stated.

A confidence level of 95% is the measurement uncertainty tolerance interval for a specific measurement that contains 95% of the performance of a population of test equipment.

For RF tests it should be noted that the uncertainties in clause F.1 apply to the Test System operating into a nominal 50 ohm load and do not include system effects due to mismatch between the DUT and the Test System.

#### F.1.1 Measurement of test environments

The measurement accuracy of the UE test environments defined in Annex G, Test environments shall be.

- Pressure  $\pm 5$  kPa.
- Temperature  $\pm 2$  degrees.
- Relative Humidity  $\pm 5$  %.
- DC Voltage  $\pm 1,0$  %.
- AC Voltage  $\pm 1,5$  %.
- Vibration 10 %.
- Vibration frequency 0,1 Hz.

The above values shall apply unless the test environment is otherwise controlled and the specification for the control of the test environment specifies the uncertainty for the parameter.



## F.1.2 Measurement of transmitter

**Table F.1.2: Maximum Test System Uncertainty for transmitter tests**

Clause	Maximum Test System Uncertainty
5.2 UE Maximum Output Power	$\pm 0.7$ dB
5.3 Frequency Stability	$\pm 10$ Hz
5.4.1 Uplink power control	Relative $\pm [0.3]$ dB
5.4.2 Minimum Transmit Power	$\pm 1.0$ dB
5.4.3 Transmit OFF Power	$\pm 1.5$ dB
5.4.4 Transmit ON/OFF Power	TBD
5.4.5 Out-of-synchronisation handling of output power	$\pm 0,4$ dB
5.5.1 Occupied Bandwidth	$\pm 100$ kHz
5.5.2.1 Spectrum emission mask	$\pm 1.5$ dB
5.5.2.2 ACLR	$\pm 0,8$ dB
5.5.3 Spurious emissions	$\pm 2.0$ dB for UE and coexistenece bands for results > -60 dBm $\pm 3.0$ dB for results < -60 dBm Outside above: $f \leq 2.2$ GHz : $\pm 1.5$ dB $2.2$ GHz < $f \leq 4$ GHz : $\pm 2.0$ dB $f > 4$ GHz : $\pm 4.0$ dB
5.6 Transmit intermodulation:	Will be based on BS, need to work out freq and level ranges.
5.7.1 Transmit modulation: EVM	$\pm 2.5$ %
5.7.2 Transmit modulation: peak code domain error	$\pm 1$ dB

### F.1.3 Measurement of receiver

**Table F.1.3 Maximum Test System Uncertainty for receiver tests**

Clause	Maximum Test System Uncertainty
6.2 Reference Sensitivity Level	± 0.7 dB
6.3 maximum input level:	TBD
6.4 Adjacent Channel Selectivity (ACS)	Overall system uncertainty ± 1.1 dB
6.5 Blocking Characteristics (3,84 Mcps TDD option)	Using ± 0.7 dB for signal and interferer as currently defined, and 68 dB ACLR @ 10 MHz. System error with f < 15 MHz offset: ± 1.4 dB  f ≥ 15 MHz offset and f ≤ 2.2 GHz: ± 1.0 dB 2.2 GHz < f ≤ 4 GHz : ± 1.7 dB f > 4 GHz: ± 3.1 dB
6.5 Blocking Characteristics (1,28 Mcps TDD option)	Using ± 0.7 dB for signal and interferer as currently defined, and 68 dB ACLR @ 3,2 MHz. System error with f < 4,8 MHz offset: ± 1.4 dB  f ≥ 4,8 MHz offset and f ≤ 2.2 GHz: ± 1.0 dB 2.2 GHz < f ≤ 4 GHz : ± 1.7 dB f > 4 GHz: ± 3.1 dB
6.6 Spurious Response	f < 2.2 GHz: ± 1.0 dB 2.2 < f < 4 GHz: ± 1.7 dB f > 4 GHz: ± 3.1 dB
6.7 Intermodulation Characteristics	± 1.3 dB  with Formula = $\sqrt{(2 \cdot CW\_level\_error)^2 + (mod\_level\_error)^2 + (wanted\_signal\_level\_error)^2}$ (Using CW interferer ± 0.5 dB, modulated interferer ± 0.5 dB, wanted signal ± 0.7 dB)
6.8 Spurious Emissions	± 3.0 dB for UE receive band Outside above: f ≤ 2.2 GHz : ± 2.0 dB 2.2 GHz < f ≤ 4 GHz : ± 2.0 dB f > 4 GHz : ± 4.0 dB

### F.1.4 Performance requirement

**Table F.1.4 Maximum Test System Uncertainty for Performance Requirements**

Clause	Maximum Test System Uncertainty
7.6 Uplink Power Control	0.3 dB (relative tolerance for 10 dB stepsize)

### F.1.5 Requirements for support of RRM

TBD

## F.2 Test Tolerances (This clause is informative)

The Test Tolerances defined in this clause have been used to relax the Minimum Requirements in the present document to derive the Test Requirements.

The Test Tolerances are derived from Test System uncertainties, regulatory requirements and criticality to system performance. As a result, the Test Tolerances may sometimes be set to zero.

The test tolerances should not be modified for any reason e.g. to take account of commonly known test system errors (such as mismatch, cable loss, etc.).

## F.2.1 Transmitter

**Table F.2.1 Test Tolerances for transmitter tests.**

Clause	Test Tolerance
5.2 Maximum Output Power	0,7 dB
5.3 UE Frequency Stability	10 Hz
5.4.1.1 Uplink Power Control, Initial Accuracy	+1,0 dB
5.4.1.2 Uplink Power Control, differential Accuracy	1dB step: 0,1 dB 2 dB step: 0,15 dB 3dB step: 0,2 dB 10 dB step: 0,5 dB 20 dB step: 0,7 dB 30 dB step: 0,7 dB >30 dB step: 1,0 dB
5.4.1.3 Open Loop Power Control	+1,0 dB
5.4.2 Minimum Transmit Power	1,0 dB
5.4.5 Out-of-synchronisation handling of output power: $\frac{\Sigma DPCH\_E_c}{I_{or}}$	0,4 dB
5.4.5 Out-of-synchronisation handling of output power: transmit ON/OFF time	0 ms
5.5.1 Transmit OFF power	1,5 dB
5.5.1 Occupied Bandwidth	0 kHz
5.5.2.1 Spectrum emission mask	1,5 dB
5.5.2.2 Adjacent Channel Leakage Power Ratio (ACLR)	0.8 dB
5.5.3 Spurious Emissions	0 dB
5.6 Transmit Intermodulation	0 dB
5.7.1 Error Vector Magnitude	0%
5.7.2 Peak code domain error	1,0 dB

NOTE: Unless explicitly specified test tolerances are set to be equal in the case of 3,84 Mcps TDD Option as well as in the case of 1,28 Mcps TDD Option.

## F.2.2 Receiver

**Table F.2.2 Test Tolerances for receiver tests.**

Clause	Test Tolerance
6.2 Reference sensitivity level	0.7 dB
6.4 Adjacent channel selectivity	0 dB
6.5 Blocking characteristics	0 dB
6.6 Spurious Response	0 dB
6.7 Intermodulation Characteristics	0 dB
6.8 Spurious emissions	0 dB

NOTE: Unless explicitly specified test tolerances are set to be equal in the case of 3,84 Mcps TDD Option as well as in the case of 1,28 Mcps TDD Option.

## F.2.3 Performance requirements

**Table F.2.3 Test Tolerances for Performance Requirements.**

Clause	Test Tolerance
7.2, Demodulation in Static Propagation Condition	
7.3, Demodulation of DCH in Multiplath Fading conditions	
7.4, Base Station Transmit diversity modes	
7.6 Uplink Power Control	0.5 dB (relative tolerance for 10 dB stepsize)

## F.2.4 Requirements for support of RRM

### F.2.4.1 TDD/TDD Cell Reselection on intra-frequency cells

#### F.2.4.1.1 3,84 Mcps TDD Option

Void.

#### F.2.4.1.2 1,28 Mcps Option

The test tolerances TT1 and TT2 given in table 8.2.3.1.5.2 shall not exceed [0,2 dB] for the interacting cells 1, 2 and [0,7 dB] for the additional (e.g. noninteracting) cells 3-6, respectively with a DRX cycle length given in table F.2.4.1A.

**Table F.2.4.1A:  $T_{\text{measureNTDD}}$ ,  $T_{\text{evaluateNTDD}}$ ,  $T_{\text{measureTDD}}$ ,  $T_{\text{evaluateTDD}}$ ,  $T_{\text{measureFDD}}$ ,  $T_{\text{evaluateFDD}}$  and  $T_{\text{measureGSM}}$  (1,28 Mcps TDD Option)**

DRX cycle length [s]	$N_{\text{serv}}$ [number of successive measurements]	$T_{\text{measureNTD}}$ [s] (number of DRX cycles)	$T_{\text{evaluateNTDD}}$ [s] (number of DRX cycles)	$T_{\text{measureTD}}$ [s] (number of DRX cycles)	$T_{\text{evaluateTDD}}$ [s] (number of DRX cycles)
0,08	4	0,64 (8 DRX cycles)	2,56 (32 DRX cycles)	0,64 (8 DRX cycles)	2,56 (32 DRX cycles)
0,16	4	0,64 (4)	2,56 (16)	0,64 (4)	2,56 (16)
0,32	4	1,28 (4)	5,12 (16)	1,28 (4)	5,12 (16)
0,64	4	1,28 (2)	5,12 (8)	1,28 (2)	5,12 (8)
1,28	2	1,28 (1)	6,4 (5)	1,28 (1)	6,4 (5)
2,56	2	2,56 (1)	7,68 (3)	2,56 (1)	7,68 (3)
5,12	1	5,12 (1)	10,24 (2)	5,12 (1)	10,24 (2)

NOTE: In idle mode, UE shall support DRX cycles lengths 0.64, 1.28, 2.56 and 5.12 s.

## F.3 Interpretation of measurement results

The measurement results returned by the Test System are compared - without any modification - against the Test Requirements as defined by the shared risk principle.

The Shared Risk principle is defined in ETR 273 Part 1 sub-part 2 clause 6.5.

The actual measurement uncertainty of the Test System for the measurement of each parameter shall be included in the test report.

The recorded value for the Test System uncertainty shall be, for each measurement, equal to or lower than the appropriate figure in clause F.1 of the present document.

If the Test System for a test is known to have a measurement uncertainty greater than that specified in clause F.1, it is still permitted to use this apparatus provided that an adjustment is made value as follows.

Any additional uncertainty in the Test System over and above that specified in clause F.1 shall be used to tighten the Test Requirement – making the test harder to pass. (For some tests e.g. receiver tests, this may require modification of stimulus signals). This procedure will ensure that a Test System not compliant with clause F.1 does not increase the chance of passing a device under test where that device would otherwise have failed the test if a Test System compliant with clause F.1 had been used.

## F.4 Derivation of Test Requirements (This clause is informative)

The Test Requirements in the present document have been calculated by relaxing the Minimum Requirements of the core specification using the Test Tolerances defined in clause F.2. When the Test Tolerance is zero, the Test Requirement will be the same as the Minimum Requirement. When the Test Tolerance is non-zero, the Test Requirements will differ from the Minimum Requirements, and the formula used for this relaxation is given in table F.4.

**Table F.4. Derivation of Test Requirements**

Test	Minimum Requirement in TS 25.102	Test Tolerance (TT)	Test Requirement in TS 34.122
5.2 Maximum Output Power	Power single code Power class 1 (30 dBm) Tolerance = +1/-3 dB Power class 2 (24 dBm) Tolerance = +1/-3 dB Power class 3 (21 dBm) Tolerance = +2/-2 dB Power multi code Power class 2 (21 dBm) Tolerance = +1/-3 dB Power class 3 (18 dBm) Tolerance = ±2 dB Power class 4 (10 dBm) Tolerance = ± 4 dB	0.7 dB	Formula: Upper Tolerance limit + TT Lower Tolerance limit – TT For power classes 1 and 2 (single and multi): Upper Tolerance limit = +1.7 dB Lower Tolerance limit = -3.7 dB For power class 3 (single and multi): Upper Tolerance limit = +2.7 dB Lower Tolerance limit = -2.7 dB For power class 4 (single and multi) Upper Tolerance limit = +4.7 dB Lower Tolerance limit = -4.7 dB
5.3 UE Frequency Stability	The UE modulated carrier frequency shall be accurate to within ±0.1 ppm compared to the carrier frequency received from the Node B.	10 Hz	Formula: modulated carrier frequency error + TT  modulated carrier frequency error = ±(0.1 ppm + 10 Hz).
5.4.1.1 Uplink Power Control, Initial accuracy	± 9dB normal conditions ± 12dB extreme conditions	1.0 dB	Formula: Upper Tolerance limit + TT Lower Tolerance limit – TT Nominal expected TX power ± 10dB (normal conditions) ± 13dB (extreme conditions)
5.4.1.2 Uplink Power Control, differential accuracy	SIR Target      Pow Step Tol <1 dB              0.5 dB <2dB               1 dB <3 dB               1.5 dB <10 dB             2 dB <20dB              4 dB <30 dB              6 dB > 30 dB             9 dB	TT 0.1 dB 0.15 dB 0.2 dB 0.5 dB 0.7 dB 0.7 dB 1.0 dB	Formula: Upper Tolerance limit + TT Lower Tolerance limit – TT
5.4.1.3 Open Loop Power Control	± 9dB normal conditions ± 12dB extreme conditions	1.0 dB	Formula: Upper Tolerance limit + TT Lower Tolerance limit – TT Nominal expected TX power ± 10dB (normal conditions) ± 13dB (extreme conditions)
5.4.2 Minimum Transmit Power	UE minimum transmit power shall be less than –44 dBm	1.0 dB	Formula: UE minimum transmit power + TT UE minimum transmit power = –43 dBm

<p>5.4.5 Out-of-synchronisation handling of output power:</p>	<p><math>\frac{\Sigma DPCH - E_c}{I_{or}}</math> levels                  before A -4.6 dB                  AB: -10 dB                  BD: -16 dB                  DE: -12 dB                  EF: -6 dB                  transmit ON/OFF time                  200ms</p>	<p>0,4 dB for <math>\frac{\Sigma DPCH - E_c}{I_{or}}</math>                  0 ms for timing measurement</p>	<p>Formulas:                  Ratio between A and B + TT                  Ratio between B and D - TT                  Ratio between D and E - TT                  Ratio between E and F + TT                  transmit ON/OFF time + TT timing</p> <p><math>\frac{\Sigma DPCH - E_c}{I_{or}}</math> levels:                  Before A: -4.6                  AB: -10 + 0,4 dB                  BD: -16 - 0,4 dB                  DE: -12 - 0,4 dB                  EF: -6 + 0,4 dB                  Uncertainty of OFF power measurement is handled by Transmit OFF power test and uncertainty of ON power measurement is handled by Minimum output power test.transmit ON/OFF time                  200ms</p>		
<p>5.5.1 Transmit OFF power</p>	<p>Transmit OFF power shall be less than -65 dBm</p>	<p>1.5 dB</p>	<p>Formula: Transmit OFF power + TT                  Transmit OFF power = -63.5 dBm</p>		
<p>5.5.1 Occupied Bandwidth</p>	<p>The occupied channel bandwidth shall be less than 5 MHz based on a chip rate of 3,84 Mcps.</p>	<p>0 kHz</p>	<p>Formula: occupied channel bandwidth: + TT                  occupied channel bandwidth = 5.0 MHz</p>		
<p>5.5.2.1 Spectrum emission mask</p>	<p>Minimum requirement defined in TS25.101 table 6.10.                  The lower limit shall be -50 dBm / 3,84 MHz or which ever is higher.</p>	<p>1.5 dB</p>	<p>Formula: Minimum requirement + TT                  Lower limit + TT                  Add 1.5 to Minimum requirement entries in TS25.101 table 6.10                  The lower limit shall be -48.5 dBm / 3,84 MHz or which ever is higher.</p>		
<p>5.5.2.2 Adjacent Channel Leakage Power Ratio (ACLR)</p>	<p>Power Classes 2 and 3:                  UE channel +5 MHz or -5 MHz, ACLR limit: 33 dB                  UE channel +10 MHz or -10 MHz, ACLR limit: 43 dB</p>	<p>0.8 dB</p>	<p>Formula: ACLR limit - TT                  Power Classes 2 and 3:                  UE channel +5 MHz or -5 MHz, ACLR limit: 32.2 dB                  UE channel +10 MHz or -10 MHz, ACLR limit: 42.2 dB</p>		
<p>5.5.3 Spurious Emissions</p>			<p>Formula: Minimum Requirement+ TT                  Add zero to all the values of Minimum Requirements in table 5.5.3</p>		
	<p>Frequency Band</p>	<p>Minimum Requirement</p>	<p>Frequency Band</p>	<p>Minimum Requirement</p>	
	<p>9 kHz ≤ f &lt; 150 kHz</p>	<p>-36dBm /1kHz</p>	<p>0 dB</p>	<p>9kHz ≤ f &lt; 1GHz</p>	<p>-36dBm /1kHz</p>
	<p>150 kHz ≤ f &lt; 30 MHz</p>	<p>-36dBm /10kHz</p>	<p>0 dB</p>	<p>150 kHz ≤ f &lt; 30 MHz</p>	<p>-36dBm /10kHz</p>
	<p>30 MHz ≤ f &lt; 1000 MHz</p>	<p>-36dBm /100kHz</p>	<p>0 dB</p>	<p>30 MHz ≤ f &lt; 1000 MHz</p>	<p>-36dBm /100kHz</p>
	<p>1 GHz ≤ f &lt; 12.75 GHz</p>	<p>-30dBm /1MHz</p>	<p>0 dB</p>	<p>1 GHz ≤ f &lt; 2.2 GHz</p>	<p>-30dBm /1MHz</p>
<p>0 dB</p>			<p>2.2 GHz ≤ f &lt; 4 GHz</p>	<p>-30dBm /1MHz</p>	
<p>0 dB</p>			<p>4 GHz ≤ f &lt; 12.75 GHz</p>	<p>-30dBm /1MHz</p>	

	925 MHz < f < 935 MHz	-67dBm /100kHz	0 dB	925 MHz < f < 935 MHz	-67dBm /100kHz
	935 MHz ≤ f ≤ 960 MHz	-79dBm /100kHz	0 dB	935 MHz ≤ f ≤ 960 MHz	-79dBm /100kHz
	1805 MHz < f ≤ 1880 MHz	-71dBm /100kHz	0 dB	1805 MHz < f ≤ 1880 MHz	-71dBm /100kHz
	1805 MHz ≤ f ≤ 1880 MHz	-71dBm /100kHz	0 dB	1805 MHz ≤ f ≤ 1880 MHz	-71dBm /100kHz
5.6 Transmit Intermodulation	Intermodulation Product 5MHz -31 dBc 10MHz -41 dBc		0 dB	Formula: Intermodulation Product + TT Intermodulation Product 5MHz -31 dBc 10MHz -41 dBc	
5.7.1 Error Vector Magnitude	The Error Vector Magnitude shall not exceed 17.5 %		0%	Formula: EVM limit + TT EVM limit = 17.5 %	
5.7.2 Peak code domain error	The peak code domain error shall not exceed -21dB		±1.0 dB	Formula: Peak code domain error + TT Peak code domain error = -20 dB	
6.2 Reference sensitivity level	I <sub>or</sub> = -105 dBm / 3,84 MHz BER limit = 0.001		0.7 dB	Formula: I <sub>or</sub> + T BER limit unchanged  I <sub>or</sub> = -104.3 dBm / 3,84 MHz	
6.4 Adjacent Channel Selectivity	I <sub>or</sub> = -91 dBm / 3,84 MHz I <sub>oac</sub> (modulated) = -52 dBm/3,84 MHz BER limit = 0.001		0 dB	Formula: I <sub>or</sub> unchanged I <sub>oac</sub> - TT BER limit unchanged  I <sub>oac</sub> = -52 dBm/3,84 MHz	
6.5 Blocking Characteristics	See table 6.5.2a and 6.5.2b. in TS34.122 BER limit = 0.001		0 dB	Formula: I <sub>blocking</sub> (modulated) - TT (dBm/3,84MHz) I <sub>blocking</sub> (CW) - TT (dBm) BER limit unchanged	
6.6 Spurious Response	I <sub>blocking</sub> (CW) -44 dBm F <sub>uw</sub> : Spurious response frequencies BER limit = 0.001		0 dB	Formula: I <sub>blocking</sub> (CW) - TT (dBm) F <sub>uw</sub> unchanged BER limit unchanged  I <sub>blocking</sub> (CW) -44 dBm	
6.7 Intermodulation Characteristics	I <sub>ow1</sub> (CW) -46 dBm I <sub>ow2</sub> (modulated) -46 dBm / 3,84 MHz F <sub>uw1</sub> (offset) 10 MHz F <sub>uw2</sub> (offset) 20 MHz  BER limit = 0.001		0 dB	Formula: TBD BER limit unchanged.	
6.8 Spurious Emissions				Formula: Maximum level+ TT Add zero to all the values of Maximum Level in table 6.8.1.	
	Frequency Band	Maximum level		Frequency Band	Maximum level
	9kHz ≤ f < 1GHz	-57dBm /100kHz	0 dB	9kHz ≤ f < 1GHz	-57dBm /100kHz
	1.9-1.92 GHz 2.01-2.025GHz 2.11-2.170GHz	-60 dBm / 3,84MHz	0 dB	1.9-1.92 GHz 2.01-2.025GHz 2.11-2.170GHz	-60 dBm / 3,84MHz
	1 -1.9GHz, 1.92-2.01 GHz 2.025-2.11GHz	-47 dBm/1MHz	0 dB	1 -1.9GHz, 1.92-2.01 GHz 2.025-2.11GHz	-47 dBm/1MHz



	1GHz ≤ f ≤ 12.75GHz		-47dBm /1MHz		0 dB	1GHz ≤ f ≤ 2.2GHz	-47dBm /1MHz
					0 dB	2.2GHz < f ≤ 4GHz	-47dBm /1MHz
					0 dB	4GHz < f ≤ 12.75GHz	-47dBm /1MHz
7.6 Downlink Power Control		TS #1,9	TS #7,14	0.5 dB for 10 dB change in output power, 0 otherwise.	Formula for 10 dB change in transmit power: Upper Tolerance limit + TT Lower Tolerance limit – TT		
	1 <sup>st</sup> frame	15 ±4.0 dBm	5 ±0.5 dBm				
	2 <sup>nd</sup> frame	15 ±4.0 dBm	15 ±4.0 dBm				

## F.5 Acceptable uncertainty of Test Equipment (This clause is informative)

This informative clause specifies the critical parameters of the components of an overall Test System (e.g. Signal generators, Signal Analyzers etc.) which are necessary when assembling a Test System that complies with clause F.1 Acceptable Uncertainty of Test System. These Test Equipment parameters are fundamental to the accuracy of the overall Test System and are unlikely to be improved upon through System Calibration.

### F.5.1 Transmitter measurements

**Table F.5.1 Equipment accuracy for transmitter measurements**

Test	Equipment accuracy	Test conditions
5.2 UE Maximum Output Power	Not applicable	
5.3 Frequency Stability	± 10Hz	
5.4.1 Uplink power control		
5.4.2 Minimum Transmit Power		
5.4.3 Transmit OFF Power		
5.4.4 Transmit ON/OFF Power		
5.4.5 Out-of-synchronisation handling of output power $\frac{DPCCH - E_c}{I_{or}}$		
5.4.5 Out-of-synchronisation handling of output power: transmit ON/OFF time		
5.5.1 Occupied Bandwidth	100 kHz	
5.5.2.1 Spectrum emission mask	Not applicable	
5.5.2.2 ACLR		
5.5.3 Spurious emissions		
5.5.3 Spurious emissions: additional		
5.6 Transmit intermodulation:	Not applicable	
5.7.1 Transmit modulation: EVM	2.5 %	
5.7.2 Transmit modulation: peak code domain error	±[1 dB]	

## F.5.2 Receiver measurements

**Table F.5.2 Equipment accuracy for receiver measurements**

Clause	Equipment accuracy	Test conditions
6.2 Reference Sensitivity Level	Not applicable	
6.3 maximum input level:	Not applicable	
6.4 Adjacent Channel Selectivity (ACS)	Not applicable	
6.5 Blocking Characteristics	Not applicable	
6.6 Spurious Response	Not applicable	
6.7 Intermodulation Characteristics	Not applicable	
6.8 Spurious Emissions	Not applicable	

## F.5.3 Performance measurements

**Table G.3 Equipment accuracy for performance measurements**

Clause	Equipment accuracy	Test conditions
TBD	TBD	

## F.6 General rules for statistical testing

### F.6.1 Statistical testing of receiver BER/BLER performance

#### F.6.1.1 Error Definition

##### 1) Bit Error Ratio (BER)

The Bit Error Ratio is defined as the ratio of the bits wrongly received to all data bits sent. The bits are the information bits above the convolutional/turbo decoder

##### 2) Block Error Ratio (BLER)

A Block Error Ratio is defined as the ratio of the number of erroneous blocks received to the total number of blocks sent. An erroneous block is defined as a Transport Block, the cyclic redundancy check (CRC) of which is wrong.

#### F.6.1.2 Test Method

Each test is performed in the following manner:

- a) Setup the required test conditions.
- b) Record the number of samples tested and the number of occurred events (bit error or block error)
- c) Stop the test at a stop criterion which is minimum test time or an early pass or an early fail event.
- d) Once the test is stopped decide according to the pass fail decision rules ( subclause F.6.1.7)

#### F.6.1.3 Test Criteria

The test shall fulfil the following requirements:

- a) good pass fail decision
  - 1) to keep reasonably low the probability (risk) of passing a bad unit for each individual test;
  - 2) to have high probability of passing a good unit for each individual test;

- b) good balance between testtime and statistical significance
  - 3) to perform measurements with a high degree of statistical significance;
  - 4) to keep the test time as low as possible.

#### F.6.1.4 Calculation assumptions

It is assumed, that error events are independent statistical events. Due to the memory of the convolutional / turbo coder in the BER tests this is not quite true. Due to lack of information the assumption of independent error events is applied.

In the BLER test with fading there is the memory of the multipath fading channel which interferes the statistical independency. Independent error events are assumed but a minimum test time is introduced to average fluctuations of the multipath fading channel.

The formulas, applied to describe the BER BLER test, are primarily based on the following experiment:

(1) After having observed a certain number of errors (**ne**) the number of samples are counted to calculate BER BLER.

Provisions are made (note 1) such that the complementary experiment is valid as well:

(2) After a certain number of samples (**ns**) the number of errors, occurred, are counted to calculate BER BLER.

Experiment (1) stipulates to use the following Chi Square Distribution with degree of freedom  $ne$ :  $2 * dchisq(2 * NE, 2 * ne)$  for all calculations.

(NE: average of the distribution)

#### F.6.1.5 Definition of good pass fail decision.

This is defined by the probability of wrong decision  $D$ . The probability of a correct decision is  $1-D$ .

The probability (risk) to fail a good DUT shall be  $\leq D$  according to the following definition: A DUT is failed, accepting a probability of  $\leq D$  that the DUT is still better than the specified error ratio (Test requirement).

The probability to pass a bad DUT shall be  $\leq D$  according to the following definition: A DUT is passed, accepting a probability of  $\leq D$  that the DUT is still worse than  $M$  times the specified error ratio. ( $M \geq 1$  is the bad DUT factor).

This definitions lead to an early pass and an early fail limit:

Early fail:  $ber \geq berlim_{fail}$

$$berlim_{fail}(D, ne) = \frac{2 * ne}{qchisq(D, 2 * ne)} \quad (1)$$

For  $ne \geq 5$

Early pass:  $ber \leq berlim_{pass}$

$$berlim_{pass}(D, ne) = \frac{2 * ne * M}{qchisq(1 - D, 2 * ne)} \quad (2)$$

For  $ne \geq 1$

With

$ber$  (normalized BER, BLER): BER, BLER according to F.6.1.1 divided by Test requirement

D: wrong decision probability see table F.6.1.8

ne: Number of error events

M: bad DUT factor see table F.6.1.8

qchisq: inverse cumulative chi squared distribution

### F.6.1.6 Good balance between testtime and statistical significance

3 independent test parameters are introduced into the test and shown in Table F.6.1.6.1. These are the obvious basis of testtime and statistical significance. From the first two of them three dependent test parameters are derived. The third independent test parameter is justified separately.

**Table F.6.1.6.1 independent and dependent test parameters**

Independent test parameters			Dependent test parameters		
Test Parameter	Value	Reference	Test parameter	Value	Reference
Target number of error events	[200]	Table F.6.1.8	Early pass/fail condition	curves	Subclause F.6.1.5 Figure 6.1.9
Probability of wrong pass/fail decision D	[0.2%] [0.02%, Note 3]	Subclause F.6.1.5	Bad DUT factor M	[1.5]	Table 6.1.8
			Test limit factor TL	[1.24]	Table 6.1.8
Minimum test time		Table F.6.1.6.2			

The minimum test time is derived from the following justification:

- 1) For no propagation conditions and static propagation condition

No early fail calculated from fractional number of errors <1 see note 1

- 2) For multipath fading condition

No stop of the test until [10] wavelengths are crossed during relevant UE reception timeslots, relevant for BER BLER testing, with the speed given in the fading profile.

**Table F.6.1.6.2 : minimum Test time**

Fading profile	Minimum test time
Multipath propagation 3 km/h	[1.8 s* TSPF/TSRX <sup>1)</sup>
Multipath propagation 50 km/h	[0.1 s* TSPF/TSRX]
Multipath propagation 120 km/h	[45 ms* TSPF/TSRX]
Multipath propagation 250 km/h	[22ms* TSPF/TSRX]
<sup>1)</sup> TSPF = Time slots per frame, TSRX = relevant UE reception timeslots per frame, relevant for the BER BLER test	

TSPF and TSRX form the prolongation factor and depend on the user data rate and the TDD Option (3.84 Mchip/s or 1.28 Mchip/s)

**Table F.6.1.6.3 : Prolongation factor for minimum Test time**

User Data rate	TSPF/TSRX for TDD 3.84 Mchip/s	TSPF/TSRX for TDD 1.28 Mchip/s
12.2 kbit/s	15/1	7/1
64 kbit/s	15/1	7/1
144 kbit/s	15/1	7/2
384 kbit/s	15/3	7/4

In table F.6.1.8 the minimum test time is converted in minimum number of samples

### F.6.1.7 Pass fail decision rules

No decision is allowed before the minimum test time is elapsed

- 1) If minimum Test time < time for target number of error events then the following applies: The required confidence level (= correct decision probability 1-D) shall be achieved. This is fulfilled at an early pass or early fail event.

For BER: For every TTI (Transmit Time Interval) sum up the number of bits (ns) and the number if errors (ne) from the beginning of the test, including the artificial error at the beginning of the test (Note 1) and calculate BER.

If BER is above the early fail limit, fail the DUT.  
If BER is below the early pass limit, pass the DUT.  
Otherwise continue the test

For BLER: For every block sum up the number of blocks (ns) and the number if erroneous blocks (ne) from the beginning of the test, including the artificial error at the beginning of the test (Note 1) and calculate BLER.

If BLER is below the early pass limit, pass the DUT.  
If BLER is above the early fail limit, fail the DUT.  
Otherwise continue the test

- 2) If the minimum test time >= time for target error events, then the test runs for the minimum test time and the decision is done by comparing the result with the test limit.

### F.6.1.8 Test conditions for BER,BLER tests

**Table F.6.1.8: Test conditions for a single BER/BLER tests**

Type of test (BER)	Propagation conditions	Test requirement (BER/BLER)	Test limit (BER/BLER) = Test requirement (BER/BLER) x TL TL	Target number of error events (time)	Minimum number of samples	Prob that good unit will fail = Prob that bad unit will pass [%]	Bad unit BER/BLER factor M
Reference Sensitivity Level	-	0.001	[1.24]	[200] (13.2s)	Note 1	[0.2]	[1.5]
Maximum Input Level	-	0.001	[1.24]	[200] (13.2s)	Note 1	[0.2]	[1.5]
Adjacent Channel Selectivity	-	0.001	[1.24]	[200] (13.2s)	Note 1	[0.2]	[1.5]
Blocking Characteristics Pass condition Note 2	-	0.001	[1.262]	[252] (16.6s)	Note 1	[0.2]	[1.5]
Blocking Characteristics Fail condition Note 2	-	0.001	[1.262]	[252] (16.6s)	Note 1	[0.02]	[1.5]
Spurious Response	-	0.001	[1.24]	[200] (13.2s)	Note 1	[0.2]	[1.5]
Intermodulation Characteristics	-	0.001	[1.24]	[200] (13.2s)	Note 1	[0.2]	[1.5]

Table F.6.1.8-2: Test conditions for BLER tests Type of test (BLER)	Information Bit rate	Test requirement (BER/BLER)	Test limit (BER/BLER)= Test requirement (BER/BLER)x TL  TL	Target number of error events (time)	Minimum number of samples  TDD 3.84 Mchip/s	Minimum number of samples  TDD 1.28 Mchip/s	Prob that bad unit will pass = Prob that good unit will fail [%]	Bad unit BER/BL ER factor M
Demodulation in Static Propagation conditions	12.2 64 144 384	0.01 0.1 0.01 0.1 0.01	[1.24]	[200] (322.6s) (32.3s) (322.6s) (32.3s) (322.6s) (16.1s) (161.3s)	Note1	Note1	[0.2]	[1.5]
Demodulation of DCH in Multi-path Fading conditions								
3km/h (Case 1, Case 2)	12.2 64 144 384	0.01 0.1 0.01 0.1 0.01 0.1 0.01	[1.24]	[200] (322.6s) (32.3s) (322.6s) (32.3s) (322.6s) (16.1s) (161.3s)	[1350] [1350] [1350] [1350] [1350] [450] [450]	[630] [630] [630] [315] [315] [178] [178]	[0.2]	[1.5]
120 km/h (Case3)	12.2 64 144 384	0.01 0.1 0.01 0.1 0.01 0.1 0.01	[1.24]	[200] (322.6s) (32.3s) (322.6s) (32.3s) (322.6s) (16.1s) (161.3s)	[34] [34] [34] [34] [34] [12] [12]	[16] [16] [16] [8] [8] [4] [4]	[0.2]	[1.5]
250 km/h								
Power control in the downlink				Not applicabl e				

### F.6.1.9 Practical Use (informative)

See figure F.6.1.9:

The early fail limit represents formula (1) in F.6.1.5 The range of validity is  $[ne > 5, > 6$  in case of blocking test] to  $[ne = 200]$

The early pass limit represents the formula (2) in F.6.1.5 The range of validity is  $ne = 1$  to  $[ne = 200]$ . See note 1

The intersection co-ordinates of both curves are: Target number of errors  $ne = [200]$  and test limit  $TL = [1.24]$

The range of validity for TL is  $ne > 200$

A typical BER BLER test, calculated from the number of samples and errors (F.6.1.2.(b)) using experimental method (1) or (2) (see F.6.1.4. calculation assumptions) runs along the yellow trajectory. With an errorless sample the trajectory goes down vertically. With an erroneous sample it goes up right. The tester checks if the BER BLER test intersects the early fail or early pass limits. The real time processing can be reduced by the following actions:

BLER is calculated only in case of an error event.

BER is calculated only in case of an error event within a TTI.

So the early fail limit cannot be missed by errorless samples.

The check against the early pass limit may be done by transforming formula (2) in F.6.1.5 such that the tester checks against a Limit-Number-of-samples (NL(ne)) depending on the current number of errors.

Early pass if

$$NL(ne) \geq \frac{qchisq(1 - D, 2 * ne)}{2 * TR * M}$$

TR: test requirement (0.001)

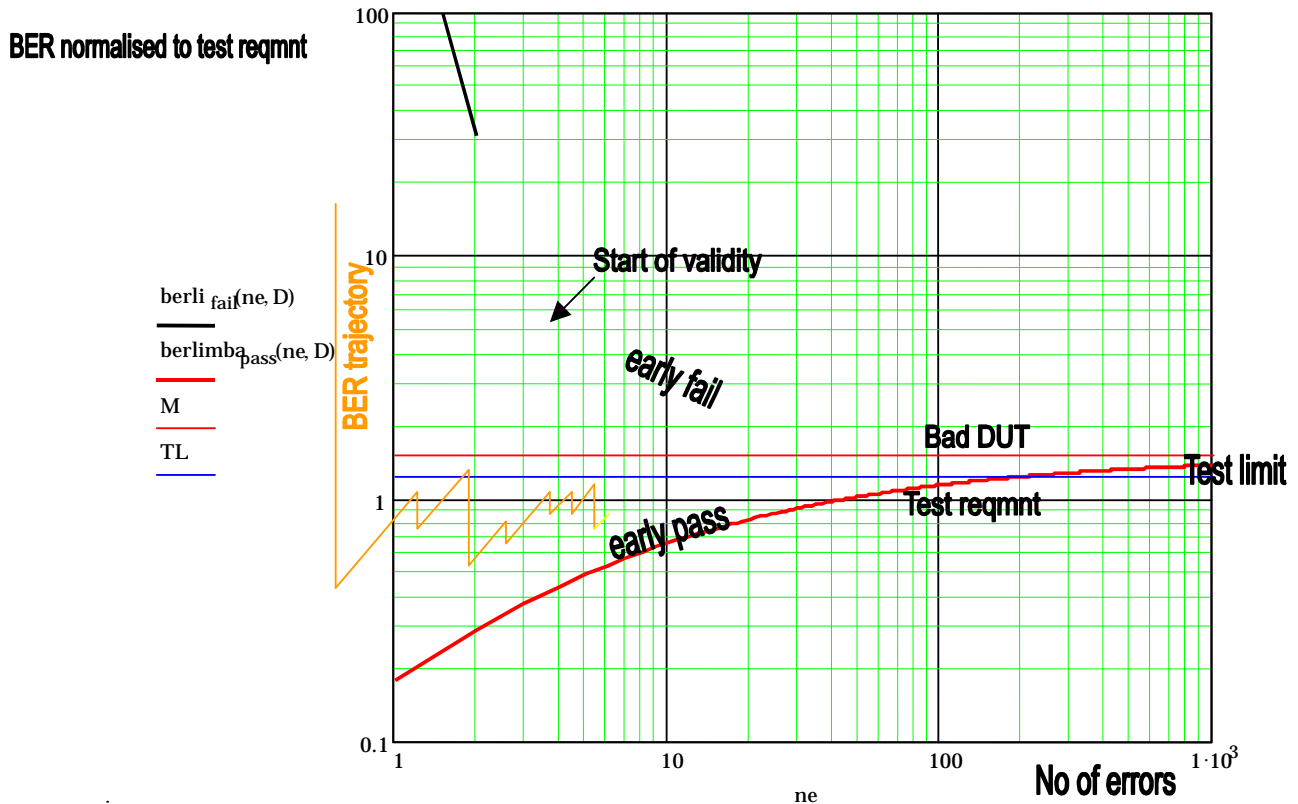


Figure F.6.1.9

Note 1: At the beginning of the test, an artificial error is introduced. This ensures that an ideal DUT meets the valid range of the early pass limit. In addition this ensures that the complementary experiment (F.6.1.4. bullet point (2)) is applicable as well.

Due to the nature of the test, namely discrete error events, the early fail condition shall not be valid, when fractional errors <1 are used to calculate the early fail limit: Any early fail decision is postponed until number of errors ne >[5]. In the blocking test any early fail decision is postponed until number of errors ne >[6].

Note2: D=[0.2%] is intended to be used for a test containing a few BER/BLER tests (e.g. receiver sensitivity is repeated 12 times). For a test containing many BER/BLER tests (e.g. blocking test) this value is not appropriate for a single BER/BLER test.

The blocking test contains approx. 12750 single BER tests. A DUT on the limit will fail approx. 25 to 26 times due to statistical reasons (wrong decision probability [0.2]%). 24 fails are allowed in the blocking test but they are reserved for spurious responses. This shall be solved by the following rule:

All passes (based on D=[0.2]%) are accepted, including the wrong decisions due to statistical reasons.

An early fail limit based on D=[0.02%] instead of [ 0.2% ] is established, that ensures that wrong decisions due to statistical reasons are reduced to 2 to 3.

These asymmetric test conditions ensure that a DUT on the test limit consumes hardly more test time for a blocking test than in the symmetric case and on the other hand discriminates sufficiently between statistical fails and spurious response cases.

## F.6.2 Statistical testing of RRM delay performance

Delay tests in subclause 8.2 shall be repeated [50] times in order to determine the required success ratio.

Note: A statistical approach needs to be developed. The number of repetitions required for the test will target towards a good compromise between test time and wrong decision risk.



## Annex G (normative): Environmental conditions

### G.1 General

This normative annex specifies the environmental requirements of the UE. Within these limits the requirements of the present documents shall be fulfilled.

### G.2 Environmental requirements

The requirements in this clause apply to all types of UE(s)

#### G.2.1 Temperature

The UE shall fulfil all the requirements in the full temperature range of:

+15°C to +35°C	for normal conditions (with relative humidity of 25 % to 75 %)
-10°C to +55°C	for extreme conditions (see IEC publications 68-2-1 and 68-2-2)

Outside this temperature range the UE, if powered on, shall not make ineffective use of the radio frequency spectrum. In no case shall the UE exceed the transmitted levels as defined in TS 25.102 [1] for extreme operation.

Some tests in the present document are performed also in extreme temperature conditions. These test conditions are denoted as TL (temperature low, -10°C) and TH (temperature high, +55°C).

#### G.2.2 Voltage

The UE shall fulfil all the requirements in the full voltage range, i.e. the voltage range between the extreme voltages.

The manufacturer shall declare the lower and higher extreme voltages and the approximate shutdown voltage. For the equipment that can be operated from one or more of the power sources listed below, the lower extreme voltage shall not be higher, and the higher extreme voltage shall not be lower than that specified below.

Power source	Lower extreme voltage	Higher extreme voltage	Normal conditions voltage
AC mains	0,9 * nominal	1,1 * nominal	nominal
Regulated lead acid battery	0,9 * nominal	1,3 * nominal	1,1 * nominal
Non regulated batteries: Leclanché / lithium Mercury/nickel & cadmium	0,85 * nominal 0,90 * nominal	Nominal Nominal	Nominal Nominal

Outside this voltage range the UE if powered on, shall not make ineffective use of the radio frequency spectrum. In no case shall the UE exceed the transmitted levels as defined in [1] TS 25.102 for extreme operation. In particular, the UE shall inhibit all RF transmissions when the power supply voltage is below the manufacturer declared shutdown voltage.

Some tests in the present document are performed also in extreme voltage conditions. These test conditions are denoted as VL (lower extreme voltage) and VH (higher extreme voltage).

### G.2.3 Vibration

The UE shall fulfil all the requirements when vibrated at the following frequency/amplitudes:

Frequency	ASD (Acceleration Spectral Density) random vibration
5 Hz to 20 Hz	0,96 m <sup>2</sup> /s <sup>3</sup>
20 Hz to 500 Hz	0,96 m <sup>2</sup> /s <sup>3</sup> at 20 Hz, thereafter -3 dB/Octave

Outside the specified frequency range the UE, if powered on, shall not make ineffective use of the radio frequency spectrum. In no case shall the UE exceed the transmitted levels as defined in TS 25.102 [1] for extreme operation.

### G.2.4 Specified frequency range

The manufacturer shall declare, which of the frequency bands defined in clause 4.2 is supported by the UE.

Some tests in the present document are performed also in low, mid and high range of the operating frequency band of the UE. The UARFCN's to be used for low, mid and high range are defined in TS 34.108 [3] clause 5.1.2.

## Annex H (normative): Terminal Baseline and Service Implementation Capabilities (TDD)

### H.1 Baseline Implementation Capabilities:

**Table H.1: Baseline implementation capabilities**

Capability TDD	Clause	UE*	Comments
Chip rate 3,84 Mcps		M	
Frequency bands: (uplink and downlink)			
1900-1920 MHz		M	
2010-2025 MHz		M	
1850-1910 MHz		M	
1930-1990 MHz		M	
1910-1930 MHz		M	
Other spectrum		O	As Declared
Carrier raster 200 kHz		M	
UE maximum output power	6.2.1	M	2, 3

(\* M = mandatory, O = optional)

- The special conformance testing functions and the logical test interface as specified in TS 34.109 [3]. This issue is currently under investigation.
- Uplink reference measurement channel 12,2 kbps (FDD), TS 25.102 [1] clause A.2.1.
- Downlink reference measurement channel 12,2 kbps (FDD), TS 25.102 [1] clause A.2.2.

### H.2 Service Implementation Capabilities:

- Downlink reference measurement channel 64 kbps (TDD), TS 25.102 clause A.2.3.
- Downlink reference measurement channel 144 kbps (TDD), TS 25.102 clause A.2.4.
- Down-link reference measurement channel 384 kbps (TDD), TS 25.102 clause A.2.5.
- BCH Reference Measurement Channel.

## Annex I (normative): Default Message Contents

This Annex contains the default values of common messages, other than those described in TS 34.108. The messages are primarily concerning the RRM test cases in clause 8 and unless indicated otherwise in specific test cases, shall be transmitted and checked by the system simulator. The necessary messages are listed in alphabetical order.

In this Annex, decimal values are normally used. However, sometimes, a hexadecimal value, indicated by an "H", or a binary value, indicated by a "B" is used.

Contents of MEASUREMENT REPORT message for Intra frequency 3,84 Mcps option TDD test cases

Information Element	Value/remark
Message Type	
Integrity check info	The presence of this IE is dependent on IXIT statements in TS 34.123-2. If integrity protection is indicated to be active, this IE shall be present with the values of the sub IEs as stated below. Else, this IE and the sub-IEs shall be absent.
- Message authentication code	This IE is checked to see if it is present. The value is compared against the XMAC-I value computed by SS.
- RRC Message sequence number	This IE is checked to see if it is present. The value is used by SS to compute the XMAC-I value.
Measurement identity	1
Measured Results	
- Intra-frequency measured results list	
- Cell measured results	
- Cell Identity	Not present
- SFN-SFN observed time difference	Checked that this IE is present
- Cell synchronisation information	
- CHOICE mode	TDD
- OFF	Checked that this IE is present
- CHOICE mode	TDD
- Cell Parameters ID	4
- Primary CCPCH RSCP	Checked that this IE is present
- Pathloss	Checked that this IE is present
- Timeslot ISCP	Checked that this IE is present
Measured results on RACH	Checked that this IE is absent
Additional measured results	Checked that this IE is absent
Event results	Checked that this IE is absent

## Contents of MEASUREMENT REPORT message for Intra frequency 1.28 Mcps option TDD test cases

Information Element/Group name	Semantics description
Message Type	
Integrity check info	The presence of this IE is dependent on IXIT statements in TS 34.123-2. If integrity protection is indicated to be active, this IE shall be present with the values of the sub IEs as stated below. Else, this IE and the sub-IEs shall be absent.
- Message authentication code	This IE is checked to see if it is present. The value is compared against the XMAC-I value computed by SS.
- RRC Message sequence number	This IE is checked to see if it is present. The value is used by SS to compute the XMAC-I value.
Measurement identity	1
Measured Results	
- Intra-frequency measured results list	
- Cell measured results	
- Cell Identity	Not present
- Cell synchronisation information	
- CHOICE mode	TDD
- COUNT-C-SFN frame difference	Checked that this IE is present
- OFF	Checked that this IE is present
- CHOICE mode	TDD
- Cell Parameters ID	4
- Primary CCPCH RSCP	Checked that this IE is present
- Pathloss	Checked that this IE is absent
- Timeslot ISCP	Checked that this IE is absent
Measured Results on RACH	Checked that this IE is absent
Additional Measured results	Checked that this IE is absent
Event results	Checked that this IE is absent

## Contents of MEASUREMENT REPORT message for Inter frequency 3,84 Mcps option TDD test cases

Information Element	Value/remark
Message Type	
Integrity check info	The presence of this IE is dependent on IXIT statements in TS 34.123-2. If integrity protection is indicated to be active, this IE shall be present with the values of the sub IEs as stated below. Else, this IE and the sub-IEs shall be absent.
- Message authentication code	This IE is checked to see if it is present. The value is compared against the XMAC-I value computed by SS.
- RRC Message sequence number	This IE is checked to see if it is present. The value is used by SS to compute the XMAC-I value.
Measurement identity	1
Measured Results	
- Inter-frequency measured results list	
- UTRA Carrier RSSI	Checked that this IE is present
- Inter-frequency cell measurement results	
- Cell measured results	
- Cell Identity	Not present
- SFN-SFN observed time difference	Checked that this IE is present
- Cell synchronisation information	
- CHOICE mode	TDD
- OFF	Checked that this IE is present
- CHOICE mode	TDD
- Cell Parameters ID	4
- Primary CCCPCH RSCP	Checked that this IE is present
- Pathloss	Checked that this IE is present
- Timeslot ISCP	Checked that this IE is present
Measured results on RACH	Checked that this IE is absent
Additional measured results	Checked that this IE is absent
Event results	Checked that this IE is absent

## Contents of MEASUREMENT REPORT message for Inter frequency 1.28 Mcps option TDD test cases

Information Element	Value/remark
Message Type Integrity check info  - Message authentication code  - RRC Message sequence number	The presence of this IE is dependent on IXIT statements in TS 34.123-2. If integrity protection is indicated to be active, this IE shall be present with the values of the sub IEs as stated below. Else, this IE and the sub-IEs shall be absent. This IE is checked to see if it is present. The value is compared against the XMAC-I value computed by SS. This IE is checked to see if it is present. The value is used by SS to compute the XMAC-I value.
Measurement identity Measured Results - Inter-frequency measured results list - UTRA Carrier RSSI - Inter-frequency cell measurement results - Cell measured results - Cell Identity - SFN-SFN observed time difference - Cell synchronisation information - CHOICE mode - OFF - CHOICE mode - Cell Parameters ID - Primary CCCPCH RSCP - Pathloss - Timeslot ISCP	1  Checked that this IE is present  Not present Checked that this IE is present  TDD Checked that this IE is present TDD 4 Checked that this IE is present Checked that this IE is present Checked that this IE is present
Measured results on RACH	Checked that this IE is absent
Additional measured results	Checked that this IE is absent
Event results	Checked that this IE is absent

## Contents of MEASUREMENT REPORT message for Inter frequency FDD test cases

Information Element	Value/remark
Message Type	
Integrity check info	The presence of this IE is dependent on IXIT statements in TS 34.123-2. If integrity protection is indicated to be active, this IE shall be present with the values of the sub IEs as stated below. Else, this IE and the sub-IEs shall be absent.
- Message authentication code	This IE is checked to see if it is present. The value is compared against the XMAC-I value computed by SS.
- RRC Message sequence number	This IE is checked to see if it is present. The value is used by SS to compute the XMAC-I value.
Measurement identity	1
Measured Results	
- Inter-frequency measured results list	
- UTRA Carrier RSSI	Checked that this IE is present
- Inter-frequency cell measurement results	
- Cell measured results	
- Cell Identity	Not present
- SFN-SFN observed time difference	Checked that this IE is present
- Cell synchronisation information	
-Tm	Checked that this IE is present
- OFF	Checked that this IE is present
- CHOICE mode	FDD
- Primary CPICH info	Checked that this IE is present
- Primary scrambling code	150
- CPICH Ec/N0	Checked that this IE is present
- CPICH RSCP	Checked that this IE is present
- Pathloss	Checked that this IE is present
Measured results on RACH	Checked that this IE is absent
Additional measured results	Checked that this IE is absent
Event results	Checked that this IE is absent

## Contents of MEASUREMENT REPORT message for inter – RAT test cases

Information Element	Value/remark
Message Type	
Integrity check info	The presence of this IE is dependent on IXIT statements in TS 34.123-2. If integrity protection is indicated to be active, this IE shall be present with the values of the sub IEs as stated below. Else, this IE and the sub-IEs shall be absent.
- Message authentication code	This IE is checked to see if it is present. The value is compared against the XMAC-I value computed by SS.
- RRC Message sequence number	This IE is checked to see if it is present. The value is used by SS to compute the XMAC-I value.
Measurement identity	1
Measured Results	
- Inter-RAT measured results list	
- CHOICE system	GSM
- Measured GSM cells	Checked that this IE is present
- GSM carrier RSSI	Checked that this IE is present
- Pathloss	Checked that this IE is present
- Observed time difference to GSM cell	Checked that this IE is present
Measured results on RACH	Checked that this IE is absent
Additional measured results	Checked that this IE is absent
Event results	Checked that this IE is absent

## Annex J (informative): Change history

Meeting -1st- Level	Doc-1st-Level	CR	Rev	Subject	Cat	Version - Current	Version -New	Doc-2nd- Level
TP-12	TP-010120	035		CR:Inclusion of 1,28 Mcps TDD [Rel-4]	B	3.3.0	4.0.0	T1-010156
TP-13	TP-010185	044		Inclusion of Open Loop Power Control, 1.28 McpsTDD	F	4.0.0	4.1.0	T1-010358
TP-13	TP-010185	045		Inclusion of TDD/TDD Cell Reselection on intra-frequency cells, 1.28 Mcps TDD	F	4.0.0	4.1.0	T1-010359
TP-13	TP-010185	046		Deletion of the test: Demodulation of BCH in Block STTD mode (Rel-4)	A	4.0.0	4.1.0	T1-010343
TP-13	TP-010185	047		Test conditions (Rel-4)	A	4.0.0	4.1.0	T1-010346
TP-13	TP-010185	048		Completion of test procedures & test system uncertainties (Rel-4)	A	4.0.0	4.1.0	T1-010348
TP-13	TP-010185	049		Maximum Test System Uncertainty for transmitter tests (Rel-4)	A	4.0.0	4.1.0	T1-010350
TP-13	TP-010185	050		Correction of Out-of-synchronisation test (Rel-4)	A	4.0.0	4.1.0	T1-010352
TP-13	TP-010185	051		Correction of frequency range for receiver spurious emission requirements (Rel4)	A	4.0.0	4.1.0	T1-010366
TP-14	TP-010260	061		Clarification of AWGN definition	A	4.1.0	4.2.0	T1-010501
TP-14	TP-010260	062		RX spurious emissions	A	4.1.0	4.2.0	T1-010504
TP-14	TP-010260	063		Correction of Spurious emissions	A	4.1.0	4.2.0	T1-010506
TP-14	TP-010260	064		Power and ACLR definition corrections	A	4.1.0	4.2.0	T1-010508
TP-14	TP-010260	065		Out of synchronisation handling	A	4.1.0	4.2.0	T1-010510
TP-14	TP-010260	066		Clarification in Spectrum emission mask section	A	4.1.0	4.2.0	T1-010512
TP-14	TP-010260	067		Changes to blocking characteristics and spurious response test cases	A	4.1.0	4.2.0	T1-010514
TP-14	TP-010260	068		maximum output power for mulicode transmission	A	4.1.0	4.2.0	T1-010516
TP-14	TP-010260	069		BER/BLER testing based on statistical approach	A	4.1.0	4.2.0	T1-010519
TP-15	TP-020040	078		Corrections to various reference to tables in the document.	A	4.2.0	4.3.0	T1-020158
TP-15	TP-020040	079		Maintenance of Annex B	A	4.2.0	4.3.0	T1-020159
TP-15	TP-020040	080		Replacement of Block STTD by Space Code Transmit Diversity (SCTD)	A	4.2.0	4.3.0	T1-020160
TP-15	TP-020040	081		New RRM Section Headings (Cat.A)	A	4.2.0	4.3.0	T1-020161
TP-15	TP-020040	082		Cell Re-selection in idle mode test cases	A	4.2.0	4.3.0	T1-020162
TP-15	TP-020040	083		Power Control in the Downlink	A	4.2.0	4.3.0	T1-020163
TP-15	TP-020040	084		Uplink Power Control Performance Test	A	4.2.0	4.3.0	T1-020164
TP-15	TP-020040	085		Statistical testing of RRM delay performance	A	4.2.0	4.3.0	T1-020165
TP-16	TP-020140	094		Cell Re-selection in CELL_PCH test case Rel4	A	4.3.0	4.4.0	T1-020233
TP-16	TP-020140	095		Cell Re-selection in URA_PCH test case Rel99	A	4.3.0	4.4.0	T1-020234
TP-16	TP-020140	096		TDD/TDD Intra-frequency Handover R4	A	4.3.0	4.4.0	T1-020256
TP-16	TP-020140	097		TDD/TDD Inter-frequency Handover R4	A	4.3.0	4.4.0	T1-020258
TP-16	TP-020140	098		TDD/FDD Handover R4	A	4.3.0	4.4.0	T1-020260
TP-16	TP-020140	099		PCCPCH Measurement Performance R4	A	4.3.0	4.4.0	T1-020262
TP-16	TP-020140	100		Corrections to TDD/TDD Cell Re-selection in CELL_FACH state R4	A	4.3.0	4.4.0	T1-020264
TP-16	TP-020140	101		Power Control in the Downlink for HCR Rel4	A	4.3.0	4.4.0	T1-020425
TP-16	TP-020140	102		Inclusion and completion of re-selection test cases for LCRTDD	F	4.3.0	4.4.0	T1-020231
TP-16	TP-020140	103		Power Control in the Downlink for LCRTDD	F	4.3.0	4.4.0	T1-020254
TP-17	TP-020186	105	-	Message Content for TDD Handover Test Cases	A	4.4.0	4.5.0	T1-020473
TP-17	TP-020186	107	-	General corrections for power definitions and test	F	4.4.0	4.5.0	T1-020488
TP-17	TP-020186	109	-	Correction to Receiver Spurious Emission Test Case	A	4.4.0	4.5.0	T1-020490
TP-18	TP-020295	115	-	Corrections of TDD out-of Synchronisation Output power	F	4.5.0	4.6.0	T1-020762
TP-18	TP-020295	116	-	Addition of LCR sub-section of TDD/TDD Intra- and Inter-frequency handover test cases.	F	4.5.0	4.6.0	T1-020764
TP-18	TP-020295	117	-	Correction to power control accuracy test cases in 34.122	A	4.5.0	4.6.0	T1-020896
TP-18	TP-020295	118	-	Averaging period for ACLR	A	4.5.0	4.6.0	T1-020648
TP-18	TP-020295	119	-	Various updates to 34.122 based on RAN4 CRs	A	4.5.0	4.6.0	T1-020898
TP-18	TP-020295	120	-	Inclusion of RRC re-establishment delay test cases	F	4.5.0	4.6.0	T1-020761
TP-18	TP-020295	122	-	Correction to downlink power control requirements in 34.122	A	4.5.0	4.6.0	T1-020644
TP-18	TP-020295	123	-	P-CCPCH RSCP Test Cases for LCRTDD	F	4.5.0	4.6.0	T1-020765



---

## History

<b>Document history</b>		
V4.0.0	June 2001	Publication
V4.1.0	September 2001	Publication
V4.2.0	December 2002	Publication
V4.3.0	March 2002	Publication
V4.4.0	June 2002	Publication
V4.5.0	September 2002	Publication
V4.6.0	December 2002	Publication