

# ETSI TS 134 229-3 V9.7.0 (2013-04)



**Universal Mobile Telecommunications System (UMTS);  
LTE;  
Internet Protocol (IP) multimedia call control protocol  
based on Session Initiation Protocol (SIP)  
and Session Description Protocol (SDP);  
User Equipment (UE) conformance specification;  
Part 3: Abstract test suite (ATS)  
(3GPP TS 34.229-3 version 9.7.0 Release 9)**



---

Reference

RTS/TSGR-0534229-3v970

---

Keywords

LTE,UMTS

**ETSI**

650 Route des Lucioles  
F-06921 Sophia Antipolis Cedex - FRANCE

Tel.: +33 4 92 94 42 00 Fax: +33 4 93 65 47 16

Siret N° 348 623 562 00017 - NAF 742 C  
Association à but non lucratif enregistrée à la  
Sous-Préfecture de Grasse (06) N° 7803/88

---

**Important notice**

Individual copies of the present document can be downloaded from:

<http://www.etsi.org>

The present document may be made available in more than one electronic version or in print. In any case of existing or perceived difference in contents between such versions, the reference version is the Portable Document Format (PDF). In case of dispute, the reference shall be the printing on ETSI printers of the PDF version kept on a specific network drive within ETSI Secretariat.

Users of the present document should be aware that the document may be subject to revision or change of status. Information on the current status of this and other ETSI documents is available at

<http://portal.etsi.org/tb/status/status.asp>

If you find errors in the present document, please send your comment to one of the following services:

[http://portal.etsi.org/chaicor/ETSI\\_support.asp](http://portal.etsi.org/chaicor/ETSI_support.asp)

---

**Copyright Notification**

No part may be reproduced except as authorized by written permission.  
The copyright and the foregoing restriction extend to reproduction in all media.

© European Telecommunications Standards Institute 2013.  
All rights reserved.

DECT™, PLUGTESTS™, UMTS™ and the ETSI logo are Trade Marks of ETSI registered for the benefit of its Members.  
3GPP™ and LTE™ are Trade Marks of ETSI registered for the benefit of its Members and  
of the 3GPP Organizational Partners.  
GSM® and the GSM logo are Trade Marks registered and owned by the GSM Association.

---

## Intellectual Property Rights

IPRs essential or potentially essential to the present document may have been declared to ETSI. The information pertaining to these essential IPRs, if any, is publicly available for **ETSI members and non-members**, and can be found in ETSI SR 000 314: *"Intellectual Property Rights (IPRs); Essential, or potentially Essential, IPRs notified to ETSI in respect of ETSI standards"*, which is available from the ETSI Secretariat. Latest updates are available on the ETSI Web server (<http://ipr.etsi.org>).

Pursuant to the ETSI IPR Policy, no investigation, including IPR searches, has been carried out by ETSI. No guarantee can be given as to the existence of other IPRs not referenced in ETSI SR 000 314 (or the updates on the ETSI Web server) which are, or may be, or may become, essential to the present document.

---

## Foreword

This Technical Specification (TS) has been produced by ETSI 3rd Generation Partnership Project (3GPP).

The present document may refer to technical specifications or reports using their 3GPP identities, UMTS identities or GSM identities. These should be interpreted as being references to the corresponding ETSI deliverables.

The cross reference between GSM, UMTS, 3GPP and ETSI identities can be found under <http://webapp.etsi.org/key/queryform.asp>.

# Contents

Intellectual Property Rights .....	2
Foreword.....	2
Foreword.....	6
Introduction .....	6
1 Scope .....	7
2 References .....	7
3 Definitions and abbreviations.....	9
3.1 Definitions .....	9
3.2 Abbreviations .....	9
4 Requirements on the TTCN development.....	9
5 Test method and test model.....	10
5.1 Test method .....	10
5.2 IMS CC test model .....	10
5.2.1 Ports interfacing to SS .....	10
5.2.1.1 Data ports .....	10
5.2.1.2 Security Associations Setup .....	10
5.2.1.3 Control ports .....	11
5.2.2 SAD .....	12
5.2.3 Network interface .....	12
5.2.4 SigComp and related control port.....	12
5.2.5 SIP TTCN 3 Codec.....	13
5.2.6 DHCP and DNS data ports .....	13
5.3 Upper Tester (UT).....	13
5.4 TTCN-3.....	13
5.5 Support of XCAP .....	13
5.5.1 .....	14
5.5.2 XCAP server functionality.....	14
5.6 Extension of the Test Model to support 36.523-3 Interface .....	16
6 ASP definitions .....	16
6.1 Control ASP .....	16
6.1.1 Cell Control .....	17
6.1.2 IdleUpdated.....	18
6.1.3 PDPContext .....	19
6.1.4 IP Configuration .....	21
6.1.5 SA Database.....	23
6.1.6 Emergency CS Call.....	24
6.1.7 CS Voice Call .....	25
6.2 IMS-CC Data ASP definitions .....	25
6.2.1 ASP_DataRequest.....	25
6.2.2 ASP_DataResponse .....	26
6.3 Ut ASP definitions.....	26
6.4 HTTP Layer ASP definitions .....	26
6.5 XCAP server / ASP definitions .....	28
6.6 Positioning / ASP definitions .....	28
7 Codec definitions for IP User Data .....	29
7.1 Introduction .....	29
7.2 General Aspects.....	29
7.3 Requirements on abstract message syntax for IMS (SIP, SDP) .....	29
7.3.1 Type definition - Syntax / Semantic aspects .....	29
7.3.2 Deviations of the type definition semantic .....	30
7.3.3 Additional requirements for codec implementations (SIP/IMS Message .....	30

7.3.3.1	Differences between BNF - TTCN-3 Type Mapping.....	30
7.3.4	Additional requirements for codec implementations (Message Body) .....	33
7.3.5	Additional requirements for codec implementations (SDP Body).....	33
7.3.5.1	Differences between BNF - SDP Type Mapping .....	33
7.3.5.2	Defined attributes .....	34
7.3.6	Additional requirements for codec implementations (HTTP).....	36
7.3.7	Additional requirements for codec implementations (XML).....	36
7.4	Requirements for codec implementations (DHCP, DNS) .....	36
8	Design consideration .....	36
8.1	Bearer Configurations for IMS Testing.....	36
8.1.1	Bearer Information for UTRAN .....	36
8.1.2	Bearer Information for GERAN .....	36
8.1.3	Bearer Information for E-UTRA .....	37
8.2	Security .....	37
8.3	External Function Definitions .....	37
8.4	AT commands .....	37
<b>Annex A (normative):</b>	<b>Abstract Test Suites (ATS).....</b>	<b>38</b>
A.1	Version of specifications .....	38
A.2	IMS-CC ATS.....	39
A.2.1	Void.....	39
A.2.2	Void.....	39
A.2.3	Optional IP-CAN TTCN 2++ interface .....	39
<b>Annex B (normative):</b>	<b>Partial IXIT proforma.....</b>	<b>40</b>
B.0	Introduction .....	40
B.1	Parameter values .....	40
B.1.1	SDP parameters for MT call test case .....	42
B.2	MMI questions .....	44
<b>Annex C (informative):</b>	<b>Additional information to IXIT.....</b>	<b>45</b>
C.1	Identification Summary .....	45
C.2	Abstract Test Suite Summary .....	45
C.3	Test Laboratory .....	46
C.3.1	Test Laboratory Identification.....	46
C.3.2	Accreditation status of the test service .....	46
C.3.3	Manager of Test Laboratory .....	46
C.3.4	Contact person of Test Laboratory .....	46
C.3.5	Means of Testing .....	47
C.3.6	Instructions for Completion.....	48
C.4	Client .....	48
C.4.1	Client Identification.....	48
C.4.2	Client Test Manager .....	48
C.4.3	Client Contact person .....	49
C.4.4	Test Facilities Required.....	49
C.5	System Under Test .....	50
C.5.1	SUT Information .....	50
C.5.2	Limitations of the SUT.....	50
C.5.3	Environmental Conditions.....	51
C.6	Ancillary Protocols.....	51
C.6.1	Ancillary Protocols 1.....	51
C.6.2	Ancillary Protocols 2.....	52
<b>Annex D (informative):</b>	<b>PCTR Proforma.....</b>	<b>53</b>

**Annex E (informative): TTCN3 style guide for 3GPP IMS ATS.....54**  
**Annex F (informative): BNF Message Definitions .....55**  
**Annex G (Normative): XSD References.....56**  
**Annex H (informative): Change history .....57**  
History .....60

---

## Foreword

This Technical Specification has been produced by the 3<sup>rd</sup> Generation Partnership Project (3GPP).

The contents of the present document are subject to continuing work within the TSG and may change following formal TSG approval. Should the TSG modify the contents of the present document, it will be re-released by the TSG with an identifying change of release date and an increase in version number as follows:

Version x.y.z

where:

- x the first digit:
  - 1 presented to TSG for information;
  - 2 presented to TSG for approval;
  - 3 or greater indicates TSG approved document under change control.
- y the second digit is incremented for all changes of substance, i.e. technical enhancements, corrections, updates, etc.
- z the third digit is incremented when editorial only changes have been incorporated in the document.

---

## Introduction

The present document is 3<sup>rd</sup> part of a multi-part conformance test specification for UE and is *valid for 3GPP Release 5 and above*. The specification contains a TTCN design frame work and the detailed test specifications in TTCN for the UE conformance at the Gm reference point.

3GPP TS 34.229-1 [5] contains a conformance test description in prose.

3GPP TS 34.229-2 [6] contains a pro-forma for the UE Implementation Conformance Statement (ICS).

3GPP TS 34.229-3 the present document.

---

# 1 Scope

The present document specifies the protocol conformance testing in TTCN for the 3GPP User Equipment (UE) at the Gm interface.

The present document is the 3<sup>rd</sup> part of a multi-part test specification, 3GPP TS 34.229. The following TTCN test specification and design considerations can be found in the present document:

- the overall test suite structure;
- the testing architecture;
- the test methods and PCO definitions;
- the test configurations;
- the design principles, assumptions, and used interfaces to the TTCN tester (System Simulator);
- TTCN styles and conventions;
- the partial PIXIT proforma;
- the TTCN files for the mentioned protocols tests.

The Abstract Test Suites designed in the document are based on the test cases specified in prose (3GPP TS 34.229-1 [5]).

The present document is valid for UE implemented according 3GPP Release X, where X is the Release indicated on the spec's front page.

---

# 2 References

The following documents contain provisions which, through reference in this text, constitute provisions of the present document.

- References are either specific (identified by date of publication, edition number, version number, etc.) or non-specific.
- For a specific reference, subsequent revisions do not apply.
- For a non-specific reference, the latest version applies. In the case of a reference to a 3GPP document (including a GSM document), a non-specific reference implicitly refers to the latest version of that document in the same Release as the present document.
  - For a Release 5 UE, references to 3GPP documents are to version 5.x.y, when available.
  - For a Release 6 UE, references to 3GPP documents are to version 6.x.y, when available.

- [1] 3GPP TR 21.905: "Vocabulary for 3GPP Specifications".
- [2] 3GPP TS 34.123-1: "User Equipment (UE) conformance specification; Part 1: Protocol conformance specification".
- [3] 3GPP TS 34.123-2: "User Equipment (UE) conformance specification; Part 2: Implementation Conformance Statement (ICS) proforma specification".
- [4] 3GPP TS 34.123-3: "User Equipment (UE) conformance specification; Part 3: Abstract Test Suites (ATS)".
- [5] 3GPP TS 34.229-1: "Internet Protocol (IP) multimedia call control protocol based on Session Initiation Protocol (SIP) and Session Description Protocol (SDP); User Equipment (UE) conformance specification; Part 1: Protocol conformance specification".



- [6] 3GPP TS 34.229-2: "Internet Protocol (IP) multimedia call control protocol based on Session Initiation Protocol (SIP) and Session Description Protocol (SDP); User Equipment (UE) conformance specification; Part 2: Implementation Conformance Statement (ICS) specification".
- [7] 3GPP TS 34.108: "Common test environments for User Equipment (UE) conformance testing".
- [8] ISO/IEC 9646-1: "Information technology - Open systems interconnection - Conformance testing methodology and framework - Part 1: General concepts".
- [9] ISO/IEC 9646-7: "Information technology - Open systems interconnection - Conformance testing methodology and framework - Part 7: Implementation Conformance Statements".
- [10] ETSI ETS 300 406 (1995): "Methods for testing and Specification (MTS); Protocol and profile conformance testing specifications; Standardization methodology".
- [11] 3GPP TS 24.229: "IP Multimedia Call Control Protocol based on Session Initiation Protocol (SIP) and Session Description Protocol (SDP); Stage 3".
- [12] ETSI ES 201 873: "Methods for Testing and Specification (MTS); The Testing and Test Control Notation version 3".
- [13] IETF RFC 3320: "Signalling Compression (SigComp)".
- [14] IETF RFC 3485: "The Session Initiation Protocol (SIP) and Session Description Protocol (SDP) Static Dictionary for Signalling Compression (SigComp)".
- [15] IETF RFC 3486: "Compressing the Session Initiation Protocol (SIP)".
- [16] IETF RFC 3261: "SIP: Session Initiation Protocol".
- [17] IETF RFC 4566: "SDP: Session Description Protocol".
- [18] IETF RFC 1035: "Domain names - implementation and specification".
- [19] IETF RFC 1533: "DHCP Options and BOOTP Vendor Extensions".
- [20] IETF RFC 2131: "Dynamic Host Configuration Protocol".
- [21] IETF RFC 3315: "Dynamic Host Configuration Protocol for IPv6 (DHCPv6)".
- [22] IETF RFC 3319: "Dynamic Host Configuration Protocol (DHCPv6) Options for Session Initiation Protocol (SIP) Servers".
- [23] IETF RFC 3361: "Dynamic Host Configuration Protocol (DHCP-for-IPv4) Option for Session Initiation Protocol (SIP) Servers".
- [24] IETF RFC 3680: "A Session Initiation Protocol (SIP) Event Package for Registrations".
- [25] 3GPP TS 24.173: "IMS multimedia telephony communication service and supplementary services; Stage 3".
- [26] IETF RFC 4825: "The Extensible Markup Language (XML) Configuration Access Protocol (XCAP)".
- [27] IETF RFC 2616: "Hypertext Transfer Protocol – HTTP/1.1".
- [28] 3GPP TS 36.523-1: "Evolved Universal Terrestrial Radio Access (E-UTRA) and Evolved Packet Core (EPC); User Equipment (UE) conformance specification; Part 1: Protocol conformance specification".
- [29] 3GPP TS 36.523-2: "Evolved Universal Terrestrial Radio Access (E-UTRA) and Evolved Packet Core (EPC); User Equipment (UE) conformance specification; Part 2: Implementation Conformance Statement (ICS) proforma specification".
- [30] 3GPP TS 36.523-3: "Evolved Universal Terrestrial Radio Access (E-UTRA) and Evolved Packet Core (EPC); User Equipment (UE) conformance specification; Part 3: Test suites".

- [31] 3GPP TS 36.508: "Evolved Universal Terrestrial Radio Access (E-UTRA) and Evolved Packet Core (EPC); Common test environments for User Equipment (UE) conformance testing".
- [32] 3GPP TS 24.173: "IMS Multimedia telephony communication service and supplementary services; Stage 3".

---

## 3 Definitions and abbreviations

### 3.1 Definitions

For the purposes of the present document, the terms and definitions given in 3GPP TR 21.905 [1] and 3GPP TS 34.229-1 [5] apply.

### 3.2 Abbreviations

For the purposes of the present document, the abbreviations given in 3GPP TR 21.905 [1] and 3GPP TS 34.229-1 [5] apply.

---

## 4 Requirements on the TTCN development

A number of requirements are identified for the development and production of TTCN specification for 3GPP UE at the Gm reference point.

1. Top-down design, following 3GPP 34.229-1 [5], 3GPP TS 34.123-1 [2], 3GPP TS 34.108 [7].
2. A unique testing architecture and test method for testing all protocol layers of UE.
3. Uniform TTCN style and naming conventions.
4. Improve TTCN readability.
5. Using TTCN-3 (ES 201 873-1 [12]).
6. TTCN specification feasible, implementable and compilable.
7. Test cases shall be designed in a way for easily adaptable, upwards compatible with the evolution of the 3GPP core specifications and the future Releases.
8. The test declarations, data structures and data values shall be largely reusable.
9. Modularity and modular working method.
10. Minimizing the requirements of intelligence on the emulators of the lower testers.
11. Giving enough design freedom to the test equipment manufacturers.
12. Maximizing reuse of RFC BNF definitions from the relevant IETF core specifications.

In order to fulfil these requirements and to ensure the investment of the test equipment manufacturers having a stable testing architecture for a relatively long period, a unique testing architecture and test method are applied to the 3GPP UE protocol tests.

---

## 5 Test method and test model

### 5.1 Test method

### 5.2 IMS CC test model

The test model is shown in figure 2.

#### 5.2.1 Ports interfacing to SS

In TTCN-3, ports are defined in all test components and in the Test System Interface. This is the equivalent of PCOs in TTCN-2. These ports then have to be mapped, or connected, to the SS at the start of each test.

##### 5.2.1.1 Data ports

IMS\_CC ATS in TTCN-3 simulates the SIP behaviour at the P\_CSCF side. The scripts of SIP signalling in TTCN-3 communicate with the UE under test through four data ports and the emulations beneath. Each port shall be able to distinguish the use of one of the dual protocol stacks of IPv4 / IPv6.

The type of port (client or server) used to send or received a message will depend on the transport protocol selected for the testing, i.e. UDP or TCP.

- UDP case: The SS will send requests and responses to the UE from its client port. The SS will receive requests and responses from the UE on its server port.
- TCP case: The SS will receive requests from the UE and will send responses to those requests on its server port. The SS will send requests to the UE and will receive responses to those requests on its client port.

For requests originated in the UE, the transport protocol is selected by the UE. This information is extracted in the TTCN-3 and used in subsequent responses sent by the SS.

For requests originating in the SS, the UDP transport protocol is used.

If no security associations have been set up, the unprotected client and server ports will be used. The security ports shall be used by the TTCN-3 authors when a security association has been established.

##### 5.2.1.2 Security Associations Setup

Four unidirectional SAs are established between the UE and the SS:

SA1: port\_uc to port\_ps  
SA2: port\_pc to port\_us  
SA3: port\_ps to port\_uc  
SA4: port\_us to port\_pc

The first pair (SA1 and SA3) is for bidirectional traffic between port\_uc and port\_ps. The second pair (SA2 and SA4) is for bidirectional traffic between port\_pc and port\_us.

While TCP scenario will use all four SAs, in UDP, only two SAs are needed because there is no traffic from port\_ps to port\_uc nor from port\_us to port\_pc. Figure 1 shows one example of the use of ports and security association in UDP and TCP.

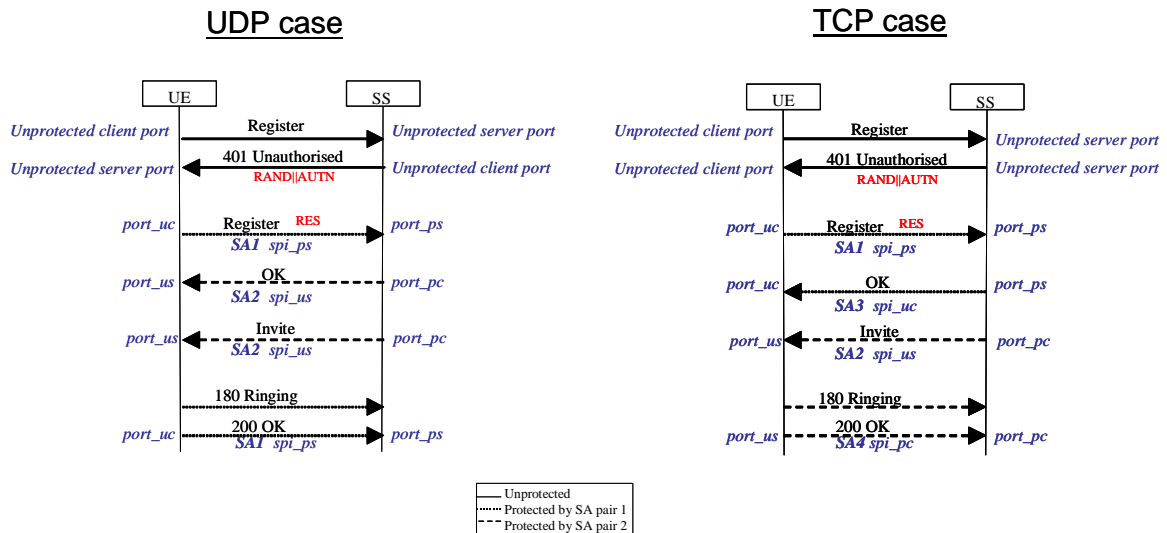


Figure 1: Use of port and SA in UDP and TCP

### 5.2.1.3 Control ports

IMS\_CC ATS also controls the SS configuration and passes necessary parameters to the various emulation entities in the SS. This is done by ASPs through an **IP-CAN control port**, an **IP configuration port** and a **Signalling Compression control port**.

From the protocol stack point of view, SIP is an application layer protocol located above transport layer UDP / TCP which in turn use the services provided by the IP/IPsec layer. The IP packages are transmitted via the connected IP-CAN bearer, the EUTRA bearer, the UTRA bearer or the GERAN bearer. The emulations of these protocol layers in the SS shall be compliant with the relevant core specifications (3GPP and IETF).

The IP-CAN bearers are created, configured, modified and released through the ASP at the IP-CAN control port. The TTCN-3 codes shall also be able to control the UDP/IP/IPsec configurations and provide necessary parameters through the control ASPs.

The configuration of IP-CAN in the SS depends upon the technologies the UE supports. E-UTRA shall be configured for IMS test if E-UTRA technology is supported by the UE.

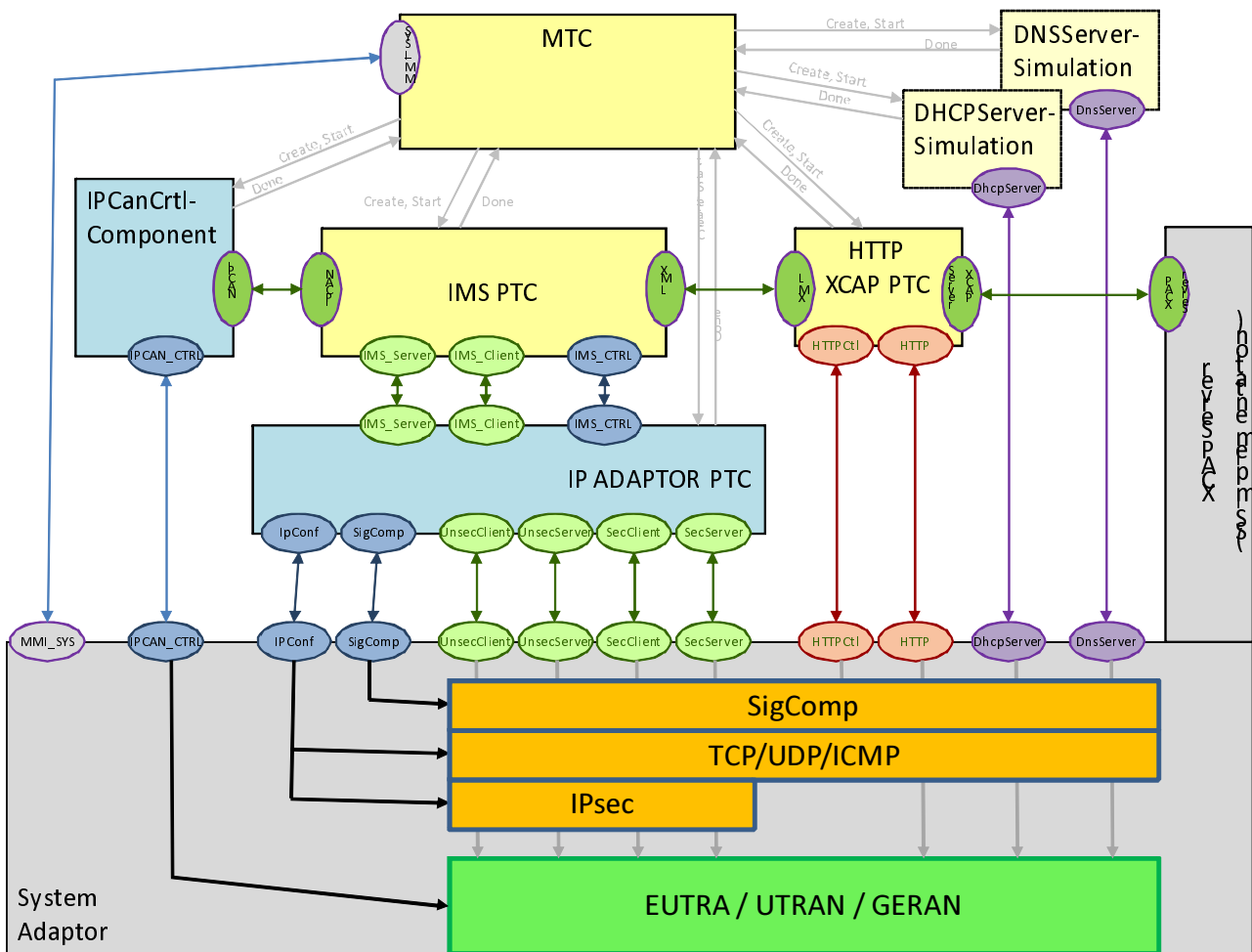


Figure 2: IMS CC test model

### 5.2.2 SAD

Security Association Database (SAD) shall be made accessible by the IPsec entity and contain sets of parameters corresponding to each security association. During registration/authentication, the UE and the SS will negotiate these parameters for setting up a security association. As the negotiation is carried out on SIP level (through SIP message exchanges), the resulting security parameters are obtained and stored in IMS\_CC ATS. A number of ASPs are defined to convey these parameters from TTCN-3 codes to SAD. ASPs manipulating the SAD are also defined.

### 5.2.3 Network interface

Similar to the majority of TCP/IP stack implementations, a network interface (IF0, IF1, IF2, etc.) structure is used to connect the IP-CAN bearer to IP protocol entity. When the ASP for setting up an IP-CAN bearer is called via the IP-CAN control port, the SS shall connect the established radio access bearer to the relevant IF structure, in order to provide the radio bearer connectivity to the IP/IPsec layer. In order to ease maintenance, all IP-CAN control has been encapsulated into its own Parallel Test Component.

### 5.2.4 SigComp and related control port

SIP Compression is mandatory (clause 8 of 3GPP TS 24.229) and Signalling compression (RFC 3320, RFC 3485, RFC 3486, RFC4896, RFC5049) protocol is used for SIP compression. The SigComp entity in the model is used to carry out the compression/decompression functions. In the receiving direction of the SS, the SigComp entity will detect whether the incoming SIP message is compressed and, if so, decompress it. In the sending direction of the SS, the TTCN controls whether the outgoing SIP message is compressed through the SigComp control port. If while decompressing a message, decompression failure occurs, the message shall be discarded. The SigComp layer in the SS

shall automatically find if a secure port or un-secure port is being used for transmission or reception of messages. If an un-secure port is used for transmission, then as per clause 8 of 3GPP TS 24.229, it shall not include state creation instructions. If the state creation command is received in a compressed message on an un-secured port (clause 8 of 3GPP TS 24.229), a decompression failure shall be generated.

### 5.2.5 SIP TTCN 3 Codec

SIP is a text-based protocol, the messages exchanged between the UE and the SS are character strings. In TTCN-3 ATS the messages are structured to take the advantage of TTCN-3 functionality, and to make the debugging and maintenance of the ATS easier. When the TTCN-3 ATS sends a message to the UE, the SIP TTCN-3 codec converts the structured message to the corresponding character string then transfers it to the UE. When the SS receives a message from the UE, the TTCN-3 codec converts the received character string to the structured message and passes it to the TTCN-3 ATS.

### 5.2.6 DHCP and DNS data ports

The DHCP port is used for receiving the DHCP requests from the UE under test, and sending corresponding responses to the UE. The DNS port is used for receiving domain name resolution requests from the UE and sending the results back to the UE. The TTCN which implements the required DHCP and DNS server functions (only the functions necessary for testing purposes, not full functionality) will receive and send on these ports.

The DHCP and DNS server functionalities in the default test configuration are implemented as Parallel Test Components (PTCs).

## 5.3 Upper Tester (UT)

In order to support test automation and regression testing, there is an MMI port through which MMI commands (e.g. "Please initiate a call") are sent to an external entity of the system simulator. Implementations can customize the external entity according to their needs.

## 5.4 TTCN-3

TTCN is used as specification language. ES 201 873 [12] (TTCN-3) is applied to the notation.

## 5.5 Support of XCAP

MTSI supplementary services (TS 24.173) like communication barring (CB) and communication diversion (CDIV) require the XCAP protocol (RFC 4825) for transporting and manipulating XML documents in the network describing these services. Test cases for these services are specified in TS 34.229-1 clause 15. In order to support test case development, the test model shown in Figure 2 describes a PTC to handle HTTP requests from the UE and an external XCAP server as illustrated in Figure 3 below. There are specific ASPs to communicate with the XCAP server and for configuring the HTTP layer and for transferring data from the TTCN engine to the HTTP layer.

Figure 3 shows the Http/TLS layer of the test model within the SS connected to the TTCN component executing the testcases; and to the new BSF module (Bootstrapping Server Function, see TS 33.220) needed for implementing the GAA authentication.

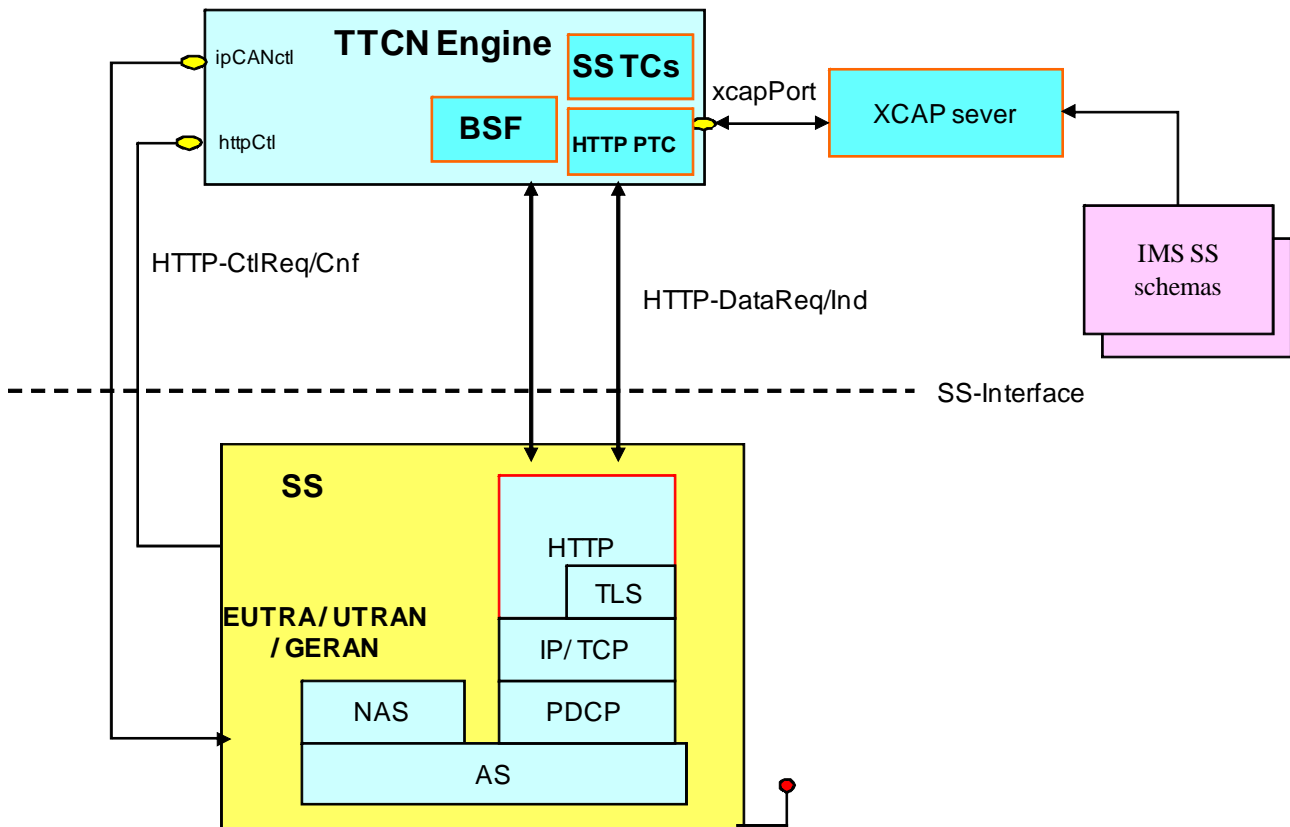


Figure 3: Extension to the Test Model to support XCAP

## 5.5.1

### 5.5.2 XCAP server functionality

RFC 4825 specifies the protocol for accessing user data in the XCAP server via HTTP requests. An HTTP request for an XCAP operation contains basically three components:

- Request line method, i.e. PUT, GET or DELETE
- Request line uri - The XCAP expression to be evaluated to access the XCAP document. The XCAP expression consists of the document selector followed by the separator '~~' followed by the node selector pointing to the user data to accessed or evaluated
- body - Describing the value (an xml fragment) referenced by the XCAP expression

Supplementary Services test cases (e.g. 34.229-1 test 15.1) verify the correct UE's XCAP signalling. Because TTCN is not suited for accessing and processing complex XML data, the XML processing relies on an external XCAP server simulation.

#### Example 1

In order to set terminating-identity-presentation for user sip:ob.stf160@etsi.org, the UE sends following HTTP request:

```
PUT http://XCAP-Server/simservs.ngn.etsi.org/users/sip%3Aob.stf160%40etsi.org/simservs.xml/~~/simservs/terminating-identity-presentation/%40active
Body: true
```

If successful, the XCAP server responds with

```
HTTP/1.1 200 OK
```

## Example 2

To get the value of terminating-identity-presentation for user sip:ob.stf160@etsi.org, the UE sends following HTTP request:

```
GET http://XCAP-Server/simservs.ngn.etsi.org/users/sip%3Aob.stf160%40etsi.org/simservs.xml/~~/simservs/terminating-identity-presentation/%40active
```

If successful, the XCAP server responds with

```
HTTP/1.1 200 OK
Body: true
```

## In this example

```
//XCAP-server/simservs.ngn.etsi.org/users/ sip%3Aob.stf160%40etsi.org/simservs.xml/-
Document selector for user sip:ob.stf160@etsi.org.
```

~~ - Document selector separator, see RFC 4825

/simservs/terminating-identity-presentation/%40active - **Node selector** pointing to the information in the XCAP server to be accessed. This is an XPATH expression, see RFC 4825 section 6.3.

true - Is the xml fragment (in this case very simple) to be set as value of the XPATH expression

Following operations shall be implemented in the XCAP server, see RFC 4825.

**GET - Returns the requested data as an XML fragment to be send to the UE**

input parameters: charstring documentSelector, charstring xpathExpr

output parameters: error code (0 = noError)

returns: XML fragment or XML document

**PUT - Builds an XML subtree or sets an attribute given by the xmlFragment at the position pointed by the xpath expression**

input parameters: charstring documentSelector, charstring xpathExpr, charstring xmlFragment or xmlDocument

returns: error code (0 = noError)

**DELETE - Deletes an XML subtree or sets an attribute given by the xmlFragment at the position pointed by the xpath expression**

input parameters: charstring documentSelector, charstring xpathExpr

returns: error code (0 = noError)

**RESET - This is not an XCAP operator but needed to generate in the XCAP server a default document for a particular user during the preamble**

input parameter: charstring documentSelector

returns: error code (0 = noError)

Default simservs XML document referenced by the documentSelector:

```
<?xml version="1.0" encoding="UTF-8"?>
<simservs xmlns="http://uri.etsi.org/ngn/params/xml/simservs/xcap"
xmlns:xsi="http://www.w3.org/2001/XMLSchema-instance">
  <communication-waiting active="true"/>
  <originating-identity-presentation active="true"/>
  <originating-identity-presentation-restriction active="true">
    <default-behaviour>presentation-restricted</default-behaviour>
  </originating-identity-presentation-restriction>
  <terminating-identity-presentation active="true"/>
  <terminating-identity-presentation-restriction active="true">
    <default-behaviour>presentation-restricted</default-behaviour>
  </terminating-identity-presentation-restriction>
</simservs>
```

- The XCAP server simulation shall return different error codes to inform TTCN on the result of the operation:

0 - Success

1 - User document not found

2 - Invalid XCAP expression

3 - Invalid xmlFragment

4 - Invalid document ( not complying to the XSD schema of the sub-document related to the particular XCAP service)

Further error codes are FFS





The PIXIT px\_RANTech (see below) is set by the operator according to the technology the UE supports and is passed through the TTCN to the SS. This is defined as an enumerated type and is used to specify which platform the test is to be run on (e.g. GERAN, UTRA or E-UTRA). E-UTRA shall be chosen if it is supported by the UE.

### 6.1.1 Cell Control

<b>Name</b>	CreateCellReq	
<b>Port</b>	IPCANctl	
<b>Comment</b>	ASP type for creating a cell	
<b>Parameter Name</b>	<b>Parameter Type</b>	<b>Comment</b>
ranTech	RANTech	
primaryFrequencyBand	integer	
union { noSSAC, ssacBarringFactorVoice, ssacBarringFactorVideo }		Optional. Specific ac-Barring Factor
mccValue	hexstring (3)	Optional
mncValue	hexstring (2..3)	Optional

<b>Name</b>	CreateCellCnf	
<b>Port</b>	IPCANctl	
<b>Comment</b>	ASP type which returns the result of the execution of CreateCellReq	
<b>Parameter Name</b>	<b>Parameter Type</b>	<b>Comment</b>
status	Status	

<b>Name</b>	ReleaseCellReq	
<b>Port</b>	IPCANctl	
<b>Comment</b>	ASP type for releasing resources allocated to the cell	
<b>Parameter Name</b>	<b>Parameter Type</b>	<b>Comment</b>

<b>Name</b>	ReleaseCellCnf	
<b>Port</b>	IPCANctl	
<b>Comment</b>	ASP type which returns the result of the execution of ReleaseCellReq	
<b>Parameter Name</b>	<b>Parameter Type</b>	<b>Comment</b>
status	Status	

<b>Name</b>	RANTech	
<b>Type</b>	enumerated	
<b>Parameters</b>	GERAN, UTRA_FDD, UTRA_TDD, EUTRA_FDD, EUTRA_TDD, dummy1, dummy2	
<b>Comment</b>	Indicates the radio access network technology used for transport of SIP signalling messages over the air interface	

<b>Name</b>	Status	
<b>Type</b>	enumerated	
<b>Parameters</b>	success, failure, inconclusive	
<b>Comment</b>	Indicates the status result of the requesting ASP	

<b>Name</b>	ModifyCellReq	
<b>Port</b>	IPCANctl	
<b>Comment</b>	ASP type for modifying system information parameters in a cell	
<b>Parameter Name</b>	<b>Parameter Type</b>	<b>Comment</b>
union { noSSAC, ssacBarringFactorVoice, ssacBarringFactorVideo }		Optional. Specific ac-Barring Factor

<b>Name</b>	ModifyCellCnf	
<b>Port</b>	IPCANctl	
<b>Comment</b>	ASP type which returns the result of the execution of ModifyCellReq	
<b>Parameter Name</b>	<b>Parameter Type</b>	<b>Comment</b>
status	Status	

## 6.1.2 IdleUpdated

<b>Name</b>	IdleUpdatedReq	
<b>Port</b>	IPCANctl	
<b>Comment</b>	ASP type which requests the SS to bring the UE into an idle updated state and GMM or EMM registered	
<b>Parameter Name</b>	<b>Parameter Type</b>	<b>Comment</b>
ueAddress	IPAddress	UE address to be assigned via NAS signalling
bearerInfo	List of integers	Optional. For use in EUTRA to specify the default bearer to be used and possibly one or more dedicated bearers to be established in the preamble.
isEmergency	Boolean	Optional. To indicate if this is an emergency attach
withUICC	Boolean	Optional. To indicate if the UE has a UICC

<b>Name</b>	IdleUpdatedCnf	
<b>Port</b>	IPCANctl	
<b>Comment</b>	ASP type which returns the result of the execution of IdleUpdatedReq	
<b>Parameter Name</b>	<b>Parameter Type</b>	<b>Comment</b>
status	Status	

<b>Name</b>	DetachReq	
<b>Port</b>	IPCANctl	
<b>Comment</b>	ASP type which requests the SS to bring the UE into detached state	
<b>Parameter Name</b>	<b>Parameter Type</b>	<b>Comment</b>
moFlag	Boolean	Set to true if th SS is requested to accept a mobile originated detach. Set to false if the SS is requested to initiate the detach

<b>Name</b>	DetachCnf	
<b>Port</b>	IPCANctl	
<b>Comment</b>	ASP type which returns the result of the execution of DetachReq	
<b>Parameter Name</b>	<b>Parameter Type</b>	<b>Comment</b>
status	Status	

<b>Name</b>	HandoverReq	
<b>Port</b>	IPCANctl	
<b>Comment</b>	ASP type which requests the SS to allow the UE to handover to another RAT	
<b>Parameter Name</b>	<b>Parameter Type</b>	<b>Comment</b>
ranTech	RANTech	Info to which RAT the UE will handover
handoverType	HandoverType	Type of handover

<b>Name</b>	HandoverCnf	
<b>Port</b>	IPCANctl	
<b>Comment</b>	ASP type which returns the result of the execution of HandoverReq	
<b>Parameter Name</b>	<b>Parameter Type</b>	<b>Comment</b>
status	Status	

<b>Name</b>	HandoverType	
<b>Type</b>	enumerated	
<b>Parameters</b>	ho_csfb, ho_reselection	
<b>Comment</b>	Indicates the type of handover to be performed	

### 6.1.3 PDPContext

<b>Name</b>	AddPDNReq	
<b>Port</b>	IPCANctl	
<b>Comment</b>	ASP type which requests the SS to be prepared to establish a new PDN	
<b>Parameter Name</b>	<b>Parameter Type</b>	<b>Comment</b>
ueAddress	IPAddress	UE address to be assigned via NAS signalling
isEmergencyPDN	Boolean	To indicate if this is an emergency bearer

<b>Name</b>	AddPDNCnf	
<b>Port</b>	IPCANctl	
<b>Comment</b>	ASP type which returns the result of the execution of AddPDNReq	
<b>Parameter Name</b>	<b>Parameter Type</b>	<b>Comment</b>
status	Status	

<b>Name</b>	PCORrequest	
<b>Port</b>	IPCANctl	
<b>Comment</b>	ASP type which returns the contents of the ProtocolConfigurationOptions IE received in the ActivatePDPContextRequest / EPS Bearer Request to the TTCN	
<b>Parameter Name</b>	<b>Parameter Type</b>	<b>Comment</b>
configOptList	ConfigOptList	
bearerContextId	integer	

<b>Name</b>	PCORresponse	
<b>Port</b>	IPCANctl	
<b>Comment</b>	ASP type which sends back the ProtocolConfigurationOptions IE to the SS.	
<b>Parameter Name</b>	<b>Parameter Type</b>	<b>Comment</b>
configOptList	ConfigOptList	
bearerContextId	integer	

<b>Name</b>	DedicatedBearerReq	
<b>Port</b>	IPCANctl	
<b>Comment</b>	ASP type which in requests the SS to establish one or more secondary PDP context / dedicated bearers; or informs the SS to expect the UE to request one or more secondary PDP context / dedicated bearers. Includes the bearer info to be configured and media ports to be used	
<b>Parameter Name</b>	<b>Parameter Type</b>	<b>Comment</b>
bearerInfoList	{{bearerContextId, bearerInfo, mediaPort}}	
moFlag	boolean	Set to true if the SS is requested to accept a mobile initiated dedicated bearer establishment procedure; set to false if the SS is to establish the dedicated bearer.

<b>Name</b>	DedicatedBearerCnf	
<b>Port</b>	IPCANctl	
<b>Comment</b>	ASP type which returns the result of the execution of DedicatedBearerReq, when it is completed	
<b>Parameter Name</b>	<b>Parameter Type</b>	<b>Comment</b>
status	Status	

<b>Name</b>	ModifyBearerReq	
<b>Port</b>	IPCANctl	
<b>Comment</b>	ASP type which informs the SS to expect the UE to request to modify an existing PDP context / Dedicated Bearer. Includes the bearer info for this to be modified to	
<b>Parameter Name</b>	<b>Parameter Type</b>	<b>Comment</b>
bearerContextId	integer	
bearerInfo	integer	

<b>Name</b>	ModifyBearerCnf	
<b>Port</b>	IPCANctl	
<b>Comment</b>	ASP type which returns the result of the execution of ModifyBearerReq, when it is completed	
<b>Parameter Name</b>	<b>Parameter Type</b>	<b>Comment</b>
status	Status	

<b>Name</b>	DeactivateBearerReq	
<b>Port</b>	IPCANctl	
<b>Comment</b>	ASP type which requests the SS deactivate the indicated PDP context. A value of bearerContextId = 0 indicates that all existing PDP contexts are to be deactivated.	
<b>Parameter Name</b>	<b>Parameter Type</b>	<b>Comment</b>
bearerContextId	integer	
molinitiated	boolean	Flag indicating if the PDP context deactivation is initiated by the UE

<b>Name</b>	DeactivateBearerCnf	
<b>Port</b>	IPCANctl	
<b>Comment</b>	ASP type which returns the result of the execution of DeactivateBearerReq	
<b>Parameter Name</b>	<b>Parameter Type</b>	<b>Comment</b>
status	Status	

<b>Name</b>	BearerInfo
<b>Type</b>	integer
<b>Comment</b>	References the RAB to be configured. This is RAN independent and can be added to/reduced as required

This is simply a list of RAB identifiers. It is expected, in the future, for these identifiers to equate to specific RAB requirements, for all available radio access technologies See clause 8.1 for more information.

<b>Name</b>	ConfigOptList
<b>Type</b>	set of ConfigOpt
<b>Comment</b>	Used to contain the protocol configuration options IE used in the PDP context messages

<b>Name</b>	ConfigOpt
<b>Type</b>	octetstring
<b>Parameter Name</b>	<b>Parameter Type</b>
ContainerId	octetstring [2]
ContainerLength	octetstring [1]
ContainerContents	octetstring optional

#### 6.1.4 IP Configuration

<b>Name</b>	InstallKeyReq	
<b>Port</b>	IPconf	
<b>Comment</b>	ASP type which installs the keys into the IP layer in the SS	
<b>Parameter Name</b>	<b>Parameter Type</b>	<b>Comment</b>
MD5_96Key	bitstring	length (128)
SHA_1_96Key	bitstring	length (160)
DES_EDE3_CBCKey	bitstring	length (192)
AES_CBCKey	bitstring	length (128)

<b>Name</b>	InstallKeyCnf	
<b>Port</b>	IPconf	
<b>Comment</b>	ASP type which returns the result of the execution of InstallKeyReq	
<b>Parameter Name</b>	<b>Parameter Type</b>	<b>Comment</b>
status	Status	

<b>Name</b>	AssignIPAddrReq	
<b>Port</b>	IPconf	
<b>Comment</b>	ASP type which assigns the IP address to the IP layer in the SS	
<b>Parameter Name</b>	<b>Parameter Type</b>	<b>Comment</b>
p_cscf_Addr	IPAddr	
dhcp_Addr	IPAddr	
dns_Addr	IPAddr	
ue_Addr	IPAddr	
peerUE_Addr	IPAddr	

<b>Name</b>	AssignIPAddrCnf	
<b>Port</b>	IPconf	
<b>Comment</b>	ASP type which returns the result of the execution of AssignIPAddrReq	
<b>Parameter Name</b>	<b>Parameter Type</b>	<b>Comment</b>
status	Status	

<b>Name</b>	IPAddr
<b>Type</b>	charstring
<b>Comment</b>	in either colon separated or dotted decimal format

<b>Name</b>	ReleaseIPConfigurationReq	
<b>Port</b>	IPconf	
<b>Comment</b>	ASP type which releases the IMS IP layer configurations including Security Associations. This ASP is meant to be used when starting a new test case to make sure that the IP layer is in a well defined initial state irrespective of the execution of previous tests.	
<b>Parameter Name</b>	<b>Parameter Type</b>	<b>Comment</b>
-	-	No parameters

<b>Name</b>	ReleaseIPConfigurationCnf	
<b>Port</b>	IPconf	
<b>Comment</b>	ASP type which returns the result of the execution of ReleaseIPConfigurationReq	
<b>Parameter Name</b>	<b>Parameter Type</b>	<b>Comment</b>
status	Status	

<b>Name</b>	AddPCSCFAddrReq	
<b>Port</b>	IPconf	
<b>Comment</b>	ASP type which configures a new address of the P-CSCF component in the IP layer in the SS	
<b>Parameter Name</b>	<b>Parameter Type</b>	<b>Comment</b>
p_cscf_Addr	IPAddr	New IP address of P-CSCF component to be simulated

<b>Name</b>	AddPCSCFAddrCnf	
<b>Port</b>	IPconf	
<b>Comment</b>	ASP type which returns the result of the execution of AddPCSCFAddrReq	
<b>Parameter Name</b>	<b>Parameter Type</b>	<b>Comment</b>
status	Status	

<b>Name</b>	SignallingCompressionReq	
<b>Port</b>	SigComp	
<b>Comment</b>	ASP type which starts/stops signalling compression of messages	
<b>Parameter Name</b>	<b>Parameter Type</b>	<b>Comment</b>
startCompression	boolean	

<b>Name</b>	SignallingCompressionCnf	
<b>Port</b>	SigComp	
<b>Comment</b>	ASP type which returns the result of the execution of SignallingCompressionReq	
<b>Parameter Name</b>	<b>Parameter Type</b>	<b>Comment</b>
status	Status	

<b>Name</b>	RcvdCompartmentId	
<b>Port</b>	SigComp	
<b>Comment</b>	ASP type which feeds back the Compartment Id back to the Sigcomp layer, extracted from the last received message, used by SigComp layer to store any state appropriately.	
<b>Parameter Name</b>	<b>Parameter Type</b>	<b>Comment</b>
compartmentId	charstring	Call-Id of the SIP message will be used as compartment Id

<b>Name</b>	DecompFailureType	
<b>Type</b>	enumerated	
<b>Parameters</b>	stateCreation,dummy1,dummy2,dummy3	
<b>Comment</b>	Indicates the mechanism through which decompression failure errors shall be inserted during compressing message stateCreation: This type indicates, decompression failure shall be generated by inserting "State Creation" instructions in DL messages sent on unsecured SS Port (clause 8 of 3GPP TS 24.229)	

<b>Name</b>	UpdateRemotePCSCFPortNumberReq	
<b>Port</b>	IPconf	
<b>Comment</b>	ASP type use by TTCN to reconfigure P-CSCF server and client ports to contact the UE at given port number	
<b>Parameter Name</b>	<b>Parameter Type</b>	<b>Comment</b>
uePortNumber	integer	

<b>Name</b>	UpdateRemotePCSCFPortNumberCnf	
<b>Port</b>	IPconf	
<b>Comment</b>	ASP type which the result of the execution of UpdateRemotePCSCFPortNumberReq	
<b>Parameter Name</b>	<b>Parameter Type</b>	<b>Comment</b>
status	Status	

### 6.1.5 SA Database

<b>Name</b>	DoubleAddSADReq	
<b>Port</b>	IPconf	
<b>Comment</b>	ASP type which sets two entries of SAD in the SS	
<b>Parameter Name</b>	<b>Parameter Type</b>	<b>Comment</b>
sa1	SA	
sa2	SA	

<b>Name</b>	DoubleAddSADCnf	
<b>Port</b>	IPconf	
<b>Comment</b>	ASP type which returns the result of the execution of DoubleAddSADReq	
<b>Parameter Name</b>	<b>Parameter Type</b>	<b>Comment</b>
status	Status	

<b>Name</b>	DelSADReq	
<b>Port</b>	IPconf	
<b>Comment</b>	ASP type which deletes the SAD entries	
<b>Parameter Name</b>	<b>Parameter Type</b>	<b>Comment</b>
spi1	SPI	
spi2	SPI	optional
spi3	SPI	optional
spi4	SPI	optional
spi5	SPI	optional
spi6	SPI	optional
spi7	SPI	optional
spi8	SPI	optional
spi9	SPI	optional

<b>Name</b>	DelSADCnf	
<b>Port</b>	IPconf	
<b>Comment</b>	ASP type which returns the result of the execution of DelSADReq	
<b>Parameter Name</b>	<b>Parameter Type</b>	<b>Comment</b>
status	Status	



<b>Name</b>	SA
<b>Port</b>	IPconf
<b>Comment</b>	ASP type which sets a single entry of parameters for a security association in the SS
<b>Parameter Name</b>	<b>Parameter Type</b>
spi	SPI
srcIPAddr	IPAddr
desIPAddr	IPAddr
srcUDPport	integer
desUDPport	integer
intAlgo	IntAlgo
ciphAlgo	CiphAlgo

<b>Name</b>	IntAlgo
<b>Type</b>	enumerated
<b>Parameters</b>	hmac_md5_96, hmac_sha_1_96
<b>Comment</b>	Integrity algorithms

<b>Name</b>	CiphAlgo
<b>Type</b>	enumerated
<b>Parameters</b>	des_ed3_cbc, aes_cbc, nociph
<b>Comment</b>	Ciphering algorithms, "nociph" means no ciphering

<b>Name</b>	SPI
<b>Type</b>	integer (0..4294967295)
<b>Comment</b>	security parameter index for IPsec

## 6.1.6 Emergency CS Call

<b>Name</b>	ExpectEmergencyCSCall	
<b>Port</b>	IPCANctl	
<b>Comment</b>	ASP type which informs the SS to expect the UE to request an emergency CS call	
<b>Parameter Name</b>	<b>Parameter Type</b>	<b>Comment</b>

<b>Name</b>	EmergencyCSCallActive	
<b>Port</b>	IPCANctl	
<b>Comment</b>	ASP type which returns the result of the execution of ExpectEmergencyCSCall when it is in call active state	
<b>Parameter Name</b>	<b>Parameter Type</b>	<b>Comment</b>
status	Status	

<b>Name</b>	ReleaseCSCallReq	
<b>Port</b>	IPCANctl	
<b>Comment</b>	ASP type which requests the SS to release the CS call previously established during ExpectEmergencyCSCall	
<b>Parameter Name</b>	<b>Parameter Type</b>	<b>Comment</b>

<b>Name</b>	ReleaseCSCallCnf	
<b>Port</b>	IPCANctl	
<b>Comment</b>	ASP type which returns the result of the execution of ReleaseCSCallReq	
<b>Parameter Name</b>	<b>Parameter Type</b>	<b>Comment</b>
status	Status	

## 6.1.7 CS Voice Call

<b>Name</b>	CSCallReq	
<b>Port</b>	IPCANctl	
<b>Comment</b>	ASP type which informs the SS to establish a CS voice call with the UE	
<b>Parameter Name</b>	<b>Parameter Type</b>	<b>Comment</b>
moFlag	Boolean	Set to true if the SS is requested to accept a mobile originated CS voice call; Set to false if SS is requested to establish a CS voice call
phoneNumber	charstring	Optional. The phone number to be signalled to the UE in the mobile terminated case

<b>Name</b>	CSCallCnf	
<b>Port</b>	IPCANctl	
<b>Comment</b>	ASP type which returns the result of the execution of CSCallReq when it's in call active state	
<b>Parameter Name</b>	<b>Parameter Type</b>	<b>Comment</b>
status	Status	

## 6.2 IMS-CC Data ASP definitions

### 6.2.1 ASP\_DataRequest

<b>Name</b>	ASP_DataRequest	
<b>Port</b>	DataPort	
<b>Comment</b>	ASP type for receiving/sending SIP Request Messages	
<b>Parameter Name</b>	<b>Parameter Type</b>	<b>Comment</b>
sigCompInfo	SigCompInfo	OPTIONAL. Information for/from SigComp layer. Absence means compression is/shall be not applied in received/send message.
portInfo	SSPortInfo	
msg	union {REGISTER_Request, INVITE_Request, OPTIONS_Request, BYE_Request, CANCEL_Request, ACK_Request, PRACK_Request, NOTIFY_Request, SUBSCRIBE_Request, PUBLISH_Request, UPDATE_Request, REFER_Request, MESSAGE_Request}	SIP message

## 6.2.2 ASP\_DataResponse

<b>Name</b>	ASP_DataResponse	
<b>Port</b>	DataPort	
<b>Comment</b>	ASP type for receiving/sending SIP RESPONSE Message	
<b>Parameter Name</b>	<b>Parameter Type</b>	<b>Comment</b>
sigCompInfo	SigCompInfo	OPTIONAL. Information for/from SigComp layer. Absence means compression is/shall be not applied in received/send message.
portInfo	SSPortInfo	
msg	Response	SIP RESPONSE message

<b>Name</b>	SigCompInfo	
<b>Type</b>	Union	
<b>Parameter Name</b>	<b>Parameter Type</b>	<b>Comment</b>
compartmentId	charstring	Used for Sending messages from TTCN. To be used by SigComp Layer
isCompressed	boolean	Used for received messages. If set, means received message was compressed

<b>Name</b>	SSPortInfo	
<b>Type</b>	record	
<b>Parameter Name</b>	<b>Parameter Type</b>	<b>Comment</b>
ipAddr	IPAddr	IP address of simulated network node
transportProtocol	TransportProtocol	

<b>Name</b>	TransportProtocol	
<b>Type</b>	enumerated	
<b>Parameters</b>	UDP, TCP	

## 6.3 Ut ASP definitions

<b>Name</b>	MMIMessage	
<b>Port</b>	MMIPort	
<b>Comment</b>	ASP type for sending messages to upper tester	
<b>Parameter Name</b>	<b>Parameter Type</b>	<b>Comment</b>
mmiMessage	charstring	Action required by upper tester

## 6.4 HTTP Layer ASP definitions

<b>Name</b>	HttpDataInd	
<b>Port</b>	HttpServerPort	
<b>Comment</b>	ASP type for sending a message from the http layer to the TTCN engine. It transports relevant information of a http Request from the UE to the Tester.	
<b>Parameter Name</b>	<b>Parameter Type</b>	<b>Comment</b>
httpRequest	HttpRequest_Type	See below

<b>Name</b>	HttpRequest_Type	
<b>Comment</b>		
<b>Parameter Name</b>	<b>Parameter Type</b>	<b>Comment</b>
requestLine	HttpRequestLine	Request-Line in RFC 2616 clause 5.1
authorization	HttpAuthorization	Authorization in RFC 2616 clause 14.8 (optional)
contentType	HttpContentType	Content-Type in RFC 2616 clause 14.17 (optional)
x3GPPIntendetlIdentity	X3GPPIntendetlIdentity	3GPP TS 24.109 clause G.2 (optional)
xcapMessagemessageBody	XCAPMessagecharstring	MTSI XCAP Message (union of all types defined in TS 24.173XML document or XML fragment) (Optional)

<b>Name</b>	HttpDataReq	
<b>Port</b>	HttpServerPort	
<b>Comment</b>	ASP type for sending messages from the TTCN engine to the http layer. It transports information needed by the http layer to generate a http Response to the UE.	
<b>Parameter Name</b>	<b>Parameter Type</b>	<b>Comment</b>
httpResponse	HttpResponse_Type	See below

<b>Name</b>	HttpResponse_Type	
<b>Comment</b>		
<b>Parameter Name</b>	<b>Parameter Type</b>	<b>Comment</b>
statusLine	StatusLine	Status-Line in RFC 2616 clause 6.1
wwwAuthenticate	WWWAuthenticate	WWW-Authenticate in RFC 2616 clause 14.47 (optional)
authenticationInfo	HttpAuthenticationInfo	Authentication-Info in RFC 2617 clause 3.2.3 (optional)
contentType	HttpContentType	Content-Type in RFC 2616 clause 14.17 (optional)
expires	HttpExpires	Expires in RFC 2616 clause 14.21 (optional)
messageBody	charstring	MTSI XCAP Message (XML document or XML fragment) (Optional)

<b>Name</b>	HttpCtlReq	
<b>Port</b>	HttpCtlPort	
<b>Comment</b>	ASP type to configure the http layer	
<b>Parameter Name</b>	<b>Parameter Type</b>	<b>Comment</b>
serverIPAddr	IPAddr	IP address of simulated XCAP server or BSF server
authenticationMechanism	enumerated {noAuthentication, httpDigestAuthentication, gaaAuthentication}	Authentication mechanism to be used
tlsInfo	TLSInfo	Description of the TLS connection to be used (optional)

<b>Name</b>	TLSInfo	
<b>Comment</b>		
<b>Parameter Name</b>	<b>Parameter Type</b>	<b>Comment</b>
tlsType	enumerated {noTLS, pskTLS, certTLS}	Type of TLS connection to be used (if any)
psk	octetstring	Pre shared key for TLS ciphering
cipherSuite	enumerated {noCipher, psk_3DES_EDE_CBC_SHA, psk_AES_128_CBC_SHA}	Cipher suite to be used

<b>Name</b>	HttpCtlCnf	
<b>Port</b>	HttpCtlPort	
<b>Comment</b>	ASP type to confirm HttpCtlReq	
<b>Parameter Name</b>	<b>Parameter Type</b>	<b>Comment</b>
status	Status	Result of previous configuration command

## 6.5 XCAP server / ASP definitions

<b>Name</b>	XCAPReq	
<b>Port</b>	xcapPort	
<b>Comment</b>	ASP type for sending a request to the external XCAP server	
<b>Parameter Name</b>	<b>Parameter Type</b>	<b>Comment</b>
method	Charstring	GET, PUT, DELETE or RESET
xcapExpression	Charstring	XCAP expression sent by the UE in its http request line
xmlBody	Charstring	XML fragment sent by the UE in its http body. Optional parameter
contentType	Charstring	To distinguish whether the xmlBody is an XML fragment or an XML document

<b>Name</b>	XCAPRsp	
<b>Port</b>	xcapPort	
<b>Comment</b>	ASP type for sending the response to the XCAPReq from the XCAP server to TTCN	
<b>Parameter Name</b>	<b>Parameter Type</b>	<b>Comment</b>
status	integer	0 – success 1 - Ressource not found 2 - Node or attribute not found 3 - Invalid or illegal XCAP expression 4 - Illegal XCAP operation
xmlFragment	charstring	Result returned by the XCAP server
contentType	Charstring	To distinguish whether the xmlBody is an XML fragment or an XML document

## 6.6 Positioning / ASP definitions

<b>Name</b>	UpdateUELocationInfoReq	
<b>Port</b>	IPCANctl	
<b>Comment</b>	ASP to trigger in the SS the execution of test function Update UE Location Information (TS 36.509 clause 5.5.2)	
<b>Parameter Name</b>	<b>Parameter Type</b>	<b>Comment</b>
ellipsoidPointWithAltitude	O8_Type	See 56.509 clause 6.12
horizontalVelocity	O3_Type	See 56.509 clause 6.12
gnnTodMsec	O3_Type	See 56.509 clause 6.12

<b>Name</b>	UpdateUELocationInfoCnf	
<b>Port</b>	IPCANctl	
<b>Comment</b>	ASP type which returns the result of the execution of UpdateUELocationInfoReq	
<b>Parameter Name</b>	<b>Parameter Type</b>	<b>Comment</b>
status	Status	

## 7 Codec definitions for IP User Data

### 7.1 Introduction

SIP is a text-based protocol, thus the message exchange between the UE and the SS are pure character strings. In the TTCN-3 ATS the messages are structured and optimized to take the advantage of TTCN-3 functionality, and to make the debugging and maintenance of the ATS easier.

### 7.2 General Aspects

IP user data for IMS conformance testing can be distinguished into:

1. text based: SIP (including SDP and XML messages), HTTP (see clause 7.4)
2. octetstring based: DHCP, DHCPv6, DNS (see clause 7.4)

In TTCN the following encoding information is used for user data:

**Table 7.2-1**

Type definitions	Encoding
SMS Types	Tabular notated (see note 1)
DHCPv4-Codec	Tabular notated (see note 1)
DHCPv6-Codec	Tabular notated (see note 1)
DNS-Codec	Tabular notated (see note 1)
SIPCodec	(see clause 7.3)
SDPCodec	(see clause 7.3)
HttpCodec	(see clause 7.3)

NOTE 1: Tabular notated is performed by concatenation of all the present fields in the TTCN-3 template.

NOTE 2: Encoding information is only needed for type definitions of peer-to-peer signalling; encoding of ASPs used for system configuration or as co-ordination messages between PTCs is out of scope for this document.

### 7.3 Requirements on abstract message syntax for IMS (SIP, SDP)

#### 7.3.1 Type definition - Syntax / Semantic aspects

All given defined BNF grammars (e.g. the ABNF of RFC 3261) are unique. Thus the syntax tree for each syntactically correct message derived with these grammars are unique too and the parts of a message can be uniquely identified (represented) by the terminal phrase belonging to a non terminal symbol and its derivation path in the syntax tree.

The syntax tree of all given messages can be used to uniquely identify and describe the parts of the messages. The leaves are the part of every message and the nodes from the root to the leaves represent the sequence of rules to be applied to derive that part

The IMS/SIP root message type is an ordered structured type, which is represented as a record type in TTCN-3. For each grammar rule of the ABNF a TTCN-3 record type is declared with the specific name of the rule. The following rules are applied to the fields within a record:

- A non-terminal symbol is declared as a record type for this symbol.
- The order of the symbols in the rule are represented by an equal order of the fields.
- Repetitions are declared as 'set of' or 'record of' types.

- Options are represented as optional record/set fields.
- Alternatives are declared as union types.

### 7.3.2 Deviations of the type definition semantic

- Most of the 'literals' of a message (for example: the string "Via" or "v" in the message header fields) are not represented.
- The TTCN-3 charstring type is used where we stop structuring even if the ABNF uses structured types. More details found in clause 8.3.3.
- Wherever possible parts are mapped to their best type representation, e.g. DIGIT based rules are mapped to integer type not to a charstring type.
- All of the following delimiters (including preceding or following whitespace) defined by the ABNF grammar to separate the parts of a message are not represented (see note).

```

STAR      = SWS "*" SWS ; asterisk
SLASH     = SWS "/" SWS ; slash
EQUAL     = SWS "=" SWS ; equal
LPAREN    = SWS "(" SWS ; left parenthesis
RPAREN    = SWS ")" SWS ; right parenthesis
RAQUOT    = ">" SWS ; right angle quote
LAQUOT    = SWS "<"; left angle quote
COMMA     = SWS "," SWS ; comma
SEMI      = SWS ";" SWS ; semicolon
COLON     = SWS ":" SWS ; colon
LDQUOT    = SWS DQUOTE; open double quotation mark
RDQUOT    = DQUOTE SWS ; close double quotation mark
HCOLON    = *( SP / HTAB ) ":" SWS
SP        = single space
HTAB     = tab
SWS      = sep whitespace

```

NOTE: If they are present within a pure charstring they will be handled like a normal character and are still included.

- Messages which are not of interest to the test suite are left undecoded as a charstring and will not be further structured.

### 7.3.3 Additional requirements for codec implementations (SIP/IMS Message)

The SIP/IMS codec is based on a normalized encoding which is always produced by an encoder. Decoder implementations, however, have to handle normalization before, or when constructing the structured message value, e.g. long versus compact form, whitespace compression, delimiter removal, same header grouping, etc. All these aspects will be handled in the next clause.

#### 7.3.3.1 Differences between BNF - TTCN-3 Type Mapping

In normal cases the mapping is straight forward. Below you find the exceptions, including potential examples.

- The root message type is not a SIP-message but directly a Request or Response type which is represented as a TTCN-3 record. All Method - Message names (INVITE, BYE, ACK etc.) and all message header field names (To, From, CallID, CSeq, Via etc.) are mapped to an enumerated type in TTCN-3 to simplify the extension of new headers. During encoding, the long-form of these message header fields is always used. The respective field in the header type is restricted to values which are allowed.

BNF rules of RFC	TTCN-3 Type Mapping
SIP-message = Request / Response	type record REGISTER_Request {...}, type record INVITE_Request {...}, type record PRACK_Request {...}, type record NOTIFY_Request {...}, type record UPDATE_Request {...}, ... type record Response {...}

Method = INVITEm / ACKm / OPTIONSm / BYEm / CANCELm / REGISTERm / ...	type enumerated Method { ACK_E, BYE_E, CANCEL_E, INVITE_E, OPTIONS_E, REGISTER_E, ...}
---	--

- The structure of the message header fields are mapped to a "set" type in TTCN-3, because the order of these header fields is not mandatory. There is an Unknown Header List given in the type system to decode unknown headers with ID and Value.

message-header = ( ... / Contact / Content-Disposition ... / Via / Warning / WWW-Authenticate / extension-header) CRLF	type set MessageHeader { ... Contact contact optional, ContentDisposition contentDisposition optional, ... Via via, Warning warning optional, WwwAuthenticate wwwAuthenticate optional, UndefinedHeader_List undefinedHeader_List optional }
--	---

- The various parameter lists defined in the BNF are mapped and combined into three different TTCN-3 sets of generic-param types. These types differ only in their name: SemicolonParam\_List, AmpersandParam\_List, CommaParam\_List to distinguish between the relevant separators.

uri-parameters = *( ";" uri-parameter)	type set of GenericParam <b>SemicolonParam_List;</b>
Authentication-Info = "Authentication-Info" HCOLON ainfo *(COMMA ainfo)	type record AuthenticationInfo { FieldName fieldName(AUTHENTICATION_INFO_E), CommaParam_List ainfo }
ainfo = nextnonce / message-qop / response-auth / cnonce / nonce-count	type set of GenericParam <b>CommaParam_List;</b>
Headers = "?" header *( "&" header )	type set of GenericParam <b>AmpersandParam_List;</b>

- Any more specific parameter rule (e.g. uri-param, user-param, lr-param, digest-cls, etc.) is simplified to the generic-param rule which will be mapped as a record structure of two charstrings (ID and paramValue). This is equivalent to a token with an optional generic value (token [ EQUAL gen-value ]).

digest-cls = realm / domain / nonce / opaque / stale / algorithm / qop-options / auth-param	type record <b>GenericParam</b> { charstring id, charstring paramValue optional }
--	--



- In addition to the pure charstring as a base type, the TTCN-3 type system provides base integer types which are unrestricted to the model e.g. the portField, CSeq number, maxForward digit.

user =	1*( unreserved / escaped / user-unreserved )	charstring
telephone-subscriber	as defined in RFC 2806	
password =	*( unreserved / escaped / "&" / "=" / "+" / "\$" / "," )	charstring

Port =	1*DIGIT	integer
Status-Code =	Informational / Redirection / Success / Client-Error / Server-Error / Global-Failure / extension-code	integer

- Where the same header type can appear multiple times within a message, they will be decoded as a single header field, with multiple list elements. The order of appearance of the headers will be preserved within the header list value.

Contact =	("Contact" / "m" ) HCOLON ( STAR / (contact-param *(COMMA contact-param) ) )	type record Contact { FieldName fieldName(CONTACT_E), ContactBody contactBody }
contact-param =	(name-addr / addr-spec) *(SEMI contact-params)	type record ContactAddress { Addr_Union addressField, SemicolonParam_List contactParams optional }  type union ContactBody { charstring wildcard, ContactAddress_List contactAddresses }  Used in  type set of ContactAddress <b>ContactAddress_List;</b>

- The BNF [clause 7.3.1 Header Field Format RFC 3261] specifies that several WWW or Proxy Authentication/Authorization headers should not be combined into a single header; however they will be decoded into such in the codec. If these need to be sent downlink then a new, 'raw' (pure charstring) message type will be introduced.

Authorization =	"Authorization" HCOLON credentials	type record Authorization { FieldName fieldName(AUTHORIZATION_E), <b>Credentials body</b> }
Credentials =	("Digest" LWS digest-response) / other-response	type union Credentials { CommaParam_List digestResponse, OtherAuth otherResponse }

- The different schemes (sip, sips, tel, fax, absoluteUri) in the SIP URI are all handled via the same type definition to simplify the decoding. This is because there is no difference between the URIs except the scheme.

Request-URI =	SIP-URI / SIPS-URI / absoluteURI	<pre> type record SipUri {   charstring <b>scheme</b>,   UserInfo userInfo optional,   HostPort hostPort,   SemicolonParam_List urlParameters optional,   AmpersandParam_List headers optional } </pre>
with		
SIP-URI =	"sip:" [ userinfo ] hostport uri-parameters [ headers ]	
and		
SIPS-URI =	"sips:" [ userinfo ] hostport uri-parameters [ headers ]	
and		
absoluteURI =	scheme ":" ( hier-part / opaque-part )	

- Universal charstrings should be supported by the codec especially for the Display name in the URI.
- For downlink messages, if a message body is included, the TTCN will set the len field in the ContentLength header to the value -1. This value will be replaced by the codec with the actual length of the encoded message body (see clause 7.3.4).

**Editor's note:** Further clarifications are needed to avoid different presentation of the same message in UL

### 7.3.4 Additional requirements for codec implementations (Message Body)

The message body of a SIP message may contain the message of other protocols (SDP, SMS, etc.) and can be represented e.g. by XML. Therefore the type definitions for these protocols can be TTCN-3 as well as XSD definitions.

**Editor's note:** Depending on the final decision about how the message body shall be defined in the SIP messages (charstring of union of different message types) the codec may need to insert the length of the message body to the "Content Length" header of the SIP message.

### 7.3.5 Additional requirements for codec implementations (SDP Body)

The Session Description Protocol is defined in RFC 4566.

- The 'type' fields (such as 'v' and 'o' are not represented).
- For the defined attributes, the att-field is also not represented (e.g. 'curr' is not represented in SDP\_attribute\_curr).
- The Messages which are not of interest to a test suite are left undecoded as a charstring and will not be further structured.

#### 7.3.5.1 Differences between BNF - SDP Type Mapping

In normal cases the mapping is straight forward. Below are the exceptions which differ.

- The numerical fields in the origin-field, the time-field and the timezone field have been defined as charstring because they may not fit into a 32-bit signed integer.

BNF Rules of RFC 4566	TTCN 3 Type Mapping
origin = username sess-id sess-version nettype addrtype unicast-address	type record SDP_Origin { charstring username, charstring session_id, charstring session_version, charstring net_type, charstring addr_type, charstring addr }
time-fields = start-time stop-time repeat-fields [ zone-adjustments]	type record SDP_time_field { charstring start_time, charstring stop_time }
zone-adjustments = time typed-time	type record SDP_timezone { charstring adjustment_time, SDP_typed_time offset }

- The zone-adjustments field in the time-fields has been included as an additional field in the top-level message definition.

BNF Rules of RFC 4566	TTCN 3 Type Mapping
session-description = proto-version origin-field session-name-field information-field uri-field email-fields phone-fields connection-field bandwidth-fields time-fields key-fields attribute-fields media-descriptions	type record SDP_Message { integer protocol_version, SDP_Origin origin, charstring session_name, charstring information optional, charstring uri optional, SDP_email_list emails optional, SDP_phone_list phone_numbers optional, SDP_connection connection optional, SDP_bandwidth_list bandwidth optional, SDP_time_list times, SDP_timezone_list timezone_adjustments optional, SDP_key key optional, SDP_attribute_list attributes optional, SDP_media_desc_list media_list optional }
time-fields = start-time stop-time repeat-fields [ zone-adjustments]	type record SDP_time { SDP_time_field time_field, SDP_repeat_list time_repeat optional }

- The mappings for the email-address, phone-number and connection-address fields have been simplified.

BNF Rules of RFC 4566	TTCN 3 Type Mapping
email-address = address-and-comment / dispname-and-address / addrspec	type record SDP_contact { charstring addr_or_phone, charstring disp_name optional }
phone-number = email-safe / email-safe "<" phone ">" / phone	type record SDP_contact { charstring addr_or_phone, charstring disp_name optional }
connection-address = multicast-address / unicast-address	type record SDP_conn_addr { charstring addr, integer ttl optional, integer num_of_addr optional }

### 7.3.5.2 Defined attributes

The SDP\_attribute type is defined as a union of the following attribute types. There is an unknown attribute given to decode undefined attributes with a name and value.

SDP Attribute	TTCN 3 Type Mapping
cat	type record SDP_attribute_cat { charstring attr_value }
charset	type record SDP_attribute_charset { charstring attr_value }
conf	type record SDP_attribute_curr { charstring preconditionType, charstring statusType, charstring direction }
curr	type record SDP_attribute_curr { charstring preconditionType, charstring statusType, charstring direction }
des	type record SDP_attribute_des { charstring preconditionType, charstring strength, charstring statusType, charstring direction }
fntp	type record SDP_attribute_fntp { charstring attr_value }
framerate	type record SDP_attribute_framerate { charstring attr_value }
inactive	type record SDP_attribute_inactive { }
keywds	type record SDP_attribute_keywds { charstring attr_value }
lang	type record SDP_attribute_lang { charstring attr_value }
orient	type record SDP_attribute_orient { charstring attr_value }
ptime	type record SDP_attribute_ptime { charstring attr_value }
quality	type record SDP_attribute_quality { charstring attr_value }
recvonly	type record SDP_attribute_recvonly { }
rtcp	type record SDP_attribute_rtcp { charstring attr_value }
rtptime	type record SDP_attribute_rtpmap { charstring attr_value }
sdplang	type record SDP_attribute_sdplang { charstring attr_value }
sendrecv	type record SDP_attribute_sendrecv { }
sendonly	type record SDP_attribute_sendonly { }
Tool	type record SDP_attribute_tool { charstring attr_value }
Type	type record SDP_attribute_type { charstring attr_value }

SDP Attribute	TTCN 3 Type Mapping
Unknown	<pre> type record SDP_attribute_tool {     charstring name,     charstring attr_value optional } </pre>

### 7.3.6 Additional requirements for codec implementations (HTTP)

FFS

### 7.3.7 Additional requirements for codec implementations (XML)

XML data schema is used in IMS conformance testing according to ETSI ES 201 873-9. No further requirements are necessary.

## 7.4 Requirements for codec implementations (DHCP, DNS)

The DHCP/DNS codec converts TTCN descriptions into/from octet streams as specified in the RFCs. The TTCN type definitions for DHCP/DNS types closely follow the data formats defined in the corresponding RFCs (RFC 1035, RFC 1533, RFC 2131, RFC 3315, RFC 3319 and RFC 3361).

As a special case, when the TTCN length field in a DHCP/DNS record is set to 0 the encoder shall compute the proper length value during encoding.

---

## 8 Design consideration

### 8.1 Bearer Configurations for IMS Testing

#### 8.1.1 Bearer Information for UTRAN

BearerInfo	RANTech = UTRAN_FDD	Description
1	34.108, clause 6.10.2.4.1.56	To be used for IMS Signalling only
2	34.108, clause 6.10.2.4.6.6	Not supported in Rel-5
3	34.108, clause 6.10.2.4.6.7	Not supported in Rel-5
4	25.993, clause 7.1.122	Only supported in Rel-5
5	25.993, clause 7.1.124	Not supported in Rel-5

#### 8.1.2 Bearer Information for GERAN

No specific bearer information has yet been defined. The QoS to be used is therefore dependant on the media applications supported by the UE.

### 8.1.3 Bearer Information for E-UTRA

BearerInfo	RANTech = E-UTRA_FDD	Description
1	36.508, clause 6.6.1 Reference default EPS bearer context #1	For IMS Signalling and media text
2	36.508, clause 6.6.2 Reference dedicated EPS bearer context #1	For IMS media voice and video
3	36.508, clause 6.6.1 Reference default EPS bearer context #1, except that it is on the Emergency Call PDN	Default bearer for emergency call signalling
4	36.508, clause 6.6.2 Reference dedicated EPS bearer context #1	Dedicated bearer for emergency voice media

## 8.2 Security

TBD.

## 8.3 External Function Definitions

The following external functions are required to be implemented by the SS.

TTCN3 External Function	
Name	fx_MD5_Hex
Description	to calculate the MD5 Message-Digest Algorithm according to RFC 1231
Parameters	data   octetstring
Return Value	octetstring

Additionally, the following external function is used as defined in TS 36.523-3[30]:

fx\_GetSystemTime

## 8.4 AT commands

No AT commands have yet been defined for IMS operations

---

## Annex A (normative): Abstract Test Suites (ATS)

This annex contains the approved ATSs.

The ATSs have been produced using the Testing and Test Control Notation version 3 (TTCN3) according to ES 201 873 [12].

---

### A.1 Version of specifications

Table A.1 shows the version of the test specifications which the delivered ATSs are referred to.

**Table A.1: Versions of the test and Core specifications**

<b>Core specifications</b>	3GPP TS 24.229 [11]
<b>Test specifications</b>	3GPP TS 34.229-1 [5]
	3GPP TS 34.229-2 [6]
	3GPP TS 34.123-3 [2]
	3GPP TS 36.523-3 [30]

## A.2 IMS-CC ATS

**Table A.2: IMS-CC TTCN test cases**

Test case	Description
7.1	P-CSCF Discovery via PDP Context
7.2	P-CSCF Discovery via DHCP – IPv4
7.3	P-CSCF Discovery via DHCP – IPv4 (UE Requests P-CSCF discovery via PCO)
7.4	P-CSCF Discovery by DHCP - IPv6
7.5	P-CSCF Discovery by DHCP-IPv6 (UE Requests P-CSCF discovery by PCO)
7.6	P-CSCF Discovery by DHCP – IPv6 (UE does not Request P-CSCF discovery by PCO, SS includes P-CSCF Address(es) in PCO)
8.1	Initial registration
8.2	User Initiated Re-Registration
8.3	Mobile Initiated Deregistration
8.4	Invalid behaviour- 423 Interval too brief
8.10	Initial registration using GIBA
8.12	User initiated re-registration using GIBA
8.13	User initiated de-registration using GIBA
9.1	Invalid Behaviour – MAC Parameter Invalid
9.2	Invalid Behaviour – SQN out of range
10.1	Invalid Behaviour – 503 Service Unavailable
11.1	Network-initiated deregistration
11.2	Network initiated re-authentication
12.12	MO MTSI Voice Call Successful with preconditions
12.13	MT MTSI speech call
13.1	SigComp in the Initial registration
15.8	Communication Forwarding on non reply: MO call initiation
15.11	MO Call Hold without announcement
15.12	MT Call Hold without announcement
15.27	Communication Waiting and answering the call
15.28	Communication Waiting and cancelling the call
16.1	Speech AMR, indicate all codec modes
16.2	Speech AMR, indicate selective codec modes
18.1	Mobile Originating SMS
18.2	Mobile Terminating SMS

The ATS is contained in an ASCII file (IMS\_CC.ttcn) which accompanies the present document.

A.2.1 Void

A.2.2 Void

A.2.3 Optional IP-CAN TTCN 2++ interface

FFS.





Parameter name	Description	Type	Default value	Supported value
T				GERAN, UTRA_FDD, UTRA_TDD, EUTRA_FDD, EUTRA_TDD, C2K_1xRTT
px_DHCPserver_IPAddr	IP address of DHCP server (in v4 or v6 format)	IPAddr	"10.122.11.33"	
px_DNS_DomainName	DNS server fully qualified domain name (FQDN)	charstring	"dnserver.3gpp.org"	
px_DNSServer_IPAddr	IP address of DNS server (in v4 or v6 format)	IPAddr	"10.122.11.33"	
px_FeatureParamValue	Feature Parameter Value	charstring	"+g.3gpp.app_ref="urn%3Aurn-xxx%3A3gpp-service.ims.icsi.mmtel"	
px_HomeDomainName	Home Domain Name. When using anISIM it is set to the same value as EF <sub>DOMAIN</sub> . When not using ISIM just USIM the home domain name is derived from px_IMSI (preceded by "sip:")	charstring	As defined in TS 34.229-1 [5]	
px_IPSecAlgorithm	Integrity Algorithm	IntAlgo	hmac_md5_96	enumerated type; hmac_md5_96, hmac_sha_1_96
px_P_CSCF_DomainName	P-CSCF fully qualified domain name (FQDN) When an ISIM is used this is set to the same value as the content of EF <sub>P-CSCF</sub> .	charstring	As defined in TS 34.229-1 [5]	
px_P_CSCF_DomainName_2	Additional P-CSCF FQDN (Full Qualified Domain Name) for special tests	charstring	"pcscf2.3gpp.org"	
px_P_CSCF_DomainName_3	Additional P-CSCF FQDN (Full Qualified Domain Name) for special tests	charstring	"pcscf3.3gpp.org"	
px_P_CSCF_IPAddr	IP address of P-CSCF (in v4 or v6 format)	IPAddr	"10.122.11.33"	
px_P_CSCF_IPAddr_2	Additional P-CSCF IPaddress for special tests (in v4 or v6 format)	IPAddr	"10.122.11.34"	
px_P_CSCF_IPAddr_3	Additional P-CSCF IPaddress for special tests (in v4 or v6 format)	IPAddr	"10.122.11.35"	
px_Pcscf	P-CSCF fully qualified domain name that resolves to the IP address of SS	charstring	"pcscf.3gpp.org"	
px_PeerUE_IPAddr	IP address of peer UE (in v4 or v6 format)	IPAddr	"10.122.11.55"	
px_Port_pc	Protected Client port at the SS (simulated P-CSCF)	integer	5061	
px_Port_ps	Protected Server port at the SS (simulated P-CSCF)	integer	5062	
px_Port_ps_NoSec	Unprotected Server port at the SS (simulated P-CSCF)	integer	5060	
px_Private_Userld	Private User Identity. When using an ISIM this is set to the same value as EF <sub>IMPI</sub> . When ISIM is not used just USIM the private user identity is derived from px_IMSI.	charstring	As defined in TS 34.229-1 [5]	
px_PublicUserldIdentity1	Public User Identity. It is set to the same value as the first record in EF <sub>IMPU</sub> .	charstring	As defined in TS 34.229-1 [5]"	
px_PublicUserldIdentity2	It is set to the same value as the second record in EF <sub>IMPU</sub> .	Charstring	As defined in TS 34.229-1 [5]	
px_PublicUserldIdentity3	It is set to the same value as the third	Charstring	As defined in TS	

Parameter name	Description	Type	Default value	Supported value
	record in EF <sub>IMPU</sub> .		34.229-1 [5]	
px_RANTech	RAN Technology	RANTech	UTRAN_FDD	enumerated type: GERAN, UTRA_FDD, UTRA_TDD, EUTRA_FDD, EUTRA_TDD
px_Scscf	S-CSCF fully qualified domain name that does not resolve to the IP address of SS	charstring	"scscf@3gpp.org"	
px_SS_SipUri	SIP URI with IP Address or FQDN of SS (simulated P-CSCF)	charstring	"sip:pcscf.3gpp.org"	
px_TempGRUUForUE	Temporary GRUU for UE	charstring	"sip:tgrouu.7hs==jd7vnzga5w7fajsc7-ajd6fabz0f8g5@"	
px_UEInstancelid	UE Instance Identity	charstring	"<urn:uuid:00000000-0000-1000-8000-000A95A0E128>"	
px_UE_IPAddr	IP address assigned to UE (in v4 or v6 format)	IPAddr	"10.122.11.145"	
px_UeWithSIM	UE has a SIM inserted	boolean	false	
px_psi_SMSC	The Public Service Identity of the SMSC this is set to the same value as the first record in EF <sub>PSISMSC</sub> as defined in TS 31.121 [XX].	charstring	As defined in TS 34.229-1 [5]	
px_SMSC_addr	Short message service centre address. When ISIM is used this is the same value as the "TP Service Centre Address" field in EF <sub>SMSP</sub> .	charstring	As defined in TS 34.229-1 [5]	

## B.1.1 SDP parameters for MT call test case

This clause contains parameters to describe one to three media that the SS will propose to the UE in the INVITE Request. This information shall be compatible with the UE's capabilities.

**Table B.2: SDP parameters for MT call**

Parameter name	Description	Type	Default value	Supported value
px_NumberOfMedia	Number of media description	integer	1	1, 2, 3
<i>For each media description, the following parameters shall be supplied:</i>				
px_Media	Media type	charstring	"audio"	audio, video, text, application, message
px_MediaPort	Transport port to which the media stream is sent	integer	49230	Integer within the range 49152 - 65535
px_Proto	Transport protocol	charstring	"RTP/AVP"	UDP, RTP/AVP, RTP/SAVP, TCP, RTP/AVPF, TCP/TLS
px_FmtNumber	Number of Media format description	integer	3	
px_FmtValues	Value of each media format description (in a comma separated list)	charstring	"96, 97, 98"	
px_Bandwidth	Bandwidth value for b=AS (only if RTP/RTCP is used)	integer	75	
px_RS_Bandwidth	Bandwidth value for b=RS (only if RTP/RTCP is used)	integer	75	
px_RR_Bandwidth	Bandwidth value for b=RR (only if RTP/RTCP is used)	integer	75	

Parameter name	Description	Type	Default value	Supported value
px_AttribNumber	Number of attribute ("a=") lines (excluding 'curr' and 'des' lines)	integer	4	
px_AttribValues	Value of each of the attribute lines, excluding 'curr' and 'des' lines (in a comma separated list).	charstring	"rtpmap:96 L8/8000, rtpmap:97 L16/8000, rtpmap:98 L16/11025/2, maxptime:80"	
px_LocalDir	Direction tag for desired local resource	charstring	"sendrecv"	sendrecv, send, recv
px_RemoteDir	Direction tag for desired remote resource	charstring	"sendrecv"	sendrecv, send, recv

## B.2 MMI questions

Table B.3 requests additional information needed for the execution of the MMI commands used in the ATS.

**Table B.3: MMI questions**

Required information for MMI question
Please REGISTER IPv4
Please REGISTER IPv6
Please make a Call
Please release the Call
Please switch off the UE
Please switch on the UE
Please configure UE to initiate a Dedicated PDP Context
Please configure UE to initiate P-CSCF Discovery via PCO
Please configure UE to initiate P-CSCF Discovery via DHCP
Please de-REGISTER
Please initiate emergency call
Please accept MTSI call
Please initiate a text session
Please invite user to conference call
Please add a video stream
Please remove a video stream
Please insert ISIM matching px_P_CSCF_IPAddr of Home PLMN while in VPLMN
Please trigger UE to send an SMS
Please subscribe for MWI (Message Waiting Indication)
Please invite a new user to your conference
Please terminate previous session
Please release the Conference Call
Please activate Originating Identification Presentation
Please deactivate Originating Identification Presentation
Please activate Originating Identification Restriction
Please deactivate Originating Identification Restriction
Please activate Terminating Identification Presentation
Please deactivate Terminating Identification Presentation
Please activate Terminating Identification Restriction
Please deactivate Terminating Identification Restriction
Please activate Communication Forwarding Unconditional
Please deactivate Communication Forwarding Unconditional
Please activate Communication Forwarding on non Reply
Please deactivate Communication Forwarding on non Reply
Please activate Communication Forwarding on Busy
Please deactivate Communication Forwarding on Busy
Please activate Communication Forwarding on Not Logged-In
Please deactivate Communication Forwarding on Not Logged-in
Please activate Communication Forwarding on Not Reachable
Please deactivate Communication Forwarding
Please activate Incoming Communication Barring
Please deactivate Incoming Communication Barring
Please activate Anonymous Communication Rejection
Please deactivate Anonymous Communication Rejection
Please activate Communication Barring for roaming
Please deactivate Communication Barring

---

## Annex C (informative): Additional information to IXIT

Notwithstanding the provisions of the copyright related to the text of the present document, The Organizational Partners of 3GPP grant that users of the present document may freely reproduce the IXIT proforma in this annex so that it can be used for its intended purposes and may further publish the completed IXIT.

Additional information may be provided when completing the IXIT questions listed in annex A.

---

### C.1 Identification Summary

Table C.1 is completed by the test laboratory. The item "Contract References" is optional.

**Table C.1: Identification Summary**

<b>IXIT Reference Number</b>	
<b>Test Laboratory Name</b>	
<b>Date of Issue</b>	
<b>Issued to (name of client)</b>	
<b>Contract References</b>	

---

### C.2 Abstract Test Suite Summary

In table C.2 the test laboratory provides the version number of the protocol specification and the version number of ATS which are used in the conformance testing.

**Table C.2: ATS Summary**

<b>Protocol Specification</b>	3GPP TS 24.229
<b>Version of Protocol Specification</b>	
<b>Test Specification in prose</b>	3GPP TS 34.229-1
<b>Version of TSS &amp; TP Specification</b>	
<b>ATS Specification</b>	3GPP TS 34.229-3
<b>Version of ATS Specification</b>	
<b>Abstract Test Method</b>	Distributed Test Method

## C.3 Test Laboratory

### C.3.1 Test Laboratory Identification

The test laboratory provides the following information.

**Table C.3: Test Laboratory Identification**

<b>Name of Test Laboratory</b>	
<b>Postal Address</b>	
<b>Office address</b>	
<b>e-mail address</b>	
<b>Telephone Number</b>	
<b>FAX Number</b>	

### C.3.2 Accreditation status of the test service

The test laboratory provides the following information.

**Table C.4: Accreditation status of the test service**

<b>Accreditation status</b>	
<b>Accreditation Reference</b>	

### C.3.3 Manager of Test Laboratory

The test laboratory provides the information about the manager of test laboratory in table C.5.

**Table C.5: Manager of Test Laboratory**

<b>Name of Manager of Test Laboratory</b>	
<b>e-mail address</b>	
<b>Telephone Number</b>	
<b>FAX Number</b>	
<b>E-mail Address</b>	

### C.3.4 Contact person of Test Laboratory

The test laboratory provides the information about the contact person of test laboratory in table C.6.

**Table C.6: Contact person of Test Laboratory**

<b>Name of Contact of Test Laboratory</b>	
<b>e-mail address</b>	
<b>Telephone Number</b>	
<b>FAX Number</b>	
<b>E-mail Address</b>	

### C.3.5 Means of Testing

In table C.7, the test laboratory provides a statement of conformance of the Means Of Testing (MOT) to the reference standardized ATS, and identifies all restrictions for the test execution required by the MOT beyond those stated in the reference standardized ATS.

**Table C.7: Means of Testing**

Means of Testing
------------------



## C.3.6 Instructions for Completion

In table C.8, the test laboratory provides any specific instructions necessary for completion and return of the proforma from the client.

**Table C.8: Instruction for Completion**

Instructions for Completion

---

## C.4 Client

### C.4.1 Client Identification

The client provides the identification in table C.9.

**Table C.9: Client Identification**

<b>Name of Client</b>	
<b>Postal Address</b>	
<b>Office Address</b>	
<b>Telephone Number</b>	
<b>FAX Number</b>	

### C.4.2 Client Test Manager

In table C.10 the client provides information about the test manager.

**Table C.10: Client Test Manager**

<b>Name of Client Test Manager</b>	
<b>Telephone Number</b>	
<b>FAX Number</b>	
<b>E-mail Address</b>	

### C.4.3 Client Contact person

In table C.11 the client provides information about the test contact person.

**Table C.11: Client Contact person**

<b>Name of Client contact person</b>	
<b>Telephone Number</b>	
<b>FAX Number</b>	
<b>E-mail Address</b>	

### C.4.4 Test Facilities Required

In table C.12, the client records the particular facilities required for testing, if a range of facilities is provided by the test laboratory.

**Table C.12: Test Facilities Required**

<b>Test Facilities Required</b>

---

## C.5 System Under Test

### C.5.1 SUT Information

The client provides information about the SUT in table C.13.

**Table C.13: SUT Information**

<b>System Name</b>	
<b>System Version</b>	
<b>SCS Reference</b>	
<b>Machine Configuration</b>	
<b>Operating System Identification</b>	
<b>IUT Identification</b>	
<b>ICS Reference for the IUT</b>	

### C.5.2 Limitations of the SUT

In table C.14, the client provides information explaining if any of the abstract tests cannot be executed.

**Table C.14: Limitation of the SUT**

Limitations of the SUT

## C.5.3 Environmental Conditions

In table C.15 the client provides information about any tighter environmental conditions for the correct operation of the SUT.

**Table C.15: Environmental Conditions**

Environmental Conditions

---

## C.6 Ancillary Protocols

This clause is completed by the client in conjunction with the test laboratory.

In the following tables, the client identifies relevant information concerning each ancillary protocol in the SUT other than the IUT itself. One table for one ancillary protocol.

Based on the MOT the test laboratory should create question proforma for each ancillary protocol in the blank space following each table. The information required is dependent on the MOT and the SUT, and covers all the addressing, parameter values, timer values and facilities (relevant to ENs) as defined by the ICS for the ancillary protocol.

### C.6.1 Ancillary Protocols 1

**Table C.16: Ancillary Protocol 1**

<b>Protocol Name</b>	
<b>Version number</b>	
<b>ICS Reference (optional)</b>	
<b>IXIT Reference (optional)</b>	
<b>PCTR Reference (optional)</b>	

## C.6.2 Ancillary Protocols 2

Table C.17: Ancillary Protocol 2

<b>Protocol Name</b>	
<b>Version number</b>	
<b>ICS Reference (optional)</b>	
<b>IXIT Reference (optional)</b>	
<b>PCTR Reference (optional)</b>	

## Annex D (informative): PCTR Proforma

Notwithstanding the provisions of the copyright related to the text of the present document, The Organizational Partners of 3GPP grant that users of the present document may freely reproduce the PCTR proforma in this annex so that it can be used for its intended purposes and may further publish the completed PCTR.

### PROTOCOL

#### Conformance Test Report

#### (PCTR)

Universal Mobile Telecommunication System, UMTS,  
User Equipment-Network Access

#### Layer 3 Signalling Functions

Test Candidate	
Name :	SUT name
Model :	model
H/W version :	hw
S/W version :	sw
Serial No. :	serienr

Client	
Name :	
Street / No. :	
Postal Code / City:	
Country :	

*This Test Report shall not be reproduced except in full without the written permission of TEST LAB REFERENCE, and shall not be quoted out of context.*

## Annex E (informative): TTCN3 style guide for 3GPP IMS ATS

For IMS conformance tests, the style guide of 36.523-3[30], Annex B shall be applied

---

## Annex F (informative): BNF Message Definitions

The BNF definitions required for the ATS are defined in the following RFCs:

3261, 3262, 3265, 3311, 3313, 3323, 3325, 3326, 3327, 3329, 3428, 3455, 3515, 3608, 3840, 3841, 3891, 3892, 3903, 3911, 4028.



---

## Annex G (Normative): XSD References

The XSD references listed in this Annex are imported in the Test Suite.

<b>XML Schema</b>	<b>RFC</b>	<b>Name space</b>	<b>Modifications</b>
reginfo	RFC 3680	urn:ietf:params:xml:ns:reginfo	"http://www.w3.org/2001/03/xml.xsd" to be replaced by 'xml.xsd'
conference-info	RFC 4575	urn:ietf:params:xml:ns:conference-info	
gruuinfo	RFC 5628	urn:ietf:params:xml:ns:gruuinfo	

## Annex H (informative): Change history

Meeting	TSG doc	CR	Rev	Subject	Cat	Old vers	New vers	WG doc
RP-31	RP-060054	-	-	Update to version 1.0.0 and present to RAN#31 for information	-	-	1.0.0	R5-060513
RP-34	RP-060664	-	-	Present version 1.3.0 to RAN#34 for information	-	-	1.3.0	R5-063500
RP-35	RP-070010	-	-	Presented as version 2.0.0 for approval to go under revision control	-	-	2.0.0	R5-070456
-	-	-	-	Upgraded to version 5.0.0 by the 3GPP support	-	-	5.0.0	-
RP-36	RP-070352	0001	-	Addition of IMS-CC test case 8.6 to IMS_CC ATS V1.3.0	F	5.0.0	5.1.0	R5s070101
RP-36	RP-070353	0002	-	CR to 34.229-3: Add new verified and e-mail agreed TTCN test cases in the TC lists in 34.229-3 (prose), Annex A	F	5.0.0	5.1.0	-
RP-37	RP-070594	0003	-	Extension to TTCN ASP DeactivatePDPCContextReq	F	5.1.0	5.2.0	R5-072509
RP-37	RP-070594	0004	-	IMS CC / PIXIT parameter px_CellId	F	5.1.0	5.2.0	R5-072546
RP-38	RP-070870	0007		Addition of IMS-CC test case 8.5 to IMS_CC ATS V5.1.0	B	5.2.0	5.3.0	R5s070489
RP-38	RP-070870	0008		Addition of IMS-CC test case 8.7 to IMS_CC ATS V5.3.0	B	5.2.0	5.3.0	R5s070259
RP-38	RP-070870	0009		Addition of IMS-CC test case 9.1 to IMS_CC ATS V5.3.0	B	5.2.0	5.3.0	R5s070261
RP-38	RP-070889	0010		CR to 34.229-3: Add new verified and e-mail agreed TTCN test cases in the TC lists in 34.229-3 (prose), Annex A	F	5.2.0	5.3.0	-
RP-38	RP-070869	0006		Production of 34.229-3 pointer version in Rel-5 pointing to Rel-6 version	F	5.2.0	5.3.0	R5-073439
RP-38	RP-070869	0005		Addition of an MMI command	F	5.2.0	6.0.0	R5-073046
RP-39	RP-080098	0011		Update of MMI command strings	F	6.0.0	6.1.0	R5-080041
RP-39	RP-080089	0012		CR to 34.229-3: Add new verified and e-mail agreed TTCN test cases in the TC lists in 34.229-3 (prose), Annex A	F	6.0.0	6.1.0	-
RP-39	RP-080094	0013		Addition of IMS-CC test case 7.2 to IMS_CC ATS V5.3.0	B	6.0.0	6.1.0	R5s070535
RP-39	RP-080094	0014		Addition of IMS-CC test case 10.1 to IMS_CC ATS V5.1.0	B	6.0.0	6.1.0	R5s070549
RP-39	RP-080094	0015		Addition of IMS-CC test case 8.3 to IMS_CC ATS V5.1.0	B	6.0.0	6.1.0	R5s070545
RP-39	RP-080094	0016		Addition of IMS-CC test case 8.2 to IMS_CC ATS V5.1.0	B	6.0.0	6.1.0	R5s070543
RP-39	RP-080094	0017		Addition of IMS-CC test case 7.6 to IMS_CC ATS V5.1.0	B	6.0.0	6.1.0	R5s070539
RP-39	RP-080094	0018		Addition of IMS-CC test case 7.4 to IMS_CC ATS V5.1.0	B	6.0.0	6.1.0	R5s070537
RP-39	RP-080094	0019		Addition of IMS-CC test case 11.1 to IMS_CC ATS V5.1.0	B	6.0.0	6.1.0	R5s070551
RP-39	RP-080094	0020		Addition of IMS-CC test case 14.1 to IMS_CC ATS V5.1.0	B	6.0.0	6.1.0	R5s070555
RP-39	RP-080094	0021		Addition of IMS-CC test case 13.1 to IMS_CC ATS V5.1.0	B	6.0.0	6.1.0	R5s070553
RP-39	RP-080094	0022		Addition of IMS-CC test case 8.4 to IMS_CC ATS V5.1.0	B	6.0.0	6.1.0	R5s070547
RP-39	RP-080094	0023		Addition of IMS-CC test case 8.1 to IMS_CC ATS V5.1.0	B	6.0.0	6.1.0	R5s070541
RP-39	RP-080094	0024		Addition of IMS-CC test case 7.1 to IMS_CC ATS V5.1.0	B	6.0.0	6.1.0	R5s070491
RP-39	RP-080094	0025		Common corrections to IMS-CC test cases	F	6.0.0	6.1.0	R5s070534
RP-40	RP-080369	0027		Correction to regular expressions in IMS	F	6.1.0	7.0.0	R5s080036
RP-40	RP-080369	0028		IMS ATS / handling of P-Access-Network-Info header over non secure ports	F	6.1.0	7.0.0	R5s080063
RP-40	RP-080369	0029		IMS ATS / test case 9.1 / handling of authorization header in Register messages	F	6.1.0	7.0.0	R5s080085
RP-40	RP-080376	0030		Extend test model supporting XCAP test	F	6.1.0	7.0.0	R5-081036
RP-41	RP-080654	0031		CR to 34.229-3: Add new verified and e-mail agreed TTCN test cases in the TC lists in 34.229-3 (prose), Annex A	F	7.0.0	7.1.0	-
RP-41	RP-080615	0032		Addition of IMS-CC test case 9.2 to IMS_CC ATS v.7.0.0	F	7.0.0	7.1.0	R5s080115
RP-41	RP-080615	0033		Addition of IMS-CC test case 7.3 to IMS_CC ATS	F	7.0.0	7.1.0	R5s080114

Meeting	TSG doc	CR	Rev	Subject	Cat	Old vers	New vers	WG doc
				v.7.0.0				
RP-41	RP-080615	0034		Implementation of IPCanCtl code as a parallel test component	F	7.0.0	7.1.0	R5s080138
RP-41	RP-080615	0035		Addition of IMS-CC test case 8.9 to IMS_CC ATS v.6.2.0	F	7.0.0	7.1.0	R5s080145
RP-41	RP-080615	0036		Addition of IMS-CC test case 8.8 to IMS_CC ATS v.6.2.0	F	7.0.0	7.1.0	R5s080143
RP-41	RP-080615	0037		Addition of IMS-CC test case 7.5 to IMS_CC ATS	F	7.0.0	7.1.0	R5s080151
RP-41	RP-080740	0038		Update of TS 34.229-3 from Rel-6 to Rel-7	F	7.1.0	7.2.0	R5-083065
RP-42	RP-080959	0039		Correction of HW Type and HW Length fields in DHCP response messages	F	7.1.0	7.2.0	R5s080171
RP-42	RP-080959	0040		Minor correction of Route header template in the initial Register message	F	7.1.0	7.2.0	R5s080168
RP-43	RP-090210	0041		Update of TS 34.229-3 from Rel-7 to Rel-8	F	7.2.0	8.0.0	R5-090765
RP-43	RP-090210	0042		IMS CC ATS / Improvement: Stopping test case execution once a PTC fails	F	8.0.0	8.1.0	R5s090019
RP-43	RP-090210	0043		IMS CC ATS / Handling of non-default port number in the Contact Header	F	8.0.0	8.1.0	R5s090018
RP-43	RP-090210	0044		IMS CC ATS / Handling of Contact Header	F	8.0.0	8.1.0	R5s090005
RP-43	RP-090210	0045		IMS CC / Minor corrections on test 11.2 (re-authentication)	F	8.0.0	8.1.0	R5s090004
RP-43	RP-090210	0046		IMS CC / Addition of test case 11.2 to the IMS ATS	F	8.0.0	8.1.0	R5s080313
RP-43	RP-090210	0047		IMS CC test model / Addition of new ASP to reconfigure IP Layer	F	8.0.0	8.1.0	R5-090032
RP-43	RP-090210	0048		Removal of an unused pixon and other routine updates	F	8.0.0	8.1.0	R5-090056
RP-46	RP-091156	0049	-	CR to 34.229-3 (prose) update to v820	F	8.1.0	8.2.0	-
RP-47	RP-100146	0050	-	CR to 34.229-3 (prose) update to v830	F	8.2.0	8.3.0	-
RP-47	RP-100155	0051	-	Correction of IMS test model for XCAP-based SS test	F	8.2.0	8.3.0	R5-100087
RP-47	RP-100140	0052	-	Add bearer information for E-UTRA	F	8.2.0	8.3.0	R5-100414
RP-48	RP-100514	0053	-	CR to 34.229-3 (prose) update to v840	F	8.3.0	8.4.0	-
RP-48	RP-100511	0054	-	Update IMS test model	F	8.3.0	8.4.0	R5-103382
RP-50	RP-101146	0055	-	Routine maintenance of TS 34.229-3	F	8.4.0	8.5.0	R5-106088
RP-50	RP-101150	0056	-	CR to 34.229-3 update to v850	F	8.4.0	8.5.0	-
RP-51	RP-110165	0057	-	Mapping of some PIXIT parameters to ISIM EFs – 3 IMPU	F	8.5.0	8.6.0	R5-110694
RP-51	RP-110169	0058	-	CR to 34.229-3 (prose) update to v860	F	8.5.0	8.6.0	-
RP-52	RP-110651	0059	-	Removal of technical content in 34.229-3 v8.6.0 and substitution with pointer to the next Release	F	8.6.0	8.7.0	R5-112246
RP-52	RP-110651	0060	-	Routine maintenance	F	8.6.0	9.0.0	R5-112648
RP-52	RP-110655	0061	-	CR to 34.229-3 (prose) update to v870	F	8.6.0	9.0.0	-
RP-53	RP-111160	0062	-	CR to 34.229-3 (prose) update to v910	F	9.0.0	9.1.0	-
RP-54	RP-111584	0063	-	Routine maintenance and updates for IMS ASP	F	9.1.0	9.2.0	R5-115670
RP-55	RP-120187	0064	-	CR to 34.229-3 (prose) update to v930	F	9.2.0	9.3.0	-
RP-56	RP-120649	0065	-	Routine maintenance and updates	F	9.3.0	9.4.0	R5-121090
RP-56	RP-120802	0066	-	Correction to IMS CC test cases / IPv6 address handling	F	9.3.0	9.4.0	R5s120108
RP-57	RP-121103	0067	-	34229-3: Routine maintenance and updates	F	9.4.0	9.5.0	R5-123085
RP-57	RP-121221	0068	-	TTCN IMS correction	F	9.4.0	9.5.0	R5s120530
RP-57	RP-121221	0069	-	Addition of GCF WI-031 IMS test case 8.10	F	9.4.0	9.5.0	R5s120537
RP-57	RP-121221	0070	-	Addition of GCF WI-031 IMS test case 8.12	F	9.4.0	9.5.0	R5s120539
RP-57	RP-121221	0071	-	Addition of GCF WI-031 IMS test case 8.13	F	9.4.0	9.5.0	R5s120541
RP-57	RP-121221	0072	-	Addition of GCF WI-128 IMS test case 18.1	F	9.4.0	9.5.0	R5s120543
RP-57	RP-121221	0073	-	Addition of GCF WI-128 IMS test case 18.2	F	9.4.0	9.5.0	R5s120545
RP-57	RP-121221	0074	-	Addition of GCF WI-103 IMS test case 16.1	F	9.4.0	9.5.0	R5s120547
RP-57	RP-121221	0075	-	Addition of GCF WI-103 IMS test case 16.2	F	9.4.0	9.5.0	R5s120549
RP-57	RP-121106	0076	-	CR to 34.229-3: Add new verified and e-mail agreed TTCN test cases in the TC lists in 34.229-3 (prose), Annex A	F	9.4.0	9.5.0	-
RP-58	RP-121664	0077	-	34229-3: Routine maintenance and updates	F	9.5.0	9.6.0	R5-125120
RP-58	RP-121669	0078	-	Addition of GCF WI-103 IMS test case 12.12	B	9.5.0	9.6.0	R5s120605
RP-58	RP-121669	0079	-	Addition of GCF WI-103 IMS test case 12.13	B	9.5.0	9.6.0	R5s120607
RP-58	RP-121669	0080	-	Addition of GCF WI-103 IMS test case 15.11	B	9.5.0	9.6.0	R5s120609
RP-58	RP-121669	0081	-	IMS TTCN correction	F	9.5.0	9.6.0	R5s120729
RP-58	RP-121669	0082	-	Addition of GCF WI-103 IMS test case 15.8	B	9.5.0	9.6.0	R5s120730
RP-58	RP-121669	0083	-	Addition of GCF WI-103 IMS test case 15.12	B	9.5.0	9.6.0	R5s120732
RP-58	RP-121669	0084	-	Addition of GCF WI-103 IMS test case 15.27	B	9.5.0	9.6.0	R5s120733
RP-58	RP-121669	0085	-	Addition of GCF WI-103 IMS test case 15.28	B	9.5.0	9.6.0	R5s120736
RP-58	RP-121668	0086	-	CR to 34.229-3: Add new verified and e-mail agreed TTCN test cases in the TC lists in 34.229-3 (prose), Annex A	F	9.5.0	9.6.0	-
RP-59	RP-130145	0087	-	34229-3: Routine maintenance and updates	F	9.6.0	9.7.0	R5-130198
RP-59	RP-130150	0088	-	Re-verification of IMS Registration test case 8.10 over	F	9.6.0	9.7.0	R5s120858

Meeting	TSG doc	CR	Rev	Subject	Cat	Old vers	New vers	WG doc
				LTE with 36.523-3 test model				
RP-59	RP-130150	0089	-	Corrections for IMS test cases with 34.229-3 test model	F	9.6.0	9.7.0	R5s120907
RP-59	RP-130150	0090	-	Re-verification of IMS Registration test case 8.4 over LTE with new 34.229-3 test model	F	9.6.0	9.7.0	R5s120945
RP-59	RP-130150	0091	-	Re-verification of IMS Authentication test case 9.1 over LTE with the new 34.229-3 test model	F	9.6.0	9.7.0	R5s120947
RP-59	RP-130150	0092	-	Corrections to IMS_36523_IWD_12wk48 test suite	F	9.6.0	9.7.0	R5s130011
RP-59	RP-130150	0093	-	Corrections for IMS TC 8.1 regarding IPv6 privacy	F	9.6.0	9.7.0	R5s130049
RP-59	RP-130149	0094	-	CR to 34.229-3 (prose) update to v970	F	9.6.0	9.7.0	-

---

## History

<b>Document history</b>		
V9.0.0	July 2011	Publication
V9.1.1	December 2011	Publication
V9.2.0	January 2012	Publication
V9.3.0	March 2012	Publication
V9.4.0	July 2012	Publication
V9.5.0	October 2012	Publication
V9.6.0	January 2013	Publication
V9.7.0	April 2013	Publication