

ETSI TS 136 440 V18.0.0 (2024-05)



**LTE;
Evolved Universal Terrestrial
Radio Access Network (E-UTRAN);
General aspects and principles for interfaces supporting
Multimedia Broadcast Multicast Service (MBMS)
within E-UTRAN
(3GPP TS 36.440 version 18.0.0 Release 18)**



Reference

RTS/TSGR-0336440vi00

Keywords

LTE

ETSI

650 Route des Lucioles
F-06921 Sophia Antipolis Cedex - FRANCE

Tel.: +33 4 92 94 42 00 Fax: +33 4 93 65 47 16

Siret N° 348 623 562 00017 - APE 7112B
Association à but non lucratif enregistrée à la
Sous-Préfecture de Grasse (06) N° w061004871

Important notice

The present document can be downloaded from:

<https://www.etsi.org/standards-search>

The present document may be made available in electronic versions and/or in print. The content of any electronic and/or print versions of the present document shall not be modified without the prior written authorization of ETSI. In case of any existing or perceived difference in contents between such versions and/or in print, the prevailing version of an ETSI deliverable is the one made publicly available in PDF format at www.etsi.org/deliver.

Users of the present document should be aware that the document may be subject to revision or change of status.

Information on the current status of this and other ETSI documents is available at

<https://portal.etsi.org/TB/ETSIDeliverableStatus.aspx>

If you find errors in the present document, please send your comment to one of the following services:

<https://portal.etsi.org/People/CommitteeSupportStaff.aspx>

If you find a security vulnerability in the present document, please report it through our
Coordinated Vulnerability Disclosure Program:

<https://www.etsi.org/standards/coordinated-vulnerability-disclosure>

Notice of disclaimer & limitation of liability

The information provided in the present deliverable is directed solely to professionals who have the appropriate degree of experience to understand and interpret its content in accordance with generally accepted engineering or other professional standard and applicable regulations.

No recommendation as to products and services or vendors is made or should be implied.

No representation or warranty is made that this deliverable is technically accurate or sufficient or conforms to any law and/or governmental rule and/or regulation and further, no representation or warranty is made of merchantability or fitness for any particular purpose or against infringement of intellectual property rights.

In no event shall ETSI be held liable for loss of profits or any other incidental or consequential damages.

Any software contained in this deliverable is provided "AS IS" with no warranties, express or implied, including but not limited to, the warranties of merchantability, fitness for a particular purpose and non-infringement of intellectual property rights and ETSI shall not be held liable in any event for any damages whatsoever (including, without limitation, damages for loss of profits, business interruption, loss of information, or any other pecuniary loss) arising out of or related to the use of or inability to use the software.

Copyright Notification

No part may be reproduced or utilized in any form or by any means, electronic or mechanical, including photocopying and microfilm except as authorized by written permission of ETSI.

The content of the PDF version shall not be modified without the written authorization of ETSI.

The copyright and the foregoing restriction extend to reproduction in all media.

© ETSI 2024.
All rights reserved.

Intellectual Property Rights

Essential patents

IPRs essential or potentially essential to normative deliverables may have been declared to ETSI. The declarations pertaining to these essential IPRs, if any, are publicly available for **ETSI members and non-members**, and can be found in ETSI SR 000 314: "*Intellectual Property Rights (IPRs); Essential, or potentially Essential, IPRs notified to ETSI in respect of ETSI standards*", which is available from the ETSI Secretariat. Latest updates are available on the ETSI Web server (<https://ipr.etsi.org/>).

Pursuant to the ETSI Directives including the ETSI IPR Policy, no investigation regarding the essentiality of IPRs, including IPR searches, has been carried out by ETSI. No guarantee can be given as to the existence of other IPRs not referenced in ETSI SR 000 314 (or the updates on the ETSI Web server) which are, or may be, or may become, essential to the present document.

Trademarks

The present document may include trademarks and/or tradenames which are asserted and/or registered by their owners. ETSI claims no ownership of these except for any which are indicated as being the property of ETSI, and conveys no right to use or reproduce any trademark and/or tradename. Mention of those trademarks in the present document does not constitute an endorsement by ETSI of products, services or organizations associated with those trademarks.

DECT™, **PLUGTESTS™**, **UMTS™** and the ETSI logo are trademarks of ETSI registered for the benefit of its Members. **3GPP™** and **LTE™** are trademarks of ETSI registered for the benefit of its Members and of the 3GPP Organizational Partners. **oneM2M™** logo is a trademark of ETSI registered for the benefit of its Members and of the oneM2M Partners. **GSM®** and the GSM logo are trademarks registered and owned by the GSM Association.

Legal Notice

This Technical Specification (TS) has been produced by ETSI 3rd Generation Partnership Project (3GPP).

The present document may refer to technical specifications or reports using their 3GPP identities. These shall be interpreted as being references to the corresponding ETSI deliverables.

The cross reference between 3GPP and ETSI identities can be found under <https://webapp.etsi.org/key/queryform.asp>.

Modal verbs terminology

In the present document "**shall**", "**shall not**", "**should**", "**should not**", "**may**", "**need not**", "**will**", "**will not**", "**can**" and "**cannot**" are to be interpreted as described in clause 3.2 of the [ETSI Drafting Rules](#) (Verbal forms for the expression of provisions).

"**must**" and "**must not**" are **NOT** allowed in ETSI deliverables except when used in direct citation.

Contents

Intellectual Property Rights	2
Legal Notice	2
Modal verbs terminology.....	2
Foreword.....	5
1 Scope.....	6
2 References	6
3 Definitions, symbols and abbreviations	6
3.1 Definitions.....	6
3.2 Symbols.....	7
3.3 Abbreviations	7
4 General Architecture for EUTRAN MBMS.....	7
5 Functions of M1 interface for MBMS.....	8
5.1 General	8
5.2 Multicast group management function.....	8
5.3 Content synchronization function.....	8
6 Functions of M2 interface for MBMS.....	8
6.1 General	8
6.2 M2 interface setup and configuration update functions.....	8
6.3 MBMS Session management function	8
6.3.1 M2 service context management function	9
6.3.2 MBMS E-RAB management functions	9
6.3.3 M2 link management function.....	9
6.3.4 MBMS Service Suspension and Resumption function	9
6.4 MBMS Scheduling Information transfer function.....	9
6.5 MBMS signalling synchronization over M2	9
6.6 M2 interface reset and error processing function	9
6.6.1 Error indication.....	9
6.6.2 Reset	9
6.7 MBMS Counting Function.....	10
7 Functions of M3 interface for MBMS.....	10
7.1 General	10
7.2 MBMS Session management function	10
7.2.1 M3 service context management function	10
7.2.2 MBMS E-RAB management functions	10
7.3 M3 interface reset and error processing function	10
7.3.1 Error indication.....	10
7.3.2 Reset	10
7.4 M3 interface setup and configuration update functions.....	10
8 Protocol structure for MBMS related interface in E-UTRAN	11
8.1 General	11
8.2 M1	11
8.3 M2	11
8.4 M3	11
9 Other MBMS E-UTRAN Interface Specifications.....	11
9.1 Layer 1 for interfaces supporting MBMS within E-UTRAN (3GPP TS 36.441).....	11
9.2 Signalling Transport for interfaces supporting MBMS within E-UTRAN (3GPP TS 36.442)	11
9.3 E-UTRAN M2 Application Protocol (M2AP) (3GPP TS 36.443).....	11
9.4 E-UTRAN M3 Application Protocol (M3AP) (3GPP TS 36.444).....	12
9.5 E-UTRAN M1 Data Transport (3GPP TS 36.445)	12
9.6 E-UTRAN MBMS synchronisation protocol (3GPP TS 25.446).....	12

Annex A (informative): **Change history**13
History14

Foreword

This Technical Specification has been produced by the 3rd Generation Partnership Project (3GPP).

The contents of the present document are subject to continuing work within the TSG and may change following formal TSG approval. Should the TSG modify the contents of the present document, it will be re-released by the TSG with an identifying change of release date and an increase in version number as follows:

Version x.y.z

where:

- x the first digit:
 - 1 presented to TSG for information;
 - 2 presented to TSG for approval;
 - 3 or greater indicates TSG approved document under change control.
- y the second digit is incremented for all changes of substance, i.e. technical enhancements, corrections, updates, etc.
- z the third digit is incremented when editorial only changes have been incorporated in the document.

1 Scope.

The present document describes the overall architecture of the interface for the provision of MBMS in the E-UTRAN. This includes also a description of the general aspects, assumptions and principles guiding the architecture and interface. The MBMS functions to be provided within that architecture are summarized. It provides an introduction to the TSG RAN TS 36.44x series of UMTS Technical Specifications that define the different interfaces introduced for MBMS provision in E-UTRAN.

2 References

The following documents contain provisions which, through reference in this text, constitute provisions of the present document.

- References are either specific (identified by date of publication, edition number, version number, etc.) or non-specific.
- For a specific reference, subsequent revisions do not apply.
- For a non-specific reference, the latest version applies. In the case of a reference to a 3GPP document (including a GSM document), a non-specific reference implicitly refers to the latest version of that document *in the same Release as the present document*.

- [1] 3GPP TR 21.905: "Vocabulary for 3GPP Specifications".
- [2] 3GPP TS 36.441: "Layer 1 for interfaces supporting MBMS within E-UTRAN"
- [3] 3GPP TS 36.442: "Signalling Transport for interfaces supporting MBMS within E-UTRAN"
- [4] 3GPP TS 36.443: "EUTRAN M2 Application Protocol (M2AP)"
- [5] 3GPP TS 36.444: "EUTRAN M3 Application Protocol (M3AP)"
- [6] 3GPP TS 36.445: "E-UTRAN M1 Data Transport"
- [7] 3GPP TS 25.446: "MBMS synchronisation protocol (SYNC)"
- [8] 3GPP TS 23.246: "MBMS Architecture and functional description"
- [9] 3GPP TS 36.300: "E-UTRA and E-UTRAN overall description"
- [10] IETF RFC 4960 (2007-09): "Stream Control Transmission Protocol".

3 Definitions, symbols and abbreviations

3.1 Definitions

For the purposes of the present document, the terms and definitions given in TR 21.905 [1] and the following apply. A term defined in the present document takes precedence over the definition of the same term, if any, in TR 21.905 [1].

Definition format

<defined term>: *<definition>*.

example: text used to clarify abstract rules by applying them literally.

3.2 Symbols

For the purposes of the present document, the following symbols apply:

Symbol format

<symbol> <Explanation>

3.3 Abbreviations

For the purposes of the present document, the abbreviations given in TR 21.905 [1] and the following apply. An abbreviation defined in the present document takes precedence over the definition of the same abbreviation, if any, in TR 21.905 [1].

BM-SC	Broadcast-Multicast Service Centre
EPC	Evolved Packet Core
MCE	Multi-cell/multicast Coordination Entity
MME	Mobility Management Entity
RNL	Radio Network Layer
TNL	Transport Network Layer

4 General Architecture for E-UTRAN MBMS

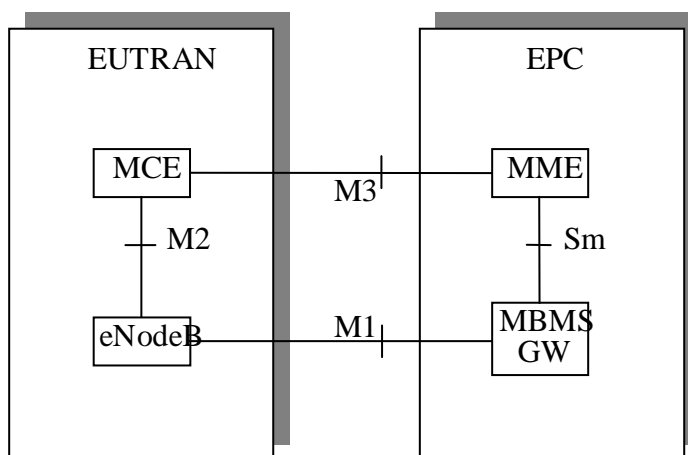


Figure 4-1 General Architecture for E-UTRAN MBMS

Figure 4-1 shows a simplified architecture for MBMS in LTE/SAE. It consists of EPC functional entities and E-UTRAN nodes. Functions of MBMS EPC entities are defined in TS 23.246 [8]. Functions of MBMS E-UTRAN nodes are defined in TS 36.300 [9]. It should be noted that TS 36.300 [9] also allows MCE be deployed inside eNodeB.

Interfaces related to E-UTRAN (i.e. M1, M2 and M3) are introduced in this document. For MBMS, control signaling and user plane data packet are distributed from the EPC to E-UTRAN through different interfaces.

- Control plane interfaces

M3, M2 interface are pure control plane interfaces.

M3 between MME and MCE mainly carries MBMS session management signaling.

A MCE is connected to one or more than one eNBs within the same MBSFN through M2 interface mainly for MBMS session management signaling and radio configuration signaling.

- User plane interface

M1 interface is a pure user plane interface.

A MBMS GW is connected to multiple eNBs through M1 interface for data distribution.

Reference points within EPC are not in the scope of this document. Please refer to TS 23.246 [8] for details.

5 Functions of M1 interface for MBMS

5.1 General

“M1” Interface: MBMS GW – eNB

The M1 interface is the user plane interface of MBMS between MBMS GW and eNB. IP multicast is used to deliver the downlink packets over the M1 interface and there is no uplink data over M1 radio network layer. SYNC protocol (TS 25.446 [7]) is used over the M1 interface to keep the content synchronization for MBMS service data transmission.

5.2 Multicast group management function

IP multicast is used to deliver the packets over the M1 interface. The M1 interface has the function to manage the IP multicast groups. The MBMS GW maintains the IP multicast groups. The MBMS GW allocates the IP multicast group address when the session arrives, and may release it at session stop. At the eNB side, the eNB joins the IP multicast group to receive the MBMS User Plane data at session start, leaves the IP multicast group when the session stops, may leave the IP multicast group when the session suspends and may rejoin the IP multicast group when the session resumes.

5.3 Content synchronization function

The packets delivered over M1 interface will be synchronously transmitted by eNBs. To support the inter-eNB content synchronization, SYNC protocol layer is defined between BM-SC to eNB, which is used to carry additional information that enable eNBs to identify the timing for radio frame transmission and detect packet loss. Every packet in M1 contains the SYNC protocol information which is encapsulated at BM-SC.

6 Functions of M2 interface for MBMS

6.1 General

“M2” Interface: MCE – eNB

An Application Part (M2AP) is defined in TS 36.443 [4] for this interface, which conveys at least radio configuration data for the multi-cell transmission mode eNBs and Session Control Signaling. SCTP (IETF RFC 4960 [10]) is used as signaling transport i.e. Point-to-Point signaling is applied.

6.2 M2 interface setup and configuration update functions

The M2 Setup (respectively the eNB and MCE configuration update) function allows to exchange (respectively update) application level data needed for the eNB and MCE to interoperate correctly on the M2 interface after the TNL association has become operational.

6.3 MBMS Session management function

MBMS session management function is responsible for starting, updating, and stopping MBMS sessions.

6.3.1 M2 service context management function

The M2 service context management function supports the establishment of the necessary overall initial service context including MBMS E-RAB context, M2 signalling connection ID(s), etc.

The establishment of the overall initial M2 service context is initiated by the MCE.

The M2 service context management function also supports the release of the context previously established in the eNB due to service termination. The release of the context is triggered by the MCE.

6.3.2 MBMS E-RAB management functions

The MBMS E-RAB service management function is responsible for establishing and releasing E-UTRAN resources for service data transport. The establishment of E-UTRAN resources is triggered by the MCE. The release of E-UTRAN resources is triggered by the MCE.

6.3.3 M2 link management function

The M2 signalling link management function provides a reliable transfer of the radio network signalling between eNBs and MCE. The SCTP is used to support the exchange of M2 Application Protocol (M2AP) signalling messages between eNBs and MCE.

6.3.4 MBMS Service Suspension and Resumption function

The MBMS Service Suspension function allows the MCE to request the eNB to stop the MBSFN transmission of an ongoing service and release associated RAN resources while keeping the MBMS context in the eNB.

The MBMS Service Resumption function allows to resume a previously suspended MBMS Session.

6.4 MBMS Scheduling Information transfer function

This function provides multiplexing information if more than one MBMS service is active. The MCE allocates the amount of resources to multiplexed services, using service related information. The eNBs accept the MBMS Scheduling information to synchronize the MCCH transmission in the MBSFN area.

6.5 MBMS signalling synchronization over M2

The M2 interface shall support timing and synchronization management functions. MCE transmits the control information to eNBs through M2 interface. Synchronization function guarantees the corresponding MCCH to be transmitted at all eNBs simultaneously.

6.6 M2 interface reset and error processing function

These functions allow for managing of signalling associations between eNB-MCE, surveying M2 interface and recovering from errors.

6.6.1 Error indication

This function allows the reporting of general error situations on signalling exchange.

6.6.2 Reset

The reset function is used to initialize the peer entity after node setup or after a failure event occurred. The reset function may also be used to initialize part of the peer entity. This procedure can be used by both the eNB and MCE.

6.7 MBMS Counting Function

The MBMS Counting function allows the MCE to request the eNB(s) to count and report per MBSFN area for one or more MBMS services the number of connected UEs receiving the MBMS Service or interested in receiving it.

7 Functions of M3 interface for MBMS

7.1 General

“M3” Interface: MME – MCE

M3 provides the signalling service between MCE and MME that is required to fulfil the M3AP functions listed in TS 36.444 [5]. SCTP (IETF RFC 4960 [10]) is used as signaling transport i.e. Point-to-Point signaling is applied.

7.2 MBMS Session management function

MBMS session management function is responsible for starting, updating, and stopping MBMS sessions.

7.2.1 M3 service context management function

The M3 service context management function supports the establishment of the necessary E-MBMS service context including E-MBMS E-RAB context, M3 signalling connection ID(s), etc.

The establishment of the M3 service context is initiated by the MME. The M3 service context management function also supports the release of the context previously established in the MCE due to service termination. The release of the M3 context is triggered by the MME.

7.2.2 MBMS E-RAB management functions

The E-MBMS E-RAB service management function is responsible for establishing and releasing E-UTRAN resources for E-MBMS services. The establishment of E-UTRAN resources is triggered by the MME and requires respective QoS information to be provided to the MCE. The release of E-UTRAN resources is triggered by the MME.

7.3 M3 interface reset and error processing function

These functions allow for managing of signalling associations between MME-MCE, surveying M3 interface and recovering from errors.

7.3.1 Error indication

The error indication function is used by the MCE (respectively the MME) to indicate to the MME (respectively the MCE) that a logical error has occurred.

7.3.2 Reset

The reset function is used to initialize the peer entity after node setup or after a failure event occurred. The reset function may also be used to initialize part of the peer entity. This procedure can be used by both the MCE and MME.

7.4 M3 interface setup and configuration update functions

In distributed MCE architecture, the M3 Setup and MCE Configuration Update functions may be used to exchange (respectively update) application level data used for the operation of the M3 interface after the TNL association has become operational.

8 Protocol structure for MBMS related interface in E-UTRAN

8.1 General

MBMS related E-UTRAN interfaces, M1, M2 and M3, are layered into a Radio Network Layer (RNL) and a Transport Network Layer (TNL).

The radio network signalling over M3 consists of the M3 Application Protocol (M3AP). The M3AP protocol (TS 36.444 [5]) consists of procedures between the EPC and E-UTRAN for MBMS.

The radio network signalling over M2 consists of the M2 Application Protocol (M2AP). The M2AP protocol (TS 36.443 [4]) consists of procedures between the MCE and eNB for MBMS.

8.2 M1

The protocol stack structure for M1 interface is defined in TS 36.445 section 5.1 [6].

MBMS user data is distributed from the MBMS GW to eNBs by using IP multicast through the M1 interface. An eNB joins the IP multicast address allocated by MBMS GW during the MBMS Session Start procedure (TS 23.246 [8]).

8.3 M2

The protocol stack structure for M2 interface is defined in TS 36.442 section 4.1.1 [3].

8.4 M3

The protocol stack structure for M3 interface is defined in TS 36.442 section 5.1.1 [3].

9 Other MBMS E-UTRAN Interface Specifications

9.1 Layer 1 for interfaces supporting MBMS within E-UTRAN (3GPP TS 36.441)

TS 36.441 [2] specifies the physical layer technologies that may be used to support the M1, M2 and M3 interface for MBMS in E-UTRAN.

9.2 Signalling Transport for interfaces supporting MBMS within E-UTRAN (3GPP TS 36.442)

TS 36.442 [3] specifies the signalling bearers for the M2AP for the M2 interface and the M3AP for the M3 interface.

9.3 E-UTRAN M2 Application Protocol (M2AP) (3GPP TS 36.443)

TS 36.443 [4] specifies the M2AP protocol for radio network control plane signalling over the M2 interface.

9.4 E-UTRAN M3 Application Protocol (M3AP) (3GPP TS 36.444)

TS 36.444 [5] specifies the M3AP protocol for radio network control plane signalling over the M3 interface.

9.5 E-UTRAN M1 Data Transport (3GPP TS 36.445)

TS 36.445 [6] specifies the transport bearers for the user plane of the M1 interface.

9.6 E-UTRAN MBMS synchronisation protocol (3GPP TS 25.446)

TS 25.446 [7] specifies the MBMS synchronisation protocol over the M1 interface.

Annex A (informative): Change history

TSG #	TSG Doc.	CR	Rev	Subject/Comment	New
2009-10				Scope, Skeleton	0.0.0
2009-11				Update according to the comments from RAN3#66 meeting	1.0.0
2009-12				Presented for approval at RAN#46	2.0.0
46	RP-091253			Approved at RAN#46	9.0.0
47	RP-100226	0001	2	Incorrect reference for SYNC spec	9.1.0
2010-12				Creation of Rel-10 version based on v. 9.1.0	10.0.0
SP-49	SP-100629			Clarification on the use of References (TS 21.801 CR#0030)	10.0.1
52	RP-110684	0003		Correction of References	10.1.0
52	RP-110686	0004	2	Completion with Release 10 functions	10.1.0
53	RP-111197	0007	1	Removal the QoS information in the M2 interface	10.2.0
56	RP-120744	0008		Correction of Reset	10.3.0
2012-09				Update to Rel-11 version (MCC)	11.0.0
58	RP-121736	0009	1	Add M3 Setup and Configure Update function	11.1.0
59	RP-130211	0010	1	Rapporteur corrections	11.2.0
2014-09				Update to Rel-12 version (MCC)	12.0.0
2015-12				Update to Rel-13 version (MCC)	13.0.0

Change history							
Date	Meeting	TDoc	CR	Rev	Cat	Subject/Comment	New version
2017-03	SA#75					Promotion to Release 14 without technical change	14.0.0
2018-09	SA#81	-	-	-	-	Update to Rel-15 version (MCC)	15.0.0
2020-07	SA#88-e	-	-	-	-	Update to Rel-16 version (MCC)	16.0.0
2022-03	SA#95-e					Promotion to Release 17 without technical change	17.0.0
2024-03	SA#103-	-	-	-	-	Update to Rel-18 version (MCC)	18.0.0

History

Document history		
V18.0.0	May 2024	Publication