

ETSI TS 136 509 V16.3.0 (2022-10)



**LTE;
Evolved Universal Terrestrial Radio Access (E-UTRA)
and Evolved Packet Core (EPC);
Special conformance testing functions
for User Equipment (UE)
(3GPP TS 36.509 version 16.3.0 Release 16)**



Reference

RTS/TSGR-0536509vg30

Keywords

LTE

ETSI

650 Route des Lucioles
F-06921 Sophia Antipolis Cedex - FRANCE

Tel.: +33 4 92 94 42 00 Fax: +33 4 93 65 47 16

Siret N° 348 623 562 00017 - APE 7112B
Association à but non lucratif enregistrée à la
Sous-Préfecture de Grasse (06) N° w061004871

Important notice

The present document can be downloaded from:

<http://www.etsi.org/standards-search>

The present document may be made available in electronic versions and/or in print. The content of any electronic and/or print versions of the present document shall not be modified without the prior written authorization of ETSI. In case of any existing or perceived difference in contents between such versions and/or in print, the prevailing version of an ETSI deliverable is the one made publicly available in PDF format at www.etsi.org/deliver.

Users of the present document should be aware that the document may be subject to revision or change of status.

Information on the current status of this and other ETSI documents is available at

<https://portal.etsi.org/TB/ETSIDeliverableStatus.aspx>

If you find errors in the present document, please send your comment to one of the following services:

<https://portal.etsi.org/People/CommitteeSupportStaff.aspx>

If you find a security vulnerability in the present document, please report it through our
Coordinated Vulnerability Disclosure Program:

<https://www.etsi.org/standards/coordinated-vulnerability-disclosure>

Notice of disclaimer & limitation of liability

The information provided in the present deliverable is directed solely to professionals who have the appropriate degree of experience to understand and interpret its content in accordance with generally accepted engineering or other professional standard and applicable regulations.

No recommendation as to products and services or vendors is made or should be implied.

No representation or warranty is made that this deliverable is technically accurate or sufficient or conforms to any law and/or governmental rule and/or regulation and further, no representation or warranty is made of merchantability or fitness for any particular purpose or against infringement of intellectual property rights.

In no event shall ETSI be held liable for loss of profits or any other incidental or consequential damages.

Any software contained in this deliverable is provided "AS IS" with no warranties, express or implied, including but not limited to, the warranties of merchantability, fitness for a particular purpose and non-infringement of intellectual property rights and ETSI shall not be held liable in any event for any damages whatsoever (including, without limitation, damages for loss of profits, business interruption, loss of information, or any other pecuniary loss) arising out of or related to the use of or inability to use the software.

Copyright Notification

No part may be reproduced or utilized in any form or by any means, electronic or mechanical, including photocopying and microfilm except as authorized by written permission of ETSI.

The content of the PDF version shall not be modified without the written authorization of ETSI.

The copyright and the foregoing restriction extend to reproduction in all media.

© ETSI 2022.
All rights reserved.

Intellectual Property Rights

Essential patents

IPRs essential or potentially essential to normative deliverables may have been declared to ETSI. The declarations pertaining to these essential IPRs, if any, are publicly available for **ETSI members and non-members**, and can be found in ETSI SR 000 314: "*Intellectual Property Rights (IPRs); Essential, or potentially Essential, IPRs notified to ETSI in respect of ETSI standards*", which is available from the ETSI Secretariat. Latest updates are available on the ETSI Web server (<https://ipr.etsi.org/>).

Pursuant to the ETSI Directives including the ETSI IPR Policy, no investigation regarding the essentiality of IPRs, including IPR searches, has been carried out by ETSI. No guarantee can be given as to the existence of other IPRs not referenced in ETSI SR 000 314 (or the updates on the ETSI Web server) which are, or may be, or may become, essential to the present document.

Trademarks

The present document may include trademarks and/or tradenames which are asserted and/or registered by their owners. ETSI claims no ownership of these except for any which are indicated as being the property of ETSI, and conveys no right to use or reproduce any trademark and/or tradename. Mention of those trademarks in the present document does not constitute an endorsement by ETSI of products, services or organizations associated with those trademarks.

DECT™, **PLUGTESTS™**, **UMTS™** and the ETSI logo are trademarks of ETSI registered for the benefit of its Members. **3GPP™** and **LTE™** are trademarks of ETSI registered for the benefit of its Members and of the 3GPP Organizational Partners. **oneM2M™** logo is a trademark of ETSI registered for the benefit of its Members and of the oneM2M Partners. **GSM®** and the GSM logo are trademarks registered and owned by the GSM Association.

Legal Notice

This Technical Specification (TS) has been produced by ETSI 3rd Generation Partnership Project (3GPP).

The present document may refer to technical specifications or reports using their 3GPP identities. These shall be interpreted as being references to the corresponding ETSI deliverables.

The cross reference between 3GPP and ETSI identities can be found under <http://webapp.etsi.org/key/queryform.asp>.

Modal verbs terminology

In the present document "**shall**", "**shall not**", "**should**", "**should not**", "**may**", "**need not**", "**will**", "**will not**", "**can**" and "**cannot**" are to be interpreted as described in clause 3.2 of the [ETSI Drafting Rules](#) (Verbal forms for the expression of provisions).

"**must**" and "**must not**" are **NOT** allowed in ETSI deliverables except when used in direct citation.

Contents

Intellectual Property Rights	2
Legal Notice	2
Modal verbs terminology.....	2
Foreword.....	6
Introduction	6
1 Scope	7
2 References	7
3 Definitions and abbreviations.....	9
3.1 Definitions	9
3.2 Abbreviations	9
4 UE special conformance test functions	10
4.1 General description.....	10
4.2 Requirements for UE support of test functions	10
5 Test Control (TC) protocol procedures and test loop operation	10
5.1 General description.....	10
5.2 Security protection of test control messages	29
5.3 UE test mode procedures.....	29
5.3.1 General.....	29
5.3.2 Activate UE test mode	30
5.3.2.1 General	30
5.3.2.2 Initiation.....	31
5.3.2.3 Reception of ACTIVATE TEST MODE message or AT Command +CATM by UE.....	31
5.3.3 Deactivate UE test mode.....	32
5.3.3.1 General	33
5.3.3.2 Initiation.....	33
5.3.3.3 Reception of DEACTIVATE TEST MODE message or AT Command +CATM by UE	33
5.4 UE test loop procedures	34
5.4.1 General.....	34
5.4.2 Close UE test loop	34
5.4.2.1 General	35
5.4.2.1a UE test loop mode A PDCP SDU and UE test loop mode B IP PDU buffer size requirement.....	36
5.4.2.1b UE test loop mode G and UE test loop mode H buffer size, User data container size and TP- User-Data buffer size requirements.....	36
5.4.2.2 Initiation.....	37
5.4.2.3 Reception of CLOSE UE TEST LOOP message by the UE	37
5.4.2.4 Reception of AT Command +CCUTLE by the UE.....	43
5.4.3 UE test loop mode A operation.....	44
5.4.4 UE test loop mode B operation.....	46
5.4.4.1 Void.....	46
5.4.4.2 Reception of IP PDUs when UE is in E-UTRA or NB-IoT mode	46
5.4.4.3 Expiry of T_delay_modeB timer when UE is in E-UTRA or NB-IoT mode.....	46
5.4.4.4 Reception of IP PDUs when UE is in UTRA mode	46
5.4.4.5 Expiry of T_delay_modeB timer when UE is in UTRA mode	47
5.4.4.6 Reception of IP PDUs when UE is in GSM/GPRS mode	47
5.4.4.7 Expiry of T_delay_modeB timer when UE is in GSM/GPRS mode.....	47
5.4.4.8 Reception of IP PDUs when UE is in CDMA2000 mode.....	47
5.4.4.9 Expiry of T_delay_modeB timer when UE is in CDMA2000 mode	48
5.4.4.10 Establishment of the RRC/RR connection in E-UTRA, NB-IoT, UTRA, GSM/GPRS and CDMA2000 mode.....	48
5.4.4.11 Release of RRC/RR connection in E-UTRA, NB-IoT, UTRA, GSM/GPRS and CDMA2000 mode after T_delay_modeB timer has expired	48
5.4.4a UE test loop mode C operation.....	48

5.4.4a.1	Reception of MBMS packets	48
5.4.4a.2	Release of RRC connection.....	49
5.4.4b	UE test loop mode D operation.....	49
5.4.4b.1	Monitor or Announce ProSe Direct Discovery	49
5.4.4b.2	Release of RRC connection.....	50
5.4.4c	UE test loop mode E operation	50
5.4.4c.1	Receive or Transmit ProSe Direct or V2X Communication	50
5.4.4c.2	Release of RRC connection.....	52
5.4.4c.3	Transition from RRC Idle/Connected to Any Cell Selection state.....	52
5.4.4c.4	V2X operation.....	52
5.4.4d	UE test loop mode F operation	53
5.4.4d.1	Reception of MBMS packets	53
5.4.4d.2	Release of RRC connection.....	53
5.4.4e	UE test loop mode G operation.....	53
5.4.4e.1	Reception of ESM DATA TRANSPORT message	53
5.4.4e.2	Expiry of T_delay_modeGH timer when UE test loop mode G is active	54
5.4.4f	UE test loop mode H operation.....	54
5.4.4f.1	Reception of TPDU.....	54
5.4.4f.2	Expiry of T_delay_modeGH timer when UE test loop mode H is active	55
5.4.4g	UE test loop mode I operation	56
5.4.4g.1	Reception of ESM DATA TRANSPORT message	56
5.4.5	Open UE test loop.....	56
5.4.5.1	General	56
5.4.5.2	Initiation.....	56
5.4.5.3	Reception of OPEN UE TEST LOOP message or AT Command +CCUTLE by the UE	56
5.5	UE Positioning test mode procedures.....	57
5.5.1	Reset UE Positioning Stored Information.....	57
5.5.1.1	General	57
5.5.1.2	Initiation.....	58
5.5.1.3	Reception of RESET UE POSITIONING STORED INFORMATION message by UE.....	58
5.5.2	Update UE Location Information	58
5.5.2.1	General	59
5.5.2.2	Initiation.....	59
5.5.2.3	Reception of UPDATE UE LOCATION INFORMATION message by UE	59
5.5.3	UTC time reset.....	59
5.5.3.1	General	59
5.5.3.2	Initiation.....	59
5.5.3.3	Reception of AT Command +CUTCR by UE.....	59
5.6	MBMS Packet Counter reporting procedure	60
5.6.1	Request MBMS Packet Counter value.....	60
5.6.1.1	General	60
5.6.1.2	Initiation.....	60
5.6.1.3	Reception of UE TEST LOOP MODE C MBMS PACKET COUNTER REQUEST by the UE.....	60
5.7	ProSe Packet Counter reporting procedure	61
5.7.1	Request ProSe Packet Counter value	61
5.7.1.1	General	61
5.7.1.2	Initiation.....	61
5.7.1.3	Reception of UE TEST LOOP PROSE COUNTER REQUEST by the UE	62
5.7.1.4	Reception of AT Command +CUSPCREQ by the UE	62
5.8	SC-PTM Packet Counter reporting procedure.....	63
5.8.1	Request SC-PTM Packet Counter value	63
5.8.1.1	General	63
5.8.1.2	Initiation.....	63
5.8.1.3	Reception of UE TEST LOOP MODE F SCPTM PACKET COUNTER REQUEST by the UE	63
5.9	Antenna Test Function measurement procedure	63
5.9.0	Measurements definition.....	64
5.9.0.1	Reference Signal Antenna Power (RSAP) definition.....	64
5.9.0.2	Reference Signal Antenna Relative Phase (RSARP) definition.....	64
5.9.1	Request Antenna Information values	65
5.9.1.1	General	65
5.9.1.2	Initiation.....	65
5.9.1.3	Reception of ANTENNA INFORMATION REQUEST by the UE	65

5.9.2	UE ATF requirements.....	66
5.9.2.1	RSAP.....	66
5.9.2.2	RSARP.....	66
5.10	Set UL Message test function.....	67
5.10.1	General.....	67
5.10.2	Initiation.....	67
5.10.3	Reception of SET UL MESSAGE REQUEST message by UE	67
6	Message definitions and contents.....	67
6.1	CLOSE UE TEST LOOP	68
6.2	CLOSE UE TEST LOOP COMPLETE	73
6.3	OPEN UE TEST LOOP	73
6.4	OPEN UE TEST LOOP COMPLETE	74
6.5	ACTIVATE TEST MODE.....	74
6.6	ACTIVATE TEST MODE COMPLETE.....	74
6.7	DEACTIVATE TEST MODE	74
6.8	DEACTIVATE TEST MODE COMPLETE	75
6.9	RESET UE POSITIONING STORED INFORMATION	75
6.10	UE TEST LOOP MODE C MBMS PACKET COUNTER REQUEST	76
6.11	UE TEST LOOP MODE C MBMS PACKET COUNTER RESPONSE	76
6.12	UPDATE UE LOCATION INFORMATION.....	76
6.13	UE TEST LOOP PROSE PACKET COUNTER REQUEST	78
6.14	UE TEST LOOP PROSE PACKET COUNTER RESPONSE	78
6.15	UE TEST LOOP MODE F SCPTM PACKET COUNTER REQUEST.....	81
6.16	UE TEST LOOP MODE F SCPTM PACKET COUNTER RESPONSE.....	81
6.17	ANTENNA INFORMATION REQUEST.....	81
6.18	ANTENNA INFORMATION RESPONSE.....	82
6.19	SET UL MESSAGE.....	84
6.19.1	SET UL MESSAGE REQUEST	84
6.19.2	SET UL MESSAGE RESPONSE	84
7	Variables, constants and timers	84
7.1	State variables	84
7.2	Constants	86
7.3	Timers	86
7.4	Configurable parameters	87
8	Electrical Man Machine Interface (EMMI).....	87
9	Test application definition.....	88
9.1	Definition of the UE ATF Client Application	88
9.1.2	Message Definitions and Contents.....	89
Annex A (informative):	Void	92
Annex B (normative):	Pre-defined message containers used for testing.....	93
Annex C (informative):	Change history	97
History		100

Foreword

This Technical Specification has been produced by the 3rd Generation Partnership Project (3GPP).

The contents of the present document are subject to continuing work within the TSG and may change following formal TSG approval. Should the TSG modify the contents of the present document, it will be re-released by the TSG with an identifying change of release date and an increase in version number as follows:

Version x.y.z

where:

- x the first digit:
 - 1 presented to TSG for information;
 - 2 presented to TSG for approval;
 - 3 or greater indicates TSG approved document under change control.
- y the second digit is incremented for all changes of substance, i.e. technical enhancements, corrections, updates, etc.
- z the third digit is incremented when editorial only changes have been incorporated in the document.

Introduction

User Equipment (UE) Test Loop functionality is a mandatory feature to support E-UTRA / EPC conformance testing. It forms part of the core requirements and thus has a direct impact on the design of the UE.

The test methods applied in RF Conformance Test Specification TS 36.521-1 [27] and the test models used in Protocol Conformance Test Specifications TS 36.523-1 [30] and TS 36.523-3 [32] define the corresponding UE Test Loop functionality. The present specification describes the location of the data loop in the protocol stack as well as the procedure and specific messages to activate/deactivate the Test Loop functionality in the UE.

1 Scope

The present document defines for User Equipment (UE) in E-UTRA FDD or TDD mode those special functions and their activation/deactivation methods that are required in UE for conformance testing purposes.

This document also describes the operation of these special functions for UEs supporting E-UTRA FDD or TDD mode, when operating in UTRA FDD and TDD mode, in GSM/GPRS mode, and in CDMA2000 mode.

2 References

The following documents contain provisions which, through reference in this text, constitute provisions of the present document.

- References are either specific (identified by date of publication, edition number, version number, etc.) or non-specific.
- For a specific reference, subsequent revisions do not apply.
- For a non-specific reference, the latest version applies. In the case of a reference to a 3GPP document (including a GSM document), a non-specific reference implicitly refers to the latest version of that document in the same Release as the present document.

- [1] 3GPP TR 21.905: "Vocabulary for 3GPP Specifications".
- [2] 3GPP TS 23.003: "Numbering, Addressing and Identification".
- [3] 3GPP TS 23.122: "Non-Access-Stratum functions related to Mobile Station (MS) in idle mode".
- [4] 3GPP TS 23.401: "3GPP System Architecture Evolution; GPRS enhancements for E-UTRAN access".
- [5] 3GPP TS 24.007: "Mobile radio interface signalling layer 3; General aspects".
- [6] 3GPP TS 24.008: "Mobile Radio Interface Layer 3 specification; Core Network Protocols; Stage 3".
- [7] 3GPP TR 24.801: "3GPP System Architecture Evolution; CT WG1 Aspects".
- [8] 3GPP TS 27.007: "AT command set for User Equipment (UE)".
- [9] 3GPP TS 31.101: "UICC-Terminal Interface; Physical and Logical Characteristics".
- [10] 3GPP TS 34.108: "Common Test Environments for User Equipment (UE) Conformance Testing".
- [11] 3GPP TS 34.109: "Terminal logical test interface; Special conformance testing functions".
- [12] 3GPP TS 34.123-1: "User Equipment (UE) conformance specification; Part 1: Protocol conformance specification".
- [13] 3GPP TS 34.123-2: "User Equipment (UE) conformance specification; Part 2: Implementation Conformance Statement (ICS) proforma specification".
- [14] 3GPP TS 34.123-3: "User Equipment (UE) conformance specification; Part 3: Abstract Test Suites (ATS)".
- [15] 3GPP TS 36.133: "Requirements for support of Radio Resource Management".
- [16] 3GPP TS 36.211: "Physical Channels and Modulation".
- [17] 3GPP TS 36.212: "Multiplexing and Channel Coding".
- [18] 3GPP TS 36.300: "Evolved Universal Terrestrial Radio Access (E-UTRA) and Evolved Universal Terrestrial Radio Access Network (E-UTRAN); Overall description; Stage 2".

- [19] 3GPP TS 36.302: "Services provided by the physical layer for E-UTRA".
- [20] 3GPP TS 36.304: "Evolved Universal Terrestrial Radio Access (EUTRA) User Equipment (UE) Procedures in idle mode".
- [21] 3GPP TS 36.306: "Evolved Universal Terrestrial Radio Access (EUTRA) User Equipment (UE) Radio Access capabilities".
- [22] 3GPP TS 36.321: "Evolved Universal Terrestrial Radio Access (EUTRA) Medium Access Control (MAC) protocol specification".
- [23] 3GPP TS 36.322: "Evolved Universal Terrestrial Radio Access (EUTRA) Radio Link Control (RLC) protocol specification".
- [24] 3GPP TS 36.323: "Evolved Universal Terrestrial Radio Access (EUTRA) Packet Data Convergence Protocol (PDCP) specification".
- [25] 3GPP TS 36.331: "Evolved Universal Terrestrial Radio Access (EUTRA) Radio Resource Control (RRC) Protocol Specification".
- [26] 3GPP TS 36.508: "Evolved Universal Terrestrial Radio Access (E-UTRA) and Evolved Packet Core (EPC); Common test environments for User Equipment (UE); Conformance Testing".
- [27] 3GPP TS 36.521-1: " Evolved Universal Terrestrial Radio Access (E-UTRA); User Equipment (UE) conformance specification Radio transmission and reception; Part 1: Conformance Testing".
- [28] 3GPP TS 36.521-2: "Evolved Universal Terrestrial Radio Access (E-UTRA); User Equipment (UE) conformance specification Radio transmission and reception; Part 2: Implementation Conformance Statement (ICS)".
- [29] 3GPP TS 36.521-3: "Evolved Universal Terrestrial Radio Access (E-UTRA); User Equipment (UE) conformance specification Radio transmission and reception; Part 3: Radio Resource Management Conformance Testing".
- [30] 3GPP TS 36.523-1: " Evolved Universal Terrestrial Radio Access (E-UTRA) and Evolved Packet Core (EPC); User Equipment (UE) conformance specification; Part 1: Protocol conformance specification".
- [31] 3GPP TS 36.523-2: "Evolved Universal Terrestrial Radio Access (E-UTRA) and Evolved Packet Core (EPC); User Equipment (UE) conformance specification; Part 2: Implementation Conformance Statement (ICS) proforma specification".
- [32] 3GPP TS 36.523-3: " Evolved Universal Terrestrial Radio Access (E-UTRA) and Evolved Packet Core (EPC); User Equipment (UE) conformance specification; Part 3: Abstract Test Suites (ATS)".
- [33] 3GPP TS 44.014: "Individual equipment type requirements and interworking; Special conformance testing functions".
- [34] 3GPP TS 51.010-1: "Mobile Station (MS) conformance specification; Part 1: Conformance specification".
- [35] ISO/IEC 9646 (all parts): "Information technology - Open Systems Interconnection - Conformance testing methodology and framework".
- [36] 3GPP TS 24.301: "Non-Access-Stratum (NAS) protocol for Evolved Packet System (EPS); Stage 3".
- [37] 3GPP TS 36.355: "Evolved Universal Terrestrial Radio Access (E-UTRA); LTE Positioning Protocol (LPP)".
- [38] 3GPP TS 24.334: "Proximity-services (ProSe) User Equipment (UE) to ProSe function protocol aspects; Stage 3".
- [39] 3GPP TS 23.060: " General Packet Radio Service (GPRS); Service description; Stage 2".

- [40] 3GPP TR 36.978: "User Equipment (UE) antenna test function definition for two-stage Multiple Input Multiple Output (MIMO) Over The Air (OTA) test method"
- [41] 3GPP TS 36.214: "Evolved Universal Terrestrial Radio Access (E-UTRA); Physical layer; Measurements"

3 Definitions and abbreviations

3.1 Definitions

For the purposes of the present document, the terms and definitions given in TR 21.905 [1] apply, unless specified below:

Uni-directional Data Radio Bearer: Data radio bearer identified by a data radio bearer identifier capable to deliver data only in downlink or uplink

Bi-directional Data Radio Bearer: Data radio bearer identified by a data radio bearer identifier capable to deliver data in both downlink and uplink

Logical Test Interface: interface which provides the logical service to interwork and to communicate between UE and System Simulator during the test of a UE

SS (System Simulator): test system (or equipment) that drives the test process with UE, like eNB (evolved Node B) simulator

TC (Test Control): UE protocol entity used by the SS to control the UE specific testing functions

UE (User Equipment): user equipment as defined in [1] that is under test

User: test user, who handles the test and measurement process via the logical test interface

UE uplink Rate control entity: The UE entity in a UE supporting Control Plane CIoT EPS optimization that is handling the UE uplink rate control of control plane messages carrying user data as specified in [36] TS 24.301 clause 6.3.8 (Serving PLMN rate control) and in [36] TS 24.301 clause 6.3.9 (APN rate control).

EMM SAP for control plane user data: The service access point to the EMM sublayer for control plane user data handling the UE uplink rate control entity for uplink transmissions of the User data container via ESM DATA TRANSPORT messages.

SMR SAP for control plane user data: The service access point to the SMR entity for uplink SMS user data handling for uplink transmissions of the RP User data element in Uplink NAS Transport messages. For details on SMR entity and SM-RP protocol see [39].

3.2 Abbreviations

For the purposes of the present document, the abbreviations specified in TR 21.905 [1] apply, with any additional abbreviations specified below:

ATF	Antenna Test Function
DRB	Data Radio Bearer
EMM	EPS Mobility Management
E-MBMS	Evolved Multimedia Broadcast Multicast Service
ENB	Evolved Node B
EPS Bearer	Evolved Packet System Bearer
ESM	EPS Session Management
LB	Loop Back
MAC	Media Access Control
MBMS	Multimedia Broadcast Multicast Service
MBS	Metropolitan Beacon System
MTC	Main Test Component

ProSe	Proximity-based Services
RAB	Radio Access Bearer
RMC	Reference Measurement Channel
ROHC	Robust Header Compression
RSAP	Reference Signal Antenna Power
RSARP	Reference Signal Antenna Relative Phase
SDF	Service Data Flow
SMR	Short Message Relay (entity)
SS	System Simulator
TC	Test Control
SC	Single-cell
PTM	point-to-multipoint
V2X	Vehicle-to-Everything

4 UE special conformance test functions

4.1 General description

The SS performs activation and deactivation of the conformance test functions in the UE by sending Security Protected NAS Layer 3 messages or AT commands. Apart from sending the appropriate deactivation command to the UE the functions shall be deactivated by:

- switching off the UE; or
- by removing the USIM.

The following special UE conformance testing functions can be activated (and deactivated):

- UE test loop function;
- Electrical Man Machine Interface (EMMI).

The following Test Control (TC) procedures are used to control the UE test loop function:

- Close UE test loop;
- Open UE test loop.

4.2 Requirements for UE support of test functions

Whether or not a particular test function should be supported by the UE for facilitating the UE conformance testing is explicitly indicated throughout the present specification. The use of the word "mandatory" in the present specification shall be understood as a particular requirement being mandatory for performing UE conformance testing.

5 Test Control (TC) protocol procedures and test loop operation

5.1 General description

The UE test loop function provides access to isolated functions of the UE via the radio interface without introducing wherever possible new physical interfaces just for the reason of conformance testing.

NOTE 0: One exception from the rule above is the UE test loop mode E and UTC time reset when used for V2X out-of-coverage test scenarios which require an additional physical interface for the transmission of AT commands. This has been based on the assumption that V2X devices will normally provide such interface for other than testing purposes e.g. for device configuration.

NOTE 1: It should be emphasised that the UE test loop function only describes the functional behaviour of the UE with respect to its external interfaces; physical implementation of the UE test loop function is completely left open to the manufacturer.

The UE test loop function is activated by transmitting the appropriate TC message to the UE, see clause 6.

The UE test loop function can be operated in different loopback modes:

- UE test loop mode A;
- UE test loop mode B;
- UE test loop mode C;
- UE test loop mode D;
- UE test loop mode E;
- UE test loop mode F;
- UE test loop mode G;
- UE test loop mode H;
- UE test loop mode I.

UE test loop mode A provides loopback of PDCP SDUs for bi-directional data radio bearers while UE is operating in E-UTRA or NB-IoT mode. The downlink PDCP SDUs received by the UE on each bi-directional data radio bearer are returned on the same radio bearer regardless of the PDCP SDU contents and of the TFT of the associated EPS bearer context [36].

UE test loop mode B provides loopback of PDCP SDUs (E-UTRA and UTRA), SMDCP PDUs (GSM/GPRS) and RLP PDUs (CDMA2000) for bi-directional EPS bearers while UE is operated in E-UTRA, NB-IoT, UTRA, GSM/GPRS or CDMA2000 modes. When operating in E-UTRA, NB-IoT, UTRA or GSM/GPRS then the downlink PDCP SDUs or SMDCP PDUs received by the UE on all bi-directional data radio bearers are returned by the UE on the data radio bearer associated with an EPS bearer context with a TFT matching the TCP/UDP/IP protocol information within the PDCP SDU or SMDCP SDU [36]. When operating in CDMA2000 modes, the downlink RLP PDUs received by the UE on all bi-directional data radio bearers are returned by the UE on the data radio bearer with the smallest identity, regardless of the RLP PDU content and of the TFT of the associated EPS bearer context.

NOTE 2: When multiple PDN connections are established (or multiple Primary PDP Contexts are active), it is assumed that different IP addresses are allocated to the UE by the SS on each PDN.

UE test loop mode C provides counting of successfully received MBMS Packets on a given MTCH while UE is operating in E-MBMS/E-UTRA mode. For E-MBMS then one or more MTCHs are multiplexed on a MCH. MBMS packets for a MTCH are delivered as one RLC SDU per MBMS packet segmented into one or more RLC UMD PDUs.

UE test loop mode D provides means for announcing or monitoring of ProSe Direct Discovery messages on SL-DCH, as specified by the test loop mode D setup IE in the CLOSE UE TEST LOOP message. In particular, for discovery monitor operation, UE test loop mode D provides counting of successfully received SL-DCH MAC SDUs while the UE is operating in ProSe Direct Discovery/E-UTRA mode. For discovery announce operation, UE test loop mode D provides trigger for transmission of ProSe Direct Discovery message on SL-DCH.

NOTE 3: UE test loop mode D is intended for RF/RRM testing purposes.

NOTE 4: ProSe Direct Discovery messages on the PC5 interface are delivered as one MAC SDU per ProSe Direct Discovery message.

UE test loop mode E provides means for either transmit or receive of ProSe Direct or V2X Communication packets, as specified by the test loop mode E setup IE in the CLOSE UE TEST LOOP message. In particular, for communication receive operation, UE test loop mode E provides counting of successfully received STCH PDCP SDUs, PSCCH PHY transport blocks and PSSCH PHY transport blocks while the UE is operating in ProSe Direct or V2X Communication/E-UTRA mode. For communication transmit operation, UE test loop mode E provides trigger for transmission of ProSe Direct or V2X Communication packets. For the V2X out-of-coverage scenarios this trigger utilises AT commands and requires an appropriate physical interface.

NOTE 5: Void

NOTE 6: The Application trigger required to force the UE to start or stop a particular ProSe Service is out of the scope of the test loop modes D and E.

UE test loop mode F provides counting of successfully received MBMS Packets on a given SC-MTCH while UE is operating in SC-PTM/E-UTRA mode. For SC-PTM one SC-MTCH is transmitted on a DL-SCH. MBMS packets for a SC-MTCH are delivered as one RLC SDU per MBMS packet segmented into one or more RLC UMD PDUs.

UE test loop mode G provides loopback of the User data container content of any received downlink ESM DATA TRANSPORT message in uplink. The received data can be configured to be either returned via the UE EMM entity (before the UE uplink rate control entity) or as a RLC SDU to the SRB RLC entity (SRB1bis for NB-IoT UE or to SRB2 for E-UTRA UE). UE test loop mode G may be configured to delay the uplink loopback of user data. UE test loop mode G may also be configured to repeat the received user data of the User data container in uplink to generate higher data rates in uplink.

UE test loop mode H provides loopback of the TP-User-Data field (including the SMS user data) of any received downlink TPDU (SMS-DELIVER) in uplink. The received data can be configured to be either returned via the UE SM-TL entity or as a RLC SDU to the SRB RLC entity (SRB1bis for NB-IoT UE or to SRB2 for E-UTRA UE). UE test loop mode H may be configured to delay the uplink loopback of SMS user data. UE test loop mode H may also be configured to repeat the received SMS user data in uplink to generate higher data rates in uplink.

NOTE 7: UE test loop mode G and H are intended for control plane data testing for UEs supporting EPS services with Control Plane CIoT EPS optimization.

NOTE 8: The delay timer for UE test loop mode G and H is triggered by the first reception of user data after the reception of a CLOSE UE TEST LOOP TC message. While the delay timer is running only the user data received in the latest ESM DATA TRANSPORT or SMS message is buffered.

NOTE 9: The repetition of uplink transmission of uplink messages carrying data can be configured as 0 (no data returned), 1 (the same content and size of user data as received in downlink is returned) or value $N > 1$ (user data corresponding to N times repetition of the received user data is returned in uplink).

UE test loop mode I provides loopback of the IP PDUs received in User data container content of downlink ESM DATA TRANSPORT message in uplink via the UE uplink TFT handler and the UE EMM entity (before the UE uplink rate control entity).

NOTE 10: UE test loop mode I is intended for control plane data testing for UEs supporting EPS services with Control Plane CIoT EPS optimization.

UE test loop mode A is mandatory to all E-UTRA UEs and all NB-IoT UEs supporting user plane data transfer.

UE test loop mode B for operation in E-UTRA mode is mandatory to all E-UTRA UEs and all NB-IoT UEs supporting user plane data transfer.

UE test loop mode B for operation in UTRA mode is mandatory to all E-UTRA UEs supporting UTRA radio access.

UE test loop mode B for operation in GSM/GPRS mode is mandatory to all E-UTRA UEs supporting GSM/GPRS radio access.

UE test loop mode B for operation in CDMA2000 mode is mandatory to all E-UTRA UEs supporting CDMA2000 radio access.

UE test loop mode C is mandatory for E-UTRA UEs supporting E-MBMS.

UE test loop mode D is mandatory for E-UTRA UEs supporting ProSe Direct Discovery.

UE test loop mode E is mandatory for E-UTRA UEs supporting ProSe Direct or V2X Communication.

UE test loop mode F is mandatory for E-UTRA UEs supporting SC-PTM.

UE test loop mode G is mandatory for UEs supporting Control Plane CIoT EPS optimization and control plane data transfer using the ESM DATA TRANSFER procedure.

UE test loop mode H is mandatory for UEs supporting Control Plane CIoT EPS optimization and control plane data transfer using SMS.

UE test loop mode I is mandatory for UEs supporting Control Plane CIoT EPS optimization and control plane data transfer using the ESM DATA TRANSFER procedure.

Support of UPDATE UE LOCATION INFORMATION is optional for all E-UTRA UEs with the exception of E-UTRA UEs supporting ProSe Direct Communication for which it is mandatory.

For E-UTRA UE supporting multiple radio access technologies then UE reception of Test Control messages is limited to UE operating in E-UTRA mode, while continuation of loopback of user data is provided over the change to other UE supported radio access technologies.

UE test loop mode B for operation in UTRA, GSM/GPRS and CDMA2000 mode is only applicable for loopback of user data in PS domain.

The TC entity may be seen as a L3 or a NAS entity.

Figure 5.1-1 shows a functional block diagram of UE test loop function for TC entity and UE test loop mode A. The loopback of PDCP SDUs for UE test loop mode A is specified in sub clause 5.4.3.

Figure 5.1-2 shows a functional block diagram of UE test loop function for TC entity and UE test loop mode B. The loopback of IP PDUs/PDCP SDUs for UE test loop mode B and UE in E-UTRA mode is specified in subclauses 5.4.4.2 and 5.4.4.3.

Figure 5.1-3 shows a functional block diagram of UE test loop function for UE test loop mode B and UE operating in UTRA mode. The loopback of IP PDUs/PDCP SDUs for UE test loop mode B and UE in UTRA mode is specified in subclauses 5.4.4.4 and 5.4.4.5.

Figure 5.1-4 shows a functional block diagram of UE test loop function for UE test loop mode B for UE operating in GSM/GPRS mode. The loopback of IP PDUs/SNDCP SDUs for UE test loop mode B and UE in GSM/GPRS mode is specified in subclauses 5.4.4.6 and 5.4.4.7.

Figure 5.1-5 shows a functional block diagram of UE test loop function for UE test loop mode B for UE operating in CDMA2000 mode. The loopback of IP PDUs/RLP SDUs for UE test loop mode B and UE in CDMA2000 mode is specified in subclauses 5.4.4.8 and 5.4.4.9.

Figure 5.1-6 shows a functional block diagram of UE test loop function for TC entity and UE test loop mode C. The MBMS Packet Counter function for UE test loop mode C is specified in sub clause 5.4.4.a. The MBMS Packet Counter function is limited to count successfully received MBMS packets on one MTCH configured by the SS when UE test loop mode C is activated.

Figure 5.1-7 and Figure 5.1-8 show a functional block diagram of the UE test loop mode for TC entity and UE test loop mode D. The ProSe Direct Discovery Packet Counter function for UE test loop mode D is specified in clause 5.4.4b. The ProSe Direct Discovery packet counter function is limited to count successfully received SL-DCH MAC SDUs when UE test loop mode D is activated.

Figure 5.1-9 and Figure 5.1-10 show a functional block diagram of the UE test loop mode for TC entity and UE test loop mode E for UE supporting ProSe Direct, or, V2X when UE is in in-coverage state. Figure 5.1-9a and Figure 5.1-10a show a functional block diagram of the UE test loop mode for TC entity and UE test loop mode E for UE supporting V2X when UE is in out-of-coverage state; the Electrical Man Machine Interface (EMMI) required for facilitating the AT commands transmission is specified in clause 8. The ProSe Direct or V2X Communication Packet Counter function for UE test loop mode E is specified in clause 5.4.4c. The ProSe Direct or V2X Communication packet counter function is limited to count successfully received STCH PDCP SDUs, PSCCH PHY Transport blocks and PSSCH PHY Transport blocks when the UE test loop mode E is activated.

Figure 5.1-11 shows a functional block diagram of UE test loop function for TC entity and UE test loop mode F. The SC-PTM Packet Counter function for UE test loop mode F is specified in sub clause 5.4.4.d. The SC-PTM Packet Counter function is limited to count successfully received MBMS packets on one SC-MTCH configured by the SS when UE test loop mode F is activated.

Figure 5.1-12 shows a functional block diagram of UE test loop function for TC entity and UE test loop mode G when User data container content received in a downlink ESM DATA TRANSFER message is configured to be returned in uplink via the EMM entity. Figure 5.1-13 shows a functional block diagram of UE test loop function for TC entity and UE test loop mode G when User data container content received in a downlink ESM DATA TRANSFER message is configured to be returned in uplink in a RLC SDU via the SRB1bis/SRB2 RLC AM entity. The UE test loop mode G mode of operation is specified in sub clause 5.4.4e.

Figure 5.1-14 shows a functional block diagram of UE test loop function for TC entity and UE test loop mode H when TP-User-Data (SMS user data) received in a downlink TPDU (SMS-DELIVER) is configured to be returned in uplink via the SM-TL entity (in a TPDU (SMS-SUBMIT)).

Figure 5.1-15 shows a functional block diagram of UE test loop function for TC entity and UE test loop mode H when TP-User-Data (SMS user data) received in a downlink TPDU (SMS-DELIVER) is configured to be returned in uplink in a RLC SDU via the SRB1bis/SRB2 RLC AM entity. The UE test loop mode H mode of operation is specified in sub clause 5.4.4f.

Figure 5.1-16 shows a functional block diagram of UE test loop function for TC entity and UE test loop mode I when IP PDU received in User data container content in a downlink ESM DATA TRANSFER message is returned in uplink via the EMM entity. The UE test loop mode I mode of operation is specified in sub clause 5.4.4g.

NOTE 7: ROHC functionality in PDCP Layer 2 is optional for UE implementations.

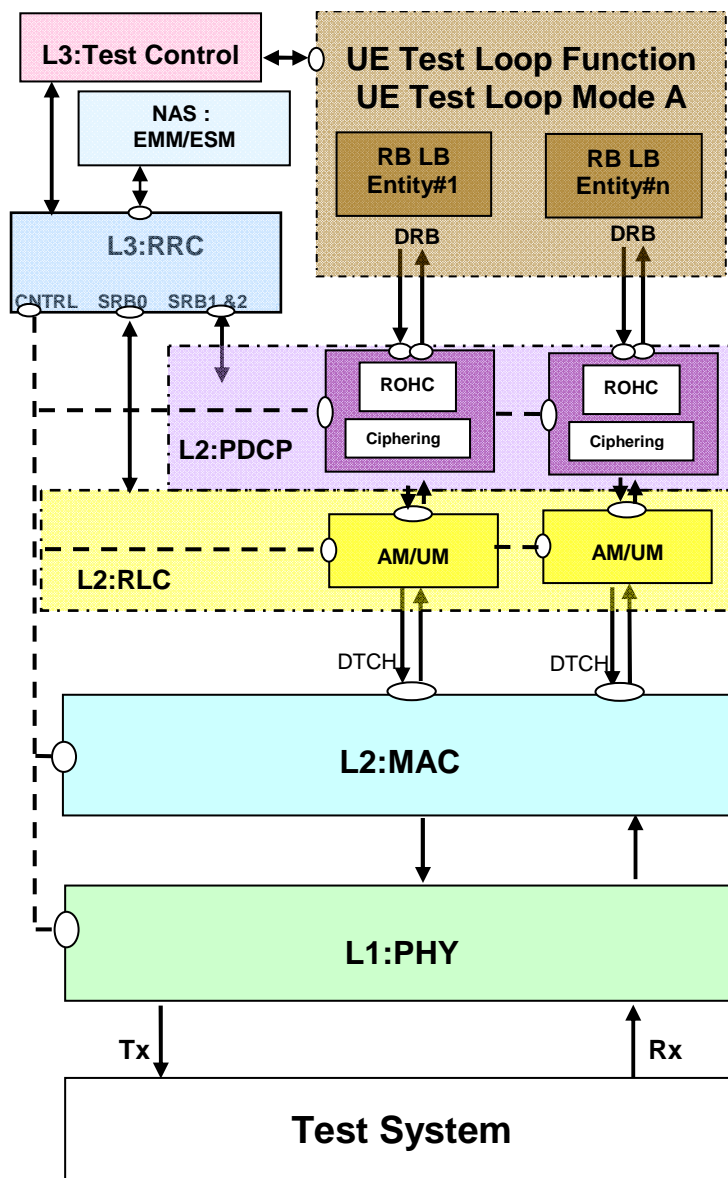


Figure 5.1-1: Model for Test Control and UE Test Loop Mode A on UE side for E-UTRA and NB-IoT

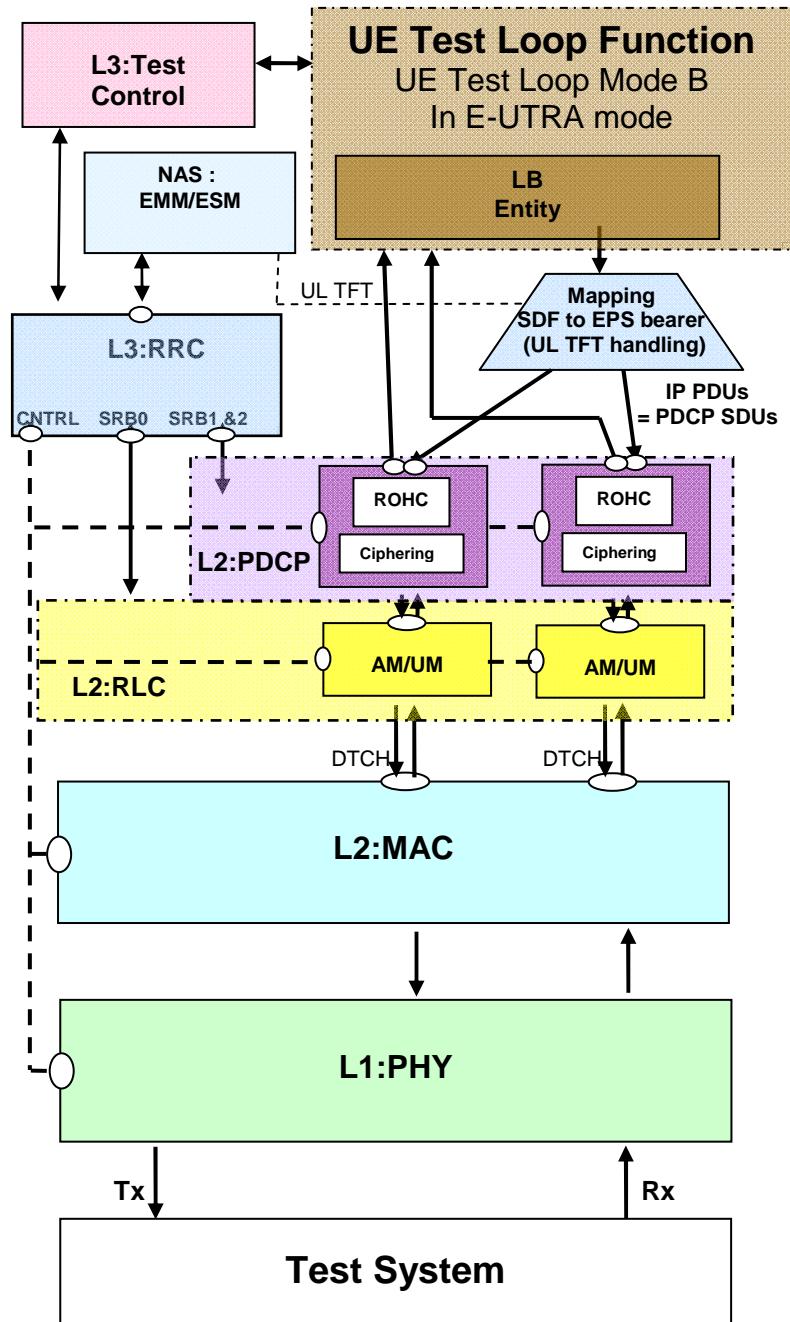


Figure 5.1-2: Model for Test Control and UE Test Loop Mode B on UE side for E-UTRA and NB-IoT

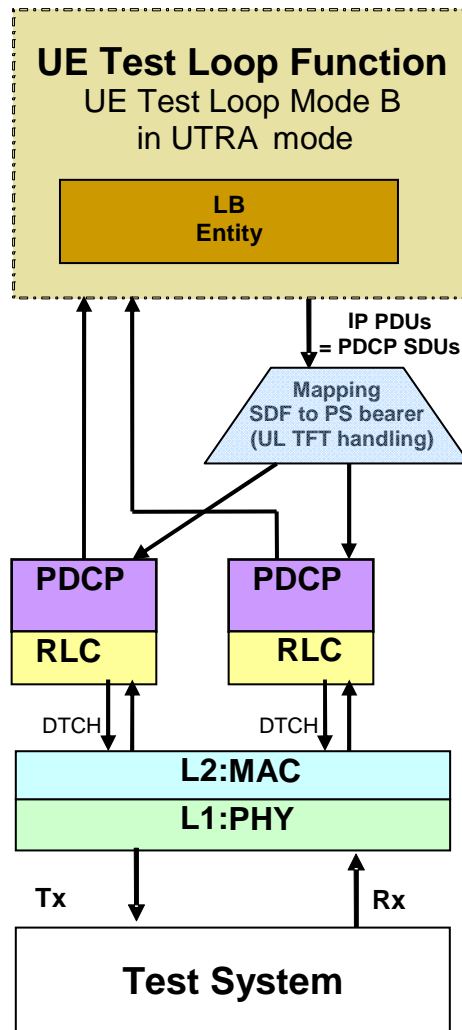


Figure 5.1-3: Model for UE Test Loop Mode B on UE side for UTRA

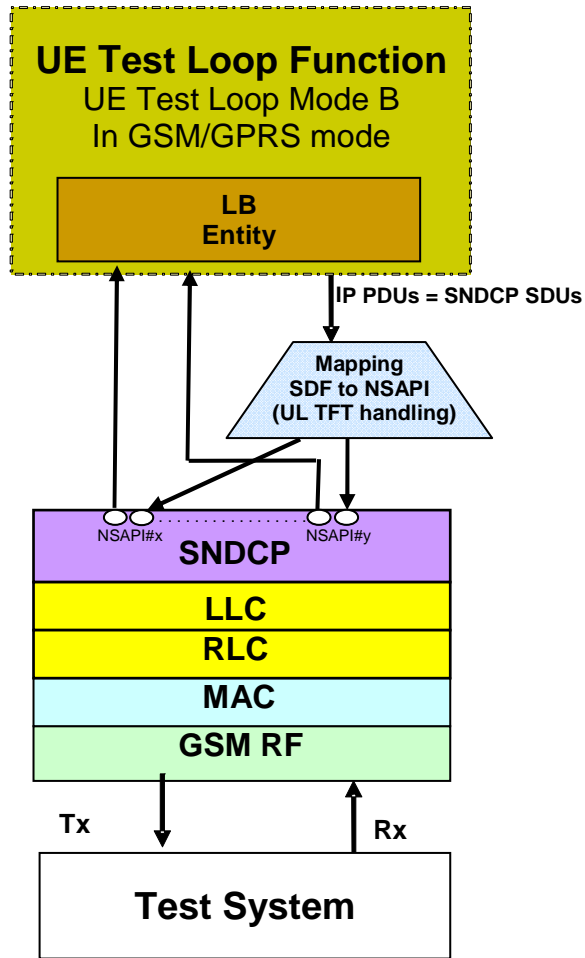


Figure 5.1-4: Model for UE Test Loop Mode B on UE side for GSM/GPRS

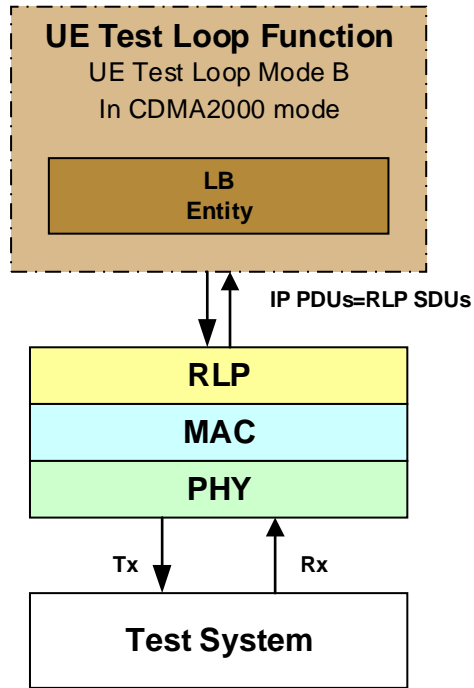


Figure 5.1-5: Model for UE Test Loop Mode B on UE side for CDMA2000

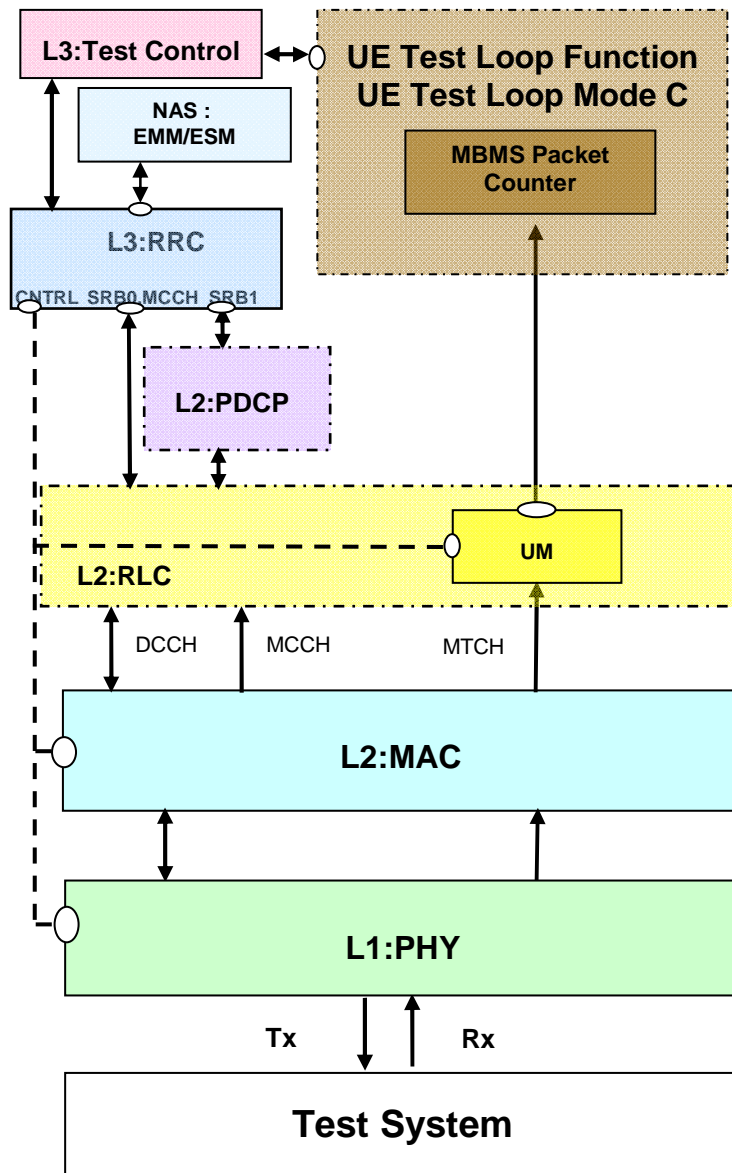


Figure 5.1-6: Model for UE test loop mode C on UE side

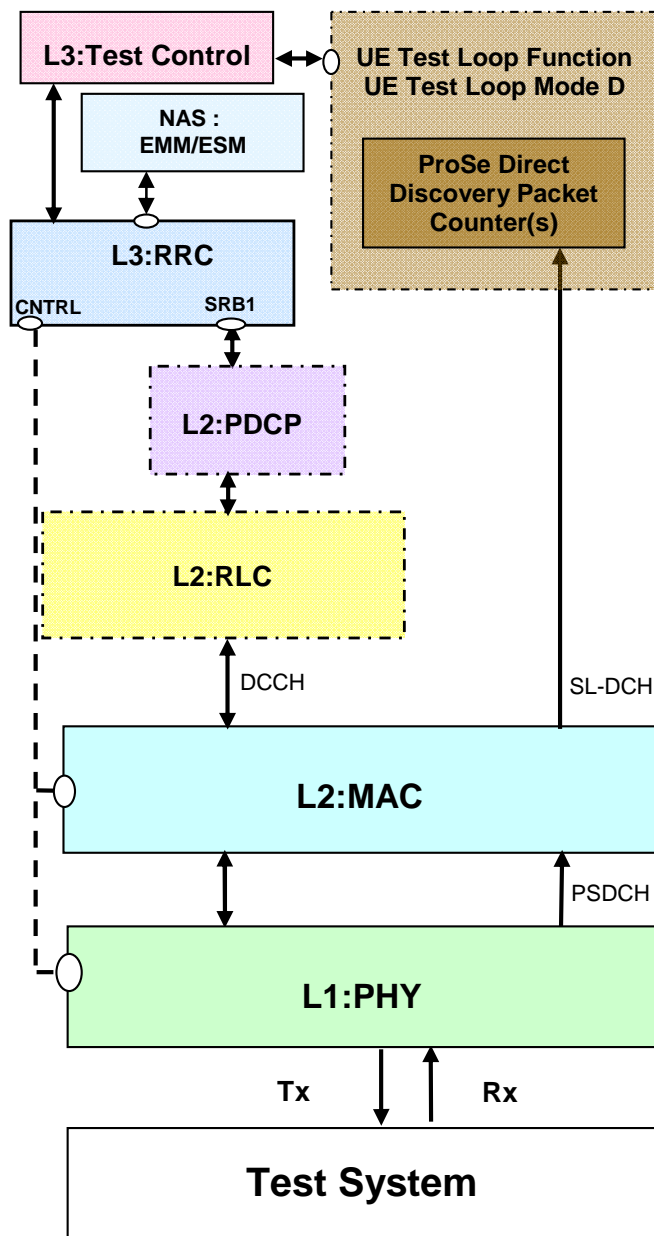


Figure 5.1-7: Model for UE test loop mode D on UE side (when Discovery monitor is indicated in the UE test loop mode D setup IE)

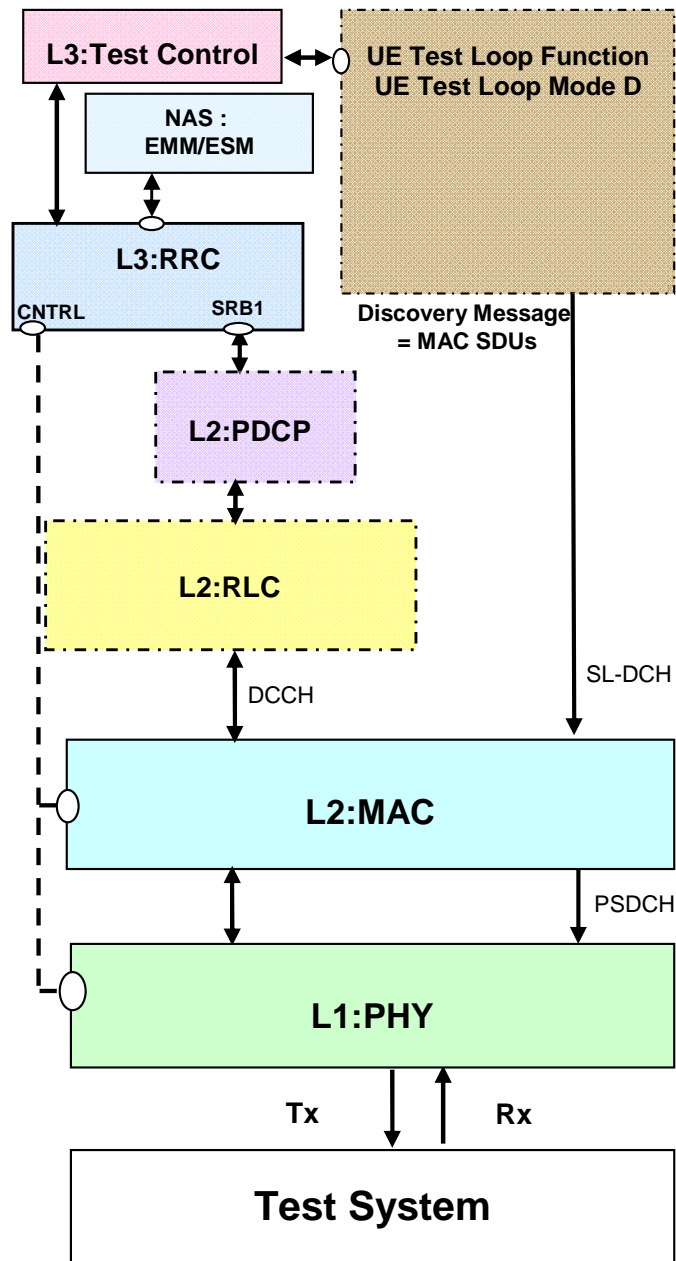


Figure 5.1-8: Model for UE test loop mode D on UE side (when Discovery announce is indicated in the UE test loop mode D setup IE)

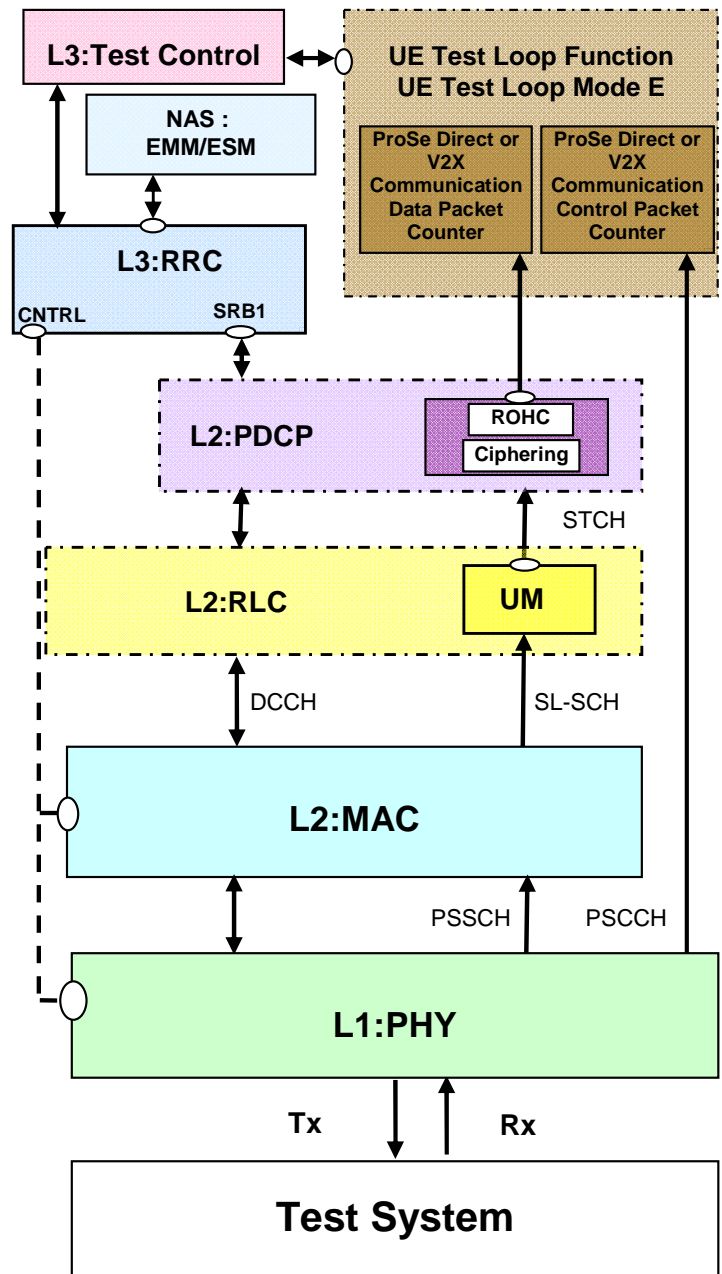


Figure 5.1-9: Model for UE test loop mode E on UE side ProSe Direct, or, V2X when UE is in in-coverage state (when Communication receive is indicated in UE test loop mode E setup IE)

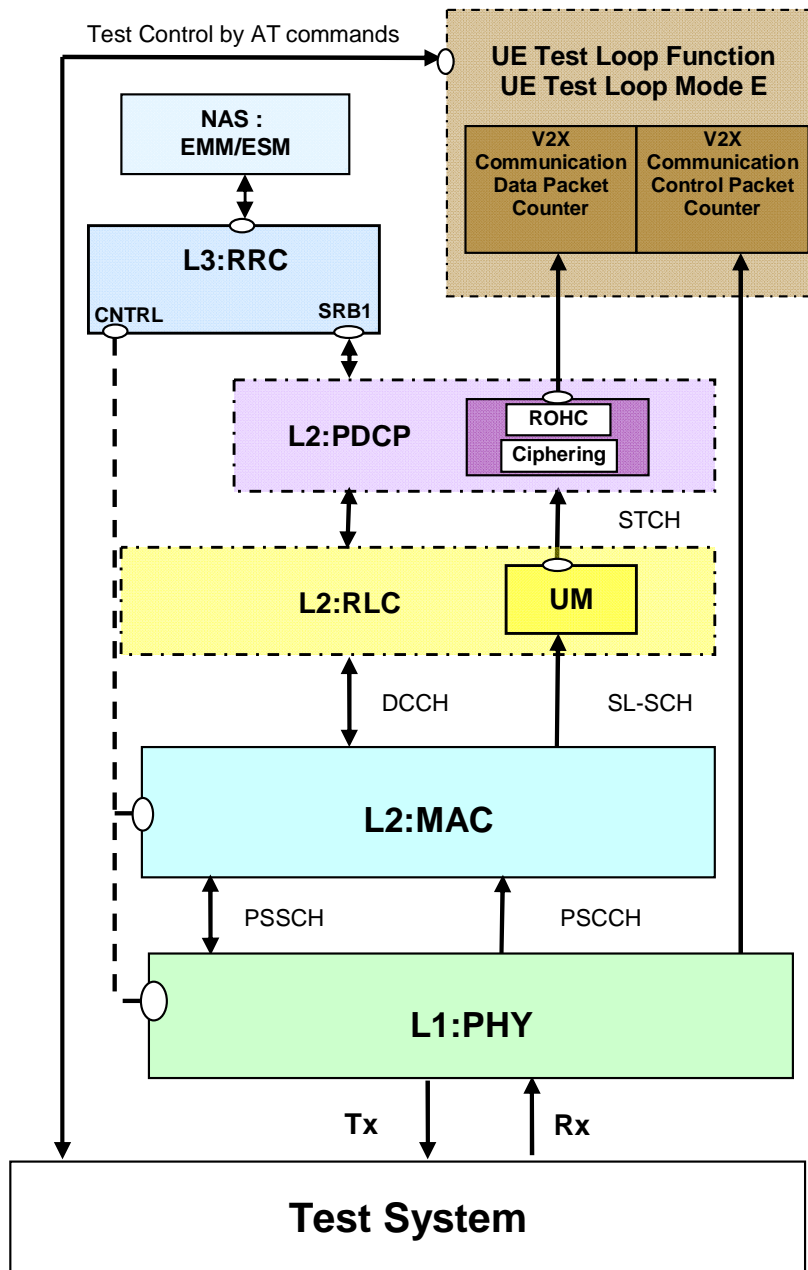


Figure 5.1-9a: Model for UE test loop mode E on UE side based on AT commands V2X when UE is in out-of-coverage state (when Communication receive is indicated in UE test loop mode E setup IE)

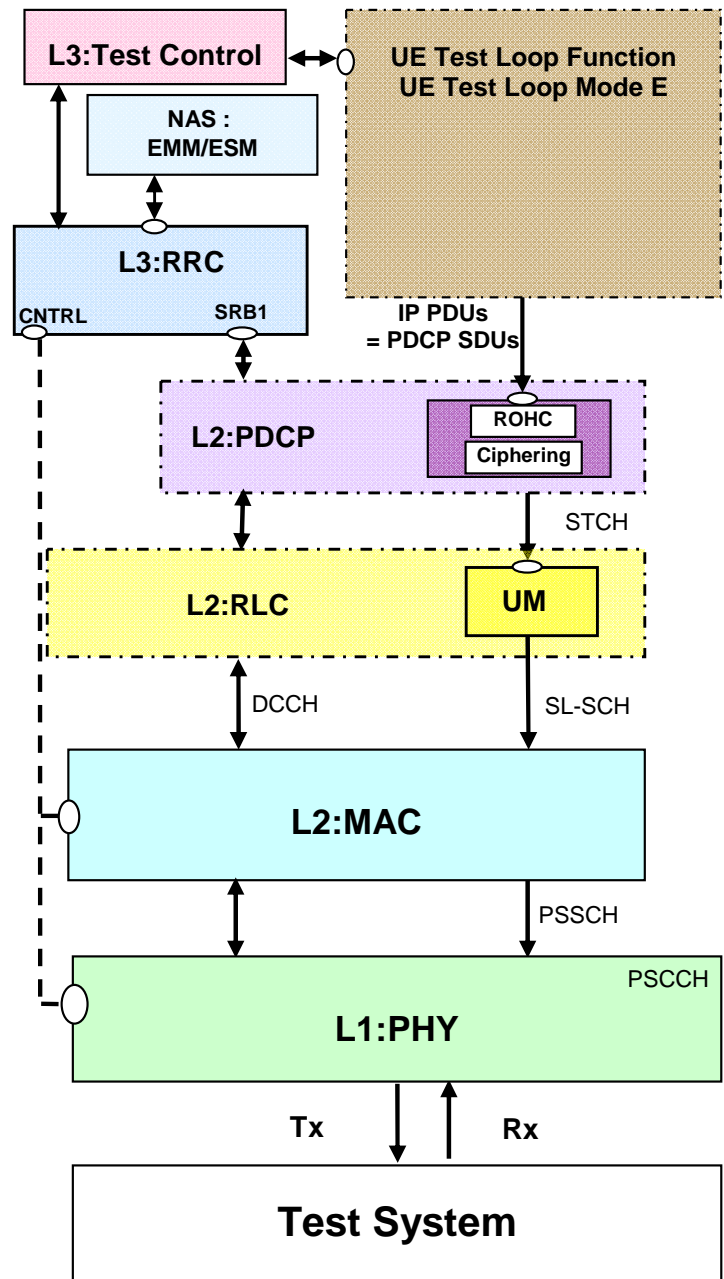


Figure 5.1-10: Model for UE test loop mode E on UE side ProSe Direct, or, V2X when UE is in in-coverage state (when Communication transmit is indicated in the UE test loop mode E setup IE)

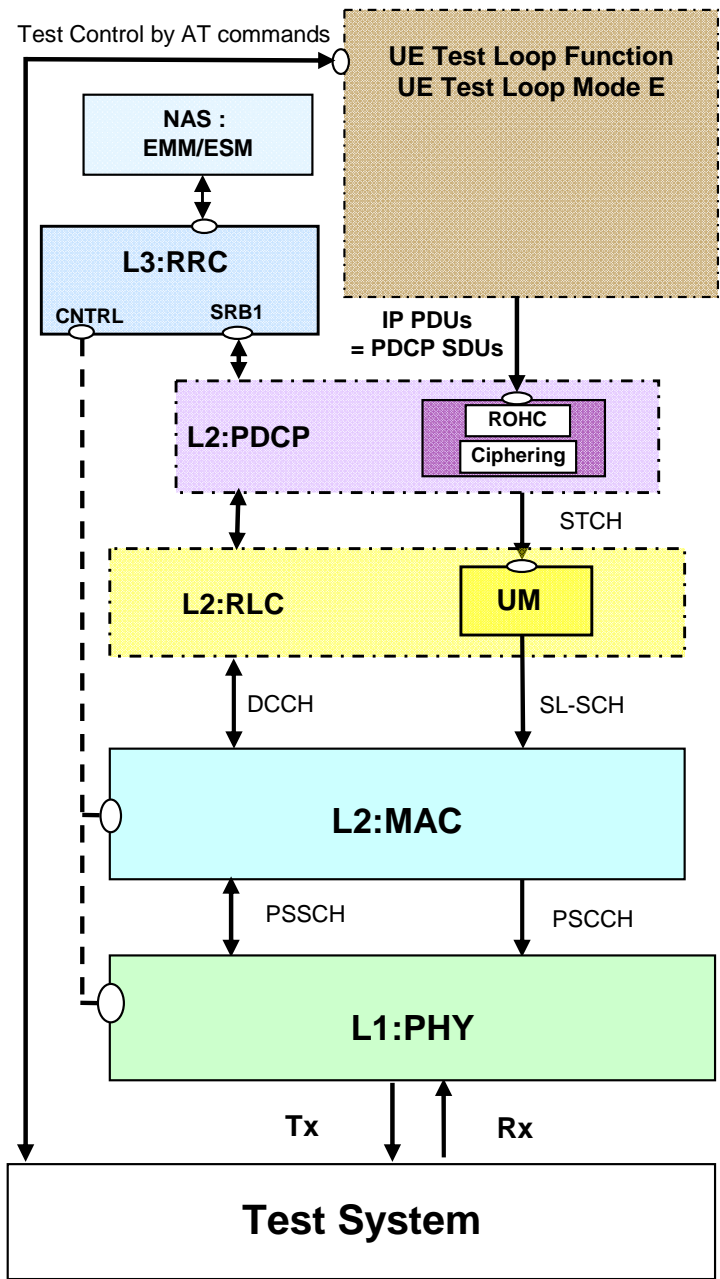


Figure 5.1-10a: Model for UE test loop mode E on UE side based on AT commands V2X when UE is in out-of-coverage state (when Communication transmit is indicated in the UE test loop mode E setup IE)

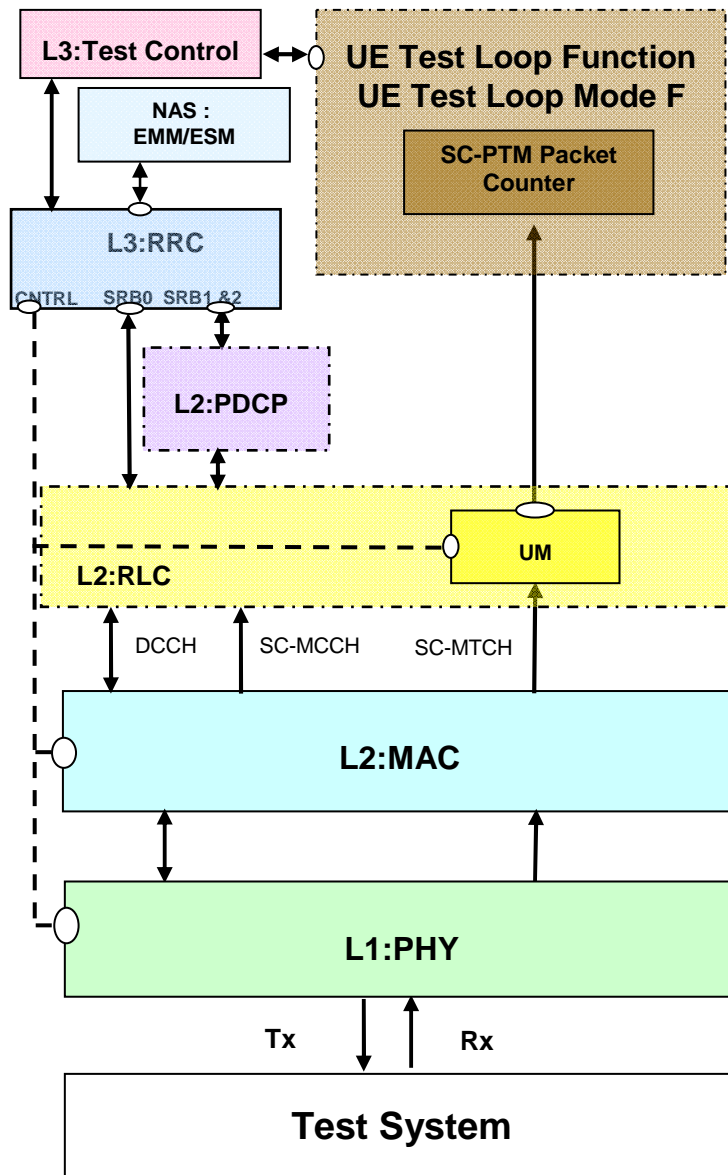


Figure 5.1-11: Model for UE test loop mode F on UE side

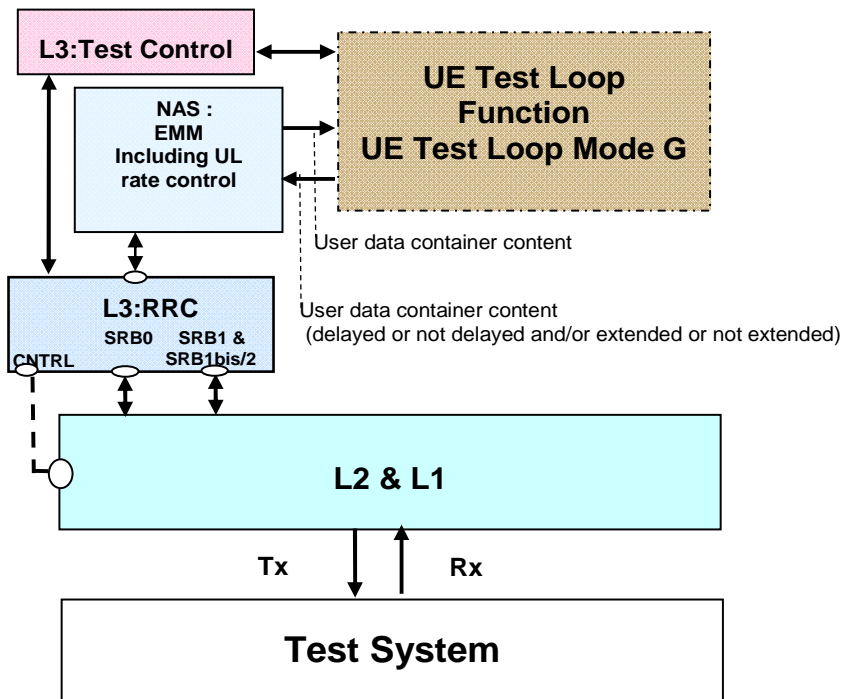


Figure 5.1-12: Model for UE test loop mode G on UE side configured to return downlink User data container content received in ESM DATA TRANSFER message in uplink via the EMM entity (before the UE uplink rate control entity)

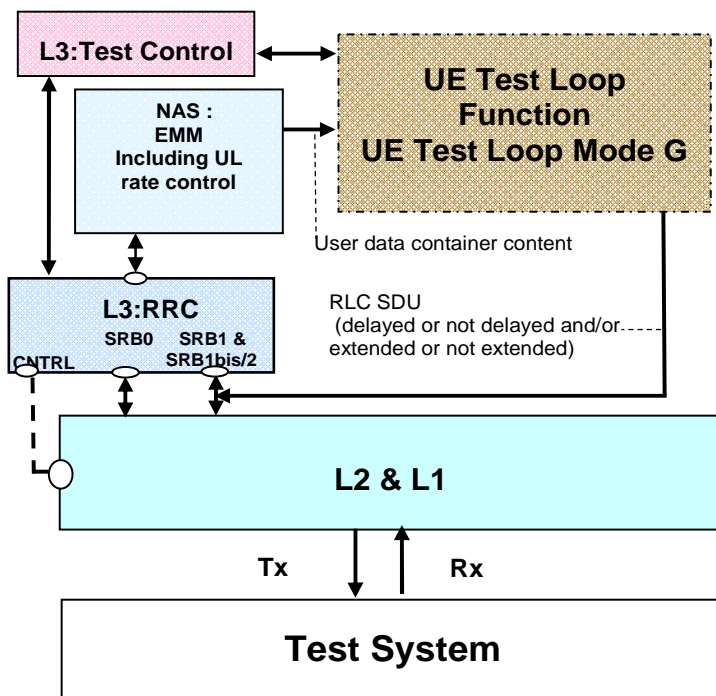


Figure 5.1-13: Model for UE test loop mode G on UE side configured to return downlink User data container content received in ESM DATA TRANSFER message in uplink via the SRB1bis/SRB2 RLC AM entity

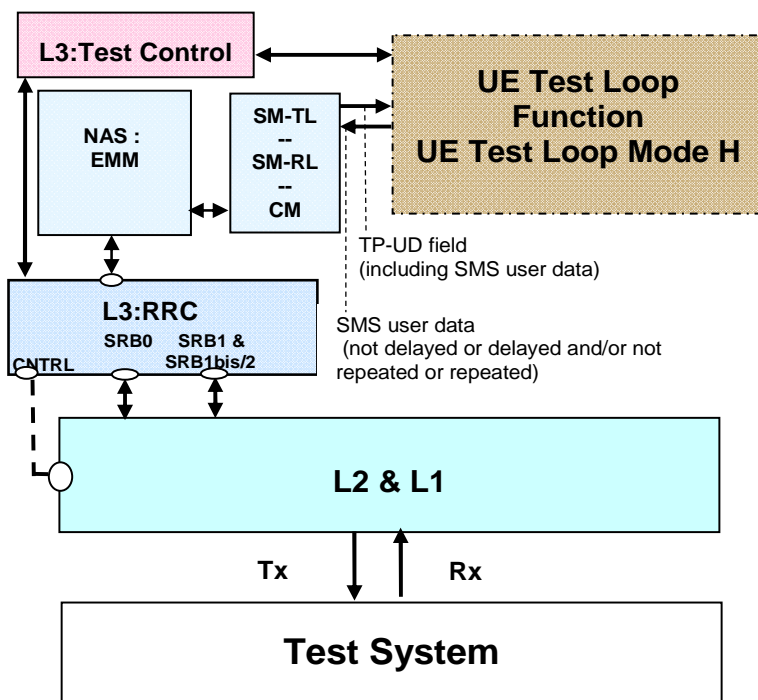


Figure 5.1-14: Model for UE test loop mode H on UE side configured to return the SMS user data received in the TPDU (SMS-DELIVER) received in the downlink RP-DATA message in uplink via the SM-TL entity

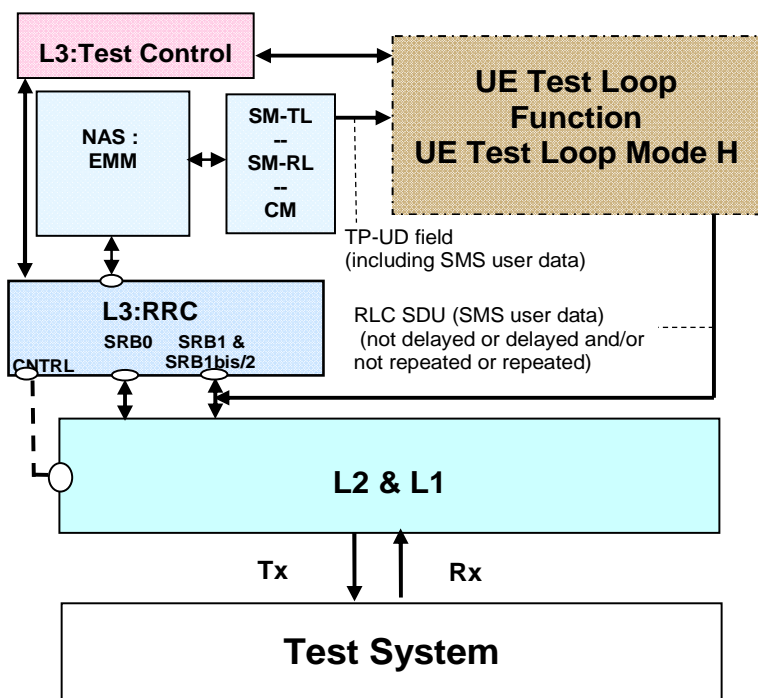


Figure 5.1-15: Model for UE test loop mode H on UE side configured to return the SMS user data received in the TPDU (SMS-DELIVER) received in the downlink RP-DATA message in uplink via the SRB1bis/SRB2 RLC AM entity

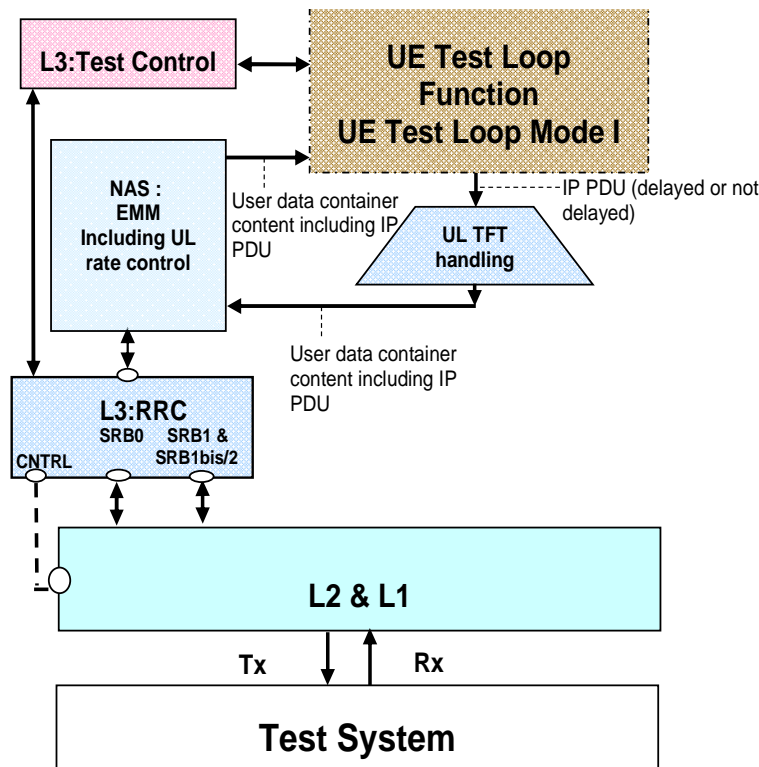


Figure 5.1-16: Model for UE test loop mode I on UE side configured to return downlink IP PDUs received in a ESM DATA TRANSFER message in uplink via the UE UL TFT handler to the EMM entity (before the UE uplink rate control entity)

5.2 Security protection of test control messages

The test control messages, i.e. ACTIVATE TEST MODE, DEACTIVATE TEST MODE, CLOSE UE TEST LOOP, and OPEN UE TEST LOOP, are integrity protected and ciphered according to TS 24.301 clause 4.4.

5.3 UE test mode procedures

5.3.1 General

The UE test mode procedures are intended for setting the UE into a test mode where the SS can set up data radio bearers (UE test loop mode A) or EPS bearers (UE test loop mode B) or MTCH data radio bearers (UE test loop mode C) or SL-DCH (UE test loop mode D) or STCH, PSCCH and PSSCH (UE test loop mode E) or SC-MTCH (UE test loop mode F) to be terminated in the UE test loop function; as well as, for making UE leave the test mode if it has previously been set into it and return to normal operation.

5.3.2 Activate UE test mode

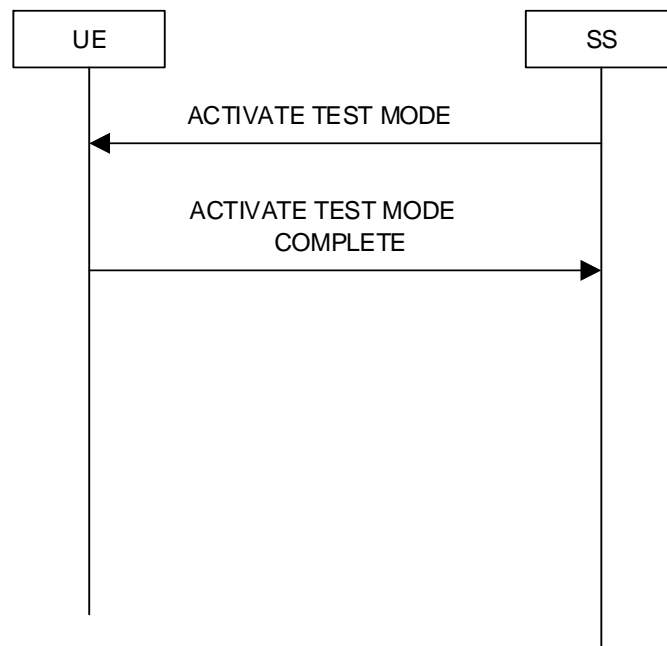


Figure 5.3.2-1: Activate UE test mode procedure in all but V2X communication in out-of-coverage scenarios

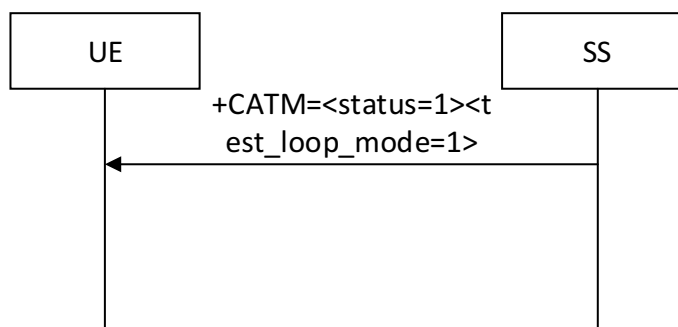


Figure 5.3.2-2: Activate UE test mode procedure by AT Command for V2X communication in out-of-coverage scenarios

5.3.2.1 General

The SS uses the activate UE test mode procedure to get the UE into a test mode where the SS can set up one or more sets of data radio bearers with an associated EPS bearer context (UE test loop mode A) or EPS bearers (UE test loop mode B) or MTCH data radio bearers (UE test loop mode C) or SC-MTCH data radio bearers (UE test loop mode F) before commanding the UE to terminate them in the UE test loop function. The SS also uses the activate UE test mode procedure to get the UE into a test mode where SS can perform control plane data testing (UE test loop mode G and H). The activation of the UE test loop function in UE test loop mode A, UE test loop mode B, UE Test loop mode C, UE test loop mode D, or UE test loop mode E, or UE test loop mode F will control if the UE is terminating the data radio bearers, the EPS bearers or the MTCH data radio bearer or the SL-DCH or the STCH/PSCCH /PSSCH or the SC-MTCH in the UE test loop function. The activation of the UE test loop function in UE test loop mode G will control if the EMM entity of the UE is terminating User data container content received in ESM DATA TRANSPORT messages in the UE test loop function. The activation of the UE test loop function in UE test loop mode H will control if the SM-TL entity of the UE is terminating TP-User-Data fields received in TPDU's in the UE test loop function. The activation of the UE test loop function in UE test loop mode I will control if the ESM entity of the UE is terminating User data container content received in ESM DATA TRANSPORT messages in the UE test loop function.

5.3.2.2 Initiation

The SS can activate the UE test mode when UE is in E-UTRA or NB-IoT connected state or when UE capable of V2X communication is in out-of-coverage state.

NOTE: Refer to TS 36.508 [28] subclause 4.5.1 for more details on UE states.

The SS requests the UE to activate the UE test mode by transmitting an ACTIVATE TEST MODE message when UE is in connected state or by transmitting an AT Command +CATM=<status1> in the case of V2X UE in out-of-coverage state.

5.3.2.3 Reception of ACTIVATE TEST MODE message or AT Command +CATM by UE

Upon receiving the ACTIVATE TEST MODE message the UE shall:

- 1> if the UE test loop mode parameter in the ACTIVATE TEST MODE message is different from UE test loop mode G and different from UE test loop mode H and a default EPS bearer context is already activated:
 - 2> the UE behaviour is unspecified.
- 1> if the UE is in out-of-coverage state during a V2X test scenario:
 - 2> the UE behaviour is unspecified.
- 1> else:
 - 2> activate the UE test mode;
 - 2> send ACTIVATE TEST MODE COMPLETE message.

Upon receiving the AT Command +CATM=<status=1><test loop mode = 1> the UE shall:

- 1> if the UE is in in-coverage state during a V2X test scenario, or, this is not a V2X test scenario:
 - 2> the UE behaviour is unspecified.
- 1> else:
 - 2> activate the UE test mode.

When the UE test mode is active, the UE operates normally, except for the following:

- 1> the UE shall accept any request to establish a data radio bearer with an associated EPS bearer context, both included in the same RRC message, and within the radio access capabilities of the UE;
- 1> optionally, if the UE supports CSG Proximity Indication;
 - 2> the UE shall ignore any non 3GPP radio signals which are normally used in determining proximity to a CSG (closed subscriber group) cell and delete any previously stored cell information for proximity detection.

NOTE 1: The UE may provide other means which would guarantee that the UE ignores any non 3GPP radio signals which are normally used in determining proximity to a CSG (closed subscriber group) cell and deletes any previously stored cell information for proximity detection. For such UEs the above mentioned CSG requirements in UE test mode may not apply.

- 1> if neither test loop mode A operation, test loop mode B operation, test loop mode C operation, test loop mode D operation, test loop mode E, test loop mode F, test loop mode G, test loop mode H operation, nor test loop mode I operation is ongoing:
 - 2> if the UE is operating in E-UTRAN or NB-IoT mode, for each PDN connection requested by the UE:
 - 3> if the UE has not received the ACTIVATE DEFAULT EPS BEARER CONTEXT REQUEST message in response to the PDN CONNECTIVITY REQUEST message; or

3> if the UE has received the response message with the PDN type IE set to 'IPv4' and an IPv4 address value different from '0.0.0.0' and "IPv4 address allocation via DHCPv4" was not requested by the UE:

4> the UE shall not transmit any uplink PDCP SDU on any DRB associated with the requested PDN:

4> the UE may discard any received downlink PDCP SDU on any DRB associated with the requested PDN.

NOTE 2: If the UE has requested the use of DHCPv4 signalling for allocation of an IPv4 address, the UE may either accept the IPv4 address provided via NAS signalling and not transmit any uplink PDCP SDU on any DRB and may discard downlink PDCP SDUs on any DRB, or the UE may transmit and receive DHCPv4 messages to obtain an IPv4 address, according to the procedure described in TS 36.508 clause 4.5.2A.

3> if the UE has received the response message with the PDN type IE set to 'IPv6' or 'IPv4v6' or "IPv4 address allocation via DHCPv4" was requested by the UE , and the UE has not yet obtained its IP address(es);

4> the UE may transmit uplink PDCP SDUs on any DRB associated with the requested PDN, for the sole purpose of obtaining its IP address(es).

3> if the UE has obtained its IP address(es):

4> the UE shall not transmit any uplink PDCP SDU on any DRB associated with the requested PDN:

4> the UE may discard any received downlink PDCP SDU on any DRB associated with the requested PDN.

5.3.3 Deactivate UE test mode

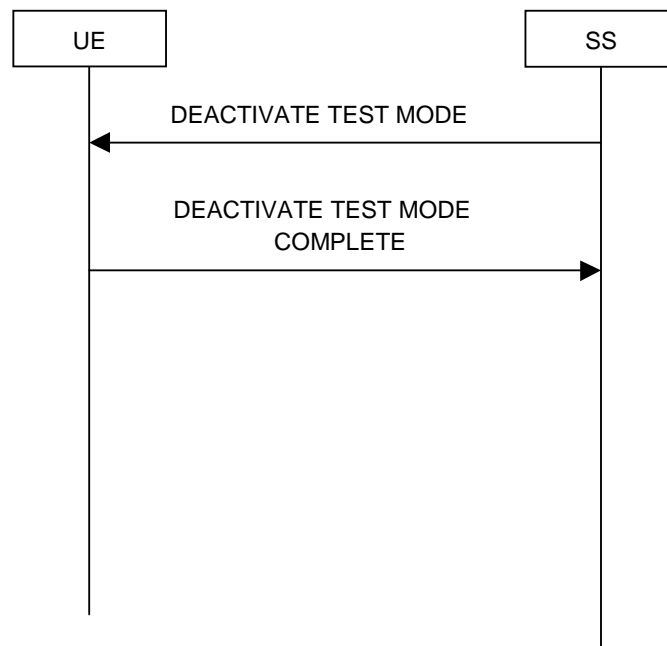


Figure 5.3.3-1: Deactivate UE test mode procedure

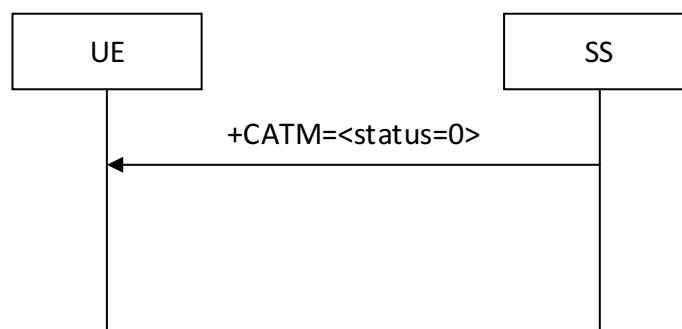


Figure 5.3.3-2: Deactivate UE test mode procedure by AT Command V2X communication in out-of-coverage test scenarios

5.3.3.1 General

The purpose of this procedure is to deactivate the UE test mode and return UE to normal operation.

NOTE: Deactivation of the UE test loop mode may occur as well as a result of other events. For further details see e.g. 4.1, 5.4.2.1.

5.3.3.2 Initiation

The SS can deactivate the UE test mode when UE is in E-UTRA or NB-IoT connected state or when UE capable of V2X communication is in out-of-coverage state, and the UE test mode is active.

NOTE 1: Refer to TS 36.508 [28] subclause 4.5.1 for more details on UE states.

The SS requests the UE to deactivate the UE test mode by transmitting a DEACTIVATE TEST MODE message or by transmitting an AT Command +CATM=<status=0> in the case of V2X UE being in out-of-coverage state.

Deactivation in V2X test scenarios shall be requested using the method relevant to the UE V2X state at the time the deactivation command needs to be sent.

NOTE 2: Depending on the test scenario it is possible that a test is started with the UE being in V2X in-coverage state and in this state the test loop mode is activate using the ACTIVATE TEST MODE command and then the test transitions into the UE being in V2X out-of-coverage state where the test loop mode needs to be deactivated using the AT command.

5.3.3.3 Reception of DEACTIVATE TEST MODE message or AT Command +CATM by UE

Upon receiving the DEACTIVATE TEST MODE message the UE shall:

- 1> if the UE is in in-coverage state during a V2X test scenario or this is not a V2X test scenario, and, the test mode is active:
 - 2> deactivate the UE test mode;
 - 2> send a DEACTIVATE TEST MODE COMPLETE message.
- 1> else:
 - 2> the UE behaviour is unspecified.

Upon receiving the AT Command +CATM=<status=0> message the UE shall:

- 1> if the UE is in out-of-coverage state during a V2X test scenario, and, the test mode is active:
 - 2> deactivate the UE test mode;

1> else:

2> the UE behaviour is unspecified.

5.4 UE test loop procedures

5.4.1 General

The UE test loop function is intended for:

- E-UTRA RF receiver and transmitter testing to generate data transfer in downlink and uplink.
- E-UTRA layer 2 (MAC, RLC, PDCP) and data radio bearer testing to generate data transfer in downlink and uplink.
- EPC and E-UTRA layer 3 testing to verify data transfer continuation over RRC and EPC procedures.
- EPC NAS user-plane testing to verify uplink TFT handling.
- E-UTRA/EPC Inter-system testing to verify data transfer continuation over Inter-system change procedures to and from UTRA, GSM/GPRS and CDMA2000.
- E-UTRA/E-MBMS MCH performance testing.
- E-UTRA/E-MBMS layer 2 (MAC, RLC) and MTCH data radio bearer testing.
- E-UTRA/ProSe or V2X RF receiver and transmitter testing to generate data transfer in sidelink.
- E-UTRA/ProSe Direct Discovery layer 2 (MAC) SL-DCH performance testing.
- E-UTRA/ProSe Direct or V2X Communication layer 2 (MAC, RLC, PDCP) STCH and layer 1 (PHY) PSCCH/PSSCH performance testing.
- NB-IoT user plane testing.
- Control Plane layer 2 (MAC, RLC), layer 3 and NAS testing for CIoT.

5.4.2 Close UE test loop

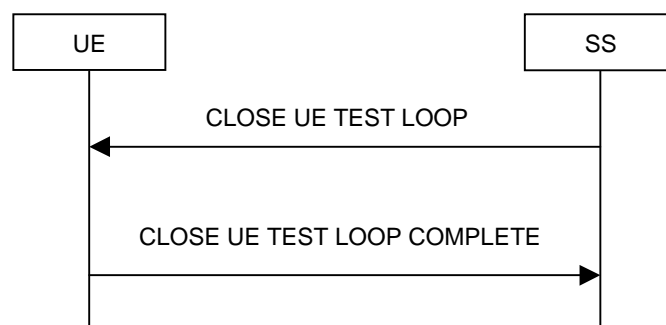


Figure 5.4.2-1: Close UE test loop procedure in all but V2X communication in out-of-coverage state scenarios

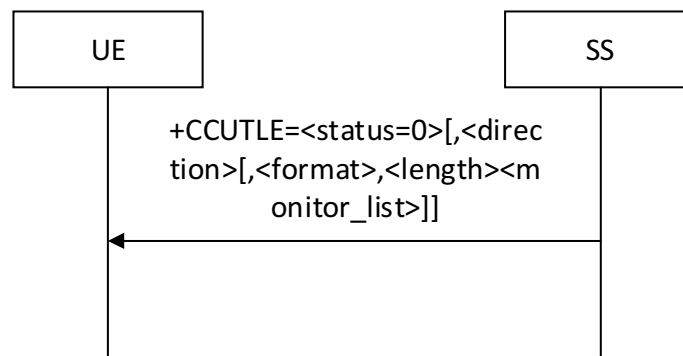


Figure 5.4.2-2: Close UE test loop procedure by AT Command for V2X communication in out-of-coverage state scenarios

5.4.2.1 General

The SS uses the close UE test loop procedure to start the UE Test Loop function in the UE while in E-UTRA or NB-IoT mode or while in V2X out-of-coverage state.

A prerequisite for UE test loop mode A is that at least one bi-directional data radio bearer has been established between SS and UE.

A prerequisite for UE test loop mode B is that at least one EPS bearer context has been established between SS and UE.

A prerequisite for UE test loop mode C is that at least one MTCH data radio bearer has been established between SS and UE.

A prerequisite for UE test loop mode D is that the UE is pre-authorized for ProSe Direct Discovery operation.

NOTE 1: No radio bearer setup is required to transmit or receive ProSe Direct Discovery messages.

A prerequisite for UE test loop mode E is that the UE is pre-authorized for ProSe Direct or V2X Communication operation and pre-configured parameters are provided in the USIM.

NOTE 2: Explicit signalling for sidelink radio bearer (SLRB) is not required to transmit or receive STCH for ProSe Direct Communication.

A prerequisite for UE test loop mode F is that at least one SC-MTCH data radio bearer has been established between SS and UE.

The UE shall provide for normal layer 1, layer 2, RRC, EMM and ESM functionality while the UE test loop function is active. This includes (but is not limited to) handover procedures and normal disconnection of the data radio bearer.

For UE test loop mode A the loopback shall be maintained across handovers within E-UTRA and NB-IoT, but after data radio bearer release, the loopback shall cease to exist.

For UE test loop mode G and UE test loop mode H the loopback shall be maintained across handovers and cell re-selections within its RAT (e.g. within E-UTRA at handovers and re-selections for E-UTRA UE and between NB-IoT cells at cell re-selections for NB-IoT UE).

For UE test loop mode B the loopback shall be maintained across handovers within E-UTRA and between radio access system (E-UTRA to/from UTRA, E-UTRA to/from GSM/GPRS and E-UTRA to/from CDMA2000). This means that any buffered IP PDUs in the UE test loop function at the time of the intra- or inter-system change shall be kept in the UE test loop function and being scheduled for transmission transparently to the intra- or inter-system change.

For UE test loop mode A, or B, the UE shall not transmit any uplink U-plane data other than the data returned by the loopback entity.

For UE test loop mode G or I the UE shall not transmit any uplink ESM DATA TRANSPORT other than the ones initiated by the loopback entity.

For UE test loop mode D and E for ProSe Discovery or Direct Communication, the UE (and not the test loop) shall provide full normal ProSe functionality as specified in TS 24.334 [38] and TS 36.331 [25] e.g. ProSe synchronization signals transmission and/or reception as configured by RRC, while the UE test loop is active.

For UE test loop mode E for V2X Communication, the UE (and not the test loop) shall provide full normal V2X communication functionality as specified in TS 24.386 [38] and TS 36.331 [25] e.g. V2X communication reception and transmission, while the UE test loop is active.

5.4.2.1a UE test loop mode A PDCP SDU and UE test loop mode B IP PDU buffer size requirement

The minimum UE loopback buffer size for PDCP SDUs (UE test loop mode A) and IP PDUs (UE test loop mode B), when UE is operated in RLC AM or UM mode, shall be according to table 5.4.2.1a-1. The UE behaviour, when the loopback buffer capacity is exceeded, is unspecified.

Table 5.4.2.1a-1: Minimum loopback buffer size for different UE categories

UE Category	Minimum loopback buffer size [bytes] (Note 1,2)
Category NB1/NB2	4000
Category M1	4000
Category M2	4000
Category 0	4000
Category 1	60000
Category 2	60000
Category 3	60000
Category 4	60000
Category 5	60000
Note 1: Minimum loopback buffer size has been selected 1) for each UE category such that the UE shall be able to forward all data received in one TTI when the applicable maximum transport block size of the UE is used, and 2) to allow execution of MAC test cases 7.1.4.3 and 7.1.4.3a in TS 36.523-1 [30], which requires a minimum loopback buffer size of 3600 bytes for Category M1, Category M2, Category 0 and Category 1 (7.1.4.3a) and 57280 bytes for all other UE categories(7.1.4.3).	
Note 2: The minimum loopback buffer size requirement for Category NB1/NB2 is only applicable for NB-IoT UE that supports user plane data.	

5.4.2.1b UE test loop mode G and UE test loop mode H buffer size, User data container size and TP-User-Data buffer size requirements

The minimum UE loopback buffer size for user data for UE test loop mode G and UE test loop mode H shall be according to table 5.4.2.1b-1. The UE behaviour, when the loopback buffer capacity is exceeded, is unspecified.

The minimum User data container for UE test loop mode G and TP-User-Data buffer size for UE test loop mode H shall be according to table 5.4.2.1b-1. The UE behaviour, when the User data container for UE test loop mode G and TP-User-Data size for UE test loop mode H exceeds the values in table 5.4.2.1b-1, is unspecified.

Table 5.4.2.1b-1: Minimum loopback buffer size and minimum User data container size and TP-User-Data buffer size for different UE categories

UE Category	Minimum loopback buffer size for UE test loop mode G and H [octets] (Note 2)	Minimum User data container size in ESM DATA TRANSFER message for UE test loop mode G [octets] (note 2)	Minimum TP-User-Data buffer size for UE test loop mode H [octets] (Note 1,2)
Category NB1/NB2	1358	1358	140
Category M1	1358	1358	140
Category M2	1358	1358	140
Category 0	1358	1358	140
Category 1	1358	1358	140
Category 2	1358	1358	140
Category 3	1358	1358	140
Category 4	1358	1358	140
Category 5	1358	1358	140
<p>Note 1: The minimum TP-User-Data buffer size is set to the maximum SMS size of 160 characters (140 octets).</p> <p>Note 2: The minimum loopback buffer size, the minimum User data container size and minimum TP-User-Data buffer size requirements for Category 0 and higher categories are only applicable for UE that supports control plane data.</p> <p>Note 3: The minimum loopback buffer size for UE test loop mode G and H and minimum user data container size in ESM DATA TRANSFER message for UE test loop mode G is set to 1358 octets as this is the maximum link MTU value in the IP configuration information set from the network to a UE that will prevent the IP layer fragmentation within the transport network between the UE and the GGSN/P-GW ([39] TS 23.060 clause 9.3).</p>			

5.4.2.2 Initiation

The SS can request the UE to close a test loop in mode A if at least one bi-directional data radio bearer is established and the UE test mode is active.

The SS can request the UE to close a test loop in mode B if at least one EPS bearer is established and the UE test mode is active. The SS can request the UE to close a test loop in mode C if at least one MTCH data radio bearer is established and the UE test mode is active.

The SS requests the UE to close its UE test loop mode A, UE test loop mode B, UE test loop mode C, UE test loop mode D or UE test loop mode E (when not utilised in V2X out-of-coverage scenarios) by transmitting a CLOSE UE TEST LOOP message.

The SS requests the UE to close its UE test loop mode E by transmitting an AT Command +CCUTLE when test loop mode E is utilised in V2X out-of-coverage scenarios.

5.4.2.3 Reception of CLOSE UE TEST LOOP message by the UE

Upon receiving the CLOSE UE TEST LOOP message the UE shall:

- 1> if UE test loop mode A has been selected;
- 2> if no bi-directional data radio bearers are established or if the UE test mode is not active; or
- 2> if UE test loop mode A or UE test loop mode B operation is already closed on one or more data radio bearers; or
- 2> if TEST_LOOP_MODE_C_ACTIVE = TRUE or TEST_LOOP_MODE_D_ACTIVE = TRUE or TEST_LOOP_MODE_E_ACTIVE = TRUE or TEST_LOOP_MODE_F_ACTIVE = TRUE or TEST_LOOP_MODE_G_ACTIVE = TRUE or TEST_LOOP_MODE_H_ACTIVE = TRUE or TEST_LOOP_MODE_I_ACTIVE = TRUE:

- 3> the UE behaviour is unspecified
- 2> else:
 - 3> for LB_ID=0 MAX_ModeA_LB_entities -1:
 - 4> set DRB_ID(LB_ID) to 0 (indicate no DRB mapped)
 - 4> set UL_PDCP_SDU_scaling(LB_ID) to FALSE
 - 3> set LB_ID to 0
 - 3> for each established bi-directional data radio bearer in ascending order and starting with the data radio bearer with the lowest configured Data Radio bearer identity number:
 - 4> if LB_ID is less than MAX_ModeA_LB_entities:
 - 5> set DRB_ID(LB_ID) to the Data Radio bearer identity number
 - 5> increment LB_ID by 1
 - 4> else:
 - 5> the UE behaviour is unspecified
 - 3> if the UE test loop mode A setup IE is included:
 - 4> for each LB Setup DRB IE in the LB setup list of the UE test loop mode A setup IE:
 - 5> for LB_ID=0 to MAX_ModeA_LB_entities-1:
 - 6> if DRB_ID(LB_ID) is equal to the Data Radio bearer identity number parameter of the LB Setup DRB IE:
 - 7> if the LB Setup DRB(LB_ID) IE is included:
 - 7> set UL_PDCP_SDU_scaling(LB_ID) to TRUE
 - 7> set UL_PDCP_SDU_size(LB_ID) to UL PDCP SDU size parameter of the LB Setup DRB(LB_ID) IE
 - 3> perform the UE actions for UE Test Loop Mode A operation as specified in subclause 5.4.3; and
 - 3> send CLOSE UE TEST LOOP COMPLETE message (the loopback shall be operational prior to the sending of the acknowledgement).
- 1> else if UE test loop mode B has been selected;
 - 2> if no EPS bearer is established or if the UE test mode is not active; or
 - 2> if the test loop is already active on one or more EPS bearers; or
 - 2> if TEST_LOOP_MODE_C_ACTIVE = TRUE or TEST_LOOP_MODE_D_ACTIVE = TRUE or TEST_LOOP_MODE_E_ACTIVE = TRUE or TEST_LOOP_MODE_F_ACTIVE = TRUE or TEST_LOOP_MODE_G_ACTIVE = TRUE or TEST_LOOP_MODE_H_ACTIVE = TRUE or TEST_LOOP_MODE_I_ACTIVE = TRUE:
 - 3> the UE behaviour is unspecified.
 - 2> otherwise:
 - 3> set TEST_LOOP_MODE_B_ACTIVE to TRUE
 - 3> set timer T_delay_modeB to the value of IP PDU delay timer parameter of the UE test loop mode B IE;
 - 3> if the IP PDU delay timer parameter of the UE test loop mode B IE has a value larger than zero:
 - 4> set BUFFER_IP_PDUs to TRUE

- 3> else:
 - 4> set BUFFER_IP_PDUs to FALSE
 - 3> set CDMA2000_INITIATED to FALSE
 - 3> perform the UE actions for UE Test Loop Mode B operation as specified in subclause 5.4.4 and 5.4.4.1 to 5.4.4.11; and
 - 3> send CLOSE UE TEST LOOP COMPLETE message (the loopback shall be operational prior to the sending of the acknowledgement).
- 1> else if UE test loop mode C has been selected;
 - 2> if no MTCH data radio bearer is established or if the UE test mode is not active; or
 - 2> if UE test loop mode A or UE test loop mode B operation is already closed on one or more data radio bearers; or
 - 2> if TEST_LOOP_MODE_C_ACTIVE = TRUE or TEST_LOOP_MODE_D_ACTIVE = TRUE or TEST_LOOP_MODE_E_ACTIVE = TRUE or TEST_LOOP_MODE_F_ACTIVE = TRUE or TEST_LOOP_MODE_G_ACTIVE = TRUE or TEST_LOOP_MODE_H_ACTIVE = TRUE or TEST_LOOP_MODE_I_ACTIVE = TRUE:
 - 3> the UE behaviour is unspecified.
 - 2> otherwise:
 - 3> set TEST_LOOP_MODE_C_ACTIVE to TRUE
 - 3> set state variable MBMS_PACKET_COUNTER to zero;
 - 3> perform the UE actions for UE Test Loop Mode C operation as specified in subclause 5.4.4a; and
 - 3> send CLOSE UE TEST LOOP COMPLETE message (the loopback shall be operational prior to the sending of the acknowledgement).
- 1> else if UE test loop mode D has been selected;
 - 2> if UE test loop mode A or UE test loop mode B operation is already closed on one or more data radio bearers; or
 - 2> if TEST_LOOP_MODE_C_ACTIVE = TRUE or TEST_LOOP_MODE_D_ACTIVE = TRUE or TEST_LOOP_MODE_E_ACTIVE = TRUE or TEST_LOOP_MODE_F_ACTIVE = TRUE or TEST_LOOP_MODE_G_ACTIVE = TRUE or TEST_LOOP_MODE_H_ACTIVE = TRUE or TEST_LOOP_MODE_I_ACTIVE = TRUE:
 - 3> the UE behaviour is unspecified.
 - 2> otherwise:
 - 3> set TEST_LOOP_MODE_D_ACTIVE to TRUE
 - 3> if the Discovery Announce or Monitor parameter in UE test loop mode D setup IE is set as zero;
 - 4> set TEST_LOOP_MODE_D_TRIGGER to MONITOR
 - 4> set state variable PROSE_DISCOVERY_MONITOR_N to the number of entities in the list of ProSe App Codes to individually monitor included in the UE test loop mode D setup IE;
 - 4> if PROSE_DISCOVERY_MONITOR_N is greater than MAX_ModeD_Monitor_Entities:
 - 5> the UE behaviour is unspecified.
 - 4> for SL_ID = 0...(PROSE_DISCOVERY_MONITOR_N-1):

- 5> set state variable PROSE_DISCOVERY_APPCODE(SL_ID) to the parameter ProSe App Code (LSBs) #(SL_ID) to monitor of the UE test loop mode D setup IE;
 - 5> set state variable PSDCH_PACKET_COUNTER(SL_ID) to zero;
 - 4> set state variable PSDCH_PACKET_COUNTER(PROSE_DISCOVERY_MONITOR_N) to zero;
 - 4> perform the UE actions for UE Test Loop Mode D operation as specified in subclause 5.4.4b;
 - 3> if the Discovery Announce or Monitor parameter in UE test loop mode D setup IE is set as one;
 - 4> set TEST_LOOP_MODE_D_TRIGGER to ANNOUNCE
 - 4> perform the UE actions for UE Test Loop Mode D operation as specified in subclause 5.4.4b;
 - 3> send CLOSE UE TEST LOOP COMPLETE message (the loopback shall be operational prior to the sending of the acknowledgement).
- 1> else if UE test loop mode E has been selected;
- 2> if UE test loop mode A or UE test loop mode B operation is already closed on one or more data radio bearers;
or
 - 2> if TEST_LOOP_MODE_C_ACTIVE = TRUE or TEST_LOOP_MODE_D_ACTIVE = TRUE or TEST_LOOP_MODE_E_ACTIVE = TRUE or TEST_LOOP_MODE_F_ACTIVE = TRUE or TEST_LOOP_MODE_G_ACTIVE = TRUE or TEST_LOOP_MODE_H_ACTIVE = TRUE or TEST_LOOP_MODE_I_ACTIVE = TRUE; or
 - 2> if the UE is unable to read the pre-configured parameters for ProSe Direct or V2X Communication from the USIM; or
 - 2> when test loop mode E is utilised in V2X out-of-coverage scenarios:
 - 3> the UE behaviour is unspecified.
 - 2> otherwise:
 - 3> set TEST_LOOP_MODE_E_ACTIVE to TRUE
 - 3> if the Communication Transmit or Receive parameter in UE test loop mode E setup IE is set as zero;
 - 4> set TEST_LOOP_MODE_E_TRIGGER to RECEIVE
 - 4> set state variable PROSE_COMMUNICATION_MONITOR_N to the number of entities in the list of Group Destination IDs to individually monitor included in the UE test loop mode E setup IE;
 - 4> if PROSE_COMMUNICATION_MONITOR_N is greater than MAX_ModeE_Monitor_Entities:
 - 5> the UE behaviour is unspecified.
 - 4> for SL_ID = 0...(PROSE_COMMUNICATION_MONITOR_N-1):
 - 5> set state variable PROSE_COMMUNICATION_DEST_ID(SL_ID) to the parameter Group Destination ID #(SL_ID) to monitor of the UE test loop mode E setup IE;
 - 5> set state variable STCH_PACKET_COUNTER(SL_ID) to zero;
 - 5> set state variable PSCCH_PACKET_COUNTER(SL_ID) to zero;
 - 5> set state variable PSSCH_PACKET_COUNTER(SL_ID) to zero;
 - 4> set state variable STCH_PACKET_COUNTER(PROSE_COMMUNICATION_MONITOR_N) to zero;
 - 4> set state variable PSCCH_PACKET_COUNTER(PROSE_COMMUNICATION_MONITOR_N) to zero;

- 4> set state variable PSSCH_PACKET_COUNTER(PROSE_COMMUNICATION_MONITOR_N) to zero;
 - 4> perform the UE actions for UE Test Loop Mode E operation as specified in subclause 5.4.4c;
 - 3> if the Communication Transmit or Receive parameter in UE test loop mode E setup IE is set as one;
 - 4> set TEST_LOOP_MODE_E_TRIGGER to TRANSMIT
 - 4> perform the UE actions for UE Test Loop Mode E operation as specified in subclause 5.4.4c;
 - 3> send CLOSE UE TEST LOOP COMPLETE message (the loopback shall be operational prior to the sending of the acknowledgement).
- 1> else if UE test loop mode F has been selected;
- 2> if no SC-MTCH data radio bearer is established or if the UE test mode is not active; or
 - 2> if UE test loop mode A or UE test loop mode B operation is already closed on one or more data radio bearers; or
 - 2> if TEST_LOOP_MODE_C_ACTIVE = TRUE or TEST_LOOP_MODE_D_ACTIVE = TRUE or TEST_LOOP_MODE_E_ACTIVE = TRUE or TEST_LOOP_MODE_F_ACTIVE = TRUE: or TEST_LOOP_MODE_G_ACTIVE = TRUE or TEST_LOOP_MODE_H_ACTIVE = TRUE or TEST_LOOP_MODE_I_ACTIVE = TRUE
 - 3> the UE behaviour is unspecified.
- 2> otherwise:
- 3> set TEST_LOOP_MODE_F_ACTIVE to TRUE
 - 3> set state variable SCPTM_PACKET_COUNTER to zero;
 - 3> perform the UE actions for UE Test Loop Mode F operation as specified in subclause 5.4.4d; and
 - 3> send CLOSE UE TEST LOOP COMPLETE message (the loopback shall be operational prior to the sending of the acknowledgement).
- 1> else if UE test loop mode G has been selected;
- 2> if UE test loop mode A or UE test loop mode B operation is already closed on one or more data radio bearers; or;
 - 2> if TEST_LOOP_MODE_C_ACTIVE = TRUE or TEST_LOOP_MODE_D_ACTIVE = TRUE or TEST_LOOP_MODE_E_ACTIVE = TRUE or TEST_LOOP_MODE_F_ACTIVE = TRUE or TEST_LOOP_MODE_H_ACTIVE = TRUE or TEST_LOOP_MODE_I_ACTIVE = TRUE:
 - 3> the UE behaviour is unspecified;
- 2> otherwise:
- 3> set TEST_LOOP_MODE_G_ACTIVE to TRUE;
 - 3> if the uplink loopback operation mode parameter of the UE test loop mode GH setup IE has a value set to 1:
 - 4> set GH_RLC_SDU_loopback to TRUE;
 - 3> else:
 - 4> set GH_RLC_SDU_loopback to FALSE;
 - 3> set GH_NUMBER_UL_DATA_REPETITIONS to the value of number of repetitions parameter of the UE test loop mode GH setup IE;

- 3> set timer T_delay_modeGH to the value of Uplink data delay timer parameter of the UE test loop mode GH setup IE;
 - 3> if the Uplink data delay timer parameter of the UE test loop mode GH setup IE has a value larger than zero:
 - 4> set GH_BUFFER_CP_data to TRUE;
 - 3> else:
 - 4> set GH_BUFFER_CP_data to FALSE;
 - 3> perform the UE actions for UE Test Loop Mode G operation in CP data loopback mode as specified in subclause 5.4.4e;
 - 3> send CLOSE UE TEST LOOP COMPLETE message (the loopback shall be operational prior to the sending of the acknowledgement);
- 1> else if UE test loop mode H has been selected;
- 2> if UE test loop mode A or UE test loop mode B operation is already closed on one or more data radio bearers; or;
 - 2> if TEST_LOOP_MODE_C_ACTIVE = TRUE or TEST_LOOP_MODE_D_ACTIVE = TRUE or TEST_LOOP_MODE_E_ACTIVE = TRUE or TEST_LOOP_MODE_F_ACTIVE = TRUE or TEST_LOOP_MODE_G_ACTIVE = TRUE or TEST_LOOP_MODE_I_ACTIVE = TRUE:
 - 3> the UE behaviour is unspecified;
- 2> otherwise:
- 3> set TEST_LOOP_MODE_H_ACTIVE to TRUE;
 - 3> if the uplink loopback operation mode parameter of the UE test loop mode GH setup IE has a value set to 1:
 - 4> set GH_RLC_SDU_loopback to TRUE;
 - 3> else:
 - 4> set GH_RLC_SDU_loopback to FALSE;
 - 3> set GH_NUMBER_UL_DATA_REPETITIONS to the value of number of repetitions parameter of the UE test loop mode GH setup IE;
 - 3> set timer T_delay_modeGH to the value of Uplink data delay timer parameter of the UE test loop mode GH setup IE;
 - 3> if the Uplink data delay timer parameter of the UE test loop mode GH setup IE has a value larger than zero:
 - 4> set GH_BUFFER_CP_data to TRUE;
 - 3> else:
 - 4> set GH_BUFFER_CP_data to FALSE;
 - 3> perform the UE actions for UE Test Loop Mode H operation as specified in subclause 5.4.4f.1; and
 - 3> send CLOSE UE TEST LOOP COMPLETE message (the loopback shall be operational prior to the sending of the acknowledgement).
- 1> else if UE test loop mode I has been selected;
- 2> if UE test loop mode A or UE test loop mode B operation is already closed on one or more data radio bearers; or;

- 2> if TEST_LOOP_MODE_C_ACTIVE = TRUE or TEST_LOOP_MODE_D_ACTIVE = TRUE or TEST_LOOP_MODE_E_ACTIVE = TRUE or TEST_LOOP_MODE_F_ACTIVE = TRUE or TEST_LOOP_MODE_G_ACTIVE = TRUE or TEST_LOOP_MODE_H_ACTIVE = TRUE:
 - 3> the UE behaviour is unspecified;
- 2> otherwise:
 - 3> set TEST_LOOP_MODE_I_ACTIVE to TRUE;
 - 3> perform the UE actions for UE Test Loop Mode I operation as specified in subclause 5.4.4g.1; and
 - 3> send CLOSE UE TEST LOOP COMPLETE message (the loopback shall be operational prior to the sending of the acknowledgement).
- 1> else;
 - 2> the UE behaviour is unspecified.

5.4.2.4 Reception of AT Command +CCUTLE by the UE

Upon receiving the AT Command +CCUTLE=<status=0>[,<direction>[,<format>,<length>,<monitor_list>]] the UE shall:

- 1> if UE test loop mode E has been selected;
 - 2> if TEST_LOOP_MODE_E_ACTIVE = TRUE; or
 - 2> if the UE is unable to read the pre-configured parameters for V2X Communication from the USIM:
 - 3> the UE behaviour is unspecified.
 - 2> otherwise:
 - 3> set TEST_LOOP_MODE_E_ACTIVE to TRUE
 - 3> if the <direction> parameter in +CCUTLE set command is set as zero;
 - 4> set TEST_LOOP_MODE_E_TRIGGER to RECEIVE
 - 4> if the <format> parameter in +CCUTLE set command is set as 1
 - 5> set state variable PROSE_COMMUNICATION_MONITOR_N to the number of entities in the list of Destination Layer-2 IDs to individually monitor included in the <monitor_list> parameter of +CCUTLE set command;
 - 5> if PROSE_COMMUNICATION_MONITOR_N is greater than MAX_ModeE_Monitor_Entities:
 - 6> the UE behaviour is unspecified.
 - 5> for SL_ID = 0...(PROSE_COMMUNICATION_MONITOR_N-1):
 - 6> set state variable PROSE_COMMUNICATION_DEST_ID(SL_ID) to the parameter Destination Layer-2 ID #(SL_ID) to monitor in the +CCUTLE set command;
 - 6> set state variable STCH_PACKET_COUNTER(SL_ID) to zero;
 - 6> set state variable PSCCH_PACKET_COUNTER(SL_ID) to zero;
 - 6> set state variable PSSCH_PACKET_COUNTER(SL_ID) to zero;
 - 5> set state variable STCH_PACKET_COUNTER(PROSE_COMMUNICATION_MONITOR_N) to zero;
 - 5> set state variable PSCCH_PACKET_COUNTER(PROSE_COMMUNICATION_MONITOR_N) to zero;

- 5> set state variable PSSCH_PACKET_COUNTER(PROSE_COMMUNICATION_MONITOR_N) to zero;
- 5> perform the UE actions for UE Test Loop Mode E operation as specified in subclause 5.4.4c;
- 4> else
 - 5> the UE behaviour is unspecified.
- 3> if the <direction> parameter in +CCUTLE set command is set as one;
 - 4> set TEST_LOOP_MODE_E_TRIGGER to TRANSMIT
 - 4> perform the UE actions for UE Test Loop Mode E operation as specified in subclause 5.4.4c;
- 1> else;
 - 2> the UE behaviour is unspecified.

5.4.3 UE test loop mode A operation

Upon receiving a PDCP SDU identified by LB_ID when operating in E-UTRA or NB-IoT mode with UE Test Loop Mode A active the UE shall:

- 1> if UL_PDCP_SDU_scaling(LB_ID) is FALSE:
 - 2> take the PDCP SDU from the output of the PDCP Service Access Point (SAP) and provide it as input to the correspondent PDCP SAP in uplink and transmit, see Figure 5.4.3-1.
- 1> else:
 - 2> if UL_PDCP_SDU_size(LB_ID) = 0:
 - 3> discard the PDCP SDU (no data is returned).
 - 2> else:
 - 3> if the size of the received PDCP SDU in downlink is equal to UL_PDCP_SDU_size(LB_ID):
 - 4> take the PDCP SDU from the output of the PDCP SAP and provide it as input to the correspondent PDCP SAP in uplink and transmit, see Figure 5.4.3-1.
 - 3> else if the size of the received PDCP SDU in downlink is bigger than UL_PDCP_SDU_size(LB_ID):
 - 4> create a UL PDCP SDU of size UL_PDCP_SDU_size(LB_ID) by taking the first K bits of the received PDCP SDU in downlink PDCP SAP, where K is equal to UL_PDCP_SDU_size(LB_ID) and provide it as input to the correspondent PDCP SAP in uplink and transmit, see Figure 5.4.3-2.
 - 3> else if the size of the received PDCP SDU in downlink is less than UL_PDCP_SDU_size(LB_ID):
 - 4> create a UL PDCP SDU of size UL_PDCP_SDU_size(LB_ID) by repeating the data received in downlink PDCP SDU in downlink to fill the UL PDCP SDU (truncating the last block if necessary), provide it as input to the correspondent PDCP SAP in uplink and transmit, see Figure 5.4.3-3.

NOTE: Size of the received PDCP SDUs in downlink shall be bit strings that are byte aligned (i.e. multiple of 8 bits) according to TS 36.323 [24] clause 6.2.1.

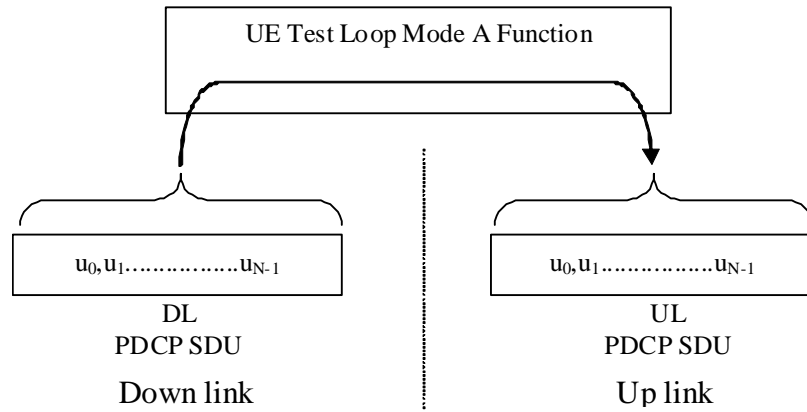


Figure 5.4.3-1: Loop back of PDCP SDU (DL PDCP SDU size = UL PDCP SDU size = N)

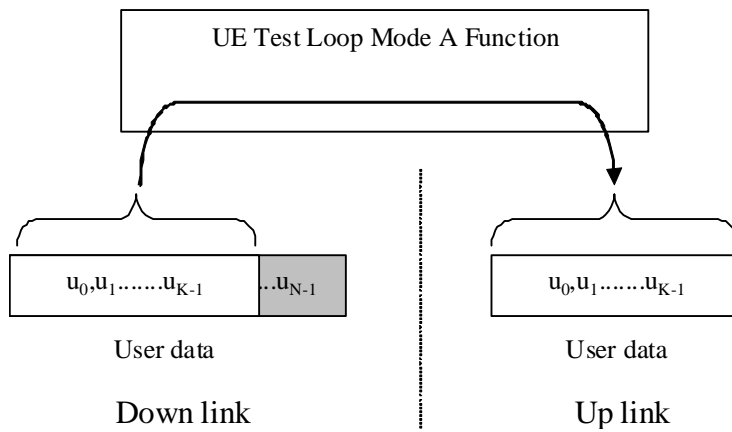


Figure 5.4.3-2: DL > UL PDCP SDU block size (DL PDCP SDU size = N, UL PDCP SDU size = K)

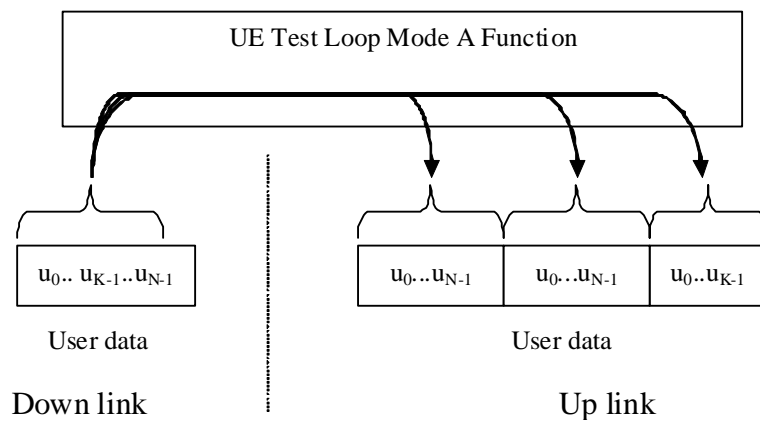


Figure 5.4.3-3: DL < UL PDCP SDU block size (DL PDCP SDU size = N, UL PDCP SDU size = 2*N + K)

5.4.4 UE test loop mode B operation

5.4.4.1 Void

5.4.4.2 Reception of IP PDUs when UE is in E-UTRA or NB-IoT mode

Upon receiving a PDCP SDU (=IP PDU) when operating in E-UTRA or NB-IoT mode with UE Test Loop Mode B active the UE shall:

- 1> if T_delay_modeB timer is running:
 - 2> buffer the received PDCP SDU
- 1> else
 - 2> if BUFFER_IP_PDUs is TRUE
 - 3> buffer the received PDCP SDU
 - 3> Start T_delay_modeB timer
 - 2> else
 - 3> submit the received PDCP SDU without any modification of the IP header to the UL TFT handling SAP for transmission in uplink. See note.

NOTE 1: The UL TFT function in the UE is mapping IP PDUs received from SDF to EPS bearer/radio bearer as configured by SS in the UL TFT IE sent as part of the EPS bearer establishment procedures. See figure 5.1-2.

NOTE 2: Size of the received PDCP SDUs in downlink shall be bit strings that are byte aligned (i.e. multiple of 8 bits) according to TS 36.323 [24] clause 6.2.1. The PDCP SDUs themselves shall contain a valid IPv4 or IPv6 Header in accordance with the PDN type (Ref. TS 24.301 [36]) accepted by the UE.

5.4.4.3 Expiry of T_delay_modeB timer when UE is in E-UTRA or NB-IoT mode

When timer T_delay_modeB expires when UE is operating in E-UTRA or NB-IoT mode and has UE Test Loop Mode B active then the UE shall:

- 1> submit the buffered PDCP SDUs in the same order as received (first-in-first-out) and without any modification of the IP header to the UL TFT handling SAP for transmission in uplink. See note 1.
- 1> set BUFFER_IP_PDUs to FALSE

NOTE 1: The UL TFT function in the UE is mapping IP PDUs received from SDF to EPS bearer/radio bearer as configured by SS in the UL TFT IE sent as part of the EPS bearer establishment procedures. See figure 5.1-2.

NOTE 2: After the PDCP SDU buffer becomes empty the loopback will return any received PDCP SDU in uplink directly as specified in clause 5.4.4.2. In order to reactivate the loopback delay and PDCP SDU buffering the SS shall deactivate UE test loop B function first.

5.4.4.4 Reception of IP PDUs when UE is in UTRA mode

When UE receives a PDCP SDU when UE is operating in UTRA mode and has UE Test Loop Mode B active then the UE shall:

- 1> if T_delay_modeB timer is running:
 - 2> buffer the received PDCP SDU
- 1> else
 - 2> if BUFFER_IP_PDUs is TRUE

- 3> buffer the received PDCP SDU
- 3> Start T_delay_modeB timer
- 2> else
 - 3> submit the received PDCP SDU without any modification of the IP header to the UL TFT handling SAP for transmission in uplink.

5.4.4.5 Expiry of T_delay_modeB timer when UE is in UTRA mode

When timer T_delay_modeB expires when UE is operating in UTRA mode and has UE Test Loop Mode B active the then UE shall:

- 1> submit the buffered IP PDUs in the same order as received (first-in-first-out) and without any modification of the IP header to the UL TFT handling SAP for transmission in uplink.
- 1> set BUFFER_IP_PDUs to FALSE.

NOTE: After the IP PDU buffer becomes empty the loopback will return any received PDCP SDU in uplink directly as specified in clause 5.4.4.4. In order to reactivate the loopback delay and PDCP SDU buffering the SS shall deactivate UE test loop B function and UE shall return to E-UTRA or NB-IoT mode first.

5.4.4.6 Reception of IP PDUs when UE is in GSM/GPRS mode

When UE receives a SNDCP SDU when UE is operating in GSM/GPRS mode and has UE Test Loop Mode B active then the UE shall:

- 1> if T_delay_modeB timer is running:
 - 2> buffer the received SNDCP SDU.
- 1> else
 - 2> if BUFFER_IP_PDUs is TRUE;
 - 3> buffer the received SNDCP SDU;
 - 3> Start T_delay_modeB timer.
 - 2> else
 - 3> submit the received SNDCP SDU without any modification of the IP header to the UL TFT handling SAP for transmission in uplink.

5.4.4.7 Expiry of T_delay_modeB timer when UE is in GSM/GPRS mode

When timer T_delay_modeB expires when UE is operating in GSM/GPRS mode and has UE Test Loop Mode B active then the UE shall:

- 1> submit the buffered IP PDUs without any modification of the IP header in the same order as received (first-in-first-out), to the UL TFT handling SAP for transmission in uplink.
- 1> set BUFFER_IP_PDUs to FALSE

NOTE: After the IP PDU buffer becomes empty the loopback will return any received SNDCP SDU in uplink directly as specified in clause 5.4.4.6. In order to reactivate the loopback delay and SNDCP SDU buffering the SS shall deactivate UE test loop B function and UE shall return to E-UTRA or NB-IoT mode first.

5.4.4.8 Reception of IP PDUs when UE is in CDMA2000 mode

When UE receives a RLP SDU when UE is operating in CDMA2000 mode and has UE Test Loop Mode B active then the UE shall:

1> if CDMA2000_INITIATED is FALSE:

2> if T_delay_modeB is running:

3> restart T_delay_modeB

2> else:

3> start T_delay_modeB

2> set CDMA2000_INITIATED to TRUE;

1> if T_delay_modeB is running;

2> deliver the received RLP SDU to upper layers;

1> else

2> submit the received RLP SDU without any modification of the IP header to the UL TFT handling SAP for transmission in uplink.

NOTE: When CDMA2000_INITIATED is FALSE or when T_delay_modeB is running, the UE may send RLP SDUs in uplink upon initiation from upper layers.

5.4.4.9 Expiry of T_delay_modeB timer when UE is in CDMA2000 mode

When timer T_delay_modeB expires when UE is operating in CDMA2000 mode and has UE Test Loop Mode B active then the UE shall not take any action.

5.4.4.10 Establishment of the RRC/RR connection in E-UTRA, NB-IoT, UTRA, GSM/GPRS and CDMA2000 mode

When the RRC or the RR connection and one or more EPS bearers are established, in E-UTRA, NB-IoT, UTRA, GSM/GPRS and CDMA2000 mode then the UE shall:

1> if TEST_LOOP_MODE_B_ACTIVE is set to TRUE;

2> perform the UE actions for UE Test Loop Mode B operation as specified in subclause 5.4.4 and 5.4.4.1 to 5.4.4.11.

5.4.4.11 Release of RRC/RR connection in E-UTRA, NB-IoT, UTRA, GSM/GPRS and CDMA2000 mode after T_delay_modeB timer has expired

When the RRC or the RR connection is released in E-UTRA, NB-IoT, UTRA, GSM/GPRS and CDMA2000 mode then the UE shall:

1> if UE test loop mode B is active; and

1> if BUFFER_IP_PDUs is TRUE or T_delay_modeB timer is running:

2> keep UE test loop mode B active

1> else

2> the UE behaviour is unspecified.

5.4.4a UE test loop mode C operation

5.4.4a.1 Reception of MBMS packets

Upon receiving a MBMS packet on the MTCH identified by MTCH_ID when operating in E-UTRA idle or connected mode with UE test loop mode C active the UE shall:

- 1> if UE test loop mode C is active;
 - 2> increment MBMS_PACKET_COUNTER by 1;
- 1> else:
 - 2> the UE behaviour is unspecified.

5.4.4a.2 Release of RRC connection

When the RRC connection is released in E-UTRA mode then the UE shall:

- 1> if UE test loop mode C is active:
 - 2> keep UE test loop mode C active.

5.4.4b UE test loop mode D operation

5.4.4b.1 Monitor or Announce ProSe Direct Discovery

When operating in E-UTRA idle or connected mode with UE test loop mode D active, the UE shall be able to either monitor or announce ProSe Direct Discovery message(s) based on the TEST_LOOP_MODE_D_TRIGGER being set as either MONITOR or ANNOUNCE, respectively. The UE shall:

- 1> if TEST_LOOP_MODE_D_ACTIVE is set to TRUE:
 - 2> if TEST_LOOP_MODE_D_TRIGGER is set to MONITOR;
 - 3> upon successful reception of SL-DCH MAC SDU for ProSe Direct Discovery message:
 - 4> set MATCH to zero;
 - 4> if PROSE_DISCOVERY_MONITOR_N > 0
 - 5> for SL_ID = 0...(PROSE_DISCOVERY_MONITOR_N-1):
 - 6> if LSBs (8..0) of ProSe App Code in the received SL-DCH MAC SDU equals PROSE_DISCOVERY_APPCODE(SL_ID):
 - 7> increment PSDCH_PACKET_COUNTER(SL_ID) by 1;
 - 7> set MATCH to one.
 - 4> if MATCH equal zero:
 - 5> increment PSDCH_PACKET_COUNTER(PROSE_DISCOVERY_MONITOR_N) by 1.
 - 2> else if TEST_LOOP_MODE_D_TRIGGER is set to ANNOUNCE;
 - 3> create the SL-DCH MAC SDU with the payload specified below, see Figure 5.4.4b.1-1 and Table 5.4.4b.1-1, and provide as input to MAC for possible transmission in each discovery period.
- NOTE: The same SL-DCH MAC SDU is transmitted (if permitted by test specific Layer 1 and Layer 2 configuration) by the UE in every discovery period during the entire duration test loop mode D is closed.
- 2> else:
 - 3> the UE behaviour is unspecified.
 - 1> else:
 - 2> the UE behaviour is unspecified.

The SL-DCH MAC SDU payload for ProSe Direct Discovery announce operation when UE test loop mode D is active shall be as specified in Figure 5.4.4b.1-1 and Table 5.4.4b.1-1.

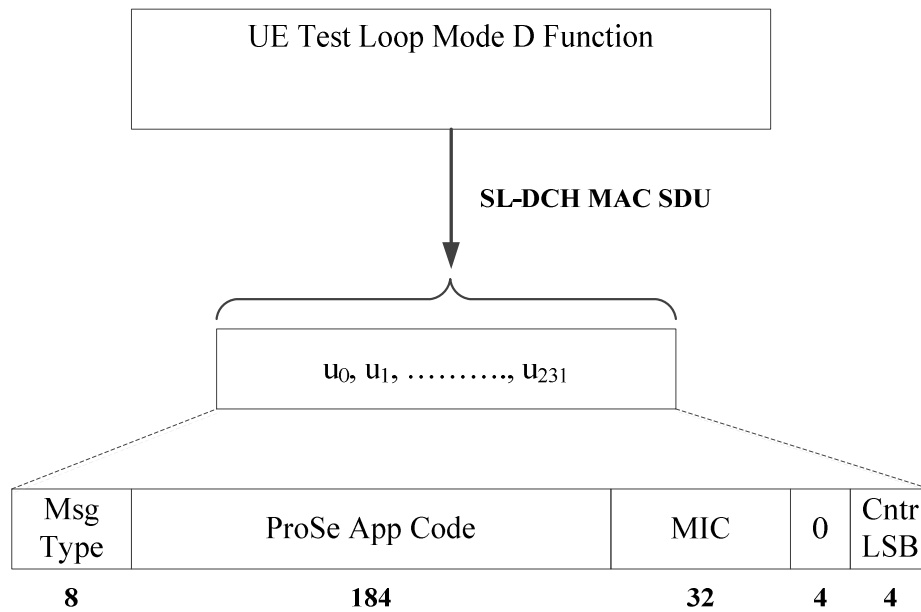


Figure 5.4.4b.1-1: ProSe Direct Discovery Announce operation in UE test loop mode D

Table 5.4.4b.1-1: SL-DCH MAC SDU payload contents for ProSe Direct Discovery Announce operation in UE test loop mode D

Parameter	Size (bits)	Value
Msg Type	8	01000001
ProSe App Code	184	00...00
MIC	32	00...00
Cntr LSB	4	0000

5.4.4b.2 Release of RRC connection

When the RRC connection is released in E-UTRA mode then the UE shall:

- 1> if UE test loop mode D is active:
- 2> keep UE test loop mode D active

5.4.4c UE test loop mode E operation

5.4.4c.1 Receive or Transmit ProSe Direct or V2X Communication

When operating in E-UTRA idle or connected or any cell selection state or out-of-coverage state for V2X test scenarios, with UE test loop mode E active, the UE shall be able to either receive or transmit ProSe Direct or V2X Communication packets based on the TEST_LOOP_MODE_E_TRIGGER being set as either RECEIVE or TRANSMIT, respectively. The UE shall:

- 1> if TEST_LOOP_MODE_E_ACTIVE is set to TRUE:
- 2> if TEST_LOOP_MODE_E_TRIGGER is set to RECEIVE;
- 3> upon successful reception of a STCH PDCP SDU for ProSe Direct or V2X Communication data packet:
 - 4> set MATCH to zero;
 - 4> if PROSE_COMMUNICATION_MONITOR_N > 0
 - 5> for SL_ID = 0...(PROSE_COMMUNICATION_MONITOR_N-1):

- 6> if Group Destination ID in the received PSCCH corresponding to the STCH PDCP SDU equals PROSE_COMMUNICATION_DEST_ID(SL_ID):
 - 7> increment STCH_PACKET_COUNTER(SL_ID) by 1;
 - 7> set MATCH to one.
 - 4> if MATCH equal zero:
 - 5> increment STCH_PACKET_COUNTER(PROSE_COMMUNICATION_MONITOR_N) by 1.
 - 3> upon successful reception of a PSCCH PHY transport block for ProSe Direct Communication control packet:
 - 4> set MATCH to zero;
 - 4> for SL_ID = 0...(PROSE_COMMUNICATION_MONITOR_N-1):
 - 5> if, in the received PSCCH PHY transport block, Group Destination ID for ProSe Direct Communication equals PROSE_COMMUNICATION_DEST_ID(SL_ID):
 - 6> increment PSCCH_PACKET_COUNTER(SL_ID) by 1;
 - 6> set MATCH to one.
 - 4> if MATCH equal zero:
 - 5> increment PSCCH_PACKET_COUNTER (PROSE_COMMUNICATION_MONITOR_N) by 1.
 - 3> upon successful reception of a PSCCH PHY transport block for V2X Communication control packet:
 - 4> increment PSCCH_PACKET_COUNTER(PROSE_COMMUNICATION_MONITOR_N) by 1.
 - 3> upon successful reception of a PSSCH PHY transport block for ProSe Direct or V2X Communication data packet:
 - 4> set MATCH to zero;
 - 4> for SL_ID = 0...(PROSE_COMMUNICATION_MONITOR_N-1):
 - 5> if, in the received PSSCH PHY transport block, Group Destination ID for ProSe Direct Communication or Destination Layer-2 ID for V2X Communication equals PROSE_COMMUNICATION_DEST_ID(SL_ID):
 - 6> increment PSSCH_PACKET_COUNTER(SL_ID) by 1;
 - 6> set MATCH to one.
 - 4> if MATCH equal zero:
 - 5> increment PSSCH_PACKET_COUNTER (PROSE_COMMUNICATION_MONITOR_N) by 1.
 - 2> else if TEST_LOOP_MODE_E_TRIGGER is set to TRANSMIT;
 - 3> create the STCH PDCP SDU with payload size and contents as specified below, see Figure 5.4.4c.1-1 and Table 5.4.4c.1-1 or Table 5.4.4c.1-2 and provide as input PDCP for transmission in every SC period as per TS 36.331 [25] or in the set of subframes according to subclause 5.14.1.1 of TS 36.321 [22] for V2X Communication.
- NOTE: The same STCH PDCP SDU (1 packet) is transmitted (if permitted by test specific Layer 1 and Layer 2 configuration) by the UE in every SC period for ProSe Direct Communication or in the set of subframes for V2X Communication during the entire duration test loop mode E is closed.
- 2> else:
 - 3> the UE behaviour is unspecified.
 - 1> else:

2> the UE behaviour is unspecified.

The STCH PDCP SDU payload for ProSe Direct or V2X Communication packet when UE test loop mode E is active shall be as specified in Figure 5.4.4c.1-1 and Table 5.4.4c.1-1 or Table 5.4.4c.1-2. The UE shall also transmit the corresponding SCI control information on PSCCH accordingly in every PSCCH period for Prose Direct Communication or in the same subframe on which the STCH PDCP SDU is transmitted for V2X Sidelink Communication.

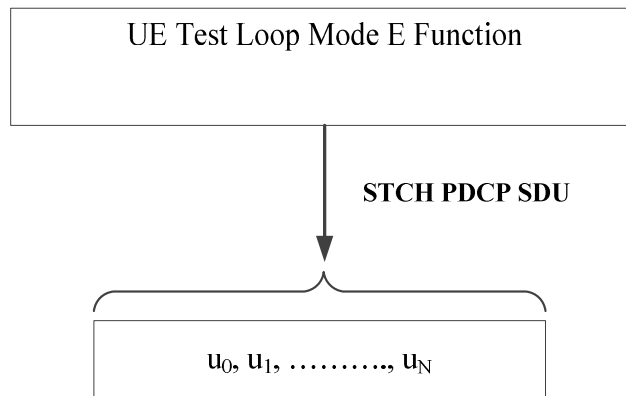


Figure 5.4.4c.1-1: ProSe Direct or V2X Communication Transmit operation in UE test loop mode E

Table 5.4.4c.1-1: STCH PDCP SDU payload contents for ProSe Direct operation in UE test loop mode E

Parameter	Value
Size (N)	40 bytes
Payload	00...00

Table 5.4.4c.1-2: STCH PDCP SDU payload contents for V2X Communication transmit operation in UE test loop mode E

Parameter	Value
Size (N)	300 bytes
Payload	00...00

5.4.4c.2 Release of RRC connection

When the RRC connection is released in E-UTRA mode then the UE shall:

- 1> if UE test loop mode E is active:
- 2> keep UE test loop mode E active

5.4.4c.3 Transition from RRC Idle/Connected to Any Cell Selection state

When the UE experiences radio link failure and transitions to RRC Any Cell Selection state in E-UTRA mode, then the UE shall:

- 1> if UE test loop mode E is active:
- 2> keep UE test loop mode E active

5.4.4c.4 V2X operation

In V2X test scenarios UE test loop mode E shall be kept active regardless of the radio environment situation and the UE state until de-activation has been explicitly requested.

5.4.4d UE test loop mode F operation

5.4.4d.1 Reception of MBMS packets

Upon receiving a MBMS packet on the SC-MTCH identified by SC_MTCH_ID when operating in E-UTRA idle or connected mode with UE test loop mode F active the UE shall:

- 1> if UE test loop mode F is active;
 - 2> increment SCPTM_PACKET_COUNTER by 1;
- 1> else:
 - 2> the UE behaviour is unspecified.

5.4.4d.2 Release of RRC connection

When the RRC connection is released in E-UTRA mode then the UE shall:

- 1> if UE test loop mode F is active:
 - 2> keep UE test loop mode F active.

5.4.4e UE test loop mode G operation

5.4.4e.1 Reception of ESM DATA TRANSPORT message

Upon receiving an ESM DATA TRANSPORT message when operating in UE test loop G the UE shall:

- 1> if GH_NUMBER_UL_DATA_REPETITIONS is 0:
 - 2> discard the received ESM DATA TRANSPORT message (no user data returned in uplink);
- 1> else if T_delay_modeGH timer is running:
 - 2> discard any previously buffered user data;
 - 2> buffer the content of the User data container of the received ESM DATA TRANSPORT message;
- 1> else:
 - 2> if GH_BUFFER_CP_data is TRUE:
 - 3> discard any previously buffered user data;
 - 3> buffer the content of the User data container of the received ESM DATA TRANSPORT message;
 - 3> Start T_delay_modeGH timer;
 - 2> else:
 - 3> if GH_NUMBER_UL_DATA_REPETITIONS is 1:
 - 4> if GH_RLC_SDU_loopback is TRUE
 - 5> submit the content of the User data container of each received ESM DATA TRANSPORT message in a RLC SDU to the RLC AM-SAP of SRB1bis for NB-IoT UE or to the RLC AM-SAP of SRB2 for E-UTRA UE for transmission in uplink;
 - 4> if GH_RLC_SDU_loopback is FALSE
 - 5> submit the content of the User data container of each received ESM DATA TRANSPORT message to the EMM SAP for control plane data for transmission in uplink;
 - 3> else if GH_NUMBER_UL_DATA_REPETITIONS is bigger than 1:

- 4> if GH_RLC_SDU_loopback is TRUE
 - 5> submit the content of the User data container of each received ESM DATA TRANSPORT message in a RLC SDU repeated GH_NUMBER_UL_DATA_REPETITIONS of times to the RLC AM-SAP of SRB1bis for NB-IoT UE or to the RLC AM-SAP of SRB2 for E-UTRA UE for transmission in uplink;
- 4> if GH_RLC_SDU_loopback is FALSE
 - 5> submit the content of the User data container of each received ESM DATA TRANSPORT message repeated GH_NUMBER_UL_DATA_REPETITIONS of times to the EMM SAP for control plane data for transmission in uplink;

5.4.4e.2 Expiry of T_delay_modeGH timer when UE test loop mode G is active

When timer T_delay_modeGH expires when UE is operating in UE Test Loop Mode G is active then the UE shall:

- 1> if GH_NUMBER_UL_DATA_REPETITIONS is 1:
 - 2> if GH_RLC_SDU_loopback is TRUE
 - 3> submit the content of the User data container of each received ESM DATA TRANSPORT message in a RLC SDU to the RLC AM-SAP of SRB1bis for NB-IoT UE or to the RLC AM-SAP of SRB2 for E-UTRA UE for transmission in uplink;
 - 2> if GH_RLC_SDU_loopback is FALSE
 - 3> submit the content of the User data container of each received ESM DATA TRANSPORT message to the EMM SAP for control plane data for transmission in uplink;
- 1> else if GH_NUMBER_UL_DATA_REPETITIONS is bigger than 1:
 - 2> if GH_RLC_SDU_loopback is TRUE
 - 3> submit the content of the User data container of each received ESM DATA TRANSPORT message in a RLC SDU repeated GH_NUMBER_UL_DATA_REPETITIONS of times to the RLC AM-SAP of SRB1bis for NB-IoT UE or to the RLC AM-SAP of SRB2 for E-UTRA UE for transmission in uplink;
 - 2> if GH_RLC_SDU_loopback is FALSE
 - 3> submit the content of the User data container of each received ESM DATA TRANSPORT message repeated GH_NUMBER_UL_DATA_REPETITIONS of times to the EMM SAP for control plane user data for transmission in uplink;
- 1> set GH_BUFFER_CP_data to FALSE;

5.4.4f UE test loop mode H operation

5.4.4f.1 Reception of TPDU

Upon receiving a TPDU (SMS-DELIVER) when operating in UE test loop H the UE shall:

- 1> if GH_NUMBER_UL_DATA_REPETITIONS is 0:
 - 2> discard the received TPDU (no user data returned in uplink);
- 1> else if T_delay_modeGH timer is running:
 - 2> discard any previously buffered TP-User-Data;
 - 2> buffer the TP-User-Data received in the TPDU via the Downlink NAS Transport message;
- 1> else
 - 2> if GH_BUFFER_CP_data is TRUE:

- 3> discard any previously buffered TP-User-Data;
- 3> buffer the TP-User-Data received in the TPDU via the Downlink NAS Transport message;
- 3> Start T_delay_modeGH timer;
- 2> else:
 - 3> if GH_NUMBER_UL_DATA_REPETITIONS is 1:
 - 4> if GH_RLC_SDU_loopback is TRUE
 - 5> submit the TP-User-Data for each received TPDU (SMS-DELIVER) in a RLC SDU to the RLC AM-SAP of SRB1bis for NB-IoT UE or to the RLC AM-SAP of SRB2 for E-UTRA UE for transmission in uplink;
 - 4> if GH_RLC_SDU_loopback is FALSE
 - 5> submit the TP-User-Data for each received TPDU (SMS-DELIVER) to the SM-TL SAP for control plane data for transmission in uplink in TPDU (SMS-SUBMIT);
 - 3> else if GH_NUMBER_UL_DATA_REPETITIONS is bigger than 1:
 - 4> if GH_RLC_SDU_loopback is TRUE
 - 5> submit the TP-User-Data for each received TPDU (SMS-DELIVER) in a RLC SDU repeated GH_NUMBER_UL_DATA_REPETITIONS of times to the RLC AM-SAP of SRB1bis for NB-IoT UE or to the RLC AM-SAP of SRB2 for E-UTRA UE for transmission in uplink;
 - 4> if GH_RLC_SDU_loopback is FALSE
 - 5> submit the TP-User-Data for each received TPDU (SMS-DELIVER) repeated GH_NUMBER_UL_DATA_REPETITIONS of times to the SM-TL SAP for control plane data for transmission in uplink in TPDU (SMS-SUBMIT);

5.4.4f.2 Expiry of T_delay_modeGH timer when UE test loop mode H is active

When timer T_delay_modeGH expires when UE is operating in UE Test Loop Mode H is active then the UE shall:

- 1> if GH_NUMBER_UL_DATA_REPETITIONS is 1:
 - 2> if GH_RLC_SDU_loopback is TRUE
 - 3> submit the TP-User-Data for each received TPDU (SMS-DELIVER) in a RLC SDU to the RLC AM-SAP of SRB1bis for NB-IoT UE or to the RLC AM-SAP of SRB2 for E-UTRA UE for transmission in uplink;
 - 2> if GH_RLC_SDU_loopback is FALSE
 - 3> submit the TP-User-Data for each received TPDU (SMS-DELIVER) to the SM-TL SAP for control plane data for transmission in uplink in TPDU (SMS-SUBMIT);
- 1> else if GH_NUMBER_UL_DATA_REPETITIONS is bigger than 1:
 - 2> if GH_RLC_SDU_loopback is TRUE
 - 3> submit the TP-User-Data for each received TPDU (SMS-DELIVER) in a RLC SDU repeated GH_NUMBER_UL_DATA_REPETITIONS of times to the RLC AM-SAP of SRB1bis for NB-IoT UE or to the RLC AM-SAP of SRB2 for E-UTRA UE for transmission in uplink;
 - 2> if GH_RLC_SDU_loopback is FALSE
 - 3> submit the TP-User-Data for each received TPDU (SMS-DELIVER) repeated GH_NUMBER_UL_DATA_REPETITIONS of times to the SM-TL SAP for control plane data for transmission in uplink in TPDU (SMS-SUBMIT);
- 1> set GH_BUFFER_CP_data to FALSE;

5.4.4g UE test loop mode I operation

5.4.4g.1 Reception of ESM DATA TRANSPORT message

Upon receiving an ESM DATA TRANSPORT message when operating in UE test loop I the UE shall:

- 1> submit the received IP PDU in the User data container of each received ESM DATA TRANSPORT without any modification of the IP header to the UL TFT handling SAP for transmission in uplink. See note.

NOTE 1: The UL TFT function in the UE is when UE is operated in Control Plane CIoT EPS optimization controlling uplink transmissions of IP PDUs based on UL TFT filters as configured by SS in the UL TFT IE sent as part of the EPS bearer establishment procedures. See figure 5.1-16.

NOTE 2: The IP PDUs shall contain a valid IPv4 or IPv6 Header in accordance with the PDN type (Ref. TS 24.301 [36]) accepted by the UE.

5.4.5 Open UE test loop

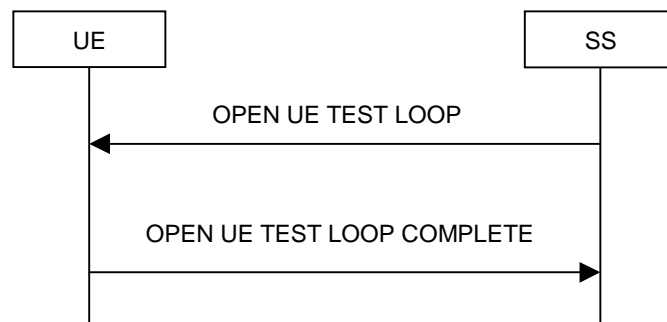


Figure 5.4.5-1: Open UE test loop procedure

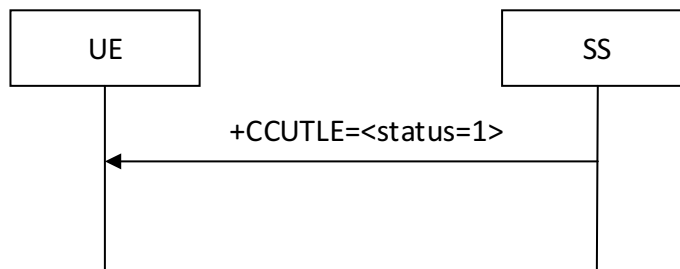


Figure 5.4.5-2: Open UE test loop procedure by AT Command

5.4.5.1 General

The SS uses the procedure open UE test loop to deactivate the UE test loop function in the UE.

5.4.5.2 Initiation

The SS requests the UE to open all closed test loops by transmitting an OPEN UE TEST LOOP message or by transmitting an AT Command +CCUTLE.

5.4.5.3 Reception of OPEN UE TEST LOOP message or AT Command +CCUTLE by the UE

When UE receives the OPEN UE TEST LOOP message or AT Command +CCUTLE=<status=1> then the UE shall:

- 1> If no test loops are closed:
 - 2> the UE behaviour is unspecified;
- 1> else if one or more test loops are closed:
 - 2> open all test loops;
 - 2> if TEST_LOOP_MODE_B_ACTIVE is TRUE
 - 3> set TEST_LOOP_MODE_B_ACTIVE to FALSE
 - 2> if TEST_LOOP_MODE_C_ACTIVE is TRUE
 - 3> set TEST_LOOP_MODE_C_ACTIVE to FALSE
 - 2> if TEST_LOOP_MODE_D_ACTIVE is TRUE
 - 3> set TEST_LOOP_MODE_D_ACTIVE to FALSE
 - 2> if TEST_LOOP_MODE_E_ACTIVE is TRUE
 - 3> set TEST_LOOP_MODE_E_ACTIVE to FALSE
 - 2> if TEST_LOOP_MODE_F_ACTIVE is TRUE
 - 3> set TEST_LOOP_MODE_F_ACTIVE to FALSE
 - 2> if TEST_LOOP_MODE_G_ACTIVE is TRUE
 - 3> set TEST_LOOP_MODE_G_ACTIVE to FALSE
 - 2> if TEST_LOOP_MODE_H_ACTIVE is TRUE
 - 3> set TEST_LOOP_MODE_H_ACTIVE to FALSE
 - 2> if TEST_LOOP_MODE_I_ACTIVE is TRUE
 - 3> set TEST_LOOP_MODE_I_ACTIVE to FALSE
 - 2> send OPEN UE TEST LOOP COMPLETE message;

NOTE: The UE test mode is still active so the UE continues behaving as described in 5.3.2.3

5.5 UE Positioning test mode procedures

5.5.1 Reset UE Positioning Stored Information



Figure 5.5.1-1: Reset UE Positioning Stored Information procedure

5.5.1.1 General

The SS uses the reset UE positioning stored information procedure to command the UE to reset the already acquired UE positioning information in preparation for subsequent test procedures.

5.5.1.2 Initiation

The SS requests the UE to reset the stored UE positioning information by transmitting a RESET UE POSITIONING STORED INFORMATION message.

5.5.1.3 Reception of RESET UE POSITIONING STORED INFORMATION message by UE

When UE receives RESET UE POSITIONING STORED INFORMATION message then the UE shall:

- 1> if the IE "UE Positioning Technology" has the value 'AGNSS':
 - 2> discard any stored GNSS reference time, reference position, and any other aiding data obtained or derived during the previous test instance (e.g. expected ranges and Doppler);
 - 2> temporarily disable any sensor data (if applicable) that can aid the positioning for the duration of the subsequent positioning procedure.
- 1> if the IE "UE Positioning Technology" has the value 'OTDOA':
 - 2> discard any stored OTDOA reference and neighbour cell info assistance data;
 - 2> use the reference cell in the provided OTDOA assistance data as reference cell for reporting RSTD measurements in the subsequent positioning procedure.
- 1> if the IE "UE Positioning Technology" has the value 'MBS':
 - 2> discard any stored MBS assistance data and information obtained or derived during the previous test instance (e.g. Beacon PN code and slot information and code phase measurements);
 - 2> temporarily disable any sensor data (if applicable) that can aid the positioning for the duration of the subsequent positioning procedure.
- 1> if the IE "UE Positioning Technology" has the value 'WLAN':
 - 2> discard any stored WLAN assistance data and information obtained or derived during the previous test instance;
- 1> if the IE "UE Positioning Technology" has the value 'Bluetooth':
 - 2> discard any stored Bluetooth data obtained or derived during the previous test instance;
- 1> if the IE "UE Positioning Technology" has the value 'Sensor':
 - 2> discard any stored Sensor assistance data and information obtained or derived during the previous test instance;
- 1> otherwise:
 - 2> ignore the message.

5.5.2 Update UE Location Information

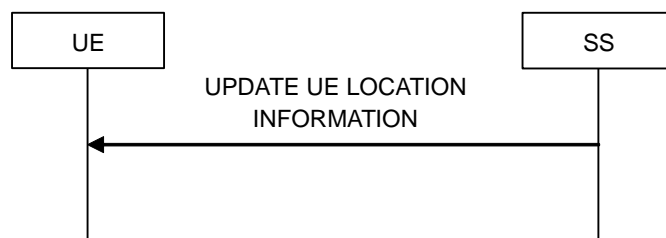


Figure 5.5.2-1: Update UE Location Information procedure

5.5.2.1 General

The SS uses the Update UE Location information procedure to send positioning information to the UE and command it to store positioning information in preparation for subsequent test procedures.

5.5.2.2 Initiation

The SS requests the UE to store the positioning information contained in the message by transmitting a UPDATE UE LOCATION INFORMATION message.

5.5.2.3 Reception of UPDATE UE LOCATION INFORMATION message by UE

When UE receives UPDATE UE LOCATION INFORMATION message then the UE shall:

- 1> if the UE has location information values stored:
 - 2> discard the stored location information:
 - 1> store the received location information (ellipsoidPointWithAltitude, horizontalVelocity and gnss-TOD-msec) and maintain it until reception of RESET UE POSITIONING STORED INFORMATION or UPDATE UE LOCATION INFORMATION message. Information not supported by the UE may be discarded.

5.5.3 UTC time reset

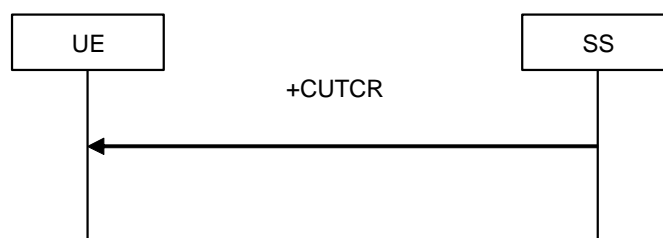


Figure 5.5.3-1: UTC time reset procedure

5.5.3.1 General

The SS uses the UTC time reset procedure to command the UE to reset or clear the current UTC time (and optionally any other relevant information such as position) that has been calculated from GNSS in the UE in preparation for the subsequent test procedure. This allows the UE to rapidly reacquire GNSS and calculate a new value of UTC time which may not be consistent with the previous value. The UE may optionally retain any other information that may aid the rapid reacquisition of GNSS and the calculation of a new value of UTC time. The UE shall also use only GNSS for position calculation in the subsequent test procedure.

5.5.3.2 Initiation

The SS requests the UE to reset the stored UTC time by transmitting an AT Command + CUTCR.

5.5.3.3 Reception of AT Command +CUTCR by UE

When UE receives AT Command +CUTCR then the UE shall:

- 1> discard any stored UTC time previously derived from GNSS;
- 1> optionally discard any other relevant information that will prevent rapid reacquisition of GNSS and calculation of a new value of UTC time which may not be consistent with the previously stored value;
- 1> optionally retain any other information that may aid the rapid reacquisition of GNSS and the calculation of a new value of UTC time;

- 1> temporarily disable any other non-GNSS positioning sensor data (if applicable) such that it shall use only GNSS for position calculation in the subsequent test procedure.

5.6 MBMS Packet Counter reporting procedure

5.6.1 Request MBMS Packet Counter value

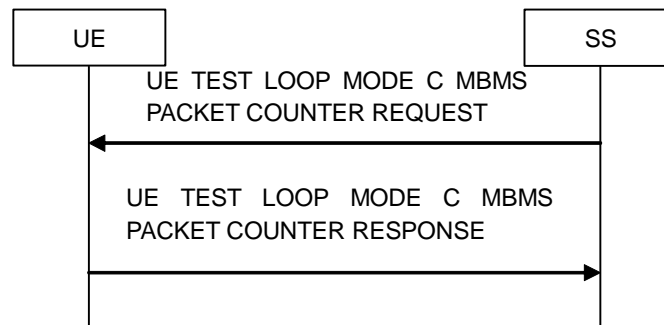


Figure 5.6.1-1: MBMS Packet Counter reporting procedure

5.6.1.1 General

The SS uses the MBMS Packet Counter reporting procedure to request reporting of current value of the state variable MBMS_PACKET_COUNTER.

5.6.1.2 Initiation

The SS requests the UE to report its current value of the state variable MBMS_PACKET_COUNTER by transmitting an UE TEST LOOP MODE C MBMS PACKET COUNTER REQUEST message.

5.6.1.3 Reception of UE TEST LOOP MODE C MBMS PACKET COUNTER REQUEST by the UE

Upon receiving the UE TEST LOOP MODE C MBMS PACKET COUNTER REQUEST message the UE shall:

- 1> if TEST_LOOP_MODE_C_ACTIVE is TRUE:
 - 2> set the IE MBMS Packet Counter Value in the UE TEST LOOP MODE C MBMS PACKET COUNTER RESPONSE message to the value of the state variable MBMS_PACKET_COUNTER;
 - 2> send the UE TEST LOOP MODE C MBMS PACKET COUNTER RESPONSE message.
- 1> else:
 - 2> the UE behaviour is unspecified.

5.7 ProSe Packet Counter reporting procedure

5.7.1 Request ProSe Packet Counter value

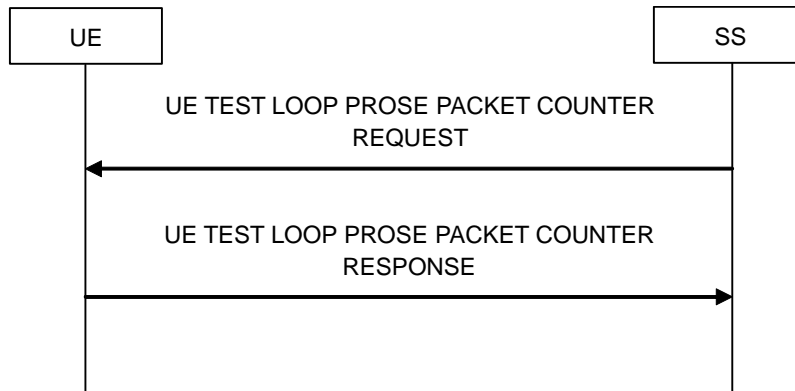


Figure 5.7.1-1: ProSe Packet Counter reporting procedure

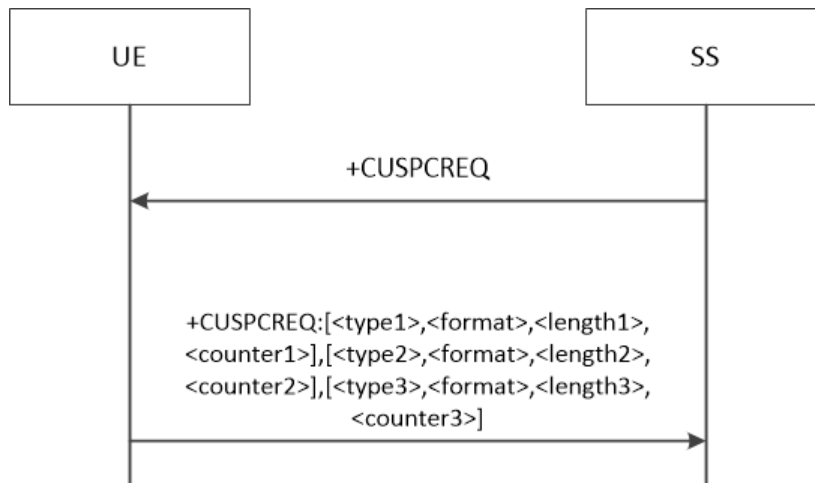


Figure 5.7.1-2: ProSe Packet Counter reporting procedure based on AT Commands

5.7.1.1 General

The SS uses the ProSe Packet Counter reporting procedure to request reporting of current value ProSe or V2X related state variables depending on the currently active ProSe or V2X test mode. For mode D the state variable PSDCH_PACKET_COUNTER is reported. For mode E the state variables STCH_PACKET_COUNTER, PSCCH_PACKET_COUNTER and PSSCH_PACKET_COUNTER are reported.

NOTE 1: For backward compatibility, the messages will be maintained and used for V2X Communication.

NOTE 2: For V2X communication, PSCCH_PACKET_COUNTER(SL_ID) with SL_ID = 0...PROSE_COMMUNICATION_MONITOR_N-1 are zero.

5.7.1.2 Initiation

The SS requests the UE to report its current value of the state variable PSDCH_PACKET_COUNTER for test loop mode D or STCH_PACKET_COUNTER, PSCCH_PACKET_COUNTER and PSSCH_PACKET_COUNTER for test loop mode E by transmitting an UE TEST LOOP PROSE PACKET COUNTER REQUEST message or by transmitting an AT Command +CUSPCREQ.

5.7.1.3 Reception of UE TEST LOOP PROSE COUNTER REQUEST by the UE

Upon receiving the UE TEST LOOP PROSE PACKET COUNTER REQUEST message the UE shall:

- 1> if TEST_LOOP_MODE_D_ACTIVE is TRUE:
 - 2> set the IE ProSe Direct Discovery Packet Counter(s) Value in the UE TEST LOOP PROSE COUNTER RESPONSE message to the value of the state variable(s) PSDCH_PACKET_COUNTER(SL_ID) with SL_ID = 0...PROSE_DISCOVERY_MONITOR_N;
 - 2> send the UE TEST LOOP PROSE COUNTER RESPONSE message.
- 1> else if TEST_LOOP_MODE_E_ACTIVE is TRUE:
 - 2> set the IE ProSe Direct or V2X Communication PSCCH Packet Counter(s) Value in the UE TEST LOOP PROSE COUNTER RESPONSE message to the value of the state variable(s) PSCCH_PACKET_COUNTER(SL_ID) with SL_ID = 0...PROSE_COMMUNICATION_MONITOR_N;
 - 2> set the IE ProSe Direct or V2X Communication STCH Packet Counter(s) Value in the UE TEST LOOP PROSE COUNTER RESPONSE message to the value of the state variable STCH_PACKET_COUNTER(SL_ID) with SL_ID = 0...PROSE_COMMUNICATION_MONITOR_N;
 - 2> set the IE ProSe Direct or V2X Communication PSSCH Packet Counter(s) Value in the UE TEST LOOP PROSE COUNTER RESPONSE message to the value of the state variable(s) PSSCH_PACKET_COUNTER(SL_ID) with SL_ID = 0...PROSE_COMMUNICATION_MONITOR_N;
 - 2> send the UE TEST LOOP PROSE COUNTER RESPONSE message.
- 1> else:
 - 2> the UE behaviour is unspecified.

5.7.1.4 Reception of AT Command +CUSPCREQ by the UE

Upon receiving the AT Command +CUSPCREQ the UE shall:

- 1> if TEST_LOOP_MODE_E_ACTIVE is TRUE:
 - 2> in the response message of command +CUSPCREQ, set the parameter <type1> to 1; set the parameter <format> to 1; set the parameter <length1> to 4*(PROSE_COMMUNICATION_MONITOR_N+1); set the parameter <counter1> to the value of the state variable(s) PSCCH_PACKET_COUNTER(SL_ID) with SL_ID = 0...PROSE_COMMUNICATION_MONITOR_N;
 - 2> in the response message of command +CUSPCREQ, set the parameter <type2> to 1; set the parameter <format> to 1; set the parameter <length2> to 4*(PROSE_COMMUNICATION_MONITOR_N+1); set the parameter <counter2> to the value of the state variable STCH_PACKET_COUNTER(SL_ID) with SL_ID = 0...PROSE_COMMUNICATION_MONITOR_N;
 - 2> in the response message of command +CUSPCREQ, set the parameter <type3> to 1; set the parameter <format> to 1; set the parameter <length3> to 4*PROSE_COMMUNICATION_MONITOR_N+1; set the parameter <counter3> to the value of the state variable(s) PSSCH_PACKET_COUNTER(SL_ID) with SL_ID = 0...PROSE_COMMUNICATION_MONITOR_N;
 - 2> send the response message +CUSPCREQ: [<type1>,<format>,<length1>,<counter1>], [<type2>,<format>,<length2>,<counter2>], [<type3>,<format>,<length3>,<counter3>]..
- 1> else:
 - 2> the UE behaviour is unspecified.

5.8 SC-PTM Packet Counter reporting procedure

5.8.1 Request SC-PTM Packet Counter value

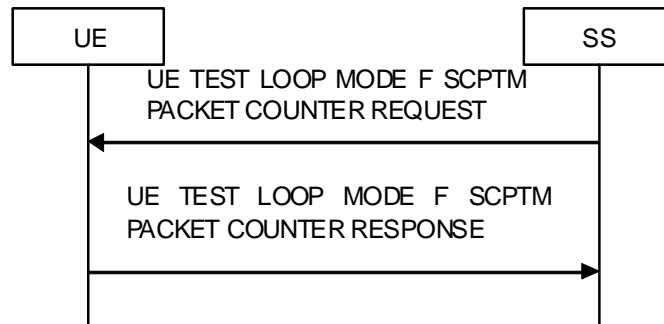


Figure 5.8.1-1: SC-PTM Packet Counter reporting procedure

5.8.1.1 General

The SS uses the SC-PTM Packet Counter reporting procedure to request reporting of current value of the state variable SCPTM_PACKET_COUNTER.

5.8.1.2 Initiation

The SS can activate the UE test mode when UE is in E-UTRA connected state.

NOTE: Refer to TS 36.508 [28] subclause 4.5.1 for more details on UE states.

The SS requests the UE to report its current value of the state variable SCPTM_PACKET_COUNTER by transmitting an UE TEST LOOP MODE F SCPTM PACKET COUNTER REQUEST message.

5.8.1.3 Reception of UE TEST LOOP MODE F SCPTM PACKET COUNTER REQUEST by the UE

Upon receiving the UE TEST LOOP MODE F SCPTM PACKET COUNTER REQUEST message the UE shall:

- 1> if TEST_LOOP_MODE_F_ACTIVE is TRUE:
 - 2> set the IE SCPTM Packet Counter Value in the UE TEST LOOP MODE F SCPTM PACKET COUNTER RESPONSE message to the value of the state variable SCPTM_PACKET_COUNTER;
 - 2> send the UE TEST LOOP MODE F SCPTM PACKET COUNTER RESPONSE message.
- 1> else:
 - 2> the UE behaviour is unspecified.

5.9 Antenna Test Function measurement procedure

This clause describes the ATF measurement procedure. An alternative client application procedure is defined in clause 9.1. The procedures described below are defined for a dual antenna single carrier system although it is the intention for this design to be easily extended for quad and octo antenna systems including carrier aggregation (CA) for when these capabilities come online in the future.

The use case for the measurements is that the conditions defined subclause 5.1 in TR 36.978 [40] would be established. Then, for any arbitrary orientation of the UE relative to the probe antenna, the test system can request a set of measurements. After receiving the results the UE can be repositioned and further sets of measurements requested until the required number of points on the sphere has been sampled. Typically a 2D cut of the UE will be measured at both

horizontal and vertical polarizations. The complex antenna pattern can then be derived from the reported RSAP and RSARP values. This derivation includes calibration procedures not covered in the scope of this document.

Accuracy requirement for RSAP and RSARP are defined in clause 5.9.2.

5.9.0 Measurements definition

5.9.0.1 Reference Signal Antenna Power (RSAP) definition

The RSAP measurement is based on RSRP as defined in subclause 5.1.1 of [41].

Since it is the intention to measure UE radiated receiver performance using fully allocated downlink channels, the RSAP is a measure of the average power of the CRS resource elements across the entire channel bandwidth.

Table 5.9.0.1-1: Reference Signal Antenna Power (RSAP) definition

Definition	Reference signal antenna power (RSAP) is defined per receive antenna ($R_{x_0} \dots R_{x_n}$) as the linear average over the power contributions (in [W]) of the resource elements that carry cell-specific reference signals across the entire LTE channel bandwidth. For RSAP determination the cell-specific reference signals R_0 according to TS 36.211 shall be used. The reference point for the RSAP shall be the antenna connector of the UE.
Measurement period	Since the signal is static there is no minimum measurement period defined but a figure of one 10 ms subframe is suggested.
Applicable for	RRC_CONNECTED intra-frequency

Note 1: The number of resource elements within the measurement period that are used by the UE to determine RSAP is left up to the UE implementation with the limitation that corresponding measurement accuracy requirements have to be fulfilled.

Note 2: The power per resource element is determined from the energy received during the useful part of the symbol, excluding the CP.

5.9.0.2 Reference Signal Antenna Relative Phase (RSARP) definition

The RSARP is similarly defined as RSAP. The relative phase difference of the CRS resource elements is the average across the entire channel bandwidth.

Table 5.9.0.2-1: Reference Signal Antenna Relative Phase (RSARP) definition

Definition	Reference signal antenna relative phase (RSARP), is defined as the difference between the average phase of the resource elements that carry cell-specific reference signals across the entire LTE channel bandwidth received by the reference antenna (chosen here as R_{x_0}) and the average phase of the resource elements that carry cell-specific reference signals across the entire LTE channel bandwidth received by one other receiver antenna ($R_{x_1} \dots R_{x_n}$). For RSARP determination, the cell-specific reference signals R_0 according to TS 36.211 [3] shall be used. The reference point for the RSARP shall be the antenna connector of the UE.
Measurement period	Since the signal is static there is no minimum measurement period defined but a figure of one 10 ms subframe is suggested.
Applicable for	RRC_CONNECTED intra-frequency

Note 1: The number of resource elements within the measurement period that are used by the UE to determine RSARP is left up to the UE implementation with the limitation that corresponding measurement accuracy requirements have to be fulfilled.

Note 2: The phase per resource element is determined from the energy received during the useful part of the symbol, excluding the CP.

5.9.1 Request Antenna Information values

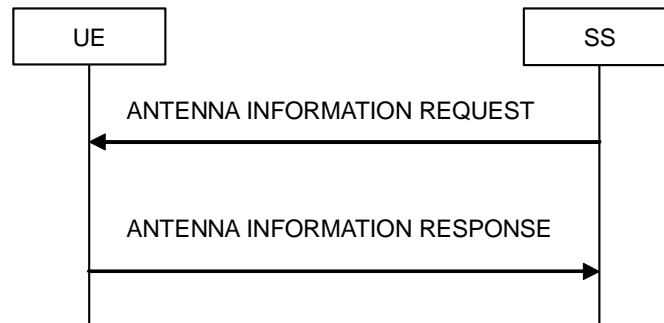


Figure 5.9.1-1: Antenna Test Function measurement procedure

5.9.1.1 General

The SS uses the ATF measurement procedure to request reporting of the current values of RSAP and RSARP according to the requested carrier number. The response depends on the number of receivers NR supported by the UE for the requested carrier number.

5.9.1.2 Initiation

The SS can request antenna information when the UE is in E-UTRA connected state.

NOTE: Refer to TS 36.508 [26] subclause 4.5.1 for more details on UE states.

The SS requests the UE to report its current antenna information values by sending an ANTENNA INFORMATION REQUEST message which specifies the desired carrier number (CN). The mapping from CN to carrier is given in subclause 6.17.

5.9.1.3 Reception of ANTENNA INFORMATION REQUEST by the UE

Upon receiving the ANTENNA INFORMATION REQUEST message the UE shall:

- 1> perform an RSAP measurement on receiver Rx₀ for the carrier number indicated in the ANTENNA INFORMATION REQUEST message
- 1> if the number of supported receivers (NR) is >1 perform an RSAP measurement on receiver Rx₁ for the carrier number indicated in the ANTENNA INFORMATION REQUEST message and perform an RSARP measurement using receivers Rx₀ and Rx₁
- 1> if the number of supported receivers (NR) is >2 perform an RSAP measurement on receiver Rx₂ for the carrier number indicated in the ANTENNA INFORMATION REQUEST message and perform an RSARP measurement using receivers Rx₀ and Rx₂
- 1> if the number of supported receivers (NR) is >3 perform an RSAP measurement on receiver Rx₃ for the carrier number indicated in the ANTENNA INFORMATION REQUEST message and perform an RSARP measurement using receivers Rx₀ and Rx₃
- 1> if the number of supported receivers (NR) is >4 perform an RSAP measurement on receiver Rx₄ for the carrier number indicated in the ANTENNA INFORMATION REQUEST message and perform an RSARP measurement using receivers Rx₀ and Rx₄

- 1> if the number of supported receivers (NR) is >5 perform an RSAP measurement on receiver Rx₅ for the carrier number indicated in the ANTENNA INFORMATION REQUEST message and perform an RSARP measurement using receivers Rx₀ and Rx₅
- 1> if the number of supported receivers (NR) is >6 perform an RSAP measurement on receiver Rx₆ for the carrier number indicated in the ANTENNA INFORMATION REQUEST message and perform an RSARP measurement using receivers Rx₀ and Rx₆
- 1> if the number of supported receivers (NR) is >7 perform an RSAP measurement on receiver Rx₇ for the carrier number indicated in the ANTENNA INFORMATION REQUEST message and perform an RSARP measurement using receivers Rx₀ and Rx₇
- 1> report the used carrier number CN, the number of supported receivers NR, the Rx₀ RSAP measurement result and the conditional RSAP and RSARP measurement results to the SS using the ANTENNA INFORMATION RESPONSE message

5.9.2 UE ATF requirements

This subclause defines the accuracy requirements for the RSAP and RSARP measurements.

It should be noted that the two-stage test method includes RSAP and RSARP validation and if necessary linearization of the results prior to calibration of the results against known radiated metrology standards, therefore the requirement for RSAP and RSARP is that they are monotonic over a given range and resolution. As a consequence their absolute accuracies are not relevant. However, due to the similarity with RSRP, in order to guide RSAP implementation, an upper bound limit on accuracy is defined for RSAP. Since RSAP is measured in much easier conditions than RSRP, the RSRP absolute requirement will not increase the demands on existing receiver designs.

5.9.2.1 RSAP

The requirements for RSAP accuracy are given in Table 5.9.2.1-1.

Table 5.9.2.1-1: Reference Signal Antenna Power requirements

Parameter	Value
Absolute accuracy	± 6 dB
Range	RSAP absolute accuracy and monotonicity to be maintained over the range -60 dBm to -80 dBm incident power measured at the orientation of the DUT's maximum antenna gain.
Monotonicity	Monotonicity over a 1 dB interval. This is necessary to enable linearization of the UE RSAP response as part of the accuracy requirements for the derived complex antenna pattern.

5.9.2.2 RSARP

The requirements for RSARP accuracy are given in Table 5.9.2.1-2.

Table 5.9.2.1-2: Reference Signal Antenna Relative Phase requirements

Parameter	Value
Range	RSARP monotonicity to be maintained over the range -60 dBm to -80 dBm incident power measured at the orientation of the DUT's maximum antenna gain.
Monotonicity	Monotonicity over a 5 degree interval. This is necessary to enable linearization of the UE RSARP response as part of the accuracy requirements for the derived complex antenna pattern.

5.10 Set UL Message test function

5.10.1 General

The SS uses the Set UL message test procedure to indicate to the UE to use a preconfigured uplink message, see figure 5.10.1-1.

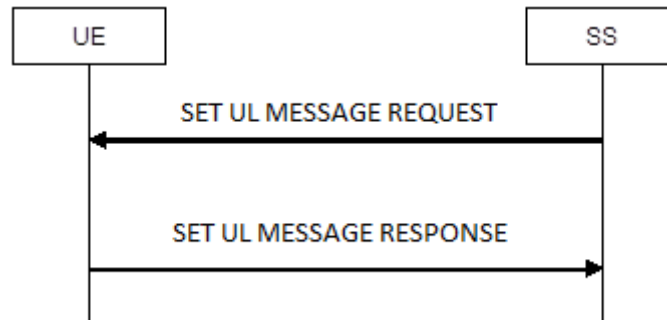


Figure 5.10.1-1: Set UL Message test procedure

5.10.2 Initiation

The SS requests the UE to use the preconfigured UL message by transmitting a SET UL MESSAGE REQUEST message and the UE confirms by responding with a SET UL MESSAGE RESPONSE message.

5.10.3 Reception of SET UL MESSAGE REQUEST message by UE

When UE receives SET UL MESSAGE REQUEST message then the UE shall:

- 1> if the UE is operating in RRC_CONNECTED state:
 - 2> if E0 = 1.
 - 3> use the predefined UE capability as defined in Annex B.1 to create the subsequent UECapabilityInformation message to be transmitted upon receiving a UECapabilityEnquiry message.
 - 3> Transmit SET UL MESSAGE RESPONSE message.
 - 2> else
 - 3> the UE behaviour is unspecified.
- 1> else:
 - 2> the UE behaviour is unspecified.

6 Message definitions and contents

In this clause, only TC protocol messages are described. TC messages are intended to be sent using the *DLInformationTransfer* and *ULInformationTransfer* procedures, see TS 36.331 [25], sub clause 5.6.1 and 5.6.2.

For UE capable of V2X communication and in out-of-coverage state, TC messages are intended to be sent using AT Command, see TS 27.007[8], chapter 15.

NOTE 1: A message received with skip indicator different from 0 will be ignored.

NOTE 2: For general definition of Layer 3 message format see TS 24.007 [5], clause 11.

NOTE 3: E-UTRA, UTRA and GSM/GPRS test control messages use the same protocol discriminator value ("1111"). Following message type value series are reserved for GSM/GPRS testing commands as specified by TS 44.014 [33]: 0000xxxx, 0001xxxx and 0010xxxx where x represent 0 or 1. Following message type value series are reserved for UTRA testing commands as specified by TS 34.109 [11]: 0100xxxx where x represent 0 or 1. For E-UTRA and NB-IoT test commands the message type value series 1000xxxx and 1001xxxx are reserved, where the message type values 10010000, 10010001, 10010010 and 10010011 are reserved for possible future use by the antenna test function defined in TR 36.978 for use by the two-stage MIMO OTA test method. Should MIMO OTA conformance tests be defined in the future which are applicable to the two-stage method then the message definitions in TR 36.978 may be moved to this specification. There are 2 exceptions to message type values for E-UTRA and NB-IoT test commands, which are the ones related to SET UL MESSAGE REQUEST (message type equal to 10101100) and SET UL MESSAGE RESPONSE (message type equal to 10101101).

6.1 CLOSE UE TEST LOOP

This message is only sent in the direction SS to UE.

Information Element	Reference	Presence	Format	Length
Protocol discriminator	TS 24.007 [5], sub clause 11.2.3.1.1	M	V	½
Skip indicator	TS 24.007 [5], sub clause 11.2.3.1.2	M	V	½
Message type		M	V	1
UE test loop mode		M	V	1
UE test loop mode A LB setup		CV-ModeA	LV	1-25
UE test loop mode B LB setup		CV-ModeB	V	1
UE test loop mode C setup		CV-ModeC	V	3
UE test loop mode D setup		CV-ModeD	LV-E	3-803
UE test loop mode E setup		CV-ModeE	LV	2-18
UE test loop mode F setup		CV-ModeF	V	2
UE test loop mode GH setup		CV-ModeGH	V	2

Condition	Explanation
CV-ModeA	This IE is mandatory present if the IE "UE test loop mode" is set to UE test loop Mode A. Else it shall be absent.
CV-ModeB	This IE is mandatory present if the IE "UE test loop mode" is set to UE test loop Mode B. Else it shall be absent.
CV-ModeC	This IE is mandatory present if the IE "UE test loop mode" is set to UE test loop Mode C. Else it shall be absent.
CV-ModeD	This IE is mandatory present if the IE "UE test loop mode" is set to UE test loop Mode D. Else it shall be absent.
CV-ModeE	This IE is mandatory present if the IE "UE test loop mode" is set to UE test loop Mode E. Else it shall be absent.
CV-ModeF	This IE is mandatory present if the IE "UE test loop mode" is set to UE test loop Mode F. Else it shall be absent.
CV-ModeGH	This IE is mandatory present if the IE "UE test loop mode" is set to UE test loop Mode G or UE test loop mode H. Else it shall be absent.

where message type is:

8	7	6	5	4	3	2	1	bit no.
1	0	0	0	0	0	0	0	octet 1

where UE test loop mode is:

8	7	6	5	4	3	2	1	bit no.
0	0	0	0	X4	X3	X2	X1	octet 1

X4=0 and X3=0 and X2=0 and X1=0 then UE test loop mode A is selected.

X4=0 and X3=0 and X2=0 and X1=1 then UE test loop mode B is selected.

X4=0 and X3=0 and X2=1 and X1=0 then UE test loop mode C is selected.

X4=0 and X3=0 and X2=1 and X1=1 then UE test loop mode D is selected.

X4=0 and X3=1 and X2=0 and X1=0 then UE test loop mode E is selected.

X4=0 and X3=1 and X2=0 and X1=1 then UE test loop mode F is selected.

X4=0 and X3=1 and X2=1 and X1=0 then UE test loop mode G is selected.

X4=0 and X3=1 and X2=1 and X1=1 then UE test loop mode H is selected.

X4=1 and X3=0 and X2=0 and X1=0 then UE test loop mode I is selected.

Other combinations of X1 and X2 and X3 and X4 are reserved for future versions of the protocol.

where UE test loop mode A LB setup is:

	8	7	6	5	4	3	2	1	
	Length of UE test loop mode A LB setup list in bytes								Octet 1
	LB setup list								Octet 2
									Octet N*3+1

N is the number of LB entities in the LB setup list and is less than or equal to MAX_ModeA_LB_entities.

where LB setup list is:

	8	7	6	5	4	3	2	1	
	LB setup DRB IE#1								Octet 2 Octet 3 Octet 4
	LB setup DRB IE#2								Octet 5 Octet 6 Octet 7
	...								
	LB setup DRB IE#N								Octet N*3-1 Octet N*3 Octet N*3+1

where LB Setup DRB#k IE is:

8	7	6	5	4	3	2	1	bit no.
Z15	Z14	Z13	Z12	Z11	Z10	Z9	Z8	octet 1
Z7	Z6	Z5	Z4	Z3	Z2	Z1	Z0	octet 2
Reserved			Q4	Q3	Q2	Q1	Q0	octet 3

Z15..Z0 = Uplink PDCP SDU size in bits 0.. 12160 (binary coded, Z15 is most significant bit and Z0 least significant bit). See Note 1.

Q4..Q0 = 0..31 representing DRB-Identity -1, where DRB-Identity identifies the data radio bearer in accordance to TS 36.331 [25] (binary coded, where Q4 is most significant bit and Q0 least significant bit).

NOTE 1: The UL PDCP SDU size is limited to 12160 bits (1520 octets).

NOTE 2: A "LB Setup DRB IE" is only needed for a DRB if UL PDCP SDU scaling is needed. If there is no "LB Setup DRB IE" associated with a DRB in the CLOSE UE TEST LOOP message then the same size of the PDCP SDU received in downlink is returned in uplink.

NOTE 3: The UL PDCP SDU size shall be byte aligned (i.e. multiple of 8 bits) according to TS 36.323 [24] clause 6.2.1.

And where UE test loop mode B setup is:

	8 7 6 5 4 3 2 1	
	IP PDU delay	Octet 1

Where IP PDU delay is:

8	7	6	5	4	3	2	1	bit no.
T7	T6	T5	T4	T3	T2	T1	T0	octet 1

T7..T0 = value of T_delay_modeB timer 0..255 seconds (binary coded, T7 is most significant bit and T0 least significant bit).

NOTE: For E-UTRAN to CDMA2000 test cases, the SS should not sent any downlink U-plane data in E-UTRAN after sending a CLOSE UE TEST LOOP message with an IP PDU delay parameter set to value different from zero. In CDMA2000, the T_delay_modeB timer is not used to buffer downlink U-plane data, and at expiry of this timer, if there are buffered data received while in E-UTRAN, it is not specified what the UE will do with these data. See clause 7.3 for the definition of the T_delay_modeB timer.

And where UE test loop mode C setup is:

	8 7 6 5 4 3 2 1	
	MTCH ID	octet 1 octet 2 octet 3

Where MTCH ID is:

8	7	6	5	4	3	2	1	bit no.
A7	A6	A5	A4	A3	A2	A1	A0	Octet 1
Reserved				M3	M2	M1	M0	octet 2
Reserved			L4	L3	L2	L1	L0	octet 3

A7..A0 = MBSFN area identity 0.. 255 (binary coded, A7 is most significant bit and A0 least significant bit). See Note.

M3..M0 = MCH identity 0.. 14 (binary coded, M3 is most significant bit and M0 least significant bit). See Note.

L4..L0 = Logical channel identity 0..28 (binary coded, L4 is most significant bit and L0 least significant bit), See Note.

NOTE: A MTCH is identified by the MCH in the *pmch-InfoList-r9* (0..14) and the *logicalChannelIdentity-r9* (0..28) in the *mbms-SessionInfoList-r9* of the MCH. The *pmch-Info-List-r9* is broadcasted on the MCCH in the *MBSFNAreaConfiguration* message, see TS 36.331 [25] clause 5.8. The MBSFN area the UE is to monitor is checked against the *mbsfn-AreaId-r9* of the cell, which is broadcasted in the *SystemInformationBlockType13-r9* message, see TS 36.331 [25] clause 6.3.1.

And where UE test loop mode D setup is:

	8 7 6 5 4 3 2 1	
	Length of UE test loop mode D setup contents in bytes	Octet 1 Octet 2
	Discovery Announce or Monitor	Octet 3
	Monitor list	Octet 4 Octet N*2+3

where Discovery Announce or Monitor is:

8	7	6	5	4	3	2	1	bit no.
Reserved							D0	octet 1

D0 = 0 is used to trigger the UE to continuously monitor the discovery messages on the PSDCH, and D0 = 1 is used to trigger the UE to continuously announce a discovery message on the PSDCH.

And where Monitor list is:

	8	7	6	5	4	3	2	1	
	ProSe App Code (LSBs) #1 to monitor								Octet 4 Octet 5
	ProSe App Code (LSBs) #2 to monitor								Octet 6 Octet 7
	...								
	ProSe App Code (LSBs) #N to monitor								Octet N*2+2 Octet N*2+3

N = PROSE_DISCOVERY_MONITOR_N is the number of entities in the list of ProSe App Codes to individually monitor, and is less than or equal to MAX_ModeD_Monitor_Entities.

Where ProSe App Code (LSBs) #n to monitor is:

8	7	6	5	4	3	2	1	bit no.
A7	A6	A5	A4	A3	A2	A1	A0	octet 1
Reserved							A8	octet 2

A8...A0 = LSBs of the ProSe App Code 0..512 to monitor individually. The test system shall ensure that each entity in the list of ProSe App Code (LSBs A8...A0) to monitor is unique.

And where UE test loop mode E setup is:

	8	7	6	5	4	3	2	1	
	Length of UE test loop mode E Monitor setup contents in bytes								Octet 1
	Communication Transmit or Receive								Octet 2
	Monitor list								Octet 3 Octet N+2 or Octet 3*N+2

where Communication Transmit or Receive is:

8	7	6	5	4	3	2	1	bit no.	
Reserved							E1	E0	octet 1

E0 = 0 is used to trigger the UE to continuously monitor and receive ProSe Direct or V2X Communication message (on STCH, PSCCH and PSSCH), and E0 = 1 is used to trigger the UE to start continuous transmitting ProSe Direct or V2X Communication messages (on STCH).

E1 = 0 is used to indicate the UE is operating ProSe Direct Communication, and E1 = 1 is used to indicate the UE is operating V2X sidelink communication.

And where Monitor list is if E1 = 0:

	8	7	6	5	4	3	2	1	
	Group Destination ID #1 to monitor for ProSe Direct Communication								Octet 3
	Group Destination ID #2 to monitor for Prose Direct Communication								Octet 4
	...								
	Group Destination ID #N to monitor for ProSe Direction Communication								Octet N+2

N = PROSE_COMMUNICATION_MONITOR_N is the number of entities in the list of Group Destination ID to individually monitor, and is less than or equal to MAX_ModeE_Monitor_Entities.

Where Group Destination ID #n to monitor is:

8	7	6	5	4	3	2	1	bit no.
A7	A6	A5	A4	A3	A2	A1	A0	octet 1

A7...A0 = Group Destination ID 0..255 to monitor individually. The test system shall ensure that each entity in the list of Group Destination ID to monitor is unique.

And where Monitor list is if E1 = 1:

	8 7 6 5 4 3 2 1	
	Destination Layer-2 ID #1 to monitor for V2X Communication	Octet 3 Octet 4 Octet 5
	Destination Layer-2 ID #2 to monitor for V2X Communication	Octet 6 Octet 7 Octet 8
	...	
	Destination Layer-2 ID #N to monitor for V2X Communication	Octet 3*N Octet 3*N+1 Octet 3*N+2

N = PROSE_COMMUNICATION_MONITOR_N is the number of entities in the list of Destination Layer-2 ID to individually monitor, and is less than or equal to MAX_ModeE_Monitor_Entities.

NOTE: The Destination Layer-2 ID is only used for V2X PSSCH packets counting.

Where Destination Layer-2 ID #n to monitor is:

8	7	6	5	4	3	2	1	bit no.
A7	A6	A5	A4	A3	A2	A1	A0	octet 1
A15	A14	A13	A12	A11	A10	A9	A8	octet 1
A23	A22	A21	A20	A19	A18	A17	A16	octet 1

A23...A0 = Destination Layer-2 ID 0..16,777,215 to monitor individually. The test system shall ensure that each entity in the list of Destination Layer-2 ID to monitor is unique.

And where UE test loop mode F setup is:

	8 7 6 5 4 3 2 1	
	SC-MTCH ID	octet 1 octet 2

Where SC-MTCH ID is:

8	7	6	5	4	3	2	1	bit no.
A7	A6	A5	A4	A3	A2	A1	A0	octet 1
A15	A14	A13	A12	A11	A10	A9	A8	octet 2

A15..A0 = SC-PTM g-RNTI-r13 (g-RNTI-r14 in NB-IoT) 0..65535 (binary coded, A15 is most significant bit and A0 least significant bit). A SC-MTCH is identified by the g-RNTI-r13 (g-RNTI-r14 in NB-IoT) (0..65535) in the sc-mtch-Infolist-r13 (sc-mtch-InfoList-r14 in NB-IoT). The sc-mtch-Infolist-r13 (sc-mtch-InfoList-r14 in NB-IoT) is broadcasted on SC-MCCH in the SCPTM-Configuration (SCPTMConfiguration-NB in NB-IoT) message, see TS 36.331 [25] clause 5.8a.

And where UE test loop mode GH setup is:

	8 7 6 5 4 3 2 1	
	Operation mode and repetitions	Octet 1
	Uplink data delay	Octet 2

Where Operation mode and repetitions is:

8	7	6	5	4	3	2	1	bit no.
M1	R6	R5	R4	R3	R2	R1	R0	octet 1

M1 = Uplink loopback operation mode. Value 0 means that data is returned in uplink at the EMM entity for UE test loop mode G or the SM-TL SAP for UE test loop mode H, Value 1 means that data is returned in uplink at the RLC AM-SAP of SRB1bis for NB-IoT UE or at the RLC AM-SAP of SRB2 for E-UTRA UE.

R6..R0 = Number of repetitions of received content of received user data in downlink in uplink. Range 0..127 repetitions (binary coded, R6 is most significant bit and R0 least significant bit). 0 means that no data is returned in uplink, 1 means that the same user data as received in downlink is returned in uplink, 2 means that the received content of user data in downlink is repeated up to maximum 127 times in uplink.

Where Uplink data delay is:

8	7	6	5	4	3	2	1	bit no.
T7	T6	T5	T4	T3	T2	T1	T0	octet 1

T7..T0 = value of T_delay_modeGH timer 0..255 seconds (binary coded, T7 is most significant bit and T0 least significant bit).

6.2 CLOSE UE TEST LOOP COMPLETE

This message is only sent in the direction UE to SS.

Information Element	Reference	Presence	Format	Length
Protocol discriminator	TS 24.007 [5], sub clause 11.2.3.1.1	M	V	1/2
Skip indicator	TS 24.007 [5], sub clause 11.2.3.1.2	M	V	1/2
Message type		M	V	1

where message type is:

8	7	6	5	4	3	2	1	bit no.
1	0	0	0	0	0	0	1	octet 1

6.3 OPEN UE TEST LOOP

This message is only sent in the direction SS to UE.

Information Element	Reference	Presence	Format	Length
Protocol discriminator	TS 24.007 [5], sub clause 11.2.3.1.1	M	V	1/2
Skip indicator	TS 24.007 [5], sub clause 11.2.3.1.2	M	V	1/2
Message type		M	V	1

where message type is:

8	7	6	5	4	3	2	1	bit no.
1	0	0	0	0	0	1	0	octet 1

6.4 OPEN UE TEST LOOP COMPLETE

This message is only sent in the direction UE to SS.

Information Element	Reference	Presence	Format	Length
Protocol discriminator	TS 24.007 [5], sub clause 11.2.3.1.1	M	V	1/2
Skip indicator	TS 24.007 [5], sub clause 11.2.3.1.2	M	V	1/2
Message type		M	V	1

where message type is:

8	7	6	5	4	3	2	1	bit no.
1	0	0	0	0	0	1	1	octet 1

6.5 ACTIVATE TEST MODE

This message is only sent in the direction SS to UE.

Information Element	Reference	Presence	Format	Length
Protocol discriminator	TS 24.007 [5], sub clause 11.2.3.1.1	M	V	1/2
Skip indicator	TS 24.007 [5], sub clause 11.2.3.1.2	M	V	1/2
Message type		M	V	1
UE test loop mode		M	V	1

where message type is:

8	7	6	5	4	3	2	1	bit no.
1	0	0	0	0	1	0	0	octet 1

And where UE test loop mode is specified in clause 6.1.

NOTE: No specific UE action is currently specified upon reception of the "UE test loop mode" IE.

6.6 ACTIVATE TEST MODE COMPLETE

This message is only sent in the direction UE to SS.

Information Element	Reference	Presence	Format	Length
Protocol discriminator	TS 24.007 [5], sub clause 11.2.3.1.1	M	V	1/2
Skip indicator	TS 24.007 [5], sub clause 11.2.3.1.2	M	V	1/2
Message type		M	V	1

where message type is:

8	7	6	5	4	3	2	1	bit no.
1	0	0	0	0	1	0	1	octet 1

6.7 DEACTIVATE TEST MODE

This message is only sent in the direction SS to UE.

Information Element	Reference	Presence	Format	Length
Protocol discriminator	TS 24.007 [5], sub clause 11.2.3.1.1	M	V	½
Skip indicator	TS 24.007 [5], sub clause 11.2.3.1.2	M	V	½
Message type		M	V	1

where message type is:

8	7	6	5	4	3	2	1	bit no.
1	0	0	0	0	1	1	0	octet 1

6.8 DEACTIVATE TEST MODE COMPLETE

This message is only sent in the direction UE to SS.

Information Element	Reference	Presence	Format	Length
Protocol discriminator	TS 24.007 [5], sub clause 11.2.3.1.1	M	V	½
Skip indicator	TS 24.007 [5], sub clause 11.2.3.1.2	M	V	½
Message type		M	V	1

where message type is:

8	7	6	5	4	3	2	1	bit no.
1	0	0	0	0	1	1	1	octet 1

6.9 RESET UE POSITIONING STORED INFORMATION

This message is only sent in the direction SS to UE.

Information Element	Reference	Presence	Format	Length
Protocol discriminator	TS 24.007 [5], subclause 11.2.3.1.1	M	V	½
Skip indicator	TS 24.007 [5], subclause 11.2.3.1.2	M	V	½
Message type		M	V	1
UE Positioning Technology		M	V	1

where message type is:

8	7	6	5	4	3	2	1	bit no.
1	0	0	0	1	0	0	0	octet 1

where UE Positioning Technology is a single octet IE:

8	7	6	5	4	3	2	1	bit no.
UE Positioning Technology								octet 1

UE Positioning Technology value

Bits

8 7 6 5 4 3 2 1

00000000 AGNSS

00000001 OTDOA

00000010 MBS
 00000011 WLAN
 00000100 Bluetooth
 00000101 Sensor

All other cause values are reserved for future use.

6.10 UE TEST LOOP MODE C MBMS PACKET COUNTER REQUEST

This message is only sent in the direction SS to UE.

Information Element	Reference	Presence	Format	Length
Protocol discriminator	TS 24.007 [5], subclause 11.2.3.1.1	M	V	½
Skip indicator	TS 24.007 [5], subclause 11.2.3.1.2	M	V	½
Message type		M	V	1

where message type is:

8	7	6	5	4	3	2	1	bit no.
1	0	0	0	1	0	0	1	octet 1

6.11 UE TEST LOOP MODE C MBMS PACKET COUNTER RESPONSE

This message is only sent in the direction UE to SS.

Information Element	Reference	Presence	Format	Length
Protocol discriminator	TS 24.007 [5], subclause 11.2.3.1.1	M	V	½
Skip indicator	TS 24.007 [5], subclause 11.2.3.1.2	M	V	½
Message type		M	V	1
MBMS Packet Counter Value		M	V	4

where message type is:

8	7	6	5	4	3	2	1	bit no.
1	0	0	0	1	0	1	0	octet 1

And where MBMS Packet Counter Value is:

C31	C30	C29	C28	C27	C26	C25	C24	octet 1
C23	C22	C21	C20	C19	C18	C17	C16	octet 2
C15	C14	C13	C12	C11	C10	C9	C8	octet 3
C7	C6	C5	C4	C3	C2	C1	C0	octet 4

C31..C0 = MBMS packet counter value 0.. 4294967295 (binary coded, C31 is most significant bit and C0 least significant bit).

6.12 UPDATE UE LOCATION INFORMATION

This message is only sent in the direction SS to UE.

Information Element	Reference	Presence	Format	Length
Protocol discriminator	TS 24.007 [5], subclause 11.2.3.1.1	M	V	½
Skip indicator	TS 24.007 [5], subclause 11.2.3.1.2	M	V	½
Message type		M	V	1
ellipsoidPointWithAltitude	TS 36.355 [37], subclause 6.4.1.	M	V	8
horizontalVelocity	TS 36.355 [37], subclause 6.4.1.	M	V	3
gnss-TOD-msec	TS 36.355 [37], subclause 6.5.2.6.	M	V	3

where message type is:

8	7	6	5	4	3	2	1	bit no.
1	0	0	0	1	0	1	1	octet 1

And where ellipsoidPointWithAltitude is:

8	7	6	5	4	3	2	1	bit no.
L1	DLA22	DLA21	DLA20	DLA19	DLA18	DLA17	DLA16	octet 1
DLA15	DLA14	DLA13	DLA12	DLA11	DLA10	DLA9	DLA8	octet 2
DLA7	DLA6	DLA5	DLA4	DLA3	DLA2	DLA1	DLA0	octet 3
DLO23	DLO22	DLO21	DLO20	DLO19	DLO18	DLO17	DLO16	octet 4
DLO15	DLO14	DLO13	DLO12	DLO11	DLO10	DLO9	DLO8	octet 5
DLO7	DLO6	DLO5	DLO4	DLO3	DLO2	DLO1	DLO0	octet 6
A1	AD14	AD13	AD12	AD11	AD10	AD9	AD8	octet 7
AD7	AD6	AD5	AD4	AD3	AD2	AD1	AD0	octet 8

L1 = “latitudeSign” value 0=north and 1=south

DLA22..DLA0 = “degreesLatitude” value 0..8388607 (binary coded, DLA22 is most significant bit and DLA0 is least significant bit).

DLO23..DLO0 = “degreesLongitude” value -8388608..8388607 (two’s complement binary coded as per ASN.1 encoding of an integer value, DLO23 is most significant bit and DLO0 is least significant bit).

A1 = “altitudeDirection” value 0=height and 1=depth

AD14..AD0 = “altitude” value 0..32767 (binary coded, AD14 is most significant bit and AD0 is least significant bit).

And where horizontalVelocity is:

8	7	6	5	4	3	2	1	bit no.
B8	B7	B6	B5	B4	B3	B2	B1	Octet 1
B0	HS10	HS9	HS8	HS7	HS6	HS5	HS4	octet 2
HS3	HS2	HS1	HS0	Reserved				octet 3

B8..B0 = “bearing” value 0..359 (binary coded, B8 is most significant bit and B0 is least significant bit).

HS10..HS0 = “horizontalSpeed” value 0..2047 (binary coded, HS10 is most significant bit and HS0 is least significant bit).

And where nss-TOD-msec is:

8	7	6	5	4	3	2	1	bit no.
Reserved		T21	T20	T19	T18	T17	T16	octet 1
T15	T14	T13	T12	T11	T10	T9	T8	octet 2
T7	T6	T5	T4	T3	T2	T1	T0	octet 3

T21..T0 = “gnss-TOD-msec” value 0.. 3599999 (binary coded, T21 is most significant bit and T0 is least significant bit).

6.13 UE TEST LOOP PROSE PACKET COUNTER REQUEST

This message is only sent in the direction SS to UE.

Information Element	Reference	Presence	Format	Length
Protocol discriminator	TS 24.007 [5], subclause 11.2.3.1.1	M	V	½
Skip indicator	TS 24.007 [5], subclause 11.2.3.1.2	M	V	½
Message type		M	V	1

where message type is:

8	7	6	5	4	3	2	1	bit no.
1	0	0	0	1	1	0	0	octet 1

6.14 UE TEST LOOP PROSE PACKET COUNTER RESPONSE

This message is only sent in the direction UE to SS.

Information Element	Reference	Presence	Format	Length
Protocol discriminator	TS 24.007 [5], subclause 11.2.3.1.1	M	V	½
Skip indicator	TS 24.007 [5], subclause 11.2.3.1.2	M	V	½
Message type		M	V	1
ProSe Direct Discovery Packet Counter(s) Value		CV-ModeD	TLV-E	4*(N ^D +1)+ 3
ProSe Direct or V2X Communication PSCCH Packet Counter(s) Value		CV-ModeE	TLV	4*(N ^C +1)+2
ProSe Direct or V2X Communication STCH Packet Counter(s) Value		CV-ModeE	TLV	4*(N ^C +1)+2
ProSe Direct or V2X Communication PSSCH Packet Counter(s) Value		CV-ModeE	TLV	4*(N ^C +1)+2

Condition	Explanation
CV-ModeD	This IE is mandatory present if TEST_LOOP_MODE_D_ACTIVE is TRUE else it shall be absent. N ^D = PROSE_DISCOVERY_MONITOR_N.
CV-ModeE	This IE is mandatory present if TEST_LOOP_MODE_E_ACTIVE is TRUE else it shall be absent. N ^C = PROSE_COMMUNICATION_MONITOR_N.

where message type is:

8	7	6	5	4	3	2	1	bit no.
1	0	0	0	1	1	0	1	octet 1

And where ProSe Direct Discovery Packet Counter(s) Value is:

8	7	6	5	4	3	2	1	
ProSe Direct Discovery Packet Counter(s) Value type								octet 1
Length of ProSe Direct Discovery Packet Counter(s) Value contents in bytes								octets 2-3
ProSe Direct Discovery Packet Counter IE #0								octet 4 octet 5 octet 6 octet 7
...								
ProSe Direct Discovery Packet Counter IE #N ^D								octet 4+4 * N ^D octet 5+4 * N ^D octet 6+4 * N ^D octet 7+4 * N ^D

And where ProSe Direct Discovery Packet Counter(s) Value type is:

8	7	6	5	4	3	2	1	bit no.
0	0	0	0	0	0	0	0	octet 1

And where ProSe Direct Discovery Packet Counter IE #n is:

C31	C30	C29	C28	C27	C26	C25	C24	octet 1
C23	C22	C21	C20	C19	C18	C17	C16	octet 2
C15	C14	C13	C12	C11	C10	C9	C8	octet 3
C7	C6	C5	C4	C3	C2	C1	C0	octet 4

C31..C0 = PSDCH packet counter value 0.. 4294967295 (binary coded, C31 is most significant bit and C0 least significant bit) corresponding to PSDCH_PACKET_COUNTER(SL_ID=n).

And where ProSe Direct or V2X Communication PSCCH Packet Counter(s) Value is:

8	7	6	5	4	3	2	1	
ProSe Direct or V2X Communication PSCCH Packet Counter(s) Value type								octet 1
Length of ProSe Direct or V2X Communication PSCCH Packet Counter(s) Value contents in bytes								octet 2
ProSe Direct or V2X Communication PSCCH Packet Counter IE #0								octet 3 octet 4 octet 5 octet 6
...								
ProSe Direct or V2X Communication PSCCH Packet Counter IE #N ^C								octet 3+4 * N ^C octet 4+4 * N ^C octet 5+4 * N ^C octet 6+4 * N ^C

And where ProSe Direct or V2X Communication PSCCH Packet Counter(s) Value type is:

8	7	6	5	4	3	2	1	bit no.
0	0	0	0	0	0	0	1	octet 1

And where ProSe Direct or V2X Communication PSCCH Packet Counter IE #n is:

D31	D30	D29	D28	D27	D26	D25	D24	octet 1
D23	D22	D21	D20	D19	D18	D17	D16	octet 2
D15	D14	D13	D12	D11	D10	D9	D8	octet 3
D7	D6	D5	D4	D3	D2	D1	D0	octet 4

D31..D0 = PSCCH packet counter 0.. 4294967295 (binary coded, D31 is most significant bit and D0 least significant bit) corresponding to PSCCH_PACKET_COUNTER(SL_ID = n).

NOTE: For V2X communication, the ProSe Direct or V2X Communication PSCCH Packet Counter IE #SL_ID with SL_ID = 0 ... PROSE_COMMUNICATION_MONITOR_N-1 is zero.

And where ProSe Direct or V2X Communication STCH Packet Counter(s) Value is:

8 7 6 5 4 3 2 1	
ProSe Direct or V2X Communication STCH Packet Counter(s) Value type	octet 1
Length of ProSe Direct or V2X Communication STCH Packet Counter(s) Value in bytes	octet 2
ProSe Direct or V2X Communication STCH Packet Counter IE #0	octet 3 octet 4 octet 5 octet 6
...	
ProSe Direct or V2X Communication STCH Packet Counter IE #N ^C	octet 3+4 * N ^C octet 4+4 * N ^C octet 5+4 * N ^C octet 6+4 * N ^C

where ProSe Direct or V2X Communication STCH Packet Counter(s) Value type is:

8	7	6	5	4	3	2	1	bit no.
0	0	0	0	0	0	1	0	octet 1

And where ProSe Direct or V2X Communication STCH Packet Counter IE #n is:

E31	E30	E29	E28	E27	E26	E25	E24	octet 1
E23	E22	E21	E20	E19	E18	E17	E16	octet 2
E15	E14	E13	E12	E11	E10	E9	E8	octet 3
E7	E6	E5	E4	E3	E2	E1	E0	octet 4

E31..E0 = STCH Packet Counter value 0.. 4294967295 (binary coded, E31 is most significant bit and E0 least significant bit) corresponding to STCH_PACKET_COUNTER(SL_ID = n).

And where ProSe Direct or V2X Communication PSSCH Packet Counter(s) Value is:

8 7 6 5 4 3 2 1	
ProSe Direct or V2X Communication PSSCH Packet Counter(s) Value type	octet 1
Length of ProSe Direct or V2X Communication PSSCH Packet Counter(s) Value contents in bytes	octet 2
ProSe Direct or V2X Communication PSSCH Packet Counter IE #0	octet 3 octet 4 octet 5 octet 6
...	
ProSe Direct or V2X Communication PSSCH Packet Counter IE #N ^C	octet 3+4 * N ^C octet 4+4 * N ^C octet 5+4 * N ^C octet 6+4 * N ^C

And where ProSe Direct or V2X Communication PSSCH Packet Counter(s) Value type is:

8	7	6	5	4	3	2	1	bit no.
0	0	0	0	0	0	1	1	octet 1

And where ProSe Direct or V2X Communication PSSCH Packet Counter IE #n is:

F31	F30	F29	F28	F27	F26	F25	F24	octet 1
F23	F22	F21	F20	F19	F18	F17	F16	octet 2
F15	F14	F13	F12	F11	F10	F9	F8	octet 3
F7	F6	F5	F4	F3	F2	F1	F0	octet 4

F31..F0 = PSSCH packet counter 0.. 4294967295 (binary coded, F31 is most significant bit and F0 least significant bit) corresponding to PSSCH_PACKET_COUNTER(SL_ID = n).

6.15 UE TEST LOOP MODE F SCPTM PACKET COUNTER REQUEST

This message is only sent in the direction SS to UE.

Information Element	Reference	Presence	Format	Length
Protocol discriminator	TS 24.007 [5], subclause 11.2.3.1.1	M	V	½
Skip indicator	TS 24.007 [5], subclause 11.2.3.1.2	M	V	½
Message type		M	V	1

where message type is:

8	7	6	5	4	3	2	1	bit no.
1	0	0	0	1	1	1	0	octet 1

6.16 UE TEST LOOP MODE F SCPTM PACKET COUNTER RESPONSE

This message is only sent in the direction UE to SS.

Information Element	Reference	Presence	Format	Length
Protocol discriminator	TS 24.007 [5], subclause 11.2.3.1.1	M	V	½
Skip indicator	TS 24.007 [5], subclause 11.2.3.1.2	M	V	½
Message type		M	V	1
SCPTM Packet Counter Value		M	V	4

where message type is:

8	7	6	5	4	3	2	1	bit no.
1	0	0	0	1	1	1	1	octet 1

And where SCPTM Packet Counter Value is:

F31	F30	F29	F28	F27	F26	F25	F24	octet 1
F23	F22	F21	F20	F19	F18	F17	F16	octet 2
F15	F14	F13	F12	F11	F10	F9	F8	octet 3
F7	F6	F5	F4	F3	F2	F1	F0	octet 4

F31..F0 = SCPTM packet counter value 0.. 4294967295 (binary coded, F31 is most significant bit and F0 least significant bit).

6.17 ANTENNA INFORMATION REQUEST

This message is only sent in the direction SS to UE.

Information Element	Reference	Presence	Format	Length
Protocol discriminator	TS 24.007 [5], subclause 11.2.3.1.1	M	V	½
Skip indicator	TS 24.007 [5], subclause 11.2.3.1.2	M	V	½
Message type		M	V	1
Carrier number (CN)		M	V	1

where message type is:

8	7	6	5	4	3	2	1	bit no.
1	0	0	1	0	0	0	0	octet 1

where carrier number is:

8	7	6	5	4	3	2	1	bit no.
0	0	0	0	0	C2	C1	C0	octet 1

C2..C0 = Carrier number (CN) value 0 .. 4 (binary coded, C2 is most significant bit and C0 least significant bit).

The mappings from CN to carrier are as follows:

- CN = 0 Primary serving cell
- CN = 1 Secondary serving cell (if present)
- CN = 2 Tertiary serving cell (if present)
- CN = 3 Quaternary serving cell (if present)
- CN = 4 Quinary serving cell (if present)

6.18 ANTENNA INFORMATION RESPONSE

This message is only sent in the direction UE to SS.

Information Element	Reference	Presence	Format	Length
Protocol discriminator	TS 24.007 [5], subclause 11.2.3.1.1	M	V	½
Skip indicator	TS 24.007 [5], subclause 11.2.3.1.2	M	V	½
Message type		M	V	1
Carrier number		M	V	1
Number of receives (NR)		M	V	1
RSAP (for Rx ₀)		M	V	2
RSAP (for Rx ₁)		C if NR > 1	V	2
RSARP (for Rx ₀ and Rx ₁)		C if NR > 1	V	2
RSAP (for Rx ₂)		C if NR > 2	V	2
RSARP (for Rx ₀ and Rx ₂)		C if NR > 2	V	2
RSAP (for Rx ₃)		C if NR > 3	V	2
RSARP (for Rx ₀ and Rx ₃)		C if NR > 3	V	2
RSAP (for Rx ₄)		C if NR > 4	V	2
RSARP (for Rx ₀ and Rx ₄)		C if NR > 4	V	2
RSAP (for Rx ₅)		C if NR > 5	V	2
RSARP (for Rx ₀ and Rx ₅)		C if NR > 5	V	2
RSAP (for Rx ₆)		C if NR > 6	V	2
RSARP (for Rx ₀ and Rx ₆)		C if NR > 6	V	2
RSAP (for Rx ₇)		C if NR > 7	V	2
RSARP (for Rx ₀ and Rx ₇)		C if NR > 7	V	2

where message type is:

8	7	6	5	4	3	2	1	bit no.
1	0	0	1	0	0	0	1	octet 1

where carrier number is:

8	7	6	5	4	3	2	1	bit no.
0	0	0	0	0	C2	C1	C0	octet 1

C2..C0 = Carrier number value 0 .. 4 (binary coded, C2 is most significant bit and C0 least significant bit).

The reported carrier number should match the value given in the previous ANTENNA INFORMATION REQUEST message

where number of receivers is:

8	7	6	5	4	3	2	1	bit no.
0	0	0	0	0	N2	N1	N0	octet 1

N2 .. N0 is the number of receivers (NR) supported by the UE for the indicated carrier number. The value is binary coded with N2 as the most significant bit and N0 as the least significant bit. The expected values are in the range 1, 2, 4 or 8.

The reported number of receive antennas determines the presence of the optional fields for RSAP on $R_{x1..7}$ and the corresponding RSARP values

where RSAP is:

8	7	6	5	4	3	2	1	bit no.
1	0	R13	R12	R11	R10	R9	R8	octet 1
R7	R6	R5	R4	R3	R2	R1	R0	octet 2

R13..R0 is the measured RSAP value for the indicated receiver and carrier number. The RSAP value in -xxx.xx dBm shall be multiplied by -100 and binary coded with R13 as the most significant bit and R0 as the least significant bit. The RSAP value shall be in the range of 0.00 to -120.00 dBm

where RSARP is:

8	7	6	5	4	3	2	1	bit no.
P15	P14	P13	P12	P11	P10	P9	P8	octet 1
P7	P6	P5	P4	P3	P2	P1	P0	octet 2

P15..P0 is the measured RSARP value for the indicated receivers and carrier number. The RSARP value xxx.xx degrees shall be multiplied by 100 and binary coded with P15 as the most significant bit and P0 as the least significant bit. The RSARP value shall be in the range of 0 to 359.99 degrees.

6.19 SET UL MESSAGE

6.19.1 SET UL MESSAGE REQUEST

This message is only sent in the direction SS to UE.

Information Element	Reference	Presence	Format	Length
Protocol discriminator	TS 24.007 [5], sub clause 11.2.3.1.1	M	V	½
Skip indicator	TS 24.007 [5], sub clause 11.2.3.1.2	M	V	½
Message type		M	V	1
Use Preconfigured UL Message		M	V	1

where message type is:

8	7	6	5	4	3	2	1	bit no.
1	0	1	0	1	1	0	0	octet 1

where Use Preconfigured UL Message is:

8	7	6	5	4	3	2	1	bit no.
Reserved							E0	octet 2

E0=1: Use Preconfigured UE Capability.

6.19.2 SET UL MESSAGE RESPONSE

This message is only sent in the direction UE to SS.

Information Element	Reference	Presence	Format	Length
Protocol discriminator	TS 24.007 [5], sub clause 11.2.3.1.1	M	V	½
Skip indicator	TS 24.007 [5], sub clause 11.2.3.1.2	M	V	½
Message type		M	V	1

where message type is:

8	7	6	5	4	3	2	1	bit no.
1	0	1	0	1	1	0	1	octet 1

7 Variables, constants and timers

7.1 State variables

BUFFER_IP_PDUs

This boolean state variable is used to control if UE is to buffer IP PDUs or not.

TEST_LOOP_MODE_B_ACTIVE

This boolean state variable is used to indicate if UE test loop mode B is active. TEST_LOOP_MODE_B_ACTIVE shall be set to FALSE when UE is switched on.

CDMA2000_INITIATED

This boolean state variable is used to indicate if IP control signalling was initiated by the network on CDMA2000.

TEST_LOOP_MODE_C_ACTIVE

This boolean state variable is used to indicate if UE test loop mode C is active. TEST_LOOP_MODE_C_ACTIVE shall be set to FALSE when UE is switched on.

MBMS_PACKET_COUNTER

This 32-bit integer state variable is used to count successful reception of MBMS packets while UE test loop mode C is activate. MBMS_PACKET_COUNTER shall be set to zero when UE is switched on.

TEST_LOOP_MODE_D_ACTIVE

This boolean state variable is used to indicate if UE test loop mode D is active. TEST_LOOP_MODE_D_ACTIVE shall be set to FALSE when UE is switched on.

TEST_LOOP_MODE_E_ACTIVE

This boolean state variable is used to indicate if UE test loop mode E is active. TEST_LOOP_MODE_E_ACTIVE shall be set to FALSE when UE is switched on.

PROSE_DISCOVERY_MONITOR_N

This 9-bit integer state variable is used to indicate the number of entities in the list of ProSe App Codes to individually monitor as configured in the CLOSE_UE_TEST_LOOP message for test loop mode D. The variable shall be set to 0 when UE is switched on.

PSDCH_PACKET_COUNTER(SL_ID)

This 32-bit integer state variable is used to count successful reception of SL-DCH MAC SDUs while UE test loop mode D is activated and TEST_LOOP_MODE_D_TRIGGER is set to MONITOR. The counter variable is indexed with SL_ID = 0...(MAX_ModeD_Monitor_Entities). PSDCH_PACKET_COUNTER(SL_ID) shall be set to zero when UE is switched on.

If configured value of variable PROSE_DISCOVERY_MONITOR_N is set to 0 then UE counts all received SL-DCH MAC SDUs as part of just one counter PSDCH_PACKET_COUNTER(0) irrespective of the application code.

PROSE_COMMUNICATION_MONITOR_N

This 4-bit integer state variable is used to indicate the number of entities in the list of Group Destination IDs or Destination Layer-2 IDs to individually monitor as configured in the CLOSE_UE_TEST_LOOP message for test loop mode E. The variable shall be set to 0 when UE is switched on.

STCH_PACKET_COUNTER(SL_ID)

This 32-bit integer state variable is used to count successful reception of STCH PDCP SDUs while UE test loop mode E is activated and TEST_LOOP_MODE_E_TRIGGER is set to RECEIVE. The counter variable is indexed with SL_ID = 0...(MAX_ModeE_Monitor_Entities). STCH_PACKET_COUNTER(SL_ID) shall be set to zero when UE is switched on. If configured value of variable PROSE_COMMUNICATION_MONITOR_N is set to 0 then UE counts all STCH PDCP SDU as part of one counter STCH_PACKET_COUNTER(0)irrespective of Group Destination IDs or Destination Layer-2 IDs.

PSCCH_PACKET_COUNTER(SL_ID)

This 32-bit integer state variable is used to count successful reception of PSCCH transport blocks while UE test loop mode E is activated and TEST_LOOP_MODE_E_TRIGGER is set to RECEIVE. The counter variable is indexed with SL_ID = 0...(MAX_ModeE_Monitor_Entities). PSCCH_PACKET_COUNTER(SL_ID) shall be set to zero when UE is switched on. If configured value of variable PROSE_COMMUNICATION_MONITOR_N is set to 0 then UE counts all PSCCH PHY transport blocks as part of one counter PSCCH_PACKET_COUNTER(0) irrespective of Group Destination IDs or Destination Layer-2 IDs.

PSSCH_PACKET_COUNTER(SL_ID)

This 32-bit integer state variable is used to count successful reception of PSSCH transport blocks while UE test loop mode E is activated and TEST_LOOP_MODE_E_TRIGGER is set to RECEIVE. The counter variable is indexed with SL_ID = 0...(MAX_ModeE_Monitor_Entities). PSSCH_PACKET_COUNTER(SL_ID) shall be set to zero when UE is switched on. If configured value of variable PROSE_COMMUNICATION_MONITOR_N is set to 0 then UE counts all PSSCH PHY transport blocks as part of one counter PSSCH_PACKET_COUNTER(0) irrespective of Group Destination IDs or Destination Layer-2 IDs.

TEST_LOOP_MODE_F_ACTIVE

This boolean state variable is used to indicate if UE test loop mode F is active. TEST_LOOP_MODE_F_ACTIVE shall be set to FALSE when UE is switched on.

SCPTM_PACKET_COUNTER

This 32-bit integer state variable is used to count successful reception of MBMS packets while UE test loop mode F is activate. SCPTM_PACKET_COUNTER shall be set to zero when UE is switched on.

This boolean state variable is used to indicate if UE test loop mode G is active. TEST_LOOP_MODE_G_ACTIVE shall be set to FALSE when UE is switched on.

TEST_LOOP_MODE_H_ACTIVE

This boolean state variable is used to indicate if UE test loop mode H is active. TEST_LOOP_MODE_H_ACTIVE shall be set to FALSE when UE is switched on.

GH_BUFFER_CP_data

This boolean state variable is used when UE test loop mode G or UE test loop mode H is active to control if UE is to buffer the user data received in downlink or not.

GH_RLC_SDU_loopback

This boolean state variable is used when UE test loop mode G or UE test loop mode H is active to control if UE is to return data as RLC SDUs. If the value is TRUE then data is returned as RLC SDUs for both UE Test loop mode G and H. If the value is FALSE then data is returned to the EMM entity for UE test loop mode G and to the SM-TL entity for UE test loop mode H.

7.2 Constants

MAX_ModeA_LB_entities = 8.

MAX_ModeD_Monitor_Entities = 400.

MAX_ModeE_Monitor_Entities = 16.

7.3 Timers

T_delay_modeB

When UE is operated in E-UTRA, NB-IoT, UTRA and GERA mode, this timer is used to delay the transmission of the first IP PDU when UE test loop function is operated in UE test loop mode B. In CDMA2000, this timer is used to temporarily interrupt UE test loop mode B operation so as to allow IP control signalling required before data transmission. The timer value is configured by the UE test loop mode B setup IE in the CLOSE UE TEST LOOP message.

T_delay_modeGH

When UE test loop function is operated in UE test loop mode G or UE test loop mode H this timer is used to delay the transmission of uplink user data. The timer value is configured by the UE test loop mode GH setup IE in the CLOSE UE TEST LOOP message.

7.4 Configurable parameters

DRB_ID(LB_ID)

This parameter is used by the UE when operating in UE test loop mode A to map a bi-directional Data Radio bearer to a loopback entity. LB_ID = 0..(MAX_ModeA_LB_entities-1). The value is configured when UE receives the CLOSE UE TEST LOOP message DRB_ID(LB_ID)=0 indicate that no DRB is mapped to the loopback identity.

UL_PDCP_SDU_scaling(LB_ID)

This parameter is used to enable/disable scaling of UL PDCP SDU size. If UL_PDCP_SDU_scaling is set to TRUE then scaling based on UL_PDCP_SDU_size(LB_ID) parameter is performed, otherwise no scaling is done (UL PDCP SDU size is equal to received DL PDCP SDU size). The value is configured by the UE test loop mode A setup IE in the CLOSE UE TEST LOOP message.

UL_PDCP_SDU_size(LB_ID)

This parameter is used to set the UL PDCP SDU size for returned UL PDCP SDUs on the data radio bearer with data radio bearer ID equal to DRB_ID(LB_ID). This parameter is only applicable for UE test loop mode A and when state variable UL_PDCP_SDU_scaling(LB_ID) is TRUE. The value is configured by the UE test loop mode A setup IE in the CLOSE UE TEST LOOP message.

PROSE_DISCOVERY_APPCODE(SL_ID)

This parameter is used by the UE when operating in UE test loop mode D and TEST_LOOP_MODE_D_TRIGGER is set to MONITOR to map the LSBs of the ProSe App Code to monitor to the entity index SL_ID = 0...(MAX_ModeD_Monitor_Entities-1). The value is configured in the CLOSE UE TEST LOOP message.

PROSE_COMMUNICATION_DEST_ID(SL_ID)

This parameter is used by the UE when operating in UE test loop mode E and TEST_LOOP_MODE_E_TRIGGER is set to RECEIVE to map the Group Destination ID or Destination Layer-2 ID to monitor to the entity index SL_ID = 0...(MAX_ModeE_Monitor_Entities-1). The value is configured in the CLOSE UE TEST LOOP message.

GH_NUMBER_UL_DATA_REPETITIONS

This parameter is used by the UE when operating in UE test loop mode G or UE test loop mode H to repeat user data received in downlink GH_NUMBER_UL_DATA_REPETITIONS of times in uplink. The parameter is configured by UE test loop mode GH IE in CLOSE UE TEST LOOP.

8 Electrical Man Machine Interface (EMMI)

The EMMI is used for automation of conformance testing, or, in the case of V2X testing for facilitating the UE test loop mode E operation and UTC time reset in out-of-coverage test scenarios.

For test automation, the commands used on the EMMI by the System Simulator, shall be limited to those specified in TS 36.523-3 [32]. For facilitating the UE test loop mode E operation and UTC time reset in V2X out-of-coverage test scenarios the AT commands which are used are indicated wherever appropriate in the present specification. An illustration is given in figure 8-1 as an example.

NOTE: A connection diagram for V2X Communication / Intra-band contiguous MCC operation (common connectors, same UL antenna) is specified in TS 36.508 [26], figures A.89a and A.92.

At the System Simulator side, the logical EMMI using mandatory AT commands shall interface with the Main Test Component (MTC) of TTCN test cases which hosts the Upper Tester. The physical EMMI interface towards the UE may be for example a standard USB interface. Other interfaces of proprietary or standardized type shall not be precluded.

At the UE side an adapter needs to be provided by the UE manufacturer for converting the commands into the UE manufacturer specific interface and format.

The use of EMMI is optional for the UE.

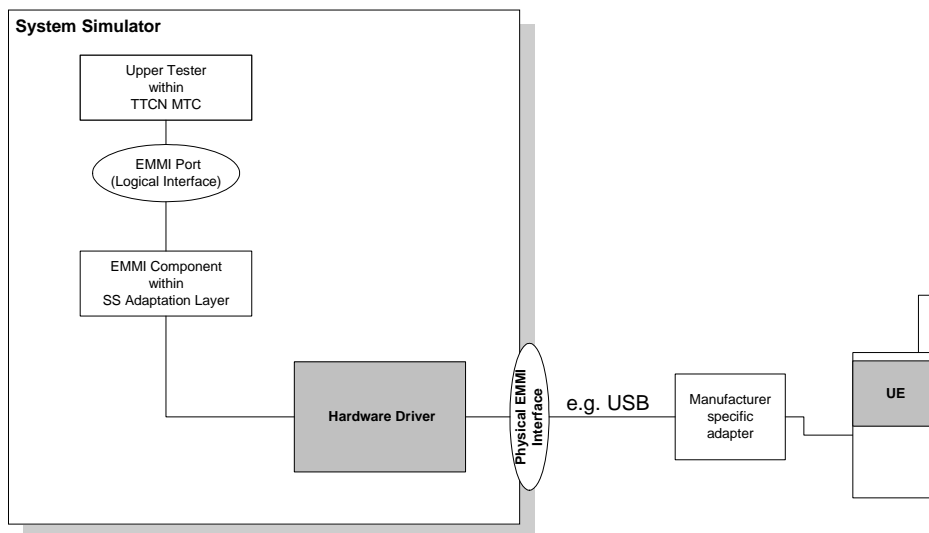


Figure 8-1: An example of EMMI and its use for automation of signalling testing or V2X out-of-coverage test scenarios

9 Test application definition

9.1 Definition of the UE ATF Client Application

This clause defines a client application for access to the ATF as an alternative to the layer 3 definition provided in clause 5.9.1.

The UE ATF client application (or simply the “ATF test application”) to support LTE over-the-air radiated performance testing allows the UE:

- to receive the ANTENNA INFORMATION REQUEST from the Test Platform
- to respond to the Test Platform with the ANTENNA INFORMATION RESPONSE

The application needs to be tailored to the specific device which needs to support the underlying RSAP and RSARP ATF measurements in the device chipset.

For data-centric devices, the ATF test application is designed to run on a host laptop, e.g., USB modem plugged into the laptop, or configured by a host laptop tethered to the UE only for initial configuration as shown in Figure 9.1-1.

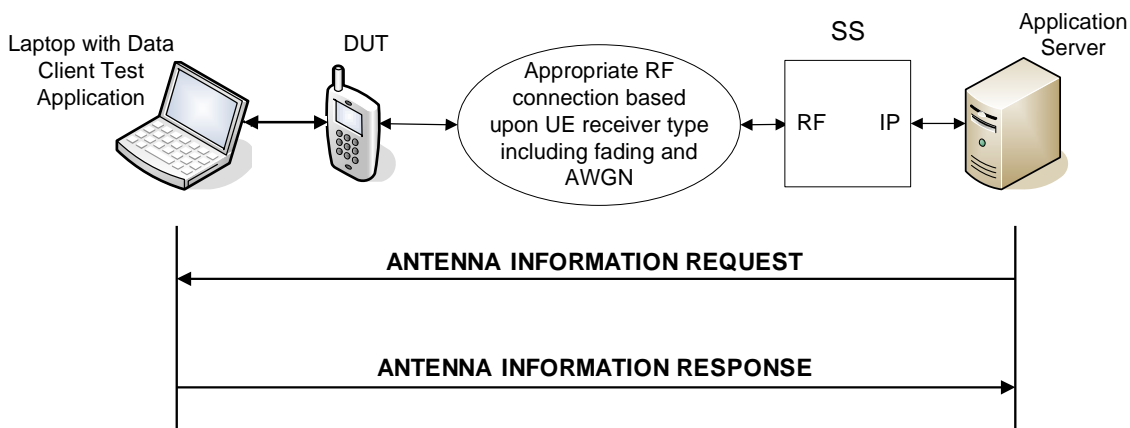


Figure 9.1-1: Tethered UE ATF Client Application Connection Diagram

For phones, notebooks, and tablets, the ATF test application is embedded by the vendor on the devices provided to the test lab for over-the-air radiated performance testing as shown in Figure 9.1-2.

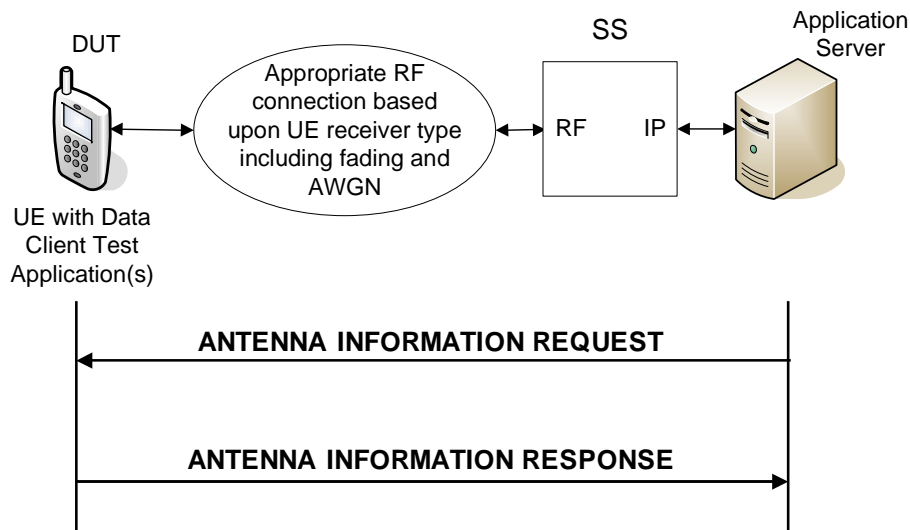


Figure 9.1-2: Embedded UE ATF Client Application Connection Diagram

On launch of the ATF test application, the DUT listens on the IP address and UDP port configured on the test platform and wait for the test platform to initiate communication with the ATF test application.

The ATF test application communicates with the test platform using the commands detailed in clause 9.1.2 “Message Definitions and Contents”.

The ATF test application needs to have a user interface through which the user can configure the IP address and port number defined for use by the test platform. This configuration is stored across DUT power cycles.

The ANTENNA INFORMATION RESPONSE is expected to be sent by the UE within 1 s of the ANTENNA INFORMATION REQUEST.

9.1.2 Message Definitions and Contents

The message definition and their contents used to communicate between the UE and the test platform are outlined below. These message definitions are for legacy single carrier 2x2 MIMO devices. For the commands detailed below, the following notation applies:

- Presence: is either M=Mandatory or O=Optional
- Format: equivalent to [8], subclause 11.2.3.1.1
- Length: in octets

ANTENNA INFORMATION REQUEST

This message is only sent in the direction from the Test Platform to the UE.

Information Element	Presence	Format	Length
Message0 type	M	V	1
Request type	M	V	1

where message0 type is:

8	7	6	5	4	3	2	1	bit no.
0	0	0	0	0	0	0	0	octet 1

where request type is:

8	7	6	5	4	3	2	1	bit no.
0	0	0	0	0		1	1	octet 1

ANTENNA INFORMATION RESPONSE

This message is only sent in the direction from the UE to the Test Platform.

Information Element	Presence	Format	Length
Message0 type	M	V	1
Date	M	V	4
Time	M	V	4
Message0 type	M	V	1
Message0 type	M	V	1
RSAP (for Rx ₀)	M	V	2
RSARP (for Rx ₀ and Rx ₁)	M	V	2
Message1 type	M	V	1
RSAP (for Rx ₁)	M	V	2

where message0 type is:

8	7	6	5	4	3	2	1	bit no.
0	0	0	0	0	0	0	0	octet 1

and where message1 type is:

8	7	6	5	4	3	2	1	bit no.
0	0	0	0	0	0	0	1	octet 1

The date is encoded with

8	7	6	5	4	3	2	1	bit no.
0	0	0	0	0	Y10	Y9	Y8	octet 1
Y7	Y6	Y5	Y4	Y3	Y2	Y1	Y0	octet 2
0	0	0	0	M3	M2	M1	M0	octet 3
0	0	0	D4	D3	D2	D1	D0	octet 4

Y10..Y0 is the year and binary coded with Y10 as the most significant bit and Y0 as the least significant bit. M3..M0 is the month and binary coded with M3 as the most significant bit and M0 as the least significant bit. D4..D0 is the day and binary coded with D4 as the most significant bit and D0 as the least significant bit.

The time is encoded with:

8	7	6	5	4	3	2	1	bit no.
0	0	0	0	H3	H2	H1	H0	octet 1
0	0	MIN5	MIN4	MIN3	MIN2	MIN1	MIN0	octet 2
S15	S14	S13	S12	S11	S10	S9	S8	octet 3
S7	S6	S5	S4	S3	S2	S1	S0	octet 4

H3..H0 is the hour and binary coded with H3 as the most significant bit and H0 as the least significant bit. MIN5..MIN0 is the minutes and binary coded with MIN5 as the most significant bit and MIN0 as the least significant bit. ^[SEP]S15..S0 is the seconds. The seconds value in xx.xxx format is multiplied by 1000 and binary coded with S15 as the most significant bit and S0 as the least significant bit.

The RSAP is encoded with:

8	7	6	5	4	3	2	1	bit no.
1	0	R13	R12	R11	R10	R9	R8	octet 1
R7	R6	R5	R4	R3	R2	R1	R0	octet 2

R13..R0 is the measured RSAP value for the indicated receiver. The RSAP value in -xxx.xx dBm shall be multiplied by -100 and binary coded with R13 as the most significant bit and R0 as the least significant bit. The RSAP value shall be in the range of 0.00 to -120.00 dBm.

while RSARP is encoded with:

8	7	6	5	4	3	2	1	bit no.
P15	P14	P13	P12	P11	P10	P9	P8	octet 1
P7	P6	P5	P4	P3	P2	P1	P0	octet 2

P15..P0 is the measured RSARP value between receivers Rx₁ and Rx₀. The RSARP value xxx.xx degrees shall be multiplied by 100 and binary coded with P15 as the most significant bit and P0 as the least significant bit. The RSARP value shall be in the range of 0 to 359.99 degrees.

Alternatively, the ATF test application can follow the message definition and contents defined in sections 5.9.1, e.g. to support CA and or UEs with more than two Rx antennas.

Annex A (informative): Void

Void.

FD2FFFFFF1FFD2FFFFFF1FFD2FFFFFF1FFD2FFFFFF1FFD2FFFFFF1FFD2FFFFFF1FFD2FFFFFF1FFD2FFFFFF1FFD2FF
FFF1FFD2FFFFFF1FFD2FFFFFF1FFD2FFFFFF1FFD2FFFFFF1FFD2FFFFFF1FFD2FFFFFF1FFD2FFFFFF1FFD2FFFFFF1F
FD2FFFFFF1FFD2FFFFFF1FFD2FFFFFF1FFD2FFFFFF1FFD2FFFFFF1FFD2FFFFFF1FFD2FFFFFF1FFD2FFFFFF1FFD2FF
FFF1FFD2FFFFFF1FFD2FFFFFF1FFD2FFFFFF1FFD2FFFFFF1FFD2FFFFFF1FFD2FFFFFF1FFD2FFFFFF1FFD2FFFFFF1F
FD2FFFFFF1FFD2FFFFFF1FFD2FFFFFF1FFD2FFFFFF1FFD2FFFFFF1FFD2FFFFFF1FFD2FFFFFF1FFD2FFFFFF1FFD2FF
FFF1FFD2FFFFFF1FFD2FFFFFF1FFD2FFFFFF1FFD2FFFFFF1FFD2FFFFFF1FFD2FFFFFF1FFD2FFFFFF1FFD2FFFFFF1F
FD2FFFFFF1FFD2FFFFFF1FFD2FFFFFF1FFD2FFFFFF1FFD2FFFFFF1FFD2FFFFFF1FFD2FFFFFF1FFD2FFFFFF1FFD2FF
FFF1FFD2FFFFFF1FFD2FFFFFF1FFD2FFFFFF1FFD2FFFFFF1FFD2FFFFFF1FFD2FFFFFF1FFD2FFFFFF1FFD2FFFFFF1F
FD2FFFFFF1FFD2FFFFFF1FFD2FFFFFF1FFD2FFFFFF1FFD2FFFFFF1FFD2FFFFFF1FFD2FFFFFF1FFD2FFFFFF1FFD2FF
FFF1FFD2FFFFFF1FFD2FFFFFF1FFD2FFFFFF1FFD2FFFFFF1FFD2FFFFFF1FFD2FFFFFF1FFD2FFFFFF1FFD2FFFFFF1F
FD2FFFFFF1FFD2FFFFFF1FFD2FFFFFF1FFD2FFFFFF1FFD2FFFFFF1FFD2FFFFFF1FFD2FFFFFF1FFD2FFFFFF1FFD2FF
FFF1FFD2FFFFFF1FFD2FFFFFF1FFD2FFFFFF1FFD2FFFFFF1FFD2FFFFFF1FFD2FFFFFF1FFD2FFFFFF1FFD2FFFFFF1F
FD2FFFFFF1FFD2FFFFFF1FFD2FFFFFF1FFD2FFFFFF1FFD2FFFFFF1FFD2FFFFFF1FFD2FFFFFF1FFD2FFFFFF1FFD2FF
FFF1FFD2FFFFFF1FFD2FFFFFF1FFD2FFFFFF1FFD2FFFFFF1FFD2FFFFFF1FFD2FFFFFF1FFD2FFFFFF1FFD2FFFFFF1F
FD2FFFFFF1FFD2FFFFFF1FFD2FFFFFF1FFD2FFFFFF1FFD2FFFFFF1FFD2FFFFFF1FFD2FFFFFF1FFD2FFFFFF1FFD2FF
FFF9C800011FF0022F17878743C3C5E2F178B804BFCBFC3C3C390F0E097F97F8700000000043C3C380000000
01FF8000808000000008300020000A02028080802008028300A0C02008020080280A02020202020A02028080A020
2832020A0C80828080A02020008020080200802830080200A0C028300802008000200010012028081202808120201
20200A02028080A02028080A02028081202012020120201001001001000802008020120201202010010010010008020
120C808120C808120C808120C0120C0120C0120C0120C012020120201202010010010010010010010010010010010010
01001001000802008020100100100100100100100080201A0280A020680A028081A028080680A02012028081202808
12028081202808120280812028081202809F04012003E78C0282085A06168DFA0124108290420E01000498FFE97FF
FF00B2080024A0108280420C7FF4BFFFF80490424E01000414021063FFA5FFFFC02C820008A80420A010831FFD
2FFFFE0124108B80400105008418FFE97FFFF0072080026A010831FFD2FFFFE00A4109B804001063FFA5FFFFC0
3C820008290420A0408080420C7FF4BFFFF80690420A4108381000101008418FFE97FFFF00D2084148210502040C
02000831FFD2FFFFE01E4100041408101020404021063FFA5FFFFC03482107020002020408080420C7FF4BFFFF80
690420A0408081020601000418FFE97FFFF00F2080020A0408080420A010831FFD2FFFFE01A41083810001010084
14021063FFA5FFFFC0348210502040C020008280420C7FF4BFFFF80590400125020404021063FFA5FFFFC024821
2702000202010831FFD2FFFFE0124109281020601000418FFE97FFFF00B2080022A0408080420C7FF4BFFFF80490
422E04000404021063FFA5FFFFC0248211502040C02000831FFD2FFFFE0164100041408111008418FFE97FFFF009
20841C080008880420C7FF4BFFFF80490420A04089804001063FFA5FFFFC03C08000808102020108280420C7FF4
BFFFF8068102020408180400105008418FFE97FFFF00B020002220108280420C7FF4BFFFF80481022601000414021
063FFA5FFFFC01C080008880424C7FF4BFFFF80281022601000498FFE97FFFF00F2080020A410828B4202010831
FFD2FFFFE01A4108290420A2D081804001063FFA5FFFFC03C82000828B42022D08080420C7FF4BFFFF8069042
0A2D0808B420601000418FFE97FFFF00F2080020A2D080810202010831FFD2FFFFE01A410828B420604000402
1063FFA5FFFFC03482105168404081030080020C7FF4BFFFF8079040010516840402105008418FFE97FFFF00D208
4145A1030080020A010831FFD2FFFFE01A410808B420601000404021063FFA5FFFFC02C82000928B4202010831F
FD2FFFFE012410928B420601000418FFE97FFFF00B2080022A2D08080420C7FF4BFFFF80490422A2D081804001
063FFA5FFFFC02C82000828B4242010831FFD2FFFFE012410828B424601000418FFE97FFFF00B2080020A2D080
80424C7FF4BFFFF80490420A2D081804001263FFA5FFFFC0345A10116840C080008080420C7FF4BFFFF8068B42
022D08081020601000418FFE97FFFF0091684845A1030080020C7FF4BFFFF8068B42060400040408101008418FFE
97FFFF00D1684040810102040C02000831FFD2FFFFE01A2D08181000101008414021063FFA5FFFFC0345A101020
40C020008280420C7FF4BFFFF8048B424604000404021063FFA5FFFFC0245A12102040C02000831FFD2FFFFE01
22D08181000111008418FFE97FFFF009168404081130080020C7FF4BFFFF8048B424601000414021063FFA5FFFF
C0145A1330080020C7FF4BFFFF8028B424601000498FFE97FFFF00F230002024108290420A010831FFD2FFFFE01
A4608190400105208414021063FFA5FFFFC0348C101208414821070080020C7FF4BFFFF807918001012084140210
5008418FFE97FFFF00D23040C820008280420A010831FFD2FFFFE01A4608090420E01000414021063FFA5FFFFC
02C8C0008090424A010831FFD2FFFFE0124608190400125008418FFE97FFFF009230404821270080020C7FF4BFF
FF8079180010101841406105008418FFE97FFFF00D23040C060008280C20A010831FFD2FFFFE01A4608080C20A0
3083804001063FFA5FFFFC03C8C0008080C20A0108280420C7FF4BFFFF8069182060300041402105008418FFE97
FFFF00D230404061070080020A010831FFD2FFFFE01E4100041482105058404021063FFA5FFFFC0348210520841
C160008080420C7FF4BFFFF80690420A4108282C20601000418FFE97FFFF00F2080020A0B080810202010831FFD
2FFFFE01A4108382C00101020404021063FFA5FFFFC0348210505840C080008080420C7FF4BFFFF80690420A0B0
8081020601000418FFE97FFFF00F2080020A0B08080420A010831FFD2FFFFE01A4108382C00101008414021063F
FA5FFFFC0348210505840C020008280420C7FF4BFFFF80590400125058404021063FFA5FFFFC024821270580020
2010831FFD2FFFFE0124109282C20601000418FFE97FFFF00B2080020A0B08880420C7FF4BFFFF80490420E0B0
00444021063FFA5FFFFC0248210505844C02000831FFD2FFFFE0164100041416101008498FFE97FFFF00920841C1
6008080424C7FF4BFFFF80490420A0B081804001263FFA5FFFFC0345A10116840C060008280420C7FF4BFFFF8
068B42022D08080C20E01000418FFE97FFFF00D16840C080008080C20A010831FFD2FFFFE01A2D080810206030
00414021063FFA5FFFFC0345A101020404061070080020C7FF4BFFFF8068B42060300041406105008418FFE97FFF
F00D1684040610501841C02000831FFD2FFFFE0122D09180C00105008418FFE97FFFF009168484061070080020C7
FF4BFFFF80782C0010105840406105008418FFE97FFFF00D058404161030180020A010831FFD2FFFFE01A0B0808

2C20203083804001063FFA5FFFFC03C160008082C2020108280420C7FF4BFFFF80682C2020B0818040010500841
8FFE97FFFF00F058002020408080C20A010831FFD2FFFFE01A0B08181000101018414021063FFA5FFFFC0341610
102040C060008280420C7FF4BFFFF80682C2020408080C20E01000418FFE97FFFF00F058002020408080420A0108
31FFD2FFFFE01A0B08181000101008414021063FFA5FFFFC0341610102040C020008280420C7FF4BFFFF80582C
00111020404021063FFA5FFFFC0241611302000202010831FFD2FFFFE0120B08881020601000418FFE97FFFF00F0
58002020308280C20A010831FFD2FFFFE01A0B08180C00105018414021063FFA5FFFFC034161010184140610700
80020C7FF4BFFFF80782C0010101841402105008418FFE97FFFF00D05840C060008280420A010831FFD2FFFFE01
A0B08080C20E01000414021063FFA5FFFFC02C160008880C20A010831FFD2FFFFE0120B08980C00105008418FF
E97FFFF00905844061070080020C7FF4BFFFF80582C00111008414021063FFA5FFFFC024161130080020A010831
FFD2FFFFE01E0400040408101018414021063FFA5FFFFC0340810102040C060008280420C7FF4BFFFF806810202
0408080C20E01000418FFE97FFFF00F020002020308280C20A010831FFD2FFFFE01A0408180C001050184140210
63FFA5FFFFC03408101018414061070080020C7FF4BFFFF8078100010101841402105008418FFE97FFFF00D02040
C060008280420A010831FFD2FFFFE01A0408080C20E01000414021063FFA5FFFFC02C080008880C20A010831FF
D2FFFFE0120408980C00105008418FFE97FFFF00902044061070080020C7FF4BFFFF80581000101018494021063
FFA5FFFFC024081030180024A010831FFD2FFFFE0120408080C24E01000418FFE97FFFF00F0180020A030828042
0A010831FFD2FFFFE01A0308280C20E01000414021063FFA5FFFFC02C060009280420A010831FFD2FFFFE01203
09380400105008418FFE97FFFF00B2080020A4108290420C7FF4BFFFF80390400125208418FFE97FFFF00520849C
82000831FFD2FFFFE00E41000454821063FFA5FFFFC014821172080020C7FF4BFFFF801904001363FFA5FFFFC0
2C820008290420A040811FFD2FFFFE0124108290420E04000408FFE97FFFF00B2080020A040808102047FF4BFFF
F80490420E04000404081023FFA5FFFFC01C82000928102047FF4BFFFF80290424E04000408FFE97FFFF00720800
22A040811FFD2FFFFE00A4108B810001023FFA5FFFFC01C82000828102247FF4BFFFF80290420E04000448FFE9
7FFFF00B2080020A410828B42047FF4BFFFF805904001051684045A1023FFA5FFFFC02C82000828B4202040811F
FD2FFFFE012410828B420604000408FFE97FFFF0072080024A2D0811FFD2FFFFE00E410004545A1023FFA5FFF
FC01C82000828B42447FF4BFFFF80591800101208414821063FFA5FFFFC0248C1032080020A410831FFD2FFFFE
00E46000404821263FFA5FFFFC0148C1032080024C7FF4BFFFF80590400105208414161023FFA5FFFFC02482105
20841C16000811FFD2FFFFE0164100041416101020408FFE97FFFF00920841C16000808102047FF4BFFFF8049042
0A0B081810001023FFA5FFFFC01C820009282C2047FF4BFFFF80290424E0B000408FFE97FFFF0072080022A0B0
811FFD2FFFFE00A4108B82C001023FFA5FFFFC01C820008282C2247FF4BFFFF80290420E0B000448FFE97FFFF
00F2080020A4108290420A040811FFD2FFFFE01A4108290420A41083810001023FFA5FFFFC03C820008290420A
040808102047FF4BFFFF80690420A4108381000101020408FFE97FFFF00B2080024A410828102047FF4BFFFF8049
0424E41000414081023FFA5FFFFC0248212520841C08000811FFD2FFFFE0164100045482105020408FFE97FFFF0
920845C82000828102047FF4BFFFF80490422A41083810001023FFA5FFFFC02C820008290420A040891FFD2FFFF
E0124108290420E04000448FFE97FFFF00B2080024A040808102047FF4BFFFF80490424E04000404081023FFA5FF
FC02C820008A810202040811FFD2FFFFE0124108B81000101020408FFE97FFFF0072080026A040811FFD2FFFF
E00A4109B810001023FFA5FFFFC01C82000928102247FF4BFFFF8048B42022D081810001023FFA5FFFFC0245A
10302000202040811FFD2FFFFE080A2D091810001003C7FF4BFFFF8028B420604000448FFE97FFFF00916840C080
008080C20C7FF4BFFFF8048B42020408180C001063FFA5FFFFC02C1600080810202030831FFD2FFFFE0120B081
81000101018418FFE97FFFF009058404081030180020C7FF4BFFFF80382C00111020408FFE97FFFF00505844C080
00811FFD2FFFFE0160400040408101018418FFE97FFFF009020404081030180020C7FF4BFFFF8058100010101841
4061063FFA5FFFFC024081030180020A030831FFD2FFFFE00E04000444061063FFA5FFFFC014081130180020C7F
F4BFFFF80381000101018498FFE97FFFF00502040C06000931FFD2FFFFE00E460004045A1223FFA5FFFFC0245A
10116840C06000831FFD2FFFFE0122D08182C00101018418FFE97FFFF009168404161030180020C7FF4BFFFF802
8B42460B000408FFE97FFFF00916840C060008280C20C7FF4BFFFF8028B424603000418FFE97FFFF00B23000202
0308280C20C7FF4BFFFF80491820603000414061063FFA5FFFFC02C160008082C202030831FFD2FFFFE0120B08
082C20603000418FFE97FFFF00B058002020308280C20C7FF4BFFFF80482C20603000414061063FFA5FFFFC01C1
60008880C20C7FF4BFFFF80282C22603000418FFE97FFFF00705800202030931FFD2FFFFE00A0B08180C001263
FFA5FFFFC04C0200006010000300800019040000C82000047004800000098040000C0200006010000302000018100
0008E0090000001300800018040000C0200006030000301800011C01200000026010000300800018040000C16000060
B00002380240000004C0200006010000300800019180000C8C000047004800000098040000C0200006410000320800
0190400008E0090000001320800019040000C8200006040000302000011C01200000026410000320800019040000C06
000060300002380240000004C82000064100003208000182C0000C16000047004800000098040000C82000060400003
018000182C00008E00900000AF34080291FFFFF34A5DE38474003C30C0404006692A4004000979C7F80240120082
0090048024012028100480A04041202810104808240502020901408082405020209014080240120281010480A040502
02090140808240502009010480A0404120281010480A040412020901408082405020209014080240502009024008120
0408012048010204080A0404120281010480A0404120480102040810024090020400902400810204050202090140808
240900204009020048102040801204081010480824090020408102004812004081020400902400810204090020408102
004810204080120408102004812004080120480102040810024090020408102004812004081020281010480A0404120
4801020408100240900204009024008102040502020903400081800240D000206008102400810204080120480102040
81002409003CE040090240081020409002040810140808240D000206008103000481A00040C1002060009034000818
20040C010204801020408100240900204081020048120040810204090034000818020409002040810140808240D0002
06000903400081800240D000206008103000481A00040C0102060081024008100240900204009024008100240900204
00903004081800240801206080103000481820040C0102040810200481020408012040810104808240D000206080103

000481A00040C1002060081024008102040801206800103040081800240D000206080103004081A00040C010206000
903400081820040C010206000903400081820040C010204801020408100240900204081020048120040810204009030
04081800240C100206008103000481820040C0012040810200481A00040C010206000903400081802040D000206080
103004081800240D0002060801030040812004081020400903400081820040C00120680010304008180204090020408
1020048120040810206800103004081800240D000206080103000481A00040C10020600810240081020408012048010
20408100240D000206008102400810204090020281010480A0404120090240081002409002040810140808240502020
901408082409002048010240081002405020281014081200408102028101048120040801204801020408100240502020
90140808240502020903400081800240D00020600810240081020408012048010204081002409002040090240081020
409002040810140808240502040090204080824041204081020048120040810204009014080824090020400902400810
20405020209014080824050204009020408100240412040810104812004081020480102004812004081020281010480
A040410432A680E008080C0502088C81A0820011008282100000000000000'H

},

}

Annex C (informative): Change history

Change history							
Date	TSG #	TSG Doc.	CR	Rev	Subject/Comment	Old	New
2008-01	RAN5#38	R5-080327			Initial skeleton proposal	-	-
2008-05	RAN5#39	R5-081117			First draft (text proposal)	-	0.0.1
2008-05	RAN5#39	R5-081343			Outcome of RAN5 #39 meeting agreements	0.0.1	0.1.0
2008-08	RAN5#40	R5-083498			Outcome of RAN5 #40 meeting agreements	0.1.0	1.0.0
2008-10	RAN5#40 bis	R5-084269			Outcome of RAN5 #40'bis' meeting agreements	1.0.0	1.1.0
2008-11	RAN5#41	R5-085324			Outcome of RAN5 #41 meeting agreements	1.1.0	Draft 2.0.0
2008-11	RAN5#41	R5-085526			Outcome of post-RAN5 #41 email agreements	Draft 2.0.0	2.0.0
2008-12	RAN#42	R5-080885			Approval of version 2.0.0 at RAN#42, then put to version 8.0.0.	2.0.0	8.0.0
2009-01	-	-			Editorial corrections.	8.0.0	8.0.1
2009-03	RAN#43	R5-086335	0001	-	Corrections to 36.509	8.0.1	8.1.0
2009-03	RAN#43	R5-086371	0002	-	Correction to 36.509 v8.0.0	8.0.1	8.1.0
2009-03	RAN#43	R5-090433	0003	-	Update of Abbreviations in 36.509	8.0.1	8.1.0
2009-03	RAN#43	R5-090700	0004	-	Corrections to 36.509	8.0.1	8.1.0
2009-04	RAN5#43	R5-092315	0005	-	Corrections to section 6 of 36.509.	8.1.0	8.2.0
2009-04	RAN5#43	R5-092361	0006		Clarification to TS 36.509	8.1.0	8.2.0
2009-04	RAN5#43	R5-092511	0007		Corrections and clarifications to TS 36.509	8.1.0	8.2.0
2009-04	RAN5#43	R5-092766	0008		Support of mandatory AT commands via EMMI	8.1.0	8.2.0
2009-08	RAN5#44	R5-094063	0009	-	Clarification on UL data in UE test loop mode	8.2.0	8.3.0
2009-08	RAN5#44	R5-094181	0010	-	Editorial and More corrections to TS 36.509	8.2.0	8.3.0
2009-08	RAN5#44	R5-094309	0011	-	Clarification to TS 36.509 activation and de-activation of UE Test Mode	8.2.0	8.3.0
2009-10	RAN5#45	R5-096062	0012	-	Clarification on encoding of DRB Identity in LB setup DRB IE	8.3.0	8.4.0
2009-10	RAN5#45	R5-096711	0013	3	IP control signalling in UE test mode	8.3.0	8.4.0
2010-03	RAN5#46	R5-100616	0014	-	Clarification of UL and DL PDCP SDU size	8.4.0	8.5.0
2010-03	RAN#47	-	-	-	Moved to v9.0.0 with no change	8.5.0	9.0.0
2010-06	RAN#48	R5-103164	0015	-	Corrections and clarifications to TS 36.509 Rel-9	9.0.0	9.1.0
2010-09	RAN#49	R5-104118	0016	-	Addition of RESET command for LCS	9.1.0	9.2.0
2010-12	RAN#50	R5-106154	0017	-	Correction to the section 5.4.2.3 of TS36.509	9.2.0	9.3.0
2011-06	RAN#52	R5-112397	0019	-	Additional UE positioning test mode procedures for OTDOA minimum performance test cases	9.3.0	9.4.0
2011-06	RAN#52	R5-112675	0022	-	Introduction of UE Test Loop Mode C for LTE MBMS testing	9.3.0	9.4.0
2011-06	RAN#52	R5-112700	0021	-	Corrections to TS 36.509 Rel-9	9.3.0	9.4.0
2011-09	RAN#53	R5-113241	0023		Update of IP PDU handling when in CDMA2000 mode	9.4.0	9.5.0
2011-09	RAN#53	R5-113750	0024		Update of LTE MBMS test function	9.4.0	9.5.0
2012-09	RAN#57	R5-123083	0025	-	Clarification of DL IP Header	9.5.0	9.6.0
2012-09	RAN#57	R5-123791	0026	-	Addition of Location Information functionality to 36.509	9.6.0	10.0.0
2013-06	RAN#60	R5-132057	0027	-	Removal of FFS from UPDATE UE LOCATION INFORMATION support	10.0.0	10.1.0
2014-03	RAN#63	R5-140999	0028	-	Update to UE test mode procedure for CSG proximity testing	10.1.0	10.2.0
2014-09	RAN#65	R5-144454	0029	-	Reservation of message types for antenna test function	10.2.0	10.3.0
2015-06	RAN#68	-	-	-	moved to v11.0.0 with no change	10.3.0	11.0.0
2015-06	RAN#68	R5-152059	0141	1	Addition of Device to Device Proximity Services Test Loop	11.0.0	12.0.0
2015-09	RAN#69	R5-153211	0142	-	Correction to Device to Device Proximity Services Test Loop	12.0.0	12.1.0
2015-09	RAN#69	R5-153223	0143	-	Add minimum loopback buffer size requirement for Category 0 UE	12.0.0	12.1.0
2015-09	RAN#69	R5-153970	0144	1	Update to Loopback data procedure with IMS signalling	12.0.0	12.1.0
2015-12	RAN#70	R5-155362	0149	-	ProSe test loop modes Enhancements	12.1.0	12.2.0
2016-03	RAN#71	R5-160768	0151	1	ProSe test loop modes Clarification\Updates	12.2.0	12.3.0
2016-06	RAN#72	R5-162059	0153	-	Various updates	12.3.0	12.4.0
2016-06	RAN#72	R5-162132	0154	-	D2D Prose: Various updates	12.3.0	12.4.0
2016-06	RAN#72	R5-162144	0155	-	Handling of multi-PDNs-configured UEs	12.3.0	12.4.0
2016-06	RAN#72	R5-162908	0156	1	Updates to Clause 6.1 CLOSE UE TEST LOOP and 6.14 UE TEST LOOP PROSE PACKET COUNTER RESPONSE	12.3.0	12.4.0
2016-06	RAN#72	R5-162909	0158	1	Update of 36509 modes E&D D2D	12.3.0	12.4.0
2016-06	RAN#72	R5-163091	0157	1	introducing UE Test loop mode F	12.4.0	13.0.0
2016-09	RAN#73	R5-165595	0163	-	Adding PDU definitions for UE TEST LOOP MODE F SCPTM PACKET COUNTER REQUEST/RESPONSE	13.0.0	13.1.0
2016-09	RAN#73	R5-165933	0162	1	Introduction of minimum loopback buffer size for Cat M1	13.0.0	13.1.0
2016-12	RAN#74	R5-168155	0164	-	Addition UE Reset for MBS	13.1.0	13.2.0
2016-12	RAN#74	R5-169168	0165	1	Introduction of Control Plane test loop with Layer 2 testing enhancements	13.1.0	13.2.0
2017-03	RAN#75	R5-170735	0166	-	Add RESET UE Positioning for WLAN, Bluetooth, and Sensor	13.2.0	13.3.0
2017-03	RAN#75	R5-171106	0167	-	Correction to test loops for NB-IoT	13.2.0	13.3.0
2017-06	RAN#76	R5-172854	0170	-	Introduction of UE test loop mode I for control plane loopback of IP PDUs via UL TFT handler	13.3.0	13.4.0
2017-06	RAN#76	R5-173038	0168	1	The UE test loop mode for V2X Communication	13.4.0	14.0.0

2017-09	RAN#77	R5-174002	0176	-	Clarification to loop back mode operations G, H and I	14.0.0	14.1.0
2017-09	RAN#77	R5-174049	0178	-	Update to loopback mode H operation	14.0.0	14.1.0
2017-09	RAN#77	R5-174058	0179	-	Add text for clearing assistance data and information in Sensor and WLAN	14.0.0	14.1.0
2017-09	RAN#77	R5-174584	0171	1	Addition of clearing of MBS assistance data by RESET UE POSITIONING STORED INFORMATION	14.0.0	14.1.0
2017-09	RAN#77	R5-174641	0175	1	Correction of applicability for UE test loop mode I	14.0.0	14.1.0
2017-09	RAN#77	R5-175219	0172	3	Update of V2X related test loop procedure to introduce AT commands	14.0.0	14.1.0
2017-12	RAN#78	R5-176889	0184	1	Editorial, correct the communication system in the figure 5.1-5	14.1.0	14.2.0
2017-12	RAN#78	R5-176966	0182	1	V2X test mode updates	14.1.0	14.2.0
2017-12	RAN#78	R5-177077	0181	1	Clarifying loop back mode operation	14.1.0	14.2.0
2018-03	RAN#79	R5-180880	0189	-	Introduction of ATF definition into TS 36.509	14.2.0	14.3.0
2018-03	RAN#79	R5-181219	0186	1	Addition of table 5.4.4c.1-2 for STCH PDCP SDU payload contents for V2X Communication transmit operation in UE test loop mode E	14.2.0	14.3.0
2018-03	RAN#79	R5-181317	0191	1	Correction to UE behaviour upon AT command +CUSPCREQ reception for Test Loop Mode E	14.2.0	14.3.0
2018-03	RAN#79	R5-181345	0190	1	Addition of UTC time reset command for V2X testing	14.2.0	14.3.0
2018-06	RAN#80	R5-183787	0192	1	Modification to AT command +CUSPCREQ for V2V/X Sidelink communications	14.3.0	14.4.0
2018-06	RAN#80	-	-	-	administratively upgraded to Rel-15 with no change	14.4.0	15.0.0
2018-09	RAN#81	R5-184078	0195	-	Corrections to UE Test Loop Mode H	15.0.0	15.1.0
2018-09	RAN#81	R5-185129	0196	1	Update of UE test loop mode E	15.0.0	15.1.0
2018-12	RAN#82	R5-187653	0202	-	Updates to test loop modes for NB-IoT enhancement	15.1.0	15.2.0
2018-12	RAN#82	R5-188120	0200	1	Alignments of UE Test Loop Mode H description	15.1.0	15.2.0
2019-12	RAN#86	R5-198153	0204	-	Editorial updates	15.2.0	15.3.0
2019-12	RAN#86	R5-199003	0205	1	Introduction of minimum loopback buffer size for Cat M2	15.2.0	15.3.0
2020-09	RAN#89	R5-204365	0207	1	Added definition of RSAP and RSARP in 36.509	15.3.0	15.4.0
2021-03	RAN#91	R5-211508	0208	1	Clarification of DRB identity in CLOSE UE TEST LOOP message in 36.509	15.4.0	15.5.0
2021-03	RAN#91	-	-	-	Administrative release upgrade to match the release of TS 38.509 which was upgraded at RAN#91 to Rel-16 due to Rel-16 relevant CRs	15.5.0	16.0.0
2021-06	RAN#92	R5-212796	0209	-	Addition of test function Set UL Message - EUTRA	16.0.0	16.1.0
2022-03	RAN#95	R5-221542	0210	1	Addition of predefined UE capability message container for test function Set UL Message	16.1.0	16.2.0
2022-09	RAN#97	R5-225614	0213	1	Rel-16 Extension of test control command message type values reserved for E-UTRA and NB-IoT	16.2.0	16.3.0

History

Document history		
V16.0.0	May 2021	Publication
V16.1.0	August 2021	Publication
V16.2.0	May 2022	Publication
V16.3.0	October 2022	Publication