



**Digital cellular telecommunications system (Phase 2+) (GSM);  
Universal Mobile Telecommunications System (UMTS);  
LTE;  
5G;  
NR, E-UTRA, UTRA and GSM/EDGE;  
Multi-Standard Radio (MSR) Base Station (BS)  
radio transmission and reception  
(3GPP TS 37.104 version 15.5.0 Release 15)**



---

Reference

RTS/TSGR-0437104vf50

---

Keywords

5G,GSM,LTE,UMTS

**ETSI**

650 Route des Lucioles  
F-06921 Sophia Antipolis Cedex - FRANCE

Tel.: +33 4 92 94 42 00 Fax: +33 4 93 65 47 16

Siret N° 348 623 562 00017 - NAF 742 C  
Association à but non lucratif enregistrée à la  
Sous-Préfecture de Grasse (06) N° 7803/88

---

**Important notice**

The present document can be downloaded from:

<http://www.etsi.org/standards-search>

The present document may be made available in electronic versions and/or in print. The content of any electronic and/or print versions of the present document shall not be modified without the prior written authorization of ETSI. In case of any existing or perceived difference in contents between such versions and/or in print, the prevailing version of an ETSI deliverable is the one made publicly available in PDF format at [www.etsi.org/deliver](http://www.etsi.org/deliver).

Users of the present document should be aware that the document may be subject to revision or change of status.

Information on the current status of this and other ETSI documents is available at

<https://portal.etsi.org/TB/ETSIDeliverableStatus.aspx>

If you find errors in the present document, please send your comment to one of the following services:

<https://portal.etsi.org/People/CommiteeSupportStaff.aspx>

---

**Copyright Notification**

No part may be reproduced or utilized in any form or by any means, electronic or mechanical, including photocopying and microfilm except as authorized by written permission of ETSI.

The content of the PDF version shall not be modified without the written authorization of ETSI.

The copyright and the foregoing restriction extend to reproduction in all media.

© ETSI 2019.

All rights reserved.

**DECT™**, **PLUGTESTS™**, **UMTS™** and the ETSI logo are trademarks of ETSI registered for the benefit of its Members.

**3GPP™** and **LTE™** are trademarks of ETSI registered for the benefit of its Members and of the 3GPP Organizational Partners.

**oneM2M™** logo is a trademark of ETSI registered for the benefit of its Members and of the oneM2M Partners.

**GSM®** and the GSM logo are trademarks registered and owned by the GSM Association.

---

# Intellectual Property Rights

## Essential patents

IPRs essential or potentially essential to normative deliverables may have been declared to ETSI. The information pertaining to these essential IPRs, if any, is publicly available for **ETSI members and non-members**, and can be found in ETSI SR 000 314: *"Intellectual Property Rights (IPRs); Essential, or potentially Essential, IPRs notified to ETSI in respect of ETSI standards"*, which is available from the ETSI Secretariat. Latest updates are available on the ETSI Web server (<https://ipr.etsi.org/>).

Pursuant to the ETSI IPR Policy, no investigation, including IPR searches, has been carried out by ETSI. No guarantee can be given as to the existence of other IPRs not referenced in ETSI SR 000 314 (or the updates on the ETSI Web server) which are, or may be, or may become, essential to the present document.

## Trademarks

The present document may include trademarks and/or tradenames which are asserted and/or registered by their owners. ETSI claims no ownership of these except for any which are indicated as being the property of ETSI, and conveys no right to use or reproduce any trademark and/or tradename. Mention of those trademarks in the present document does not constitute an endorsement by ETSI of products, services or organizations associated with those trademarks.

---

# Foreword

This Technical Specification (TS) has been produced by ETSI 3rd Generation Partnership Project (3GPP).

The present document may refer to technical specifications or reports using their 3GPP identities, UMTS identities or GSM identities. These should be interpreted as being references to the corresponding ETSI deliverables.

The cross reference between GSM, UMTS, 3GPP and ETSI identities can be found under <http://webapp.etsi.org/key/queryform.asp>.

---

# Modal verbs terminology

In the present document "**shall**", "**shall not**", "**should**", "**should not**", "**may**", "**need not**", "**will**", "**will not**", "**can**" and "**cannot**" are to be interpreted as described in clause 3.2 of the [ETSI Drafting Rules](#) (Verbal forms for the expression of provisions).

"**must**" and "**must not**" are **NOT** allowed in ETSI deliverables except when used in direct citation.

# Contents

|  |    |
|--|----|
| Intellectual Property Rights .....   | 2  |
| Foreword.....  | 2  |
| Modal verbs terminology.....   | 2  |
| Foreword.....  | 6  |
| 1 Scope .....  | 7  |
| 2 References .....   | 7  |
| 3 Definitions, symbols and abbreviations .....                                     | 8  |
| 3.1 Definitions .....  | 8  |
| 3.2 Symbols.....   | 11 |
| 3.3 Abbreviations .....  | 13 |
| 4 General .....  | 14 |
| 4.1 Relation between the MSR specification and the single-RAT specifications ..... | 14 |
| 4.2 Relationship between minimum requirements and test requirements .....          | 14 |
| 4.3 Base station classes .....   | 15 |
| 4.4 Regional requirements.....   | 15 |
| 4.5 Operating bands and Band Categories.....                                       | 16 |
| 4.5.1 Band category 1 aspects (BC1).....   | 21 |
| 4.5.2 Band category 2 aspects (BC2).....   | 21 |
| 4.5.3 Band category 3 aspects (BC3).....   | 22 |
| 4.6 Channel arrangement.....   | 22 |
| 4.6.1 Channel spacing.....   | 22 |
| 4.6.1A CA Channel spacing .....  | 22 |
| 4.6.2 Channel raster .....   | 23 |
| 4.6.3 Carrier frequencies and numbering.....                                       | 23 |
| 4.7 Requirements for contiguous and non-contiguous spectrum.....                   | 24 |
| 4.8 Requirements for BS capable of multi-band operation .....                      | 24 |
| 5 Applicability of requirements.....   | 25 |
| 5.1 Band category 1.....   | 25 |
| 5.2 Band category 2.....   | 28 |
| 5.3 Band category 3.....   | 31 |
| 5.4 Inclusion of requirements by reference .....                                   | 34 |
| 6 Transmitter characteristics .....  | 34 |
| 6.1 General .....  | 34 |
| 6.2 Base station output power .....  | 35 |
| 6.2.1 Minimum requirement .....  | 35 |
| 6.2.2 Additional requirement (regional) .....                                      | 35 |
| 6.2.3 E-UTRA minimum requirement for DL RS power .....                             | 36 |
| 6.2.4 UTRA FDD minimum requirement for primary CPICH power .....                   | 36 |
| 6.2.4A UTRA FDD minimum requirement for secondary CPICH power.....                 | 36 |
| 6.2.5 UTRA TDD minimum requirement for primary CCPCH power .....                   | 36 |
| 6.2.6 NB-IoT minimum requirement for DL NRS power .....                            | 36 |
| 6.3 Output power dynamics.....   | 36 |
| 6.3.1 E-UTRA minimum requirement .....   | 36 |
| 6.3.2 UTRA FDD minimum requirement.....  | 36 |
| 6.3.3 UTRA TDD minimum requirement.....  | 36 |
| 6.3.4 GSM/EDGE minimum requirement .....   | 37 |
| 6.3.5 NB-IoT minimum requirement .....   | 37 |
| 6.3.6 NR minimum requirement .....   | 37 |
| 6.4 Transmit ON/OFF power .....  | 37 |
| 6.4.1 Transmitter OFF power .....  | 37 |
| 6.4.1.1 Minimum Requirement .....  | 37 |
| 6.4.2 Transmitter transient period.....  | 37 |
| 6.4.2.1 Minimum requirements .....   | 38 |

|           |   |    |
|-----------|---|----|
| 6.5       | Transmitted signal quality .....  | 38 |
| 6.5.1     | Modulation quality.....   | 38 |
| 6.5.1.1   | E-UTRA minimum requirement .....  | 38 |
| 6.5.1.2   | UTRA FDD minimum requirement .....  | 38 |
| 6.5.1.3   | UTRA TDD minimum requirement.....   | 39 |
| 6.5.1.4   | GSM/EDGE minimum requirement.....   | 39 |
| 6.5.1.5   | NB-IoT minimum requirement .....  | 39 |
| 6.5.1.6   | NR minimum requirement .....  | 39 |
| 6.5.2     | Frequency error.....  | 39 |
| 6.5.2.1   | E-UTRA minimum requirement .....  | 39 |
| 6.5.2.2   | UTRA FDD minimum requirement .....  | 39 |
| 6.5.2.3   | UTRA TDD minimum requirement.....   | 39 |
| 6.5.2.4   | GSM/EDGE minimum requirement.....   | 39 |
| 6.5.2.5   | NB-IoT minimum requirement .....  | 39 |
| 6.5.2.6   | NR minimum requirement .....  | 39 |
| 6.5.3     | Time alignment error .....  | 39 |
| 6.5.3.1   | E-UTRA minimum Requirement .....  | 40 |
| 6.5.3.2   | UTRA FDD minimum requirement .....  | 40 |
| 6.5.3.3   | UTRA TDD minimum requirement.....   | 40 |
| 6.5.3.4   | NB-IoT minimum Requirement .....  | 40 |
| 6.5.3.5   | NR minimum Requirement .....  | 40 |
| 6.6       | Unwanted emissions.....   | 40 |
| 6.6.1     | Transmitter spurious emissions.....   | 40 |
| 6.6.1.1   | Mandatory Requirements .....  | 41 |
| 6.6.1.1.1 | Minimum requirement (Category A).....   | 41 |
| 6.6.1.1.2 | Minimum requirement (Category B).....   | 41 |
| 6.6.1.1.3 | Additional minimum requirement for BC2 (Category B).....                            | 41 |
| 6.6.1.2   | Protection of the BS receiver of own or different BS .....                          | 42 |
| 6.6.1.2.1 | Minimum Requirement .....   | 42 |
| 6.6.1.3   | Additional spurious emissions requirements.....                                     | 42 |
| 6.6.1.3.1 | Minimum Requirement .....   | 42 |
| 6.6.1.4   | Co-location with other base stations .....  | 51 |
| 6.6.1.4.1 | Minimum Requirement .....   | 51 |
| 6.6.2     | Operating band unwanted emissions .....   | 56 |
| 6.6.2.1   | General minimum requirement for Band Categories 1 and 3.....                        | 57 |
| 6.6.2.2   | General minimum requirement for Band Category 2.....                                | 64 |
| 6.6.2.3   | GSM/EDGE single-RAT requirements.....   | 73 |
| 6.6.2.4   | Additional requirements.....  | 73 |
| 6.6.2.4.1 | Limits in FCC Title 47 .....  | 73 |
| 6.6.2.4.2 | Unsynchronized operation for BC3.....   | 73 |
| 6.6.2.4.3 | Protection of DTT.....  | 73 |
| 6.6.2.4.4 | Co-existence with services in adjacent frequency bands .....                        | 74 |
| 6.6.2.4.5 | Co-existence with RNSS/GPS services in North America .....                          | 74 |
| 6.6.2.4.6 | Additional requirements for band 41 .....   | 74 |
| 6.6.2.4.7 | Additional band 32, 50/n50, 51/n51, 74, 75/n75 and 76/ n76 unwanted emissions ..... | 75 |
| 6.6.2.4.8 | Additional requirements for band 45.....  | 76 |
| 6.6.2.4.9 | Additional requirements for band 48.....  | 76 |
| 6.6.3     | Occupied bandwidth .....  | 76 |
| 6.6.3.1   | Minimum requirement .....   | 77 |
| 6.6.4     | Adjacent Channel Leakage Power Ratio (ACLR) .....                                   | 77 |
| 6.6.4.1   | E-UTRA minimum requirement .....  | 77 |
| 6.6.4.2   | UTRA FDD minimum requirement .....  | 79 |
| 6.6.4.3   | UTRA TDD minimum requirement.....   | 79 |
| 6.6.4.4   | Cumulative ACLR requirement in non-contiguous spectrum.....                         | 79 |
| 6.6.4.5   | NB-IoT minimum requirement .....  | 80 |
| 6.6.4.6   | NR minimum requirement .....  | 81 |
| 6.7       | Transmitter intermodulation.....  | 82 |
| 6.7.1     | General minimum requirement.....  | 82 |
| 6.7.2     | Additional minimum requirement (BC1 and BC2).....                                   | 83 |
| 6.7.3     | Additional minimum requirement (BC3).....   | 84 |
| 6.7.4     | Additional requirements .....   | 84 |

|       |   |            |
|-------|---|------------|
| 7     | Receiver characteristics .....  | 85         |
| 7.1   | General .....   | 85         |
| 7.2   | Reference sensitivity level.....  | 85         |
| 7.2.1 | E-UTRA minimum requirement .....  | 85         |
| 7.2.2 | UTRA FDD minimum requirement.....   | 85         |
| 7.2.3 | UTRA TDD minimum requirement.....   | 86         |
| 7.2.4 | GSM/EDGE minimum requirement .....  | 86         |
| 7.2.5 | NB-IoT minimum requirement .....  | 86         |
| 7.2.6 | NR minimum requirement .....  | 86         |
| 7.2.7 | E-UTRA subPRB allocation minimum requirement .....                                | 86         |
| 7.3   | Dynamic range .....   | 86         |
| 7.3.1 | E-UTRA minimum requirement .....  | 86         |
| 7.3.2 | UTRA FDD minimum requirement.....   | 86         |
| 7.3.3 | UTRA TDD minimum requirement.....   | 86         |
| 7.3.4 | GSM/EDGE minimum requirement .....  | 86         |
| 7.3.5 | NB-IoT minimum requirement.....   | 86         |
| 7.3.6 | NR minimum requirement .....  | 86         |
| 7.4   | In-band selectivity and blocking .....  | 86         |
| 7.4.1 | General blocking minimum requirement .....  | 87         |
| 7.4.2 | General narrowband blocking minimum requirement .....                             | 88         |
| 7.4.3 | Additional Narrowband blocking minimum requirement for GSM/EDGE .....             | 90         |
| 7.4.4 | GSM/EDGE requirements for AM suppression .....                                    | 90         |
| 7.4.5 | Additional BC3 blocking minimum requirement .....                                 | 90         |
| 7.5   | Out-of-band blocking .....  | 90         |
| 7.5.1 | General minimum requirement.....  | 90         |
| 7.5.2 | Co-location minimum requirement.....  | 91         |
| 7.6   | Receiver spurious emissions.....  | 95         |
| 7.6.1 | General minimum requirement .....   | 95         |
| 7.6.2 | Additional minimum requirement for BC2 (Category B).....                          | 96         |
| 7.7   | Receiver intermodulation .....  | 96         |
| 7.7.1 | General intermodulation minimum requirement.....                                  | 96         |
| 7.7.2 | General narrowband intermodulation minimum requirement.....                       | 99         |
| 7.7.3 | Additional narrowband intermodulation minimum requirement for GSM/EDGE .....      | 103        |
| 7.8   | In-channel selectivity .....  | 103        |
| 7.8.1 | E-UTRA minimum requirement .....  | 103        |
| 7.8.2 | NR minimum requirement .....  | 103        |
| 8     | Performance requirements.....   | 103        |
| 8.1   | E-UTRA minimum requirement.....   | 103        |
| 8.2   | UTRA FDD minimum requirement .....  | 103        |
| 8.3   | UTRA TDD minimum requirement .....  | 103        |
| 8.4   | GSM/EDGE minimum requirement.....   | 104        |
| 8.5   | NR minimum requirement.....   | 104        |
|       | <b>Annex A (normative): Characteristics of interfering signals .....</b>          | <b>105</b> |
| A.1   | UTRA FDD interfering signal.....  | 105        |
| A.2   | UTRA TDD interfering signal .....   | 105        |
| A.3   | E-UTRA interfering signal.....  | 105        |
|       | <b>Annex B (normative): Environmental requirements for the BS equipment .....</b> | <b>106</b> |
|       | <b>Annex C (informative): Change history .....</b>                                | <b>107</b> |
|       | History .....   | 113        |

---

# Foreword

This Technical Specification has been produced by the 3<sup>rd</sup> Generation Partnership Project (3GPP).

The contents of the present document are subject to continuing work within the TSG and may change following formal TSG approval. Should the TSG modify the contents of the present document, it will be re-released by the TSG with an identifying change of release date and an increase in version number as follows:

Version x.y.z

where:

- x the first digit:
  - 1 presented to TSG for information;
  - 2 presented to TSG for approval;
  - 3 or greater indicates TSG approved document under change control.
- y the second digit is incremented for all changes of substance, i.e. technical enhancements, corrections, updates, etc.
- z the third digit is incremented when editorial only changes have been incorporated in the document.

---

# 1 Scope

The present document establishes the minimum RF characteristics of NR, E-UTRA, UTRA, GSM/EDGE and NB-IoT Multi-Standard Radio (MSR) Base Station (BS). Requirements for multi-RAT and single-RAT operation of MSR BS are covered in the present document. The requirements in the present document for E-UTRA, UTRA and NB-IoT single-RAT operation of MSR BS are also applicable to E-UTRA, UTRA and NB-IoT multi-carrier capable single-RAT BS. Requirements for GSM BS that are only single-RAT capable in all supported operating bands are not covered.

---

# 2 References

The following documents contain provisions which, through reference in this text, constitute provisions of the present document.

- References are either specific (identified by date of publication, edition number, version number, etc.) or non-specific.
- For a specific reference, subsequent revisions do not apply.
- For a non-specific reference, the latest version applies. In the case of a reference to a 3GPP document (including a GSM document), a non-specific reference implicitly refers to the latest version of that document *in the same Release as the present document*.

- [1] 3GPP TR 21.905: "Vocabulary for 3GPP Specifications".
- [2] 3GPP TS 25.104, Technical Specification, "3rd Generation Partnership Project; Technical Specification Group Radio Access Network; Base Station (BS) radio transmission and reception (FDD)"
- [3] 3GPP TS 25.105. Technical Specification, "3rd Generation Partnership Project; Technical Specification Group Radio Access Network; Base Station (BS) radio transmission and reception (TDD)"
- [4] 3GPP TS 36.104, Technical Specification, "3rd Generation Partnership Project; Technical Specification Group Radio Access Network; Evolved Universal Terrestrial Radio Access (E-UTRA); Base Station (BS) radio transmission and reception"
- [5] 3GPP TS 45.005, Technical Specification, "3rd Generation Partnership Project; Technical Specification Group GSM/EDGE Radio Access Network; Radio transmission and reception"
- [6] ITU-R Recommendation SM.329-10, "Unwanted emissions in the spurious domain".
- [7] 3GPP TR 25.942, "Technical Report 3rd Generation Partnership Project; Technical Specification Group Radio Access Networks; Radio Frequency (RF) system scenarios"
- [8] "Title 47 of the Code of Federal Regulations (CFR)", Federal Communications Commission.
- [9] ITU-R Recommendation M.1545: "Measurement uncertainty as it applies to test limits for the terrestrial component of International Mobile Telecommunications-2000".
- [10] 3GPP TS 37.141, Technical Specification, "3rd Generation Partnership Project; Technical Specification Group Radio Access Network; NR, E-UTRA, UTRA and GSM/EDGE; Multi-Standard Radio (MSR) Base Station (BS) conformance testing"
- [11] IEC 60721-3-3: "Classification of environmental conditions - Part 3-3: Classification of groups of environmental parameters and their severities - Stationary use at weather protected locations".
- [12] IEC 60721-3-4: "Classification of environmental conditions - Part 3: Classification of groups of environmental parameters and their severities - Section 4: Stationary use at non-weather protected locations".



- [13] ETSI EN 300 019-1-3, *European Standard (Telecommunications series)*, "Environmental Engineering (EE); Environmental conditions and environmental tests for telecommunications equipment; Part 1-3: Classification of environmental conditions; Stationary use at weather protected locations"
- [14] ETSI EN 300 019-1-4, *European Standard (Telecommunications series)*, "Environmental Engineering (EE); Environmental conditions and environmental tests for telecommunications equipment; Part 1-4: Classification of environmental conditions; Stationary use at non-weather protected locations".
- [15] CEPT ECC Decision (13)03, "The harmonised use of the frequency band 1452-1492 MHz for Mobile/Fixed Communications Networks Supplemental Downlink (MFCN SDL)".
- [16] CEPT ECC Decision (17)06, "The harmonised use of the frequency bands 1427-1452 MHz and 1492-1518 MHz for Mobile/Fixed Communications Networks Supplemental Downlink (MFCN SDL)".
- [17] 3GPP TS 38.104, Technical Specification, "3rd Generation Partnership Project; Technical Specification Group Radio Access Network; NR; Base Station (BS) radio transmission and reception"

---

## 3 Definitions, symbols and abbreviations

### 3.1 Definitions

For the purposes of the present document, the terms and definitions given in TR 21.905 [1] and the following apply. A term defined in the present document takes precedence over the definition of the same term, if any, in TR 21.905 [1].

**Band category:** group of operating bands for which the same MSR scenarios apply

**Base Station RF Bandwidth:** bandwidth in which a base station transmits and/or receives single or multiple carrier(s) and/or RATs simultaneously within a supported operating band

NOTE: In single carrier operation, the Base Station RF Bandwidth is equal to the channel bandwidth.

**Base Station RF Bandwidth edge:** frequency of one of the edges of the Base Station RF Bandwidth

**Carrier:** modulated waveform conveying the NR, E-UTRA, UTRA or GSM/EDGE physical channels

**Carrier aggregation:** aggregation of two or more NR or E-UTRA component carriers in order to support wider transmission bandwidths

**Carrier aggregation band:** set of one or more operating bands across which multiple E-UTRA carriers are aggregated with a specific set of technical requirements.

NOTE: Carrier aggregation band(s) for an E-UTRA BS is declared by the manufacturer according to the designations in Tables 5.5-2 to 5.5-4 of TS 36.104 [4]

**Channel bandwidth:** RF bandwidth supporting a single NR, E-UTRA, UTRA or GSM/EDGE RF carrier with the transmission bandwidth configured in the uplink or downlink of a cell.

NOTE: The channel bandwidth is measured in MHz and is used as a reference for transmitter and receiver RF requirements.

NOTE: The term channel bandwidth is referred to as BS channel bandwidth in the NR specifications, since for NR the BS and UE may operate with differing bandwidths.

**Contiguous carriers:** set of two or more carriers configured in a spectrum block where there are no RF requirements based on co-existence for un-coordinated operation within the spectrum block.

**Carrier power:** power at the antenna connector in the channel bandwidth of the carrier averaged over at least one subframe for NR or E-UTRA, at least one slot for UTRA and the useful part of the burst for GSM/EDGE.

**Configured carrier power:** target maximum power for a specific carrier for the operating mode set in the base station

**Contiguous spectrum:** spectrum consisting of a contiguous block of spectrum with no sub-block gap(s).

**Downlink operating band:** part of the operating band designated for downlink.

**Highest Carrier:** carrier with the highest carrier centre frequency transmitted/received in the specified operating band(s).

**Inter RF Bandwidth gap:** frequency gap between two consecutive Base Station RF Bandwidths that are placed within two supported operating bands.

**Inter-band carrier aggregation:** carrier aggregation of NR or E-UTRA component carriers in different operating bands.

NOTE: Carriers aggregated in each band can be contiguous or non-contiguous.

**Inter-band gap:** The frequency gap between two supported consecutive operating bands.

**Intra-band contiguous carrier aggregation:** contiguous NR or E-UTRA carriers aggregated in the same operating band.

**Intra-band non-contiguous carrier aggregation:** non-contiguous NR or E-UTRA carriers aggregated in the same operating band.

**Lowest Carrier:** carrier with the lowest carrier centre frequency transmitted/received in the specified operating band(s).

**Lower Base Station RF Bandwidth edge:** frequency of the lower edge of the Base Station RF bandwidth, used as a frequency reference point for transmitter and receiver requirements.

**Lower sub-block edge:** frequency at the lower edge of one sub-block.

NOTE: It is used as a frequency reference point for both transmitter and receiver requirements.

**Maximum Base Station RF Bandwidth:** maximum RF bandwidth supported by a BS within each supported operating band.

NOTE: The maximum Base Station RF Bandwidth for BS configured for contiguous and non-contiguous operation within each supported operating band is declared separately.

**Maximum carrier output power:** carrier power available at the antenna connector for a specified reference condition.

**Maximum RAT output power:** sum of the power of all carriers of the same RAT available at the antenna connector for a specified reference condition.

**Maximum throughput:** maximum achievable throughput for a reference measurement channel.

**Maximum total output power:** sum of the power of all carriers available at the antenna connector for a specified reference condition.

**MB-MSR Base Station:** MSR Base Station characterized by the ability of its transmitter and/or receiver to process two or more carriers in common active RF components simultaneously, where at least one carrier is configured at a different operating band (which is not a sub-band or superseding-band of another supported operating band) than the other carrier(s).

**Measurement bandwidth:** RF bandwidth in which an emission level is specified.

**MSR Base station:** base station characterized by the ability of its receiver and transmitter to process two or more carriers in common active RF components simultaneously in a declared Base Station RF Bandwidth, where at least one carrier is of a different RAT than the other carrier(s).

**Multi-band transmitter:** transmitter characterized by the ability to process two or more carriers in common active RF components simultaneously, where at least one carrier is configured at a different operating band (which is not a sub-band or superseding-band of another supported operating band) than the other carrier(s).

**Multi-band receiver:** receiver characterized by the ability to process two or more carriers in common active RF components simultaneously, where at least one carrier is configured at a different operating band (which is not a sub-band or superseding-band of another supported operating band) than the other carrier(s).

**Non-contiguous spectrum:** spectrum consisting of two or more sub-blocks separated by sub-block gap(s).

**NB-IoT In-band operation:** NB-IoT is operating in-band when it utilizes the resource block(s) within a normal E-UTRA carrier.

**NB-IoT guard band operation:** NB-IoT is operating in guard band when it utilizes the unused resource block(s) within a E-UTRA carrier's guard-band.

**NB-IoT standalone operation:** NB-IoT is operating standalone when it utilizes its own spectrum, for example the spectrum currently being used by GERAN systems as a replacement of one or more GSM carriers, as well as scattered spectrum for potential IoT deployment.

**Occupied bandwidth:** width of a frequency band such that, below the lower and above the upper frequency limits, the mean powers emitted are each equal to a specified percentage  $\beta/2$  of the total mean power of a given emission.

**Operating band:** frequency range in which NR, E-UTRA, UTRA or GSM/EDGE operates (paired or unpaired), that is defined with a specific set of technical requirements.

NOTE: The operating band(s) for a BS is declared by the manufacturer.

**Radio Bandwidth:** frequency difference between the upper edge of the highest used carrier and the lower edge of the lowest used carrier.

**Rated total output power:** The total power level that the manufacturer has declared to be available at the antenna connector.

**RRC filtered mean power:** The mean power of a UTRA carrier as measured through a root raised cosine filter with roll-off factor  $\alpha$  and a bandwidth equal to the chip rate of the radio access mode.

NOTE: The RRC filtered mean power of a perfectly modulated UTRA signal is 0.246 dB lower than the mean power of the same signal

**Single-RAT operation:** operation of a base station in an operating band with only one RAT configured in that operating band.

**Sub-band:** A sub-band of an operating band contains a part of the uplink and downlink frequency range of the operating band.

**Sub-block:** one contiguous allocated block of spectrum for use by the same base station.

NOTE: There may be multiple instances of sub-blocks within a Base Station RF Bandwidth.

**Sub-block bandwidth:** RF bandwidth of one sub-block.

**Sub-block gap:** frequency gap between two consecutive sub-blocks within a Base Station RF Bandwidth, where the RF requirements in the gap are based on co-existence for un-coordinated operation.

**Superseding-band:** A superseding-band of an operating band includes the whole of the uplink and downlink frequency range of the operating band.

**Synchronized operation:** operation of TDD in two different systems, where no simultaneous uplink and downlink occur.

**Throughput:** number of payload bits successfully received per second for a reference measurement channel in a specified reference condition.

**Transmission bandwidth:** RF bandwidth of an instantaneous E-UTRA or NR transmission from a UE or BS, measured in resource block units.

**Transmitter ON period:** time period during which the BS transmitter is transmitting data and/or reference symbols

**Transmitter OFF period:** time period during which the BS transmitter is not allowed to transmit

**Transmitter transient period:** time period during which the transmitter is changing from the OFF period to the ON period or vice versa

**Unsynchronized operation:** operation of TDD in two different systems, where the conditions for synchronized operation are not met.

**Uplink operating band:** part of the operating band designated for uplink.

**Upper Base Station RF Bandwidth edge:** frequency of the upper edge of the Base Station RF Bandwidth, used as a frequency reference point for transmitter and receiver requirements

**Upper sub-block edge:** frequency at the upper edge of one sub-block.

NOTE: It is used as a frequency reference point for both transmitter and receiver requirements.

## 3.2 Symbols

For the purposes of the present document, the following symbols apply:

|                                 |   |
|---------------------------------|---|
| $\beta$                         | Percentage of the mean transmitted power emitted outside the occupied bandwidth on the assigned channel   |
| $BW_{\text{Channel}}$           | Channel bandwidth (for E-UTRA and NR)   |
| $BW_{\text{Config}}$            | Transmission bandwidth configuration (for E-UTRA), where $BW_{\text{Config}} = N_{\text{RB}} \times 180$ kHz in the uplink and $BW_{\text{Config}} = 15$ kHz + $N_{\text{RB}} \times 180$ kHz in the downlink. Transmission bandwidth configuration (for NR), where $BW_{\text{Config}} = N_{\text{RB}} \times \text{SCS} \times 12$ .  |
| $BW_{\text{RF}}$                | Base Station RF Bandwidth, where $BW_{\text{RF}} = F_{\text{BW RF,high}} - F_{\text{BW RF,low}}$  |
| $BW_{\text{RF,max}}$            | Maximum Base Station RF Bandwidth   |
| $DwPTS$                         | Downlink part of the special subframe (for E-UTRA TDD operation)  |
| $f$                             | Frequency   |
| $\Delta f$                      | Separation between the Base Station RF Bandwidth edge frequency and the nominal -3dB point of the measuring filter closest to the carrier frequency   |
| $\Delta f_{\text{max}}$         | The largest value of $\Delta f$ used for defining the requirement   |
| $\Delta f_{\text{OBUE}}$        | Maximum offset of the <i>operating band</i> unwanted emissions mask from the downlink <i>operating band</i> edge  |
| $\Delta f_{\text{OOB}}$         | Maximum offset of the out-of-band boundary from the uplink <i>operating band</i> edge   |
| $F_{\text{C}}$                  | Carrier centre frequency  |
| $F_{\text{filter}}$             | Filter centre frequency   |
| $f_{\text{offset}}$             | Separation between the Base Station RF Bandwidth edge frequency and the centre of the measuring filter  |
| $f_{\text{offset,max}}$         | The maximum value of $f_{\text{offset}}$ used for defining the requirement  |
| $F_{\text{block,high}}$         | Upper sub-block edge, where $F_{\text{block,high}} = F_{\text{C,block,high}} + F_{\text{offset, RAT}}$  |
| $F_{\text{block,low}}$          | Lower sub-block edge, where $F_{\text{block,low}} = F_{\text{C,block,low}} - F_{\text{offset, RAT}}$  |
| $F_{\text{BW RF,high}}$         | Upper Base Station RF Bandwidth edge, where $F_{\text{BW RF,high}} = F_{\text{C,high}} + F_{\text{offset, RAT}}$  |
| $F_{\text{BW RF,low}}$          | Lower Base Station RF Bandwidth edge, where $F_{\text{BW RF,low}} = F_{\text{C,low}} - F_{\text{offset, RAT}}$  |
| $F_{\text{C band, high}}$       | Center frequency of the highest transmitted/received carrier in a band.   |
| $F_{\text{C band, low}}$        | Center frequency of the lowest transmitted/received carrier in a band.  |
| $F_{\text{C,block, high}}$      | Centre frequency of the highest transmitted/received carrier in a sub-block.  |
| $F_{\text{C,block, low}}$       | Centre frequency of the lowest transmitted/received carrier in a sub-block.   |
| $F_{\text{C,high}}$             | Centre frequency of the highest transmitted/received carrier.   |
| $F_{\text{C,low}}$              | Centre frequency of the lowest transmitted/received carrier.  |
| $F_{\text{offset, RAT}}$        | Frequency offset from the centre frequency of the <i>highest</i> transmitted/received carrier to the <i>upper</i> Base Station RF Bandwidth edge, sub-block edge or Inter-RF Bandwidth edge, or from the centre frequency of the <i>lowest</i> transmitted/received to the <i>lower</i> Base Station RF Bandwidth edge, sub-block edge or Inter-RF Bandwidth edge for a specific RAT. |
| $F_{\text{DL,low}}$             | The lowest frequency of the downlink operating band   |
| $F_{\text{DL,high}}$            | The highest frequency of the downlink operating band  |
| $F_{\text{UL,low}}$             | The lowest frequency of the uplink operating band   |
| $F_{\text{UL,high}}$            | The highest frequency of the uplink operating band  |
| $P_{\text{EM,N}}$               | Declared emission level for channel N   |
| $P_{\text{EM,B32,B75,B76,ind}}$ | Declared emission level in Band 32, Band 75/n75 and Band 76/n76, ind=a, b, c  |
| $P_{\text{EM,B32,ind}}$         | Declared emission level in Band 32, ind= d, e   |
| $P_{\text{EM,B50,B74,B75,ind}}$ | Declared emission level for Band 50/n50, Band 74 and Band 75/n75, ind=a,b   |
| $P_{\text{max}}$                | Maximum total output power  |
| $P_{\text{max,RAT}}$            | Maximum RAT output power  |
| $P_{\text{max,c}}$              | Maximum carrier output power  |

$P_{Rated,c}$  Rated carrier output power  
 $P_{REFSENS}$  Reference Sensitivity power level  
 $W_{gap}$  Sub-block gap or Inter RF Bandwidth gap size

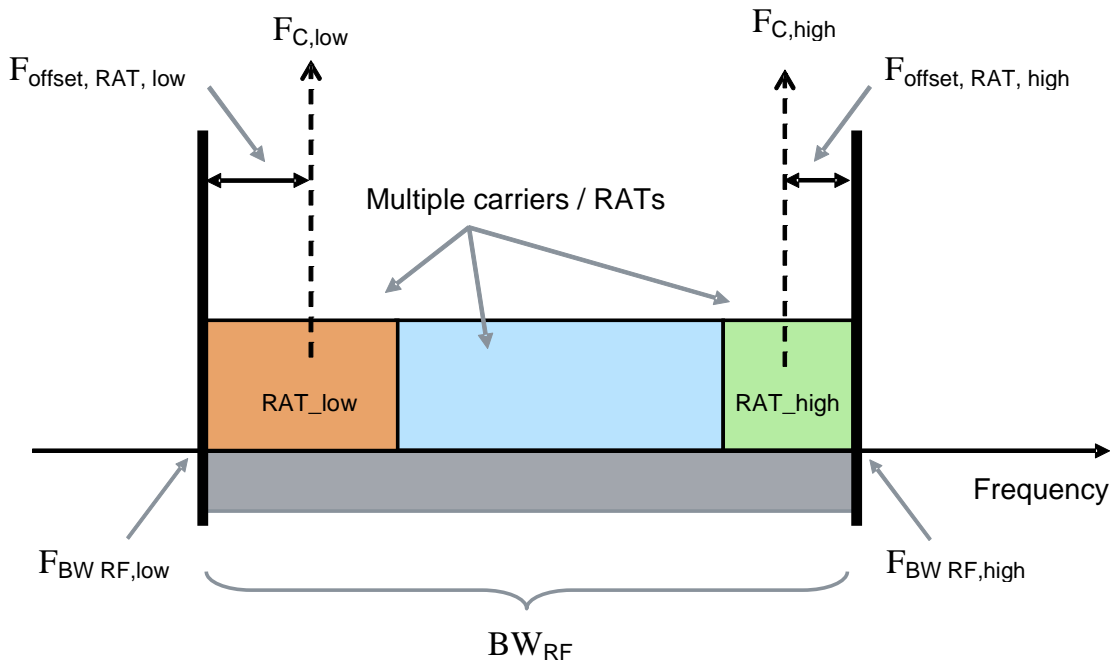


Figure 3.2-1: Illustration of Base Station RF Bandwidth related symbols and definitions for Multi-Standard Radio.

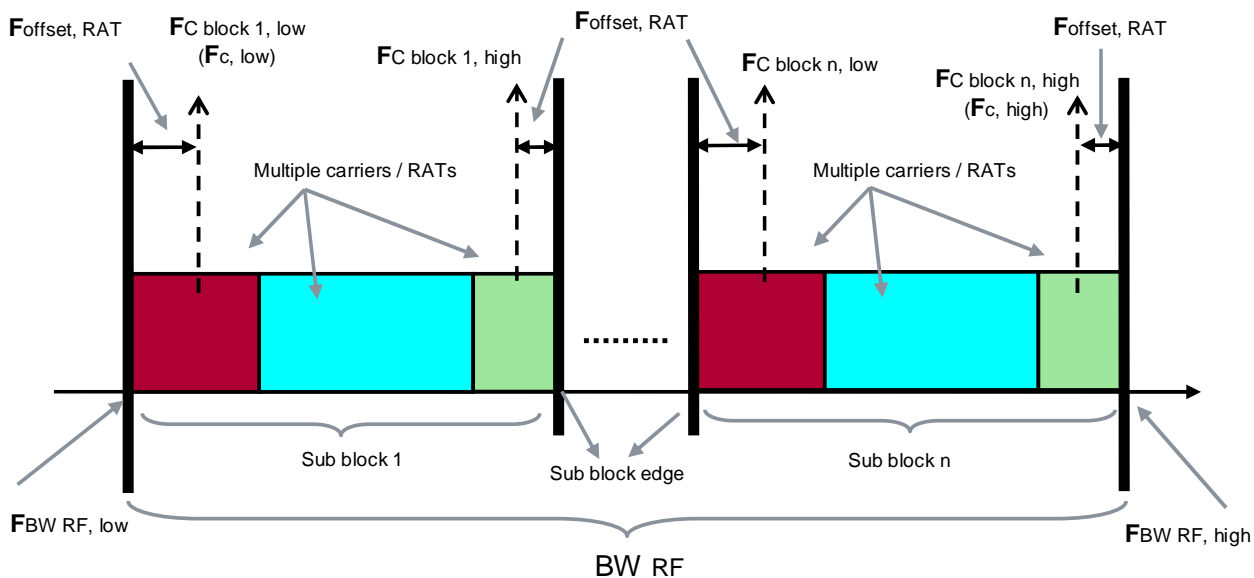
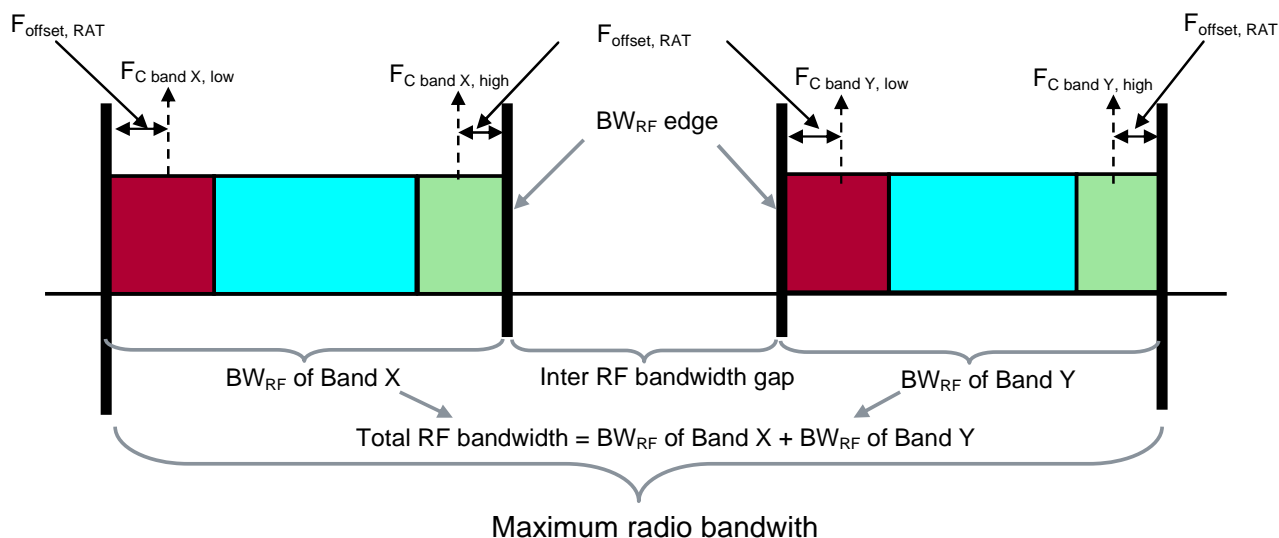


Figure 3.2-2: Illustration of Base Station RF Bandwidth related symbols and definitions for non-contiguous Multi-Standard Radio.



**Figure 3.2-3: Illustration of Radio Bandwidth related symbols and definitions for Multi-band Multi-standard Radio (Dual-band Base Station)**

### 3.3 Abbreviations

For the purposes of the present document, the abbreviations given in TR 21.905 [1] and the following apply. An abbreviation defined in the present document takes precedence over the definition of the same abbreviation, if any, in TR 21.905 [1].

|             |  |
|-------------|--|
| ACLR        | Adjacent Channel Leakage Ratio                 |
| ACS         | Adjacent Channel Selectivity                   |
| ARFCN       | Absolute Radio Frequency Channel Number        |
| AWGN        | Additive White Gaussian Noise                  |
| BC          | Band Category                                  |
| BER         | Bit Error Ratio                                |
| BS          | Base Station                                   |
| BTS         | Base Transceiver Station                       |
| CA          | Carrier Aggregation                            |
| CACLR       | Cumulative Adjacent Channel Leakage Ratio      |
| CP          | Cyclic prefix                                  |
| CW          | Continuous Wave                                |
| DB-DC-HSDPA | Dual Band Dual Cell HSDPA                      |
| DC-HSDPA    | Dual Cell HSDPA                                |
| DC-HSUPA    | Dual Cell HSUPA                                |
| DTT         | Digital Terrestrial Television                 |
| EARFCN      | E-UTRA Absolute Radio Frequency Channel Number |
| EDGE        | Enhanced Data rates for GSM Evolution          |
| EIRP        | Effective Isotropic Radiated Power             |
| EVM         | Error Vector Magnitude                         |
| FCC         | Federal Communications Commission              |
| FDD         | Frequency Division Duplex                      |
| FR          | Frequency Range                                |
| FRC         | Fixed Reference Channel                        |
| GP          | Guard Period (for E-UTRA TDD operation)        |
| GSM         | Global System for Mobile Communications        |
| HSDPA       | High Speed Downlink Packet Access              |
| HSUPA       | High Speed Uplink Packet Access                |
| ICS         | In-Channel Selectivity                         |
| ITU-R       | Radiocommunication Sector of the ITU           |
| LA          | Local Area                                     |
| LNA         | Low Noise Amplifier                            |

|          |  |
|----------|--|
| MB-MSR   | Multi-Band Multi-Standard Radio              |
| MFCN     | Mobile/Fixed Communications Network          |
| MIMO     | Multiple Input Multiple Output               |
| MR       | Medium Range                                 |
| MS       | Mobile Station                               |
| MSR      | Multi-Standard Radio                         |
| NB-IoT   | Narrowband - Internet of Things              |
| NR       | New Radio                                    |
| NR-ARFCN | NR Absolute Radio Frequency Channel Number   |
| NRS      | Narrowband Reference Signal                  |
| PA       | Power Amplifier                              |
| PHS      | Personal Handyphone System                   |
| QPSK     | Quadrature Phase-Shift Keying                |
| RAT      | Radio Access Technology                      |
| RB       | Resource Block (for E-UTRA and NR)           |
| RF       | Radio Frequency                              |
| RMS      | Root Mean Square (value)                     |
| RS       | Reference Symbol                             |
| RX       | Receiver                                     |
| SCS      | Sub-Carrier Spacing                          |
| SNR      | Signal-to-Noise Ratio                        |
| TDD      | Time Division Duplex                         |
| TX       | Transmitter                                  |
| UARFCN   | UTRA Absolute Radio Frequency Channel Number |
| UE       | User Equipment                               |
| UEM      | operating band Unwanted Emissions Mask       |
| WA       | Wide Area                                    |

---

## 4 General

### 4.1 Relation between the MSR specification and the single-RAT specifications

The requirements for MSR are in most parts specified in the present document, while many requirements are also specified through normative references to the respective single-RAT specifications in [2], [3], [4], [5] and [17]. The resulting set of requirements for an MSR BS can be divided into three types, depending on their relation to the single-RAT specifications:

1. **Generic MSR requirement:** A common generic requirement is specified in the present document that applies for all RATs and for BS configured for both multi-RAT and single-RAT operation. In some cases, there are additional requirement(s) that apply only in some Band Category. There are no references to the single-RAT specifications.
2. **Generic MSR requirement, with additional single-RAT requirements:** A common generic requirement is specified in the present document which applies as in point 1. In addition, some single RAT requirement(s) apply, included by normative reference(s) to the single-RAT specification(s).
3. **Single-RAT only requirements:** In this case, no common generic requirement is defined. The existing single-RAT requirement applies for each RAT, included by normative reference(s) to the single-RAT specification(s).

The applicability of each requirement is described in clause 5.

### 4.2 Relationship between minimum requirements and test requirements

The Minimum Requirements given in this specification make no allowance for measurement uncertainty. The test specification TS 37.141 [10] defines Test Tolerances. These Test Tolerances are individually calculated for each test.

The Test Tolerances are used to relax the Minimum Requirements in this specification to create Test Requirements. For some requirements, including regulatory requirements, the test tolerance is set to zero.

For MSR single-RAT requirements, the principle used to define the test requirement remains from the existing specifications.

For both MSR single-RAT and multi-RAT requirements, the measurement results returned by the Test System are compared - without any modification - against the Test Requirements as defined by the shared risk principle. The Shared Risk principle is defined in ITU-R M.1545 [9].

## 4.3 Base station classes

The requirements in this specification apply to Wide Area Base Stations, Medium Range Base Stations and Local Area Base Stations unless otherwise stated.

Wide Area Base Stations are characterised by requirements derived from Macro Cell scenarios with a BS to UE minimum coupling loss equal to 70 dB. The Wide Area Base Station class has the same requirements as the base station for General Purpose application in Release 9 and 10.

Medium Range Base Stations are characterised by requirements derived from Micro Cell scenarios with a BS to UE minimum coupling loss equals to 53 dB.

Local Area Base Stations are characterised by requirements derived from Pico Cell scenarios with a BS to UE minimum coupling loss equal to 45 dB.

For GSM/EDGE operation of an MSR BS, the requirements according to the applicable multicarrier BTS class apply. The Wide Area BS, Medium Range BS and Local Area BS in the present specification correspond to the Wide Area multicarrier BTS, Medium Range multicarrier BTS and Local Area multicarrier BTS respectively in the GSM/EDGE specifications. MSR requirements for multi-RAT operation only apply for the highest GSM/EDGE static power step.

## 4.4 Regional requirements

Some requirements in the present document may only apply in certain regions either as optional requirements, or set by local and regional regulation as mandatory requirements. It is normally not stated in the 3GPP specifications under what exact circumstances that the requirements apply, since this is defined by local or regional regulation.

Table 4.4-1 lists all requirements in the present specification that may be applied differently in different regions. There are additional single-RAT regional requirements that may apply. These are referenced from the present specification, but listed in the specification for the RATs concerned [2][3][4][5][17].



Table 4.4-1: List of regional requirements

| Clause number | Requirement  | Comments  |
|---------------|--|---|
| 4.5           | Operating bands and Band Categories  | Some bands may be applied regionally.   |
| 6.2.2         | Base station output power  | These requirements apply in Japan for an E-UTRA BS operating in band 34 and Band 41.  |
| 6.6.1.1       | Mandatory requirements (spurious emissions)  | Category A limits are mandatory for regions where Category A limits for spurious emissions, as defined in ITU-R Recommendation SM.329 [2] apply. Category B limits are mandatory for regions where Category B limits for spurious emissions, as defined in ITU-R Recommendation SM.329 [2] apply. |
| 6.6.1.3       | Additional spurious emissions requirements   | These requirements may be applied for the protection of system operating in frequency ranges other than the MSR BS operating band.  |
| 6.6.1.3       | Additional spurious emissions requirements   | In addition to the requirements in subclauses 6.6.1.1, 6.6.1.2 and 6.6.1.3, the BS may have to comply with the applicable emission limits established by FCC Title 47 [8], when deployed in regions where those limits are applied, and under the conditions declared by the manufacturer.        |
| 6.6.1.4       | Co-location (spurious emissions)   | These requirements may be applied for the protection of other BS receivers when a BS operating in another frequency band is co-located with an MSR BS.  |
| 6.6.2.4.1     | Additional requirement (Operating band unwanted emissions)                                 | In addition to the requirements in subclauses 6.6.2.1 and 6.6.2.2, the BS may have to comply with the applicable emission limits established by FCC Title 47 [8], when deployed in regions where those limits are applied and under the conditions declared by the manufacturer.                  |
| 6.6.2.4.2     | Unsynchronized operation for BC3 (Operating band unwanted emissions)                       | The requirements for unsynchronized TDD co-existence may apply regionally.  |
| 6.6.2.4.3     | Protection of DTT (Operating band unwanted emissions)                                      | The requirements for protection of DTT may apply regionally.  |
| 6.6.2.4.4     | Co-existence with services in adjacent frequency bands (Operating band unwanted emissions) | This regional requirement may be applied for the protection of systems operating in frequency bands adjacent to band 1 as defined in clause 4.5, in geographic areas in which both an adjacent band service and UTRA and/or E-UTRA are deployed.  |
| 6.6.2.4.6     | Additional requirements for band 41 (Operating band unwanted emissions)                    | These requirements may apply in certain regions as additional Operating band unwanted emission limits.  |
| 6.6.2.4.7     | Additional band 32 unwanted emissions  | These requirements may apply in certain regions   |
| 6.6.3         | Occupied bandwidth   | The requirement may be applied regionally. There may also be regional requirements to declare the Occupied bandwidth according to the definition.   |
| 6.7.4         | Additional requirements  | These requirements may apply in certain regions.  |
| 7.5.2         | Co-location requirement (blocking)   | These requirements may be applied for the protection of the BS receiver when a BS operating in another frequency band is co-located with an MSR BS.   |

## 4.5 Operating bands and Band Categories

MSR requirements are applicable for band definitions and band numbering as defined in the specifications TS 45.005 [5], TS25.104 [2], TS 25.105 [3], TS 36.104 [4] and TS 38.104 [17]. For the purpose of defining the BS requirements, the operating bands are divided into three band categories as follows:

- Band Category 1 (BC1): Bands for NR FDD, E-UTRA FDD and/or UTRA FDD operation. Bands in this category are also used for NB-IoT operation (all modes)
- Band Category 2 (BC2): Bands for NR FDD, E-UTRA FDD, UTRA FDD and/or GSM/EDGE operation. Bands in this category are also used for NB-IoT operation (all modes)
- Band Category 3 (BC3): Bands for NR TDD, E-UTRA TDD and/or UTRA TDD operation. Bands in this category are also used for NB-IoT operation (all modes)

NOTE: For UTRA TDD, requirements in the present document cover the 1.28 Mcps UTRA TDD option.

The paired and unpaired bands for the three Band Categories are shown in Table 4.5-1 and 4.5-2, together with the corresponding NR, E-UTRA, UTRA and GSM/EDGE band designations. In the present specification, the operating band of an MSR Base Stations is designated using the E-UTRA band number according to the tables.

**Table 4.5-1: Paired bands in NR, E-UTRA, UTRA and GSM/EDGE.**

| MSR and E-UTRA Band number | NR Band number | UTRA Band number | GSM/EDGE Band designation | Uplink (UL) BS receive<br>UE transmit |              | Downlink (DL) BS transmit<br>UE receive |              | Band category         |
|----------------------------|----------------|------------------|---------------------------|---------------------------------------|--------------|---|--------------|-----------------------|
| 1                          | n1             | I                | -                         | 1920 MHz                              | – 1980 MHz   | 2110 MHz                                | – 2170 MHz   | 1                     |
| 2                          | n2             | II               | PCS 1900                  | 1850 MHz                              | – 1910 MHz   | 1930 MHz                                | – 1990 MHz   | 2                     |
| 3                          | n3             | III              | DCS 1800                  | 1710 MHz                              | – 1785 MHz   | 1805 MHz                                | – 1880 MHz   | 2                     |
| 4                          |                | IV               | -                         | 1710 MHz                              | – 1755 MHz   | 2110 MHz                                | – 2155 MHz   | 1                     |
| 5                          | n5             | V                | GSM 850                   | 824 MHz                               | – 849 MHz    | 869 MHz                                 | – 894MHz     | 2                     |
| 6<br>(NOTE 1)              |                | VI               | -                         | 830 MHz                               | – 840 MHz    | 875 MHz                                 | – 885 MHz    | 1<br>(NOTE 1)         |
| 7                          | n7             | VII              | -                         | 2500 MHz                              | – 2570 MHz   | 2620 MHz                                | – 2690 MHz   | 1<br>(NOTE 3)         |
| 8                          | n8             | VIII             | E-GSM                     | 880 MHz                               | – 915 MHz    | 925 MHz                                 | – 960 MHz    | 2                     |
| 9                          |                | IX               | -                         | 1749.9 MHz                            | – 1784.9 MHz | 1844.9 MHz                              | – 1879.9 MHz | 1<br>(NOTE 3)         |
| 10                         |                | X                | -                         | 1710 MHz                              | – 1770 MHz   | 2110 MHz                                | – 2170 MHz   | 1<br>(NOTE 3)         |
| 11                         |                | XI               | -                         | 1427.9 MHz                            | – 1447.9 MHz | 1475.9 MHz                              | – 1495.9 MHz | 1                     |
| 12                         | n12            | XII              | -                         | 699 MHz                               | – 716 MHz    | 729 MHz                                 | – 746 MHz    | 1                     |
| 13                         |                | XIII             | -                         | 777 MHz                               | – 787 MHz    | 746 MHz                                 | – 756 MHz    | 1                     |
| 14                         |                | XIV              | -                         | 788 MHz                               | – 798 MHz    | 758 MHz                                 | – 768 MHz    | 1                     |
| 15                         |                | XV               | -                         | Reserved                              |              | Reserved                                |              |                       |
| 16                         |                | XVI              | -                         | Reserved                              |              | Reserved                                |              |                       |
| 17                         |                | -                | -                         | 704 MHz                               | – 716 MHz    | 734 MHz                                 | – 746 MHz    | 1<br>(NOTE 4)         |
| 18                         |                | -                | -                         | 815 MHz                               | – 830 MHz    | 860 MHz                                 | – 875 MHz    | 1<br>(NOTE 4)         |
| 19                         |                | XIX              | -                         | 830 MHz                               | – 845 MHz    | 875 MHz                                 | – 890 MHz    | 1                     |
| 20                         | n20            | XX               | -                         | 832 MHz                               | – 862 MHz    | 791 MHz                                 | – 821 MHz    | 1                     |
| 21                         |                | XXI              | -                         | 1447.9 MHz                            | – 1462.9 MHz | 1495.9 MHz                              | – 1510.9 MHz | 1                     |
| 22                         |                | XXII             | -                         | 3410 MHz                              | – 3490 MHz   | 3510 MHz                                | – 3590 MHz   | 1<br>(NOTE 3)         |
| 23 <sup>8</sup>            |                | -                | -                         | 2000 MHz                              | – 2020 MHz   | 2180 MHz                                | – 2200 MHz   | 1<br>(NOTE 2)         |
| 24                         |                | -                | -                         | 1626.5 MHz                            | – 1660.5 MHz | 1525 MHz                                | – 1559 MHz   | 1<br>(NOTE 2)         |
| 25                         | n25            | XXV              | -                         | 1850 MHz                              | – 1915 MHz   | 1930 MHz                                | – 1995 MHz   | 1                     |
| 26                         |                | XXVI             | -                         | 814 MHz                               | – 849 MHz    | 859 MHz                                 | – 894 MHz    | 1                     |
| 27                         |                | -                | -                         | 807 MHz                               | – 824 MHz    | 852 MHz                                 | – 869 MHz    | 1<br>(NOTE 2)         |
| 28                         | n28            | -                | -                         | 703 MHz                               | – 748 MHz    | 758 MHz                                 | – 803 MHz    | 1<br>(NOTE 4)         |
| 29                         |                | -                | -                         | N/A                                   |              | 717 MHz                                 | – 728 MHz    | 1<br>(NOTE 2, NOTE 5) |
| 30                         |                | -                | -                         | 2305 MHz                              | – 2315 MHz   | 2350 MHz                                | – 2360 MHz   | 1<br>(NOTE 2)         |
| 31                         |                | -                | -                         | 452.5 MHz                             | – 457.5 MHz  | 462.5 MHz                               | – 467.5 MHz  | 1<br>(NOTE 4)         |

|                |     |                   |   |                     |                     |                       |
|----------------|-----|-------------------|---|---------------------|---------------------|-----------------------|
| 32<br>(NOTE 5) |     | XXXII<br>(NOTE 6) | - | N/A                 | 1452 MHz – 1496 MHz | 1<br>(NOTE 3)         |
| 64             |     |                   |   | Reserved            |                     |                       |
| 65             |     | -                 | - | 1920 MHz – 2010 MHz | 2110 MHz – 2200 MHz | 1<br>(NOTE 2)         |
| 66<br>(NOTE 7) | n66 | -                 | - | 1710 MHz – 1780 MHz | 2110 MHz – 2200 MHz | 1<br>(NOTE 4)         |
| 67<br>(NOTE 5) |     | -                 | - | N/A                 | 738 MHz – 758 MHz   | 1<br>(NOTE 2)         |
| 68             |     | -                 | - | 698 MHz – 728 MHz   | 753 MHz – 783 MHz   | 1<br>(NOTE 2)         |
| 69             |     | -                 | - | N/A                 | 2570 MHz – 2620 MHz | 1<br>(NOTE 2, NOTE 5) |
| 70<br>(NOTE 9) | n70 | -                 | - | 1695 MHz – 1710 MHz | 1995 MHz – 2020 MHz | 1<br>(NOTE 4)         |
| 71             | n71 | -                 | - | 663 MHz – 698 MHz   | 617 MHz – 652 MHz   | 1<br>(NOTE 4)         |
| 72             |     | -                 | - | 451 MHz – 456 MHz   | 461 MHz – 466 MHz   | 1<br>(NOTE 4)         |
| 73             |     | -                 | - | 450 MHz – 455 MHz   | 460 MHz – 465 MHz   | 1<br>(NOTE 4)         |
| 74             | n74 | -                 | - | 1427 MHz – 1470 MHz | 1475 MHz – 1518 MHz | 1<br>(NOTE 4)         |
| 75<br>(NOTE 5) | n75 | -                 | - | N/A                 | 1432 MHz – 1517 MHz | 1<br>(NOTE 2)         |
| 76<br>(NOTE 5) | n76 | -                 | - | N/A                 | 1427 MHz – 1432 MHz | 1<br>(NOTE 2)         |
| 85             |     | -                 | - | 698 MHz – 716 MHz   | 728 MHz – 746 MHz   | 1<br>(NOTE 4)         |

NOTE 1: The band is for UTRA only.

NOTE 2: The band is for E-UTRA and/or NR only.

NOTE 3: The band is for NR, E-UTRA and/or UTRA only.

NOTE 4: The band is for NR, E-UTRA and/or NB-IoT only.

NOTE 5: Restricted to NR and/or E-UTRA operation when carrier aggregation is configured. The downlink operating band is paired with the uplink operating band (external) of the carrier aggregation configuration that is supporting the configured Pcell.

NOTE 6: Restricted to UTRA operation when dual band is configured (e.g., DB-DC-HSDPA or dual band 4C-HSDPA). The down link frequenc(ies) of this band are paired with the uplink frequenc(ies) of the other FDD band (external) of the dual band configuration.

NOTE 7: The range 2180-2200 MHz of the DL operating band is restricted to NR and/or E-UTRA operation when carrier aggregation is configured.

NOTE 8: Band 23 is not applicable.

NOTE 9: The range 2010-2020 MHz of the DL operating band is restricted to NR and/or E-UTRA operation when carrier aggregation is configured and TX-RX separation is 300 MHz. The range 2005-2020 MHz of the DL operating band is restricted to NR and/or E-UTRA operation when carrier aggregation is configured and TX-RX separation is 295 MHz.

UTRA FDD can operate with DB-DC-HSDPA for the band configurations listed in subclause 5.2 c) of TS 25.104 [2].

NOTE: For BS capable of multi-band operation, the supported operating bands may belong to different Band Categories.

Table 4.5-2: Unpaired bands in NR, E-UTRA and UTRA.

| MSR and E-UTRA Band number | NR Band number | UTRA Band number | Uplink (UL) BS receive UE transmit | Downlink (DL) BS transmit UE receive | Band category |
|----------------------------|----------------|------------------|------------------------------------|--------------------------------------|---------------|
| 33                         |                | a)               | 1900 MHz – 1920 MHz                | 1900 MHz – 1920 MHz                  | 3             |
| 34                         | n34            | a)               | 2010 MHz – 2025 MHz                | 2010 MHz – 2025 MHz                  | 3             |
| 35                         |                | b)               | 1850 MHz – 1910 MHz                | 1850 MHz – 1910 MHz                  | 3             |
| 36                         |                | b)               | 1930 MHz – 1990 MHz                | 1930 MHz – 1990 MHz                  | 3             |
| 37                         |                | c)               | 1910 MHz – 1930 MHz                | 1910 MHz – 1930 MHz                  | 3             |
| 38                         | n38            | d)               | 2570 MHz – 2620 MHz                | 2570 MHz – 2620 MHz                  | 3             |
| 39                         | n39            | f)               | 1880 MHz – 1920 MHz                | 1880 MHz – 1920 MHz                  | 3             |
| 40                         | n40            | e)               | 2300 MHz – 2400 MHz                | 2300 MHz – 2400 MHz                  | 3             |
| 41                         | n41            | -                | 2496 MHz – 2690 MHz                | 2496 MHz – 2690 MHz                  | 3<br>(NOTE 1) |
| 42                         |                | -                | 3400 MHz – 3600 MHz                | 3400 MHz – 3600 MHz                  | 3             |
| 43                         |                | -                | 3600 MHz – 3800 MHz                | 3600 MHz – 3800 MHz                  | 3             |
| 44                         |                | -                | 703 MHz – 803 MHz                  | 703 MHz – 803 MHz                    | 3             |
| 45                         |                | -                | 1447 MHz – 1467 MHz                | 1447 MHz – 1467 MHz                  | 3             |
| 48                         |                | -                | 3550 MHz – 3700 MHz                | 3550 MHz – 3700 MHz                  | 3             |
| 50                         | n50            | -                | 1432 MHz - 1517 MHz                | 1432 MHz - 1517 MHz                  | 3             |
| 51                         | n51            | -                | 1427 MHz - 1432 MHz                | 1427 MHz - 1432 MHz                  | 3             |
| 52                         |                | -                | 3300 MHz - 3400 MHz                | 3300 MHz - 3400 MHz                  | 3             |
|                            | n77            | -                | 3300 MHz - 4200 MHz                | 3300 MHz - 4200 MHz                  | 3             |
|                            | n78            | -                | 3300 MHz - 3800 MHz                | 3300 MHz - 3800 MHz                  | 3             |

NOTE 1: The band supports NB-IoT in certain regions

E-UTRA is designed to operate for the carrier aggregation bands defined in Tables 5.5-2, 5.5-3 and 5.5.4 of TS 36.104 [4]. The E-UTRA channel bandwidth  $BW_{\text{Channel}}$  for a single carrier and the Aggregated Channel Bandwidth  $BW_{\text{Channel\_CA}}$  for E-UTRA carrier aggregation are specified in Section 5.6 of TS 36.104 [4].

The NB-IoT channel bandwidth  $BW_{\text{Channel}}$  is specified in Section 5.6 of TS 36.104 [4].

The NR BS channel bandwidth and PRB utilization is specified in Section 5.3 of TS 38.104 [17].

#### 4.5.1 Band category 1 aspects (BC1)

For each BC1 band, BC1 requirements for receiver and transmitter shall apply with a frequency offset  $F_{\text{offset, RAT}}$  from the Lowest and Highest Carriers to the Base Station RF Bandwidth edges and sub-block edges (if any) as defined in Table 4.5.1-1.

Table 4.5.1-1:  $F_{\text{offset, RAT}}$  for Band Category 1

| RAT                             | $F_{\text{offset, RAT}}$                  |
|---------------------------------|---|
| 1.4, 3 MHz E-UTRA               | $BW_{\text{Channel}}/2 + 200 \text{ kHz}$ |
| 5, 10, 15, 20 MHz E-UTRA and NR | $BW_{\text{Channel}}/2$                   |
| UTRA FDD                        | 2.5 MHz                                   |
| Standalone NB-IoT               | 200 kHz                                   |

#### 4.5.2 Band category 2 aspects (BC2)

For each BC2 band, BC2 requirements for receiver and transmitter shall apply with a frequency offset  $F_{\text{offset, RAT}}$  from the Lowest and Highest Carriers to the Base Station RF Bandwidth edges and sub-block edges (if any) as defined in Table 4.5.2-1.

**Table 4.5.2-1:  $F_{\text{offset, RAT}}$  for Band Category 2**

| RAT               | $F_{\text{offset, RAT}}$ |
|-------------------|--------------------------|
| E-UTRA and NR     | $BW_{\text{Channel}}/2$  |
| UTRA FDD          | 2.5 MHz                  |
| GSM/EDGE          | 200 kHz                  |
| Standalone NB-IoT | 200 kHz                  |

### 4.5.3 Band category 3 aspects (BC3)

For each BC3 band, BC3 requirements for receiver and transmitter shall apply with a frequency offset  $F_{\text{offset, RAT}}$  from the Lowest and Highest Carriers to the Base Station RF Bandwidth edges and sub-block edges (if any) as defined in Table 4.5.3-1.

**Table 4.5.3-1:  $F_{\text{offset, RAT}}$  for Band Category 3**

| RAT                             | $F_{\text{offset, RAT}}$                  |
|---------------------------------|---|
| 1.4, 3 MHz E-UTRA               | $BW_{\text{Channel}}/2 + 200 \text{ kHz}$ |
| 5, 10, 15, 20 MHz E-UTRA and NR | $BW_{\text{Channel}}/2$                   |
| 1.28 Mcps UTRA TDD              | 1 MHz                                     |
| Standalone NB-IoT               | 200 kHz                                   |

## 4.6 Channel arrangement

### 4.6.1 Channel spacing

The GSM/EDGE carrier spacing is 200 kHz [5].

The nominal UTRA FDD channel spacing is 5 MHz. The nominal channel spacing is 1.6MHz for the 1.28 Mcps UTRA TDD Option. These can be adjusted to optimise performance in a particular deployment scenario [2,3].

In E-UTRA the spacing between carriers will depend on the deployment scenario, the size of the frequency block available and the channel bandwidths. The nominal channel spacing between two adjacent E-UTRA carriers is defined as following:

$$\text{Nominal Channel spacing} = (BW_{\text{Channel}(1)} + BW_{\text{Channel}(2)})/2$$

where  $BW_{\text{Channel}(1)}$  and  $BW_{\text{Channel}(2)}$  are the channel bandwidths of the two respective E-UTRA carriers. The channel spacing can be adjusted to optimize performance in a particular deployment scenario [4].

The standalone NB-IoT carrier spacing is 200kHz.

In NR the spacing between carriers will depend on the deployment scenario, the size of the frequency block available and the *BS channel bandwidths*. The nominal channel spacing between two adjacent NR carriers is defined as following:

- For NR FR1 operating bands with 100 kHz channel raster,

$$\text{Nominal Channel spacing} = (BW_{\text{Channel}(1)} + BW_{\text{Channel}(2)})/2$$

- For NR FR1 operating bands with 15 kHz channel raster,

$$\text{Nominal Channel spacing} = (BW_{\text{Channel}(1)} + BW_{\text{Channel}(2)})/2 + \{-5\text{kHz}, 0\text{kHz}, 5\text{kHz}\}$$

where  $BW_{\text{Channel}(1)}$  and  $BW_{\text{Channel}(2)}$  are the *BS channel bandwidths* of the two respective NR carriers. The channel spacing can be adjusted depending on the channel raster to optimize performance in a particular deployment scenario [17].

#### 4.6.1A CA Channel spacing

In E-UTRA for contiguously aggregated carriers the channel spacing between adjacent component carriers shall be multiple of 300 kHz.

The nominal channel spacing between two adjacent aggregated E-UTRA carriers is defined as follows:

$$\text{Nominal channel spacing} = \left\lfloor \frac{BW_{\text{Channel}(1)} + BW_{\text{Channel}(2)} - 0.1 |BW_{\text{Channel}(1)} - BW_{\text{Channel}(2)}|}{0.6} \right\rfloor 0.3$$

where  $BW_{\text{Channel}(1)}$  and  $BW_{\text{Channel}(2)}$  are the channel bandwidths of the two respective E-UTRA component carriers according to Table 5.6-1 with values in MHz. The channel spacing for intra-band contiguous carrier aggregation can be adjusted to any multiple of 300 kHz less than the nominal channel spacing to optimize performance in a particular deployment scenario.

In NR for intra-band contiguously aggregated carriers, the channel spacing between adjacent component carriers shall be multiple of least common multiple of channel raster and sub-carrier spacing.

The nominal channel spacing between two adjacent aggregated NR carriers is defined as follows:

For NR operating bands with 100 kHz channel raster:

$$\text{Nominal channel spacing} = \left\lfloor \frac{BW_{\text{Channel}(1)} + BW_{\text{Channel}(2)} - 2 |GB_{\text{Channel}(1)} - GB_{\text{Channel}(2)}|}{0.6} \right\rfloor 0.3 \text{ [MHz]}$$

For NR operating bands with 15 kHz channel raster:

$$\text{Nominal channel spacing} = \left\lfloor \frac{BW_{\text{Channel}(1)} + BW_{\text{Channel}(2)} - 2 |GB_{\text{Channel}(1)} - GB_{\text{Channel}(2)}|}{0.015 * 2^{n+1}} \right\rfloor 0.015 * 2^n \text{ [MHz]}$$

with

$$n = \max(\mu_1, \mu_2)$$

where  $BW_{\text{Channel}(1)}$  and  $BW_{\text{Channel}(2)}$  are the *BS channel bandwidths* of the two respective NR component carriers according to Table 5.3.3-1 and 5.3.3-2 with values in MHz, and the  $GB_{\text{Channel}(i)}$  is the minimum guard band defined in sub-clause 5.3.3 of 38.104 [17], while  $\mu_1$  and  $\mu_2$  are the subcarrier spacing configurations of the component carriers as defined in TS 38.211.

In NR the channel spacing for intra-band contiguous carrier aggregation can be adjusted to any multiple of least common multiple of channel raster and sub-carrier spacing less than the nominal channel spacing to optimize performance in a particular deployment scenario.

## 4.6.2 Channel raster

The GSM/EDGE channel raster is 200 kHz for all bands [5].

The UTRA FDD and TDD channel raster is 200 kHz for all bands, which means that the centre frequency must be an integer multiple of 200 kHz. In addition, a number of additional centre frequencies are specified for UTRA FDD according to [2], which means that the centre frequencies for UTRA FDD channels are shifted 100 kHz relative to the general raster.

The E-UTRA channel raster is 100 kHz for all bands, which means that the carrier centre frequency must be an integer multiple of 100 kHz [4].

NB-IoT channel raster is 100 kHz for all bands [4].

NR channel raster is specified in Section 5.4.2 of TS 38.104 [17].

## 4.6.3 Carrier frequencies and numbering

The carrier frequencies and corresponding numbering is defined for each RAT in the respective specifications TS 38.104 [17], 36.104 [4] TS25.104 [2], TS 25.105 [3] and TS 45.005 [5]. In the context of MSR, the frequency numbering scheme for each RAT will remain.

- The E-UTRA carrier frequency numbering (EARFCN) is defined in subclause 5.7 of TS 36.104 [4].
- The UTRA FDD carrier frequency numbering (UARFCN) is defined in subclause 5.4 of TS 25.104 [2].



- The UTRA TDD carrier frequency numbering (UARFCN) is defined in subclause 5.4 of TS 25.105 [3].
- The GSM/EDGE carrier frequency numbering (ARFCN) is defined subclause 2 of TS 45.005 [5].
- The NB-IoT carrier frequency numbering (EARFCN) is defined in subclause 5.7 of TS 36.104 [4].
- The NR carrier frequency numbering (NR-ARFCN) is defined in subclause 5.4.2.3 of TS 38.104 [17].

NOTE: The numbering schemes for UTRA FDD and TDD are not coordinated, while both are called UARFCN.

## 4.7 Requirements for contiguous and non-contiguous spectrum

A spectrum allocation where an MSR BS operates can either be contiguous or non-contiguous. Unless otherwise stated, the requirements in the present specification apply for BS configured for both contiguous spectrum operation and non-contiguous spectrum operation.

For MSR BS operation in non-contiguous spectrum, some requirements apply both at the Base Station RF Bandwidth edges and inside the sub-block gaps. For each such requirement, it is stated how the limits apply relative to the Base Station RF Bandwidth edges and the sub-block edges respectively.

## 4.8 Requirements for BS capable of multi-band operation

For BS capable of multi-band operation (for NR this refers to BS type 1-C with a multi-band antenna connector), the RF requirements in clause 6 and 7 apply for each supported operating band unless otherwise stated. For some requirements it is explicitly stated that specific additions or exclusions to the requirement apply for BS capable of multi-band operation. In the case of multiband operation of a BS, single-RAT operation and the corresponding applicability of the requirements for each operating band is determined based on the RAT configuration within only that operating band, unless otherwise stated. A BS may operate multi-RAT where the individual RATs are operated in different RAT specific bands that partially or fully overlap;  $\Delta f_{\text{OBUE}}$  and  $\Delta f_{\text{OOb}}$  are according to the combined frequency range occupied by the overlapping bands.

For BS capable of multi-band operation, various structures in terms of combinations of different transmitter and receiver implementations (multi-band or single band) with mapping of transceivers to one or more antenna port(s) in different ways are possible. In the case where multiple bands are mapped on an antenna connector, the exclusions or provisions for multi-band capable BS are applicable to this antenna connector. In the case where a single band is mapped on an antenna connector, the following applies:

- Single-band transmitter spurious emissions, operating band unwanted emissions, ACLR, transmitter intermodulation and receiver spurious emissions requirements apply to this antenna connector that is mapped to single-band.
- If the BS is configured for single-band operation, single-band requirements shall apply to this antenna connector configured for single-band operation and no exclusions or provisions for multi-band capable BS are applicable. Single-band requirements are tested separately at the antenna connector configured for single-band operation, with all other antenna connectors terminated.

For a band supported by a Base Station where the transmitted carriers are not processed in active RF components together with carriers in any other band, single-band transmitter requirements shall apply. For a band supported by a Base Station where the received carriers are not processed in active RF components together with carriers in any other band, single-band receiver requirements shall apply.

For a BS capable of multi-band operation supporting BC3 bands for TDD, the RF requirements in the present specification assume synchronized operation, where no simultaneous uplink and downlink occur between the bands.

The RF requirements in the present specification are FFS for multi-band operation supporting bands for both FDD and TDD.

---

## 5 Applicability of requirements

### 5.1 Band category 1

For all BS operating in bands belonging to Band Category 1, the RF requirements listed in Table 5.1-1 apply for each supported operating band. Requirements apply according to the RAT configuration of the Base Station, as listed in the heading of the table. Some requirements listed in the table may not be mandatory or they may apply only regionally. This is further specified in the clause of each requirement and in Table 4.4-1. For multiband operation, the applicability of the requirements for each operating band is determined based on the RAT configuration within only that operating band, unless otherwise stated.

**Table 5.1-1: Applicability of requirements for MSR BS operation in Band Category 1**

| RF requirement                    | BS configured for multi-RAT operation in the band | BS configured for single-RAT E-UTRA FDD operation in the band | BS configured for single-RAT UTRA FDD operation in the band | BS configured for single-RAT NB-IoT FDD standalone operation in the band | BS configured for single-RAT NR operation in the band |
|-----------------------------------|---|---|---|--|---|
| Base station output power         | 6.2.1<br>6.2.3<br>6.2.4<br>6.2.4A<br>6.2.6        | 6.2.1<br>6.2.3  | 6.2.1<br>6.2.4<br>6.2.4A                                    | 6.2.1<br>6.2.6   | 6.2.1   |
| Output power dynamics             | 6.3.1<br>6.3.2<br>6.3.5<br>6.3.6                  | 6.3.1   | 6.3.2   | 6.3.5  | 6.3.6   |
| Transmitted signal quality        |   |   |   |  |   |
| Modulation quality                | 6.5.1.1<br>6.5.1.2<br>6.5.1.5<br>6.5.1.6          | 6.5.1.1   | 6.5.1.2   | 6.5.1.5  | 6.5.1.6   |
| Frequency error                   | 6.5.2.1<br>6.5.2.2<br>6.5.2.5<br>6.5.2.6          | 6.5.2.1   | 6.5.2.2   | 6.5.2.5  | 6.5.2.6   |
| Time alignment error              | 6.5.3.1<br>6.5.3.2<br>6.5.3.4<br>6.5.3.5          | 6.5.3.1   | 6.5.3.2   | 6.5.3.4  | 6.5.3.5   |
| Unwanted emissions                |   |   |   |  |   |
| Transmitter spurious emissions    | 6.6.1 (except for 6.6.1.1.3)                      | 6.6.1 (except for 6.6.1.1.3)                                  | 6.6.1 (except for 6.6.1.1.3)                                | 6.6.1 (except for 6.6.1.1.3)   | 6.6.1 (except for 6.6.1.1.3)                          |
| Operating band unwanted emissions | 6.6.2.1<br>6.6.2.4                                | 6.6.2.1<br>6.6.2.4  | 6.6.2.1<br>6.6.2.4  | 6.6.2.1<br>6.6.2.4   | 6.6.2.1<br>6.6.2.4                                    |
| Occupied bandwidth                | 6.6.3   | 6.6.3   | 6.6.3   | 6.6.3  | 6.6.3   |
| ACLR                              | 6.6.4.1<br>6.6.4.2<br>6.6.4.5<br>6.6.4.6          | 6.6.4.1   | 6.6.4.2   | 6.6.4.5  | 6.6.4.6   |
| Cumulative ACLR                   | 6.6.4.4 (NOTE 3)                                  | 6.6.4.4 (NOTE 3)  | 6.6.4.4 (NOTE 3)  | 6.6.4.4 (NOTE 3)   | 6.6.4.4 (NOTE 3)                                      |
| Transmitter intermodulation       | 6.7.1<br>6.7.2 (NOTE 2)                           | 6.7.1<br>6.7.2 (NOTE 2)                                       | 6.7.1<br>6.7.2 (NOTE 2)                                     | 6.7.1<br>6.7.2 (NOTE 2)  | 6.7.1<br>6.7.2 (NOTE 2)                               |
| Reference sensitivity level       | 7.2.1<br>7.2.2<br>7.2.5<br>7.2.6                  | 7.2.1   | 7.2.2   | 7.2.5  | 7.2.6   |
| Dynamic range                     | 7.3.1<br>7.3.2<br>7.3.5<br>7.3.6                  | 7.3.1   | 7.3.2   | 7.3.5  | 7.3.6   |
| In-band selectivity and blocking  |   |   |   |  |   |
| Blocking                          | 7.4.1   | 7.4.1   | 7.4.1   | 7.4.1  | 7.4.1   |
| Narrowband blocking               | 7.4.2   | 7.4.2   | 7.4.2   | 7.4.2  | 7.4.2   |
| Out-of-band blocking              | 7.5   | 7.5   | 7.5   | 7.5  | 7.5   |
| Receiver spurious emissions       | 7.6.1   | 7.6.1   | 7.6.1   | 7.6.1  | 7.6.1   |
| Receiver intermodulation          |   |   |   |  |   |
| Intermodulation                   | 7.7.1   | 7.7.1   | 7.7.1   | 7.7.1  | 7.7.1   |
| Narrowband intermodulation        | 7.7.2   | 7.7.2   | 7.7.2   | 7.7.2  | 7.7.2   |
| In-channel selectivity            | 7.8   | 7.8   | -   | 7.8  | 7.8.2   |
| Performance requirements          | 8.1<br>8.2<br>8.5                                 | 8.1   | 8.2   | TBD  | 8.5   |

|   |
|---|
| <p>NOTE 1: For some requirements in BS configured for multi-RAT operation, there is no general MSR multi-RAT requirement. Instead, the requirement is defined by the respective single-RAT requirement for each RAT supported by the BS as referenced in the table.</p> <p>NOTE 2: The requirement in sub-clause 6.7.2 is only applied for BS operating in non-contiguous spectrum.</p> <p>NOTE 3: The requirement in sub-clause 6.6.4.4 is only applied for BS operating in non-contiguous spectrum.</p> |
|---|

## 5.2 Band category 2

For all BS operating in bands belonging to Band Category 2, the RF requirements listed in Table 5.2-1 apply for each supported operating band. Requirements apply according to the RAT configuration of the Base Station, as listed in the heading of the table. Some requirements listed in the table may not be mandatory or they may apply only regionally. This is further specified in the clause of each requirement and in Table 4.4-1. For multiband operation, the applicability of the requirements for each operating band is determined based on the RAT configuration within only that operating band, unless otherwise stated.

**Table 5.2-1: Applicability of requirements for MSR BS operation in Band Category 2**

| RF requirement                    | BS configured for multi-RAT operation not including GSM/EDGE in the band | BS configured for multi-RAT operation including GSM/EDGE in the band | BS configured for single-RAT E-UTRA FDD operation in the band | BS configured for single-RAT UTRA FDD operation in the band | BS configured for single-RAT GSM/EDGE operation in the band | BS configured for single-RAT NB-IoT FDD standalone operation in the band | BS configured for single-RAT NR operation in the band |
|-----------------------------------|--|--|---|---|---|--|---|
| Base station output power         | 6.2.1<br>6.2.3<br>6.2.4<br>6.2.4A<br>6.2.6                               | 6.2.1<br>6.2.3<br>6.2.4<br>6.2.4A<br>6.2.6                           | 6.2.1<br>6.2.3  | 6.2.1<br>6.2.4<br>6.2.4A                                    | 6.2.1   | 6.2.1<br>6.2.6   | 6.2.1   |
| Output power dynamics             | 6.3.1<br>6.3.2<br>6.3.5<br>6.3.6   | 6.3.1<br>6.3.2<br>6.3.4<br>6.3.5<br>6.3.6                            | 6.3.1   | 6.3.2   | 6.3.4   | 6.3.5  | 6.3.6   |
| Transmit ON/OFF power             | -  | -  | -   | -   | -   | -  | -   |
| Transmitted signal quality        |  |  |   |   |   |  |   |
| Modulation quality                | 6.5.1.1<br>6.5.1.2<br>6.5.1.5<br>6.5.1.6                                 | 6.5.1.1<br>6.5.1.2<br>6.5.1.4<br>6.5.1.5<br>6.5.1.6                  | 6.5.1.1   | 6.5.1.2   | 6.5.1.4   | 6.5.1.5  | 6.5.1.6   |
| Frequency error                   | 6.5.2.1<br>6.5.2.2<br>6.5.2.5<br>6.5.2.6                                 | 6.5.2.1<br>6.5.2.2<br>6.5.2.4<br>6.5.2.5<br>6.5.2.6                  | 6.5.2.1   | 6.5.2.2   | 6.5.2.4   | 6.5.2.5  | 6.5.2.6   |
| Time alignment error              | 6.5.3.1<br>6.5.3.2<br>6.5.3.4<br>6.5.3.5                                 | 6.5.3.1<br>6.5.3.2<br>6.5.3.4<br>6.5.3.5                             | 6.5.3.1   | 6.5.3.2   | -   | 6.5.3.4  | 6.5.3.5   |
| Unwanted emissions                |  |  |   |   |   |  |   |
| Transmitter spurious emissions    | 6.6.1<br>(except for 6.6.1.1.3)  | 6.6.1<br>(NOTE 3)  | 6.6.1<br>(except for 6.6.1.1.3)                               | 6.6.1<br>(except for 6.6.1.1.3)                             | 6.6.1<br>(NOTE 3)   | 6.6.1<br>(except for 6.6.1.1.3)  | 6.6.1<br>(except for 6.6.1.1.3)                       |
| Operating band unwanted emissions | 6.6.2.2<br>6.6.2.4   | 6.6.2.2<br>6.6.2.4   | 6.6.2.2<br>6.6.2.4  | 6.6.2.2<br>6.6.2.4  | 6.6.2.3<br>6.6.2.4  | 6.6.2.2<br>6.6.2.4   | 6.6.2.2,<br>6.6.2.4                                   |
| Occupied bandwidth                | 6.6.3  | 6.6.3  | 6.6.3   | 6.6.3   | -   | 6.6.3  | 6.6.3   |
| ACLR                              | 6.6.4.1<br>6.6.4.2<br>6.6.4.5<br>6.6.4.6                                 | 6.6.4.1<br>6.6.4.2<br>6.6.4.5<br>6.6.4.6                             | 6.6.4.1   | 6.6.4.2   | -   | 6.6.4.5  | 6.6.4.6   |
| Cumulative ACLR                   | 6.6.4.4<br>(NOTE 2)  | 6.6.4.4<br>(NOTE 2)  | 6.6.4.4<br>(NOTE 2)   | 6.6.4.4<br>(NOTE 2)   | -   | 6.6.4.4<br>(NOTE 2)  | 6.6.4.4<br>(NOTE 2)                                   |
| Transmitter intermodulation       | 6.7.1<br>6.7.2   | 6.7.1<br>6.7.2   | 6.7.1<br>6.7.2  | 6.7.1<br>6.7.2  | 6.7.2   | 6.7.1<br>6.7.2   | 6.7.1<br>6.7.2  |
| Reference sensitivity level       | 7.2.1<br>7.2.2<br>7.2.5<br>7.2.6   | 7.2.1<br>7.2.2<br>7.2.4<br>7.2.5<br>7.2.6                            | 7.2.1   | 7.2.2   | 7.2.4   | 7.2.5  | 7.2.6   |
| Dynamic range                     | 7.3.1<br>7.3.2<br>7.3.5<br>7.3.6   | 7.3.1<br>7.3.2<br>7.3.4<br>7.3.5<br>7.3.6                            | 7.3.1   | 7.3.2   | 7.3.4   | 7.3.5  | 7.3.6   |
| In-band selectivity and blocking  |  |  |   |   |   |  |   |

|  |                   |                            |       |       |                            |       |       |
|--|-------------------|----------------------------|-------|-------|----------------------------|-------|-------|
| Blocking   | 7.4.1             | 7.4.1                      | 7.4.1 | 7.4.1 | 7.4.1                      | 7.4.1 | 7.4.1 |
| Narrowband blocking  | 7.4.2             | 7.4.2<br>7.4.3             | 7.4.2 | 7.4.2 | 7.4.2<br>7.4.3<br>7.4.4    | 7.4.2 | 7.4.2 |
| Out-of-band blocking   | 7.5               | 7.5                        | 7.5   | 7.5   | 7.5                        | 7.5   | 7.5   |
| Receiver spurious emissions  | 7.6.1             | 7.6.1<br>7.6.2<br>(NOTE 3) | 7.6.1 | 7.6.1 | 7.6.1<br>7.6.2<br>(NOTE 3) | 7.6.1 | 7.6.1 |
| Receiver intermodulation   |                   |                            |       |       |                            |       |       |
| Intermodulation  | 7.7.1             | 7.7.1                      | 7.7.1 | 7.7.1 | 7.7.1                      | 7.7.1 | 7.7.1 |
| Narrowband intermodulation   | 7.7.2             | 7.7.2<br>7.7.3             | 7.7.2 | 7.7.2 | 7.7.2<br>7.7.3             | 7.7.2 | 7.7.2 |
| In-channel selectivity   | 7.8               | 7.8                        | 7.8   | -     | -                          | 7.8   | 7.8.2 |
| Performance requirements   | 8.1<br>8.2<br>8.5 | 8.1<br>8.2<br>8.4<br>8.5   | 8.1   | 8.2   | 8.4                        | TBD   | 8.5   |
| <p>NOTE 1: For some requirements in BS configured for multi-RAT operation, there is no general MSR multi-RAT requirement. Instead, the requirement is defined by the respective single-RAT requirement for each RAT supported by the BS as referenced in the table.</p> <p>NOTE 2: The requirement in sub-clause 6.6.4.4 is only applied for BS operating in non-contiguous spectrum.</p> <p>NOTE 3: For BS capable of multi-band operation, the limits in subclause 6.6.1.1.3 and 7.6.2 are only applicable when all supported operating bands belong to BC2 and GSM/EDGE is configured in all operating bands.</p> |                   |                            |       |       |                            |       |       |

### 5.3 Band category 3

For all BS operating in bands belonging to Band Category 3, the RF requirements listed in Table 5.3-1 apply for each supported operating band. Requirements apply according to the RAT configuration of the Base Station, as listed in the heading of the table. Some requirements listed in the table may not be mandatory or they may apply only regionally. This is further specified in the clause of each requirement and in Table 4.4-1.



**Table 5.3-1: Applicability of requirements for MSR BS operation in Band Category 3**

| RF requirement                    | BS configured for multi-RAT operation    | BS configured for single-RAT E-UTRA TDD operation | BS configured for single-RAT UTRA TDD operation | BS configured for single-RAT NR TDD operation | BS configured for single-RAT NB-IoT standalone operation |
|-----------------------------------|--|---|---|---|--|
| Base station output power         | 6.2.1<br>6.2.2<br>6.2.3<br>6.2.5         | 6.2.1<br>6.2.2<br>6.2.3                           | 6.2.1<br>6.2.5                                  | 6.2.1   | 6.2.1<br>6.2.6   |
| Output power dynamics             | 6.3.1<br>6.3.3<br>6.3.6                  | 6.3.1   | 6.3.3   | 6.3.6   | 6.3.5  |
| Transmit ON/OFF power             | 6.4                                      | 6.4   | 6.4   | 6.4   | 6.4  |
| Transmitted signal quality        |  |   |   |   |  |
| Modulation quality                | 6.5.1.1<br>6.5.1.3<br>6.5.1.6            | 6.5.1.1   | 6.5.1.3   | 6.5.1.6                                       | 6.5.1.5  |
| Frequency error                   | 6.5.2.1<br>6.5.2.3<br>6.5.2.6            | 6.5.2.1   | 6.5.2.3   | 6.5.2.6                                       | 6.5.2.5  |
| Time alignment error              | 6.5.3.1<br>6.5.3.3<br>6.5.3.5            | 6.5.3.1   | 6.5.3.3   | 6.5.3.5                                       | 6.5.3.4  |
| Unwanted emissions                |  |   |   |   |  |
| Transmitter spurious emissions    | 6.6.1 (except for 6.6.1.1.3 and 6.6.1.2) | 6.6.1 (except for 6.6.1.1.3 and 6.6.1.2)          | 6.6.1 (except for 6.6.1.1.3 and 6.6.1.2)        | 6.6.1 (except for 6.6.1.1.3 and 6.6.1.2)      | 6.6.1 (except for 6.6.1.1.3)                             |
| Operating band unwanted emissions | 6.6.2.1<br>6.6.2.4                       | 6.6.2.1<br>6.6.2.4                                | 6.6.2.1<br>6.6.2.4                              | 6.6.2.1<br>6.6.2.4                            | 6.6.2.1<br>6.6.2.4                                       |
| Occupied bandwidth                | 6.6.3                                    | 6.6.3   | 6.6.3   | 6.6.3   | 6.6.3  |
| ACLR                              | 6.6.4.1<br>6.6.4.3<br>6.6.4.6            | 6.6.4.1   | 6.6.4.3   | 6.6.4.6                                       | 6.6.4.5  |
| Cumulative ACLR                   | 6.6.4.4 (NOTE 2)                         | 6.6.4.4 (NOTE 2)                                  | 6.6.4.4 (NOTE 2)                                | 6.6.4.4 (NOTE 2)                              | 6.6.4.4 (NOTE 2)   |
| Transmitter intermodulation       | 6.7.1<br>6.7.3                           | 6.7.1<br>6.7.3<br>6.7.4                           | 6.7.1<br>6.7.3                                  | 6.7.1<br>6.7.3                                | 6.7.1<br>6.7.3   |
| Reference sensitivity level       | 7.2.1<br>7.2.3<br>7.2.6                  | 7.2.1   | 7.2.3   | 7.2.6   | 7.2.5  |
| Dynamic range                     | 7.3.1<br>7.3.3<br>7.3.6                  | 7.3.1   | 7.3.3   | 7.3.6   | 7.3.5  |
| In-band selectivity and blocking  |  |   |   |   |  |
| Blocking                          | 7.4.1<br>7.4.5                           | 7.4.1<br>7.4.5                                    | 7.4.1<br>7.4.5                                  | 7.4.1   | 7.4.1  |
| Narrowband blocking               | 7.4.2                                    | 7.4.2   | 7.4.2   | 7.4.2   | 7.4.2  |
| Out-of-band blocking              | 7.5                                      | 7.5   | 7.5   | 7.5   | 7.5  |
| Receiver spurious emissions       | 7.6.1                                    | 7.6.1   | 7.6.1   | 7.6.1   | 7.6.1  |
| Receiver intermodulation          |  |   |   |   |  |
| Intermodulation                   | 7.7.1                                    | 7.7.1   | 7.7.1   | 7.7.1   | 7.7.1  |
| Narrowband intermodulation        | 7.7.2                                    | 7.7.2   | 7.7.2   | 7.7.2   | 7.7.2  |
| In-channel selectivity            | 7.8                                      | 7.8   | -   | 7.8.2   | 7.8  |
| Performance requirements          | 8.1<br>8.3<br>8.5                        | 8.1   | 8.3   | 8.5   | TBD  |

Note 1: For some requirements in BS configured for multi-RAT operation, there is no general MSR multi-RAT requirement. Instead, the requirement is defined by the respective single-RAT requirement for each RAT supported by the BS as referenced in the table.

NOTE 2: The requirement in sub-clause 6.6.4.4 is only applied for BS operating in non-contiguous spectrum.

## 5.4 Inclusion of requirements by reference

Many requirements in the present specification are not explicitly stated in the clauses listed in Tables 5.1-1, 5.2-1 and 5.3-1, but are instead included by reference to the respective single-RAT specifications. Each reference is normative and identifies the clause where the requirement is specified.

In some cases, the referenced clause may contain requirements that for different reasons do not apply for an MSR base station. It is in those cases stated that "applicable parts of" the referenced clause applies. What parts are applicable is determined by the scope of the MSR specification. For example:

- In a referenced clause including requirements for multiple operating bands, only requirements for bands listed in the present document apply.
- In a referenced clause that includes requirements for different types of base stations, only requirements for the BS classes specified for each RAT apply, see subclause 4.3.

# 6 Transmitter characteristics

## 6.1 General

Unless otherwise stated, the requirements in clause 6 are expressed for a single transmitter antenna connector. In case of multi-carrier transmission with multiple transmitter antenna connectors, transmit diversity, DB-DC-HSDPA or MIMO transmission, the requirements apply for each transmitter antenna connector.

A BS supporting DC-HSDPA and DB-DC-HSDPA transmits two UTRA FDD cells simultaneously. A BS supporting DC-HSDPA transmits two UTRA FDD cells simultaneously on adjacent carrier frequencies.

Unless otherwise stated, the transmitter characteristics are specified at the BS antenna connector (test port A) with a full complement of transceivers for the configuration in normal operating conditions. If any external apparatus such as a TX amplifier, a filter or the combination of such devices is used, requirements apply at the far end antenna connector (test port B).

Unless otherwise stated the requirements in subclause 6 applies at all times, i.e. during the Transmitter ON period, the Transmitter OFF period and the Transmitter transient period.

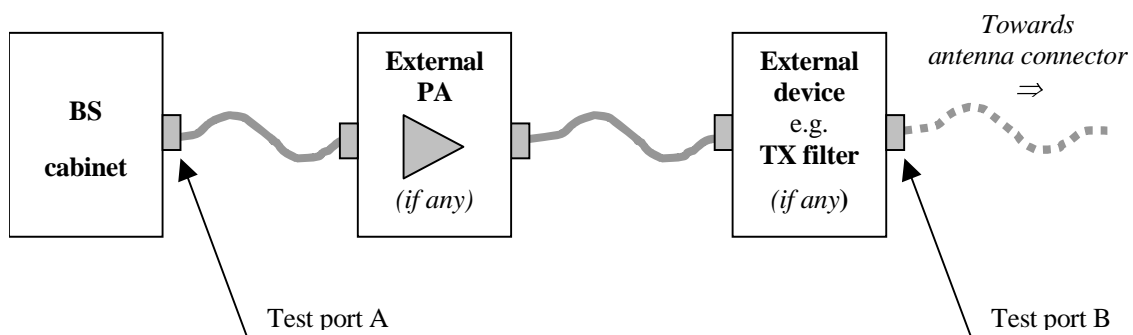


Figure 6.1-1: Transmitter test ports

Values for  $F_{\text{offset, RAT}}$  to meet transmitter requirements are specific for each RAT in each Band Category as specified in subclause 4.5.1 for Band Category 1, subclause 4.5.2 for Band Category 2 and subclause 4.5.3 for Band Category 3.

Unless otherwise stated the requirements for NB-IoT in subclause 6 applies for all operation modes (In-band operation, Guard-band operation and Stand-alone operation).

## 6.2 Base station output power

Output power of the base station is the mean power delivered to a load with resistance equal to the nominal load impedance of the transmitter.

The configured carrier power is the target maximum power for a specific carrier for the operating mode set in the BS within the limits given by the manufacturer's declaration.

The maximum total output power,  $P_{\max}$ , of the base station is the mean power level measured at the antenna connector during the transmitter ON period in a specified reference condition.

The maximum RAT output power,  $P_{\max,\text{RAT}}$ , of the base station is the mean power level measured at the antenna connector during the transmitter ON period for a specific RAT in a specified reference condition.

The maximum carrier output power,  $P_{\max,c}$  of the base station is the mean power level measured at the antenna connector during the transmitter ON period for a specific carrier in a specified reference condition.

The rated carrier output power,  $P_{\text{Rated},c}$ , of the base station is the mean power level for a specific carrier that the manufacturer has declared to be available at the antenna connector during the transmitter ON period.

NOTE: For NB-IoT in-band and guard band operation, the LTE carrier and NB-IoT carrier shall be seen as a single carrier occupied LTE channel bandwidth, the output power over this carrier is shared between LTE and NB-IoT. This note is applied for  $P_{\text{out}}$ , Rated total output power,  $P_{\max,c}$  and  $P_{\text{Rated},c}$ .

The rated carrier output power of the BS shall be as specified in Table 6.2-1.

**Table 6.2-1 Base Station rated carrier output power**

| BS class  | $P_{\text{Rated},c}$ |
|---|----------------------|
| Wide Area BS  | (note)               |
| Medium Range BS   | $\leq +38$ dBm       |
| Local Area BS   | $\leq +24$ dBm       |
| NOTE: There is no upper limit for the rated carrier output power of the Wide Area Base Station. |                      |

In addition, for Band 85 NB-IoT standalone operation, the BS rated output power limit of 43 dBm applies over the NB-IoT carriers in the range 728-729 MHz of the DL operating band. The BS output power limit of 43 dBm shall be considered as shared among all NB-IoT carriers in the 728-729 MHz frequency range or as the maximum value per NB-IoT carrier in the case where only one NB-IoT carrier is deployed in 728-729 MHz frequency range.

### 6.2.1 Minimum requirement

In normal conditions, the maximum carrier output power shall remain within +2 dB and -2 dB of the configured carrier power declared by the manufacturer.

In extreme conditions, maximum carrier output power shall remain within +2.5 dB and -2.5 dB of the configured carrier power declared by the manufacturer.

The definition of the output power parameters declared by the manufacturer can be found in TS 37.141 [10].

In certain regions, the minimum requirement for normal conditions may apply also for some conditions outside the range of conditions defined as normal.

### 6.2.2 Additional requirement (regional)

For Band 34 operation in Japan, the rated E-UTRA output power declared by the manufacturer shall be less than or equal to the values specified in Table 6.2.2-1.

**Table 6.2.2-1: Regional requirements for Band 34 for rated output power declared by the manufacturer.**

| Channel bandwidth<br>BW <sub>Channel</sub> [MHz] | 1.4 | 3   | 5  | 10 | 15 | 20  |
|--|-----|-----|----|----|----|-----|
| Maximum output power<br>[W]                      | N/A | N/A | 20 | 40 | 60 | N/A |

For Band 41 operation in Japan, the rated output power per BS declared by the manufacturer shall be less than or equal to the values specified in Table 6.2.2-2.

**Table 6.2.2-2: Regional requirements for Band 41 for rated output power declared by the manufacturer.**

| Channel bandwidth<br>BW <sub>Channel</sub> [MHz] | 1.4 | 3   | 5   | 10 | 15  | 20 |
|--|-----|-----|-----|----|-----|----|
| Maximum output power<br>[W]                      | N/A | N/A | N/A | 20 | N/A | 40 |

### 6.2.3 E-UTRA minimum requirement for DL RS power

For E-UTRA, the minimum requirement for DL RS power is specified in TS 36.104 [4], subclause 6.5.4.

### 6.2.4 UTRA FDD minimum requirement for primary CPICH power

For UTRA FDD, the minimum requirements for primary CPICH power is specified in TS 25.104 [2], subclause 6.4.4.

### 6.2.4A UTRA FDD minimum requirement for secondary CPICH power

For UTRA FDD, the minimum requirements for secondary CPICH power is specified in TS 25.104 [2], subclause 6.4.4A.

### 6.2.5 UTRA TDD minimum requirement for primary CCPCH power

For UTRA TDD, the minimum requirements for Primary CCPCH power and Differential accuracy of primary CCPCH power specified in TS 25.105 [3], subclause 6.4.5 and 6.4.6 respectively.

### 6.2.6 NB-IoT minimum requirement for DL NRS power

For NB-IoT, the minimum requirement for DL NRS power is specified in TS 36.104 [4], subclause 6.5.4.

## 6.3 Output power dynamics

Output power dynamics is defined by the BS transmitter's ability to operate at varying output power levels.

### 6.3.1 E-UTRA minimum requirement

For E-UTRA, the minimum requirement for output power dynamics is specified in TS 36.104 [4], subclause 6.3.

### 6.3.2 UTRA FDD minimum requirement

For UTRA FDD, the minimum requirement for output power dynamics is specified in TS 25.104 [2], subclause 6.4.

### 6.3.3 UTRA TDD minimum requirement

For UTRA TDD, the minimum requirement for output power dynamics is specified in TS 25.105 [3], subclause 6.4.

### 6.3.4 GSM/EDGE minimum requirement

For GSM/EDGE, the minimum requirement for output power dynamics is specified in TS 45.005[5], subclause 4.1.2-c. The minimum requirement for output level dynamic operation is specified in TS 45.005[5], subclause 4.5.1.

### 6.3.5 NB-IoT minimum requirement

For NB-IoT, the minimum requirement for output power dynamics is specified in TS 36.104 [4], subclause 6.3.

### 6.3.6 NR minimum requirement

For NR, the minimum requirement for output power dynamics (BS type 1-C) is specified in TS 38.104 [17], subclause 6.3.

## 6.4 Transmit ON/OFF power

The requirements in subclause 6.4 are only applied for BC3 BS.

### 6.4.1 Transmitter OFF power

For UTRA and E-UTRA, transmitter OFF power is defined as the mean power measured over 70  $\mu$ s filtered with a square filter of bandwidth equal to the Base Station RF Bandwidth(s) of the BS centred on the central frequency of the Base Station RF Bandwidth(s) during the transmitter OFF period.

In NR transmitter OFF power is defined as the mean power measured over 70/N  $\mu$ s filtered with a square filter of bandwidth equal to the transmission bandwidth configuration of the BS ( $BW_{\text{Config}}$ ) centred on the central frequency of the Base Station RF Bandwidth(s) during the transmitter OFF period.  $N = \text{SCS}/15$ , where SCS is Sub Carrier Spacing in kHz.

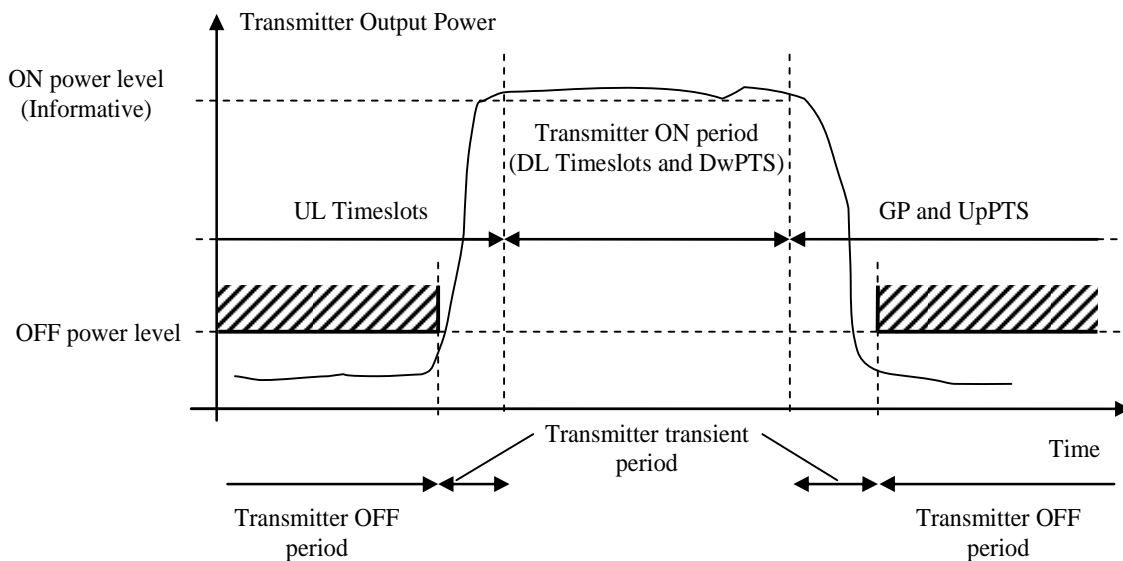
#### 6.4.1.1 Minimum Requirement

The transmitter OFF power spectral density shall be less than -85 dBm/MHz.

For BS capable of multi-band operation, the requirement is only applicable during the transmitter OFF period in all supported operating bands.

### 6.4.2 Transmitter transient period

The transmitter transient period is the time period during which the transmitter is changing from the OFF period to the ON period or vice versa. The transmitter transient period is illustrated in Figure 6.4.2-1.



**Figure 6.4.2-1: Illustration of the relations of transmitter ON period, transmitter OFF period and transmitter transient period.**

6.4.2.1 Minimum requirements

The transmitter transient period shall be shorter than the values listed in Table 6.4.2.1-1 and Table 6.4.2.1-2.

**Table 6.4.2.1-1: Minimum requirements for the transmitter transient period for a BS not supporting NR**

| Transition | Transient period length [μs] |
|------------|------------------------------|
| OFF to ON  | 6.25                         |
| ON to OFF  | 17                           |

**Table 6.4.2.1-2: Minimum requirements for the transmitter transient period for a BS supporting NR and not supporting UTRA**

| Transition | Transient period length [μs] |
|------------|------------------------------|
| OFF to ON  | 10                           |
| ON to OFF  | 10                           |

6.5 Transmitted signal quality

6.5.1 Modulation quality

Modulation quality is defined by the difference between the measured carrier signal and a reference signal. Modulation quality can e.g. be expressed as Error Vector Magnitude (EVM), Peak Code Domain Error (PCDE) or Relative Code domain Error (RCDE).

6.5.1.1 E-UTRA minimum requirement

For E-UTRA, the minimum requirement for modulation quality, EVM, is specified in TS 36.104 [4], subclause 6.5.2.

6.5.1.2 UTRA FDD minimum requirement

For UTRA FDD, the minimum requirements for modulation quality, EVM, PCDE and RCDE, are specified in TS 25.104 [2], subclause 6.8.2, 6.8.3 and 6.8.5 respectively. The UTRA transmit pulse shape filter is defined in subclause 6.8.1.

### 6.5.1.3 UTRA TDD minimum requirement

For UTRA TDD, the minimum requirements for modulation quality, EVM, PCDE and RCDE, are specified in TS 25.105 [3], subclause 6.8.2, 6.8.3 and 6.8.4 respectively.

### 6.5.1.4 GSM/EDGE minimum requirement

For GSM/EDGE, the minimum requirements for modulation accuracy are specified in TS 45.005 [5], subclause 4.6.

### 6.5.1.5 NB-IoT minimum requirement

For NB-IoT, the minimum requirement for modulation quality, EVM, is specified in TS 36.104 [4], subclause 6.5.2.

### 6.5.1.6 NR minimum requirement

For NR, the minimum requirement for modulation quality, EVM (BS type 1-C) is specified in TS 38.104 [17], subclause 6.5.2.

## 6.5.2 Frequency error

Frequency error is a measure of the difference between the actual BS transmit frequency and the assigned frequency. The same source shall be used for RF frequency and data clock generation.

### 6.5.2.1 E-UTRA minimum requirement

For E-UTRA, the minimum requirement for frequency error is specified in TS 36.104 [4], subclause 6.5.1.

### 6.5.2.2 UTRA FDD minimum requirement

For UTRA FDD, the minimum requirement for frequency error is specified in TS 25.104 [2], subclause 6.3.1.

### 6.5.2.3 UTRA TDD minimum requirement

For UTRA TDD, the minimum requirement for frequency error is specified in TS 25.105 [3], subclause 6.3.1.

### 6.5.2.4 GSM/EDGE minimum requirement

For GSM/EDGE, the minimum requirement for frequency error is specified in TS 45.005 [5], subclause 4.4.

### 6.5.2.5 NB-IoT minimum requirement

For NB-IoT, the minimum requirement for frequency error is specified in TS 36.104 [4], subclause 6.5.1.

### 6.5.2.6 NR minimum requirement

For NR, the minimum requirement for frequency error (BS type 1-C) is specified in TS 38.104 [17], subclause 6.5.1.

## 6.5.3 Time alignment error

This requirement applies to frame timing in:

- UTRA single/multi-carrier transmissions, and their combinations with MIMO or TX diversity.
- NR and/or E-UTRA single/multi-carrier transmissions, and their combinations with MIMO or TX diversity.
- NR and/or E-UTRA Carrier Aggregation, with or without MIMO or TX diversity.
- NB-IoT transmissions with TX diversity.

Frames of the WCDMA/LTE/NR/NB-IoT signals present at the BS transmitter antenna connector(s) are not perfectly aligned in time. In relation to each other, the RF signals present at the BS transmitter antenna connector (s) experience certain timing differences.

For a specific set of signals/transmitter configuration/transmission mode, the Time Alignment Error (TAE) is defined as the largest timing difference between any two signals.



### 6.5.3.1 E-UTRA minimum Requirement

For E-UTRA, the minimum requirement for time alignment is specified in TS 36.104 [4], subclause 6.5.3.

### 6.5.3.2 UTRA FDD minimum requirement

For UTRA FDD, the minimum requirement for time alignment is specified in TS 25.104 [2], subclause 6.8.4.

### 6.5.3.3 UTRA TDD minimum requirement

For UTRA TDD, the minimum requirement for time alignment is specified in TS 25.105 [3], subclause 6.8.5.

### 6.5.3.4 NB-IoT minimum Requirement

For NB-IoT, the minimum requirement for time alignment is specified in TS 36.104 [4], subclause 6.5.3.

### 6.5.3.5 NR minimum Requirement

For NR, the minimum requirement for time alignment (BS type 1-C) is specified in TS 38.104 [17], subclause 6.5.3.

## 6.6 Unwanted emissions

Unwanted emissions consist of out-of-band emissions and spurious emissions [6]. Out of band emissions are unwanted emissions immediately outside the channel bandwidth resulting from the modulation process and non-linearity in the transmitter but excluding spurious emissions. Spurious emissions are emissions which are caused by unwanted transmitter effects such as harmonics emission, parasitic emission, intermodulation products and frequency conversion products, but exclude out of band emissions.

The out-of-band emissions requirement for the BS transmitter is specified in terms of an Operating band unwanted emissions requirement that defines limits for emissions in each supported downlink operating band plus the frequency ranges  $\Delta f_{\text{OBUE}}$  above and  $\Delta f_{\text{OBUE}}$  below each band. Emissions outside of this frequency range are limited by a spurious emissions requirement. The values of  $\Delta f_{\text{OBUE}}$  are defined in table 6.6-1.

**Table 6.6-1: Maximum offset of OBUE outside the downlink operating band**

| Operating band characteristics  | $\Delta f_{\text{OBUE}}$ [MHz] |
|---|--------------------------------|
| $F_{\text{DL\_high}} - F_{\text{DL\_low}} \leq 200$ MHz                   | 10                             |
| $200 \text{ MHz} < F_{\text{DL\_high}} - F_{\text{DL\_low}} \leq 900$ MHz | 40                             |

There is in addition a requirement for occupied bandwidth and an ACLR requirement applicable for some RATs.

### 6.6.1 Transmitter spurious emissions

The transmitter spurious emission limits apply from 9 kHz to 12.75 GHz, excluding the frequency range from  $\Delta f_{\text{OBUE}}$  below the lowest frequency of the downlink operating band up to  $\Delta f_{\text{OBUE}}$  above the highest frequency of the downlink operating band. For BS capable of multi-band operation where multiple bands are mapped on the same antenna connector, this exclusion applies for each supported operating band. For BS capable of multi-band operation where multiple bands are mapped on separate antenna connectors, the single-band requirements apply and the multi-band exclusions and provisions are not applicable.

Exceptions are the requirements in Table 6.6.1.3.1-2 and specifically stated exceptions in Table 6.6.1.3.1-1 that apply also closer than  $\Delta f_{\text{OBUE}}$  from the downlink operating band. For some operating bands the upper frequency limit is higher than 12.75 GHz.

The requirements shall apply whatever the type of transmitter considered. It applies for all transmission modes foreseen by the manufacturer's specification. Unless otherwise stated, all requirements are measured as mean power (RMS).

### 6.6.1.1 Mandatory Requirements

The requirements of either subclause 6.6.1.1.1 (Category A limits) or subclause 6.6.1.1.2 (Category B limits) shall apply. In addition, for a BS operating in Band Category 2, the requirements of 6.6.1.1.3 shall apply in case of Category B limits when GSM/EDGE is configured.

#### 6.6.1.1.1 Minimum requirement (Category A)

The power of any spurious emission shall not exceed the limits in Table 6.6.1.1.1-1

**Table 6.6.1.1.1-1: BS Spurious emission limits, Category A**

| Frequency range  | Maximum level | Measurement Bandwidth | Note           |
|--|---------------|-----------------------|----------------|
| 9kHz - 150kHz  | -13 dBm       | 1 kHz                 | Note 1         |
| 150kHz - 30MHz   |               | 10 kHz                | Note 1         |
| 30MHz - 1GHz   |               | 100 kHz               | Note 1         |
| 1GHz - 12.75 GHz   |               | 1 MHz                 | Note 2         |
| 12.75 GHz – 5 <sup>th</sup> harmonic of the upper frequency edge of the DL operating band in GHz     |               | 1 MHz                 | Note 2, Note 3 |
| NOTE 1: Bandwidth as in ITU-R SM.329 [2], s4.1   |               |                       |                |
| NOTE 2: Bandwidth as in ITU-R SM.329 [2], s4.1. Upper frequency as in ITU-R SM.329 [2], s2.5 table 1 |               |                       |                |
| NOTE 3: Applies only for Bands 22, 42, 43 and 48.  |               |                       |                |

#### 6.6.1.1.2 Minimum requirement (Category B)

The power of any spurious emission shall not exceed the limits in Table 6.6.1.1.2-1

**Table 6.6.1.1.2-1: BS Spurious emissions limits, Category B**

| Frequency range  | Maximum Level | Measurement Bandwidth | Note           |
|--|---------------|-----------------------|----------------|
| 9 kHz ↔ 150 kHz  | -36 dBm       | 1 kHz                 | Note 1         |
| 150 kHz ↔ 30 MHz   | -36 dBm       | 10 kHz                | Note 1         |
| 30 MHz ↔ 1 GHz   | -36 dBm       | 100 kHz               | Note 1         |
| 1 GHz ↔ 12.75 GHz  | -30 dBm       | 1 MHz                 | Note 2         |
| 12.75 GHz ↔ 5 <sup>th</sup> harmonic of the upper frequency edge of the DL operating band in GHz     | -30 dBm       | 1 MHz                 | Note 2, Note 3 |
| NOTE 1: Bandwidth as in ITU-R SM.329 [2], s4.1   |               |                       |                |
| NOTE 2: Bandwidth as in ITU-R SM.329 [2], s4.1. Upper frequency as in ITU-R SM.329 [2], s2.5 table 1 |               |                       |                |
| NOTE 3: Applies only for Bands 22, 42, 43 and 48.  |               |                       |                |

#### 6.6.1.1.3 Additional minimum requirement for BC2 (Category B)

For a BS operating in Band Category 2 when GSM/EDGE is configured, the power of any spurious emission shall not exceed the limits in Table 6.6.1.1.3-1.

For BS capable of multi-band operation, the limits in Table 6.6.1.1.3-1 are only applicable when all supported operating bands belong to BC2 and GSM/EDGE is configured in all bands.

**Table 6.6.1.1.3-1: Additional BS Spurious emissions limits for BC2, Category B**

| Frequency range   | Frequency offset from downlink operating band edge (Note1) | Maximum Level | Measurement Bandwidth |
|---|--|---------------|-----------------------|
| 500 MHz ↔ 1 GHz   | 10 – 20 MHz  | -36 dBm       | 300 kHz               |
|   | 20 – 30 MHz  | -36 dBm       | 1 MHz                 |
|   | ≥ 30 MHz   | -36 dBm       | 3 MHz                 |
| 1 GHz ↔ 12.75 GHz   | ≥ 30 MHz   | -30 dBm       | 3 MHz                 |
| NOTE 1: For BS capable of multi-band operation, the frequency offset is relative to the closest operating band. |  |               |                       |

### 6.6.1.2 Protection of the BS receiver of own or different BS

This requirement shall be applied for FDD operation in order to prevent the receivers of Base Stations being desensitised by emissions from the BS transmitter. It is measured at the transmit antenna port for any type of BS which has common or separate Tx/Rx antenna ports.

#### 6.6.1.2.1 Minimum Requirement

The power of any spurious emission shall not exceed the limits in Table 6.6.1.2.1-1 depending on the declared Base Station class and Band Category.

**Table 6.6.1.2.1-1: BS Spurious emissions limits for protection of the BS receiver**

| BS-class   | Band category | Frequency range              | Maximum Level | Measurement Bandwidth | Note |
|--|---------------|------------------------------|---------------|-----------------------|------|
| Wide Area BS   | BC1           | $F_{UL\_low} - F_{UL\_high}$ | -96 dBm       | 100 kHz               |      |
| Wide Area BS   | BC2           | $F_{UL\_low} - F_{UL\_high}$ | -98 dBm       | 100 kHz               |      |
| Medium Range BS  | BC1, BC2      | $F_{UL\_low} - F_{UL\_high}$ | -91 dBm       | 100 kHz               |      |
| Local Area BS  | BC1, BC2      | $F_{UL\_low} - F_{UL\_high}$ | -88 dBm       | 100 kHz               |      |
| Note 1: For E-UTRA Band 28 BS operating in regions where Band 28 is only partially allocated for E-UTRA operations, this requirement only applies in the UL frequency range of the partial allocation. |               |                              |               |                       |      |

### 6.6.1.3 Additional spurious emissions requirements

These requirements may be applied for the protection of system operating in frequency ranges other than the BS downlink operating band. The limits may apply as an optional protection of such systems that are deployed in the same geographical area as the BS, or they may be set by local or regional regulation as a mandatory requirement for an operating band. It is in some cases not stated in the present document whether a requirement is mandatory or under what exact circumstances that a limit applies, since this is set by local or regional regulation. An overview of regional requirements in the present document is given in subclause 4.4.

Some requirements may apply for the protection of specific equipment (UE, MS and/or BS) or equipment operating in specific systems (GSM/EDGE, CDMA, UTRA, E-UTRA, NR, etc.) as listed below.

#### 6.6.1.3.1 Minimum Requirement

The power of any spurious emission shall not exceed the limits of Table 6.6.1.3.1-1 for a BS where requirements for co-existence with the system listed in the first column apply. For BS capable of multi-band operation, the exclusions and conditions in the Note column of Table 6.6.1.3.1-1 apply for each supported operating band. For BS capable of multi-band operation where multiple bands are mapped on separate antenna connectors, the exclusions and conditions in the Note column of Table 6.6.1.3.1-1 apply for the operating band supported at that antenna connector.

**Table 6.6.1.3.1-1: BS Spurious emissions limits for co-existence with systems operating in other frequency bands**

| System type to co-exist with                              | Frequency range for co-existence requirement | Maximum Level | Measurement Bandwidth | Note   |
|---|--|---------------|-----------------------|--|
| GSM900  | 921 - 960 MHz                                | -57 dBm       | 100 kHz               | This requirement does not apply to BS operating in band 8/n8.  |
|   | 876 - 915 MHz                                | -61 dBm       | 100 kHz               | For the frequency range 880-915 MHz, this requirement does not apply to BS operating in band 8/n8, since it is already covered by the requirement in sub-clause 6.6.1.2.   |
| DCS1800 (Note 3)  | 1805 - 1880 MHz                              | -47 dBm       | 100 kHz               | This requirement does not apply to BS operating in band 3/n3.  |
|   | 1710 - 1785 MHz                              | -61 dBm       | 100 kHz               | This requirement does not apply to BS operating in band 3/n3, since it is already covered by the requirement in sub-clause 6.6.1.2.  |
| PCS1900   | 1930 - 1990 MHz                              | -47 dBm       | 100 kHz               | This requirement does not apply to BS operating in band 2/n2, 25/n25, 36, 70/n70.  |
|   | 1850 - 1910 MHz                              | -61 dBm       | 100 kHz               | This requirement does not apply to BS operating in band 2/n2 or 25/n25, since it is already covered by the requirement in sub-clause 6.6.1.2. This requirement does not apply to BS operating in band 35.  |
| GSM850 or CDMA850   | 869 - 894 MHz                                | -57 dBm       | 100 kHz               | This requirement does not apply to BS operating in band 5/n5 or 26. This requirement applies to E-UTRA BS operating in Band 27 for the frequency range 879-894 MHz.  |
|   | 824 - 849 MHz                                | -61 dBm       | 100 kHz               | This requirement does not apply to BS operating in band 5/n5 or 26, since it is already covered by the requirement in sub-clause 6.6.1.2. For BS operating in Band 27, it applies 3 MHz below the Band 27 downlink operating band.   |
| UTRA FDD Band I or E-UTRA Band 1 or NR Band n1            | 2110 - 2170 MHz                              | -52 dBm       | 1 MHz                 | This requirement does not apply to BS operating in band 1/n1 or 65,  |
|   | 1920 - 1980 MHz                              | -49 dBm       | 1 MHz                 | This requirement does not apply to BS operating in band 1/n1 or 65, since it is already covered by the requirement in sub-clause 6.6.1.2.  |
| UTRA FDD Band II or E-UTRA Band 2 or NR Band n2           | 1930 - 1990 MHz                              | -52 dBm       | 1 MHz                 | This requirement does not apply to BS operating in band 2/n2, 25/n25, 70/n70.  |
|   | 1850 - 1910 MHz                              | -49 dBm       | 1 MHz                 | This requirement does not apply to BS operating in band 2/n2 or 25/n25, since it is already covered by the requirement in sub-clause 6.6.1.2   |
| UTRA FDD Band III or E-UTRA Band 3 or NR Band n3 (Note 3) | 1805 - 1880 MHz                              | -52 dBm       | 1 MHz                 | This requirement does not apply to BS operating in band 3/n3 or 9.   |
|   | 1710 - 1785 MHz                              | -49 dBm       | 1 MHz                 | This requirement does not apply to BS operating in band 3/n3, since it is already covered by the requirement in sub-clause 6.6.1.2. For BS operating in band 9, it applies for 1710 MHz to 1749.9 MHz and 1784.9 MHz to 1785 MHz, while the rest is covered in sub-clause 6.6.1.2. |
| UTRA FDD Band IV or E-UTRA Band 4                         | 2110 - 2155 MHz                              | -52 dBm       | 1 MHz                 | This requirement does not apply to BS operating in band 4, 10 or 66  |
|   | 1710 - 1755 MHz                              | -49 dBm       | 1 MHz                 | This requirement does not apply to BS operating in band 4, 10 or 66, since it is already covered by the requirement in sub-clause 6.6.1.2.   |
| UTRA FDD Band V or E-UTRA Band 5 or NR Band n5            | 869 - 894 MHz                                | -52 dBm       | 1 MHz                 | This requirement does not apply to BS operating in band 5/n5 or 26. This requirement applies to E-UTRA BS operating in Band 27 for the frequency range 879-894 MHz.  |
|   | 824 - 849 MHz                                | -49 dBm       | 1 MHz                 | This requirement does not apply to BS operating in band 5/n5 or 26, since it is already covered by the requirement in sub-clause 6.6.1.2. For BS operating in Band 27, it applies 3 MHz below the Band 27 downlink operating band.   |
| UTRA FDD Band VI, XIX or E-UTRA Band 6, 18, 19            | 860 - 890 MHz                                | -52 dBm       | 1 MHz                 | This requirement does not apply to BS operating in band 6, 18, 19  |
|   | 815 - 830 MHz                                | -49 dBm       | 1 MHz                 | This requirement does not apply to BS operating in band 18 since it is already covered by the requirement in sub-clause 6.6.1.2.   |

|  |                     |         |       |   |
|--|---------------------|---------|-------|---|
|  | 830 - 845 MHz       | -49 dBm | 1 MHz | This requirement does not apply to BS operating in band 6, 19, since it is already covered by the requirement in sub-clause 6.6.1.2.  |
| UTRA FDD Band VII or E-UTRA Band 7 or NR Band n7   | 2620 - 2690 MHz     | -52 dBm | 1 MHz | This requirement does not apply to BS operating in band 7/n7.   |
|  | 2500 - 2570 MHz     | -49 dBm | 1 MHz | This requirement does not apply to BS operating in band 7/n7, since it is already covered by the requirement in sub-clause 6.6.1.2.   |
| UTRA FDD Band VIII or E-UTRA Band 8 or NR Band n8  | 925 - 960 MHz       | -52 dBm | 1 MHz | This requirement does not apply to BS operating in band 8/n8.   |
|  | 880 - 915 MHz       | -49 dBm | 1 MHz | This requirement does not apply to BS operating in band 8/n8, since it is already covered by the requirement in sub-clause 6.6.1.2.   |
| UTRA FDD Band IX or E-UTRA Band 9                  | 1844.9 - 1879.9 MHz | -52 dBm | 1 MHz | This requirement does not apply to BS operating in band 3/n3 or 9.  |
|  | 1749.9 - 1784.9 MHz | -49 dBm | 1 MHz | This requirement does not apply to BS operating in band 3/n3 or 9, since it is already covered by the requirement in sub-clause 6.6.1.2.  |
| UTRA FDD Band X or E-UTRA Band 10                  | 2110 - 2170 MHz     | -52 dBm | 1 MHz | This requirement does not apply to BS operating in band 4, 10, 66/n66   |
|  | 1710 - 1770 MHz     | -49 dBm | 1 MHz | This requirement does not apply to BS operating in band 10, 66/n66, since it is already covered by the requirement in sub-clause 6.6.1.2. For BS operating in Band 4, it applies for 1755 MHz to 1770 MHz, while the rest is covered in sub-clause 6.6.1.2. |
| UTRA FDD Band XI or XXI or E-UTRA Band 11 or 21    | 1475.9 - 1510.9 MHz | -52 dBm | 1 MHz | This requirement does not apply to BS operating in band 11, 21, 32, 50/n50, 74/n74, 75/n75  |
|  | 1427.9 - 1447.9 MHz | -49 dBm | 1 MHz | This requirement does not apply to BS operating in band 11 or 74/n74, since it is already covered by the requirement in sub-clause 6.6.1.2. This requirement does not apply to BS operating in band 32, 50/n50, 51/n51, 75/n75, 76/n76.                     |
|  | 1447.9 - 1462.9 MHz | -49 dBm | 1 MHz | This requirement does not apply to BS operating in band 21 or 74/n74, since it is already covered by the requirement in sub-clause 6.6.1.2. This requirement does not apply to BS operating in band 32, 50/n50, 75 or n75.                                  |
| UTRA FDD Band XII or E-UTRA Band 12 or NR Band n12 | 729 - 746 MHz       | -52 dBm | 1 MHz | This requirement does not apply to BS operating in band 12/n12 or 85.   |
|  | 699 - 716 MHz       | -49 dBm | 1 MHz | This requirement does not apply to BS operating in band 12/n12 or 85, since it is already covered by the requirement in sub-clause 6.6.1.2. For BS operating in Band 29, it applies 1 MHz below the Band 29 downlink operating band (Note 7)                |
| UTRA FDD Band XIII or E-UTRA Band 13               | 746 - 756 MHz       | -52 dBm | 1 MHz | This requirement does not apply to BS operating in band 13.   |
|  | 777 - 787 MHz       | -49 dBm | 1 MHz | This requirement does not apply to BS operating in band 13, since it is already covered by the requirement in sub-clause 6.6.1.2.   |
| UTRA FDD Band XIV or E-UTRA Band 14                | 758 - 768 MHz       | -52 dBm | 1 MHz | This requirement does not apply to BS operating in band 14.   |
|  | 788 - 798 MHz       | -49 dBm | 1 MHz | This requirement does not apply to BS operating in band 14, since it is already covered by the requirement in sub-clause 6.6.1.2.   |
| E-UTRA Band 17                                     | 734 - 746 MHz       | -52 dBm | 1 MHz | This requirement does not apply to BS operating in band 17.   |
|  | 704 - 716 MHz       | -49 dBm | 1 MHz | This requirement does not apply to BS operating in band 17, since it is already covered by the requirement in subclause 6.6.1.2. For BS operating in Band 29, it applies 1 MHz below the Band 29 downlink operating band (Note 7)                           |
| UTRA FDD Band XX or E-UTRA Band 20 or NR Band n20  | 791 - 821 MHz       | -52 dBm | 1 MHz | This requirement does not apply to BS operating in band 20/n20, 28/n28.   |
|  | 832 - 862 MHz       | -49 dBm | 1 MHz | This requirement does not apply to BS operating in band 20/n20, since it is already covered by the requirement in subclause 6.6.1.2.  |
|  | 3510 - 3590 MHz     | -52 dBm | 1 MHz | This requirement does not apply to BS operating in band 22, 42, 48, 49, n77 or n78.   |

|  |                     |         |       |  |
|--|---------------------|---------|-------|--|
| UTRA FDD Band XXII or E-UTRA Band 22               | 3410 – 3490 MHz     | -49 dBm | 1 MHz | This requirement does not apply to BS operating in band 22, since it is already covered by the requirement in subclause 6.6.1.2. This requirement does not apply to Band 42.   |
| E-UTRA Band 24                                     | 1525 – 1559 MHz     | -52 dBm | 1 MHz | This requirement does not apply to BS operating in band 24.  |
|  | 1626.5 – 1660.5 MHz | -49 dBm | 1 MHz | This requirement does not apply to BS operating in band 24, since it is already covered by the requirement in subclause 6.6.1.2.   |
| UTRA FDD Band XXV or E-UTRA Band 25 or NR Band n25 | 1930 - 1995 MHz     | -52 dBm | 1 MHz | This requirement does not apply to BS operating in band 2/n2, 25/n25, 70/n70.  |
|  | 1850 - 1915 MHz     | -49 dBm | 1 MHz | This requirement does not apply to BS operating in band 25/n25, since it is already covered by the requirement in sub-clause 6.6.1.2. For BS operating in Band 2/n2, it applies for 1910 MHz to 1915 MHz, while the rest is covered in sub-clause 6.6.1.2.   |
| UTRA FDD Band XXVI or E-UTRA Band 26               | 859 - 894 MHz       | -52 dBm | 1 MHz | This requirement does not apply to BS operating in band 5/n5 or 26. This requirement applies to E-UTRA BS operating in Band 27 for the frequency range 879-894 MHz.  |
|  | 814 - 849 MHz       | -49 dBm | 1 MHz | This requirement does not apply to BS operating in band 26, since it is already covered by the requirement in sub-clause 6.6.1.2. For BS operating in Band 5/n5, it applies for 814 MHz to 824 MHz, while the rest is covered in sub-clause 6.6.1.2. For BS operating in Band 27, it applies 3 MHz below the Band 27 downlink operating band.  |
| E-UTRA Band 27                                     | 852 – 869 MHz       | -52 dBm | 1 MHz | This requirement does not apply to BS operating in bands 5/n5, 26 or 27.   |
|  | 807 – 824 MHz       | -49 dBm | 1 MHz | This requirement does not apply to BS operating in band 27, since it is already covered by the requirement in subclause 6.6.1.2. For BS operating in Band 26, it applies for 807 MHz to 814 MHz, while the rest is covered in sub-clause 6.6.1.2. This requirement also applies to BS operating in Band 28/n28, starting 4 MHz above the Band 28/n28 downlink operating band (Note 6). |
| E-UTRA Band 28 or NR Band n28                      | 758 - 803 MHz       | -52 dBm | 1 MHz | This requirement does not apply to BS operating in band 20/n20, 28/n28, 44, 67 or 68.  |
|  | 703 - 748 MHz       | -49 dBm | 1 MHz | This requirement does not apply to BS operating in band 28/n28, since it is already covered by the requirement in sub-clause 6.6.1.2. This requirement does not apply to BS operating in Band 44. For BS operating in Band 67, it applies for 703-736MHz. For E-UTRA BS operating in Band 68, it applies for 728MHz to 733MHz.   |
| E-UTRA Band 29                                     | 717 – 728 MHz       | -52 dBm | 1 MHz | This requirement does not apply to BS operating in Band 29 or 85.  |
| E-UTRA Band 30                                     | 2350 - 2360 MHz     | -52 dBm | 1 MHz | This requirement does not apply to BS operating in band 30 or 40/n40.  |
|  | 2305 - 2315 MHz     | -49 dBm | 1 MHz | This requirement does not apply to BS operating in band 30, since it is already covered by the requirement in sub-clause 6.6.1.2. This requirement does not apply to BS operating in Band 40.  |
| E-UTRA Band 31                                     | 462.5 – 467.5 MHz   | -52 dBm | 1 MHz | This requirement does not apply to BS operating in band 31, 72 or 73.  |
|  | 452.5 – 457.5 MHz   | -49 dBm | 1 MHz | This requirement does not apply to BS operating in band 31, since it is already covered by the requirement in sub-clause 6.6.1.2. This requirement does not apply to BS operating in band 72 or 73.  |
| UTRA FDD Band XXXII or E-UTRA Band 32              | 1452 - 1496 MHz     | -52 dBm | 1 MHz | This requirement does not apply to BS operating in band 11, 21, 32, 50/n50, 74/n74, 75/n75.  |
| UTRA TDD Band a) or E-UTRA Band 33                 | 1900 - 1920 MHz     | -52 dBm | 1 MHz | This requirement does not apply to BS operating in Band 33   |

|   |                 |         |       |   |
|---|-----------------|---------|-------|---|
| UTRA TDD Band a) or E-UTRA Band 34 or NR Band n34 | 2010 - 2025 MHz | -52 dBm | 1 MHz | This requirement does not apply to BS operating in Band 34/n34  |
| UTRA TDD Band b) or E-UTRA Band 35                | 1850 – 1910 MHz | -52 dBm | 1 MHz | This requirement does not apply to BS operating in Band 35  |
| UTRA TDD Band b) or E-UTRA Band 36                | 1930 - 1990 MHz | -52 dBm | 1 MHz | This requirement does not apply to BS operating in Band 2/n2, 25/n25 or 36  |
| UTRA TDD Band c) or E-UTRA Band 37                | 1910 - 1930 MHz | -52 dBm | 1 MHz | This is not applicable to BS operating in Band 37. This unpaired band is defined in ITU-R M.1036, but is pending any future deployment.   |
| UTRA TDD Band d) or E-UTRA Band 38 or NR Band n38 | 2570 – 2620 MHz | -52 dBm | 1 MHz | This requirement does not apply to BS operating in Band 38/n38 or 69.   |
| UTRA TDD Band f) or E-UTRA Band 39 or NR Band n39 | 1880 – 1920MHz  | -52 dBm | 1 MHz | This is not applicable to BS operating in Band 39/n39   |
| UTRA TDD Band e) or E-UTRA Band 40 or NR Band n40 | 2300 – 2400MHz  | -52 dBm | 1 MHz | This is not applicable to BS operating in Band 30 or 40/n40   |
| E-UTRA Band 41 or NR Band n41                     | 2496 – 2690MHz  | -52 dBm | 1 MHz | This is not applicable to BS operating in Band 41/n41   |
| E-UTRA Band 42                                    | 3400 – 3600 MHz | -52 dBm | 1 MHz | This is not applicable to BS operating in Band 22, 42, 43, 48, 49, 52, n77 or n78   |
| E-UTRA Band 43                                    | 3600 – 3800 MHz | -52 dBm | 1 MHz | This is not applicable to BS operating in Band 42, 43, 48, 49, n77 or n78   |
| E-UTRA Band 44                                    | 703 - 803 MHz   | -52 dBm | 1 MHz | This is not applicable to BS operating in Band 28/n28 or 44   |
| E-UTRA Band 45                                    | 1447 - 1467 MHz | -52 dBm | 1 MHz | This is not applicable to BS operating in Band 45   |
| E-UTRA Band 46                                    | 5150 - 5925 MHz | -52 dBm | 1 MHz | This is not applicable to BS operating in Band 46   |
| E-UTRA Band 47                                    | 5855 - 5925 MHz | -52 dBm | 1 MHz |   |
| E-UTRA Band 48                                    | 3550 - 3700 MHz | -52 dBm | 1 MHz | This is not applicable to BS operating in Band 22, 42, 43, 48, 49, n77 or n78.  |
| E-UTRA Band 49                                    | 3550 - 3700 MHz | -52 dBm | 1 MHz | This is not applicable to BS operating in Band 22, 42, 43, 48, 49, n77 or n78.  |
| E-UTRA Band 50 or NR Band n50                     | 1432 - 1517 MHz | -52 dBm | 1 MHz | This requirement does not apply to BS operating in Band 11, 21, 32, 45, 50/n50, 51/n51, 74/n74, 75/n75, 76/n76.   |
| E-UTRA Band 51 or NR Band n51                     | 1427 - 1432 MHz | -52 dBm | 1 MHz | This requirement does not apply to BS operating in Band 50/n50, 51/n51, 75/n75, 76/n76.   |
| E-UTRA Band 52                                    | 3300 – 3400 MHz | -52 dBm | 1 MHz | This is not applicable to BS operating in Band 42 or 52   |
| E-UTRA Band 65                                    | 2110 - 2200 MHz | -52 dBm | 1 MHz | This requirement does not apply to BS operating in band 1/n1 or 65,   |
|   | 1920 - 2010 MHz | -49 dBm | 1 MHz | This requirement does not apply to BS operating in band 65, since it is already covered by the requirement in sub-clause 6.6.1.2. For BS operating in Band 1, it applies for 1980 MHz to 2010 MHz, while the rest is covered in sub-clause 6.6.1.2. |
|   | 2110 - 2200 MHz | -52 dBm | 1 MHz | This requirement does not apply to BS operating in band 4, 10, 23, 66/n66.  |



|                               |                     |         |       |  |
|-------------------------------|---------------------|---------|-------|--|
| E-UTRA Band 66 or NR Band n66 | 1710 - 1780 MHz     | -49 dBm | 1 MHz | This requirement does not apply to BS operating in band 66/n66, since it is already covered by the requirement in sub-clause 6.6.1.2. For BS operating in Band 4, it applies for 1755 MHz to 1780 MHz, while the rest is covered in sub-clause 6.6.1.2. For BS operating in Band 10, it applies for 1770 MHz to 1780 MHz, while the rest is covered in sub-clause 6.6.1.2. |
| E-UTRA Band 67                | 738 – 758 MHz       | -52 dBm | 1 MHz | This requirement does not apply to BS operating in band 28/n28 or 67.  |
| E-UTRA Band 68                | 753 -783 MHz        | -52 dBm | 1 MHz | This requirement does not apply to BS operating in band 28/n28, or 68.   |
|                               | 698-728 MHz         | -49 dBm | 1 MHz | This requirement does not apply to BS operating in band 68, since it is already covered by the requirement in sub-clause 6.6.1.2. For BS operating in Band 28/n28, it applies between 698 MHz and 703 MHz, while the rest is covered in sub-clause 6.6.1.2.  |
| E-UTRA Band 69                | 2570 - 2620 MHz     | -52 dBm | 1 MHz | This requirement does not apply to BS operating in Band 38 or 69.  |
| E-UTRA Band 70 or NR Band n70 | 1995 - 2020 MHz     | -52 dBm | 1 MHz | This requirement does not apply to BS operating in band 2/n2, 25/n25, 70/n70   |
|                               | 1695 – 1710 MHz     | -49 dBm | 1 MHz | This requirement does not apply to BS operating in band 70/n70, since it is already covered by the requirement in sub-clause 6.6.1.2   |
| E-UTRA Band 71 or NR Band n71 | 617 – 652 MHz       | -52 dBm | 1 MHz | This requirement does not apply to BS operating in band 71/n71   |
|                               | 663 – 698 MHz       | -49 dBm | 1 MHz | This requirement does not apply to BS operating in band 71/n71, since it is already covered by the requirement in sub-clause 6.6.1.2   |
| E-UTRA Band 72                | 461 - 466 MHz       | -52 dBm | 1 MHz | This requirement does not apply to BS operating in band 31, 72 or 73.  |
|                               | 451 - 456 MHz       | -49 dBm | 1 MHz | This requirement does not apply to BS operating in band 72, since it is already covered by the requirement in sub-clause 6.6.1.2. This requirement does not apply to BS operating in band 73.  |
| E-UTRA Band 73                | 460 - 465 MHz       | -52 dBm | 1 MHz | This requirement does not apply to BS operating in band 31, 72 or 73.  |
|                               | 450 - 455 MHz       | -49 dBm | 1 MHz | This requirement does not apply to BS operating in band 73, since it is already covered by the requirement in sub-clause 6.6.1.2.  |
| E-UTRA Band 74 or NR band n74 | 1475 – 1518 MHz     | -52 dBm | 1 MHz | This requirement does not apply to BS operating in band 11, 21, 32, 50/n50, 74/n74, 75/n75.  |
|                               | 1427 – 1470 MHz     | -49 dBm | 1MHz  | This requirement does not apply to BS operating in Band 74 or n74, since it is already covered by the requirement in sub-clause 6.6.1.2. This requirement does not apply to BS operating in band 32, 45, 50/n50, 51/n51, 75/n75, 76/n76.   |
| E-UTRA Band 75 or NR Band n75 | 1432 - 1517 MHz     | -52 dBm | 1 MHz | This requirement does not apply to BS operating in Band 11, 21, 32, 45, 50/n50, 51/n51, 74/n74, 75/n75, 76/n76.  |
| E-UTRA Band 76 or NR Band n76 | 1427 - 1432 MHz     | -52 dBm | 1 MHz | This requirement does not apply to BS operating in Band 50/n50, 51/n51, 75/n75, 76/n76.  |
| NR Band n77                   | 3300 MHz – 4200 MHz | -52 dBm | 1 MHz | This is not applicable to BS operating in Band 42, 43, 48, 49, n77 or n78  |
| NR Band n78                   | 3300 MHz – 3800 MHz | -52 dBm | 1 MHz | This is not applicable to BS operating in Band 42, 43, 48, 49, n77 or n78  |
| NR Band n80                   | 1710 - 1785 MHz     | -49 dBm | 1 MHz | This requirement does not apply to BS operating in band 3/n3, since it is already covered by the requirement in sub-clause 6.6.1.2. For BS operating in band 9, it applies for 1710 MHz to 1749.9 MHz and 1784.9 MHz to 1785 MHz, while the rest is covered in sub-clause 6.6.1.2.   |
| NR Band n81                   | 880 - 915 MHz       | -49 dBm | 1 MHz | This requirement does not apply to BS operating in band 8/n8, since it is already covered by the requirement in sub-clause 6.6.1.2.  |

|                |                 |         |       |  |
|----------------|-----------------|---------|-------|--|
| NR Band n82    | 832 - 862 MHz   | -49 dBm | 1 MHz | This requirement does not apply to BS operating in band 20/n20, since it is already covered by the requirement in subclause 6.6.1.2.   |
| NR Band n83    | 703 - 748 MHz   | -49 dBm | 1 MHz | This requirement does not apply to BS operating in band 28/n28, since it is already covered by the requirement in sub-clause 6.6.1.2. This requirement does not apply to BS operating in Band 44. For BS operating in Band 67, it applies for 703-736MHz. For E-UTRA BS operating in Band 68, it applies for 728MHz to 733MHz.   |
| NR Band n84    | 1920 - 1980 MHz | -49 dBm | 1 MHz | This requirement does not apply to BS operating in band 1/n1 or 65, since it is already covered by the requirement in sub-clause 6.6.1.2.  |
| E-UTRA Band 85 | 728 - 746 MHz   | -52 dBm | 1 MHz | This requirement does not apply to BS operating in band 12/n12, 29 or 85.  |
|                | 698 - 716 MHz   | -49 dBm | 1 MHz | This requirement does not apply to BS operating in band 85, since it is already covered by the requirement in sub-clause 6.6.1.2. For BS operating in Band 29, it applies 1 MHz below the Band 29 downlink operating band (Note 7).  |
| NR Band n86    | 1710 - 1780 MHz | -49 dBm | 1 MHz | This requirement does not apply to BS operating in band 66/n66, since it is already covered by the requirement in sub-clause 6.6.1.2. For BS operating in Band 4, it applies for 1755 MHz to 1780 MHz, while the rest is covered in sub-clause 6.6.1.2. For BS operating in Band 10, it applies for 1770 MHz to 1780 MHz, while the rest is covered in sub-clause 6.6.1.2. |
| NOTE 5: Void   |                 |         |       |  |

NOTE 1: As defined in the scope for spurious emissions in this subclause, except for the cases where the noted requirements apply to a BS operating in Band 25/n25, Band 27, Band 28/n28 or Band 29, the co-existence requirements in Table 6.6.1.3.1-1 do not apply for the 10 MHz frequency range immediately outside the downlink operating band (see Tables 4.5-1 and 4.5-2). Emission limits for this excluded frequency range may be covered by local or regional requirements.

NOTE 2: Table 6.6.1.3.1-1 assumes that two operating bands, where the frequency ranges in Table 4.5-1 or Table 4.5-2 would be overlapping, are not deployed in the same geographical area. For such a case of operation with overlapping frequency arrangements in the same geographical area, special co-existence requirements may apply that are not covered by the 3GPP specifications.

NOTE 3: For the protection of DCS1800, UTRA Band III, E-UTRA Band 3 or NR Band n3 in China, the frequency ranges of the downlink and uplink protection requirements are 1805 – 1850 MHz and 1710 – 1755 MHz respectively.

NOTE 4: TDD base stations deployed in the same geographical area, that are synchronized and use the same or adjacent operating bands can transmit without additional co-existence requirements. For unsynchronized base stations (except in Band 46), special co-existence requirements may apply that are not covered by the 3GPP specifications.

NOTE 6: For Band 28/n28 BS, specific solutions may be required to fulfil the spurious emissions limits for BS for co-existence with Band 27 UL operating band.

NOTE 7: For Band 29 BS, specific solutions may be required to fulfil the spurious emissions limits for BS for co-existence with UTRA Band XII or E-UTRA Band 12 UL operating band or E-UTRA Band 17 UL operating band or E-UTRA Band 85 UL operating band.

The following requirement may be applied for the protection of PHS. This requirement is also applicable at specified frequencies falling between  $\Delta f_{\text{OBUE}}$  below the lowest BS transmitter frequency of the downlink operating band and  $\Delta f_{\text{OBUE}}$  above the highest BS transmitter frequency of the downlink operating band.

The power of any spurious emission shall not exceed:

**Table 6.6.1.3.1-2: BS Spurious emissions limits for BS for co-existence with PHS**

| Frequency range                                   | Maximum Level | Measurement Bandwidth | Note   |
|---|---------------|-----------------------|--|
| 1884.5 - 1915.7 MHz                               | -41 dBm       | 300 kHz               | Applicable for co-existence with PHS system operating in 1884.5-1915.7 MHz |
| NOTE: The requirement is not applicable in China. |               |                       |  |

The following requirement may apply to E-UTRA BS operating in Band 41 in certain regions. This requirement is also applicable at the frequency range from 10 MHz below the lowest frequency of the BS downlink operating band up to 10 MHz above the highest frequency of the BS downlink operating band.

The power of any spurious emission shall not exceed:

**Table 6.6.1.3.1-3: Additional BS Spurious emissions limits for Band 41**

| Frequency range  | Maximum Level | Measurement Bandwidth | Note   |
|--|---------------|-----------------------|--|
| 2505MHz – 2535MHz  | -42dBm        | 1 MHz                 |  |
| 2535MHz – 2655MHz  | -22dBm        | 1 MHz                 | Applicable at offsets $\geq 250\%$ of channel bandwidth from carrier frequency |
| NOTE: This requirement applies for 10 or 20 MHz E-UTRA carriers allocated within 2545-2575MHz or 2595-2645MHz. |               |                       |  |

The following requirement may apply to BS operating in Band 30 in certain regions. This requirement is also applicable at the frequency range from 10 MHz below the lowest frequency of the BS downlink operating band up to 10 MHz above the highest frequency of the BS downlink operating band.

The power of any spurious emission shall not exceed:

**Table 6.6.1.3.1-4: Additional BS Spurious emissions limits for Band 30**

| Frequency range     | Maximum Level | Measurement Bandwidth | Note |
|---------------------|---------------|-----------------------|------|
| 2200MHz – 2345MHz   | -45dBm        | 1 MHz                 |      |
| 2362.5MHz – 2365MHz | -25dBm        | 1 MHz                 |      |
| 2365MHz – 2367.5MHz | -40dBm        | 1 MHz                 |      |
| 2367.5MHz – 2370MHz | -42dBm        | 1 MHz                 |      |
| 2370MHz – 2395MHz   | -45dBm        | 1 MHz                 |      |

The following requirement may apply to BS operating in Band 48 in certain regions. The power of any spurious emission shall not exceed:

**Table 6.6.1.3.1-5: Additional BS Spurious emissions limits for Band 48**

| Frequency range                        | Maximum Level | Measurement Bandwidth | Note  |
|--|---------------|-----------------------|---|
| 3530MHz – 3720MHz                      | -25dBm        | 1 MHz                 | Applicable 10MHz from the assigned channel edge |
| 3100MHz – 3530MHz<br>3720MHz – 4200MHz | -40dBm        | 1 MHz                 |   |

In addition to the requirements in subclauses 6.6.1.1, 6.6.1.2 and above in the present subclause, the BS may have to comply with the applicable emission limits established by FCC Title 47 [8], when deployed in regions where those limits are applied, and under the conditions declared by the manufacturer.

#### 6.6.1.4 Co-location with other base stations

These requirements may be applied for the protection of other BS receivers when GSM900, DCS1800, PCS1900, GSM850, CDMA850, UTRA FDD, UTRA TDD, E-UTRA, E-UTRA with NB-IoT, NB-IoT BS and/or NR are co-located with a BS.

The requirements assume a 30 dB coupling loss between transmitter and receiver and are based on co-location with base stations of the same class.

NOTE: For co-location with UTRA, the requirements are based on co-location with UTRA FDD or TDD base stations.

##### 6.6.1.4.1 Minimum Requirement

The power of any spurious emission shall not exceed the limits of Table 6.6.1.4.1-1 for a BS where requirements for co-location with a BS type listed in the first column apply, depending on the declared Base Station class. For BS capable of multi-band operation, the exclusions and conditions in the Note column of Table 6.6.1.4.1-1 apply for each supported operating band. For BS capable of multi-band operation where multiple bands are mapped on separate antenna connectors, the exclusions and conditions in the Note column of Table 6.6.1.4.1-1 apply for the operating band supported at that antenna connector.

**Table 6.6.1.4.1-1: BS Spurious emissions limits for BS co-located with another BS**

| Type of co-located BS                              | Frequency range for co-location requirement | Maximum Level (WA-BS) | Maximum Level (MR-BS) | Maximum Level (LA-BS) | Measurement Bandwidth | Note  |
|--|---|-----------------------|-----------------------|-----------------------|-----------------------|---|
| GSM900   | 876-915 MHz                                 | -98 dBm               | -91 dBm               | -88 dBm               | 100 kHz               |   |
| DCS1800  | 1710 - 1785 MHz                             | -98 dBm               | -91 dBm               | -88 dBm               | 100 kHz               |   |
| PCS1900  | 1850 - 1910 MHz                             | -98 dBm               | -91 dBm               | -88 dBm               | 100 kHz               |   |
| GSM850 or CDMA850                                  | 824 - 849 MHz                               | -98 dBm               | -91 dBm               | -88 dBm               | 100 kHz               |   |
| UTRA FDD Band I or E-UTRA Band 1 or NR Band n1     | 1920 - 1980 MHz                             | -96 dBm               | -91 dBm               | -88 dBm               | 100 kHz               |   |
| UTRA FDD Band II or E-UTRA Band 2 or NR Band n2    | 1850 - 1910 MHz                             | -96 dBm               | -91 dBm               | -88 dBm               | 100 kHz               |   |
| UTRA FDD Band III or E-UTRA Band 3 or NR Band n3   | 1710 - 1785 MHz                             | -96 dBm               | -91 dBm               | -88 dBm               | 100 kHz               |   |
| UTRA FDD Band IV or E-UTRA Band 4                  | 1710 - 1755 MHz                             | -96 dBm               | -91 dBm               | -88 dBm               | 100 kHz               |   |
| UTRA FDD Band V or E-UTRA Band 5 or NR Band n5     | 824 - 849 MHz                               | -96 dBm               | -91 dBm               | -88 dBm               | 100 kHz               |   |
| UTRA FDD Band VI, XIX or E-UTRA Band 6, 19         | 830 - 845 MHz                               | -96 dBm               | -91 dBm               | -88 dBm               | 100 kHz               |   |
| UTRA FDD Band VII or E-UTRA Band 7 or NR Band n7   | 2500 - 2570 MHz                             | -96 dBm               | -91 dBm               | -88 dBm               | 100 kHz               |   |
| UTRA FDD Band VIII or E-UTRA Band 8 or NR Band n8  | 880 - 915 MHz                               | -96 dBm               | -91 dBm               | -88 dBm               | 100 kHz               |   |
| UTRA FDD Band IX or E-UTRA Band 9                  | 1749.9 - 1784.9 MHz                         | -96 dBm               | -91 dBm               | -88 dBm               | 100 kHz               |   |
| UTRA FDD Band X or E-UTRA Band 10                  | 1710 - 1770 MHz                             | -96 dBm               | -91 dBm               | -88 dBm               | 100 kHz               |   |
| UTRA FDD Band XI or E-UTRA Band 11                 | 1427.9 - 1447.9 MHz                         | -96 dBm               | -91 dBm               | -88 dBm               | 100 kHz               | This is not applicable to BS operating in Band 50/n50, 51/n51, 75/n75, 76/n76 |
| UTRA FDD Band XII or E-UTRA Band 12 or NR Band n12 | 699 - 716 MHz                               | -96 dBm               | -91 dBm               | -88 dBm               | 100 kHz               |   |
| UTRA FDD Band XIII or E-UTRA Band 13               | 777 - 787 MHz                               | -96 dBm               | -91 dBm               | -88 dBm               | 100 kHz               |   |
| UTRA FDD Band XIV or E-UTRA Band 14                | 788 - 798 MHz                               | -96 dBm               | -91 dBm               | -88 dBm               | 100 kHz               |   |
| E-UTRA Band 17                                     | 704 - 716 MHz                               | -96 dBm               | -91 dBm               | -88 dBm               | 100 kHz               |   |
| E-UTRA Band 18                                     | 815 - 830 MHz                               | -96 dBm               | -91 dBm               | -88 dBm               | 100 kHz               |   |

|  |                     |         |         |         |         |   |
|--|---------------------|---------|---------|---------|---------|---|
| UTRA FDD Band XX or E-UTRA Band 20 or NR Band n20  | 832 - 862 MHz       | -96 dBm | -91 dBm | -88 dBm | 100 kHz |   |
| UTRA FDD Band XXI or E-UTRA Band 21                | 1447.9 – 1462.9 MHz | -96 dBm | -91 dBm | -88 dBm | 100 kHz | This is not applicable to BS operating in Band 32, 50/n50, 75/n75   |
| UTRA FDD Band XXII or E-UTRA Band 22               | 3410 – 3490 MHz     | -96 dBm | -91 dBm | -88 dBm | 100 kHz | This is not applicable to BS operating in Band 42, n77 or n78   |
| E-UTRA Band 23                                     | 2000 - 2020 MHz     | -96 dBm | -91 dBm | -88 dBm | 100 kHz |   |
| E-UTRA Band 24                                     | 1626.5 – 1660.5 MHz | -96 dBm | -91 dBm | -88 dBm | 100 kHz |   |
| UTRA FDD Band XXV or E-UTRA Band 25 or NR Band n25 | 1850 - 1915 MHz     | -96 dBm | -91 dBm | -88 dBm | 100 kHz |   |
| UTRA FDD Band XXVI or E-UTRA Band 26               | 814 - 849 MHz       | -96 dBm | -91 dBm | -88 dBm | 100 kHz |   |
| E-UTRA Band 27                                     | 807 - 824 MHz       | -96 dBm | -91 dBm | -88 dBm | 100 kHz |   |
| E-UTRA Band 28 or NR Band n28                      | 703 – 748 MHz       | -96 dBm | -91 dBm | -88 dBm | 100 kHz | This is not applicable to BS operating in Band 44   |
| E-UTRA Band 30                                     | 2305 - 2315 MHz     | -96 dBm | -91 dBm | -88 dBm | 100 kHz | This is not applicable to BS operating in Band 40/n40   |
| E-UTRA Band 31                                     | 452.5 – 457.5 MHz   | -96 dBm | -91 dBm | -88 dBm | 100 kHz |   |
| UTRA TDD Band a) or E-UTRA Band 33                 | 1900 - 1920 MHz     | -96 dBm | -91 dBm | -88 dBm | 100 kHz | This is not applicable to BS operating in Band 33   |
| UTRA TDD Band a) or E-UTRA Band 34 or NR Band n34  | 2010 - 2025 MHz     | -96 dBm | -91 dBm | -88 dBm | 100 kHz | This is not applicable to BS operating in Band 34/n34   |
| UTRA TDD Band b) or E-UTRA Band 35                 | 1850 – 1910 MHz     | -96 dBm | -91 dBm | -88 dBm | 100 kHz | This is not applicable to BS operating in Band 35   |
| UTRA TDD Band b) or E-UTRA Band 36                 | 1930 - 1990 MHz     | -96 dBm | -91 dBm | -88 dBm | 100 kHz | This is not applicable to BS operating in Band 2, n2 and 36   |
| UTRA TDD Band c) or E-UTRA Band 37                 | 1910 - 1930 MHz     | -96 dBm | -91 dBm | -88 dBm | 100 kHz | This is not applicable to BS operating in Band 37. This unpaired band is defined in ITU-R M.1036, but is pending any future deployment. |

|   |                 |         |         |         |         |  |
|---|-----------------|---------|---------|---------|---------|--|
| UTRA TDD Band d) or E-UTRA Band 38 or NR Band n38 | 2570 – 2620 MHz | -96 dBm | -91 dBm | -88 dBm | 100 kHz | This is not applicable to BS operating in Band 38/n38.                                     |
| UTRA TDD Band f) or E-UTRA Band 39 or NR Band n39 | 1880 – 1920MHz  | -96 dBm | -91 dBm | -88 dBm | 100 kHz | This is not applicable to BS operating in Band 33 and 39/n39                               |
| UTRA TDD Band e) or E-UTRA Band 40 or NR Band n40 | 2300 – 2400MHz  | -96 dBm | -91 dBm | -88 dBm | 100 kHz | This is not applicable to BS operating in Band 30 or 40/n40                                |
| E-UTRA Band 41 or NR Band n41                     | 2496 – 2690MHz  | -96 dBm | -91 dBm | -88 dBm | 100 kHz | This is not applicable to BS operating in Band 41/n41                                      |
| E-UTRA Band 42                                    | 3400 – 3600 MHz | -96 dBm | -91 dBm | -88 dBm | 100 kHz | This is not applicable to BS operating in Band 22, 42, 43, 48, 49, 52, n77 or n78          |
| E-UTRA Band 43                                    | 3600 – 3800 MHz | -96 dBm | -91 dBm | -88 dBm | 100 kHz | This is not applicable to BS operating in Band 42, 43, 48, 49, n77 or n78                  |
| E-UTRA Band 44                                    | 703 – 803 MHz   | -96 dBm | -91 dBm | -88 dBm | 100 kHz | This is not applicable to BS operating in Band 28/n28 or 44                                |
| E-UTRA Band 45                                    | 1447 – 1467 MHz | -96 dBm | -91 dBm | -88 dBm | 100 kHz | This is not applicable to BS operating in Band 45  |
| E-UTRA Band 46                                    | 5150 – 5925 MHz | N/A     | -91 dBm | -88 dBm | 100 kHz | This is not applicable to BS operating in Band 46  |
| E-UTRA Band 48                                    | 3550 – 3700 MHz | -96 dBm | -91 dBm | -88 dBm | 100 kHz | This is not applicable to BS operating in Band 42, 43, 48, 49, n77 or n78                  |
| E-UTRA Band 49                                    | 3550 – 3700 MHz | N/A     | N/A     | -88 dBm | 100 kHz | This is not applicable to BS operating in Band 42, 43, 48, 49, n77 or n78                  |
| E-UTRA Band 50 or NR Band n50                     | 1432 – 1517 MHz | -96 dBm | -91 dBm | -88 dBm | 100 kHz | This is not applicable to BS operating in Band 11, 21, 32, 51, n51, 74/n74, 75/n75, 76/n76 |
| E-UTRA Band 51 or NR Band n51                     | 1427 – 1432 MHz | N/A     | N/A     | -88 dBm | 100 kHz | This is not applicable to BS operating in Band 50/n50, 75/n75, 76/n76                      |
| E-UTRA Band 52                                    | 3300 – 3400 MHz | -96 dBm | -91 dBm | -88 dBm | 100 kHz | This is not applicable to BS operating in Band 42 or 52                                    |
| E-UTRA Band 65                                    | 1920 - 2010 MHz | -96 dBm | -91 dBm | -88 dBm | 100 kHz |  |



|                               |                     |         |         |         |         |   |
|-------------------------------|---------------------|---------|---------|---------|---------|---|
| E-UTRA Band 66 or NR Band n66 | 1710 – 1780 MHz     | -96 dBm | -91 dBm | -88 dBm | 100 kHz |   |
| E-UTRA Band 68                | 698 – 728 MHz       | -96 dBm | -91 dBm | -88 dBm | 100 kHz |   |
| E-UTRA Band 70 or NR Band n70 | 1695 – 1710 MHz     | -96 dBm | -91 dBm | -88 dBm | 100 kHz |   |
| E-UTRA Band 71 or NR Band n71 | 663 – 698 MHz       | -96 dBm | -91 dBm | -88 dBm | 100 kHz |   |
| E-UTRA Band 72                | 451 – 456 MHz       | -96 dBm | -91 dBm | -88 dBm | 100 kHz |   |
| E-UTRA Band 73                | 450 – 455 MHz       | -96 dBm | -91 dBm | -88 dBm | 100 kHz |   |
| E-UTRA Band 74 or NR band n74 | 1427 – 1470 MHz     | -96 dBm | -91 dBm | -88 dBm | 100 kHz | This is not applicable to BS operating in Band 50/n50, 51/n51             |
| NR Band n77                   | 3300 MHz – 4200 MHz | -96 dBm | -91 dBm | -88 dBm | 100 kHz | This is not applicable to BS operating in Band 42 43, 48, 49, n77 or n78  |
| NR Band n78                   | 3300 MHz – 3800 MHz | -96 dBm | -91 dBm | -88 dBm | 100 kHz | This is not applicable to BS operating in Band 42, 43, 48, 49, n77 or n78 |
| NR Band n80                   | 1710 – 1785 MHz     | -96 dBm | -91 dBm | -88 dBm | 100 kHz |   |
| NR Band n81                   | 880 – 915 MHz       | -96 dBm | -91 dBm | -88 dBm | 100 kHz |   |
| NR Band n82                   | 832 – 862 MHz       | -96 dBm | -91 dBm | -88 dBm | 100 kHz |   |
| NR Band n83                   | 703 – 748 MHz       | -96 dBm | -91 dBm | -88 dBm | 100 kHz | This is not applicable to BS operating in Band 44                         |
| NR Band n84                   | 1920 – 1980 MHz     | -96 dBm | -91 dBm | -88 dBm | 100 kHz |   |
| E-UTRA Band 85                | 698 - 716 MHz       | -96 dBm | -91 dBm | -88 dBm | 100 kHz |   |
| NR Band n86                   | 1710 – 1780 MHz     | -96 dBm | -91 dBm | -88 dBm | 100 kHz |   |

NOTE 1: As defined in the scope for spurious emissions in this subclause, the co-location requirements in Table 6.6.1.4.1-1 do not apply for the  $\Delta f_{\text{OBUE}}$  frequency range immediately outside the BS transmit frequency range of a downlink operating band (see Tables 4.5-1 and 4.5-2). The current state-of-the-art technology does not allow a single generic solution for co-location with other system on adjacent frequencies for 30 dB BS-BS minimum coupling loss. However, there are certain site-engineering solutions that can be used. These techniques are addressed in TR 25.942 [7].

NOTE 2: Table 6.6.1.4.1-1 assumes that two operating bands, where the corresponding BS transmit and receive frequency ranges in Table 4.5-1 or Table 4.5-2 would be overlapping, are not deployed in the same geographical area. For such a case of operation with overlapping frequency arrangements in the same geographical area, special co-location requirements may apply that are not covered by the 3GPP specifications.

NOTE 3: Co-located TDD base stations that are synchronized and using the same or adjacent operating band can transmit without special co-locations requirements. For unsynchronized base stations, special co-location requirements may apply that are not covered by the 3GPP specifications.

## 6.6.2 Operating band unwanted emissions

Unless otherwise stated, the Operating band unwanted emission limits are defined from  $\Delta f_{\text{OBUE}}$  below the lowest frequency of each supported downlink operating band to the lower Base Station RF Bandwidth edge located at  $F_{\text{BW RF,low}}$  and from the upper Base Station RF Bandwidth edge located at  $F_{\text{BW RF,high}}$  up to  $\Delta f_{\text{OBUE}}$  above the highest frequency of each supported downlink operating band. The values of  $\Delta f_{\text{OBUE}}$  are defined in table 6.6-1. The requirements shall apply whatever the type of transmitter considered and for all transmission modes foreseen by the manufacturer's

specification, except for any operating band with GSM/EDGE single RAT operation. The requirements in TS 45.005 [5] as defined in subclause 6.6.2.3 apply to an MSR Base Station for any operating band with GSM/EDGE single RAT operation in Band Category 2.

For BS capable of multi-band operation where multiple bands are mapped on separate antenna connectors, the single-band requirements apply and the cumulative evaluation of the emission limit in the Inter-RF Bandwidth gap are not applicable.

### 6.6.2.1 General minimum requirement for Band Categories 1 and 3

For a Wide Area BS operating in Band Category 1 or Band Category 3 the requirement applies outside the Base Station RF Bandwidth edges. In addition, for a Wide Area BS operating in non-contiguous spectrum, it applies inside any sub-block gap. In addition, for a Wide Area BS operating in multiple bands, the requirements apply inside any Inter RF Bandwidth gap.

For a Medium Range BS operating in Band Category 1 the requirement applies outside the Base Station RF Bandwidth edges. In addition, for a Medium Range BS operating in non-contiguous spectrum, it applies inside any sub-block gap. In addition, for a Medium Range BS operating in multiple bands, the requirements apply inside any Inter RF Bandwidth gap.

For a Local Area BS operating in Band Category 1 the requirement applies outside the Base Station RF Bandwidth edges. In addition, for a Local Area BS operating in non-contiguous spectrum, it applies inside any sub-block gap. In addition, for a Local Area BS operating in multiple bands, the requirements apply inside any Inter RF Bandwidth gap.

Outside the Base Station RF Bandwidth edges, emissions shall not exceed the maximum levels specified in Tables 6.6.2.1-1 to 6.6.2.1-4 below, where:

- $\Delta f$  is the separation between the Base Station RF Bandwidth edge frequency and the nominal -3 dB point of the measuring filter closest to the carrier frequency.
- $f_{\text{offset}}$  is the separation between the Base Station RF Bandwidth edge frequency and the centre of the measuring filter.
- $f_{\text{offset}_{\text{max}}}$  is the offset to the frequency  $\Delta f_{\text{OBUE}}$  outside the downlink operating band.
- $\Delta f_{\text{max}}$  is equal to  $f_{\text{offset}_{\text{max}}}$  minus half of the bandwidth of the measuring filter.

For a BS operating in multiple bands, inside any Inter RF Bandwidth gaps with  $W_{\text{gap}} < 2 * \Delta f_{\text{OBUE}}$ , emissions shall not exceed the cumulative sum of the minimum requirements specified at the Base Station RF Bandwidth edges on each side of the Inter-RF Bandwidth gap. The minimum requirement for Base Station RF Bandwidth edge is specified in Table 6.6.2.1-1 to 6.6.2.1-4 below, where in this case:

- $\Delta f$  is the separation between the Base Station RF Bandwidth edge frequency and the nominal -3 dB point of the measuring filter closest to the carrier frequency.
- $f_{\text{offset}}$  is the separation between the Base Station RF Bandwidth edge frequency and the centre of the measuring filter.
- $f_{\text{offset}_{\text{max}}}$  is equal to the inter Base Station RF Bandwidth gap minus half of the bandwidth of the measuring filter.
- $\Delta f_{\text{max}}$  is equal to  $f_{\text{offset}_{\text{max}}}$  minus half of the bandwidth of the measuring filter.

For BS capable of multi-band operation where multiple bands are mapped on the same antenna connector, the operating band unwanted emission limits apply also in a supported operating band without any carriers transmitted, in the case where there are carriers transmitted in other operating band(s). In this case where there is no carrier transmitted in an operating band, the operating band unwanted emission limit, as defined in the tables of the present subclause for the largest frequency offset ( $\Delta f_{\text{max}}$ ), of a band where there is no carrier transmitted shall apply from  $\Delta f_{\text{OBUE}}$  below the lowest frequency, up to  $\Delta f_{\text{OBUE}}$  above the highest frequency of the supported downlink operating band without any carrier transmitted. And no cumulative limits are applied in the inter-band gap between a supported downlink band with carrier(s) transmitted and a supported downlink band without any carrier transmitted.

Inside any sub-block gap for a BS operating in non-contiguous spectrum, emissions shall not exceed the cumulative sum of the minimum requirements specified for the adjacent sub blocks on each side of the sub block gap. The minimum requirement for each sub block is specified in Tables 6.6.2.1-1 to 6.6.2.1-4 below, where in this case:

- $\Delta f$  is the separation between the sub block edge frequency and the nominal -3 dB point of the measuring filter closest to the sub block edge.
- $f_{\text{offset}}$  is the separation between the sub block edge frequency and the centre of the measuring filter.
- $f_{\text{offset}_{\text{max}}}$  is equal to the sub block gap bandwidth minus half of the bandwidth of the measuring filter.
- $\Delta f_{\text{max}}$  is equal to  $f_{\text{offset}_{\text{max}}}$  minus half of the bandwidth of the measuring filter.

Applicability of Wide Area operating band unwanted emission requirements in Tables 6.6.2.1-1, 6.6.2.1-1b and 6.6.2.1-1c is specified in Table 6.6.2.1-0.

**Table 6.6.2.1-0: Applicability of operating band unwanted emission requirements for BC1 and BC3 Wide Area BS**

| NR Band operation        | Standalone NB-IoT carrier adjacent to the BS RF bandwidth edge | UTRA supported (NOTE 1) | Applicable requirement table |
|--------------------------|--|-------------------------|------------------------------|
| None                     | Y/N  | Y/N                     | 6.6.2.1-1                    |
| n1                       | Y/N  | N                       | 6.6.2.1-1                    |
| Any except n1            | Y  | N                       | 6.6.2.1-1                    |
| Any below 1GHz           | N  | N                       | 6.6.2.1-1b                   |
| Any above 1GHz except n1 | N  | N                       | 6.6.2.1-1c                   |

NOTE 1: NR operation with UTRA is not supported in this specification.

**Table 6.6.2.1-1: Wide Area operating band unwanted emission mask (UEM) for BC1 and BC3 for BS not supporting NR (except for BS operating in Band n1) or (irrespective of NR support) BS with standalone NB-IoT at the BS RF bandwidth edge**

| Frequency offset of measurement filter -3dB point, $\Delta f$                  | Frequency offset of measurement filter centre frequency, $f_{\text{offset}}$                      | Minimum requirement (Note 1, 2)   | Measurement bandwidth (Note 7) |
|--|---|---|--------------------------------|
| $0 \text{ MHz} \leq \Delta f < 0.2 \text{ MHz}$                                | $0.015 \text{ MHz} \leq f_{\text{offset}} < 0.215 \text{ MHz}$                                    | -14 dBm   | 30 kHz                         |
| $0.2 \text{ MHz} \leq \Delta f < 1 \text{ MHz}$                                | $0.215 \text{ MHz} \leq f_{\text{offset}} < 1.015 \text{ MHz}$                                    | $-14 \text{ dBm} - 15 \cdot \left( \frac{f_{\text{offset}}}{\text{MHz}} - 0.215 \right) \text{ dB}$<br>(Note 4) | 30 kHz                         |
| (Note 6)   | $1.015 \text{ MHz} \leq f_{\text{offset}} < 1.5 \text{ MHz}$                                      | -26 dBm (Note 4)  | 30 kHz                         |
| $1 \text{ MHz} \leq \Delta f \leq \min(\Delta f_{\text{max}}, 10 \text{ MHz})$ | $1.5 \text{ MHz} \leq f_{\text{offset}} < \min(f_{\text{offset}_{\text{max}}}, 10.5 \text{ MHz})$ | -13 dBm (Note 4)  | 1 MHz                          |
| $10 \text{ MHz} \leq \Delta f \leq \Delta f_{\text{max}}$                      | $10.5 \text{ MHz} \leq f_{\text{offset}} < f_{\text{offset}_{\text{max}}}$                        | -15 dBm (Note 4, 8)   | 1 MHz                          |

NOTE 1: For MSR BS supporting non-contiguous spectrum operation within any operating band the minimum requirement within sub-block gaps is calculated as a cumulative sum of contributions from adjacent sub-blocks on each side of the sub-block gap, where the contribution from the far-end sub-block shall be scaled according to the measurement bandwidth of the near-end sub-block. Exception is  $\Delta f \geq 10 \text{ MHz}$  from both adjacent sub-blocks on each side of the sub-block gap, where the minimum requirement within sub-block gaps shall be -15dBm/MHz (for MSR BS supporting multi-band operation, either this limit or -16dBm/100kHz with correspondingly adjusted  $f_{\text{offset}}$  shall apply for this frequency offset range for operating bands <1GHz).

NOTE 2: For MSR BS supporting multi-band operation with Inter RF Bandwidth gap  $< 2 \times \Delta f_{\text{OBUE}}$  the minimum requirement within the Inter RF Bandwidth gaps is calculated as a cumulative sum of contributions from adjacent sub-blocks or RF Bandwidth on each side of the Inter RF Bandwidth gap, where the contribution from the far-end sub-block or RF Bandwidth shall be scaled according to the measurement bandwidth of the near-end sub-block or RF Bandwidth.

NOTE 3: For operation with a standalone NB-IoT carrier adjacent to the Base Station RF Bandwidth edge, the limits in Table 6.6.2.1-1a apply for  $0 \text{ MHz} \leq \Delta f < 0.15 \text{ MHz}$ .

NOTE 4: For MSR BS supporting multi-band operation, either this limit or -16dBm/100kHz with correspondingly adjusted  $f_{\text{offset}}$ , whichever is less stringent, shall apply for operating bands <1GHz.

**Table 6.6.2.1-1a: Wide Area operating band unwanted emission limits for operation in BC1 and BC3 with standalone NB-IoT carrier adjacent to the Base Station RF Bandwidth edge**

| Frequency offset of measurement filter -3dB point, $\Delta f$ | Frequency offset of measurement filter centre frequency, $f_{\text{offset}}$ | Minimum requirement (Note 1, 2, 3, 4)  | Measurement bandwidth (Note 7) |
|---|--|--|--------------------------------|
| $0 \text{ MHz} \leq \Delta f < 0.05 \text{ MHz}$              | $0.015 \text{ MHz} \leq f_{\text{offset}} < 0.065 \text{ MHz}$               | $Max(5dBm - 60 \cdot \left( \frac{f_{\text{offset}}}{\text{MHz}} - 0.015 \right) dB + XdB, -14dBm)$  | 30 kHz                         |
| $0.05 \text{ MHz} \leq \Delta f < 0.15 \text{ MHz}$           | $0.065 \text{ MHz} \leq f_{\text{offset}} < 0.165 \text{ MHz}$               | $Max(2dBm - 160 \cdot \left( \frac{f_{\text{offset}}}{\text{MHz}} - 0.065 \right) dB + XdB, -14dBm)$ | 30 kHz                         |

NOTE 1: The limits in this table only apply for operation with a standalone NB-IoT carrier adjacent to the Base Station RF Bandwidth edge.

NOTE 2: For MSR BS supporting non-contiguous spectrum operation within any operating band the minimum requirement within sub-block gaps is calculated as a cumulative sum of contributions from adjacent sub blocks on each side of the sub block gap.

NOTE 3: For MSR BS supporting multi-band operation with Inter RF Bandwidth gap  $< 2 \times \Delta f_{\text{OBUe}}$  the minimum requirement within the Inter RF Bandwidth gaps is calculated as a cumulative sum of contributions from adjacent sub-blocks or RF Bandwidth on each side of the Inter RF Bandwidth gap.

NOTE 4: In case the carrier adjacent to the RF bandwidth edge is a standalone NB-IoT carrier, the value of  $X = \text{PNB-IoTcarrier} - 43$ , where  $\text{PNB-IoTcarrier}$  is the power level of the standalone NB-IoT carrier adjacent to the RF bandwidth edge. In other cases,  $X = 0$ .

**Table 6.6.2.1-1b: Wide Area operating band unwanted emission mask (UEM) for BS supporting NR and neither supporting UTRA nor with a standalone NB-IoT carrier at the BS RF bandwidth edge in BC1 and BC3 bands below 1GHz**

| Frequency offset of measurement filter -3dB point, $\Delta f$               | Frequency offset of measurement filter centre frequency, $f_{\text{offset}}$                        | Minimum requirement (Note 1, 2)   | Measurement bandwidth (Note 7) |
|---|---|---|--------------------------------|
| $0 \text{ MHz} \leq \Delta f < 5 \text{ MHz}$                               | $0.05 \text{ MHz} \leq f_{\text{offset}} < 5.05 \text{ MHz}$  | $-7dBm - \frac{7}{5} \cdot \left( \frac{f_{\text{offset}}}{\text{MHz}} - 0.05 \right) dB$ | 100 kHz                        |
| $5 \text{ MHz} \leq \Delta f < \min(10 \text{ MHz}, \Delta f_{\text{max}})$ | $5.05 \text{ MHz} \leq f_{\text{offset}} < \min(10.05 \text{ MHz}, f_{\text{offset}_{\text{max}}})$ | -14 dBm   | 100 kHz                        |
| $10 \text{ MHz} \leq \Delta f \leq \Delta f_{\text{max}}$                   | $10.05 \text{ MHz} \leq f_{\text{offset}} < f_{\text{offset}_{\text{max}}}$                         | -16 dBm (Note 8)  | 100 kHz                        |

NOTE 1: For MSR BS supporting non-contiguous spectrum operation within any operating band, the minimum requirement within sub-block gaps is calculated as a cumulative sum of contributions from adjacent sub blocks on each side of the sub block gap, where the contribution from the far-end sub-block or RF Bandwidth shall be scaled according to the measurement bandwidth of the near-end sub-block or RF Bandwidth. Exception is  $\Delta f \geq 10\text{MHz}$  from both adjacent sub blocks on each side of the sub-block gap, where the minimum requirement within sub-block gaps shall be -16dBm/100kHz.

NOTE 2: For MSR BS supporting multi-band operation with Inter RF Bandwidth gap  $< 2 \times \Delta f_{\text{OBUe}}$  the minimum requirement within the Inter RF Bandwidth gaps is calculated as a cumulative sum of contributions from adjacent sub-blocks or RF Bandwidth on each side of the Inter RF Bandwidth gap, where the contribution from the far-end sub-block or RF Bandwidth shall be scaled according to the measurement bandwidth of the near-end sub-block or RF Bandwidth.

**Table 6.6.2.1-1c: Wide Area operating band unwanted emission mask (UEM) for BS supporting NR (except operation in Band n1) and neither supporting UTRA nor with a standalone NB-IoT carrier at the BS RF bandwidth edge in BC1 and BC3 bands above 1GHz**

| Frequency offset of measurement filter -3dB point, $\Delta f$   | Frequency offset of measurement filter centre frequency, $f_{\text{offset}}$                        | Minimum requirement (Note 1, 2)  | Measurement bandwidth (Note 7) |
|---|---|--|--------------------------------|
| $0 \text{ MHz} \leq \Delta f < 5 \text{ MHz}$   | $0.05 \text{ MHz} \leq f_{\text{offset}} < 5.05 \text{ MHz}$  | $-7 \text{ dBm} - \frac{7}{5} \cdot \left( \frac{f_{\text{offset}}}{\text{MHz}} - 0.05 \right) \text{ dB}$ | 100 kHz                        |
| $5 \text{ MHz} \leq \Delta f < \min(10 \text{ MHz}, \Delta f_{\text{max}})$   | $5.05 \text{ MHz} \leq f_{\text{offset}} < \min(10.05 \text{ MHz}, f_{\text{offset}_{\text{max}}})$ | -14 dBm  | 100 kHz                        |
| $10 \text{ MHz} \leq \Delta f \leq \Delta f_{\text{max}}$   | $10.5 \text{ MHz} \leq f_{\text{offset}} < f_{\text{offset}_{\text{max}}}$                          | -15 dBm (Note 8)   | 1MHz                           |
| <p>NOTE 1: For MSR BS supporting non-contiguous spectrum operation within any operating band, the minimum requirement within sub-block gaps is calculated as a cumulative sum of contributions from adjacent sub blocks on each side of the sub block gap, where the contribution from the far-end sub-block shall be scaled according to the measurement bandwidth of the near-end sub-block. Exception is <math>\Delta f \geq 10\text{MHz}</math> from both adjacent sub blocks on each side of the sub-block gap, where the minimum requirement within sub-block gaps shall be -15dBm/1MHz.</p> <p>NOTE 2: For MSR BS supporting multi-band operation with Inter RF Bandwidth gap <math>&lt; 2 \times \Delta f_{\text{OBUE}}</math> the minimum requirement within the Inter RF Bandwidth gaps is calculated as a cumulative sum of contributions from adjacent sub-blocks or RF Bandwidth on each side of the Inter RF Bandwidth gap, where the contribution from the far-end sub-block or RF Bandwidth shall be scaled according to the measurement bandwidth of the near-end sub-block or RF Bandwidth.</p> |   |  |                                |

**Table 6.6.2.1-2: Medium Range BS operating band unwanted emission mask (UEM) for BC1, BS maximum output power  $31 < P_{\text{Rated,c}} \leq 38 \text{ dBm}$  for BS not supporting NR**

| Frequency offset of measurement filter -3dB point, $\Delta f$  | Frequency offset of measurement filter centre frequency, $f_{\text{offset}}$ | Minimum requirement (Note 1, 2)   | Measurement bandwidth (Note 7) |
|--|--|---|--------------------------------|
| $0 \text{ MHz} \leq \Delta f < 0.6 \text{ MHz}$  | $0.015\text{MHz} \leq f_{\text{offset}} < 0.615\text{MHz}$                   | $P_{\text{Rated,c}} - 58\text{dB} - 5/3(f_{\text{offset}}/\text{MHz} - 0.015)\text{dB}$ | 30 kHz                         |
| $0.6 \text{ MHz} \leq \Delta f < 1 \text{ MHz}$  | $0.615\text{MHz} \leq f_{\text{offset}} < 1.015\text{MHz}$                   | $P_{\text{Rated,c}} - 53\text{dB} - 15(f_{\text{offset}}/\text{MHz} - 0.215)\text{dB}$  | 30 kHz                         |
| (Note 6)   | $1.015\text{MHz} \leq f_{\text{offset}} < 1.5 \text{ MHz}$                   | $P_{\text{Rated,c}} - 65\text{dB}$  | 30 kHz                         |
| $1 \text{ MHz} \leq \Delta f \leq 2.6 \text{ MHz}$   | $1.5 \text{ MHz} \leq f_{\text{offset}} < 3.1 \text{ MHz}$                   | $P_{\text{Rated,c}} - 52\text{dB}$  | 1 MHz                          |
| $2.6 \text{ MHz} \leq \Delta f \leq 5 \text{ MHz}$   | $3.1 \text{ MHz} \leq f_{\text{offset}} < 5.5 \text{ MHz}$                   | $\min(P_{\text{Rated,c}} - 52\text{dB}, -15\text{dBm})$                                 | 1 MHz                          |
| $5 \text{ MHz} \leq \Delta f \leq \Delta f_{\text{max}}$   | $5.5 \text{ MHz} \leq f_{\text{offset}} < f_{\text{offset}_{\text{max}}}$    | $P_{\text{Rated,c}} - 56\text{dB}$  | 1 MHz                          |
| <p>NOTE 1: For MSR BS supporting non-contiguous spectrum operation within any operating band the minimum requirement within sub-block gaps is calculated as a cumulative sum of contributions from adjacent sub blocks on each side of the sub block gap, where the contribution from the far-end sub-block shall be scaled according to the measurement bandwidth of the near-end sub-block. Exception is <math>\Delta f \geq 10\text{MHz}</math> from both adjacent sub-blocks on each side of the sub-block gap, where the minimum requirement within sub-block gaps shall be <math>(P_{\text{Rated,c}} - 56 \text{ dB}) / \text{MHz}</math>.</p> <p>NOTE 2: For MSR BS supporting multi-band operation with Inter RF Bandwidth gap <math>&lt; 2 \times \Delta f_{\text{OBUE}}</math> the minimum requirement within the Inter RF Bandwidth gaps is calculated as a cumulative sum of contributions from adjacent sub-blocks or RF Bandwidth on each side of the Inter RF Bandwidth gap, where the contribution from the far-end sub-block or RF Bandwidth shall be scaled according to the measurement bandwidth of the near-end sub-block or RF Bandwidth.</p> <p>NOTE 3: For operation with a standalone NB-IoT carrier adjacent to the Base Station RF Bandwidth edge, the limits in Table 6.6.2.1-2a apply for <math>0 \text{ MHz} \leq \Delta f &lt; 0.15 \text{ MHz}</math>.</p> |  |   |                                |

**Table 6.6.2.1-2a: Medium Range BS operating band unwanted emission mask (UEM) for BC1 and BC3 with standalone NB-IoT carrier adjacent to the Base Station RF Bandwidth edge, BS maximum output power  $31 < P_{\text{Rated}} \leq 38$  dBm**

| Frequency offset of measurement filter -3dB point, $\Delta f$ | Frequency offset of measurement filter centre frequency, $f_{\text{offset}}$ | Minimum requirement (Note 1, 2, 3)  | Measurement bandwidth (Note 7) |
|---|--|---|--------------------------------|
| $0 \text{ MHz} \leq \Delta f < 0.05 \text{ MHz}$<br>(Note 1)  | $0.015 \text{ MHz} \leq f_{\text{offset}} < 0.065 \text{ MHz}$               | $P_{\text{Rated,c}} - 38\text{dB} - 60(f_{\text{offset}}/\text{MHz} - 0.015)\text{dB}$  | 30 kHz                         |
| $0.05 \text{ MHz} \leq \Delta f < 0.15 \text{ MHz}$           | $0.065 \text{ MHz} \leq f_{\text{offset}} < 0.165 \text{ MHz}$               | $P_{\text{Rated,c}} - 41\text{dB} - 160(f_{\text{offset}}/\text{MHz} - 0.065)\text{dB}$ | 30 kHz                         |

NOTE 1: The limits in this table only apply for operation with a standalone NB-IoT carrier adjacent to the Base Station RF Bandwidth edge.

NOTE 2: For MSR BS supporting non-contiguous spectrum operation within any operating band the minimum requirement within sub-block gaps is calculated as a cumulative sum of contributions from adjacent sub blocks on each side of the sub block gap.

NOTE 3: For MSR BS supporting multi-band operation with Inter RF Bandwidth gap  $< 2 \times \Delta f_{\text{OBUE}}$  the minimum requirement within the Inter RF Bandwidth gaps is calculated as a cumulative sum of contributions from adjacent sub-blocks or RF Bandwidth on each side of the Inter RF Bandwidth gap.

**Table 6.6.2.1-2b: Medium Range BS operating band unwanted emission mask (UEM) for BS supporting NR and not supporting UTRA in BC1 bands, BS maximum output power  $31 < P_{\text{Rated,c}} \leq 38$  dBm**

| Frequency offset of measurement filter -3dB point, $\Delta f$               | Frequency offset of measurement filter centre frequency, $f_{\text{offset}}$                        | Minimum requirement (Note 1, 2)  | Measurement bandwidth (Note 7) |
|---|---|--|--------------------------------|
| $0 \text{ MHz} \leq \Delta f < 5 \text{ MHz}$                               | $0.05 \text{ MHz} \leq f_{\text{offset}} < 5.05 \text{ MHz}$  | $P_{\text{Rated,c}} - 53\text{dB} - 7/5(f_{\text{offset}}/\text{MHz} - 0.05)\text{dB}$ | 100 kHz                        |
| $5 \text{ MHz} \leq \Delta f < \min(10 \text{ MHz}, \Delta f_{\text{max}})$ | $5.05 \text{ MHz} \leq f_{\text{offset}} < \min(10.05 \text{ MHz}, f_{\text{offset}_{\text{max}}})$ | $P_{\text{Rated,c}} - 60\text{dB}$   | 100 kHz                        |
| $10 \text{ MHz} \leq \Delta f \leq \Delta f_{\text{max}}$                   | $10.05 \text{ MHz} \leq f_{\text{offset}} < f_{\text{offset}_{\text{max}}}$                         | $\text{Min}(P_{\text{Rated,c}} - 60\text{dB}, -25\text{dBm})$ (Note 8)                 | 100 kHz                        |

NOTE 1: For MSR BS supporting non-contiguous spectrum operation within any operating band the minimum requirement within sub-block gaps is calculated as a cumulative sum of contributions from adjacent sub blocks on each side of the sub block gap, where the contribution from the far-end sub-block shall be scaled according to the measurement bandwidth of the near-end sub-block. Exception is  $\Delta f \geq 10\text{MHz}$  from both adjacent sub blocks on each side of the sub-block gap, where the minimum requirement within sub-block gaps shall be  $\text{Min}(P_{\text{Rated,c}} - 60\text{dB}, -25\text{dBm})/100\text{kHz}$ .

NOTE 2: For MSR BS supporting multi-band operation with Inter RF Bandwidth gap  $< 2 \times \Delta f_{\text{OBUE}}$  the minimum requirement within the Inter RF Bandwidth gaps is calculated as a cumulative sum of contributions from adjacent sub-blocks or RF Bandwidth on each side of the Inter RF Bandwidth gap, where the contribution from the far-end sub-block shall be scaled according to the measurement bandwidth of the near-end sub-block.

NOTE 3: For operation with a standalone NB-IoT carrier adjacent to the Base Station RF Bandwidth edge, the limits in Table 6.6.2.1-2a apply for  $0 \text{ MHz} \leq \Delta f < 0.15 \text{ MHz}$ .

**Table 6.6.2.1-3: Medium Range BS operating band unwanted emission mask (UEM) for BC1, BS maximum output power  $P_{\text{Rated,c}} \leq 31$  dBm for BS not supporting NR**

| Frequency offset of measurement filter -3dB point, $\Delta f$   | Frequency offset of measurement filter centre frequency, $f_{\text{offset}}$ | Minimum requirement (Note 1, 2)  | Measurement bandwidth (Note 7) |
|---|--|--|--------------------------------|
| $0 \text{ MHz} \leq \Delta f < 0.6 \text{ MHz}$   | $0.015 \text{ MHz} \leq f_{\text{offset}} < 0.615 \text{ MHz}$               | $-27 \text{ dBm} - \frac{5}{3} \left( \frac{f_{\text{offset}}}{\text{MHz}} - 0.015 \right) \text{ dB}$ | 30 kHz                         |
| $0.6 \text{ MHz} \leq \Delta f < 1 \text{ MHz}$   | $0.615 \text{ MHz} \leq f_{\text{offset}} < 1.015 \text{ MHz}$               | $-22 \text{ dBm} - 15 \cdot \left( \frac{f_{\text{offset}}}{\text{MHz}} - 0.215 \right) \text{ dB}$    | 30 kHz                         |
| (Note 6)  | $1.015 \text{ MHz} \leq f_{\text{offset}} < 1.5 \text{ MHz}$                 | -34 dBm  | 30 kHz                         |
| $1 \text{ MHz} \leq \Delta f \leq 5 \text{ MHz}$  | $1.5 \text{ MHz} \leq f_{\text{offset}} < 5.5 \text{ MHz}$                   | -21 dBm  | 1 MHz                          |
| $5 \text{ MHz} \leq \Delta f \leq \Delta f_{\text{max}}$  | $5.5 \text{ MHz} \leq f_{\text{offset}} < f_{\text{offset}_{\text{max}}}$    | -25 dBm  | 1 MHz                          |
| <p>NOTE 1: For MSR BS supporting non-contiguous spectrum operation within any operating band the minimum requirement within sub-block gaps is calculated as a cumulative sum of contributions from adjacent sub blocks on each side of the sub block gap, where the contribution from the far-end sub-block shall be scaled according to the measurement bandwidth of the near-end sub-block. Exception is <math>\Delta f \geq 10 \text{ MHz}</math> from both adjacent sub-blocks on each side of the sub-block gap, where the minimum requirement within sub-block gaps shall be -25 dBm/MHz.</p> <p>NOTE 2: For MSR BS supporting multi-band operation with Inter RF Bandwidth gap <math>&lt; 2 \times \Delta f_{\text{OBUE}}</math> the minimum requirement within the Inter RF Bandwidth gaps is calculated as a cumulative sum of contributions from adjacent sub-blocks or RF Bandwidth on each side of the Inter RF Bandwidth gap, where the contribution from the far-end sub-block or RF Bandwidth shall be scaled according to the measurement bandwidth of the near-end sub-block or RF Bandwidth.</p> <p>NOTE 3: For operation with a standalone NB-IoT carrier adjacent to the Base Station RF Bandwidth edge, the limits in Table 6.6.2.1-3a apply for <math>0 \text{ MHz} \leq \Delta f &lt; 0.15 \text{ MHz}</math>.</p> |  |  |                                |

**Table 6.6.2.1-3a: Medium Range BS operating band unwanted emission mask (UEM) for BC1 and BC3 with standalone NB-IoT carrier adjacent to the Base Station RF Bandwidth edge, BS maximum output power  $P_{\text{Rated,c}} \leq 31$  dBm**

| Frequency offset of measurement filter -3dB point, $\Delta f$   | Frequency offset of measurement filter centre frequency, $f_{\text{offset}}$ | Minimum requirement (Note 1, 2, 3, 4)  | Measurement bandwidth (Note 7) |
|---|--|--|--------------------------------|
| $0 \text{ MHz} \leq \Delta f < 0.05 \text{ MHz}$<br>(Note 1)  | $0.015 \text{ MHz} \leq f_{\text{offset}} < 0.065 \text{ MHz}$               | $\text{Max} \left( -7 \text{ dBm} - 60 \cdot \left( \frac{f_{\text{offset}}}{\text{MHz}} - 0.015 \right) \text{ dB} + X \text{ dB}, -27 \text{ dBm} \right)$   | 30 kHz                         |
| $0.05 \text{ MHz} \leq \Delta f < 0.15 \text{ MHz}$   | $0.065 \text{ MHz} \leq f_{\text{offset}} < 0.165 \text{ MHz}$               | $\text{Max} \left( -10 \text{ dBm} - 160 \cdot \left( \frac{f_{\text{offset}}}{\text{MHz}} - 0.065 \right) \text{ dB} + X \text{ dB}, -27 \text{ dBm} \right)$ | 30 kHz                         |
| <p>NOTE 1: The limits in this table only apply for operation with a standalone NB-IoT carrier adjacent to the Base Station RF Bandwidth edge.</p> <p>NOTE 2: For MSR BS supporting non-contiguous spectrum operation within any operating band the minimum requirement within sub-block gaps is calculated as a cumulative sum of contributions from adjacent sub blocks on each side of the sub block gap.</p> <p>NOTE 3: For MSR BS supporting multi-band operation with Inter RF Bandwidth gap <math>&lt; 2 \times \Delta f_{\text{OBUE}}</math> the minimum requirement within the Inter RF Bandwidth gaps is calculated as a cumulative sum of contributions from adjacent sub-blocks or RF Bandwidth on each side of the Inter RF Bandwidth gap.</p> <p>NOTE 4: In case the carrier adjacent to the RF bandwidth edge is a standalone NB-IoT carrier, the value of <math>X = P_{\text{NB-IoTcarrier}} - 31</math>, where <math>P_{\text{NB-IoTcarrier}}</math> is the power level of the standalone NB-IoT carrier adjacent to the RF bandwidth edge. In other cases, <math>X = 0</math>.</p> |  |  |                                |

**Table 6.6.2.1-3b: Medium Range BS operating band unwanted emission mask (UEM) for BS supporting NR and not supporting UTRA in BC1 bands, BS maximum output power  $P_{\text{Rated,C}} \leq 31$  dBm**

| Frequency offset of measurement filter -3dB point, $\Delta f$               | Frequency offset of measurement filter centre frequency, $f_{\text{offset}}$                        | Minimum requirement (Note 1, 2)   | Measurement bandwidth (Note 7) |
|---|---|---|--------------------------------|
| $0 \text{ MHz} \leq \Delta f < 5 \text{ MHz}$                               | $0.05 \text{ MHz} \leq f_{\text{offset}} < 5.05 \text{ MHz}$  | $-22 \text{ dBm} - \frac{7}{5} \left( \frac{f_{\text{offset}}}{\text{MHz}} - 0.05 \right) \text{ dB}$ | 100 kHz                        |
| $5 \text{ MHz} \leq \Delta f < \min(10 \text{ MHz}, \Delta f_{\text{max}})$ | $5.05 \text{ MHz} \leq f_{\text{offset}} < \min(10.05 \text{ MHz}, f_{\text{offset}_{\text{max}}})$ | -29 dBm   | 100 kHz                        |
| $10 \text{ MHz} \leq \Delta f \leq \Delta f_{\text{max}}$                   | $10.05 \text{ MHz} \leq f_{\text{offset}} < f_{\text{offset}_{\text{max}}}$                         | -29 dBm (Note 8)  | 100 kHz                        |

NOTE 1: For MSR BS supporting non-contiguous spectrum operation within any operating band the minimum requirement within sub-block gaps is calculated as a cumulative sum of contributions from adjacent sub blocks on each side of the sub block gap, where the contribution from the far-end sub-block shall be scaled according to the measurement bandwidth of the near-end sub-block. Exception is  $\Delta f \geq 10\text{MHz}$  from both adjacent sub blocks on each side of the sub-block gap, where the minimum requirement within sub-block gaps shall be -29dBm/100kHz.

NOTE 2: For MSR BS supporting multi-band operation with Inter RF Bandwidth gap  $< 2 \times \Delta f_{\text{OBUE}}$  the minimum requirement within the Inter RF Bandwidth gaps is calculated as a cumulative sum of contributions from adjacent sub-blocks or RF Bandwidth on each side of the Inter RF Bandwidth gap, where the contribution from the far-end sub-block shall be scaled according to the measurement bandwidth of the near-end sub-block.

NOTE 3: For operation with a standalone NB-IoT carrier adjacent to the Base Station RF Bandwidth edge, the limits in Table 6.6.2.1-3a apply for  $0 \text{ MHz} \leq \Delta f < 0.15 \text{ MHz}$ .

**Table 6.6.2.1-4: Local Area operating band unwanted emission mask (UEM) for BC1**

| Frequency offset of measurement filter -3dB point, $\Delta f$               | Frequency offset of measurement filter centre frequency, $f_{\text{offset}}$                        | Minimum requirement (Note 1, 2)   | Measurement bandwidth (Note 7) |
|---|---|---|--------------------------------|
| $0 \text{ MHz} \leq \Delta f < 5 \text{ MHz}$                               | $0.05 \text{ MHz} \leq f_{\text{offset}} < 5.05 \text{ MHz}$  | $-30 \text{ dBm} - \frac{7}{5} \left( \frac{f_{\text{offset}}}{\text{MHz}} - 0.05 \right) \text{ dB}$ | 100 kHz                        |
| $5 \text{ MHz} \leq \Delta f < \min(10 \text{ MHz}, \Delta f_{\text{max}})$ | $5.05 \text{ MHz} \leq f_{\text{offset}} < \min(10.05 \text{ MHz}, f_{\text{offset}_{\text{max}}})$ | -37 dBm   | 100 kHz                        |
| $10 \text{ MHz} \leq \Delta f \leq \Delta f_{\text{max}}$                   | $10.05 \text{ MHz} \leq f_{\text{offset}} < f_{\text{offset}_{\text{max}}}$                         | -37 dBm (Note 8)  | 100 kHz                        |

NOTE 1: For MSR BS supporting non-contiguous spectrum operation within any operating band the minimum requirement within sub-block gaps is calculated as a cumulative sum of contributions from adjacent sub blocks on each side of the sub block gap. Exception is  $\Delta f \geq 10\text{MHz}$  from both adjacent sub blocks on each side of the sub-block gap, where the minimum requirement within sub-block gaps shall be -37dBm/100 kHz.

NOTE 2: For MSR BS supporting multi-band operation with Inter RF Bandwidth gap  $< 2 \times \Delta f_{\text{OBUE}}$  the minimum requirement within the Inter RF Bandwidth gaps is calculated as a cumulative sum of contributions from adjacent sub-blocks or RF Bandwidth on each side of the Inter RF Bandwidth gap.

NOTE 3: For operation with a standalone NB-IoT carrier adjacent to the Base Station RF Bandwidth edge, the limits in Table 6.6.2.1-14a apply for  $0 \text{ MHz} \leq \Delta f < 0.15 \text{ MHz}$ .



**Table 6.6.2.1-4a: Local Area operating band unwanted emission mask (UEM) for BC1 and BC3 with standalone NB-IoT carrier adjacent to the Base Station RF Bandwidth edge**

| Frequency offset of measurement filter -3dB point, $\Delta f$   | Frequency offset of measurement filter centre frequency, $f_{\text{offset}}$ | Minimum requirement (Note 1, 2, 3, 4)  | Measurement bandwidth (Note 7) |
|---|--|--|--------------------------------|
| $0 \text{ MHz} \leq \Delta f < 0.05 \text{ MHz}$<br>(Note 1)  | $0.015 \text{ MHz} \leq f_{\text{offset}} < 0.065 \text{ MHz}$               | $\text{Max}\left(-14\text{dBm} - 60 \cdot \left(\frac{f_{\text{offset}}}{\text{MHz}} - 0.015\right) \text{dB} + X\text{dB}, -35\text{dBm}\right)$  | 30 kHz                         |
| $0.05 \text{ MHz} \leq \Delta f < 0.16 \text{ MHz}$   | $0.065 \text{ MHz} \leq f_{\text{offset}} < 0.175 \text{ MHz}$               | $\text{Max}\left(-17\text{dBm} - 160 \cdot \left(\frac{f_{\text{offset}}}{\text{MHz}} - 0.065\right) \text{dB} + X\text{dB}, -35\text{dBm}\right)$ | 30 kHz                         |
| <p>NOTE 1: The limits in this table only apply for operation with a standalone NB-IoT carrier adjacent to the Base Station RF Bandwidth edge.</p> <p>NOTE 2: For MSR BS supporting non-contiguous spectrum operation within any operating band the minimum requirement within sub-block gaps is calculated as a cumulative sum of contributions from adjacent sub blocks on each side of the sub block gap.</p> <p>NOTE 3: For MSR BS supporting multi-band operation with Inter RF Bandwidth gap <math>&lt; 2 \times \Delta f_{\text{OBUE}}</math> the minimum requirement within the Inter RF Bandwidth gaps is calculated as a cumulative sum of contributions from adjacent sub-blocks or RF Bandwidth on each side of the Inter RF Bandwidth gap.</p> <p>NOTE 4: In case the carrier adjacent to the RF bandwidth edge is a standalone NB-IoT carrier, the value of <math>X = \text{PNB-IoTcarrier} - 24</math>, where PNB-IoTcarrier is the power level of the standalone NB-IoT carrier adjacent to the RF bandwidth edge. In other cases, <math>X = 0</math>.</p> |  |  |                                |

### 6.6.2.2 General minimum requirement for Band Category 2

For a BS operating in Band Category 2 the requirement applies outside the Base Station RF Bandwidth edges. In addition, for a BS operating in non-contiguous spectrum, it applies inside any sub-block gap.

Outside the Base Station RF Bandwidth edges, emissions shall not exceed the maximum levels specified in Tables 6.6.2.2-1 to 6.6.2.2-8 below, where:

- $\Delta f$  is the separation between the Base Station RF Bandwidth edge frequency and the nominal -3dB point of the measuring filter closest to the carrier frequency.
- $f_{\text{offset}}$  is the separation between the Base Station RF Bandwidth edge frequency and the centre of the measuring filter.
- $f_{\text{offset}_{\text{max}}}$  is the offset to the frequency  $\Delta f_{\text{OBUE}}$  outside the downlink operating band.
- $\Delta f_{\text{max}}$  is equal to  $f_{\text{offset}_{\text{max}}}$  minus half of the bandwidth of the measuring filter.

For a BS operating in multiple bands, inside any Inter-RF Bandwidth gaps with  $W_{\text{gap}} < 2 \times \Delta f_{\text{OBUE}}$ , emissions shall not exceed the cumulative sum of the minimum requirements specified at the Base Station RF Bandwidth edges on each side of the Inter-RF Bandwidth gap. The minimum requirement for Base Station RF Bandwidth edge is specified in Table 6.6.2.2-1 to 6.6.2.2-8 below, where in this case:

- $\Delta f$  is the separation between the Base Station RF Bandwidth edge frequency and the nominal -3 dB point of the measuring filter closest to the carrier frequency.
- $f_{\text{offset}}$  is the separation between the Base Station RF Bandwidth edge frequency and the centre of the measuring filter.
- $f_{\text{offset}_{\text{max}}}$  is equal to the Inter RF Bandwidth gap minus half of the bandwidth of the measuring filter.
- $\Delta f_{\text{max}}$  is equal to  $f_{\text{offset}_{\text{max}}}$  minus half of the bandwidth of the measuring filter.

For a BS capable of multi-band operation where multiple bands are mapped on the same antenna connector and where there is no carrier transmitted in an operating band, the operating band unwanted emission limit, as defined in the tables of the present subclause for the largest frequency offset ( $\Delta f_{\text{max}}$ ), of a band where there is no carrier transmitted shall apply from  $\Delta f_{\text{OBUE}}$  below the lowest frequency, up to  $\Delta f_{\text{OBUE}}$  above the highest frequency of the supported downlink operating band without any carrier transmitted. And no cumulative limits are applied in the inter-band gap between a supported downlink band with carrier(s) transmitted and a supported downlink band without any carrier transmitted.

Inside any sub-block gap for a BS operating in non-contiguous spectrum, emissions shall not exceed the cumulative sum of the minimum requirement specified for the adjacent sub blocks on each side of the sub block gap. The minimum requirement for each sub block is specified in Tables 6.6.2.2-1 to 6.6.2.2-8 below, where in this case:

- $\Delta f$  is the separation between the sub block edge frequency and the nominal -3 dB point of the measuring filter closest to the sub block edge.
- $f_{\text{offset}}$  is the separation between the sub block edge frequency and the centre of the measuring filter.
- $f_{\text{offset}_{\text{max}}}$  is equal to the sub block gap bandwidth minus half of the bandwidth of the measuring filter.
- $\Delta f_{\text{max}}$  is equal to  $f_{\text{offset}_{\text{max}}}$  minus half of the bandwidth of the measuring filter.

Applicability of Wide Area operating band unwanted emission requirements in Tables 6.6.2.2-1, 6.6.2.2-2a and 6.6.2.2-2b is specified in Table 6.6.2.2-0.

**Table 6.6.2.2-0: Applicability of operating band unwanted emission requirements for BC2 Wide Area BS**

| NR Band operation   | Standalone NB-IoT carrier adjacent to the BS RF bandwidth edge | UTRA or GSM supported (NOTE 1) | Applicable requirement table |
|---|--|--------------------------------|------------------------------|
| None  | Y/N  | Y/N                            | 6.6.2.2-1                    |
| n3/n8   | Y/N  | N                              | 6.6.2.2-1                    |
| Any except n3/n8  | Y  | N                              | 6.6.2.2-1                    |
| Any below 1GHz except n8  | N  | N                              | 6.6.2.2-2a                   |
| Any above 1GHz except n3  | N  | N                              | 6.6.2.2-2b                   |
| NOTE 1: NR operation with UTRA or GSM is not supported in this specification. |  |                                |                              |

**Table 6.6.2.2-1: Wide Area operating band unwanted emission mask (UEM) for BC2 for BS not supporting NR (except for BS operating in Band n3 or n8) or (irrespective of NR support) BS with standalone NB-IoT at the BS RF bandwidth edge**

| Frequency offset of measurement filter -3dB point, $\Delta f$   | Frequency offset of measurement filter centre frequency, $f_{\text{offset}}$                      | Minimum requirement (Note 2, 3)   | Measurement bandwidth (Note 7) |
|---|---|---|--------------------------------|
| $0 \text{ MHz} \leq \Delta f < 0.2 \text{ MHz}$<br>(Note 1)   | $0.015 \text{ MHz} \leq f_{\text{offset}} < 0.215 \text{ MHz}$                                    | -14 dBm   | 30 kHz                         |
| $0.2 \text{ MHz} \leq \Delta f < 1 \text{ MHz}$   | $0.215 \text{ MHz} \leq f_{\text{offset}} < 1.015 \text{ MHz}$                                    | $-14 \text{ dBm} - 15 \cdot \left( \frac{f_{\text{offset}} - 0.215}{\text{MHz}} \right) \text{ dB}$<br>(Note 4) | 30 kHz                         |
| (Note 6)  | $1.015 \text{ MHz} \leq f_{\text{offset}} < 1.5 \text{ MHz}$                                      | -26 dBm (Note 4)  | 30 kHz                         |
| $1 \text{ MHz} \leq \Delta f \leq \min(\Delta f_{\text{max}}, 10 \text{ MHz})$  | $1.5 \text{ MHz} \leq f_{\text{offset}} < \min(f_{\text{offset}_{\text{max}}}, 10.5 \text{ MHz})$ | -13 dBm (Note 4)  | 1 MHz                          |
| $10 \text{ MHz} \leq \Delta f \leq \Delta f_{\text{max}}$   | $10.5 \text{ MHz} \leq f_{\text{offset}} < f_{\text{offset}_{\text{max}}}$                        | -15 dBm (Note 4, 8)   | 1 MHz                          |
| <p>NOTE 1: For operation with a GSM/EDGE or standalone NB-IoT or an E-UTRA 1.4 or 3 MHz carrier adjacent to the Base Station RF Bandwidth edge, the limits in Table 6.6.2.2-2 apply for <math>0 \text{ MHz} \leq \Delta f &lt; 0.15 \text{ MHz}</math>.</p> <p>NOTE 2: For MSR BS supporting non-contiguous spectrum operation within any operating band the minimum requirement within sub-block gaps is calculated as a cumulative sum of contributions from adjacent sub-blocks on each side of the sub-block gap, where the contribution from the far-end sub-block shall be scaled according to the measurement bandwidth of the near-end sub-block. Exception is <math>\Delta f \geq 10 \text{ MHz}</math> from both adjacent sub-blocks on each side of the sub-block gap, where the minimum requirement within sub-block gaps shall be -15dBm/MHz (for MSR BS supporting multi-band operation, either this limit or -16dBm/100kHz with correspondingly adjusted <math>f_{\text{offset}}</math> shall apply for this frequency offset range for operating bands &lt;1GHz).</p> <p>NOTE 3: For MSR BS supporting multi-band operation with Inter RF Bandwidth gap <math>&lt; 2 \times \Delta f_{\text{OBUe}}</math> operation the minimum requirement within the Inter RF Bandwidth gaps is calculated as a cumulative sum of contributions from adjacent sub-blocks or RF Bandwidth on each side of the Inter RF Bandwidth gap, where the contribution from the far-end sub-block or RF Bandwidth shall be scaled according to the measurement bandwidth of the near-end sub-block or RF Bandwidth.</p> <p>NOTE 4: For MSR BS supporting multi-band operation, either this limit or -16dBm/100kHz with correspondingly adjusted <math>f_{\text{offset}}</math> shall apply for this frequency offset range for operating bands &lt;1GHz.</p> |   |   |                                |

**Table 6.6.2.2-2: Wide Area operating band unwanted emission limits for operation in BC2 with GSM/EDGE or standalone NB-IoT or E-UTRA 1.4 or 3 MHz carriers adjacent to the Base Station RF Bandwidth edge**

| Frequency offset of measurement filter -3dB point, $\Delta f$ | Frequency offset of measurement filter centre frequency, $f_{\text{offset}}$ | Minimum requirement (Note 1, 2, 3,4, 5)  | Measurement bandwidth (Note 7) |
|---|--|--|--------------------------------|
| $0 \text{ MHz} \leq \Delta f < 0.05 \text{ MHz}$              | $0.015 \text{ MHz} \leq f_{\text{offset}} < 0.065 \text{ MHz}$               | $Max(5dBm - 60 \cdot \left( \frac{f_{\text{offset}}}{\text{MHz}} - 0.015 \right) dB + X, -14dBm)$  | 30 kHz                         |
| $0.05 \text{ MHz} \leq \Delta f < 0.15 \text{ MHz}$           | $0.065 \text{ MHz} \leq f_{\text{offset}} < 0.165 \text{ MHz}$               | $Max(2dBm - 160 \cdot \left( \frac{f_{\text{offset}}}{\text{MHz}} - 0.065 \right) dB + X, -14dBm)$ | 30 kHz                         |

NOTE 1: The limits in this table only apply for operation with a GSM/EDGE or standalone NB-IoT or an E-UTRA 1.4 or 3 MHz carrier adjacent to the Base Station RF Bandwidth edge.

NOTE 2: For MSR BS supporting non-contiguous spectrum operation within any operating band the minimum requirement within sub-block gaps is calculated as a cumulative sum of contributions from adjacent sub blocks on each side of the sub block gap.

NOTE 3: For MSR BS supporting multi-band operation with Inter RF Bandwidth gap  $< 2 \times \Delta f_{\text{OBUE}}$  the minimum requirement within the Inter RF Bandwidth gaps is calculated as a cumulative sum of contributions from adjacent sub-blocks or RF Bandwidth on each side of the Inter RF Bandwidth gap.

NOTE 4: In case the carrier adjacent to the Base Station RF Bandwidth edge is a GSM/EDGE carrier, the value of  $X = P_{\text{GSMcarrier}} - 43$ , where  $P_{\text{GSMcarrier}}$  is the power level of the GSM/EDGE carrier adjacent to the Base Station RF Bandwidth edge. In other cases,  $X = 0$ .

NOTE 5: In case the carrier adjacent to the RF bandwidth edge is a NB-IoT carrier, the value of  $X = P_{\text{NB-IoTcarrier}} - 43$ , where  $P_{\text{NB-IoTcarrier}}$  is the power level of the NB-IoT carrier adjacent to the RF bandwidth edge. In other cases,  $X = 0$ .

**Table 6.6.2.2-2a: Wide Area operating band unwanted emission mask (UEM) for BS supporting NR (except operation in Band n8) and neither supporting UTRA nor GSM nor with a standalone NB-IoT carrier at the BS RF bandwidth edge in BC2 bands below 1GHz**

| Frequency offset of measurement filter -3dB point, $\Delta f$               | Frequency offset of measurement filter centre frequency, $f_{\text{offset}}$                        | Minimum requirement (Note 1, 2)   | Measurement bandwidth (Note 7) |
|---|---|---|--------------------------------|
| $0 \text{ MHz} \leq \Delta f < 5 \text{ MHz}$                               | $0.05 \text{ MHz} \leq f_{\text{offset}} < 5.05 \text{ MHz}$  | $-7dBm - \frac{7}{5} \cdot \left( \frac{f_{\text{offset}}}{\text{MHz}} - 0.05 \right) dB$ | 100 kHz                        |
| $5 \text{ MHz} \leq \Delta f < \min(10 \text{ MHz}, \Delta f_{\text{max}})$ | $5.05 \text{ MHz} \leq f_{\text{offset}} < \min(10.05 \text{ MHz}, f_{\text{offset}_{\text{max}}})$ | -14 dBm   | 100 kHz                        |
| $10 \text{ MHz} \leq \Delta f \leq \Delta f_{\text{max}}$                   | $10.05 \text{ MHz} \leq f_{\text{offset}} < f_{\text{offset}_{\text{max}}}$                         | -16 dBm (Note 8)  | 100 kHz                        |

NOTE 1: For MSR BS supporting non-contiguous spectrum operation within any operating band, the minimum requirement within sub-block gaps is calculated as a cumulative sum of contributions from adjacent sub blocks on each side of the sub block gap, where the contribution from the far-end sub-block or RF Bandwidth shall be scaled according to the measurement bandwidth of the near-end sub-block or RF Bandwidth. Exception is  $\Delta f \geq 10\text{MHz}$  from both adjacent sub blocks on each side of the sub-block gap, where the minimum requirement within sub-block gaps shall be -16dBm/100kHz.

NOTE 2: For MSR BS supporting multi-band operation with Inter RF Bandwidth gap  $< 2 \times \Delta f_{\text{OBUE}}$  the minimum requirement within the Inter RF Bandwidth gaps is calculated as a cumulative sum of contributions from adjacent sub-blocks or RF Bandwidth on each side of the Inter RF Bandwidth gap, where the contribution from the far-end sub-block or RF Bandwidth shall be scaled according to the measurement bandwidth of the near-end sub-block or RF Bandwidth.

NOTE 3: For operation with an E-UTRA 1.4 or 3MHz carrier adjacent to the Base Station RF Bandwidth edge, the limits in Table 6.6.2.2-2 apply for  $0 \text{ MHz} \leq \Delta f < 0.15 \text{ MHz}$ .

**Table 6.6.2.2-2b: Wide Area operating band unwanted emission mask (UEM) for BS supporting NR (except operation in Band n3) and neither supporting UTRA nor GSM nor with a standalone NB-IoT carrier at the BS RF bandwidth edge in BC2 bands above 1GHz**

| Frequency offset of measurement filter -3dB point, $\Delta f$   | Frequency offset of measurement filter centre frequency, $f_{\text{offset}}$                        | Minimum requirement (Note 1, 2)  | Measurement bandwidth (Note 7) |
|---|---|--|--------------------------------|
| $0 \text{ MHz} \leq \Delta f < 5 \text{ MHz}$   | $0.05 \text{ MHz} \leq f_{\text{offset}} < 5.05 \text{ MHz}$  | $-7 \text{ dBm} - \frac{7}{5} \cdot \left( \frac{f_{\text{offset}}}{\text{MHz}} - 0.05 \right) \text{ dB}$ | 100 kHz                        |
| $5 \text{ MHz} \leq \Delta f < \min(10 \text{ MHz}, \Delta f_{\text{max}})$   | $5.05 \text{ MHz} \leq f_{\text{offset}} < \min(10.05 \text{ MHz}, f_{\text{offset}_{\text{max}}})$ | -14 dBm  | 100 kHz                        |
| $10 \text{ MHz} \leq \Delta f \leq \Delta f_{\text{max}}$   | $10.5 \text{ MHz} \leq f_{\text{offset}} < f_{\text{offset}_{\text{max}}}$                          | -15 dBm (Note 8)   | 1MHz                           |
| <p>NOTE 1: For MSR BS supporting non-contiguous spectrum operation within any operating band, the minimum requirement within sub-block gaps is calculated as a cumulative sum of contributions from adjacent sub blocks on each side of the sub block gap, where the contribution from the far-end sub-block shall be scaled according to the measurement bandwidth of the near-end sub-block. Exception is <math>\Delta f \geq 10\text{MHz}</math> from both adjacent sub blocks on each side of the sub-block gap, where the minimum requirement within sub-block gaps shall be -15dBm/1MHz.</p> <p>NOTE 2: For MSR BS supporting multi-band operation with Inter RF Bandwidth gap <math>&lt; 2 \times \Delta f_{\text{OBUe}}</math> the minimum requirement within the Inter RF Bandwidth gaps is calculated as a cumulative sum of contributions from adjacent sub-blocks or RF Bandwidth on each side of the Inter RF Bandwidth gap, where the contribution from the far-end sub-block or RF Bandwidth shall be scaled according to the measurement bandwidth of the near-end sub-block or RF Bandwidth.</p> <p>NOTE 3: For operation with an E-UTRA 1.4 or 3MHz carrier adjacent to the Base Station RF Bandwidth edge, the limits in Table 6.6.2.2-2 apply for <math>0 \text{ MHz} \leq \Delta f &lt; 0.15 \text{ MHz}</math>.</p> |   |  |                                |

**Table 6.6.2.2-3: Medium Range BS operating band unwanted emission mask (UEM) for BC2, BS maximum output power  $31 < P_{\text{Rated,c}} \leq 38 \text{ dBm}$  for BS not supporting NR**

| Frequency offset of measurement filter -3dB point, $\Delta f$   | Frequency offset of measurement filter centre frequency, $f_{\text{offset}}$ | Minimum requirement (Note 2, 3)   | Measurement bandwidth (Note 7) |
|---|--|---|--------------------------------|
| $0 \text{ MHz} \leq \Delta f < 0.6 \text{ MHz}$<br>(Note 1)   | $0.015\text{MHz} \leq f_{\text{offset}} < 0.615\text{MHz}$                   | $P_{\text{Rated,c}} - 58\text{dB} - 5/3(f_{\text{offset}}/\text{MHz} - 0.015)\text{dB}$ | 30 kHz                         |
| $0.6 \text{ MHz} \leq \Delta f < 1 \text{ MHz}$   | $0.615\text{MHz} \leq f_{\text{offset}} < 1.015\text{MHz}$                   | $P_{\text{Rated,c}} - 53\text{dB} - 15(f_{\text{offset}}/\text{MHz} - 0.215)\text{dB}$  | 30 kHz                         |
| (Note 6)  | $1.015\text{MHz} \leq f_{\text{offset}} < 1.5 \text{ MHz}$                   | $P_{\text{Rated,c}} - 65\text{dB}$  | 30 kHz                         |
| $1 \text{ MHz} \leq \Delta f \leq 2.8 \text{ MHz}$  | $1.5 \text{ MHz} \leq f_{\text{offset}} < 3.3 \text{ MHz}$                   | $P_{\text{Rated,c}} - 52\text{dB}$  | 1 MHz                          |
| $2.8 \text{ MHz} \leq \Delta f \leq 5 \text{ MHz}$  | $3.3 \text{ MHz} \leq f_{\text{offset}} < 5.5 \text{ MHz}$                   | $\min(P_{\text{Rated,c}} - 52\text{dB}, -15\text{dBm})$                                 | 1 MHz                          |
| $5 \text{ MHz} \leq \Delta f \leq \Delta f_{\text{max}}$  | $5.5 \text{ MHz} \leq f_{\text{offset}} < f_{\text{offset}_{\text{max}}}$    | $P_{\text{Rated,c}} - 56\text{dB}$  | 1 MHz                          |
| <p>NOTE 1: For operation with a GSM/EDGE or standalone NB-IoT or an E-UTRA 1.4 or 3 MHz carrier adjacent to the Base Station RF Bandwidth edge, the limits in Table 6.6.2.2-5 apply for <math>0 \text{ MHz} \leq \Delta f &lt; 0.15 \text{ MHz}</math>.</p> <p>NOTE 2: For MSR BS supporting non-contiguous spectrum operation within any operating band the minimum requirement within sub-block gaps is calculated as a cumulative sum of contributions from adjacent sub blocks on each side of the sub block gap, where the contribution from the far-end sub-block shall be scaled according to the measurement bandwidth of the near-end sub-block. Exception is <math>\Delta f \geq 10\text{MHz}</math> from both adjacent sub-blocks on each side of the sub-block gap, where the minimum requirement within sub-block gaps shall be <math>(P_{\text{Rated,c}} - 56 \text{ dB})/\text{MHz}</math>.</p> <p>NOTE 3: For MSR BS supporting multi-band operation with Inter RF Bandwidth gap <math>&lt; 2 \times \Delta f_{\text{OBUe}}</math> the minimum requirement within the Inter RF Bandwidth gaps is calculated as a cumulative sum of contributions from adjacent sub-blocks or RF Bandwidth on each side of the Inter RF Bandwidth gap, where the contribution from the far-end sub-block or RF Bandwidth shall be scaled according to the measurement bandwidth of the near-end sub-block or RF Bandwidth.</p> |  |   |                                |

**Table 6.6.2.2-3a: Medium Range BS operating band unwanted emission mask (UEM) for BS supporting NR and not supporting UTRA nor GSM in BC2 bands, BS maximum output power  $31 < P_{\text{Rated,c}} \leq 38$  dBm**

| Frequency offset of measurement filter -3dB point, $\Delta f$  | Frequency offset of measurement filter centre frequency, $f_{\text{offset}}$                        | Minimum requirement (Note 1, 2)  | Measurement bandwidth (Note 7) |
|--|---|--|--------------------------------|
| $0 \text{ MHz} \leq \Delta f < 5 \text{ MHz}$  | $0.05 \text{ MHz} \leq f_{\text{offset}} < 5.05 \text{ MHz}$  | $P_{\text{Rated,c}} - 53\text{dB} - 7/5(f_{\text{offset}}/\text{MHz} - 0.05)\text{dB}$ | 100 kHz                        |
| $5 \text{ MHz} \leq \Delta f < \min(10 \text{ MHz}, \Delta f_{\text{max}})$  | $5.05 \text{ MHz} \leq f_{\text{offset}} < \min(10.05 \text{ MHz}, f_{\text{offset}_{\text{max}}})$ | $P_{\text{Rated,c}} - 60\text{dB}$   | 100 kHz                        |
| $10 \text{ MHz} \leq \Delta f \leq \Delta f_{\text{max}}$  | $10.05 \text{ MHz} \leq f_{\text{offset}} < f_{\text{offset}_{\text{max}}}$                         | $\text{Min}(P_{\text{Rated,c}} - 60\text{dB}, -25\text{dBm})$ (Note 8)                 | 100 kHz                        |
| <p>NOTE 1: For MSR BS supporting non-contiguous spectrum operation within any operating band the minimum requirement within sub-block gaps is calculated as a cumulative sum of contributions from adjacent sub blocks on each side of the sub block gap, where the contribution from the far-end sub-block shall be scaled according to the measurement bandwidth of the near-end sub-block. Exception is <math>\Delta f \geq 10\text{MHz}</math> from both adjacent sub blocks on each side of the sub-block gap, where the minimum requirement within sub-block gaps shall be <math>\text{Min}(P_{\text{Rated,c}} - 60\text{dB}, -25\text{dBm})/100\text{kHz}</math>.</p> <p>NOTE 2: For MSR BS supporting multi-band operation with Inter RF Bandwidth gap <math>&lt; 2 \times \Delta f_{\text{OBUE}}</math> the minimum requirement within the Inter RF Bandwidth gaps is calculated as a cumulative sum of contributions from adjacent sub-blocks or RF Bandwidth on each side of the Inter RF Bandwidth gap, where the contribution from the far-end sub-block shall be scaled according to the measurement bandwidth of the near-end sub-block.</p> <p>NOTE 3: For operation with a standalone NB-IoT or an E-UTRA 1.4 or 3MHz carrier adjacent to the Base Station RF Bandwidth edge, the limits in Table 6.6.2.2-5 apply for <math>0 \text{ MHz} \leq \Delta f &lt; 0.15 \text{ MHz}</math>.</p> |   |  |                                |

**Table 6.6.2.2-4: Medium Range BS operating band unwanted emission mask (UEM) for BC2, BS maximum output power  $P_{\text{Rated,c}} \leq 31$  dBm for BS not supporting NR**

| Frequency offset of measurement filter -3dB point, $\Delta f$   | Frequency offset of measurement filter centre frequency, $f_{\text{offset}}$ | Minimum requirement (Note 2, 3)  | Measurement bandwidth (Note 7) |
|---|--|--|--------------------------------|
| $0 \text{ MHz} \leq \Delta f < 0.6 \text{ MHz}$<br>(Note 1)   | $0.015 \text{ MHz} \leq f_{\text{offset}} < 0.615 \text{ MHz}$               | $-27 \text{ dBm} - \frac{5}{3} \left( \frac{f_{\text{offset}}}{\text{MHz}} - 0.015 \right) \text{ dB}$ | 30 kHz                         |
| $0.6 \text{ MHz} \leq \Delta f < 1 \text{ MHz}$   | $0.615 \text{ MHz} \leq f_{\text{offset}} < 1.015 \text{ MHz}$               | $-22 \text{ dBm} - 15 \cdot \left( \frac{f_{\text{offset}}}{\text{MHz}} - 0.215 \right) \text{ dB}$    | 30 kHz                         |
| (Note 6)  | $1.015 \text{ MHz} \leq f_{\text{offset}} < 1.5 \text{ MHz}$                 | -34 dBm  | 30 kHz                         |
| $1 \text{ MHz} \leq \Delta f \leq 5 \text{ MHz}$  | $1.5 \text{ MHz} \leq f_{\text{offset}} < 5.5 \text{ MHz}$                   | -21 dBm  | 1 MHz                          |
| $5 \text{ MHz} \leq \Delta f \leq \Delta f_{\text{max}}$  | $5.5 \text{ MHz} \leq f_{\text{offset}} < f_{\text{offset}_{\text{max}}}$    | -25 dBm  | 1 MHz                          |
| <p>NOTE 1: For operation with a GSM/EDGE or standalone NB-IoT or an E-UTRA 1.4 or 3 MHz carrier adjacent to the Base Station RF Bandwidth edge, the limits in Table 6.6.2.2-6 apply for <math>0 \text{ MHz} \leq \Delta f &lt; 0.15 \text{ MHz}</math>.</p> <p>NOTE 2: For MSR BS supporting non-contiguous spectrum operation within any operating band the minimum requirement within sub-block gaps is calculated as a cumulative sum of contributions from adjacent sub blocks on each side of the sub block gap, where the contribution from the far-end sub-block shall be scaled according to the measurement bandwidth of the near-end sub-block. Exception is <math>\Delta f \geq 10 \text{ MHz}</math> from both adjacent sub-blocks on each side of the sub-block gap, where the minimum requirement within sub-block gaps shall be -25dBm/MHz.</p> <p>NOTE 3: For MSR BS supporting multi-band operation with Inter RF Bandwidth gap <math>&lt; 2 \times \Delta f_{\text{OBUE}}</math> the minimum requirement within the Inter RF Bandwidth gaps is calculated as a cumulative sum of contributions from adjacent sub-blocks or RF Bandwidth on each side of the Inter RF Bandwidth gap, where the contribution from the far-end sub-block or RF Bandwidth shall be scaled according to the measurement bandwidth of the near-end sub-block or RF Bandwidth.</p> |  |  |                                |

**Table 6.6.2.2-4a: Medium Range BS operating band unwanted emission mask (UEM) for BS supporting NR and not supporting UTRA nor GSM in BC2 bands, BS maximum output power  $P_{\text{Rated,c}} \leq 31$  dBm**

| Frequency offset of measurement filter -3dB point, $\Delta f$   | Frequency offset of measurement filter centre frequency, $f_{\text{offset}}$                        | Minimum requirement (Note 1, 2)   | Measurement bandwidth (Note 7) |
|---|---|---|--------------------------------|
| $0 \text{ MHz} \leq \Delta f < 5 \text{ MHz}$   | $0.05 \text{ MHz} \leq f_{\text{offset}} < 5.05 \text{ MHz}$  | $-22 \text{ dBm} - \frac{7}{5} \left( \frac{f_{\text{offset}}}{\text{MHz}} - 0.05 \right) \text{ dB}$ | 100 kHz                        |
| $5 \text{ MHz} \leq \Delta f < \min(10 \text{ MHz}, \Delta f_{\text{max}})$   | $5.05 \text{ MHz} \leq f_{\text{offset}} < \min(10.05 \text{ MHz}, f_{\text{offset}_{\text{max}}})$ | -29 dBm   | 100 kHz                        |
| $10 \text{ MHz} \leq \Delta f \leq \Delta f_{\text{max}}$   | $10.05 \text{ MHz} \leq f_{\text{offset}} < f_{\text{offset}_{\text{max}}}$                         | -29 dBm (Note 8)  | 100 kHz                        |
| <p>NOTE 1: For MSR BS supporting non-contiguous spectrum operation within any operating band the minimum requirement within sub-block gaps is calculated as a cumulative sum of contributions from adjacent sub blocks on each side of the sub block gap, where the contribution from the far-end sub-block shall be scaled according to the measurement bandwidth of the near-end sub-block. Exception is <math>\Delta f \geq 10 \text{ MHz}</math> from both adjacent sub blocks on each side of the sub-block gap, where the minimum requirement within sub-block gaps shall be -29dBm/100kHz.</p> <p>NOTE 2: For MSR BS supporting multi-band operation with Inter RF Bandwidth gap <math>&lt; 2 \times \Delta f_{\text{OBUE}}</math> the minimum requirement within the Inter RF Bandwidth gaps is calculated as a cumulative sum of contributions from adjacent sub-blocks or RF Bandwidth on each side of the Inter RF Bandwidth gap, where the contribution from the far-end sub-block shall be scaled according to the measurement bandwidth of the near-end sub-block.</p> <p>NOTE 3: For operation with a standalone NB-IoT or an E-UTRA 1.4 or 3MHz carrier adjacent to the Base Station RF Bandwidth edge, the limits in Table 6.6.2.2-6 apply for <math>0 \text{ MHz} \leq \Delta f &lt; 0.15 \text{ MHz}</math>.</p> |   |   |                                |

**Table 6.6.2.2-5: Medium Range operating band unwanted emission limits for operation in BC2 with GSM/EDGE or E-UTRA 1.4 or 3 MHz carriers or standalone NB-IoT adjacent to the Base Station RF Bandwidth edge, BS maximum output power  $31 < P_{\text{Rated,c}} \leq 38$  dBm**

| Frequency offset of measurement filter -3dB point, $\Delta f$ | Frequency offset of measurement filter centre frequency, $f_{\text{offset}}$ | Minimum requirement (Note 2, 3)   | Measurement bandwidth (Note 7) |
|---|--|---|--------------------------------|
| $0 \text{ MHz} \leq \Delta f < 0.05 \text{ MHz}$<br>(Note 1)  | $0.015 \text{ MHz} \leq f_{\text{offset}} < 0.065 \text{ MHz}$               | $P_{\text{Rated,c}} - 38\text{dB} - 60(f_{\text{offset}}/\text{MHz} - 0.015)\text{dB}$  | 30 kHz                         |
| $0.05 \text{ MHz} \leq \Delta f < 0.15 \text{ MHz}$           | $0.065 \text{ MHz} \leq f_{\text{offset}} < 0.165 \text{ MHz}$               | $P_{\text{Rated,c}} - 41\text{dB} - 160(f_{\text{offset}}/\text{MHz} - 0.065)\text{dB}$ | 30 kHz                         |

NOTE 1: The limits in this table only apply for operation with a GSM/EDGE or standalone NB-IoT or an E-UTRA 1.4 or 3 MHz carrier adjacent to the Base Station RF Bandwidth edge.

NOTE 2: For MSR BS supporting non-contiguous spectrum operation within any operating band the minimum requirement within sub-block gaps is calculated as a cumulative sum of contributions from adjacent sub blocks on each side of the sub block gap.

NOTE 3: For MSR BS supporting multi-band operation with Inter RF Bandwidth gap  $< 2 \times \Delta f_{\text{OBUe}}$  the minimum requirement within the Inter RF Bandwidth gaps is calculated as a cumulative sum of contributions from adjacent sub-blocks or RF Bandwidth on each side of the Inter RF Bandwidth gap.

**Table 6.6.2.2-6: Medium Range operating band unwanted emission limits for operation in BC2 with GSM/EDGE or E-UTRA 1.4 or 3 MHz carriers or standalone NB-IoT adjacent to the Base Station RF Bandwidth edge, BS maximum output power  $P_{\text{Rated,c}} \leq 31 \text{ dBm}$**

| Frequency offset of measurement filter -3dB point, $\Delta f$ | Frequency offset of measurement filter centre frequency, $f_{\text{offset}}$ | Minimum requirement (Note 2, 3, 4)   | Measurement bandwidth (Note 7) |
|---|--|--|--------------------------------|
| $0 \text{ MHz} \leq \Delta f < 0.05 \text{ MHz}$<br>(Note 1)  | $0.015 \text{ MHz} \leq f_{\text{offset}} < 0.065 \text{ MHz}$               | $Max(-7\text{dBm} - 60 \cdot \left(\frac{f_{\text{offset}}}{\text{MHz}} - 0.015\right) \text{dB} + X\text{dB}, -27\text{dBm})$   | 30 kHz                         |
| $0.05 \text{ MHz} \leq \Delta f < 0.15 \text{ MHz}$           | $0.065 \text{ MHz} \leq f_{\text{offset}} < 0.165 \text{ MHz}$               | $Max(-10\text{dBm} - 160 \cdot \left(\frac{f_{\text{offset}}}{\text{MHz}} - 0.065\right) \text{dB} + X\text{dB}, -27\text{dBm})$ | 30 kHz                         |

NOTE 1: The limits in this table only apply for operation with a GSM/EDGE or standalone NB-IoT or an E-UTRA 1.4 or 3 MHz carrier adjacent to the Base Station RF Bandwidth edge.

NOTE 2: For MSR BS supporting non-contiguous spectrum operation within any operating band the minimum requirement within sub-block gaps is calculated as a cumulative sum of contributions from adjacent sub blocks on each side of the sub block gap.

NOTE 3: For MSR BS supporting multi-band operation with Inter RF Bandwidth gap  $< 2 \times \Delta f_{\text{OBUe}}$  the minimum requirement within the Inter RF Bandwidth gaps is calculated as a cumulative sum of contributions from adjacent sub-blocks or RF Bandwidth on each side of the Inter RF Bandwidth gap.

NOTE 4: In case the carrier adjacent to the Base Station RF Bandwidth edge is a GSM/EDGE carrier, the value of  $X = P_{\text{GSMcarrier}} - 31$ , where  $P_{\text{GSMcarrier}}$  is the power level of the GSM/EDGE carrier adjacent to the Base Station RF Bandwidth edge. In other cases,  $X = 0$ .

NOTE 5: In case the carrier adjacent to the RF bandwidth edge is a NB-IoT carrier, the value of  $X = P_{\text{NB-IoTcarrier}} - 31$ , where  $P_{\text{NB-IoTcarrier}}$  is the power level of the NB-IoT carrier adjacent to the RF bandwidth edge. In other cases,  $X = 0$ .



**Table 6.6.2.2-7: Local Area operating band unwanted emission mask (UEM) for BC2**

| Frequency offset of measurement filter -3dB point, $\Delta f$  | Frequency offset of measurement filter centre frequency, $f_{\text{offset}}$                        | Minimum requirement (Note 2, 3)   | Measurement bandwidth (Note 7) |
|--|---|---|--------------------------------|
| $0 \text{ MHz} \leq \Delta f < 5 \text{ MHz}$<br>(Note 1)  | $0.05 \text{ MHz} \leq f_{\text{offset}} < 5.05 \text{ MHz}$  | $-30 \text{ dBm} - \frac{7}{5} \left( \frac{f_{\text{offset}}}{\text{MHz}} - 0.05 \right) \text{ dB}$ | 100 kHz                        |
| $5 \text{ MHz} \leq \Delta f < \min(10 \text{ MHz}, \Delta f_{\text{max}})$  | $5.05 \text{ MHz} \leq f_{\text{offset}} < \min(10.05 \text{ MHz}, f_{\text{offset}_{\text{max}}})$ | -37 dBm   | 100 kHz                        |
| $10 \text{ MHz} \leq \Delta f \leq \Delta f_{\text{max}}$  | $10.05 \text{ MHz} \leq f_{\text{offset}} < f_{\text{offset}_{\text{max}}}$                         | -37 dBm (Note 8)  | 100 kHz                        |
| NOTE 1: For operation with a GSM/EDGE or standalone NB-IoT or an E-UTRA 1.4 or 3 MHz carrier adjacent to the Base Station RF Bandwidth edge, the limits in Table 6.6.2.2-8 apply for $0 \text{ MHz} \leq \Delta f < 0.16 \text{ MHz}$ .  |   |   |                                |
| NOTE 2: For MSR BS supporting non-contiguous spectrum operation within any operating band the minimum requirement within sub-block gaps is calculated as a cumulative sum of contributions from adjacent sub blocks on each side of the sub block gap. Exception is $\Delta f \geq 10 \text{ MHz}$ from both adjacent sub blocks on each side of the sub-block gap, where the minimum requirement within sub-block gaps shall be -37dBm/100 kHz. |   |   |                                |
| NOTE 3: For MSR BS supporting multi-band operation with Inter RF Bandwidth gap $< 2 \times \Delta f_{\text{OBUE}}$ the minimum requirement within the Inter RF Bandwidth gaps is calculated as a cumulative sum of contributions from adjacent sub-blocks or RF Bandwidth on each side of the Inter RF Bandwidth gap.  |   |   |                                |

**Table 6.6.2.2-8: Local Area operating band unwanted emission limits for operation in BC2 with GSM/EDGE or E-UTRA 1.4 or 3 MHz carriers or standalone NB-IoT adjacent to the Base Station RF Bandwidth edge**

| Frequency offset of measurement filter -3dB point, $\Delta f$   | Frequency offset of measurement filter centre frequency, $f_{\text{offset}}$ | Minimum requirement (Note 2, 3, 4)   | Measurement bandwidth (Note 7) |
|---|--|--|--------------------------------|
| $0 \text{ MHz} \leq \Delta f < 0.05 \text{ MHz}$<br>(Note 1)  | $0.015 \text{ MHz} \leq f_{\text{offset}} < 0.065 \text{ MHz}$               | $\text{Max} \left( -14 \text{ dBm} - 60 \cdot \left( \frac{f_{\text{offset}}}{\text{MHz}} - 0.015 \right) \text{ dB} \right. \\ \left. + X \text{ dB}, -35 \text{ dBm} \right)$  | 30 kHz                         |
| $0.05 \text{ MHz} \leq \Delta f < 0.16 \text{ MHz}$   | $0.065 \text{ MHz} \leq f_{\text{offset}} < 0.175 \text{ MHz}$               | $\text{Max} \left( -17 \text{ dBm} - 160 \cdot \left( \frac{f_{\text{offset}}}{\text{MHz}} - 0.065 \right) \text{ dB} \right. \\ \left. + X \text{ dB}, -35 \text{ dBm} \right)$ | 30 kHz                         |
| NOTE 1: The limits in this table only apply for operation with a GSM/EDGE or standalone NB-IoT or an E-UTRA 1.4 or 3 MHz carrier adjacent to the Base Station RF Bandwidth edge.  |  |  |                                |
| NOTE 2: For MSR BS supporting non-contiguous spectrum operation within any operating band the minimum requirement within sub-block gaps is calculated as a cumulative sum of contributions from adjacent sub blocks on each side of the sub block gap.  |  |  |                                |
| NOTE 3: For MSR BS supporting multi-band operation with Inter RF Bandwidth gap $< 2 \times \Delta f_{\text{OBUE}}$ the minimum requirement within the Inter RF Bandwidth gaps is calculated as a cumulative sum of contributions from adjacent sub-blocks or RF Bandwidth on each side of the Inter RF Bandwidth gap. |  |  |                                |
| NOTE 4: In case the carrier adjacent to the RF bandwidth edge is a GSM/EDGE carrier, the value of $X = P_{\text{GSMcarrier}} - 24$ , where $P_{\text{GSMcarrier}}$ is the power level of the GSM/EDGE carrier adjacent to the Base Station RF Bandwidth edge. In other cases, $X = 0$ .                               |  |  |                                |
| NOTE 5: In case the carrier adjacent to the RF bandwidth edge is a NB-IoT carrier, the value of $X = P_{\text{NB-IoTcarrier}} - 24$ , where $P_{\text{NB-IoTcarrier}}$ is the power level of the NB-IoT carrier adjacent to the RF bandwidth edge. In other cases, $X = 0$ .  |  |  |                                |

The following notes are common to all subclauses in 6.6.2:

NOTE 6: This frequency range ensures that the range of values of  $f_{\text{offset}}$  is continuous.

NOTE 7: As a general rule for the requirements in the present subclause, the resolution bandwidth of the measuring equipment should be equal to the measurement bandwidth. However, to improve measurement accuracy, sensitivity and efficiency, the resolution bandwidth may be smaller than the measurement bandwidth. When the resolution bandwidth is smaller than the measurement bandwidth, the result should be integrated over the measurement bandwidth in order to obtain the equivalent noise bandwidth of the measurement bandwidth.

NOTE 8: The requirement is not applicable when  $\Delta f_{\text{max}} < \Delta f_{\text{OBUE}}$ .

NOTE 9: All limits in Table 6.6.2.2-1, Table 6.6.2.2-3, Table 6.6.2.2-4 and Table 6.6.2.2-7 are identical to the corresponding limits for Band Category 1 and 3.

### 6.6.2.3 GSM/EDGE single-RAT requirements

The following requirements in TS 45.005 [5] shall apply to an MSR Base Station for any operating band with GSM/EDGE single RAT operation in Band Category 2:

- Spectrum due to the modulation and wide band noise, applicable parts of subclause 4.2.1.1, 4.2.1.2, 4.2.1.3-a2, 4.2.1.3-b2, 4.2.1.3-c2 and 4.2.1.4.2.
- Spectrum due to switching transients, applicable parts of subclause 4.2.2.1-b.
- Emission requirement for frequency offsets of between 2 and 10 MHz outside relevant transmit band, applicable parts of subclause 4.3.1 and 4.3.2.1.
- Intra BTS Intermodulation, applicable parts of subclause 4.7.2, 4.7.2.1-b, 4.7.2.3-b and 4.7.2.3-c.

### 6.6.2.4 Additional requirements

#### 6.6.2.4.1 Limits in FCC Title 47

In addition to the requirements in subclauses 6.6.2.1 and 6.6.2.2, the BS may have to comply with the applicable emission limits established by FCC Title 47 [8], when deployed in regions where those limits are applied, and under the conditions declared by the manufacturer.

#### 6.6.2.4.2 Unsynchronized operation for BC3

In certain regions, the following requirements may apply to a TDD BS operating in BC3 in the same geographic area and in the same operating band as another TDD system without synchronisation. For this case the emissions shall not exceed -52 dBm/MHz in each supported downlink operating band except in:

- The frequency range from 10 MHz below the lower Base Station RF Bandwidth edge to the frequency 10 MHz above the upper Base Station RF Bandwidth edge of each supported band.

NOTE 1: Local or regional regulations may specify another excluded frequency range, which may include frequencies where synchronised TDD systems operate.

NOTE 2: TDD base stations that are synchronized and operating in BC3 can transmit without these additional co-existence requirements.

NOTE 3: Unsynchronized operation for BC3 BS with any NR configuration is FFS.

#### 6.6.2.4.3 Protection of DTT

In certain regions the following requirement may apply for protection of DTT. For a BS operating in Band 20/n20, the level of emissions in the band 470-790 MHz, measured in an 8 MHz filter bandwidth on centre frequencies  $F_{\text{filter}}$  according to Table 6.6.2.4.3-1, shall not exceed the maximum emission level  $P_{\text{EM,N}}$  declared by the manufacturer. This requirement applies in the frequency range 470-790 MHz even though part of the range falls in the spurious domain.

**Table 6.6.2.4.3-1: Declared emissions levels for protection of DTT**

| Filter centre frequency,<br>$F_{\text{filter}}$                     | Measurement<br>bandwidth | Declared emission level<br>[dBm] |
|---|--------------------------|----------------------------------|
| $F_{\text{filter}} = 8 \cdot N + 306$ (MHz);<br>$21 \leq N \leq 60$ | 8 MHz                    | $P_{\text{EM,N}}$                |

Note: The regional requirement is defined in terms of EIRP (effective isotropic radiated power), which is dependent on both the BS emissions at the antenna connector and the deployment (including antenna gain and feeder loss). The requirement defined above provides the characteristics of the base station needed to verify compliance with the regional requirement. Compliance with the regional requirement can be determined using the method outlined in Annex G of TS 36.104 [4].

#### 6.6.2.4.4 Co-existence with services in adjacent frequency bands

This requirement may be applied for the protection of systems operating in frequency bands adjacent to Band 1 as defined in clause 4.5, in geographic areas in which both an adjacent band service and UTRA and/or E-UTRA are deployed.

The power of any spurious emission shall not exceed:

**Table 6.6.2.4.4-1: Emissions limits for protection of adjacent band services**

| Operating Band | Frequency range | Maximum Level  | Measurement Bandwidth |
|----------------|-----------------|--|-----------------------|
| 1              | 2100-2105 MHz   | $-30 + 3.4 \cdot (f - 2100 \text{ MHz}) \text{ dBm}$ | 1 MHz                 |
|                | 2175-2180 MHz   | $-30 + 3.4 \cdot (2180 \text{ MHz} - f) \text{ dBm}$ | 1 MHz                 |

#### 6.6.2.4.5 Co-existence with RNSS/GPS services in North America

In regions where FCC regulation applies, requirements for protection of GPS according to FCC Order DA 10-534 applies for operation in Band 24. The following normative requirement covers the base station, to be used together with other information about the site installation to verify compliance with the requirement in FCC Order DA 10-534. The requirement applies to BS operating in Band 24 to ensure that appropriate interference protection is provided to the 1559 – 1610 MHz band. This requirement applies to the frequency range 1559-1610 MHz.

The level of emissions in the 1559 – 1610 MHz band, measured in measurement bandwidth according to Table 6.6.2.4.5-1 shall not exceed the maximum emission levels  $P_{E\_1\text{MHz}}$  and  $P_{E\_1\text{kHz}}$  declared by the manufacturer.

**Table 6.6.2.4.5-1: Declared emissions levels for protection of the 1559-1610 MHz band**

| Operating Band | Frequency range | Declared emission level [dBW]<br>(Measurement bandwidth = 1 MHz) | Declared emission level [dBW] of discrete emissions of less than 700 Hz bandwidth<br>(Measurement bandwidth = 1 kHz) |
|----------------|-----------------|--|--|
| 24             | 1559 - 1610 MHz | $P_{E\_1\text{MHz}}$   | $P_{E\_1\text{kHz}}$   |

Note: The regional requirement in FCC Order DA 10-534 is defined in terms of EIRP (effective isotropic radiated power), which is dependent on both the BS emissions at the antenna connector and the deployment (including antenna gain and feeder loss). The EIRP level is calculated using:  $P_{\text{EIRP}} = P_E + G_{\text{ant}}$  where  $P_E$  denotes the BS unwanted emission level at the antenna connector,  $G_{\text{ant}}$  equals the BS antenna gain minus feeder loss. The requirement defined above provides the characteristics of the base station needed to verify compliance with the regional requirement.

#### 6.6.2.4.6 Additional requirements for band 41

The following requirement may apply to BS operating in Band 41 in certain regions. Emissions shall not exceed the maximum levels specified in Table 6.6.2.4.6-1 below, where:

- $\Delta f$  is the separation between the Base Station RF Bandwidth edge frequency and the nominal -3dB point of the measuring filter closest to the carrier frequency.
- $f_{\text{offset}}$  is the separation between the Base Station RF Bandwidth edge frequency and the centre of the measuring filter.

**Table 6.6.2.4.6-1: Additional operating band unwanted emission limits for Band 41**

| Channel bandwidth | Frequency offset of measurement filter -3dB point, $\Delta f$ | Frequency offset of measurement filter centre frequency, $f_{\text{offset}}$ | Minimum requirement | Measurement bandwidth |
|-------------------|---|--|---------------------|-----------------------|
| 10 MHz            | $10 \text{ MHz} \leq \Delta f < 20 \text{ MHz}$               | $10.5 \text{ MHz} \leq f_{\text{offset}} < 19.5 \text{ MHz}$                 | -22 dBm             | 1 MHz                 |
| 20 MHz            | $20 \text{ MHz} \leq \Delta f < 40 \text{ MHz}$               | $20.5 \text{ MHz} \leq f_{\text{offset}} < 39.5 \text{ MHz}$                 | -22 dBm             | 1 MHz                 |

NOTE: This requirement applies for E-UTRA carriers allocated within 2545-2575MHz or 2595-2645MHz.

#### 6.6.2.4.7 Additional band 32, 50/n50, 51/n51, 74, 75/n75 and 76/ n76 unwanted emissions

In certain regions, the following requirements may apply to BS operating in Band 32 within 1452-1492 MHz, in Band 75/n75 within 1432-1517 MHz and in Band 76/n76 within 1427-1432 MHz. The level of operating band unwanted emissions, measured on centre frequencies  $f_{\text{offset}}$  with filter bandwidth, according to Table 6.6.2.4.7-1, shall neither exceed the maximum emission level  $P_{\text{EM},\text{B}32,\text{B}75,\text{B}76,\text{a}}$ ,  $P_{\text{EM},\text{B}32,\text{B}75,\text{B}76,\text{b}}$  nor  $P_{\text{EM},\text{B}32,\text{B}75,\text{B}76,\text{c}}$  declared by the manufacturer.

For Band 32, this requirement applies in the frequency range 1452-1492 MHz when non-Mobile/Fixed Communications Network (MFCN) services are deployed in adjacent frequency ranges, while it applies also within 1427-1452 MHz and/or 1492-1517 MHz when MFCN services are deployed in such frequency ranges, even though part of the ranges falls in the spurious domain. For Band 75/n75, this requirement applies in the frequency range 1427-1517 MHz. For Band 76/n76, this requirement applies in the frequency range 1432-1517 MHz even though part of the range falls in the spurious domain.

**Table 6.6.2.4.7-1: Declared operating band 32, 75/n75, 76/n76 unwanted emission within 1427-1517 MHz**

| Frequency offset of measurement filter centre frequency, $f_{\text{offset}}$  | Declared emission level [dBm]                             | Measurement bandwidth |
|---|---|-----------------------|
| 2.5 MHz   | $P_{\text{EM},\text{B}32,\text{B}75,\text{B}76,\text{a}}$ | 5 MHz                 |
| 7.5 MHz   | $P_{\text{EM},\text{B}32,\text{B}75,\text{B}76,\text{b}}$ | 5 MHz                 |
| $12.5 \text{ MHz} \leq f_{\text{offset}} \leq f_{\text{offset}_{\text{max}}}$   | $P_{\text{EM},\text{B}32,\text{B}75,\text{B}76,\text{c}}$ | 5 MHz                 |
| NOTE: For Band 32, when non-MFCN services are deployed in the adjacent bands, $f_{\text{offset}_{\text{max}}}$ denotes the frequency difference between the lower Base Station RF Bandwidth edge and 1454.5 MHz, and the frequency difference between the upper Base Station RF Bandwidth edge and 1489.5 MHz for the set channel position. For Band 32, when MFCN services are deployed in the adjacent frequencies, Band 75, n75, 76 and n76, $f_{\text{offset}_{\text{max}}}$ denotes the frequency difference between the lower Base Station RF Bandwidth edge and 1429.5 MHz, and the frequency difference between the upper Base Station RF Bandwidth edge and 1514.5 MHz for the set channel position. |   |                       |

NOTE: The regional requirement, included in [16], is defined in terms of EIRP per antenna, which is dependent on both the BS emissions at the antenna connector and the deployment (including antenna gain and feeder loss). The requirement defined above provides the characteristics of the base station needed to verify compliance with the regional requirement. The assessment of the EIRP level is described in Annex H of TS 36.104 [4].

In certain regions, the following requirement may apply to BS operating in Band 32 within 1452-1492MHz for the protection of non-MFCN services in spectrum adjacent to the frequency range 1452-1492 MHz. The level of emissions, measured on centre frequencies  $F_{\text{filter}}$  with filter bandwidth according to Table 6.6.2.4.7-2, shall neither exceed the maximum emission level  $P_{\text{EM},\text{B}32,\text{d}}$  nor  $P_{\text{EM},\text{B}32,\text{e}}$  declared by the manufacturer. This requirement applies in the frequency range 1429-1518MHz even though part of the range falls in the spurious domain.

**Table 6.6.2.4.7-2: Operating band 32 declared emission outside 1452-1492 MHz**

| Filter centre frequency, $F_{\text{filter}}$                        | Declared emission level [dBm]       | Measurement bandwidth |
|---|-------------------------------------|-----------------------|
| $1429.5 \text{ MHz} \leq F_{\text{filter}} \leq 1448.5 \text{ MHz}$ | $P_{\text{EM},\text{B}32,\text{d}}$ | 1 MHz                 |
| $F_{\text{filter}} = 1450.5 \text{ MHz}$                            | $P_{\text{EM},\text{B}32,\text{e}}$ | 3 MHz                 |
| $F_{\text{filter}} = 1493.5 \text{ MHz}$                            | $P_{\text{EM},\text{B}32,\text{e}}$ | 3 MHz                 |
| $1495.5 \text{ MHz} \leq F_{\text{filter}} \leq 1517.5 \text{ MHz}$ | $P_{\text{EM},\text{B}32,\text{d}}$ | 1 MHz                 |

NOTE: The regional requirement, included in [15], is defined in terms of EIRP, which is dependent on both the BS emissions at the antenna connector and the deployment (including antenna gain and feeder loss). The requirement defined above provides the characteristics of the base station needed to verify compliance with the regional requirement. The assessment of the EIRP level is described in Annex H of TS 36.104 [4].

In certain regions, the following requirement may apply to BS operating in Band 50/n50 and Band 75/n75 within 1492-1517 MHz and in Band 74 within 1492-1518 MHz. The level of emissions, measured on centre frequencies  $F_{\text{filter}}$  with

filter bandwidth according to Table 6.6.2.4.7-3, shall neither exceed the maximum emission level  $P_{EM,B50,B74,B75,a}$  nor  $P_{EM,B50,B74,B75,b}$  declared by the manufacturer.

**Table 6.6.2.4.7-3: Operating band 50/n50, 74 and 75/n75 declared emission above 1518 MHz**

| Filter centre frequency, $F_{filter}$                        | Declared emission level [dBm] | Measurement bandwidth |
|--|-------------------------------|-----------------------|
| $1518.5 \text{ MHz} \leq F_{filter} \leq 1519.5 \text{ MHz}$ | $P_{EM,B50,B74,B75,a}$        | 1 MHz                 |
| $1520.5 \text{ MHz} \leq F_{filter} \leq 1558.5 \text{ MHz}$ | $P_{EM,B50,B74,B75,b}$        | 1 MHz                 |

NOTE: The regional requirement, included in [16], is defined in terms of EIRP, which is dependent on both the BS emissions at the antenna connector and the deployment (including antenna gain and feeder loss). The requirement defined above provides the characteristics of the base station needed to verify compliance with the regional requirement. The assessment of the EIRP level is described in Annex H.

In certain regions, the following requirement may apply to NR or E-UTRA BS operating in Band 50/n50 and Band 75/n75 within 1432-1452 MHz, and in Band 51/n51 and Band 76/n76. Emissions shall not exceed the maximum levels specified in Table 6.6.2.4.7-4.

**Table 6.6.2.4.7-4: Additional operating band unwanted emission limits for BS operating in Band 50/n50 and 75/n75 within 1432-1452 MHz, and in Band 51/n51 and 76/n76**

| Filter centre frequency, $F_{filter}$ | Maximum Level [dBm] | Measurement Bandwidth |
|---------------------------------------|---------------------|-----------------------|
| $F_{filter} = 1413.5 \text{ MHz}$     | -42                 | 27 MHz                |

#### 6.6.2.4.8 Additional requirements for band 45

In certain regions the following requirement may apply to E-UTRA BS operating in Band 45. Emissions shall not exceed the maximum levels specified in Table 6.6.2.4.8-1.

**Table 6.6.2.4.8-1: Emissions limits for protection of adjacent band services**

| Operating Band | Filter centre frequency, $F_{filter}$                        | Maximum Level [dBm] | Measurement Bandwidth |
|----------------|--|---------------------|-----------------------|
| 45             | $F_{filter} = 1467.5$  | -20                 | 1 MHz                 |
|                | $F_{filter} = 1468.5$  | -23                 | 1 MHz                 |
|                | $F_{filter} = 1469.5$  | -26                 | 1 MHz                 |
|                | $F_{filter} = 1470.5$  | -33                 | 1 MHz                 |
|                | $F_{filter} = 1471.5$  | -40                 | 1 MHz                 |
|                | $1472.5 \text{ MHz} \leq F_{filter} \leq 1491.5 \text{ MHz}$ | -47                 | 1 MHz                 |

#### 6.6.2.4.9 Additional requirements for band 48

The following requirement may apply to BS operating in Band 48 in certain regions. Emissions shall not exceed the maximum levels specified in Table 6.6.2.4.9-1.

**Table 6.6.2.4.9-1: Additional operating band unwanted emission limits for Band 48**

| Channel bandwidth | Frequency offset of measurement filter -3dB point, $\Delta f$ | Frequency offset of measurement filter centre frequency, $f_{offset}$ | Minimum requirement | Measurement bandwidth |
|-------------------|---|---|---------------------|-----------------------|
| All               | $0 \text{ MHz} \leq \Delta f < 10 \text{ MHz}$                | $0.5 \text{ MHz} \leq f_{offset} < 9.5 \text{ MHz}$                   | -13 dBm             | 1 MHz                 |

### 6.6.3 Occupied bandwidth

The occupied bandwidth is the width of a frequency band such that, below the lower and above the upper frequency limits, the mean powers emitted are each equal to a specified percentage  $\beta/2$  of the total mean transmitted power. See also ITU-R Recommendation SM.328 [11].

The value of  $\beta/2$  shall be taken as 0.5%.

The requirement in the present clause applies during the transmitter ON period for a single transmitted carrier. For E-UTRA intra-band contiguous carrier aggregation, the requirement in clause 6.6.1 of TS 36.104 [4] applies for the E-UTRA component carriers that are aggregated. For NR intra-band contiguous carrier aggregation, the requirement in clause 6.6.2.2 of TS 38.104 [17] applies for the NR component carriers that are aggregated. The minimum requirement below may be applied regionally. There may also be regional requirements to declare the occupied bandwidth according to the definition in the present clause.

### 6.6.3.1 Minimum requirement

The occupied bandwidth shall be less than values listed in Table 6.6.3.1-1.

**Table 6.6.3.1-1: Occupied bandwidth**

| RAT                | Occupied bandwidth limit |
|--------------------|--------------------------|
| E-UTRA and NR      | $BW_{\text{Channel}}$    |
| UTRA FDD           | 5 MHz                    |
| 1.28 Mcps UTRA TDD | 1.6 MHz                  |
| NB-IoT             | 200 kHz                  |

## 6.6.4 Adjacent Channel Leakage Power Ratio (ACLR)

Adjacent Channel Leakage Power Ratio (ACLR) is the ratio of the filtered mean power centred on the assigned channel frequency to the filtered mean power centred on an adjacent channel frequency.

### 6.6.4.1 E-UTRA minimum requirement

For E-UTRA, the minimum requirement for ACLR is specified in Table 6.6.4.1-1 and 6.6.4.1-2 and applies outside the Base Station RF Bandwidth or Radio Bandwidth.

For a BS operating in non-contiguous spectrum, the ACLR also applies for the first adjacent channel inside any sub-block gap with a gap size  $W_{\text{gap}} \geq 15\text{MHz}$ . The ACLR requirement for the second adjacent channel applies inside any sub-block gap with a gap size  $W_{\text{gap}} \geq 20\text{MHz}$ . The CACLR requirement in subclause 6.6.4.4 applies in sub block gaps for the frequency ranges defined in Table 6.6.4.4-1.

For a BS operating in multiple bands, where multiple bands are mapped onto the same antenna connector, the ACLR also applies for the first adjacent channel inside any Inter RF Bandwidth gap with a gap size  $W_{\text{gap}} \geq 15\text{MHz}$ . The ACLR requirement for the second adjacent channel applies inside any Inter RF Bandwidth gap with a gap size  $W_{\text{gap}} \geq 20\text{MHz}$ .

The CACLR requirement in subclause 6.6.4.4 applies in Inter-RF Bandwidth gaps for the frequency ranges defined in Table 6.6.4.4-1.

The requirements apply during the transmitter ON period.

The ACLR is defined with a square filter of bandwidth equal to the transmission bandwidth configuration of the transmitted signal ( $BW_{\text{Config}}$ ) centred on the assigned channel frequency and a filter centred on the adjacent channel frequency according to the tables below.

For Category A Wide Area BS, either the ACLR limits in the tables below or the absolute limit of -13dBm/MHz shall apply, whichever is less stringent.

For Category B Wide Area BS, either the ACLR limits in the tables below or the absolute limit of -15dBm/MHz shall apply, whichever is less stringent. For Medium Range BS, either the ACLR limits in the tables below or the absolute limit of -25 dBm/MHz shall apply, whichever is less stringent.

For Local Area BS, either the ACLR limits in the tables below or the absolute limit of -32dBm/MHz shall apply, whichever is less stringent.

For operation in paired spectrum, the ACLR shall be higher than the value specified in Table 6.6.4.1-1.

Table 6.6.4.1-1: Base Station ACLR in paired spectrum

| Channel bandwidth of E-UTRA Lowest/ Highest Carrier transmitted $BW_{\text{Channel}}$ [MHz]   | BS adjacent channel centre frequency offset below the lower or above the upper Base Station RF bandwidth edge | Assumed adjacent channel carrier | Filter on the adjacent channel frequency and corresponding filter bandwidth | ACLR limit |
|---|---|----------------------------------|---|------------|
| 1.4, 3.0, 5, 10, 15, 20   | $0.5 \times BW_{\text{Channel}}$  | E-UTRA of same BW                | Square ( $BW_{\text{Config}}$ )   | 45 dB      |
|   | $1.5 \times BW_{\text{Channel}}$  | E-UTRA of same BW                | Square ( $BW_{\text{Config}}$ )   | 45 dB      |
|   | 2.5 MHz   | 3.84 Mcps UTRA                   | RRC (3.84 Mcps)   | 45 dB      |
|   | 7.5 MHz   | 3.84 Mcps UTRA                   | RRC (3.84 Mcps)   | 45 dB      |
| NOTE 1: $BW_{\text{Channel}}$ and $BW_{\text{Config}}$ are the channel bandwidth and transmission bandwidth configuration of the E-UTRA Lowest/Highest Carrier transmitted on the assigned channel frequency. |   |                                  |   |            |
| NOTE 2: The RRC filter shall be equivalent to the transmit pulse shape filter defined in TS 25.104 [2], with a chip rate as defined in this table.  |   |                                  |   |            |

For operation in unpaired spectrum, the ACLR shall be higher than the value specified in Table 6.6.4.1-2.

Table 6.6.4.1-2: Base Station ACLR in unpaired spectrum with synchronized operation

| Channel bandwidth of E-UTRA Lowest/ Highest Carrier transmitted $BW_{\text{Channel}}$ [MHz]   | BS adjacent channel centre frequency offset below the lower or above the upper Base Station RF Bandwidth edge | Assumed adjacent channel carrier | Filter on the adjacent channel frequency and corresponding filter bandwidth | ACLR limit |
|---|---|----------------------------------|---|------------|
| 1.4, 3  | $0.5 \times BW_{\text{Channel}}$  | E-UTRA of same BW                | Square ( $BW_{\text{Config}}$ )   | 45 dB      |
|   | $1.5 \times BW_{\text{Channel}}$  | E-UTRA of same BW                | Square ( $BW_{\text{Config}}$ )   | 45 dB      |
|   | 0.8 MHz   | 1.28 Mcps UTRA                   | RRC (1.28 Mcps)   | 45 dB      |
|   | 2.4 MHz   | 1.28 Mcps UTRA                   | RRC (1.28 Mcps)   | 45 dB      |
| 5, 10, 15, 20   | $0.5 \times BW_{\text{Channel}}$  | E-UTRA of same BW                | Square ( $BW_{\text{Config}}$ )   | 45 dB      |
|   | $1.5 \times BW_{\text{Channel}}$  | E-UTRA of same BW                | Square ( $BW_{\text{Config}}$ )   | 45 dB      |
|   | 0.8 MHz   | 1.28 Mcps UTRA                   | RRC (1.28 Mcps)   | 45 dB      |
|   | 2.4 MHz   | 1.28 Mcps UTRA                   | RRC (1.28 Mcps)   | 45 dB      |
|   | 2.5 MHz   | 3.84 Mcps UTRA                   | RRC (3.84 Mcps)   | 45 dB      |
|   | 7.5 MHz   | 3.84 Mcps UTRA                   | RRC (3.84 Mcps)   | 45 dB      |
|   | 5 MHz   | 7.68 Mcps UTRA                   | RRC (7.68 Mcps)   | 45 dB      |
|   | 15 MHz  | 7.68 Mcps UTRA                   | RRC (7.68 Mcps)   | 45 dB      |
| NOTE 1: $BW_{\text{Channel}}$ and $BW_{\text{Config}}$ are the channel bandwidth and transmission bandwidth configuration of the E-UTRA Lowest/Highest Carrier transmitted on the assigned channel frequency. |   |                                  |   |            |
| NOTE 2: The RRC filter shall be equivalent to the transmit pulse shape filter defined in TS 25.105 [3], with a chip rate as defined in this table.  |   |                                  |   |            |

For operation in non-contiguous paired spectrum, the ACLR shall be higher than the value specified in Table 6.6.4.1-3.

Table 6.6.4.1-3: Base Station ACLR in non-contiguous paired spectrum

| Sub-block gap size ( $W_{\text{gap}}$ ) where the limit applies  | BS adjacent channel centre frequency offset below or above the sub-block edge (inside the gap) | Assumed adjacent channel carrier | Filter on the adjacent channel frequency and corresponding filter bandwidth | ACLR limit |
|--|--|----------------------------------|---|------------|
| $W_{\text{gap}} \geq 15$ MHz   | 2.5 MHz  | 3.84 Mcps UTRA                   | RRC (3.84 Mcps)   | 45 dB      |
| $W_{\text{gap}} \geq 20$ MHz   | 7.5 MHz  | 3.84 Mcps UTRA                   | RRC (3.84 Mcps)   | 45 dB      |
| NOTE: The RRC filter shall be equivalent to the transmit pulse shape filter defined in TS 25.104 [2], with a chip rate as defined in this table. |  |                                  |   |            |

For operation in non-contiguous unpaired spectrum, the ACLR shall be higher than the value specified in Table 6.6.4.1-4.

**Table 6.6.4.1-4: Base Station ACLR in non-contiguous unpaired spectrum**

| Sub-block gap size ( $W_{\text{gap}}$ ) where the limit applies | BS adjacent channel centre frequency offset below or above the sub-block edge (inside the gap) | Assumed adjacent channel carrier (informative) | Filter on the adjacent channel frequency and corresponding filter bandwidth | ACLR limit |
|---|--|--|---|------------|
| $W_{\text{gap}} \geq 15$ MHz                                    | 2.5 MHz  | 5MHz E-UTRA carrier                            | Square ( $BW_{\text{Config}}$ )   | 45 dB      |
| $W_{\text{gap}} \geq 20$ MHz                                    | 7.5 MHz  | 5MHz E-UTRA carrier                            | Square ( $BW_{\text{Config}}$ )   | 45 dB      |

### 6.6.4.2 UTRA FDD minimum requirement

For UTRA FDD, the minimum requirement for ACLR is specified in TS 25.104 [2], subclause 6.6.2.2, and applies outside the Base Station RF Bandwidth or Radio Bandwidth.

For a BS operating in non-contiguous spectrum, ACLR requirement also applies for the first adjacent channel, inside any sub-block gap with a gap size  $W_{\text{gap}} \geq 15$  MHz. The ACLR requirement for the second adjacent channel applies inside any sub-block gap with a gap size  $W_{\text{gap}} \geq 20$  MHz. The CACLR requirement in subclause 6.6.4.4 applies in sub block gaps for the frequency ranges defined in Table 6.6.4.4-1.

For a BS operating in multiple bands, where multiple bands are mapped onto the same antenna connector, ACLR requirement also applies for the first adjacent channel, inside any Inter RF Bandwidth gap with a gap size  $W_{\text{gap}} \geq 15$  MHz. The ACLR requirement for the second adjacent channel applies inside any Inter RF Bandwidth gap with a gap size  $W_{\text{gap}} \geq 20$  MHz. The CACLR requirement in subclause 6.6.4.4 applies in Inter RF Bandwidth gaps for the frequency ranges defined in Table 6.6.4.4-1.

### 6.6.4.3 UTRA TDD minimum requirement

For UTRA TDD, the minimum requirement for ACLR is specified in TS 25.105 [3], subclause 6.6.2.2.1.2, and applies outside the Base Station RF Bandwidth or Radio Bandwidth.

### 6.6.4.4 Cumulative ACLR requirement in non-contiguous spectrum

The following requirement applies for the sub-block or Inter RF Bandwidth gap sizes listed in Table 6.6.4.4-1:

- Inside a sub-block gap within an operating band for a BS operating in non-contiguous spectrum.
- Inside an Inter RF Bandwidth gap for a BS operating in multiple bands, where multiple bands are mapped on the same antenna connector.

The Cumulative Adjacent Channel Leakage Power Ratio (CACLR) in a sub-block gap or the Inter RF Bandwidth gap is the ratio of

- a) the sum of the filtered mean power centred on the assigned channel frequencies for the two carriers adjacent to each side of the sub-block gap or the Inter RF Bandwidth gap, and
- b) the filtered mean power centred on a frequency channel adjacent to one of the respective sub-block edges or Base Station RF Bandwidth edges.

The requirement applies to adjacent channels of NR, E-UTRA or UTRA carriers allocated adjacent to each side of the sub-block gap or the Inter RF Bandwidth gap. The assumed filter for the adjacent channel frequency is defined in Table 6.6.4.4-1 and the filters on the assigned channels are defined in Table 6.6.4.4-2.

NOTE: If the RAT on the assigned channel frequencies are different, the filters used are also different.

For Wide Area Category A BS, either the CACLR limits in Table 6.6.4.4-1 or the absolute limit of -13dBm/MHz shall apply, whichever is less stringent.

For Wide Area Category B BS, either the CACLR limits in Table 6.6.4.4-1 or the absolute limit of -15dBm/MHz shall apply, whichever is less stringent.

For Medium Range BS, either the CACLR limits in Table 6.6.4.4-1 or the absolute limit of -25 dBm/MHz shall apply, whichever is less stringent.



For Local Area BS, either the CA CLR limits in Table 6.6.4.4-1 or the absolute limit of -32 dBm/MHz shall apply, whichever is less stringent.

The CA CLR for E-UTRA and UTRA carriers located on either side of the sub-block gap or the Inter RF Bandwidth gap shall be higher than the value specified in Table 6.6.4.4-1.

**Table 6.6.4.4-1: Base Station CA CLR in non-contiguous spectrum or multiple bands**

| Band Category | Sub-block or Inter RF Bandwidth gap size ( $W_{\text{gap}}$ ) where the limit applies [MHz] | BS adjacent channel centre frequency offset below or above the sub-block edge or the Base Station RF Bandwidth edge (inside the gap) | Assumed adjacent channel carrier (informative) | Filter on the adjacent channel frequency and corresponding filter bandwidth | CA CLR limit |
|---------------|---|--|--|---|--------------|
| BC1, BC2      | $5 \leq W_{\text{gap}} < 15$<br>(Note 3)  | 2.5 MHz  | 3.84 Mcps UTRA                                 | RRC (3.84 Mcps)   | 45 dB        |
| BC1, BC2      | $10 < W_{\text{gap}} < 20$<br>(Note 3)  | 7.5 MHz  | 3.84 Mcps UTRA                                 | RRC (3.84 Mcps)   | 45 dB        |
| BC3           | $5 \leq W_{\text{gap}} < 15$<br>(Note 3)  | 2.5 MHz  | 5MHz E-UTRA                                    | Square ( $BW_{\text{Config}}$ )   | 45 dB        |
| BC3           | $10 < W_{\text{gap}} < 20$<br>(Note 3)  | 7.5 MHz  | 5MHz E-UTRA                                    | Square ( $BW_{\text{Config}}$ )   | 45 dB        |
| BC1, BC2, BC3 | $5 \leq W_{\text{gap}} < 45$<br>(Note 4)  | 2.5 MHz  | 5 MHz NR (Note 2)                              | Square ( $BW_{\text{Config}}$ )   | 45 dB        |
| BC1, BC2, BC3 | $10 \leq W_{\text{gap}} < 50$<br>(Note 4)   | 7.5 MHz  | 5 MHz NR (Note 2)                              | Square ( $BW_{\text{Config}}$ )   | 45 dB        |
| BC1, BC2, BC3 | $20 \leq W_{\text{gap}} < 30$<br>(Note 3, 5)  | 10 MHz   | 20 MHz NR (Note 2)                             | Square ( $BW_{\text{Config}}$ )   | 45 dB        |
| BC1, BC2, BC3 | $20 \leq W_{\text{gap}} < 60$<br>(Note 4)   | 10 MHz   | 20 MHz NR (Note 2)                             | Square ( $BW_{\text{Config}}$ )   | 45 dB        |
| BC1, BC2, BC3 | $40 \leq W_{\text{gap}} < 50$<br>(Note 3, 5)  | 30 MHz   | 20 MHz NR (Note 2)                             | Square ( $BW_{\text{Config}}$ )   | 45 dB        |
| BC1, BC2, BC3 | $40 \leq W_{\text{gap}} < 80$<br>(Note 4)   | 30 MHz   | 20 MHz NR (Note 2)                             | Square ( $BW_{\text{Config}}$ )   | 45 dB        |

NOTE 1: The RRC filter shall be equivalent to the transmit pulse shape filter defined in TS 25.104 [2], with a chip rate as defined in this table.

NOTE 2: With SCS that provides largest transmission bandwidth configuration ( $BW_{\text{Config}}$ ).

NOTE 3: Applicable in case the *channel bandwidth* of the carrier transmitted at the other edge of the gap is 5, 10, 15, 20 MHz.

NOTE 4: Applicable in case the *channel bandwidth* of the NR carrier transmitted at the other edge of the gap is 25, 30, 40, 50, 60, 70, 80, 90, 100 MHz.

NOTE 5: Applicable in case the *channel bandwidth* of the lowest/highest NR carrier transmitted is 25, 30, 40, 50, 60, 70, 80, 90, 100 MHz.

**Table 6.6.4.4-2: Filter parameters for the assigned channel**

| RAT of the carrier adjacent to the sub-block and Inter RF Bandwidth gap  | Filter on the assigned channel frequency and corresponding filter bandwidth       |
|--|---|
| E-UTRA   | E-UTRA of same BW   |
| UTRA FDD   | RRC (3.84 Mcps)   |
| NR   | NR of same BW with SCS that provides largest transmission bandwidth configuration |
| NOTE: The RRC filter shall be equivalent to the transmit pulse shape filter defined in TS 25.104 [2], with a chip rate as defined in this table. |   |

#### 6.6.4.5 NB-IoT minimum requirement

For NB-IoT in-band and guard band operation, the E-UTRA minimum requirement specified in section 6.6.4.1 shall apply.

For NB-IoT standalone operation, the ACLR shall be higher than the value specified in Table 6.6.4.5-1.

Table 6.6.4.5-1: Base Station ACLR for NB-IoT standalone operation

| Channel bandwidth of standalone NB-IoT lowest/highest carrier transmitted $BW_{\text{Channel}}$  | BS adjacent channel centre frequency offset below the lowest or above the highest carrier centre frequency transmitted | Assumed adjacent channel carrier (informative) | Filter on the adjacent channel frequency and corresponding filter bandwidth | ACLR limit |
|--|--|--|---|------------|
| 200 kHz  | 300 kHz  | Standalone NB-IoT                              | Square ( $BW_{\text{Config}}$ )   | 40 dB      |
|  | 500 kHz  | Standalone NB-IoT                              | Square ( $BW_{\text{Config}}$ )   | 50 dB      |
| NOTE 1: $BW_{\text{Config}}$ is the transmission bandwidth configuration of the E-UTRA Lowest/Highest Carrier transmitted on the assigned channel frequency. |  |  |   |            |

### 6.6.4.6 NR minimum requirement

For NR, the minimum requirements shall apply outside the Base Station RF Bandwidth or Radio Bandwidth whatever the type of transmitter considered (single carrier or multi-carrier) and for all transmission modes foreseen by the manufacturer's specification.

For a BS operating in non-contiguous spectrum, the ACLR requirement shall apply in *sub-block gaps* for the frequency ranges defined in table 6.6.4.6-2a, while the CACLR requirement shall apply in *sub-block gaps* for the frequency ranges defined in table 6.6.4.4-1.

For BS operating in multiple bands, where multiple bands are mapped onto the same *antenna connector*, the ACLR requirement shall apply in *Inter RF Bandwidth gaps* for the frequency ranges defined in table 6.6.4.6-2a, while the CACLR requirement in subclause 6.6.4.4 shall apply in *Inter RF Bandwidth gaps* for the frequency ranges defined in table 6.6.4.4-1.

The requirement shall apply during the *transmitter ON period*. The ACLR is defined with a square filter of bandwidth equal to the transmission bandwidth configuration of the transmitted signal ( $BW_{\text{Config}}$ ) centred on the assigned channel frequency and a filter centred on the adjacent channel frequency according to the tables below.

The ACLR absolute *limit* in table 6.6.4.6-2 or the ACLR (CACLR) *limit* in table 6.6.4.6-1, 6.6.4.6-2a or 6.6.4.4-1, whichever is less stringent, shall apply for each *antenna connector*.

For operation in paired and unpaired spectrum, the ACLR shall be higher than the value specified in table 6.6.4.6-1.

Table 6.6.4.6-1: Base station ACLR limit

| Channel bandwidth of lowest/highest NR carrier transmitted $BW_{\text{Channel}}$ [MHz]   | BS adjacent channel centre frequency offset below the lowest or above the highest carrier centre frequency transmitted | Assumed adjacent channel carrier (informative) | Filter on the adjacent channel frequency and corresponding filter bandwidth | ACLR limit     |
|--|--|--|---|----------------|
| 5, 10, 15, 20, 25, 30, 40, 50, 60, 70, 80, 90, 100   | $BW_{\text{Channel}}$  | NR of same BW (Note 2)                         | Square ( $BW_{\text{Config}}$ )   | 45 dB          |
|  | $2 \times BW_{\text{Channel}}$   | NR of same BW (Note 2)                         | Square ( $BW_{\text{Config}}$ )   | 45 dB          |
|  | $BW_{\text{Channel}}/2 + 2.5 \text{ MHz}$  | 5 MHz E-UTRA                                   | Square (4.5 MHz)  | 45 dB (Note 3) |
|  | $BW_{\text{Channel}}/2 + 7.5 \text{ MHz}$  | 5 MHz E-UTRA                                   | Square (4.5 MHz)  | 45 dB (Note 3) |
| NOTE 1: $BW_{\text{Channel}}$ and $BW_{\text{Config}}$ are the <i>channel bandwidth</i> and transmission bandwidth configuration of the lowest/highest NR carrier transmitted on the assigned channel frequency. |  |  |   |                |
| NOTE 2: With SCS that provides largest transmission bandwidth configuration ( $BW_{\text{Config}}$ ).  |  |  |   |                |
| NOTE 3: The requirements are applicable when the band is also defined for E-UTRA or UTRA.  |  |  |   |                |

The ACLR absolute limit is specified in table 6.6.4.6-2.

**Table 6.6.4.6-2: Base station ACLR absolute limit**

| BS category / BS class  | ACLR absolute limit |
|-------------------------|---------------------|
| Category A Wide Area BS | -13 dBm/MHz         |
| Category B Wide Area BS | -15 dBm/MHz         |
| Medium Range BS         | -25 dBm/MHz         |
| Local Area BS           | -32 dBm/MHz         |

For operation in non-contiguous spectrum or multiple bands, the ACLR shall be higher than the value specified in Table 6.6.4.6-2a.

**Table 6.6.4.6-2a: Base Station ACLR limit in non-contiguous spectrum or multiple bands**

| Channel bandwidth of lowest/highest NR carrier transmitted<br>$BW_{\text{Channel}}$ [MHz] | Sub-block or Inter RF Bandwidth gap size ( $W_{\text{gap}}$ ) where the limit applies [MHz] | BS adjacent channel centre frequency offset below or above the sub-block or Base Station RF Bandwidth edge (inside the gap) | Assumed adjacent channel carrier | Filter on the adjacent channel frequency and corresponding filter bandwidth | ACLR limit |
|---|---|---|----------------------------------|---|------------|
| 5, 10, 15, 20   | $W_{\text{gap}} \geq 15$ (Note 3)<br>$W_{\text{gap}} \geq 45$ (Note 4)                      | 2.5 MHz   | 5 MHz NR (Note 2)                | Square ( $BW_{\text{Config}}$ )   | 45 dB      |
|   | $W_{\text{gap}} \geq 20$ (Note 3)<br>$W_{\text{gap}} \geq 50$ (Note 4)                      | 7.5 MHz   | 5 MHz NR (Note 2)                | Square ( $BW_{\text{Config}}$ )   | 45 dB      |
| 25, 30, 40, 50, 60, 70, 80, 90, 100   | $W_{\text{gap}} \geq 60$ (Note 4)<br>$W_{\text{gap}} \geq 30$ (Note 3)                      | 10 MHz  | 20 MHz NR (Note 2)               | Square ( $BW_{\text{Config}}$ )   | 45 dB      |
|   | $W_{\text{gap}} \geq 80$ (Note 4)<br>$W_{\text{gap}} \geq 50$ (Note 3)                      | 30 MHz  | 20 MHz NR (Note 2)               | Square ( $BW_{\text{Config}}$ )   | 45 dB      |

NOTE 1:  $BW_{\text{Config}}$  is the transmission bandwidth configuration of the assumed adjacent channel carrier.  
NOTE 2: With SCS that provides largest transmission bandwidth configuration ( $BW_{\text{Config}}$ ).  
NOTE 3: Applicable in case the *channel bandwidth* of the NR carrier transmitted at the other edge of the gap is 5, 10, 15, 20 MHz.  
NOTE 4: Applicable in case the *channel bandwidth* of the NR carrier transmitted at the other edge of the gap is 25, 30, 40, 50, 60, 70, 80, 90, 100 MHz.

## 6.7 Transmitter intermodulation

The transmitter intermodulation requirement is a measure of the capability of the transmitter to inhibit the generation of signals in its non-linear elements caused by presence of the wanted signal and an interfering signal reaching the transmitter via the antenna. The requirement applies during the transmitter ON period and the transmitter transient period.

For BS capable of multi-band operation where multiple bands are mapped on separate antenna connectors, the single-band requirements apply regardless of the interfering signals position relative to the Inter-RF Bandwidth gap.

### 6.7.1 General minimum requirement

The transmitter intermodulation level is the power of the intermodulation products when an interfering signal is injected into the antenna connector.

The transmitter intermodulation level shall not exceed the unwanted emission limits in subclause 6.6.1, 6.6.2, 6.6.4 in the presence of a wanted signal and an interfering signal according to Table 6.7.1-1 for BS operation in BC1, BC2 and BC3.

The requirement is applicable outside the Base Station RF Bandwidth or Radio Bandwidth. The interfering signal offset is defined relative to the Base Station RF Bandwidth edges or Radio Bandwidth edges.

For BS operating in non-contiguous spectrum, the requirement is also applicable inside a sub-block gap for interfering signal offsets where the interfering signal falls completely within the sub-block gap. The interfering signal offset is defined relative to the sub-block edges.

For BS capable of multi-band operation, the requirement applies relative to the Base Station RF Bandwidth edges of each operating band. In case the Inter RF Bandwidth gap is less than 15 MHz, the requirement in the gap applies only for interfering signal offsets where the interfering signal falls completely within the Inter RF Bandwidth gap.

**Table 6.7.1-1: Interfering signals for the Transmitter intermodulation requirement**

| Parameter   | Value  |
|---|--|
| Interfering signal type   | E-UTRA signal of channel bandwidth 5 MHz   |
| Interfering signal level  | Rated total output power in the operating band – 30dB  |
| Interfering signal centre frequency offset from the Base Station RF Bandwidth edge or sub-block edge inside a gap | ±2.5 MHz<br>±7.5 MHz<br>±12.5 MHz  |
| NOTE:   | Interfering signal positions that are partially or completely outside of any downlink operating band of the base station are excluded from the requirement, unless the interfering signal positions fall within the frequency range of adjacent downlink operating bands in the same geographical area. In case that none of the interfering signal positions fall completely within the frequency range of the downlink operating band, TS 37.141 [10] provides further guidance regarding appropriate test requirements. |
| NOTE2:  | In certain regions, NOTE 1 is not applied in Band 1, 3, 8, 9, 11, 18, 19, 21, 28, 32 operating within 1475.9-1495.9MHz, 34.  |

## 6.7.2 Additional minimum requirement (BC1 and BC2)

The transmitter intermodulation level shall not exceed the unwanted emission limits in subclause 6.6.1, 6.6.2, 6.6.4 in the presence of a wanted signal and an interfering signal according to Table 6.7.2-1 for BS operation in BC2.

The requirement is applicable outside the Base Station RF Bandwidth and Radio Bandwidth for BC2. The interfering signal offset is defined relative to the Base Station RF Bandwidth edges or Radio Bandwidth edges.

For BS operating in non-contiguous spectrum in BC1 or BC2, the requirement is also applicable inside a sub-block gap with a gap size larger than or equal to two times the interfering signal centre frequency offset. For BS operating in non-contiguous spectrum in BC1, the requirement is not applicable inside a sub-block gap with a gap size equal to or larger than 5 MHz. The interfering signal offset is defined relative to the sub-block edges.

For BS capable of multi-band operation, the requirement applies relative to the Base Station RF Bandwidth edges of a BC2 operating band. The requirement is also applicable for BC1 and BC2 inside an Inter RF Bandwidth gap equal to or larger than two times the interfering signal centre frequency offset. For BS capable of multi-band operation, the requirement is not applicable for BC1 band inside an Inter RF Bandwidth gap with a gap size equal to or larger than 5 MHz.

**Table 6.7.2-1: Interfering signal for the transmitter intermodulation requirement**

| Parameter   | Value   |
|---|---|
| Interfering signal type   | CW  |
| Interfering signal level  | Rated total output power in the operating band – 30dB   |
| Interfering signal centre frequency offset from the Base Station RF Bandwidth edge or sub-block edge inside a gap | > abs(800) kHz for CW interferer  |
| NOTE:   | Interfering signal positions that are partially or completely outside of any downlink operating band of the base station are excluded from the requirement. |

### 6.7.3 Additional minimum requirement (BC3)

The transmitter intermodulation level shall not exceed the unwanted emission limits in subclause 6.6.1, 6.6.2, 6.6.4 in the presence of a wanted signal and an interfering signal according to Table 6.7.3-1 for BS operation in BC3.

For BS capable of multi-band operation, the requirement applies relative to the Base Station RF Bandwidth edges of each operating band. In case the Inter RF Bandwidth gap is less than 3.2 MHz, the requirement in the gap applies only for interfering signal offsets where the interfering signal falls completely within the Inter RF Bandwidth gap.

**Table 6.7.3-1: Interfering signals for the Transmitter intermodulation requirement (BC3)**

| Parameter   | Value   |
|---|---|
| Interfering signal type   | 1.28Mcps UTRA TDD signal of channel bandwidth 1.6MHz  |
| Interfering signal level  | Rated total output power in the operating band – 30dB   |
| Interfering signal centre frequency offset from Base Station RF Bandwidth edge or sub-block edge inside a gap | ±0.8 MHz<br>±1.6 MHz<br>±2.4 MHz  |
| NOTE:   | Interfering signal positions that are partially or completely outside of any downlink operating band of the base station are excluded from the requirement. |

### 6.7.4 Additional requirements

In certain regions the following requirement may apply. For BS operating in Band 41, the transmitter intermodulation level shall not exceed the maximum levels specified in Table 6.6.1.3.1-3, Table 6.6.2.4.6-1 and Table 6.6.4.1-2 with a square filter in the first adjacent channel, in the presence of an interfering signal according to Table 6.7.4-1.

**Table 6.7.4-1 Interfering and wanted signals for the additional transmitter intermodulation requirement for Band 41**

| Parameter   | Value  |
|---|--|
| Wanted signal   | E-UTRA single carrier (NOTE)   |
| Interfering signal type   | E-UTRA signal of the same channel bandwidth as the wanted signal   |
| Interfering signal level  | Rated total output power in the operating band – 30dB  |
| Interfering signal centre frequency offset from the lower/upper centre frequency of the wanted signal | ± BW <sub>Channel</sub><br>± 2 x BW <sub>Channel</sub>   |
| NOTE:   | This requirement applies for 10 or 20 MHz E-UTRA carriers allocated within 2545-2575MHz or 2595-2645MHz. |

## 7 Receiver characteristics

### 7.1 General

The requirements in clause 7 are expressed for a single receiver antenna connector. For receivers with antenna diversity or in case of multi-carrier reception with multiple receiver antenna connectors, the requirements apply for each receiver antenna connector.

For blocking and intermodulation characteristics, the negative offsets of the interfering signal apply relative to the assigned channel frequency of the lowest carrier frequency received and positive offsets of the interfering signal apply relative to the assigned channel frequency of the highest carrier frequency received.

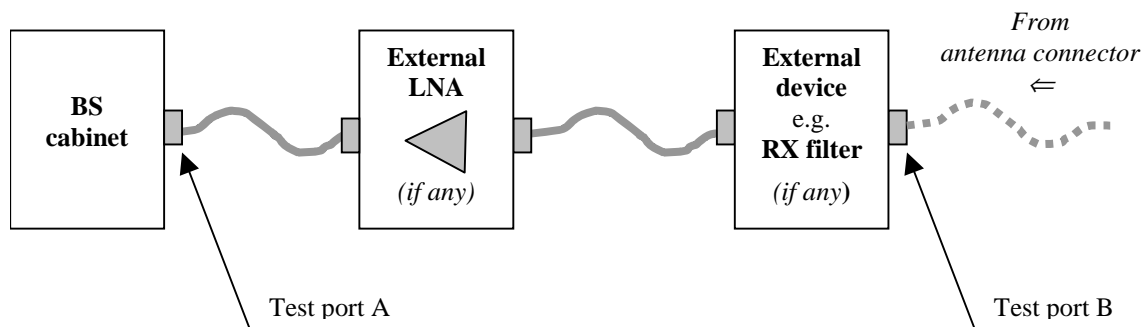
A BS supporting DC-HSUPA receives two UTRA FDD cells simultaneously on adjacent carrier frequencies.

Unless otherwise stated, the receiver characteristics are specified at the BS antenna connector (test port A) with a full complement of transceivers for the configuration in normal operating conditions. For FDD operation the requirements in clause 7 shall be met with the transmitter(s) on. If any external apparatus such as a RX amplifier, a filter or the combination of such devices is used, requirements apply at the far end antenna connector (test port B).

**NOTE:** In normal operating conditions the BS in FDD operation is configured to transmit and receive at the same time. The transmitter may be off for some of the tests as specified in 37.141 [10].

Unless otherwise stated the requirements in clause 7 apply during the base station receive period.

Unless otherwise stated the requirements for NB-IoT in subclause 7 applies for all operation modes (In-band operation, Guard-band operation and Stand-alone operation).



**Figure 7.1-1: Receiver test ports**

E-UTRA and NR throughput requirements defined for the receiver characteristics in this clause do not assume HARQ retransmissions.

Values for  $F_{\text{offset, RAT}}$  to meet receiver requirements are specific for each RAT in each Band Category as specified in subclause 4.5.1 for Band Category 1, subclause 4.5.2 for Band Category 2 and subclause 4.5.3 for Band Category 3.

### 7.2 Reference sensitivity level

The reference sensitivity power level  $P_{\text{REFSENS}}$  is the minimum mean power received at the antenna connector at which a reference performance requirement shall be met for a specified reference measurement channel.

#### 7.2.1 E-UTRA minimum requirement

For E-UTRA, the minimum requirement for reference sensitivity is specified in TS 36.104 [4], subclause 7.2.

#### 7.2.2 UTRA FDD minimum requirement

For UTRA FDD, the minimum requirement for reference sensitivity is specified in TS 25.104 [2], subclause 7.2.

### 7.2.3 UTRA TDD minimum requirement

For UTRA TDD, the minimum requirement for reference sensitivity is specified in TS 25.105 [3], subclause 7.2.

### 7.2.4 GSM/EDGE minimum requirement

For GSM/EDGE, the minimum requirement for reference sensitivity is specified in TS 45.005 [5], applicable parts of subclause 6.2.

The conditions specified in TS 45.005 [5], Annex P.1 apply for GSM/EDGE reference sensitivity.

### 7.2.5 NB-IoT minimum requirement

For NB-IoT, the minimum requirement for reference sensitivity is specified in TS 36.104 [4], subclause 7.2.

### 7.2.6 NR minimum requirement

For NR, the minimum requirement for reference sensitivity (BS type 1-C) is specified in TS 38.104 [17], subclause 7.2.

### 7.2.7 E-UTRA subPRB allocation minimum requirement

For E-UTRA subPRB allocation, the minimum requirement for reference sensitivity is specified in TS 36.104 [4], subclause 7.2.

## 7.3 Dynamic range

The dynamic range is a measure of the capability of the receiver to receive a wanted signal in the presence of an interfering signal inside the received channel bandwidth or the capability of receiving high level of wanted signal.

### 7.3.1 E-UTRA minimum requirement

For E-UTRA, the minimum requirement for dynamic range is specified in TS 36.104 [4], subclause 7.3.

### 7.3.2 UTRA FDD minimum requirement

For UTRA FDD, the minimum requirement for dynamic range is specified in TS 25.104 [2], subclause 7.3.

### 7.3.3 UTRA TDD minimum requirement

For UTRA TDD, the minimum requirement for dynamic range is specified in TS 25.105 [3], subclause 7.3.

### 7.3.4 GSM/EDGE minimum requirement

For GSM/EDGE, the minimum requirement for dynamic range is expressed as Nominal Error Rate and is specified in TS 45.005 [5], applicable parts of subclause 6.1.1.1, 6.1.1.3, 6.1.2.2 and 6.1.3.2.

### 7.3.5 NB-IoT minimum requirement

For NB-IoT, the minimum requirement for dynamic range is specified in TS 36.104 [4], subclause 7.3.

### 7.3.6 NR minimum requirement

For NR, the minimum requirement for dynamic range (BS type 1-C) is specified in TS 38.104 [17], subclause 7.3.

## 7.4 In-band selectivity and blocking

The in-band selectivity and blocking characteristics are measures of the receiver ability to receive a wanted signal at its assigned channel in the presence of an unwanted interferer inside the operating band and are defined by a (wideband) and a narrowband blocking requirement.

The in-band blocking requirement applies from  $F_{UL\_low} - \Delta f_{OOB}$  to  $F_{UL\_high} + \Delta f_{OOB}$ , excluding the downlink frequency range of the *operating band*. The values of  $\Delta f_{OOB}$  are defined in table 7.4-1.

**Table 7.4-1: Maximum  $\Delta f_{\text{OOB}}$  offset outside the uplink operating band**

| <i>Operating band characteristics</i>   | $\Delta f_{\text{OOB}}$ [MHz] |
|---|-------------------------------|
| $200 \text{ MHz} \geq F_{\text{UL\_high}} - F_{\text{UL\_low}}$                   | 20                            |
| $200 \text{ MHz} < F_{\text{UL\_high}} - F_{\text{UL\_low}} \leq 900 \text{ MHz}$ | 60                            |

### 7.4.1 General blocking minimum requirement

For the general blocking requirement, the interfering signal shall be a UTRA FDD signal as specified in annex A for a UTRA, E-UTRA, NB-IOT, GSM/EDGE or NR ( $\leq 20$  MHz) wanted signal. The interfering signal shall be a 20 MHz E-UTRA signal for NR wanted signal channel bandwidth greater than 20MHz.

The requirement is applicable outside the Base Station RF Bandwidth or Radio Bandwidth. The interfering signal offset is defined relative to the Base Station RF Bandwidth edges or Radio Bandwidth edges.

For BS operating in non-contiguous spectrum, the requirement applies in addition inside any sub-block gap, in case the sub-block gap size is at least 15 MHz. The interfering signal offset is defined relative to the sub-block edges inside the sub-block gap.

For BS capable of multi-band operation, the requirement applies in addition inside any Inter RF Bandwidth gap, in case the gap size is at least 15 MHz. The interfering signal offset is defined relative to the Base Station RF Bandwidth edges inside the Inter RF Bandwidth gap.

For the wanted and interfering signal coupled to the base station antenna input, using the parameters in Table 7.4.1-1 and 7.4.1-2, the following requirements shall be met:

- For any E-UTRA carrier, the throughput shall be  $\geq 95\%$  of the maximum throughput of the reference measurement channel defined in TS 36.104 [4], subclause 7.2.
- For any UTRA FDD carrier, the BER shall not exceed 0.001 for the reference measurement channel defined in TS 25.104 [2], subclause 7.2.
- For any UTRA TDD carrier, the BER shall not exceed 0.001 for the reference measurement channel defined in TS 25.105 [3], subclause 7.2.
- For any GSM/EDGE carrier, the conditions are specified in TS 45.005 [5], Annex P.2.1.
- For any NB-IoT carrier, the throughput shall be  $\geq 95\%$  of the maximum throughput of the reference measurement channel defined in TS 36.104 [4], subclause 7.2.
- For any NR carrier, the throughput shall be  $\geq 95\%$  of the maximum throughput of the reference measurement channel defined in TS 38.104 [17], subclause 7.2.

For BS capable of multi-band operation, the requirement applies according to Table 7.4.1-1 for the in-band blocking frequency ranges of each supported operating band.



Table 7.4.1-1: General blocking requirement

| Base Station Type  | Mean power of interfering signal [dBm] | Wanted Signal mean power [dBm] (Note 1) | Centre Frequency of Interfering Signal   | Interfering signal centre frequency minimum frequency offset from the Base Station RF Bandwidth edge or sub-block edge inside a gap [MHz] |
|--|--|---|--|---|
| Wide Area BS   | -40+y (Note 7)                         | $P_{\text{REFSENS}} + x$ dB (Note 2, 5) | $F_{\text{UL\_low}} - \Delta f_{\text{OOB}}$ to $F_{\text{UL\_high}} + \Delta f_{\text{OOB}}$ (Note 8) | $\pm 7.5$   |
| Medium Range BS  | -35+y (Note 7)                         | $P_{\text{REFSENS}} + x$ dB (Note 3, 5) |  |   |
| Local Area BS  | -30+y (Note 7)                         | $P_{\text{REFSENS}} + x$ dB (Note 4, 5) |  |   |
| <p>NOTE 1: <math>P_{\text{REFSENS}}</math> depends on the RAT, the BS class and on the channel bandwidth, see subclause 7.2.</p> <p>NOTE 2: For WA BS not supporting NR, "x" is equal to 6 in case of E-UTRA or UTRA or NB-IoT wanted signals and equal to 3 in case of GSM/EDGE wanted signal.</p> <p>NOTE 3: For MR BS not supporting NR, "x" is equal to 6 in case of UTRA wanted signals, 9 in case of E-UTRA or NB-IoT wanted signal and 3 in case of GSM/EDGE wanted signal.</p> <p>NOTE 4: For LA BS not supporting NR, "x" is equal to 11 in case of E-UTRA or NB-IoT wanted signal, 6 in case of UTRA wanted signal and equal to 3 in case of GSM/EDGE wanted signal.</p> <p>NOTE 5: For a BS supporting NR and not supporting UTRA nor GSM, x is equal to 6. NOTE 6: For a BS capable of multi-band operation, "x" in Note 2, 3, 4, 5 applies in case of interfering signals that are in the in-band blocking frequency range of the operating band where the wanted signal is present or in an adjacent or overlapping band. For other in-band blocking frequency ranges of the interfering signal for the supported operating bands, "x" is equal to 1.4 dB.</p> <p>NOTE 7: For a BS not supporting NR, "y" is equal to zero for all BS classes. For a BS supporting NR and not supporting UTRA nor GSM, "y" is equal to -3 for the WA and MR BS class and -5 for the LA BS class.</p> <p>NOTE 8: The downlink frequency range of an FDD operating band is excluded from the general blocking requirement.</p> |  |   |  |   |

Table 7.4.1-2: Void

NOTE: The requirement in Table 7.4.1-1 assumes that two operating bands, where the downlink operating band (see Table 4.5-1 and Table 4.5-2) of one band would be within the in-band blocking region of the other band, are not deployed in the same geographical area.

## 7.4.2 General narrowband blocking minimum requirement

For the general narrowband blocking requirement, the interfering signal shall be an E-UTRA 1RB signal as specified in Annex A.

The requirement is applicable outside the Base Station RF Bandwidth or Radio Bandwidth. The interfering signal offset is defined relative to the Base Station RF Bandwidth edges or Radio Bandwidth edges.

For BS operating in non-contiguous spectrum, the requirement applies in addition inside any sub-block gap, in case the sub-block gap size is at least 3 MHz. The interfering signal offset is defined relative to the sub-block edges inside the sub-block gap.

For BS capable of multi-band operation, the requirement applies in addition inside any Inter RF Bandwidth gap in case the gap size is at least 3 MHz. The interfering signal offset is defined relative to the Base Station RF Bandwidth edges inside the Inter RF Bandwidth gap.

For the wanted and interfering signal coupled to the base station antenna input, using the parameters in Table 7.4.2-1, the following requirements shall be met:

- For any E-UTRA carrier, the throughput shall be  $\geq 95\%$  of the maximum throughput of the reference measurement channel defined in TS 36.104 [4], subclause 7.2.
- For any UTRA FDD carrier, the BER shall not exceed 0.001 for the reference measurement channel defined in TS 25.104 [2], subclause 7.2.

- For any UTRA TDD carrier, the BER shall not exceed 0.001 for the reference measurement channel defined in TS 25.105 [3], subclause 7.2.
- For any GSM/EDGE carrier, the conditions are specified in TS 45.005 [5], Annex P.2.1.
- For any NB-IoT carrier, the throughput shall be  $\geq 95\%$  of the maximum throughput of the reference measurement channel defined in TS 36.104 [4], subclause 7.2.
- For any NR carrier, the throughput shall be  $\geq 95\%$  of the maximum throughput of the reference measurement channel defined in TS 38.104 [17], subclause 7.2.

**Table 7.4.2-1: Narrowband blocking requirement**

| Base Station Type  | RAT of the carrier                               | Wanted signal mean power [dBm] (Note 1) | Interfering signal mean power [dBm] | Interfering RB (Note 3) centre frequency offset from the Base Station RF Bandwidth edge or sub-block edge inside a gap [kHz]                    |
|--|--|---|-------------------------------------|---|
| Wide Area BS   | NR, E-UTRA, NB-IoT (Note 4)<br>UTRA and GSM/EDGE | $P_{\text{REFSENS}} + x$ dB (Note 2)    | -49                                 | $\pm(240 + m \cdot 180)$ ,<br>$m=0, 1, 2, 3, 4, 9, 14$<br>(Note 5)<br>$\pm(550 + m \cdot 180)$ ,<br>$m=0, 1, 2, 3, 4, 29, 54, 79, 100$ (Note 6) |
| Medium Range BS  |  |   | -44                                 |   |
| Local Area BS  |  |   | -41                                 |   |
| <p>NOTE 1: <math>P_{\text{REFSENS}}</math> depends on the RAT, the BS class and on the channel bandwidth, see subclause 7.2.</p> <p>NOTE 2: "x" is equal to 6 in case of NR, E-UTRA or UTRA wanted signals and equal to 3 in case of GSM/EDGE wanted signal. "x" is specified in Table 7.4.2-2 for NB-IoT.</p> <p>NOTE 3: Interfering signal (E-UTRA 3MHz) consisting of one resource block positioned at the stated offset, the channel bandwidth of the interfering signal is located adjacently to the Base Station RF Bandwidth edge.</p> <p>NOTE 4: For NB-IoT, the mentioned desensitized values consider only one NB-IoT PRB in the guard band, which is placed adjacent to the E-UTRA PRB edge as close as possible (i.e., away from edge of channel bandwidth).</p> <p>NOTE 5: Applicable for <i>channel bandwidths</i> equal to or below 20 MHz.</p> <p>NOTE 6: Applicable for <i>channel bandwidths</i> above 20 MHz.</p> |  |   |                                     |   |

**Table 7.4.2-2: "x" for NB-IoT wanted signals**

| Operation mode | LTE channel bandwidth for in-band/guard band operation | x  |
|----------------|--|----|
| Standalone     | -  | 12 |
| In Band        | 3 MHz  | 11 |
|                | 5 MHz  | 9  |
|                | 10 MHz   | 6  |
|                | 15 MHz   | 6  |
|                | 20 MHz   | 6  |
| Guard band     | 5 MHz  | 13 |
|                | 10 MHz   | 6  |
|                | 15 MHz   | 6  |
|                | 20 MHz   | 6  |

### 7.4.3 Additional Narrowband blocking minimum requirement for GSM/EDGE

The GSM/EDGE in-band blocking requirement as stated in TS 45.005 [5], applicable parts of subclauses 5.1.3 and 5.1.4, shall apply for any GSM/EDGE carrier.

The conditions specified in TS 45.005 [5], Annex P.2.1 apply for GSM/EDGE in-band narrowband blocking.

### 7.4.4 GSM/EDGE requirements for AM suppression

The GSM/EDGE AM suppression requirement as stated in TS 45.005 [5], applicable parts of subclauses 5.2.2, shall apply for any GSM/EDGE carrier.

The conditions specified in TS 45.005 [5], Annex P.2.3 apply for GSM/EDGE AM suppression.

### 7.4.5 Additional BC3 blocking minimum requirement

The interfering signal is a 1.28 Mcps UTRA TDD modulated signal as specified in Annex A.

The requirement is always applicable outside the Base Station RF Bandwidth or Radio Bandwidth. The interfering signal offset is defined relative to the Base Station RF Bandwidth edges or Radio Bandwidth edges.

For BS capable of multi-band operation, the requirement applies in addition inside any Inter RF Bandwidth gap, in case the gap size is at least 4.8 MHz. The interfering signal offset is defined relative to the Base Station RF Bandwidth edges inside the Inter RF Bandwidth gap.

For the wanted and interfering signal coupled to the base station antenna input, using the parameters in Table 7.4.5-1, the following requirements shall be met:

- For any E-UTRA, E-UTRA with NB-IoT and/or NB-IoT TDD carrier, the throughput shall be  $\geq 95\%$  of the maximum throughput of the reference measurement channel defined in TS 36.104 [4], subclause 7.2.
- For any UTRA TDD carrier, the BER shall not exceed 0.001 for the reference measurement channel defined in TS 25.105 [3], subclause 7.2.

**Table 7.4.5-1: Additional blocking requirement for Band Category 3**

| Operating Band   | Centre Frequency of Interfering Signal [MHz]      | Interfering Signal mean power [dBm] | Wanted Signal mean power [dBm] | Interfering signal centre frequency minimum frequency offset from the Base Station RF Bandwidth edge [MHz] |
|--|---|-------------------------------------|--------------------------------|--|
| 33 - 40  | ( $F_{UL\_low} - 20$ ) to ( $F_{UL\_high} + 20$ ) | -40,                                | $P_{REFSENS} + 6$ dB*          | $\pm 2.4$  |
| NOTE*: $P_{REFSENS}$ depends on the RAT and on the channel bandwidth, see section 7.2. |   |                                     |                                |  |

## 7.5 Out-of-band blocking

The Out-of-band blocking characteristic is a measure of the receiver ability to receive a wanted signal at its assigned channel in the presence of an unwanted interferer outside the uplink operating band.

### 7.5.1 General minimum requirement

For a wanted and an interfering signal coupled to BS antenna input using the parameters in Table 7.5.1-1, the following requirements shall be met:

- For any E-UTRA carrier, the throughput shall be  $\geq 95\%$  of the maximum throughput of the reference measurement channel defined in TS 36.104 [4], subclause 7.2.
- For any UTRA FDD carrier, the BER shall not exceed 0.001 for the reference measurement channel defined in TS 25.104 [2], subclause 7.2.

- For any UTRA TDD carrier, the BER shall not exceed 0.001 for the reference measurement channel defined in TS 25.105 [3], subclause 7.2.
- For any GSM/EDGE carrier, the conditions are specified in TS 45.005 [5], Annex P.2.1.
- For any NB-IoT carrier, the throughput shall be  $\geq 95\%$  of the maximum throughput of the reference measurement channel defined in TS 36.104 [4], subclause 7.2.
- For any NR carrier, the throughput shall be  $\geq 95\%$  of the maximum throughput of the reference measurement channel defined in TS 38.104 [17], subclause 7.2.

For BS capable of multi-band operation, the requirement applies for each supported operating band. The in-band blocking frequency ranges of all supported operating bands according to Table 7.4.1-1 shall be excluded from the requirement.

The out-of-band blocking requirement applies from 1 MHz to  $F_{UL\_low} - \Delta f_{OOB}$  and from  $F_{UL\_high} + \Delta f_{OOB}$  up to 12750MHz, including the downlink frequency range of the *operating band*.  $\Delta f_{OOB}$  is defined in table 7.4-1

**Table 7.5.1-1: Out-of-band blocking performance requirement**

| Interfering Signal mean power [dBm]   | Wanted Signal mean power [dBm]     | Type of Interfering Signal |
|---|------------------------------------|----------------------------|
| -15 (NOTE2)   | $P_{REFSENS} + x\text{dB}$ (NOTE1) | CW carrier                 |
| <p>NOTE1: <math>P_{REFSENS}</math> depends on the RAT, the BS class and the channel bandwidth, see subclause 7.2. "x" is equal to 6 in case of NR, E-UTRA, UTRA or NB-IoT wanted signals and equal to 3 in case of GSM/EDGE wanted signal.</p> <p>NOTE2: For NB-IoT, up to 24 exceptions are allowed for spurious response frequencies in each wanted signal frequency when measured using a 1MHz step size. For these exceptions the above throughput requirement shall be met when the blocking signal is set to a level of -40 dBm for 15 kHz subcarrier spacing and -46 dBm for 3.75 kHz subcarrier spacing. In addition, each group of exceptions shall not exceed three contiguous measurements using a 1MHz step size.</p> |                                    |                            |

## 7.5.2 Co-location minimum requirement

This additional blocking requirement may be applied for the protection of BS receivers when NR, E-UTRA, NB-IoT, UTRA, CDMA or GSM/EDGE BS operating in a different frequency band are co-located with a BS.

The requirements in this subclause assume a 30 dB coupling loss between the interfering transmitter and the BS receiver and are based on co-location with base stations of the same class.

For a wanted and an interfering signal coupled to BS antenna input using the parameters in Table 7.5.2-1, the following requirements shall be met:

- For any E-UTRA carrier, the throughput shall be  $\geq 95\%$  of the maximum throughput of the reference measurement channel defined in TS 36.104 [4], subclause 7.2.
- For any UTRA FDD carrier, the BER shall not exceed 0.001 for the reference measurement channel defined in TS 25.104 [2], subclause 7.2.
- For any UTRA TDD carrier, the BER shall not exceed 0.001 for the reference measurement channel defined in TS 25.105 [3], subclause 7.2.
- For any GSM/EDGE carrier, the conditions are specified in TS 45.005 [5], Annex P.2.1.
- For any NB-IoT carrier, the throughput shall be  $\geq 95\%$  of the maximum throughput of the reference measurement channel defined in TS 36.104 [4], subclause 7.2.
- For any NR carrier, the throughput shall be  $\geq 95\%$  of the maximum throughput of the reference measurement channel defined in TS 38.104 [17], subclause 7.2.

**Table 7.5.2-1: Blocking requirement for co-location with BS in other frequency bands.**

| Type of co-located BS                              | Centre Frequency of Interfering Signal (MHz) | Interfering Signal mean power for WA BS (dBm) | Interfering Signal mean power for MR BS (dBm) | Interfering Signal mean power for LA BS (dBm) | Wanted Signal mean power (dBm)        | Type of Interfering Signal |
|--|--|---|---|---|---------------------------------------|----------------------------|
| GSM850 or CDMA850                                  | 869 – 894                                    | +16**   | +8**  | -6**  | $P_{\text{REFSENS}} + x \text{ dB}^*$ | CW carrier                 |
| GSM900   | 921 – 960                                    | +16**   | +8**  | -6**  | $P_{\text{REFSENS}} + x \text{ dB}^*$ | CW carrier                 |
| DCS1800  | 1805 – 1880<br>(Note 4)                      | +16**   | +8**  | -6**  | $P_{\text{REFSENS}} + x \text{ dB}^*$ | CW carrier                 |
| PCS1900  | 1930 – 1990                                  | +16**   | +8**  | -6**  | $P_{\text{REFSENS}} + x \text{ dB}^*$ | CW carrier                 |
| UTRA FDD Band I or E-UTRA Band 1 or NR Band n1     | 2110 – 2170                                  | +16**   | +8**  | -6**  | $P_{\text{REFSENS}} + x \text{ dB}^*$ | CW carrier                 |
| UTRA FDD Band II or E-UTRA Band 2 or NR Band n2    | 1930 – 1990                                  | +16**   | +8**  | -6**  | $P_{\text{REFSENS}} + x \text{ dB}^*$ | CW carrier                 |
| UTRA FDD Band III or E-UTRA Band 3 or NR Band n3   | 1805 – 1880<br>(Note 4)                      | +16**   | +8**  | -6**  | $P_{\text{REFSENS}} + x \text{ dB}^*$ | CW carrier                 |
| UTRA FDD Band IV or E-UTRA Band 4                  | 2110 – 2155                                  | +16**   | +8**  | -6**  | $P_{\text{REFSENS}} + x \text{ dB}^*$ | CW carrier                 |
| UTRA FDD Band V or E-UTRA Band 5 or NR Band n5     | 869 – 894                                    | +16**   | +8**  | -6**  | $P_{\text{REFSENS}} + x \text{ dB}^*$ | CW carrier                 |
| UTRA FDD Band VI or E-UTRA Band 6                  | 875 – 885                                    | +16**   | +8**  | -6**  | $P_{\text{REFSENS}} + x \text{ dB}^*$ | CW carrier                 |
| UTRA FDD Band VII or E-UTRA Band 7 or NR Band n7   | 2620 – 2690                                  | +16**   | +8**  | -6**  | $P_{\text{REFSENS}} + x \text{ dB}^*$ | CW carrier                 |
| UTRA FDD Band VIII or E-UTRA Band 8 or NR Band n8  | 925 – 960                                    | +16**   | +8**  | -6**  | $P_{\text{REFSENS}} + x \text{ dB}^*$ | CW carrier                 |
| UTRA FDD Band IX or E-UTRA Band 9                  | 1844.9 – 1879.9                              | +16**   | +8**  | -6**  | $P_{\text{REFSENS}} + x \text{ dB}^*$ | CW carrier                 |
| UTRA FDD Band X or E-UTRA Band 10                  | 2110 – 2170                                  | +16**   | +8**  | -6**  | $P_{\text{REFSENS}} + x \text{ dB}^*$ | CW carrier                 |
| UTRA FDD Band XI or E-UTRA Band 11                 | 1475.9 - 1495.9                              | +16**   | +8**  | -6**  | $P_{\text{REFSENS}} + x \text{ dB}^*$ | CW carrier                 |
| UTRA FDD Band XII or E-UTRA Band 12 or NR Band n12 | 729 - 746                                    | +16**   | +8**  | -6**  | $P_{\text{REFSENS}} + x \text{ dB}^*$ | CW carrier                 |
| UTRA FDD Band XIII or E-UTRA Band 13               | 746 - 756                                    | +16**   | +8**  | -6**  | $P_{\text{REFSENS}} + x \text{ dB}^*$ | CW carrier                 |
| UTRA FDD Band XIV or E-UTRA Band 14                | 758 - 768                                    | +16**   | +8**  | -6**  | $P_{\text{REFSENS}} + x \text{ dB}^*$ | CW carrier                 |
| E-UTRA Band 17                                     | 734 - 746                                    | +16**   | +8**  | -6**  | $P_{\text{REFSENS}} + x \text{ dB}^*$ | CW carrier                 |
| E-UTRA Band 18                                     | 860 - 875                                    | +16**   | +8**  | -6**  | $P_{\text{REFSENS}} + x \text{ dB}^*$ | CW carrier                 |
| UTRA FDD Band XIX or E-UTRA Band 19                | 875 - 890                                    | +16**   | +8**  | -6**  | $P_{\text{REFSENS}} + x \text{ dB}^*$ | CW carrier                 |
| UTRA FDD Band XX or E-UTRA Band 20 or NR Band n20  | 791 - 821                                    | +16**   | +8**  | -6**  | $P_{\text{REFSENS}} + x \text{ dB}^*$ | CW carrier                 |
| UTRA FDD Band XXI or E-UTRA Band 21                | 1495.9 – 1510.9                              | +16**   | +8**  | -6**  | $P_{\text{REFSENS}} + x \text{ dB}^*$ | CW carrier                 |
| UTRA FDD Band XXII or E-UTRA Band 22               | 3510 – 3590                                  | +16**   | +8**  | -6**  | $P_{\text{REFSENS}} + x \text{ dB}^*$ | CW carrier                 |
| E-UTRA Band 23                                     | 2180 - 2200                                  | +16**   | +8**  | -6**  | $P_{\text{REFSENS}} + x \text{ dB}^*$ | CW carrier                 |
| E-UTRA Band 24                                     | 1525 – 1559                                  | +16**   | +8**  | -6**  | $P_{\text{REFSENS}} + x \text{ dB}^*$ | CW carrier                 |

|   |                         |       |      |      |                                       |            |
|---|-------------------------|-------|------|------|---------------------------------------|------------|
| UTRA FDD Band XXV or E-UTRA Band 25 or NR Band n25    | 1930 – 1995             | +16** | +8** | -6** | $P_{\text{REFSENS}} + x \text{ dB}^*$ | CW carrier |
| UTRA FDD Band XXVI or E-UTRA Band 26                  | 859 – 894               | +16** | +8** | -6** | $P_{\text{REFSENS}} + x \text{ dB}^*$ | CW carrier |
| E-UTRA Band 27  | 852 - 869               | +16** | +8** | -6** | $P_{\text{REFSENS}} + x \text{ dB}^*$ | CW carrier |
| E-UTRA Band 28 or NR Band n28                         | 758 – 803               | +16** | +8** | -6** | $P_{\text{REFSENS}} + x \text{ dB}^*$ | CW carrier |
| E-UTRA Band 29  | 717 – 728               | +16** | +8** | -6** | $P_{\text{REFSENS}} + 6\text{dB}^*$   | CW carrier |
| E-UTRA Band 30  | 2350-2360               | +16** | +8** | -6** | $P_{\text{REFSENS}} + x \text{ dB}^*$ | CW carrier |
| E-UTRA Band 31  | 462.5 – 467.5           | +16** | +8** | -6** | $P_{\text{REFSENS}} + 6\text{dB}^*$   | CW carrier |
| UTRA FDD Band XXXII or E-UTRA Band 32                 | 1452 – 1496<br>(NOTE 5) | +16** | +8** | -6** | $P_{\text{REFSENS}} + 6\text{dB}^*$   | CW carrier |
| UTRA TDD Band a) or E-UTRA TDD Band 33                | 1900-1920               | +16** | +8** | -6** | $P_{\text{REFSENS}} + x \text{ dB}^*$ | CW carrier |
| UTRA TDD Band a) or E-UTRA TDD Band 34 or NR Band n34 | 2010-2025               | +16** | +8** | -6** | $P_{\text{REFSENS}} + x \text{ dB}^*$ | CW carrier |
| UTRA TDD Band b) or E-UTRA TDD Band 35                | 1850-1910               | +16** | +8** | -6** | $P_{\text{REFSENS}} + x \text{ dB}^*$ | CW carrier |
| UTRA TDD Band b) or E-UTRA TDD Band 36                | 1930-1990               | +16** | +8** | -6** | $P_{\text{REFSENS}} + x \text{ dB}^*$ | CW carrier |
| UTRA TDD Band c) or E-UTRA TDD Band 37                | 1910-1930               | +16** | +8** | -6** | $P_{\text{REFSENS}} + x \text{ dB}^*$ | CW carrier |
| UTRA TDD Band d) or E-UTRA Band 38 or NR Band n38     | 2570-2620               | +16** | +8** | -6** | $P_{\text{REFSENS}} + x \text{ dB}^*$ | CW carrier |
| UTRA TDD Band f) or E-UTRA Band 39 or NR Band n39     | 1880-1920               | +16** | +8** | -6** | $P_{\text{REFSENS}} + x \text{ dB}^*$ | CW carrier |
| UTRA TDD Band e) or E-UTRA Band 40 or NR Band n40     | 2300-2400               | +16** | +8** | -6** | $P_{\text{REFSENS}} + x \text{ dB}^*$ | CW carrier |
| E-UTRA Band 41 or NR Band n41                         | 2496 - 2690             | +16** | +8** | -6** | $P_{\text{REFSENS}} + x \text{ dB}^*$ | CW carrier |
| E-UTRA Band 42  | 3400 – 3600             | +16** | +8** | -6** | $P_{\text{REFSENS}} + x \text{ dB}^*$ | CW carrier |
| E-UTRA Band 43  | 3600 – 3800             | +16** | +8** | -6** | $P_{\text{REFSENS}} + x \text{ dB}^*$ | CW carrier |
| E-UTRA Band 44  | 703 - 803               | +16** | +8** | -6** | $P_{\text{REFSENS}} + x \text{ dB}^*$ | CW carrier |
| E-UTRA Band 45  | 1447 - 1467             | +16** | +8** | -6** | $P_{\text{REFSENS}} + x \text{ dB}^*$ | CW carrier |
| E-UTRA Band 46  | 5150 - 5925             | N/A   | +8** | -6** | $P_{\text{REFSENS}} + x \text{ dB}^*$ | CW carrier |
| E-UTRA Band 48  | 3550 – 3700             | +16** | +8** | -6** | $P_{\text{REFSENS}} + x \text{ dB}^*$ | CW carrier |
| E-UTRA Band 49  | 3550 – 3700             | N/A   | N/A  | -6** | $P_{\text{REFSENS}} + x \text{ dB}^*$ | CW carrier |
| E-UTRA Band 50 or NR Band n50                         | 1432 – 1517             | +16   | +8** | -6** | $P_{\text{REFSENS}} + x \text{ dB}^*$ | CW carrier |
| E-UTRA Band 51 or NR Band n51                         | 1427– 1432              | N/A   | N/A  | -6** | $P_{\text{REFSENS}} + x \text{ dB}^*$ | CW carrier |
| E-UTRA Band 52  | 3300 – 3400             | +16** | +8   | -6   | $P_{\text{REFSENS}} + x \text{ dB}^*$ | CW carrier |
| E-UTRA Band 65  | 2110 – 2200             | +16** | +8** | -6** | $P_{\text{REFSENS}} + x \text{ dB}^*$ | CW carrier |
| E-UTRA Band 66 or NR Band n66                         | 2110 – 2200             | +16** | +8** | -6** | $P_{\text{REFSENS}} + x \text{ dB}^*$ | CW carrier |
| E-UTRA Band 67  | 738 - 758               | +16** | +8** | -6** | $P_{\text{REFSENS}} + x \text{ dB}^*$ | CW carrier |
| E-UTRA Band 68  | 753 - 783               | +16** | +8** | -6** | $P_{\text{REFSENS}} + x \text{ dB}^*$ | CW carrier |
| E-UTRA Band 69  | 2570-2620               | +16** | +8** | -6** | $P_{\text{REFSENS}} + x \text{ dB}^*$ | CW carrier |
| E-UTRA Band 70 or NR Band n70                         | 1995 - 2020             | +16** | +8** | -6** | $P_{\text{REFSENS}} + x \text{ dB}^*$ | CW carrier |
| E-UTRA Band 71 or NR Band n71                         | 617 - 652               | +16** | +8** | -6** | $P_{\text{REFSENS}} + x \text{ dB}^*$ | CW carrier |
| E-UTRA Band 72  | 461 - 466               | +16** | +8** | -6** | $P_{\text{REFSENS}} + 6\text{dB}^*$   | CW carrier |
| E-UTRA Band 73  | 460 - 465               | +16** | +8** | -6** | $P_{\text{REFSENS}} + 6\text{dB}^*$   | CW carrier |

|  |             |       |      |      |                                       |            |
|--|-------------|-------|------|------|---------------------------------------|------------|
| E-UTRA Band 74 or NR band n74  | 1475 - 1518 | +16** | +8** | -6** | $P_{\text{REFSENS}} + x \text{ dB}^*$ | CW carrier |
| E-UTRA Band 75 or NR Band n75  | 1432 - 1517 | +16** | +8** | -6** | $P_{\text{REFSENS}} + x \text{ dB}^*$ | CW carrier |
| E-UTRA Band 76 or NR Band n76  | 1427 - 1432 | N/A   | N/A  | -6** | $P_{\text{REFSENS}} + x \text{ dB}^*$ | CW carrier |
| NR Band n77  | 3300 - 4200 | +16** | +8   | -6   | $P_{\text{REFSENS}} + x \text{ dB}^*$ | CW carrier |
| NR Band n78  | 3300 - 3800 | +16** | +8   | -6   | $P_{\text{REFSENS}} + x \text{ dB}^*$ | CW carrier |
| E-UTRA Band 85   | 728 - 746   | +16** | +8   | -6   | $P_{\text{REFSENS}} + x \text{ dB}^*$ | CW carrier |
| <p>NOTE 1 (*): <math>P_{\text{REFSENS}}</math> depends on the RAT, the BS class and the channel bandwidth, see subclause 7.2. "x" is equal to 3 in case of GSM/EDGE wanted signal and equal to 6 in case of NR or UTRA or E-UTRA or NB-IoT wanted signals.</p> <p>NOTE 2: Except for a BS operating in Band 13, these requirements do not apply when the interfering signal falls within any of the supported uplink operating band or in the <math>\Delta f_{\text{OoB}}</math> immediately outside any of the supported uplink operating band.<br/>For a BS operating in band 13 the requirements do not apply when the interfering signal falls within the frequency range 768-797 MHz.</p> <p>NOTE 3: Some combinations of bands may not be possible to co-site based on the requirements above. The current state-of-the-art technology does not allow a single generic solution for co-location of UTRA TDD or E-UTRA TDD or NR TDD with E-UTRA FDD or NR FDD on adjacent frequencies for 30dB BS-BS minimum coupling loss. However, there are certain site-engineering solutions that can be used. These techniques are addressed in TR 25.942 [7].</p> <p>NOTE 4: In China, the blocking requirement for co-location with DCS1800 and Band III BS is only applicable in the frequency range 1805-1850MHz.</p> <p>NOTE 5: For a BS operating in band 11, 21, 74/n74, the requirement for co-location with Band 32 applies for interfering signal within the frequency range 1475.9-1495.9 MHz.</p> <p>NOTE 6: Co-located TDD base stations that are synchronized and using the same or adjacent operating band can receive without special co-location requirements. For unsynchronized base stations, special co-location requirements may apply that are not covered by the 3GPP specifications.</p> <p>NOTE 7 (**): For NB-IoT, up to 24 exceptions are allowed for spurious response frequencies in each wanted signal frequency when measured using a 1MHz step size. For these exceptions the above throughput requirement shall be met when the blocking signal is set to a level of -40 dBm for 15 kHz subcarrier spacing and -46 dBm for 3.75 kHz subcarrier spacing. In addition, each group of exceptions shall not exceed three contiguous measurements using a 1MHz step size.</p> |             |       |      |      |                                       |            |

## 7.6 Receiver spurious emissions

The receiver spurious emissions power is the power of emissions generated or amplified in a receiver that appear at the BS receiver antenna connector. The requirements apply to all BS with separate RX and TX antenna ports. In this case for FDD BS the test shall be performed when both TX and RX are on, with the TX port terminated.

For TDD BS with common RX and TX antenna port the requirement applies during the Transmitter OFF period. For FDD BS with common RX and TX antenna port the transmitter spurious emission limits as specified in subclause 6.6.1 are valid.

For BS capable of multi-band operation where multiple bands are mapped on separate antenna connectors, the single-band requirements apply and the excluded frequency range is only applicable for the operating band supported on each antenna connector.

### 7.6.1 General minimum requirement

The power of any spurious emission shall not exceed the levels in Table 7.6.1-1:



**Table 7.6.1-1: General spurious emissions requirement**

| Frequency range   | Maximum level | Measurement Bandwidth | Note                                     |
|---|---------------|-----------------------|--|
| 30MHz - 1 GHz   | -57 dBm       | 100 kHz               |  |
| 1 GHz – 12.75 GHz   | -47 dBm       | 1 MHz                 |  |
| 12.75 GHz - 5 <sup>th</sup> harmonic of the upper frequency edge of the UL operating band in GHz  | -47 dBm       | 1 MHz                 | Applies only for Bands 22, 42, 43 or 48. |
| NOTE: The frequency range from $F_{BW,RF,DL,low} - \Delta f_{OBUE}$ to $F_{BW,RF,DL,high} + \Delta f_{OBUE}$ may be excluded from the requirement. For BS capable of multi-band operation, the exclusion applies for all supported operating bands. For BS capable of multi-band operation where multiple bands are mapped on separate antenna connectors, the single-band requirements apply and the excluded frequency range is only applicable for the operating band supported on each antenna connector. |               |                       |  |

In addition to the requirements in Table 7.6.1-1, the power of any spurious emission shall not exceed the Additional spurious emissions requirements in subclause 6.6.1.3 and in case of FDD BS (for BC1 and BC2) emission shall not exceed the levels specified for Protection of the BS receivers of own or different BS in subclause 6.6.1.2. In addition, the requirements for co-location with other base stations specified in subclause 6.6.1.4 may also be applied.

## 7.6.2 Additional minimum requirement for BC2 (Category B)

For a BS operating in Band Category 2 when GSM/EDGE is configured and where Category B spurious emissions apply, the power of any spurious emissions shall not exceed the limits in Table 7.6.2-1.

For BS capable of multi-band operation, the limits in Table 7.6.2-1 are only applicable when all supported operating bands belong to BC2 and GSM/EDGE is configured in all bands.

**Table 7.6.2-1: Additional BS spurious emissions limits for BC2, Category B**

| Frequency range   | Frequency offset from downlink operating band edge (Note 1) | Maximum level | Measurement Bandwidth |
|---|---|---------------|-----------------------|
| 500 MHz – 1 GHz   | 10 – 20 MHz   | -57 dBm       | 300 kHz               |
|   | 20 – 30 MHz   | -57 dBm       | 1 MHz                 |
|   | ≥ 30 MHz  | -57 dBm       | 3 MHz                 |
| 1 GHz – 12.75 GHz   | ≥ 30 MHz  | -47 dBm       | 3 MHz                 |
| NOTE 1: For BS capable of multi-band operation, the frequency offset is relative to the closest supported operating band. |   |               |                       |

## 7.7 Receiver intermodulation

Third and higher order mixing of the two interfering RF signals can produce an interfering signal in the band of the desired channel. Intermodulation response rejection is a measure of the capability of the receiver to receive a wanted signal on its assigned channel frequency in the presence of two interfering signals which have a specific frequency relationship to the wanted signal.

### 7.7.1 General intermodulation minimum requirement

Interfering signals shall be a CW signal and an E-UTRA or UTRA signal as specified in Annex A.

The requirement is applicable outside the Base Station RF Bandwidth or Radio Bandwidth. The interfering signal offset is defined relative to the Base Station RF Bandwidth edges or Radio Bandwidth edges.

For BS capable of multi-band operation, the requirement applies in addition inside any Inter RF Bandwidth gap, in case the gap size is at least twice as wide as the UTRA/E-UTRA interfering signal centre frequency offset from the Base Station RF Bandwidth edge. The interfering signal offset is defined relative to the Base Station RF Bandwidth edges inside the inter Base Station RF Bandwidth gap.

For the wanted signal at the assigned channel frequency and two interfering signals coupled to the base station antenna input, using the parameters in Table 7.7.1-1 and 7.7.1-2, the following requirements shall be met:

- For any E-UTRA carrier, the throughput shall be  $\geq 95\%$  of the maximum throughput of the reference measurement channel defined in TS 36.104 [4], subclause 7.2.
- For any UTRA FDD carrier, the BER shall not exceed 0.001 for the reference measurement channel defined in TS 25.104 [2], subclause 7.2.
- For any UTRA TDD carrier, the BER shall not exceed 0.001 for the reference measurement channel defined in TS 25.105 [3], subclause 7.2.
- For any GSM/EDGE carrier, the conditions are specified in TS 45.005 [5], Annex P.2.2.
- For any NB-IoT carrier, the throughput shall be  $\geq 95\%$  of the maximum throughput of the reference measurement channel defined in TS 36.104 [4], subclause 7.2.
- For any NR carrier, the throughput shall be  $\geq 95\%$  of the maximum throughput of the reference measurement channel defined in TS 38.104 [17], subclause 7.2.

**Table 7.7.1-1: General intermodulation requirement**

| Base Station Type   | Mean power of interfering signals [dBm] | Wanted Signal mean power [dBm]           | Type of interfering signal |
|---|---|--|----------------------------|
| Wide Area BS  | -48+y (Note 6)                          | $P_{\text{PREFSENS}} + x$ dB (Note 2, 5) | See Table 7.7.1-2          |
| Medium Range BS   | -44+y (Note 6)                          | $P_{\text{PREFSENS}} + x$ dB (Note 3, 5) |                            |
| Local Area BS   | -38+y (Note 6)                          | $P_{\text{PREFSENS}} + x$ dB (Note 4, 5) |                            |
| NOTE 1: $P_{\text{PREFSENS}}$ depends on the RAT, the BS class and on the channel bandwidth, see subclause 7.2.   |   |  |                            |
| NOTE 2: For WA BS not supporting NR, "x" is equal to 6 in case of E-UTRA or UTRA or NB-IoT wanted signals and equal to 3 in case of GSM/EDGE wanted signal.   |   |  |                            |
| NOTE 3: For MR BS not supporting NR, "x" is equal to 6 in case of UTRA wanted signals, 9 in case of E-UTRA or NB-IoT wanted signal and equal to 3 in case of GSM/EDGE wanted signal.  |   |  |                            |
| NOTE 4: For LA BS not supporting NR, "x" is equal to 12 in case of E-UTRA or NB-IoT wanted signals, 6 in case of UTRA wanted signal and equal to 3 in case of GSM/EDGE wanted signal.   |   |  |                            |
| NOTE 5: For a BS that transmits NR in some configurations and does not transmit UTRA or GSM in any configuration, x is equal to 6.  |   |  |                            |
| NOTE 6: For a BS not supporting NR, "y" is equal to zero for all BS classes. For a BS supporting NR and not supporting UTRA nor GSM; "y" is equal to -4 for the WA BS class, -3 for the MR BS class and -6 for the LA BS class. |   |  |                            |

Table 7.7.1-2: Interfering signals for intermodulation requirement

| RAT of the carrier adjacent to the upper/lower Base Station RF Bandwidth edge | Interfering signal centre frequency offset from the Base Station RF Bandwidth edge [MHz] | Type of interfering signal |
|---|--|----------------------------|
| E-UTRA 1.4 MHz  | $\pm 2.0$ (BC1 and BC3) / $\pm 2.1$ (BC2)  | CW                         |
|   | $\pm 4.9$  | 1.4MHz E-UTRA signal       |
| E-UTRA or E-UTRA with NB-IoT in-band 3 MHz                                    | $\pm 4.4$ (BC1 and BC3) / $\pm 4.5$ (BC2)  | CW                         |
|   | $\pm 10.5$   | 3MHz E-UTRA signal         |
| UTRA FDD and E-UTRA or E-UTRA with NB-IoT in-band/guard band 5 MHz            | $\pm 7.5$  | CW                         |
|   | $\pm 17.5$   | 5MHz E-UTRA signal         |
| E-UTRA or E-UTRA with NB-IoT in-band/guard band 10 MHz                        | $\pm 7.375$  | CW                         |
|   | $\pm 17.5$   | 5MHz E-UTRA signal         |
| E-UTRA or E-UTRA with NB-IoT in-band/guard band 15 MHz                        | $\pm 7.25$   | CW                         |
|   | $\pm 17.5$   | 5MHz E-UTRA signal         |
| E-UTRA or E-UTRA with NB-IoT in-band/guard band 20 MHz                        | $\pm 7.125$  | CW                         |
|   | $\pm 17.5$   | 5MHz E-UTRA signal         |
| GSM/EDGE/NB-IoT standalone  | $\pm 7.575$  | CW                         |
|   | $\pm 17.5$   | 5MHz E-UTRA signal         |
| 1.28 Mcps UTRA TDD  | $\pm 2.3$ (BC3)  | CW                         |
|   | $\pm 5.6$ (BC3)  | 1.28Mcps UTRA TDD signal   |
| NR 5 MHz  | [ $\pm 7.5$ ]  | CW                         |
|   | [ $\pm 17.5$ ]   | 5MHz E-UTRA signal         |
| NR 10 MHz   | [ $\pm 7.45$ ]   | CW                         |
|   | [ $\pm 17.5$ ]   | 5MHz E-UTRA signal         |
| NR 15 MHz   | [ $\pm 7.43$ ]   | CW                         |
|   | [ $\pm 17.5$ ]   | 5MHz E-UTRA signal         |
| NR 20 MHz   | [ $\pm 7.38$ ]   | CW                         |
|   | [ $\pm 17.5$ ]   | 5MHz E-UTRA signal         |
| NR 25 MHz   | [ $\pm 7.45$ ]   | CW                         |
|   | [ $\pm 25$ ]   | 20MHz E-UTRA signal        |
| NR 30 MHz   | [ $\pm 7.43$ ]   | CW                         |
|   | [ $\pm 25$ ]   | 20MHz E-UTRA signal        |
| NR 40 MHz   | [ $\pm 7.45$ ]   | CW                         |
|   | [ $\pm 25$ ]   | 20MHz E-UTRA signal        |
| NR 50 MHz   | [ $\pm 7.35$ ]   | CW                         |
|   | [ $\pm 25$ ]   | 20MHz E-UTRA signal        |
| NR 60 MHz   | [ $\pm 7.49$ ]   | CW                         |
|   | [ $\pm 25$ ]   | 20MHz E-UTRA signal        |
| NR 70 MHz   | [ $\pm 7.42$ ]   | CW                         |
|   | [ $\pm 25$ ]   | 20MHz E-UTRA signal        |
| NR 80 MHz   | [ $\pm 7.44$ ]   | CW                         |
|   | [ $\pm 25$ ]   | 20MHz E-UTRA signal        |
| NR 90 MHz   | [ $\pm 25$ ]   | CW                         |
|   | [ $\pm 7.43$ ]   | 20MHz E-UTRA signal        |
| NR 100 MHz  | [ $\pm 7.45$ ]   | CW                         |
|   | [ $\pm 25$ ]   | 20MHz E-UTRA signal        |

## 7.7.2 General narrowband intermodulation minimum requirement

Interfering signals shall be a CW signal and an E-UTRA 1RB signal as specified in Annex A.

The requirement is applicable outside the Base Station RF Bandwidth or Radio Bandwidth. The interfering signal offset is defined relative to the Base Station RF Bandwidth edges or Radio Bandwidth edges.

For BS operating in non-contiguous spectrum within each supported operating band, the requirement applies in addition inside any sub-block gap in case the sub-block gap is at least as wide as the channel bandwidth of the E-UTRA interfering signal in Table 7.7.2-2. The interfering signal offset is defined relative to the sub-block edges inside the gap.

For BS capable of multi-band operation, the requirement applies in addition inside any Inter RF Bandwidth gap in case the gap size is at least as wide as the E-UTRA interfering signal in Table 7.7.2-2. The interfering signal offset is defined relative to the Base Station RF Bandwidth edges inside the Inter RF Bandwidth gap.

For the wanted signal at the assigned channel frequency and two interfering signals coupled to the base station antenna input, using the parameters in Table 7.7.2-1 and 7.7.2-2, the following requirements shall be met:

- For any E-UTRA carrier, the throughput shall be  $\geq 95\%$  of the maximum throughput of the reference measurement channel defined in TS 36.104 [4], subclause 7.2.
- For any UTRA FDD carrier, the BER shall not exceed 0.001 for the reference measurement channel defined in TS 25.104 [2], subclause 7.2.
- For any UTRA TDD carrier, the BER shall not exceed 0.001 for the reference measurement channel defined in TS 25.105 [3], subclause 7.2.
- For any GSM/EDGE carrier, the conditions are specified in TS 45.005 [5], Annex P.2.2.
- For any NB-IoT carrier, the throughput shall be  $\geq 95\%$  of the maximum throughput of the reference measurement channel defined in TS 36.104 [4], subclause 7.2.
- For any NR carrier, the throughput shall be  $\geq 95\%$  of the maximum throughput of the reference measurement channel defined in TS 38.104 [17], subclause 7.2.

**Table 7.7.2-1: General narrowband intermodulation requirement**

| Base Station Type  | Mean power of interfering signals [dBm] | Wanted Signal mean power [dBm]       | Type of interfering signal |
|--|---|--------------------------------------|----------------------------|
| Wide Area BS   | -52                                     | $P_{\text{REFSENS}} + x$ dB (NOTE 1) | See Table 7.7.2-2          |
| Medium Range BS  | -47                                     |                                      |                            |
| Local Area BS  | -44                                     |                                      |                            |
| NOTE 1: $P_{\text{REFSENS}}$ depends on the RAT, the BS class and on the channel bandwidth, see subclause 7.2.<br>"x" is equal to 6 in case of NR, E-UTRA or UTRA wanted signals and equal to 3 in case of GSM/EDGE wanted signal. "x" is specified in Table 7.7.2-1a for NB-IoT |   |                                      |                            |

**Table 7.7.2-1a: “x” for NB-IoT wanted signals**

| <b>Operation mode</b> | <b>LTE channel bandwidth for in-band/guard band operation</b> | <b>x</b> |
|-----------------------|---|----------|
| Standalone            | -   | 6        |
| In Band               | 3 MHz   | 6        |
|                       | 5 MHz   | 6        |
|                       | 10 MHz  | 6        |
|                       | 15 MHz  | 6        |
|                       | 20 MHz  | 6        |
| Guard band            | 5 MHz   | 6        |
|                       | 10 MHz  | 6        |
|                       | 15 MHz  | 6        |
|                       | 20 MHz  | 6        |

**Table 7.7.2-2: Interfering signals for narrowband intermodulation requirement**

| RAT of the carrier adjacent to the upper/lower Base Station RF Bandwidth edge or sub-block edge | CW or 1RB interfering signal centre frequency offset from the Base Station RF Bandwidth edge or sub-block edge inside a gap [kHz] | Type of interfering signal           |
|---|---|--------------------------------------|
| E-UTRA 1.4 MHz  | $\pm 260$ (BC1 and BC3) / $\pm 270$ (BC2)   | CW                                   |
|   | $\pm 970$ (BC1 and BC3) / $\pm 790$ (BC2)   | 1.4 MHz E-UTRA signal, 1 RB (NOTE 1) |
| E-UTRA or E-UTRA with NB-IoT in-band 3 MHz  | $\pm 260$ (BC1 and BC3) / $\pm 270$ (BC2)   | CW                                   |
|   | $\pm 960$ (BC1 and BC3) / $\pm 780$ (BC2)   | 3.0 MHz E-UTRA signal, 1 RB (NOTE 1) |
| E-UTRA or E-UTRA with NB-IoT in-band/guard band 5 MHz   | $\pm 360$ (NOTE 3)  | CW                                   |
|   | $\pm 1060$  | 5 MHz E-UTRA signal, 1 RB (NOTE 1)   |
| E-UTRA or E-UTRA with NB-IoT in-band/guard band 10 MHz (NOTE 2)                                 | $\pm 325$ (NOTE 3)  | CW                                   |
|   | $\pm 1240$  | 5 MHz E-UTRA signal, 1 RB (NOTE 1)   |
| E-UTRA or E-UTRA with NB-IoT in-band/guard band 15 MHz (NOTE 2)                                 | $\pm 380$ (NOTE 3)  | CW                                   |
|   | $\pm 1600$  | 5MHz E-UTRA signal, 1 RB (NOTE 1)    |
| E-UTRA or E-UTRA with NB-IoT in-band/guard band 20 MHz (NOTE 2)                                 | $\pm 345$ (NOTE 3)  | CW                                   |
|   | $\pm 1780$  | 5MHz E-UTRA signal, 1 RB (NOTE 1)    |
| UTRA FDD  | $\pm 345$ (BC1 and BC2)   | CW                                   |
|   | $\pm 1780$ (BC1 and BC2)  | 5MHz E-UTRA signal, 1 RB (NOTE 1)    |
| GSM/EDGE  | $\pm 340$   | CW                                   |
|   | $\pm 880$   | 5MHz E-UTRA signal, 1 RB (NOTE 1)    |
| NB-IoT standalone   | [ $\pm 340$ ]   | CW                                   |
|   | [ $\pm 880$ ]   | 5MHz E-UTRA signal, 1 RB (NOTE 1)    |
| 1.28Mcps UTRA TDD   | $\pm 190$ (BC3)   | CW                                   |
|   | $\pm 970$ (BC3)   | 1.4 MHz E-UTRA signal, 1 RB (NOTE 1) |
| NR 5 MHz  | [ $\pm 360$ ]   | CW                                   |
|   | [ $\pm 1420$ ]  | E-UTRA signal, 1 RB (NOTE 1)         |
| NR 10 MHz   | [ $\pm 325$ ]   | CW                                   |
|   | [ $\pm 1780$ ]  | E-UTRA signal, 1 RB (NOTE 1)         |
| NR 15 MHz (Note 2)  | [ $\pm 380$ ]   | CW                                   |
|   | [ $\pm 1600$ ]  | E-UTRA signal, 1 RB (NOTE 1)         |
| NR 20 MHz (Note 2)  | [ $\pm 345$ ]   | CW                                   |
|   | [ $\pm 1780$ ]  | E-UTRA signal, 1 RB (NOTE 1)         |
| NR 25 MHz (Note 2)  | [ $\pm 325$ ]   | CW                                   |
|   | [ $\pm 1990$ ]  | E-UTRA signal, 1 RB (NOTE 1)         |
| NR 30 MHz (Note 2)  | [ $\pm 320$ ]   | CW                                   |
|   | [ $\pm 1990$ ]  | E-UTRA signal, 1 RB (NOTE 1)         |
| NR 40 MHz (Note 2)  | [ $\pm 310$ ]   | CW                                   |
|   | [ $\pm 2710$ ]  | E-UTRA signal, 1 RB (NOTE 1)         |
| NR 50 MHz (Note 2)  | [ $\pm 330$ ]   | CW                                   |
|   | [ $\pm 3250$ ]  | E-UTRA signal, 1 RB (NOTE 1)         |
| NR 60 MHz (Note 2)  | [ $\pm 350$ ]   | CW                                   |
|   | [ $\pm 3790$ ]  | E-UTRA signal, 1 RB (NOTE 1)         |
| NR 70 MHz (Note 2)  | [ $\pm 400$ ]   | CW                                   |
|   | [ $\pm 4870$ ]  | E-UTRA signal, 1 RB (NOTE 1)         |
| NR 80 MHz (Note 2)  | [ $\pm 390$ ]   | CW                                   |
|   | [ $\pm 4870$ ]  | E-UTRA signal, 1 RB (NOTE 1)         |

|   |         |                              |
|---|---------|------------------------------|
| NR 90 MHz (Note 2)  | [±340]  | CW                           |
|   | [±5770] | E-UTRA signal, 1 RB (NOTE 1) |
| NR 100 MHz (Note 2)   | [±340]  | CW                           |
|   | [±5770] | E-UTRA signal, 1 RB (NOTE 1) |
| NOTE 1: Interfering signal consisting of one resource block positioned at the stated offset, the channel bandwidth of the interfering signal is located adjacently to the Base Station RF Bandwidth edge.   |         |                              |
| NOTE 2: This requirement shall apply only for an E-UTRA FRC A1-3 or NR G-FRC mapped to the frequency range at the channel edge adjacent to the interfering signals.   |         |                              |
| NOTE 3: The frequency offset shall be adjusted to accommodate the IMD product to fall in the NB-IoT RB for NB-IoT in-band/guard band operation.   |         |                              |
| NOTE 4: If a BS RF receiver fails the test of the requirement, the test shall be performed with the CW interfering signal frequency shifted away from the wanted signal by 180 kHz and the E-UTRA interfering signal frequency shifted away from the wanted signal by 360 kHz. If the BS RF receiver still fails the test after the frequency shift, then the BS RF receiver shall be deemed to fail the requirement. |         |                              |

### 7.7.3 Additional narrowband intermodulation minimum requirement for GSM/EDGE

The GSM/EDGE MC-BTS receiver intermodulation requirement as stated in TS 45.005 [5], applicable parts of subclause 5.3.2 shall apply for any GSM/EDGE carrier.

The conditions specified in TS 45.005 [5], Annex P.2.2 apply for the GSM/EDGE intermodulation requirement.

## 7.8 In-channel selectivity

In-channel selectivity (ICS) is a measure of the receiver ability to receive a wanted signal at its assigned resource block locations in the presence of an interfering signal received at a larger power spectral density. In this condition a throughput requirement shall be met for a specified reference measurement channel.

### 7.8.1 E-UTRA minimum requirement

For E-UTRA, the minimum requirement for in-channel selectivity is specified in TS 36.104 [4], subclause 7.4.

For NB-IoT, the minimum requirement for in-channel selectivity is specified in TS 36.104 [4], subclause 7.4.

### 7.8.2 NR minimum requirement

For NR, the minimum requirement for in-channel selectivity (BS type 1-C) is specified in TS 38.104 [17], subclause 7.8.

---

## 8 Performance requirements

Performance requirements specify the ability of the BS to correctly demodulate signals in various conditions and configurations. For NR, UTRA and E-UTRA the requirements specify a minimum throughput or maximum BLER or BER that shall be achieved at a specific SNR. For GSM/EDGE the requirements specify a maximum FER, BLER or BER that shall be achieved at specific sensitivity levels (C) and specific carrier-to-interference ratios (C/I).

### 8.1 E-UTRA minimum requirement

For E-UTRA, the minimum requirements for performance are specified in TS 36.104 [4], clause 8.

### 8.2 UTRA FDD minimum requirement

For UTRA FDD, the minimum requirements for performance are specified in TS 25.104 [2], clause 8.

### 8.3 UTRA TDD minimum requirement

For UTRA TDD, the minimum requirements for performance are specified in TS 25.105 [3], clause 8.



## 8.4 GSM/EDGE minimum requirement

For GSM/EDGE, the minimum requirements for reference sensitivity level and reference interference level are specified in TS 45.005 [5], applicable parts of clauses 6.2, 6.3, 6.4, 6.5 and 6.6. The conditions specified in TS 45.005 [5], Annex P.1 are valid for GSM sensitivity and interference performance.

## 8.5 NR minimum requirement

For NR, the minimum requirements for performance (BS type 1-C) are specified in TS 38.104 [17], clause 8.

## Annex A (normative): Characteristics of interfering signals

### A.1 UTRA FDD interfering signal

The UTRA FDD interfering signal shall be a DPCH containing the DPCCH and one DPDCH. The data content for each channelization code shall be uncorrelated with each other and to the wanted signal and spread and modulated according to clause 4 of TS 25.213. Further characteristics of DPDCH and DPCCH are specified in Table A.1-1.

**Table A.1-1: Characteristics of UTRA FDD interfering signal**

| Channel  | Bit Rate | Spreading Factor | Channelization Code | Relative Power |
|--|----------|------------------|---------------------|----------------|
| DPDCH  | 240 kbps | 16               | 4                   | 0 dB           |
| DPCCH  | 15 kbps  | 256              | 0                   | -5.46 dB       |
| NOTE: The DPDCH and DPCCH settings are chosen to simulate a signal with realistic Peak to Average Ratio. |          |                  |                     |                |

### A.2 UTRA TDD interfering signal

The UTRA TDD interfering signal shall be 1.28 Mcps UTRA TDD signal with one code. The data content shall be uncorrelated to the wanted signal. They are specified in Table A.2-1.

**Table A.2-1: Characteristics of UTRA TDD interfering signal**

| UTRA TDD option  | Type of Interfering Signal               |
|--|--|
| 1.28 Mcps UTRA TDD   | 1,28 Mcps UTRA TDD signal with one code* |
| * NOTE: The channelization code ID and Midamble shift shall be different with the wanted signal's. |  |

### A.3 E-UTRA interfering signal

The E-UTRA interfering signal shall be a PUSCH containing data and reference symbols. Normal CP is used. The data content shall be uncorrelated to the wanted signal and modulated according to clause 5 of TS 36.211. Mapping of PUSCH modulation to receiver requirement are specified in Table A.3-1.

**Table A.3-1: Modulation of the E-UTRA interfering signal**

| Receiver requirement     | Modulation |
|--------------------------|------------|
| Narrowband blocking      | QPSK       |
| Receiver intermodulation | QPSK       |

---

## Annex B (normative): Environmental requirements for the BS equipment

The BS equipment shall fulfil all the requirements in the full range of environmental conditions for the relevant environmental class. The environmental conditions and class shall be from the relevant IEC specifications or the corresponding ETSI specifications listed below.

IEC specifications for environmental requirements:

IEC 60 721-3-3 "Stationary use at weather protected locations" [11]

IEC 60 721-3-4 "Stationary use at non weather protected locations" [12]

ETSI specifications for environmental requirements:

ETSI EN 300 019-1-3 "Stationary use at weather protected locations" [13]

ETSI EN 300 019-1-4 "Stationary use at non weather protected locations" [14]

Normally it should be sufficient for all tests to be conducted using normal test conditions except where otherwise stated. For guidance on the use of test conditions to be used in order to show compliance refer to TS 37.141 [10].

## Annex C (informative): Change history

| Change history |          |           |    |     |     |   |             |
|----------------|----------|-----------|----|-----|-----|---|-------------|
| Date           | Meeting  | TDoc      | CR | Rev | Cat | Subject/Comment   | New version |
| 2009-07        | R4#51bis | R4-092358 |    |     |     | Specification skeleton  | 0.0.1       |
| 2009-08        | R4#52    | R4-093257 |    |     |     | <p>Agreed Text Proposals in RAN4#52:</p> <p><b>R4-093005</b>, "TS 37.104: TP on Relationship between minimum requirements and test requirements (TS ch 4.2)"</p> <p><b>R4-093006</b>, "TS 37.104: TP on Base station classes (TS ch 4.3)"</p> <p><b>R4-093008</b>, "TS 37.104: TP on Operating bands and Band Categories (TS ch 4.5)"</p> <p><b>R4-093009</b>, "TS 37.104: TP on Channel arrangement (TS ch 4.6)"</p> <p><b>R4-093011</b>, "TS 37.104: TP on Transmitter characteristics - General (TS ch 6.1)"</p> <p><b>R4-093012</b>, "TS 37.104: TP on Output power dynamics (TS ch 6.3)"</p> <p><b>R4-093016</b>, "TS 37.104: TP on Transmitter Intermodulation (TS ch 6.7)"</p> <p><b>R4-093017</b>, "TS 37.104: TP on Receiver characteristics General (TS ch 7.1)"</p> <p><b>R4-093018</b>, "TS 37.104: TP on Reference sensitivity level (TS ch 7.2)"</p> <p><b>R4-093019</b>, "TS 37.104: TP on Dynamic range (TS ch 7.3)"</p> <p><b>R4-093022</b>, "TS 37.104: TP on Receiver spurious emissions (TS ch 7.6)"</p> <p><b>R4-093024</b>, "TS 37.104: TP on In-channel selectivity (TS ch 7.8)"</p> <p><b>R4-093375</b>, "TS 37.104: TP on MSR References and definitions (TS ch 2 and 3)"</p> <p><b>R4-093376</b>, "TS 37.104: TP on Regional requirements (TS ch 4.4)"</p> <p><b>R4-093378</b>, "TS 37.104: TP on Transmitted signal quality (TS ch 6.5)"</p> <p><b>R4-093379</b>, "TS 37.104: TP on Transmitter spurious emissions (TS ch 6.6 and 6.6.1)"</p> <p><b>R4-093380</b>, "TS 37.104: TP on Operating band unwanted emissions (TS ch 6.6.2)"</p> <p><b>R4-093381</b>, "TS 37.104: TP on In-band selectivity and blocking (TS ch 7.4)"</p> <p><b>R4-093382</b>, "TS 37.104: TP on Out-of-band blocking (TS ch 7.5)"</p> <p><b>R4-093383</b>, "TS 37.104: TP on Receiver intermodulation (TS ch 7.7)"</p> | 0.1.0       |
| 2009-09        | RAN #45  | RP-090764 |    |     |     | Presentation to TSG RAN for information   | 1.0.0       |
| 2009-10        | R4#52bis | R4-093979 |    |     |     | <p>Agreed Text Proposals in RAN4#52bis:</p> <p><b>R4-093788</b>, "TS 37.104: TP on Relation to other RAN and GERAN specifications (TS ch 4.2)"</p> <p><b>R4-093792</b>, "TS 37.104: TP on Spurious emissions requirements in BC2 (TS ch 6.6.2 and 7.6)"</p> <p><b>R4-093796</b>, "TS 37.104: TP on Characteristics of interfering signals"</p> <p><b>R4-094013</b>, "Clarification on Spurious emissions limits for BS co-existed with another BS (37.104)"</p> <p><b>R4-094050</b>, "TS 37.104: TP on Additional spurious emissions requirement (TS ch 6.6.1.3)"</p> <p><b>R4-094051</b>, "TS 37.104: TP on Introduction of BC2 transmitter requirements (TS ch 6)"</p> <p><b>R4-094052</b>, "TS 37.104: TP on Introduction of BC2 receiver requirements (TS ch 7)"</p> <p><b>R4-094053</b>, "TS 37.104: TP on Applicability of requirements (TS ch 5)"</p> <p><b>R4-094054</b>, "TS 37.104: TP on Performance requirements (TS ch 8)"</p> <p><b>R4-094058</b>, "TP for 37.104 Maximum power requirements"</p>   | 1.1.0       |

|         |         |           |      |   |  |  |        |
|---------|---------|-----------|------|---|--|--|--------|
| 2009-11 | R4#53   | R4-094476 |      |   |  | Agreed Text Proposals in RAN4#52bis:<br><b>R4-094061</b> , "A Note of 37.104 MSR category 3 on additional spurious emission requirement when BC3 is deployed in the same geographical area as the PHS"<br><b>R4-094062</b> , "TP of 37.104 on Transmitter intermodulation requirement of MSR category 3"<br><b>R4-094063</b> , "TP of 37.104 on Out-of-band blocking requirement of MSR category 3"<br><b>R4-094075</b> , "Text proposal of transmitter off power for TS37.104"<br><b>R4-094076</b> , "Text proposal of receiver intermodulation of BC3 for TS37.104"  | 1.2.0  |
| 2009-11 | R4#53   | R4-094777 |      |   |  | Agreed Text Proposals in RAN4#53:<br><b>R4-094403</b> , "Corrections on frequency range of unwanted emissions requirements (37.104)"<br><b>R4-094479</b> , "TS 37.104: TP on Occupied bandwidth (TS ch 6.6.3)"<br><b>R4-094480</b> , "TS 37.104: TP on remaining BC3 transmitter requirements (TR ch 6)"<br><b>R4-094484</b> , "TS 37.104: TP on Inclusion of requirements by reference (TS ch 5.4)"<br><b>R4-094485</b> , "TS 37.104: TP on additional emission requirements for GSM (TS ch 6.6.2.3)"<br><b>R4-094486</b> , "TS 37.104: TP on General updates"<br><b>R4-094540</b> , "Output Power clarification"<br><b>R4-094662</b> , "TS 37.104: TP for scope update (TS ch 1)"<br><b>R4-094663</b> , "TS 37.104: TP on Environmental requirements for the BS equipment (TS Annex B)"<br><b>R4-094862</b> , "TS 37.104: TP for ACLR requirement (TS ch 6.6.4)"<br><b>R4-094863</b> , "TS 37.104: TP on Applicability of requirements for BC3"<br><b>R4-094881</b> , "Proposed updates of references to TS 45.005 in MSR specification TR 37.104 (GERAN1 AHG1-090157)"<br><b>R4-094882</b> , "TS 37.104: TP on Declared output power parameters"<br><b>R4-094883</b> , "TS 37.104: TP on remaining BC3 receiver requirements (TS ch 7)" | 1.3.0  |
| 2009-12 | RAN #46 | RP-091107 |      |   |  | Presentation to TSG RAN for approval.  | 2.0.0  |
| 2009-12 | RAN #46 | RP-091107 |      |   |  | Approved in TSG RAN#46   | 9.0.0  |
| 2010-03 | RAN #47 | RP-100265 | 1    |   |  | Correction of additional spurious emission requirement for BC2   | 9.1.0  |
| 2010-03 | RAN #47 | RP-100265 | 7    |   |  | ACLR requirement E-UTRA channel BW <5 MHz  | 9.1.0  |
| 2010-03 | RAN #47 | RP-100265 | 3    |   |  | MSR corrections in TS 37.104   | 9.1.0  |
| 2010-03 | RAN #47 | RP-100265 | 5    | 1 |  | Alignment of MSR specification with new items in single-RAT specifications   | 9.1.0  |
| 2010-03 | RAN #47 | RP-100265 | 6    |   |  | Correction of scope  | 9.1.0  |
| 2010-06 | RP-48   | RP-100625 | 014  |   |  | Corrections to clause 7.1  | 9.2.0  |
| 2010-06 | RP-48   | RP-100625 | 013  | 1 |  | Corrections to MSR core requirements   | 9.2.0  |
| 2010-06 | RP-48   | RP-100625 | 012  |   |  | Correction to Clause 6.1   | 9.2.0  |
| 2010-06 | RP-48   | RP-100625 | 010  | 1 |  | Clarification to the receiver narrowband blocking requirement  | 9.2.0  |
| 2010-06 | RP-48   | RP-100625 | 009  | 1 |  | Clarification to the receiver narrowband intermodulation requirement   | 9.2.0  |
| 2010-06 | RP-48   | RP-100625 | 008  | 2 |  | Co-existence with services in adjacent frequency bands   | 9.2.0  |
| 2010-06 | RP-48   | RP-100625 | 015  |   |  | Spurious emissions limits and blocking requirements for coexistence with CDMA850   | 9.2.0  |
| 2010-09 | RP-49   | RP-100922 | 018  | 1 |  | TS 37.104 Subclause 7.7; Receiver intermodulation  | 9.3.0  |
| 2010-09 | RP-49   | RP-100927 | 016  |   |  | CR LTE_TDD_2600_US spectrum band definition additions to TS 37.104   | 10.0.0 |
| 2010-12 | RP-50   | RP-101345 | 023  |   |  | Band XII/12 frequency range  | 10.1.0 |
| 2010-12 | RP-50   | RP-101356 | 019  | 4 |  | Band 42 and 43 parameters for UMTS/LTE 3500 (TDD) for TS 37.104  | 10.1.0 |
| 2010-12 | RP-50   | RP-101359 | 024  |   |  | Introduction of Carrier Aggregation for LTE in TS 37.104   | 10.1.0 |
| 2010-12 | RP-50   | RP-101361 | 020  |   |  | Protection of E-UTRA Band 24   | 10.1.0 |
| 2011-04 | RP-51   | RP-110357 | 0029 | - |  | Band 42 and 43 co-existence for UMTS/LTE 3500 (TDD) for TS 37.104  | 10.2.0 |
| 2011-06 | RP-52   | RP-110794 | 033  |   |  | Modifications to Band 3 to allow LTE Band 3 operation in Japan (Rel-10 TS37.104 CR)  | 10.3.0 |
| 2011-06 | RP-52   | RP-110812 | 034  |   |  | Add 2GHz S-Band (Band 23) in 37.104  | 10.3.0 |
| 2011-06 | RP-52   | RP-110804 | 035  |   |  | Add Expanded 1900MHz band in 37.104  | 10.3.0 |
| 2011-06 | RP-52   | RP-110794 | 041  |   |  | Correction of RX spurious emissions for non-GSM/EDGE configurations  | 10.3.0 |
| 2011-06 | RP-52   | RP-110802 | 044  |   |  | Co-existence/co-location between Band 42 and 43 in TS 37.104   | 10.3.0 |
| 2011-06 | RP-52   | RP-110807 | 043  | 1 |  | LTE CA alignment of definitions in TS 37.104   | 10.3.0 |

|         |       |           |     |   |  |   |        |
|---------|-------|-----------|-----|---|--|---|--------|
| 2011-06 | RP-52 | RP-110794 | 039 | 1 |  | General corrections for TS 37.104   | 10.3.0 |
| 2011-06 | RP-52 | RP-110795 | 037 | 3 |  | Fixing Band 24 inclusion in TS 37.104   | 10.3.0 |
| 2011-06 | RP-52 | RP-110805 | 042 | 1 |  | MSR-NC Core requirements  | 10.3.0 |
| 2011-06 | RP-52 | RP-110794 | 046 | 2 |  | Revision of Time Alignment Error definition   | 10.3.0 |
| 2011-09 | RP-53 | RP-111252 | 051 |   |  | Correcting the time alignment text in the applicability tables                            | 10.4.0 |
| 2011-09 | RP-53 | RP-111255 | 052 | 1 |  | Add Band 22/XXII for LTE/UMTS 3500 (FDD) to TS 37.104                                     | 10.4.0 |
| 2011-09 | RP-53 | RP-111262 | 049 |   |  | Co-existence and co-location corrections in 37.104  | 10.4.0 |
| 2011-12 | RP-54 | RP-111735 | 053 |   |  | Definition of multi-carrier configuration   | 10.5.0 |
| 2011-12 | RP-54 | RP-111734 | 054 |   |  | Clarification of general blocking requirements for co-existence in TS 37.104              | 10.5.0 |
| 2011-12 | RP-54 | RP-111735 | 055 |   |  | CR to TS37.104 Adding the OBW requirements for carrier aggregation                        | 10.5.0 |
| 2011-12 | RP-54 | RP-111735 | 056 |   |  | Correction of MSR NC requirements   | 10.5.0 |
| 2011-12 | RP-54 | RP-111687 | 058 | 2 |  | TX ON or OFF CR 37.104  | 10.5.0 |
| 2011-12 | RP-54 | RP-111733 | 059 |   |  | Correction of frequency range for spurious emission requirements                          | 10.5.0 |
| 2012-03 | RP-55 | RP-120303 | 062 |   |  | Update to improve readability of tables in section 4.5 of 37.104                          | 10.6.0 |
| 2012-03 | RP-55 | RP-120303 | 063 |   |  | Absolute limit for CACLR: Removal of brackets   | 10.6.0 |
| 2012-03 | RP-55 | RP-120304 | 065 | 1 |  | Definition of synchronized operation  | 10.6.0 |
| 2012-03 | RP-55 | RP-120303 | 066 | 1 |  | Introduction of NC operation for TDD in 37.104  | 10.6.0 |
| 2012-03 | RP-55 | RP-120305 | 061 |   |  | Add Extending 850 MHz Upper Band (814 - 849 MHz) to TS37.104                              | 11.0.0 |
| 2012-06 | RP-56 | RP-120793 | 069 | - |  | Introduction of APAC700(FDD) into TS 37.104   | 11.1.0 |
| 2012-06 | RP-56 | RP-120771 | 072 | - |  | Introduction of Japanese Regulatory Requirements to W-CDMA Band VIII (R11)                | 11.1.0 |
| 2012-06 | RP-56 | RP-120777 | 074 | - |  | Additional BC3 blocking   | 11.1.0 |
| 2012-06 | RP-56 | RP-120793 | 075 | 1 |  | Introduction of Band 44   | 11.1.0 |
| 2012-06 | RP-56 | RP-120791 | 076 | 2 |  | Introduction of E850_LB (Band 27) to MSR TS 37.104  | 11.1.0 |
| 2012-09 | RP-57 | RP-121310 | 078 | - |  | Applicability of Cumulative ACLR  | 11.2.0 |
| 2012-09 | RP-57 | RP-121310 | 080 | - |  | Correct the f_offsetmax definition for TS 37.104  | 11.2.0 |
| 2012-09 | RP-57 | RP-121308 | 081 | 2 |  | Reusing band 41 requirements for the Japan 2.5G TDD band                                  | 11.2.0 |
| 2012-09 | RP-57 | RP-121310 | 083 | 1 |  | Intra-band non-contiguous receiver requirements   | 11.2.0 |
| 2012-09 | RP-57 | RP-121310 | 085 | - |  | Deleting additional BC3 transmitter intermodulation requirement for NC MSR                | 11.2.0 |
| 2012-09 | RP-57 | RP-121300 | 088 | - |  | Modifications of frequency ranges on spurious emission requirements for Band 6, 18, 19    | 11.2.0 |
| 2012-09 | RP-57 | RP-121310 | 090 | 1 |  | Clean-up of ACLR wording for MSR-NC   | 11.2.0 |
| 2012-09 | RP-57 | RP-121340 | 091 | 1 |  | Modification to increase GSM Carrier Power in MSR BS for Band Category 2                  | 11.2.0 |
| 2012-09 | RP-57 |           |     |   |  | Editorial correction in Table 6.6.2.2-2   | 11.2.1 |
| 2012-12 | RP-58 | RP-121906 | 094 |   |  | Introduction of new BS classes to MSR specification (general parts)                       | 11.3.0 |
| 2012-12 | RP-58 | RP-121857 | 095 |   |  | Correction to additional BS spurious emissions limits for BC2                             | 11.3.0 |
| 2012-12 | RP-58 | RP-121859 | 098 |   |  | Correction of PHS protection requirement  | 11.3.0 |
| 2012-12 | RP-58 | RP-121906 | 101 | 2 |  | Introduction of new BS classes to MSR specification (Clause 6)                            | 11.3.0 |
| 2012-12 | RP-58 | RP-121906 | 102 |   |  | Introduction of new BS classes to MSR specification (receiver part)                       | 11.3.0 |
| 2012-12 | RP-58 | RP-121867 | 104 | 1 |  | Modification on ACLR requirement  | 11.3.0 |
| 2012-12 | RP-58 | RP-121867 | 107 |   |  | Clean up of specification R11   | 11.3.0 |
| 2012-12 | RP-58 | RP-121905 | 108 | 1 |  | Introduction of multi-band operation to MSR specification (section 4)                     | 11.3.0 |
| 2012-12 | RP-58 | RP-121905 | 109 | 1 |  | CR for TS37.104(Clauses 1-3) due to introduction of multi-band MSR operation              | 11.3.0 |
| 2012-12 | RP-58 | RP-121905 | 110 | 1 |  | Introduction of MB-MSR to MSR specification (Clause 6)                                    | 11.3.0 |
| 2012-12 | RP-58 | RP-121864 | 112 |   |  | Transmitter IM correction for MSR-NC  | 11.3.0 |
| 2012-12 | RP-58 | RP-121905 | 113 |   |  | Applicability of requirements for MB-MSR  | 11.3.0 |
| 2012-12 | RP-58 | RP-121899 | 115 |   |  | Update CA reference to include Non Contiguous CA band combinations                        | 11.3.0 |
| 2012-12 | RP-58 | RP-121901 | 116 |   |  | Introduction of Band 29   | 11.3.0 |
| 2012-12 | RP-58 | RP-121905 | 117 | 1 |  | Introduction of MB-MSR to MSR core specification (Clause 7)                               | 11.3.0 |
| 2012-12 | RP-58 | RP-121857 | 118 |   |  | Modification to increase GSM Carrier Power in MSR BS for Band Category 2                  | 11.3.0 |
| 2012-12 |       |           |     |   |  | Editorial Correction  | 11.3.0 |
| 2013-03 | RP-59 | RP-130282 | 121 |   |  | Clarify unclear description in UEM requirement for MB-MSR in TS 37.104                    | 11.4.0 |
| 2013-03 | RP-59 | RP-130282 | 125 |   |  | Some clarifications on MB-MSR requirement in TS 37.104                                    | 11.4.0 |
| 2013-03 | RP-59 | RP-130282 | 126 | 1 |  | Introduction of MB-MSR to MR/LA BS in TS 37.104   | 11.4.0 |
| 2013-03 | RP-59 | RP-130287 | 129 |   |  | Correction of co-existence spurious emission requirement with Band 23 for TS 37.104 (R11) | 11.4.0 |

|         |       |           |      |   |   |  |        |
|---------|-------|-----------|------|---|---|--|--------|
| 2013-03 | RP-59 | RP-130287 | 130  |   |   | Band 41 requirements for operation in Japan  | 11.4.0 |
| 2013-06 | RP-60 | RP-130769 | 135  |   |   | Definition of Inter RF bandwidth gap   | 11.5.0 |
| 2013-06 | RP-60 | RP-130764 | 138  |   |   | Corrections to transmitter intermodulation test requirement  | 11.5.0 |
| 2013-06 | RP-60 | RP-130763 | 142  |   |   | channel raster   | 11.5.0 |
| 2013-06 | RP-60 | RP-130769 | 144  | 2 |   | Mapping of requirements on antenna ports   | 11.5.0 |
| 2013-06 | RP-60 | RP-130791 | 145  | 1 |   | Introduction of Band 30  | 12.0.0 |
| 2013-06 | RP-60 | RP-130790 | 147  |   |   | Introduction of LTE 450 into TS 37.104   | 12.0.0 |
| 2013-09 | RP-61 | RP-131289 | 154  |   |   | Single-RAT operation for MB-MSR  | 12.1.0 |
| 2013-09 | RP-61 | RP-131280 | 155  |   |   | UEM requirement in BC2 for lower BS output power   | 12.1.0 |
| 2013-09 | RP-61 | RP-131289 | 157  |   |   | Clarification on single-band operation for MB-MSR  | 12.1.0 |
| 12-2013 | RP-62 | RP-131927 | 160  |   |   | Clarification of Tx IM requirement for BC1 band supporting non-contiguous operation                    | 12.2.0 |
| 12-2013 | RP-62 | RP-131930 | 162  |   |   | Inclusion of requirements by reference for BS classes  | 12.2.0 |
| 12-2013 | RP-62 | RP-131959 | 167  |   |   | Changes to TS 37.104 for LTE_CA_C_B27  | 12.2.0 |
| 12-2013 | RP-62 | RP-131934 | 169  |   |   | CR for clarification for receiver requirement on MB-MSR BS   | 12.2.0 |
| 12-2013 | RP-62 | RP-131926 | 172  |   |   | Introduction of secondary CPICH requirement  | 12.2.0 |
| 12-2013 | RP-62 | RP-131930 | 174  |   |   | Corrections to requirements for multi-band operation   | 12.2.0 |
| 12-2013 | RP-62 | RP-131967 | 176  |   |   | Band 41 deployment in Japan  | 12.2.0 |
| 12-2013 | RP-62 | RP-131925 | 182  |   |   | Correction of references   | 12.2.0 |
| 03-2014 | RP-63 | RP-140370 | 193  |   |   | Clarification of interfering signals for receiver intermodulation requirement in MSR                   | 12.3.0 |
| 06-2014 | RP-64 | RP-140913 | 196  |   |   | Update of TS 37.104  | 12.4.0 |
| 06-2014 | RP-64 | RP-140913 | 207  |   |   | Clarification on definitions and ACLR requirement in TS37.104  | 12.4.0 |
| 06-2014 | RP-64 | RP-140913 | 211  |   |   | Correction of UEM for Medium Range and Local Area BS   | 12.4.0 |
| 06-2014 | RP-64 | RP-140914 | 202  |   |   | Band 29 correction   | 12.4.0 |
| 06-2014 | RP-64 | RP-140918 | 219  |   |   | Clarification of Foffset-RAT in relation to radio bandwidth in TS 37.104 (Rel-12)                      | 12.4.0 |
| 06-2014 | RP-64 | RP-140926 | 208  | 1 |   | Introduction of Band 32/XXXII  | 12.4.0 |
| 09-2014 | RP-65 | RP-141528 | 232  |   |   | Correction on UEM related to multi-band operation in TS37.104  | 12.5.0 |
| 09-2014 | RP-65 | RP-141562 | 233  | 1 |   | Update of definitions to support supplemental DL in TS37.104   | 12.5.0 |
| 12-2014 | RP-66 | RP-142146 | 242  |   |   | Tx intermodulation corrections   | 12.6.0 |
| 03-2015 | RP-67 | RP-150382 | 250  |   |   | Co-location between Band 42 and Band 43 in TS 37.104   | 12.7.0 |
| 03-2015 | RP-67 | RP-150388 | 251  |   |   | MB and TDD+FDD   | 12.7.0 |
| 07-2015 | RP-68 | RP-150955 | 255  |   |   | Clarification of parameter P for emission requirements   | 12.8.0 |
| 07-2015 | RP-68 | RP-150955 | 259  |   |   | Some corrections related to RF bandwidth edge  | 12.8.0 |
| 12-2015 | RP-70 | RP-152132 | 0269 | - |   | Tx IM requirement correction   | 12.9.0 |
| 12-2015 | RP-70 | RP-152132 | 0274 | - |   | BS Spec improvements: TS 37.104 Corrections  | 12.9.0 |
| 12-2015 | RP-70 | RP-152132 | 0276 | - |   | Corrections on definition of f_offsetmax for BS operating in multiple bands or non-contiguous spectrum | 12.9.0 |
| 12-2015 | RP-70 | RP-152132 | 0280 | - |   | Correction of Unwanted Emission Mask (UEM) for MSR BS capable of multiband operation                   | 12.9.0 |
| 12-2015 | RP-70 | RP-152171 | 0265 | - |   | Introduction of Band 66  | 13.0.0 |
| 12-2015 | RP-70 | RP-152157 | 0270 | 1 |   | Introduction of Band 67 to 37.104  | 13.0.0 |
| 12-2015 | RP-70 | RP-152172 | 0271 | - |   | Introduction of Band 66  | 13.0.0 |
| 12-2015 | RP-70 | RP-152173 | 0272 | - |   | Introduction of 1447-1467MHz Band into 37.104  | 13.0.0 |
| 03/2016 | RP-71 | RP-160483 | 0281 | 2 | B | Introduction of Band 68 into 37.104  | 13.1.0 |
| 03/2016 | RP-71 | RP-160488 | 0285 |   | A | Band 20 and Band 28 BS co-existence  | 13.1.0 |
| 06/2016 | RP-72 | RP-161141 | 288  | 1 | A | Corrections to BS spurious emissions requirements in TS37.104 (Rel-13)                                 | 13.2.0 |



|         |        |           |      |   |   |   |        |
|---------|--------|-----------|------|---|---|---|--------|
| 06/2016 | RP-72  | RP-161140 | 292  | 1 | F | Corrections on definition of multi-band definition and blocking   | 13.2.0 |
| 06/2016 | RP-72  | RP-161126 | 293  | - | B | CR on introduction of NB-IoT in TS 37.104   | 13.2.0 |
| 06/2016 | RP-72  | RP-161142 | 294  | 1 | F | Introduction of Band 46 in 37.104   | 13.2.0 |
| 06/2016 | RP-72  | RP-161125 | 291  | - | B | Introduction of Band 70 to 37.104   | 14.0.0 |
| 06/2016 | RP-72  | RP-161124 | 295  | - | B | Introduction of Band 69 to 37.104   | 14.0.0 |
| 09/2016 | RP-73  | RP-161637 | 297  |   | A | Corrections on NB-IoT BS unwanted emissions requirements  | 14.1.0 |
| 09/2016 | RP-73  | RP-161640 | 299  |   | A | Corrections to operating band unwanted emissions notes in TS37.104 (Rel-14)                             | 14.1.0 |
| 12/2016 | RP-74  | RP-162434 | 0307 | 1 | F | NB-IoT corrections to operating bands   | 14.2.0 |
| 12/2016 | RP-74  | RP-162407 | 0308 | - | B | Addition of new operating bands for NB-IoT  | 14.2.0 |
| 12/2016 | RP-74  | RP-162434 | 0309 | - | A | Spurious responses for NB-IoT BS receiver blocking requirements   | 14.2.0 |
| 12/2016 | RP-74  | RP-162413 | 0312 | - | A | Removal of redundant figure in clause 3.2   | 14.2.0 |
| 12/2016 | RP-74  | RP-162395 | 0313 | 1 | B | Necessary changes to the core requirements for Multi-Band Base Station testing with three or more bands | 14.2.0 |
| 12/2016 | RP-74  | RP-162405 | 0315 | - | B | Introduction of Band 48   | 14.2.0 |
| 03/2017 | RP-75  | RP-170553 | 0316 | - | B | CR on eLAA BS for TS 37.104   | 14.3.0 |
| 03/2017 | RP-75  | RP-170598 | 0320 | - | A | Corrections on NB-IoT narrowband intermodulation performance requirement                                | 14.3.0 |
| 06/2017 | RP-76  | RP-171279 | 0321 | 1 | B | Intorduction of new bands for NB-IoT in 37.104  | 14.4.0 |
| 06/2017 | RP-76  | RP-171297 | 0329 | 1 | A | TS 37.104: Correction of reference  | 14.4.0 |
| 06/2017 | RP-76  | RP-171282 | 0776 | 1 | F | CR on BS for protection of V2X UE in TS 37.104  | 14.4.0 |
| 06/2017 | RP-76  | RP-171300 | 0778 | - | A | Missing clarification note related to BS output power when considering NB-IoT                           | 14.4.0 |
| 06/2017 | RP-76  | RP-171299 | 0780 | - | A | Remove NB-IoT inband support for 1.4 MHz  | 14.4.0 |
| 06/2017 | RP-76  | RP-171299 | 0783 | - | A | Narrowband blocking requirement for NB-IoT guard band operation (TS 37.104)                             | 14.4.0 |
| 06/2017 | RP-76  | RP-171300 | 0785 | - | A | Intermodulation performance requirement for NB-IoT operation (TS 37.104)                                | 14.4.0 |
| 09/2017 | RP-77  | RP-171966 | 0787 | - | A | Operating band unwanted emissions for MB MSR BS (TS 37.104)   | 14.5.0 |
| 09/2017 | RP-77  | RP-171948 | 0788 | 2 | B | Introduction of the FDD L-band (Band 74) into TS 37.104   | 15.0.0 |
| 09/2017 | RP-77  | RP-171946 | 0789 | - | B | CR to 37.104: Introduction of Band 72   | 15.0.0 |
| 09/2017 | RP-77  | RP-171952 | 0790 | - | B | CR to 37.104: Introduction of Band 71   | 15.0.0 |
| 09/2017 | RP-77  | RP-171950 | 0792 | 1 | B | CR to 37.104: Introduction of B75 and B76   | 15.0.0 |
| 09/2017 | RP-77  | RP-171949 | 0793 | 1 | B | Introduction of TDD L-band into TS 37.104   | 15.0.0 |
| 09/2017 | RP-77  | RP-172050 | 0794 | - | B | CR to 37.104: Support of NB-IoT for Bands 4, 14 and 71  | 15.0.0 |
| 2017-12 | RAN#78 | RP-172593 | 0795 | 1 | B | Introduction of Band 73 into TS 37.104  | 15.1.0 |
| 2017-12 | RAN#78 | RP-172613 | 0798 | - | A | CR to 37.104: BS Spurious emissions limits for protection of the BS receiver for B28 in Europe          | 15.1.0 |
| 2017-12 | RAN#78 | RP-172605 | 0801 | 1 | A | Corrections for MB MSR BS supporting non-contiguous spectrum operation (TS 37.104)                      | 15.1.0 |
| 2017-12 | RAN#78 | RP-172584 | 0803 | - | A | CR to 37.104: Corrections to co-location tables for B48   | 15.1.0 |
| 2017-12 | RAN#78 | RP-172594 | 0804 | 1 | B | CR to 37.104: Introduction of Band 49   | 15.1.0 |
| 2017-12 | RAN#78 | RP-172588 | 0805 | - | B | Addition of NB-IoT small cells support  | 15.1.0 |
| 2018-03 | RAN#79 | RP-180279 | 0806 | - | B | CR to 37.104: Introduction of Band 85   | 15.2.0 |
| 2018-03 | RAN#79 | RP-180281 | 0807 | 1 | B | CR to 37.104: Introduction of new additional unwanted emission limit for L-Band                         | 15.2.0 |
| 2018-03 | RAN#79 | RP-180267 | 0808 | 1 | F | CR NB-IoT small cells: co-location requirements fix   | 15.2.0 |
| 2018-03 | RAN#79 | RP-180278 | 0809 | - | B | Introduction of TDD 3.3-3.4GHz band (band 52)   | 15.2.0 |
| 2018-06 | RAN#80 | RP-181100 | 0815 | - | F | CR to 37.104: Medium Range BS UEM corrections   | 15.3.0 |
| 2018-06 | RAN#80 | RP-181075 | 0816 | - | B | Introduction of NR operation in MSR specification 37.104  | 15.3.0 |
| 2018-09 | RAN#81 | RP-181896 | 0817 | 1 | F | CR on spurious emission in 37.104   | 15.4.0 |
| 2018-09 | RAN#81 | RP-181899 | 0818 |   | B | CR of BS REFSSENS for SubPRB feature  | 15.4.0 |
| 2018-09 | RAN#81 | RP-181896 | 0820 |   | F | Clarification on UEM requirements applicability   | 15.4.0 |
| 2018-09 | RAN#81 | RP-181896 | 0821 |   | B | Addition parameters about n50 in TS 37.104  | 15.4.0 |
| 2018-12 | RAN#82 | RP-182386 | 0822 |   | B | Re-submission of endorsed CR R4-1806736: Introduction of NB-IoT TDD support                             | 15.5.0 |
| 2018-12 | RAN#82 | RP-182361 | 0825 |   | F | Corrections to NR operation in MSR specification 37.104   | 15.5.0 |
| 2018-12 | RAN#82 | RP-182362 | 0826 | 1 | B | Update the title to add NR of TS 37.104   | 15.5.0 |
| 2018-12 | RAN#82 | RP-182360 | 0828 |   | F | Addition of NR band n74   | 15.5.0 |
| 2018-12 | RAN#82 | RP-182360 | 0829 | 1 | F | Correction of CS16/17 NBB requirement   | 15.5.0 |
| 2018-12 | RAN#82 | RP-182361 | 0831 |   | F | Corrections to NR operation in MSR specification 37.104   | 15.5.0 |

---

# History

| <b>Document history</b> |              |             |
|-------------------------|--------------|-------------|
| V15.3.0                 | July 2018    | Publication |
| V15.4.0                 | October 2018 | Publication |
| V15.5.0                 | April 2019   | Publication |
|                         |              |             |
|                         |              |             |