

# ETSI TS 137 104 V16.19.0 (2024-01)



**Digital cellular telecommunications system (Phase 2+) (GSM);  
Universal Mobile Telecommunications System (UMTS);  
LTE; 5G;  
NR, E-UTRA, UTRA and GSM/EDGE;  
Multi-Standard Radio (MSR) Base Station (BS)  
radio transmission and reception  
(3GPP TS 37.104 version 16.19.0 Release 16)**



---

**Reference**

RTS/TSGR-0437104vgj0

---

**Keywords**

5G,GSM,LTE,UMTS

**ETSI**

650 Route des Lucioles  
F-06921 Sophia Antipolis Cedex - FRANCE

---

Tel.: +33 4 92 94 42 00 Fax: +33 4 93 65 47 16

Siret N° 348 623 562 00017 - APE 7112B  
Association à but non lucratif enregistrée à la  
Sous-Préfecture de Grasse (06) N° w061004871

---

**Important notice**

The present document can be downloaded from:

<https://www.etsi.org/standards-search>

The present document may be made available in electronic versions and/or in print. The content of any electronic and/or print versions of the present document shall not be modified without the prior written authorization of ETSI. In case of any existing or perceived difference in contents between such versions and/or in print, the prevailing version of an ETSI deliverable is the one made publicly available in PDF format at [www.etsi.org/deliver](http://www.etsi.org/deliver).

Users of the present document should be aware that the document may be subject to revision or change of status.

Information on the current status of this and other ETSI documents is available at

<https://portal.etsi.org/TB/ETSIDeliverableStatus.aspx>

If you find errors in the present document, please send your comment to one of the following services:

<https://portal.etsi.org/People/CommitteeSupportStaff.aspx>

If you find a security vulnerability in the present document, please report it through our  
Coordinated Vulnerability Disclosure Program:

<https://www.etsi.org/standards/coordinated-vulnerability-disclosure>

---

**Notice of disclaimer & limitation of liability**

The information provided in the present deliverable is directed solely to professionals who have the appropriate degree of experience to understand and interpret its content in accordance with generally accepted engineering or other professional standard and applicable regulations.

No recommendation as to products and services or vendors is made or should be implied.

No representation or warranty is made that this deliverable is technically accurate or sufficient or conforms to any law and/or governmental rule and/or regulation and further, no representation or warranty is made of merchantability or fitness for any particular purpose or against infringement of intellectual property rights.

In no event shall ETSI be held liable for loss of profits or any other incidental or consequential damages.

Any software contained in this deliverable is provided "AS IS" with no warranties, express or implied, including but not limited to, the warranties of merchantability, fitness for a particular purpose and non-infringement of intellectual property rights and ETSI shall not be held liable in any event for any damages whatsoever (including, without limitation, damages for loss of profits, business interruption, loss of information, or any other pecuniary loss) arising out of or related to the use of or inability to use the software.

---

**Copyright Notification**

No part may be reproduced or utilized in any form or by any means, electronic or mechanical, including photocopying and microfilm except as authorized by written permission of ETSI.

The content of the PDF version shall not be modified without the written authorization of ETSI.

The copyright and the foregoing restriction extend to reproduction in all media.

© ETSI 2024.  
All rights reserved.

---

# Intellectual Property Rights

## Essential patents

IPRs essential or potentially essential to normative deliverables may have been declared to ETSI. The declarations pertaining to these essential IPRs, if any, are publicly available for **ETSI members and non-members**, and can be found in ETSI SR 000 314: "*Intellectual Property Rights (IPRs); Essential, or potentially Essential, IPRs notified to ETSI in respect of ETSI standards*", which is available from the ETSI Secretariat. Latest updates are available on the ETSI Web server (<https://ipr.etsi.org/>).

Pursuant to the ETSI Directives including the ETSI IPR Policy, no investigation regarding the essentiality of IPRs, including IPR searches, has been carried out by ETSI. No guarantee can be given as to the existence of other IPRs not referenced in ETSI SR 000 314 (or the updates on the ETSI Web server) which are, or may be, or may become, essential to the present document.

## Trademarks

The present document may include trademarks and/or tradenames which are asserted and/or registered by their owners. ETSI claims no ownership of these except for any which are indicated as being the property of ETSI, and conveys no right to use or reproduce any trademark and/or tradename. Mention of those trademarks in the present document does not constitute an endorsement by ETSI of products, services or organizations associated with those trademarks.

**DECT™**, **PLUGTESTS™**, **UMTS™** and the ETSI logo are trademarks of ETSI registered for the benefit of its Members. **3GPP™** and **LTE™** are trademarks of ETSI registered for the benefit of its Members and of the 3GPP Organizational Partners. **oneM2M™** logo is a trademark of ETSI registered for the benefit of its Members and of the oneM2M Partners. **GSM®** and the GSM logo are trademarks registered and owned by the GSM Association.

---

# Legal Notice

This Technical Specification (TS) has been produced by ETSI 3rd Generation Partnership Project (3GPP).

The present document may refer to technical specifications or reports using their 3GPP identities. These shall be interpreted as being references to the corresponding ETSI deliverables.

The cross reference between 3GPP and ETSI identities can be found under <https://webapp.etsi.org/key/queryform.asp>.

---

# Modal verbs terminology

In the present document "**shall**", "**shall not**", "**should**", "**should not**", "**may**", "**need not**", "**will**", "**will not**", "**can**" and "**cannot**" are to be interpreted as described in clause 3.2 of the [ETSI Drafting Rules](#) (Verbal forms for the expression of provisions).

"**must**" and "**must not**" are **NOT** allowed in ETSI deliverables except when used in direct citation.

# Contents

Intellectual Property Rights .....	2
Legal Notice .....	2
Modal verbs terminology.....	2
Foreword.....	6
1 Scope .....	8
2 References .....	8
3 Definitions, symbols and abbreviations .....	9
3.1 Definitions .....	9
3.2 Symbols.....	12
3.3 Abbreviations .....	14
4 General .....	16
4.1 Relation between the MSR specification and the single-RAT specifications .....	16
4.2 Relationship between minimum requirements and test requirements .....	16
4.3 Base station classes .....	16
4.4 Regional requirements.....	17
4.5 Operating bands and Band Categories.....	18
4.5.1 Band category 1 aspects (BC1).....	22
4.5.2 Band category 2 aspects (BC2).....	22
4.5.3 Band category 3 aspects (BC3).....	22
4.6 Channel arrangement.....	22
4.6.1 Channel spacing.....	22
4.6.1A CA Channel spacing .....	23
4.6.2 Channel raster .....	24
4.6.3 Carrier frequencies and numbering.....	24
4.7 Requirements for contiguous and non-contiguous spectrum.....	25
4.8 Requirements for BS capable of multi-band operation .....	25
5 Applicability of requirements.....	26
5.1 Band category 1.....	26
5.2 Band category 2.....	29
5.3 Band category 3.....	32
5.4 Inclusion of requirements by reference .....	35
6 Transmitter characteristics .....	35
6.1 General .....	35
6.2 Base station output power .....	36
6.2.1 Minimum requirement .....	36
6.2.2 Additional requirement (regional) .....	36
6.2.3 E-UTRA minimum requirement for DL RS power .....	37
6.2.4 UTRA FDD minimum requirement for primary CPICH power .....	37
6.2.4A UTRA FDD minimum requirement for secondary CPICH power.....	37
6.2.5 UTRA TDD minimum requirement for primary CCPCH power .....	37
6.2.6 NB-IoT minimum requirement for DL NRS power .....	37
6.3 Output power dynamics.....	37
6.3.1 E-UTRA minimum requirement .....	37
6.3.2 UTRA FDD minimum requirement.....	38
6.3.3 UTRA TDD minimum requirement.....	38
6.3.4 GSM/EDGE minimum requirement .....	38
6.3.5 NB-IoT minimum requirement .....	38
6.3.6 NR minimum requirement .....	38
6.4 Transmit ON/OFF power .....	38
6.4.1 Transmitter OFF power .....	38
6.4.1.1 Minimum Requirement .....	38
6.4.2 Transmitter transient period.....	38

6.4.2.1	Minimum requirements .....	39
6.5	Transmitted signal quality .....	40
6.5.1	Modulation quality .....	40
6.5.1.1	E-UTRA minimum requirement .....	40
6.5.1.2	UTRA FDD minimum requirement .....	40
6.5.1.3	UTRA TDD minimum requirement .....	40
6.5.1.4	GSM/EDGE minimum requirement .....	40
6.5.1.5	NB-IoT minimum requirement .....	40
6.5.1.6	NR minimum requirement .....	40
6.5.2	Frequency error .....	40
6.5.2.1	E-UTRA minimum requirement .....	41
6.5.2.2	UTRA FDD minimum requirement .....	41
6.5.2.3	UTRA TDD minimum requirement .....	41
6.5.2.4	GSM/EDGE minimum requirement .....	41
6.5.2.5	NB-IoT minimum requirement .....	41
6.5.2.6	NR minimum requirement .....	41
6.5.3	Time alignment error .....	41
6.5.3.1	E-UTRA minimum Requirement .....	41
6.5.3.2	UTRA FDD minimum requirement .....	41
6.5.3.3	UTRA TDD minimum requirement .....	41
6.5.3.4	NB-IoT minimum Requirement .....	42
6.5.3.5	NR minimum Requirement .....	42
6.6	Unwanted emissions .....	42
6.6.1	Transmitter spurious emissions .....	42
6.6.1.1	Mandatory Requirements .....	43
6.6.1.1.1	Minimum requirement (Category A) .....	43
6.6.1.1.2	Minimum requirement (Category B) .....	43
6.6.1.1.3	Additional minimum requirement for BC2 (Category B) .....	43
6.6.1.2	Protection of the BS receiver of own or different BS .....	44
6.6.1.2.1	Minimum Requirement .....	44
6.6.1.3	Additional spurious emissions requirements .....	44
6.6.1.3.1	Minimum Requirement .....	44
6.6.1.4	Co-location with other base stations .....	53
6.6.1.4.1	Minimum Requirement .....	53
6.6.2	Operating band unwanted emissions .....	59
6.6.2.1	General minimum requirement for Band Categories 1 and 3 .....	59
6.6.2.2	General minimum requirement for Band Category 2 .....	67
6.6.2.3	GSM/EDGE single-RAT requirements .....	76
6.6.2.4	Additional requirements .....	76
6.6.2.4.1	Limits in FCC Title 47 .....	76
6.6.2.4.2	Unsynchronized operation for BC3 .....	76
6.6.2.4.3	Protection of DTT .....	76
6.6.2.4.4	Void .....	77
6.6.2.4.5	Co-existence with RNSS/GPS services in North America .....	77
6.6.2.4.6	Void .....	77
6.6.2.4.7	Additional band 32, 50, 51, 74, 75 and 76 unwanted emissions .....	77
6.6.2.4.8	Additional requirements for band 45 .....	79
6.6.2.4.9	Additional requirements for band 48 .....	79
6.6.2.4.10	Additional requirements for band 53 .....	79
6.6.3	Occupied bandwidth .....	80
6.6.3.1	Minimum requirement .....	80
6.6.4	Adjacent Channel Leakage Power Ratio (ACLR) .....	80
6.6.4.1	E-UTRA minimum requirement .....	80
6.6.4.2	UTRA FDD minimum requirement .....	82
6.6.4.3	UTRA TDD minimum requirement .....	82
6.6.4.4	Cumulative ACLR requirement in non-contiguous spectrum .....	82
6.6.4.5	NB-IoT minimum requirement .....	84
6.6.4.6	NR minimum requirement .....	84
6.7	Transmitter intermodulation .....	86
6.7.1	General minimum requirement .....	86
6.7.2	Additional minimum requirement (BC1 and BC2) .....	87
6.7.3	Additional minimum requirement (BC3) .....	87

6.7.4	Additional requirements .....	88
7	Receiver characteristics .....	88
7.1	General .....	88
7.2	Reference sensitivity level.....	89
7.2.1	E-UTRA minimum requirement .....	89
7.2.2	UTRA FDD minimum requirement.....	89
7.2.3	UTRA TDD minimum requirement.....	89
7.2.4	GSM/EDGE minimum requirement .....	89
7.2.5	NB-IoT minimum requirement .....	89
7.2.6	NR minimum requirement .....	89
7.2.7	Void .....	89
7.3	Dynamic range .....	89
7.3.1	E-UTRA minimum requirement .....	89
7.3.2	UTRA FDD minimum requirement.....	89
7.3.3	UTRA TDD minimum requirement.....	90
7.3.4	GSM/EDGE minimum requirement .....	90
7.3.5	NB-IoT minimum requirement .....	90
7.3.6	NR minimum requirement .....	90
7.4	In-band selectivity and blocking .....	90
7.4.1	General blocking minimum requirement .....	90
7.4.2	General narrowband blocking minimum requirement .....	92
7.4.3	Additional Narrowband blocking minimum requirement for GSM/EDGE .....	93
7.4.4	GSM/EDGE requirements for AM suppression .....	93
7.4.5	Additional BC3 blocking minimum requirement .....	93
7.5	Out-of-band blocking .....	94
7.5.1	General minimum requirement.....	94
7.5.2	Co-location minimum requirement.....	95
7.6	Receiver spurious emissions.....	99
7.6.1	General minimum requirement.....	100
7.6.2	Additional minimum requirement for BC2 (Category B).....	100
7.7	Receiver intermodulation .....	100
7.7.1	General intermodulation minimum requirement.....	100
7.7.2	General narrowband intermodulation minimum requirement.....	104
7.7.3	Additional narrowband intermodulation minimum requirement for GSM/EDGE .....	107
7.8	In-channel selectivity .....	107
7.8.1	E-UTRA minimum requirement .....	107
7.8.2	NR minimum requirement .....	107
8	Performance requirements.....	108
8.1	E-UTRA minimum requirement.....	108
8.2	UTRA FDD minimum requirement .....	108
8.3	UTRA TDD minimum requirement .....	108
8.4	GSM/EDGE minimum requirement.....	108
8.5	NR minimum requirement.....	108
8.6	NB-IoT minimum requirement.....	108
<b>Annex A (normative):</b>	<b>Characteristics of interfering signals .....</b>	<b>109</b>
A.1	UTRA FDD interfering signal.....	109
A.2	UTRA TDD interfering signal .....	109
A.3	E-UTRA interfering signal.....	109
<b>Annex B (normative):</b>	<b>Environmental requirements for the BS equipment .....</b>	<b>110</b>
<b>Annex C (informative):</b>	<b>Change history .....</b>	<b>111</b>
History .....		118

---

# Foreword

This Technical Specification has been produced by the 3rd Generation Partnership Project (3GPP).

The contents of the present document are subject to continuing work within the TSG and may change following formal TSG approval. Should the TSG modify the contents of the present document, it will be re-released by the TSG with an identifying change of release date and an increase in version number as follows:

Version x.y.z

where:

- x the first digit:
  - 1 presented to TSG for information;
  - 2 presented to TSG for approval;
  - 3 or greater indicates TSG approved document under change control.
- y the second digit is incremented for all changes of substance, i.e. technical enhancements, corrections, updates, etc.
- z the third digit is incremented when editorial only changes have been incorporated in the document.

In the present document, modal verbs have the following meanings:

- shall** indicates a mandatory requirement to do something
- shall not** indicates an interdiction (prohibition) to do something

The constructions "shall" and "shall not" are confined to the context of normative provisions, and do not appear in Technical Reports.

The constructions "must" and "must not" are not used as substitutes for "shall" and "shall not". Their use is avoided insofar as possible, and they are not used in a normative context except in a direct citation from an external, referenced, non-3GPP document, or so as to maintain continuity of style when extending or modifying the provisions of such a referenced document.

- should** indicates a recommendation to do something
- should not** indicates a recommendation not to do something
- may** indicates permission to do something
- need not** indicates permission not to do something

The construction "may not" is ambiguous and is not used in normative elements. The unambiguous constructions "might not" or "shall not" are used instead, depending upon the meaning intended.

- can** indicates that something is possible
- cannot** indicates that something is impossible

The constructions "can" and "cannot" are not substitutes for "may" and "need not".

- will** indicates that something is certain or expected to happen as a result of action taken by an agency the behaviour of which is outside the scope of the present document
- will not** indicates that something is certain or expected not to happen as a result of action taken by an agency the behaviour of which is outside the scope of the present document
- might** indicates a likelihood that something will happen as a result of action taken by some agency the behaviour of which is outside the scope of the present document

**might not** indicates a likelihood that something will not happen as a result of action taken by some agency the behaviour of which is outside the scope of the present document

In addition:

**is** (or any other verb in the indicative mood) indicates a statement of fact

**is not** (or any other negative verb in the indicative mood) indicates a statement of fact

The constructions "is" and "is not" do not indicate requirements.



---

# 1 Scope

The present document establishes the minimum RF characteristics of NR, E-UTRA, UTRA, GSM/EDGE and NB-IoT Multi-Standard Radio (MSR) Base Station (BS). Requirements for multi-RAT and single-RAT operation of MSR BS are covered in the present document. The requirements in the present document for E-UTRA, UTRA and NB-IoT single-RAT operation of MSR BS are also applicable to E-UTRA, UTRA and NB-IoT multi-carrier capable single-RAT BS. Requirements for GSM BS that are only single-RAT capable in all supported operating bands are not covered.

---

# 2 References

The following documents contain provisions which, through reference in this text, constitute provisions of the present document.

- References are either specific (identified by date of publication, edition number, version number, etc.) or non-specific.
- For a specific reference, subsequent revisions do not apply.
- For a non-specific reference, the latest version applies. In the case of a reference to a 3GPP document (including a GSM document), a non-specific reference implicitly refers to the latest version of that document *in the same Release as the present document*.

- [1] 3GPP TR 21.905: "Vocabulary for 3GPP Specifications".
- [2] 3GPP TS 25.104, Technical Specification, "3rd Generation Partnership Project; Technical Specification Group Radio Access Network; Base Station (BS) radio transmission and reception (FDD)"
- [3] 3GPP TS 25.105. Technical Specification, "3rd Generation Partnership Project; Technical Specification Group Radio Access Network; Base Station (BS) radio transmission and reception (TDD)"
- [4] 3GPP TS 36.104, Technical Specification, "3rd Generation Partnership Project; Technical Specification Group Radio Access Network; Evolved Universal Terrestrial Radio Access (E-UTRA); Base Station (BS) radio transmission and reception"
- [5] 3GPP TS 45.005, Technical Specification, "3rd Generation Partnership Project; Technical Specification Group GSM/EDGE Radio Access Network; Radio transmission and reception"
- [6] ITU-R Recommendation SM.329-10, "Unwanted emissions in the spurious domain".
- [7] 3GPP TR 25.942, "Technical Report 3rd Generation Partnership Project; Technical Specification Group Radio Access Networks; Radio Frequency (RF) system scenarios"
- [8] "Title 47 of the Code of Federal Regulations (CFR)", Federal Communications Commission.
- [9] ITU-R Recommendation M.1545: "Measurement uncertainty as it applies to test limits for the terrestrial component of International Mobile Telecommunications-2000".
- [10] 3GPP TS 37.141, Technical Specification, "3rd Generation Partnership Project; Technical Specification Group Radio Access Network; NR, E-UTRA, UTRA and GSM/EDGE; Multi-Standard Radio (MSR) Base Station (BS) conformance testing"
- [11] IEC 60721-3-3: "Classification of environmental conditions - Part 3-3: Classification of groups of environmental parameters and their severities - Stationary use at weather protected locations".
- [12] IEC 60721-3-4: "Classification of environmental conditions - Part 3: Classification of groups of environmental parameters and their severities - Section 4: Stationary use at non-weather protected locations".

- [13] ETSI EN 300 019-1-3, *European Standard (Telecommunications series)*, "Environmental Engineering (EE); Environmental conditions and environmental tests for telecommunications equipment; Part 1-3: Classification of environmental conditions; Stationary use at weather protected locations"
- [14] ETSI EN 300 019-1-4, *European Standard (Telecommunications series)*, "Environmental Engineering (EE); Environmental conditions and environmental tests for telecommunications equipment; Part 1-4: Classification of environmental conditions; Stationary use at non-weather protected locations".
- [15] CEPT ECC Decision (13)03, "The harmonised use of the frequency band 1452-1492 MHz for Mobile/Fixed Communications Networks Supplemental Downlink (MFCN SDL)".
- [16] CEPT ECC Decision (17)06, "The harmonised use of the frequency bands 1427-1452 MHz and 1492-1518 MHz for Mobile/Fixed Communications Networks Supplemental Downlink (MFCN SDL)".
- [17] 3GPP TS 38.104: Technical Specification, "3rd Generation Partnership Project; Technical Specification Group Radio Access Network; NR; Base Station (BS) radio transmission and reception".
- [18] 3GPP TS 36.101: "Evolved Universal Terrestrial Radio Access (E-UTRA); User Equipment (UE) radio transmission and reception".
- [19] 3GPP TS 38.101-1: "NR; User Equipment (UE) radio transmission and reception; Part 1: Range 1 Standalone"

---

## 3 Definitions, symbols and abbreviations

### 3.1 Definitions

For the purposes of the present document, the terms and definitions given in TR 21.905 [1] and the following apply. A term defined in the present document takes precedence over the definition of the same term, if any, in TR 21.905 [1].

**Band category:** group of operating bands for which the same MSR scenarios apply

**Base Station RF Bandwidth:** bandwidth in which a base station transmits and/or receives single or multiple carrier(s) and/or RATs simultaneously within a supported operating band

NOTE: In single carrier operation, the Base Station RF Bandwidth is equal to the channel bandwidth.

**Base Station RF Bandwidth edge:** frequency of one of the edges of the Base Station RF Bandwidth

**Carrier:** modulated waveform conveying the NR, E-UTRA, UTRA or GSM/EDGE physical channels

**Carrier aggregation:** aggregation of two or more NR or E-UTRA component carriers in order to support wider transmission bandwidths

**Carrier aggregation band:** set of one or more operating bands across which multiple E-UTRA carriers are aggregated with a specific set of technical requirements.

**Channel bandwidth:** RF bandwidth supporting a single NR, E-UTRA, UTRA or GSM/EDGE RF carrier with the transmission bandwidth configured in the uplink or downlink of a cell.

NOTE: The channel bandwidth is measured in MHz and is used as a reference for transmitter and receiver RF requirements.

NOTE: The term channel bandwidth is referred to as BS channel bandwidth in the NR specifications, since for NR the BS and UE may operate with differing bandwidths.

**Contiguous carriers:** set of two or more carriers configured in a spectrum block where there are no RF requirements based on co-existence for un-coordinated operation within the spectrum block.

**Carrier power:** power at the antenna connector in the channel bandwidth of the carrier averaged over at least one subframe for NR or E-UTRA, at least one slot for UTRA and the useful part of the burst for GSM/EDGE.

**Configured carrier power:** target maximum power for a specific carrier for the operating mode set in the base station

**Contiguous spectrum:** spectrum consisting of a contiguous block of spectrum with no sub-block gap(s).

**Downlink operating band:** part of the operating band designated for downlink.

**Highest Carrier:** carrier with the highest carrier centre frequency transmitted/received in the specified operating band(s).

**Inter RF Bandwidth gap:** frequency gap between two consecutive Base Station RF Bandwidths that are placed within two supported operating bands.

**Inter-band carrier aggregation:** carrier aggregation of NR or E-UTRA component carriers in different operating bands.

NOTE: Carriers aggregated in each band can be contiguous or non-contiguous.

**Inter-band gap:** The frequency gap between two supported consecutive operating bands.

**Intra-band contiguous carrier aggregation:** contiguous NR or E-UTRA carriers aggregated in the same operating band.

**Intra-band non-contiguous carrier aggregation:** non-contiguous NR or E-UTRA carriers aggregated in the same operating band.

**Lowest Carrier:** carrier with the lowest carrier centre frequency transmitted/received in the specified operating band(s).

**Lower Base Station RF Bandwidth edge:** frequency of the lower edge of the Base Station RF bandwidth, used as a frequency reference point for transmitter and receiver requirements.

**Lower sub-block edge:** frequency at the lower edge of one sub-block.

NOTE: It is used as a frequency reference point for both transmitter and receiver requirements.

**Maximum Base Station RF Bandwidth:** maximum RF bandwidth supported by a BS within each supported operating band.

NOTE: The maximum Base Station RF Bandwidth for BS configured for contiguous and non-contiguous operation within each supported operating band is declared separately.

**Maximum carrier output power:** carrier power available at the antenna connector for a specified reference condition.

**Maximum RAT output power:** sum of the power of all carriers of the same RAT available at the antenna connector for a specified reference condition.

**Maximum throughput:** maximum achievable throughput for a reference measurement channel.

**Maximum total output power:** sum of the power of all carriers available at the antenna connector for a specified reference condition.

**MB-MSR Base Station:** MSR Base Station characterized by the ability of its transmitter and/or receiver to process two or more carriers in common active RF components simultaneously, where at least one carrier is configured at a different operating band (which is not a sub-band or superseding-band of another supported operating band) than the other carrier(s).

**Measurement bandwidth:** RF bandwidth in which an emission level is specified.

**MSR Base station:** base station characterized by the ability of its receiver and transmitter to process two or more carriers in common active RF components simultaneously in a declared Base Station RF Bandwidth, where at least one carrier is of a different RAT than the other carrier(s).

**Multi-band transmitter:** transmitter characterized by the ability to process two or more carriers in common active RF components simultaneously, where at least one carrier is configured at a different operating band (which is not a sub-band or superseding-band of another supported operating band) than the other carrier(s).

**Multi-band receiver:** receiver characterized by the ability to process two or more carriers in common active RF components simultaneously, where at least one carrier is configured at a different operating band (which is not a sub-band or superseding-band of another supported operating band) than the other carrier(s).

**Non-contiguous spectrum:** spectrum consisting of two or more sub-blocks separated by sub-block gap(s).

**NB-IoT In-band operation:** NB-IoT is operating in-band when it utilizes the resource block(s) within a normal E-UTRA carrier.

**NB-IoT guard band operation:** NB-IoT is operating in guard band when it utilizes the unused resource block(s) within a E-UTRA carrier's guard-band.

**NB-IoT standalone operation:** NB-IoT is operating standalone when it utilizes its own spectrum, for example the spectrum currently being used by GERAN systems as a replacement of one or more GSM carriers, as well as scattered spectrum for potential IoT deployment.

**NB-IoT operation in NR in-band:** NB-IoT is operating in-band when it is located within a NR transmission bandwidth configuration plus 15 kHz at each edge but not within the NR minimum guard band  $GB_{\text{Channel}}$ .

**NB-IoT operation in NR guard band:** NB-IoT is operating in guard band when it is located within a NR BS channel bandwidth but is not NB-IoT operation in NR in-band.

**Occupied bandwidth:** width of a frequency band such that, below the lower and above the upper frequency limits, the mean powers emitted are each equal to a specified percentage  $\beta/2$  of the total mean power of a given emission.

**Operating band:** frequency range in which NR, E-UTRA, UTRA or GSM/EDGE operates (paired or unpaired), that is defined with a specific set of technical requirements.

NOTE: The operating band(s) for a BS is declared by the manufacturer.

**Radio Bandwidth:** frequency difference between the upper edge of the highest used carrier and the lower edge of the lowest used carrier.

**Rated total output power:** The total power level that the manufacturer has declared to be available at the antenna connector.

**RRC filtered mean power:** The mean power of a UTRA carrier as measured through a root raised cosine filter with roll-off factor  $\alpha$  and a bandwidth equal to the chip rate of the radio access mode.

NOTE: The RRC filtered mean power of a perfectly modulated UTRA signal is 0.246 dB lower than the mean power of the same signal

**Single-RAT operation:** operation of a base station in an operating band with only one RAT configured in that operating band.

**Sub-band:** A sub-band of an operating band contains a part of the uplink and downlink frequency range of the operating band.

**Sub-block:** one contiguous allocated block of spectrum for use by the same base station.

NOTE: There may be multiple instances of sub-blocks within a Base Station RF Bandwidth.

**Sub-block bandwidth:** RF bandwidth of one sub-block.

**Sub-block gap:** frequency gap between two consecutive sub-blocks within a Base Station RF Bandwidth, where the RF requirements in the gap are based on co-existence for un-coordinated operation.

**Superseding-band:** A superseding-band of an operating band includes the whole of the uplink and downlink frequency range of the operating band.

**Synchronized operation:** operation of TDD in two different systems, where no simultaneous uplink and downlink occur.

**Throughput:** number of payload bits successfully received per second for a reference measurement channel in a specified reference condition.

**Transmission bandwidth:** RF bandwidth of an instantaneous E-UTRA or NR transmission from a UE or BS, measured in resource block units.

**Transmitter ON period:** time period during which the BS transmitter is transmitting data and/or reference symbols

**Transmitter OFF period:** time period during which the BS transmitter is not allowed to transmit

**Transmitter transient period:** time period during which the transmitter is changing from the OFF period to the ON period or vice versa

**Unsynchronized operation:** operation of TDD in two different systems, where the conditions for synchronized operation are not met.

**Uplink operating band:** part of the operating band designated for uplink.

**Upper Base Station RF Bandwidth edge:** frequency of the upper edge of the Base Station RF Bandwidth, used as a frequency reference point for transmitter and receiver requirements

**Upper sub-block edge:** frequency at the upper edge of one sub-block.

NOTE: It is used as a frequency reference point for both transmitter and receiver requirements.

## 3.2 Symbols

For the purposes of the present document, the following symbols apply:

$\beta$	Percentage of the mean transmitted power emitted outside the occupied bandwidth on the assigned channel
$BW_{\text{Channel}}$	Channel bandwidth (for E-UTRA and NR)
$BW_{\text{Config}}$	Transmission bandwidth configuration (for E-UTRA), where $BW_{\text{Config}} = N_{\text{RB}} \times 180$ kHz in the uplink and $BW_{\text{Config}} = 15$ kHz + $N_{\text{RB}} \times 180$ kHz in the downlink. Transmission bandwidth configuration (for NR), where $BW_{\text{Config}} = N_{\text{RB}} \times \text{SCS} \times 12$ .
$BW_{\text{RF}}$	Base Station RF Bandwidth, where $BW_{\text{RF}} = F_{\text{BW RF,high}} - F_{\text{BW RF,low}}$
$BW_{\text{RF,max}}$	Maximum Base Station RF Bandwidth
$DwPTS$	Downlink part of the special subframe (for E-UTRA TDD operation)
$f$	Frequency
$\Delta f$	Separation between the Base Station RF Bandwidth edge frequency and the nominal -3dB point of the measuring filter closest to the carrier frequency
$\Delta f_{\text{max}}$	The largest value of $\Delta f$ used for defining the requirement
$\Delta f_{\text{OBUE}}$	Maximum offset of the <i>operating band</i> unwanted emissions mask from the downlink <i>operating band</i> edge
$\Delta f_{\text{OOB}}$	Maximum offset of the out-of-band boundary from the uplink <i>operating band</i> edge
$F_{\text{C}}$	Carrier centre frequency
$F_{\text{filter}}$	Filter centre frequency
$f_{\text{offset}}$	Separation between the Base Station RF Bandwidth edge frequency and the centre of the measuring filter
$f_{\text{offset,max}}$	The maximum value of $f_{\text{offset}}$ used for defining the requirement
$F_{\text{block,high}}$	Upper sub-block edge, where $F_{\text{block,high}} = F_{\text{C,block,high}} + F_{\text{offset,RAT}}$
$F_{\text{block,low}}$	Lower sub-block edge, where $F_{\text{block,low}} = F_{\text{C,block,low}} - F_{\text{offset,RAT}}$
$F_{\text{BW RF,high}}$	Upper Base Station RF Bandwidth edge, where $F_{\text{BW RF,high}} = F_{\text{C,high}} + F_{\text{offset,RAT}}$
$F_{\text{BW RF,low}}$	Lower Base Station RF Bandwidth edge, where $F_{\text{BW RF,low}} = F_{\text{C,low}} - F_{\text{offset,RAT}}$
$F_{\text{C band, high}}$	Center frequency of the highest transmitted/received carrier in a band.
$F_{\text{C band, low}}$	Center frequency of the lowest transmitted/received carrier in a band.
$F_{\text{C,block, high}}$	Centre frequency of the highest transmitted/received carrier in a sub-block.
$F_{\text{C,block, low}}$	Centre frequency of the lowest transmitted/received carrier in a sub-block.
$F_{\text{C,high}}$	Centre frequency of the highest transmitted/received carrier.
$F_{\text{C,low}}$	Centre frequency of the lowest transmitted/received carrier.

$F_{\text{offset, RAT}}$	Frequency offset from the centre frequency of the <i>highest</i> transmitted/received carrier to the <i>upper</i> Base Station RF Bandwidth edge, sub-block edge or Inter-RF Bandwidth edge, or from the centre frequency of the <i>lowest</i> transmitted/received to the <i>lower</i> Base Station RF Bandwidth edge, sub-block edge or Inter-RF Bandwidth edge for a specific RAT.
$F_{\text{DL,low}}$	The lowest frequency of the downlink operating band
$F_{\text{DL,high}}$	The highest frequency of the downlink operating band
$F_{\text{UL,low}}$	The lowest frequency of the uplink operating band
$F_{\text{UL,high}}$	The highest frequency of the uplink operating band
$GB_{\text{Channel}}$	Minimum guard band defined in subclause 5.3.3 of TS 38.104 [17]
$P_{\text{EM,N}}$	Declared emission level for channel N
$P_{\text{EM,B32,B75,B76,ind}}$	Declared emission level in Band 32, Band 75 and Band 76, ind=a, b, c
$P_{\text{EM,B32,ind}}$	Declared emission level in Band 32, ind= d, e
$P_{\text{EM,B50,B74,B75,ind}}$	Declared emission level for Band 50, Band 74 and Band 75, ind=a,b
$P_{\text{max}}$	Maximum total output power
$P_{\text{max,RAT}}$	Maximum RAT output power
$P_{\text{max,c}}$	Maximum carrier output power
$P_{\text{Rated,c}}$	Rated carrier output power
$P_{\text{REFSENS}}$	Reference Sensitivity power level
$W_{\text{gap}}$	Sub-block gap or Inter RF Bandwidth gap size

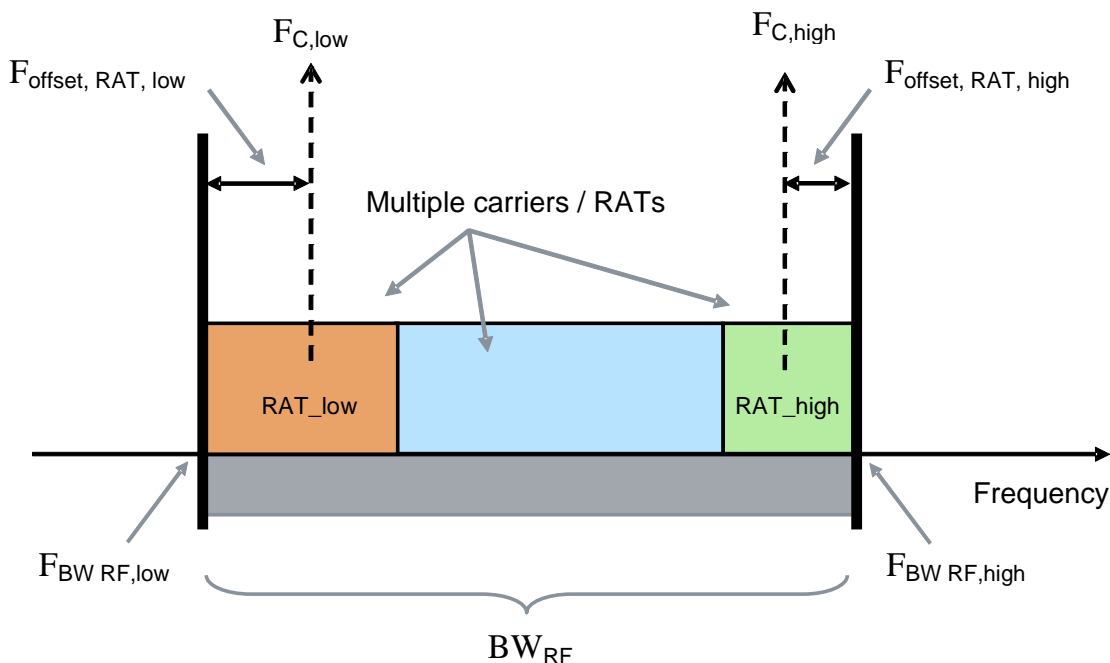


Figure 3.2-1: Illustration of Base Station RF Bandwidth related symbols and definitions for Multi-Standard Radio.

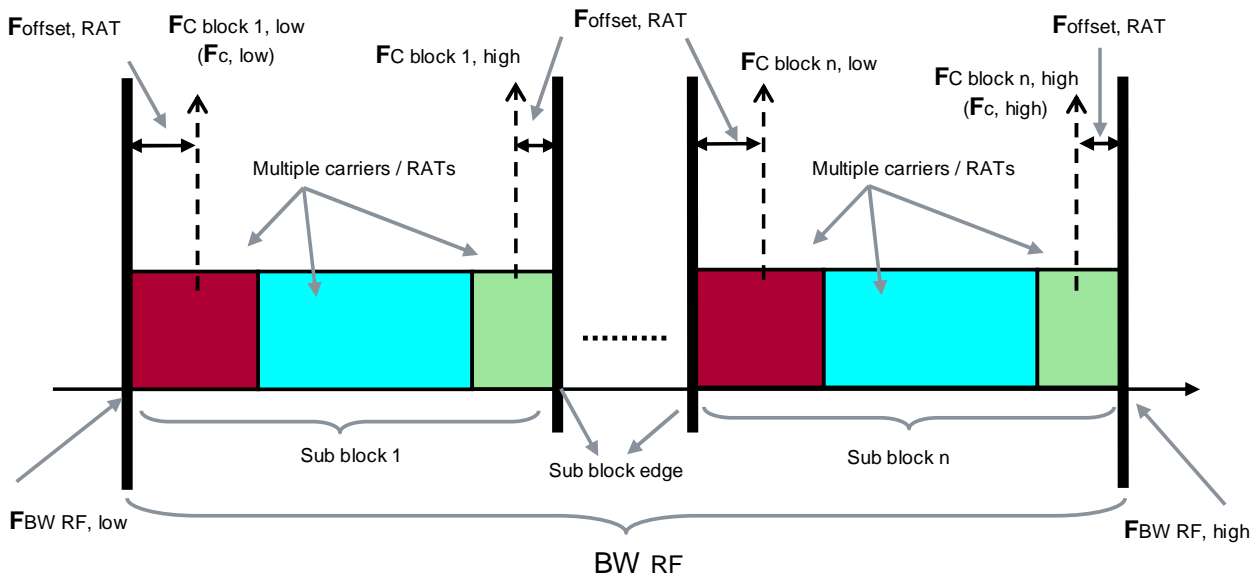


Figure 3.2-2: Illustration of Base Station RF Bandwidth related symbols and definitions for non-contiguous Multi-Standard Radio.

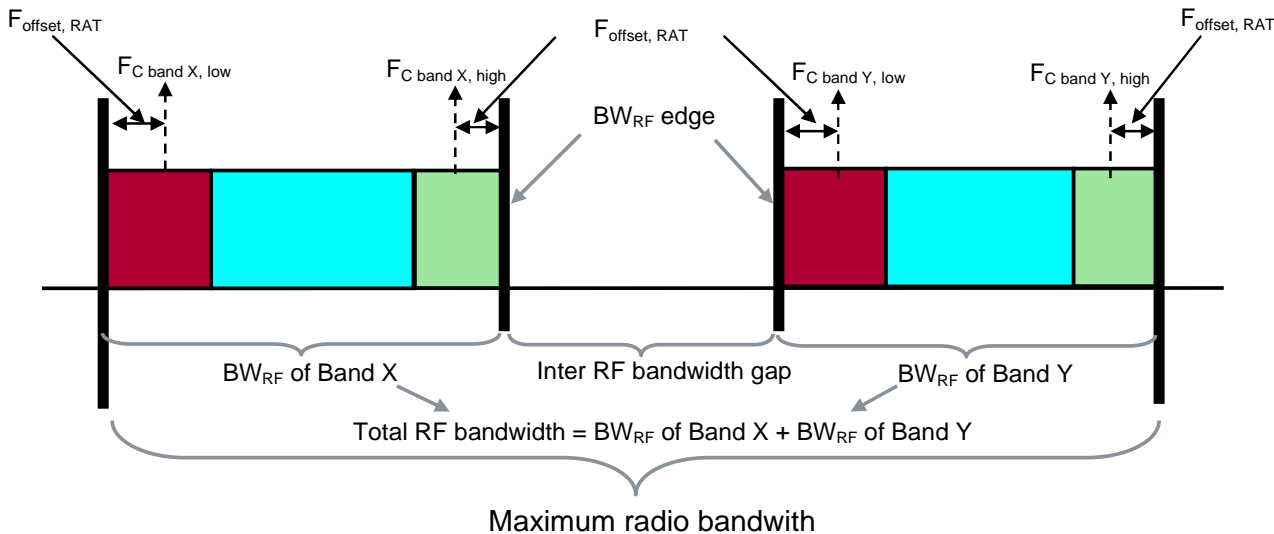


Figure 3.2-3: Illustration of Radio Bandwidth related symbols and definitions for Multi-band Multi-standard Radio (Dual-band Base Station)

### 3.3 Abbreviations

For the purposes of the present document, the abbreviations given in TR 21.905 [1] and the following apply. An abbreviation defined in the present document takes precedence over the definition of the same abbreviation, if any, in TR 21.905 [1].

ACLR	Adjacent Channel Leakage Ratio
ACS	Adjacent Channel Selectivity
ARFCN	Absolute Radio Frequency Channel Number
AWGN	Additive White Gaussian Noise
BC	Band Category
BER	Bit Error Ratio
BS	Base Station

BTS	Base Transceiver Station
CA	Carrier Aggregation
CACLR	Cumulative Adjacent Channel Leakage Ratio
CP	Cyclic prefix
CW	Continuous Wave
DB-DC-HSDPA	Dual Band Dual Cell HSDPA
DC-HSDPA	Dual Cell HSDPA
DC-HSUPA	Dual Cell HSUPA
DTT	Digital Terrestrial Television
EARFCN	E-UTRA Absolute Radio Frequency Channel Number
EDGE	Enhanced Data rates for GSM Evolution
EIRP	Effective Isotropic Radiated Power
EVM	Error Vector Magnitude
FCC	Federal Communications Commission
FDD	Frequency Division Duplex
FR	Frequency Range
FRC	Fixed Reference Channel
GP	Guard Period (for E-UTRA TDD operation)
GSM	Global System for Mobile Communications
HSDPA	High Speed Downlink Packet Access
HSUPA	High Speed Uplink Packet Access
ICS	In-Channel Selectivity
ITU-R	Radiocommunication Sector of the ITU
LA	Local Area
LNA	Low Noise Amplifier
MB-MSR	Multi-Band Multi-Standard Radio
MFCN	Mobile/Fixed Communications Network
MIMO	Multiple Input Multiple Output
MR	Medium Range
MS	Mobile Station
MSR	Multi-Standard Radio
NB-IoT	Narrowband - Internet of Things
NR	New Radio
NR-ARFCN	NR Absolute Radio Frequency Channel Number
NRS	Narrowband Reference Signal
OBUE	Operating Band Unwanted Emissions
PA	Power Amplifier
PHS	Personal Handyphone System
QPSK	Quadrature Phase-Shift Keying
RAT	Radio Access Technology
RB	Resource Block (for E-UTRA and NR)
RF	Radio Frequency
RMS	Root Mean Square (value)
RS	Reference Symbol
RX	Receiver
SCS	Sub-Carrier Spacing
SNR	Signal-to-Noise Ratio
TDD	Time Division Duplex
TX	Transmitter
UARFCN	UTRA Absolute Radio Frequency Channel Number
UE	User Equipment
UEM	operating band Unwanted Emissions Mask
WA	Wide Area



---

## 4 General

### 4.1 Relation between the MSR specification and the single-RAT specifications

The requirements for MSR are in most parts specified in the present document, while many requirements are also specified through normative references to the respective single-RAT specifications in [2], [3], [4], [5] and [17]. The resulting set of requirements for an MSR BS can be divided into three types, depending on their relation to the single-RAT specifications:

1. **Generic MSR requirement:** A common generic requirement is specified in the present document that applies for all RATs and for BS configured for both multi-RAT and single-RAT operation. In some cases, there are additional requirement(s) that apply only in some Band Category. There are no references to the single-RAT specifications.
2. **Generic MSR requirement, with additional single-RAT requirements:** A common generic requirement is specified in the present document which applies as in point 1. In addition, some single RAT requirement(s) apply, included by normative reference(s) to the single-RAT specification(s).
3. **Single-RAT only requirements:** In this case, no common generic requirement is defined. The existing single-RAT requirement applies for each RAT, included by normative reference(s) to the single-RAT specification(s).

The applicability of each requirement is described in clause 5.

### 4.2 Relationship between minimum requirements and test requirements

The Minimum Requirements given in this specification make no allowance for measurement uncertainty. The test specification TS 37.141 [10] defines Test Tolerances. These Test Tolerances are individually calculated for each test. The Test Tolerances are used to relax the Minimum Requirements in this specification to create Test Requirements. For some requirements, including regulatory requirements, the test tolerance is set to zero.

For MSR single-RAT requirements, the principle used to define the test requirement remains from the existing specifications.

For both MSR single-RAT and multi-RAT requirements, the measurement results returned by the Test System are compared - without any modification - against the Test Requirements as defined by the shared risk principle. The Shared Risk principle is defined in ITU-R M.1545 [9].

### 4.3 Base station classes

The requirements in this specification apply to Wide Area Base Stations, Medium Range Base Stations and Local Area Base Stations unless otherwise stated.

Wide Area Base Stations are characterised by requirements derived from Macro Cell scenarios with a BS to UE minimum coupling loss equal to 70 dB. The Wide Area Base Station class has the same requirements as the base station for General Purpose application in Release 9 and 10.

Medium Range Base Stations are characterised by requirements derived from Micro Cell scenarios with a BS to UE minimum coupling loss equals to 53 dB.

Local Area Base Stations are characterised by requirements derived from Pico Cell scenarios with a BS to UE minimum coupling loss equal to 45 dB.

For GSM/EDGE operation of an MSR BS, the requirements according to the applicable multicarrier BTS class apply. The Wide Area BS, Medium Range BS and Local Area BS in the present specification correspond to the Wide Area multicarrier BTS, Medium Range multicarrier BTS and Local Area multicarrier BTS respectively in the GSM/EDGE specifications. MSR requirements for multi-RAT operation only apply for the highest GSM/EDGE static power step.

## 4.4 Regional requirements

Some requirements in the present document may only apply in certain regions either as optional requirements, or set by local and regional regulation as mandatory requirements. It is normally not stated in the 3GPP specifications under what exact circumstances that the requirements apply, since this is defined by local or regional regulation.

Table 4.4-1 lists all requirements in the present specification that may be applied differently in different regions. There are additional single-RAT regional requirements that may apply. These are referenced from the present specification, but listed in the specification for the RATs concerned [2][3][4][5][17].

**Table 4.4-1: List of regional requirements**

Clause number	Requirement	Comments
4.5	Operating bands and Band Categories	Some bands may be applied regionally.
6.2.2	Base station output power	These requirements apply in Japan for a BS operating in band 34 and Band 41.
6.6.1.1	Mandatory requirements (spurious emissions)	Category A limits are mandatory for regions where Category A limits for spurious emissions, as defined in ITU-R Recommendation SM.329 [2] apply. Category B limits are mandatory for regions where Category B limits for spurious emissions, as defined in ITU-R Recommendation SM.329 [2] apply.
6.6.1.3	Additional spurious emissions requirements	These requirements may be applied for the protection of system operating in frequency ranges other than the MSR BS operating band.
6.6.1.3	Additional spurious emissions requirements	In addition to the requirements in subclauses 6.6.1.1, 6.6.1.2 and 6.6.1.3, the BS may have to comply with the applicable emission limits established by FCC Title 47 [8], when deployed in regions where those limits are applied, and under the conditions declared by the manufacturer.
6.6.1.4	Co-location (spurious emissions)	These requirements may be applied for the protection of other BS receivers when a BS operating in another frequency band is co-located with an MSR BS.
6.6.2.1	Operating band unwanted emissions	For BS operating in Band 41 in Japan, the operating band unwanted emissions limits shall be applied to the sum of the emission power over all <i>antenna connectors</i> .
6.6.2.4.1	Additional requirement (Operating band unwanted emissions)	In addition to the requirements in subclauses 6.6.2.1 and 6.6.2.2, the BS may have to comply with the applicable emission limits established by FCC Title 47 [8], when deployed in regions where those limits are applied and under the conditions declared by the manufacturer.
6.6.2.4.2	Unsynchronized operation for BC3 (Operating band unwanted emissions)	The requirements for unsynchronized TDD co-existence may apply regionally.
6.6.2.4.3	Protection of DTT (Operating band unwanted emissions)	The requirements for protection of DTT may apply regionally.
6.6.2.4.4	Co-existence with services in adjacent frequency bands (Operating band unwanted emissions)	This regional requirement may be applied for the protection of systems operating in frequency bands adjacent to band 1 as defined in clause 4.5, in geographic areas in which both an adjacent band service and UTRA and/or E-UTRA are deployed.
6.6.2.4.7	Additional band 32 unwanted emissions	These requirements may apply in certain regions
6.6.3	Occupied bandwidth	The requirement may be applied regionally. There may also be regional requirements to declare the Occupied bandwidth according to the definition.
6.6.5.3	Transmitter spurious emissions	For BS operating in Band 41 in Japan, the spurious emissions limits shall be applied to the sum of the emission power over all <i>antenna connectors</i>
6.7.3, 6.7.4	Additional requirements	These requirements may apply in certain regions.
7.4.5	Additional BC3 blocking minimum requirement	This requirement may be applied for the protection of the BS receiver when an MSR BS is operating in the same geographical area as UTRA TDD.
7.5.2	Co-location requirement (blocking)	These requirements may be applied for the protection of the BS receiver when a BS operating in another frequency band is co-located with an MSR BS.

## 4.5 Operating bands and Band Categories

MSR requirements are applicable for band definitions and band numbering as defined in the specifications TS 45.005 [5], TS25.104 [2], TS 25.105 [3], TS 36.104 [4] and TS 38.104 [17]. For the purpose of defining the BS requirements, the operating bands are divided into three band categories as follows:

- Band Category 1 (BC1): Bands for NR FDD, E-UTRA FDD and/or UTRA FDD operation. Bands in this category are also used for NB-IoT operation (all modes)
- Band Category 2 (BC2): Bands for NR FDD, E-UTRA FDD, UTRA FDD and/or GSM/EDGE operation. Bands in this category are also used for NB-IoT operation (all modes)
- Band Category 3 (BC3): Bands for NR TDD, E-UTRA TDD and/or UTRA TDD operation. Bands in this category are also used for NB-IoT operation (all modes)

NOTE: For UTRA TDD, requirements in the present document cover the 1.28 Mcps UTRA TDD option.

The paired and unpaired bands for the three Band Categories are shown in Table 4.5-1 and 4.5-2, together with the supported RATs and corresponding NR, E-UTRA, UTRA and GSM/EDGE band designations.

**Table 4.5-1: Paired bands in NR, E-UTRA, UTRA and GSM/EDGE.**

MSR Band number	Supported RATs and Band Numbers					Uplink (UL) BS receive, UE transmit (MHz)	Downlink (DL) BS transmit, UE receive (MHz)	BC	Notes
	NR	E-UTRA	NB-IoT	UTRA	GSM/EDGE				
1	n1	1	X	I	-	1920 – 1980	2110 – 2170	1	
2	n2	2	X	II	PCS 1900	1850 – 1910	1930 – 1990	2	
3	n3	3	X	III	DCS 1800	1710 – 1785	1805 – 1880	2	
4	-	4	X	IV	-	1710 – 1755	2110 – 2155	1	
5	n5	5	X	V	GSM 850	824 – 849	869 – 894	2	
6	-	-	-	VI	-	830 – 840	875 – 885	1	
7	n7	7	X	VII	-	2500 – 2570	2620 – 2690	1	
8	n8	8	X	VIII	E-GSM	880 – 915	925 – 960	2	
9	-	9	-	IX	-	1749.9 – 1784.9	1844.9 – 1879.9	1	
10	-	10	-	X	-	1710 – 1770	2110 – 2170	1	
11	-	11	X	XI	-	1427.9 – 1447.9	1475.9 – 1495.9	1	
12	n12	12	X	XII	-	699 – 716	729 – 746	1	
13	-	13	X	XIII	-	777 – 787	746 – 756	1	
14	n14	14	X	XIV	-	788 – 798	758 – 768	1	
15	-	-	-	-	-	Reserved			
16	-	-	-	-	-	Reserved			
17	-	17	X	-	-	704 – 716	734 – 746	1	
18	n18	18	X	-	-	815 – 830	860 – 875	1	
19	-	19	X	XIX	-	830 – 845	875 – 890	1	
20	n20	20	X	XX	-	832 – 862	791 – 821	1	
21	-	21	X	XXI	-	1447.9 – 1462.9	1495.9 – 1510.9	1	
22	-	22	-	XXII	-	3410 – 3490	3510 – 3590	1	
23	-	23	-	-	-	2000 – 2020	2180 – 2200	1	Note 4
24	-	24	-	-	-	1626.5 – 1660.5	1525 – 1559	1	Note 6
25	n25	25	X	XXV	-	1850 – 1915	1930 – 1995	1	
26	n26	26	X	XXVI	-	814 – 849	859 – 894	1	
27	-	27	-	-	-	807 – 824	852 – 869	1	
28	n28	28	X	-	-	703 – 748	758 – 803	1	
29	n29	29	-	-	-	N/A	717 – 728	1	Note 1
30	n30	30	-	-	-	2305 – 2315	2350 – 2360	1	
31	-	31	X	-	-	452.5 – 457.5	462.5 – 467.5	1	
32	-	32	-	XXXII	-	N/A	1452 – 1496	1	Note1, Note 2
64	-	-	-	-	-	Reserved			
65	n65	65	X	-	-	1920 – 2010	2110 – 2200	1	
66	n66	66	X	-	-	1710 – 1780	2110 – 2200	1	Note 3
67	-	67	-	-	-	N/A	738 – 758	1	Note 1
68	-	68	-	-	-	698 – 728	753 – 783	1	
69	-	69	-	-	-	N/A	2570 – 2620	1	Note 1
70	n70	70	X	-	-	1695 – 1710	1995 – 2020	1	Note 5
71	n71	71	X	-	-	663 – 698	617 – 652	1	
72	-	72	X	-	-	451 – 456	461 – 466	1	
73	-	73	X	-	-	450 – 455	460 – 465	1	
74	n74	74	X	-	-	1427 – 1470	1475 – 1518	1	
75	n75	75	-	-	-	N/A	1432 – 1517	1	Note 1
76	n76	76	-	-	-	N/A	1427 – 1432	1	Note 1
85	-	85	X	-	-	698 – 716	728 – 746	1	
87	-	87	X	-	-	410 – 415	420 – 425	1	
88	-	88	X	-	-	412 – 417	422 – 427	1	

MSR Band number	Supported RATs and Band Numbers					Uplink (UL) BS receive, UE transmit (MHz)	Downlink (DL) BS transmit, UE receive (MHz)	BC	Notes
	NR	E-UTRA	NB-IoT	UTRA	GSM/EDGE				
NOTE 1: For NR and/or E-UTRA, the band is restricted to operation when carrier aggregation is configured. The downlink operating band is paired with the uplink operating band (external) of the carrier aggregation configuration that is supporting the configured Pcell.									
NOTE 2: For UTRA, the band is restricted to operation when dual band is configured (e.g., DB-DC-HSDPA or dual band 4C-HSDPA). The down link frequenc(ies) of this band are paired with the uplink frequenc(ies) of the other FDD band (external) of the dual band configuration.									
NOTE 3: For NR and E-UTRA, the range 2180-2200 MHz of the DL operating band is restricted to operation when carrier aggregation is configured.									
NOTE 4: Band 23 is not applicable.									
NOTE 5: For E-UTRA, the range 2010-2020 MHz of the DL operating band is restricted to operation when carrier aggregation is configured, and TX-RX separation is 300 MHz. For E-UTRA, the range 2005-2020 MHz of the DL operating band is restricted to operation when carrier aggregation is configured, and TX-RX separation is 295 MHz.									
NOTE 6: DL operation is restricted to 1526-1536 MHz frequency range. UL operation is restricted to 1627.5 – 1637.5 MHz and 1646.5 – 1656.5 MHz per FCC Order DA 20-48.									

UTRA FDD can operate with DB-DC-HSDPA for the band configurations listed in subclause 5.2 c) of TS 25.104 [2].

NOTE: For BS capable of multi-band operation, the supported operating bands may belong to different Band Categories.

**Table 4.5-2: Unpaired bands in NR, E-UTRA and UTRA.**

MSR Band number	Supported RATs and Band Numbers				Uplink (UL) BS receive, UE transmit (MHz)	Downlink (DL) BS transmit, UE receive (MHz)	BC	Notes
	NR	E-UTRA	NB-IoT	UTRA				
33	-	33	-	a)	1900 – 1920	1900 – 1920	3	
34	n34	34	-	a)	2010 – 2025	2010 – 2025	3	
35	-	35	-	b)	1850 – 1910	1850 – 1910	3	
36	-	36	-	b)	1930 – 1990	1930 – 1990	3	
37	-	37	-	c)	1910 – 1930	1910 – 1930	3	
38	n38	38	-	d)	2570 – 2620	2570 – 2620	3	
39	n39	39	-	f)	1880 – 1920	1880 – 1920	3	
40	n40	40	-	e)	2300 – 2400	2300 – 2400	3	
41	n41	41	X	-	2496 – 2690	2496 – 2690	3	Note 1
42	-	42	X	-	3400 – 3600	3400 – 3600	3	
43	-	43	X	-	3600 – 3800	3600 – 3800	3	
44	-	44	-	-	703 – 803	703 – 803	3	
45	-	45	-	-	1447 – 1467	1447 – 1467	3	
48	n48	48	-	-	3550 – 3700	3550 – 3700	3	
50	n50	50	-	-	1432 – 1517	1432 – 1517	3	
51	n51	51	-	-	1427 – 1432	1427 – 1432	3	
52	-	52	-	-	3300 – 3400	3300 – 3400	3	
53	n53	53	-	-	2483.5 – 2495	2483.5 – 2495	3	
77	n77	-	-	-	3300 – 4200	3300 – 4200	3	
78	n78	-	-	-	3300 – 3800	3300 – 3800	3	

NOTE 1: Band 41 supports NB-IoT in certain regions.

E-UTRA is designed to operate for the carrier aggregation bands defined in TS 36.101 [18]. The E-UTRA channel bandwidth  $BW_{\text{Channel}}$  for a single carrier and the Aggregated Channel Bandwidth  $BW_{\text{Channel\_CA}}$  for E-UTRA carrier aggregation are specified in Clause 5.6 of TS 36.104 [4].

The NB-IoT channel bandwidth  $BW_{\text{Channel}}$  is specified in Clause 5.6 of TS 36.104 [4].

The NR BS channel bandwidth and PRB utilization is specified in Clause 5.3 of TS 38.104 [17].

## 4.5.1 Band category 1 aspects (BC1)

For each BC1 band, BC1 requirements for receiver and transmitter shall apply with a frequency offset  $F_{\text{offset, RAT}}$  from the Lowest and Highest Carriers to the Base Station RF Bandwidth edges and sub-block edges (if any) as defined in Table 4.5.1-1.

**Table 4.5.1-1:  $F_{\text{offset, RAT}}$  for Band Category 1**

RAT	$F_{\text{offset, RAT}}$
1.4, 3 MHz E-UTRA	$BW_{\text{Channel}}/2 + 200 \text{ kHz}$
5, 10, 15, 20 MHz E-UTRA and NR	$BW_{\text{Channel}}/2$
UTRA FDD	2.5 MHz
Standalone NB-IoT	200 kHz

## 4.5.2 Band category 2 aspects (BC2)

For each BC2 band, BC2 requirements for receiver and transmitter shall apply with a frequency offset  $F_{\text{offset, RAT}}$  from the Lowest and Highest Carriers to the Base Station RF Bandwidth edges and sub-block edges (if any) as defined in Table 4.5.2-1.

**Table 4.5.2-1:  $F_{\text{offset, RAT}}$  for Band Category 2**

RAT	$F_{\text{offset, RAT}}$
E-UTRA and NR	$BW_{\text{Channel}}/2$
UTRA FDD	2.5 MHz
GSM/EDGE	200 kHz
Standalone NB-IoT	200 kHz

## 4.5.3 Band category 3 aspects (BC3)

For each BC3 band, BC3 requirements for receiver and transmitter shall apply with a frequency offset  $F_{\text{offset, RAT}}$  from the Lowest and Highest Carriers to the Base Station RF Bandwidth edges and sub-block edges (if any) as defined in Table 4.5.3-1.

**Table 4.5.3-1:  $F_{\text{offset, RAT}}$  for Band Category 3**

RAT	$F_{\text{offset, RAT}}$
1.4, 3 MHz E-UTRA	$BW_{\text{Channel}}/2 + 200 \text{ kHz}$
5, 10, 15, 20 MHz E-UTRA and NR	$BW_{\text{Channel}}/2$
1.28 Mcps UTRA TDD	1 MHz
Standalone NB-IoT	200 kHz

## 4.6 Channel arrangement

### 4.6.1 Channel spacing

The GSM/EDGE carrier spacing is 200 kHz [5].

The nominal UTRA FDD channel spacing is 5 MHz. The nominal channel spacing is 1.6MHz for the 1.28 Mcps UTRA TDD Option. These can be adjusted to optimise performance in a particular deployment scenario [2,3].

In E-UTRA the spacing between carriers will depend on the deployment scenario, the size of the frequency block available and the channel bandwidths. The nominal channel spacing between two adjacent E-UTRA carriers is defined as following:

$$\text{Nominal Channel spacing} = (BW_{\text{Channel}(1)} + BW_{\text{Channel}(2)})/2$$

where  $BW_{\text{Channel}(1)}$  and  $BW_{\text{Channel}(2)}$  are the channel bandwidths of the two respective E-UTRA carriers. The channel spacing can be adjusted to optimize performance in a particular deployment scenario [4].

The standalone NB-IoT carrier spacing is 200kHz.

In NR the spacing between carriers will depend on the deployment scenario, the size of the frequency block available and the *BS channel bandwidths*. The nominal channel spacing between two adjacent NR carriers is defined as following:

- For NR FR1 operating bands with 100 kHz channel raster,

$$\text{Nominal Channel spacing} = (BW_{\text{Channel}(1)} + BW_{\text{Channel}(2)})/2$$

- For NR FR1 operating bands with 15 kHz channel raster,

- Nominal Channel spacing =  $(BW_{\text{Channel}(1)} + BW_{\text{Channel}(2)})/2 + \{-5 \text{ kHz}, 0 \text{ kHz}, 5 \text{ kHz}\}$  for  $\Delta F_{\text{Raster}}$  equals to 15 kHz

- Nominal Channel spacing =  $(BW_{\text{Channel}(1)} + BW_{\text{Channel}(2)})/2 + \{-10 \text{ kHz}, 0 \text{ kHz}, 10 \text{ kHz}\}$  for  $\Delta F_{\text{Raster}}$  equals to 30 kHz

where  $BW_{\text{Channel}(1)}$  and  $BW_{\text{Channel}(2)}$  are the *BS channel bandwidths* of the two respective NR carriers. The channel spacing can be adjusted depending on the channel raster to optimize performance in a particular deployment scenario [17].

The spacing between E-UTRA and NR carriers will depend on the deployment scenario, the size of the frequency block available and the channel bandwidths. The nominal channel spacing between and E-UTRA carrier and an adjacent NR carrier is defined as following:

- For NR operating bands with 100 kHz channel raster,

$$\text{Nominal Channel spacing} = (BW_{\text{E-UTRA\_Channel}} + BW_{\text{NR\_Channel}})/2$$

- For NR operating bands with 15 kHz channel raster,

Nominal Channel spacing =  $(BW_{\text{E-UTRA\_Channel}} + BW_{\text{NR\_Channel}})/2 + \{-5\text{kHz}, 0\text{kHz}, 5\text{kHz}\}$  for  $\Delta F_{\text{Raster}}$  equals to 15 kHz

Nominal Channel spacing =  $(BW_{\text{E-UTRA\_Channel}} + BW_{\text{NR\_Channel}})/2 + \{-10 \text{ kHz}, 0 \text{ kHz}, 10 \text{ kHz}\}$  for  $\Delta F_{\text{Raster}}$  equals to 30 kHz

where  $BW_{\text{E-UTRA\_Channel}}$  and  $BW_{\text{NR\_Channel}}$  are the channel bandwidths of the E-UTRA and NR carriers,  $\Delta F_{\text{Raster}}$  is the band dependent channel raster granularity defined in TS38.101-1[19]. The channel spacing can be adjusted depending on the channel raster to optimize performance in a particular deployment scenario.

#### 4.6.1A CA Channel spacing

In E-UTRA for contiguously aggregated carriers the channel spacing between adjacent component carriers shall be multiple of 300 kHz.

The nominal channel spacing between two adjacent aggregated E-UTRA carriers is defined as follows:

$$\text{Nominal channel spacing} = \left\lfloor \frac{BW_{\text{Channel}(1)} + BW_{\text{Channel}(2)} - 0.1 |BW_{\text{Channel}(1)} - BW_{\text{Channel}(2)}|}{0.6} \right\rfloor 0.3$$

where  $BW_{\text{Channel}(1)}$  and  $BW_{\text{Channel}(2)}$  are the channel bandwidths of the two respective E-UTRA component carriers according to Table 5.6-1 with values in MHz. The channel spacing for intra-band contiguous carrier aggregation can be



adjusted to any multiple of 300 kHz less than the nominal channel spacing to optimize performance in a particular deployment scenario.

In NR for intra-band contiguously aggregated carriers, the channel spacing between adjacent component carriers shall be multiple of least common multiple of channel raster and sub-carrier spacing.

The nominal channel spacing between two adjacent aggregated NR carriers is defined as follows:

For NR operating bands with 100 kHz channel raster:

$$\text{Nominal channel spacing} = \left\lfloor \frac{BW_{\text{Channel (1)}} + BW_{\text{Channel (2)}} - 2|GB_{\text{Channel (1)}} - GB_{\text{Channel (2)}}|}{0.6} \right\rfloor 0.3 \text{ [MHz]}$$

For NR operating bands with 15 kHz channel raster:

$$\text{Nominal channel spacing} = \left\lfloor \frac{BW_{\text{Channel (1)}} + BW_{\text{Channel (2)}} - 2|GB_{\text{Channel (1)}} - GB_{\text{Channel (2)}}|}{0.015 * 2^{n+1}} \right\rfloor 0.015 * 2^n \text{ [MHz]}$$

with

$$n = \mu_0$$

where  $BW_{\text{Channel(1)}}$  and  $BW_{\text{Channel(2)}}$  are the *BS channel bandwidths* of the two respective NR component carriers according to Table 5.3.3-1 and 5.3.3-2 in TS 38.104 [17] with values in MHz,  $\mu_0$  the largest  $\mu$  value among the subcarrier spacing configurations supported in the operating band for both of the channel bandwidths according to Table 5.3.5-1 and Table 5.3.5-2 in TS 38.104 [17] and  $GB_{\text{Channel}(i)}$  the minimum guard band for channel bandwidth  $i$  according to Table 5.3.3-1 and Table 5.3.3-2 in TS 38.104 [17] for the said  $\mu$  value, with  $\mu$  as defined in TS 38.211. In case there is no common  $\mu$  value for both of the channel bandwidths,  $\mu_0=1$  is selected for NR *operating bands* with 15 kHz channel raster and  $GB_{\text{Channel}(i)}$  is the minimum guard band for channel bandwidth  $i$  according to Table 5.3.3-1 in TS38.104 [17] for  $\mu=1$  with  $\mu$  as defined in TS 38.211.

In NR the channel spacing for intra-band contiguous carrier aggregation can be adjusted to any multiple of least common multiple of channel raster and sub-carrier spacing less than the nominal channel spacing to optimize performance in a particular deployment scenario.

## 4.6.2 Channel raster

The GSM/EDGE channel raster is 200 kHz for all bands [5].

The UTRA FDD and TDD channel raster is 200 kHz for all bands, which means that the centre frequency must be an integer multiple of 200 kHz. In addition, a number of additional centre frequencies are specified for UTRA FDD according to [2], which means that the centre frequencies for UTRA FDD channels are shifted 100 kHz relative to the general raster.

The E-UTRA channel raster is 100 kHz for all bands, which means that the carrier centre frequency must be an integer multiple of 100 kHz [4].

NB-IoT channel raster is 100 kHz for all bands [4].

NR channel raster is specified in Clause 5.4.2 of TS 38.104 [17].

## 4.6.3 Carrier frequencies and numbering

The carrier frequencies and corresponding numbering is defined for each RAT in the respective specifications TS 38.104 [17], 36.104 [4] TS25.104 [2], TS 25.105 [3] and TS 45.005 [5]. In the context of MSR, the frequency numbering scheme for each RAT will remain.

- The E-UTRA carrier frequency numbering (EARFCN) is defined in subclause 5.7 of TS 36.104 [4].
- The UTRA FDD carrier frequency numbering (UARFCN) is defined in subclause 5.4 of TS 25.104 [2].

- The UTRA TDD carrier frequency numbering (UARFCN) is defined in subclause 5.4 of TS 25.105 [3].
- The GSM/EDGE carrier frequency numbering (ARFCN) is defined subclause 2 of TS 45.005 [5].
- The NB-IoT carrier frequency numbering (EARFCN) is defined in subclause 5.7 of TS 36.104 [4].
- The NR carrier frequency numbering (NR-ARFCN) is defined in subclause 5.4.2.3 of TS 38.104 [17].

NOTE: The numbering schemes for UTRA FDD and TDD are not coordinated, while both are called UARFCN.

## 4.7 Requirements for contiguous and non-contiguous spectrum

A spectrum allocation where an MSR BS operates can either be contiguous or non-contiguous. Unless otherwise stated, the requirements in the present specification apply for BS configured for both contiguous spectrum operation and non-contiguous spectrum operation.

For MSR BS operation in non-contiguous spectrum, some requirements apply both at the Base Station RF Bandwidth edges and inside the sub-block gaps. For each such requirement, it is stated how the limits apply relative to the Base Station RF Bandwidth edges and the sub-block edges respectively.

## 4.8 Requirements for BS capable of multi-band operation

For BS capable of multi-band operation (for NR this refers to BS type 1-C with a multi-band antenna connector), the RF requirements in clause 6 and 7 apply for each supported operating band unless otherwise stated. For some requirements it is explicitly stated that specific additions or exclusions to the requirement apply for BS capable of multi-band operation. In the case of multiband operation of a BS, single-RAT operation and the corresponding applicability of the requirements for each operating band is determined based on the RAT configuration within only that operating band, unless otherwise stated. A BS may operate multi-RAT where the individual RATs are operated in different RAT specific bands that partially or fully overlap;  $\Delta f_{\text{OBUE}}$  and  $\Delta f_{\text{OOb}}$  are according to the combined frequency range occupied by the overlapping bands.

For BS capable of multi-band operation, various structures in terms of combinations of different transmitter and receiver implementations (multi-band or single band) with mapping of transceivers to one or more antenna port(s) in different ways are possible. In the case where multiple bands are mapped on an antenna connector, the exclusions or provisions for multi-band capable BS are applicable to this antenna connector. In the case where a single band is mapped on an antenna connector, the following applies:

- Single-band transmitter spurious emissions, operating band unwanted emissions, ACLR, transmitter intermodulation and receiver spurious emissions requirements apply to this antenna connector that is mapped to single-band.
- If the BS is configured for single-band operation, single-band requirements shall apply to this antenna connector configured for single-band operation and no exclusions or provisions for multi-band capable BS are applicable. Single-band requirements are tested separately at the antenna connector configured for single-band operation, with all other antenna connectors terminated.

For a band supported by a Base Station where the transmitted carriers are not processed in active RF components together with carriers in any other band, single-band transmitter requirements shall apply. For a band supported by a Base Station where the received carriers are not processed in active RF components together with carriers in any other band, single-band receiver requirements shall apply.

For a BS capable of multi-band operation supporting BC3 bands for TDD, the RF requirements in the present specification assume synchronized operation, where no simultaneous uplink and downlink occur between the bands.

The RF requirements for multi-band operation supporting bands for both FDD and TDD are not covered by the present release of this specification.

---

## 5 Applicability of requirements

### 5.1 Band category 1

For all BS operating in bands belonging to Band Category 1, the RF requirements listed in Table 5.1-1 apply for each supported operating band. Requirements apply according to the RAT configuration of the Base Station, as listed in the heading of the table. Some requirements listed in the table may not be mandatory or they may apply only regionally. This is further specified in the clause of each requirement and in Table 4.4-1. For multiband operation, the applicability of the requirements for each operating band is determined based on the RAT configuration within only that operating band, unless otherwise stated.

**Table 5.1-1: Applicability of requirements for MSR BS operation in Band Category 1**

RF requirement	BS configured for multi-RAT operation in the band	BS configured for single-RAT E-UTRA FDD operation in the band	BS configured for single-RAT UTRA FDD operation in the band	BS configured for single-RAT NB-IoT FDD standalone operation in the band	BS configured for single-RAT NR operation in the band
Base station output power	6.2.1 6.2.3 6.2.4 6.2.4A 6.2.6	6.2.1 6.2.3	6.2.1 6.2.4 6.2.4A	6.2.1 6.2.6	6.2.1
Output power dynamics	6.3.1 6.3.2 6.3.5 6.3.6	6.3.1	6.3.2	6.3.5	6.3.6
Transmitted signal quality					
Modulation quality	6.5.1.1 6.5.1.2 6.5.1.5 6.5.1.6	6.5.1.1	6.5.1.2	6.5.1.5	6.5.1.6
Frequency error	6.5.2.1 6.5.2.2 6.5.2.5 6.5.2.6	6.5.2.1	6.5.2.2	6.5.2.5	6.5.2.6
Time alignment error	6.5.3.1 6.5.3.2 6.5.3.4 6.5.3.5	6.5.3.1	6.5.3.2	6.5.3.4	6.5.3.5
Unwanted emissions					
Transmitter spurious emissions	6.6.1 (except for 6.6.1.1.3)	6.6.1 (except for 6.6.1.1.3)	6.6.1 (except for 6.6.1.1.3)	6.6.1 (except for 6.6.1.1.3)	6.6.1 (except for 6.6.1.1.3)
Operating band unwanted emissions	6.6.2.1 6.6.2.4	6.6.2.1 6.6.2.4	6.6.2.1 6.6.2.4	6.6.2.1 6.6.2.4	6.6.2.1 6.6.2.4
Occupied bandwidth	6.6.3	6.6.3	6.6.3	6.6.3	6.6.3
ACLR	6.6.4.1 6.6.4.2 6.6.4.5 6.6.4.6	6.6.4.1	6.6.4.2	6.6.4.5	6.6.4.6
Cumulative ACLR	6.6.4.4 (NOTE 3)	6.6.4.4 (NOTE 3)	6.6.4.4 (NOTE 3)	6.6.4.4 (NOTE 3)	6.6.4.4 (NOTE 3)
Transmitter intermodulation	6.7.1 6.7.2 (NOTE 2)	6.7.1 6.7.2 (NOTE 2)	6.7.1 6.7.2 (NOTE 2)	6.7.1 6.7.2 (NOTE 2)	6.7.1 6.7.2 (NOTE 2)
Reference sensitivity level	7.2.1 7.2.2 7.2.5 7.2.6	7.2.1	7.2.2	7.2.5	7.2.6
Dynamic range	7.3.1 7.3.2 7.3.5 7.3.6	7.3.1	7.3.2	7.3.5	7.3.6
In-band selectivity and blocking					
Blocking	7.4.1	7.4.1	7.4.1	7.4.1	7.4.1
Narrowband blocking	7.4.2	7.4.2	7.4.2	7.4.2	7.4.2
Out-of-band blocking	7.5	7.5	7.5	7.5	7.5
Receiver spurious emissions	7.6.1	7.6.1	7.6.1	7.6.1	7.6.1
Receiver intermodulation					
Intermodulation	7.7.1	7.7.1	7.7.1	7.7.1	7.7.1
Narrowband intermodulation	7.7.2	7.7.2	7.7.2	7.7.2	7.7.2
In-channel selectivity	7.8	7.8	-	7.8	7.8.2
Performance requirements	8.1 8.2 8.5	8.1	8.2	8.6	8.5

<p>NOTE 1: For some requirements in BS configured for multi-RAT operation, there is no general MSR multi-RAT requirement. Instead, the requirement is defined by the respective single-RAT requirement for each RAT supported by the BS as referenced in the table.</p> <p>NOTE 2: The requirement in sub-clause 6.7.2 is only applied for BS operating in non-contiguous spectrum.</p> <p>NOTE 3: The requirement in sub-clause 6.6.4.4 is only applied for BS operating in non-contiguous spectrum.</p>
---

## 5.2 Band category 2

For all BS operating in bands belonging to Band Category 2, the RF requirements listed in Table 5.2-1 apply for each supported operating band. Requirements apply according to the RAT configuration of the Base Station, as listed in the heading of the table. Some requirements listed in the table may not be mandatory or they may apply only regionally. This is further specified in the clause of each requirement and in Table 4.4-1. For multiband operation, the applicability of the requirements for each operating band is determined based on the RAT configuration within only that operating band, unless otherwise stated.

**Table 5.2-1: Applicability of requirements for MSR BS operation in Band Category 2**

RF requirement	BS configured for multi-RAT operation not including GSM/EDGE in the band	BS configured for multi-RAT operation including GSM/EDGE in the band	BS configured for single-RAT E-UTRA FDD operation in the band	BS configured for single-RAT UTRA FDD operation in the band	BS configured for single-RAT GSM/EDGE operation in the band	BS configured for single-RAT NB-IoT FDD standalone operation in the band	BS configured for single-RAT NR operation in the band
Base station output power	6.2.1 6.2.3 6.2.4 6.2.4A 6.2.6	6.2.1 6.2.3 6.2.4 6.2.4A 6.2.6	6.2.1 6.2.3	6.2.1 6.2.4 6.2.4A	6.2.1	6.2.1 6.2.6	6.2.1
Output power dynamics	6.3.1 6.3.2 6.3.5 6.3.6	6.3.1 6.3.2 6.3.4 6.3.5 6.3.6	6.3.1	6.3.2	6.3.4	6.3.5	6.3.6
Transmit ON/OFF power	-	-	-	-	-	-	-
Transmitted signal quality							
Modulation quality	6.5.1.1 6.5.1.2 6.5.1.5 6.5.1.6	6.5.1.1 6.5.1.2 6.5.1.4 6.5.1.5 6.5.1.6	6.5.1.1	6.5.1.2	6.5.1.4	6.5.1.5	6.5.1.6
Frequency error	6.5.2.1 6.5.2.2 6.5.2.5 6.5.2.6	6.5.2.1 6.5.2.2 6.5.2.4 6.5.2.5 6.5.2.6	6.5.2.1	6.5.2.2	6.5.2.4	6.5.2.5	6.5.2.6
Time alignment error	6.5.3.1 6.5.3.2 6.5.3.4 6.5.3.5	6.5.3.1 6.5.3.2 6.5.3.4 6.5.3.5	6.5.3.1	6.5.3.2	-	6.5.3.4	6.5.3.5
Unwanted emissions							
Transmitter spurious emissions	6.6.1 (except for 6.6.1.1.3)	6.6.1 (NOTE 3)	6.6.1 (except for 6.6.1.1.3)	6.6.1 (except for 6.6.1.1.3)	6.6.1 (NOTE 3)	6.6.1 (except for 6.6.1.1.3)	6.6.1 (except for 6.6.1.1.3)
Operating band unwanted emissions	6.6.2.2 6.6.2.4	6.6.2.2 6.6.2.4	6.6.2.2 6.6.2.4	6.6.2.2 6.6.2.4	6.6.2.3 6.6.2.4	6.6.2.2 6.6.2.4	6.6.2.2, 6.6.2.4
Occupied bandwidth	6.6.3	6.6.3	6.6.3	6.6.3	-	6.6.3	6.6.3
ACLR	6.6.4.1 6.6.4.2 6.6.4.5 6.6.4.6	6.6.4.1 6.6.4.2 6.6.4.5 6.6.4.6	6.6.4.1	6.6.4.2	-	6.6.4.5	6.6.4.6
Cumulative ACLR	6.6.4.4 (NOTE 2)	6.6.4.4 (NOTE 2)	6.6.4.4 (NOTE 2)	6.6.4.4 (NOTE 2)	-	6.6.4.4 (NOTE 2)	6.6.4.4 (NOTE 2)
Transmitter intermodulation	6.7.1 6.7.2	6.7.1 6.7.2	6.7.1 6.7.2	6.7.1 6.7.2	6.7.2	6.7.1 6.7.2	6.7.1 6.7.2
Reference sensitivity level	7.2.1 7.2.2 7.2.5 7.2.6	7.2.1 7.2.2 7.2.4 7.2.5 7.2.6	7.2.1	7.2.2	7.2.4	7.2.5	7.2.6
Dynamic range	7.3.1 7.3.2 7.3.5 7.3.6	7.3.1 7.3.2 7.3.4 7.3.5 7.3.6	7.3.1	7.3.2	7.3.4	7.3.5	7.3.6
In-band selectivity and blocking							



Blocking	7.4.1	7.4.1	7.4.1	7.4.1	7.4.1	7.4.1	7.4.1
Narrowband blocking	7.4.2	7.4.2 7.4.3	7.4.2	7.4.2	7.4.2 7.4.3 7.4.4	7.4.2	7.4.2
Out-of-band blocking	7.5	7.5	7.5	7.5	7.5	7.5	7.5
Receiver spurious emissions	7.6.1	7.6.1 7.6.2 (NOTE 3)	7.6.1	7.6.1	7.6.1 7.6.2 (NOTE 3)	7.6.1	7.6.1
Receiver intermodulation							
Intermodulation	7.7.1	7.7.1	7.7.1	7.7.1	7.7.1	7.7.1	7.7.1
Narrowband intermodulation	7.7.2	7.7.2 7.7.3	7.7.2	7.7.2	7.7.2 7.7.3	7.7.2	7.7.2
In-channel selectivity	7.8	7.8	7.8	-	-	7.8	7.8.2
Performance requirements	8.1 8.2 8.5	8.1 8.2 8.4 8.5	8.1	8.2	8.4	8.6	8.5
<p>NOTE 1: For some requirements in BS configured for multi-RAT operation, there is no general MSR multi-RAT requirement. Instead, the requirement is defined by the respective single-RAT requirement for each RAT supported by the BS as referenced in the table.</p> <p>NOTE 2: The requirement in sub-clause 6.6.4.4 is only applied for BS operating in non-contiguous spectrum.</p> <p>NOTE 3: For BS capable of multi-band operation, the limits in subclause 6.6.1.1.3 and 7.6.2 are only applicable when all supported operating bands belong to BC2 and GSM/EDGE is configured in all operating bands.</p>							

### 5.3 Band category 3

For all BS operating in bands belonging to Band Category 3, the RF requirements listed in Table 5.3-1 apply for each supported operating band. Requirements apply according to the RAT configuration of the Base Station, as listed in the heading of the table. Some requirements listed in the table may not be mandatory or they may apply only regionally. This is further specified in the clause of each requirement and in Table 4.4-1.

**Table 5.3-1: Applicability of requirements for MSR BS operation in Band Category 3**

RF requirement	BS configured for multi-RAT operation	BS configured for single-RAT E-UTRA TDD operation	BS configured for single-RAT UTRA TDD operation	BS configured for single-RAT NR TDD operation	BS configured for single-RAT NB-IoT standalone operation
Base station output power	6.2.1 6.2.2 6.2.3 6.2.5	6.2.1 6.2.2 6.2.3	6.2.1 6.2.5	6.2.1	6.2.1 6.2.6
Output power dynamics	6.3.1 6.3.3 6.3.6	6.3.1	6.3.3	6.3.6	6.3.5
Transmit ON/OFF power	6.4	6.4	6.4	6.4	6.4
Transmitted signal quality					
Modulation quality	6.5.1.1 6.5.1.3 6.5.1.6	6.5.1.1	6.5.1.3	6.5.1.6	6.5.1.5
Frequency error	6.5.2.1 6.5.2.3 6.5.2.6	6.5.2.1	6.5.2.3	6.5.2.6	6.5.2.5
Time alignment error	6.5.3.1 6.5.3.3 6.5.3.5	6.5.3.1	6.5.3.3	6.5.3.5	6.5.3.4
Unwanted emissions					
Transmitter spurious emissions	6.6.1 (except for 6.6.1.1.3 and 6.6.1.2)	6.6.1 (except for 6.6.1.1.3 and 6.6.1.2)	6.6.1 (except for 6.6.1.1.3 and 6.6.1.2)	6.6.1 (except for 6.6.1.1.3 and 6.6.1.2)	6.6.1 (except for 6.6.1.1.3)
Operating band unwanted emissions	6.6.2.1 6.6.2.4	6.6.2.1 6.6.2.4	6.6.2.1 6.6.2.4	6.6.2.1 6.6.2.4	6.6.2.1 6.6.2.4
Occupied bandwidth	6.6.3	6.6.3	6.6.3	6.6.3	6.6.3
ACLR	6.6.4.1 6.6.4.3 6.6.4.6	6.6.4.1	6.6.4.3	6.6.4.6	6.6.4.5
Cumulative ACLR	6.6.4.4 (NOTE 2)	6.6.4.4 (NOTE 2)	6.6.4.4 (NOTE 2)	6.6.4.4 (NOTE 2)	6.6.4.4 (NOTE 2)
Transmitter intermodulation	6.7.1 6.7.3	6.7.1 6.7.3 6.7.4	6.7.1 6.7.3	6.7.1 6.7.3	6.7.1 6.7.3
Reference sensitivity level	7.2.1 7.2.3 7.2.6	7.2.1	7.2.3	7.2.6	7.2.5
Dynamic range	7.3.1 7.3.3 7.3.6	7.3.1	7.3.3	7.3.6	7.3.5
In-band selectivity and blocking					
Blocking	7.4.1 7.4.5	7.4.1 7.4.5	7.4.1 7.4.5	7.4.1	7.4.1
Narrowband blocking	7.4.2	7.4.2	7.4.2	7.4.2	7.4.2
Out-of-band blocking	7.5	7.5	7.5	7.5	7.5
Receiver spurious emissions	7.6.1	7.6.1	7.6.1	7.6.1	7.6.1
Receiver intermodulation					
Intermodulation	7.7.1	7.7.1	7.7.1	7.7.1	7.7.1
Narrowband intermodulation	7.7.2	7.7.2	7.7.2	7.7.2	7.7.2
In-channel selectivity	7.8	7.8	-	7.8.2	7.8
Performance requirements	8.1 8.3 8.5	8.1	8.3	8.5	8.6

Note 1: For some requirements in BS configured for multi-RAT operation, there is no general MSR multi-RAT requirement. Instead, the requirement is defined by the respective single-RAT requirement for each RAT supported by the BS as referenced in the table.

NOTE 2: The requirement in sub-clause 6.6.4.4 is only applied for BS operating in non-contiguous spectrum.

## 5.4 Inclusion of requirements by reference

Many requirements in the present specification are not explicitly stated in the clauses listed in Tables 5.1-1, 5.2-1 and 5.3-1, but are instead included by reference to the respective single-RAT specifications. Each reference is normative and identifies the clause where the requirement is specified.

In some cases, the referenced clause may contain requirements that for different reasons do not apply for an MSR base station. It is in those cases stated that "applicable parts of" the referenced clause applies. What parts are applicable is determined by the scope of the MSR specification. For example:

- In a referenced clause including requirements for multiple operating bands, only requirements for bands listed in the present document apply.
- In a referenced clause that includes requirements for different types of base stations, only requirements for the BS classes specified for each RAT apply, see subclause 4.3.

# 6 Transmitter characteristics

## 6.1 General

Unless otherwise stated, the requirements in clause 6 are expressed for a single transmitter antenna connector. In case of multi-carrier transmission with multiple transmitter antenna connectors, transmit diversity, DB-DC-HSDPA or MIMO transmission, the requirements apply for each transmitter antenna connector.

A BS supporting DC-HSDPA and DB-DC-HSDPA transmits two UTRA FDD cells simultaneously. A BS supporting DC-HSDPA transmits two UTRA FDD cells simultaneously on adjacent carrier frequencies.

Unless otherwise stated, the transmitter characteristics are specified at the BS antenna connector (test port A) with a full complement of transceivers for the configuration in normal operating conditions. If any external apparatus such as a TX amplifier, a filter or the combination of such devices is used, requirements apply at the far end antenna connector (test port B).

Unless otherwise stated the requirements in subclause 6 applies at all times, i.e. during the Transmitter ON period, the Transmitter OFF period and the Transmitter transient period.

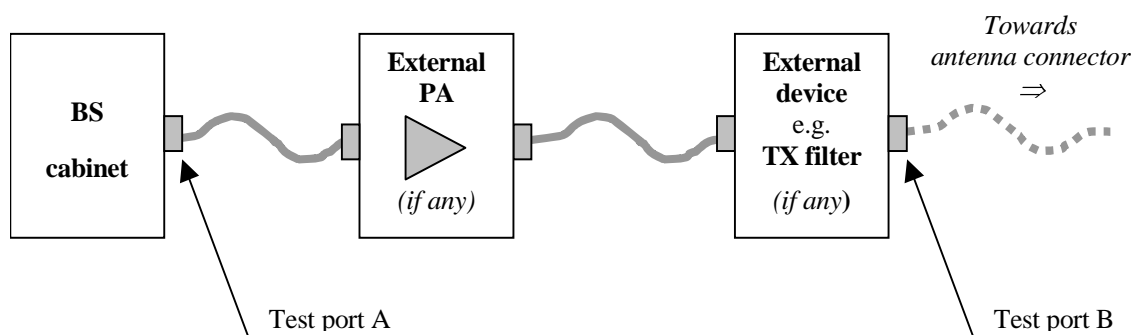


Figure 6.1-1: Transmitter test ports

Values for  $F_{\text{offset, RAT}}$  to meet transmitter requirements are specific for each RAT in each Band Category as specified in subclause 4.5.1 for Band Category 1, subclause 4.5.2 for Band Category 2 and subclause 4.5.3 for Band Category 3.

Unless otherwise stated the requirements for NB-IoT in subclause 6 applies for all operation modes (In-band operation, Guard-band operation and Stand-alone operation).

## 6.2 Base station output power

Output power of the base station is the mean power delivered to a load with resistance equal to the nominal load impedance of the transmitter.

The configured carrier power is the target maximum power for a specific carrier for the operating mode set in the BS within the limits given by the manufacturer's declaration.

The maximum total output power,  $P_{\max}$ , of the base station is the mean power level measured at the antenna connector during the transmitter ON period in a specified reference condition.

The maximum RAT output power,  $P_{\max,\text{RAT}}$ , of the base station is the mean power level measured at the antenna connector during the transmitter ON period for a specific RAT in a specified reference condition.

The maximum carrier output power,  $P_{\max,c}$  of the base station is the mean power level measured at the antenna connector during the transmitter ON period for a specific carrier in a specified reference condition.

The rated carrier output power,  $P_{\text{Rated},c}$ , of the base station is the mean power level for a specific carrier that the manufacturer has declared to be available at the antenna connector during the transmitter ON period.

**NOTE:** For NB-IoT in-band and guard band operation, the LTE carrier and NB-IoT carrier shall be seen as a single carrier occupied LTE channel bandwidth, the output power over this carrier is shared between LTE and NB-IoT. For *NB-IoT operation in NR in-band*, the NR carrier and NB-IoT carrier shall be seen as a single carrier occupied NR channel bandwidth, the output power over this carrier is shared between NR and NB-IoT. This note is applied for  $P_{\text{out}}$ , Rated total output power,  $P_{\max,c}$  and  $P_{\text{Rated},c}$ .

The rated carrier output power of the BS shall be as specified in Table 6.2-1.

**Table 6.2-1 Base Station rated carrier output power**

BS class	$P_{\text{Rated},c}$ (note)
Wide Area BS	(note)
Medium Range BS	$\leq +38$ dBm
Local Area BS	$\leq +24$ dBm
NOTE: There is no upper limit for the rated carrier output power of the Wide Area Base Station.	

In addition, for Band 85 NB-IoT standalone operation, the BS rated output power limit of 43 dBm applies over the NB-IoT carriers in the range 728-729 MHz of the DL operating band. The BS output power limit of 43 dBm shall be considered as shared among all NB-IoT carriers in the 728-729 MHz frequency range or as the maximum value per NB-IoT carrier in the case where only one NB-IoT carrier is deployed in 728-729 MHz frequency range.

### 6.2.1 Minimum requirement

In normal conditions, the maximum carrier output power shall remain within +2 dB and -2 dB of the configured carrier power declared by the manufacturer.

In extreme conditions, maximum carrier output power shall remain within +2.5 dB and -2.5 dB of the configured carrier power declared by the manufacturer.

The definition of the output power parameters declared by the manufacturer can be found in TS 37.141 [10].

In certain regions, the minimum requirement for normal conditions may apply also for some conditions outside the range of conditions defined as normal.

### 6.2.2 Additional requirement (regional)

For Band 34 operation in Japan, the rated E-UTRA output power declared by the manufacturer shall be less than or equal to the values specified in Table 6.2.2-1.

**Table 6.2.2-1: Regional requirements for Band 34 for rated output power declared by the manufacturer.**

Channel bandwidth BW <sub>Channel</sub> [MHz]	1.4	3	5	10	15	20
Maximum output power [W]	N/A	N/A	20	40	60	N/A

For Band 41 E-UTRA operation in Japan, the rated output power per BS declared by the manufacturer shall be less than or equal to the values specified in Table 6.2.2-2.

**Table 6.2.2-2: Regional requirements for Band 41 for rated output power declared by the manufacturer.**

Channel bandwidth BW <sub>Channel</sub> [MHz]	1.4	3	5	10	15	20
Maximum output power [W]	N/A	N/A	N/A	20	N/A	40

For Band 41 NR operation in Japan, the sum of  $P_{\text{rated,c,AC}}$  over all *antenna connectors* declared by the manufacturer shall be equal to or less than 20 W per 10 MHz bandwidth.

### 6.2.3 E-UTRA minimum requirement for DL RS power

For E-UTRA, the minimum requirement for DL RS power is specified in TS 36.104 [4], subclause 6.5.4.

### 6.2.4 UTRA FDD minimum requirement for primary CPICH power

For UTRA FDD, the minimum requirements for primary CPICH power is specified in TS 25.104 [2], subclause 6.4.4.

### 6.2.4A UTRA FDD minimum requirement for secondary CPICH power

For UTRA FDD, the minimum requirements for secondary CPICH power is specified in TS 25.104 [2], subclause 6.4.4A.

### 6.2.5 UTRA TDD minimum requirement for primary CCPCH power

For UTRA TDD, the minimum requirements for Primary CCPCH power and Differential accuracy of primary CCPCH power specified in TS 25.105 [3], subclause 6.4.5 and 6.4.6 respectively.

### 6.2.6 NB-IoT minimum requirement for DL NRS power

For NB-IoT, the minimum requirement for DL NRS power is specified in TS 36.104 [4], subclause 6.5.4.

## 6.3 Output power dynamics

Output power dynamics is defined by the BS transmitter's ability to operate at varying output power levels.

### 6.3.1 E-UTRA minimum requirement

For E-UTRA, the minimum requirement for output power dynamics is specified in TS 36.104 [4], subclause 6.3.

### 6.3.2 UTRA FDD minimum requirement

For UTRA FDD, the minimum requirement for output power dynamics is specified in TS 25.104 [2], subclause 6.4.

### 6.3.3 UTRA TDD minimum requirement

For UTRA TDD, the minimum requirement for output power dynamics is specified in TS 25.105 [3], subclause 6.4.

### 6.3.4 GSM/EDGE minimum requirement

For GSM/EDGE, the minimum requirement for output power dynamics is specified in TS 45.005[5], subclause 4.1.2-c. The minimum requirement for output level dynamic operation is specified in TS 45.005[5], subclause 4.5.1.

### 6.3.5 NB-IoT minimum requirement

For NB-IoT E-UTRA in-band or guard band operation, the minimum requirement for output power dynamics is specified in TS 36.104 [4], subclause 6.3.

For *NB-IoT operation in NR in-band*, the minimum requirement for output power dynamics is specified in TS 38.104 [17], subclause 6.3.

### 6.3.6 NR minimum requirement

For NR, the minimum requirement for output power dynamics (BS type 1-C) is specified in TS 38.104 [17], subclause 6.3.

## 6.4 Transmit ON/OFF power

The requirements in subclause 6.4 are only applied for BC3 BS.

### 6.4.1 Transmitter OFF power

For UTRA and E-UTRA, transmitter OFF power is defined as the mean power measured over 70  $\mu$ s filtered with a square filter of bandwidth equal to the Base Station RF Bandwidth(s) of the BS centred on the central frequency of the Base Station RF Bandwidth(s) during the transmitter OFF period.

In NR transmitter OFF power is defined as the mean power measured over 70/N  $\mu$ s filtered with a square filter of bandwidth equal to the transmission bandwidth configuration of the BS ( $BW_{\text{Config}}$ ) centred on the central frequency of the Base Station RF Bandwidth(s) during the transmitter OFF period.  $N = \text{SCS}/15$ , where SCS is Sub Carrier Spacing in kHz.

For BS supporting intra-band contiguous CA, the transmitter OFF power is defined as the mean power measured over 70/N  $\mu$ s filtered with a square filter of bandwidth equal to the *Aggregated BS Channel Bandwidth*  $BW_{\text{Channel\_CA}}$  centred on  $(F_{\text{edge,high}}+F_{\text{edge,low}})/2$  during the *transmitter OFF period*. N is equal to 1 if there are any UTRA or E-UTRA carriers, or for NR  $N = \text{SCS}/15$ , where SCS is the smallest supported Sub Carrier Spacing in kHz in the *Aggregated BS Channel Bandwidth*.

#### 6.4.1.1 Minimum Requirement

The transmitter OFF power spectral density shall be less than -85 dBm/MHz.

For BS capable of multi-band operation, the requirement is only applicable during the transmitter OFF period in all supported operating bands.

### 6.4.2 Transmitter transient period

The transmitter transient period is the time period during which the transmitter is changing from the OFF period to the ON period or vice versa. The transmitter transient period is illustrated in Figure 6.4.2-1 and Figure 6.4.2-2.

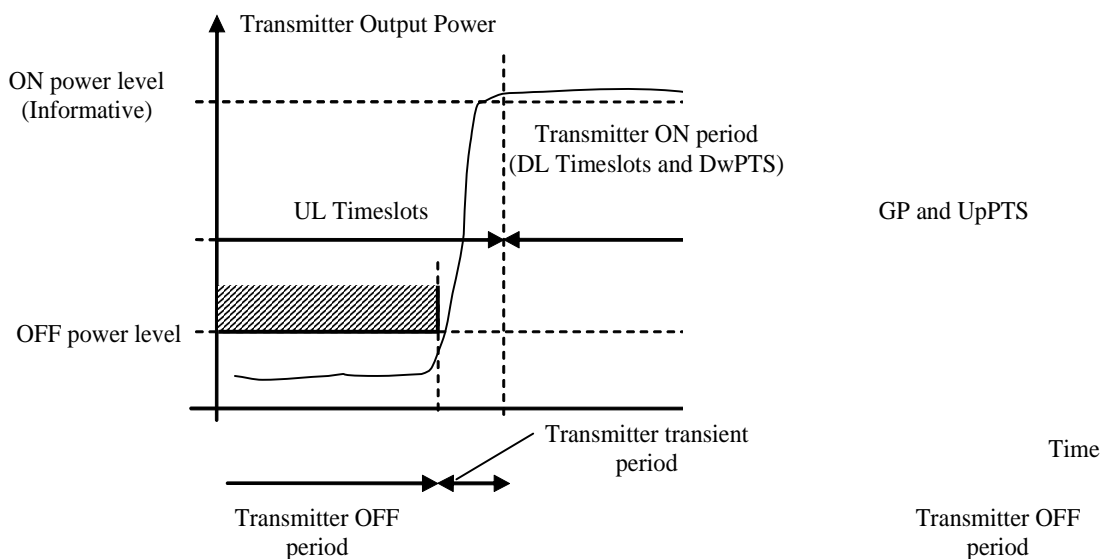


Figure 6.4.2-1: Illustration of the relations of transmitter ON period, transmitter OFF period and transmitter transient period (for E-UTRA/UTRA)

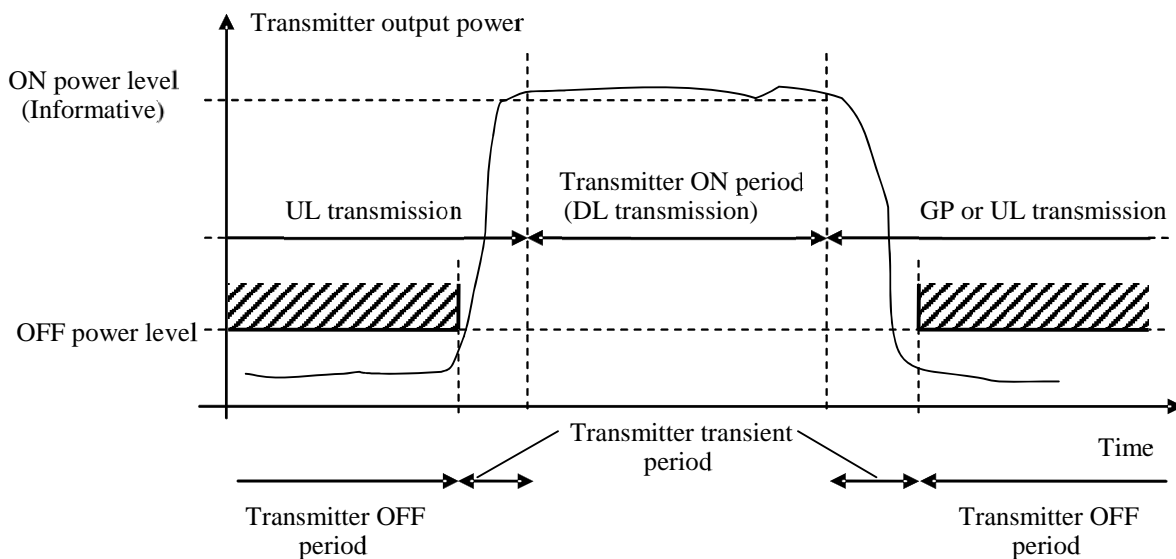


Figure 6.4.2-2: Illustration of the relations of transmitter ON period, transmitter OFF period and transmitter transient period (for NR)

6.4.2.1 Minimum requirements

The transmitter transient period shall be shorter than the values listed in Table 6.4.2.1-1, Table 6.4.2.1-1a and Table 6.4.2.1-2.

Table 6.4.2.1-1: Minimum requirements for the transmitter transient period for a BS supporting UTRA

Transition	Transient period length [μs]
OFF to ON	6.25
ON to OFF	17



**Table 6.4.2.1-1a: Minimum requirements for the transmitter transient period for a BS supporting E-UTRA and not supporting NR nor UTRA**

Transition	Transient period length [ $\mu$ s]
OFF to ON	17
ON to OFF	17

**Table 6.4.2.1-2: Minimum requirements for the transmitter transient period for a BS supporting NR and not supporting UTRA**

Transition	Transient period length [ $\mu$ s]
OFF to ON	10
ON to OFF	10

## 6.5 Transmitted signal quality

### 6.5.1 Modulation quality

Modulation quality is defined by the difference between the measured carrier signal and a reference signal. Modulation quality can e.g. be expressed as Error Vector Magnitude (EVM), Peak Code Domain Error (PCDE) or Relative Code domain Error (RCDE).

#### 6.5.1.1 E-UTRA minimum requirement

For E-UTRA, the minimum requirement for modulation quality, EVM, is specified in TS 36.104 [4], subclause 6.5.2.

#### 6.5.1.2 UTRA FDD minimum requirement

For UTRA FDD, the minimum requirements for modulation quality, EVM, PCDE and RCDE, are specified in TS 25.104 [2], subclause 6.8.2, 6.8.3 and 6.8.5 respectively. The UTRA transmit pulse shape filter is defined in subclause 6.8.1.

#### 6.5.1.3 UTRA TDD minimum requirement

For UTRA TDD, the minimum requirements for modulation quality, EVM, PCDE and RCDE, are specified in TS 25.105 [3], subclause 6.8.2, 6.8.3 and 6.8.4 respectively.

#### 6.5.1.4 GSM/EDGE minimum requirement

For GSM/EDGE, the minimum requirements for modulation accuracy are specified in TS 45.005 [5], subclause 4.6.

#### 6.5.1.5 NB-IoT minimum requirement

For NB-IoT, the minimum requirement for modulation quality, EVM, is specified in TS 36.104 [4], subclause 6.5.2.

#### 6.5.1.6 NR minimum requirement

For NR, the minimum requirement for modulation quality, EVM (BS type 1-C) is specified in TS 38.104 [17], subclause 6.5.2.

### 6.5.2 Frequency error

Frequency error is a measure of the difference between the actual BS transmit frequency and the assigned frequency. The same source shall be used for RF frequency and data clock generation.

### 6.5.2.1 E-UTRA minimum requirement

For E-UTRA, the minimum requirement for frequency error is specified in TS 36.104 [4], subclause 6.5.1.

### 6.5.2.2 UTRA FDD minimum requirement

For UTRA FDD, the minimum requirement for frequency error is specified in TS 25.104 [2], subclause 6.3.1.

### 6.5.2.3 UTRA TDD minimum requirement

For UTRA TDD, the minimum requirement for frequency error is specified in TS 25.105 [3], subclause 6.3.1.

### 6.5.2.4 GSM/EDGE minimum requirement

For GSM/EDGE, the minimum requirement for frequency error is specified in TS 45.005 [5], subclause 4.4.

### 6.5.2.5 NB-IoT minimum requirement

For NB-IoT, the minimum requirement for frequency error is specified in TS 36.104 [4], subclause 6.5.1.

### 6.5.2.6 NR minimum requirement

For NR, the minimum requirement for frequency error (BS type 1-C) is specified in TS 38.104 [17], subclause 6.5.1.

## 6.5.3 Time alignment error

This requirement applies to frame timing in:

- UTRA single/multi-carrier transmissions, and their combinations with MIMO or TX diversity.
- E-UTRA single/multi-carrier transmissions, and their combinations with MIMO or TX diversity.
- NR single/multi-carrier transmissions, and their combinations with MIMO.
- E-UTRA Carrier Aggregation, with or without MIMO or TX diversity.
- NR Carrier Aggregation, with or without MIMO.
- NB-IoT transmissions with TX diversity.

Frames of the WCDMA/LTE/NR/NB-IoT signals present at the BS transmitter antenna connector(s) are not perfectly aligned in time. In relation to each other, the RF signals present at the BS transmitter antenna connector (s) experience certain timing differences.

For a specific set of signals/transmitter configuration/transmission mode, the Time Alignment Error (TAE) is defined as the largest timing difference between any two signals.

### 6.5.3.1 E-UTRA minimum Requirement

For E-UTRA, the minimum requirement for time alignment is specified in TS 36.104 [4], subclause 6.5.3.

### 6.5.3.2 UTRA FDD minimum requirement

For UTRA FDD, the minimum requirement for time alignment is specified in TS 25.104 [2], subclause 6.8.4.

### 6.5.3.3 UTRA TDD minimum requirement

For UTRA TDD, the minimum requirement for time alignment is specified in TS 25.105 [3], subclause 6.8.5.

### 6.5.3.4 NB-IoT minimum Requirement

For NB-IoT, the minimum requirement for time alignment is specified in TS 36.104 [4], subclause 6.5.3.

### 6.5.3.5 NR minimum Requirement

For NR, the minimum requirement for time alignment (BS type 1-C) is specified in TS 38.104 [17], subclause 6.5.3.

## 6.6 Unwanted emissions

Unwanted emissions consist of out-of-band emissions and spurious emissions [6]. Out of band emissions are unwanted emissions immediately outside the channel bandwidth resulting from the modulation process and non-linearity in the transmitter but excluding spurious emissions. Spurious emissions are emissions which are caused by unwanted transmitter effects such as harmonics emission, parasitic emission, intermodulation products and frequency conversion products, but exclude out of band emissions.

The out-of-band emissions requirement for the BS transmitter is specified in terms of an Operating band unwanted emissions requirement that defines limits for emissions in each supported downlink operating band plus the frequency ranges  $\Delta f_{\text{OBUE}}$  above and  $\Delta f_{\text{OBUE}}$  below each band. Emissions outside of this frequency range are limited by a spurious emissions requirement. The values of  $\Delta f_{\text{OBUE}}$  are defined in table 6.6-1.

**Table 6.6-1: Maximum offset of OBUE outside the downlink operating band**

Operating band characteristics	$\Delta f_{\text{OBUE}}$ [MHz]
$F_{\text{DL\_high}} - F_{\text{DL\_low}} \leq 200$ MHz	10
$200 \text{ MHz} < F_{\text{DL\_high}} - F_{\text{DL\_low}} \leq 900$ MHz	40

There is in addition a requirement for occupied bandwidth and an ACLR requirement applicable for some RATs.

### 6.6.1 Transmitter spurious emissions

The transmitter spurious emission limits apply from 9 kHz to 12.75 GHz, excluding the frequency range from  $\Delta f_{\text{OBUE}}$  below the lowest frequency of the downlink operating band up to  $\Delta f_{\text{OBUE}}$  above the highest frequency of the downlink operating band. For BS capable of multi-band operation where multiple bands are mapped on the same antenna connector, this exclusion applies for each supported operating band. For BS capable of multi-band operation where multiple bands are mapped on separate antenna connectors, the single-band requirements apply and the multi-band exclusions and provisions are not applicable.

Exceptions are the requirements in Table 6.6.1.3.1-2 and specifically stated exceptions in Table 6.6.1.3.1-1 that apply also closer than  $\Delta f_{\text{OBUE}}$  from the downlink operating band. For some operating bands the upper frequency limit is higher than 12.75 GHz.

The requirements shall apply whatever the type of transmitter considered. It applies for all transmission modes foreseen by the manufacturer's specification. Unless otherwise stated, all requirements are measured as mean power (RMS).

### 6.6.1.1 Mandatory Requirements

The requirements of either subclause 6.6.1.1.1 (Category A limits) or subclause 6.6.1.1.2 (Category B limits) shall apply. In addition, for a BS operating in Band Category 2, the requirements of 6.6.1.1.3 shall apply in case of Category B limits when GSM/EDGE is configured.

#### 6.6.1.1.1 Minimum requirement (Category A)

The power of any spurious emission shall not exceed the limits in Table 6.6.1.1.1-1

**Table 6.6.1.1.1-1: BS Spurious emission limits, Category A**

Frequency range	Maximum level	Measurement Bandwidth	Note
9kHz - 150kHz	-13 dBm	1 kHz	Note 1
150kHz - 30MHz		10 kHz	Note 1
30MHz - 1GHz		100 kHz	Note 1
1GHz - 12.75 GHz		1 MHz	Note 2
12.75 GHz – 5 <sup>th</sup> harmonic of the upper frequency edge of the DL operating band in GHz		1 MHz	Note 2, Note 3
NOTE 1: Bandwidth as in ITU-R SM.329 [2], s4.1			
NOTE 2: Bandwidth as in ITU-R SM.329 [2], s4.1. Upper frequency as in ITU-R SM.329 [2], s2.5 table 1			
NOTE 3: This spurious frequency range applies only for <i>operating bands</i> for which the 5 <sup>th</sup> harmonic of the upper frequency edge of the DL <i>operating band</i> is reaching beyond 12.75 GHz.			

#### 6.6.1.1.2 Minimum requirement (Category B)

The power of any spurious emission shall not exceed the limits in Table 6.6.1.1.2-1

**Table 6.6.1.1.2-1: BS Spurious emissions limits, Category B**

Frequency range	Maximum Level	Measurement Bandwidth	Note
9 kHz ↔ 150 kHz	-36 dBm	1 kHz	Note 1
150 kHz ↔ 30 MHz	-36 dBm	10 kHz	Note 1
30 MHz ↔ 1 GHz	-36 dBm	100 kHz	Note 1
1 GHz ↔ 12.75 GHz	-30 dBm	1 MHz	Note 2
12.75 GHz ↔ 5 <sup>th</sup> harmonic of the upper frequency edge of the DL operating band in GHz	-30 dBm	1 MHz	Note 2, Note 3
NOTE 1: Bandwidth as in ITU-R SM.329 [2], s4.1			
NOTE 2: Bandwidth as in ITU-R SM.329 [2], s4.1. Upper frequency as in ITU-R SM.329 [2], s2.5 table 1			
NOTE 3: This spurious frequency range applies only for <i>operating bands</i> for which the 5 <sup>th</sup> harmonic of the upper frequency edge of the DL <i>operating band</i> is reaching beyond 12.75 GHz.			

#### 6.6.1.1.3 Additional minimum requirement for BC2 (Category B)

For a BS operating in Band Category 2 when GSM/EDGE is configured, the power of any spurious emission shall not exceed the limits in Table 6.6.1.1.3-1.

For BS capable of multi-band operation, the limits in Table 6.6.1.1.3-1 are only applicable when all supported operating bands belong to BC2 and GSM/EDGE is configured in all bands.

**Table 6.6.1.1.3-1: Additional BS Spurious emissions limits for BC2, Category B**

Frequency range	Frequency offset from downlink operating band edge (Note1)	Maximum Level	Measurement Bandwidth
500 MHz ↔ 1 GHz	10 – 20 MHz	-36 dBm	300 kHz
	20 – 30 MHz	-36 dBm	1 MHz
	≥ 30 MHz	-36 dBm	3 MHz
1 GHz ↔ 12.75 GHz	≥ 30 MHz	-30 dBm	3 MHz
NOTE 1: For BS capable of multi-band operation, the frequency offset is relative to the closest operating band.			

### 6.6.1.2 Protection of the BS receiver of own or different BS

This requirement shall be applied for FDD operation in order to prevent the receivers of Base Stations being desensitised by emissions from the BS transmitter. It is measured at the transmit antenna port for any type of BS which has common or separate Tx/Rx antenna ports.

#### 6.6.1.2.1 Minimum Requirement

The power of any spurious emission shall not exceed the limits in Table 6.6.1.2.1-1 depending on the declared Base Station class and Band Category.

**Table 6.6.1.2.1-1: BS Spurious emissions limits for protection of the BS receiver**

BS-class	Band category	Frequency range	Maximum Level	Measurement Bandwidth	Note
Wide Area BS	BC1	$F_{UL\_low} - F_{UL\_high}$	-96 dBm	100 kHz	
Wide Area BS	BC2	$F_{UL\_low} - F_{UL\_high}$	-98 dBm	100 kHz	
Medium Range BS	BC1, BC2	$F_{UL\_low} - F_{UL\_high}$	-91 dBm	100 kHz	
Local Area BS	BC1, BC2	$F_{UL\_low} - F_{UL\_high}$	-88 dBm	100 kHz	
Note 1: For E-UTRA Band 28 BS operating in regions where Band 28 is only partially allocated for E-UTRA operations, this requirement only applies in the UL frequency range of the partial allocation.					

### 6.6.1.3 Additional spurious emissions requirements

These requirements may be applied for the protection of system operating in frequency ranges other than the BS downlink operating band. The limits may apply as an optional protection of such systems that are deployed in the same geographical area as the BS, or they may be set by local or regional regulation as a mandatory requirement for an operating band. It is in some cases not stated in the present document whether a requirement is mandatory or under what exact circumstances that a limit applies, since this is set by local or regional regulation. An overview of regional requirements in the present document is given in subclause 4.4.

Some requirements may apply for the protection of specific equipment (UE, MS and/or BS) or equipment operating in specific systems (GSM/EDGE, CDMA, UTRA, E-UTRA, NR, etc.) as listed below.

#### 6.6.1.3.1 Minimum Requirement

The power of any spurious emission shall not exceed the limits of Table 6.6.1.3.1-1 for a BS where requirements for co-existence with the system listed in the first column apply. For BS capable of multi-band operation, the exclusions and conditions in the Note column of Table 6.6.1.3.1-1 apply for each supported operating band. For BS capable of multi-band operation where multiple bands are mapped on separate antenna connectors, the exclusions and conditions in the Note column of Table 6.6.1.3.1-1 apply for the operating band supported at that antenna connector.

**Table 6.6.1.3.1-1: BS Spurious emissions limits for co-existence with systems operating in other frequency bands**

System type to co-exist with	Frequency range for co-existence requirement	Maximum Level	Measurement Bandwidth	Note
GSM900	921 - 960 MHz	-57 dBm	100 kHz	This requirement does not apply to BS operating in band 8.
	876 - 915 MHz	-61 dBm	100 kHz	For the frequency range 880-915 MHz, this requirement does not apply to BS operating in band 8, since it is already covered by the requirement in sub-clause 6.6.1.2.
DCS1800 (Note 3)	1805 - 1880 MHz	-47 dBm	100 kHz	This requirement does not apply to BS operating in band 3.
	1710 - 1785 MHz	-61 dBm	100 kHz	This requirement does not apply to BS operating in band 3, since it is already covered by the requirement in sub-clause 6.6.1.2.
PCS1900	1930 - 1990 MHz	-47 dBm	100 kHz	This requirement does not apply to BS operating in band 2, 25, 36, 70.
	1850 - 1910 MHz	-61 dBm	100 kHz	This requirement does not apply to BS operating in band 2 or 25, since it is already covered by the requirement in sub-clause 6.6.1.2. This requirement does not apply to BS operating in band 35.
GSM850 or CDMA850	869 - 894 MHz	-57 dBm	100 kHz	This requirement does not apply to BS operating in band 5 or 26. This requirement applies to E-UTRA BS operating in Band 27 for the frequency range 879-894 MHz.
	824 - 849 MHz	-61 dBm	100 kHz	This requirement does not apply to BS operating in band 5 or 26, since it is already covered by the requirement in sub-clause 6.6.1.2. For BS operating in Band 27, it applies 3 MHz below the Band 27 downlink operating band.
UTRA FDD Band I or E-UTRA Band 1 or NR Band n1	2110 - 2170 MHz	-52 dBm	1 MHz	This requirement does not apply to BS operating in band 1 or 65,
	1920 - 1980 MHz	-49 dBm	1 MHz	This requirement does not apply to BS operating in band 1 or 65, since it is already covered by the requirement in sub-clause 6.6.1.2.
UTRA FDD Band II or E-UTRA Band 2 or NR Band n2	1930 - 1990 MHz	-52 dBm	1 MHz	This requirement does not apply to BS operating in band 2, 25, 70.
	1850 - 1910 MHz	-49 dBm	1 MHz	This requirement does not apply to BS operating in band 2 or 25, since it is already covered by the requirement in sub-clause 6.6.1.2
UTRA FDD Band III or E-UTRA Band 3 or NR Band n3 (Note 3)	1805 - 1880 MHz	-52 dBm	1 MHz	This requirement does not apply to BS operating in band 3 or 9.
	1710 - 1785 MHz	-49 dBm	1 MHz	This requirement does not apply to BS operating in band 3, since it is already covered by the requirement in sub-clause 6.6.1.2. For BS operating in band 9, it applies for 1710 MHz to 1749.9 MHz and 1784.9 MHz to 1785 MHz, while the rest is covered in sub-clause 6.6.1.2.
UTRA FDD Band IV or E-UTRA Band 4	2110 - 2155 MHz	-52 dBm	1 MHz	This requirement does not apply to BS operating in band 4, 10 or 66
	1710 - 1755 MHz	-49 dBm	1 MHz	This requirement does not apply to BS operating in band 4, 10 or 66, since it is already covered by the requirement in sub-clause 6.6.1.2.
UTRA FDD Band V or E-UTRA Band 5 or NR Band n5	869 - 894 MHz	-52 dBm	1 MHz	This requirement does not apply to BS operating in band 5 or 26. This requirement applies to E-UTRA BS operating in Band 27 for the frequency range 879-894 MHz.
	824 - 849 MHz	-49 dBm	1 MHz	This requirement does not apply to BS operating in band 5 or 26, since it is already covered by the requirement in sub-clause 6.6.1.2. For BS operating in Band 27, it applies 3 MHz below the Band 27 downlink operating band.
UTRA FDD Band VI, XIX or E-UTRA Band 6, 18, 19 or NR Band n18	860 - 890 MHz	-52 dBm	1 MHz	This requirement does not apply to BS operating in band 6, 18, 19
	815 - 830 MHz	-49 dBm	1 MHz	This requirement does not apply to BS operating in band 18 since it is already covered by the requirement in sub-clause 6.6.1.2.

	830 - 845 MHz	-49 dBm	1 MHz	This requirement does not apply to BS operating in band 6, 19, since it is already covered by the requirement in sub-clause 6.6.1.2.
UTRA FDD Band VII or E-UTRA Band 7 or NR Band n7	2620 - 2690 MHz	-52 dBm	1 MHz	This requirement does not apply to BS operating in band 7.
	2500 - 2570 MHz	-49 dBm	1 MHz	This requirement does not apply to BS operating in band 7, since it is already covered by the requirement in sub-clause 6.6.1.2.
UTRA FDD Band VIII or E-UTRA Band 8 or NR Band n8	925 - 960 MHz	-52 dBm	1 MHz	This requirement does not apply to BS operating in band 8.
	880 - 915 MHz	-49 dBm	1 MHz	This requirement does not apply to BS operating in band 8, since it is already covered by the requirement in sub-clause 6.6.1.2.
UTRA FDD Band IX or E-UTRA Band 9	1844.9 - 1879.9 MHz	-52 dBm	1 MHz	This requirement does not apply to BS operating in band 3 or 9.
	1749.9 - 1784.9 MHz	-49 dBm	1 MHz	This requirement does not apply to BS operating in band 3 or 9, since it is already covered by the requirement in sub-clause 6.6.1.2.
UTRA FDD Band X or E-UTRA Band 10	2110 - 2170 MHz	-52 dBm	1 MHz	This requirement does not apply to BS operating in band 4, 10, 66
	1710 - 1770 MHz	-49 dBm	1 MHz	This requirement does not apply to BS operating in band 10, 66, since it is already covered by the requirement in sub-clause 6.6.1.2. For BS operating in Band 4, it applies for 1755 MHz to 1770 MHz, while the rest is covered in sub-clause 6.6.1.2.
UTRA FDD Band XI or XXI or E-UTRA Band 11 or 21	1475.9 - 1510.9 MHz	-52 dBm	1 MHz	This requirement does not apply to BS operating in band 11, 21, 32, 50, 74, 75
	1427.9 - 1447.9 MHz	-49 dBm	1 MHz	This requirement does not apply to BS operating in band 11 or 74, since it is already covered by the requirement in sub-clause 6.6.1.2. This requirement does not apply to BS operating in band 32, 50, 51, 75, 76.
	1447.9 - 1462.9 MHz	-49 dBm	1 MHz	This requirement does not apply to BS operating in band 21 or 74, since it is already covered by the requirement in sub-clause 6.6.1.2. This requirement does not apply to BS operating in band 32, 50, 75 or n75.
UTRA FDD Band XII or E-UTRA Band 12 or NR Band n12	729 - 746 MHz	-52 dBm	1 MHz	This requirement does not apply to BS operating in band 12 or 85.
	699 - 716 MHz	-49 dBm	1 MHz	This requirement does not apply to BS operating in band 12 or 85, since it is already covered by the requirement in sub-clause 6.6.1.2. For BS operating in Band 29, it applies 1 MHz below the Band 29 downlink operating band (Note 7)
UTRA FDD Band XIII or E-UTRA Band 13	746 - 756 MHz	-52 dBm	1 MHz	This requirement does not apply to BS operating in band 13.
	777 - 787 MHz	-49 dBm	1 MHz	This requirement does not apply to BS operating in band 13, since it is already covered by the requirement in sub-clause 6.6.1.2.
UTRA FDD Band XIV or E-UTRA Band 14 or NR Band n14	758 - 768 MHz	-52 dBm	1 MHz	This requirement does not apply to BS operating in band 14.
	788 - 798 MHz	-49 dBm	1 MHz	This requirement does not apply to BS operating in band 14, since it is already covered by the requirement in sub-clause 6.6.1.2.
E-UTRA Band 17	734 - 746 MHz	-52 dBm	1 MHz	This requirement does not apply to BS operating in band 17.
	704 - 716 MHz	-49 dBm	1 MHz	This requirement does not apply to BS operating in band 17, since it is already covered by the requirement in subclause 6.6.1.2. For BS operating in Band 29, it applies 1 MHz below the Band 29 downlink operating band (Note 7)
UTRA FDD Band XX or E-UTRA Band 20 or NR Band n20	791 - 821 MHz	-52 dBm	1 MHz	This requirement does not apply to BS operating in band 20, 28.
	832 - 862 MHz	-49 dBm	1 MHz	This requirement does not apply to BS operating in band 20, since it is already covered by the requirement in subclause 6.6.1.2.
	3510 - 3590 MHz	-52 dBm	1 MHz	This requirement does not apply to BS operating in band 22, 42, 48, 49, 77 or 78.



UTRA FDD Band XXII or E-UTRA Band 22	3410 – 3490 MHz	-49 dBm	1 MHz	This requirement does not apply to BS operating in band 22, since it is already covered by the requirement in subclause 6.6.1.2. This requirement does not apply to Band 42, 77 or 78.
E-UTRA Band 24	1525 – 1559 MHz	-52 dBm	1 MHz	This requirement does not apply to BS operating in band 24.
	1626.5 – 1660.5 MHz	-49 dBm	1 MHz	This requirement does not apply to BS operating in band 24, since it is already covered by the requirement in subclause 6.6.1.2.
UTRA FDD Band XXV or E-UTRA Band 25 or NR Band n25	1930 - 1995 MHz	-52 dBm	1 MHz	This requirement does not apply to BS operating in band 2, 25, 70.
	1850 - 1915 MHz	-49 dBm	1 MHz	This requirement does not apply to BS operating in band 25, since it is already covered by the requirement in sub-clause 6.6.1.2. For BS operating in Band 2, it applies for 1910 MHz to 1915 MHz, while the rest is covered in sub-clause 6.6.1.2.
UTRA FDD Band XXVI or E-UTRA Band 26 or NR Band n26	859 - 894 MHz	-52 dBm	1 MHz	This requirement does not apply to BS operating in band 5 or 26. This requirement applies to E-UTRA BS operating in Band 27 for the frequency range 879-894 MHz.
	814 - 849 MHz	-49 dBm	1 MHz	This requirement does not apply to BS operating in band 26, since it is already covered by the requirement in sub-clause 6.6.1.2. For BS operating in Band 5, it applies for 814 MHz to 824 MHz, while the rest is covered in sub-clause 6.6.1.2. For BS operating in Band 27, it applies 3 MHz below the Band 27 downlink operating band.
E-UTRA Band 27	852 – 869 MHz	-52 dBm	1 MHz	This requirement does not apply to BS operating in bands 5, 26 or 27.
	807 – 824 MHz	-49 dBm	1 MHz	This requirement does not apply to BS operating in band 27, since it is already covered by the requirement in subclause 6.6.1.2. For BS operating in Band 26, it applies for 807 MHz to 814 MHz, while the rest is covered in sub-clause 6.6.1.2. This requirement also applies to BS operating in Band 28, starting 4 MHz above the Band 28 downlink operating band (Note 6).
E-UTRA Band 28 or NR Band n28	758 - 803 MHz	-52 dBm	1 MHz	This requirement does not apply to BS operating in band 20, 28, 44, 67 or 68.
	703 - 748 MHz	-49 dBm	1 MHz	This requirement does not apply to BS operating in band 28, since it is already covered by the requirement in sub-clause 6.6.1.2. This requirement does not apply to BS operating in Band 44. For BS operating in Band 67, it applies for 703-736MHz. For E-UTRA BS operating in Band 68, it applies for 728MHz to 733MHz.
E-UTRA Band 29 or NR Band n29	717 – 728 MHz	-52 dBm	1 MHz	This requirement does not apply to BS operating in Band 29 or 85.
E-UTRA Band 30 or NR Band n30	2350 - 2360 MHz	-52 dBm	1 MHz	This requirement does not apply to BS operating in band 30 or 40.
	2305 - 2315 MHz	-49 dBm	1 MHz	This requirement does not apply to BS operating in band 30, since it is already covered by the requirement in sub-clause 6.6.1.2. This requirement does not apply to BS operating in Band 40.
E-UTRA Band 31	462.5 – 467.5 MHz	-52 dBm	1 MHz	This requirement does not apply to BS operating in band 31, 72 or 73.
	452.5 – 457.5 MHz	-49 dBm	1 MHz	This requirement does not apply to BS operating in band 31, since it is already covered by the requirement in sub-clause 6.6.1.2. This requirement does not apply to BS operating in band 72 or 73.
UTRA FDD Band XXXII or E-UTRA Band 32	1452 - 1496 MHz	-52 dBm	1 MHz	This requirement does not apply to BS operating in band 11, 21, 32, 50, 74, 75.
UTRA TDD Band a) or E-UTRA Band 33	1900 - 1920 MHz	-52 dBm	1 MHz	This requirement does not apply to BS operating in Band 33

UTRA TDD Band a) or E-UTRA Band 34 or NR Band n34	2010 - 2025 MHz	-52 dBm	1 MHz	This requirement does not apply to BS operating in Band 34
UTRA TDD Band b) or E-UTRA Band 35	1850 – 1910 MHz	-52 dBm	1 MHz	This requirement does not apply to BS operating in Band 35
UTRA TDD Band b) or E-UTRA Band 36	1930 - 1990 MHz	-52 dBm	1 MHz	This requirement does not apply to BS operating in Band 2, 25 or 36
UTRA TDD Band c) or E-UTRA Band 37	1910 - 1930 MHz	-52 dBm	1 MHz	This is not applicable to BS operating in Band 37. This unpaired band is defined in ITU-R M.1036, but is pending any future deployment.
UTRA TDD Band d) or E-UTRA Band 38 or NR Band n38	2570 – 2620 MHz	-52 dBm	1 MHz	This requirement does not apply to BS operating in Band 38 or 69.
UTRA TDD Band f) or E-UTRA Band 39 or NR Band n39	1880 – 1920MHz	-52 dBm	1 MHz	This is not applicable to BS operating in Band 39
UTRA TDD Band e) or E-UTRA Band 40 or NR Band n40	2300 – 2400MHz	-52 dBm	1 MHz	This is not applicable to BS operating in Band 30 or 40
E-UTRA Band 41 or NR Band n41	2496 – 2690MHz	-52 dBm	1 MHz	This is not applicable to BS operating in Band 41 or 53
E-UTRA Band 42	3400 – 3600 MHz	-52 dBm	1 MHz	This is not applicable to BS operating in Band 22, 42, 43, 48, 49, 52, 77 or 78
E-UTRA Band 43	3600 – 3800 MHz	-52 dBm	1 MHz	This is not applicable to BS operating in Band 42, 43, 48, 49, 77 or 78
E-UTRA Band 44	703 - 803 MHz	-52 dBm	1 MHz	This is not applicable to BS operating in Band 28 or 44
E-UTRA Band 45	1447 - 1467 MHz	-52 dBm	1 MHz	This is not applicable to BS operating in Band 45
E-UTRA Band 46 or NR Band n46	5150 - 5925 MHz	-52 dBm	1 MHz	This is not applicable to BS operating in Band 46
E-UTRA Band 47	5855 - 5925 MHz	-52 dBm	1 MHz	
E-UTRA Band 48 or NR Band n48	3550 - 3700 MHz	-52 dBm	1 MHz	This is not applicable to BS operating in Band 22, 42, 43, 48, 49, 77 or 78.
E-UTRA Band 49	3550 - 3700 MHz	-52 dBm	1 MHz	This is not applicable to BS operating in Band 22, 42, 43, 48, 49, 77 or 78.
E-UTRA Band 50 or NR Band n50	1432 - 1517 MHz	-52 dBm	1 MHz	This requirement does not apply to BS operating in Band 11, 21, 32, 45, 50, 51, 74, 75, 76.
E-UTRA Band 51 or NR Band n51	1427 - 1432 MHz	-52 dBm	1 MHz	This requirement does not apply to BS operating in Band 50, 51, 75, 76.
E-UTRA Band 52	3300 – 3400 MHz	-52 dBm	1 MHz	This is not applicable to BS operating in Band 42 or 52
E-UTRA Band 53 or NR Band n53	2483.5 - 2495 MHz	-52 dBm	1 MHz	This is not applicable to BS operating in Band 41 or 53.
E-UTRA Band 65 or NR Band n65	2110 - 2200 MHz	-52 dBm	1 MHz	This requirement does not apply to BS operating in band 1 or 65,
	1920 - 2010 MHz	-49 dBm	1 MHz	This requirement does not apply to BS operating in band 65, since it is already covered by the requirement in sub-clause 6.6.1.2. For BS operating in Band 1, it applies for 1980 MHz to 2010 MHz, while the rest is covered in sub-clause 6.6.1.2.
	2110 - 2200 MHz	-52 dBm	1 MHz	This requirement does not apply to BS operating in band 4, 10, 23, 66.

E-UTRA Band 66 or NR Band n66	1710 - 1780 MHz	-49 dBm	1 MHz	This requirement does not apply to BS operating in band 66, since it is already covered by the requirement in sub-clause 6.6.1.2. For BS operating in Band 4, it applies for 1755 MHz to 1780 MHz, while the rest is covered in sub-clause 6.6.1.2. For BS operating in Band 10, it applies for 1770 MHz to 1780 MHz, while the rest is covered in sub-clause 6.6.1.2.
E-UTRA Band 67	738 – 758 MHz	-52 dBm	1 MHz	This requirement does not apply to BS operating in band 28 or 67.
E-UTRA Band 68	753 -783 MHz	-52 dBm	1 MHz	This requirement does not apply to BS operating in band 28, or 68.
	698-728 MHz	-49 dBm	1 MHz	This requirement does not apply to BS operating in band 68, since it is already covered by the requirement in sub-clause 6.6.1.2. For BS operating in Band 28, it applies between 698 MHz and 703 MHz, while the rest is covered in sub-clause 6.6.1.2.
E-UTRA Band 69	2570 - 2620 MHz	-52 dBm	1 MHz	This requirement does not apply to BS operating in Band 38 or 69.
E-UTRA Band 70 or NR Band n70	1995 - 2020 MHz	-52 dBm	1 MHz	This requirement does not apply to BS operating in band 2, 25, 70
	1695 – 1710 MHz	-49 dBm	1 MHz	This requirement does not apply to BS operating in band 70, since it is already covered by the requirement in sub-clause 6.6.1.2
E-UTRA Band 71 or NR Band n71	617 – 652 MHz	-52 dBm	1 MHz	This requirement does not apply to BS operating in band 71
	663 – 698 MHz	-49 dBm	1 MHz	This requirement does not apply to BS operating in band 71, since it is already covered by the requirement in sub-clause 6.6.1.2
E-UTRA Band 72	461 - 466 MHz	-52 dBm	1 MHz	This requirement does not apply to BS operating in band 31, 72 or 73.
	451 - 456 MHz	-49 dBm	1 MHz	This requirement does not apply to BS operating in band 72, since it is already covered by the requirement in sub-clause 6.6.1.2. This requirement does not apply to BS operating in band 73.
E-UTRA Band 73	460 - 465 MHz	-52 dBm	1 MHz	This requirement does not apply to BS operating in band 31, 72 or 73.
	450 - 455 MHz	-49 dBm	1 MHz	This requirement does not apply to BS operating in band 73, since it is already covered by the requirement in sub-clause 6.6.1.2.
E-UTRA Band 74 or NR band n74	1475 – 1518 MHz	-52 dBm	1 MHz	This requirement does not apply to BS operating in band 11, 21, 32, 50, 74, 75.
	1427 – 1470 MHz	-49 dBm	1MHz	This requirement does not apply to BS operating in Band 74 or n74, since it is already covered by the requirement in sub-clause 6.6.1.2. This requirement does not apply to BS operating in band 32, 45, 50, 51, 75, 76.
E-UTRA Band 75 or NR Band n75	1432 - 1517 MHz	-52 dBm	1 MHz	This requirement does not apply to BS operating in Band 11, 21, 32, 45, 50, 51, 74, 75, 76.
E-UTRA Band 76 or NR Band n76	1427 - 1432 MHz	-52 dBm	1 MHz	This requirement does not apply to BS operating in Band 50, 51, 75, 76.
NR Band n77	3300 – 4200 MHz	-52 dBm	1 MHz	This is not applicable to BS operating in Band 22, 42, 43, 48, 49, 52, 77 or 78
NR Band n78	3300 – 3800 MHz	-52 dBm	1 MHz	This is not applicable to BS operating in Band 22, 42, 43, 48, 49, 52, 77 or 78
NR Band n79	4400 – 5000 MHz	-52 dBm	1 MHz	
NR Band n80	1710 - 1785 MHz	-49 dBm	1 MHz	This requirement does not apply to BS operating in band 3, since it is already covered by the requirement in sub-clause 6.6.1.2. For BS operating in band 9, it applies for 1710 MHz to 1749.9 MHz and 1784.9 MHz to 1785 MHz, while the rest is covered in sub-clause 6.6.1.2.
NR Band n81	880 - 915 MHz	-49 dBm	1 MHz	This requirement does not apply to BS operating in band 8, since it is already covered by the requirement in sub-clause 6.6.1.2.

NR Band n82	832 - 862 MHz	-49 dBm	1 MHz	This requirement does not apply to BS operating in band 20, since it is already covered by the requirement in subclause 6.6.1.2.
NR Band n83	703 - 748 MHz	-49 dBm	1 MHz	This requirement does not apply to BS operating in band 28, since it is already covered by the requirement in sub-clause 6.6.1.2. This requirement does not apply to BS operating in Band 44. For BS operating in Band 67, it applies for 703-736MHz. For E-UTRA BS operating in Band 68, it applies for 728MHz to 733MHz.
NR Band n84	1920 - 1980 MHz	-49 dBm	1 MHz	This requirement does not apply to BS operating in band 1 or 65, since it is already covered by the requirement in sub-clause 6.6.1.2.
E-UTRA Band 85	728 - 746 MHz	-52 dBm	1 MHz	This requirement does not apply to BS operating in band 12, 29 or 85.
	698 - 716 MHz	-49 dBm	1 MHz	This requirement does not apply to BS operating in band 85, since it is already covered by the requirement in sub-clause 6.6.1.2. For BS operating in Band 29, it applies 1 MHz below the Band 29 downlink operating band (Note 7).
NR Band n86	1710 - 1780 MHz	-49 dBm	1 MHz	This requirement does not apply to BS operating in band 66, since it is already covered by the requirement in sub-clause 6.6.1.2. For BS operating in Band 4, it applies for 1755 MHz to 1780 MHz, while the rest is covered in sub-clause 6.6.1.2. For BS operating in Band 10, it applies for 1770 MHz to 1780 MHz, while the rest is covered in sub-clause 6.6.1.2.
E-UTRA Band 87	<u>420 - 425 MHz</u>	-52 dBm	1 MHz	This requirement does not apply to E-UTRA BS operating in band 87 or 88.
	<u>410 - 415 MHz</u>	-49 dBm	1 MHz	This requirement does not apply to E-UTRA BS operating in band 87, since it is already covered by the requirement in sub-clause 6.6.1.2
E-UTRA Band 88	422 - 427 MHz	-52 dBm	1 MHz	This requirement does not apply to E-UTRA BS operating in band 87 or 88.
	412 - 417 MHz	-49 dBm	1 MHz	This requirement does not apply to E-UTRA BS operating in band 88, since it is already covered by the requirement in sub-clause 6.6.1.2. This requirement does not apply to E-UTRA BS operating in band 87.
NR Band n89	824 - 849 MHz	-49 dBm	1 MHz	This requirement does not apply to BS operating in band 5 or 26, since it is already covered by the requirement in sub-clause 6.6.1.2. For BS operating in Band 27, it applies 3 MHz below the Band 27 downlink operating band.
NR Band n91	1427 - 1432 MHz	-52 dBm	1 MHz	This requirement does not apply to E-UTRA BS operating in Band 50, 51, 75, 76.
	832 - 862 MHz	-49 dBm	1 MHz	This requirement does not apply to E-UTRA BS operating in band 20, since it is already covered by the requirement in subclause 6.6.1.2.
NR Band n92	1432 - 1517 MHz	-52 dBm	1 MHz	This requirement does not apply to E-UTRA BS operating in Band 11, 21, 32, 45, 50, 51, 74, 75, 76.
	832 - 862 MHz	-49 dBm	1 MHz	This requirement does not apply to E-UTRA BS operating in band 20, since it is already covered by the requirement in subclause 6.6.1.2.
NR Band n93	1427 - 1432 MHz	-52 dBm	1 MHz	This requirement does not apply to E-UTRA BS operating in Band 50, 51, 75, 76.
	880 - 915 MHz	-49 dBm	1 MHz	This requirement does not apply to E-UTRA BS operating in band 8, since it is already covered by the requirement in sub-clause 6.6.1.2.
NR Band n94	1432 - 1517 MHz	-52 dBm	1 MHz	This requirement does not apply to E-UTRA BS operating in Band 11, 21, 32, 45, 50, 51, 74, 75, 76.
	880 - 915 MHz	-49 dBm	1 MHz	This requirement does not apply to E-UTRA BS operating in band 8, since it is already covered by the requirement in sub-clause 6.6.1.2.
NR Band n95	2010 - 2025 MHz	-52 dBm	1 MHz	
NR Band n96	5925 - 7125 MHz	-52 dBm	1 MHz	This is not applicable to BS operating in Band 46
NOTE 5: Void				

NOTE 1: As defined in the scope for spurious emissions in this subclause, except for the cases where the noted requirements apply to a BS operating in Band 25, Band 27, Band 28 or Band 29, the co-existence requirements in Table 6.6.1.3.1-1 do not apply for the 10 MHz frequency range immediately outside the downlink operating band (see Tables 4.5-1 and 4.5-2). Emission limits for this excluded frequency range may be covered by local or regional requirements.

NOTE 2: Table 6.6.1.3.1-1 assumes that two operating bands, where the frequency ranges in Table 4.5-1 or Table 4.5-2 would be overlapping, are not deployed in the same geographical area. For such a case of operation with overlapping frequency arrangements in the same geographical area, special co-existence requirements may apply that are not covered by the 3GPP specifications.

NOTE 3: For the protection of DCS1800, UTRA Band III, E-UTRA Band 3 or NR Band n3 in China, the frequency ranges of the downlink and uplink protection requirements are 1805 – 1850 MHz and 1710 – 1755 MHz respectively.

NOTE 4: TDD base stations deployed in the same geographical area, that are synchronized and use the same or adjacent operating bands can transmit without additional co-existence requirements. For unsynchronized base stations (except in Band 46), special co-existence requirements may apply that are not covered by the 3GPP specifications.

NOTE 6: For Band 28 BS, specific solutions may be required to fulfil the spurious emissions limits for BS for co-existence with Band 27 UL operating band.

NOTE 7: For Band 29 BS, specific solutions may be required to fulfil the spurious emissions limits for BS for co-existence with UTRA Band XII or E-UTRA Band 12 or NR Band n12 UL operating band or E-UTRA Band 17 UL operating band or E-UTRA Band 85 UL operating band.

The following requirement may be applied for the protection of PHS. This requirement is also applicable at specified frequencies falling between  $\Delta f_{\text{OBUE}}$  below the lowest BS transmitter frequency of the downlink operating band and  $\Delta f_{\text{OBUE}}$  above the highest BS transmitter frequency of the downlink operating band.

The power of any spurious emission shall not exceed:

**Table 6.6.1.3.1-2: BS Spurious emissions limits for BS for co-existence with PHS**

Frequency range	Maximum Level	Measurement Bandwidth	Note
1884.5 - 1915.7 MHz	-41 dBm	300 kHz	Applicable for co-existence with PHS system operating in 1884.5-1915.7 MHz
NOTE: The requirement is not applicable in China.			

The following requirement may apply to BS operating in Band 41 in certain regions. This requirement is also applicable at the frequency range from  $\Delta f_{\text{OBUE}}$  below the lowest frequency of the BS downlink operating band up to  $\Delta f_{\text{OBUE}}$  above the highest frequency of the BS downlink operating band.

For Band 41 NR operation in Japan, the operating band unwanted emissions limits shall be applied to the sum of the emission power over all *antenna connectors*.

The power of any spurious emission shall not exceed:

**Table 6.6.1.3.1-3: Additional BS Spurious emissions limits for BS operating in Band 41**

Frequency range	Maximum Level	Measurement Bandwidth	Note
2505MHz – 2535MHz	-42dBm	1 MHz	
NOTE: This requirement applies for carriers allocated within 2545-2645 MHz.			

The following requirement may apply to BS operating in Band 30 in certain regions. This requirement is also applicable at the frequency range from 10 MHz below the lowest frequency of the BS downlink operating band up to 10 MHz above the highest frequency of the BS downlink operating band.

The power of any spurious emission shall not exceed:

**Table 6.6.1.3.1-4: Additional BS Spurious emissions limits for Band 30**

Frequency range	Maximum Level	Measurement Bandwidth	Note
2200MHz – 2345MHz	-45dBm	1 MHz	
2362.5MHz – 2365MHz	-25dBm	1 MHz	
2365MHz – 2367.5MHz	-40dBm	1 MHz	
2367.5MHz – 2370MHz	-42dBm	1 MHz	
2370MHz – 2395MHz	-45dBm	1 MHz	

The following requirement may apply to BS operating in Band 48 in certain regions. The power of any spurious emission shall not exceed:

**Table 6.6.1.3.1-5: Additional BS Spurious emissions limits for Band 48**

Frequency range	Maximum Level	Measurement Bandwidth	Note
3530MHz – 3720MHz	-25dBm	1 MHz	Applicable 10MHz from the assigned channel edge
3100MHz – 3530MHz 3720MHz – 4200MHz	-40dBm	1 MHz	

In addition to the requirements in subclauses 6.6.1.1, 6.6.1.2 and above in the present subclause, the BS may have to comply with the applicable emission limits established by FCC Title 47 [8], when deployed in regions where those limits are applied, and under the conditions declared by the manufacturer.

#### 6.6.1.4 Co-location with other base stations

These requirements may be applied for the protection of other BS receivers when GSM900, DCS1800, PCS1900, GSM850, CDMA850, UTRA FDD, UTRA TDD, E-UTRA, NB-IoT and/or NR BS are co-located with a BS.

The requirements assume a 30 dB coupling loss between transmitter and receiver and are based on co-location with base stations of the same class.

NOTE: For co-location with UTRA, the requirements are based on co-location with UTRA FDD or TDD base stations.

##### 6.6.1.4.1 Minimum Requirement

The power of any spurious emission shall not exceed the limits of Table 6.6.1.4.1-1 for a BS where requirements for co-location with a BS type listed in the first column apply, depending on the declared Base Station class. For BS capable of multi-band operation, the exclusions and conditions in the Note column of Table 6.6.1.4.1-1 apply for each supported operating band. For BS capable of multi-band operation where multiple bands are mapped on separate antenna connectors, the exclusions and conditions in the Note column of Table 6.6.1.4.1-1 apply for the operating band supported at that antenna connector.

**Table 6.6.1.4.1-1: BS Spurious emissions limits for BS co-located with another BS**

Type of co-located BS	Frequency range for co-location requirement	Maximum Level (WA-BS)	Maximum Level (MR-BS)	Maximum Level (LA-BS)	Measurement Bandwidth	Note
GSM900	876-915 MHz	-98 dBm	-91 dBm	-88 dBm	100 kHz	
DCS1800	1710 - 1785 MHz	-98 dBm	-91 dBm	-88 dBm	100 kHz	
PCS1900	1850 - 1910 MHz	-98 dBm	-91 dBm	-88 dBm	100 kHz	
GSM850 or CDMA850	824 - 849 MHz	-98 dBm	-91 dBm	-88 dBm	100 kHz	
UTRA FDD Band I or E-UTRA Band 1 or NR Band n1	1920 - 1980 MHz	-96 dBm	-91 dBm	-88 dBm	100 kHz	
UTRA FDD Band II or E-UTRA Band 2 or NR Band n2	1850 - 1910 MHz	-96 dBm	-91 dBm	-88 dBm	100 kHz	
UTRA FDD Band III or E-UTRA Band 3 or NR Band n3	1710 - 1785 MHz	-96 dBm	-91 dBm	-88 dBm	100 kHz	
UTRA FDD Band IV or E-UTRA Band 4	1710 - 1755 MHz	-96 dBm	-91 dBm	-88 dBm	100 kHz	
UTRA FDD Band V or E-UTRA Band 5 or NR Band n5	824 - 849 MHz	-96 dBm	-91 dBm	-88 dBm	100 kHz	
UTRA FDD Band VI, XIX or E-UTRA Band 6, 19	830 - 845 MHz	-96 dBm	-91 dBm	-88 dBm	100 kHz	
UTRA FDD Band VII or E-UTRA Band 7 or NR Band n7	2500 - 2570 MHz	-96 dBm	-91 dBm	-88 dBm	100 kHz	
UTRA FDD Band VIII or E-UTRA Band 8 or NR Band n8	880 - 915 MHz	-96 dBm	-91 dBm	-88 dBm	100 kHz	
UTRA FDD Band IX or E-UTRA Band 9	1749.9 - 1784.9 MHz	-96 dBm	-91 dBm	-88 dBm	100 kHz	
UTRA FDD Band X or E-UTRA Band 10	1710 - 1770 MHz	-96 dBm	-91 dBm	-88 dBm	100 kHz	
UTRA FDD Band XI or E-UTRA Band 11	1427.9 - 1447.9 MHz	-96 dBm	-91 dBm	-88 dBm	100 kHz	This is not applicable to BS operating in Band 50, 51, 75, 76
UTRA FDD Band XII or E-UTRA Band 12 or NR Band n12	699 - 716 MHz	-96 dBm	-91 dBm	-88 dBm	100 kHz	
UTRA FDD Band XIII or E-UTRA Band 13	777 - 787 MHz	-96 dBm	-91 dBm	-88 dBm	100 kHz	
UTRA FDD Band XIV or E-UTRA Band 14 or NR Band n14	788 - 798 MHz	-96 dBm	-91 dBm	-88 dBm	100 kHz	
E-UTRA Band 17	704 - 716 MHz	-96 dBm	-91 dBm	-88 dBm	100 kHz	



E-UTRA Band 18 or NR Band n18	815 - 830 MHz	-96 dBm	-91 dBm	-88 dBm	100 kHz	
UTRA FDD Band XX or E-UTRA Band 20 or NR Band n20	832 - 862 MHz	-96 dBm	-91 dBm	-88 dBm	100 kHz	
UTRA FDD Band XXI or E-UTRA Band 21	1447.9 – 1462.9 MHz	-96 dBm	-91 dBm	-88 dBm	100 kHz	This is not applicable to BS operating in Band 32, 50, 75
UTRA FDD Band XXII or E-UTRA Band 22	3410 – 3490 MHz	-96 dBm	-91 dBm	-88 dBm	100 kHz	This is not applicable to BS operating in Band 42, 77 or 78
E-UTRA Band 24	1626.5 – 1660.5 MHz	-96 dBm	-91 dBm	-88 dBm	100 kHz	
UTRA FDD Band XXV or E-UTRA Band 25 or NR Band n25	1850 - 1915 MHz	-96 dBm	-91 dBm	-88 dBm	100 kHz	
UTRA FDD Band XXVI or E-UTRA Band 26 or NR Band n26	814 - 849 MHz	-96 dBm	-91 dBm	-88 dBm	100 kHz	
E-UTRA Band 27	807 - 824 MHz	-96 dBm	-91 dBm	-88 dBm	100 kHz	
E-UTRA Band 28 or NR Band n28	703 – 748 MHz	-96 dBm	-91 dBm	-88 dBm	100 kHz	This is not applicable to BS operating in Band 44
E-UTRA Band 30 or NR Band n30	2305 - 2315 MHz	-96 dBm	-91 dBm	-88 dBm	100 kHz	This is not applicable to BS operating in Band 40
E-UTRA Band 31	452.5 – 457.5 MHz	-96 dBm	-91 dBm	-88 dBm	100 kHz	
UTRA TDD Band a) or E-UTRA Band 33	1900 - 1920 MHz	-96 dBm	-91 dBm	-88 dBm	100 kHz	This is not applicable to BS operating in Band 33
UTRA TDD Band a) or E-UTRA Band 34 or NR Band n34	2010 - 2025 MHz	-96 dBm	-91 dBm	-88 dBm	100 kHz	This is not applicable to BS operating in Band 34
UTRA TDD Band b) or E-UTRA Band 35	1850 – 1910 MHz	-96 dBm	-91 dBm	-88 dBm	100 kHz	This is not applicable to BS operating in Band 35
UTRA TDD Band b) or E-UTRA Band 36	1930 - 1990 MHz	-96 dBm	-91 dBm	-88 dBm	100 kHz	This is not applicable to BS operating in Band 2, n2 and 36
UTRA TDD Band c) or E-UTRA Band 37	1910 - 1930 MHz	-96 dBm	-91 dBm	-88 dBm	100 kHz	This is not applicable to BS operating in Band 37. This unpaired band is defined in ITU-R M.1036, but is pending any future deployment.

UTRA TDD Band d) or E-UTRA Band 38 or NR Band n38	2570 – 2620 MHz	-96 dBm	-91 dBm	-88 dBm	100 kHz	This is not applicable to BS operating in Band 38.
UTRA TDD Band f) or E-UTRA Band 39 or NR Band n39	1880 – 1920MHz	-96 dBm	-91 dBm	-88 dBm	100 kHz	This is not applicable to BS operating in Band 33 and 39
UTRA TDD Band e) or E-UTRA Band 40 or NR Band n40	2300 – 2400MHz	-96 dBm	-91 dBm	-88 dBm	100 kHz	This is not applicable to BS operating in Band 30 or 40
E-UTRA Band 41 or NR Band n41	2496 – 2690MHz	-96 dBm	-91 dBm	-88 dBm	100 kHz	This is not applicable to BS operating in Band 41 or 53
E-UTRA Band 42	3400 – 3600 MHz	-96 dBm	-91 dBm	-88 dBm	100 kHz	This is not applicable to BS operating in Band 22, 42, 43, 48, 49, 52, 77 or 78
E-UTRA Band 43	3600 – 3800 MHz	-96 dBm	-91 dBm	-88 dBm	100 kHz	This is not applicable to BS operating in Band 42, 43, 48, 49, 77 or 78
E-UTRA Band 44	703 – 803 MHz	-96 dBm	-91 dBm	-88 dBm	100 kHz	This is not applicable to BS operating in Band 28 or 44
E-UTRA Band 45	1447 – 1467 MHz	-96 dBm	-91 dBm	-88 dBm	100 kHz	This is not applicable to BS operating in Band 45
E-UTRA Band 46 or NR Band n46	5150 – 5925 MHz	N/A	-91 dBm	-88 dBm	100 kHz	This is not applicable to BS operating in Band 46
E-UTRA Band 48 or NR Band n48	3550 – 3700 MHz	-96 dBm	-91 dBm	-88 dBm	100 kHz	This is not applicable to BS operating in Band 42, 43, 48, 49, 77 or 78
E-UTRA Band 49	3550 – 3700 MHz	N/A	N/A	-88 dBm	100 kHz	This is not applicable to BS operating in Band 42, 43, 48, 49, 77 or 78
E-UTRA Band 50 or NR Band n50	1432 – 1517 MHz	-96 dBm	-91 dBm	-88 dBm	100 kHz	This is not applicable to BS operating in Band 11, 21, 32, 51, n51, 74, 75, 76
E-UTRA Band 51 or NR Band n51	1427 – 1432 MHz	N/A	N/A	-88 dBm	100 kHz	This is not applicable to BS operating in Band 50, 75, 76
E-UTRA Band 52	3300 – 3400 MHz	-96 dBm	-91 dBm	-88 dBm	100 kHz	This is not applicable to BS operating in Band 42 or 52
E-UTRA Band 53 or NR Band n53	2483.5 – 2495 MHz	N/A	-91 dBm	-88 dBm	100 kHz	This is not applicable to BS operating in Band 41 or 53

E-UTRA Band 65 or NR Band n65	1920 - 2010 MHz	-96 dBm	-91 dBm	-88 dBm	100 kHz	
E-UTRA Band 66 or NR Band n66	1710 – 1780 MHz	-96 dBm	-91 dBm	-88 dBm	100 kHz	
E-UTRA Band 68	698 – 728 MHz	-96 dBm	-91 dBm	-88 dBm	100 kHz	
E-UTRA Band 70 or NR Band n70	1695 – 1710 MHz	-96 dBm	-91 dBm	-88 dBm	100 kHz	
E-UTRA Band 71 or NR Band n71	663 – 698 MHz	-96 dBm	-91 dBm	-88 dBm	100 kHz	
E-UTRA Band 72	451 – 456 MHz	-96 dBm	-91 dBm	-88 dBm	100 kHz	
E-UTRA Band 73	450 – 455 MHz	-96 dBm	-91 dBm	-88 dBm	100 kHz	
E-UTRA Band 74 or NR band n74	1427 – 1470 MHz	-96 dBm	-91 dBm	-88 dBm	100 kHz	This is not applicable to BS operating in Band 50, 51
NR Band n77	3300 – 4200 MHz	-96 dBm	-91 dBm	-88 dBm	100 kHz	This is not applicable to BS operating in Band 22, 42 43, 48, 49, 52, 77 or 78
NR Band n78	3300 – 3800 MHz	-96 dBm	-91 dBm	-88 dBm	100 kHz	This is not applicable to BS operating in Band 22, 42, 43, 48, 49, 52, 77 or 78
NR Band n79	4400 – 5000 MHz	-96 dBm	-91 dBm	-88 dBm	100 kHz	
NR Band n80	1710 – 1785 MHz	-96 dBm	-91 dBm	-88 dBm	100 kHz	
NR Band n81	880 – 915 MHz	-96 dBm	-91 dBm	-88 dBm	100 kHz	
NR Band n82	832 – 862 MHz	-96 dBm	-91 dBm	-88 dBm	100 kHz	
NR Band n83	703 – 748 MHz	-96 dBm	-91 dBm	-88 dBm	100 kHz	This is not applicable to BS operating in Band 44
NR Band n84	1920 – 1980 MHz	-96 dBm	-91 dBm	-88 dBm	100 kHz	
E-UTRA Band 85	698 - 716 MHz	-96 dBm	-91 dBm	-88 dBm	100 kHz	
NR Band n86	1710 – 1780 MHz	-96 dBm	-91 dBm	-88 dBm	100 kHz	
E-UTRA Band 87	410 - 415 MHz	-96 dBm	-91 dBm	-88 dBm	100 kHz	
E-UTRA Band 88	412 - 417 MHz	-96 dBm	-91 dBm	-88 dBm	100 kHz	
NR Band n89	824 - 849 MHz	-96 dBm	-91 dBm	-88 dBm	100 kHz	
NR Band n91	832 – 862 MHz	N/A	N/A	-88 dBm	100 kHz	
NR Band n92	832 – 862 MHz	-96 dBm	-91 dBm	-88 dBm	100 kHz	
NR Band n93	880 – 915 MHz	N/A	N/A	-88 dBm	100 kHz	
NR Band n94	880 – 915 MHz	-96 dBm	-91 dBm	-88 dBm	100 kHz	
NR Band n95	2010 - 2025 MHz	-96 dBm	-91 dBm	-88 dBm	100 kHz	
NR Band n96	5925 - 7125 MHz	N/A	-90dBm	-87 dBm	100 kHz	

NOTE 1: As defined in the scope for spurious emissions in this subclause, the co-location requirements in Table 6.6.1.4.1-1 do not apply for the  $\Delta f_{\text{OBUE}}$  frequency range immediately outside the BS transmit frequency range of a downlink operating band (see Tables 4.5-1 and 4.5-2). The current state-of-the-art technology does not allow a single generic solution for co-location with other system on adjacent frequencies for 30 dB BS-BS minimum coupling loss. However, there are certain site-engineering solutions that can be used. These techniques are addressed in TR 25.942 [7].

NOTE 2: Table 6.6.1.4.1-1 assumes that two operating bands, where the corresponding BS transmit and receive frequency ranges in Table 4.5-1 or Table 4.5-2 would be overlapping, are not deployed in the same geographical area. For such a case of operation with overlapping frequency arrangements in the same geographical area, special co-location requirements may apply that are not covered by the 3GPP specifications.

NOTE 3: Co-located TDD base stations that are synchronized and using the same or adjacent operating band can transmit without special co-locations requirements. For unsynchronized base stations, special co-location requirements may apply that are not covered by the 3GPP specifications.

## 6.6.2 Operating band unwanted emissions

Unless otherwise stated, the Operating band unwanted emission limits are defined from  $\Delta f_{\text{OBUE}}$  below the lowest frequency of each supported downlink operating band to the lower Base Station RF Bandwidth edge located at  $F_{\text{BW RF,low}}$  and from the upper Base Station RF Bandwidth edge located at  $F_{\text{BW RF,high}}$  up to  $\Delta f_{\text{OBUE}}$  above the highest frequency of each supported downlink operating band. The values of  $\Delta f_{\text{OBUE}}$  are defined in table 6.6-1. The requirements shall apply whatever the type of transmitter considered and for all transmission modes foreseen by the manufacturer's specification, except for any operating band with GSM/EDGE single RAT operation. The requirements in TS 45.005 [5] as defined in subclause 6.6.2.3 apply to an MSR Base Station for any operating band with GSM/EDGE single RAT operation in Band Category 2.

For BS capable of multi-band operation where multiple bands are mapped on separate antenna connectors, the single-band requirements apply and the cumulative evaluation of the emission limit in the Inter-RF Bandwidth gap are not applicable.

### 6.6.2.1 General minimum requirement for Band Categories 1 and 3

For a Wide Area BS operating in Band Category 1 or Band Category 3 the requirement applies outside the Base Station RF Bandwidth edges. In addition, for a Wide Area BS operating in non-contiguous spectrum, it applies inside any sub-block gap. In addition, for a Wide Area BS operating in multiple bands, the requirements apply inside any Inter RF Bandwidth gap.

For a Medium Range BS operating in Band Category 1 the requirement applies outside the Base Station RF Bandwidth edges. In addition, for a Medium Range BS operating in non-contiguous spectrum, it applies inside any sub-block gap. In addition, for a Medium Range BS operating in multiple bands, the requirements apply inside any Inter RF Bandwidth gap.

For a Local Area BS operating in Band Category 1 the requirement applies outside the Base Station RF Bandwidth edges. In addition, for a Local Area BS operating in non-contiguous spectrum, it applies inside any sub-block gap. In addition, for a Local Area BS operating in multiple bands, the requirements apply inside any Inter RF Bandwidth gap.

Outside the Base Station RF Bandwidth edges, emissions shall not exceed the maximum levels specified in Tables 6.6.2.1-1 to 6.6.2.1-4 below, where:

- $\Delta f$  is the separation between the Base Station RF Bandwidth edge frequency and the nominal -3 dB point of the measuring filter closest to the carrier frequency.
- $f_{\text{offset}}$  is the separation between the Base Station RF Bandwidth edge frequency and the centre of the measuring filter.
- $f_{\text{offset}_{\text{max}}}$  is the offset to the frequency  $\Delta f_{\text{OBUE}}$  outside the downlink operating band.
- $\Delta f_{\text{max}}$  is equal to  $f_{\text{offset}_{\text{max}}}$  minus half of the bandwidth of the measuring filter.

For a BS operating in multiple bands, inside any Inter RF Bandwidth gaps with  $W_{\text{gap}} < 2 * \Delta f_{\text{OBUE}}$ , emissions shall not exceed the cumulative sum of the minimum requirements specified at the Base Station RF Bandwidth edges on each side of the Inter-RF Bandwidth gap. The minimum requirement for Base Station RF Bandwidth edge is specified in Table 6.6.2.1-1 to 6.6.2.1-4 below, where in this case:

- $\Delta f$  is the separation between the Base Station RF Bandwidth edge frequency and the nominal -3 dB point of the measuring filter closest to the carrier frequency.

- $f_{\text{offset}}$  is the separation between the Base Station RF Bandwidth edge frequency and the centre of the measuring filter.
- $f_{\text{offset}_{\text{max}}}$  is equal to the inter Base Station RF Bandwidth gap minus half of the bandwidth of the measuring filter.
- $\Delta f_{\text{max}}$  is equal to  $f_{\text{offset}_{\text{max}}}$  minus half of the bandwidth of the measuring filter.

For BS capable of multi-band operation where multiple bands are mapped on the same antenna connector, the operating band unwanted emission limits apply also in a supported operating band without any carriers transmitted, in the case where there are carriers transmitted in other operating band(s). In this case where there is no carrier transmitted in an operating band, the operating band unwanted emission limit, as defined in the tables of the present subclause for the largest frequency offset ( $\Delta f_{\text{max}}$ ), of a band where there is no carrier transmitted shall apply from  $\Delta f_{\text{OBUE}}$  below the lowest frequency, up to  $\Delta f_{\text{OBUE}}$  above the highest frequency of the supported downlink operating band without any carrier transmitted. And no cumulative limits are applied in the inter-band gap between a supported downlink band with carrier(s) transmitted and a supported downlink band without any carrier transmitted.

Inside any sub-block gap for a BS operating in non-contiguous spectrum, emissions shall not exceed the cumulative sum of the minimum requirements specified for the adjacent sub blocks on each side of the sub block gap. The minimum requirement for each sub block is specified in Tables 6.6.2.1-1 to 6.6.2.1-4 below, where in this case:

- $\Delta f$  is the separation between the sub block edge frequency and the nominal -3 dB point of the measuring filter closest to the sub block edge.
- $f_{\text{offset}}$  is the separation between the sub block edge frequency and the centre of the measuring filter.
- $f_{\text{offset}_{\text{max}}}$  is equal to the sub block gap bandwidth minus half of the bandwidth of the measuring filter.
- $\Delta f_{\text{max}}$  is equal to  $f_{\text{offset}_{\text{max}}}$  minus half of the bandwidth of the measuring filter.

For Band 41 NR operation in Japan, the operating band unwanted emissions limits shall be applied to the sum of the emission power over all *antenna connectors*.

Applicability of Wide Area operating band unwanted emission requirements in Tables 6.6.2.1-1, 6.6.2.1-1b and 6.6.2.1-1c is specified in Table 6.6.2.1-0.

Note: Option 1 and Option 2 correspond to the Category B option 1/2 operating band unwanted emissions defined in the E-UTRA and NR specifications TS 36.104 [4] and TS 38.104 [17]. Option 2 also corresponds to the UTRA spectrum emission mask as defined in TS 25.104 [2].

**Table 6.6.2.1-0: Applicability of operating band unwanted emission requirements for BC1 and BC3 Wide Area BS**

NR Band operation	Standalone NB-IoT carrier adjacent to the BS RF bandwidth edge or UTRA supported	Applicable requirement table
None	Y/N	6.6.2.1-1 (Option 2)
In certain regions (NOTE 2), bands 1, 7, 38, 65	N	6.6.2.1-1 (Option 2)
Any	Y	6.6.2.1-1 (Option 2)
Any below 1GHz	N	6.6.2.1-1b (Option 1)
Any above 1GHz except for, in certain regions (NOTE 2), bands 1, 7, 38, 65	N	6.6.2.1-1c (Option 1)
NOTE 1: Void		
NOTE 2: Applicable only for operation in regions where Category B limits as defined in ITU-R Recommendation SM.329 [6] are used for which category B option 2 operating band unwanted emissions requirements as defined in TS 36.104 [4] and TS 38.104 [17] are applied.		

**Table 6.6.2.1-1: WA BS OBUE in BC1 and BC3 bands – option 2.**

Frequency offset of measurement filter -3dB point, $\Delta f$	Frequency offset of measurement filter centre frequency, $f_{\text{offset}}$	Minimum requirement (Note 1, 2)	Measurement bandwidth (Note 7)
$0 \text{ MHz} \leq \Delta f < 0.2 \text{ MHz}$	$0.015 \text{ MHz} \leq f_{\text{offset}} < 0.215 \text{ MHz}$	-14 dBm	30 kHz
$0.2 \text{ MHz} \leq \Delta f < 1 \text{ MHz}$	$0.215 \text{ MHz} \leq f_{\text{offset}} < 1.015 \text{ MHz}$	$-14 \text{ dBm} - 15 \cdot \left( \frac{f_{\text{offset}}}{\text{MHz}} - 0.215 \right) \text{ dB}$ (Note 4)	30 kHz
(Note 6)	$1.015 \text{ MHz} \leq f_{\text{offset}} < 1.5 \text{ MHz}$	-26 dBm (Note 4)	30 kHz
$1 \text{ MHz} \leq \Delta f \leq \min(\Delta f_{\text{max}}, 10 \text{ MHz})$	$1.5 \text{ MHz} \leq f_{\text{offset}} < \min(f_{\text{offset}_{\text{max}}}, 10.5 \text{ MHz})$	-13 dBm (Note 4)	1 MHz
$10 \text{ MHz} \leq \Delta f \leq \Delta f_{\text{max}}$	$10.5 \text{ MHz} \leq f_{\text{offset}} < f_{\text{offset}_{\text{max}}}$	-15 dBm (Note 4, 8)	1 MHz
NOTE 1: For MSR BS supporting non-contiguous spectrum operation within any operating band the minimum requirement within sub-block gaps is calculated as a cumulative sum of contributions from adjacent sub-blocks on each side of the sub-block gap, where the contribution from the far-end sub-block shall be scaled according to the measurement bandwidth of the near-end sub-block. Exception is $\Delta f \geq 10 \text{ MHz}$ from both adjacent sub-blocks on each side of the sub-block gap, where the minimum requirement within sub-block gaps shall be -15dBm/MHz (for MSR BS supporting multi-band operation, either this limit or -16dBm/100kHz with correspondingly adjusted $f_{\text{offset}}$ shall apply for this frequency offset range for operating bands <1GHz).			
NOTE 2: For MSR BS supporting multi-band operation with Inter RF Bandwidth gap $< 2 \times \Delta f_{\text{OBUE}}$ the minimum requirement within the Inter RF Bandwidth gaps is calculated as a cumulative sum of contributions from adjacent sub-blocks or RF Bandwidth on each side of the Inter RF Bandwidth gap, where the contribution from the far-end sub-block or RF Bandwidth shall be scaled according to the measurement bandwidth of the near-end sub-block or RF Bandwidth.			
NOTE 3: For operation with a standalone NB-IoT carrier adjacent to the Base Station RF Bandwidth edge or the sub-block edge, the limits in Table 6.6.2.1-1a apply for $0 \text{ MHz} \leq \Delta f < 0.15 \text{ MHz}$ .			
NOTE 4: For MSR BS supporting multi-band operation, either this limit or -16dBm/100kHz with correspondingly adjusted $f_{\text{offset}}$ , whichever is less stringent, shall apply for operating bands <1GHz.			

**Table 6.6.2.1-1a: WA BS OBUE in BC1 and BC3 bands applicable for: BS with standalone NB-IoT carrier adjacent to the Base Station RF Bandwidth edge or the sub-block edge**

Frequency offset of measurement filter -3dB point, $\Delta f$	Frequency offset of measurement filter centre frequency, $f_{\text{offset}}$	Minimum requirement (Note 1, 2, 3, 4)	Measurement bandwidth (Note 7)
$0 \text{ MHz} \leq \Delta f < 0.05 \text{ MHz}$	$0.015 \text{ MHz} \leq f_{\text{offset}} < 0.065 \text{ MHz}$	$Max(5dBm - 60 \cdot \left(\frac{f_{\text{offset}}}{\text{MHz}} - 0.015\right) dB + XdB, -14dBm)$	30 kHz
$0.05 \text{ MHz} \leq \Delta f < 0.15 \text{ MHz}$	$0.065 \text{ MHz} \leq f_{\text{offset}} < 0.165 \text{ MHz}$	$Max(2dBm - 160 \cdot \left(\frac{f_{\text{offset}}}{\text{MHz}} - 0.065\right) dB + XdB, -14dBm)$	30 kHz

NOTE 1: The limits in this table only apply for operation with a standalone NB-IoT carrier adjacent to the Base Station RF Bandwidth edge or the sub-block edge.

NOTE 2: For MSR BS supporting non-contiguous spectrum operation within any operating band the minimum requirement within sub-block gaps is calculated as a cumulative sum of contributions from adjacent sub blocks on each side of the sub block gap.

NOTE 3: For MSR BS supporting multi-band operation with Inter RF Bandwidth gap  $< 2 \times \Delta f_{\text{OBUE}}$  the minimum requirement within the Inter RF Bandwidth gaps is calculated as a cumulative sum of contributions from adjacent sub-blocks or RF Bandwidth on each side of the Inter RF Bandwidth gap.

NOTE 4: In case the carrier adjacent to the RF bandwidth edge is a standalone NB-IoT carrier, the value of  $X = \text{PNB-IoTcarrier} - 43$ , where PNB-IoTcarrier is the power level of the standalone NB-IoT carrier adjacent to the RF bandwidth edge. In other cases,  $X = 0$ .

**Table 6.6.2.1-1b: WA BS OBUE in BC1 and BC3 bands  $\leq 1 \text{ GHz}$  - option 1**

Frequency offset of measurement filter -3dB point, $\Delta f$	Frequency offset of measurement filter centre frequency, $f_{\text{offset}}$	Minimum requirement (Note 1, 2)	Measurement bandwidth (Note 7)
$0 \text{ MHz} \leq \Delta f < 5 \text{ MHz}$	$0.05 \text{ MHz} \leq f_{\text{offset}} < 5.05 \text{ MHz}$	$-7dBm - \frac{7}{5} \cdot \left(\frac{f_{\text{offset}}}{\text{MHz}} - 0.05\right) dB$	100 kHz
$5 \text{ MHz} \leq \Delta f < \min(10 \text{ MHz}, \Delta f_{\text{max}})$	$5.05 \text{ MHz} \leq f_{\text{offset}} < \min(10.05 \text{ MHz}, f_{\text{offset}_{\text{max}}})$	-14 dBm	100 kHz
$10 \text{ MHz} \leq \Delta f \leq \Delta f_{\text{max}}$	$10.05 \text{ MHz} \leq f_{\text{offset}} < f_{\text{offset}_{\text{max}}}$	-16 dBm (Note 8)	100 kHz

NOTE 1: For MSR BS supporting non-contiguous spectrum operation within any operating band, the minimum requirement within sub-block gaps is calculated as a cumulative sum of contributions from adjacent sub blocks on each side of the sub block gap. Exception is  $\Delta f \geq 10\text{MHz}$  from both adjacent sub blocks on each side of the sub-block gap, where the minimum requirement within sub-block gaps shall be -16dBm/100kHz.

NOTE 2: For MSR BS supporting multi-band operation with Inter RF Bandwidth gap  $< 2 \times \Delta f_{\text{OBUE}}$  the minimum requirement within the Inter RF Bandwidth gaps is calculated as a cumulative sum of contributions from adjacent sub-blocks or RF Bandwidth on each side of the Inter RF Bandwidth gap.

Table 6.6.2.1-1c: WA BS OBUE in BC1 and BC3 bands &gt; 1 GHz - option 1

Frequency offset of measurement filter -3dB point, $\Delta f$	Frequency offset of measurement filter centre frequency, $f_{\text{offset}}$	Minimum requirement (Note 1, 2)	Measurement bandwidth (Note 7)
$0 \text{ MHz} \leq \Delta f < 5 \text{ MHz}$	$0.05 \text{ MHz} \leq f_{\text{offset}} < 5.05 \text{ MHz}$	$-7 \text{ dBm} - \frac{7}{5} \cdot \left( \frac{f_{\text{offset}}}{\text{MHz}} - 0.05 \right) \text{ dB}$	100 kHz
$5 \text{ MHz} \leq \Delta f < \min(10 \text{ MHz}, \Delta f_{\text{max}})$	$5.05 \text{ MHz} \leq f_{\text{offset}} < \min(10.05 \text{ MHz}, f_{\text{offset}_{\text{max}}})$	-14 dBm	100 kHz
$10 \text{ MHz} \leq \Delta f \leq \Delta f_{\text{max}}$	$10.5 \text{ MHz} \leq f_{\text{offset}} < f_{\text{offset}_{\text{max}}}$	-15 dBm (Note 8)	1 MHz
<p>NOTE 1: For MSR BS supporting non-contiguous spectrum operation within any operating band, the minimum requirement within sub-block gaps is calculated as a cumulative sum of contributions from adjacent sub blocks on each side of the sub block gap, where the contribution from the far-end sub-block shall be scaled according to the measurement bandwidth of the near-end sub-block. Exception is <math>\Delta f \geq 10 \text{ MHz}</math> from both adjacent sub blocks on each side of the sub-block gap, where the minimum requirement within sub-block gaps shall be -15dBm/1MHz.</p> <p>NOTE 2: For MSR BS supporting multi-band operation with Inter RF Bandwidth gap <math>&lt; 2 \times \Delta f_{\text{OBUE}}</math> the minimum requirement within the Inter RF Bandwidth gaps is calculated as a cumulative sum of contributions from adjacent sub-blocks or RF Bandwidth on each side of the Inter RF Bandwidth gap, where the contribution from the far-end sub-block or RF Bandwidth shall be scaled according to the measurement bandwidth of the near-end sub-block or RF Bandwidth.</p>			

Table 6.6.2.1-2: MR BS OBUE in BC1 bands applicable for: BS with maximum output power  $31 < P_{\text{Rated,c}} \leq 38 \text{ dBm}$  and not supporting NR; or BS with maximum output power  $31 < P_{\text{Rated,c}} \leq 38 \text{ dBm}$ , supporting NR, and supporting UTRA

Frequency offset of measurement filter -3dB point, $\Delta f$	Frequency offset of measurement filter centre frequency, $f_{\text{offset}}$	Minimum requirement (Note 1, 2)	Measurement bandwidth (Note 7)
$0 \text{ MHz} \leq \Delta f < 0.6 \text{ MHz}$	$0.015 \text{ MHz} \leq f_{\text{offset}} < 0.615 \text{ MHz}$	$P_{\text{Rated,c}} - 58 \text{ dB} - 5/3(f_{\text{offset}}/\text{MHz} - 0.015) \text{ dB}$	30 kHz
$0.6 \text{ MHz} \leq \Delta f < 1 \text{ MHz}$	$0.615 \text{ MHz} \leq f_{\text{offset}} < 1.015 \text{ MHz}$	$P_{\text{Rated,c}} - 53 \text{ dB} - 15(f_{\text{offset}}/\text{MHz} - 0.215) \text{ dB}$	30 kHz
(Note 6)	$1.015 \text{ MHz} \leq f_{\text{offset}} < 1.5 \text{ MHz}$	$P_{\text{Rated,c}} - 65 \text{ dB}$	30 kHz
$1 \text{ MHz} \leq \Delta f \leq 2.6 \text{ MHz}$	$1.5 \text{ MHz} \leq f_{\text{offset}} < 3.1 \text{ MHz}$	$P_{\text{Rated,c}} - 52 \text{ dB}$	1 MHz
$2.6 \text{ MHz} \leq \Delta f \leq 5 \text{ MHz}$	$3.1 \text{ MHz} \leq f_{\text{offset}} < 5.5 \text{ MHz}$	$\min(P_{\text{Rated,c}} - 52 \text{ dB}, -15 \text{ dBm})$	1 MHz
$5 \text{ MHz} \leq \Delta f \leq \Delta f_{\text{max}}$	$5.5 \text{ MHz} \leq f_{\text{offset}} < f_{\text{offset}_{\text{max}}}$	$P_{\text{Rated,c}} - 56 \text{ dB}$ (Note 8)	1 MHz
<p>NOTE 1: For MSR BS supporting non-contiguous spectrum operation within any operating band the minimum requirement within sub-block gaps is calculated as a cumulative sum of contributions from adjacent sub blocks on each side of the sub block gap, where the contribution from the far-end sub-block shall be scaled according to the measurement bandwidth of the near-end sub-block. Exception is <math>\Delta f \geq 10 \text{ MHz}</math> from both adjacent sub blocks on each side of the sub-block gap, where the minimum requirement within sub-block gaps shall be <math>(P_{\text{Rated,c}} - 56 \text{ dB}) / \text{MHz}</math>.</p> <p>NOTE 2: For MSR BS supporting multi-band operation with Inter RF Bandwidth gap <math>&lt; 2 \times \Delta f_{\text{OBUE}}</math> the minimum requirement within the Inter RF Bandwidth gaps is calculated as a cumulative sum of contributions from adjacent sub-blocks or RF Bandwidth on each side of the Inter RF Bandwidth gap, where the contribution from the far-end sub-block or RF Bandwidth shall be scaled according to the measurement bandwidth of the near-end sub-block or RF Bandwidth.</p> <p>NOTE 3: For operation with a standalone NB-IoT carrier adjacent to the Base Station RF Bandwidth edge or the sub-block edge, the limits in Table 6.6.2.1-2a apply for <math>0 \text{ MHz} \leq \Delta f &lt; 0.15 \text{ MHz}</math>.</p>			



**Table 6.6.2.1-2a: MR BS OBUE in BC1 and BC3 bands applicable for: BS with maximum output power  $31 < P_{\text{Rated,c}} \leq 38$  dBm and with standalone NB-IoT carrier adjacent to the Base Station RF Bandwidth edge or the sub-block edge**

Frequency offset of measurement filter -3dB point, $\Delta f$	Frequency offset of measurement filter centre frequency, $f_{\text{offset}}$	Minimum requirement (Note 1, 2, 3)	Measurement bandwidth (Note 7)
$0 \text{ MHz} \leq \Delta f < 0.05 \text{ MHz}$ (Note 1)	$0.015 \text{ MHz} \leq f_{\text{offset}} < 0.065 \text{ MHz}$	$P_{\text{Rated,c}} - 38\text{dB} - 60(f_{\text{offset}}/\text{MHz} - 0.015)\text{dB}$	30 kHz
$0.05 \text{ MHz} \leq \Delta f < 0.15 \text{ MHz}$	$0.065 \text{ MHz} \leq f_{\text{offset}} < 0.165 \text{ MHz}$	$P_{\text{Rated,c}} - 41\text{dB} - 160(f_{\text{offset}}/\text{MHz} - 0.065)\text{dB}$	30 kHz
<p>NOTE 1: The limits in this table only apply for operation with a standalone NB-IoT carrier adjacent to the Base Station RF Bandwidth edge or the sub-block edge.</p> <p>NOTE 2: For MSR BS supporting non-contiguous spectrum operation within any operating band the minimum requirement within sub-block gaps is calculated as a cumulative sum of contributions from adjacent sub blocks on each side of the sub block gap.</p> <p>NOTE 3: For MSR BS supporting multi-band operation with Inter RF Bandwidth gap <math>&lt; 2 \times \Delta f_{\text{OBUE}}</math> the minimum requirement within the Inter RF Bandwidth gaps is calculated as a cumulative sum of contributions from adjacent sub-blocks or RF Bandwidth on each side of the Inter RF Bandwidth gap.</p>			

**Table 6.6.2.1-2b: MR BS OBUE in BC1 bands applicable for: BS with maximum output power  $31 < P_{\text{Rated,c}} \leq 38$  dBm, supporting NR, and not supporting UTRA**

Frequency offset of measurement filter -3dB point, $\Delta f$	Frequency offset of measurement filter centre frequency, $f_{\text{offset}}$	Minimum requirement (Note 1, 2)	Measurement bandwidth (Note 7)
$0 \text{ MHz} \leq \Delta f < 5 \text{ MHz}$	$0.05 \text{ MHz} \leq f_{\text{offset}} < 5.05 \text{ MHz}$	$P_{\text{Rated,c}} - 53\text{dB} - 7/5(f_{\text{offset}}/\text{MHz} - 0.05)\text{dB}$	100 kHz
$5 \text{ MHz} \leq \Delta f < \min(10 \text{ MHz}, \Delta f_{\text{max}})$	$5.05 \text{ MHz} \leq f_{\text{offset}} < \min(10.05 \text{ MHz}, f_{\text{offset}_{\text{max}}})$	$P_{\text{Rated,c}} - 60\text{dB}$	100 kHz
$10 \text{ MHz} \leq \Delta f \leq \Delta f_{\text{max}}$	$10.05 \text{ MHz} \leq f_{\text{offset}} < f_{\text{offset}_{\text{max}}}$	$\text{Min}(P_{\text{Rated,c}} - 60\text{dB}, -25\text{dBm})$ (Note 8)	100 kHz
<p>NOTE 1: For MSR BS supporting non-contiguous spectrum operation within any operating band the minimum requirement within sub-block gaps is calculated as a cumulative sum of contributions from adjacent sub blocks on each side of the sub block gap. Exception is <math>\Delta f \geq 10\text{MHz}</math> from both adjacent sub blocks on each side of the sub-block gap, where the minimum requirement within sub-block gaps shall be <math>\text{Min}(P_{\text{Rated,c}} - 60\text{dB}, -25\text{dBm})/100\text{kHz}</math>.</p> <p>NOTE 2: For MSR BS supporting multi-band operation with Inter RF Bandwidth gap <math>&lt; 2 \times \Delta f_{\text{OBUE}}</math> the minimum requirement within the Inter RF Bandwidth gaps is calculated as a cumulative sum of contributions from adjacent sub-blocks or RF Bandwidth on each side of the Inter RF Bandwidth gap.</p> <p>NOTE 3: For operation with a standalone NB-IoT carrier adjacent to the Base Station RF Bandwidth edge or the sub-block edge, the limits in Table 6.6.2.1-2a apply for <math>0 \text{ MHz} \leq \Delta f &lt; 0.15 \text{ MHz}</math>.</p>			

**Table 6.6.2.1-3: MR BS OBUE in BC1 bands applicable for: BS with maximum output power  $P_{\text{Rated,c}} \leq 31$  dBm and not supporting NR; or BS with maximum output power  $P_{\text{Rated,c}} \leq 31$  dBm, supporting NR, and supporting UTRA**

Frequency offset of measurement filter -3dB point, $\Delta f$	Frequency offset of measurement filter centre frequency, $f_{\text{offset}}$	Minimum requirement (Note 1, 2)	Measurement bandwidth (Note 7)
$0 \text{ MHz} \leq \Delta f < 0.6 \text{ MHz}$	$0.015 \text{ MHz} \leq f_{\text{offset}} < 0.615 \text{ MHz}$	$-27 \text{ dBm} - \frac{5}{3} \left( \frac{f_{\text{offset}}}{\text{MHz}} - 0.015 \right) \text{ dB}$	30 kHz
$0.6 \text{ MHz} \leq \Delta f < 1 \text{ MHz}$	$0.615 \text{ MHz} \leq f_{\text{offset}} < 1.015 \text{ MHz}$	$-22 \text{ dBm} - 15 \cdot \left( \frac{f_{\text{offset}}}{\text{MHz}} - 0.215 \right) \text{ dB}$	30 kHz
(Note 6)	$1.015 \text{ MHz} \leq f_{\text{offset}} < 1.5 \text{ MHz}$	-34 dBm	30 kHz
$1 \text{ MHz} \leq \Delta f \leq 5 \text{ MHz}$	$1.5 \text{ MHz} \leq f_{\text{offset}} < 5.5 \text{ MHz}$	-21 dBm	1 MHz
$5 \text{ MHz} \leq \Delta f \leq \Delta f_{\text{max}}$	$5.5 \text{ MHz} \leq f_{\text{offset}} < f_{\text{offset}_{\text{max}}}$	-25 dBm	1 MHz
<p>NOTE 1: For MSR BS supporting non-contiguous spectrum operation within any operating band the minimum requirement within sub-block gaps is calculated as a cumulative sum of contributions from adjacent sub blocks on each side of the sub block gap, where the contribution from the far-end sub-block shall be scaled according to the measurement bandwidth of the near-end sub-block. Exception is <math>\Delta f \geq 10 \text{ MHz}</math> from both adjacent sub-blocks on each side of the sub-block gap, where the minimum requirement within sub-block gaps shall be -25 dBm/MHz.</p> <p>NOTE 2: For MSR BS supporting multi-band operation with Inter RF Bandwidth gap <math>&lt; 2 \times \Delta f_{\text{OBUE}}</math> the minimum requirement within the Inter RF Bandwidth gaps is calculated as a cumulative sum of contributions from adjacent sub-blocks or RF Bandwidth on each side of the Inter RF Bandwidth gap, where the contribution from the far-end sub-block or RF Bandwidth shall be scaled according to the measurement bandwidth of the near-end sub-block or RF Bandwidth.</p> <p>NOTE 3: For operation with a standalone NB-IoT carrier adjacent to the Base Station RF Bandwidth edge or the sub-block edge, the limits in Table 6.6.2.1-3a apply for <math>0 \text{ MHz} \leq \Delta f &lt; 0.15 \text{ MHz}</math>.</p>			

**Table 6.6.2.1-3a: MR BS OBUE in BC1 and BC3 bands applicable for: BS with maximum output power  $P_{\text{Rated,c}} \leq 31$  dBm BS and standalone NB-IoT carrier adjacent to the Base Station RF Bandwidth edge or the sub-block edge**

Frequency offset of measurement filter -3dB point, $\Delta f$	Frequency offset of measurement filter centre frequency, $f_{\text{offset}}$	Minimum requirement (Note 1, 2, 3, 4)	Measurement bandwidth (Note 7)
$0 \text{ MHz} \leq \Delta f < 0.05 \text{ MHz}$ (Note 1)	$0.015 \text{ MHz} \leq f_{\text{offset}} < 0.065 \text{ MHz}$	$\text{Max} \left( -7 \text{ dBm} - 60 \cdot \left( \frac{f_{\text{offset}}}{\text{MHz}} - 0.015 \right) \text{ dB} + X \text{ dB}, -27 \text{ dBm} \right)$	30 kHz
$0.05 \text{ MHz} \leq \Delta f < 0.15 \text{ MHz}$	$0.065 \text{ MHz} \leq f_{\text{offset}} < 0.165 \text{ MHz}$	$\text{Max} \left( -10 \text{ dBm} - 160 \cdot \left( \frac{f_{\text{offset}}}{\text{MHz}} - 0.065 \right) \text{ dB} + X \text{ dB}, -27 \text{ dBm} \right)$	30 kHz
<p>NOTE 1: The limits in this table only apply for operation with a standalone NB-IoT carrier adjacent to the Base Station RF Bandwidth edge or the sub-block edge.</p> <p>NOTE 2: For MSR BS supporting non-contiguous spectrum operation within any operating band the minimum requirement within sub-block gaps is calculated as a cumulative sum of contributions from adjacent sub blocks on each side of the sub block gap.</p> <p>NOTE 3: For MSR BS supporting multi-band operation with Inter RF Bandwidth gap <math>&lt; 2 \times \Delta f_{\text{OBUE}}</math> the minimum requirement within the Inter RF Bandwidth gaps is calculated as a cumulative sum of contributions from adjacent sub-blocks or RF Bandwidth on each side of the Inter RF Bandwidth gap.</p> <p>NOTE 4: In case the carrier adjacent to the RF bandwidth edge is a standalone NB-IoT carrier, the value of <math>X = \text{PNB-IoTcarrier} - 31</math>, where <math>\text{PNB-IoTcarrier}</math> is the power level of the standalone NB-IoT carrier adjacent to the RF bandwidth edge. In other cases, <math>X = 0</math>.</p>			

**Table 6.6.2.1-3b: MR BS OBUE in BC1 bands applicable for: BS with maximum output power  $P_{\text{Rated,c}} \leq 31$  dBm, supporting NR, and not supporting UTRA**

Frequency offset of measurement filter -3dB point, $\Delta f$	Frequency offset of measurement filter centre frequency, $f_{\text{offset}}$	Minimum requirement (Note 1, 2)	Measurement bandwidth (Note 7)
$0 \text{ MHz} \leq \Delta f < 5 \text{ MHz}$	$0.05 \text{ MHz} \leq f_{\text{offset}} < 5.05 \text{ MHz}$	$-22 \text{ dBm} - \frac{7}{5} \left( \frac{f_{\text{offset}}}{\text{MHz}} - 0.05 \right) \text{ dB}$	100 kHz
$5 \text{ MHz} \leq \Delta f < \min(10 \text{ MHz}, \Delta f_{\text{max}})$	$5.05 \text{ MHz} \leq f_{\text{offset}} < \min(10.05 \text{ MHz}, f_{\text{offset}_{\text{max}}})$	-29 dBm	100 kHz
$10 \text{ MHz} \leq \Delta f \leq \Delta f_{\text{max}}$	$10.05 \text{ MHz} \leq f_{\text{offset}} < f_{\text{offset}_{\text{max}}}$	-29 dBm (Note 8)	100 kHz
<p>NOTE 1: For MSR BS supporting non-contiguous spectrum operation within any operating band the minimum requirement within sub-block gaps is calculated as a cumulative sum of contributions from adjacent sub blocks on each side of the sub block gap. Exception is <math>\Delta f \geq 10\text{MHz}</math> from both adjacent sub blocks on each side of the sub-block gap, where the minimum requirement within sub-block gaps shall be -29dBm/100kHz.</p> <p>NOTE 2: For MSR BS supporting multi-band operation with Inter RF Bandwidth gap <math>&lt; 2 \times \Delta f_{\text{OBUE}}</math> the minimum requirement within the Inter RF Bandwidth gaps is calculated as a cumulative sum of contributions from adjacent sub-blocks or RF Bandwidth on each side of the Inter RF Bandwidth gap.</p> <p>NOTE 3: For operation with a standalone NB-IoT carrier adjacent to the Base Station RF Bandwidth edge or the sub-block edge, the limits in Table 6.6.2.1-3a apply for <math>0 \text{ MHz} \leq \Delta f &lt; 0.15 \text{ MHz}</math>.</p>			

**Table 6.6.2.1-4: LA BS OBUE in BC1 bands**

Frequency offset of measurement filter -3dB point, $\Delta f$	Frequency offset of measurement filter centre frequency, $f_{\text{offset}}$	Minimum requirement (Note 1, 2)	Measurement bandwidth (Note 7)
$0 \text{ MHz} \leq \Delta f < 5 \text{ MHz}$	$0.05 \text{ MHz} \leq f_{\text{offset}} < 5.05 \text{ MHz}$	$-30 \text{ dBm} - \frac{7}{5} \left( \frac{f_{\text{offset}}}{\text{MHz}} - 0.05 \right) \text{ dB}$	100 kHz
$5 \text{ MHz} \leq \Delta f < \min(10 \text{ MHz}, \Delta f_{\text{max}})$	$5.05 \text{ MHz} \leq f_{\text{offset}} < \min(10.05 \text{ MHz}, f_{\text{offset}_{\text{max}}})$	-37 dBm	100 kHz
$10 \text{ MHz} \leq \Delta f \leq \Delta f_{\text{max}}$	$10.05 \text{ MHz} \leq f_{\text{offset}} < f_{\text{offset}_{\text{max}}}$	-37 dBm (Note 8)	100 kHz
<p>NOTE 1: For MSR BS supporting non-contiguous spectrum operation within any operating band the minimum requirement within sub-block gaps is calculated as a cumulative sum of contributions from adjacent sub blocks on each side of the sub block gap. Exception is <math>\Delta f \geq 10\text{MHz}</math> from both adjacent sub blocks on each side of the sub-block gap, where the minimum requirement within sub-block gaps shall be -37dBm/100 kHz.</p> <p>NOTE 2: For MSR BS supporting multi-band operation with Inter RF Bandwidth gap <math>&lt; 2 \times \Delta f_{\text{OBUE}}</math> the minimum requirement within the Inter RF Bandwidth gaps is calculated as a cumulative sum of contributions from adjacent sub-blocks or RF Bandwidth on each side of the Inter RF Bandwidth gap.</p> <p>NOTE 3: For operation with a standalone NB-IoT carrier adjacent to the Base Station RF Bandwidth edge or the sub-block edge, the limits in Table 6.6.2.1-14a apply for <math>0 \text{ MHz} \leq \Delta f &lt; 0.15 \text{ MHz}</math>.</p>			

**Table 6.6.2.1-4a: LA BS OBUE in BC1 and BC3 bands applicable for: BS with standalone NB-IoT carrier adjacent to the Base Station RF Bandwidth edge or the sub-block edge**

Frequency offset of measurement filter -3dB point, $\Delta f$	Frequency offset of measurement filter centre frequency, $f_{\text{offset}}$	Minimum requirement (Note 1, 2, 3, 4)	Measurement bandwidth (Note 7)
$0 \text{ MHz} \leq \Delta f < 0.05 \text{ MHz}$ (Note 1)	$0.015 \text{ MHz} \leq f_{\text{offset}} < 0.065 \text{ MHz}$	$\text{Max}(-14\text{dBm} - 60 \cdot \left(\frac{f_{\text{offset}}}{\text{MHz}} - 0.015\right) \text{dB} + X\text{dB}, -35\text{dBm})$	30 kHz
$0.05 \text{ MHz} \leq \Delta f < 0.16 \text{ MHz}$	$0.065 \text{ MHz} \leq f_{\text{offset}} < 0.175 \text{ MHz}$	$\text{Max}(-17\text{dBm} - 160 \cdot \left(\frac{f_{\text{offset}}}{\text{MHz}} - 0.065\right) \text{dB} + X\text{dB}, -35\text{dBm})$	30 kHz
<p>NOTE 1: The limits in this table only apply for operation with a standalone NB-IoT carrier adjacent to the Base Station RF Bandwidth edge or the sub-block edge.</p> <p>NOTE 2: For MSR BS supporting non-contiguous spectrum operation within any operating band the minimum requirement within sub-block gaps is calculated as a cumulative sum of contributions from adjacent sub blocks on each side of the sub block gap.</p> <p>NOTE 3: For MSR BS supporting multi-band operation with Inter RF Bandwidth gap <math>&lt; 2 \times \Delta f_{\text{OBUE}}</math> the minimum requirement within the Inter RF Bandwidth gaps is calculated as a cumulative sum of contributions from adjacent sub-blocks or RF Bandwidth on each side of the Inter RF Bandwidth gap.</p> <p>NOTE 4: In case the carrier adjacent to the RF bandwidth edge is a standalone NB-IoT carrier, the value of <math>X = \text{PNB-IoTcarrier} - 24</math>, where <math>\text{PNB-IoTcarrier}</math> is the power level of the standalone NB-IoT carrier adjacent to the RF bandwidth edge. In other cases, <math>X = 0</math>.</p>			

### 6.6.2.2 General minimum requirement for Band Category 2

For a BS operating in Band Category 2 the requirement applies outside the Base Station RF Bandwidth edges. In addition, for a BS operating in non-contiguous spectrum, it applies inside any sub-block gap.

Outside the Base Station RF Bandwidth edges, emissions shall not exceed the maximum levels specified in Tables 6.6.2.2-1 to 6.6.2.2-8 below, where:

- $\Delta f$  is the separation between the Base Station RF Bandwidth edge frequency and the nominal -3dB point of the measuring filter closest to the carrier frequency.
- $f_{\text{offset}}$  is the separation between the Base Station RF Bandwidth edge frequency and the centre of the measuring filter.
- $f_{\text{offset}_{\text{max}}}$  is the offset to the frequency  $\Delta f_{\text{OBUE}}$  outside the downlink operating band.
- $\Delta f_{\text{max}}$  is equal to  $f_{\text{offset}_{\text{max}}}$  minus half of the bandwidth of the measuring filter.

For a BS operating in multiple bands, inside any Inter-RF Bandwidth gaps with  $W_{\text{gap}} < 2 \times \Delta f_{\text{OBUE}}$ , emissions shall not exceed the cumulative sum of the minimum requirements specified at the Base Station RF Bandwidth edges on each side of the Inter-RF Bandwidth gap. The minimum requirement for Base Station RF Bandwidth edge is specified in Table 6.6.2.2-1 to 6.6.2.2-8 below, where in this case:

- $\Delta f$  is the separation between the Base Station RF Bandwidth edge frequency and the nominal -3 dB point of the measuring filter closest to the carrier frequency.
- $f_{\text{offset}}$  is the separation between the Base Station RF Bandwidth edge frequency and the centre of the measuring filter.
- $f_{\text{offset}_{\text{max}}}$  is equal to the Inter RF Bandwidth gap minus half of the bandwidth of the measuring filter.
- $\Delta f_{\text{max}}$  is equal to  $f_{\text{offset}_{\text{max}}}$  minus half of the bandwidth of the measuring filter.

For a BS capable of multi-band operation where multiple bands are mapped on the same antenna connector and where there is no carrier transmitted in an operating band, the operating band unwanted emission limit, as defined in the tables of the present subclause for the largest frequency offset ( $\Delta f_{\text{max}}$ ), of a band where there is no carrier transmitted shall apply from  $\Delta f_{\text{OBUE}}$  below the lowest frequency, up to  $\Delta f_{\text{OBUE}}$  above the highest frequency of the supported downlink

operating band without any carrier transmitted. And no cumulative limits are applied in the inter-band gap between a supported downlink band with carrier(s) transmitted and a supported downlink band without any carrier transmitted.

Inside any sub-block gap for a BS operating in non-contiguous spectrum, emissions shall not exceed the cumulative sum of the minimum requirement specified for the adjacent sub blocks on each side of the sub block gap. The minimum requirement for each sub block is specified in Tables 6.6.2.2-1 to 6.6.2.2-8 below, where in this case:

- $\Delta f$  is the separation between the sub block edge frequency and the nominal -3 dB point of the measuring filter closest to the sub block edge.
- $f_{\text{offset}}$  is the separation between the sub block edge frequency and the centre of the measuring filter.
- $f_{\text{offset}_{\text{max}}}$  is equal to the sub block gap bandwidth minus half of the bandwidth of the measuring filter.
- $\Delta f_{\text{max}}$  is equal to  $f_{\text{offset}_{\text{max}}}$  minus half of the bandwidth of the measuring filter.

Applicability of Wide Area operating band unwanted emission requirements in Tables 6.6.2.2-1, 6.6.2.2-2a and 6.6.2.2-2b is specified in Table 6.6.2.2-0.

Note: Option 1 and option 2 correspond to the Category B option 1/2 operating band unwanted emissions defined in the E-UTRA and NR specifications TS 36.104 [4] and TS 38.104 [17]. Option 2 also corresponds to the UTRA spectrum emission mask as defined in TS 25.104 [2] with GSM related modifications.

**Table 6.6.2.2-0: Applicability of operating band unwanted emission requirements for BC2 Wide Area BS**

NR Band operation	Standalone NB-IoT carrier adjacent to the BS RF bandwidth edge or EUTRA or GSM supported	Applicable requirement table
None	Y/N	6.6.2.2-1 (option 2)
In certain regions (NOTE 2), bands 3, 8	N	6.6.2.2-1 (option 2)
Any	Y	6.6.2.2-1 (option 2)
Any below 1 GHz except for, in certain regions (NOTE 2), band 8	N	6.6.2.2-2a (option 1)
Any above 1 GHz except for, in certain regions (NOTE 2), band 3	N	6.6.2.2-2b (option 1)
NOTE 1: Void. NOTE 2: Applicable only for operation in regions where Category B limits as defined in ITU-R Recommendation SM.329 [6] are used for which category B option 2 operating band unwanted emissions requirements as defined in TS 36.104 [4] and TS 38.104 [17] are applied.		

Table 6.6.2.2-1: WA BS OBUE in BC2 bands - option 2.

Frequency offset of measurement filter -3dB point, $\Delta f$	Frequency offset of measurement filter centre frequency, $f_{\text{offset}}$	Minimum requirement (Note 2, 3)	Measurement bandwidth (Note 7)
$0 \text{ MHz} \leq \Delta f < 0.2 \text{ MHz}$ (Note 1)	$0.015 \text{ MHz} \leq f_{\text{offset}} < 0.215 \text{ MHz}$	-14 dBm	30 kHz
$0.2 \text{ MHz} \leq \Delta f < 1 \text{ MHz}$	$0.215 \text{ MHz} \leq f_{\text{offset}} < 1.015 \text{ MHz}$	$-14 \text{ dBm} - 15 \cdot \left( \frac{f_{\text{offset}}}{\text{MHz}} - 0.215 \right) \text{ dB}$ (Note 4)	30 kHz
(Note 6)	$1.015 \text{ MHz} \leq f_{\text{offset}} < 1.5 \text{ MHz}$	-26 dBm (Note 4)	30 kHz
$1 \text{ MHz} \leq \Delta f \leq \min(\Delta f_{\text{max}}, 10 \text{ MHz})$	$1.5 \text{ MHz} \leq f_{\text{offset}} < \min(f_{\text{offset}_{\text{max}}}, 10.5 \text{ MHz})$	-13 dBm (Note 4)	1 MHz
$10 \text{ MHz} \leq \Delta f \leq \Delta f_{\text{max}}$	$10.5 \text{ MHz} \leq f_{\text{offset}} < f_{\text{offset}_{\text{max}}}$	-15 dBm (Note 4, 8)	1 MHz
<p>NOTE 1: For operation with a GSM/EDGE or standalone NB-IoT or an E-UTRA 1.4 or 3 MHz carrier adjacent to the Base Station RF Bandwidth edge or the sub-block edge, the limits in Table 6.6.2.2-2 apply for <math>0 \text{ MHz} \leq \Delta f &lt; 0.15 \text{ MHz}</math>.</p> <p>NOTE 2: For MSR BS supporting non-contiguous spectrum operation within any operating band the minimum requirement within sub-block gaps is calculated as a cumulative sum of contributions from adjacent sub-blocks on each side of the sub-block gap, where the contribution from the far-end sub-block shall be scaled according to the measurement bandwidth of the near-end sub-block. Exception is <math>\Delta f \geq 10 \text{ MHz}</math> from both adjacent sub-blocks on each side of the sub-block gap, where the minimum requirement within sub-block gaps shall be -15dBm/MHz (for MSR BS supporting multi-band operation, either this limit or -16dBm/100kHz with correspondingly adjusted <math>f_{\text{offset}}</math> shall apply for this frequency offset range for operating bands &lt;1GHz).</p> <p>NOTE 3: For MSR BS supporting multi-band operation with Inter RF Bandwidth gap <math>&lt; 2 \times \Delta f_{\text{OBUE}}</math> operation the minimum requirement within the Inter RF Bandwidth gaps is calculated as a cumulative sum of contributions from adjacent sub-blocks or RF Bandwidth on each side of the Inter RF Bandwidth gap, where the contribution from the far-end sub-block or RF Bandwidth shall be scaled according to the measurement bandwidth of the near-end sub-block or RF Bandwidth.</p> <p>NOTE 4: For MSR BS supporting multi-band operation, either this limit or -16dBm/100kHz with correspondingly adjusted <math>f_{\text{offset}}</math> shall apply for this frequency offset range for operating bands &lt;1GHz.</p>			

**Table 6.6.2.2-2: WA BS OBUE in BC2 bands applicable for: BS with GSM/EDGE or standalone NB-IoT or E-UTRA 1.4 or 3 MHz carriers adjacent to the Base Station RF Bandwidth edge or the sub-block edge**

Frequency offset of measurement filter -3dB point, $\Delta f$	Frequency offset of measurement filter centre frequency, $f_{\text{offset}}$	Minimum requirement (Note 1, 2, 3,4, 5)	Measurement bandwidth (Note 7)
$0 \text{ MHz} \leq \Delta f < 0.05 \text{ MHz}$	$0.015 \text{ MHz} \leq f_{\text{offset}} < 0.065 \text{ MHz}$	$\text{Max}\left(5\text{dBm} - 60 \cdot \left(\frac{f_{\text{offset}}}{\text{MHz}} - 0.015\right) \text{dB} + X - 14\text{dBm}\right)$	30 kHz
$0.05 \text{ MHz} \leq \Delta f < 0.15 \text{ MHz}$	$0.065 \text{ MHz} \leq f_{\text{offset}} < 0.165 \text{ MHz}$	$\text{Max}\left(2\text{dBm} - 160 \cdot \left(\frac{f_{\text{offset}}}{\text{MHz}} - 0.065\right) \text{dB} + X - 14\text{dBm}\right)$	30 kHz
<p>NOTE 1: The limits in this table only apply for operation with a GSM/EDGE or standalone NB-IoT or an E-UTRA 1.4 or 3 MHz carrier adjacent to the Base Station RF Bandwidth edge or the sub-block edge.</p> <p>NOTE 2: For MSR BS supporting non-contiguous spectrum operation within any operating band the minimum requirement within sub-block gaps is calculated as a cumulative sum of contributions from adjacent sub blocks on each side of the sub block gap.</p> <p>NOTE 3: For MSR BS supporting multi-band operation with Inter RF Bandwidth gap <math>&lt; 2 \times \Delta f_{\text{OBUE}}</math> the minimum requirement within the Inter RF Bandwidth gaps is calculated as a cumulative sum of contributions from adjacent sub-blocks or RF Bandwidth on each side of the Inter RF Bandwidth gap.</p> <p>NOTE 4: In case the carrier adjacent to the Base Station RF Bandwidth edge or the sub-block edge is a GSM/EDGE carrier, the value of <math>X = P_{\text{GSMcarrier}} - 43</math>, where <math>P_{\text{GSMcarrier}}</math> is the power level of the GSM/EDGE carrier adjacent to the Base Station RF Bandwidth edge or the sub-block edge. In other cases, <math>X = 0</math>.</p> <p>NOTE 5: In case the carrier adjacent to the RF bandwidth edge is a NB-IoT carrier, the value of <math>X = P_{\text{NB-IoTcarrier}} - 43</math>, where <math>P_{\text{NB-IoTcarrier}}</math> is the power level of the NB-IoT carrier adjacent to the RF bandwidth edge. In other cases, <math>X = 0</math>.</p>			

**Table 6.6.2.2-2a: WA BS OBUE in BC2 bands  $\leq 1 \text{ GHz}$  - option 1**

Frequency offset of measurement filter -3dB point, $\Delta f$	Frequency offset of measurement filter centre frequency, $f_{\text{offset}}$	Minimum requirement (Note 1, 2)	Measurement bandwidth (Note 7)
$0 \text{ MHz} \leq \Delta f < 5 \text{ MHz}$	$0.05 \text{ MHz} \leq f_{\text{offset}} < 5.05 \text{ MHz}$	$-7\text{dBm} - \frac{7}{5} \cdot \left(\frac{f_{\text{offset}}}{\text{MHz}} - 0.05\right) \text{dB}$	100 kHz
$5 \text{ MHz} \leq \Delta f < \min(10 \text{ MHz}, \Delta f_{\text{max}})$	$5.05 \text{ MHz} \leq f_{\text{offset}} < \min(10.05 \text{ MHz}, f_{\text{offsetmax}})$	-14 dBm	100 kHz
$10 \text{ MHz} \leq \Delta f \leq \Delta f_{\text{max}}$	$10.05 \text{ MHz} \leq f_{\text{offset}} < f_{\text{offsetmax}}$	-16 dBm (Note 8)	100 kHz
<p>NOTE 1: For MSR BS supporting non-contiguous spectrum operation within any operating band, the minimum requirement within sub-block gaps is calculated as a cumulative sum of contributions from adjacent sub blocks on each side of the sub block gap. Exception is <math>\Delta f \geq 10\text{MHz}</math> from both adjacent sub blocks on each side of the sub-block gap, where the minimum requirement within sub-block gaps shall be -16dBm/100kHz.</p> <p>NOTE 2: For MSR BS supporting multi-band operation with Inter RF Bandwidth gap <math>&lt; 2 \times \Delta f_{\text{OBUE}}</math> the minimum requirement within the Inter RF Bandwidth gaps is calculated as a cumulative sum of contributions from adjacent sub-blocks or RF Bandwidth on each side of the Inter RF Bandwidth gap.</p> <p>NOTE 3: For operation with an E-UTRA 1.4 or 3MHz carrier adjacent to the Base Station RF Bandwidth edge or the sub-block edge, the limits in Table 6.6.2.2-2 apply for <math>0 \text{ MHz} \leq \Delta f &lt; 0.15 \text{ MHz}</math>.</p>			

Table 6.6.2.2-b: WA BS OBUE in BC2 bands &gt; 1 GHz - option 1

Frequency offset of measurement filter -3dB point, $\Delta f$	Frequency offset of measurement filter centre frequency, $f_{\text{offset}}$	Minimum requirement (Note 1, 2)	Measurement bandwidth (Note 7)
$0 \text{ MHz} \leq \Delta f < 5 \text{ MHz}$	$0.05 \text{ MHz} \leq f_{\text{offset}} < 5.05 \text{ MHz}$	$-7 \text{ dBm} - \frac{7}{5} \cdot \left( \frac{f_{\text{offset}}}{\text{MHz}} - 0.05 \right) \text{ dB}$	100 kHz
$5 \text{ MHz} \leq \Delta f < \min(10 \text{ MHz}, \Delta f_{\text{max}})$	$5.05 \text{ MHz} \leq f_{\text{offset}} < \min(10.05 \text{ MHz}, f_{\text{offset}_{\text{max}}})$	-14 dBm	100 kHz
$10 \text{ MHz} \leq \Delta f \leq \Delta f_{\text{max}}$	$10.5 \text{ MHz} \leq f_{\text{offset}} < f_{\text{offset}_{\text{max}}}$	-15 dBm (Note 8)	1MHz
<p>NOTE 1: For MSR BS supporting non-contiguous spectrum operation within any operating band, the minimum requirement within sub-block gaps is calculated as a cumulative sum of contributions from adjacent sub blocks on each side of the sub block gap, where the contribution from the far-end sub-block shall be scaled according to the measurement bandwidth of the near-end sub-block. Exception is <math>\Delta f \geq 10\text{MHz}</math> from both adjacent sub blocks on each side of the sub-block gap, where the minimum requirement within sub-block gaps shall be -15dBm/1MHz.</p> <p>NOTE 2: For MSR BS supporting multi-band operation with Inter RF Bandwidth gap <math>&lt; 2 \times \Delta f_{\text{OBUE}}</math> the minimum requirement within the Inter RF Bandwidth gaps is calculated as a cumulative sum of contributions from adjacent sub-blocks or RF Bandwidth on each side of the Inter RF Bandwidth gap, where the contribution from the far-end sub-block or RF Bandwidth shall be scaled according to the measurement bandwidth of the near-end sub-block or RF Bandwidth.</p> <p>NOTE 3: For operation with an E-UTRA 1.4 or 3MHz carrier adjacent to the Base Station RF Bandwidth edge or the sub-block edge, the limits in Table 6.6.2.2-2 apply for <math>0 \text{ MHz} \leq \Delta f &lt; 0.15 \text{ MHz}</math>.</p>			

**Table 6.6.2.2-3: MR BS OBUE in BC2 bands applicable for: BS with maximum output power  $31 < P_{\text{Rated,c}} \leq 38 \text{ dBm}$  and not supporting NR; or BS with maximum output power  $31 < P_{\text{Rated,c}} \leq 38 \text{ dBm}$  and supporting NR with UTRA and/or GSM**

Frequency offset of measurement filter -3dB point, $\Delta f$	Frequency offset of measurement filter centre frequency, $f_{\text{offset}}$	Minimum requirement (Note 2, 3)	Measurement bandwidth (Note 7)
$0 \text{ MHz} \leq \Delta f < 0.6 \text{ MHz}$ (Note 1)	$0.015\text{MHz} \leq f_{\text{offset}} < 0.615\text{MHz}$	$P_{\text{Rated,c}} - 58\text{dB} - 5/3(f_{\text{offset}}/\text{MHz} - 0.015)\text{dB}$	30 kHz
$0.6 \text{ MHz} \leq \Delta f < 1 \text{ MHz}$	$0.615\text{MHz} \leq f_{\text{offset}} < 1.015\text{MHz}$	$P_{\text{Rated,c}} - 53\text{dB} - 15(f_{\text{offset}}/\text{MHz} - 0.215)\text{dB}$	30 kHz
(Note 6)	$1.015\text{MHz} \leq f_{\text{offset}} < 1.5 \text{ MHz}$	$P_{\text{Rated,c}} - 65\text{dB}$	30 kHz
$1 \text{ MHz} \leq \Delta f \leq 2.8 \text{ MHz}$	$1.5 \text{ MHz} \leq f_{\text{offset}} < 3.3 \text{ MHz}$	$P_{\text{Rated,c}} - 52\text{dB}$	1 MHz
$2.8 \text{ MHz} \leq \Delta f \leq 5 \text{ MHz}$	$3.3 \text{ MHz} \leq f_{\text{offset}} < 5.5 \text{ MHz}$	$\min(P_{\text{Rated,c}} - 52\text{dB}, -15\text{dBm})$	1 MHz
$5 \text{ MHz} \leq \Delta f \leq \Delta f_{\text{max}}$	$5.5 \text{ MHz} \leq f_{\text{offset}} < f_{\text{offset}_{\text{max}}}$	$P_{\text{Rated,c}} - 56\text{dB}$ (Note 8)	1 MHz
<p>NOTE 1: For operation with a GSM/EDGE or standalone NB-IoT or an E-UTRA 1.4 or 3 MHz carrier adjacent to the Base Station RF Bandwidth edge or the sub-block edge, the limits in Table 6.6.2.2-5 apply for <math>0 \text{ MHz} \leq \Delta f &lt; 0.15 \text{ MHz}</math>.</p> <p>NOTE 2: For MSR BS supporting non-contiguous spectrum operation within any operating band the minimum requirement within sub-block gaps is calculated as a cumulative sum of contributions from adjacent sub blocks on each side of the sub block gap, where the contribution from the far-end sub-block shall be scaled according to the measurement bandwidth of the near-end sub-block. Exception is <math>\Delta f \geq 10\text{MHz}</math> from both adjacent sub-blocks on each side of the sub-block gap, where the minimum requirement within sub-block gaps shall be <math>(P_{\text{Rated,c}} - 56 \text{ dB})/\text{MHz}</math>.</p> <p>NOTE 3: For MSR BS supporting multi-band operation with Inter RF Bandwidth gap <math>&lt; 2 \times \Delta f_{\text{OBUE}}</math> the minimum requirement within the Inter RF Bandwidth gaps is calculated as a cumulative sum of contributions from adjacent sub-blocks or RF Bandwidth on each side of the Inter RF Bandwidth gap, where the contribution from the far-end sub-block or RF Bandwidth shall be scaled according to the measurement bandwidth of the near-end sub-block or RF Bandwidth.</p>			



**Table 6.6.2.2-3a: MR BS OBUE in BC2 bands applicable for: BS with maximum output power  $31 < P_{\text{Rated,c}} \leq 38$  dBm, supporting NR, not supporting UTRA, and not supporting GSM**

Frequency offset of measurement filter -3dB point, $\Delta f$	Frequency offset of measurement filter centre frequency, $f_{\text{offset}}$	Minimum requirement (Note 1, 2)	Measurement bandwidth (Note 7)
$0 \text{ MHz} \leq \Delta f < 5 \text{ MHz}$	$0.05 \text{ MHz} \leq f_{\text{offset}} < 5.05 \text{ MHz}$	$P_{\text{Rated,c}} - 53\text{dB} - 7/5(f_{\text{offset}}/\text{MHz} - 0.05)\text{dB}$	100 kHz
$5 \text{ MHz} \leq \Delta f < \min(10 \text{ MHz}, \Delta f_{\text{max}})$	$5.05 \text{ MHz} \leq f_{\text{offset}} < \min(10.05 \text{ MHz}, f_{\text{offset,max}})$	$P_{\text{Rated,c}} - 60\text{dB}$	100 kHz
$10 \text{ MHz} \leq \Delta f \leq \Delta f_{\text{max}}$	$10.05 \text{ MHz} \leq f_{\text{offset}} < f_{\text{offset,max}}$	$\text{Min}(P_{\text{Rated,c}} - 60\text{dB}, -25\text{dBm})$ (Note 8)	100 kHz
<p>NOTE 1: For MSR BS supporting non-contiguous spectrum operation within any operating band the minimum requirement within sub-block gaps is calculated as a cumulative sum of contributions from adjacent sub blocks on each side of the sub block gap. Exception is <math>\Delta f \geq 10\text{MHz}</math> from both adjacent sub blocks on each side of the sub-block gap, where the minimum requirement within sub-block gaps shall be <math>\text{Min}(P_{\text{Rated,c}} - 60\text{dB}, -25\text{dBm})/100\text{kHz}</math>.</p> <p>NOTE 2: For MSR BS supporting multi-band operation with Inter RF Bandwidth gap <math>&lt; 2 \times \Delta f_{\text{OBUE}}</math> the minimum requirement within the Inter RF Bandwidth gaps is calculated as a cumulative sum of contributions from adjacent sub-blocks or RF Bandwidth on each side of the Inter RF Bandwidth gap.</p> <p>NOTE 3: For operation with a standalone NB-IoT or an E-UTRA 1.4 or 3MHz carrier adjacent to the Base Station RF Bandwidth edge or the sub-block edge, the limits in Table 6.6.2.2-5 apply for <math>0 \text{ MHz} \leq \Delta f &lt; 0.15 \text{ MHz}</math>.</p>			

**Table 6.6.2.2-4: MR BS OBUE in BC2 bands applicable for: BS with maximum output power  $P_{\text{Rated,c}} \leq 31$  dBm and not supporting NR; or BS with maximum output power  $P_{\text{Rated,c}} \leq 31$  dBm and supporting NR with UTRA and/or GSM**

Frequency offset of measurement filter -3dB point, $\Delta f$	Frequency offset of measurement filter centre frequency, $f_{\text{offset}}$	Minimum requirement (Note 2, 3)	Measurement bandwidth (Note 7)
$0 \text{ MHz} \leq \Delta f < 0.6 \text{ MHz}$ (Note 1)	$0.015 \text{ MHz} \leq f_{\text{offset}} < 0.615 \text{ MHz}$	$-27 \text{ dBm} - \frac{5}{3} \left( \frac{f_{\text{offset}}}{\text{MHz}} - 0.015 \right) \text{ dB}$	30 kHz
$0.6 \text{ MHz} \leq \Delta f < 1 \text{ MHz}$	$0.615 \text{ MHz} \leq f_{\text{offset}} < 1.015 \text{ MHz}$	$-22 \text{ dBm} - 15 \cdot \left( \frac{f_{\text{offset}}}{\text{MHz}} - 0.215 \right) \text{ dB}$	30 kHz
(Note 6)	$1.015 \text{ MHz} \leq f_{\text{offset}} < 1.5 \text{ MHz}$	-34 dBm	30 kHz
$1 \text{ MHz} \leq \Delta f \leq 5 \text{ MHz}$	$1.5 \text{ MHz} \leq f_{\text{offset}} < 5.5 \text{ MHz}$	-21 dBm	1 MHz
$5 \text{ MHz} \leq \Delta f \leq \Delta f_{\text{max}}$	$5.5 \text{ MHz} \leq f_{\text{offset}} < f_{\text{offset}_{\text{max}}}$	-25 dBm (Note 8)	1 MHz
<p>NOTE 1: For operation with a GSM/EDGE or standalone NB-IoT or an E-UTRA 1.4 or 3 MHz carrier adjacent to the Base Station RF Bandwidth edge or the sub-block edge, the limits in Table 6.6.2.2-6 apply for <math>0 \text{ MHz} \leq \Delta f &lt; 0.15 \text{ MHz}</math>.</p> <p>NOTE 2: For MSR BS supporting non-contiguous spectrum operation within any operating band the minimum requirement within sub-block gaps is calculated as a cumulative sum of contributions from adjacent sub blocks on each side of the sub block gap, where the contribution from the far-end sub-block shall be scaled according to the measurement bandwidth of the near-end sub-block. Exception is <math>\Delta f \geq 10 \text{ MHz}</math> from both adjacent sub-blocks on each side of the sub-block gap, where the minimum requirement within sub-block gaps shall be -25dBm/MHz.</p> <p>NOTE 3: For MSR BS supporting multi-band operation with Inter RF Bandwidth gap <math>&lt; 2 \times \Delta f_{\text{OBUE}}</math> the minimum requirement within the Inter RF Bandwidth gaps is calculated as a cumulative sum of contributions from adjacent sub-blocks or RF Bandwidth on each side of the Inter RF Bandwidth gap, where the contribution from the far-end sub-block or RF Bandwidth shall be scaled according to the measurement bandwidth of the near-end sub-block or RF Bandwidth.</p>			

**Table 6.6.2.2-4a: MR BS OBUE in BC2 bands applicable for: BS with maximum output power  $P_{\text{Rated,c}} \leq 31$  dBm, supporting NR, not supporting UTRA, and not supporting GSM**

Frequency offset of measurement filter -3dB point, $\Delta f$	Frequency offset of measurement filter centre frequency, $f_{\text{offset}}$	Minimum requirement (Note 1, 2)	Measurement bandwidth (Note 7)
$0 \text{ MHz} \leq \Delta f < 5 \text{ MHz}$	$0.05 \text{ MHz} \leq f_{\text{offset}} < 5.05 \text{ MHz}$	$-22 \text{ dBm} - \frac{7}{5} \left( \frac{f_{\text{offset}}}{\text{MHz}} - 0.05 \right) \text{ dB}$	100 kHz
$5 \text{ MHz} \leq \Delta f < \min(10 \text{ MHz}, \Delta f_{\text{max}})$	$5.05 \text{ MHz} \leq f_{\text{offset}} < \min(10.05 \text{ MHz}, f_{\text{offset}_{\text{max}}})$	-29 dBm	100 kHz
$10 \text{ MHz} \leq \Delta f \leq \Delta f_{\text{max}}$	$10.05 \text{ MHz} \leq f_{\text{offset}} < f_{\text{offset}_{\text{max}}}$	-29 dBm (Note 8)	100 kHz
<p>NOTE 1: For MSR BS supporting non-contiguous spectrum operation within any operating band the minimum requirement within sub-block gaps is calculated as a cumulative sum of contributions from adjacent sub blocks on each side of the sub block gap. Exception is <math>\Delta f \geq 10 \text{ MHz}</math> from both adjacent sub blocks on each side of the sub-block gap, where the minimum requirement within sub-block gaps shall be -29dBm/100kHz.</p> <p>NOTE 2: For MSR BS supporting multi-band operation with Inter RF Bandwidth gap <math>&lt; 2 \times \Delta f_{\text{OBUE}}</math> the minimum requirement within the Inter RF Bandwidth gaps is calculated as a cumulative sum of contributions from adjacent sub-blocks or RF Bandwidth on each side of the Inter RF Bandwidth gap.</p> <p>NOTE 3: For operation with a standalone NB-IoT or an E-UTRA 1.4 or 3MHz carrier adjacent to the Base Station RF Bandwidth edge or the sub-block edge, the limits in Table 6.6.2.2-6 apply for <math>0 \text{ MHz} \leq \Delta f &lt; 0.15 \text{ MHz}</math>.</p>			

**Table 6.6.2.2-5: MR BS OBUE in BC2 bands applicable for: BS with maximum output power  $31 < P_{\text{Rated,c}} \leq 38$  dBm and with GSM/EDGE or E-UTRA 1.4 or 3 MHz carriers or standalone NB-IoT adjacent to the Base Station RF Bandwidth edge or the sub-block edge**

Frequency offset of measurement filter -3dB point, $\Delta f$	Frequency offset of measurement filter centre frequency, $f_{\text{offset}}$	Minimum requirement (Note 2, 3)	Measurement bandwidth (Note 7)
$0 \text{ MHz} \leq \Delta f < 0.05 \text{ MHz}$ (Note 1)	$0.015 \text{ MHz} \leq f_{\text{offset}} < 0.065 \text{ MHz}$	$P_{\text{Rated,c}} - 38\text{dB} - 60(f_{\text{offset}}/\text{MHz} - 0.015)\text{dB}$	30 kHz
$0.05 \text{ MHz} \leq \Delta f < 0.15 \text{ MHz}$	$0.065 \text{ MHz} \leq f_{\text{offset}} < 0.165 \text{ MHz}$	$P_{\text{Rated,c}} - 41\text{dB} - 160(f_{\text{offset}}/\text{MHz} - 0.065)\text{dB}$	30 kHz

NOTE 1: The limits in this table only apply for operation with a GSM/EDGE or standalone NB-IoT or an E-UTRA 1.4 or 3 MHz carrier adjacent to the Base Station RF Bandwidth edge or the sub-block edge.

NOTE 2: For MSR BS supporting non-contiguous spectrum operation within any operating band the minimum requirement within sub-block gaps is calculated as a cumulative sum of contributions from adjacent sub blocks on each side of the sub block gap.

NOTE 3: For MSR BS supporting multi-band operation with Inter RF Bandwidth gap  $< 2 \times \Delta f_{\text{OBUE}}$  the minimum requirement within the Inter RF Bandwidth gaps is calculated as a cumulative sum of contributions from adjacent sub-blocks or RF Bandwidth on each side of the Inter RF Bandwidth gap.

**Table 6.6.2.2-6: MR BS OBUE in BC2 bands applicable for: BS with maximum output power  $P_{\text{Rated,c}} \leq 31$  dBm and with GSM/EDGE or E-UTRA 1.4 or 3 MHz carriers or standalone NB-IoT adjacent to the Base Station RF Bandwidth edge or the sub-block edge**

Frequency offset of measurement filter -3dB point, $\Delta f$	Frequency offset of measurement filter centre frequency, $f_{\text{offset}}$	Minimum requirement (Note 2, 3, 4)	Measurement bandwidth (Note 7)
$0 \text{ MHz} \leq \Delta f < 0.05 \text{ MHz}$ (Note 1)	$0.015 \text{ MHz} \leq f_{\text{offset}} < 0.065 \text{ MHz}$	$\text{Max}\left(-7\text{dBm} - 60 \cdot \left(\frac{f_{\text{offset}}}{\text{MHz}} - 0.015\right)\text{dB} + X\text{dB}, -27\text{dBm}\right)$	30 kHz
$0.05 \text{ MHz} \leq \Delta f < 0.15 \text{ MHz}$	$0.065 \text{ MHz} \leq f_{\text{offset}} < 0.165 \text{ MHz}$	$\text{Max}\left(-10\text{dBm} - 160 \cdot \left(\frac{f_{\text{offset}}}{\text{MHz}} - 0.065\right)\text{dB} + X\text{dB}, -27\text{dBm}\right)$	30 kHz

NOTE 1: The limits in this table only apply for operation with a GSM/EDGE or standalone NB-IoT or an E-UTRA 1.4 or 3 MHz carrier adjacent to the Base Station RF Bandwidth edge or the sub-block edge.

NOTE 2: For MSR BS supporting non-contiguous spectrum operation within any operating band the minimum requirement within sub-block gaps is calculated as a cumulative sum of contributions from adjacent sub blocks on each side of the sub block gap.

NOTE 3: For MSR BS supporting multi-band operation with Inter RF Bandwidth gap  $< 2 \times \Delta f_{\text{OBUE}}$  the minimum requirement within the Inter RF Bandwidth gaps is calculated as a cumulative sum of contributions from adjacent sub-blocks or RF Bandwidth on each side of the Inter RF Bandwidth gap.

NOTE 4: In case the carrier adjacent to the Base Station RF Bandwidth edge or the sub-block edge is a GSM/EDGE carrier, the value of  $X = P_{\text{GSMcarrier}} - 31$ , where  $P_{\text{GSMcarrier}}$  is the power level of the GSM/EDGE carrier adjacent to the Base Station RF Bandwidth edge or the sub-block edge. In other cases,  $X = 0$ .

NOTE 5: In case the carrier adjacent to the RF bandwidth edge is a NB-IoT carrier, the value of  $X = P_{\text{NB-IoTcarrier}} - 31$ , where  $P_{\text{NB-IoTcarrier}}$  is the power level of the NB-IoT carrier adjacent to the RF bandwidth edge. In other cases,  $X = 0$ .

Table 6.6.2.2-7: LA BS OBUE in BC2 bands

Frequency offset of measurement filter -3dB point, $\Delta f$	Frequency offset of measurement filter centre frequency, $f_{\text{offset}}$	Minimum requirement (Note 2, 3)	Measurement bandwidth (Note 7)
$0 \text{ MHz} \leq \Delta f < 5 \text{ MHz}$ (Note 1)	$0.05 \text{ MHz} \leq f_{\text{offset}} < 5.05 \text{ MHz}$	$-30 \text{ dBm} - \frac{7}{5} \left( \frac{f_{\text{offset}}}{\text{MHz}} - 0.05 \right) \text{ dB}$	100 kHz
$5 \text{ MHz} \leq \Delta f < \min(10 \text{ MHz}, \Delta f_{\text{max}})$	$5.05 \text{ MHz} \leq f_{\text{offset}} < \min(10.05 \text{ MHz}, f_{\text{offset}_{\text{max}}})$	-37 dBm	100 kHz
$10 \text{ MHz} \leq \Delta f \leq \Delta f_{\text{max}}$	$10.05 \text{ MHz} \leq f_{\text{offset}} < f_{\text{offset}_{\text{max}}}$	-37 dBm (Note 8)	100 kHz
NOTE 1: For operation with a GSM/EDGE or standalone NB-IoT or an E-UTRA 1.4 or 3 MHz carrier adjacent to the Base Station RF Bandwidth edge or the sub-block edge, the limits in Table 6.6.2.2-8 apply for $0 \text{ MHz} \leq \Delta f < 0.16 \text{ MHz}$ .			
NOTE 2: For MSR BS supporting non-contiguous spectrum operation within any operating band the minimum requirement within sub-block gaps is calculated as a cumulative sum of contributions from adjacent sub blocks on each side of the sub block gap. Exception is $\Delta f \geq 10 \text{ MHz}$ from both adjacent sub blocks on each side of the sub-block gap, where the minimum requirement within sub-block gaps shall be -37dBm/100 kHz.			
NOTE 3: For MSR BS supporting multi-band operation with Inter RF Bandwidth gap $< 2 \times \Delta f_{\text{OBUE}}$ the minimum requirement within the Inter RF Bandwidth gaps is calculated as a cumulative sum of contributions from adjacent sub-blocks or RF Bandwidth on each side of the Inter RF Bandwidth gap.			

Table 6.6.2.2-8: LA BS OBUE in BC2 bands applicable for: BS with GSM/EDGE or E-UTRA 1.4 or 3 MHz carriers or standalone NB-IoT adjacent to the Base Station RF Bandwidth edge or the sub-block edge

Frequency offset of measurement filter -3dB point, $\Delta f$	Frequency offset of measurement filter centre frequency, $f_{\text{offset}}$	Minimum requirement (Note 2, 3, 4)	Measurement bandwidth (Note 7)
$0 \text{ MHz} \leq \Delta f < 0.05 \text{ MHz}$ (Note 1)	$0.015 \text{ MHz} \leq f_{\text{offset}} < 0.065 \text{ MHz}$	$\text{Max} \left( -14 \text{ dBm} - 60 \cdot \left( \frac{f_{\text{offset}}}{\text{MHz}} - 0.015 \right) \text{ dB} + X \text{ dB}, -35 \text{ dBm} \right)$	30 kHz
$0.05 \text{ MHz} \leq \Delta f < 0.16 \text{ MHz}$	$0.065 \text{ MHz} \leq f_{\text{offset}} < 0.175 \text{ MHz}$	$\text{Max} \left( -17 \text{ dBm} - 160 \cdot \left( \frac{f_{\text{offset}}}{\text{MHz}} - 0.065 \right) \text{ dB} + X \text{ dB}, -35 \text{ dBm} \right)$	30 kHz
NOTE 1: The limits in this table only apply for operation with a GSM/EDGE or standalone NB-IoT or an E-UTRA 1.4 or 3 MHz carrier adjacent to the Base Station RF Bandwidth edge or the sub-block edge.			
NOTE 2: For MSR BS supporting non-contiguous spectrum operation within any operating band the minimum requirement within sub-block gaps is calculated as a cumulative sum of contributions from adjacent sub blocks on each side of the sub block gap.			
NOTE 3: For MSR BS supporting multi-band operation with Inter RF Bandwidth gap $< 2 \times \Delta f_{\text{OBUE}}$ the minimum requirement within the Inter RF Bandwidth gaps is calculated as a cumulative sum of contributions from adjacent sub-blocks or RF Bandwidth on each side of the Inter RF Bandwidth gap.			
NOTE 4: In case the carrier adjacent to the RF bandwidth edge is a GSM/EDGE carrier, the value of $X = P_{\text{GSMcarrier}} - 24$ , where $P_{\text{GSMcarrier}}$ is the power level of the GSM/EDGE carrier adjacent to the Base Station RF Bandwidth edge or the sub-block edge. In other cases, $X = 0$ .			
NOTE 5: In case the carrier adjacent to the RF bandwidth edge is a NB-IoT carrier, the value of $X = P_{\text{NB-IoTcarrier}} - 24$ , where $P_{\text{NB-IoTcarrier}}$ is the power level of the NB-IoT carrier adjacent to the RF bandwidth edge. In other cases, $X = 0$ .			

The following notes are common to all subclauses in 6.6.2:

NOTE 6: This frequency range ensures that the range of values of  $f_{\text{offset}}$  is continuous.

NOTE 7: As a general rule for the requirements in the present subclause, the resolution bandwidth of the measuring equipment should be equal to the measurement bandwidth. However, to improve measurement accuracy, sensitivity and efficiency, the resolution bandwidth may be smaller than the measurement bandwidth. When the resolution bandwidth is smaller than the measurement bandwidth, the result should be integrated over the measurement bandwidth in order to obtain the equivalent noise bandwidth of the measurement bandwidth.

NOTE 8: The requirement is not applicable when  $\Delta f_{\max} < \Delta f_{\text{OBUE}}$ .

NOTE 9: All limits in Table 6.6.2.2-1, Table 6.6.2.2-3, Table 6.6.2.2-4 and Table 6.6.2.2-7 are identical to the corresponding limits for Band Category 1 and 3.

### 6.6.2.3 GSM/EDGE single-RAT requirements

The following requirements in TS 45.005 [5] shall apply to an MSR Base Station for any operating band with GSM/EDGE single RAT operation in Band Category 2:

- Spectrum due to the modulation and wide band noise, applicable parts of subclause 4.2.1.1, 4.2.1.2, 4.2.1.3-a2, 4.2.1.3-b2, 4.2.1.3-c2 and 4.2.1.4.2.
- Spectrum due to switching transients, applicable parts of subclause 4.2.2.1-b.
- Emission requirement for frequency offsets of between 2 and 10 MHz outside relevant transmit band, applicable parts of subclause 4.3.1 and 4.3.2.1.
- Intra BTS Intermodulation, applicable parts of subclause 4.7.2, 4.7.2.1-b, 4.7.2.3-b and 4.7.2.3-c.

### 6.6.2.4 Additional requirements

#### 6.6.2.4.1 Limits in FCC Title 47

In addition to the requirements in subclauses 6.6.2.1 and 6.6.2.2, the BS may have to comply with the applicable emission limits established by FCC Title 47 [8], when deployed in regions where those limits are applied, and under the conditions declared by the manufacturer.

#### 6.6.2.4.2 Unsynchronized operation for BC3

In certain regions, the following requirements may apply to a TDD BS operating in BC3 in the same geographic area and in the same operating band as another TDD system without synchronisation. For this case the emissions shall not exceed -52 dBm/MHz in each supported downlink operating band except in:

- The frequency range from 10 MHz below the lower Base Station RF Bandwidth edge to the frequency 10 MHz above the upper Base Station RF Bandwidth edge of each supported band.

NOTE 1: Local or regional regulations may specify another excluded frequency range, which may include frequencies where synchronised TDD systems operate.

NOTE 2: TDD base stations that are synchronized and operating in BC3 can transmit without these additional co-existence requirements.

NOTE 3: Unsynchronized operation for BC3 BS with any NR configuration is not covered by the present release of this specification.

#### 6.6.2.4.3 Protection of DTT

In certain regions the following requirement may apply for protection of DTT. For a BS operating in Band 20, the level of emissions in the band 470-790 MHz, measured in an 8 MHz filter bandwidth on centre frequencies  $F_{\text{filter}}$  according to Table 6.6.2.4.3-1, shall not exceed the maximum emission level  $P_{\text{EM},N}$  declared by the manufacturer. This requirement applies in the frequency range 470-790 MHz even though part of the range falls in the spurious domain.

**Table 6.6.2.4.3-1: Declared emissions levels for protection of DTT**

Filter centre frequency, $F_{\text{filter}}$	Measurement bandwidth	Declared emission level [dBm]
$F_{\text{filter}} = 8 \cdot N + 306$ (MHz); $21 \leq N \leq 60$	8 MHz	$P_{\text{EM},N}$

Note: The regional requirement is defined in terms of EIRP (effective isotropic radiated power), which is dependent on both the BS emissions at the antenna connector and the deployment (including antenna gain and feeder loss). The requirement defined above provides the characteristics of the base station needed to verify compliance with the regional requirement. Compliance with the regional requirement can be determined using the method outlined in Annex G of TS 36.104 [4].

#### 6.6.2.4.4 Void

**Table 6.6.2.4.4-1:Void**

#### 6.6.2.4.5 Co-existence with RNSS/GPS services in North America

In regions where FCC regulation applies, requirements for protection of GPS according to FCC Order DA 20-48 applies for operation in Band 24. The following normative requirement covers the base station, to be used together with other information about the site installation to verify compliance with the requirement in FCC Order DA 20-48. The requirement applies to BS operating in Band 24 to ensure that appropriate interference protection is provided to the 1541 – 1650 MHz band. This requirement applies to the frequency range 1541-1650 MHz.

The level of emissions in the 1541 – 1650 MHz band, measured in measurement bandwidth according to Table 6.6.2.4.5-1 shall not exceed the maximum emission levels  $P_{EM,B24,a}$ ,  $P_{EM,B24,b}$ ,  $P_{EM,B24,c}$ ,  $P_{EM,B24,d}$ ,  $P_{EM,B24,e}$  and  $P_{EM,B24,f}$  declared by the manufacturer.

**Table 6.6.2.4.5-1: Declared emissions levels for protection of the 1541-1650 MHz band**

Operating Band	Frequency range	Declared emission level (dBW) (Measurement bandwidth = 1 MHz)	Declared emission level (dBW) of discrete emissions of less than 700 Hz bandwidth (Measurement bandwidth = 1 kHz)	Declared emission level (dBW) of discrete emissions of less than 2 kHz bandwidth (Measurement bandwidth = 1 kHz)
24	1541 - 1559 MHz	$P_{EM,B24,a}$		$P_{EM,B24,f}$
	1559 - 1610 MHz	$P_{EM,B24,b}$	$P_{EM,B24,d}$	
	1610 - 1650 MHz	$P_{EM,B24,c}$	$P_{EM,B24,e}$	

Note: The regional requirements in FCC Order DA 20-48 are defined in terms of EIRP (effective isotropic radiated power), which is dependent on both the BS emissions at the antenna connector and the deployment (including antenna gain and feeder loss). The EIRP level is calculated using:  $P_{EIRP} = P_E + G_{ant}$  where  $P_E$  denotes the BS unwanted emission level at the antenna connector,  $G_{ant}$  equals the BS antenna gain minus feeder loss. The requirement defined above provides the characteristics of the base station needed to verify compliance with the regional requirement.

#### 6.6.2.4.6 Void

**Table 6.6.2.4.6-1: Void**

#### 6.6.2.4.7 Additional band 32, 50, 51, 74, 75 and 76 unwanted emissions

In certain regions, the following requirements may apply to BS operating in Band 32 within 1452-1492 MHz, in Band 75 within 1432-1517 MHz and in Band 76 within 1427-1432 MHz. The level of operating band unwanted emissions, measured on centre frequencies  $f_{offset}$  with filter bandwidth, according to Table 6.6.2.4.7-1, shall neither exceed the maximum emission level  $P_{EM,B32,B75,B76,a}$ ,  $P_{EM,B32,B75,B76,b}$  nor  $P_{EM,B32,B75,B76,c}$  declared by the manufacturer.

For Band 32, this requirement applies in the frequency range 1452-1492 MHz when non-Mobile/Fixed Communications Network (MFCN) services are deployed in adjacent frequency ranges, while it applies also within 1427-1452 MHz and/or 1492-1517 MHz when MFCN services are deployed in such frequency ranges, even though part of the ranges falls in the spurious domain. For Band 75, this requirement applies in the frequency range 1427-1517

MHz. For Band 76, this requirement applies in the frequency range 1432-1517 MHz even though part of the range falls in the spurious domain.

**Table 6.6.2.4.7-1: Declared operating band 32, 75, 76 unwanted emission within 1427-1517 MHz**

Frequency offset of measurement filter centre frequency, $f_{\text{offset}}$	Declared emission level [dBm]	Measurement bandwidth
2.5 MHz	$P_{EM,B32,B75,B76,a}$	5 MHz
7.5 MHz	$P_{EM,B32,B75,B76,b}$	5 MHz
$12.5 \text{ MHz} \leq f_{\text{offset}} \leq f_{\text{offset,max}}$	$P_{EM,B32,B75,B76,c}$	5 MHz
NOTE: For Band 32, when non-MFCN services are deployed in the adjacent bands, $f_{\text{offset,max}}$ denotes the frequency difference between the lower Base Station RF Bandwidth edge and 1454.5 MHz, and the frequency difference between the upper Base Station RF Bandwidth edge and 1489.5 MHz for the set channel position. For Band 32, when MFCN services are deployed in the adjacent frequencies, Band 75, n75, 76 and n76, $f_{\text{offset,max}}$ denotes the frequency difference between the lower Base Station RF Bandwidth edge and 1429.5 MHz, and the frequency difference between the upper Base Station RF Bandwidth edge and 1514.5 MHz for the set channel position.		

NOTE: The regional requirement, included in [16], is defined in terms of EIRP per antenna, which is dependent on both the BS emissions at the antenna connector and the deployment (including antenna gain and feeder loss). The requirement defined above provides the characteristics of the base station needed to verify compliance with the regional requirement. The assessment of the EIRP level is described in Annex H of TS 36.104 [4].

In certain regions, the following requirement may apply to BS operating in Band 32 within 1452-1492MHz for the protection of non-MFCN services in spectrum adjacent to the frequency range 1452-1492 MHz. The level of emissions, measured on centre frequencies  $F_{\text{filter}}$  with filter bandwidth according to Table 6.6.2.4.7-2, shall neither exceed the maximum emission level  $P_{EM,B32,d}$  nor  $P_{EM,B32,e}$  declared by the manufacturer. This requirement applies in the frequency range 1429-1518MHz even though part of the range falls in the spurious domain.

**Table 6.6.2.4.7-2: Operating band 32 declared emission outside 1452-1492 MHz**

Filter centre frequency, $F_{\text{filter}}$	Declared emission level [dBm]	Measurement bandwidth
$1429.5 \text{ MHz} \leq F_{\text{filter}} \leq 1448.5 \text{ MHz}$	$P_{EM,B32,d}$	1 MHz
$F_{\text{filter}} = 1450.5 \text{ MHz}$	$P_{EM,B32,e}$	3 MHz
$F_{\text{filter}} = 1493.5 \text{ MHz}$	$P_{EM,B32,e}$	3 MHz
$1495.5 \text{ MHz} \leq F_{\text{filter}} \leq 1517.5 \text{ MHz}$	$P_{EM,B32,d}$	1 MHz

NOTE: The regional requirement, included in [15], is defined in terms of EIRP, which is dependent on both the BS emissions at the antenna connector and the deployment (including antenna gain and feeder loss). The requirement defined above provides the characteristics of the base station needed to verify compliance with the regional requirement. The assessment of the EIRP level is described in Annex H of TS 36.104 [4].

In certain regions, the following requirement may apply to BS operating in Band 50 and Band 75 within 1492-1517 MHz and in Band 74 within 1492-1518 MHz. The level of emissions, measured on centre frequencies  $F_{\text{filter}}$  with filter bandwidth according to Table 6.6.2.4.7-3, shall neither exceed the maximum emission level  $P_{EM,B50,B74,B75,a}$  nor  $P_{EM,B50,B74,B75,b}$  declared by the manufacturer.

**Table 6.6.2.4.7-3: Operating band 50, 74 and 75 declared emission above 1518 MHz**

Filter centre frequency, $F_{\text{filter}}$	Declared emission level [dBm]	Measurement bandwidth
$1518.5 \text{ MHz} \leq F_{\text{filter}} \leq 1519.5 \text{ MHz}$	$P_{EM,B50,B74,B75,a}$	1 MHz
$1520.5 \text{ MHz} \leq F_{\text{filter}} \leq 1558.5 \text{ MHz}$	$P_{EM,B50,B74,B75,b}$	1 MHz

NOTE: The regional requirement, included in [16], is defined in terms of EIRP, which is dependent on both the BS emissions at the antenna connector and the deployment (including antenna gain and feeder loss). The requirement defined above provides the characteristics of the base station needed to verify compliance with the regional requirement. The assessment of the EIRP level is described in Annex H.

In certain regions, the following requirement may apply to NR or E-UTRA BS operating in Band 50 and Band 75 within 1432-1452 MHz, and in Band 51 and Band 76. Emissions shall not exceed the maximum levels specified in Table 6.6.2.4.7-4.

**Table 6.6.2.4.7-4: Additional operating band unwanted emission limits for BS operating in Band 50 and 75 within 1432-1452 MHz, and in Band 51 and 76**

Filter centre frequency, $F_{\text{filter}}$	Maximum Level [dBm]	Measurement Bandwidth
$F_{\text{filter}} = 1413.5 \text{ MHz}$	-42	27 MHz

#### 6.6.2.4.8 Additional requirements for band 45

In certain regions the following requirement may apply to E-UTRA BS operating in Band 45. Emissions shall not exceed the maximum levels specified in Table 6.6.2.4.8-1.

**Table 6.6.2.4.8-1: Emissions limits for protection of adjacent band services**

Operating Band	Filter centre frequency, $F_{\text{filter}}$	Maximum Level [dBm]	Measurement Bandwidth
45	$F_{\text{filter}} = 1467.5$	-20	1 MHz
	$F_{\text{filter}} = 1468.5$	-23	1 MHz
	$F_{\text{filter}} = 1469.5$	-26	1 MHz
	$F_{\text{filter}} = 1470.5$	-33	1 MHz
	$F_{\text{filter}} = 1471.5$	-40	1 MHz
	$1472.5 \text{ MHz} \leq F_{\text{filter}} \leq 1491.5 \text{ MHz}$	-47	1 MHz

#### 6.6.2.4.9 Additional requirements for band 48

The following requirement may apply to BS operating in Band 48 in certain regions. Emissions shall not exceed the maximum levels specified in Table 6.6.2.4.9-1.

**Table 6.6.2.4.9-1: Additional operating band unwanted emission limits for Band 48**

Channel bandwidth	Frequency offset of measurement filter -3dB point, $\Delta f$	Frequency offset of measurement filter centre frequency, $f_{\text{offset}}$	Minimum requirement	Measurement bandwidth
All	$0 \text{ MHz} \leq \Delta f < 10 \text{ MHz}$	$0.5 \text{ MHz} \leq f_{\text{offset}} < 9.5 \text{ MHz}$	-13 dBm	1 MHz

#### 6.6.2.4.10 Additional requirements for band 53

The following requirement may apply to BS operating in Band 53 in certain regions. Emissions shall not exceed the maximum levels specified in Table 6.6.2.4.10-1.



**Table 6.6.2.4.10-1: Additional operating band unwanted emission limits for Band 53**

Channel bandwidth [MHz]	Frequency range [MHz]	Frequency offset of measurement filter -3dB point, $\Delta f$	Frequency offset of measurement filter centre frequency, $f_{\text{offset}}$	Minimum requirement	Measurement bandwidth
1.4, 3, 5	2400 - 2477.5	$6 \text{ MHz} \leq \Delta f < 83.5 \text{ MHz}$	$6.5 \text{ MHz} \leq f_{\text{offset}} < 83 \text{ MHz}$	-25 dBm	1 MHz
10	2400 - 2473.5	$10 \text{ MHz} \leq \Delta f < 83.5 \text{ MHz}$	$10.5 \text{ MHz} \leq f_{\text{offset}} < 83 \text{ MHz}$	-25 dBm	1 MHz
1.4, 3, 5	2477.5 - 2478.5	$5 \text{ MHz} \leq \Delta f < 6 \text{ MHz}$	5.5 MHz	-13 dBm	1 MHz
10	2473.5 - 2478.5	$5 \text{ MHz} \leq \Delta f < 10 \text{ MHz}$	$5.5 \text{ MHz} \leq f_{\text{offset}} < 9.5 \text{ MHz}$	-13 dBm	1 MHz
All	2478.5 - 2483.5	$0 \text{ MHz} \leq \Delta f < 5 \text{ MHz}$	$0.5 \text{ MHz} \leq f_{\text{offset}} < 4.5 \text{ MHz}$	-10 dBm	1 MHz
1.4, 3, 5	2495 - 2501	$0 \text{ MHz} \leq \Delta f < 6 \text{ MHz}$	$0.5 \text{ MHz} \leq f_{\text{offset}} < 5.5 \text{ MHz}$	-13 dBm	1 MHz
10	2495 - 2505	$0 \text{ MHz} \leq \Delta f < 10 \text{ MHz}$	$0.5 \text{ MHz} \leq f_{\text{offset}} < 9.5 \text{ MHz}$	-13 dBm	1 MHz
1.4, 3, 5	2501 - 2690	$6 \text{ MHz} \leq \Delta f < 195 \text{ MHz}$	$6.5 \text{ MHz} \leq f_{\text{offset}} < 194.5 \text{ MHz}$	-25 dBm	1 MHz
10	2505 - 2690	$10 \text{ MHz} \leq \Delta f < 195 \text{ MHz}$	$10.5 \text{ MHz} \leq f_{\text{offset}} < 194.5 \text{ MHz}$	-25 dBm	1 MHz

## 6.6.3 Occupied bandwidth

The occupied bandwidth is the width of a frequency band such that, below the lower and above the upper frequency limits, the mean powers emitted are each equal to a specified percentage  $\beta/2$  of the total mean transmitted power. See also ITU-R Recommendation SM.328 [11].

The value of  $\beta/2$  shall be taken as 0.5%.

The requirement in the present clause applies during the transmitter ON period for a single transmitted carrier. For E-UTRA intra-band contiguous carrier aggregation, the requirement in clause 6.6.1 of TS 36.104 [4] applies for the E-UTRA component carriers that are aggregated. For NR intra-band contiguous carrier aggregation, the requirement in clause 6.6.2.2 of TS 38.104 [17] applies for the NR component carriers that are aggregated. The minimum requirement below may be applied regionally. There may also be regional requirements to declare the occupied bandwidth according to the definition in the present clause.

### 6.6.3.1 Minimum requirement

The occupied bandwidth shall be less than values listed in Table 6.6.3.1-1.

**Table 6.6.3.1-1: Occupied bandwidth**

RAT	Occupied bandwidth limit
E-UTRA and NR	$BW_{\text{Channel}}$
UTRA FDD	5 MHz
1.28 Mcps UTRA TDD	1.6 MHz
NB-IoT	200 kHz

## 6.6.4 Adjacent Channel Leakage Power Ratio (ACLR)

Adjacent Channel Leakage Power Ratio (ACLR) is the ratio of the filtered mean power centred on the assigned channel frequency to the filtered mean power centred on an adjacent channel frequency.

### 6.6.4.1 E-UTRA minimum requirement

For E-UTRA, the minimum requirement for ACLR is specified in Table 6.6.4.1-1 and 6.6.4.1-2 and applies outside the Base Station RF Bandwidth or Radio Bandwidth.

For a BS operating in non-contiguous spectrum, the ACLR also applies for the first adjacent channel inside any sub-block gap with a gap size  $W_{\text{gap}} \geq 15 \text{ MHz}$ . The ACLR requirement for the second adjacent channel applies inside any sub-block gap with a gap size  $W_{\text{gap}} \geq 20 \text{ MHz}$ . The CACLR requirement in subclause 6.6.4.4 applies in sub block gaps for the frequency ranges defined in Table 6.6.4.4-1.

For a BS operating in multiple bands, where multiple bands are mapped onto the same antenna connector, the ACLR also applies for the first adjacent channel inside any Inter RF Bandwidth gap with a gap size  $W_{\text{gap}} \geq 15 \text{ MHz}$ . The ACLR requirement for the second adjacent channel applies inside any Inter RF Bandwidth gap with a gap size  $W_{\text{gap}} \geq 20 \text{ MHz}$ .

The ACLR requirement in subclause 6.6.4.4 applies in Inter-RF Bandwidth gaps for the frequency ranges defined in Table 6.6.4.4-1.

The requirements apply during the transmitter ON period.

The ACLR is defined with a square filter of bandwidth equal to the transmission bandwidth configuration of the transmitted signal ( $BW_{\text{Config}}$ ) centred on the assigned channel frequency and a filter centred on the adjacent channel frequency according to the tables below.

For Category A Wide Area BS, either the ACLR limits in the tables below or the absolute limit of -13dBm/MHz shall apply, whichever is less stringent.

For Category B Wide Area BS, either the ACLR limits in the tables below or the absolute limit of -15dBm/MHz shall apply, whichever is less stringent. For Medium Range BS, either the ACLR limits in the tables below or the absolute limit of -25 dBm/MHz shall apply, whichever is less stringent.

For Local Area BS, either the ACLR limits in the tables below or the absolute limit of -32dBm/MHz shall apply, whichever is less stringent.

For operation in paired spectrum, the ACLR shall be higher than the value specified in Table 6.6.4.1-1.

**Table 6.6.4.1-1: Base Station ACLR in paired spectrum**

Channel bandwidth of E-UTRA Lowest/ Highest Carrier transmitted $BW_{\text{Channel}}$ [MHz]	BS adjacent channel centre frequency offset below the lower or above the upper Base Station RF bandwidth edge	Assumed adjacent channel carrier	Filter on the adjacent channel frequency and corresponding filter bandwidth	ACLR limit
1.4, 3.0, 5, 10, 15, 20	0.5 x $BW_{\text{Channel}}$	E-UTRA of same BW	Square ( $BW_{\text{Config}}$ )	45 dB
	1.5 x $BW_{\text{Channel}}$	E-UTRA of same BW	Square ( $BW_{\text{Config}}$ )	45 dB
	2.5 MHz	3.84 Mcps UTRA	RRC (3.84 Mcps)	45 dB
	7.5 MHz	3.84 Mcps UTRA	RRC (3.84 Mcps)	45 dB
NOTE 1: $BW_{\text{Channel}}$ and $BW_{\text{Config}}$ are the channel bandwidth and transmission bandwidth configuration of the E-UTRA Lowest/Highest Carrier transmitted on the assigned channel frequency.				
NOTE 2: The RRC filter shall be equivalent to the transmit pulse shape filter defined in TS 25.104 [2], with a chip rate as defined in this table.				

For operation in unpaired spectrum, the ACLR shall be higher than the value specified in Table 6.6.4.1-2.

**Table 6.6.4.1-2: Base Station ACLR in unpaired spectrum with synchronized operation**

Channel bandwidth of E-UTRA Lowest/ Highest Carrier transmitted $BW_{\text{Channel}}$ [MHz]	BS adjacent channel centre frequency offset below the lower or above the upper Base Station RF Bandwidth edge	Assumed adjacent channel carrier	Filter on the adjacent channel frequency and corresponding filter bandwidth	ACLR limit
1.4, 3	0.5 x $BW_{\text{Channel}}$	E-UTRA of same BW	Square ( $BW_{\text{Config}}$ )	45 dB
	1.5 x $BW_{\text{Channel}}$	E-UTRA of same BW	Square ( $BW_{\text{Config}}$ )	45 dB
	0.8 MHz	1.28 Mcps UTRA	RRC (1.28 Mcps)	45 dB
	2.4 MHz	1.28 Mcps UTRA	RRC (1.28 Mcps)	45 dB
5, 10, 15, 20	0.5 x $BW_{\text{Channel}}$	E-UTRA of same BW	Square ( $BW_{\text{Config}}$ )	45 dB
	1.5 x $BW_{\text{Channel}}$	E-UTRA of same BW	Square ( $BW_{\text{Config}}$ )	45 dB
	0.8 MHz	1.28 Mcps UTRA	RRC (1.28 Mcps)	45 dB
	2.4 MHz	1.28 Mcps UTRA	RRC (1.28 Mcps)	45 dB
	2.5 MHz	3.84 Mcps UTRA	RRC (3.84 Mcps)	45 dB
	7.5 MHz	3.84 Mcps UTRA	RRC (3.84 Mcps)	45 dB
	5 MHz	7.68 Mcps UTRA	RRC (7.68 Mcps)	45 dB
	15 MHz	7.68 Mcps UTRA	RRC (7.68 Mcps)	45 dB
NOTE 1: $BW_{\text{Channel}}$ and $BW_{\text{Config}}$ are the channel bandwidth and transmission bandwidth configuration of the E-UTRA Lowest/Highest Carrier transmitted on the assigned channel frequency.				
NOTE 2: The RRC filter shall be equivalent to the transmit pulse shape filter defined in TS 25.105 [3], with a chip rate as defined in this table.				

For operation in non-contiguous paired spectrum, the ACLR shall be higher than the value specified in Table 6.6.4.1-3.

**Table 6.6.4.1-3: Base Station ACLR in non-contiguous paired spectrum**

Sub-block gap size ( $W_{\text{gap}}$ ) where the limit applies	BS adjacent channel centre frequency offset below or above the sub-block edge (inside the gap)	Assumed adjacent channel carrier	Filter on the adjacent channel frequency and corresponding filter bandwidth	ACLR limit
$W_{\text{gap}} \geq 15$ MHz	2.5 MHz	3.84 Mcps UTRA	RRC (3.84 Mcps)	45 dB
$W_{\text{gap}} \geq 20$ MHz	7.5 MHz	3.84 Mcps UTRA	RRC (3.84 Mcps)	45 dB
NOTE: The RRC filter shall be equivalent to the transmit pulse shape filter defined in TS 25.104 [2], with a chip rate as defined in this table.				

For operation in non-contiguous unpaired spectrum, the ACLR shall be higher than the value specified in Table 6.6.4.1-4.

**Table 6.6.4.1-4: Base Station ACLR in non-contiguous unpaired spectrum**

Sub-block gap size ( $W_{\text{gap}}$ ) where the limit applies	BS adjacent channel centre frequency offset below or above the sub-block edge (inside the gap)	Assumed adjacent channel carrier (informative)	Filter on the adjacent channel frequency and corresponding filter bandwidth	ACLR limit
$W_{\text{gap}} \geq 15$ MHz	2.5 MHz	5MHz E-UTRA carrier	Square ( $BW_{\text{Config}}$ )	45 dB
$W_{\text{gap}} \geq 20$ MHz	7.5 MHz	5MHz E-UTRA carrier	Square ( $BW_{\text{Config}}$ )	45 dB

### 6.6.4.2 UTRA FDD minimum requirement

For UTRA FDD, the minimum requirement for ACLR is specified in TS 25.104 [2], subclause 6.6.2.2, and applies outside the Base Station RF Bandwidth or Radio Bandwidth.

For a BS operating in non-contiguous spectrum, ACLR requirement also applies for the first adjacent channel, inside any sub-block gap with a gap size  $W_{\text{gap}} \geq 15$  MHz. The ACLR requirement for the second adjacent channel applies inside any sub-block gap with a gap size  $W_{\text{gap}} \geq 20$  MHz. The CAACLR requirement in subclause 6.6.4.4 applies in sub block gaps for the frequency ranges defined in Table 6.6.4.4-1.

For a BS operating in multiple bands, where multiple bands are mapped onto the same antenna connector, ACLR requirement also applies for the first adjacent channel, inside any Inter RF Bandwidth gap with a gap size  $W_{\text{gap}} \geq 15$  MHz. The ACLR requirement for the second adjacent channel applies inside any Inter RF Bandwidth gap with a gap size  $W_{\text{gap}} \geq 20$  MHz. The CAACLR requirement in subclause 6.6.4.4 applies in Inter RF Bandwidth gaps for the frequency ranges defined in Table 6.6.4.4-1.

### 6.6.4.3 UTRA TDD minimum requirement

For UTRA TDD, the minimum requirement for ACLR is specified in TS 25.105 [3], subclause 6.6.2.2.1.2, and applies outside the Base Station RF Bandwidth or Radio Bandwidth.

### 6.6.4.4 Cumulative ACLR requirement in non-contiguous spectrum

The following requirement applies for the sub-block or Inter RF Bandwidth gap sizes listed in Table 6.6.4.4-1:

- Inside a sub-block gap within an operating band for a BS operating in non-contiguous spectrum.
- Inside an Inter RF Bandwidth gap for a BS operating in multiple bands, where multiple bands are mapped on the same antenna connector.

The Cumulative Adjacent Channel Leakage Power Ratio (CAACLR) in a sub-block gap or the Inter RF Bandwidth gap is the ratio of

- a) the sum of the filtered mean power centred on the assigned channel frequencies for the two carriers adjacent to each side of the sub-block gap or the Inter RF Bandwidth gap, and
- b) the filtered mean power centred on a frequency channel adjacent to one of the respective sub-block edges or Base Station RF Bandwidth edges.

The requirement applies to adjacent channels of NR, E-UTRA or UTRA carriers allocated adjacent to each side of the sub-block gap or the Inter RF Bandwidth gap. The assumed filter for the adjacent channel frequency is defined in Table 6.6.4.4-1 and the filters on the assigned channels are defined in Table 6.6.4.4-2.

NOTE: If the RAT on the assigned channel frequencies are different, the filters used are also different.

For Wide Area Category A BS, either the CA CLR limits in Table 6.6.4.4-1 or the absolute limit of -13dBm/MHz shall apply, whichever is less stringent.

For Wide Area Category B BS, either the CA CLR limits in Table 6.6.4.4-1 or the absolute limit of -15dBm/MHz shall apply, whichever is less stringent.

For Medium Range BS, either the CA CLR limits in Table 6.6.4.4-1 or the absolute limit of -25 dBm/MHz shall apply, whichever is less stringent.

For Local Area BS, either the CA CLR limits in Table 6.6.4.4-1 or the absolute limit of -32 dBm/MHz shall apply, whichever is less stringent.

The CA CLR for E-UTRA and UTRA carriers located on either side of the sub-block gap or the Inter RF Bandwidth gap shall be higher than the value specified in Table 6.6.4.4-1.

**Table 6.6.4.4-1: Base Station CA CLR in non-contiguous spectrum or multiple bands**

Band Category	Sub-block or Inter RF Bandwidth gap size ( $W_{\text{gap}}$ ) where the limit applies [MHz]	BS adjacent channel centre frequency offset below or above the sub-block edge or the Base Station RF Bandwidth edge (inside the gap)	Assumed adjacent channel carrier (informative)	Filter on the adjacent channel frequency and corresponding filter bandwidth	CA CLR limit
BC1, BC2	$5 \leq W_{\text{gap}} < 15$ (Note 3)	2.5 MHz	3.84 Mcps UTRA	RRC (3.84 Mcps)	45 dB
BC1, BC2	$10 < W_{\text{gap}} < 20$ (Note 3)	7.5 MHz	3.84 Mcps UTRA	RRC (3.84 Mcps)	45 dB
BC3	$5 \leq W_{\text{gap}} < 15$ (Note 3)	2.5 MHz	5MHz E-UTRA	Square ( $BW_{\text{Config}}$ )	45 dB
BC3	$10 < W_{\text{gap}} < 20$ (Note 3)	7.5 MHz	5MHz E-UTRA	Square ( $BW_{\text{Config}}$ )	45 dB
BC1, BC2, BC3	$5 \leq W_{\text{gap}} < 45$ (Note 4)	2.5 MHz	5 MHz NR (Note 2)	Square ( $BW_{\text{Config}}$ )	45 dB
BC1, BC2, BC3	$10 \leq W_{\text{gap}} < 50$ (Note 4)	7.5 MHz	5 MHz NR (Note 2)	Square ( $BW_{\text{Config}}$ )	45 dB
BC1, BC2, BC3	$20 \leq W_{\text{gap}} < 30$ (Note 3, 5)	10 MHz	20 MHz NR (Note 2)	Square ( $BW_{\text{Config}}$ )	45 dB
BC1, BC2, BC3	$20 \leq W_{\text{gap}} < 60$ (Note 4)	10 MHz	20 MHz NR (Note 2)	Square ( $BW_{\text{Config}}$ )	45 dB
BC1, BC2, BC3	$40 \leq W_{\text{gap}} < 50$ (Note 3, 5)	30 MHz	20 MHz NR (Note 2)	Square ( $BW_{\text{Config}}$ )	45 dB
BC1, BC2, BC3	$40 \leq W_{\text{gap}} < 80$ (Note 4)	30 MHz	20 MHz NR (Note 2)	Square ( $BW_{\text{Config}}$ )	45 dB

NOTE 1: The RRC filter shall be equivalent to the transmit pulse shape filter defined in TS 25.104 [2], with a chip rate as defined in this table.

NOTE 2: With SCS that provides largest transmission bandwidth configuration ( $BW_{\text{Config}}$ ).

NOTE 3: Applicable in case the *channel bandwidth* of the carrier transmitted at the other edge of the gap is 5, 10, 15, 20 MHz.

NOTE 4: Applicable in case the *channel bandwidth* of the NR carrier transmitted at the other edge of the gap is 25, 30, 40, 50, 60, 70, 80, 90, 100 MHz.

NOTE 5: Applicable in case the *channel bandwidth* of the NR carrier transmitted adjacent to sub-block gap or inter RF Bandwidth gap is 25, 30, 40, 50, 60, 70, 80, 90, 100 MHz.

Table 6.6.4.4-2: Filter parameters for the assigned channel

RAT of the carrier adjacent to the sub-block and Inter RF Bandwidth gap	Filter on the assigned channel frequency and corresponding filter bandwidth
E-UTRA	E-UTRA of same BW
UTRA FDD	RRC (3.84 Mcps)
NR	NR of same BW with SCS that provides largest transmission bandwidth configuration
NOTE: The RRC filter shall be equivalent to the transmit pulse shape filter defined in TS 25.104 [2], with a chip rate as defined in this table.	

### 6.6.4.5 NB-IoT minimum requirement

For NB-IoT in-band and guard band operation, the E-UTRA minimum requirement specified in clause 6.6.4.1 shall apply.

For NB-IoT standalone operation, the ACLR shall be higher than the value specified in Table 6.6.4.5-1.

Table 6.6.4.5-1: Base Station ACLR for NB-IoT standalone operation

Channel bandwidth of standalone NB-IoT lowest/highest carrier transmitted $BW_{\text{Channel}}$	BS adjacent channel centre frequency offset below the lowest or above the highest carrier centre frequency transmitted	Assumed adjacent channel carrier (informative)	Filter on the adjacent channel frequency and corresponding filter bandwidth	ACLR limit
200 kHz	300 kHz	Standalone NB-IoT	Square ( $BW_{\text{Config}}$ )	40 dB
	500 kHz	Standalone NB-IoT	Square ( $BW_{\text{Config}}$ )	50 dB
NOTE 1: $BW_{\text{Config}}$ is the transmission bandwidth configuration of the E-UTRA Lowest/Highest Carrier transmitted on the assigned channel frequency.				

### 6.6.4.6 NR minimum requirement

For NR, the minimum requirements shall apply outside the Base Station RF Bandwidth or Radio Bandwidth whatever the type of transmitter considered (single carrier or multi-carrier) and for all transmission modes foreseen by the manufacturer's specification.

For a BS operating in non-contiguous spectrum, the ACLR requirement shall apply in *sub-block gaps* for the frequency ranges defined in table 6.6.4.6-2a, while the CACLR requirement shall apply in *sub-block gaps* for the frequency ranges defined in table 6.6.4.4-1.

For BS operating in multiple bands, where multiple bands are mapped onto the same *antenna connector*, the ACLR requirement shall apply in *Inter RF Bandwidth gaps* for the frequency ranges defined in table 6.6.4.6-2a, while the CACLR requirement in subclause 6.6.4.4 shall apply in *Inter RF Bandwidth gaps* for the frequency ranges defined in table 6.6.4.4-1.

The requirement shall apply during the *transmitter ON period*. The ACLR is defined with a square filter of bandwidth equal to the transmission bandwidth configuration of the transmitted signal ( $BW_{\text{Config}}$ ) centred on the assigned channel frequency and a filter centred on the adjacent channel frequency according to the tables below.

The ACLR absolute *limit* in table 6.6.4.6-2 or the ACLR (CACLR) *limit* in table 6.6.4.6-1, 6.6.4.6-2a or 6.6.4.4-1, whichever is less stringent, shall apply for each *antenna connector*.

For operation in paired and unpaired spectrum, the ACLR shall be higher than the value specified in table 6.6.4.6-1.

For Band 41 NR operation in Japan, absolute ACLR limits shall be applied to the sum of the absolute ACLR power over all *antenna connectors*.

Table 6.6.4.6-1: Base station ACLR limit

Channel bandwidth of lowest/highest NR carrier transmitted $BW_{\text{Channel}}$ [MHz]	BS adjacent channel centre frequency offset below the lowest or above the highest carrier centre frequency transmitted	Assumed adjacent channel carrier (informative)	Filter on the adjacent channel frequency and corresponding filter bandwidth	ACLR limit
5, 10, 15, 20, 25, 30, 40, 50, 60, 70, 80, 90, 100	$BW_{\text{Channel}}$	NR of same BW (Note 2)	Square ( $BW_{\text{Config}}$ )	45 dB
	$2 \times BW_{\text{Channel}}$	NR of same BW (Note 2)	Square ( $BW_{\text{Config}}$ )	45 dB
	$BW_{\text{Channel}}/2 + 2.5$ MHz	5 MHz E-UTRA	Square (4.5 MHz)	45 dB (Note 3)
	$BW_{\text{Channel}}/2 + 7.5$ MHz	5 MHz E-UTRA	Square (4.5 MHz)	45 dB (Note 3)
NOTE 1: $BW_{\text{Channel}}$ and $BW_{\text{Config}}$ are the channel bandwidth and transmission bandwidth configuration of the lowest/highest NR carrier transmitted on the assigned channel frequency.				
NOTE 2: With SCS that provides largest transmission bandwidth configuration ( $BW_{\text{Config}}$ ).				
NOTE 3: The requirements are applicable when the band is also defined for E-UTRA or UTRA.				

The ACLR absolute limit is specified in table 6.6.4.6-2.

Table 6.6.4.6-2: Base station ACLR absolute limit

BS category / BS class	ACLR absolute limit
Category A Wide Area BS	-13 dBm/MHz
Category B Wide Area BS	-15 dBm/MHz
Medium Range BS	-25 dBm/MHz
Local Area BS	-32 dBm/MHz

For operation in non-contiguous spectrum or multiple bands, the ACLR shall be higher than the value specified in Table 6.6.4.6-2a.

Table 6.6.4.6-2a: Base Station ACLR limit in non-contiguous spectrum or multiple bands

Channel bandwidth of lowest/highest NR carrier transmitted $BW_{\text{Channel}}$ [MHz]	Sub-block or Inter RF Bandwidth gap size ( $W_{\text{gap}}$ ) where the limit applies [MHz]	BS adjacent channel centre frequency offset below or above the sub-block or Base Station RF Bandwidth edge (inside the gap)	Assumed adjacent channel carrier	Filter on the adjacent channel frequency and corresponding filter bandwidth	ACLR limit
5, 10, 15, 20	$W_{\text{gap}} \geq 15$ (Note 3) $W_{\text{gap}} \geq 45$ (Note 4)	2.5 MHz	5 MHz NR (Note 2)	Square ( $BW_{\text{Config}}$ )	45 dB
	$W_{\text{gap}} \geq 20$ (Note 3) $W_{\text{gap}} \geq 50$ (Note 4)	7.5 MHz	5 MHz NR (Note 2)	Square ( $BW_{\text{Config}}$ )	45 dB
25, 30, 40, 50, 60, 70, 80, 90, 100	$W_{\text{gap}} \geq 60$ (Note 4) $W_{\text{gap}} \geq 30$ (Note 3)	10 MHz	20 MHz NR (Note 2)	Square ( $BW_{\text{Config}}$ )	45 dB
	$W_{\text{gap}} \geq 80$ (Note 4) $W_{\text{gap}} \geq 50$ (Note 3)	30 MHz	20 MHz NR (Note 2)	Square ( $BW_{\text{Config}}$ )	45 dB

NOTE 1:	$BW_{\text{Config}}$ is the transmission bandwidth configuration of the assumed adjacent channel carrier.
NOTE 2:	With SCS that provides largest transmission bandwidth configuration ( $BW_{\text{Config}}$ ).
NOTE 3:	Applicable in case the <i>channel bandwidth</i> of the carrier transmitted at the other edge of the gap is 5, 10, 15, 20 MHz.
NOTE 4:	Applicable in case the <i>channel bandwidth</i> of the NR carrier transmitted at the other edge of the gap is 25, 30, 40, 50, 60, 70, 80, 90, 100 MHz.

## 6.7 Transmitter intermodulation

The transmitter intermodulation requirement is a measure of the capability of the transmitter to inhibit the generation of signals in its non-linear elements caused by presence of the wanted signal and an interfering signal reaching the transmitter via the antenna. The requirement applies during the transmitter ON period and the transmitter transient period.

For BS capable of multi-band operation where multiple bands are mapped on separate antenna connectors, the single-band requirements apply regardless of the interfering signals position relative to the Inter-RF Bandwidth gap.

### 6.7.1 General minimum requirement

The transmitter intermodulation level is the power of the intermodulation products when an interfering signal is injected into the antenna connector.

The transmitter intermodulation level shall not exceed the unwanted emission limits in subclause 6.6.1, 6.6.2, 6.6.4 in the presence of a wanted signal and an interfering signal according to Table 6.7.1-1 for BS operation in BC1, BC2 and BC3.

The requirement is applicable outside the Base Station RF Bandwidth or Radio Bandwidth. The interfering signal offset is defined relative to the Base Station RF Bandwidth edges or Radio Bandwidth edges.

For BS operating in non-contiguous spectrum, the requirement is also applicable inside a sub-block gap for interfering signal offsets where the interfering signal falls completely within the sub-block gap. The interfering signal offset is defined relative to the sub-block edges.

For BS capable of multi-band operation, the requirement applies relative to the Base Station RF Bandwidth edges of each operating band. In case the Inter RF Bandwidth gap is less than 15 MHz, the requirement in the gap applies only for interfering signal offsets where the interfering signal falls completely within the Inter RF Bandwidth gap.

**Table 6.7.1-1: Interfering signals for the Transmitter intermodulation requirement**

Parameter	Value
Interfering signal type	E-UTRA signal of channel bandwidth 5 MHz
Interfering signal level	Rated total output power in the operating band – 30dB
Interfering signal centre frequency offset from the Base Station RF Bandwidth edge or sub-block edge inside a gap	±2.5 MHz ±7.5 MHz ±12.5 MHz
NOTE:	Interfering signal positions that are partially or completely outside of any downlink operating band of the base station are excluded from the requirement, unless the interfering signal positions fall within the frequency range of adjacent downlink operating bands in the same geographical area. In case that none of the interfering signal positions fall completely within the frequency range of the downlink operating band, TS 37.141 [10] provides further guidance regarding appropriate test requirements.
NOTE2:	In certain regions, NOTE 1 is not applied in Band 1, 3, 8, 9, 11, 18, 19, 21, 28, 32 operating within 1475.9-1495.9MHz, 34.

## 6.7.2 Additional minimum requirement (BC1 and BC2)

The transmitter intermodulation level shall not exceed the unwanted emission limits in subclause 6.6.1, 6.6.2, 6.6.4 in the presence of a wanted signal and an interfering signal according to Table 6.7.2-1 for BS operation in BC2.

The requirement is applicable outside the Base Station RF Bandwidth and Radio Bandwidth for BC2. The interfering signal offset is defined relative to the Base Station RF Bandwidth edges or Radio Bandwidth edges.

For BS operating in non-contiguous spectrum in BC1 or BC2, the requirement is also applicable inside a sub-block gap with a gap size larger than or equal to two times the interfering signal centre frequency offset. For BS operating in non-contiguous spectrum in BC1, the requirement is not applicable inside a sub-block gap with a gap size equal to or larger than 5 MHz. The interfering signal offset is defined relative to the sub-block edges.

For BS capable of multi-band operation, the requirement applies relative to the Base Station RF Bandwidth edges of a BC2 operating band. The requirement is also applicable for BC1 and BC2 inside an Inter RF Bandwidth gap equal to or larger than two times the interfering signal centre frequency offset. For BS capable of multi-band operation, the requirement is not applicable for BC1 band inside an Inter RF Bandwidth gap with a gap size equal to or larger than 5 MHz.

**Table 6.7.2-1: Interfering signal for the transmitter intermodulation requirement**

Parameter	Value
Interfering signal type	CW
Interfering signal level	Rated total output power in the operating band – 30dB
Interfering signal centre frequency offset from the Base Station RF Bandwidth edge or sub-block edge inside a gap	> abs(800) kHz for CW interferer
NOTE:	Interfering signal positions that are partially or completely outside of any downlink operating band of the base station are excluded from the requirement.

## 6.7.3 Additional minimum requirement (BC3)

This additional requirement shall only apply for BS co-located with an UTRA TDD BS.

The transmitter intermodulation level shall not exceed the unwanted emission limits in subclause 6.6.1, 6.6.2, 6.6.4 in the presence of a wanted signal and an interfering signal according to Table 6.7.3-1 for BS operation in BC3.

For BS capable of multi-band operation, the requirement applies relative to the Base Station RF Bandwidth edges of each operating band. In case the Inter RF Bandwidth gap is less than 3.2 MHz, the requirement in the gap applies only for interfering signal offsets where the interfering signal falls completely within the Inter RF Bandwidth gap.

**Table 6.7.3-1: Interfering signals for the Transmitter intermodulation requirement (BC3)**

Parameter	Value
Interfering signal type	1.28Mcps UTRA TDD signal of channel bandwidth 1.6MHz
Interfering signal level	Rated total output power in the operating band – 30dB
Interfering signal centre frequency offset from Base Station RF Bandwidth edge or sub-block edge inside a gap	±0.8 MHz ±1.6 MHz ±2.4 MHz
NOTE:	Interfering signal positions that are partially or completely outside of any downlink operating band of the base station are excluded from the requirement.



### 6.7.4 Additional requirements

In certain regions the following requirement may apply. For BS E-UTR single-RAT operating in Band 41, the transmitter intermodulation level shall not exceed the maximum levels specified in Table 6.6.1.3.1-3 and Table 6.6.4.1-2 with a square filter in the first adjacent channel, in the presence of an interfering signal according to Table 6.7.4-1.

**Table 6.7.4-1 Interfering and wanted signals for the additional transmitter intermodulation requirement for Band 41**

Parameter	Value
Wanted signal	E-UTRA single carrier (NOTE)
Interfering signal type	E-UTRA signal of the same channel bandwidth as the wanted signal
Interfering signal level	Rated total output power in the operating band – 30dB
Interfering signal centre frequency offset from the lower/upper centre frequency of the wanted signal	$\pm BW_{\text{Channel}}$ $\pm 2 \times BW_{\text{Channel}}$
NOTE: This requirement applies for 10 or 20 MHz E-UTRA carriers allocated within 2545-2645 MHz.	

## 7 Receiver characteristics

### 7.1 General

The requirements in clause 7 are expressed for a single receiver antenna connector. For receivers with antenna diversity or in case of multi-carrier reception with multiple receiver antenna connectors, the requirements apply for each receiver antenna connector.

For blocking and intermodulation characteristics, the negative offsets of the interfering signal apply relative to the assigned channel frequency of the lowest carrier frequency received and positive offsets of the interfering signal apply relative to the assigned channel frequency of the highest carrier frequency received.

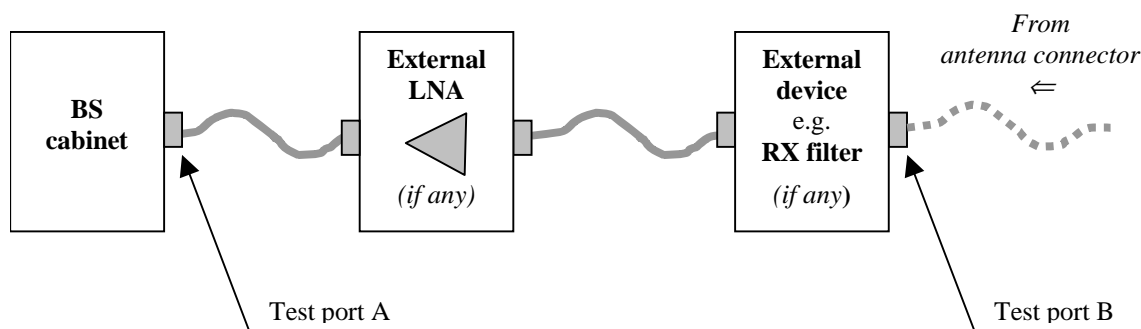
A BS supporting DC-HSUPA receives two UTRA FDD cells simultaneously on adjacent carrier frequencies.

Unless otherwise stated, the receiver characteristics are specified at the BS antenna connector (test port A) with a full complement of transceivers for the configuration in normal operating conditions. For FDD operation the requirements in clause 7 shall be met with the transmitter(s) on. If any external apparatus such as a RX amplifier, a filter or the combination of such devices is used, requirements apply at the far end antenna connector (test port B).

NOTE: In normal operating conditions the BS in FDD operation is configured to transmit and receive at the same time. The transmitter may be off for some of the tests as specified in 37.141 [10].

Unless otherwise stated the requirements in clause 7 apply during the base station receive period.

Unless otherwise stated the requirements for NB-IoT in subclause 7 applies for all operation modes (In-band operation, Guard-band operation and Stand-alone operation).



**Figure 7.1-1: Receiver test ports**

E-UTRA and NR throughput requirements defined for the receiver characteristics in this clause do not assume HARQ retransmissions.

Values for  $F_{\text{offset, RAT}}$  to meet receiver requirements are specific for each RAT in each Band Category as specified in subclause 4.5.1 for Band Category 1, subclause 4.5.2 for Band Category 2 and subclause 4.5.3 for Band Category 3.

## 7.2 Reference sensitivity level

The reference sensitivity power level  $P_{\text{REFSENS}}$  is the minimum mean power received at the antenna connector at which a reference performance requirement shall be met for a specified reference measurement channel.

### 7.2.1 E-UTRA minimum requirement

For E-UTRA, the minimum requirement for reference sensitivity is specified in TS 36.104 [4], subclause 7.2.

### 7.2.2 UTRA FDD minimum requirement

For UTRA FDD, the minimum requirement for reference sensitivity is specified in TS 25.104 [2], subclause 7.2.

### 7.2.3 UTRA TDD minimum requirement

For UTRA TDD, the minimum requirement for reference sensitivity is specified in TS 25.105 [3], subclause 7.2.

### 7.2.4 GSM/EDGE minimum requirement

For GSM/EDGE, the minimum requirement for reference sensitivity is specified in TS 45.005 [5], applicable parts of subclause 6.2.

The conditions specified in TS 45.005 [5], Annex P.1 apply for GSM/EDGE reference sensitivity.

### 7.2.5 NB-IoT minimum requirement

For NB-IoT, the minimum requirement for reference sensitivity is specified in TS 36.104 [4], subclause 7.2.

### 7.2.6 NR minimum requirement

For NR, the minimum requirement for reference sensitivity (BS type 1-C) is specified in TS 38.104 [17], subclause 7.2.

### 7.2.7 Void

## 7.3 Dynamic range

The dynamic range is a measure of the capability of the receiver to receive a wanted signal in the presence of an interfering signal inside the received channel bandwidth or the capability of receiving high level of wanted signal.

### 7.3.1 E-UTRA minimum requirement

For E-UTRA, the minimum requirement for dynamic range is specified in TS 36.104 [4], subclause 7.3.

### 7.3.2 UTRA FDD minimum requirement

For UTRA FDD, the minimum requirement for dynamic range is specified in TS 25.104 [2], subclause 7.3.

### 7.3.3 UTRA TDD minimum requirement

For UTRA TDD, the minimum requirement for dynamic range is specified in TS 25.105 [3], subclause 7.3.

### 7.3.4 GSM/EDGE minimum requirement

For GSM/EDGE, the minimum requirement for dynamic range is expressed as Nominal Error Rate and is specified in TS 45.005 [5], applicable parts of subclause 6.1.1.1, 6.1.1.3, 6.1.2.2 and 6.1.3.2.

### 7.3.5 NB-IoT minimum requirement

For NB-IoT standalone operation, E-UTRA in-band or guard band operation, the minimum requirement for dynamic range is specified in TS 36.104 [4], subclause 7.3.

For *NB-IoT operation in NR in-band*, the minimum requirement for dynamic range is specified in TS 38.104 [17], subclause 7.3.2.

### 7.3.6 NR minimum requirement

For NR, the minimum requirement for dynamic range (BS type 1-C) is specified in TS 38.104 [17], subclause 7.3.

## 7.4 In-band selectivity and blocking

The in-band selectivity and blocking characteristics are measures of the receiver ability to receive a wanted signal at its assigned channel in the presence of an unwanted interferer inside the operating band and are defined by a (wideband) and a narrowband blocking requirement.

The in-band blocking requirement applies from  $F_{UL\_low} - \Delta f_{OOB}$  to  $F_{UL\_high} + \Delta f_{OOB}$ , excluding the downlink frequency range of the FDD *operating band*. The values of  $\Delta f_{OOB}$  are defined in table 7.4-1.

**Table 7.4-1: Maximum  $\Delta f_{OOB}$  offset outside the uplink operating band**

<b>Operating band characteristics</b>	<b><math>\Delta f_{OOB}</math> [MHz]</b>
$200 \text{ MHz} \geq F_{UL\_high} - F_{UL\_low}$	20
$200 \text{ MHz} < F_{UL\_high} - F_{UL\_low} \leq 900 \text{ MHz}$	60

### 7.4.1 General blocking minimum requirement

For the general blocking requirement, the interfering signal shall be a UTRA FDD signal as specified in annex A for a UTRA, E-UTRA, NB-IOT, GSM/EDGE or NR ( $\leq 20$  MHz) wanted signal. The interfering signal shall be a 20 MHz E-UTRA signal for NR wanted signal channel bandwidth greater than 20MHz.

The requirement is applicable outside the Base Station RF Bandwidth or Radio Bandwidth. The interfering signal offset is defined relative to the Base Station RF Bandwidth edges or Radio Bandwidth edges.

For BS operating in non-contiguous spectrum, the requirement applies in addition inside any sub-block gap, in case the sub-block gap size is at least 15 MHz. The interfering signal offset is defined relative to the sub-block edges inside the sub-block gap.

For BS capable of multi-band operation, the requirement applies in addition inside any Inter RF Bandwidth gap, in case the gap size is at least 15 MHz. The interfering signal offset is defined relative to the Base Station RF Bandwidth edges inside the Inter RF Bandwidth gap.

For the wanted and interfering signal coupled to the base station antenna input, using the parameters in Table 7.4.1-1, the following requirements shall be met:

- For any E-UTRA carrier, the throughput shall be  $\geq 95\%$  of the maximum throughput of the reference measurement channel defined in TS 36.104 [4], subclause 7.2.

- For any UTRA FDD carrier, the BER shall not exceed 0.001 for the reference measurement channel defined in TS 25.104 [2], subclause 7.2.
- For any UTRA TDD carrier, the BER shall not exceed 0.001 for the reference measurement channel defined in TS 25.105 [3], subclause 7.2.
- For any GSM/EDGE carrier, the conditions are specified in TS 45.005 [5], Annex P.2.1.
- For any NB-IoT carrier, the throughput shall be  $\geq 95\%$  of the maximum throughput of the reference measurement channel defined in TS 36.104 [4], subclause 7.2.
- For any NR carrier, the throughput shall be  $\geq 95\%$  of the maximum throughput of the reference measurement channel defined in TS 38.104 [17], subclause 7.2.

For BS capable of multi-band operation, the requirement applies according to Table 7.4.1-1 for the in-band blocking frequency ranges of each supported operating band.

**Table 7.4.1-1: General blocking requirement**

Base Station Type	Mean power of interfering signal [dBm]	Wanted Signal mean power [dBm] (Note 1)	Centre Frequency of Interfering Signal	Interfering signal centre frequency minimum frequency offset from the Base Station RF Bandwidth edge or sub-block edge inside a gap [MHz]
Wide Area BS	-40+y (Note 7)	$P_{\text{REFSENS}} + x$ dB (Note 2)	$F_{\text{UL\_low}} - \Delta f_{\text{OOB}}$ to $F_{\text{UL\_high}} + \Delta f_{\text{OOB}}$ (Note 8)	$\pm (7.5 + z)$ (Note 9)
Medium Range BS	-35+y (Note 7)	$P_{\text{REFSENS}} + x$ dB (Note 3, 5)		
Local Area BS	-30+y (Note 7)	$P_{\text{REFSENS}} + x$ dB (Note 4, 5)		
<p>NOTE 1: <math>P_{\text{REFSENS}}</math> depends on the RAT, the BS class and on the channel bandwidth, see subclause 7.2.</p> <p>NOTE 2: For WA BS supporting GSM and/or UTRA, "x" is equal to 6 in case of NR or E-UTRA or UTRA or NB-IoT wanted signals and equal to 3 in case of GSM/EDGE wanted signal.</p> <p>NOTE 3: For MR BS supporting GSM and/or UTRA, "x" is equal to 6 in case of UTRA wanted signals, 9 in case of NR or E-UTRA or NB-IoT wanted signal and 3 in case of GSM/EDGE wanted signal.</p> <p>NOTE 4: For LA BS supporting GSM and/or UTRA, "x" is equal to 11 in case of NR or E-UTRA or NB-IoT wanted signal, 6 in case of UTRA wanted signal and equal to 3 in case of GSM/EDGE wanted signal.</p> <p>NOTE 5: For a BS neither supporting UTRA nor GSM, x is equal to 6 for all BS classes if NR is supported, otherwise "x" is equal to 6 for WA BS, 9 for MR BS or 11 for LA BS if NR is not supported.</p> <p>NOTE 6: For a BS capable of multi-band operation, "x" in Note 2, 3, 4, 5 applies in case of interfering signals that are in the in-band blocking frequency range of the operating band where the wanted signal is present or in the in-band blocking frequency range of an adjacent or overlapping operating band. For other in-band blocking frequency ranges of the interfering signal for the supported operating bands, "x" is equal to 1.4 dB.</p> <p>NOTE 7: For a BS supporting NR but neither supporting UTRA nor GSM, "y" is equal to -3 for the WA and MR BS class and -5 for the LA BS class. For all other cases, "y" is equal to zero for all BS classes.</p> <p>NOTE 8: The downlink frequency range of an FDD operating band is excluded from the general blocking requirement.</p> <p>NOTE 9: For NR wanted signal channel bandwidth greater than 20 MHz, <math>z = 22.5</math>. For all other cases, <math>z = 0</math>.</p>				

**Table 7.4.1-2: Void**

NOTE: The requirement in Table 7.4.1-1 assumes that two operating bands, where the downlink operating band (see Table 4.5-1 and Table 4.5-2) of one band would be within the in-band blocking region of the other band, are not deployed in the same geographical area.

## 7.4.2 General narrowband blocking minimum requirement

For the general narrowband blocking requirement, the interfering signal shall be an E-UTRA 1RB signal as specified in Annex A.

The requirement is applicable outside the Base Station RF Bandwidth or Radio Bandwidth. The interfering signal offset is defined relative to the Base Station RF Bandwidth edges or Radio Bandwidth edges.

For BS operating in non-contiguous spectrum, the requirement applies in addition inside any sub-block gap, in case the sub-block gap size is at least 3 MHz. The interfering signal offset is defined relative to the sub-block edges inside the sub-block gap.

For BS capable of multi-band operation, the requirement applies in addition inside any Inter RF Bandwidth gap in case the gap size is at least 3 MHz. The interfering signal offset is defined relative to the Base Station RF Bandwidth edges inside the Inter RF Bandwidth gap.

For the wanted and interfering signal coupled to the base station antenna input, using the parameters in Table 7.4.2-1, the following requirements shall be met:

- For any E-UTRA carrier, the throughput shall be  $\geq 95\%$  of the maximum throughput of the reference measurement channel defined in TS 36.104 [4], subclause 7.2.
- For any UTRA FDD carrier, the BER shall not exceed 0.001 for the reference measurement channel defined in TS 25.104 [2], subclause 7.2.
- For any UTRA TDD carrier, the BER shall not exceed 0.001 for the reference measurement channel defined in TS 25.105 [3], subclause 7.2.
- For any GSM/EDGE carrier, the conditions are specified in TS 45.005 [5], Annex P.2.1.
- For any NB-IoT carrier, the throughput shall be  $\geq 95\%$  of the maximum throughput of the reference measurement channel defined in TS 36.104 [4], subclause 7.2.
- For any NR carrier, the throughput shall be  $\geq 95\%$  of the maximum throughput of the reference measurement channel defined in TS 38.104 [17], subclause 7.2.

**Table 7.4.2-1: Narrowband blocking requirement**

Base Station Type	RAT of the carrier	Wanted signal mean power [dBm] (Note 1, 2, 7)	Interfering signal mean power [dBm]	Interfering RB (Note 3) centre frequency offset from the Base Station RF Bandwidth edge or sub-block edge inside a gap [kHz]
Wide Area BS	NR, E-UTRA, NB-IoT (Note 4) UTRA and GSM/EDGE	$P_{\text{REFSENS}} + X$ dB	-49	$\pm(240 + m \cdot 180)$ , m=0, 1, 2, 3, 4, 9, 14 (Note 5) $\pm(550 + m \cdot 180)$ , m=0, 1, 2, 3, 4 (Note 6)
Medium Range BS			-44	
Local Area BS			-41	
<p>NOTE 1: <math>P_{\text{REFSENS}}</math> depends on the RAT, the BS class and on the channel bandwidth, see subclause 7.2.</p> <p>NOTE 2: "x" is equal to 6 in case of NR, E-UTRA or UTRA wanted signals and equal to 3 in case of GSM/EDGE wanted signal. "x" is specified in Table 7.4.2-2 for NB-IoT operation in E-UTRA in-band/guard band and NB-IoT standalone, and in Table 7.4.2-2A for NB-IoT operation in NR in-band.</p> <p>NOTE 3: Interfering signal (E-UTRA 3MHz) consisting of one resource block positioned at the stated offset, the channel bandwidth of the interfering signal is located adjacently to the Base Station RF Bandwidth edge.</p> <p>NOTE 4: For NB-IoT, the mentioned desensitized values consider only one NB-IoT PRB in the guard band, which is placed adjacent to the E-UTRA PRB edge as close as possible (i.e., away from edge of channel bandwidth).</p> <p>NOTE 5: Applicable for <i>channel bandwidths</i> equal to or below 20 MHz.</p> <p>NOTE 6: Applicable for <i>channel bandwidths</i> above 20 MHz.</p> <p>NOTE 7: 7.5 kHz shift is not applied to the wanted signal of NR.</p> <p>NOTE 8: Void</p>				

**Table 7.4.2-2: "x" for NB-IoT wanted signals operation in E-UTRA in-band/guard band and NB-IoT standalone**

Operation mode	LTE channel bandwidth for in-band/guard band operation	x
Standalone	-	12
In Band	3 MHz	11
	5 MHz	9
	10 MHz	6
	15 MHz	6
	20 MHz	6
Guard band	5 MHz	13
	10 MHz	6
	15 MHz	6
	20 MHz	6

**Table 7.4.2-2A: "x" for NB-IoT wanted signals operation in NR in-band**

Operation mode	NR BS channel bandwidth	x
NR in-band	5 MHz	9
	10 MHz	6
	15 MHz	6
	≥ 20 MHz	6

### 7.4.3 Additional Narrowband blocking minimum requirement for GSM/EDGE

The GSM/EDGE in-band blocking requirement as stated in TS 45.005 [5], applicable parts of subclauses 5.1.3 and 5.1.4, shall apply for any GSM/EDGE carrier.

The conditions specified in TS 45.005 [5], Annex P.2.1 apply for GSM/EDGE in-band narrowband blocking.

### 7.4.4 GSM/EDGE requirements for AM suppression

The GSM/EDGE AM suppression requirement as stated in TS 45.005 [5], applicable parts of subclauses 5.2.2, shall apply for any GSM/EDGE carrier.

The conditions specified in TS 45.005 [5], Annex P.2.3 apply for GSM/EDGE AM suppression.

### 7.4.5 Additional BC3 blocking minimum requirement

This additional requirement only applies for BS operating in the same geographical area as UTRA TDD.

The interfering signal is a 1.28 Mcps UTRA TDD modulated signal as specified in Annex A.

The requirement is always applicable outside the Base Station RF Bandwidth or Radio Bandwidth. The interfering signal offset is defined relative to the Base Station RF Bandwidth edges or Radio Bandwidth edges.

For BS capable of multi-band operation, the requirement applies in addition inside any Inter RF Bandwidth gap, in case the gap size is at least 4.8 MHz. The interfering signal offset is defined relative to the Base Station RF Bandwidth edges inside the Inter RF Bandwidth gap.

For the wanted and interfering signal coupled to the base station antenna input, using the parameters in Table 7.4.5-1, the following requirements shall be met:

- For any E-UTRA, E-UTRA with NB-IoT and/or NB-IoT TDD carrier, the throughput shall be  $\geq 95\%$  of the maximum throughput of the reference measurement channel defined in TS 36.104 [4], subclause 7.2.
- For any UTRA TDD carrier, the BER shall not exceed 0.001 for the reference measurement channel defined in TS 25.105 [3], subclause 7.2.

**Table 7.4.5-1: Additional blocking requirement for Band Category 3**

Operating Band	Centre Frequency of Interfering Signal [MHz]	Interfering Signal mean power [dBm]	Wanted Signal mean power [dBm]	Interfering signal centre frequency minimum frequency offset from the Base Station RF Bandwidth edge [MHz]
33 - 40	( $F_{UL\_low} - 20$ ) to ( $F_{UL\_high} + 20$ )	-40,	$P_{REFSENS} + 6$ dB*	$\pm 2.4$
NOTE*: $P_{REFSENS}$ depends on the RAT and on the channel bandwidth, see clause 7.2.				

## 7.5 Out-of-band blocking

The Out-of-band blocking characteristic is a measure of the receiver ability to receive a wanted signal at its assigned channel in the presence of an unwanted interferer outside the uplink operating band.

### 7.5.1 General minimum requirement

For a wanted and an interfering signal coupled to BS antenna input using the parameters in Table 7.5.1-1, the following requirements shall be met:

- For any E-UTRA carrier, the throughput shall be  $\geq 95\%$  of the maximum throughput of the reference measurement channel defined in TS 36.104 [4], subclause 7.2.
- For any UTRA FDD carrier, the BER shall not exceed 0.001 for the reference measurement channel defined in TS 25.104 [2], subclause 7.2.
- For any UTRA TDD carrier, the BER shall not exceed 0.001 for the reference measurement channel defined in TS 25.105 [3], subclause 7.2.
- For any GSM/EDGE carrier, the conditions are specified in TS 45.005 [5], Annex P.2.1.
- For any NB-IoT carrier, the throughput shall be  $\geq 95\%$  of the maximum throughput of the reference measurement channel defined in TS 36.104 [4], subclause 7.2.
- For any NR carrier, the throughput shall be  $\geq 95\%$  of the maximum throughput of the reference measurement channel defined in TS 38.104 [17], subclause 7.2.

For BS capable of multi-band operation, the requirement applies for each supported operating band. The in-band blocking frequency ranges of all supported operating bands according to Table 7.4.1-1 shall be excluded from the requirement.

The out-of-band blocking requirement applies from 1 MHz to  $F_{UL\_low} - \Delta f_{OOB}$  and from  $F_{UL\_high} + \Delta f_{OOB}$  up to 12750MHz, including the downlink frequency range of the FDD *operating band for BS supporting FDD*.  $\Delta f_{OOB}$  is defined in table 7.4-1

**Table 7.5.1-1: Out-of-band blocking performance requirement**

Interfering Signal mean power [dBm]	Wanted Signal mean power [dBm]	Type of Interfering Signal
-15 (NOTE2)	$P_{\text{REFSENS}} + x\text{dB}$ (NOTE1)	CW carrier
<p>NOTE1: <math>P_{\text{REFSENS}}</math> depends on the RAT, the BS class and the channel bandwidth, see subclause 7.2. "x" is equal to 6 in case of NR, E-UTRA, UTRA or NB-IoT wanted signals and equal to 3 in case of GSM/EDGE wanted signal.</p> <p>NOTE2: For NB-IoT, up to 24 exceptions are allowed for spurious response frequencies in each wanted signal frequency when measured using a 1MHz step size. For these exceptions the above throughput requirement shall be met when the blocking signal is set to a level of -40 dBm for 15 kHz subcarrier spacing and -46 dBm for 3.75 kHz subcarrier spacing. In addition, each group of exceptions shall not exceed three contiguous measurements using a 1MHz step size.</p>		

## 7.5.2 Co-location minimum requirement

This additional blocking requirement may be applied for the protection of BS receivers when NR, E-UTRA, NB-IoT, UTRA, CDMA or GSM/EDGE BS operating in a different frequency band are co-located with a BS.

The requirements in this subclause assume a 30 dB coupling loss between the interfering transmitter and the BS receiver and are based on co-location with base stations of the same class.

For a wanted and an interfering signal coupled to BS antenna input using the parameters in Table 7.5.2-1, the following requirements shall be met:

- For any E-UTRA carrier, the throughput shall be  $\geq 95\%$  of the maximum throughput of the reference measurement channel defined in TS 36.104 [4], subclause 7.2.
- For any UTRA FDD carrier, the BER shall not exceed 0.001 for the reference measurement channel defined in TS 25.104 [2], subclause 7.2.
- For any UTRA TDD carrier, the BER shall not exceed 0.001 for the reference measurement channel defined in TS 25.105 [3], subclause 7.2.
- For any GSM/EDGE carrier, the conditions are specified in TS 45.005 [5], Annex P.2.1.
- For any NB-IoT carrier, the throughput shall be  $\geq 95\%$  of the maximum throughput of the reference measurement channel defined in TS 36.104 [4], subclause 7.2.
- For any NR carrier, the throughput shall be  $\geq 95\%$  of the maximum throughput of the reference measurement channel defined in TS 38.104 [17], subclause 7.2.



**Table 7.5.2-1: Blocking requirement for co-location with BS in other frequency bands.**

Type of co-located BS	Centre Frequency of Interfering Signal (MHz)	Interfering Signal mean power for WA BS (dBm)	Interfering Signal mean power for MR BS (dBm)	Interfering Signal mean power for LA BS (dBm)	Wanted Signal mean power (dBm)	Type of Interfering Signal
GSM850 or CDMA850	869 – 894	+16**	+8**	-6**	$P_{\text{REFSENS}} + x \text{ dB}^*$	CW carrier
GSM900	921 – 960	+16**	+8**	-6**	$P_{\text{REFSENS}} + x \text{ dB}^*$	CW carrier
DCS1800	1805 – 1880 (Note 4)	+16**	+8**	-6**	$P_{\text{REFSENS}} + x \text{ dB}^*$	CW carrier
PCS1900	1930 – 1990	+16**	+8**	-6**	$P_{\text{REFSENS}} + x \text{ dB}^*$	CW carrier
UTRA FDD Band I or E-UTRA Band 1 or NR Band n1	2110 – 2170	+16**	+8**	-6**	$P_{\text{REFSENS}} + x \text{ dB}^*$	CW carrier
UTRA FDD Band II or E-UTRA Band 2 or NR Band n2	1930 – 1990	+16**	+8**	-6**	$P_{\text{REFSENS}} + x \text{ dB}^*$	CW carrier
UTRA FDD Band III or E-UTRA Band 3 or NR Band n3	1805 – 1880 (Note 4)	+16**	+8**	-6**	$P_{\text{REFSENS}} + x \text{ dB}^*$	CW carrier
UTRA FDD Band IV or E-UTRA Band 4	2110 – 2155	+16**	+8**	-6**	$P_{\text{REFSENS}} + x \text{ dB}^*$	CW carrier
UTRA FDD Band V or E-UTRA Band 5 or NR Band n5	869 – 894	+16**	+8**	-6**	$P_{\text{REFSENS}} + x \text{ dB}^*$	CW carrier
UTRA FDD Band VI or E-UTRA Band 6	875 – 885	+16**	+8**	-6**	$P_{\text{REFSENS}} + x \text{ dB}^*$	CW carrier
UTRA FDD Band VII or E-UTRA Band 7 or NR Band n7	2620 – 2690	+16**	+8**	-6**	$P_{\text{REFSENS}} + x \text{ dB}^*$	CW carrier
UTRA FDD Band VIII or E-UTRA Band 8 or NR Band n8	925 – 960	+16**	+8**	-6**	$P_{\text{REFSENS}} + x \text{ dB}^*$	CW carrier
UTRA FDD Band IX or E-UTRA Band 9	1844.9 – 1879.9	+16**	+8**	-6**	$P_{\text{REFSENS}} + x \text{ dB}^*$	CW carrier
UTRA FDD Band X or E-UTRA Band 10	2110 – 2170	+16**	+8**	-6**	$P_{\text{REFSENS}} + x \text{ dB}^*$	CW carrier
UTRA FDD Band XI or E-UTRA Band 11	1475.9 - 1495.9	+16**	+8**	-6**	$P_{\text{REFSENS}} + x \text{ dB}^*$	CW carrier
UTRA FDD Band XII or E-UTRA Band 12 or NR Band n12	729 - 746	+16**	+8**	-6**	$P_{\text{REFSENS}} + x \text{ dB}^*$	CW carrier
UTRA FDD Band XIII or E-UTRA Band 13	746 - 756	+16**	+8**	-6**	$P_{\text{REFSENS}} + x \text{ dB}^*$	CW carrier
UTRA FDD Band XIV or E-UTRA Band 14 or NR Band n14	758 - 768	+16**	+8**	-6**	$P_{\text{REFSENS}} + x \text{ dB}^*$	CW carrier
E-UTRA Band 17	734 - 746	+16**	+8**	-6**	$P_{\text{REFSENS}} + x \text{ dB}^*$	CW carrier
E-UTRA Band 18 or NR Band n18	860 - 875	+16**	+8**	-6**	$P_{\text{REFSENS}} + x \text{ dB}^*$	CW carrier
UTRA FDD Band XIX or E-UTRA Band 19	875 - 890	+16**	+8**	-6**	$P_{\text{REFSENS}} + x \text{ dB}^*$	CW carrier
UTRA FDD Band XX or E-UTRA Band 20 or NR Band n20	791 - 821	+16**	+8**	-6**	$P_{\text{REFSENS}} + x \text{ dB}^*$	CW carrier
UTRA FDD Band XXI or E-UTRA Band 21	1495.9 – 1510.9	+16**	+8**	-6**	$P_{\text{REFSENS}} + x \text{ dB}^*$	CW carrier
UTRA FDD Band XXII or E-UTRA Band 22	3510 – 3590	+16**	+8**	-6**	$P_{\text{REFSENS}} + x \text{ dB}^*$	CW carrier
E-UTRA Band 24	1525 – 1559	+16**	+8**	-6**	$P_{\text{REFSENS}} + x \text{ dB}^*$	CW carrier

UTRA FDD Band XXV or E-UTRA Band 25 or NR Band n25	1930 – 1995	+16**	+8**	-6**	$P_{\text{REFSENS}} + x \text{ dB}^*$	CW carrier
UTRA FDD Band XXVI or E-UTRA Band 26 or NR Band n26	859 – 894	+16**	+8**	-6**	$P_{\text{REFSENS}} + x \text{ dB}^*$	CW carrier
E-UTRA Band 27	852 - 869	+16**	+8**	-6**	$P_{\text{REFSENS}} + x \text{ dB}^*$	CW carrier
E-UTRA Band 28 or NR Band n28	758 – 803	+16**	+8**	-6**	$P_{\text{REFSENS}} + x \text{ dB}^*$	CW carrier
E-UTRA Band 29 or NR Band n29	717 – 728	+16**	+8**	-6**	$P_{\text{REFSENS}} + 6\text{dB}^*$	CW carrier
E-UTRA Band 30 or NR Band n30	2350-2360	+16**	+8**	-6**	$P_{\text{REFSENS}} + x \text{ dB}^*$	CW carrier
E-UTRA Band 31	462.5 – 467.5	+16**	+8**	-6**	$P_{\text{REFSENS}} + 6\text{dB}^*$	CW carrier
UTRA FDD Band XXXII or E-UTRA Band 32	1452 – 1496 (NOTE 5)	+16**	+8**	-6**	$P_{\text{REFSENS}} + 6\text{dB}^*$	CW carrier
UTRA TDD Band a) or E-UTRA TDD Band 33	1900-1920	+16**	+8**	-6**	$P_{\text{REFSENS}} + x \text{ dB}^*$	CW carrier
UTRA TDD Band a) or E-UTRA TDD Band 34 or NR Band n34	2010-2025	+16**	+8**	-6**	$P_{\text{REFSENS}} + x \text{ dB}^*$	CW carrier
UTRA TDD Band b) or E-UTRA TDD Band 35	1850-1910	+16**	+8**	-6**	$P_{\text{REFSENS}} + x \text{ dB}^*$	CW carrier
UTRA TDD Band b) or E-UTRA TDD Band 36	1930-1990	+16**	+8**	-6**	$P_{\text{REFSENS}} + x \text{ dB}^*$	CW carrier
UTRA TDD Band c) or E-UTRA TDD Band 37	1910-1930	+16**	+8**	-6**	$P_{\text{REFSENS}} + x \text{ dB}^*$	CW carrier
UTRA TDD Band d) or E-UTRA Band 38 or NR Band n38	2570-2620	+16**	+8**	-6**	$P_{\text{REFSENS}} + x \text{ dB}^*$	CW carrier
UTRA TDD Band f) or E-UTRA Band 39 or NR Band n39	1880-1920	+16**	+8**	-6**	$P_{\text{REFSENS}} + x \text{ dB}^*$	CW carrier
UTRA TDD Band e) or E-UTRA Band 40 or NR Band n40	2300-2400	+16**	+8**	-6**	$P_{\text{REFSENS}} + x \text{ dB}^*$	CW carrier
E-UTRA Band 41 or NR Band n41	2496 - 2690	+16**	+8**	-6**	$P_{\text{REFSENS}} + x \text{ dB}^*$	CW carrier
E-UTRA Band 42	3400 – 3600	+16**	+8**	-6**	$P_{\text{REFSENS}} + x \text{ dB}^*$	CW carrier
E-UTRA Band 43	3600 – 3800	+16**	+8**	-6**	$P_{\text{REFSENS}} + x \text{ dB}^*$	CW carrier
E-UTRA Band 44	703 - 803	+16**	+8**	-6**	$P_{\text{REFSENS}} + x \text{ dB}^*$	CW carrier
E-UTRA Band 45	1447 - 1467	+16**	+8**	-6**	$P_{\text{REFSENS}} + x \text{ dB}^*$	CW carrier
E-UTRA Band 46 or NR Band n46	5150 - 5925	N/A	+8	-6	$P_{\text{REFSENS}} + x \text{ dB}^*$	CW carrier
E-UTRA Band 48 or NR Band n48	3550 – 3700	+16**	+8**	-6**	$P_{\text{REFSENS}} + x \text{ dB}^*$	CW carrier
E-UTRA Band 49	3550 – 3700	N/A	N/A	-6**	$P_{\text{REFSENS}} + x \text{ dB}^*$	CW carrier
E-UTRA Band 50 or NR Band n50	1432 – 1517	+16	+8**	-6**	$P_{\text{REFSENS}} + x \text{ dB}^*$	CW carrier
E-UTRA Band 51 or NR Band n51	1427– 1432	N/A	N/A	-6**	$P_{\text{REFSENS}} + x \text{ dB}^*$	CW carrier
E-UTRA Band 52	3300 – 3400	+16**	+8	-6	$P_{\text{REFSENS}} + x \text{ dB}^*$	CW carrier
E-UTRA Band 53 or NR Band n53	2483.5 – 2495	N/A	+8	-6	$P_{\text{REFSENS}} + x \text{ dB}^*$	CW carrier
E-UTRA Band 65 or NR Band n65	2110 – 2200	+16**	+8**	-6**	$P_{\text{REFSENS}} + x \text{ dB}^*$	CW carrier
E-UTRA Band 66 or NR Band n66	2110 – 2200	+16**	+8**	-6**	$P_{\text{REFSENS}} + x \text{ dB}^*$	CW carrier
E-UTRA Band 67	738 - 758	+16**	+8**	-6**	$P_{\text{REFSENS}} + x \text{ dB}^*$	CW carrier

E-UTRA Band 68	753 - 783	+16**	+8**	-6**	$P_{\text{REFSENS}} + x \text{ dB}^*$	CW carrier
E-UTRA Band 69	2570-2620	+16**	+8**	-6**	$P_{\text{REFSENS}} + x \text{ dB}^*$	CW carrier
E-UTRA Band 70 or NR Band n70	1995 - 2020	+16**	+8**	-6**	$P_{\text{REFSENS}} + x \text{ dB}^*$	CW carrier
E-UTRA Band 71 or NR Band n71	617 - 652	+16**	+8**	-6**	$P_{\text{REFSENS}} + x \text{ dB}^*$	CW carrier
E-UTRA Band 72	461 - 466	+16**	+8**	-6**	$P_{\text{REFSENS}} + 6\text{dB}^*$	CW carrier
E-UTRA Band 73	460 - 465	+16**	+8**	-6**	$P_{\text{REFSENS}} + 6\text{dB}^*$	CW carrier
E-UTRA Band 74 or NR band n74	1475 - 1518	+16**	+8**	-6**	$P_{\text{REFSENS}} + x \text{ dB}^*$	CW carrier
E-UTRA Band 75 or NR Band n75	1432 - 1517	+16**	+8**	-6**	$P_{\text{REFSENS}} + x \text{ dB}^*$	CW carrier
E-UTRA Band 76 or NR Band n76	1427 - 1432	N/A	N/A	-6**	$P_{\text{REFSENS}} + x \text{ dB}^*$	CW carrier
NR Band n77	3300 - 4200	+16**	+8	-6	$P_{\text{REFSENS}} + x \text{ dB}^*$	CW carrier
NR Band n78	3300 - 3800	+16**	+8	-6	$P_{\text{REFSENS}} + x \text{ dB}^*$	CW carrier
E-UTRA Band 85	728 - 746	+16**	+8	-6	$P_{\text{REFSENS}} + x \text{ dB}^*$	CW carrier
E-UTRA Band 87	420 – 425	+16**	+8	-6	$P_{\text{REFSENS}} + x \text{ dB}^*$	CW carrier
E-UTRA Band 88	422 – 427	+16**	+8	-6	$P_{\text{REFSENS}} + x \text{ dB}^*$	CW carrier
NR Band n91	1427 – 1432	N/A	N/A	-6**	$P_{\text{REFSENS}} + x \text{ dB}^*$	CW carrier
NR Band n92	1432 – 1517	+16**	+8**	-6**	$P_{\text{REFSENS}} + x \text{ dB}^*$	CW carrier
NR Band n93	1427 – 1432	N/A	N/A	-6**	$P_{\text{REFSENS}} + x \text{ dB}^*$	CW carrier
NR Band n94	1432 – 1517	+16**	+8**	-6**	$P_{\text{REFSENS}} + x \text{ dB}^*$	CW carrier
NR Band n96	5925 – 7125	N/A	+8	-6	$P_{\text{REFSENS}} + x \text{ dB}^*$	CW carrier

NOTE 1 (\*):  $P_{\text{REFSENS}}$  depends on the RAT, the BS class and the channel bandwidth, see subclause 7.2.

"x" is equal to 3 in case of GSM/EDGE wanted signal and equal to 6 in case of NR or UTRA or E-UTRA or NB-IoT wanted signals.

NOTE 2: Except for a BS operating in Band 13, these requirements do not apply when the interfering signal falls within any of the supported uplink operating band or in the  $\Delta f_{\text{OOB}}$  immediately outside any of the supported uplink operating band.

For a BS operating in band 13 the requirements do not apply when the interfering signal falls within the frequency range 768-797 MHz.

NOTE 3: Some combinations of bands may not be possible to co-site based on the requirements above. The current state-of-the-art technology does not allow a single generic solution for co-location of UTRA TDD or E-UTRA TDD or NR TDD with E-UTRA FDD or NR FDD on adjacent frequencies for 30dB BS-BS minimum coupling loss. However, there are certain site-engineering solutions that can be used. These techniques are addressed in TR 25.942 [7].

NOTE 4: In China, the blocking requirement for co-location with DCS1800 and Band III BS is only applicable in the frequency range 1805-1850MHz.

NOTE 5: For a BS operating in band 11, 21, 74, the requirement for co-location with Band 32 applies for interfering signal within the frequency range 1475.9-1495.9 MHz.

NOTE 6: Co-located TDD base stations that are synchronized and using the same or adjacent operating band can receive without special co-location requirements. For unsynchronized base stations, special co-location requirements may apply that are not covered by the 3GPP specifications.

NOTE 7 (\*\*): For NB-IoT, up to 24 exceptions are allowed for spurious response frequencies in each wanted signal frequency when measured using a 1MHz step size. For these exceptions the above throughput requirement shall be met when the blocking signal is set to a level of -40 dBm for 15 kHz subcarrier spacing and -46 dBm for 3.75 kHz subcarrier spacing. In addition, each group of exceptions shall not exceed three contiguous measurements using a 1MHz step size.

## 7.6 Receiver spurious emissions

The receiver spurious emissions power is the power of emissions generated or amplified in a receiver that appear at the BS receiver antenna connector. The requirements apply to all BS with separate RX and TX antenna ports. In this case for FDD BS the test shall be performed when both TX and RX are on, with the TX port terminated.

For TDD BS with common RX and TX antenna port the requirement applies during the Transmitter OFF period. For FDD BS with common RX and TX antenna port the transmitter spurious emission limits as specified in subclause 6.6.1 are valid.

For BS capable of multi-band operation where multiple bands are mapped on separate antenna connectors, the single-band requirements apply and the excluded frequency range is only applicable for the operating band supported on each antenna connector.

## 7.6.1 General minimum requirement

The power of any spurious emission shall not exceed the levels in Table 7.6.1-1:

**Table 7.6.1-1: General spurious emissions requirement**

Frequency range	Maximum level	Measurement Bandwidth	Note
30MHz - 1 GHz	-57 dBm	100 kHz	
1 GHz – 12.75 GHz	-47 dBm	1 MHz	
12.75 GHz - 5 <sup>th</sup> harmonic of the upper frequency edge of the UL operating band in GHz	-47 dBm	1 MHz	This spurious frequency range applies only for <i>operating bands</i> for which the 5 <sup>th</sup> harmonic of the upper frequency edge of the UL <i>operating band</i> is reaching beyond 12.75 GHz.
NOTE: The frequency range from $F_{BW,RF,DL,low} - \Delta f_{OBUE}$ to $F_{BW,RF,DL,high} + \Delta f_{OBUE}$ may be excluded from the requirement. For BS capable of multi-band operation, the exclusion applies for all supported operating bands. For BS capable of multi-band operation where multiple bands are mapped on separate antenna connectors, the single-band requirements apply and the excluded frequency range is only applicable for the operating band supported on each antenna connector.			

In addition to the requirements in Table 7.6.1-1, the power of any spurious emission shall not exceed the Additional spurious emissions requirements in subclause 6.6.1.3 and in case of FDD BS (for BC1 and BC2) emission shall not exceed the levels specified for Protection of the BS receivers of own or different BS in subclause 6.6.1.2. In addition, the requirements for co-location with other base stations specified in subclause 6.6.1.4 may also be applied.

## 7.6.2 Additional minimum requirement for BC2 (Category B)

For a BS operating in Band Category 2 when GSM/EDGE is configured and where Category B spurious emissions apply, the power of any spurious emissions shall not exceed the limits in Table 7.6.2-1.

For BS capable of multi-band operation, the limits in Table 7.6.2-1 are only applicable when all supported operating bands belong to BC2 and GSM/EDGE is configured in all bands.

**Table 7.6.2-1: Additional BS spurious emissions limits for BC2, Category B**

Frequency range	Frequency offset from downlink operating band edge (Note 1)	Maximum level	Measurement Bandwidth
500 MHz – 1 GHz	10 – 20 MHz	-57 dBm	300 kHz
	20 – 30 MHz	-57 dBm	1 MHz
	≥ 30 MHz	-57 dBm	3 MHz
1 GHz – 12.75 GHz	≥ 30 MHz	-47 dBm	3 MHz
NOTE 1: For BS capable of multi-band operation, the frequency offset is relative to the closest supported operating band.			

## 7.7 Receiver intermodulation

Third and higher order mixing of the two interfering RF signals can produce an interfering signal in the band of the desired channel. Intermodulation response rejection is a measure of the capability of the receiver to receive a wanted signal on its assigned channel frequency in the presence of two interfering signals which have a specific frequency relationship to the wanted signal.

### 7.7.1 General intermodulation minimum requirement

Interfering signals shall be a CW signal and an E-UTRA or UTRA signal as specified in Annex A.

The requirement is applicable outside the Base Station RF Bandwidth or Radio Bandwidth. The interfering signal offset is defined relative to the Base Station RF Bandwidth edges or Radio Bandwidth edges.

For BS capable of multi-band operation, the requirement applies in addition inside any Inter RF Bandwidth gap, in case the gap size is at least twice as wide as the UTRA/E-UTRA interfering signal centre frequency offset from the Base Station RF Bandwidth edge. The interfering signal offset is defined relative to the Base Station RF Bandwidth edges inside the inter Base Station RF Bandwidth gap.

For the wanted signal at the assigned channel frequency and two interfering signals coupled to the base station antenna input, using the parameters in Table 7.7.1-1 and 7.7.1-2, the following requirements shall be met:

- For any E-UTRA carrier, the throughput shall be  $\geq 95\%$  of the maximum throughput of the reference measurement channel defined in TS 36.104 [4], subclause 7.2.
- For any UTRA FDD carrier, the BER shall not exceed 0.001 for the reference measurement channel defined in TS 25.104 [2], subclause 7.2.
- For any UTRA TDD carrier, the BER shall not exceed 0.001 for the reference measurement channel defined in TS 25.105 [3], subclause 7.2.
- For any GSM/EDGE carrier, the conditions are specified in TS 45.005 [5], Annex P.2.2.
- For any NB-IoT carrier, the throughput shall be  $\geq 95\%$  of the maximum throughput of the reference measurement channel defined in TS 36.104 [4], subclause 7.2.
- For any NR carrier, the throughput shall be  $\geq 95\%$  of the maximum throughput of the reference measurement channel defined in TS 38.104 [17], subclause 7.2.

**Table 7.7.1-1: General intermodulation requirement**

Base Station Type	Mean power of interfering signals [dBm]	Wanted Signal mean power [dBm]	Type of interfering signal
Wide Area BS	-48+y (Note 6)	$P_{\text{REFSENS}} + x$ dB (Note 2)	See Table 7.7.1-2
Medium Range BS	-44+y (Note 6)	$P_{\text{REFSENS}} + x$ dB (Note 3, 5)	
Local Area BS	-38+y (Note 6)	$P_{\text{REFSENS}} + x$ dB (Note 4, 5)	
NOTE 1: $P_{\text{REFSENS}}$ depends on the RAT, the BS class and on the channel bandwidth, see subclause 7.2.			
NOTE 2: For WA BS supporting GSM and/or UTRA, "x" is equal to 6 in case of NR or E-UTRA or UTRA or NB-IoT wanted signals and equal to 3 in case of GSM/EDGE wanted signal.			
NOTE 3: For MR BS supporting GSM and/or UTRA, "x" is equal to 6 in case of UTRA wanted signals, 9 in case of NR or E-UTRA or NB-IoT wanted signal and equal to 3 in case of GSM/EDGE wanted signal.			
NOTE 4: For LA BS supporting GSM and/or UTRA, "x" is equal to 12 in case of NR or E-UTRA or NB-IoT wanted signals, 6 in case of UTRA wanted signal and equal to 3 in case of GSM/EDGE wanted signal.			
NOTE 5: For a BS neither supporting GSM nor UTRA, x is equal to 6 for all BS classes if NR is supported, otherwise x is equal to 6 for WA BS or, 9 for MR BS and 12 for LA BS if NR is not supported.			
NOTE 6: For a BS supporting NR but neither UTRA nor GSM; "y" is equal to -4 for the WA BS class, -3 for the MR BS class and -6 for the LA BS class. For all other cases, "y" is equal to zero for all BS classes			

**Table 7.7.1-2: Interfering signals for intermodulation requirement**

RAT of the carrier adjacent to the upper/lower Base Station RF Bandwidth edge	Interfering signal centre frequency offset from the Base Station RF Bandwidth edge [MHz]	Type of interfering signal
E-UTRA 1.4 MHz	$\pm 2.0$ (BC1 and BC3) / $\pm 2.1$ (BC2)	CW
	$\pm 4.9$	1.4MHz E-UTRA signal
E-UTRA or E-UTRA with NB-IoT in-band 3 MHz	$\pm 4.4$ (BC1 and BC3) / $\pm 4.5$ (BC2)	CW
	$\pm 10.5$	3MHz E-UTRA signal
UTRA FDD and E-UTRA or E-UTRA with NB-IoT in-band/guard band 5 MHz	$\pm 7.5$	CW
	$\pm 17.5$	5MHz E-UTRA signal
E-UTRA or E-UTRA with NB-IoT in-band/guard band 10 MHz	$\pm 7.375$	CW
	$\pm 17.5$	5MHz E-UTRA signal
E-UTRA or E-UTRA with NB-IoT in-band/guard band 15 MHz	$\pm 7.25$	CW
	$\pm 17.5$	5MHz E-UTRA signal
E-UTRA or E-UTRA with NB-IoT in-band/guard band 20 MHz	$\pm 7.125$	CW
	$\pm 17.5$	5MHz E-UTRA signal
GSM/EDGE/NB-IoT standalone	$\pm 7.575$	CW
	$\pm 17.5$	5MHz E-UTRA signal
1.28 Mcps UTRA TDD	$\pm 2.3$ (BC3)	CW
	$\pm 5.6$ (BC3)	1.28Mcps UTRA TDD signal
NR 5 MHz or NR with NB-IoT operation in NR in-band	$\pm 7.5$	CW
	$\pm 17.5$	5MHz E-UTRA signal
NR 10 MHz or NR with NB-IoT operation in NR in-band	$\pm 7.465$	CW
	$\pm 17.5$	5MHz E-UTRA signal
NR 15 MHz or NR with NB-IoT operation in NR in-band	$\pm 7.43$	CW
	$\pm 17.5$	5MHz E-UTRA signal
NR 20 MHz or NR with NB-IoT operation in NR in-band	$\pm 7.395$	CW
	$\pm 17.5$	5MHz E-UTRA signal
NR 25 MHz or NR with NB-IoT operation in NR in-band	$\pm 7.465$	CW
	$\pm 25$	20MHz E-UTRA signal
NR 30 MHz or NR with NB-IoT operation in NR in-band	$\pm 7.43$	CW
	$\pm 25$	20MHz E-UTRA signal
NR 40 MHz or NR with NB-IoT operation in NR in-band	$\pm 7.45$	CW
	$\pm 25$	20MHz E-UTRA signal
NR 50 MHz or NR with NB-IoT operation in NR in-band	$\pm 7.35$	CW
	$\pm 25$	20MHz E-UTRA signal



NR 60 MHz	$\pm 7.49$	CW
	$\pm 25$	20MHz E-UTRA signal
NR 70 MHz	$\pm 7.42$	CW
	$\pm 25$	20MHz E-UTRA signal
NR 80 MHz	$\pm 7.44$	CW
	$\pm 25$	20MHz E-UTRA signal
NR 90 MHz	$\pm 7.46$	CW
	$\pm 25$	20MHz E-UTRA signal
NR 100 MHz	$\pm 7.48$	CW
	$\pm 25$	20MHz E-UTRA signal

## 7.7.2 General narrowband intermodulation minimum requirement

Interfering signals shall be a CW signal and an E-UTRA 1RB signal as specified in Annex A.

The requirement is applicable outside the Base Station RF Bandwidth or Radio Bandwidth. The interfering signal offset is defined relative to the Base Station RF Bandwidth edges or Radio Bandwidth edges.

For BS operating in non-contiguous spectrum within each supported operating band, the requirement applies in addition inside any sub-block gap in case the sub-block gap is at least as wide as the channel bandwidth of the E-UTRA interfering signal in Table 7.7.2-2. The interfering signal offset is defined relative to the sub-block edges inside the gap.

For BS capable of multi-band operation, the requirement applies in addition inside any Inter RF Bandwidth gap in case the gap size is at least as wide as the E-UTRA interfering signal in Table 7.7.2-2. The interfering signal offset is defined relative to the Base Station RF Bandwidth edges inside the Inter RF Bandwidth gap.

For the wanted signal at the assigned channel frequency and two interfering signals coupled to the base station antenna input, using the parameters in Table 7.7.2-1 and 7.7.2-2, the following requirements shall be met:

- For any E-UTRA carrier, the throughput shall be  $\geq 95\%$  of the maximum throughput of the reference measurement channel defined in TS 36.104 [4], subclause 7.2.
- For any UTRA FDD carrier, the BER shall not exceed 0.001 for the reference measurement channel defined in TS 25.104 [2], subclause 7.2.
- For any UTRA TDD carrier, the BER shall not exceed 0.001 for the reference measurement channel defined in TS 25.105 [3], subclause 7.2.
- For any GSM/EDGE carrier, the conditions are specified in TS 45.005 [5], Annex P.2.2.
- For any NB-IoT carrier, the throughput shall be  $\geq 95\%$  of the maximum throughput of the reference measurement channel defined in TS 36.104 [4], subclause 7.2.
- For any NR carrier, the throughput shall be  $\geq 95\%$  of the maximum throughput of the reference measurement channel defined in TS 38.104 [17], subclause 7.2.

**Table 7.7.2-1: General narrowband intermodulation requirement**

Base Station Type	Mean power of interfering signals [dBm]	Wanted Signal mean power [dBm]	Type of interfering signal
Wide Area BS	-52	$P_{\text{REFSENS}} + x$ dB (NOTE 1)	See Table 7.7.2-2
Medium Range BS	-47		
Local Area BS	-44		
NOTE 1: $P_{\text{REFSENS}}$ depends on the RAT, the BS class and on the channel bandwidth, see subclause 7.2. "x" is equal to 6 in case of NR, NB-IoT, E-UTRA or UTRA wanted signals and equal to 3 in case of GSM/EDGE wanted signal.			

**Table 7.7.2-1a: Void**

**Table 7.7.2-2: Interfering signals for narrowband intermodulation requirement**

RAT of the carrier adjacent to the upper/lower Base Station RF Bandwidth edge or sub-block edge	CW or 1RB interfering signal centre frequency offset from the Base Station RF Bandwidth edge or sub-block edge inside a gap [kHz]	Type of interfering signal
E-UTRA 1.4 MHz	$\pm 260$ (BC1 and BC3) / $\pm 270$ (BC2)	CW
	$\pm 970$ (BC1 and BC3) / $\pm 790$ (BC2)	1.4 MHz E-UTRA signal, 1 RB (NOTE 1)
E-UTRA or E-UTRA with NB-IoT in-band 3 MHz	$\pm 260$ (BC1 and BC3) / $\pm 270$ (BC2)	CW
	$\pm 960$ (BC1 and BC3) / $\pm 780$ (BC2)	3.0 MHz E-UTRA signal, 1 RB (NOTE 1)
E-UTRA or E-UTRA with NB-IoT in-band/guard band 5 MHz	$\pm 360$ (NOTE 3)	CW
	$\pm 1060$	5 MHz E-UTRA signal, 1 RB (NOTE 1)
E-UTRA or E-UTRA with NB-IoT in-band/guard band 10 MHz (NOTE 2)	$\pm 325$ (NOTE 3)	CW
	$\pm 1240$	5 MHz E-UTRA signal, 1 RB (NOTE 1)
E-UTRA or E-UTRA with NB-IoT in-band/guard band 15 MHz (NOTE 2)	$\pm 380$ (NOTE 3)	CW
	$\pm 1600$	5MHz E-UTRA signal, 1 RB (NOTE 1)
E-UTRA or E-UTRA with NB-IoT in-band/guard band 20 MHz (NOTE 2)	$\pm 345$ (NOTE 3)	CW
	$\pm 1780$	5MHz E-UTRA signal, 1 RB (NOTE 1)
UTRA FDD	$\pm 345$ (BC1 and BC2)	CW
	$\pm 1780$ (BC1 and BC2)	5MHz E-UTRA signal, 1 RB (NOTE 1)
GSM/EDGE	$\pm 340$	CW
	$\pm 880$	5MHz E-UTRA signal, 1 RB (NOTE 1)
NB-IoT standalone	$\pm 340$	CW
	$\pm 880$	5MHz E-UTRA signal, 1 RB (NOTE 1)
1.28Mcps UTRA TDD	$\pm 190$ (BC3)	CW
	$\pm 970$ (BC3)	1.4 MHz E-UTRA signal, 1 RB (NOTE 1)
NR 5 MHz or NR with NB-IoT operation in NR in-band	$\pm 360$	CW
	$\pm 1420$	E-UTRA signal, 1 RB (NOTE 1)
NR 10 MHz or NR with NB-IoT operation in NR in-band	$\pm 370$	CW
	$\pm 1960$	E-UTRA signal, 1 RB (NOTE 1)
NR 15 MHz or NR with NB-IoT operation in NR in-band (Note 2)	$\pm 380$	CW
	$\pm 1960$	E-UTRA signal, 1 RB (NOTE 1)
NR 20 MHz or NR with NB-IoT operation in NR in-band (Note 2)	$\pm 390$	CW
	$\pm 2320$	E-UTRA signal, 1 RB (NOTE 1)
NR 25 MHz or NR with NB-IoT operation in NR in-band (Note 2)	$\pm 325$	CW
	$\pm 2350$	E-UTRA signal, 1 RB (NOTE 1)
	$\pm 335$	CW

NR 30 MHz or NR with NB-IoT operation in NR in-band (Note 2)	$\pm 2350$	E-UTRA signal, 1 RB (NOTE 1)
NR 40 MHz or NR with NB-IoT operation in NR in-band (Note 2)	$\pm 355$	CW
	$\pm 2710$	E-UTRA signal, 1 RB (NOTE 1)
NR 50 MHz or NR with NB-IoT operation in NR in-band (Note 2)	$\pm 375$	CW
	$\pm 2710$	E-UTRA signal, 1 RB (NOTE 1)
NR 60 MHz (Note 2)	$\pm 395$	CW
	$\pm 2710$	E-UTRA signal, 1 RB (NOTE 1)
NR 70 MHz (Note 2)	$\pm 415$	CW
	$\pm 2710$	E-UTRA signal, 1 RB (NOTE 1)
NR 80 MHz (Note 2)	$\pm 435$	CW
	$\pm 2710$	E-UTRA signal, 1 RB (NOTE 1)
NR 90 MHz (Note 2)	$\pm 365$	CW
	$\pm 2530$	E-UTRA signal, 1 RB (NOTE 1)
NR 100 MHz (Note 2)	$\pm 385$	CW
	$\pm 2530$	E-UTRA signal, 1 RB (NOTE 1)
<p>NOTE 1: Interfering signal consisting of one resource block positioned at the stated offset, the channel bandwidth of the interfering signal is located adjacently to the Base Station RF Bandwidth edge.</p> <p>NOTE 2: This requirement shall apply only for an E-UTRA FRC A1-3 or NR G-FRC mapped to the frequency range at the channel edge adjacent to the interfering signals.</p> <p>NOTE 3: The frequency offset shall be adjusted to accommodate the IMD product to fall in the NB-IoT RB for NB-IoT in-band/guard band operation.</p> <p>NOTE 4: If a BS RF receiver fails the test of the requirement, the test shall be performed with the CW interfering signal frequency shifted away from the wanted signal by 180 kHz and the E-UTRA interfering signal frequency shifted away from the wanted signal by 360 kHz. If the BS RF receiver still fails the test after the frequency shift, then the BS RF receiver shall be deemed to fail the requirement.</p>		

### 7.7.3 Additional narrowband intermodulation minimum requirement for GSM/EDGE

The GSM/EDGE MC-BTS receiver intermodulation requirement as stated in TS 45.005 [5], applicable parts of subclause 5.3.2 shall apply for any GSM/EDGE carrier.

The conditions specified in TS 45.005 [5], Annex P.2.2 apply for the GSM/EDGE intermodulation requirement.

## 7.8 In-channel selectivity

In-channel selectivity (ICS) is a measure of the receiver ability to receive a wanted signal at its assigned resource block locations in the presence of an interfering signal received at a larger power spectral density. In this condition a throughput requirement shall be met for a specified reference measurement channel.

### 7.8.1 E-UTRA minimum requirement

For E-UTRA, the minimum requirement for in-channel selectivity is specified in TS 36.104 [4], subclause 7.4.

For NB-IoT, the minimum requirement for in-channel selectivity is specified in TS 36.104 [4], subclause 7.4.

### 7.8.2 NR minimum requirement

For NR, the minimum requirement for in-channel selectivity (BS type 1-C) is specified in TS 38.104 [17], subclause 7.8.

For *NB-IoT operation in NR in-band*, the minimum requirement for in-channel selectivity (BS type 1-C) is specified in TS 38.104 [17], subclause 7.8.

---

## 8 Performance requirements

Performance requirements specify the ability of the BS to correctly demodulate signals in various conditions and configurations. For NR, UTRA and E-UTRA the requirements specify a minimum throughput or maximum BLER or BER that shall be achieved at a specific SNR. For GSM/EDGE the requirements specify a maximum FER, BLER or BER that shall be achieved at specific sensitivity levels (C) and specific carrier-to-interference ratios (C/I).

### 8.1 E-UTRA minimum requirement

For E-UTRA, the minimum requirements for performance are specified in TS 36.104 [4], clause 8.

### 8.2 UTRA FDD minimum requirement

For UTRA FDD, the minimum requirements for performance are specified in TS 25.104 [2], clause 8.

### 8.3 UTRA TDD minimum requirement

For UTRA TDD, the minimum requirements for performance are specified in TS 25.105 [3], clause 8.

### 8.4 GSM/EDGE minimum requirement

For GSM/EDGE, the minimum requirements for reference sensitivity level and reference interference level are specified in TS 45.005 [5], applicable parts of clauses 6.2, 6.3, 6.4, 6.5 and 6.6. The conditions specified in TS 45.005 [5], Annex P.1 are valid for GSM sensitivity and interference performance.

### 8.5 NR minimum requirement

For NR, the minimum requirements for performance (BS type 1-C) are specified in TS 38.104 [17], clause 8.

### 8.6 NB-IoT minimum requirement

For NB-IoT, the minimum requirements for performance are specified in TS 36.104 [4], clause 8.5.

## Annex A (normative): Characteristics of interfering signals

### A.1 UTRA FDD interfering signal

The UTRA FDD interfering signal shall be a DPCH containing the DPCCH and one DPDCH. The data content for each channelization code shall be uncorrelated with each other and to the wanted signal and spread and modulated according to clause 4 of TS 25.213. Further characteristics of DPDCH and DPCCH are specified in Table A.1-1.

**Table A.1-1: Characteristics of UTRA FDD interfering signal**

Channel	Bit Rate	Spreading Factor	Channelization Code	Relative Power
DPDCH	240 kbps	16	4	0 dB
DPCCH	15 kbps	256	0	-5.46 dB
NOTE: The DPDCH and DPCCH settings are chosen to simulate a signal with realistic Peak to Average Ratio.				

### A.2 UTRA TDD interfering signal

The UTRA TDD interfering signal shall be 1.28 Mcps UTRA TDD signal with one code. The data content shall be uncorrelated to the wanted signal. They are specified in Table A.2-1.

**Table A.2-1: Characteristics of UTRA TDD interfering signal**

UTRA TDD option	Type of Interfering Signal
1.28 Mcps UTRA TDD	1,28 Mcps UTRA TDD signal with one code*
* NOTE: The channelization code ID and Midamble shift shall be different with the wanted signal's.	

### A.3 E-UTRA interfering signal

The E-UTRA interfering signal shall be a PUSCH containing data and reference symbols. Normal CP is used. The data content shall be uncorrelated to the wanted signal and modulated according to clause 5 of TS 36.211. Mapping of PUSCH modulation to receiver requirement are specified in Table A.3-1.

**Table A.3-1: Modulation of the E-UTRA interfering signal**

Receiver requirement	Modulation
Narrowband blocking	QPSK
Receiver intermodulation	QPSK

---

## Annex B (normative): Environmental requirements for the BS equipment

The BS equipment shall fulfil all the requirements in the full range of environmental conditions for the relevant environmental class. The environmental conditions and class shall be from the relevant IEC specifications or the corresponding ETSI specifications listed below.

IEC specifications for environmental requirements:

IEC 60 721-3-3 "Stationary use at weather protected locations" [11]

IEC 60 721-3-4 "Stationary use at non weather protected locations" [12]

ETSI specifications for environmental requirements:

ETSI EN 300 019-1-3 "Stationary use at weather protected locations" [13]

ETSI EN 300 019-1-4 "Stationary use at non weather protected locations" [14]

Normally it should be sufficient for all tests to be conducted using normal test conditions except where otherwise stated. For guidance on the use of test conditions to be used in order to show compliance refer to TS 37.141 [10].

## Annex C (informative): Change history



Change history							
Date	Meeting	TDoc	CR	Rev	Cat	Subject/Comment	New version
2009-07	R4#51bis	R4-092358				Specification skeleton	0.0.1
2009-08	R4#52	R4-093257				<p>Agreed Text Proposals in RAN4#52:</p> <p><b>R4-093005</b>, "TS 37.104: TP on Relationship between minimum requirements and test requirements (TS ch 4.2)"</p> <p><b>R4-093006</b>, "TS 37.104: TP on Base station classes (TS ch 4.3)"</p> <p><b>R4-093008</b>, "TS 37.104: TP on Operating bands and Band Categories (TS ch 4.5)"</p> <p><b>R4-093009</b>, "TS 37.104: TP on Channel arrangement (TS ch 4.6)"</p> <p><b>R4-093011</b>, "TS 37.104: TP on Transmitter characteristics - General (TS ch 6.1)"</p> <p><b>R4-093012</b>, "TS 37.104: TP on Output power dynamics (TS ch 6.3)"</p> <p><b>R4-093016</b>, "TS 37.104: TP on Transmitter Intermodulation (TS ch 6.7)"</p> <p><b>R4-093017</b>, "TS 37.104: TP on Receiver characteristics General (TS ch 7.1)"</p> <p><b>R4-093018</b>, "TS 37.104: TP on Reference sensitivity level (TS ch 7.2)"</p> <p><b>R4-093019</b>, "TS 37.104: TP on Dynamic range (TS ch 7.3)"</p> <p><b>R4-093022</b>, "TS 37.104: TP on Receiver spurious emissions (TS ch 7.6)"</p> <p><b>R4-093024</b>, "TS 37.104: TP on In-channel selectivity (TS ch 7.8)"</p> <p><b>R4-093375</b>, "TS 37.104: TP on MSR References and definitions (TS ch 2 and 3)"</p> <p><b>R4-093376</b>, "TS 37.104: TP on Regional requirements (TS ch 4.4)"</p> <p><b>R4-093378</b>, "TS 37.104: TP on Transmitted signal quality (TS ch 6.5)"</p> <p><b>R4-093379</b>, "TS 37.104: TP on Transmitter spurious emissions (TS ch 6.6 and 6.6.1)"</p> <p><b>R4-093380</b>, "TS 37.104: TP on Operating band unwanted emissions (TS ch 6.6.2)"</p> <p><b>R4-093381</b>, "TS 37.104: TP on In-band selectivity and blocking (TS ch 7.4)"</p> <p><b>R4-093382</b>, "TS 37.104: TP on Out-of-band blocking (TS ch 7.5)"</p> <p><b>R4-093383</b>, "TS 37.104: TP on Receiver intermodulation (TS ch 7.7)"</p>	0.1.0
2009-09	RAN #45	RP-090764				Presentation to TSG RAN for information	1.0.0
2009-10	R4#52bis	R4-093979				<p>Agreed Text Proposals in RAN4#52bis:</p> <p><b>R4-093788</b>, "TS 37.104: TP on Relation to other RAN and GERAN specifications (TS ch 4.2)"</p> <p><b>R4-093792</b>, "TS 37.104: TP on Spurious emissions requirements in BC2 (TS ch 6.6.2 and 7.6)"</p> <p><b>R4-093796</b>, "TS 37.104: TP on Characteristics of interfering signals"</p> <p><b>R4-094013</b>, "Clarification on Spurious emissions limits for BS co-existed with another BS (37.104)"</p> <p><b>R4-094050</b>, "TS 37.104: TP on Additional spurious emissions requirement (TS ch 6.6.1.3)"</p> <p><b>R4-094051</b>, "TS 37.104: TP on Introduction of BC2 transmitter requirements (TS ch 6)"</p> <p><b>R4-094052</b>, "TS 37.104: TP on Introduction of BC2 receiver requirements (TS ch 7)"</p> <p><b>R4-094053</b>, "TS 37.104: TP on Applicability of requirements (TS ch 5)"</p> <p><b>R4-094054</b>, "TS 37.104: TP on Performance requirements (TS ch 8)"</p> <p><b>R4-094058</b>, "TP for 37.104 Maximum power requirements"</p>	1.1.0

2009-11	R4#53	R4-094476				Agreed Text Proposals in RAN4#52bis: <b>R4-094061</b> , "A Note of 37.104 MSR category 3 on additional spurious emission requirement when BC3 is deployed in the same geographical area as the PHS" <b>R4-094062</b> , "TP of 37.104 on Transmitter intermodulation requirement of MSR category 3" <b>R4-094063</b> , "TP of 37.104 on Out-of-band blocking requirement of MSR category 3" <b>R4-094075</b> , "Text proposal of transmitter off power for TS37.104" <b>R4-094076</b> , "Text proposal of receiver intermodulation of BC3 for TS37.104"	1.2.0
2009-11	R4#53	R4-094777				Agreed Text Proposals in RAN4#53: <b>R4-094403</b> , "Corrections on frequency range of unwanted emissions requirements (37.104)" <b>R4-094479</b> , "TS 37.104: TP on Occupied bandwidth (TS ch 6.6.3)" <b>R4-094480</b> , "TS 37.104: TP on remaining BC3 transmitter requirements (TR ch 6)" <b>R4-094484</b> , "TS 37.104: TP on Inclusion of requirements by reference (TS ch 5.4)" <b>R4-094485</b> , "TS 37.104: TP on additional emission requirements for GSM (TS ch 6.6.2.3)" <b>R4-094486</b> , "TS 37.104: TP on General updates" <b>R4-094540</b> , "Output Power clarification" <b>R4-094662</b> , "TS 37.104: TP for scope update (TS ch 1)" <b>R4-094663</b> , "TS 37.104: TP on Environmental requirements for the BS equipment (TS Annex B)" <b>R4-094862</b> , "TS 37.104: TP for ACLR requirement (TS ch 6.6.4)" <b>R4-094863</b> , "TS 37.104: TP on Applicability of requirements for BC3" <b>R4-094881</b> , "Proposed updates of references to TS 45.005 in MSR specification TR 37.104 (GERAN1 AHG1-090157)" <b>R4-094882</b> , "TS 37.104: TP on Declared output power parameters" <b>R4-094883</b> , "TS 37.104: TP on remaining BC3 receiver requirements (TS ch 7)"	1.3.0
2009-12	RAN #46	RP-091107				Presentation to TSG RAN for approval.	2.0.0
2009-12	RAN #46	RP-091107				Approved in TSG RAN#46	9.0.0
2010-03	RAN #47	RP-100265	1			Correction of additional spurious emission requirement for BC2	9.1.0
2010-03	RAN #47	RP-100265	7			ACLR requirement E-UTRA channel BW <5 MHz	9.1.0
2010-03	RAN #47	RP-100265	3			MSR corrections in TS 37.104	9.1.0
2010-03	RAN #47	RP-100265	5	1		Alignment of MSR specification with new items in single-RAT specifications	9.1.0
2010-03	RAN #47	RP-100265	6			Correction of scope	9.1.0
2010-06	RP-48	RP-100625	014			Corrections to clause 7.1	9.2.0
2010-06	RP-48	RP-100625	013	1		Corrections to MSR core requirements	9.2.0
2010-06	RP-48	RP-100625	012			Correction to Clause 6.1	9.2.0
2010-06	RP-48	RP-100625	010	1		Clarification to the receiver narrowband blocking requirement	9.2.0
2010-06	RP-48	RP-100625	009	1		Clarification to the receiver narrowband intermodulation requirement	9.2.0
2010-06	RP-48	RP-100625	008	2		Co-existence with services in adjacent frequency bands	9.2.0
2010-06	RP-48	RP-100625	015			Spurious emissions limits and blocking requirements for coexistence with CDMA850	9.2.0
2010-09	RP-49	RP-100922	018	1		TS 37.104 Subclause 7.7; Receiver intermodulation	9.3.0
2010-09	RP-49	RP-100927	016			CR LTE_TDD_2600_US spectrum band definition additions to TS 37.104	10.0.0
2010-12	RP-50	RP-101345	023			Band XII/12 frequency range	10.1.0
2010-12	RP-50	RP-101356	019	4		Band 42 and 43 parameters for UMTS/LTE 3500 (TDD) for TS 37.104	10.1.0
2010-12	RP-50	RP-101359	024			Introduction of Carrier Aggregation for LTE in TS 37.104	10.1.0
2010-12	RP-50	RP-101361	020			Protection of E-UTRA Band 24	10.1.0
2011-04	RP-51	RP-110357	0029	-		Band 42 and 43 co-existence for UMTS/LTE 3500 (TDD) for TS 37.104	10.2.0
2011-06	RP-52	RP-110794	033			Modifications to Band 3 to allow LTE Band 3 operation in Japan (Rel-10 TS37.104 CR)	10.3.0
2011-06	RP-52	RP-110812	034			Add 2GHz S-Band (Band 23) in 37.104	10.3.0
2011-06	RP-52	RP-110804	035			Add Expanded 1900MHz band in 37.104	10.3.0
2011-06	RP-52	RP-110794	041			Correction of RX spurious emissions for non-GSM/EDGE configurations	10.3.0
2011-06	RP-52	RP-110802	044			Co-existence/co-location between Band 42 and 43 in TS 37.104	10.3.0
2011-06	RP-52	RP-110807	043	1		LTE CA alignment of definitions in TS 37.104	10.3.0

2011-06	RP-52	RP-110794	039	1		General corrections for TS 37.104	10.3.0
2011-06	RP-52	RP-110795	037	3		Fixing Band 24 inclusion in TS 37.104	10.3.0
2011-06	RP-52	RP-110805	042	1		MSR-NC Core requirements	10.3.0
2011-06	RP-52	RP-110794	046	2		Revision of Time Alignment Error definition	10.3.0
2011-09	RP-53	RP-111252	051			Correcting the time alignment text in the applicability tables	10.4.0
2011-09	RP-53	RP-111255	052	1		Add Band 22/XXII for LTE/UMTS 3500 (FDD) to TS 37.104	10.4.0
2011-09	RP-53	RP-111262	049			Co-existence and co-location corrections in 37.104	10.4.0
2011-12	RP-54	RP-111735	053			Definition of multi-carrier configuration	10.5.0
2011-12	RP-54					Clarification of general blocking requirements for co-existence in TS 37.104	10.5.0
2011-12	RP-54	RP-111734	054				
2011-12	RP-54	RP-111735	055			CR to TS37.104 Adding the OBW requirements for carrier aggregation	10.5.0
2011-12	RP-54	RP-111735	056			Correction of MSR NC requirements	10.5.0
2011-12	RP-54	RP-111687	058	2		TX ON or OFF CR 37.104	10.5.0
2011-12	RP-54					Correction of frequency range for spurious emission requirements	10.5.0
2011-12	RP-54	RP-111733	059				
2012-03	RP-55	RP-120303	062			Update to improve readability of tables in section 4.5 of 37.104	10.6.0
2012-03	RP-55	RP-120303	063			Absolute limit for CACLR: Removal of brackets	10.6.0
2012-03	RP-55	RP-120304	065	1		Definition of synchronized operation	10.6.0
2012-03	RP-55	RP-120303	066	1		Introduction of NC operation for TDD in 37.104	10.6.0
2012-03	RP-55	RP-120305	061			Add Extending 850 MHz Upper Band (814 - 849 MHz) to TS37.104	11.0.0
2012-06	RP-56	RP-120793	069	-		Introduction of APAC700(FDD) into TS 37.104	11.1.0
2012-06	RP-56	RP-120771	072	-		Introduction of Japanese Regulatory Requirements to W-CDMA Band VIII (R11)	11.1.0
2012-06	RP-56	RP-120777	074	-		Additional BC3 blocking	11.1.0
2012-06	RP-56	RP-120793	075	1		Introduction of Band 44	11.1.0
2012-06	RP-56	RP-120791	076	2		Introduction of E850_LB (Band 27) to MSR TS 37.104	11.1.0
2012-09	RP-57	RP-121310	078	-		Applicability of Cumulative ACLR	11.2.0
2012-09	RP-57	RP-121310	080	-		Correct the f_offsetmax definition for TS 37.104	11.2.0
2012-09	RP-57	RP-121308	081	2		Reusing band 41 requirements for the Japan 2.5G TDD band	11.2.0
2012-09	RP-57	RP-121310	083	1		Intra-band non-contiguous receiver requirements	11.2.0
2012-09	RP-57	RP-121310	085	-		Deleting additional BC3 transmitter intermodulation requirement for NC MSR	11.2.0
2012-09	RP-57	RP-121300	088	-		Modifications of frequency ranges on spurious emission requirements for Band 6, 18, 19	11.2.0
2012-09	RP-57	RP-121310	090	1		Clean-up of ACLR wording for MSR-NC	11.2.0
2012-09	RP-57	RP-121340	091	1		Modification to increase GSM Carrier Power in MSR BS for Band Category 2	11.2.0
2012-09	RP-57					Editorial correction in Table 6.6.2.2-2	11.2.1
2012-12	RP-58	RP-121906	094			Introduction of new BS classes to MSR specification (general parts)	11.3.0
2012-12	RP-58	RP-121857	095			Correction to additional BS spurious emissions limits for BC2	11.3.0
2012-12	RP-58	RP-121859	098			Correction of PHS protection requirement	11.3.0
2012-12	RP-58	RP-121906	101	2		Introduction of new BS classes to MSR specification (Clause 6)	11.3.0
2012-12	RP-58	RP-121906	102			Introduction of new BS classes to MSR specification (receiver part)	11.3.0
2012-12	RP-58	RP-121867	104	1		Modification on ACLR requirement	11.3.0
2012-12	RP-58	RP-121867	107			Clean up of specification R11	11.3.0
2012-12	RP-58	RP-121905	108	1		Introduction of multi-band operation to MSR specification (section 4)	11.3.0
2012-12	RP-58	RP-121905	109	1		CR for TS37.104(Claude 1-3) due to introduction of multi-band MSR operation	11.3.0
2012-12	RP-58	RP-121905	110	1		Introduction of MB-MSR to MSR specification (Clause 6)	11.3.0
2012-12	RP-58	RP-121864	112			Transmitter IM correction for MSR-NC	11.3.0
2012-12	RP-58	RP-121905	113			Applicability of requirements for MB-MSR	11.3.0
2012-12	RP-58	RP-121899	115			Update CA reference to include Non Contiguous CA band combinations	11.3.0
2012-12	RP-58	RP-121901	116			Introduction of Band 29	11.3.0
2012-12	RP-58	RP-121905	117	1		Introduction of MB-MSR to MSR core specification (Clause 7)	11.3.0
2012-12	RP-58	RP-121857	118			Modification to increase GSM Carrier Power in MSR BS for Band Category 2	11.3.0
2012-12						Editorial Correction	11.3.0
2013-03	RP-59	RP-130282	121			Clarify unclear description in UEM requirement for MB-MSR in TS 37.104	11.4.0
2013-03	RP-59	RP-130282	125			Some clarifications on MB-MSR requirement in TS 37.104	11.4.0
2013-03	RP-59	RP-130282	126	1		Introduction of MB-MSR to MR/LA BS in TS 37.104	11.4.0
2013-03	RP-59	RP-130287	129			Correction of co-existence spurious emission requirement with Band 23 for TS 37.104 (R11)	11.4.0

2013-03	RP-59	RP-130287	130			Band 41 requirements for operation in Japan	11.4.0
2013-06	RP-60	RP-130769	135			Definition of Inter RF bandwidth gap	11.5.0
2013-06	RP-60	RP-130764	138			Corrections to transmitter intermodulation test requirement	11.5.0
2013-06	RP-60	RP-130763	142			channel raster	11.5.0
2013-06	RP-60	RP-130769	144	2		Mapping of requirements on antenna ports	11.5.0
2013-06	RP-60	RP-130791	145	1		Introduction of Band 30	12.0.0
2013-06	RP-60	RP-130790	147			Introduction of LTE 450 into TS 37.104	12.0.0
2013-09	RP-61	RP-131289	154			Single-RAT operation for MB-MSR	12.1.0
2013-09	RP-61	RP-131280	155			UEM requirement in BC2 for lower BS output power	12.1.0
2013-09	RP-61	RP-131289	157			Clarification on single-band operation for MB-MSR	12.1.0
12-2013	RP-62	RP-131927	160			Clarification of Tx IM requirement for BC1 band supporting non-contiguous operation	12.2.0
12-2013	RP-62	RP-131930	162			Inclusion of requirements by reference for BS classes	12.2.0
12-2013	RP-62	RP-131959	167			Changes to TS 37.104 for LTE_CA_C_B27	12.2.0
12-2013	RP-62	RP-131934	169			CR for clarification for receiver requirement on MB-MSR BS	12.2.0
12-2013	RP-62	RP-131926	172			Introduction of secondary CPICH requirement	12.2.0
12-2013	RP-62	RP-131930	174			Corrections to requirements for multi-band operation	12.2.0
12-2013	RP-62	RP-131967	176			Band 41 deployment in Japan	12.2.0
12-2013	RP-62	RP-131925	182			Correction of references	12.2.0
03-2014	RP-63	RP-140370	193			Clarification of interfering signals for receiver intermodulation requirement in MSR	12.3.0
06-2014	RP-64	RP-140913	196			Update of TS 37.104	12.4.0
06-2014	RP-64	RP-140913	207			Clarification on definitions and ACLR requirement in TS37.104	12.4.0
06-2014	RP-64	RP-140913	211			Correction of UEM for Medium Range and Local Area BS	12.4.0
06-2014	RP-64	RP-140914	202			Band 29 correction	12.4.0
06-2014	RP-64	RP-140918	219			Clarification of Foffset-RAT in relation to radio bandwidth in TS 37.104 (Rel-12)	12.4.0
06-2014	RP-64	RP-140926	208	1		Introduction of Band 32/XXXII	12.4.0
09-2014	RP-65	RP-141528	232			Correction on UEM related to multi-band operation in TS37.104	12.5.0
09-2014	RP-65	RP-141562	233	1		Update of definitions to support supplemental DL in TS37.104	12.5.0
12-2014	RP-66	RP-142146	242			Tx intermodulation corrections	12.6.0
03-2015	RP-67	RP-150382	250			Co-location between Band 42 and Band 43 in TS 37.104	12.7.0
03-2015	RP-67	RP-150388	251			MB and TDD+FDD	12.7.0
07-2015	RP-68	RP-150955	255			Clarification of parameter P for emission requirements	12.8.0
07-2015	RP-68	RP-150955	259			Some corrections related to RF bandwidth edge	12.8.0
12-2015	RP-70	RP-152132	0269	-		Tx IM requirement correction	12.9.0
12-2015	RP-70	RP-152132	0274	-		BS Spec improvements: TS 37.104 Corrections	12.9.0
12-2015	RP-70	RP-152132	0276	-		Corrections on definition of f_offsetmax for BS operating in multiple bands or non-contiguous spectrum	12.9.0
12-2015	RP-70	RP-152132	0280	-		Correction of Unwanted Emission Mask (UEM) for MSR BS capable of multiband operation	12.9.0
12-2015	RP-70	RP-152171	0265	-		Introduction of Band 66	13.0.0
12-2015	RP-70	RP-152157	0270	1		Introduction of Band 67 to 37.104	13.0.0
12-2015	RP-70	RP-152172	0271	-		Introduction of Band 66	13.0.0
12-2015	RP-70	RP-152173	0272	-		Introduction of 1447-1467MHz Band into 37.104	13.0.0
03/2016	RP-71	RP-160483	0281	2	B	Introduction of Band 68 into 37.104	13.1.0
03/2016	RP-71	RP-160488	0285		A	Band 20 and Band 28 BS co-existence	13.1.0
06/2016	RP-72	RP-161141	288	1	A	Corrections to BS spurious emissions requirements in TS37.104 (Rel-13)	13.2.0

06/2016	RP-72	RP-161140	292	1	F	Corrections on definition of multi-band definition and blocking	13.2.0
06/2016	RP-72	RP-161126	293	-	B	CR on introduction of NB-IoT in TS 37.104	13.2.0
06/2016	RP-72	RP-161142	294	1	F	Introduction of Band 46 in 37.104	13.2.0
06/2016	RP-72	RP-161125	291	-	B	Introduction of Band 70 to 37.104	14.0.0
06/2016	RP-72	RP-161124	295	-	B	Introduction of Band 69 to 37.104	14.0.0
09/2016	RP-73	RP-161637	297		A	Corrections on NB-IoT BS unwanted emissions requirements	14.1.0
09/2016	RP-73	RP-161640	299		A	Corrections to operating band unwanted emissions notes in TS37.104 (Rel-14)	14.1.0
12/2016	RP-74	RP-162434	0307	1	F	NB-IoT corrections to operating bands	14.2.0
12/2016	RP-74	RP-162407	0308	-	B	Addition of new operating bands for NB-IoT	14.2.0
12/2016	RP-74	RP-162434	0309	-	A	Spurious responses for NB-IoT BS receiver blocking requirements	14.2.0
12/2016	RP-74	RP-162413	0312	-	A	Removal of redundant figure in clause 3.2	14.2.0
12/2016	RP-74	RP-162395	0313	1	B	Necessary changes to the core requirements for Multi-Band Base Station testing with three or more bands	14.2.0
12/2016	RP-74	RP-162405	0315	-	B	Introduction of Band 48	14.2.0
03/2017	RP-75	RP-170553	0316	-	B	CR on eLAA BS for TS 37.104	14.3.0
03/2017	RP-75	RP-170598	0320	-	A	Corrections on NB-IoT narrowband intermodulation performance requirement	14.3.0
06/2017	RP-76	RP-171279	0321	1	B	Intorduction of new bands for NB-IoT in 37.104	14.4.0
06/2017	RP-76	RP-171297	0329	1	A	TS 37.104: Correction of reference	14.4.0
06/2017	RP-76	RP-171282	0776	1	F	CR on BS for protection of V2X UE in TS 37.104	14.4.0
06/2017	RP-76	RP-171300	0778	-	A	Missing clarification note related to BS output power when considering NB-IoT	14.4.0
06/2017	RP-76	RP-171299	0780	-	A	Remove NB-IoT inband support for 1.4 MHz	14.4.0
06/2017	RP-76	RP-171299	0783	-	A	Narrowband blocking requirement for NB-IoT guard band operation (TS 37.104)	14.4.0
06/2017	RP-76	RP-171300	0785	-	A	Intermodulation performance requirement for NB-IoT operation (TS 37.104)	14.4.0
09/2017	RP-77	RP-171966	0787	-	A	Operating band unwanted emissions for MB MSR BS (TS 37.104)	14.5.0
09/2017	RP-77	RP-171948	0788	2	B	Introduction of the FDD L-band (Band 74) into TS 37.104	15.0.0
09/2017	RP-77	RP-171946	0789	-	B	CR to 37.104: Introduction of Band 72	15.0.0
09/2017	RP-77	RP-171952	0790	-	B	CR to 37.104: Introduction of Band 71	15.0.0
09/2017	RP-77	RP-171950	0792	1	B	CR to 37.104: Introduction of B75 and B76	15.0.0
09/2017	RP-77	RP-171949	0793	1	B	Introduction of TDD L-band into TS 37.104	15.0.0
09/2017	RP-77	RP-172050	0794	-	B	CR to 37.104: Support of NB-IoT for Bands 4, 14 and 71	15.0.0
2017-12	RAN#78	RP-172593	0795	1	B	Introduction of Band 73 into TS 37.104	15.1.0
2017-12	RAN#78	RP-172613	0798	-	A	CR to 37.104: BS Spurious emissions limits for protection of the BS receiver for B28 in Europe	15.1.0
2017-12	RAN#78	RP-172605	0801	1	A	Corrections for MB MSR BS supporting non-contiguous spectrum operation (TS 37.104)	15.1.0
2017-12	RAN#78	RP-172584	0803	-	A	CR to 37.104: Corrections to co-location tables for B48	15.1.0
2017-12	RAN#78	RP-172594	0804	1	B	CR to 37.104: Introduction of Band 49	15.1.0
2017-12	RAN#78	RP-172588	0805	-	B	Addition of NB-IoT small cells support	15.1.0
2018-03	RAN#79	RP-180279	0806	-	B	CR to 37.104: Introduction of Band 85	15.2.0
2018-03	RAN#79	RP-180281	0807	1	B	CR to 37.104: Introduction of new additional unwanted emission limit for L-Band	15.2.0
2018-03	RAN#79	RP-180267	0808	1	F	CR NB-IoT small cells: co-location requirements fix	15.2.0
2018-03	RAN#79	RP-180278	0809	-	B	Introduction of TDD 3.3-3.4GHz band (band 52)	15.2.0
2018-06	RAN#80	RP-181100	0815	-	F	CR to 37.104: Medium Range BS UEM corrections	15.3.0
2018-06	RAN#80	RP-181075	0816	-	B	Introduction of NR operation in MSR specification 37.104	15.3.0
2018-09	RAN#81	RP-181896	0817	1	F	CR on spurious emission in 37.104	15.4.0
2018-09	RAN#81	RP-181899	0818		B	CR of BS REFSSENS for SubPRB feature	15.4.0
2018-09	RAN#81	RP-181896	0820		F	Clarification on UEM requirements applicability	15.4.0
2018-09	RAN#81	RP-181896	0821		B	Addition parameters about n50 in TS 37.104	15.4.0
2018-12	RAN#82	RP-182386	0822		B	Re-submission of endorsed CR R4-1806736: Introduction of NB-IoT TDD support	15.5.0
2018-12	RAN#82	RP-182361	0825		F	Corrections to NR operation in MSR specification 37.104	15.5.0
2018-12	RAN#82	RP-182362	0826	1	B	Update the title to add NR of TS 37.104	15.5.0
2018-12	RAN#82	RP-182360	0828		F	Addition of NR band n74	15.5.0
2018-12	RAN#82	RP-182360	0829	1	F	Correction of CS16/17 NBB requirement	15.5.0
2018-12	RAN#82	RP-182361	0831		F	Corrections to NR operation in MSR specification 37.104	15.5.0
2018-12	RAN#82	RP-182377	0823		B	CR of adding B65 for NB1/NB2	16.0.0
2018-12	RAN#82	RP-182375	0824		F	Removal of CA bands list for E-UTRA	16.0.0
2018-12	RAN#82	RP-182376	0830		B	CR to 37.104: Introduction of Band 53	16.0.0
2019-03	RAN#83	RP-190402	0834		A	Correction of TDD OFF requirement	16.1.0
2019-03	RAN#83	RP-190401	0838		A	CR to TS 37.104 – Blocking requirement for MSR	16.1.0
2019-03	RAN#83	RP-190401	0842		A	CR to TS 37.104: Corrections on transmitter co-existence and co-location	16.1.0

2019-03	RAN#83	RP-190421	0844		A	CR to 37.104: clean up for LTE-M related text	16.1.0
2019-03	RAN#83	RP-190401	0846		A	CR to 37.104 on Corrections for NR	16.1.0
2019-06	RAN#84	RP-191236	0849	1	A	Correction to unwanted emissions mask for bands n7 and n38	16.2.0
2019-06	RAN#84	RP-191248	0852		B	CR to 37.104: Introduction of Band n48	16.2.0
2019-06	RAN#84	RP-191242	0853		B	CR to TS 37.104: Introduction of band n14	16.2.0
2019-06	RAN#84	RP-191246	0854		B	CR to TS 37.104: Introduction of band n30	16.2.0
2019-06	RAN#84	RP-191250	0857	1	B	n65 introduction to 37.104	16.2.0
2019-06	RAN#84	RP-191236	0859		A	Correction to n66 and n70 band information	16.2.0
2019-06	RAN#84	RP-191256	0861		B	CR to 37.104: Introduction of Band 87 and 88	16.2.0
2019-06	RAN#84	RP-191245	0862		B	CR to 37.104: Introduction of Band n18	16.2.0
2019-09	RAN#85	RP-192025	0863		B	Introduction of requirements for NR + UTRA/GSM combinations	16.3.0
2019-09	RAN#85	RP-192046	0865		A	CR to TS 37.104 some clarification as blocking test range Cat.A	16.3.0
2019-09	RAN#85	RP-192046	0867		A	CR to TS 37.104 TX&RX spurious emission range subclause 6.6.1.1&7.6.1 Cat.A	16.3.0
2019-09	RAN#85	RP-192046	0869		A	CR to TS 37.104: CA channel spacing	16.3.0
2019-09	RAN#85	RP-192046	0873		A	CR to TS37.104: removal of Tx diversity for NR (section 6.5.3)	16.3.0
2019-09	RAN#85	RP-192046	0875		A	CR to TS37.104 Corrections on NBB requirement (section 7.4.2)	16.3.0
2019-09	RAN#85	RP-192030	0876		F	CR on Protection of SUL band n89 to TS 37.104	16.3.0
2019-09	RAN#85	RP-192034	0877	1	B	n29 introduction to 37.104	16.3.0
2019-09	RAN#85	RP-192044	0878	1	B	CR of adding LTE B42/B43 for UE category NB1/NB2 in R16	16.3.0
2019-09	RAN#85	RP-192043	0879	1	B	CR of adding LTE B7 for UE category NB1/NB2 in R16	16.3.0
2019-12	RAN#86	RP-193014	0880		B	Introduction of 2010-2025MHz SUL band into Rel-16 TS 37.104	16.4.0
2019-12	RAN#86	RP-193037	0883		A	CR to 37.104 on Reciever Intermodulation signal offset correction	16.4.0
2019-12	RAN#86	RP-193023	0886	1	B	CR to TS 37.104: introduction of NB-IoT operation in NR in-band	16.4.0
2019-12	RAN#86	RP-193037	0888		A	Introduction of channel spacing between E-UTRA and NR carriers	16.4.0
2019-12	RAN#86	RP-193037	0890		A	Narrowband blocking corrections	16.4.0
2019-12	RAN#86	RP-193037	0890		A	CR to TS 37.104: Correction to Tx transient period of MSR	16.4.0
2019-12	RAN#86	RP-193149	0892	1	B	CR to 37.104 on variable duplex FDD bands	16.4.0
2020-03	RAN#87	RP-200381	0893		B	Introduction of n26	16.5.0
2020-03	RAN#87	RP-200382	0894		B	Introduction of n53	16.5.0
2020-03	RAN#87	RP-200393	0896		A	CR to TS 37.104 on channel spacing correction	16.5.0
2020-06	RAN#88	RP-200984	0899		A	[R16]CR to TS 37.104 on channel spacing correction	16.6.0
2020-06	RAN#88	RP-200984	0901		A	CR to TS37.104[R16]_Correction on the CA nominal channel spacing catA	16.6.0
2020-06	RAN#88	RP-200990	0903		A	CR to 37.104 on Removal of TBD for NB-IoT (Rel-16)	16.6.0
2020-09	RAN#89	RP-201917	0907		B	CR to 37.104: Introduction of NR-U co-existence requirements	16.7.0
2020-12	RAN#90	RP-202509	0912		F	CR to TS 37.104: addition of missing note for BC1/BC3 OBUE applicability table for WA BS, Rel-16	16.8.0
2020-12	RAN#90	RP-202488	0914		A	CR to 37.104: Correction to ACLR limit in non-contiguous spectrum (Rel-16)	16.8.0
2020-12	RAN#90	RP-202414	0915		B	CR to 37.104: Introduction of n96 medium range requirements	16.8.0
2020-12	RAN#90	RP-202510	0917		A	CR to 37.104 on Removal of additional limit for Band 1	16.8.0
2020-12	RAN#90	RP-202510	0919		A	CR to 37.104 on MSR Blocking correction	16.8.0
2021-03	RAN#91	RP-210084	0922	1	F	CR to TS 37.104: corrections of NR-U BS RF requirements	16.9.0
2021-03	RAN#91	RP-210111	0931		A	CR to 37.104: Correction to Band 24 requirements (Rel-16)	16.9.0
2021-03	RAN#91	RP-210121	0935		A	CR to 37.104 on OBUE table headings and applicability	16.9.0
2021-06	RAN#92	RP-211080	0938	2	F	CR to TS 37.104: Regional requirements for band 41, n41, and n90 in Japan, Rel-16	16.10.0
2021-06	RAN#92	RP-211090	0943		A	CR to 37.104: In-band blocking for multi-band Base Stations	16.10.0
2021-06	RAN#92	RP-211091	0946		F	CR to 37.104: Correction of NR bands for MSR BS	16.10.0
2021-09	RAN#93	RP-211922	0950		F	Big CR for TS 37.104 Maintenance (Rel-16, CAT F)	16.11.0
2021-12	RAN#94	RP-212854	0954		A	Big CR for TS 37.104 Maintenance (Rel-16, CAT A)	16.12.0
2022-03	RAN#95	RP-220331	0960		A	Big CR for TS 37.104 Maintenance (Rel-16, CAT A)	16.13.0
2022-06	RAN#96	RP-221664	0966		A	CR to 37.104: Corrections to notes in OBUE requirements	16.14.0
2022-09	RAN#97-e	RP-222023	0970		A	Big CR for TS 37.104 Maintenance (Rel-16, CAT A)	16.15.0
2023-03	RAN#99	RP-230508	0981	1	F	CR to TS 37.104: Additional requirements for BC3	16.16.0
2023-06	RAN#100	RP-231352	0983		F	CR to 37.104: Clarification on the OBUE limites when narrow carrier adjacent to the sub block edge	16.17.0
2023-09	RAN#101	RP-232487	0989		A	CR to 37.104: Correction to ACLR and CA CLR requirement	16.18.0
2023-09	RAN#101	RP-232500	0996		A	[R16]CR to TS 37.104: FFS removal, Rel-16	16.18.0
2023-12	RAN#102	RP-233332	1004	1	F	CR to 37.104: Correction to table note for band 66	16.19.0

## History

<b>Document history</b>		
V16.6.0	September 2020	Publication
V16.7.0	November 2020	Publication
V16.8.0	January 2021	Publication
V16.9.0	April 2021	Publication
V16.10.0	September 2021	Publication
V16.11.0	October 2021	Publication
V16.12.0	March 2022	Publication
V16.13.0	April 2022	Publication
V16.14.0	July 2022	Publication
V16.15.0	October 2022	Publication
V16.16.0	April 2023	Publication
V16.17.0	July 2023	Publication
V16.18.0	October 2023	Publication
V16.19.0	January 2024	Publication